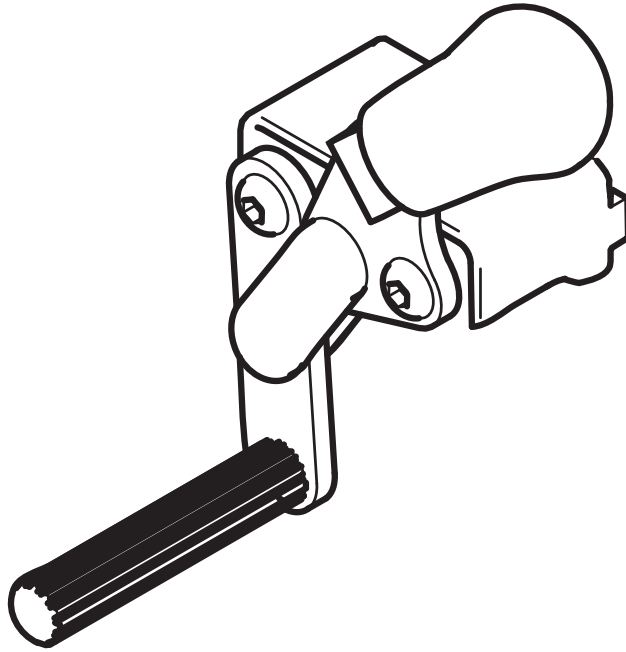


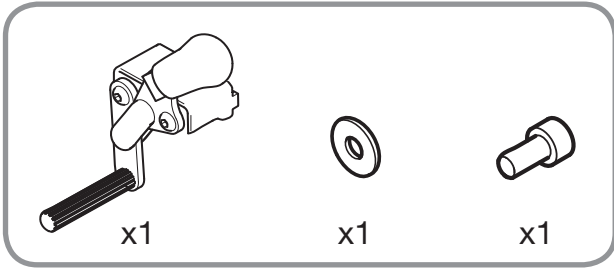
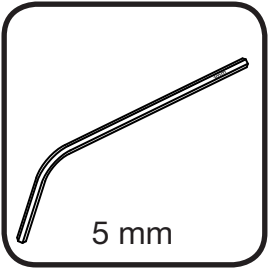
ASSEMBLY INSTRUCTION

Brake - pull to lock

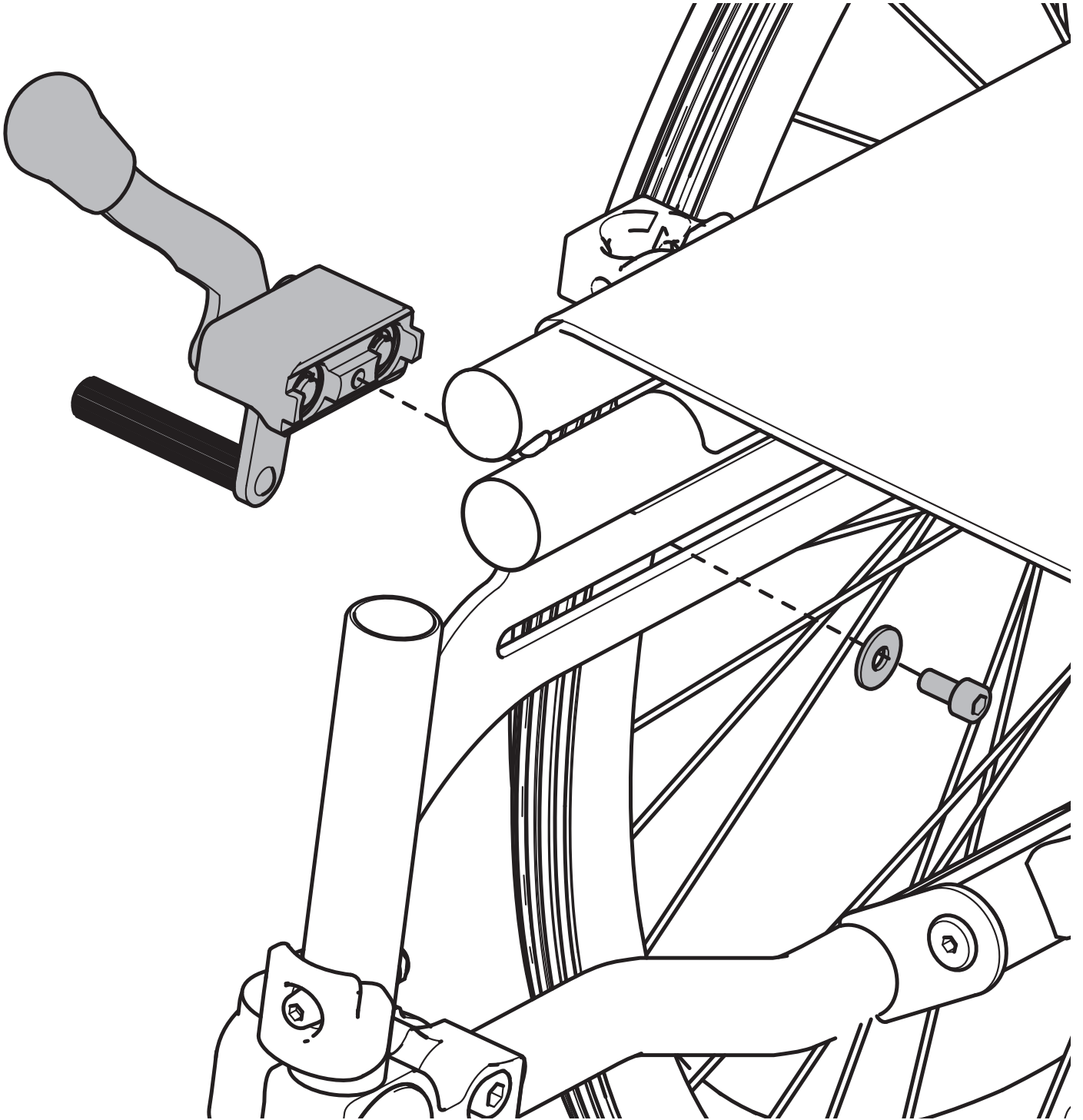


Description	Article number	
Brake, pull to lock RHS	<input type="checkbox"/>	3008200
Brake, pull to lock LHS	<input type="checkbox"/>	3008201
Brake, pull to lock (short) RHS	<input type="checkbox"/>	9012615
Brake, pull to lock (short) LHS	<input type="checkbox"/>	9012616

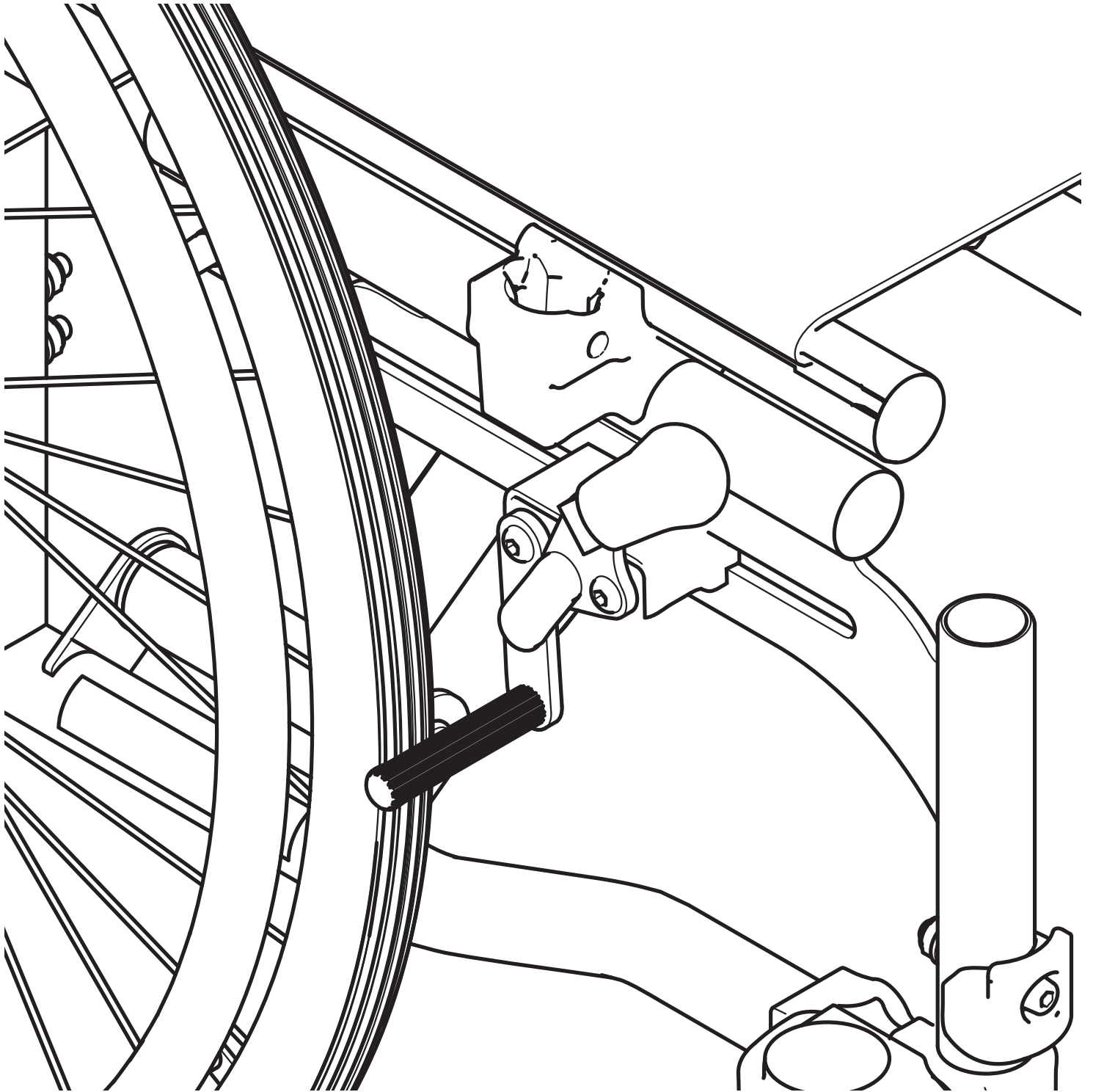




1



2





Sunrise Medical HCM B.V.
Vossenbeemd 104
5705 CL Helmond
The Netherlands

T: +31 (0)492 593 888
customerservice@sunrisemedical.nl
www.SunriseMedical.eu