



ZIPPIE[®]

i (r) i s

PARTS MANUAL

FEBRUARY 2008

Sunrise Medical appreciates your business. For your ordering convenience, our Customer Service Representatives can be contacted at:

**To place orders:
(800)333-4000**

Quickie Technical Assistance:

You can reach our Technical Support Team by choosing prompt 1 followed by the # sign, then prompt 2 for Technical Support. Choose option 1 for Quickie Technical Support.

**For Assistance with a Web Order,
or to sign up for sunrisemedical.com
(800) 333-4000 Option 5**

**FOR YOUR CONVENIENCE YOU MAY PLACE ORDERS THROUGH
OUR WEBSITE OR BY FAX 24 HOURS A DAY:**

www.sunrisemedical.com

Fax: (800)300-7502

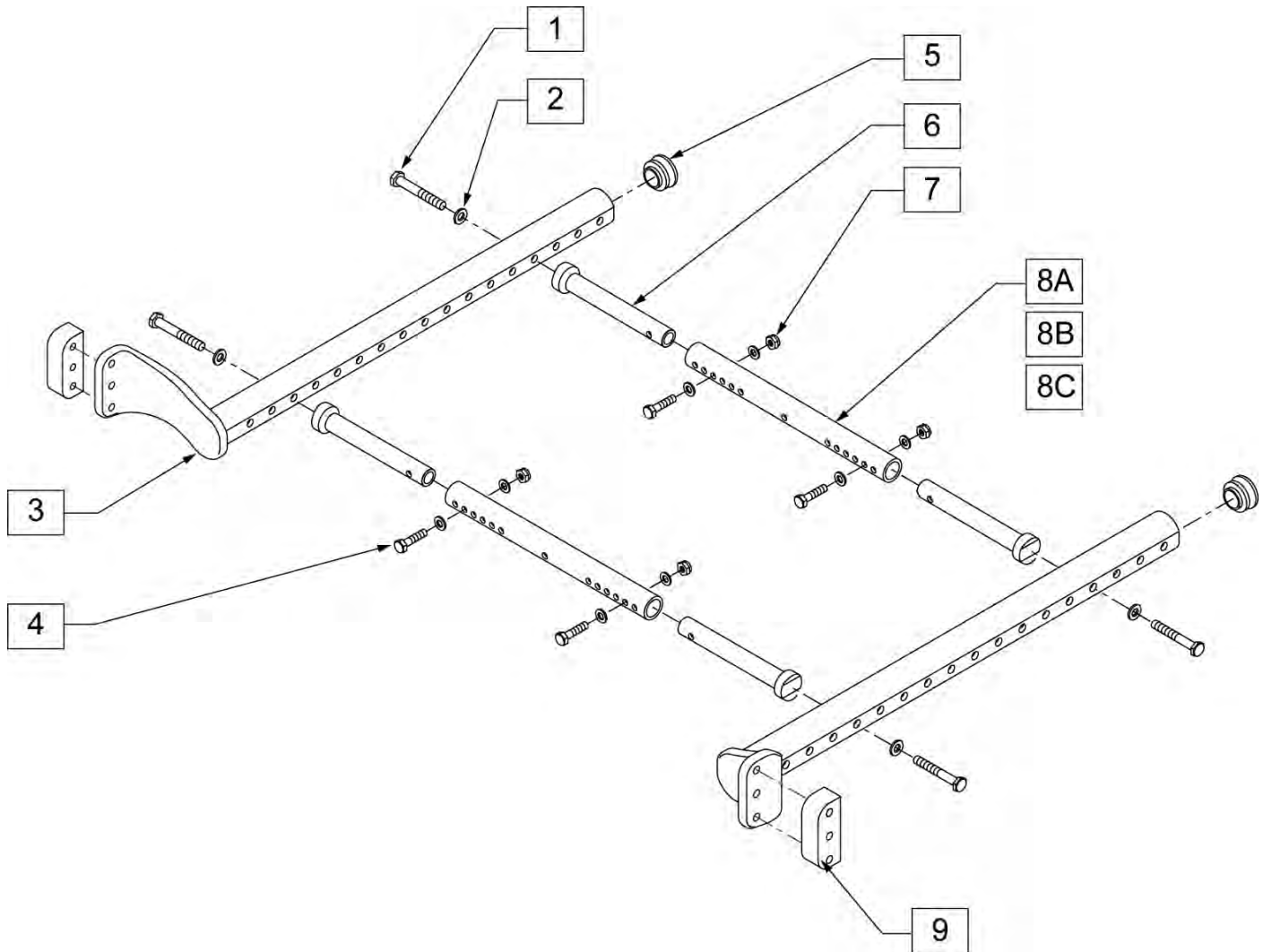
For easy reference please fill in your Customer Number and Sunrise Account Manager's name.

Customer Account Number _____
Ship to Account Number _____
Sunrise Account Manager _____

*Part prices and configurations or specifications of products included in this Parts Manual are subject to change without prior notice.

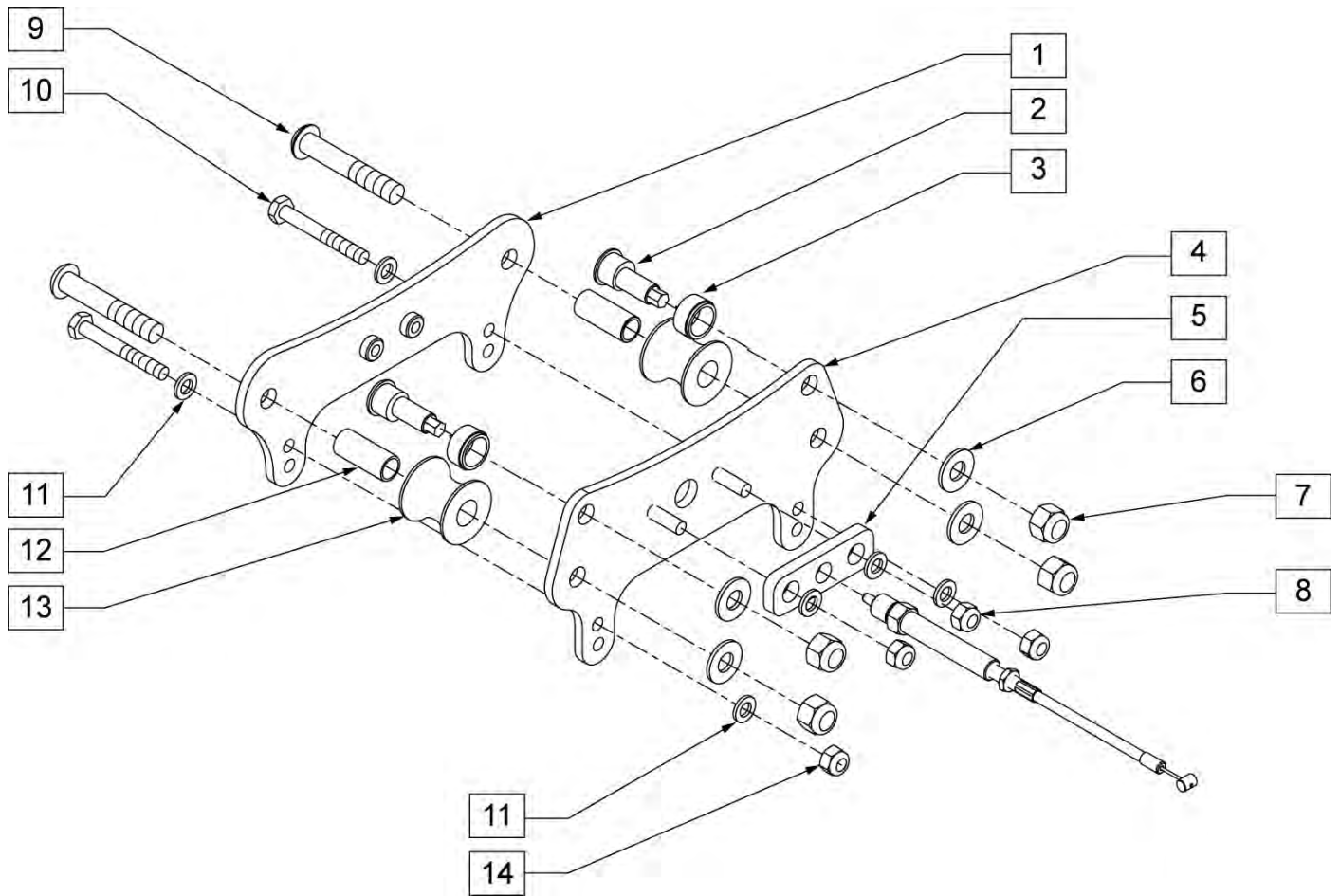
Multimedia	1
ZIPPIE-IRIS	5
BASE FRAME	5
FRAME	5
BASE FRAME	5
ROLLER ASSM	7
ROCKER ASSM	8
ANGLE INDICATOR	10
ZIPPIE IRIS FOOT RELEASE	11
TILT HANDLE & CABLE (PED) FOR HEIGHT ADJ BACKREST	13
TILT HANDLE & CABLE (PED) STROLLER HANDLE & RECLINING BACKREST	14
AXLE PLATES & AXLES	14
AXLE BRACKET	15
THREADED AXLES (MAG & SPOKE)	16
CASTERS & FORKS	16
FORK STEM & CASTER ASSM QUICKIE IRIS ONLY (S/N Prefix CGT)	17
CASTER ASSMS	19
ANTI-TIPS	20
FRONT ANTI-TIPS	21
REAR ANTI-TIPS	22
REAR ANTI-TIP GUIDE	24
WHEEL LOCKS	24
WHEEL LOCK ASSEMBLY	25
WHEEL LOCK EXTENSION	26
ATTENDANT WHEEL LOCK	27
HUB LOCK	29
WHEELS	31
12" LOW POLY MAG WHEEL	31
REAR WHEELS	31
12" WHEELS	32
16" WHEELS	33
20" WHEEL (MAG)	34
22" WHEEL (MAG)	36
24" (540) WHEEL (MAG)	38
24" (540) WHEELS SPOKE	40
24" (540) WHEEL (SPOKE)	41
24" (540) WHEEL (CROSS SPOKE)	44
24" (540) WHEEL (LITE SPOKE)	46
24" (540) WHEEL (ULTRA LIGHT SPOKE)	49
SEATING & POSITIONING	49
SEAT	49
SEAT SLING/PAN	49
SEAT PAN	50
DROP SEAT PAN	52
BACK	53
BACK FRAME	53
HEIGHT ADJUSTABLE BACKREST W/ ADJ STROLLER HANDLE	54
RECLINING BACKREST	56
STROLLER HANDLE BACKPOSTS	58
BACK REPLACEMENT BOLT KIT	60
TILT HANDLE & CABLE (PED) FOR HEIGHT ADJ BACKREST	61
TILT HANDLE & CABLE (PED) STROLLER HANDLE & RECLINING BACKREST	62
STROLLER HANDLE EXTENSION-REMOVABLE	63
HANGERS & FOOTPLATES	63
EXTENSION MOUNT HANGERS	63
HANGERS	63
60 DEG S/A HANGER	64
70 DEG S/A HANGER	66
70 DEG V S/A HANGER	68
ARTICULATING HANGERS	69
ARTICULATING HANGER	70
ARTICULATING HANGER CALF PAD	72
EXTENSIONS	72
DOUBLE D FOOTREST EXTENSION TUBE	73
ROUND EXTENSION TUBE	75
FOOTPLATES	75
COMPOSITE FOOTPLATE	76
KIDS ANGLE ADJUSTABLE FOOTPLATE EXT MOUNT	78
ALUMINUM FOOTPLATE	80
PLATFORM FLIP-UP FOOTPLATE	81

CONTRACTURE FOOTREST	83
DIRECT MOUNT HANGERS	85
HANGERS.....	85
70 DEGREE LIFT-OFF HANGER	86
80 DEGREE LIFT-OFF HANGER	88
90 DEGREE LIFT-OFF HANGER	90
70 DEG S/A DIRECT MOUNT HANGER.....	92
80 DEG S/A DIRECT MOUNT HANGER.....	94
90 DEG S/A DIRECT MOUNT HANGER.....	95
90 DEG ARTICULATING HANGERS.....	95
90 DEG ARTICULATING HANGER.....	96
90 DEG ARTICULATING HANGER CALF PAD	98
90 DEG ELEVATING HANGERS.....	98
90 DEG ELEVATING HANGER	99
90 DEG ELEVATING CALF PAD	101
EXTENSIONS	101
DIRECT MOUNT HANGER EXT.....	102
FOOTPLATES.....	102
90 DEG FOOTBOARD.....	103
KIDS ANGLE ADJ FOOTPLATE DIRECT MOUNT	105
ADULT ANGLE-ADJ FOOTPLATE DIRECT MOUNT.....	107
ARMREST & RECEIVERS.....	108
ARMRESTS.....	108
DUAL-POST HEIGHT ADJUSTABLE ARMREST.....	109
ADJUSTABLE LOCKING FLIP-UP ARMREST.....	111
SINGLE POST HT ADJUSTABLE ARMREST.....	112
LENGTH ADJUSTABLE LOCKING FLIP-UP ARMREST	114
ARMREST RECEIVERS	115
DUAL & DUAL POST HEIGHT ADJ ARMREST REC.....	116
DUAL & DUAL POST HEIGHT ADJ FLIP-BACK ARM. REC.....	117
KIDS SINGLE POST ARMREST RECEIVER	118
ACCESSORIES	119
TILT STOPS.....	120
ONE-ARM DRIVE.....	121
VENT & BATTERY TRAY	123
IMPACT GUARD -NEOPRENE.....	125
LEG STRAPS.....	126
Multimedia	127



Pos.	Item Number	Description	Remarks
1	262100-QU	1/4" AN WASHER FLAT	
2	221151-QU	1/4 -28 x 1 3/4 G8 HEX C/S	
3	050507	FRAME BASE WELDMENT PED	RIGHT
3	050508	FRAME BASE WELDMENT PED	LEFT
4	221124-QU	1/4 -28 x 1 1/4 G8 HEX C/S	
5	561062	1" INSERT PLUG .065 RIBS	
6	050512	INSERT STRUT BASE PED	
7	201100-QU	1/4 -28 NYLOCK NUT THIN	
8A	050510-100	TUBE STRUT 10-14"	
8B	050510-002	TUBE STRUT 12-16"	
8C	050510-003	TUBE STRUT 14-18"	
9	050526	BLOCK SPACER CASTER	ABDUCTION BLOCKS
1, 2, 4, 6-8A	040001-001	STRUT BASE FRAME W/ HDWR 10-14"	
1, 2, 4, 6-8A	040003-001	BATTERY BASE FRAME ASSM 12-16"	
1, 2, 4, 6-8B	040001-002	STRUT BASE FRAME W/ HDWR 12-16"	
1, 2, 4, 6-8B	040003-002	BATTERY BASE FRAME ASSM 14-18"	
1, 2, 4, 6-8C	040001-003	STRUT BASE FRAME W/ HDWR 14-18"	
1-8A	040002-001	BASE FRAME ASSM 10-14"	
1-8B	040002-002	BASE FRAME ASSM 12-16"	

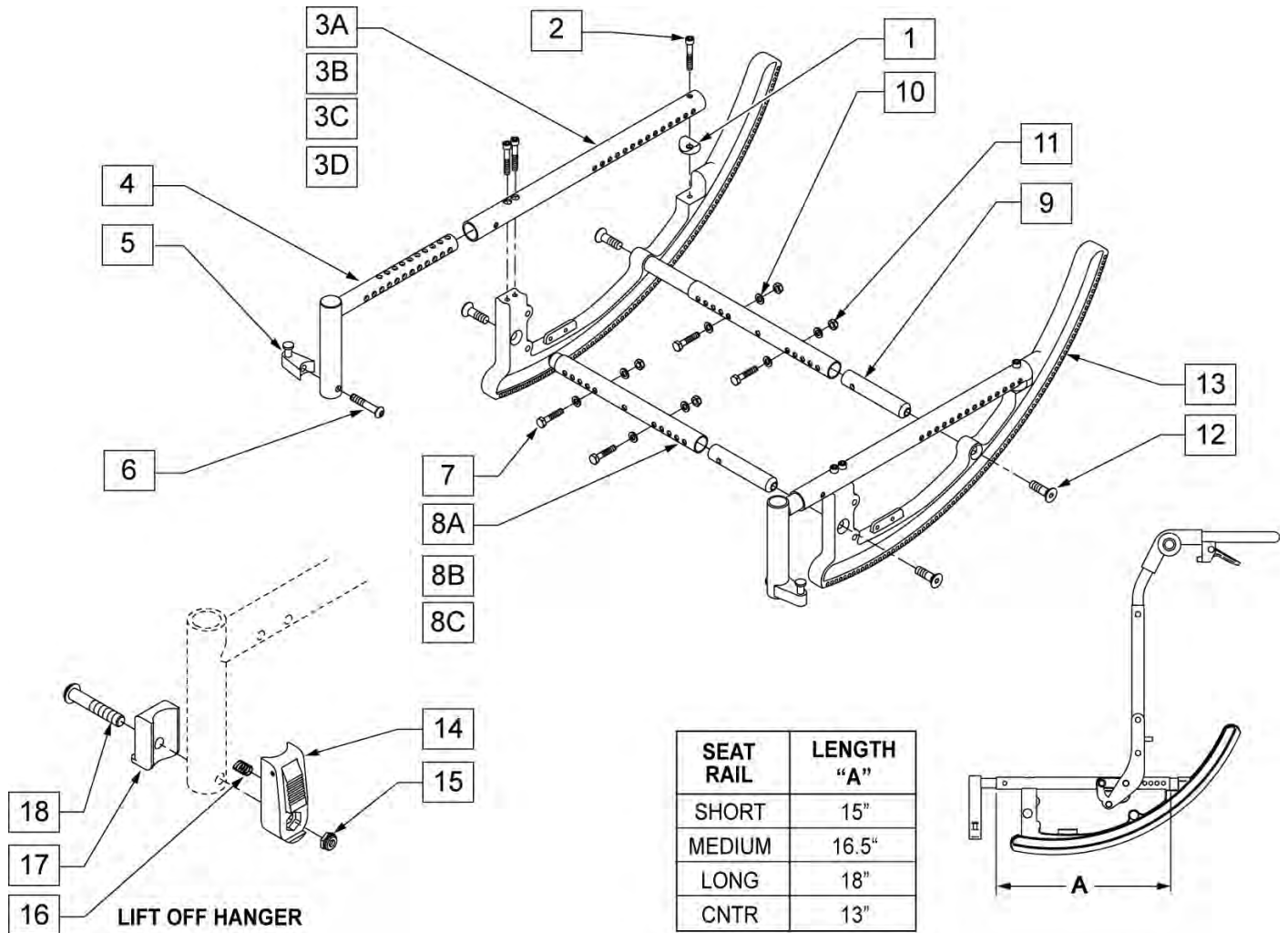
Pos.	Item Number	Description	Remarks
1-8C	040002-003	BASE FRAME ASSM 14-18"	



Pos.	Item Number	Description	Remarks
1	050514	PLATE ROLLER OUTER PED	
2	481567	SHAFT ECCENTRIC CAM FOLLOWER	
3	050516	ROLLER CAM FOLLOWER MACH	
4A	050515	PLATE ROLLER INNER PED	USED W/ TRIGGER RELEASE MECH.
4B	106463	PLATE ROLLER INNER PED	USED W/ FOOT RELEASE MECH.
5	500698	PLATE PLUNGER ROLLER	
6	261509	3/8 SAE WASHER	
7	203004	3/8 -24 NYLOCK NUT	
8	201136	1/4 -20 NYLOCK NUT HIGH	
9	220088	3/8 -24 x 2 1/4 BH C/S BLK ZN	
10	221192	1/4 -28 x 2 GB HEX C/S	
11	262100-QU	1/4 AN WASHER FLAT	
12	520708	BUSHING ROLLER ASSM LOWER	
13	560567	ROCKER ROLLER	
14	201100-QU	1/4 -28 NYLOCK NUT THIN	
2, 3, 6, 7	040004	UPPEER ROLLER W/ HDWR	PAIR
6, 7, 9, 12, 13	040005	LOWER ROLLER W/ HDWR	PAIR
2, 3, 6, 7, 9, 12, 13	040006	ROLLER REPL KIT COMPL ZIPPIE IRIS	
1-4A-14	040007	ROLLER ASSM	

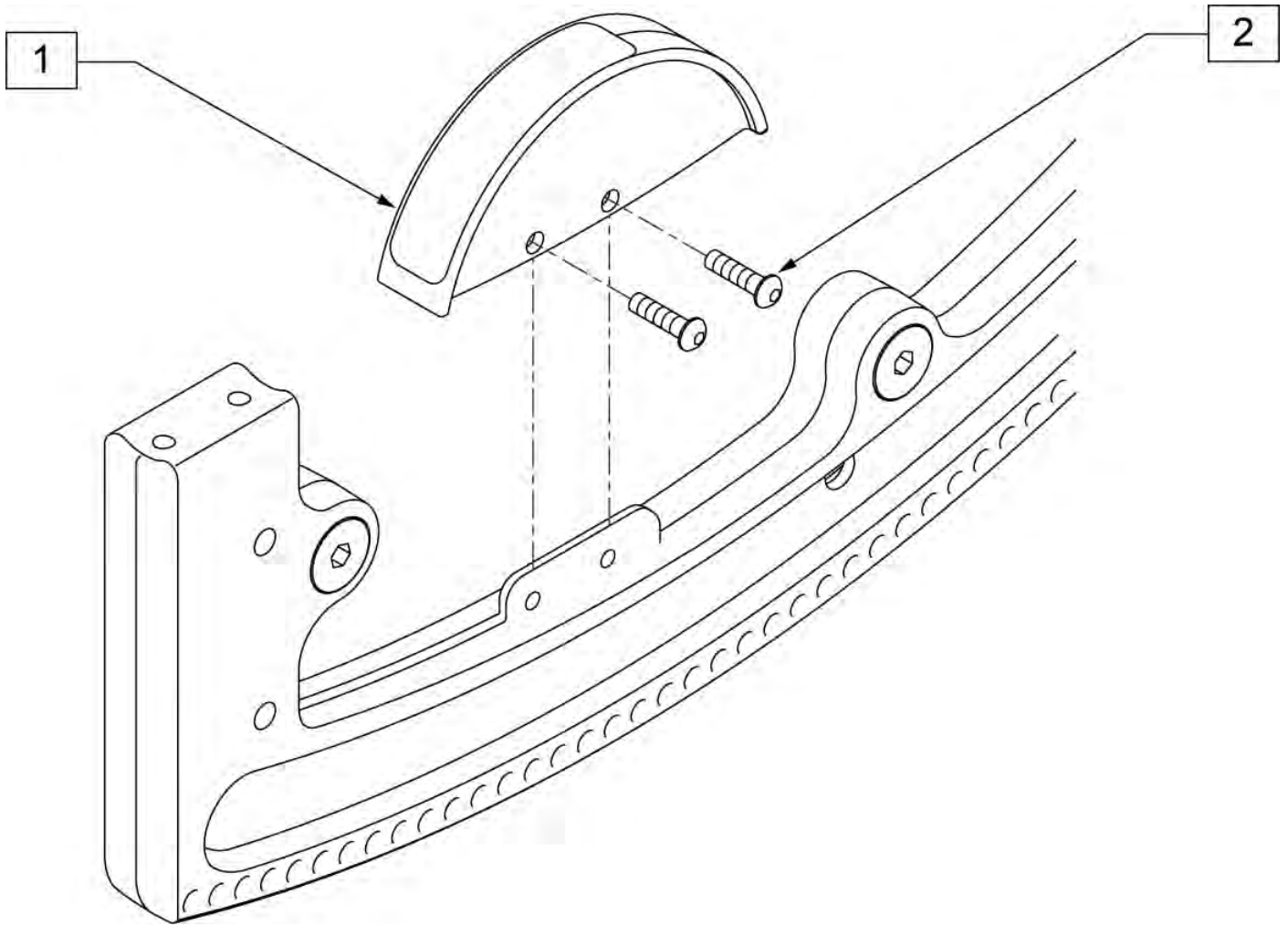
NOTE: TO DETERMINE CORRECT SEAT RAIL LENGTH WHEN ALTERING CHAIR DIMENSIONS, PLEASE CONTACT CUSTOMER SERVICE.

NOTE: * WHEN SWITCHING FROM CONTRACTURE FOOTREST TO OTHER FOOTREST, OR IF RETRO-FITTING CONTRACTURE FOOTREST TO EXISTING CHAIR, APPROPRIATE NEW SEAT RAILS (AS LISTED BELOW) MUST BE ORDERED.

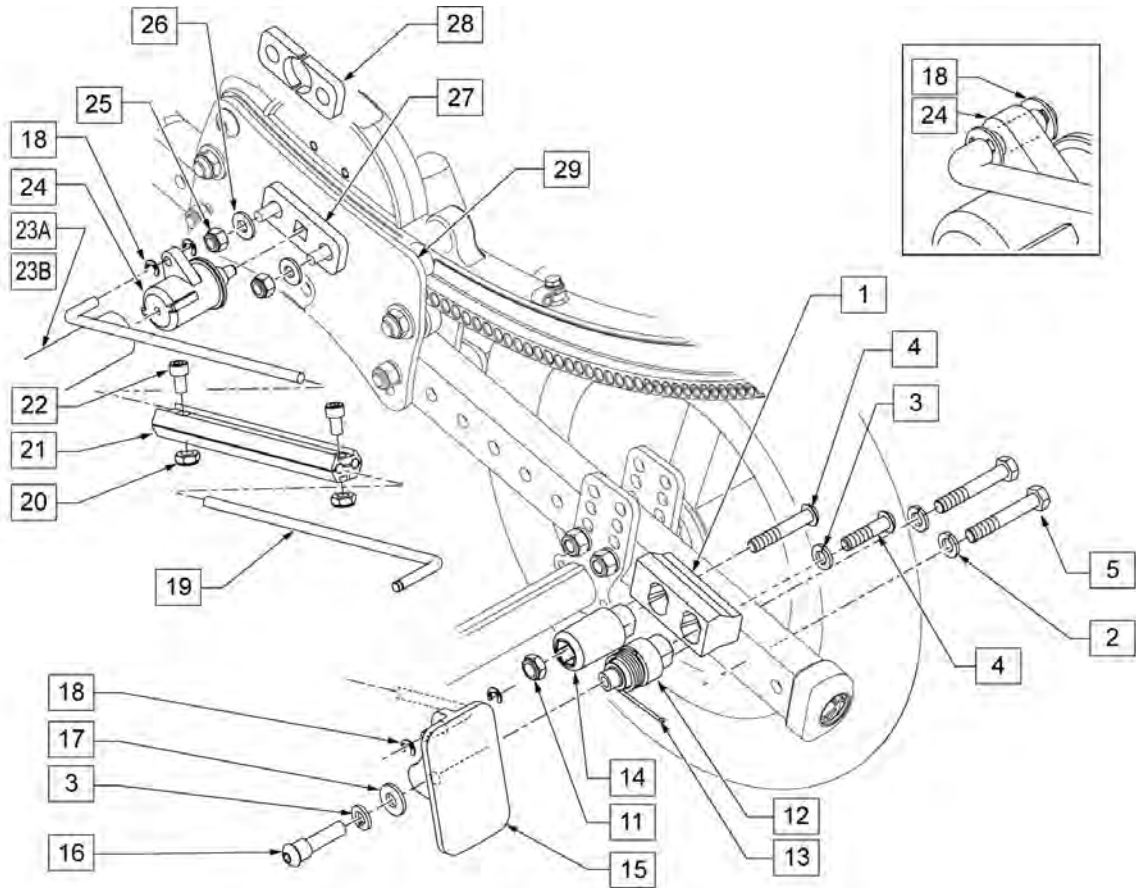


Pos.	Item Number	Description	Remarks
1	561004	1" SADDLE 1/4 HOLE	
2	226114	1/4 -28 x 1 1/2 SOC C/S BLK	
3A*	050500-001	SEAT TUBE PED SHORT	
3B*	050500-002	SEAT TUBE PED MED	
3C*	050500-003	SEAT TUBE PED LONG	
3D*	050500-004	SEAT TUBE PED CONTR	
4	050502	RECEIVER HANGER WELDMNT PED	
5	105787	PRSD A/A LATCH BLOCK NUT ASSM	
6	226190	5/16 -18 x 1 3/4 BH C/S SHOULDER	
7	221124-QU	1/4 -28 x 1 1/4 G8 HEX C/S	
8A	050510-001	TUBE STRUT 10-14"	
8B	050510-002	TUBE STRUT 12-16"	
8C	050510-003	TUBE STRUT 14-18"	

Pos.	Item Number	Description	Remarks
9	050511	INSERT STRUT ROCKER PED	
10	262100-QU	1/4" AN WASHER FLAT	
11	201100-QU	1/4 -28 NYLOCK NUT THIN	
12	220087	3/8 -24 x 1 1/2 FH C/S BLK ZN	
13	500724	ROCKER PED	
14	880053	FOOTREST BLOCK T45	
15	202102	5/16 -18 NYLOCK NUT THIN	
16	321141	.650I x 6 COIL SPRING	
17	560684	T45 FOOTREST BLOCK RECESSED	
18	226194	5/16 -18 x 1.63 BH C/S	
5, 6	920244	S/A LATCH ASSM W/ BLK BOLT	
7-12	040009-001	STRUT ROCKER W/ HDWR 10-14"	
7, 8B-12	040009-002	STRUT ROCKER W/ HDWR 12-16"	
7, 8C-12	040009-003	STRUT ROCKER W/ HDWR 14-18"	
1-3, 7-13	040010-001	ROCKER ASSM SHORT 10-14"	
1-3, 7, 8B, 9-13	040010-002	ROCKER ASSM SHORT 12-16"	
1-3, 7, 8C, 9-13	040010-003	ROCKER ASSM SHORT 14-18"	
1-3B, 7-13	040011-001	ROCKER ASSM MED 10-14"	
1-3B, 7, 8B, 9-13	040011-002	ROCKER ASSM MED 12-16"	
1-3B, 7, 8C, 9-13	040011-003	ROCKER ASSM MED 14-18"	
1-3C, 7-13	040012-001	ROCKER ASSM LONG 10-14"	
1-3C, 7-13	040013-001	ROCKER ASSM CNTR 10-14"	
1-3C, 7, 8B, 9-13	040012-002	ROCKER ASSM LONG 12-16"	
1-3C, 7, 8B, 9-13	040012-003	ROCKER ASSM LONG 14-18"	
1-3D, 7, 8B, 9-13	040013-002	ROCKER ASSM CNTR 12-16"	
1-3D, 7, 8C, 9-13	040013-003	ROCKER ASSM CNTR 14-18"	
14-18	920720	FOOTREST BLOCK ASSM W/ BOLT HD	

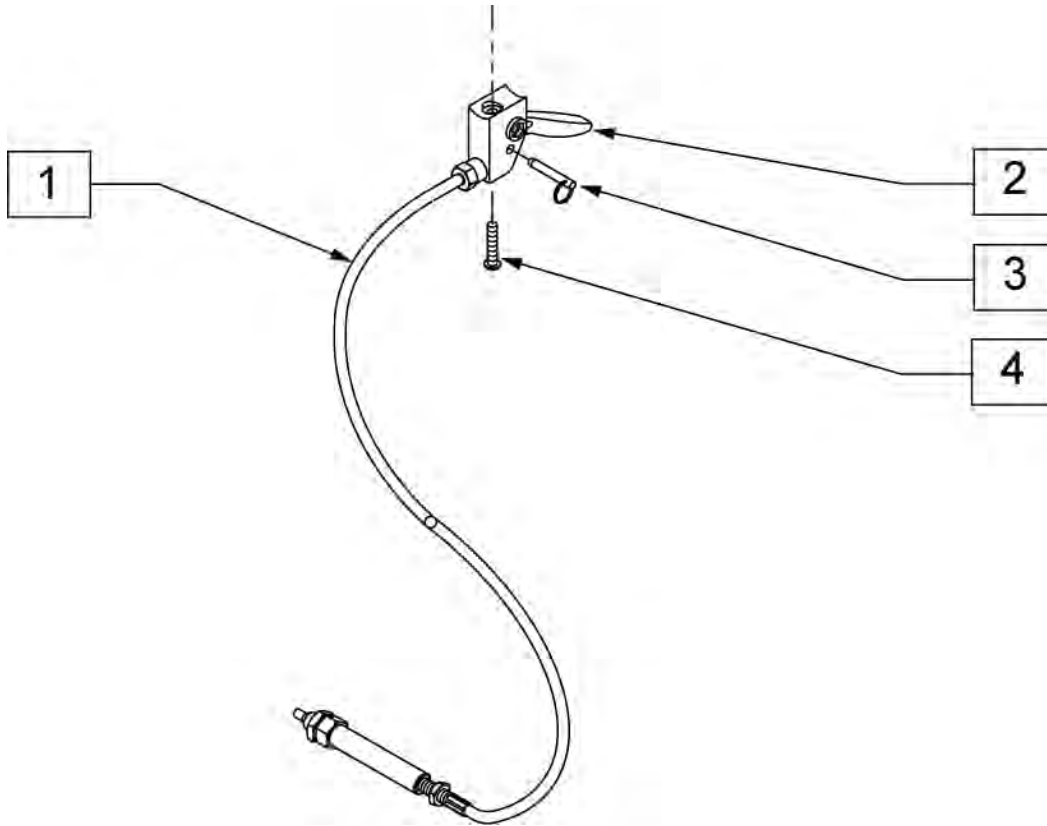


Pos.	Item Number	Description	Remarks
1	882358	ANGLE INDICATOR W DCL ZIPPIE IRIS	
2	226043	10-32 x 1/2 BH C/S BLK	

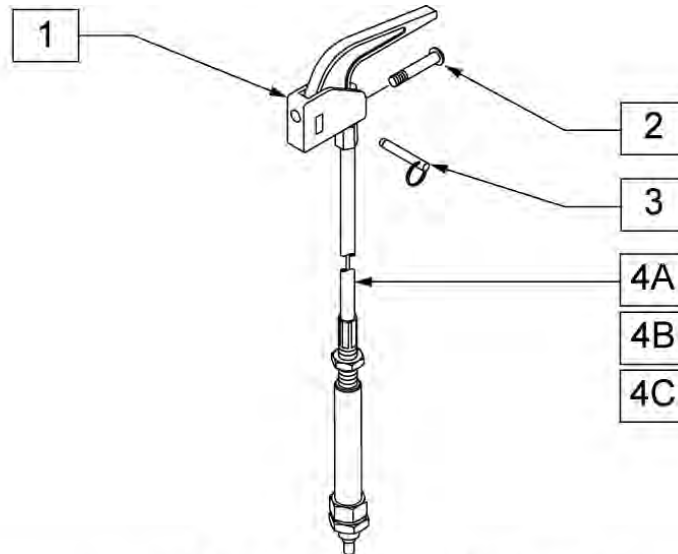


Pos.	Item Number	Description	Remarks
1	107242	BLOCK MOUNT FOOT RELEASE	
2	106943	WASHER FLAT AN 1/4 ROHS	
3	106951	WASHER SPLIT LOCK 5/16" ROHS	
4	107225	BHCS 5/16 -18 x 1" ROHS	
5	107264	HHCS 1/4 -28 x 2 3/4" ROHS	
12	106377	SHAFT PIVOT PEDAL	
13	106668	TORSION SPRING RH	RIGHT
13	106989	TORSION SPRING LH	LEFT
14	107167	POST STOP FOOT RELEASE	
15	107165	PEDAL FOOT RELEASE	
16	106979	BHCS 5/16 -18 x 3/4 ROHS	
17	263109	5/16" FENDER WASHER SS 3/4" OD	
18	106383	E-CLIP 3/16"	
19	107180	ROD LINKAGE FOOT RELEASE	
20	106931	NUT NYLOCK THIN 10 -32 ROHS	
21	107179	CLAMP LINKAGE FOOT RELEASE	
22	107181	SHCS 10 -32 x 1/2 ROHS	
23A	107237	ROCKER TUBE ASSM 10 -12"	10 -12" WIDE
23B	107238	ROCKER TUBE ASSM 11 -14"	11 -14" WIDE
23C	107239	ROCKER TUBE ASSM 13 -18"	13 -18" WIDE
18,24,27	108768		PAIR
25	106932	NUT NYLOCK 1/4 -20 ROHS	
26	106945	WASHER FLAT SAE 1/4 ROHS	
28	106318	HOUSING RETAINER	
29	106463	PLATE ROLLER INNER PED	

Pos.	Item Number	Description	Remarks
18-22	108577	FOOT RELEASE LINKAGE ASSM	
1-5, 11-18	106744	PEDAL ASSM RH	RIGHT
1-5, 11-18	106745	PEDAL ASSM LH	LEFT
1-29	108792	FOOT RELEASE RIGHT	Fits 10" wide to 18" wide chairs RIGHT
1-29	108794	FOOT RELEASE LEFT	Fits 10" wide to 18" wide chairs LEFT
1-29	108794	FOOT RELEASE LEFT	Fits 10" wide to 18" wide chairs LEFT



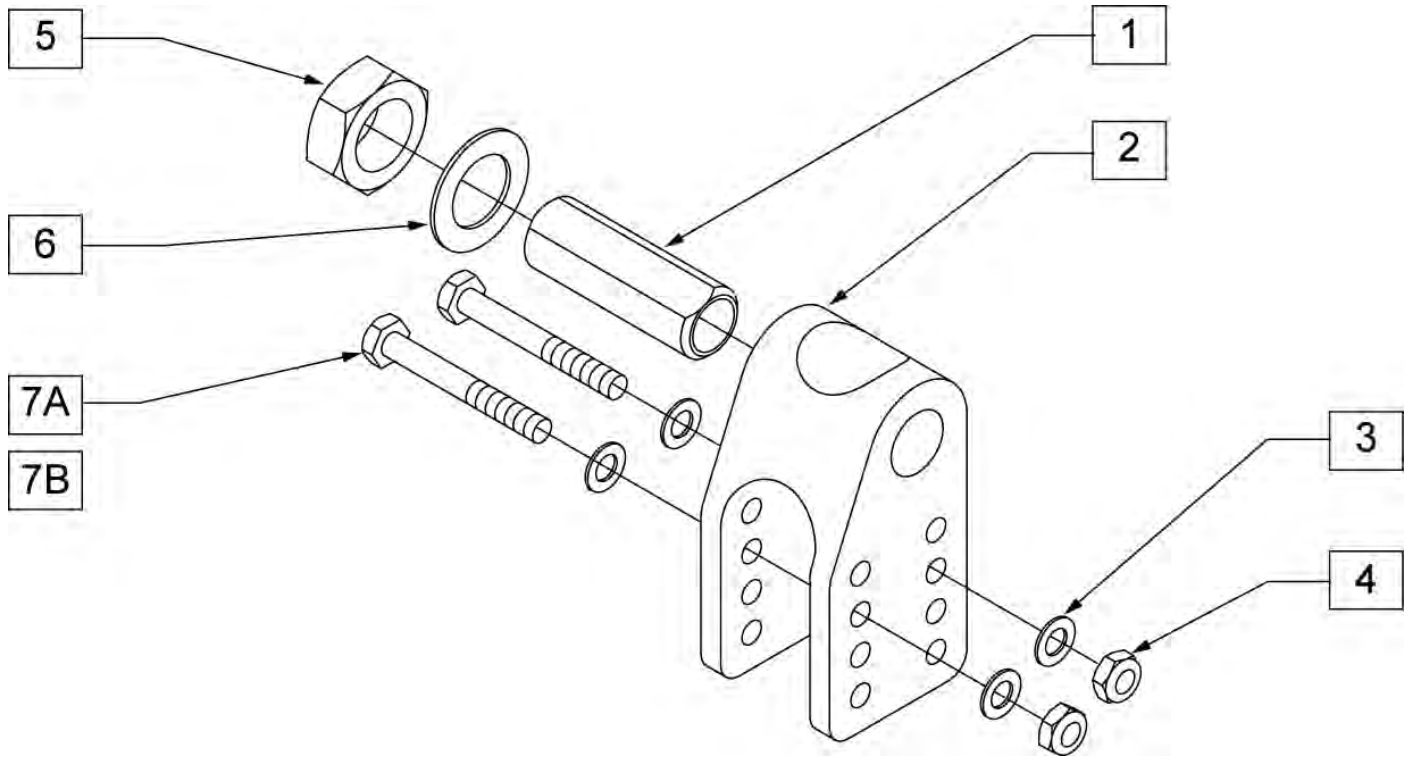
Pos.	Item Number	Description	Remarks
1	101319-004	CABLE ASSM PED X-LONG W/ INSTRUCTIONS	X-LONG
2, 3	580109	PLUNGER PIN LEVER ASSM	
4	281120	10/32 x 5/8 PAN HD PHIL	



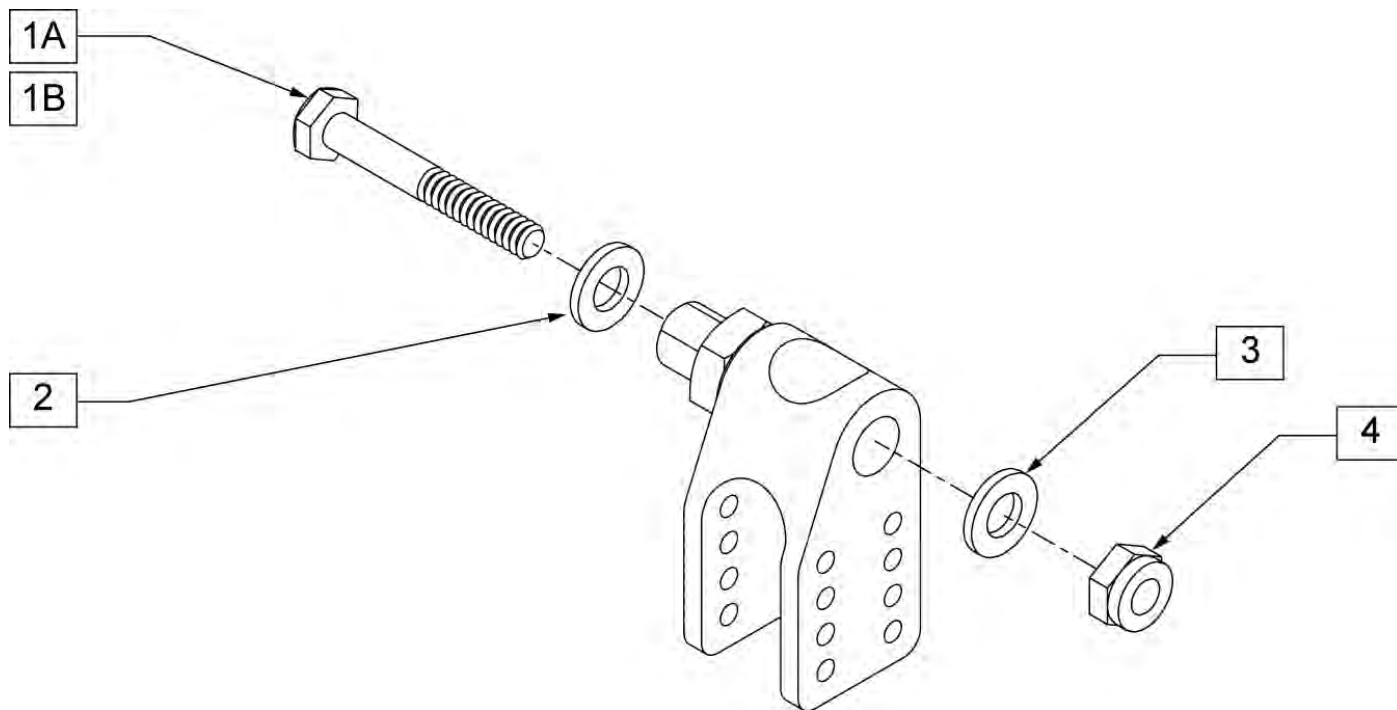
TILT CABLE REFERENCE GUIDE

BACK TYPE	CABLE LENGTH AND PART NUMBER				
	SHORT	MEDIUM	LONG	X-LONG	XX-LONG
STROLLER HANDLE BACKPOST (LOW)	101319-001				
STROLLER HANDLE BACKPOST (MEDIUM)		101319-002			
STROLLER HANDLE BACKPOST (TALL)			101319-003		
MEDIUM RECLINING BACKS	101319-002				
TALL RECLINING BACKS		101319-003			

Pos.	Item Number	Description	Remarks
1, 3	580110	CYLINDER LOCK LEVER ASSM QT/QR/P5	
2	281120	10/32 x 5/8 PAN HD PHIL	
4A	101319-001	CABLE ASSEMBLY PED - SHORT	38" Long
4B	101319-002	CABLE ASSEMBLY PED - MEDIUM	41" Long
4C	101319-003	CABLE ASSEMBLY PED - LONG	44" Long

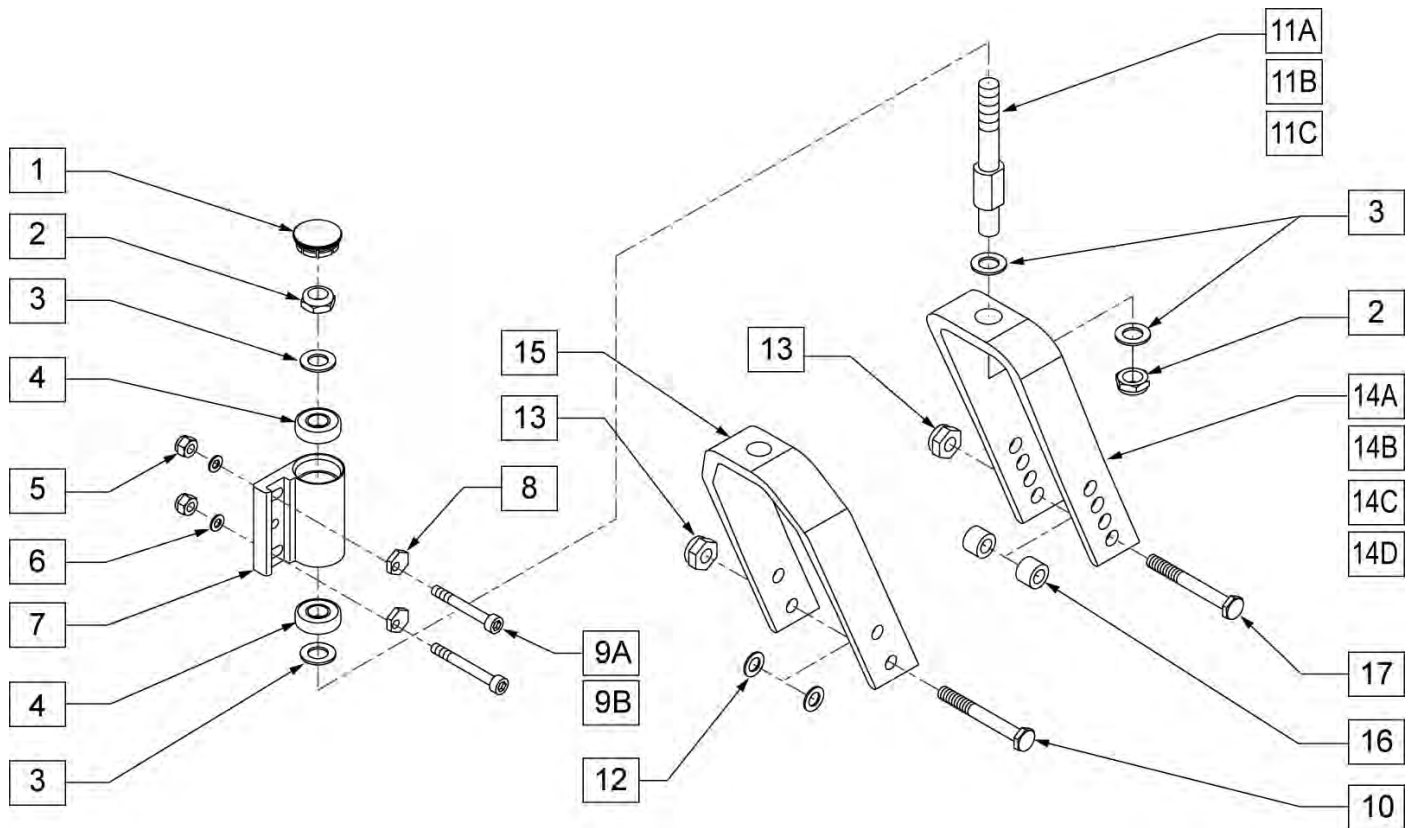


Pos.	Item Number	Description	Remarks
1	481065	AXLE SLEEVE S.S.	STAINLESS
2	050513	PLATE AXLE PED	
3	262110-QU	1/4 AN WASHER FLAT THIN	
4	201100-QU	1/4 -28 NYLOCK NUT THIN	
5	204000	3/4 -16 NUT	
6	265100	3/4 x 18 WASHER NARROW	
7A	221192	1/4 -28 x 2 G8 HEX C/S	
*7B	221181	1/4 -28 x 2 1/2 G8 HEX C/S	USE 2 1/2" BOLTS IF ANTI-TIPS ARE TO BE INSTALLED.
1-7A	040021-001	AXLE PLATE ASSM	
1-7B	040021-002	AXLE PLATE ASSM AT	



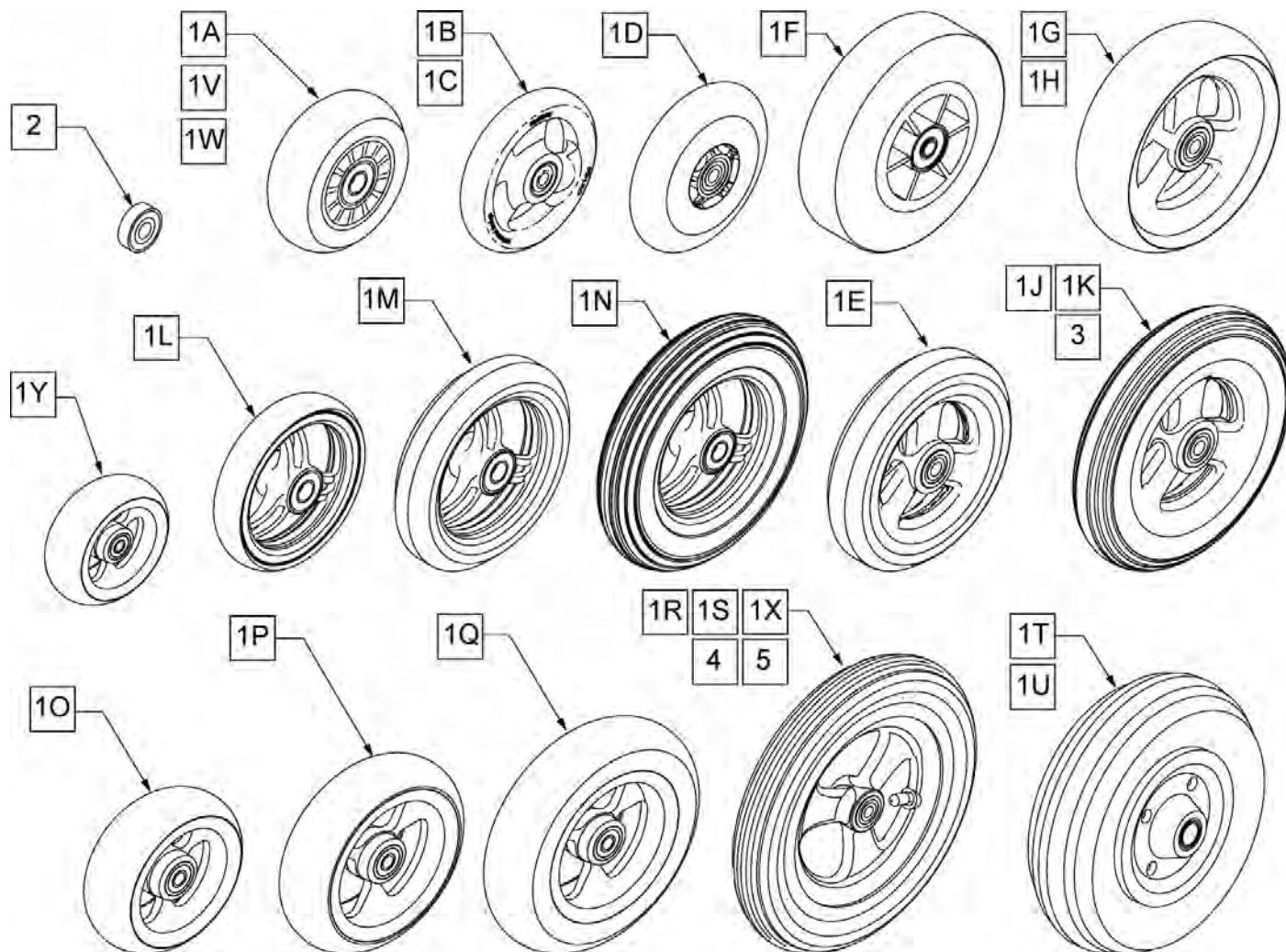
Pos.	Item Number	Description	Remarks
1A	221182	1/2 -20 x 5 3/4 G8 HEX C/S	
1B	221183	1/2 -20 x 6 1/8 G8 HEX C/S	
2	264100	1/2" AN WASHER FLAT	
3	500418	SPACER THREADED AXLE CGTS	
4	203100	1/2 -20 NYLOCK NUT	
1A-4	040022-001	THREADED AXLE ASSM MAG	
1B-4	040022-002	THREADED AXLE ASSM SPOKE	

NOTE: FITS QUICKIE IRIS CHAIRS W/ SERIAL NUMBER PREFIX CGT ONLY.



Pos.	Item Number	Description	Remarks
1	561070	CASTER CAP PLASTIC	
1	920028	CASTER CAP PLASTIC	PAIR
2	203100	1/2 -20 NYLOCK NUT	
3	264100	1/2 AN WASHER FLAT	
4	349500	1 1/8 x 1/2 BEARING	
5	201110-QU	1/4 -28 NYLOCK NUT	
6	262100-QU	1/4 AN WASHER FLAT	
8	262128	WASHER ECCENTRIC HD 1/4 HOLE	
9A	226114	1/4 -28 x 1 1/2 SOC C/S BLK	W/O TRANSIT
9B	226163	1/4 -28 x 2 SOC C/S BLK	W/ TRANSIT or ABDUCTION BLOCKS
10	222253	5/16" -24 x 3 1/4 HEX C/S	
11A	481820	CASTER STEM SHORT CGTS	
11B	481821	CASTER STEM MED CGTS	
11C	481822	CASTER STEM LONG CGTS	
12	263110-QU	5/16 AN WASHER FLAT	
13	202100-MJ	5/16 -24 NYLOCK NUT THIN	
14A	550685	FORK 5 1/4 1.5 WIDE	
14B	550686	FORK 6 1.5 WIDE	
14C	550687	FORK 7 1.5 WIDE	
14D	550386	4 3/4 FORK #26 BLACK	
15	550730	FORK 8 x 2	
16	481113	SPACER 5/16 x .380	
17	222200	5/16 -24 x 2 1/2 HEX C/S	

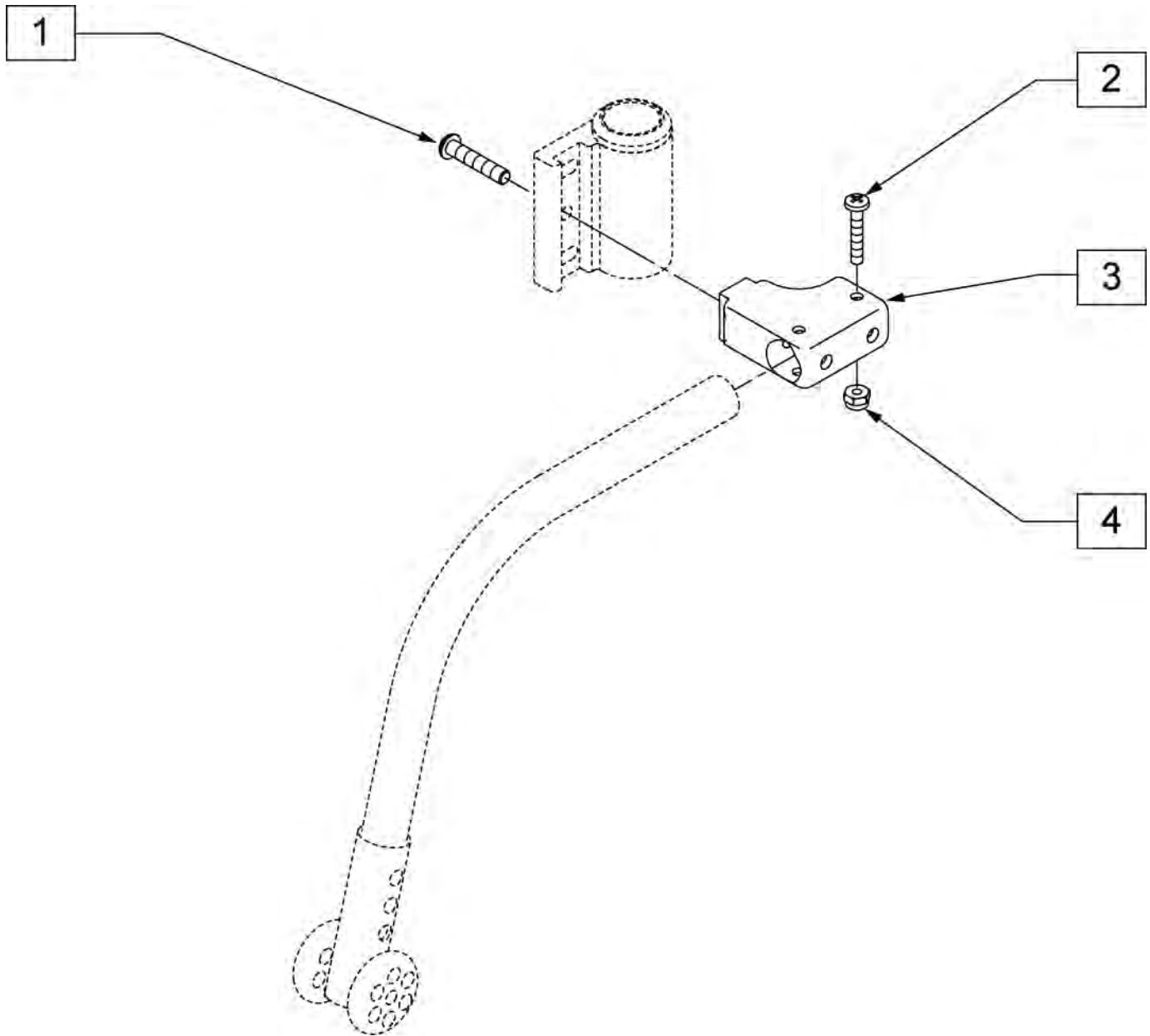
Pos.	Item Number	Description	Remarks
4, 7	780204	CASTER PLATE HI ANGLE DOUBLE BEARING	RIGHT
4, 7	780205	CASTER PLATE HI ANGLE DOUBLE BEARING	LEFT
1, 5, 6, 8,9A	040032-001	CASTER PLATE HARDWARE KIT PED	
1, 5, 6, 8,9B	040032-002	CASTER PLATE HARDWARE KIT EXT PED	
2, 3, 11A	920592	CASTER STEM STANDARD W/ HDWR	
2, 3, 11B	920593	CASTER STEM 3/4 W/ HDWR	
2, 3, 11C	920594	CASTER STEM 1 1/2 W/ HDWR	
2, 3, 11A,13,14D,16,17	040033-001	FORK 4 3/4 STEM STANDARD W/ HDWR	
2, 3, 11A,13,14A,16,17	781125	FORK 5 1/4 STEM STANDARD W/ HDWR	
2, 3, 11A,13,14B,16,17	781126	FORK 6 STEM STANDARD W/ HDWR	
2, 3, 11A,13,14C,16,17	781127	FORK 7 STEM STANDARD W/ HDWR	
2, 3,10,11A,12,13,15	781128	FORK 8 x 2 STEM STANDARD W/ HDWR	
2, 3, 11B,13,14D,16	040033-002	FORK 4 3/4 STEM 3/4 W/ HDWR	
2, 3, 11B,13,14A,16	781135	FORK 5 1/4 STEM 3/4 W/ HDWR	
2, 3, 11B,13,14B,16	781136	FORK 6 STEM 3/4 W/ HDWR	
2, 3, 11B,13,14C,16	781137	FORK 7 STEM 3/4 W/ HDWR	
2, 3,10,11B,12,13,15	781138	FORK 8 x 2 STEM 3/4 W/ HDWR	
2, 3, 11C,13,14A,16	040033-003	FORK 4 3/4 STEM 1 1/2 W/ HDWR	
2, 3, 11C,13,14A,16	781145	FORK 5 1/4 STEM 1 1/2 W/ HDWR	
2, 3, 11C,13,14B,16	781146	FORK 6 STEM 1 1/2 W/ HDWR	
2, 3, 11C,13,14C,16	781147	FORK 7 STEM 1 1/2 W/ HDWR	
2, 3, 10,11C,12,13,15	781148	FORK 8 x 2 STEM 1 1/2 W/ HDWR	



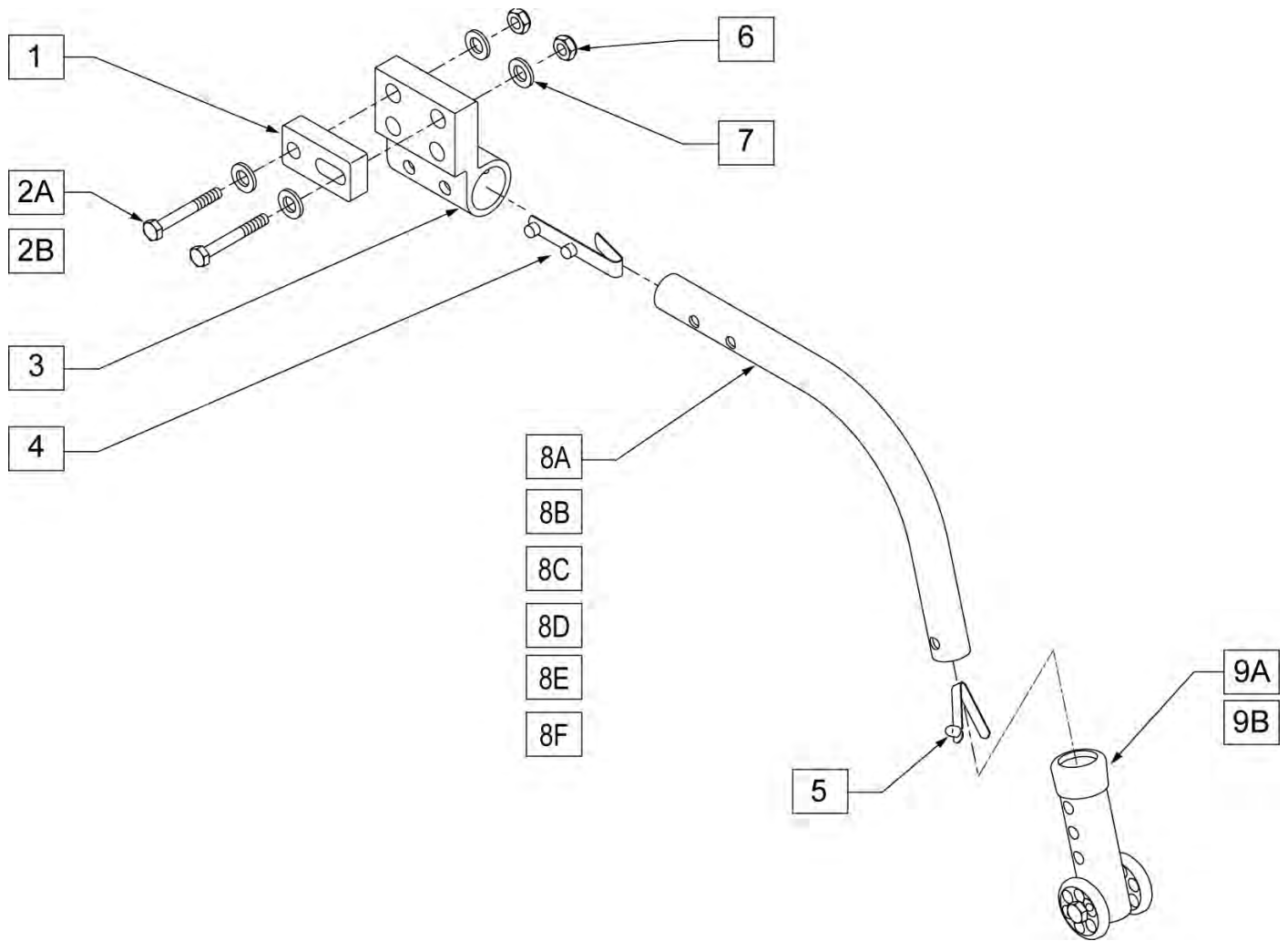
Pos.	Item Number	Description	HCPC	Remarks
1A	400108	4" MICRO CASTER LIGHTED	K0077	4" MICRO LIGHTED
1B	101957	4"X1-1/4" POLY 3 SPOKE CSTR	K0077	4" X 1.25 SEMI-PNEUMATIC
1C	101098	CASTER 4" PLASTIC/POLY W/BRG	K0077	4" LOW PROFILE POLY
1D	052129	5" MICRO CASTER LIGHTED	K0077	5" MICRO LIGHTED
1E	101254	5" LOW POLY 3 SPOKE CASTER	K0077	5" LOW PROFILE POLY
1F	400103	CASTER 5" SOFT ROLL W/BRNGS	K0077	5" SOFT ROLL SEMP PNEU (GREY)
1G	101259	5"X1-1/2" POLY 3 SPOKE CSTR	K0077	5" x 1.5" SEMI-PNEUMATIC
1H	101255	6"X1-1/2" POLY 3 SPOKE CSTR	K0077	6" x 1.5" SEMI-PNEUMATIC
1J	101256	6" SEMI PNEU 3 SPOKE CASTER	K0077	6" POLY
1K	101257	6" PNEUMATIC 3 SPOKE CASTER	K0071	6" PNEUMATIC
1L	101946-001	CASTR 4X1 ALUM/POLY W/BRG CLR	K0077	4" x 1" ALUMINUM POLY
1M	101946-002	CASTR 5X1 ALUM/POLY W/BRG CLR	K0077	5" x 1" ALUMINUM POLY
1N	101946-003	CASTR 6X1 ALUM/POLY W/BRG CLR	K0077	6" x 1" ALUMINUM POLY
1O	050157-004	WHEEL CASTER FROG LEGS 4X1.5 CLR	K0077	4" x 1.5" ALUMINUM SOFT ROLL
1P	050157-005	WHEEL CASTER FROG LEGS 5X1.5 CLR	K0077	5" x 1.5" ALUMINUM SOFT ROLL
1Q	050157-006	WHEEL CASTER FROG LEGS 6X1.5 CLR	K0077	6" x 1.5" ALUMINUM SOFT ROLL
1R	400212	CASTER 8" PNEU 3 SPK ASSM	K0071	8" PNEUMATIC
1S	400213	CASTER 8" POLY 3 SPK ASSM	K0077	8" POLY
1T	400700	8" X 2" CMPST W/PNEU & BEARING	K0071	8" x 2" PNEUMATIC
1U	400702	8" X 2" CMPST W/PNEU INSRT&BRG	K0077	8" x 2" PNEUMATIC W/ INSERT

Pos.	Item Number	Description	HCPC	Remarks
1V	920025	3" MICRO CASTER W/ BEARING -PAIR	K0077	PAIR 3" MICRO
1W	400107	3" MICRO CASTER LIGHTED	K0077	3" MICRO LIGHTED
1X	400214	CASTER 8" LOW POLY 3 SPK ASSM	K0077	7" x LOW PROFILE POLY
1Y	050157-007	WHEEL CASTER FROG LEGS 3 x 1.5" SBLK	K0077	
2	439502	7/8"x 5/16" BEARING	K0077	
3	382245	6" TUBE	E2214 & E2215	
4	384700	TIRE PNEUMATIC 8" x 2"	E2214	
5	384730	INNER TUBE CASTER 8" x 2"	E2215	
6	383255	8" PNEUMATIC TIRE & TUBE	E2214 & E2215	

NOTE: USE KIDZ FOR 13" - 13.5" SEAT HEIGHT.
 USE SMALL FOR 14" - 15.5" SEAT HEIGHT.
 USE REGULAR FOR 16" - 18" SEAT HEIGHT.
 FRONT ANTI-TIPS ARE NO-GO FOR SEAT HEIGHTS 18.5" AND ABOVE.



Pos.	Item Number	Description	Remarks
1A	226129	1/4 -28 x 1 1/4 BH C/S	
1B	226163	1/4 -28 x 2 SOC C/S BLK	
2	226029-QU	10-32 x 1 1/8 BH C/S BLK	
3	505341	FRONT ANTI-TIP H/D CASTER	
4	200100-QU	10-32 NYLOCK NUT	
1-4	922050	FRONT ANTI-TIP REC H/A CASTER Q2	



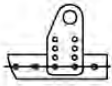
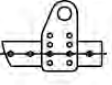
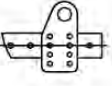
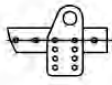
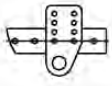
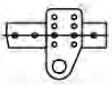
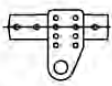
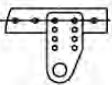
Pos.	Item Number	Description	Remarks
1	501711	BLOCK SPACER WHEEL LOCK	
2A	221181	1/4 -28 x 2 1/2 G8 HEX C/S	
2B	221201	1/4 -28 x 3 G8 HEX C/S	
3	050522	RECEIVER ANTI-TIP	
4	301109	SNAP BUTTON DUAL ONE SIDE	
5	301100	1/4" SNAP BUTTON SINGLE B-130	
6	201100-QU	1/4 -28 NYLOCK NUT THIN	
7	262110-QU	1/4" AN WASHER FLAT THIN	
9A	050247-001	ANTI-TIP SLEEVE W/ WHEELS BLACK 5P	
9B	050247-002	ANTI-TIP SLEEVE W/ WHEELS BLACK 6P	
2A, 3, 6, 7	040017-001	ANTI-TIP TUBE KIDZ BLACK W/ SNAPS	RIGHT
1,2B, 6, 7	040017-002	ANTI-TIP TUBE KIDZ BLACK W/ SNAPS	LEFT
4, 5, 8A	882898	ANTI-TIP TUBE SMALL BLACK W/ SNAPS	RIGHT
4, 5, 8A	882899	ANTI-TIP TUBE SMALL BLACK W/ SNAPS	LEFT
		ANTI-TIP TUBE REG BLACK W/ SNAPS	RIGHT
4, 5, 8B	882964	ANTI-TIP TUBE REG BLACK W/ SNAPS	LEFT
4, 5, 8B	882965	ANTI-TIP TUBE CURVED (20) W/ SNAP	RIGHT
		ANTI-TIP TUBE CURVED (20) W/ SNAP	LEFT
4, 5, 8C	882896	ANTI-TIP TUBE SMALL (22) W/ SNAP	RIGHT
4, 5, 8C	882897	ANTI-TIP TUBE SMALL (22) W/ SNAP	LEFT

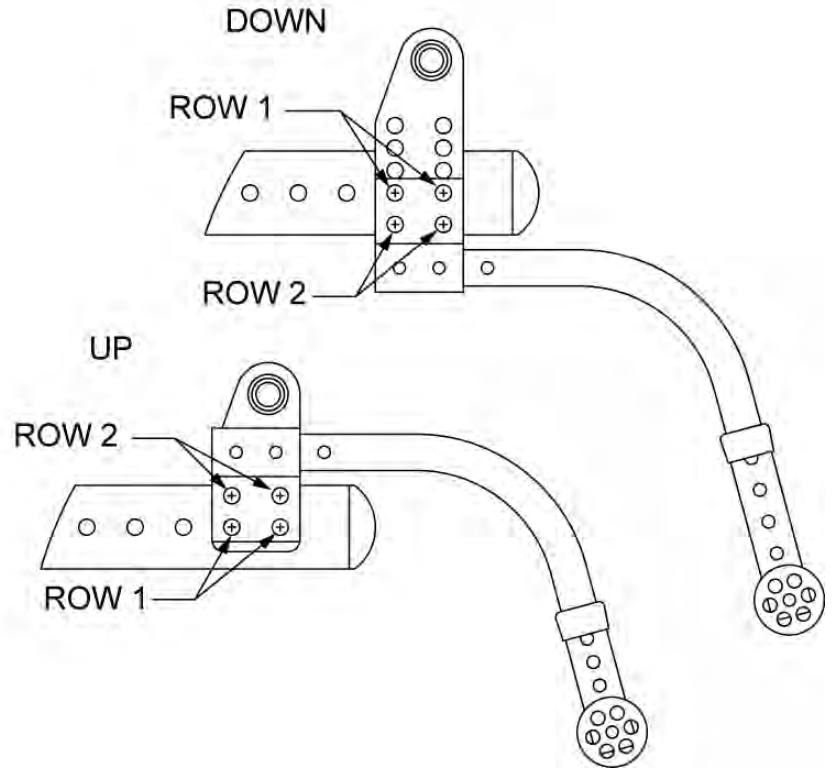
Pos.	Item Number	Description	Remarks
		ANTI-TIP TB R MED (24) W/SNAP	RIGHT
4, 5, 8D	050248-001	ANTI-TIP TB L MED (24) W/SNAP	LEFT
4, 5, 8D	050248-002	REAR ANTI-TIP ASSM KIDS 5P	RIGHT
		REAR ANTI-TIP ASSM KIDS 5P	LEFT
4, 5, 8E	050248-003	REAR ANTI-TIP ASSM SMALL 5P	RIGHT
4, 5, 8E	050248-004	REAR ANTI-TIP ASSM SMALL 5P	LEFT
		REAR ANTI-TIP ASSM KIDS 6P	RIGHT
4, 5, 8F	050248-005	REAR ANTI-TIP ASSM KIDS 6P	LEFT
4, 5, 8F	050248-006	REAR ANTI-TIP ASSM REG 6P	RIGHT
		REAR ANTI-TIP ASSM REG 6P	LEFT
4,5,8A,9A	040014-001	REAR ANTI-TIP ASSM 20"	RIGHT
4,5,8A,9A	040015-001	REAR ANTI-TIP ASSM 20"	LEFT
4,5,8A,9A	040016-001	REAR ANTI-TIP ASSM 22"	RIGHT
		REAR ANTI-TIP ASSM 22"	LEFT
4,5,8A,9B	040014-002	REAR ANTI-TIP ASSM 24"	RIGHT
4,5,8A,9B	040015-002	REAR ANTI-TIP ASSM 24"	LEFT
4,5,8A,9B	040016-002	ANTI-TIP RECEIVER STD W/ HDWR	
		ANTI-TIP RECIEVER EXT W/ HDWR	
4,5,8B,9A	040014-003	REAR ANTI-TIP ASSM SMALL 5P	RIGHT
4,5,8B,9A	040015-003	REAR ANTI-TIP ASSM SMALL 5P	LEFT
4,5,8B,9A	040016-003	REAR ANTI-TIP ASSM SMALL 5P	PAIR
4,5,8C,9B	040014-004	REAR ANTI-TIP ASSM REG 6P	RIGHT
4,5,8C,9B	040015-004	REAR ANTI-TIP ASSM REG 6P	LEFT
4,5,8C	040016-004	REAR ANTI-TIP ASSM REG	PAIR
4,5,8D,9A	050172-001	REAR ANTI-TIP ASSM 20"	RIGHT
4,5,8D,9A	050173-001	REAR ANTI-TIP ASSM 20"	LEFT
4,5,8D,9A	040016-005	REAR ANTI-TIP ASSM 20"	PAIR
4,5,8E,9A	050172-002	REAR ANTI-TIP ASSM 22"	RIGHT
4,5,8E,9A	050173-002	REAR ANTI-TIP ASSM 22"	LEFT
4,5,8E,9A	040016-006	REAR ANTI-TIP ASSM 22"	PAIR
4,5,8F,9B	050172-003	REAR ANTI-TIP ASSM 24"	RIGHT
4,5,8F,9B	050173-003	REAR ANTI-TIP ASSM 24"	LEFT
4,5,8F,9B	040016-007	REAR ANTI-TIP ASSM 24"	PAIR

NOTE: SEE "REAR ANTI-TIP GUIDE" PAGE FOR ANTI-TIP SELECTIONS.

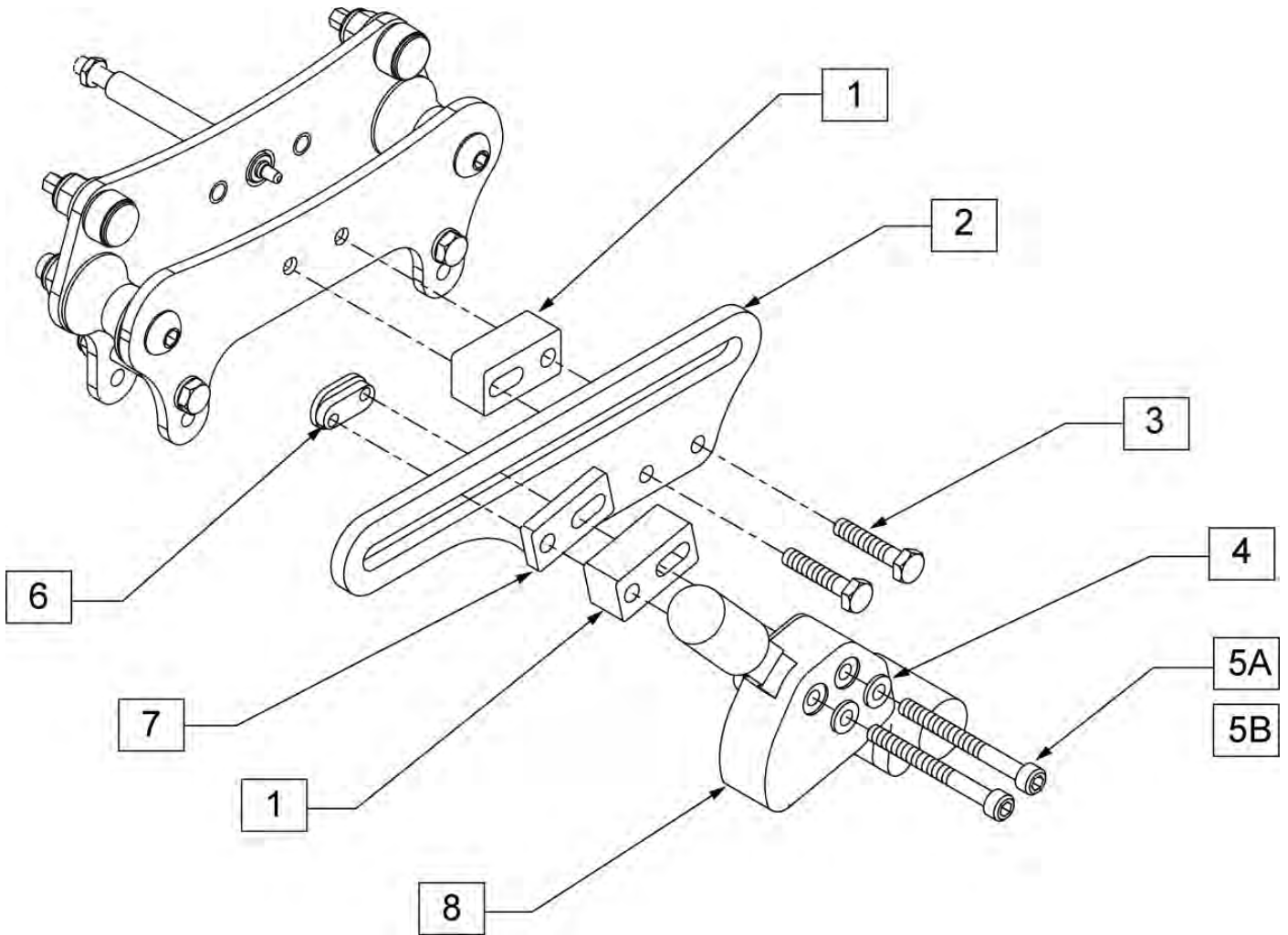
NOTE: NOT AVAILABLE WITH ONE-ARM DRIVE.

AXLE PLATE ORIENTATION

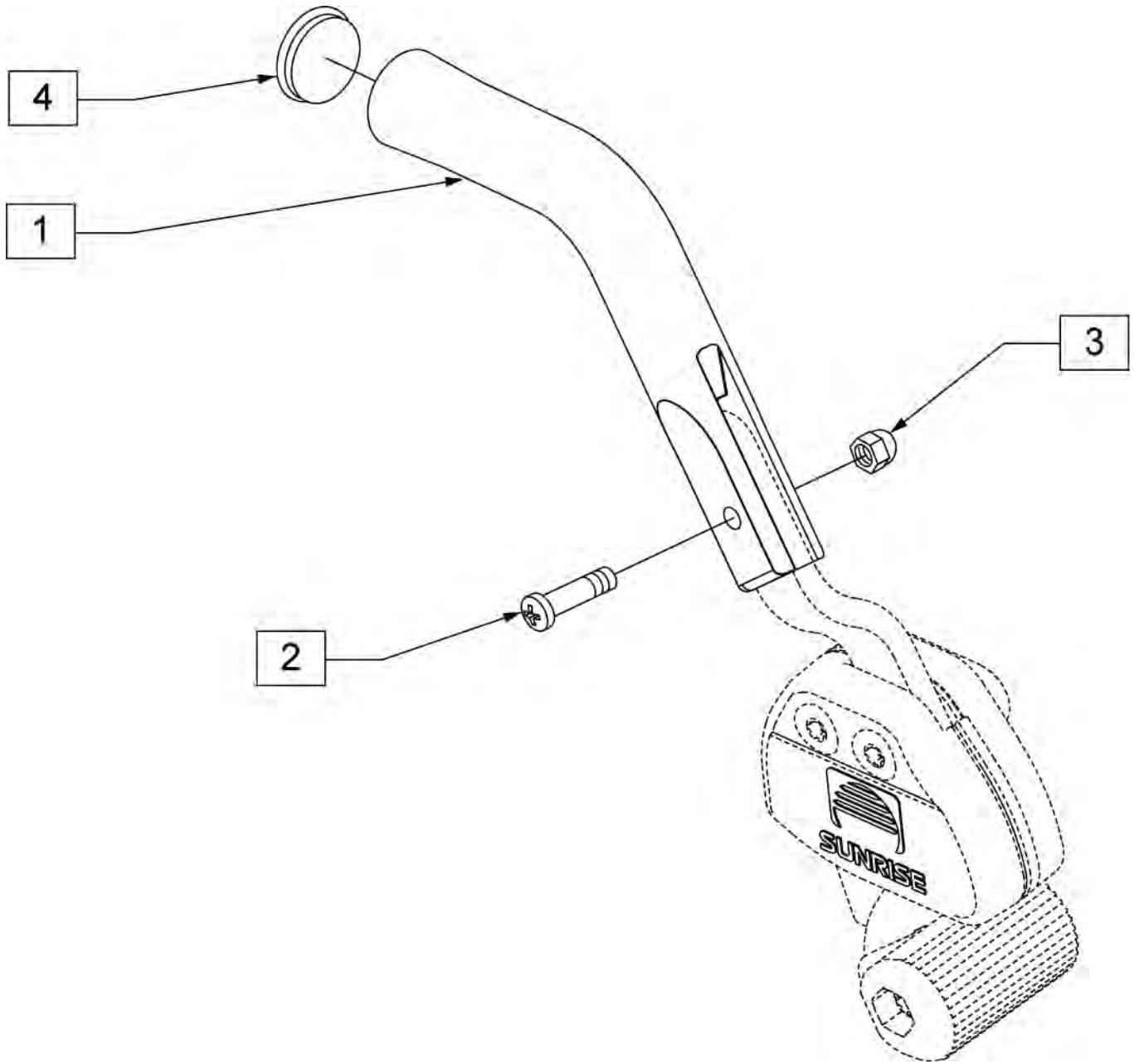
- 1. 
- 2. 
- 3. 
- 4. 
- 5. 
- 6. 
- 7. 
- 8. 



Remarks

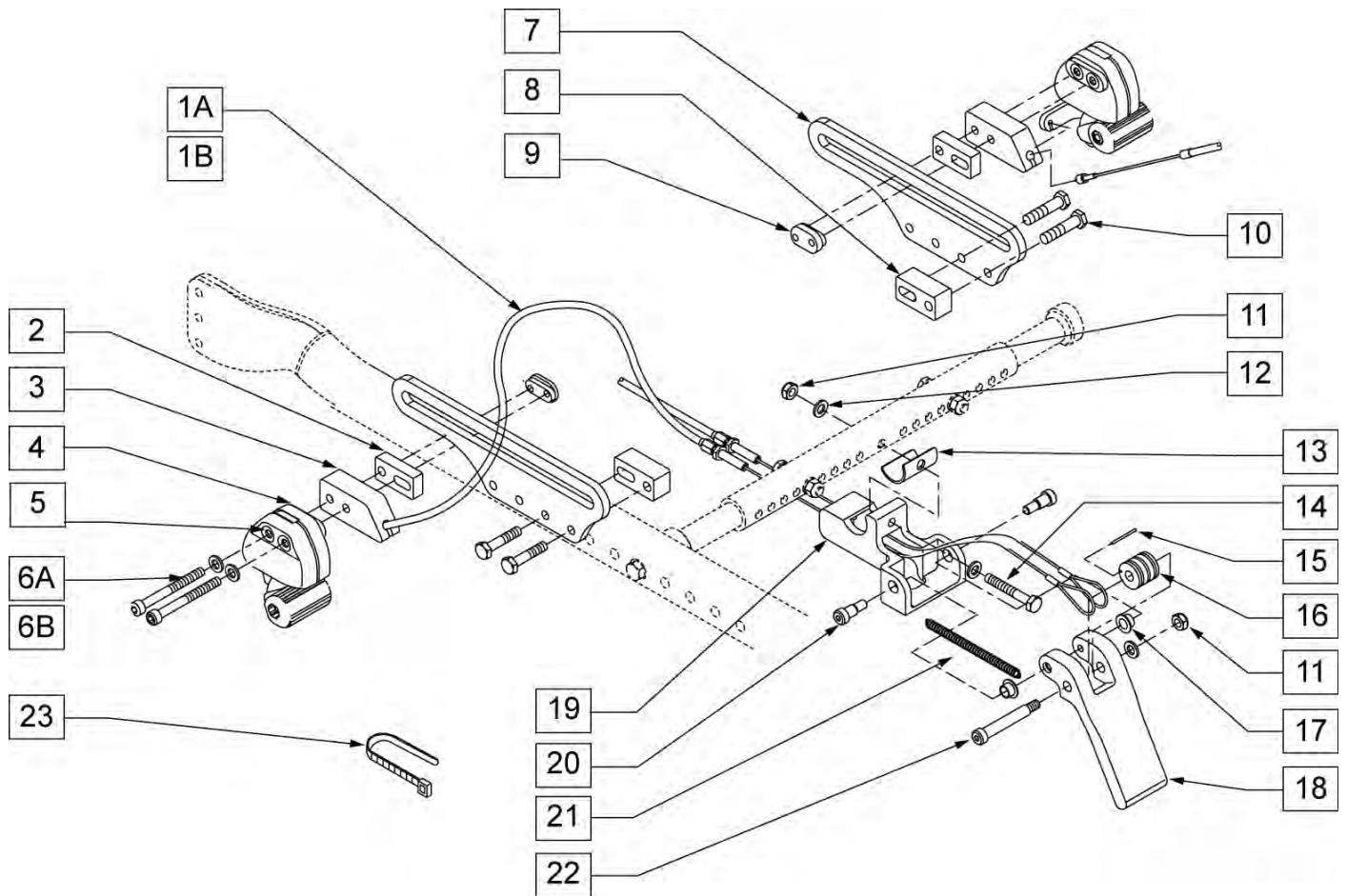


Pos.	Item Number	Description	Remarks
1	500675	WHEEL LOCK MOUNTING BLOCK CGTS	
2	050523	PLATE SLIDE WHEEL LOCK	
3	221124-QU	1/4 -28 x 1 1/4 GB HEX C/S	
4	262133	WASHER LOCK M6	
5A	234900	M6-60 SOC C/S BLK	
5B	201344	M6 x 70 SOC C/S SS	FOR SPOKE WHEELS
6	050544	NUT ADJUSTABLE WHEEL LOCK	RIGHT
6	050545	NUT ADJUSTABLE WHEEL LOCK	LEFT
7	501711	BLOCK SPACER WHEEL LOCK	FOR SPOKE WHEELS
8	883130	PUSH TO LOCK WHEEL LOCK	RIGHT
8	883131	PUSH TO LOCK WHEEL LOCK	LEFT
9	000 861 156-ET	B4 WHEEL LOCK GRIPS QTY 5 EA	PACK OF 5
1,5A,6, 8	040041-001	WHEEL LOCK PUSH ASSM -STANDARD	RIGHT
1,5A,6, 8	040042-001	WHEEL LOCK PUSH ASSM -STANDARD	LEFT
1,5A,6, 8	040043-001	WHEEL LOCK PUSH ASSM -STANDARD	PAIR
1-5B, 6-8	040041-002	WHEEL LOCK PUSH ASSM -EXT	RIGHT-FOR SPOKE WHEELS
1-5B, 6-8	040042-002	WHEEL LOCK PUSH ASSM -EXT	LEFT-FOR SPOKE WHEELS
1-5B, 6-8	040043-002	WHEEL LOCK PUSH ASSM -EXT	PAIR-FOR SPOKE WHEELS



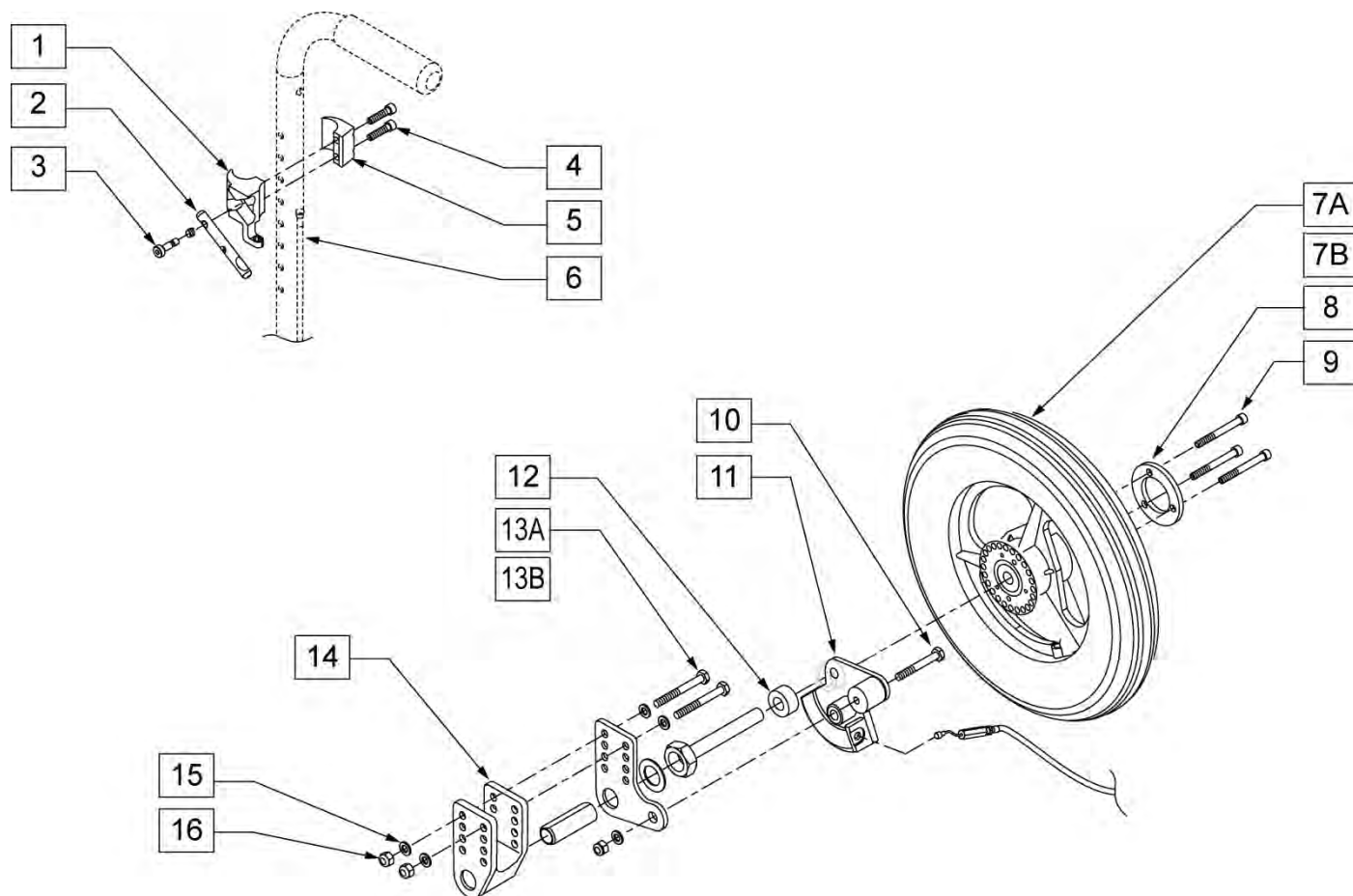
Pos.	Item Number	Description	Remarks
1-4	000 861 263	CRANKED EXTENSION KIT	KIT

NOTE: USE 'EXTENSION' IF YOU HAVE DUAL POST ARMRESTS.

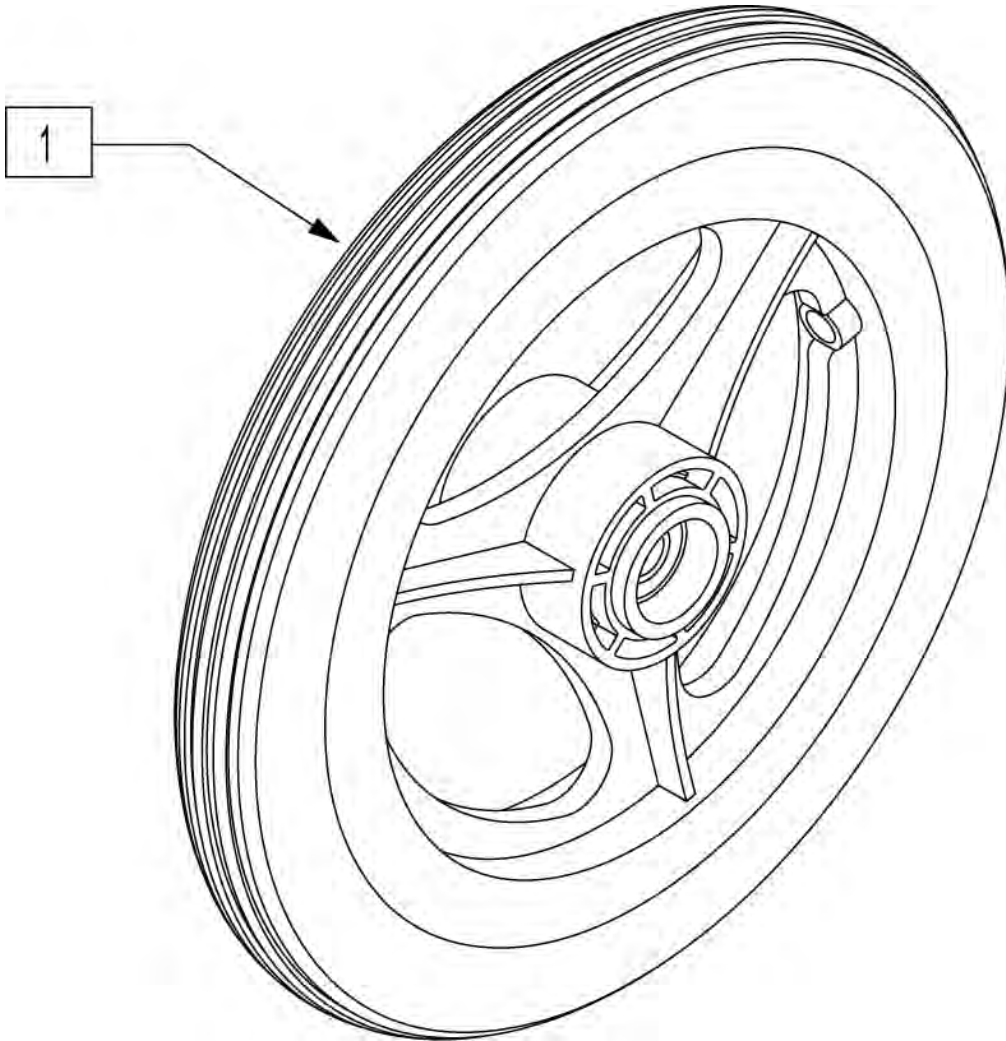


Pos.	Item Number	Description	Remarks
1A	342016	ATTENDANT WHEEL LOCK CABLE ASSM -SHORT	
1B	342017	ATTENDANT WHEEL LOCK CABLE ASSM -LONG	
2	501711	BLOCK SPACER WHEEL LOCK	
3	506118	ATTENDANT WHEEL LOCK SPACER BLOCK	
4	922101	REMOTE LOCK ASSM	RIGHT
4	922102	REMOTE LOCK ASSM	LEFT
5	262133	WASHER LOCK M6	
6A	234900	M6-60 SOC C/S BLK	
6B	201344	M6 x 70 SOC C/S SS	STAINLESS
7	50523	PLATE SLIDE WHEEL LOCK	
8	500675	BLOCK MOUNTING WHEEL LOCK	
9	50544	NUT ADJUSTABLE WHEEL LOCK	RIGHT
9	50545	NUT ADJUSTABLE WHEEL LOCK	LEFT
10	221124-QU	1/4 -28 x 1 1/4 G8 HEX C/S	
11	201105	1/4 -20 NYLOCK NUT THIN	
12	262100-QU	1/4" AN WASHER FLAT	
13	50535	SPACER TUBE ATTENDANT WHEEL LOCK	
14	221140	1/4 -20 x 1 3/4 HEX C/S	
15	341127	ROLL PIN .063 DIA x .75 LG	

Pos.	Item Number	Description	Remarks
16	521119	BEARING CABLE ATTENDANT WHEEL LOCK	
17	481561	BEARING SLEEVE FLANGE .312 ID x .25L	
18	506113	PEDAL ATTENDANT WHEEL LOCK	
19	506116	ATTENDANT WHEEL LOCK MOUNT BRACKET	
20	281048	SHOULDER SCREW .312 DIA x .375 LG	
21	321146	SPRING EXT .25D 2.75L .032W SS	STAINLESS
22	281041	SHOULDER SCREW .312 DIA x 1.75 LG	
23	560410	ZIP TIE BLACK	
1A, 3-23	040044-001	ATTENDANT WHEEL LOCK ASSM STD -SHORT	12 & 16" wheels, no DP armrest
1B, 3-23	040044-002	ATTENDANT WHEEL LOCK ASSM STD -LONG	20,22 & 24" wheels, no DP armrest
1A-6B, 7-23	040044-003	ATTENDANT WHEEL LOCK ASSM EXT -SHORT	12 & 16" wheels with DP armrest
1B,2-6B, 7-23	040044-004	ATTENDANT WHEEL LOCK ASSM EXT -LONG	20,22 & 24" wheels with DP armrest



Pos.	Item Number	Description	Remarks
1-5	922331	HUB LOCK CLAMP ASSM	RIGHT
1-5	922332	HUB LOCK CLAMP ASSM	LEFT
2	506430	ALUMINUM Z-LOCK TRIGGER RIGHT	RIGHT
2	506431	ALUMINUM Z-LOCK TRIGGER LEFT	LEFT
6	922333	HUB LOCK CABLE ASSM	
7A-9	922334	12 PNEU W/ LOCKING HUB	
7B-9	922335	12 PNEU INSERT W/ LOCKING HUB	
10	221151-QU	1/4 -28 x 1 3/4 G8 HEX	
11	922329	LOWER HUB LOCK ASSM	RIGHT
11	922330	LOWER HUB LOCK ASSM	LEFT
12	101313	Z IRIS SPACER AXLE HUB	
13A	221191	1/4 -28 x 2 1/4 G8 HEX C/S	
13B	221193	1/4 -28 x 2 3/4 G8 HEX C/S	USES 2 3/4" BOLTS IF ANTI-TIPS ARE TO BE INSTALLED
14	50542	ADAPTER AXLE PLATE HUB LOCK	
15	262100-QU	1/4" AN WASHER FLAT	
16	201100-QU	1/4 -28 NYLOCK NUT	
10,13A,14-16	040018-001	LOWER HUB LOCK ASSM W/ HDWR	RIGHT
10,13A,14-16	040019-001	LOWER HUB LOCK ASSM W/ HDWR	LEFT
10-13B, 14-16	040018-002	LOWER HUB LOCK ASSM AT W/ HDWR	RIGHT
10-13B, 14-16	040019-002	LOWER HUB LOCK ASSM AT W/ HDWR	LEFT
1-7A,8-13A,14-16	040020-001	HUB LOCK ASSM 12 PNEU	INCLUDES RIGHT & LEFT ASSMS
1-7B,8-13A,14-16	040020-002	HUB LOCK ASSM 12 PNEU INSERT	INCLUDES RIGHT & LEFT ASSMS
1-7A,8-13B, 14-16	040020-003	HUB LOCK ASSM 12 PNEU AT	INCLUDES RIGHT & LEFT ASSMS-USE W/ANTI-TIPS
1-7B,8-13B, 14-16	040020-004	HUB LOCK ASSM 12" PNEU INSRT A	INCLUDES RIGHT & LEFT ASSMS-USE W/ANTI-TIPS


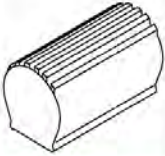


Pos.	Item Number	Description	Remarks
1	101466	12 MAG POLY TIRE 3 SPOKE	

12" WHEELS



Tires

		 		
		Pneumatic	Pneu w/ Insert	Poly
Mag	Wheel Components			
	Wheel Assembly	101661	101662	101466
	Tire Only	384706	384706	N/A
	Tube or Insert	384736	102972-001	N/A

Pos.	Item Number	Description	HCPCS	Remarks
MAG	101466	12" MAG POLY TIRE 3 SPOKE	K0069	
	101661	12" MAG PNEU 3 SPOKE	K0070	
	101662	12" MAG PNEU INSERT 3 SPOKE	K0070	
	384706	TIRE PNEU 12 1/2" x 2 1/4"	E2211	
	384736	INNER TUBE 12 1/2" x 2 1/4"	E2212	
	102972-001	12 1/2" AIRLESS INSERT	E2213	

16" WHEELS



Tires

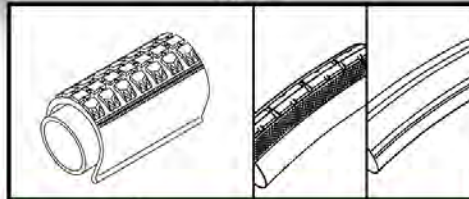


		Pneumatic		Pneu w/ Insert	
Mag	Wheel Components				
	Wheel Assembly	101667		101668	
	Tire Only	385237		385237	
	Tube or Insert	384738		102973-001	

Pos.	Item Number	Description	HCPCS	Remarks
16" MAG	101667	16" MAG PNEU 3 SPOKE	K0070	
	101668	16" MAG PNEU W/ INSERT	K0070	
	384738	16" x 1.75 INNER TUBE	E2212	
	385237	16" x 1.75 PNEU TIRE	E2211	
	102973-001	16" AIRLESS INSERT	E2213	

20" WHEEL MAG

Tires



Handrims

Pneumatic	Pneu w/ Insert	Full Poly	Low Poly	Hand Rim Only (*Hardware included)	Hand Rim Hardware
-----------	----------------	-----------	----------	------------------------------------	-------------------

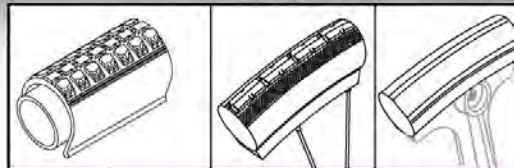
	Mag 401094	Handrim Type						
		Anodized	760072	760082	760062	760020	425934*	281175 (6)
		Plastic	760073	760083	760063	760021	425935*	
		Painted Breezy	760800	760806	760802	760804	425016*	
		Chrome Breezy	760913	760925	760917	760921	426026*	
		Composite Breezy	760910	760916	760912	760914	426022*	220100 (6)
		Omit Handrim	760078	760088	760068	760022	N/A	N/A
		Wheel Components						
		Tire Only	385250	385250	386232	386262	N/A	N/A
		Rim Strip	N/A	N/A	N/A	N/A	N/A	N/A
Tube or Insert	382275	102973-003	N/A	N/A	N/A	N/A		

Pos.	Item Number	Description	HCPCS	Remarks
MAG 401094	220100	#10 x 2 1/4 SELF TAPPING SCREW		
	281175	10 -32 x 2 1/8 PAN PHIL SS		
	401094	20" MAG W/ BRNG 6 SPOKE	E2224	
	425016	20" SCW MT HR PNTD 6S W/ HDWR	E2205	
	425934	20" HR 6SMT 6MAG W/ HDWR	E2205	
	425935	20" HR 6SMT 6MAG PLASTIC W/ HDWR	E2205	
	426022	20" HR 6SMT COMPOSITE W/ HDWR	E2205	
	426026	20" SCW MT HR CHROME 6S W/ HDWR	E2205	
	760020	20" MAG 6S LOW POLY ANO	K0069	
	760021	20" MAG 6S LOW POLY HR PLASTIC	K0069	
	760022	20" MAG 6S LOW POLY OMIT HR	K0069	
	760062	20" MAG 6S FULL POLY HR ANO	K0069	
	760063	20" MAG 6S FULL POLY HR PLASTIC	K0069	
	760068	20" MAG 6S FULL POLY OMIT HR	K0069	
	760072	20" MAG 6S PNEU HR ANO	K0070	
	760073	20" MAG 6S PNEU HR PLASTIC	K0070	
	760078	20" MAG 6S PNEU OMIT HR	K0070	
	760082	20" MAG 6S PNEU INSERT HR ANO	K0070	

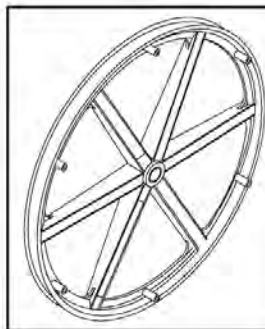
Pos.	Item Number	Description	HCPCS	Remarks
	760083	20" MAG 6S PNEU INSERT HR PLASTIC	K0070	
	760088	20" MAG 6S PNEU INSERT OMIT HR	K0070	
	760800	20" MAG PNEU HR PAINTED BR	K0070	
	760802	20" MAG FULL POLY HR PAINTED BR	K0069	
	760804	20" MAG LOW POLY HR PAINTED BR	K0069	
	760806	20" MAG PNEU INSERT HR PAINTED BR	K0070	
	760910	20" MAG PNEU INSERT HR PAINTED BR	K0070	
	760912	20" MAG FULL POLY HR COMP BR	K0069	
	760913	20" MAG PNEU HR CHROME BR	K0070	
	760914	20" MAG LOW POLY HR COMP BR	K0069	
	760916	20" MAG PNEU INSERT HR COMP BR	K0070	
	760917	20" MAG FULL POLY HR CHROME BR/BA	K0069	
	760921	20" MAG LOW POLY HR CHROME BR/BA	K0069	
	760925	20" MAG PNEU INSERT HR CHROME BR	K0070	
	382275	20" TUBE	E2212	
	385250	20" PNEU TIRE	E2211	
	386232	20" POLY TIRE STD	E2220	
	386262	20" LOW POLY TIRE BR	E2220	
	102973-003	20" AIRLESS INSERT	E2213	

22" WHEEL (MAG)

Tires



Handrims

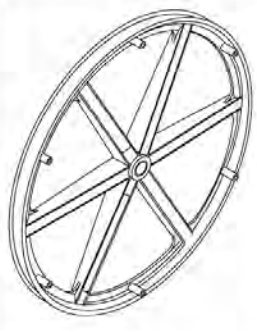


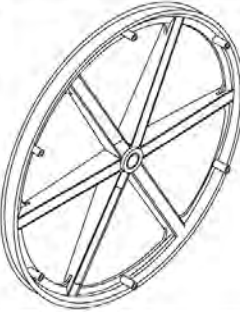
	Pneumatic	Pneu w/ Insert	Full Poly	Low Poly	Hand Rim Only (*Hardware included)	Hand Rim Hardware
Handrim Type						
Anodized	760040	760050	760030	760025	425951*	281170 (6)
Plastic	760041	760051	760031	760026	425953*	561036 (6)
Anodized Breezy	760930	760932	760928	760926	426025*	281175 (6)
Painted Breezy	760830	760851	760837	760844	425026*	
Chrome Breezy	760931	760933	760929	760927	426024*	220100 (6)
Composite Breezy	760918	760924	760920	760922	426021*	
6" Oblique	760045	760055	760035	N/A	427509*	281170 (6) 261300 (6) 561046 (6)
Omit Handrim	760046	760056	760036	760027	N/A	N/A
Wheel Components						
Tire Only	385275	385275	386242	386263	N/A	N/A
Rim Strip	381265	N/A	N/A	N/A	N/A	N/A
Tube or Insert	382300	102973-004	N/A	N/A	N/A	N/A

Pos.	Item Number	Description	HCPCS	Remarks
MAG 401093	220100	#10 x 2 1/4 SELF TAPPING SCREW		
	261300	3/16 WASHER FLAT		
	281170	10 -32 x 1 5/8 PAN PHIL SS		
	281175	10 -32 x 2 1/8 PAN PHIL SS		
	381265	22" RIM STRIP		
	382300	22" TUBE	E2212	
	385275	22" PNEU TIRE	E2211	
	386242	22" POLY TIRE STD	E2220	
	386263	22" LOW POLY TIRE BR	E2220	
	401093	22" MAG W/ BRNG 6 SPOKE	E2224	
	425951	22" HR 6SMT 6MAG W/ HDWR	E2205	
	425953	22" HR 6SMT 6MAG PLASTIC W/ HDWR	E2205	
	426021	22" HR 6SMT COMPOSITE W/ HDWR	E2205	
	426024	22" SCW MT HR CHROME 6S W/ HDWR	E2205	
	426025	22" SCW MT HR ANO 6S W/ HDWR BA	E2205	
	426026	22" SCW MT HR CHROME 6S W/ HDWR	E2205	
	427509	PROJ 22" HR 6MAG 6" OBLIQUE W/ HDWR	E0967	
	561036	HANDRIM SPACER (REG)	E2224	

Pos.	Item Number	Description	HCPCS	Remarks
	561046	PROJECTION SPOKE MOUNT		
	760025	22" MAG 6S LOW POLY HR ANO	K0069	
	760026	22" MAG 6S LOW POLY HR PLASTIC	K0069	
	760027	22" MAG 6S LOW POLY OMIT HR	K0069	
	760030	22" MAG 6S FULL POLY HR ANO	K0069	
	760031	22" MAG 6S FULL POLY HR PLASTIC	K0069	
	760035	22" MAG 6S FULL POLY 6" OBLIQUE	K0069	
	760036	22" MAG 6S FULL POLY OMIT HR	K0069	
	760040	22" MAG 6S PNEU HR ANO	K0070	
	760041	22" MAG 6S PNEU HR PLASTIC	K0070	
	760045	22" MAG 6S PNEU 6" OBLIQUE	K0070	
	760046	22" MAG 6S PNEU OMIT HR	K0070	
	760050	22" MAG 6S PNEU INSERT HR ANO	K0070	
	760051	22" MAG 6S PNEU INSERT HR PLASTIC	K0070	
	760055	22" MAG 6S PNEU INSERT 6" OBLIQUE	K0070	
	760056	22" MAG 6S PNEU INSERT OMIT HR	K0070	
	760830	22" MAG 6S PNEU HR PNTD BR	K0070	
	760837	22" MAG 6S FULL POLY HR PNTD BR	K0069	
	760844	22" MAG 6S LOW POLY HR PNTD BR	K0069	
	760851	22" MAG 6S INSERT HR PNTD BR	K0070	
	760918	22" MAG PNEU HR COMP BR	K0070	
	760920	22" MAG FULL POLY HR COMP BR	K0069	
	760922	22" MAG LOW POLY HR COMP BR	K0069	
	760924	22" MAG PNEU INSERT HR COMP BR	K0070	
	760926	22" MAG LOW POLY HR ANO BA	K0069	
	760927	22" MAG LOW POLY HR CHROME BR	K0069	
	760928	22" MAG FULL POLY HR ANO BA	K0069	
	760929	22" MAG FULL POLY HR CHROME BR	K0069	
	760930	22" MAG PNEU HR ANO BA	K0070	
	760931	22" MAG PNEU HR CHROME BA	K0070	
	760932	22" MAG PNEU INSERT HR ANO BA	K0070	
	760933	22" MAG PNEU INSERT HR CHROME BA	K0070	
	102973-004	22" AIRLESS INSERT	E2213	

24" (540) WHEEL (MAG)

		Tires						Handrims	
		Pneumatic	Pneumatic Black	Pneu w/ Insert	Full Poly	Low Poly	KIK	Hand Rim Only (*Hardware included)	Hand Rim Hardware
	Handrim Type								
	Anodized	760750		760720	760731	760742	103263	426009*	281175 (6) 561037 (6)
	Plastic	760751		760721	760732	760743	103264	426013*	281175 (6) 561037 (6)
	Painted Breezy	760790		760796	760792	760794		426005*	281175 (6)
	Chrome Breezy	760907		760909	760904	760902		426011*	281175 (6)
	Anodized Breezy			760908	760903	760901		426023*	
	Composite Breezy	760900		760905	760895	760890		426020*	220100 (6)
	Natural Fit w/ Thumb Guard	103251		103254	103260	109074	103269	102169-002 102168-003	101932 (6) 281175 (6)
	Natural Fit Super Grip w/ Thumb Guard	103252		103255	103261	109075	103270	102169-002 102168-004	281120 (6) 261300 (6)
	8" Vert	760754		760724	760735		103265	427510*	341509 (6)
	8" Oblique	760755		760725	760736	760746	103266	427511*	261300 (6)
	12" Vert	760758		760728	760739		103267	427514*	281147 (6)
	12" Oblique	760759		760729	760740	760748	103268	427515*	505004 (6)
	OMIT Handrim	760760	760710	760730	760741	760749	103272	N/A	N/A
	Wheel Components								
Tire Only	385300	385296	385300	386252	388254	102060-001	N/A	N/A	
Tube or Insert	382325	382325	102973-005	N/A	N/A	N/A	N/A	N/A	

		Tires				Handrims		
		High Pressure Clincher	Latex Tubular	Schwab	Kevlar	Hand Rim Only (*Hardware included)	Hand Rim Hardware	
	Handrim Type							
	Anodized				760761	426009*	281175 (6) 561037 (6)	
	Plastic				760762	426013*	281175 (6) 561037 (6)	
	Natural Fit w/ Thumb Guard				103257	102169-002 102168-003	101932 (6) 281175 (6)	
	Natural Fit Super Grip w/ Thumb Guard				103258	102169-002 102168-004	281120 (6) 261300 (6)	
	8" Vert				760765	427510*	341509 (6)	
	8" Oblique				760766	427511*	281147 (6)	
	12" Vert				760769	427514*	505004 (6)	
	12" Oblique				760770	427515*		
	OMIT Handrim				760771	N/A	N/A	
	Wheel Components							
	Tire Only					385350	N/A	N/A
	Tube or Insert					382325	N/A	N/A

Pos.	Item Number	Description	HCPCS	Remarks
Mag 401092	101932	SPCR .194 ID x .375 OD x .750		
	103251	24" MAG PNEU NF TG	K0070	
	103252	24" MAG PNEU NF SGTG	K0070	
	103254	24" MAG PNEU AIRLESS NF TG	K0070	
	103255	24" MAG PNEU AIRLESS NF SGTG	K0070	
	103260	24" MAG FULL POLY NF TG	K0069	
	103261	24" MAG FULL POLY NF SGTG	K0069	
	103263	24" MAG KIK BK ANO	K0069	
	103264	24" MAG KIK BK PLASTIC	K0069	
	103265	24" MAG KIK BK 8" VERTICAL	K0069	
	103266	24" MAG KIK BK 8" OBLIQUE	K0069	
	103267	24" MAG KIK BK 12" VERTICAL	K0069	
	103268	24" MAG KIK BK 12" OBLIQUE	K0069	
	103269	24" MAG KIK BK NF TG	K0069	
	103270	24" MAG KIK BK NF SGTG	K0069	
	103272	24" MAG KIK BK OMIT HR	K0069	
	106074	24" MAG LOW POLY NF TG HR	K0069	

Pos.	Item Number	Description	HCPCS	Remarks
	106075	24" MAG LOW POLY NF SGTG HR	K0069	
	220100	#10 x 2 1/4 SELF TAPPING SCREW		
	261300	3/16 WASHER FLAT		
	281120	10 -32 x 5/8 PAN HD PHIL		
	281147	10 -32 x 1 1/4 PAN PHIL		
	281175	10 -32 x 2 1/8 PAN PHIL SS		
	341509	NUT 10 -32 x .900 HEX RIVNUT B		
	382325	24 x 1.3/8" TUBE REG	E2212	
	385295	24" PNEU TIRE BLK	E2211	
	385300	24" PNEU TIRE	E2211	
	386252	24" POLY TIRE STD	E2220	
	386254	24" POLY LOW PROFILE	E2220	
	401092	24" MAG W/ BRNG 6 SPOKE	E2224	
	425023	22" SCREW MOUNT HR PNTD W/ HDWR B600	E2205	
	426005	24" SCREW MOUNT HR PNTD 6S W/ HDWR	E2205	
	426009	24" HR 6SMT 6MAG W/ HDWR	E2205	
	426011	24" SCREW MOUNT HR CHROME 6S W/ HDWR	E2205	
	426013	24" HR 6SMT 6MAG PLASTIC W/ HDWR	E2205	
	426020	24" HR 6SMT COMPOSITE W/ HDWR	E2205	
	427510	PROJ 24" HR 6MAG 8" VERT W/ HDWR	E0967	
	427511	PROJ 24" HR 6MAG 8" OBLIQUE W/ HDWR	E0967	
	427514	PROJ 24" HR 6MAG 12" VERT W/ HDWR	E0967	
	427515	PROJ 24" HR 6MAG 12" OBLIQUE W/ HDWR	E0967	
	505004	TOGGLE 2-HOLE		
	561037	HANDRIM SPACER MAG		
	760128	20" SPOKE FULL POLY HR LT PLASTIC		
	760710	24" MAG 6S PNEU BLK HR OMIT	K0070	
	760720	24" MAG 6S PNEU INSERT HR ANO	K0070	
	760721	24" MAG 6S PNEU INSERT HR PLASTIC	K0070	
	760724	24" MAG 6S PNEU INSERT 8" VERT	K0070	
	760725	24" MAG 6S PNEU INSERT 8" OBLIQUE	K0070	
	760729	24" MAG 6S PNEU INSERT 12" OBLIQUE	K0070	
	760730	24" MAG 6S PNEU INSERT OMIT HR	K0070	
	760731	24" MAG 6S FULL POLY HR ANO	K0069	
	760732	24" MAG 6S FULL POLY HR PLASTIC	K0069	
	760735	24" MAG 6S FULL POLY 8" VERT	K0069	
	760736	24" MAG 6S FULL POLY 8" OBLIQUE	K0069	
	760739	24" MAG 6S FULL POLY 12" VERT	K0069	
	760740	24" MAG 6S FULL POLY 12" OBLIQUE	K0069	
	760741	24" MAG 6S FULL POLY OMIT HR	K0069	
	760742	24" MAG 6S LOW POLY HR ANO	K0069	
	760743	24" MAG 6S LOW POLY HR PLASTIC	K0069	
	760746	24" MAG 6S LOW POLY 8" OBLIQUE	K0069	
	760749	24" MAG 6S LOW POLY OMIT HR	K0069	
	760750	24" MAG 6S PNEU HR ANO	K0070	
	760751	24" MAG 6S PNEU HR PLASTIC	K0070	
	760754	24" MAG 6S PNEU 8" VERT	K0070	
	760755	24" MAG 6S PNEU 8" OBLIQUE	K0070	
	760758	24" MAG 6S PNEU 12" VERT	K0070	
	760759	WHL 24" MAG PNEU 12" OBLIQUE STD	K0070	
	760760	24" MAG 6S PNEU OMIT HR	K0070	
	760790	24" MAG PNEU HR PNTD BR	K0070	
	760792	24" MAG FULL POLY HR PNTD BR	K0070	
	760794	24" MAG LOW POLY HR PNTD BR	K0069	
	760796	24" MAG PNEU INSERT HR PNTD BR	K0070	
	760890	24" MAG LOW POLY HR COMP BR	K0069	
	760895	24" MAG FULL POLY HR COMP BR	K0069	

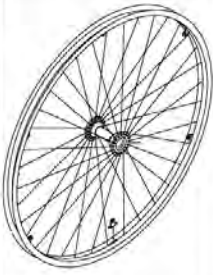
Pos.	Item Number	Description	HCPCS	Remarks
	760900	24" MAG PNEU HR COMP BR	K0070	
	760901	24" MAG LOW POLY HR ANO BA	K0069	
	760902	24" MAG LOW POLY HR CHROME BR	K0069	
	760903	24" MAG FULL POLY HR ANO BA	K0069	
	760904	24" MAG FULL POLY HR CHROME BR	K0069	
	760905	24" MAG PNEU INSERT HR COMP B	K0070	
	760907	24" MAG PNEU HR CHROME BR	K0069	
	760908	24" MAG PNEU INSERT HR ANO BA	K0070	
	760909	24" MAG PNEU INSERT HR CHROME BR	K0070	
	102060-001	TIRE KIK MAKO MAG SUN 540 BLK	E2220	
	102168-003	GUARD THUMB NAT FIT 24 PC BLK	E2205	
	102168-004	GUARD THUMB NAT FIT 24 SG BLK	E2205	
	102169-002	HANDRIM NAT FIT RV NT 24 BLK	E2205	
	102973-005	24' AIRLESS INSERT	E2213	
Mag 401092	760761	24" MAG 6S KEVLAR HR ANO	K0070	
	101932	SPCR .194 ID x .375 OD x .750		
	103257	24" MAG KEVLAR NF TG	K0070	
	103258	24" MAG KEVLAR NF SGTG	K0070	
	261300	3/16 WASHER FLAT		
	281120	10 -32 x 5/8 PAN HD PHIL		
	281147	10 -32 x 1 1/4 PAN PHIL		
	281175	10 -32 x 2 1/8 PAN PHIL SS		
	341509	NUT 10 -32 x .900 HEX RIVNUT B		
	382325	24 x 1.3/8" TUBE REG	E2212	
	385350	24" KEVLAR TIRE	E2211	
	426009	24" HR 6SMT 6MAG W/ HDWR	E2205	
	426013	24" HR 6SMT 6MAG PLASTIC W/ HDWR	E2205	
	427510	PROJ 24" HR 6MAG 8" VERT W/ HDWR	E0967	
	427511	PROJ 24" HR 6MAG 8" OBLIQUE W/ HDWR	E0967	
	427514	PROJ 24" HR 6MAG 12" VERT W/ HDWR	E0967	
	427515	PROJ 24" HR 6MAG 12" OBLIQUE W/ HDWR	E0967	
	505004	TOGGLE 2-HOLE		
	561037	HANDRIM SPACER		
	760762	24" MAG 6S KEVLAR HR PLASTIC	K0070	
	760765	WHEEL 24" MAG KEVLAR 8" VERT	K0070	
	760766	WHEEL 24" MAG KEVLAR 8" OBLIQUE	K0070	
	760769	WHEEL 24" MAG KEVLAR 12" VERT	K0070	
	760770	WHEEL 24" MAG KEVLAR 12" OBLIQUE	K0070	
	760771	WHEEL 24" MAG KEVLAR OMIT HR	K0070	
	102168-003	GUARD THUMB NAT FIT 24 PC BLK	E2205	
	102168-004	GUARD THUMB NAT FIT 24 SG BLK	E2205	
	102169-002	HAND RIM NAT FIT RV NT 24 BLK	E2205	

24" (540) WHEEL (Spoke)

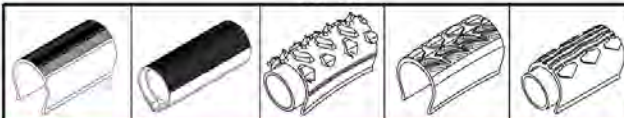
Tires



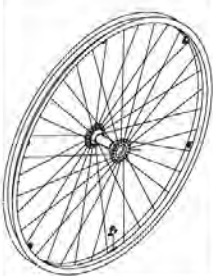
Handrims

	Handrim Type	Tires						Handrims		
		Pneumatic	Pneumatic Black	Pneu w/ Insert	Full Poly	Low Poly	KIK	Hand Rim Only (*Hardware included)	Hand Rim Hardware	
	Anodized	760335		760260	760280	760305	103297	426000*	281170 (6)	
	Plastic	760340		760261	760281	760310	103298	426004*	561036 (6)	
	Natural Fit w/ Thumb Guard	103279		103282	103291	106076	103305	102169-002 102168-003		
	Natural Fit Super Grip w/ Thumb Guard	103280		103283	103292	106077	103306	102169-002 102168-004	101931 (6) 226034 (6)	
	8" Vert	760360		760264	760285		103299	427002*		
	8" Oblique	760365		760265	760286	760294	103300	427003*	281170 (6)	
	12" Vert	760380		760268	760289		103303	427006*	261300 (6)	
	12" Oblique	760385		760269	760290	760298	103304	427007*	561046 (6)	
	Ornit Handrim	760390	760391	760270	760284	760328	103308	N/A	N/A	
	Wheel Components									
	Tire Only		385300	385295	385300	386252	386254	102060-001	N/A	N/A
	Rim Strip		381275	381275	N/A	N/A	N/A	N/A	N/A	N/A
	Tube or Insert		382325	382325	102973-005	N/A	N/A	N/A	N/A	N/A

Tires



Handrims

	Handrim Type	Tires					Handrims		
		High Pressure Clincher	Latex Tubular	Mt. Tire	Schwab	Kevlar	Hand Rim Only (*Hardware included)	Hand Rim Hardware	
	Anodized	760600	760680		103308	760400	426000*	281170 (6)	
	Plastic	760601	760681		103310	760401	426004*	561036 (6)	
	Natural Fit w/ Thumb Guard	103285	103294		103311	103288	102169-002 102168-003		
	Natural Fit Super Grip w/ Thumb Guard	103286	103295		103312	103289	102169-002 102168-004	101931 (6) 226034 (6)	
	8" Vert	760604	761751		103363	760404	427002*		
	8" Oblique	760805	761752		103364	760405	427003*	281170 (6)	
	12" Vert	760608	761753		103318	760408	427006*	261300 (6)	
	12" Oblique	760609	761754		103319	760409	427007*	561046 (6)	
	Ornit Handrim	760610	760690		103314	760410	N/A	N/A	
	Wheel Components								
	Tire Only		389020	389004		102066-001	385350	N/A	N/A
	Rim Strip		381275	381275			381275	N/A	N/A
	Tube or Insert		382330	N/A		382330	382325	N/A	N/A

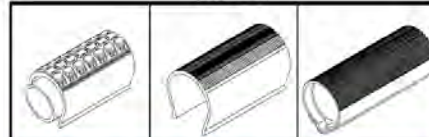
Pos.	Item Number	Description	HCPCS	Remarks
SPOKE 401074 (HOLE)	103279	24' SPOKE PNEU NF TG	K0069	
	103280	24' SPOKE PNEU NF SGTG	K0069	
	103282	24' SPOKE PNEU	K0069	
	103283	24' SPOKE	K0069	
	103291	24' SPOKE FULL POLY NF TG	K0069	
	103292	24' SPOKE FULL POLY NF SGTG	K0069	
	103297	24' SPOKE KIK BK ANO	K0069	
	103298	24' SPOKE KIK BK PLASTIC	K0069	
	103299	24' SPOKE KIK BK 8" VERTICAL	K0069	
	103300	24' SPOKE KIK BK 8" OBLIQUE	K0069	
	103303	24' SPOKE KIK BK 12" VERTICAL	K0069	
	103304	24' SPOKE KIK BK 12" OBLIQUE	K0069	
	103305	24' SPOKE KIK BK NF TG	K0069	
	103306	24' SPOKE KIK BK NF SGTG	K0069	
	103308	24' SPOKE KIK BK OMIT HR	K0069	
	106076	24' SPOKE LOW POLY NF TG	K0069	
	106077	24' SPOKE LOW POLY NF SGTG	K0069	

Pos.	Item Number	Description	HCPCS	Remarks
	381275	24" RIM STRIP		
	382325	24 x 1.3/8" TUBE REG	E2212	
	385295	24" PNEU TIRE BLK	E2211	
	385300	24" PNEU TIRE	E2211	
	386252	24" POLY TIRE STD	E2220	
	386254	24" POLY LOW PROFILE	E2220	
	401074	24" RIM ASSM PUSH BUTTON	E2224	
	760260	24" SPK PNEU INSERT HR ANO	K0070	
	760261	24" SPK PNEU INSERT HR PLASTIC	K0070	
	760264	24" SPK PNEU INSERT 8" VERT	K0070	
	760265	24" SPK PNEU INSERT 8" OBLIQUE	K0070	
	760268	24" SPK PNEU INSERT 12" VERT	K0070	
	760269	24" SPK PNEU INSERT 12" OBLIQUE	K0070	
	760270	24" SPK PNEU INSERT OMIT HR	K0070	
	760280	24" SPK FULL POLY HR ANO	K0069	
	760281	24" SPK FULL POLY HR PLASTIC	K0069	
	760284	24" SPK FULL POLY OMIT HR	K0069	
	760285	24" SPK FULL POLY 8" VERT	K0069	
	760286	24" SPK FULL POLY 8" OBLIQUE	K0069	
	760289	24" SPK FULL POLY 12" VERT	K0069	
	760290	24" SPK FULL POLY 12" OBLIQUE	K0069	
	760294	24" SPK LOW POLY 8" OBLIQUE	K0069	
	760298	24" SPK LOW POLY 12" OBLIQUE	K0069	
	760305	24" SPK LOW POLY HR ANO	K0069	
	760310	24" SPK LOW POLY HR PLASTIC	K0069	
	760328	24" SPK LOW POLY OMIT HR	K0069	
	760335	24" SPK PNEU HR ANO	K0070	
	760340	24" SPK PNEU HR PLASTIC	K0070	
	760360	24" SPK PNEU 8" VERT	K0070	
	760365	24" SPK PNEU 8" OBLIQUE	K0070	
	760380	24" SPK PNEU 12" VERT	K0070	
	760385	24" SPK PNEU 12" OBLIQUE	K0070	
	760390	24" SPK PNEU OMIT HR	K0070	
	760391	24" SPK PNEU BLK HR OMIT	K0070	
	102060-001	TIRE KIK MAKO MAG SUN 540 BLK	E2220	
	102973-005	24" AIRLESS INSERT	E2213	
SPOKE 401074 (HOLE)	101931	SPACER .194 ID x .430D x 1.13LG		
	103285	24" SPOKE CLINCHER NF TG	K0070	
	103286	24" SPOKE CLINCHER NF SGTG	K0070	
	103288	24" SPOKE KEVLAR NF TG	K0070	
	103289	24" SPOKE KEVLAR NF SGTG	K0070	
	103294	24" SPOKE TUBULAR NF TG	K0070	
	103295	24" SPOKE TUBULAR NF SGTG	K0070	
	103309	24" SPOKE SCH MPE ANO	K0070	
	103310	24" SPOKE SCH MPE PLASTIC	K0070	
	103311	24" SPOKE SCH MPE NF TG	K0070	
	103312	24" SPOKE SCH MPE NF SGTG	K0070	
	103314	24" SPOKE SCH MPE OMIT HR	K0070	
	103318	24" SPOKE SCH MPE 12" VERTICAL	K0070	
	103319	24" SPOKE SCH MPE 12" OBLIQUE	K0070	
	103363	24" SPOKE SCH MPE 8" VERTICAL	K0070	
	103364	24" SPOKE SCH MPE 8" OBLIQUE	K0070	
	226034	10 -32 x 1 3/4 BH C/S BLK	K0070	
	261300	3/16 WASHER FLAT	K0070	
	281170	10 -32 x 1 5/8 PAN PHIL SS	K0070	
	381275	24" RIM STRIP	K0070	
	382325	24 x 1.3/8" TUBE REG	E2212	

Pos.	Item Number	Description	HCPCS	Remarks
	382330	24' TUBE PRESTA VALVE (540mm)	E2212	
	385350	24" KEVLAR TIRE	E2211	
	389004	QP 24" x 1" TUBULAR TIRE	E2211	
	389020	24" x 1" HIGH PRESSURE CLINCHER TIRE	E2211	
	426000	24" HR 6SMT W/ HDWR	E2205	
	426004	24" HR 6SMT PLASTIC W/ HDWR	E2205	
	427002	PROJ 24/26" HR 8" VERT W/ HDWR	E0976	
	427003	PROJ 24/26" HR 8" OBLIQUE W/ HDWR	E0976	
	427006	PROJ 24/26" HR 12" VERT W/ HDWR	E0976	
	427007	PROJ 24/26" HR 12" OBLIQUE W/ HDWR	E0976	
	561036	HANDRIM SPACER (REG)		
	561046	PROJECTION SPOKE MOUNT		
	760400	24" SPOKE KEVLAR HR ANO	K0070	
	760401	24" SPOKE KEVLAR HR PLASTIC	K0070	
	760404	24" SPOKE KEVLAR 8" VERTICAL	K0070	
	760405	24" SPOKE KEVLAR 8" OBLIQUE	K0070	
	760408	24" SPOKE KEVLAR 12" VERTICAL	K0070	
	760409	24" SPOKE KEVLAR 12" OBLIQUE	K0070	
	760410	24" SPOKE KEVLAR OMIT HR	K0070	
	760600	24" SPOKE CLINCHER HR ANO	K0070	
	760601	24" SPOKE CLINCHER HR PLASTIC	K0070	
	760604	24" SPOKE CLINCHER 8" VERTICAL	K0070	
	760605	24" SPOKE CLINCHER 8" OBLIQUE	K0070	
	760608	24" SPOKE CLINCHER 12" VERTICAL	K0070	
	760609	24" SPOKE CLINCHER 12" OBLIQUE	K0070	
	760610	24" SPOKE CLINCHER OMIT HR	K0070	
	760680	24" SPOKE TUBULAR HR ANO	K0070	
	760681	24" SPOKE TUBULAR HR PLASTIC	K0070	
	760690	24" SPOKE TUBULAR OMIT HR	K0070	
	102066-001	TIRE SCHWAB MPE 540 BLK	E2211	
	102168-003	GUARD THUMB NAT FIT 24" PC BLK	E2205	
	102168-004	GUARD THUMB NAT FIT 24" SG BLK	E2205	
	102169-002	HANDRIM NAT FIT RV NT 24" BLK	E2205	

24" (540) WHEEL (CROSS SPOKE)

Tires



Handrims

Pneumatic	High Pressure Clincher	Latex Tubular	Hand Rim Only (*Hardware included)	Hand Rim Hardware
-----------	------------------------	---------------	------------------------------------	-------------------

	24" (540) XS (Cross Spoke) 401080	Handrim Type					
		Anodized (ST)	761401	761408	761415	529529	580301 (6) 200100-QU (6) 281110 (6)
		Anodized (RT)	761404	761411	761418	529529	
		Black Painted (ST)	761402	761409	761416	529528	
		Black Painted (RT)	761405	761412	761419	529528	
		Plastic (ST)	761403	761410	761417	528019	
		Plastic (RT)	761406	761413	761420	528019	
		SS (ST)	N/A	761498	761623	529540	
		SS (RT)	N/A	761499	761624	529540	
		Titanium (ST)	N/A	761920	761922	141133	
		Titanium (RT)	N/A	761921	761923	141133	
		Omit Handrim	761400	761407	761414	N/A	N/A
		Wheel Components					
		Tire Only	385360	389020	389004	N/A	N/A
		Rim Strip	381275	381275	381275	N/A	N/A
Tube or Insert	382325	384545	N/A	N/A	N/A		

Pos.	Item Number	Description	HCPCS	Remarks
XS (cross spoke)	141133	HANDRIM TITANIUM 540 24" 6T	E2205	
401080	281110	10 -32 x 1/2 PAN PHIL		
	381275	24" RIM STRIP		
	384545	QP 24" HT INNER TUBE (559mm)	E2212	
	389004	QP 24" x 1" TUBULAR TIRE	E2211	
	389020	24" x 1" HI PRESSURE CLINCHER TIRE	E2211	
	401080	24" X/S RIM ASSM PUSH BUTTON		
	528019	24" HR 6T BLK PLASTIC	E2205	
	529528	QP 24" HR .065 (6) TAB BLACK PAINTED	E2205	
	529529	QP 24" HR .065 (6) TAB ANO	E2205	
	529540	HANDRIM STAINLESS 24"	E2205	
	580301	HR TAB COVER BLK		
	761407	24" X/S CLINCHER HR OMIT	K0070	
	761408	24" X/S CLINCHER S-T ANO	K0070	
	761409	24" X/S CLINCHER S-T BLK PNTD	K0070	
	761410	24" X/S CLINCHER S-T PLASTIC	K0070	
	761411	24" X/S CLINCHER R-T ANO	K0070	
	761412	24" X/S CLINCHER R-T BLK PNTD	K0070	

Pos.	Item Number	Description	HCPCS	Remarks
	761413	24" X/S CLINCHER R-T PLASTIC	K0070	
	761414	24" X/S TUBULAR HR OMIT	K0070	
	761415	24" X/S TUBULAR S-T ANO	K0070	
	761416	24" X/S TUBULAR S-T BLK PNTD	K0070	
	761417	24" X/S TUBULAR S-T PLASTIC	K0070	
	761418	24" X/S TUBULAR R-T ANO	K0070	
	761419	24" X/S TUBULAR R-T BLK PNTD	K0070	
	761420	24" X/S TUBULAR R-T PLASTIC	K0070	
	761498	24" X/S CLINCHER HR S-T SS	K0070	
	761499	24" X/S CLINCHER HR R-T SS	K0070	
	761623	24" X/S TUBULAR HR S-T SS	K0070	
	761624	24" X/S TUBULAR HR R-T SS	K0070	
	761920	24" X/S CLINCHER HR S-T TI	K0070	
	761921	24" X/S CLINCHER HR R-T TI	K0070	
	761922	24" X/S TUBULAR HR S-T TI	K0070	
	761923	24" X/S TUBULAR HR R-T TI	K0070	
	200100-QU	10 -32 NYLOCK NUT		
	281110	10 -32 x 1/2 PAN PHIL		
	381275	24" RIM STRIP		
	382325	24 x 1.3/8" TUBE REG	E2212	
	385300	24" PNEU TIRE	E2211	
	528019	24" HR 6T BLK PLASTIC	E2205	
	529528	QP 24" HR .065 (6) TAB BLK PNTD	E2205	
	529529	QP 24" HR .065 (6) TAB ANO	E2205	
	580301	HR TAB COVER BLK		
	761400	24" X/S PNEU HR OMIT	K0070	
	761401	24" X/S PNEU S-T ANO	K0070	
	761402	24" X/S PNEU S-T BLK PNTD	K0070	
	761403	24" X/S PNEU S-T PLASTIC	K0070	
	761404	24" X/S PNEU R-T ANO	K0070	
	761405	24" X/S PNEU R-T BLK PNTD	K0070	
	761406	24" X/S PNEU R-T PLASTIC	K0070	
	200100-QU	10 -32 NYLOCK NUT		

24" (540) WHEEL (LITE SPOKE)

Tires



Handrims

Pneumatic	Pneumatic w/ Insert	Full Poly	Low Poly	High Pressure Clincher	Hand Rim Only (*Hardware included)	Hand Rim Hardware
-----------	---------------------	-----------	----------	------------------------	------------------------------------	-------------------

	24" (540) Lite Spoke 107131 (Handrim Rivnut Mount)	Handrim Type							
		Anodized	108394	108403	108380	108389	108439	107174	107267(6) 108256(6)
		Plastic	108395	108404	108381	108390	108440	426004*	281170(6) 561036(6)
		Natural Fit w/ Thumb Guard	108396	108405	108382	108391	108441	102169-002 102168-003	101931(6) 226034(6)
		Natural Fit Super Grip w/ Thumb Guard	108397	108406	108383	108392	108442	102169-002 102168-004	
		Natural Fit w/o Thumb Guard	108398	108407	108384	108393	108443	102169-002	
		8" Vert	108400	108409	108386	N/A	108445	427002*	281170(6)
		8" Oblique	108399	108408	108385	N/A	108444	427003*	261300(6)
		12" Vert	108402	108411	108388	N/A	108446	427006*	561046(6)
		12" Oblique	108401	108410	108387	N/A	108447	427007*	
		Omit Handrim	N/A	N/A	N/A	N/A	N/A	N/A	N/A
		Wheel Components							
		Tire Only	385300	385300	386252	386254	389020	N/A	N/A
		Rim Strip	381275	N/A	N/A	N/A	381275	N/A	N/A
Tube or Insert	382325	102973-005	N/A	N/A	382330	N/A	N/A		

Tires



Handrims

KIK	Schwab	Kevlar	Knobby	Hand Rim Only (*Hardware included)	Hand Rim Hardware
-----	--------	--------	--------	------------------------------------	-------------------

	24" (540) Lite Spoke 107131 (Handrim Rivnut Mount)	Handrim Type							
		Anodized	108430	108421	108412	108448	107174	107267(6) 108256(6)	
		Plastic	108431	108422	108413	108449	426004*	281170(6) 561036(6)	
		Natural Fit w/ Thumb Guard	108432	108423	108414	108450	102169-002 102168-003	101931(6) 226034(6)	
		Natural Fit Super Grip w/ Thumb Guard	108433	108424	108415	108451	102169-002 102168-004		
		Natural Fit w/o Thumb Guard	108434	108425	108416	108452	102169-002		
		8" Vert	108436	108427	108418	108454	427002*	281170(6)	
		8" Oblique	108435	108426	108417	108453	427003*	261300(6)	
		12" Vert	108438	108429	108420	108456	427006*	561046(6)	
		12" Oblique	108437	108428	108419	108455	427007*		
		Omit Handrim	N/A	N/A	N/A	N/A	N/A	N/A	
		Wheel Components							
		Tire Only	102060-001	102066-001	385350	385354	N/A	N/A	
		Rim Strip	N/A	381275	381275	381275	N/A	N/A	
Tube or Insert	N/A	382330	382325	382325	N/A	N/A			

Pos.	Item Number	Description	HCPCS	Remarks
24" LT SPOKE 107131	101931	SPACER .194 ID x .430 OD x 1.13 LG		
	107131	WHEEL RIM/SPOKE MBL 24"	E2224	
	107174	HANDRIM 6SMT w/ HDWR 24"	E2205	
	107267	HANDRIM SPACER REG THIN		
	108256	M5 x 0.8 x 40 PHIL BLK ROHS		
	108380	24" LT SPOKE FULL POLY ANO	K0069	
	108381	24" LT SPOKE FULL POLY PLASTIC	K0069	
	108382	24" LT SPOKE FULL POLY NF STD	K0069	
	108383	24" LT SPOKE FULL POLY NF SPR	K0069	
	108384	24" LT SPOKE FULL POLY NF NO	K0069	
	108385	24" LT SPOKE FULL POLY 8" OBLIQUE	K0069	
	108386	24" LT SPOKE FULL POLY 8" VERT	K0069	
	108387	24" LT SPOKE FULL POLY 12" OBLIQUE	K0069	
	108388	24" LT SPOKE FULL POLY 12" VERT	K0069	
	108389	24" LT SPOKE LOW POLY ANO	K0069	
	108390	24" LT SPOKE LOW POLY PLASTIC	K0069	

Pos.	Item Number	Description	HCPCS	Remarks
	108391	24" LT SPOKE LOW POLY NF STD	K0069	
	108392	24" LT SPOKE LOW POLY NF SPR	K0069	
	108393	24" LT SPOKE LOW POLY NF NO	K0069	
	108394	24" LT SPOKE PNEU ANO	K0070	
	108395	24" LT SPOKE PNEU PLASTIC	K0070	
	108396	24" LT SPOKE PNEU NF STD	K0070	
	108397	24" LT SPOKE PNEU NF SPR	K0070	
	108398	24" LT SPOKE PNEU NF NO	K0070	
	108399	24" LT SPOKE PNEU 8" OBLIQUE	K0070	
	108400	24" LT SPOKE PNEU 8" VERT	K0070	
	108401	24" LT SPOKE PNEU 12" OBLIQUE	K0070	
	108402	24" LT SPOKE PNEU 12" VERT	K0070	
	108403	24" LT SPOKE PNEU INSERT ANO	K0070	
	108404	24" LT SPOKE PNEU INSERT PLASTIC	K0070	
	108405	24" LT SPOKE PNEU INSERT NF STD	K0070	
	108406	24" LT SPOKE PNEU INSERT NF SPR	K0070	
	108407	24" LT SPOKE PNEU INSERT NF NO	K0070	
	108408	24" LT SPOKE PNEU INSERT 8" OBLIQUE	K0070	
	108409	24" LT SPOKE PNEU INSERT 8" VERT	K0070	
	108410	24" LT SPOKE PNEU INSERT 12" OBLIQUE	K0070	
	108411	24" LT SPOKE PNEU INSERT 12" VERT	K0070	
	108412	24" LT SPOKE KEVLAR ANO	K0070	
	108413	24" LT SPOKE KEVLAR PLASTIC	K0070	
	108414	24" LT SPOKE KEVLAR NF STD	K0070	
	108415	24" LT SPOKE KEVLAR NF SPR	K0070	
	108416	24" LT SPOKE KEVLAR NF NO	K0070	
	108417	24" LT SPOKE KEVLAR 8" OBLIQUE	K0070	
	108418	24" LT SPOKE KEVLAR 8" VERT	K0070	
	108419	24" LT SPOKE KEVLAR 12" OBLIQUE	K0070	
	108420	24" LT SPOKE KEVLAR 12" VERT	K0070	
	108421	24" LT SPOKE SCHWAB ANO	K0070	
	108422	24" LT SPOKE SCHWAB PLASTIC	K0070	
	108423	24" LT SPOKE SCHWAB NF STD	K0070	
	108424	24" LT SPOKE SCHWAB NF SPR	K0070	
	108425	24" LT SPOKE SCHWAB NF NO	K0070	
	108426	24" LT SPOKE SCHWAB 8" OBLIQUE	K0070	
	108427	24" LT SPOKE SCHWAB 8" VERT	K0070	
	108428	24" LT SPOKE SCHWAB 12" OBLIQUE	K0070	
	108429	24" LT SPOKE SCHWAB 12" VERT	K0070	
	108430	24" LT SPOKE KIK ANO	K0069	
	108431	24" LT SPOKE KIK PLASTIC	K0069	
	108432	24" LT SPOKE KIK NF STD	K0069	
	108433	24" LT SPOKE KIK NF SPR	K0069	
	108434	24" LT SPOKE KIK NF NO	K0069	
	108435	24" LT SPOKE KIK 8" OBLIQUE	K0069	
	108436	24" LT SPOKE KIK 8" VERT	K0069	
	108437	24" LT SPOKE KIK 12" OBLIQUE	K0069	
	108438	24" LT SPOKE KIK 12" VERT	K0069	
	108439	24" LT SPOKE HP CLINCHER ANO	K0070	
	108440	24" LT SPOKE HP CLINCHER PLASTIC	K0070	
	108441	24" LT SPOKE HP CLINCHER NF STD	K0070	
	108442	24" LT SPOKE HP CLINCHER NF SPR	K0070	
	108443	24" LT SPOKE HP CLINCHER NF NO	K0070	
	108444	24" LT SPOKE HP CLINCHER 8" OBLIQUE	K0070	
	108445	24" LT SPOKE HP CLINCHER 8" VERT	K0070	
	108446	24" LT SPOKE HP CLINCHER 12" OBLIQUE	K0070	
	108447	24" LT SPOKE HP CLINCHER 12" VERT	K0070	

Pos.	Item Number	Description	HCPCS	Remarks
	108448	24" LT SPOKE KNOBBY ANO	K0070	
	108449	24" LT SPOKE KNOBBY PLASTIC	K0070	
	108450	24" LT SPOKE KNOBBY NF STD	K0070	
	108451	24" LT SPOKE KNOBBY NF SPR	K0070	
	108452	24" LT SPOKE KNOBBY NF NO	K0070	
	108453	24" LT SPOKE KNOBBY 8" OBLIQUE	K0070	
	108454	24" LT SPOKE KNOBBY 8" VERT	K0070	
	108455	24" LT SPOKE KNOBBY 12" OBLIQUE	K0070	
	108456	24" LT SPOKE KNOBBY 12" VERT	K0070	
	226034	10 -32x 1 3/4 BH C/S BLK		
	261300	3/16 WASHER FLAT		
	281170	10 -32 x 1 5/8 PAN PHIL SS		
	381275	24" RIM STRIP		
	382325	24" x 1 3/8 TUBE REG		
	382330	24" TUBE PRESTA VALVE (540mm)	E2211	
	385300	22" TUBE	E2211	
	385350	24" KEVLAR TIRE	E2211	
	385354	24" x 1 3/8 KNOBBY TIRE	E2211	
	386252	24" POLY TIRE STD	E2220	
	386254	24" POLY LOW PROFILE	E2220	
	389020	24" x 1" HI PRESSURE CLINCHER TIRE	E2211	
	426004	24" HR 6SMT PLASTIC W/ HDWR	E2205	
	427002	PROJ 24/26" HR 8 VERT W/ HDWR	E0967	
	427003	PROJ 24/26" HR 8 OBLIQUE W/ HDWR	E0967	
	427006	PROJ 24/26" HR 12 VERT W/ HDWR	E0967	
	427007	PROJ 24/26" HR 12 OBLIQUE W/ HDWR	E0967	
	561036	HANDRIM SPACER (REG)		
	561046	PROJECTION SPOKE MOUNT		
	102060-001	TIRE KIK MAKO MAG SUN 540 BLK	E2220	
	102066-001	TIRE SCHWBL MPE 540 BLK	E2211	
	102168-003	GUARD THUMB NAT FIT 24" PC BLK	E2205	
	102168-004	GUARD THUMB NAT FIT 24" SG BLK	E2205	
	102169-002	HANDRIM NAT FIT RV NT 24" BLK	E2205	
	102973-005	24" AIRLESS INSERT	E2213	

24" (540) WHEEL (ULTRA LIGHT SPOKE)

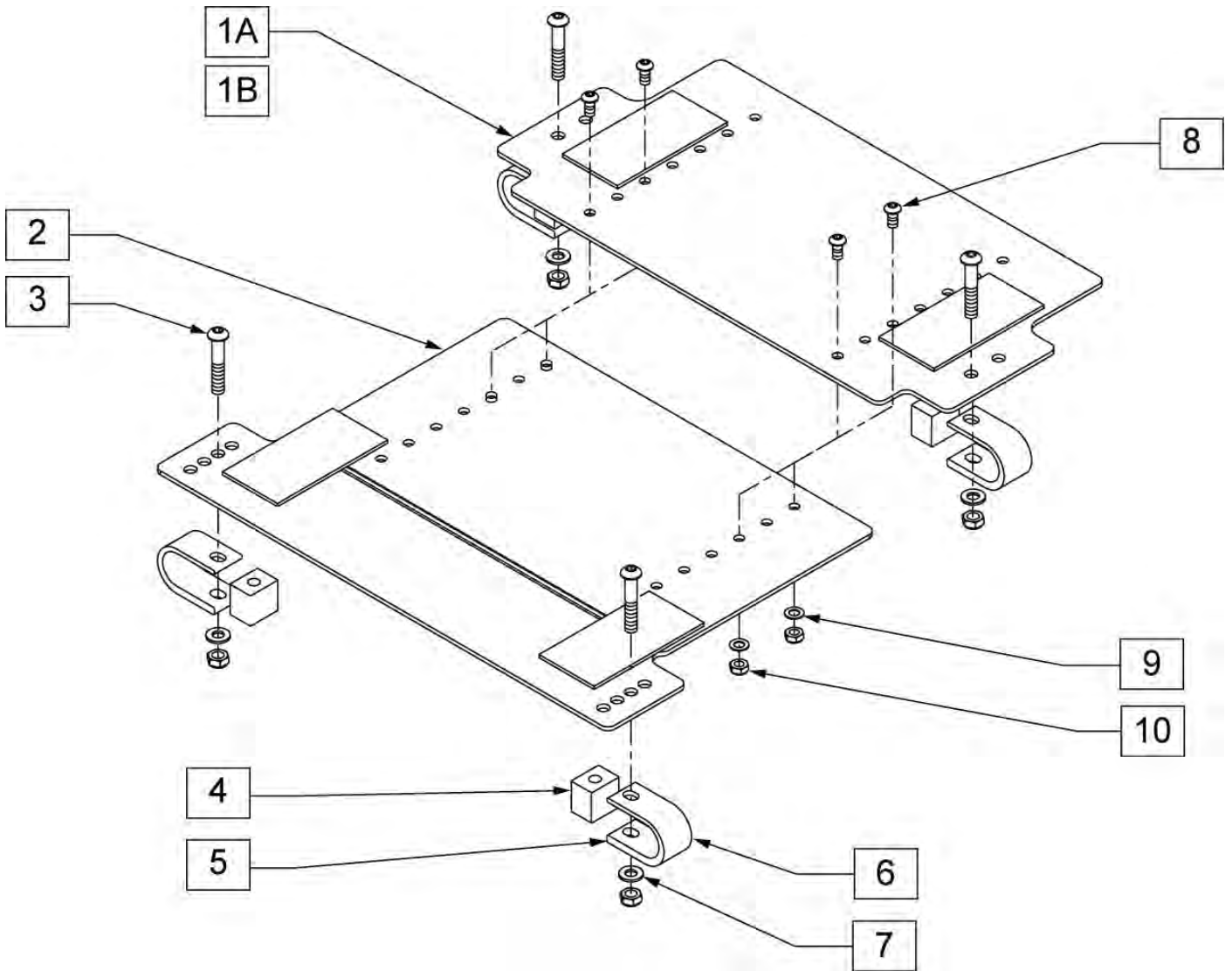
Tires



Handrims

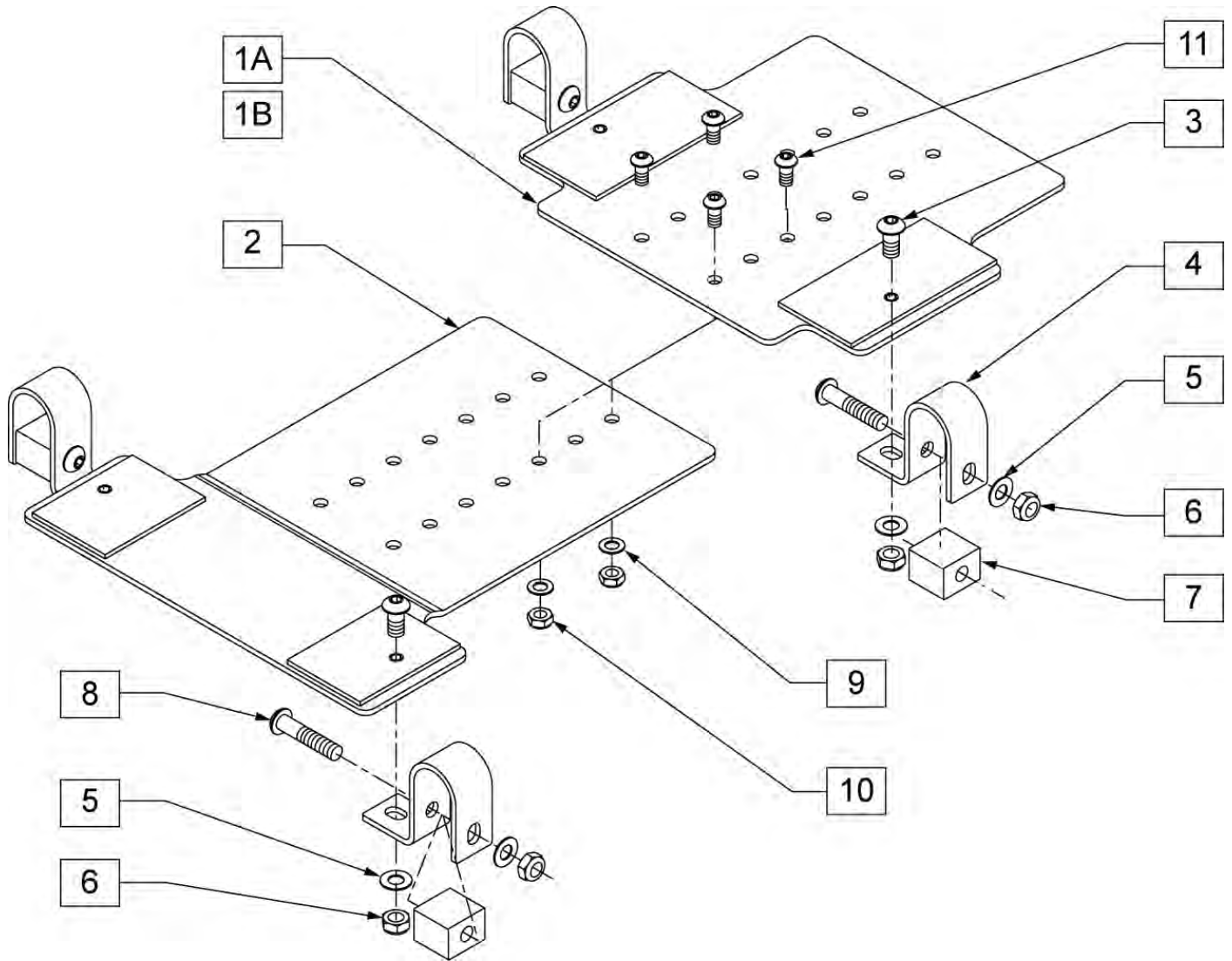
	24" (540) Ultra Light 100798-002	Handrim Type			
		Anodized	100797-002	100739-002	013142 (6)
		Omit Handrim	N/A	N/A	N/A
		Wheel Components			
		Tire Only	389020	N/A	N/A
		Rim Strip	381275	N/A	N/A
		Tube or Insert	384545	N/A	N/A

Pos.	Item Number	Description	HCPCS	Remarks
24" (540) Ultra Light	381275	24" RIM STRIP		
100798-002	384545	QP 24" HT INNER TUBE (559mm)	E2212	
	389020	24" x 1" HI PRESSURE CLINCHER TIRE	E2211	
	013142	BHCS M5 x .8 x 12 BLK W/ PL		(6)
	100739-002	HANDRIM 24" WHL MBL 1260	E2205	
	100797-002	WHL ASSM 24" MBL ULTRALITE	K0070	
	100798-002	WHEEL RIM 24" MBL ULTRALITE	E2224	



Pos.	Item Number	Description	Remarks	Pos.	Item Number	Description	Remarks
1A	040036-002	SEAT PAN REAR VELCRO 10W 10-16"		2	040038-002	SEAT PAN FRONT VELCRO 10W	
1A	040036-003	SEAT PAN REAR VELCRO 11W 10-16"		2	040038-003	SEAT PAN FRONT VELCRO 11W	
1A	040036-004	SEAT PAN REAR VELCRO 12W 10-16"		2	040038-004	SEAT PAN FRONT VELCRO 12W	
1A	040036-005	SEAT PAN REAR VELCRO 13W 10-16"		2	040038-005	SEAT PAN FRONT VELCRO 13W	
1A	040036-006	SEAT PAN REAR VELCRO 14W 10-16"		2	040038-006	SEAT PAN FRONT VELCRO 14W	
1A	040036-007	SEAT PAN REAR VELCRO 15W 10-16"		2	040038-007	SEAT PAN FRONT VELCRO 15W	
1A	040036-008	SEAT PAN REAR VELCRO 16W 10-16"		2	040038-008	SEAT PAN FRONT VELCRO 16W	
1A	040036-009	SEAT PAN REAR VELCRO 17W 10-16"		2	040038-009	SEAT PAN FRONT VELCRO 17W	
1A	040036-010	SEAT PAN REAR VELCRO 18W 10-16"		2	040038-010	SEAT PAN FRONT VELCRO 18W	
1B	040037-002	SEAT PAN REAR VELCRO 10W 14-18"		3	226190	5/16 -18 x 1 3/4 BH C/S SHOULDER	
1B	040037-003	SEAT PAN REAR VELCRO 11W 14-18"		4	550846	SPACER SEAT PAN	
1B	040037-004	SEAT PAN REAR VELCRO 12W 14-18"		5	263100	5/16" AN WASHER FLAT	
1B	040037-005	SEAT PAN REAR VELCRO 13W 14-18"		6	550684	CLAMP SEAT PAN	
1B	040037-006	SEAT PAN REAR VELCRO 14W 14-18"		7	202102	5/16 -18 NYLOCK NUT THIN	
1B	040037-007	SEAT PAN REAR VELCRO 15W 14-18"		8	226071	1/4 -28 x 1/2 BH C/S BLK	
1B	040037-008	SEAT PAN REAR VELCRO 16W 14-18"		9	262100-QU	1/4" AN WASHER FLAT	
1B	040037-009	SEAT PAN REAR VELCRO 17W 14-18"		10	200100-QU	1/4 -28 NYLOCK NUT THIN	
1B	040037-010	SEAT PAN REAR VELCRO 18W 14-18"		3-7	881537	SEAT PAN BRACKET W/ HARDWARE	

Pos.	Item Number	Description	Remarks	Pos.	Item Number	Description	Remarks
1-10	040039-001	SEAT PAN ASSM 10W 10-16"		1-10	040039-010	SEAT PAN ASSM 10W 10-16"	
1-10	040039-002	SEAT PAN ASSM 11W 10-16"		1-10	040039-011	SEAT PAN ASSM 11W 14-18"	
1-10	040039-003	SEAT PAN ASSM 12W 10-16"		1-10	040039-012	SEAT PAN ASSM 12W 14-18"	
1-10	040039-004	SEAT PAN ASSM 13W 10-16"		1-10	040039-013	SEAT PAN ASSM 13W 14-18"	
1-10	040039-005	SEAT PAN ASSM 14W 10-16"		1-10	040039-014	SEAT PAN ASSM 14W 14-18"	
1-10	040039-006	SEAT PAN ASSM 15W 10-16"		1-10	040039-015	SEAT PAN ASSM 15W 14-18"	
1-10	040039-007	SEAT PAN ASSM 16W 10-16"		1-10	040039-016	SEAT PAN ASSM 16W 14-18"	
1-10	040039-008	SEAT PAN ASSM 17W 10-16"		1-10	040039-017	SEAT PAN ASSM 17W 14-18"	
1-10	040039-009	SEAT PAN ASSM 18W 10-16"		1-10	040039-018	SEAT PAN ASSM 18W 14-18"	

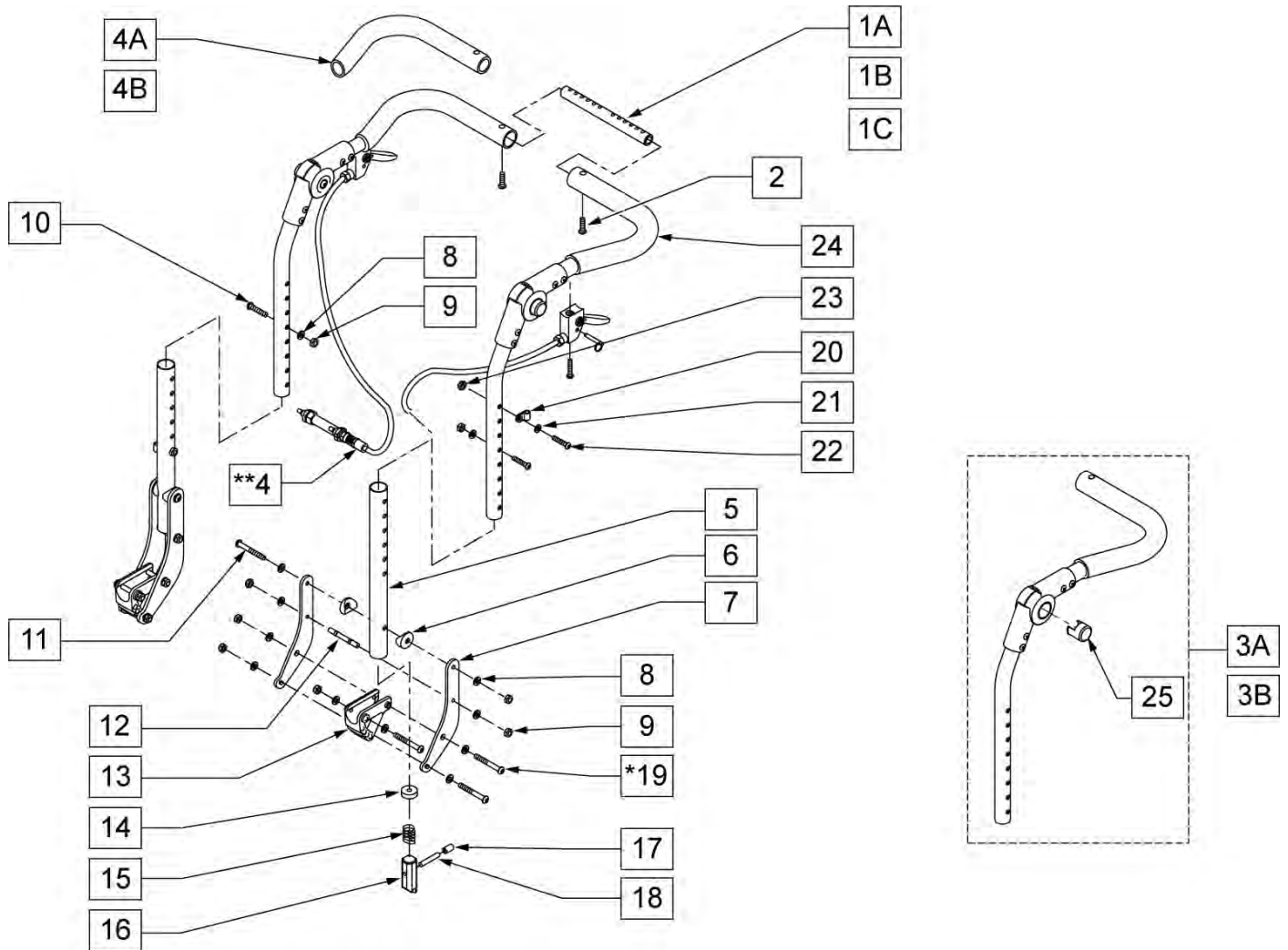


Pos.	Item Number	Description	Remarks	Pos.	Item Number	Description	Remarks
1A	040036-001	SEAT PAN REAR VELCRO 9W 10-16"		2	040038-001	SEAT PAN FRONT VELCRO 9W	
1A	040036-002	SEAT PAN REAR VELCRO 10W 10-16"		2	040038-002	SEAT PAN FRONT VELCRO 10W	
1A	040036-003	SEAT PAN REAR VELCRO 11W 10-16"		2	040038-003	SEAT PAN FRONT VELCRO 11W	
1A	040036-004	SEAT PAN REAR VELCRO 12W 10-16"		2	040038-004	SEAT PAN FRONT VELCRO 12W	
1A	040036-005	SEAT PAN REAR VELCRO 13W 10-16"		2	040038-005	SEAT PAN FRONT VELCRO 13W	
1A	040036-006	SEAT PAN REAR VELCRO 14W 10-16"		2	040038-006	SEAT PAN FRONT VELCRO 14W	
1A	040036-007	SEAT PAN REAR VELCRO 15W 10-16"		2	040038-007	SEAT PAN FRONT VELCRO 15W	
1A	040036-008	SEAT PAN REAR VELCRO 16W 10-16"		2	040038-008	SEAT PAN FRONT VELCRO 16W	
1A	040036-009	SEAT PAN REAR VELCRO 17W 10-16"		2	040038-009	SEAT PAN FRONT VELCRO 17W	
1B	040037-002	SEAT PAN REAR VELCRO 10W 14-18"		3	222231	5/16 -18 x 5/8 BH C/S BLK W/ PATCH	
1B	040037-003	SEAT PAN REAR VELCRO 11W 14-18"		4	506289	CLAMP SEAT PAN 2 DROP SEAT	
1B	040037-004	SEAT PAN REAR VELCRO 12W 14-18"		5	263100	5/16" AN WASHER FLAT	
1B	040037-005	SEAT PAN REAR VELCRO 13W 14-18"		6	202102	5/16 -18 NYLOCK NUT THIN	
1B	040037-006	SEAT PAN REAR VELCRO 14W 14-18"		7	550846	SPACER SEAT PAN	
1B	040037-007	SEAT PAN REAR VELCRO 15W 14-18"		8	226176	5/16 -18 x 1 1/2 BH C/S BLK	
1B	040037-008	SEAT PAN REAR VELCRO 16W 14-18"		9	262100-QU	1/4" AN WASHER FLAT	
1B	040037-009	SEAT PAN REAR VELCRO 17W 14-18"		10	200100-QU	1/4 -28 NYLOCK NUT THIN	
1B	040037-010	SEAT PAN REAR VELCRO 18W 14-18"		11	226071	1/4 -28 x 1/2 BH C/S BLK	

Pos.	Item Number	Description	Remarks	Pos.	Item Number	Description	Remarks
3-8	881538	DROP SEAT PAN BRACKET W/ HDWR		1-11	040040-010	SEAT PAN ASSM 10W 14-18"	
1-11	040040-001	SEAT PAN ASSM 10W 10-16"		1-11	040040-011	SEAT PAN ASSM 11W 14-18"	
1-11	040040-002	SEAT PAN ASSM 11W 10-16"		1-11	040040-012	SEAT PAN ASSM 12W 14-18"	
1-11	040040-003	SEAT PAN ASSM 12W 10-16"		1-11	040040-013	SEAT PAN ASSM 13W 14-18"	
1-11	040040-004	SEAT PAN ASSM 13W 10-16"		1-11	040040-014	SEAT PAN ASSM 14W 14-18"	
1-11	040040-005	SEAT PAN ASSM 14W 10-16"		1-11	040040-015	SEAT PAN ASSM 15W 14-18"	
1-11	040040-006	SEAT PAN ASSM 15W 10-16"		1-11	040040-016	SEAT PAN ASSM 16W 14-18"	
1-11	040040-007	SEAT PAN ASSM 16W 10-16"		1-11	040040-017	SEAT PAN ASSM 17W 14-18"	
1-11	040040-008	SEAT PAN ASSM 17W 10-16"		1-11	040040-018	SEAT PAN ASSM 18W 14-18"	
1-11	040040-009	SEAT PAN ASSM 18W 10-16"					

NOTE: ORDER CABLE ASSEMBLY SEPERATELY BASED ON "TILT HANDLE-CABLE ASSM FOR HEIGHT ADJ BACK" PAGE.

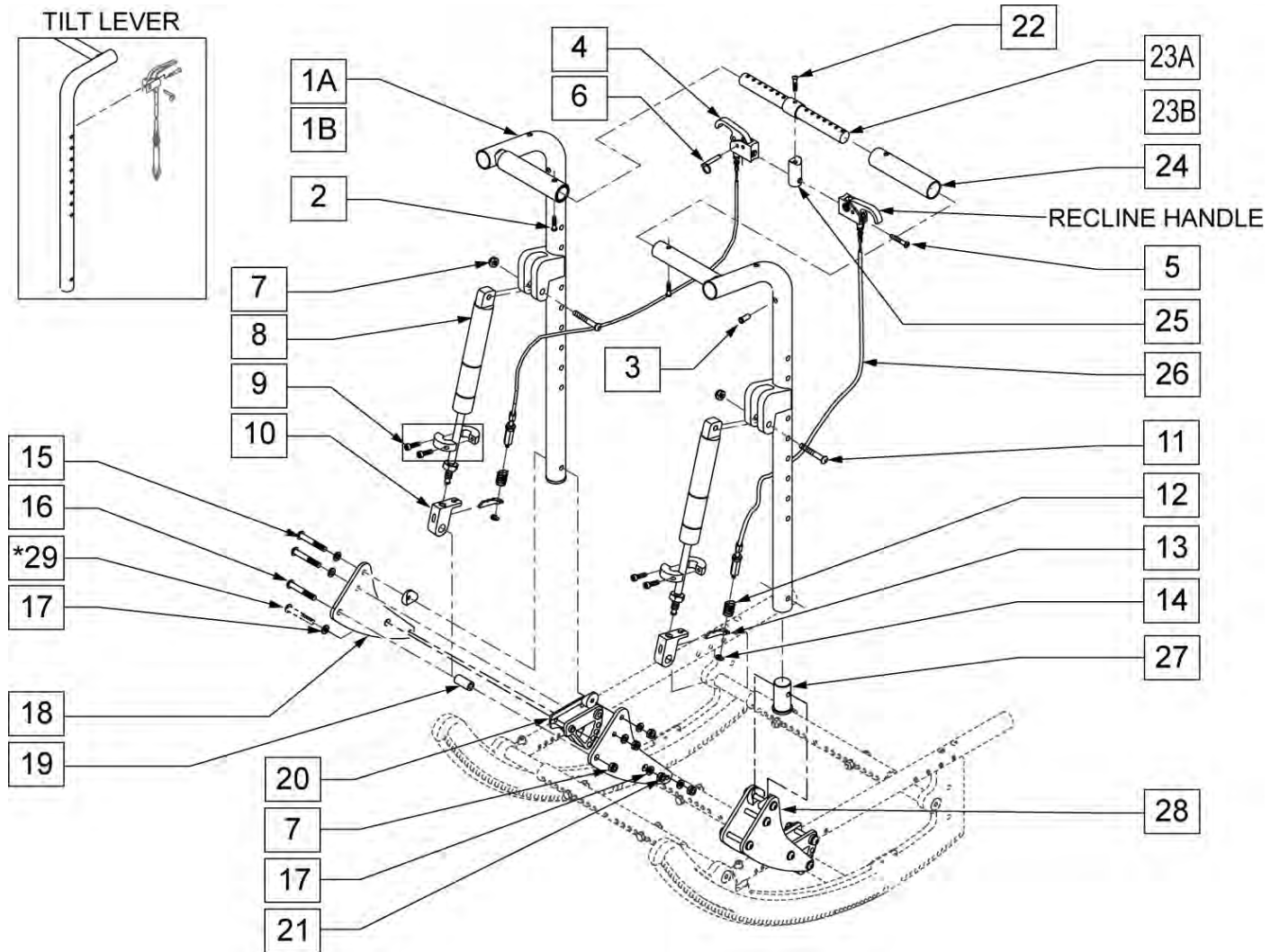
NOTE: ORDER HARDWARE FOR IRIS BACK BRACKETS BASED ON "BACK PLATE REPLACEMENT BOLT KIT" PAGE.



Pos.	Item Number	Description	Remarks
1A	050541-001	SHAFT GROWTH PED SHORT 10-14" WIDE	
1B	050541-002	SHAFT GROWTH PED MED 12-16" WIDE	
1C	521392	SHAFT GROWTH PED LONG 14-18" WIDE	
2	226168	1/4 -28 x .875 BH C/S	
3A	040023-001	HEIGHT ADJ PH PED -STANDARD	RIGHT
3A	040024-001	HEIGHT ADJ PH PED -STANDARD	LEFT
3B	040023-002	HEIGHT ADJ PH PED -LONG	RIGHT
3B	040024-002	HEIGHT ADJ PH PED -LONG	LEFT
4A	560638	FOAM GRIP .840 ID SHORT	
4B	560639	FOAM GRIP .840 ID LONG	
5	520757	TUBE BACK FRAME LOWER	
6	561004	1 SADDLE 1/4 HOLE	
7	050519	PLATE BACK PED	

Pos.	Item Number	Description	Remarks
8	262100-QU	1/4 AN WASHER FLAT	
9	201100-QU	1/4 -28 NYLOCK NUT THIN	
10	226223	1/4 -28 x 1 1/4 BH C/S BLK	
11	221066	1/4 -28 x 2 BHCS 1.70 SHOULDER	
12	481042	BACK RELEASE STOP PIN QTS	
13	560517	BLOCK ANGLE BACKREST MOUNT	
14	483020	S/A SPRING RETAINER	
15	321110	S/A LATCH SPRING	
16	560173	S/A LATCH .885 OD	
17	560502	ANTI-TIP LEVER COVER	
18	481084	BACK RELEASE PIN Z2/QT/EX	
20	349511	1/2 ID PLASTIC CLAMP BLK	
21	261204	#10 AN WASHER .063	
22	226032-QU	10-32 x 1 1/2 BH C/S BLK	
23	200100-QU	10-32 NYLOCK NUT	
24	560638	FOAM GRIP .840 ID SHORT	
25	483317	PUSH BUTTON MULTI POSITN HNGE	
5, 15-19	681111	HEIGHT ADJ PH LOWER TUBE W/ LATCH	
1-3A, 8-10	040025-001	STROLLER HANDLE PED STANDARD 10-14"	
1B-3A, 8-10	040025-002	STROLLER HANDLE PED STANDARD 12-16"	
1C-3A, 8-10	040025-003	STROLLER HANDLE PED STANDARD 14-18"	
1-3B, 8-10	040025-004	STROLLER HANDLE PED LONG 10-14"	
1B-3B, 8-10	040025-005	STROLLER HANDLE PED LONG 12-16"	
1C-3B, 8-10	040025-006	STROLLER HANDLE PED LONG 14-18"	
1-3A, 5-18, 20-25	040026-001	HEIGHT ADJ BACK PED STANDARD 10-14"	
1B-3A, 5-18, 20-25	040026-002	HEIGHT ADJ BACK PED STANDARD 12-16"	
1C-3A, 5-18, 20-25	040026-003	HEIGHT ADJ BACK PED STANDARD 14-18"	
1A-3B, 5-18, 20-25	040026-004	HEIGHT ADJ BACK PED LONG 10-14"	
1B-3B, 5-18, 20-25	040026-005	HEIGHT ADJ BACK PED LONG 12-16"	
1-3A, 5-18, 20-23	040026-001	HEIGHT ADJ BACK PED STANDARD 10-14"	
1B-3A, 5-18, 20-23	040026-002	HEIGHT ADJ BACK PED STANDARD 12-16"	
1C-3A, 5-18, 20-23	040026-003	HEIGHT ADJ BACK PED STANDARD 14-18"	
1A-3B, 5-18, 20-23	040026-004	HEIGHT ADJ BACK PED LONG 10-14"	
1B-3B, 5-18, 20-23	040026-005	HEIGHT ADJ BACK PED LONG 12-16"	
1C-3B, 5-18, 20-23	040026-006	HEIGHT ADJ BACK PED LONG 14-18"	
1C-3B, 5-18, 20-25	040026-006	HEIGHT ADJ BACK PED LONG 14-18"	

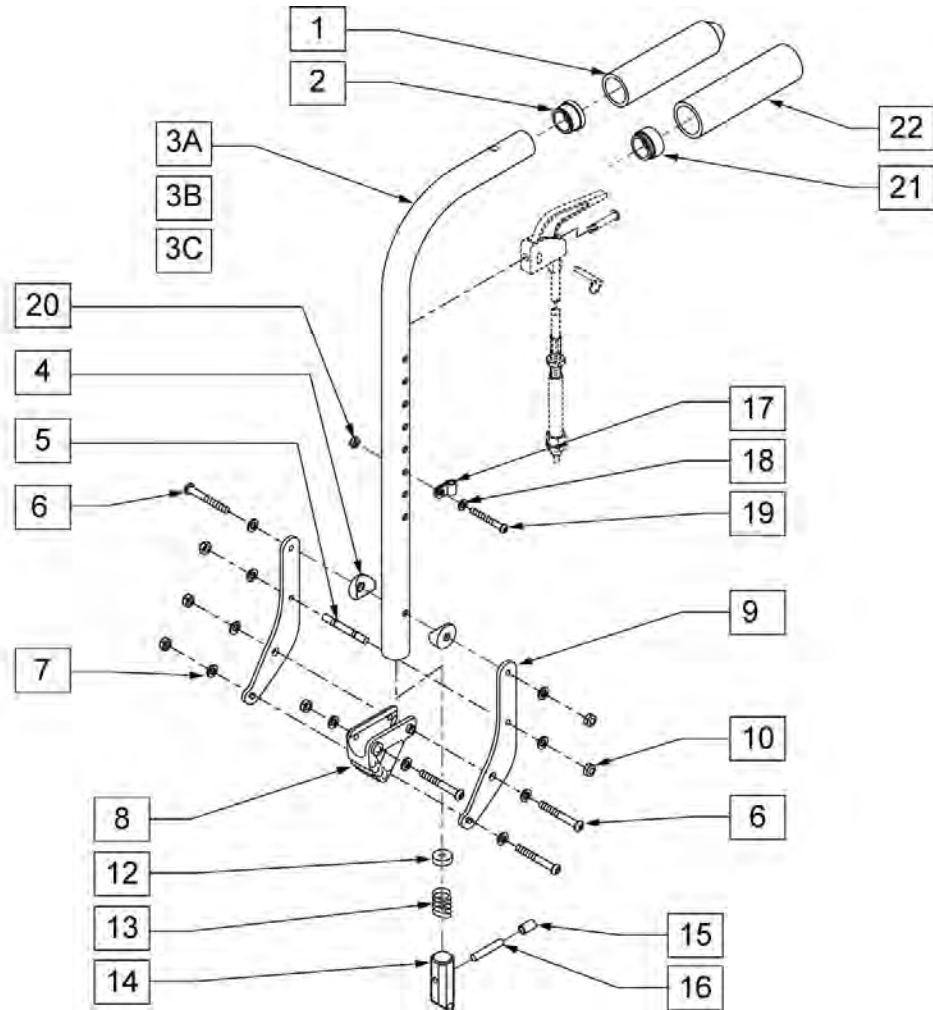
NOTE: ORDER HARDWARE FOR IRIS BACK BRACKETS BASED ON "BACK PLATE REPLACEMENT BOLT KIT" PAGE.



Pos.	Item Number	Description	Remarks
2	226110	1/4 -28 x 1 BH C/S	
3	341497	10-32 x .020 - .130 RIVNUT GOLD	
4	580111	CYLINDER LOCK LEVER ASSM RECLINER	
5	281120	10-32 x 5/8 PAN HD PHIL	
6	349021	TRIGGER RELEASE PIN TS/QT/P5	
7	202102	5/16 -18 NYLOCK NUT THIN	
8	342065	BLOC-O-LIFT 200N x 11.58	
9	342049	10mm ID SPLIT COLLAR	
10	880148	GAS SPRING BLOCK W/ BUSHING QTS	
11	222108	5/16 -18 x 1 1/4 BH C/S	
12	321141	.650L x 6 COIL SPRING	
13	560686	GAS SPRING LEVER T45	
14	342000	1/4" E-CLIP	
15	221066	1/4 -28 x 2 BHCS 1.70 SHOULDER	

Pos.	Item Number	Description	Remarks
16	226198	5/16 -18 x 2 BH C/S SHORT THREAD	
17	262100-QU	1/4" AN WASHER FLAT	
18	507306	PLATE RECLINING BACK	
19	483179	RECLINING BACK PIVOT STUD QTS	
20	560517	BLOCK ANGLE BACKREST MOUNT	
21	201100-QU	1/4 -28 NYLOCK NUT THIN	
22	222256	5/16 -18 x 1 1/2 BH C/S	
23A	507310	ADJUSTABLE BAR RELCINING BACK	
23B	50528	HANDLE ADJUSTABLE RECLINING PED	
24	50537	FOAM GRIP RECLINING PED	
25	483139	T45 RELEASE LEVER MOUNTING BLOCK	
26	342057	CYL LOCK CABLE ASSM	
27	483169	RECLINING BACK TUBE PLUG QTS	
28	561004	1" SADDLE 1/4" HOLE	
1A, 3, 24	040027-001	RECLINING BACK TUBE PED MED	RIGHT
1A, 3, 24	040028-001	RECLINING BACK TUBE PED MED	LEFT
1B, 3, 24	040027-002	RECLINING BACK TUBE PED TALL	RIGHT
1B, 3, 24	040028-002	RECLINING BACK TUBE PED TALL	LEFT
1A-28	040029-001	RECLINING BACK MED RETRO KIT 10-15"	
1A-23B, 24-28	040029-002	RECLINING BACK MED RETRO KIT 13-18"	
1B-28	040029-003	RECLINING BACK TALL RETRO KIT 10-15"	
1B,-23B, 24-28	040029-004	RECLINING BACK TALL RETRO KIT 13-18"	

STROLLER HANDLE BACKPOSTS

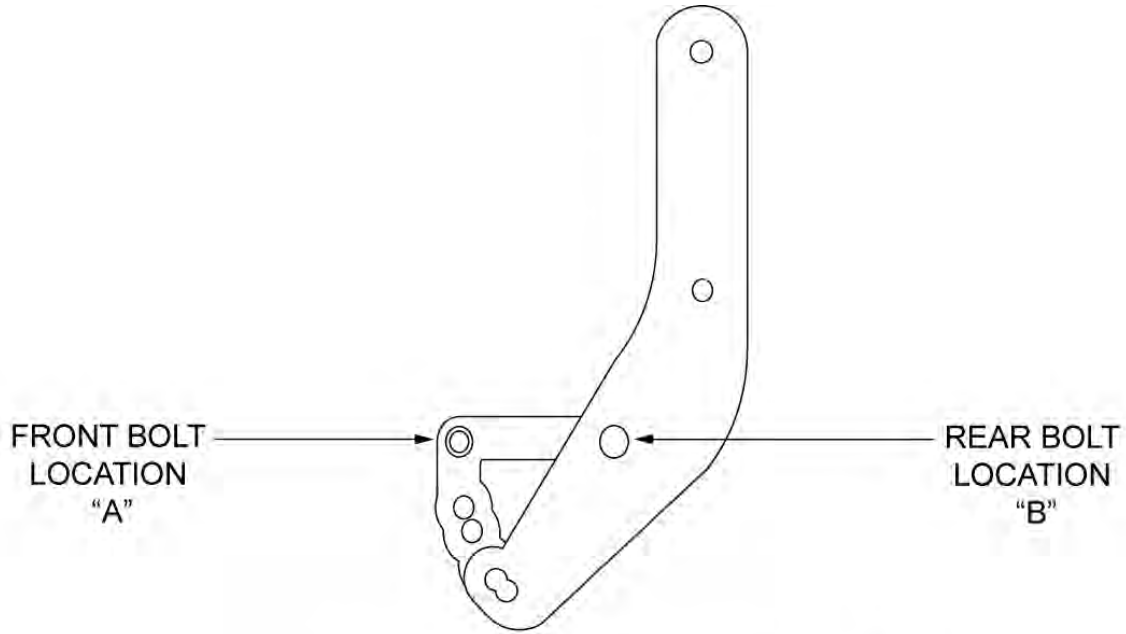


Pos.	Item Number	Description	Remarks
1	560663	QUICKIE GRIP 1"	
2	561002	1" INSERT PLUG .083	
4	561004	1" SADDLE 1/4 HOLE	
5	481042	BACK RELEASE STOP PIN QTS	
6	221066	1/4 -28 x 2 BHCS 1.70 SHOULDER	
7	262100-QU	1/4 AN WASHER FLAT	
8	560517	BLOCK ANGLE BACKREST MOUNT	
9	050519	PLATE BACK PED	
10	201100-QU	1/4 -28 NYLOCK NUT THIN	
12	483020	S/A SPRING RETAINER	
13	321110	S/A LATCH SPRING	
14	483019	BACK RELEASE LATCH	
15	560502	ANTI-TIP LEVER COVER	
16	481084	BACK RELEASE PIN Z2/QT/EX	
17	349511	1/2 ID PLST CLAMP BLK	
18	261204	#10 AN WASHER .063	
19	226032-QU	10-32 x 1 1/2 BH C/S BLK	
20	200100-QU	10-32 NYLOCK NUT	
21	561082	1" TUBE END BUSHING THIN	
	920023	QUICKIE GRIP 1" W/ HOLE W/ INSTRUCTIONS	
1-3A	842080	STROLLER HANDLE W/ FOAM STANDARD ZPS/P5/QT	

Pos.	Item Number	Description	Remarks
1-3B	842079	STROLLER HANDLE W/ FOAM MED ZPS/QT	
1-3C	842081	STROLLER HANDLE W/ FOAM TALL ZPS/QT	
12-16	920484	SLIDE LATCH KIT IRIS	
17-20	920485	CABLE GUIDE W/ HDWR	
1,2,3A,4-7,9,10,12-16	104656	STROLLER ASSM STD PED R	RIGHT
1,2,3B,4-7,9,10,12-16	104657	STROLLER ASSM MEDIUM PED L	LEFT
1,2,3C,4-7,9,10,12-16	104658	STROLLER ASSM TALL PED L	LEFT
3A,4-7,9,10,12-16,21,22	104718	STROLLER ASSM STD PED R W/ EXT	RIGHT
3A,4-7,9,10,12-16,21,22	104719	STROLLER ASSM STD PED L W/ EXT	LEFT
3B,4-7,9,10,12-16,21,22	104720	STROLLER ASSM MEDIUM PED R W/ EXT	RIGHT
3B,4-7,9,10,12-16,21,22	104721	STROLLER ASSM MEDIUM PED L W/ EXT	LEFT
3C,4-7,9,10,12-16,21,22	104723	STROLLER ASSM TALL PED R W/ EXT	RIGHT
3C,4-7,9,10,12-16,21,22	104724	STROLLER ASSM TALL PED L W/ EXT	LEFT
3A,21,22	842067	EXT STROLLER HANDLE STD	
3B,21,22	842066	EXT STROLLER HANDLE MEDIUM	
3C,21,22	842068	EXT STROLLER HANDLE TALL	

NOTE: ORDER HARDWARE FOR IRIS BACK BRACKETS BASED ON "BACK PLATE REPLACEMENT BOLT KIT" PAGE.

NOTE: HOLE ON TOP OF STROLLER HANDLE IS FOR USE WITH "STROLLER HANDLE EXTENSION-REMOVABLE" PAGE.

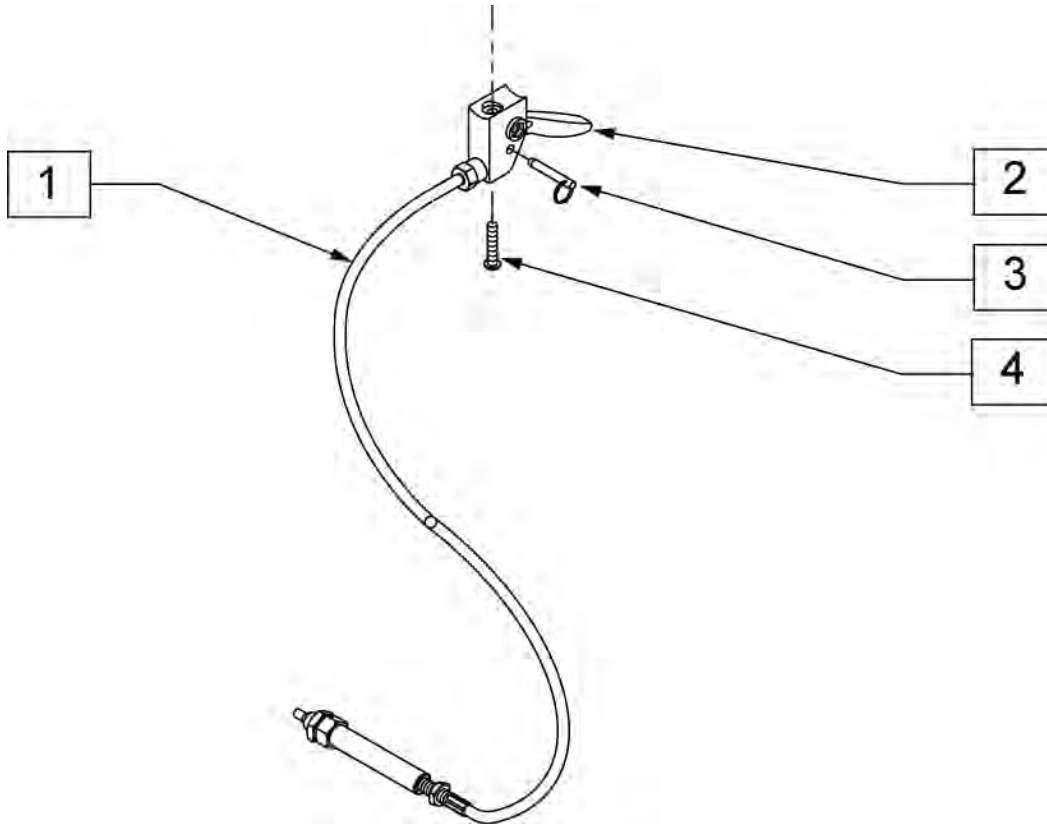


SHOWN: LEFT SIDE OFFSET OUTER PLATE
 NOTE: BOLT QUANTITIES ARE 2 PER SIDE

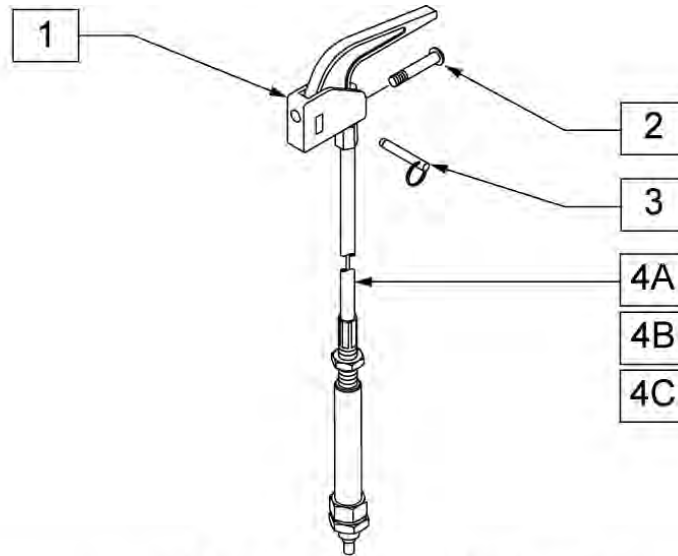
BACK PLATE BOLT KIT REFERENCE GUIDE

ACCESSORY TYPE	BOLT LENGTH AND PART NUMBER				
	2"	2 1/4"	2 1/2"	2 3/4"	3"
	221066	221067	221061	221062	221063
DUAL POST ARMREST				AB	
DUAL POST WITH TRANSIT		A		B	
DUAL POST FLIP-BACK WITH TRANSIT			A		B
OTHER	AB				
OTHER WITH TRANSIT		AB			

Description	Remarks
Part	



Pos.	Item Number	Description	Remarks
1	101319-004	CABLE ASSM PED X-LONG W/ INSTRUCTIONS	X-LONG
2, 3	580109	PLUNGER PIN LEVER ASSM	
4	281120	10/32 x 5/8 PAN HD PHIL	



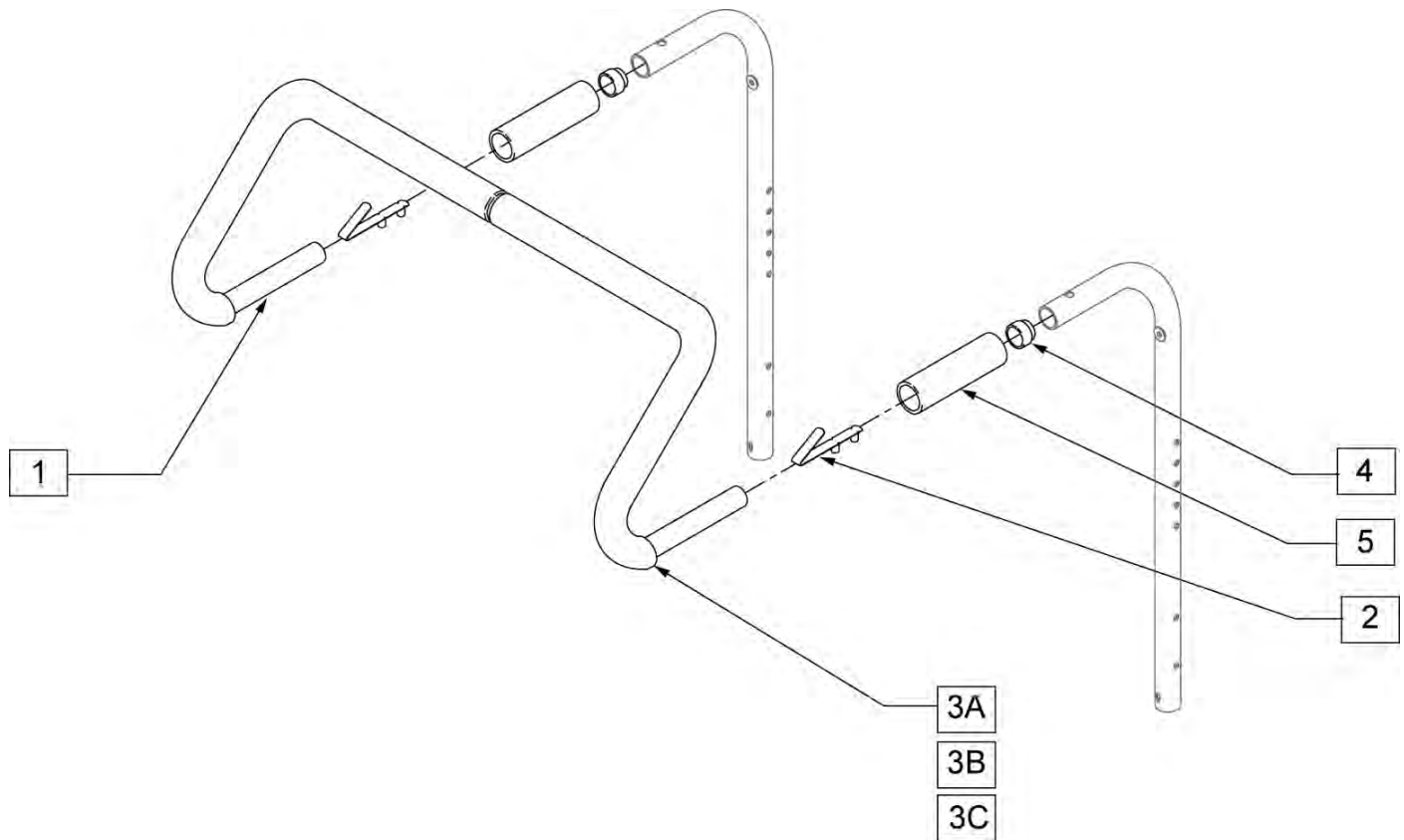
TILT CABLE REFERENCE GUIDE

BACK TYPE	CABLE LENGTH AND PART NUMBER				
	SHORT	MEDIUM	LONG	X-LONG	XX-LONG
STROLLER HANDLE BACKPOST (LOW)	101319-001				
STROLLER HANDLE BACKPOST (MEDIUM)		101319-002			
STROLLER HANDLE BACKPOST (TALL)			101319-003		
MEDIUM RECLINING BACKS	101319-002				
TALL RECLINING BACKS		101319-003			

Pos.	Item Number	Description	Remarks
1, 3	580110	CYLINDER LOCK LEVER ASSM QT/QR/P5	
2	281120	10/32 x 5/8 PAN HD PHIL	
4A	101319-001	CABLE ASSEMBLY PED - SHORT	38" Long
4B	101319-002	CABLE ASSEMBLY PED - MEDIUM	41" Long
4C	101319-003	CABLE ASSEMBLY PED - LONG	44" Long

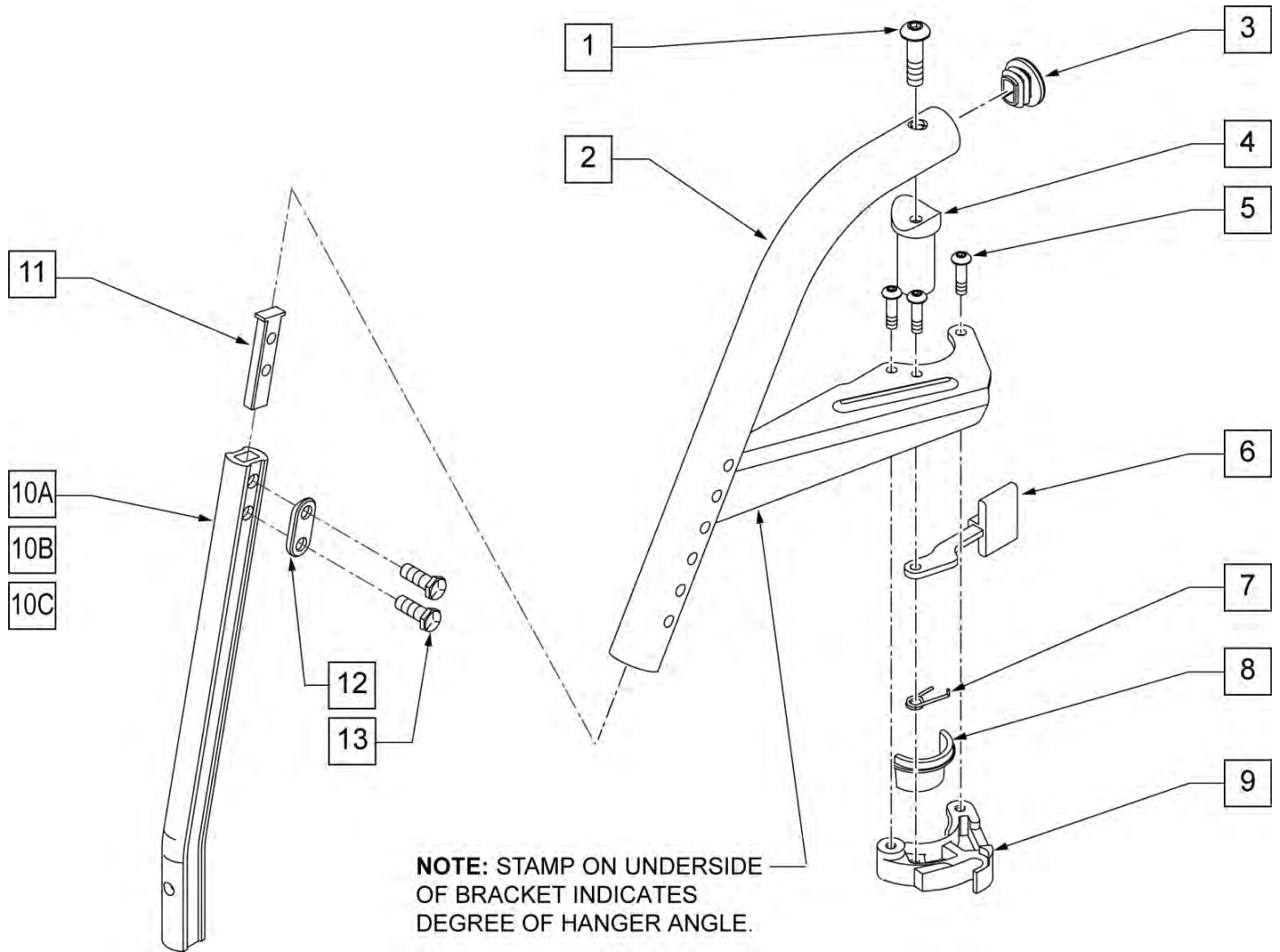
NOTE: NOT AVAILABLE WITH SWING-AWAY ADJUSTABLE STROLLER HANDLES.

NOTE: EXTENSION FITS ON BOTH STROLLER HANDLE BACKPOSTS AND REMOVABLE STROLLER HANDLES.



Pos.	Item Number	Description	Remarks
2	301108	5/16 SNAP BUTTON DUAL ONE SIDE	
3A	560615	STROLLER EXTENSION GRIP 10 -13"	10 -13" WIDE
3B	560616	STROLLER EXTENSION GRIP 14 -17"	14 -17" WIDE
3C	560617	STROLLER EXTENSION GRIP 18 -20"	18 -20" WIDE
4	561082	1" TUBE END BUSHING THIN	
5	920023	QUICKIE GRIP 1 W/ HOLE	
1, 2, 3A	842050	STROLLER EXTENSION ASSM 10"	
1, 2, 3A	842051	STROLLER EXTENSION ASSM 11"	
1, 2, 3A	842052	STROLLER EXTENSION ASSM 12"	
1, 2, 3A	842053	STROLLER EXTENSION ASSM 13"	
1, 2, 3B	842054	STROLLER EXTENSION ASSM 14"	
1, 2, 3B	842055	STROLLER EXTENSION ASSM 15"	
1, 2, 3B	842056	STROLLER EXTENSION ASSM 16"	
1, 2, 3B	842057	STROLLER EXTENSION ASSM 17"	
1, 2, 3C	842058	STROLLER EXTENSION ASSM 18"	

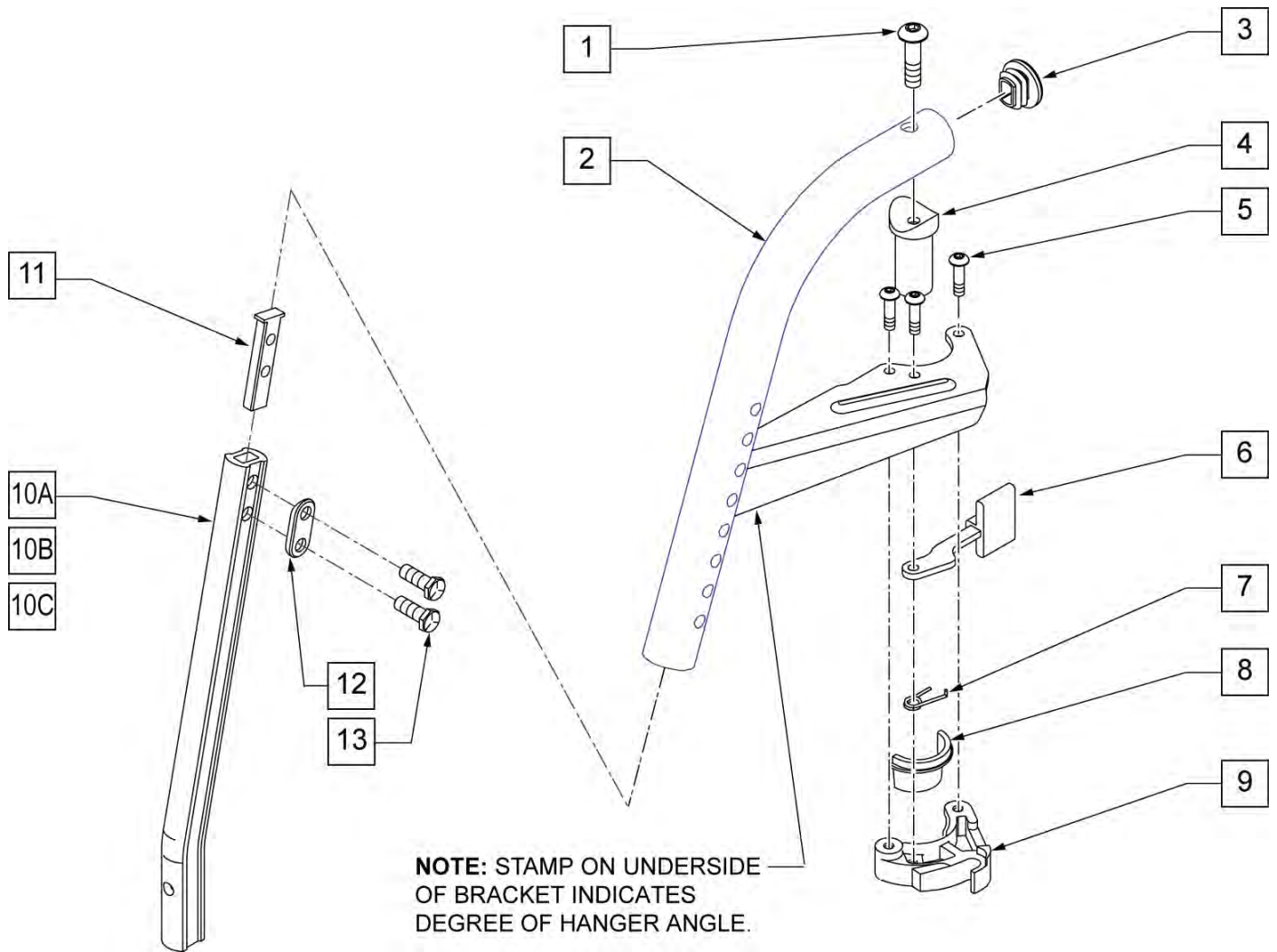
NOTE: DISCONTINUED ON LX/LXI AS OF 10/24/2008 -PARTS ONLY FOR CHAIRS BUILT PRIOR TO SERIAL NUMBER LX-xxxxxx.



Pos.	Item Number	Description	Remarks
1	226217	5/16-18 x 2" BH C/S BLK	
2	504942	S/A HANGER ONLY R 60D D2	
2	504943	S/A HANGER ONLY L 60D D2	
3	561378	END PLUG DBL "D" S525	
4	561197	PLASTIC PIVOT SADDLE	
5	226057	10-24 x .725 BH SOC BZ	
6	561079	S/A LATCH LEVER	
7	321136	S/A SPRING L RED	LEFT
7	321137	S/A SPRING R CLEAR	RIGHT
8,9	881500	LATCH BLOCK ASSM R	RIGHT
8,9	881501	LATCH BLOCK ASSM L	LEFT
10A	550819	EXT TBE S/A ONLY SHT	SHORT
10B	550820	EXT TBE S/A ONLY MED	MEDIUM
10C	550821	EXT TBE S/A ONLY LONG	LONG
11	500078	INSERT D2 EXT TUBE	
12	483717	HANGER SADDLE	

Pos.	Item Number	Description	Remarks
13	221102	1/4-28 x 3/4 HEX HEAD C/S BLK W/PTCH	
1-9	641550	HANGER 60D R D2 PNT S/A BT	SPECIFY COLOR
1-9	641551	HANGER 60D L D2 PNT S/A BT	SPECIFY COLOR
5-9	881521	S/A LATCH KIT CASTING	RIGHT
5-9	881522	S/A LATCH KIT CASTING	LEFT

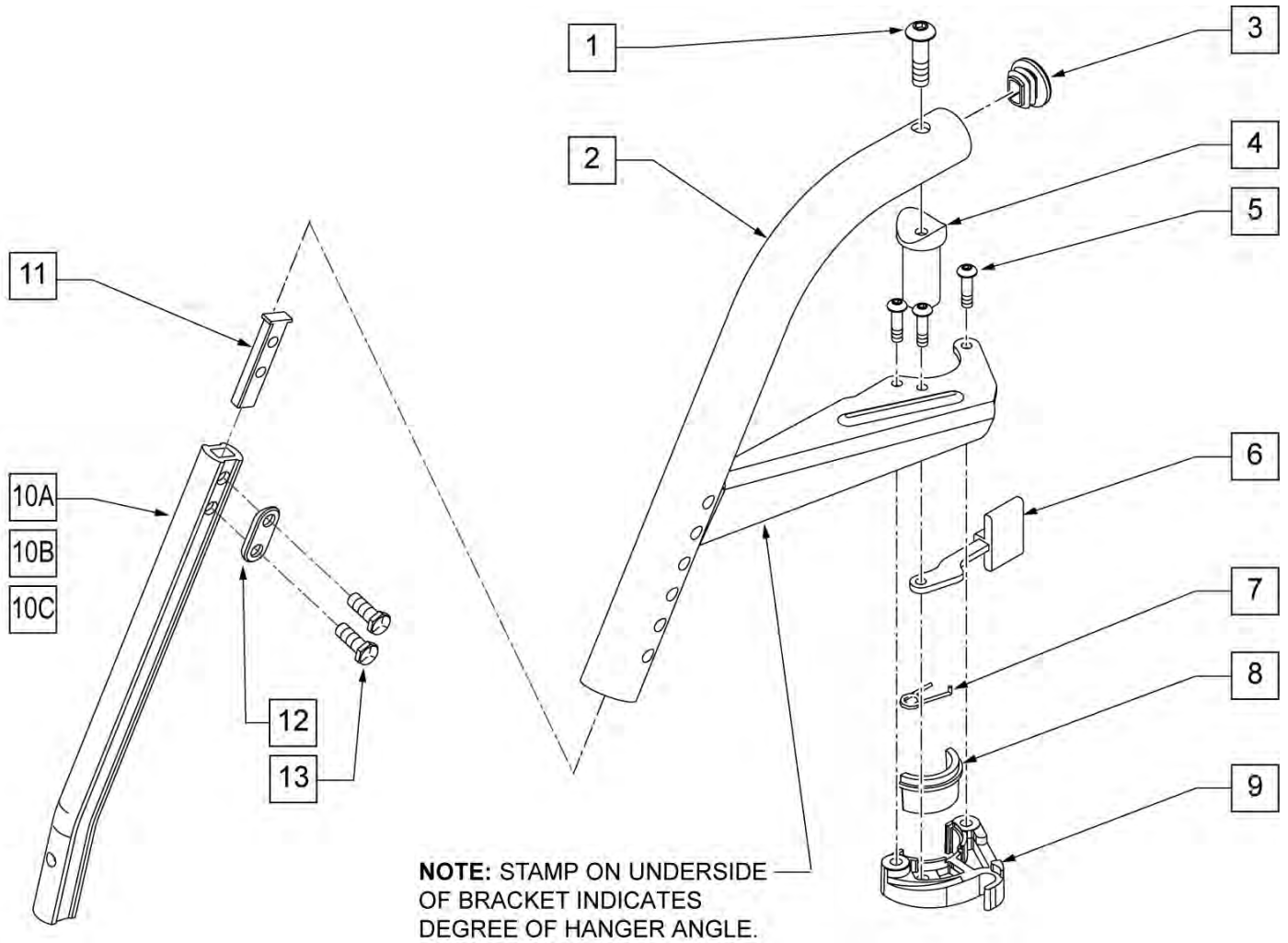
NOTE: DISCONTINUED ON LX/LXI AS OF 10/24/2008 -PARTS ONLY FOR CHAIRS BUILT PRIOR TO SERIAL NUMBER LX-xxxxxx.



Pos.	Item Number	Description	Remarks
1	226217	5/16-18 x 2" BH C/S BLK	
2	504944	S/A HANGER ONLY R 70D D2	
2	504945	S/A HANGER ONLY L 70D D2	
3	561378	END PLUG DBL-D S525	
4	561197	PLASTIC PIVOT SADDLE	
5	226057	10-24 x .725 BH SOC BZ	
6	561079	S/A LATCH LEVER	
7	321136	S/A SPRING L RED	LEFT
7	321137	S/A SPRING R CLEAR	RIGHT
8,9	881500	LATCH BLOCK ASSM R	RIGHT
8,9	881501	LATCH BLOCK ASSM L	LEFT
10A	550819	EXT TBE S/A ONLY SHT	
10B	550820	EXT TBE S/A ONLY MED	
10C	550821	EXT TBE S/A ONLY LONG	
11	500078	INSERT D2 EXT TUBE	
12	483717	HANGER SADDLE	

Pos.	Item Number	Description	Remarks
13	221102	1/4-28 x 3/4 HEX HEAD C/S BLK W/PTCH	
1-9	641552	HANGER 70D R D2 PNT S/A BT	SPECIFY COLOR
1-9	641553	HANGER 70D L D2 PNT S/A BT	SPECIFY COLOR
5-9	881521	S/A LATCH KIT CASTING	RIGHT
5-9	881522	S/A LATCH KIT CASTING	LEFT

NOTE: DISCONTINUED ON LX/LXI 10/24/2008 -PARTS ONLY FOR CHAIRS BUILT PRIOR TO SERIAL NUMBER LX-xxxxxx.

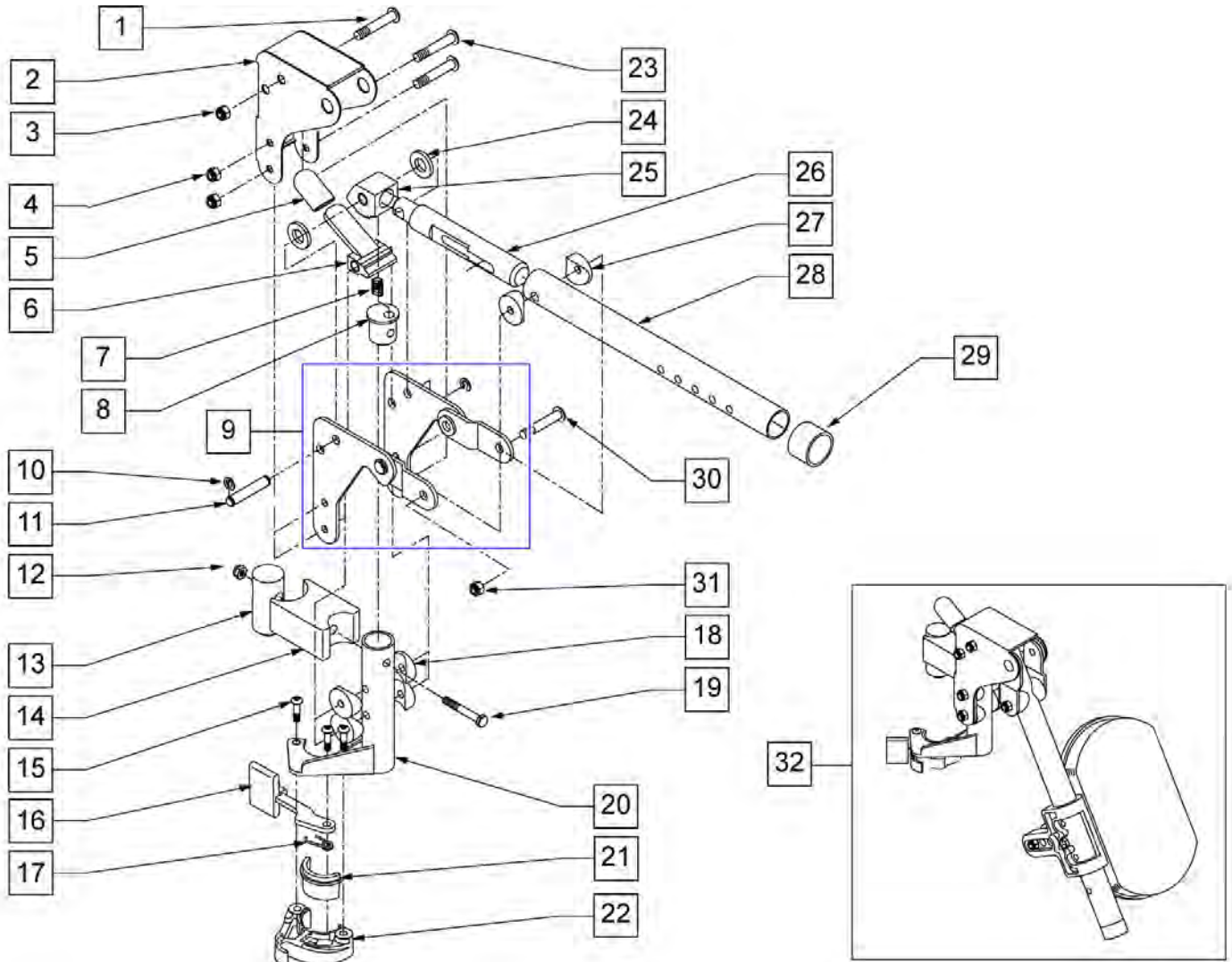


Pos.	Item Number	Description	Remarks
1	226217	5/16-18 x 2 BH C/S BLK	
2	504946	S/A HANGER ONLY R 70D "V" D2	
2	504947	S/A HANGER ONLY L 70D "V" D2	
3	561378	END PLUG DBL-D S525	
4	561197	PLASTIC PIVOT SADDLE	
5	226057	10-24 x .725 BH SOC BZ	
6	561079	S/A LATCH LEVER	
7	321136	S/A SPRING L RED	LEFT
7	321137	S/A SPRING R CLEAR	RIGHT
8,9	881500	LATCH BLOCK ASSM R	RIGHT
8,9	881501	LATCH BLOCK ASSM L	LEFT
10A	550834	EXT TBE INVIN ONLY D2 SHT R	RIGHT
10A	550835	EXT TBE INVIN ONLY D2 SHT L	LEFT
10B	550836	EXT TBE INVIN ONLY D2 MED R	RIGHT
10B	550837	EXT TBE INVIN ONLY D2 MED L	LEFT
10C	550838	EXT TBE INVIN ONLY D2 LNG R	RIGHT

Pos.	Item Number	Description	Remarks
10C	550839	EXT TBE INVIN ONLY D2 LNG L	LEFT
11	500078	INSERT D2 EXT TUBE	
12	483717	HANGER SADDLE	
13	221102	1/4-28 x 3/4 HEX HEAD C/S BLK W/PTCH	
1-9	641554	HNGR 70D V R D2 PNT S/A BT	SPECIFY COLOR
1-9	641555	HNGR 70D V L D2 PNT S/A BT	SPECIFY COLOR
5-9	881521	S/A LATCH KIT CASTING	RIGHT
5-9	881522	S/A LATCH KIT CASTING	LEFT

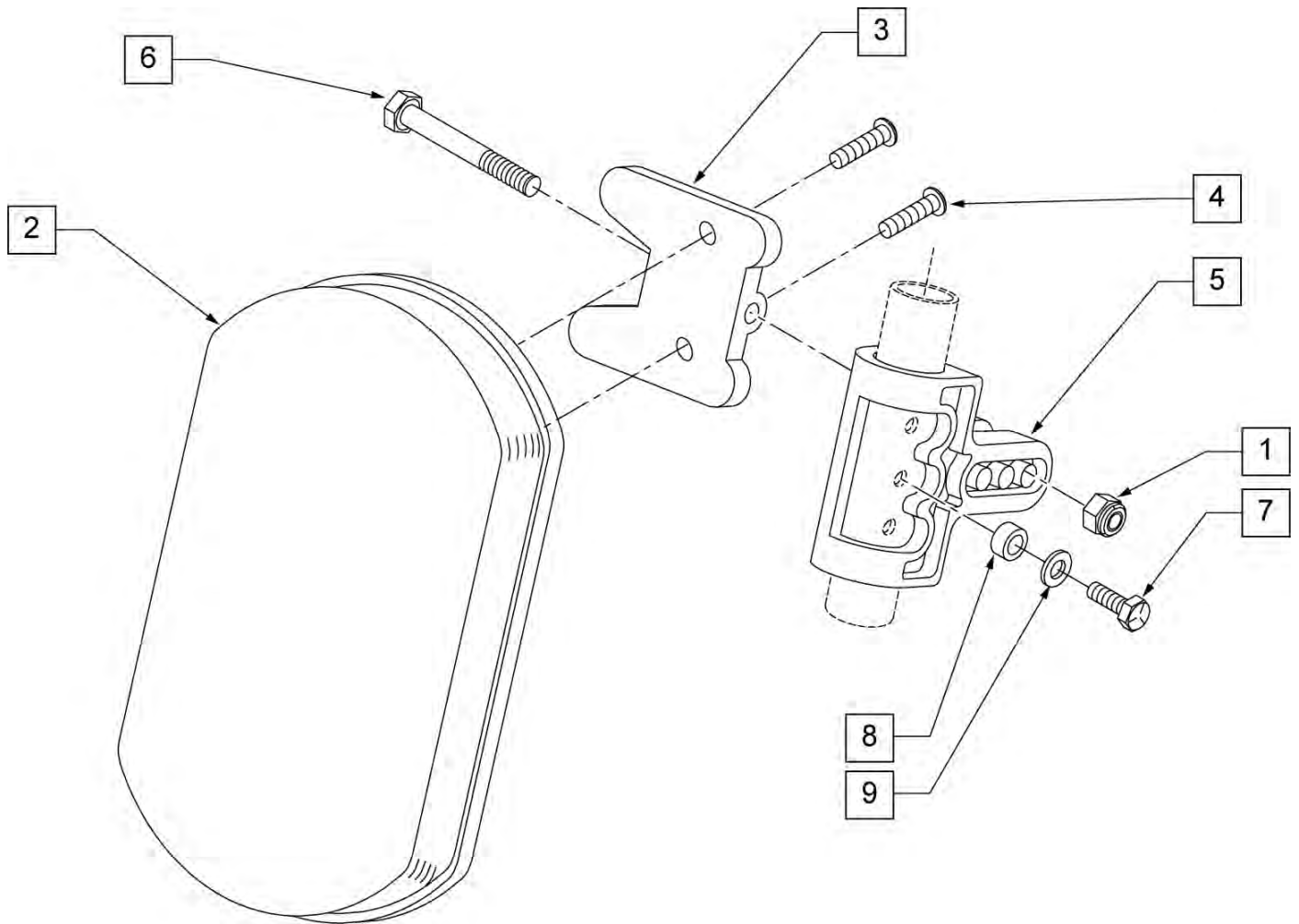
ARTICULATING HANGER

NOTE: WHEN USING AN ARTICULATING LEGREST ASSEMBLY, THE PULL-TO-LOCK WHEEL LOCK MUST BE USED.

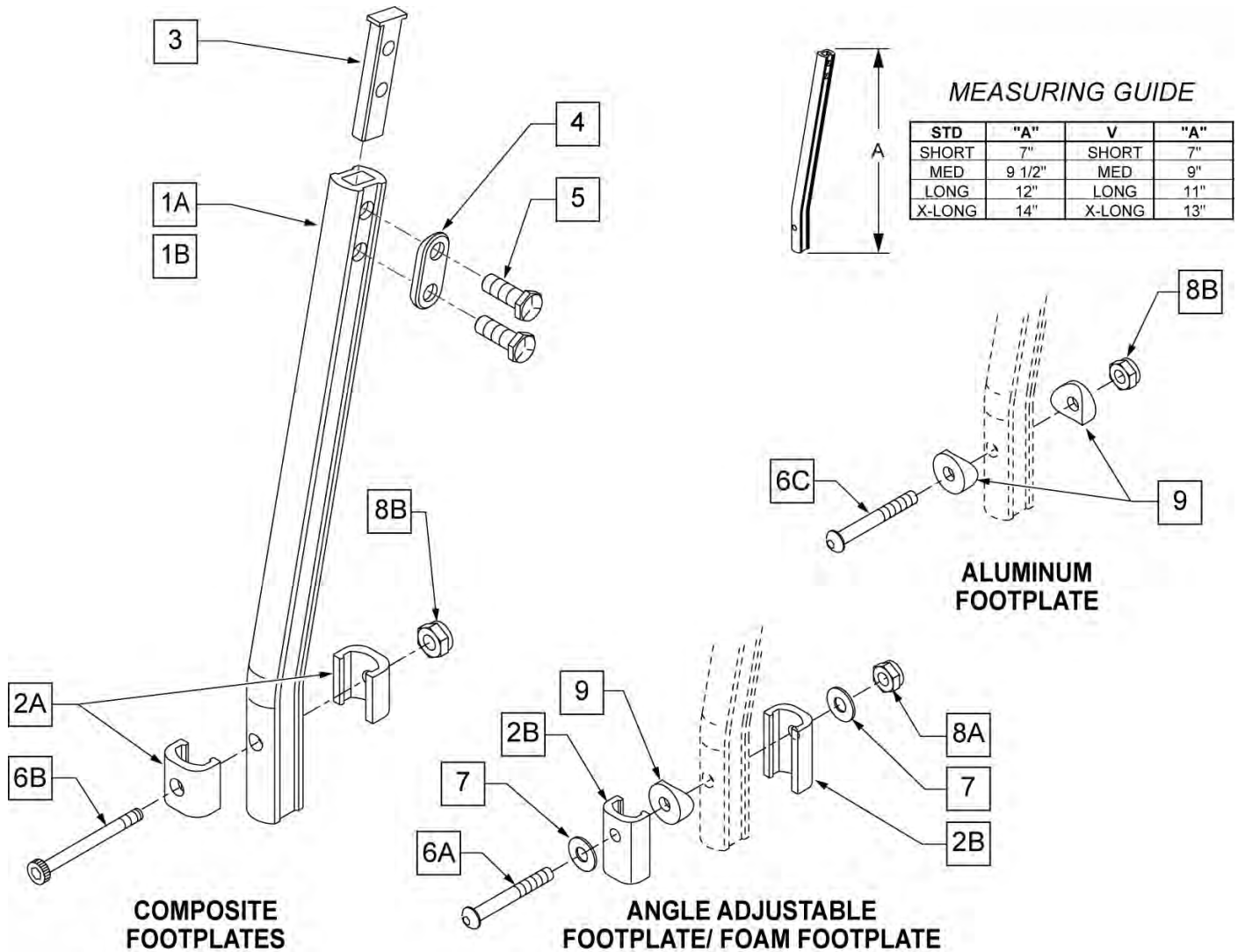


Pos.	Item Number	Description	Remarks	Pos.	Item Number	Description	Remarks
1	226198	5/16-18 x 2 BH C/S SHT THREAD		15	226057	10/24 x .725 BTTN HD SOC BZ	
2	562720	ALR COVER STD		16	561079	S/A LATCH LEVER	
3	202102	5/16-18 NYLOCK NUT THIN		17	321136	S/A SPRING L RED	
4	201100-QU	1/4-28 NYLOCK NUT THIN		17	321137	S/A SPRING R CLEAR	
5	560501	ALR RELEASE LEVER COVER		18	561004	1" SADDLE 1/4" HOLE	
6	505902	ALR RELEASE LEVER		19	221201	1/4-28 x 3 G8 HEX C/S	
7	321141	650L x 6 COIL SPRING		20	882466	ALR S/A TUBE ASSM L	Left
8	483060	ALR SPRING PLUG		20	882467	ALR S/A TUBE ASSM R	Right
9	880526	ALR BRACKET W/LINK R	Right	23	226150	1/4-28 x 2 BH C/S	
9	880527	ALR BRACKET W/LINK L	Left	24	561016	1" WASHER 5/16" HOLE	
10	342000	1/4" E-CLIP		25	505900	ALR RATCHET BLOCK	
11	481052	ALR RETAINING STUD		26	483062	ALR RATCHET ROD	
12	201110-QU	1/4-28 NYLOCK NUT		27	561006	1" SADDLE 5/16" HOLE	
13	500177	ALR PIVOT SADDLE .125		28	505026	ALR TUBE ONLY	
14	500178	ALR PIVOT SADDLE BLOCK		29	561082	1" TUBE END BUSHING THIN	

Pos.	Item Number	Description	Remarks	Pos.	Item Number	Description	Remarks
30	226195	5/16-18 x 1.82 BH C/S		1-31	641464	HANGER ALR W/O PAD PNTD R	Right
31	202102	5/16-18 NYLOCK NUT THIN		1-31	641465	HANGER ALR W/O PAD PNTD L	Left
21,22	881500	LATCH BLOCK ASSM R	Right	1-32	923051	ALR HANGER ASSM W/PAD ALUM LB	PAIR
21,22	881501	LATCH BLOCK ASSM L	Left				



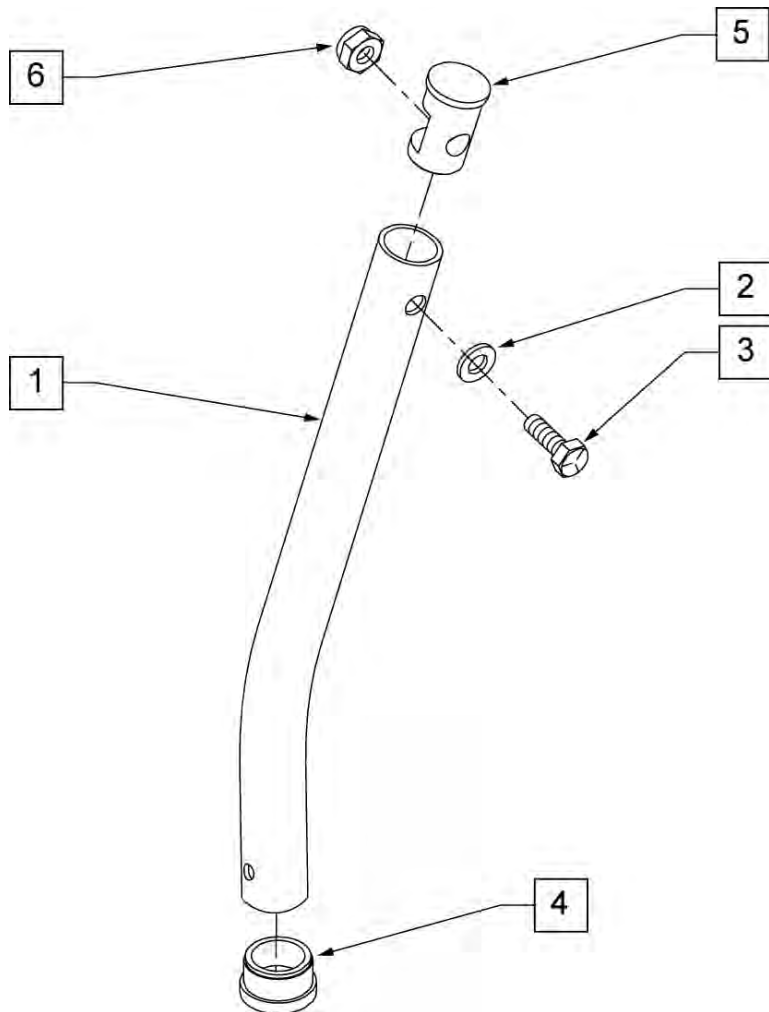
Pos.	Item Number	Description	Remarks
1	202103	5/16-18 NYLOCK NUT THICK	
2	755010	ALR/ELR PAD	
3	561096	ALR/ELR CALF PAD BRACKET	
4	281182	1/4-20 x 5/8 PAN PHIL	
5	561099	CALF CLAMP ALR	
6	222255	5/16-18 x 3 1/2 HEX C/S	
7	221126	1/4-20 x 1 1/4 G8 HEX C/S	
8	483027	1/4 x 1/4 ALUMINUM SPACER BLK	
9	262130	6mm WASHER WAVE	
1-6	881399	ALR CALF PAD W/BRACKET	
1,3-9	881398	ALR CALF CLAMP ASSM W/O PAD	
1-9	881400	ALR CALF PAD ASSEMBLY (EA)	



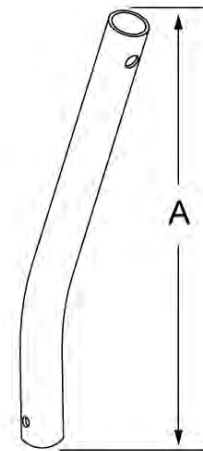
Pos.	Item Number	Description	Remarks
1A	550819	EXT TUBE S/A ONLY SHT	Short Ext-Swing Away Hanger
1A	550820	EXT TUBE S/A ONLY MED	Med Ext-Swing Away Hanger
1A	550821	EXT TUBE S/A ONLY LONG	Long Ext-Swing Away Hanger
1A	550822	EXT TUBE S/A ONLY X-LONG	X-Long Ext-Swing Away Hanger
1B	550834	EXT TUBE INVIN ONLY D2 SHT R	Right Short Ext-Swing Away Hanger
1B	550835	EXT TUBE INVIN ONLY D2 SHT L	Left Short Ext-Swing Away Hanger
1B	550836	EXT TUBE INVIN ONLY D2 MED R	Right Med Ext-Swing Away Hanger
1B	550837	EXT TUBE INVIN ONLY D2 MED L	Left Med Ext-Swing Away Hanger
1B	550838	EXT TUBE INVIN ONLY D2 LONG R	Right Long Ext-Swing Away Hanger
1B	550839	EXT TUBE INVIN ONLY D2 LONG L	Left Long Ext-Swing Away Hanger
1B	550840	EXT TUBE INVIN ONLY D2 X-LONG R	Right X-Long Ext-Swing Away Hanger
1B	550841	EXT TUBE INVIN ONLY D2 X-LONG L	Left X-Long Ext-Swing Away Hanger
2A	483718	HANGER EXTENSION SADDLE	USE W/ COMPOSITE FTPLT
2B	483720	HANGER EXTENSION SADDLE LONG	USE W/ ANGLE ADJ FTPLT
1C	550764	S/A HANGER EXT D2 SHORT BLACK	Short Ext ELR Hangers
1C	550765	S/A HANGER EXT D2 MED BLACK	Medium Ext ELR Hangers
1C	550766	S/A HANGER EXT D2 LONG BLACK	Long Ext ELR Hangers
3	500078	INSERT D2 EXT TUBE	

Pos.	Item Number	Description	Remarks
4	483717	HANGER SADDLE	
5	221102	1/4-28 x 3/4 HEX HEAD C/S BLK W/PTCH	
6A	227140	1/4-28 x 1 3/4 BH C/S BLK ZN	USE W/ ANGLE ADJ FTPLT
6B	226165	1/4 -28 x 2 1/2 SOC C/S	USE W/ COMPOSITE FTPLT
6C	226148	1/4 -28 X 1.85 BH C/S	
7	262120	1/4" SAE WASHER	
8A	201120	1/4 -28 AUTOMATION NUT	USE W/ ANGLE ADJ FTPLT
8B	201100-QU	1/4 -28 NYLOCK NUT THIN	USE W/ COMPOSITE FTPLT
9	561055	3/4 SADDLE 1" OD	USE W/ ANGLE ADJ FTPLT
1A,2A-5	921759	EXT TUBE S/A SHT ASSM PCKT	USE W/ COMPOSITE FTPLT
1A,2A-5	921760	EXT TUBE S/A MED ASSM PCKT	USE W/ COMPOSITE FTPLT
1A,2A-5	921761	EXT TUBE S/A LONG ASSM PCKT	USE W/ COMPOSITE FTPLT
1A,2A-5	921762	EXT TUBE S/A X-LONG ASSM PCKT	USE W/ COMPOSITE FTPLT
1B,2A-5	921751	EXT TUBE "V" D2 SHT R ASSM PCKT	USE W/ COMPOSITE FTPLT
1B,2A-5	921752	EXT TUBE "V" D2 SHT L ASSM PCKT	USE W/ COMPOSITE FTPLT
1B,2A-5	921753	EXT TUBE "V" D2 MED R ASSM PCKT	USE W/ COMPOSITE FTPLT
1B,2A-5	921754	EXT TUBE "V" D2 MED L ASSM PCKT	USE W/ COMPOSITE FTPLT
1B,2A-5	921755	EXT TUBE "V" D2 LONG R ASSM PCKT	USE W/ COMPOSITE FTPLT
1B,2A-5	921756	EXT TUBE "V" D2 LONG L ASSM PCKT	USE W/ COMPOSITE FTPLT
1B,2A-5	921757	EXT TUBE "V" D2 X-LONG R ASSM PCKT	USE W/ COMPOSITE FTPLT
1B,2A-5	921758	EXT TUBE "V" D2 X-LONG L ASSM PCKT	USE W/ COMPOSITE FTPLT
1A,2A-7	921772	EXT TUBE S/A SHT ANG ADJ PCKT	USE W/ ANGLE ADJ FTPLT
1A,2A-7	921773	EXT TUBE S/A MED ANG ADJ PCKT	USE W/ ANGLE ADJ FTPLT
1A,2A-7	921774	EXT TUBE S/A LONG ANG ADJ PCKT	USE W/ ANGLE ADJ FTPLT
1A,2A-7	921775	EXT TUBE S/A X-LONG ANG ADJ PCKT	USE W/ ANGLE ADJ FTPLT
1B,2A-7	921764	EXT TUBE "V" D2 SHT R ANG ADJ PCKT	USE W/ ANGLE ADJ FTPLT
1B,2A-7	921765	EXT TUBE "V" D2 SHT L ANG ADJ PCKT	USE W/ ANGLE ADJ FTPLT
1B,2A-7	921766	EXT TUBE "V" D2 MED R ANG ADJ PCKT	USE W/ ANGLE ADJ FTPLT
1B,2A-7	921767	EXT TUBE "V" D2 MED L ANG ADJ PCKT	USE W/ ANGLE ADJ FTPLT
1B,2A-7	921768	EXT TUBE "V" D2 LONG R ANG ADJ PCKT	USE W/ ANGLE ADJ FTPLT
1B,2A-7	921769	EXT TUBE "V" D2 LONG L ANG ADJ PCKT	USE W/ ANGLE ADJ FTPLT
1B,2A-7	921770	EXT TUBE "V" D2 X-LONG R ANG AD PCKT	USE W/ ANGLE ADJ FTPLT
1B,2A-7	921771	EXT TUBE "V" D2 X-LONG L ANG AD PCKT	USE W/ ANGLE ADJ FTPLT
1B,2A-7	921771	EXT TUBE "V" D2 X-LONG L ANG AD PCKT	USE W/ ANGLE ADJ FTPLT

NOTE: (Discontinued on Quickie 2 for 60° and 70° Hangers 10/23/99- Parts only).
NOTE: Used on Articulating Hanger Assemblies.

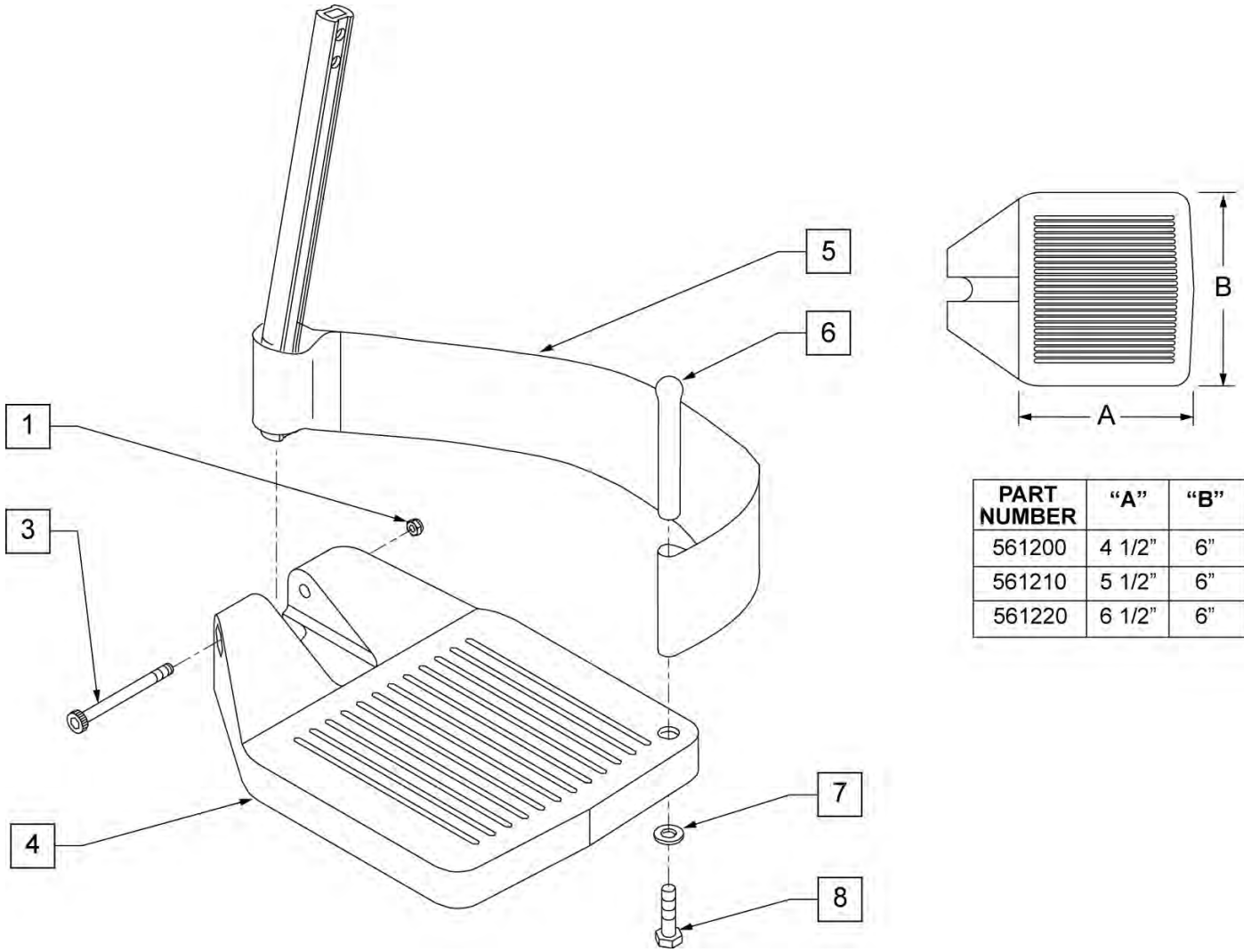


MEASURING GUIDE



	"A"
SHORT	6 5/8"
MED	9"
LONG	11 5/8"
X-LONG	13 1/2"

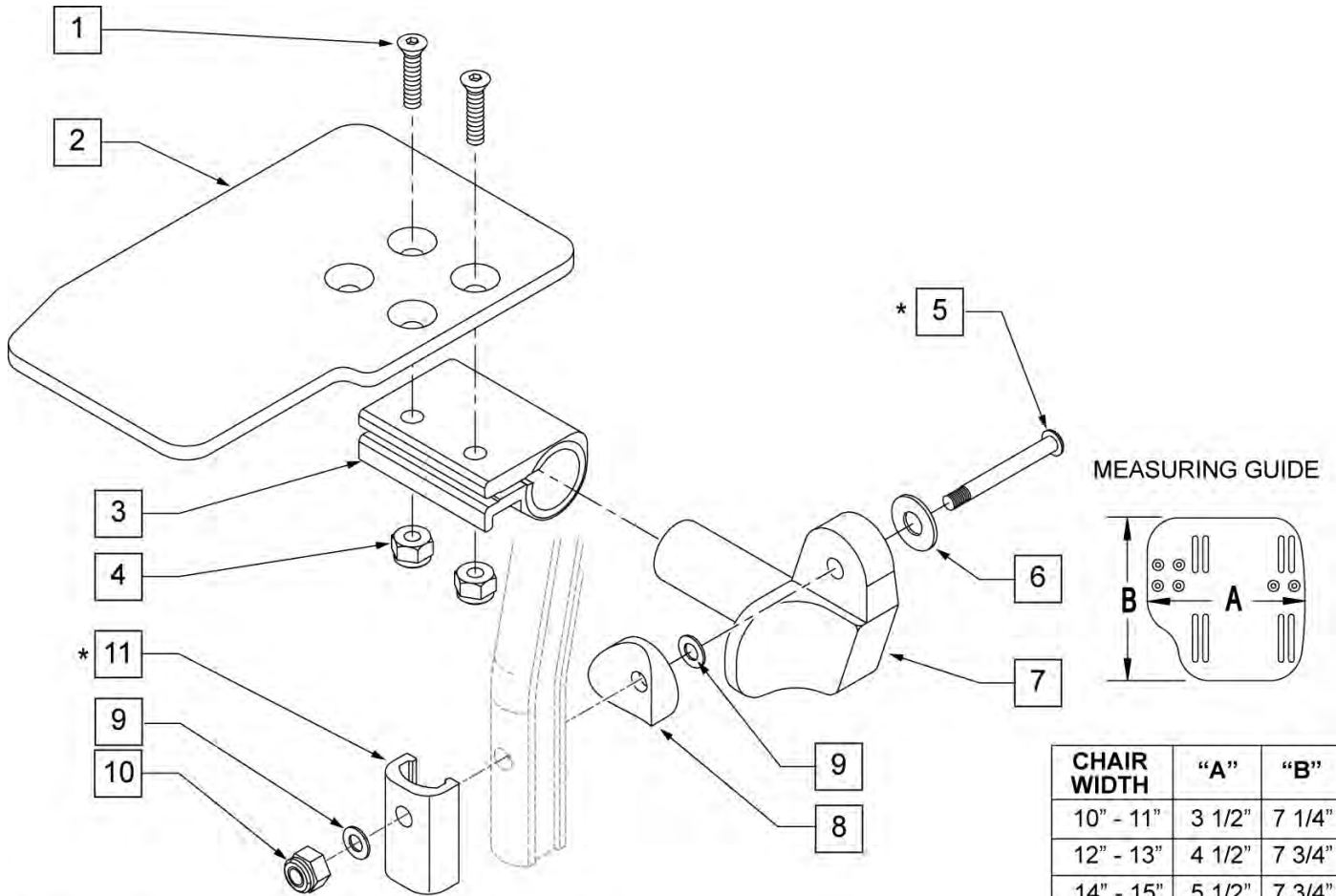
Pos.	Item Number	Description	Remarks
1	521010	FOOTREST EXT TUBE ONLY SHT BLK	
1	521011	FOOTREST EXT TUBE ONLY MED BLK	
1	521012	FOOTREST EXT TUBE ONLY LNG BLK	
1	521013	FOOTREST EXT TUBE ONLY X-LNG BLK	
2	262130	6mm WASHER WAVE	
3	221110	1/4-20 x 1 HEX C/S	
4	561000-QU	3/4" INSERT PLUG .083	
5	483553	FOOTREST INSERT PLUG Q2	
6	201136	1/4-20 NYLOCK NUT	
1-6	921221	FOOTREST EXT TUBE SHT ASSM BLK (EA)	
1-6	921222	FOOTREST EXT TUBE MED ASSM BLK (EA)	
1-6	921223	FOOTREST EXT TUBE LNG ASSM BLK (EA)	
1-6	921224	FOOTREST EXT TUBE X-LNG ASSM BLK (EA)	



PART NUMBER	"A"	"B"
561200	4 1/2"	6"
561210	5 1/2"	6"
561220	6 1/2"	6"

Pos.	Item Number	Description	Remarks
1	201100-QU	1/4 - 28 NYLOCK NUT	
3	226165	1/4 - 28 x 2 1/2 SOC C/S	
4	561200	COMPOSITE FOOTPLATE 14 -15 (16 -18 V)	
4	561210	COMPOSITE FOOTPLATE 16 -17 (19 -20 V)	
4	561220	COMPOSITE FOOTPLATE 18 -20	
5	561040	HEEL LOOP PEG	
6	741151	HEEL LOOP 14-15 COMPOSITE (14 -15 or 16 -18V)	
6	741156	HEEL LOOP 16 -17 or 19 -20V	
6	741153	HEEL LOOP 18 -20 COMPOSITE/14-15 ANG ADJ	
6	902270	HEEL LOOP COMPOSITE FT 14-15	PAIR 14 -15 OR 16 -18V
6	902271	HEEL LOOP COMPOSITE FT 16-17	PAIR 16 -17 OR 19 -20V
6	902272	HEEL LOOP COMPOSITE FT 18-20	PAIR 18 -20
6	741154	HEEL LOOP 14-15 COMPOSITE HEMI	14 -15 HEMI
6	741155	HEEL LOOP 16-17 COMPOSITE HEMI	16 -17 HEMI
6	741153	HEEL LOOP 18-20 COMPOSITE HEMI	18 -10 HEMI
6	902260	HEEL LOOPS HEMI COMPOSITE 14-15	PAIR 14 -15 HEMI
6	902261	HEEL LOOPS HEMI COMPOSITE 16-17	PAIR 16 -17 HEMI
6	902262	HEEL LOOPS HEMI COMPOSITE 18-20	PAIR 18 -20 HEMI
7	262110-QU	1/4 AN WASHER FLAT THIN	

Pos.	Item Number	Description	Remarks
8	221110	1/4 - 20 x 1 HEX C/S	
1,3,4	921180	COMPOSITE FOOTPLATE ASSM 14-15	RIGHT (14 -15 OR 16 -18V) W/O HEEL LOOP
1,3,4	921181	COMPOSITE FOOTPLATE ASSM 14-15	LEFT (14 -15 OR 16 -18V) W/O HEEL LOOP
1,3,4	921182	COMPOSITE FOOTPLATE ASSM 16-17	RIGHT (16 -17 OR 19 -20V) W/O HEEL LOOP
1,3,4	921183	COMPOSITE FOOTPLATE ASSM 16-17	LEFT (16 -17 OR 19 -20V) W/O HEEL LOOP
1,3,4	921184	COMPOSITE FOOTPLATE ASSM 18-20	RIGHT (18 -20)
1,3,4	921185	COMPOSITE FOOTPLATE ASSM 18-20	LEFT (18 -20)
1,3,4	921151	COMPOSITE FOOTPLATE ASSM 14-15/16-18V	PAIR (14 -15 OR 16 -18V) W/O HEEL LOOP
1,3,4	921152	COMPOSITE FOOTPLATE ASSM 16-17/19-20V	PAIR (16 -17 OR 19 -20V) W/O HEEL LOOP
1,3,4	921153	COMPOSITE FOOTPLATE ASSM 18-20	PAIR (18 -20)
1,3-8	921190	COMPOSITE FOOTPLATE ASSM HL LP 14-15	RIGHT (14 -15 OR 16 -18V) W/ HEEL LOOP
1,3-8	921191	COMPOSITE FOOTPLATE ASSM HL LP 14-15	LEFT (14 -15 OR 16 -18V) W/ HEEL LOOP
1, 3-8	921192	COMPOSITE FOOTPLATE ASSM HL LP 16-17	RIGHT (16 -17 OR 19 -20V) W/ HEEL LOOP
1, 3-8	921193	COMPOSITE FOOTPLATE ASSM HL LP 16-17	LEFT (16 -17 OR 19 -20V) W/ HEEL LOOP
1, 3-8	921194	COMPOSITE FOOTPLATE ASSM HL LP 18-20	RIGHT (18 -20)
1, 3-8	921195	COMPOSITE FOOTPLATE ASSM HL LP 18-20	LEFT (18 -20)
1, 3-8	921161	COMPOSITE FOOTPLATE ASSM HL 14-15/16-18V	PAIR (14 -15 OR 16 -18V) W/ HEEL LOOP
1, 3-8	921162	COMPOSITE FOOTPLATE ASSM HL 16-17/19-20V	PAIR (16 -17 OR 19 -20V) W/ HEEL LOOP
1, 3-8	921163	COMPOSITE FOOTPLATE ASSM HL 18-20	PAIR (18 -20)
1, 3-8	921140	COMPOSITE FOOTPLATE ASSM HEMI HL LP 14-15	RIGHT (14 -15)
1, 3-8	921141	COMPOSITE FOOTPLATE ASSM HEMI HL LP 14-15	LEFT (14 -15)
1, 3-8	921142	COMPOSITE FOOTPLATE ASSM HEMI HL LP 16-17	RIGHT (16 -17)
1, 3-8	921143	COMPOSITE FOOTPLATE ASSM HEMI HL LP 16-17	LEFT (16 -17)
1, 3-8	921144	COMPOSITE FOOTPLATE ASSM HEMI HL LP 18-20	RIGHT (18 -20)
1, 3-8	921145	COMPOSITE FOOTPLATE ASSM HEMI HL LP 18-20	LEFT (18 -20)
1, 3-8	921167	COMPOSITE FOOTPLATE ASSM HEMI HL LPS 14-15	PAIR (14 -15)
1, 3-8	921168	COMPOSITE FOOTPLATE ASSM HEMI HL LPS 16-17	PAIR (16 -17)
1, 3-8	921169	COMPOSITE FOOTPLATE ASSM HEMI HL LPS 18-20	PAIR (18 -20)

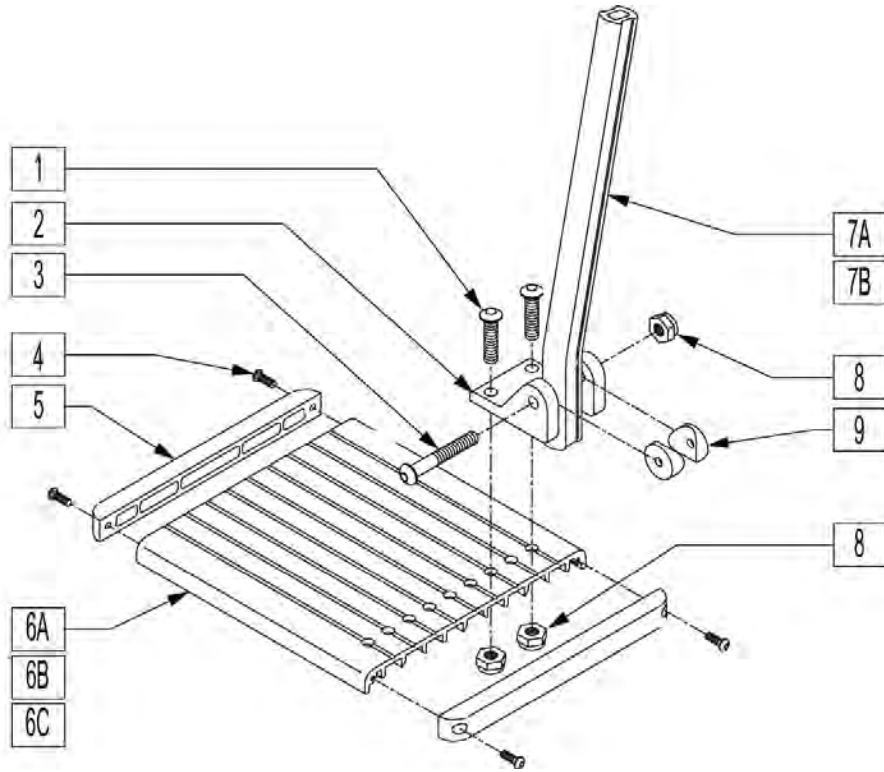


* NOTE: ITEMS 5 & 11 NOT INCLUDED W/ FOOTPLATE ASSM.
 ITEMS 5 & 11 INCLUDED W/ EXTENSION TUBE ASSM.

CHAIR WIDTH	"A"	"B"
10" - 11"	3 1/2"	7 1/4"
12" - 13"	4 1/2"	7 3/4"
14" - 15"	5 1/2"	7 3/4"
16" - 17"	6 1/2"	7 3/4"
18" - 20"	7 1/2"	7 3/4"

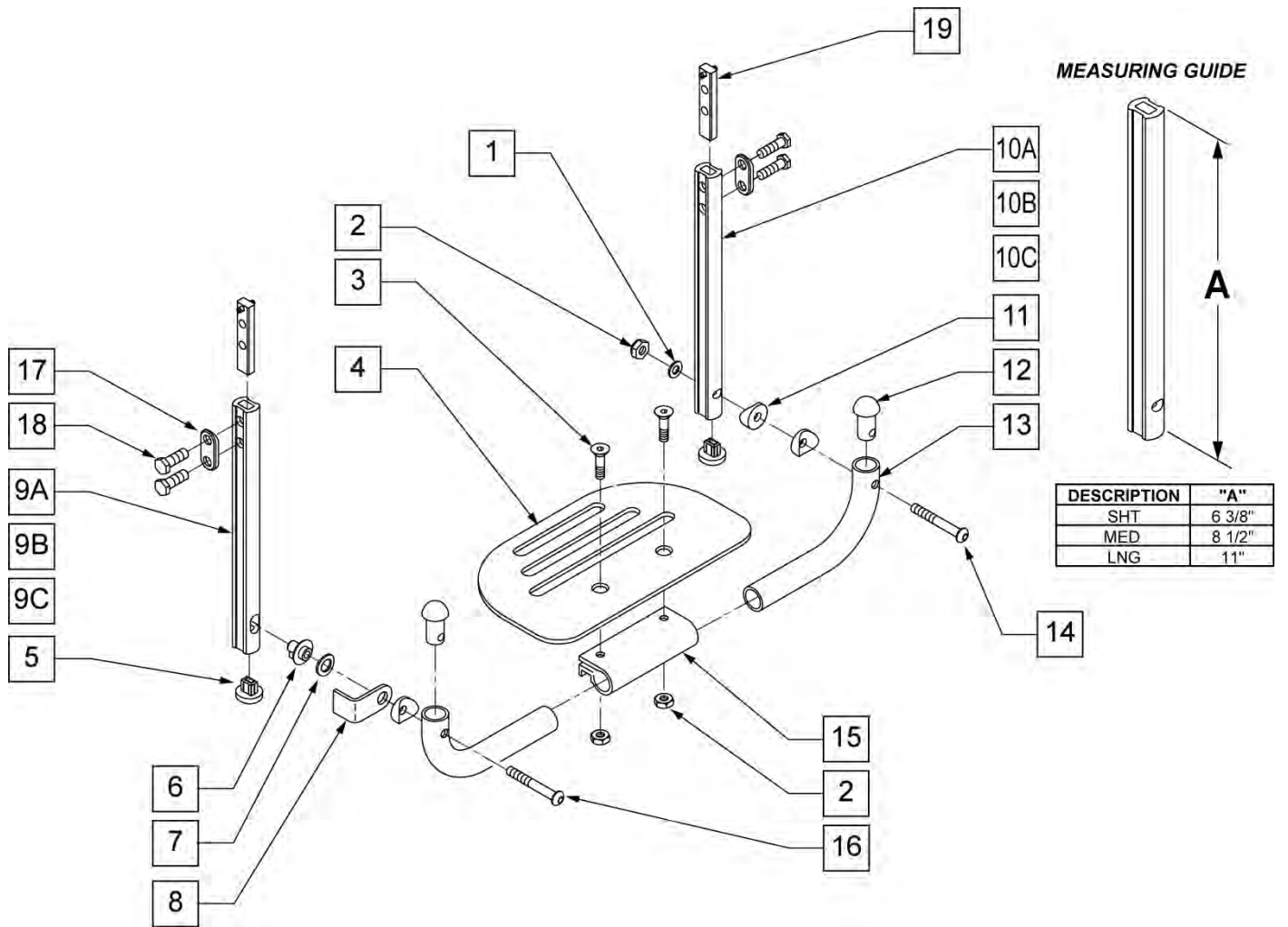
Pos.	Item Number	Description	Remarks
1	226099	1/4-28 x 7/8 FH C/S	
2	500635	KIDS ANGL ADJ F/PLT 10" R	
2	500636	KIDS ANGL ADJ F/PLT 10" L	
2	500637	KIDS ANGL ADJ F/PLT 11" R	
2	500638	KIDS ANGL ADJ F/PLT 11" L	
2	500639	KIDS ANGL ADJ F/PLT 12" R	
2	500640	KIDS ANGL ADJ F/PLT 12" L	
2	500641	KIDS ANGL ADJ F/PLT 13" R	
2	500642	KIDS ANGL ADJ F/PLT 13" L	
2	500643	KIDS ANGL ADJ F/PLT 14" R	
2	500644	KIDS ANGL ADJ F/PLT 14" L	
2	500645	KIDS ANGL ADJ F/PLT 15" R	
2	500646	KIDS ANGL ADJ F/PLT 15" L	
2	500647	KIDS ANGL ADJ F/PLT 16" R	
2	500648	KIDS ANGL ADJ F/PLT 16" L	
3	550350	3/4" CLAMP ADJ FOOTPLATE	
4	201100-QU	1/4-28 NYLOCK NUT THIN	
5	227140	1/4-28 x 1 3/4 BH C/S BLK ZN (D2 EXTENSION TUBES)	
5	226167	1/4-28 x 1.625 BH C/S BLK (ROUND EXTENSION TUBES)	
6	262120	1/4 SAE WASHER	

Pos.	Item Number	Description	Remarks
7	541002	FTRST MOUNTING BRKT-3/8 RAD R	
7	541003	FTRST MOUNTING BRKT-3/8 RAD L	
8	561055	3/4" SADDLE 1" OD	
9	262110-QU	1/4 AN WASHER FLAT THIN	
10	201120	1/4-28 AUTOMATION NUT	
1-7,9,10	828850	KIDS ANG ADJ F/PLT EXT-MNT 10"R	
1-7,9,10	828851	KIDS ANG ADJ F/PLT EXT-MNT 10"L	
1-7,9,10	828852	KIDS ANG ADJ F/PLT EXT-MNT 11"R	
1-7,9,10	828853	KIDS ANG ADJ F/PLT EXT-MNT 11"L	
1-7,9,10	828854	KIDS ANG ADJ F/PLT EXT-MNT 12"R	
1-7,9,10	828855	KIDS ANG ADJ F/PLT EXT-MNT 12"L	
1-7,9,10	828856	KIDS ANG ADJ F/PLT EXT-MNT 13"R	
1-7,9,10	828857	KIDS ANG ADJ F/PLT EXT-MNT 13"L	
1-7,9,10	828858	KIDS ANG ADJ F/PLT EXT-MNT 14"R	
1-7,9,10	828859	KIDS ANG ADJ F/PLT EXT-MNT 14"L	
1-7,9,10	828860	KIDS ANG ADJ F/PLT EXT-MNT 15"R	
1-7,9,10	828861	KIDS ANG ADJ F/PLT EXT-MNT 15"L	
1-7,9,10	828862	KIDS ANG ADJ F/PLT EXT-MNT 16"R	
1-7,9,10	828863	KIDS ANG ADJ F/PLT EXT-MNT 16"L	
1-7,9,10	921280	KIDS ANG ADJ F/PLT EXT-MNT 10"	
1-7,9,10	921281	KIDS ANG ADJ F/PLT EXT-MNT 11"	
1-7,9,10	921282	KIDS ANG ADJ F/PLT EXT-MNT 12"	
1-7,9,10	921283	KIDS ANG ADJ F/PLT EXT-MNT 13"	
1-7,9,10	921284	KIDS ANG ADJ F/PLT EXT-MNT 14"	
1-7,9,10	921285	KIDS ANG ADJ F/PLT EXT-MNT 15"	
1-7,9,10	921286	KIDS ANG ADJ F/PLT EXT-MNT 16"	



Pos.	Item Number	Description	Remarks
1	226090	1/4-28 x 5/8 BH C/S	
2	550739	FOOTPLATE MNT BRKT	
3	226148	1/4-28 x 1.85 BH C/S	
7A	550820	FOOTREST EXT TUBE ELR SHT CLR	14-18" LEG LENGTH
7B	550821	FOOTREST EXT TUBE ELR LONG CLR	16-20.5" LEG LENGTH
8	201100-QU	1/4-28 NYLOCK NUT THIN	
9	561003	3/4" SADDLE THIN	
4-6A	882337	ELR FOOTPLATE 14-15"W/END CAP	
4,5,6B	882338	ELR FOOTPLATE 16-17"W/END CAP	
4,5,6C	882339	ELR FOOTPLATE 18-20"W/END CAP	
1-6A,8,9	921400	ELR FOOTPLATE KIT 14-15" ANO (EA)	
1-5,6B,8,9	921401	ELR FOOTPLATE KIT 16-17" ANO (EA)	
1-5,6C,8,9	921402	ELR FOOTPLATE KIT 18-20" ANO (EA)	
1-6A,7A-9	101556	ELR FOOTPLATE KIT 14-15" SHT	
1-6B,7A-9	101557	ELR FOOTPLATE KIT 16-17" SHT	
1-6C,7A-9	101558	ELR FOOTPLATE KIT 18-20" SHT	
1-6A,7B-9	101559	ELR FOOTPLATE KIT 14-15" LNG	
1-6B,7B-9	101560	ELR FOOTPLATE KIT 16-17" LNG	
1-6C,7B-9	101561	ELR FOOTPLATE KIT 18-20" LNG	
1,3,4,8	101562	ELR FOOTPLATE HDWR KIT	

NOTE: * FOR ORDERING INFORMATION, PLEASE SEE "PLATFORM FLIP-UP FOOTREST REFERENCE GUIDE" ATTACHED.

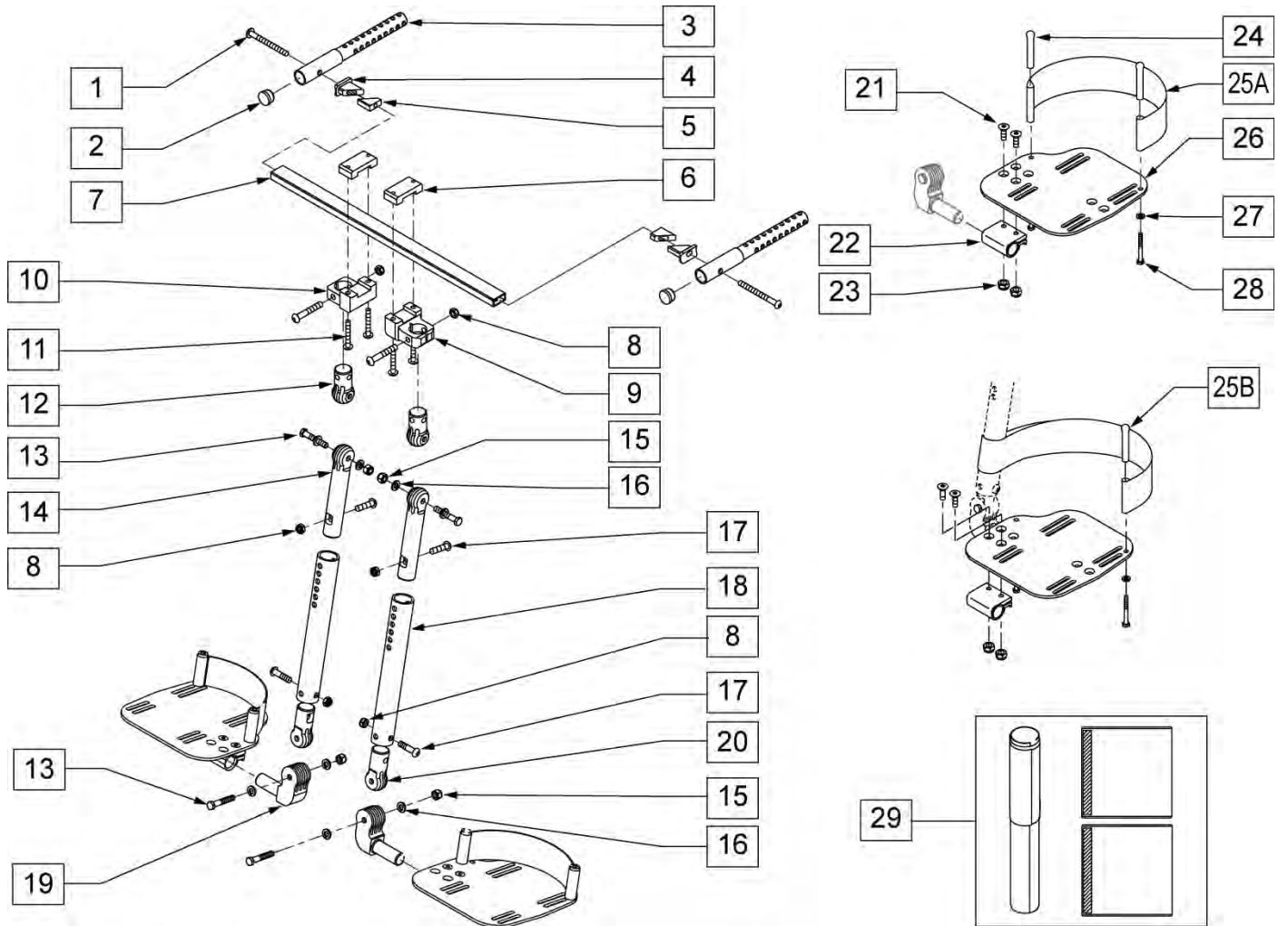


Pos.	Item Number	Description	Remarks
1	262110-QU	1/4 AN WASHER FLAT THIN	
2	201120	1/4-28 AUTOMATION NUT	
3	226099	1/4-28 x 7/8 FH C/S	
4	500650	PLATFORM F/PLT 6" x 5 1/2"	
4	500651	PLATFORM F/PLT 8 x 5 1/2"	
4	500652	PLATFORM F/PLT 10" x 5 1/2"	
4	500653	PLATFORM F/PLT 12" x 5 1/2"	
4	500654	PLATFORM F/PLT 14" x 5 1/2"	
5	560752	PLUG FOOTREST EXT TUBE Q2 ROUND	
6	540410	F/UP FOOTREST KEY STUD D2	
7	262137	3/8 WASHER CURVED	
8	505078	FOOTREST RETAINING BRACKET	
9C	550830	EXT TUBE F/UP KEY ONLY LONG	
9A	550828	EXT TUBE F/UP KEY ONLY SHORT	
9B	550829	EXT TUBE F/UP KEY ONLY MED	
10C	550827	EXT TUBE F/UP SLT ONLY LONG	

Pos.	Item Number	Description	Remarks
10A	550825	EXT TUBE F/UP SLT ONLY SHORT	
10B	550826	EXT TUBE F/UP SLT ONLY MED	
11	561003	3/4" SADDLE THIN	
12	561034	SHORT DOME PLUG	
14	226150	1/4-28 x 2 BH C/S	
15	550351	PLATFORM FOOTPLATE CLAMP	
16	226131	1/4-28 x 1 1/4 BH C/S SHLDR	
17	483717	HANGER SADDLE	
18	221102	1/4-28 x 3/4 HEX C/S	
19	500078	INSERT D2 EXT TUBE	
5,10A, 17-19	921742	EXT TBE F/UP SLT SHT ASSM PCKT	
5,10B, 17-19	921743	EXT TBE F/UP SLT MED ASSM PCKT	
5,10C, 17-19	921744	EXT TBE F/UP SLT LNG ASSM PCKT	
5,9A, 17-19	921745	EXT TBE F/UP KEY SHT ASSM PCKT	
5,9B, 17-19	921746	EXT TBE F/UP KEY MED ASSM PCKT	
5,9C, 17-19	921747	EXT TBE F/UP KEY LNG ASSM PCKT	
5,9A,10A, 17-19	921269	S/A EXT TUBE D2 SHT PLTFRM BLK	
5,9B,10B, 17-19	921267	S/A EXT TUBE D2 MED PLTFRM BLK	
5,9C,10C, 17-19	921268	S/A EXT TUBE D2 LNG PLTFRM BLK	
1-4,6-8, 11-16	900304	PLATFM F/P F/PLT BLK 10" ASSM D2	
1-4,6-8, 11-16	900305	PLATFM F/P F/PLT BLK 11" ASSM D2	
1-4,6-8, 11-16	900306	PLATFM F/P F/PLT BLK 12" ASSM D2	
1-4,6-8, 11-16	900307	PLATFM F/P F/PLT BLK 13" ASSM D2	
1-4,6-8, 11-16	900308	PLATFM F/P F/PLT BLK 14" ASSM D2	
1-4,6-8, 11-16	900309	PLATFM F/P F/PLT BLK 15" ASSM D2	
1-4,6-8, 11-16	900310	PLATFM F/P F/PLT BLK 16" ASSM D2	
1-4,6-8, 11-16	900311	PLATFM F/P F/PLT BLK 17" ASSM D2	
1-4,6-8, 11-16	900312	PLATFM F/P F/PLT BLK 18" ASSM D2	
1-4,6-8, 11-16	900313	PLATFM F/P F/PLT BLK 19" ASSM D2	
1-4,6-8, 11-16	900314	PLATFM F/P F/PLT BLK 20" ASSM D2	
1-4,6-8, 11-16	900315	PLATFM F/P F/PLT BLK 21" ASSM D2	
1-4,6-8, 11-16	900316	PLATFM F/P F/PLT BLK 22" ASSM D2	

CONTRACTURE FOOTREST

[05/2008]



Pos.	Item Number	Description	Remarks
1	226166	1/4 -28 x 2 1/2 BH C/S BLK	
2	561002	1" INSERT PLUG .083	
3	540597	WELDMOUNT CONTRACTURE FOOTREST	
4	500792	CONTRACTURE FOOTREST TAB BODY	
5	500791	CONTRACTURE FOOTREST TAB SLIDE	
6	550465	CLAMP TOP QTS	
7	521411	CONTRACTURE FOOTREST RAIL 10"	
7	521412	CONTRACTURE FOOTREST RAIL 11"	
7	521413	CONTRACTURE FOOTREST RAIL 12"	
7	521414	CONTRACTURE FOOTREST RAIL 13"	
7	521460	CONTRACTURE FOOTREST RAIL 14"	
7	521461	CONTRACTURE FOOTREST RAIL 15"	
7	521462	CONTRACTURE FOOTREST RAIL 16"	
7	521463	CONTRACTURE FOOTREST RAIL 17"	
7	521464	CONTRACTURE FOOTREST RAIL 18"	
8	202116	5/16 -18 NYLOCK NUT THIN BLK	
9	483180	OFFSET CLAMP BODY QTS	
10	226198	5/16-18 NYLOCK NUT THIN BLK	
11	227140	1/4 -28 x 1 3/4 BH C/S BLK ZN	
12	483191	EXTERIOR LOCKING JOINT QTS	

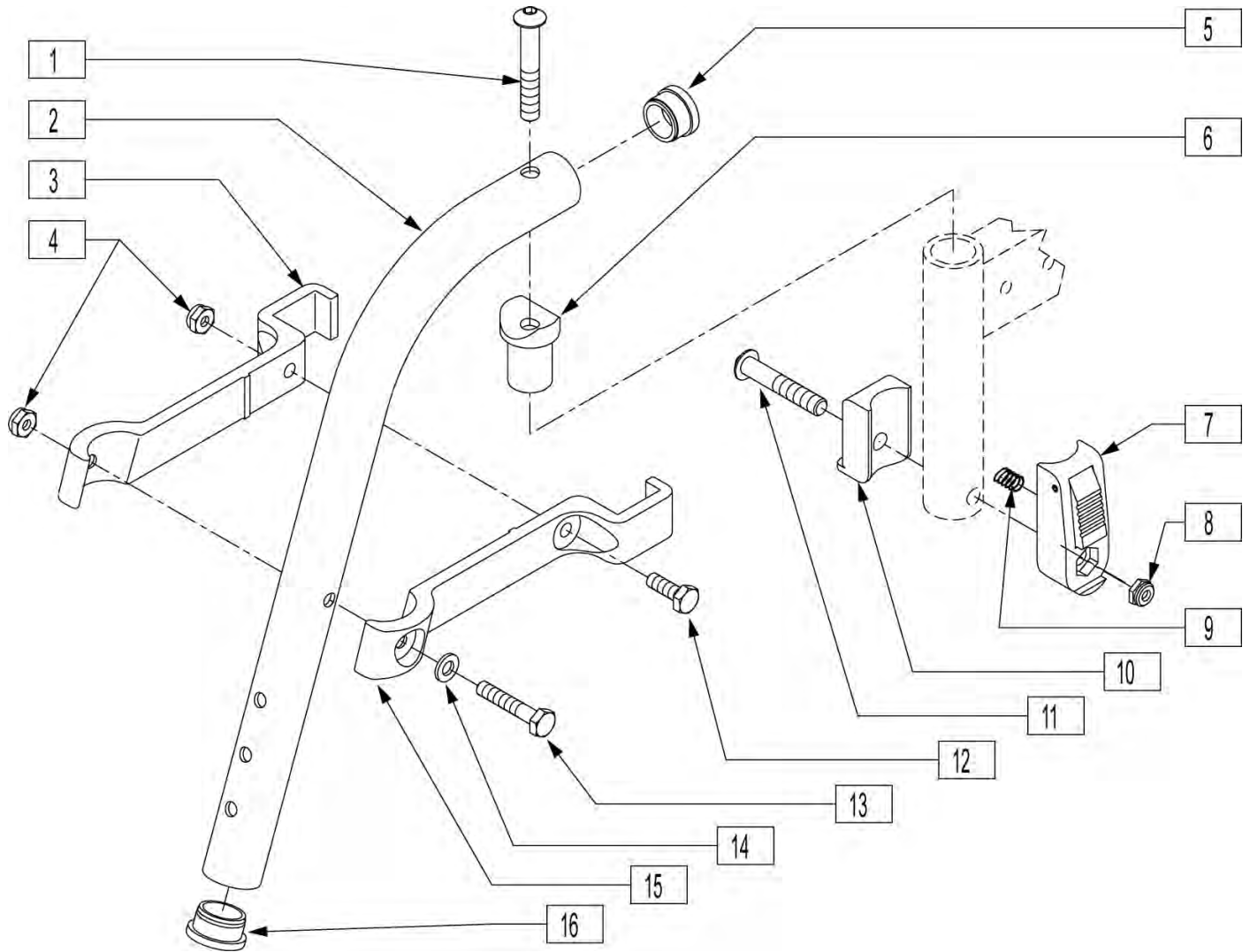
Pos.	Item Number	Description	Remarks
13	222235	5/16-18 x 1 3/4 HEX C/S BLK	
14	503005	ADJUSTMENT LOCKING JOINT	
15	202117	5/16-18 NYLOCK NUT THIN BLK	
16	265103	5/16 WASHER MED BLK LK SPLT	
17	222109	5/16-18 x 1 1/4 BH C/S BLK ZN	
18	524041	CONTRACTURE FOOTREST MOUNT TUBE-SHORT	
18	524044	CONTRACTURE FOOTREST MOUNT TUBE-MEDIUM	
19	483189	FOOTREST JOINT QTS	
20	483181	INTERIOR LOCKING JOINT QTS	
21	226099	1/4 -28 x 7/8 FH C/S	
22	550350	3/4 CLAMP ADJUSTABLE FOOT PLATE	
23	201100-QU	1/4 -28 NYLOCK NUT THIN	
24	561040	HEEL LOOP PEG	
25A	741130	HEEL LOOP MULTI-POSITION 14-15"	
25A	741131	HEEL LOOP MULTI-POSITION 16-17"	
25A	741132	HEEL LOOP MULTI-POSITION 18-20"	
25B	741154	HEEL LOOP COMPOSITE HEMI 14-15"	
25B	741155	HEEL LOOP COMPOSITE HEMI 16-17"	
27	262110-QU	1/4" AN WASHER FLAT THIN	
28	221110	1/4 -20 x 1 HEX C/S	
29	731101	COVER PAD CONTRACTURE FOOT REST	
26	500656	ADULT ANGLE ADJUSTABLE FOOT PLATE 10-11"	RIGHT
26	500657	ADULT ANGLE ADJUSTABLE FOOT PLATE 10-11"	LEFT
26	500658	ADULT ANGLE ADJUSTABLE FOOT PLATE 12-13"	RIGHT
26	500659	ADULT ANGLE ADJUSTABLE FOOT PLATE 12-13"	LEFT
26	500660	ADULT ANGLE ADJUSTABLE FOOT PLATE 14-15"	RIGHT
26	500661	ADULT ANGLE ADJUSTABLE FOOT PLATE 14-15"	LEFT
26	500662	ADULT ANGLE ADJUSTABLE FOOT PLATE 16-17"	RIGHT
26	500663	ADULT ANGLE ADJUSTABLE FOOT PLATE 16-17"	LEFT
26	500664	ADULT ANGLE ADJUSTABLE FOOT PLATE 18-20"	RIGHT
26	500665	ADULT ANGLE ADJUSTABLE FOOT PLATE 18-20"	LEFT
8, 12-20	888810	CONTRACTURE FOOT REST MOUNT TUBE ASSM-SHORT	SHORT
8, 12-20	888811	CONTRACTURE FOOT REST MOUNT TUBE ASSM-MED	MED
1-29	040034-001	CONTRACTURE FOOT REST KIT IRIS 10" W-SHORT	SHORT
1-29	040034-002	CONTRACTURE FOOT REST KIT IRIS 11" W-SHORT	SHORT
1-29	040034-003	CONTRACTURE FOOT REST KIT IRIS 12" W-SHORT	SHORT
1-29	040034-004	CONTRACTURE FOOT REST KIT IRIS 13" W-SHORT	SHORT
1-29	040035-001	CONTRACTURE FOOT REST KIT IRIS 10" W-MED	MED
1-29	040035-002	CONTRACTURE FOOT REST KIT IRIS 11" W-MED	MED
1-29	040035-003	CONTRACTURE FOOT REST KIT IRIS 12" W-MED	MED
1-29	040035-004	CONTRACTURE FOOT REST KIT IRIS 13" W-MED	MED
1-29	921958	CNTRCTR FTRST KIT 14" W-SHT IRIS	SHORT
1-29	921959	CNTRCTR FTRST KIT 14" W-MED IRIS	MED
1-29	921960	CNTRCTR FTRST KIT 14" W-LNG IRIS	LONG
1-29	921961	CNTRCTR FTRST KIT 15" W-SHT IRIS	SHORT
1-29	921962	CNTRCTR FTRST KIT 15" W-MED IRIS	MED
1-29	921963	CNTRCTR FTRST KIT 15" W-LNG IRIS	LONG
1-29	921964	CNTRCTR FTRST KIT 16" W-SHT IRIS	SHORT
1-29	921965	CNTRCTR FTRST KIT 16" W-MED IRIS	MED
1-29	921966	CNTRCTR FTRST KIT 16 "W-LNG IRIS	LONG
1-29	921967	CNTRCTR FTRST KIT 17" W-SHT IRIS	SHORT
1-29	921968	CNTRCTR FTRST KIT 17" W-MED IRIS	MED
1-29	921969	CNTRCTR FTRST KIT 17" W-LNG IRIS	LONG
1-29	921970	CNTRCTR FTRST KIT 18" W-SHT IRIS	SHORT
1-29	921971	CNTRCTR FTRST KIT 18" W-MED IRIS	MED
1-29	921972	CNTRCTR FTRST KIT 18" W-LNG IRIS	LONG
1-29	921973	CNTRCTR FTRST KIT 19" W-SHT IRIS	SHORT

Pos.	Item Number	Description	Remarks
1-29	921974	CNTRCTR FTRST KIT 19" W-MED IRIS	MED
1-29	921975	CNTRCTR FTRST KIT 19" W-LNG IRIS	LONG
1-29	921976	CNTRCTR FTRST KIT 20" W-SHT IRIS	SHORT
1-29	921977	CNTRCTR FTRST KIT 20" W-MED IRIS	MED
1-29	921978	CNTRCTR FTRST KIT 20" W-LNG IRIS	LONG
1-29	921979	CNTRCTR FTRST KIT 21" W-SHT IRIS	SHORT
1-29	921985	CNTRCTR FTRST KIT 21" W-LNG IRIS	LONG
1-29	921986	CNTRCTR FTRST KIT 22" W-SHT IRIS	SHORT
1-29	921987	CNTRCTR FTRST KIT 22" W-MED IRIS	MED
1-29	921988	CNTRCTR FTRST KIT 22" W-LNG IRIS	LONG

NOTE: 20" WIDE FOOTPLATE AND COMPONENTS ARE ALSO USED FOR THE 21" AND 22" WIDTHS.

NOTE: WHEN RETRO-FITTING CONTRACTURE FOOTREST TO AN EXISTING CHAIR, NEW SEAT RAILS ARE REQUIRED. ITEM 050500-004 QUANTITY 2.

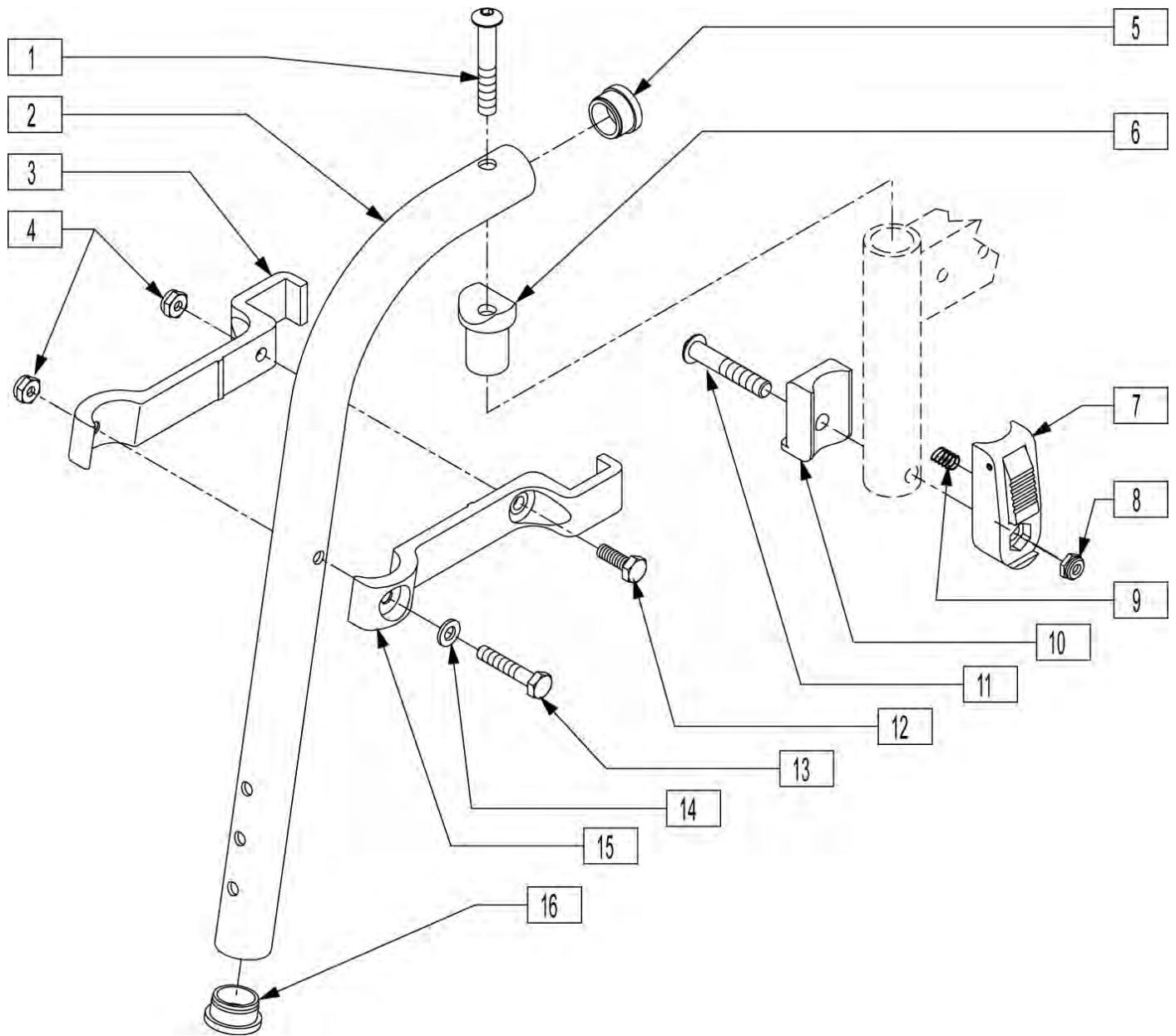
NOTE: 20" WIDE FOOTPLATE AND COMPONENTS ARE ALSO USED FOR THE 21" AND 22" WIDTHS.



Pos.	Item Number	Description	Remarks
1	226198	5/16-18 x 2 BH C/S SHT THREAD	
2	523912	HANGER TUBE 70ø HD	
3	550152	T45 HANGER BRACKET 70ø R	
4	201100-QU	1/4-28 NYLOCK NUT THIN	
5	561002	1" INSERT PLUG .083	
6	561197	PLASTIC PIVOT SADDLE	
7	880053	FOOTREST BLOCK T45	
8	202102	5/16-18 NYLOCK NUT THIN	
9	321141	.650 x 6 COIL SPRING	
10	560684	T45 FOOTREST BLOCK RECESSED	
11	226194	5/16-18 x 1.63 BH C/S	
12	221100	1/4-28 x 3/4 HEX C/S	
13	221127	1/4-28 x 1 3/8 HEX C/S	
14	262100-QU	1/4 AN WASHER FLAT	

Pos.	Item Number	Description	Remarks
15	550153	T45 HANGER BRACKET 70ø L	
16	561002	1" INSERT PLUG .083	ORDER WHEN NOT USING FOOTREST EXTENSION
7-11	920720	FOOTREST BLOCK ASSEMBLY W/BOLT HD	
1-6,12-15	641210	HANGER 70D PNTD R HD	
1-6,12-15	641211	HANGER 70D PNTD L HD	

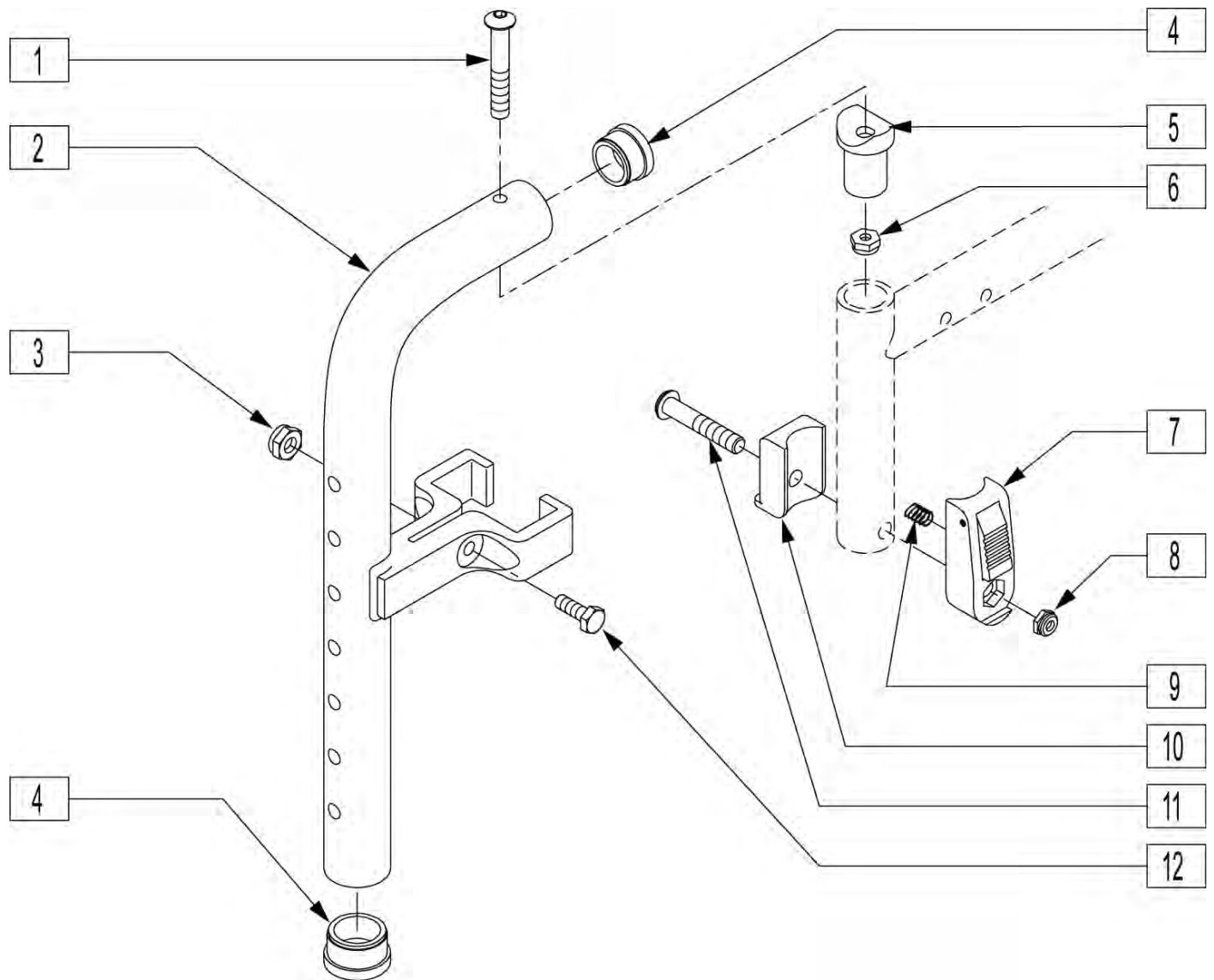
NOTE: 20" WIDE FOOTPLATE AND COMPONENTS ARE ALSO USED FOR THE 21" AND 22" WIDTHS.



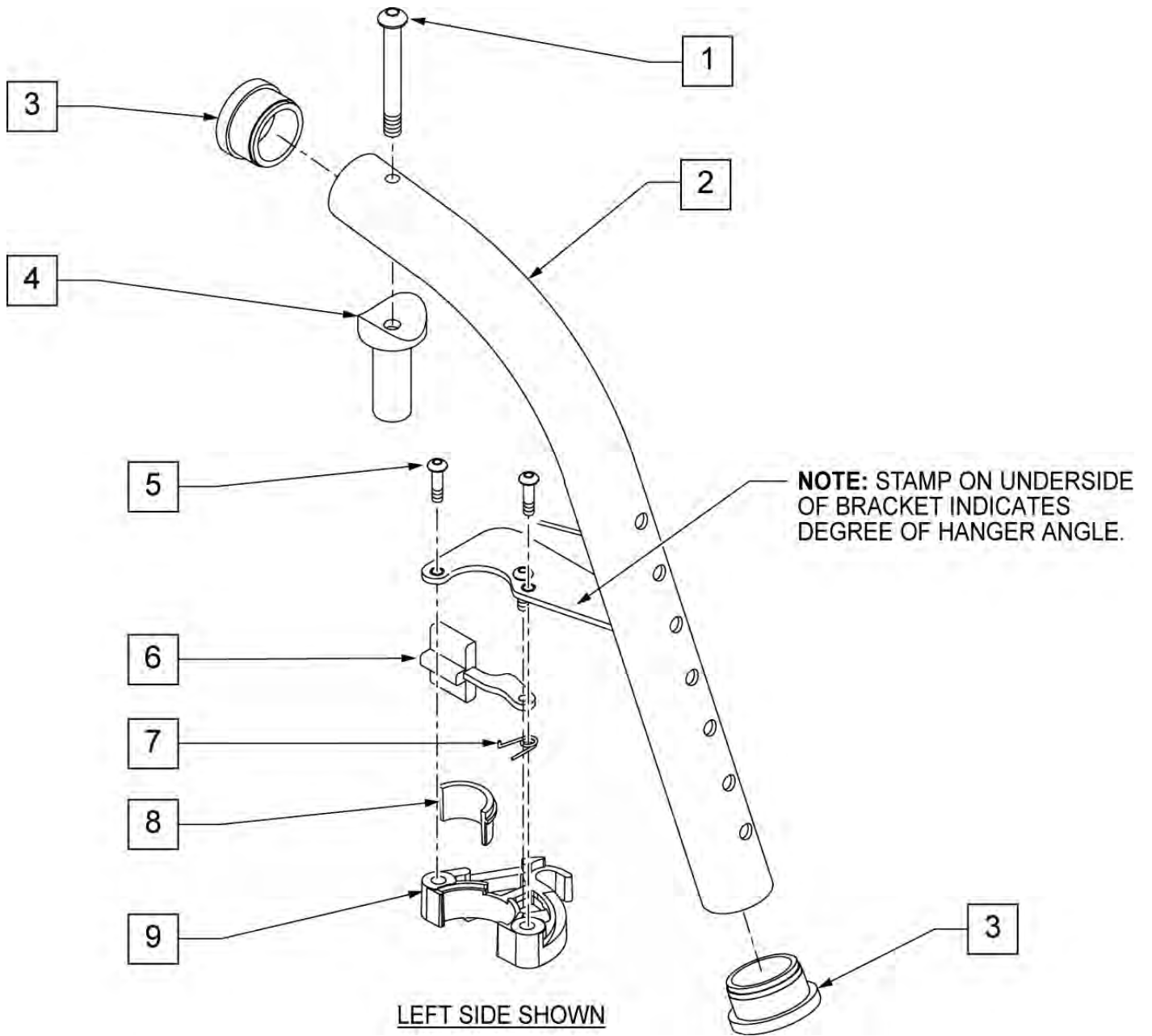
Pos.	Item Number	Description	Remarks
1	226198	5/16-18 x 2 BH C/S SHT THREAD	
2	523913	HANGER TUBE 80ø HD	
3	550154	T45 HANGER BRACKET 80ø R	
4	201100-QU	1/4-28 NYLOCK NUT THIN	
5	561002	1" INSERT PLUG .083	
6	561197	PLASTIC PIVOT SADDLE	
7	880053	FOOTREST BLOCK T45	
8	202102	5/16-18 NYLOCK NUT THIN	
9	321141	.650L x 6 COIL SPRING	

Pos.	Item Number	Description	Remarks
10	560684	T45 FOOTREST BLOCK RECESSED	
11	226194	5/16-18 x 1.63 BH C/S	
12	221100	1/4-28 x 3/4 HEX C/S	
13	221127	1/4-28 x 1 3/8 HEX C/S	
14	262100-QU	1/4 AN WASHER FLAT	
15	550155	T45 HANGER BRACKET 80ø L	
16	561002	1" INSERT PLUG .083	ORDER WHEN NOT USING FOOTREST EXTENSION
7-11	920720	FOOTREST BLOCK ASSEMBLY W/BOLT HD	
1-6,12-15	641200	HANGER 80D PNTD R HD	
1-6,12-15	641201	HANGER 80D PNTD L HD	

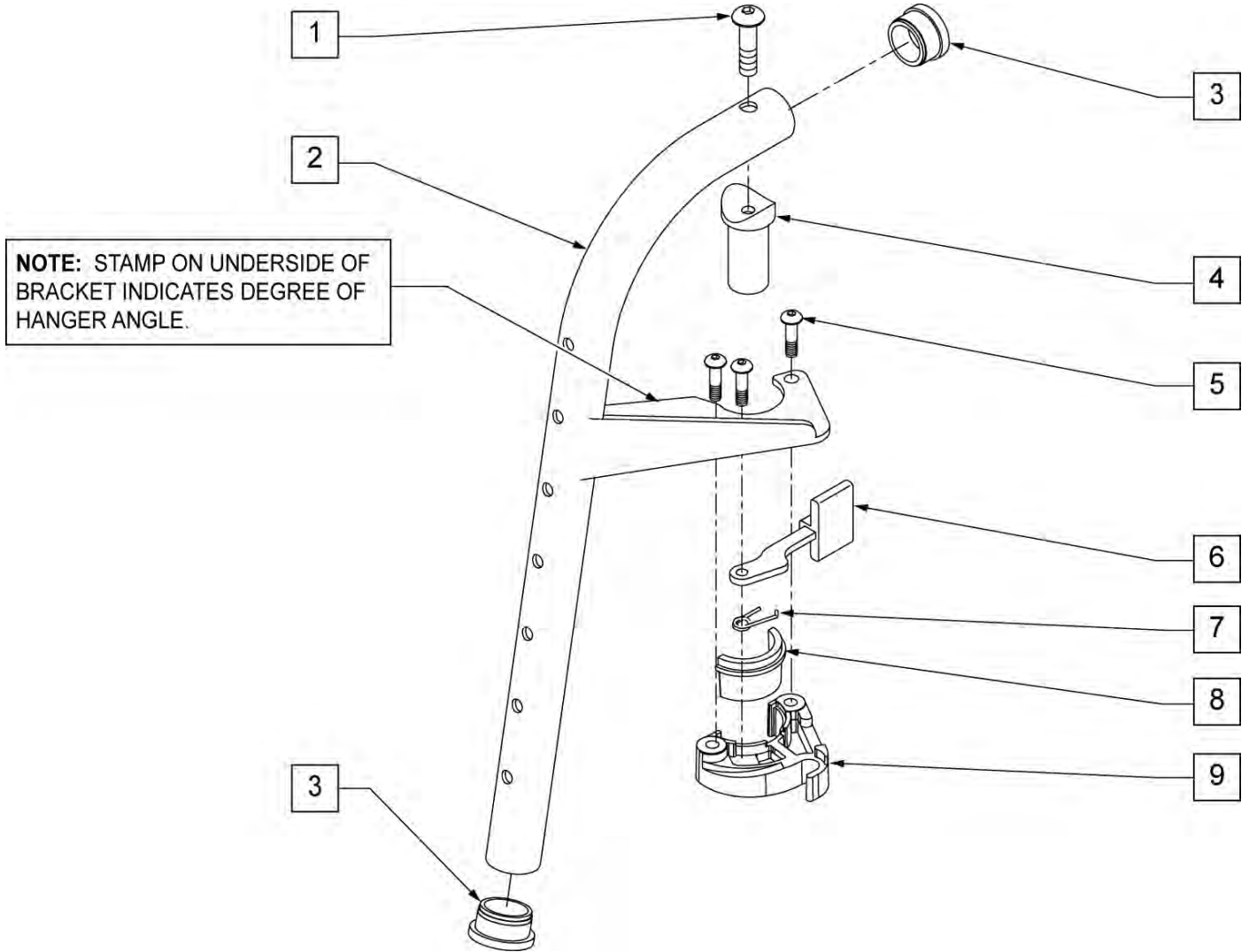
NOTE: 20" WIDE FOOTPLATE AND COMPONENTS ARE ALSO USED FOR THE 21" AND 22" WIDTHS.



Pos.	Item Number	Description	Remarks
1	226198	5/16 -18 x 2 BH C/S SHT THREAD	
3	201100-QU	1/4-28 NYLOCK NUT THIN	
4	561002	1" INSERT PLUG .083	
5	561197	PLASTIC PIVOT SADDLE	
6	202103	5/16-18 NYLOCK NUT THICK	
7	880053	FOOTREST BLOCK T45	
8	202102	5/16-18 NYLOCK NUT THIN	
9	321141	.650L x 6 COIL SPRING	
10	560684	T45 FOOTREST BLOCK RECESSED	
11	226194	5/16-18 x 1.63 BH C/S	
12	221100-QU	1/4-28 x 3/4 HEX C/S	
7-11	920720	FOOTREST BLOCK ASSM W/BOLT HD	
1-6,12	885005	90ø F/D H/D L/O HNDR ASSM PNTD	

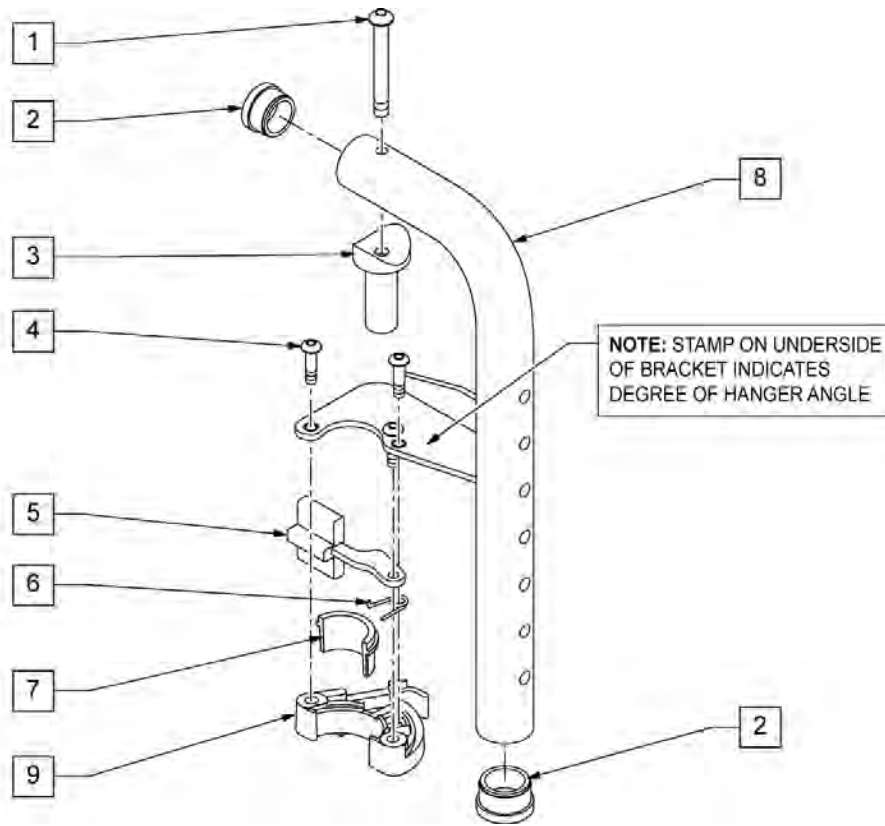


Pos.	Item Number	Description	Remarks
1	226217	5/16-18 x 2 BH C/S BLK	
3	561002	1" INSERT PLUG .083	
4	561197	PLASTIC PIVOT SADDLE	
5	226057	10/24 x .725 BTTN HD SOC BZ	
6	561079	S/A LATCH LEVER	
7	321136	S/A SPRING L RED	LEFT
7	321137	S/A SPRING R CLEAR	RIGHT
8,9	881500	LATCH BLOCK ASSM R	RIGHT
8,9	881501	LATCH BLOCK ASSM L	LEFT
1-9	641142	HANGER 70D R PNTD S/A F/MT	RIGHT
1-9	641143	HANGER 70D L PNTD S/A F/MT	LEFT
5-9	881521	S/A LATCH KIT CASTING	RIGHT
5-9	881522	S/A LATCH KIT CASTING	LEFT



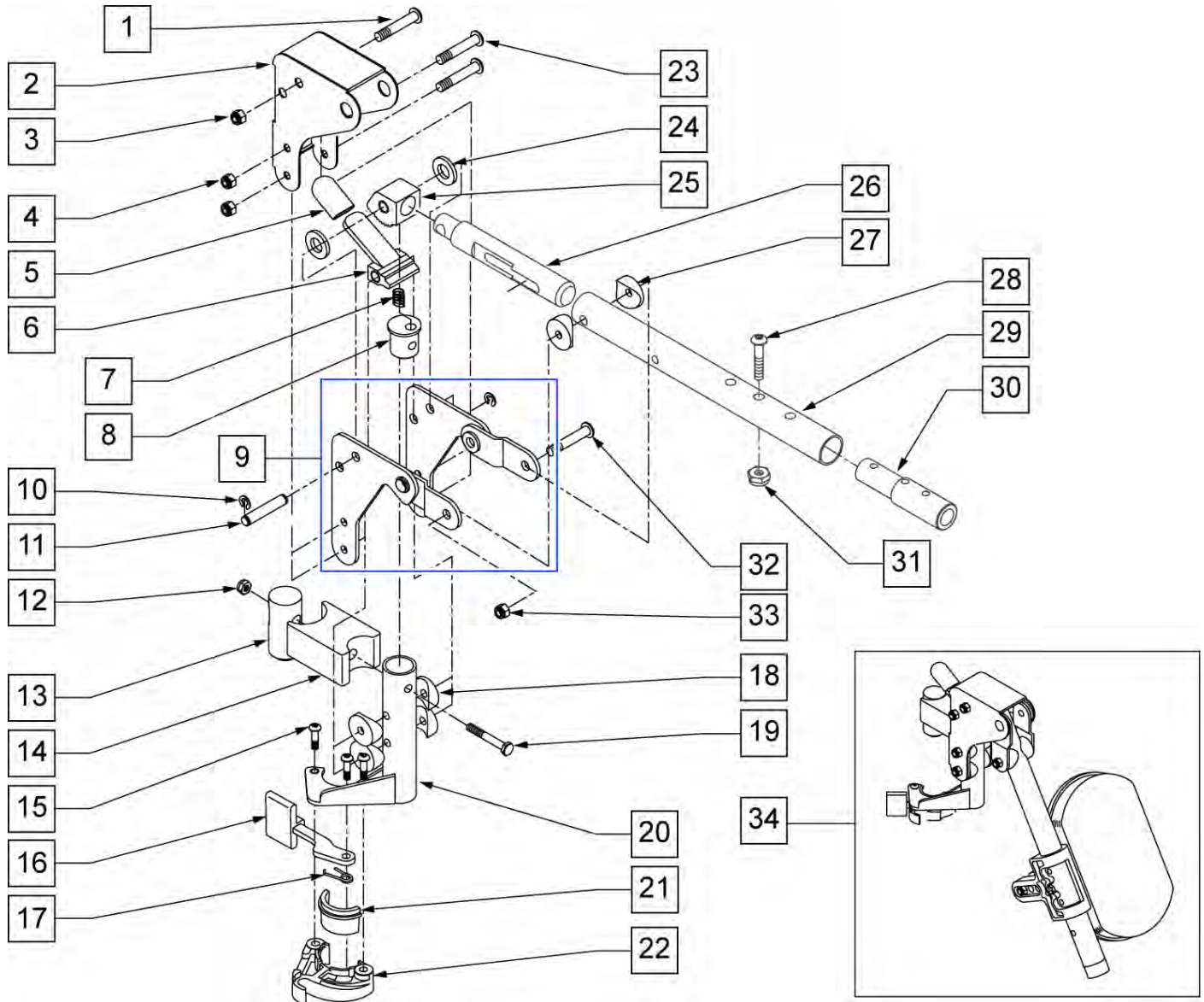
Pos.	Item Number	Description	Remarks
1	226217	5/16-18 x 2 BH C/S BLK	
3	561002	1" INSERT PLUG .083	
4	561197	PLASTIC PIVOT SADDLE	
5	226057	10/24 x .725 BTTN HD SOC BZ	
6	561079	S/A LATCH LEVER	
7	321136	S/A SPRING L RED	LEFT
7	321137	S/A SPRING R CLEAR	RIGHT
8,9	881500	LATCH BLOCK ASSM R	RIGHT
8,9	881501	LATCH BLOCK ASSM L	LEFT
1-9	641144	HANGER 80D R PNTD S/A F/MT	RIGHT
1-9	641145	HANGER 80D L PNTD S/A F/MT	LEFT
5-9	881521	S/A LATCH KIT CASTING	RIGHT
5-9	881522	S/A LATCH KIT CASTING	LEFT

NOTE: DISCONTINUED ON LX/LXI 10/24/2008 -PARTS ONLY FOR CHAIRS BUILT PRIOR TO SERIAL NUMBER LX-xxxxxx.



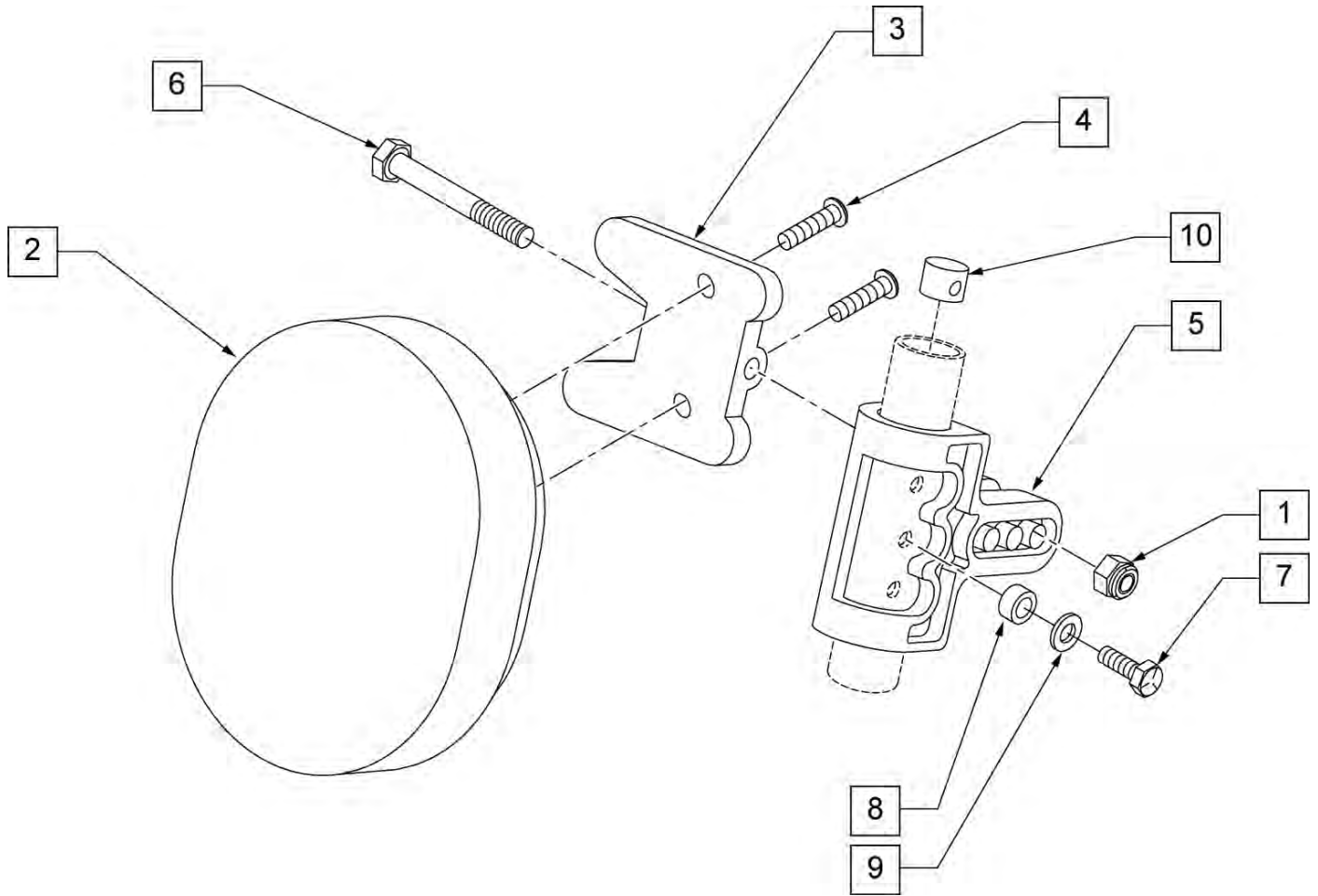
Pos.	Item Number	Description	Remarks
1	226217	5/16-18 x 2 BH C/S BLK	
2	561002	1" INSERT PLUG .083	
3	561197	PLASTIC PIVOT SADDLE	
4	226057	10/24 x .725 BTTN HD SOC BZ	
5	561079	S/A LATCH LEVER	
6	321136	S/A SPRING L RED	LEFT
6	321137	S/A SPRING R CLEAR	RIGHT
1,3	880545	PIVOT SADDLE .125 W/SCREW	
7,9	881500	LATCH BLOCK ASSM R	RIGHT
7,9	881501	LATCH BLOCK ASSM L	LEFT
1-9	641556	HANGER 90D R PNTD S/A	RIGHT
1-9	641557	HANGER 90D L PNTD S/A	LEFT
5-9	881521	S/A LATCH KIT CASTING	RIGHT
5-9	881522	S/A LATCH KIT CASTING	LEFT

NOTE: WHEN USING AN ARTICULATING LEGREST ASSEMBLY, THE PULL-TO-LOCK WHEEL LOCK MUST BE USED.



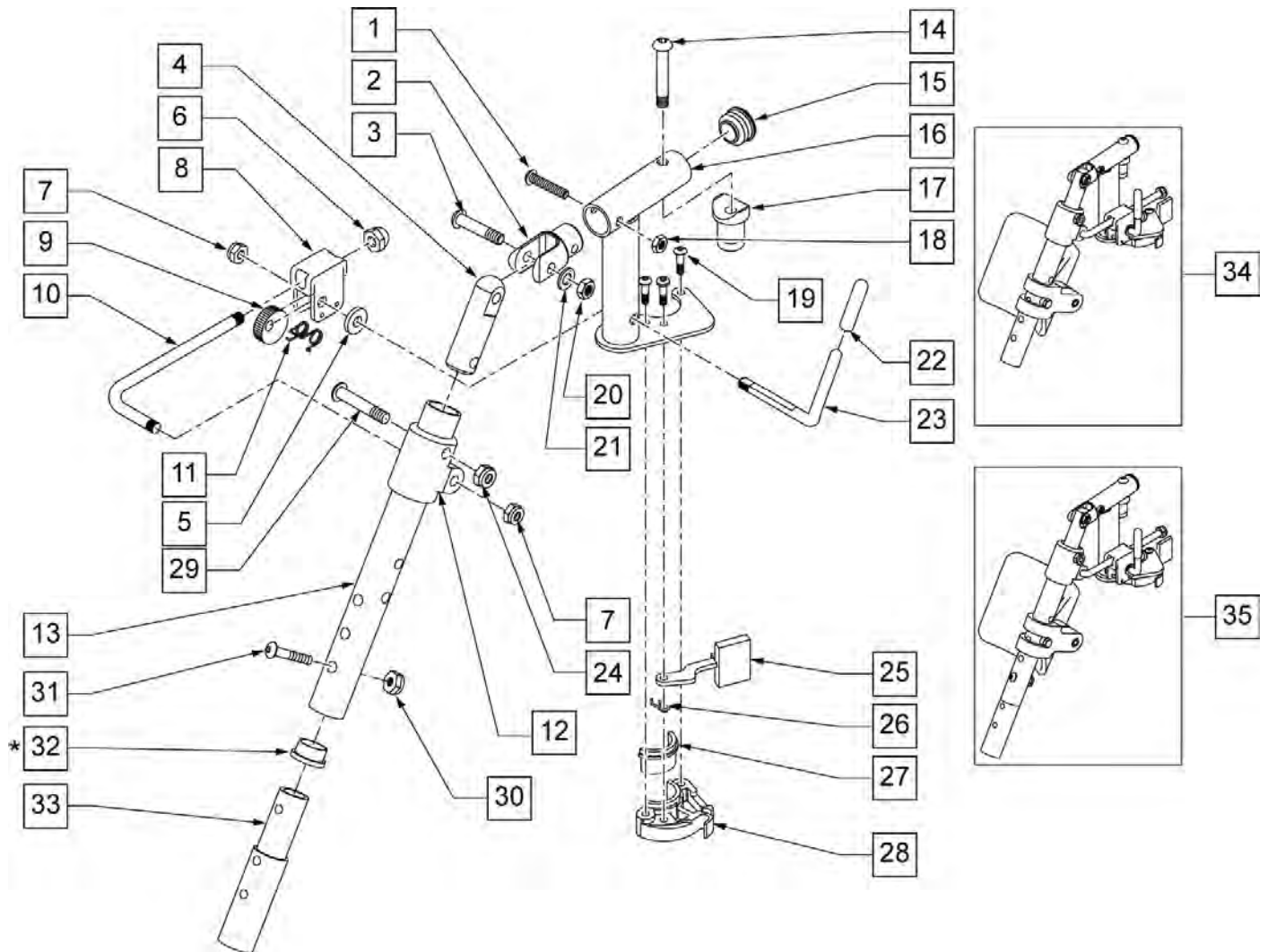
Pos.	Item Number	Description	Remarks
1	226198	5/16-18 x 2 BH C/S SHT THREAD	
2	560720	ALR COVER STD	
3	202102	5/16-18 NYLOCK NUT THIN	
4	201100-QU	1/4-28 NYLOCK NUT THIN	
5	560501	ALR RELEASE LEVER COVER	
6	505902	ALR RELEASE LEVER	
7	321141	650L x 6 COIL SPRING	
8	483060	ALR SPRING PLUG	
9	880526	ALR BRACKET W/LINK R	
9	880527	ALR BRACKET W/LINK L	
10	342000	1/4" E-CLIP	
11	481052	ALR RETAINING STUD	

Pos.	Item Number	Description	Remarks
12	201110-QU	1/4-28 NYLOCK NUT	
13	500177	ALR PIVOT SADDLE .125	
14	500178	ALR PIVOT SADDLE BLOCK	
15	226057	10/24 x .725 BTTN HD SOC BZ	
16	561079	S/A LATCH LEVER	
17	321136	S/A SPRING R CLEAR	
17	321137	S/A SPRING R	
18	561004	1" SADDLE 1/4 HOLE	
19	221201	1/4-28 x 3 G8 HEX C/S	
20	882466	ALR S/A TUBE ASSM L	
20	882467	ALR S/A TUBE ASSM R	
23	226150	1/4-28 x 2 BH C/S	
24	561016	1" WASHER 5/16 HOLE	
25	505900	ALR RATCHET BLOCK	
26	483062	ALR RATCHET ROD	
27	561006	1" SADDLE 5/16" HOLE	
28	226129	1/4-28 x 1 1/4 BH C/S	
29	505025	KIDS ALR LEGREST TUBE 11-13"	
30	500150	2" FOOTREST EXT TUBE	
31	201100-QU	1/4-28 NYLOCK NUT THIN	
32	226195	5/16-18 x 1.82 BH C/S	
33	202102	5/16-18 NYLOCK NUT THIN	
34	923053	KIDS ALR HANGER ASSEM W/PAD	(PR) (SPECIFY COLOR)
28,30,31	881403	2" FTRST EXT TUBE W/HDWR ASSM	
21,22	881500	LATCH BLOCK ASSM R	
21,22	881501	LATCH BLOCK ASSM L	
1-31	641432	KIDS ALR HNGR W/O PAD R 2" EXT	
1-31	641433	KIDS ALR HNGR W/O PAD L 2" EXT	



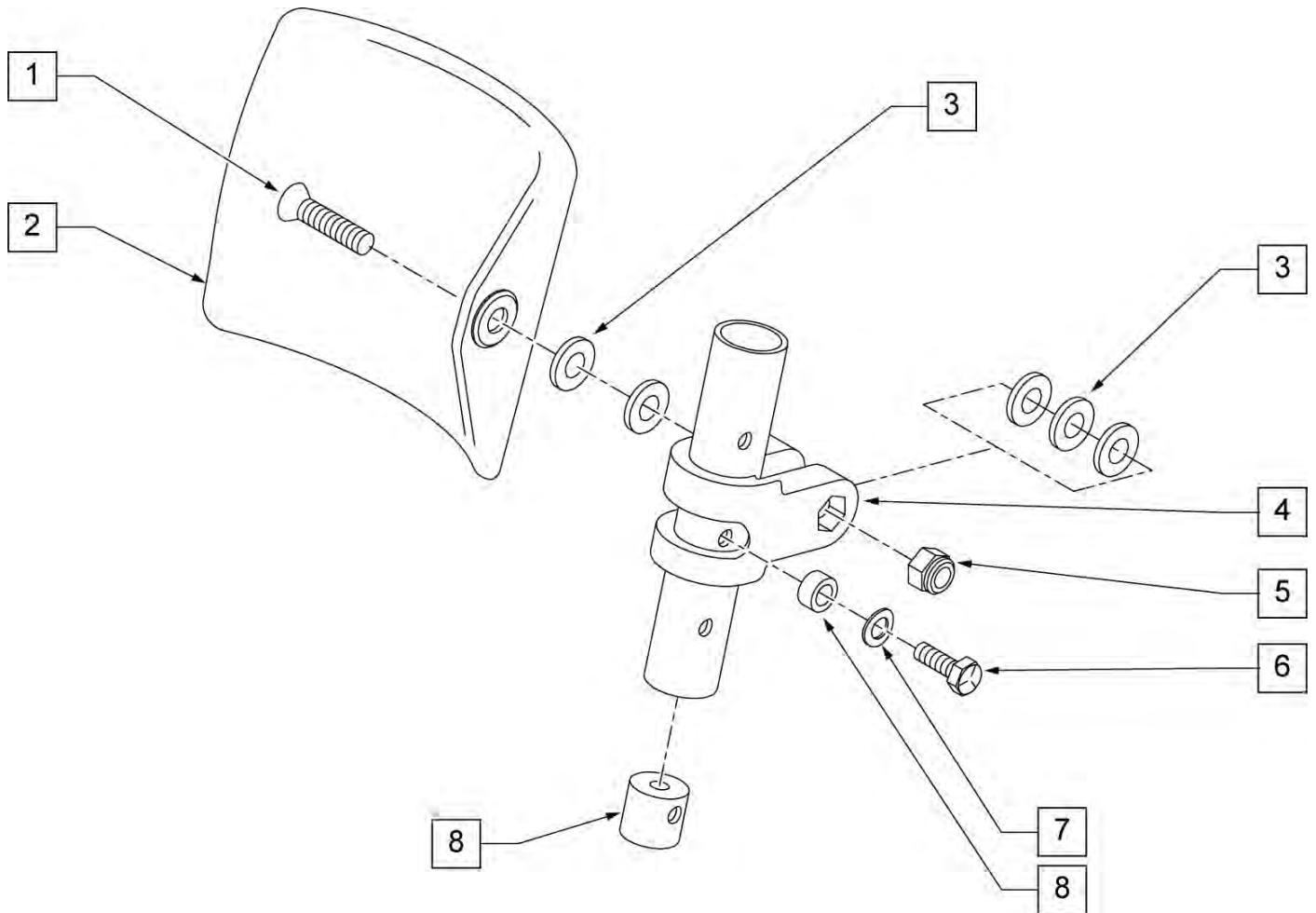
Pos.	Item Number	Description	Remarks
1	202103	5/16-18 NYLOCK NUT THICK	
2	755020	4 x 5 OVAL PAD	
3	561096	ALR/ELR CALF PAD BRACKET	
4	281181	1/4-20 x 3/4 PAN PHIL	
5	561099	CALF CLAMP ALR	
6	222255	5/16-18 x 3 1/2 HEX C/S	
7	221126	1/4-20 x 1 1/4 G8 HEX C/S	
8	483027	1/4 x 1/4 ALUMINUM SPACER	
9	262130	6mm WASHER WAVE	
10	500151	KIDS ALR RETAINING PLUG	
1-6	881401	KIDS ALR OVAL PAD W/BRACKET	
1-10	881402	KIDS ALR OVAL PAD ASSEMBLY (EA)	

* NOTE: Order Item 32 (561002) when NOT using Footrest Extension.

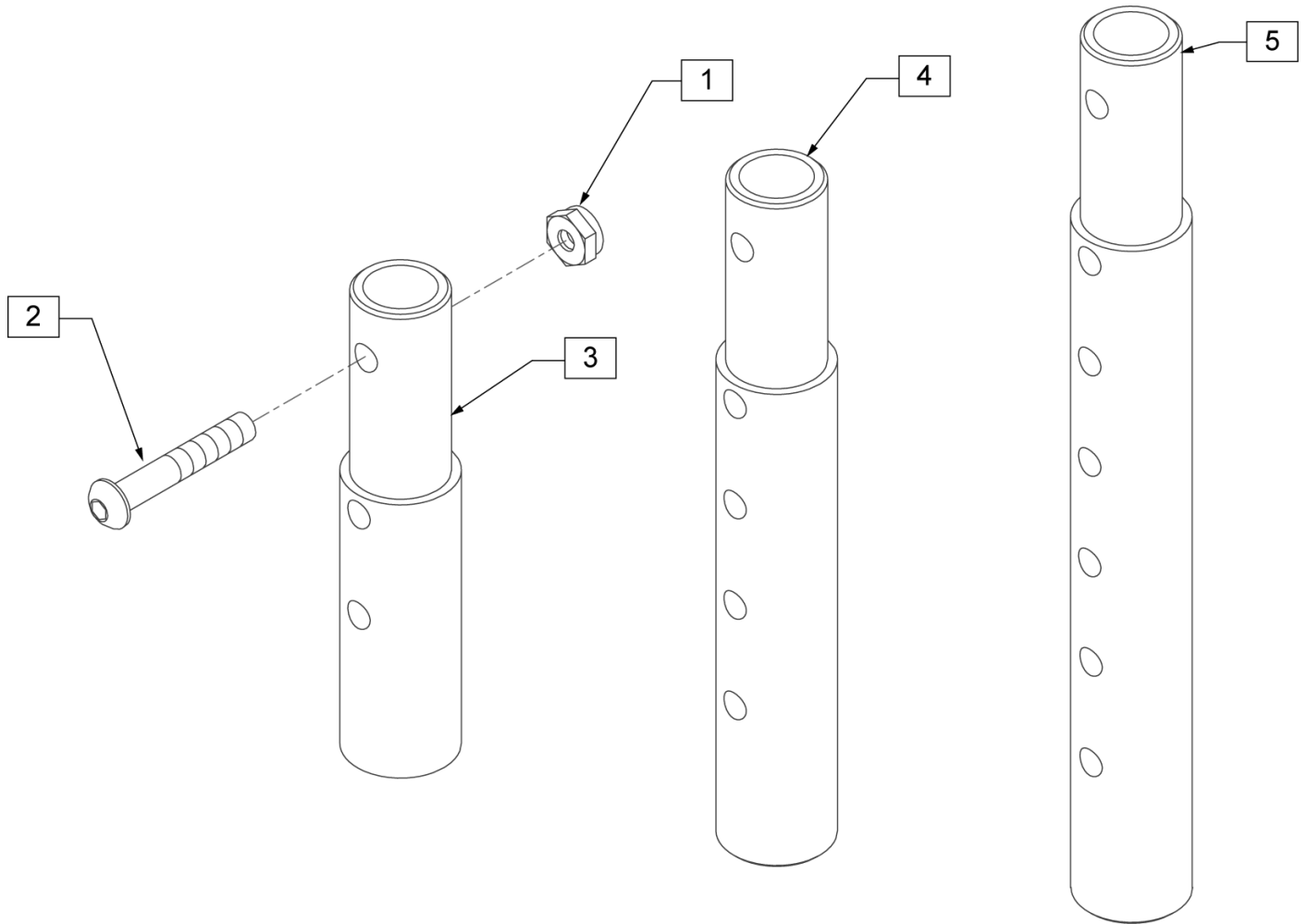


Pos.	Item Number	Description	Remarks
1	226129	1/4-28 x 1 1/4 BH C/S	
2	505281	ELR CLEVIS	
3	226138	5/16-24 x 1 1/2 BH C/S	
4	540252	ELR PIVOT PRS	
5	561059	3/4 OD x .318 ID WASHER	
6	202109	5/16-24 ACORN NUT HEX	
7	202100-MJ	5/16-24 NYLOCK NUT THIN	
8	880990	ELR LOCK HOUSING W/PIN	
9	481119	ELR CAM LOCKING POWDERED METAL	
10	481505	ELR LOCK ROD 90D	
11	321106	ELR TORSION SPRING	
12	560430	ELR ROD UPPER PIVOT	
13	505097	ELR KIDS TUBE	
14	226217	5/16-18 x 2" BH C/S BLK	
15	561062	1" INSERT PLUG .065 RIBS	

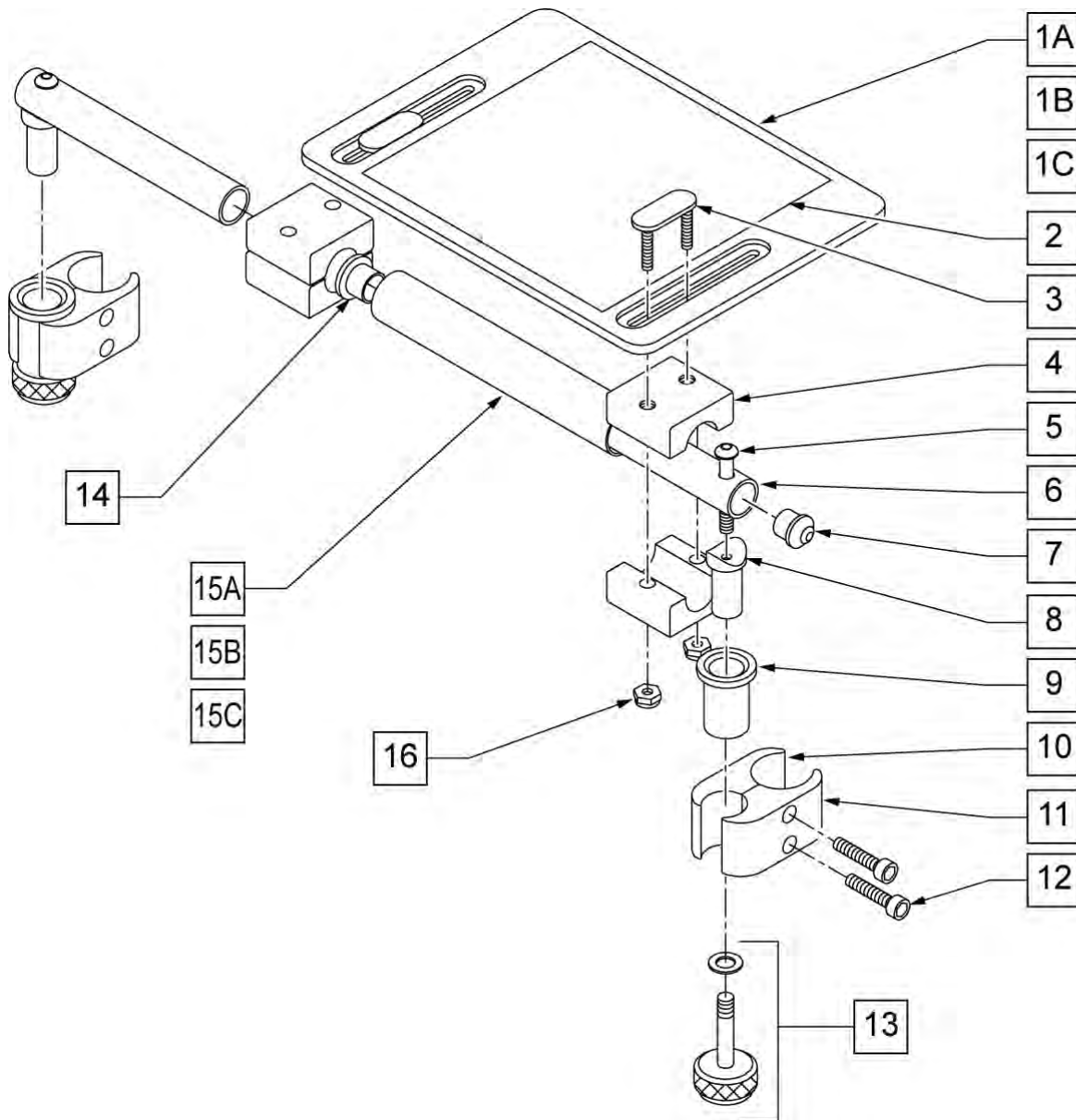
Pos.	Item Number	Description	Remarks
17	561197	PLASTIC PIVOT SADDLE	
18	201100-QU	1/4-28 NYLOCK NUT THIN	
19	226057	10/24 x .725 BTTN HD SOC BZ	
20	202100-MJ	5/16-24 NYLOCK NUT THIN	
21	263100	5/16 AN WASHER FLAT	
22	561049	ELR RELEASE ROD COVER	
23	481123	ELR ACTUATION ARM 90 DEG KDS	
24	202100-MJ	5/16-24 NYLOCK NUT THIN	
25	561079	S/A LATCH LEVER	
26	321136	S/A SPRING L RED	
26	321137	S/A SPRING R CLEAR	
29	226138	5/16-24 x 1 1/2 BH C/S	
30	201100-QU	1/4-28 NYLOCK NUT THIN	
31	226129	1/4-28 x 1 1/4 BH C/S	
32	561002	1" INSERT PLUG .083	
33	500150	2" FOOTREST EXT TUBE	
34	923068	ELR HNGR ASSM 90D W/PAD 2" EXT	
35	923067	ELR HNGR ASSM 90D W/PAD	
30,31,33	881403	2" FTRST EXT TUBE W/HDWR ASSM	
27,28	881500	LATCH BLOCK ASSM R	
27,28	881501	LATCH BLOCK ASSM L	
22,23	882411	ELR 90D ACTUATION ARM ASSM	
1-4,14-21,25-28	882413	ELR PIVOT BLOCK ASSM R	
1-4,14-21,25-28	882414	ELR PIVOT BLOCK ASSM L	
1-28	641458	ELR HNGR 90D W/O PAD PNTD R	
1-28	641459	ELR HNGR 90D W/O PAD PNTD L	
1-28,30,31,33	641468	HANGER ELR 90 W/O PAD R 2" EXT	
1-28,30,31,33	641469	HANGER ELR 90 W/O PAD L 2" EXT	



Pos.	Item Number	Description	Remarks
1	226196	5/16-18 x 2 BH C/S ZN	
2	755013	CALF PAD THROUGH STYLE KIDS	
3	561016	1" WASHER 5/16" HOLE	
4	561097	ELR ELEVATING TUBE CLAMP	
5	202102	5/16 -18 NYLOCK NUT THIN	
6	221126	1/4-20 x 1 1/4 G8 HEX C/S	
7	262130	6mm WASHER WAVE	
8	483027	1/4 x 1/4 ALUMINUM SPACER	
9	500151	KIDS ALR RETAINING PLUG	
1-9	880533	ELR TROUGH PAD ASSM KIDS	



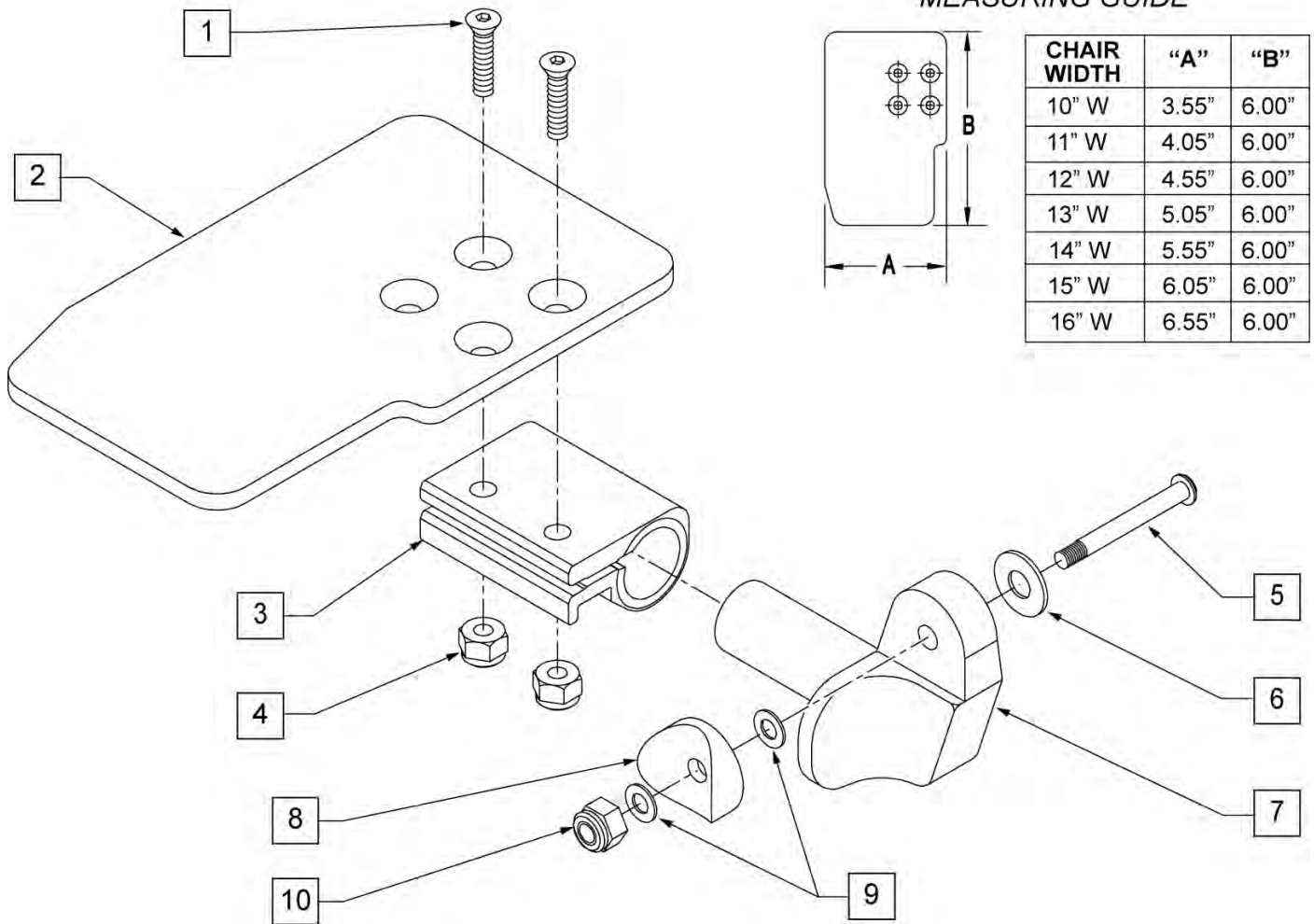
Pos.	Item Number	Description	Remarks
1	201100-QU	1/4 - 28 NYLOCK NUT THIN	
2	226129	1/4 - 28 x 1 1/4 BH C/S	
3	500150	2" FOOTREST EXTENSION TUBE	
4	483051	4" FOOTREST EXTENSION TUBE T45	
5	500898	6" FOOTREST EXTENSION TUBE	
1-3	881403	2" FOOTREST EXTENSION TUBE W/ HDWR ASSM	
1, 2, 4	881404	4" FOOTREST EXTENSION TUBE W/ HDWR ASSM	
1,2,5	881415	6" FOOTREST EXTENSION W/ HDWR	



Pos.	Item Number	Description	Remarks
1A	562610	SLD FOOTPLATE ONLY 8" x 8" (10"-12" W)	0 -12" WIDE
1B	562612	SLD FOOTPLATE ONLY 10" x 8" (13"-14" W)	13 -14" WIDE
1C	500709	SLD FT PLT ALUM ONLY 12" x 8" (15"-16" W)	15 -16" WIDE
2	562830	SLD FOOTPLATE TAPE 12" x 8"	
3	330120	SLD FT/ANGLE ADJ DOUBLE T BOLT	
4	550444	SOLID FOOT/ANG ADJ CLAMP BLK	
5	226130	1/4-28 x 1 1/2 BH C/S	
6	521623	SOLID FT PIVOT TUBE BLK	
7	561034	SHORT DOME PLUG	
8	483236	SOLID FOOT INSERT SADDLE BLK	
10	550658	CLAMP 1 1/4" THREADED BLK	
11	550657	CLAMP 1 1/4" RECESS FULL BLK	
12	226112	1/4-28 x 1 SOC C/S BLK	
9,13	880559	SOLID FOOT LOCK KNOB ASSEMBLY	
14	560402	3/4" ID NY-LINER	

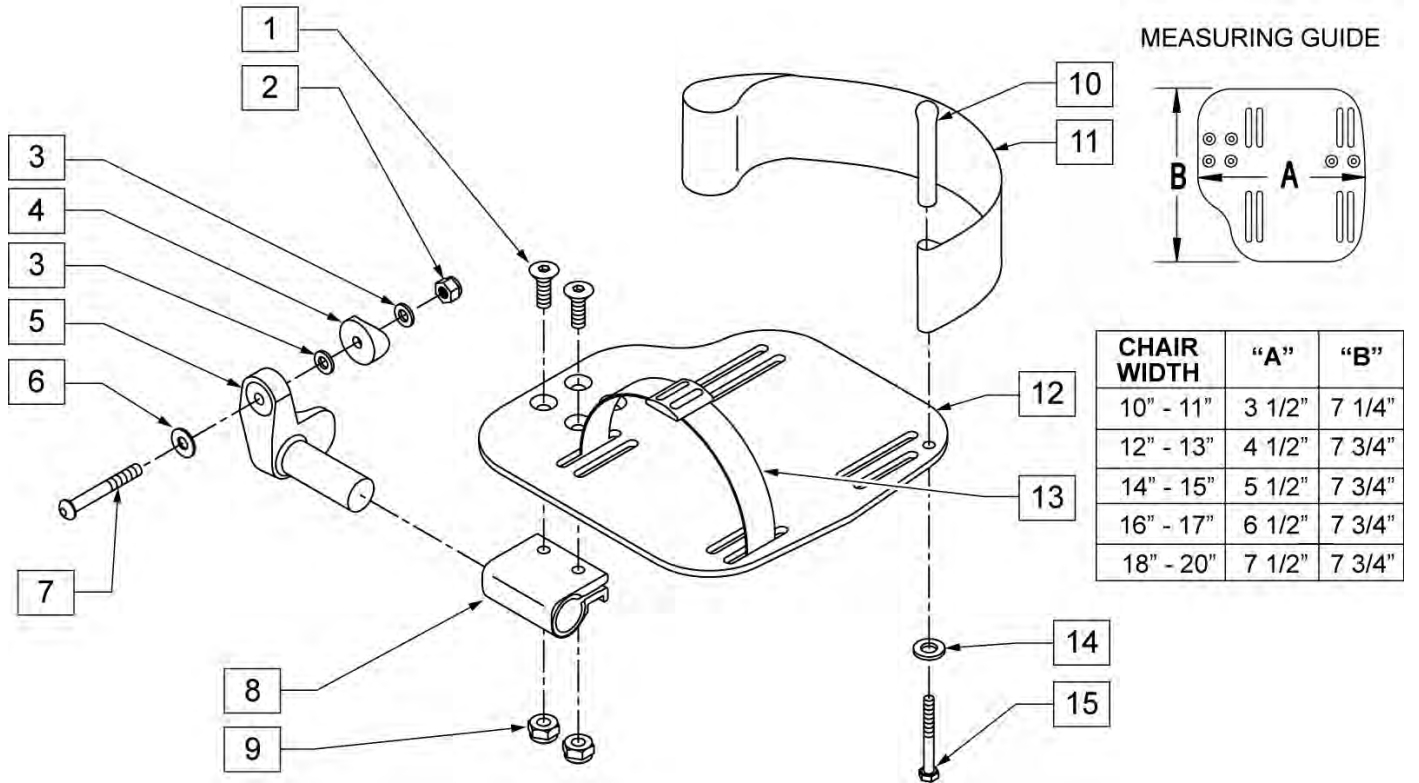
Pos.	Item Number	Description	Remarks
15A	521621	SLD FOOT SUPPORT TUBE BLK 10"-12"	10 -12" WIDE
15B	521622	SLD FOOT SUPPORT TUBE BLK 13"-14"	13 -14" WIDE
15C	521624	SLD FOOT SUPPORT TUBE BLK 15"-16"	15 -16" WIDE
16	201105	1/4-20 NYLOCK NUT THIN	
5-8	880183	SLD FT PLT PIVOT TUBE SUB-ASSM	
1A,3-14, 15A,15	921801	SLD FT PLT ASSEMBLY 8" x 8" (10"-12" W)	10 -12" WIDE
1B,3-14, 15B,16	921803	SOLID FOOTPLATE ASSEMBLY 10" x 8" (13"-14" W)	13 -14" WIDE
1C,3-14,15C,16	921805	SOLID FOOTPLATE ASSEMBLY 12" x 8" (15"-16" W)	15 -16" WIDE

MEASURING GUIDE



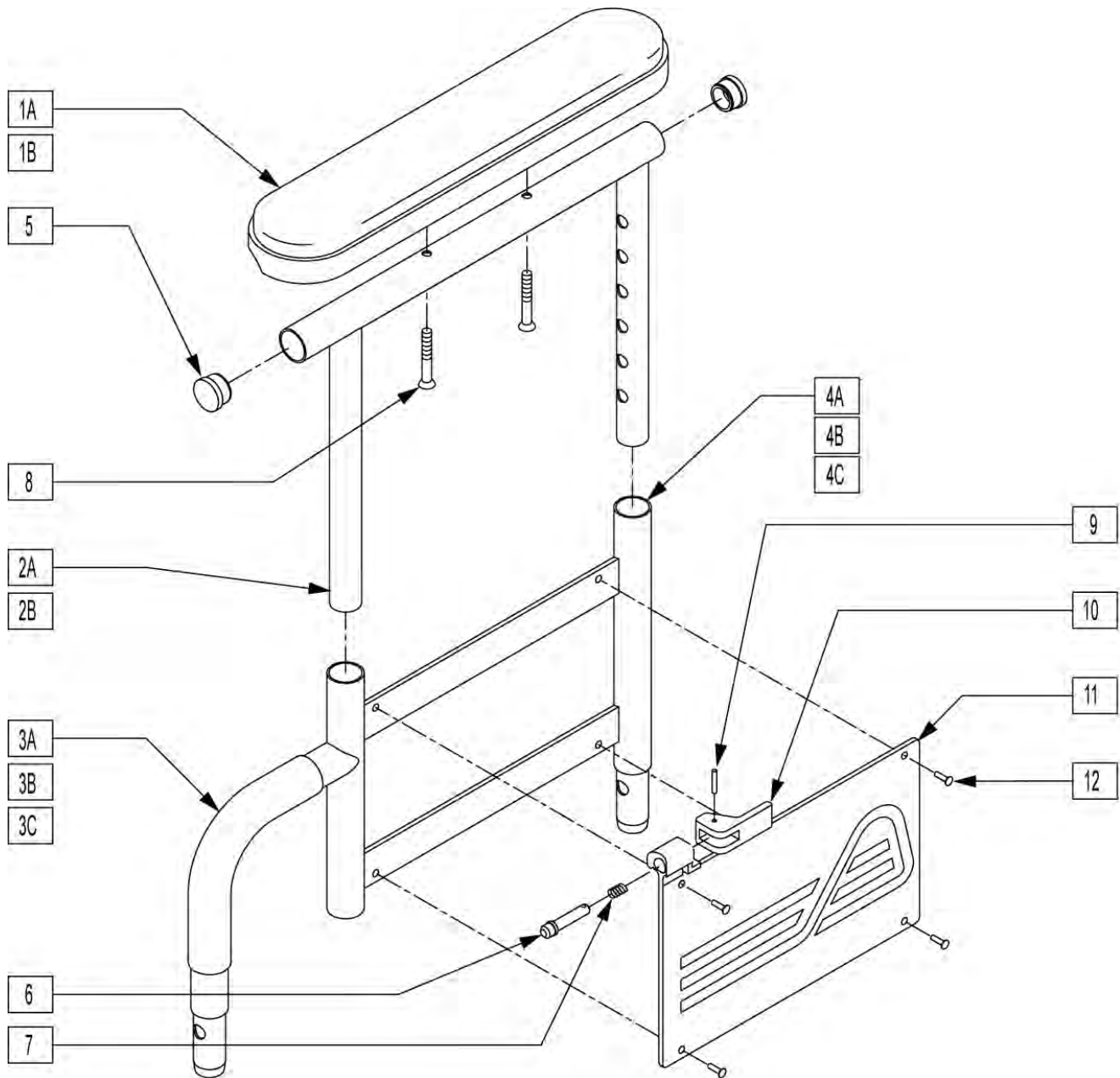
Pos.	Item Number	Description	Remarks	Pos.	Item Number	Description	Remarks
1	226099	1/4-28 x 7/8 FH C/S		8	561004	1 SADDLE 1/4 HOLE	
2	500635	KIDS ANGL ADJ F/PLT 10	RIGHT	9	262110-QU	1/4 AN WASHER FLAT THIN	
2	500636	KIDS ANGL ADJ F/PLT 10	LEFT	10	201110-QU	1/4-28 NYLOCK NUT	
2	500637	KIDS ANGL ADJ F/PLT 11	RIGHT	1-10	828821	KIDS ANG ADJ F/PLT ASSM 10	RIGHT
2	500638	KIDS ANGL ADJ F/PLT 11	LEFT	1-10	828822	KIDS ANG ADJ F/PLT ASSM 10	LEFT
2	500639	KIDS ANGL ADJ F/PLT 12	RIGHT	1-10	828823	KIDS ANG ADJ F/PLT ASSM 11	RIGHT
2	500640	KIDS ANGL ADJ F/PLT 12	LEFT	1-10	828824	KIDS ANG ADJ F/PLT ASSM 11	LEFT
2	500641	KIDS ANGL ADJ F/PLT 13	RIGHT	1-10	828825	KIDS ANG ADJ F/PLT ASSM 12	RIGHT
2	500642	KIDS ANGL ADJ F/PLT 13	LEFT	1-10	828826	KIDS ANG ADJ F/PLT ASSM 12	LEFT
2	500643	KIDS ANGL ADJ F/PLT 14	RIGHT	1-10	828827	KIDS ANG ADJ F/PLT ASSM 13	RIGHT
2	500644	KIDS ANGL ADJ F/PLT 14	LEFT	1-10	828828	KIDS ANG ADJ F/PLT ASSM 13	LEFT
2	500645	KIDS ANGL ADJ F/PLT 15	RIGHT	1-10	828829	KIDS ANG ADJ F/PLT ASSM 14	RIGHT
2	500646	KIDS ANGL ADJ F/PLT 15	LEFT	1-10	828830	KIDS ANG ADJ F/PLT ASSM 14	LEFT
2	500647	KIDS ANGL ADJ F/PLT 16	RIGHT	1-10	828831	KIDS ANG ADJ F/PLT ASSM 15	RIGHT
2	500648	KIDS ANGL ADJ F/PLT 16	LEFT	1-10	828832	KIDS ANG ADJ F/PLT ASSM 15	LEFT
3	550350	3/4 CLAMP ADJ FOOTPLATE		1-10	828833	KIDS ANG ADJ F/PLT ASSM 16	RIGHT
4	201100-QU	1/4-28 NYLOCK NUT THIN		1-10	828834	KIDS ANG ADJ F/PLT ASSM 16	LEFT
5	226150	1/4-28 x 2 BH C/S		1-10	921226	KIDS ANG ADJ F/PLT ASSM 10	PAIR
6	262120	1/4 SAE WASHER		1-10	921227	KIDS ANG ADJ F/PLT ASSM 11	PAIR
7	541000	FTRST MOUNTING BRKT 1 RAD	RIGHT	1-10	921228	KIDS ANG ADJ F/PLT ASSM 12	PAIR
7	541001	FTRST MOUNTING BRKT 1 RAD	LEFT	1-10	921229	KIDS ANG ADJ F/PLT ASSM 13	PAIR

Pos.	Item Number	Description	Remarks	Pos.	Item Number	Description	Remarks
1-10	921230	KIDS ANG ADJ F/PLT ASSM 14	PAIR	1-10	921232	KIDS ANG ADJ F/PLT ASSM 16	PAIR
1-10	921231	KIDS ANG ADJ F/PLT ASSM 15	PAIR				



Pos.	Item Number	Description	Remarks
1	226099	1/4-28 x 7/8 FH C/S	
2	201120	1/4-28 AUTOMATION NUT	
3	262110-QU	1/4" AN WASHER FLAT THIN	
4	561004	1" SADDLE 1/4" HOLE	
5	541000	FOOTREST MOUNTING BRKT-1" RAD	RIGHT
5	541001	FOOTREST MOUNTING BRKT-1" RAD	LEFT
6	262120	1/4" SAE WASHER	
7	226167	1/4-28 x 1.625 BH C/S BLK	
8	550350	3/4" CLAMP ADJ FOOTPLATE	
9	201100-QU	1/4-28 NYLOCK NUT THIN	
10	561040	HEEL LOOP PEG	
10	741153	HEEL LOOP 18-20 CMPST/14-15 ANG ADJ	USED W/ 14-15"/16-17" ADULT ANG ADJ FTPLTS
11	741253	HEEL LOOP ADLT ADJ F/PLT 18-20	USED W/ 18 -20" ADULT ANG ADJ FTPLTS
12	500656	ADULT ANGL ADJ F/PLT 10/11	RIGHT
12	500657	ADULT ANGL ADJ F/PLT 10/11	LEFT
12	500658	ADULT ANGL ADJ F/PLT 12/13	RIGHT
12	500659	ADULT ANGL ADJ F/PLT 12/13	LEFT
12	500660	ADULT ANGL ADJ F/PLT 14/15	RIGHT
12	500661	ADULT ANGL ADJ F/PLT 14/15	LEFT
12	500662	ADULT ANGL ADJ F/PLT 16/17	RIGHT
12	500663	ADULT ANGL ADJ F/PLT 16/17	LEFT
12	500664	ADULT ANGL ADJ F/PLT 18-20	RIGHT
12	500665	ADULT ANGL ADJ F/PLT 18-20	LEFT
13	740260	TOE-ANKLE STRAP ADJ ADULT FOOTPLATE	
14	262110-QU	1/4 AN WASHER FLAT THIN	
15	221110	1/4-20 x 1 HEX C/S	

Pos.	Item Number	Description	Remarks
1-9,12	820472	FP ADLT ADJ 90D 14/15	RIGHT
1-9,12	820473	FP ADLT ADJ 90D 14/15	LEFT
1-9,12	820474	FP ADLT ADJ 90D 16/17	RIGHT
1-9,12	820475	FP ADLT ADJ 90D 16/17	LEFT
1-9,12	820476	FP ADLT ADJ 90D 18-20	RIGHT
1-9,12	820477	FP ADLT ADJ 90D 18-20	LEFT
1-9,12	820544	FP ADLT ADJ 90D 10/11	RIGHT
1-9,12	820546	FP ADLT ADJ 90D 12/13	LEFT
1-9,12	820554	FP ADLT ADJ 90D 10/11	RIGHT
1-9,12	820556	FP ADLT ADJ 90D 12/13	LEFT
1-9,12	921330	FP ADLT ADJ 90D 14/15	PAIR
1-9,12	921331	FP ADLT ADJ 90D 16/17	PAIR
1-9,12	921332	FP ADLT ADJ 90D 18-20	PAIR
1-9,12	921464	ADULT ANGL ADJ F/PLT 10 OMT H/L	PAIR
1-9,12	921466	ADULT ANGL ADJ F/PLT 12 OMT H/L	PAIR
1-9,12	921474	ADULT ANGL ADJ 90D 10 OMIT H/L	PAIR
1-9,12	921476	ADULT ANGL ADJ 90D 12 OMIT H/L	PAIR
1-12, 14,15	820478	F/PLT ADULT ADJ 90D 14/15 HL	RIGHT
1-12, 14,15	820479	F/PLT ADULT ADJ 90D 14/15 HL	LEFT
1-12, 14,15	820480	F/PLT ADULT ADJ 90D 16/17 HL	RIGHT
1-12, 14,15	820481	F/PLT ADLT ADJ 90D 16/17 HL	LEFT
1-12, 14,15	820482	F/PLT ADLT ADJ 90D 18-20 HL	RIGHT
1-12, 14,15	820483	F/PLT ADLT ADJ 90D 18-20 HL	LEFT
1-12, 14,15	820520	ADULT ANGL ADJ F/PLT 10/11H/L	RIGHT
1-12, 14,15	820522	ADULT ANGL ADJ F/PLT 12/13 H/L	RIGHT
1-12, 14,15	921333	F/PLT ADULT ADJ 90D 14/15 HL	PAIR
1-12, 14,15	921334	F/PLT ADULT ADJ 90D 16/17 HL	PAIR
1-12, 14,15	921335	F/PLT ADULT ADJ 90D 18-20 HL	PAIR
1-12, 14,15	921460	ADULT ANGL ADJ F/PLATE 10 H/L	PAIR
1-12, 14,15	921462	ADULT ANGL ADJ F/PLATE 12 H/L	PAIR
1-12, 14,15	921470	ADULT ANGL ADJ 90D F/PLT 10 H/L	PAIR
1-12, 14,15	921472	ADULT ANGL ADJ 90D F/PLT 12 H/L	PAIR
1-12, 14,15	921472	ADULT ANGL ADJ 90D F/PLT 12 H/L	PAIR

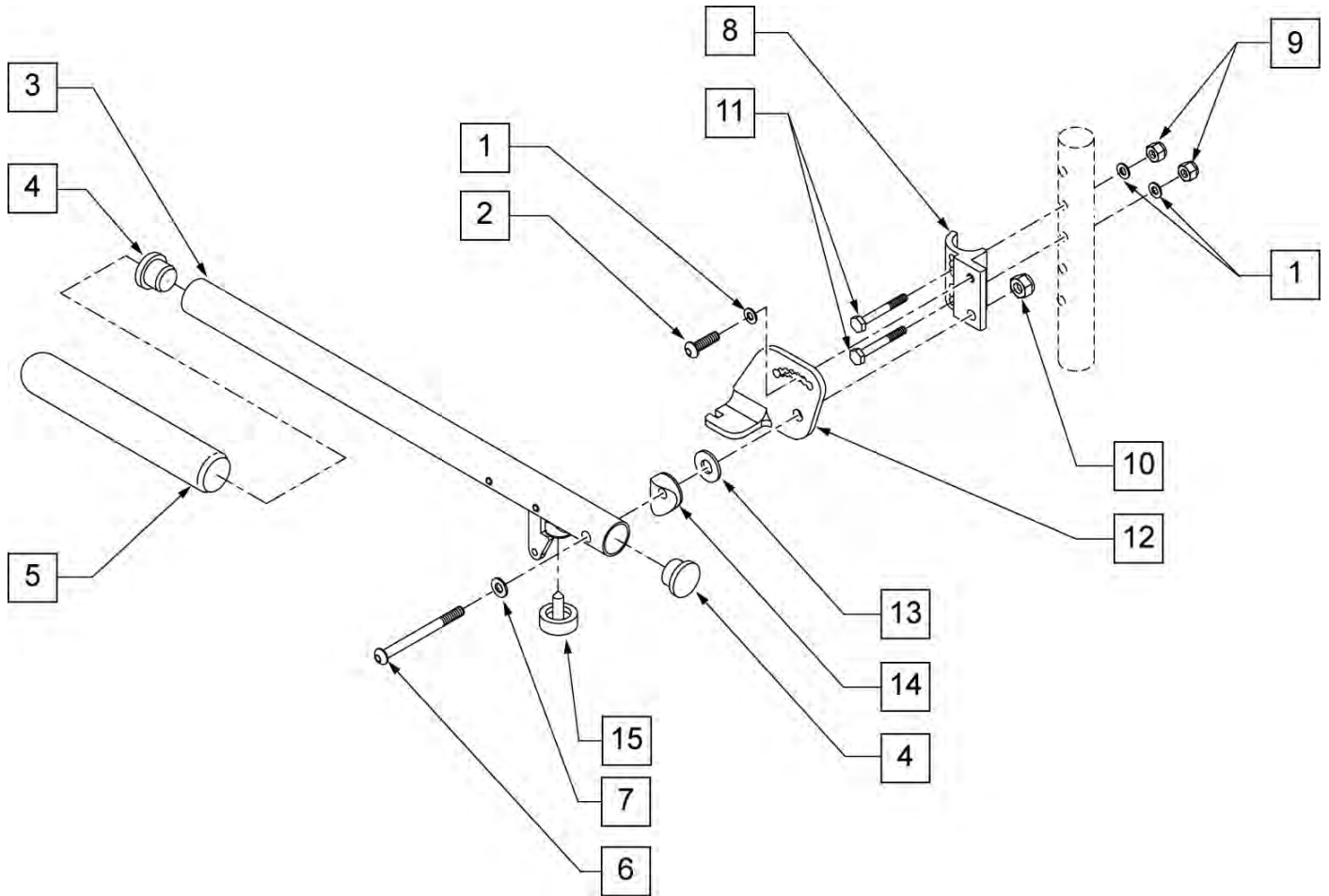


Pos.	Item Number	Description	Remarks
1A	561024	ARMREST PAD 10" DESK	
1B	561031	ARMREST PAD 14" FULL	
2A	521841	DUAL POST ADJ UPPER ARM DESK	
2B	521843	DUAL POST ADJ UPPER ARM FULL	
3A	560514	FOAM 8" x .840 TUBE	
3B	560614	11" x .840 FOAM TUBE	
3C	560515	FOAM 6" x .840 TUBE	
4A	540224	ARM FRAME LOWER HT ADJ REG R	
4A	540225	ARM FRAME LOWER HT ADJ REG L	
4B	540226	ARM FRAME LOWER HT ADJ LONG R	
4B	540227	ARM FRAME LOWER HT ADJ LONG L	

Pos.	Item Number	Description	Remarks
4C	540236	ARM FRAME LOWER HT ADJ SHORT	
4C	540237	ARM FRAME LOWER HT ADJ SHORT	
5	560735	7/8" ROUND TUBE PLUG	
6	341132	ARMREST PIN W/SHOULDER	
7	321141	.650L x 6 COIL SPRING	
8	226038	10-32 x 1 3/8 BH C/S BLK	
9	341088	3/32 x 5/8 ROLL PIN	
10	561109	ARMREST LEVER FLIP-BACK HT ADJ	
11	562740	ARMREST PANEL DUAL POST R	
11	562741	ARMREST PANEL DUAL POST L	
12	240155	RIVET 3/16 x 3/8 TUBULAR ALUM	
1A,2A,3A,4A,5-12	881560	DUAL POST ADJ ARM SHT W/DESK R	
1A,2A,3A,4A,5-12	881561	DUAL POST ADJ ARM SHT W/DESK L	
1B,2B,3A,4A,5-12	881566	DUAL POST ADJ ARM SHT W/FULL R	
1B,2B,3A,4A,5-12	881567	DUAL POST ADJ ARM SHT W/FULL L	
1A,2A,3B,4B,5-12	881564	DUAL POST ADJ ARM LNG W/DESK R	
1A,2A,3B,4B,5-12	881565	DUAL POST ADJ ARM LNG W/DESK L	
1B,2A,3B,4B,5-12	881562	DUAL POST ADJ ARM LNG W/FULL R	
1B,2A,3B,4B,5-12	881563	DUAL POST ADJ ARM LNG W/FULL L	
3A,4A,6,7,9-12	881556	ARM ASSM LOWER HT ADJ REG R	
3A,4A,6,7,9-12	881557	ARM ASSM LOWER HT ADJ REG L	
3B,4A,6,7,9-12	881558	DUAL POST ADJ LOWER ARM LNG R	
3B,4A,6,7,9-12	881559	DUAL POST ADJ LOWER ARM LNG L	
1A,2A,5,8	881446	DUALPOST UHA AREST RH INC DESK	
1A,2A,5,8	881447	DUALPOST UHA AREST LH INC DESK	
1B,2B,5,8	881448	DUALPOST UHA AREST RH INC FULL	
1B,2B,5,8	881449	DUALPOST UHA AREST LH INC FULL	
1A,2A,3C,4C,5-12	881682	DUAL POST ADJ ARM W/DESK QTS R	
1A,2A,3C,4C,5-12	881683	DUAL POST ADJ ARM W/DESK QTS L	
1B,2A,3C,4C,5-12	881684	DUAL POST ADJ ARM W/FULL QTS R	
1B,2A,3C,4C,5-12	881685	DUAL POST ADJ ARM W/FULL QTS L	
3C,4C,6,7,9-12	881686	DUAL POST ADJ LOWER ARM R	
3C,4C,6,7,9-12	881687	DUAL POST ADJ LOWER ARM L	

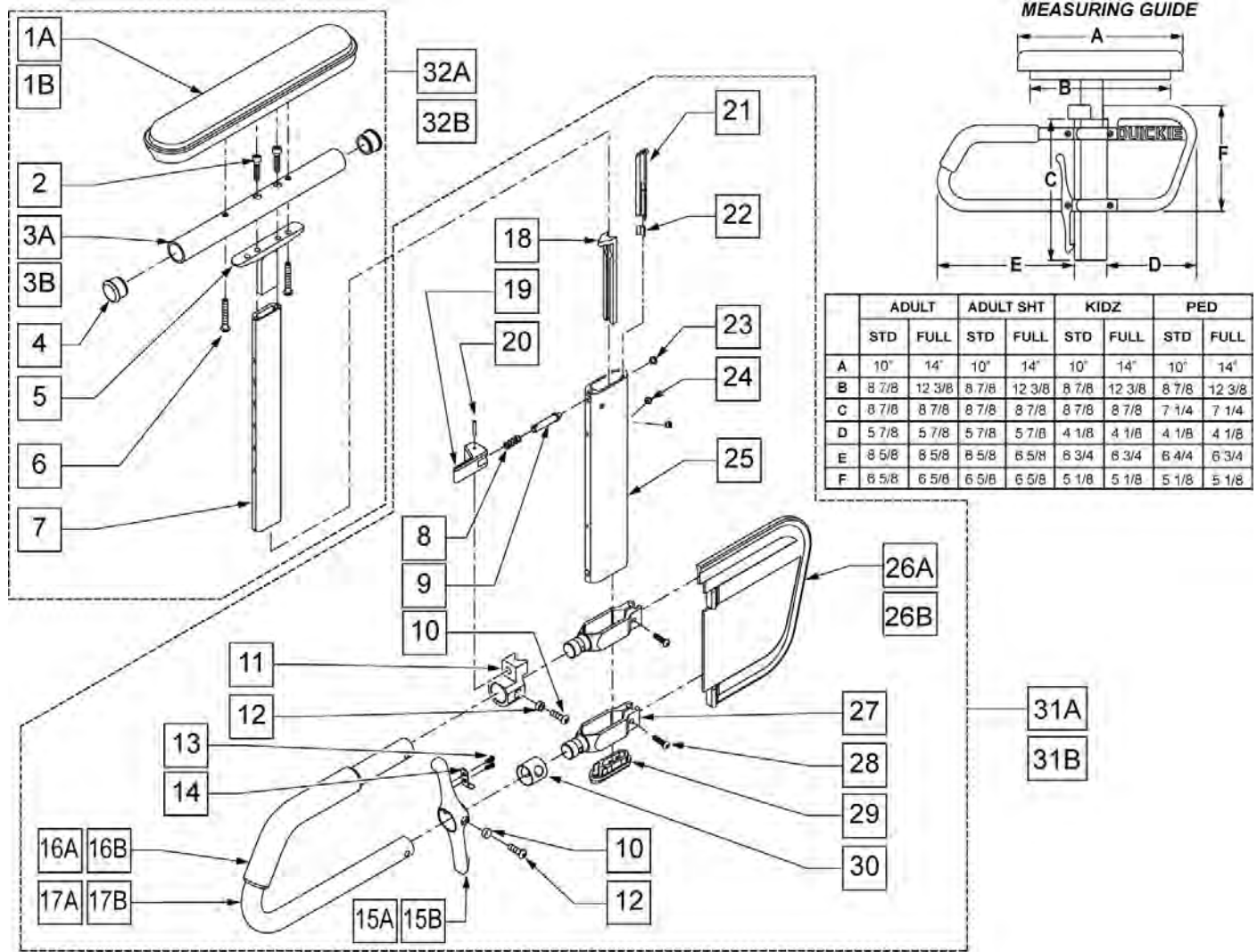
ADJUSTABLE LOCKING FLIP-UP ARMREST

(02/2009)



Pos.	Item Number	Description	Remarks
1	262100-QU	1/4 AN WASHER FLAT	
2	221060	1/4-28 x 1/2 BH C/S	
4	561002	1" INSERT PLUG .083	
5	560640	9 x .93 x .155 FOAM GRIP	
6	226198	5/16-18 x 2 BH C/S SHT THREAD	
7	263110-QU	5/16 WASHER FLAT THIN	
8	550168	ADJ LOCK FLIP-UP ARM MNT R	
8	550169	ADJ LOCK FLIP-UP ARM MNT L	
9	201100-QU	1/4-28 NYLOCK NUT THIN	
10	202102	5/16-18 NYLOCK NUT THIN	
11	221133	1/4-28 x 1 1/2 G8 HEX C/S	
12	550474	ADJ FLIP-BACK ARM BRACKET R	
12	550475	ADJ FLIP BACK ARM BRACKET L	
13	561016	1" WASHER 5/16" HOLE	
14	561006	1" SADDLE 5/16" HOLE	
15	560252	1" COVED STEM BUMPER	
3-5	880274	ADJ FLIP-BACK TUBE W/LATCH	
1,2,6,8-10	881272	ADJ LOCK F-UP ARMREST RETRO R	USE FOR ARMREST PRIOR TO 7/22/96
1,2,6,8-10	881273	ADJ LOCK F-UP ARMREST RETRO L	USE FOR ARMREST PRIOR TO 7/22/96
1-15	880272	ADJ FLIP BACK ARMREST R	
1-15	880273	ADJ FLIP BACK ARMREST L	
1-15	900449	ADJ LOCK FLIP-UP ARMREST ASSM	PAIR

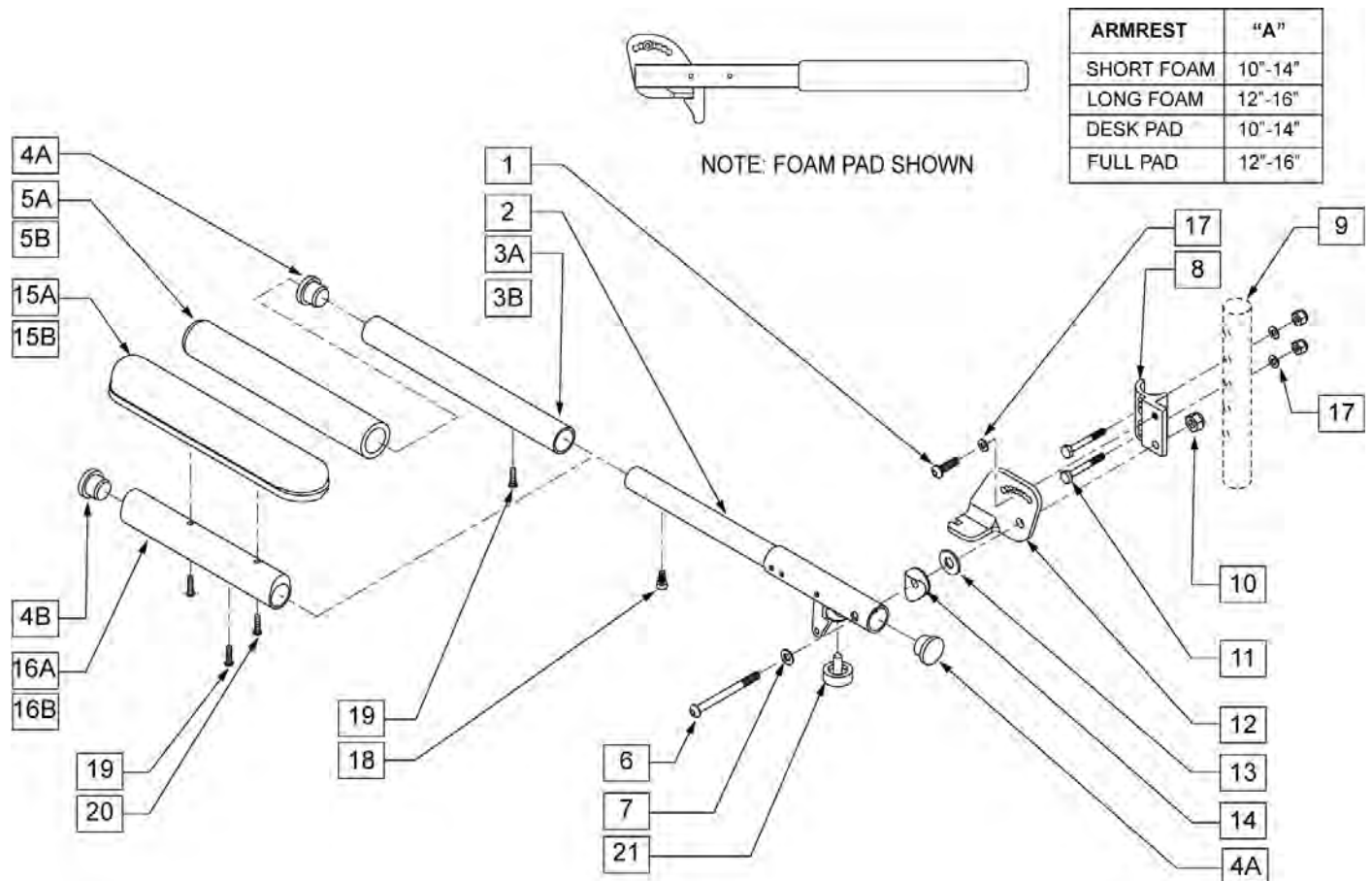
If ordering for pediatric chair with 20" or 22" wheels, you must order the left armrest pad for the right side and the right armrest for the left side.



Pos.	Item Number	Description	Remarks
1A	561024	ARMREST PAD 10" DESK	DESK
1B	561031	ARMREST PAD 14" FULL	FULL
2	226031	10-32 x 1 1/4 SOC C/S BLK	
3A	521812	HT ADJ PAD TUBE 10" DESK POWER	
3B	521813	HT ADJ PAD TUBE 14" FULL POWER	
4	560735	7/8" ROUND TUBE PLUG	
5	505084	HT ADJ ARMREST GUSSET	
6	226038	10-32 x 1 3/8 BH C/S BLK	
10	226056	10-32 x 1/2 BH C/S BLK W/PATCH	
12	481257	RECEIVER RELEASE LEVER BUSHING	
16A	560610	5" x .705 x .125 FOAM TUBE	KIDS
16B	560627	7 1/2" x .705 x .125 FOAM TUBE	ADULT
18	561132	HT ADJ ARM FRONT LINER	
21	561133	HT ADJ ARM REAR LINER	
22	321151	HT ADJ LINER SPRING	

Pos.	Item Number	Description	Remarks
23	330092	#4 x 5/32 STICK SCREW	
24	225098	10-32 x 1/8 SET SCR W/PATCH B	
26A	561140	HT ADJ SKIRT GUARD STD	ADULT
26B	561141	HT ADJ SKIRT GUARD KIDS	KIDS
27	550482	HT ADJ SKIRT CLAMP	
28	226020-QU	10-32 x 5/8 BH C/S BLK	
29	561135	HT ADJ ARM BOTTOM PLUG	
30	562825	RELEASE LEVER INNER SLEEVE	
32A	880192	HT ADJ UPPR ARM ASSM PWR DSK R	DESK-Right
32A	880198	HT ADJ UPPR ARM ASSM PWR DSK L	DESK-Left
32B	880193	HT ADJ UPPR ARM ASSM PWR FL R	FULL-Right
32B	880199	HT ADJ UPPR ARM ASM PWR FL L	FULL-Left
8,9,11,19,20	888003	HT ADJ UPPER ARM REL ASSM R	RIGHT
8,9,11,19,20	888004	HT ADJ UPPER ARM REL ASSM L	LEFT
13-15A	888000	HT ADJ REC REL LEVER ASSM STD	ADULT
13-15B	888001	HT ADJ REC REL LEVER ASSM KIDS	KIDS
31A	882082	HT ADJ LOWER DC ARM ASSM KIDS R	KIDS-Right
31A	882083	HT ADJ LOWER DC ARM ASM KIDS L	KIDS-Left
31B	882084	HT ADJ LOWER DC ARM ASSM STD R	ADULT
31B	882085	HT ADJ LOWER DC ARM ASSM STD L	ADULT
31B,32A	880210	HT ADJ STD R W/DSK ARM PAD PWR	RIGHT/ADULT/DESK
31B,32A	880211	HT ADJ STD L W/DSK ARM PAD PWR	LEFT/ADULT/DESK
31B,32B	880212	HT ADJ STD R W/FULL ARM PD PWR	RIGHT/ADULT/FULL
31B,32B	880213	HT ADJ STD L W/FULL ARM PD PWR	LEFT/ADULT/FULL
31A,32A	880214	HT ADJ KDS R W/DSK ARM PAD PWR	RIGHT/KIDS/DESK
31A,32A	880215	HT ADJ KDS L W/DSK ARM PAD PWR	LEFT/KIDS/DESK
31A,32B	880216	HT ADJ KDS R W/FULL ARM PD PWR	RIGHT/KIDS/FULL
31A,32B	880217	HT ADJ KDS L W/FULL ARM PD PWR	LEFT/KIDS/FULL
31B,32A	900650	HT ADJ ASSM STD W/ DESK ARM	PAIR/ADULT/DESK
31B,32B	900651	HT ADJ ASSM STD W/ FULL ARM	PAIR/ADULT/FULL
31A,32A	900652	HT ADJ ASSM KIDS W/ DESK ARM	PAIR/KIDS/DESK
31A,32B	900657	HT ADJ ASSM KIDS W/ FULL ARM	PAIR/KIDS/FULL
31B,32A	900652	HT ADJ ASSM KIDS W/ DESK ARM	PAIR/KIDS/DESK
31A,32B	900657	HT ADJ ASSM KIDS W/ FULL ARM	PAIR/KIDS/FULL

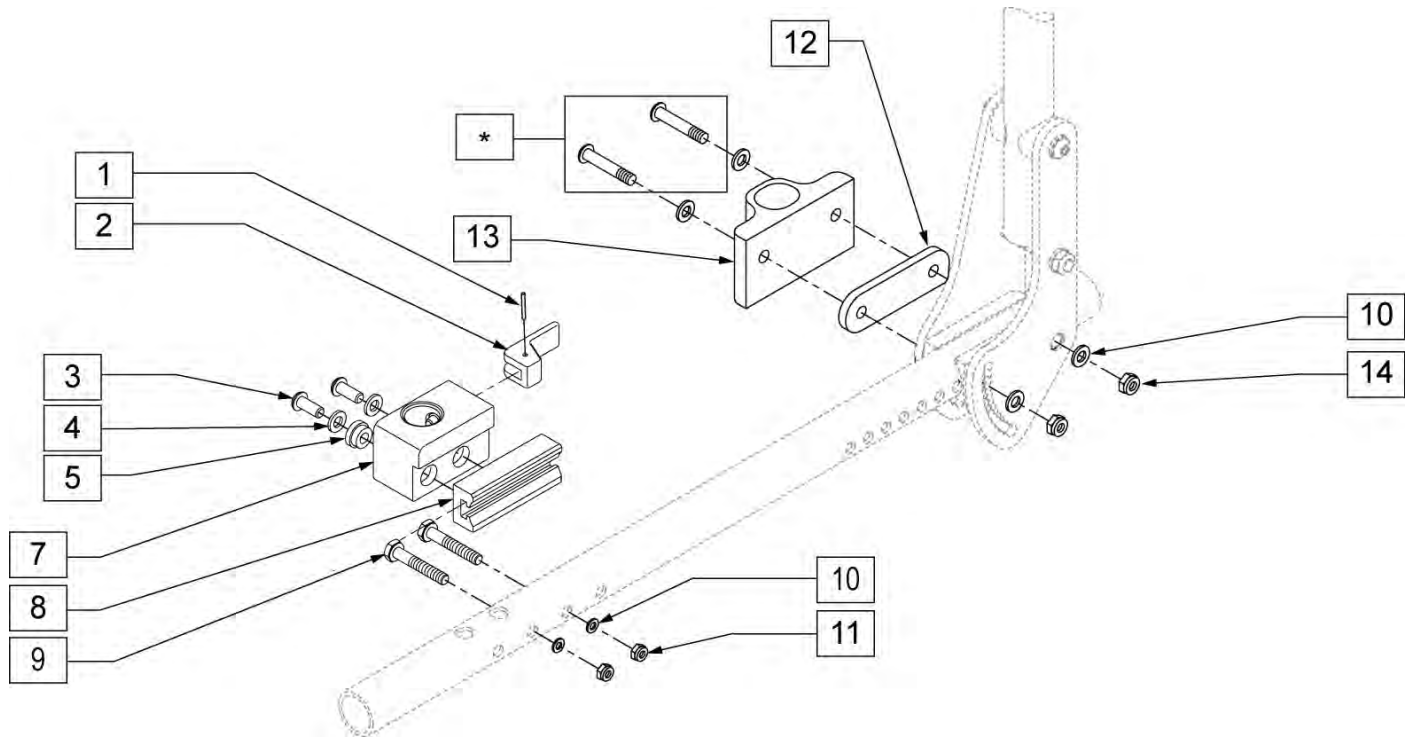
NOTE: FOR ARMRESTS PRIOR TO 7/22/96 USE RETRO FIT KIT TO REPLACE ADJUSTABLE FLIP-UP ARM CLAMP.



Pos.	Item Number	Description	Remarks
1	107025	BHCS 1/4-28 x 1/2 ROHS	
4A	561002	1" INSERT PLUG .083	
4B	561062	1" INSERT PLUG .065	
5A	560299	7 x .940 x .20 FOAM GRIP	SHORT PAD
5B	560640	9" X .93" X .155" FOAM GRIP	LONG PAD
6	106983	BHCS 5/16-18 x 2 SHLDR ROHS	
7	106947	WASHER FLAT THIN AN 5/16 ROHS	
8	550168	ADJUSTABLE LOCK FLIP-UP ARM MOUNT	RIGHT
8	550169	ADJUSTABLE LOCK FLIP-UP ARM MOUNT	LEFT
9	106935	NYLOCK NUT THIN 1/4 -28 ROHS	
10	106937	NYLOCK NUT THIN 5/16 -18 ROHS	
11	106972	HHCS 1/4-28 x 1 1/2 ROHS	
12A	550474	ADJUSTABLE FLIP-BACK ARM BRACKET	RIGHT
12B	550475	ADJUSTABLE FLIP-BACK ARM BRACKET	LEFT
13	561016	1" WASHER 5/16" HOLE	
14	561006	1" SADDLE 5/16" HOLE	
15A	561024	ARMREST PAD 10" DESK	
15B	561031	ARMREST PAD 14" FULL	
16A	551390	ADJUSTABLE LOCKING FLIP-UP ADAPTER 10" - 14"	
16B	551392	ADJUSTABLE LOCKING FLIP-UP ADAPTER 12" - 16"	

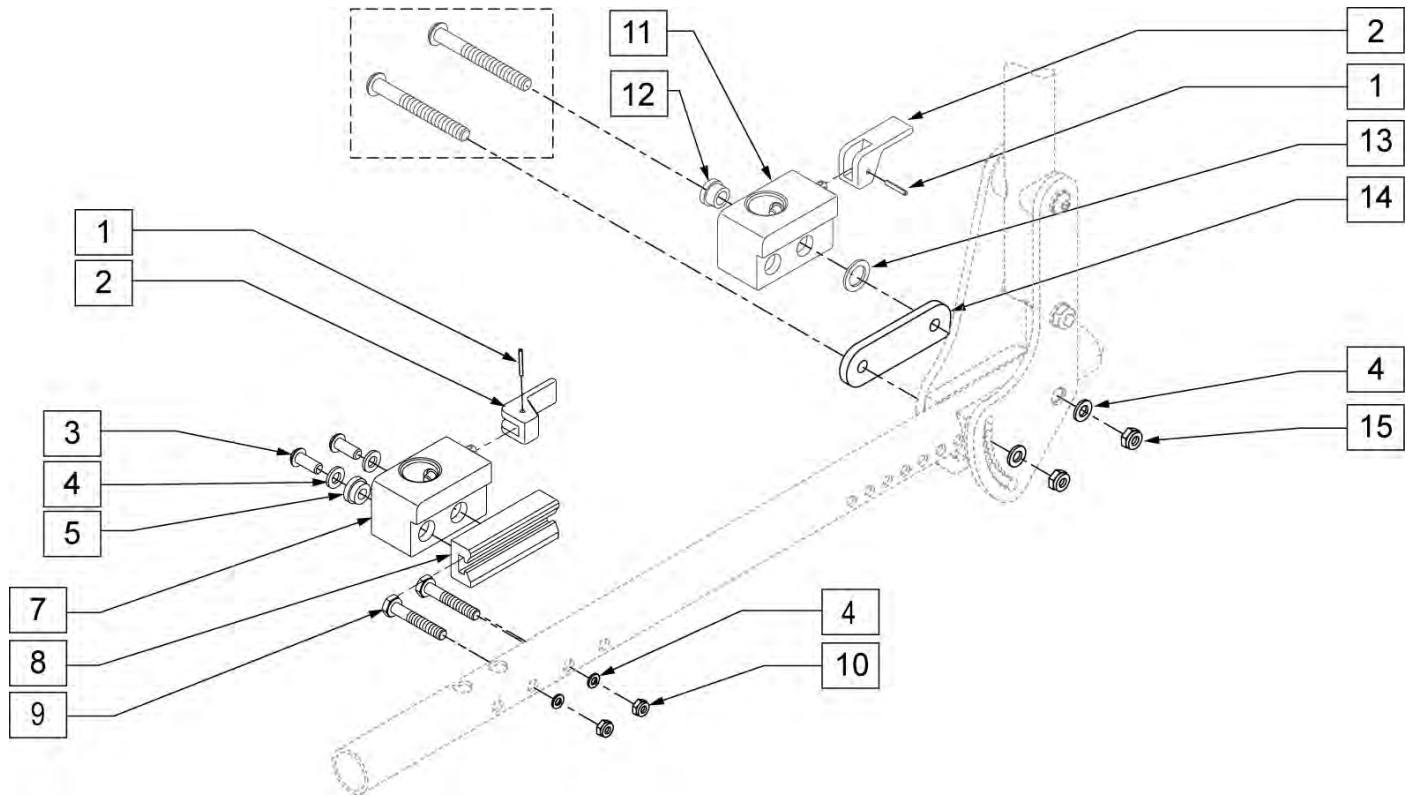
Pos.	Item Number	Description	Remarks
17	106943	WASHER FLAT AN 1/4 ROHS	
18	107036	SHCS 8 -32 x 3/8 ROHS	
19	341497	10-32 X .020-.130 RIVNUT GOLD	
20	107022	BHCS 10-32 X 5/8 ROHS	
21	225110	10-32 X 3/8 SET SCREW	
22	560252	1" COVED STEM BUMPER	
3B, 4A, 5B, 19	882074	FOAM PAD LONG ADJUSTABLE LENGTH	LONG PAD ASSM ONLY
3A, 4A, 5A, 19	882075	FOAM PAD LONG ADJUSTABLE LENGTH	SHORT PAD ASSM ONLY
4B,15B,16B,19,20	882070	FULL PAD ADJUSTABLE LENGTH ASSM	RIGHT FULL PAD ASSM ONLY
4B,15B,16B,19,20	882071	FULL PAD ADJUSTABLE LENGTH ASSM	LEFT FULL PAD ASSM ONLY
4B,15A,16A,19,20	882072	DESK PAD ADJUSTABLE LENGTH ASSM	RIGHT DESK PAD ASSM ONLY
4B,15A,16A,19,20	882073	DESK PAD ADJUSTABLE LENGTH ASSM	LEFT DESK PAD ASSM ONLY
1,2,6-14,17,22	882088	ADJ LENGTH LOCKING FLIP-UP ASSM R	RIGHT ARM ASSM W/O PAD
1,2,6-14,17,22	882089	ADJ LENGTH LOCKING FLIP-UP ASSM R	LEFT ARM ASSM W/O PAD
1,2,3B,4A,5B,6-14,17,19,22	900454	ADJ LENGTH LOCKING FLIP-UP FOAM LONG	PAIR - LONG FOAM ARM ASSM
1,2,3B,4A,5B,6-14,17,19,22	881294	ADJ LENGTH LOCKING FLIP-UP FOAM LONG	RIGHT - LONG FOAM ARM ASSM
1,2,3B,4A,5B,6-14,17,19,22	881295	ADJ LENGTH LOCKING FLIP-UP FOAM LONG	LEFT - LONG FOAM ARM ASSM
1,2,3A,4A,5A,6-14,17,19,22	900455	ADJ LENGTH LOCKING FLIP-UP FOAM SHORT	PAIR - SHORT FOAM ARM ASSM
1,2,3A,4A,5A,6-14,17,19,22	881296	ADJ LENGTH LOCKING FLIP-UP FOAM SHORT	RIGHT - SHORT FOAM ARM ASSM
1,2,3A,4A,5A,6-14,17,19,22	881297	ADJ LENGTH LOCKING FLIP-UP FOAM SHORT	LEFT - SHORT FOAM ARM ASSM
1,2,4B,6-14,15B,16B,17-22	900452	ADJ LENGTH LOCKING FLIP-UP ASSM FULL	PAIR - FULL PAD ARM ASSM
1,2,4B,6-14,15B,16B,17-22	881290	ADJ LENGTH LOCKING FLIP-UP FULL PAD	RIGHT - FULL PAD ARM ASSM
1,2,4B,6-14,15B,16B,17-22	881291	ADJ LENGTH LOCKING FLIP-UP FULL PAD	LEFT - FULL PAD ARM ASSM
1,2,4B,6-14,15A,16A,17-22	900453	ADJ LENGTH LOCKING FLIP-UP ASSM DESK	PAIR - DESK PAD ARM ASSM
1,2,4B,6-14,15A,16A,17-22	881292	ADJ LENGTH LOCKING FLIP-UP DESK PAD	RIGHT - DESK PAD ARM ASSM
1,2,4B,6-14,15A,16A,17-22	881293	ADJ LENGTH LOCKING FLIP-UP DESK PAD	LEFT - DESK PAD ARM ASSM

*NOTE: MOUNTING HARDWARE VARIES-PLEASE REFER TO "BACK PLATE REPLACEMENT BOLT KIT" PAGE.

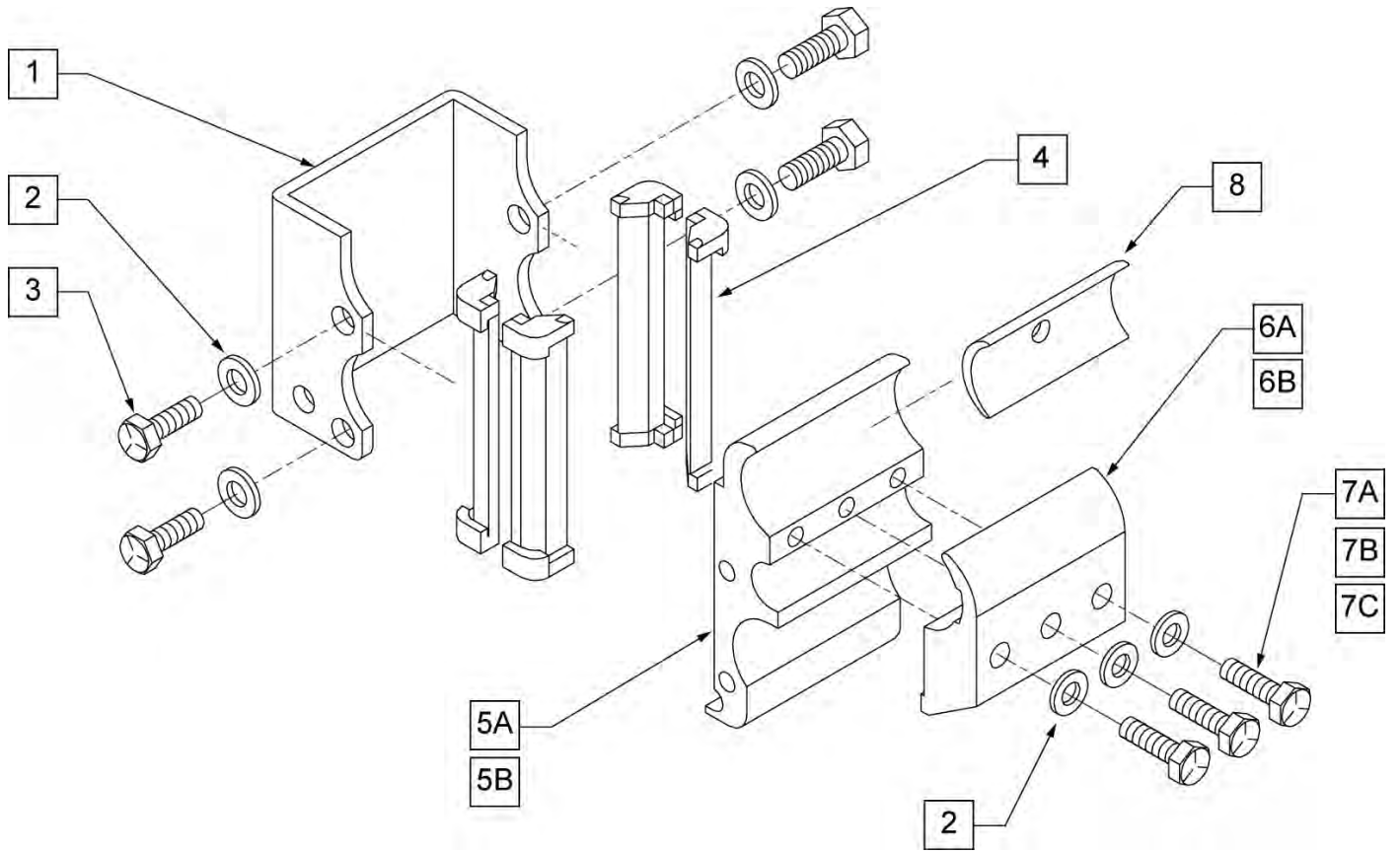


Pos.	Item Number	Description	Remarks
1	341088	3/32 x 5/8 ROLL PIN	
2	561730	RELEASE HANDLE DUAL POST PLASTIC	
8	221133	1/4 -28 x 2 G8 HEX C/S	
9	506137	DUAL POST ARM SPACER QTS	
10	262100-QU	1/4 AN WASHER FLAT	
11	201110-QU	1/4 -28 NYLOCK NUT	
12	500517	BACKREST PIVOT ARMREST RECEIVER	
13	552190	RECEIVER ARMREST DUAL PST REAR FIXED	
14	201100-QU	1/4 -28 NYLOCK NUT THIN	
1,2,7	506366	ADJ QUAD REC FRONT SUB ASSM P3	RIGHT
1,2,7	506367	ADJ QUAD REC FRONT SUB ASSM P3	LEFT
1-11	881656	FLIP-BACK ARMREST RECEIVER W/ HDWR FRONT QTS	RIGHT
1-11	881657	FLIP-BACK ARMREST RECEIVER W/ HDWR FRONT QTS	LEFT
1-11	921392	FLIP-BACK ARMREST RECEIVER W/ HDWR FRONT QTS	PAIR

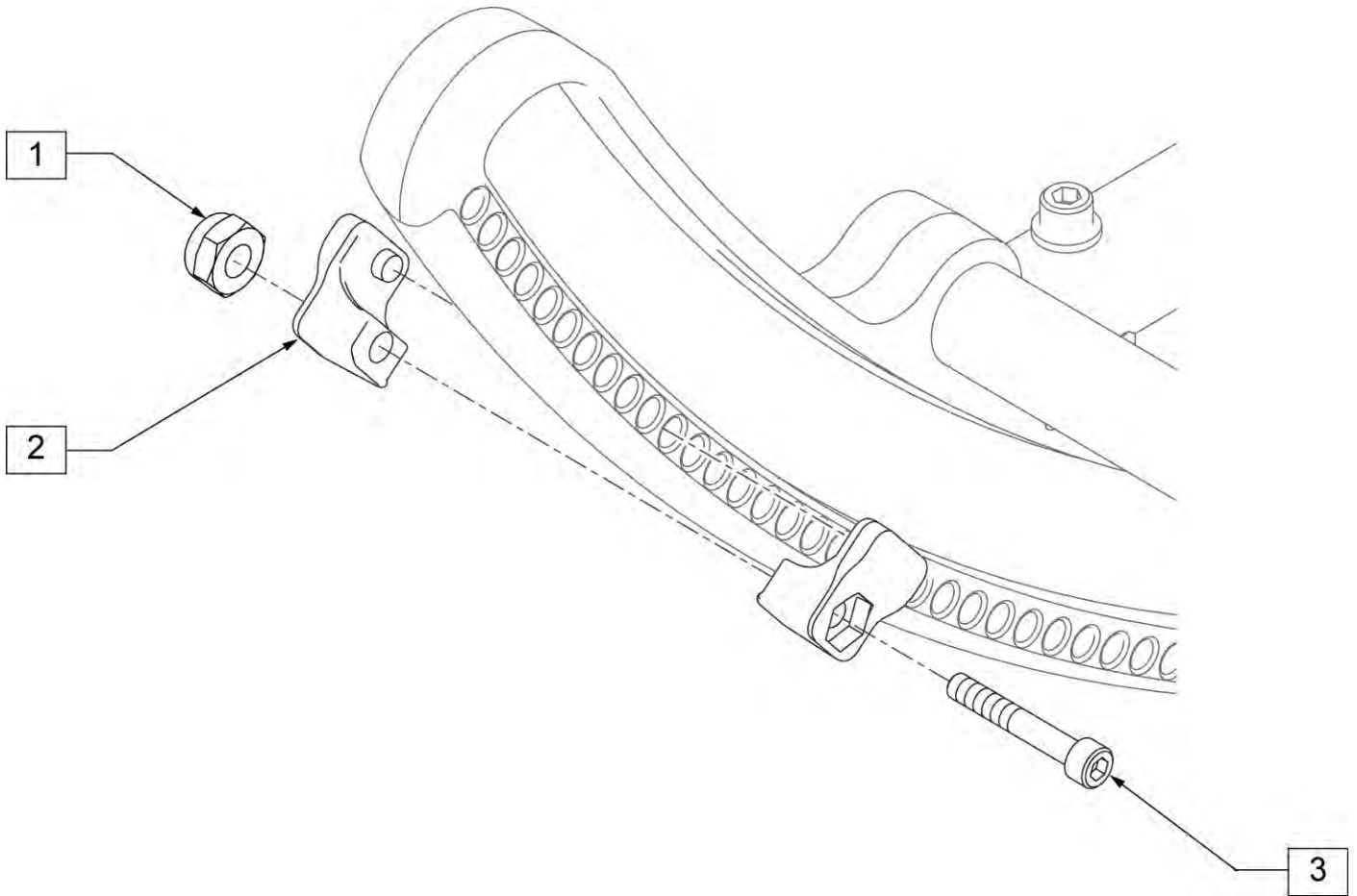
NOTE: MOUNTING HARDWARE VARIES-PLEASE REFER TO "BACK PLATE REPLACEMENT BOLT KIT" PAGE.



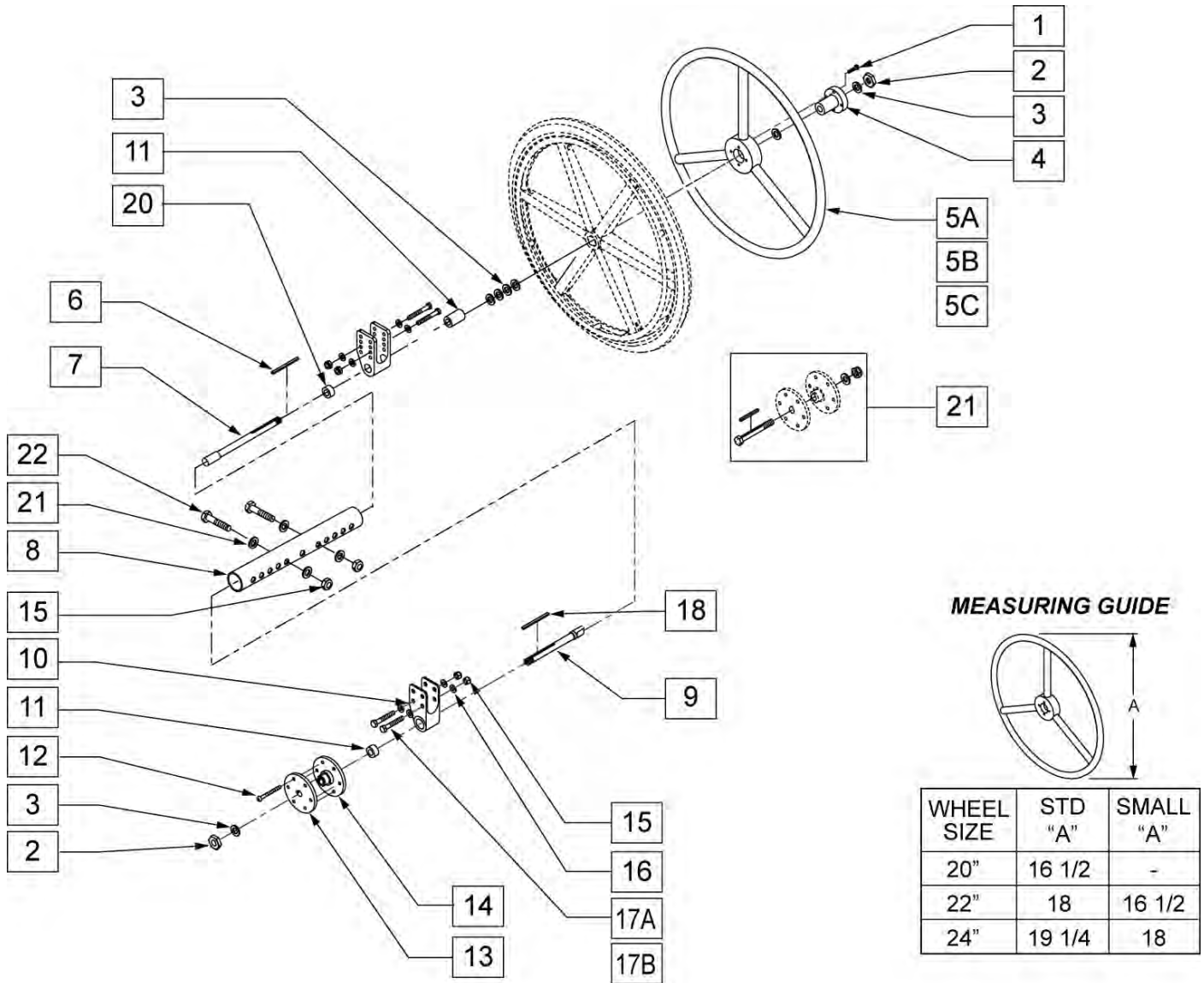
Pos.	Item Number	Description	Remarks
1	341088	3/32 x 5/8 ROLL PIN	
2	561730	RELEASE HANDLE DUAL POST PLASTIC	
4	262100-QU	1/4" AN WASHER FLAT	
9	221133	1/4 -28 x 2 G8 HEX C/S	
10	201110-QU	1/4 -28 NYLOCK NUT	
12	340144	BUSHING STEEL .257 ID x .346 LG SST	
13	561273	1/2 x 3/4 x .060 NYLON WASHER	
14	500517	BACKREST PIVOT ARMREST RECEIVER	
15	201100-QU	1/4 -28 NYLOCK NUT THIN	
17	561109	ARMREST LEVER FLIP-BACK HEIGHT ADJ	
18	341088	3/32 x 5/8 ROLL PIN	
19	281073	6 -32 x 1/2 FHCS BLK	
20	505679	RECEIVER PIN RET PLATE CSNK	
21	321010	COMPRESSION SPRING	
22	540219	RELEASE PIN ASSEMBLY 90D	
23	550810	DUAL POST ARMREST REVEIVER FLIP-BACK QT	LEFT
23	550811	DUAL POST ARMREST REVEIVER FLIP-BACK QT	RIGHT
7-11	881656	FLIP-BACK ARMREST RECEIVER W/ HDWR FRONT QTS	RIGHT
7-11	881657	FLIP-BACK ARMREST RECEIVER W/ HDWR FRONT QTS	LEFT
7-11	921392	FLIP-BACK ARMREST RECEIVER W/ HDWR FRONT QTS	PAIR
1-16	920599	DUAL POST/DUAL POST HEIGHT ADJ ARM RECEIVER KIT	KIT



Pos.	Item Number	Description	Remarks
1	550485	HEIGHT ADJUSTABLE RECEIVER CHANNEL	
2	262100-QU	1/4 AN WASHER FLAT	
3	221096	1/4-28 x 5/8 HEX C/S	
4	561134	HEIGHT ADJUSTABLE RECEIVER LINER	
5A	550528	HEIGHT ADJUSTABLE RECEIVER ZIPPIE	Zippie TS only
5B	550484	HEIGHT ADJUSTABLE RECEIVER LOW	
6A	550529	HEIGHT ADJUSTABLE RECIEVER CLAMP ZIPPIE	Zippie TS only
6B	550491	HEIGHT ADJUSTABLE RECIEVER CLAMP LOW	
7A	221133	1/4-28 x 1 1/2 G8 HEX C/S	
7B	221127	1/4-28 x 1 3/8 HEX C/S	Used with spacer
7C	221124-QU	1/4-28 X 1 1/4 G8 HEX C/S	Zippie TS only
8	550486	HEIGHT ADJUSTABLE RECEIVER SPACER	Used to space Armrest 1/8" from frame on each side
1-4, 5B	880231	HEIGHT ADJUSTABLE RECIEVER KIDS W/O CLAMP	
1-4, 5B, 6B, 7A	880241	HEIGHT ADJUSTABLE RECIEVER KIDS W/ CLAMP	
1-4, 5B, 6B, 7B, 8	880249	HEIGHT ADJUSTABLE RECIEVER KIDS W/ CLAMP AND SPACER	
1-4, 5A	882679	HEIGHT ADJUSTABLE RECIEVER W/O CLAMP ZIPPIE TS	Zippie TS only
1-4, 5A, 6A, 6B, 7C	882680	HEIGHT ADJUSTABLE RECIEVER W/ CLAMP ZIPPIE TS	Zippie TS only

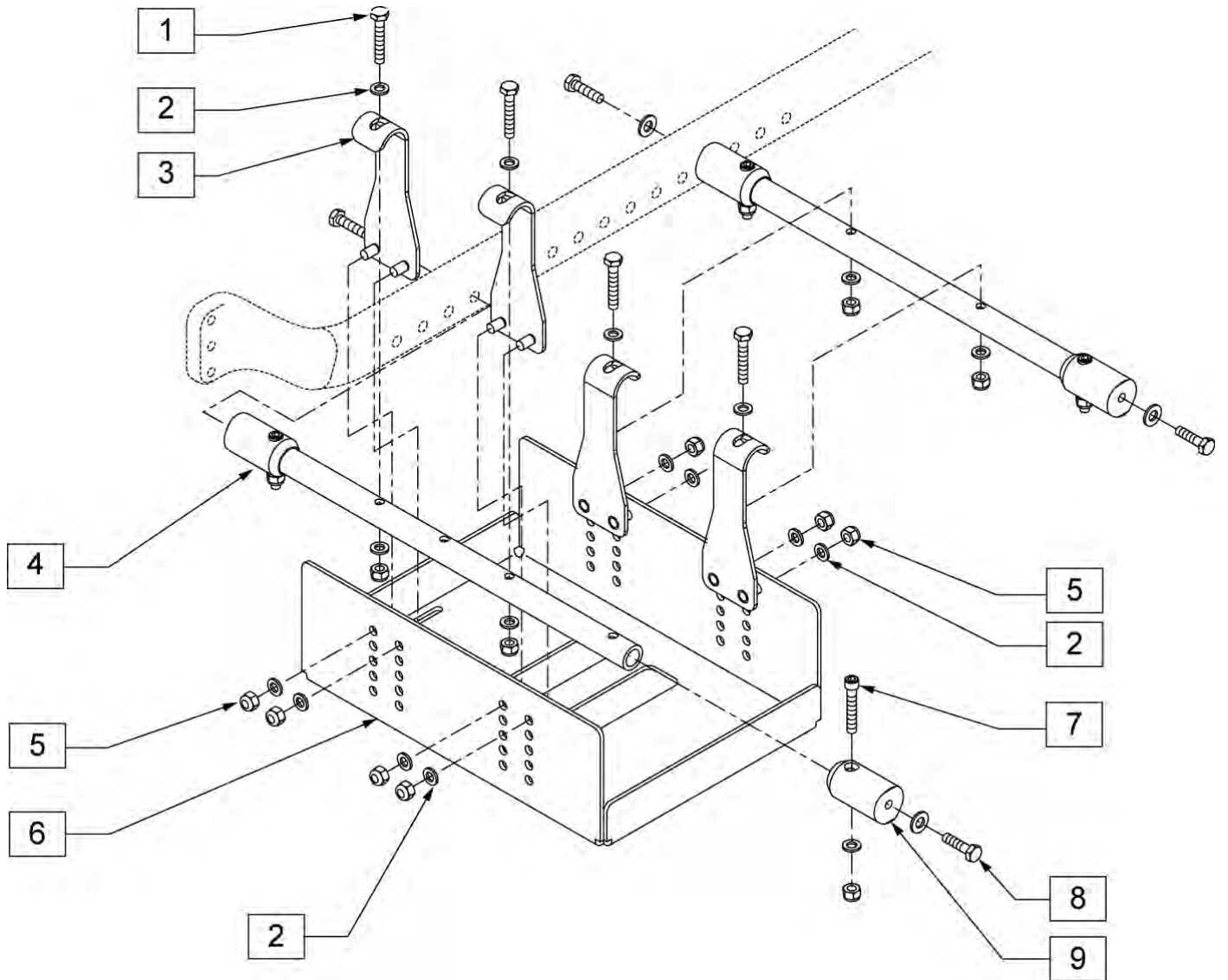


Pos.	Item Number	Description	Remarks
1	200101-QU	10-32 NYLOCK NUT THIN	
2	050527	TILT STOP ROCKER .188	
3	226031	10-31 x 1 1/4 SOC CS BLK	
1-3	040049	TILT STOP W/ HDWR ZIPPY IRIS	



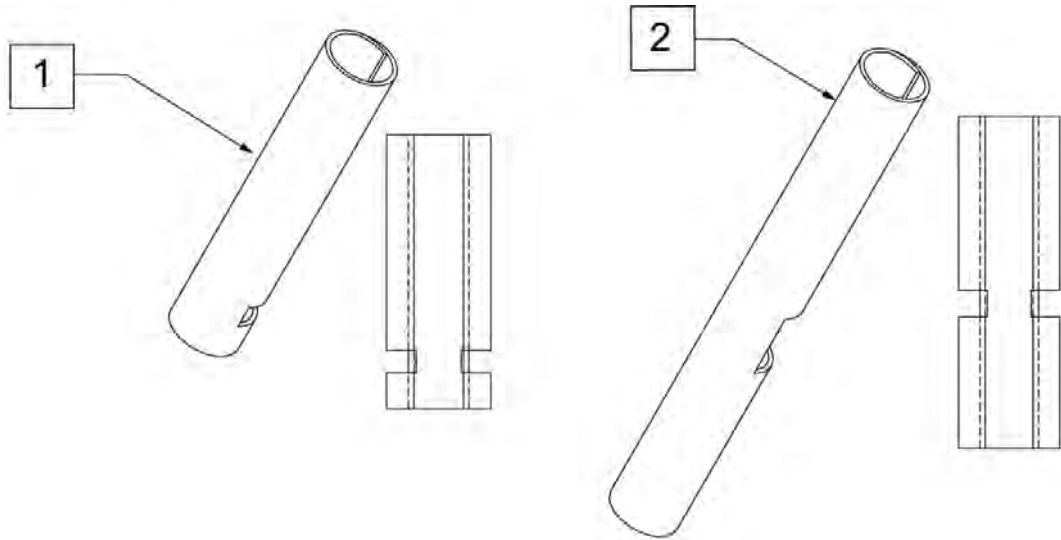
Pos.	Item Number	Description	Remarks
1	226015	10-32 x 3/4 SOC C/S BLK	
2	203100	1/2 -20 NYLOCK NUT	
3	264100	1/2" AN WASHER FLAT	
4	106691	HAND RING HUB	
5A	529801	1 AD HR ONLY 20" STANDARD/ 22" SMALL	
5B	529800	1 AD HR ONLY 22" STANDARD/ 24" SMALL	
5C	529802	1 AD HR ONLY 24" STANDARD	
6	341274	3/16 SQ x 1 1/2 KEY STL	
7	050534-001	1 AD HANDRIM DRIVE SHAFT CGTS	
8	050510-001	TUBE STRUT 10-14"	
8	050510-002	TUBE STRUT 12-16"	
8	050510-003	TUBE STRUT 14-18"	
9	050534-002	SHAFT DRIVE WHEEL 1AD	
11	483320	WHEEL SPACER CGTS	
12	226166	1/4 -28 x 2 1/2 BH C/S BLK	
13	500630	1 AD WHEEL HUB W/O TAP	

Pos.	Item Number	Description	Remarks
14	500631	WHEEL HUB 1 ARM DRIVE W/ TAP	
15	201100-QU	1/4 -28 NYLOCK NUT THIN	
16	262110-QU	1/4" AN WASHER FLAT THIN	
*17A	221192	1 1/4 -28 x 2 G8 HEX C/S	USE 2 1/2" BOLTS IF ANTI-TIPS ARE TO BE INSTALLED.
*17B	221181	1/4 -28 x 2 1/2 G8 HEX C/S	USE 2 1/2" BOLTS IF ANTI-TIPS ARE TO BE INSTALLED.
18	341277	3/16 SQ x 2-3/8 KEY	
20	349500	1 1/8 x 1/2 BEARING	
21	262100-QU	1/4" AN WASHER FLAT	
22	221124-QU	1/4 -28 x 1 1/4 G8 HEX C/S	
19	330015	1 AD ALIGNMENT TOOL ASSM	
10, 20	040048	1 AD AXLE BLOCK W/ BEARINGS ZIPPPIE IRIS	
1-22	040045-004	1AD 10-14 20" STANDARD/ 22" SMALL HAND RIM	
1-22	040045-005	1AD 12-16 20" STANDARD/ 22" SMALL HAND RIM	
1-22	040045-006	1AD 14-18 20" STANDARD/ 22" SMALL HAND RIM	
1-4, 5B, 6-22	040046-004	1AD 10-14 22" STANDARD/ 24" SMALL HAND RIM	
1-4, 5B, 6-22	040046-005	1AD 12-16 22" STANDARD/ 24" SMALL HAND RIM	
1-4, 5B, 6-22	040046-006	1AD 14-18 22" STANDARD/ 24" SMALL HAND RIM	
1-4, 5C, 6-22	040047-004	1AD 10-14 22" STANDARD/ 24" SMALL HAND RIM	
1-4, 5C, 6-22	040047-005	1AD 12-16 22" STANDARD/ 24" SMALL HAND RIM	
1-4, 5C, 6-22	040047-006	1AD 14-18 22" STANDARD/ 24" SMALL HAND RIM	
1-17B, 18-22	040045-001	1AD 10-14 20" STANDARD/ 22" HAND RIM AT	
1-17B, 18-22	040045-002	1AD 12-16 20" STANDARD/ 22" HAND RIM AT	
1-17B, 18-22	040045-003	1AD 14-18 20" STANDARD/ 22" HAND RIM AT	
1-4, 5B, 6-17B, 18-22	040046-001	1AD 10-14 22" STANDARD/ 24" HAND RIM AT	
1-4, 5B, 6-17B, 18-22	040046-002	1AD 12-16 22" STANDARD/ 24" HAND RIM AT	
1-4, 5B, 6-17B, 18-22	040046-003	1AD 14-18 22" STANDARD/ 24" HAND RIM AT	
1-4, 5C, 6-17B, 18-22	040047-001	1AD 10-14 24" STANDARD HAND RIM AT	
1-4, 5C, 6-17B, 18-22	040047-002	1AD 12-16 24" STANDARD HAND RIM AT	
1-4, 5C, 6-17B, 18-22	040047-003	1AD 14-18 24" STANDARD HAND RIM AT	

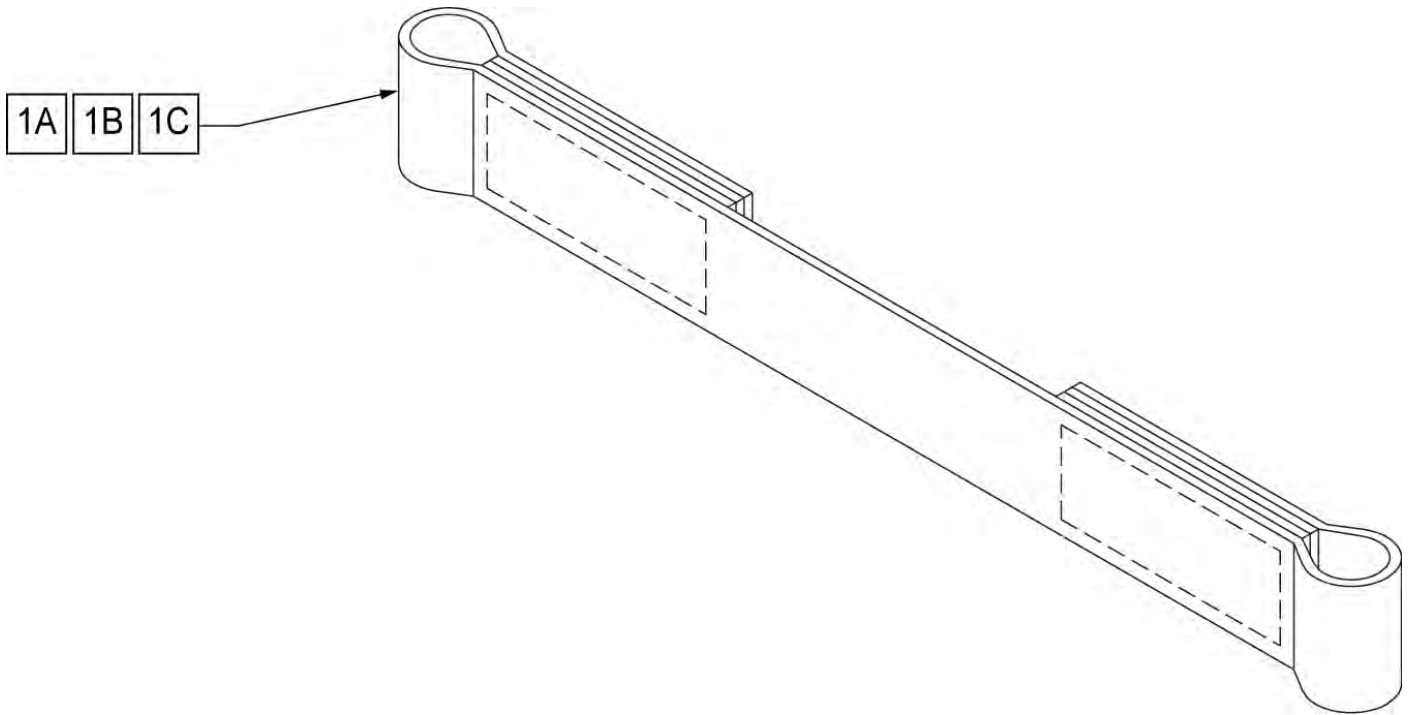


Pos.	Item Number	Description	Remarks
1	221126	1/4 -20 X 1 1/4 G8 HEX C/S	
2	262100-QU	1/4" AN WASHER FLAT	
3	50538	HOOK BATTERY TRAY U1	
4	522919	TUBE STRUT V-B TRAY 12W	
4	522920	TUBE STRUT V-B TRAY 13W	
4	522921	TUBE STRUT V-B TRAY 14W	
4	522922	TUBE STRUT V-B TRAY 15W	
4	522923	TUBE STRUT V-B TRAY 16W	
4	522924	TUBE STRUT V-B TRAY 17W	
4	522925	TUBE STRUT V-B TRAY 18W	
5	201105	1/4 -20 NYLOCK NUT THIN	
6	050539	BATTERY TRAY U1	
7	201151	1/4 -20 x 1 1/4 SOC C/S BLK ZN	
8	221151	1/4 -28 x 1 3/4 G8 HEX C/S	
9	050540	MOUNT STRUT BATTERY TRAY U1	
1-9	040050-001	BATTERY TRAY ASSM ZIPPIE IRIS 12W	
1-9	040050-002	BATTERY TRAY ASSM ZIPPIE IRIS 13W	

Pos.	Item Number	Description	Remarks
1-9	040050-003	BATTERY TRAY ASSM ZIPPIE IRIS 14W	
1-9	040050-004	BATTERY TRAY ASSM ZIPPIE IRIS 15W	
1-9	040050-005	BATTERY TRAY ASSM ZIPPIE IRIS 16W	
1-9	040050-006	BATTERY TRAY ASSM ZIPPIE IRIS 17W	
1-9	040050-007	BATTERY TRAY ASSM ZIPPIE IRIS 18W	



Pos.	Item Number	Description	Remarks
1	750316	IMPACT GUARDS NEOPRENE FIXED (PR)	PAIR-Fixed Front Frame
2	750317	IMPACT GUARDS NEOPRENE S/A	PAIR-S/A Footrest



Pos.	Item Number	Description	Remarks
1A	740130	LEG STRAP 10 -14" BLACK	
1B	740131	LEG STRAP 15 -17" BLACK	
1C	740132	LEG STRAP 18 -20" BLACK	



ZIPPIE®

i r i s