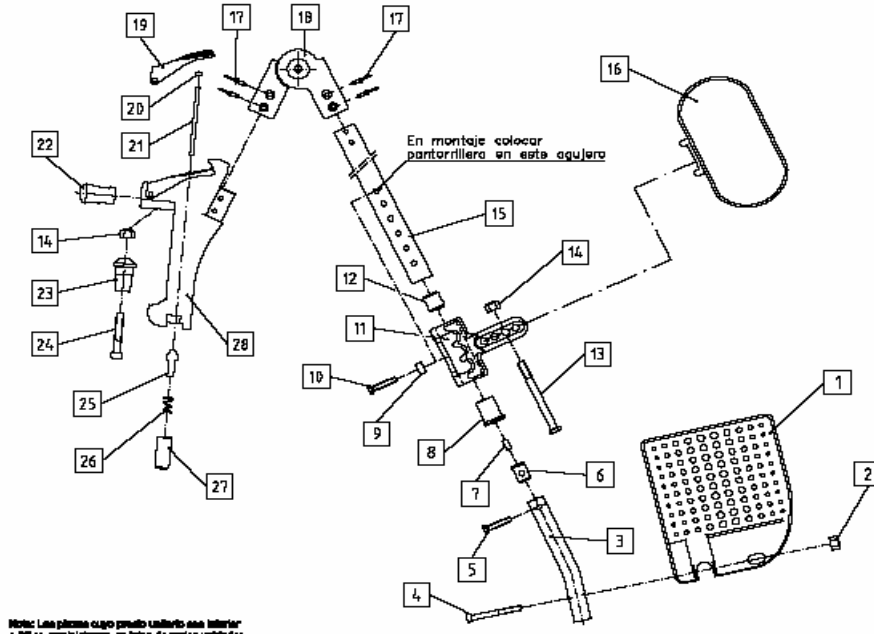


### Support for height-adjustable armrests

Models: All  
Part Number: 15 E

NOTE: The armrest upholstery is opposite to the adjustable supports. For example: C02191D goes with  
Note: Parts which have a unit price of less than €3 will be supplied in batches containing several units.

| No. | Part number | Description - English                   | Quantity |
|-----|-------------|---|----------|
| 0   | C07519      | Right adjustable armrest assembly       | 1        |
| 0   | C07520      | Left adjustable armrest assembly        | 1        |
| 1   | C07513C     | Adjustable support for right upholstery | 1        |
| 1   | C07514C     | Adjustable support for left upholstery  | 1        |
| 2   | C07515N     | Base adjustment support                 | 1        |
| 3   | C02191D     | Right armrest upholstery assembly       | 1        |
| 3   | C02191I     | Left armrest upholstery assembly        | 1        |
| 4   | P01188      | Inner plug diameter 22x1.5              | 2        |
| 5   | P04207      | DIN 966 M5x35 bolt                      | 2        |
| 6   | P04018      | DIN 986 M5 nut                          | 2        |
| 7   | P01604      | Fixing knob M8x16                       | 1        |
| 8   | P01349      | Inner plug diameter 30x10               | 1        |
| 9   | P04080      | DIN 966 M5x30 bolt                      | 2        |



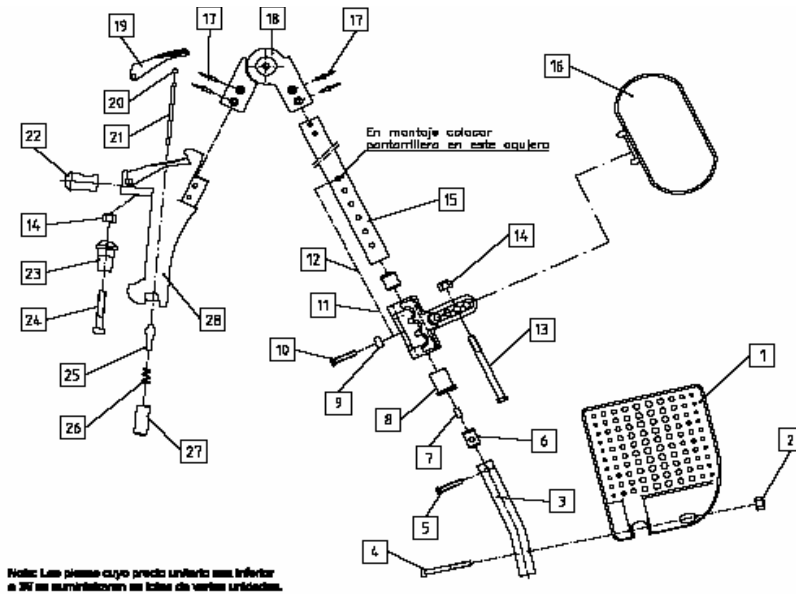
### Elevating footrest assembly - widths 37-40

Models: All  
Part number: 21 E

**No.**      **Part number**      **Description - English**      **Quantity**

Note: Parts which have a unit price of less than €3 will be supplied in batches containing several units.

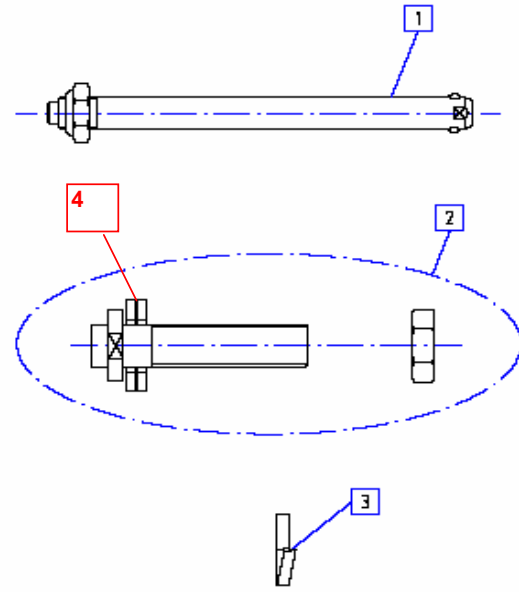
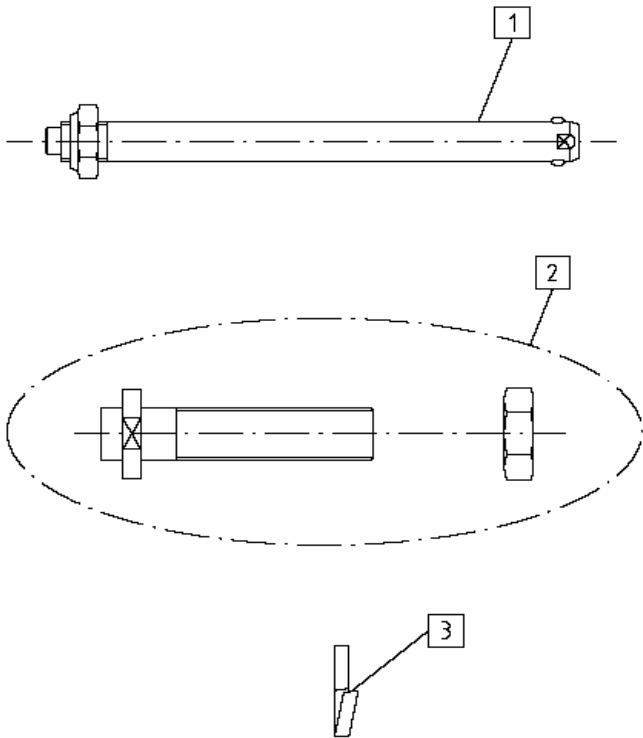
|    |         |                                   |   |
|----|---------|-----------------------------------|---|
| 0  | C05198  | Right elevating footrest assembly | 1 |
| 0  | C05199  | Left elevating footrest assembly  | 1 |
| 1  | P01307D | Right platform                    | 1 |
| 1  | P01307I | Left platform                     | 1 |
| 2  | P04013  | DIN 985 M6 hexagonal nut          | 1 |
| 3  | P11063N | "L" shaped platform-holder tube   | 1 |
| 4  | P04197  | DIN 912 M6x60 hexagonal bolt      | 1 |
| 5  | P04130  | DIN 933 M6x25 hexagonal bolt      | 1 |
| 6  | P01156  | Fastening peg for platform tubing | 1 |
| 7  | P04230  | M6 DIN 557 square nut             | 1 |
| 8  | P01189  | Footrest end stopper              | 1 |
| 9  | P03018  | Lower spacer diameter 14x6.25x8   | 1 |
| 10 | P04101  | DIN 933 M6x30 bolt                | 1 |
| 11 | P01116  | Bracket for 25 diameter tube      | 1 |
| 12 | P03156  | Fastening peg for leg support     | 1 |
| 13 | P04129  | DIN 931 M8x90 hexagonal bolt      | 1 |
| 14 | P04006  | DIN 985 M8 hexagonal nut          | 2 |
| 15 | P05570  | Tube for foot elevation           | 1 |
| 16 | P01228  | P.V.C. calf support               | 1 |
| 17 | P04189  | 4.8x11 abvibulb rivet             | 8 |
| 18 | C05196  | Connection for elevating footrest | 1 |
| 19 | P01198  | Unlocking handle cover            | 1 |
| 20 | P01310  | 4 mm outer plug                   | 1 |
| 21 | P11192  | Pushbar (aluminium rod)           | 1 |
| 22 | P01190  | Footrest upper plug               | 1 |
| 23 | P01182  | Footrest upper guide              | 1 |
| 24 | P04195  | DIN 912 M8x45 cylindrical bolt    | 1 |
| 25 | P01191  | Unlocking pivot                   | 1 |
| 26 | P15035  | Articulating joint (spring)       | 1 |
| 27 | P03139  | Footrest upper socket             | 1 |
| 28 | P11296  | Elevating footrest support        | 1 |



### Elevating footrest assembly - widths 43-46-49-52

Note: Parts which have a unit price of less than €3 will be supplied in batches containing several units.

| No. | Part number | Description                       | Quantity |
|-----|-------------|-----------------------------------|----------|
|     | 0 C05200    | Right elevating footrest assembly | 1        |
|     | 0 C05201    | Left elevating footrest assembly  | 1        |
|     | 1 P01308D   | Right platform                    | 1        |
|     | 1 P01308I   | Left platform                     | 1        |
|     | 2 P04013    | DIN 985 M6 hexagonal nut          | 1        |
|     | 3 P11063N   | "L" shaped platform-holder tube   | 1        |
|     | 4 P04197    | DIN 912 M6x60 hexagonal bolt      | 1        |
|     | 5 P04130    | DIN 933 M6x25 hexagonal bolt      | 1        |
|     | 6 P01156    | Fastening peg for platform tubing | 1        |
|     | 7 P04230    | M6 DIN 557 square nut             | 1        |
|     | 8 P01189    | Footrest end stopper              | 1        |
|     | 9 P03018    | Lower spacer diameter 14x6.25x8   | 1        |
|     | 10 P04101   | DIN 933 M6x30 bolt                | 1        |
|     | 11 P01116   | Bracket for 25 diameter tube      | 1        |
|     | 12 P03156   | Fastening peg for leg support     | 1        |
|     | 13 P04129   | DIN 931 M8x90 hexagonal bolt      | 1        |
|     | 14 P04006   | DIN 985 M8 hexagonal nut          | 2        |
|     | 15 P05570   | Tube for foot elevation           | 1        |
|     | 16 P01228   | P.V.C. calf support               | 1        |
|     | 17 P04189   | 4.8x11 abvibulb rivet             | 8        |
|     | 18 C05196   | Connection for elevating footrest | 1        |
|     | 19 P01198   | Unlocking handle cover            | 1        |
|     | 20 P01310   | 4 mm outer plug                   | 1        |
|     | 21 P11192   | Pushbar (aluminium rod)           | 1        |
|     | 22 P01190   | Footrest upper plug               | 1        |
|     | 23 P01182   | Footrest upper guide              | 1        |
|     | 24 P04195   | DIN 912 M8x45 cylindrical bolt    | 1        |
|     | 25 P01191   | Unlocking pivot                   | 1        |
|     | 26 P15035   | Articulating joint (spring)       | 1        |
|     | 27 P03139   | Footrest upper socket             | 1        |
|     | 28 P11296   | Elevating footrest support        | 1        |



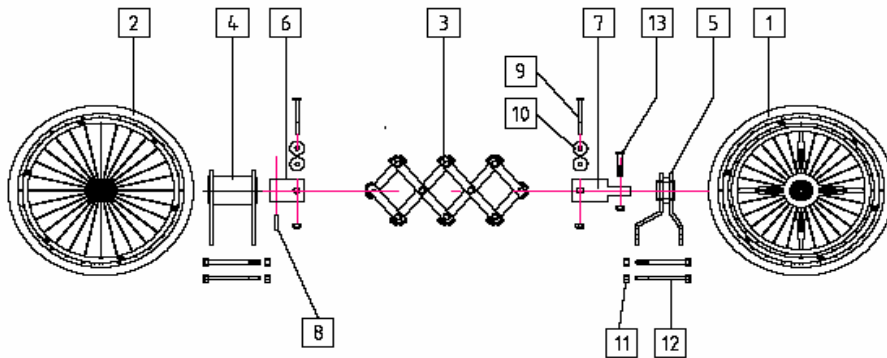
**Quick release axle**

Models: All

Part number: 35 E

Note: Parts which have a unit price of less than €3 will be supplied in batches containing several units.

| No. | Part number   | Description - English            | Quantity |
|-----|---------------|----------------------------------|----------|
| 0   | 35B           | Quick Release                    | 1        |
| 1   | C06148        | Quick release axle               | 1        |
| 2   | C06149        | Quick release socket assembly    | 1        |
| 3   | P04302        | Grower DIN 127 diameter 6 washer | 1        |
| 4   | <b>P04276</b> | <b>washer DIN 125. Ø16</b>       | <b>2</b> |



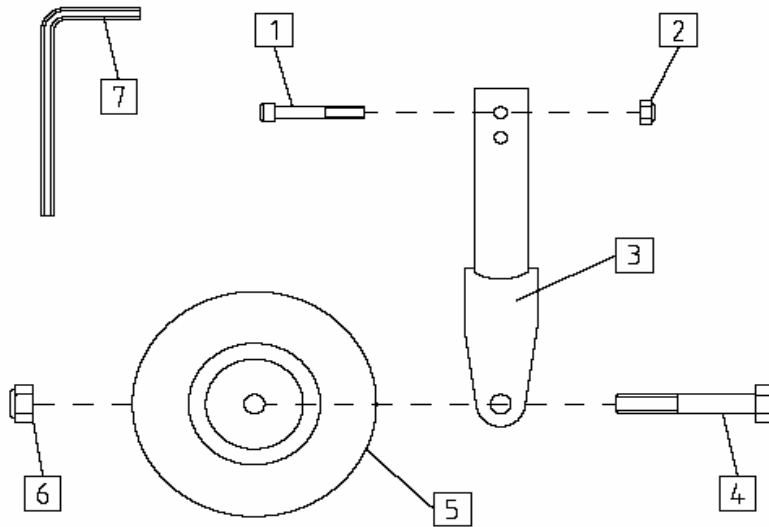
### Hemiplegic system

Models: All  
Part number: 36 E

When completing an order please specify whether it is for the right or the left side

Note: Parts which have a unit price of less than €3 will be supplied in batches containing several units.

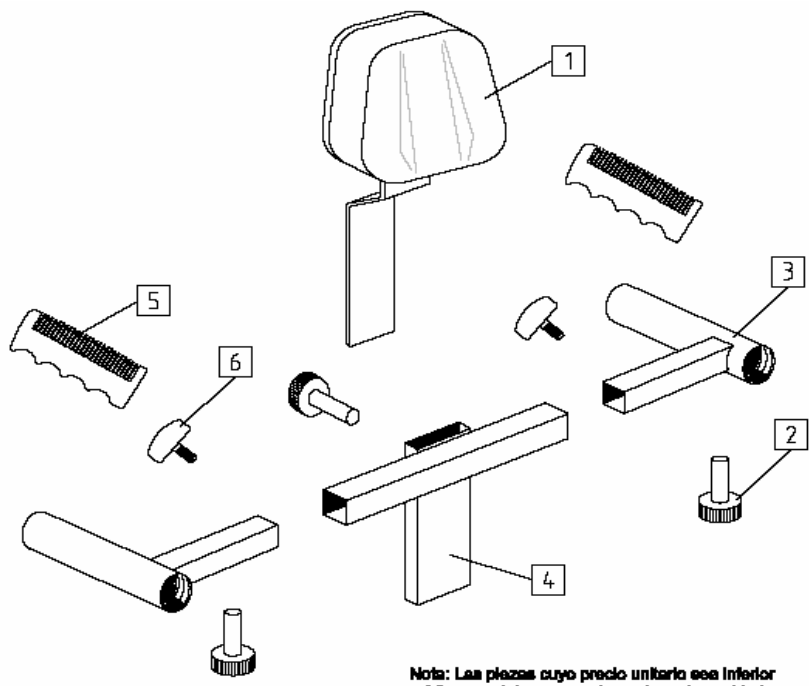
| No. | Part number | Description - English                  | Quantity |
|-----|-------------|--|----------|
| 0   | C06215      | Right hemiplegic system                | 1        |
| 0   | C06216      | Left hemiplegic system                 | 1        |
| 1   | C06217      | Hemiplegic wheel and steering wheel    | 1        |
| 2   | C06026      | Pneumatic wheel assembly               | 1        |
| 3   | C06031      | Extending axle for hemiplegic system   | 1        |
| 4   | C01797N     | Moyu assembly opposite steering wheel  | 1        |
| 5   | C01798N     | Moyu assembly part of right steering   | 1        |
| 5   | C01799N     | Moyu assembly part of left steering    | 1        |
| 6   | P03072      | Peg for normal wheel                   | 1        |
| 7   | P03162      | Peg for wheel with hemiplegic steering | 1        |
| 8   | P04110      | Elastic fastener diameter 5x25         | 1        |
| 9   | P04157      | DIN 931 M6x55 bolt                     | 2        |
| 10  | P02122      | Washer diameter 6.5xdiameter 22x1.5    | 4        |
| 11  | P04013      | DIN 985 M6 nut                         | 7        |
| 12  | P04135      | DIN 931 M6x60 bolt                     | 4        |
| 13  | P04156      | DIN 931 M6x35 bolt                     | 1        |



### Transit wheel assembly

Models: 105, 115, 121  
Part number: 39 E

| No. | Part number | Description - English          | Quantity |
|-----|-------------|--------------------------------|----------|
| 0   | C06105      | Transit wheel assembly         | 1        |
| 1   | P04018      | DIN 985 M5 hexagonal nut       | 2        |
| 2   | P04144      | DIN 912 M5x35 bolt             | 2        |
| 3   | C06113N     | Transit wheel bracket assembly | 1        |
| 4   | P04210      | DIN 931 M8x55 bolt             | 1        |
| 5   | C06104      | 100 diameter transit wheel     | 1        |
| 6   | P04006      | DIN 985 M8 hexagonal nut       | 1        |
| 7   | P15039      | 4 mm Allen key                 | 1        |

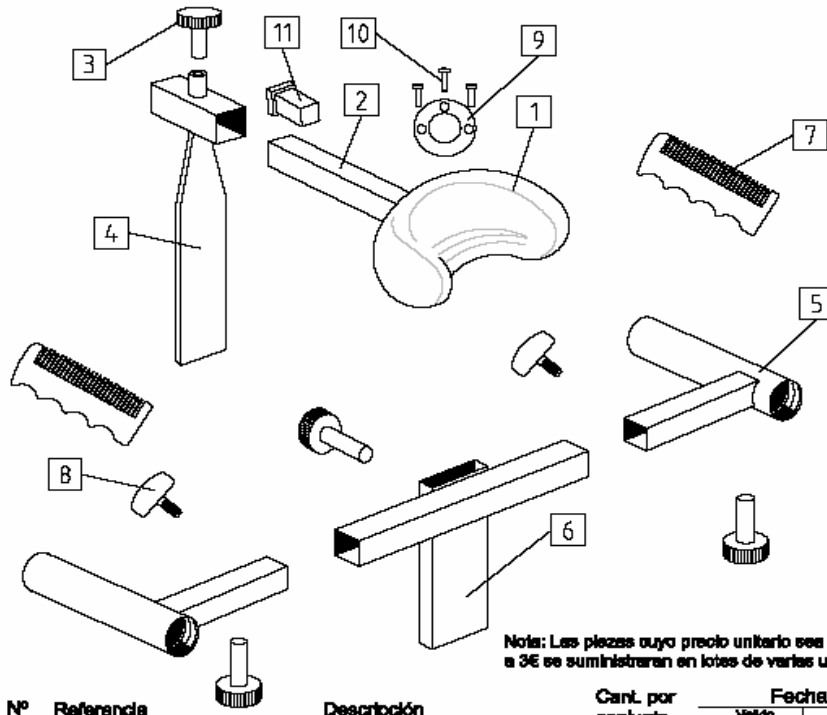


**Standard headrest for folding wheelchairs**

Models: All  
Part number: 55 E

Note: Parts which have a unit price of less than €3 will be supplied in batches containing several units.

| No. | Part number | Description - English                    | Quantity |
|-----|-------------|--|----------|
| 0   | C02072      | Standard headrest for folding wheelchair | 1        |
| 1   | C02052      | Standard headrest                        | 1        |
| 2   | P01254      | M8x35 bolt head                          | 3        |
| 3   | C01804N     | Right headrest connection bracket        | 1        |
| 3   | C01805N     | Left headrest connection bracket         | 1        |
| 4   | C01112N     | Headrest stiffener support               | 1        |
| 5   | P01024      | Handle grip                              | 2        |
| 6   | P01604      | Fixing knob M8x16                        | 2        |



Nota: Las piezas cuyo precio unitario sea inferior a 3€ se suministrarán en lotes de varias unidades.

### Anatomical headrest for folding wheelchairs

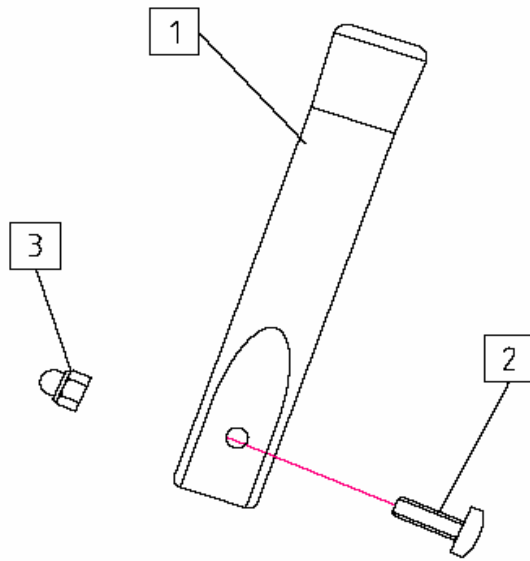
Models: All

Part number: 56 E

Note: Parts which have a unit price of less than €3 will be supplied in batches containing several units.

| No. | Part number | Description - English                    | Quantity |
|-----|-------------|--|----------|
| 0   | C02073      | Standard headrest for folding wheelchair | 1        |
| 1   | C02071      | Anatomical headrest PU-KO-6-S            | 1        |
| 2   | C01110C     | Adjustable headrest support              | 5        |
| 3   | P01254      | M8x35 bolt head                          | 4        |
| 4   | C01109N     | Vertical support for anatomical headrest | 1        |
| 5   | C01804N     | Right headrest connection bracket        | 1        |
| 5   | C01805N     | Left headrest connection bracket         | 1        |
| 6   | C01112N     | Headrest support stiffener               | 1        |
| 7   | P01024      | Handle grip tube diameter 22             | 2        |
| 8   | P01604      | Fixing knob M8x16                        | 2        |
| 9   | P02097      | Circular cover                           | 1        |
| 10  | P04212      | DIN 7985 M5x20 bolt                      | 2        |
| 11  | P01046      | 12x12 square plug                        | 2        |





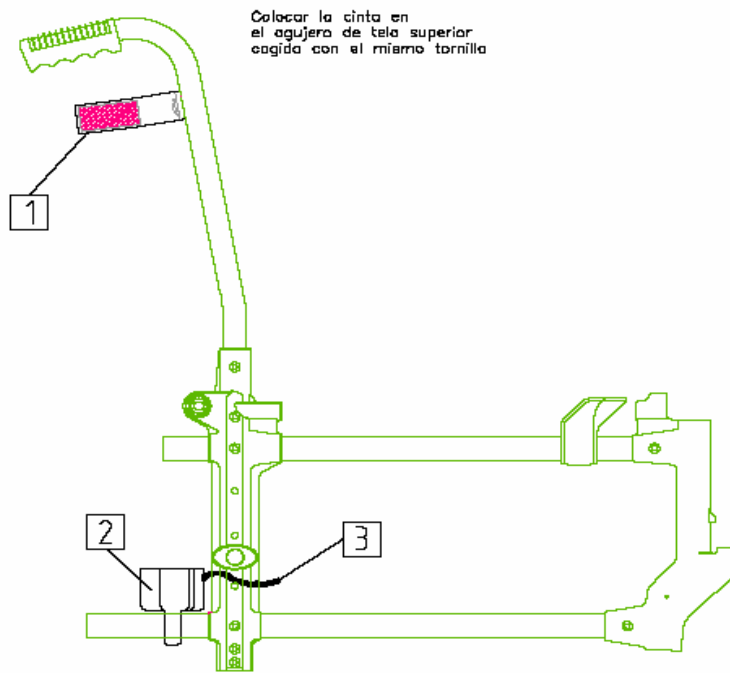
### Brake extension

Models: All

Part number: 70 E

Note: Parts which have a unit price of less than €3 will be supplied in batches containing several units.

| No. | Part number | Description - English | Quantity |
|-----|-------------|-----------------------|----------|
| 1   | 000861253   | Brake extension lever | 1        |
| 2   | P04124      | DIN 7985 M5x20 bolt   | 1        |
| 3   | P04299      | DIN 986 M5 nut        | 1        |



### Crutch holder

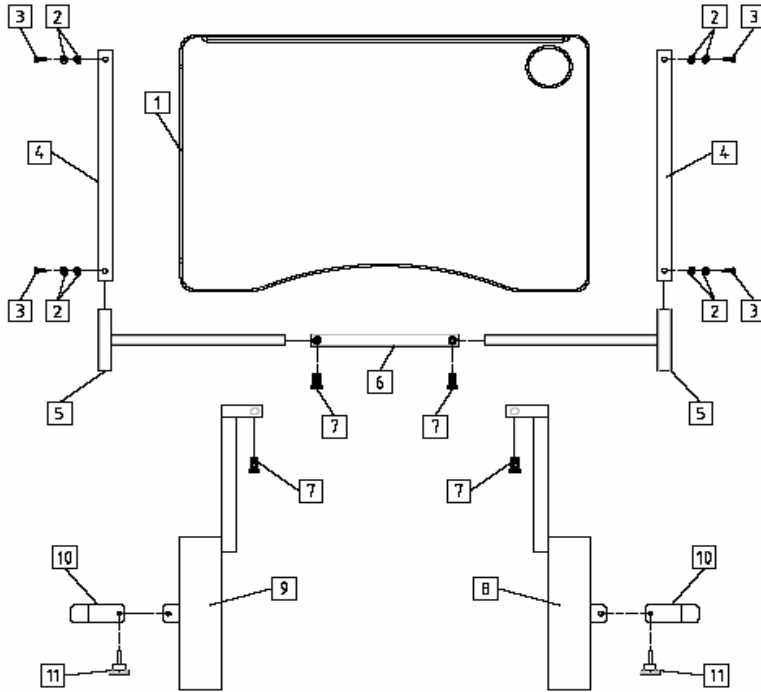
Models: All

Part number: 71 E

Fix the strap in the upper back cover hole so that it is held by the same bolt

Note: Parts which have a unit price of less than €3 will be supplied in batches containing several units.

| No. | Part number | Description - English         | Quantity |
|-----|-------------|-------------------------------|----------|
| 0   | C01381      | Crutch holder assembly        | 1        |
| 1   | P08171      | Crutch holder fastening strap | 1        |
| 2   | P01221      | Crutch holder                 | 1        |
| 3   | P01123      | 4.8x200 cable clamp           | 1        |
| 3   | P01153      | 4.8x390 cable clamp           | 1        |

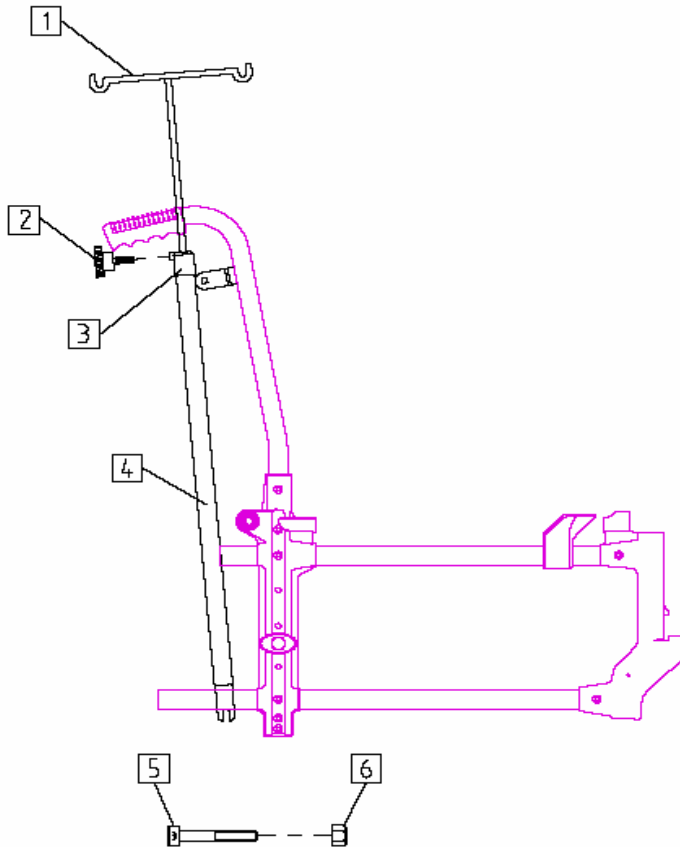


### Eating and reading table assembly

Models: All  
Part number: 72 E

Note: Parts which have a unit price of less than €3 will be supplied in batches containing several units.

| No. | Part number | Description - English                   | Quantity |
|-----|-------------|---|----------|
| 0   | C08272      | Eating and reading table                | 1        |
| 1   | P06073      | Wheelchair table                        | 1        |
| 2   | P04027      | DIN 125 diameter 5 washer               | 8        |
| 3   | P04124      | DIN 7985 M5x15 bolt                     | 4        |
| 4   | C01296      | Subassembly fastening with nuser M5 nut | 2        |
| 5   | C08192      | "T" shaped table support                | 2        |
| 6   | C08193      | Table stiffener support                 | 1        |
| 7   | P04179      | DIN 933 M8x20 bolt                      | 4        |
| 8   | C08270      | Right table support assembly            | 1        |
| 9   | C08271      | Left table support assembly             | 1        |
| 10  | P02268      | Table bracket clamp                     | 2        |
| 11  | P01255      | M6 bolt head                            | 2        |

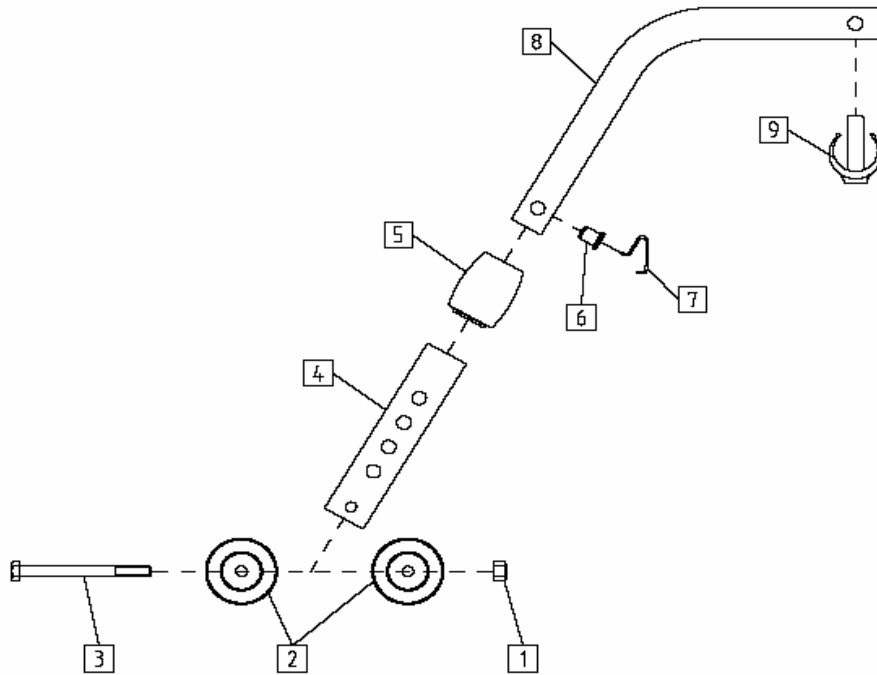


### Drip support assembly

Models: QUERY  
Part number: 76 E

Note: Parts which have a unit price of less than €3 will be supplied in batches containing several units.

| No. | Part number | Description - English          | Quantity |
|-----|-------------|--------------------------------|----------|
| 0   | C01390      | Drip support assembly II       | 1        |
| 1   | C08061      | Drip holder                    | 1        |
| 2   | P01254      | M8x35 bolt head                | 1        |
| 3   | P01044      | Drip guide nut holder          | 1        |
| 4   | C01389N     | Drip holder II assembly (base) | 1        |
| 5   | P04140      | DIN 912 M6x40 bolt             | 1        |
| 6   | P04013      | DIN 985 M6 hexagonal nut       | 1        |

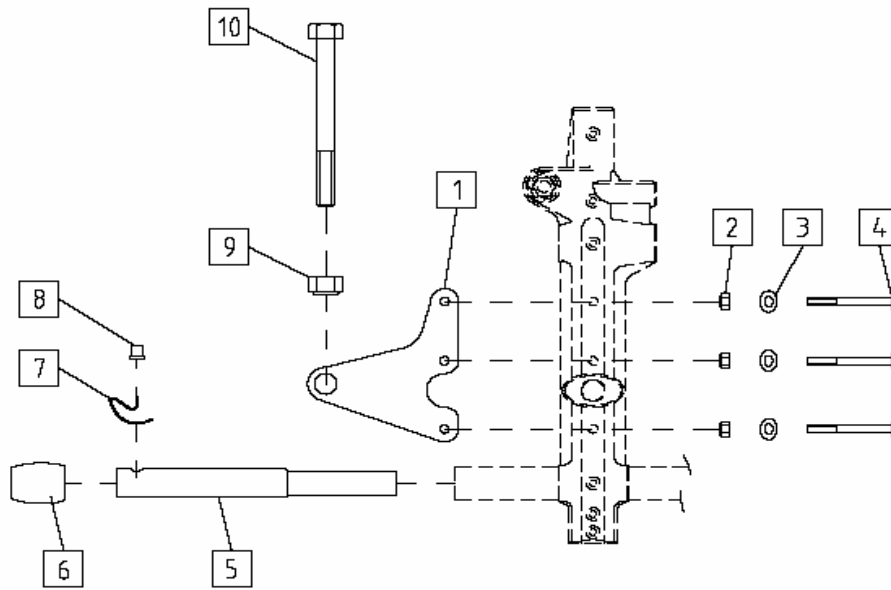


### Anti-tip tubes

Models: All  
Part number: 77 E

Note: Parts which have a unit price of less than €3 will be supplied in batches containing several units.

| No. | Part number | Description - English               | Quantity |
|-----|-------------|-------------------------------------|----------|
| 0   | C06103      | Anti-tip tube assembly              | 1        |
| 1   | P04013      | DIN 985 M6 hexagonal nut            | 1        |
| 2   | C06102      | Anti-tip wheel                      | 2        |
| 3   | P04239      | DIN 931 M6x70 bolt                  | 1        |
| 4   | P11066      | Adjustable anti-tip tube            | 1        |
| 5   | P01181      | Open end diameter 25                | 1        |
| 6   | P03062      | 7.5 diameter locking nozzle         | 1        |
| 7   | P15030      | Locking nozzle spring               | 1        |
| 8   | P11067      | Connection tube                     | 1        |
| 9   | C01673      | 25 diameter clip for anti-tip tubes | 1        |



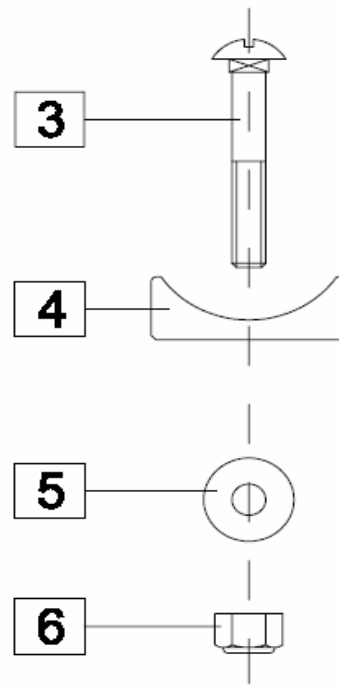
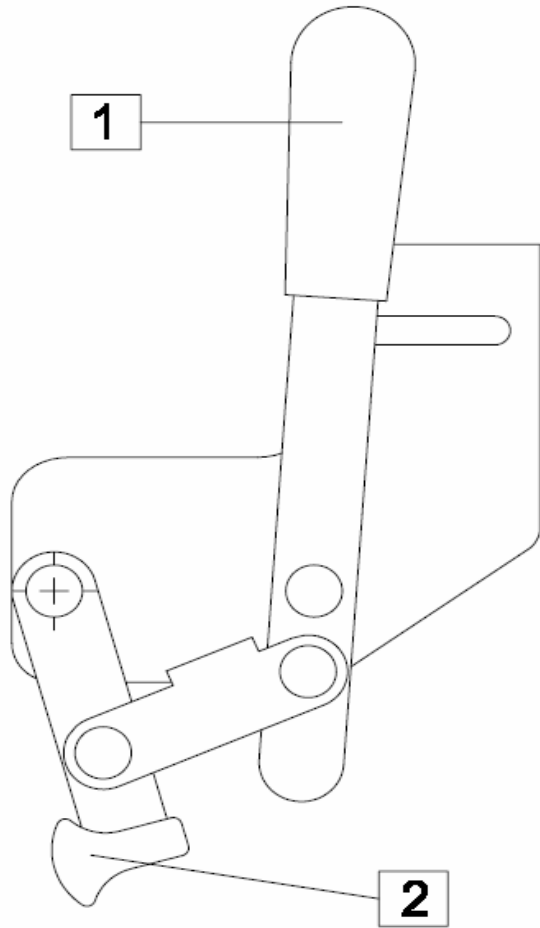
### Double amputee axle

Models: All

Part number: 98 E

Note: Parts which have a unit price of less than €3 will be supplied in batches containing several units.

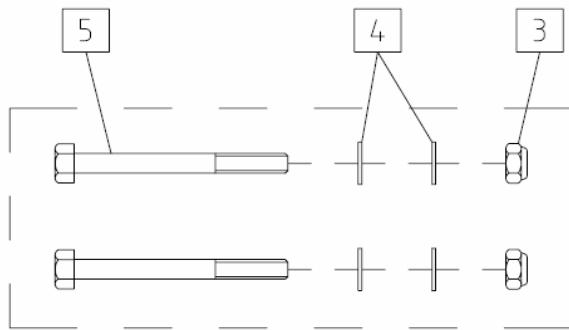
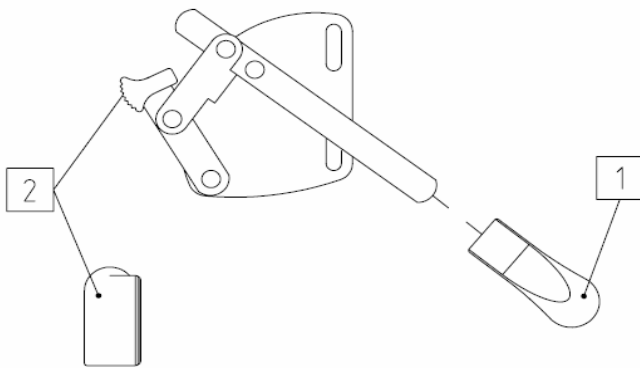
| No. | Part number | Description - English                    | Quantity |
|-----|-------------|--|----------|
|     | 1 C01391N   | Wheel coupling s/amputees                | 1        |
|     | 2 P04013    | DIN 985 M6 hexagonal nut                 | 3        |
|     | 3 P04003    | DIN 125 diameter 6 washer                | 3        |
|     | 4 P04135    | DIN 931 M6x60 bolt                       | 3        |
|     | 5 C01468N   | Tube endstopper subassembly              | 1        |
|     | 6 P01281    | 22 diameter tube endstopper              | 1        |
|     | 7 P15030    | Locking nozzle spring                    | 1        |
|     | 8 P03062    | Locking nozzle                           | 1        |
|     |             | -- Parts not included in the assembly -- |          |
|     | 9 P04043    | DIN 985 diameter 12 hexagonal nut        | 1        |
|     | 10 P04253   | DIN 931 M12x40 hexagonal bolt            | 1        |



### Brake assembly for 600 diameter wheel

Models: 121  
Part number: -

| No. | Part number | Description - English                      | Quantity |
|-----|-------------|--|----------|
| 0   | C03056      | Right brake assembly                       | 1        |
| 0   | C03057      | Left brake assembly                        | 1        |
| 1   | P01286      | Brake lever                                | 1        |
| 2   | P01273      | Brake shoe                                 | 1        |
|     |             | - - Parts not included in the assembly - - |          |
| 3   | P04315      | DIN 603 M6x45 bolt                         | 1        |
| 4   | P01184      | 25 diameter half stem washer               | 1        |
| 5   | P04214      | DIN 9021 diameter 6 washer                 | 1        |
| 6   | P04013      | DIN 985 M6 hexagonal nut                   | 1        |

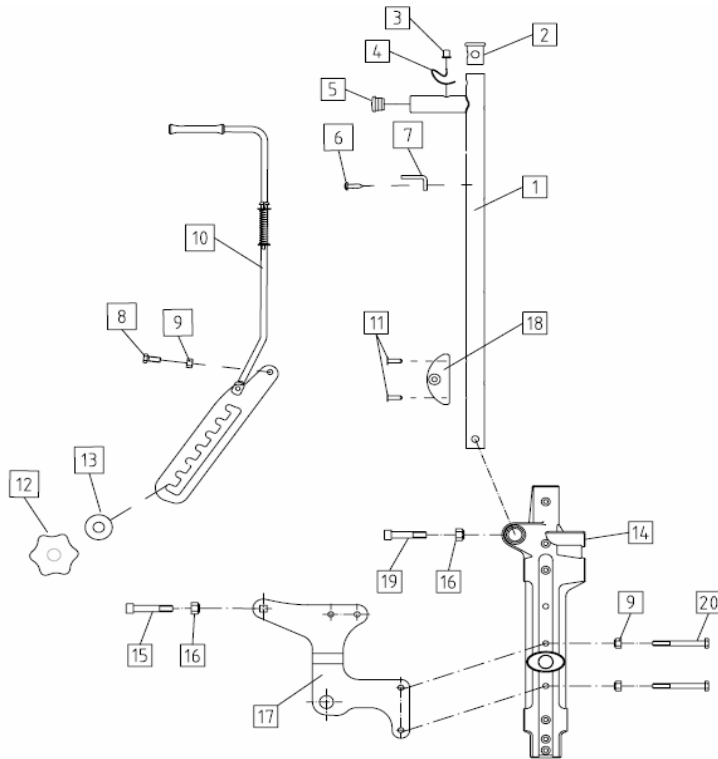


**Brake assembly for 300 diameter wheel**

Models: 141  
Part number: -

| No. | Part number | Description - English                      | Quantity |
|-----|-------------|--|----------|
| 0   | C03034      | Right brake assembly                       | 1        |
| 0   | C03035      | Left brake assembly                        | 1        |
| 1   | P01286      | Brake lever                                | 1        |
| 2   | P01273      | Brake shoe                                 | 1        |
|     |             | - - Parts not included in the assembly - - |          |
| 3   | P04013      | DIN 985 M6 hexagonal nut                   | 2        |
| 4   | P04003      | DIN 125 diameter 6 washer                  | 4        |
| 5   | P04135      | DIN 931 M6x60 bolt                         | 2        |

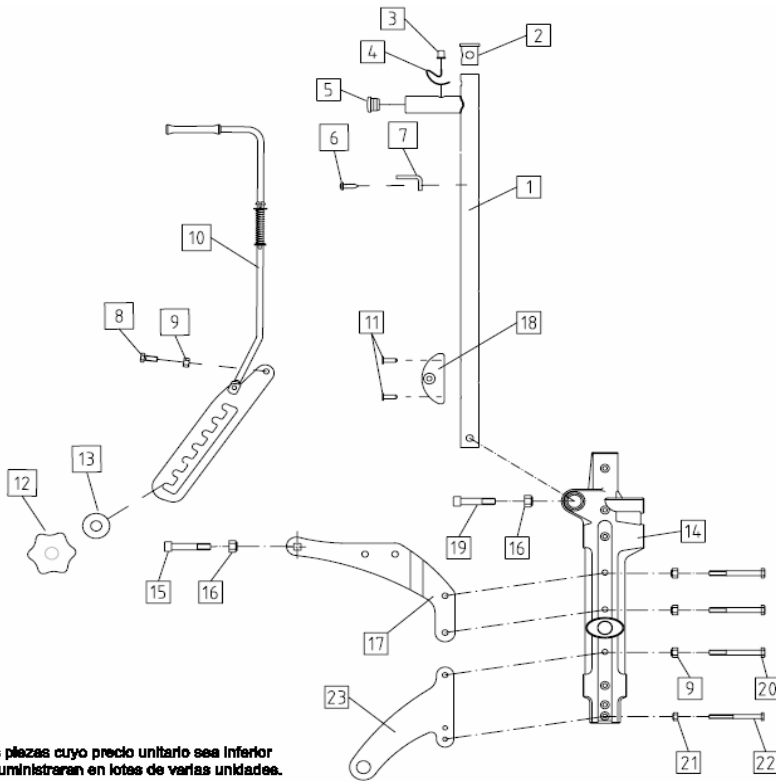




### 600 diameter wheel rear vertical subassembly

Models: 121  
Part number: -

| No. | Part number | Description - English                         | Quantity |
|-----|-------------|---|----------|
|     | 0 C01819N   | Breezy 121 rear vertical assembly             | 1        |
|     | 1 C01758N   | Reclining, folding back support               | 1        |
|     | 2 P01026    | Open end                                      | 1        |
|     | 3 P03062    | 7.5 diameter locking nozzle                   | 1        |
|     | 4 P15030    | Locking nozzle spring                         | 1        |
|     | 5 P01096    | 19x2 diameter tube plug                       | 1        |
|     | 6 P04122    | DIN 7981 4.8x19 diameter black threaded plate | 1        |
|     | 7 P02065    | Cover guide                                   | 1        |
|     | 8 P04163    | DIN 912 M6x25 bolt                            | 1        |
|     | 9 P04013    | DIN 985 M6 hexagonal nut                      | 3        |
|     | 10 C04008   | Rack adjustment assembly                      | 1        |
|     | 11 P04200   | 4.8x14 abvibulb rivet                         | 2        |
|     | 12 P01256   | M8 nut knob                                   | 1        |
|     | 13 P03165   | Spacer socket                                 | 2        |
|     | 14 P01195   | Vertical back RAL 7021                        | 1        |
|     | 15 P04195   | DIN 912 M8x45 bolt                            | 1        |
|     | 16 P04006   | DIN 985 M8 hexagonal nut                      | 2        |
|     | 17 C01818N  | Support for 600 diameter wheel                | 1        |
|     | 18 P01239   | B121 rod support                              | 1        |
|     | 19 P04188   | DIN 912 M8x40 bolt                            | 1        |
|     | 20 P04135   | DIN 931 M6x60 bolt                            | 2        |



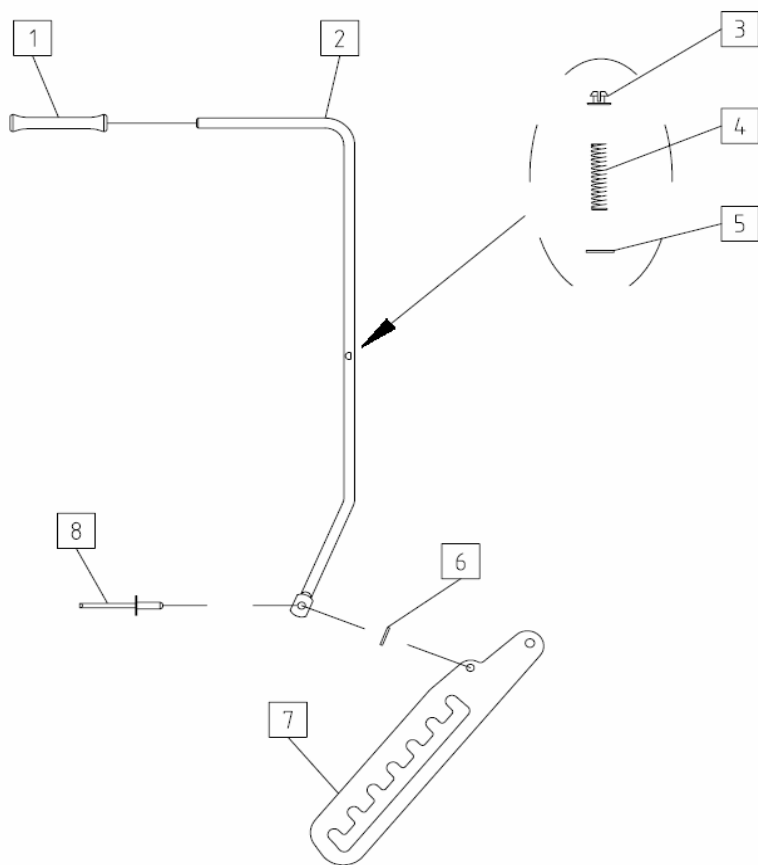
Nota: Las piezas cuyo precio unitario sea inferior a 3€ se suministrarán en lotes de varias unidades.

### 300 diameter wheel rear vertical subassembly

Models: 141

Part number: -

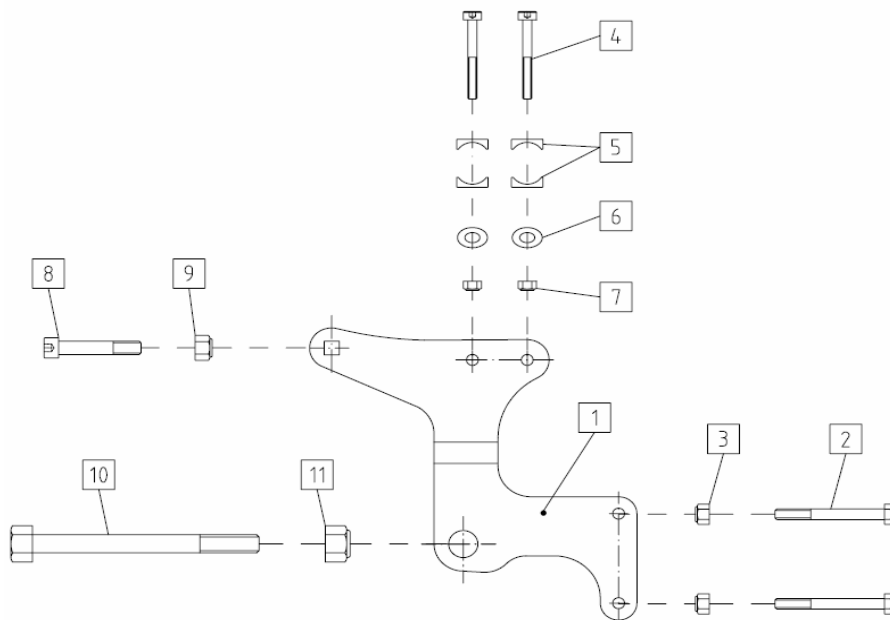
| No. | Part number | Description - English                         | Quantity |
|-----|-------------|---|----------|
|     | 0 C01820N   | Breezy 121 rear vertical assembly             | 1        |
|     | 1 C01758N   | Reclining, folding back support               | 1        |
|     | 2 P01026    | Open end                                      | 1        |
|     | 3 P03062    | 7.5 diameter locking nozzle                   | 11       |
|     | 4 P15030    | Locking nozzle spring                         | 1        |
|     | 5 P01096    | 19x2 diameter tube plug                       | 1        |
|     | 6 P04122    | DIN 7981 4.8x19 diameter black threaded plate | 1        |
|     | 7 P02065    | Cover guide                                   | 1        |
|     | 8 P04163    | DIN 912 M6x25 bolt                            | 1        |
|     | 9 P04013    | DIN 985 M6 hexagonal nut                      | 4        |
|     | 10 C04008   | Rack adjustment assembly                      | 1        |
|     | 11 P04200   | 4.8x14 abvibulb rivet                         | 2        |
|     | 12 P01256   | M8 nut knob                                   | 1        |
|     | 13 P03165   | Spacer socket                                 | 2        |
|     | 14 P01195   | Vertical back RAL 7021                        | 1        |
|     | 15 P04195   | DIN 912 M8x45 bolt                            | 1        |
|     | 16 P04006   | DIN 985 M8 hexagonal nut                      | 2        |
|     | 17 P02291N  | Right side support, 300 wheel                 | 1        |
|     | 17 P02292N  | Left side support, 300 wheel                  | 1        |
|     | 18 P01239   | B121 rod support                              | 1        |
|     | 19 P04188   | DIN 912 M8x40 bolt                            | 1        |
|     | 20 P04135   | DIN 931 M6x60 bolt                            | 3        |
|     | 21 P04018   | DIN 985. M5 hexagonal nut                     | 1        |
|     | 22 P04242   | DIN 931. M5x60 bolt                           | 1        |
|     | 23 C01545N  | Support for 300 diameter wheel, Breezy 141    | 1        |



### Back control system

Models: 121, 141  
Part number: -

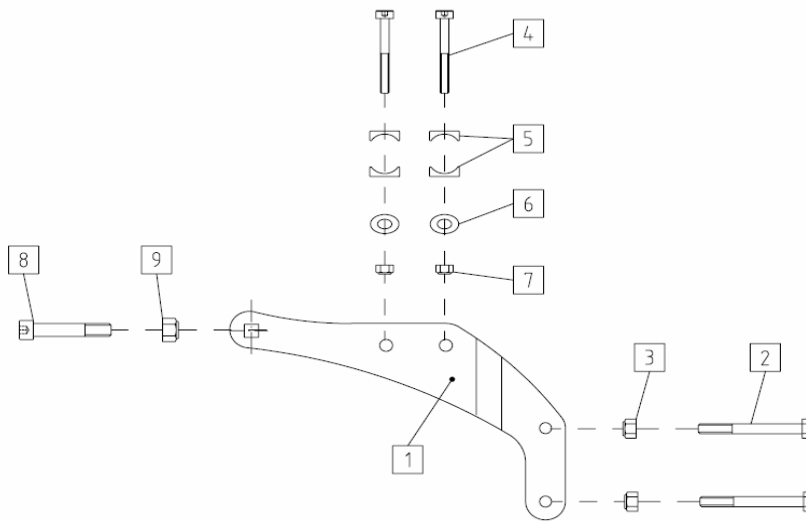
| No. | Part number | Description - English     | Quantity |
|-----|-------------|---------------------------|----------|
| 0   | C04008      | Rack back control system  | 1        |
| 1   | P01011      | Rod knob                  | 1        |
| 2   | P16001N     | Rack cover                | 1        |
| 3   | P01005      | Swivel socket             | 1        |
| 4   | P15013      | Rack spring               | 1        |
| 5   | P04027      | DIN 125 diameter 5 washer | 1        |
| 6   | P04036      | DIN 125 diameter 8 washer | 1        |
| 7   | P02064      | Adjustment rack           | 1        |
| 8   | P04008      | Stavex rivet diameter 4.8 | 1        |



### Support for 600 diameter wheel

Models: 121  
Part number: .

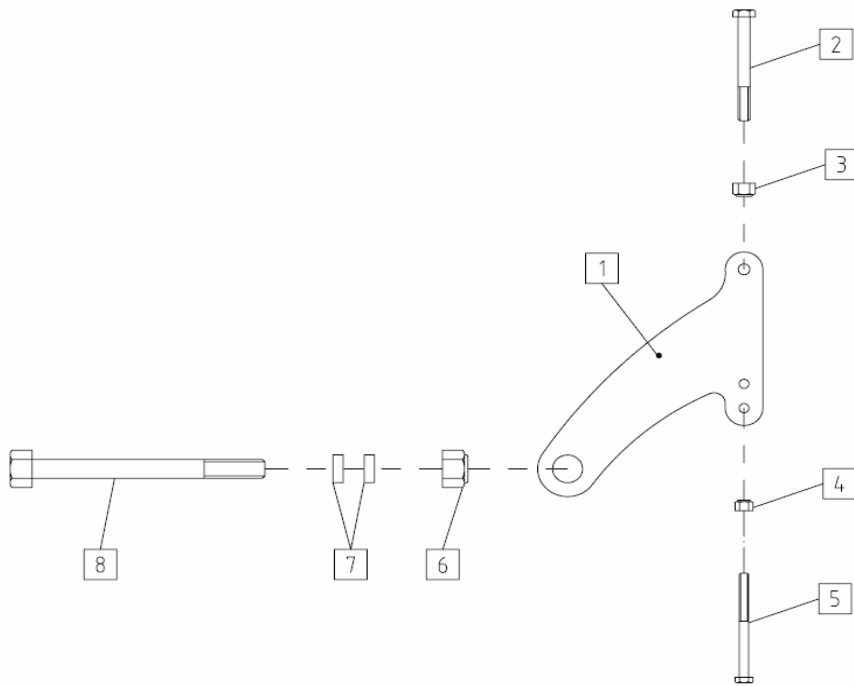
| No. | Part number | Description - English  | Quantity |
|-----|-------------|--|----------|
| 1   | C01818N     | Support for 600 diameter wheel<br>-- Parts not included in the assembly -- | 1        |
| 2   | P04135      | DIN 931 M6x60 hexagonal bolt   | 2        |
| 3   | P04013      | DIN 985 M6 hexagonal nut   | 2        |
| 4   | P04252      | DIN 912 M5x45 cylindrical bolt   | 2        |
| 5   | P01184      | 25 diameter half stem washer   | 4        |
| 6   | P04003      | DIN 125 diameter 6 washer  | 2        |
| 7   | P04018      | DIN 985 M5 hexagonal nut   | 2        |
| 8   | P04213      | DIN 603 M8x45 bolt   | 1        |
| 9   | P04006      | DIN 985 M8 hexagonal nut   | 1        |
| 10  | P04253      | DIN 931 M12x140 hexagonal bolt   | 1        |
| 11  | P04043      | DIN 985 M12 nut  | 1        |



### Reclining seat back side panel support

Models: 321  
Part number: -

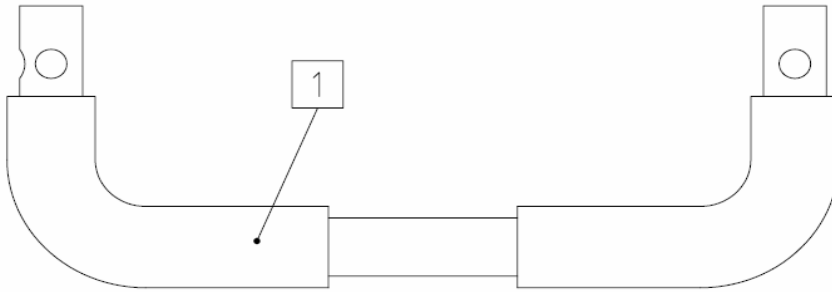
| No. | Part number | Description - English                        | Quantity |
|-----|-------------|--|----------|
|     | 1 P02291N   | Reclining seat back right side panel support | 1        |
|     | 1 P02292N   | Reclining seat back left side panel support  | 1        |
|     |             | - - Parts not included in the assembly - -   |          |
|     | 2 P04135    | DIN 931 M6x60 hexagonal bolt                 | 2        |
|     | 3 P04013    | DIN 985 M6 hexagonal nut                     | 2        |
|     | 4 P04252    | DIN 912 M5x45 cylindrical bolt               | 2        |
|     | 5 P01184    | 25 diameter half stem washer                 | 4        |
|     | 6 P04003    | DIN 125 diameter 6 washer                    | 2        |
|     | 7 P04018    | DIN 985 M5 hexagonal nut                     | 2        |
|     | 8 P04213    | DIN 603 M8x45 bolt                           | 1        |
|     | 9 P04006    | DIN 985 M8 hexagonal nut                     | 1        |



**Support for 300 diameter wheel**

Models: 141  
Part number: -

| No. | Part number | Description - English                    | Quantity |
|-----|-------------|--|----------|
| 1   | C01545N     | Support for 300 diameter wheel           | 1        |
|     |             | -- Parts not included in the assembly -- |          |
| 2   | P04135      | DIN 931 M6x60 hexagonal bolt             | 1        |
| 3   | P04013      | DIN 985 M6 hexagonal nut                 | 1        |
| 4   | P04018      | DIN 985 M5 hexagonal nut                 | 1        |
| 5   | P04242      | DIN 912 M5x60 cylindrical bolt           | 1        |
| 6   | P04043      | DIN 985 M12 hexagonal nut                | 1        |
| 7   | P03078      | Spacer socket                            | 2        |
| 8   | P04253      | DIN 931 M12x140 hexagonal bolt           | 1        |



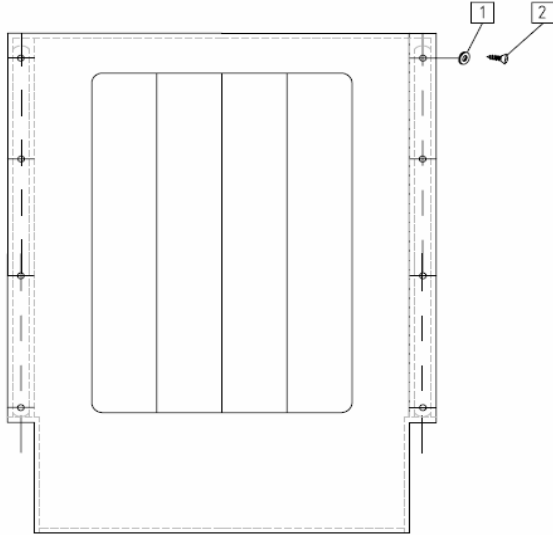
| Ancho | Ref. Tubo      | Ref. Conj.    |
|-------|----------------|---------------|
| 37    | <b>P11303N</b> | <b>C01705</b> |
| 40    | <b>P11304N</b> | <b>C01706</b> |
| 43    | <b>P11305N</b> | <b>C01707</b> |
| 46    | <b>P11306N</b> | <b>C01708</b> |
| 49    | <b>P11307N</b> | <b>C01709</b> |
| 52    | <b>P11308N</b> | <b>C01710</b> |

### Stiffener assembly

Models: 121, 141

Part number: -

| No. | Part number | Description - English           | Quantity |
|-----|-------------|---------------------------------|----------|
| 0   | See table   | Stiffener assembly              | 1        |
| 1   | P09053      | 32x22x220 diameter tubular G.E. | 2        |



| Silla | SKAY          | NYLON         |
|-------|---------------|---------------|
| 37    | <b>C02548</b> | <b>C02518</b> |
| 40    | <b>C02549</b> | <b>C02519</b> |
| 43    | <b>C02550</b> | <b>C02520</b> |
| 46    | <b>C02551</b> | <b>C02521</b> |
| 49    | <b>C02552</b> | <b>C02522</b> |
| 52    | <b>C02553</b> | <b>C02523</b> |

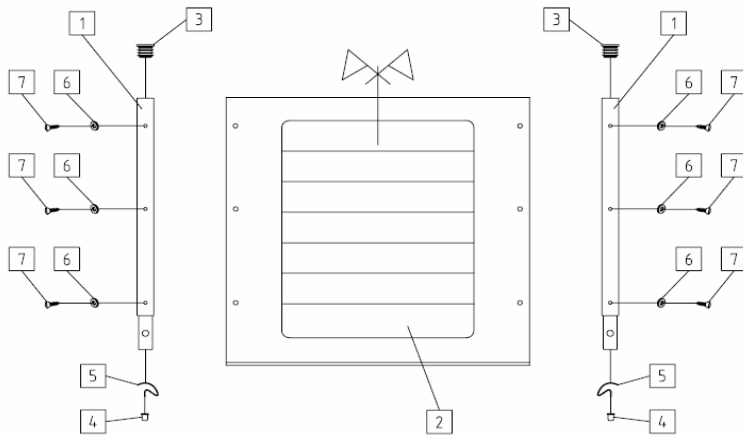
### Seat back cover

Models: 121, 141

Part number: -

| No. | Part number | Description - English                   | Quantity |
|-----|-------------|---|----------|
| 0   | see table   | Easy chair back cover assembly          | 1        |
| 1   | P04094      | DIN 9021 diameter 5 washer              | 8        |
| 2   | P04122      | DIN 7981 4.8x19 diameter threaded plate | 8        |





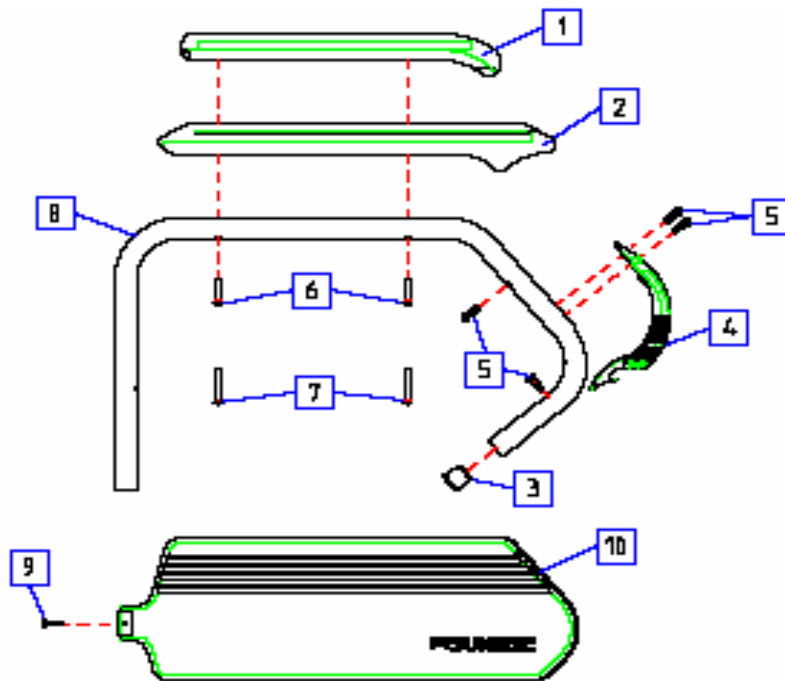
| NYLON |            |            |
|-------|------------|------------|
| Ancho | Ref. Telas | Ref. Conj. |
| 37    | C02524     | C02530     |
| 40    | C02525     | C02531     |
| 43    | C02526     | C02532     |
| 46    | C02527     | C02533     |
| 49    | C02528     | C02534     |
| 52    | C02529     | C02535     |

| SKAY  |            |            |
|-------|------------|------------|
| Ancho | Ref. Telas | Ref. Conj. |
| 37    | C02554     | C02560     |
| 40    | C02555     | C02561     |
| 43    | C02556     | C02562     |
| 46    | C02557     | C02563     |
| 49    | C02558     | C02564     |
| 52    | C02559     | C02565     |

### Easy standard headrest assembly

Models: 121, ·  
Part number: ·

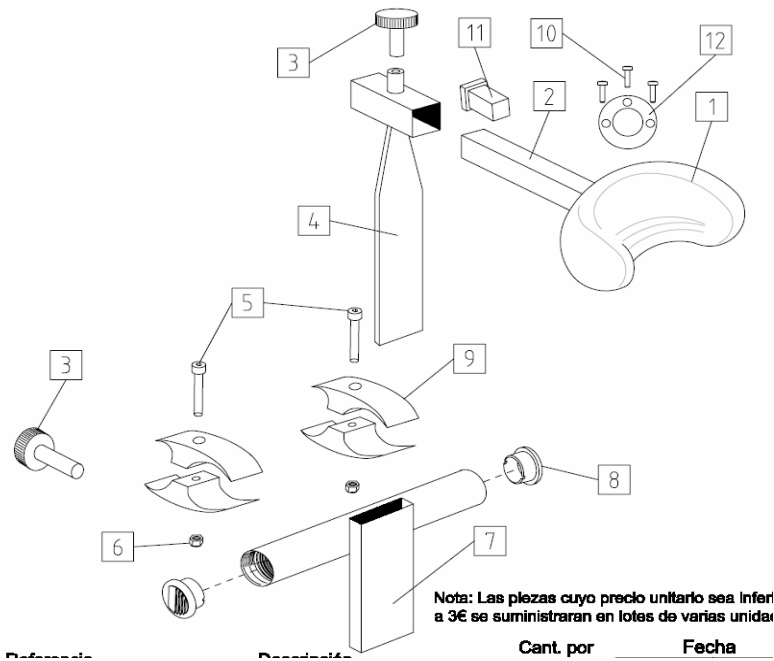
| No. | Part number | Description - English                      | Quantity |
|-----|-------------|--|----------|
| 0   | see table   | Headrest assembly                          | 1        |
| 1   | P05102N     | Support tube for folding headrest RAL 7021 | 2        |
| 2   | see table   | Headrest cover assembly                    | 1        |
| 3   | P01340      | 22x1 diameter tube plug                    | 2        |
| 4   | P03062      | 7.5 diameter locking nozzle                | 2        |
| 5   | P15030      | Locking nozzle spring                      | 2        |
|     |             | -- Parts not included in the assembly --   |          |
| 6   | P04094      | DIN 9021 diameter 5 washer                 | 6        |
| 7   | P04250      | 4.8x19 7504n threaded plate                | 6        |



## Armrest assembly

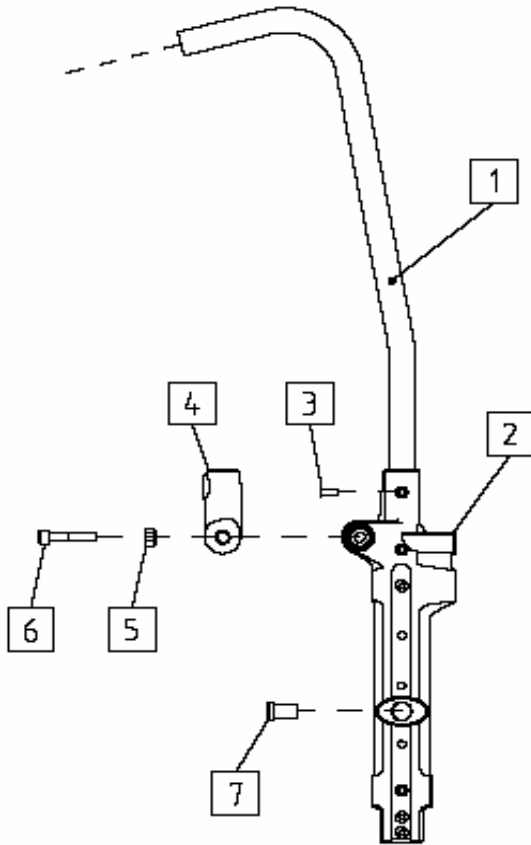
Models: All  
Part number: -

| No. | Part number   | Description - English                    | Quantity |
|-----|---------------|--|----------|
| 0   | C07526N       | Standard right armrest assembly          | 1        |
| 0   | C07527N       | Standard left armrest assembly           | 1        |
| 0   | C07532N       | LONG right armrest assembly              | 1        |
| 0   | C07533N       | LONG left armrest assembly               | 1        |
| 1   | P01608        | Standard short right upholstery          | 1        |
| 1   | P01609        | Standard short left upholstery           | 1        |
| 2   | C02212        | Right upholstery for LONG armrest        | 1        |
| 2   | C02213        | Left upholstery for LONG armrest         | 1        |
| 3   | <b>P01340</b> | <b>22x2 inner plug</b>                   | <b>2</b> |
| 4   | P01203        | Armrest locking lever                    | 1        |
| 5   | P04234        | DIN 7504N diameter 3.5x13 threaded plate | 2        |
| 6   | P04318        | CL 81 Z 5.10x28 bolt                     | 2        |
| 7   | P04207        | DIN 966 diameter 5x30 bolt               | 2        |
| 8   | P05621N       | Right armrest arch                       | 1        |
| 8   | P05622N       | Left armrest arch                        | 1        |
| 9   | P04250        | DIN 7504N diameter 4.8x19 threaded plate | 1        |
| 10  | P01350S       | Right armrest guard                      | 1        |
| 10  | P01351S       | Left armrest guard                       | 1        |



### Adjustable anatomic headrest on stiffener

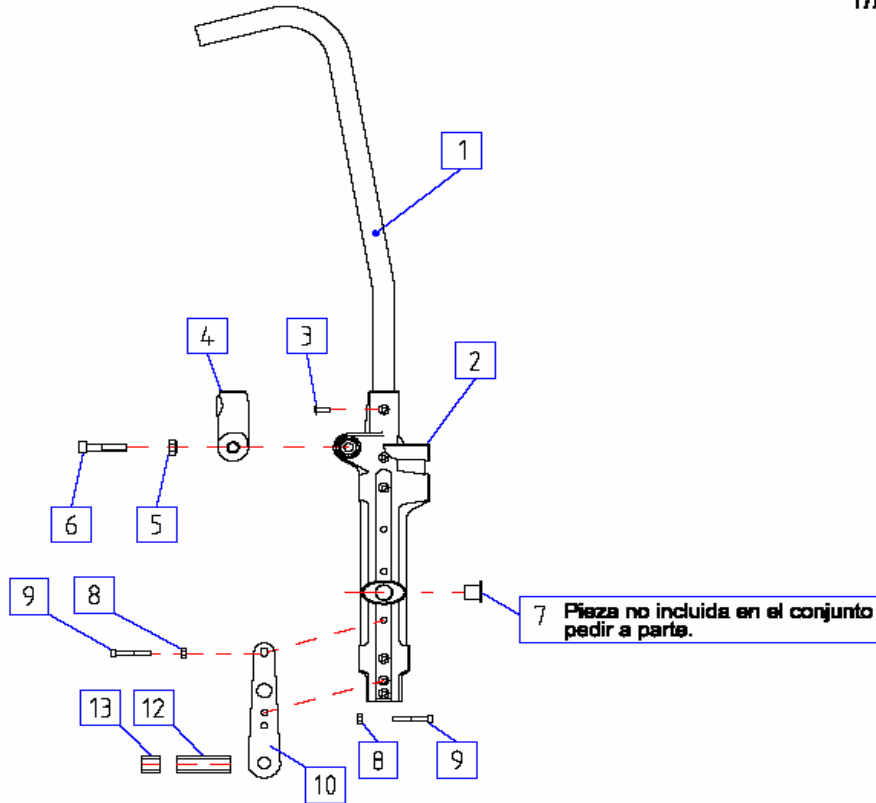
| No. | Part number | Description - English                    | Quantity |
|-----|-------------|--|----------|
| 0   | C02452      | Anatomical headrest for adjustable back  | 1        |
| 1   | C02071      | Headrest cushion (Rolko) PU-KO-6-S       | 1        |
| 2   | C01110C     | Support for adjustable headrest          | 1        |
| 3   | P01254      | M8x35 bolt head                          | 2        |
| 4   | C01109N     | Vertical support for anatomical headrest | 1        |
| 5   | P04216      | DIN 912 M6x25 bolt                       | 2        |
| 6   | P04013      | DIN 985 M6 nut                           | 2        |
| 7   | C01763N     | Support for anatomical headrest          | 1        |
| 8   | P01031      | Reel hub cap                             | 2        |
| 9   | P11074      | Flange                                   | 4        |
| 10  | P04212      | DIN 7985 M5x20 bolt                      | 3        |
| 11  | P01046      | 12x12 square plug                        | 2        |
| 12  | P02097      | Spherical plug                           | 1        |



## 600 diameter wheel rear vertical assembly

Model: 105

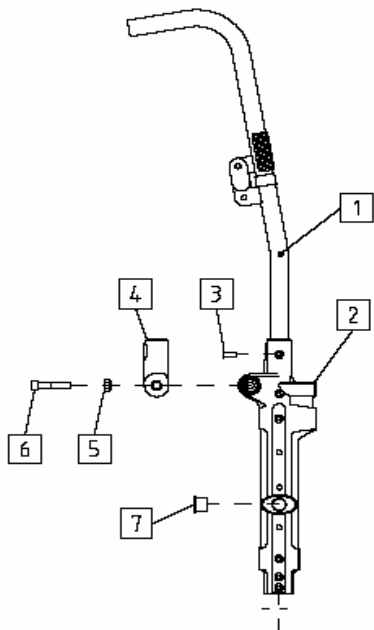
| No. | Part number | Description - English                     | Quantity |
|-----|-------------|---|----------|
| 0   | C01809N     | 600 diameter wheel rear vertical assembly | 1        |
| 1   | P05612N     | Back handle tube                          | 1        |
| 2   | P01195      | Vertical back                             | 1        |
| 3   | P04200      | 4.8x14 abvibuld rivet                     | 4        |
| 4   | P01183      | Rear housing swivel part                  | 1        |
| 5   | P04006      | DIN 985. M8 hexagonal nut                 | 1        |
| 6   | P04188      | DIN 912. M8x40 bolt                       | 1        |
| 7   | P03080      | Socket for 600 diameter rear wheel        | 2        |



### 300 diameter wheel rear vertical assembly

Model: 112

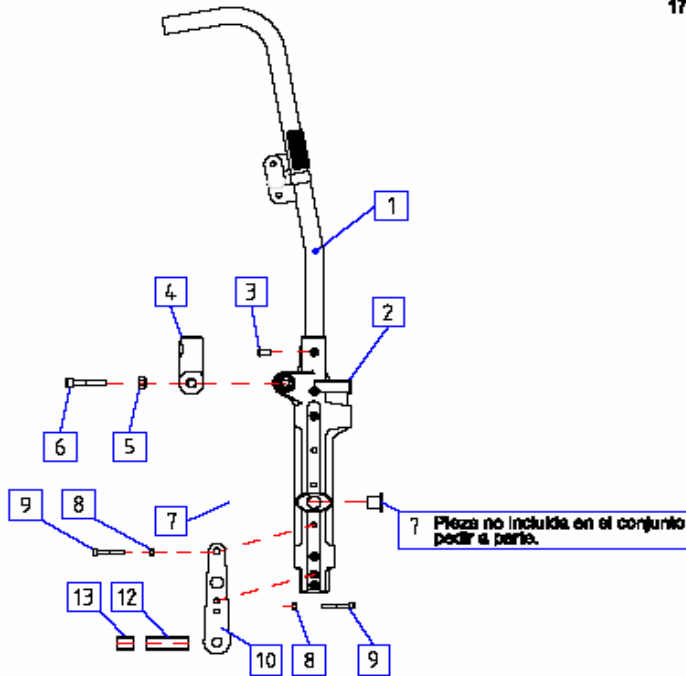
| No.              | Description - English                     | Quantity |
|------------------|---|----------|
| 0 C01816N        | 300 diameter wheel rear vertical assembly | 1        |
| 1 P05612N        | Back handle tube                          | 1        |
| 2 P01195         | Vertical back                             | 1        |
| 3 P04200         | 4.8x14 abvibuld rivet                     | 4        |
| 4 P01183         | Rear housing swivel part                  | 1        |
| 5 P04006         | DIN 985. M8 hexagonal nut                 | 1        |
| 6 P04188         | DIN 912. M8x40 bolt                       | 1        |
| 7 P01059         | Internal plug diameter 18x1               | 2        |
| 8 P04013         | DIN 985. M5 hexagonal nut                 | 2        |
| 9 P04135         | DIN 931. M5x60 bolt                       | 2        |
| <b>10 P02293</b> | <b>Connection for 300 diameter wheel</b>  | <b>1</b> |
| <b>12 P03167</b> | <b>SPACER CAP</b>                         | <b>1</b> |
| <b>13 P03168</b> | <b>WHEEL SPACER CAP</b>                   | <b>1</b> |



**Vertical two-part back assembly for 600 diameter wheel**

Model: 115

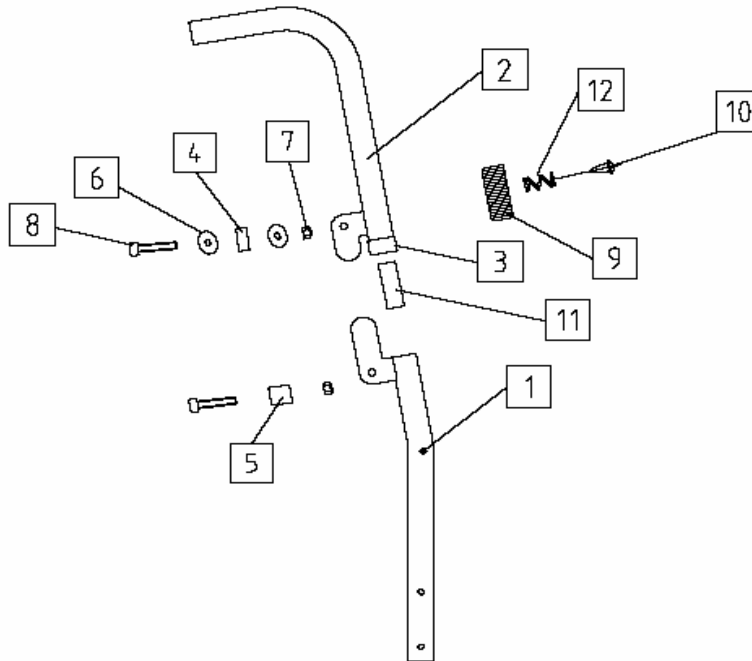
| No. | Part number | Description - English                         | Quantity |
|-----|-------------|---|----------|
|     | 0 C01814N   | Vertical back assembly for 300 diameter wheel | 1        |
|     | 1 C01812    | Tube assembly for two-part back               | 1        |
|     | 2 P01195    | Vertical back                                 | 1        |
|     | 3 P04200    | 4.8x14 abvibuld rivet                         | 4        |
|     | 4 P01183    | Rear housing swivel part                      | 1        |
|     | 5 P04006    | DIN 985. M8 hexagonal nut                     | 1        |
|     | 6 P04188    | DIN 912. M8x40 bolt                           | 1        |
|     | 7 P03080    | Socket for rear wheel                         | 2        |



### 300 diameter wheel vertical back assembly

Model: 110

| No. | Part number   | Description - English                     | Quantity |
|-----|---------------|---|----------|
| 0   | C01817N       | 300 diameter wheel vertical back assembly | 1        |
| 1   | C01812        | Tube assembly for two-part back           | 1        |
| 2   | P01195        | Vertical back                             | 1        |
| 3   | P04200        | 4.8x14 abvibuld rivet                     | 4        |
| 4   | P01183        | Rear housing swivel part                  | 1        |
| 5   | P04006        | DIN 985. M8 hexagonal nut                 | 1        |
| 6   | P04188        | DIN 912. M8x40 bolt                       | 1        |
| 7   | P01059        | Internal plug                             | 2        |
| 8   | P04013        | M6 nut                                    | 2        |
| 9   | P04135        | M6x60 bolt                                | 2        |
| 10  | <b>P02293</b> | <b>Connection for 300 diameter wheel</b>  | <b>1</b> |
| 12  | <b>P03167</b> | <b>SPACER CAP</b>                         | <b>1</b> |
| 13  | <b>P03168</b> | <b>WHEEL SPACER CAP</b>                   | <b>1</b> |

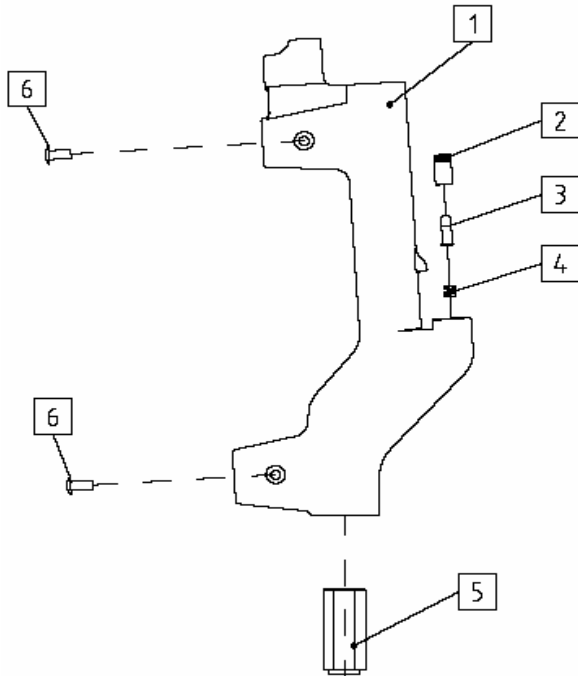


**Tube assembly for two-part back**

Models: 110-115

| No. | Part number | Description - English           | Quantity |
|-----|-------------|---------------------------------|----------|
| 0   | C01812      | Tube assembly for two-part back | 1        |
| 1   | C01811N     | Assembly for lower tubes        | 1        |
| 2   | C01813      | Handle assembly                 | 1        |
| 3   | P01131      | Open end                        | 1        |
| 4   | P01216      | Spacer socket                   | 1        |
| 5   | P01217      | Spacer socket                   | 1        |
| 6   | P02122      | Washer                          | 2        |
| 7   | P04013      | M6 nut                          | 2        |
| 8   | P04288      | M6x35 bolt                      | 2        |
| 9   | P01112      | Handle cover                    | 1        |
| 10  | P04127      | M5x20 iso 7380 bolt             | 1        |
| 11  | P05241      | Latch tube                      | 1        |
| 12  | P15026      | Spring for handle cover         | 1        |

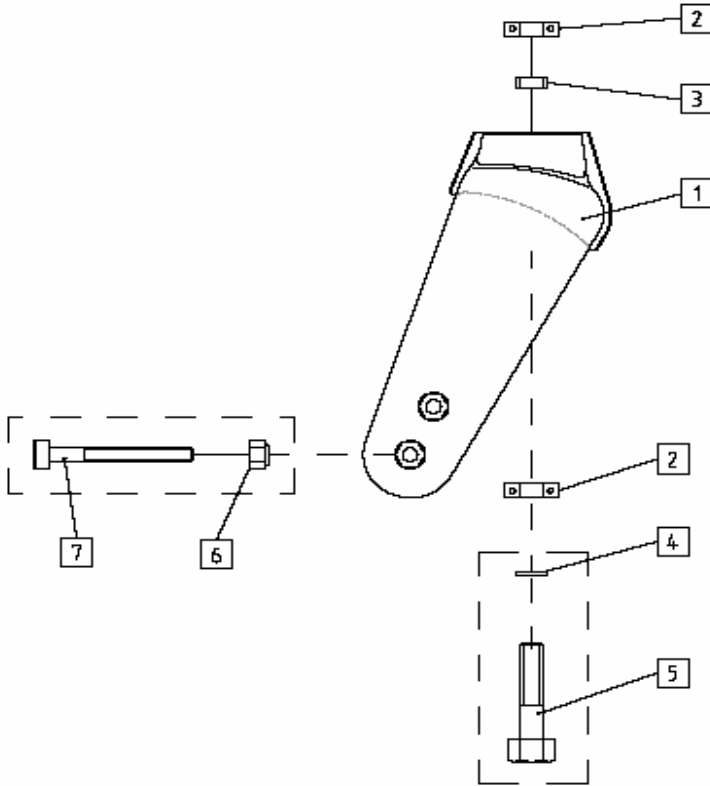




### Front vertical subassembly

Models: All

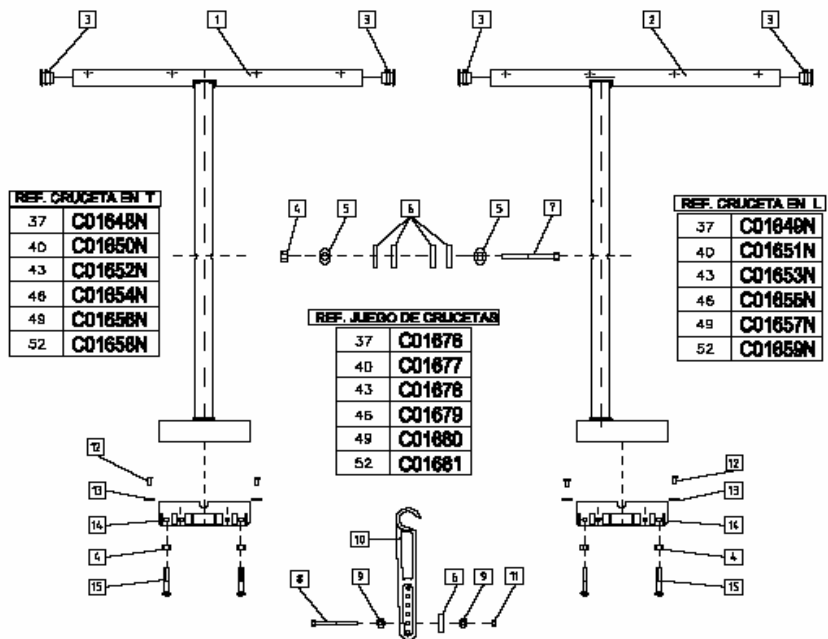
| No. | Part number | Description - English                      | Quantity |
|-----|-------------|--|----------|
| 0   | C01358      | Front vertical subassembly                 | 1        |
| 1   | P01196      | Front vertical                             | 1        |
| 2   | P03076      | Footrest locking nozzle                    | 1        |
| 3   | P03077      | Footrest lower locking socket              | 1        |
| 4   | P15035      | Unlocking button spring                    | 1        |
| 5   | P03158      | Bracket fastening socket                   | 1        |
|     |             | - - Parts not included in the assembly - - |          |
| 6   | P04189      | 4.8x11 abvibulb rivet                      | 4        |



### Bracket assembly s/4000

Models: All

| No. | Part number | Description - English                      | Quantity |
|-----|-------------|--|----------|
| 0   | C06086      | Bracket assembly s/4000                    | 1        |
| 1   | P01205G     | Grey internal bracket                      | 1        |
| 2   | P10011      | 6001 ZZ bearing                            | 2        |
| 3   | P03078      | Bracket spacer socket                      | 1        |
|     |             | - - Parts not included in the assembly - - |          |
| 4   | P03157      | Bracket fastening socket                   | 1        |
| 5   | P04194      | DIN 931. M12x55 bolt                       | 1        |
| 6   | P04006      | M8 S/DIN 985 nut                           | 1        |
| 7   | P04132      | M8x75 S/DIN 912 bolt                       | 1        |

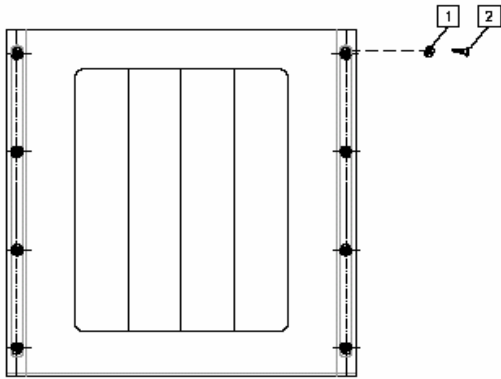


**Cross tube assembly in "T" shape**

Models: All

| No. | Part number | Description - English                       | Quantity |
|-----|-------------|---|----------|
| 1   | See table   | Cross tube assembly in "T" shape            | 1        |
| 2   | See table   | Cross tube assembly in "L" shape            | 1        |
| 3   | P01197      | 25 diameter tube plug                       | 4        |
| 4   | P04006      | DIN 985 M8 hexagonal nut                    | 5        |
| 5   | P04036      | DIN 125. diameter 8 washer                  | 2        |
| 6   | P01184      | 25 diameter half stem washer                | 6        |
| 7   | P04191      | DIN 931. M8x75 bolt                         | 1        |
| 8   | P04206      | DIN 931. M5x45 bolt                         | 2        |
| 9   | P04094      | DIN 9021. diameter 5 washer                 | 4        |
| 10  | P01305      | Cross tube swivel handle                    | 2        |
| 11  | P04018      | DIN 985 M5 hexagonal nut                    | 2        |
|     |             | - - Parts not included in the assembly - -  |          |
| 12  | P04200      | 4.8x14 diameter Abvibuld rivet              | 4        |
| 13  | P01185      | Endstopper for cross tube assembly rotation | 4        |
| 14  | P01292      | Internal cross tube assembly flange         | 2        |
| 15  | P04315      | DIN 603. M6x45 C.8.8. bolt                  | 4        |

| Ancho | Ref.Plano |
|-------|-----------|
| 37    | C02566    |
| 40    | C02567    |
| 43    | C02568    |
| 46    | C02569    |
| 49    | C02570    |
| 52    | C02571    |

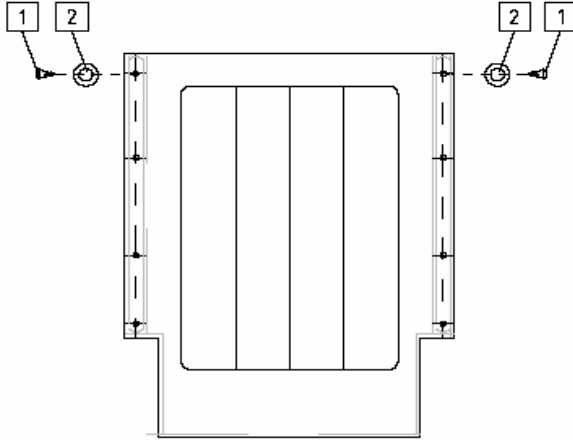


### Sky seat cover assembly

Models: All

| No. | Part number | Description - English                   | Quantity |
|-----|-------------|---|----------|
|     | 1 P04094    | DIN 9021. diameter 5 washer             | 8        |
|     | 2 P04187    | DIN 7981 4.8x22 diameter threaded plate | 8        |

| Ancho | Ref.Plano |
|-------|-----------|
| 37    | C02536    |
| 40    | C02537    |
| 43    | C02538    |
| 46    | C02539    |
| 49    | C02540    |
| 52    | C02541    |

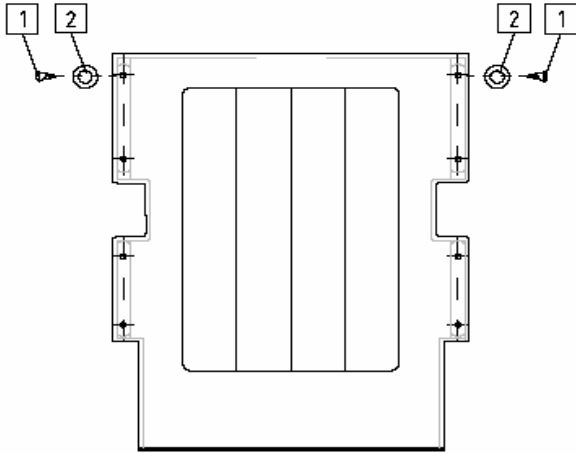


**Skyak seat back cover assembly**

Models:105, 112

| No. | Part number | Description - English                   | Quantity |
|-----|-------------|---|----------|
|     | 1 P04122    | DIN 7981 4.8x19 diameter threaded plate | 8        |
|     | 1 P04094    | DIN 9021. diameter 5 washer             | 8        |

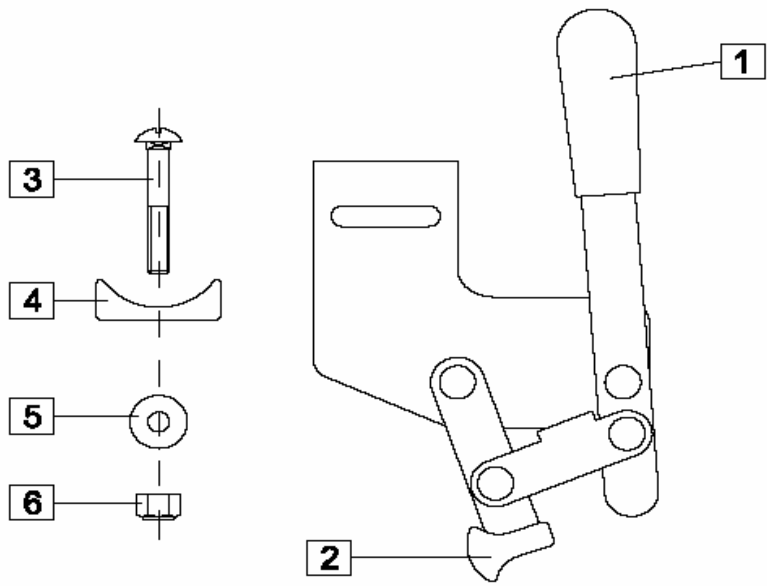
| Ancho | Ref.Plano |
|-------|-----------|
| 37    | C02542    |
| 40    | C02543    |
| 43    | C02544    |
| 46    | C02545    |
| 49    | C02546    |
| 52    | C02547    |



**Skyak seat back cover assembly**

Models:110, 115

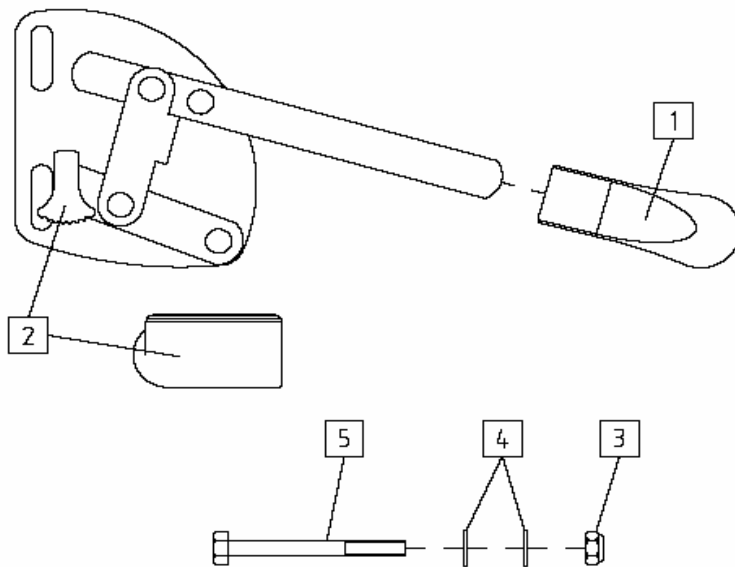
| No. | Part number | Description - English                   | Quantity |
|-----|-------------|---|----------|
|     | 1 P04122    | DIN 7981 4.8x19 diameter threaded plate | 8        |
|     | 1 P04094    | DIN 9021. diameter 5 washer             | 8        |



**Brake assembly for diameter 600 wheel**

Models: 105, 115, 121

| No. | Part number | Description - English                      | Quantity |
|-----|-------------|--|----------|
|     | 0 C03054    | Right brake assembly                       | 1        |
|     | 0 C03055    | Left brake assembly                        | 1        |
|     | 1 P01286    | Brake lever                                | 1        |
|     | 2 P01273    | Brake shoe                                 | 1        |
|     |             | - - Parts not included in the assembly - - |          |
|     | 3 P04315    | DIN 603. M6x45 bolt                        | 1        |
|     | 4 P01184    | 25 diameter half stem washer               | 1        |
|     | 5 P04214    | DIN 9021. diameter 6 washer                | 1        |
|     | 6 P04013    | DIN 985. M6 hexagonal nut                  | 1        |

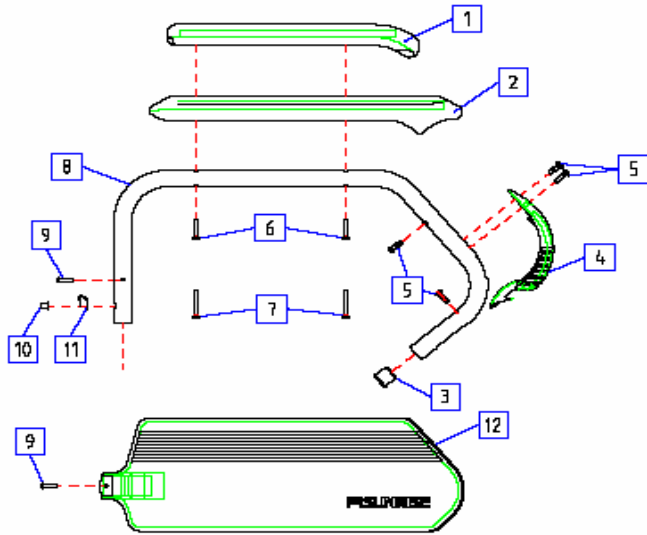


**Brake assembly for 300 diameter wheel**

Models: 110, 112

| No. | Part number | Description - English                    | Quantity |
|-----|-------------|--|----------|
|     | 0 C03030    | Right brake assembly                     | 1        |
|     | 0 C03031    | Left brake assembly                      | 1        |
|     | 1 P01286    | Brake lever                              | 1        |
|     | 2 P01273    | Brake shoe                               | 1        |
|     |             | -- Parts not included in the assembly -- |          |
|     | 3 P04013    | DIN 985. M6 hexagonal nut                | 2        |
|     | 4 P04003    | DIN 125. diameter 6 washer               | 4        |
|     | 5 P04135    | DIN 931. M6x60 bolt                      | 2        |

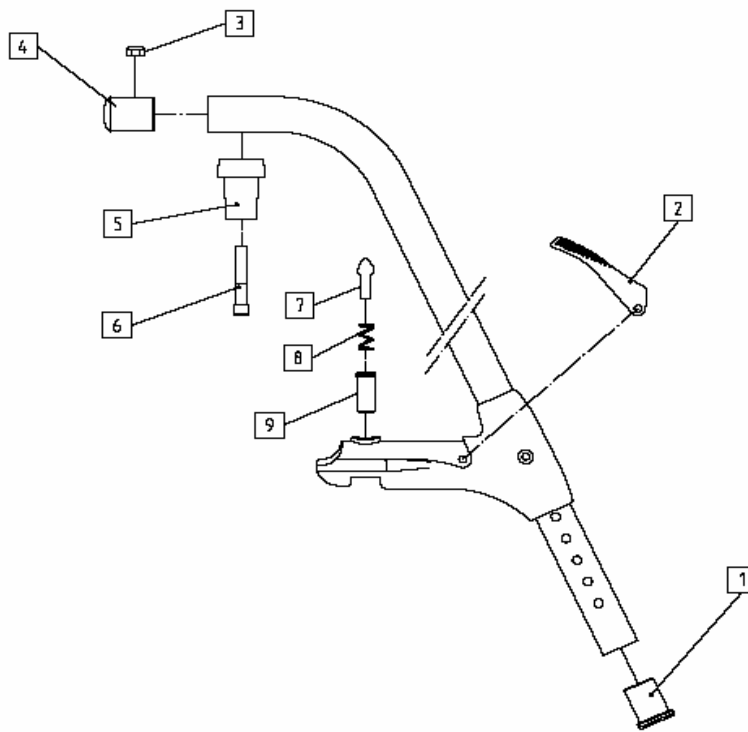




**Armrest assemblies No. 11E and 12E**

Models: 105, 110, 112, 115

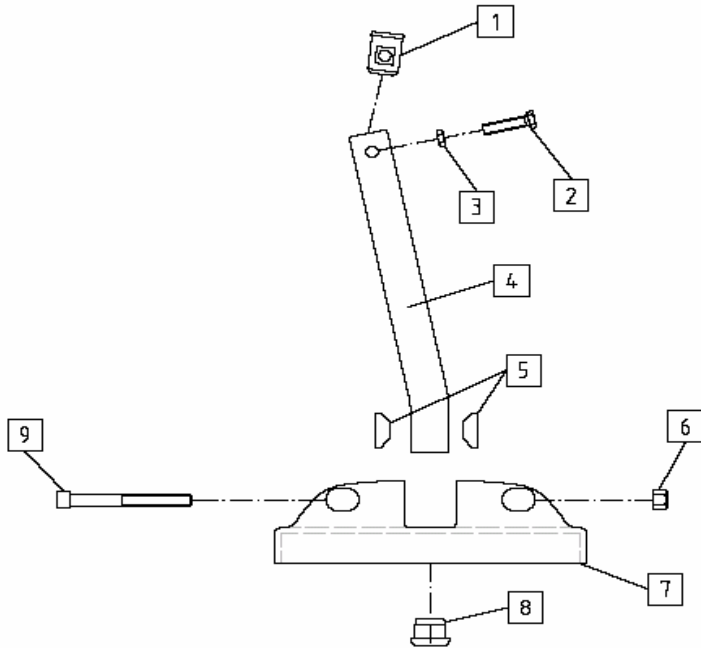
| No.       | Part number    | Description - English                          | Quantity |
|-----------|----------------|--|----------|
| 0         | C07524         | Standard right armrest assembly SPECIFY COLOUR | 1        |
| 0         | C07525         | Standard left armrest assembly SPECIFY COLOUR  | 1        |
| 0         | C07530         | LONG right armrest assembly SPECIFY COLOUR     | 1        |
| 0         | C07531         | LONG left armrest assembly SPECIFY COLOUR      | 1        |
| 1         | P01608         | Standard short right upholstery                | 1        |
| 1         | P01609         | Standard short left upholstery                 | 1        |
| 2         | C02212         | LONG right armrest upholstery                  | 1        |
| 2         | C02213         | LONG left armrest upholstery                   | 1        |
| <b>3</b>  | <b>P01340</b>  | <b>Internal tube plug diameter 22x1</b>        | <b>2</b> |
| 4         | P01203         | Armrest locking lever                          | 1        |
| 5         | P04234         | DIN 7504N 3.5x13 threaded plate                | 2        |
| 6         | P04318         | CL 81 Z 5,10x28 bolt                           | 2        |
| 7         | P04207         | DIN 966. M5x35 bolt                            | 2        |
| 8         | P05615         | Right armrest arch SPECIFY COLOUR              | 1        |
| 8         | P05616         | Left armrest arch SPECIFY COLOUR               | 1        |
| 9         | P04250         | DIN 7504N 4.8x19 threaded plate                | 1        |
| 10        | P03062         | Locking nozzle                                 | 1        |
| 11        | P15030         | Locking nozzle spring                          | 1        |
| <b>12</b> | <b>P01206S</b> | <b>Right armrest guard</b>                     | <b>1</b> |
| <b>12</b> | <b>P01207S</b> | <b>Left armrest guard</b>                      | <b>1</b> |



**Standard footrest assembly**

Models: All

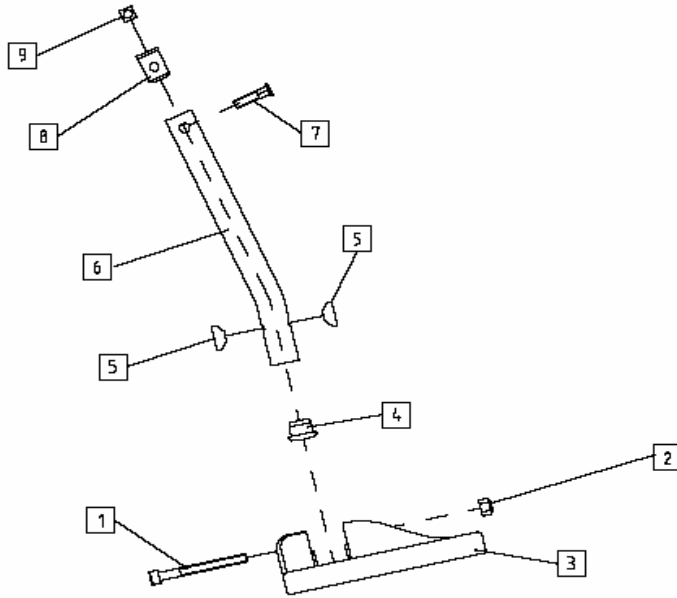
| No. | Part number | Description - English                        | Quantity |
|-----|-------------|--|----------|
| 0   | C05262      | Right/Left footrest assembly. SPECIFY COLOUR | 1        |
| 1   | P01189      | Footrest open end                            | 1        |
| 2   | P01198      | Unlocking handle cover                       | 1        |
| 3   | P04006      | DIN 985. M8 hexagonal nut                    | 1        |
| 4   | P01190      | Footrest upper plug                          | 1        |
| 5   | P01182      | Footrest upper guide                         | 1        |
| 6   | P04195      | DIN 912 M8x45 cylindrical bolt               | 1        |
| 7   | P01191      | Unlocking pivot                              | 1        |
| 8   | P15035      | Articulating joint (spring)                  | 1        |
| 9   | P03075      | Footrest upper socket                        | 1        |



**Platform assembly**

Models: All

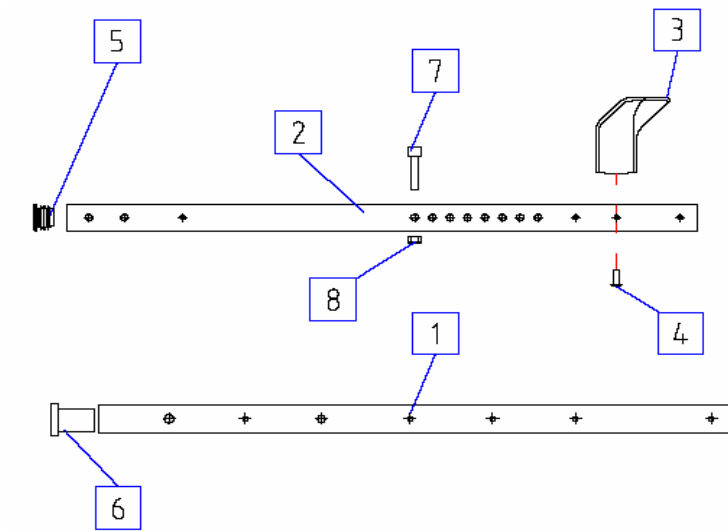
| No. | Part number | Description - English           | Quantity |
|-----|-------------|---------------------------------|----------|
| 0   | C05263      | Right platform assembly         | 1        |
| 0   | C05264      | Left platform assembly          | 1        |
| 1   | P01156      | Footrest "L" bracket            | 1        |
| 2   | P04130      | DIN 933. M6x25 bolt             | 1        |
| 3   | P04230      | DIN 557. M6 square nut          | 1        |
| 4   | P05623N     | Platform holder tube            | 1        |
| 5   | P01186      | 19 diameter half stem washer    | 2        |
| 6   | P04013      | DIN 985. M6 hexagonal nut       | 1        |
| 7   | P01204      | Footrest platform               | 1        |
| 8   | P01192      | 19x2 diameter tube plug         | 1        |
| 9   | P04197      | DIN 912. M6x60 cylindrical bolt | 1        |



**Platform assembly for chairs of width 37**

Models: All with width of 37

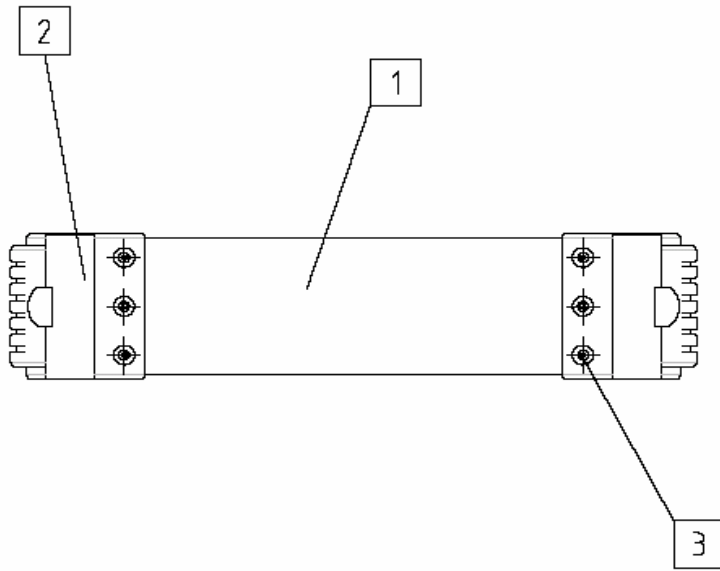
| No. | Part number | Description - English                          | Quantity |
|-----|-------------|--|----------|
|     | 0 C05202    | Right platform assembly for width 37           | 1        |
|     | 0 C05203    | Left platform assembly for width 37            | 1        |
|     | 1 P04197    | DIN 912. M6x60 cylindrical bolt                | 1        |
|     | 2 P04013    | DIN 985. M6 hexagonal nut                      | 1        |
|     | 3 P01307D   | Platform for light chair diameter 25, width 37 | 1        |
|     | 4 P01307I   | Platform for light chair diameter 25, width 37 | 1        |
|     | 5 P01192    | 19x2 diameter tube plug                        | 1        |
|     | 5 P01186    | Half stem washer                               | 2        |
|     | 6 P05623N   | "L" platform tube                              | 1        |
|     | 7 P04130    | DIN 933. M6x25 bolt                            | 1        |
|     | 8 P01156    | Fastening peg for platform tubing              | 1        |
|     | 9 P04230    | DIN 557. M6 square nut                         | 1        |



### Side framework tubing for chair

Models: All

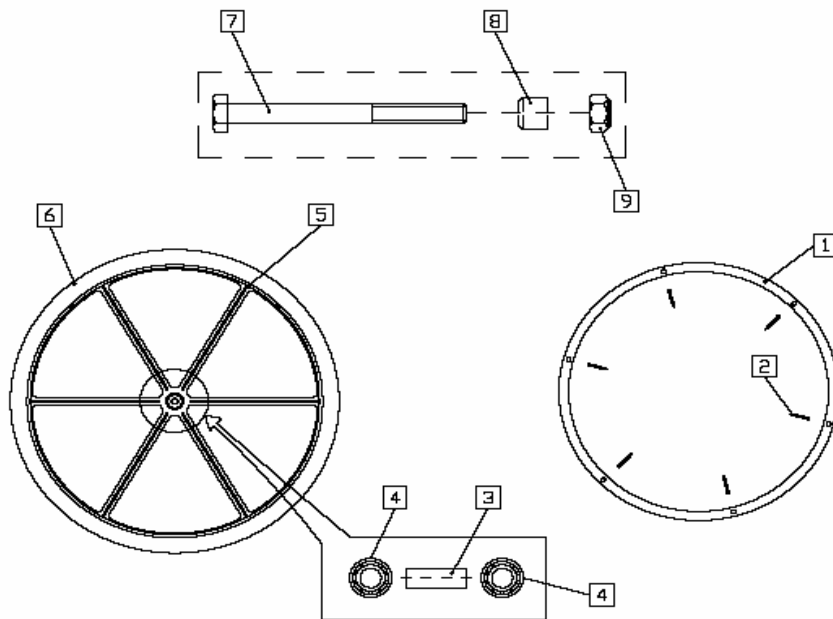
| No. | Part number     | Description - English                         | Quantity |
|-----|-----------------|---|----------|
|     | 1 P05614        | Lower tube SPECIFY COLOUR                     | 1        |
|     | 2 P05613        | Upper tube SPECIFY COLOUR                     | 1        |
|     | 3 P01201        | Right armrest anchor and positioning assembly | 1        |
|     | 3 P01202        | Left armrest anchor and positioning assembly  | 1        |
|     | 4 P04189        | 4.8x11 abvibuld rivet                         | 1        |
|     | 5 P01197        | 25 diameter tube plug                         | 2        |
|     | <b>6 P01293</b> | <b>25 diameter open end</b>                   | <b>2</b> |
|     | <b>7 P04216</b> | <b>M6X35 DIN 912 bolt</b>                     | <b>2</b> |
|     | <b>8 P04013</b> | <b>M6 DIN 985 nut</b>                         | <b>2</b> |



### Heel strap assembly

Models: All

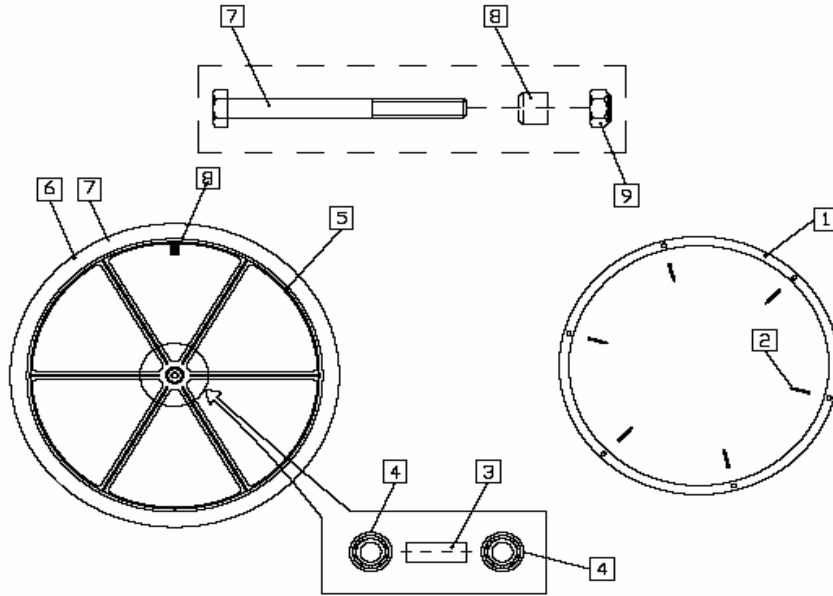
| No. | Part number | Description - English               | Quantity |
|-----|-------------|-------------------------------------|----------|
| 0   | C05265      | Heel strap assembly S/37            | 1        |
| 0   | C05266      | Heel strap assembly S/40            | 1        |
| 0   | C05267      | Heel strap assembly S/43            | 1        |
| 0   | C05268      | Heel strap assembly S/46            | 1        |
| 0   | C05269      | Heel strap assembly S/49            | 1        |
| 0   | C05270      | Heel strap assembly S/52            | 1        |
| 1   | M08019      | Heel strap, width 60 SPECIFY LENGTH | 1        |
| 2   | P01095      | Heel support                        | 2        |
| 3   | P04019      | Threaded bolt diameter 3.5x13       | 6        |



**600 (24") diameter solid wheel, plastic spokes, PVC rim**

Models: All

| No. | Part number | Description - English   | Quantity |
|-----|-------------|---|----------|
| 0   | C06219      | Sport wheel assembly, 600 (24") diameter, solid                       | 1        |
| 1   | P01341      | Drive rim with 6 holes  | 1        |
| 2   | P04336      | 5x50 ALDA PH ESP CINCADO bolt   | 6        |
| 3   | P03083      | Reel aluminium socket   | 1        |
| 4   | P10011      | 6001 ZZ bearing, diameter 28x12x8                                     | 2        |
| 5   | P01290      | Rear wheel, PVC, 24" metric   | 1        |
| 6   | P09070      | Solid wheel, 24" x 1 1/4"<br>-- Parts not included in the assembly -- | 1        |
| 7   | P04192      | DIN 931 M12x130 hexagonal bolt  | 1        |
| 8   | P03136      | Spacer socket R600  | 1        |
| 9   | P04043      | DIN 985 M12 hexagonal nut   | 1        |

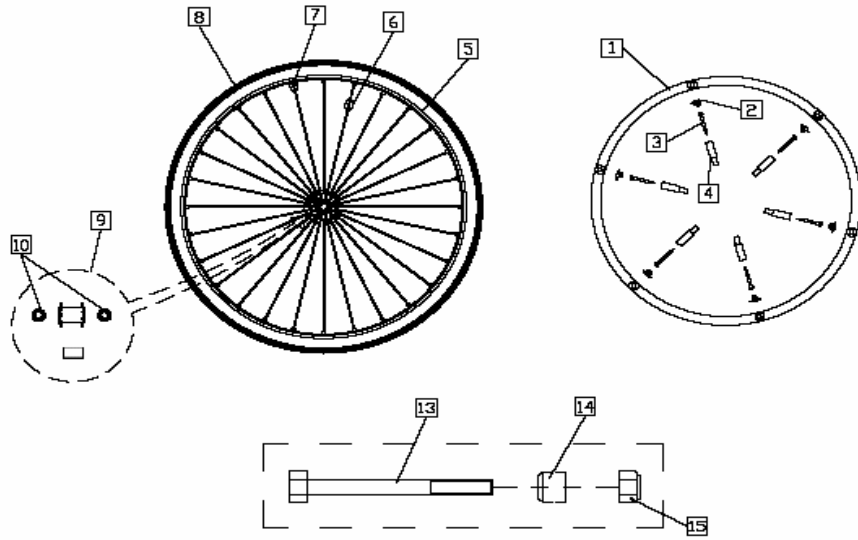


**Pneumatic wheel, 600 (24") diameter, plastic spokes, PVC rim**

Models: All

| No. | Part number | Description - English                           | Quantity |
|-----|-------------|---|----------|
| 0   | C06221      | Sport wheel assembly, 600 (24") diameter, solid | 1        |
| 1   | P01341      | Drive rim with 6 holes                          | 1        |
| 2   | P04336      | 5x50 ALDA PH ESP CINCADO bolt                   | 6        |
| 3   | P03083      | Reel aluminium socket                           | 1        |
| 4   | P10011      | 6001 ZZ bearing, diameter 28x12x8               | 2        |
| 5   | P01290      | Rear wheel, PVC, 24" metric                     | 1        |
| 6   | P09004      | 600 (24") wheel chamber motorbike valve         | 1        |
| 7   | P09005      | Cover for 24"x1 3/8"                            | 1        |
| 8   | P01262      | Tyre valve plug                                 | 1        |
|     |             | -- Parts not included in the assembly --        |          |
| 7   | P04192      | DIN 931 M12x130 hexagonal bolt                  | 1        |
| 8   | P03136      | Spacer socket R600                              | 1        |
| 9   | P04043      | DIN 985 M12 hexagonal nut                       | 1        |

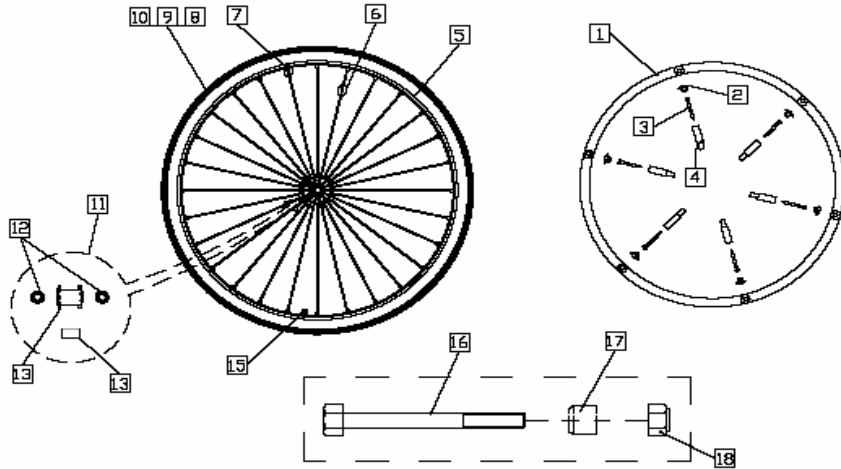




**600 (24") diameter wheel 36 spokes, solid**

Models: All

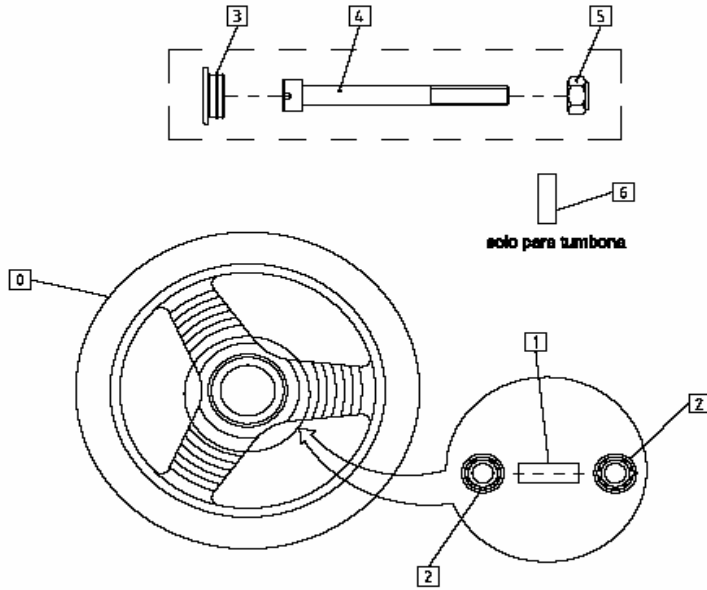
| No. | Part number | Description - English                       | Quantity |
|-----|-------------|---|----------|
| 0   | C06212      | 600 (24") diameter pneumatic wheel assembly | 1        |
| 1   | P05535S     |   | 1        |
| 2   | P02138      | Tyre-rim fastening plate                    | 6        |
| 3   | P04152      | DIN 7981 diameter 4.8x40 bolt               | 6        |
| 4   | P01144      | Wheel rim fastening stud                    | 6        |
| 5   | P15051      | 36 hole aluminium rear wheel                | 1        |
| 6   | P15050      | Spoke                                       | 36       |
| 7   | P15049      | Spoke adjusters                             | 36       |
| 8   | P09071      | Solid wheel 24" x 1 1/4                     | 1        |
| 9   | C06171      | Reel assembly                               | 1        |
| 10  | P10011      | 6001 ZZ bearing                             | 2        |
|     |             | - - Parts not included in the assembly - -  |          |
| 13  | P04192      | DIN 931 M12x130 bolt                        | 1        |
| 14  | P03136      | Spacer socket R600                          | 1        |
| 15  | P04043      | DIN 985 M12 hexagonal nut                   | 1        |



**600 (24") diameter wheel 36 spokes, pneumatic**

Models: All

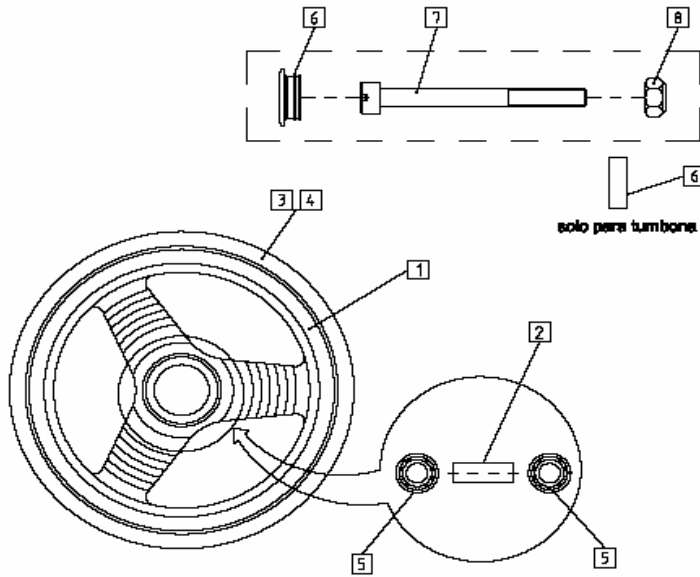
| No. | Part number | Description - English                       | Quantity |
|-----|-------------|---|----------|
| 0   | C06170      | 600 (24") diameter pneumatic wheel assembly | 1        |
| 1   | P05535S     | Embossed drive rim                          | 1        |
| 2   | P02138      | Tyre-rim fastening plate                    | 6        |
| 3   | P04152      | DIN 7981 diameter 4.8x40 bolt               | 6        |
| 4   | P01144      | Wheel rim fastening stud                    | 6        |
| 5   | P15051      | 36 hole aluminium rear wheel                | 1        |
| 6   | P15050      | Spoke                                       | 36       |
| 7   | P15049      | Spoke adjusters                             | 36       |
| 8   | P09005      | Cover for 24" x 1 3/8"                      | 1        |
| 9   | P09004      | 24" wheel chamber motorbike valve           | 1        |
| 10  | P09003      | 24" wheel tyre guard                        | 1        |
| 11  | C06171      | Reel assembly                               | 1        |
| 12  | P10011      | 6001 ZZ bearing                             | 2        |
| 13  | P01262      | Tyre valve plug                             | 1        |



**Solid wheel diameter 300 (12")**

Models: All

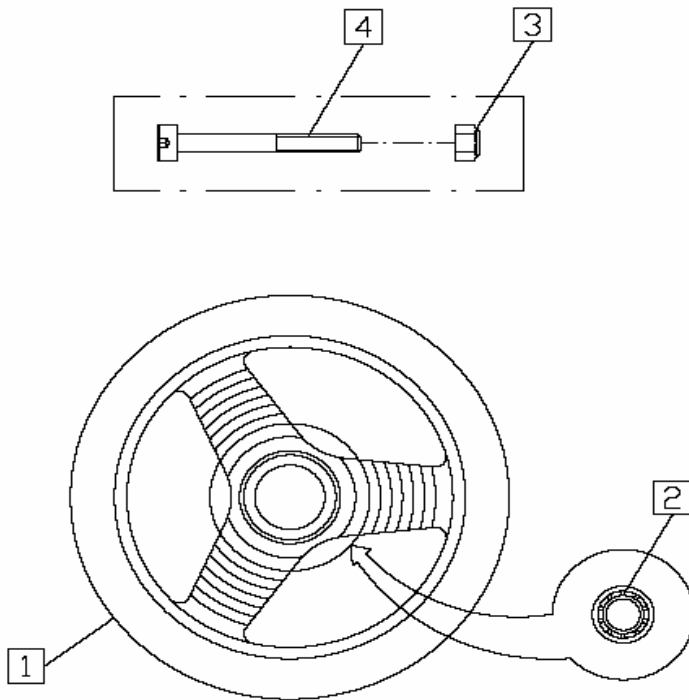
| No. | Part number | Description - English                    | Quantity |
|-----|-------------|--|----------|
| 0   | C06074G     | 300 diameter solid wheel assembly        | 1        |
| 1   | P03131      | Spacer socket for 300 diameter wheel     | 1        |
| 2   | P10005      | 32x12x10 6201 ZZ diameter bearing        | 2        |
|     |             | -- Parts not included in the assembly -- |          |
| 3   | P01173G     | 300 diameter wheel plug                  | 1        |
| 4   | P04193      | DIN 931 M12x120 bolt                     | 1        |
| 5   | P04043      | DIN 985 M12 hexagonal nut                | 1        |
|     |             | -- For Easy chair with sockets --        |          |
| 4   | P04253      | DIN 931 M12x140 bolt                     | 1        |
| 6   | P03078      | Spacer socket                            | 2        |



### 300 (12") diameter pneumatic wheel

Models: All

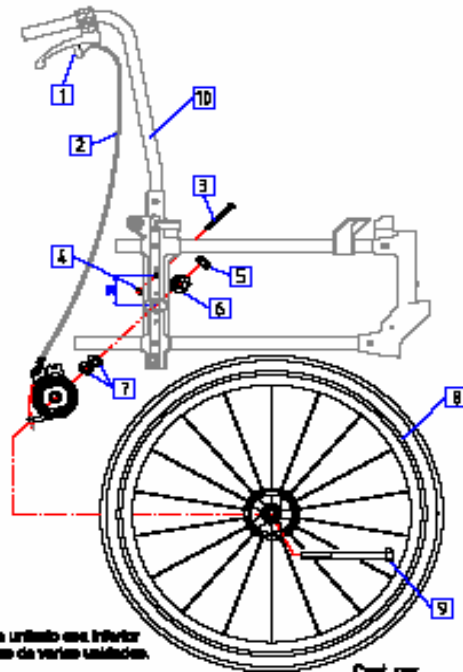
| No. | Part number | Description - English   | Quantity |
|-----|-------------|---|----------|
| 0   | C06075G     | 300 diameter pneumatic wheel assembly   | 1        |
| 1   | C06187G     | 300 (P.A) rear wheel  | 1        |
| 2   | P03131      | Spacer socket for 300 diameter wheel  | 1        |
| 3   | P09007      | 12 1/2 x2 1/4" diameter chamber   | 1        |
| 4   | P09008      | 300 diameter 12 1/2"x2 1/4" cover   | 1        |
| 5   | P10005      | 32x12x10 6201 ZZ diameter bearing<br>-- Parts not included in the assembly -- | 2        |
| 6   | P01173G     | 300 diameter wheel plug   | 1        |
| 7   | P04193      | DIN 931 M12x120 bolt  | 1        |
| 8   | P04043      | DIN 985 M12 hexagonal nut<br>-- For Easy chairs with sockets --               | 1        |
| 4   | P04253      | DIN 931 M12x140 bolt  | 1        |
| 6   | P03078      | Spacer socket   | 2        |



**200 (8") diameter solid wheel**

Models: All

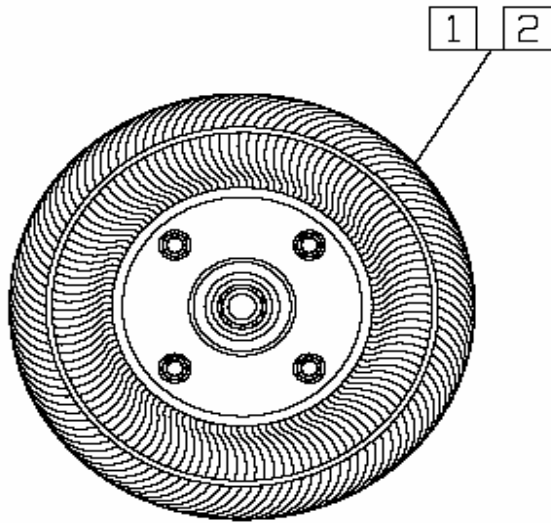
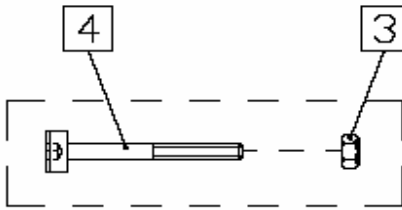
| No. | Part number | Description - English                    | Quantity |
|-----|-------------|--|----------|
| 0   | C06057G     | s/h solid 200 diameter wheel assembly    | 1        |
| 1   | C06056G     | 200 diameter rear wheel                  | 1        |
| 2   | P10012      | 23x8x30 diameter bearing                 | 2        |
|     |             | -- Parts not included in the assembly -- |          |
| 3   | P04006      | DIN 985 M8 hexagonal nut                 | 1        |
| 4   | P04132      | DIN 912 M8x75 bolt                       | 1        |



### Drum brake assembly

Models: All

| No. | Part number      | Description - English                | Quantity |
|-----|------------------|--------------------------------------|----------|
|     | 0 95E/D          | Right aluminium drum brake assembly  | 1        |
|     | 0 95E/I          | Left aluminium drum brake assembly   | 1        |
|     | 1 C03018         | C-locking brake lever                | 1        |
|     | 2 C03044         | Drum brake cable assembly            | 1        |
|     | 3 P04135         | DIN 931 M6x60 bolt                   | 1        |
|     | 4 P04013         | DIN 985 M6 nut                       | 1        |
|     | 5 P04043         | DIN 985 M12 nut                      | 1        |
|     | 6 P04289         | Quick release M16 nut                | 1        |
|     | 7 P04276         | DIN 125 diameter 16 washer           | 2        |
|     | 8 C06176         | Right drum brake for aluminium wheel | 1        |
|     | 8 C06177         | Left drum brake for aluminium wheel  | 1        |
|     | 9 P04253         | DIN 931 M12x140 bolt                 | 1        |
|     | <b>10 P05634</b> | <b>Large backrest tube</b>           | <b>1</b> |



### 200 (8") diameter thick pneumatic wheel

Models: All

| No. | Part number | Description - English                      | Quantity |
|-----|-------------|--|----------|
| 0   | C06005      | Pneumatic 200x50 diameter wheel assembly   | 1        |
| 1   | P09023      | 200x50 grey cover                          | 1        |
| 2   | P09024      | 200x50 wheel chamber                       | 1        |
|     |             | - - Parts not included in the assembly - - |          |
| 3   | P04006      | S/DIN 985 M8 nut                           | 1        |
| 4   | P04132      | S/DIN 912 M8x75 bolt                       | 1        |