



QUICKIE®



PARTS MANUAL

JANUARY 2023

QUICKIE M6.....	5
GLOSSARY OF ABBREVIATIONS.....	5
BASE FRAME.....	5
FRAME.....	5
REAR SIDE FRAME.....	6
SWING AWAY FRONT SIDE FRAME.....	7
CROSS TUBE ASSM.....	8
AXLE PLATES & AXLES.....	9
AXLE PLATE.....	10
AXLE SLEEVE.....	11
QUICK RELEASE AXLE W/ NUT.....	12
CASTERS & FORKS.....	12
M6 FORK, STEM & CASTER ASSM.....	13
SOFT ROLL CASTERS.....	15
8" x 2" CASTERS.....	16
ANTI-TIPS.....	16
ANTI-TIP.....	17
WHEEL LOCKS.....	17
HIGH WHEEL LOCK (PUSH-TO-LOCK).....	18
HIGH WHEEL LOCK EXTENSION HANDLE.....	19
WHEELS & TIRES.....	19
WHEELS.....	19
M6 SS SPOKE OBSOLETE.....	20
TIRES.....	20
PNEUMATIC & PNEU. AIRLESS TIRE M6.....	21
PRIMO ORION TIRE.....	22
HANDRIMS.....	22
PLASTIC & ALUMINUM ANODIZED SCREW MOUNT-M6.....	23
SEATING & POSITIONING.....	23
SEAT.....	23
SEAT CUSHION.....	23
SEAT CUSHION.....	24
SEAT SLING/PAN.....	24
SEAT SLING.....	25
BACK.....	26
7/8" PUSH HANDLE BACKREST, STABILIZER BAR & UPH.....	27
HANGERS & FOOTPLATES.....	28
S/A EXT MOUNT HANGERS.....	28
HANGERS.....	28
60 SWING AWAY HANGER.....	29
EXT TUBES.....	29
ROUND EXTENSION TUBE.....	30
FOOTPLATES.....	32
COMPOSITE FOOTPLATE.....	32
ADULT ANGLE-ADJUSTABLE FOOTPLATE EXT MOUNT.....	34
FRONT MOUNT HANGERS.....	35
HANGERS.....	35
70 DEG LIFT-OFF HANGER.....	36
80 DEG LIFT-OFF HANGER.....	38
FOOTPLATES.....	39
ADULT ANGLE-ADJ FOOTPLATE FRONT MOUNT.....	40
MANUAL ELRS.....	41
MANUAL ELR HANGERS.....	41
ELEVATING LEGREST.....	42
ELR CALF PAD.....	44
ALUMINUM FOOTPLATE & EXT - M6.....	46
ARMRESTS & RECEIVERS.....	48
ARMRESTS.....	48
DUAL POST HEIGHT ADJUSTABLE FLIP-BACK ARMREST.....	48
ARMREST RECEIVERS.....	49
DUAL POST HEIGHT ADJ ARMREST RECEIVER.....	50
ACCESSORIES.....	50
BACKPACKS AND POUCHES.....	50
BACKPACKS AND SEAT POUCHES.....	51
CELL PHONE PACK.....	52
QUICKIE SIDE POCKET.....	53
POSITIONING BELTS.....	53
AIRCRAFT BUCKLE POSITIONING BELTS & ATTACHMENT KITS.....	54
AUTO BUCKLE POSITIONING BELT & ATTACHMENT KITS.....	56
SPOKE GUARDS.....	57

SPOKE GUARDS QUICKIE (Black & Clear).....	58
IMPACT GUARD NEOPRENE & GEL VELCRO PADS.....	60
OXYGEN HOLDER.....	61
TIRE PUMP.....	62
TOOL KIT.....	63

GLOSSARY OF ABBREVIATIONS

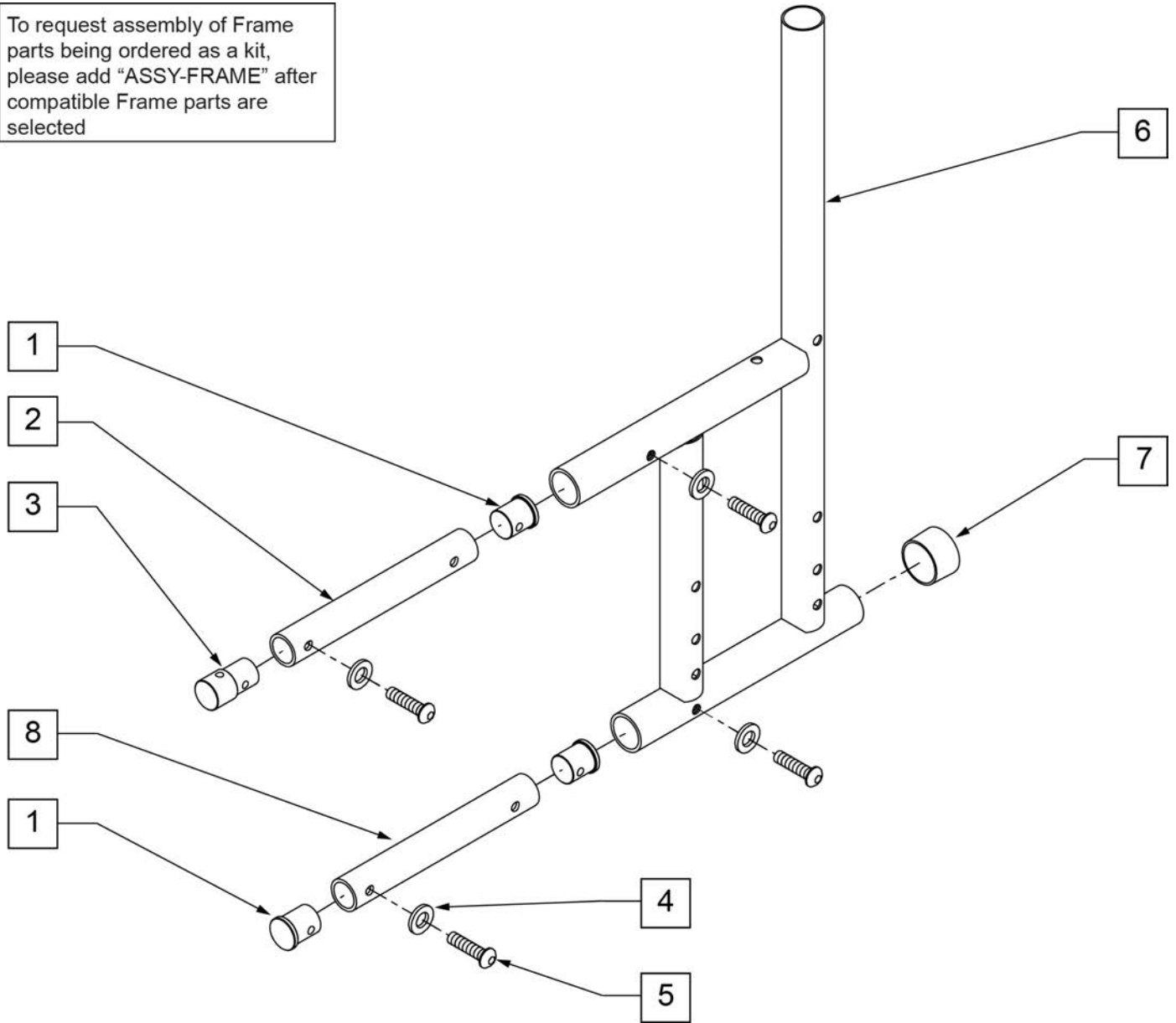
[12/10/2019]

Note: see Informations Panel for file.

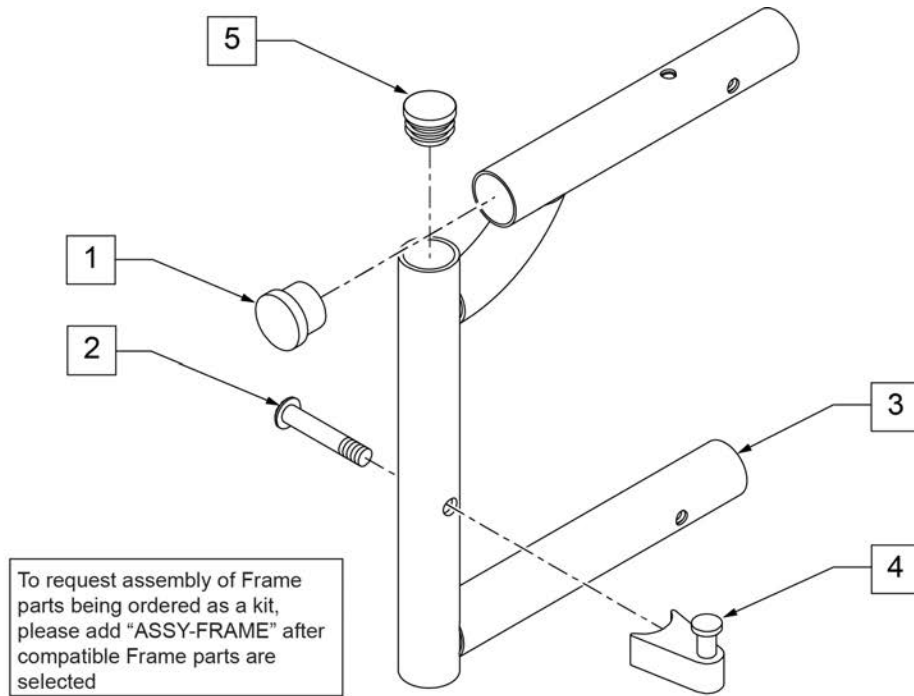
1AD One Arm Drive	CZ Cozy	INH Inhibit	PCB Pediatric Center of Gravity (AKA: Zippie Iris)	S/A Swing Away
3DCR 3DX Microclimatic cover for Cryo style inserts	DAB Depth-adjustable Back	INORG Inorganic coating	PCM Power Center Mount	S/F Side F frame
AAA Adult Angle Adjustable	DB Dynamic Back	INSRT Insert	PED Pediatric	SCW Screw
AACM Angle Adjustable Center Mount	DBL Double	I/O Swing In Out	PEL Pelvic	SDLE Saddle
ABD Abductor	DC Deep Contour	IRIS Intelligent Rotation in Space	PH Push Handle	SG Side Guard
AC All Court	DL Desk Length	ISM Intelligent Seating Module	PHIL Phillips	SGTG Super Grip Thumb Guard
AD Arm Drive	DP Dual Post Armrest	JA Jay Active	P/L Pin Lock	SHCS Socket Head Cap Screw
ADJ Adjustable	D-Post Dual Post Armrest	JNR Junior	PL Plated	SHLDR Shoulder
ADPT Adapter	D-PST Dual Post Armrest	KAA Kids Angle Adjustable	PLL Pull	SHT Short
AE Air Exchange	DRV Drive	KDS Kids	PLT Plate	SLD Solid
AHAB ASAP II	DTT Diagnostic Test Tool	KT Kit (usually consists of all mounting hardware for one side)	PLST Plastic	SLNG Sling
ANG Angle	DY Dynamic Back	KVLR Kevlar	PLY Plywood	SLTD Slotted
ALR Articulating Legrest	EA Each	KZ Quickie Kidz/Zippie Kidz	PNEU Pneumatic	SLV Sleeve
ALUM Aluminum	ELR Elevating Legrest	L Left	PNK Pink	SM Small
AMH Adjustable Mounting Hardware	EXT Extension	LAT Lateral	PNT Paint	SNGL Single
ANO Anodized	EXTND Extended	LCK Lock	PNTD Painted	SOC Socket
ASAP Adjustable Seating and Positioning	F Folding Frame	LFH Left Front Horizontal	POLY Polyurethane	SPCR Spacer
ASL Adaptive Switch Labratones	FHCS Flat Head Cap Screw	LFT Left	POST Posterior	SPEC CLR Specify Color
ASM Assembly (includes other parts)	FL Full Length	LFV Left Front Vertical	PR Pressure Relieving	SPIA Single Post Height Adjustable
ASSM Assembly	FLD Folding	LH Left Hand	PR Power Recline	SPK Spoke
ASSMLY Assembly	FL FT Flip-up Footrest	LH Left Horizontal	PR Pair	SPR Super Grip Handrim
ASSY Assembly	FLP Flip	LK Lock	PR (PR) Pair	SQZ Squeeze
AT Anti-tip	FLRD Flared	LNG Long	PRCR Premium Leatherette cover for Cryo style inserts	SS Stainless Steel
ATT Attachment	FM Foam	LO Lift Off	PRE-ISC Pre-Ischial	ST Seat
BB Basketball	FM Front Mount	L/O Lift Off	PREM Premium Leatherette cover material	ST/AP Self Tapping
BC Breezy Chrome	FNDR Fender	LP Loop	PROJ Projection	STCR Stretch Cover for Cryo Style inserts
BCK Back	FPH Folding Push Handle	LPS Loops	PRPL Purple	STD Standard
BCKBRD Backboard	FT Foot	LRG Large	PTL Partial	STL Style
BH Bultion Head	F/REST Footrest	LRH Left Rear Horizontal	PSH Push	STR Stretch cover material
BHCS Bultion Head Cap Screw	FRNT Front	LRV Left Rear Vertical	PT Point	STRLR Stroller
BKL Buckle	FT PLT Footplate	LS Low Sheer	PTRN Pattern	STRT Straight
BKRST Backrest	FTRST Footrest	LT Long Tab	PWR Power	SUP Support
B-LOCK Back Lock	F/UP Flip-up	LT Natural Fit Lite Handrims	Q1 Quickie 1	SYS System
BLD Build Up	FWD Front Wheel Drive	LTRL Lateral	Q2 Quickie 2	T Tab
BLK Black	FXT Fixed	LUMB Lumber	Q2HIP Quickie 2 High Performance	TG Thumb Guard (std)
BLU Blue	G8 Grade 8 higher grade = stronger	LV Left Vertical	QC Quickie Carbon	THRD Threaded
BR Breezy	GP Quickie GP	LW Low	QR Quick Release	Ti Titanium
BRD Board	GPS Quickie GPS	LX Quickie LX	QRx Quickie RX	TL Tall
BRNG Bearing	GPV Quickie GPV	LXI Quickie LXi	QTI Quickie Titanium	TLC Tilt Lift Comb
BRKT Bracket	GNRC Generic	MACH Machine	QT/QTs Quickie Tilt & Space	TLT Tilt
BSHNG Bushing	H Hole	MECH Mechanism	QUAD Quadrant Pad	TNNS Tennis
BT TN Bultion	HB High Brake	MED Medium	R Right	TIS Tilt-in-Space
BT TRY Battery	HD Head or Heavy Duty	mm Millimeter	RCLNR Recliner	TTS Tilt-in-Space
BZ Breezy	HVD Heavy Duty	MNT Mount	REC Receiver	UNIV Universal
CAA Composite Angle Adjustable	HDRST Headrest	MNTG Mounting	REG Regular	UNTHRD Unthreaded
CG Center of Gravity	HDWR Hardware	MOD Modify or Modification	REL Release	UPH Upholstery
CGT Center of Gravity Tilt (AKA: IRIS)	HEX Hexagon	M/S Machine Screw	REV Reverse	VERT Vertical
CHRGR Charger	HH Hemi-Height or Hex Head	MWD Mid Wheel Drive	RH Right Hand	W With
CJSM Color Joystick Module	HK Hook	Nat.Fit Natural Fit Handrim	RH Right Horizontal	W/ With
CLMP Clamp	HL Heel Loops	NAUG Naugahyde	RFH Right Front Horizontal	W/F Water Fall
CLNCHR Cincher	HM High Mount	NF Non-folding	RFV Right Front Vertical	W/O Without
CLR Clear	HNDL Handle	NF Natural Fit Handrim	RNUT(S) Rivnut(s)	WHL Wheel
COMP Complete	HNGR Hanger	NFLT Natural Fit Lite Handrim	RoHS Restriction of Hazardous Substances	WLDMNT Weldment
CMPST Composite	HP High Pressure	NR Non-recessed	RR Rear	XS Cross Spoke
CRM Chrome	HR Handrim	OBLIQ Obliquity	RRH Right Rear Horizontal	YLW Yellow
C/S Cap Screw	HRDWR Hardware	OD Oblique	RRV Right Rear Vertical	Z2 Zippie 2
C-S Countersunk	HRNSS Harness	OD Outer/Outside Dimension	RT Right	ZN Zinc
CSTR Caster	HS High Speed	O/S Old Style	RV Right Vertical	ZP Zippie
CUSH Cushion	HT Height or Heat Treated	OUTBRD Outboard	RV Quickie Revolution	ZP2 Zippie 2
CV Conventional	ID Inner/Inside Dimension Diameter	P1 Quickie P100	RWD Rear Wheel Drive	
CVR Cover	IN In/Out (for swing in/out hangers)	P2 Quickie P200	SA Swing Away	
CVRS Covers	INBRD Inboard	P3 Quickie P300		
CYL Cylinder	INC Incontinent	P5 Quickie/Zippie P500		

Pos.	Item Number	Description	Remarks
		GLOSSARY OF ABBREVIATIONS	see attachment in Informations Panel

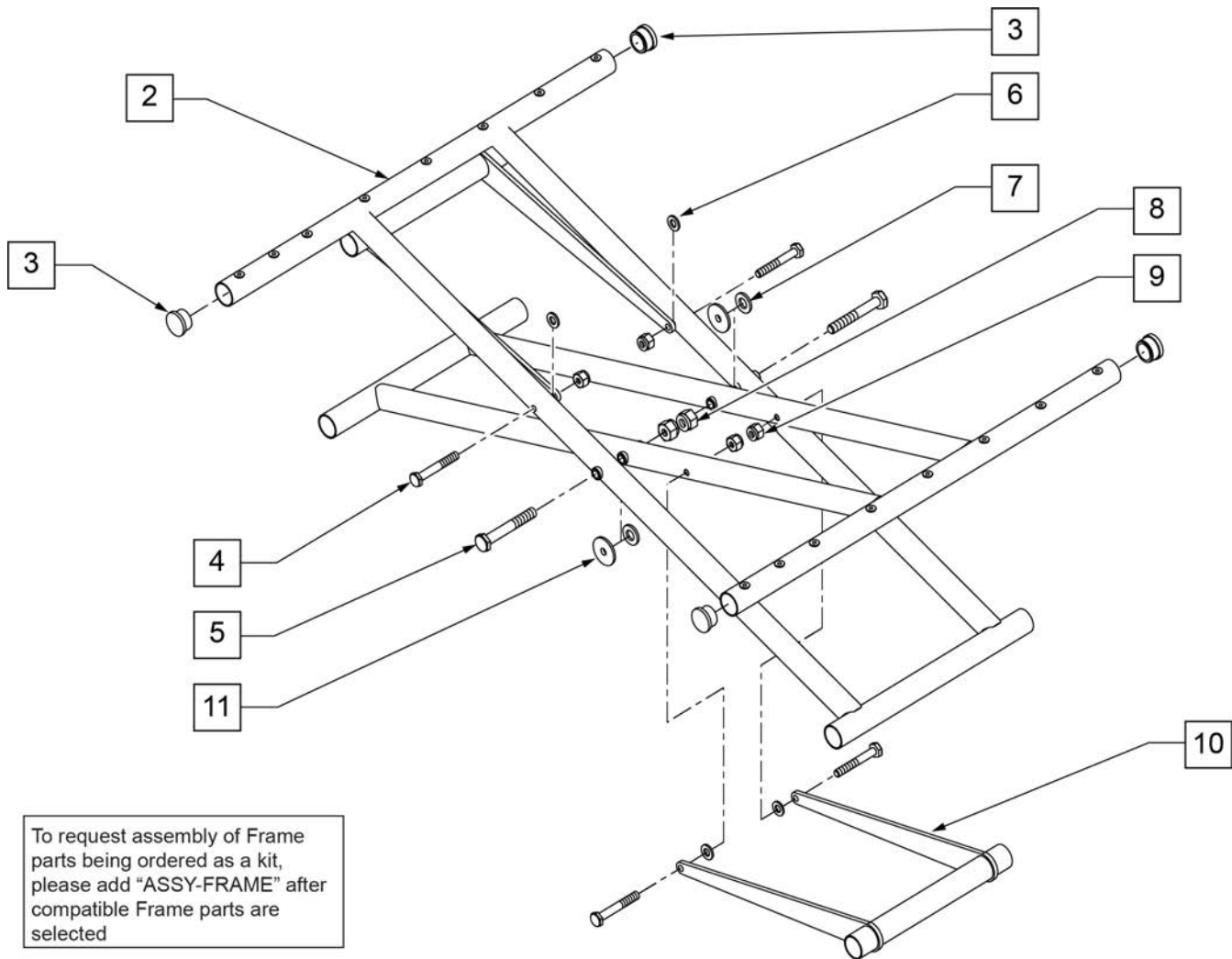
To request assembly of Frame parts being ordered as a kit, please add "ASSY-FRAME" after compatible Frame parts are selected



Pos.	Item Number	Description	Remarks
1	483224	PLUG THREADED INSERT	
2	520507	TUBE S/F CONNECTING TOP	
3	483223	PLUG DUAL THREADED INSERT	
4	262130	6mm WASHER WAVE	
5	226123	1/4-20 x 1 BH C/S BLK ZN	
7	561014	1" MED CAP	
8	520508	TUBE S/F CONNECTING BOTTOM	
8		Part 8	
1-8	620135S	REAR S/F PNTD M6 1"	
		Ship assembled part #	Use with multiple assemblies
	ASSY-FRAME	FRAME ASSY REQUIRED	add with Frame kit



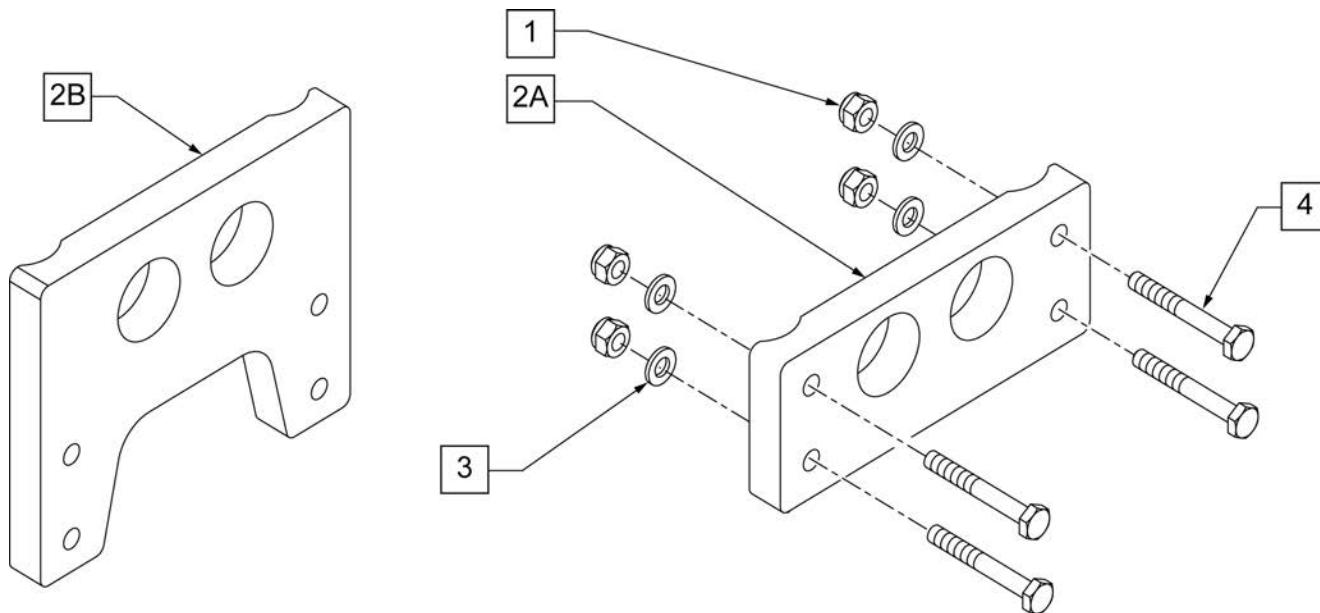
Pos.	Item Number	Description	Remarks
1	561019	1" INSERT PLUG .049	
2	106982	BHCS 5/16-18 X 1-3/4 SHLD ROHS	
5	560735	7/8" ROUND TUBE PLUG	Use in place of SA hanger
2,4	107491	LATCH STUD KIT	
1,3	640250S	FRONT S/F REG PAINTED S/A	18 -19" SEAT DEPTH
1,3	640260S	FRONT S/F LONG PAINTED S/A	20 -22" SEAT DEPTH
		Ship assembled part #	Use with multiple assemblies
	ASSY-FRAME	FRAME ASSY REQUIRED	add with Frame kit



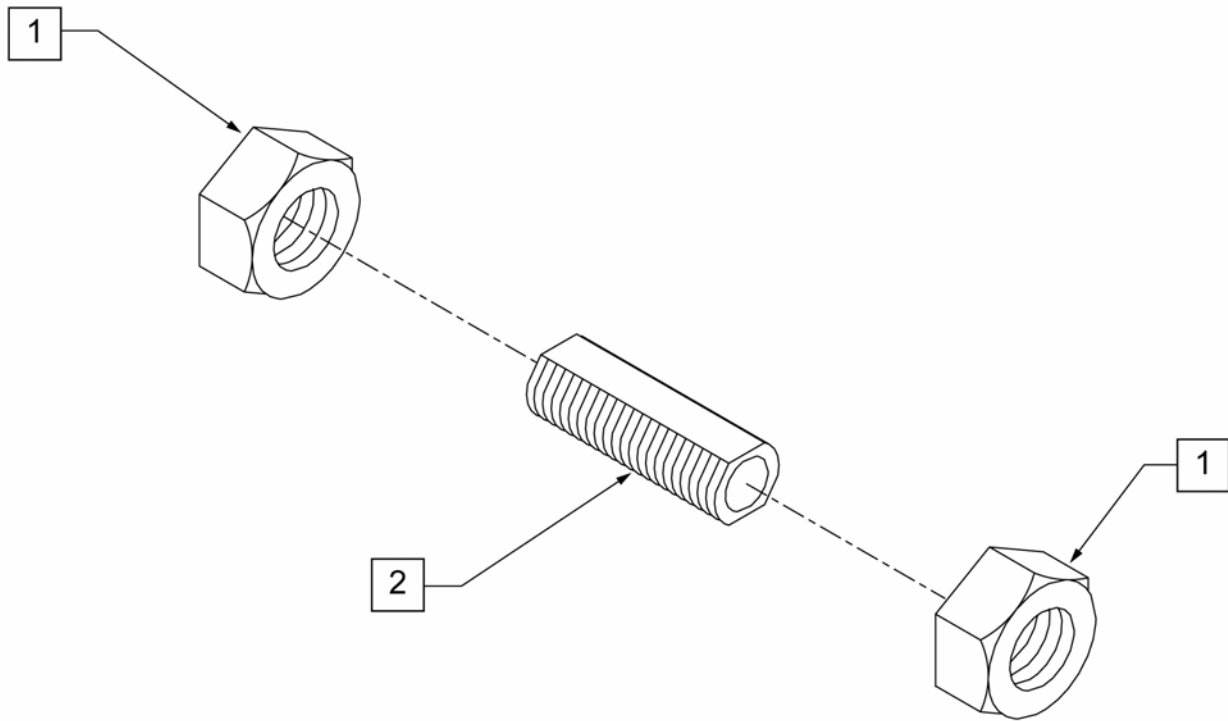
To request assembly of Frame parts being ordered as a kit, please add "ASSY-FRAME" after compatible Frame parts are selected

Pos.	Item Number	Description	Remarks
3	561019	1" INSERT PLUG .049	
4	107015	1/4-28 x 1 3/4 G8 HEX C/S	
5	222249	5/16-24 x 3 G8 HEX C/S	
6	561028	1/4" NYLON WASHER	
7	561016	1" WASHER 5/16" HOLE	
8	106939	5/16-24 NYLOCK NUT THIN	
9	106934	1/4-28 NYLOCK NUT	
10	540650	WELDMENT X-HINGE 22" WIDE	
10	540651	WELDMENT X-HINGE 24" WIDE	
10	540652	WELDMENT X-HINGE 26" WIDE	
10	540653	WELDMENT X-HINGE 28" WIDE	
10	540654	WELDMENT X-HINGE 30" WIDE	
11	561043	1" WASHER 3/8" HOLE	
1-11	673645	X-TUBE ASSM 22" X 18" M6	
1-11	673646	X-TUBE ASSM 22" X 19" M6	
1-11	673647	X-TUBE ASSM 22" X 20" M6	
1-11	673648	X-TUBE ASSM 22" X 21" M6	
1-11	673649	X-TUBE ASSM 22" X 22" M6	

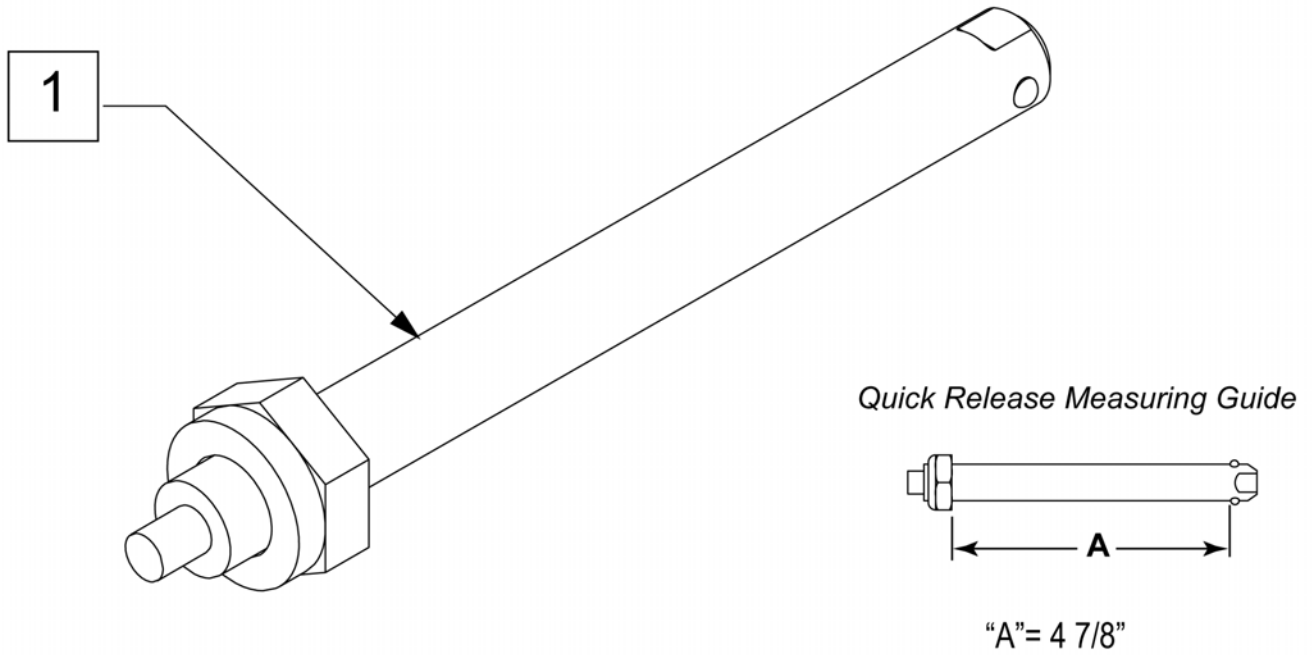
Pos.	Item Number	Description	Remarks
1-11	673650	X-TUBE ASSM 24" X 18" M6	
1-11	673651	X-TUBE ASSM 24" X 19" M6	
1-11	673652	X-TUBE ASSM 24" X 20" M6	
1-11	673653	X-TUBE ASSM 24" X 21" M6	
1-11	673654	X-TUBE ASSM 24" X 22" M6	
1-11	673655	X-TUBE ASSM 26" X 18" M6	
1-11	673656	X-TUBE ASSM 26" X 19" M6	
1-11	673657	X-TUBE ASSM 26" X 20" M6	
1-11	673658	X-TUBE ASSM 26" X 21" M6	
1-11	673659	X-TUBE ASSM 26" X 22" M6	
1-11	673660	X-TUBE ASSM 28" X 18" M6	
1-11	673661	X-TUBE ASSM 28" X 19" M6	
1-11	673662	X-TUBE ASSM 28" X 20" M6	
1-11	673663	X-TUBE ASSM 28" X 21" M6	
1-11	673664	X-TUBE ASSM 28" X 22" M6	
1-11	673665	X-TUBE ASSM 30" X 18" M6	
1-11	673666	X-TUBE ASSM 30" X 19" M6	
1-11	673667	X-TUBE ASSM 30" X 20" M6	
1-11	673668	X-TUBE ASSM 30" X 21" M6	
1-11	673669	X-TUBE ASSM 30" X 22" M6	
		Ship assembled part #	Use with multiple assemblies
	ASSY-FRAME	FRAME ASSY REQUIRED	add with Frame kit



Pos.	Item Number	Description	Remarks
1	106934	1/4-28 NYLOCK NUT	
2A	550056	PLATE AXLE	18.5" & 20" SEAT HEIGHT
2B	502023	AXLE PLATE LOWER	17" SEAT HEIGHT
3	106944	1/4 AN WASHER FLAT THIN	
4	107015	1/4-28 x 1 3/4 G8 HEX C/S	
1,3,4	920097	AXLE PLT HDWR KIT M6	



Pos.	Item Number	Description
2	481268	SLEEVE 5/8" AXLE
1,2	920537	AXLE SLEEVE W/ HDWR M6

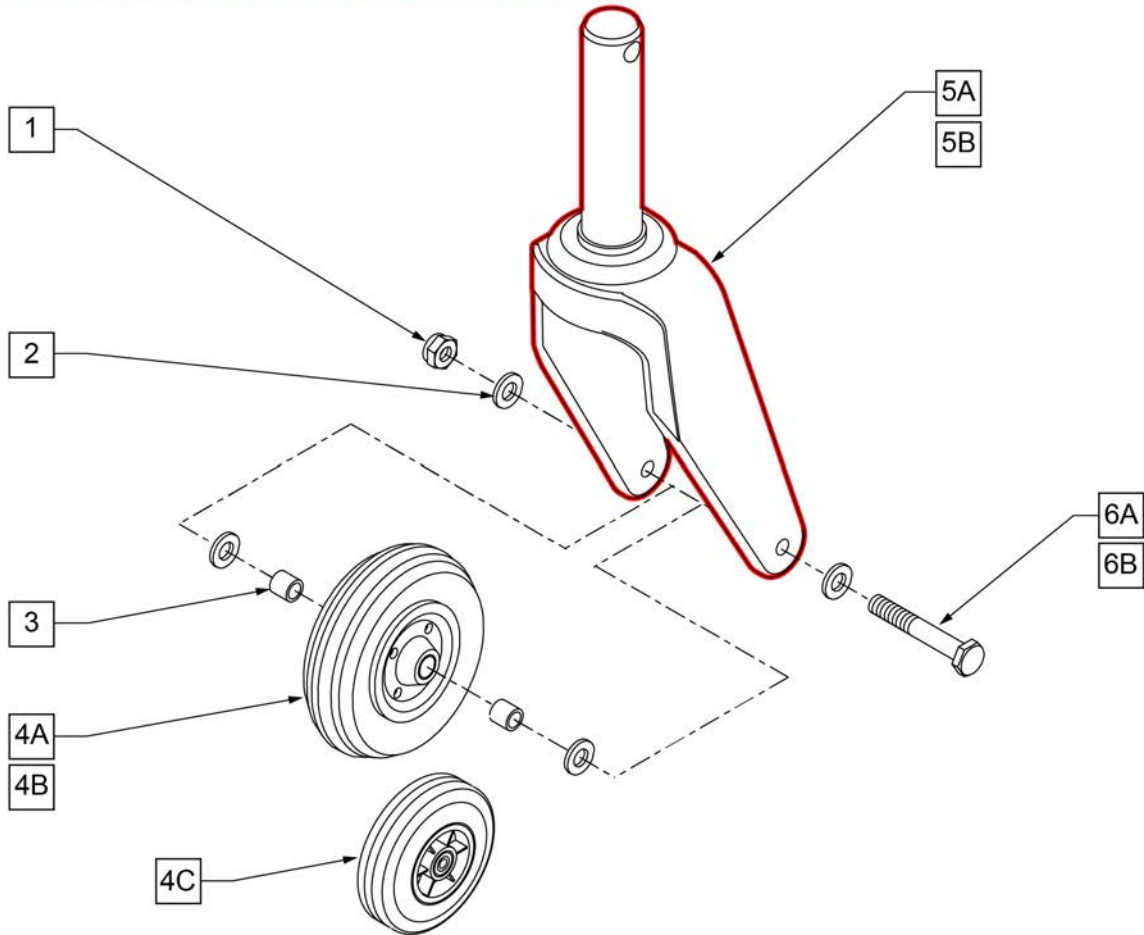


Pos.	Item Number	Description
1	920538	QR AXLE W/NUT M6

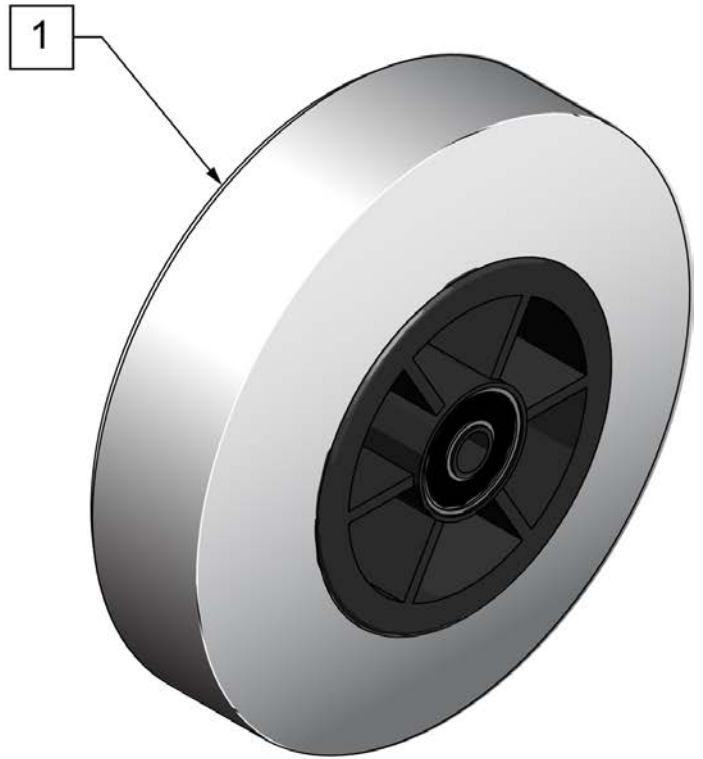
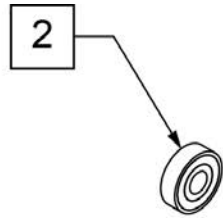
Note: If the chair shipped prior to 3/26/20 and had 5" forks, option code 115CF26 order a pair of 5" composite forks.

Note: If the chair shipped prior to 8/16/19 and had 8" forks, option code 115CF39 order a pair of 8" composite forks.

Part Changes, please see notes for important information

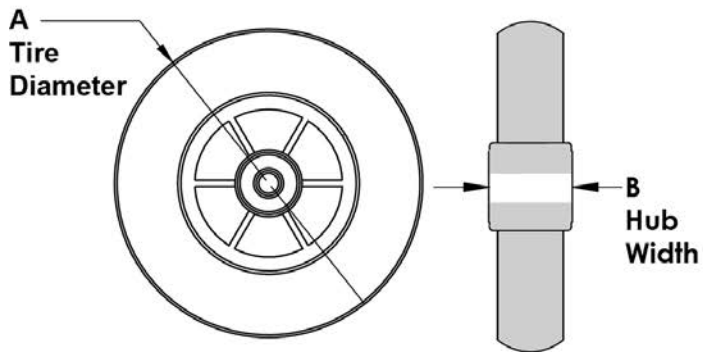


Pos.	Item Number	Description	HCPC	Remarks
1	202106	5/16-24 NYLOCK NUT THIN BLK		
2	263100	5/16 AN WASHER FLAT		
3	481113	SPACER 5/16 x .380		Not used on 5B
4A	400700	8" x 2" CMPST W/PNEU & BEARINGS	K0071	8" CASTER PNEU
4B	400702	8" x 2" CMPST W/PNEU INS & BEARINGS	K0072	8" CASTER PNEU W/ INSERT
4C	400103	CASTER 5" SOFT ROLL W/BEARINGS	K0077	5" CASTER
5A	158701	HD FORK & STEM ASSY 5"/8" PAIR		8" composite fork, Standard Caster Fork option code 115CF26
5B	251629	HD FORK AND STEM ASSY 5"		5" composite fork effective 3/26/2020 Lower Caster Fork option code 115CF39
6A	222253	5/16 -24 x 3 1/4 HEX C/S		
6B	106987	5/16-24 X 2 1/2 ROHS		
1,2,4A-6	788740	8 x 2 PNEU FORK & CSTR ASSM		
1,2,4B,5A,6	788741	8 x 2 PNEU INSERT FORK CSTR ASSM		
1-4C,5A,6	788742	5" SOFTROLL FORK & CSTR ASSM		
1,2,4C,5B,6	788743	5" LWR FORK AND CSTR ASSM		5" CASTER
1-3,5A,6	780365	FORK & STEM ASSM 5"/8" W/HDWR		
1,2,5B,6	780367	FORK & STEM ASSM LWR W/HDWR		5" CASTER

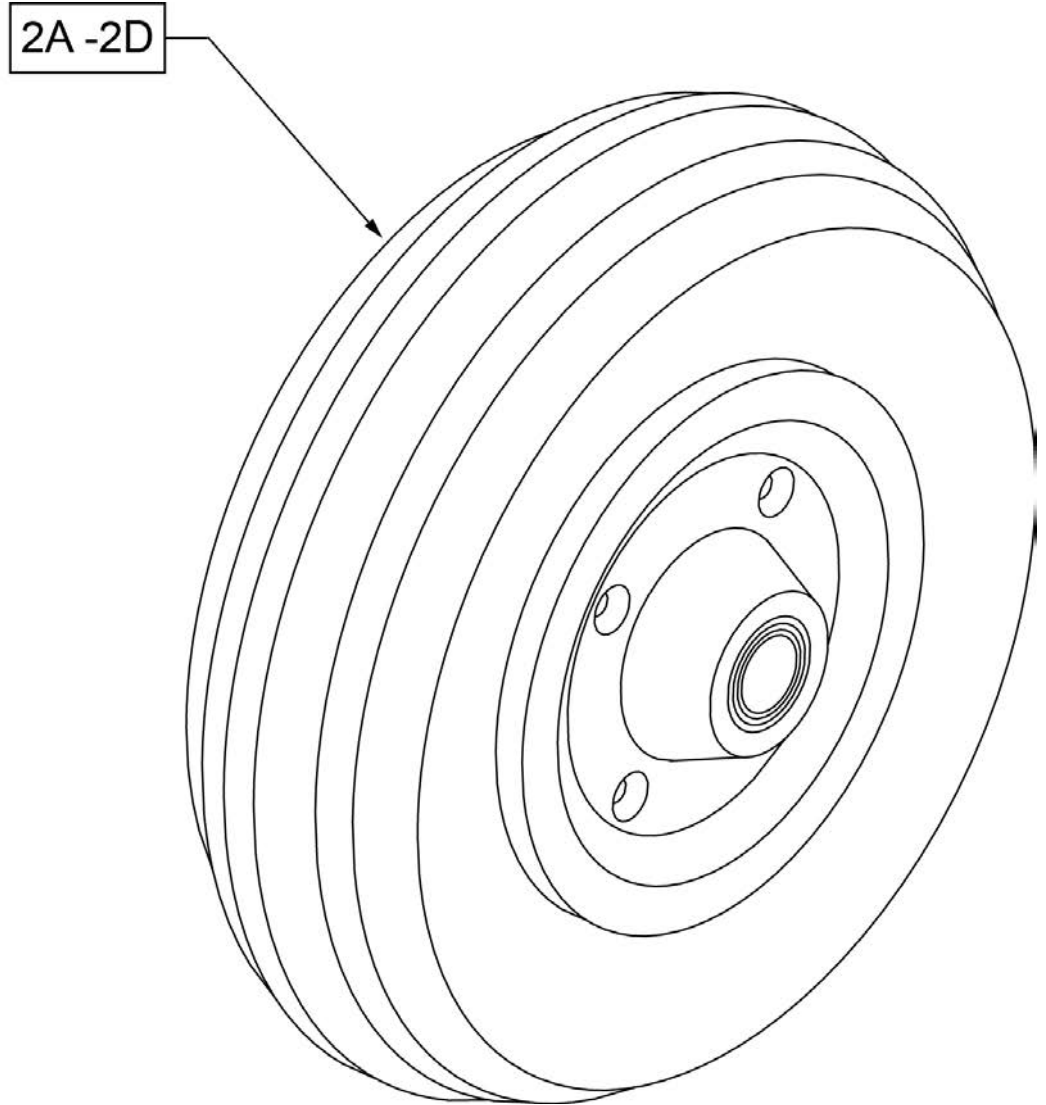
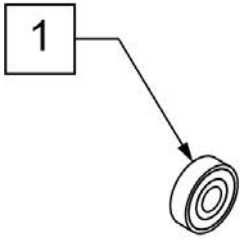


**CASTER
MEASURING GUIDE**

"A" TIRE DIAMETER	"B" HUB WIDTH
4.9"	1.5"



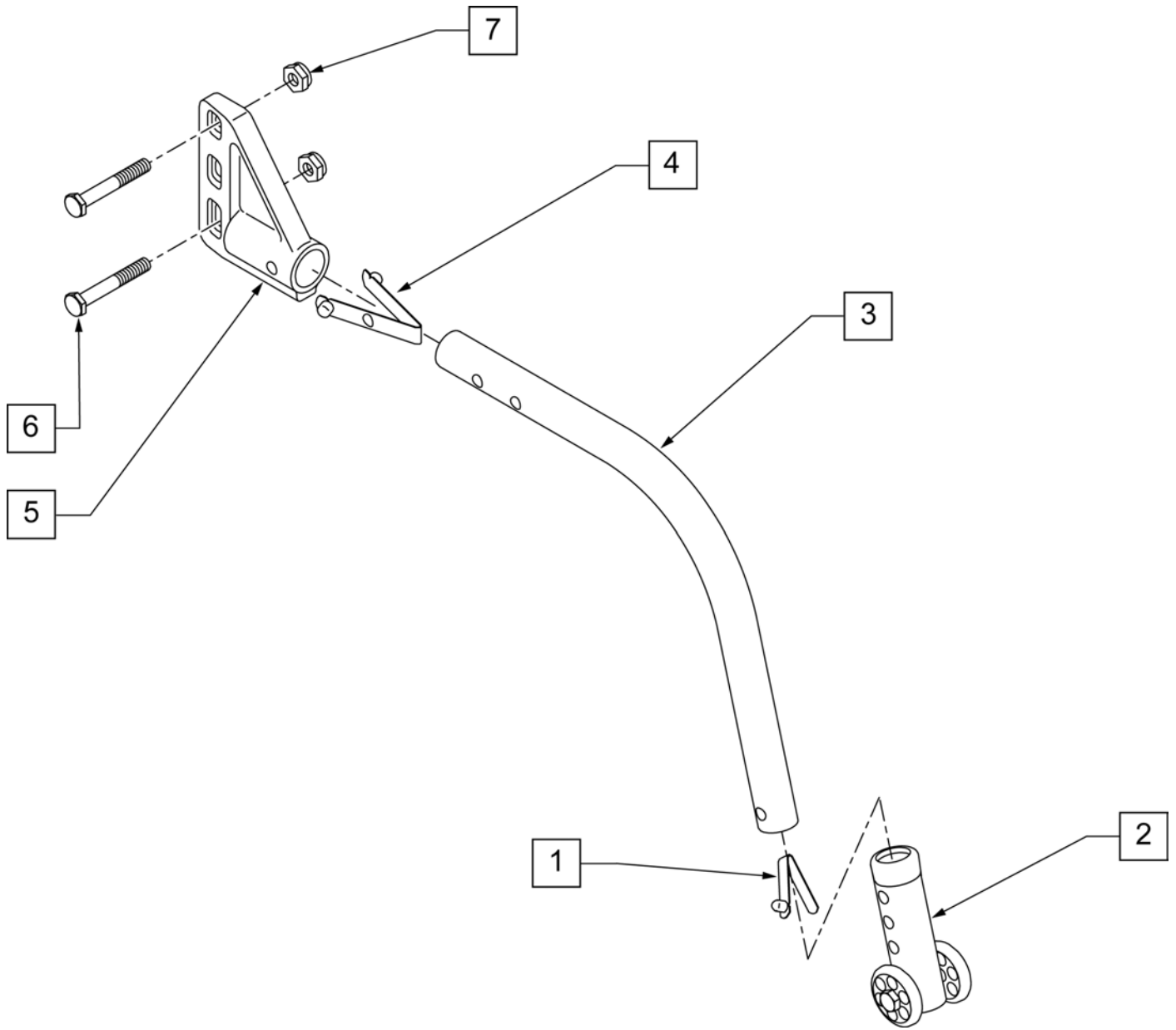
Pos.	Item Number	Description	HPCP	Remarks
1	400103	CASTER 5" SOFT ROLL W/BRNGS	K0077	5" SOFT ROLL SEMI PNEU (GREY)
2	349502	7/8"x 5/16" BEARING		



**CASTER
MEASURING GUIDE**

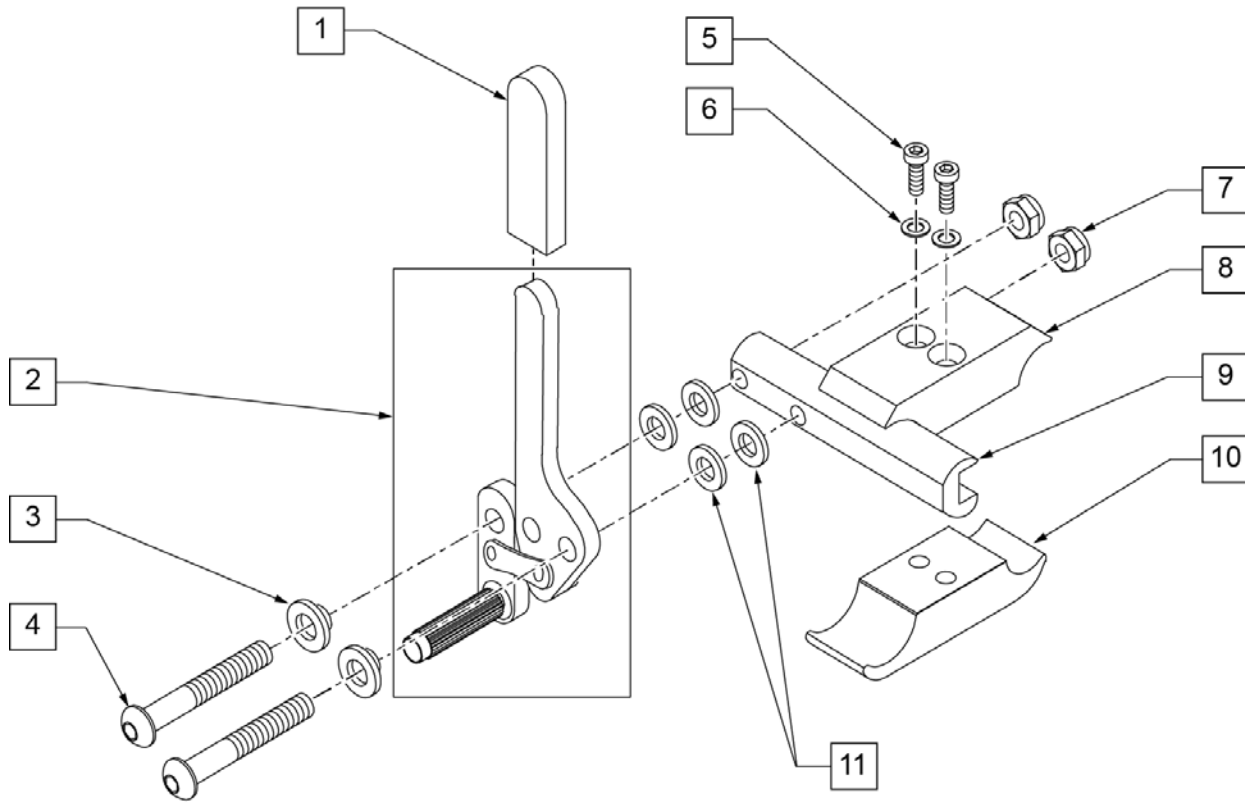
TIRE DIAMETER	HUB WIDTH
8"	2.6"

Pos.	Item Number	Description	Remarks
1	349502	7/8"x 5/16" BEARING	
2A	400700	8" X 2" CMPST W/PNEU & BEARING	8" x 2" PNEUMATIC
2B	400702	8" X 2" CMPST W/PNEU INSRT&BRG	8" x 2" PNEUMATIC W/ INSERT
2C	384700	TIRE PNEUMATIC 8" x 2"	
2D	384730	INNER TUBE CASTER 8" x 2"	

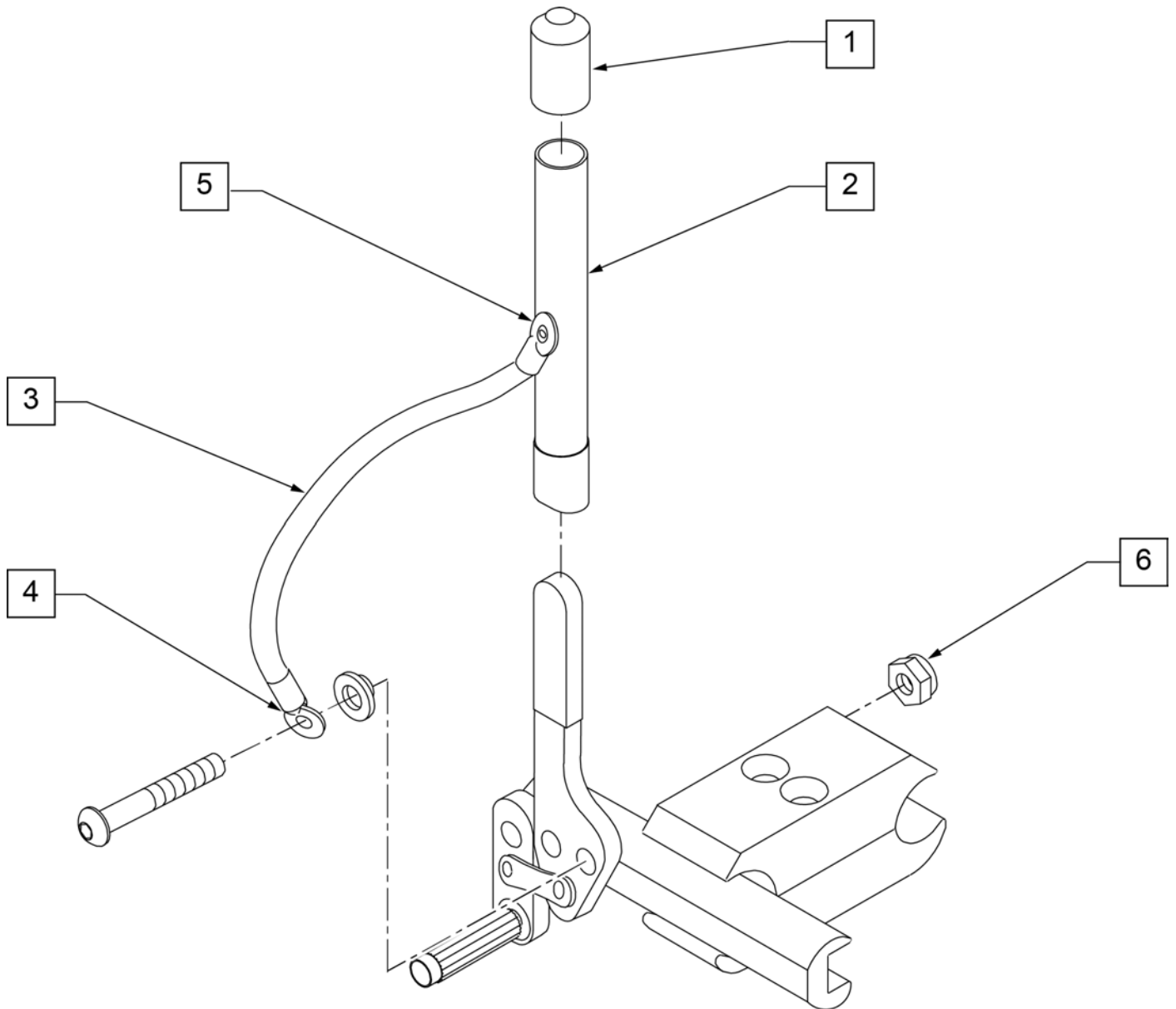


Pos.	Item Number	Description	Remarks
1	301100	1/4" SNAP BTTN SINGLE	
2	881513	ANTI-TIP SLEEVE W/ WHEELS 5H BLK	
7	106934	1/4-28 NYLOCK NUT	
5	920407	ANTI-TIP RECEIVER (PR)	PAIR
6	106973	1/4-28 x 2 G8 HEX C/S	
4	301109	SNAP BUTTON DUAL ONE SIDE	
1,3,4	882896	ANTI-TIP TUBE REG R BLK W/ SNAP BT	RIGHT
1,3,4	882897	ANTI-TIP TUBE REG L BLK W/ SNAP BT	LEFT
1,2,3,4	882900	ANTI-TIP ASSEMBLY REG BLK	RIGHT
1,2,3,4	882901	ANTI-TIP ASSEMBLY REG BLK	LEFT

HIGH WHEEL LOCK (PUSH-TO-LOCK)



Pos.	Item Number	Description	Remarks
1,2	881748	WHEEL LOCK ASSM R PUSH	RIGHT
1,2	881749	WHEEL LOCK ASSM R PUSH	LEFT
3	560126	.250 ID .312 OD BUSHING PLST	
4	226110	1/4-28 x 1 BH C/S	
5	262114	1/4 WASHER HI COLLAR LOCK ZN	
6	107032	1/4-28 x 1 SOC C/S BLK	
7	106935	NUT NYLOCK THIN 1/4-28 ROHS	
8	550568	CLAMP 2 1/4" RECESS BLK M6	
9	550447	WHEEL LOCK SLIDE BLOCK	5.5" long
10	550576	CLAMP 2 1/4" THREADED BLK	
11	561028	1/4" NYLON WASHER	
1-4,7,9,11	881758	WHEEL LOCK PUSH R W/O CLAMP BLK	RIGHT
1-4,7,9,11	881759	WHEEL LOCK PUSH L W/O CLAMP BLK	LEFT
1-11	881985	WHEEL LOCK PUSH R W/GROWING CLAMP BLK	RIGHT
1-11	881986	WHEEL LOCK PUSH L W/GROWING CLAMP BLK	LEFT
1-11	901561	WHL LOCK PUSH W/GRW CLAMP BLK (PR)	PAIR



Pos.	Item Number	Description	Remarks
1	560600	1-1/2" x .705 x .187 FOAM GRIP	
5	240104	1 RIVET POP SD44BSLF BLK	
6	106935	NUT NYLOCK THIN 1/4-28 ROHS	
1-6	161931	WHL LOCK 6" EXT TUBE ASSM (EA)	
1-6	920032	WHEEL LOCK 6" EXT TUBES (PR)	PAIR

Note: this wheel utilizes Screw Mount Handrims - the handrim has a threaded hole that mounts the handrim to the wheel through a spacer and fastener.



Pos.	Item Number	Description
1	349538	BEARING BALL 5/8" ID

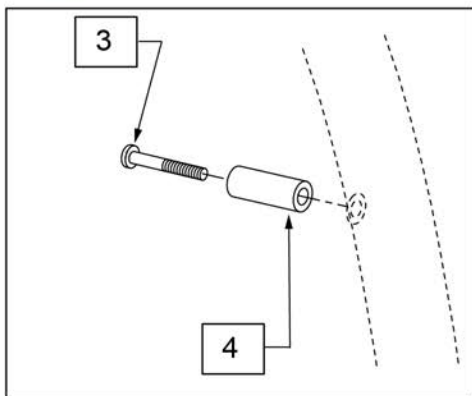


Pos.	Item Number	Description	Remarks
1	384614	24" x 2.125 PNEUMATIC TIRE	24"x2 1/8 (540mm)
2	382375	24" x 2.125 TUBE	
3	102972-003	AIRLESS INSERT 24 X 2-1/8	

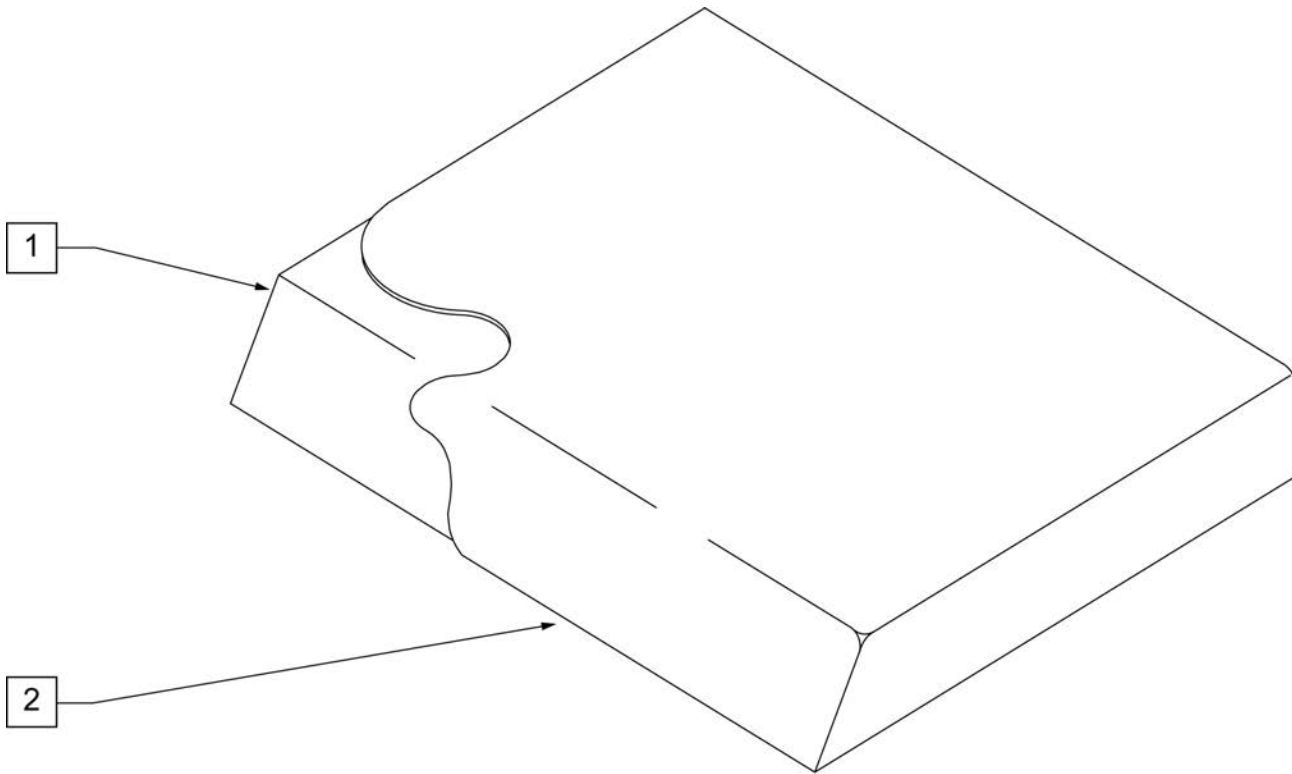


Pos.	Item Number	Description	Remarks
1	254902	TIRE, POLY SOLID, ORION, 24"	24"(540mm)

Note: Fits chairs equipped with Stainless Steel Spoke wheel built prior to 11/04/2021.

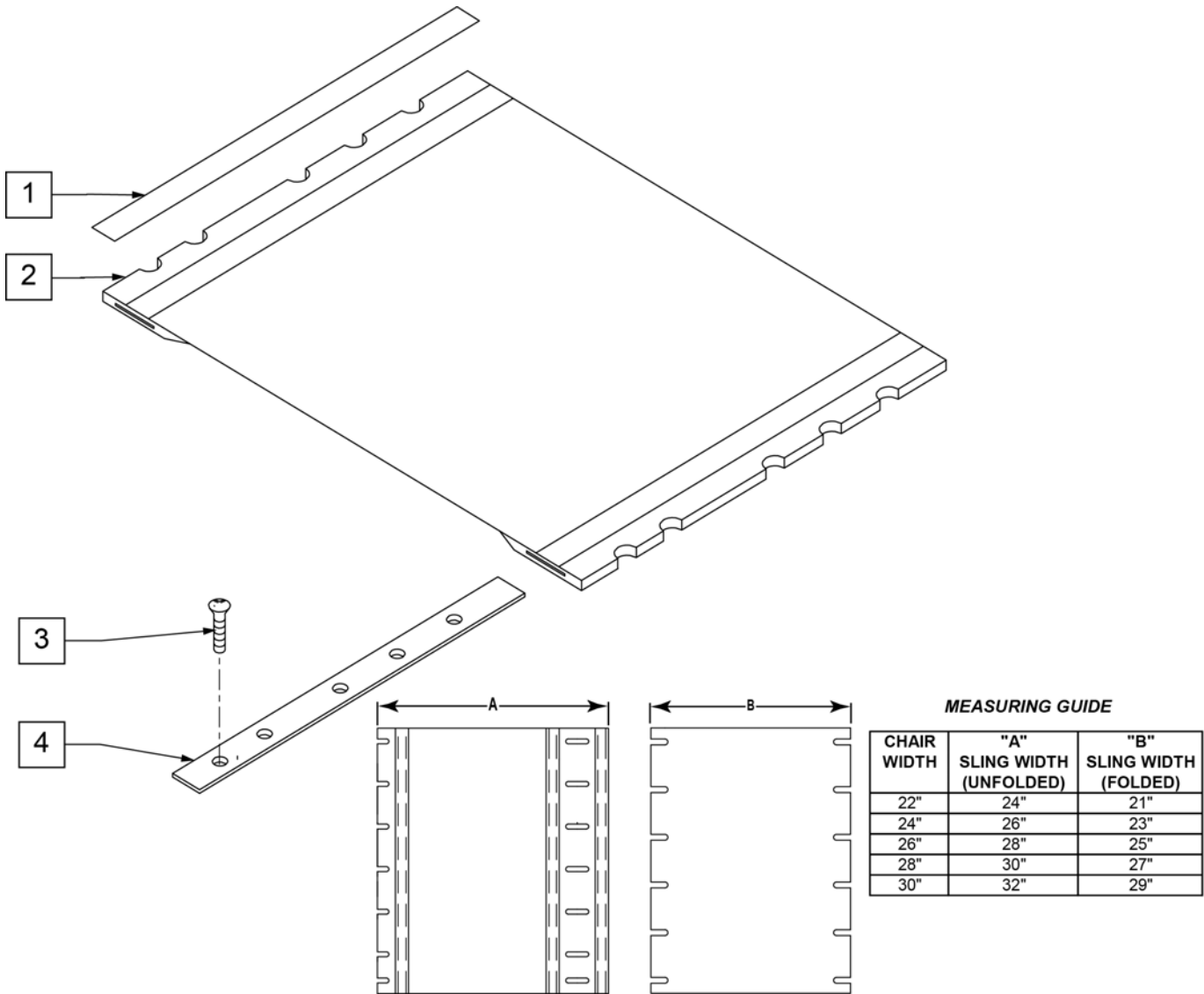


Pos.	Item Number	Description	Remarks
1,3,4	425941	22" HR 6SMT W/HDWR	22" (501) SPOKE
2,3,4	425943	22" HR 6SMT PLST W/HDWR	22" (501) SPOKE
3	281170	10-32 X 1 5/8 PAN PHIL SS	SPOKE
4	561036	HANDRIM SPACER (REG)	SPOKE



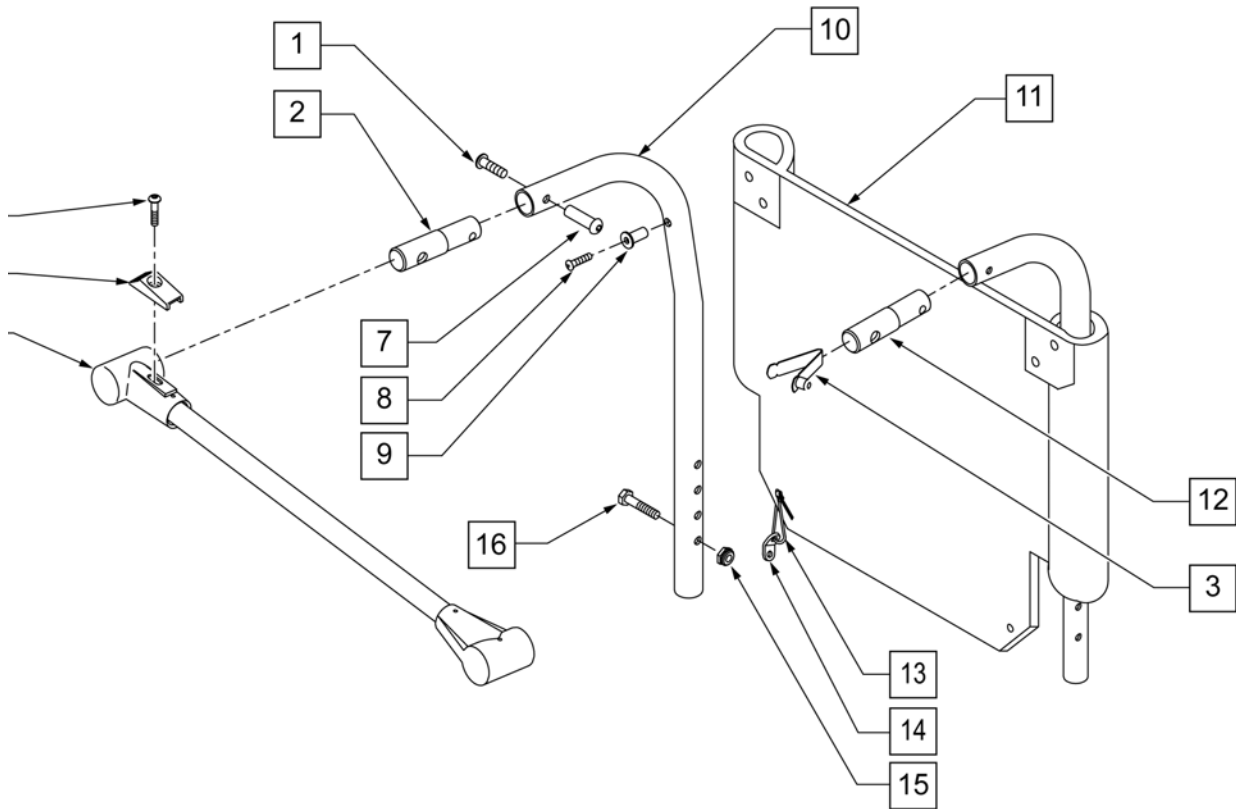
Pos.	Item Number	Description	Pos.	Item Number	Description
1,2	702095	SEAT CUSHION 22 x 18 x 2	1,2	702221	SEAT CUSHION 26 x 19 x 2
1,2	702096	SEAT CUSHION 22 x 19 x 2	1,2	702222	SEAT CUSHION 26 x 20 x 2
1,2	702097	SEAT CUSHION 22 x 20 x 2	1,2	702223	SEAT CUSHION 26 x 21 x 2
1,2	702098	SEAT CUSHION 22 x 21 x 2	1,2	702224	SEAT CUSHION 26 x 22 x 2
1,2	702103	SEAT CUSHION 24 x 18 x 2	1,2	702225	SEAT CUSHION 28 x 18 x 2
1,2	702104	SEAT CUSHION 24 x 19 x 2	1,2	702226	SEAT CUSHION 28 x 19 x 2
1,2	702105	SEAT CUSHION 24 x 20 x 2	1,2	702227	SEAT CUSHION 28 x 20 x 2
1,2	702106	SEAT CUSHION 24 x 21 x 2	1,2	702228	SEAT CUSHION 28 x 21 x 2
1,2	702110	SEAT CUSHION 14 x 22 x 2	1,2	702229	SEAT CUSHION 28 x 22 x 2
1,2	702114	SEAT CUSHION 18 x 22 x 2	1,2	702230	SEAT CUSHION 30 x 18 x 2
1,2	702115	SEAT CUSHION 19 x 22 x 2	1,2	702231	SEAT CUSHION 30 x 19 x 2
1,2	702116	SEAT CUSHION 20 x 22 x 2	1,2	702232	SEAT CUSHION 30 x 20 x 2
1,2	702117	SEAT CUSHION 22 x 22 x 2	1,2	702233	SEAT CUSHION 30 x 21 x 2
1,2	702118	SEAT CUSHION 24 x 20 x 2	1,2	702234	SEAT CUSHION 30 x 22 x 2
1,2	702220	SEAT CUSHION 26 x 18 x 2			

Note: for proper fit open the velcro flap on the under side of the sling for installation; the sling may measure short, but by opening the flap it will adjust to fit the frame.



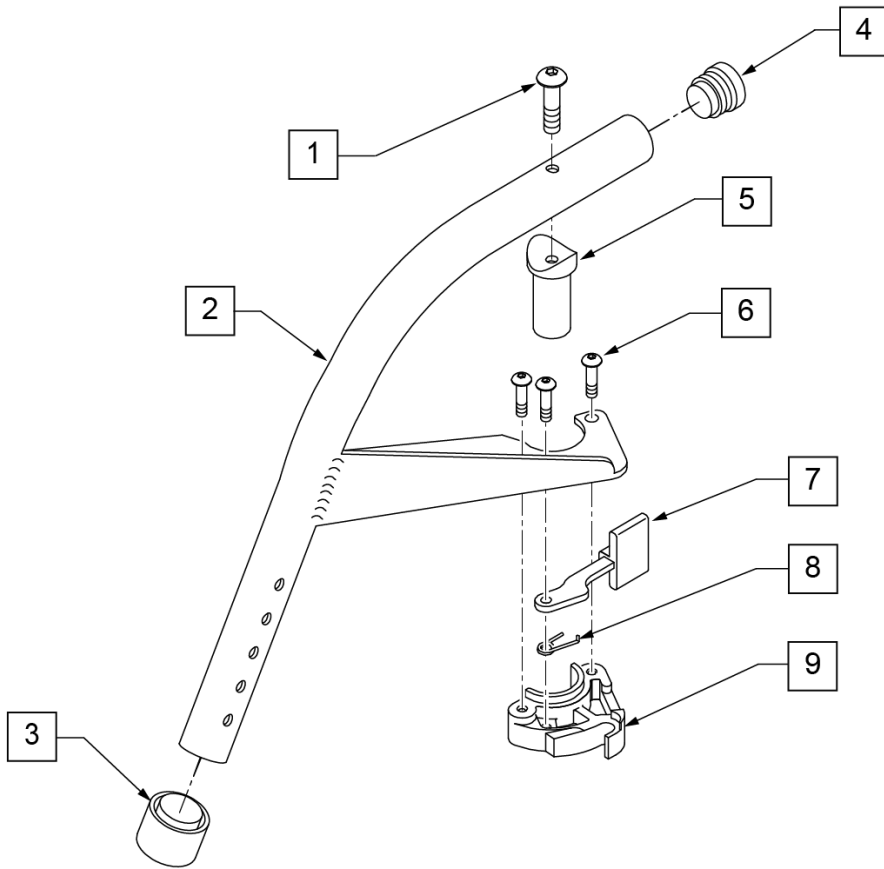
Pos.	Item Number	Description	Pos.	Item Number	Description
1	901170	SEAT SLING VELCRO® STRIP	2	721226	SEAT SLNG RFCD 26" X 19"
2	721215	SEAT SLNG RFCD 22" X 18"	2	721227	SEAT SLNG RFCD 26" X 20"
2	721216	SEAT SLNG RFCD 22" X 19"	2	721228	SEAT SLNG RFCD 26" X 21"
2	721217	SEAT SLNG RFCD 22" X 20"	2	721229	SEAT SLNG RFCD 26" X 22"
2	721218	SEAT SLNG RFCD 22" X 21"	2	721230	SEAT SLNG RFCD 28" X 18"
2	721219	SEAT SLNG RFCD 22" X 22"	2	721231	SEAT SLNG RFCD 28" X 19"
2	721220	SEAT SLNG RFCD 24" X 18"	2	721232	SEAT SLNG RFCD 28" X 20"
2	721221	SEAT SLNG RFCD 24" X 19"	2	721233	SEAT SLNG RFCD 28" X 21"
2	721222	SEAT SLNG RFCD 24" X 20"	2	721234	SEAT SLNG RFCD 28" X 22"
2	721223	SEAT SLNG RFCD 24" X 21"	2	721235	SEAT SLNG RFCD 30" X 18"
2	721224	SEAT SLNG RFCD 24" X 22"	2	721236	SEAT SLNG RFCD 30" X 19"
2	721225	SEAT SLNG RFCD 26" X 18"	2	721237	SEAT SLNG RFCD 30" X 20"

Pos.	Item Number	Description	Pos.	Item Number	Description
2	721238	SEAT SLNG RFCD 30" X 21"	4	505116	SEAT RAIL 20"
2	721239	SEAT SLNG RFCD 30" X 22"	4	505118	SEAT RAIL 21"
3	281120	10/32 X 5/8 PAN HD PHIL	4	505117	SEAT RAIL 22"
4	505110	SEAT RAIL 18"	4	505119	SEAT RAIL 23"
4	505115	SEAT RAIL 19"	4	505133	SEAT RAIL 24"

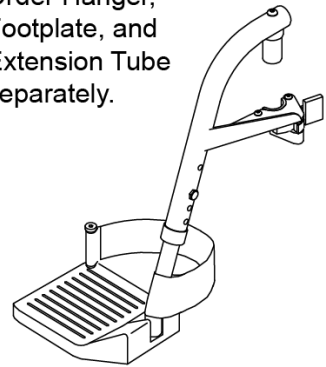


Pos.	Item Number	Description	Remarks
1	226020	10-32 x 5/8 BH C/S BLK	
2	483534	STABILIZER BAR LOCKING PIN Q2	
3	301100	1/4" SNAP BUTTON SINGLE	
4	226110	1/4-28 x 1 BH C/S	
5	560143	STABILIZER LATCH RELEASE BR	
7	221213	10-32 x 7/8" HEX SEX BOLT QTNT	
8	281120	10/32 x 5/8 PAN HD PHIL	
9	341497	10-32 x .020-.130 RIVNUT GOLD	Rivnut tool required for installation of this part
11	680384	BACK UPH 22" TALL HEAVY DUTY	
11	680385	BACK UPH 24" TALL HEAVY DUTY	
11	680386	BACK UPH 26" TALL HEAVY DUTY	
11	680387	BACK UPH 28" TALL HEAVY DUTY	
11	680388	BACK UPH 30" TALL HEAVY DUTY	
12	483533	STABILIZER BAR PIVOT PIN Q2	
13	560410	ZIP TIE BLK	
14	560227	2 HOLE TOGGLE BENT PLASTIC	
15	106934	1/4-28 NYLOCK NUT	
16	106972	1/4-28 x 1 1/2 G8 HEX C/S	
4-6	820704	STABILIZER CROSS BAR 22"	
4-6	820705	STABILIZER CROSS BAR 24"	
4-6	820706	STABILIZER CROSS BAR 26"	
4-6	820707	STABILIZER CROSS BAR 28"	

Pos.	Item Number	Description	Remarks
4-6	820708	STABILIZER CROSS BAR 30"	
9,10	820728	M6 PUSH HANDLE 8° W/ STABLIZER	
1-16	682093	22" BCK ASSM 8° PH STABLIZER	
1-16	682094	24" BCK ASSM 8° PH STABLIZER	
1-16	682095	26" BCK ASSM 8° PH STABLIZER	
1-16	682096	28" BCK ASSM 8° PH STABLIZER	
1-16	682097	30" BCK ASSM 8° PH STABLIZER	



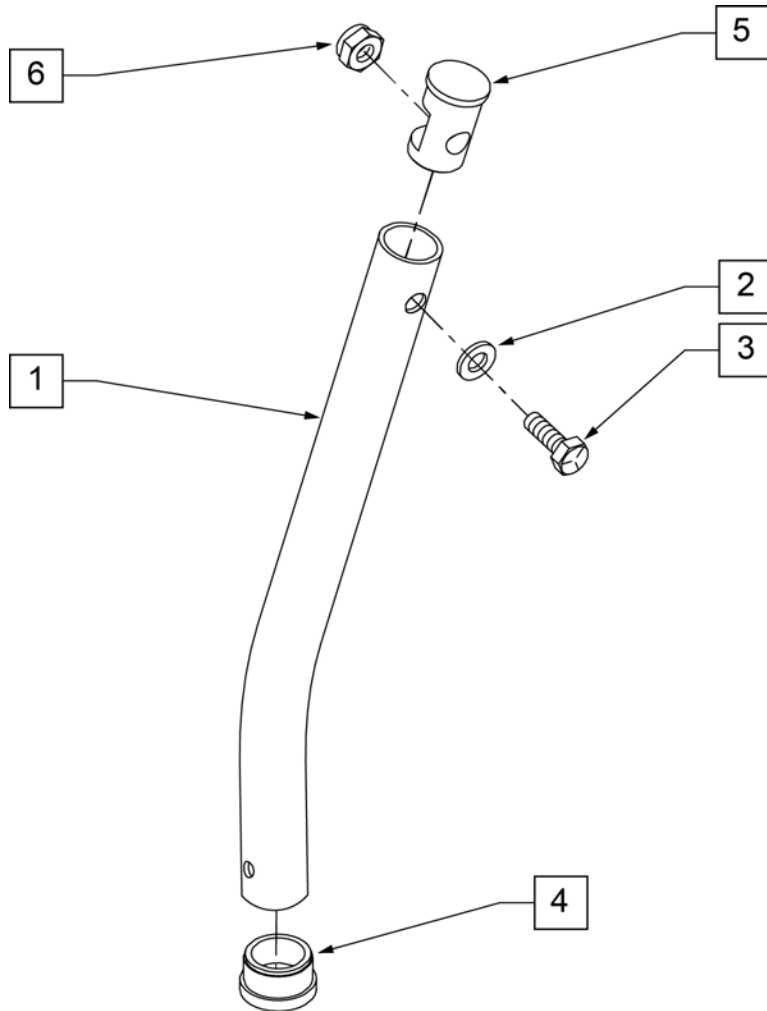
Complete assemblies # 923074, 923075, and 923076 discontinued. Order Hanger, Footplate, and Extension Tube separately.



Pos.	Item Number	Description	Remarks
1	106983	5/16-18 x 2 BH C/S SHT THREAD	
3	561018	1" TUBE END BUSHING THICK	
4	561062	1" INSERT PLUG .065 RIBS	
5	561197	PLASTIC PIVOT SADDLE	
1,5	880545	PIVOT SADDLE .125 W/SCREW	
6	107035	10-24 X 0.692 SOCKET BHCS	
7	561079	S/A LATCH LEVER	
8	321136	S/A SPRING L RED	LEFT
8	321137	S/A SPRING R CLEAR	RIGHT
9	881500	LATCH BLOCK ASSM R	RIGHT
9	881501	LATCH BLOCK ASSM L	LEFT
6-9	881521	S/A LATCH KIT R	RIGHT
6-9	881522	S/A LATCH KIT L	LEFT
1-9	641150S	HANGER 60D R PNTD S/A	RIGHT (SPECIFY COLOR)
1-9	641170S	HANGER 60D L PNTD S/A	LEFT (SPECIFY COLOR)

NOTE: (Discontinued on Quickie 2 for 60° and 70° Hangers 10/23/99- Parts only).

NOTE: Used on Articulating Hanger Assemblies.



MEASURING GUIDE

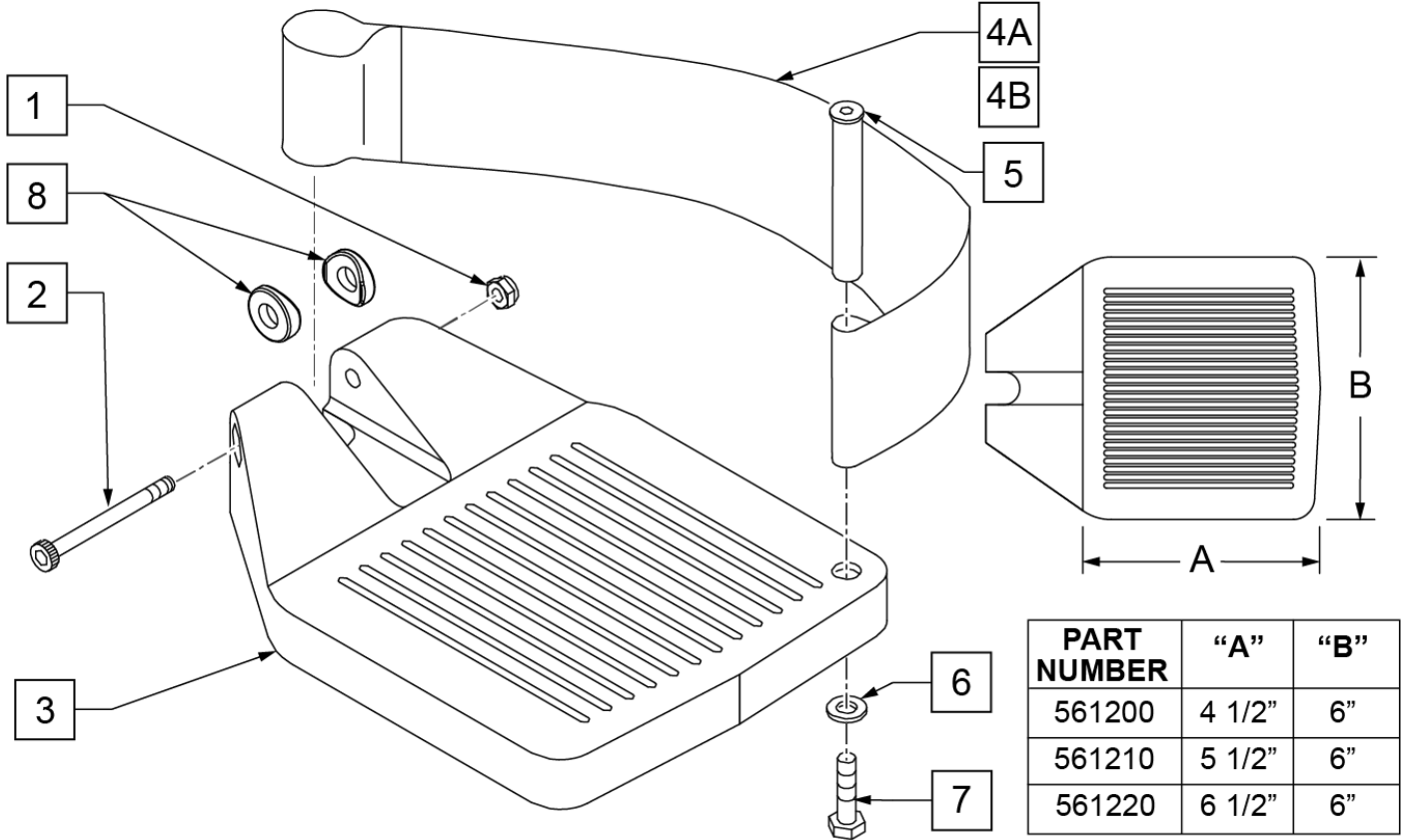


	"A"
SHORT	6 5/8"
MED	9"
LONG	11 5/8"
X-LONG	13 1/2"

Pos.	Item Number	Description
1	521010	FOOTREST EXT TUBE ONLY SHT BLK
1	521011	FOOTREST EXT TUBE ONLY MED BLK
1	521012	FOOTREST EXT TUBE ONLY LNG BLK
1	521013	FOOTREST EXT TUBE ONLY X-LNG BLK
2	104414	WAVE WASHER 6 MM
3	106958	HHCS 1/4-20 X 1 ROHS
4	561000-QU	3/4" INSERT PLUG .083
5	483553	FOOTREST INSERT PLUG Q2
6	106932	NUT NYLOCK 1/4-20 ROHS
1-6	921221	FOOTREST EXT TUBE SHT ASSM BLK (EA)
1-6	921222	FOOTREST EXT TUBE MED ASSM BLK (EA)
1-6	921223	FOOTREST EXT TUBE LNG ASSM BLK (EA)
1-6	921224	FOOTREST EXT TUBE X-LNG ASSM BLK (EA)

To have complete Footrest ship assembled, choose compatible Hanger + Footplate part numbers and add "ASSY-HNG-FP" to order

INSET FORMULA
 0" Inset (Seat Width) = Footrest Width
 1" Inset (Seat Width) -2" = Footrest Width
 "V" Hanger (Seat Width) -4" = Footrest Width
 Offset Hanger Receiver (Seat Width) +2" = Footrest Width



Pos.	Item Number	Description	Remarks
1	106935	1/4 - 28 NYLOCK NUT	
2	226165	1/4 - 28 x 2 1/2 SOC C/S	
3	561200	COMPOSITE FOOTPLATE 14 -15 (16 -18 V)	14 -15 OR 16 -18V
3	561210	COMPOSITE FOOTPLATE 16 -17 (19 -20 V)	16 -17 OR 19 -20V
3	561220	COMPOSITE FOOTPLATE 18 -20	18 -20
4A	741151	HEEL LOOP 14-15 COMPOSITE (14 -15 or 16 -18V)	14 -15 OR 16 -18V
4A	741156	HEEL LOOP 16 -17 or 19 -20V	16 -17 OR 19 -20V
4A	741153	HEEL LOOP 18 -20 COMPOSITE/14-15 ANG ADJ	18 -20
4A	902270	HEEL LOOP COMPOSITE FT 14-15	PAIR 14 -15 OR 16 -18V
4A	902271	HEEL LOOP COMPOSITE FT 16-17	PAIR 16 -17 OR 19 -20V
4A	902272	HEEL LOOP COMPOSITE FT 18-20	PAIR 18 -20
4B	741154	HEEL LOOP 14-15 COMPOSITE HEMI	14 -15 HEMI
4B	741155	HEEL LOOP 16-17 COMPOSITE HEMI	16 -17 HEMI
4B	741153	HEEL LOOP 18-20 COMPOSITE HEMI	18 -10 HEMI
4B	902260	HEEL LOOPS HEMI COMPOSITE 14-15	PAIR 14 -15 HEMI
4B	902261	HEEL LOOPS HEMI COMPOSITE 16-17	PAIR 16 -17 HEMI
4B	902262	HEEL LOOPS HEMI COMPOSITE 18-20	PAIR 18 -20 HEMI
5	561040	HEEL LOOP PEG	
6	106944	1/4 AN WASHER FLAT THIN	
7	106958	HHCS 1/4-20 X 1 ROHS	

Pos.	Item Number	Description	Remarks
8	561003	3/4" SADDLE THIN	USED W/ ROUND EXT TUBES ONLY
1-3	921180	COMPOSITE FOOTPLATE ASSM 14-15	RIGHT (14 -15 OR 16 -18V) W/O HEEL LOOP
1-3	921181	COMPOSITE FOOTPLATE ASSM 14-15	LEFT (14 -15 OR 16 -18V) W/O HEEL LOOP
1-3	921182	COMPOSITE FOOTPLATE ASSM 16-17	RIGHT (16 -17 OR 19 -20V) W/O HEEL LOOP
1-3	921183	COMPOSITE FOOTPLATE ASSM 16-17	LEFT (16 -17 OR 19 -20V) W/O HEEL LOOP
1-3	921184	COMPOSITE FOOTPLATE ASSM 18-20	RIGHT (18 -20) W/O HEEL LOOP
1-3	921185	COMPOSITE FOOTPLATE ASSM 18-20	LEFT (18 -20) W/O HEEL LOOP
1-3	921151	COMPOSITE FOOTPLATE ASSM 14-15/16-18V	PAIR (14 -15 OR 16 -18V) W/O HEEL LOOP
1-3	921152	COMPOSITE FOOTPLATE ASSM 16-17/19-20V	PAIR (16 -17 OR 19 -20V) W/O HEEL LOOP
1-3	921153	COMPOSITE FOOTPLATE ASSM 18-20	PAIR (18 -20) W/O HEEL LOOP
1,2,3A,4-7	921190	COMPOSITE FOOTPLATE ASSM HL LP 14-15	RIGHT (14 -15 OR 16 -18V) W/ HEEL LOOP
1,2,3A,4-7	921191	COMPOSITE FOOTPLATE ASSM HL LP 14-15	LEFT (14 -15 OR 16 -18V) W/ HEEL LOOP
1,2,3A,4-7	921192	COMPOSITE FOOTPLATE ASSM HL LP 16-17	RIGHT (16 -17 OR 19 -20V) W/ HEEL LOOP
1,2,3A,4-7	921193	COMPOSITE FOOTPLATE ASSM HL LP 16-17	LEFT (16 -17 OR 19 -20V) W/ HEEL LOOP
1,2,3A,4-7	921194	COMPOSITE FOOTPLATE ASSM HL LP 18-20	RIGHT (18 -20) W/ HEEL LOOP
1,2,3A,4-7	921195	COMPOSITE FOOTPLATE ASSM HL LP 18-20	LEFT (18 -20) W/ HEEL LOOP
1,2,3A,4-7	921161	COMPOSITE FOOTPLATE ASSM HL 14-15/16-18V	PAIR (14 -15 OR 16 -18V) W/ HEEL LOOP
1,2,3A,4-7	921162	COMPOSITE FOOTPLATE ASSM HL 16-17/19-20V	PAIR (16 -17 OR 19 -20V) W/ HEEL LOOP
1,2,3A,4-7	921163	COMPOSITE FOOTPLATE ASSM HL 18-20	PAIR (18 -20) W/ HEEL LOOP
1,2,3B,4-7	921140	COMPOSITE FOOTPLATE ASSM HEMI HL LP 14-15	RIGHT (14 -15) W/ HEEL LOOP
1,2,3B,4-7	921141	COMPOSITE FOOTPLATE ASSM HEMI HL LP 14-15	LEFT (14 -15) W/ HEEL LOOP
1,2,3B,4-7	921142	COMPOSITE FOOTPLATE ASSM HEMI HL LP 16-17	RIGHT (16 -17) W/ HEEL LOOP
1,2,3B,4-7	921143	COMPOSITE FOOTPLATE ASSM HEMI HL LP 16-17	LEFT (16 -17) W/ HEEL LOOP
1,2,3B,4-7	921144	COMPOSITE FOOTPLATE ASSM HEMI HL LP 18-20	RIGHT (18 -20) W/ HEEL LOOP
1,2,3B,4-7	921145	COMPOSITE FOOTPLATE ASSM HEMI HL LP 18-20	LEFT (18 -20) W/ HEEL LOOP
1,2,3B,4-7	921167	COMPOSITE FOOTPLATE ASSM HEMI HL LPS 14-15	PAIR (14 -15) W/ HEEL LOOP
1,2,3B,4-7	921168	COMPOSITE FOOTPLATE ASSM HEMI HL LPS 16-17	PAIR (16 -17) W/ HEEL LOOP
1,2,3B,4-7	921169	COMPOSITE FOOTPLATE ASSM HEMI HL LPS 18-20	PAIR (18 -20) W/ HEEL LOOP
		Ship assembled part #	Use with multiple assemblies
	ASSY-HNG-FP	HANGER/FOOTPLATE ASSY REQUIRED	add with Hanger & Footplate kit

NOTE: FOR HIGH-MOUNT ADULT ANGLE-ADJUSTABLE FOOTPLATE, SEE "HIGH-MOUNT EXTENSION TUBE" PAGE.

NOTE: ORDER ITEMS 4B AND 7B FOR CHAIRS PRIOR TO 8/13/01.

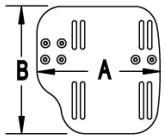
NOTE: ONLY 1 WASHER PRIOR TO 8/13/01.

NOTE: See attached REFERENCE GUIDE.

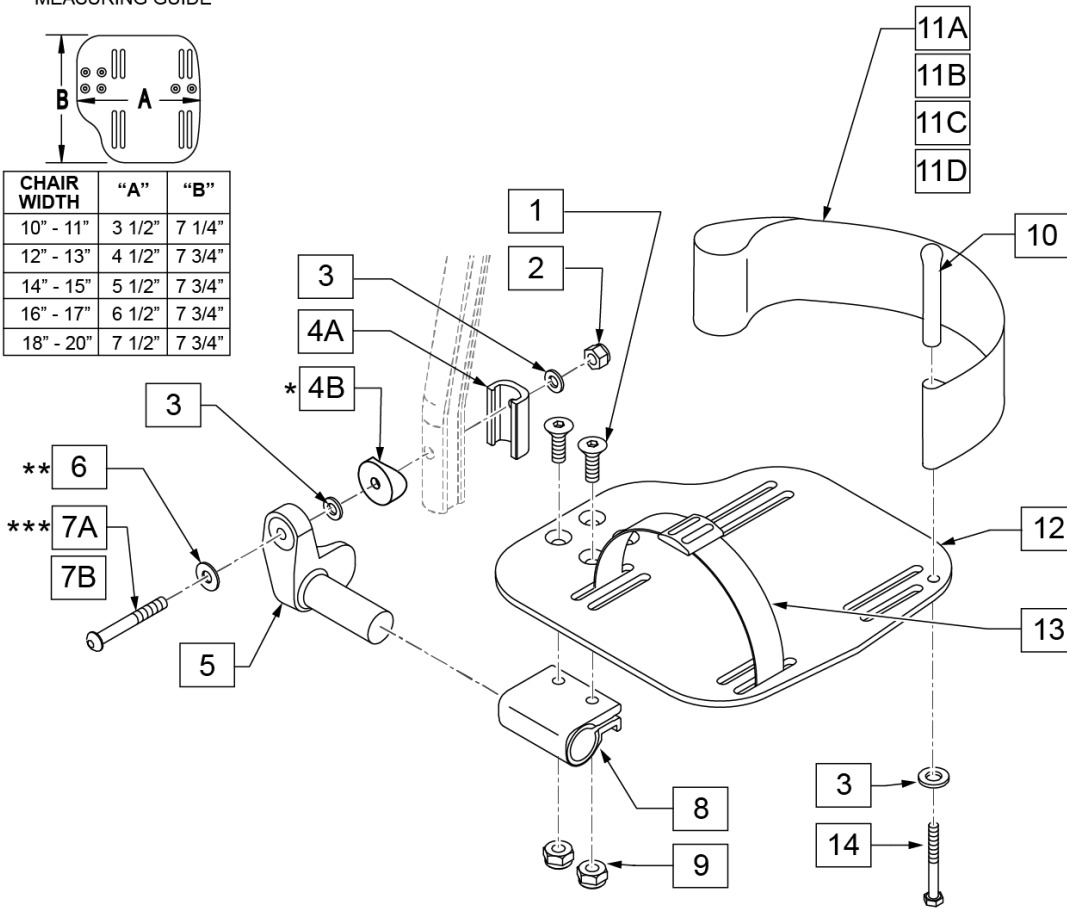
To have complete Footrest ship assembled, choose compatible Hanger + Footplate part numbers and add "ASSY-HNG-FP" to order

INSET FORMULA
 0" Inset (Seat Width) = Footrest Width
 1" Inset (Seat Width) -2" = Footrest Width
 "V" Hanger (Seat Width) -4" = Footrest Width
 Offset Hanger Receiver (Seat Width) +2" = Footrest Width

MEASURING GUIDE



CHAIR WIDTH	"A"	"B"
10" - 11"	3 1/2"	7 1/4"
12" - 13"	4 1/2"	7 3/4"
14" - 15"	5 1/2"	7 3/4"
16" - 17"	6 1/2"	7 3/4"
18" - 20"	7 1/2"	7 3/4"



15 ADLT ANG ADJ FP D2 HDWR KIT			
ITEM #	ILLUSTRATION	DESCRIPTION	QTY
1		1/4-28 X 7/8 FH C/S	2
2		1/4-28 AUTOMATION NUT	1
3		WASHER FLAT THIN AN 1/4	3
6		1/4" SAE WASHER	1
7A		BHCS 1/4-28 X 1-3/4	1
9		NUT NYLOCK THIN 1/4-28	2
10		HEEL LOOP PEG	1
14		1/4-20 X 1 HEX C/S	1

16 ADLT ANG ADJ FP RND HDWR KIT			
ITEM #	ILLUSTRATION	DESCRIPTION	QTY
1		1/4-28 X 7/8 FH C/S	2
2		1/4-28 AUTOMATION NUT	1
3		WASHER FLAT THIN AN 1/4	3
4B		3/4" SADDLE 1" OD	1
6		1/4" SAE WASHER	1
7B		1/4-28 X 1.625 BH C/S BLK	1
9		NUT NYLOCK THIN 1/4-28	2
10		HEEL LOOP PEG	1
14		1/4-20 X 1 HEX C/S	1

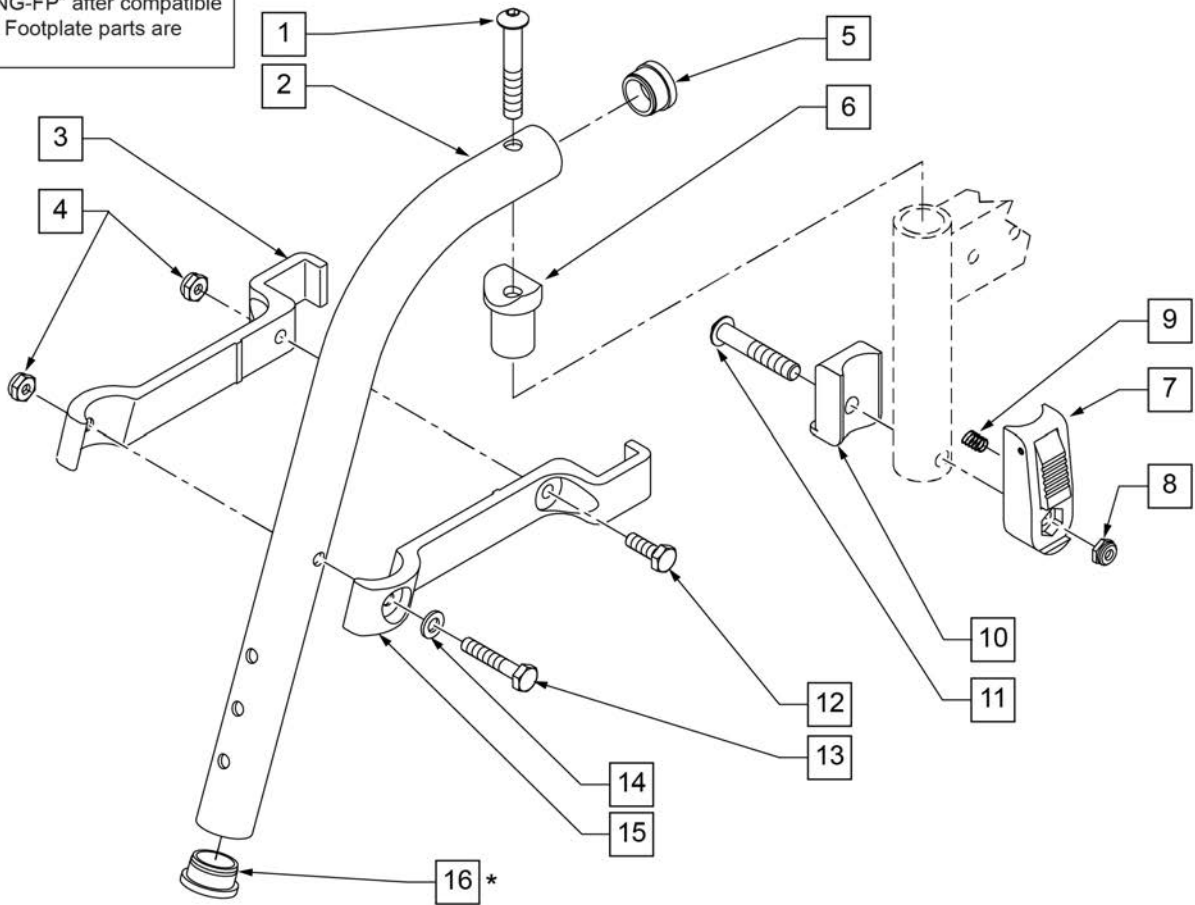
Pos.	Item Number	Description	Remarks
1	106978	1/4-28 x 7/8 FH C/S	
2	106941	1/4-28 AUTOMATION NUT	
3	106944	WASHER FLAT THIN AN 1/4	

Pos.	Item Number	Description	Remarks
4A	483720	HANGER EXTENSION SADDLE LONG	USE W/ DOUBLE D EXT TUBE
4B	561055	3/4" SADDLE 1" OD	USE W/ ROUND EXT TUBE
5	541002	FTRST MOUNTING BRKT-3/8 RAD R	RIGHT
5	541003	FTRST MOUNTING BRKT-3/8 RAD L	LEFT
6	106945	WASHER FLAT SAE 1/4 ROHS	
7A	106962	BHCS 1/4-28 X 1-3/4 ROHS	use w/ Double D Ext Tube
7B	226167	1/4-28 x 1.625 BH C/S BLK	use w/ Round Ext Tube
8	550350	3/4" CLMP ADJ FT PLT	
9	106935	NUT NYLOCK THIN 1/4-28 ROHS	
10	561040	HEEL LOOP PEG	
11A	741154	HEEL LOOP 14-15 CMPST HEMI	used w/ 10-11" Adult Ang Adj Ftplts
11B	741155	HEEL LOOP 16-17 CMPST HEMI	used w/ 12 -13" Adult Ang Adj Ftplts
11C	741153	H/L 18-20 CMPST/14-15 ANG ADJ	used w/ 14-15"/16-17" Adult Ang Adj Ftplts
11D	741253	HEEL LOOP ADLT ADJ F/PLT 18-20	used w/ 18 -20" Adult Ang Adj Ftplts
12	500656	ADLT ANGL ADJ F/PLT 10/11" R	RIGHT
12	500657	ADLT ANGL ADJ F/PLT 10/11" L	LEFT
12	500658	ADLT ANGL ADJ F/PLT 12/13" R	RIGHT
12	500659	ADLT ANGL ADJ F/PLT 12/13" L	LEFT
12	500660	ADLT ANGL ADJ F/PLT 14/15	RIGHT
12	500661	ADLT ANGL ADJ F/PLT 14/15	LEFT
12	500662	ADLT ANGL ADJ F/PLT 16/17	RIGHT
12	500663	ADLT ANGL ADJ F/PLT 16/17	LEFT
12	500664	ADLT ANGL ADJ F/PLT 18-20	RIGHT
12	500665	ADLT ANGL ADJ F/PLT 18-20	LEFT
13	740260	TOE/ANKLE STRAP ADJ ADLT F/PLT	
14	106958	1/4-20 x 1 HEX C/S	
15	101533	ADLT ANG ADJ FP D2 HDWR KIT	for Double D Ext Tubes; Kit for one side
16	101534	ADLT ANG ADJ FP RND HDWR KIT	for Round Ext Tubes (Q2 HP only); Kit for one side
1-3,5,6,8,9,12	820526	AD ANG ADJ F/PLT R 12"/13" OMIT HL	RIGHT
1-3,5,6,8,9,12	820536	AD ANG ADJ F/PLT L 12"/13" OMT HL	LEFT
1-3,5,6,8,9,12	820460	FP ADLT ADJ 14/15 OMIT HL	RIGHT
1-3,5,6,8,9,12	820462	FP ADLT ADJ 14/15 OMIT HL	LEFT
1-3,5,6,8,9,12	820464	FP ADLT ADJ 16/17 OMIT HL	RIGHT
1-3,5,6,8,9,12	820466	FP ADLT ADJ 16/17 OMIT HL	LEFT
1-3,5,6,8,9,12	820468	FP ADLT ADJ 18-20 OMIT HL	RIGHT
1-3,5,6,8,9,12	820470	FP ADLT ADJ 18-20 OMIT HL	LEFT
1-3,5,6,8,9,12	921466	ADLT ANGL ADJ F/PLT 12"/13" OMIT HL	PAIR
1-3,5,6,8,9,12	921320	FP ADLT ADJ 14/15 OMIT HL	PAIR
1-3,5,6,8,9,12	921322	FP ADLT ADJ 16/17 OMIT HL	PAIR
1-3,5,6,8,9,12	921324	FP ADLT ADJ 18-20 OMIT HL	PAIR
1-3,5,6,8,9,11B,12	820522	AD ANGL ADJ F/PLT R 12/13" H/L	RIGHT
1-3,5,6,8,9,11B,12	820532	AD ANGL ADJ F/PLT L 12/13" H/L	LEFT
1-3,5,6,8-10,11C, 12,14	820461	FP ADLT ADJ 14/15 HL	RIGHT
1-3,5,6,8-10,11C, 12,14	820463	FP ADLT ADJ 14/15 HL	LEFT
1-3,5,6,8-10,11C, 12,14	820465	FP ADLT ADJ 16/17 HL	RIGHT
1-3,5,6,8-10,11C, 12,14	820467	FP ADLT ADJ 16/17 HL	LEFT
1-3,5,6,8-10,11D, 12,14	820469	FP ADLT ADJ 18-20 HL	RIGHT
1-3,5,6,8-10,11D, 12,14	820471	FP ADLT ADJ 18-20 HL	LEFT
1-3,5,6,8-10,11B, 12,14	921462	ADLT ANGL ADJ F/PLATE 12"/13" HL	PAIR
1-3,5,6,8-10,11C, 12,14	921321	FP ADLT ADJ 14/15 HL	PAIR
1-3,5,6,8-10,11C, 12,14	921323	FP ADLT ADJ 16/17 HL	PAIR
1-3,5,6,8-10,11D, 12,14	921325	FP ADLT ADJ 18-20 HL	PAIR
		Ship assembled part #	Use with multiple assemblies
	ASSY-HNG-FP	HANGER/FOOTPLATE ASSY REQUIRED	add with Hanger & Footplate kit

NOTE: * ORDER ITEM 16 WHEN NOT USING FOOTREST EXTENSION.

NOTE: IF RETROFITTING LIFT OFF HANGERS TO A CURRENT STYLE Q2, S/A Q2 LITE, LX/LXI, OR ZIPPIE TS, THE OLD-STYLE FRAME COMPONENTS WILL BE REQUIRED. REFER TO PARTS PAGES FOR FRONT SIDE FRAMES FOR Q2 (PRIOR TO Q2V-091821 & Q2H-009882), Q2 LITE (PRIOR TO Q2L-152965), LX/LXI (PRIOR TO LX-061888), AND ZIPPIE TS (PRIOR TO Z1A-038633 & Z1SE-013380).

To request assembly of parts being ordered as a kit, please add "ASSY-HNG-FP" after compatible Hanger & Footplate parts are selected

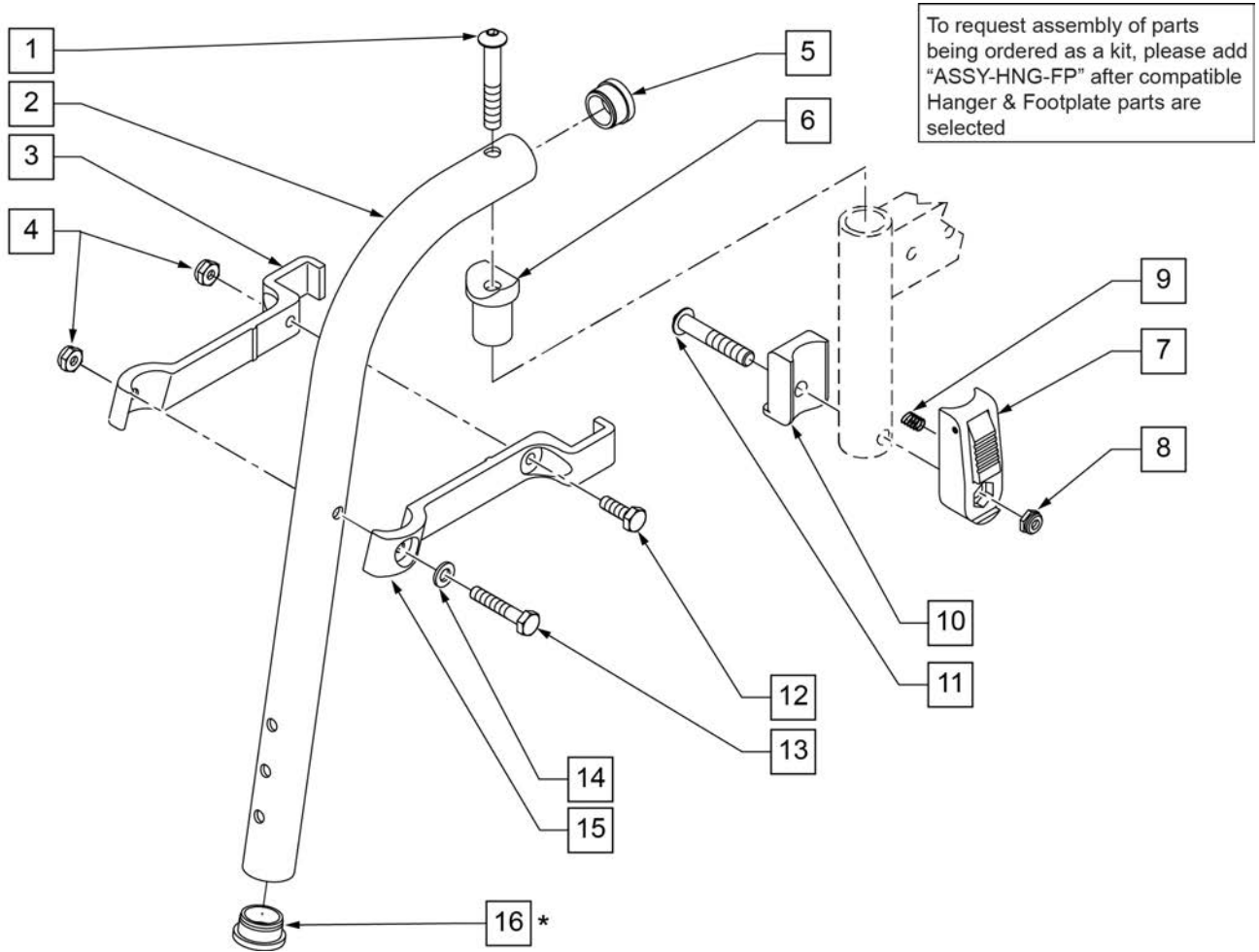


Pos.	Item Number	Description	Remarks
1	106983	BHCS 5/16 -18 x 2 SHLDR ROHS	
3	550152	T45 HANGER BRACKET 70° R	length of bracket: 6 3/4"
4	106935	NUT NYLOCK THIN 1/4 -28 ROHS	
5	561002	1" INSERT PLUG .083	
6	561197	PLASTIC PIVOT SADDLE	
7	880053	FOOTREST BLOCK T45	
8	202117	5/16-18 NYLOCK NUT THICK BLK	
9	321141	.650 x 6 COIL SPRING	
10	560684	T45 FOOTREST BLOCK RECESSED	
11	107029	BHCS 5/16 -18 x 1 5/8 SHLD ROHS	
12	107014	HHCS 1/4 -28 x 3/4 ROHS	
13	106971	HHCS 1/4 -28 x 1 3/8 ROHS	

Pos.	Item Number	Description	Remarks
14	106943	WASHER FLAT AN 1/4 ROHS	
15	550153	T45 HANGER BRACKET 70ø L	length of bracket: 6 3/4"
16	561002	1" INSERT PLUG .083	ORDER WHEN NOT USING FOOTREST EXTENSION
7-11	920720	FOOTREST BLOCK ASSEMBLY W/BOLT HD	required when retrofitting HD Lift Off Hangers to chair
1-6,12-15	641210S	HANGER 70D PNTD R HD	
1-6,12-15	641211S	HANGER 70D PNTD L HD	
		Ship assembled part #	Use with multiple assemblies
	ASSY-HNG-FP	HANGER/FOOTPLATE ASSY REQUIRED	add with Hanger & Footplate kit

NOTE: * ORDER ITEM 16 WHEN NOT USING FOOTREST EXTENSION.

NOTE: IF RETROFITTING LIFT OFF HANGERS TO A CURRENT STYLE Q2, S/A Q2 LITE, LX/LXI, OR ZIPPIE TS, THE OLD-STYLE FRAME COMPONENTS WILL BE REQUIRED. REFER TO PARTS PAGES FOR FRONT SIDE FRAMES FOR Q2 (PRIOR TO Q2V-091821 & Q2H-009882), Q2 LITE (PRIOR TO Q2L-152965), LX/LXI (PRIOR TO LX-061888), AND ZIPPIE TS (PRIOR TO Z1A-038633 & Z1SE-013380).

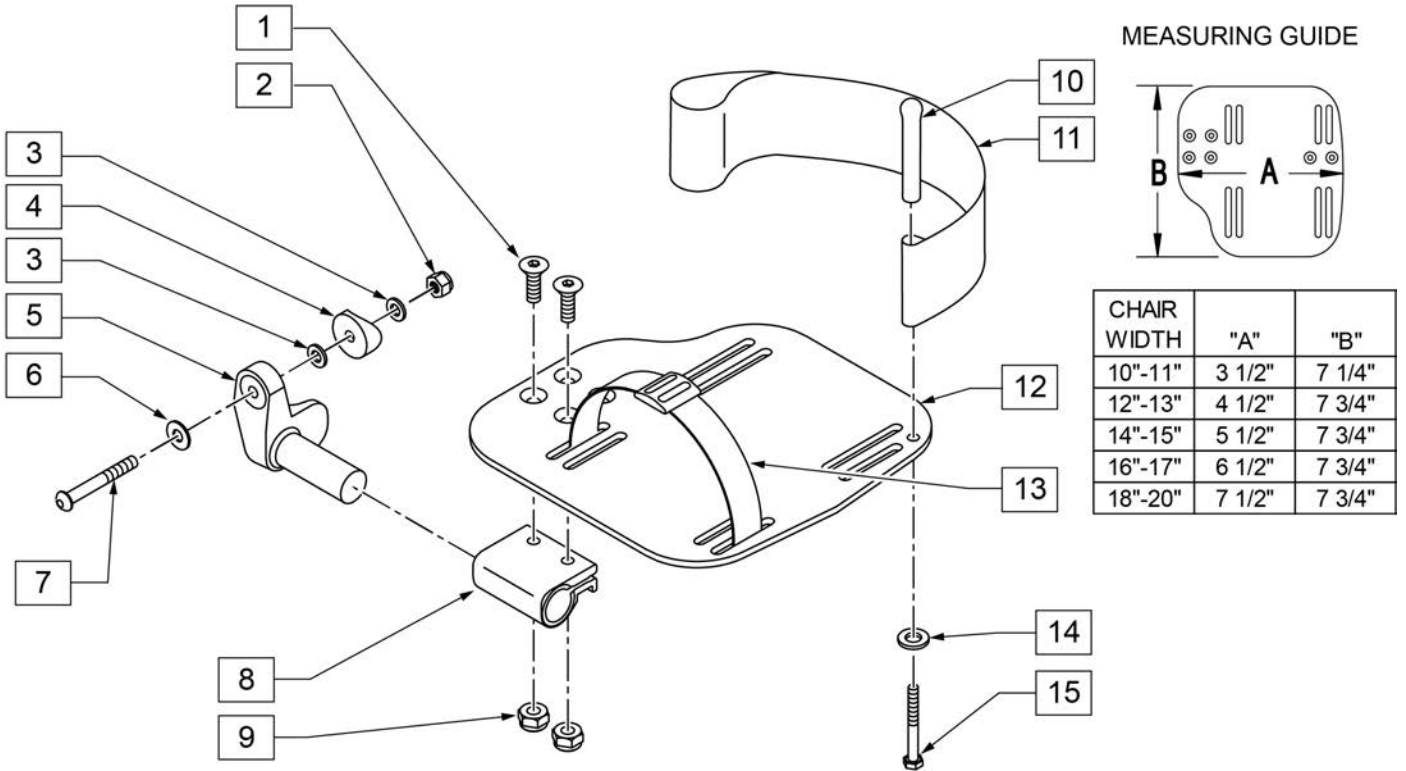


Pos.	Item Number	Description	Remarks
1	106983	BHCS 5/16 -18 x 2 SHLDR ROHS	
3	550154	T45 HANGER BRACKET 80ø R	length of bracket: 6"
4	106935	NUT NYLOCK THIN 1/4 -28 ROHS	
5	561002	1" INSERT PLUG .083	
6	561197	PLASTIC PIVOT SADDLE	
7	880053	FOOTREST BLOCK T45	
8	202117	5/16-18 NYLOCK NUT THICK BLK	
9	321141	.650L x 6 COIL SPRING	
10	560684	T45 FOOTREST BLOCK RECESSED	
11	107029	BHCS 5/16 -18 x 1 5/8 SHLD ROHS	
12	107014	HHCS 1/4 -28 x 3/4 ROHS	
13	106971	HHCS 1/4 -28 x 1 3/8 ROHS	

Pos.	Item Number	Description	Remarks
14	106943	WASHER FLAT AN 1/4 ROHS	
15	550155	T45 HANGER BRACKET 80ø L	length of bracket: 6"
16	561002	1" INSERT PLUG .083	ORDER WHEN NOT USING FOOTREST EXTENSION
7-11	920720	FOOTREST BLOCK ASSEMBLY W/BOLT HD	required when retrofitting HD Lift Off Hangers to chair
1-6,12-15	641200S	HANGER 80D PNTD R HD	
1-6,12-15	641201S	HANGER 80D PNTD L HD	
		Ship assembled part #	Use with multiple assemblies
	ASSY-HNG-FP	HANGER/FOOTPLATE ASSY REQUIRED	add with Hanger & Footplate kit

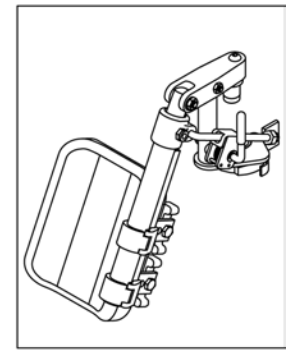
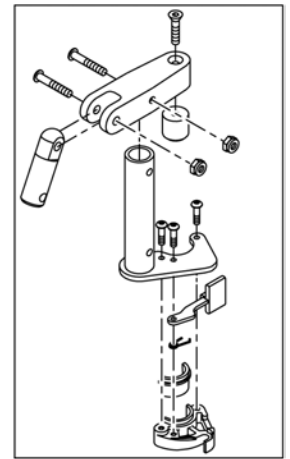
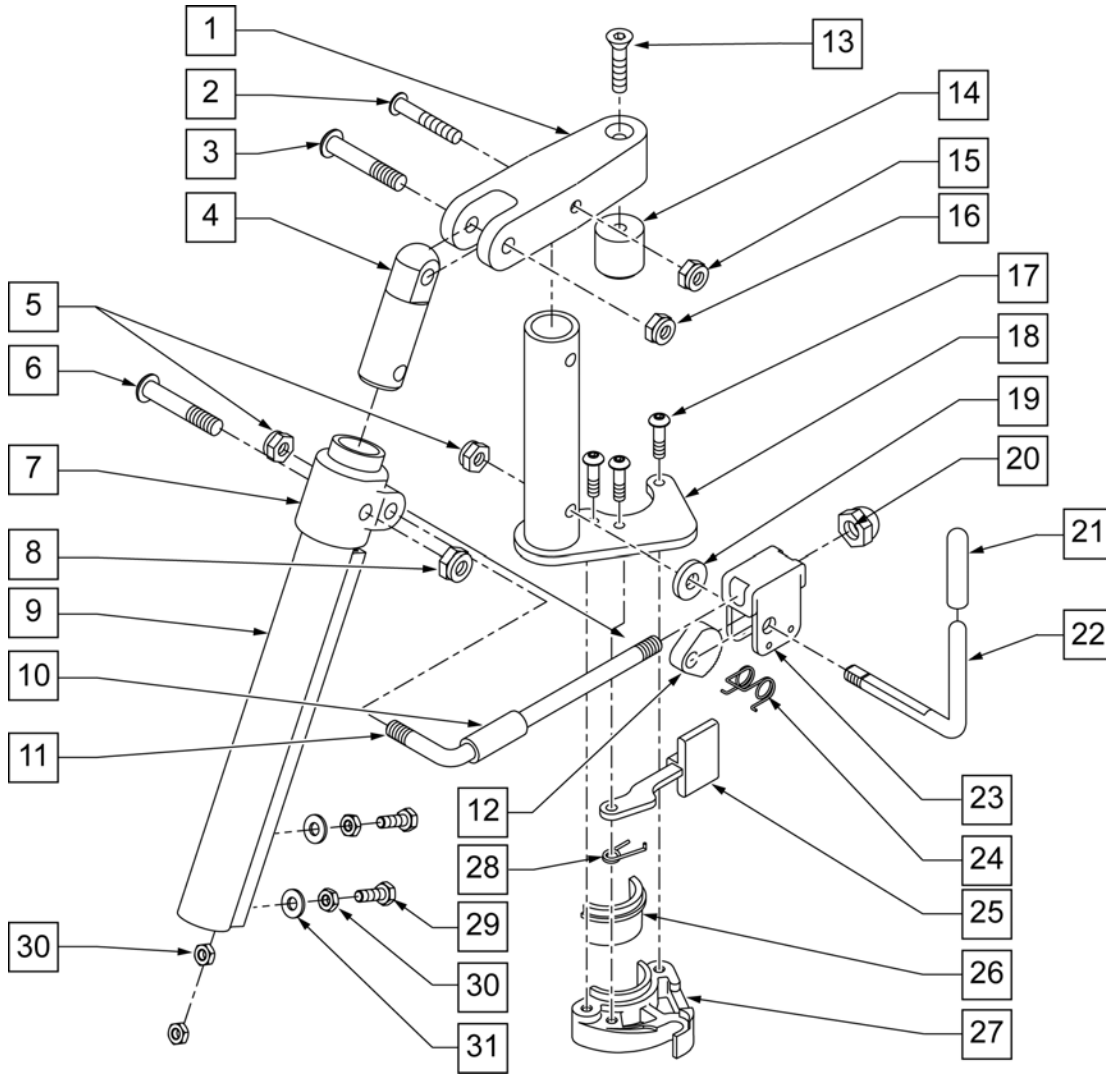
To have complete Footrest ship assembled, choose compatible Hanger + Footplate part numbers and add "ASSY-HNG-FP" to order

INSET FORMULA
 0" Inset (Seat Width) = Footrest Width
 1" Inset (Seat Width) - 2" = Footrest Width
 "V" Hanger (Seat Width) - 4" = Footrest Width
 Offset Hanger Receiver (Seat Width) + 2" = Footrest Width



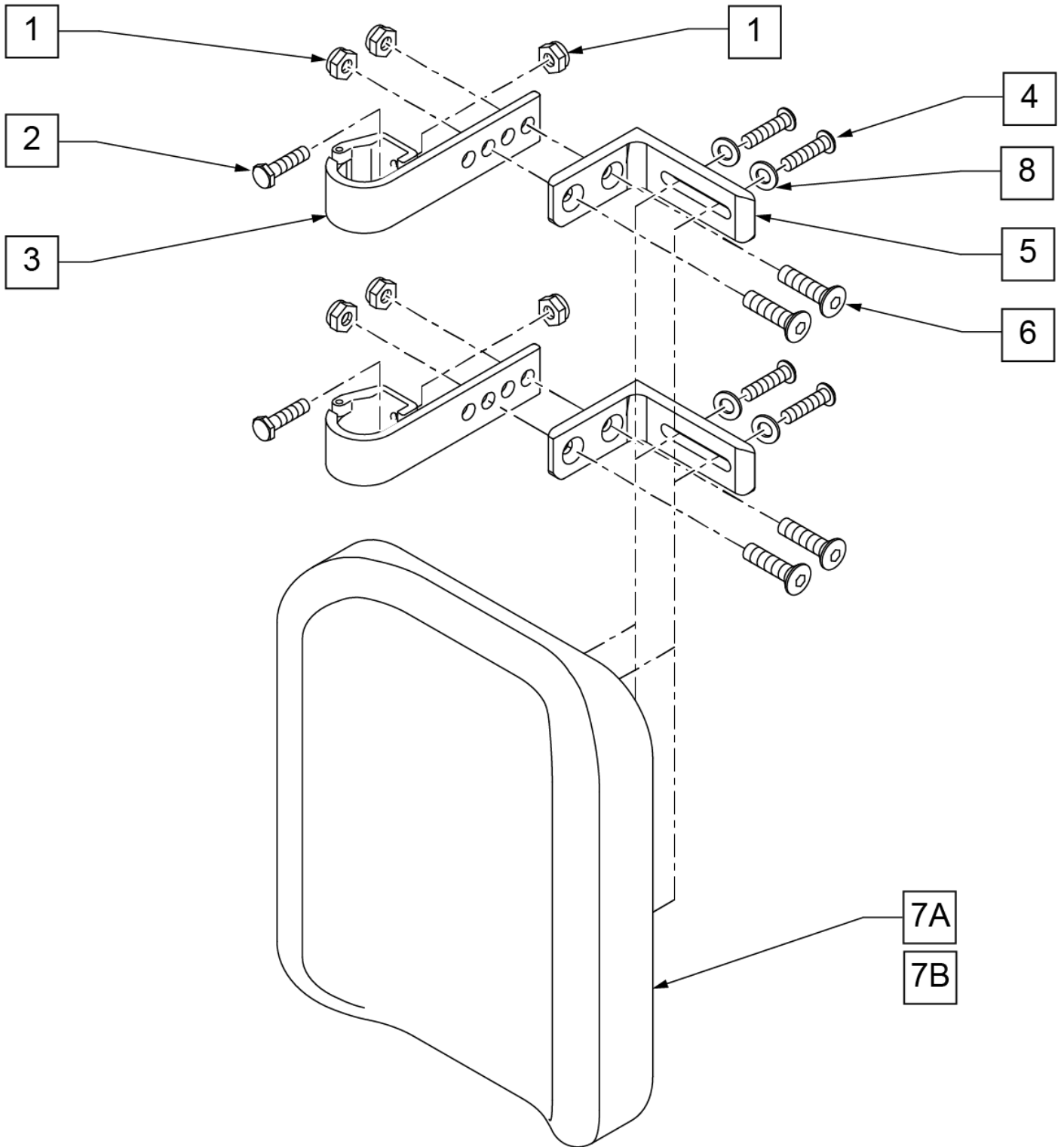
Pos.	Item Number	Description	Remarks
1	106978	FHCS 1/4-28 X 7/8 ROHS	
2	106941	NUT AUTOMATION 1/4-28 ROHS	
3	106943	WASHER FLAT AN 1/4 ROHS	
4	561004	1" SADDLE 1/4" HOLE	
5	541000	FOOTREST MOUNTING BRKT 1/2" RAD R	RIGHT
5	541001	FOOTREST MOUNTING BRKT 1/2" RAD L	LEFT
6	106945	WASHER FLAT SAE 1/4 ROHS	
7	106964	BHCS 1/4-28 X 2	
8	550350	3/4" CLAMP ADJ FOOTPLATE	
9	106935	NUT NYLOCK THIN 1/4-28 ROHS	
10	561040	HEEL LOOP PEG	
11	741153	HEEL LOOP 18-20 CMPST/14-15 ANG ADJ	USED W/ 14-15"/16-17" ADULT ANG ADJ FTPLTS
11	741253	HEEL LOOP ADLT ADJ F/PLT 18-20	USED W/ 18 -20" ADULT ANG ADJ FTPLTS
12	500656	ADULT ANGL ADJ F/PLT 10/11	RIGHT
12	500657	ADULT ANGL ADJ F/PLT 10/11	LEFT
12	500658	ADULT ANGL ADJ F/PLT 12/13	RIGHT
12	500659	ADULT ANGL ADJ F/PLT 12/13	LEFT
12	500660	ADULT ANGL ADJ F/PLT 14/15	RIGHT
12	500661	ADULT ANGL ADJ F/PLT 14/15	LEFT
12	500662	ADULT ANGL ADJ F/PLT 16/17	RIGHT
12	500663	ADULT ANGL ADJ F/PLT 16/17	LEFT
12	500664	ADULT ANGL ADJ F/PLT 18-20	RIGHT
12	500665	ADULT ANGL ADJ F/PLT 18-20	LEFT

Pos.	Item Number	Description	Remarks
13	740260	TOE-ANKLE STRAP ADJ ADULT FOOTPLATE	
14	106943	WASHER FLAT AN 1/4 ROHS	
15	106958	HHCS 1/4-20 X 1 ROHS	
1-9,12	820544	FP ADULT ADJ 90D 10/11 R	RIGHT
1-9,12	820554	FP ADULT ADJ 90D 10/11 L	LEFT
1-9,12	820546	FP ADULT ADJ 90D 12/13 R	RIGHT
1-9,12	820556	FP ADULT ADJ 90D 12/13 L	LEFT
1-9,12	820472	FP ADULT ADJ 90D 14/15 R	RIGHT
1-9,12	820473	FP ADULT ADJ 90D 14/15 L	LEFT
1-9,12	820474	FP ADULT ADJ 90D 16/17 R	RIGHT
1-9,12	820475	FP ADULT ADJ 90D 16/17 L	LEFT
1-9,12	820476	FP ADULT ADJ 90D 18-20 R	RIGHT
1-9,12	820477	FP ADULT ADJ 90D 18-20 L	LEFT
1-9,12	921474	ADULT ANGL ADJ 90D 10/11 OMIT H/L	PAIR
1-9,12	921476	ADULT ANGL ADJ 90D 12/13 OMIT H/L	PAIR
1-9,12	921330	ADULT ANGL ADJ 90D 14/15 OMIT H/L	PAIR
1-9,12	921331	ADULT ANGL ADJ 90D 16/17 OMIT H/L	PAIR
1-9,12	921332	ADULT ANGL ADJ 90D 18-20 OMIT H/L	PAIR
1-12,14,15	820540	F/PLT ADULT ADJ 90D 10/11 R W/ HL	RIGHT
1-12,14,15	820550	F/PLT ADULT ADJ 90D 10/11 L W/ HL	LEFT
1-12,14,15	820542	F/PLT ADULT ADJ 90D 12/13 R W/ HL	RIGHT
1-12,14,15	820552	F/PLT ADULT ADJ 90D 12/13 L W/ HL	LEFT
1-12,14,15	820478	F/PLT ADULT ADJ 90D 14/15 R W/ HL	RIGHT
1-12,14,15	820479	F/PLT ADULT ADJ 90D 14/15 L W/ HL	LEFT
1-12,14,15	820480	F/PLT ADULT ADJ 90D 16/17 R W/ HL	RIGHT
1-12,14,15	820481	F/PLT ADULT ADJ 90D 16/17 L W/ HL	LEFT
1-12,14,15	820482	F/PLT ADULT ADJ 90D 18-20 R W/ HL	RIGHT
1-12,14,15	820483	F/PLT ADULT ADJ 90D 18-20 L W/ HL	LEFT
1-12,14,15	921470	F/PLT ADULT ADJ 90D 10/11 W/ HL	PAIR
1-12,14,15	921472	F/PLT ADULT ADJ 90D 12/13 W/ HL	PAIR
1-12,14,15	921333	F/PLT ADULT ADJ 90D 14/15 W/ HL	PAIR
1-12,14,15	921334	F/PLT ADULT ADJ 90D 16/17 W/ HL	PAIR
1-12,14,15	921335	F/PLT ADULT ADJ 90D 18-20 W/ HL	PAIR
		Ship assembled part #	Use with multiple assemblies
	ASSY-HNG-FP	HANGER/FOOTPLATE ASSY REQUIRED	add with Hanger & Footplate kit



Pos.	Item Number	Description	Remarks
1	550712	ELR PIVOT BLOCK M6	
2	226130	1/4-28 x 1 1/2 BH C/S	
3	226138	5/16-24 x 1 1/2 BH C/S	
4	540252	ELR PIVOT PRS	
5	106939	5/16-24 NYLOCK NUT THIN	
6	226138	5/16-24 x 1 1/2 BH C/S	
7	560420	ELR UPPER PIVOT PLST	
8	106939	5/16-24 NYLOCK NUT THIN	
9	550722S	ELR ADJUSTMENT TUBE	
10	560787	ELR ADJUSTABLE STOP, STEEL	
11	481117	ELR LOCK ROD	
12	481119	ELR CAM LOCKING POWDERED METAL	
13	226121	1/4-20 x 1 FH C/S BLK	
14	483126	ELR PLUG .125	
15	106935	NUT NYLOCK THIN 1/4-28 ROHS	
16	106939	5/16-24 NYLOCK NUT THIN	
17	226057	10/24 x .725 BTTN HD SOC BZ	
18	505376	ELR HANGER BRKT R STL	RIGHT
18	505377	ELR HANGER BRKT L STL	LEFT

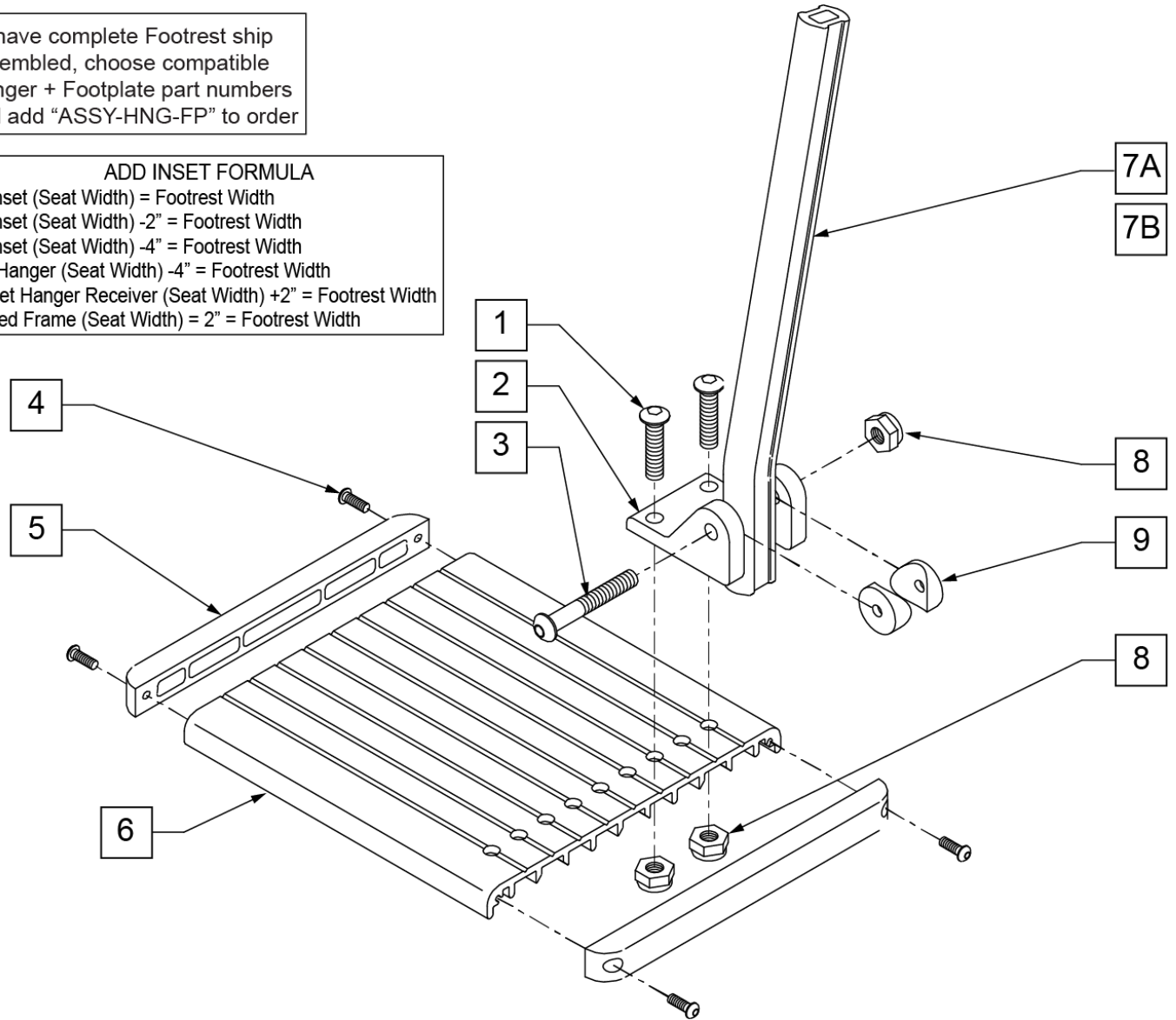
Pos.	Item Number	Description	Remarks
19	561059	3/4 OD x .318 ID WASHER	
20	202109	5/16-24 ACORN NUT HEX	
21	561049	ELR RELEASE ROD COVER	
22	481122	ELR ACTUATION ARM	
23	880990	ELR LOCK HOUSING W/PIN	
24	321106	ELR TORSION SPRING	
25	561079	S/A LATCH LEVER	
28	321136	S/A SPRING L RED	LEFT
28	321137	S/A SPRING R CLEAR	RIGHT
29	107014	1/4-28 x 3/4 HEX C/S	
30	201112	1/4-28 NUT THIN	
31	106944	1/4 AN WASHER FLAT THIN	
26,27	881500	LATCH BLOCK ASSM R	RIGHT
26,27	881501	LATCH BLOCK ASSM L	LEFT
5,10-12,19-24	881083	ELR LOCK ROD/ARM ASSM R M6	RIGHT
5,10-12,19-24	881144	ELR LOCK ROD/ARM ASSM L M6	LEFT
21,22	882410S	ELR ACTUATION ARM ASSEMBLY	
1-31	641462S	ELR HANGER W/O PAD PNTD R M6	RIGHT
1-31	641463S	ELR HANGER W/O PAD PNTD R M6	LEFT



Pos.	Item Number	Description
1	106935	NUT NYLOCK THIN 1/4-28 ROHS
2	221096	1/4-28 x 5/8 HEX C/S
3	881413	CALF PAD BRACKET ASSEMBLY
4	226332	1/4-20 x 7/8 BH C/S BLK W/PTCH
5	554082	MOUNTING BRACKET, CALF PAD, M6
6	226105	1/4-28 x 3/4 FH C/S BLK
7A	755018	CALF PAD ELR R M6
7B	755021	CALF PAD ELR L M6
8	106943	WASHER FLAT AN 1/4
1-6,7A,8	755016	ELR CALF PAD ASSM R M6 22-30"
1-6,7B,8	755019	ELR CALF PAD ASSM L M6 22"-30"

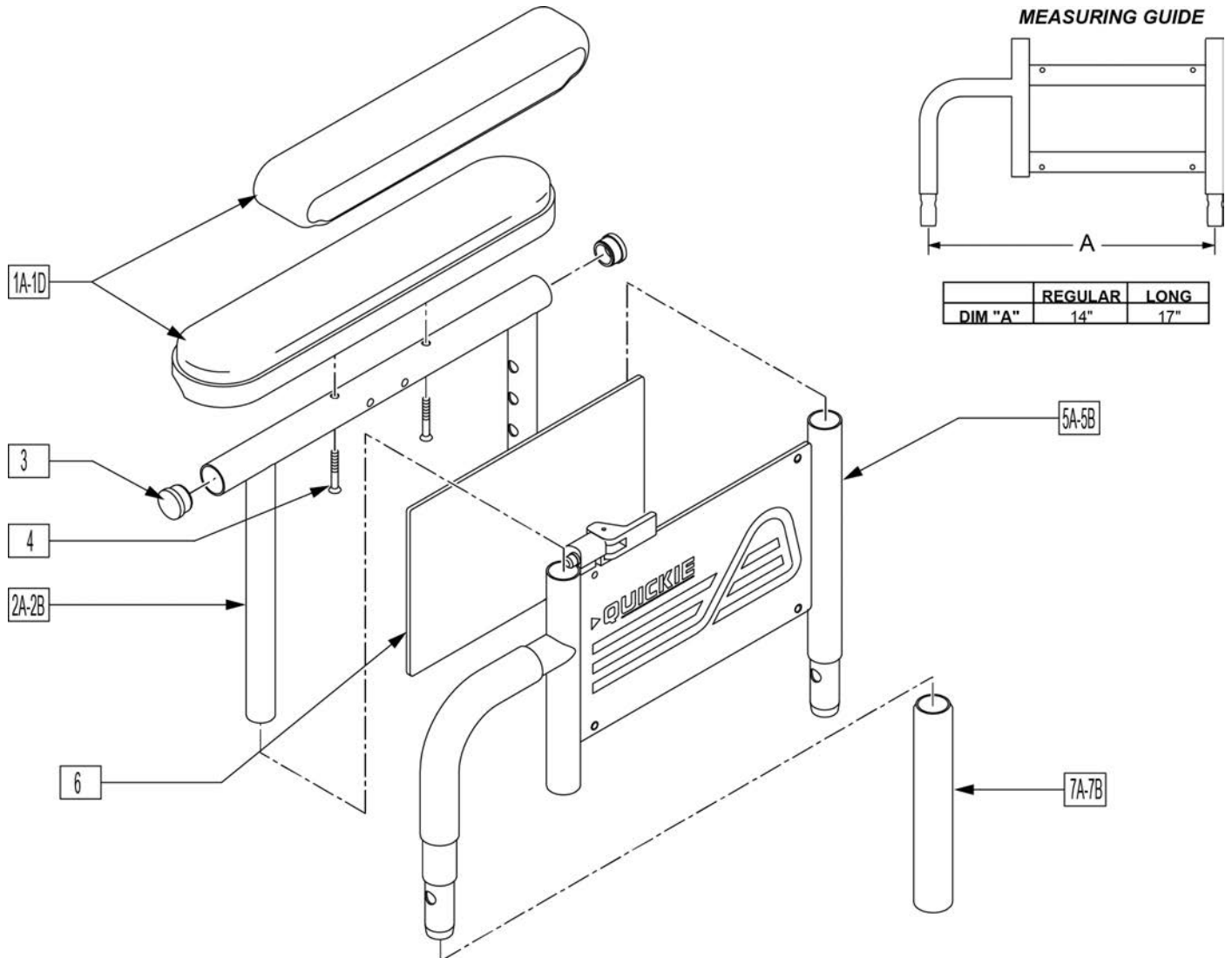
To have complete Footrest ship assembled, choose compatible Hanger + Footplate part numbers and add "ASSY-HNG-FP" to order

ADD INSET FORMULA
 0" Inset (Seat Width) = Footrest Width
 1" Inset (Seat Width) -2" = Footrest Width
 2" Inset (Seat Width) -4" = Footrest Width
 "V" Hanger (Seat Width) -4" = Footrest Width
 Offset Hanger Receiver (Seat Width) +2" = Footrest Width
 Flared Frame (Seat Width) = 2" = Footrest Width



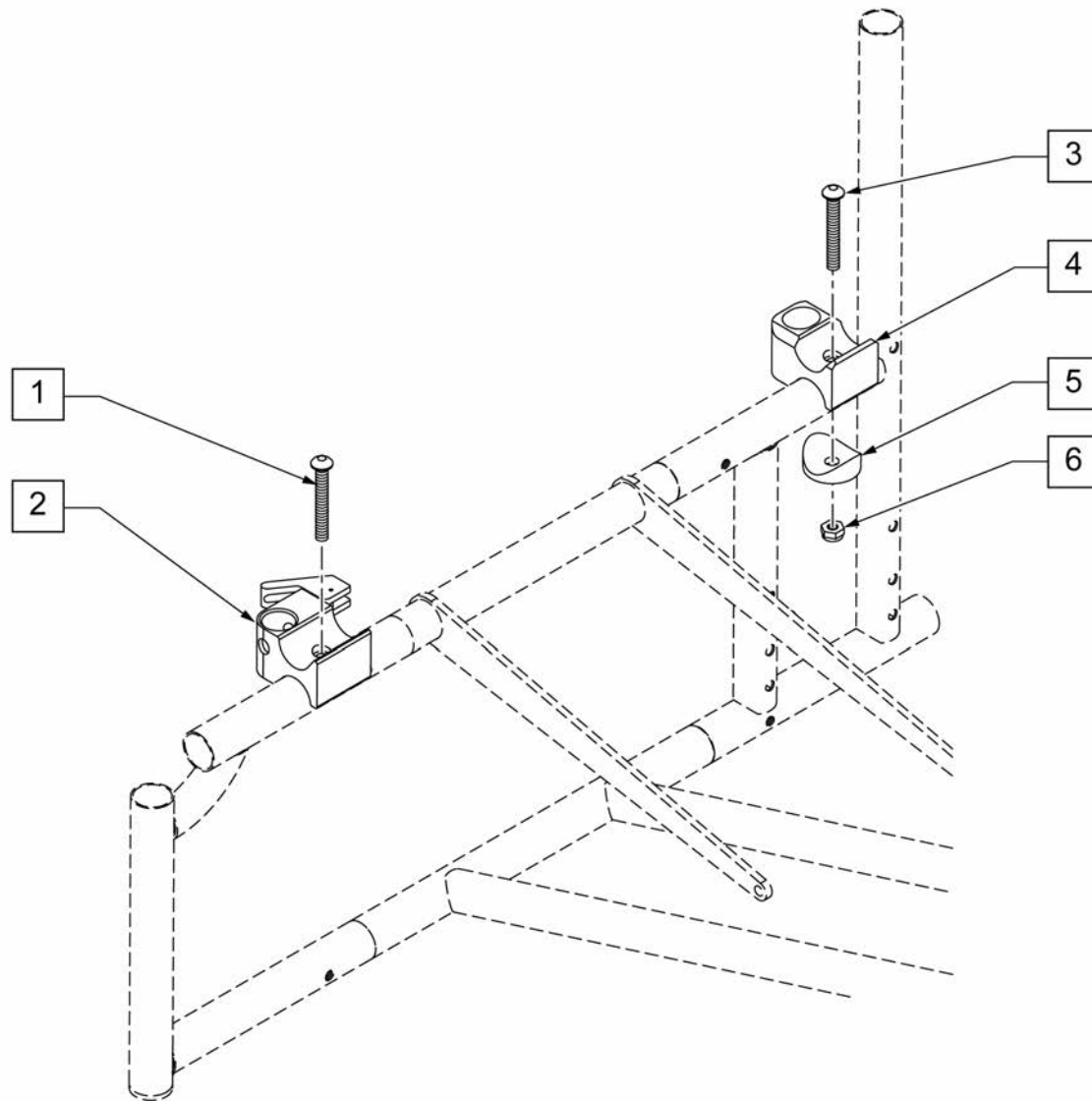
Pos.	Item Number	Description	Remarks
1	106959	1/4-28 x 5/8 BH C/S	
2	550739	FOOTPLATE MNT BRKT	
3	226147	1/4-28 x 1.85 BH C/S	
4	281043	#4 x 5/8 PH PHIL S/TAP	
5	560101	END CAPS FOOTREST	
7A	550764	S/A HANGER EXT D2 SHORT BLK	
7B	550766	S/A HANGER EXT D2 LONG BLK	
8	106935	NUT NYLOCK THIN 1/4-28 ROHS	
9	561003	3/4" SADDLE THIN	
4-6	883157	ELR FOOTPLATE 22 -30"	
1-6,8,9	921407	ELR FOOTPLATE KIT 22 -30"	
1-6,8,9	921399	ALUM FTPLT KIT 22-30" ANO M6	for Round Ext Tube
1,3,4,8	101562	ELR FOOTPLATE HDWR KIT	
		Ship assembled part #	Use with multiple assemblies
	ASSY-HNG-FP	HANGER/FOOTPLATE ASSY REQUIRED	add with Hanger & Footplate kit

Note: for Quickie M6 if retrofitting armrests to a chair where they were originally omitted, order one each of 881256 & 881257 front receivers. The rear receivers are already on the chair.



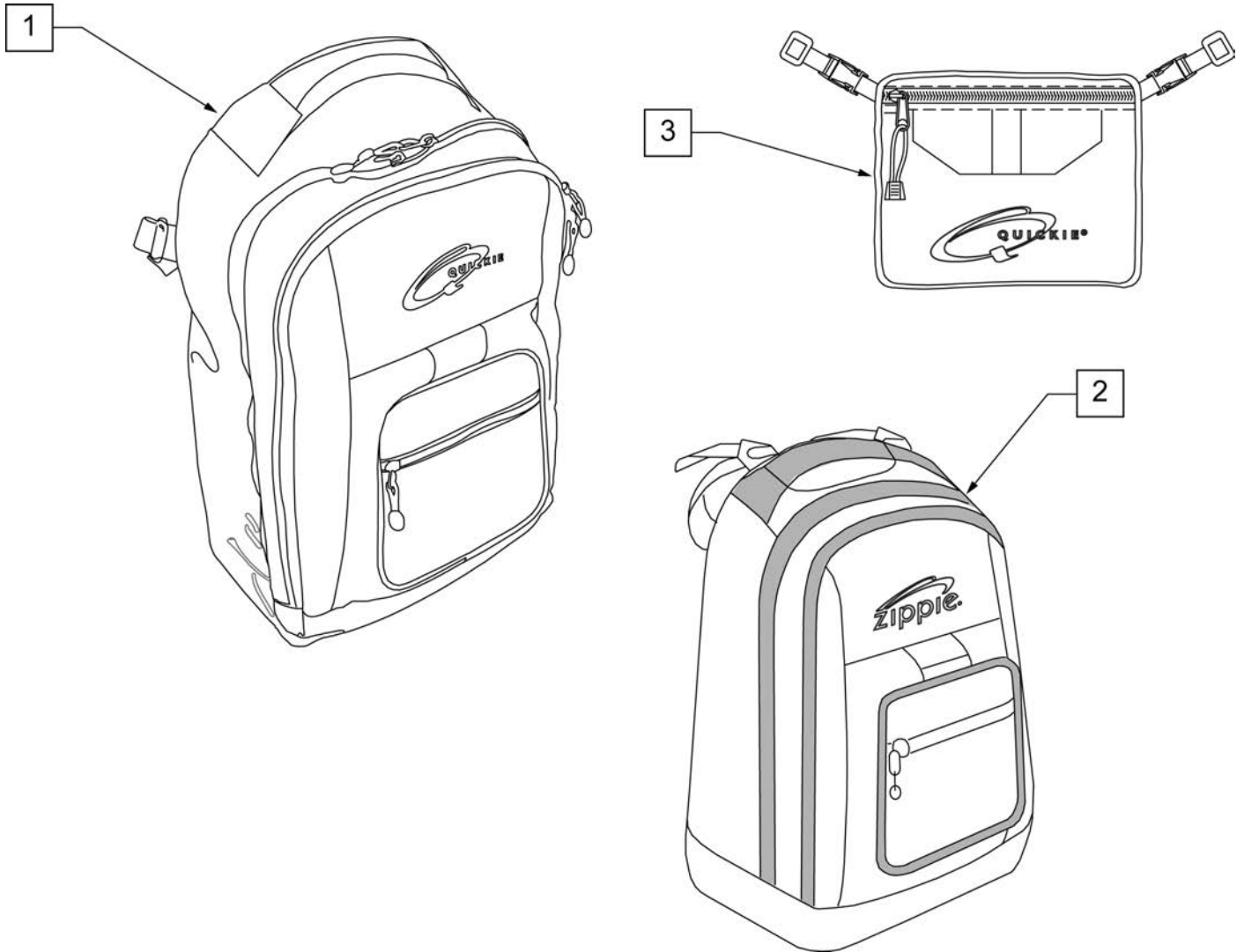
Pos.	Item Number	Description	Remarks
1A	561280	ARMREST PAD 10" LEFT W/F	Left,Desk,Waterfall
1A	561281	ARMREST PAD 10" RIGHT W/F	Right,Desk,Waterfall
1B	561284	ARMREST PAD 14" LEFT W/F	Left,Full,Waterfall
1B	561285	ARMREST PAD 14" RIGHT W/F	Right,Full,Waterfall
1C	561024	ARMREST PAD 10" DESK	Desk Pad
1D	561031	ARMREST PAD 14" FULL	Full Pad
2A	521841	DUAL PST ADJ UPPR ARM DESK PW	Desk
2B	521843	DUAL PST ADJ UPPR ARM FULL PW	Full
3	560735	7/8" ROUND TUBE PLUG	
4	226038	10-32 x 1 3/8 BH C/S BLK	
5A	881556	ARM ASSM LOWER HT ADJ REG R	Right, Regular
5A	881557	ARM ASSM LOWER HT ADJ REG L	Left, Regular
5B	881558	DUAL POST ADJ LOWER ARM LONG R	Right, Long

Pos.	Item Number	Description	Remarks
5B	881559	DUAL POST ADJ LOWER ARM LONG L	Left, Long
6	750009	INSIDE ARMREST PAD (P-222/S-626)	
7A	560514	FOAM 8" x .840 TUBE	Regular
7B	560614	11" x .840 FOAM TUBE	Long
1C,2A,3,4	881446	DUALPOST UHA AREST RH INC DESK	
1C,2A,3,4	881447	DUALPOST UHA AREST LH INC DESK	
1D,2A,3,4	881448	DUALPOST UHA AREST RH INC FULL	
1D,2A,3,4	881449	DUALPOST UHA AREST LH INC FULL	
1A,2A,3,4	881240	D-POST UPPR L ARM ASSM DSK W/F	
1A,2A,3,4	881241	D-POST UPPR R ARM ASSM DSK W/F	
1B,2B,3,4	881242	D-POST UPPR L ARM ASSM FL W/F	
1B,2B,3,4	881243	D-POST UPPR R ARM ASSM FL W/F	
1A,2A,3,4,5A,6	881308	D-POST SHT L W/DSK W/F PAD	
1A,2A,3,4,5A,6	881309	D-POST SHT R W/DSK W/F PAD	
1B,2B,3,4,5A,6	881310	D-POST SHT L W/FL W/F PAD	
1B,2B,3,4,5A,6	881311	D-POST SHT R W/FL W/F PAD	
1A,2A,3,4,5B,6	881312	D-PST LNG ADJ L W/DSK W/F PAD	
1A,2A,3,4,5B,6	881313	D-PST LNG ADJ R W/DSK W/F PAD	
1B,2B,3,4,5B,6	881314	D-POST LNG ADJ L W/FL W/F PAD	
1B,2B,3,4,5B,6	881315	D-POST LNG ADJ R W/FL W/F PAD	
1C,2A,3,4,5A,6	881572	DUAL POST ADJ SHT W/DSK R PWR	
1C,2A,3,4,5A,6	881573	DUAL POST ADJ SHT W/DSK L PWR	
1D,2B,3,4,5B,6	881574	DUAL POST ADJ LONG W/FL R PWR	
1D,2B,3,4,5B,6	881575	DUAL POST ADJ LONG W/FL L PWR	
1C,2A,3,4,5B,6	881576	DUAL POST ADJ LONG W/DSK R PWR	
1C,2A,3,4,5B,6	881577	DUAL POST ADJ LONG W/DSK L PWR	
1D,2B,3,4,5A,6	881578	DUAL POST ADJ SHT W/FL R PWR	
1D,2B,3,4,5A,6	881579	DUAL POST ADJ SHT W/FL L PWR	

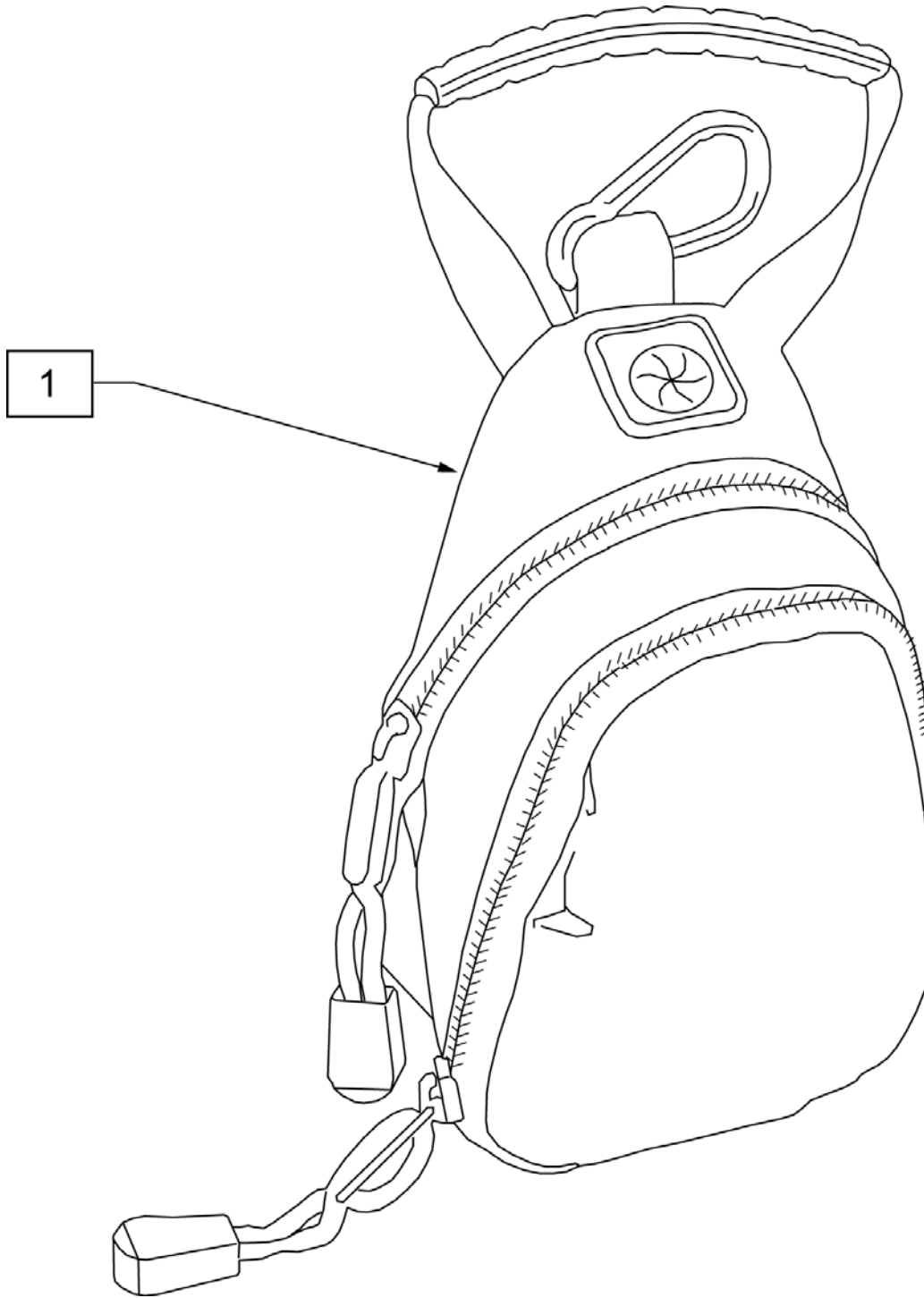


Pos.	Item Number	Description	Remarks
1	226123	1/4-20 x 1 BH C/S BLK ZN	
3	226140	1/4-28 x 1 3/4 BH C/S	
4	550047	RECEIVER ARMREST SEAT SADDLE	
5	561004	1" SADDLE 1/4" HOLE	
6	106934	1/4-28 NYLOCK NUT	
1,2	881256	DUAL POST REC FRT R ASSM	RIGHT
1,2	881257	DUAL POST REC FRT L ASSM	LEFT
3-6	881258	DUAL POST REC REAR STD	

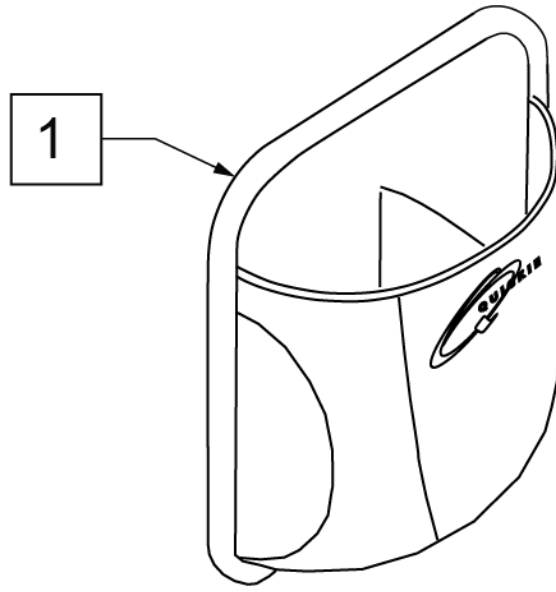
NOTE: KIDS BACKPACKS DO NOT HAVE ADJUSTABLE STRAPS W/ BUCKLES.



Pos.	Item Number	Description	Remarks
1	750115	BACK PACK QUICKIE	Overall dimensions:width 12.5", height 18.5", depth 6.5"
2	104572	BACKPACK ZIPPIE	Overall dimensions: width 12", height 16.5", depth 4.5"
3	750307	SEAT POUCH QUICKIE	Dimensions: width 8.5", height 6", depth top 2.5", depth bottom 3.5"



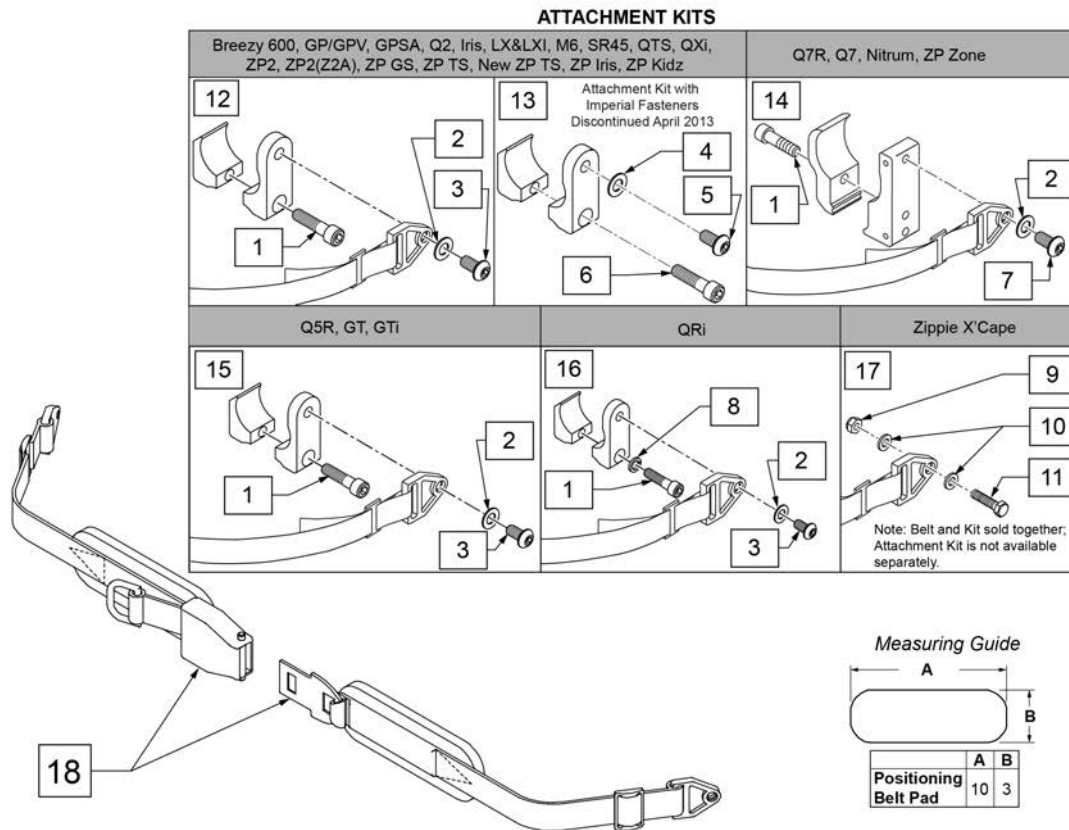
Pos.	Item Number	Description
1	109229	CELL PHONE PACK (ORANGE)



Pos.	Item Number	Description	Remarks
1	013475	QUICKIE SIDE POCKET	Size: 6.5"x 6.5"x 2"

Note: some items listed may not be available with every chair model or in conjunction with another chair feature.

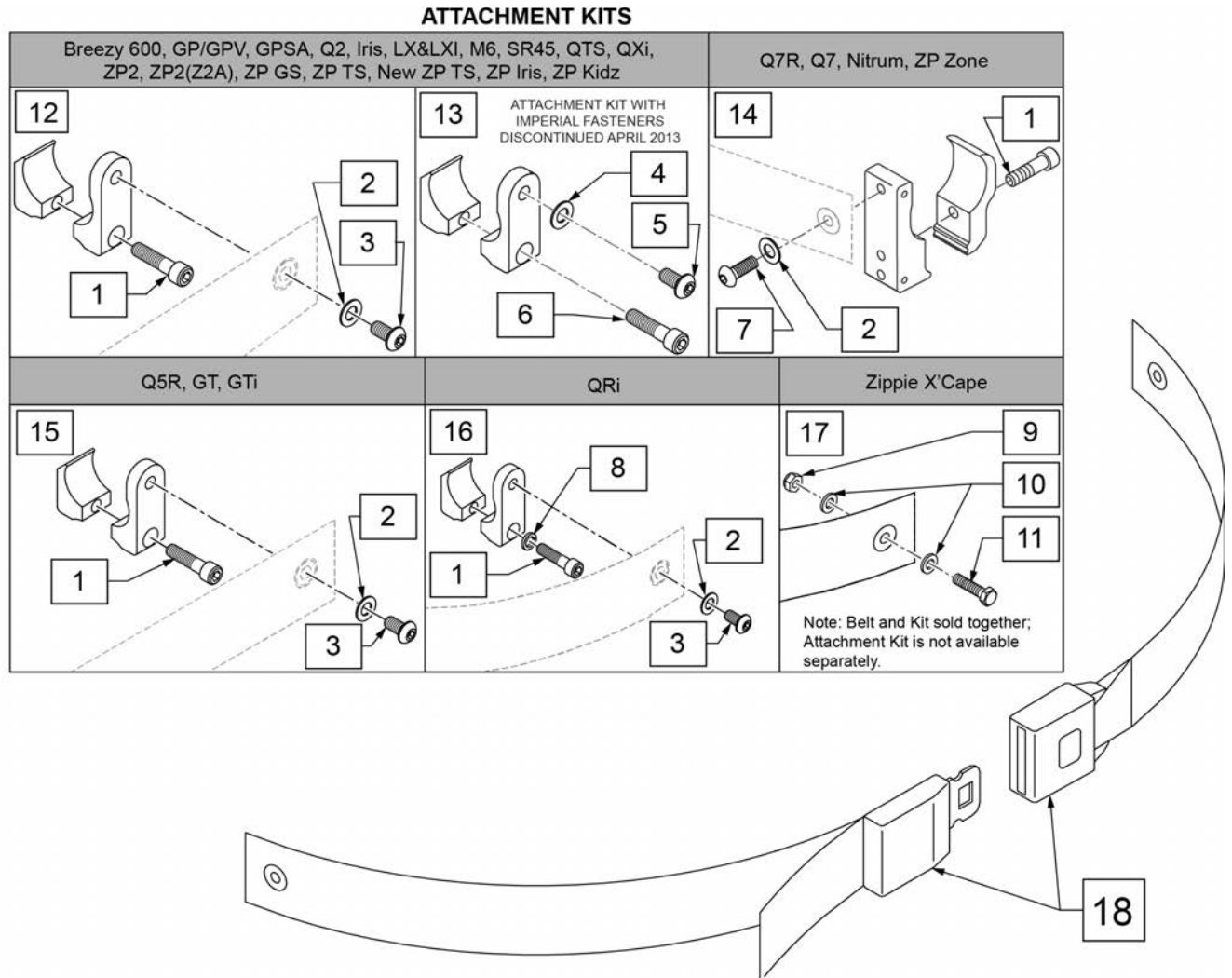
NOTE: when mounting Positioning Belts to the 5R, GT or GTi, it is recommended to attach the belt by using the Backrest Support Bracket Hardware.



Pos.	Item Number	Description	Remarks
1	102263-003	SHCS M6 X 1 X 25 W/PL INORG	Metric
2	250104	WASHER FLAT M6	Metric
3	103185-005	BHCS M6 X 1 X 12 FULL PL	Metric
4	106943	WASHER FLAT AN 1/4 ROHS	Imperial (standard)
5	226154	1/4-20 X 1/2 BH C/S W/PATCH	Imperial (standard)
6	221116	1/4-20 X 1 SOC HD BLK	Imperial (standard)
7	230113	BHCS M6 X 1 X 12	
8	050129-001	LOCKWASHER HIGH COLLAR M6	
9	104381	NUT HEX NYLOCK M6 X 1.0	
10	107383	WASHER FLAT M6	
11	102268-002	HHCS M6 X 1 X 35 BLK	
12	120750	PSTN BELT CLAMP ASSM PR	Metric; Pair
13	900116	POSITION BELT ATTACHMENT KIT	Set of 2; Imperial (standard)
14	116268	OVAL CLAMP ASSM KIT	Kit contains 1 Clamp

Pos.	Item Number	Description	Remarks
15	159122	POSITIONING BELT CLAMPS PR	Pair
16	123534	POS BELT CLAMP KIT RPO	Set of 2
18	450418-QU	BELT 2" AIRCRAFT BUCKLE	Max length of belt 64"
18	450423-QU	BELT 2" AIRCRAFT BUCKLE W/PAD	Max length of belt 64"
18	450424	BELT 2" AIRCRAFT BKL LONG W/PAD	Max length of belt 72"
18	450425	BELT 2" AIRCRAFT BKL LONG	Max length of belt 72"
18	450419-QU	BELT 2" AIRCRAFT BKL W/QUAD LP	Max length of belt 64"
18	468419	BELT 2" AIRCRAFT BKL W/QD LPCZ	Max length of belt 64"
17,18	136464	AIRCRAFT HIP BELT 2" KIT	ZP Xcape: includes Belt & Attachment Kit
17,18	136465	AIRCRAFT HIP BELT 2" PAD KIT	ZP Xcape: includes Belt & Attachment Kit

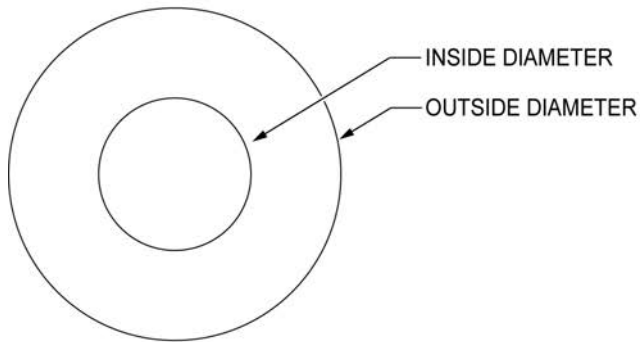
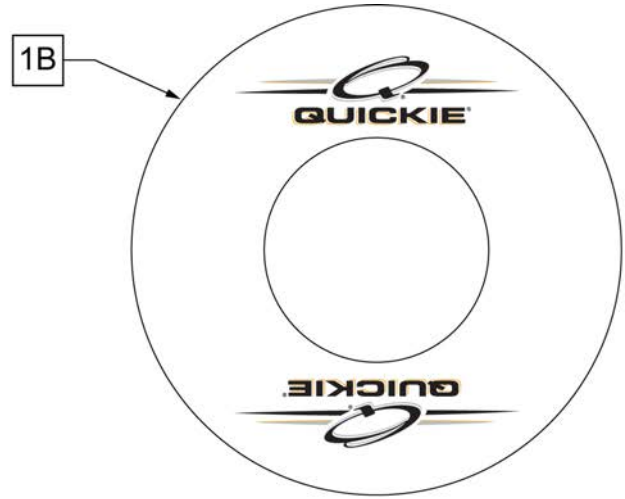
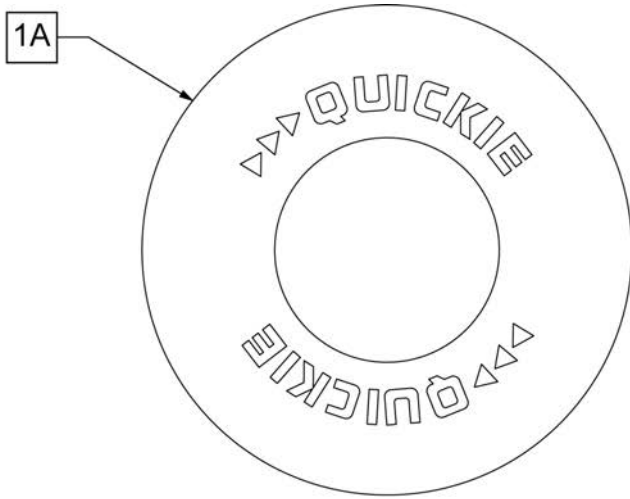
NOTE: when mounting Positioning Belts to the 5R, GT or GTI, it is recommended to attach the belt by using the Backrest Support Bracket Hardware.



Pos.	Item Number	Description	Remarks
1	102263-003	SHCS M6 X 1 X 25 W/PL INORG	Metric
2	250104	WASHER FLAT M6	Metric
3	103185-005	BHCS M6 X 1 X 12 FULL PL	Metric
4	106943	WASHER FLAT AN 1/4 ROHS	Imperial (standard)
5	226154	1/4-20 X 1/2 BH C/S W/PATCH	Imperial (standard)
6	221116	1/4-20 X 1 SOC HD BLK	Imperial (standard)
7	230113	BHCS M6 X 1 X 12	
8	050129-001	LOCKWASHER HIGH COLLAR M6	
9	104381	NUT HEX NYLOCK M6 X 1.0	
10	107383	WASHER FLAT M6	
11	102268-002	HHCS M6 X 1 X 35 BLK	
12	120750	PSTN BELT CLAMP ASSM PR	Metric; Pair
13	900116	POSITION BELT ATTACHMENT KIT	Set of 2; Imperial (standard)
14	116268	OVAL CLAMP ASSM KIT	Kit contains 1 Clamp
15	159122	POSITIONING BELT CLAMPS PR	

Pos.	Item Number	Description	Remarks
16	123534	POS BELT CLAMP KIT RPO	Set of 2
18	750276	1 1/2" POSITION BELT	AUTOSTYLE-64" Max length of belt.
16,18	124269	AUTO POS BELT W/CLAMPS RPO	QRI: includes Belt & Attachment Kit
17,18	136463	AUTO HIP BELT 1.5" KIT	ZP Xcape: includes Belt & Attachment Kit

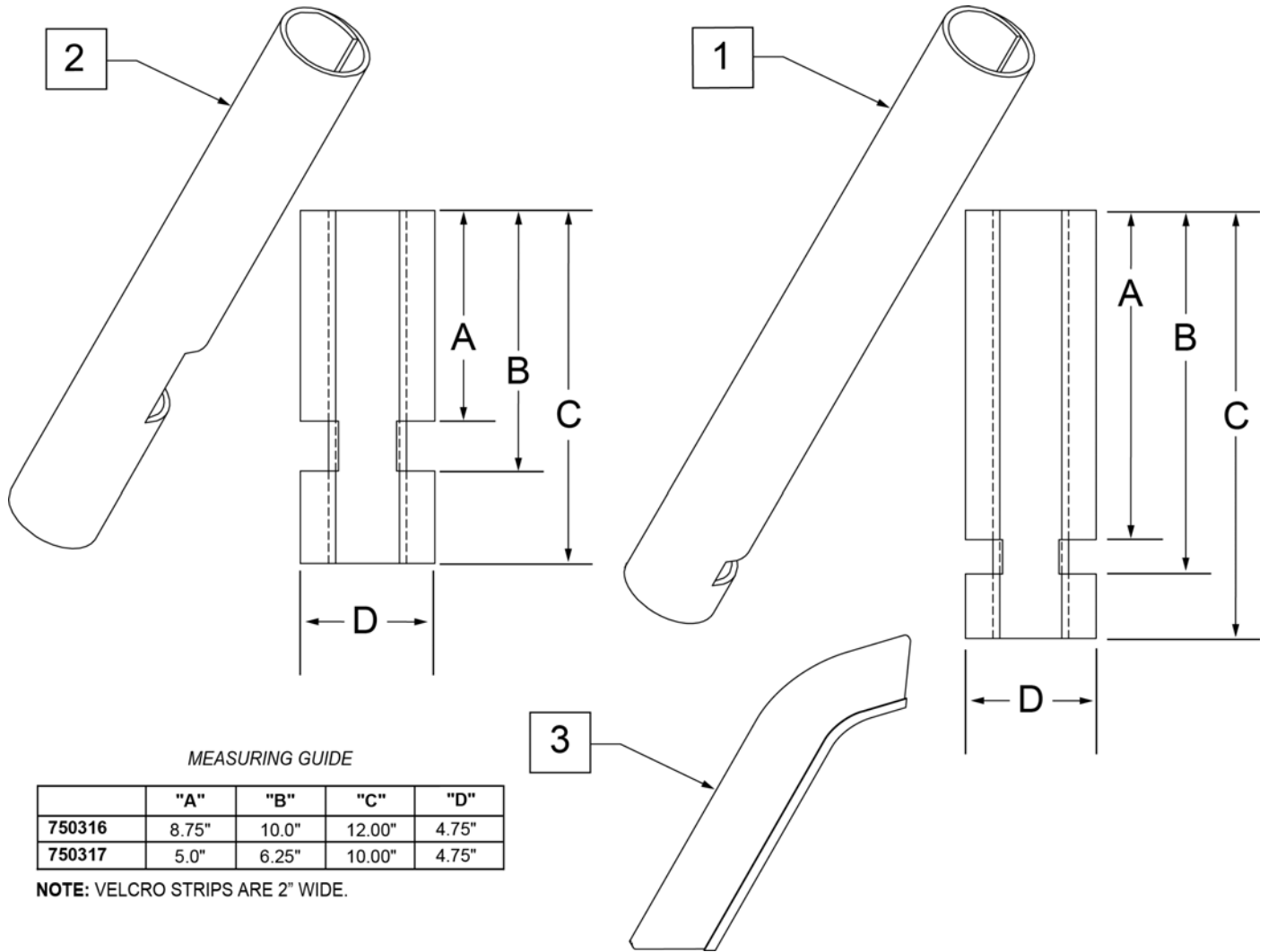
Note: Not available with 5 Spoke Mag or Xtender wheels. Not available with Projection style handrims.



SPOKE GUARD MEASURING GUIDE

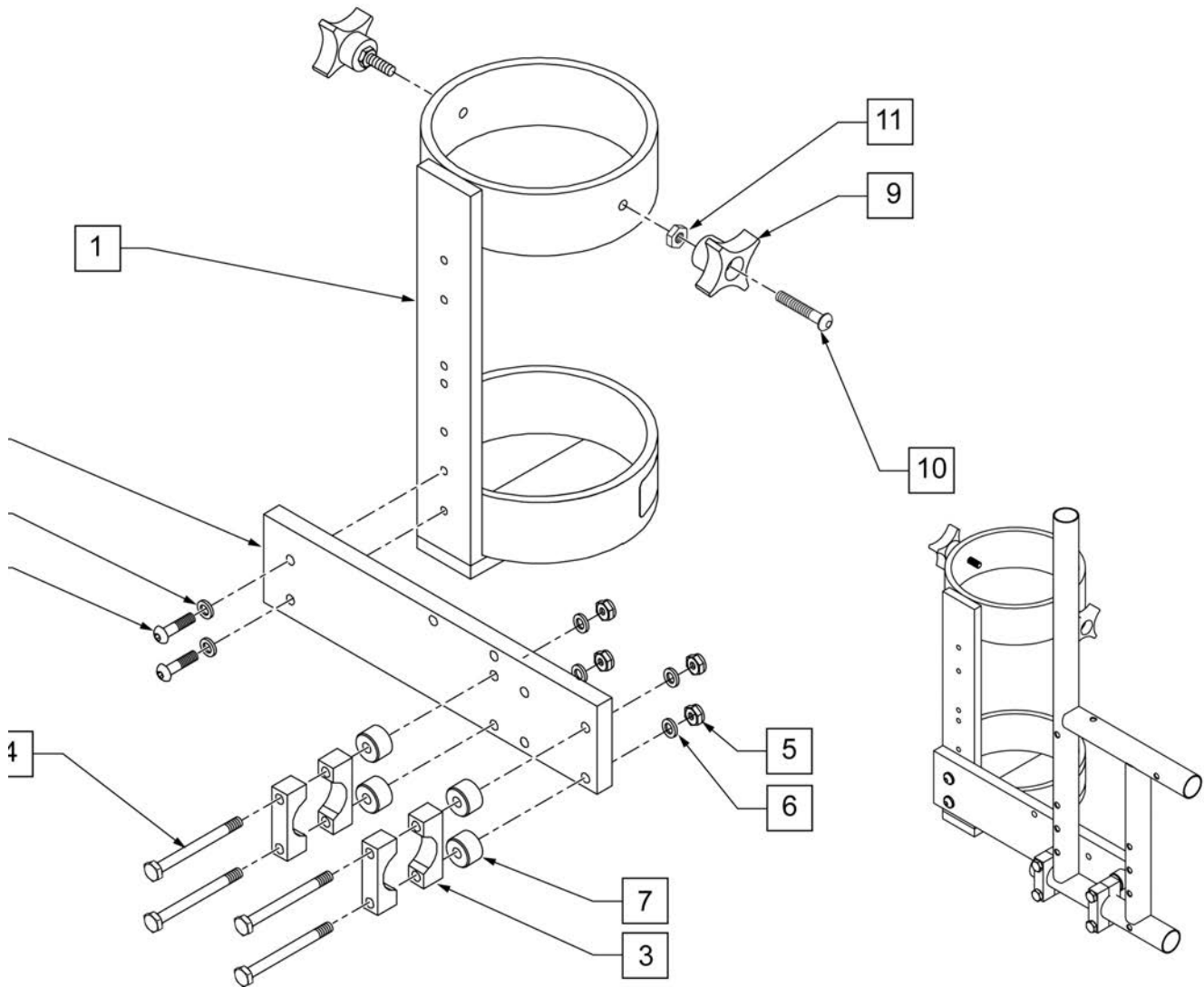
PART NUMBER	INSIDE DIAMETER	OUTSIDE DIAMETER
902001	8 1/4	15 7/8
902011	8 1/4	18 1/8
902021	10 1/4	19 5/8
902025	10 1/4	20 3/8
902037	10 1/4	21 7/8
902038	10 1/4	23 3/8
103660-001	8 1/4	16
103660-002	8 1/4	18
103663-001	10 1/4	20 1/2
103663-002	10 1/4	23 1/2
103734-001	10 1/4	19 1/4
103734-002	10 1/4	22
119336	10 1/4	19 1/4

Pos.	Item Number	Description	Remarks
>>>>		BLACK SPOKE GUARDS	
1A	902001	SPK GRDS 20" QUICKIE BLK	PR-Black-fits 20" Whls
1A	902011	SPK GRDS 22" QUICKIE BLK	PR-Black-fits 22" Whls, 24" (540) Whls w/ Proj HR, 24" Mountain Spoke Whls, M6 24" (540) Spoke Whls
1A	902021	SPK GRD 24" QUICKIE SCR MT BLK	PR-Black-fits 24" (540) Mag & Spoke Whls
1A	902025	SPK GRD 24" QUICKIE TAB MT BLK	PR-Black-fits 25" (559) Spk Whls & 26" Mountain Spoke Whls
1A	902037	SPK GRD 26" QUICKIE TAB MT BLK	PR-Black-fits 26" (590) Whls
1A	902038	SPK GRD 26" QUICKIE HT BLK	PR-Black-fits 27" (700) Whls
>>>>		CLEAR SPOKE GUARDS	
1B	103660-001	CLEAR SPOKE GUARD 20"	PR-Clear-fits 20" Whls
1B	103660-002	CLEAR SPOKE GUARD 22"	PR-Clear-fits 22" Whls, 24" (540) Whls w/ Proj HR, 24" Mountain Spoke Whls, M6 24" (540) Spoke Whls

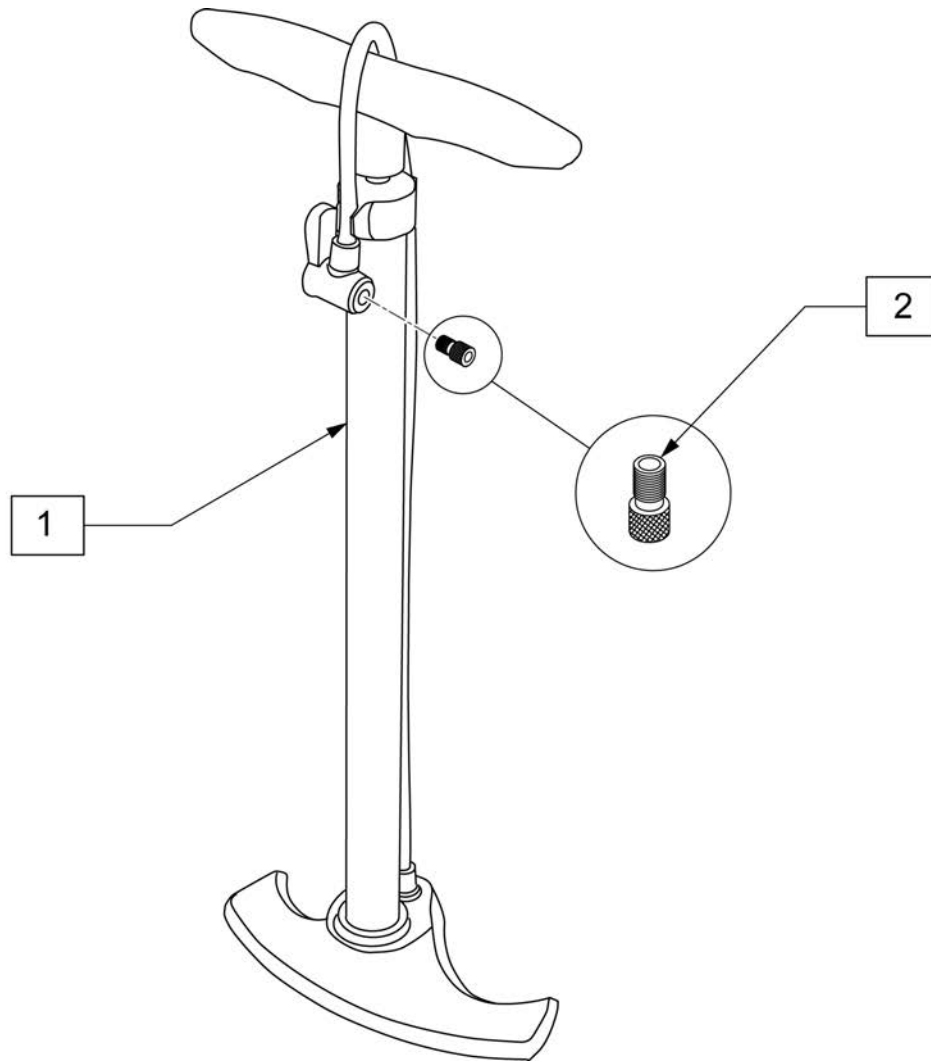


Pos.	Item Number	Description	Remarks
1	750316	IMPACT GUARDS NEOPRENE FIXED (PR)	PAIR-Fixed Front Frame
2	750317	IMPACT GUARDS NEOPRENE S/A	PAIR-S/A Footrest & Q7
3	109231	GEL VELCRO PAD HANGER/FRAME	PAIR- fits S/A & Fixed Front Frame
4	108315	GEL PAD SA ARM	Single, fits Padded SA Armrest

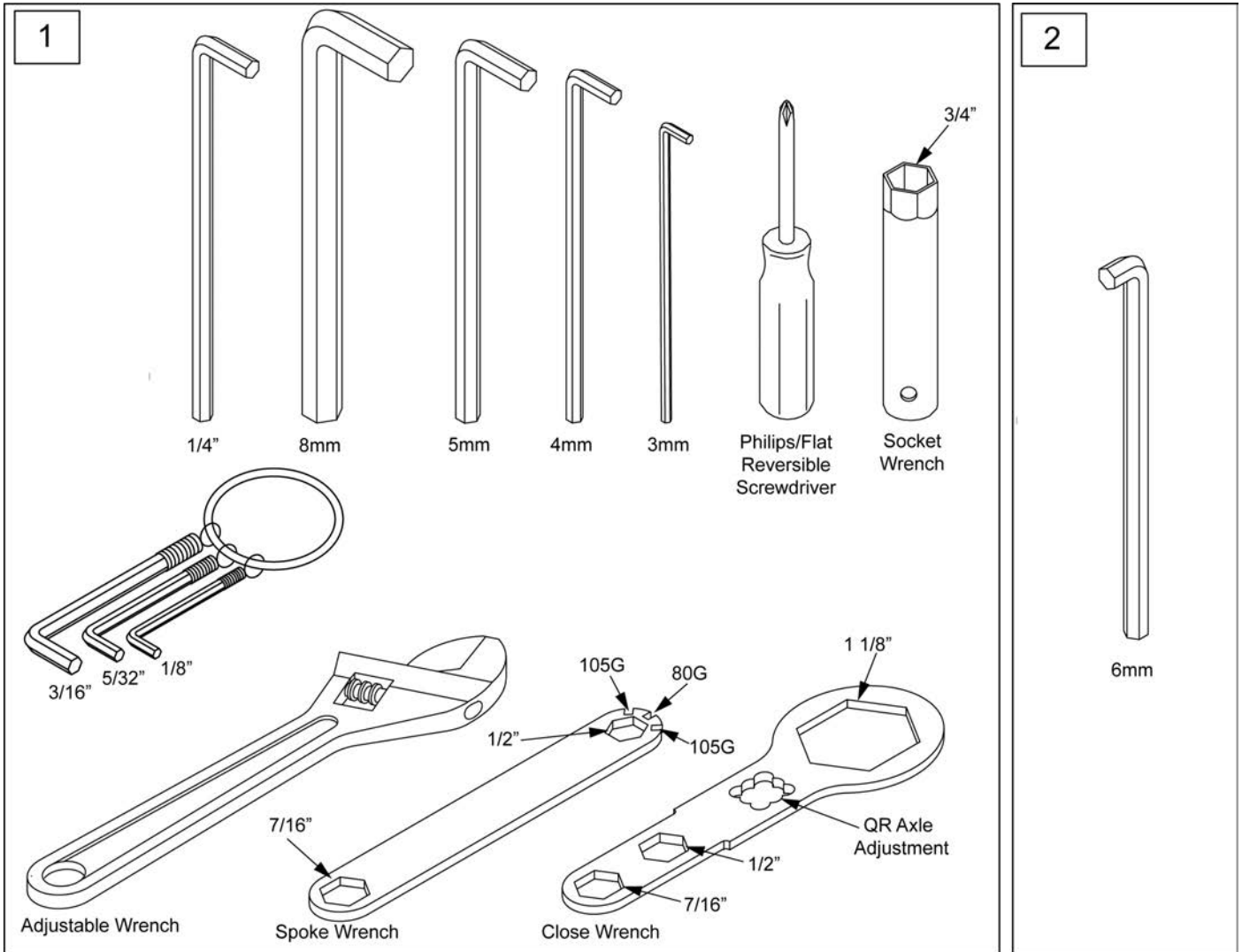
Note: accommodates size D & E oxygen tanks.



Pos.	Item Number	Description
3	550210	A1 LOW LOCK CLAMP BLK AN
4	221193	A1 1/4-28 X 2 3/4 G8 HEX
5	106934	A1 1/4-28 NYLOCK NUT
6	106943	WASHER FLAT AN 1/4 ROHS
7	330031	A1 SUSPENSION SPACER 1/2
8	226110	A1 1/4-28 X 1 BH C/S
9	349018	A1 KNOB S/A ADJ STROLLER
10	226136	A1 1/4-20 X 1 1/2 BH C/S
11	201121	A1 1/4-20 NUT THIN
1-11	112262	O2 HOLDER ASSM M6



Pos.	Item Number	Description
1	389050	TIRE PUMP
2	381230	VALVE ADAPTER PRESTA



Pos.	Item Number	Description	Remarks
1	108314	QUICKIE COMBO TOOL KIT	Includes pouch
2	113403	6MM ALLEN WRENCH L, 7MM SHORT	caster spline chairs only

