



**Easy 200**

**Ersatzteilkatalog**

**SOPUR**

**INNOVATE.  
BUILD FOR THE FUTURE**



This product is manufactured to comply with the Medical Device Directive 93/42/EEC.

### **Use of Illustrations & Text:**

The illustrations and accompanying text set out in this document are the property of Sunrise Medical Limited and must not be copied or used for manufacturing, tendering or any other purpose without written consent from Sunrise Medical.

### **Ordering:**

Item numbers shown as N/A are for reference purposes only and should not be used when ordering replacement parts. Always quote the correct serial number and part number.

### **Quality Management Systems:**

Sunrise Medical Limited is accredited to ISO 9001: 2000, which is the internationally recognised standard for quality management systems, as well as ISO 13485: 2003, which specially governs Medical Devices. These approvals ensure that we provide quality in all areas of our business from development through to final delivery.

### **Parts Disclaimer:**

It is potentially hazardous to fit or use any parts other than genuine Sunrise Medical parts. The company disclaims all liability for the consequences of such use, which in addition voids the product warranty.

This product is for the carriage of one person and must not under any circumstances be used for any other purpose.

### **Queries:**

Should you have any queries then please contact Sunrise Medical Ltd on

**Tel:** +44 (0)1384 44 66 66

**Fax:** +44 (0)1384 44 66 44

QUICKIE Easy 200 .....	5
Options.....	5
Rear wheel.....	6
Easy 200 - Design Rear Wheel.....	6
Easy 200 - Leightweight Rear wheel.....	8
Easy 200 - Universal Rear Wheel (Alu hub) .....	10
Easy 200 - Drum brakes Rear wheel with brake.....	12
Easy 200 - Mountainbike-Rear wheel with Handrim .....	14
Easy 200 - Spinergy Wheel .....	16
Easy 200 - Handrim .....	18
Easy 200 - Spoke guards.....	20
Easy 200 - Screw in adapter.....	22
Easy 200 - EHD-Connecting shaft .....	23
Easy 200 - One arm drive .....	24
Brake.....	26
Easy 200 - Standard brake with frame fitting .....	26
Easy 200 - Knee lever brake with frame fitting.....	28
Easy 200 - S-Brake with frame fitting (until cw 08/2009) .....	30
Easy 200 - Drum brake/ Quick release axle.....	31
Easy 200 - Activation for Drum brake/ Quick release axle.....	32
Easy 200 - One arm brake new .....	33
Easy 200 - Compact brake (from cw 09/2009).....	35
Footrest.....	36
Footrest untill CW 31/06 .....	36
Easy 200 - Fußraste durchgehend mit Metallfußbrett (bis KW 31/06).....	36
Easy 200 - Footboard brackets, continuous.....	37
Easy 200 - Fußraste geteilt mit Metallfußbrett (bis KW 31/06) .....	39
Easy 200 - Footboard holders divided .....	40
Footrest from CW 32/06.....	42
Easy 200 - Continuous footrest with metal footboard (from CW 31/06).....	42
Easy 200 - Continuous foodrest with metal footboard (from CW 32/06).....	43
Easy 200 - Divided footrest with metal footboard (from CW 31/06).....	45
Easy 200 - Divided footrest with metal footboard (from CW 21/06).....	47
Castor .....	49
Easy 200 - Castor, Fork & Adapter .....	49
Easy 200 - Castor round fork with Quick release axle .....	52
Frame.....	55
Easy 200 - Front frame .....	55
Easy 200 - Rear frame .....	57
Easy 200 - Rear frame angle adjustable 12/98.....	59
Easy 200 - Rear frame for e- Fix.....	61
Easy 200 - Upper Connecting Profile 2/95.....	64
Back .....	66
Easy 200 - Back sling .....	66
Easy 200 - Rücken Standard mit Kopfstütze .....	70
Easy 200 - Back sling with height adjustable push handles.....	73
Easy 200 - Back sling for adjustable backrest .....	76

## Table of content

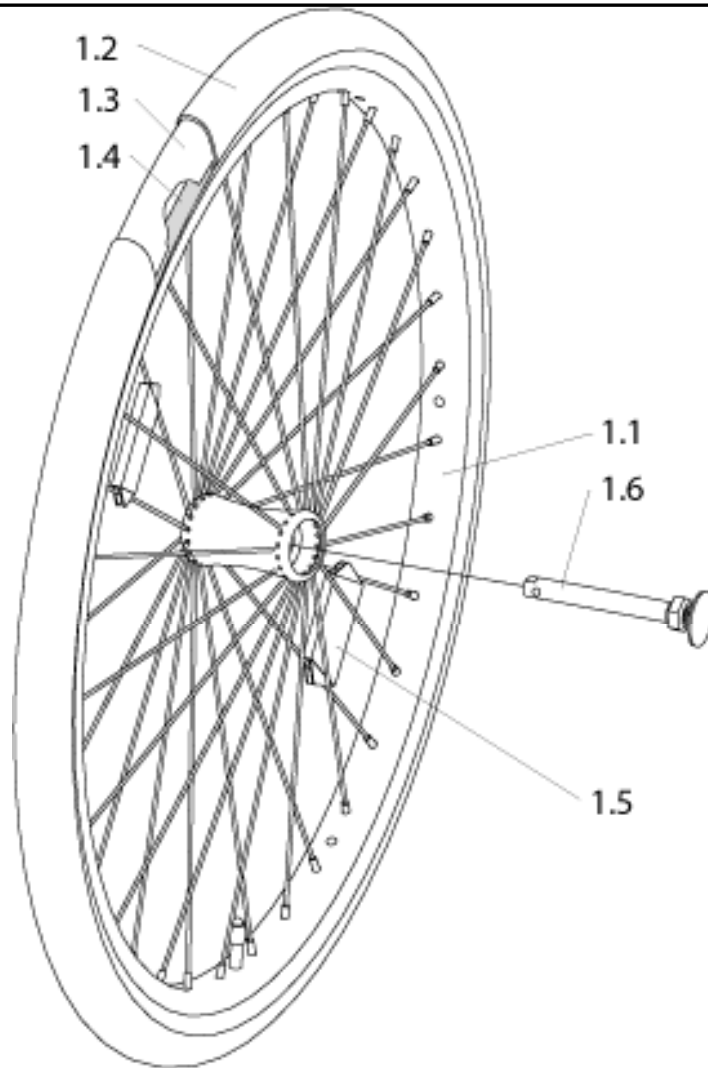
Easy 200 - Standard back sling for folding backrest .....	79
Easy 200 - Rigid back with folding push handles.....	81
Easy 200 - Stabilising bar .....	83
Sideguards.....	85
Easy 200 - Sidegurad alu standard.....	85
Easy 200 - Sideguard alu standard angle adjustable.....	87
Easy 200 - Sideguard alu with clothes protector.....	89
Easy 200 - Sideguard alu with clothes protector angle adjustable.....	91
Easy 200 - Clothes protector plastic screw on .....	93
Easy 200 - Clothes protector metal screw on .....	94
Easy 200 - Armrest height adjustable left/right screw on .....	95
Easy 200 - Desk sideguards, armrest short & long, height adjustable, for angle adjustable backrest (from week 51/05).....	96
Easy 200 - Desk sideguards with height-adjustable armrest, short & long, for push handles -standard and height adjustale (from week 51/05) .....	98
Easy 200 - Desk sideguards with fixed armrest, short & long, for push handles -standard and height adjustale (from week 51/05).....	101
Easy 200 - Seat/ crossbrace .....	104
Accessories.....	105
Easy 200 - Tipping tube .....	105
Easy 200 - Lap belt with fastener.....	106
Easy 200 - Caddy .....	107
Easy 200 - Fixed backrest/ Fixed seat.....	108
Easy 200 - Adapter for anti-tip and transit wheels .....	109
Easy 200 - Anti-tip tube.....	110
Easy 200 - Seat cushion/ back cushion .....	112
Easy 200 - Crutch holder with Velcro loops .....	113
Easy 200 - Therapy table swingaway .....	114
Easy 200 - Therapy table swingaway from 06/2006 .....	117
Easy 200 - Therapy table 12/98.....	119
Easy 200 - Transit wheels.....	120
Tools .....	121
Mobile phone case.....	122
Torques.....	123
Easy - Torques.....	123

## Options

The following options are available within the assemblies:

Option	Description	Available options
DI:....?	Seat cushion thickness in cm	3 cm; 5 cm
FB:....?	Cover Color	see order form
FM:....?	Frame Color	see order form
GART:....?	Castor fork	see order form
LRGR:....?	Castor	4", 5", 6", 7"
RL:....?	Frame length in cm	54 cm(short); 58 cm(middle); 62 cm(long)
RH:....?	Back height in cm	27,5 - 47,5 in 2,5 cm-increments
SB:....?	Seat Width in cm	32 - 54 cm in 2 cm increments
ST:....?	Seat depth in cm	34 - 50 in 2 cm-increments
UL:....?	Lower leg lenght	see order form
POLGR:....?	Lower leg lenght	see order form

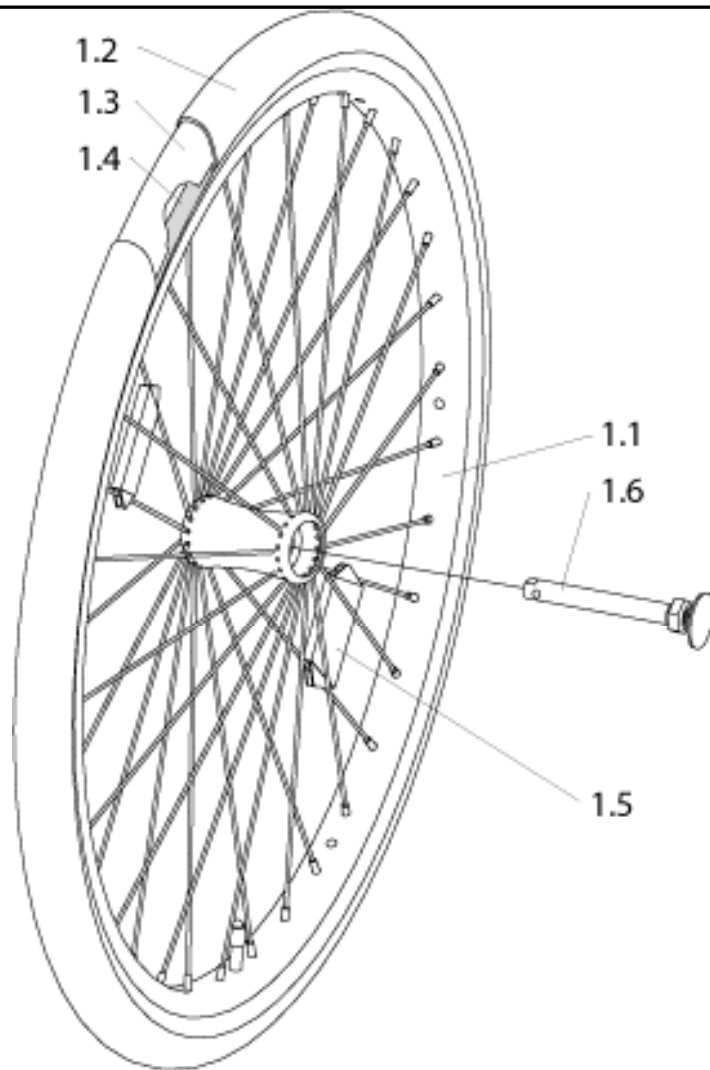
**Easy 200 - Design Rear Wheel**



Pos.	Item number	Description	Remark/Qty	Options	EUR
1.1, 1.5- 1.6	000 851 315	24" rear wheel design, clear anodised with quick-release axle (without tyres)			212.30
1.2- 1.4	000 857 224.01	24" x 1" tyre, grey, easy-run fine tread complete. (tyre, tube & tube protector)			31.80
1.2- 1.4	000 857 129.01	24" x 7/8 tyre, ETRTO 23-540, Speedrun, cpl.			42.10
1.2- 1.4	000 857 424	24" x 1" Downtown - Two grip tyre, complete			42.10
1.2	000 857 129	24" x 7/8 tyre, Speedrun, ETRTO 23-540			29.80
1.2	000 283 014.01	24" grey tyre, complete, easy run fine tread			22.60
1.2	000 283 037	24" Downtown - Two grip tyre			29.80
-	000 283 017	24" x 1" solid tread			44.30
-	000 283 036	24" tyre, Marathon Plus, solid, rugged tread			51.30
1.3	000 283 113	24" x 1" inner tube			3.60

Pos.	Item number	Description	Remark/Qty	Options	EUR
1.3	000 283 111-ET	24" Inner tube, for Downtown - Two grip	Pack of 10		36.70
1.4	000283160-ET	24" Tube protector	pack of 10		11.90
1.4	000 283 160-ET	24" tube protector for Downtown - Two grip (19 mm)	Pack of 10		11.90
1.6	000 220 299	Quick-release axle for rear wheel design			44.30
-	000 280 004-ET	Spoke reflector	Pack of 10		11.90

**Easy 200 - Lightweight Rear wheel**

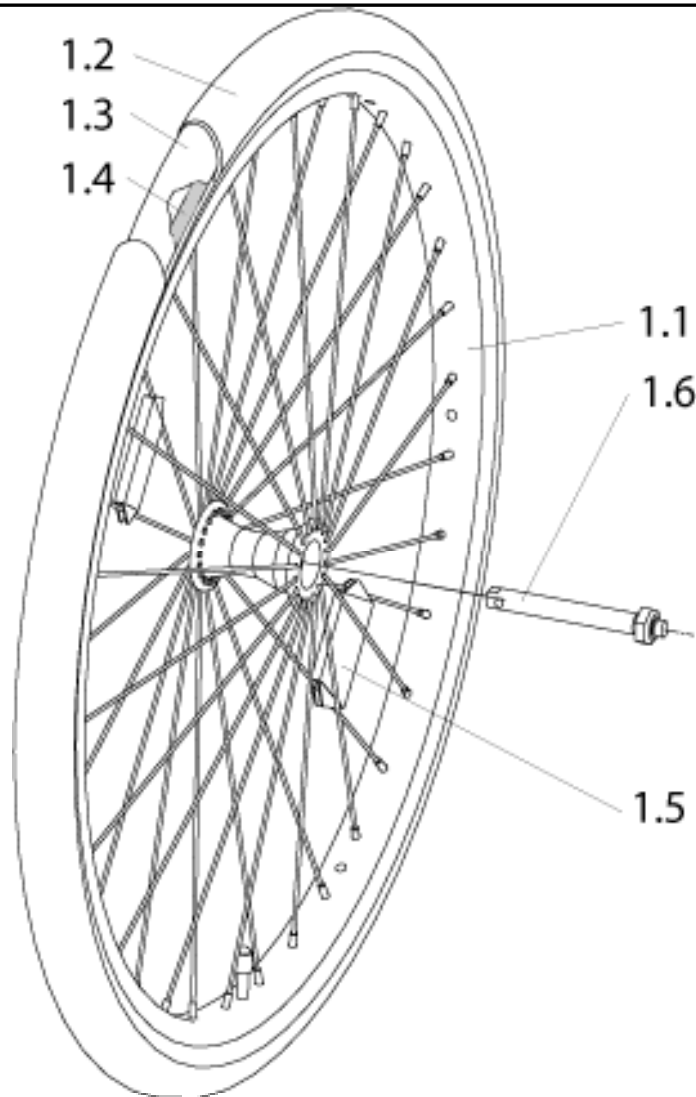


Pos.	Item number	Description	Remark/Qty	Options	EUR
1.1, 1.5- 1.6	000 850 270.01	24" lightweight rear wheel, anodized finish, with quick-release axle (without tyre)			314.90
1.2- 1.4	000 857 129.01	24" x 1" Innova tyre, fine tread, superlight, complete			42.10
1.2- 1.4	000857224.01	24" x 1" tyre, rugged tread, complete			31.80
1.2- 1.4	000 857 424	24" x 1" Downtown - Two grip tyre			42.10
1.2	000 857 129	24" Innova tyre, fine tread - superlight			29.80
1.2	000283014.01	24" tyre, rugged tread			22.60
1.2	000 283 037	24" Downtown - Two grip tyre			29.80
-	000 283 036	24" wheel, marathon plus, solid, rugged tread	available from May 05		51.30
1.3	000 283 113	24" x 1" pneumatic inner tube	pack of 10		3.60



Pos.	Item number	Description	Remark/Qty	Options	EUR
1.3	000 283 111-ET	24" pneumatic inner tube for Downtown - Two grip	pack of 10		36.70
1.4	000283160-ET	24" rim tape	pack of 10		11.90
1.4	000 283 165-ET	Felgenband 24" für Leichtgewichtsrad	pack of 10		11.90
1.4	000 283 160-ET	24" rim tape for Downtown - Two grip (19 mm)	pack of 10		11.90
1.6	000 220 299	Quick-release axle for Design rear wheel			44.30
1.5	000 280 001-ET	Spoke reflector	pack of 10		11.90

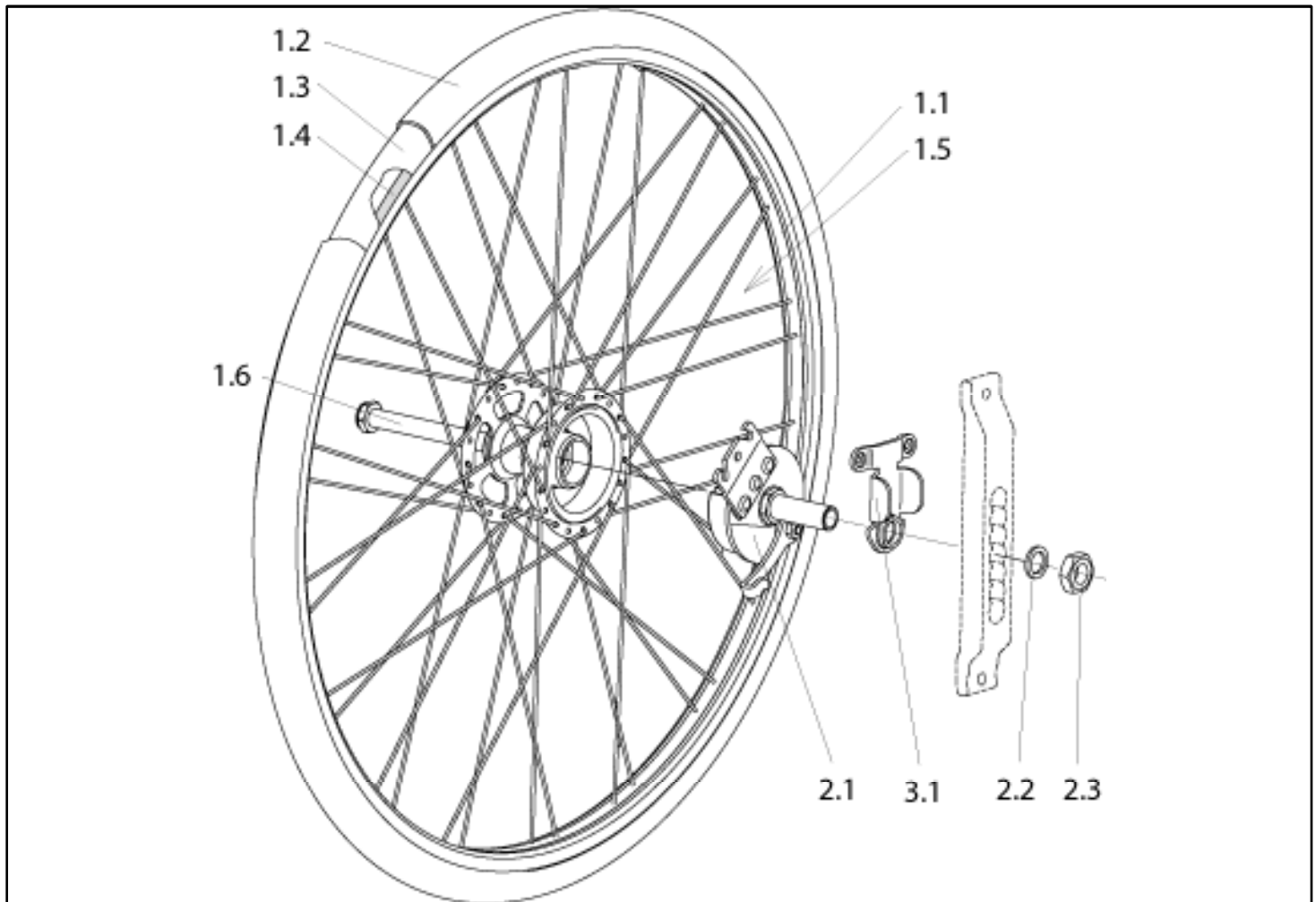
**Easy 200 - Universal Rear Wheel (Alu hub)**



Pos.	Item number	Description	Remark/Qty	Options	EUR
1.1, 1.5- 1.6	000 851 262	22" Universal wheel, coated, with cross-spokes and quick-release axle (without tyre)		FM:...?	233.30
1.1, 1.5- 1.6	000 851 262.01	22" Universal wheel, coated, with straight spokes and quick-release axle (without tyre)		FM:...?	233.30
1.1,1.5- 1.6	000 851 264	24" Universal wheel, coated, with cross-spokes and quick-release axle (without tyre)		FM:...?	233.30
1.1,1.5- 1.6	000 850 262	22" Universal wheel, with quick-release axle, with cross spokes			169.20
1.1, 1.5- 1.6	000 850 262.01	22" Universal wheel, with quick-release axle, with straight spokes			169.20
1.2- 1.4	000 857 225	22" x 1" complete tyre, Right Run (tyre, tube and rim tape)			31.80
1.2- 1.4	000 857 322	22" x 1" Saalsport complete tyre (tyre, tube and rim tape)			79.60

Pos.	Item number	Description	Remark/Qty	Options	EUR
1.2	000 283 016.01	Tyre 22"x1", Right Run			21.60
1.3	000 283 114-ET	22" x 1" pneumatic inner tube	pack of 10		36.70
1.3	000283114-ET	22" x 1" inner tube	10 pc./pack		36.70
1.4	000 283 151-ET	22" rim tape	pack of 10		11.90
1.1,1.5- 1.6	000 850 264	24" Universal wheel, with quick-release axle, with cross spokes			169.20
1.2- 1.4	000 857 224.01	24" x 1" complete tyre, fine tread (tyre, tube and rim tape)			31.80
1.2- 1.4	000 857 324	24" x 1" Saalsport complete tyre (tyre, tube and rim tape)			79.60
1.2- 1.4	000 857 424	24" x 1" Downtown - Two grip tyre			42.10
o.B.	000 283 015.01	24" x 1 3/8" solid, soft tyre			44.30
o.B.	000 283 017	24" x 1" solid, soft tyre			44.30
1.2	000 283 014.01	24" x 1" tyre fine tread			22.60
1.2	000 283 037	24" Downtown - Two grip tyre			29.80
o.B.	000 283 036	24" wheel marathon plus, solid, rugged tread	available from May 05		51.30
1.3	000 283 113	24" x 1" pneumatic inner tube			3.60
1.3	000 283 111-ET	24" pneumatic inner tube for Downtown - Two grip	pack of 10		36.70
1.4	000283160-ET	24" Tube protector	pack of 10		11.90
1.5	000 280 001-ET	Spoke reflector	10 pcs./pack		11.90
1.6	000 220 253	Quick-release axle for Universal wheel and Active wheel			39.00

**Easy 200 - Drum brakes Rear wheel with brake**



Pos.	Item number	Description	Remark/Qty	Options	EUR
1.1,1.5- 2.3	000 851 412	22" complete drum brake wheel with brake holder and quick-release axle (tyre and torque supports must be ordered separately)	right		212.30
1.1,1.5- 2.3	000 751 412	22" complete drum brake wheel with brake holder and quick-release axle (tyre and torque supports must be ordered separately)	left		212.30
1.1,1.5- 1.6	000 851 368.02	22" spoke wheel with quick-release axle			156.40
1.2- 1.4	000 857 225	22" x 1" tyre, Right Run			31.80
1.2- 1.4	000 857 322	22" x 1" complete Saalsport tyre			79.60
1.2	000 283 016.01	Tyre 22"x1", Right Run			21.60
1.3	000 283 114-ET	22" x 1" pneumatic inner tube	pack of 10		36.70
1.3	000283114-ET	22" x 1" inner tube	10 pc./pack		36.70
1.4	000 283 151-ET	22" rim tape	pack of 10		11.90

Pos.	Item number	Description	Remark/Qty	Options	EUR
1.1,1.5- 2.3	000 851 414	24" complete drum brake wheel with brake holder and quick-release axle (tyre and torque supports must be ordered separately)	right		212.30
1.1,1.5- 2.3	000 751 414	24" complete drum brake wheel with brake holder and quick-release axle (tyre and torque supports must be ordered separately)	left		212.30
1.1,1.5- 1.6	000 851 369.02	24" spoke wheel with quick-release axle			156.40
1.2- 1.4	000 857 224.01	24" x 1" tyre fine tread			31.80
1.2- 1.4	000 857 324	24" x 1" complete Saalsport tyre			79.60
1.2- 1.4	000 857 424	24" x 1" Downtown - Two grip tyre			42.10
o.B.	000 283 015.01	24" x 1 3/8" solid, soft tyre			44.30
o.B.	000 283 017	24" x 1" solid, soft tyre			44.30
1.2	000 283 014.01	24" x 1" tyre fine tread			22.60
1.2	000283014.01	Tyre 24"x1", Right Run			22.60
1.2	000 283 037	24" Downtown - Two grip tyre			29.80
o.B.	000 283 036	24" wheel, marathon plus, solid, rugged trad	available from May 05		51.30
1.3	000 283 113	24" x 1" pneumatic inner tube			3.60
1.3	000 283 111-ET	24" pneumatic inner tube for Downtown - Two grip	pack of 10		36.70
1.4	000283160-ET	24" Tube protector	pack of 10		11.90
1.4	000 283 160-ET	24" rim tape for Downtown - Two grip (19 mm)	pack of 10		11.90
1.6	000 220 230	Design quick-release axle for drum brakes (from manufacturing week 49/2000)			39.00
2.1- 2.3	000 961 080	Brake holder, grey coated (from manufacturing week 49/2000)	Pair		111.70
2.2	000 138 002-ET	Lock washer VS 16	pack of 10		10.30
3.1	760 861 023	Torque supports	can be used right and left		21.60
1.5	000 280 001-ET	Spoke reflector	10 pcs./pack		11.90
3.1	760 850 033	Drehmomentstütze für Radstandsverlängerung	rechts		11.30
3.1	760 750 033	Drehmomentstütze für Radstandsverlängerung	links		11.30

Easy 200 - Mountainbike-Rear wheel with Handrim



Pos.	Item number	Description	Remark/Qty	Options	EUR
1.1,1.3	000 851 320	24" mountain bike rear wheel with quick-release axle and hand rim (without tyre)			163.70
o.B.	000 857 425	24" mountain bike complete tyre (tyre, inner tube and rim tape)			31.80
1.2	000 283 039	24" mountain bike tyre (offroad)			26.70
o.B.	000 220 253	Quick-release axle for mountain bike rear wheel			39.00
o.B.	000 283 111-ET	24" pneumatic inner tube	pack of 10		36.70

Pos.	Item number	Description	Remark/Qty	Options	EUR
o.B.	000 283 160-ET	24" rim tape	pack of 10		11.90

Easy 200 - Spinerge Wheel

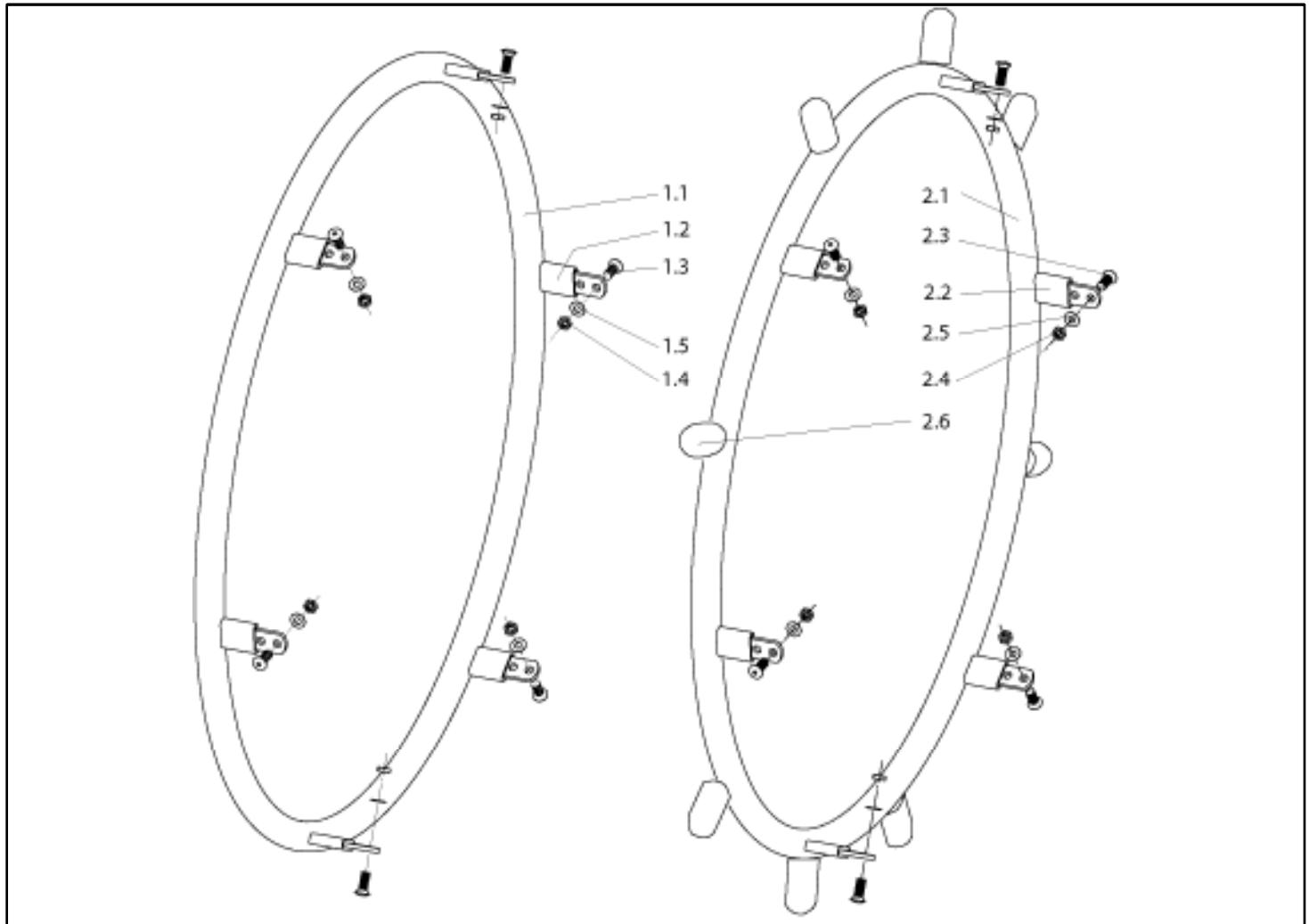


Pos.	Item number	Description	Remark/Qty	Options	EUR
1.1,1.6	762 450.01	24" Spinerge wheel with quick-release axle and hand rim, (without tyre), with black spokes			432.20
1.2-1.4	000 857 224.01	24" mountain bike rear wheel with quick-release axle and hand rim (without tyre)			31.80
1.2-1.4	000857224.01	24" x 1", tyre, cpl., Right Run			31.80



Pos.	Item number	Description	Remark/Qty	Options	EUR
1.2- 1.4	000 857 424	Quick-release axle for mountain bike rear wheel			42.10
1.2- 1.4	000 857 226.03	Tyre 26", grey/black, fine tread, cpl.			40.70
1.2- 1.4	000 857 226.03	Tyre 26", grey/black, fine tread, cpl.			40.70
1.2	000 283 037	24" pneumatic inner tube	10 items/pack		29.80
1.2	000 283 036	Reifen 24" Marathon Plus, pannensicher, Grobprofil			51.30
1.2	000283014.01	Tyre 24"x1", Right Run			22.60
1.2	000 283 014.01	Reifen 24" x 1" Right Run			22.60
1.2	000 283 017	Reifen 24" x 1" pannensicher			44.30
1.2	000 857 129	24" x 7/8 tyre, Speedrun, ETRTO 23-540			29.80
1.2	000 283 047	26" tyre, grey/black, fine tread			30.80
1.2	000 283 047	26" tyre, grey/black, fine tread			30.80
1.3	000 283 113	Luftschlauch 24" x 1"			3.60
1.3	000 283 111-ET	Luftschlauch 24"	10 St./Pkg.		36.70
1.3	000 283 103	24" rim tape	10 items/pack		
1.3	000 283 103	Luftschlauch 26", für Grobprofil			
1.4	000283160-ET	24" Tube protector	pack of 10		11.90
1.4	000 283 160-ET	Felgenband 24" für Downtown - Two grip	10 St./Pkg.		11.90
1.4	000 283 153-ET	Felgenband 26"	10 St./Pkg.		11.90
1.5	000 280 001-ET	Spoke reflector	10 pcs./pack		11.90
1.6	000 220 228	Steckachse Spinerger 109 mm			49.50

Easy 200 - Handrim



Pos.	Item number	Description	Remark/Qty	Options	EUR
1.1-1.5	000 854 035.24	24" aluminium handrim, central, coloured		FM:...?	94.90
1.1-1.5	000 854 024.22	22" handrim, stainless steel, central			86.60
1.1-1.5	000 854 742	22" handrim, high supergrip			157.00
2.1-2.6	000 854 412	22" knobby handrim, light grey central			154.20
1.1-1.5	066550-003	Handrim 24", aluminium, clear coated, cpl. (leightweight wheels only)	only close mountable		72.50
1.1-1.5	000 854 080	24" handrim, aluminium, anodised (for lightweight wheel)	only close mountable		72.50
1.1-1.5	000 854 024.24	24" handrim, stainless steel, central			86.60
1.1-1.5	000 854 624.24	24" handrim, stainless steel, central, for extra close mount			133.90
1.1-1.5	000 854 044	24" handrim, stainless steel, central for Active wheel and lightweight wheel			86.60

Pos.	Item number	Description	Remark/Qty	Options	EUR
1.1- 1.5	000 854 054	24" handrim, titanium, central for Universal wheel			157.00
1.1- 1.5	000 854 055	24" handrim, titanium, central for Active wheel and lightweight wheel			157.00
1.1- 1.5	000 854 064	24" handrim, titanium, central, clear varnished for Universal wheel			157.00
1.1- 1.5	000 854 065	24" handrim, titanium, central, clear varnished for Active wheel and lightweight wheel			157.00
1.1- 1.5	000 854 026.28	24" handrim alu, silver anodised (from CW 33/07)			72.50
1.1- 1.5	000 854 026.30	24" handrim alu, silver anodised, clear coated (from CW 33/07)			72.50
1.1- 1.5	000 854 534	24" handrim, central Supergrip			157.00
2.1- 2.6	000 854 414	24" knobbly handrim, light grey			154.20
1.2- 1.5	000 959 906-ET	Fitting accessories for close mount handrim, for 1 wheel			8.00
1.2- 1.5	000 959 913	Fitting accessories for extra close mount handrim, for 1 wheel			8.00
1.2- 1.5	000 959 908	Fitting accessories for wide mount handrim, for 1 wheel			8.00
1.3, 2.3	000 102 061-ET	Oval-head screw M 5 x 12 DIN 7985	pack of 25		2.60
1.4, 2.4	000 128 005.01-ET	Hex nut M 5 DIN 985	pack of 25		4.70
1.5, 2.5	000 130 111-ET	A 5.3 washer DIN 125	pack of 25		4.40
o.B.	000 854 513	22" handrim cover black, central			49.80
o.B.	000 854 514	24" handrim cover black, central			49.80
2.6	000 282 051-ET	Rubber cap for knobbly handrim (grey)	pack of 16		22.60

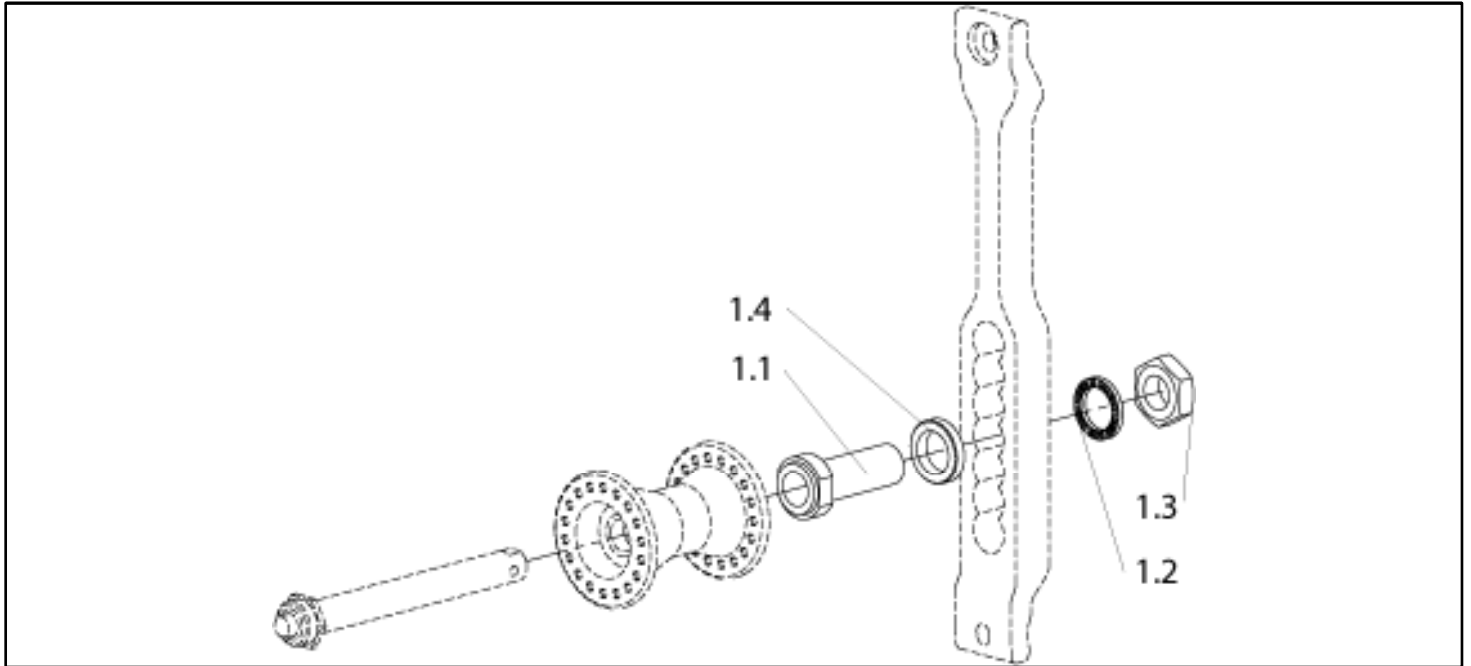
Easy 200 - Spoke guards



Pos.	Item number	Description	Remark/Qty	Options	EUR
1.7	000 856 030.01	20" spoke guard, transparent, complete	incl. Fasteners		72.50
1.1	000 856 025.01	22" spoke guard, Bibbo, complete	incl. Fasteners		97.00
1.2	000 856 350	22" spoke guard, Cheese, complete	incl. Fasteners		97.00
1.3	000 856 360	22" spoke guard, Galactica, complete	incl. Fasteners		97.00
1.4	000 856 142.01	22" spoke guard, Graphik, complete	incl. Fasteners		97.00
1.5	000 856 027.01	22" spoke guard, Fantasy, complete	incl. Fasteners		97.00
1.6	000 856 132.01	22" spoke guard, Rotation, complete	incl. Fasteners		97.00

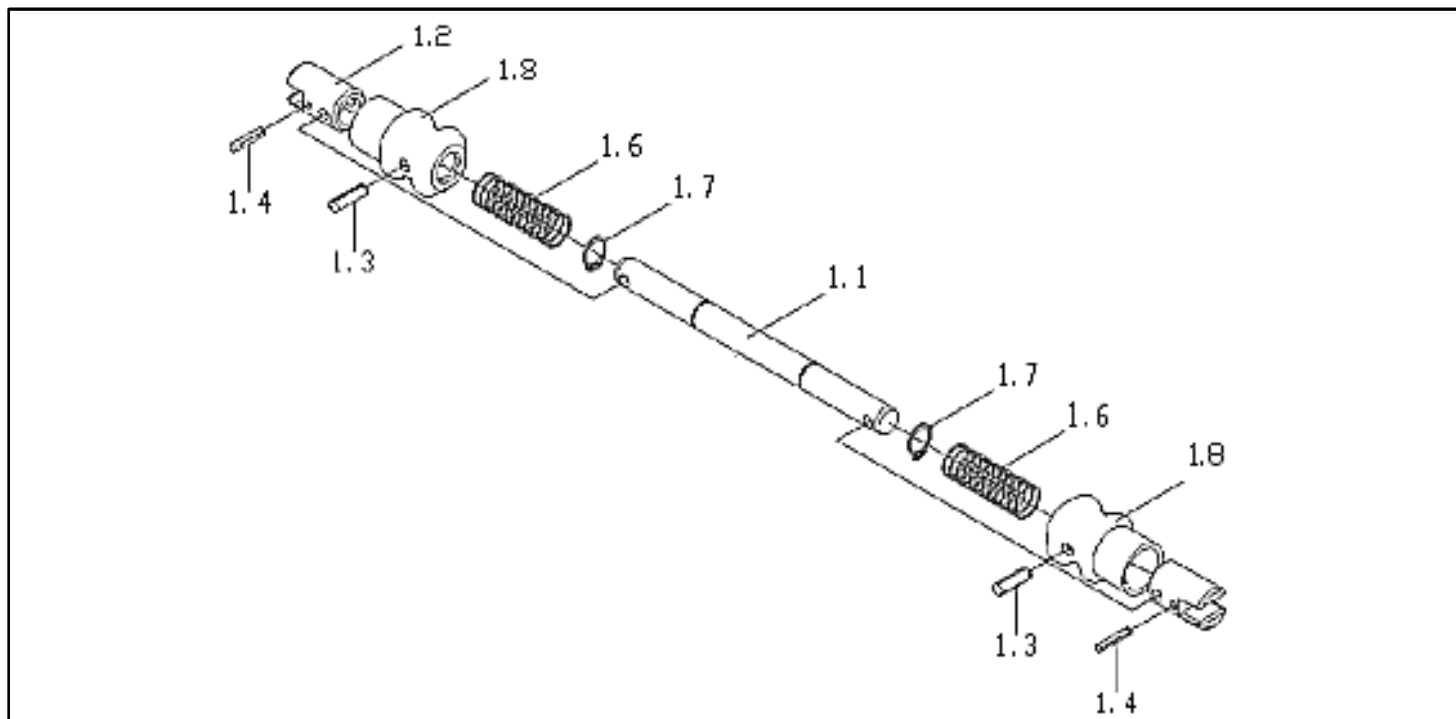
Pos.	Item number	Description	Remark/Qty	Options	EUR
1.7	000 856 032.01	22" spoke guard, transparent, complete	incl. Fasteners		72.50
1.1	000 856 026.01	24" spoke guard, Bibbo, complete	incl. Fasteners		97.00
1.2	000 856 355	24" spoke guard, Cheese, complete	incl. Fasteners		97.00
1.3	000 856 365	24" spoke guard, Galactica, complete	incl. Fasteners		97.00
1.4	000 856 144.01	24" spoke guard, Graphik, complete	incl. Fasteners		97.00
1.5	000 856 028.01	24" spoke guard, Fantasy, complete	incl. Fasteners		97.00
1.6	000 856 134.01	24" spoke guard, Rotation, complete	incl. Fasteners		97.00
1.7	000 856 034.01	24" spoke guard, transparent, complete	incl. Fasteners		72.50
o.B.	000 118 004-ET	Fastener for spoke guard	pack of 25		14.40

Easy 200 - Screw in adapter



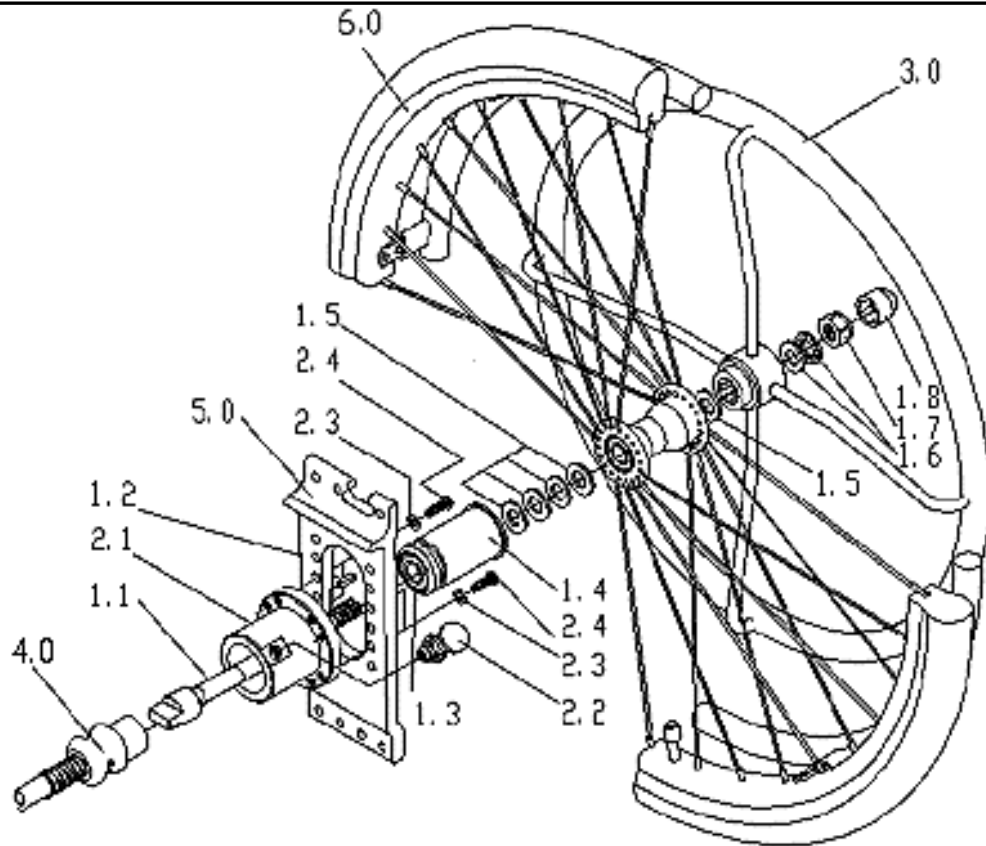
Pos.	Item number	Description	Remark/Qty	Options	EUR
1.1 - 1.4	000 853 013	Screw-in adapter, long complete. (with 2 spacer rings: 5 mm)			23.90
o.B.	000 210 004-ET	Grooved ball bearing DIN 625	pack of 10		76.40
1.2	000 138 002-ET	Lock washer VS 16	pack of 10		10.30
1.3	000 220 256-ET	Hex nut M 16 x 1	pack of 10		14.90
1.4	000 851 071-ET	Spacer ring 5 mm	pack of 10		18.50

## Easy 200 - EHD-Connecting shaft



Pos.	Item number	Description	Remark/Qty	Options	EUR
1.1 - 1.8	000 851 125	Connecting shaft for one-arm drive, rigid, complete		SB:...?	94.40
1.3	000 154 051-ET	Cylindrical grooved pin 6 x 20 DIN 1473	pack of 10		6.40
1.4	000 156 016-ET	Clamping pin 6 x 20 DIN 7343	pack of 10		7.50
1.6	000 242 027	Compression spring			2.10
1.7	000 180 004-ET	Locking ring 14 x 1 DIN 471	pack of 10		4.20
1.8	000 851 122	Stop sleeve for one-arm drive for rigid connecting shaft			10.60

**Easy 200 - One arm drive**

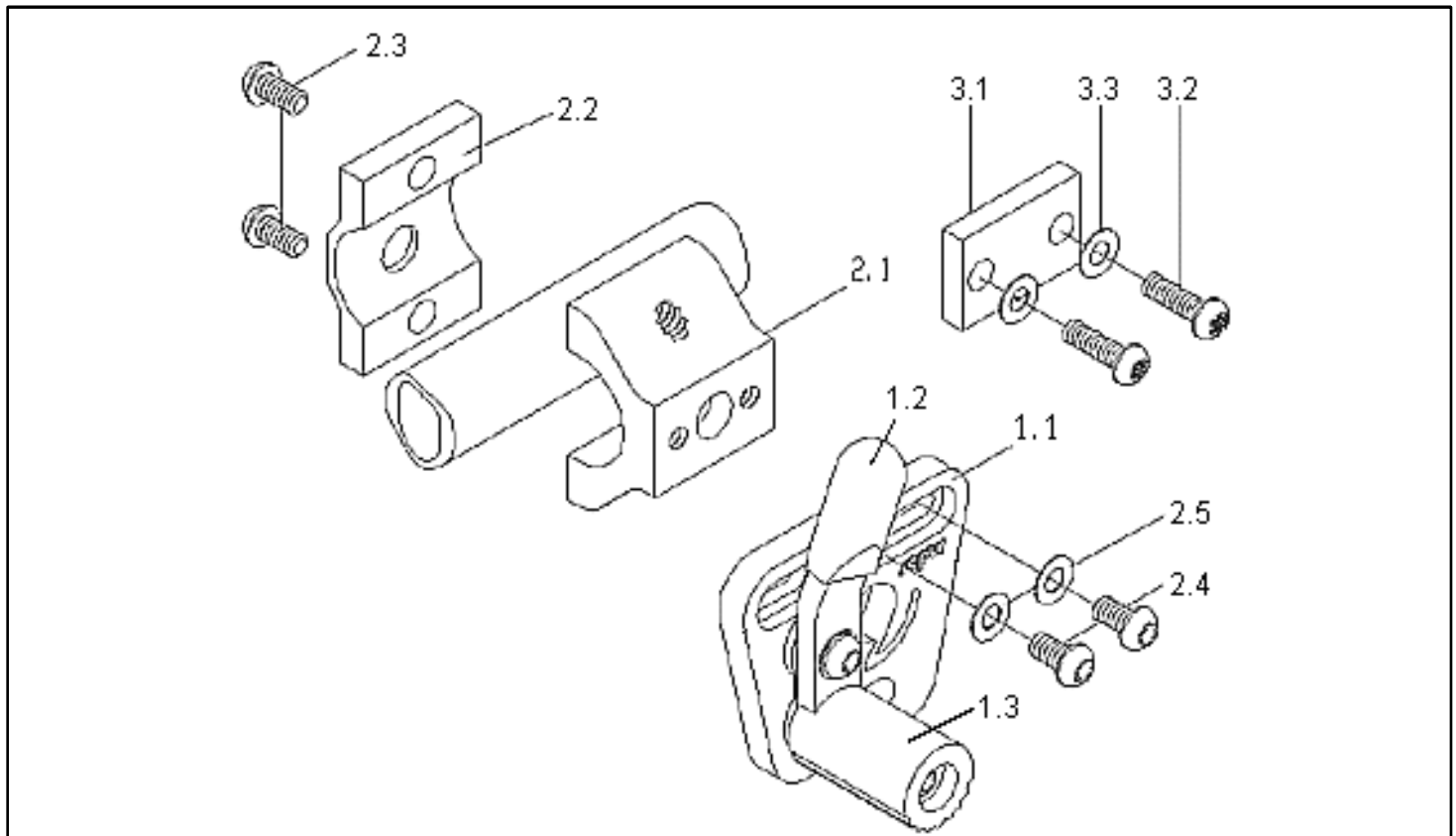


Pos.	Item number	Description	Remark/Qty	Options	EUR
1.1 - 6.0	763 950 022	22" one-arm drive, complete. Includes rear wheel unit, revolving wheel unit, connecting shaft, axles, hubs, perforated plates and fitting accessories (without tyres)	right / left		1047.10
1.1 - 6.0	763 950 024	24" one-arm drive, complete. Includes rear wheel unit, revolving wheel unit, connecting shaft, axles, hubs, perforated plates and fitting accessories. (without tyres)	right / left		1047.10
1.1 - 3.0 6.0	000 851 130	22" rear wheel unit for one-arm drive, complete. With spoke wheel, double handrim, one-arm drive axle, long and one-arm drive hub. (without tyre or perforated plate)			288.60
1.1- 3.0 6.0	000 851 131	24" rear wheel unit for one-arm operation, complete. With spoke wheel, double handrim, one-arm drive axle, long and one-arm drive hub. (without tyre or perforated plate)			288.60
	000 851 132	22" revolving wheel unit for one-arm drive, complete. With spoke wheel, one-arm drive axle, short, one-arm drive hub and fitting accessories (without tyre or perforated plate)			288.60
	000 851 133	24" revolving wheel unit for one-arm drive, complete. With spoke wheel, one-arm drive axle, short, one-arm drive hub and fitting accessories (without tyre or perforated plate)			288.60
1.1	000 851 123	Short one-arm drive axle, 153.0 mm on revolving wheel side			47.50
1.1	000 851 124	Long one-arm drive axle, 168.5 on rear wheel side			50.30
1.2	000 170 002-ET	5 x 5 x 20 key, shape A DIN 6885	pack of 5		2.60
1.2	000 170 001-ET	5 x 5 x 16 key, shape A DIN 6885	pack of 5		2.60



Pos.	Item number	Description	Remark/Qty	Options	EUR
1.3	000 210 004-ET	Grooved ball bearing DIN 625	pack of 10		76.40
1.4	000 851 107	One-arm drive hub			74.60
1.5	000 858 006-ET	Washer Ø 18 / 13 x 3 mm	pack of 25		9.80
1.6	000 138 004-ET	Lock washer VS 12 (jagged washer)	pack of 25		4.70
1.7	000 128 024-ET	Hex nut M 12 DIN 985	pack of 25		14.90
1.8	000 282 071-ET	Hex protective cap SW 19 plastic, black	pack of 10		3.60
2.1- 2.4	000 851 109	One-arm drive hub receiver, complete			116.70
2.2	000 232 003-ET	Snap bolts with nuts	pack of 5		115.00
2.3	000 130 107-ET	A 6.4 washer DIN 125	pack of 25		5.90
2.4	000 102 307.01- ET	Oval-head screw M 6 x 20 with Torx drive	pack of 25		3.10
3.0	000 854 109	Handrim for one-arm drive			102.80
5.0	760 850 038	Perforated plate for one-arm drive with fitting accessories, complete	right		85.40
5.0	760 750 038	Perforated plate for one-arm drive with fitting accessories, complete	left		85.40
4.0		Shaft for one-arm drive (see connecting shaft)			
	000 851 102	24" spoke wheel for one-arm drive with revolving wheel (without tyre)			242.20
	000 851 117	22" spoke wheel for one-arm drive with revolving wheel (without tyre)			242.20

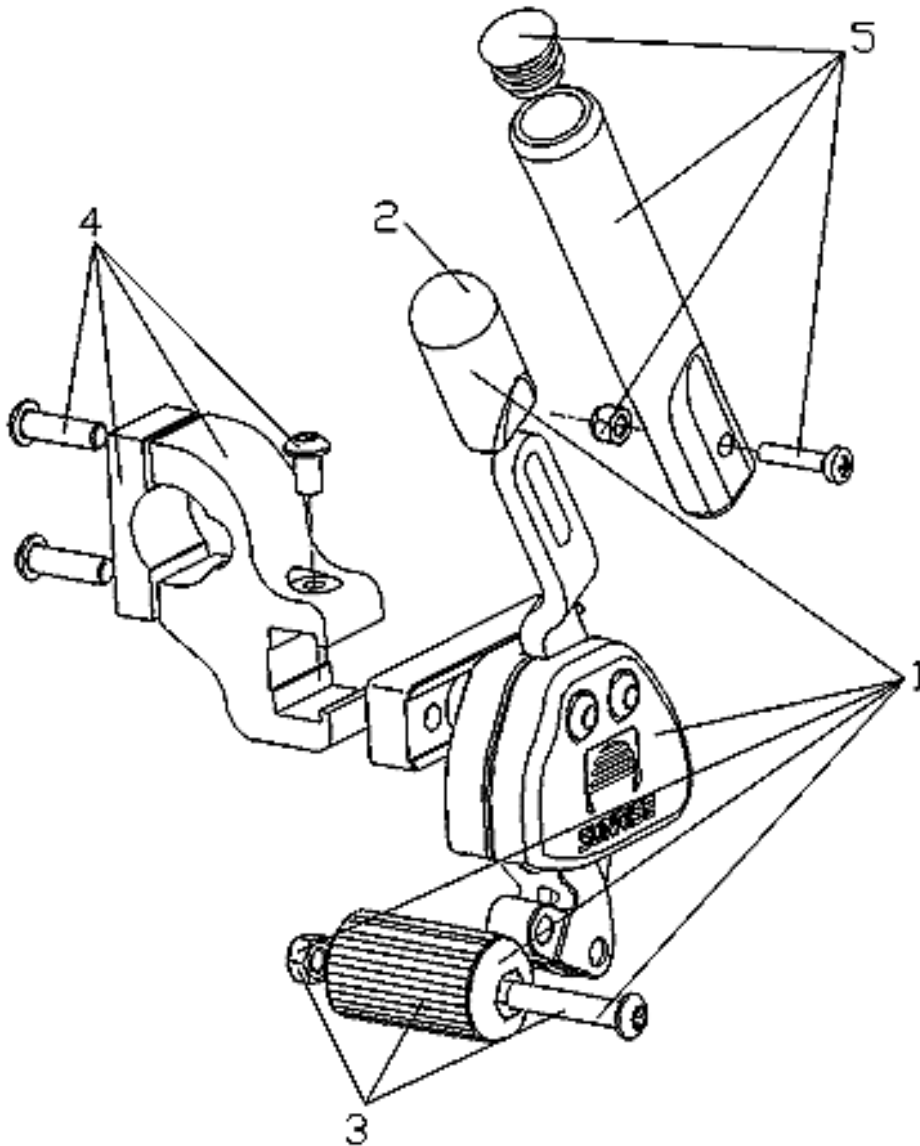
**Easy 200 - Standard brake with frame fitting**



Pos.	Item number	Description	Remark/Qty	Options	EUR
1.1 - 1.3	760 961 050	Standard brakes	Pair		121.20
1.1 - 1.3	760 861 050	Standard brake	right		60.60
1.1 - 1.3	760 761 050	Standard brake	left		60.60
1.1- 2.5	760 961 052	Standard brake with frame fitting, complete (from January 95)	Pair		135.40
2.1- 2.5	760 861 049	Frame fitting for standard brake, complete (from January 95)			7.50
2.3	000 102 307.01-ET	Oval-head screws M 6 x 20 with Torx drive	pack of 25		3.10
2.4	000 102 308.01-ET	Oval-head screws M 6 x 12 with Torx drive	pack of 25		3.60
2.5	000 130 107-ET	A 6.4 washer DIN 125	pack of 25		5.90
3.1	760 861 018	5 mm spacer plate (only required when increasing track width)			2.90
3.2	000 102 308.01-ET	Oval-head screw M 6 x 12 with Torx drive	pack of 25		3.60
3.3	000 130 107-ET	A 6.4 washer DIN 125	pack of 25		5.90
1.2	000 861 156-ET	Cover cap for brake lever, black	pack of 5		6.40

Pos.	Item number	Description	Remark/Qty	Options	EUR
	000 242 041-ET	Side spring	left, pack of 2		3.60
	000 242 040-ET	Side spring	right, pack of 2		3.60
1.3	760 861 006	Brake bolts, black, anodized			4.70

**Easy 200 - Knee lever brake with frame fitting**

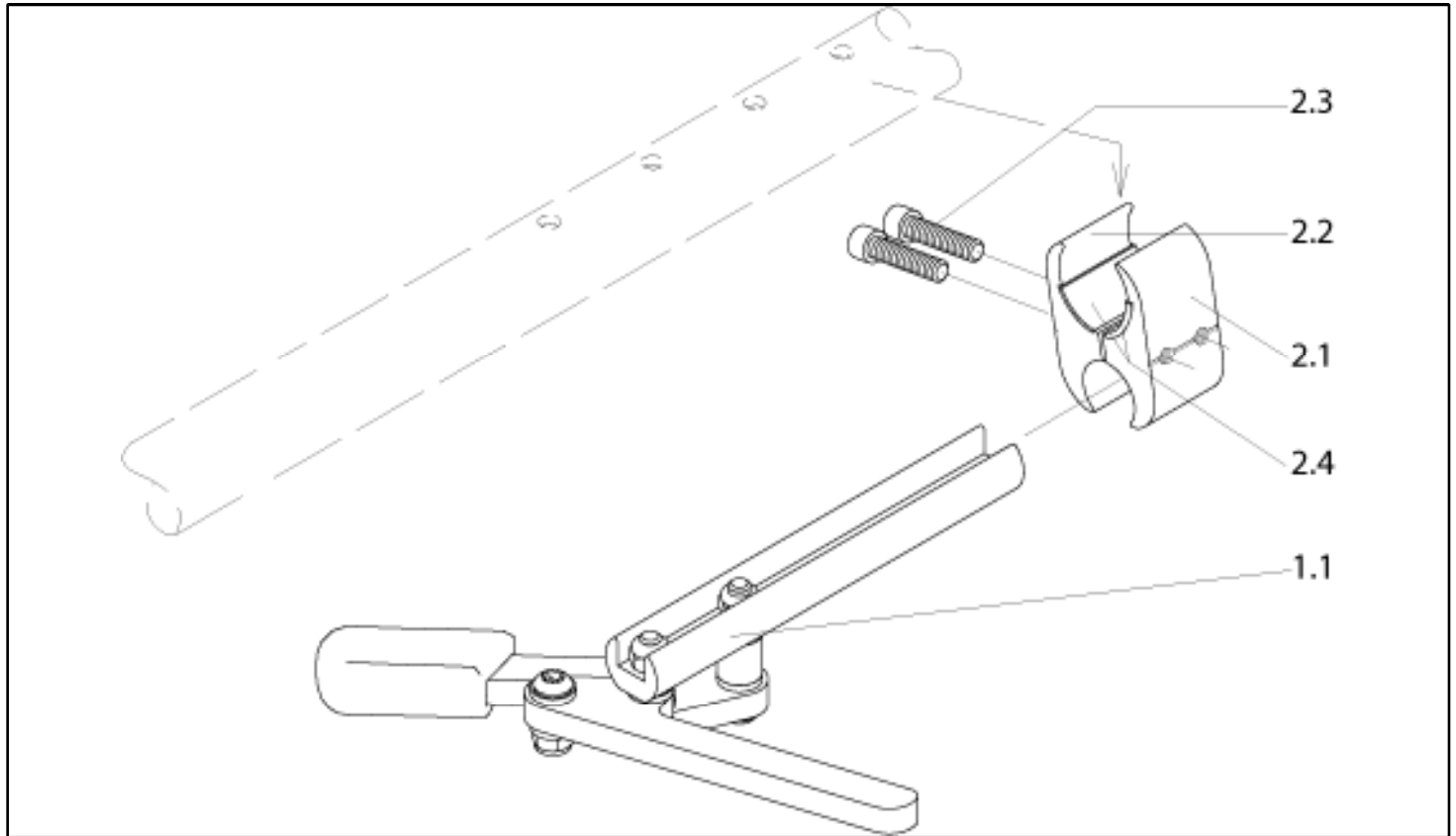


Pos.	Item number	Description	Remark/Qty	Options	EUR
1 - 4	000 961 255	Knee lever brakes with frame fitting, complete	Pair		138.90
1 - 4	000 861 255	Knee lever brake with frame fitting, complete	right		69.50
1 - 4	000 761 255	Knee lever brake with frame fitting, complete	left		69.50
1 - 3	000 961 250	Knee lever brakes	Pair		126.80
1 - 3	000 861 250	Knee lever brake	right		63.40
1 - 3	000 761 250	Knee lever brake	left		63.40
2	000 861 156-ET	Cover cap for brake lever, black	pack of 5		6.40
3	000 861 252	Brake bolts, complete			3.60
	000 102 312.01-ET	Oval-head screw M 6 x 32 with Torx drive	pack of 25		6.40
	000 128 007-ET	Hex nut M6 DIN 985	pack of 25		4.40

Pos.	Item number	Description	Remark/Qty	Options	EUR
4	000 861 251	Frame fitting for knee lever brake, complete. Can be fitted right and left			14.40
	000 102 307.01-ET	Oval-head screw M 6 x 20 with Torx drive	pack of 25		3.10
	000 102 310.01-ET	Oval-head screw M 6 x 10 with Torx drive	pack of 25		7.50
5	000 861 253	Brake lever extension, complete			22.60
	000 102 066-ET	Oval-head screw M 5 x 20 DIN 7985	pack of 12		10.30
	000 128 006-ET	Hex nut M5 DIN 985	pack of 25		4.70

**Easy 200 - S-Brake with frame fitting (until cw 08/2009)**

**Note:**  
 Instead of the scissor wheel lock and the dedicated mounting accessories the compact brake can be used as spare part - please see compact brake (from cw 09/2009).

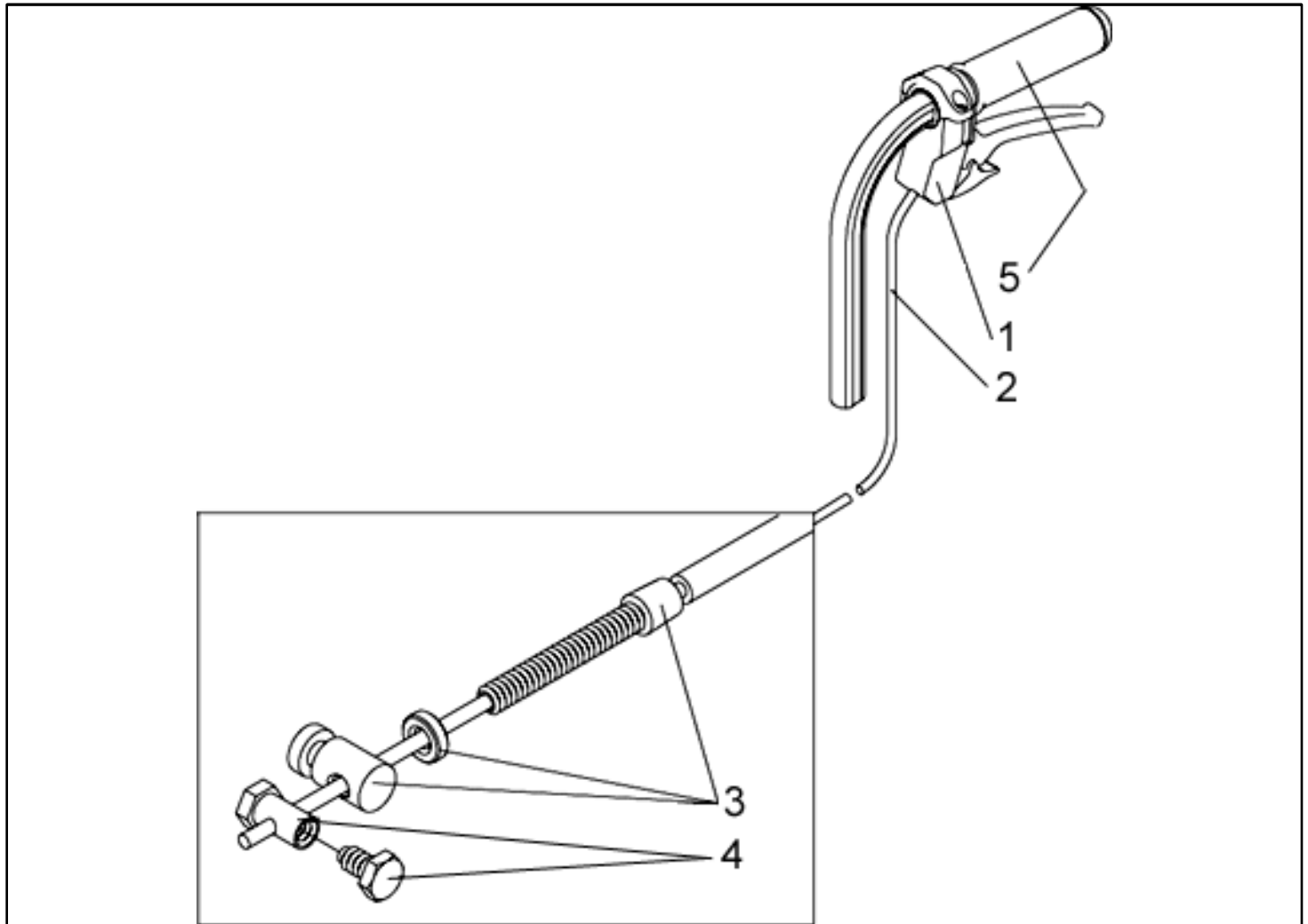


Pos.	Item number	Description	Remark/Qty	Options	EUR
1.1-2.4		S-Bremsen mit Rahmenbefestigung kpl.	Paar		
1.1-2.4		S-Bremse mit Rahmenbefestigung kpl.	rechts		
1.1-2.4		S-Bremse mit Rahmenbefestigung kpl.	links		
1.1		S - Bremse	rechts		
1.1		S - Bremse	links		
2.1-2.4		Rahmenbefestigung für S-Bremse kpl.			
2.3	000 102 006-ET	Zylinderschraube M 6 x 25 DIN 912	25 St./Pkg.		7.50
2.4	-	Reduzierstück für Klemme			

**Easy 200 - Drum brake/ Quick release axle**

Pos.	Description	Remark/Qty	Options
0	Drum brake rear wheel with brakes, complete, see "REAR WHEEL" assembly		
1	Bauteil 1		

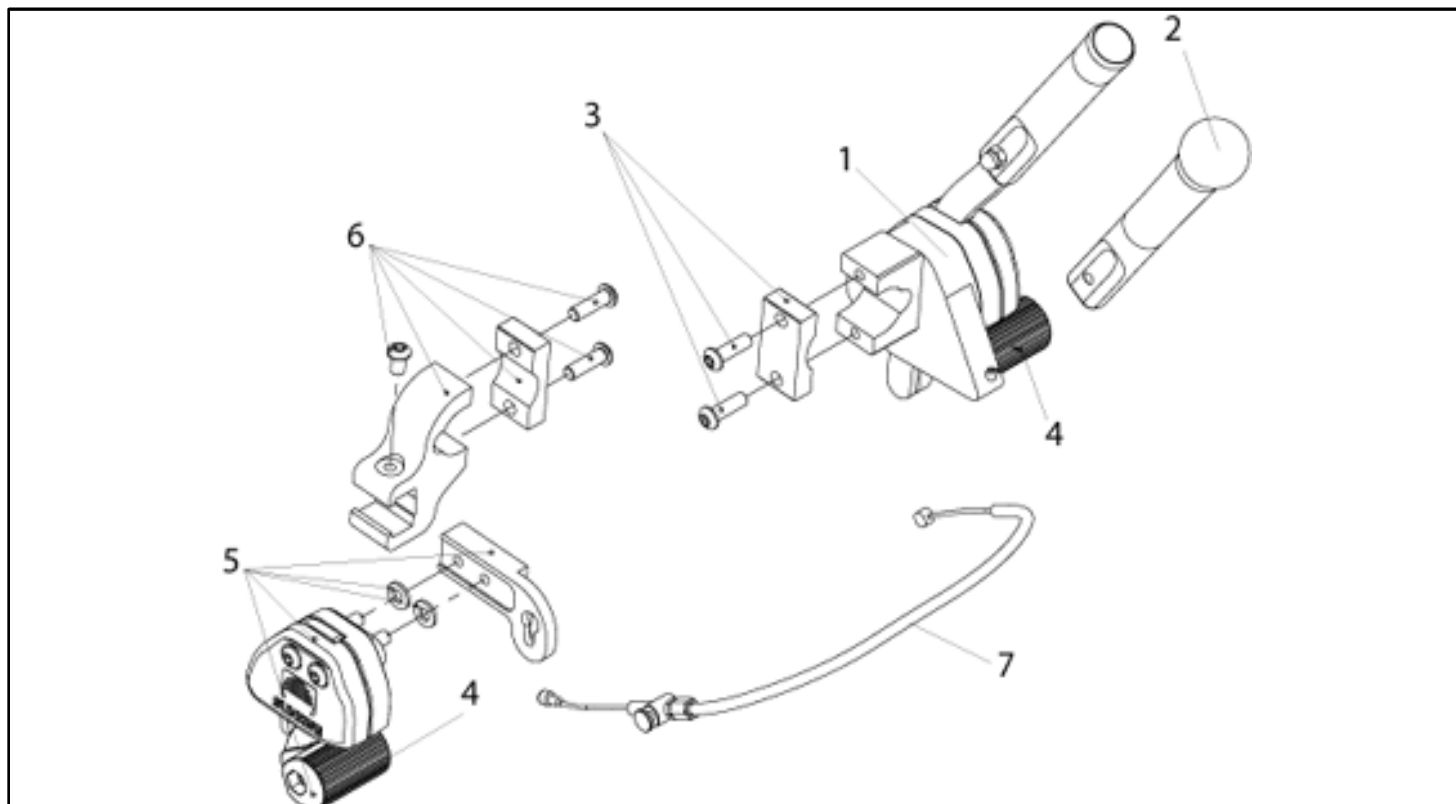
**Easy 200 - Activation for Drum brake/ Quick release axle**



Pos.	Item number	Description	Remark/Qty	Options	EUR
1-4	000 861 012	Activation for drum brakes/quick-release axle, complete (standard back tube)			85.40
1-4	000 861 014	Activation for drum brake		complete (Classic height-adjustable push handle)	89.90
3-4	000 228 031	Accessories for cables			4.70
1	000 228 022	Activation lever			21.60
2	000 228 030	Cables			5.40
4	760 861 017-ET	Sleeve nut with screw	pack of 10		18.30
5	UP01024.01-ET	Handle for 23 mm back tube with drum brake	pack of 10		25.40



## Easy 200 - One arm brake new

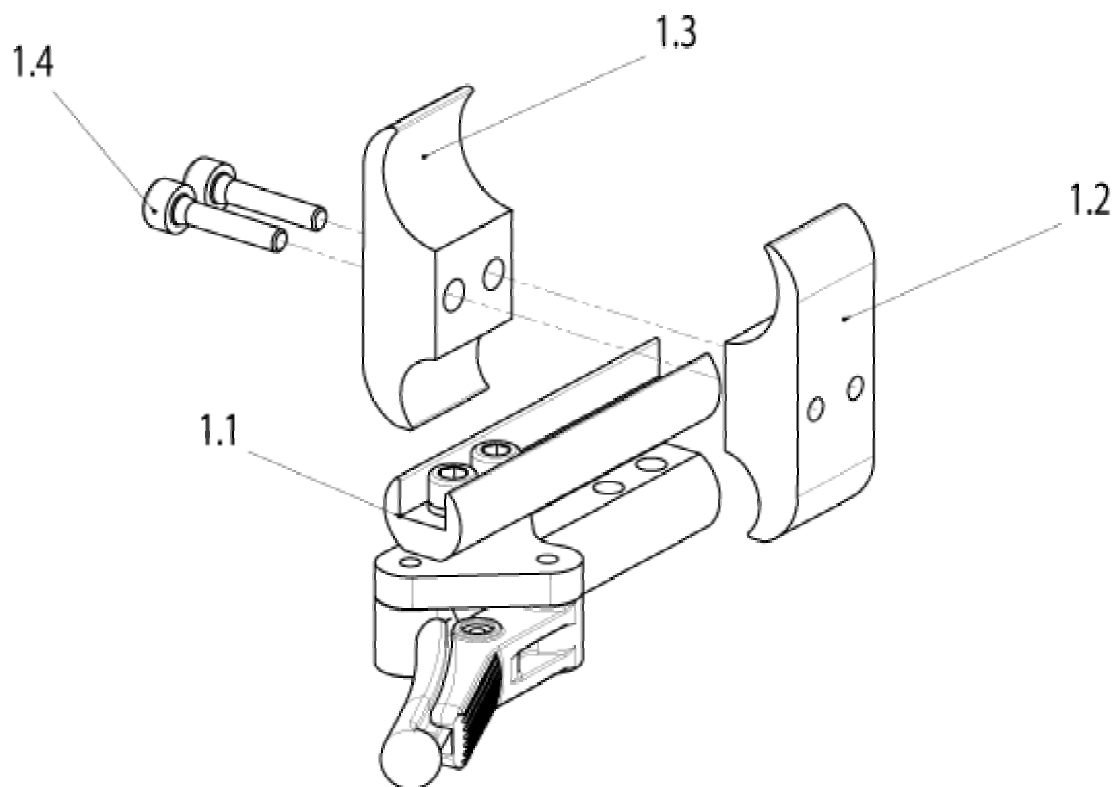


Pos.	Item number	Description	Remark/Qty	Options	EUR
1 - 7	000 862 240	One-arm brake with activation, complete	right	SB:...?	225.00
	000 762 240	One-arm brake with activation, complete	left	SB:...?	225.00
1 - 4	000 862 220	One-arm brake, activation side, complete	right		163.10
	000 762 220	One-arm brake, activation side, complete	left		163.10
4 - 6	000 862 230	One-arm brake, revolving side, complete	right		101.30
	000 762 230	One-arm brake, revolving side, complete	left		101.30
2	000 861 253	Brake lever extension, complete			22.60
	000 102 066-ET	Oval-head screw M 5 x 20 DIN 7985	pack of 12		10.30
	000 128 006-ET	Hex nut M5 DIN 985	pack of 25		4.70
3	000 862 218	Fitting for activation side, complete	can be used right and left		8.50
	000 102 304.01-ET	Oval-head screw M 6 x 20 with Torx drive	pack of 25		6.40
4	000 861 252	Brake bolts, complete			3.60
	000 102 312.01-ET	Oval-head screw M 6 x 32 with Torx drive	pack of 25		6.40
	000 128 007-ET	Hex nut M6 DIN 985	pack of 25		4.40
5	000 862 229	One-arm brake on revolving side	right		87.20
5	000 762 229	One-arm brake on revolving side	left		87.20

**Easy 200 - One arm brake new [Stand: 02/2007]**

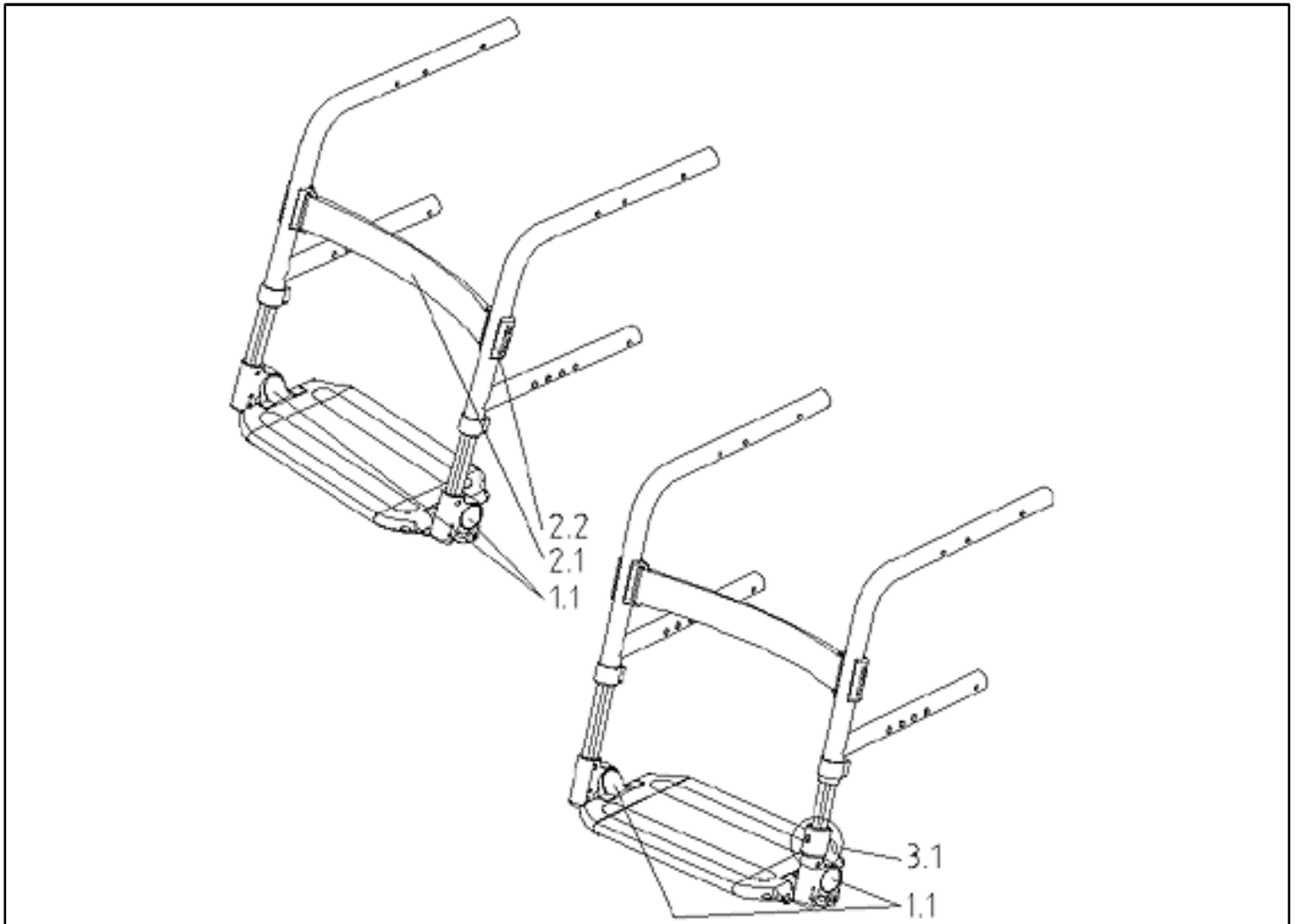
Pos.	Item number	Description	Remark/Qty	Options	EUR
6	000 861 251	Fitting for revolving side, complete	can be used right and left		14.40
	000 102 307.01-ET	Oval-head screw M 6 x 20 with Torx drive	pack of 25		3.10
	000 102 310.01-ET	Oval-head screw M 6 x 10 with Torx drive	pack of 25		7.50
7	000 862 223.01	Cables for one-arm brake, short, complete	SW 24-30		9.20
7	000 862 223.02	Cables for one-arm brake, medium, complete	SW 32-40		9.20
7	000 862 223.03	Cables for one-arm brake, long, complete	SW 42-50		9.20

## Easy 200 - Compact brake (from cw 09/2009)



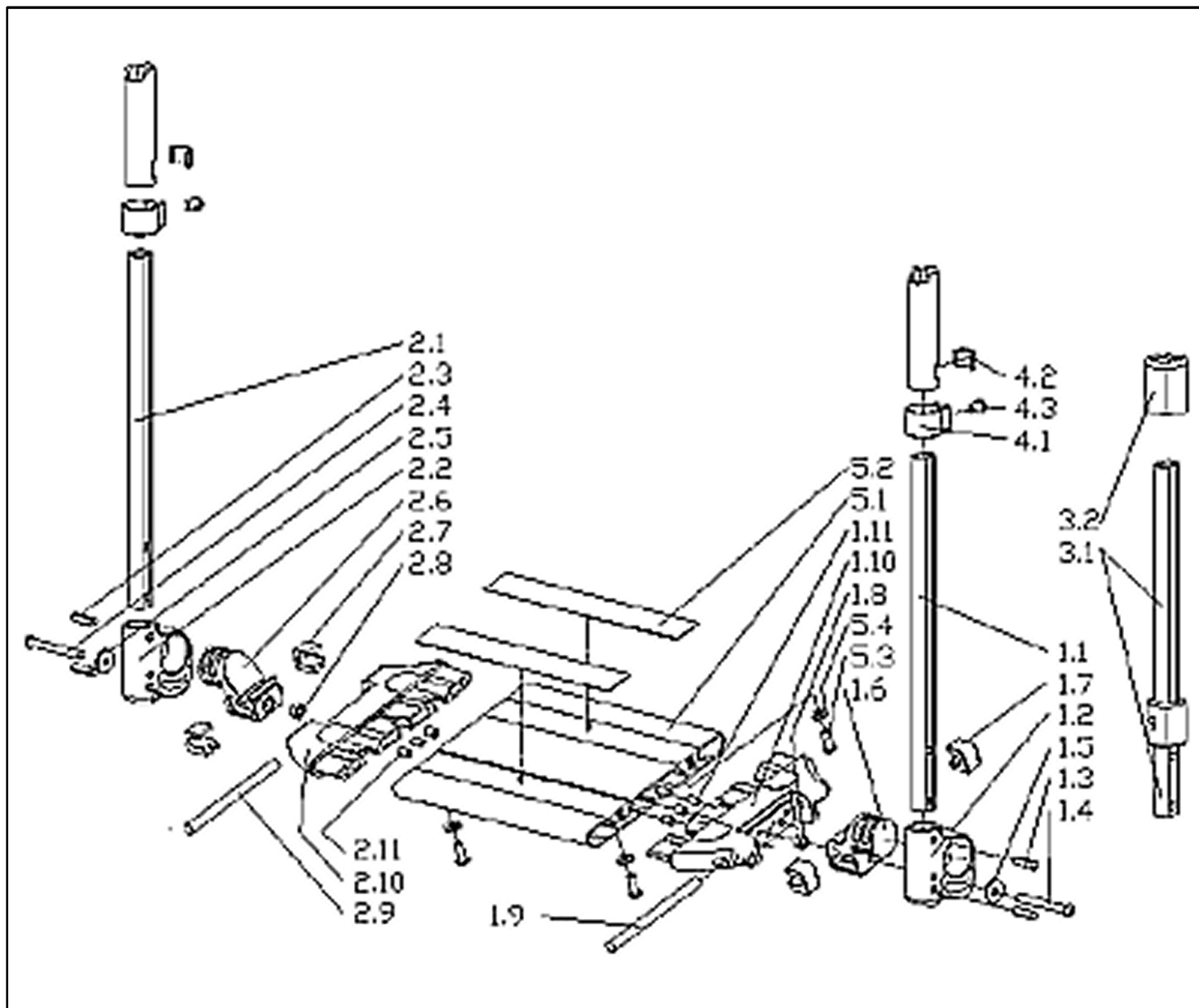
Pos.	Item number	Description	Remark/Qty	Options	EUR
1.1 - 1.4	054619-000	Compact with frame fittings, cpl.	Pair		185.20
1.1 - 1.4	054619-001	Compact with frame fitting, cpl.	right		92.60
1.1 - 1.4	054619-002	Compact with frame fitting, cpl.	left		92.60
1.1	066608-001	Compact brake	left		66.90
1.1	066608-002	Compact brake	right		66.90
1.2 - 1.4	051615	Frame fitting for brake, cpl.	LH&RH useable		30.90
1.4	000 102 004-ET	Cheese head screw M 6 x 20 - DIN 912	25 Pc./Pack		7.50

**Easy 200 - Fußraste durchgehend mit Metallfußbrett (bis KW 31/06)**



Pos.	Item number	Description	Remark/Qty	Options	EUR
1.1 - 2.2	762 920 030	Continuous footrest with metal footboard and calf strap complete. Angle-adjustable		SB:...? FM:...?	265.40
1.1, 3.1	762 920 040	Continuous footrest with metal footboard and calf strap complete. Angle-adjustable with swing mechanism		SB:...? FM:...?	405.20
2.1- 2.2	762 813 003	Calf strap SW: 34 - SW: 35 complete, can be used right and left			29.00
2.1- 2.2	762 813 005	Calf strap SW: 38 - SW: 50 complete, can be used right and left			29.00
2.1	000 813 003	Calf strap for SW: 34 - 36			16.70
2.1	000 813 005	Calf strap for SW: 38 - 50			16.70
2.2	760 812 011-ET	Calf strap bracket	6 Pc/Pack		38.00

Easy 200 - Footboard brackets, continuous

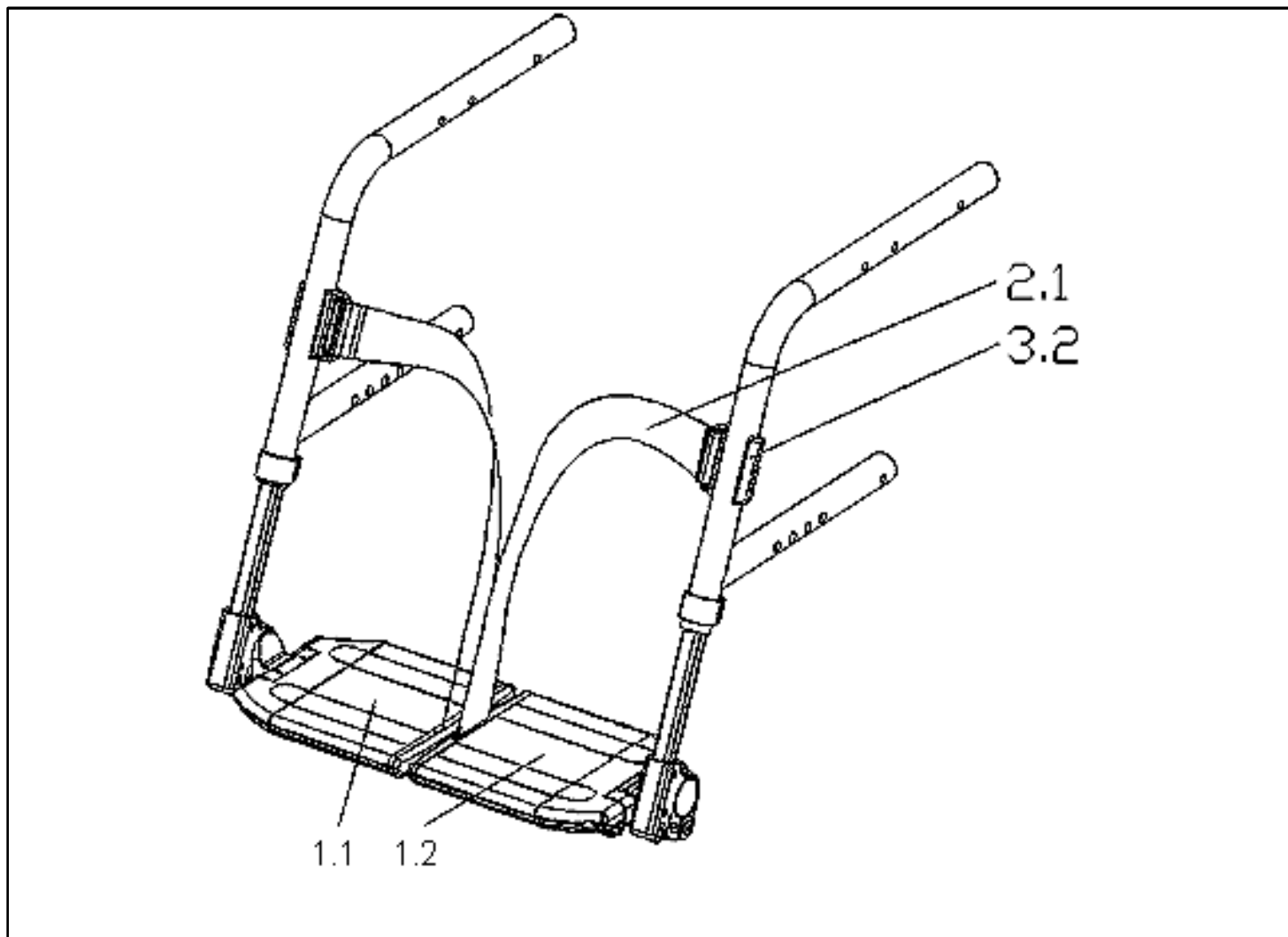


Pos.	Item number	Description	Remark/Qty	Options	EUR
1.1 - 1.11, 2.1- 2.11	760 824 041	Footboard brackets, continuous, complete	right and left side		99.50
1.2 - 1.11, 2.1 - 2.11, 3.1- 3.2	760 824 037	Footboard brackets, continuous, complete. With swing mechanism	right and left side		154.90
2.1- 2.11	760 824 040	Continuous footboard bracket	right		48.70
1.1- 1.11	760 724 050	Continuous/divided footboard bracket	left		49.80

**Easy 200 - Footboard brackets, continuous [Stand: 07/2004]**

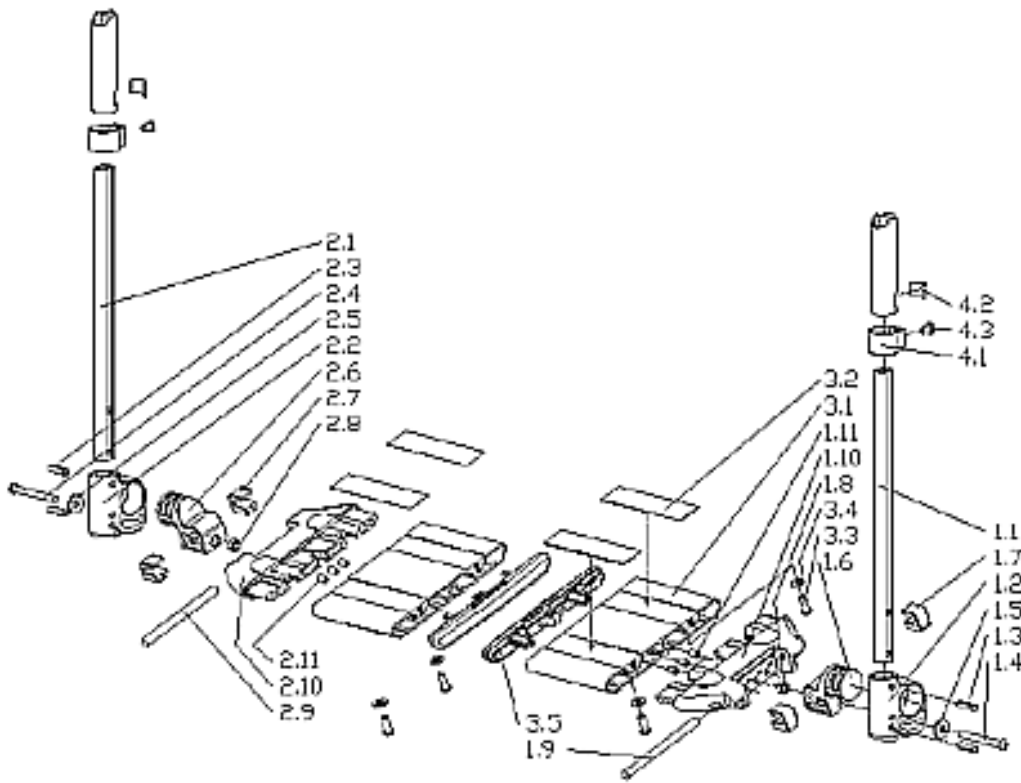
Pos.	Item number	Description	Remark/Qty	Options	EUR
1.2 - 1.11, 3.1- 3.2	760 824 060	Continuous footboard bracket. With swing mechanism	left		107.20
2.6 - 2.7, 2.9- 2.11	760 824 039	Conversion kit from divided to continuous footboard (without footboard)			31.80
1.3, 2.3	000 154 012-ET	Cylindrical grooved pin 6 x 22 DIN 1473	pack of 10		5.40
1.4, 2.4	000 102 314.01-ET	Oval-head screw M 6 x 55 with Torx drive	pack of 25		7.00
1.5, 2.5	000 130 121-ET	A 6.4 washer DIN 7349	pack of 25		2.60
1.6 - 1.7, 1.9 - 1.11	760 724 038	Footboard holder with bearing and attachments, complete	left		27.20
1.7, 2.7	760 824 032-ET	Clamp for footboard adjustment	pack of 12		9.30
1.8, 2.8	000 128 007-ET	Hex nut M 6 DIN 985	pack of 25		4.40
1.11, 2.11	000 105 003-ET	Stud bolt M 6 x 12 DIN 916	pack of 12		3.10
2.6	760 824 024	Support for footboard			3.60
1.2 - 1.3, 3.1 - 3.2	760 824 042	Swing mechanism with footbar support, complete			127.60
3.2	000 282 097-ET	PVC cover cap	pack of 6		9.80
4.1- 4.3	750 826 006	Fitting accessories for footboard on footrest holder			5.40
4.2	760 827 002-ET	Push joint	pack of 10		8.00
4.3	000 102 308.01-ET	Oval-head screw M 6 x 12 with Torx drive	pack of 25		3.60
5.2	000 821 167	Slip resistant coating (Only available by the metre. Please indicate quantity)	((in metres)		9.20
5.3	000 102 309.01-ET	Oval-head screw M 6 x 16 with Torx drive	pack of 25		5.90
5.4	000 130 107-ET	A 6.4 washer DIN 125	pack of 25		5.90
5.1- 5.2	760 824 047	Continuous footboard, coated, complete. Standard colour = black, fine structure			73.60

**Easy 200 - Fußraste geteilt mit Metallfußbrett (bis KW 31/06)**



Pos.	Item number	Description	Remark/Qty	Options	EUR
1.1 - 3.2	762 920 010	Divided footrest with metal footboard and calf strap complete. Angle-adjustable	Pair	SB:...? FM:...?	297.00
1.1, 2.1, 3.2	762 820 010	Divided footrest with metal footboard and calf strap complete. Angle-adjustable	right		148.50
1.2, 2.1, 3.2	762 720 010	Divided footrest with metal footboard and calf strap complete. Angle-adjustable	left		148.50
2.1, 3.2	762 824 031	Calf strap, diagonal with calf strap bracket	right & left usable		23.00
2.1	760 824 031	Calf strap	right & left usable		16.70
3.2	760 812 011-ET	Calf strap bracket	pack of 6		38.00

**Easy 200 - Footboard holders divided**

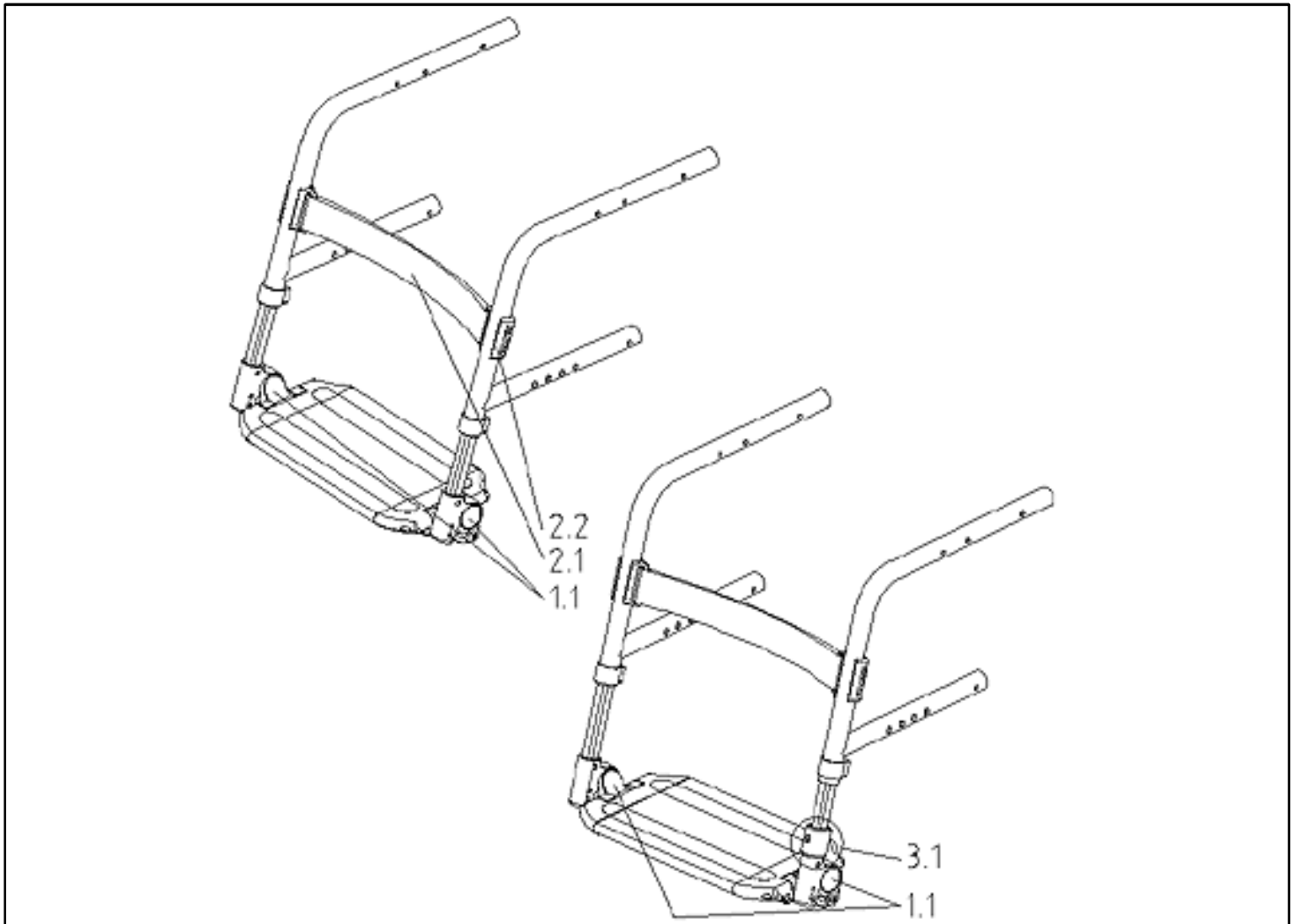


Pos.	Item number	Description	Remark/Qty	Options	EUR
1.1 - 1.11, 2.1- 2.11	760 924 050	Footboard holders, divided, complete	Pair	UL:...?	99.60
2.1- 2.11	760 824 050	Footboard holder, divided, complete	right	UL:...?	49.80
1.1- 1.11	760 724 050	Footboard holder, divided, complete	left	UL:...?	49.80
3.1- 3.2	760 824 045	Continuous footboard, coated (one side) SW: 34-36 = 65 mm SW: 38 = 85 mm; SW: 40-44 = 95 mm SW: 46-50 = 125 mm standard colour = black, fine structure		SB:...? FM:...?	73.60
2.6 - 2.7, 2.9 - 2.11, 3.5	760 824 036	Conversion kit from continuous to divided footboard (without footboard)			31.80
1.3, 2.3	000 154 012-ET	Cylindrical grooved pin 6 x 22 DIN 1473	pack of 10		5.40
1.4, 2.4	000 102 314.01-ET	Oval-head screw M 6 x 55 with Torx drive	pack of 25		7.00
1.5, 2.5	000 130 121-ET	A 6.4 washer DIN 7349	pack of 25		2.60
2.6 - 2.7, 2.9 - 2.11	760 824 038	Footboard holder with bearing and attachments, complete	right		27.20



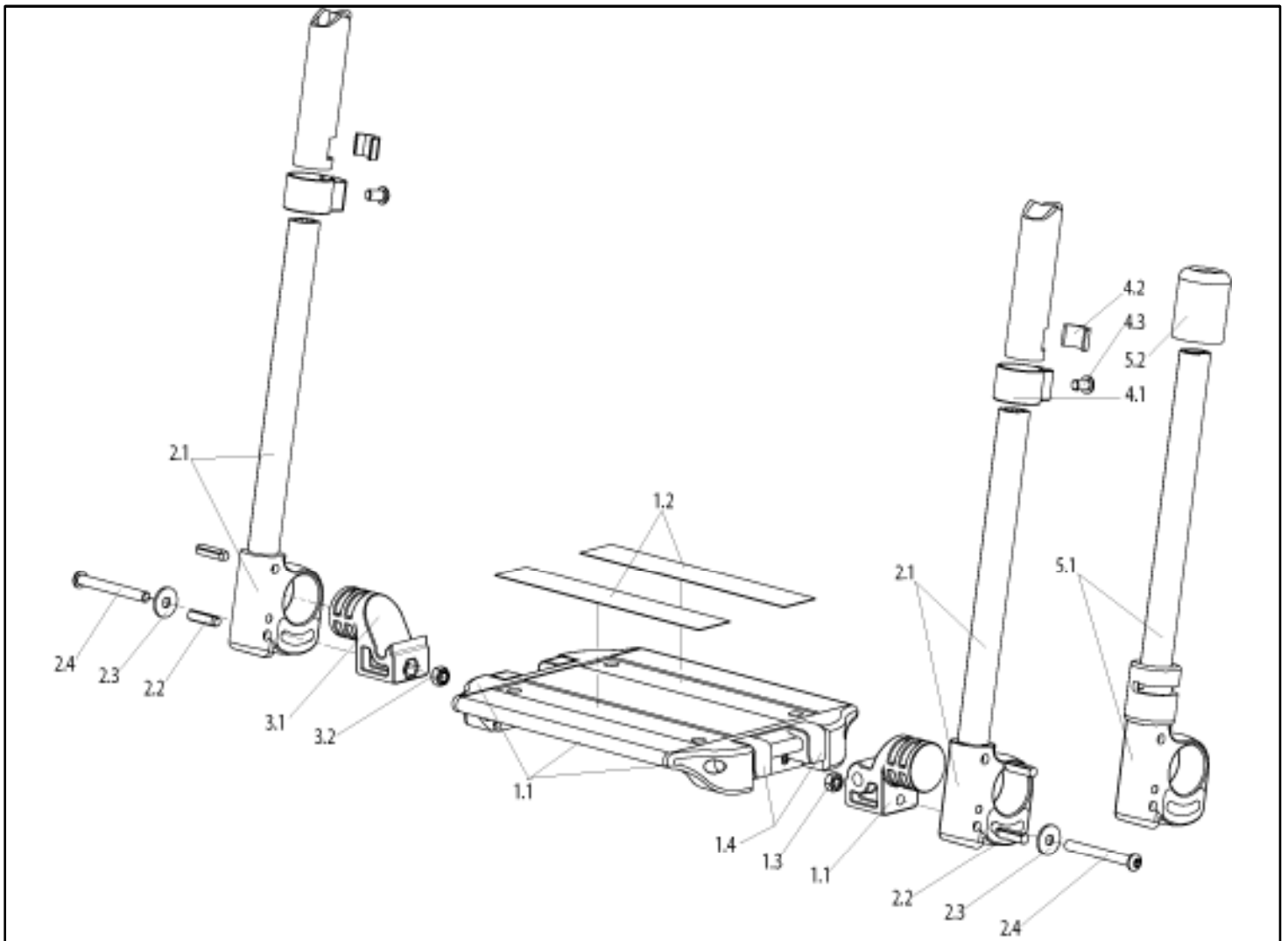
Pos.	Item number	Description	Remark/Qty	Options	EUR
1.6 - 1.7, 1.9- 1.11	760 724 038	Footboard holder with bearing and attachments, complete	left		27.20
1.7, 2.7	760 824 032-ET	Clamp for footboard adjustment	pack of 12		9.30
1.8, 2.8	000 128 007-ET	Hex nut M 6 DIN 985	pack of 25		4.40
1.11, 2.11	000 105 003-ET	Stud bolt M 6 x 12 DIN 916	pack of 12		3.10
3.2	000 821 167	Slip resistant coating (Only available by the metre. Please indicate quantity)	((in metres)		9.20
3.3	000 102 309.01-ET	Oval-head screw M 6 x 16 with Torx drive	pack of 25		5.90
3.4	000 130 107-ET	A 6.4 washer DIN 125	pack of 25		5.90
3.5	760 824 029	Cover cap for footboard profile, can be used right or left			7.00
4.1- 4.3	750 826 006	Fitting accessories for footboard on footrest holder			5.40
4.2	760 827 002-ET	Push joint	pack of 10		8.00
4.3	000 102 308.01-ET	Oval-head screw M 6 x 12 with Torx drive	pack of 25		3.60

**Easy 200 - Continuous footrest with metal footboard (from CW 31/06)**



Pos.	Item number	Description	Remark/Qty	Options	EUR
1.1 - 2.2	762 920 130	Continuous footrest with metal footboard and calf strap complete. Angle-adjustable		SB:...? FM:...?	154.90
1.1, 3.1	762 920 140	Continuous footrest with metal footboard and calf strap complete. Angle-adjustable with swing mechanism		SB:...? FM:...?	294.80
2.1- 2.2	762 813 003	Calf strap SW: 34 - SW: 35 complete, can be used right and left			29.00
2.1- 2.2	762 813 005	Calf strap SW: 38 - SW: 50 complete, can be used right and left			29.00
2.1	000 813 003	Calf strap for SW: 34 - 36			16.70
2.1	000 813 005	Calf strap for SW: 38 - 50			16.70
2.2	760 812 011-ET	Calf strap bracket	6 Pc/Pack		38.00

**Easy 200 - Continuous foodrest with metal footboard (from CW 32/06)**



Pos.	Item number	Description	Remark/Qty	Options	EUR
1.1-3.2	762 920 130	Single footplate complete 217,6 mm		COLMP:..?	154.90
1.1-1.3	762 824 147	Skit tape (loose length)		SB:..? FM:..?	101.10
1.2	000 821 167	Slip resistant coating (Only available by the metre. Please indicate quantity)	per meter		9.20
1.3	000 128 007-ET	Hex nut M 6 DIN 985	25 pieces/pack		4.40
1.4	760 824 032-ET	Clamp for footrest adjustment	12 pieces/pack		9.30
2.1-2.4	054200-312	Footrest tube with receiver cpl.			53.00
2.2	000 154 012-ET	Pin 6 x 22 DIN 1473			5.40
2.3	000 130 121-ET	Washer A 6,4 DIN 7349	25 pieces/pack		2.60
2.4	000 102 314.01-ET	Button head cap screw M 6 x 55 Torx drive	25 pieces/pack		7.00

Pos.	Item number	Description	Remark/Qty	Options	EUR
3.1	760 824 024	Saddle for footplate			3.60
3.2	000 128 007-ET	Hex nut M 6 DIN 985	25 pieces/pack		4.40
o.B.	054200-006	Calf strap SW: 38 - 50			29.00
4.1- 4.3	750 826 006	Fitting accesoires for footplate			5.40
4.2	760 827 002-ET	Pressure piece			8.00
4.3	000 102 308.01	Button head cap screw M 6 x 12 Torx drive	25 pieces/pack		
5.1- 5.2	760 824 042	Footrest extension tube with swing-away mechanism cpl.			127.60
5.2	000 282 097-ET	Cap PVC	6 pieces/pack		9.80

**Kontrollmaße für Fussbrettbreite zu Sitzbreite:**

197,6 mm = SB: 32 277,6 mm = SB: 40 357,6 mm = SB: 48  
 217,6 mm = SB: 34 297,6 mm = SB: 42 377,6 mm = SB: 50  
 237,6 mm = SB: 36 317,6 mm = SB: 44 397,6 mm = SB: 52  
 257,6 mm = SB: 38 337,6 mm = SB: 46 417,6 mm = SB: 54

## Easy 200 - Divided footrest with metal footboard (from CW 31/06)

### Kontrollmaße für Fussbrettbreite zu Sitzbreite:

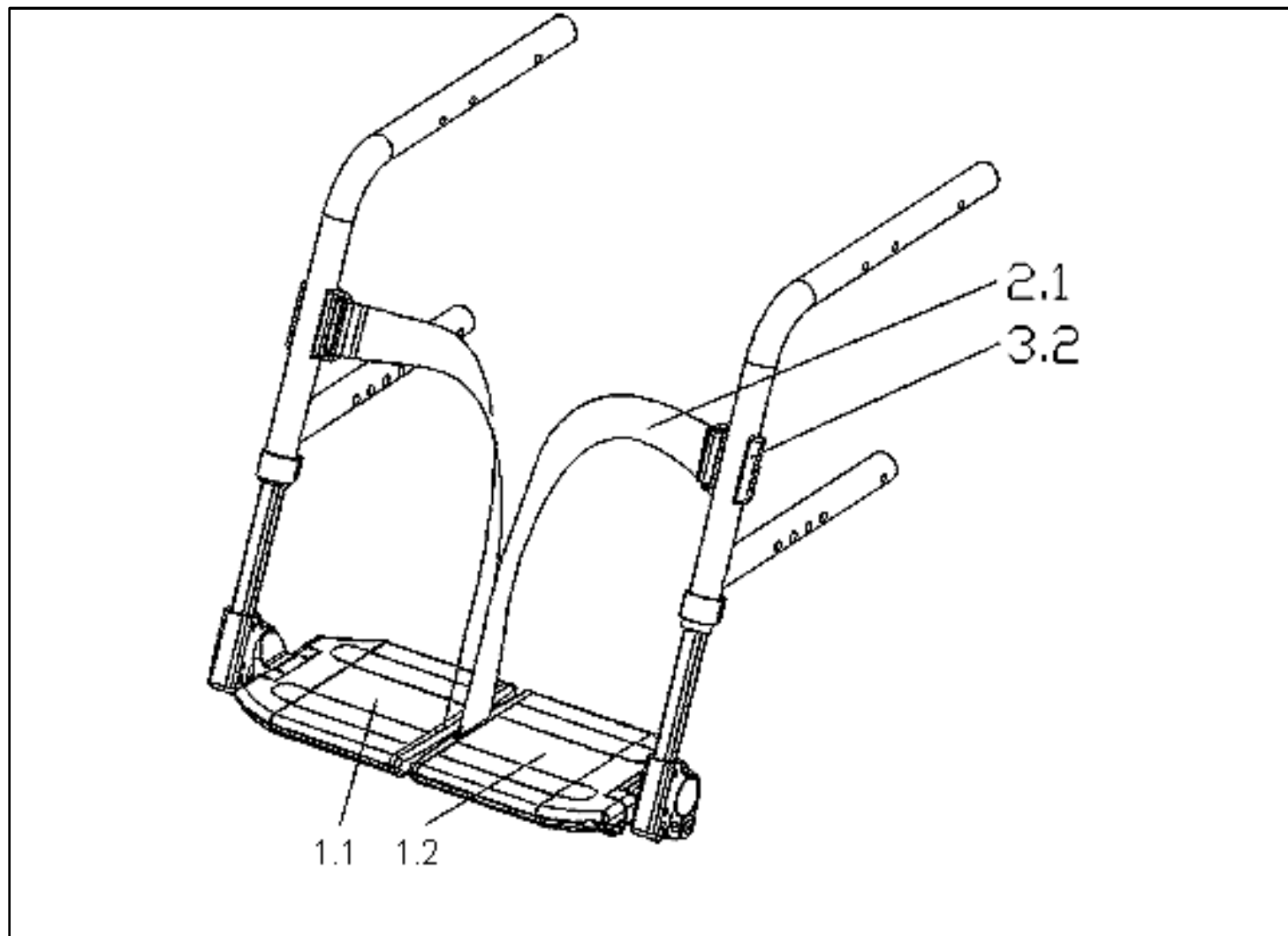
76 mm = SB: 32

86 mm = SB: 34-36

106 mm = SB: 38-40

116 mm = SB: 42-44

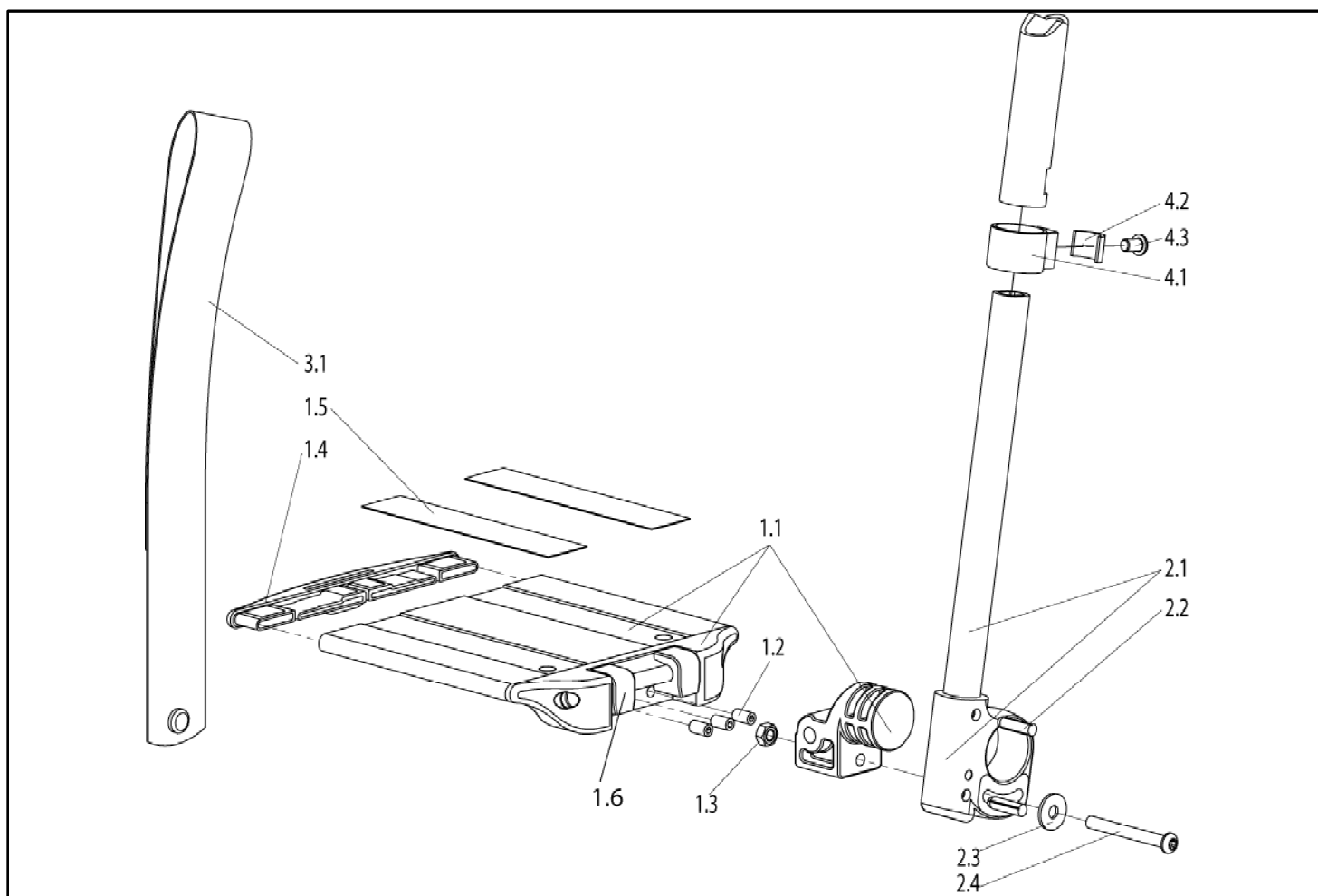
146 mm = SB: 46-54



Pos.	Item number	Description	Remark/Qty	Options	EUR
1.1 - 3.2	762 920 110	Divided footrest with metal footboard and calf strap complete. Angle-adjustable	Pair	SB:...? FM:...?	202.20
1.1, 2.1, 3.2	762 820 110	Divided footrest with metal footboard and calf strap complete. Angle-adjustable	right		101.10
1.2, 2.1, 3.2	762 720 110	Divided footrest with metal footboard and calf strap complete. Angle-adjustable	left		101.10
2.1, 3.2	762 824 031	Calf strap, diagonal with calf strap bracket	right & left usable		23.00

Pos.	Item number	Description	Remark/Qty	Options	EUR
2.1	760 824 031	Calf strap	right & left usable		16.70
3.2	760 812 011-ET	Calf strap bracket	pack of 6		38.00

**Easy 200 - Divided footrest with metal footboard (from CW 21/06)**



Pos.	Item number	Description	Remark/Qty	Options	EUR
1.1-2.4	762 920 110	Footboard holders, divided, complete	Pair	UL:....?	202.20
1.1-2.4	762 820 110	Footboard holder, divided, complete	right	UL:....?	101.10
1.1-2.4	762 720 110	Footboard holder, divided, complete	left	UL:....?	101.10
1.1-1.5	760 824 150	Continuous footboard, coated (one side) SW: 34-36 = 65 mm SW: 38 = 85 mm; SW: 40-44 = 95 mm SW: 46-50 = 125 mm standard colour = black, fine structure		SB:....? FM:....?	61.20
1.2	000 105 003-ET	Stud bolt M 6 x 12 DIN 916	pack of 12		3.10
1.3	000 128 007-ET	Hex nut M 6 DIN 985	pack of 25		4.40
1.4	054212	Cover cap for footboard profile, can be used right or left			5.70
1.5	000 821 167	Slip resistant coating (Only available by the metre. Please indicate quantity)	(in metres)		9.20
1.6	760 824 032-ET	Clamp for footboard adjustment	pack of 12		9.30
2.1-2.4	054200-312	Fußrastenrohr mit Gelenkaufnahme kpl.			53.00
2.2	000 154 012-ET	Cylindrical grooved pin 6 x 22 DIN 1473	pack of 10		5.40

Pos.	Item number	Description	Remark/Qty	Options	EUR
2.3	000 130 121-ET	A 6.4 washer DIN 7349	pack of 25		2.60
2.4	000 102 314.01-ET	Button head cap screw M 6 x 55 Torx drive	pack of 25		7.00
3.1	760 824 031	Calfpad for divided footplate			16.70
4.1-4.3	750 826 006	Fitting accesoires for footplate			5.40
4.2	760 827 002-ET	Push joint	pack of 10		8.00
4.3	000 102 308.01-ET	Oval-head screw M 6 x 12 with Torx drive	pack of 25		3.60
-	760 812 011-ET	Calfpad bracket	pack of 6		38.00

**Kontrollmaß für Fußbrettbreite zu Sitzbreite:**

76,3 mm = SB: 32

86,3 mm = SB: 34-36

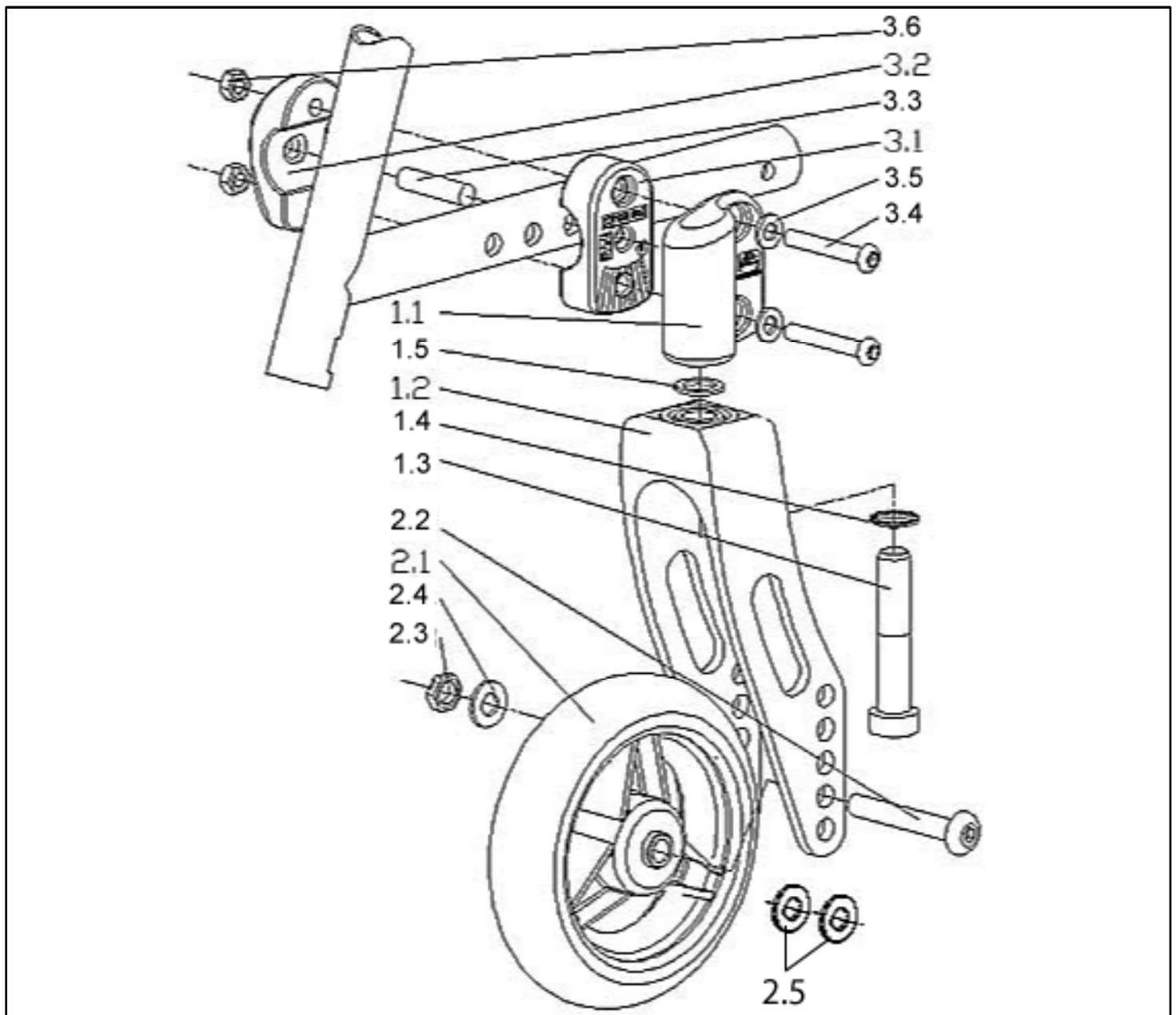
106,3 mm = SB: 38-40

116,3 mm = SB: 42-44

146,3 mm = SB: 46-54



## Easy 200 - Castor, Fork & Adapter



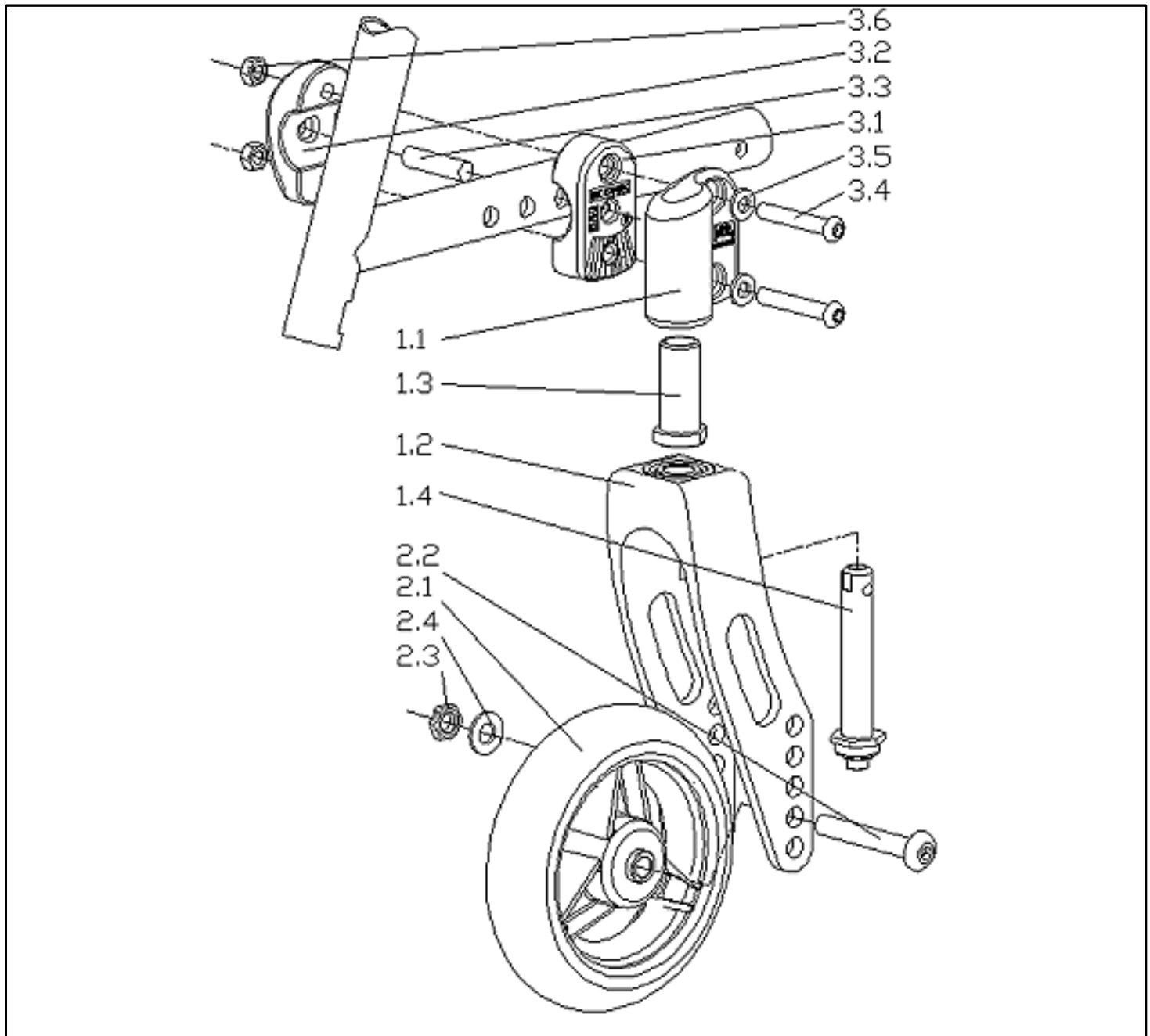
Pos.	Item number	Description	Remark/Qty	Options	EUR
1.1 - 3.6	760 958 400	Castor, round fork, black, complete	Pair	GART:....? LRGR:....?	422.50
1.1 - 3.6	760 858 400	Castor, round fork, black, complete	right	GART:....? LRGR:....?	211.30
1.1 - 3.6	760 758 400	Castor, round fork, black, complete	left	GART:....? LRGR:....?	211.30
1.1 - 3.6	760 958 400.01	Castor, round fork, coated, complete	Pair	GART:....? LRGR:....? FM:....?	422.50
1.1 - 3.6	760 858 400.01	Castor, round fork, coated, complete	right		211.30

**Easy 200 - Castor, Fork & Adapter [Stand: 05/2007]**

Pos.	Item number	Description	Remark/Qty	Options	EUR
1.1 - 3.6	760 758 400.01	Castor, round fork, coated, complete	left		211.30
1.1.- 1.5	760 858 330	Rundgabel schwarz elox. 168 x 39 (Schraubachse) mit Lenkradadapter kpl.	right		158.20
1.1.- 1.5	760 758 330	Rundgabel schwarz elox. 168 x 39 (Schraubachse) mit Lenkradadapter kpl.	left		158.20
1.1.- 1.5	760 858 331	Rundgabel schwarz elox. 168 x 45 (Schraubachse) mit Lenkradadapter kpl.	right		158.20
1.1.- 1.5	760 758 331	Rundgabel schwarz elox. 168 x 45 (Schraubachse) mit Lenkradadapter kpl.	left		158.20
1.1.- 1.5	760 858 332	Rundgabel schwarz elox. 143 x 39 (Schraubachse) mit Lenkradadapter kpl.	right		158.20
1.1.- 1.5	760 758 332	Rundgabel schwarz elox. 143 x 39 (Schraubachse) mit Lenkradadapter kpl.	left		158.20
1.1.- 1.5	760 858 335.01	Coated round fork with castor adapter, complete	right	GART:...? LRGR:...? FM:...?	158.20
1.1.- 1.5	760 758 335.01	Coated round fork with castor adapter, complete	left	GART:...? LRGR:...? FM:...?	158.20
1.2	760 858 320.01	Rundgabel 168 x 39, farbig nach Wahl		FM:...?	111.70
1.2	760 858 321.01	Rundgabel 168 x 45, farbig nach Wahl		FM:...?	111.70
1.2	760 858 322.01	Rundgabel 143 x 39, farbig nach Wahl		FM:...?	111.70
1.3	000 102 151-ET	Cheese head screw M 12 x 60 mm DIN 6912	pack of 10		14.90
1.4	000 138 010-ET	Lock washer, jagged 13	pack of 10		12.60
1.5	000 131 087-ET	Locating disc 12 x 18 x 1.5 DIN 988	pack of 25		11.30
2.1- 2.4	760 858 361	4" solid rubber castor complete, with axle for fork 143 x 39 and 168 x 39			44.30
2.1- 2.4	000 858 118	4" solid rubber castor with aluminium rim, complete, with axle for fork 143 x 39 and 168 x 39			77.20
2.1- 2.4	000 858 023	4" Light up wheel castor with light effect for fork 143 x 35 and 168 x 39			46.60
2.1- 2.4	760 858 362	5" solid rubber castor complete, with axle for fork 143 x 39 and 168 x 39			44.30
2.1- 2.4	000 858 119	5" solid rubber castor with aluminium rim, complete, with axle for fork 143 x 39 and 168 x 39			77.20
2.1 - 2.4	760 858 363	6" solid rubber castor complete, with axle for fork 143 x 39 and 168 x 39			44.30
2.1 - 2.4	760 858 364	6" soft rubber castor complete, with axle for fork 168 x 45			44.30
2.1 - 2.4	760 858 366	6" pneumatic castor complete, with axle for fork 143 x 39 and 168 x 39			44.30
2.1 - 2.4	760 858 365	7" solid rubber castor complete, with axle for fork 168 x 45			44.30
2.1- 2.4	760 858 367	7" pneumatic castor complete, with axle for fork 168 x 45			44.30
2.2	000 104 112-ET	Oval-head screw M 8 x 55 ISO 7380 for round fork 143 x 39 and 168 x 39	pack of 10		11.30

Pos.	Item number	Description	Remark/Qty	Options	EUR
2.2	000 104 113-ET	Oval-head screw M 8 x 60 ISO 7380 for round fork 168 x 45	pack of 10		11.30
2.3	000 128 020-ET	Hex nut M 8 TRELOC half-height	pack of 25		10.30
2.4	000 130 108-ET	A 8.4 washer DIN 985	pack of 25		7.00
2.5	000 858 016-ET	Spacer washer 13.5/8.3/3.5 mm			3.60
3.1- 3.6	760 858 350	Fitting accessories for castor fitting, complete (frame mount) can be used right and left			36.70
3.3	000 154 205-ET	Cylindrical pin 8 x 32	pack of 25		15.40
3.4	000 102 305.01- ET	Oval-head screw M 6 x 40 with Torx drive	pack of 10		6.40
3.5	000 130 107-ET	A 6.4 washer DIN 125	pack of 25		5.90
3.6	000 128 007-ET	Hex nut M 6 DIN 985	pack of 25		4.40

**Easy 200 - Castor round fork with Quick release axle**



Pos.	Item number	Description	Remark/Qty	Options	EUR
1.1-3.6	760 958 420	Castor, round fork, black, complete	Pair	GART:....? LRGR:....?	495.40
1.1-3.6	760 858 420	Castor, round fork, black, complete	right	GART:....? LRGR:....?	247.70
1.1-3.6	760 758 420	Castor, round fork, black, complete	left	GART:....? LRGR:....?	247.70
1.1-3.6	760 958 420.01	Castor, round fork, coated, complete	Pair	GART:....? LRGR:....? FM:....?	495.40

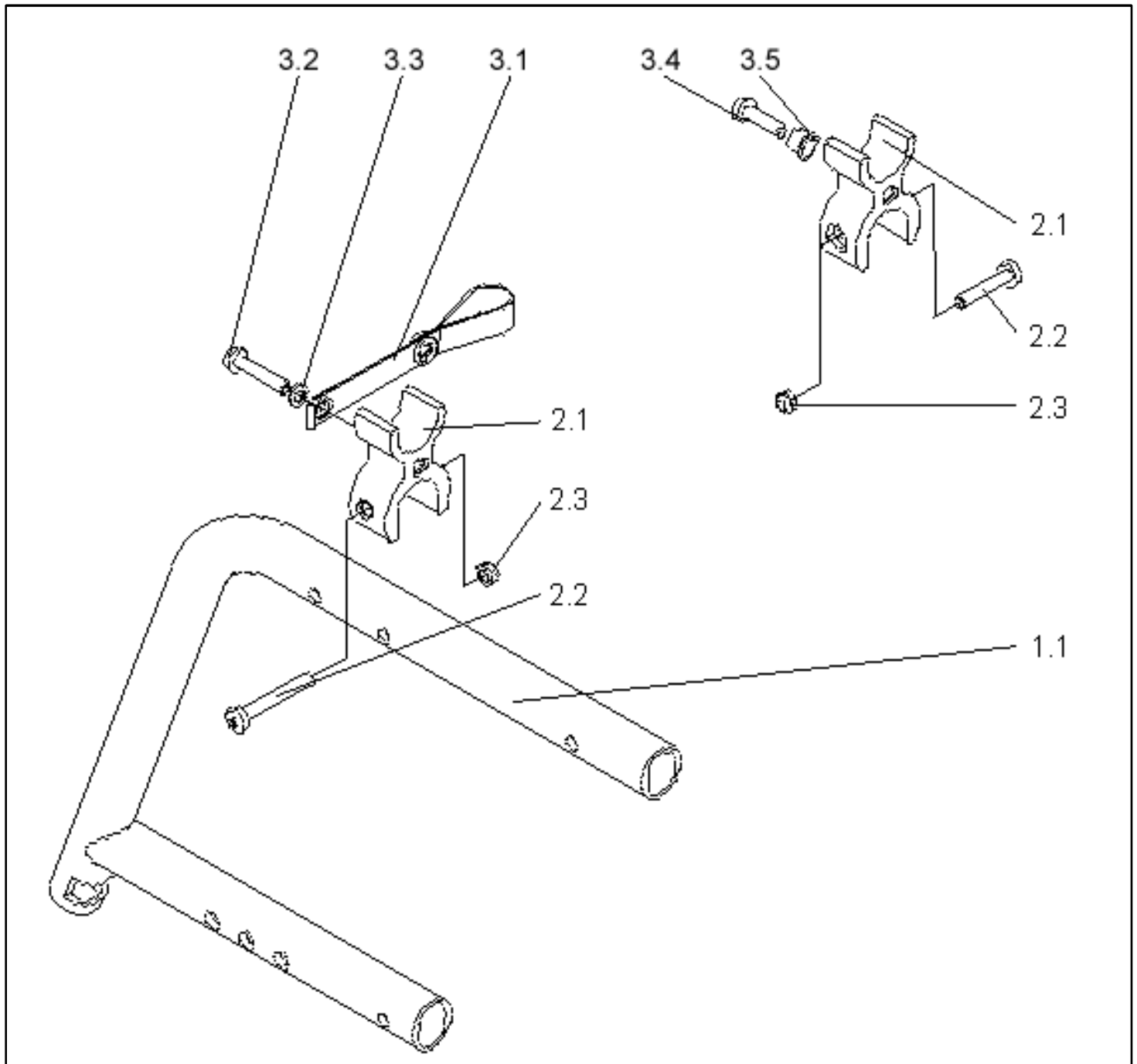
**Easy 200 - Castor round fork with Quick release axle [Stand: 06/2005]**

Pos.	Item number	Description	Remark/Qty	Options	EUR
1.1- 3.6	760 858 420.01	Castor, round fork, coated, complete	right	GART:...? LRGR:...? FM:...?	247.70
1.1- 3.6	760 758 420.01	Castor, round fork, coated, complete	left	GART:...? LRGR:...? FM:...?	
1.1.- 1.4	760 758 345	Black, round fork with castor adapter, complete	left	GART:...?	158.20
1.1.- 1.4	760 858 345	Black, round fork with castor adapter, complete	right	GABEL:...?	158.20
1.1.- 1.4	760 758 345.01	Coated round fork with castor adapter, complete	left	GART:...? FM:...?	158.20
1.1.- 1.4	760 858 345.01	Coated round fork with castor adapter, complete	left	GART:...? FM:...?	158.20
1.2	760 858 320.01	Fork 168 x 39, coated		FM:...?	111.70
1.2	760 858 321.01	Fork 168 x 45, coated		FM:...?	111.70
1.2	760 858 322.01	Fork 143 x 39, coated		FM:...?	111.70
1.2	760 858 320	Round fork 168 x 39 black			111.70
1.2	760 858 321	Round fork 168 x 45 black			111.70
1.2	760 858 322	Round fork 143 x 39 black			111.70
2.1- 2.4	760 858 361	4" solid rubber castor complete, with axle for round fork 143 x 39 and 168 x 39			44.30
2.1- 2.4	000 858 118	4" solid rubber castor with aluminium rim complete, with axle for round fork 143 x 39 and 168 x 39			77.20
2.1- 2.5	000 858 023	4" Light-up wheel for fork 143 x 39 and 168 x 39			46.60
2.1- 2.4	760 858 362	5" solid rubber castor complete, with axle for round fork 143 x 39 and 168 x 39			44.30
2.1- 2.4	000 858 119	5" solid rubber castor with aluminium rim complete, with axle for round fork 143 x 39 and 168 x 39			77.20
2.1- 2.4	760 858 363	6" solid rubber castor complete, with axle for round fork 143 x 39 and 168 x 39			44.30
2.1- 2.4	760 858 364	6" soft rubber castor complete, with axle for round fork 168 x 45			44.30
2.1- 2.4	760 858 366	6" pneumatic castor complete, with axle for round fork 143 x 39 and 168 x 39			44.30
2.1- 2.4	760 858 365	7" solid rubber castor complete, with axle for round fork 168 x 45			44.30
2.1- 2.4	760 858 367	7" pneumatic castor complete, with axle for round fork 168 x 45			44.30
1.4	000 220 269	Quick-release axle 12.0 clamp length 58 with nut			39.00
2.2	000 104 112-ET	Oval-head screw M 8 x 55 ISO 7380 for round fork 143 x 39 and 168 x 39	pack of 10		11.30
2.2	000 104 113-ET	Oval-head screw M 8 x 60 ISO 7380 for round fork 168 x 45	pack of 10		11.30
2.3	000 128 020-ET	Hex nut M 8 TRELOC half-height	pack of 25		10.30
2.4	000 130 108-ET	A 8.4 washer DIN 125	pack of 25		7.00
2.5	000 858 016-ET	Spacer washer 3.5 mm	pack of 10		3.60

**Easy 200 - Castor round fork with Quick release axle [Stand: 06/2005]**

Pos.	Item number	Description	Remark/Qty	Options	EUR
3.1- 3.6	760 858 350	Fitting accessories for castor fitting, complete (frame mount) can be used right and left			36.70
3.3	000 154 205-ET	Cylindrical pin 8 x 32 DIN 7	pack of 25		15.40
3.4	000 102 305.01-ET	Oval-head screw M 6 x 40 with Torx drive	pack of 10		6.40
3.5	000 130 107-ET	Washer A6.4 DIN 125	pack of 25		5.90
3.6	000 128 007-ET	Hex nut M 6 DIN 985	pack of 25		4.40
1.2- 2.4	760 858 600	Castor replacement kit with 4" solid rubber wheel, complete Round fork 143 mm	can be used right and left		115.00
1.2 - 2.4	760 858 601	Castor replacement kit with 4" solid rubber wheel, complete Round fork 168 mm	can be used right and left		115.00
1.2 - 2.4	760 858 602	Castor replacement kit with 5" solid rubber wheel, complete Round fork 143 mm	can be used right and left		115.00
1.2 - 2.4	760 858 603	Castor replacement kit with 5" solid rubber wheel, complete Round fork 168 mm	can be used right and left		115.00
1.2 - 2.4	760 858 604	Castor replacement kit with 6" solid rubber wheel, complete Round fork 143 mm	can be used right and left		115.00
1.2 - 2.4	760 858 605	Castor replacement kit with 6" solid rubber wheel, complete Round fork 168 mm	can be used right and left		115.00
1.2 - 2.4	760 858 606	Castor replacement kit with 6" pneumatic wheel, complete Round fork 143 mm	can be used right and left		115.00
1.2 - 2.4	760 858 607	Castor replacement kit with 6" pneumatic wheel, complete Round fork 168 mm	can be used right and left		115.00
1.2 - 2.4	760 858 608	Castor replacement kit with 6" soft wheel, complete Round fork 168 mm	can be used right and left		115.00
1.2 - 2.4	760 858 609	Castor replacement kit with 7" solid rubber wheel, complete Round fork 168 mm	can be used right and left		115.00
1.2 - 2.4	760 858 610	Castor replacement kit with 7" pneumatic wheel, complete Round fork 168 mm	can be used right and left		115.00

## Easy 200 - Front frame



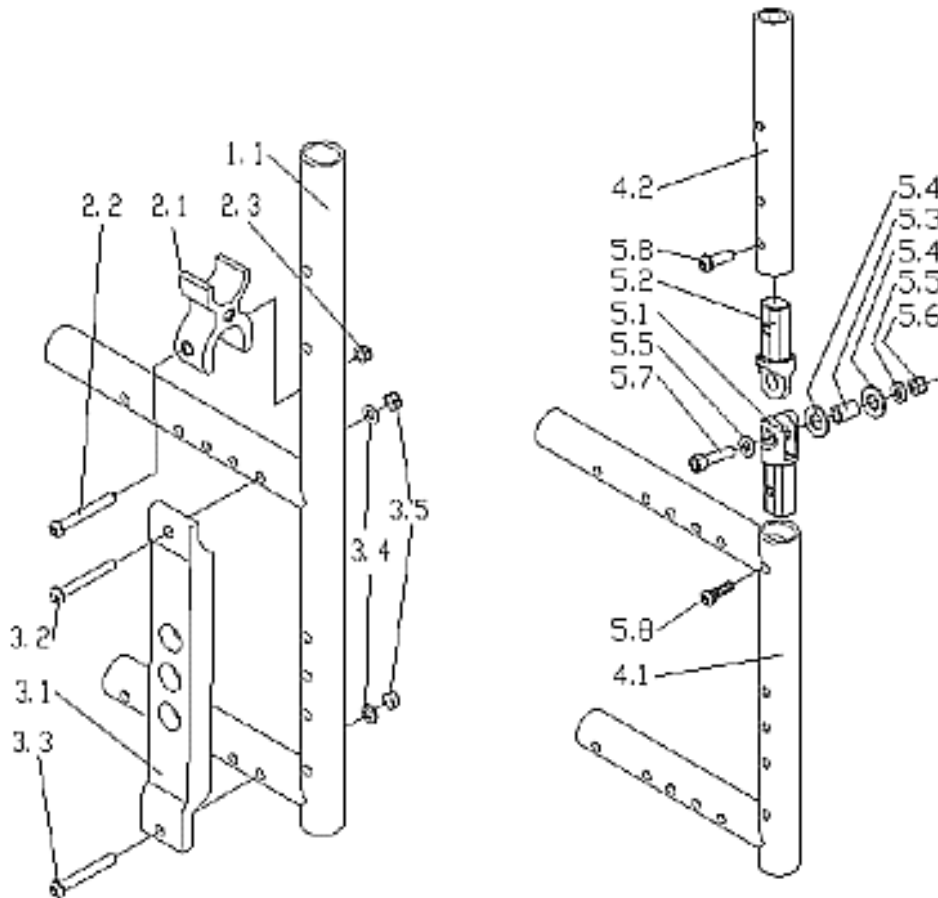
Pos.	Item number	Description	Remark/Qty	Options	EUR
1.1	760 812 120	Front frame Easy 200, coated	can be used right and left	RL:....? FM:....?	157.00
2.1- 2.3	760 812 001.01	Support with fitting accessories, complete			5.90
2.2	000 102 304.01-ET	Oval-head screw M 6 x 35 with Torx drive	pack of 25		6.40
2.3	000 128 007-ET	Hex nut M6 DIN 985	pack of 25		4.40

**Easy 200 - Front frame** [Stand: 10/2006]

Pos.	Item number	Description	Remark/Qty	Options	EUR
3.1- 3.3	760 812 100.02	Strap for folded position complete 123 mm			12.60
3.2	000 102 307.01- ET	Oval-head screw M 6 x 20 with Torx drive	pack of 25		3.10
3.3	000 130 107-ET	A 6.4 washer DIN 125	pack of 25		5.90
3.4	000 812 106-ET	Special screw with cross recess M 6 x 16	pack of 10		11.90
3.5	000 812 103-ET	Bowl head 6 mm	pack of 5		1.60



## Easy 200 - Rear frame

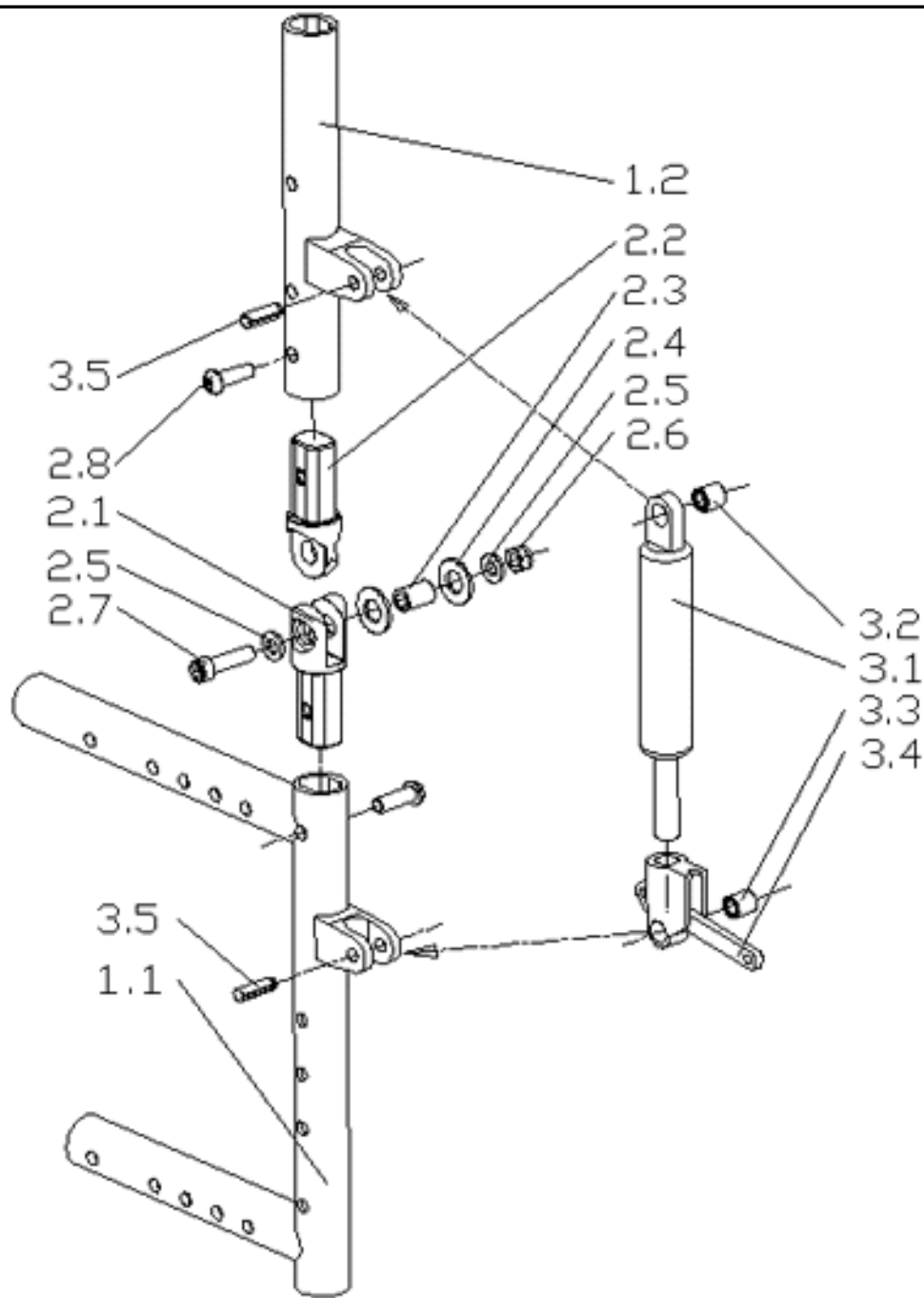


Pos.	Item number	Description	Remark/Qty	Options	EUR
1.1	760 812 129	Rear frame Easy 200/300, coated	can be used right and left	FM:...?	170.30
4.1-5.8	760 812 139	Rear frame Easy 200/300, coated. Angle-adjustable, with joint (can be used right and left)		FM:...?	226.70
3.1-3.5	760 850 045	Perforated plate with 7 holes with fittings, complete (can be used right and left) (without adjustment for camber setting)		FM:...?	74.10
2.1-2.3	760 812 001.01	Support with fitting accessories, complete			5.90
2.2	000 102 304.01-ET	Oval-head screw M 6 x 35 with Torx drive	pack of 25		6.40
2.3	000 128 007-ET	Hex nut M 6 DIN 985	pack of 25		4.40
3.3-3.6	760 850 040	Adapter for camber setting, complete (for both sides)	Pair		28.20
3.2	000 102 305.01-ET	Oval-head screw M 6 x 40 with Torx drive	pack of 25		6.40
3.3	000 102 306.01-ET	Oval-head screw M 6 x 45 with Torx drive	pack of 25		3.60
3.3	000 102 313.01-ET	Oval-head screw M 6 x 50 with Torx drive	pack of 25		4.70

Easy 200 - Rear frame [Stand: 04/2007]

Pos.	Item number	Description	Remark/Qty	Options	EUR
3.3	000 102 314.01-ET	Oval-head screw M 6 x 55 with Torx drive	pack of 25		7.00
3.4	000 128 007-ET	Hex nut M 6 DIN 985	pack of 25		4.40
3.5	000 130 107-ET	A 6.4 washer DIN 125	pack of 25		5.90
5.1-5.8	760 812 137	Joint for angle-adjustable backrest, complete (can be used right and left)			46.50
5.5	000 130 107-ET	A 6.4 washer DIN 125	pack of 25		5.90
5.6	000 128 007-ET	Hex nut M 6 DIN 985	pack of 25		4.40
5.7	000 102 137-ET	Cheese head screw M 6 x 25 DIN 912	pack of 25		5.40
5.8	000 102 307.01-ET	Oval-head screws M 6 x 20 with Torx drive	pack of 25		3.10
6.1, 6.2, 3.2-3.5	760 850 045	Perforated plate with long hole, with fittings, complete			74.10
o.B.	760 850 030	Radstandverlängerung	eine Seite		61.60

Easy 200 - Rear frame angle adjustable 12/98

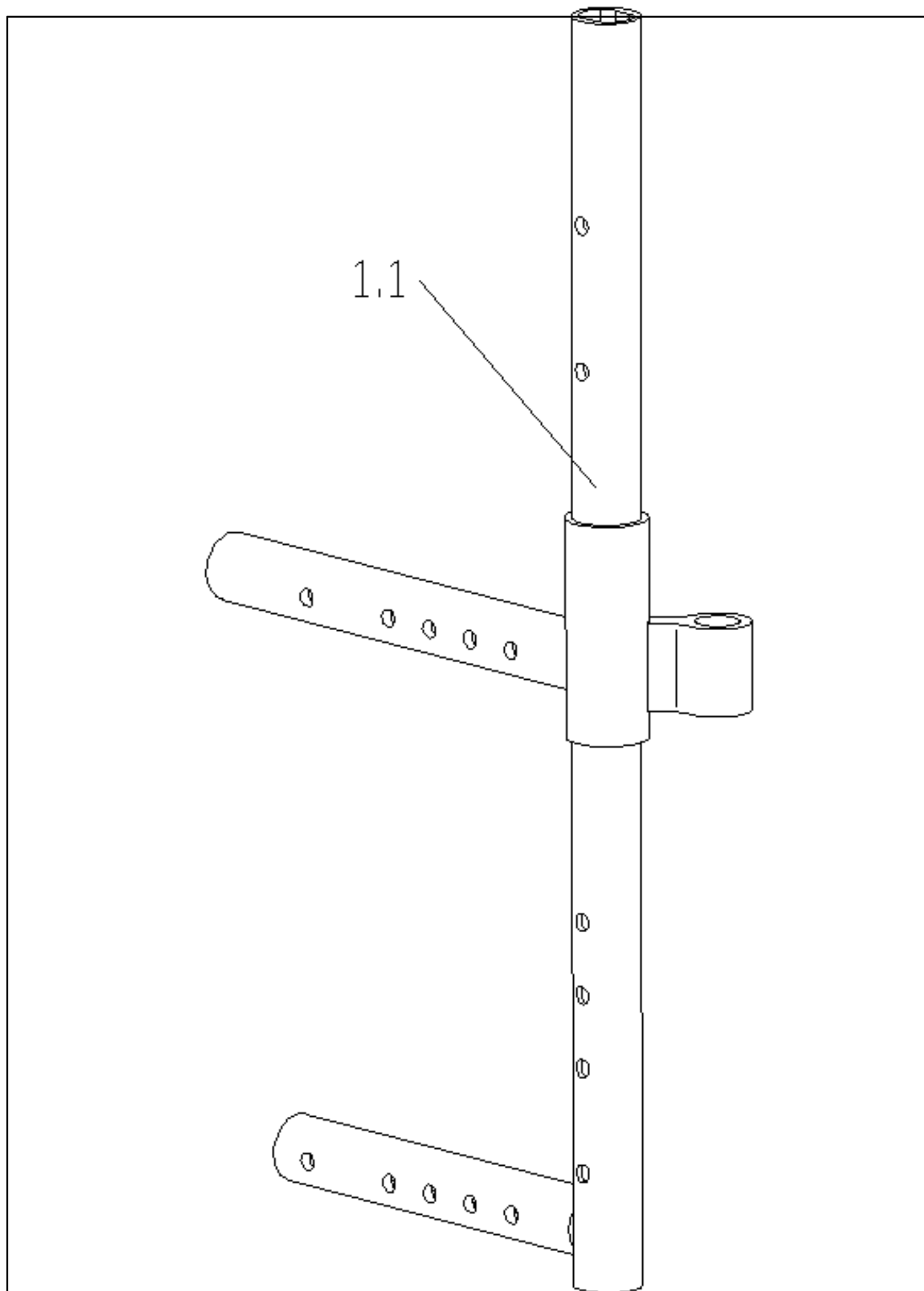


Pos.	Item number	Description	Remark/Qty	Options	EUR
1.1-3.5	760 812 141	Rear frame with gas spring, angle-adjustable, coated, with joint for Easy 200/300	can be used right and left		226.70
1.1-1.2	760 812 018	Rear frame, angle-adjustable, complete Easy 200/300, coated	can be used right and left		171.20
1.2	760 812 013.01	Tube for angle-adjustable backrest, coated, Easy 200/300	can be used right and left		31.70

**Easy 200 - Rear frame angle adjustable 12/98** [Stand: 02/2005]

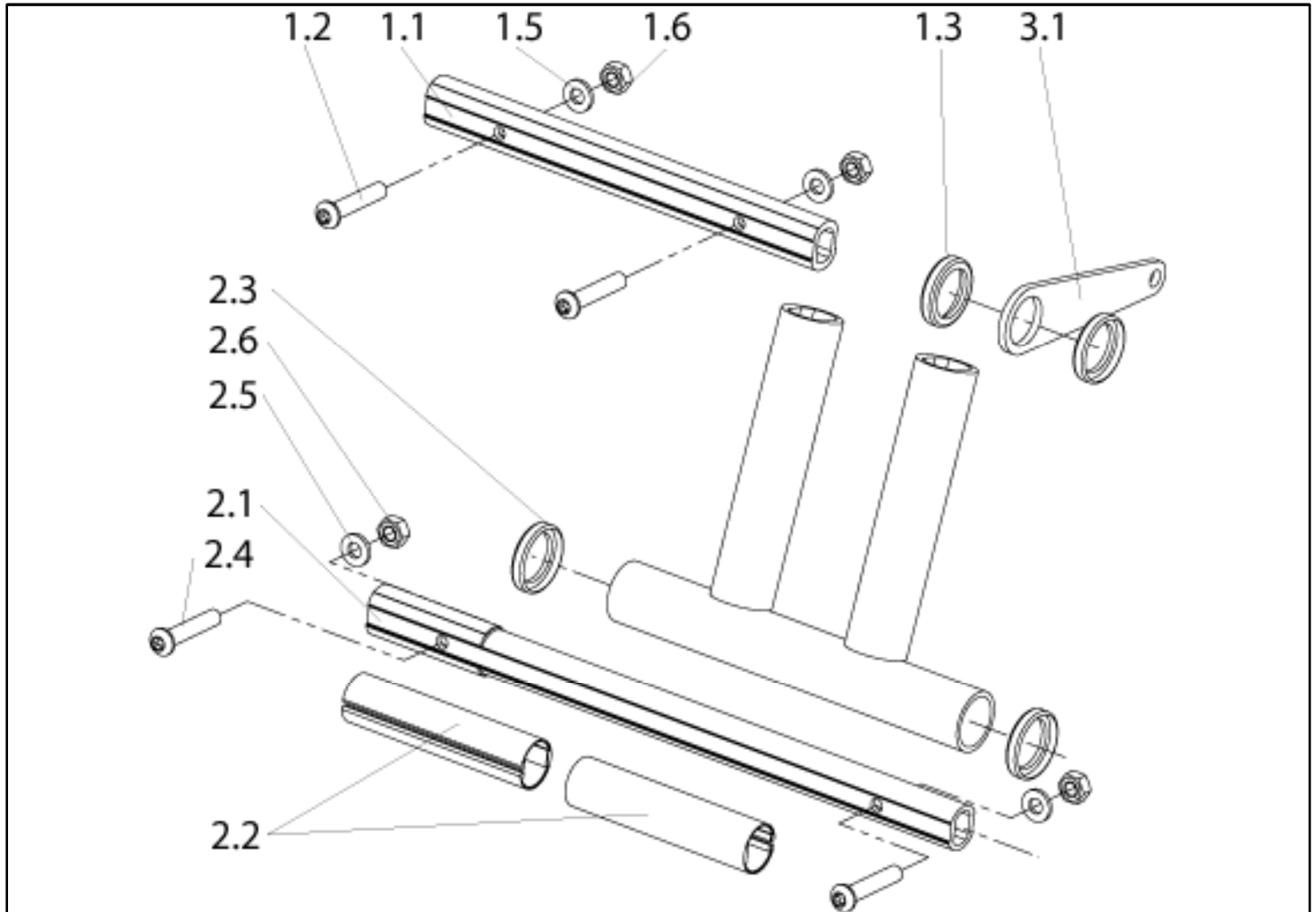
Pos.	Item number	Description	Remark/Qty	Options	EUR
2.1 - 2.8	760 812 137	Joint for angle-adjustable backrest, complete (can be used right and left)			46.50
2.5	000 130 107-ET	A 6.4 washer DIN 125	pack of 25		5.90
2.6	000 128 007-ET	Hex nut M 6 DIN 985	pack of 25		4.40
2.7	000 102 137-ET	Cheese head screw M 6 x 25 DIN 912	pack of 25		5.40
2.8	000 102 307.01- ET	Oval-head screws M 6 x 20 with Torx drive	pack of 25		3.10
3.1- 3.5	760 842 094	Gas compression spring with bushing, complete			111.70
3.5	000 154 051-ET	Cylindrical grooved pin 6 x 20 DIN 1473	pack of 10		6.40

**Easy 200 - Rear frame for e- Fix**



Pos.	Item number	Description	Remark/Qty	Options	EUR
1.1, spiegelbildlich	760 912 160	Rear frame for e-Fix, coated	Pair		372.70
1.1	760 812 160	Rear frame for e-Fix, coated	right		186.40
1.1, spiegelbildlich	760 712 160	Rear frame for e-Fix, coated	left		186.40

Easy 200 - Upper Connecting Profile 2/95

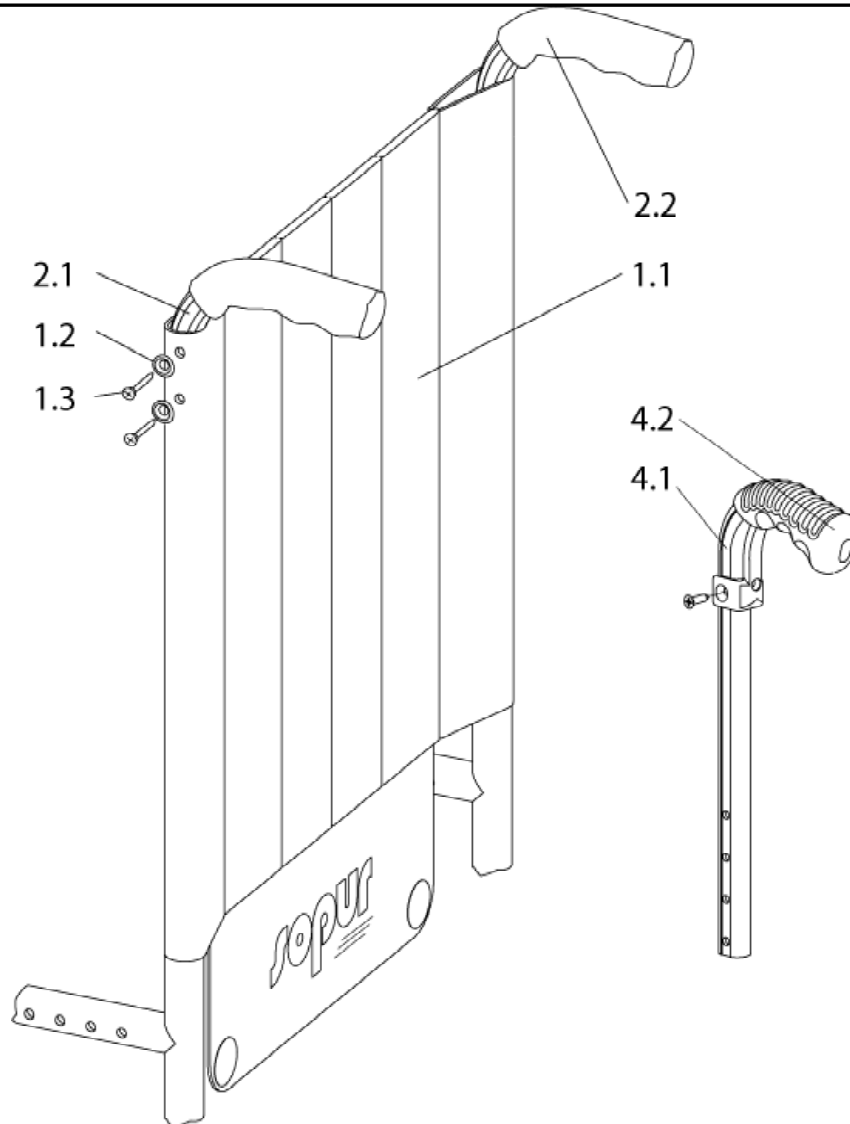


Pos.	Item number	Description	Remark/Qty	Options	EUR
1.1-1.6	760 812 114	Upper connecting profile, complete			34.10
2.1-2.6	760 812 115	Lower connecting profile, complete			28.20
1.1	000 812 114	Upper connecting profile			22.10
1.2	000 102 312.01-ET	Oval-head screw M 6 x 32 with Torx drive	pack of 25		6.40
1.3	760 812 002-ET	Spacer ring	pack of 10		11.30
1.5	000 130 107-ET	A 6.4 washer DIN 125	pack of 25		5.90
1.6	000 128 007-ET	Hex nut M6 DIN 985	pack of 25		4.40
2.1	000 812 115	Lower connecting profile			22.10
2.2	760 831 004-ET	Well bearing	pack of 10		16.70
2.3	760 812 002-ET	Spacer ring	pack of 10		11.30
2.4	000 102 312.01-ET	Oval-head screw M 6 x 32 with Torx drive	pack of 25		6.40
2.5	000 130 107-ET	A 6.4 washer DIN 125	pack of 25		5.90



Pos.	Item number	Description	Remark/Qty	Options	EUR
2.6	000 128 007-ET	Hex nut M6 DIN 985	pack of 25		4.40
3.1	760 831 005.01	Cross-brace bracket SW 34 For fitting accessories see Seat assembly			3.10
3.1	760 831 005.02	Cross-brace bracket SW 36 - SW 38 For fitting accessories see Seat assembly			3.10
3.1	760 831 005.03	Cross-brace bracket SW 40 - SW 42 For fitting accessories see Seat assembly			3.10
3.1	760 831 005.04	Cross-brace bracket SW 44 - SW 46 For fitting accessories see Seat assembly			3.10
3.1	760 831 006	Cross-brace bracket SW 48 - SW 50 For fitting accessories see Seat assembly			3.10
3.1	760 831 008	Cross-brace bracket SW 52 - SW 54 For fitting accessories see Seat assembly			3.10

**Easy 200 - Back sling**



Pos.	Item number	Description	Remark/Qty	Options	EUR
1.1	760 844 300	Back sling for standard backrest		SB:...? RH:...? FB:...?	211.80
1.1	760 844 200	Back sling for standard backrest with gas spring		SB:...? RH:...? FB:...?	211.80
1.2- 1.3	000 949 901	Fitting accessories for rigid back sling			1.40
1.2	000 138 018-ET	Rosette for countersunk screw M5	pack of 25		7.00
1.3	000 114 001-ET	Countersunk screw SD 3.9 x 13 DIN 7982	pack of 25		8.00
2.1- 2.2	760 841 100.01	Standard back tube, rigid BH: 30			57.70
2.1- 2.2	760 841 100.02	Standard back tube, rigid BH: 35			57.70

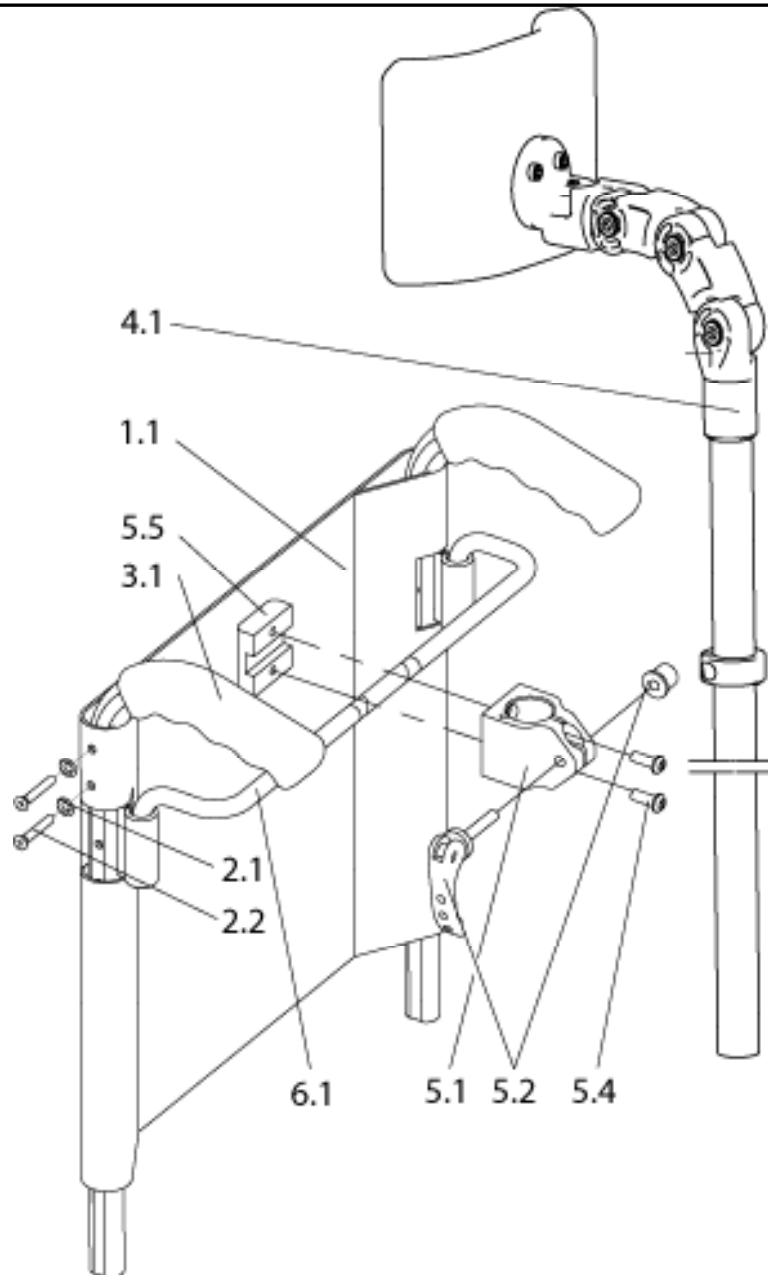
Pos.	Item number	Description	Remark/Qty	Options	EUR
2.1- 2.2	760 841 100.03	Standard back tube, rigid BH: 40			57.70
2.1- 2.2	760 841 100.04	Standard back tube, rigid BH: 45			57.70
2.1- 2.2	760 841 100.11	Standard back tube, rigid, angle-adjustable backrest BH: 30			57.70
2.1- 2.2	760 841 100.12	Standard back tube, rigid, angle-adjustable backrest BH: 35			57.70
2.1- 2.2	760 841 100.13	Standard back tube, rigid, angle-adjustable backrest BH: 40			57.70
2.1- 2.2	760 841 100.14	Standard back tube, rigid, angle-adjustable backrest BH: 45			57.70
2.1- 2.2	760 841 606.01	Standard back tube, rigid for drum brake BH: 30			76.40
2.1- 2.2	760 841 606.02	Standard back tube, rigid for drum brake BH: 35			76.40
2.1- 2.2	760 841 606.03	Standard back tube, rigid for drum brake BH: 40			76.40
2.1- 2.2	760 841 606.04	Standard back tube, rigid for drum brake BH: 45			76.40
2.1- 2.2	760 841 606.11	Standard back tube, rigid for drum brake, angle-adjustable backrest BH: 30			70.00
2.1- 2.2	760 841 606.12	Standard back tube, rigid for drum brake, angle-adjustable backrest BH: 35			70.00
2.1- 2.2	760 841 606.13	Standard back tube, rigid for drum brake, angle-adjustable backrest BH: 40			70.00
2.1- 2.2	760 841 606.14	Standard back tube, rigid for drum brake, angle-adjustable backrest BH: 45			70.00
2.2	760 841 090-ET	Grip for back tube	pack of 6		32.90
o.B.	000 050 008.01-ET	2 component stickers for handle (small letters)	pack of 5		11.90
2.1- 2.2	760 841 029.01	Rückenrohr mit Lumbalknick 5° nach vorn RH: 30			85.90
2.1- 2.2	760 841 029.02	Rückenrohr mit Lumbalknick 5° nach vorn RH: 35			85.90
2.1- 2.2	760 841 029.03	Rückenrohr mit Lumbalknick 5° nach vorn RH: 40			85.90
2.1- 2.2	760 841 029.04	Rückenrohr mit Lumbalknick 5° nach vorn RH: 45			85.90
2.1- 2.2	760 841 029.11	Rückenrohr mit Lumbalknick 5° nach vorn Rückenwinkelverstellbar RH: 30			85.90
2.1- 2.2	760 841 029.12	Rückenrohr mit Lumbalknick 5° nach vorn Rückenwinkelverstellbar RH: 35			86.10
2.1- 2.2	760 841 029.13	Rückenrohr mit Lumbalknick 5° nach vorn Rückenwinkelverstellbar RH: 40			86.10
2.1- 2.2	760 841 029.14	Rückenrohr mit Lumbalknick 5° nach vorn Rückenwinkelverstellbar RH: 45			86.10
2.1- 2.2	760 841 019.01	Rückenrohr mit Lumbalknick 5° nach hinten RH: 30			85.90

**Easy 200 - Back sling** [Stand: 05/2006]

Pos.	Item number	Description	Remark/Qty	Options	EUR
2.1- 2.2	760 841 019.02	Rückenrohr mit Lumbalknick 5° nach hinten RH: 35			85.90
2.1- 2.2	760 841 019.03	Rückenrohr mit Lumbalknick 5° nach hinten RH: 40			85.90
2.1- 2.2	760 841 019.04	Rückenrohr mit Lumbalknick 5° nach hinten RH: 45			85.90
2.1- 2.2	760 841 019.11	Rückenrohr mit Lumbalknick 5° nach hinten Rücken winkelverstellbar RH: 30			85.90
2.1- 2.2	760 841 019.12	Rückenrohr mit Lumbalknick 5° nach hinten Rücken winkelverstellbar RH: 35			85.90
2.1- 2.2	760 841 019.13	Rückenrohr mit Lumbalknick 5° nach hinten Rücken winkelverstellbar RH: 40			85.90
2.1- 2.2	760 841 019.14	Rückenrohr mit Lumbalknick 5° nach hinten Rücken winkelverstellbar RH: 45			85.90
2.1- 2.2	760 841 608.01	Rückenrohr mit Lumbalknick 5° nach vorn für Trommelbremse RH: 30			98.20
2.1- 2.2	760 841 608.02	Rückenrohr mit Lumbalknick 5° nach vorn für Trommelbremse RH: 35			98.20
2.1- 2.2	760 841 608.03	Rückenrohr mit Lumbalknick 5° nach vorn für Trommelbremse RH: 40			98.20
2.1- 2.2	760 841 608.04	Rückenrohr mit Lumbalknick 5° nach vorn für Trommelbremse RH: 45			98.50
2.1- 2.2	760 841 608.11	Rückenrohr mit Lumbalknick 5° nach vorn Rücken winkelverstellbar für Trommelbremse RH: 30			98.50
2.1- 2.2	760 841 608.12	Rückenrohr mit Lumbalknick 5° nach vorn Rücken winkelverstellbar für Trommelbremse RH: 35			98.50
2.1- 2.2	760 841 608.13	Rückenrohr mit Lumbalknick 5° nach vorn Rücken winkelverstellbar für Trommelbremse RH: 40			98.50
2.1- 2.2	760 841 608.14	Rückenrohr mit Lumbalknick 5° nach vorn Rücken winkelverstellbar für Trommelbremse RH: 45			98.50
2.1- 2.2	760 841 607.01	Rückenrohr mit Lumbalknick 5° nach hinten für Trommelbremse RH: 30			98.20
2.1- 2.2	760 841 607.02	Rückenrohr mit Lumbalknick 5° nach hinten für Trommelbremse RH: 35			98.20
2.1- 2.2	760 841 607.03	Rückenrohr mit Lumbalknick 5° nach hinten für Trommelbremse RH: 40			98.20
2.1- 2.2	760 841 607.04	Rückenrohr mit Lumbalknick 5° nach hinten für Trommelbremse RH: 45			98.50
2.1- 2.2	760 841 607.11	Rückenrohr mit Lumbalknick 5° nach hinten Rücken winkelverstellbar für Trommelbremse RH: 30			98.50
2.1- 2.2	760 841 607.12	Rückenrohr mit Lumbalknick 5° nach hinten Rücken winkelverstellbar für Trommelbremse RH: 35			98.50
2.1- 2.2	760 841 607.13	Rückenrohr mit Lumbalknick 5° nach hinten Rücken winkelverstellbar für Trommelbremse RH: 40			98.50
2.1- 2.2	760 841 607.14	Rückenrohr mit Lumbalknick 5° nach hinten Rücken winkelverstellbar für Trommelbremse RH: 45			98.50

Seat- and Backslings are customized manufactured and excluded from replacements!

Easy 200 - Rücken Standard mit Kopfstütze



Pos.	Item number	Description	Remark/Qty	Options	EUR
1.1	760 844 700	Back sling for standard backrest with headrest		SW:...? BH:...? COLUP:...?	211.80
1.1	760 843 500	Back sling for adjustable backrest with headrest.		SW:...? BH:...? COLUP:...?	313.40
1.1	760 844 800	Back sling for standard backrest, angle-adjustable, rigid with headrest.		SW:...? BH:...? COLUP:...?	211.80
4.1 - 6.1	000 841 500	Headrest, complete		PADWD:...?	292.40
4.1	306001.32100	Headrest with medium pad			227.20

Pos.	Item number	Description	Remark/Qty	Options	EUR
4.1	306001.32101	Headrest with large pad			227.20
5.1 - 6.1	000 841 504	Headrest bracket, complete for inch tube (till CW 10)			59.80
5.1- 6.1	000 841 504.01	Headrest bracket, complete for metric tube (from CW 10)			59.80
6.1	000 841 510	Receiver tube for headrest			49.30
5.2	000 233 027	Quick tension lever			14.40
5.4	000 102 040-ET	Saucer head screw M 6 x 16 with internal hex	Pack of 25		8.00
	000 604 280	Tool kit for headrest			8.50
2.1 - 2.2	000 949 901	Fitting accessories for rigid back sling			1.40
2.1	000 138 018-ET	Rosette for countersunk screw M 5	Pack of 25		7.00
2.2	000 114 001-ET	Countersunk screw SD 3.9 x 13 DIN 7982	Pack of 25		8.00
	760 949 902	Fitting accessories for adjustable back sling with height-adjustable push handles (straight plastic hooks)			13.60
	760 949 901	Fitting accessories for adjustable back sling (curved plastic hooks)			13.60
3.1	760 841 049.01	Back tube for headrest, complete BH: 30			63.90
3.1	760 841 049.02	Back tube for headrest, complete BH: 35			63.90
3.1	760 841 049.03	Back tube for headrest, complete BH: 40			63.90
3.1	760 841 049.04	Back tube for headrest, complete BH: 45			63.90
3.1	760 841 049.11	Back tube for headrest, complete, for angle-adjustable backrest BH: 30			63.90
3.1	760 841 049.12	Back tube for headrest, complete, for angle-adjustable backrest BH: 35			63.90
3.1	760 841 049.13	Back tube for headrest, complete, for angle-adjustable backrest BH: 40			63.90
3.1	760 841 049.14	Back tube for headrest, complete, for angle-adjustable backrest BH: 45			63.90
3.1	760 841 045.03	Back tube for headrest, complete with 5° front-facing lumbar support BH: 40			74.60
3.1	760 841 045.04	Back tube for headrest, complete with 5° front-facing lumbar support BH: 45			74.60
3.1	760 841 046.02	Back tube for headrest, complete with 5° rear-facing lumbar support BH: 35			74.60
3.1	760 841 046.03	Back tube for headrest, complete with 5° rear-facing lumbar support BH: 40			74.60
3.1	760 841 046.04	Back tube for headrest, complete with 5° rear-facing lumbar support BH: 45			74.60
3.1	760 841 045.13	Back tube for headrest, complete with 5° front-facing lumbar support, angle-adjustable backrest BH: 40			74.60
3.1	760 841 045.14	Back tube for headrest, complete with 5° front-facing lumbar support, angle-adjustable backrest BH: 45			74.60
3.1	760 841 046.12	Back tube for headrest, complete with 5° rear-facing lumbar support, angle-adjustable backrest BH: 35			74.60
3.1	760 841 046.13	Back tube for headrest, complete with 5° rear-facing lumbar support, angle-adjustable backrest BH: 40			74.60

**Easy 200 - Rücken Standard mit Kopfstütze [Stand: 03/2008]**

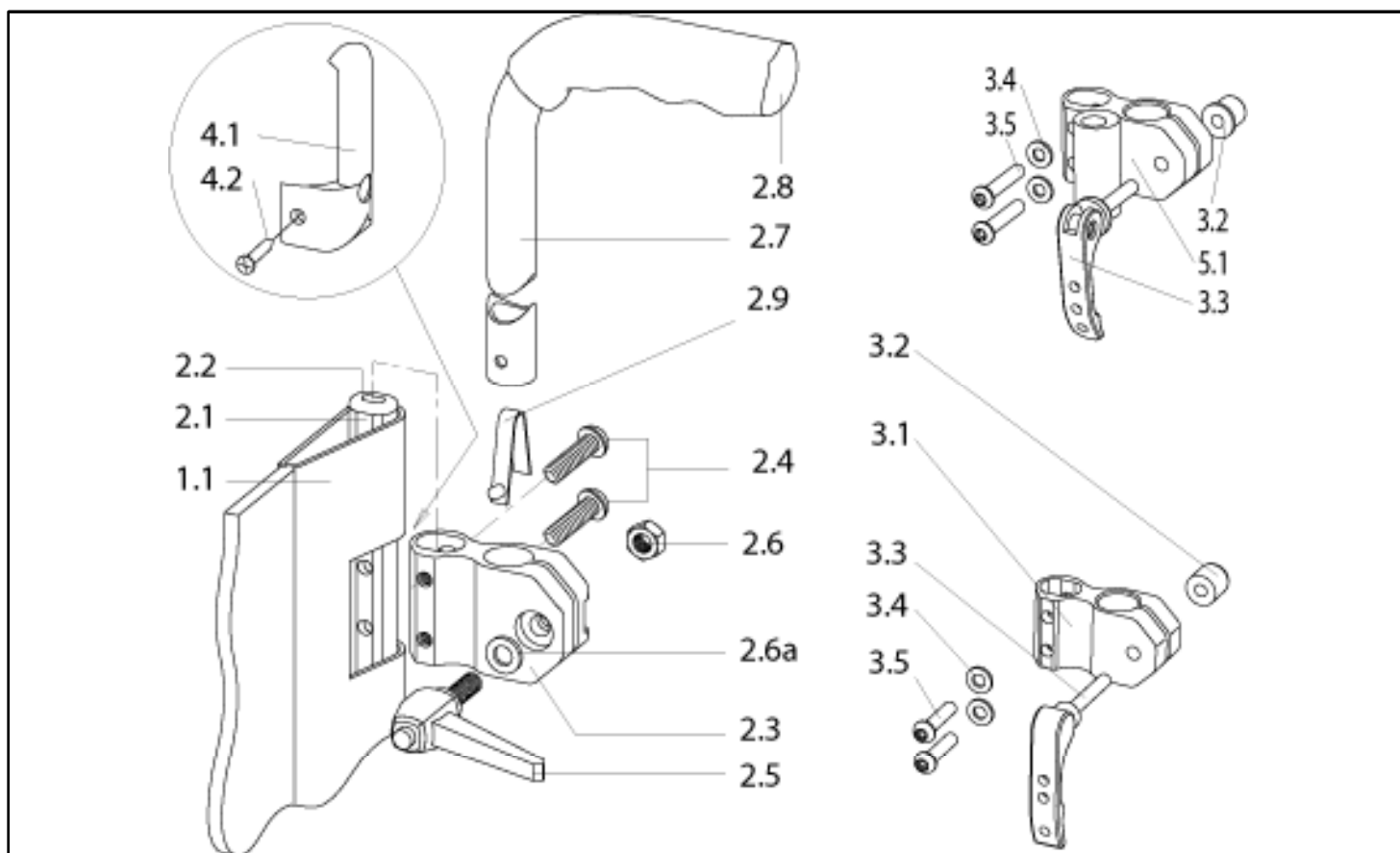
Pos.	Item number	Description	Remark/Qty	Options	EUR
3.1	760 841 046.14	Back tube for headrest, complete with 5° rear-facing lumbar support, angle-adjustable backrest BH: 45			74.60
3.1	760 841 605.01	Back tube (drum brakes) for headrest, complete BH: 30			76.40
3.1	760 841 605.02	Back tube (drum brakes) for headrest, complete BH: 35			76.40
3.1	760 841 605.03	Back tube (drum brakes) for headrest, complete BH: 40			76.40
3.1	760 841 605.04	Back tube (drum brakes) for headrest, complete BH: 45			76.40
3.1	760 841 605.11	Back tube (drum brakes) for headrest, complete for angle-adjustable backrest BH: 30			76.40
3.1	760 841 605.12	Back tube (drum brakes) for headrest, complete for angle-adjustable backrest BH: 35			76.40
3.1	760 841 605.13	Back tube (drum brakes) for headrest, complete for angle-adjustable backrest BH: 40			76.40
3.1	760 841 605.14	Back tube (drum brakes) for headrest, complete for angle-adjustable backrest BH: 45			76.40
3.1	760 841 590.03	Back tube (drum brakes) for headrest, complete with 5° front-facing lumbar support BH: 40			98.50
3.1	760 841 590.04	Back tube (drum brakes) for headrest, complete with 5° front-facing lumbar support BH: 45			98.50
3.1	760 841 591.02	Back tube (drum brakes) for headrest, complete with 5° rear-facing lumbar support BH: 35			98.50
3.1	760 841 591.03	Back tube (drum brakes) for headrest, complete with 5° rear-facing lumbar support BH: 40			98.50
3.1	760 841 591.04	Back tube (drum brakes) for headrest, complete with 5° rear-facing lumbar support BH: 45			98.50
3.1	760 841 590.13	Back tube (drum brakes) for headrest, complete with 5° front-facing lumbar support, angle-adjustable backrest BH: 40			98.50
3.1	760 841 590.14	Back tube (drum brakes) for headrest, complete with 5° front-facing lumbar support, angle-adjustable backrest BH: 45			98.50
3.1	760 841 591.12	Back tube (drum brakes) for headrest, complete with 5° rear-facing lumbar support, angle-adjustable backrest BH: 35			98.50
3.1	760 841 591.13	Back tube (drum brakes) for headrest, complete with 5° rear-facing lumbar support, angle-adjustable backrest 40			98.50
3.1	760 841 591.14	Back tube (drum brakes) for headrest, complete with 5° rear-facing lumbar support, angle-adjustable backrest 45			98.50
o.B.	000 050 008.01-ET	2 component stickers for handle (small letters)	Pack of 5		11.90

Seat- and Backslings are customized manufactured and excluded from replacements!



**Easy 200 - Back sling with height adjustable push handles**

Seat- and Backslings are customized manufactured and excluded from replacements!



Pos.	Item number	Description	Remark/Qty	Options	EUR
1.1	760 844 600	Back sling for standard backrest with height-adjustable push handles		SB:...? RH:...? FB:...?	211.80
1.1	760 843 200	Back sling for adjustable backrest with height-adjustable push handles		SB:...? RH:...? FB:...?	313.40
2.1 - 2.2, 3.1- 3.5	760 841 124	Back tube with bracket for height-adjustable push handles with quick-tension lever, complete (from 12/98)		RH:...?	91.00
	760 841 128	Back tube with bracket for height-adjustable push handles with headrest and quick-tension lever, complete (from 12/98)		RH:...?	95.40
2.1 - 2.6, 3.1- 3.5	760 841 135	Back tube with bracket for height-adjustable push handles for angle-adjustable backrest with quick-tension lever, complete		RH:...?	91.00
	760 841 137	Back tube with bracket for height-adjustable push handles with headrest, for angle-adjustable backrest and quick-tension lever, complete (from 12/98)		RH:...?	91.00

**Easy 200 - Back sling with height adjustable push handles** [Stand: 06/2009]

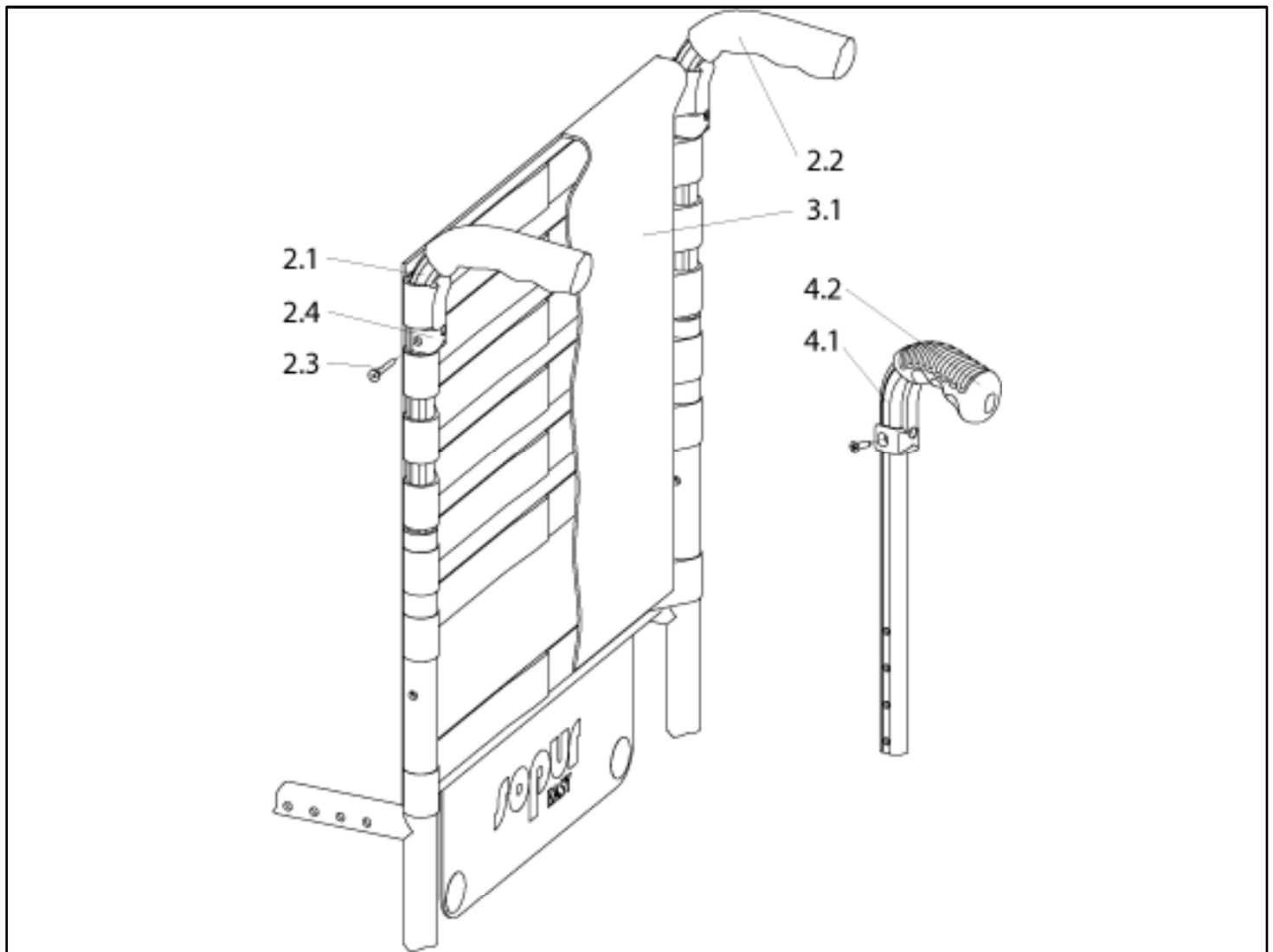
Pos.	Item number	Description	Remark/Qty	Options	EUR
2.1 - 2.2, 3.1- 3.5	760 841 151	Back tube with bracket for height-adjustable push handles with quick-tension lever, complete, with 5 degree front-facing lumbar support (from 12/98)		RH:...?	91.00
	760 841 152	Back tube with bracket for height-adjustable push handles with headrest and quick-tension lever, complete, with 5 degree front-facing lumbar support (from 12/98)		RH:...?	91.30
2.1 - 2.6, 3.1- 3.5	760 841 153	Back tube with bracket for height-adjustable push handles for angle-adjustable backrest with quick-tension lever, complete, with 5 degree front-facing lumbar support (from 12/98)		RH:...?	91.00
	760 841 154	Back tube with bracket for height-adjustable push handles with headrest, for angle-adjustable backrest and quick-tension lever, complete, with 5 degree front-facing lumbar support (from 12/98)		RH:...?	91.00
2.1 - 2.2, 3.1- 3.5	760 841 161	Back tube with bracket for height-adjustable push handles with quick-tension lever, complete, with 5 degree rear-facing lumbar support (from 12/98)		RH:...?	91.00
	760 841 162	Back tube with bracket for height-adjustable push handles with headrest and quick-tension lever, complete, with 5 degree rear-facing lumbar support (from 12/98)		RH:...?	91.30
2.1 - 2.6,3.1- 3.5	760 841 163	Back tube with bracket for height-adjustable push handles for angle-adjustable backrest with quick-tension lever, complete, with 5 degree rear-facing lumbar support (from 12/98)		RH:...?	91.00
	760 841 164	Back tube with bracket for height-adjustable push handles with headrest, for angle-adjustable backrest and quick-tension lever, complete, rear-facing lumbar support (from 12/98)		RH:...?	91.00
2.1, 2.2	760 841 042.01	Back tube BH: 30 for height-adjustable push handle			49.30
2.1, 2.2	760 841 042.02	Back tube BH: 35 for height-adjustable push handle			49.30
2.1, 2.2	760 841 042.03	Back tube BH: 40 for height-adjustable push handle			49.30
2.1, 2.2	760 841 042.04	Back tube BH: 45 for height-adjustable push handle			49.30
1.1- 1.3	000 949 901	Fitting accessories for back sling			1.40
4.1, 4.2	760 949 902	Fitting accessories for adjustable sling with height-adjustable push handles (straight hooks)			13.60
4.2	000 114 005-ET	Countersunk screw SD 3.9 x 16 DIN 7982	pack of 25		8.00
2.2	760 841 001-ET	End stoppers for profile tube	pack of 10		5.90
2.4	000 102 307.01-ET	Oval-head screw M 6 x 20 with Torx drive	pack of 25		3.10
2.5	000 233 002	Clamping lever M 8 x 25	pack of 25		7.50
2.6	000 128 018-ET	Hex nut M 8 DIN 985	pack of 25		10.30
2.6a	000 130 108-ET	A 8.4 washer DIN 125	pack of 25		7.00
2.7- 2.9	000 841 265	Height-adjustable push handle, complete BH: 30 - 37.5 Length approx. 350 mm			37.40
2.7- 2.9	000 841 266	Height-adjustable push handle, complete BH: 40 - 47.5 Length approx. 270 mm			37.40

**Easy 200 - Back sling with height adjustable push handles [Stand: 06/2009]**

Pos.	Item number	Description	Remark/Qty	Options	EUR
2.7- 2.9	000 841 338	Height-adjustable push handle for stabilising bar, complete BH: 30 -37.5 Length approx. 350 mm			49.30
2.7- 2.9	000 841 339	Height-adjustable push handle for stabilising bar, complete BH: 40 - 47.5 Length approx. 270 mm			49.30
	000 841 268	Height-adjustable push handle for drum brakes, complete BH: 30 - 37.5 Length approx. 350 mm			49.80
	000 841 269	Height-adjustable push handle for drum brakes, complete BH: 40 - 47.5 Length approx. 270 mm			49.80
	000 841 344	Height-adjustable push handle for stabilising bar with drum brakes, complete BH: 30 -37.5 Length approx. 350 mm			61.60
	000 841 345	Height-adjustable push handle for stabilising bar with drum brakes, complete BH: 40 - 47.5 Length approx. 270 mm			61.60
	000 281 007-ET	Grip for push handle, height-adjustable with drum brake	pack of 6		14.90
2.3- 2.6	760 841 064	Push handle bracket with clamp lever, complete, can be used right and left (until 11/98)			44.90
	753 841 067	Push handle bracket with clamp lever headrests complete can be used right and left (until 11/98)			50.80
3.1- 3.5	753 841 056	Push handle bracket with quick tension lever complete, can be used right and left (from 12/98)			44.90
3.2- 3.5,5.1	753 841 054	Push handle bracket with quick tension lever complete, for headrest can be used right and left (from 12/98)			50.80
-	065432	Push handle bracket with quick tension lever used with JAY back, complete	Pair		216.00
2.8	000 841 246-ET	Grip for back tube with sticker, complete	pack of 6		47.50
3.2, 3.3	000 233 027	Quick tension lever			14.40
3.4	000 130 107-ET	A 6.4 washer DIN 125	pack of 25		5.90
3.5	000 102 311.01- ET	Oval-head screw M 6 x 27 with Torx drive	pack of 25		3.90
1.1	765 843 011	Back sling for adjustable backrest, breathable, with height- adjustable push handles			414.30
	UP01024.01-ET	Grip for back tube with drum brake (from 02/2000)	pack of 10		25.40
o.B.	000 050 008.01- ET	2 component stickers for handle (small letters)	pack of 5		11.90

**Easy 200 - Back sling for adjustable backrest**

Seat- and Backslings are customized manufactured and excluded from replacements!



Pos.	Item number	Description	Remark/Qty	Options	EUR
3.1	760 845 700	Back sling for adjustable backrest		SB:...? RH:...? FB:...?	313.40
3.1	765 843 010	Breathable back sling for adjustable backrest			414.30
2.3, 2.4	760 949 901	Fitting accessories for adjustable back sling (curved plastic hooks)			13.60
2.3	000 114 005-ET	Countersunk screw SD 3.9 x 16 DIN 7982	pack of 25		8.00
2.1- 2.2	760 841 029.01	Back tube with 5° front-facing lumbar support BH: 30			85.90
2.1- 2.2	760 841 029.02	Back tube with 5° front-facing lumbar support BH: 35			85.90
2.1- 2.2	760 841 029.03	Back tube with 5° front-facing lumbar support BH: 40			85.90

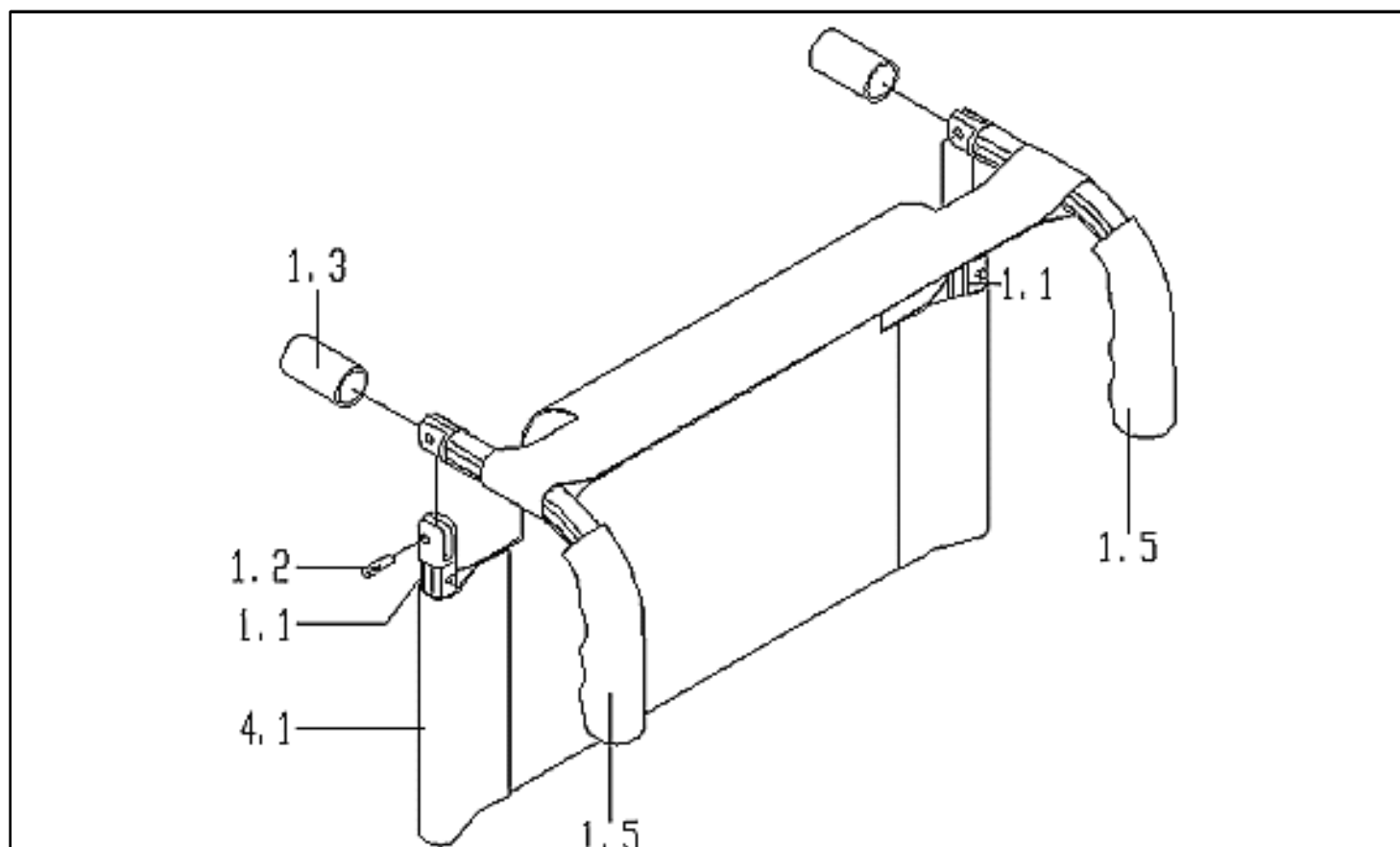
Pos.	Item number	Description	Remark/Qty	Options	EUR
2.1- 2.2	760 841 029.04	Back tube with 5° front-facing lumbar support BH: 45			85.90
2.1- 2.2	760 841 029.11	Back tube with 5° front-facing lumbar support, angle-adjustable backrest BH: 30			85.90
2.1- 2.2	760 841 029.12	Back tube with 5° front-facing lumbar support, angle-adjustable backrest BH: 35			86.10
2.1- 2.2	760 841 029.13	Back tube with 5° front-facing lumbar support, angle-adjustable backrest BH: 40			86.10
2.1- 2.2	760 841 029.14	Back tube with 5° front-facing lumbar support, angle-adjustable backrest BH: 45			86.10
2.1- 2.2	760 841 019.01	Back tube with 5° rear-facing lumbar support BH: 30			85.90
2.1- 2.2	760 841 019.02	Back tube with 5° rear-facing lumbar support BH: 35			85.90
2.1- 2.2	760 841 019.03	Back tube with 5° rear-facing lumbar support BH: 40			85.90
2.1- 2.2	760 841 019.04	Back tube with 5° rear-facing lumbar support BH: 45			85.90
2.1- 2.2	760 841 019.11	Back tube with 5° rear-facing lumbar support, angle-adjustable backrest BH: 30			85.90
2.1- 2.2	760 841 019.12	Back tube with 5° rear-facing lumbar support, angle-adjustable backrest BH: 35			85.90
2.1- 2.2	760 841 019.13	Back tube with 5° rear-facing lumbar support, angle-adjustable backrest BH: 40			85.90
2.1- 2.2	760 841 019.14	Back tube with 5° rear-facing lumbar support, angle-adjustable backrest BH: 45			85.90
2.1- 2.2	760 841 608.01	Back tube with 5° front-facing lumbar support for drum brake BH: 30			98.20
2.1- 2.2	760 841 608.02	Back tube with 5° front-facing lumbar support for drum brake BH: 35			98.20
2.1- 2.2	760 841 608.03	Back tube with 5° front-facing lumbar support for drum brake BH: 40			98.20
2.1- 2.2	760 841 608.04	Back tube with 5° front-facing lumbar support for drum brake BH: 45			98.50
2.1- 2.2	760 841 608.11	Back tube with 5° front-facing lumbar support, angle-adjustable backrest with drum brake BH: 30			98.50
2.1- 2.2	760 841 608.12	Back tube with 5° front-facing lumbar support, angle-adjustable backrest with drum brake BH: 35			98.50
2.1- 2.2	760 841 608.13	Back tube with 5° front-facing lumbar support, angle-adjustable backrest with drum brake BH: 40			98.50
2.1- 2.2	760 841 608.14	Back tube with 5° front-facing lumbar support, angle-adjustable backrest with drum brake BH: 45			98.50
2.1- 2.2	760 841 607.01	Back tube with 5° rear-facing lumbar support for drum brake BH: 30			98.20
2.1- 2.2	760 841 607.02	Back tube with 5° rear-facing lumbar support for drum brake BH: 35			98.20
2.1- 2.2	760 841 607.03	Back tube with 5° rear-facing lumbar support for drum brake BH: 40			98.20
2.1- 2.2	760 841 607.04	Back tube with 5° rear-facing lumbar support for drum brake BH: 45			98.50

**Easy 200 - Back sling for adjustable backrest** [Stand: 09/2004]

Pos.	Item number	Description	Remark/Qty	Options	EUR
2.1- 2.2	760 841 607.11	Back tube with 5° rear-facing lumbar support, angle-adjustable backrest with drum brake BH: 30			98.50
2.1- 2.2	760 841 607.12	Back tube with 5° rear-facing lumbar support, angle-adjustable backrest with drum brake BH: 35			98.50
2.1- 2.2	760 841 607.13	Back tube with 5° rear-facing lumbar support, angle-adjustable backrest with drum brake BH: 40			98.50
2.1- 2.2	760 841 607.14	Back tube with 5° rear-facing lumbar support, angle-adjustable backrest with drum brake BH: 45			98.50
2.2	760 841 090-ET	Grip for back tube	pack of 6		32.90
o.B.	000 050 008.01- ET	2 component stickers for handle (small letters)	pack of 5		11.90

**Easy 200 - Standard back sling for folding backrest**

Seat- and Backslings are customized manufactured and excluded from replacements!



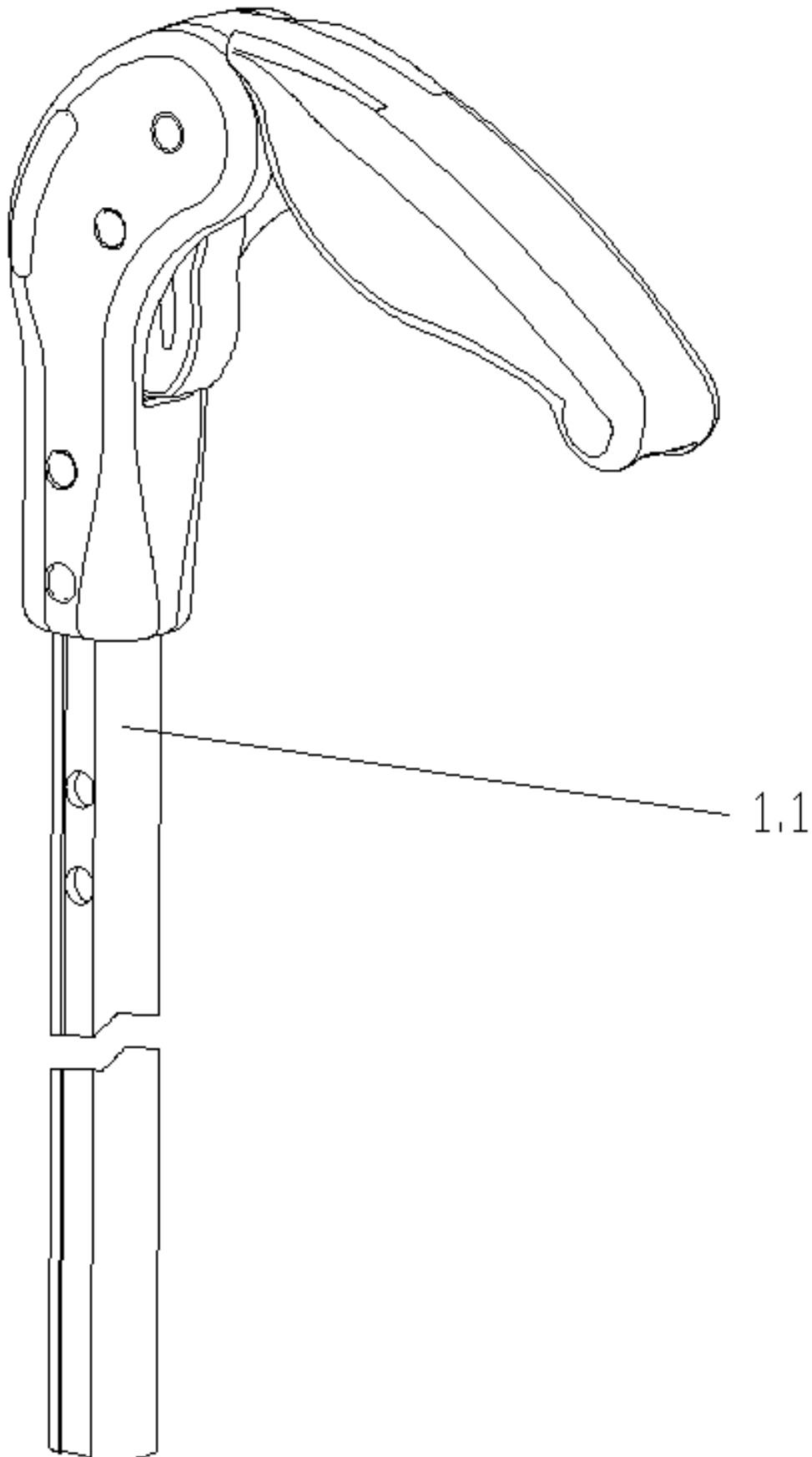
Pos.	Item number	Description	Remark/Qty	Options	EUR
4.1	760 844 400	Standard back sling for folding backrest		SB:...? RH:...? FB:...?	211.80
4.1	760 843 400	Adjustable back sling for folding backrest		SB:...? RH:...? FB:...?	313.40
4.1	765 843 400	Breathable, adjustable back sling for folding backrest			414.30
1.1- 1.5	760 841 080.01	Folding back tube, complete BH: 30			146.70
1.1- 1.5	760 841 080.02	Folding back tube, complete BH: 35			151.00
1.1- 1.5	760 841 080.03	Folding back tube, complete BH: 40			151.00
1.1- 1.5	760 841 080.04	Folding back tube, complete BH: 45			151.00
1.1- 1.5	760 841 080.10	Folding back tube, complete, for angle-adjustable backrest BH: 30			151.00
1.1- 1.5	760 841 080.11	Folding back tube, complete, for angle-adjustable backrest BH: 35			151.00

**Easy 200 - Standard back sling for folding backrest** [Stand: 09/2004]

Pos.	Item number	Description	Remark/Qty	Options	EUR
1.1- 1.5	760 841 080.12	Folding back tube, complete, for angle-adjustable backrest BH: 40			151.00
1.1- 1.5	760 841 080.13	Folding back tube, complete, for angle-adjustable backrest BH: 45			151.00
1.2	000 154 003-ET	Cylindrical grooved pin 5 x 18 DIN 1473	pack of 10		3.60
1.3	000 841 243	Push sleeve			9.80
1.5	760 841 090-ET	Grip for back tube	pack of 6		32.90
o.B.	000 050 008.01- ET	2 component stickers for handle (small letters)	pack of 5		11.90



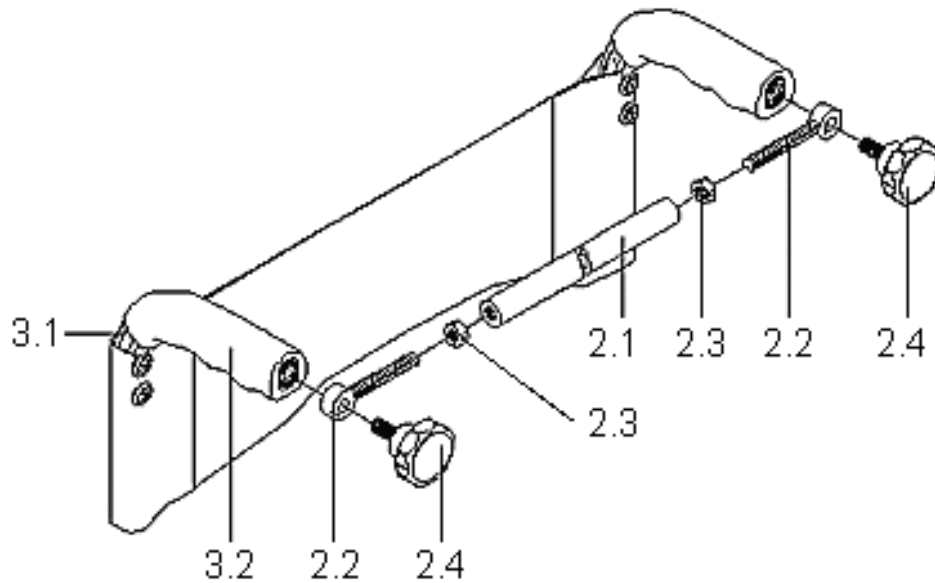
**Easy 200 - Rigid back with folding push handles**



**Easy 200 - Rigid back with folding push handles [Stand: 02/2005]**

Pos.	Item number	Description	Remark/Qty	Options	EUR
1.1	760 841 420.01	Rigid back tube BH: 30 complete with folding push handle (Only with adjustable back sling)			64.90
1.1	760 841 420.02	Rigid back tube BH: 35 complete with folding push handle (Only with adjustable back sling)			64.90
1.1	760 841 420.03	Rigid back tube BH: 40 complete with folding push handle (Only with adjustable back sling)			64.90
1.1	760 841 420.04	Rigid back tube BH: 45 complete with folding push handle (Only with adjustable back sling)			64.90
o.B.	760 841 420.12	Back tube with 5° front-facing lumbar support BH: 35 complete with folding push handle	Only possible with adjustable back sling		64.90
o.B.	760 841 420.13	Back tube with 5° front-facing lumbar support BH: 40 complete with folding push handle	Only possible with adjustable back sling		64.90
o.B.	760 841 420.14	Back tube with 5° front-facing lumbar support BH: 45 complete with folding push handle	Only possible with adjustable back sling		64.90
o.B.	760 841 420.22	Back tube with 5° rear-facing lumbar support BH: 35 complete with folding push handle	Only possible with adjustable back sling		64.90
o.B.	760 841 420.23	Back tube with 5° rear-facing lumbar support BH: 40 complete with folding push handle	Only possible with adjustable back sling		64.90
o.B.	760 841 420.24	Back tube with 5° rear-facing lumbar support BH: 45 complete with folding push handle	Only possible with adjustable back sling		64.90
o.B.	760 841 420.32	Back tube with 10° front-facing lumbar support BH: 35 complete with folding push handle	Only possible with adjustable back sling		64.90
o.B.	760 841 420.33	Back tube with 10° front-facing lumbar support BH: 40 complete with folding push handle	Only possible with adjustable back sling		64.90
o.B.	760 841 420.34	Back tube with 10° front-facing lumbar support BH: 45 complete with folding push handle	Only possible with adjustable back sling		64.90
o.B.	000 050 008.01-ET	2 component stickers for handle (small letters)	pack of 5		11.90

## Easy 200 - Stabilising bar

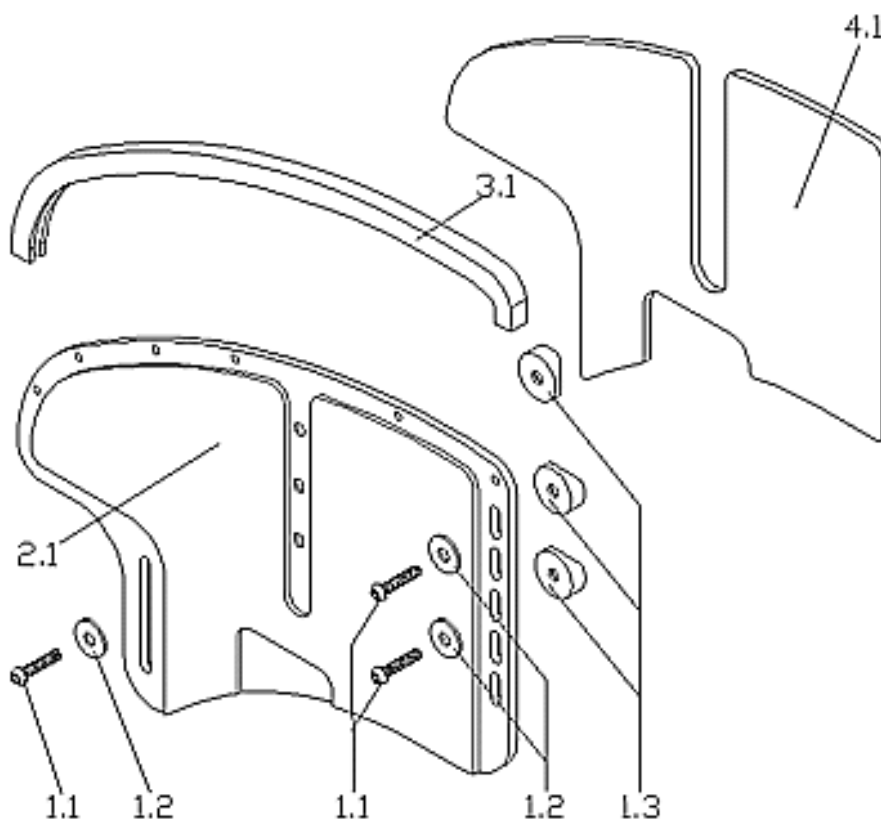


Pos.	Item number	Description	Remark/Qty	Options	EUR
2.1- 2.5	000 841 003	Stabilising bar, complete		SB:....?	74.60
2.2	000 107 011-ET	Eye bolt M 8 x 40 DIN 444-B	pack of 10		28.20
2.3	000 128 018-ET	Hex nut M 8 DIN 985	pack of 25		10.30
2.4	000 841 079	Star handle screw complete M 8 x 30			4.20
3.1- 3.2	760 841 111.01	Standard back tube, for stabilising bar BH: 30			69.50
3.1- 3.2	760 841 111.02	Standard back tube, for stabilising bar BH: 35			69.50
3.1- 3.2	760 841 111.03	Standard back tube, for stabilising bar BH: 40			69.50
3.1- 3.2	760 841 111.04	Standard back tube, for stabilising bar BH: 45			69.50
3.1- 3.2	760 841 111.10	Standard back tube for stabilising bar. For angle-adjustable backrests BH: 30			69.50
3.1- 3.2	760 841 111.11	Standard back tube for stabilising bar. For angle-adjustable backrests BH: 35			69.50
3.1- 3.2	760 841 111.12	Standard back tube for stabilising bar. For angle-adjustable backrests BH: 40			69.50
3.1- 3.2	760 841 604.01	Standard back tube, for stabilising bar with drum brake BH: 30			76.40
3.1- 3.2	760 841 604.02	Standard back tube, for stabilising bar with drum brake BH: 35			76.40
3.1- 3.2	760 841 604.03	Standard back tube, for stabilising bar with drum brake BH: 40			76.40

**Easy 200 - Stabilising bar [Stand: 03/2006]**

Pos.	Item number	Description	Remark/Qty	Options	EUR
3.1- 3.2	760 841 604.04	Standard back tube, for stabilising bar with drum brake BH: 45			76.40
3.1- 3.2	760 841 604.10	Standard back tube for stabilising bar, drum brake, for angle-adjustable backrests BH: 30			76.40
3.1- 3.2	760 841 604.11	Standard back tube for stabilising bar, drum brake, for angle-adjustable backrests BH: 35			76.40
3.1- 3.2	760 841 604.12	Standard back tube for stabilising bar, drum brake, for angle-adjustable backrests BH: 40			76.40
3.1- 3.2	760 841 604.13	Standard back tube for stabilising bar, drum brake, for angle-adjustable backrests BH: 45			76.40
3.1- 3.2	760 841 112.01	Back tube with 5° rear-facing lumbar support for stabilising bar BH: 40			97.70
3.1- 3.2	760 841 112.02	Back tube with 5° rear-facing lumbar support for stabilising bar BH: 45			97.70
3.1- 3.2	760 841 112.10	Back tube with 5° rear-facing lumbar support for stabilising bar BH: 40 angle-adjustable backrest			
3.1- 3.2	760 841 112.11	Back tube with 5° rear-facing lumbar support for stabilising bar BH: 45 angle-adjustable backrest			97.70
3.1- 3.2	760 841 609.01	Back tube with 5° rear-facing lumbar support, drum brake for stabilising bar BH: 40			
3.1- 3.2	760 841 609.02	Back tube with 5° rear-facing lumbar support, drum brake for stabilising bar BH: 45			
3.1- 3.2	760 841 609.10	Back tube with 5° rear-facing lumbar support, drum brake for stabilising bar BH: 40 angle-adjustable backrest			
3.1- 3.2	760 841 609.11	Back tube with 5° rear-facing lumbar support, drum brake for stabilising bar BH: 45 angle-adjustable backrest			
o.B.	000 050 008.01- ET	2 component stickers for handle (small letters)	pack of 5		11.90
3.1	000 841 246-ET	Griffe für Rückenrohr	6 St./Pkg.		47.50

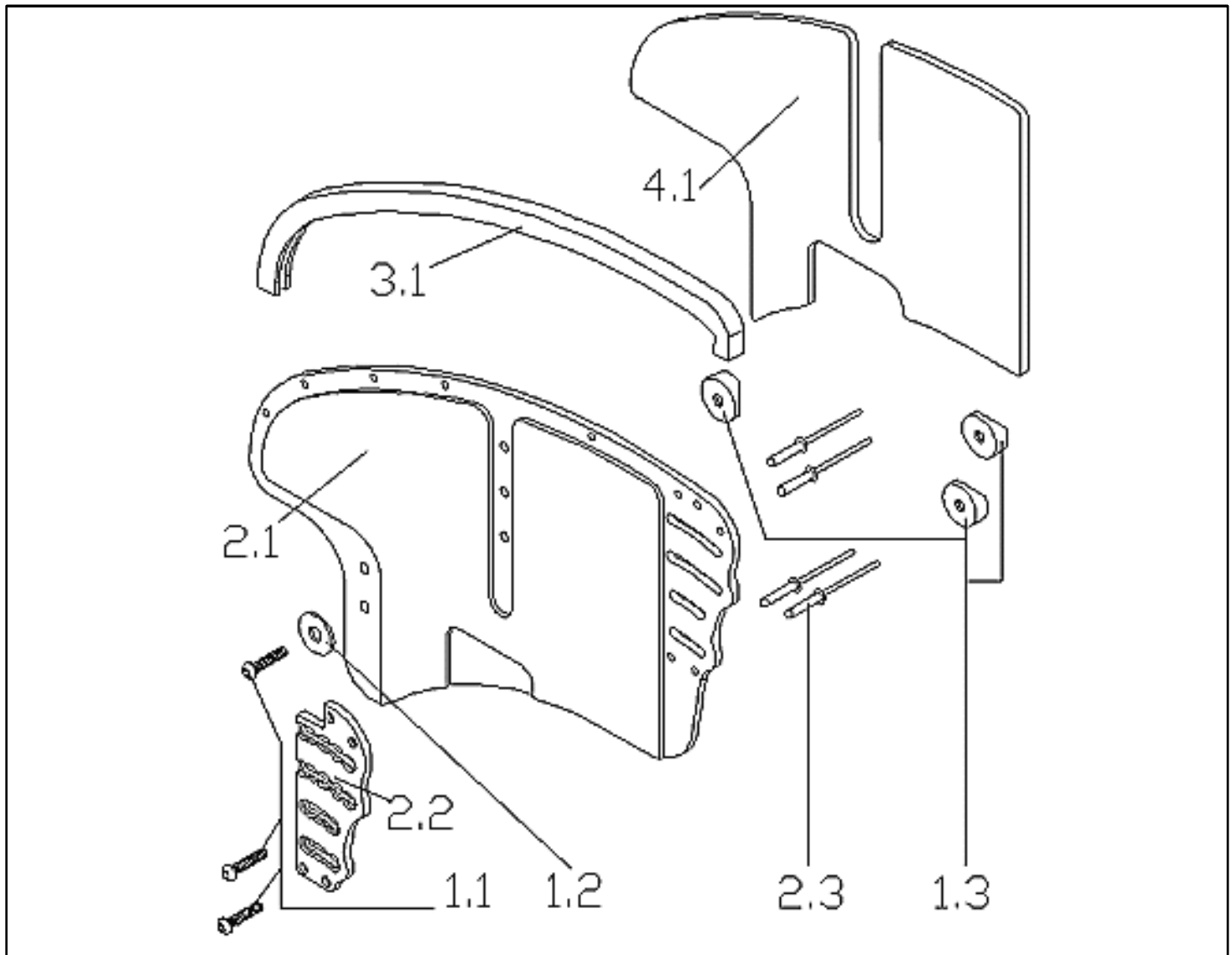
## Easy 200 - Sidegurad alu standard



Pos.	Item number	Description	Remark/Qty	Options	EUR
1.1-4.1	760 942 560	Standard sideguard, aluminium, screw-on, complete	Pair	FM:...?	125.50
	760 842 560	Standard sideguard, aluminium, screw-on, complete	right	FM:...?	62.80
1.1-4.1	760 742 560	Standard sideguard, aluminium, screw-on, complete	left	FM:...?	62.80
	760 942 566	Standard sideguards, aluminium, screw-on, with armrest, complete (see SIDEGUARD assembly)	Pair	FM:...?	209.90
	760 842 566	Standard sideguard, aluminium, screw-on, with armrest, complete (see SIDEGUARD assembly)	right	FM:...?	105.00
	760 742 566	Standard sideguard, aluminium, screw-on, with armrest, complete (see SIDEGUARD assembly)	left	FM:...?	105.00
1.1-1.3	760 842 559	Fitting accessories for standard and angle-adjustable sideguard			3.60
1.1	000 102 312.01-ET	Oval-head screw M 6 x 32 with Torx drive	pack of 25		6.40
1.2	000 130 116-ET	A 6.4 washer DIN 9021	pack of 25		7.00
1.3	000 831 232-ET	Half shell for cross-brace - black POM	pack of 10		6.00
3.1	000 055 001-ET	Edge protection	By the metre. Only available by the metre		3.10

Pos.	Item number	Description	Remark/Qty	Options	EUR
4.1	760 942 557	Cold/heat/pressure protectors for sideguards, aluminium, screw-on	Pair		17.20

**Easy 200 - Sideguard alu standard angle adjustable**



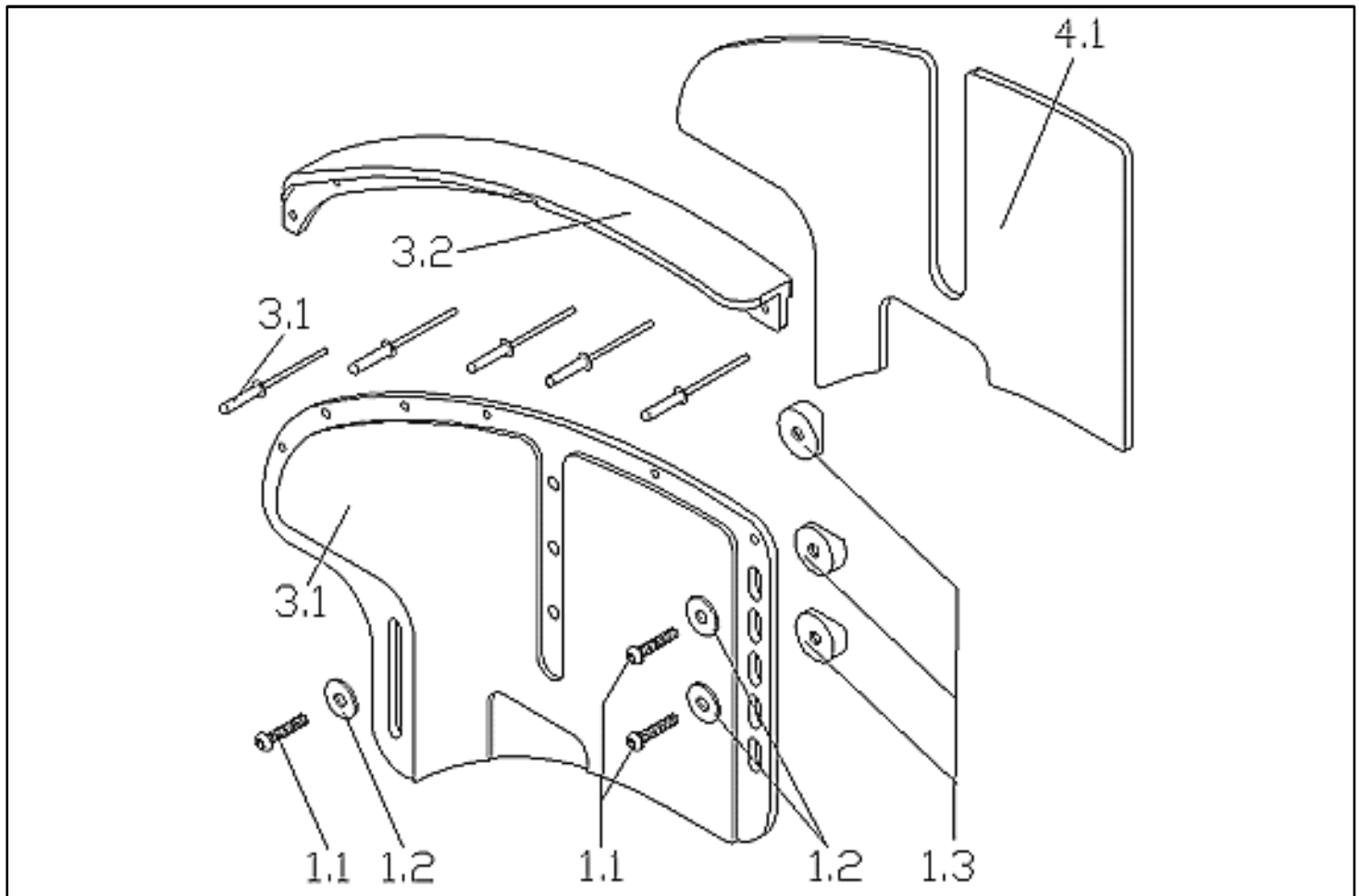
Pos.	Item number	Description	Remark/Qty	Options	EUR
1.1-5.1	760 942 562	Standard sideguards, aluminium, screw-on, for angle-adjustable backrest complete	Pair	FM:...?	158.50
	760 842 562	Standard sideguard, aluminium, screw-on, for angle-adjustable backrest complete	right	FM:...?	79.20
1.1-5.1	760 742 562	Standard sideguard, aluminium, screw-on, for angle-adjustable backrest complete	left	FM:...?	79.20
	760 942 564	Standard sideguards, aluminium, screw-on, with armrest, for angle-adjustable backrest, complete (see SIDEGUARD assembly)	Pair	FM:...?	242.80
	760 842 564	Standard sideguard, aluminium, screw-on, with armrest, for angle-adjustable backrest, complete (see SIDEGUARD assembly)	right	FM:...?	121.40
	760 742 564	Standard sideguard, aluminium, screw-on, with armrest, for angle-adjustable backrest, complete (see SIDEGUARD assembly)	left	FM:...?	121.40

**Easy 200 - Sideguard alu standard angle adjustable [Stand: 04/2003]**

Pos.	Item number	Description	Remark/Qty	Options	EUR
1.1-1.3	760 842 559	Fitting accessories for standard and angle-adjustable sideguard			3.60
1.1	000 102 312.01-ET	Oval-head screw M 6 x 32 with Torx drive	pack of 25		6.40
1.2	000 130 116-ET	A 6.4 washer DIN 9021	pack of 25		7.00
1.3	000 831 232-ET	Half shell for cross-brace - black POM	pack of 10		6.00
2.3	000 144 013-ET	Blind rivet F 4 x 12 black, aluminium/steel DIN 7337	pack of 50		9.80
3.1	000 055 001-ET	Edge protection	in metres		3.10
4.1	760 942 557	Cold/heat/pressure protectors for sideguards, aluminium, screw-on	Pair		17.20



## Easy 200 - Sideguard alu with clothes protector

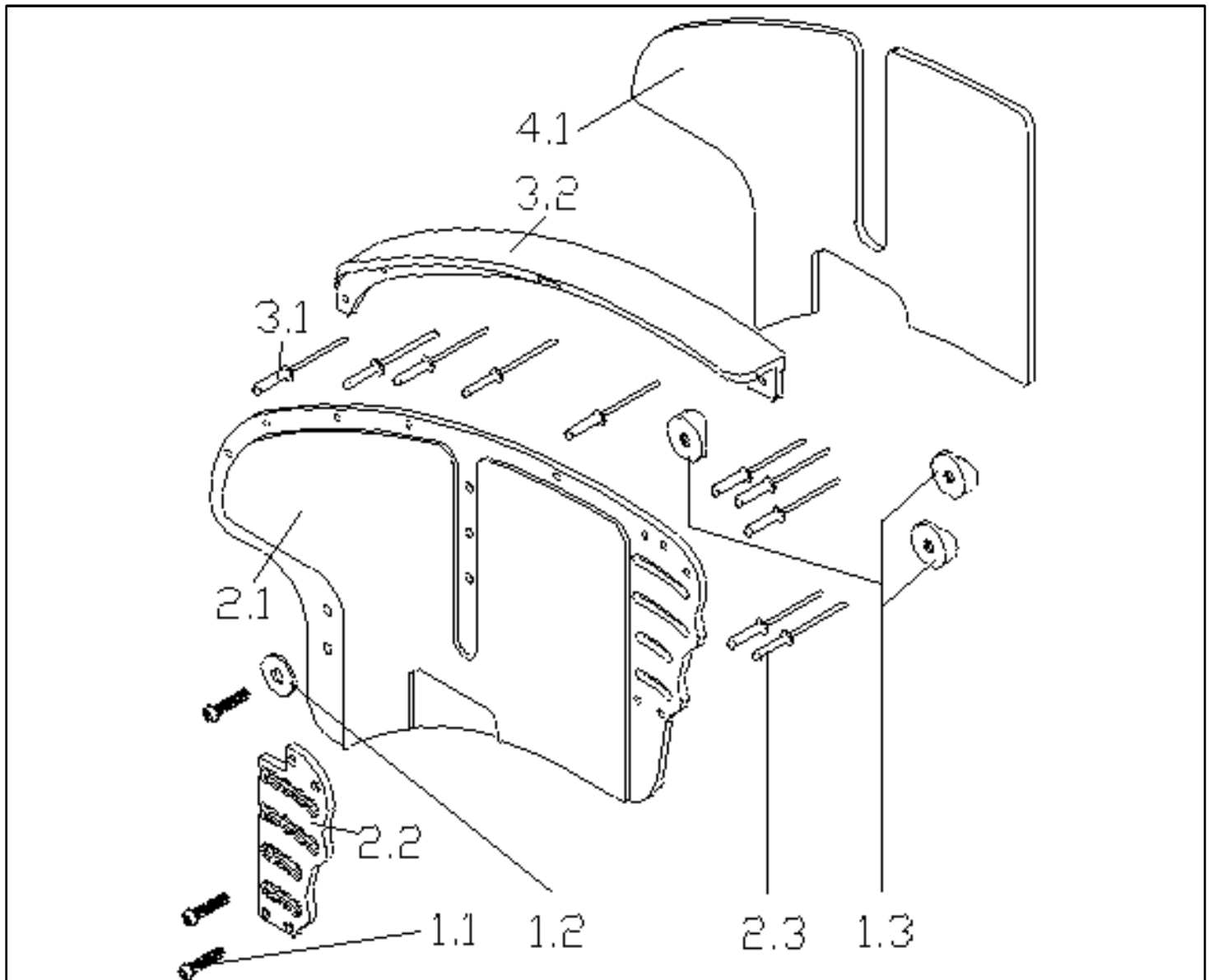


Pos.	Item number	Description	Remark/Qty	Options	EUR
1.1,- 5.1	760 942 561	Sideguard with clothes protector, aluminium, screw-on, complete	Pair	FM:...?	187.30
	760 842 561	Sideguard with clothes protector, aluminium, screw-on, complete	right	FM:...?	93.60
1.1,- 5.1	760 742 561	Sideguard with clothes protector, aluminium, screw-on, complete	left	FM:...?	93.60
	760 942 567	Standard clothes protector, aluminium, screw-on, with armrest, complete (see SIDEGUARD assembly)	Pair		272.70
	760 842 567	Standard clothes protector, aluminium, screw-on, with armrest, complete (see SIDEGUARD assembly)	right		136.30
	760 742 567	Standard clothes protector, aluminium, screw-on, with armrest, complete (see SIDEGUARD assembly)	left		136.30
1.1- 1.3	760 842 559	Fitting accessories for standard and angle-adjustable sideguard			3.60
1.1	000 102 312.01-ET	Oval-head screw M 6 x 32 with Torx drive	pack of 25		6.40
1.2	000 130 116-ET	A 6.4 washer DIN 9021	pack of 25		7.00
1.3	000 831 232-ET	Half shell for cross-brace - black POM	pack of 10		6.00

**Easy 200 - Sideguard alu with clothes protector [Stand: 04/2003]**

Pos.	Item number	Description	Remark/Qty	Options	EUR
	760 942 553	Clothes protectors for arm padding to be rivetted onto the sideguard, complete	Pair		63.80
	760 842 553	Clothes protector for arm padding to be rivetted onto the sideguard, complete	right		31.90
	760 742 553	Clothes protector for arm padding to be rivetted onto the sideguard, complete	left		31.90
3.1, 3.2	760 942 554	Clothes protectors to be rivetted onto the sideguard, complete	Pair		63.80
3.1, 3.2	760 842 554	Clothes protector to be rivetted onto the sideguard, complete	right		31.90
3.1, 3.2	760 742 554	Clothes protector to be rivetted onto the sideguard, complete	left		31.90
3.1	000 144 013-ET	Blind rivet F 4 x 12 black, aluminium/steel DIN 7337	pack of 50		9.80
4.1	760 942 557	Cold/heat/pressure protectors for sideguards, aluminium, screw-on	Pair		17.20

**Easy 200 - Sideguard alu with clothes protector angle adjustable**

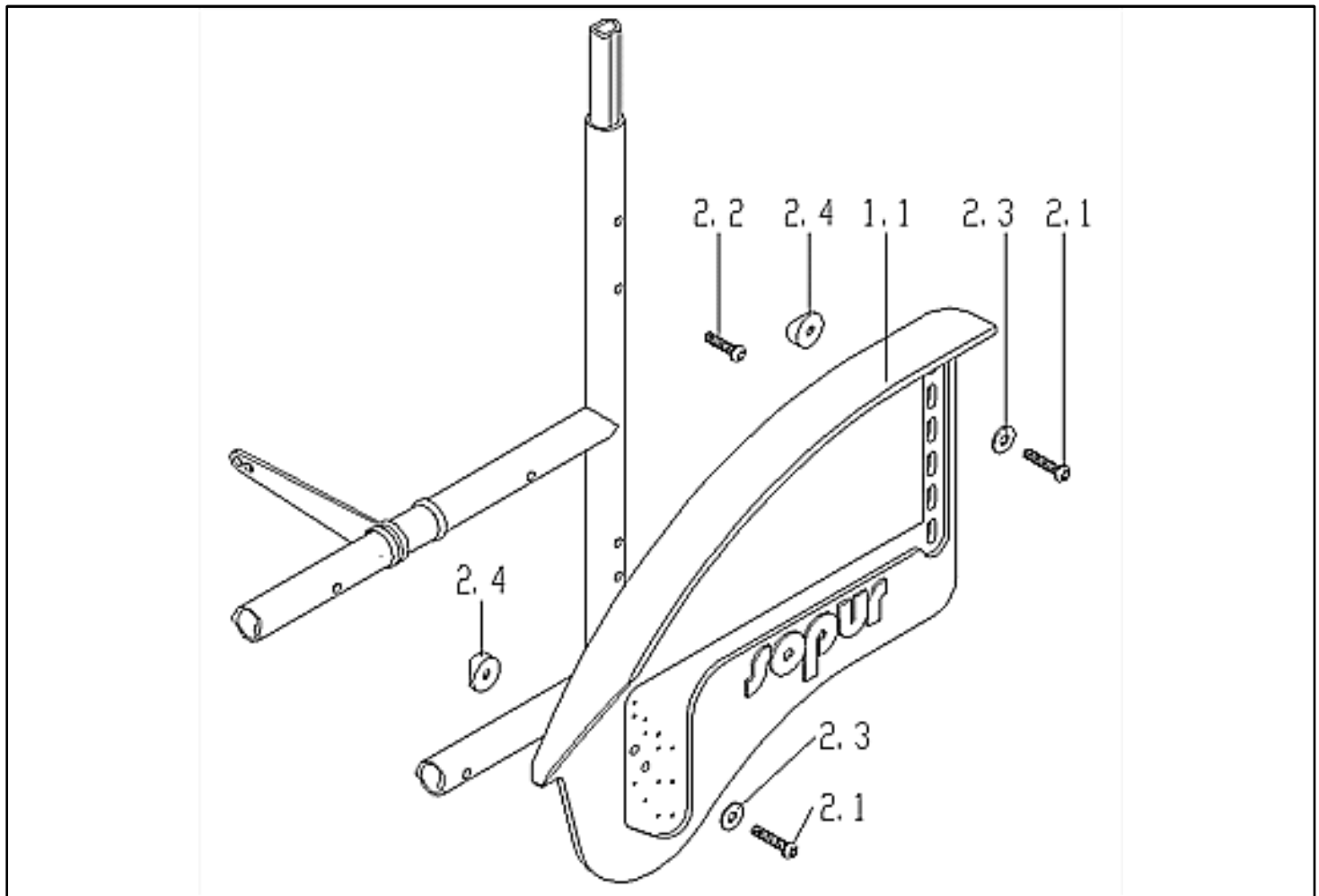


Pos.	Item number	Description	Remark/Qty	Options	EUR
1.1-6.1	760 942 563	Sideguard with clothes protector, aluminium, screw-on, for angle-adjustable backrest complete	Pair	FM:...?	222.30
1.1-6.1	760 842 563	Sideguard with clothes protector, aluminium, screw-on, for angle-adjustable backrest complete	right	FM:...?	111.10
1.1-6.1	760 742 563	Sideguard with clothes protector, aluminium, screw-on, for angle-adjustable backrest complete	left	FM:...?	111.10
	760 942 565	Standard clothes protector, aluminium, screw-on, with armrest, for angle-adjustable backrest, complete (see SIDEGUARD assembly)	Pair	FM:...?	306.60
	760 842 565	Standard clothes protector, aluminium, screw-on, with armrest, for angle-adjustable backrest, complete (see SIDEGUARD assembly)	right	FM:...?	153.30
	760 742 565	Standard clothes protector, aluminium, screw-on, with armrest, for angle-adjustable backrest, complete (see SIDEGUARD assembly)	left	FM:...?	153.30

**Easy 200 - Sideguard alu with clothes protector angle adjustable [Stand: 04/2003]**

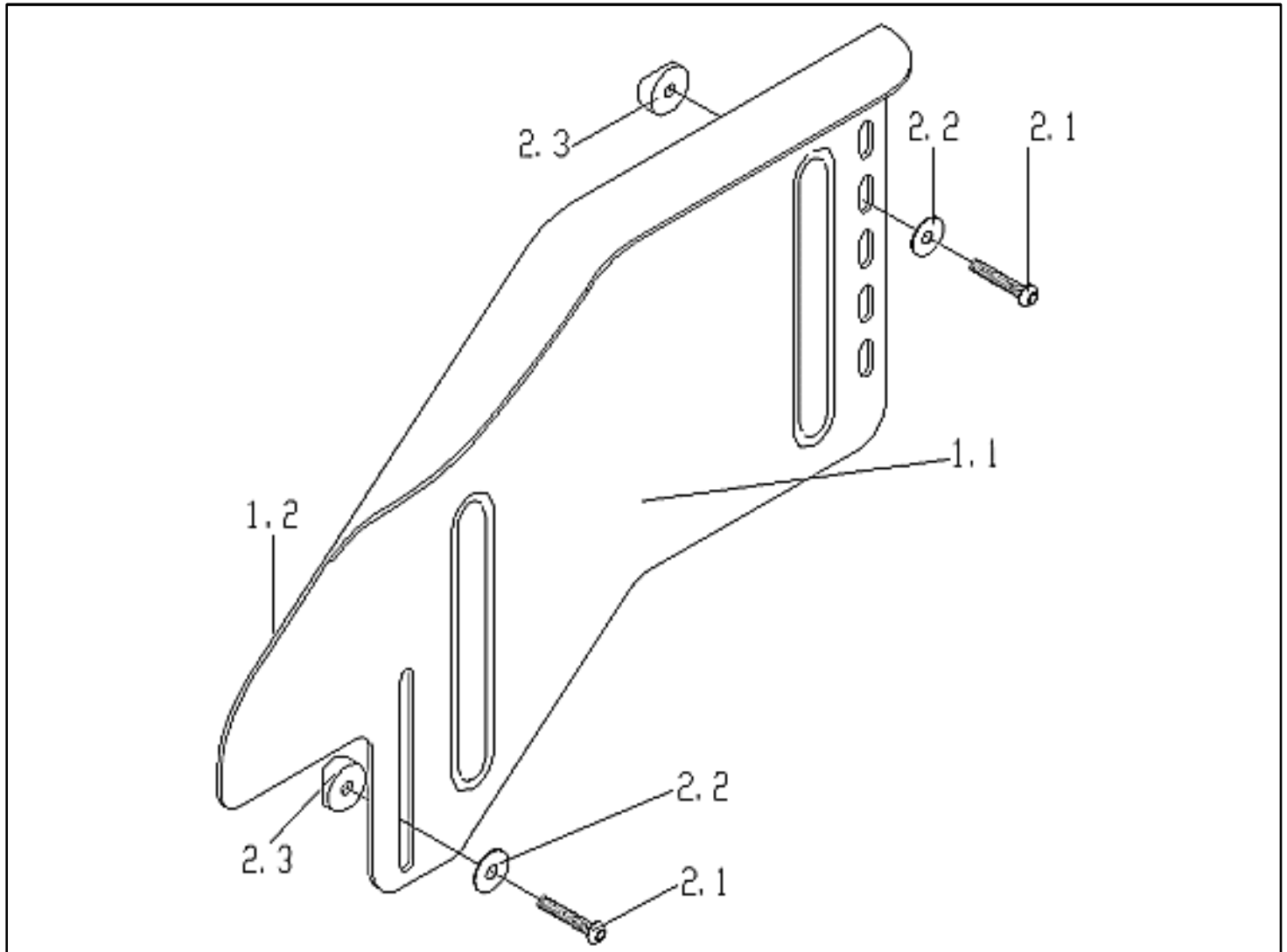
Pos.	Item number	Description	Remark/Qty	Options	EUR
1.1- 1.3	760 842 559	Fitting accessories for standard and angle-adjustable sideguard, complete			3.60
1.1	000 102 312.01-ET	Oval-head screw M 6 x 32 with Torx drive	pack of 25		6.40
1.2	000 130 116-ET	A 6.4 washer DIN 9021	pack of 25		7.00
1.3	000 831 232-ET	Half shell for cross-brace - black POM	pack of 10		6.00
3.1, 2.3	000 144 013-ET	Blind rivet F 4 x 12 black, aluminium/steel DIN 7337	pack of 50		9.80
3.2	760 942 554	Clothes protectors to be rivetted onto the sideguard, complete	Pair		63.80
4.1	760 942 557	Cold/heat/pressure protectors for sideguards, aluminium, screw-on	Pair		17.20

**Easy 200 - Clothes protector plastic screw on**



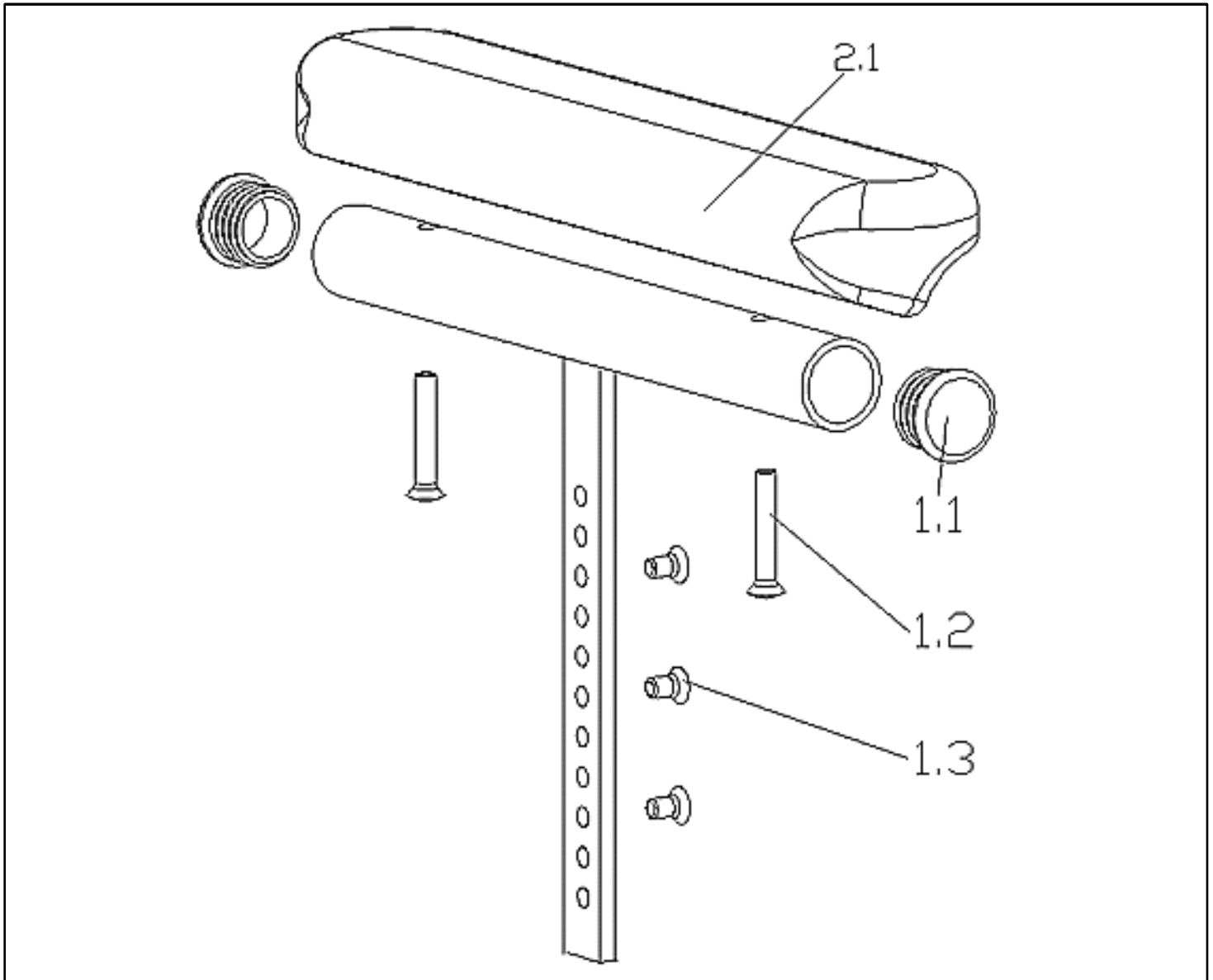
Pos.	Item number	Description	Remark/Qty	Options	EUR
1.1- 2.4	760 941 525	Clothes protector, black plastic, screw-on, complete	Pair		158.10
1.1- 2.4	760 841 525	Clothes protector, black plastic, screw-on, complete	right		79.00
1.1- 2.4	760 741 525	Clothes protector, black plastic, screw-on, complete	left		79.00
2.1- 2.4	760 841 526	Fitting accessories for sideguard and clothes protector			7.50
2.1	000 102 312.01- ET	Oval-head screw M 6 x 32 with Torx drive	pack of 25		6.40
2.2	000 102 311.01- ET	Oval-head screw M 6 x 27 with Torx drive	pack of 25		3.90
2.3	000 130 116-ET	A 6.4 washer DIN 9021	pack of 25		7.00
2.4	000 831 232-ET	Half shell for cross-brace - black POM	pack of 10		6.00

**Easy 200 - Clothes protector metal screw on**



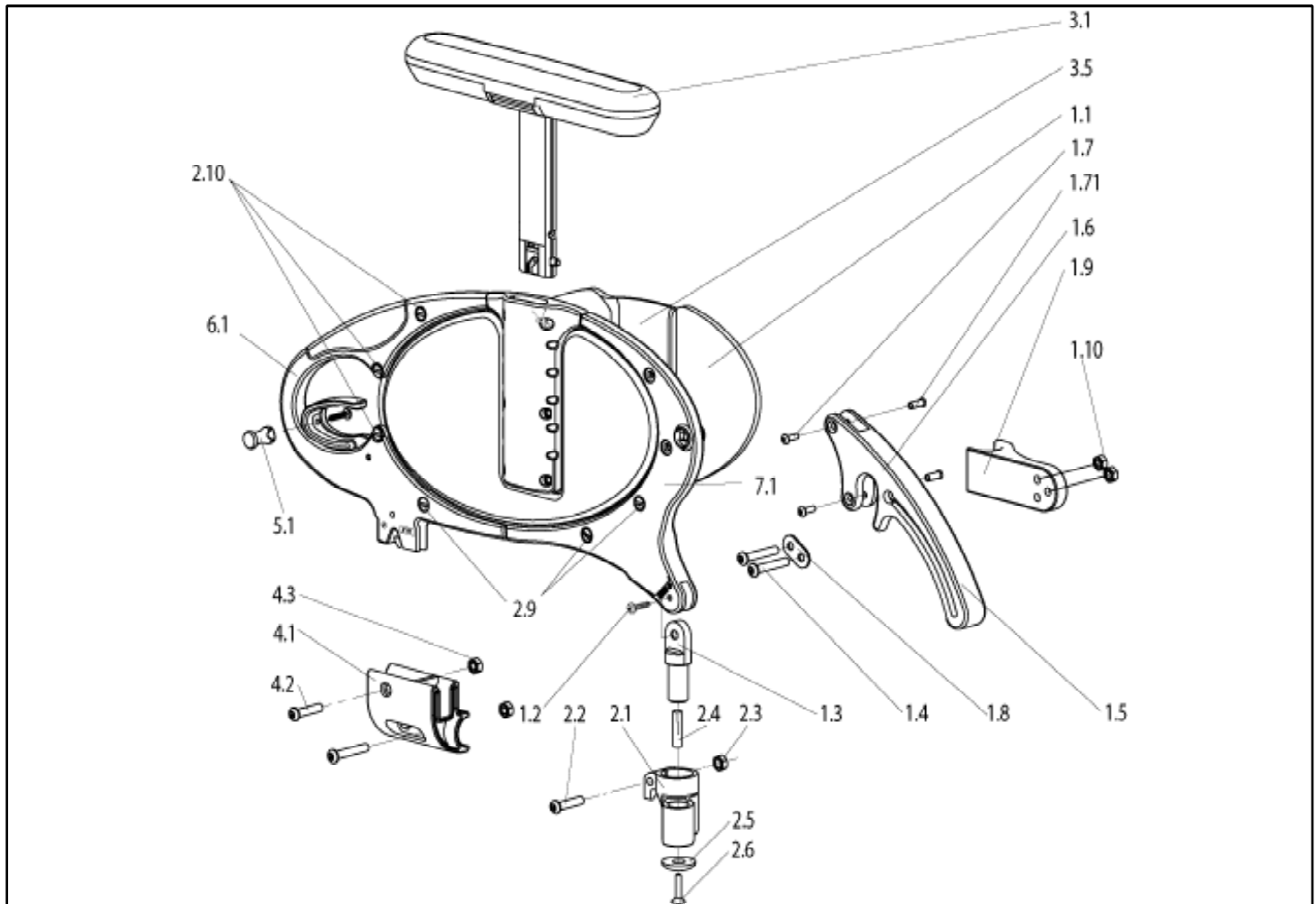
Pos.	Item number	Description	Remark/Qty	Options	EUR
1.1- 2.3	760 942 423	Clothes protector, screw-on, complete	Pair	FM:...?	
1.1- 2.3	760 842 423	Clothes protector, screw-on, complete	right	FM:...?	
1.1- 2.3	760 742 423	Clothes protector, screw-on, complete	left	FM:...?	
1.2	000 055 001-ET	Edge protection (in metres)			3.10
2.1- 2.3	760 949 910	Fitting accessories			7.50
2.1	000 102 312.01- ET	Oval-head screw M 6 x 32 with Torx drive	pack of 25		6.40
2.2	000 130 116-ET	A 6.4 washer DIN 9021	pack of 25		7.00
2.3	000 831 232-ET	Half shell for cross-brace - black POM	pack of 10		6.00

## Easy 200 - Armrest height adjustable left/right screw on



Pos.	Item number	Description	Remark/Qty	Options	EUR
1.1- 2.1	840 842 055	Armrest - height-adjustable, complete. Is screwed onto the sideguard. Can be used right and left			40.70
1.2, 2.1	840 842 056	Short arm padding for aluminium sideguard, complete			18.80
1.1	000 282 061-ET	Black laminated cap	pack of 10		3.90
1.2	000 104 082-ET	Oval-head screw M 5 x 30 DIN 966	pack of 10		2.60
1.3	000 104 044-ET	Countersunk head screw M 5 x 8 DIN 965	pack of 25		2.60

**Easy 200 - Desk sideguards, armrest short & long, height adjustable, for angle adjustable backrest (from week 51/05)**



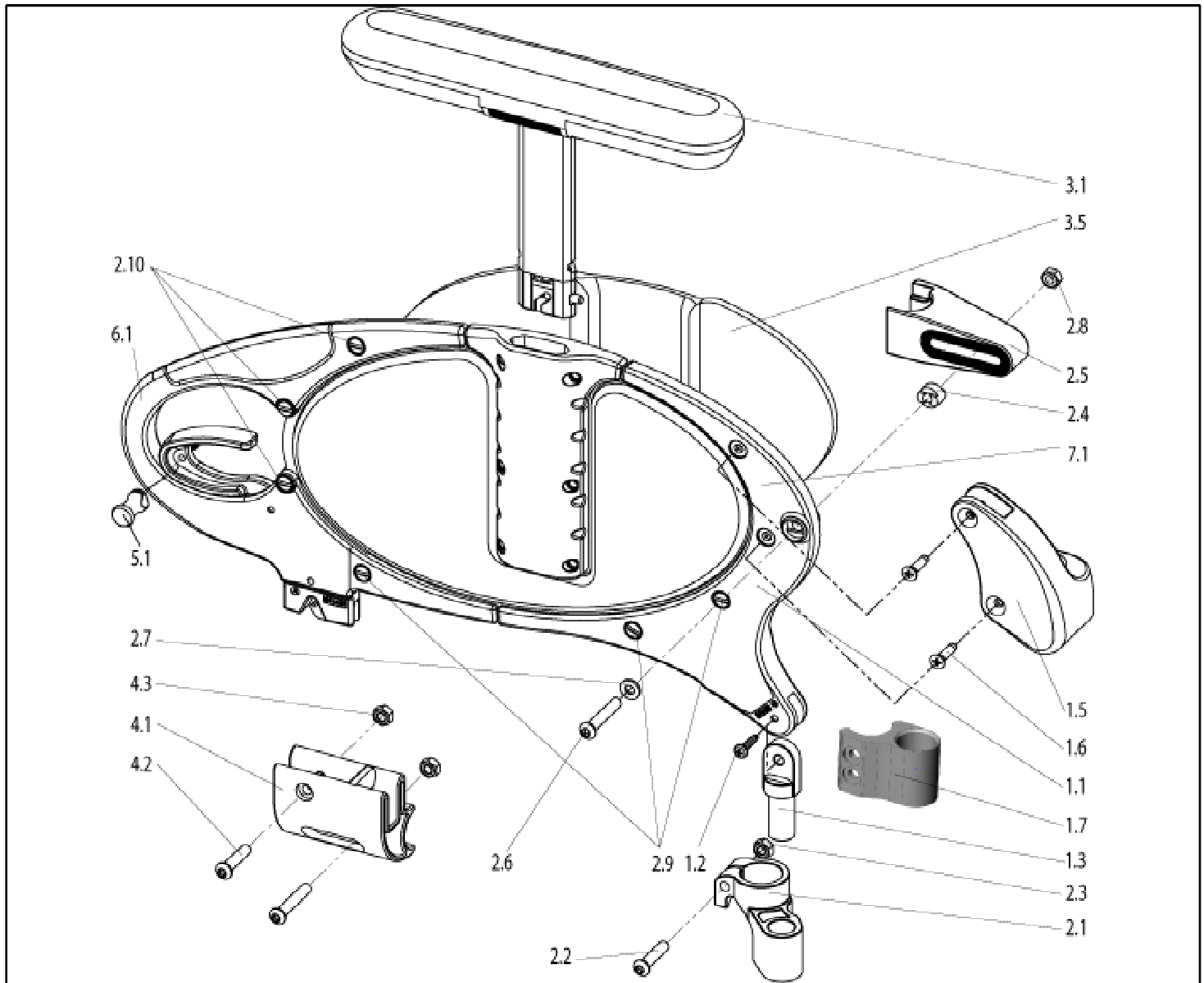
Pos.	Item number	Description	Remark/Qty	Options	EUR
1.1-4.3	760 942 310	Desk-Seitenteile mit Armauflage kurz, höhenverstellbar, für Rücken winkelverstellbar kpl. Mit Montagezubehör	Paar	FM...?	342.70
1.1-4.3	760 842 310	Desk-Seitenteil mit Armauflage kurz, höhenverstellbar, für Rücken winkelverstellbar kpl. Mit Montagezubehör	rechts	FM...?	171.30
1.1-4.3	760 742 310	Desk-Seitenteil mit Armauflage kurz, höhenverstellbar, für Rücken winkelverstellbar kpl. Mit Montagezubehör	links	FM...?	171.30
1.1-4.3	760 942 311	Desk-Seitenteile mit Armauflage lang, höhenverstellbar, für Rücken winkelverstellbar kpl. Mit Montagezubehör	Paar	FM...?	342.70
1.1-4.3	760 842 311	Desk-Seitenteil mit Armauflage lang, höhenverstellbar, für Rücken winkelverstellbar kpl. Mit Montagezubehör	rechts	FM...?	171.30
1.1-4.3	760 742 311	Desk-Seitenteil mit Armauflage lang, höhenverstellbar, für Rücken winkelverstellbar kpl. Mit Montagezubehör	links	FM...?	171.30
1.4-1.10	760 842 101	Schwenkmechanismus für Desk Seitenteil kpl.			14.90
1.4-2.6	760 942 172	Desk ST Anbausatz f. Rücken wkeinstb. kpl.			21.60



**Easy 200 - Desk sideguards, armrest short & long, height adjustable, for angle adjustable backrest  
(from week 51/05) [Stand: 05/2009]**

Pos.	Item number	Description	Remark/Qty	Options	EUR
1.4	000 102 304.01-ET	Linsenschraube M 6 x 35 Torx-Antrieb/Tuflock	10 St/Pkg.		6.40
2.2	000 102 311.01-ET	Linsenschraube M 6 x 27 mit Torx Antrieb	25 St/Pkg.		3.90
1.7	000 104 095-ET	Lens had screw M4 x 12, DIN 966	10 pc./pack		6.40
1.8	054435	U-Scheibe doppelt			4.00
1.10	000 128 007-ET	6kt-Mutter M 6 DIN 985	25 St/Pkg.		4.40
1.2- 1.3	760 842 055-ET	Gelenk für Desk-Seitenteil			2.20
2.1- 2.6	760 942 054	Gelenkaufnahme für Desk ST			6.60
1.71	000 129 004-ET	Lens had socket M4 x 7 x 14	10 pc./pack		
2.3	000 128 007-ET	6kt-Mutter M6 DIN 985	25 St/Pkg.		4.40
2.9	000282116-ET	Snip Snap rivet 5.5 x 8.5	20 St./Pkg.		
2.10	000282115-ET	Snip Snap rivet 5.5 x 12.8	20 St./Pkg.		
3.1	054449	Armauflage kurz, höhenverstellbar, für Desk Seitenteil			37.00
3.1	054449-003	Armauflage lang, höhenverstellbar, für Desk Seitenteil	rechts		37.00
3.1	054449-004	Armauflage lang, höhenverstellbar, für Desk Seitenteil	links		37.00
3.5	054451-002	Kälteschutz für Seitenteil	rechts		8.50
3.5	054451-001	Kälteschutz für Seitenteil	links		8.50
4.1- 4.3	760 842 053	Seitenteilaufnahme vorn, unten, für Desk Seitenteil kpl.	rechts		3.90
4.1- 4.3	760 742 053	Seitenteilaufnahme vorn, unten, für Desk Seitenteil kpl.	links		3.90
4.2	000 102 304.01-ET	Linsenschraube M 6 x 35 Torx-Antrieb/Tuflock	25 St/Pkg.		6.40
4.3	000 128 007-ET	6kt-Mutter M 6 DIN 985	25 St/Pkg.		4.40
5.1	054493-010	Tetragriff für Desk Seitenteil			5.40
-	054430	Kappe f. Seitenteil oben Armpolster			7.70
6.1, 2.9, 2.10	054432-ET	Front cover with rivet			20.40
7.1, 2.9, 1.3, 1.2	054431-ET	Rear cover with rivet and hinge			20.40

**Easy 200 - Desk sideguards with height-adjustable armrest, short & long, for push handles -standard and height adjustale (from week 51/05)**



Pos.	Item number	Description	Remark/Qty	Options	EUR
1.1-5.2	760 942 350	Desk-Seitenteile mit Armauflage kurz, höhenverstellbar, für Schiebegriff-Standard, kpl.	Paar	FM...?	308.70
1.1-5.2	760 842 350	Desk-Seitenteil mit Armauflage kurz, höhenverstellbar, für Schiebegriff-Standard, kpl.	rechts	FM...?	154.40
1.1-5.2	760 742 350	Desk-Seitenteil mit Armauflage kurz, höhenverstellbar, für Schiebegriff-Standard, kpl.	links	FM...?	154.40
1.1-5.2	760 942 450	Desk-Seitenteile mit Armauflage lang, höhenverstellbar, für Schiebegriff-Standard, kpl.	Paar	FM...?	308.70
1.1-5.2	760 842 450	Desk-Seitenteil mit Armauflage lang, höhenverstellbar, für Schiebegriff-Standard, kpl.	rechts	FM...?	154.40
1.1-5.2	760 742 450	Desk-Seitenteil mit Armauflage lang, höhenverstellbar, für Schiebegriff-Standard, kpl.	links	FM...?	154.40

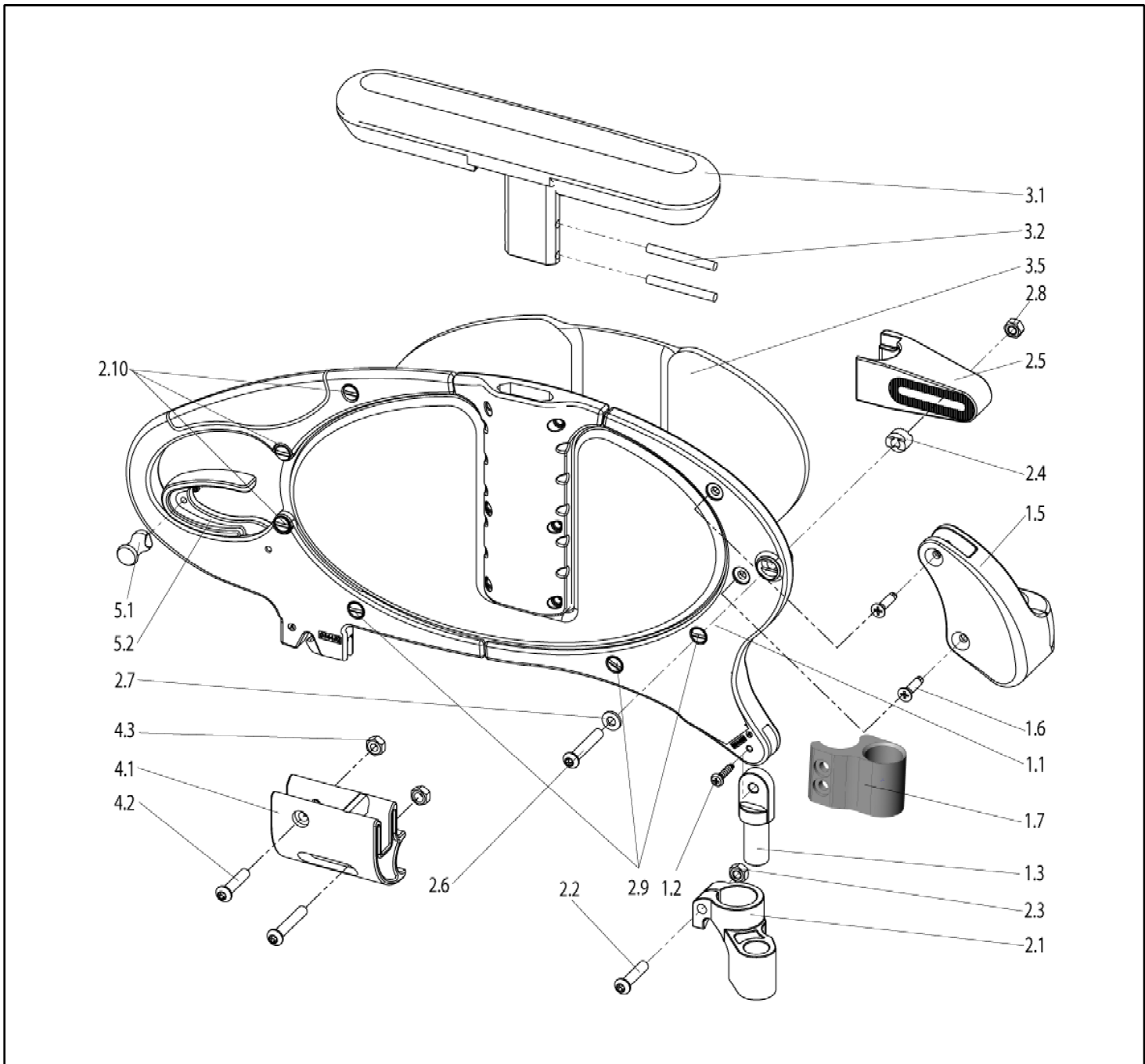
**Easy 200 - Desk sideguards with height-adjustable armrest, short & long, for push handles -standard and height adjustale (from week 51/05) [Stand: 04/2009]**

Pos.	Item number	Description	Remark/Qty	Options	EUR
1.1-5.2	760 942 240	Desk-Seitenteile mit Armauflage kurz, höhenverstellbar, für Schiebegriff-höhenverstellbar, kpl.	Paar	FM...?	316.90
1.1-5.2	760 842 240	Desk-Seitenteil mit Armauflage kurz, höhenverstellbar, für Schiebegriff-höhenverstellbar, kpl.	rechts	FM...?	158.50
1.1-5.2	760 742 240	Desk-Seitenteil mit Armauflage kurz, höhenverstellbar, für Schiebegriff-höhenverstellbar, kpl.	links	FM...?	158.50
1.1-5.2	760 942 340	Desk-Seitenteile mit Armauflage lang, höhenverstellbar, für Schiebegriff-höhenverstellbar, kpl.	Paar	FM...?	316.90
1.1-5.2	760 842 340	Desk-Seitenteil mit Armauflage lang, höhenverstellbar, für Schiebegriff-höhenverstellbar, kpl.	rechts	FM...?	158.50
1.1-5.2	760 742 340	Desk-Seitenteil mit Armauflage lang, höhenverstellbar, für Schiebegriff-höhenverstellbar, kpl.	links	FM...?	158.50
1.5	054436	Seitenteilfixierung, nur bei Schiebegriffen höhenverstellbar	rechts		19.60
1.5	054437	Seitenteilfixierung, nur bei Schiebegriffen höhenverstellbar	links		19.60
1.6	000 104 123-ET	Senkschraube M 5 x 22 PZD DIN7500 furchend	25 St/Pkg.		6.40
1.7	760 842 037	Seitenteilaufnahme hinten, mit Schrauben kpl. (Nur bei Umrüstung auf Schiebegriff-höhenverstellbar)			6.70
1.2-1.3	760 842 055-ET	Gelenk für Desk-Seitenteil			2.20
2.1-2.3	760 942 054	Gelenkaufnahmen für Seitenteil kpl.	Paar		6.60
2.1-2.3	760 842 054	Gelenkaufnahme für Seitenteil kpl.	rechts		3.40
	760 742 054	Gelenkaufnahme für Seitenteil kpl.	links		3.40
2.2	000 102 311.01-ET	Linsenschraube M 6 x 27 mit Torx Antrieb	25 St/Pkg.		3.90
2.3	000 128 007-ET	6kt-Mutter M 6 DIN 985	25 St/Pkg.		4.40
2.4	054459	Verzahnungsscheibe			0.90
2.4-2.8	054461-ET	Seitenkralle hinten kpl. Nur bei Schiebegriff starr	1 St./Pkg.		16.30
2.6	000 102 304.01-ET	Linsenschraube M 6 x 35 mit Torx-Antrieb	25 St/Pkg.		6.40
2.7	000 130 107-ET	Scheibe A6,4 DIN 125	25 St/Pkg.		5.90
2.8	000 128 007-ET	6kt-Mutter M 6 DIN 985	25 St/Pkg.		4.40
2.9	000 282 116-ET	Snip Snap rivet - 5.5 x 8.5	20 St./Pkg.		8.00
2.10	000 282 115-ET	Snip Snap rivet - 5.5 x 12.8	20 St./Pkg.		8.00
3.1	054449	Armauflage kurz, höhenverstellbar, f. Desk ST			37.00
3.1	054449-003	Armauflage lang, höhenverstellbar, f. Desk ST	rechts		37.00
3.1	054449-004	Armauflage lang, höhenverstellbar, f. Desk ST	links		37.00
3.5	054451-002	Kälteschutz für Seitenteil	rechts		8.50
3.5	054451-001	Kälteschutz für Seitenteil	links		8.50
4.1-4.3	760 842 053	Seitenteilaufnahme vorn, unten, für Desk ST kpl.	rechts		3.90
4.1-4.3	760 742 053	Seitenteilaufnahme vorn, unten, für Desk ST kpl.	links		3.90

**Easy 200 - Desk sideguards with height-adjustable armrest, short & long, for push handles -standard and height adjustable (from week 51/05) [Stand: 04/2009]**

Pos.	Item number	Description	Remark/Qty	Options	EUR
4.2	000 102 304.01-ET	Linsenschraube M 6 x 35 Torx-Antrieb/Tuflock	25 St/Pkg.		6.40
4.3	000 128 007-ET	6kt-Mutter M 6 DIN 985	25 St/Pkg.		4.40
5.1	054493-010	Tetragriff für Desk Seitenteil			5.40
-	054430	Kappe für Seitenteil oben Armpolster			7.70
6.1, 2.9, 2.10	054432-ET	Front cover with rivet			20.40
7.1, 2.9, 1.3, 1.2	054431-ET	Rear cover with rivet and hinge			20.40

**Easy 200 - Desk sideguards with fixed armrest, short & long, for push handles -standard and height adjustable (from week 51/05)**



Pos.	Item number	Description	Remark/Qty	Options	EUR
1.1-4.3	760 942 270	Desk-Seitenteile mit Armauflage kurz, fest, Schiebegriff-Standard, kpl. (Polsterlänge ca. 250 mm)	Paar	FM...?	227.40
1.1-4.3	760 842 270	Desk-Seitenteil mit Armauflage kurz, fest, Schiebegriff-Standard, kpl. (Polsterlänge ca. 250 mm)	rechts	FM...?	113.70
1.1-4.3	760 742 270	Desk-Seitenteil mit Armauflage kurz, fest, Schiebegriff-Standard, kpl. (Polsterlänge ca. 250 mm)	links	FM...?	113.70

**Easy 200 - Desk sideguards with fixed armrest, short & long, for push handles -standard and height adjustable (from week 51/05) [Stand: 04/2009]**

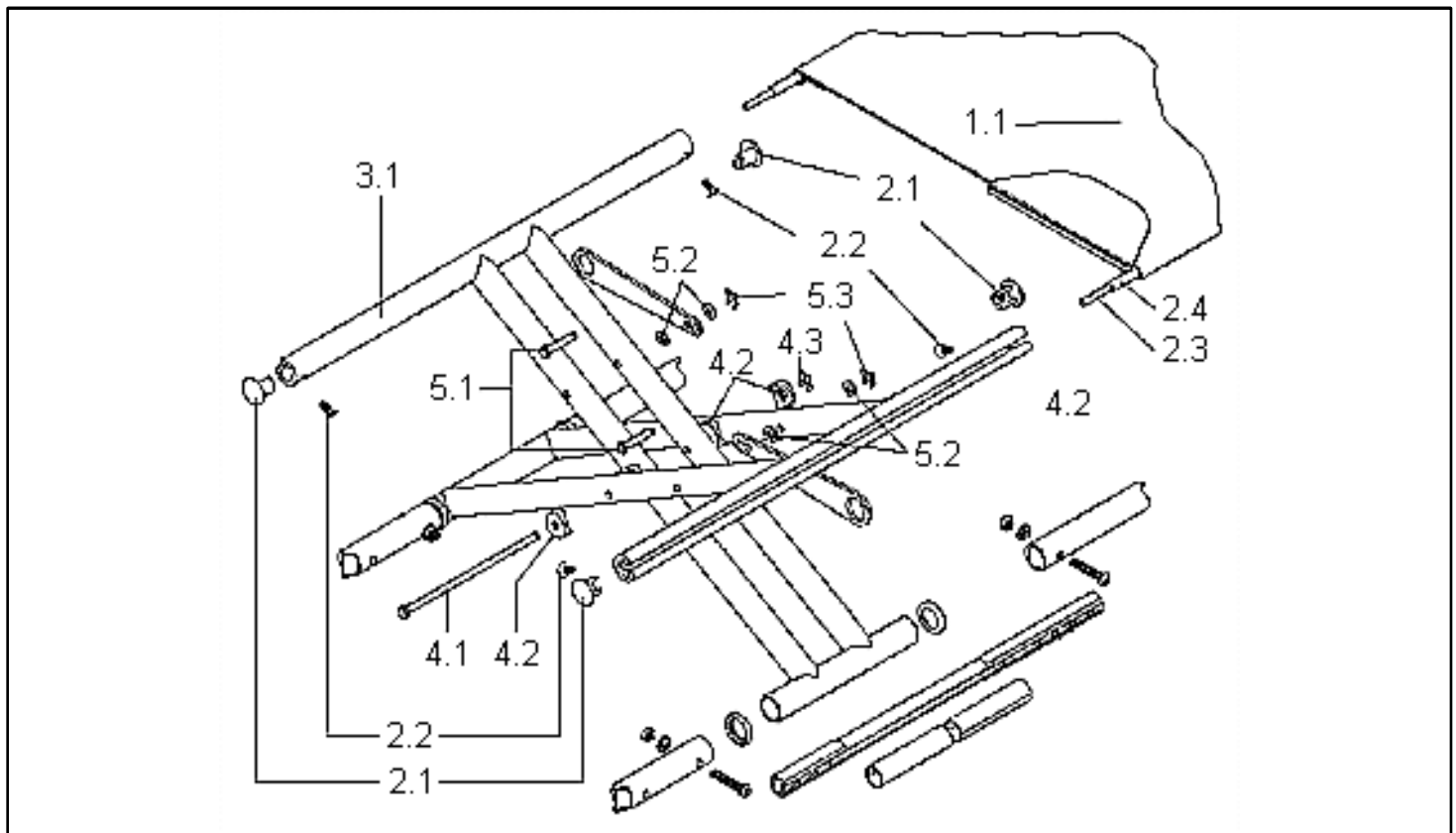
Pos.	Item number	Description	Remark/Qty	Options	EUR
1.1-4.3	760 942 280	Desk-Seitenteile mit Armauflage kurz, fest, Schiebegriff-höhenverstellbar, kpl. (Polsterlänge ca. 250 mm)	Paar	FM...?	308.70
1.1-4.3	760 842 280	Desk-Seitenteil mit Armauflage kurz, fest, Schiebegriff-höhenverstellbar, kpl. (Polsterlänge ca. 250 mm)	rechts	FM...?	113.70
1.1-4.3	760 742 280	Desk-Seitenteil mit Armauflage kurz, fest, Schiebegriff-höhenverstellbar, kpl. (Polsterlänge ca. 250 mm)	links	FM...?	113.70
1.1-4.3	760 942 380	Desk-Seitenteile mit Armauflage lang, fest, Schiebegriff-höhenverstellbar, kpl. (Polsterlänge ca. 300 mm)	Paar	FM...?	236.70
1.1-4.3	760 842 380	Desk-Seitenteil mit Armauflage lang, fest, Schiebegriff-höhenverstellbar, kpl. (Polsterlänge ca. 300 mm)	rechts	FM...?	118.30
1.1-4.3	760 742 380	Desk-Seitenteil mit Armauflage lang, fest, Schiebegriff-höhenverstellbar, kpl. (Polsterlänge ca. 300 mm)	links	FM...?	118.30
1.1-4.3	760 942 370	Desk-Seitenteile mit Armauflage lang, fest, Schiebegriff-Standard, kpl. (Polsterlänge ca. 300 mm)	Paar	FM...?	227.40
1.1-4.3	760 842 370	Desk-Seitenteil mit Armauflage lang, fest, Schiebegriff-Standard, kpl. (Polsterlänge ca. 300 mm)	rechts	FM...?	113.70
1.1-4.3	760 742 370	Desk-Seitenteil mit Armauflage lang, fest, Schiebegriff-Standard, kpl. (Polsterlänge ca. 300 mm)	links	FM...?	113.70
1.5	054436	Seitenteilfixierung, nur bei Schiebegriffen höhenverstellbar	rechts		19.60
1.5	054437	Seitenteilfixierung, nur bei Schiebegriffen höhenverstellbar	links		19.60
1.6	000 104 123-ET	Senkschraube M 5 x 22 PZD DIN7500 furchend	25 St/Pkg.		6.40
1.7	760 842 037	Seitenteilaufnahme hinten, mit Schrauben kpl. (Nur bei Umrüstung auf Schiebegriff-höhenverstellbar)			6.70
1.2-1.3	760 842 055-ET	Gelenk für Desk-Seitenteil mit Schraube, kpl.			2.20
2.1-2.3	760 942 054	Gelenkaufnahmen für Seitenteil kpl.	Paar		6.60
2.1-2.3	760 842 054	Gelenkaufnahme für Seitenteil kpl.	rechts		3.40
	760 742 054	Gelenkaufnahme für Seitenteil kpl.	links		3.40
2.2	000 102 311.01-ET	Linsenschraube M 6 x 27 mit Torx Antrieb	25 St/Pkg.		3.90
2.3	000 128 007-ET	6kt-Mutter M 6 DIN 985	25 St/Pkg.		4.40
2.4	054459	Verzahnungsscheibe			0.90
2.4-2.8	054461-ET	Seitenkrallen hinten kpl. Nur bei Schiebegriff starr	1 St./Pkg.		16.30
2.6	000 102 304.01-ET	Linsenschraube M 6 x 35 mit Torx-Antrieb	25 St/Pkg.		6.40
2.7	000 130 107-ET	Scheibe A 6,4 DIN125	25 St/Pkg.		5.90
2.8	000 128 007-ET	6kt-Mutter M 6 DIN 985	25 St/Pkg.		4.40
2.9	000282116-ET	Snip Snap rivet 5.5 x 8.5	pack of 20		
2.10	000282115-ET	Snip Snap rivet 5.5 x 12.8	pack of 20		
3.1	054428-001	Armauflagen kurz, fest, für Desk-Seitenteile (Polsterlänge ca. 250 mm)	Paar		65.90
3.1	054428-007	Armauflage kurz, fest, für Desk-Seitenteil (Polsterlänge ca. 250 mm)	re. & li. passend		32.90

**Easy 200 - Desk sideguards with fixed armrest, short & long, for push handles -standard and height adjustable (from week 51/05) [Stand: 04/2009]**

Pos.	Item number	Description	Remark/Qty	Options	EUR
3.1	054428-002	Armauflagen lang, fest, für Desk-Seitenteile (Polsterlänge ca. 300 mm)	Paar		65.90
3.1	054449-003	Armauflage lang, fest, für Desk-Seitenteil (Polsterlänge ca. 300 mm)	rechts		37.00
3.1	054449-005	Armauflage lang, fest, für Desk-Seitenteil (Polsterlänge ca. 300 mm)	links		37.00
3.2	000 154 011	Paßkerbstift 5 x 45 DIN 1472			4.00
3.5	054451-002	Kälteschutz für Seitenteil	rechts		8.50
3.5	054451-001	Kälteschutz für Seitenteil	links		8.50
4.1- 4.3	760 842 053	Seitenteilaufnahme vorn, unten, für Desk-Seitenteil kpl.	rechts		3.90
4.1- 4.3	760 742 053	Seitenteilaufnahme vorn, unten, für Desk-Seitenteil kpl.	links		3.90
4.2	000 102 304.01- ET	Linsenschraube M 6 x 35 Torx-Antrieb/Tuflock	25 St/Pkg.		6.40
4.3	000 128 007-ET	6kt-Mutte r M 6 DIN 985	25 St/Pkg.		4.40
5.1	054493-010	Tetragriff für Desk-Seitenteil			5.40
-	054430	Kappe für Seitenteil oben Armpolster			7.70
6.1, 2.9, 2.10	054432-ET	Front cover with rivet			20.40
7.1, 2.9, 1.3, 1.2	054431-ET	Rear cover with rivet and hinge			20.40

**Easy 200 - Seat/ crossbrace**

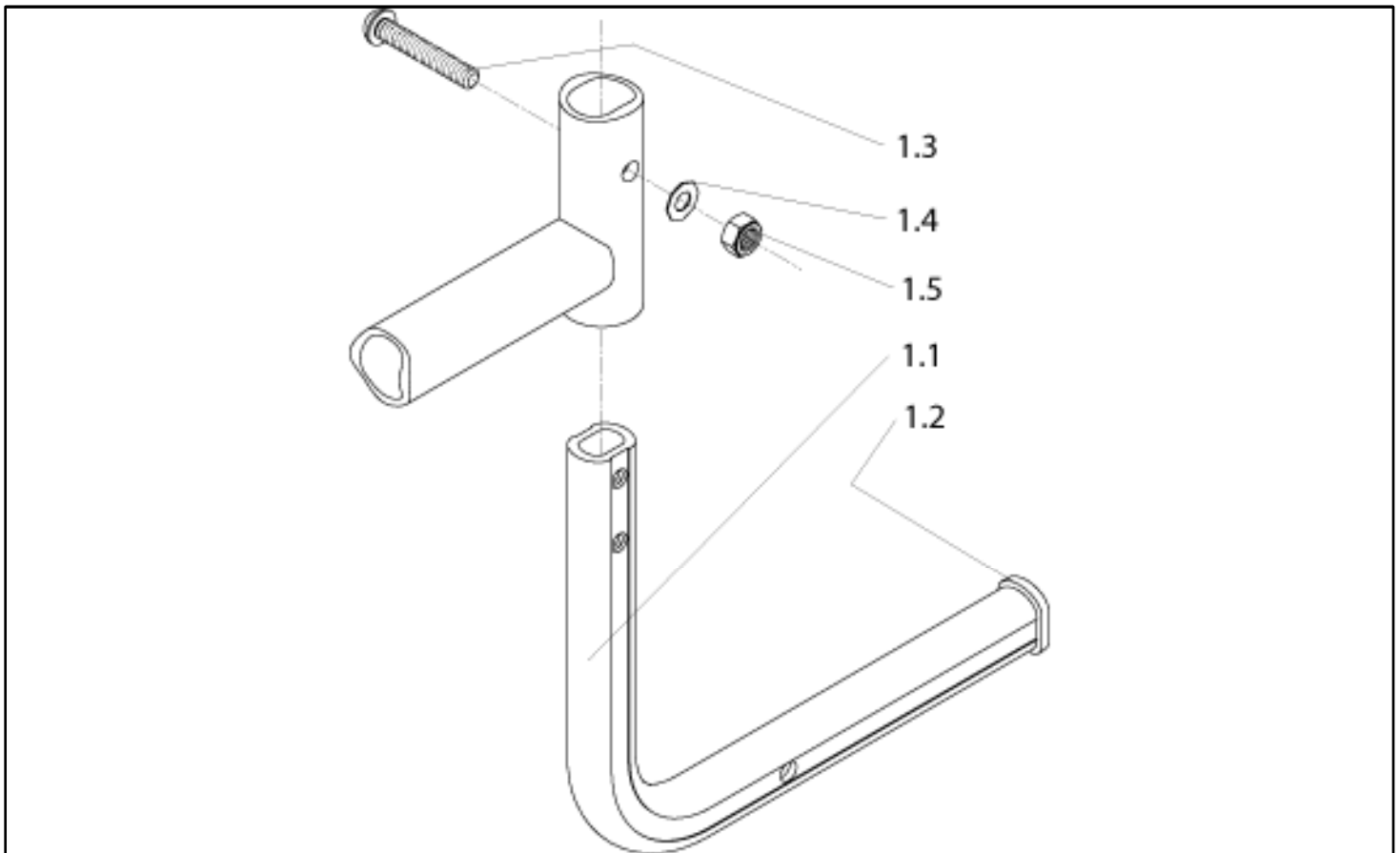
Seat- and Backslings are customized manufactured and excluded from replacements!



Pos.	Item number	Description	Remark/Qty	Options	EUR
1.1, 2.1- 2.4	760 832 002	Seat sling with utensil bag complete		SB:....? ST:....? FB:....?	132.70
2.1- 2.4	720 939 905	Fitting accessories for seat sling			9.20
3.1- 5.3	760 831 100	Cross brace Easy 200/300 complete		SB:....? ST:....?	241.00
2.1	720 831 606-ET	End stoppers for shaped tube	pack of 10		22.10
2.2	000 114 000-ET	Countersunk screw SD 3.9 x 9.5 DIN 7982	pack of 25		7.50
4.1- 4.3	720 939 901	Fitting accessories for cross-brace - middle			24.40
4.2	000 831 232-ET	Half shell for cross-brace	pack of 10		6.00
4.3	000 185 002-ET	SL safety nut	pack of 25		4.20
5.1- 5.3	760 831 101	Fitting accessories for cross-brace bracket			8.50
5.2	000 130 106-ET	A 6.4 washer DIN 125	pack of 10		2.60
5.3	000 185 002-ET	SL safety nut, black	pack of 25		4.20

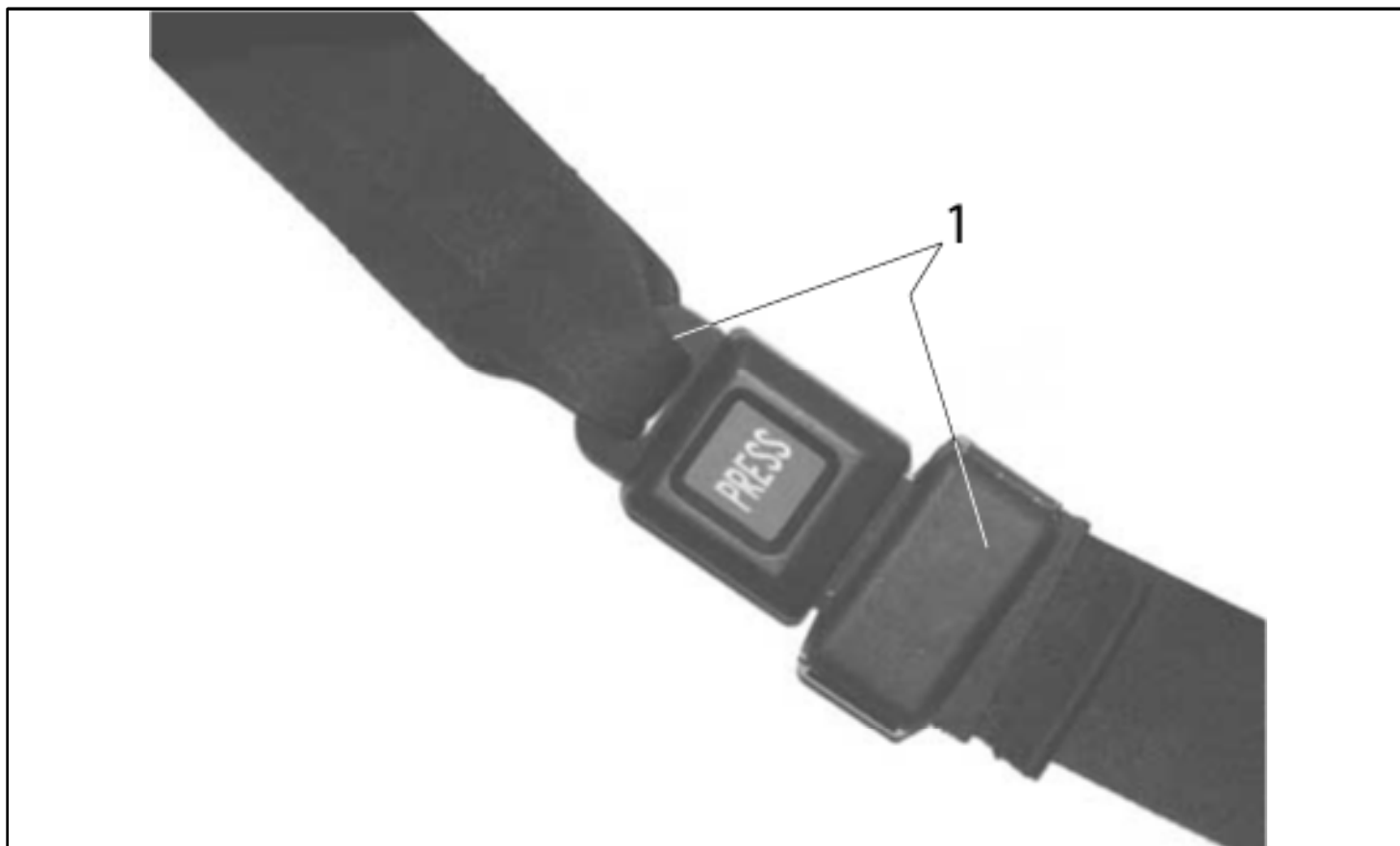


## Easy 200 - Tipping tube



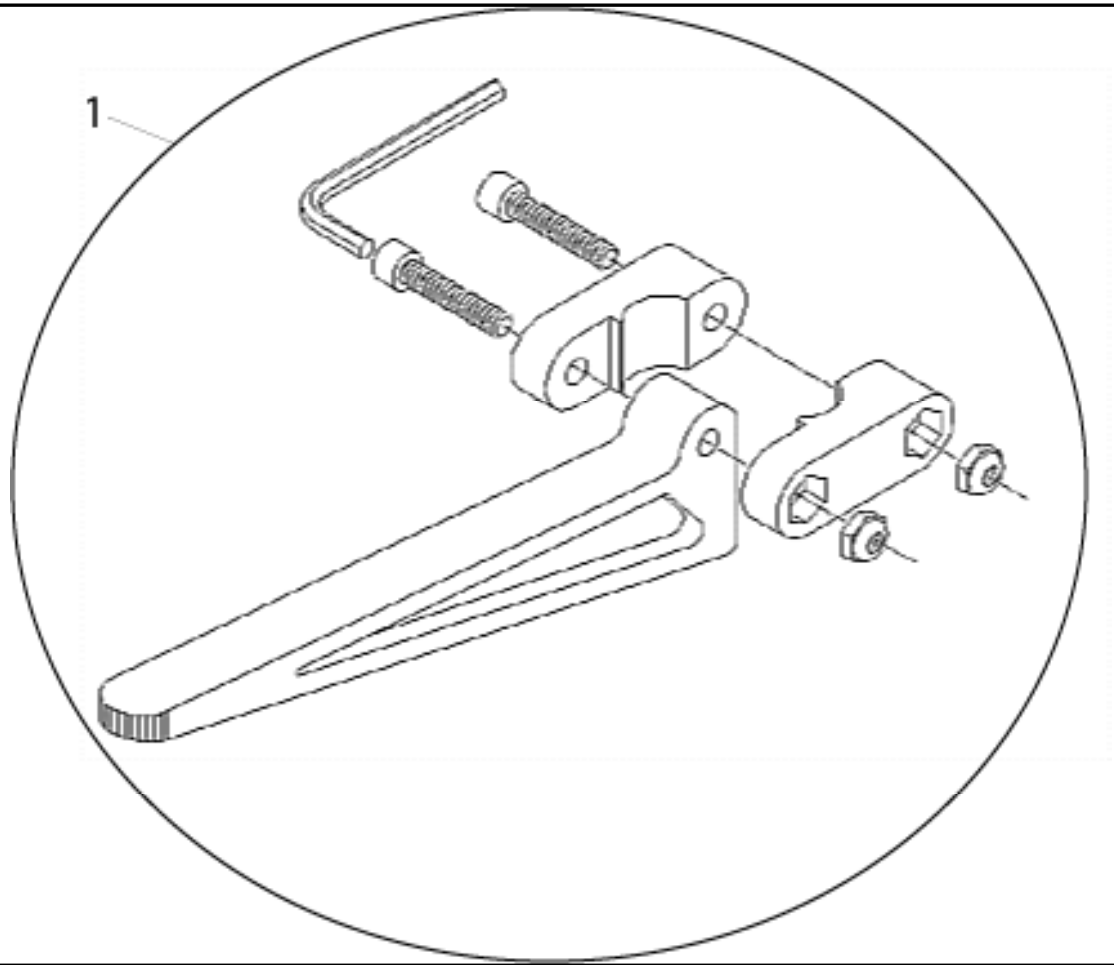
Pos.	Item number	Description	Remark/Qty	Options	EUR
1.1- 1.5	740 815 110	Tipping tube to be inserted into the frame, complete (threaded holes)			32.90
1.1- 1.5	740 815 115	Tipping tube for transit wheels, complete (threaded holes)			32.90
1.2	000 282 041-ET	Cap 18 x 28, black PVC	pack of 10. Not as in illustration!		7.00
1.3	000 102 312.01-ET	Oval-head screw M 6 x 32 with Torx drive	pack of 25		6.40
1.4	000 130 107-ET	A 6.4 washer DIN 125	pack of 25		5.90
1.5	000 128 007-ET	Hex nut M 6 DIN 985	pack of 25		4.40

Easy 200 - Lap belt with fastener



Pos.	Item number	Description	Remark/Qty	EUR
1	000 849 022	Belt cpl.		61.60
1	000 849 023	Beckengurt lang ab SB 42 cm		61.60

## Easy 200 - Caddy

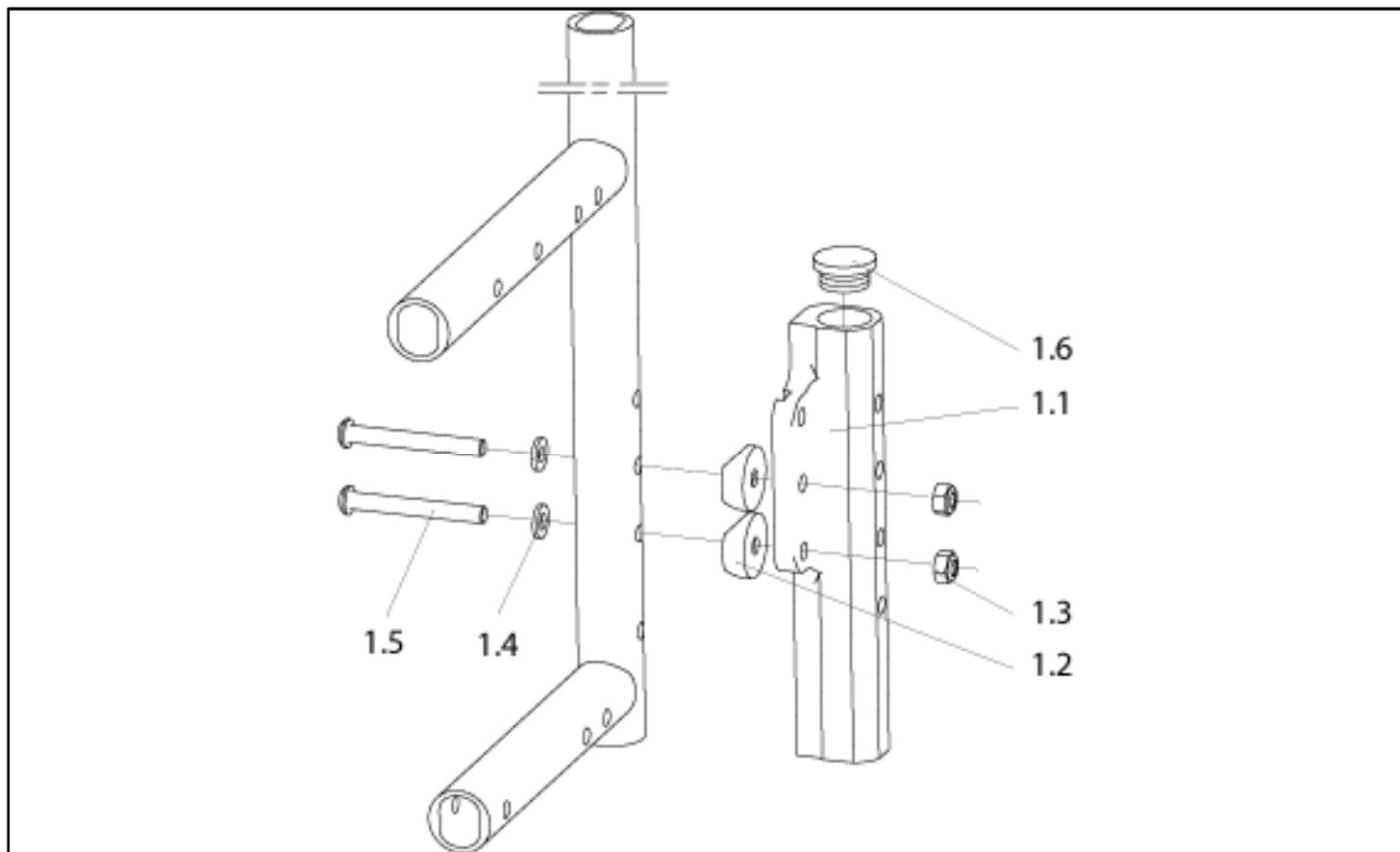


Pos.	Item number	Description	Remark/Qty	Options	EUR
1	L902350	Caddy, bag carrier, complete. Pair (all parts as illustrated)			88.20

**Easy 200 - Fixed backrest/ Fixed seat**

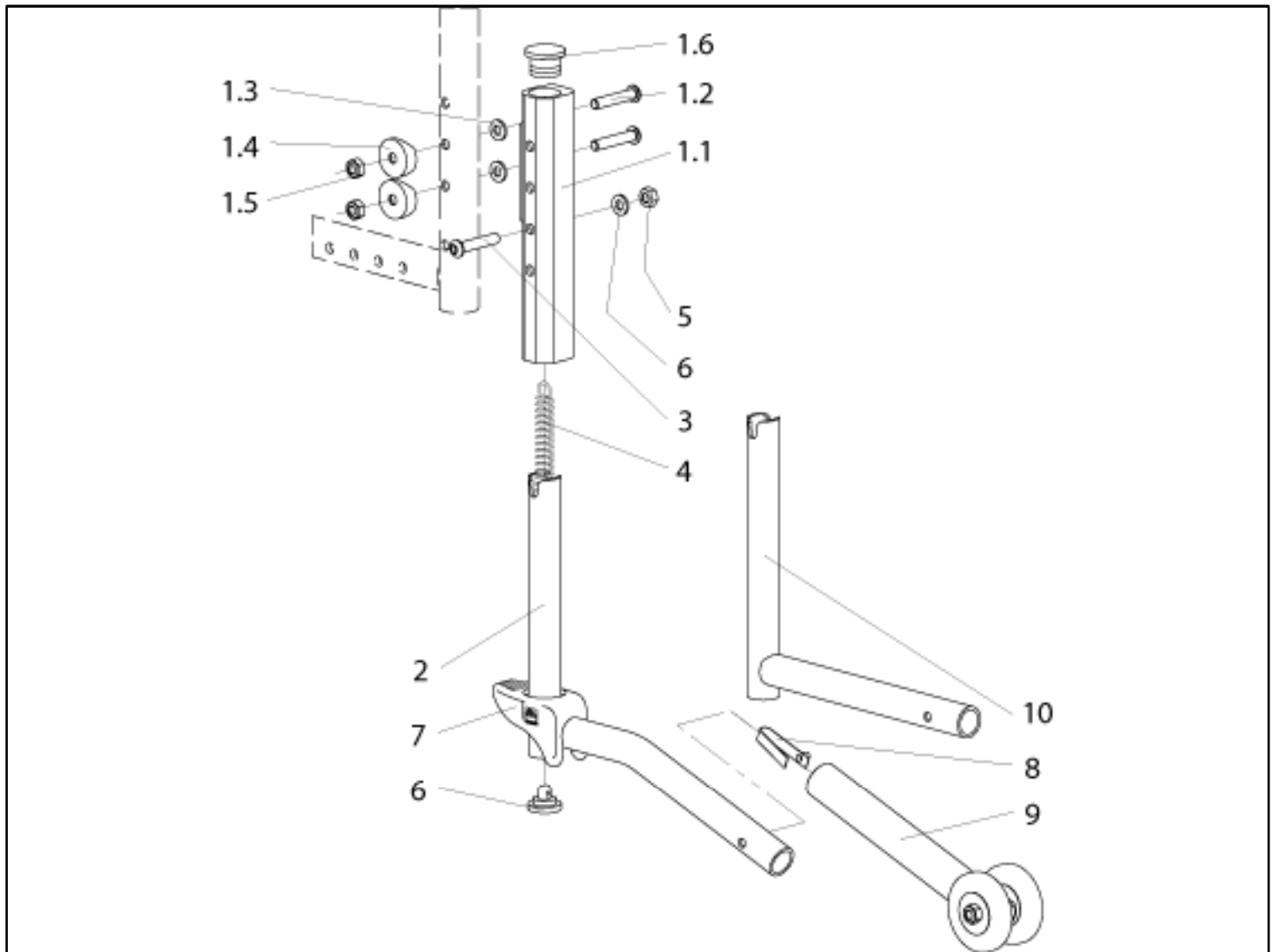
Pos.	Item number	Description	Remark/Qty	Options	EUR
	000 844 010	Fixed backrest		SB:...? RH:...? FB:...?	163.10
	000 834 002	Fixed seat		SB:...? ST:...? FB:...?	165.90
	000 833 003	Fixed seat and fixed backrest, combined		SB:...? ST:...? RH:...? FB:...?	328.90
o.B.	000 844 011	Cover for fixed backrest			102.30
o.B.	000 834 003	Cover for fixed seat			102.30
	000 849 022	Lap belt			61.60
	000 849 023	Lap belt			61.60

## Easy 200 - Adapter for anti-tip and transit wheels



Pos.	Item number	Description	Remark/Qty	Options	EUR
1.1-1.6	760 859 020	Adapter for anti-tip wheel and transit wheels, complete	right		25.40
1.1-1.6	760 759 020	Adapter for anti-tip wheel and transit wheels, complete	left		25.40
1.2	000 831 232-ET	Half shell	pack of 10		6.00
1.3	000 128 007-ET	Hex nut M 6 DIN 985	pack of 25		4.40
1.4	000 130 107-ET	A 6.4 washer DIN 125	pack of 25		5.90
1.5	000 102 056.01-ET	Oval-head screws M 6 x 46 with Torx drive	pack of 25		6.40
1.6	000 282 061-ET	Laminated cap 22, black	pack of 10		3.90

**Easy 200 - Anti-tip tube**

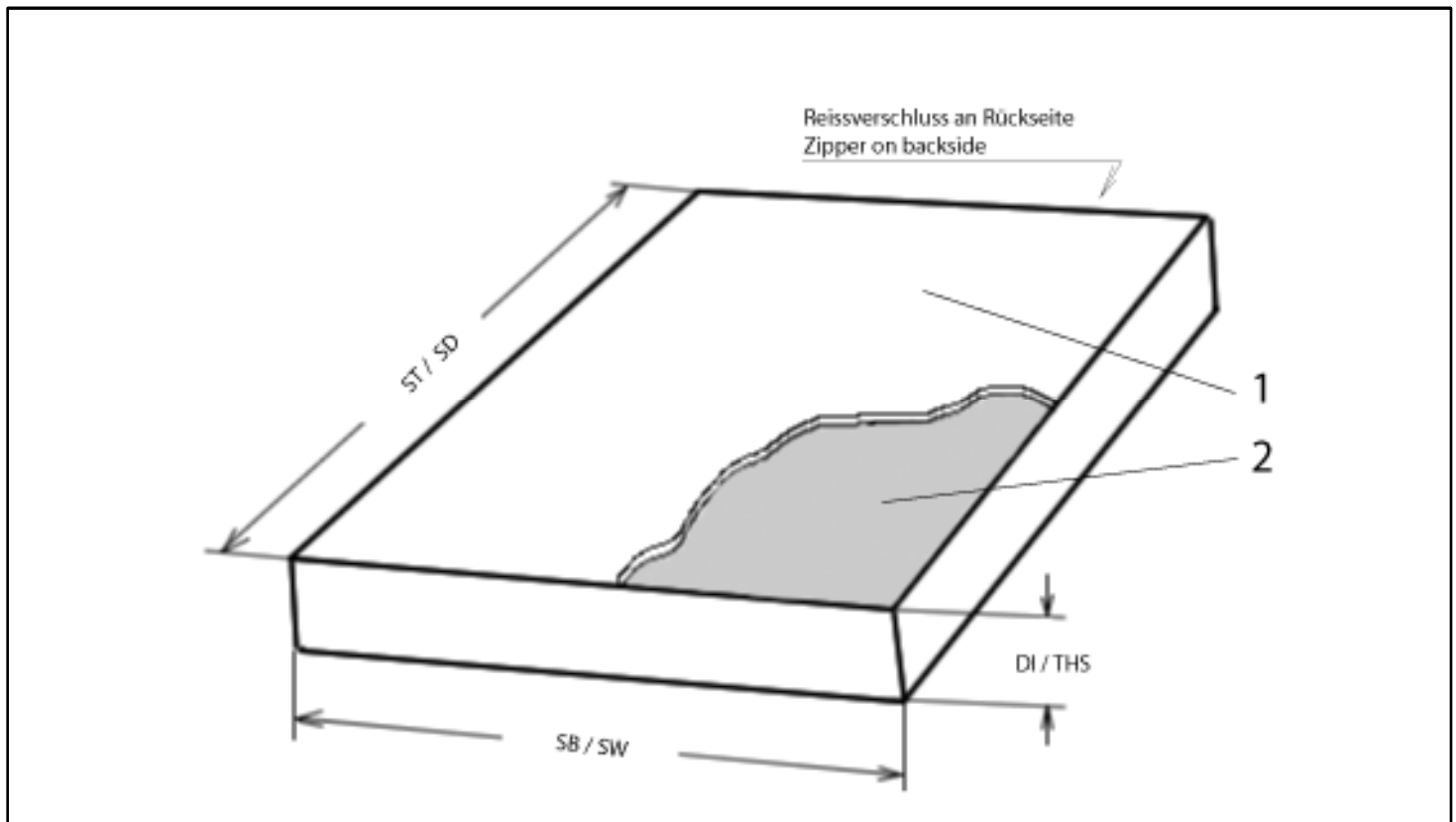


Pos.	Item number	Description	Remark/Qty	Options	EUR
2-9	000 859 202	Anti-tip tube, swingaway, complete (without frame adapter) for 24" and 26"			90.40
3-10	000 859 212	Anti-tip tube, swingaway, complete (without frame adapter) for 20" and 22" rear wheels			90.40
2-7	000 859 201	Anti-tip tube adapter 24" / 26" complete			56.60
3-7, 10	000 859 203	Anti-tip tube adapter 20" / 22" complete			56.60
1.1-1.6		See frame adapter for anti-tip tube and transit wheels			
2	000 859 205	Anti-tip tube adapter 24" / 26"			31.80
10	000 859 207	Anti-tip tube adapter 20" / 22"			31.80
4	000 242 024	Tension spring for anti-tip tube			2.10
6	000 859 204	Bracket for tension spring			1.30
8	000 242 002-ET	Support spring with bolts of 5 mm diameter	pack of 5		4.70

Pos.	Item number	Description	Remark/Qty	Options	EUR
3	000 102 312.01-ET	Oval-head screw M 6 x 32 with Torx drive	pack of 25		6.40
5	000 128 007-ET	Hex nut M 6 DIN 985	pack of 25		4.40
8-9	000 859 208	Holder for anti-tip tube, complete			30.80
7	000 859 001	Pedal for anti-tip tube			5.10
	760 859 010-ET	Wheels for anti-tip tubes	pack of 6		4.70
	000 100 031-ET	Hex screw M 6 x 50 DIN 931	pack of 10		3.60
	000 128 007-ET	Hex nut M 6 DIN 985	pack of 25		4.40

**Easy 200 - Seat cushion/ back cushion**

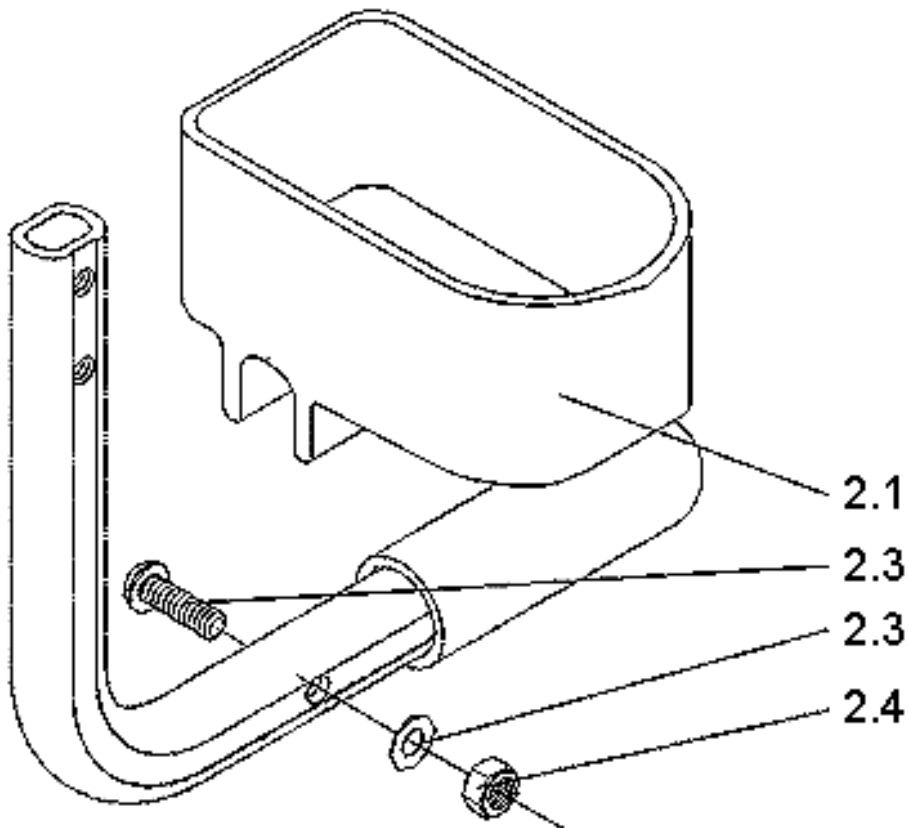
Seat- and Backslings are customized manufactured and excluded from replacements!



Pos.	Item number	Description	Remark/Qty	Options	EUR
1-2	000 835 002	Seat cushion and cover, black complete, cushion filling: Composite foam = 92		SB:....? ST:....? DI:....?	81.80
1-2	000 835 003	Seat cushion and cover, black complete, cushion filling: Latex = 55		SB:....? ST:....? DI:....?	81.80
1-2	000 898 063	KLIMA-TEX seat cushion and cover, black complete, cushion filling: Latex = 55		SB:....? ST:....? DI:....?	157.00
1.1- 1.2	000 898 060	Sitzkissen KLIMA-TEX mit Bezug schwarz kpl. Kissenfüllung: Verbundschaum = 92	Only 3 or 5 cm thick		157.00
2	000 835 810	Seat cushion, filling composite foam		SB:....? ST:....? DI:....?	47.50
2	000 835 820	Seat cushion, filling Latex		SB:....? ST:....? DI:....?	47.50
1	000 836 002	Seat cushion cover, black		SB:....? ST:....? DI:....?	36.70
o.B.	000 845 010	Back cushion 3 cm. Black cover		SB:....? RH:....?	81.80

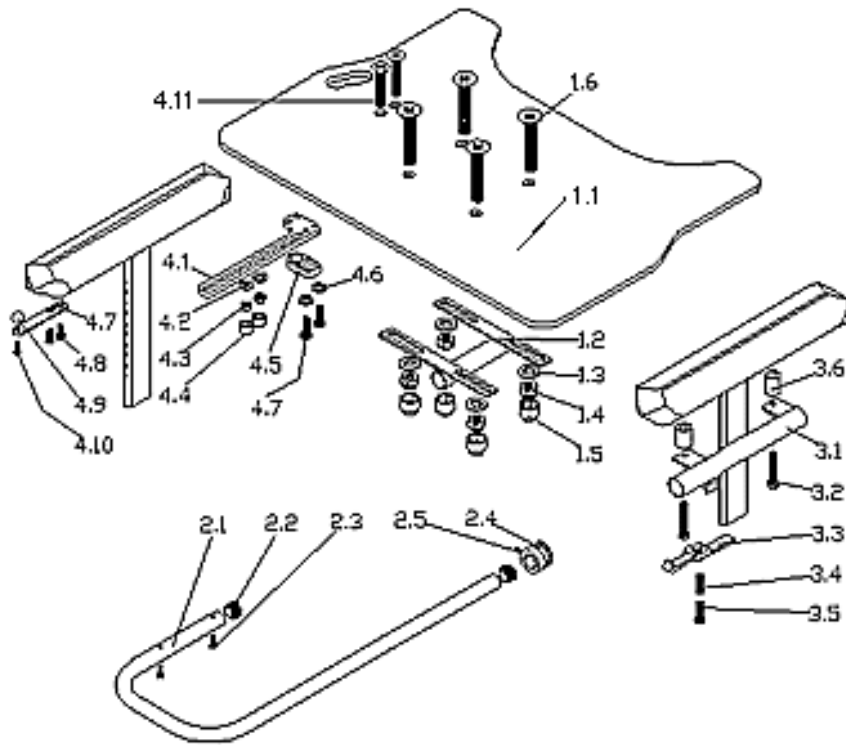


## Easy 200 - Crutch holder with Velcro loops



Pos.	Item number	Description	Remark/Qty	Options	EUR
2.1- 2.3	740 815 120	Crutch holder with Velcro loops complete			28.20
2.2	000 102 312.01- ET	Oval-head screw M 6 x 32 with Torx drive	pack of 25		6.40
2.3	000 128 007-ET	Hex nut M 6 DIN 985	pack of 25		4.40
	000 815 123-ET	Velcro loops	pack of 5		6.20

Easy 200 - Therapy table swingaway



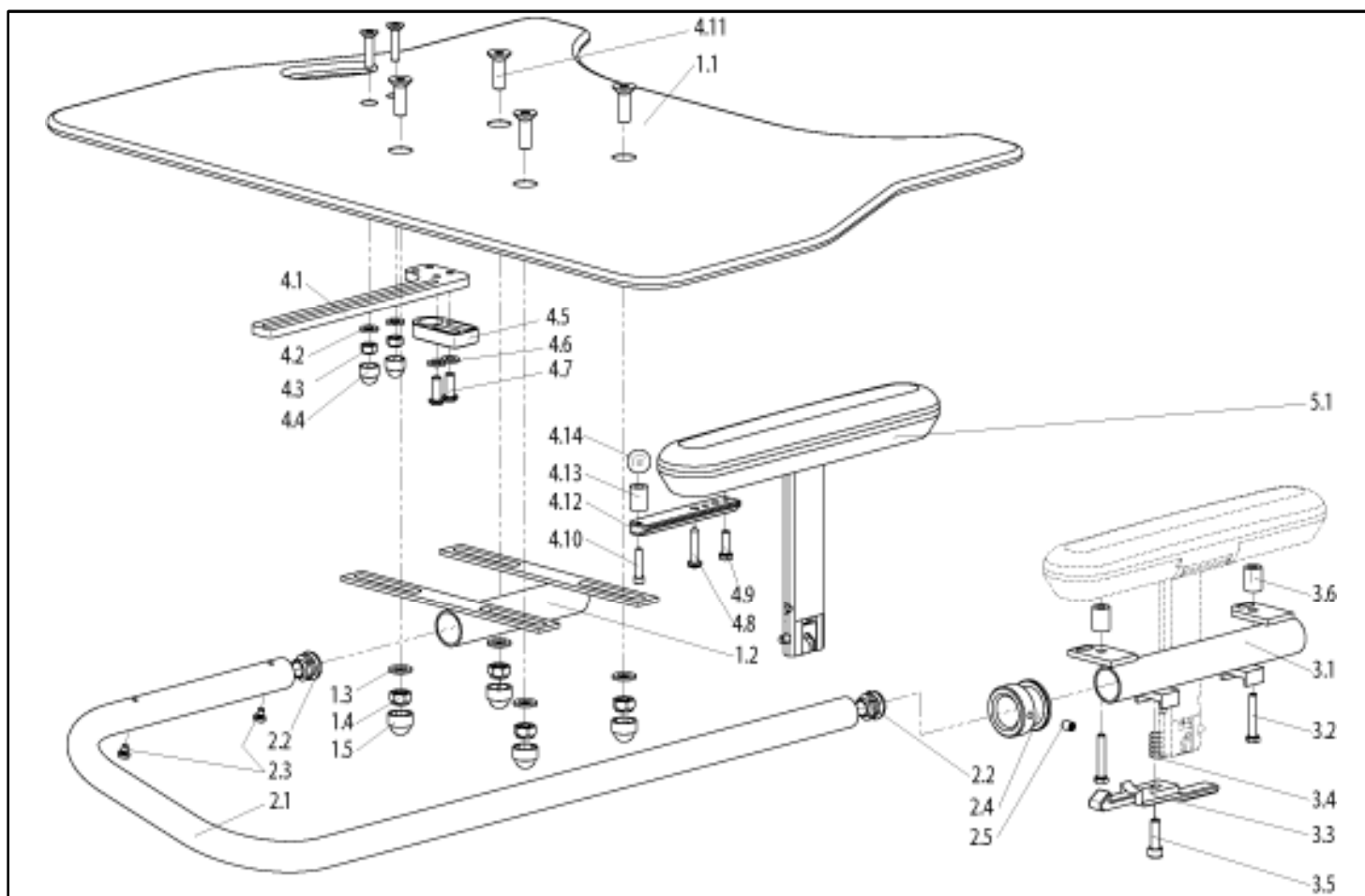
Pos.	Item number	Description	Remark/Qty	Options	EUR
1.1-4.12	760 848 010	Therapy table, swingaway complete. For Desk-III - sideguard, without armrests, swingaway to the right	right	SB:....?	308.70
1.1-4.12	760 748 010	Therapy table, swingaway complete. For Desk-III - sideguard, without armrests, swingaway to the left	left	SB:....?	308.70
1.2 - 4.12	760 848 025	Therapy table, swingaway for Desk-III sideguard, without armrests, without table top, swingaway to the right	right	SB:....?	168.80
1.2 - 4.12	760 748 025	Therapy table, swingaway for Desk-III sideguard, without armrests, without table top, swingaway to the left	left	SB:....?	168.80
1.1-2.5, 4.1-4.7, 4.12, 6.1-7.6	840 848 010	Therapy table, swingaway complete. For standard sideguard, with armrests, swingaway to the right	right	SB:....?	279.20
1.1-2.5, 4.1-4.7, 4.12, 6.1-7.6	840 748 010	Therapy table, swingaway complete. For aluminium sideguard, with armrests, swingaway to the left	left	SB:....?	279.20

Pos.	Item number	Description	Remark/Qty	Options	EUR
1.2- 2.5, 4.1- 4.7, 4.12, 6.1- 7.6	840 848 025	Therapy table, swingaway for standard sideguard, with armrest, without table top, swingaway to the right	right	SB:....?	187.60
1.2- 2.5, 4.1- 4.7, 4.12, 6.1- 7.6	840 748 025	Therapy table, swingaway for standard sideguard, with armrest, without table top, swingaway to the left	left	SB:....?	187.60
1.1- 2.5	760 848 006	Table top for standard therapy table, swingaway, complete. With swingaway mechanism (without plug-in bracket)			141.40
1.3	000 130 108-ET	A 8.4 washer DIN 125	Pack of 25		7.00
1.4	000 128 018-ET	Hex nut M 8 DIN 985	Pack of 25		10.30
1.5	000 282 062-ET	Hex protective cap for M 8 plastic, black	Pack of 25		4.20
1.6	000 104 033-ET	Countersunk head screw M 8 x 25 DIN 7991	Pack of 10		3.60
2.1	760 847 104	Swing bar for SW: 34 to 40			27.70
2.1	410 847 012	Swing bar for SW: 42 to 50			27.70
2.2	000 282 038-ET	Laminated cap for swing bar			5.90
2.3	000 102 065-ET	Oval-head screw M 4 x 6 DIN 7985	Pack of 50		2.60
3.1- 3.6	760 748 005	Plug-in bracket for therapy table left, complete. Swingaway to the left	left		61.10
	760 848 005	Plug-in bracket for therapy table right, complete. Swingaway to the right	right		61.10
3.2	000 100 045-ET	Hex screw M 5 x 30 DIN 933	Pack of 10		3.10
3.3	750 842 099.01	Interlock lever, curved			2.30
3.4	000 242 030-ET	Compression spring	Pack of 10		13.10
3.5	000 102 199-ET	Cheese head screw M 6 x 20 DIN 84	Pack of 25		5.90
4.1- 4.12	760 848 007	Fitting on the free side for therapy table, complete			38.50
4.2	000 130 107-ET	A 6.4 washer DIN 125	Pack of 25		5.90
4.3	000 128 007-ET	Hex nut M 6 DIN 985	Pack of 25		4.40
4.4	000 282 063-ET	Hex protective cap for M 6 plastic, black	Pack of 10		1.10
4.7	000 102 309.01- ET	Oval-head screw M 6 x 16 with Torx drive	Pack of 25		5.90
4.8	000 100 028-ET	Hex screw M 5 x 16/8.8 DIN 558	Pack of 25		3.10
4.10	000102153-ET	Hex screw M 4 x 12 DIN 933	Pack of 50		4.00
4.11	000 104 053-ET	Countersunk head screw M 6 x 35 DIN 7991	Pack of 25		7.00
4.12	000 130 150-ET	Distanzhülse 5,2 x 12 x 15 PA5			10.30
6.1- 6.6	840 742 041	Armrest for mount side of therapy table for standard sideguard, complete. Swingaway to the left	left		42.30
	840 842 041	Armrest for mount side of therapy table for standard sideguard, complete. Swingaway to the right	right		42.30

**Easy 200 - Therapy table swingaway** [Stand: 02/2006]

Pos.	Item number	Description	Remark/Qty	Options	EUR
6.1	850 842 003	Armrest bracket	right		21.90
6.1	850 742 003	Armrest bracket	left		21.90
6.2	750 842 099.01	Interlock lever, curved			2.30
6.3	000 242 030	Compression spring			
6.4	000 102 307.01-ET	Oval-head screw M 6 x 20 with Torx drive	Pack of 25		3.10
6.5	000 102 107-ET	Cheese head screw M 5 x 16 DIN 7984	Pack of 25		4.00
6.6	840 842 056	Arm padding			18.80
7.1-7.6, 6.6	840 842 040	Armrest for free side with therapy table for standard sideguard, complete. Can be used right/left			42.30
7.3	000 104 093-ET	Countersunk head screw M 5 x 10 DIN 965	Pack of 25		4.20
7.4	000 281 018	Dome head			1.30
7.5	000 130 150-ET	Sleeve			10.30
7.6	000102153-ET	Zylinderschraube M 4 x 30 DIN 912			4.00

**Easy 200 - Therapy table swingaway from 06/2006**

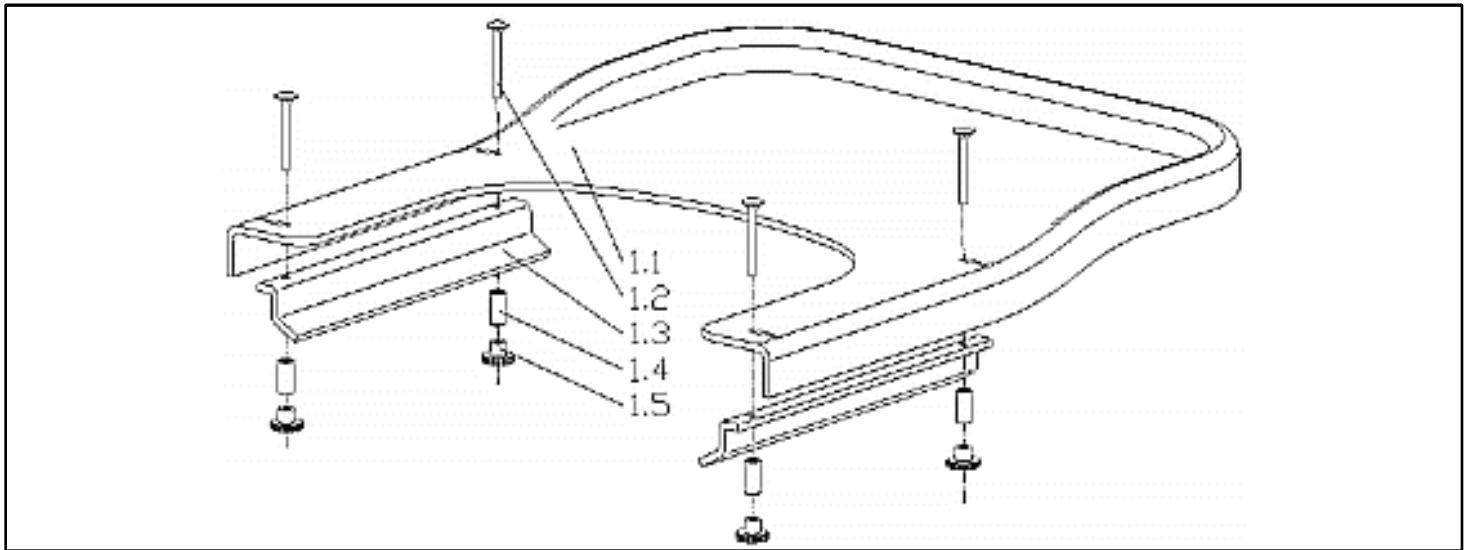


Pos.	Item number	Description	Remark/Qty	Options	EUR
1.1-4.14	054427-001	Therapy table, swingaway complete. For Desk-III - sideguard, without armrests, swingaway to the right	right	SB:....?	277.80
1.1-4.14	054427-002	Therapy table, swingaway complete. For Desk-III - sideguard, without armrests, swingaway to the left	left	SB:....?	277.80
1.2-4.14	054427-003	Therapy table, swingaway for Desk-III sideguard, without armrests, without table top, swingaway to the right	right	SB:....?	137.90
1.2-4.14	054427-004	Therapy table, swingaway for Desk-III sideguard, without armrests, without table top, swingaway to the left	left	SB:....?	137.90
1.1-2.5	760 848 006	Table top for standard therapy table, swingaway, complete. With swingaway mechanism (without plug-in bracket)		SB:....?	141.40
1.3	000 130 108-ET	A 8.4 washer DIN 125	Pack of 25		7.00
1.4	000 128 018-ET	Hex nut M 8 DIN 985	Pack of 25		10.30
1.5	000 282 062-ET	Hex protective cap for M 8 plastic, black	Pack of 25		4.20
1.6	000 104 033-ET	Countersunk head screw M 8 x 25 DIN 7991	Pack of 10		3.60
2.1	760 847 104	Swing bar for SW: 34 to 40			27.70
2.1	410 847 012	Swing bar for SW: 42 to 50			27.70
2.2	000 282 038-ET	Laminated cap for swing bar			5.90

**Easy 200 - Therapy table swingaway from 06/2006 [Stand: 05/2007]**

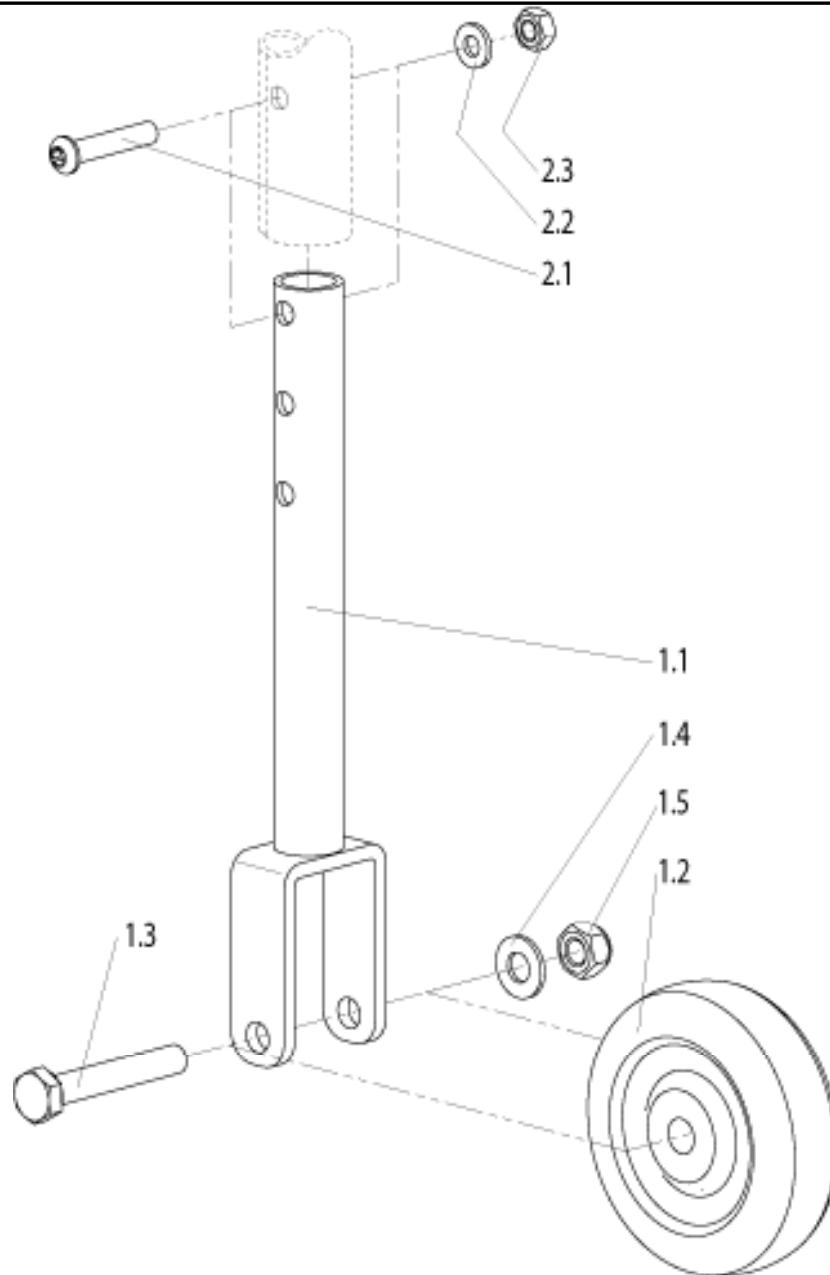
Pos.	Item number	Description	Remark/Qty	Options	EUR
2.3	000 102 065-ET	Oval-head screw M 4 x 6 DIN 7985	Pack of 50		2.60
3.1- 3.6	760 748 005	Plug-in bracket for therapy table left, complete. Swingaway to the left	left		61.10
3.1- 3.6	760 848 005	Plug-in bracket for therapy table right, complete. Swingaway to the right	right		61.10
3.2	000 100 045-ET	Hex screw M 5 x 30 DIN 933	Pack of 10		3.10
3.3	750 842 099.01	Interlock lever, curved			2.30
3.4	000 242 030-ET	Compression spring	Pack of 10		13.10
3.5	000 102 199-ET	Cheese head screw M 6 x 20 DIN 84	Pack of 25		5.90
4.1- 4.14	760 848 007	Fitting on the free side for therapy table, complete			38.50
4.2/4.6	000 130 107-ET	A 6.4 washer DIN 125	Pack of 25		5.90
4.3	000 128 007-ET	Hex nut M 6 DIN 985	Pack of 25		4.40
4.4	000 282 063-ET	Hex protective cap for M 6 plastic, black	Pack of 10		1.10
4.7	000 102 309.01- ET	Oval-head screw M 6 x 16 with Torx drive	Pack of 25		5.90
4.8	000 100 028-ET	Hex screw M 5 x 16/8.8 DIN 558	Pack of 25		3.10
4.9	000 100 027-ET	6kt-Schraube M 5 x 16 DIN 558	25 St./Pkg.		3.10
4.10	000102153-ET	Hex screw M 4 x 12 DIN 933	Pack of 50		4.00
4.11	000 104 053-ET	Countersunk head screw M 6 x 35 DIN 7991	Pack of 25		7.00
4.13	000 281 016	Abstandsrolle schwarz - 12 / 16,2 / 16			2.50
4.14	000 281 018	Kugelkopf DIN 319 - KU-16-M4-E			1.30
4.8- 5.1	054449-005	Armpolster lang, höhenverstellbar, für Therapietisch abschwenkbar	rechts		37.00
4.8- 5.1	054449-006	Armpolster lang, höhenverstellbar, für Therapietisch abschwenkbar	links		37.00
4.8- 5.1	054428-010	Armpolster lang, fest, für Therapietisch abschwenkbar	rechts		32.90
4.8- 5.1	054428-011	Armpolster lang, fest, für Therapietisch abschwenkbar	links		32.90

## Easy 200 - Therapy table 12/98



Pos.	Item number	Description	Remark/Qty	Options	EUR
1.1- 1.6	760 848 050.01	Therapy table for SW: 38 -40 complete			213.00
1.1- 1.6	760 848 050.02	Therapy table for SW: 42 -44 complete			213.00
1.1- 1.6	760 848 050.03	Therapy table for SW: 46 - 48 complete			213.00
1.2- 1.6	760 848 060	Conversion kit for therapy table			42.20
1.2,1.4- 1.6	760 848 052	Schraubensatz kpl. für Therapietisch			16.20

Easy 200 - Transit wheels



Pos.	Item number	Description	Remark/Qty	Options	EUR
1.1- 2.3	760 858 020	Transit wheels complete (1 item)	can be used right and left		94.90
1.3	000 100 016-ET	Hex screw M 8 x 50 DIN 931	Pack of 10		11.50
1.5	000 128 018-ET	Hex nut M 8 DIN 985	Pack of 25		10.30
1.4	000 130 108-ET	A 8.4 washer DIN 125	pack of 25		7.00
2.1	000 102 312.01- ET	Oval-head screws M 6 x 32 with Torx drive	pack of 25		6.40
2.2	000 130 107-ET	Washer A 6,4 DIN 125	25 St./Pkg.		5.90
2.3	000 128 007-ET	Hex nut M 6 DIN 985	pack of 25		4.40



## Tools



Pos.	Item number	Description	Remark/Qty	Options	EUR
1	000 604 270	Tools	Suitable for all types of chair		8.50

Mobile phone case



Pos.	Item number	Description	Remark/Qty	Options	EUR
1	000 670 005	Mobile phone case "SUNRISE"			19.00

Easy - Torques

