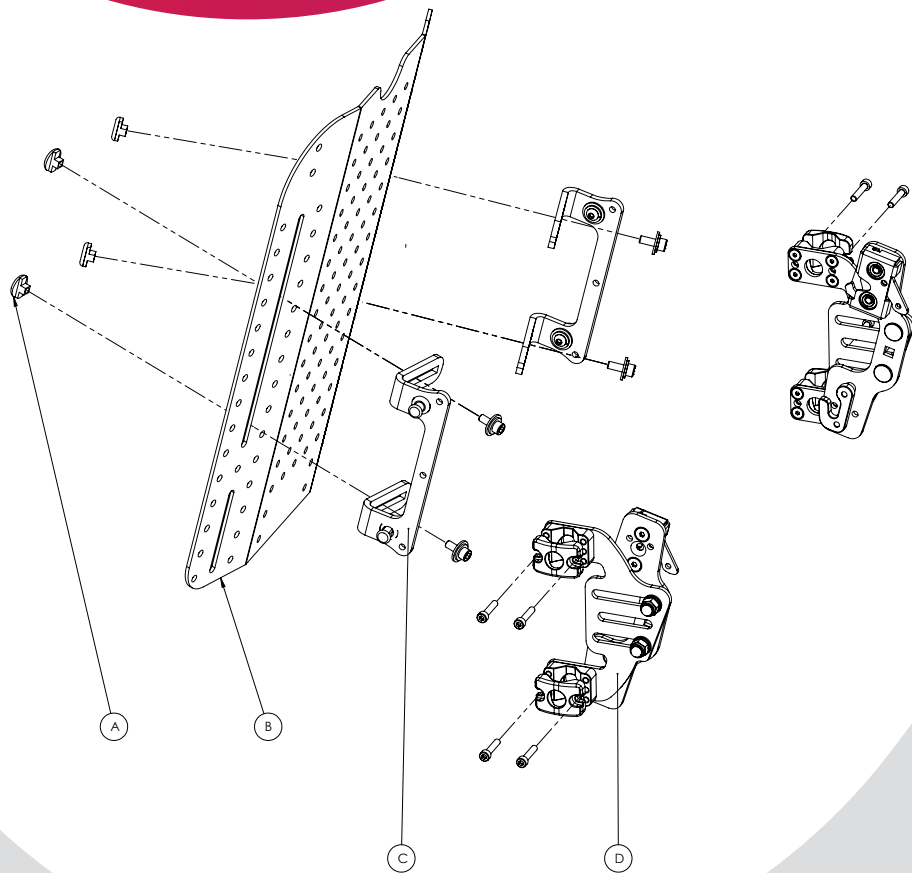


Spare Parts Guide



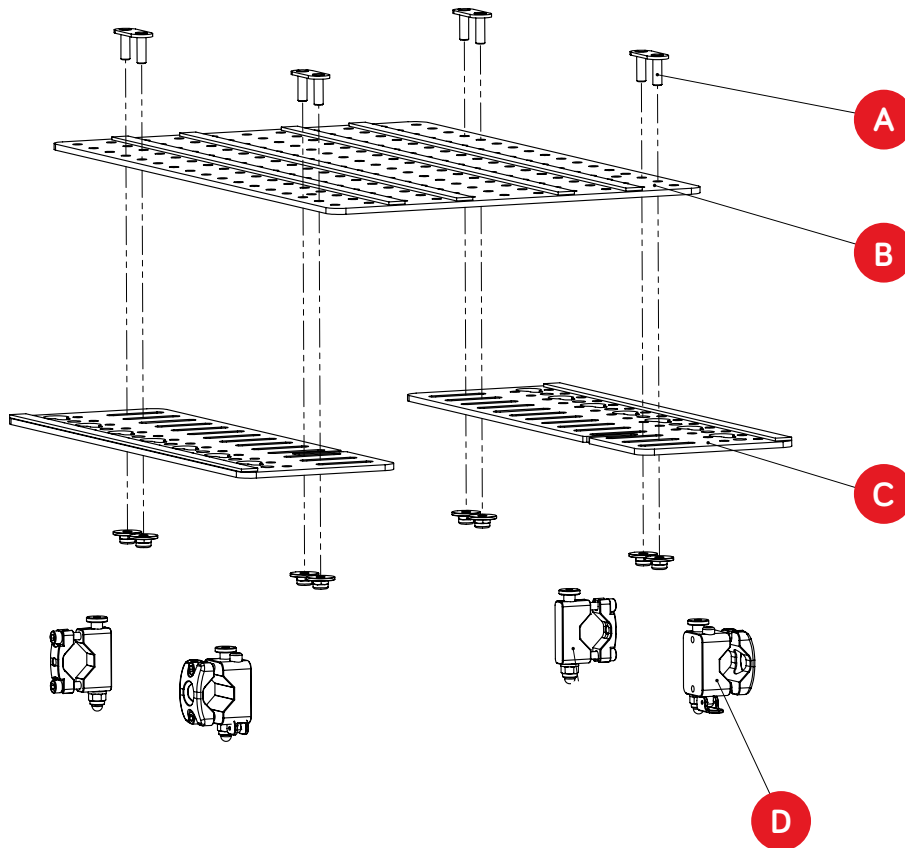
**CLINICAL
WHEELCHAIR
SEATING**

spex[®]
Designed and
manufactured by **medifab**[®]

SPEXSEATING.COM

Grid-Base Seat Plan

QTY	#	ITEM CODE	DESCRIPTION	PER	QTY	#	ITEM CODE	DESCRIPTION	PER
	A	1009-0251-100	Fixing plate	SET 4		C		Seat pan side wings	SET 2
	B		Seat pan main plate	EA				DEPTH	
			W/C WIDTH	W/C WIDTH			1009-0010-100	10"	
		1009-1012-100	10"/11"	12"			1009-0012-100	12"	
		1009-1212-100	12"/13"	12"			1009-0014-100	14"	
		1009-1214-100	12"/13"	14"			1009-0016-100	16"	
		1009-1414-100	14"/15"	14"			1009-0018-100	18"	
		1009-1416-100	14"/15"	16"			1009-0020-100	20"	
		1009-1616-100	16"/17"	16"		D	1009-0210-100	Seat pan rail clamps	SET 4
		1009-1618-100	16"/17"	18"					
		1009-1818-100	18"/19"	18"					
		1009-1820-100	18"/19"	20"					
		1009-2020-100	20"/21"	20"					



Spex® Cushion Covers



SPEX® STANDARD CONTOUR (30mm Trough Height)					SPEX® HIGH CONTOUR (50 mm Trough Height)				
WIDTH	LENGTH	QTY	SPARE COVER	QTY	INCONT COVER	QTY	SPARE COVER	QTY	INCONT COVER
10"	10"		1125-1010-6SC		1135-1010-7SC		1125-1010-6HC		1135-1010-7HC
	12"		1125-1012-6SC		1135-1012-7SC		1125-1012-6HC		1135-1012-7HC
	XX		1125-10XX-6SC		1135-10XX-7SC		1125-10XX-6HC		1135-10XX-7HC
11"	10"		1125-1110-6SC		1135-1110-7SC		1125-1110-6HC		1135-1110-7HC
	12"		1125-1112-6SC		1135-1112-7SC		1125-1112-6HC		1135-1112-7HC
	XX		1125-11XX-6SC		1135-11XX-7SC		1125-11XX-6HC		1135-11XX-7HC
12"	12"		1125-1212-6SC		1135-1212-7SC		1125-1212-6HC		1135-1212-7HC
	14"		1125-1214-6SC		1135-1214-7SC		1125-1214-6HC		1135-1214-7HC
	XX		1125-12XX-6SC		1135-12XX-7SC		1125-12XX-6HC		1135-12XX-7HC
13"	12"		1125-1312-6SC		1135-1312-7SC		1125-1312-6HC		1135-1312-7HC
	14"		1125-1314-6SC		1135-1314-7SC		1125-1314-6HC		1135-1314-7HC
	XX		1125-13XX-6SC		1135-13XX-7SC		1125-13XX-6HC		1135-13XX-7HC
14"	14"		1125-1414-6SC		1135-1414-7SC		1125-1414-6HC		1135-1414-7HC
	16"		1125-1416-6SC		1135-1416-7SC		1125-1416-6HC		1135-1416-7HC
	XX		1125-14XX-6SC		1135-14XX-7SC		1125-14XX-6HC		1135-14XX-7HC
15"	14"		1125-1514-6SC		1135-1514-7SC		1125-1514-6HC		1135-1514-7HC
	16"		1125-1516-6SC		1135-1516-7SC		1125-1516-6HC		1135-1516-7HC
	XX		1125-15XX-6SC		1135-15XX-7SC		1125-15XX-6HC		1135-15XX-7HC
16"	16"		1125-1616-6SC		1135-1616-7SC		1125-1616-6HC		1135-1616-7HC
	18"		1125-1618-6SC		1135-1618-7SC		1125-1618-6HC		1135-1618-7HC
	XX		1125-16XX-6SC		1135-16XX-7SC		1125-16XX-6HC		1135-16XX-7HC
17"	17"		1125-1717-6SC		1135-1717-7SC		1125-1717-6HC		1135-1717-7HC
	18"		1125-1718-6SC		1135-1718-7SC		1125-1718-6HC		1135-1718-7HC
	XX		1125-17XX-6SC		1135-17XX-7SC		1125-17XX-6HC		1135-17XX-7HC
18"	18"		1125-1818-6SC		1135-1818-7SC		1125-1818-6HC		1135-1818-7HC
	20"		1125-1820-6SC		1135-1820-7SC		1125-1820-6HC		1135-1820-7HC
	XX		1125-18XX-6SC		1135-18XX-7SC		1125-18XX-6HC		1135-18XX-7HC
19"	18"		1125-1918-6SC		1135-1918-7SC		1125-1918-6HC		1135-1918-7HC
	20"		1125-1920-6SC		1135-1920-7SC		1125-1920-6HC		1135-1920-7HC
	XX		1125-19XX-6SC		1135-19XX-7SC		1125-19XX-6HC		1135-19XX-7HC
20"	20"		1125-2020-6SC		1135-2020-7SC		1125-2020-6HC		1135-2020-7HC
	22"		1125-2022-6SC		1135-2022-7SC		1125-2022-6HC		1135-2022-7HC
	XX		1125-20XX-6SC		1135-20XX-7SC		1125-20XX-6HC		1135-20XX-7HC
Upto20	XX	1125-2929-6SC		1135-2929-7SC		1125-2929-6HC		1135-2929-7HC	
Upto25	XX	1125-2939-6SC		1135-2939-7SC		1125-2939-6HC		1135-2939-7HC	

Spex® SuperHigh Cushion Covers



10"-13" Trough Height: 80 mm
14"+ Trough Height: 100 mm

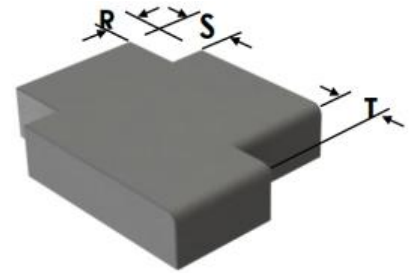
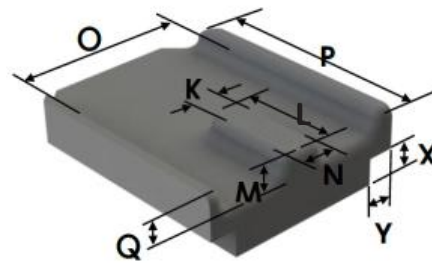
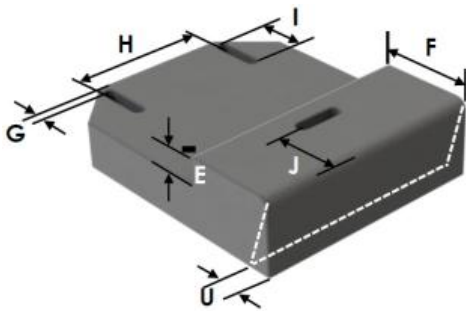
WIDTH	LENGTH	QTY	SPARE COVER	QTY	INCONT COVER	WIDTH	LENGTH	QTY	SPARE COVER	QTY	INCONT COVER
10"	10"		1125-1010-6SS		1135-1010-7SS	16"	16"		1125-1616-6SS		1135-1616-7SS
	12"		1125-1012-6SS		1135-1012-7SS		18"		1125-1618-6SS		1135-1618-7SS
	XX		1125-10XX-6SS		1135-10XX-7SS		XX		1125-16XX-6SS		1135-16XX-7SS
11"	10"		1125-1110-6SS		1135-1110-7SS	17"	17"		1125-1717-6SS		1135-1717-7SS
	12"		1125-1112-6SS		1135-1112-7SS		18"		1125-1718-6SS		1135-1718-7SS
	XX		1125-11XX-6SS		1135-11XX-7SS		XX		1125-17XX-6SS		1135-17XX-7SS
12"	12"		1125-1212-6SS		1135-1212-7SS	18"	18"		1125-1818-6SS		1135-1818-7SS
	14"		1125-1214-6SS		1135-1214-7SS		20"		1125-1820-6SS		1135-1820-7SS
	XX		1125-12XX-6SS		1135-12XX-7SS		XX		1125-18XX-6SS		1135-18XX-7SS
13"	12"		1125-1312-6SS		1135-1312-7SS	19"	18"		1125-1918-6SS		1135-1918-7SS
	14"		1125-1314-6SS		1135-1314-7SS		20"		1125-1920-6SS		1135-1920-7SS
	XX		1125-13XX-6SS		1135-13XX-7SS		XX		1125-19XX-6SS		1135-19XX-7SS
14"	14"		1125-1414-6SS		1135-1414-7SS	20"	20"		1125-2020-6SS		1135-2020-7SS
	16"		1125-1416-6SS		1135-1416-7SS		22"		1125-2022-6SS		1135-2022-7SS
	XX		1125-14XX-6SS		1135-14XX-7SS		XX		1125-20XX-6SS		1135-20XX-7SS
15"	14"		1125-1514-6SS		1135-1514-7SS	Upto20	XX		1125-2929-6SS		1135-2929-7SS
	16"		1125-1516-6SS		1135-1516-7SS	Upto25	XX		1125-2939-6SS		1135-2939-7SS
	XX		1125-15XX-6SS		1135-15XX-7SS						

SuperHigh cushion not compatible with Thigh Supports or Medial Thigh Supports

Cushion Covers Modifications

QTY	ITEM CODE	CUSTOM MODIFIED SPARE COVERS (FOR WHEN SHAPE MODIFICATIONS ARE SCRIPTED)	PER
	1121-2949-600	Dualtec Outer Cover	EA
	1131-2949-700	Dualtec Incontinence Cover	EA
	1123-2949-600	Vigour Outer Cover	EA
	1133-2949-700	Vigour Incontinence Cover	EA
	1125-2949-600	Spex® Outer Cover	EA
	1135-2949-700	Spex® Incontinence Cover	EA

Describe existing cushion modifications when above covers are ordered. Original order number for existing custom cushion must be specified when ordering replacement covers



QTY	ITEM CODE	COVER CUSTOMISATION	PER
		Custom fabric choice for top cushion surface	
	1111-0399-209	Spextex. Wipe-down, waterproof finish	EA
	1111-0399-219	Spextex. Knitted side fabric finish	EA
	1111-0399-099	Air mesh Spacer Fabric	EA
	1111-0491-028	Change cushion border to Calypso pink	EA
	1111-0491-030	Change cushion border to Mango orange	EA
	1111-0491-060	Change cushion border to Ocean blue	EA
	1111-0491-090	Change cushion border to Granite grey	EA
	1111-0491-022	Change cushion border to Chilli red	EA
	1111-0480-000	Cellphone/accessory pocket for cushion	EA
		Spex® Cushion additional contouring kit	
	1111-0273-000	Specify cushion size: " x "	EA

COLOUR SELECTION

Mango - 030



Chilli - 022



Calypso - 028



Ocean - 060

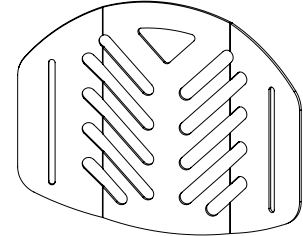


Granite - 090



Vigour Back Support

VIGOUR LO

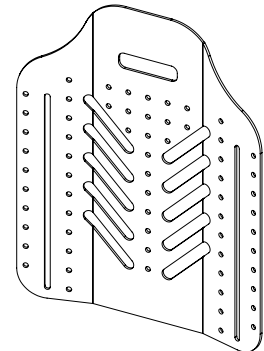


W/C WIDTH	HEIGHT	QTY	FOAM INNER	QTY	OUTER COVER	QTY	INCONT COVER	QTY	SHELL
10"	6"		1252-1006-00L-F		1252-1006-00L-C		1252-1006-00L-I		1252-1006-00L-S
11"	6"		1252-1106-00L-F		1252-1106-00L-C		1252-1106-00L-I		
12"	7"		1252-1207-00L-F		1252-1207-00L-C		1252-1207-00L-I		1252-1207-00L-S
13"	7"		1252-1307-00L-F		1252-1307-00L-C		1252-1307-00L-I		
14"	8"		1252-1408-00L-F		1252-1408-00L-C		1252-1408-00L-I		1252-1408-00L-S
15"	8"		1252-1508-00L-F		1252-1508-00L-C		1252-1508-00L-I		
16"	10"		1252-1610-00L-F		1252-1610-00L-C		1252-1610-00L-I		1252-1610-00L-S
17"	10"		1252-1710-00L-F		1252-1710-00L-C		1252-1710-00L-I		1252-1710-00L-S
18"	11"		1252-1811-00L-F		1252-1811-00L-C		1252-1811-00L-I		1252-1811-00L-S
19"	11"		1252-1911-00L-F		1252-1911-00L-C		1252-1911-00L-I		
20"	11"		1252-2011-00L-F		1252-2011-00L-C		1252-2011-00L-I		1252-2011-00L-S

FOAM INNER MODIFICATIONS

Air-Flow Upgrade		1209-2351-300		Contouring cell-cube system upgrade (Spex® style)		1208-1201-300
------------------	--	---------------	--	---	--	---------------

VIGOUR MID

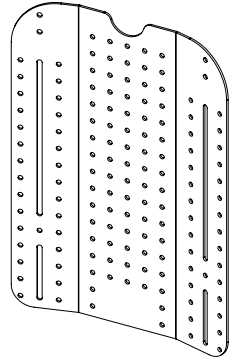


W/C WIDTH	HEIGHT	QTY	FOAM INNER	QTY	OUTER COVER	QTY	INCONT COVER	QTY	SHELL
10"	10"		1252-1010-00M-F		1252-1010-00M-C		1252-1010-00M-I		1252-1010-00M-S
11"	10"		1252-1110-00M-F		1252-1110-00M-C		1252-1110-00M-I		
12"	12"		1252-1212-00M-F		1252-1212-00M-C		1252-1212-00M-I		1252-1212-00M-S
13"	12"		1252-1312-00M-F		1252-1312-00M-C		1252-1312-00M-I		
14"	14"		1252-1414-00M-F		1252-1414-00M-C		1252-1414-00M-I		1252-1414-00M-S
15"	14"		1252-1514-00M-F		1252-1514-00M-C		1252-1514-00M-I		
16"	16"		1252-1616-00M-F		1252-1616-00M-C		1252-1616-00M-I		1252-1616-00M-S
17"	17"		1252-1717-00M-F		1252-1717-00M-C		1252-1717-00M-I		1252-1717-00M-S
18"	17"		1252-1817-00M-F		1252-1817-00M-C		1252-1817-00M-I		1252-1817-00M-S
19"	17"		1252-1917-00M-F		1252-1917-00M-C		1252-1917-00M-I		
20"	17"		1252-2017-00M-F		1252-2017-00M-C		1252-2017-00M-I		1252-2017-00M-S

FOAM INNER MODIFICATIONS

Air-Flow Upgrade		1209-2351-300		Contouring cell-cube system upgrade (Spex® style)		1208-1202-300
------------------	--	---------------	--	---	--	---------------

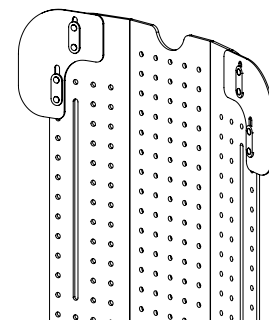
Spex® Back Support Rectangle Shape



W/C WIDTH	HEIGHT	QTY	FOAM INNER	QTY	SPARE COVER	QTY	INCONT COVER	QTY	SHELL
10"	12"		1255-1012-OSS-F		1255-1012-OSS-C		1255-1012-OSS-I		1255-1012-OSS-S
	14"		1255-1014-OSS-F		1255-1014-OSS-C		1255-1014-OSS-I		1255-1014-OSS-S
	16"		1255-1016-OSS-F		1255-1016-OSS-C		1255-1016-OSS-I		1255-1016-OSS-S
	XX		1255-10XX-OSS-F		1255-10XX-OSS-C		1255-10XX-OSS-I		1255-10XX-OSS-S
11"	12"		1255-1112-OSS-F		1255-1112-OSS-C		1255-1112-OSS-I		
	14"		1255-1114-OSS-F		1255-1114-OSS-C		1255-1114-OSS-I		
	16"		1255-1116-OSS-F		1255-1116-OSS-C		1255-1116-OSS-I		
	XX		1255-11XX-OSS-F		1255-11XX-OSS-C		1255-11XX-OSS-I		
12"	14"		1255-1214-OSS-F		1255-1214-OSS-C		1255-1214-OSS-I		1255-1214-OSS-S
	16"		1255-1216-OSS-F		1255-1216-OSS-C		1255-1216-OSS-I		1255-1216-OSS-S
	18"		1255-1218-OSS-F		1255-1218-OSS-C		1255-1218-OSS-I		1255-1218-OSS-S
	XX		1255-12XX-OSS-F		1255-12XX-OSS-C		1255-12XX-OSS-I		1255-12XX-OSS-S
13"	14"		1255-1314-OSS-F		1255-1314-OSS-C		1255-1314-OSS-I		
	16"		1255-1316-OSS-F		1255-1316-OSS-C		1255-1316-OSS-I		
	18"		1255-1318-OSS-F		1255-1318-OSS-C		1255-1318-OSS-I		
	XX		1255-13XX-OSS-F		1255-13XX-OSS-C		1255-13XX-OSS-I		
14"	16"		1255-1416-OSS-F		1255-1416-OSS-C		1255-1416-OSS-I		1255-1416-OSS-S
	18"		1255-1418-OSS-F		1255-1418-OSS-C		1255-1418-OSS-I		1255-1418-OSS-S
	20"		1255-1420-OSS-F		1255-1420-OSS-C		1255-1420-OSS-I		1255-1420-OSS-S
	XX		1255-14XX-OSS-F		1255-14XX-OSS-C		1255-14XX-OSS-I		1255-14XX-OSS-S
15"	16"		1255-1516-OSS-F		1255-1516-OSS-C		1255-1516-OSS-I		
	18"		1255-1518-OSS-F		1255-1518-OSS-C		1255-1518-OSS-I		
	20"		1255-1520-OSS-F		1255-1520-OSS-C		1255-1520-OSS-I		
	XX		1255-15XX-OSS-F		1255-15XX-OSS-C		1255-15XX-OSS-I		
16"	18"		1255-1618-OSS-F		1255-1618-OSS-C		1255-1618-OSS-I		1255-1618-OSS-S
	20"		1255-1620-OSS-F		1255-1620-OSS-C		1255-1620-OSS-I		1255-1620-OSS-S
	23"		1255-1623-OSS-F		1255-1623-OSS-C		1255-1623-OSS-I		1255-1623-OSS-S
	XX		1255-16XX-OSS-F		1255-16XX-OSS-C		1255-16XX-OSS-I		1255-16XX-OSS-S
17"	18"		1255-1718-OSS-F		1255-1718-OSS-C		1255-1718-OSS-I		1255-1718-OSS-S
	20"		1255-1720-OSS-F		1255-1720-OSS-C		1255-1720-OSS-I		1255-1720-OSS-S
	23"		1255-1723-OSS-F		1255-1723-OSS-C		1255-1723-OSS-I		1255-1723-OSS-S
	XX		1255-17XX-OSS-F		1255-17XX-OSS-C		1255-17XX-OSS-I		1255-17XX-OSS-S
18"	18"		1255-1818-OSS-F		1255-1818-OSS-C		1255-1818-OSS-I		1255-1818-OSS-S
	20"		1255-1820-OSS-F		1255-1820-OSS-C		1255-1820-OSS-I		1255-1820-OSS-S
	23"		1255-1823-OSS-F		1255-1823-OSS-C		1255-1823-OSS-I		1255-1823-OSS-S
	XX		1255-18XX-OSS-F		1255-18XX-OSS-C		1255-18XX-OSS-I		1255-18XX-OSS-S
19"	18"		1255-1918-OSS-F		1255-1918-OSS-C		1255-1918-OSS-I		
	20"		1255-1920-OSS-F		1255-1920-OSS-C		1255-1920-OSS-I		
	23"		1255-1923-OSS-F		1255-1923-OSS-C		1255-1923-OSS-I		
	XX		1255-19XX-OSS-F		1255-19XX-OSS-C		1255-19XX-OSS-I		
20"	18"		1255-2018-OSS-F		1255-2018-OSS-C		1255-2018-OSS-I		1255-2018-OSS-S
	20"		1255-2020-OSS-F		1255-2020-OSS-C		1255-2020-OSS-I		1255-2020-OSS-S
	23"		1255-2023-OSS-F		1255-2023-OSS-C		1255-2023-OSS-I		1255-2023-OSS-S
	XX		1255-20XX-OSS-F		1255-20XX-OSS-C		1255-20XX-OSS-I		1255-20XX-OSS-S

QTY	CODE	SPEX® FOAM MODIFICATIONS
	1208-2943-000	Extra 3rd layer of positioning cubes

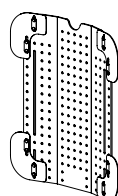
Spex® Back Support T Shape



W/C WIDTH	HEIGHT	QTY	FOAM INNER	QTY	SPARE COVER	QTY	INCONT COVER	QTY	SHELL
10"	12"		1255-1012-OTS-F		1255-1012-OTS-C		1255-1012-OTS-I		1255-1012-OTS-S
	14"		1255-1014-OTS-F		1255-1014-OTS-C		1255-1014-OTS-I		1255-1014-OTS-S
	16"		1255-1016-OTS-F		1255-1016-OTS-C		1255-1016-OTS-I		1255-1016-OTS-S
	XX		1255-10XX-OTS-F		1255-10XX-OTS-C		1255-10XX-OTS-I		1255-10XX-OTS-S
11"	12"		1255-1112-OTS-F		1255-1112-OTS-C		1255-1112-OTS-I		
	14"		1255-1114-OTS-F		1255-1114-OTS-C		1255-1114-OTS-I		
	16"		1255-1116-OTS-F		1255-1116-OTS-C		1255-1116-OTS-I		
	XX		1255-11XX-OTS-F		1255-11XX-OTS-C		1255-11XX-OTS-I		
12"	14"		1255-1214-OTS-F		1255-1214-OTS-C		1255-1214-OTS-I		1255-1214-OTS-S
	16"		1255-1216-OTS-F		1255-1216-OTS-C		1255-1216-OTS-I		1255-1216-OTS-S
	18"		1255-1218-OTS-F		1255-1218-OTS-C		1255-1218-OTS-I		1255-1218-OTS-S
	XX		1255-12XX-OTS-F		1255-12XX-OTS-C		1255-12XX-OTS-I		1255-12XX-OTS-S
13"	14"		1255-1314-OTS-F		1255-1314-OTS-C		1255-1314-OTS-I		
	16"		1255-1316-OTS-F		1255-1316-OTS-C		1255-1316-OTS-I		
	18"		1255-1318-OTS-F		1255-1318-OTS-C		1255-1318-OTS-I		
	XX		1255-13XX-OTS-F		1255-13XX-OTS-C		1255-13XX-OTS-I		
14"	16"		1255-1416-OTS-F		1255-1416-OTS-C		1255-1416-OTS-I		1255-1416-OTS-S
	18"		1255-1418-OTS-F		1255-1418-OTS-C		1255-1418-OTS-I		1255-1418-OTS-S
	20"		1255-1420-OTS-F		1255-1420-OTS-C		1255-1420-OTS-I		1255-1420-OTS-S
	XX		1255-14XX-OTS-F		1255-14XX-OTS-C		1255-14XX-OTS-I		1255-14XX-OTS-S
15"	16"		1255-1516-OTS-F		1255-1516-OTS-C		1255-1516-OTS-I		
	18"		1255-1518-OTS-F		1255-1518-OTS-C		1255-1518-OTS-I		
	20"		1255-1520-OTS-F		1255-1520-OTS-C		1255-1520-OTS-I		
	XX		1255-15XX-OTS-F		1255-15XX-OTS-C		1255-15XX-OTS-I		
16"	18"		1255-1618-OTS-F		1255-1618-OTS-C		1255-1618-OTS-I		1255-1618-OTS-S
	20"		1255-1620-OTS-F		1255-1620-OTS-C		1255-1620-OTS-I		1255-1620-OTS-S
	23"		1255-1623-OTS-F		1255-1623-OTS-C		1255-1623-OTS-I		1255-1623-OTS-S
	XX		1255-16XX-OTS-F		1255-16XX-OTS-C		1255-16XX-OTS-I		1255-16XX-OTS-S
17"	18"		1255-1718-OTS-F		1255-1718-OTS-C		1255-1718-OTS-I		1255-1718-OTS-S
	20"		1255-1720-OTS-F		1255-1720-OTS-C		1255-1720-OTS-I		1255-1720-OTS-S
	23"		1255-1723-OTS-F		1255-1723-OTS-C		1255-1723-OTS-I		1255-1723-OTS-S
	XX		1255-17XX-OTS-F		1255-17XX-OTS-C		1255-17XX-OTS-I		1255-17XX-OTS-S
18"	18"		1255-1818-OTS-F		1255-1818-OTS-C		1255-1818-OTS-I		1255-1818-OTS-S
	20"		1255-1820-OTS-F		1255-1820-OTS-C		1255-1820-OTS-I		1255-1820-OTS-S
	23"		1255-1823-OTS-F		1255-1823-OTS-C		1255-1823-OTS-I		1255-1823-OTS-S
	XX		1255-18XX-OTS-F		1255-18XX-OTS-C		1255-18XX-OTS-I		1255-18XX-OTS-S
19"	18"		1255-1918-OTS-F		1255-1918-OTS-C		1255-1918-OTS-I		
	20"		1255-1920-OTS-F		1255-1920-OTS-C		1255-1920-OTS-I		
	23"		1255-1923-OTS-F		1255-1923-OTS-C		1255-1923-OTS-I		
	XX		1255-19XX-OTS-F		1255-19XX-OTS-C		1255-19XX-OTS-I		
20"	18"		1255-2018-OTS-F		1255-2018-OTS-C		1255-2018-OTS-I		1255-2018-OTS-S
	20"		1255-2020-OTS-F		1255-2020-OTS-C		1255-2020-OTS-I		1255-2020-OTS-S
	23"		1255-2023-OTS-F		1255-2023-OTS-C		1255-2023-OTS-I		1255-2023-OTS-S
	XX		1255-20XX-OTS-F		1255-20XX-OTS-C		1255-20XX-OTS-I		1255-20XX-OTS-S

SURFACE STYLE (I) MODIFICATIONS

Surface-Style (I) upgrade - foam		1209-2552-2TS-F
Surface-Style (I) upgrade - cover		1209-2551-2TS-C

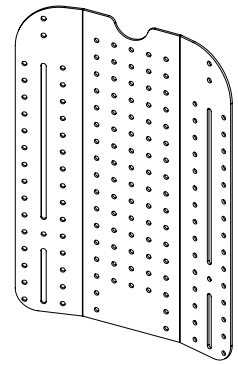
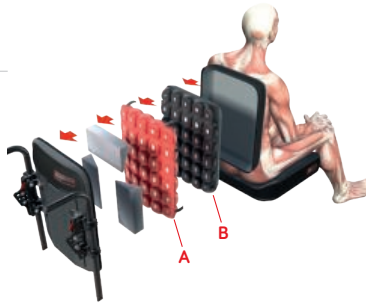


SURFACE STYLE (I) MODIFICATIONS - SHELL

Surface-Style (I) upgrade - shell: 10-15"		1209-2110-2TS-S
Surface-Style (I) upgrade - shell: 16"+		1209-2116-2TS-S

Items listed in blue text are part of the Spex® Kidz Range.

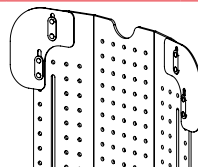
Supershape Back Support



W/C WIDTH	HEIGHT	QTY	FOAM INNER (includes A & B)	QTY	SPARE COVER	QTY	INCONT COVER	QTY	SHELL
10"	12"		1256-1012-OSS-F		1256-1012-OSS-C		1256-1012-OSS-I		1256-1012-OSS-S
	14"		1256-1014-OSS-F		1256-1014-OSS-C		1256-1014-OSS-I		1256-1014-OSS-S
	16"		1256-1016-OSS-F		1256-1016-OSS-C		1256-1016-OSS-I		1256-1016-OSS-S
11"	12"		1256-1112-OSS-F		1256-1112-OSS-C		1256-1112-OSS-I		
	14"		1256-1114-OSS-F		1256-1114-OSS-C		1256-1114-OSS-I		
	16"		1256-1116-OSS-F		1256-1116-OSS-C		1256-1116-OSS-I		
12"	12"		1256-1212-OSS-F		1256-1212-OSS-C		1256-1212-OSS-I		1256-1212-OSS-S
	14"		1256-1214-OSS-F		1256-1214-OSS-C		1256-1214-OSS-I		1256-1214-OSS-S
	16"		1256-1216-OSS-F		1256-1216-OSS-C		1256-1216-OSS-I		1256-1216-OSS-S
	18"		1256-1218-OSS-F		1256-1218-OSS-C		1256-1218-OSS-I		1256-1218-OSS-S
13"	12"		1256-1312-OSS-F		1256-1312-OSS-C		1256-1312-OSS-I		
	14"		1256-1314-OSS-F		1256-1314-OSS-C		1256-1314-OSS-I		
	16"		1256-1316-OSS-F		1256-1316-OSS-C		1256-1316-OSS-I		
14"	18"		1256-1318-OSS-F		1256-1318-OSS-C		1256-1318-OSS-I		
	14"		1256-1414-OSS-F		1256-1414-OSS-C		1256-1414-OSS-I		1256-1414-OSS-S
	16"		1256-1416-OSS-F		1256-1416-OSS-C		1256-1416-OSS-I		1256-1416-OSS-S
	18"		1256-1418-OSS-F		1256-1418-OSS-C		1256-1418-OSS-I		1256-1418-OSS-S
	20"		1256-1420-OSS-F		1256-1420-OSS-C		1256-1420-OSS-I		1256-1420-OSS-S
15"	XX		1256-14XX-OSS-F		1256-14XX-OSS-C		1256-14XX-OSS-I		1256-14XX-OSS-S
	14"		1256-1514-OSS-F		1256-1514-OSS-C		1256-1514-OSS-I		
	16"		1256-1516-OSS-F		1256-1516-OSS-C		1256-1516-OSS-I		
	18"		1256-1518-OSS-F		1256-1518-OSS-C		1256-1518-OSS-I		
	20"		1256-1520-OSS-F		1256-1520-OSS-C		1256-1520-OSS-I		
16"	XX		1256-15XX-OSS-F		1256-15XX-OSS-C		1256-15XX-OSS-I		
	16"		1256-1616-OSS-F		1256-1616-OSS-C		1256-1616-OSS-I		1256-1616-OSS-S
	18"		1256-1618-OSS-F		1256-1618-OSS-C		1256-1618-OSS-I		1256-1618-OSS-S
	20"		1256-1620-OSS-F		1256-1620-OSS-C		1256-1620-OSS-I		1256-1620-OSS-S
	23"		1256-1623-OSS-F		1256-1623-OSS-C		1256-1623-OSS-I		1256-1623-OSS-S
17"	XX		1256-16XX-OSS-F		1256-16XX-OSS-C		1256-16XX-OSS-I		1256-16XX-OSS-S
	16"		1256-1716-OSS-F		1256-1716-OSS-C		1256-1716-OSS-I		1256-1716-OSS-S
	18"		1256-1718-OSS-F		1256-1718-OSS-C		1256-1718-OSS-I		1256-1718-OSS-S
	20"		1256-1720-OSS-F		1256-1720-OSS-C		1256-1720-OSS-I		1256-1720-OSS-S
	23"		1256-1723-OSS-F		1256-1723-OSS-C		1256-1723-OSS-I		1256-1723-OSS-S
18"	XX		1256-17XX-OSS-F		1256-17XX-OSS-C		1256-17XX-OSS-I		1256-17XX-OSS-S
	16"		1256-1816-OSS-F		1256-1816-OSS-C		1256-1816-OSS-I		1256-1816-OSS-S
	18"		1256-1818-OSS-F		1256-1818-OSS-C		1256-1818-OSS-I		1256-1818-OSS-S
	20"		1256-1820-OSS-F		1256-1820-OSS-C		1256-1820-OSS-I		1256-1820-OSS-S
	23"		1256-1823-OSS-F		1256-1823-OSS-C		1256-1823-OSS-I		1256-1823-OSS-S
19"	XX		1256-18XX-OSS-F		1256-18XX-OSS-C		1256-18XX-OSS-I		1256-18XX-OSS-S
	16"		1256-1916-OSS-F		1256-1916-OSS-C		1256-1916-OSS-I		
	18"		1256-1918-OSS-F		1256-1918-OSS-C		1256-1918-OSS-I		
	20"		1256-1920-OSS-F		1256-1920-OSS-C		1256-1920-OSS-I		
	23"		1256-1923-OSS-F		1256-1923-OSS-C		1256-1923-OSS-I		
20"	XX		1256-19XX-OSS-F		1256-19XX-OSS-C		1256-19XX-OSS-I		
	16"		1256-2016-OSS-F		1256-2016-OSS-C		1256-2016-OSS-I		1256-2016-OSS-S
	18"		1256-2018-OSS-F		1256-2018-OSS-C		1256-2018-OSS-I		1256-2018-OSS-S
	20"		1256-2020-OSS-F		1256-2020-OSS-C		1256-2020-OSS-I		1256-2020-OSS-S
	23"		1256-2023-OSS-F		1256-2023-OSS-C		1256-2023-OSS-I		1256-2023-OSS-S
	XX		1256-20XX-OSS-F		1256-20XX-OSS-C		1256-20XX-OSS-I		1256-20XX-OSS-S

T-SHAPE MODIFICATIONS

T-shape upgrade - foam	1209-2561-OTS-F
T-shape upgrade - cover	1209-2561-OTS-C








T-SHAPE MODIFICATIONS - SHELL

T-shape upgrade - shell: 10-15"	1209-2110-OTS-S
T-shape upgrade - shell: 16"+	1209-2116-OTS-S

Back Support: Foam Accessories

QTY	CODE	SPEX/SUPERSHAPE FOAM KITS	BACK SUPPORT SIZE
	1209-2712-300	Spex® positioning kit (pack 10 cubes)	Please specify: _____"x_____"
	1209-2715-300	Supershape positioning kit (pack 20 pink cubes + 20 CCF cubes)	Please specify: _____"x_____"

QTY	CODE	WEDGES
	1209-2713-300	Back support lumbar pad and lateral stability wedges 
	1209-2720-300	Asymmetric contour wedge kit (contains wedges below) 
	1209-2721-300	Asymmetric deep contour wedge 20 high x 20 wide x 4 deep 
	1209-2723-300	Asymmetric bi-angular contour wedge 20 high x 10 wide x 4 deep 
	1209-2722-300	Asymmetric narrow contour wedge 20 high x 10 wide x 4 deep 

Back Support: Foam Accessories

QTY	CODE	SPEX/SUPERSHAPE FOAM KITS	BACK SUPPORT SIZE
	1209-2712-300	Spex® positioning kit (pack 10 cubes)	Please specify: _____"x_____"
	1209-2715-300	Supershape positioning kit (pack 20 pink cubes + 20 CCF cubes)	Please specify: _____"x_____"

QTY	ITEM CODE	DESCRIPTION
	1208-2942-300	Custom thickness (unavailable for Comfi or Air-Flow) (Specify) =
	1208-2945-300	½" extra soft pressure-relieving foam overlay in front back support section
	1209-2346-300	30 mm soft pressure-sensitive foam in front section of back support inner
	1208-2947-300	½" gel-foam in spinal region
		Custom fabric choice on cover
	1208-2949-209	Spextex. Wipe-down, waterproof finish
	1208-2949-219	Spextex. Knitted side fabric finish
	1208-2949-099	Air mesh Spacer Fabric
	1209-2491-028	Change backrest border to Calypso pink
	1209-2491-022	Change backrest border to Chilli red
	1209-2491-030	Change backrest border to Mango orange
	1209-2491-060	Change backrest border to Ocean blue
	1209-2491-090	Change backrest border to Granite grey
	1208-2951-300	Envelope cover only for Supracor® insert
	1208-2952-300	Envelope cover with Supracor® insert

COLOUR SELECTION

Mango - 030



Chilli - 022



Calypso - 028



Ocean - 060

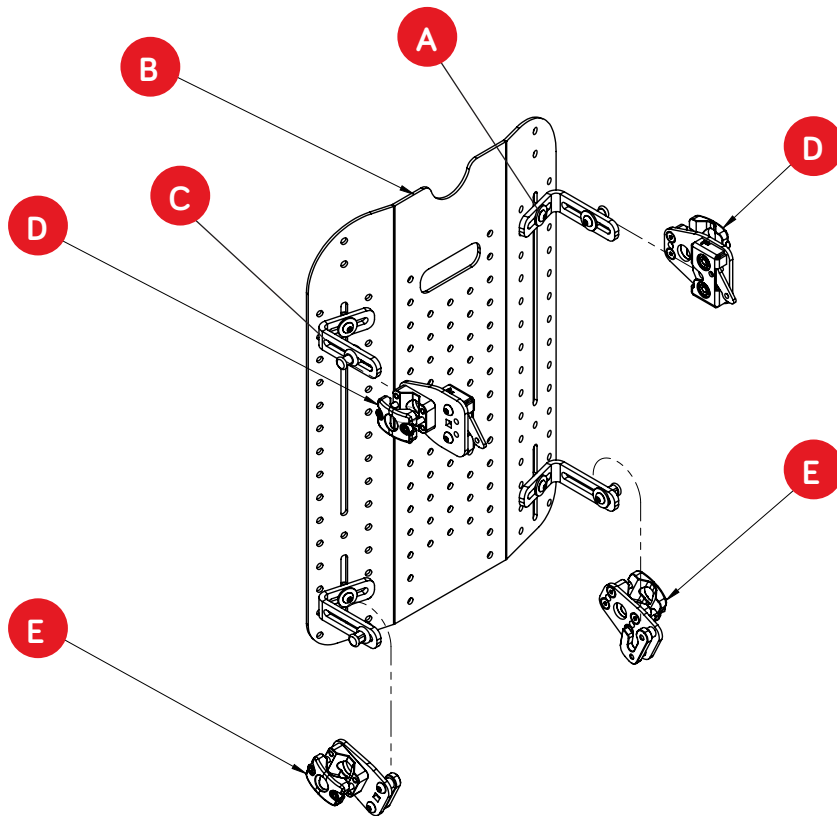


Granite - 090



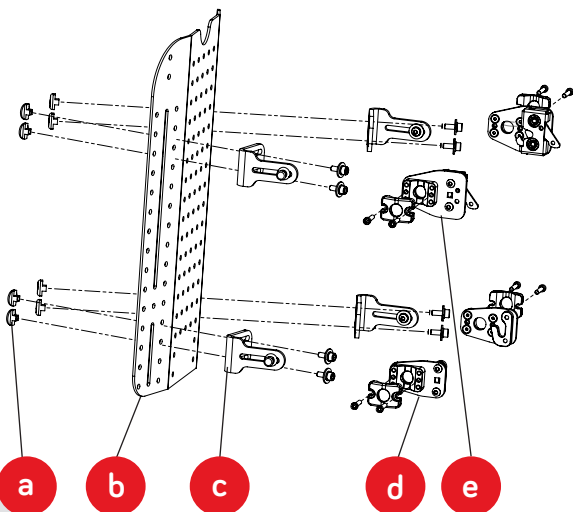
Back Support Hardware: Quad

#	ITEM CODE	COMPONENTS	PER BACK	QTY	ITEM CODE	SETS	PER
A	A-00866	T-Slot assembly set - refer pg 20	4		1259-2430-100	Quad mount complete set A + C + D + E	SET
B		Shell - refer Back support pgs 6-12	1		1259-2420-100	Quad mount for second chair D + E	SET
C		4 point mounting bracket	4		1259-2408-100	Quad mount brackets only A + C	SET 4
D		Quad mount lower	2		1259-2440-100	Quad Mount additional 2 points of attachment (6 total) for when back height is over 25" or for extra secure attachment Top 1/2 C + E	SET 2
E		Quad mount upper	2		1259-2450-100	Quad Mount extended upgrade: increase back angle by $\approx 10^\circ$	1 PR
					1259-2452-100	Quad Mount extended upgrade: increase seat depth	2 PRS

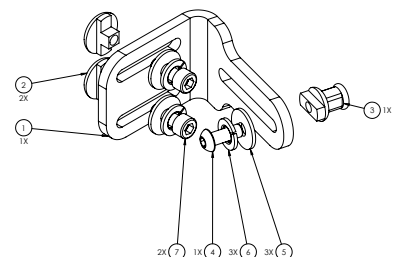
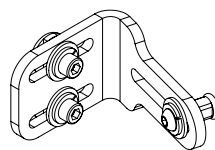


Heavy Duty Quad Mount

Recommended hardware for back supports over 20" wide and/or over 23" wide and/or users who exert high loads on their seating



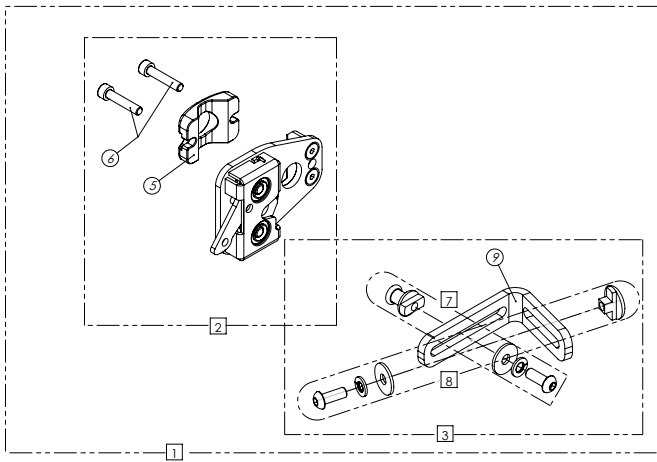
QTY	ITEM CODE	SETS	PER
	1259-2435-100	Heavy duty quad mount complete set a + c + d + e	SET
	1259-2438-100	Heavy duty quad mount brackets only a + c	SET



ITEM NO.	PART NUMBER	Description 1	QTY.
1	P-00552	4 Pt Bracket Double	1
2	P-00391	SLOT T-ASP	2
3	P-00481	TILT LOCKING PEG	1
4	3052-38CS-MAX16BK	Button Cap Screw M6 x 16 S/S (Black PERFORMER Coat)	3
5	3057-09LF-MAX19C2BK	Washer Flat M6x19x2mm S/S Black coated	3
6	3057-09FH-S3W6BK	Washer Spring M6 S/S Black coated	3

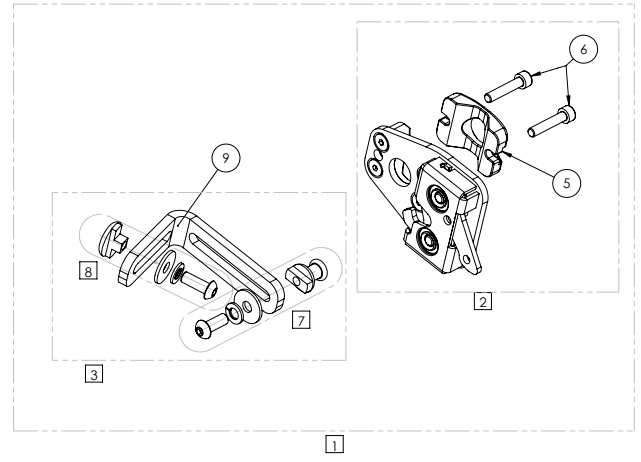
Back Support Hardware: Quad

QUAD MOUNT LEFT UPPER



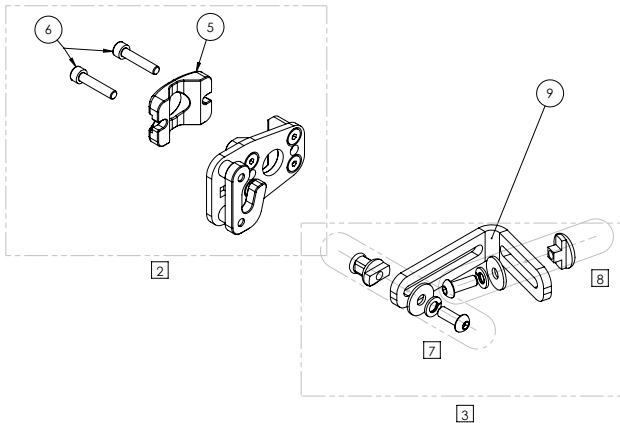
ITEM	PART NUMBER	ARTICLE DESCRIPTION	QTY	QTY/ASY
1		Quad Mount Left Upper	1	1
Sub Assemblies				
2	A-00085	Left Quick Release	1	1
3	A-00524	Quad Mount Bracket	1	1
Common parts/sets				
5	P-00292	30 Clamp	1	1
6	0052-4CS0-M5X25BK	M5 x 25 Cap Screw	2	2
7	A-00892	Locking Peg Set	1	1
8	A-00866	6mm T Nut set	1	1
9	P-00388	Quad Mount Bracket Single	1	1

QUAD MOUNT RIGHT UPPER



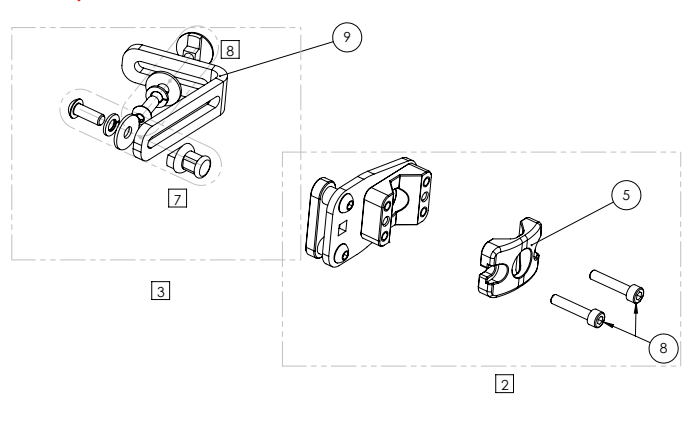
ITEM	PART NUMBER	ARTICLE DESCRIPTION	QTY	QTY/ASY
1		Quad Mount Right Upper	1	1
Sub Assemblies				
2	A-00084	Right Quick Release	1	1
3	A-00524	Quad Mount Bracket	1	1
Common parts/sets				
5	P-00292	30 Clamp	1	1
6	0052-4CS0-M5X25BK	M5 x 25 Cap Screw	2	2
7	A-00892	Locking Peg Set	1	1
8	A-00866	6mm T Nut set	1	1
9	P-00388	Quad Mount Bracket Single	1	1

QUAD MOUNT LEFT LOWER



ITEM	PART NUMBER	ARTICLE DESCRIPTION	QTY	QTY/ASY
1		Quad Mount Left Lower	1	1
Sub Assemblies				
2	A-00088	Left Quad Hook	1	1
3	A-00525	Quad Mount Lower	1	1
Common parts/sets				
5	P-00292	30 Clamp	1	1
6	0052-4CS0-M5X25BK	M5 x 25 Cap Screw	2	2
7	A-01106	Anti Tilt Peg Set	1	1
8	A-00866	6mm T Nut set	1	1
9	P-00388	Quad Mount Bracket Single	1	1

QUAD MOUNT RIGHT LOWER

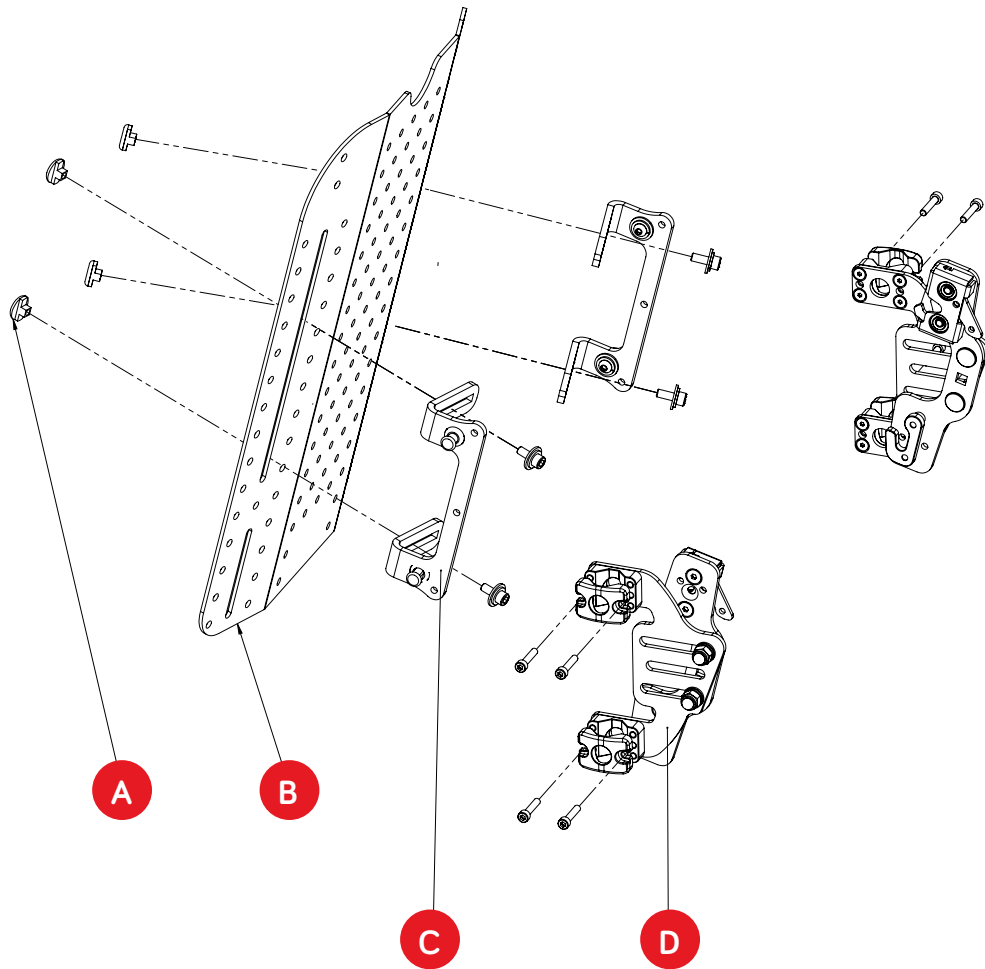


ITEM	PART NUMBER	ARTICLE DESCRIPTION	QTY	QTY/ASY
1		Quad Mount Right Lower	1	1
Sub Assemblies				
2	A-00089	Right Quad Hook	1	1
3	A-00525	Quad Mount Lower	1	1
Common parts/sets				
5	P-00292	30 Clamp	1	1
6	0052-4CS0-M5X25BK	M5 x 25 Cap Screw	2	2
7	A-01106	Anti Tilt Peg Set	1	1
8	A-00866	6mm T Nut set	1	1
9	P-00388	Quad Mount Bracket Single	1	1

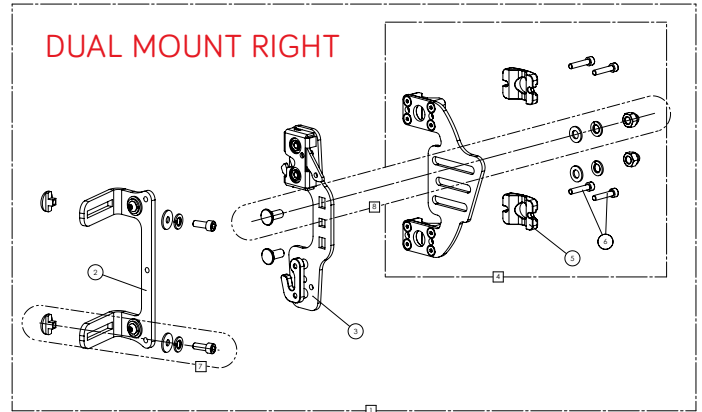
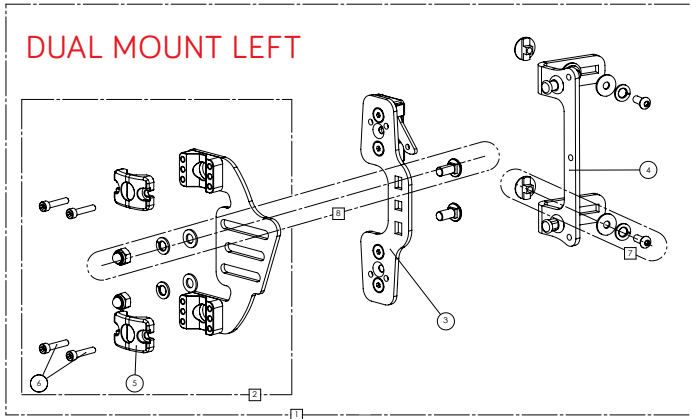
Back Support Hardware: Dual

#	ITEM CODE	COMPONENTS	PER BACK
A	A-00866	T-Slot assembly set - refer pg 20	4
B		Shell - refer Back support pgs 6-12	1
C		2 point mounting bracket	2
E		Dual mount hardware	2

QTY	ITEM CODE	SETS	PER
	1259-2230-100	Dual Mount complete set A + C + D	SET
	1259-2220-100	Dual mount for second chair D	SET



Back Support Hardware: Dual



Item	Part Number	Article description	Qty	Qty/Asy
1	A-00889	All parts of Dual Mount Left	1	1
Sub Assemblies				
2	A-00115	Clamp Bracket	1	2
3	A-00114	Catch Bracket	1	1
4	A-00117	Pin Bracket	1	1
Individual parts/sets				
5	P-00292	Outer Clamp Small	1	2
6	0052-4CS0-M5X25BK	M5 x 25 Cap Screw	2	4
7	A-00866	6mm T Nut set	1	2
8	A-00867	M8 Square nut set	1	2

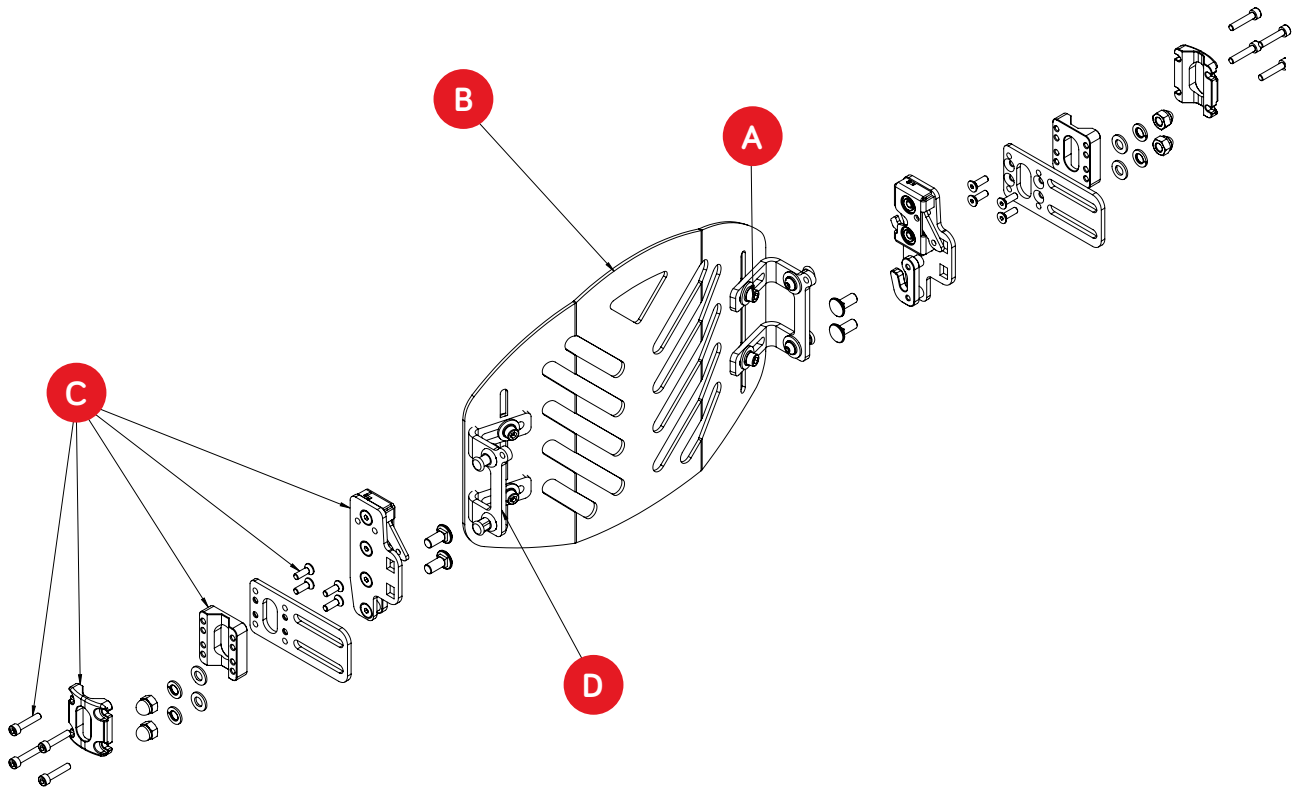
Item	Part Number	Article description	Qty	Qty/Asy
1	A-00890	Dual Mount Right	1	1
Sub Assemblies				
2	A-00115	Pin Bracket	1	1
3	A-00113	Catch Bracket	1	1
4	A-00112	Clamp Bracket	1	1
Common parts/sets				
5	P-00292	Outer Clamp Small	1	2
6	0052-4CS0-M5X25BK	M5 x 25 Cap Screw	2	4
7	A-00866	6mm T Nut set	1	2
8	A-00867	M8 Square nut set	1	2

Back Support Hardware: Single

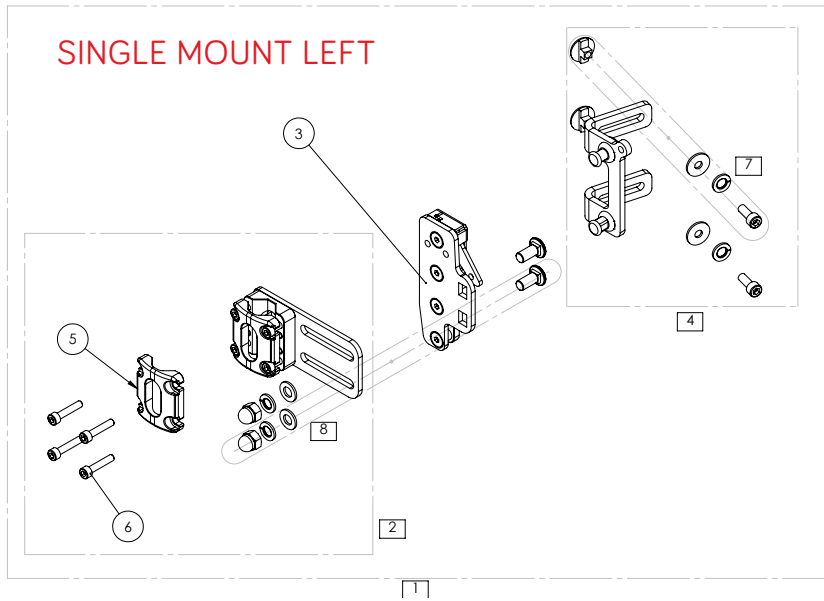
#	ITEM CODE	COMPONENTS	PER BACK
A	A-00866	T-Slot assembly set - refer pg 20	4
B		Shell - refer Back support pgs 6-12	1
C		Single mount assembly	2
D		Single mount bracket	2

QTY	ITEM CODE	SETS	PER
	1259-2130-100	Single Mount complete set A + C + D	SET
	1259-2120-100	Single mount for second chair C	SET

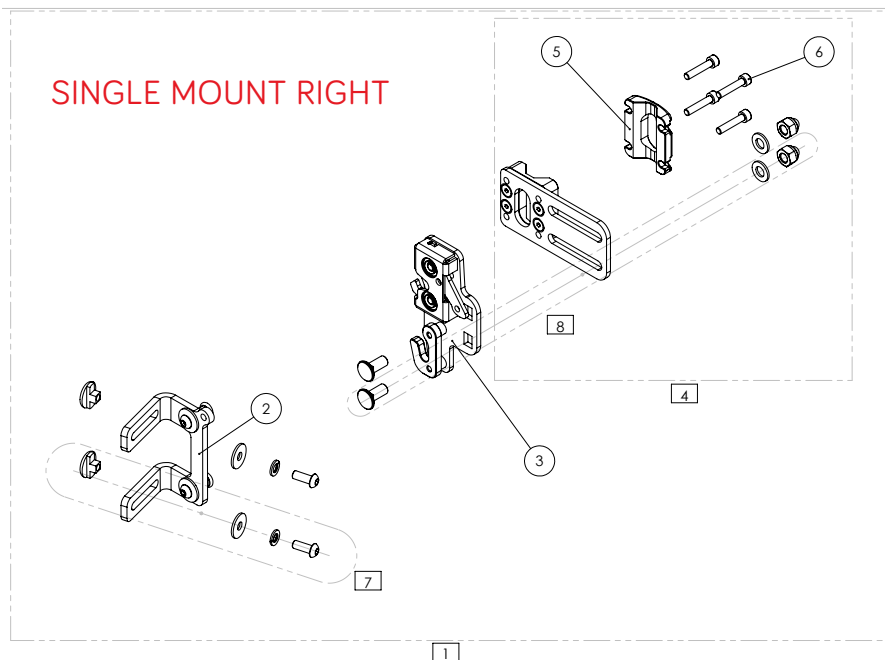
Single Mount hardware is suitable for back supports up to 18" in height



Back Support Hardware: Single



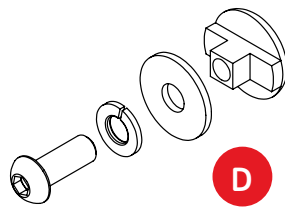
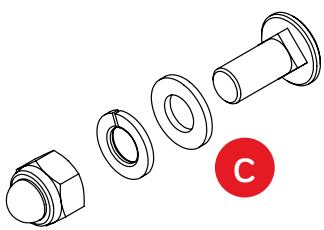
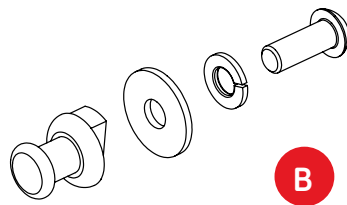
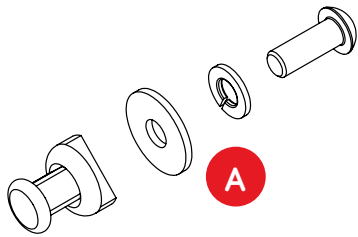
Item	Part Number	Article Description	Qty	Qty/Asy
1		Single Mount Left	1	1
Sub Assemblies				
2	A-00129	Single Mount Assy	1	1
3	A-00121	Backrest Mount Left	1	1
4	A-01032	Single Mount Bracket Left	1	1
Common Parts				
5	P-00469	50mm Clamp	1	1
6	0052-4CS0-M5X25BK	M5 x 25 Cap Screw	4	4
7	A-00866	6mm T Nut Set	1	2
8	A-00867	M8 Square Nut Set	1	2



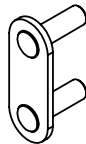
Item	Part Number	Article Description	Qty	Qty/Asy
1		Single Mount Right	1	1
Sub Assemblies				
2	A-01031	Single Mount Bracket Right	1	1
3	A-00128	Backrest Mount Right	1	1
4	A-00129	Single Mount Assy	1	1
Common Parts				
5	P-00469	50mm Clamp	1	1
6	0052-4CS0-M5X25BK	M5 x 25 Cap Screw	4	4
7	A-00866	6mm T Nut Set	1	2
8	A-00867	M8 Square Nut Set	1	2

Back Support Fastener Kits

QTY	#	ITEM CODE	FASTENER KIT	PER
	A	A-01106	Anti-Tilt locking peg set	EA
	B	A-00892	Locking peg set	EA
	C	A-00867	Square neck bolt set	EA
	D	A-00866	T-Slot assembly set	EA

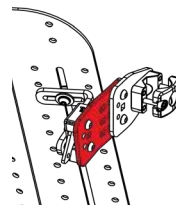


QTY	CODE	FIXING STUDS
	1258-0030-100	16 mm fixing stud
	1258-0031-100	20 mm fixing stud
	1258-0032-100	25 mm fixing stud

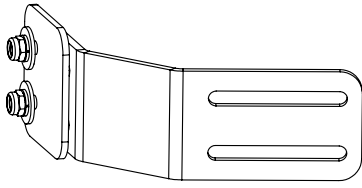


QUAD MOUNT EXTENSIONS

QTY	CODE	QUAD MOUNT EXTENSIONS TO FIT EXISTING HARDWARE
	1259-2451-100	Quad Mount extended upgrade for existing hardware: to increase back angle by $\approx 10^\circ$
	1259-2453-100	Quad Mount extended upgrade for existing hardware: to increase seat depth



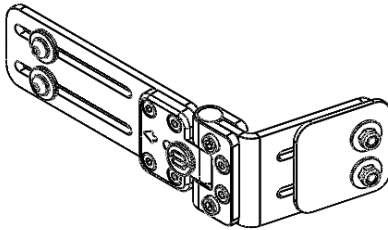
Lateral Trunk Support Hardware



FIXED BRACKET

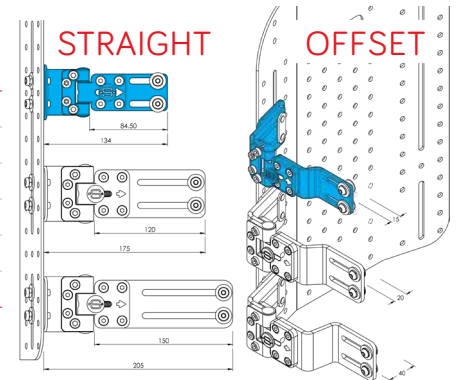
QTY	STYLE	CODE
	Fixed	1267-2101-100
	Kidz Fixed	1267-2111-100

Narrow Curved pad unavailable with Fixed Bracket

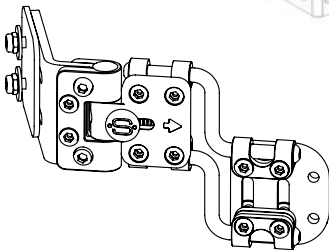


STANDARD SWING-AWAY

QTY	STYLE	CODE
	Swing-Away, straight	1267-2201-100
	Kidz Swing-Away, straight	1267-2211-100
	Swing-Away, straight extend	1267-2202-100
	Swing-Away, offset 20mm	1267-2203-100
	Kidz SwingAway, offset 15mm	1267-2213-100
	Swing-Away, offset 40mm	1267-2204-100



QTY	BRACKET COMPONENTS	CODE
	Straight bracket	1267-1001-100
	Kidz Straight bracket	1267-1011-100
	Straight extended bracket	1267-1002-100
	Offset 20mm bracket	1267-1003-100
	Kidz Offset 15mm bracket	1267-1013-100
	Offset 40mm	1267-1004-100
	Back mount bracket	1267-1100-100
	Kidz Back mount bracket	1267-1110-100



SWING-AWAY AXIAL

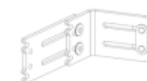
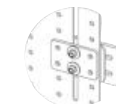
QTY	STYLE	CODE
	Axial	1267-2301-100
	Kidz Axial	1267-2311-100

BRACKET UPGRADE OPTIONS

Unavailable for Kidz brackets

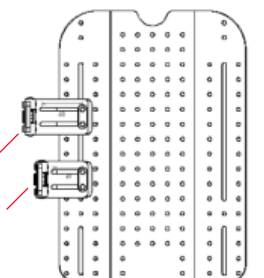
AVAILABLE FOR

QTY	STYLE	FIXED	S/AWAY	AXIAL	CODE
	Cane Mounts. For attachment directly to wheelchair canes.				
	Left Cane Mount	✗	✓	✓	1266-2411-100
	Right Cane Mount	✗	✓	✓	1266-2412-100
	Reinforcement plate. For forceful side leaning or clients over 100 kg.	✓	✓	✓	1266-2450-100
	Deep Contour Bracket Kit: extends depth by 30 mm.	✗	✓	✓	1266-2420-100
	Deep Contour Extended Bracket Kit: extends depth up to 115 mm (Generally used with Supershape Back Supports with extensive contouring).	✗	✓	✓	1266-2430-100
	Kidz Lateral Bracket Upgrade: 20mm shorter along shell for closer positioning of laterals	✗	✓	✓	1266-2442-100
	Kidz Lateral Bracket Upgrade: 20mm longer along shell for increased width growth	✗	✓	✓	1266-2444-100



Kidz Lateral Bracket Upgrade
1266-2444-100

Kidz Lateral Bracket Upgrade
1266-2442-100



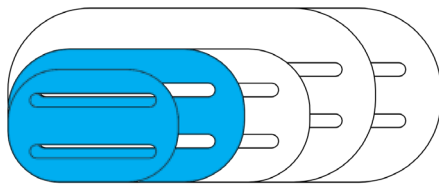
Items listed in blue text are part of the Spex® Kidz Range.

Lateral Trunk Support Pads

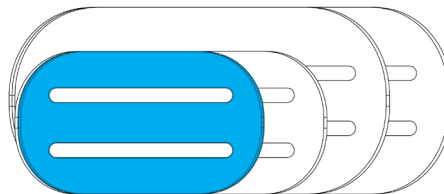


PAD STYLE	HEIGHT (mm)	DEPTH (mm)	QTY	PAD WITH STD COVER	QTY	PAD WITH COMFY-COVER	QTY	STD COVER ONLY	QTY	COMFY-COVER ONLY
Narrow Straight 0	85	115		1267-3010-400		1267-3010-800		1267-3610-600		1267-3610-800
Narrow Straight 1	95	145		1267-3011-400		1267-3011-800		1267-3611-600		1267-3611-800
Narrow Straight 2	95	180		1267-3012-400		1267-3012-800		1267-3612-600		1267-3612-800
Narrow Straight 3	115	210		1267-3013-400		1267-3013-800		1267-3613-600		1267-3613-800
Narrow Straight 4	115	240		1267-3014-400		1267-3014-800		1267-3614-600		1267-3614-800
Narrow Curved 1	95	145		1267-3021-400		1267-3021-800		1267-3611-600		1267-3611-800
Narrow Curved 2	95	180		1267-3022-400		1267-3022-800		1267-3612-600		1267-3612-800
Narrow Curved 3	115	210		1267-3023-400		1267-3023-800		1267-3613-600		1267-3613-800
Narrow Curved 4	115	240		1267-3024-400		1267-3024-800		1267-3614-600		1267-3614-800
Broad 1	105	130		1267-3031-400		1267-3031-800		1267-3631-600		1267-3631-800
Broad 2	125	140		1267-3032-400		1267-3032-800		1267-3632-600		1267-3632-800
Broad 3	140	150		1267-3033-400		1267-3033-800		1267-3633-600		1267-3633-800
Broad 4	160	155		1267-3034-400		1267-3034-800		1267-3634-600		1267-3634-800
Broad 5	195	165		1267-3035-400		1267-3035-800		1267-3635-600		1267-3635-800
Broad 6	230	175		1267-3036-400		1267-3036-800		1267-3636-600		1267-3636-800

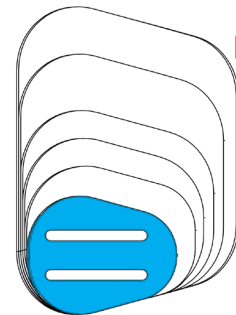
NARROW STRAIGHT



NARROW CURVED



BROAD



QTY	ITEM CODE	ITEM
	1267-3851-800	Small Strap for use with Kidz Swing-Away bracket
	1267-3852-800	Medium Strap for use with Regular Swing-Away bracket or Axial Kidz bracket
	1267-3853-800	Large Strap for use with Axial bracket



FABRIC CUSTOM OPTIONS

QTY	Default			
TYPE	Neoprene both sides	GlideWear anti-shear fabric on internal face	Spextex. Wipe-down, waterproof	Spextex. Knitted side fabric finish
CODE		1261-3849-295	1261-3849-209	1261-3849-219

OTHER CUSTOM OPTIONS

QTY				
CUSTOM	½" SunMate® overlay: internal /top surface	½" Gel-foam overlay: internal /top surface	Neoprene sleeve to protect hardware	Other customisation, specify:
CODE	1261-3846-400	1261-3847-400	1261-3848-400	1261-5839-400

Medial Thigh Support

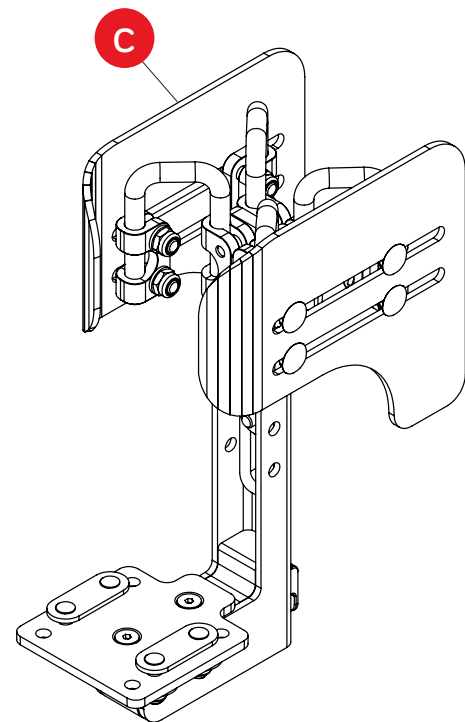
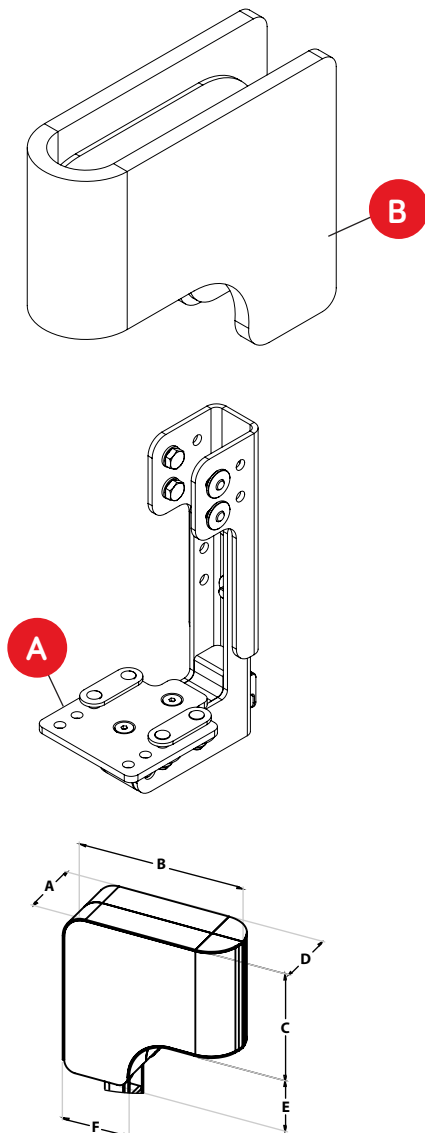
QTY	#	ITEM CODE	DESCRIPTION	PER
	A	1162-1510-100	Swing-down, lift-off mechanism only	EA
	B		Standard Pad with cover	EA
		1162-1531-400	Size 1	
		1162-1532-400	Size 2	
		1162-1533-400	Size 3	
	B		Standard Pad, cover only	EA
		1162-1541-600	Size 1	
		1162-1542-600	Size 2	
		1162-1543-600	Size 3	

QTY	#	ITEM CODE	DESCRIPTION	PER
	C		Axial-Adjust Pad with cover	EA
		1162-1631-400	Size 1	
		1162-1632-400	Size 2	
		1162-1633-400	Size 3	
	C		Axial-Adjust Pad, cover only	EA
		1162-1641-600	Size 1	
		1162-1642-600	Size 2	
		1162-1643-600	Size 3	

QTY	ITEM CODE	CUSTOMISATIONS
	1160-1579-209	Spextex. Wipe-down, waterproof finish*
	1160-1579-219	Spextex. Knitted side fabric finish*
	1160-1579-295	GlideWear anti-shear fabric

QTY	ITEM CODE	CUSTOMISATIONS
	1160-1576-000	½" SunMate® foam overlay
	1160-1577-000	½" Gel-Foam Overlay

* Standard pad only

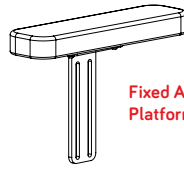


DIMENSIONS	SIZE	A (mm)	B (mm)	C (mm)	D (mm)	E (mm)	F (mm)
STANDARD PAD	1	60	145	95	40	40	65
	2	60	155	100	60	50	65
	3	60	185	105	60	60	75
AXIAL-ADJUST PAD	1	70-140	145	95	50-120	40	65
	2	70-140	155	100	60-140	50	65
	3	70-160	185	105	60-140	60	75

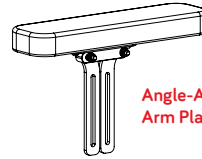
Arm/Thigh Support Components

(A) ARM PLATFORMS

QTY	ITEM CODE
	Fixed Arm Platform
	Fixed Kidz Arm Platform
	Angle-Adjust Arm Platform

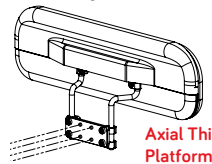
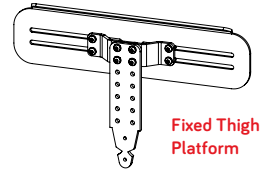
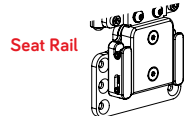
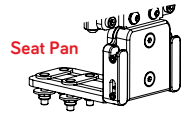
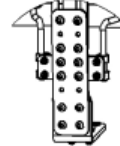


Fixed Arm Platform



Angle-Adjust Arm Platform

Arm Pad not included with Platforms - See (E)



(B) ARM/THIGH MOUNTS

QTY	QUICK RELEASE	QTY	SWING-DOWN	QTY	FIXED MOUNT
	1156-0000-110		1156-0000-120		1156-0000-130
	1156-0000-210		1156-0000-220		1156-0000-230

(C) THIGH PLATFORMS

QTY	FOR QUICK-RELEASE OR SWING-DOWN	QTY	FOR FIXED MOUNT
	1156-0012-000		1156-0022-000
	1156-0032-000		1156-0042-000
	1156-0011-000		1156-0021-000
	1156-0031-000		1156-0041-000

Thigh Pad not included with Platforms - See (D)

(D) THIGH SUPPORT PAD COVERS

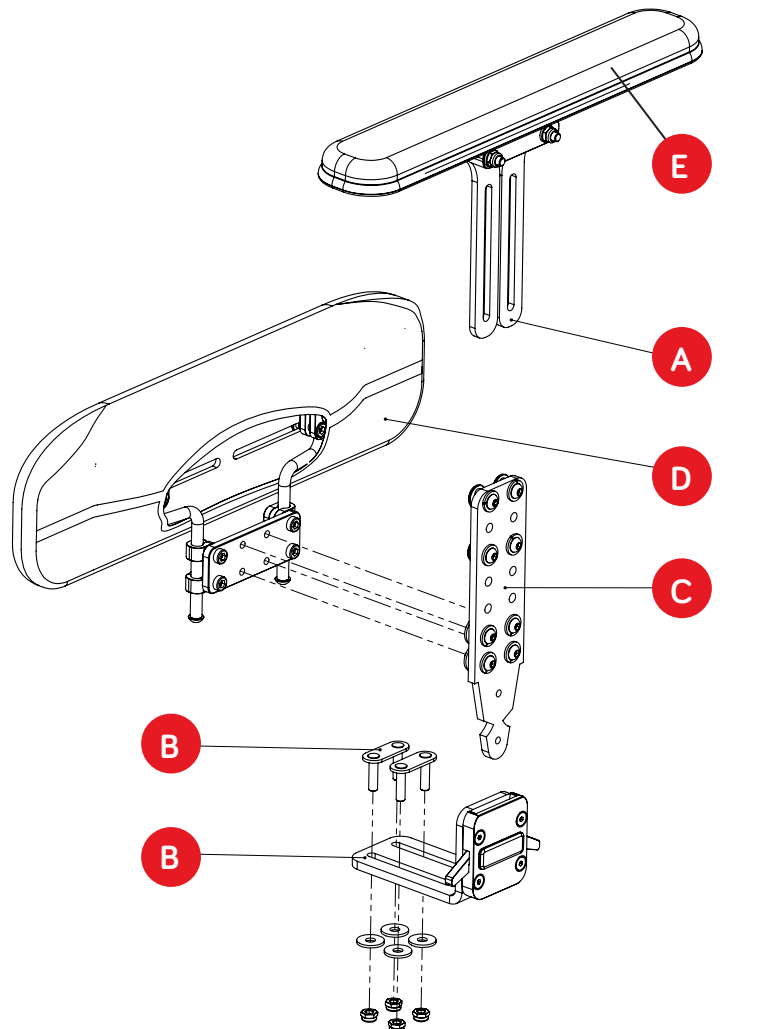
QTY	ITEM CODE	SIZE	A (mm)	B (mm)	PER
	1156-1010-600	10"	260	90	EA
	1156-1012-600	12"	310	90	EA
	1156-1014-600	14"	360	125	EA
	1156-1016-600	16"	410	140	EA
	1156-1018-600	18"	450	140	EA
	1156-1020-600	20"	510	160	EA
	1156-1029-600	Custom	XX	XX	EA

(D) THIGH SUPPORT COVER FABRIC CUSTOMISATIONS

QTY	ITEM CODE	CUSTOMISATION
	1153-1149-209	Spetex. Wipe-down, waterproof finish
	1153-1149-219	Spetex. Knitted side fabric finish
	1153-1149-295	GlideWear anti-shear fabric: internal face

(E) ARM SUPPORT PAD COVERS

QTY	ITEM CODE	SIZE	A (mm)	B (mm)	PER
	1156-5861-410	1 Narrow	40	250	EA
	1156-5862-410	2 Narrow	50	300	EA
	1156-5863-410	3 Narrow	60	350	EA
	1156-5871-410	1 Wide	70	250	EA
	1156-5872-410	2 Wide	80	300	EA
	1156-5873-410	3 Wide	90	350	EA
	1156-5879-410	Custom	XX	XX	EA



Notes

medifab®

Manufactured by Medifab Ltd

32 Detroit Drive
Rolleston 7675
New Zealand

+64 3 307 9790

solutions@medifab.com

www.spexseating.com



DISTRIBUTED BY:

US	REP	EC	REP
Medicapt 200 Homer Ave, Ashland MA 01721, United States Tel: +1-508-231-8842		BEO MedConsulting Berlin GmbH Helmholtzstr. 2 D-10587 Berlin, Germany Tel: +49-30-318045-30	



Spex Spare Parts Script JP 20200309