

Quickie® 5R

- with transit option without transit option

Supplier: This manual must be given to the rider of this wheelchair.

Owner's Manual

Rider: Before using this wheelchair read this entire manual and save for future reference.

Quickie® 5R

Distribuidor: Este manual debe ser entregado al pasajero de esta silla de ruedas.

Pasajero: Antes de usar esta silla de ruedas, lea este manual en su totalidad y guárdelo para futura referencia.

Manual de Instrucciones

Cada una de las sillas se envía con un manual de instrucciones en inglés. El manual en español o francés está disponible en formato PDF en nuestra página en Internet: www.SunriseMedical.com. Ingrese a la página del producto específico para descargar el manual, o comuníquese con el proveedor autorizado de Sunrise Medical.

Quickie® 5R

Au Fournisseur: Ce manuel doit être remis à l'utilisateur de ce fauteuil roulant.

À l'Usager : Veuillez lire tout le manuel et le conserver pour référence ultérieure.

Manuel d'instructions

Chaque fauteuil est livré avec un manuel d'instructions en anglais. Les versions en espagnol et en français sont à votre disposition en format PDF sur le site : www.SunriseMedical.com. Veuillez vous rendre à la page de votre produit pour télécharger le manuel dans la langue souhaitée, ou contactez un fournisseur agréé Sunrise Medical.



SUNRISE MEDICAL LISTENS

Thank you for choosing a Quickie wheelchair. We want to hear your questions or comments about this manual, the safety and reliability of your chair, and the service you receive from your Sunrise supplier. Please feel free to write or call us at the address and telephone number below:

**Sunrise Medical (US) LLC
Customer Service Department
2842 Business Park Ave
Fresno, CA 93727
(800) 333-4000**

Be sure to return your warranty card, and let us know if you change your address. This will allow us to keep you up to date with information about safety, new products and options to increase your use and enjoyment of this wheelchair. If you lose your warranty card, call or write and we will gladly send you a new one.

FOR ANSWERS TO YOUR QUESTIONS

Your authorized dealer knows your wheelchair best, and can answer most of your questions about chair safety, use and maintenance. For future reference, fill in the following:

Supplier: _____

Address: _____

Telephone: _____

Serial #: _____ Date/Purchased: _____

ADDITIONAL INFORMATION YOU SHOULD KNOW

No component of this chair was made with Natural Rubber Latex.

I. INTRODUCTION	2	J. Quick-Release Axles	13
II. TABLE OF CONTENTS	3	K. Rear Wheels	13
III. YOUR CHAIR AND ITS PARTS	4	L. Rear Wheel Locks	13
IV. NOTICE-READ BEFORE USE.....	5	M.Modified Seat Systems	13
A. Choose the Right Chair & Safety Options	5	N.Seat and Back Upholstery	14
B. Review This Manual Often	5	O.Backrest Tension Adjustable	14
C. Warnings	5	P. Rear Suspension option	14
V. GENERAL WARNINGS.....	5	VIII. USE AND MAINTENANCE	15
A. Weight Limits	5	A. Introduction	15
B. Intended Use	5	B. Critical Safety Checks.....	15
C.Attendants and Caregivers.....	5	C.Cleaning	15
D. Accessories	5	D.Safety Checklist	15
E. Know Your Chair	5	E. Troubleshooting Chart.....	15
F. Reduce The Risk of an Accident	6	F. To Mount & Remove Rear Wheels	16
G.Safety Checklist	6	G.Wheel Locks.....	16
H.Changes & Adjustments	6	H.Padded Swing-away Armrest Option	17
I. Environmental Conditions	6	I. Height Adjustable Armrests Option.....	17
J. Terrain	6	J. Flip-up Footplate.....	17
K. Street Use	6	K. Back Angle Performance	18
L. Motor Vehicle Safety	6	L.Backrest Tension Adjustable.....	18
M.When You Need Help	7	M.Cushion Installation.....	19
VI. SAFETY WARNINGS: FALLS & TIP-OVERS.....	7	N.Storage Tips.....	19
A. Center of Balance	7	O.Check-Out	19
B. Dressing or Changing Clothes	7	IX DEALER SERVICE & ADJUSTMENT	20
C.Obstacles	7	A. Dealer Service Introduction.....	20
D.Front Caster Lift.....	8	B. Critical Maintenance Tips.....	20
E. Reaching or Leaning.....	8	C.Cleaning.....	20
F. Moving Backward.....	8	D.Rear Wheel Axle Nut Adjustment.....	20
G.Escalators.....	8	E. Wheel Locks.....	21
H.Ramps, Slopes & Sidehills	8	F. XTR Suspension Anti-Tip Tubes	21
I. Transfer	9	G.Armrest Receiver Attachment.....	22
J. Curbs & Single Steps.....	10	H.Padded Swing-away Armrests Option.....	22
K. Climbing a Curb or Single Step.....	10	I. Footrest Adjustment	22
L. Descending a Curb or Single Step.....	10	J. Casters	23
M.Stairs	11	K. Anti-Tip Flutter Kit Installation.....	24
N.Climbing Stairs	11	L. Back Adjustments.....	24
O.Descending Stairs	11	M.Rear Axle Adjustments	25
VII. WARNINGS: COMPONENTS & OPTIONS	12	N.Center of Gravity Adjustment.....	26
A. Anti-Tip Tubes	12	O.Rear Wheel Spacing.....	27
B. Armrests	12	P. Seat Sling Adjustment	27
C.Cushion & Sling Seats	12	Q.Rear Seat Height Adjustment	28
D. Offset Seating.....	12	R. Rear Axle Plate Suspension	28
E. Fasteners	12	S. XTR Suspension	28
F. Footrests.....	12	T. Check Out.....	28
G.Pneumatic Tires	12	X. SUNRISE LIMITED WARRANTY	29
H.Positioning Belts Option	13		
I. Push Handles Option.....	13		



1. Backrest
2. Tire
3. Seat Sling
4. Wheel Lock
5. Foot Platform
6. Caster Fork
7. Caster Wheel
8. Caster Arm
9. Camber Tube
10. Handrim
11. Wheel Rim
12. Quick-Release Axle
13. Axle Plate
14. Folding Backrest Bracket
15. Push Handle

Note: All features may not be available with some chair setups or in conjunction with another chair feature. Please consult your authorized dealer for more information.

QUICKIE 5R

Weight

Chair weight will vary per component options

Adjustments

Caster angle, CG(Center of Gravity), rear seat height, back angle, footrest length, rear wheel spacing

Color

Quickie colors

Frame Dimensions

Frame width: Std 12" - 20"
(XTR Suspension: 14" - 20")
Seat depth: 12" - 20"
(XTR Suspension: 14" - 20")

Backrest

Non-folding
Folding Lock Down Angle Adjustable
Height-Adjustable & angle: 11"-14", 12"-16",
16"-20"
Fixed Height: 10"-20"
Opt- Adjustable upholstery, vented adjustable
upholstery, folding push handles

Footrest

Std- Tubular
Opt- Tubular w/Cover,
Angle Adjustable Platform
Aluminum

Casters

Std-5" Low-profile Polyurethane
Opt-5" Semi Pneumatic, Aluminum soft roll
Opt-4" Low-profile Poly, 4" Micro Light Up
Aluminum Poly, 4"x1.5" Aluminum soft
Roll, 4"x 1.25 Semi Pneumatic
3" Micro, 3" Micro Light Up
4", 5" & 6" x 1-1/2" wide poly
6" Poly, Frog Legs.

Armrests

Opt- Padded Swing-Away
Opt- Single-Post Height-Adjustable

Axle Bracket

Std- Fore/Aft CG Adjustable Bracket
Opt Camber- 0°, 3°, 6°,
XTR Camber- 0°, 4°, 8°, amputee

Axles

Std- stainless steel
Opt- quad-release axle nuts

Anti-tip tubes

Opt- Rear anti-tip tubes, Flip-up.

Standard rear wheels

Std- Lite Spoke, 5 spoke Mag

Quickie Performance wheels

Opt- Spinergy
Opt- Ultra lightweight
Opt - SPOX, LX Black
Opt- Mountain
Opt- Topolino carbon with Red or yellow
spokes

Tire size

Std- 24"
Opt- 20", 22", 25", 26"

Tire types

Std - Pneumatic
Opt - Airless insert, Poly, Kevlar (24" only),
High-pressure clinchers (24", 26" only),
Mountain bike (24" only), Full Poly, Shox,
Knobby V-TRAK, Schwalbe Marathon
Plus,

Hand rims

Std- aluminum
Opt- plastic-coated vertical/oblique
projections
Natural Fit
Surge, and Q-Grip

Wheel locks

High-push, high-pull, ergo scissor
Opt- compact

A. CHOOSE THE RIGHT CHAIR & SAFETY OPTIONS

Sunrise provides a choice of many wheelchair styles to meet your needs. This product is intended for single person use only. Final selection of the type of wheelchair, options and adjustments rests solely with you and your health care professional. Choosing the best chair for your unique mobility needs, will depend on such things as:

1. Your disability, strength, balance and coordination.
2. The types of hazards you must overcome in daily use (where you live and work, and other places you are likely to use your chair).
3. The need for options that will improve your positioning, safety and comfort (such as anti-tip tubes, positioning belts, or special seating systems).

B. REVIEW THIS MANUAL OFTEN

Before using this chair you, and each person who may assist you, should read this entire manual and make sure to follow all instructions. Review the warnings often, until they are second nature to you.

C. WARNINGS 

The word “WARNING” refers to a hazard or unsafe practice that may cause severe injury or death to you or to other persons. The “Warnings” are in three main sections, as follows:

I. V — GENERAL WARNINGS

Here you will find a safety checklist and a summary of risks you need to be aware of before you ride this chair.

2. VI— SAFETY WARNINGS: FALLS & TIP-OVERS

Here you will learn about practices for the safe use of your chair, and how to avoid a fall or tip-over while you perform daily activities in your chair.

3. VII — WARNINGS — COMPONENTS & OPTIONS

Here you will learn about the components of your chair and options you can select for safety. Consult your authorized dealer and your health care professional to help you choose the best set-up and options for safe use.

NOTE — Where they apply, you will also find “Warnings” in other sections of this manual. Heed all warnings in these sections. If you fail to do so a fall, tip-over or loss of control may occur and cause severe injury to the rider or others.

V. GENERAL WARNINGS

A. WEIGHT LIMITS** WARNING**

NEVER exceed the weight limit specified by Sunrise Medical. The weight capacity provided by your manufacturer is for the combined weight of a rider and items carried using on-board storage. If you do exceed the weight limit, damage to your chair, a fall, tip-over or loss of control may occur and cause severe injury to the rider or others.

Weight Capacity

Quickie 5R - 265lbs/(120Kg).

B. INTENDED USE

The Quickie 5R wheelchair's intended use is to provide mobility to persons limited to a sitting position.

 WARNING

DO NOT use this device for purposes other than what is intended by the manufacturer

1. The wheelchair is not designed for weight training and is unsafe for use as a seat while weight training. Weight training from the wheelchair substantially changes the stability of the chair and may cause tipping.
2. DO NOT stand on the frame of the wheelchair.
3. NEVER allow someone to stand on your chair or use it as a step ladder.
4. This chair is designed for a single rider only.
5. Unauthorized modifications and use of parts or accessories not supplied or approved by Sunrise Medical may change the chair structure. This will void the warranty and may cause a safety hazard. If the warning is ignored, damage to your chair, and the potential for severe injury of the person using the chair for unintended purposes can occur.

C. ATTENDANTS AND CAREGIVERS** WARNING**

Before you assist a rider, be sure to read all warnings contained in this manual, and follow all instructions that apply. Be aware that after consulting a healthcare professional, you will need to learn safe and proven body mechanics to use and create assistive methods best suited to your abilities.

D. ACCESSORIES** WARNING**

Unauthorized modifications or use of parts, or accessories not supplied or approved by Sunrise Medical may change the chair structure. This will void the warranty and may cause a safety hazard.

Some problems that may occur, but are not limited to:

1. Incorrect Wheels and/or tires that put the rider at risk of a fall or tip-over.
2. Adding a component to the frame, changing the structural integrity of the chair.
3. Any modification or disassembly can potentially create an unsafe situation where rider and/or attendant are put at risk.

E. KNOW YOUR CHAIR** WARNING**

Every wheelchair is different. Take the time to learn the feel of this chair before you begin riding. Start slowly, with easy, smooth strokes. If you are used to a different chair, you may use too much force and tip over. If you use too much force, damage to your chair, a fall, tip-over or loss of control may occur and cause severe injury to the rider or others.

F. REDUCE THE RISK OF AN ACCIDENT

⚠ WARNING

1. BEFORE you begin riding, you should be trained in the safe use of this chair by your health care professional.
2. Practice bending, reaching and transfers until you know the limit of your ability. Have someone help you until you know what can cause a fall or tip-over and how to avoid doing so.
3. Be aware that you must develop your own methods for safe use best suited to your level of function and ability.
4. NEVER try a new maneuver on your own. Ask the advice of your health care provider to lower the risk of a fall or tip over.
5. Get to know the areas where you plan to use your chair. Look for hazards and learn how to avoid them.

G. SAFETY CHECKLIST

⚠ WARNING

Before Each Use Of Your Chair:

1. Make sure the chair rolls easily and that all parts work smoothly. Check for noise, vibration, or a change in ease of use. (This may indicate low tire pressure, loose fasteners, or damage to your chair).
2. Inspect for any problems. Your authorized dealer can help you find and correct the problem(s).
3. Check to see that both quick-release rear axles are locked. When locked, the axle button will “pop out” fully. If not locked, the wheel may come off and cause you to fall.
4. If your chair has anti-tip tubes, lock them in place.

H. CHANGES & ADJUSTMENTS

⚠ WARNING

1. See your healthcare professional and have them adjust seating components any time a change or adjustment needs to be made.
2. Unauthorized modifications or use of parts not supplied or approved by Sunrise may change the chair structure. This will void the warranty and may cause a safety hazard.

If you fail to heed these warnings, damage to your chair, a fall, tip-over or loss of control may occur and cause severe injury to the rider or others.

I. ENVIRONMENTAL CONDITIONS

⚠ WARNING



1. Use extra care if you must ride your chair on a wet or slick surface. If you are in doubt, ask for help.
2. Contact with water or excess moisture may cause your chair to rust or corrode. Avoid all extreme weather situations if possible.
 - a. Do not use your chair in a shower, pool or other body of water. The chair tubing and parts are not water-tight and may rust or corrode from the inside.
 - b. Avoid excess moisture (for example, do not leave your chair in a damp bathroom while taking a shower).
 - c. Dry your chair as soon as you can if it gets wet, or if you use water to clean it.

If you fail to heed these warnings, damage to your chair, a fall, tip-over or loss of control may occur and cause severe injury to the rider or others.

J. TERRAIN

⚠ WARNING

1. Based on ANSI/RESNA testing, Sunrise Medical recommends the use of a caster wheel with a minimum diameter of 5”, if the wheelchair will be overcoming obstacles up to 1/2” on a regular basis.
2. Your chair is designed for use on firm, even surfaces such as concrete, asphalt, indoor flooring, and carpets.
3. Do not operate your chair in sand, loose soil, or over rocky terrain.
4. If you use your chair on terrain that is rougher than described above there is a danger that screws and bolts will loosen prematurely, and that damage to wheels or axles could put the rider at risk of a fall, tip-over, or loss of control.

If you fail to heed these warnings, damage to your chair, a fall, tip-over or loss of control may occur and cause severe injury to the rider or others.

K. STREET USE

⚠ WARNING

1. This product is not intended for street use.
2. Avoid streets whenever possible.
3. Obey and follow all legal pedestrian pathways, and laws that apply to pedestrians.
4. Be alert to the danger of motor vehicles in parking lots, or if you must cross a road.

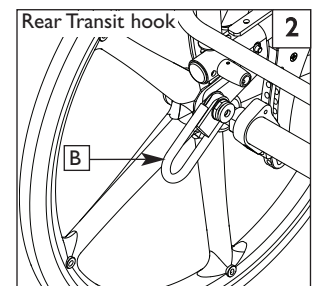
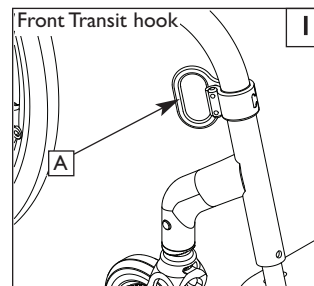
If you fail to heed this warning, damage to your chair, and a possible collision may occur and cause severe injury to the rider or others.

L. MOTOR VEHICLE SAFETY 1 2

If possible and feasible, the rider should transfer to the Original Equipment Manufacturer vehicle seat and use the OEM vehicle restraint.

Sunrise Medical does provide a WC-19 Wheelchair Tie-Down and Occupant Restraint System, otherwise called a Transit Option. To identify whether your wheelchair has been manufactured with the Transit Option installed, look for four points of securement. Two front points (A), and two rear points (B). These points are recognized by the securement point decal which can be found on or near the securement points.

If your wheelchair is equipped with the Transit Option, please review the Transit Securement supplement that was provided with the wheelchair for additional information and instructions. You can request a copy from your authorized dealer, or call Sunrise medical at 1-800-333-4000 if you don't have it.



Look for this symbol on your wheelchair. It indicates wheelchair securement points which conform to ANSI/RESNA (1998) V.1 - Section 19 and/or ANSI/RESNA (2012) V.4 WC-19. For more Transit related information, see the “Transit Securement Supplement” included with your chair.

⚠ WARNING

If your chair is **NOT** equipped with the Transit Option:

1. NEVER let anyone sit in this chair while in a moving vehicle.
 - a. ALWAYS move the rider to an approved vehicle seat.
 - b. ALWAYS secure the rider with proper motor vehicle restraints.
2. In an accident or sudden stop the rider may be thrown from the chair. Wheelchair seat belts will not prevent this, and further injury may result from the belts or straps.
3. NEVER transport this chair in the front seat of a vehicle. It may shift and interfere with the driver.
4. ALWAYS secure this chair so that it cannot roll or shift.
5. Do not use any chair that has been involved in a motor vehicle accident. The frame and/or components may have been changed due to the accident. Such items could be, but are not limited to: bent, loosened, and/or broken components that were subjected to an impact.

Failure to heed these warnings puts you and others who may assist you at a high risk of injury.

M. WHEN YOU NEED HELP**⚠ WARNING**

For The Rider: Make sure that each person who helps you reads and follows all warnings and instructions that apply.

For Attendants:

1. Work with the rider's doctor, nurse or therapist to learn safe methods best suited to your abilities and those of the rider.
2. Tell the rider what you plan to do, and explain what you expect the rider to do. This will put the rider at ease and reduce the risk of an accident.
3. Make sure the chair has push handles. They provide secure points for you to hold the rear of the chair to prevent a fall or tip-over. Check to make sure push handle grips will not rotate or slip off.
4. To prevent injury to your back, use good posture and proper body mechanics. When you lift or support the rider or tilt the chair, bend your knees slightly and keep your back as upright and straight as you can.
5. Remind the rider to lean back when you tilt the chair backward.
6. When you descend a curb or single step, slowly lower the chair in one easy movement. Do not let the chair drop the last few inches to the ground. This may damage the chair or injure the rider.
7. To avoid tripping, unlock and rotate anti-tip tubes up, out of the way.
8. Whenever you aren't attending the wheelchair, ALWAYS use the wheel-lock to secure the rear wheels, and lock the anti-tip tubes in place.

If you fail to ask for help when in doubt, you run a high risk of a fall, tip-over or loss of control that may occur and cause severe injury to the rider or others.

VI. SAFETY WARNINGS: FALLS & TIP-OVERS**A. CENTER OF BALANCE****⚠ WARNING**

The point where this chair will tip forward, back or to the side depends on its center of balance and stability. How your chair is set up, the options you select and the changes you make may affect the risk of a fall or tip-over.

1. The Most Important Adjustment Is:

The position of the rear wheels. The more you move the rear wheels forward, the more likely your chair will tip over backward.
2. The Center Of Balance Is Also Affected By:
 - a. A change in the set-up of your chair, including:
 - The distance between the rear wheels.
 - The amount of rear wheel camber.
 - The seat height and seat angle.
 - Backrest angle.
 - b. A change in your body position, posture or weight distribution.
 - c. Riding your chair on a ramp or slope.
 - d. A back pack or other options and the amount of added weight.
3. To Reduce The Risk Of An Accident:
 - a. Consult your healthcare professional to find out what axle and caster position is best for you.
 - b. Consult your authorized dealer BEFORE you modify or adjust this chair. Be aware that you may need to make other changes to correct the center of balance.
 - c. Have someone help you until you know the balance points of your chair and how to avoid a tip-over.
 - d. Use anti-tip tubes.

If you fail to heed these warnings, you are at a high risk of a fall, tip-over or loss of control that could cause severe injury to the rider or others.

B. DRESSING OR CHANGING CLOTHES**⚠ WARNING**

Your weight may shift if you dress or change clothes while seated in this chair.

To reduce the risk of a fall or tip-over:

1. Rotate the front casters until they are as far forward as possible. This makes the chair more stable.
2. Lock anti-tip tubes in place. (If your chair does not have anti-tip tubes, back it up against a wall and lock both rear wheels).

If you fail to heed this warning, damage to your chair, a fall, tip-over or loss of control may occur and cause severe injury to the rider or others.

C. OBSTACLES**⚠ WARNING**

Riding over curbs or obstacles can cause tipping and serious bodily harm. If you have any doubt that you can safely cross any curb or obstacle, ALWAYS ASK FOR HELP. Be aware of your riding skills and personal limitations. Develop new skills only with the help of a companion.

To avoid the risk of traversing obstacles:

1. Keep a lookout for danger – scan the area well ahead of your chair as you ride.
2. Make sure the floor areas where you live and work are level and free of obstructions.
3. Remove or cover threshold strips between rooms.
4. Install a ramp at entry or exit doors. Make sure there is not a drop off at the bottom of the ramp.
5. To Help Correct Your Center Of Balance:
 - a. Lean your upper body FORWARD slightly as you go UP over an obstacle.
 - b. Press your upper body BACKWARD as you go DOWN from a higher to a lower level.
6. If your chair has anti-tip tubes, do not go over an obstacle without help.
7. Keep both of your hands on the handrims as you go over an obstacle.
8. Never push or pull on an object (such as furniture or a doorjamb) to propel your chair.

If you fail to heed these warnings, damage to your chair, a fall, tip-over or loss of control may occur and cause severe injury to the rider or others.

D. FRONT CASTER LIFT

⚠ WARNING

Front caster lift can occur when the front wheels, ordinarily in contact with the ground, are either intentionally, or unintentionally caused to lift from the ground while the rear wheels remain in contact. Pitch control (partial or full) should NEVER be attempted without consulting your healthcare professional and making sure that anti-tips are installed.

If you fail to heed this warning, you are at a high risk of damage to your chair, a fall, tip-over or loss of control that may occur and cause severe injury to the rider or others.

E. REACHING OR LEANING

⚠ WARNING

If you reach or lean it will affect the center of balance of your chair. This may cause you to fall or tip over. When in doubt, ask for help or use a device to extend your reach.

1. NEVER reach or lean if you must shift your weight sideways or rise up off the seat.
2. NEVER reach or lean if you must move forward in your seat to do so. Always keep your buttocks in contact with the backrest.
3. NEVER reach with both hands (you may not be able to catch yourself to prevent a fall if the chair tips).
4. NEVER reach or lean to the rear unless your chair has anti-tip tubes locked in place.
5. DO NOT reach or lean over the top of the seat back. This may damage one or both backrest tubes and cause you to fall.
6. If You Must Reach Or Lean:
 - a. Do not lock the rear wheels. This creates a tip point and makes a fall or tip-over more likely.
 - b. Do not put pressure on the footrests.
 - c. Move your chair as close as you can to the object you wish to reach.
 - d. Do not try to pick up an object from the floor by reaching down between your knees. You are less likely to tip if you reach to the side of your chair.
 - e. Rotate the front casters until they are as far forward as possible. This makes the chair more stable.
 - f. Firmly grasp a rear wheel or an armrest with one hand. This will help to prevent a fall if the chair tips.

If you fail to heed these warnings, damage to your chair, a fall, tip-over or loss of control may occur and cause severe injury to the rider or others.

F. MOVING BACKWARD

⚠ WARNING

Use extra care when you move your chair backward. Your chair is most stable when you propel yourself forward. You may lose control or tip over if one of the rear wheels hits an object and stops rolling.

1. Propel your chair slowly and smoothly.
2. If your chair has anti-tip tubes, make sure to lock them in place.
3. Stop often and check to be sure your path is clear.

If you fail to heed this warning, you are at a high risk of damage to your chair, a fall, tip-over or loss of control that may occur and cause severe injury to the rider or others.

G. ESCALATORS

⚠ WARNING

NEVER use this chair on an escalator, even with an attendant. If you do, a fall or tip-over is likely.

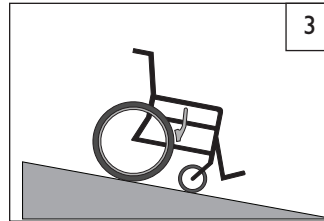
H. RAMPS, SLOPES & SIDEHILLS 3 4 5 6

⚠ WARNING

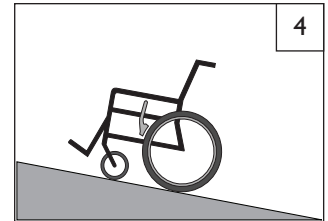
Whenever possible, avoid riding on a slope, which includes a ramp or side-hill. This will change the center of balance of your chair. Your chair is less stable and more difficult to maneuver when it is at an angle. When moving up a hill, anti-tip tubes may not prevent a fall or tip-over. Always ask for help when riding on slopes.

1. **Do not** use your chair on a slope steeper than 10°.
2. Avoid Sidehills. **Do not** use your chair on a sidehill with a slope steeper than 6°.
3. **Always** go straight up or straight down a slope. **Do not** "cut the corner" on a slope or ramp.
4. **Do not** turn or change direction on a slope.
5. **Do not** stop on a steep slope. If you stop, you may lose control of your chair.
6. **NEVER** use rear wheel locks to try to slow or stop your chair. This is likely to cause your chair to veer out of control.
7. **ALWAYS** be aware of:
 - a. Wet or slippery surfaces.
 - b. A change in grade on a slope (or a lip, bump or depression). These may cause a fall or tip-over.
 - c. A drop-off at the bottom of a slope or ramp. A drop-off as small as 3/4 inch can stop a front caster and cause the chair to tip forward.
8. To Reduce The Risk Of A Fall Or Tip-Over:
 - a. Lean or press your body UPHILL. This will help adjust for the change in the center of balance caused by the slope or sidehill.
 - b. Keep pressure on the handrims to control your speed on a down slope. If you go too fast you may lose control.
 - c. Ask for help any time you are in doubt.
9. Ramps at home & work— For your safety, ramps at home and work must meet all legal requirements for your area:
 - a. Avoid a drop off. You may need a section at the top or bottom to smooth out the transition.
 - b. Stay in the center of the ramp and control your speed.
10. When you have to use a ramp, always stay in the CENTER of the ramp. Make sure the ramp is wide enough so that you have no risk of going off the edge.

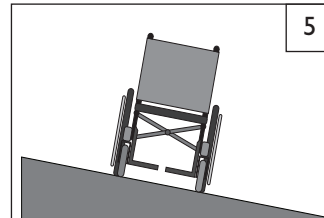
If you fail to heed these warnings, damage to your chair, a fall, tip-over or loss of control may occur and cause severe injury to the rider or others.



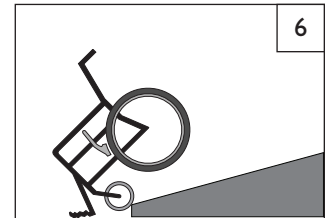
- IF you need to go down a hill:
- a. The downslope should be less than 10°
 - b. GO SLOWLY
 - c. ALWAYS go straight down
 - d. ALWAYS control your speed
 - e. DO NOT Turn on the hill.



- IF you need to go up a hill:
- a. The upslope should be less than 10°
 - b. ALWAYS go straight up
 - c. NEVER stop on the upslope
 - d. NEVER turn on a hill.
 - e. ALWAYS lean forward.



- IF you need to traverse a sidehill:
- a. The sidehill must be less than 6° or you risk a tip-over
 - b. DON'T STOP
 - c. ALWAYS go straight down
 - d. DO NOT turn on the hill.



- IF you need to traverse a ramp:
- a. GO SLOWLY
 - b. Watch out for drop-offs.
 - c. ALWAYS go straight down.
 - d. Stay centered on the ramp.
 - e. ALWAYS lean forward.

I. TRANSFERS 7 8

⚠ WARNING

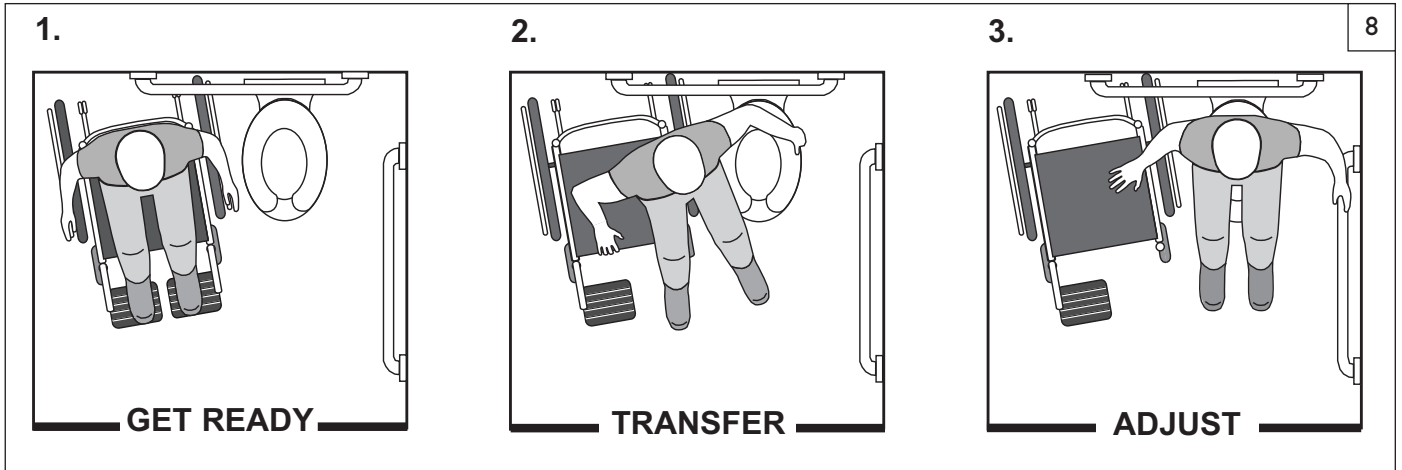
It is dangerous to transfer on your own. It requires good balance and agility. Be aware that there is a point during every transfer when the wheelchair seat is not below you. To avoid a fall:

1. Work with your health care advisor to learn safe methods for transfers.
 - a. Learn how to position your body and how to support yourself during a transfer.
 - b. Have someone help you until you learn safe transfer methods.
2. Lock the rear wheels before you transfer.
3. Be aware that the chair can still slide and/or tip. The wheel lock keeps the rear wheels from rolling while you are performing the transfer.
4. Make sure that the pneumatic tires are properly inflated. Low tire pressure may allow the rear wheel locks to slip. (see table in Section H "Pneumatic Tires")
5. Move your chair as close as you can to the seat you are transferring to. If possible, use a transfer board.
6. Rotate the front casters until they are as far forward as possible.
7. If you can, remove the footrests, or swing them out of the way.
 - a. Make sure your feet do not catch in the space between the footrests.
 - b. Avoid putting weight on the footrests as this may cause the chair to tip.
8. Make sure armrests are removed, or out of the way and do not interfere with the transfer.
9. Transfer as far back onto the seat surface as you can. This will reduce the risk that the chair will tip or move away from you.

Optimum Transfer position



Before transferring, remove the armrests, and footrests, and make sure the wheel lock is set.



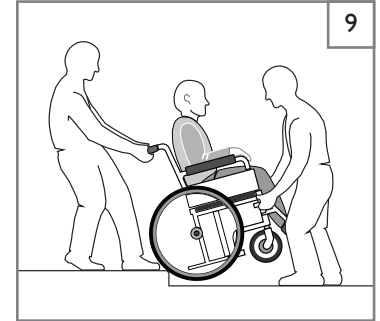
J. CURBS & SINGLE STEPS 9**⚠ WARNING**

Before riding over curbs, and negotiating even a single step, ALWAYS ask for assistance first. Curbs and steps can cause tipping and serious bodily harm. When in doubt as to your ability to avoid, or traverse any obstacle, always ask for help. Be aware of your riding skills and personal limitations. Develop new skills only with the help of a companion.

For Attendant: Each person who assists the rider with curbs and steps should read and follow all instructions and warnings pertaining to attendants and caregivers.

1. Do not try to climb a high curb or step (more than 4 inches high) UNLESS you have help. Doing so may cause your chair to exceed its balance point and tip over.
2. Go straight up and straight down a curb or step. If you climb or descend at an angle, a fall or tip-over is likely.
3. Be aware that the impact of dropping down from a curb or step can damage your chair or loosen fasteners.

If you fail to heed these warnings, damage to your chair, a fall, tip-over or loss of control may occur and can possibly cause severe injury to the rider or others.

K. CLIMBING A CURB OR SINGLE STEP 9**⚠ WARNING**

For Attendant: Follow these steps to help the rider climb a curb or single step going BACKWARD:

1. Stay behind the chair.
2. Continue backward until the rear wheels contact the face of the curb or step. Lift and roll the rear wheels to the top of the curb.
3. Pull the chair backwards until the caster wheels have cleared the edge of the curb and return the chair to a rolling position.

If you fail to heed these warnings, damage to your chair, a fall, tip-over or loss of control may occur and cause severe injury to the rider or others.

L. DESCENDING A CURB OR SINGLE STEP 9**⚠ WARNING**

For Attendant: Follow these steps to help a rider descend a curb or single step going FORWARD:

1. Stay at the rear of the chair.
2. Several feet before you reach the edge of the curb or step, tip the chair slightly and pull it backward.
3. When the chair is at its balance point, carefully step forwards until the rear wheels reach the edge of the curb or step. Then allow the rear wheels to slowly roll down onto the lower level.
4. Push the chair forward until you are standing on the lower level.
5. When the rear wheels are safely on the lower level, tilt the chair back to its balance point.

If you fail to heed these warnings, damage to your chair, a fall, tip-over or loss of control may occur and cause severe injury to the rider or others.

M. STAIRS 10**⚠ WARNING**

1. NEVER use this chair on stairs UNLESS you have someone to help you. Doing so is likely to cause a fall or tip-over.
2. Negotiating stairs with a wheelchair always requires at least two attendants for safety.

If you fail to heed these warnings damage to your chair, a fall, tip-over or loss of control may occur and cause severe injury to the rider or others.

N. CLIMBING STAIRS 10**⚠ WARNING**

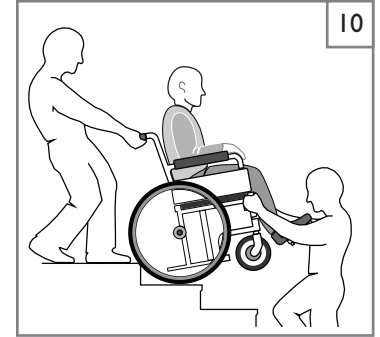
1. Use at least two attendants to move a chair and rider up stairs.
2. Move the chair and rider BACKWARD up the stairs.
3. The person at the rear is in control. He or she tilts the chair back to its balance point.
4. A second attendant at the front firmly grasps a non-detachable part of the front frame and lifts the chair up and over one stair at a time.
5. The attendants move to the next stair up. Repeat for each stair until you reach the landing.

If you fail to heed these warnings, damage to your chair, a fall, tip-over or loss of control may occur and cause severe injury to the rider or others.

O. DESCENDING STAIRS 10**⚠ WARNING**

1. Use at least two attendants to move a chair and rider down stairs.
2. Move the chair and rider FORWARD down the stairs.
3. The person at the rear is in control. He or she tilts the chair to the balance point of the rear wheels and rolls it to the edge of the top step.
4. A second attendant stands on the third step from the top and grasps the chair frame. He or she lowers the chair one step at a time by letting the rear wheels roll over the stair edge.
5. The attendants move to the next stair down. Repeat for each stair, until you reach the landing.

If you fail to heed these warnings damage to your chair, a fall, tip-over or loss of control may occur and cause severe injury to the rider or others.



A. ANTI-TIP TUBES



Anti-tip tubes can help keep your chair from tipping over backward in normal conditions.

1. Sunrise recommends the use of anti-tip tubes.
2. When locked in place (in the “down” position) anti-tip tubes should be BETWEEN 1 1/2 to 2 inches (3.75 to 5cm) off the ground.
 - a. If set **higher** than 2 inches (5cm), they may not prevent a tip-over.
 - b. If set **lower** than 1 1/2 inches, (3.75cm) they may “hang up” on obstacles and cause a fall or tip over.
3. If you have to climb or descend a curb, or overcome an obstacle it may be necessary to have an attendant make sure the anti-tip tubes are rotated up, and out of the way, so that the chair and rider do not get stuck and/or become unstable.

If you fail to heed these warnings damage to your chair, a fall, tip-over or loss of control may occur and cause severe injury to the rider or others.

B. ARMRESTS



Armrests detach and will not bear the weight of this chair.

1. NEVER lift this chair by its armrests. They may come loose or break.
2. Lift this chair only by non-detachable parts of the main frame.

If you fail to heed these warnings damage to your chair, a fall, tip-over or loss of control may occur and cause severe injury to the rider or others.

C. CUSHIONS & SLING SEATS



1. Quickie sling seats and standard foam cushions are not designed for the relief of pressure.
2. If you suffer from pressure sores, or if you are at risk that they will occur, you may need a special seat system or a device to control your posture. Consult your doctor, nurse or therapist to find out if you need such a device for your well-being.
3. Seat slings are not intended to be used as a direct seating surface. A cushion or other seating surface should be placed on the sling before use.

If you fail to heed these warnings damage to your chair, a fall, tip-over or loss of control may occur and cause severe injury to the rider or others.

D. OFFSET SEATING (Optional)



1. A fore/aft change in the backrest position will affect the center of balance of your chair.
2. Only use this option when installing a forward offset mounted seating solution, not using the standard back sling.
3. Each time you adjust or modify the backrest plane location, the change may make it easier to tip backwards. Use anti-tips.

E. FASTENERS



Many of the screws, bolts and nuts on this chair are special high-strength fasteners. Use of improper fasteners may cause your chair to fail.

1. ONLY use fasteners provided by an authorized dealer (or ones of the same type and strength, as indicated by the markings on the heads).
2. Over- or under-tightened fasteners may fail or cause damage to chair parts.
3. If bolts or screws become loose, tighten them as soon as you can.

F. FOOTRESTS



1. At the lowest point, footrests should be AT LEAST 2 inches off the ground. If set too LOW, they may “hang up” on obstacles you can expect to find in normal use. This may cause the chair to stop suddenly and tip forward.
2. To Avoid A Trip Or Fall When You Transfer:
 - a. Make sure your feet do not “hang up” or get caught in the space between the footrests.
 - b. Avoid putting weight on the footrests, as the chair may tip forward.
 - c. Footrests should be swung out of the way or removed whenever entering or exiting the wheelchair.
3. NEVER lift this chair by the footrests. Footrests detach and will not bear the weight of this chair. Lift this chair only by non-detachable parts of the main frame.
4. Never use the footrests of the chair to open doors, this may cause them to fail prematurely, and create an unsafe situation.

If you fail to heed these warnings damage to your chair, a fall, tip-over or loss of control may occur and cause severe injury to the rider or others.

G. PNEUMATIC TIRES



Proper inflation extends the life of your tires and makes your chair easier to use.

1. Do not use this chair if any of the tires are under- or over-inflated. Check weekly for proper inflation level, as listed on the tire sidewall.
2. Low pressure in a rear tire may cause the wheel lock on that side to slip and allow the wheel to turn when you do not expect it.
3. Low pressure in any of the tires may cause the chair to veer to one side and result in a loss of control.
4. Over-inflated tires may burst.

If you fail to heed these warnings damage to your chair, a fall, tip-over or loss of control may occur and cause severe injury to the rider or others.

Tires	Q5R	Recommended Pressure or Pressure Range	
		kPa	PSI
Pneumatic - 20"	x	448	65
Pneumatic - 22"	x	448	65
Pneumatic - 24"	x	517	75
Pneumatic - 26"	x	448	65
High Pressure Clincher (22")	x	690	100
High Pressure Clincher (24")	x	758	110
High Pressure Clincher (25")	x	758	110
High Pressure Clincher (26")	x	758	110
Knobby V-Track (24")	x	448	65
Schwalbe Marathon (24")	x	586 - 1000	85-145
Schwalbe Marathon (25")	x	586 - 1000	85-145
Schwalbe Marathon (26")	x	586 - 1000	85-145

H. POSITIONING BELTS (Optional)**⚠ WARNING**

The positioning belt is predominately used to support your posture. It can also be used to limit slipping and/or sliding that you might experience when the chair is in motion. The positioning belt is not a transit rated safety belt and should not be used in the place of a seat belt while being transported in a motor vehicle. Improper use of Positioning belts may cause severe injury or death. If you use a positioning belt, be sure to follow the recommendations in this section:

1. Make sure the rider does not slide down in the wheelchair seat. If this occurs, the rider may suffer chest compression or suffocate due to pressure from the belts.
2. The belts must be snug, but must not be so tight that they interfere with breathing. You should be able to slide your open hand, flat, between the belt and the rider.
3. A pelvic wedge or a similar device can help keep the rider from sliding down in the seat. Consult with the rider's doctor, nurse or therapist to find out if the rider needs such a device.
4. Use positioning belts only with a rider who can cooperate. Make sure the rider can easily remove the belts in an emergency.
5. NEVER use positioning belts
 - a. As a patient restraint. A restraint requires a doctor's order.
 - b. On a rider who is comatose or agitated.
 - c. As a motor vehicle restraint. In an accident or sudden stop the rider may be thrown from the chair. Wheelchair seat belts will not prevent this, and further injury may result from the belts or straps.

If you fail to heed these warnings, damage to your chair, a fall, tip-over or loss of control may occur and cause severe injury to the rider or others.

I. PUSH HANDLES (Optional)**⚠ WARNING**

When you have an attendant, make sure that this chair has push handles.

1. Push handles provide secure points for an attendant to hold the rear of this chair, to prevent a fall or tip-over.
2. Check to make sure push handle grips will not rotate or slip off.

J. QUICK-RELEASE AXLES**⚠ WARNING**

1. Do not use this chair UNLESS you are sure that both quick-release rear axles are locked.
2. An axle is not locked until the quick-release button pops out fully.
3. An unlocked axle may come off during use, resulting in a fall, tip-over or loss of control and cause severe injury to the rider or others.
 - Quick-Release Axles should be periodically cleaned and inspected for function and signs of wear or bending. Replace as necessary.

If you fail to heed these warnings damage to your chair, a fall, tip-over or loss of control may occur and cause severe injury to the rider or others.

K. REAR WHEELS**⚠ WARNING**

A change in set-up of the rear wheels will affect the center of balance of your chair.

1. The farther you move the rear axles FORWARD, the more likely it is that your chair will tip over backward.
2. Consult your healthcare professional to find the best rear axle set-up for your chair. Do not change the set-up UNLESS you consult your healthcare professional first.
3. Adjust the rear wheel locks after you make any change to the rear axles.
 - a. If you fail to do so, the wheel locks may not work.
 - b. Make sure lock arms embed in the tires at least 1/8 inch (3mm) when locked.

If you fail to heed these warnings, damage to your chair, a fall, tip-over or loss of control may occur and cause severe injury to the rider or others.

L. REAR WHEEL LOCKS**⚠ WARNING**

Rear wheel locks are NOT designed to slow or stop a moving wheelchair. Use them only to keep the rear wheels from rolling when your chair is at a complete stop.

1. NEVER use rear wheel locks to try to slow or stop your chair when it is moving. Doing so may cause a fall or tip-over.
2. To keep the rear wheels from rolling, always set both rear wheel locks when you transfer to or from your chair.
3. Low pressure in a rear tire may cause the wheel lock on that side to slip and may allow the wheel to turn when you do not expect it.
4. Make sure lock arms embed in tires at least 1/8 inch (3mm) when locked. If you fail to do so, the locks may not work.

If you fail to heed these warnings, damage to your chair, a fall, tip-over or loss of control may occur and cause severe injury to the rider or others.

M. MODIFIED SEAT SYSTEMS**⚠ WARNING**

Use of a seat system not approved by Sunrise may alter the center of balance of this chair. This may cause the chair to tip over.

1. Do not change the seat system of your chair UNLESS you consult your authorized dealer first.
2. Use of a seating system not approved by Sunrise may affect or interfere with other parts of the chair.
3. Use of a seating system not provided by Sunrise is prohibited for transit use.

If you fail to heed these warnings, damage to your chair, a fall, tip-over or loss of control may occur and cause severe injury to the rider or others.

N. SEAT AND BACK UPHOLSTERY**⚠ WARNING**

1. Replace worn or torn fabric of seat and seat back as soon as you can. If you fail to do so, the seat or seat back may fail.
2. Sling fabric will weaken with age and use. Look for fraying, thin spots, or stretching of fabrics especially at edges and seams.
3. "Dropping down" into your chair will weaken fabric and result in the need to inspect and replace the seat more often.
4. Be aware that laundering or excess moisture will reduce the flame retardation qualities of the fabric.
5. If Tension Adjustable upholstery is present, loosen straps or remove upholstery prior to folding or unfolding the chair.

If you fail to heed these warnings, damage to your chair, a fall, tip-over or loss of control may occur and cause severe injury to the rider or others.

O. BACKREST TENSION ADJUSTABLE

The Tension Adjustable Backrest is a versatile back intended to replace wheelchair seat sling upholstery. It is designed to provide simple, comfortable and effective support to help maximize function and increase seating tolerance. In addition, it is lightweight, durable, and easy to use.

Sunrise Medical recommends that a healthcare professional such as a doctor or therapist experienced in seating and positioning be consulted to determine if the Backrest Tension Adjustable is appropriate. Backs should only be installed by an authorized Sunrise Medical supplier.

Maximum user weight 265 lbs. (120 kg.)

⚠ WARNING

Installing a back support on a wheelchair may affect the center of gravity of the wheelchair and may cause the wheelchair to tip backwards potentially resulting in injury. Always assess for the potential need for anti-tippers to be added to the wheelchair to help increase the stability.

⚠ WARNING

Do not use the Backrest Tension Adjustable to push or lift the wheelchair. Improper use may cause the back to unexpectedly detach from the wheelchair.

If you fail to heed these warnings damage to your chair, a fall, tip-over or loss of control may occur and cause severe injury to the rider or others.

P. REAR SUSPENSION (Optional)**⚠ WARNING**

When replacing the suspension bushings, always use genuine Sunrise parts. Use of non-Sunrise replacement parts voids the warranty and could cause structural failure.

If you fail to heed these warnings, damage to your chair, a fall, tip-over or loss of control may occur and cause severe injury to the rider or others.

⚠ WARNING

The owner of this chair is responsible for making sure that it has been set up and adjusted by a trained service professional under the advice of a healthcare professional. The chair may require periodic safety and function checks or certain in-use adjustments that can be performed by the owner, caregiver or authorized dealer if desired. Always use parts and/or accessories that have been recommended or approved by Sunrise Medical when servicing this chair.

A. INTRODUCTION

1. Proper maintenance will improve performance and extend the useful life of your chair.
2. Clean your chair regularly. This will help you find loose or worn parts and make your chair easier to use. You will need a mild detergent solution and plenty of cleaning rags.
3. If discovered, have loose, worn, bent or damaged parts replaced **before using the chair.**
4. To protect your investment, have all major maintenance and repair work done by your authorized dealer.
5. **Inspect and maintain this chair strictly per the safety checklist.**
6. **If you detect a problem, make sure to order parts, or have service, and repair work done at your authorized dealer before use.**
7. **At least once per year, have a complete inspection, safety check, and service of your chair made by an authorized dealer.**

B. CRITICAL SAFETY CHECKS

1. Tire Air Pressure:

Check air pressure in pneumatic tires at least **ONCE PER WEEK.** The wheel locks will not grip properly if you fail to maintain the air pressure shown on tire sidewall.

2. Axles & Axle Sleeves:

When checking axles and axle sleeves every six months, make sure they are clean and tight. Loose sleeves will damage the axle plate and will affect performance.

3. Camber Tubes and Camber Plugs

Inspect the camber tubes and plugs every 6 months ensuring that all fasteners are tight and that no parts have moved from their preset positions.

C. CLEANING

1. Paint Finish

- a. Clean the painted surfaces with mild soap or detergent at least once a month.
- b. Protect the paint with a coat of non-abrasive auto wax every three months.

2. Axles and Moving Parts

- a. Clean around axles and moving parts WEEKLY with a slightly damp (not wet) cloth.
- b. Wipe off or blow away any fluff, dust or dirt on axles or moving parts.

3. Upholstery

- a. Hand-wash (machine washing may damage fabric).
- b. Drip-dry only. DO NOT machine dry as heat will damage fabric.

4. Basic Maintenance Materials available at local store

- a. Tire pump
- b. Tire pressure gauge
- c. Clean rags or cotton cloth.
- d. Teflon-based lubricant
- e. Mild detergent.

NOTE – You do not need to grease or oil the chair.

D. SAFETY CHECKLIST

Weekly	3 Months	6 Months	Annually	Safety & Function Check
<input checked="" type="checkbox"/>				Tire inflation level
<input checked="" type="checkbox"/>				Wheel locks
	<input checked="" type="checkbox"/>			Visually check for loose hardware
		<input checked="" type="checkbox"/>		Armrests
		<input checked="" type="checkbox"/>		Axle and axle sleeves
	<input checked="" type="checkbox"/>			Quick-release axles
	<input checked="" type="checkbox"/>			Wheels, tires and spokes
	<input checked="" type="checkbox"/>			Casters
	<input checked="" type="checkbox"/>			Anti-tip tubes
		<input checked="" type="checkbox"/>		Frame, Camber tubes, and Crossbrace
	<input checked="" type="checkbox"/>			Upholstery
			<input checked="" type="checkbox"/>	Service by Authorized Dealer

NOTE - The user or caregiver should perform these weekly and monthly checks to maintain the safety of their chair. If an item is not working properly, please contact your authorized dealer.

E. TROUBLESHOOTING CHART

Symptom	Solution					
	Left turn in chair	Right turn in chair	Looseness in chair	Sluggish turning	Squeaks and rattles	Caster flutter
<input checked="" type="checkbox"/>	<input checked="" type="checkbox"/>	<input checked="" type="checkbox"/>	<input checked="" type="checkbox"/>			Make sure tire pressure is correct and equal in both rear tires and front caster tires, if pneumatic.
		<input checked="" type="checkbox"/>	<input checked="" type="checkbox"/>	<input checked="" type="checkbox"/>	<input checked="" type="checkbox"/>	Make sure all nuts and bolts are tight.
		<input checked="" type="checkbox"/>		<input checked="" type="checkbox"/>		Make sure all spokes and nipples are tight on radial spoke wheels.
				<input checked="" type="checkbox"/>		Use Tri-Flow Lubricant (Teflon®-based) between frame connections and parts.
<input checked="" type="checkbox"/>	<input checked="" type="checkbox"/>		<input checked="" type="checkbox"/>		<input checked="" type="checkbox"/>	Check for proper caster fork adjustment. See instructions for caster fork adjustment.

F. TO MOUNT & REMOVE REAR WHEELS 11 12

The rear wheel axle (B) attaches the rear wheel thru to the camber plug (C). When the detent balls (D) engage into the camber plug the rear wheel effectively becomes locked onto the chair. Pushing the quick-release button (A) disengages the detent balls and allows mounting, or removal of the axle and wheel assembly.

⚠ WARNING

Do not use this chair UNLESS you are sure both quick-release axles are locked. An unlocked axle may come off during use and cause a fall. The detent ball (D) must feed all the way thru the axle sleeve for the axle and wheel to lock. Be sure to check for a positive lock by trying to pull the axle and wheel out of the camber plug/axle sleeve. If the axle does not positively engage make sure to have your dealer adjust it.

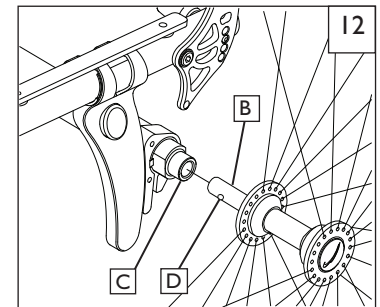
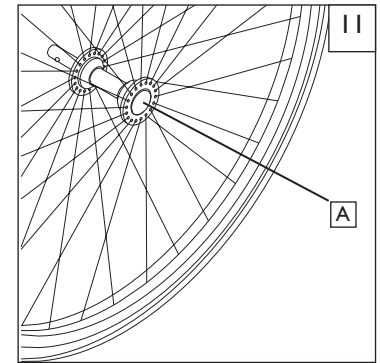
NOTE – Setup for this step should include putting the wheelchair on a workbench or table to make the process easier.

1. To Install the Wheel

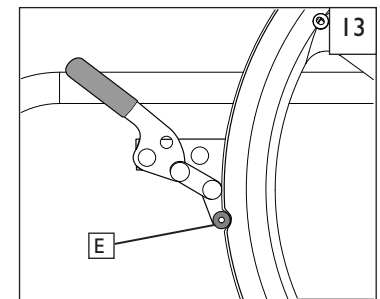
- Depress quick-release button (A) fully.
- Insert axle (B) through hub or rear wheel.
- Keep button (A) depressed as you slide axle (B) into camber plug (C).
- Release button to lock axle in the camber plug. The axle should be locked.
- Repeat these steps for the other side of your wheelchair.

2. To Remove the Wheel

- Depress quick-release button (A) fully.
- Remove wheel by sliding axle (B) out of camber plug (C)
- Repeat steps on the other side of your wheelchair.

**G. WHEEL LOCKS** 13**⚠ WARNING**

Wheel locks are installed at Sunrise and should be adjusted by your qualified service person. Inspect wheel locks weekly per the maintenance chart. Do not use your chair UNLESS you are sure both wheel-locks can fully engage. A wheel lock that is not correctly adjusted may allow your chair to roll, or turn unexpectedly. Wheel locks must be adjusted after making sure the tires have the correct air pressure. When fully engaged, the arm should be imbedded into the tire at least 1/8" (3mm) (E) to be effective. If you find the wheel locks have slipped or are not working correctly contact your service provider for proper adjustment.



H. PADDED SWING-AWAY ARMRESTS (OPTION) 14

1. Installation

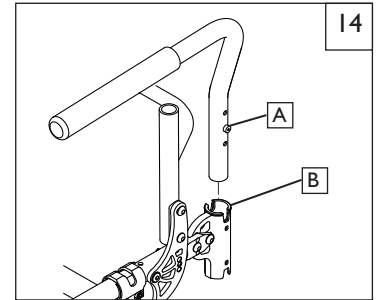
- a. Slide the armrest into the receiver tube on rear of frame.
- b. Make sure the bolt (A) is located into the slot (B) on receiver tube

2. Swinging Away

- a. Lift armrest out of the locked position and rotate to the side

3. Removing Armrest

- a. Pull armrest straight out of the receiver.



I. HEIGHT-ADJUSTABLE ARMRESTS (Optional) 15

1. Installation

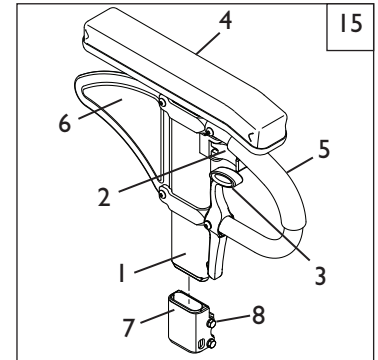
- a. Slide the outer armpost (1) into the receiver (7) mounted to the wheelchair frame.
- b. The armrest will lock into place if pressed down firmly.

2. Height Adjustment

- a. Rotate height release lever (2) to second stop.
- b. Slide armrest pad up or down to desired height.
- c. Return lever to locked position against armpost.
- d. Push arm pad (4) down until upper armpost locks firmly into place.

3. Removing Armrest

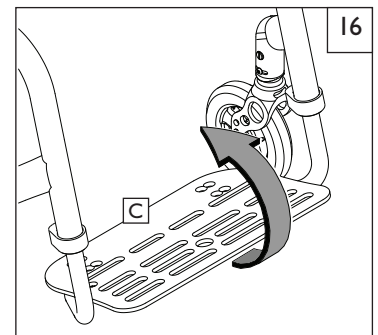
- a. To remove the armrest, grip the release lever (3) to unlock and remove the armrest.



1. Outer armpost
2. Height release Lever
3. Release lever
4. Armrest pad
5. Transfer bar
6. Side panel
7. Receiver
8. Clamp

J. FLIP-UP FOOTPLATE 16

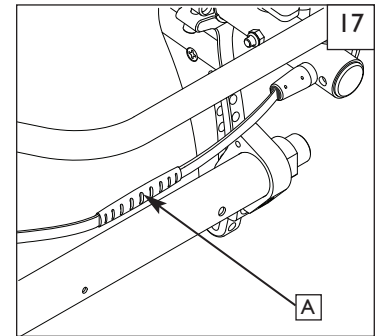
The footplate (C) can be rotated up towards the user for transfers and adjustment.



K. BACK ANGLE PERFORMANCE 17 18

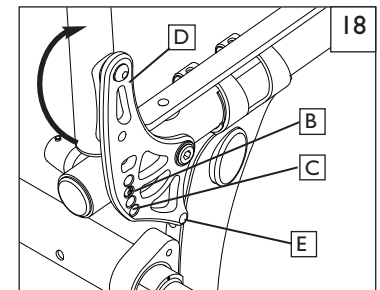
Adjusting the Angle of the Backrest

1. Release the backrest by pulling the adjustable tension pull cord (A) with a simple, short force.
2. While maintaining tension on the release cord, rotate the backrest to the desired angle, either forward or rearward.
3. Lock the backrest in place by releasing the cord and allowing the pins (B) to engage in the nearest hole (C) of the backrest bracket (D).



Folding and Unfolding the Backrest

1. Release the backrest by pulling the adjustable tension pull cord (A) with a simple, short force.
2. While maintaining tension on the release cord, rotate the backrest to unfold it. Remove the cushion and push down hard to lock it in the folded position.
3. Lock the backrest in the folded position by removing your cushion. Release the pull-cord, and push down hard allowing the pins (B) to engage in the folded position hole (E) of the backrest bracket (D).



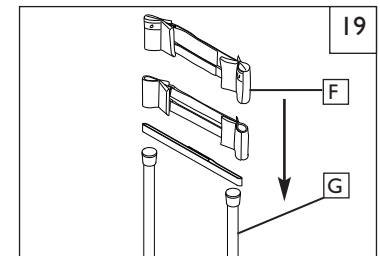
⚠ WARNING

Be sure the pins (B) are fully engaged through the backrest bracket (D) on both sides of the chair.
Test the backrest to be sure it is locked before use.

L. BACKREST TENSION ADJUSTABLE 19 20 21 22

To install the Backrest Tension Adjustable

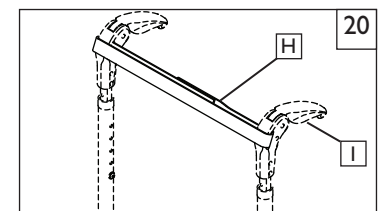
1. Slide Velcro® straps (F) over the backrest frame (G) section. Make sure to include at least one strap below the towel bar (if using a rigid chair).
2. Tighten the straps appropriately to desired tension level. **DO NOT** over tighten straps as this will cause undue strain upon the chair backrest frame (G).
3. If using fold down push handles, insert the single Velcro® strap (F) through the slots in the front of the push handles (I).
 If using integral push handles (J), slide straps from bottom of backrest upward.
4. Install backrest cover at desired level and fold over rear of Velcro® strapping system (K). The Quickie patch should be upright on the rear of the chair.
5. Finish installation by placing vanity flap (center panel) down onto Velcro® on the seat sling to secure attachment (L).



Adjusting the Backrest Tension Adjustable

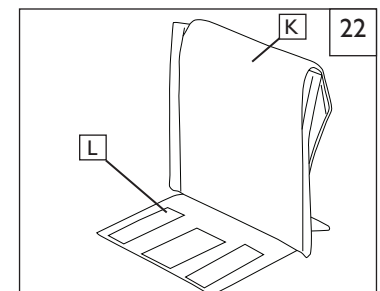
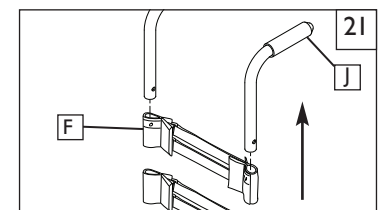
Always use anti-tips while making any adjustments. Ensure anti-tips are safely secured and in a position to prevent the wheelchair from tipping backwards.

1. User can transfer into wheelchair. Place wheel locks in the locked position
2. From the rear of the wheelchair the attendant can lift the Vanity Flap (center panel) to access the strap system. Adjust straps for optimal balance and trunk alignment. Ensure the Velcro® straps has a minimum of 2 inches (5cm) of engagement. Hook the Velcro® after securing it through each loop. Press the Velcro® together to ensure its securely engaged.
3. Once adjustments are complete replace Vanity Flap to its original position.



⚠ WARNING

Any changes made to the straps will affect the center of gravity. It is best to have the attendant stationed behind the wheelchair to prevent the wheelchair from tipping backwards while the user becomes accustomed to the adjustment.



M. CUSHION INSTALLATION

Place cushion on seat sling with Velcro[®] side down. The beveled edge of the cushion should be in front. Press firmly into place.

N. STORAGE TIPS

1. Store your chair in a clean, dry area. If you fail to do so, parts may rust or corrode.
2. Before using your chair, make sure it is in proper working order.
3. Inspect and service all items on the "Maintenance Chart".
4. If stored for more than three months, have your chair inspected by an authorized dealer before use.

O. CHECK-OUT

After the wheelchair is assembled and adjusted, it should roll smoothly and easily. All accessories should also perform smoothly. If you have any problems, follow these procedures:

1. Review the set-up and check-out sections and operating guide to make sure chair was properly prepared.
2. Review the troubleshooting chart at the beginning of this section.
3. If your problem persists, contact your authorized dealer. If you still have a problem after contacting your authorized dealer, contact Sunrise customer service. See the Introduction Page for details on how to contact your authorized dealer or Sunrise customer service.

⚠ WARNING

The owner of this chair is responsible for making sure that it has been setup and adjusted by a trained service professional under the advice of a healthcare professional. Service and/or adjustments should only be done with the advice of a healthcare professional. Always use parts and/or accessories that have been recommended and approved by Sunrise Medical when servicing this chair.

A. DEALER SERVICE INTRODUCTION 23

1. At least once per year, this chair should have a complete inspection, safety check, and regular service made by an authorized dealer. The tool list at right is a good starting point for proper maintenance.
2. If you have discovered a worn, bent, or damaged part, repair or replace them with recommended parts **before returning this chair to service.**
3. All major maintenance and repair work should be done by the authorized dealer.

B. CRITICAL MAINTENANCE TIPS

1. Torque settings:

A torque setting is the optimum tightening which should be made on a particular fastener. It is important to use proper torque settings where specified. When not specified, torque settings should be **60 in-lbs**

2. Dealer Service and Adjustment Reference materials:

Go to www.sunrisemedical.com for parts manuals, instruction sheets, and instructional videos that will aid in the repair of your Quickie wheelchair.

C. CLEANING

1. Paint Finish

- a. Clean the painted surfaces with mild soap or detergent.
- b. Protect the paint with a coat of non-abrasive auto wax.

2. Axles and Moving Parts

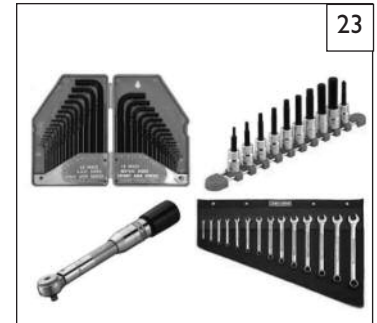
- a. Clean around axles and moving parts with a slightly damp (not wet) cloth.
- b. Wipe off or blow away any fluff, dust or dirt on axles or moving parts.
- c. **DO NOT USE 3-in-ONE oil, or WD-40® for lubrication.** Only use Teflon based Lubricant when working on this wheelchair.

D. REAR WHEEL AXLE NUT ADJUSTMENT 24 25

To adjust the rear axle you will need a 3/4" wrench (A) to turn the adjustment nut (B). You will also need a 1/2" wrench (C) to securely hold the end (D) of the axle to prevent it from turning.

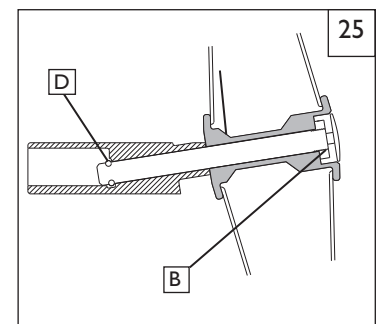
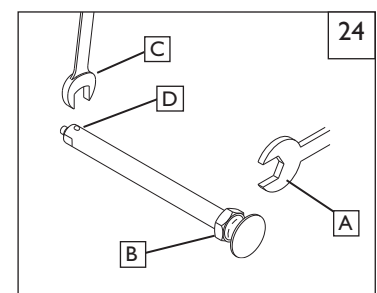
If the wheel and axle will not lock into the camber plug then the axle requires adjustment. Turn the nut (B) counter-clockwise approximately 1/4 revolution and try to lock the axle into the camber plug. If it doesn't lock, continue making small nut adjustments until it securely locks.

If the wheel is locked on the chair but there is excessive wheel play (the wheel hub can be pushed back and forth on the axle) then adjust the nut (B) clockwise until there is no perceptible gap between the wheel and camber tube. Make sure the detent ball (D) on the axle is securely locked onto the chair.



TOOLS YOU WILL NEED

1. Imperial hex key set
2. Metric hex key set
3. Imperial open-end wrench set
4. Metric open-end wrench set
5. Torque wrench
6. Imperial hex bit socket set
7. Metric hex bit socket set
8. Phillips and flat screwdrivers
9. Tire Pressure Gauge



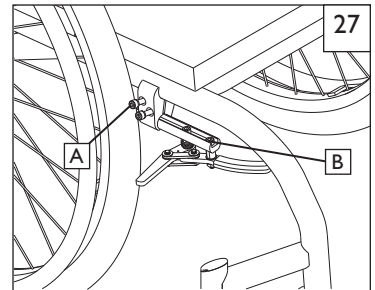
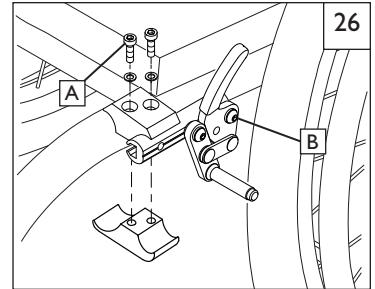
E. WHEEL LOCKS 26 27

Quickie 5R is shipped with one of two types of wheel locks. Wheel locks are installed at the factory unless you have requested otherwise.

Use a torque setting of 100 in.-lbs. (11.3 Nm) when setting up wheel locks.

1. High-Mount Push-to-Lock or Pull-to-Lock Wheel Locks Adjustment 26

- Using a 4mm Allen wrench, turn one of the screws (A) in the clamp counterclockwise 1/4 turn.
- Repeat the same process with the remaining screw (A).
- Alternately loosen the screws (two turns each) until both screws are loose.
- Slide clamp toward the rear wheel until the wheel lock is embedded into the tire to prevent wheel movement when in the locked position.
- You can achieve extra lateral or angular adjustment by loosening the screw (B) on the wheel lock receiver clamp.
- Tighten screws to 100 in.-lbs. (11.3 Nm).

**2. Ergo Scissor Wheel Locks or Compact Wheel Locks** 27

- Using a 4mm Allen wrench, turn one of the screws (A) in the clamp counterclockwise one-quarter turn.
- Repeat the same process with the remaining three screws (A).
- Alternately loosen the screws (two turns each) until both screws are loose.
- Slide clamp toward the rear wheel until the wheel lock is embedded into the tire to prevent wheel movement when in the locked position.
- You can achieve extra lateral or angular adjustment by loosening the screw (B) on the wheel lock receiver clamp.
- Tighten screws to 100 in.-lbs. (11.3 Nm).

NOTE – Clamp and wheel lock may need to be rotated to clear frame tubing.

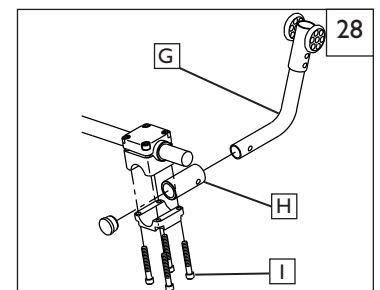
F. XTR SUSPENSION ANTI-TIP TUBES (Option) 28

Sunrise Medical recommends anti-tip tubes for all wheelchairs.

NOTE –Use torque setting of 100 in./lbs. when setting-up anti-tip tubes.

1. Adjusting Anti-tip Receiver

- Remove anti-tip tubes (G) from anti-tip receivers (H).
- Remove button head bolt (I) from anti-tip tube receiver.
- Reposition bracket to desired height.
- Reinsert button-head bolt and tighten.
- Repeat with second anti-tip tube receiver. Both brackets should be at exactly the same height.



G. ARMREST RECEIVER ATTACHMENT

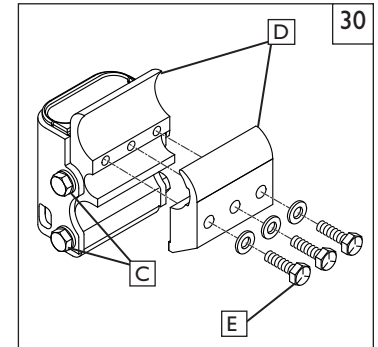
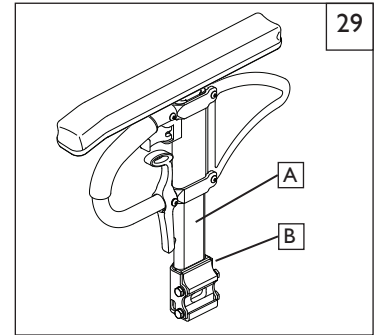
1. Adjusting Armrest Receiver Fit 29 30

To tighten or loosen the fit of the outer armrest (A) in the receiver (B):

- a. Loosen the four receiver adjustment bolts (C) on the sides of the receiver.
- b. With the armrest in the receiver (B), squeeze the receiver to achieve the desired fit.
- c. Tighten the four bolts (C). (144 in-lbs, 16.3 Nm)

2. Position Adjustment 30

- a. Loosen the three clamp bolts (E) until clamp (D) is loose.
- b. Slide armrest receiver to desired position.
- c. Tighten all three bolts (E) to 212 in-lbs. (24 Nm).

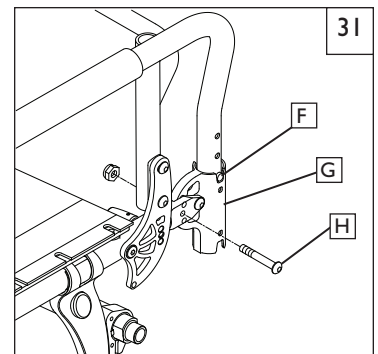


H. PADDED SWING-AWAY ARMRESTS (OPTION) 31

Swing-away armrests can be detached or can swing away (F) to allow lateral transfers. They are height adjustable 6" (15cm) of adjustment in 1" (2.5cm) increments by moving bolts (H) up or down in predrilled holes on armrest receiver (G).

Swing-away, angle adjustable

To change the angle of the armrest, remove the hardware (H). Reposition to the desired angle. Reinsert the hardware and tighten.



I. FOOTREST ADJUSTMENT 32 33

⚠ WARNING

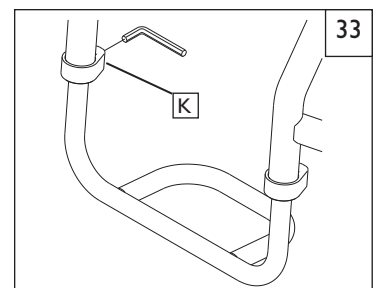
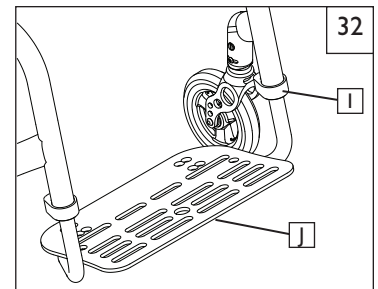
The footrest is an integral part of the frame. Do not remove the footrest. It is recommended that you maintain a minimum of 2 inches (5cm) between the lowest point on the footrest and the floor (I). This will provide adequate clearance for uneven surfaces and prevent damage to your footrest.

1. Height and angle adjustment

- a. Adjust the height of your footrest, by loosening the Set screws (I) in the front hanger frame.
- b. To adjust the angle of the footplate, loosen the screw (J) and rotate the footrest angle stop bracket. Once positioned, retighten screw(s) (J) to 92 in-lbs. For certain narrow widths, only one bolt will be present.
- c. Remember to tighten the set screws (I) before riding, use a maximum torque setting of 144 in-lbs or (16.3 Nm)

2. Tubular Footrest height adjustment 33

- a. Loosen the two clamp set screws in the back of the hanger frame tubes (K) on both sides of the chair.
- b. Slide footrest to desired height.
- c. Tighten the hardware to 144 in-lbs (6.3 Nm) on both sides.



J. CASTERS

NOTE – Setting the wheelchair on a very flat table or a workbench makes this setting more accurate.

1. Adjusting Caster Angle 34 35

Checking for Caster Squareness:

The Quickie wheelchair leaves the factory with the casters adjusted square. Any time a change is made to the wheelchair rear axle height, rear tire size, center of gravity position or camber tube, check that the casters are still square. A caster that is not square will result in the caster lifting off the floor as it rotates around the stem bolt and may also lift the front of the wheelchair up and down. Check for squareness by placing the wheelchair on a flat, horizontal surface. Rotate both forks so that the casters are towards the rear of the wheelchair. Place a square or pocket level against the flat surface of the fork and note whether this surface is vertical (square). If this surface is more than 1° degree away from vertical, the casters require re-squaring.

2. Re-squaring the Casters 36 37

- a. Locate the bolt (A) inside the right caster tube and loosen (do not remove) using a 10mm open end wrench. Loosen this bolt enough to allow the teeth on the upper and lower splines (B) to clear one another. The caster fork should pivot freely.
- b. Place the wheelchair on the floor so that the two rear wheels and left caster contact the floor. Place some weight in the seat towards the rear to help stabilize the chair. Place a square or pocket level against the flat surface of the fork and pivot the fork until it is vertical or 90° to the riding surface (square).
- c. With the fork vertical, engage the teeth of the two splines to the closest mating position. Make certain that the teeth are properly engaged and not crossed. Shine a bright light behind the mating spline teeth and check for proper teeth engagement.
- d. Tighten the screw (A) to secure the spline mating position. The screw should be tightened to a minimum of 100 in-lbs. (11.3 Nm) to ensure that it does not loosen during use.
- e. Record the teeth engagement position of the splines on the right fork, and adjust the left fork in a similar fashion to the same position. Reassemble both casters, and re-check that they are square.

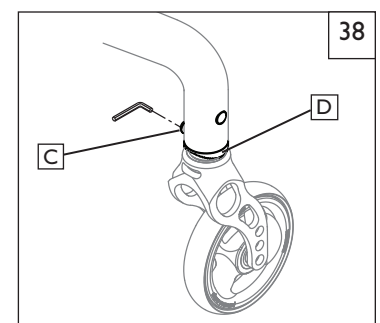
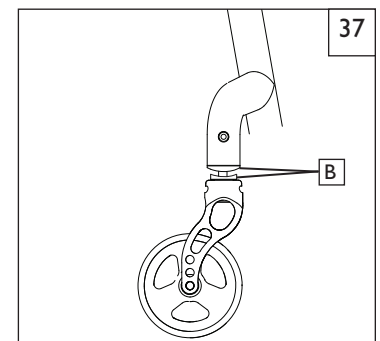
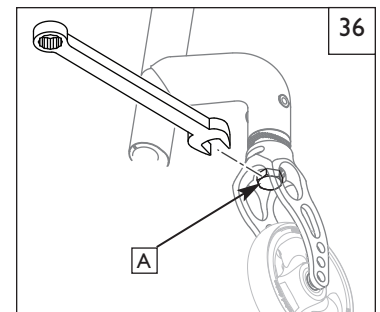
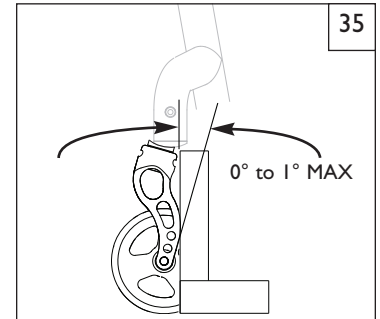
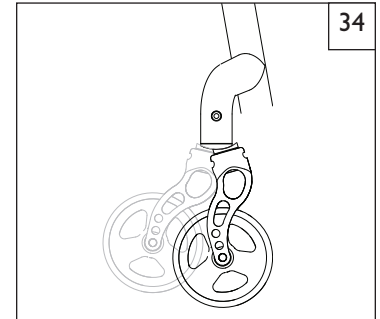
3. 3-D Perpendicular Alignment 38

- a. The hex bolt adjustment (C) provides another dimension of adjustability in addition to the spline system.
- b. The caster angle may then be fine-tuned and the bolt retightened.

4. Correcting a Pull to the Right or Left 36 38

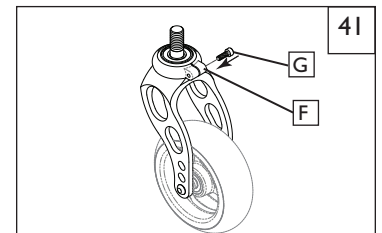
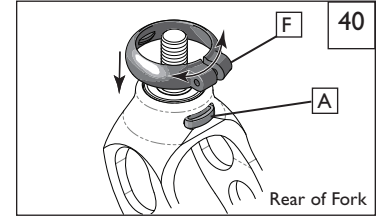
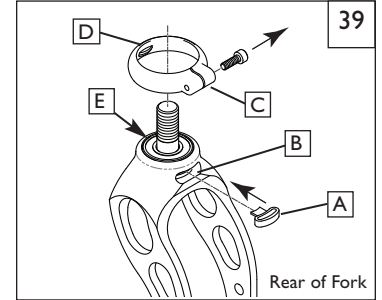
Determine which direction the chair is pulling (right or left). Make the following adjustments to the caster on that side of the chair:

- a. Loosen the bolt (A) inside the caster tube using a 10mm open-end wrench.
- b. Loosen the screw on the upper spline (C).
- c. Rotate the upper spline (D) to turn the caster fork toward the forward driving direction. Turn the ring clockwise, and the fork will swing outwards. Turn the ring counter-clockwise, and the fork will swing inwards.
- d. When the caster fork is correctly rotated forward, retighten the screws.
- e. After making the desired adjustment, recheck the squareness of the casters.
- f. Re-torque Bolt (A) to a minimum of 100 in-lbs (11.3Nm).



K. ANTI-FLUTTER KIT INSTALLATION 39 40 41

1. Remove fork assembly from chair. This may or may not require the removal of the caster wheel.
2. Insert anti-flutter bushing (A) into the slot (B) at the rear of the fork ensuring the tab goes between the ends of the snap ring and between the bearings.
3. Install clamp (C) over the top of the fork assembly inserting the inside tab (D) in the front slot (E).
4. Gently flex the clamp tabs (F) apart to allow it to slide over the recently installed bushing (A).
5. Squeeze the tabs (F) back together and install the socket head cap screw (G) into the clamp, ensure threads are properly aligned and lightly tighten using a 3mm hex key.



L. BACK ADJUSTMENTS

CAUTION – When changing the back angle of the wheelchair both the left and right angle adjustable back bracket must be in the same hole position before the wheelchair is to be used.

Adjusting Backrest Options 42

The backrest bracket has two positions, 1 or 2, that can be achieved by removing bolt (H) and pivoting the back cane forward or rearward. With the back cane in the desired position, reinsert and tighten the bolt. Then follow the instructions for “Folding and Unfolding the Backrest”.

1= Forward Mount. 2= Rearward Mount

Backrest Angle Preset Plugs 43

The preset plugs allow you to unemploy the backrest bracket holes you do not wish to use. This allows the backrest to automatically lock into your desired angle position after unfolding.

1. Determine which backrest bracket holes you do not want to use.
2. Insert plugs (J) into the predetermined holes from the chair side of the bracket (K).
3. To ensure the backrest locks in the folded position, do not insert a plug into the lowest hole (L).

Depth Adjustable Back (DAB) Plugs 43

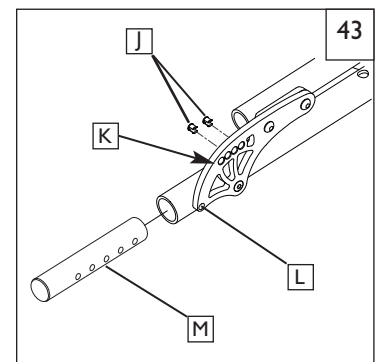
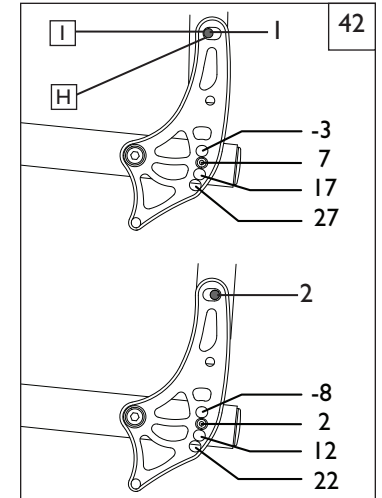
The DAB Frame insert plugs (M) allow you to compensate for a thicker or thinner after-market backrest without having to change the Center of Gravity (CG) of the person in the wheelchair.

1. The backrest may be adjusted by first removing the JAY® style quick-release lanyard cord (not shown) from the backrest release pins.
2. Using a 5mm and 10mm hex key, remove the bolt holding the backrest bracket to the chair.
3. Remove the quick-release pins, frame bushing, and springs.
4. If the desired back depth is 1" (2.5cm) greater, move the plunger bushing back one hole. If the desired back depth adjustment is 2" (5cm), the plunger bushing must be moved to the most rearward hole.
5. To reassemble the back, reinsert the springs into the bushings. Then reinsert the quick-release pins into the bushings with the lanyard attachment holes first.
6. Reposition the backrest in place in the folded position. Insert the quick-release pin into its appropriate placement hole.
7. Insert the large Belleville washer in between the backrest bracket and the frame. Insert the backrest plate pivot bolt into the chair and secure using the washer and nylock nut.
8. Using the 5mm hex key and 10mm Allen Wrench, tighten the nylock nut so that the end of the bolt reaches the end of the nut. Repeat on the opposite side of the chair.

NOTE – Do not over-tighten the backrest plate pivot bolt as it may hinder the backrest from folding properly.

9. Re-attach the JAY®-style quick-release lanyard to the quick-release pins.

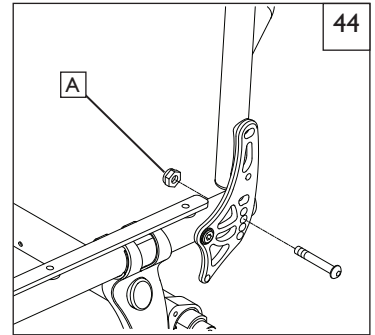
NOTE – This adjustment is intended to compensate for differences in after-market backrest thickness and/or contour. The back-canes can be adjusted fore and aft relative to the seat so that the backrest support surface does not change the location of the user, regardless of the backrest mounting location. This ensures that the center of gravity of the user relative to the axle location, is not altered due to after-market backrest thickness or contour. There is no recommendation for Depth Adjustable Backrest use for transit.



Non-folding back instructions 44

1. Remove backrest bracket bolt (A).
2. Rotate the backrest to the desired angle.
3. Align desired backrest bracket hole with seat frame opening.
4. Re-insert bolt and tighten.

CAUTION – When changing the back angle of the wheelchair both the left and right angle adjustable back bracket must be in the same hole position before the wheelchair is to be used.

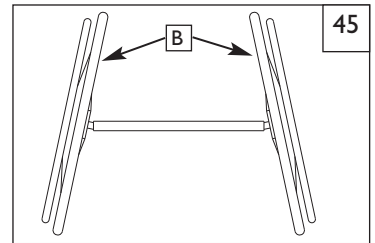


M. REAR AXLE ADJUSTMENTS

1. Wheel Camber 45

Wheel camber, shown as angular relationship (B), provides greater side-to-side stability due to the increased width and angle of the wheelbase. It also allows for quicker turning and greater access to the top of the handrims.

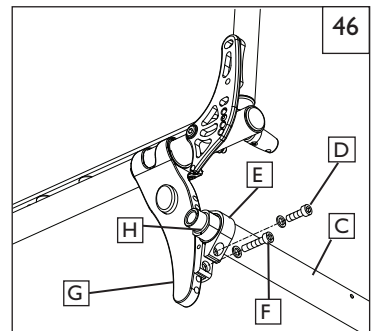
Wheel camber is determined by pairs of interchangeable camber plugs which are available from your authorized dealer in 0°, 3°, and 6° angles.



2. Changing the Camber Plug 46

Before changing the camber plug, note the camber tube bolt positions.

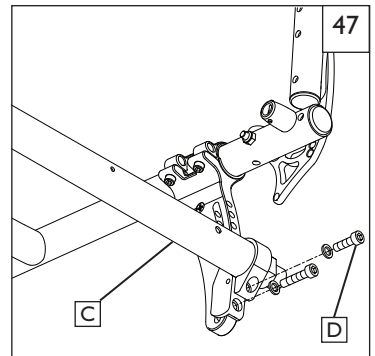
- a. To change the camber of your chair, loosen bolt (D) on both camber tube clamps (E). Then loosen the second bolt(F). Repeat on other side.
- b. Now the camber tube (C) and camber tube clamps (E) can be removed from the axle plate (G).
- c. Once removed from the axle plate, the camber tube clamps can be removed from the camber tube. You can now remove the camber plug (H).
- d. Insert the desired camber plug into each end of the camber tube. Then replace the camber tube clamps on the ends of the camber tube. Be sure to space camber plugs equal distance from the ends of the camber tube.
- e. Slide camber tube assembly onto axle plate. Realign axle plate holes to their original position. Tighten bolts (D) then replace and tighten all bolts to 100 in-lbs (11.3 Nm)



3. Setting toe-in toe-out to the ground 47 48 49 50

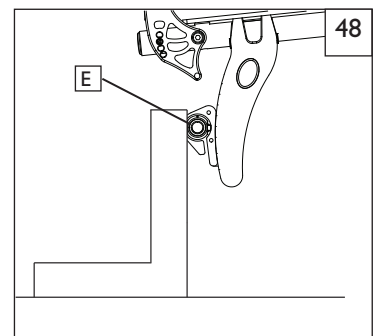
NOTE – A wheelchair equipped with 0° camber plugs cannot have a toe-in toe-out condition. This adjustment is only required when using 3°, 6° camber plugs.

“Toe” refers to how well the rear wheels of the chair are aligned relative to the ground. It affects how well the chair will roll. Drag or rolling resistance is optimally minimized when the wheel toe is set to zero.



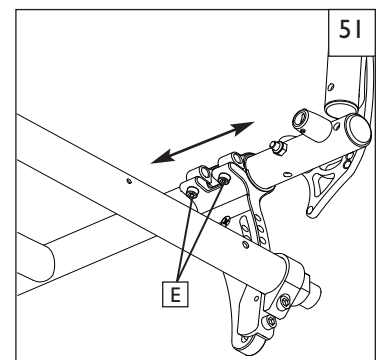
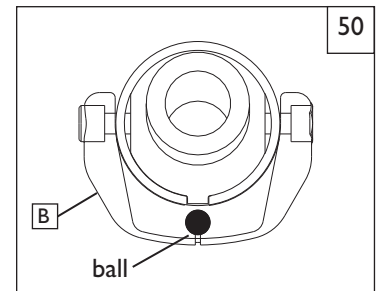
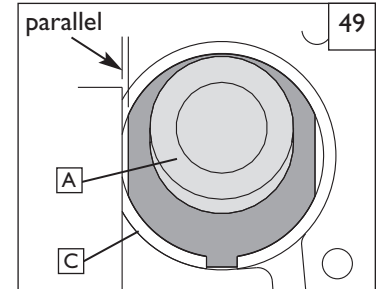
4. Setting the Toe to Zero 47 48

- a. Place the entire wheelchair on a flat horizontal table or ground surface. Loosen the 2 cap screws (D) (1 per side) that secure the camber tube clamp.
- b. Locate the flat surfaces on the front and rear of the camber plugs (E). Place an object that is known to have an accurate 90° corner (such as a carpenter’s square, drafting triangle, etc.) down on the flat horizontal surface and up against the flat of the camber plug.
- c. Rotate the camber tube and plug assembly until the flat surface of the camber plug is parallel to the measuring tool.
- d. Before tightening the screws (D), make certain that the camber tube is centered left-to-right relative to the wheelchair frame. There should be an equal gap on both sides of the wheelchair or none at all. Torque the fasteners to 100 in-lbs. (11.3 Nm).



5. Setting the Toe to Zero – Alternative Method 47 49 50

- a. Loosen the 2 cap screws (D) (1 per side) that secure the camber tube clamp. Observe the ball in the level (B), and rotate the camber tube (C) until the ball is centered in the level. The toe is now set at zero.
- b. Before tightening the screws (D), make certain that the camber tube is centered left-to-right relative to the wheelchair frame. There should be an equal gap on both sides or none at all. Torque fasteners (D) to 100 in-lbs. (11.3 Nm).



N. CENTER OF GRAVITY (CG) ADJUSTMENT 51

The most important adjustment on your Quickie wheelchair is the position of the rear axle. The center of gravity, wheel camber and wheelbase are all determined by the axle adjustment.

NOTE - Use a torque setting of 60 in.-lbs. when adjusting rear axle clamp bolts (E).

1. Center of Gravity

Moving the center of gravity to the front will lighten the force required to turn the chair. The further back the axle and clamp, the more stable the chair becomes.

The center of gravity is adjusted by moving the rear axle and clamp forward or backward on the frame. Moving the axle and clamp forward will increase your turning speed and lighten the front end.

IMPORTANT NOTE: Changing the center of gravity increases the risk of a fall or tip over. Be very careful to assure the chair will not tip over backwards when tilted.

2. To Move Center of Gravity 51

Loosen cap head screws (E). Slide camber tube assembly forward or rearward along frame tube. Retighten the screws. Be sure to measure the new position for evenness on both sides of the chair.

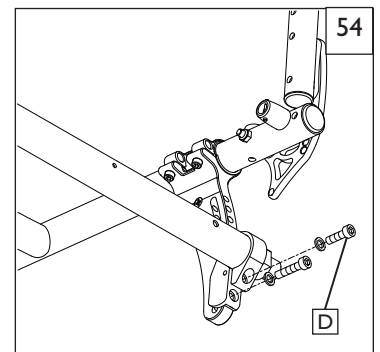
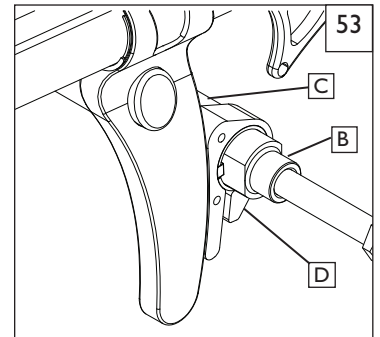
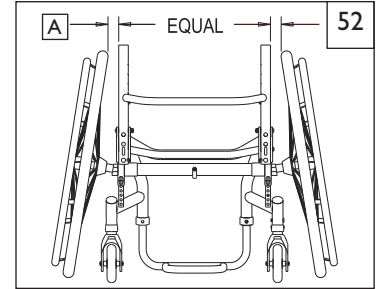
Once the axle plate clamps are secured, attach the rear wheels, occupy the chair and maneuver it with a spotter to get a feel for the new adjustment.

O. REAR WHEEL SPACING 52 53 54

Rear wheel spacing is measured as the gap between the top of the rear wheels and the backcanes, and is shown as dimension (A) factory settings will be as narrow as possible depending on the options chosen.

NOTE—When setting the rear wheel spacing only make adjustments to one side of the chair at a time. Loosening both sides will undo the toe setting.

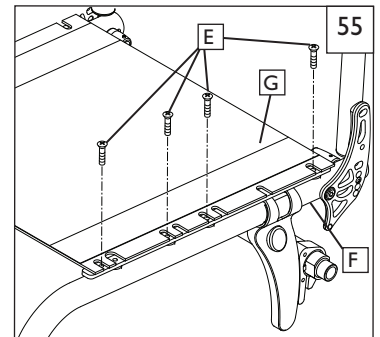
- a. To adjust the rear wheel spacing, the camber inserts (B) telescope in and out of the camber tube (C) with hard stops at each end of travel.
- b. On the left side of the chair, loosen screw (D) (the one closest to the camber tube). Slide the camber insert in or out to establish the required wheel spacing.
- c. Tighten screw to 100 in-lbs (11.3Nm). Repeat on the right side of the chair, matching the wheel spacing set on the left side.



P. SEAT SLING ADJUSTMENT 55

- a. Remove the bolts (E) and rear bolt nut (F) to allow seat upholstery (G) to be removed from frame.
- b. To reattach seat sling, place seat sling (G) over chair frame. Line up seat sling and plastic saddles. Replace the screws (E) and rear nut (F) and tighten accordingly.
- c. Retain plastic saddles (not shown) for placement between seat sling and frame. Repeat steps for other side.

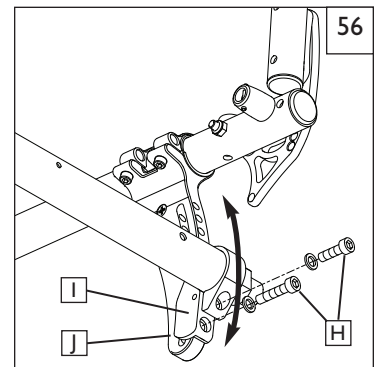
If there is any difficulty in reattaching the screws, try using a probe to help align the holes. Ensure that the plastic saddles are under the seat rail in all fastener positions.



Q. REAR SEAT HEIGHT ADJUSTMENT 56

- a. To adjust rear seat height, loosen and remove the 4 cap screws (H) (2 per side) that secure the camber tube clamps (I) to the axle plates (J).
- b. Move both camber tube clamps (I) to the desired height and reinstall the 4 cap screws. Prior to tightening, follow the instructions for setting the toe-in/out to zero.
- c. Tighten screws to 100 in-lbs. (11.3 Nm).

NOTE—Adjustment to rear seat height may also require caster angle adjustment.

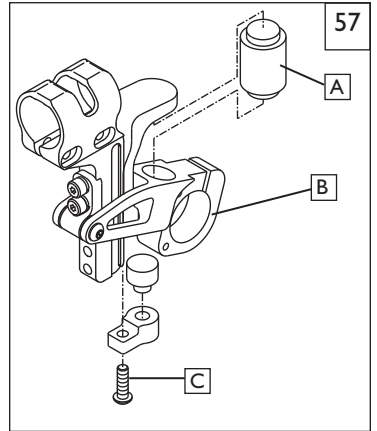


R. REAR AXLE PLATE SUSPENSION 57

The performance of the suspension system is determined by the compression elastomers (A). There are several different elastomers available from Quickie which are selected based on the user's weight.

To change out elastomers, remove the 2 screws (C) (1 per side). Rotate swingarms (B) downward and the compression elastomer (A) can be freely removed from its top and bottom engagement sockets.

Reverse the order to install new bushings, making sure the compression elastomers are securely engaged into the top and bottom sockets.



S. XTR SUSPENSION (optional) 58

- Tuned to perform in conjunction with Quickie 5 series.
 - Adjustable spring pre-load
1. If the shock ever loses oil or if it makes sounds of excessive topping out, stop use immediately and have the shock inspected by your authorized dealer. Continued use with the shock in either of these conditions could result in loss of control with possible serious and/or fatal injuries.
 2. Always use genuine Quickie parts. Use of after-market replacement parts voids the warranty and could cause structural failure to the shock. Structural failure could result in loss of control with possible serious and /or fatal injuries

Tuning Your Shock 58

By matching the proper spring rate and damping adjustment, your shocks can be tuned to your weight.

When tuning suspension, always make one change at a time and write it down. This takes patience, but allows you to understand how each change affects your ride. Keeping a record lets you know what changes you have tried that work and suggests what changes you might try.

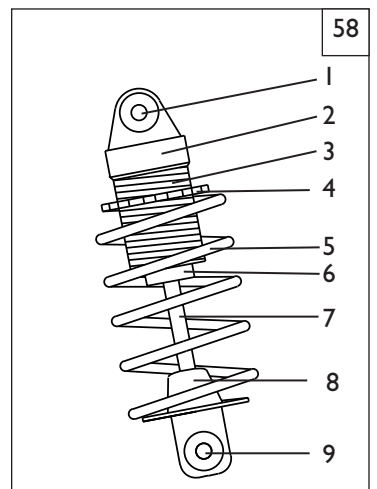
Washing the Deluxe Shock

Clean the shock with mild soap and a toothbrush. Keep the shaft and body eye bushings clean and greased.

IMPORTANT: NEVER USE A HIGH-POWERED WASHER FOR CLEANING THE SHOCK!

Adjusting the Shock Tension

Locate the spring preloading adjuster ring (4). Rotate adjuster ring clockwise to decrease tension. Rotate adjuster ring counter-clockwise to increase tension.



1. Body eye
2. Reservoir
3. Body threads
4. Spring adjuster ring
5. Coil spring
6. Seal head
7. Shock shaft
8. Bottom out bumper
9. Shaft eye



WARNING

Test your new chair settings with a spotter before proceeding with use.

T. CHECK-OUT

After the wheelchair is assembled and adjusted, it should roll smoothly and easily. All accessories should also perform smoothly. If you have any problems, follow these procedures:

1. Review the set-up and check-out sections and operating guide to make sure chair was properly prepared.
2. Review the troubleshooting chart at the beginning of this section.
3. If your problem persists, contact your authorized dealer. If you still have a problem after contacting your authorized dealer, contact Sunrise customer service. See the Introduction Page for details on how to contact your authorized dealer or Sunrise customer service.

A. FOR LIFETIME

Frame and cross-brace (if applicable) warranty:

1. Although the anticipated useful service time of this wheelchair is five years, Sunrise guarantees the frame and cross brace against defects in material and workmanship for life or for as long as the original purchaser owns the chair.
2. This warranty does not apply if:
 - a. The chair is subject to abuse
 - b. The chair is not maintained as recommended in the owner's manual
 - c. The chair is transferred to a different person from the original owner

B. FOR ONE (1) YEAR

We warrant all Sunrise-made parts and components of this wheelchair against defects in materials and workmanship for one year from the date of first consumer purchase.

Backrest Tension Adjustable (Balistic & 3DX Vented)

Each Backrest Tension Adjustable is carefully inspected and tested to provide peak performance. Every Backrest Tension Adjustable is guaranteed to be free from defects in materials and workmanship for a period of twelve (12) months from the date of purchase provided normal use. Should a defect in materials or workmanship occur within twelve months from the original date of purchase, Sunrise Medical will, at its option, repair or replace it without charge. This warranty does not apply to puncture, tears or burns. Claims and repairs should be processed through the nearest authorized dealer. Except for express warranties made herein, all other warranties including implied warranties of merchantability and warranties of fitness for particular purpose are excluded. There are not warranties which extend beyond the description of the face hereof. Remedies for breach of express warranties herein are limited to repair or replacement of the goods. In no event shall damages for breach of any warranty include any consequential damages or exceed the cost of non-conforming goods sold.

C. LIMITATIONS

1. We do not warrant:
 - a. Tires and tubes, upholstery, pads and push-handle grips.
 - b. Damage from neglect, accident, misuse, or from improper installation or repair.
 - c. Products modified without Sunrise Medical's express written consent.
 - d. Damage from exceeding the weight limit.
2. This warranty is VOID if the original chair serial number tag is removed or altered.
3. This warranty applies in the USA and Canada only. Check with your supplier to find out if international warranties apply.
4. This warranty is not transferable and only applies to the first consumer purchase of this wheelchair through an authorized Sunrise Medical dealer.

D. WHAT WE WILL DO

Our sole liability is to repair or replace covered parts. This is the exclusive remedy for consequential damages.

E. WHAT YOU MUST DO

1. Obtain from us, while this warranty is in effect, prior approval for return or repair of covered parts.
2. Return the wheelchair or part(s), freight pre-paid, to Sunrise Mobility Products Division at: 2842 Business Park Avenue, Fresno, CA 93727-1328.
3. Pay the cost of labor to repair, remove or install parts.

F. NOTICE TO CONSUMER

1. If allowed by law, this warranty is in place of any other warranty (written or oral, express or implied, including a warranty of merchantability, or fitness for a particular purpose).
2. This warranty gives you certain legal rights. You may also have other rights that vary from state to state or province to province.

G. ADDITIONAL WARRANTY INFORMATION

For goods provided by Sunrise Medical Pty Ltd in Australia, our goods come with a guarantee by Sunrise that cannot be excluded under the Australian Consumer Law. You are entitled to a replacement or refund for a major failure and for compensation for any other reasonably foreseeable loss or damage. You are also entitled to have the goods repaired or replaced if the goods fail to be of acceptable quality and the failure does not amount to a major failure. The benefits to you given by this warranty are in addition to your other rights and remedies under a law in relation to the goods to which the warranty relates.

Record your serial number here for future reference:



QUICKIE 5R

Quickie® 5R

- with transit option without transit option

Supplier: This manual must be given to the rider of this wheelchair.

Owner's Manual

Rider: Before using this wheelchair read this entire manual and save for future reference.

Quickie® 5R

- con opción de tránsito sin opción de tránsito

Distribuidor: Este manual debe ser entregado al pasajero de esta silla de ruedas.

Pasajero: Antes de usar esta silla de ruedas, lea este manual en su totalidad y guárdelo para futura referencia.

Manual de Instrucciones

Cada una de las sillas se envía con un manual de instrucciones en inglés. El manual en español o francés está disponible en formato PDF en nuestra página en Internet: www.SunriseMedical.com. Ingrese a la página del producto específico para descargar el manual, o comuníquese con el proveedor autorizado de Sunrise Medical.



SUNRISE MEDICAL ESCUCHA

Le agradecemos su preferencia por la silla de ruedas Quickie. Nos gustaría recibir sus preguntas o comentarios acerca de este manual, de la seguridad y fiabilidad de su silla, o del servicio que ha recibido de su distribuidor Sunrise. No dude en escribirnos o llamarnos al domicilio y teléfono que aparecen a continuación:

Sunrise Medical (US) LLC
Departamento de Servicios al Cliente
2842 Business Park Ave
Fresno, CA 93727
(800) 333-4000

No olvide regresar su tarjeta de garantía e informarnos si cambia de domicilio. Esto nos permitirá mantenerlo al tanto con información acerca de la seguridad, productos nuevos y opciones para mejorar el uso y disfrutar de esta silla de ruedas. Si ha perdido su tarjeta de garantía, llame o escriba y con gusto le enviaremos una nueva.

PARA CONTESTAR SUS PREGUNTAS

Su distribuidor autorizado conoce bien su silla de ruedas y puede contestar la mayoría de sus preguntas acerca de la seguridad, uso y mantenimiento de la silla. Como información de referencia para el futuro, escriba los siguientes datos:

Distribuidor: _____

Dirección: _____

Teléfono: _____

Núm. Serie: _____ Fecha de compra: _____

INFORMACIÓN ADICIONAL QUE DEBERÍA CONOCER

Ningún componente de esta silla se realizó con látex de caucho natural.

I. INTRODUCCIÓN	2	J. Ejes de liberación rápida	13
II. CONTENIDO	3	K. Ruedas traseras	13
III. SU SILLA Y SUS PARTES.....	4	L. Frenos de las ruedas traseras	13
IV. AVISO - LEA ESTO ANTES DE USAR	5	M. Sistemas de asiento modificados	13
A. Seleccione la mejor silla y las opciones de seguridad ..	5	N. Tapicería del asiento y del respaldo	14
B. Lea este manual con frecuencia	5	O. Respaldo de tensión ajustable	14
C. Advertencias	5	P. Opción de suspensión trasera.....	14
V. ADVERTENCIAS GENERALES	5	VIII. USO Y MANTENIMIENTO	15
A. Límites de peso	5	A. Introducción.....	15
B. Uso previsto	5	B. Verificaciones de Seguridad Vitales	15
C. Ayudantes y cuidadores	5	C. Consejos de Limpieza	15
D. Accesorios	5	D. Lista de Seguridad	15
E. Conozca su silla	5	E. Tabla de solución de problemas.....	16
F. Reduzca el riesgo de un accidente	6	F. Para montar y quitar las ruedas traseras.....	16
G. Lista de verificación de seguridad	6	G. Frenos de las ruedas	17
H. Cambios y ajustes	6	H. Opción con reposabrazos giratorios acojinados	17
I. Condiciones ambientales	6	I. Opción con reposabrazos de altura ajustable	18
J. Terreno	6	J. Reposapiés elevable.....	18
K. Uso en la calle	6	K. Desempeño del ángulo del respaldo.....	18
L. Seguridad de vehículos motorizados	6	L. Respaldo de tensión ajustable	19
M. Cuando necesite ayuda	7	M. Instalación del cojín.....	19
VI. ADVERTENCIAS DE SEGURIDAD: CAÍDAS Y	7	N. Consejos de almacenamiento.....	19
VOLCADURAS	7	O. Revisión.....	19
A. Centro de equilibrio	7	IX AJUSTE Y SERVICIO DEL DISTRIBUIDOR.....	20
B. Al vestirse o cambiarse de ropa	7	A. Introducción a servicio del distribuidor.....	20
C. Obstáculos	8	B. Consejos fundamentales para el mantenimiento	20
D. Elevación de la rueda pivotante delantera.....	8	C. Limpieza.....	20
E. Al estirarse o inclinarse	8	D. Ajuste de la tuerca del eje de la rueda trasera	20
F. Cómo moverse hacia atrás	8	E. Seguros de las ruedas	21
G. Escaleras mecánicas.....	8	F. Tubos contra volcaduras con suspensión XTR	21
H. Rampas, planos inclinados y laderas	8	G. Accesorio del receptáculo del reposabrazos.....	22
I. Cambios	9	H. Reposabrazos giratorios acojinados (opcional)	22
J. Aceras y escalones únicos.....	10	I. Ajuste del reposapiés.....	22
K. Para subir a una acera o escalón sencillo	10	J. Ruedas pivotantes	23
L. Para bajar de una acera o escalón sencillo.....	10	K. Kit de instalación contra volcaduras y vibraciones ..	24
M. Escaleras.....	11	L. Ajustes del respaldo.....	24
N. Para subir escaleras	11	M. Ajustes del eje trasero	25
O. Para bajar escaleras	11	N. Ajuste del centro de gravedad.....	26
VII. ADVERTENCIAS: COMPONENTES Y OPCIONES	12	O. Separación de las ruedas traseras	27
A. Tubos contra volcaduras	12	P. Ajuste de la eslinga del asiento	27
B. Reposabrazos	12	Q. Ajuste de la altura trasera del asiento	27
C. Cojines y asientos de eslinga	12	R. Suspensión trasera de la placa del eje.....	28
D. Asiento descentrado.....	12	S. Suspensión XTR.....	28
E. Sujetadores	12	T. Revisión.....	28
F. Reposapiés.....	12	X. GARANTIA LIMITADA DE POR VIDA	29
G. Llantas neumáticas	12		
H. Opción con cinturones de posicionamiento.....	13		
I. Opción con asideros de empuje.....	13		



1. Respaldo
2. Neumático
3. Eslinga del asiento
4. Seguro de las ruedas
5. Estribo
6. Horquilla de la rueda pivotante
7. Rueda pivotante
8. Brazo de la rueda giratoria
9. Tubo de inclinación lateral
10. Aro para las manos
11. Aro de rueda
12. Eje de liberación rápida
13. Placa del eje
14. Abrazadera de plegado del respaldo
15. Asidero de empuje

Nota: Puede haber características que no estén disponibles en determinados modelos de sillas o estén combinadas con alguna otra característica. Si desea más información, consulte con su distribuidor autorizado.

QUICKIE 5R

Peso

El peso de la silla variará en función de las opciones de los componentes

Ajustes

Ángulo de la rueda pivotante, Centro de Gravedad, altura trasera del asiento, ángulo del respaldo, longitud del reposapiés, separación de las ruedas traseras

Color

Colores de las sillas de ruedas Quickie

Dimensiones del armazón

Ancho del armazón: Estándar 30,5 cm – 50,8 cm (12" - 20") (XTR Suspension: 14" - 20")
 Ancho del armazón: Estándar 30,5 cm – 50,8 cm (12" - 20") (XTR Suspension: 14" - 20")

Respaldo

No plegable - Abatible de ángulo ajustable
 Ángulo y altura ajustable: 27,9 cm – 35,5 cm (11"-14"), 30,5 cm - 40,6 cm (12"-16"), 40,6 cm – 50,8 cm (16"-20")
 Altura fija: 20,32 cm – 50,8 cm (10" - 20")
 Opcional: tapicería ajustable, tapicería ajustable con ventilación, asideros de empuje plegables

Reposapiés

Estándar: tubular, Opcional: tubular con cubierta, Plataforma de altura ajustable Aluminio

Ruedas pivotantes

Estándar: poliuretano de perfil bajo de 12,7 cm (5"). Opcional: semineumáticas, aluminio de rodado suave de 12,7 cm (5")
 Opcional: poliuretano de bajo perfil de 10,1 cm (4"), Micro luz de 10,1 cm (4")
 Poliuretano de aluminio, aluminio de rodado suave de 10,1 cm x 3,1 cm (4" x 1,25") semineumáticas, Micro de 7,6 cm (3"), Micro luz de 7,6 cm (3"), Ancha de poliuretano 10,1 cm (4"), 12,7 cm y 15,2 cm (5" y 6") x 3,8 cm (1-1/2"), Poliuretano de 15,2 cm (6"), Ancas de rana.

Reposabrazos

Opcional: giratorios acojinados
 Opcional: Poste individual altura ajustable

Soporte del Eje

Estándar: Abrazadera ajustable Centro Gravedad ant/post
 Rueda pivotante opcional - 0°, 3°, 6°
 Rueda pivotante opcional - 0°, 4°, 8°, amputado

Ejes

Estándar: acero inoxidable,
 Opcional: tuercas del eje de liberación cuadrangular

Tubos contra volcaduras

Opcional: tubos contra volcaduras traseros, elevables.

Ruedas traseras estándar

Estándar: rayos ligeros, aleación Mag 5 rayos

Ruedas Quickie de alto rendimiento

Opcional: Spinergy,
 Opcional: ultra ligeras,
 Opcional: SPOX, Negro LX,
 Opcional: para montaña,
 Opcional: carbono topolino con rayos rojos o amarillos

Tamaño de llanta

Estándar: 60,9 (24"),
 Opcional: 50,8 (20"), 55,8 (22"), 63,5 (25"), 66 (26")

Tipos de llantas:

Estándar: neumático,
 Opcional: inserto sin aire, poliuretano, Kevlar (solo 60,9 cm [24"]), Remachadores de alta presión (solo 60,9 cm, 66 cm [24",26"]), Bicicleta para montaña (solo 60,9 cm [24"]), completamente de poliuretano, Shox, Knobby V-TRAK, Schwalbe Marathon Plus

Aros para las manos

Estándar: aluminio, Opcional: recubiertos en plástico, vertical/oblicuo proyecciones
 Ajuste natural, Sobretensión y Q-Qrip

Seguros de las ruedas

Empuje alto, jalado alto, tijera Ergo
 Opcional: compacto

A. SELECCIONE LA MEJOR SILLA Y LAS OPCIONES DE SEGURIDAD

Sunrise ofrece una variedad de estilos diferentes de sillas de ruedas para satisfacer sus necesidades. Este producto fue diseñado para que solo lo use una persona. La selección final del tipo, las opciones y los ajustes de la silla de ruedas es solamente suya y de su profesional de la salud. La selección de la mejor silla y de los mejores ajustes de seguridad para usted depende de factores como:

1. Su discapacidad, fortaleza, equilibrio y coordinación.
2. Los tipos de riesgos que enfrentará en el uso diario (lugar donde vive y trabaja, y los otros sitios donde es probable que use su silla).
3. La necesidad de opciones que mejorarán su posición, seguridad y comodidad (tales como los tubos contra volcaduras, los cinturones posicionadores o los sistemas especiales de transporte.)

B. LEA ESTE MANUAL CON FRECUENCIA

Antes de usar esta silla, usted y cada persona que lo asista deben leer este manual por completo y asegurarse de seguir todas las instrucciones. Repase con frecuencia las advertencias, hasta que las aprenda de memoria.

C. ADVERTENCIAS

La palabra “ADVERTENCIA” se refiere a un peligro o una práctica insegura que pueden provocarle a usted o a otras personas lesiones graves o incluso la muerte. Las “Advertencias” se dividen en tres secciones principales:

I. V- ADVERTENCIAS GENERALES

Here you will find a safety checklist and a summary of risks you need to be aware of before you ride this chair.

2. VI- ADVERTENCIAS DE SEGURIDAD: CAÍDAS Y VOLCADURAS

Aquí aprenderá las prácticas para el uso seguro de su silla y para evitar una caída o una volcadura mientras realiza sus actividades diarias en la silla.

3. VII- ADVERTENCIAS - COMPONENTES Y OPCIONES

Aquí aprenderá acerca de los componentes de su silla y las opciones que tiene para su seguridad. Consulte a su distribuidor autorizado y a su profesional de la salud para ayudarle a seleccionar la mejor configuración y opciones para un uso seguro.

NOTA- Donde corresponda, también encontrará “Advertencias” en otras secciones de este manual. Obedezca todas las advertencias de esta sección. Si no lo hace, puede ocurrir una caída, volcadura o pérdida del control y provocar lesiones severas al pasajero o a otras personas.

V. ADVERTENCIAS GENERALES

A. LÍMITE DE PESO

ADVERTENCIA

NUNCA sobrepase el límite de peso especificado por Sunrise Medical. La capacidad de peso proporcionada por el fabricante es para el peso combinado de un pasajero y los elementos acarreados usando el almacenamiento a bordo. Si sobrepasa el límite de peso, puede ocurrir daño a su silla, una caída, volcadura o pérdida del control y provocar lesiones severas al pasajero o a otras personas.

Capacidad de peso

Quickie 5R - 265lbs/(120Kg).

B. USO PREVISTO

La silla de ruedas Quickie 5R se diseñó para proporcionar movilidad a niños con una posición limitada al sentarse.

ADVERTENCIA

NO use este dispositivo para otros fines que no hayan sido los previstos por el fabricante.

1. La silla de ruedas no está diseñada para ejercitarse en el levantamiento de pesas y no es segura para usarla como asiento mientras se practica esa actividad. Levantar pesas en una silla de ruedas cambia sustancialmente la estabilidad de la silla y puede provocar volcaduras.
2. NO se pare sobre el armazón de la silla de ruedas.
3. NUNCA permita que nadie se pare sobre la silla ni la use como escalera.
4. Esta silla está diseñada para un único pasajero.
5. Las modificaciones no autorizadas o el uso de partes o accesorios no aprobados o suministrados por Sunrise Medical podrían cambiar la estructura de la silla. Esto anulará la garantía y puede crear un riesgo de seguridad. Si se ignora esta advertencia, se puede dañar la silla y producir una grave lesión potencial de la persona que usa la silla con fines para los que no fue diseñada.

C. AYUDANTES Y CUIDADORES

ADVERTENCIA

Antes de ayudar al pasajero de la silla de ruedas, asegúrese de leer las advertencias contenidas en este manual y de seguir todas las instrucciones que se apliquen. Tenga en cuenta que después de consultar a un profesional de la salud, deberá aprender una mecánica corporal segura y probada para usar y crear los métodos de asistencia más adecuados para su capacidad.

D. ACCESORIOS

ADVERTENCIA

Las modificaciones no autorizadas o el uso de partes o accesorios no aprobados o suministrados por Sunrise Medical podrían cambiar la estructura de la silla. Esto anulará la garantía y puede crear un riesgo de seguridad.

Podrían producirse algunos problemas, entre otros:

1. Ruedas o llantas incorrectas que hacen que el pasajero corra el riesgo de caídas o volcaduras.
2. Agregar un componente al armazón, cambiar la integridad estructural de la silla.
3. Realizar cualquier modificación o desarmar la silla de ruedas puede crear una situación insegura en la que el pasajero o el ayudante corren riesgos.

E. CONOZCA SU SILLA

ADVERTENCIA

Cada silla de ruedas es diferente. Tómese su tiempo para conocer las características de esta silla antes de empezar a usarla. Empiece lentamente, con impulsos leves, suaves. Si está acostumbrado a una silla diferente, podría aplicar demasiada fuerza y volcarse. Si aplica demasiada fuerza, podría provocar daño a su silla, una caída, volcadura o pérdida del control y provocar lesiones severas al pasajero o a otras personas.

F. REDUZCA EL RIESGO DE UN ACCIDENTE

⚠️ ADVERTENCIA

1. ANTES de que use esta silla, su profesional médico debe instruirlo en el uso seguro de ella.
2. Practique doblarse, estirarse y cambiarse hasta que conozca el límite de su habilidad. Haga que alguien le ayude hasta que conozca lo que puede provocar una caída o volcadura y cómo evitarlas.
3. Tenga en cuenta que debe desarrollar sus propios métodos para un uso seguro y que sean los mejores para su nivel de funcionalidad y habilidad.
4. NUNCA intente una nueva maniobra por sí mismo a menos que esté seguro de que puede hacerla sin riesgos.
5. Conozca las áreas donde planea usar su silla. Tenga cuidado con los peligros y aprenda a evitarlos.
6. Use los tubos contra volcaduras a menos que sea un pasajero hábil en esta silla y que esté seguro de que no tiene riesgo de volcarse.

G. LISTA DE VERIFICACIÓN DE SEGURIDAD

⚠️ ADVERTENCIA

Antes de cada uso de su silla:

1. Asegúrese de que su silla se desplace con facilidad y de que todas las partes funcionen bien. Compruebe si hay algún ruido, vibración o variación en su uso corriente. (Pueden indicar baja presión en las llantas, sujetadores sueltos o daños en su silla.)
2. Solucione cualquier problema. Su distribuidor autorizado le puede ayudar a encontrar y corregir el problema.
3. Verifique que ambos ejes traseros de liberación rápida estén asegurados. Cuando están asegurados, el botón del eje “saldrá” por completo. Si no lo están, la rueda podría salirse y provocar una caída.
4. Si su silla tiene tubos contra volcaduras, asegúrelos.

H. CAMBIOS Y AJUSTES

⚠️ ADVERTENCIA

1. Consulte a su profesional de la salud y haga que adapte los componentes del asiento en cualquier momento en que sea necesario hacer un cambio o ajustes.
2. Las modificaciones no autorizadas o el uso de partes no aprobadas o suministradas por Sunrise podrían cambiar la estructura de la silla. Esto anulará la garantía y puede crear un riesgo de seguridad.

Si hace caso omiso de estas advertencias, pueden ocurrir daños a su silla, una caída, volcadura o pérdida del control y provocar lesiones severas al pasajero o a otras personas.

I. CONDICIONES AMBIENTALES

⚠️ ADVERTENCIA



1. Tenga más cuidado si debe usar su silla sobre una superficie húmeda o resbalosa. Si tiene dudas, pida ayuda.
2. El contacto con el agua o el exceso de humedad puede provocar que su silla se oxide o corroa. Evite todas las situaciones climáticas extremas si es posible.
 - a. No use su silla para bañarse, en la piscina o cualquier otra masa de agua. Los tubos y piezas de la silla no son herméticos y pueden oxidarse o corroerse desde adentro.
 - b. Evite el exceso de humedad (por ejemplo, no deje su silla en un baño húmedo mientras se baña).
 - c. Seque la silla tan pronto como pueda en caso de que se moje o si usa agua para limpiarla.

Si hace caso omiso de estas advertencias, pueden ocurrir daños a su silla, una caída, volcadura o pérdida del control y provocar lesiones severas al pasajero o a otras personas.

J. TERRENO

⚠️ ADVERTENCIA

1. Basándose en las pruebas del Instituto Nacional Estadounidense de Estándares (ANSI)/Sociedad Norteamericana de Tecnología Asistencial e Ingeniería de Rehabilitación (RESNA), Sunrise Medical recomienda el uso de una rueda pivotante con un diámetro mínimo de 12,7 cm (5 pulg.) si la silla de ruedas superará regularmente obstáculos de hasta 1,27 cm (½ pulg.)
2. Su silla está diseñada para usarse sobre una superficie firme y nivelada, tal como el concreto y el asfalto, y pisos y alfombras en interiores.
3. No use su silla en la arena, en la tierra suelta o en un terreno rocoso.
4. Si usa la silla en un terreno que sea más irregular que lo descrito anteriormente, existe el peligro de que los tornillos y los pernos se aflojen antes de lo previsto, y de que el daño ocasionado en las ruedas o en los ejes exponga al pasajero al riesgo de una caída, una volcadura o la pérdida de control.

Si hace caso omiso de estas advertencias, pueden ocurrir daños a su silla, una caída, volcadura o pérdida del control y provocar lesiones severas al pasajero o a otras personas.

K. USO EN LA CALLE

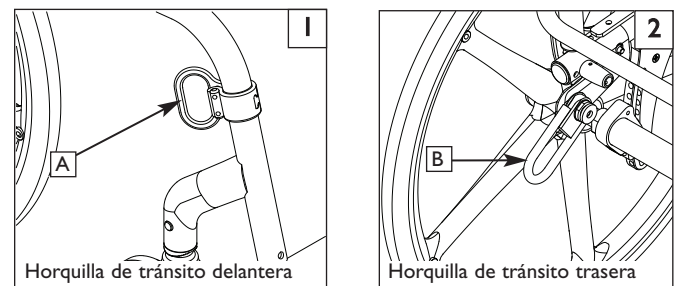
⚠️ ADVERTENCIA

1. Este producto no fue diseñado para ser usado en la calle.
2. Siempre que sea posible, evite las calles.
3. Obedezca y cumpla con todas las leyes que se aplican a los peatones y a las sendas para peatones.
4. Esté alerta del peligro que representan los vehículos automotores en los estacionamientos, o si debe cruzar una calle.

Si hace caso omiso de estas advertencias, pueden ocurrir daños a su silla, una caída, volcadura o pérdida del control y provocar lesiones severas al pasajero o a otras personas.

L. SEGURIDAD EN VEHÍCULOS MOTORIZADOS 1 2

Siempre que sea posible, el pasajero se debe trasladar al asiento del vehículo del Fabricante del Equipo Original (OEM) y utilizar el sistema de restrictor de movimiento del fabricante del equipo original instalado en el vehículo.



Busque este símbolo en su silla de ruedas. Indica los puntos de fijación de la silla de ruedas que cumplen con las normas ANSI/RESNA (1998) V.1 - Sección 19 y/o ANSI/RESNA (2012) V.4 WC-19. Para obtener más información relacionada con tránsito, consulte el “Complemento Fijación de Tránsito” incluido con su silla.

Sunrise Medical proporciona un Sistema de Sujetadores de Sillas de Ruedas y Restrictores de Movimiento del Ocupante WC-19 que también se llama Opción de tránsito. Para identificar si la silla ha sido fabricada con la Opción de tránsito ya instalada, busque cuatro puntos de fijación. Dos puntos delanteros (A) y dos puntos traseros (B). Estos puntos se reconocen por la calcomanía de puntos de fijación que se encuentra sobre los puntos de fijación o cerca de ellos.

Si su silla de ruedas está equipada con la Opción de tránsito, repase el complemento Fijación de Tránsito que se entregó con la silla de ruedas para obtener instrucciones e información adicionales. Puede solicitarle una copia a su proveedor autorizado o a Sunrise Medical si no lo tiene.

Si su silla de ruedas está equipada con la Opción de tránsito, repase el complemento Fijación de Tránsito que se entregó con la silla de ruedas para obtener instrucciones e información adicionales. Puede solicitarle una copia a su proveedor autorizado o a Sunrise Medical si no lo tiene.

ADVERTENCIA

Si su silla NO está equipada con la opción de tránsito:

1. NUNCA permita que alguien se siente en esta silla cuando se encuentre en un vehículo en movimiento.
 - a. SIEMPRE cambie al usuario a un asiento de vehículo aprobado.
 - b. Asegure SIEMPRE al pasajero con los restrictores de movimiento apropiados del vehículo de motor.
2. En caso de accidente o parada súbita, el pasajero podría ser lanzado de la silla. Los cinturones de la silla de ruedas no prevendrán esto, y los cinturones y las correas pueden causar lesiones adicionales.
3. NUNCA transporte esta silla en el asiento delantero de un vehículo. Podría moverse e interferir con el conductor.
4. Asegure SIEMPRE esta silla de tal manera que no se mueva o ruede.
5. No use ninguna silla que se haya visto involucrada en un accidente de vehículos de motor. El armazón o los componentes pueden haber cambiado debido a un accidente. Esos elementos podrían ser, entre otros: componentes doblados, sueltos o rotos que sufrieron un impacto.

Si hace caso omiso de estas advertencias, pueden ocurrir daños a su silla, una caída, volcadura o pérdida del control y provocar lesiones severas al pasajero o a otras personas.

M. CUANDO NECESITE AYUDA

ADVERTENCIA

Para el pasajero: Asegúrese de que cada persona que le ayude, lea y siga todas las advertencias e instrucciones que se apliquen.

Para los ayudantes:

1. Trabaje en conjunto con el doctor, la enfermera o el terapeuta del pasajero de la silla para aprender los métodos seguros y mejor adaptados a sus capacidades y las del pasajero.
2. Infórmele al pasajero lo que planea hacer y explíquele lo que espera que haga. Esto tranquilizará al pasajero y reducirá el riesgo de accidente.
3. Asegúrese de que la silla tenga asideros de empuje. Ofrecen puntos seguros para que usted sostenga la parte posterior de la silla para evitar una caída o volcadura. Revise que los asideros de empuje no giren ni se salgan.
4. Para evitar lesiones de su espalda, use una buena postura y mecánica corporal apropiada. Cuando levante o sostenga al pasajero o incline la silla, doble ligeramente sus rodillas y mantenga su espalda tan recta y erguida como pueda.
5. Recuérdele al pasajero que se incline hacia atrás cuando usted incline la silla hacia atrás.
6. Cuando baje una acera o un solo escalón, baje lentamente la silla en un solo movimiento continuo. No permita que la silla caiga en los últimos centímetros hasta el suelo. Esto podría dañar la silla o lesionar al pasajero.
7. Para evitar que su silla se vuelque o que una rueda quede suspendida en algún objeto, libere y gire hacia arriba los tubos contra volcaduras y asegúrese de que no estorben.
8. En cualquier momento en el que no esté vigilando la silla de ruedas, use SIEMPRE el seguro de las ruedas para trabar las ruedas traseras y asegure los tubos contra volcaduras si debe dejar solo al pasajero, incluso por un momento. Esto reducirá el riesgo de una volcadura o la pérdida de control de la silla.

VI. ADVERTENCIAS DE SEGURIDAD: CAÍDAS Y VOLCADURAS

A. CENTRO DE EQUILIBRIO

ADVERTENCIA

El punto donde esta silla se volcará hacia delante, atrás o lateralmente depende de su centro de gravedad y estabilidad. La manera como esté ajustada su silla, las opciones que seleccionó y los cambios que haga pueden influir en el riesgo de una caída o volcadura.

1. Los ajustes más importantes son:
 - La posición de las ruedas traseras. Cuanto más mueva las ruedas traseras hacia adelante, más probable será que su silla se vuelque hacia atrás.
2. El centro de equilibrio también se ve afectado por:
 - a. Un cambio en la configuración de su silla, lo que incluye:
 - La distancia entre las ruedas traseras.
 - La cantidad de caída de la rueda trasera.
 - La altura y el ángulo del asiento.
 - El ángulo del respaldo.
 - b. Los cambios de posición del cuerpo, de postura o de distribución del peso.
 - c. Uso de su silla en una rampa o plano inclinado.
 - d. Una mochila u otras opciones y la cantidad de peso adicional.
3. Para reducir el riesgo de un accidente:
 - a. Consulte a su doctor, enfermera o terapeuta para averiguar la mejor posición del eje y ruedas pivotantes.
 - b. Consulte a su distribuidor autorizado ANTES de modificar o ajustar esta silla. Tenga en cuenta que podría necesitar hacer otros cambios para corregir el centro de equilibrio.

- c. Pida que alguien le ayude hasta que conozca los puntos de equilibrio de su silla y la manera de evitar una volcadura.
- d. Use los tubos contra volcaduras.

Si hace caso omiso de estas advertencias, pueden ocurrir daños a su silla, una caída, volcadura o pérdida del control y provocar lesiones severas al pasajero o a otras personas.

B. AL VESTIRSE O CAMBIARSE DE ROPA

ADVERTENCIA

Su peso puede cambiar de posición si se viste o cambia de ropa mientras esté sentado en esta silla.

Para reducir el riesgo de caída o volcadura:

1. Gire las ruedas pivotantes delanteras hasta que estén tan adelante como sea posible. Esto hace que la silla sea más estable. This makes the chair more stable.
2. Asegure los tubos contra volcaduras. (Si su silla no tiene tubos contra volcaduras, coloque el respaldo contra la pared y asegure las ruedas traseras).

Si hace caso omiso de estas advertencias, pueden ocurrir daños a su silla, una caída, volcadura o pérdida del control y provocar lesiones severas al pasajero o a otras personas.

C. OBSTÁCULOS

ADVERTENCIA

Pasar sobre aceras u obstáculos puede provocar volcaduras y graves daños al cuerpo. Si tiene dudas de poder cruzar de manera segura aceras u obstáculos, SIEMPRE PIDA AYUDA. Tenga en cuenta sus habilidades para conducir la silla y sus limitaciones personales. Desarrolle nuevas habilidades sólo con la asistencia de un ayudante.

Para evitar el riesgo de obstáculos que se atraviesen:

1. Esté alerta de los peligros, revise el área delante de su silla al tiempo que viaja.
2. Asegúrese de que los pisos donde vive y trabaja estén nivelados y sin obstáculos.
3. Quite o cubra las tiras de los umbrales entre habitaciones.
4. Instale una rampa en las puertas de entrada o salida. Asegúrese de que no haya un escalón al final de la rampa.
5. Para ayudar a corregir su centro de equilibrio:
 - a. Inclíne la parte superior de su cuerpo ligeramente hacia ADELANTE cuando SUBA un obstáculo.
 - b. Inclíne la parte superior de su cuerpo hacia ATRÁS cuando vaya hacia ABAJO de un nivel superior a uno inferior.
6. Si la silla tiene tubos contra volcaduras, no pase sobre un obstáculo sin ayuda.
7. Mantenga ambas manos en los aros para las manos cuando pase un obstáculo.
8. Nunca empuje o tire de un objeto (como muebles o perillas de puertas) para impulsar su silla.

Si hace caso omiso de estas advertencias, pueden ocurrir daños a su silla, una caída, volcadura o pérdida del control y provocar lesiones severas al pasajero o a otras personas

D. ELEVACIÓN DE LA RUEDA PIVOTANTE DELANTERA

ADVERTENCIA

La rueda pivotante delantera puede elevarse cuando las ruedas delanteras, que por lo general están en contacto con el suelo, se levantan de manera intencional o no, mientras las ruedas delanteras permanecen contra el piso. NUNCA se debe intentar controlar la inclinación (parcial o completa) sin consultar a su profesional de la salud y sin estar seguro de que están instalados los elementos contra volcaduras.

Si hace caso omiso de esta advertencia, hay un riesgo elevado de dañar su silla, caerse, volcar o perder el control y provocar lesiones graves al pasajero o a otras personas.

E. AL ESTIRARSE O INCLINARSE

ADVERTENCIA

Si se estira o inclina, ello afectará el centro de equilibrio de su silla. Esto puede provocar que se caiga o vuelque. En caso de duda, pida ayuda o use un dispositivo para aumentar su alcance.

1. NUNCA se estire o incline si debe cambiar su peso lateralmente o levantarse del asiento.
2. NUNCA se estire o incline si para hacerlo debe moverse hacia delante en el asiento. Mantenga siempre sus glúteos en contacto con el respaldo.
3. Nunca estire ambos brazos (podría no ser capaz de sujetarse para evitar caerse si la silla se voltea).
4. NUNCA se estire o incline hacia atrás a menos que su silla tenga asegurados los tubos contra volcaduras.
5. NO se estire o incline por encima de la parte superior del respaldo. Esto podría dañar uno o ambos tubos del respaldo y provocar que usted caiga.
6. Si debe estirarse o inclinarse:
 - a. No asegure las ruedas traseras. Esto crea un punto de volcadura y hace más probable una caída o volcadura.

- b. No aplique presión en los reposapiés.
- c. Mueva su silla tan cerca como pueda del objeto que desea alcanzar y luego colóquese a su lado haciendo retroceder la silla.
- d. No intente levantar un objeto del piso estirándose hacia abajo entre sus piernas. Tiene menos probabilidades de volcarse si se estira por un lado de su silla.
- e. Gire las ruedas pivotantes delanteras hasta que estén tan adelante como sea posible. Esto hace que la silla sea más estable.
- f. Tome con firmeza la rueda trasera o un reposabrazos con una mano. Esto ayudará a evitar una caída si la silla se vuelca.

Si hace caso omiso de estas advertencias, pueden ocurrir daños a su silla, una caída, volcadura o pérdida del control y provocar lesiones severas al pasajero o a otras personas.

F. CÓMO MOVERSE HACIA ATRÁS

ADVERTENCIA

Tenga mucho cuidado cuando mueva su silla hacia atrás. Su silla es más estable cuando usted se impulsa hacia delante. Puede perder el control o volcarse si una rueda trasera golpea un objeto y deja de rodar.

1. Impulse su silla lenta y suavemente.
2. Si su silla tiene tubos contra volcaduras, asegúrelos.
3. Pare con frecuencia y revise que su camino no tenga obstáculos.

Si hace caso omiso de estas advertencias, pueden ocurrir daños a su silla, una caída, volcadura o pérdida del control y provocar lesiones severas al pasajero o a otras personas.

G. ESCALERAS MECÁNICAS

ADVERTENCIA

NUNCA use esta silla en una escalera mecánica, aunque sea con un ayudante. Si lo hace, es probable que sufra una caída o volcadura.

Si hace caso omiso de estas advertencias, pueden ocurrir daños a su silla, una caída, volcadura o pérdida del control y provocar lesiones severas al pasajero o a otras personas.

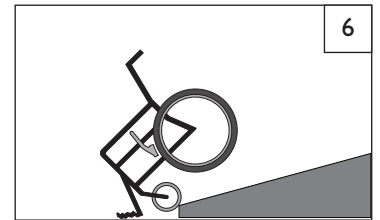
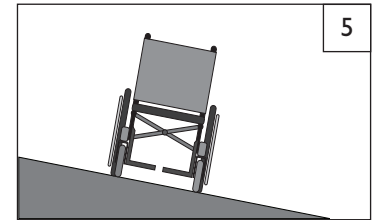
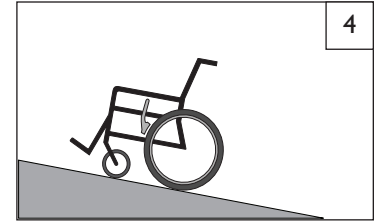
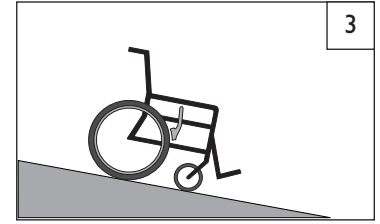
H. RAMPAS, PLANOS INCLINADOS Y LADERAS

ADVERTENCIA

Siempre que sea posible, evite usar la silla en un plano inclinado, lo que incluye una rampa o una ladera. Esto cambia el centro de equilibrio de la silla. Su silla es menos estable cuando está inclinada y es más difícil maniobrar cuando está en un ángulo. Cuando sube una cuesta, es posible que los tubos contra volcaduras no eviten una caída o volcadura. Cuando use la silla en pendientes, siempre pida ayuda.

1. **NO USE** su silla en un plano inclinado mayor de 10°.
2. Evite las laderas. **No** use su silla en una ladera con un plano inclinado de más de 6°.
3. **SIEMPRE** suba o baje una ladera en línea recta. **No** “tome atajos” cuando circule por una pendiente o rampa.
4. **No** vire ni cambie de dirección sobre una pendiente.
5. **No** se pare en un plano inclinado muy pronunciado. Si se detiene, puede perder el control de su silla.
6. **NUNCA** use los seguros de las ruedas traseras para desacelerar o detener su silla. Esto probablemente provocará que su silla vire sin control.
7. **SIEMPRE** tenga en cuenta:
 - a. Las superficies mojadas o resbalosas.
 - b. Un cambio en el grado de inclinación (o un bordillo, bache o depresión). Podría provocar una caída o volcadura.
 - c. Un escalón al llegar a la parte de abajo de una pendiente o de una rampa. Un escalón tan pequeño como de 2 cm (¾ pulg.) puede detener las ruedas pivotantes delanteras y hacer que la silla se vuelque hacia delante.

8. Para reducir el riesgo de caída o volcadura:
 - a. Inclínese o cargue su cuerpo CUESTA ARRIBA. Esto ayudará a compensar el cambio del centro de equilibrio provocado por el plano inclinado o ladera.
 - b. Mantenga la presión en los aros para las manos para controlar su velocidad de bajada. Si va muy rápido puede perder el control.
 - c. **SIEMPRE PIDA AYUDA**
9. Rampas en casa y en el trabajo: Por su seguridad, las rampas en su casa y su trabajo deben cumplir con todos los requisitos legales para su área:
 - a. **EVITE LOS ESCALONES**
Asegúrese de que hay una sección en la parte superior o inferior para suavizar la transición.
 - b. **SIEMPRE** permanezca en el centro de la rampa y controle la velocidad.
10. Cuando tenga que usar una rampa, permanezca siempre en el CENTRO de esta. Asegúrese de que la rampa sea lo suficientemente ancha de modo que no corra riesgo de pasar el borde.
11. **Si necesita descender de una colina:** 3
 - a. El declive debe ser inferior a 10°
 - b. VAYA DESPACIO.
 - c. **SIEMPRE** vaya en línea recta hacia abajo.
 - d. **SIEMPRE** controle la velocidad.
 - e. **NUNCA** encienda una colina.
12. **Si necesita subir una colina:** 4
 - a. La subida debe ser inferior a 10°
 - b. **SIEMPRE** vaya en línea recta hacia arriba.
 - c. **NUNCA** se detenga en una subida.
 - d. **NUNCA** gire en una colina.
 - e. **SIEMPRE inclínese hacia delante.**
13. **Si necesita atravesar una ladera:** 5
 - a. La ladera debe tener menos de 6° o correrá el riesgo de volcarse.
 - b. **NO SE DETENGA.**
 - c. **NO** realice cambios de dirección en la colina.
14. **Si necesita atravesar una rampa:** 6
 - a. Vaya despacio.
 - b. **Tenga** cuidado con los desniveles.
 - c. **SIEMPRE** vaya en línea recta hacia abajo.
 - d. Manténgase en el centro de la rampa.
 - e. **SIEMPRE** inclínese hacia delante



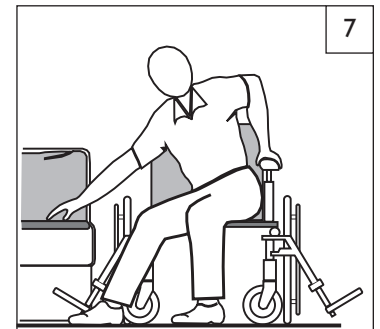
I. CAMBIOS 7 8

⚠ ADVERTENCIA

Es peligroso realizar un cambio de asiento sin ayuda. Se necesita buen equilibrio y agilidad. Tenga en cuenta que existe un punto durante cada cambio en que el asiento de la silla de ruedas no está debajo de usted. Para evitar una caída:

1. Trabaje en conjunto con su profesional médico para aprender métodos seguros para cambiar de asiento.
 - a. Aprenda a colocar su cuerpo y a sujetarse durante un cambio de asiento.
 - b. Pida que alguien lo ayude hasta que aprenda los métodos seguros para cambiar de asiento.
2. Asegure las ruedas traseras antes de cambiarse.
3. Tenga en cuenta que la silla todavía puede resbalar o volcar. El seguro de las ruedas evita que las ruedas delanteras giren mientras usted se está cambiando de asiento.
4. Asegúrese de que las llantas neumáticas estén infladas apropiadamente. Tenerlas a baja presión puede provocar que los seguros de las ruedas traseras se resbalen. (Consulte la tabla en la Sección "Llantas neumáticas")
5. Mueva su silla tan cerca como pueda del asiento al cual se está cambiando. Si es posible, utilice una tabla para cambiarse
6. Gire las ruedas pivotantes delanteras hasta que estén tan adelante como sea posible.
7. Si puede, quite o gire los reposapiés para retirarlos del camino.
 - a. Asegúrese de que sus pies no se atasquen en el espacio entre los reposapiés.
 - b. Evite cargar el peso sobre los reposapiés debido a que puede provocar que la silla se vuelque.

Posición óptima de cambio

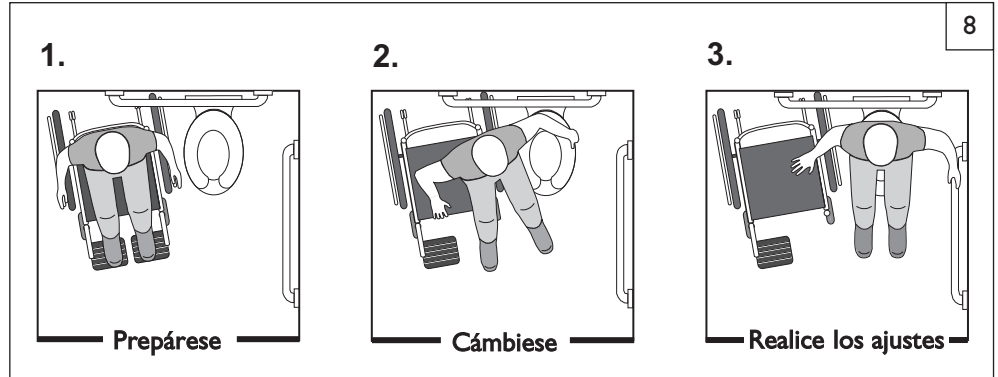


Antes de cambiarse:

1. Retire los reposabrazos.
2. Retire o mueva los reposapiés.
3. Asegúrese de que esté colocado el seguro de la rueda.

8. Asegúrese de retirar los reposabrazos y de que no estorben ni interfieran al momento de cambiar de asiento.
9. Al cambiarse, acérquese todo lo posible a la superficie del asiento de destino antes de soltarse. Así correrá menos riesgo de que la silla se deslice lejos de usted o se vuelque.

Si hace caso omiso de estas advertencias, pueden ocurrir daños a su silla, una caída, volcadura o pérdida del control y provocar lesiones severas al pasajero o a otras personas.



J. ACERAS Y ESCALONES ÚNICOS 9

⚠ ADVERTENCIA

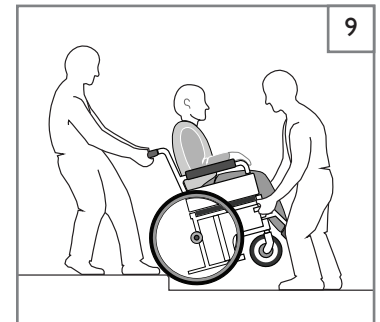
Antes de usar la silla sobre aceras o incluso en un solo escalón, **SIEMPRE** pida ayuda. Las aceras y los escalones pueden hacer que la silla vuelque y producir una lesión corporal grave. Cuando esté en duda sobre nuestra capacidad para evitar o atravesar algún obstáculo, siempre pida ayuda. Tenga en cuenta sus habilidades para conducir la silla y sus limitaciones personales, desarrolle nuevas habilidades solo con la ayuda de un acompañante.

Para los ayudantes:

Cada persona que ayude al pasajero de la silla de ruedas con las aceras y escalones debe leer y seguir las instrucciones y advertencias relacionadas con los ayudantes y los cuidadores.

1. No intente subir una acera o escalón altos (más de 11 cm [4 pulg.] de alto) A MENOS QUE tenga ayuda. Hacerlo puede provocar que su silla sobrepase el punto de equilibrio y se vuelque.
2. Suba o baje recto una acera o escalón. Si sube o baja en ángulo, es probable que sufra una caída o volcadura.
3. Tenga en cuenta que el impacto de caerse de una acera o escalón puede dañar su silla o aflojar los sujetadores.

Si hace caso omiso de estas advertencias, pueden ocurrir daños a su silla, una caída, volcadura o pérdida del control y provocar lesiones severas al pasajero o a otras personas



K. SUBIR UNA ACERA O UN ESCALÓN ÚNICO 9

⚠ ADVERTENCIA

Para el asistente: siga las instrucciones a continuación para ayudar al usuario de la silla a subir un escalón o una acera HACIA ATRÁS.

1. Permanezca detrás del dispositivo de la silla.
2. Continúe dirigiéndose hacia atrás hasta que las llantas traseras hagan contacto con la acera o con el escalón. Levante y haga girar las llantas hasta la parte superior de la acera.
3. Jale la silla hacia atrás hasta que las ruedas pivotantes hayan pasado el borde de la acera y devuelva la silla a su posición normal para rodar.

Si hace caso omiso de estas advertencias, pueden ocurrir daños a su silla, una caída, volcadura o pérdida del control y provocar lesiones severas a la persona en la silla o a otras personas.

L. BAJAR UNA ACERA O UN ESCALÓN ÚNICO 9

⚠ ADVERTENCIA

Para el Asistente: Siga estos pasos para ayudar al pasajero de la silla de ruedas a bajar de una acera o escalón HACIA DELANTE:

1. Permanezca detrás de la silla.
2. Algunos metros antes de llegar al borde de la acera o del escalón, levante ligeramente la silla y jálela hacia atrás.
3. Cuando la silla esté en su punto de equilibrio, avance con cuidado hasta que las ruedas traseras de la silla toquen el borde de la acera o del escalón. Luego permita que las ruedas se deslicen lentamente hacia abajo, hacia el nivel inferior.
4. Empuje la silla hacia adelante lentamente hasta que usted esté de pie sobre el nivel inferior.
5. Cuando las ruedas estén de manera segura en el nivel inferior, coloque la silla de ruedas de nuevo en su posición original.

M. ESCALERAS 10

⚠ ADVERTENCIA

1. **NUNCA** use esta silla en escaleras A MENOS QUE tenga a alguien que le ayude. Es probable que sufra una caída o una volcadura.
2. Utilice al menos a dos ayudantes para subir/bajar la silla de ruedas y al pasajero por las escaleras.

Si hace caso omiso de estas advertencias, pueden ocurrir daños a su silla, una caída, volcadura o pérdida del control y provocar lesiones severas al pasajero o a otras personas

⚠ ADVERTENCIA

Antes de ayudar al pasajero de la silla de ruedas, asegúrese de leer las advertencias “Para los ayudantes” (Sección V, Parte K) y de seguir todas las instrucciones que se apliquen. Tenga en cuenta que necesitará aprender los métodos seguros que se adapten mejor a sus capacidades.

N. CÓMO SUBIR ESCALERAS

⚠ ADVERTENCIA

1. Utilice al menos a dos ayudantes para subir la silla de ruedas y al pasajero por las escaleras.
2. Suba la silla de ruedas y al pasajero HACIA ATRÁS por las escaleras.
3. La persona de atrás tiene el control. Inclina la silla hacia atrás hasta alcanzar su punto de equilibrio.
4. El segundo ayudante en el frente debe tomar con firmeza el receptáculo del soporte o la parte delantera del riel del asiento y levantar la silla un escalón a la vez.
5. Los ayudantes se mueven al siguiente escalón superior. Repita esto en cada escalón, hasta que llegue abajo.

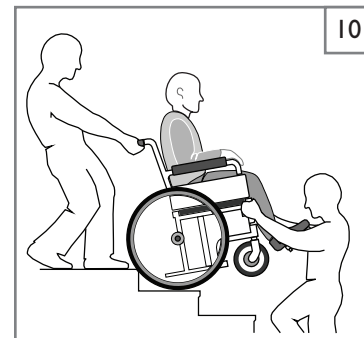
Si hace caso omiso de estas advertencias, pueden ocurrir daños a su silla, una caída, volcadura o pérdida del control y provocar lesiones severas al pasajero o a otras personas.

O. CÓMO BAJAR ESCALERAS

⚠ ADVERTENCIA

1. Utilice al menos a dos ayudantes para bajar la silla de ruedas y al pasajero por las escaleras.
2. Baje la silla de ruedas y al pasajero HACIA DELANTE por las escaleras.
3. La persona de atrás tiene el control. Inclina la silla hasta el punto de equilibrio de las ruedas traseras y la rueda hasta el borde del primer escalón.
4. Un segundo ayudante se para en el tercer escalón hacia abajo y toma el receptáculo del soporte o la parte delantera del riel del asiento. Luego baja la silla un escalón a la vez, permitiendo que las ruedas traseras de la silla rueden sobre el borde del escalón.
5. Los ayudantes se mueven al siguiente escalón hacia abajo. Repita esto en cada escalón, hasta que llegue abajo.

Si hace caso omiso de estas advertencias, pueden ocurrir daños a su silla, una caída, volcadura o pérdida del control y provocar lesiones severas al pasajero o a otras personas.



10

A. TUBOS CONTRA VOLCADURAS

⚠️ ADVERTENCIA

Los tubos contra volcaduras pueden ayudar a evitar que su silla se vuelque hacia atrás en condiciones normales.

1. Sunrise recomienda el uso de tubos contra volcaduras:
2. Cuando están asegurados, (en la posición de “abajo”) los tubos contra volcaduras deben estar ENTRE 3,75 y 5,1 cm (1-1/2 y 2 pulg.) del piso.
 - a. Si se colocan por sobre los 5,1 cm (2 pulg.), es posible que no eviten una volcadura.
 - b. Si se ubican por debajo de los 3,75 cm (1-1/2 pulgadas), pueden “agarrarse” a obstáculos y causar una volcadura.
3. Si tiene que subir o bajar una acera o pasar un obstáculo, es posible que necesite que un ayudante se asegure de que los tubos contra volcaduras estén girados hacia arriba y no estorben, de modo que la silla y el pasajero no se atasquen ni pierdan estabilidad.

B. REPOSABRAZOS

⚠️ ADVERTENCIA

Los reposabrazos se desprenden y no soportan el peso de esta silla.

1. NUNCA levante esta silla tomándola por los reposabrazos. Se pueden desprender o romper.
2. Levante esta silla tomándola solamente de partes no desprendibles del armazón principal.

C. COJINES Y ASIENTOS DE ESLINGA

⚠️ ADVERTENCIA

1. Asientos Quickie Sling y cojines de espuma estándar no están diseñados para el alivio de la presión.
2. Si usted sufre de úlceras de presión o si tiene riesgo de que le aparezcan, podría necesitar un sistema de asiento especial o un dispositivo para controlar su postura. Consulte a su doctor, enfermera o terapeuta para saber si necesita tal dispositivo para su bienestar.
3. Eslingas de seguridad no están destinados a ser utilizados como una superficie de asiento directa. Un cojín u otra superficie de asiento se deben colocar en el cabestrillo antes de su uso.

D. ASIENTO DESCENTRADO (Opcional)

⚠️ ADVERTENCIA

1. El ajuste anterior / posterior de la posición del respaldo afectará el centro de equilibrio de su silla.
2. Use esta opción sólo cuando instale un sistema de asiento de montaje descentrado hacia delante, sin usar la eslinga de respaldo estándar.
3. Cada vez que ajusta o modifica la ubicación del plano del respaldo, este cambio puede facilitar que ocurra una volcadura hacia atrás. Use los tubos contra volcaduras hasta que se adapte al cambio y que esté seguro que no tiene riesgo de volcarse.

E. SUJETADORES

⚠️ ADVERTENCIA

La mayoría de los tornillos, pernos y tuercas en esta silla son sujetadores especiales de alta resistencia. El uso de sujetadores inadecuados puede provocar la falla de su silla.

1. Use SOLAMENTE sujetadores provistos por un distribuidor autorizado (o del mismo tipo y resistencia, como se indica en las marcas en las cabezas).
2. Los sujetadores apretados de más o de menos pueden fallar o provocar daño a las partes de la silla.
3. Si se aflojan los tornillos o los pernos, apriételos tan pronto como pueda.

F. REPOSAPIÉS

⚠️ ADVERTENCIA

1. En el punto más bajo, los reposapiés deben estar AL MENOS A 5,1 cm (2 pulg.) del piso. Si se colocan muy BAJO, podrían “agarrarse” a obstáculos esperados bajo uso normal. Esto puede provocar que la silla pare súbitamente y se vuelque hacia delante.
2. Para evitar un tropiezo o caída cuando se cambie:
 - a. Asegúrese de que sus pies no “cuelguen” o se atasquen en el espacio entre los reposapiés.
 - b. Evite cargar el peso sobre los reposapiés debido a que la silla se puede volcar hacia delante.
 - c. Los reposapiés deben oscilar sin entorpecer o quitarse al entrar o salir de la silla de ruedas.
3. NUNCA levante esta silla tomándola por los reposapiés. Los reposapiés se desprenden y no soportan el peso de esta silla. Levante esta silla tomándola solamente de partes no desprendibles del armazón principal.
4. Nunca use los reposapiés de su silla para abrir puertas, esto puede provocar una falla prematura y crear una situación de inseguridad.

Si hace caso omiso de estas advertencias, pueden ocurrir daños a su silla, una caída, volcadura o pérdida del control y provocar lesiones severas al pasajero o a otras personas.

G. LLANTAS NEUMÁTICAS

⚠️ ADVERTENCIA

El inflado apropiado extiende la vida útil de sus ruedas neumáticas y hará que su silla sea más fácil de usar.

1. No use esta silla si cualquiera de las ruedas neumáticas está inflada de más o de menos. Verifique semanalmente el inflado; debe estar como se indica en el costado de la rueda.
2. La baja presión en una rueda trasera puede provocar que el seguro de la rueda de ese lado se resbale y permita que la rueda gire cuando usted no lo espera.
3. La baja presión en cualquiera de las ruedas puede provocar que la silla vire hacia un lado, lo que puede resultar en la pérdida de control.
4. Las ruedas infladas de más pueden reventar.

Tires	Q5R	Recommended Pressure or Pressure Range	
		kPa	PSI
Pneumatic - 20"	x	448	65
Pneumatic - 22"	x	448	65
Pneumatic - 24"	x	517	75
Pneumatic - 26"	x	448	65
High Pressure Clincher (22")	x	690	100
High Pressure Clincher (24")	x	758	110
High Pressure Clincher (25")	x	758	110
High Pressure Clincher (26")	x	758	110
Knobby V-Track (24")	x	448	65
Schwalbe Marathon (24")	x	586 - 1000	85-145
Schwalbe Marathon (25")	x	586 - 1000	85-145
Schwalbe Marathon (26")	x	586 - 1000	85-145

H. CINTURONES DE POSICIONAMIENTO (Opcional)**⚠️ ADVERTENCIA**

El cinturón de posicionamiento se utiliza principalmente para dar soporte a su postura. También se puede utilizar para limitar el deslizamiento y/o desplazamiento que pudiera experimentar cuando la silla esté en movimiento. El cinturón de posicionamiento no es un cinturón de seguridad calificado para usarse en tránsito y no debe utilizarse como reemplazo de un cinturón de seguridad al transportarse en un vehículo motorizado. El uso inapropiado de los cinturones de posicionamiento puede provocar lesiones severas o la muerte. Si usted utiliza un cinturón de posicionamiento, asegúrese de seguir las recomendaciones de esta sección:

1. Asegúrese de que el usuario no se resbale del asiento de la silla de ruedas. Si ocurre esto, el pasajero puede sufrir la compresión del pecho o asfixia debido a la presión de los cinturones.
2. Los cinturones deben estar ajustados, pero no tanto, ya que pueden interferir con la respiración. Debe poder pasar su mano abierta, plana, entre el cinturón y el pasajero.
3. Una cuña pélvica o dispositivo similar puede ayudar a evitar que el pasajero se resbale del asiento. Consulte con el doctor, enfermera o terapeuta del pasajero para saber si necesita dicho dispositivo.
4. Use los cinturones de posicionamiento solamente en un pasajero que pueda cooperar. Asegúrese de que el pasajero pueda retirar los cinturones con facilidad en caso de emergencia.
5. NUNCA use los cinturones de posicionamiento:
 - a. Como restrictor de movimiento. Un restrictor de movimiento requiere el pedido de un médico.
 - b. En un pasajero que está en coma o agitado.
 - c. Como cinturón de seguridad de vehículo automotor. En caso de accidente o parada súbita, el pasajero podría ser lanzado de la silla. Los cinturones de la silla de ruedas no prevendrán esto, y los cinturones y las correas pueden causar lesiones adicionales.

Si hace caso omiso de estas advertencias, pueden ocurrir daños a su silla, una caída, volcadura o pérdida del control y provocar lesiones severas al pasajero o a otras personas

I. ASIDEROS DE EMPUJE (Opcional)**⚠️ ADVERTENCIA**

Cuando tenga un ayudante, asegúrese de que esta silla tenga asideros de empuje.

1. Los asideros de empuje ofrecen puntos seguros para que un ayudante sostenga la parte posterior de la silla para evitar una caída o volcadura. Asegúrese de usar los asideros de empuje cuando tenga un ayudante.
2. Revise que los asideros de empuje no giren ni se salgan.

J. EJES DE LIBERACIÓN RÁPIDA**⚠️ ADVERTENCIA**

1. No use esta silla A MENOS QUE esté seguro de que los ejes traseros de liberación rápida estén asegurados. Un eje no asegurado puede salirse durante el uso y provocar una caída.
2. El eje no estará asegurado hasta que el botón de liberación rápida sobresalga por completo.
3. Un eje de desbloqueo se podría salir durante el uso, lo que resulta en una caída, volcadura o pérdida del control y provocar lesiones severas al usuario o a otras personas.
 - Ejes de liberación rápida deben ser limpiados e inspeccionados para la función y los signos de desgaste o flexión periódicamente. Reemplace según sea necesario.

Si hace caso omiso de estas advertencias, pueden ocurrir daños a su silla, una caída, volcadura o pérdida del control y provocar lesiones severas al pasajero o a otras personas.

K. RUEDAS TRASERAS**⚠️ ADVERTENCIA**

Un cambio en la configuración de las ruedas traseras afectará el centro de equilibrio de su silla.

1. Cuanto más mueva los ejes traseros HACIA DELANTE, más probable será que su silla se vuelque hacia atrás.
2. Consult your healthcare advisor to find the best rear axle set-up for your chair. Do not change the set-up UNLESS you consult your healthcare advisor first.
3. Ajuste los seguros de las ruedas traseras después de efectuar cualquier cambio a los ejes traseros.
 - a. Si no lo hace, los seguros podrían no funcionar.
 - b. Asegúrese de que el brazo del seguro se encaje en la rueda al menos 3 mm (1/8 pulg.) cuando esté activado.

Si hace caso omiso de estas advertencias, pueden ocurrir daños a su silla, una caída, volcadura o pérdida del control y provocar lesiones severas al pasajero o a otras personas.

L. FRENOS DE LAS RUEDAS TRASERAS**⚠️ ADVERTENCIA**

Los seguros de las ruedas traseras NO están diseñados para desacelerar o detener la silla de ruedas en movimiento. Úselos solamente para mantener inmóviles las ruedas traseras cuando su silla esté completamente detenida.

1. NUNCA use los seguros de las ruedas traseras para desacelerar o detener su silla cuando esté en movimiento. Esto puede provocar una caída o volcadura.
2. Para mantener las ruedas traseras inmóviles, active siempre ambos seguros de las ruedas traseras cuando se cambie de o hacia su silla.
3. La baja presión en una rueda trasera puede provocar que el seguro de la rueda de ese lado se resbale y permitir que la rueda gire de manera inesperada.
4. Asegúrese de que el brazo del seguro se encaje en la rueda al menos 3 mm (1/8 pulg.) cuando esté activado. Si no lo hace, los seguros podrían no funcionar.

Si hace caso omiso de estas advertencias, pueden ocurrir daños a su silla, una caída, volcadura o pérdida del control y provocar lesiones severas al pasajero o a otras personas.

M. SISTEMAS DE ASIENTO MODIFICADOS**⚠️ ADVERTENCIA**

El uso de un sistema de asiento no aprobado por Sunrise puede alterar el centro de equilibrio de esta silla. Esto puede provocar que la silla se vuelque.

1. No cambie el sistema de asiento de su silla A MENOS QUE consulte primero a su distribuidor autorizado.
2. El uso de un sistema de asiento no aprobado por Sunrise puede afectar el mecanismo de doblado de esta silla.
3. Para el tránsito, se prohíbe usar un sistema de asiento no proporcionado por Sunrise.

Si hace caso omiso de estas advertencias, pueden ocurrir daños a su silla, una caída, volcadura o pérdida del control y provocar lesiones severas al pasajero o a otras personas.

N. TAPICERÍA DEL ASIENTO Y DEL RESPALDO

ADVERTENCIA

1. Reemplace la tela desgastada o rota del asiento y el respaldo del asiento tan pronto como pueda. Si no lo hace, el asiento o el respaldo del asiento podrían fallar.
2. La tela de la eslinga se debilitará con el tiempo y el uso. Busque indicios de desgaste, afinamiento o estiramiento del tejido especialmente en los bordes y las costuras.
3. “Dejarse caer” en su silla puede debilitar la tela y provocar la necesidad de inspeccionar y reemplazar el asiento con mayor frecuencia.
4. Tome en cuenta que el lavado o el exceso de humedad pueden reducir el retardo al fuego de la tela.
5. Si su silla de ruedas tiene tapicería de tensión ajustable, afloje las cintas o retire la tapicería antes de plegar o desplegar la silla.

Si hace caso omiso de estas advertencias, pueden ocurrir daños a su silla, una caída, volcadura o pérdida del control y provocar lesiones severas al pasajero o a otras personas.

O. RESPALDO DE TENSIÓN AJUSTABLE

El respaldo de tensión ajustable es un respaldo versátil diseñado con la intención de reemplazar la tapicería del respaldo de eslinga de la silla de ruedas. Ha sido diseñado para proveer un apoyo sencillo, cómodo y eficaz para maximizar las funciones e incrementar el tiempo de tolerancia al estar sentado. Además, es liviano, duradero y fácil de usar.

Sunrise Medical recomienda que consulte a un profesional clínico, por ejemplo, un médico o terapeuta, que cuente con experiencia en el sentado y posicionamiento del paciente para que determine si el respaldo de tensión ajustable es adecuado. Los respaldos sólo deben ser instalados por un proveedor autorizado Sunrise Medical.

Límite de peso máximo del usuario de 265 lbs. (120 kg.)

ADVERTENCIA

Instalar un respaldo en la silla de ruedas puede afectar el centro de gravedad de la misma y puede provocar que la silla de ruedas se vuelque hacia atrás, provocando lesiones potenciales.

Evalúe siempre la necesidad de instalar en la silla de ruedas tubos antivolcaduras para ayudar a aumentar la estabilidad.

ADVERTENCIA

No use el respaldo de tensión ajustable para empujar o levantar la silla de ruedas. El uso inapropiado puede provocar que el respaldo se desprenda inesperadamente de la silla de ruedas.

Si no obedece estas advertencias, puede ocurrir daño a su silla, una caída, volcadura o pérdida del control y provocar lesiones severas al pasajero o a otras personas.

P. SUSPENSIÓN TRASERA (Opcional)

WARNING

Al reemplazar los bujes de la suspensión, siempre utilice partes genuinas de Sunrise. La utilización de repuestos no aprobados por Sunrise anula la garantía y podría ocasionar un fallo estructural.

Si hace caso omiso de estas advertencias, pueden ocurrir daños a su silla, una caída, volcadura o pérdida del control y provocar lesiones severas al pasajero o a otras personas.

⚠ ADVERTENCIA

El dueño de esta silla es el responsable de garantizar que un profesional de servicios capacitado, asesorado por un profesional de la salud, ha armado y ajustado la silla de ruedas. Es posible que la silla requiera un mantenimiento periódico o determinados ajustes durante su uso, que puede realizar el dueño o el cuidador. Siempre use partes y/o accesorios que Sunrise Medical haya recomendado o aprobado cuando esta silla reciba servicios de mantenimiento.

A. INTRODUCCIÓN

1. Un mantenimiento apropiado mejorará el rendimiento y prolongará la vida útil de su silla.
2. Limpie regularmente su silla. Esto le ayudará a encontrar partes sueltas o desgastadas y hará que su silla sea más fácil de usar. Necesitará una solución detergente suave y muchos trapos para limpieza.
3. Si las detecta, repare o reemplace las partes sueltas, desgastadas, dobladas o dañadas antes de usar la silla. SIEMPRE debe asegurarse de usar partes y/o accesorios que Sunrise Medical haya recomendado o aprobado cuando esta silla reciba servicios de mantenimiento.
4. Para proteger su inversión, llévela a mantenimiento y reparación con su distribuidor autorizado.
5. **Inspeccione y dé mantenimiento a esta silla estrictamente de acuerdo a la tabla de mantenimiento.**
6. **Si detecta un problema, asegúrese de solicitar las partes o de obtener un trabajo de mantenimiento y reparación en el distribuidor autorizado antes de usarla.**
7. **Al menos una vez al año, haga que un distribuidor autorizado la inspeccione por completo, revise su seguridad y le dé servicio.**

B. VERIFICACIONES DE SEGURIDAD VITALES

1. **Presión del aire de la rueda neumática:**
Revise la presión del aire de las ruedas neumáticas al menos UNA VEZ POR SEMANA. Los seguros de las ruedas no tendrán agarre si no mantiene la presión del aire mostrada en la pared lateral de la rueda.
2. **Ejes y mangas de los ejes:**
Al controlar los ejes y sus mangas cada seis meses, asegúrese de que estén limpios y firmes. Las mangas sueltas pueden dañar la placa del eje y afectar el desempeño.
3. **Tubo de inclinación lateral y tapones del tubo de inclinación.**
Inspeccione los tubos y los tapones cada 6 meses asegurando que todas las piezas estén apretadas y que ninguna parte se han movido de sus posiciones actuales.

C. CONSEJOS DE LIMPIEZA

1. **Acabado de la pintura**
 - a. Limpie las superficies pintadas con jabón suave o detergente al menos una vez al mes.
 - b. Proteja la pintura con una capa de cera automotriz no abrasiva cada tres meses.
2. **Ejes y partes móviles**
 - a. Limpie alrededor de los ejes y partes móviles SEMANALMENTE con un trapo húmedo (no mojado).
 - b. Limpie o sacuda la pelusa, polvo o suciedad en los ejes o las partes móviles.
3. **Tapicería**
 - a. Lave a mano (el lavado a máquina puede dañar la tela).
 - b. Para secar la tapicería solo tiene que colgarla. NO la seque en secadora porque el calor dañará la tela.
4. **Los materiales de mantenimiento básico están disponibles en la tienda local**
 - a. Bomba para neumáticos
 - b. Calibrador presión de neumáticos
 - c. Paños de algodón o trapos limpios.
 - d. Lubricantes con teflón
 - e. Detergente suave.

NOTA— No necesita usar grasa ni aceite en la silla

D. LISTA DE SEGURIDAD

Semanalmente	Cada 3 meses	Cada 6 meses	Anualmente	La seguridad y la función de verificación
<input checked="" type="checkbox"/>				El inflado de las ruedas neumáticas
<input checked="" type="checkbox"/>				Seguros de las ruedas
	<input checked="" type="checkbox"/>			Comprobación Visual para hardware suelto
		<input checked="" type="checkbox"/>		Reposabrazos
		<input checked="" type="checkbox"/>		Ejes y mangas de los ejes
<input checked="" type="checkbox"/>				Ejes de liberación rápida
<input checked="" type="checkbox"/>				Ruedas, neumáticos y rayos
<input checked="" type="checkbox"/>				Ruedas pivotantes
<input checked="" type="checkbox"/>				Tubos contra volcaduras
		<input checked="" type="checkbox"/>		Bastidor
<input checked="" type="checkbox"/>				Rodamientos
<input checked="" type="checkbox"/>				Cables y clavija del inclinado
<input checked="" type="checkbox"/>				Balancín
			<input checked="" type="checkbox"/>	Servicio por parte de un distribuidor autorizado

NOTA - El usuario o cuidador debe realizar estos controles semanales y mensuales para mantener la seguridad de su silla.

E. TABLA DE SOLUCIÓN DE PROBLEMAS

Síntomas	Soluciones					
	La silla de vuelta a la izquierda	La silla da vuelta a la derecha	Silla floja	Vueltas con esfuerzo	Chirridos y ruidos	Vibración de las ruedas pivotantes
<input checked="" type="checkbox"/>	<input checked="" type="checkbox"/>	<input checked="" type="checkbox"/>	<input checked="" type="checkbox"/>			Asegúrese que la presión sea correcta e igual para ambas ruedas traseras y de las ruedas pivotantes delanteras, si son neumáticas.
			<input checked="" type="checkbox"/>	<input checked="" type="checkbox"/>	<input checked="" type="checkbox"/>	Asegúrese que estén apretados todos los tornillos y tuercas.
		<input checked="" type="checkbox"/>		<input checked="" type="checkbox"/>		Asegúrese que los rayos y empalmes estén apretados en las ruedas de rayos.
				<input checked="" type="checkbox"/>		Use lubricante Tri-flow (con Teflón®) entre todas las conexiones modulares del bastidor y las partes.
<input checked="" type="checkbox"/>	<input checked="" type="checkbox"/>		<input checked="" type="checkbox"/>		<input checked="" type="checkbox"/>	Revise el ajuste apropiado de la placa de la rueda pivotante. Vea las instrucciones del ajuste de la placa de la rueda pivotante.

F. PARA MONTAR Y QUITAR LAS RUEDAS TRASERAS 11 12

El eje de la rueda trasera (B) fija la rueda trasera en el obturador de inclinación lateral (C). Cuando las bolas de retención (D) encajan en el obturador de inclinación lateral, la rueda trasera queda asegurada de manera eficaz en la silla. Oprimir el botón de liberación rápida (A) libera las bolas de retención y permite montar o retirar el eje y el ensamble de la rueda.

⚠ ADVERTENCIA

No use esta silla A MENOS QUE esté seguro de que ambos ejes de liberación rápida estén asegurados. Un eje no asegurado puede salirse durante el uso y provocar una caída. La bola de retención (D) debe alimentar todo el recorrido desde la manga del eje para que el eje y la rueda se bloqueen. Asegúrese de verificar que el bloqueo esté bien realizado al tratar de tirar del eje y la rueda hacia fuera del obturador de inclinación lateral/la manga del eje. Si el eje no está bien colocado, solicite a su distribuidor que lo ajuste.

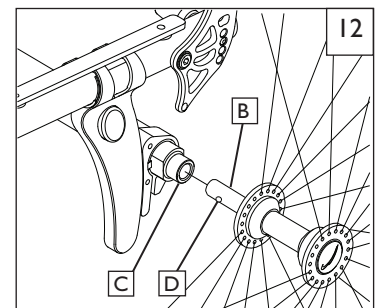
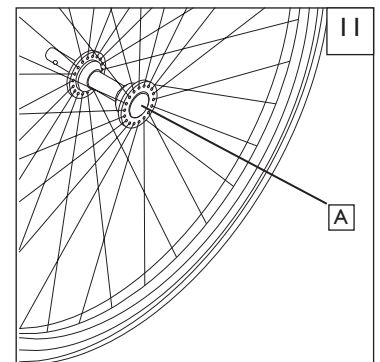
NOTA – En este punto, el ajuste debería incluir la colocación de la silla de ruedas sobre un banco o mesa para facilitar el proceso.

1. Para instalar la rueda

- a. Oprima completamente el botón de liberación rápida (A).
- b. Inserte el eje (B) a través del cubo o de la rueda trasera.
- c. Mantenga oprimido el botón (A) al tiempo que desliza el eje (B) en el obturador de inclinación lateral (C).
- d. Suelte el botón para asegurar el eje en el obturador de inclinación lateral. El eje debería estar bloqueado.
- e. Repita estos pasos en el otro lado de la silla de ruedas.

2. Para retirar la rueda

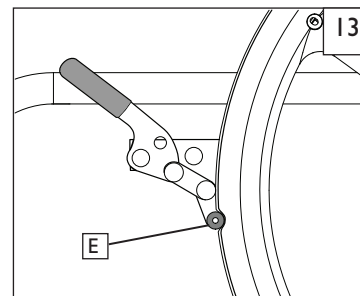
- a. Oprima completamente el botón de liberación rápida (A).
- b. Quite la rueda sacando completamente el eje (B) del obturador de inclinación lateral (C).
- c. Repita los pasos en el lado opuesto de la silla de ruedas.



G. FRENOS DE LAS RUEDAS 13



Los seguros para las ruedas se instalan en Sunrise y una persona calificada del servicio debe ajustarlos. Inspeccione semanalmente los seguros de las ruedas según la tabla de mantenimiento. No use la silla A MENOS que sepa efectivamente que ambos seguros de las ruedas pueden colocarse por completo. Un seguro para ruedas que no se ajuste correctamente puede permitir que la silla ruede o vuelque de manera inesperada. Los seguros para las ruedas deben ajustarse después de cerciorarse de que las llantas tienen la presión de aire correcta. Cuando estén completamente colocados, el brazo debe quedar metido dentro de la llanta, al menos a 3,2 mm (1/8") (E) para ser eficaz. Si detecta que los seguros de las ruedas se han deslizado o no están funcionando correctamente, comuníquese con su proveedor de servicios para que los ajuste apropiadamente.



H. REPOSABRAZOS GIRATORIOS ACOJINADOS (OPCIONAL) 14

1. Instalación

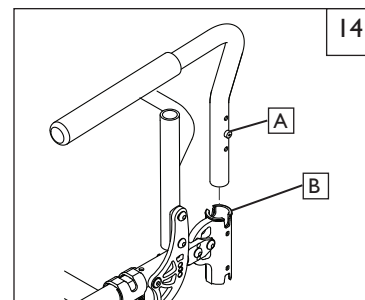
- a. Deslice el poste externo (1) en el receptáculo (7) montado en el armazón de la silla de ruedas.
- b. El reposabrazos se bloqueará en el lugar si se lo empuja firmemente.

2. Giratorio

- a. Levante el reposabrazos de la posición de bloqueo y rótelo hacia un costado.

3. Remoción del reposabrazos

- a. Tire del reposabrazos hacia afuera del receptor.



I. REPOSABRAZOS DE ALTURA AJUSTABLE (OPCIONALE) 15

1. Instalación

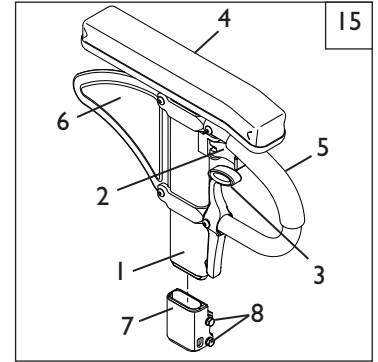
- a. Deslice el poste externo (1) en el receptáculo (7) montado en el armazón de la silla de ruedas.
- b. El reposabrazos se bloqueará en el lugar si se lo empuja firmemente.

2. Ajuste de la altura

- a. Gire la palanca de liberación de altura (2) hasta el segundo punto de detención.
- b. Deslice el cojín del reposabrazos hacia arriba o hacia abajo hasta la altura deseada.
- c. Regrese la palanca a la posición de asegurado contra el poste.
- d. Empuje hacia abajo el cojín del brazo (4) hasta que el poste superior quede firmemente asegurado en su sitio.

3. Remoción del reposabrazos

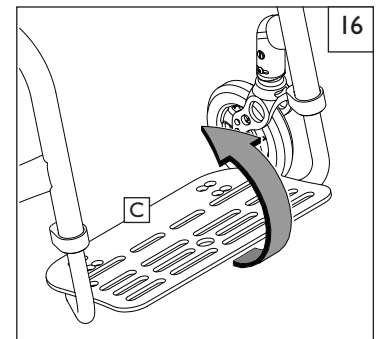
- a. Para quitar el reposabrazos, tome la palanca de liberación (3) para desbloquear y liberar el reposabrazos.



1. Cojín del reposabrazos
2. Palanca de liberación Altura
3. Palanca de liberación
4. Poste externo
5. Barra de transferencia
6. Panel lateral
7. Receptáculo
8. Hardware Ajuste del receptor

J. REPOSAPIÉS PLEGABLE 16

El reposapiés (C) puede rotarse hacia arriba para que el usuario realice cambios y ajustes.



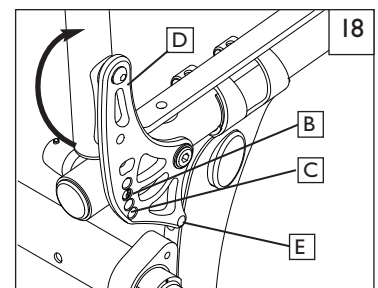
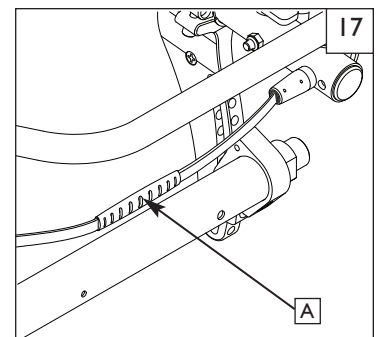
K. DESEMPEÑO DEL ÁNGULO DEL RESPALDO 17 18

Ajuste el ángulo del respaldo

1. Suelte el respaldo jalando del cordón de tensión ajustable (A) con un movimiento corto y sencillo.
2. Mientras mantiene la tensión del cordón de liberación, gire el respaldo hasta obtener el ángulo deseado, hacia delante o hacia atrás.
3. Asegure el respaldo en su sitio liberando el cordón y permitiendo que los pasadores (B) entren en el orificio más cercano (C) de la abrazadera del respaldo (D).

Plegado y desplegado del respaldo

1. Suelte el respaldo jalando del cordón de tensión ajustable (A) con un movimiento corto y sencillo.
2. Mientras mantiene la tensión del cordón de liberación, gire el respaldo hasta desplegarlo. Retire el cojín y empuje con fuerza hacia abajo, hasta bloquearlo en la posición de plegado.
3. Bloquee el respaldo en la posición de plegado al quitar el cojín. Libere el cordón y empuje hacia abajo permitiendo que los pasadores (B) entren en el orificio de la posición de plegado (E) de la abrazadera del respaldo (D).



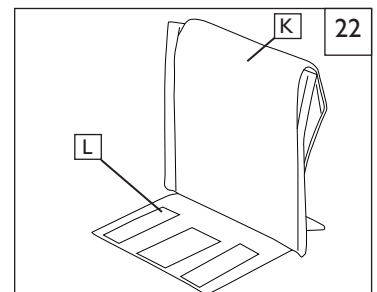
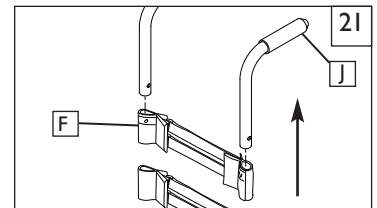
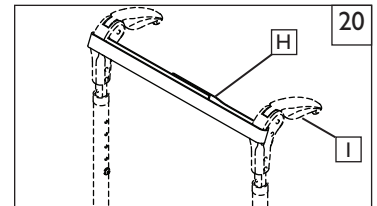
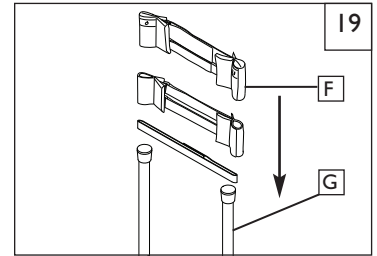
⚠ ADVERTENCIA

Asegúrese de que los pasadores (B) estén metidos por completo en la abrazadera del respaldo (D) en ambos lados de la silla. Antes de usar la silla, compruebe que el respaldo esté asegurado en su sitio.

L. RESPALDO DE TENSIÓN AJUSTABLE 19 20 21 22

Para instalar el respaldo de tensión ajustable

1. Deslice las tiras de Velcro (F) por encima del bastidor del respaldo (G). Cerciñese de incluir al menos una tira por debajo de la barra para toalla (si utiliza una silla rígida).
2. Tensione las tiras de manera adecuada hasta obtener el nivel de tensión deseado. NO tensione demasiado las tiras ya que esto podría ejercer una tensión excesiva en el bastidor del respaldo de la silla de ruedas (G).
3. Si utiliza asideros de empuje abatibles, inserte la tira sencilla de Velcro (F) a través de las ranuras que se encuentran en la parte delantera de los asideros de empuje (I). Si usa los asideros de empuje integrales (J), deslice las tiras desde la parte inferior del respaldo hacia arriba.
4. Instale la funda del respaldo hasta el nivel deseado y pliéguela sobre la parte trasera del sistema de tiras Velcro (K). El nombre Quickie debe verse correctamente en la parte trasera de la silla.
5. Concluya la instalación colocando la solapa decorativa (panel central) sobre las tiras de Velcro de la eslinga del asiento para asegurarla en su sitio (L).



Ajuste del respaldo de tensión ajustable

Utilice siempre los tubos contra volcaduras mientras realiza el ajuste. Cerciñese de que los tubos contra volcaduras están asegurados y en la posición correcta para evitar que la silla de ruedas se vuelque hacia atrás.

1. El usuario puede sentarse en la silla. Coloque los seguros de las ruedas en posición asegurada.
2. El ayudante puede levantar la solapa decorativa (panel central) desde la parte trasera de la silla de ruedas para obtener acceso al sistema de tiras. Ajuste las tiras para obtener un equilibrio óptimo y un torso bien alineado. Cerciñese de que las tiras de Velcro queden sujetas al menos en un tramo de tira de 5 cm (2 pulg.). Enganche el velcro luego de asegurarlo en cada presilla. Presione las dos piezas de la cinta de Velcro juntas para cerciorarse que están aseguradas.
3. Cuando termine de hacer los ajustes vuelva a colocar la solapa decorativa en su posición original.

⚠ ADVERTENCIA

Cualquier modificación de las tiras afectará el centro de gravedad. Se recomienda que el pasajero de la silla indique al ayudante que se coloque detrás de la silla de ruedas para evitar que se vuelque hacia atrás hasta que se acostumbre a este tipo de ajuste.

M. INSTALACIÓN DEL COJÍN

Coloque el cojín en la eslinga del asiento con la parte de VELCRO® hacia abajo. La parte biselada del cojín debe estar al frente. Oprímalo con firmeza para insertarlo en su sitio.

N. CONSEJOS DE ALMACENAMIENTO

1. Guarde su silla en un área limpia y seca. De lo contrario, sus piezas podrían oxidarse o sufrir corrosión.
2. Antes de usar su silla, asegúrese de que funcione correctamente.
3. Inspeccione y realice mantenimiento de todos los artículos de la "Tabla de Mantenimiento".
4. Si se guarda por más de tres meses, haga que un distribuidor autorizado inspeccione la silla antes de usarla.

O. REVISIÓN

Una vez que la silla está ensamblada y ajustada, debe funcionar uniforme y fácilmente. Todos los accesorios también deben funcionar uniformemente. Si tiene algún problema, siga estos procedimientos:

1. Revise las secciones de preparación y revisión y la guía de funcionamiento para asegurarse que la silla fue preparada apropiadamente.
2. Revise el cuadro de selección de problemas al comienzo de esta sección.
3. Si el problema persiste, póngase en contacto con su distribuidor autorizado. Si aún tiene el problema después de haberse puesto en contacto con su distribuidor autorizado, póngase en contacto con los servicios al cliente de Sunrise. Consulte la página de introducción para ponerse en contacto con su distribuidor autorizado o con servicios al cliente de Sunrise.

⚠ ADVERTENCIA

El dueño de esta silla es el responsable de garantizar que un profesional de servicios capacitado, asesorado por un profesional de la salud, ha armado y ajustado la silla de ruedas. El mantenimiento y/o los ajustes solo deben hacerse con el asesoramiento de un profesional de la salud. Siempre use partes y/o accesorios que Sunrise Medical haya recomendado y aprobado cuando esta silla reciba servicios de mantenimiento.

A. INTRODUCCIÓN DEL SERVICIO DEL DISTRIBUIDOR 23

1. Al menos una vez al año, haga que un distribuidor autorizado inspeccione esta silla por completo, revise su seguridad y proporcione un mantenimiento regular.
2. Parámetros de tensión: Un parámetro de tensión es el apretado óptimo que debe hacerse a un sujetador en particular. Es importante usar los parámetros de tensión apropiados cuando se especifican. Cuando no se indique ninguna especificación, use un parámetro de tensión de 60 pulg.-libras.
3. Si ha detectado una parte gastada, doblada o dañada, repárela o reemplácela con las partes recomendadas antes de que la silla vuelva al servicio.
4. Un distribuidor autorizado debe hacer el trabajo principal de mantenimiento y reparaciones.

B. CONSEJOS FUNDAMENTALES PARA EL MANTENIMIENTO

1. Valores de tensión:

Un parámetro de tensión es el apretado óptimo que debe hacerse a un sujetador en particular. Es importante usar los parámetros de tensión apropiados cuando se especifican. Cuando no se indique ninguna especificación, use un parámetro de tensión de 60 pulg.-libras.

2. Materiales de referencia de ajuste y servicio del distribuidor:

Visite www.sunrisemedical.com para ver los manuales, las hojas de instrucciones y los videos informativos de la Familia de sillas de rueda Quickie 5R.

C. LIMPIEZA

1. Acabado de la pintura

- a. Limpie las superficies pintadas con jabón o detergente suave.
- b. Proteja la pintura con una capa de cera automotriz no abrasiva.

2. Ejes y partes móviles

- a. Limpie alrededor de los ejes y las partes móviles con un trapo húmedo (no mojado).
- b. Limpie o sacuda la pelusa, polvo o suciedad en los ejes o las partes móviles.
- c. **NO USE** aceite 3 en 1 ni WD-40® para lubricar. Use solo lubricantes con teflón cuando trabaje en esta silla de ruedas.

D. AJUSTE DE LA TUERCA DEL EJE DE LA RUEDA TRASERA 24 25

Para ajustar el eje trasero necesitará una llave de 3/4 pulg. (A) para dar vuelta a la tuerca de ajuste (B). También necesitará una llave de 1/2 pulg. (C) para sostener de manera segura el extremo de las bolas de retención (D) del eje para evitar que dé vuelta.

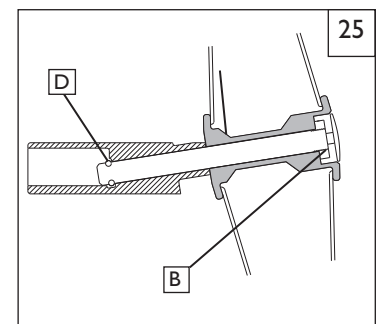
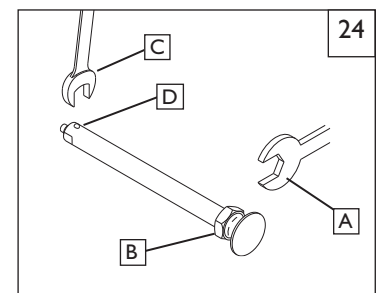
Si la rueda y el eje no se aseguran en el obturador de inclinación lateral, entonces necesitará ajustar el eje. Gire la tuerca (B) en sentido antihorario 1/4 de vuelta aproximadamente e intente asegurar el eje en el obturador de inclinación lateral. Si no puede asegurarlo, continúe realizando pequeños ajustes de la tuerca hasta que quede asegurado.

Si la rueda queda asegurada a la silla pero existe demasiado juego de la rueda (el cubo de la rueda puede empujarse hacia delante y atrás sobre el eje) ajuste entonces la tuerca (B) en sentido horario hasta que no exista un espacio perceptible entre la rueda y el tubo de inclinación lateral. Asegúrese de que la bola de retención (D) en el eje esté bloqueada correctamente en la silla.



HERRAMIENTAS NECESARIAS

1. Juego de llave hexagonal sistema imperial
2. Juego de llave hexagonal sistema métrico
3. Juego de llave inglesa sistema imperial
4. Juego de llave inglesa sistema métrico
5. Llave dinamométrica
6. Juego de cubo hexagonal sistema imperial
7. Juego de cubo hexagonal sistema métrico
8. Destornilladores Phillips y planos



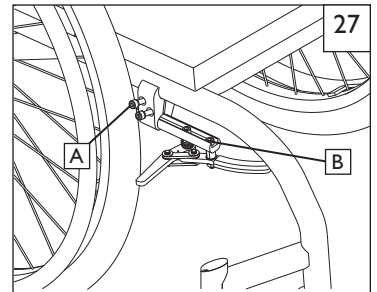
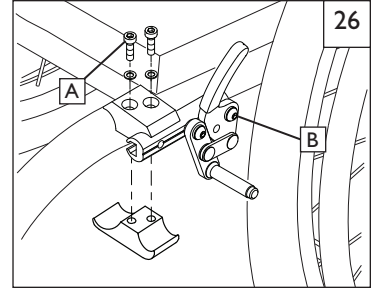
E. SEGUROS DE LAS RUEDAS 26 27

La silla de ruedas Quickie 5R se envía con uno de los dos tipos de seguros de las ruedas. Éstos se instalan en la fábrica, a menos que haya pedido algo diferente.

Use un parámetro de tensión de 11,3 Nm (100 pulg.-lb) al ajustar los seguros de las ruedas.

1. Ajuste de los seguros de ruedas tipo “empuje para asegurar” o “jale para asegurar” de montaje alto. 26

- a. Usando una llave Allen de 4 mm, gire uno de los tornillos (A) de la abrazadera en sentido antihorario un cuarto de vuelta.
- b. Repita el mismo proceso con el tornillo restante (A).
- c. Afloje los tornillos de manera alterna (dos vueltas cada uno) hasta que ambos tornillos estén flojos.
- d. Deslice la abrazadera hacia la rueda trasera hasta que el seguro de la rueda quede metido en la rueda para restringir el movimiento cuando se encuentre en posición de asegurado.
- e. Puede realizar un ajuste adicional lateral o angular aflojando el tornillo (B) en la abrazadera del receptáculo del seguro de la rueda.
- f. Ajuste los tornillos a 11,3 Nm (100 pulg.-libras).



2. Seguros de las ruedas de tijera Ergo o seguros compactos 27

- a. Usando una llave Allen de 4 mm, gire uno de los tornillos (A) de la abrazadera en sentido antihorario un cuarto de vuelta.
- b. Repita el mismo proceso con los tres tornillos restantes (A).
- c. Afloje los tornillos de manera alterna (dos vueltas cada uno) hasta que ambos tornillos estén flojos.
- d. Deslice la abrazadera hacia la rueda trasera hasta que el seguro de la rueda quede metido en la rueda para restringir el movimiento cuando se encuentre en posición de asegurado.
- e. Puede realizar un ajuste adicional lateral o angular aflojando el tornillo (B) en la abrazadera del receptáculo del seguro de la rueda.
- f. Ajuste los tornillos a 11,3 Nm (100 pulg.-libras).

NOTA – La abrazadera y el seguro de las ruedas tal vez tendrán que rotarse para dejar libre el tubo del bastidor.

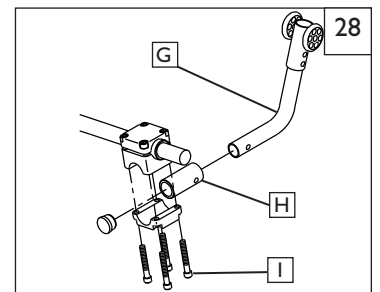
F. TUBOS CONTRA VOLCADURAS CON SUSPENSIÓN XTR (OPCIONAL) 28

Sunrise Medical recomienda los tubos contra volcaduras para todas las sillas de ruedas.

NOTA – Use una tensión de 100 pulg./libras cuando ajuste los tubos contra volcaduras.

1. Ajuste del receptor contra volcaduras

- a. Quite los tubos contra volcaduras (G) de los receptáculos contra volcaduras (H).
- b. Quite el perno de cabeza cilíndrica (I) del receptáculo del tubo contra volcaduras.
- c. Vuelva a colocar la abrazadera a la altura deseada.
- d. Reinserte el perno de cabeza cilíndrica y apriételo.
- e. Repita con el segundo receptor contra volcaduras. Ambas abrazaderas deben estar exactamente a la misma altura.



G. ACCESORIO DEL RECEPTÁCULO DEL REPOSABRAZOS

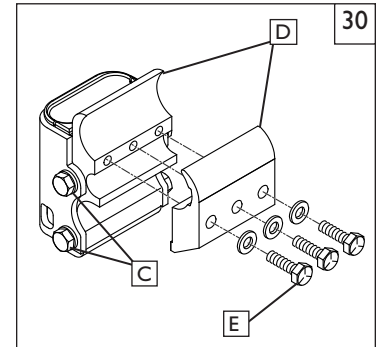
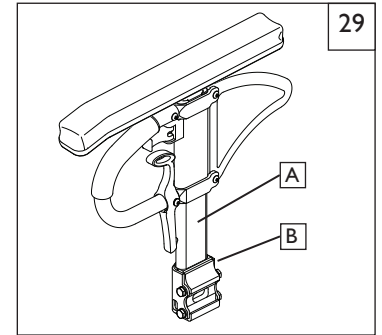
1. Ajuste del receptáculo del reposabrazos 29 30

Para apretar o aflojar el ajuste del poste externo (A) en el receptáculo (B):

- a. Afloje los cuatro pernos de ajuste del receptáculo (C) del lado del receptáculo.
- b. Con el reposabrazos en el receptáculo (B), apriete el receptáculo para lograr el ajuste deseado.
- c. Apriete los cuatro pernos (C) con una tensión de 16,3 Nm, 144 pulg.-libras.

2. Ajuste de la posición 30

- a. Afloje los tres pernos de retención (E) hasta que la abrazadera (D) se suelte.
- b. Deslice el receptáculo del reposabrazos hasta la posición deseada.
- c. Ajuste los tres pernos (E) con una tensión de 24 Nm (212 pulg.-libras).

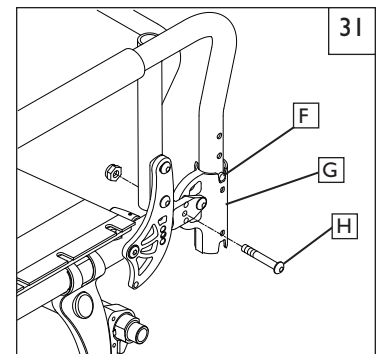


H. REPOSABRAZOS GIRATORIOS ACOJINADOS (OPCIONAL) 31

Los reposabrazos giratorios pueden retirarse o pueden girar hacia atrás (F) para permitir los cambios laterales. Su altura puede ajustarse (15,2 cm [6 pulg.]) de ajuste en incrementos de a 2,5 cm [1 pulg.] moviendo los pernos (H) hacia arriba o abajo en los orificios pretaladrados en el receptáculo del reposabrazos (G).

Giratorios, de ángulo ajustable

Para cambiar el ángulo del reposabrazos, quite el equipo (H). Vuelva a colocarlo en el ángulo deseado. Vuelva a insertar el equipo y apriete.



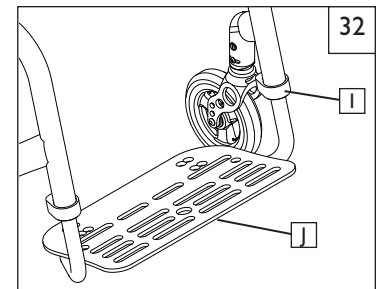
I. AJUSTES DEL REPOSAPIÉS 32 33

ADVERTENCIA

El reposapiés es una parte integral del bastidor. No saque el reposapiés. Se recomienda que mantenga un mínimo de 5 cm (2 pulg.) de distancia entre el punto más bajo del reposapiés y el piso (I). Esto permite un espacio libre adecuado para las superficies disperejas y para evitar daños al reposapiés.

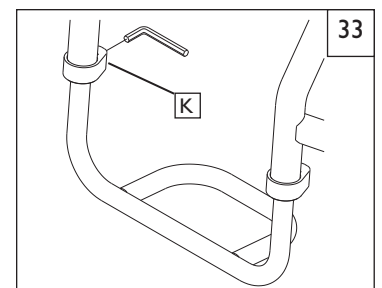
1. Ajuste de altura y ángulo

- a. Ajuste la altura de su reposapiés, aflojando los tornillos de ajuste (I) en el marco del soporte delantero.
- b. Para ajustar el ángulo del reposapiés, afloje el tornillo (J) y gire la abrazadera de tope del ángulo del reposapiés. Una vez que se encuentre en posición, vuelva a apretar los tornillos (J) con una tensión de 10,4 Nm (92 pulg.-libras). Algunos reposapiés angostos tienen un solo perno.
- c. Recuerde que debe volver a ajustar los tornillos de ajuste (I) antes de usar la silla, use un parámetro de ajuste máximo de 16,3 Nm (144 pulg.-libras)



2. Ajuste de altura del reposapiés tubular 33

- a. Afloje los dos tornillos de ajuste de la abrazadera en la parte trasera de los tubos del marco de la abrazadera (K) a ambos lados de la silla.
- b. Deslice el reposapiés hasta la altura deseada.
- c. Apriete el equipo con una tensión de 6,3 Nm (62 pulg.-libras).



J. RUEDAS PIVOTANTES

NOTA – Colocar la silla de ruedas sobre una mesa o banco muy planos facilita la obtención de un parámetro más exacto.

1. Ajuste del ángulo de la rueda pivotante 34 35

Verificación de la perpendicular de las ruedas pivotantes:

La silla de ruedas Quickie sale de la fábrica con las ruedas pivotantes ajustadas de manera perpendicular. Cada vez que modifique la altura del eje trasero, el tamaño de la rueda trasera, la posición del centro de gravedad o el tubo de inclinación lateral de la silla de ruedas, debe verificar que las ruedas pivotantes aún estén perpendiculares. Una rueda pivotante que no esté perpendicular ocasionará que la rueda se levante del suelo a medida que gira alrededor del perno y también podría mover la parte delantera de la silla de ruedas hacia arriba y abajo. Verifique la perpendicular colocando la silla de ruedas sobre una superficie plana horizontal. Gire ambas horquillas para que las ruedas pivotantes estén hacia la parte trasera de la silla de ruedas. Coloque una escuadra o nivel de bolsillo contra la superficie plana en la parte trasera de la horquilla y observe si la superficie está vertical (perpendicular). Si esta superficie está a más de 1 grado de distancia de la vertical, las ruedas pivotantes deberán volverse a encuadrar.

2. Reencuadre de las ruedas pivotantes 36 37

- a. Ubique el perno (A) dentro del tubo de la rueda pivotante derecha (no la extraiga) con la ayuda de una llave inglesa de 10 mm. Afloje el perno lo suficiente para permitir que los dientes de los vástagos superior e inferior (B) se alejen entre sí. La horquilla de la rueda pivotante debe moverse libremente.
- b. Coloque la silla de ruedas sobre el piso para que las dos ruedas traseras y la rueda pivotante izquierda hagan contacto con el suelo. Coloque un peso cerca de la parte trasera del asiento para ayudar a estabilizar la silla. Coloque una escuadra o nivel de bolsillo contra la superficie plana de la horquilla y gire la horquilla hasta que esté vertical o a 90° de la superficie donde el usuario se sentará (perpendicular).
- c. Con la horquilla en posición vertical, inserte los dientes de los dos vástagos en la posición de concordancia más cercana. Asegúrese que los dientes se introducen de manera apropiada y que no se cruzan. Dirija un haz de luz brillante detrás de los dientes del vástago correspondientes y verifique que se introducen de manera adecuada.
- d. Apriete el tornillo (A) para asegurar la posición de concordancia del vástago. El tornillo debe apretarse con una tensión mínima de 11,3 Nm (100 pulg.-libras) para garantizar que no se afloje con el uso.
- e. Anote la posición de inserción de los dientes de los vástagos en la horquilla derecha y ajuste la horquilla izquierda de manera similar en la misma posición. Vuelva a ensamblar ambas ruedas pivotantes y vuelva a verificar que están perpendiculares. Vuelva a colocar las tapas.

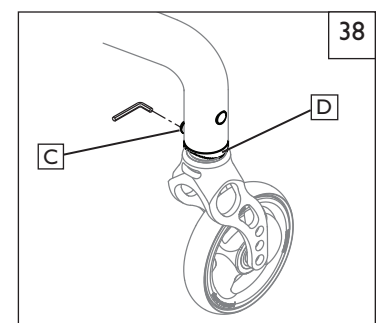
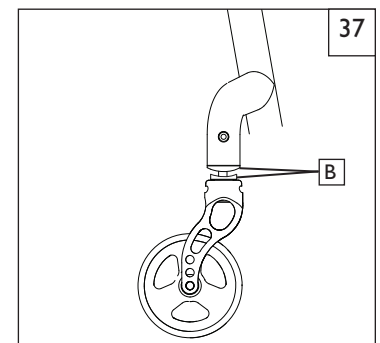
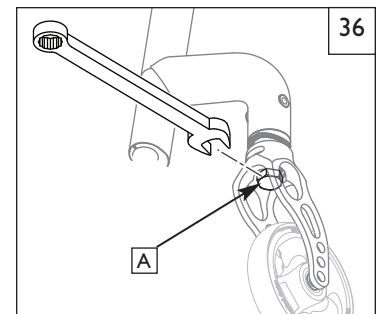
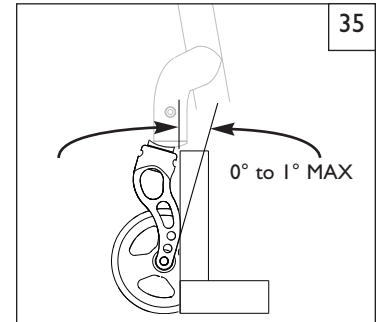
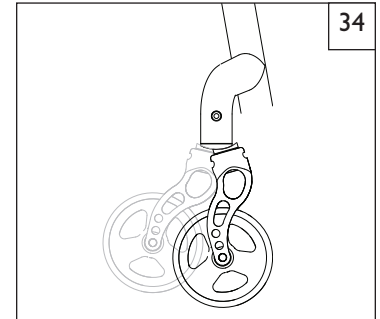
3. Alineación perpendicular en 3 dimensiones 38

- a. El ajuste del perno Allen (C) ofrece una dimensión de ajuste adicional además del sistema de vástagos.
- b. De esa manera puede entonces afinarse aún más el ángulo de las ruedas pivotantes y se puede volver a apretar el perno.

4. Corrección de una desviación hacia la derecha o la izquierda 36 38

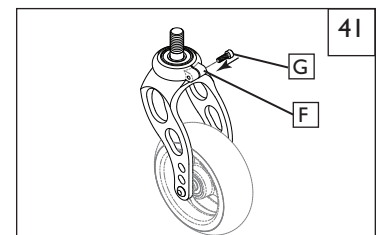
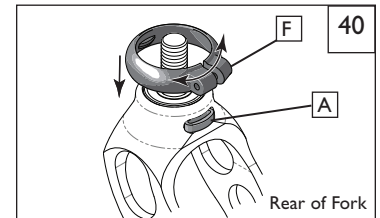
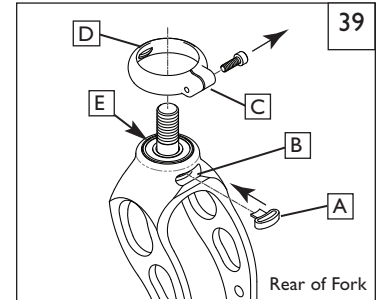
Determine en qué dirección se desvía la silla de ruedas (derecha o izquierda). Realice los ajustes siguientes en la rueda pivotante de ese lado de la silla:

- a. Afloje el perno (A) dentro del tubo de la rueda pivotante con una llave inglesa de 10 mm.
- b. Afloje el tornillo en el vástago superior (C).
- c. Gire el vástago superior (D) para voltear la horquilla de la rueda en la dirección de avance hacia delante. Gire el anillo en sentido horario y la horquilla girará hacia fuera. Gire el anillo en sentido antihorario y la horquilla girará hacia dentro.
- d. Cuando la horquilla de la rueda pivotante haya girado correctamente en la dirección de avance hacia delante, apriete nuevamente los tornillos.
- e. Después de realizar el ajuste deseado, vuelva a verificar la perpendicular de las ruedas pivotantes.
- f. Vuelva a apretar el perno (A) a un parámetro de torsión de 11,3 Nm (100 pulg.-libras)



K. KIT DE INSTALACIÓN ANTIVIBRACIÓN 39 40 41

1. Remueva el conjunto de la horquilla de la silla. Esto puede requerir, o no, la remoción de la rueda pivotante.
2. Inserte el casquillo antivibración (A) en la ranura (B) en la parte trasera de la horquilla y asegúrese de que la lengüeta quede entre los extremos del anillo elástico y los rodamientos.
3. Instale la abrazadera (C) en la parte superior del conjunto de la horquilla, colocando la lengüeta interna (D) en la ranura frontal (E).
4. Separe cuidadosamente las lengüetas de las abrazaderas (F) para que se deslicen sobre los casquillos recién instalados (A).
5. Vuelva a unir y comprima las lengüetas (F), y luego instale el tornillo de cabeza hueca (G) en el receptáculo. Asegúrese de que las roscas estén bien alineadas y ajústelas suavemente con una llave hexagonal de 3 mm.



L. AJUSTES DEL RESPALDO

PRECAUCIÓN: – Cuando modifique el ángulo del respaldo de la silla de ruedas, la abrazadera izquierda y derecha del ángulo del respaldo ajustable deben estar en el mismo orificio en cada lado antes de usar la silla de ruedas.

Opciones de ajuste del respaldo 42

La abrazadera del respaldo puede estar en dos posiciones, 1 o 2, que pueden lograrse al quitar el perno (H) y al mover el bastón del respaldo hacia delante o hacia atrás. Cuando el bastón del respaldo esté en la posición deseada, vuelva a insertar y ajustar el perno. Enseguida siga las instrucciones de la sección “Plegado y desplegado del respaldo”.

1= Montado hacia delante. 2= Montado hacia atrás

Obturadores preinstalados del ángulo del respaldo 43

Estos obturadores preinstalados le permiten cancelar los orificios que no desea utilizar en la abrazadera del respaldo. De esa manera, después de desplegar el respaldo, éste puede asegurarse automáticamente en el ángulo preciso que usted desea.

1. Determine cuáles orificios no desea utilizar en la abrazadera del respaldo.
2. Inserte los obturadores (J) en los orificios predeterminados en la abrazadera (K) de la silla de ruedas.
3. Para cerciorarse de que el respaldo queda asegurado en la posición plegada, no inserte ningún obturador en el orificio que se encuentra en la posición de más abajo (L).

Obturadores de profundidades del respaldo regulable 43

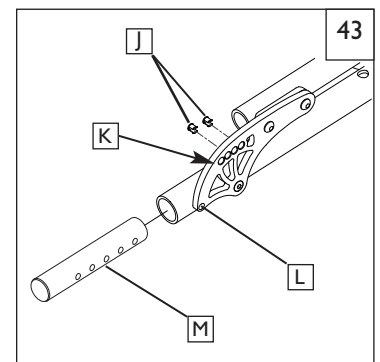
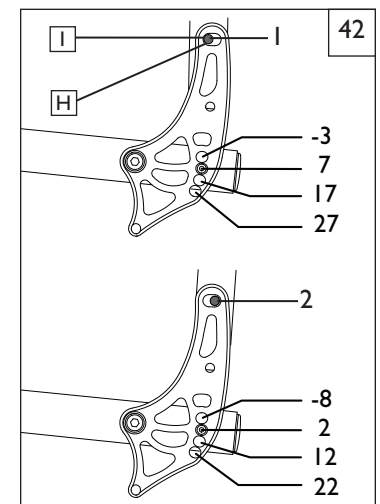
Los obturadores que se insertan en el bastidor DAB (M) permiten que compense un respaldo de mercado secundario más grueso o más delgado sin tener la posibilidad de cambiar el centro de gravedad de la persona en la silla de ruedas.

1. El respaldo puede ajustarse quitando primero el cordón de liberación rápida JAY (no se muestra) de los pasadores de liberación rápida.
2. Con una llave Allen de 5 mm y otra de 10 mm, retire el perno que sujeta la abrazadera del respaldo de la silla.
3. Quite los pasadores de liberación rápida, el casquillo del bastidor y los resortes.
4. Si desea que el respaldo tenga una profundidad de 2,5 cm (1”) más, mueva el casquillo un orificio hacia atrás. Si el ajuste de profundidad del respaldo deseado es de 5,1 cm (2”) más, el casquillo debe ser trasladado hacia atrás hasta el último orificio.
5. Para volver a ensamblar el respaldo, vuelva a insertar los resortes en los casquillos. Rápidamente, vuelva a insertar en primer lugar los pasadores de liberación rápida en los casquillos que incluyen orificios de sujeción del cordón.
6. Vuelva a colocar el respaldo en su sitio en la posición plegada. Inserte el pasador de liberación rápida en el orificio correcto.
7. Inserte la arandela Belleville de gran tamaño entre el soporte del respaldo y el bastidor. Inserte el perno de la bisagra del respaldo en la silla y asegúrelo utilizando una arandela y una tuerca nylock.
8. Con una llave hexagonal de 5 mm y una llave Allen de 10 mm, apriete la tuerca nylock de manera que el extremo del perno llegue al final de la tuerca. Repita en el lado opuesto de la silla de ruedas.

NOTA – No apriete de más el perno de la bisagra del respaldo ya que esto podría evitar que el respaldo se pliegue correctamente.

9. Fije nuevamente el cordón de liberación rápida JAY® en los pasadores de liberación rápida.

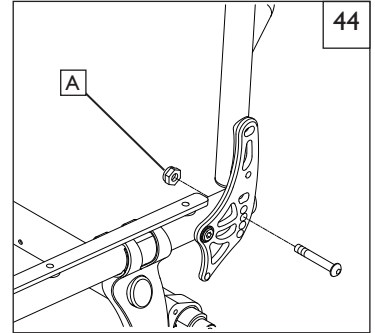
NOTA – Este ajuste pretende compensar las diferencias del espesor del respaldo y/o el contorno en el mercado secundario. Los bastones del respaldo pueden ajustarse de adelante hacia atrás con relación al asiento de manera que la superficie de soporte del respaldo no cambie la ubicación del usuario, independientemente de la ubicación de montaje del respaldo. Esto garantiza que el centro de gravedad del usuario con respecto a la ubicación del eje no se vea alterado debido al espesor o el contorno del respaldo en el mercado secundario. No existen recomendaciones para el uso del Respaldo de profundidad ajustable para tránsito.



Instrucciones para respaldo no plegable 44

1. Retire el perno de la abrazadera del respaldo (A).
2. Gire el respaldo hacia el ángulo deseado.
3. Alinee el orificio de la abrazadera del respaldo deseado con la abertura en el bastidor del asiento.
4. Reinserte el perno y apriételo.

PRECAUCIÓN: – Cuando modifique el ángulo del respaldo de la silla de ruedas, la abrazadera izquierda y derecha del ángulo del respaldo ajustable deben estar en el mismo orificio en cada lado antes de usar la silla de ruedas.

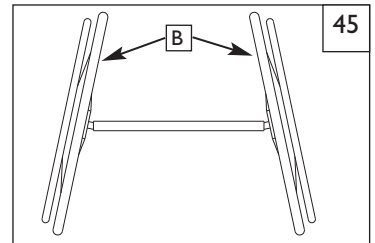


M. AJUSTES DEL EJE TRASERO

1. Inclinación lateral de las ruedas 45

La inclinación lateral de las ruedas, mostrada en forma de ángulo (B), ofrece una mayor estabilidad lado a lado debido al aumento de anchura y ángulo de la base de las ruedas. También permite dar vuelta con mayor rapidez y un mejor acceso a la parte superior de los aros para las manos.

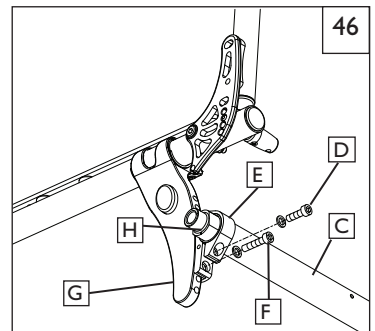
La inclinación lateral de las ruedas se determina por pares de obturadores de inclinación lateral intercambiables que están disponibles con su distribuidor autorizado en opciones de ángulos de 0°, 3° y 6°.



2. Cambio del obturador de inclinación lateral 46

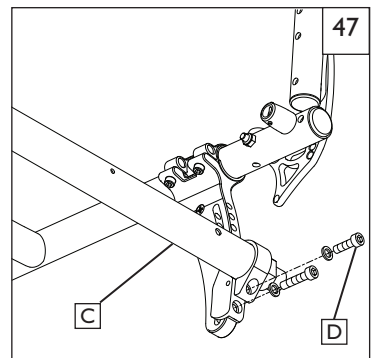
Antes de cambiar el obturador de inclinación, tenga en cuenta las posiciones del perno del tubo de inclinación lateral.

- a. Para cambiar el obturador de su silla, afloje el perno (D) de ambas abrazaderas del tubo de inclinación lateral (E). A continuación, afloje el segundo perno (F). Repita en el otro lado.
- b. Ahora puede quitar el tubo de inclinación lateral (C) y las abrazaderas del tubo de inclinación lateral (E) de la placa del eje (G).
- c. Una vez que quitó la placa del eje, las abrazaderas del tubo de inclinación lateral pueden quitarse del tubo de inclinación lateral. Ahora puede quitar el obturador de inclinación lateral (H).
- d. Inserte el obturador de inclinación lateral deseada en cada extremo del tubo de inclinación lateral. Luego reemplace las abrazaderas del tubo de inclinación lateral en los extremos del tubo de inclinación lateral. Asegúrese de espaciar los obturadores de inclinación lateral a una misma distancia desde los extremos del tubo de inclinación lateral.
- e. Deslice el conjunto del tubo de inclinación lateral en la placa del eje. Vuelva a alinear los orificios de la placa del eje en su posición original. Apriete los pernos (D) y luego reemplace y apriete todos los pernos a un parámetro de tensión de 11,3 Nm (100 pulg.-libras)



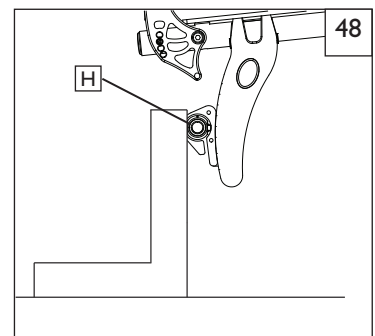
3. Ajuste de la convergencia y divergencia al piso 47 48 49 50

NOTA – Una silla de ruedas equipada con obturadores de inclinación lateral de 0° no puede tener convergencia ni divergencia. Este ajuste sólo es necesario cuando se utilizan obturadores de inclinación lateral de 3° y 6°. La convergencia se refiere a qué tan adecuadamente están alineadas las ruedas traseras de la silla con relación al suelo. Afecta la manera en que la silla rodará. El arrastre o la resistencia al rodado se pueden disminuir de manera óptima cuando la convergencia de las ruedas se ajusta a cero.



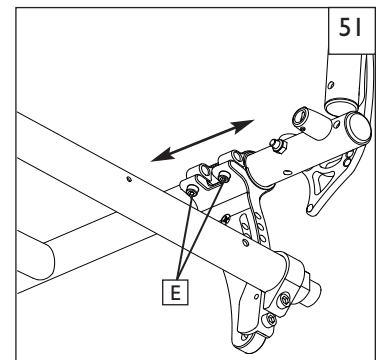
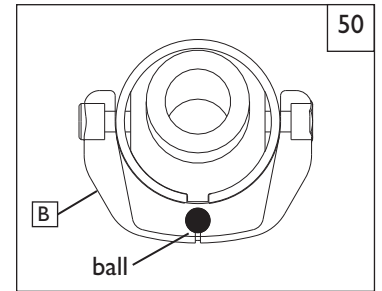
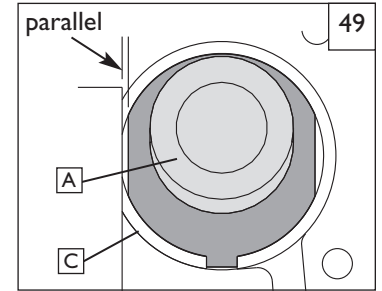
4. Ajuste de la convergencia a cero 47 48

- a. Coloque toda la silla de ruedas sobre una mesa plana horizontal o sobre el piso. Afloje los 2 tornillos de capuchón (D) (1 a cada lado) que aseguran la abrazadera del tubo de inclinación lateral.
- b. Ubique las superficies planas en la parte delantera y trasera de los obturadores de inclinación lateral (H). Coloque un objeto que se sabe tiene una esquina exactamente de 90° (como una escuadra de carpintero, escuadra de dibujo, etc.) sobre la superficie plana horizontal y contra la parte plana del obturador de inclinación lateral.
- c. Gire el ensamble del tubo y el obturador de inclinación lateral hasta que la superficie plana del obturador de inclinación lateral quede paralela a la herramienta de medición.
- d. Antes de apretar los tornillos (D), asegúrese que el tubo de inclinación lateral esté centrado de izquierda a derecha en relación al bastidor de la silla de ruedas. Debe haber un espacio libre igual en ambos lados de la silla de ruedas o ninguno en absoluto. Apriete los sujetadores con una tensión de 11,3 Nm (100 pulg.-libras).



5. Ajuste de la convergencia a cero – Método alternativo 47 49 50

- a. Afloje los 2 tornillos de capuchón (D) (1 a cada lado) que aseguran la abrazadera del tubo de inclinación lateral. Observe la bola ubicada en el nivel (B) y gire el tubo de inclinación lateral (C) hasta que la bola quede perfectamente centrada dentro del nivel.
- b. Antes de apretar los tornillos (D), asegúrese que el tubo de inclinación lateral esté centrado de izquierda a derecha en relación al bastidor de la silla de ruedas. Debe haber un espacio libre igual en ambos lados de la silla o ninguno en absoluto. Apriete los sujetadores (D) con una tensión de 11,3 Nm (100 pulg.-libras).



N. AJUSTE DEL CENTRO DE GRAVEDAD 51

El ajuste más importante de la silla de ruedas Quickie es la posición correcta del eje trasero. El centro de gravedad, la inclinación lateral de las ruedas y la base de las ruedas quedan determinados por el ajuste del eje.

NOTA - Use un parámetro de tensión de 6,7 Nm (60 pulg.-libras) para ajustar los pernos de la abrazadera del eje trasero (E).

1. Centro de gravedad

Si se mueve el centro de gravedad hacia el frente menor será la fuerza requerida para voltear la silla. Cuanto más atrás estén el eje y la abrazadera, más estable será la silla.

El centro de gravedad se ajusta al mover el eje trasero y la abrazadera hacia atrás o adelante en el bastidor. Si mueve el eje y la abrazadera hacia adelante aumentará la velocidad de viraje y el extremo delantero será más liviano.

NOTA IMPORTANTE: Si se cambia el riesgo de gravedad se reduce el riesgo de una caída o volcadura. Cerciérese de que la silla no se vuelque hacia atrás cuando se inclina.

2. Para mover el centro de gravedad 51

Afloje los tornillos de cabeza hueca (E). Deslice el conjunto del tubo de inclinación lateral hacia delante o hacia atrás junto al tubo del bastidor. Vuelva a apretar los tornillos. Asegúrese de medir la nueva posición para lograr la uniformidad a ambos lados de la silla.

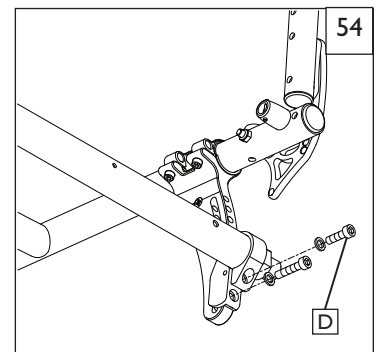
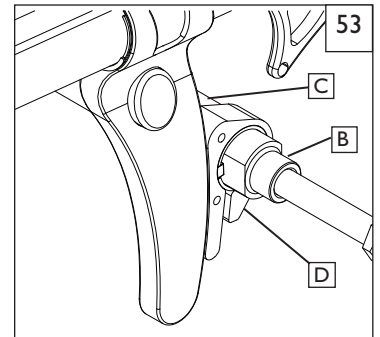
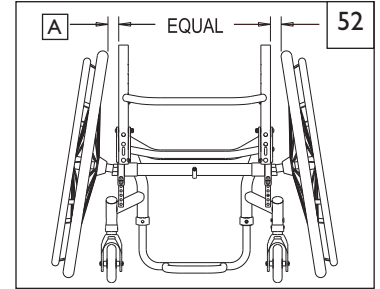
Después de asegurar las abrazaderas de la placa del eje, instale las ruedas traseras, siéntese en la silla y realice maniobras mientras otra persona sirve de observador para que compruebe si el nuevo ajuste es adecuado para usted.

O. SEPARACIÓN DE LAS RUEDAS TRASERAS 52 53 54

La separación de las ruedas traseras mide el espacio libre entre la parte superior de las ruedas traseras y los bastones del respaldo y se muestra como la dimensión X. Los ajustes de fábrica serán tan específicos como sea posible dependiendo de las opciones que elija.

NOTA – Al ajustar la separación de las ruedas traseras, solamente haga los ajustes de un solo lado de la silla a la vez. Al aflojar ambos lados se perderá el parámetro de convergencia.

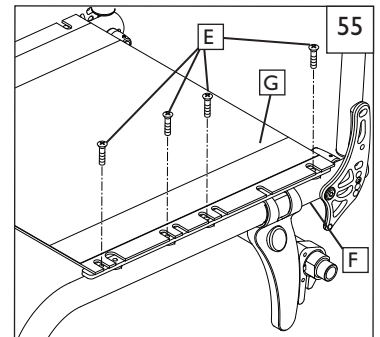
- Para ajustar la separación de las ruedas traseras, los insertos de inclinación lateral (B) se desplazan telescópicamente hacia dentro y fuera del tubo de inclinación lateral (C) con topes en cada extremo del trayecto.
- En el lado izquierdo de la silla, afloje el tornillo (D) (el más cercano al tubo de inclinación lateral). Deslice el inserto de inclinación lateral hacia dentro o fuera para establecer la separación requerida de las ruedas.
- Apriete el tornillo a una tensión de 11,3 Nm (100 pulg.-libras). Repita el mismo procedimiento en el lado derecho de la silla para que coincida con el ajuste de la separación del lado izquierdo.



P. AJUSTE DE LA ESLINGA DEL ASIENTO 55

- Retire los pernos (E) y la tuerca del perno trasero (F) para que la tapicería del asiento (G) pueda quitarse del bastidor.
- Para volver a colocar la eslinga del asiento, coloque la eslinga (G) sobre el bastidor de la silla. Alinee la eslinga del asiento y los receptáculos plásticos. Reemplace los tornillos (E) y la tuerca trasera (F) y ajuste consecuentemente.
- Retenga los receptáculos plásticos (no se muestran) para colocarlos entre la eslinga del asiento y el bastidor. Repita estos pasos en el otro lado.

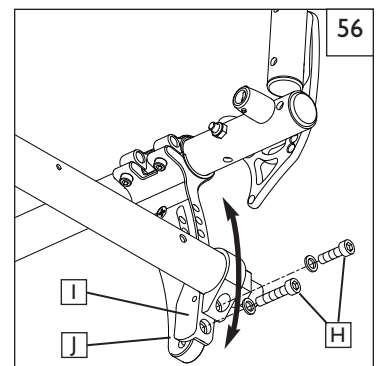
En caso de dificultad para volver a instalar los tornillos, intente usar una sonda para alinear los orificios. Cerciñese de que los receptáculos plásticos queden debajo del riel del asiento en todas las posiciones del sujetador.



Q. AJUSTE DE LA ALTURA TRASERA DEL ASIENTO 56

- Para ajustar la altura trasera del asiento, afloje y retire los 4 tornillos de cabeza (H) (2 de cada lado) que sujetan las abrazaderas del tubo de inclinación lateral (I) a las placas del eje (J).
- Mueva las abrazaderas de ambos tubos de inclinación lateral (I) hasta la altura deseada y vuelva a instalar los cuatro tornillos de capuchón. Antes de ajustar, siga las instrucciones para ajustar la convergencia y divergencia a cero.
- Ajuste los tornillos a 11,3 Nm (100 pulg.-libras).

NOTA – Los ajustes de la altura trasera del asiento también podrían requerir un ajuste del ángulo de las ruedas pivotantes.

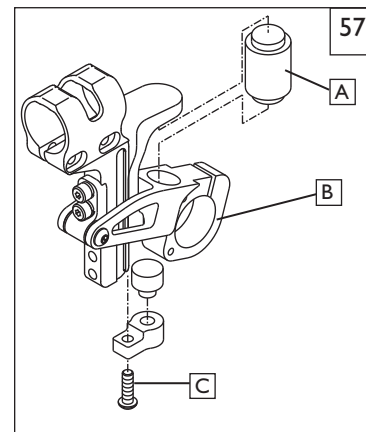


R. SUSPENSIÓN TRASERA DE LA PLACA DEL EJE 57

El rendimiento de su sistema de suspensión está determinado por la compresión de los elastómeros (A). Es posible seleccionar el elastómero adecuado para Quickie en función del peso del usuario.

Para cambiar los elastómeros, quite los 2 tornillos (C) (1 por lado). Gire los reposabrazos (B) hacia abajo y el elastómero de compresión (A) puede quitarse libremente de las ranuras de inserción superior e inferior.

Invierta el orden para instalar los nuevos casquillos, asegúrese de que los elastómeros de compresión estén asegurados en las ranuras superior e inferior.



S. SUSPENSIÓN XTR (OPCIONAL) 58

- Adaptada para realizarse conjuntamente con la serie Quickie 5R.
- Carga previa del resorte ajustable
- 1. Si alguna vez el amortiguador pierde aceite o si hace demasiado ruido de sobrecarga, deje de usar la silla inmediatamente y solicite a un distribuidor que realice una inspección del amortiguador. El uso prolongado del amortiguador en una de estas condiciones podría derivar en una pérdida de control con posibles lesiones serias y/o fatales.
- 2. Use siempre piezas originales de Quickie. Usar piezas de repuesto de un mercado secundario anulará la garantía y puede provocar una falla en el amortiguador. Una falla estructural podría derivar en una pérdida de control con posibles lesiones serias y/o fatales.

Ajuste del amortiguador 58

Si coordina el índice del amortiguador adecuado y el ajuste de amortiguación, los amortiguadores pueden adaptarse a su peso.

Cuando ajuste la suspensión, realice siempre un cambio a la vez y anótelo. Si bien esta tarea requiere de paciencia, permite comprender cómo cada modificación afecta el movimiento. Mantener un registro le permite conocer qué cambios ha probado y funcionan, y qué cambios debería realizar.

Lavado del amortiguador Deluxe

Limpie el amortiguador con jabón suave y un cepillo de dientes. Mantenga el eje y el cuerpo y el ojo del casquillo limpios y engrasados.

IMPORTANTE: NUNCA LIMPIE EL AMORTIGUADOR CON UNA LAVADORA DE ALTA PRESIÓN.

Ajuste de la tensión del amortiguador

Coloque el anillo de ajuste accionado por resorte (4). Gire el anillo de ajuste en el sentido de las agujas del reloj para disminuir la tensión. Gire el anillo de ajuste en sentido contrario a las agujas del reloj para aumentar la tensión.

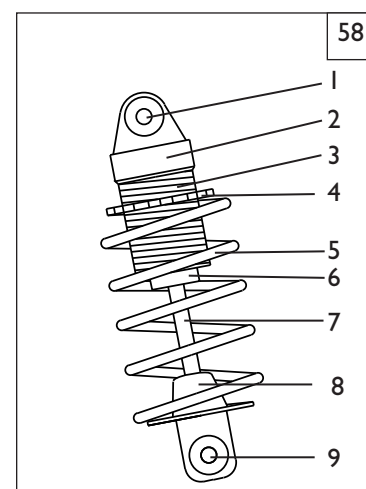
⚠ ADVERTENCIA

Compruebe los nuevos ajustes de la silla con una persona como observadora antes de proceder a su uso.

T. REVISIÓN

Una vez que la silla está ensamblada y ajustada, debe funcionar uniforme y fácilmente. Todos los accesorios también deben funcionar uniformemente. Si tiene algún problema, siga estos procedimientos:

1. Revise las secciones de preparación y revisión y la guía de funcionamiento para asegurarse que la silla fue preparada apropiadamente.
2. Revise el cuadro de selección de problemas al comienzo de esta sección.
3. Si el problema persiste, póngase en contacto con su distribuidor autorizado. Si aún tiene el problema después de haberse puesto en contacto con su distribuidor autorizado, póngase en contacto con los servicios al cliente de Sunrise. Consulte la página de introducción para ponerse en contacto con su distribuidor autorizado o con servicios al cliente de Sunrise.



1. Ojo cuerpo
2. Depósito
3. Cuerpo Hilos
4. Primavera Ajuste Anillo
5. Muelle Helicoidal
6. Cabeza del sello
7. Choque eje
8. Pegatina Bottom
9. Ojo eje

A. GARANTIA LIMITADA DE POR VIDA

Garantía del armazón y del soporte transversal (si corresponde):

1. Aunque el tiempo de vida útil previsto de esta silla es de cinco años, Sunrise garantiza al comprador original del armazón y del soporte transversal, si corresponde, que esta silla de ruedas se encuentra libre de defectos de materiales y mano de obra durante cinco años después de la fecha de venta.
2. Esta garantía no se aplica si:
 - a. Se somete la silla a un uso inadecuado.
 - b. No se realiza el mantenimiento de la manera recomendada en el manual del propietario.
 - c. La silla se transfirió a una persona que no sea el propietario original.

B. POR UN (1) AÑO

Garantizamos contra defectos de los materiales y mano de obra todas las partes y componentes de esta silla de ruedas fabricados por Sunrise por un año a partir de la fecha de compra del primer consumidor.

Respaldo de tensión ajustable (Balistic & 3DX Vented)

Cada respaldo de tensión ajustable es inspeccionado y probado cuidadosamente para proporcionar el mejor servicio. Cada respaldo de tensión ajustable está garantizado contra defectos de los materiales o de mano de obra por un período de doce (12) meses a partir de la fecha de compra, si se usa de manera normal. En caso de presentarse defectos en los materiales o mano de obra dentro del período de doce meses a partir de la fecha de compra original, Sunrise Medical a su discreción, lo reparará o reemplazará sin cargo alguno. Esta garantía no se aplica a pinchaduras, rupturas ni quemaduras. Las reclamaciones y reparaciones serán procesadas a través del distribuidor autorizado de Sunrise más cercano. Con excepción de las garantías expresas aquí establecidas, se excluyen todas las demás garantías, incluyendo las garantías implícitas de comercialización y las garantías de idoneidad para un propósito en particular. No existe ninguna garantía que se extienda fuera de la descripción aquí establecida. Las reparaciones por violaciones de las garantías expresas aquí establecidas se encuentran limitadas a la reparación o reemplazo de los bienes. Las indemnizaciones por incumplimiento de cualquier garantía en ningún caso incluirán ningún daño consecuencial ni excederá el costo de los bienes vendidos fuera de especificaciones.

C. LIMITACIONES

1. Nuestra garantía no cubre:
 - a. Ruedas neumáticas y cámaras, tapicería, almohadillas y asideros de empuje.
 - b. Daños por negligencia, accidente, mal uso o instalación o reparación inapropiadas.
 - c. Productos modificados sin el consentimiento expreso por escrito de Sunrise Medical.
 - d. Daños causados al sobrepasar el límite de peso.
2. Esta garantía quedará ANULADA en caso de alteración o desaparición de la etiqueta original del número de serie de la silla.
3. Esta garantía solamente es válida en los Estados Unidos. Compruebe con su distribuidor si se aplica alguna garantía internacional.
4. Esta garantía no es transferible y se aplica solamente a la primera compra del consumidor de este producto a través de un distribuidor autorizado de Sunrise Medical.

D. LO QUE HAREMOS

Our sole liability is to repair or replace covered parts. This is the exclusive remedy for consequential damages.

E. LO QUE USTED DEBE HACER

1. Obtener de nosotros, mientras esta garantía esté en vigor, la autorización previa para la devolución o reparación de las piezas cubiertas por la garantía.
2. Devolver la silla de ruedas o la(s) parte(s), con porte pagado a Sunrise Mobility Products Division a: 2842 Business Park Avenue, Fresno, CA 93727-1328.
3. Pagar el costo de la mano de obra para instalar, extraer o reparar las piezas.

F. AVISO AL CONSUMIDOR

1. Si la ley lo permite, esta garantía reemplaza cualquier otra garantía (escrita o verbal, expresa o implícita, incluyendo la garantía de comerciabilidad o idoneidad para un propósito en particular)
2. Esta garantía le otorga ciertos derechos legales. Es posible que usted ostente también otros derechos, que pueden variar de un estado a otro.

Anote su número de serie aquí para una referencia a futuro



QUICKIE 5R

Quickie® 5R

- with transit option without transit option

Supplier: This manual must be given to the rider of this wheelchair.

Rider: Before using this wheelchair read this entire manual and save for future reference.

Owner's Manual

Quickie® 5R

- Avec l'option de transit Sans l'option de transit

Au Fournisseur: Ce manuel doit être remis à l'utilisateur de ce fauteuil roulant.

À l'Usager : Veuillez lire tout le manuel et le conserver pour référence ultérieure.

Chaque fauteuil est livré avec un manuel d'instructions en anglais. Les versions en espagnol et en français sont à votre disposition en format PDF sur le site : www.SunriseMedical.com. Veuillez vous rendre à la page de votre produit pour télécharger le manuel dans la langue souhaitée, ou contactez un fournisseur agréé Sunrise Medical.

Manuel d'instructions



SUNRISE MEDICAL ÉCOUTE

Merci d'avoir choisi un fauteuil roulant Quickie. Nous sommes à l'écoute de vos questions et commentaires sur ce manuel, la sécurité et la fiabilité de votre fauteuil et le service offert par votre fournisseur Sunrise. N'hésitez pas à nous écrire ou à nous appeler à l'adresse et au numéro de téléphone ci-dessous:

**Sunrise Medical (US) LLC
Customer Services Department
2842 Business Park Ave
Fresno, CA 93727 États-Unis
(800) 333-4000**

Veillez renvoyer votre carte de garantie et nous informer de votre changement d'adresse éventuel. Cela nous permettra de vous tenir au courant des informations concernant la sécurité, les nouveaux produits et les options proposées pour optimiser l'usage et le confort de ce fauteuil. Si vous égarez votre carte de garantie, appelez-nous ou écrivez-nous et nous serons heureux de vous en faire parvenir une nouvelle.

RÉPONSES À VOS QUESTIONS

Votre fournisseur agréé est la personne qui connaît le mieux les caractéristiques de votre fauteuil roulant et peut répondre à la plupart de vos questions concernant la sécurité, l'usage et l'entretien de l'appareil. À titre de référence, veuillez remplir les renseignements suivants :

Fournisseur: _____

Adresse: _____

Téléphone: _____

No de série: _____ Date d'achat : _____

INFORMATIONS SUPPLÉMENTAIRES À SAVOIR

Aucun composant de ce fauteuil n'est fabriqué à base de latex de caoutchouc naturel.

I. INTRODUCTION.....	2	J. Essieux à déblocage rapide	13
II. TABLE DES MATIÈRES.....	3	K. Roues arrière	13
III. VOTRE FAUTEUIL ET SES PIÈCES.....	4	L. Freins de roues arrière	13
IV. NOTICE – À LIRE AVANT TOUTE UTILISATION ...	5	M. Systèmes de siège modifié	14
A. Choisissez le fauteuil et les options de sécurité les ...		N. Assise et Dossier Rembourrage	14
mieux adaptés à vos besoins.....	5	O. Dossier à Tension Réglable.....	14
B. Consultez ce manuel régulièrement	5	P. De suspension arrière option	14
C. Avertissements.....	5	VIII. USAGE ET ENTRETIEN	15
V. AVERTISSEMENTS D'ORDRE GÉNÉRAL.....	5	A. Introduction	15
A. Limites de poids	5	B. Les contrôles de sécurité critiques	15
B. Utilisation prévue	5	C. Nettoyage	15
C. Accompagnateurs et personnes soignantes	5	D. Liste de contrôle de sécurité.....	15
D. Accessoires	5	E. Tableau de dépannage.....	16
E. Familiarisez-vous avec votre fauteuil roulant	5	F. Montage et retrait des roues arrière.....	16
F. Réduire le risque d'accident.....	6	G. Freins de roues	17
G. Liste de contrôle de sécurité	6	H. D'accoudeur pivotant rembourré option	17
H. Changements et Réglages	6	I. D'accoudeur à hauteur réglable option	18
I. Conditions Ambiantes	6	J. Semelle relevable	18
J. Terrain	6	K. Angle du dossier – Performance.....	18
K. Utilisation du Fauteuil dans la Rue	6	L. Dossier à tension réglable.....	19
L. Sécurité Automobile	6	M. Installation du coussin	19
M. Lorsque vous avez besoin d'aide	7	N. Conseils de rangement.....	19
VI. AVERTISSEMENTS EN MATIÈRE DE SÉCURITÉ :		O. Vérification.....	19
CHUTES ET BASCULEMENT	7	IX. RÉGLAGES ET SERVICES OFFERTS PAR LE	
A. Centre d'équilibre	7	REVENDEUR AGRÉÉ	20
B. Habillement ou changement de vêtements	7	A. Services offerts par le fournisseur – Introduction ...	20
C. Obstacles	7	B. Conseils d'entretien importants	20
D. Soulèvement des roulettes avant.....	7	C. Nettoyage	20
E. Pour saisir un objet ou vous pencher.....	8	D. Réglage de l'écrou de l'essieu de la roue arrière.....	20
F. Déplacement vers l'arrière.....	8	E. Freins de roues.....	21
G. Escaliers roulants	8	F. Tubes Anti-basculement a suspension XTR option...	21
H. Rampes, pentes et descentes	8	G. Fixation du support de l'accoudeur	22
I. Transfert.....	9	H. Accoudeurs rembourrés pivotants option	22
J. Trottoirs et marches.....	10	I. Réglage des repose-pieds.....	22
K. Monter une bordure de trottoir ou une seule marche	10	J. Roulettes	23
L. Descendre une bordure de trottoir ou une seule marche	10	K. Installation de la trousse anti-flottement	24
M. Escaliers.....	11	L. Réglages du dossier	24
N. Monter un escalier	11	M. Réglages de l'essieu arrière	25
O. Descendre un escalier	11	N. Ajustement du centre de gravité	26
VII. AVERTISSEMENTS : COMPOSANTS ET OPTIONS ...	12	O. Espacement des roues arrière.....	27
A. Tubes anti-basculement	12	P. Réglage de la courroie de siège	27
B. Accoudeurs	12	Q. Réglage de la hauteur du siège à l'arrière.....	27
C. Coussin et sièges à sangle	12	R. Suspension de la plaque d'essieu arrière	28
D. Assise décalée.....	12	S. Suspension XTR.....	28
E. Pièces de Fixations	12	T. Vérifications	28
F. Repose-pieds.....	12	X. GARANTIE LIMITÉE SUNRISE	29
G. Pneumatiques	12		
H. Ceintures de Positionnement (en option).....	13		
I. Poignées de manœuvre (en option).....	13		



1. Dossier
2. Pneu
3. Sangle du siège
4. Blocage de roue
5. Plate-forme pour repose-pieds
6. Fourche de roulette
7. Roulette
8. Bras pour roulettes
9. Tube de cambrure
10. Main courante
11. Jante
12. Essieu à déblocage rapide
13. Plaque d'essieu
14. Support du dossier rabattable
15. Poignée de manœuvre

Remarque: Il est possible que certains dispositifs ne soient pas disponibles sur tous les fauteuils ni en combinaison avec d'autres dispositifs. Veuillez consulter votre fournisseur autorisé pour plus de détails.

QUICKIE 5R

Poids

Le poids du fauteuil roulant variera en fonction des composants choisis en option

Réglages

Angle des roulettes, C de G, hauteur du siège arrière, angle du dossier, longueur des repose-pieds, espacement des roues arrière

Couleur

Couleurs du fauteuil roulant Quickie

Dimensions de l'armature

Largeur de l'armature: Standard 30,5 cm à 50,8 cm (12 po à 20 po) (Suspension XTR 35,6 cm à 50,8 cm (14 po à 20 po)
Profondeur de siéte : 30,5 cm à 50,8 cm (12 po à 20 po) (Suspension XTR 35,6 cm à 50,8 cm (14 po à 20 po).

Dossier

Non rabattable - Rabattable et verrouillable à angle ajustable. Réglage de la hauteur et de l'angle : 27,9 à 35,6 cm – 30,5 à 40,6 cm – 40,6 à 50,8 cm (11 à 14 po, 12 à 16 po, 16 à 20 po)
Hauteur fixe : 25,4 à 50,8 cm (10 à 20 po)
En option : garnissage réglable, garnissage réglable aéré, poignées de manœuvre pliantes

Repose-pieds

Standard – tubulaire, En option – tubulaire avec couverture, Plateforme à angle réglable
Aluminium

Roulettes

Standard – 12,7 cm (5 po), de type surbaissé, en polyuréthane. En option – 12,7 cm (5 po), de type semi-pneumatique, aluminium, roulement souple. En option – 10,1 cm (4 po), de type surbaissé, en polyuréthane, commutateur à micro-pression de 10,1 cm (4 po) Micro luz de 10,1 cm (4"). Aluminium et polyuréthane, 10,1 cm x 3,8 cm (4 po x 1,5 po) en aluminium, roulement souple, 10,1 cm x 3,2 cm (4 po x 1,25 po) semi-pneumatiques. 7,5 cm (3 po) micro, 7,5 cm (3 po) commutateur à micro-pression. 10,1 cm, 12,7 cm et 15,5 cm x 3,8 cm (4 po, 5 po et 6 po x 1,5 po) de largeur, polyuréthane. 15,5 cm (6 po) en polyuréthane, pattes de grenouille,

Accoudoirs

En option – rembourrés pivotants
En option – hauteur réglable et montant unique

Support d'essieu

Standard – support réglable (centre de gravité avant/arrière)
En option – cambrure : 0°, 3°, 6°
Cambrure XTR – 0°, 4°, 8°, pour amputé(e)

Essieux

Standard – acier inoxydable,
En option – écrous d'essieu à relâchement quad

Tubes anti-basculément

En option – tubes anti-basculément arrière, rabattables.

Roues arrière standard

Standard – roues à 5 rayons en alliage léger

Roues haute performance Quickie

En option – roues Spinergy,
En option – poids léger,
En option – SPOX, LX noir,
En option – tout terrain,
En option – carbone Topolino avec rayons rouges ou jaunes rayons

Dimension des pneumatiques

Standard – 60,9 cm (24 po),
En option – 50,8 cm, 55,9 cm, 63,5 cm, 66 cm (20 po, 22 po, 25 po, 26 po)

Types de pneumatiques:

Standard – de type pneumatique,
En option – chambre sans air, polyuréthane, Kevlar 60,9 cm (24 po) uniquement, Tenailles haute pression : 60,9 cm, 66 cm (24 po, 26 po) uniquement, De type pour vélo tout terrain 60,9 cm (24 po) uniquement, entièrement en polyuréthane, Shox, Knobby V-TRAK, Schwalbe Marathon Plus.

Mains courantes

Standard – en aluminium, En option – avec revêtement en plastique et projections verticales/obliques, Natural Fit, Surge, and Q-Grip

Freins de roues

À pousser vers le haut, à tirer vers le haut, de type ciseaux ergonomiques, En option – compacts

A. CHOISISSEZ LE FAUTEUIL ET LES OPTIONS DE SÉCURITÉ QUI RÉPONDENT LE MIEUX À VOS BESOINS

Sunrise propose de nombreux modèles de fauteuils roulants pour répondre à vos besoins. Ce produit est conçu pour un usage individuel uniquement. Toutefois, le choix définitif du type de fauteuil roulant, des options et des réglages n'appartient qu'à vous et à votre conseiller en soins de santé. Le choix du fauteuil et de la configuration les mieux appropriés pour votre sécurité dépend notamment des aspects suivants :

1. votre invalidité, votre force physique, votre sens de l'équilibre et votre coordination;
2. le genre de risques que vous avez à surmonter quotidiennement (à la maison, au travail et dans d'autres endroits où vous êtes susceptible d'utiliser votre fauteuil);
3. des options dont vous aurez besoin pour votre sécurité et votre confort (ex. : tubes anti-basculement, sangles de maintien ou sièges spéciaux).

B. CONSULTEZ CE MANUEL RÉGULIÈREMENT

Avant d'utiliser ce fauteuil, nous vous conseillons, ainsi qu'à toute personne susceptible de vous aider, de lire ce manuel et de veiller à en suivre toutes les instructions. Consultez régulièrement les avertissements jusqu'à ce que vous les observiez automatiquement.

C. AVERTISSEMENTS

Le terme « AVERTISSEMENT » indique un risque ou une pratique dangereuse pouvant vous causer, ainsi qu'à d'autres personnes, des blessures graves, voire mortelles. Les « Avertissements » sont répartis sous les trois catégories suivantes :

I. V — AVERTISSEMENTS D'ORDRE GÉNÉRAL

Dans cette section, vous trouverez une liste de vérification de sécurité et un résumé des risques que vous devez connaître avant d'utiliser ce fauteuil.

2. VI— CONSIGNES DE SÉCURITÉ : CHUTES ET BASCULEMENT

Dans cette section, vous apprendrez à utiliser votre fauteuil en toute sécurité, et comment éviter de tomber ou de basculer pendant vos activités quotidiennes dans votre fauteuil.

3. VII — AVERTISSEMENTS – COMPOSANTS ET OPTIONS

Dans cette section, vous trouverez des détails sur les composants de votre fauteuil et les options que vous pouvez choisir pour votre sécurité. Demandez à votre revendeur agréé et à votre conseiller en soins de santé de vous aider à choisir la configuration et les options qui vous conviennent le mieux pour une utilisation sécuritaire.

REMARQUE—Vous trouverez également des « Avertissements » dans d'autres sections de ce manuel. Tenez compte de tous les avertissements de cette section. Si vous ne les observez pas, une chute, un basculement ou une perte de contrôle peut se produire et causer des blessures graves à l'utilisateur ainsi qu'à d'autres personnes.

V. AVERTISSEMENTS D'ORDRE GÉNÉRAL

A. LIMITES DE POIDS

AVERTISSEMENT

NE JAMAIS dépasser la limite de poids permise par Sunrise Medical. La limite de poids permise par votre fabricant inclut le poids du passager ainsi que les objets personnels placés dans le dispositif de rangement. Si vous dépassez cette limite, votre fauteuil peut être endommagé; une chute, un basculement ou une perte de contrôle peut se produire et causer des blessures graves à l'utilisateur ainsi qu'à d'autres personnes.

Capacité de poids

Quickie 5R - 265lbs/(120Kg).

B. USAGE PRÉVU

Les séries Quickie 5R sont conçues pour offrir un moyen de mobilisation aux personnes restreintes à la position assise.

AVERTISSEMENT

NE PAS utiliser cet appareil à des fins autres que ce qui est prévu par le fabricant

1. Ce fauteuil roulant n'est pas conçu pour des entraînements aux poids et ne doit pas servir de siège lors d'un tel exercice. S'entraîner aux poids depuis le fauteuil roulant altère significativement la stabilité du fauteuil et peut causer un basculement.
2. NE PAS s'appuyer sur la structure du fauteuil roulant.
3. NE PERMETTEZ à personne de se tenir debout sur votre fauteuil ou de l'utiliser comme marchepied.
4. Ce fauteuil est conçu pour une personne seulement.
5. Toute modification ou tout usage non autorisé de pièces non fournies ou approuvées par Sunrise peut changer la structure du fauteuil. Procéder ainsi annulera la garantie et pourrait créer un risque d'accident. Le non-respect des avertissements peut endommager votre fauteuil roulant et causer de sérieuses blessures à l'utilisateur si le fauteuil est utilisé à des fins non autorisées.

C. ACCOMPAGNATEURS ET PERSONNES SOIGNANTES

AVERTISSEMENT

Avant d'aider l'utilisateur du fauteuil roulant, veuillez lire tous les avertissements et observer toutes les instructions applicables. Après une consultation avec votre conseiller en santé, vous devrez apprendre et développer des mouvements corporels sécuritaires et éprouvés qui répondront à vos besoins d'assistance en fonction de vos capacités.

D. ACCESSOIRES

AVERTISSEMENT

Toute modification ou tout usage non autorisé de pièces ou accessoires non fournis ou approuvés par Sunrise peut changer la structure du fauteuil. Procéder ainsi annulera la garantie et pourrait créer un risque d'accident.

Voici quelques-uns des problèmes qui, sans s'y limiter, pourraient survenir :

1. Des roues et des pneus non conformes peuvent mettre l'utilisateur à risque d'une chute ou d'un basculement.
2. Ajouter un composant au châssis et modifier l'intégrité structurelle du fauteuil.
3. Toute modification ou tout démontage peut créer une situation dangereuse et mettre l'utilisateur ou l'accompagnateur à risque.

E. CONNAÎTRE VOTRE FAUTEUIL

AVERTISSEMENT

Chaque fauteuil roulant est différent. Prenez le temps de vous familiariser avec le fauteuil avant de l'utiliser. Commencez lentement, par mouvements doux et réguliers. Si vous êtes habitué à un fauteuil différent, vous risquez d'exercer trop de force et de basculer. Si vous exercez trop de force, votre fauteuil peut être endommagé; une chute, un basculement ou une perte de contrôle peut se produire et causer des blessures graves à l'utilisateur ainsi qu'à d'autres personnes.

F. RÉDUIRE LE RISQUE D'ACCIDENT

⚠ AVERTISSEMENT

1. AVANT d'utiliser le fauteuil, veillez à suivre une formation dispensée par votre conseiller en soins de santé sur l'utilisation sécuritaire de ce fauteuil.
2. Exercez-vous à vous pencher, saisir, et effectuer des transferts jusqu'à ce que vous connaissiez vos limites. Faites-vous aider jusqu'à ce que vous sachiez ce qui peut causer une chute ou un basculement, et comment les éviter.
3. Vous devez savoir qu'il vous faut développer vos propres méthodes d'utilisation sécuritaire, les mieux adaptées à vos capacités.
4. NE tentez JAMAIS une nouvelle manœuvre par vous-même sans être sûr qu'il n'y a pas de danger.
5. Familiarisez-vous avec les lieux où vous prévoyez utiliser votre fauteuil. Repérez les dangers éventuels et apprenez à les éviter.
6. Utilisez les tubes anti-basculement à moins d'être expérimenté et certain que vous ne risquez pas de basculer.

G. LISTE DE CONTRÔLE DE SÉCURITÉ

⚠ AVERTISSEMENT

Avant toute utilisation de votre fauteuil :

1. Assurez-vous que le fauteuil roule facilement et que toutes les pièces fonctionnent sans problème. Prêtez attention aux bruits, aux vibrations ou à tout changement dans la facilité d'emploi. (Ces signes peuvent indiquer que les pneus ne sont pas assez gonflés, que des pièces de fixation sont desserrées ou que votre fauteuil est endommagé).
2. Inspectez tout problème. Votre revendeur agréé peut vous aider à repérer le problème et à y remédier.
3. Vérifiez que les deux essieux arrière à déblocage rapide sont verrouillés. Lorsque l'essieu est verrouillé, le bouton de l'essieu ressort complètement. S'il n'est pas verrouillé, la roue peut se détacher et provoquer votre chute.
4. Si votre fauteuil est doté de tubes anti-basculement, bloquez-les.

H. CHANGEMENTS ET RÉGLAGES

⚠ AVERTISSEMENT

1. Lorsqu'un réglage du fauteuil roulant est requis, demandez à ce qu'il soit effectué par votre conseiller en soins de santé.
2. Toute modification ou tout usage non autorisé de pièces non fournies ou approuvées par Sunrise peut changer la structure du fauteuil. Procéder ainsi annulera la garantie et pourrait créer un risque d'accident.

I. CONDITIONS AMBIANTES

⚠ AVERTISSEMENT

1. Redoublez de prudence si vous devez utiliser votre fauteuil sur une surface mouillée ou glissante. En cas de doute, demandez de l'aide.
2. Votre fauteuil peut rouiller ou se corroder au contact de l'eau ou de toute humidité excessive. Évitez les conditions climatiques extrêmes autant que possible.
 - a. N'utilisez pas votre fauteuil sous la douche, dans une piscine ou dans tout autre plan d'eau. Le tubage et les pièces du fauteuil ne sont pas étanches et peuvent rouiller et se corroder de l'intérieur.
 - b. Évitez l'excès d'humidité (par exemple, ne laissez pas votre fauteuil dans une salle de bain humide pendant que vous vous douchez).
 - c. Séchez votre fauteuil dès que possible s'il est mouillé, ou si vous le nettoyez à l'eau.



J. TERRAIN

⚠ AVERTISSEMENT

1. S'appuyant sur des tests des associations américaines ANSI et RESNA, Sunrise Medical recommande l'utilisation d'une roue pivotante d'un diamètre minimum de 13 cm (5 po) si le fauteuil doit franchir des obstacles jusqu'à 1,25 cm (1/2 po) sur une base régulière.
2. Votre fauteuil est conçu pour être utilisé sur des surfaces uniformes et fermes, comme le béton et l'asphalte, et sur les planchers et moquettes à l'intérieur.
3. N'utilisez pas votre fauteuil sur des terrains sablonneux, meubles ou accidentés.
4. Si vous utilisez votre fauteuil sur un terrain plus accidenté que ceux mentionnés ci-haut, les vis et boulons pourraient se dévisser prématurément, et les dommages occasionnés aux roues et aux essieux pourraient entraîner une chute, un basculement ou une perte de contrôle.

Si vous n'observez pas ces avertissements, votre fauteuil peut être endommagé et une chute, un basculement ou une perte de contrôle peut se produire et causer des blessures graves à l'utilisateur ainsi qu'à d'autres personnes.

K. UTILISATION DU FAUTEUIL DANS LA RUE

⚠ AVERTISSEMENT

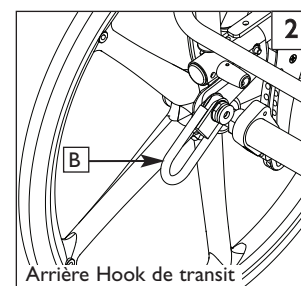
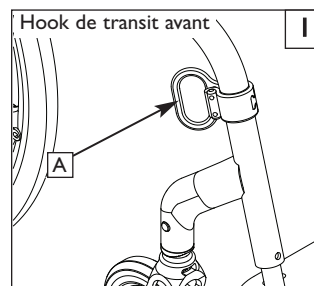
1. Ce produit n'est pas destiné à une utilisation dans les rues.
2. Dans la mesure du possible, évitez de rouler dans les rues.
3. Roulez seulement sur les allées piétonnières autorisées en respectant les lois qui s'appliquent aux piétons.
4. Soyez conscient du danger que représentent les véhicules motorisés dans les aires de stationnement et quand vous traversez une rue.

Si vous n'observez pas ces avertissements, votre fauteuil peut être endommagé et une chute, un basculement ou une perte de contrôle peut se produire et causer des blessures graves à l'utilisateur ainsi qu'à d'autres personnes.

L. SÉCURITÉ AUTOMOBILE 1 2

Dans la mesure du possible, l'utilisateur doit être transféré sur le siège du véhicule et se servir des ceintures de sécurité d'origine du véhicule.

Sunrise Medical offre un fauteuil roulant WC-19 avec un système de dispositifs d'immobilisation de fauteuil roulant et système de retenue pour occupants connu sous le nom d'un système ancrage pour transit. Afin d'identifier si votre fauteuil roulant a été fabriqué avec un système d'ancrage pour transit, recherchez les quatre points d'arrimage. Deux points (A) avant et deux à l'arrière. Vous pouvez reconnaître ces points d'arrimage par une décalcomanie située sur ces points (B) ou près de ceux-ci.



Recherchez ce symbole sur votre fauteuil roulant. Indique les points d'arrimage sécuritaire pour fauteuil roulant conformément à la norme ANSI/RESNA (1998) V.1 - Section 19 and/or ANSI/RESNA (2012) V.4 WC-19. Pour plus de renseignements concernant le système d'ancrage pour Transit, consultez le document relatif au système d'ancrage qui accompagne votre fauteuil.

Si votre fauteuil roulant est équipé de l'option de transit, se il vous plaît examiner le supplément arrimage Transit qui a été fourni avec le fauteuil roulant pour obtenir des informations et des instructions supplémentaires. Vous pouvez demander une copie de votre fournisseur agréé ou appeler Sunrise Medical au 1-800-333-4000 si vous ne l'avez pas.

AVERTISSEMENT

Si votre fauteuil n'est pas doté du système d'ancrage pour transit :

1. NE laissez JAMAIS quiconque prendre place dans ce fauteuil à bord d'un véhicule en mouvement.
 - a. Placez TOUJOURS l'utilisateur sur un siège approuvé du véhicule.
 - b. Placez TOUJOURS l'utilisateur sur un siège approuvé du véhicule.
2. En cas d'accident ou d'arrêt brusque, l'utilisateur risque d'être éjecté du fauteuil. Les ceintures du siège ne peuvent pas empêcher ce genre d'accident. De plus, les ceintures ou sangles risquent d'entraîner.
3. NE transportez JAMAIS ce fauteuil sur le siège avant d'un véhicule. Il risquerait de bouger et de gêner le conducteur.
4. Fixez TOUJOURS ce fauteuil de manière à ce qu'il ne puisse ni rouler ni changer de place.
5. N'utilisez pas un fauteuil qui a été impliqué dans un accident avec une automobile. Le châssis et/ou les composants peuvent avoir été altérés lors de l'accident. Il peut s'agir, entre autres, de composants qui ont été pliés, dévissés, et/ou brisés lors de l'accident.

Si vous n'observez pas ces avertissements, votre fauteuil peut être endommagé et une chute, un basculement ou une perte de contrôle peut se produire et causer des blessures graves à l'utilisateur ainsi qu'à d'autres personnes.

M. LORSQUE VOUS AVEZ BESOIN D'AIDE

AVERTISSEMENT

À l'intention de l'utilisateur : Veillez à ce que chaque personne qui vous aide lise et respecte tous les avertissements et instructions applicables.

À l'intention des accompagnateurs :

1. Apprenez auprès du médecin, du personnel infirmier ou du thérapeute de l'utilisateur du fauteuil roulant les méthodes sécuritaires les mieux adaptées à vos capacités et à celles de l'utilisateur.
2. Informez l'utilisateur de ce que vous allez faire et expliquez-lui ce que vous attendez de lui. Cela le mettra à l'aise et réduira le risque d'accident.
3. Assurez-vous que le fauteuil est doté de poignées de manœuvre. Ces poignées permettent de maintenir l'arrière du fauteuil roulant afin de prévenir tout basculement ou chute. Assurez-vous que les embouts en caoutchouc des poignées de manœuvre ne pivotent pas et ne se détachent pas.
4. Pour éviter le mal de dos, maintenez une bonne posture et des mouvements du corps corrects. Lorsque vous soulevez ou soutenez l'utilisateur ou inclinez le fauteuil, fléchissez les genoux légèrement et maintenez votre dos vertical et aussi droit que possible.
5. Rappelez à l'utilisateur de se pencher vers l'arrière lorsque vous inclinez le fauteuil vers l'arrière.
6. Lorsque vous descendez un trottoir ou une marche, abaissez le fauteuil lentement et sans à-coups. Ne laissez pas tomber le fauteuil lorsque vous êtes à quelques centimètres du sol. Cela peut l'endommager ou blesser l'utilisateur.
7. Pour éviter de trébucher ou d'accrocher des objets, débloquez et tournez les tubes anti-bascullement vers le haut pour les écarter.
8. Bloquez TOUJOURS les roues arrière et bloquez les tubes anti-bascullement en place si vous devez laisser l'utilisateur seul, même pour une courte durée. Cela évitera le risque de basculement ou de perte de contrôle du fauteuil.

VI. AVERTISSEMENTS EN MATIÈRE DE SÉCURITÉ : CHUTES ET BASCULEMENT

A. CENTRE D'ÉQUILIBRE

AVERTISSEMENT

Le point où ce fauteuil basculera vers l'avant, l'arrière ou sur le côté dépend de son centre d'équilibre et de sa stabilité. Le montage du fauteuil, les options choisies et les changements effectués peuvent influencer sur le risque de chute ou de basculement.

1. Le réglage le plus important est le suivant:
 - la position des roues arrière. Plus les roues arrière sont rapprochées des roulettes, plus votre fauteuil risque de basculer en arrière.
2. Le centre d'équilibre est également affecté par les éléments ci-dessous.
 - a. Un changement dans la configuration de votre fauteuil, incluant:
 - la hauteur et l'angle du siège;
 - l'angle du dossier.
 - b. Un changement de la posture ou de la position du corps, ou encore de la répartition du poids.
 - c. Rouler près d'une rampe ou d'une pente.
 - d. L'utilisation d'un sac à dos ou d'autres articles, ainsi que l'endroit où ce poids additionnel est situé peuvent changer le centre d'équilibre de votre fauteuil.
3. Pour réduire le risque d'accident:
 - a. Consultez votre médecin, infirmier(ère) ou thérapeute pour savoir quelle est pour vous la meilleure position pour l'essieu et les roulettes.
 - b. Consultez toujours votre revendeur agréé AVANT de modifier ou de régler votre fauteuil. Notez que d'autres modifications peuvent s'avérer nécessaires pour rectifier le centre d'équilibre.

- c. Faites-vous aider jusqu'à ce que connaissiez bien les points d'équilibre de votre fauteuil et comment éviter un basculement.
- d. Utilisez des tubes anti-bascullement.

Si vous n'observez pas ces avertissements, votre fauteuil peut être endommagé et une chute, un basculement ou une perte de contrôle peut se produire et causer des blessures graves à l'utilisateur ainsi qu'à d'autres personnes.

B. HABILLAGE OU CHANGEMENT DE VÊTEMENTS

AVERTISSEMENT

La répartition de votre poids peut varier lorsque vous vous habillez ou changez de vêtements dans ce fauteuil.

Pour réduire le risque de chute ou de basculement:

1. Tournez les roulettes avant jusqu'à ce qu'elles soient avancées au maximum. Cela stabilise le fauteuil.
2. Bloquez les tubes anti-bascullement. (Si votre fauteuil ne dispose pas de tubes anti-bascullement, placez-le contre un mur et bloquez les roues arrière.)

Si vous n'observez pas ces avertissements, votre fauteuil peut être endommagé et une chute, un basculement ou une perte de contrôle peut se produire et causer des blessures graves à l'utilisateur ainsi qu'à d'autres personnes.

C. OBSTACLES

AVERTISSEMENT

Rouler sur des bordures de trottoir ou d'autres obstacles risque de faire basculer le fauteuil roulant et d'entraîner des lésions corporelles graves. Si vous n'êtes pas certain de pouvoir traverser une bordure de trottoir ou un obstacle en toute sécurité, **DEMANDEZ TOUJOURS DE L'AIDE**. Soyez conscient de vos limites personnelles et celles de vos compétences de conduite. Développez de nouvelles compétences uniquement avec l'aide d'un accompagnateur.

Pour éviter de risquer de traverser des obstacles :

1. Guettez les dangers – assurez-vous de voir la route sur une longue distance lors de vos déplacements
2. Assurez-vous que le plancher chez vous et sur votre lieu de travail est plat et dépourvu d'obstacles.
3. Enlevez ou recouvrez les bandes de seuil entre les pièces,
4. Installez une rampe aux portes d'entrée ou de sortie. Assurez-vous de l'absence de déclivité au bas de la rampe.
5. Pour aider à rectifier votre centre d'équilibre :
 - a. Penchez le haut du corps légèrement **EN AVANT** tout en **FRANCHISSANT** un obstacle.
 - b. Appuyez le haut du corps **EN ARRIÈRE** en vous **DÉPLAÇANT** de haut en bas.
6. Si votre fauteuil est doté de tubes anti-basculement, ne franchissez pas d'obstacles sans l'aide de quelqu'un.
7. Gardez vos deux mains sur les mains courantes pour franchir un obstacle.
8. Ne poussez jamais ou tirez sur un objet (tel qu'un meuble ou un montant de porte) pour faire avancer votre fauteuil.

Si vous n'observez pas ces avertissements, votre fauteuil peut être endommagé et une chute, un basculement ou une perte de contrôle peut se produire et causer des blessures graves à l'utilisateur ainsi qu'à d'autres personnes.

D. SOULÈVEMENT DES ROULETTES AVANT

AVERTISSEMENT

La rueda pivotante delantera puede elevarse cuando las ruedas delanteras, que por lo general están en contacto con el suelo, se levantan de manera intencional o no, mientras las ruedas delanteras permanecen contra el piso. **NUNCA** se debe intentar controlar la inclinación (parcial o completa) sin consultar a su profesional de la salud y sin estar seguro de que están instalados los elementos contra volcaduras.

Si vous n'observez pas ces avertissements, votre fauteuil peut être endommagé; une chute, un basculement ou une perte de contrôle peut se produire et causer au passager ou à d'autres personnes des blessures graves.

E. POUR SAISIR UN OBJET OU VOUS PENCHER

AVERTISSEMENT

Si vous saisissez quelque chose ou si vous vous penchez, vous déplacez le centre d'équilibre de votre fauteuil. Cela peut vous faire tomber ou basculer. En cas de doute, demandez de l'aide ou utilisez un dispositif vous permettant d'avoir une plus grande portée.

1. Ne vous penchez ou ne saisissez **JAMAIS** un objet si vous devez déplacer votre poids sur le côté ou vous lever du siège.
2. Ne vous penchez ou ne saisissez **JAMAIS** un objet si vous devez vous avancer sur votre siège pour le faire. Gardez toujours votre fessier en contact avec le dossier.
3. Ne saisissez **JAMAIS** un objet avec les deux mains (vous risquez de ne pas pouvoir vous rattraper pour prévenir une chute si le fauteuil bascule).
4. Ne saisissez **JAMAIS** un objet en vous penchant vers l'arrière si les tubes anti-basculement de votre fauteuil ne sont pas bloqués.

5. Ne saisissez **PAS** un objet et ne vous penchez **PAS** par-dessus le dossier. Cela peut endommager les tubes du dossier et provoquer votre chute.
6. Si vous devez absolument saisir un objet ou vous pencher
 - a. Ne bloquez pas les roues arrière. Cela crée un point de basculement qui accroît le risque de vous faire tomber ou basculer.
 - b. Ne faites pas pression sur les repose-pieds.
 - c. Amenez votre fauteuil aussi près que possible de l'objet que vous voulez atteindre. Reculer permet de tourner les roulettes vers l'avant.
 - d. N'essayez pas de ramasser un objet sur le sol en tendant le bras vers le bas entre vos genoux. Vous risquez moins de basculer si vous tendez le bras sur le côté de votre fauteuil.
 - e. Tournez les roulettes avant pour les avancer au maximum. Cela stabilise le fauteuil.
 - f. Saisissez fermement une roue arrière ou un accoudoir d'une main. Cela vous empêchera de tomber si le fauteuil bascule.

Si vous n'observez pas ces avertissements, votre fauteuil peut être endommagé et une chute, un basculement ou une perte de contrôle peut se produire et causer des blessures graves à l'utilisateur ou à d'autres personnes.

F. DÉPLACEMENT VERS L'ARRIÈRE

AVERTISSEMENT

Redoublez de prudence lorsque vous reculez votre fauteuil. La stabilité de votre fauteuil est optimale lorsque vous avancez. Vous risquez de perdre le contrôle ou de basculer si l'une des roues arrière heurte un objet et cesse de rouler.

1. Faites avancer votre fauteuil lentement et sans à-coups.
2. Si votre fauteuil est doté de tubes anti-basculement, veillez à les bloquer.
3. Arrêtez-vous souvent pour vous assurer que la voie est libre.

Si vous n'observez pas ces avertissements, votre fauteuil peut être endommagé et une chute, un basculement ou une perte de contrôle peut se produire et causer des blessures graves à l'utilisateur ou à d'autres personnes.

G. ESCALERAS MECÁNICAS

AVERTISSEMENT

NUNCA use esta silla en una escalera mecánica, aunque sea con un ayudante. Si lo hace, es probable que sufra una caída o volcadura.

H. RAMPES, PENTES ET DESCENTES

AVERTISSEMENT

Évitez, autant que possible, de rouler sur une pente, que ce soit une rampe ou toute autre descente. Ceci déplacerait le centre d'équilibre de votre fauteuil. Votre fauteuil est moins stable et plus difficile à manœuvrer s'il est en biais. Lorsque vous montez une pente, il est possible que les tubes anti-basculement n'empêchent pas une chute ou un basculement. Faites-vous toujours aider lorsque vous roulez sur des pentes.

1. N'utilisez pas votre fauteuil sur une pente de plus de 10°.
2. Évitez les descentes. N'utilisez pas votre fauteuil sur une pente de plus de 6°.
3. Roulez toujours en ligne droite sur une pente ascendante ou descendante. Ne prenez pas de raccourci sur les pentes ou les rampes.
4. Ne tournez pas ou ne changez pas de direction alors que vous vous trouvez sur une pente.
5. Ne vous arrêtez pas sur une pente raide. Si vous vous arrêtez, vous risquez de perdre le contrôle de votre fauteuil.
6. **NE** vous servez **JAMAIS** du système de blocage des roues arrière pour essayer de ralentir ou d'immobiliser votre fauteuil. Cela peut faire tourner le fauteuil, et le rendre impossible à manœuvrer.
7. Soyez toujours conscient des éléments suivants:
 - a. les surfaces mouillées ou glissantes;
 - b. les changements d'inclinaison d'une pente (ou d'un rebord, d'une bosse ou d'un creux). Ils peuvent causer une chute ou un basculement;
 - c. d'une déclivité au bas d'une pente. Une déclivité aussi faible que 1,9 cm (3/4 po) peut arrêter une roulette avant et faire basculer le fauteuil en avant.

8. Pour réduire le risque de chute ou de basculement
 - a. Penchez-vous ou faites pression avec votre corps VERS L'AMONT. Cela vous permet de vous adapter au changement de centre d'équilibre causé par la pente ou la descente.
 - b. Continuez d'appuyer sur les mains courantes pour contrôler la vitesse en descente. Si vous roulez trop vite, vous pouvez perdre le contrôle du fauteuil.
9. Rampes à la maison et au travail – Pour assurer votre sécurité, ces rampes doivent être conformes aux normes légales de votre région.
 - a. Évitez une déclivité. L'installation d'une section en haut ou en bas de la rampe peut être nécessaire pour assurer une transition en douceur.
 - b. Restez au centre de la rampe et contrôlez votre vitesse.
10. Lorsque vous devez utiliser une rampe, veuillez toujours rester au CENTRE de la rampe. Assurez-vous que la rampe est assez large afin d'éviter le risque de franchir le bord de la rampe.
11. Si vous devez descendre une pente: 3
 - a. L'inclinaison descendante doit être inférieure à 10°
 - b. DÉPLACEZ-VOUS LENTEMENT
 - c. Descendez TOUJOURS en ligne droite.
 - d. Ayez TOUJOURS le contrôle de votre vitesse.
 - e. N'EFFECTUEZ JAMAIS de virage sur la pente.
12. Si vous devez monter une pente: 4
 - a. L'inclinaison ascendante doit être inférieure à 10°
 - b. Montez TOUJOURS en ligne droite.
 - c. NE VOUS ARRÊTEZ JAMAIS sur la pente.
 - d. N'EFFECTUEZ JAMAIS de virage sur la pente.
 - e. Penchez-vous TOUJOURS vers l'avant.
13. Si vous devez traverser un flanc de pente: 5
 - a. L'inclinaison du flanc de pente doit être inférieure à 6°. Sinon, vous risquez de basculer.
 - b. NE VOUS ARRÊTEZ PAS.
 - c. N'EFFECTUEZ AUCUN virage sur le flanc de pente.
14. Si vous devez traverser une rampe: 6
 - a. Progressez lentement.
 - b. Surveillez les déclivités
 - c. Descendez TOUJOURS en ligne droite.
 - d. Restez au centre de la rampe.

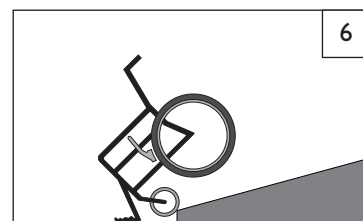
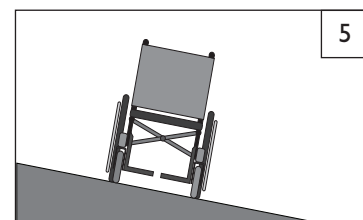
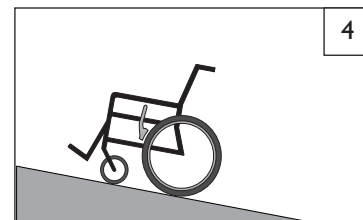
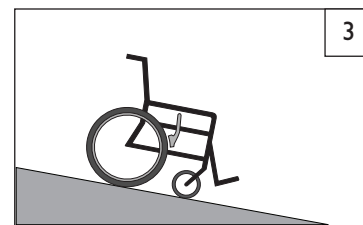
Si vous n'observez pas ces avertissements, votre fauteuil peut être endommagé et une chute, un basculement ou une perte de contrôle peut se produire et causer des blessures graves à l'utilisateur ainsi qu'à d'autres personnes.

I. TRANSFERTS 7 8

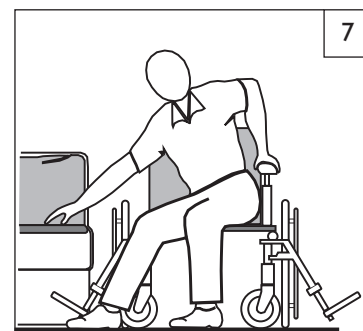
AVERTISSEMENT

Pour éviter une chute:

1. Apprenez toutes les méthodes de transfert sécuritaire auprès de votre professionnel de la santé.
 - a. Apprenez comment placer votre corps et vous soutenir lors d'un transfert.
 - b. Faites-vous aider jusqu'à ce qu'on vous enseigne les méthodes de transfert sécuritaire.
2. Bloquez les roues arrière avant le transfert.
3. Soyez conscient que le fauteuil peut toujours glisser ou basculer. Le frein d'immobilisation empêche les roues arrière de rouler lors du transfert.
4. Veillez à gonfler correctement les pneus. Si un pneu n'est pas assez gonflé, le système de blocage des roues peut glisser.
5. MPlacez votre fauteuil le plus près possible du siège sur lequel vous allez vous asseoir. Si possible, utilisez une planche de transfert.
6. Tournez les roulettes avant jusqu'à ce qu'elles soient avancées au maximum.
7. Si possible, enlevez les repose-pieds ou mettez-les à l'écart.
 - a. Veillez à ce que les accoudoirs soient à l'écart et ne gênent pas lors du transfert.
 - b. Évitez de mettre du poids sur les repose-pieds, car cela pourrait faire basculer le fauteuil.



Position de transfert optimale

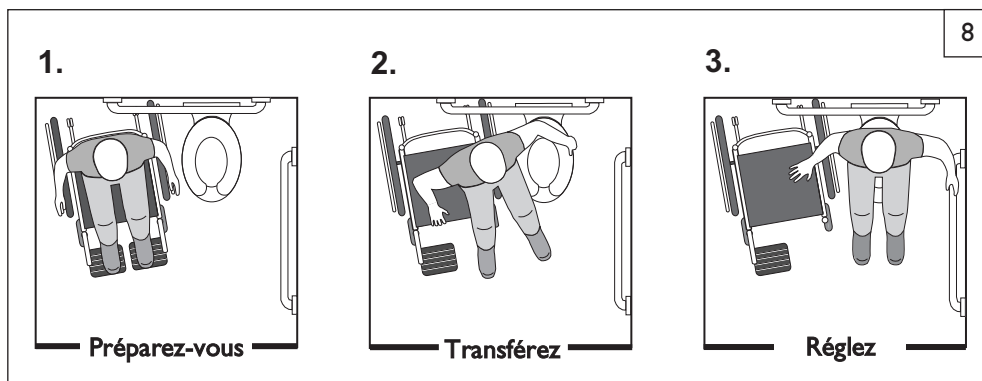


Avant d'effectuer un transfert :

1. Retirez les accoudoirs.
2. Retirez ou déplacez les repose-pieds.
3. Assurez-vous que le frein est bien configuré.

8. Veillez à ce que les accoudoirs soient à l'écart et ne gênent pas lors du transfert.
9. Enfoncez-vous le plus possible sur le siège. Ainsi, vous risquerez moins de vous écarter du siège ou de tomber.

Si vous n'observez pas ces avertissements, votre fauteuil peut être endommagé et une chute, un basculement ou une perte de contrôle peut se produire et causer des blessures graves à l'utilisateur ainsi qu'à d'autres personnes.



J. TROTTOIRS ET MARCHES 9

⚠ AVERTISSEMENT

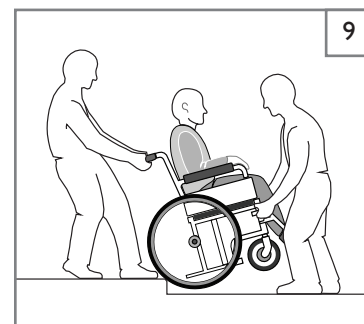
Avant de franchir une bordure de trottoir ou une marche, demandez TOUJOURS de l'aide. Rouler sur des bordures de trottoir ou d'autres obstacles risque de faire basculer le fauteuil roulant et d'entraîner des blessures graves. Si vous doutez de votre capacité à franchir un obstacle, demandez toujours de l'aide. Soyez conscient de votre capacité à manœuvrer votre fauteuil et de vos limites personnelles. Ne tentez pas d'apprendre de nouvelles aptitudes sans l'aide d'un assistant.

Note à l'accompagnateur:

Toute personne qui aide l'utilisateur à franchir les trottoirs ou les marches doit suivre les instructions et les avertissements relatifs aux accompagnateurs et aux soignants.

1. Pour monter sur un trottoir ou une marche et en descendre, allez toujours en ligne droite. Si vous montez ou descendez en biais, vous risquez fort de tomber ou de basculer.
2. Pour monter sur un trottoir ou une marche et en descendre, allez toujours en ligne droite. Si vous montez ou descendez en biais, vous risquez fort de tomber ou de basculer.
3. Notez que l'impact causé lorsque vous descendez d'un trottoir ou d'une marche peut endommager votre fauteuil ou desserrer les pièces de fixation.

Si vous n'observez pas ces avertissements, votre fauteuil peut être endommagé; une chute, un basculement ou une perte de contrôle peut se produire et causer au passager ou à d'autres personnes des blessures graves.



K. MONTER UNE BORDURE DE TROTTOIR OU UNE SEULE MARCHÉ 9

⚠ AVERTISSEMENT

À l'attention de l'accompagnateur : Suivez les directives ci-après pour aider le passager du fauteuil roulant à monter un trottoir ou une marche **VERS L'ARRIÈRE** :

1. Restez derrière le fauteuil.
2. Continuez à reculer jusqu'à ce que les roues arrière touchent le trottoir ou la marche. Soulevez puis faites rouler les roues arrière sur le haut du trottoir.
3. Tirez le fauteuil vers l'arrière jusqu'à ce que les roulettes dépassent le bord du trottoir, puis retourner le fauteuil pour le remettre en position de roulement.

L. DESCENDRE UNE BORDURE DE TROTTOIR OU UNE SEULE MARCHÉ 9

⚠ AVERTISSEMENT

À l'attention de l'accompagnateur : Suivez les directives ci-après pour aider le passager du fauteuil roulant à descendre un trottoir ou une marche **VERS L'AVANT** :

1. Restez derrière le fauteuil.
2. Environ un mètre avant d'arriver au bord du trottoir ou de la marche, inclinez légèrement le fauteuil et tirez-le vers l'arrière.
3. Lorsque le fauteuil est à son point d'équilibre, avancez délicatement vers l'avant jusqu'à ce que les roues arrière atteignent le bord du trottoir ou de la marche. Laissez alors les roues arrière rouler lentement et descendre le trottoir ou la marche.
4. Poussez le fauteuil vers l'avant jusqu'à ce que vous ayez atteint le niveau inférieur.
5. Une fois les roues arrière descendues et en sécurité, inclinez le fauteuil en arrière pour le ramener à son point d'équilibre.

Si vous n'observez pas ces avertissements, votre fauteuil peut être endommagé; une chute, un basculement ou une perte de contrôle peut se produire et causer au passager ou à d'autres personnes des blessures graves.

M. ESCALIERS 10**⚠ AVERTISSEMENT**

1. N'utilisez JAMAIS ce fauteuil dans un escalier SANS personne pour vous aider. Vous risqueriez fort de tomber ou de basculer.
2. Négocier les escaliers avec un fauteuil roulant nécessite toujours au moins deux agents de sécurité

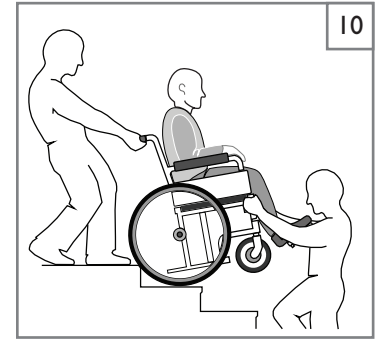
Si vous n'observez pas ces avertissements, votre fauteuil peut être endommagé et une chute, un basculement ou une perte de contrôle peut se produire et causer des blessures graves à l'utilisateur ainsi qu'à d'autres personnes.

N. MONTER UN ESCALIER 10**⚠ AVERTISSEMENT**

1. Il faut au moins deux personnes pour monter un escalier avec un fauteuil et son occupant.
2. Déplacez le fauteuil et son occupant à REÇULONS pour monter un escalier.
3. La personne derrière le fauteuil contrôle le déplacement dans l'escalier. Elle incline le fauteuil pour le ramener à son point d'équilibre.
4. Une seconde personne à l'avant saisit fermement une partie non détachable de l'armature avant et soulève le fauteuil pour monter une marche à la fois.
5. Les préposés montent jusqu'à la marche suivante. Répétez ce processus pour chaque marche, jusqu'au palier.

O. DESCENDRE UN ESCALIER 10**⚠ AVERTISSEMENT**

1. Il faut au moins deux personnes pour descendre un escalier avec un fauteuil et son occupant.
2. Déplacez le fauteuil et son occupant VERS L'AVANT pour descendre un escalier.
3. La personne derrière le fauteuil contrôle le déplacement dans l'escalier. Elle incline le fauteuil vers le point d'équilibre des roues arrière et le fait rouler jusqu'au bord de la marche du haut.
4. Une seconde personne se tient sur la troisième marche à partir du haut et saisit l'armature du fauteuil. Elle abaisse le fauteuil une marche à la fois en laissant les roues arrière rouler sur le bord de la marche
5. Les préposés descendent jusqu'à la marche suivante. Répétez ce processus pour chaque marche, jusqu'au palier.



A. TUBES ANTI-BASCULEMENT**⚠ AVERTISSEMENT**

Dans la plupart des situations, les tubes anti-basculement servent à empêcher votre fauteuil

1. Sunrise vous conseille d'utiliser des tubes anti-basculement :
2. Lorsqu'ils sont bloqués (dans la position vers le bas), les tubes anti-basculement doivent être situés ENTRE 3,8 et 5,1 cm (1 1/2 et 2 po) au-dessus du sol.
 - a. S'ils sont réglés à plus de 5,1 cm (2 po), il est possible qu'ils n'empêchent pas un basculement.
 - b. S'ils sont réglés à moins de 5,1 cm (2 po), ils peuvent accrocher des obstacles et causer une chute ou un basculement.
3. Si vous devez monter ou descendre un trottoir ou surmonter un obstacle, il faudra peut-être qu'un accompagnateur vérifie que les tubes anti-basculement sont tournés vers le haut et hors du chemin, de sorte que le fauteuil et le passager ne restent pas coincés ou demeurent en déséquilibre.

Si vous n'observez pas ces avertissements, votre fauteuil peut être endommagé; une chute, un basculement ou une perte de contrôle peut se produire et causer au passager ou à d'autres personnes des blessures graves.

B. ACCOUDOIRS**⚠ AVERTISSEMENT**

Les accoudoirs se détachent et ne supportent pas le poids de ce fauteuil.

1. NE soulevez JAMAIS ce fauteuil par ses accoudoirs. Ils risquent de se détacher ou de se casser.
2. Soulevez ce fauteuil uniquement par les parties non détachables de l'armature principale.

Si vous n'observez pas ces avertissements, votre fauteuil peut être endommagé; une chute, un basculement ou une perte de contrôle peut se produire et causer au passager ou à d'autres personnes des blessures graves.

C. COUSSIN ET SIÈGES À SANGLE**⚠ AVERTISSEMENT**

1. Les sièges à sangle Quickie et les coussins en mousse standard ne sont pas conçus pour soulager la pression.
2. Si vous avez des escarres de décubitus ou que vous risquez d'en avoir, il vous faudra peut-être un siège ou un dispositif spécial pour contrôler votre posture. Consultez votre médecin, votre infirmier(ère) ou votre thérapeute afin de savoir si vous avez besoin d'un tel dispositif pour votre bien-être.
3. Les sangles de siège ne sont pas conçues pour que l'on s'assye dessus. Il faut y placer un coussin ou autre type de siège avant leur utilisation.

Si vous n'observez pas ces avertissements, votre fauteuil peut être endommagé; une chute, un basculement ou une perte de contrôle peut se produire et causer au passager ou à d'autres personnes des blessures graves.

D. ASSISE DÉCALÉE (Option)**⚠ AVERTISSEMENT**

1. Un changement avant-arrière de la position du dossier modifiera le centre d'équilibre de votre fauteuil.
2. Utilisez cette option seulement lorsque vous installez un positionnement de dossier qui est déporté vers l'avant des cannes de dossier, et non lorsque vous utilisez la toile de dossier standard.
3. Chaque fois que vous ajustez ou modifiez l'emplacement du plan du dossier, ce changement peut provoquer plus facilement un basculement. Utilisez des anti-basculants jusqu'à ce que vous soyez adapté au changement et assurez-vous que vous ne risquez pas de basculer.

E. PIÈCES DE FIXATION**⚠ AVERTISSEMENT**

Un grand nombre des vis, boulons et écrous de ce fauteuil sont des pièces de fixation spéciales à haute résistance. L'utilisation de pièces de fixation inadéquates peut provoquer un mauvais fonctionnement de votre fauteuil.

1. Utilisez UNIQUEMENT les pièces de fixation fournies par un revendeur agréé (ou des pièces de fixation de même type et résistance, tel qu'indiqué par les marques sur les têtes).
2. Des pièces de fixation serrées excessivement ou insuffisamment peuvent se rompre ou endommager certaines pièces du fauteuil.
3. Si des boulons ou vis se desserrent, resserrez-les dès que possible..

F. REPOSE-PIEDS**⚠ AVERTISSEMENT**

1. Au point le plus bas, les repose-pieds doivent être situés à AU MOINS 5 cm (2 pouces) au-dessus du sol. S'ils sont réglés trop BAS, ils peuvent s'accrocher aux obstacles courants lors d'une utilisation normale. Cela risque d'entraîner l'arrêt brusque du fauteuil et de le faire basculer.
2. Pour éviter de trébucher ou de tomber durant un transfert :
 - a. Veillez à ce que vos pieds ne se « coincent » pas entre les repose-pieds.
 - b. Évitez de mettre du poids sur les repose-pieds car cela pourrait faire basculer le fauteuil en avant.
 - c. Les repose-pieds devraient être mis à l'écart ou retirés lorsque vous prenez place sur votre fauteuil et le quittez.
3. NE soulevez JAMAIS ce fauteuil par ses repose-pieds. Les repose-pieds se détachent. Ils ne peuvent supporter le poids de ce fauteuil. Soulevez ce fauteuil uniquement par les parties non détachables de l'armature principale.
4. Ne jamais utiliser les repose-pieds de la chaise pour ouvrir les portes, cela peut entraîner leur défaillance prématurée, et de créer une situation dangereuse.

G. PNEUMATIQUES

Tires	Q5R	Recommended Pressure or Pressure Range	
		kPa	PSI
Pneumatic - 20"	x	448	65
Pneumatic - 22"	x	448	65
Pneumatic - 24"	x	517	75
Pneumatic - 26"	x	448	65
High Pressure Clincher (22")	x	690	100
High Pressure Clincher (24")	x	758	110
High Pressure Clincher (25")	x	758	110
High Pressure Clincher (26")	x	758	110
Knobby V-Track (24")	x	448	65
Schwalbe Marathon (24")	x	586 - 1000	85-145
Schwalbe Marathon (25")	x	586 - 1000	85-145
Schwalbe Marathon (26")	x	586 - 1000	85-145

⚠ ADVERTENCIA

El inflado apropiado extiende la vida útil de sus ruedas neumáticas y hará que su silla sea más fácil de usar.

1. No use esta silla si cualquiera de las ruedas neumáticas está inflada de más o de menos. Verifique semanalmente el inflado; debe estar como se indica en el costado de la rueda.
2. La baja presión en una rueda trasera puede provocar que el seguro de la rueda de ese lado se resbale y permita que la rueda gire cuando usted no lo espera.
3. La baja presión en cualquiera de las ruedas puede provocar que la silla viere hacia un lado, lo que puede resultar en la pérdida de control.
4. Las ruedas infladas de más pueden reventar.

H. CEINTURES DE POSITIONNEMENT (Option)

AVERTISSEMENT

La sangle de maintien est surtout utilisée pour soutenir votre posture. Elle peut également être utilisée pour limiter les glissements que vous pourriez expérimenter lorsque le fauteuil est en mouvement. La sangle de maintien n'est pas une ceinture sécuritaire homologuée pour le transport et elle ne doit pas remplacer la ceinture de sécurité alors que vous êtes transporté dans un véhicule motorisé. L'utilisation incorrecte des sangles de maintien peut provoquer des blessures graves ou même la mort. Si vous utilisez une sangle de maintien, assurez-vous de suivre les recommandations de cette section :

1. Veillez à ce que l'utilisateur ou l'utilisatrice du fauteuil ne glisse pas vers l'avant du siège du fauteuil. Si cela se produit, l'utilisateur ou l'utilisatrice pourrait subir une compression du thorax ou suffoquer en raison de la pression exercée par la sangle.
2. La sangle doit être bien tendue, mais ne doit pas l'être au point de gêner la respiration. Vous devez pouvoir passer la main ouverte à plat entre la sangle et l'occupant.
3. Une cale sous-abdominale ou un dispositif similaire peut être utile pour vous empêcher de glisser dans le fauteuil. Demandez au médecin, au personnel infirmier ou au thérapeute de l'utilisateur s'il a besoin d'un tel dispositif.
4. N'utilisez une sangle de maintien que si l'utilisateur est en mesure de coopérer. Veillez à ce que l'utilisateur puisse enlever la sangle facilement en cas d'urgence.
5. N'utilisez JAMAIS une sangle de maintien :
 - a. comme système de contention d'un patient. Un système de contention nécessite une ordonnance médicale;
 - b. sur des utilisateurs comateux ou agités;
 - c. comme système de contention dans un véhicule. En cas d'accident ou d'arrêt brusque, l'utilisateur risque d'être éjecté du fauteuil. Les ceintures du siège ne peuvent pas empêcher ce genre d'accident. De plus, les ceintures ou sangles risquent d'entraîner d'autres blessures.

Si vous n'observez pas ces avertissements, votre fauteuil peut être endommagé et une chute, un basculement ou une perte de contrôle peut se produire et causer des blessures graves à l'utilisateur ainsi qu'à d'autres personnes.

I. POIGNÉES DE MANŒUVRE (Option)

AVERTISSEMENT

Si vous avez quelqu'un pour vous aider, assurez-vous que ce fauteuil est doté de poignées de manœuvre.

1. Elles assurent à la personne qui vous aide des points de sécurité pour tenir l'arrière du fauteuil et empêcher une chute ou un basculement. Veillez à ce que les poignées de manœuvre soient utilisées lorsque quelqu'un vous aide.
2. Assurez-vous que les embouts en caoutchouc des poignées de manœuvre ne pivotent (A) pas et ne se détachent pas.

J. ESSIEUX À DÉBLOCAGE RAPIDE

AVERTISSEMENT

1. N'utilisez pas ce fauteuil SAUF si vous êtes certain que les deux essieux arrière à déblocage rapide sont verrouillés. Un essieu non verrouillé peut se détacher pendant l'utilisation et provoquer une chute.
2. Un essieu n'est verrouillé que lorsque le bouton de déblocage rapide ressort complètement.
3. Un essieu non verrouillé peut se détacher pendant l'utilisation et provoquer une chute, un basculement ou une perte de contrôle et entraîner des blessures graves pour l'utilisateur ainsi que pour d'autres personnes.

- Essieux à dégagement rapide doivent être périodiquement nettoyés et inspectés pour la fonction et des signes d'usure ou de flexion. Remplacer si nécessaire.

Si vous n'observez pas ces avertissements, votre fauteuil peut être endommagé et une chute, un basculement ou une perte de contrôle peut se produire et causer des blessures graves à l'utilisateur ainsi qu'à d'autres personnes.

K. ROUES ARRIERE

AVERTISSEMENT

Un changement dans la configuration des roues arrière modifiera le centre d'équilibre de votre fauteuil.

1. Plus vous AVANCEZ les essieux arrière, plus votre fauteuil risque de basculer vers l'arrière.
2. Consultez votre médecin, infirmier(ère) ou thérapeute pour décider de la meilleure position de l'essieu arrière pour votre fauteuil. Ne changez pas la configuration À MOINS d'être certain de ne pas risquer de basculer.
3. Réglez les freins des roues arrière après avoir effectué les changements désirés sur les essieux arrière.
 - a. Sans ce réglage, il se peut que les freins ne fonctionnent pas.
 - b. Assurez-vous que les bras de frein s'enfoncent dans les pneus d'au moins 0,3 cm (1/8 pouce) une fois le frein serré.

Si vous n'observez pas ces avertissements, votre fauteuil peut être endommagé et une chute, un basculement ou une perte de contrôle peut se produire et causer des blessures graves à l'utilisateur ainsi qu'à d'autres personnes.

L. FREINS DE ROUES ARRIÈRE

AVERTISSEMENT

Le système de blocage des roues arrière N'EST PAS conçu pour ralentir ou arrêter un fauteuil roulant en mouvement. Ne les utilisez que pour empêcher les roues arrière de rouler lorsque votre fauteuil est à l'arrêt complet.

1. NE vous servez JAMAIS du système de blocage des roues arrière pour essayer de ralentir ou d'immobiliser votre fauteuil lorsqu'il est en mouvement. Cela pourrait causer une chute ou un basculement.
2. Pour empêcher les roues arrière de rouler, serrez toujours les deux freins arrière lorsque vous vous asseyez sur le fauteuil ou le quittez.
3. Une pression trop basse sur un pneu arrière peut provoquer un glissement du frein correspondant et faire tourner la roue lorsque vous ne vous y attendez pas.
4. Assurez-vous que les bras de frein s'enfoncent dans les pneus d'au moins 0,3 cm (1/8 pouce) une fois le frein serré. Sans ce réglage, il se peut que les freins ne fonctionnent pas.

M. SYSTÈMES DE SIÈGES MODIFIÉS

AVERTISSEMENT

L'utilisation d'un siège non approuvé par Sunrise peut modifier le centre d'équilibre de ce fauteuil. Cela peut faire basculer le fauteuil.

1. Ne changez pas le siège de votre fauteuil AVANT d'avoir consulté votre revendeur agréé.
2. L'usage d'un siège non approuvé par Sunrise peut affecter le mécanisme de pliage de ce fauteuil.
3. Utilisation d'un système de sièges n'est pas fourni par Sunrise Medical est interdit pour utilisation du transport.

Si vous n'observez pas ces avertissements, votre fauteuil peut être endommagé et une chute, un basculement ou une perte de contrôle peut se produire et causer des blessures graves à l'utilisateur ainsi qu'à d'autres personnes.

N. ASSISE ET DOSSIER REMBOURRAGE**⚠ AVERTISSEMENT**

1. Remplacez le matériau usé ou déchiré du siège et du dos dès que vous le pouvez. Si vous ne le faites pas, le siège ou le siège arrière peut échouer.
2. Tissu Sling affaiblir avec l'âge et l'utilisation. Rechercher des effilochage, taches minces, ou étirage de tissus en particulier sur les bords et les coutures
3. «En descendant » dans votre fauteuil va affaiblir le tissu et entraîner la nécessité d'inspecter et remplacer le siège le plus souvent.
4. Soyez conscient que le blanchiment ou l'excès d'humidité réduiront les qualités flamme de retard du tissu
5. Si la tension rembourrage réglable est présent, desserrer les sa ou supprimer sellerie avant de plier ou déplier la chaise.

Si vous n'observez pas ces avertissements, votre fauteuil peut être endommagé et une chute, un basculement ou une perte de contrôle peut se produire et causer des blessures graves à l'utilisateur ainsi qu'à d'autres personnes.

O. DOSSIER À TENSION RÉGLABLE

Le dossier à tension réglable est un dossier adaptable pour objet de remplacer le garnissage des sangles. Il est conçu pour fournir un soutien simple, confortable et efficace, afin de maximiser la fonction du fauteuil et de le rendre plus confortable. Ce dossier est en outre léger, durable et facile d'utilisation.

Sunrise Medical recommande de consulter un clinicien, médecin ou thérapeute, expérimenté dans le réglage d'assise et de position avant de décider d'utiliser un dossier à tension réglable. Les dossiers ne doivent être installés que par un fournisseur agréé Sunrise Medical.

Poids maximal de l'utilisateur : 120 kg (265 livres)

⚠ AVERTISSEMENT

L'installation d'un dossier sur un fauteuil roulant peut affecter le centre de gravité de ce dernier, le faire basculer vers l'arrière et blesser l'utilisateur/l'utilisatrice.

Vérifiez toujours s'il est nécessaire d'installer des dispositifs anti-basculement afin d'améliorer la stabilité du fauteuil.

⚠ AVERTISSEMENT

N'utilisez jamais le dossier à tension réglable pour pousser ou pour soulever le fauteuil roulant. Une mauvaise utilisation pourrait entraîner le détachement accidentel du dossier.

Si vous n'observez pas ces avertissements, votre fauteuil peut être endommagé, une chute, un basculement ou une perte de contrôle peut se produire et causer à l'utilisateur/l'utilisatrice'utilisateur/l'utilisatrice ou à d'autres personnes des blessures graves.

P. SUSPENSION ARRIÈRE (Option)**⚠ AVERTISSEMENT**

Lorsque vous remplacez les bagues de suspension, utilisez toujours les pièces d'origine Quickie. L'utilisation de pièces de rechange d'autres marques aura pour effet d'annuler la garantie et risque de provoquer des problèmes de structure.

AVERTISSEMENT

Le propriétaire de ce fauteuil roulant a la responsabilité de s'assurer que ce dernier est configuré et ajusté par un technicien professionnel et formé conformément aux conseils d'un consultant en soins de santé. Le fauteuil peut exiger des vérifications de sécurité et de fonctionnement périodiques ou certains ajustements en fonction de son utilisation, ce qui peut être effectué par le propriétaire ou le soignant. Utilisez toujours des pièces et/ou des accessoires recommandés ou approuvés par Sunrise Medical lors de la révision de ce fauteuil roulant.

A. INTRODUCTION

- Un bon entretien permet d'améliorer les performances et de prolonger la durée d'utilisation de votre fauteuil roulant.
- Nettoyez votre fauteuil roulant régulièrement. Le nettoyage régulier vous permettra de trouver les pièces desserrées ou usées et facilitera l'utilisation. Vous aurez besoin d'une solution détergente douce et d'un grand nombre de chiffons de nettoyage.
- Si vous découvrez des pièces desserrées, usées, tordues ou endommagées, réparez ou remplacez-les avant de continuer à utiliser le fauteuil roulant. Veillez TOUJOURS à utiliser des pièces et/ou des accessoires recommandés ou approuvés par Sunrise Medical.
- Pour protéger votre investissement, ont tous d'importants travaux d'entretien et de réparation par votre revendeur agréé.
- Examinez et entretenez ce fauteuil roulant conformément aux directives indiquées dans le tableau d'entretien.
- Si vous décelez un problème, assurez-vous de commander des pièces ou de demander des services. Assurez-vous de faire faire des réparations chez votre revendeur agréé avant de continuer à utiliser le fauteuil roulant.
- Au moins une fois par an, faites effectuer une inspection complète, une vérification de sécurité et des travaux d'entretien de votre fauteuil roulant par un revendeur agréé

B. LES CONTRÔLES DE SÉCURITÉ CRITIQUES

1. Presión del aire de la rueda neumática:

Revise la presión del aire de las ruedas neumáticas al menos UNA VEZ POR SEMANA. Los seguros de las ruedas no tendrán agarre si no mantiene la presión del aire mostrada en la pared lateral de la rueda.

2. Ejes y mangas de los ejes:

Al controlar los ejes y sus mangas cada seis meses, asegúrese de que estén limpios y firmes. Las mangas sueltas pueden dañar la placa del eje y afectar el desempeño.

3. Tubo de inclinación lateral y tapones del tubo de inclinación.

Inspeccione los tubos y los tapones cada 6 meses asegurando que todas las piezas estén apretadas y que ninguna parte se han movido de sus posiciones actuales.

C. CONSEILS DE NETTOYAGE

1. Peinture de finition

- Nettoyez les surfaces revêtues de peinture avec un savon ou un détergent doux au moins une fois par mois.
- Protégez la peinture en appliquant une couche de cire automobile non abrasive tous les trois mois.

2. Essieux et pièces mobiles

- Nettoyez autour des essieux et des pièces mobiles UNE FOIS PAR SEMAINE à l'aide d'un chiffon légèrement humide (non mouillé).
- Essuyez les pièces mobiles ou soufflez dessus pour éliminer toutes les peluches, poussières ou saletés.

3. Garnissage

- Lavez le garnissage à la main (le lavage à la machine peut détériorer le tissu).
- Faites sécher par égouttage seulement. NE SÉCHEZ PAS à la machine, car la chaleur endommagera le tissu

4. Matériaux d'entretien de base disponibles dans le magasin de votre localité

- Pompe à air pour gonfler les pneus
- Jauge de pression des pneus
- Chiffons ou linges en coton de nettoyage
- Lubrifiant à base de téflon
- Détergent doux

REMARQUE— Il est inutile de graisser ou de lubrifier le fauteuil.

D. LISTE DE CONTRÔLE DE SÉCURITÉ

Semanalmente	Cada 3 meses	Cada 6 meses	Anualmente	La sécurité et la Vérification de fonction
<input checked="" type="checkbox"/>				El inflado de las ruedas neumáticas
<input checked="" type="checkbox"/>				Seguros de las ruedas
	<input checked="" type="checkbox"/>			Vérifier visuellement pour le matériel lâche
		<input checked="" type="checkbox"/>		Reposabrazos
		<input checked="" type="checkbox"/>		Ejes y mangas de los ejes
	<input checked="" type="checkbox"/>			Ejes de liberación rápida
	<input checked="" type="checkbox"/>			Ruedas, neumáticos y rayos
	<input checked="" type="checkbox"/>			Ruedas pivotantes
	<input checked="" type="checkbox"/>			Tubos contra volcaduras
		<input checked="" type="checkbox"/>		Bastidor
<input checked="" type="checkbox"/>				Rodamientos
<input checked="" type="checkbox"/>				Cables y clavija del inclinado
<input checked="" type="checkbox"/>				Balancín
			<input checked="" type="checkbox"/>	Servicio por parte de un distribuidor autorizado

REMARQUE - L'utilisateur ou le soignant doivent effectuer ces contrôles hebdomadaires et mensuels pour maintenir la sécurité de leur chaise.

E. TABLEAU DE DÉPANNAGE

Symptômes	Solutions					
	Le fauteuil se déporte vers la gauche	Le fauteuil se déporte vers la droite	Le fauteuil est desserré	Virage lent	Grincements et cliquetis	Vibration des roulettes
<input checked="" type="checkbox"/>	<input checked="" type="checkbox"/>	<input checked="" type="checkbox"/>	<input checked="" type="checkbox"/>	<input checked="" type="checkbox"/>	<input checked="" type="checkbox"/>	Vérifiez que la pression des pneus est correcte et la même pour les pneus arrière et les pneus avant à roulettes, s'ils sont gonflables.
<input type="checkbox"/>	<input type="checkbox"/>	<input checked="" type="checkbox"/>	<input checked="" type="checkbox"/>	<input checked="" type="checkbox"/>	<input checked="" type="checkbox"/>	Vérifiez que tous les boulons et les écrous soient bien serrés.
<input type="checkbox"/>	<input type="checkbox"/>	<input checked="" type="checkbox"/>	<input type="checkbox"/>	<input checked="" type="checkbox"/>	<input type="checkbox"/>	Vérifiez que tous les rayons et les écrous de rayon sont bien serrés sur les roues radiales.
<input type="checkbox"/>	<input type="checkbox"/>	<input type="checkbox"/>	<input type="checkbox"/>	<input checked="" type="checkbox"/>	<input type="checkbox"/>	Utilisez un lubrifiant Tri-flow (Teflon®) entre toutes les connexions modulaires de l'armature et les différentes pièces.
<input checked="" type="checkbox"/>	<input checked="" type="checkbox"/>	<input type="checkbox"/>	<input checked="" type="checkbox"/>	<input type="checkbox"/>	<input checked="" type="checkbox"/>	Vérifiez que la roulette est correctement réglée. Consultez les instructions à ce sujet.

F. MONTAGE ET RETRAIT DES ROUES ARRIÈRE 11 12

L'essieu de la roue arrière (B) relie la roue arrière à la douille de cambrure (C). Lorsque les billes de détente (D) s'engagent dans la douille de cambrure, la roue arrière est verrouillée sur le fauteuil. Le fait d'enfoncer le bouton de détachement rapide (A) fait ressortir les billes de détente et permet de retirer l'essieu et la roue.

⚠ AVERTISSEMENT

N'utilisez pas ce fauteuil SAUF tant que vous n'êtes pas absolument certain(e) que les deux essieux à déblocage rapide sont en position bloquée. Un essieu qui n'est pas en position bloquée risque de se détacher pendant l'utilisation et de provoquer une chute. Le côté billes de détente (D) doit être complètement enfoncé dans le manchon d'essieu afin que l'essieu et la roue puissent se verrouiller. Vérifiez le verrouillage en essayant de tirer l'essieu et la roue hors de la douille de cambrure et du manchon d'essieu. Si l'essieu ne s'engage pas, demandez à votre revendeur agréé d'effectuer les ajustements nécessaires.

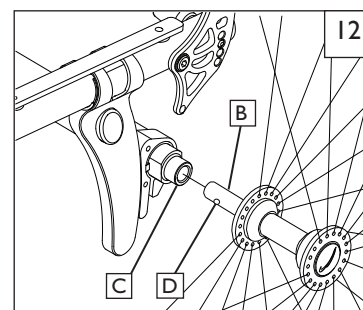
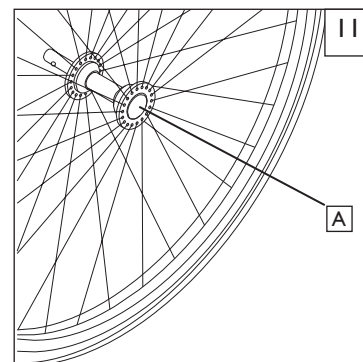
REMARQUE – La configuration pour cette étape doit inclure le placement du fauteuil roulant sur une table pour faciliter ce processus.

1. Installation du dossier

- a. Appuyez complètement sur le bouton de détachement rapide (A)
- b. Introduisez l'essieu (B) dans le moyeu de la roue arrière.
- c. En maintenant le bouton (A) enfoncé, glissez l'essieu (B) à l'intérieur de la douille de cambrure (C).
- d. Relâchez le bouton pour verrouiller l'essieu à l'intérieur de la douille de cambrure. L'essieu devrait être verrouillé.
- e. Répétez ces étapes de l'autre côté de votre fauteuil roulant.

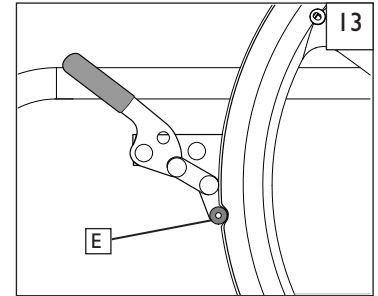
2. Retrait de la roue

- a. Appuyez complètement sur le bouton de détachement rapide (A).
- b. Retirez la roue en glissant l'essieu (B) hors de la douille de cambrure (C)
- c. Répétez ces étapes de l'autre côté de votre fauteuil roulant.



G. FREINS DE ROUES 13**⚠ AVERTISSEMENT**

Les freins sont installés par Sunrise et ne doivent être réglés que par un technicien qualifié. Examinez les freins une fois par semaine comme indiqué dans le tableau d'entretien. N'utilisez pas votre fauteuil roulant À MOINS que vous soyez certain(e) que les freins fonctionnent correctement. Lorsque ceux-ci ne sont pas correctement réglés, votre fauteuil risque de rouler ou de tourner de manière inopinée. Les freins doivent être ajustés après avoir vérifié que la pression d'air des pneus est adéquate. Une fois qu'ils sont complètement engagés, le bras doit être intégré d'au moins 3,2 mm (1/8 po) (E) dans le pneu pour assurer leur efficacité. Lorsque vous découvrez que les freins se sont déplacés ou ne fonctionnent pas correctement, communiquez avec votre fournisseur de services, qui les ajustera de manière appropriée.

**H. ACCOUDOIRS REMBOURRÉS PIVOTANTS (En option)** 14**1. Installation**

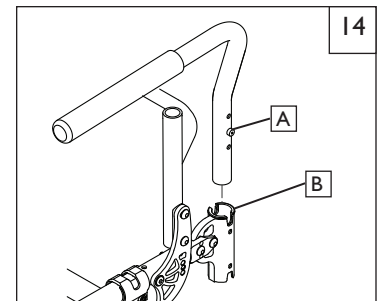
- a. Glissez l'accoudoir dans le tube de support à l'arrière de l'armature.
- b. Assurez-vous que le boulon (A) est placé dans la fente (B) du support du tube.

2. Accoudoir pivotant

- a. Soulevez l'accoudoir, sortez-le de la position de blocage et faites-le pivoter sur le côté.

3. Retrait de l'accoudoir

- a. Sortez l'accoudoir du tube de support en le soulevant droit vers le haut.



I. ACCOUDOIRS À HAUTEUR RÉGLABLE (En option) 15

1. Installation

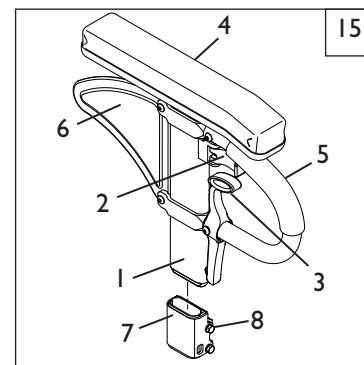
- a. Glissez le montant extérieur de l'accoudoir (1) dans le support (7) fixé sur l'armature du fauteuil.
- b. Appuyez fermement sur l'accoudoir pour le bloquer en place.

2. Réglage de la hauteur

- a. Tournez la manette de déblocage (2) de la hauteur jusqu'à la deuxième butée.
- b. Faites glisser le coussinet de l'accoudoir vers le haut ou vers le bas, à la hauteur désirée.
- c. Remettez la manette en position verrouillée contre le montant.
- d. Appuyez sur le coussinet (4) jusqu'à ce que la partie supérieure du montant s'enclenche fermement en place.

3. Retrait de l'accoudoir

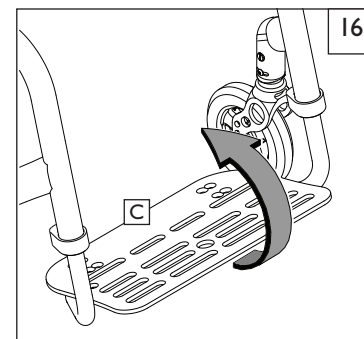
- a. Pour enlever l'accoudoir, saisissez le levier de déblocage (3) pour débloquer et enlever l'accoudoir.



1. Coussinet de l'accoudoir
2. Manette de déblocage de la hauteur
3. Manette de déblocage
4. Montant extérieur
5. Barre de transfert
6. Panneau latéral
7. Récepteur
8. Récepteur ajustement matériel

J. SEMELLE RELEVABLE 16

La semelle (C) peut être tournée en direction de l'utilisateur pour effectuer des transferts et à des fins d'ajustement.



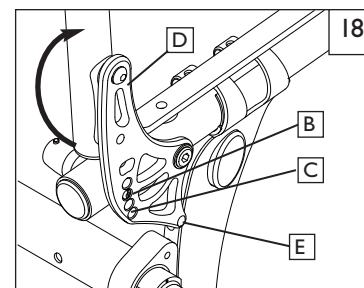
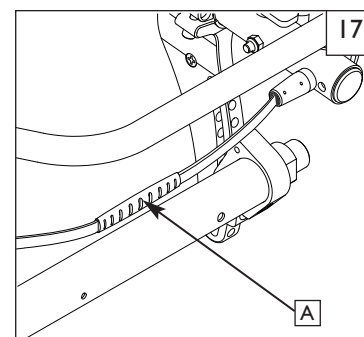
K. ANGLE DU DOSSIER – PERFORMANCE 17 18

Pour régler l'angle du dossier

1. Débloquez le dossier en tirant d'un coup sec sur le cordon de déblocage à tension réglable (A).
2. Tout en maintenant la tension du cordon de déblocage, faites pivoter le dossier vers l'avant ou vers l'arrière jusqu'à l'angle désiré.
3. Verrouillez le dossier en place en relâchant le cordon et en laissant les goupilles (B) s'insérer dans le trou le plus proche (C) du support du dossier (D).

Rabattage et ouverture du dossier

1. Débloquez le dossier en tirant d'un coup sec sur le cordon de déblocage à tension réglable (A).
2. Tout en maintenant la tension du cordon de déblocage, tournez le dossier pour le déplier. Enlevez le coussin et poussez avec vigueur sur le dossier pour le verrouiller en position repliée.
3. Verrouillez le dossier en position repliée en enlevant le coussin. Relâchez le cordon de déblocage et appuyez vigoureusement sur le dossier afin de permettre aux goupilles (B) de s'engager dans le trou disponible en position repliée (E) du support de dossier (D).



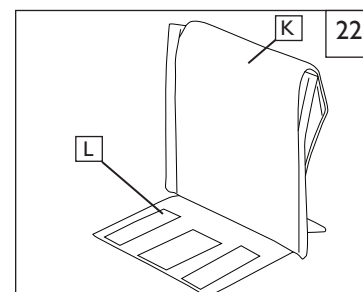
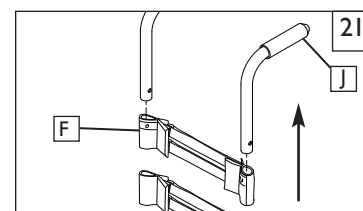
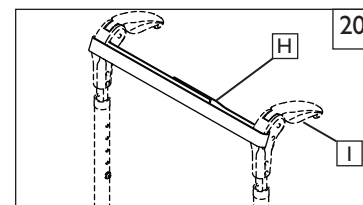
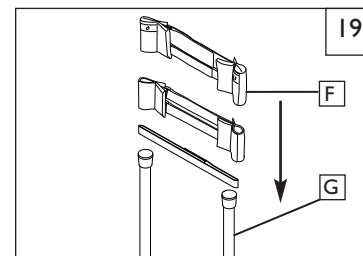
AVERTISSEMENT

Vérifiez que les goupilles (B) sont complètement enfoncées dans le support du dossier (D) des deux côtés du fauteuil. Avant utilisation, essayez de faire bouger le dossier pour vérifier qu'il est bien fixé en place.

L. DOSSIER À TENSION RÉGLABLE 19 20 21 22

Installation du dossier à tension réglable

1. Glissez les bandes Velcro (F) par-dessus l'armature du dossier (G). Assurez-vous d'inclure au moins une sangle sous la barre à serviette (si le fauteuil est un fauteuil rigide).
2. Serrez les sangles à la tension désirée. NE LES TENDEZ PAS TROP, car elles risqueraient de trop tirer sur l'armature du dossier (G).
3. Si vous utilisez les poignées de poussée rabattables, glissez une sangle Velcro (F) dans les fentes situées à l'avant des poignées (I).
Si vous utilisez des poignées de poussée intégrale (J), glissez les sangles du bas vers le haut du dossier.
4. Installez la housse du dossier à la hauteur désirée et repliez-la sur les bandes de fixation Velcro situées derrière (K). L'étiquette Quickie doit être en position verticale à l'arrière du fauteuil.
5. Terminez l'installation en fixant le rabat de protection (panneau central) sur le Velcro de la sangle du siège pour fixer l'accessoire (L).



Ajustement du dossier à tension réglable

Utilisez toujours les dispositifs anti-basculement pour effectuer les réglages. Assurez-vous que ces dispositifs anti-basculement sont bien fixés et dans la position correcte pour empêcher le fauteuil de basculer vers l'arrière.

1. L'utilisateur peut être transféré dans le fauteuil. Mettez les roues en position verrouillée.
2. Depuis l'arrière du fauteuil, votre accompagnateur peut soulever le rabat de protection (panneau central) pour accéder aux sangles. Réglez les sangles de façon à optimiser l'équilibre et l'alignement du tronc. Assurez-vous que les sangles en Velcro sont engagées sur au moins 5 cm (2 po). Fixez la partie en velcro après avoir passé la sangle dans chaque boucle. Appuyez sur les deux parties du Velcro pour qu'elles soient bien engagées l'une dans l'autre.
3. Une fois les ajustements terminés, remettez le rabat de protection à sa position d'origine.

AVERTISSEMENT

Tout changement effectué sur les sangles déplacera le centre de gravité. Nous vous conseillons de demander à l'accompagnateur de se tenir derrière le fauteuil roulant afin que le fauteuil ne bascule pas vers l'arrière et ce jusqu'à ce que l'utilisateur se soit habitué à la nouvelle configuration.

M. INSTALLATION DU COUSSIN

Posez le coussin sur la sangle du siège, côté VELCRO® vers le bas. Le bord en biseau du coussin doit se trouver sur le devant. Appuyez fermement sur le coussin pour le fixer en place.

N. CONSEILS DE RANGEMENT

1. Rangez votre fauteuil dans un endroit propre et sec. Sinon, les pièces risquent de rouiller ou de se corroder.
2. Avant d'utiliser le fauteuil roulant, assurez-vous qu'il est en bon état de fonctionnement.
3. Examinez et réparez tous les éléments indiqués dans le « Tableau d'entretien ».
4. S'il a été rangé pendant plus de trois mois, faites inspecter votre fauteuil roulant par un fournisseur agréé avant de l'utiliser.

O. VÉRIFICATION

Une fois le montage et le réglage du fauteuil terminés, il doit rouler facilement et sans à-coups. Tous les accessoires doivent également fonctionner sans difficulté. En cas de problème, veuillez suivre les procédures indiquées ci-dessous :

1. Relisez les sections portant sur le montage et les vérifications dans le guide d'utilisation pour vous assurer que le fauteuil roulant a été correctement préparé.
2. Examinez le tableau de dépannage qui figure au début de cette section.
3. Si le problème persiste, communiquez avec votre fournisseur agréé. Si le problème est toujours présent après avoir pris contact avec votre fournisseur agréé, communiquez avec le service à la clientèle Sunrise. Consultez la page d'introduction pour lire les modalités de prise de contact avec votre fournisseur agréé ou le service à la clientèle Sunrise.

⚠ AVERTISSEMENT

Le propriétaire de ce fauteuil roulant a la responsabilité de s'assurer que celui-ci est bien configuré et ajusté par un technicien professionnel et formé conformément aux conseils d'un consultant en soins de santé. La révision et les réglages doivent uniquement être effectués sur les conseils d'un professionnel des soins de santé. Utilisez toujours des pièces et/ou des accessoires recommandés et approuvés par Sunrise Medical lors de la révision de ce fauteuil roulant.

A. SERVICES OFFERTS PAR LE REVENDEUR – INTRODUCTION 23

1. Au moins une fois par an, ce fauteuil roulant doit subir une inspection complète, une vérification de sécurité et une révision régulière par un revendeur agréé.
2. Couple de serrage : il s'agit d'un couple de serrage optimal devant être appliqué sur une fixation particulière. Il est important de respecter les couples de serrage spécifiés. Sauf indication contraire, le couple de serrage recommandé est 60 pouces-livres.
3. Si vous avez décelé des pièces usées, tordues ou endommagées, faites-les réparer ou remplacer par des pièces recommandées avant de retourner ce fauteuil roulant aux fins de révision.
4. Tous les travaux importants d'entretien et de réparation doivent être effectués par le revendeur agréé.

B. CONSEILS D'ENTRETIEN IMPORTANTS

1. Couples de serrage :

Un couple de serrage est le serrage optimal devant être appliqué sur une fixation particulière. Il est important de respecter les couples de serrage spécifiés. Sauf indication contraire, le couple de serrage recommandé est 60 pouces-livres.

2. Documentation de référence au sujet des services de révision et de réglage offerts par le revendeur

Rendez-vous à www.sunrisemedical.com pour consulter les listes des pièces ainsi que les fiches et les vidéos d'instructions qui sont utiles pour la réparation des fauteuils roulants de la série Quickie 5R

C. LIMPIEZA

1. Acabado de la pintura

- a. Limpie las superficies pintadas con jabón o detergente suave.
- b. Proteja la pintura con una capa de cera automotriz no abrasiva.

2. Ejes y partes móviles

- a. Limpie alrededor de los ejes y las partes móviles con un trapo húmedo (no mojado).
- b. Limpie o sacuda la pelusa, polvo o suciedad en los ejes o las partes móviles.
- c. NO USE aceite 3 en 1 ni WD-40® para lubricar. Use solo lubricantes con teflón cuando trabaje en esta silla de ruedas.

D. RÉGLAGE DE L'ÉCROU DE L'ESSIEU ARRIÈRE 24 25

Vous aurez besoin d'une clé de 19 mm ($\frac{3}{4}$ po) (A) afin de tourner l'écrou de réglage (B) et d'ajuster l'essieu arrière. Vous devez également disposer d'une clé de 12,7 mm ($\frac{1}{2}$ po) (C) pour immobiliser le côté billes de détente (D) de l'essieu et l'empêcher de tourner.

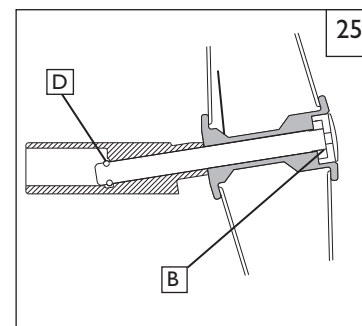
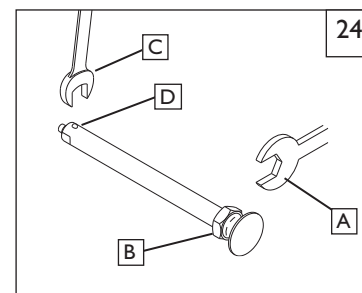
Si la roue et l'essieu ne se verrouillent pas dans la douille de cambrure, l'essieu doit être ajusté. Tournez l'écrou (B) d'environ un quart de tour dans le sens antihoraire et essayez de verrouiller l'essieu dans la douille de cambrure. Si cela ne suffit pas, continuez de resserrer l'écrou petit à petit, jusqu'à ce que l'essieu se verrouille solidement.

Si la roue et l'essieu ne se verrouillent pas dans la douille de cambrure, l'essieu doit être ajusté. Tournez l'écrou (B) d'environ un quart de tour dans le sens antihoraire et essayez de verrouiller l'essieu dans la douille de cambrure. Si cela ne suffit pas, continuez de resserrer l'écrou petit à petit, jusqu'à ce que l'essieu se verrouille solidement.



OUTILLAGE REQUIS

1. Ensemble de clés hexagonales impériales
2. Ensemble de clés hexagonales métriques
3. Ensemble de clés à fourche impériales
4. Ensemble de clés à fourche métriques
5. Clé dynamométrique
6. Ensemble de douilles hexagonales impériales
7. Ensemble de douilles hexagonales métriques
8. Tournevis étoilés et plats



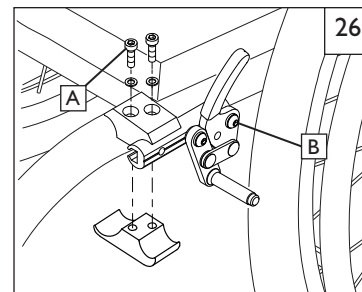
E. FREINS DE ROUES 26 27

Le modèle Q5R est livré avec un des deux mécanismes de blocage des roues. Les freins sont installés en usine, sauf demande contraire du client.

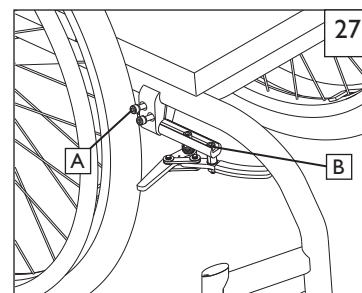
Utilisez un couple de serrage de 11,3 Nm (100 po-lb) lorsque vous installez les freins de roue.

1. Réglage des freins « Pousser pour serrer » ou « Tirer pour serrer » 26

- a. Au moyen d'une clé hexagonale de 4 mm, serrez l'une des vis (A) du collier d'un quart de tour dans le sens antihoraire.
- b. Répétez le même processus avec l'autre vis (A).
- c. Desserrez les vis l'une après l'autre (par deux tours à la fois) jusqu'à ce que les deux vis bougent librement.
- d. Faites coulisser le collier de serrage vers la roue arrière, jusqu'à ce que le frein de la roue soit enfoncé dans le pneu et immobilise la roue en position de blocage.
- e. Vous pouvez effectuer un réglage latéral ou angulaire supplémentaire en desserrant la vis (B) sur le support du collier de frein de roue.
- f. Serrez la vis à un couple de 11,3 Nm (100 po-lb).

**2. Freins ergonomiques compacts ou de type « ciseaux »** 27

- a. Au moyen d'une clé hexagonale de 4 mm, serrez l'une des vis (A) du collier d'un quart de tour dans le sens antihoraire.
- b. Répétez le même processus avec les trois autres vis (A).
- c. Desserrez les vis l'une après l'autre (par deux tours à la fois) jusqu'à ce que les deux vis bougent librement.
- d. Faites coulisser le collier de serrage vers la roue arrière, jusqu'à ce que le frein de la roue soit enfoncé dans le pneu et immobilise la roue en position de blocage.
- e. Vous pouvez effectuer un réglage latéral ou angulaire supplémentaire en desserrant la vis (B) sur le support du collier de frein de roue.
- f. Serrez la vis à un couple de 11,3 Nm (100 po-lb).



REMARQUE – Il peut être nécessaire de tourner le frein et le collier de serrage pour dégager le tube d'armature.

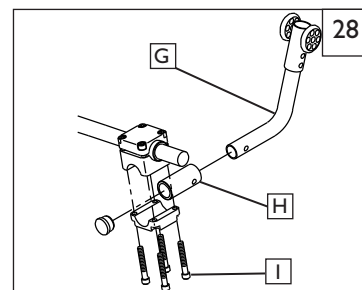
F. TUBES ANTI-BASCULEMENT À SUSPENSION XTR (En option) 28

Sunrise Medical recommande l'installation de tubes anti-basculement sur tous les fauteuils roulants.

REMARQUE – Utilisez un couple de serrage de 11,3 Nm (100 po-lb) lors du réglage des tubes anti-basculement.

1. Réglage du support de tube anti-basculement

- a. Retirez les tubes anti-basculement (G) de leur support (H).
- b. Retirez le boulon à tête ronde (I) du support du tube anti-basculement.
- c. Repositionnez le support à la hauteur souhaitée.
- d. Réinsérez le boulon à tête ronde et serrez-le.
- e. Répétez cette étape pour le deuxième support du tube anti-basculement. Les deux supports doivent se trouver précisément à la même hauteur.

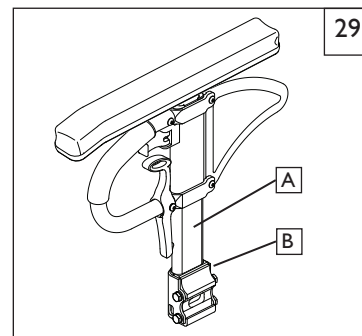


G. FIXATION DU SUPPORT DE L'ACCOUDOIR

1. Réglage de l'assemblage accoudoir/support 29 30

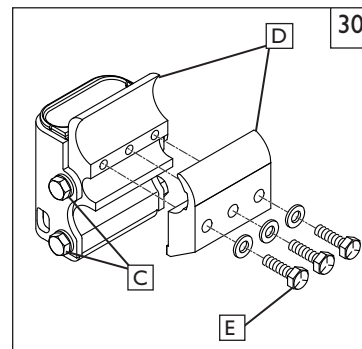
Pour resserrer ou desserrer le montant extérieur (A) dans le support (B) :

- Desserrez les quatre boulons de réglage (C) situés sur les côtés du support.
- Avec l'accoudoir dans le support (B), comprimez le support jusqu'à la position désirée.
- Serrez les quatre boulons (C). (16,3 Nm/144 po-lb)



2. Réglage de la position 30

- Desserrez les trois boulons (E) pour entrouvrir la pince (D).
- Faites coulisser le support d'accoudoir jusqu'à la position désirée.
- Serrez les trois boulons (E) à un couple de serrage de 24 Nm (212 po-lb).

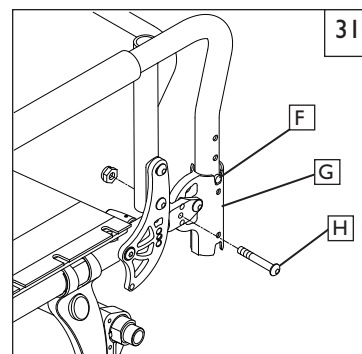


H. ACCOUDOIRS REMBOURRÉS PIVOTANTS (En option) 31

Il est possible d'enlever ou de faire pivoter les accoudoirs pivotants (F) pour faciliter les transferts latéraux. Leur hauteur est réglable sur 15,2 cm (6 po) par incrément de 2,5 cm (1 po) en déplaçant les boulons (H) vers le haut ou vers le bas dans les trous prépercés du support de l'accoudoir (G)

Pivotant et à angle réglable

Pour modifier l'angle des accoudoirs, enlevez d'abord la visserie (H). Remplacez les accoudoirs à l'angle souhaité. Remettez la visserie en place et serrez-la.



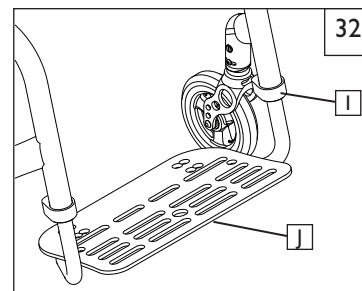
I. RÉGLAGE DES REPOSE-PIEDS 32 33

AVERTISSEMENT

Les repose-pieds font partie intégrante de l'armure. N'enlevez pas les repose-pieds. Il est recommandé de maintenir une hauteur minimale de 5 cm (2 po) entre le point le plus bas du repose-pied et le sol (I). Cela représente un dégagement suffisant pour éviter que le repose-pied ne bute lorsque le sol est irrégulier.

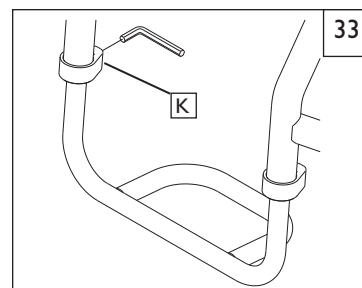
1. Réglage de la hauteur et de l'angle

- Régalez la hauteur des repose-pieds en desserrant les vis de réglage (I) à l'avant de l'armature du support.
- Pour régler l'angle du repose-pied, desserrez la vis (J) et faites pivoter le support de butée d'angle de repose-pied. Une fois en position, resserrez les boulons (J) à un couple de 10,4 Nm (92 po-lb). Lorsque l'espacement est étroit, il peut n'y avoir qu'un seul boulon.
- N'oubliez pas de resserrer les vis de réglage (I) à un couple maximum de 16,3 Nm (144 po-lb) avant d'utiliser le fauteuil.



2. Réglage de la hauteur des repose-pieds tubulaires 33

- Desserrez les deux vis de réglage du collier, à l'arrière des tubes de l'armature de support (K), sur les deux côtés du fauteuil roulant.
- Faites glisser le repose-pied à la hauteur désirée.
- Serrez fermement la visserie à un couple de 16,3 Nm (144 po-lb) des deux côtés.



J. ROULETTES

REMARQUE – Ce réglage sera plus précis si le fauteuil est posé sur une table ou un établi parfaitement plat.

1. Ajustement de l'angle des roulettes 34 35

Vérification de la perpendicularité des roulettes :

Le fauteuil roulant Quickie sort d'usine avec les roulettes perpendiculaires par rapport au sol. Chaque fois que vous modifiez la hauteur de l'essieu arrière, la taille des pneus, la position du centre de gravité ou du tube de cambrure, vous devez vérifier que les roulettes sont toujours bien verticales par rapport au sol. Une roulette non perpendiculaire au sol risque de se soulever lorsqu'elle pivote autour du boulon de la tige et risque de faire basculer le fauteuil vers l'avant ou vers l'arrière. Posez le fauteuil sur une surface plane horizontale. Faites pivoter les deux fourches de sorte que les roulettes soient orientées vers l'arrière du fauteuil. Placez une équerre ou un petit niveau contre l'aplat arrière de la fourche et vérifiez sa perpendicularité. S'il est à plus d'un degré de la verticale, vous devez régler la perpendicularité des roulettes.

2. Réglage de la perpendicularité des roulettes 36 37

- Repérez le boulon (A) dans le tube de la roulette de droite et desserrez-le (sans pour autant le retirer) à l'aide d'une clé à fourche de 10 mm. Desserrez le boulon suffisamment pour dégager les cannelures supérieure et inférieure (B). La fourche des roulettes doit pivoter librement.
- Posez le fauteuil de sorte que les deux roues arrière et la roulette gauche touchent le sol en même temps. Mettez un poids sur l'arrière du siège afin de stabiliser le fauteuil. Placez une équerre ou un petit niveau contre l'aplat de la fourche et faites pivoter la fourche jusqu'à ce qu'elle soit à la verticale ou perpendiculaire à la surface de roulement.
- Puis engagez les dents des deux cannelures jusqu'à la position d'accouplement la plus rapprochée. Assurez-vous que les dents sont bien engagées, et non croisées. Éclairez les dents d'accouplement des cannelures avec une lampe de poche et vérifiez que les dents sont bien engagées.
- Serrez la vis (A) pour fixer les cannelures en position d'accouplement. La vis doit être serrée à un couple minimum de 11,3 Nm (100 po-lb) pour assurer qu'elle ne se desserre pas pendant l'utilisation du fauteuil roulant.
- Notez la position d'engagement des cannelures sur la fourche droite et réglez la fourche gauche sur la même position. Remettez les roulettes et vérifiez de nouveau qu'elles sont perpendiculaires. Remettez les capuchons.

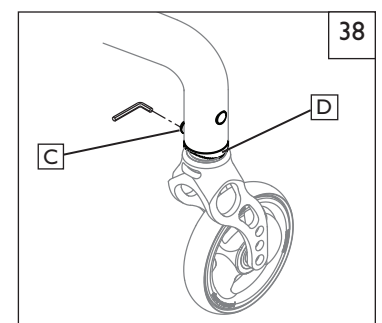
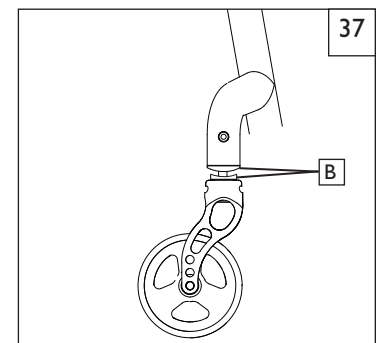
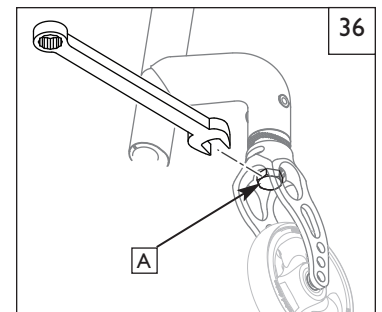
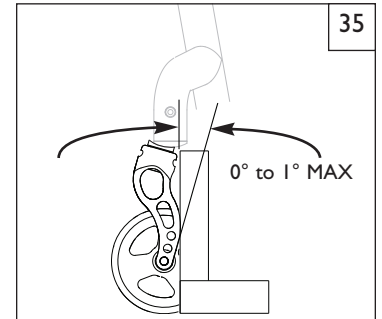
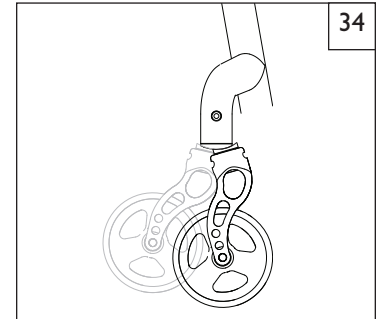
3. Alignement perpendiculaire 3 D 38

- L'ajustement du boulon hexagonal (C) permet d'ajuster encore davantage les roulettes.
- L'angle de la roulette peut ensuite être réglé plus précisément et le boulon resserré.

4. Correction d'un déport vers la droite ou vers la gauche 36 38

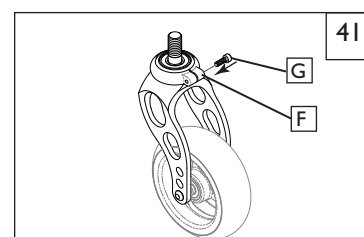
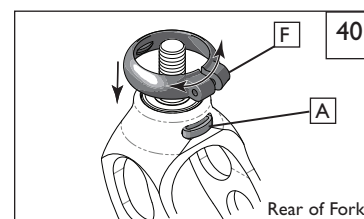
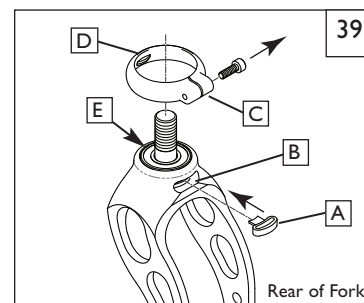
Déterminez la direction de déport du fauteuil (droite ou gauche). Effectuez les ajustements suivants sur la roulette située sur le côté du déport :

- Desserrez le boulon (A) à l'intérieur du tube de la roulette, à l'aide d'une clé hexagonale de 10 mm.
- Desserrez la vis de la cannelure supérieure (C).
- Faites pivoter la cannelure supérieure (D) pour tourner la fourche de la roulette vers l'avant. Tournez la bague dans le sens contre la montre; la fourche basculera alors vers l'extérieur. Tournez la bague dans le sens antihoraire: la fourche basculera vers l'intérieur.
- Lorsque la fourche de la roulette est bien tournée vers l'avant, resserrez les vis.
- Une fois les ajustements effectués, revérifiez la perpendicularité des roulettes
- Resserrez le boulon (A) à un couple minimum de 11,3 Nm (100 po-lb).



K. INSTALLATION DE LA TROUSSE ANTI-FLOTTEMENT 39 40 41

1. Retirez du fauteuil l'assemblage de la fourche. Pour ce faire, il peut être nécessaire de retirer la roulotte.
2. Insérez la bague anti-flottement (A) dans la fente (B) à l'arrière de la fourche. Assurez-vous que la languette est placée entre les extrémités de l'anneau à encliqueter et les roulements.
3. Installez le collier (C) sur le dessus de l'assemblage de la fourche, en insérant la languette intérieure (D) dans la fente avant (E).
4. Pliez doucement les languettes du collier (F) pour les séparer et glissez le collier sur la bague que vous venez d'installer (A).
5. Pressez les languettes (F) pour les réunir, puis vissez la vis creuse à chapeau (G) dans le collier. Assurez-vous que les filets sont correctement alignés et serrez légèrement à l'aide d'une clé hexagonale de 3 mm.

**L. RÉGLAGES DU DOSSIER**

ATTENTION – Lorsque vous changez l'inclinaison du fauteuil, le support du dossier réglable doit être dans le même orifice à gauche et à droite pour que le fauteuil puisse être utilisé.

Options d'ajustement des accoudoirs 42

Le support du dossier peut être placé à deux positions, soit la position 1 ou 2. Pour en choisir une, retirez le boulon (H) et tournez la canne du dossier vers l'avant ou l'arrière. Lorsque la canne du dossier est placée à la position souhaitée, réinsérez et resserrez le boulon. Suivez ensuite les instructions de rabattage et d'ouverture du dossier.

1 = Montage à l'avant 2 = Montage à l'arrière

Goupilles de pré-réglage d'inclinaison 43

Les goupilles de pré-réglage permettent d'obturer les orifices du support de dossier que vous ne souhaitez pas utiliser. Cela permet au dossier de s'enclencher automatiquement à la position désirée lorsque vous l'ouvrez.

1. Choisissez les orifices du support de dossier que vous ne souhaitez pas utiliser.
2. Enfoncez les goupilles (J) dans les trous prédéterminés, depuis le côté fauteuil du support (K).
3. Pour que le dossier puisse se verrouiller en position rabattue, ne mettez pas de goupille dans le trou le plus bas (L).

Goupilles d'insertion pour le réglage de la profondeur du dossier 43

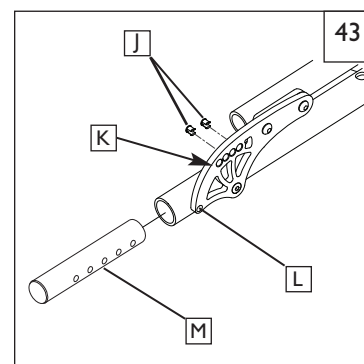
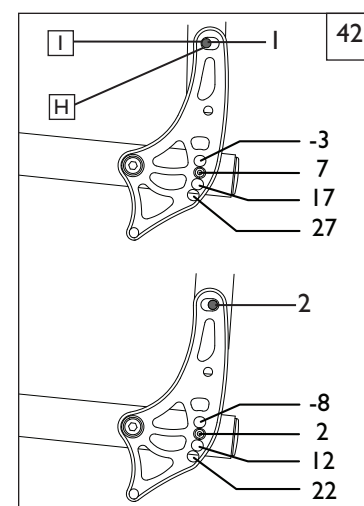
Les goupilles d'insertion (M) de type « cadre DAB » permettent de compenser l'épaisseur du dossier, qu'il soit plus épais ou plus mince, sans avoir à modifier le centre de gravité de l'utilisateur du fauteuil roulant.

1. Il est possible d'ajuster le dossier en retirant d'abord la longe à détachement rapide de type JAY (non illustrée) des goupilles de déblocage du dossier.
2. À l'aide d'une clé hexagonale de 5 mm et de 10 mm, retirez le boulon qui retient en place le support du dossier sur le fauteuil.
3. Retirez les goupilles à déclenchement rapide, la bague de l'armature et les ressorts.
4. Si la profondeur souhaitée du dossier est plus de 2,5 cm (1 po), déplacez la bague du piston vers l'arrière d'un orifice. Si la profondeur souhaitée est de 5 cm (2 po), la bague du piston doit être déplacée jusqu'à l'orifice situé à l'arrière.
5. Pour réassembler le dossier, réinsérez les ressorts dans les bagues. Ensuite, réinsérez les goupilles de déclenchement rapide dans les bagues, avec les orifices de fixation de la longe en premier.
6. Remettez le dossier en place en position rabattue. Insérez la goupille de déblocage rapide dans l'orifice approprié.
7. Insérez la grande rondelle biseautée entre le support du dossier et l'armature. Insérez le boulon pivotant de la plaque du dossier dans le fauteuil et assujettissez le boulon en utilisant une rondelle et un écrou à frein élastique « Nylock ».
8. À l'aide de la clé hexagonale de 5 mm et de 10 mm, serrez l'écrou « Nylock » pour que l'embout du boulon ailleure l'embout de l'écrou. Répétez sur l'autre côté du fauteuil roulant.

REMARQUE – Veillez à ne pas serrer à bloc le boulon pivotant de la plaque du dossier, car cela pourrait l'empêcher de se rabattre correctement le dossier.

9. Rattachez la longe à détachement rapide de type JAY® aux goupilles de déblocage rapide.

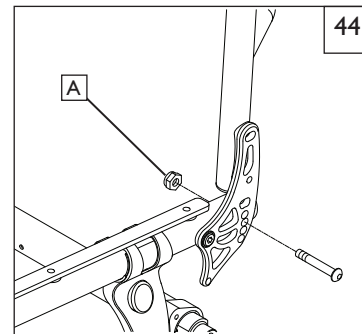
REMARQUE – Ce réglage est destiné à compenser les différences dans l'épaisseur ou le contour des dossiers de remplacement. Les cannes du dossier peuvent être réglées vers l'avant et vers l'arrière par rapport au siège, de sorte que la surface de soutien du dossier ne change pas l'endroit où est assis l'utilisateur, quel que soit l'emplacement de montage du dossier. Cela garantit que le centre de gravité de l'utilisateur par rapport à l'emplacement des essieux n'est pas modifié en raison de l'épaisseur et du contour du dossier de remplacement. Il n'existe aucune recommandation en particulier quant au réglage de la profondeur du dossier durant le transport du fauteuil roulant dans un véhicule quelconque.



Dossier non rabattable – Instructions 44

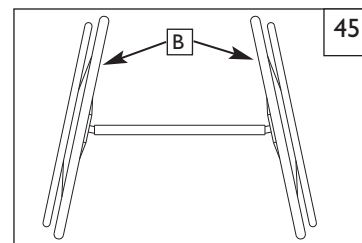
1. Retirez le boulon du support du dossier (A).
2. Tournez le dossier vers l'angle désiré.
3. Alignez l'orifice dans le support du dossier avec l'orifice dans l'armature du fauteuil.
4. Réinsérez et serrez le boulon.

ATTENTION: – Lorsque vous changez l'inclinaison du fauteuil, le support du dossier réglable doit être dans le même orifice à gauche et à droite pour que le fauteuil puisse être utilisé.

**M. RÉGLAGES DE L'ESSIEU ARRIÈRE****1. Cambrure des roues** 45

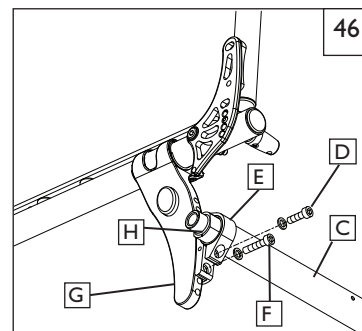
La cambrure des roues, illustré comme position relative angulaire (B), confère une stabilité latérale accrue grâce à un écartement et à un angle plus grands de la base des roues. Elle permet de tourner plus rapidement et d'accéder plus facilement à la partie supérieure des mains courantes.

La cambrure des roues est déterminée par des paires de goupilles de cambrure interchangeables et disponibles auprès de votre fournisseur agréé en angles de 0°, 3° et 6°.

**2. Changement de la douille de cambrure** 46

Avant de changer la douille de cambrure, prenez note de la position du boulon du tube de cambrure.

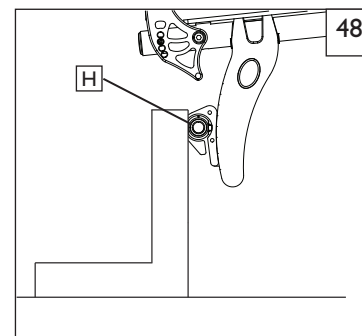
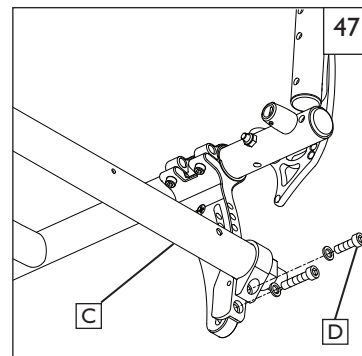
- a. Pour changer la cambrure de votre fauteuil, desserrez le boulon (D) sur les colliers de tube de cambrure (E). Ensuite, desserrez le deuxième boulon (F). Répétez cette procédure du côté opposé.
- b. Maintenant, vous pouvez retirer le tube de cambrure (C) et les colliers de tube de cambrure (E) de la plaque d'essieu (G).
- c. Une fois retirés de la plaque d'essieu, les colliers de tube de cambrure peuvent être retirés du tube de cambrure. Vous pouvez maintenant retirer la douille de cambrure (H).
- d. Insérez la douille de cambrure voulue dans chacune des extrémités du tube de cambrure. Ensuite, remplacez les colliers de tube de cambrure sur les extrémités du tube de cambrure. Assurez-vous d'espacer de manière égale les goupilles de cambrure sur les extrémités du tube de cambrure.
- e. Glissez l'ensemble du tube de cambrure sur la plaque d'essieu. Réalignez les orifices de la plaque d'essieu à leur position originale. Remettez en place tous les boulons (D) et serrez-les à un couple de 11,3 Nm (100 po-lb)

**3. Réglage du pincement des roues au sol** 47 48 49 50

REMARQUE – Les roues d'un fauteuil roulant équipé de goupilles de cambrure de 0° ne peuvent pas s'incliner vers l'intérieur ou vers l'extérieur. Un pincement des roues n'est nécessaire qu'avec les goupilles de cambrure de 3° et 6°. Le pincement est l'inclinaison relative des roues arrière par rapport au sol. Il a une incidence sur la facilité de mouvement du fauteuil. La résistance à la rotation des roues est minimisée quand le pincement des roues est mis sur zéro.

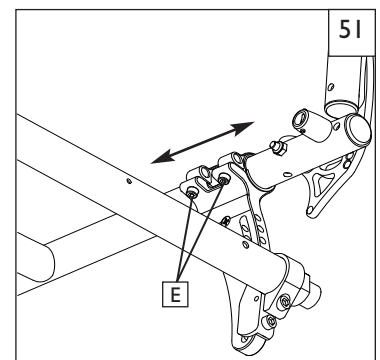
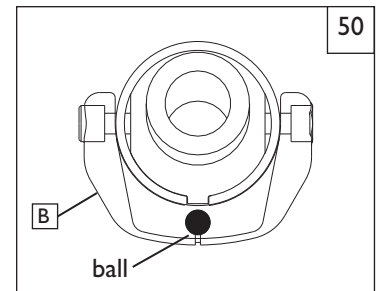
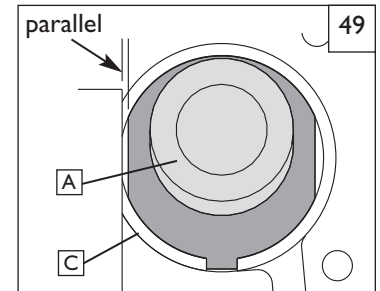
4. Réglage du pincement sur zéro 47 48

- a. Posez le fauteuil sur une table horizontale ou sur un sol plat. Desserrez les deux vis creuses à chapeau (D) (une vis de chaque côté) qui fixent le collier de serrage sur le tube de cambrure.
- b. Repérez les aplats à l'avant et à l'arrière des goupilles de cambrure (H). Munissez-vous d'une équerre et placez-la contre la surface plane horizontale et, verticalement, contre l'aplat de la douille de cambrure.
- c. Faites tourner ensemble le tube de cambrure et la goupille, jusqu'à ce que l'aplat de la goupille soit parallèle à la partie verticale de l'équerre.
- d. Avant de serrer les vis (D), vérifiez que le tube de cambrure est centré latéralement par rapport à l'armature du fauteuil. L'espacement doit être nul ou équivalent des deux côtés. Serrez les pièces de fixation à un couple de 11,3 Nm (100 po-lb)



5. Réglage du pincement sur zéro – autre méthode 47 49 50

- a. Desserrez les deux vis creuses à chapeau (D) (une vis de chaque côté) qui fixent le collier de serrage sur le tube de cambrure. Observez la bille du niveau (B) et faites tourner le tube de cambrure (C) jusqu'à ce que la bille soit centrée dans le niveau. Le pincement est réglé sur zéro.
- b. Avant de serrer les vis (D), vérifiez que le tube de cambrure est centré latéralement par rapport à l'armature du fauteuil. L'espacement doit être nul ou équivalent des deux côtés. Serrez les pièces de fixation (D) à un couple de 11,3 Nm (100 po-lb)



N. AJUSTEMENT DU CENTRE DE GRAVITÉ 51

Le réglage le plus important du fauteuil roulant Quickie est celui de la position de l'essieu arrière. Le centre de gravité ainsi que la cambrure et la base des roues sont déterminés par le réglage des essieux arrière.

REMARQUE - Utilisez un couple de serrage de 6,8 Nm (60 po-lb) pour le réglage des essieux arrière (E).

1. Centre de gravité

Déplacer le centre de gravité vers l'avant a pour effet de diminuer la force requise pour tourner le fauteuil roulant. Plus l'essieu et le collier de serrage sont situés vers l'arrière, plus le fauteuil roulant est stable.

On peut ajuster le centre de gravité en déplaçant l'essieu arrière vers l'avant ou l'arrière sur l'armature. Le déplacement de l'essieu et du collier de serrage vers l'avant a pour effet d'augmenter la vitesse en virage tout en allégeant l'avant du fauteuil roulant.

REMARQUE IMPORTANTE Le changement du centre de gravité augmente le risque de chute ou de basculement. Faites très attention à ce que le fauteuil ne bascule pas en arrière lorsqu'il est incliné.

2. Déplacement du centre de gravité 51

Desserrez les vis creuses à chapeau (E). Glissez l'ensemble du tube de cambrure vers l'avant ou l'arrière le long du tube de l'armature. Resserrez les vis. Mesurez la nouvelle position pour vous assurer que le fauteuil est bien équilibré des deux côtés.

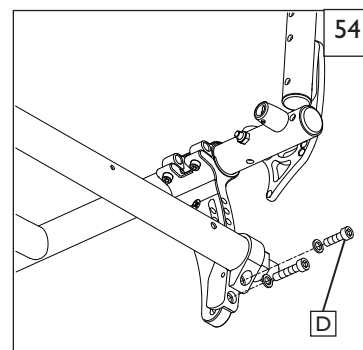
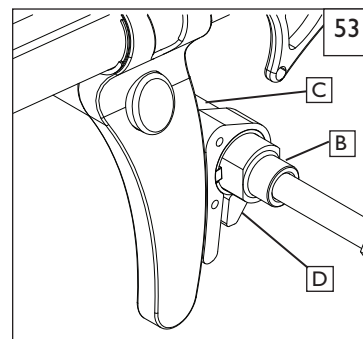
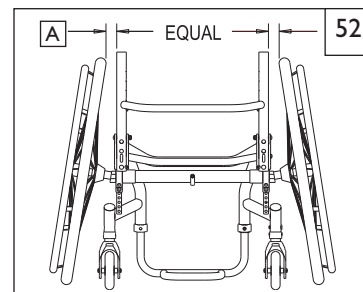
Une fois les colliers de plaque d'essieu fixés en place, montez les roues arrière, asseyez-vous dans le fauteuil et manœuvrez-le en présence d'un observateur, afin de vous habituer au nouvel ajustement.

O. ESPACEMENT DES ROUES ARRIÈRE 52 53 54

On calcule l'écartement des roues arrière en mesurant l'écart entre la partie supérieure des roues et les cannes du dossier. Cet écartement est présenté comme dimension (A). En usine, l'espacement est réduit au minimum possible selon les options choisies.

REMARQUE – Lorsque vous réglez l'espacement des roues arrière, travaillez un côté du fauteuil à la fois. Desserrer les deux côtés en même temps dérèglerait le pincement.

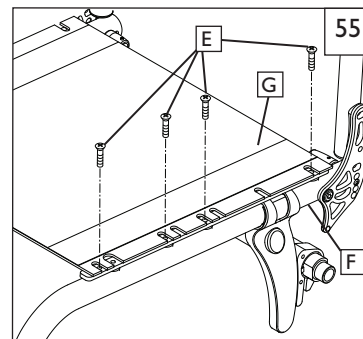
- L'espacement des roues arrière est ajusté en fonction de la position des goupilles de cambrure (B) dans le tube de cambrure (C). Des butées les empêchent de sortir entièrement du tube.
- Sur le côté gauche du fauteuil, desserrez la vis (D) (celle qui est la plus proche du tube de cambrure). Glissez la pièce intérieure de cambrure plus profondément dans le tube, ou sortez-la davantage, selon l'espacement désiré.
- Serrez la vis à un couple de 11,3 Nm (100 po-lb). Répétez les mêmes ajustements du côté droit du fauteuil, de sorte que l'espacement des roues soit équilibré des deux côtés.

**P. RÉGLAGE DE LA COURROIE DE SIÈGE** 55

- Retirez les boulons (E) et l'écrou du boulon arrière (F) pour que le coussin du siège (G) puisse être retiré de l'armature.
- Pour rattacher la sangle du siège, placez-la (G) sur l'armature du fauteuil. Alignez la sangle du siège et les selles en plastique. Remplacez les vis (E) et l'écrou arrière (F) et serrez le tout.
- Conservez les selles en plastique (non illustrées) afin de les placer entre la sangle du siège et l'armature. Répétez cette procédure du côté opposé.

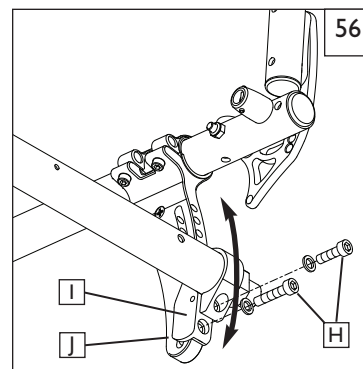
Si vous éprouvez des problèmes, essayez d'utiliser une sonde pour aligner les trous. Assurez-vous que les selles en plastique sont sous le rail du siège dans toutes les positions de fixation.

Si vous éprouvez des problèmes, essayez d'utiliser une sonde pour aligner les trous. Assurez-vous que les selles en plastique sont sous le rail du siège dans toutes les positions de fixation.

**Q. RÉGLAGE DE LA HAUTEUR DU SIÈGE À L'ARRIÈRE** 56

- Pour ajuster la hauteur du siège, desserrez et retirez les 4 vis creuses à chapeau (H) (2 de chaque côté) qui maintiennent les colliers du tube de cambrure (I) contre les plaques d'essieu (J).
 - Glissez les deux colliers de tube de cambrure (I) jusqu'à la hauteur désirée et remplacez les 4 vis creuses à chapeau. Avant de serrer les vis, suivez les instructions pour régler le pincement des roues à zéro.
 - Serrez les vis à un couple de 11,3 Nm (100 po-lb).

REMARQUE – La modification de la hauteur du siège à l'arrière peut rendre nécessaire un ajustement de l'angle des roulettes.

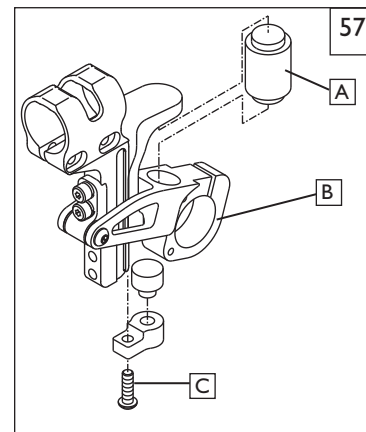


R. SUSPENSION DE LA PLAQUE D'ESSIEU ARRIÈRE 57

La performance de votre système de suspension dépend des élastomères de compression (A). Quickie offre un choix de différents types d'élastomères (caoutchouc) en fonction du poids de l'utilisateur.

Pour changer de caoutchouc, retirez les deux vis (C) (une vis de chaque côté). Tournez les accoudoirs pivotants (B) vers le bas. Le caoutchouc de compression (A) peut être facilement retiré de ses supports d'enclenchement supérieur et inférieur.

Inversez l'ordre pour installer les nouvelles bagues. Assurez-vous que le caoutchouc de compression est bien enclenché dans les supports supérieur et inférieur.



S. SUSPENSION XTR (En option) 58

- La suspension est réglée de manière à être compatible avec le modèle Q5R series.
 - Précharge du ressort réglable
1. Si l'appareil de suspension perd de l'huile ou s'il émet des bruits en raison d'une charge excessive, arrêtez immédiatement d'utiliser le fauteuil et faites examiner l'appareil de suspension par un revendeur agréé. L'utilisation du fauteuil alors que l'appareil de suspension est défectueux diminue le contrôle du fauteuil, ce qui risque d'entraîner des blessures graves, voire la mort.
 2. Veillez à utiliser toujours des pièces de rechange signées Quickie. L'utilisation de pièces de rechange non autorisées annule non seulement la garantie, mais risque également de provoquer des dommages structuraux à l'appareil de suspension. La défaillance structurelle de l'appareil de suspension risque d'entraîner une perte de contrôle, qui à son tour risque d'entraîner des blessures graves, voire la mort.

Réglage de l'appareil de suspension 58

L'appareil de suspension peut être réglé de manière à le rendre compatible avec votre poids. Pour ce faire, vous devez faire correspondre la raideur du ressort au degré de l'amortissement.

Lors du réglage de la suspension, veillez toujours à effectuer une modification à la fois et à la prendre en note à l'écrit. Il vous faut de la patience, mais cette procédure permet de comprendre l'impact de chaque modification sur ce que vous ressentez lorsque vous vous déplacez en fauteuil. Conserver une telle fiche vous permet de savoir quelles sont les modifications déjà essayées qui vous conviennent et lesquelles encore essayer.

Lavage de l'appareil de suspension de luxe

Lavez votre appareil de suspension à l'eau savonneuse avec une brosse à dents. Gardez l'arbre et les bagues de suspension propres et bien lubrifiés.

IMPORTANT : N'UTILISEZ JAMAIS DE LAVEUSE À PRESSION POUR NETTOYER L'APPAREIL DE SUSPENSION!

Réglage de la tension de l'appareil de suspension

Repérez l'anneau d'ajustement de précharge du ressort (4). Pour diminuer la tension, tournez l'anneau d'ajustement dans le sens horaire. Pour augmenter la tension, tournez l'anneau d'ajustement dans le sens antihoraire.

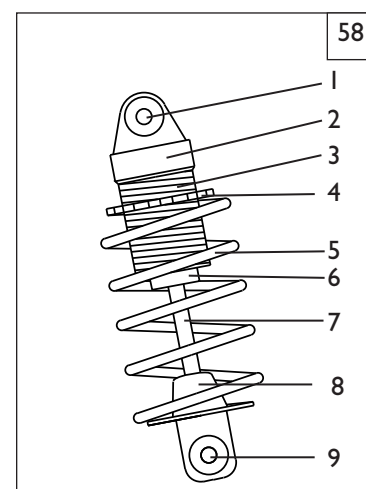
⚠ AVERTISSEMENT

Avant de commencer à utiliser votre nouveau fauteuil, mettez à l'essai les réglages en présence d'un observateur.

T. VÉRIFICATIONS

Une fois le montage et le réglage du fauteuil terminés, il doit rouler facilement et sans à-coups. Tous les accessoires doivent également fonctionner sans difficulté. En cas de problème, veuillez suivre les procédures indiquées ci-dessous:

1. Relisez les sections portant sur le montage et les vérifications dans le guide d'utilisation pour vous assurer que le fauteuil roulant a été correctement préparé.
2. Examinez le tableau de dépannage qui figure au début de cette section.
3. Si le problème persiste, communiquez avec votre fournisseur agréé. Si le problème est toujours présent après avoir pris contact avec votre fournisseur agréé, communiquez avec le service à la clientèle Sunrise. Consultez la page d'introduction pour lire les modalités de prise de contact avec votre fournisseur agréé ou le service à la clientèle Sunrise.



1. Trou du corps
2. Réservoir
3. Corps fileté
4. Printemps Réglé
5. Ressort
6. Étanchéité head
7. Shock shaft
8. Pare-chocs bas
9. Oeil de l'arbre

A. GARANTIE À VIE

Garantie du châssis et traverse de châssis (si applicable) :

1. Bien que le temps de service prévu de ce fauteuil est de cinq ans, Sunrise offre une garantie à vie sur le châssis et la traverse de châssis contre les défauts de matériaux et de fabrication, ou aussi longtemps que l'acheteur initial possède le fauteuil.
2. Cette garantie ne s'applique pas si
 - a. le fauteuil a fait l'objet d'un usage excessif;
 - b. le fauteuil n'est pas entretenu comme recommandé dans le manuel de l'utilisateur;
 - c. l'acheteur initial cède le fauteuil à une autre personne.

B. POUR UNE DURÉE D'UN (1) AN

Nous garantissons toutes les pièces et composants du présent fauteuil fabriqués par Sunrise contre tout défaut de matériau et de fabrication pour une durée d'un an à compter de la date d'achat par le premier consommateur.

Dossier à tension réglable (Balistic & 3DX Vented)

Chaque dossier à tension réglable fait l'objet d'un contrôle soigné et de tests pour assurer une performance maximale. Chaque dossier à tension réglable est garanti contre tout défaut de pièces et main-d'œuvre pendant douze (12) mois à compter de la date d'achat dans des conditions normales d'utilisation. Si une défaillance matérielle ou mécanique se produisait dans les 24 mois suivant la date d'achat originale, Sunrise Medical s'engage, à sa discrétion, à réparer ou à remplacer gratuitement le dossier. Cette garantie exclut toute perforation, déchirure et brûlure. Les réclamations et les demandes de réparation doivent être traitées par le fournisseur agréé le plus proche. À l'exception des garanties expresses mentionnées dans le présent manuel, toutes les autres garanties, y compris les garanties implicites de valeur marchande ou d'adaptation à un usage particulier, sont exclues. Aucune garantie ne s'étend au-delà de la présente description. En cas de non-respect des garanties expresses mentionnées, le recours du client se limite à la réparation ou au remplacement du produit. Les dommages causés par le non-respect d'une garantie ne peuvent en aucun cas inclure des dommages indirects ou excéder la valeur des biens non conformes vendus.

C. LIMITES DE GARANTIE

1. Notre garantie ne couvre pas :
 - a. Les pneus et les chambres à air, le garnissage et le revêtement des poignées de manœuvre.
 - b. Les dommages causés par la négligence, un accident, une mauvaise utilisation, ou encore une installation ou une réparation incorrects.
 - c. Les produits modifiés sans le consentement écrit exprès de Sunrise Medical.
 - d. Les dommages causés par une surcharge de poids.
2. Cette garantie EST NULLE ET NON AVENUE si l'étiquette du numéro de série du fauteuil est retirée ou modifiée.
3. Cette garantie est valable uniquement aux États-Unis. Vérifiez auprès de votre revendeur si des garanties internationales s'appliquent.
4. Cette garantie n'est pas cessible et elle ne s'applique qu'au premier acheteur du fauteuil roulant qui est passé par un revendeur agréé de Sunrise Medical.

D. NOTRE RESPONSABILITÉ

Notre seule responsabilité est de réparer ou de remplacer les pièces couvertes par la garantie. Cela constitue le seul recours en dommages-intérêts indirects.

E. VOS OBLIGATIONS

1. Obtenez de notre part, pendant la durée de validité de cette garantie, l'approbation préalable avant de retourner ou de réparer les pièces couvertes.
2. Retournez le fauteuil ou la (les) pièce(s), fret payé d'avance, à Sunrise Mobility Products Division, à l'adresse suivante : 2842 Business Park Avenue, Fresno, CA, États-Unis 93727-1328.
3. Réglez les frais de main-d'œuvre pour la réparation, le retrait ou l'installation des pièces en question.

F. AVIS AU CONSOMMATEUR

1. Si la loi le permet, cette garantie remplace toute garantie (écrite ou verbale, exprès ou implicite, incluant une garantie de qualité marchande et d'appropriation à un but déterminé).
2. Cette garantie vous accorde certains droits juridiques. Vous pouvez jouir d'autres droits pouvant varier d'une province ou d'un territoire à un autre.

Inscrivez votre numéro de série ici pour référence ultérieure :

Sunrise Medical Australia Pty Ltd.
11 Daniel Street
Wetherill Park, NSW 2164
Phone: (02) 9678 6600
Email: enquiries@sunrisemedical.com.au
www.SunriseMedical.com.au

