



**Q400 F/M/R Sedeo Lite and  
Q500 M Sedeo Lite**

**Spare Parts  
Catalogue**

 **QUICKIE®**

**INNOVATE.  
BUILD FOR THE FUTURE**



This product is manufactured to comply with the Medical Device Directive 93/42/EEC.

### **Use of Illustrations & Text:**

The illustrations and accompanying text set out in this document are the property of Sunrise Medical Limited and must not be copied or used for manufacturing, tendering or any other purpose without written consent from Sunrise Medical.

### **Ordering:**

Item numbers shown as N/A are for reference purposes only and should not be used when ordering replacement parts. Always quote the correct serial number and part number.

### **Quality Management Systems:**

Sunrise Medical Limited is accredited to ISO 9001: 2008, which is the internationally recognised standard for quality management systems, as well as ISO 13485: 2012, which specially governs Medical Devices. These approvals ensure that we provide quality in all areas of our business from development through to final delivery.

### **Parts Disclaimer:**

It is potentially hazardous to fit or use any parts other than genuine Sunrise Medical parts. The company disclaims all liability for the consequences of such use, which in addition voids the product warranty.

This product is for the carriage of one person and must not under any circumstances be used for any other purpose.

### **Queries:**

Should you have any queries then please contact Sunrise Medical Ltd on

Tel +44(0) 845 605 6688  
Fax +44(0) 845 605 6689

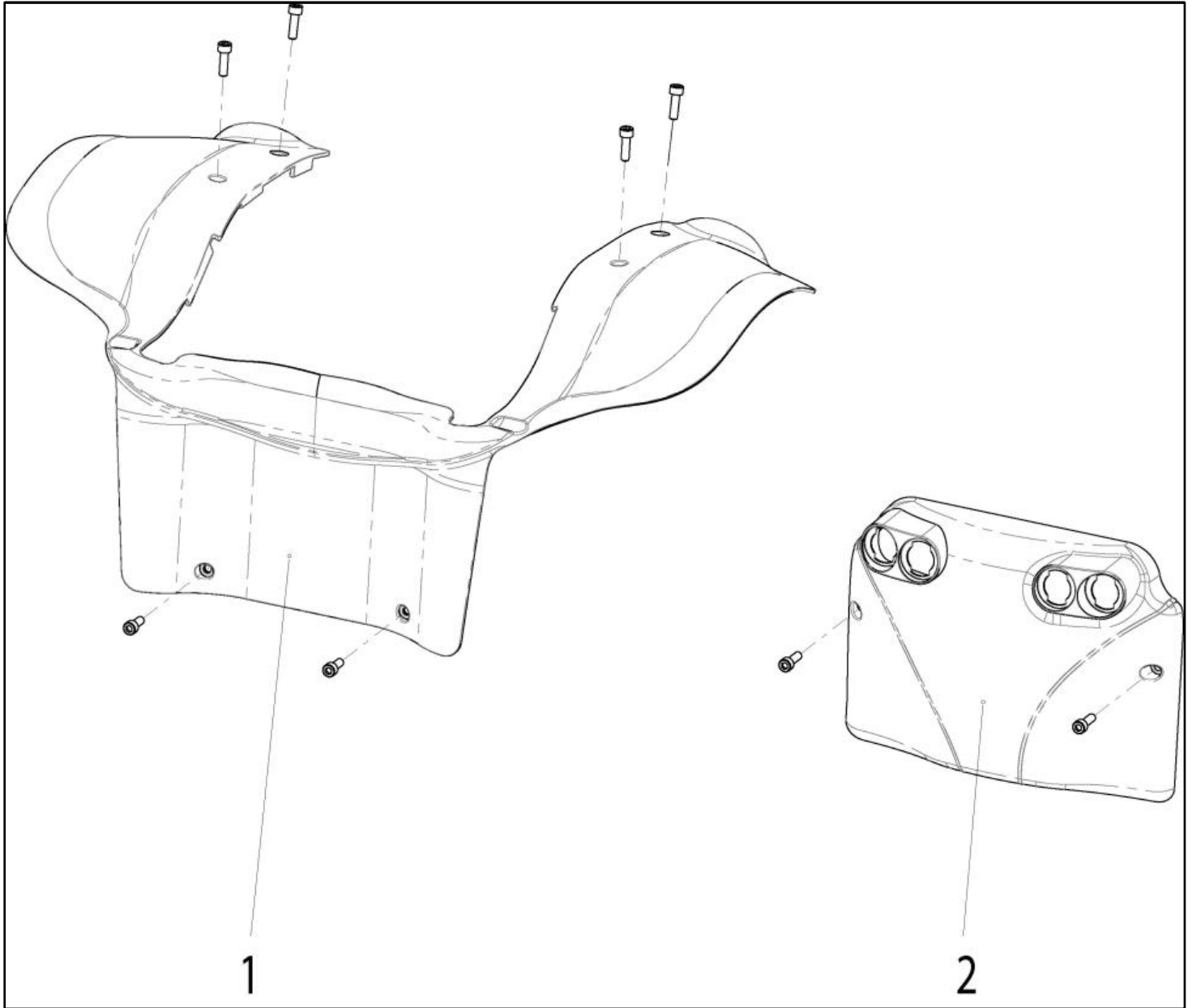
Q400 F/M/R, Q500 M SEDEO LITE .....	6
SHROUDS .....	6
Q400 M / Q500 M - SHROUD CHASSIS .....	6
Q400 F/R - SHROUD CHASSIS .....	7
BATTERY COVER .....	8
COLOURED SHROUD ELEMENTS .....	9
Q400 F/R - MUDGUARD .....	10
DRIVE WHEEL / CASTOR WHEEL .....	11
13 INCH DRIVE WHEEL, KNOBBLY .....	11
14 INCH DRIVE WHEEL, KNOBBLY .....	12
14 INCH DRIVE WHEEL, V-TYPE .....	13
Q400M / Q500M - 7 INCH CASTOR WHEEL .....	14
Q400 F/R - 9/10 INCH CASTOR WHEEL .....	17
ARMREST AND SIDEGUARDS .....	19
HEMIPLEGIC ARMREST .....	19
ARMREST, SINGLE POST SEDEO LITE, FIXED .....	20
ARMREST, FLIP BACK .....	21
ARMREST, SINGLE POST, FLIP BACK .....	22
ARMPADS .....	23
SIDE GUARDS .....	24
CHASSIS .....	25
Q400 M / Q500 M - CHASSIS .....	25
Q400 M / Q500 M - CASTOR ARM FRONT .....	26
Q400 M / Q500 M - CASTOR ARM REAR .....	28
Q400 M / Q500 M - MOTOR MOUNT .....	29
Q400 M / Q500 M - SUSPENSION SPRING .....	30
Q400 F/R - SUSPENSION .....	31
Q500 F/R - SUSPENSION .....	32
LEGREST .....	33
CENTRE MOUNT LEGREST, POWERED .....	33
CENTRE MOUNT LEGREST, FIXED .....	34
CENTRE MOUNT LEGREST .....	36
SEDEO PRO LEGREST, 70° SWING AWAY .....	37
SEDEO PRO LEGREST, MANUAL ELEVATING, SWING AWAY .....	39
SEDEO PRO LEGREST, POWER ELEVATING, SWING AWAY .....	41
SEDEO PRO LEGREST, ACCESSORIES .....	43
LEGREST, 70°, STANDARD, SWING AWAY .....	45
LEGREST, MANUAL ADJUSTABLE, STANDARD, SWING AWAY .....	47
LEGREST, 80°, UNI .....	49
AMPUTEE SUPPORT .....	51
LOOMS .....	52
LIGHT LOOMS .....	52
BATTERY LOOMS .....	53
R-NET BUS CABLE .....	54
ACTUATOR LOOMS .....	56
INHIBIT LOOMS .....	57
LOOMS AND ELECTRONICS .....	58

## Table of contents

HEADREST .....	59
HEADREST MOUNT .....	59
HEADREST PADS.....	60
LIGHTS .....	61
Q400M / Q500M - LED LIGHTS AND INDICATORS (STVZO) .....	61
Q400F / Q500F - LED LIGHTS AND INDICATORS .....	62
Q400F / Q500F - LED LIGHTS AND INDICATORS (STVZO).....	64
Q400R /Q500R - LED LIGHTS AND INDICATORS (STVZO).....	65
MOTOR.....	67
MOTOR 4-POLE .....	67
MOTOR 2 -POLE PEFORMANCE.....	69
MOTOR 2 -POLE STANDARD (ONLY Q400M / Q500M) .....	70
PRODUCT AND SAFETY LABELS .....	71
PRODUCT LABELS.....	71
SAFETY LABELS .....	72
BACKREST.....	73
BACKREST FRAME STANDARD .....	73
BACKREST FRAME HIGH .....	74
BACKREST ADJUSTABLE.....	75
BACK UPHOLSTERY .....	76
BACK CUSHION RECEIVER FOR SEDEO LITE BACK CUSHION AND JAY J3 .....	77
BACK CUSHION PROFILED.....	78
BACK CUSHION PROFILED, ADJUSTABLE BELTS .....	79
BACK CUSHION DEEP CONTOUR, PASSIVE, ADJUSTABLE BELTS.....	80
BACK CUSHION DEEP CONTOUR, ACTIVE, ADJUSTABLE BELTS .....	81
LATERAL THORACIC SUPPORTS.....	82
SEAT.....	83
Q400 M / Q500 M - SEAT INTERFACE.....	83
Q400 F - SEAT INTERFACE .....	84
Q400 R - SEAT INTERFACE.....	86
SEAT CUSHION, STANDARD, HEIGHT 50MM.....	88
SEDEO SEAT CUSHION, PROFILED, HEIGHT 70MM.....	89
SEDEO SEAT CUSHION, SUPPORT, HEIGHT 90MM.....	91
SEDEO SEAT BOARD, FLAT.....	93
SEDEO SEAT BOARD, THRESHOLD 50MM .....	95
SEAT PLATE .....	97
SEAT MODULE, FIXED.....	98
SEAT MODULE, LIFT AND TILT .....	99
SEAT MODULE, TILT .....	100
THIGH SUPPORT.....	102
CONTROL .....	103
R-NET ELECTRONICS COMPONENTS.....	103
R-NET CONTROL MODULES.....	105
VR2 CONTROL MODULES.....	106
DONGLE AND HANDHELD PROGRAMMER .....	107
CONTROL MOUNT .....	108
MOUNT, JOYSTICK VR2/R-NET .....	108

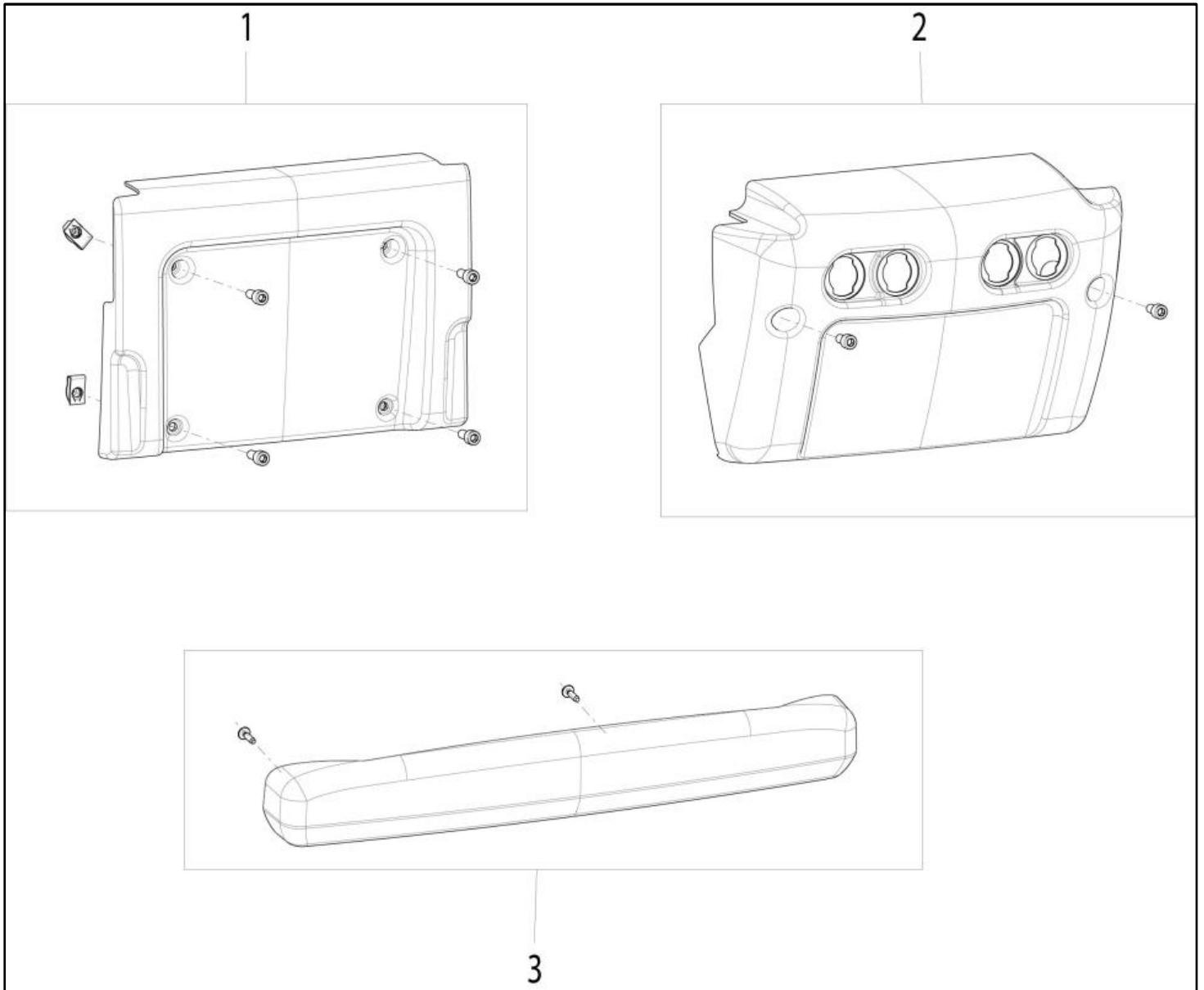
MOUNT, 4-ACTUATOR BOX VR2 .....	110
MOUNT, 5-SWITCH BOX R-NET .....	111
MOUNT, ATTENDANT CONTROL VR2/R-NET .....	112
TABLE TOP CONTROL.....	113
LINK-IT.....	114
LINK-IT TO SEDEO HEADREST MOUNT (CHIN CONTROL).....	114
LINK-IT TO WHITMYER HEADREST MOUNT (CHIN CONTROL).....	116
LINK-IT TO MANUAL CHIN BOOM FOR SEDEO ERGO / UP .....	118
LINK-IT TO POWER CHIN BOOM FOR SEDEO ERGO / UP.....	120
LINK-IT TO MANUAL / POWER CHIN BOOM FOR SEDEO PRO .....	122
LINK-IT TO MANUAL / POWER CHIN BOOM FOR SEDEO LITE.....	123
LINK-IT TO SEAT RAIL MOUNT (SWITCH MOUNTING).....	124
LINK-IT TO WHITMYER HEADREST MOUNT FIXED (SWITCH MOUNTING).....	126
LINK-IT TO SEDEO HEADREST MOUNT FIXED (SWITCH MOUNTING).....	127
LINK-IT SIP-N-PUFF SYSTEM.....	129
LINK-IT / SWITCH-IT COMPACT SERIES JOYSTICK (HAND / CHIN MOUNTING) .....	130
LINK-IT / SWITCH-IT NECK RECEIVER MOUNT.....	131
LINK-IT / SWITCH-IT MICRO PILOT / MICRO GUIDE IN SUNDISC.....	132
LINK-IT MECHANICAL SWITCHES .....	134
LINK-IT OMNI CONTROL MOUNT.....	136
LINK-IT TO R-NET JOYSTICK (SWITCH MOUNTING).....	138
LINK-IT / SWITCH-IT MOUNTING FOR SWITCH-IT HEAD ARRAY .....	139
LINK-IT MODULES 1 .....	140
LINK-IT MODULES 2 .....	141
LINK-IT ACCESSORIES.....	142
LINK-IT TOOLBOX .....	144
CONTROL INPUT DEVICES .....	146
VR2 JOYSTICKS AND 4-ACTUATOR BOX.....	146
R-NET JOYSTICKS .....	147
SPECIAL CONTROL, HEAD CONTROL.....	148
SPECIAL CONTROL, SIP AND PUFF.....	149
SPECIAL CONTROL, HAND CONTROL.....	150
SPECIAL CONTROL, CHIN CONTROL.....	151
JOYSTICK KNOBS .....	152
OMNI 2.....	154
ACCESSORIES .....	155
LAP BELTS.....	155
POMMEL .....	156
BATTERIES .....	157
CHARGER .....	158
KERB CLIMBER (ONLY FOR Q400R) .....	159
CRUTCH HOLDER .....	160
TRAY TABLE, SWING AWAY .....	162
TRAY TABLE, WIDTH ADJUSTABLE, SWING AWAY .....	163
TRAY TABLE, HALF, SWING AWAY .....	164
REAR VIEW MIRROR .....	165
STVZO ACCESSORIES .....	166

Q400 M / Q500 M - SHROUD CHASSIS



Pos	Item number	Description	Comment
1	134374-ET	MAIN SHROUD, BLACK INCL. MOUNTING MATERIAL	
2	134375-ET	REAR SHROUD, BLACK INCL. MOUNTING MATERIAL	

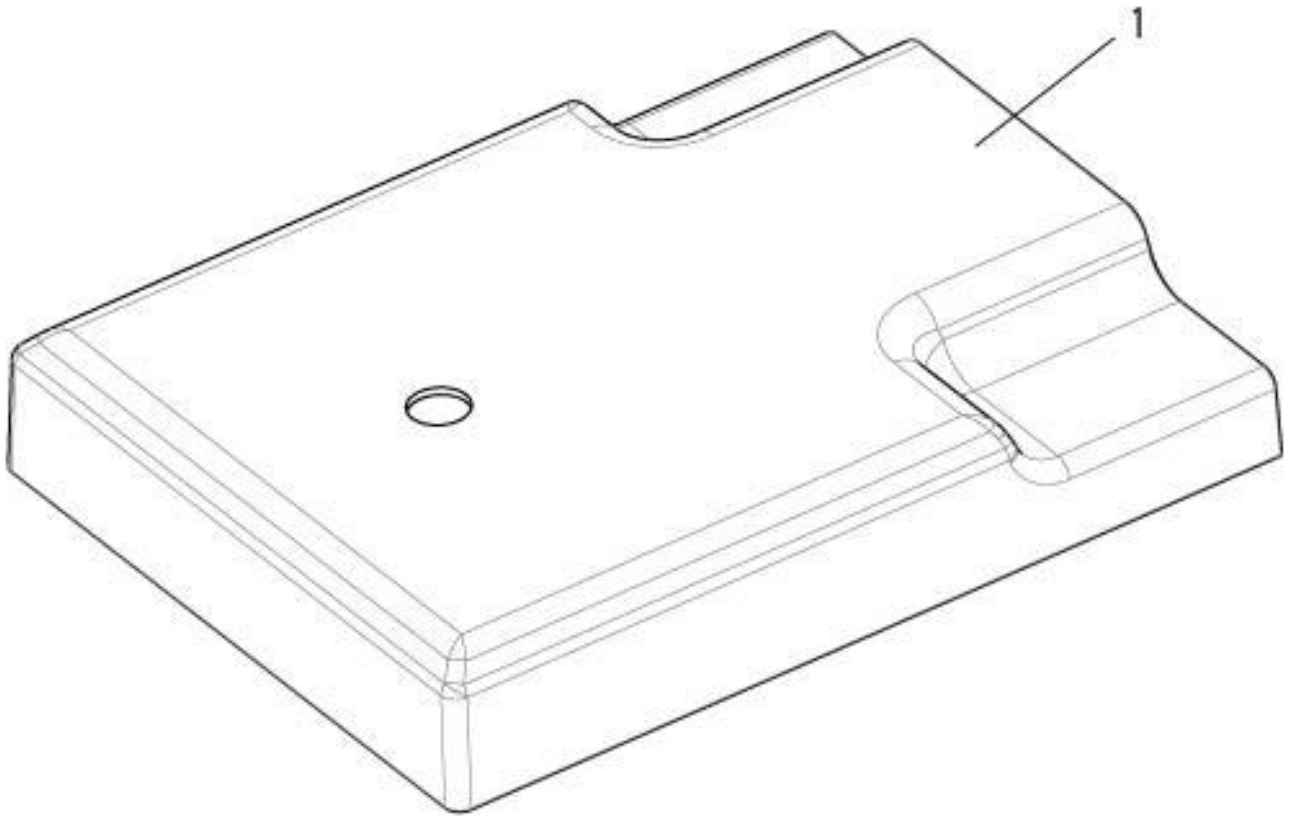
Q400 F/R - SHROUD CHASSIS



Pos	Item number	Description	Comment
1	22700086	MAIN SHROUD, BLACK INCL. MOUNTING MATERIAL	Q400 F/R
2	22700079	REAR SHROUD, BLACK INCL. MOUNTING MATERIAL	Q400 F/R
3	22700078	BRIDGE COVER	Q400 F/R

# BATTERY COVER

## BATTERY COVER



Pos	Item number	Description	Comment
1	22714020	BATTERY COVER	

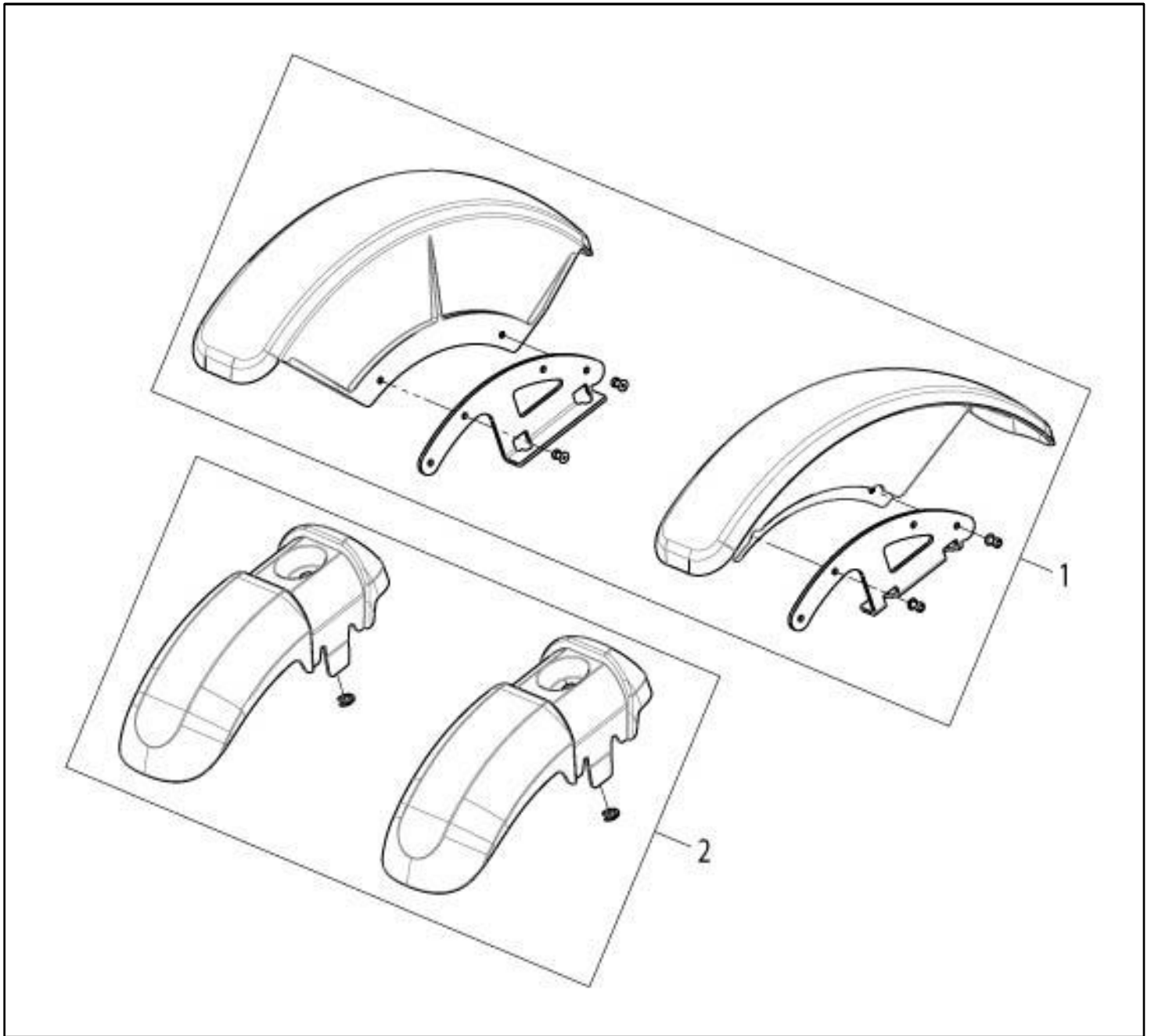


COLOURED SHROUD ELEMENTS



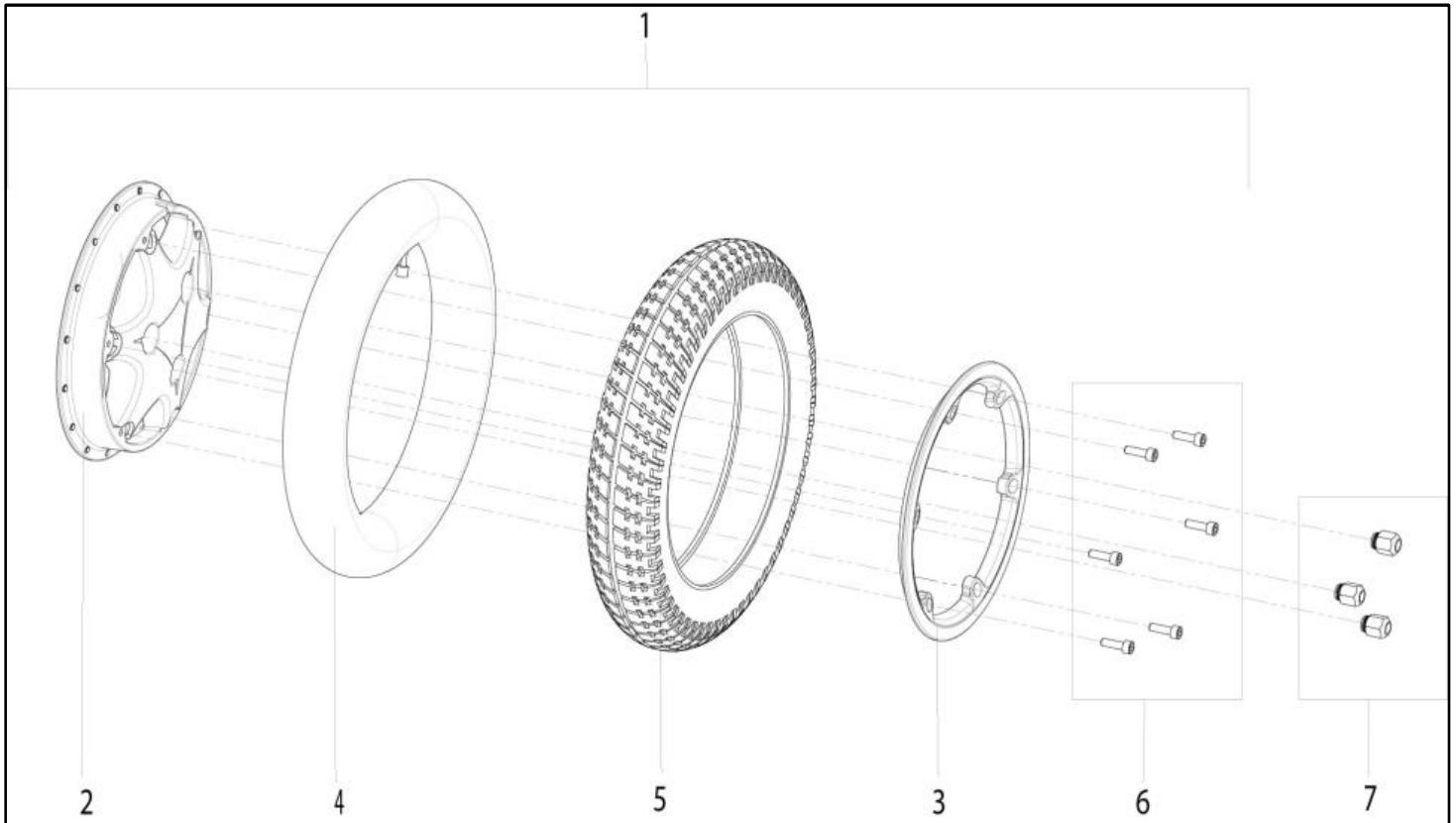
Pos	Item number	Description	Comment
1	161952	COLOUR KIT, GREEN	Q400M / Q500M
1	161950	COLOUR KIT, ORANGE	Q400M / Q500M
1	162538	COLOUR KIT, SILVER	Q400M / Q500M
1	161948	COLOUR KIT, BLACK	Q400M / Q500M
2	22700048-001	COLOUR KIT, GREEN	Q400F/R
2	22700050-001	COLOUR KIT, ORANGE	Q400F/R
2	22700051-001	COLOUR KIT, SILVER	Q400F/R
2	22700053-001	COLOUR KIT, BLACK	Q400F/R
1	161953	COLOUR KIT, BLUE	Q500M
1	161949	COLOUR KIT, WHITE	Q500M
1	161951	COLOUR KIT, RED	Q500M

Q400 F/R - MUDGUARD



Pos	Item number	Description	Comment
1	22700055	FENDER SET 14 INCH	Q400R
1	22700056	FENDER SET 14 INCH	Q400F
2	22700060	FENDER SET 9 INCH, CASTOR WHEEL	Q400F/R

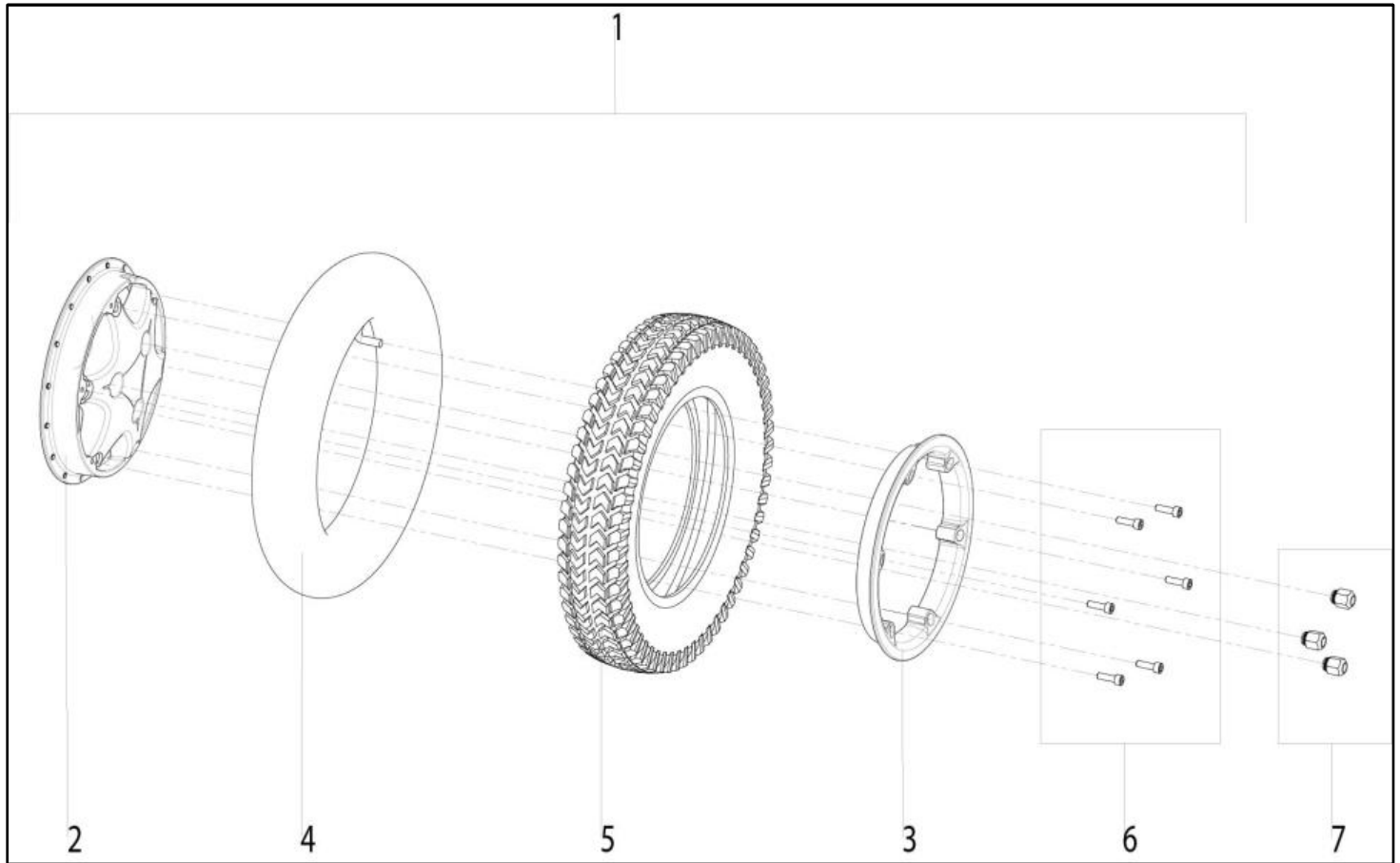
13 INCH DRIVE WHEEL, KNOBBLY



Pos	Item number	Description	Comment
1	244823	WHEEL 6-SPOKE, 13 INCH, KNOBBLY, PNEU	
1	244824	WHEEL 6-SPOKE, 13 INCH, KNOBBLY, SOLID	
2	243565	INNER RING - 6 SPOKE	
3	243567	OUTER RING	
4	010498	13 INCH INNER TUBE	
5	247671	13 INCH TYRE, KNOBBLY, PNEU, MARKING ON TYRE: 2.50-8	
5	244927	13 INCH TYRE, KNOBBLY, SOLID, MARKING ON TYRE: 2.50-8	
6	162361	MOUNTING KIT SCREW	6 PCS./PACK
7	161965	MOUNTING KIT LUG NUT	3 PCS./PACK

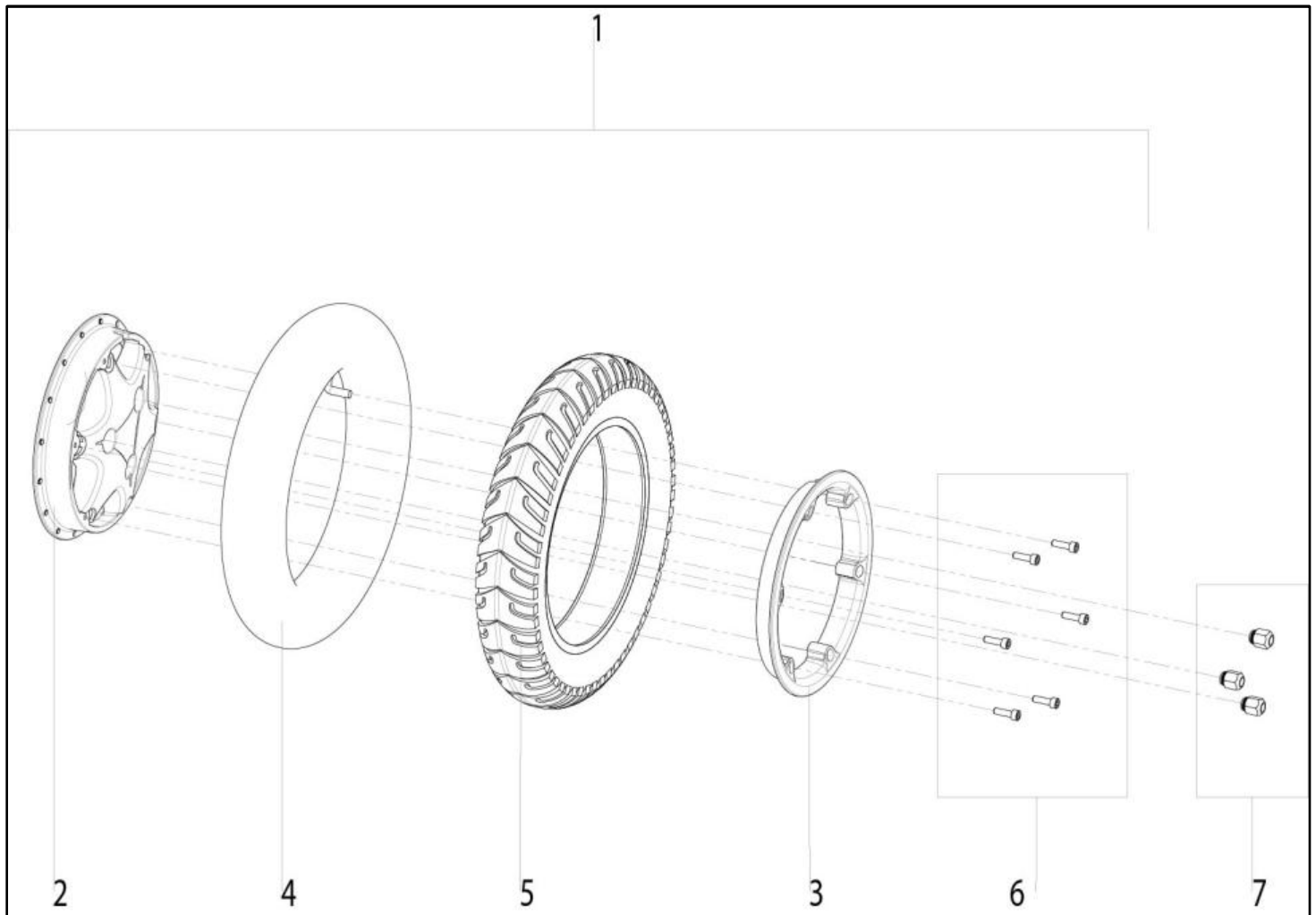
# 14 INCH DRIVE WHEEL, KNOBBLY

## 14 INCH DRIVE WHEEL, KNOBBLY



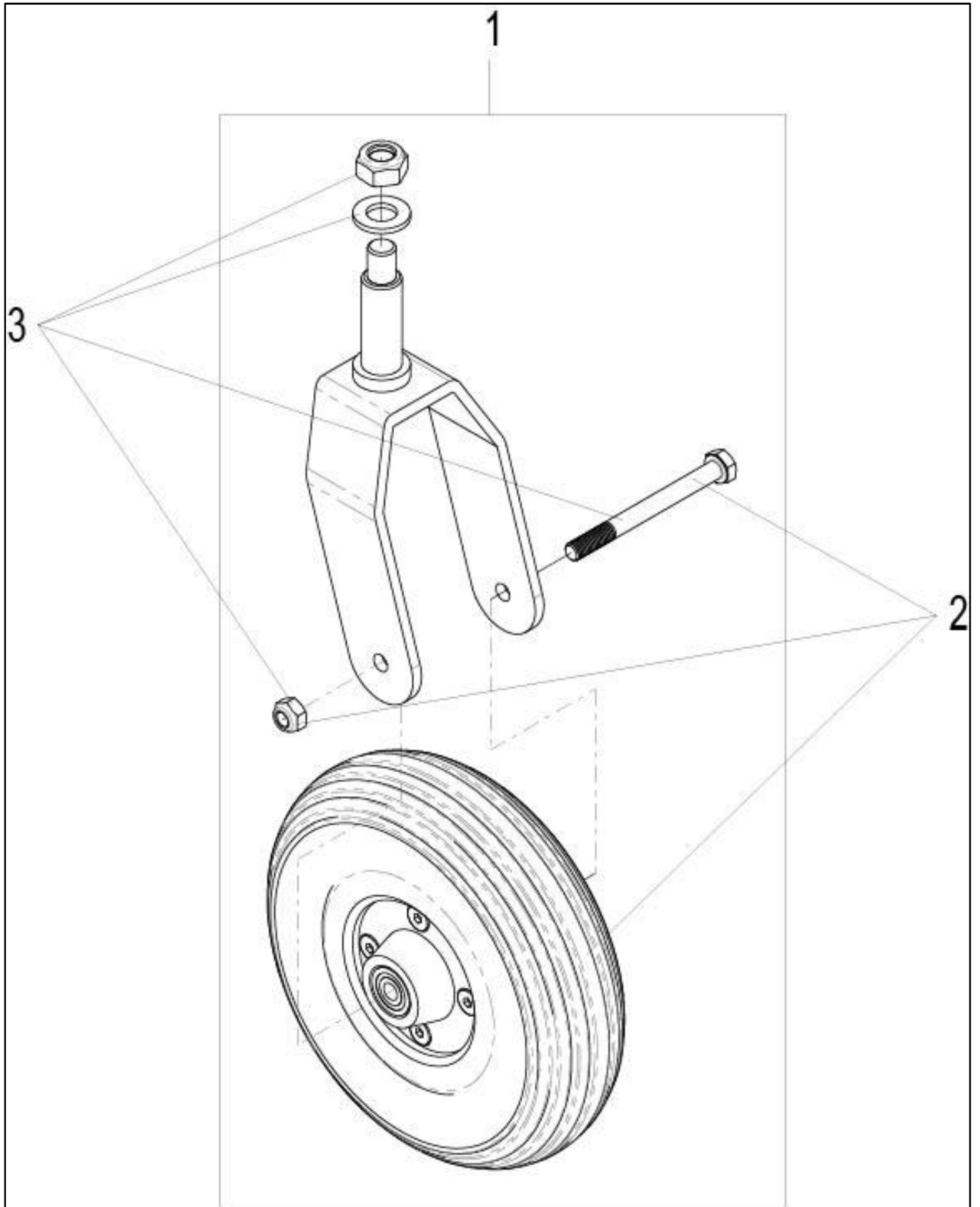
Pos	Item number	Description	Comment
1	245399	WHEEL 6-SPOKE, 14 INCH, KNOBBLY, PNEU	
1	245400	WHEEL 6-SPOKE, 14 INCH, KNOBBLY, SOLID	
2	243565	INNER RING - 6 SPOKE	
3	243568	OUTER RING	
4	384739	14 INCH INNER TUBE	
5	125284	14 INCH TYRE, KNOBBLY, PNEUMATIC, MARKING ON TYRE: 3.00-8	
5	244928	14 INCH TYRE, KNOBBLY, SOLID, MARKING ON TYRE: 3.00-8	
6	162361	MOUNTING KIT SCREW	6 PCS./PACK
7	161965	MOUNTING KIT LUG NUT	3 PCS./PACK

## 14 INCH DRIVE WHEEL, V-TYPE



Pos	Item number	Description	Comment
1	245506	WHEEL 6-SPOKE, 14 INCH, V-TYPE, PNEU	LH
1	245507	WHEEL 6-SPOKE, 14 INCH, V-TYPE, SOLID	LH
1	245401	WHEEL 6-SPOKE, 14 INCH, V-TYPE, PNEU	RH
1	245402	WHEEL 6-SPOKE, 14 INCH, V-TYPE, SOLID	RH
2	243565	INNER RING - 6 SPOKE	
3	243568	OUTER RING	
4	384739	14 INCH INNER TUBE	
5	031053	14 INCH TYRE, V-TYPE, PNEU, MARKING ON TYRE: 3.00-8	
5	21007014	14 INCH TYRE, V-TYPE, SOLID, MARKING ON TYRE: 3.00-8	
6	162361	MOUNTING KIT SCREW	6 PCS./PACK
7	161965	MOUNTING KIT LUG NUT	3 PCS./PACK

**Q400M / Q500M - 7 INCH CASTOR WHEEL**

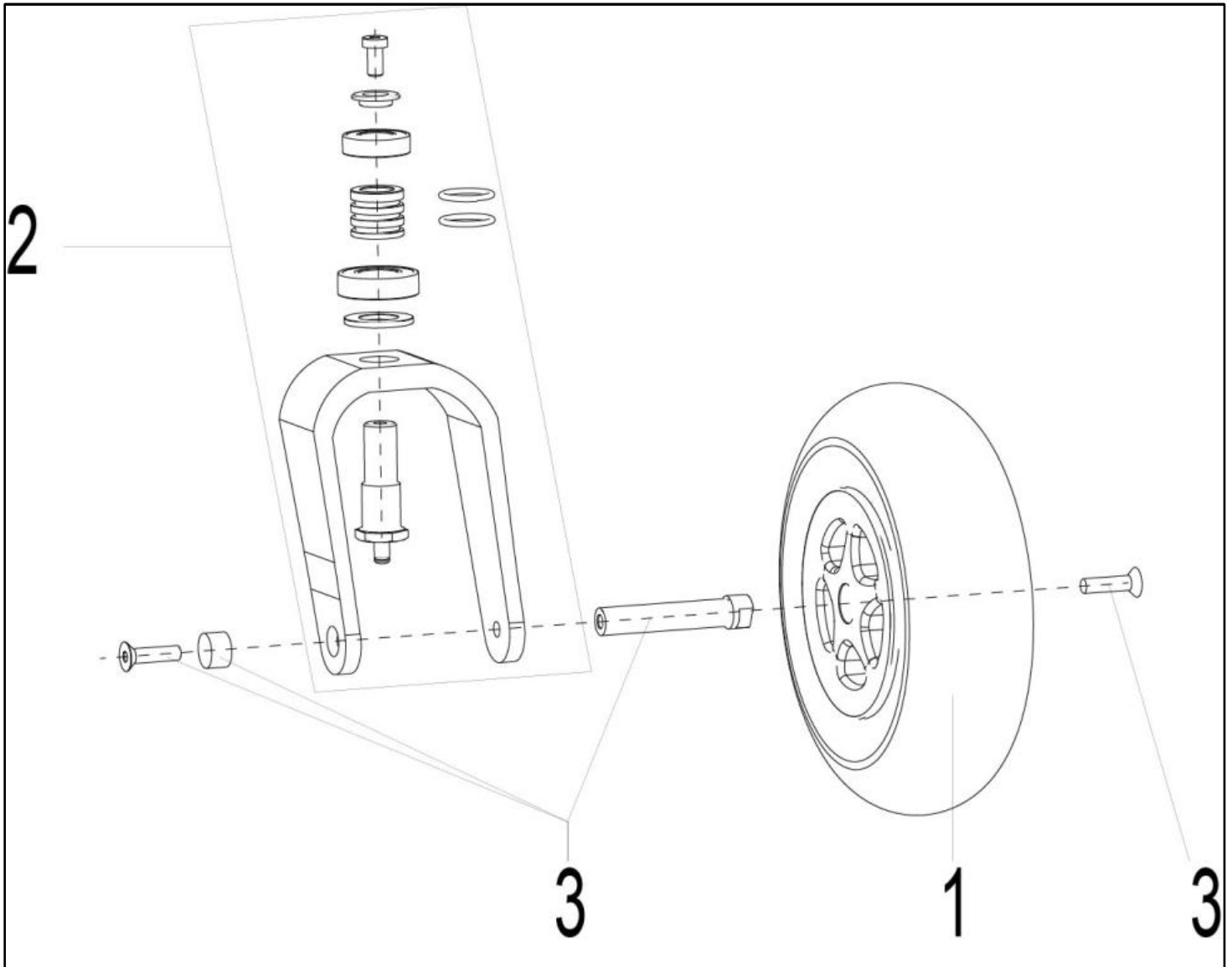


**Q400M / Q500M - 7 INCH CASTOR WHEEL**

<b>Pos</b>	<b>Item number</b>	<b>Description</b>	<b>Comment</b>
-	161934	CASTOR WHEEL, COMPLETE - LH	Q400 M / Q500 M
1	247565	CASTOR WHEEL, COMPLETE - RH	Q400 M / Q500 M
2	247566	7 INCH CASTOR WHEEL	Q400 M / Q500 M
3	161938	CASTOR FORK FASTENERS	Q400 M / Q500 M



Q400 F/R - 9/10 INCH CASTOR WHEEL

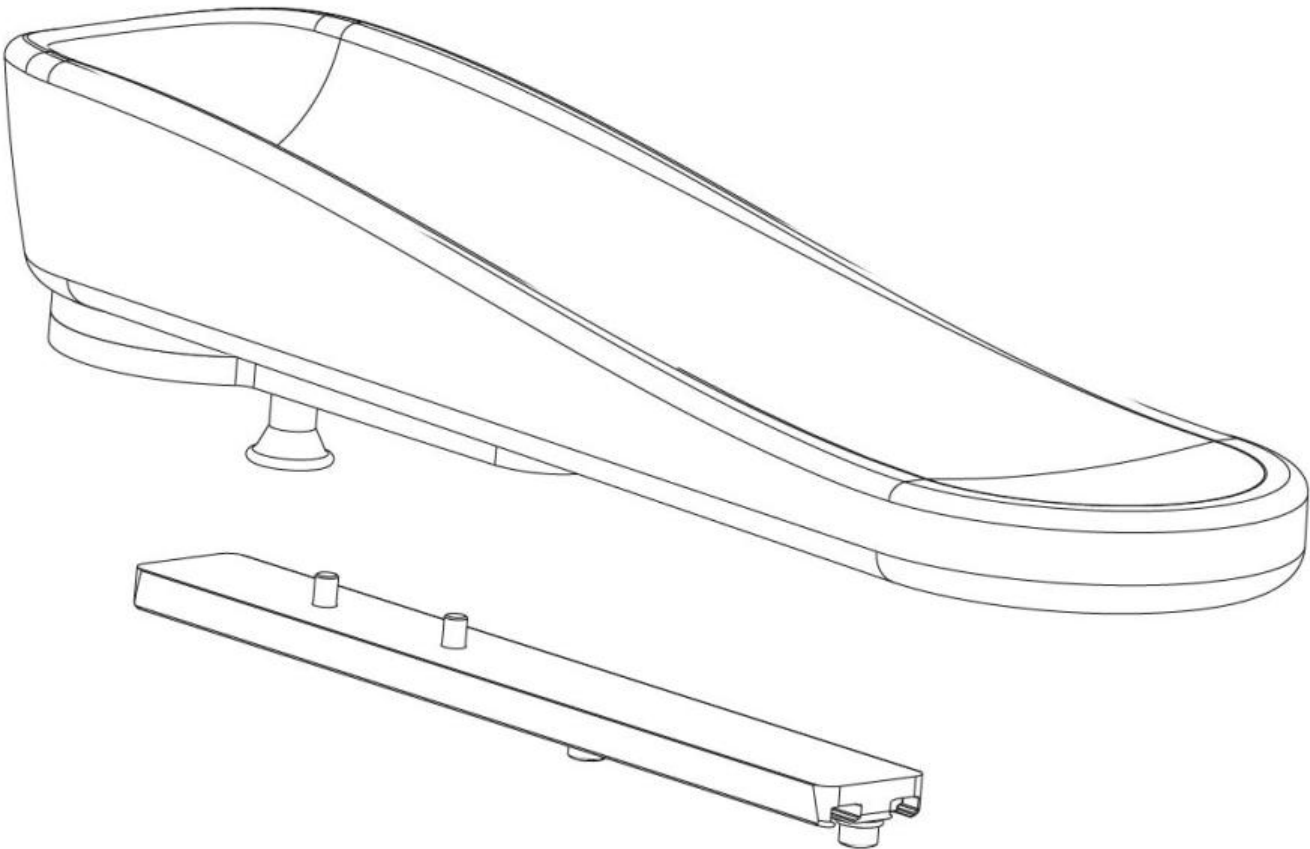


Pos	Item number	Description	Comment
2	22700070-001	9 INCH FORK KIT FOR 14 INCH DRIVE WHEEL	Q400 F/R
2	22700070-002	9 INCH FORK KIT FOR 13 INCH DRIVE WHEEL	Q400 F/R
2	22700071	10 INCH FORK KIT FOR 14 INCH DRIVE WHEEL	Q400 R
3	22700087	9 INCH AXLE INCL. MOUNTING ACCESSORIES	Q400 F/R
3	22700074	10 INCH AXLE INCL. MOUNTING ACCESSORIES	Q400 R
1	22708025	CASTOR WHEEL, 5-SPOKE, 9 INCH, SOLID, BLACK	Q400 F/R
1	22708026	CASTOR WHEEL, 5-SPOKE, 9 INCH, PNEU, BLACK	Q400 F/R
1	22708027	CASTOR WHEEL, 5-SPOKE, 10 INCH, SOLID, BLACK	Q400 R
1	22708028	CASTOR WHEEL, 5-SPOKE, 10 INCH, PNEU, BLACK	Q400 R
-	22708018	9 INCH TYRE, SOLID, MARKING ON TYRE: 2.8/2.5-4.00	
-	22708019	9 INCH TYRE, PNEU, MARKING ON TYRE: 2.8/2.5-4.00	

**Q400 F/R - 9/10 INCH CASTOR WHEEL**

<b>Pos</b>	<b>Item number</b>	<b>Description</b>	<b>Comment</b>
-	22708020	9 INCH INNER TUBE	
-	22708021	10 INCH TYRE, SOLID, MARKING ON TYRE: 3.00-4.00	
-	22708022	10 INCH TYRE, PNEU, MARKING ON TYRE: 3.00-4.00	
-	22708023	10 INCH INNER TUBE	

HEMIPLEGIC ARMREST

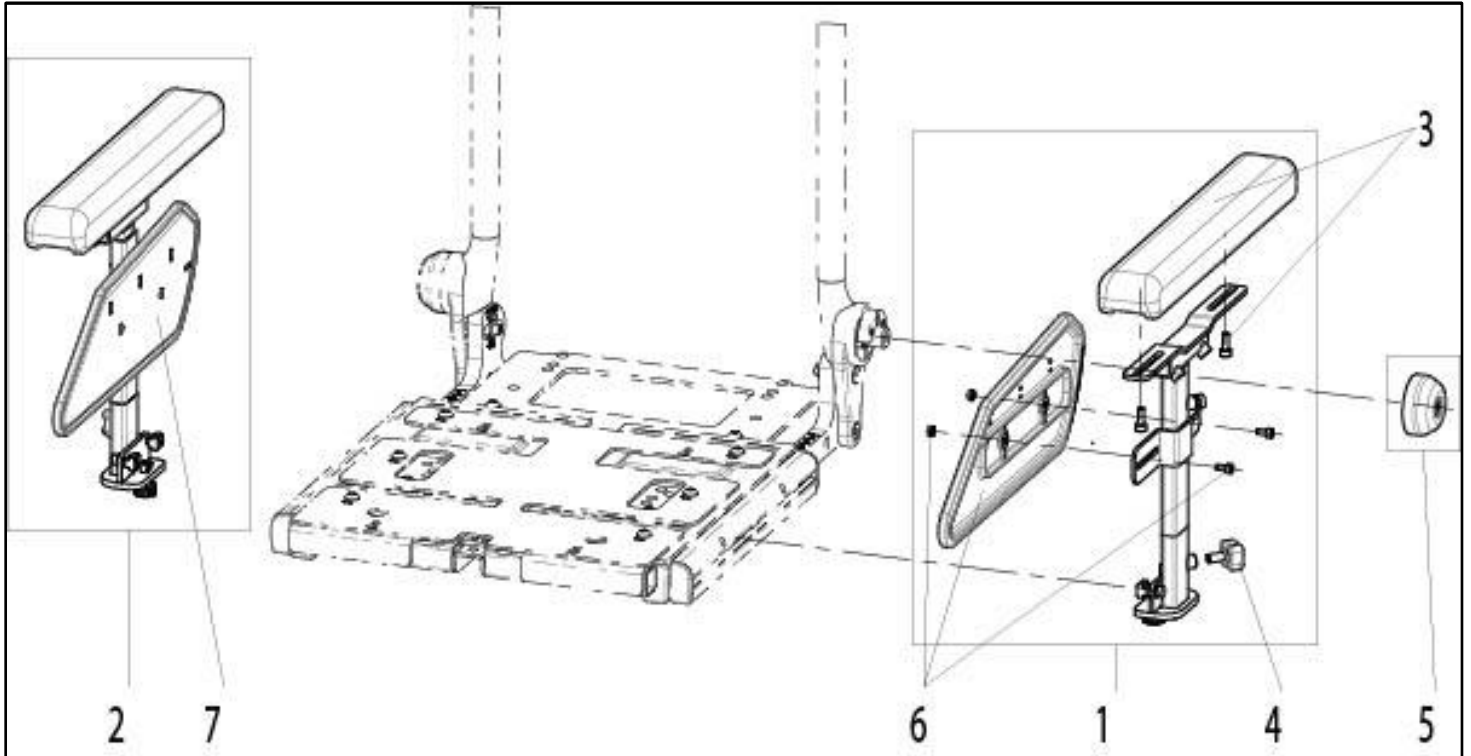


1

Pos	Item number	Description	Comment
1	22804080	HEMIPLEGIA ARMPAD ASSY	

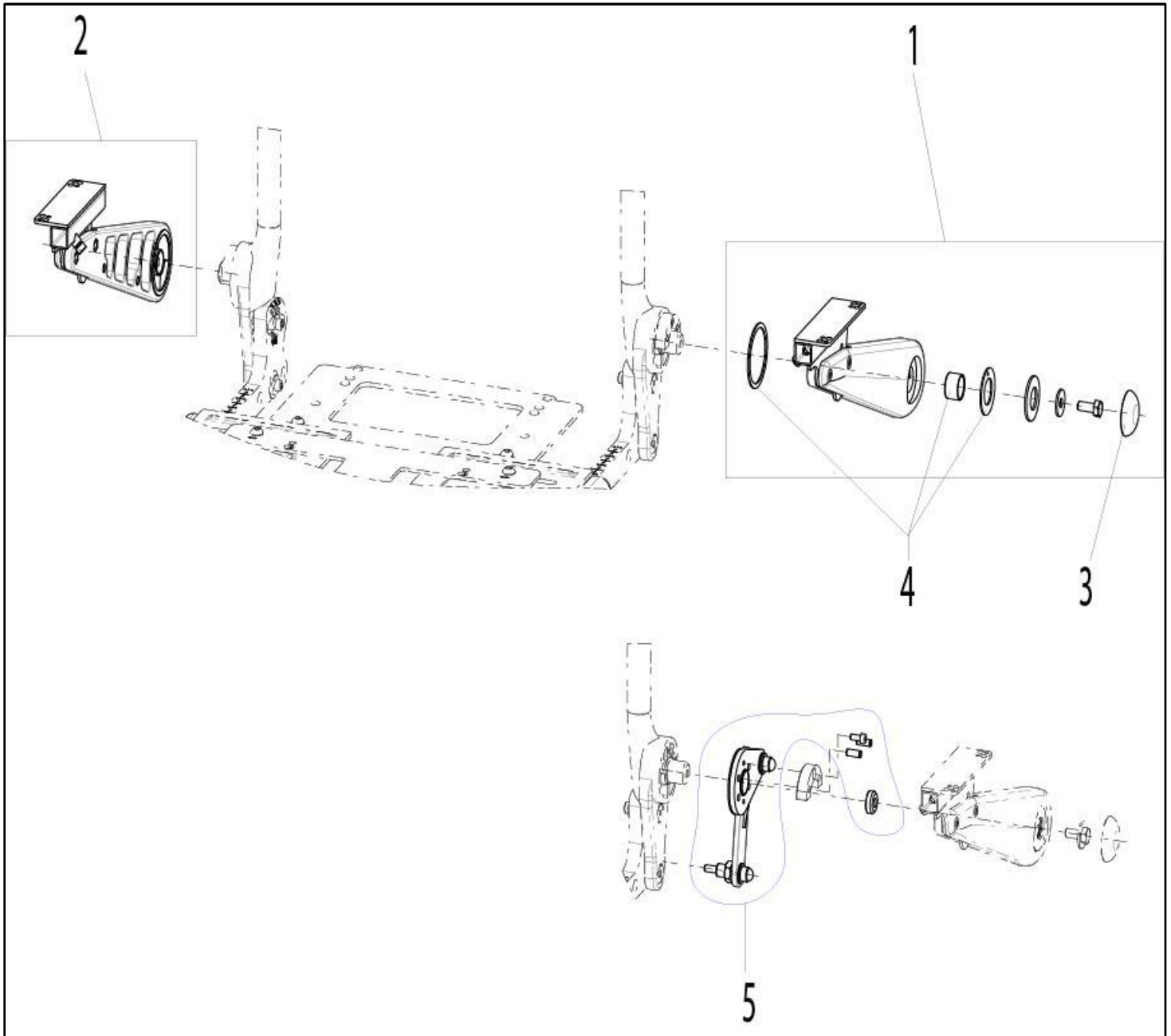
## ARMREST, SINGLE POST SEDEO LITE, FIXED

### ARMREST, SINGLE POST SEDEO LITE, FIXED



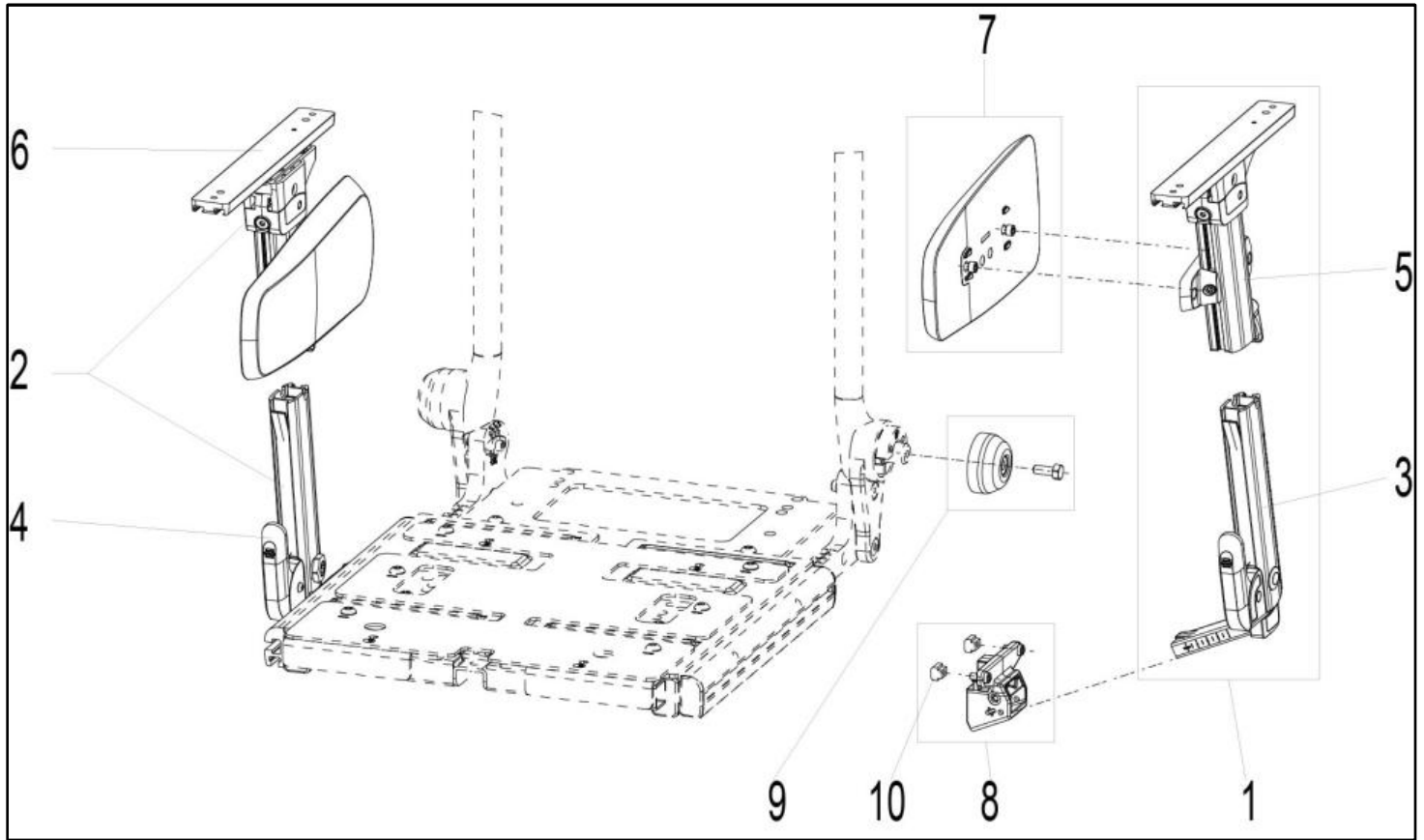
Pos	Item number	Description	Comment
1	22804100-001	ARMREST SINGLE POST, FIXED	LH
2	22804100-002	ARMREST SINGLE POST, FIXED	RH
3	22804052	ARMPAD 380MM INCL. MOUNTING ACCESSORIES	LH/RH USEABLE
4	22604027	WING SCREW	
5	22803080	BACKREST RECEIVER COVER	
6	22604057	SKIRTGUARD INCL. MOUNTING ACCESSORIES	LH
7	22604056	SKIRTGUARD INCL. MOUNTING ACCESSORIES	RH

ARMREST, FLIP BACK



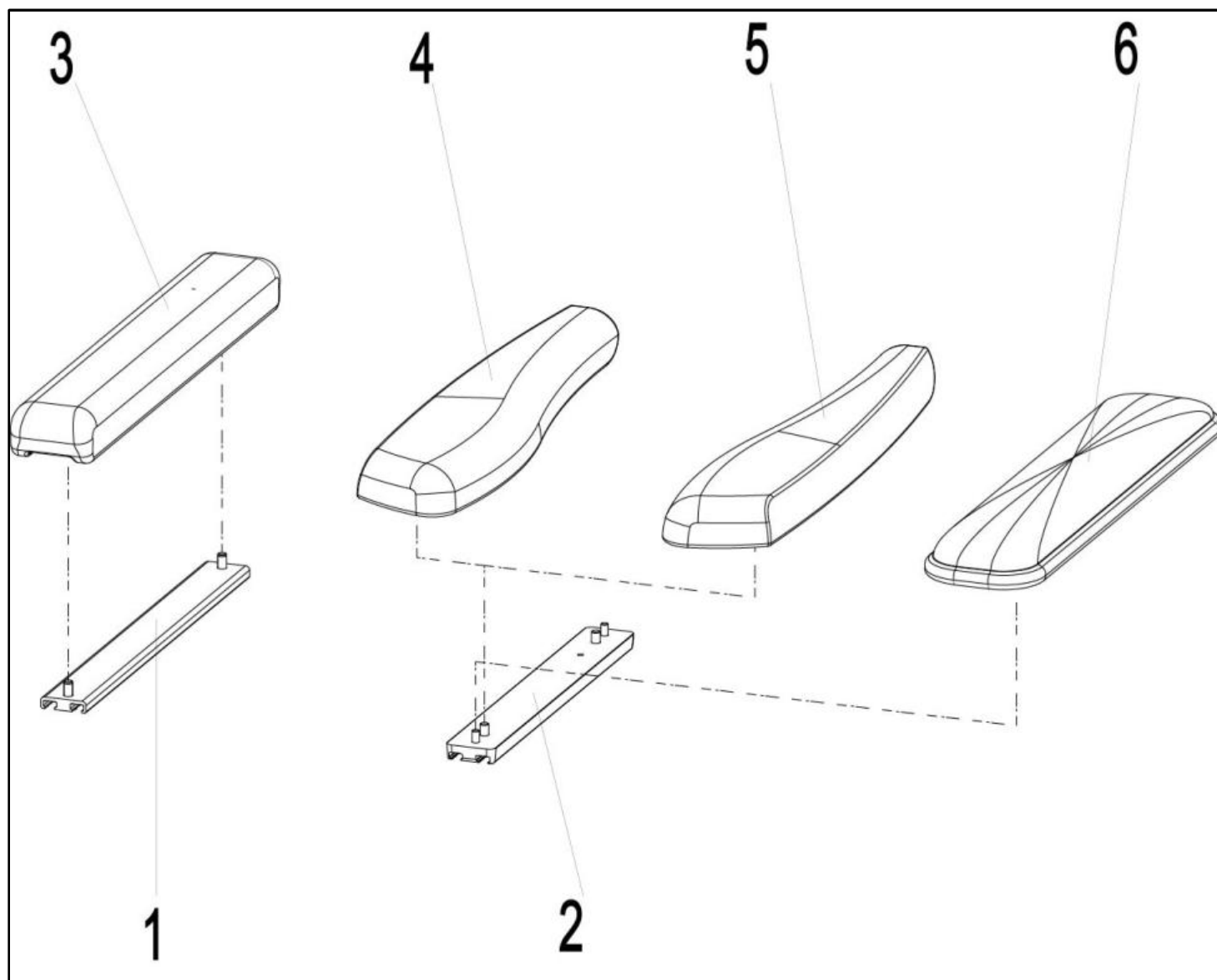
Pos	Item number	Description	Comment
1	22804110-001	FLIP BACK ARMREST	LH
2	22804110-002	FLIP BACK ARMREST	RH
3	22504223-001	ARMREST PIVOT CAP BLACK	2 PCS./PACK
4	22804111	BEARING SET ARMREST (6 BEARINGS)	
5	22804040-001	RECLINING ARMREST MECHANISM	LH
-	22804040-002	RECLINING ARMREST MECHANISM	RH

ARMREST, SINGLE POST, FLIP BACK



Pos	Item number	Description	Comment
1	22504215-001	ARMREST SINGLE POST, FLIP BACK	LH
2	22504215-002	ARMREST SINGLE POST, FLIP BACK	RH
3	22504205-001	FLIP BACK LOWER ASSEMBLY	LH
4	22504205-002	FLIP BACK LOWER ASSEMBLY	RH
5	22504214-001	ARMREST UPPER ASSEMBLY	LH
6	22504214-002	ARMREST UPPER ASSEMBLY	RH
7	22504219-002	SIDE SUPPORT, PU CUSHION INCL. MOUNTING ACCESSORIES	LH/RH USEABLE
8	22504025	ARMREST RECEIVER KIT	LH/RH USEABLE
9	22803080	BACKREST RECEIVER COVER	
10	000128103-ET	T-NUT M6	10 PCS./PACK

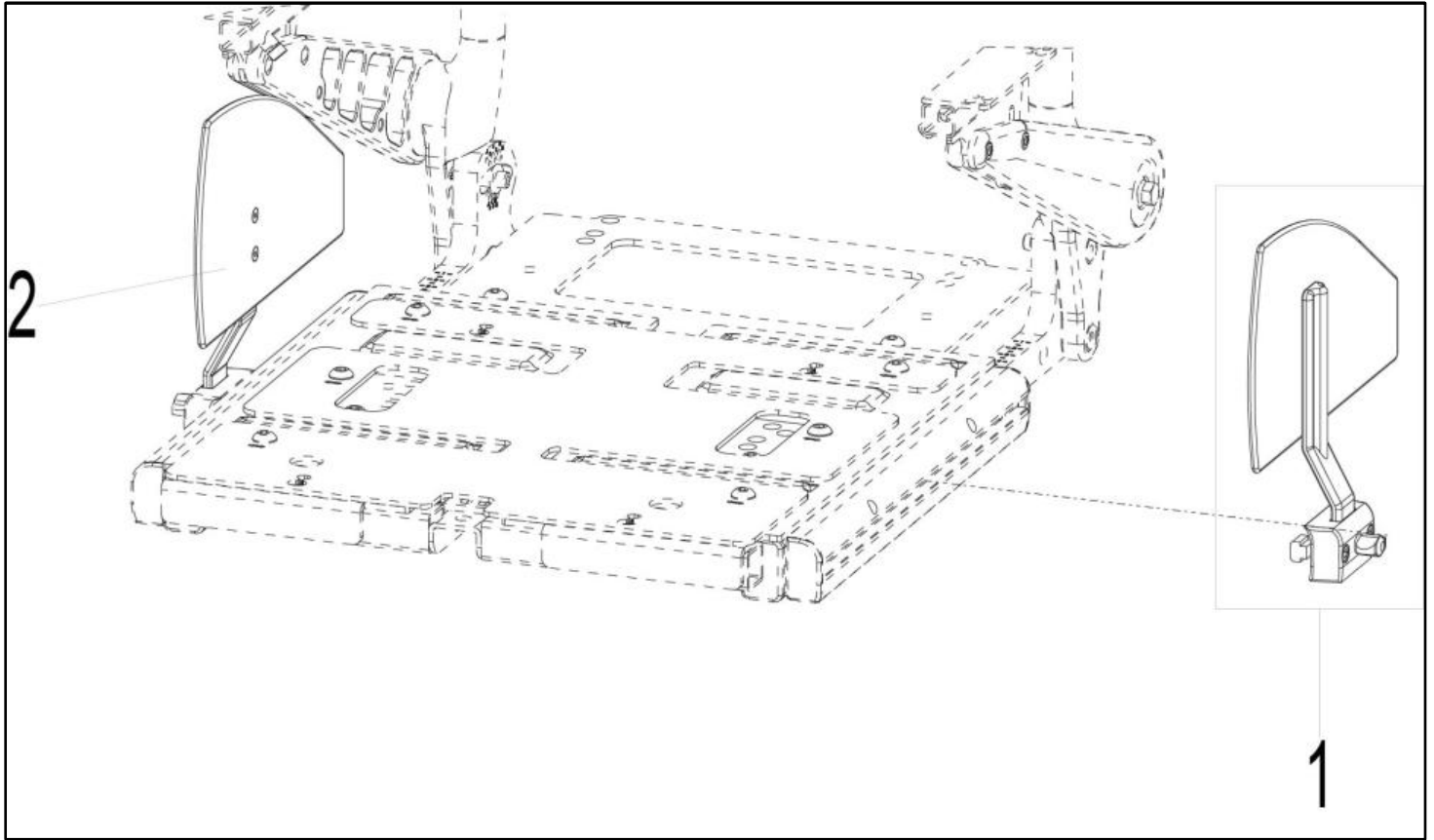
ARMPADS



Pos	Item number	Description	Comment
1	22804060	RAIL INCL. MOUNTING ACCESSORIES	FOR ARMPAD 380MM
2	22804051	RAIL INCL. MOUNTING ACCESSORIES	FOR ARMPAD 400MM
3	22804052	ARMPAD 380MM INCL. MOUNTING ACCESSORIES	LH/RH USEABLE
4	22504218-002	ARM PAD COMFORT, PADDED, PU COATED, 400MM, INCLUDING MOUNTING ACCESSORIES	RH
5	22504218-001	ARM PAD COMFORT, PADDED, PU COATED, 400MM, INCLUDING MOUNTING ACCESSORIES	LH
6	22504218-007	ARMPAD ASSEMBLY UMO, INCLUDING MOUNTING ACCESSORIES	LH/RH USEABLE

## SIDE GUARDS

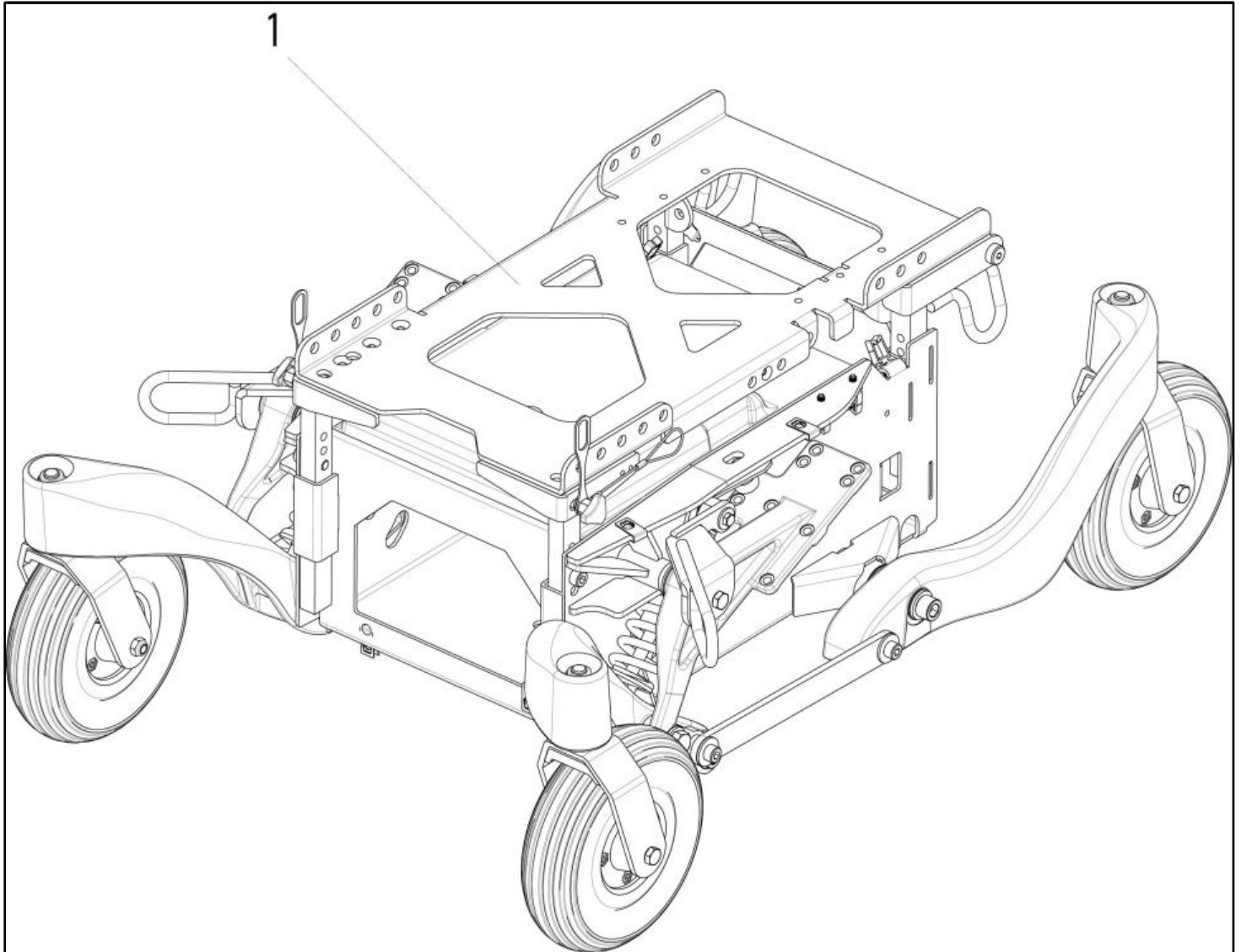
### SIDE GUARDS



Pos	Item number	Description	Comment
1	22804030-001	SIDE GUARD	LH
2	22804030-002	SIDE GUARD	RH

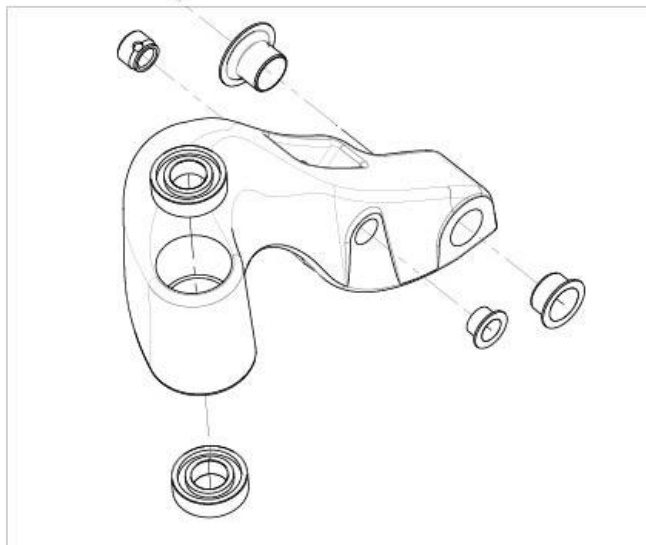
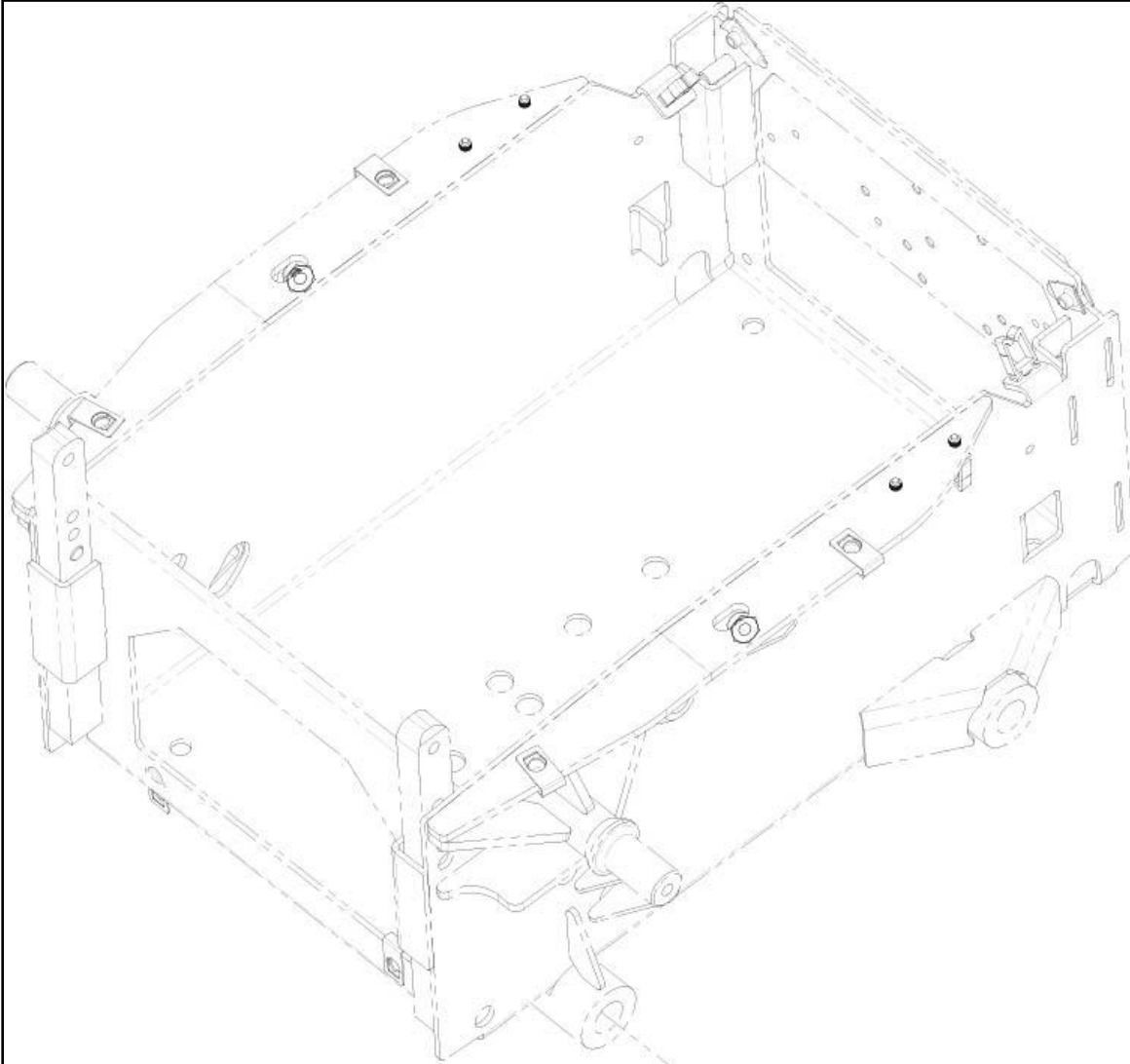


## Q400 M / Q500 M - CHASSIS



Pos	Item number	Description	Comment
1	134698	CHASSIS COMPLETE	Q400 M / Q500 M

Q400 M / Q500 M - CASTOR ARM FRONT

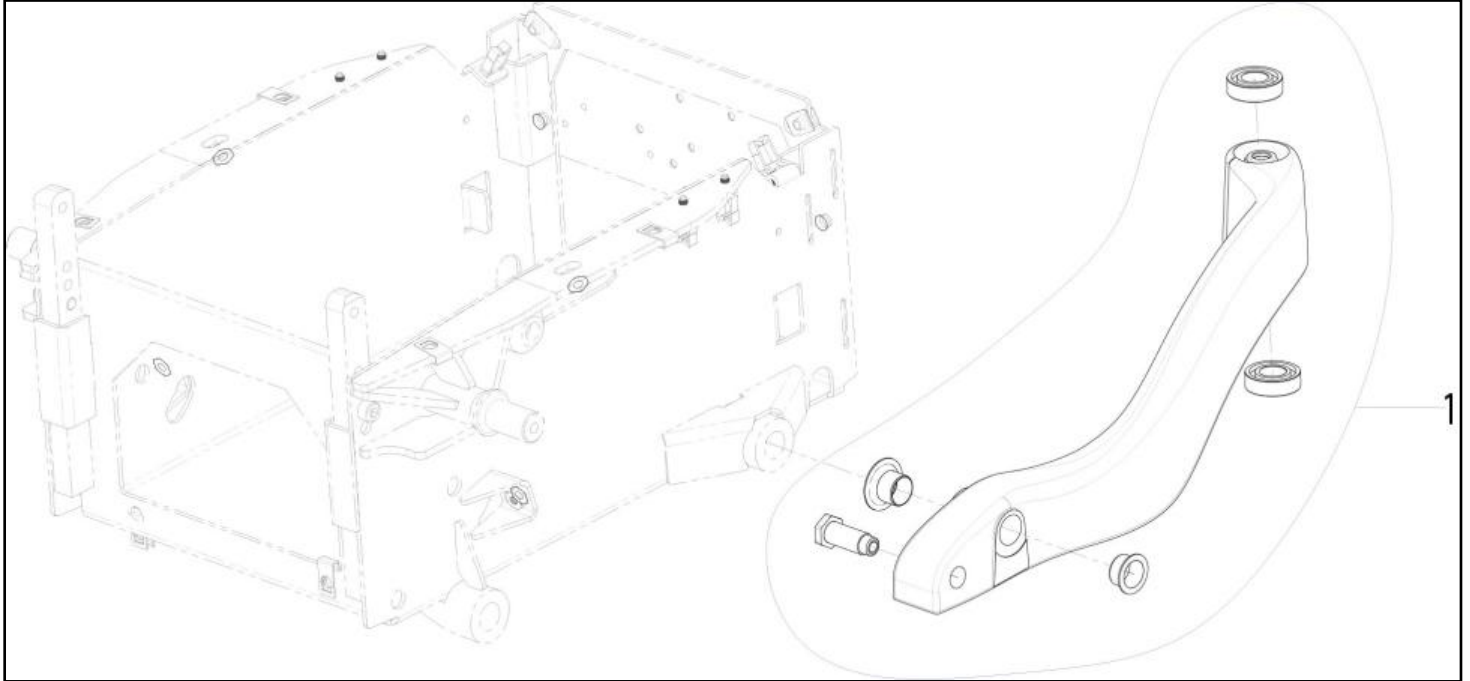


1

---

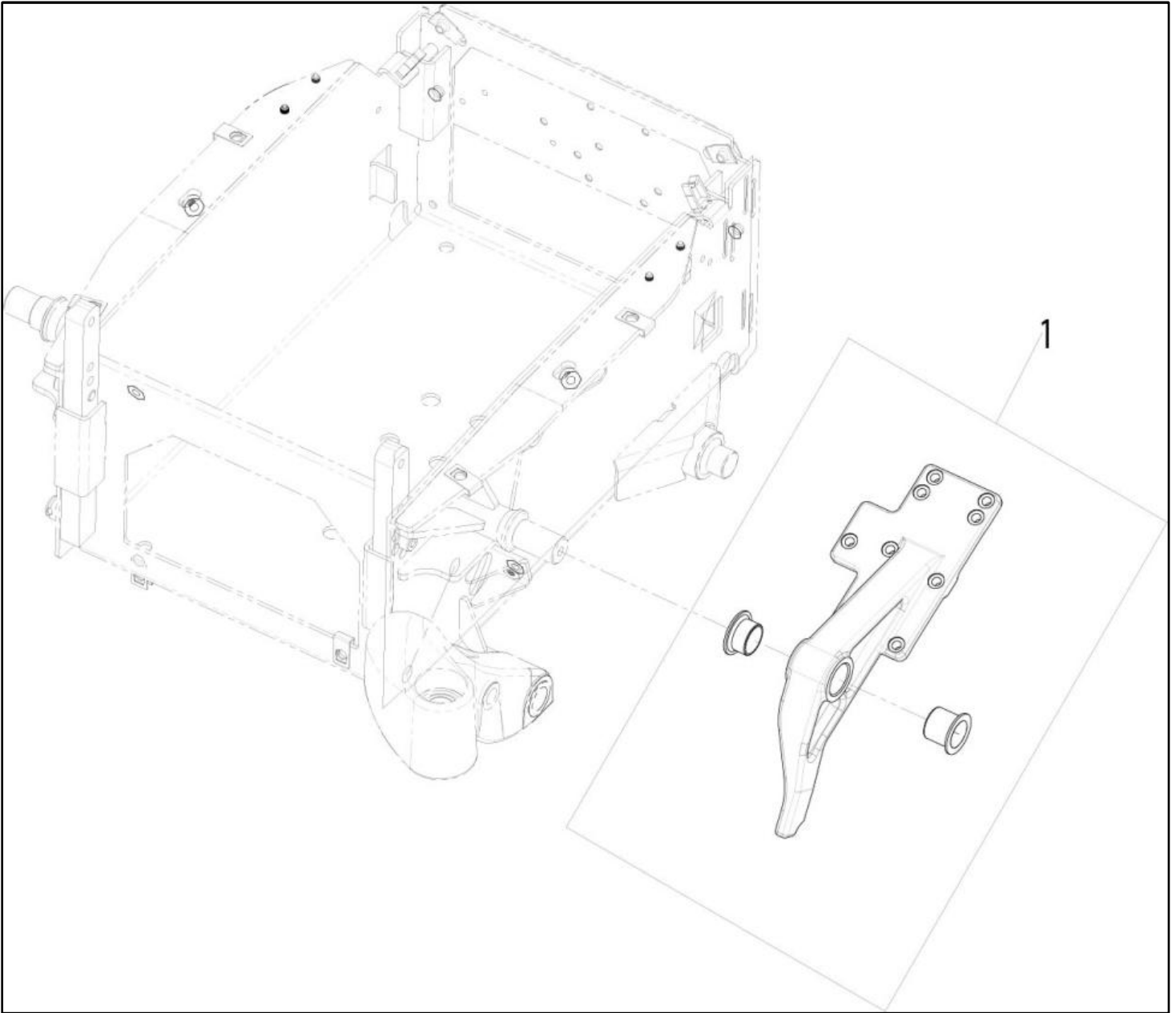
Pos	Item number	Description	Comment
1	161941	FRONT CASTER ARM COMPLETE	RH
-	161942	FRONT CASTER ARM COMPLETE	LH

Q400 M / Q500 M - CASTOR ARM REAR



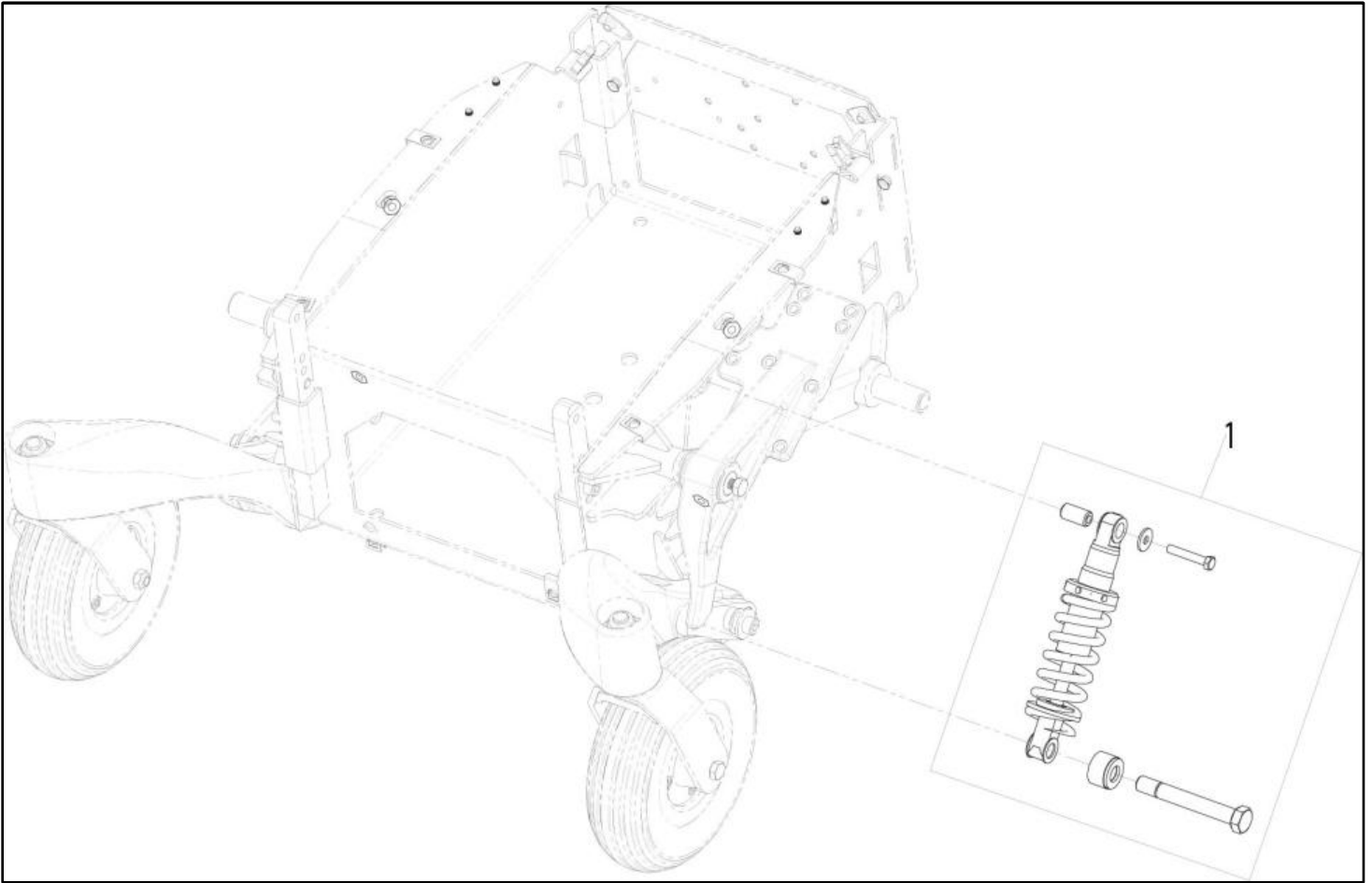
Pos	Item number	Description	Comment
1	161943	REAR CASTOR ARM	RH
-	161944	REAR CASTOR ARM	LH

## Q400 M / Q500 M - MOTOR MOUNT



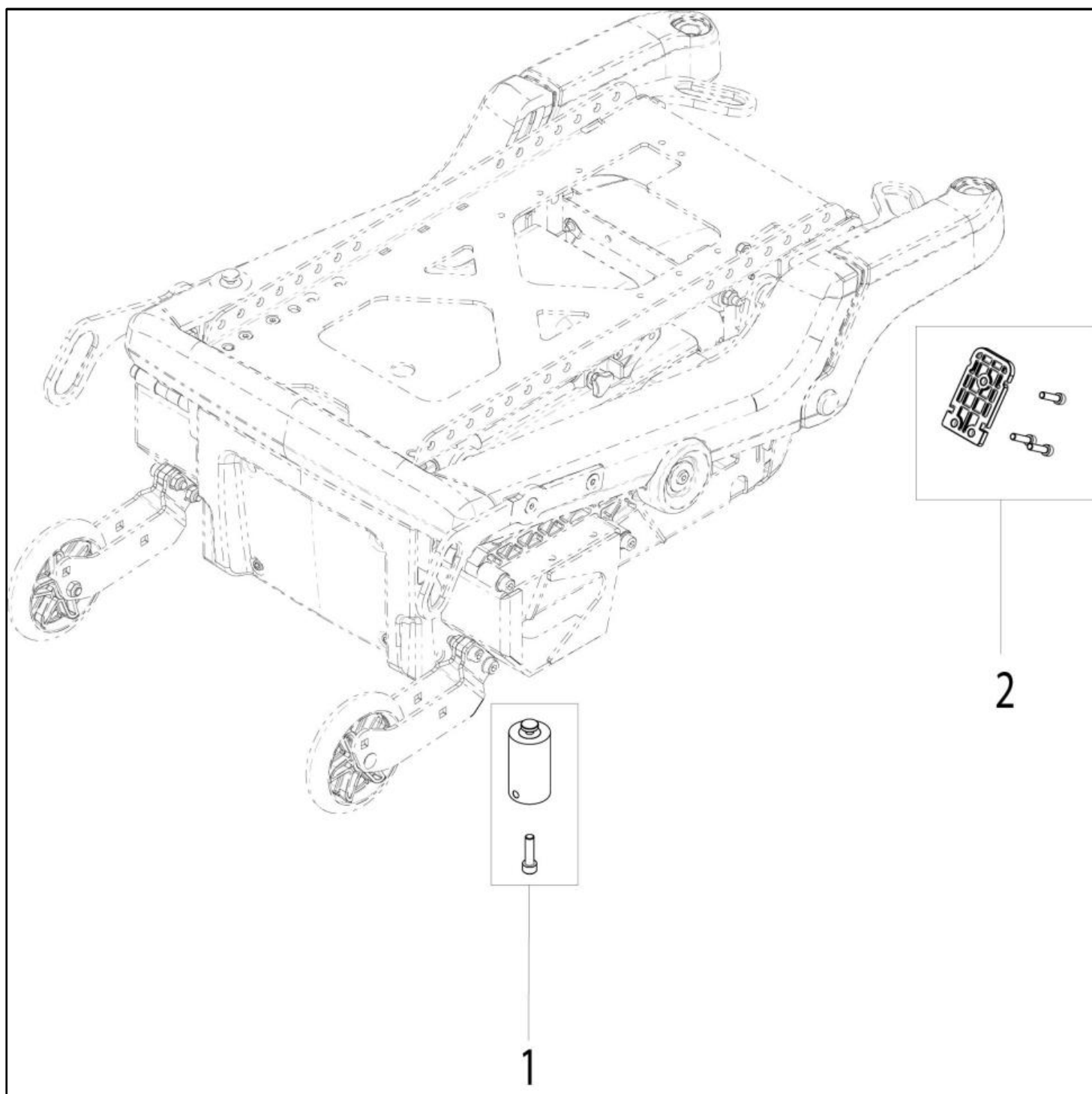
Pos	Item number	Description	Comment
1	161954	MOTOR MOUNT KIT	RH
2	161955	MOTOR MOUNT KIT	LH

Q400 M / Q500 M - SUSPENSION SPRING



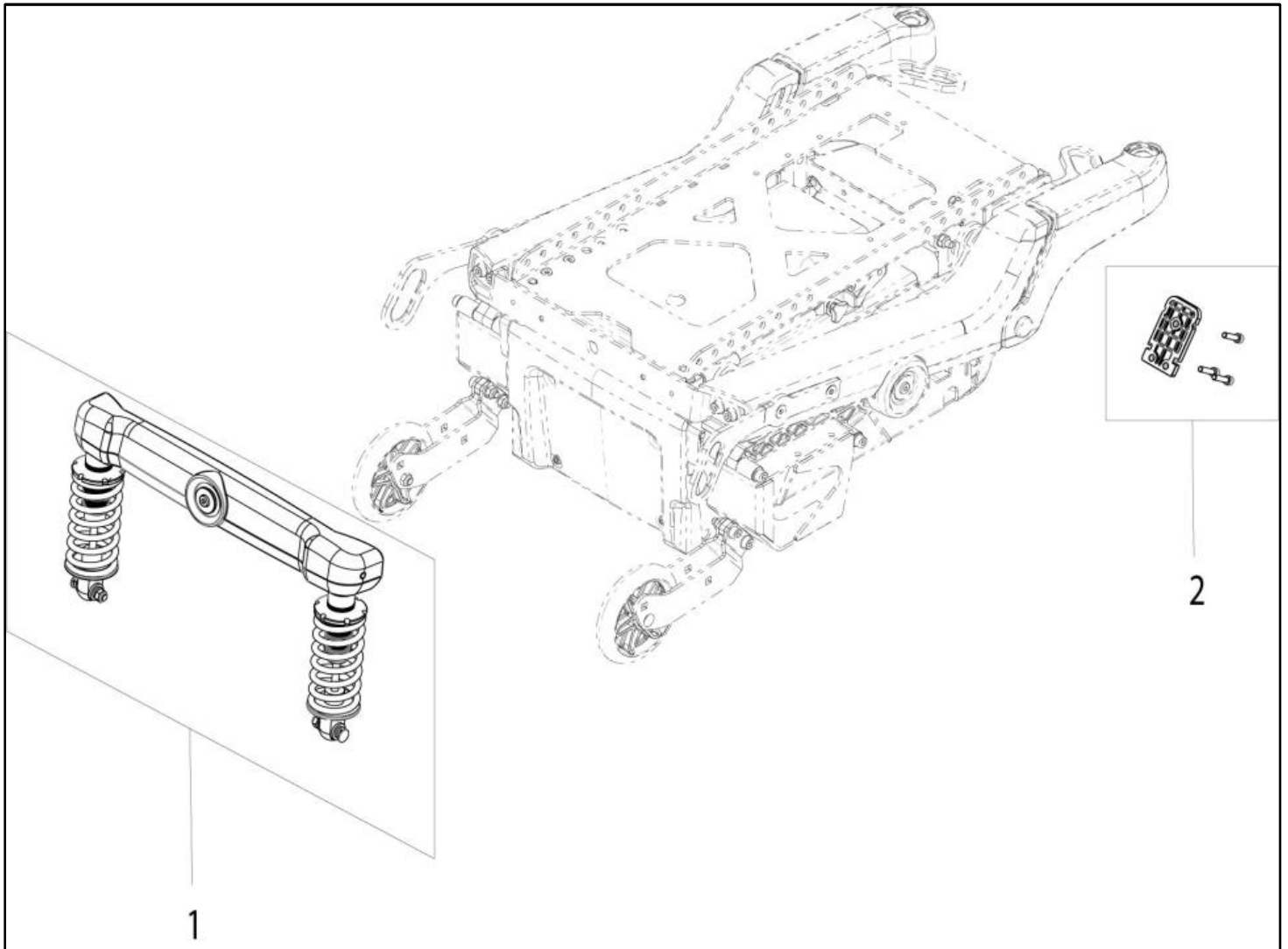
Pos	Item number	Description	Comment
1	247567	SUSPENSION SPRING KIT	Q400 M / Q500 M

## Q400 F/R - SUSPENSION



Pos	Item number	Description	Comment
1	22700076-001	RUBBER DAMPER 70 SHORE A	Q700F / Q400 F
1	22700076-002	RUBBER DAMPER 55 SHORE A	Q700R / Q400 R
2	22700067	CASTOR FILLER BASE	Q400 F/R / Q500 F/R/H

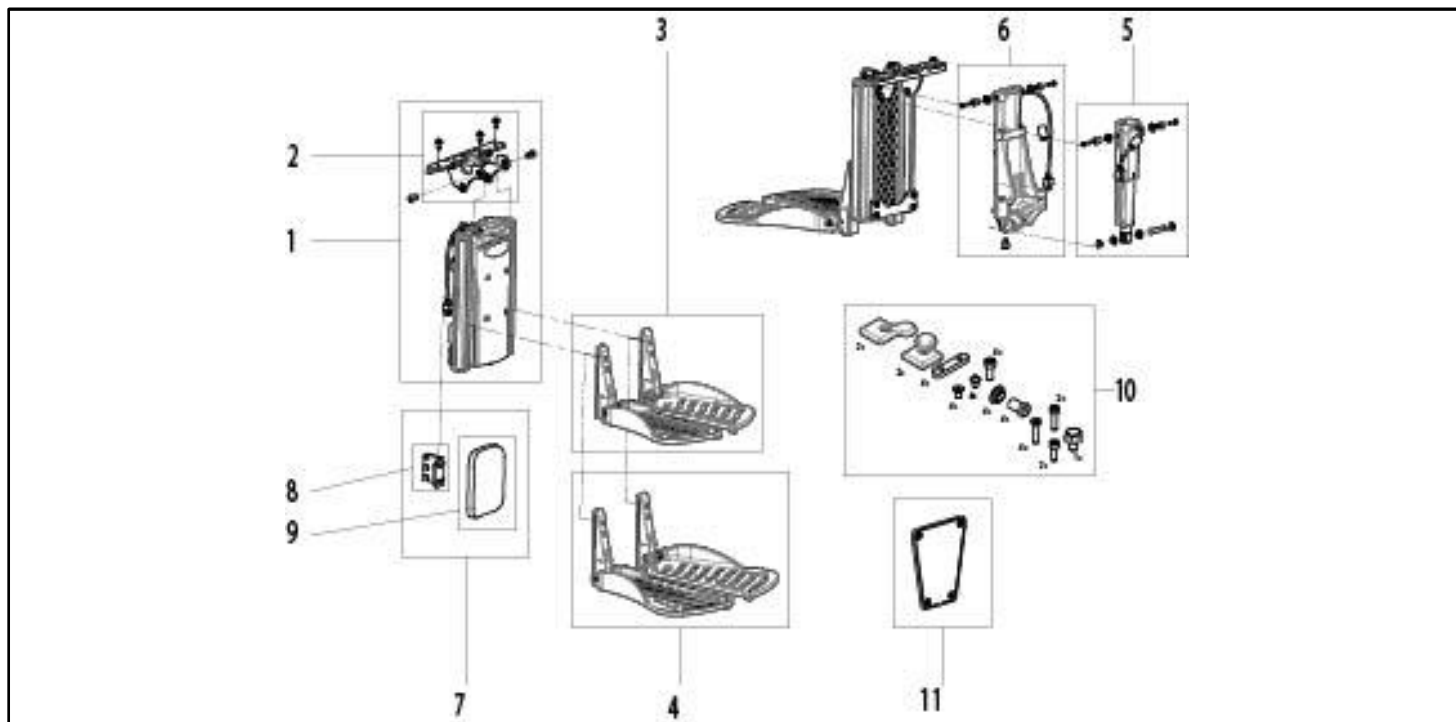
Q500 F/R - SUSPENSION



Pos	Item number	Description	Comment
1	22700075	SUSPENSION KIT	Q500 F/R
2	22700067	CASTOR FILLER BASE	Q400 F/R / Q500 F/R/H



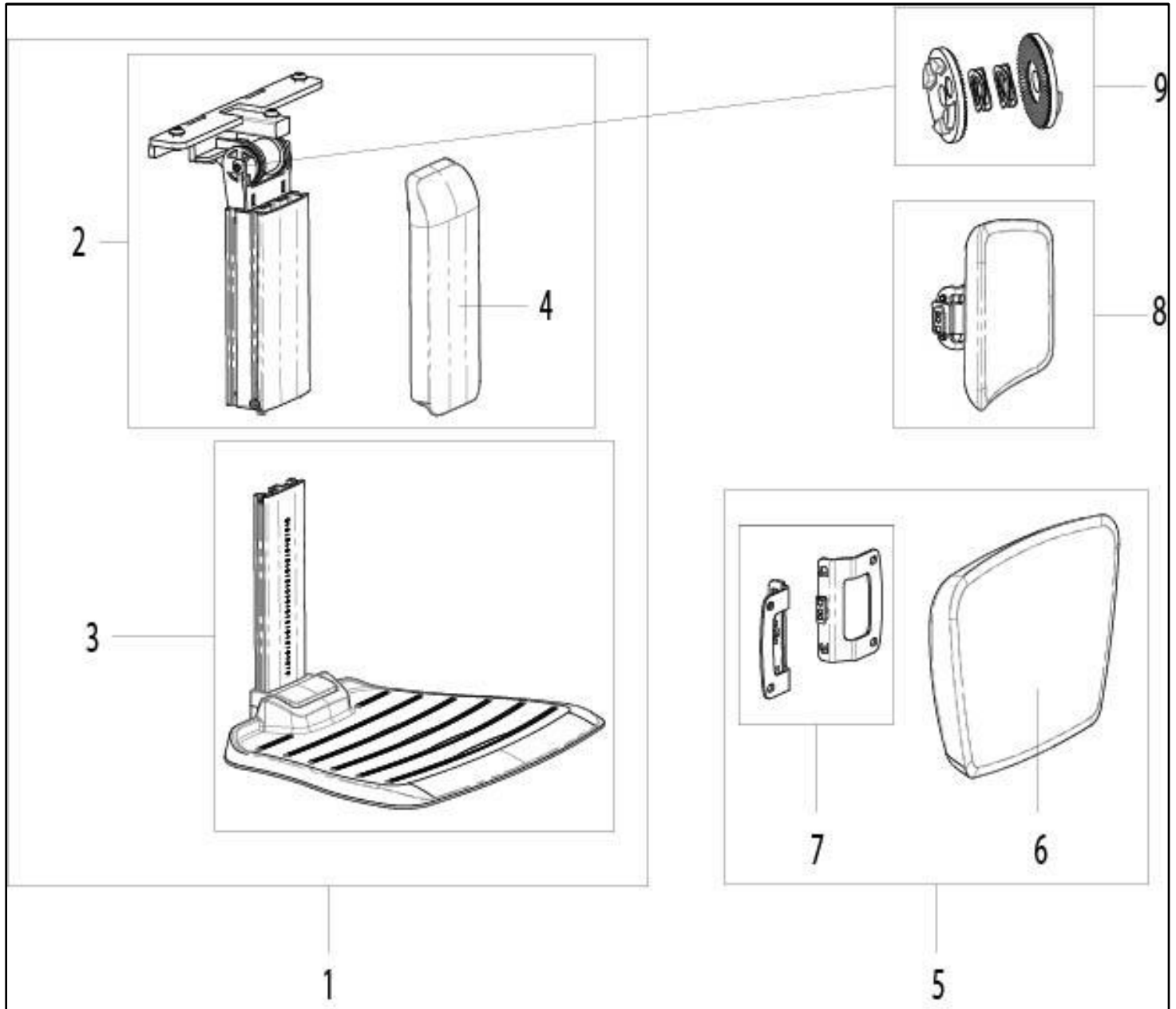
CENTRE MOUNT LEGREST, POWERED



Pos	Item number	Description	Comment
1	247688	CENTER MOUNT LEGREST, POWERED, 90 - 180 ANGLE, 175 MM EXTENSION	WITHOUT FOOTPLATES
2	247180	FOOTPLATES SHORT	PAIR
3	247181	FOOTPLATES LONG	PAIR
4	247200	ACTUATOR EXTENSION	
5	247201	ACTUATOR ELEVATION	
6	22505025	CALF PAD ASSY	LEFT / RIGHT USEABLE, FOR PRO AND LITE SEATING SYSTEM
7	22505112-003	CALF PAD BRACKET INCLUDING MOUNTING ACCESSORIES	LEFT / RIGHT USEABLE, FOR PRO / LITE SEATING SYSTEM
8	22505114-003	CALF PAD INCLUDING MOUNTING ACCESSORIES	LEFT / RIGHT USEABLE, FOR PRO / LITE SEATING SYSTEM

CENTRE MOUNT LEGREST, FIXED

CENTRE MOUNT LEGREST, FIXED

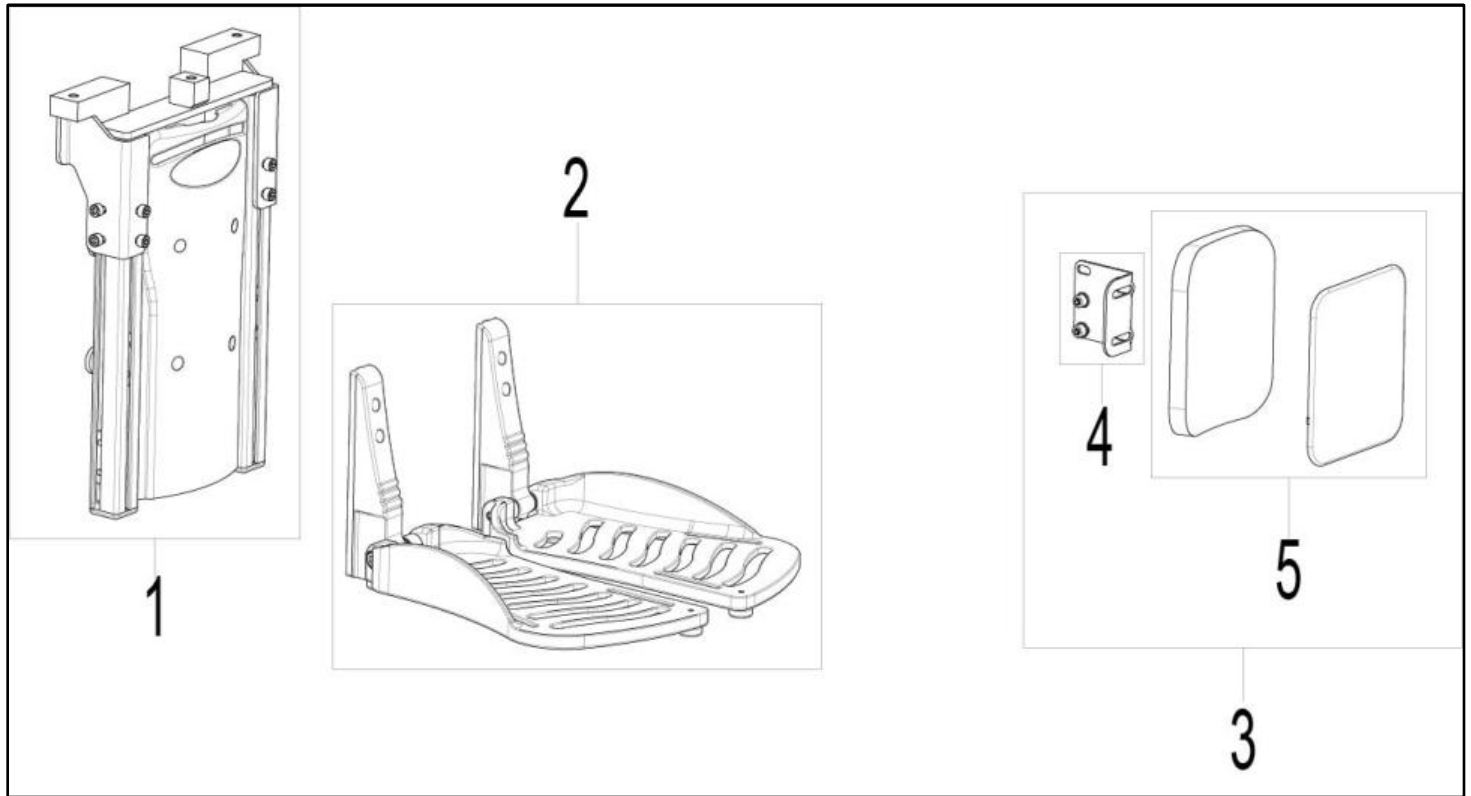


Pos	Item number	Description	Comment
1	22505100	TOOL ADJUSTABLE CENTRAL MOUNT LEGREST	
2	22505117	CENTRAL LEGREST UPPER ASSEMBLY	
3	22505105	CENTRAL LEGREST LOWER ASSEMBLY	
4	22505102	COVER CENTRAL LEGREST	
5	22505113	CENTRAL CALF PLATE ASSEMBLY	
6	22505114-001	CENTRAL CALF PLATE PAD KIT INCL. MOUNTING ACCESSORIES	
7	22505112-001	CENTRAL CALF PLATE BRACKET KIT INCL. MOUNTING ACCESSORIES	

Pos	Item number	Description	Comment
8	22505115	SINGLE CALF PLATE ASSEMBLY	LEFT / RIGHT USEABLE
9	22505116	ADJUSTMENT WHEEL KIT	

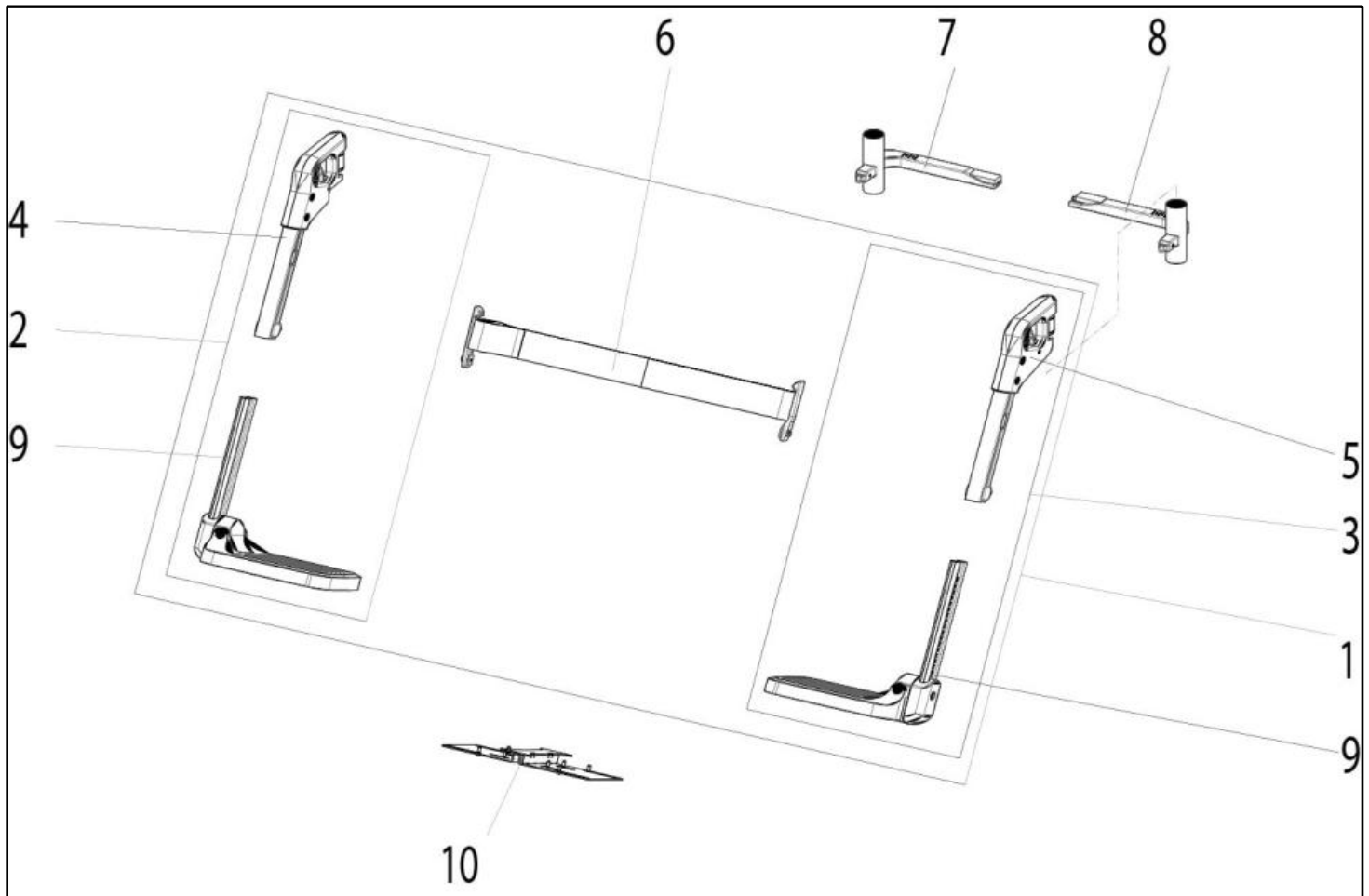
# CENTRE MOUNT LEGREST

## CENTRE MOUNT LEGREST



Pos	Item number	Description	Comment
1	247557	CENTER MOUNT LEGREST WITHOUT FOOTPLATES	
2	247180	FOOTPLATES SHORT	PAIR
3	22505025	CALF PAD ASSY	LEFT / RIGHT USEABLE
4	22505112-003	CALF PAD BRACKET INCLUDING MOUNTING ACCESSORIES	LEFT / RIGHT USEABLE, FOR PRO / LITE SEATINGSYSTEM
5	22505114-003	CALF PAD INCLUDING MOUNTING ACCESSORIES	LEFT / RIGHT USEABLE, FOR PRO / LITE SEATINGSYSTEM

## SEDEO PRO LEGREST, 70° SWING AWAY

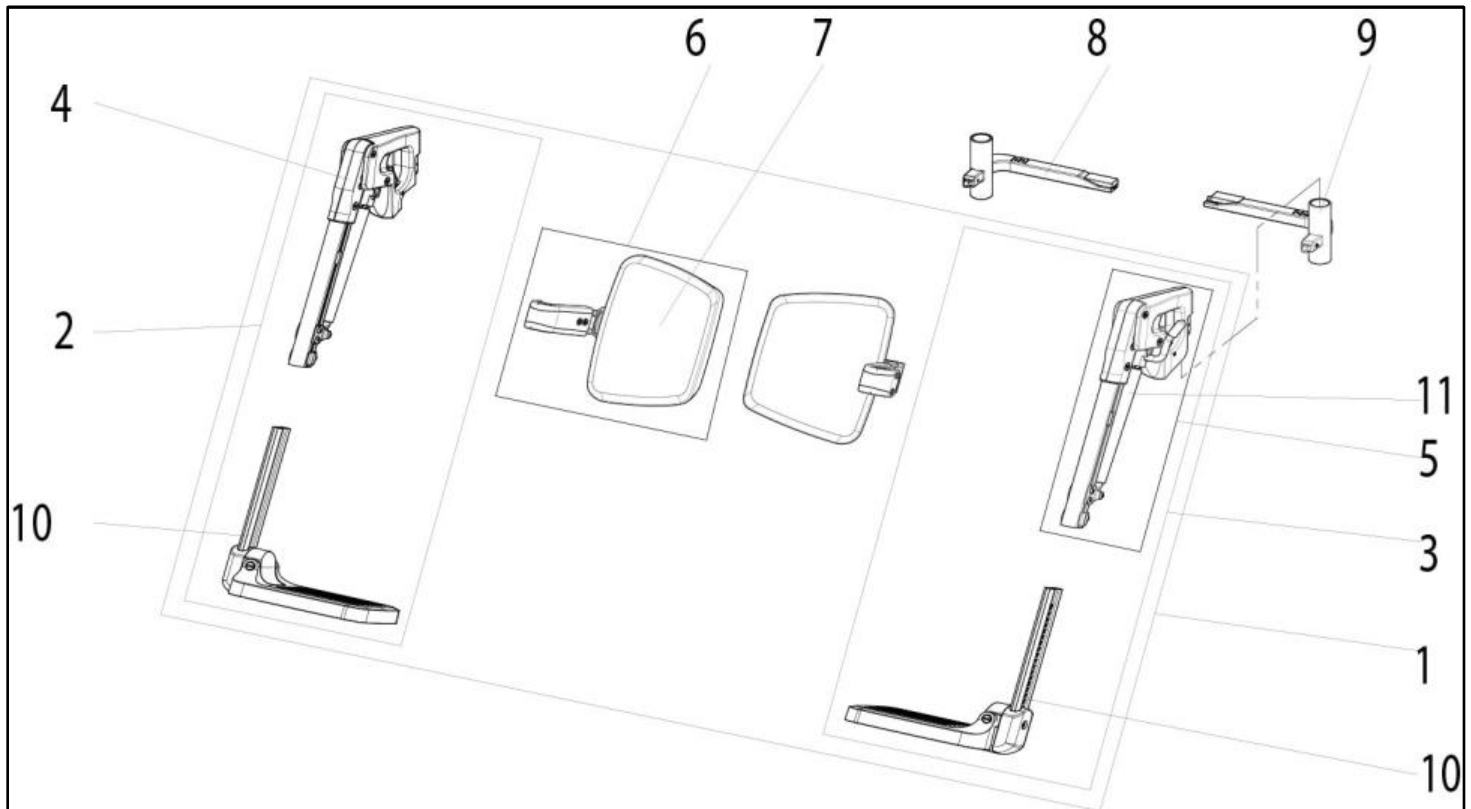


Pos	Item number	Description	Comment
1	22505225-001	STANDARD LEGREST COMPLETE SET SW 420-460	
2	22505220-011	STANDARD LEGREST SW 380-400	RH
2	22505220-012	STANDARD LEGREST SW 420-460	RH
2	22505220-013	STANDARD LEGREST SW 480-520	RH
2	22505220-014	STANDARD LEGREST SW 540-560	RH
3	22505220-001	STANDARD LEGREST SW 380-400	LH
3	22505220-002	STANDARD LEGREST SW 420-460	LH
3	22505220-003	STANDARD LEGREST SW 480-520	LH
3	22505220-004	STANDARD LEGREST SW 540-560	LH
4	22505215-002	STANDARD LEGREST HANGER	RH
5	22505215-001	STANDARD LEGREST HANGER	LH
6	22505030-001	CALF STRAP SET SHORT SW 380-520	
6	22505030-002	CALF STRAP SET LONG FOR SW 540-560	
7	22505010-012	HANGER RECEIVER	RH
8	22505010-011	HANGER RECEIVER	LH

**SEDEO PRO LEGREST, 70° SWING AWAY**

<b>Pos</b>	<b>Item number</b>	<b>Description</b>	<b>Comment</b>
9	22505217-001	LEGREST LOWER PART SW 380-400	LH / RH USEABLE
9	22505217-002	LEGREST LOWER PART SW 420-460	LH / RH USEABLE
9	22505217-003	LEGREST LOWER PART SW 480-520	LH / RH USEABLE
9	22505217-004	LEGREST LOWER PART SW 540-560	LH/RH USEABLE
10	90005040	COUPLED FOOTPLATES SET	

## SEDEO PRO LEGREST, MANUAL ELEVATING, SWING AWAY



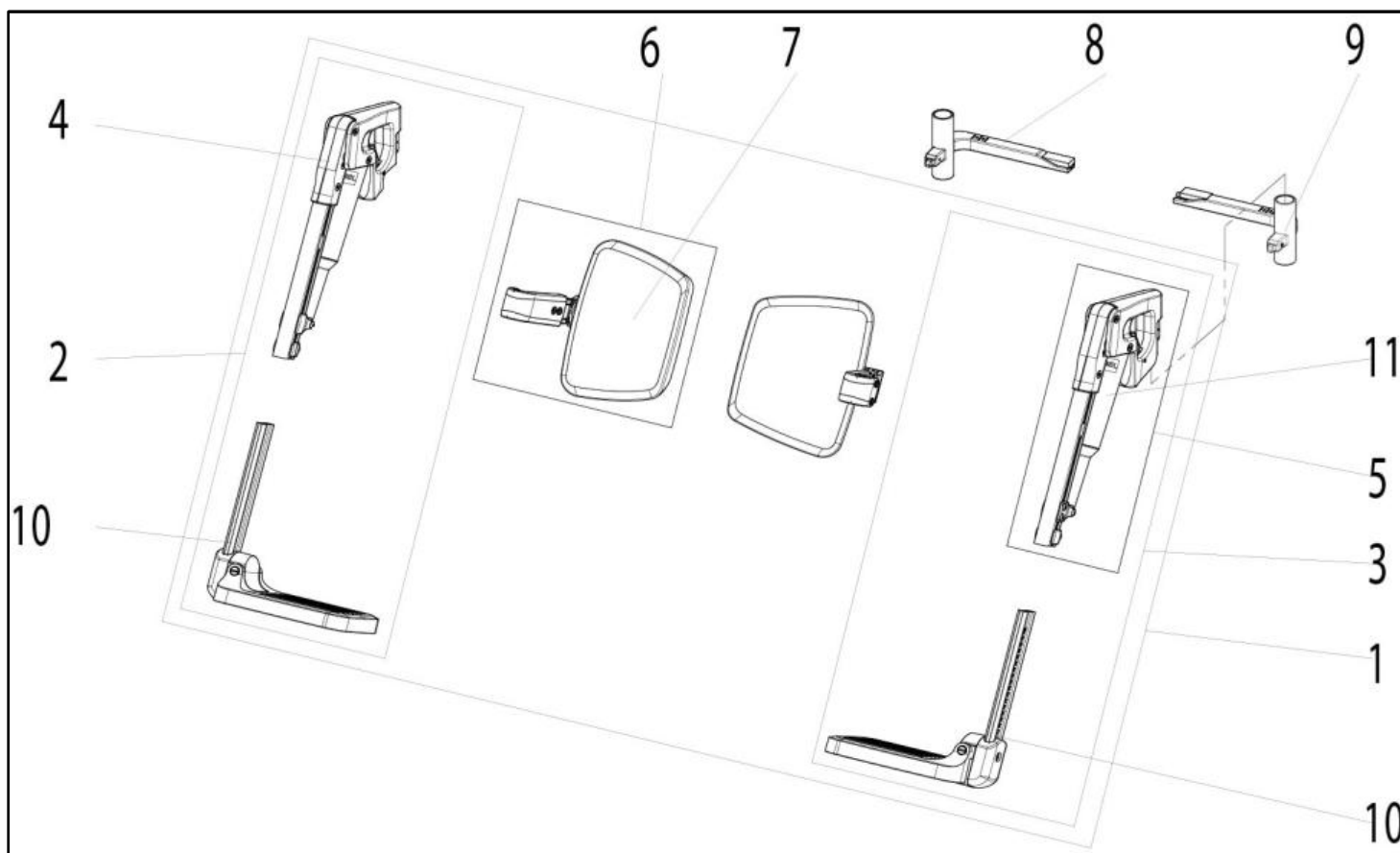
Pos	Item number	Description	Comment
1	22505225-002	MANUAL LEGREST COMPLETE SET SW 420-460	
2	22505221-011	MANUAL LEGREST SW 380-400	RH
2	22505221-012	MANUAL LEGREST SW 420-460	RH
2	22505221-013	MANUAL LEGREST SW 480-520	RH
2	22505221-014	MANUAL LEGREST SW 540-560	RH
3	22505221-001	MANUAL LEGREST SW 380-400	LH
3	22505221-002	MANUAL LEGREST SW 420-460	LH
3	22505221-003	MANUAL LEGREST SW 480-520	LH
3	22505221-004	MANUAL LEGREST SW 540-560	LH
4	22505214-002	MANUAL LEGREST HANGER	RH
5	22505214-001	MANUAL LEGREST HANGER	LH
6	9010430	CALF PAD INCL. SWING AWAY MOUNT	LH / RH USEABLE
7	22505114-004	CALF PAD INCL. MOUNTING ACCESSORIES	LH/RH USEABLE
8	22505010-012	HANGER RECEIVER	RH
9	22505010-011	HANGER RECEIVER	LH
10	22505217-001	LEGREST LOWER PART SW 380-400	LH / RH USEABLE

**SEDEO PRO LEGREST, MANUAL ELEVATING, SWING AWAY**

<b>Pos</b>	<b>Item number</b>	<b>Description</b>	<b>Comment</b>
10	22505217-002	LEGREST LOWER PART SW 420-460	LH / RH USEABLE
10	22505217-003	LEGREST LOWER PART SW 480-520	LH / RH USEABLE
9	22505217-004	LEGREST LOWER PART SW 540-560	LH/RH USEABLE
11	22505218	GAS STRUT FOR MANUAL LEGREST	



## SEDEO PRO LEGREST, POWER ELEVATING, SWING AWAY

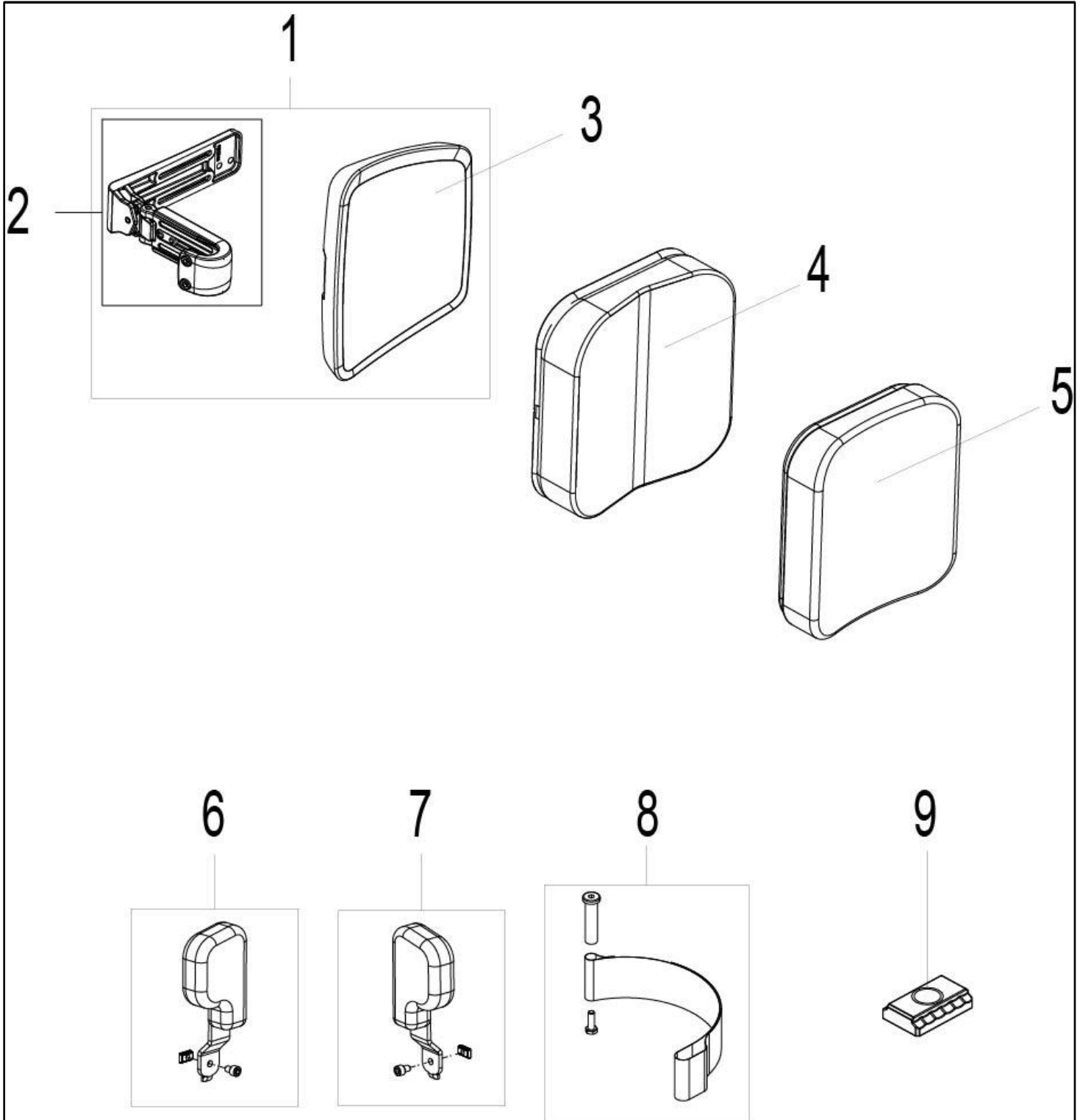


Pos	Item number	Description	Comment
1	22505225-003	POWERED LEGREST COMPLETE SET SW 420-460	
2	22505222-011	POWERED LEGREST SW 380-400	RH
2	22505222-012	POWERED LEGREST SW 420-460	RH
2	22505222-013	POWERED LEGREST SW 480-520	RH
2	22505222-014	POWERED LEGREST SW 540-560	RH
3	22505222-001	POWERED LEGREST SW 380-400	LH
3	22505222-002	POWERED LEGREST SW 420-460	LH
3	22505222-003	POWERED LEGREST SW 480-520	LH
3	22505222-004	POWERED LEGREST SW 540-560	LH
4	22505216-002	POWERED LEGREST HANGER	RH
5	22505216-001	POWERED LEGREST HANGER	LH
6	9010430	CALF PAD PU INCL. SWING AWAY MOUNT	LH / RH USABLE
7	22505114-004	CALF PAD INCL. MOUNTING ACCESSORIES	LH / RH USABLE
8	22505010-012	HANGER RECEIVER	RH
9	22505010-011	HANGER RECEIVER	LH

**SEDEO PRO LEGREST, POWER ELEVATING, SWING AWAY**

<b>Pos</b>	<b>Item number</b>	<b>Description</b>	<b>Comment</b>
10	22505217-001	LEGREST LOWER PART SW 380-400	LH / RH USEABLE
10	22505217-002	LEGREST LOWER PART SW 420-460	LH / RH USEABLE
10	22505217-003	LEGREST LOWER PART SW 480-520	LH / RH USEABLE
9	22505217-004	LEGREST LOWER PART SW 540-560	LH/RH USEABLE
11	6000808	ACTUATOR FOR POWERED LEGREST	

## SEDEO PRO LEGREST, ACCESSORIES

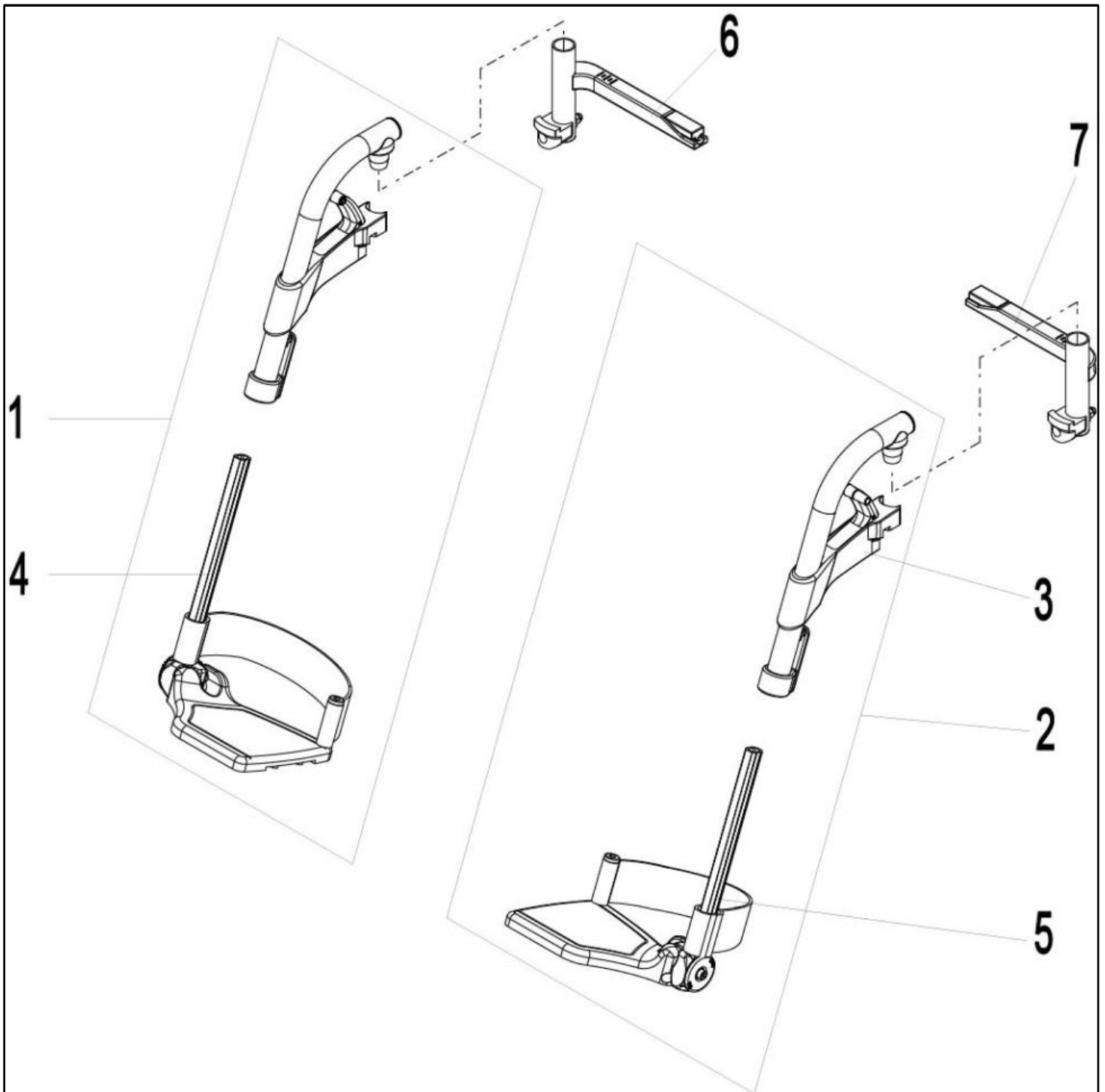


Pos	Item number	Description	Comment
1	9010430	CALF PAD PU INCL. SWING AWAY MOUNT	LH/RH USEABLE
2	9010160	SWING AWAY MOUNT FOR CALF PAD	LH/RH USEABLE

**SEDEO PRO LEGREST, ACCESSORIES**

<b>Pos</b>	<b>Item number</b>	<b>Description</b>	<b>Comment</b>
3	22505114-004	CALF PAD PU INCL. MOUNTING ACCESSORIES	
4	22505114-005	CALF PAD FOR SW 380-420 INCL. MOUNTING MATERIALS	
5	22505114-006	CALF PAD FOR SW 440-500 INCL. MOUNTING MATERIALS	
6	22509129-001	KNEE CUSHION ASSEMBLY	LH
7	22509129-002	KNEE CUSHION ASSEMBLY	RH
8	90009061	HEEL LOOP	LH/RH USEABLE
9	6000994-ET	CHANNEL NUT FOR SWING AWAY LEGREST	10 PCS./PACK

LEGREST, 70°, STANDARD, SWING AWAY



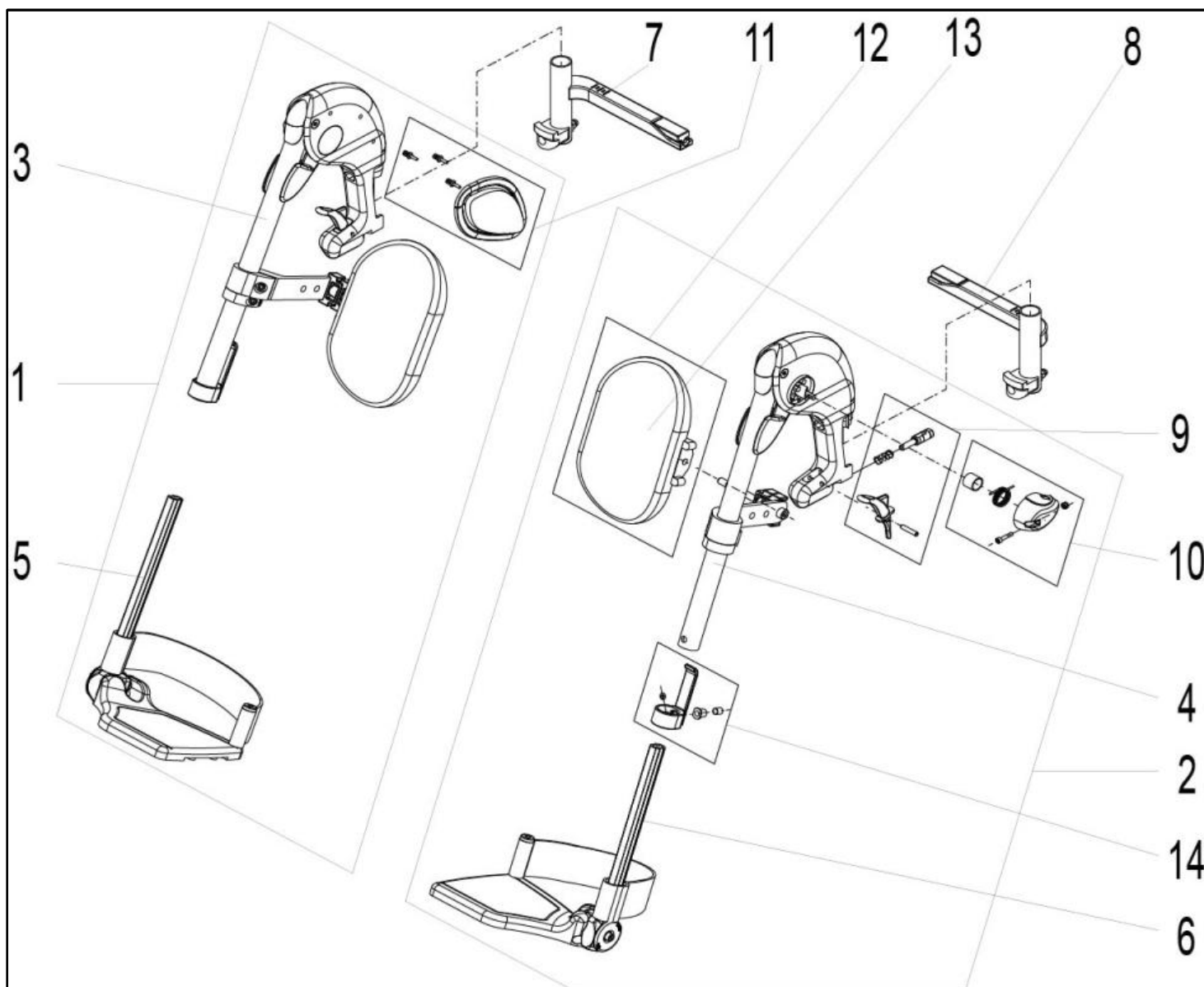
Pos	Item number	Description	Comment
1	22805100-002	STANDARD LEGREST 70°	RH
2	22805100-001	STANDARD LEGREST 70°	LH
3	064804-063	HANGER ASSEMBLY	LH/RH USEABLE
4	034214-001	FOOTPLATE	RH
5	034214-002	FOOTPLATE	LH

**LEGREST, 70°, STANDARD, SWING AWAY**

---

<b>Pos</b>	<b>Item number</b>	<b>Description</b>	<b>Comment</b>
6	22805010-002	HANGER RECEIVER	RH
7	22805010-001	HANGER RECEIVER	LH

LEGREST, MANUAL ADJUSTABLE, STANDARD, SWING AWAY



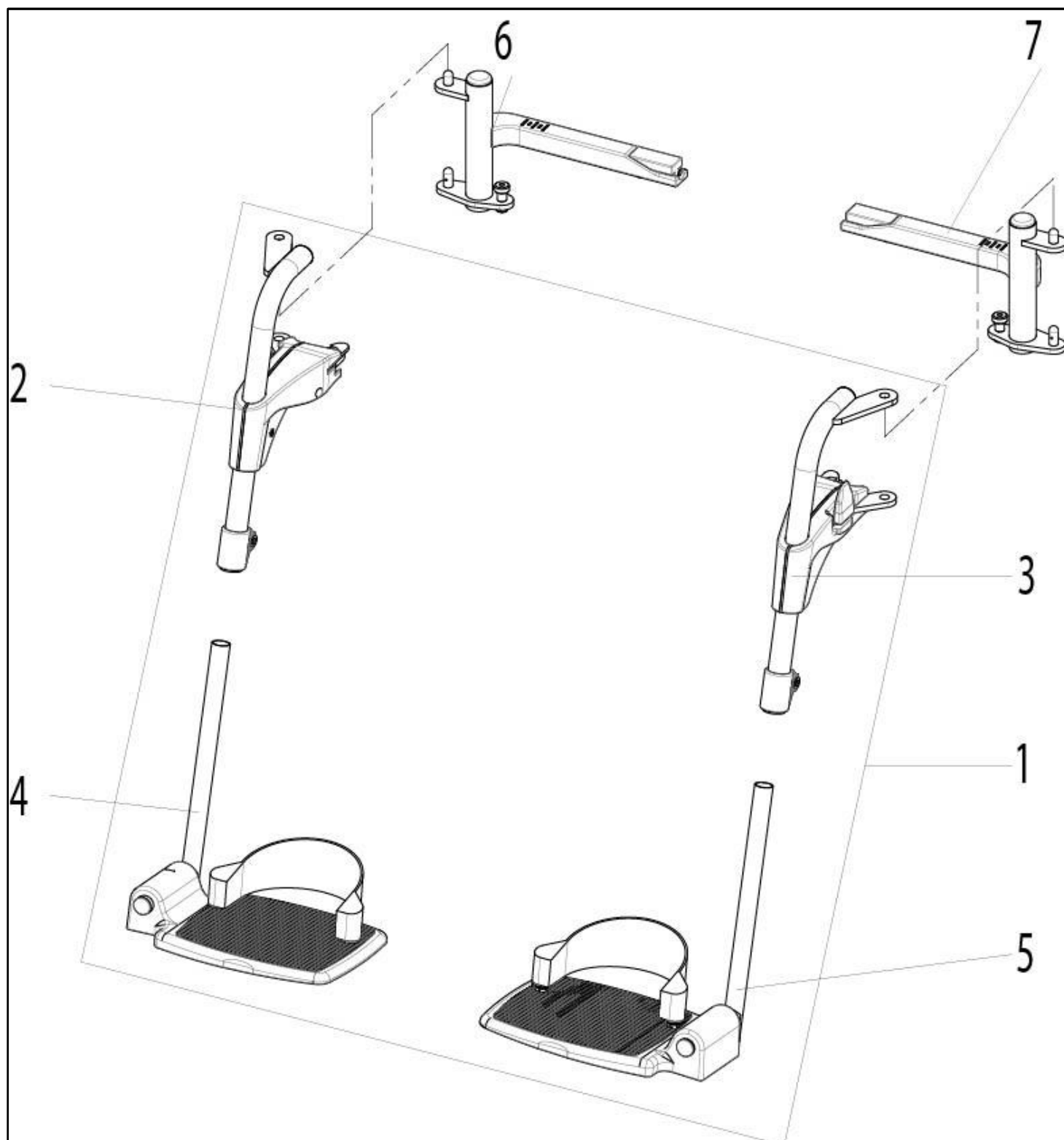
Pos	Item number	Description	Comment
1	22805101-002	MANUAL LEGREST	RH
2	22805101-001	MANUAL LEGREST	LH
3	064840-002	MANUAL LEGREST HANGER	RH
4	064840-001	MANUAL LEGREST HANGER	LH
5	034214-001	FOOTPLATE	RH
6	034214-002	FOOTPLATE	LH
7	22805010-002	HANGER RECEIVER	RH
8	22805010-001	HANGER RECEIVER	LH
9	069940	RELEASE LEVER KIT	LH/RH USEABLE

**LEGREST, MANUAL ADJUSTABLE, STANDARD, SWING AWAY**

<b>Pos</b>	<b>Item number</b>	<b>Description</b>	<b>Comment</b>
10	069941	RELEASE MECHANISM	LH/RH USEABLE
11	064766-000-ET	KNEE PAD	PAIR
12	064924	CALF PAD WITH COVER	
13	064927	CALF PAD COVER	
14	069942	CLAMP USED WITH FOOTREST INCL. MOUNTING ACCESSORIES	PAIR



## LEGREST, 80°, UNI

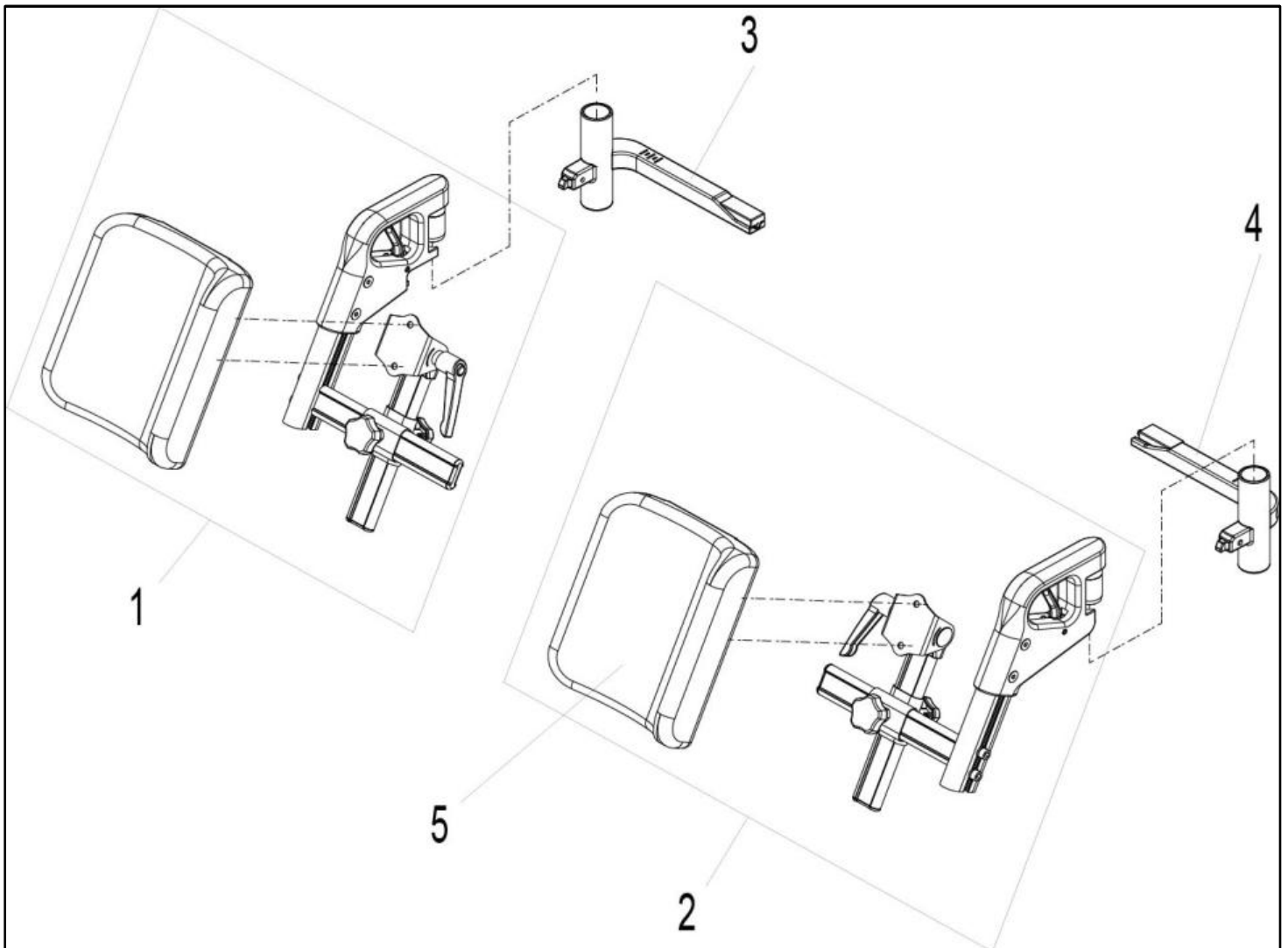


Pos	Item number	Description	Comment
1	22805040	LEGREST UNI COMPLETE - INCLUDING FOOTPLATES 190 mm	PAIR
1	22805045	LEGREST UNI COMPLETE - INCLUDING FOOTPLATES 215 mm	PAIR
2	22805042	UNI HANGER	RH

**LEGREST, 80°, UNI**

<b>Pos</b>	<b>Item number</b>	<b>Description</b>	<b>Comment</b>
3	22805041	UNI HANGER	LH
4	25066	UNI FOOTPLATE 190 mm	RH, SW 385+ SW410
4	25059	UNI FOOTPLATE 215 mm	RH, SW 435- SW510
5	25067	UNI FOOTPLATE 190 mm	LH, SW 385 + SW410
5	25060	UNI FOOTPLATE 215 mm	LH, SW 435 - SW510
6	22805015-002	HANGER RECEIVER	RH
7	22805015-001	HANGER RECEIVER	LH

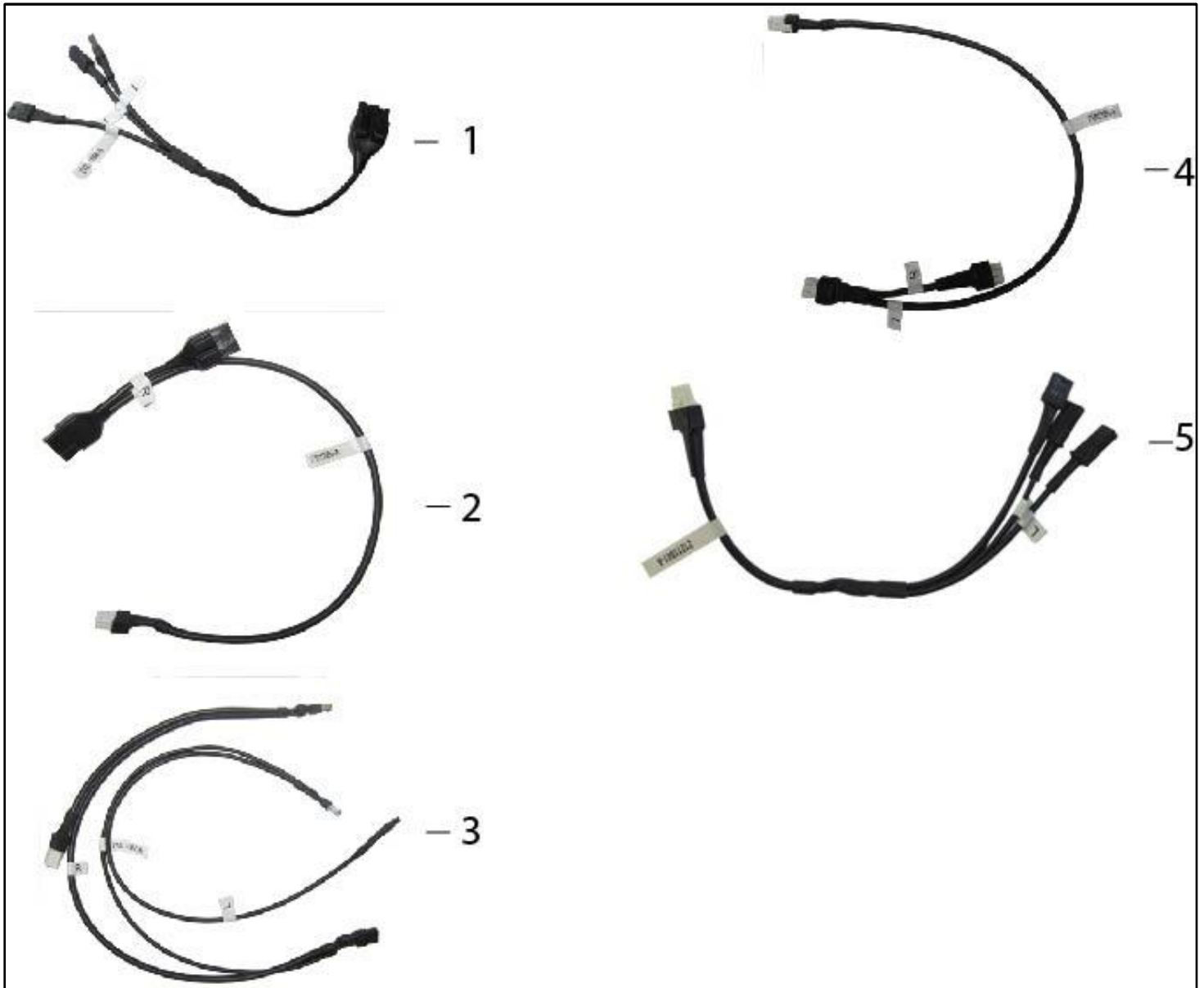
AMPUTEE SUPPORT



Pos	Item number	Description	Comment
1	22505200-002	AMPUTATION SUPPORT	RH
2	22505200-001	AMPUTATION SUPPORT	LH
3	22505010-012	HANGER RECEIVER	RH
4	22505010-011	HANGER RECEIVER	LH
5	22505114-008	AMPUTATION SUPPORT PAD KIT	LH / RH USEABLE

**LIGHT LOOMS**

**LIGHT LOOMS**



Pos	Item number	Description	Comment
1	21211008	LIGHTING LOOM R-NET	
2	21011085	LIGHTING LOOM R-NET MODULE	Q400 F (ONLY GERMANY)
3	21011087	LIGHTING LOOM	Q400 F (ONLY GERMANY)
4	21011095	LIGHTING LOOM VR2 MODULE	Q400 F (ONLY GERMANY)
5	21211041	LIGHTING LOOM VR2	

BATTERY LOOMS



Pos	Item number	Description	Comment
1	060107	BATTERY TERMINAL LOOM	2 PER CHAIR
2	065146	R-NET / VR2 CONNECTION LOOM CONTROLLER/BATTERY	

R-NET BUS CABLE

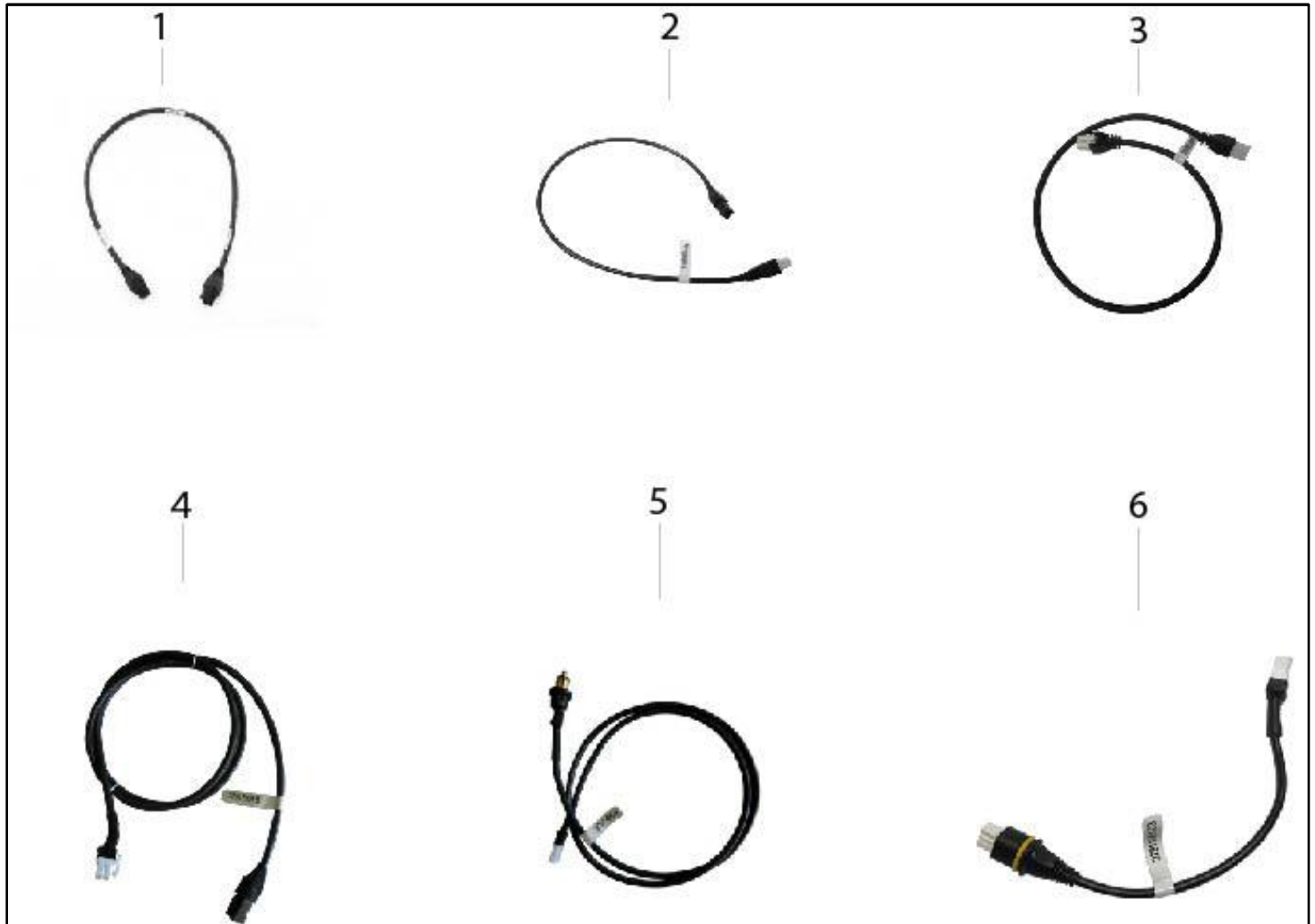


Pos	Item number	Description	Comment
1	108316-030	HARNESS R-NET BUS MALE/MALE	300MM
1	108316-050	HARNESS R-NET BUS MALE/MALE	500MM
1	108316-100	HARNESS R-NET BUS MALE/MALE	1000MM
1	108316-120	HARNESS R-NET BUS MALE/MALE	1200MM
1	108316-150	HARNESS R-NET BUS MALE/MALE	150MM
1	108316-200	HARNESS R-NET BUS MALE/MALE	2000MM

Pos	Item number	Description	Comment
1	108316-250	HARNESS R-NET BUS MALE/MALE	2500MM
2	015993	HARNESS R-NET BUS MALE/FEMALE	1000MM
2	108557-030	HARNESS R-NET BUS MALE/FEMALE	300MM
3	20011032-120	HARNESS R-NET BUS MALE/MALE, ANGLE PLUG	1200MM
4	20011035	HARNESS R-NET BUS MALE/FEMALE, ANGLE PLUG	300MM
5	20011034	R-NET Y-LOOM	

## ACTUATOR LOOMS

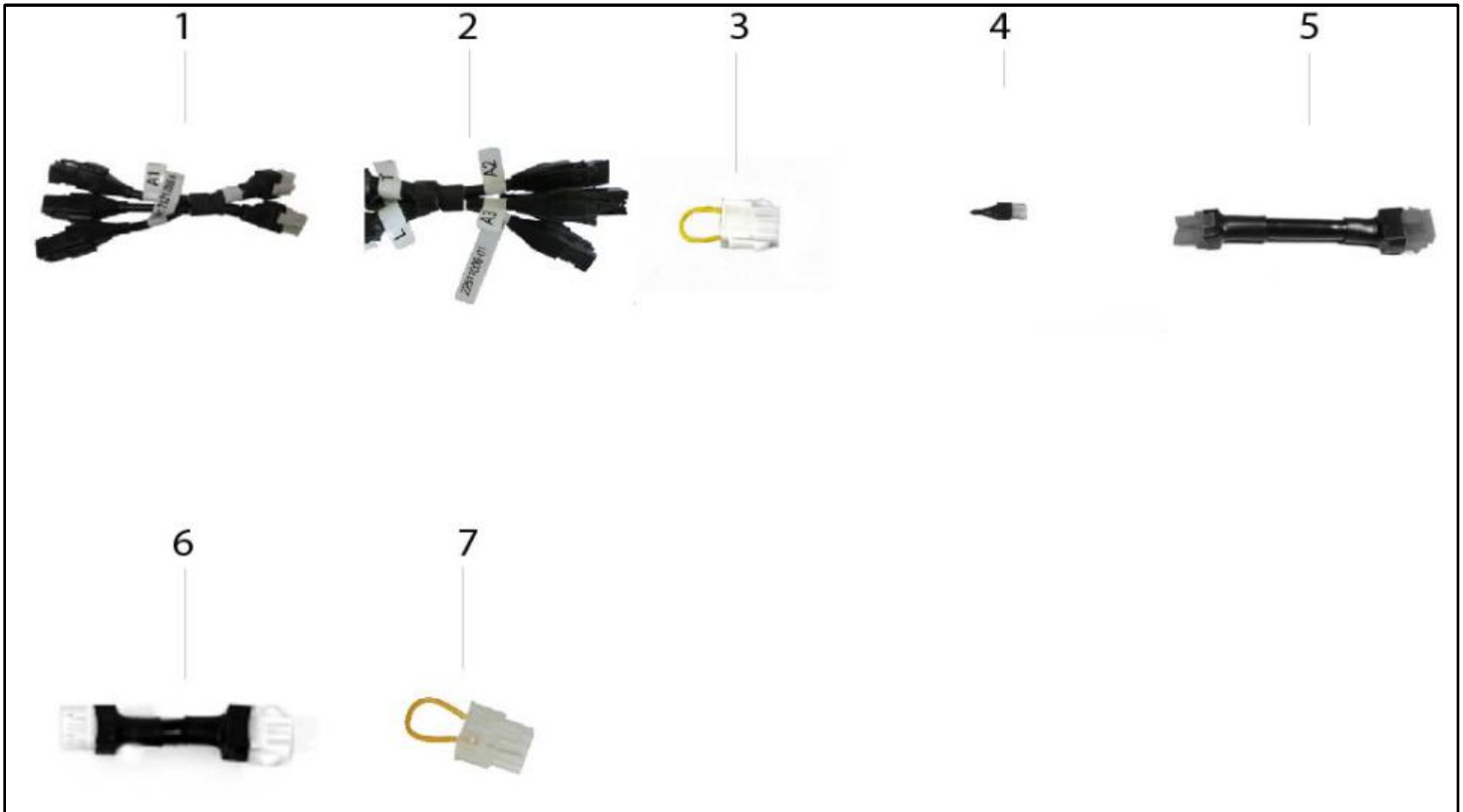
### ACTUATOR LOOMS



Pos	Item number	Description	Comment
1	020063-060	ACTUATOR LOOM EXTENSION MALE/MALE	600MM
1	020063-100	ACTUATOR LOOM EXTENSION MALE/MALE	1000MM
1	020063-120	ACTUATOR LOOM EXTENSION MALE/MALE	1200MM
2	21211004-090	ACTUATOR LOOM DIRECT TO R-NET	900MM
2	21211004-120	ACTUATOR LOOM DIRECT TO R-NET	1200MM
2	21211004-200	ACTUATOR LOOM DIRECT TO R-NET	2000MM
3	21211005-060	ACTUATOR LOOM MALE/FEMALE	600MM
3	21211005-080	ACTUATOR LOOM MALE/FEMALE	800MM
3	21211005-120	ACTUATOR LOOM MALE/FEMALE	1200MM
4	22511004	SWING AWAY LEGREST POWERED LOOM (CONTROLLER SIDE)	
5	22511005	SWING AWAY LEGREST POWERED LOOM (ACTUATOR SIDE)	
6	22811001	ACTUATOR LOOM, RECLINE ACTUATOR	

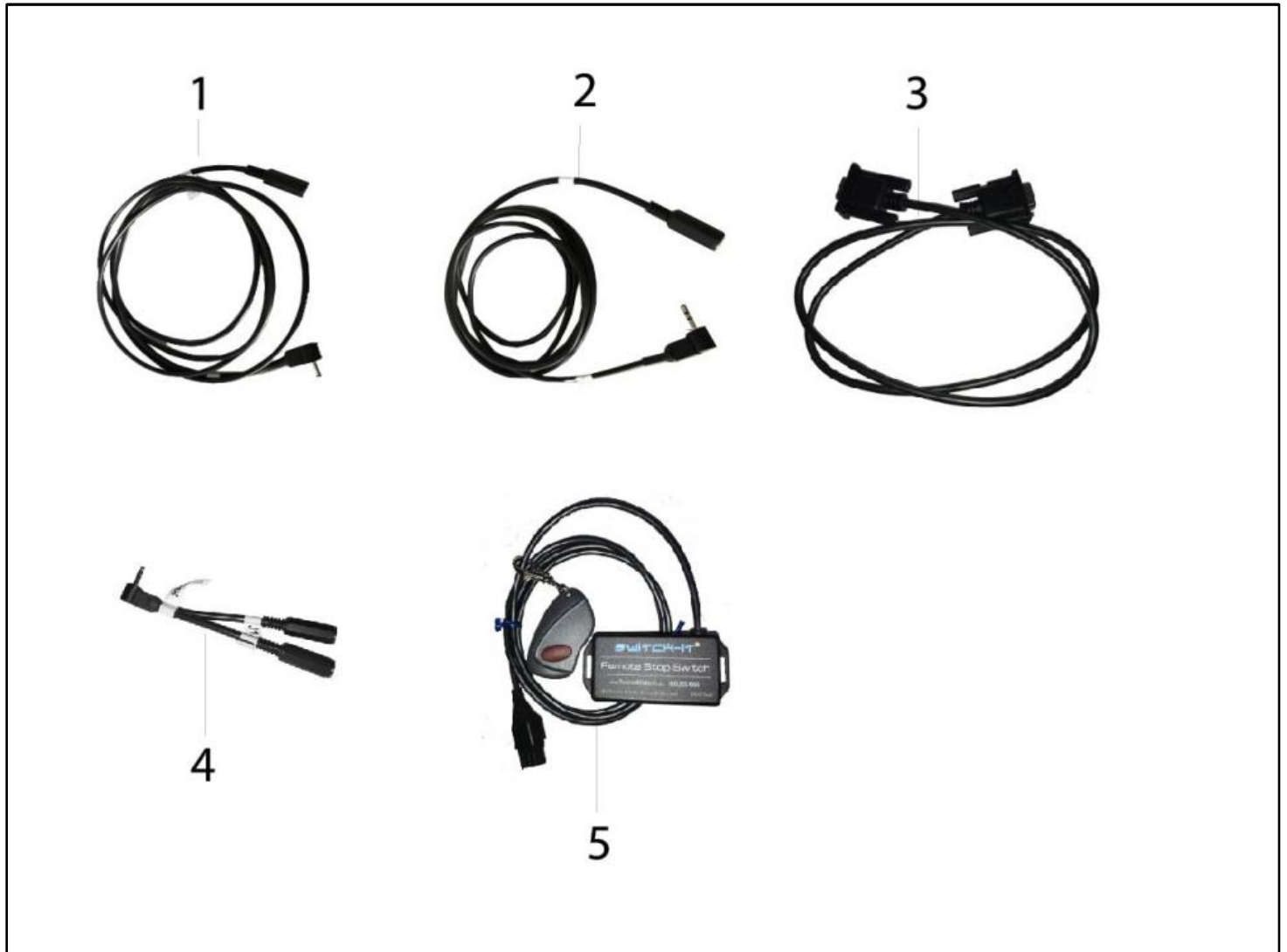


INHIBIT LOOMS



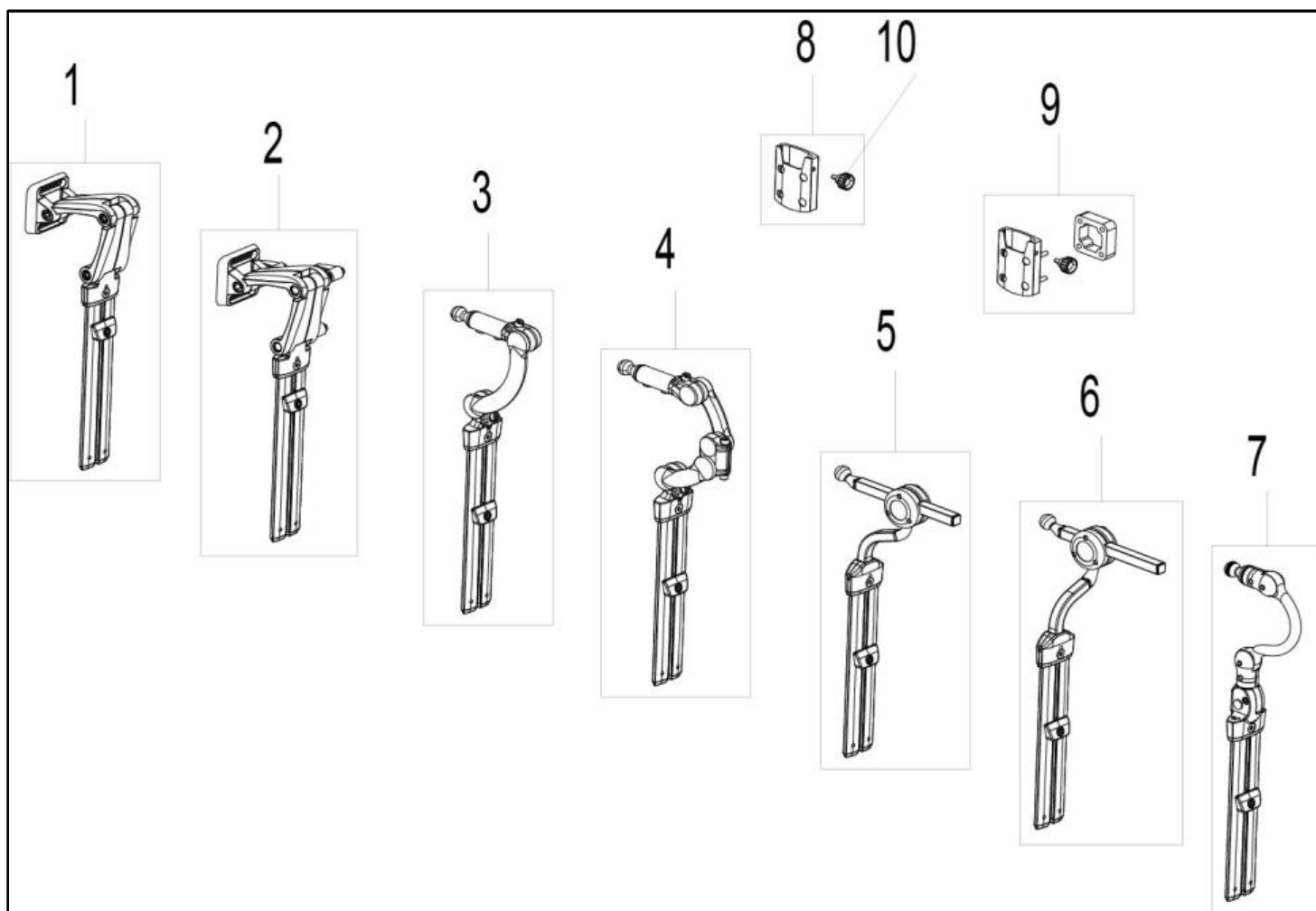
Pos	Item number	Description	Comment
2	22511006	ACTUATOR INHIBIT LOOM	R-NET
1	21211000	ACTUATOR INHIBIT LOOM	VR2
3	060393	INHIBIT LOOP TERMINATOR	
4	060665	INHIBIT LOOP	
5	060389	INHIBIT LOOP INLINE	
6	060663	RESISTOR LOOM	
7	015585	ACTUATOR INHIBIT LOOP	

LOOMS AND ELECTRONICS



Pos	Item number	Description	Comment
1	015734	MONO EXTENSION CABLE	
2	20011065	STEREO EXTENSION CABLE	
3	015526	DB9 EXTENSION CABLE	
4	20011063	Y-CABLE - 2 FEMALE MONO TO 1 MALE STEREO	
5	RSS-OBC	REMOTE STOP SWITCH	

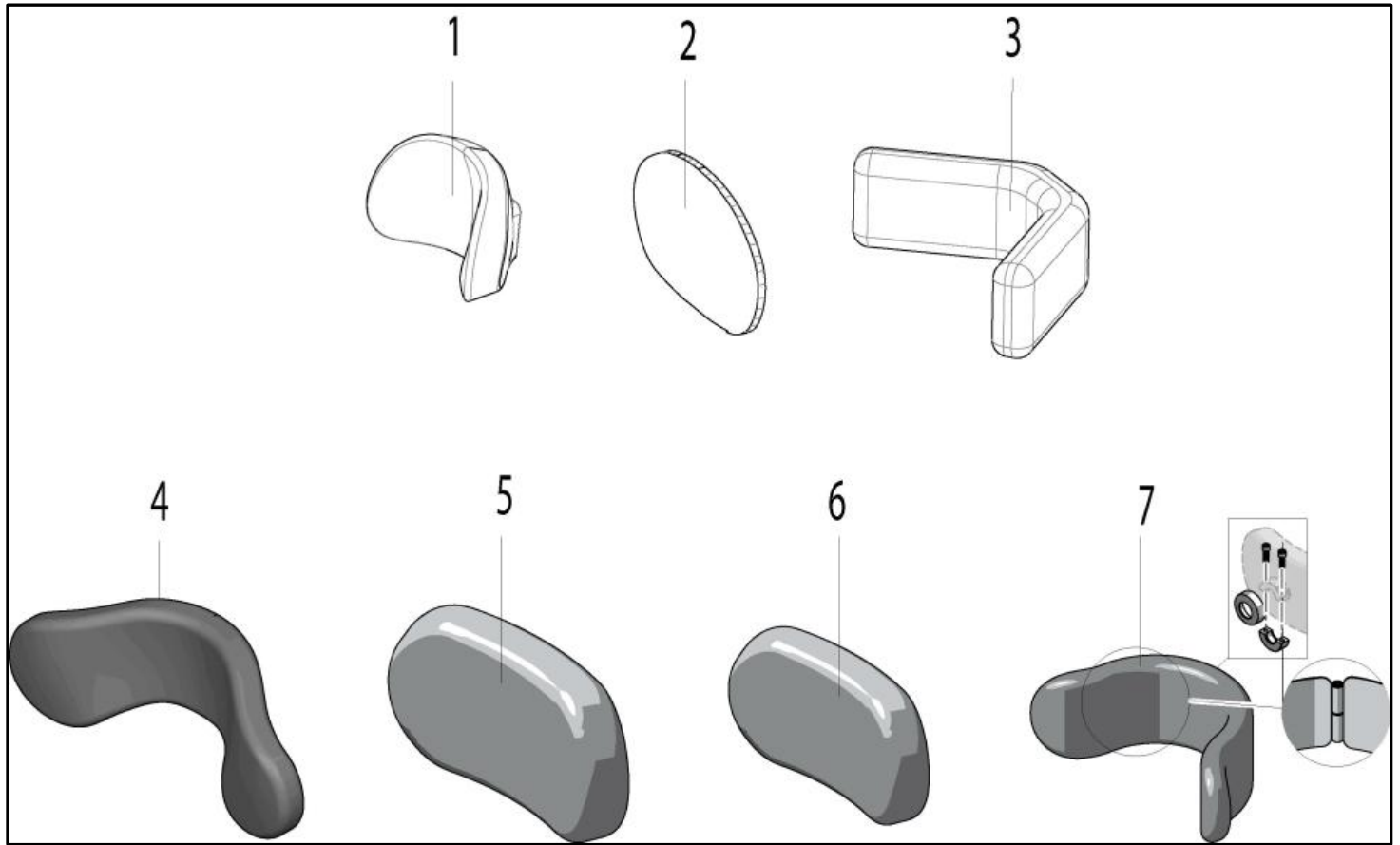
HEADREST MOUNT



Pos	Item number	Description	Comment
1	21809210	SEDEO HEADREST MOUNT	
2	22509012	SEDEO HEADREST MOUNT, QUICK RELEASE	
3	20009005-001	WHITMYER HEADREST MOUNT, LINX	
4	20009005-002	WHITMYER HEADREST MOUNT, LINX2	
5	20009005-003	WHITMYER HEADREST MOUNT, AXYS	
6	20009005-004	WHITMYER HEADREST MOUNT, AXYS OFFSET	
7	20009005-005	WHITMYER HEADREST MOUNT, COBRA	
8	22809010	HEADREST SUPPORT KIT	FOR FIXED BACK
9	22809015	HEADREST SUPPORT KIT	FOR RECLINE BACK
10	000233061	KNOB	

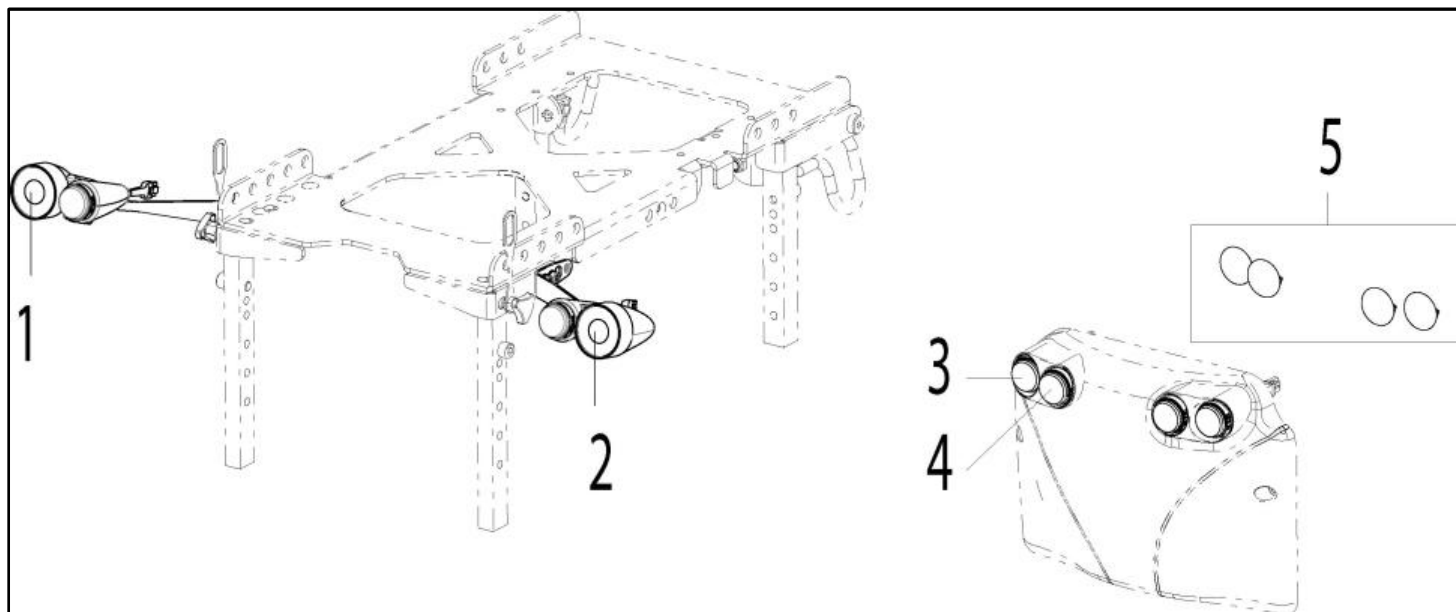
# HEADREST PADS

## HEADREST PADS



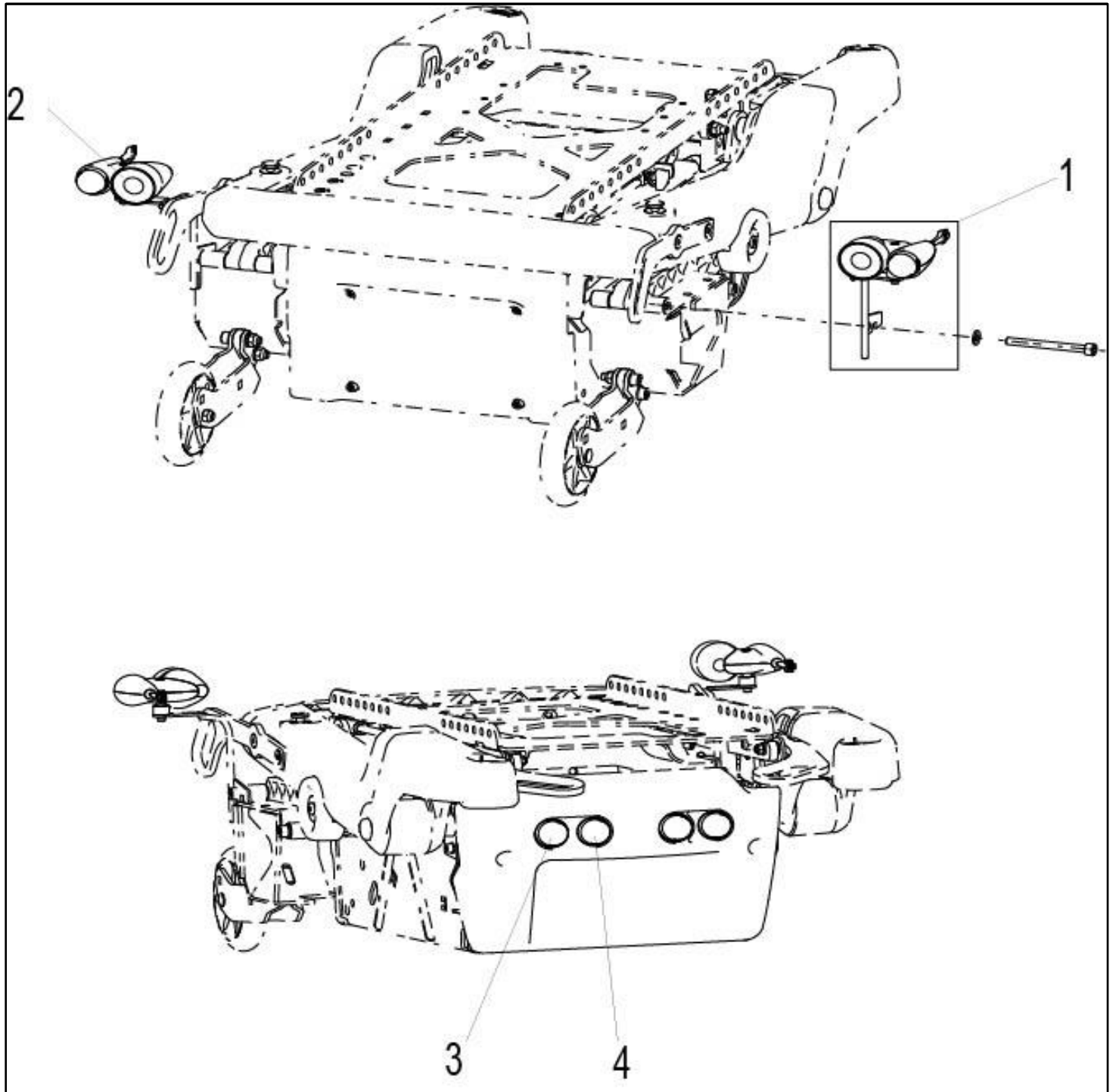
Pos	Item number	Description	Comment
1	22509013-001	SEDEO HEADREST PAD SMALL	
2	20009103	COVER FOR SEDEO HEADREST PAD SMALL	
3	22509013-002	SEDEO HEADREST PAD FLEXIBLE	
4	P1400L	WHITMYER PAD PLUSH LARGE, 14 INCH, LYCRA	
5	P1000L	WHITMYER PAD PLUSH MEDIUM, 10 INCH, LYCRA	
6	P800L	WHITMYER PAD PLUSH SMALL, 8 INCH, LYCRA	
7	P8088L	WHITMYER PAD ADJUST-A-PLUSH STANDARD, LYCRA	
-	P8044L	WHITMYER PAD ADJUST-A-PLUSH NARROW, LYCRA	

**Q400M / Q500M - LED LIGHTS AND INDICATORS (STVZO)**



Pos	Item number	Description	Comment
1	21809000-002	FRONT LED LIGHT AND INDICATOR	RH
2	21809000-001	FRONT LED LIGHT AND INDICATOR	LH
3	21509003-002	REAR LED INDICATOR	LH/RH USEABLE
4	21509003-001	REAR LED LIGHT	LH/RH USEABLE
5	21509002	CAP KIT	4 PCS./PACK

Q400F / Q500F - LED LIGHTS AND INDICATORS

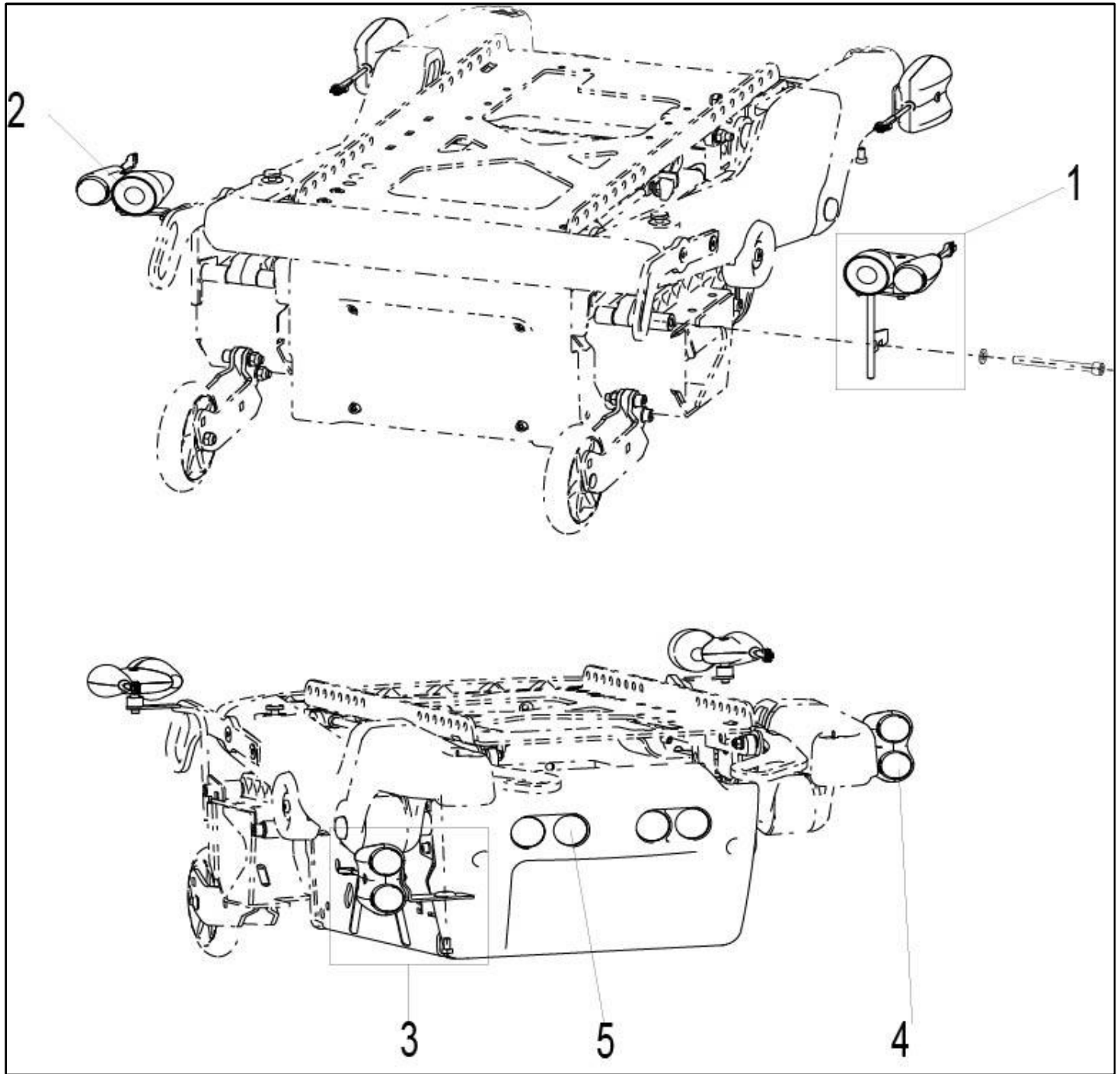


Pos	Item number	Description	Comment
1	22701191-001	FRONT LED LIGHT AND INDICATOR	LH
2	22701191-002	FRONT LED LIGHT AND INDICATOR	RH
3	21509003-002	REAR LED INDICATOR	LH/RH USEABLE
4	21509003-001	REAR LED LIGHT	LH/RH USEABLE

---

Pos	Item number	Description	Comment
-	21509002	CAP KIT	4 PCS./PACK

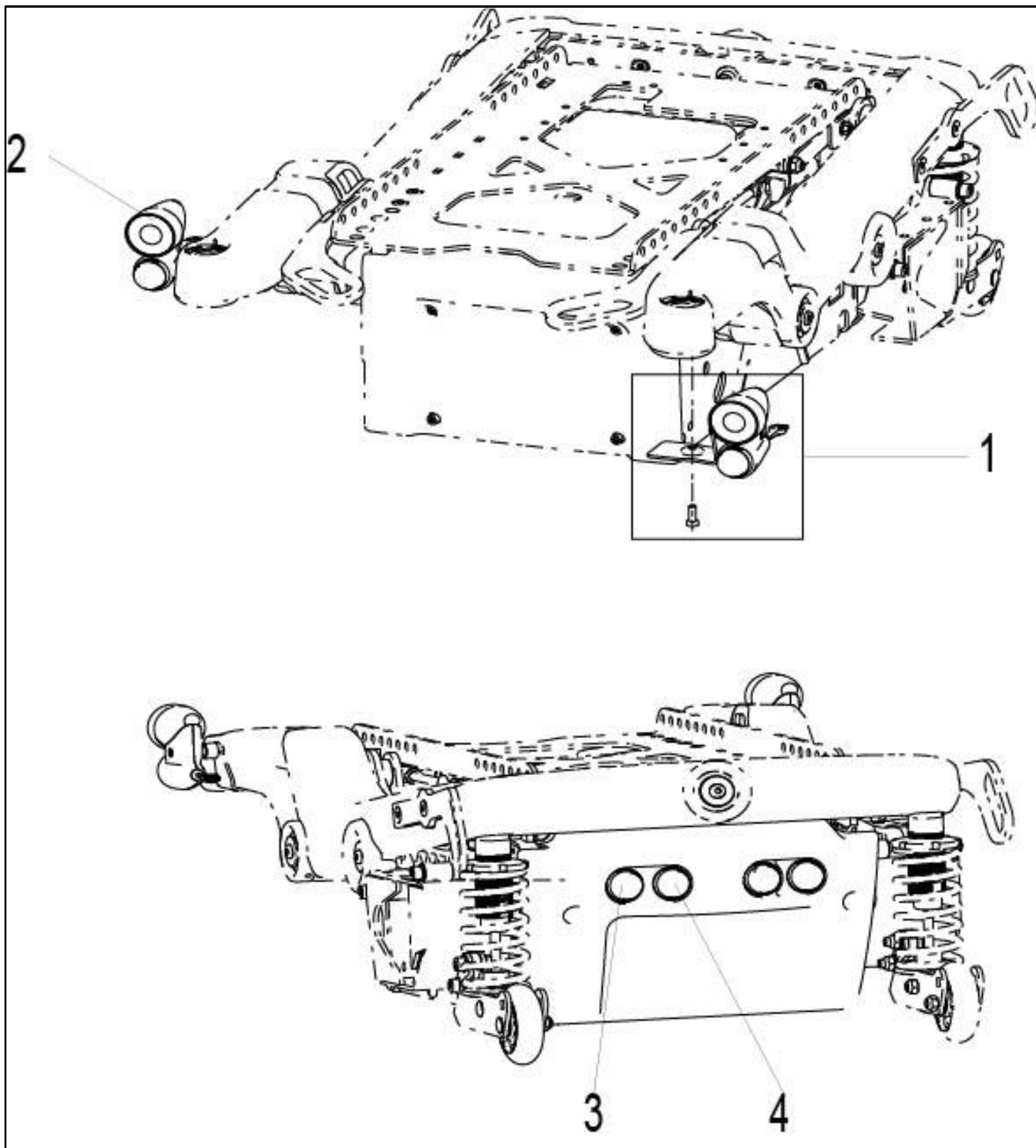
Q400F / Q500F - LED LIGHTS AND INDICATORS (STVZO)



Pos	Item number	Description	Comment
1	22701191-001	FRONT LED LIGHT AND INDICATOR	LH
2	22701191-002	FRONT LED LIGHT AND INDICATOR	RH
3	22700062-001	REAR LED LIGHT AND INDICATOR	LH
4	22700062-002	REAR LED LIGHT AND INDICATOR	RH
5	21509002	CAP KIT	4 PCS./PACK



Q400R /Q500R - LED LIGHTS AND INDICATORS (STVZO)

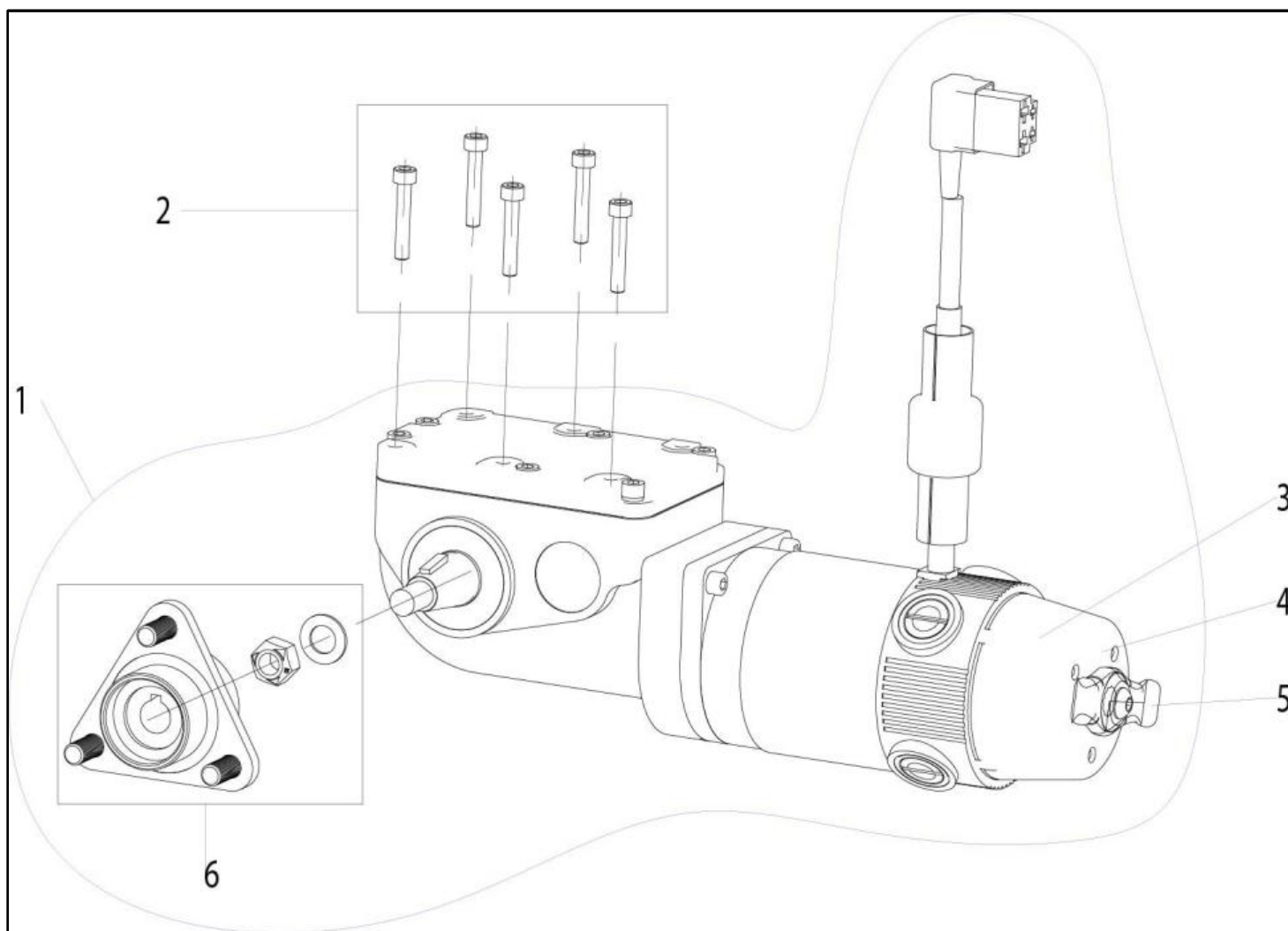


Pos	Item number	Description	Comment
1	22700061-001	FRONT LED LIGHT AND INDICATOR	LH
2	22700061-002	FRONT LED LIGHT AND INDICATOR	RH

**Q400R /Q500R - LED LIGHTS AND INDICATORS (STVZO)**

<b>Pos</b>	<b>Item number</b>	<b>Description</b>	<b>Comment</b>
3	21509003-002	REAR LED INDICATOR	LH/RH USEABLE
4	21509003-001	REAR LED LIGHT	LH/RH USEABLE

MOTOR 4-POLE

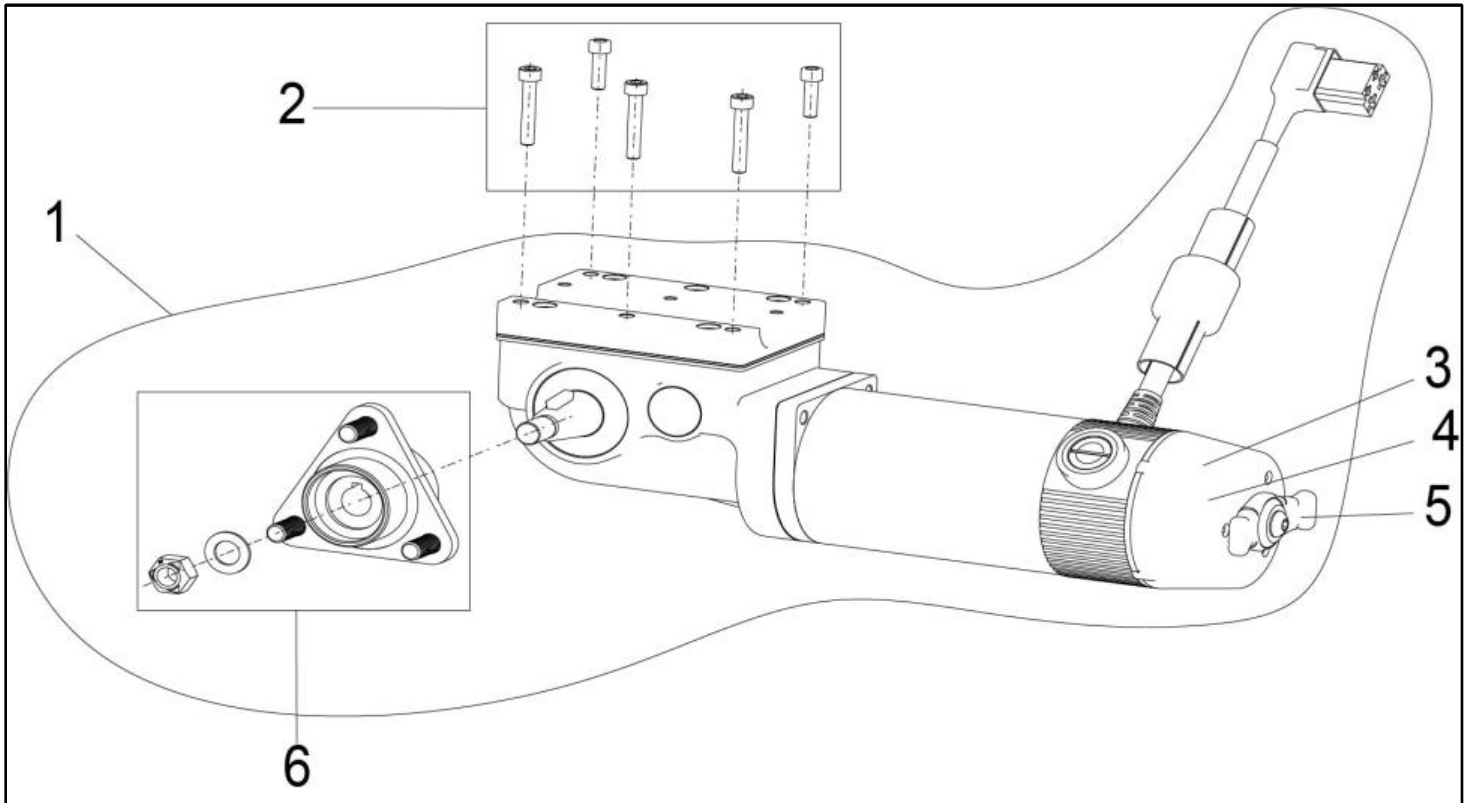


Pos	Item number	Description	Comment
1	22710010-001	MOTOR, 4 POLE 10KPH (MOTOR P/N: 107247)	MWD/FWD = LH, RWD = RH
1	22710010-002	MOTOR, 4 POLE 10KPH (MOTOR P/N: 107248)	MWD/FWD = RH, RWD = LH
1	22710010-003	MOTOR, 4 POLE 8KPH resp. 6KPH HEAVY DUTY (MOTOR P/N: 118945) (High torque motors ideal for kerb climbing and driving on more challenging terrain - can be programmed to 6kph via web iQ, DTT or PC programmer)	MWD/FWD = LH, RWD = RH
1	22710010-004	MOTOR, 4 POLE 8KPH resp. 6KPH HEAVY DUTY (MOTOR P/N: 118946) (High torque motors ideal for kerb climbing and driving on more challenging terrain - can be programmed to 6kph via web iQ, DTT or PC programmer)	MWD/FWD = RH, RWD = LH
2	20010990-002	MOTOR FIXING KIT (10 SCREWS)	MWD
2	20010990-004	MOTOR FIXING KIT (10 SCREWS, 10 WASHERS)	FWD/RWD
3	112283	COVER BRAKE INCL. FASTENER	

**MOTOR 4-POLE**

<b>Pos</b>	<b>Item number</b>	<b>Description</b>	<b>Comment</b>
3-4	112770	BRAKE COMPLETE	FWD/MWD = RH, RWD = LH
3-4	112771	BRAKE COMPLETE	FWD/MWD = LH, RWD = RH
5	162370	BRAKE RELEASE LEVER KIT	
6	22700083	HUB ASSY	
-	112281	BUSH KIT 4 POLE INCL. CAPS	
1	22710010-005	MOTOR 4-POLE, 13 KPH (MOTOR P/N: 118947)	MWD/FWD = LH, RWD = RH
1	22710010-006	MOTOR 4-POLE, 13 KPH (MOTOR P/N: 118948)	MWD/FWD = RH, RWD = LH

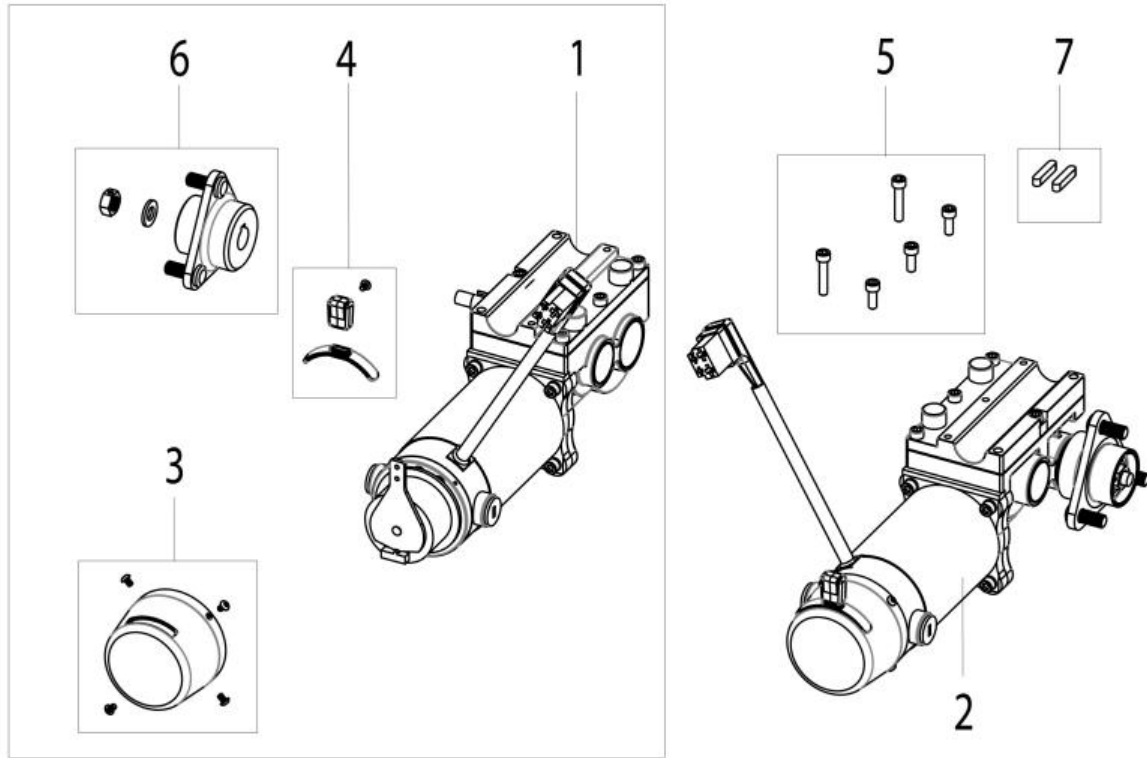
MOTOR 2 -POLE PEFORMANCE



Pos	Item number	Description	Comment
1	22710011-001	MOTOR 2-POLE, 6KPH	FWD/MWD = LH, RWD = RH
-	22710011-002	MOTOR 2-POLE, 6KPH	FWD/MWD = RH, RWD = LH
1	22710011-003	MOTOR 2-POLE, 10KPH	FWD/MWD = LH, RWD = RH
-	22710011-004	MOTOR 2-POLE, 10KPH	MWD/FWD = RH, RWD = LH
2	20010990-001	MOTOR FIXING KIT (10 SCREWS)	MWD
2	20010990-003	MOTOR FIXING KIT (10 SCREWS, 10 WASHERS)	FWD/RWD
3	112283	COVER BRAKE INCL. FASTENER	
3-4	112770	BRAKE COMPLETE	MWD/FWD = RH, RWD = LH
3-4	112771	BRAKE COMPLETE	MWD/FWD = LH, RWD = RH
5	162370	BRAKE RELEASE LEVER KIT	
6	22700083	HUB ASSY	
-	112282	BRUSH KIT 2-POLE INCL. CAPS	

**MOTOR 2 -POLE STANDARD (ONLY Q400M / Q500M)**

**MOTOR 2 -POLE STANDARD (ONLY Q400M / Q500M)**



Pos	Item number	Description	Comment
1	247357	MOTOR 2-POLE, 6KPH STANDARD	MWD/FWD = LH, RWD = RH
2	247356	MOTOR 2-POLE, 6KPH STANDARD	MWD/FWD = RH, RWD = LH
3	22610003	BRAKE COVER	
4	22610004	FREEWHEEL LEVER	
5	22610001	MOTOR FASTENER KIT	
6	22610005	WHEEL HUB	
7	22610002	KEY	2 PCS./PACK
-	245244	MOTOR BRUSH KIT	4 PCS./PACK

PRODUCT LABELS

**Q400M** ————— 1

**Q400F** ————— 2

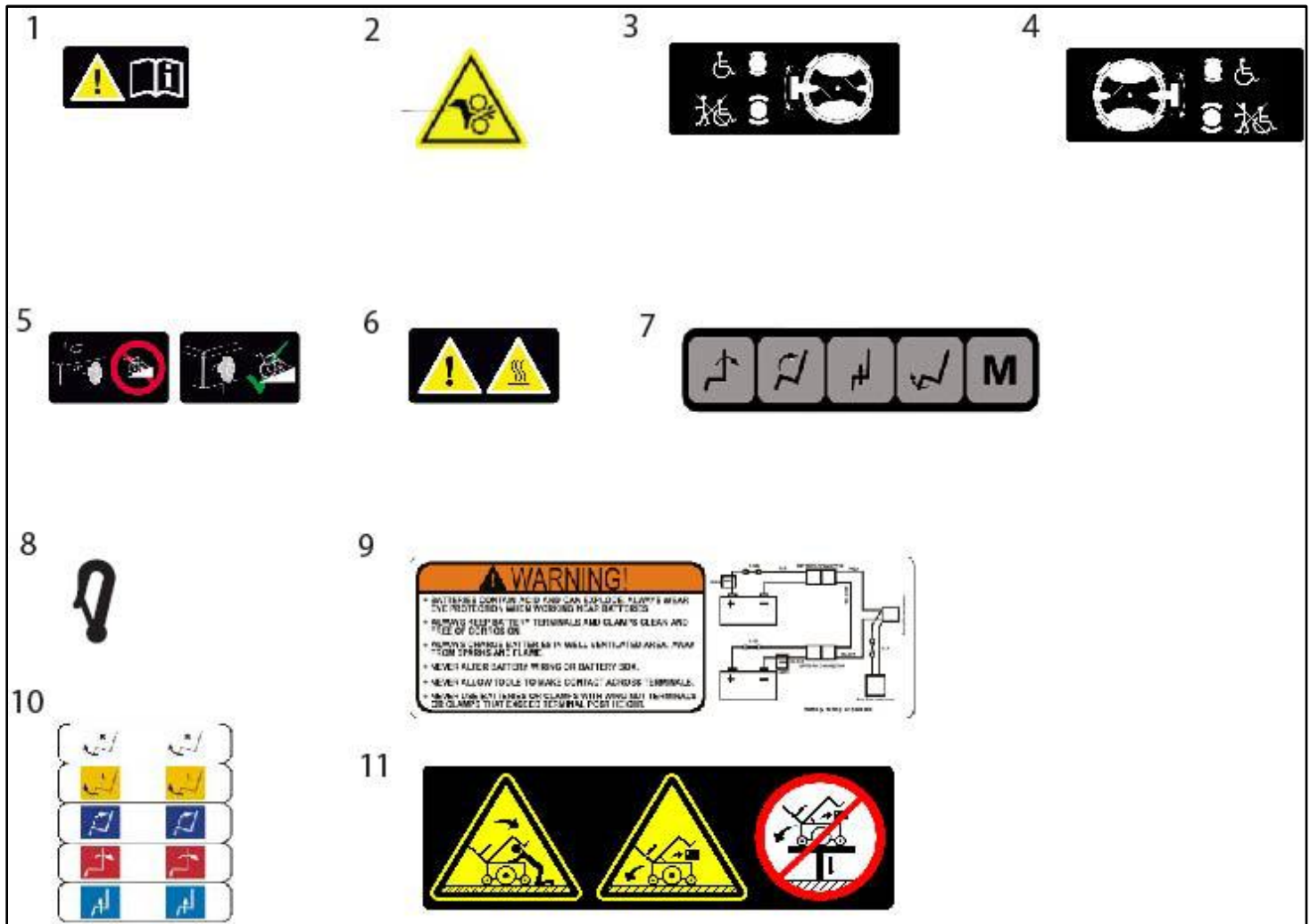
**Q400R** ————— 3

**Q500M** ————— 4

 ————— 5

Pos	Item number	Description	Comment
1	MK-129493	STICKER Q400M, SILVER	2 PER CHAIR
2	MK-100239	STICKER Q400F, SILVER	2 PER CHAIR
3	MK-129565	STICKER Q400R, SILVER	2 PER CHAIR
4	MK-100232	STICKER Q500M, SILVER	2 PER CHAIR
5	116401	DECAL PRODUCT BRAND "QUICKIE"	

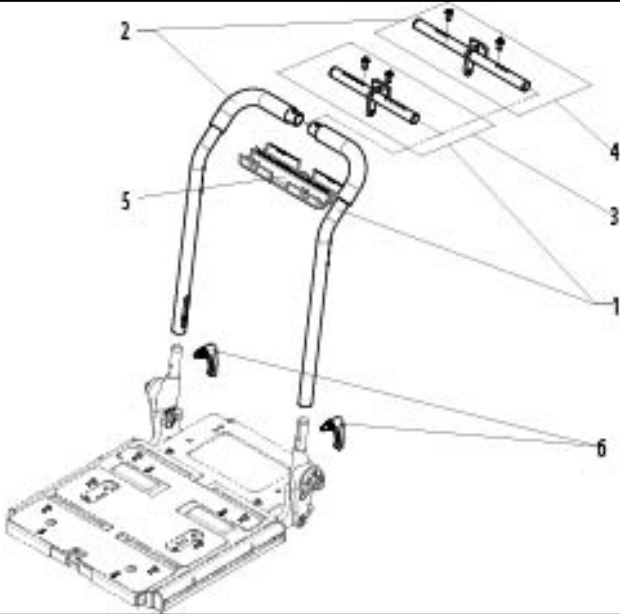
SAFETY LABELS



Pos	Item number	Description	Comment
-	060589	LABEL NOTE: REFER TO USER MANUAL	
2	014603	LABEL FINGER TRAP	
3	000280100-001	LABEL "FREE WHEEL WARNING"	MWD/FWD = LH, RWD = RH
4	000280100-002	LABEL "FREE WHEEL WARNING"	MWD/FWD = RH, RWD = LH
5	21017002	LABEL ENSURE QUICK RELEASE SEAT IS ENGAGED BEFORE DRIVING	
6	014599	LABEL MOTOR HOT WARNING	
7	20017010-001	PICTOGRAM 5-SWICH BOX	
8	000412.6307-ET	LABEL "TIE DOWN POINT", WHITE	4 pcs./pack
9	065128	LABEL BATTERY	
10	013684	LOOM LABELS	
11	20017011	LABEL "SEAT STAY WARNING"	



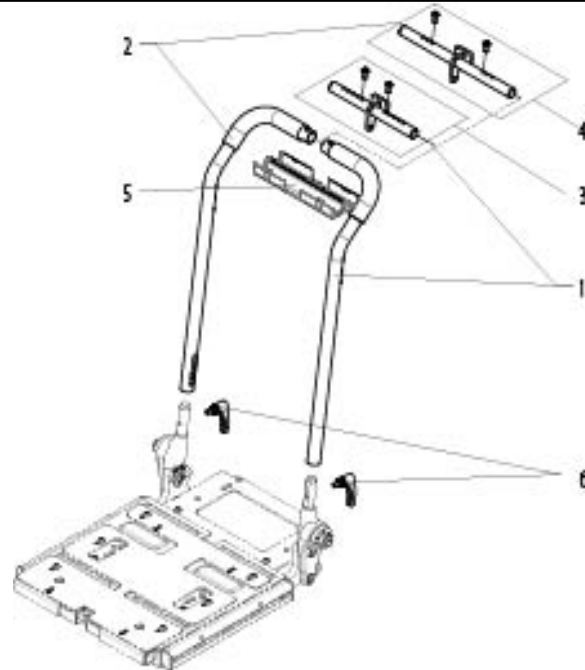
BACKREST FRAME STANDARD



Pos	Item number	Description	Comment
1	22803010-011	BACK FRAME	SEAT WIDTH 385-485
2	22803010-012	BACK FRAME	SEAT WIDTH 460-510
3	22803090-001	BACKREST BRACKET CENTER	SEAT WIDTH 385-485
4	22803090-002	BACKREST BRACKET CENTER	SEAT WIDTH 460-510
5	22803060	BACKREST COVER KIT	
6	22803070	QUICK RELEASE LEVER KIT	2 PCS./PACK

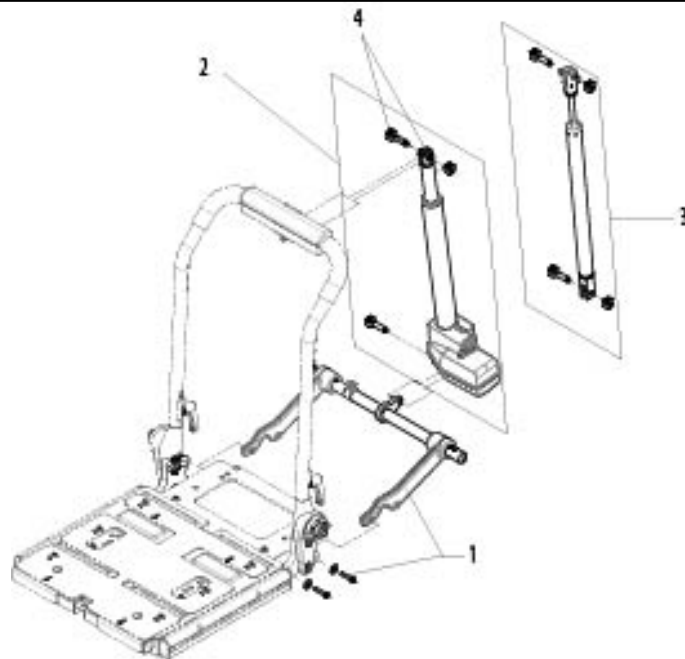
## BACKREST FRAME HIGH

### BACKREST FRAME HIGH



Pos	Item number	Description	Comment
1	22803300-011	BACK FRAME HIGH	SEAT WIDTH 385-485
2	22803300-012	BACK FRAME HIGH	SEAT WIDTH 460-510
3	22803090-001	BACKREST BRACKET CENTER	SEAT WIDTH 385-485
4	22803090-002	BACKREST BRACKET CENTER	SEAT WIDTH 460-510
5	22803060	BACKREST COVER KIT	
6	22803070	QUICK RELEASE LEVER KIT	2 PCS./PACK

**BACKREST ADJUSTABLE**



Pos	Item number	Description	Comment
1	22803110	RECEIVER RECLINE ACTUATOR / GAS SPRING	
2	22803115	ACTUATOR WITH QUICK RELEASE BOLTS	
3	22803125	GAS SPRING WITH QUICK RELEASE BOLTS	
4	22803119	ACTUATOR FIXING BOLT	

## BACK UPHOLSTERY

### BACK UPHOLSTERY

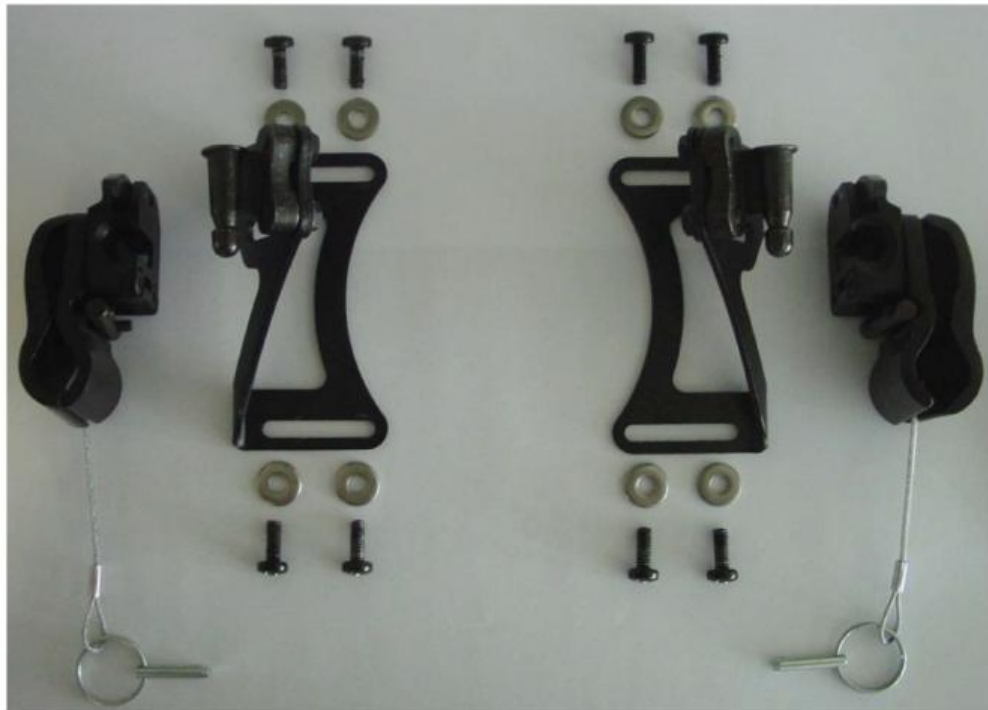
1



Pos	Item number	Description	Comment
1	22803055	BACK UPHOLSTERY COMPLETE	

BACK CUSHION RECEIVER FOR SEDEO LITE BACK CUSHION AND JAY J3

1



Pos	Item number	Description	Comment
1	J3BCKG	BRACKETS USED WITH ANATOMIC BACKREST	PAIR

## BACK CUSHION PROFILED

### BACK CUSHION PROFILED



Pos	Item number	Description	Comment
1	22803200-138	SEDEO LITE BACK CUSHION PROFILED, COMFORT	SW 385MM, BH 500MM
1	22803200-141	SEDEO LITE BACK CUSHION PROFILED, COMFORT	SW 410MM, BH 500MM
1	22803200-143	SEDEO LITE BACK CUSHION PROFILED, COMFORT	SW 435MM, BH 500MM
1	22803200-146	SEDEO LITE BACK CUSHION PROFILED, COMFORT	SW 460MM, BH 500MM
1	22803200-148	SEDEO LITE BACK CUSHION PROFILED, COMFORT	SW 485MM, BH 500MM
1	22803200-151	SEDEO LITE BACK CUSHION PROFILED, COMFORT	SW 510MM, BH 500MM

**BACK CUSHION PROFILED, ADJUSTABLE BELTS**



Pos	Item number	Description	Comment
1	22803200-238	SEDEO LITE BACK CUSHION PROFILED, ADJUSTABLE, COMFORT	SW 385MM, BH 600MM
1	22803200-241	SEDEO LITE BACK CUSHION PROFILED, ADJUSTABLE, COMFORT	SW 410MM, BH 600MM
1	22803200-243	SEDEO LITE BACK CUSHION PROFILED, ADJUSTABLE, COMFORT	SW 435MM, BH 600MM
1	22803200-246	SEDEO LITE BACK CUSHION PROFILED, ADJUSTABLE, COMFORT	SW 460MM, BH 600MM
1	22803200-248	SEDEO LITE BACK CUSHION PROFILED, ADJUSTABLE, COMFORT	SW 485MM, BH 600MM
1	22803200-251	SEDEO LITE BACK CUSHION PROFILED, ADJUSTABLE, COMFORT	SW 510MM, BH 600MM

BACK CUSHION DEEP CONTOUR, PASSIVE, ADJUSTABLE BELTS



Pos	Item number	Description	Comment
1	22803200-338	SEDEO LITE BACK CUSHION DEEP CONTOUR PASSIVE, COMFORT	SW 385MM, BH 600MM
1	22803200-341	SEDEO LITE BACK CUSHION DEEP CONTOUR PASSIVE, COMFORT	SW 410MM, BH 600MM
1	22803200-343	SEDEO LITE BACK CUSHION DEEP CONTOUR PASSIVE, COMFORT	SW 435MM, BH 600MM
1	22803200-346	SEDEO LITE BACK CUSHION DEEP CONTOUR PASSIVE, COMFORT	SW 460MM, BH 600MM
1	22803200-348	SEDEO LITE BACK CUSHION DEEP CONTOUR PASSIVE, COMFORT	SW 485MM, BH 600MM
1	22803200-351	SEDEO LITE BACK CUSHION DEEP CONTOUR PASSIVE, COMFORT	SW 510MM, BH 600MM

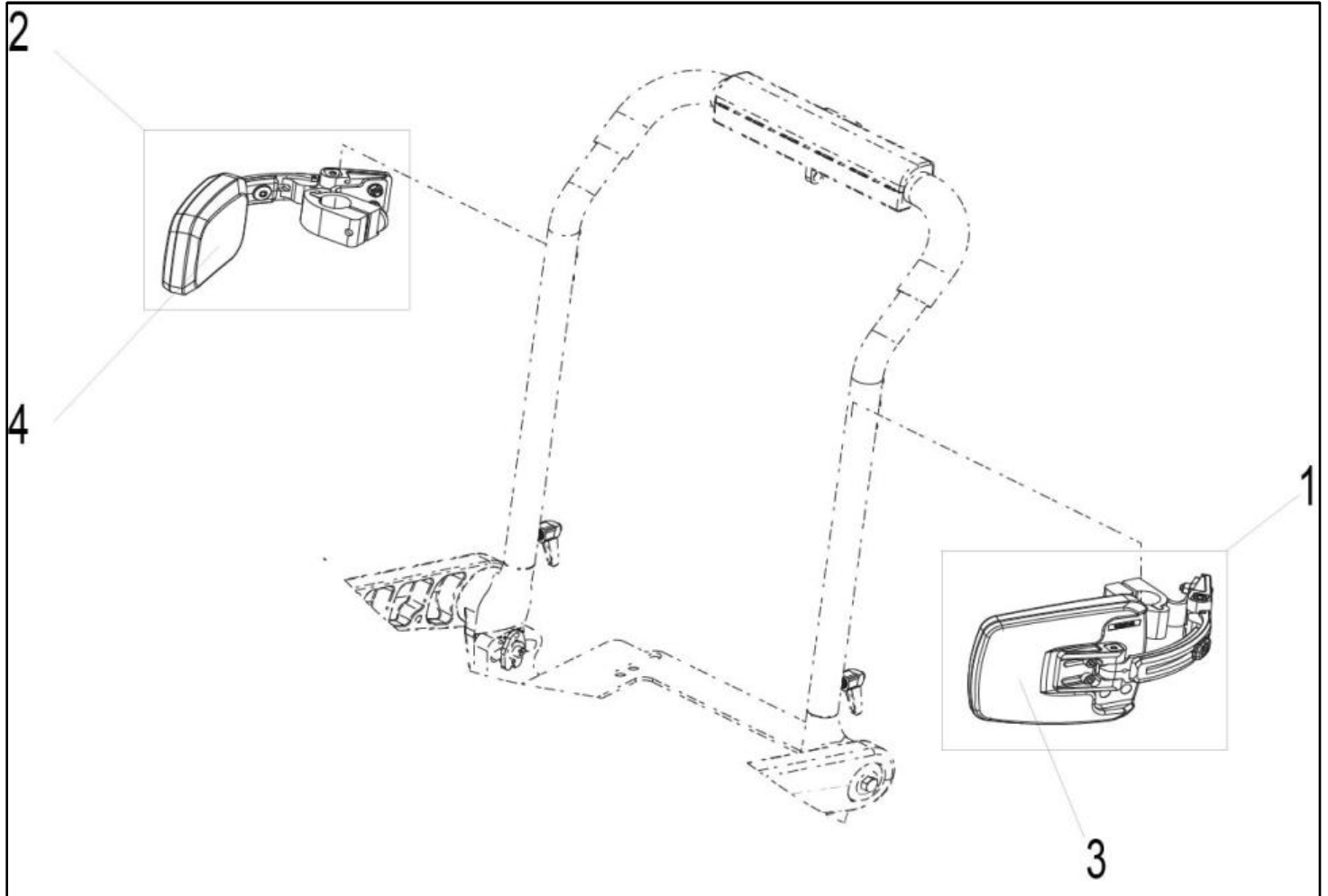


**BACK CUSHION DEEP CONTOUR, ACTIVE, ADJUSTABLE BELTS**



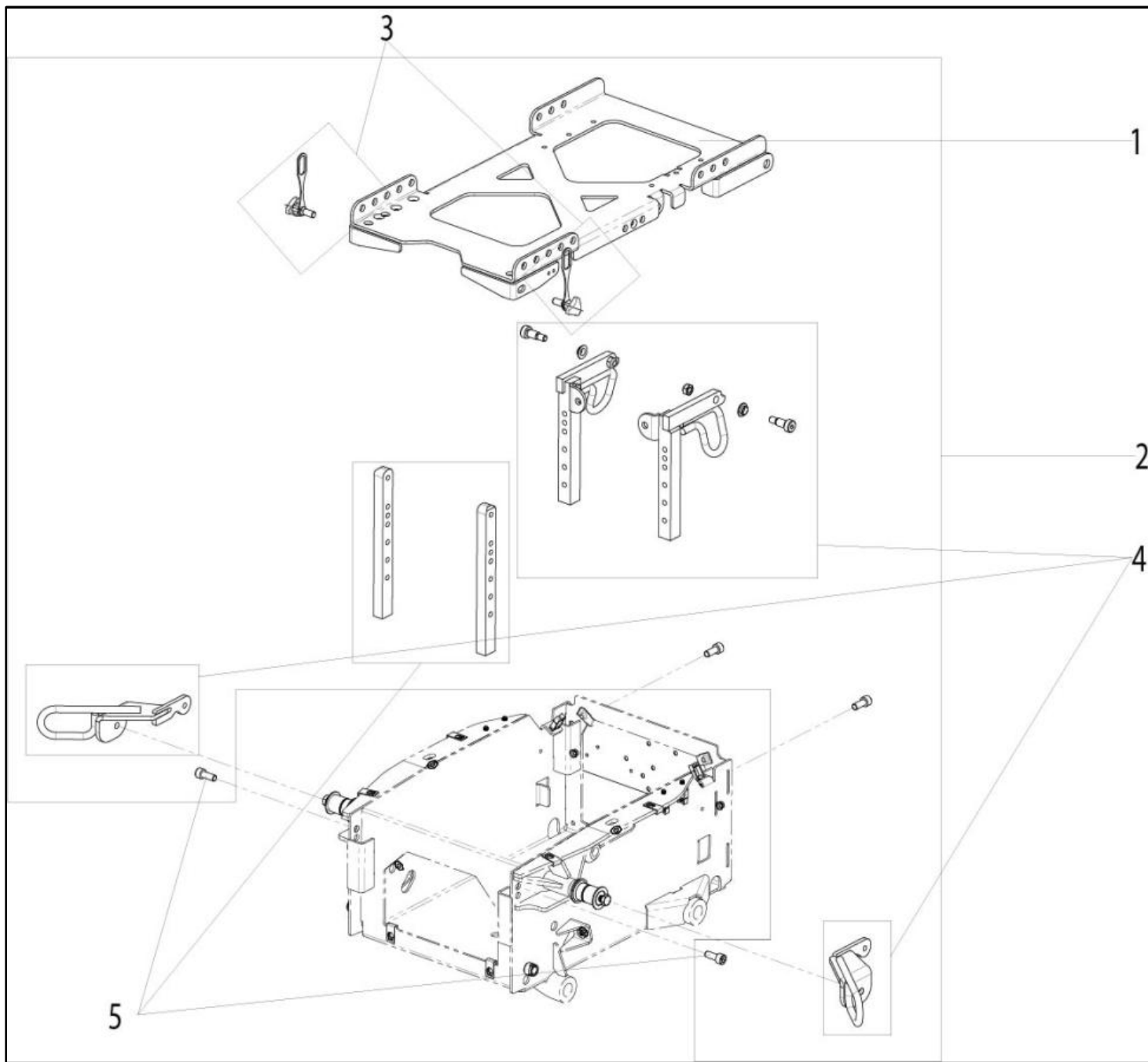
Pos	Item number	Description	Comment
1	22803200-438	SEDEO LITE BACK CUSHION DEEP CONTOUR ACTIVE, COMFORT	SW 385MM, BH 600MM
1	22803200-441	SEDEO LITE BACK CUSHION DEEP CONTOUR ACTIVE, COMFORT	SW 410MM, BH 600MM
1	22803200-443	SEDEO LITE BACK CUSHION DEEP CONTOUR ACTIVE, COMFORT	SW 435MM, BH 600MM
1	22803200-446	SEDEO LITE BACK CUSHION DEEP CONTOUR ACTIVE, COMFORT	SW 460MM, BH 600MM
1	22803200-448	SEDEO LITE BACK CUSHION DEEP CONTOUR ACTIVE, COMFORT	SW 485MM, BH 600MM
1	22803200-451	SEDEO LITE BACK CUSHION DEEP CONTOUR ACTIVE, COMFORT	SW 510MM, BH 600MM

LATERAL THORACIC SUPPORTS



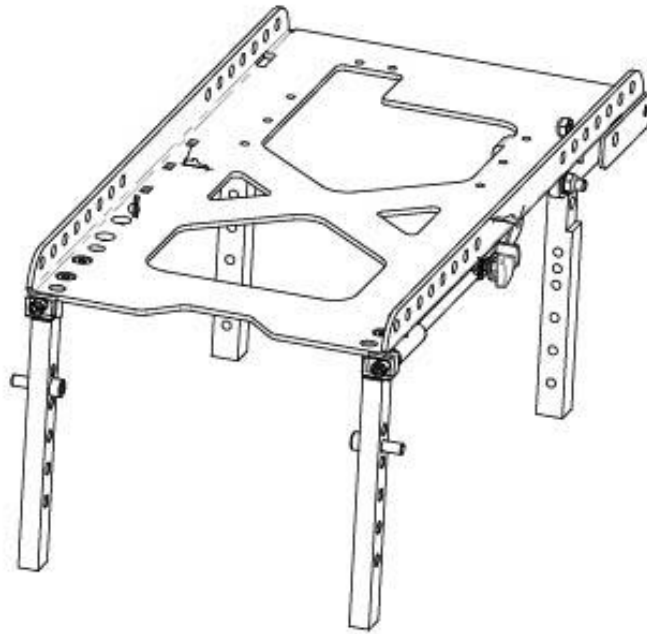
Pos	Item number	Description	Comment
1	22809020-001	LATERAL THORACIC SUPPORT CPL. LARGE	LH/RH USEABLE
2	22809020-002	LATERAL THORACIC SUPPORT CPL. SMALL	LH/RH USEABLE
3	22509099-001	LATERAL THORACIC SUPPORT PAD LARGE	2 PER CHAIR
4	22509099-002	LATERAL THORACIC SUPPORT PAD SMALL	2 PER CHAIR

**Q400 M / Q500 M - SEAT INTERFACE**

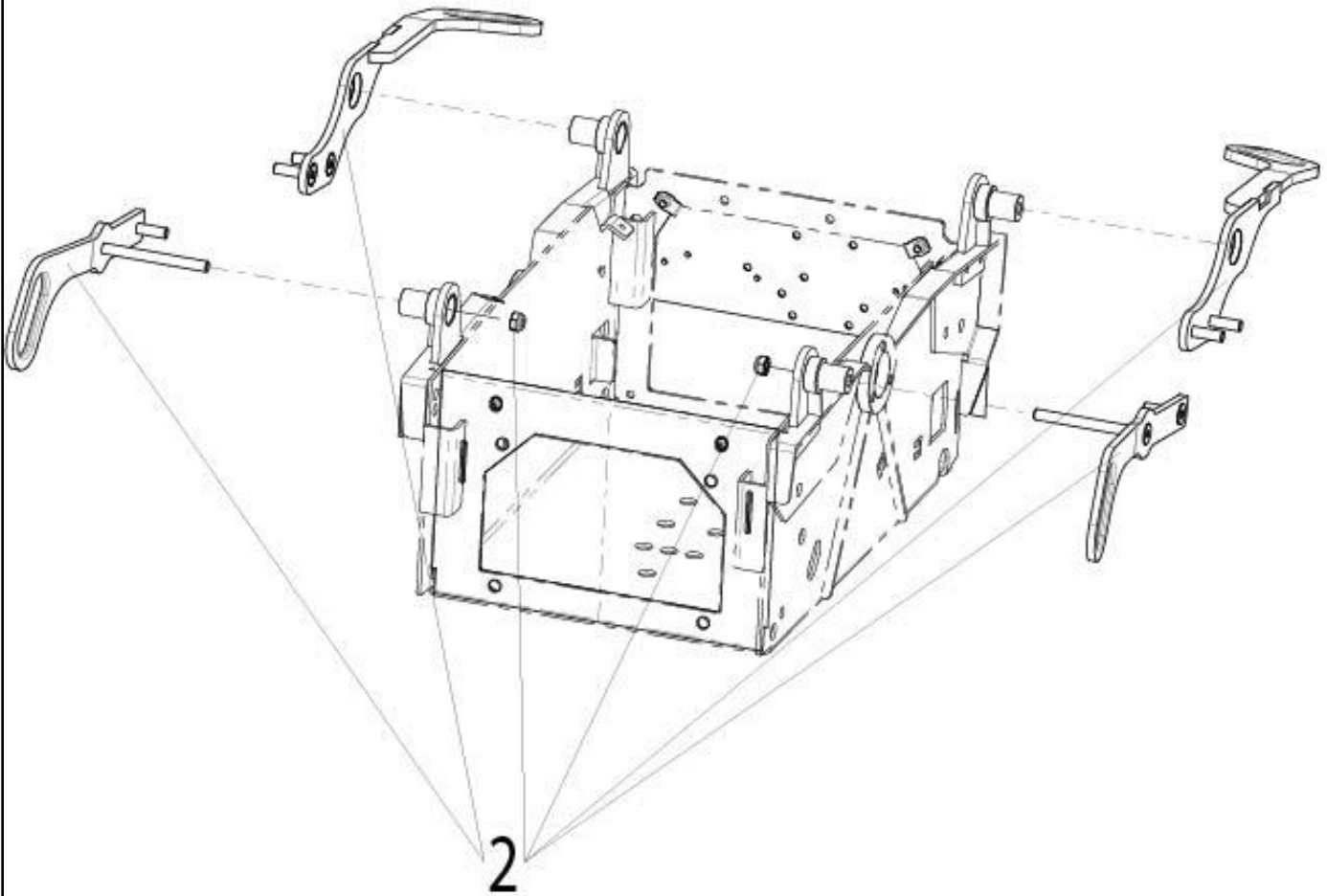


Pos	Item number	Description	Comment
2	163322	INTERFACE COMPLETE	
3	162343	FIXING KIT	
4	162003	REAR TRANSIT KIT	PAIR
5	162008	FRONT TRANSIT KIT	PAIR

Q400 F - SEAT INTERFACE



1

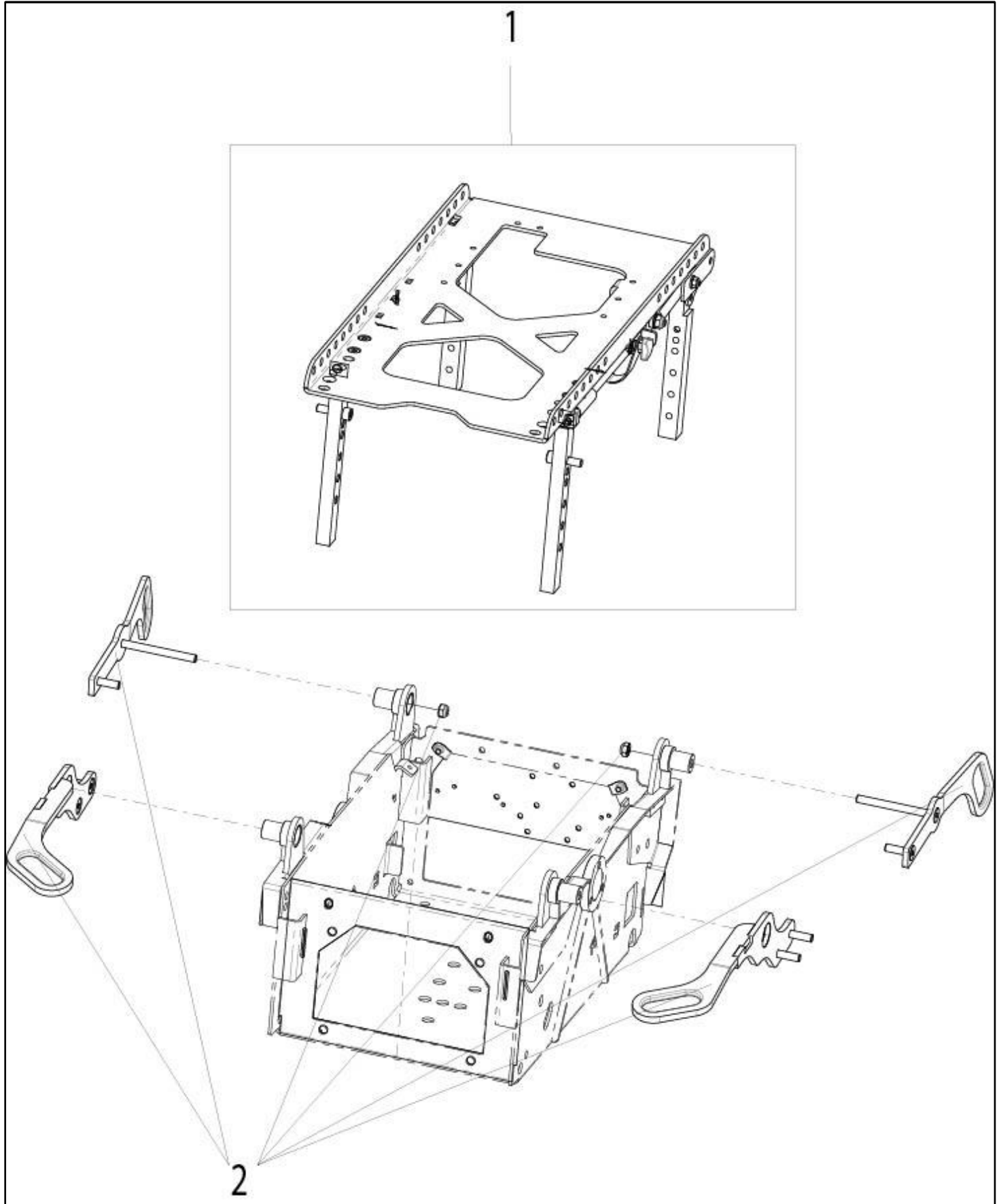


2

---

Pos	Item number	Description	Comment
1	22700064	SEATINTERFACE FWD	
2	22700088	TIE DOWN SET	PAIR

Q400 R - SEAT INTERFACE



Pos	Item number	Description	Comment
1	22700065	SEATINTERFACE RWD	
2	22700088	TIE DOWN SET	PAIR

**SEAT CUSHION, STANDARD, HEIGHT 50MM**

**SEAT CUSHION, STANDARD, HEIGHT 50MM**



Pos	Item number	Description	Comment
1	22802100-001	SEAT CUSHION, STANDARD, WIDTH 410MM	SW 385 - 435MM
1	22802100-002	SEAT CUSHION, STANDARD, WIDTH 480MM	SW 460 - 510MM



## SEDEO SEAT CUSHION, PROFILED, HEIGHT 70MM



## SEAT DEPTH MEASUREMENT INFO

	SEDEO PRO	SEDEO LITE
SD500:	440-520	410-460
SD560:	500-580	485-560

Pos	Item number	Description	Comment
1	22502522-007	SEDEO SEAT CUSHION PROFILED, INCONTINENCE PROTECTION	SW380MM, SD 500MM
1	22502522-008	SEDEO SEAT CUSHION PROFILED, INCONTINENCE PROTECTION	SW400MM, SD 500MM
1	22502522-010	SEDEO SEAT CUSHION PROFILED, INCONTINENCE PROTECTION	SW440MM, SD 500MM
1	22502522-011	SEDEO SEAT CUSHION PROFILED, INCONTINENCE PROTECTION	SW460MM, SD 500MM
1	22502522-012	SEDEO SEAT CUSHION PROFILED, INCONTINENCE PROTECTION	SW480MM, SD 500MM
1	22502522-013	SEDEO SEAT CUSHION PROFILED, INCONTINENCE PROTECTION	SW500MM, SD 500MM

**SEDEO SEAT CUSHION, PROFILED, HEIGHT 70MM**

<b>Pos</b>	<b>Item number</b>	<b>Description</b>	<b>Comment</b>
1	22502522-016	SEDEO SEAT CUSHION PROFILED, INCONTINENCE PROTECTION	SW380MM, SD 500MM
1	22502522-017	SEDEO SEAT CUSHION PROFILED, INCONTINENCE PROTECTION	SW400MM, SD 500MM
1	22502522-019	SEDEO SEAT CUSHION PROFILED, INCONTINENCE PROTECTION	SW440MM, SD 500MM
1	22502522-020	SEDEO SEAT CUSHION PROFILED, INCONTINENCE PROTECTION	SW460MM, SD 560MM
1	22502522-021	SEDEO SEAT CUSHION PROFILED, INCONTINENCE PROTECTION	SW480MM, SD 560MM
1	22502522-022	SEDEO SEAT CUSHION PROFILED, INCONTINENCE PROTECTION	SW500MM, SD 560MM

## SEDEO SEAT CUSHION, SUPPORT, HEIGHT 90MM



SEAT DEPTH MEASUREMENT INFO

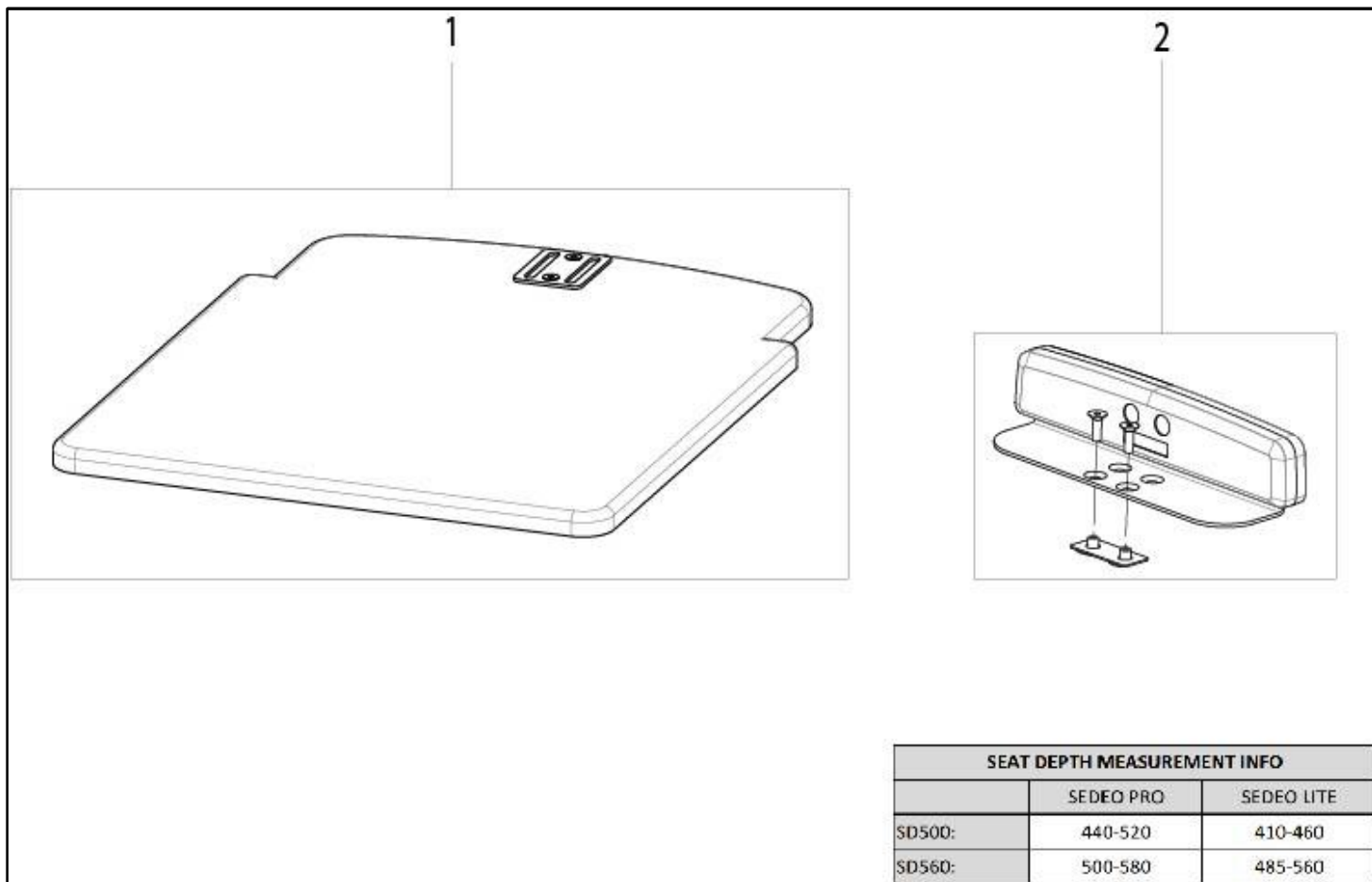
	SEDEO PRO	SEDEO LITE
SD500:	440-520	410-460
SD560:	500-580	485-560

Pos	Item number	Description	Comment
1	22502544-007	SEDEO SEAT CUSHION SUPPORT, INCONTINENCE PROTECTION	SW380MM, SD 500MM
1	22502544-008	SEDEO SEAT CUSHION SUPPORT, INCONTINENCE PROTECTION	SW400MM, SD 500MM
1	22502544-010	SEDEO SEAT CUSHION SUPPORT, INCONTINENCE PROTECTION	SW440MM, SD 500MM
1	22502544-011	SEDEO SEAT CUSHION SUPPORT, INCONTINENCE PROTECTION	SW460MM, SD 500MM
1	22502544-012	SEDEO SEAT CUSHION SUPPORT, INCONTINENCE PROTECTION	SW480MM, SD 500MM
1	22502544-013	SEDEO SEAT CUSHION SUPPORT, INCONTINENCE PROTECTION	SW500MM, SD 500MM
1	22502544-016	SEDEO SEAT CUSHION SUPPORT, INCONTINENCE PROTECTION	SW380MM, SD 560MM

**SEDEO SEAT CUSHION, SUPPORT, HEIGHT 90MM**

<b>Pos</b>	<b>Item number</b>	<b>Description</b>	<b>Comment</b>
1	22502544-017	SEDEO SEAT CUSHION SUPPORT, INCONTINENCE PROTECTION	SW400MM, SD 560MM
1	22502544-019	SEDEO SEAT CUSHION SUPPORT, INCONTINENCE PROTECTION	SW440MM, SD 560MM
1	22502544-020	SEDEO SEAT CUSHION SUPPORT, INCONTINENCE PROTECTION	SW460MM, SD 560MM
1	22502544-021	SEDEO SEAT CUSHION SUPPORT, INCONTINENCE PROTECTION	SW480MM, SD 560MM
1	22502544-022	SEDEO SEAT CUSHION SUPPORT, INCONTINENCE PROTECTION	SW500MM, SD 560MM

## SEDEO SEAT BOARD, FLAT



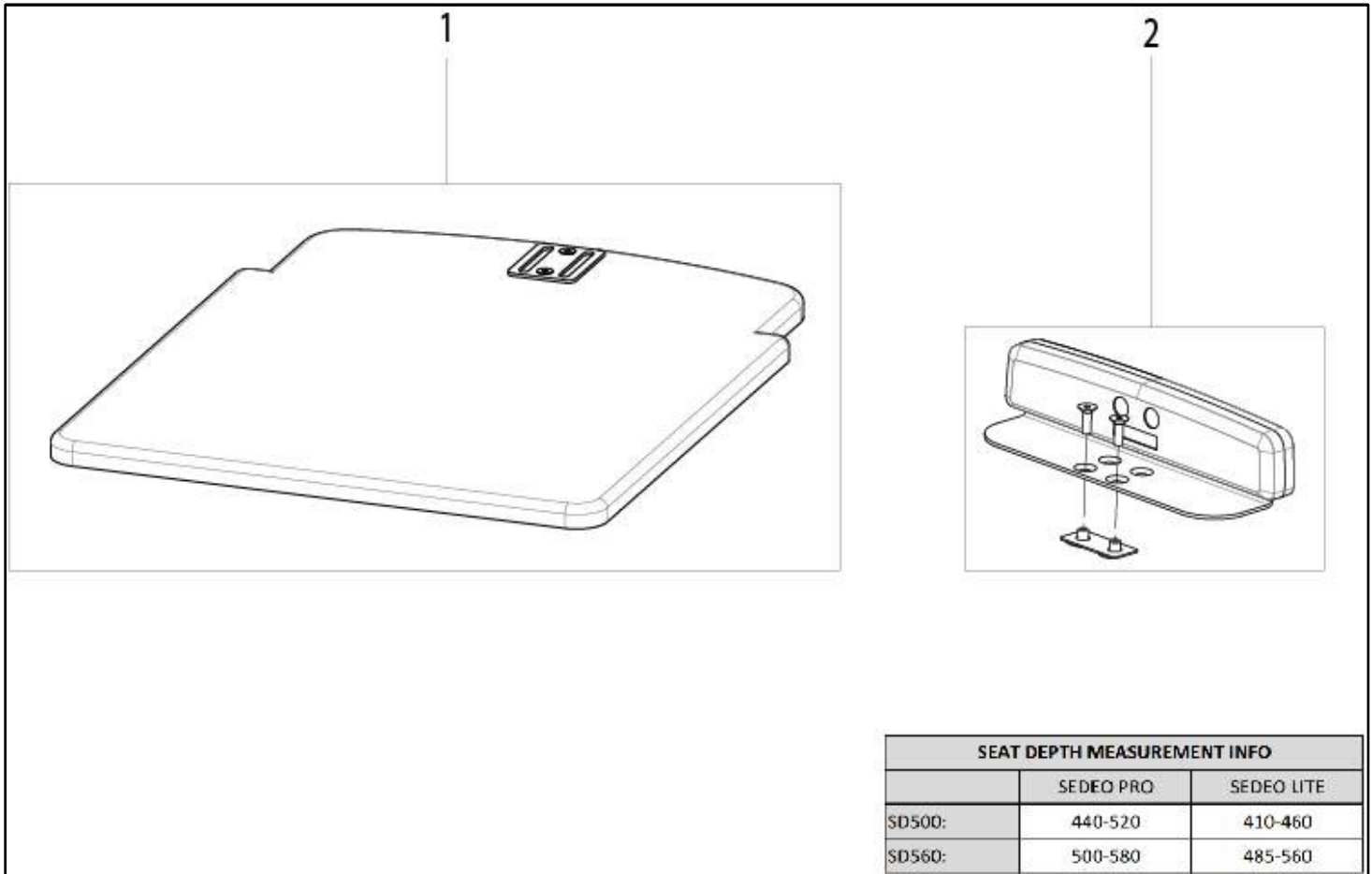
SEAT DEPTH MEASUREMENT INFO		
	SEDEO PRO	SEDEO LITE
SD500:	440-520	410-460
SD560:	500-580	485-560

Pos	Item number	Description	Comment
1	22502513-007	SEDEO SEAT BOARD	SW380MM, SD 500MM
1	22502513-008	SEDEO SEAT BOARD	SW400MM, SD 500MM
1	22502513-010	SEDEO SEAT BOARD	SW440MM, SD 500MM
1	22502513-011	SEDEO SEAT BOARD	SW460MM, SD 500MM
1	22502513-012	SEDEO SEAT BOARD	SW480MM, SD 500MM
1	22502513-013	SEDEO SEAT BOARD	SW500MM, SD 500MM
1	22502513-016	SEDEO SEAT BOARD	SW380MM, SD 560MM
1	22502513-017	SEDEO SEAT BOARD	SW400MM, SD 560MM
1	22502513-019	SEDEO SEAT BOARD	SW440MM, SD 560MM
1	22502513-020	SEDEO SEAT BOARD	SW460MM, SD 560MM

## SEDEO SEAT BOARD, FLAT

Pos	Item number	Description	Comment
1	22502513-021	SEDEO SEAT BOARD	SW480MM, SD 560MM
1	22502513-022	SEDEO SEAT BOARD	SW500MM, SD 560MM
2	22502570	REAR PAN KIT	

## SEDEO SEAT BOARD, THRESHOLD 50MM



SEAT DEPTH MEASUREMENT INFO		
	SEDEO PRO	SEDEO LITE
SD500:	440-520	410-460
SD560:	500-580	485-560

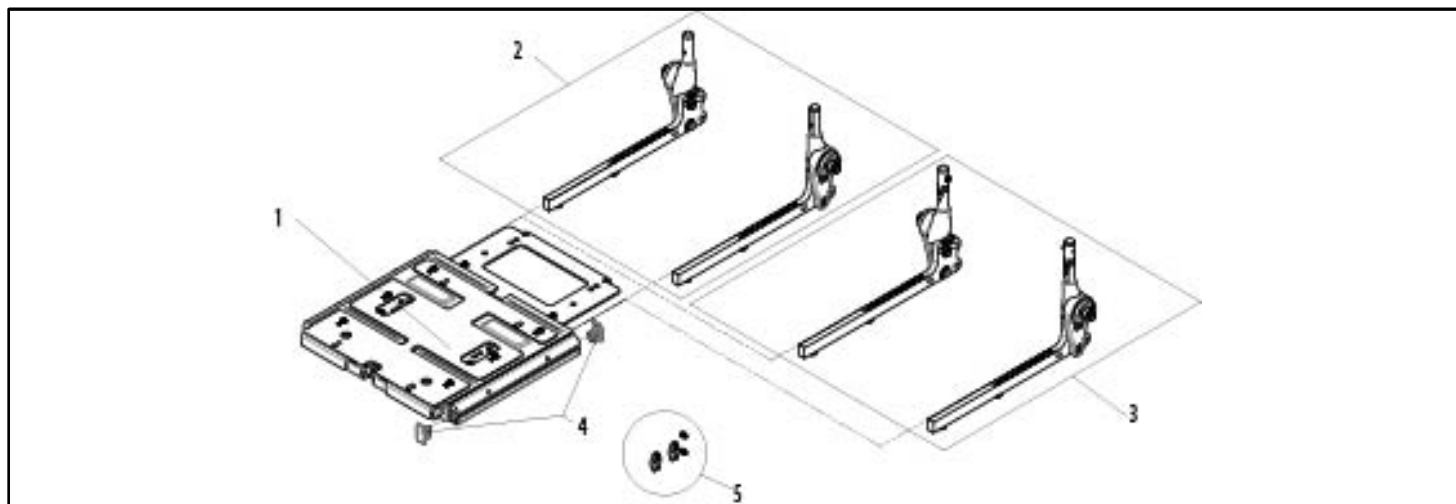
Pos	Item number	Description	Comment
1	22502512-007	SEDEO SEAT BOARD, THRESHOLD 50MM	SW380MM, SD 500MM
1	22502512-008	SEDEO SEAT BOARD, THRESHOLD 50MM	SW400MM, SD 500MM
1	22502512-010	SEDEO SEAT BOARD, THRESHOLD 50MM	SW440MM, SD 500MM
1	22502512-011	SEDEO SEAT BOARD, THRESHOLD 50MM	SW460MM, SD 500MM
1	22502512-012	SEDEO SEAT BOARD, THRESHOLD 50MM	SW480MM, SD 500MM
1	22502512-013	SEDEO SEAT BOARD, THRESHOLD 50MM	SW500MM, SD 500MM
1	22502512-016	SEDEO SEAT BOARD, THRESHOLD 50MM	SW380MM, SD 560MM
1	22502512-017	SEDEO SEAT BOARD, THRESHOLD 50MM	SW400MM, SD 560MM
1	22502512-019	SEDEO SEAT BOARD, THRESHOLD 50MM	SW440MM, SD 560MM
1	22502512-020	SEDEO SEAT BOARD, THRESHOLD 50MM	SW460MM, SD 560MM

**SEDEO SEAT BOARD, THRESHOLD 50MM**

<b>Pos</b>	<b>Item number</b>	<b>Description</b>	<b>Comment</b>
1	22502512-021	SEDEO SEAT BOARD, THRESHOLD 50MM	SW480MM, SD 560MM
1	22502512-022	SEDEO SEAT BOARD, THRESHOLD 50MM	SW500MM, SD 560MM
2	22502570	REAR PAN KIT	

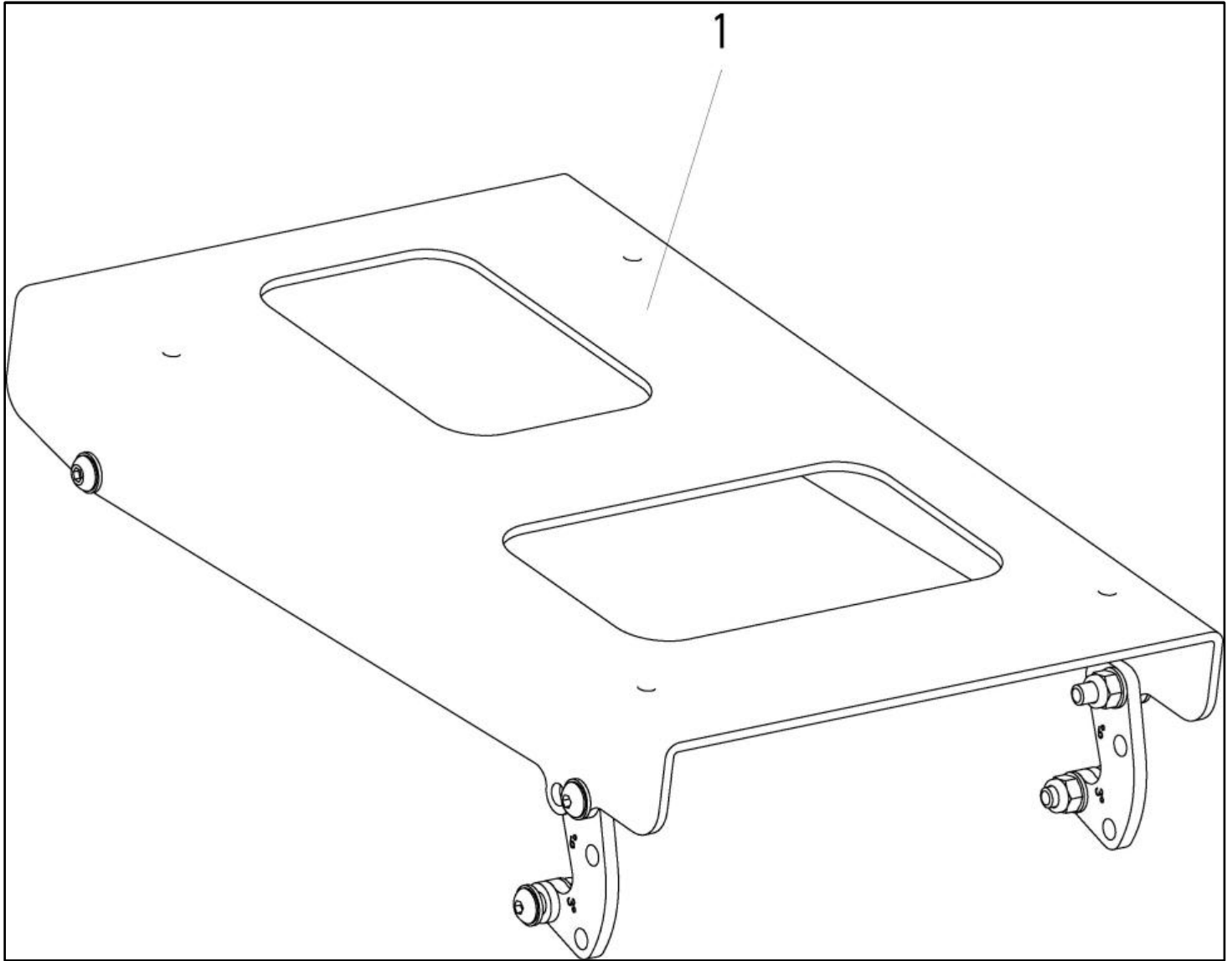


## SEAT PLATE



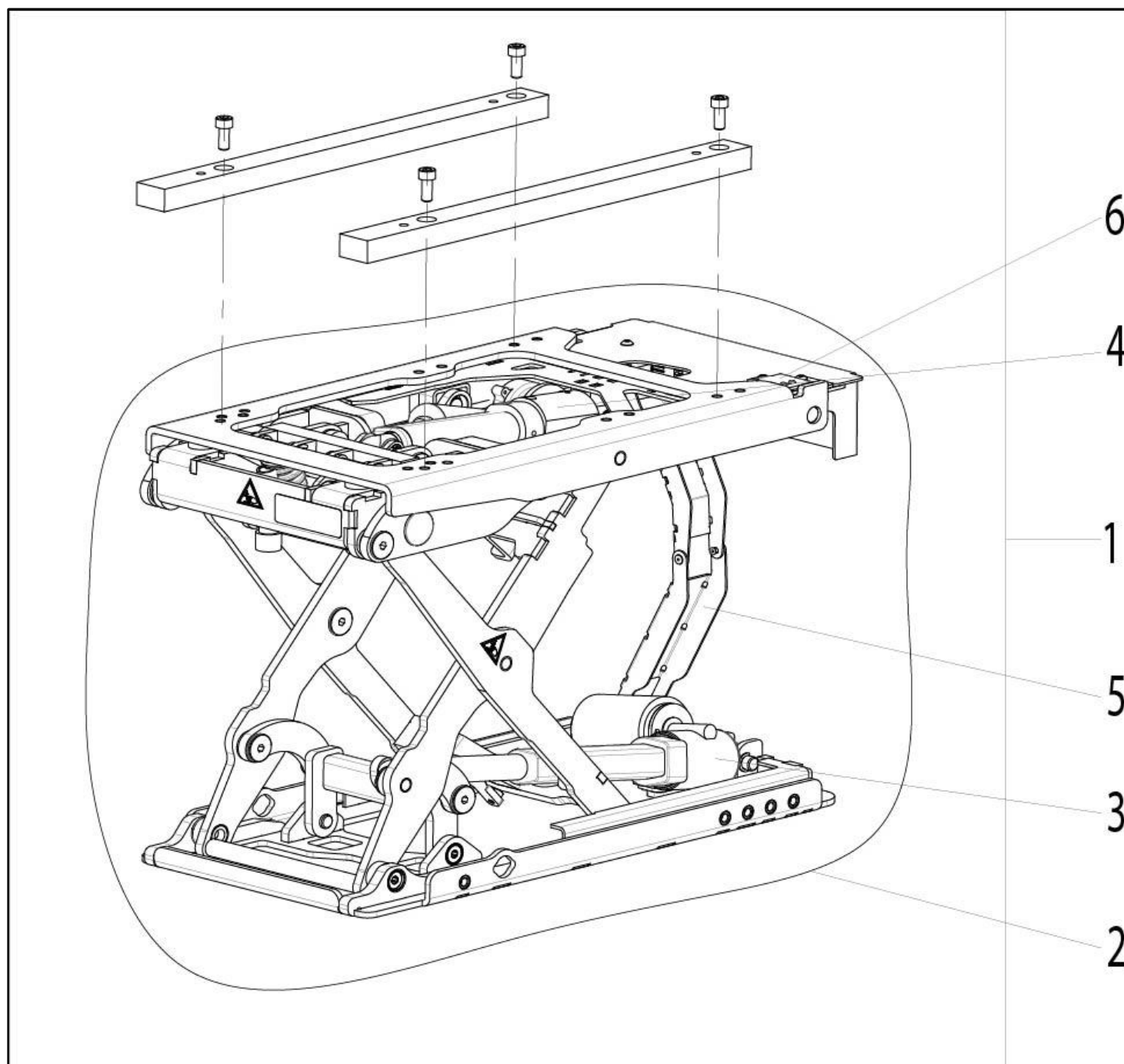
Pos	Item number	Description	Comment
-	22802110	BEARING KIT SEAT / BACK INTERFACE	6 PCS./PACK
1	22802000	SEAT PLATE	
2	22802001-001	SEAT / BACK INTERFACE NON FOLDING	PAIR
3	22802002	SEAT / BACK INTERFACE FOLDING	PAIR
4	22502018	SEAT RAIL CAPS	PAIR
5	22803034	FIXED BACKREST ADJUSTING KIT	PAIR

SEAT MODULE, FIXED



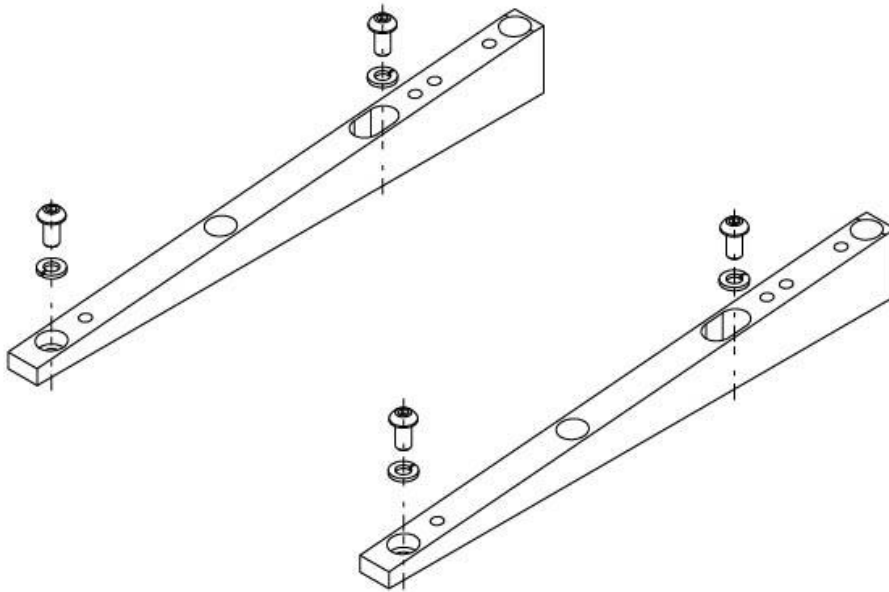
Pos	Item number	Description	Comment
1	20010107	FILLER MODULE KIT	

## SEAT MODULE, LIFT AND TILT

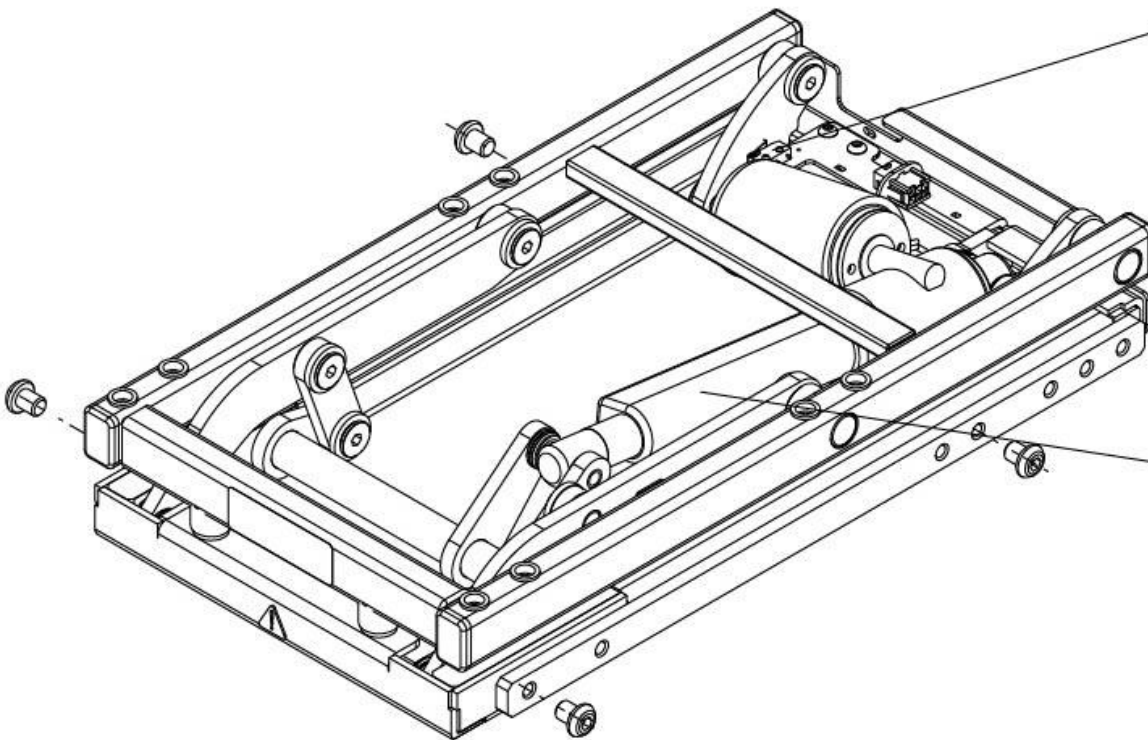


Pos	Item number	Description	Comment
1	22812100	LIFT / TILT MODULE INCL. SPACERS AND MOUNTING ACCESSORIES	
2	20012011-001	LIFT / TILT MODULE INCL MOUNTING ACCESSORIES	
3	20010136	LIFT ACTUATOR	
4	20010135	TILT ACTUATOR	
5	20010138	CABLE TRACK	
6	20010141	MICRO SWITCH	

SEAT MODULE, TILT



4



3

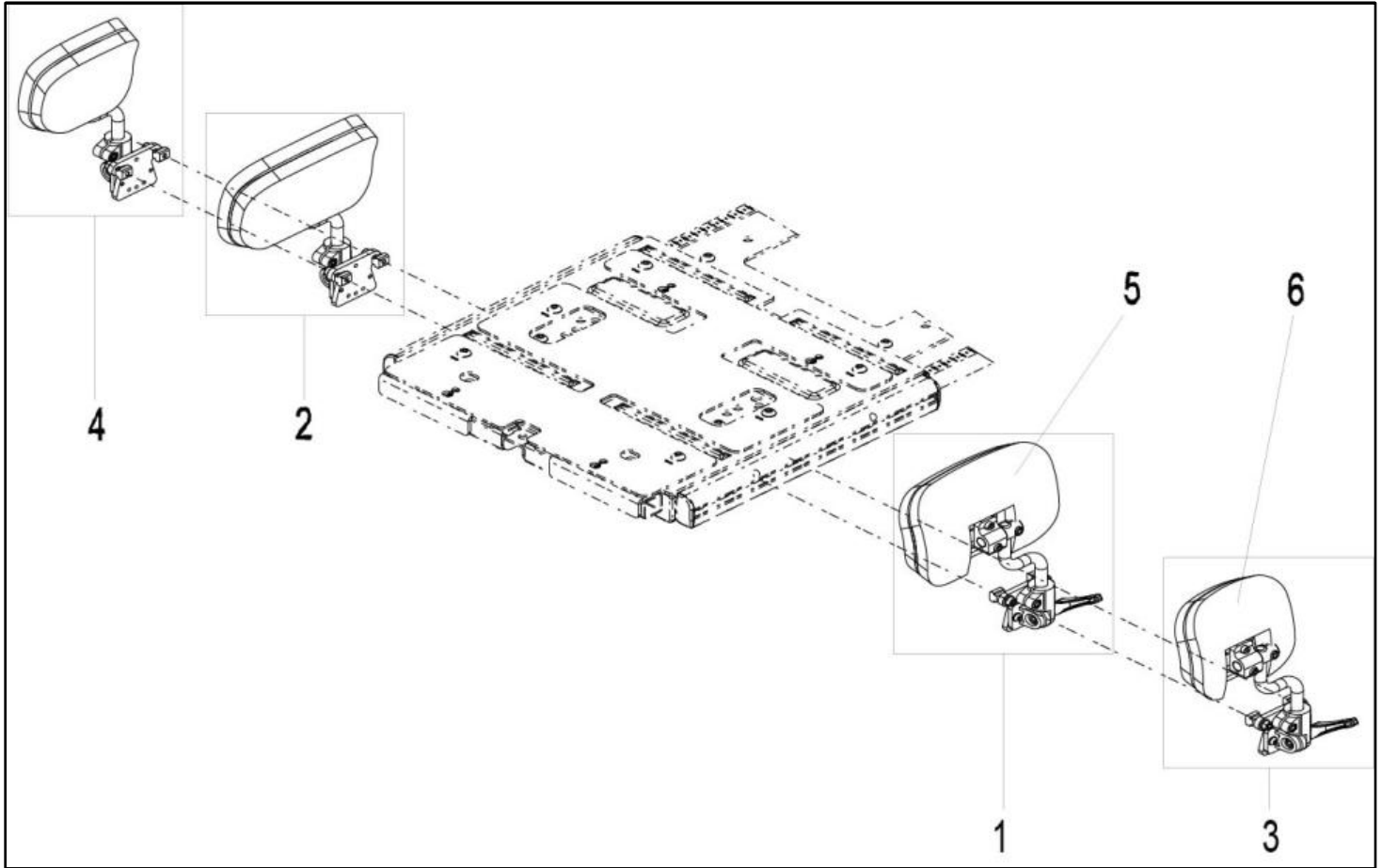
2

1

Pos	Item number	Description	Comment
1	20012010-001	TILT MODULE 30° INCL. MOUNTING ACCESSORIES	
1	20012010-002	TILT MODULE 50° INCL. MOUNTING ACCESSORIES	ONLY Q400F AND Q400M
2	20010131	MOTOR FOR TILT MODULE 30° / 50°	
3	20010132	MICRO SWITCH AND CONNECTING LOOM	
4	21012015	SPACER -5° -25° / 45° KIT	

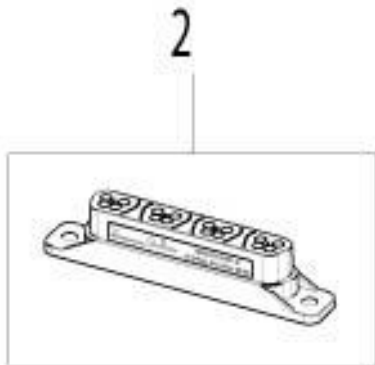
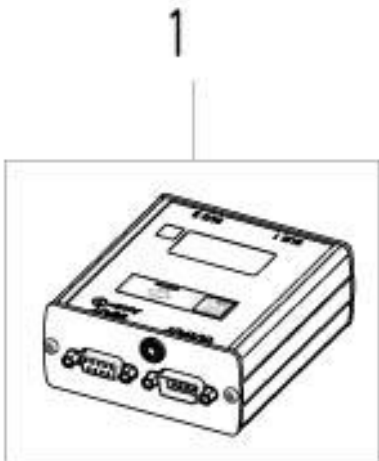
## THIGH SUPPORT

### THIGH SUPPORT



Pos	Item number	Description	Comment
1	22509025-001	THIGH / KNEE SUPPORT ASSEMBLY LONG PAD	LH
2	22509025-002	THIGH / KNEE SUPPORT ASSEMBLY LONG PAD	RH
3	22509025-011	THIGH / KNEE SUPPORT ASSEMBLY SHORT PAD	LH
4	22509025-012	THIGH / KNEE SUPPORT ASSEMBLY SHORT PAD	RH
5	22509034-001	THIGH / KNEE SUPPORT COVER LONG PAD	
6	22509034-002	THIGH / KNEE SUPPORT COVER SHORT PAD	

R-NET ELECTRONICS COMPONENTS



3

4

Pos	Item number	Description	Comment
1	108217	IOM (INPUT-OUTPUT MODULE) FOR 7 SWITCH FUNCTIONS	
2	108312	R-NET CAN-BUS TERMINAL	
3	21011024	R-NET BLUETOOTH MODULE (ANDROID AND WINDOWS)	
3	21011028	R-NET BLUETOOTH MODULE (IOS)	
3	21011081	R-NET BLUETOOTH MODULE (ANDROID AND WINDOWS)	ONLY USEABLE AS SECOND MODULE WITH P/N21011024

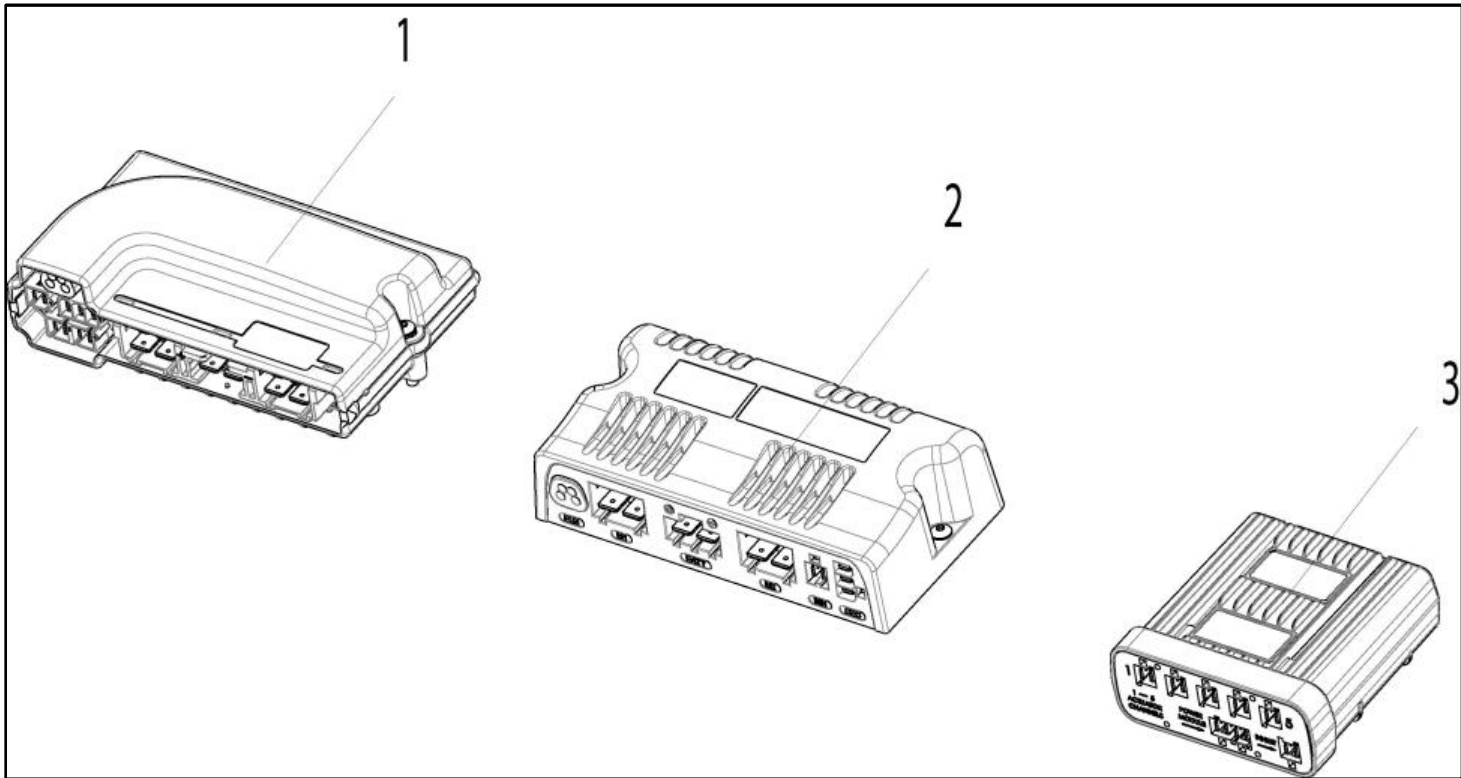
## R-NET ELECTRONICS COMPONENTS

---

Pos	Item number	Description	Comment
4	21809080	GYRO MODULE KIT	
-	060731	R-NET BLUETOOTH USB MOUSE RECEIVER	



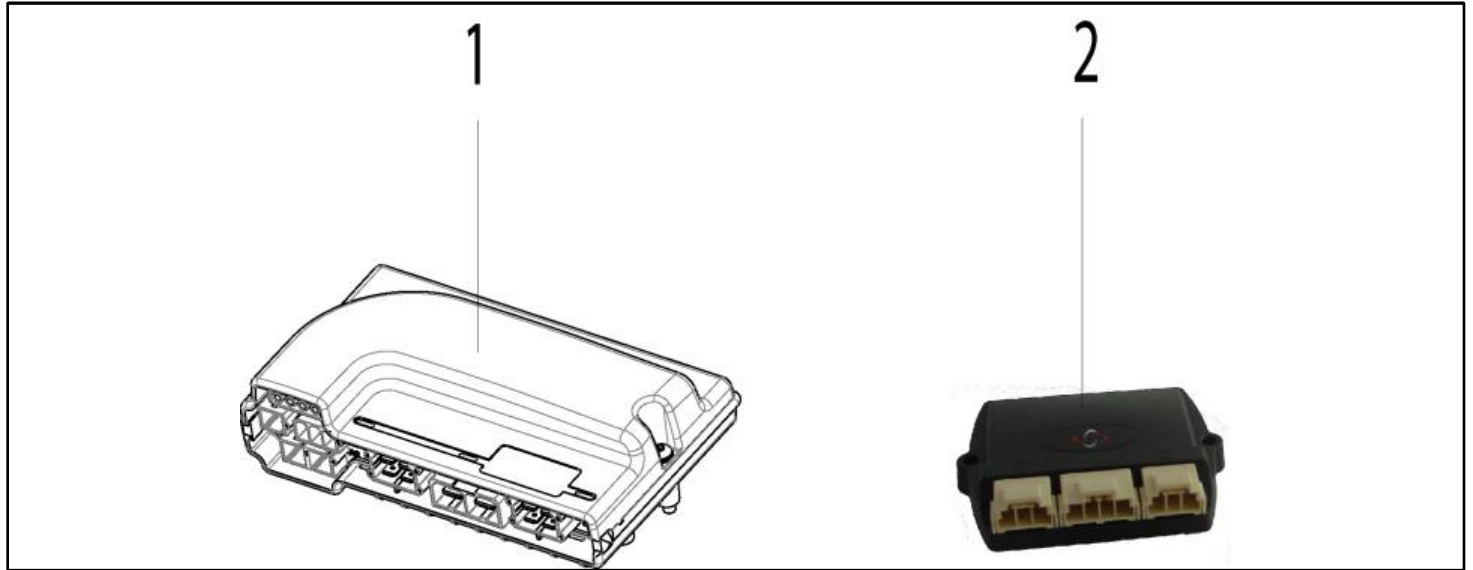
R-NET CONTROL MODULES



Pos	Item number	Description	Comment
1	20011080-003	R-NET POWER MODULE PM90	
1	20011081-003	R-NET POWER MODULE PM90, PROGRAMMED	PLEASE NOTE SERIAL NO. AT ORDER
2	20011080-004	R-NET POWER MODULE PM120	
2	20011081-004	R-NET POWER MODULE PM120, PROGRAMMED	PLEASE NOTE SERIAL NO. AT ORDER
3	21011013	R-NET ISM-6L (6 ACTUATORS AND LIGHTS)	

## VR2 CONTROL MODULES

### VR2 CONTROL MODULES



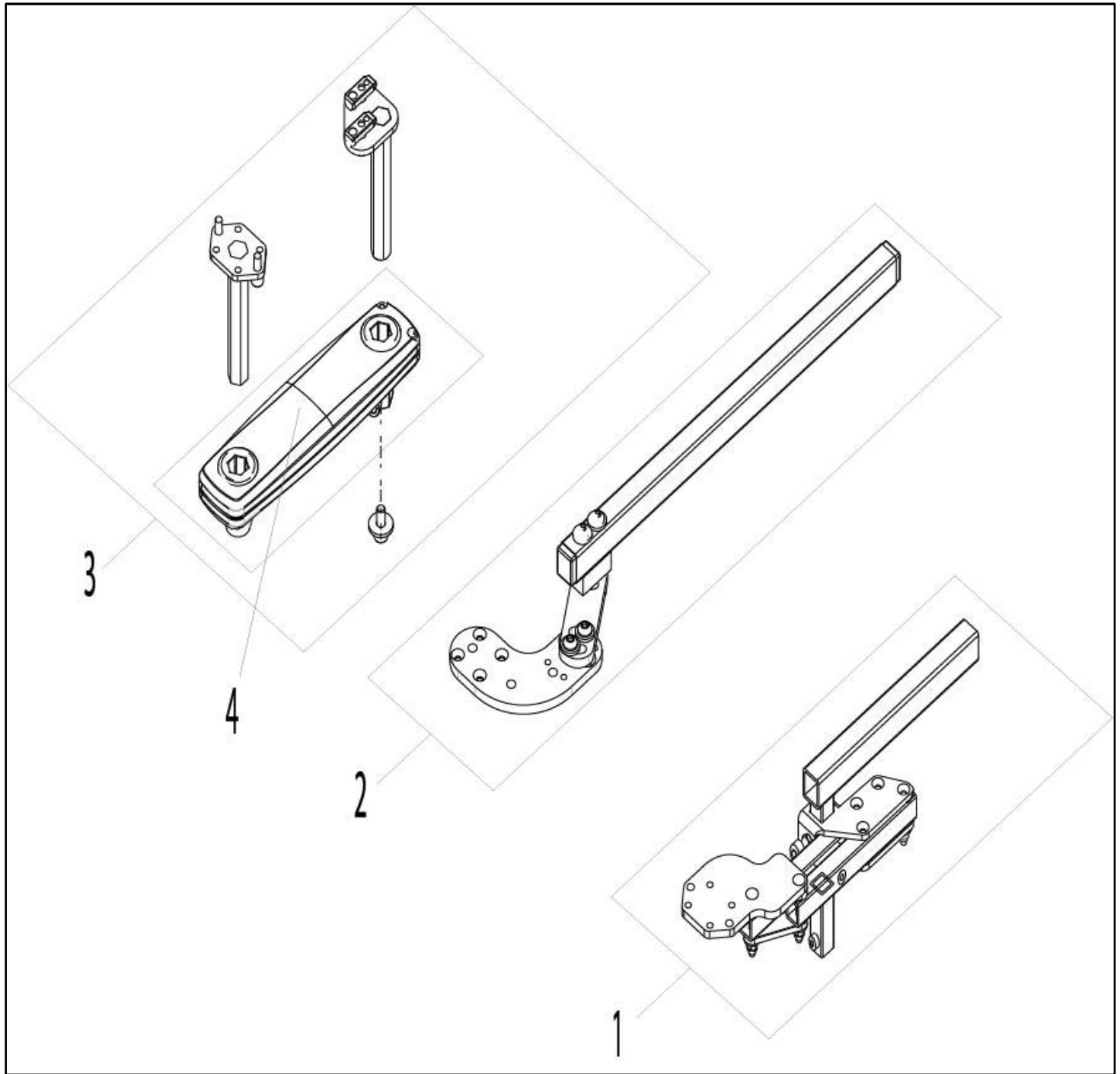
Pos	Item number	Description	Comment
1	20011080-001	VR2 POWER MODULE PM70	
1	20011081-001	VR2 POWER MODULE PM70, PROGRAMMED	PLEASE NOTE SERIAL NO. AT ORDER
1	20011080-002	VR2 POWER MODULE PM90	
1	20011081-002	VR2 POWER MODULE PM90, PROGRAMMED	PLEASE NOTE SERIAL NO. AT ORDER
2	21011027	VR2 LIGHTING MODULE	

DONGLE AND HANDHELD PROGRAMMER



Pos	Item number	Description	Comment
-	015574	R-NET PROGRAMMING CABLE DTT	
-	015886	VR2 PROGRAMMING CABLE DTT	
1	108532	R-NET PC PROGRAMMER (DEALER VERSION)	SUPPLIED WITH SOFTWARE, DONGLE AND CABLE
2	108664	R-NET / VR2 HAND HELD PROGRAMMER DTT (W/O CABLE) SUPPLIED WITHOUT PROGRAMMING LEAD	
-	000501044	VR2 PC PROGRAMMER SOFTWARE (D501044/3)	

MOUNT, JOYSTICK VR2/R-NET

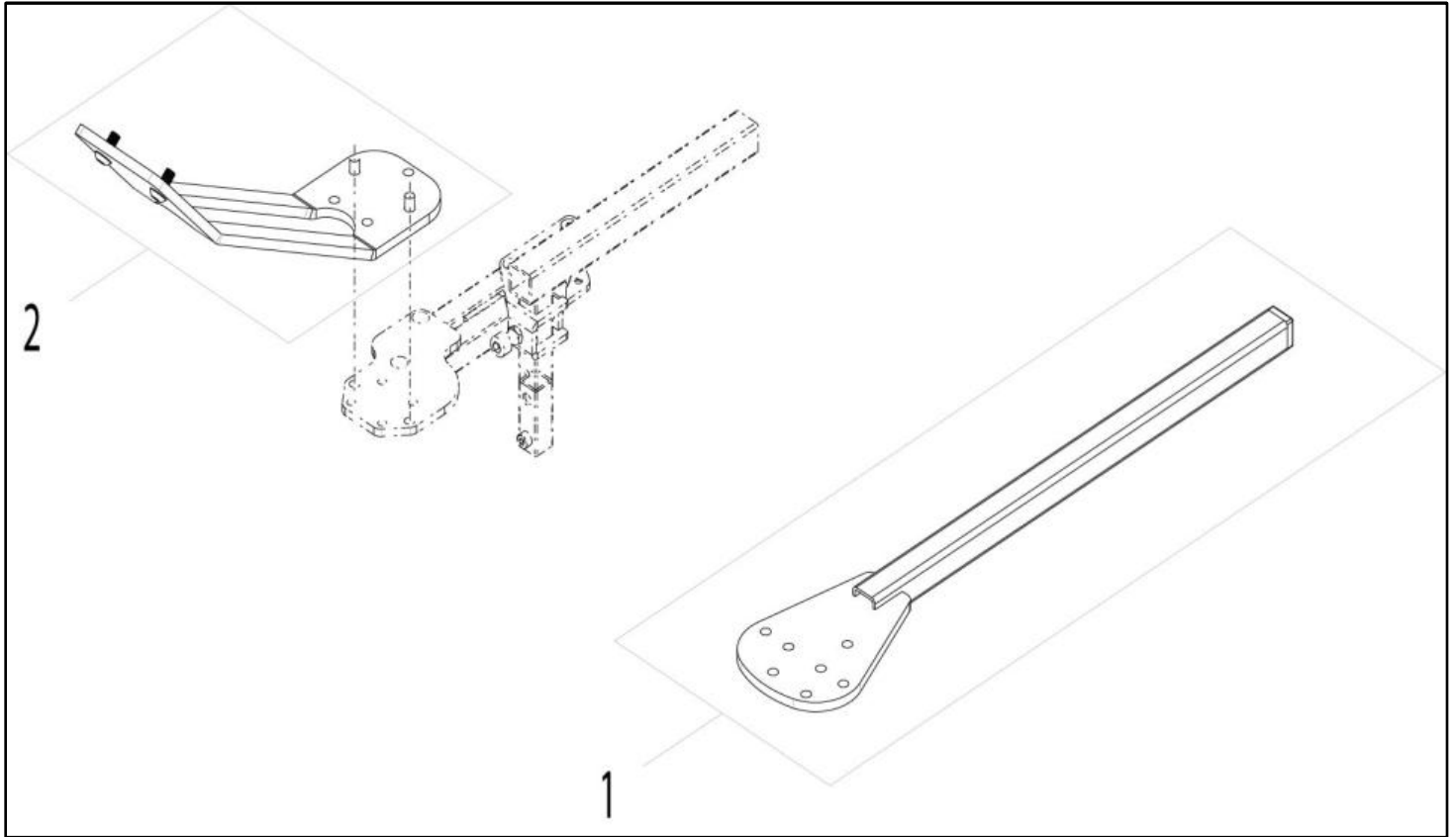


Pos	Item number	Description	Comment
1	20009150-001	JOYSTICK MOUNT, STANDARD, SWING AWAY	LH
-	20009150-002	JOYSTICK MOUNT, STANDARD, SWING AWAY	RH
2	21009083-002	JOYSTICK MOUNT, FIXED	LH
-	21009083-001	JOYSTICK MOUNT, FIXED	RH
3	22509070-002	JOYSTICK MOUNT, CAPSULATED, SWING AWAY KIT	LH/RH USEABLE

---

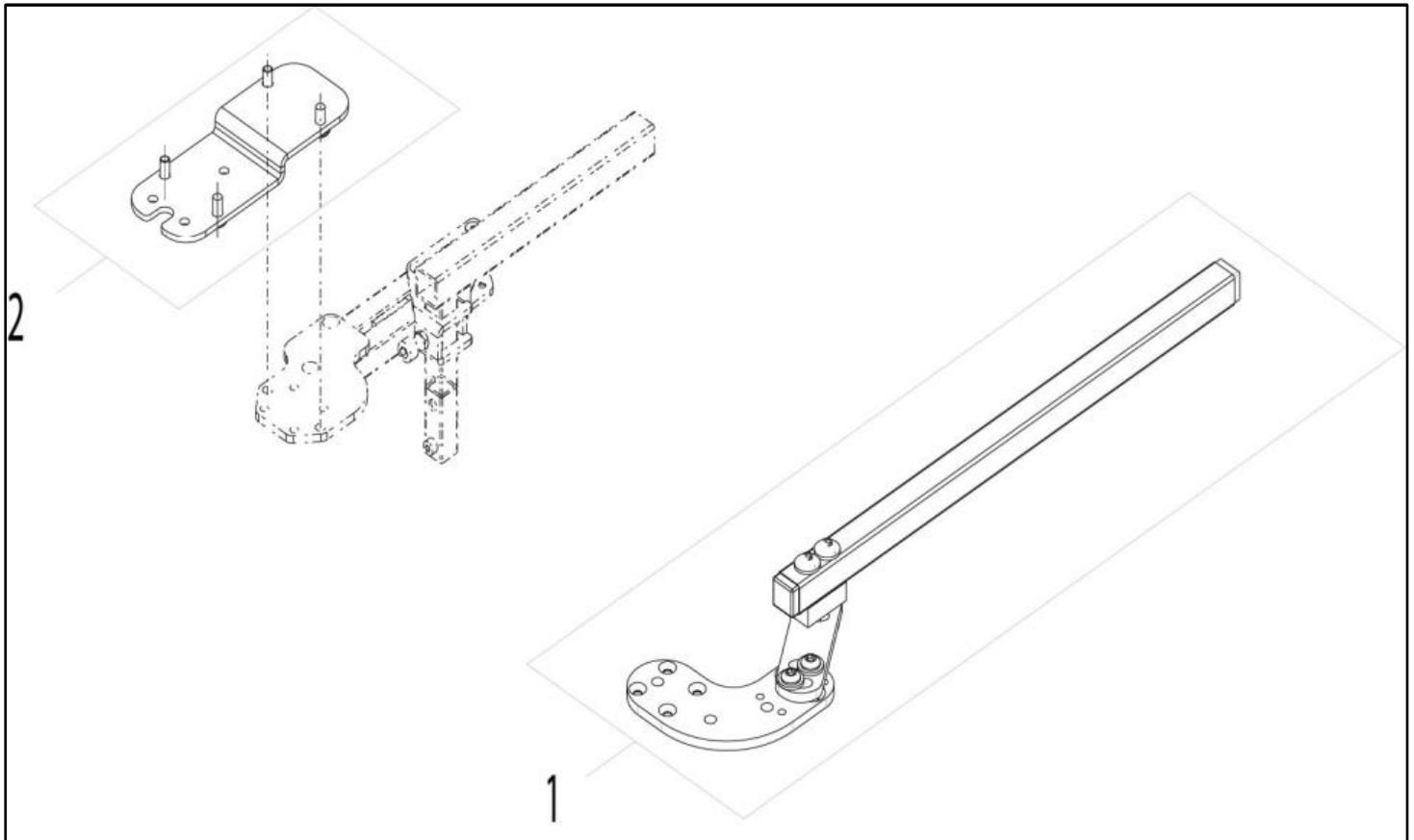
Pos	Item number	Description	Comment
4	20009100	JOYSTICK MOUNT, CAPSULATED, SWING AWAY	LH/RH USEABLE

MOUNT, 4-ACTUATOR BOX VR2



Pos	Item number	Description	Comment
1	060600	4-ACTUATOR BOX MOUNTING (ARMREST FITTING)	LH/RH USEABLE
2	060685	4-ACTUATOR BOX MOUNTING (CONTROL MOUNT FITTING)	

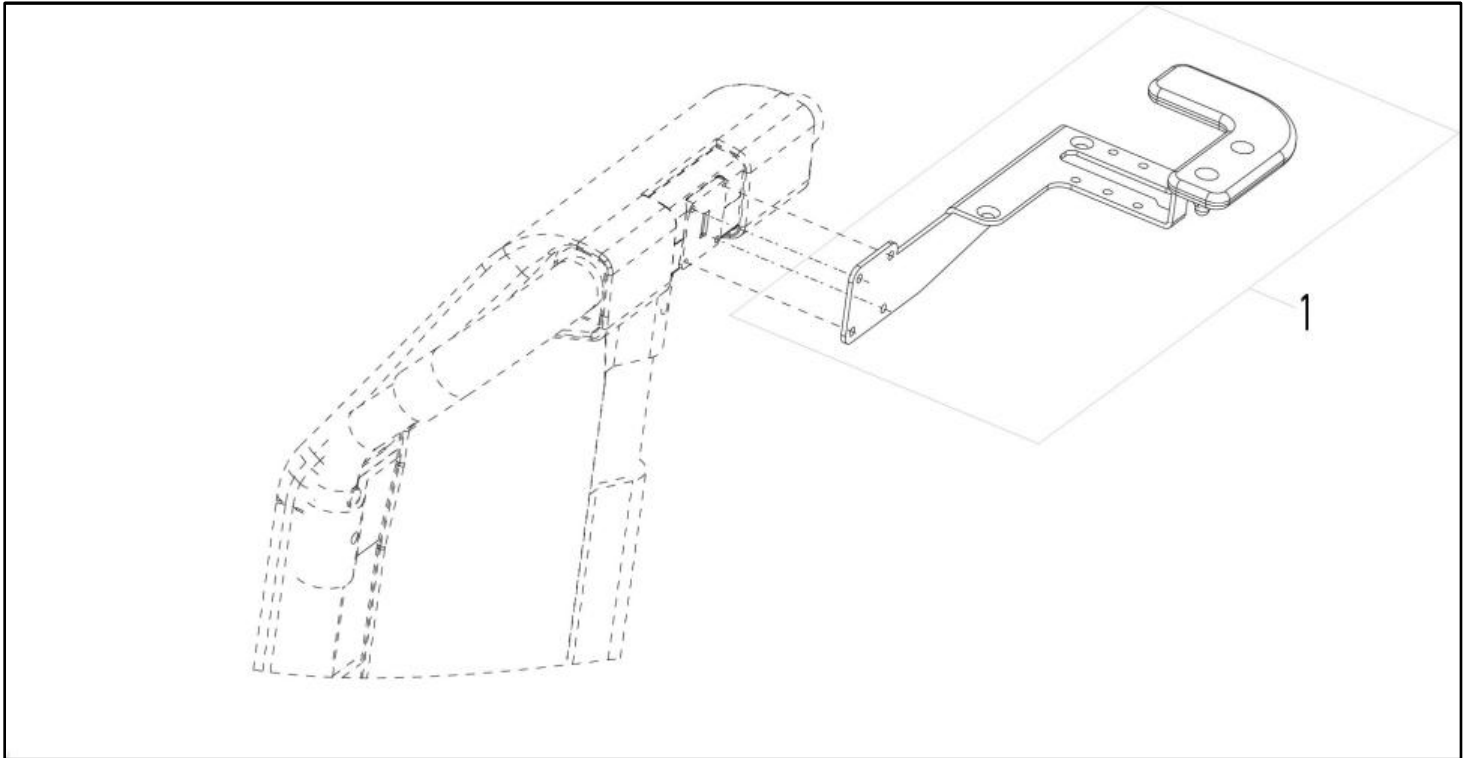
## MOUNT, 5-SWITCH BOX R-NET



Pos	Item number	Description	Comment
1	21009083-001	JOYSTICK MOUNT, FIXED	RH
-	21009083-002	JOYSTICK MOUNT, FIXED	LH
2	21709011	5-SWITCH BOX FIXING COMPLETE	FIXED AT CONTROL MOUNT

## MOUNT, ATTENDANT CONTROL VR2/R-NET

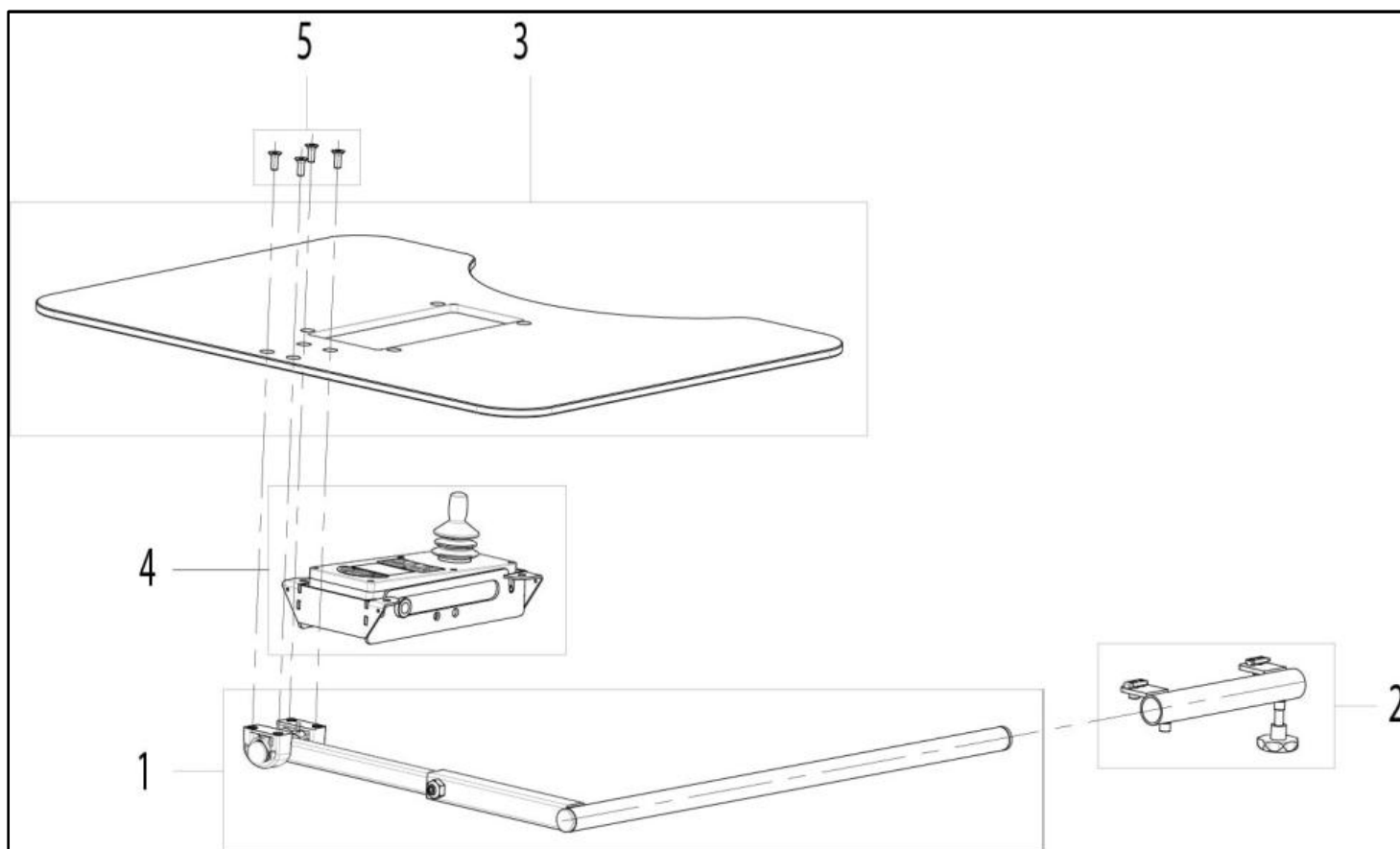
### MOUNT, ATTENDANT CONTROL VR2/R-NET



Pos	Item number	Description	Comment
-	22809050-001	JOYSTICK MOUNT, ATTENDANT CONTROL	LH
1	22809050-002	JOYSTICK MOUNT, ATTENDANT CONTROL	RH



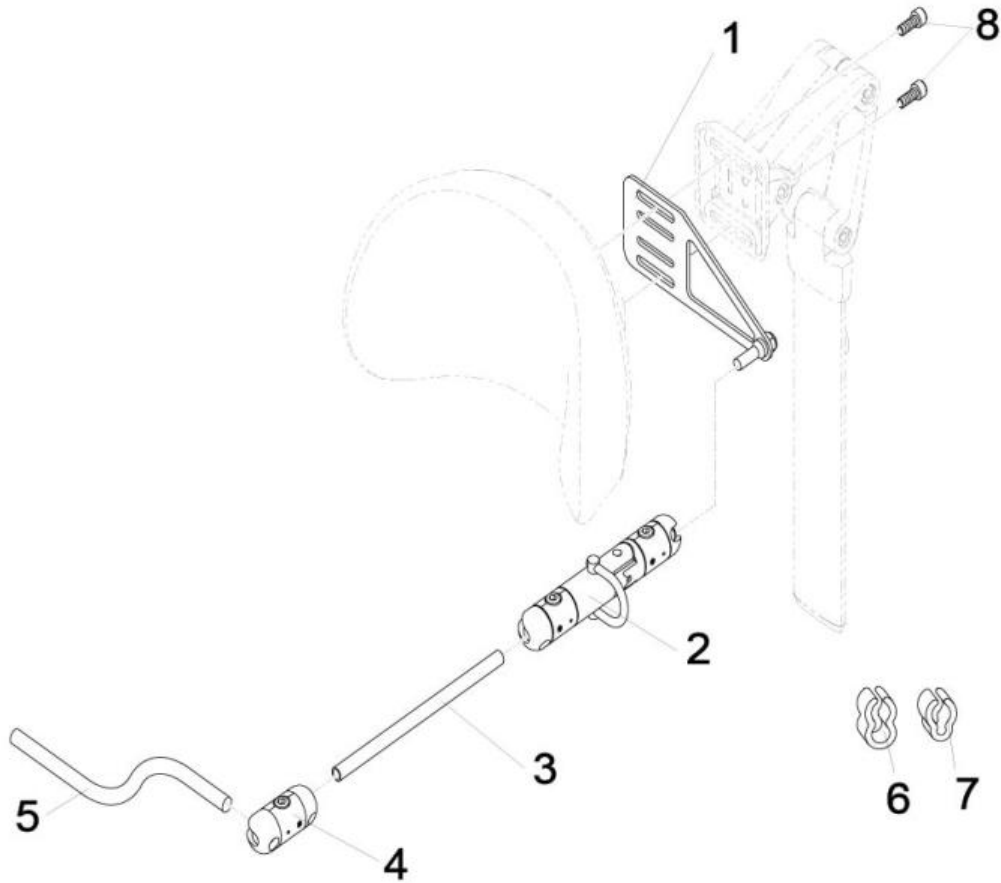
TABLE TOP CONTROL



Pos	Item number	Description	Comment
1	90009026	METAL PARTS TRAY TABLE	LH / RH USEABLE
2	22509126	TRAY TABLE RECEIVER	LH / RH USEABLE
3	9003840-001	TRAY TABLE FOR TABLE TOP CONTROL	
4	6002050	R-NET JOYSTICK, TABLE TOP CONTROL	
5	066902-001-ET	COUNTER SUNK SCREW M6 x 16 - DIN7991	25 PCS./PACK

LINK-IT TO SEDEO HEADREST MOUNT (CHIN CONTROL)

LINK-IT TO SEDEO HEADREST MOUNT (CHIN CONTROL)



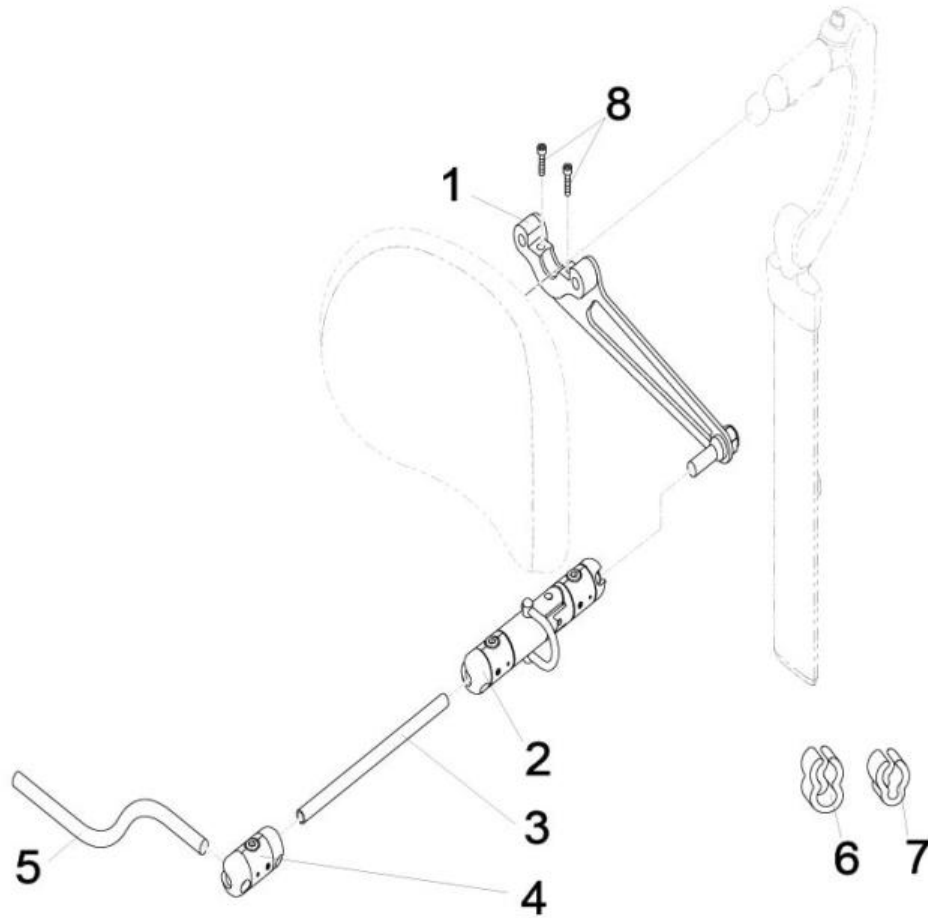
Pos	Item number	Description	Comment
1	20009250	LINK-IT PLATE FOR MOUNTING TO SEDEO HEADREST	LH/RH USEABLE
2	22709044-ET	LINK-IT SWING AWAY MODULE CLIP BALL END	
3	22709111-ET	LINK-IT TUBE SET MED, INCL. 3 TUBES 8 X 75 MM, 8 X 100 MM, 8 X 150 MM	
4	22709008-ET	LINK-IT BASE MODULE	
5	6003072	LINK-IT HORIZONTAL S-BAR DIA 8 MM	
6	22709080-ET	CABLE CLIP SET 6 - 8 MM	10 PCS./PACK
7	22709082-ET	CABLE CLIP SET 3 - 8 MM	10 PCS./PACK

**LINK-IT TO SEDEO HEADREST MOUNT (CHIN CONTROL)**

<b>Pos</b>	<b>Item number</b>	<b>Description</b>	<b>Comment</b>
8	000925.0324-ET	SCREW ISO4762 M6x12 12.9 DPS NP	10 PCS./PACK, USED FOR SINGLE PLATE
-	050123-001-ET	SCREW ISO4762 M6x16 12.9 DPS NP	10 PCS./PACK, USED FOR 2 PLATE
-	000925.0247-ET	SCREW ISO4762 M6x20 12.9 DPS NP	10 PCS./PACK, USED FOR 3 PLATE
-	013157-ET	SCREW ISO4762 M6x25 12.9 DPS NP	10 PCS./PACK, USED FOR 4 PLATE
1-8	20009232	LINK-IT MOUNTING TO SEDEO HEADREST CPL., SWING AWAY	LH/RH USEABLE

LINK-IT TO WHITMYER HEADREST MOUNT (CHIN CONTROL)

LINK-IT TO WHITMYER HEADREST MOUNT (CHIN CONTROL)

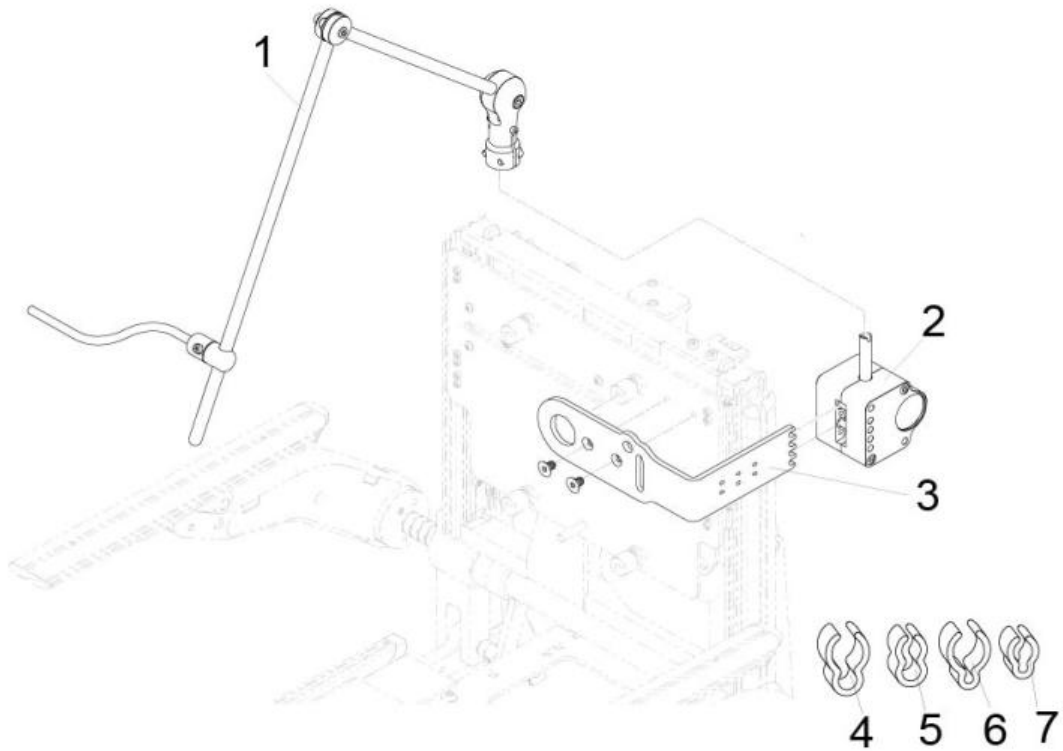


Pos	Item number	Description	Comment
1	20009249	LINK-IT PLATE FOR MOUNTING TO WHITMYER HEADREST	LH/RH USEABLE
2	22709044-ET	LINK-IT MODULE SA CLIP BALL END	
3	22709111-ET	LINK-IT TUBE SET MED, INCL. 3 TUBES 8 X 75 MM, 8 X 100 MM, 8 X 150 MM	
4	22709008-ET	LINK-IT BASE MODULE	
5	6003072	LINK-IT HORIZONTAL S-BAR DIA 8 MM	
6	22709080-ET	CABLE CLIP SET 6 - 8 MM	10 PCS./PACK
7	22709082-ET	CABLE CLIP SET 3 - 8 MM	10 PCS./PACK
8	MF014600-ET	SCREW 1/4 INCH-28x5/8 COLLAR BOLT	4 PCS./PACK

LINK-IT TO WHITMYER HEADREST MOUNT (CHIN CONTROL)

Pos	Item number	Description	Comment
1-8	20009231	LINK-IT MOUNTING TO WHITMYER HEADREST CPL., SWING AWAY	LH/RH USEABLE

LINK-IT TO MANUAL CHIN BOOM FOR SEDEO ERGO / UP

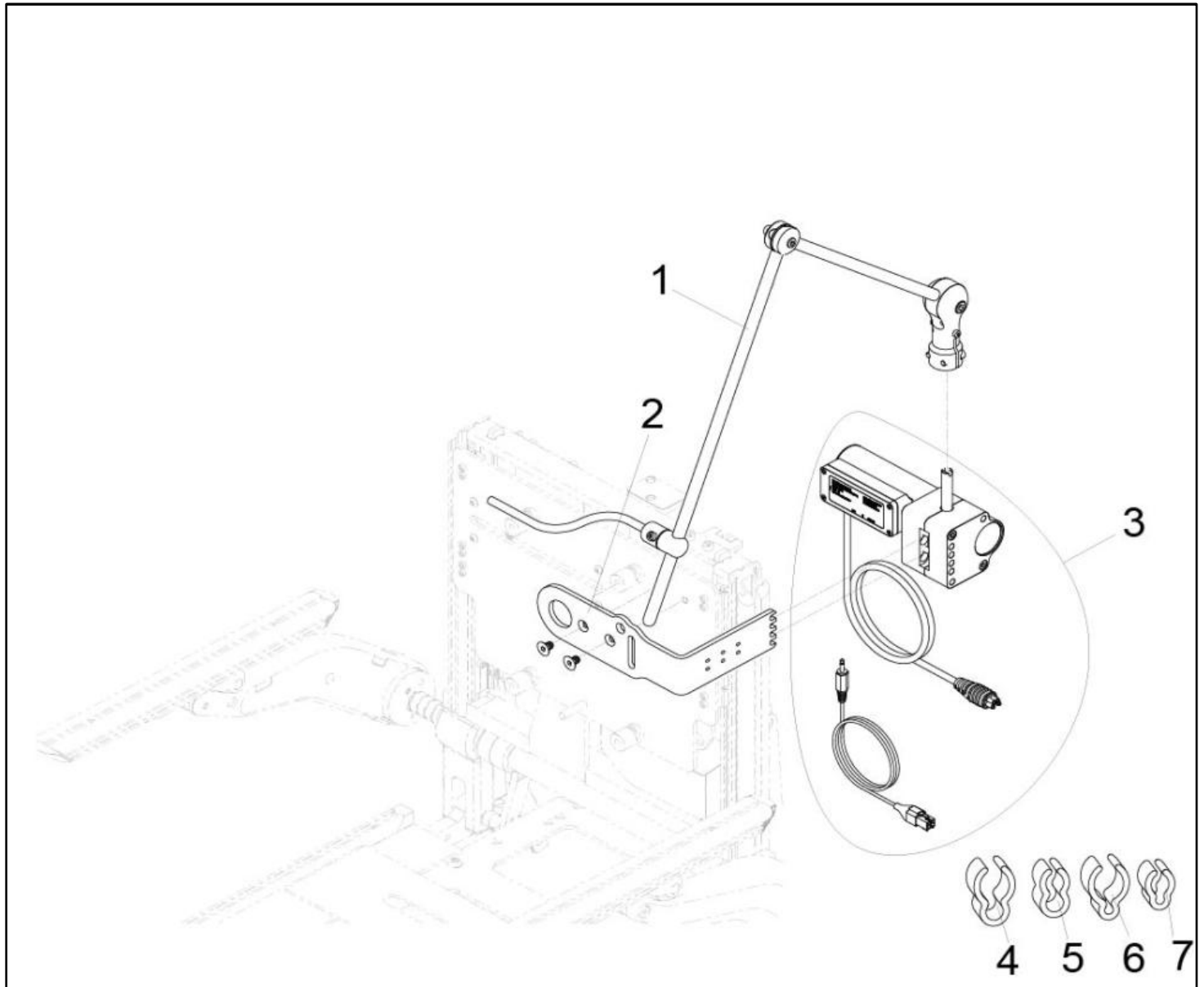


Pos	Item number	Description	Comment
1	6003896	SWING AWAY ARM FOR CHIN CONTROL	LH/RH USEABLE
-	6003658	SWING AWAY UNIT MANUAL	RH
2	6003662	SWING AWAY UNIT MANUAL	LH
3	22709078-ET	LINK-IT MOUNTINGBRACKET FOR CHIN CONTROL	LH/RH USEABLE
4	22709079-ET	CABLE CLIP SET 6 - 12 MM	10 PCS./PACK
5	22709080-ET	CABLE CLIP SET 6 - 8 MM	10 PCS./PACK
6	22709081-ET	CABLE CLIP SET 3 - 12 MM	10 PCS./PACK
7	22709082-ET	CABLE CLIP SET 3 - 8 MM	10 PCS./PACK
-	20009235	LINK-IT TO MANUAL CHIN BOOM CPL.	RH

---

Pos	Item number	Description	Comment
1-7	20009236	LINK-IT TO MANUAL CHIN BOOM CPL.	LH

LINK-IT TO POWER CHIN BOOM FOR SEDEO ERGO / UP



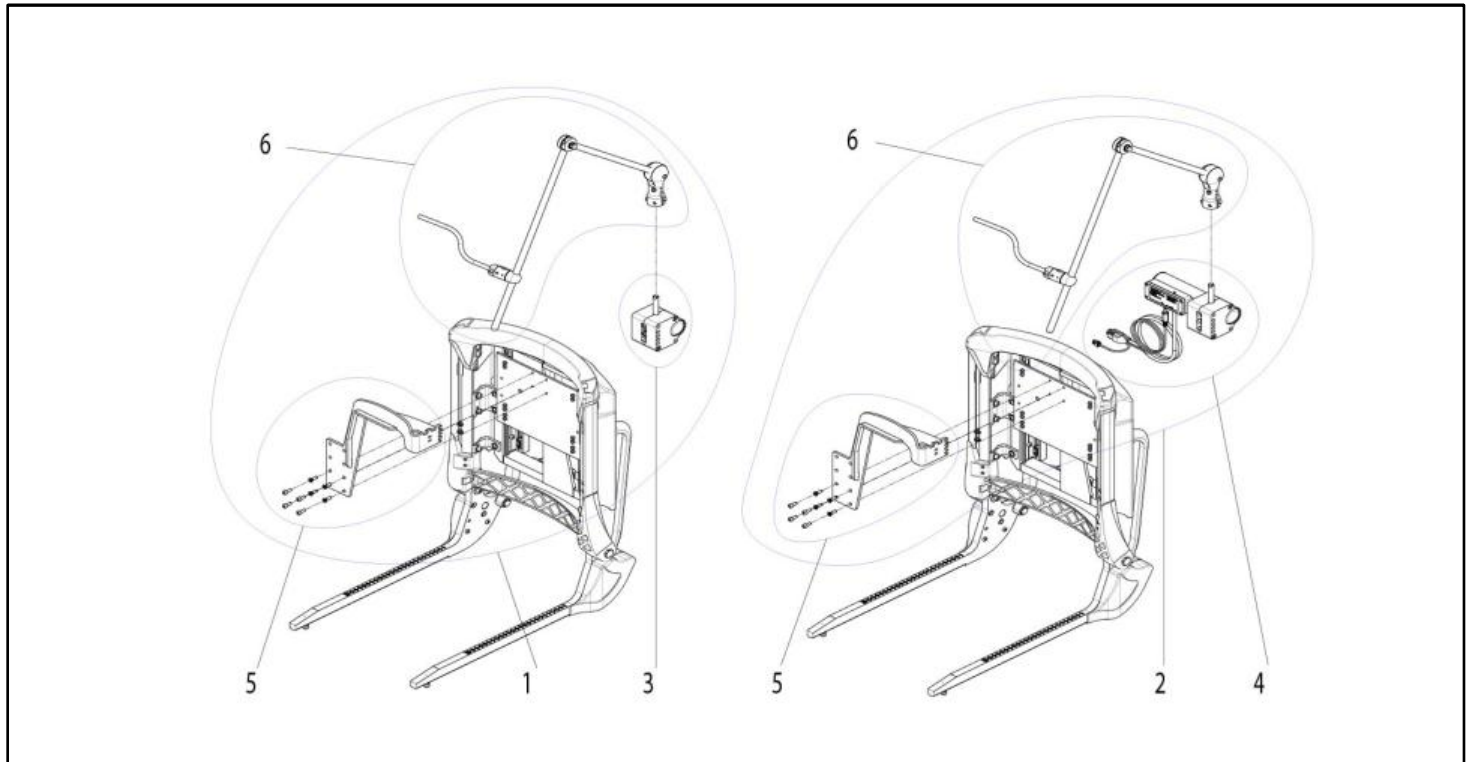
Pos	Item number	Description	Comment
1	6003896	SWING AWAY ARM FOR CHIN CONTROL	LH/RH USEABLE
2	22709078-ET	LINK-IT MOUNTING BRACKET FOR CHIN CONTROL	LH/RH USEABLE
-	6002773	SWING AWAY UNIT POWERED	RH
3	6003565	SWING AWAY UNIT POWERED	LH
4	22709079-ET	CABLE CLIP SET 6 - 12 MM	10 PCS./PACK
5	22709080-ET	CABLE CLIP SET 6 - 8 MM	10 PCS./PACK
6	22709081-ET	CABLE CLIP SET 3 - 12 MM	10 PCS./PACK



**LINK-IT TO POWER CHIN BOOM FOR SEDEO ERGO / UP**

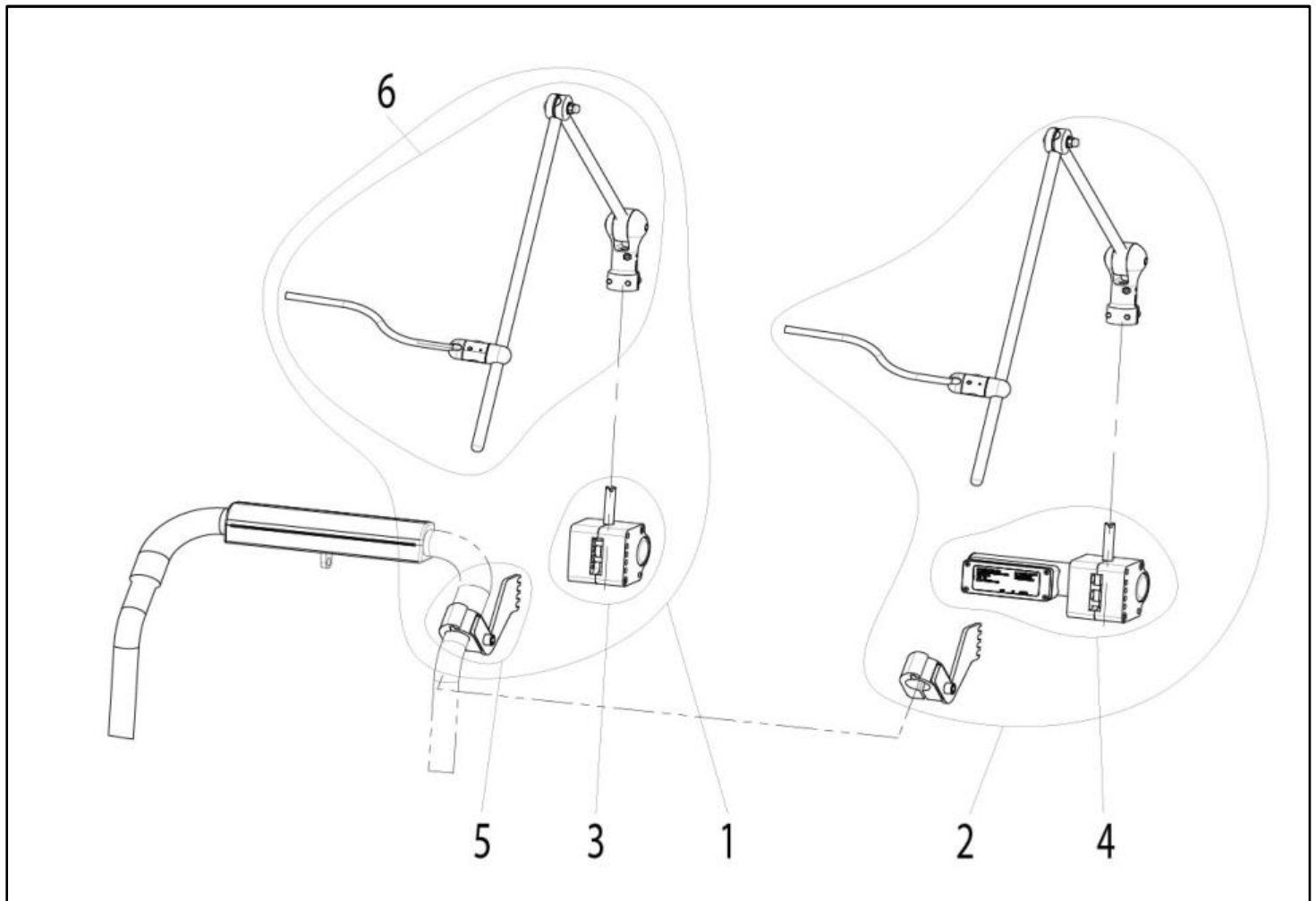
<b>Pos</b>	<b>Item number</b>	<b>Description</b>	<b>Comment</b>
7	22709082-ET	CABLE CLIP SET 3 - 8 MM	10 PCS./PACK
-	20009237	LINK-IT TO POWER CHIN BOOM CPL.	RH
1-7	20009238	LINK-IT TO POWER CHIN BOOM CPL.	LH
-	20011240	POWERED CHIN BOOM INHIBIT LOOM	

LINK-IT TO MANUAL / POWER CHIN BOOM FOR SEDEO PRO



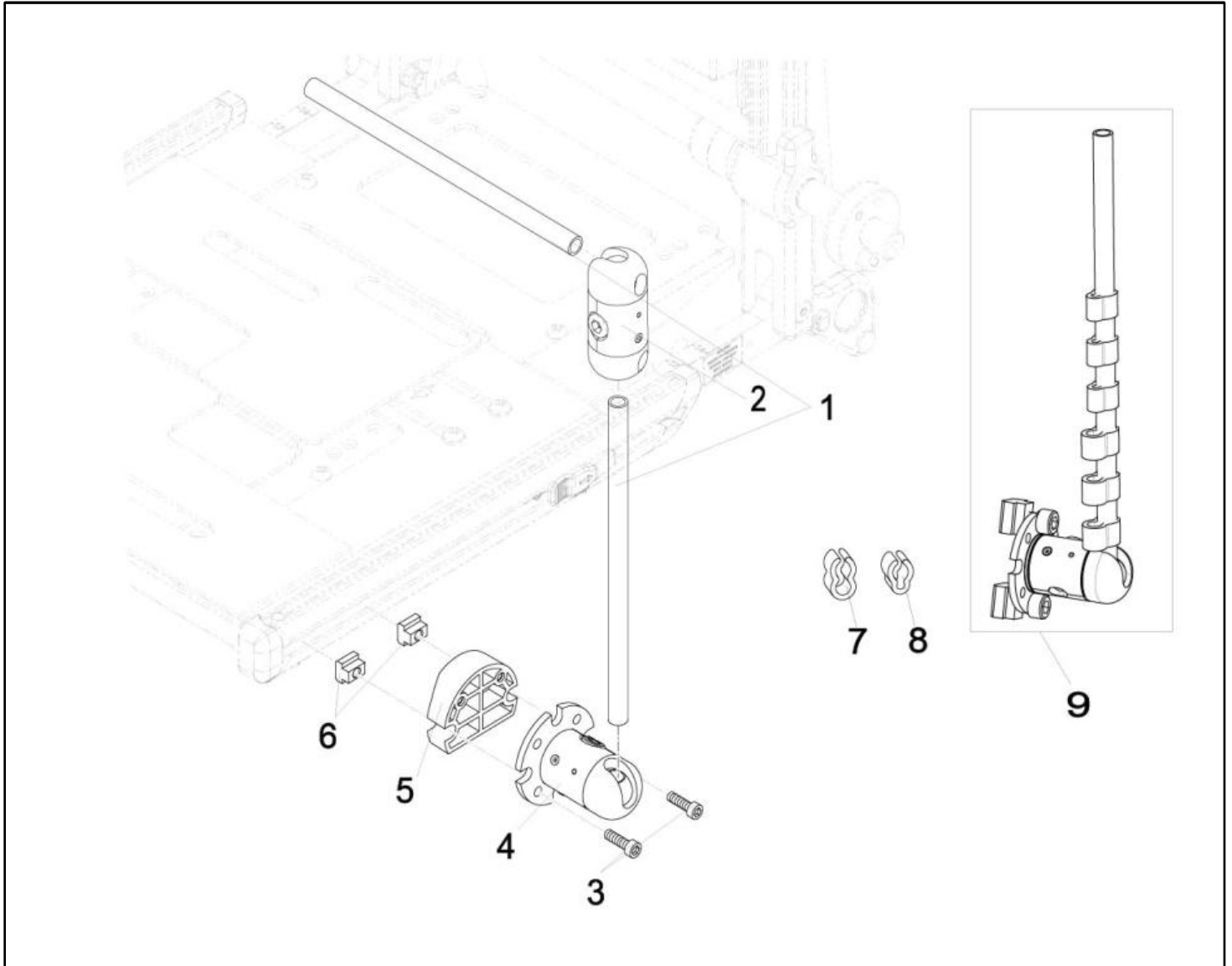
Pos	Item number	Description	Comment
1	20009258-001	LINK-IT TO MANUAL CHIN BOOM CPL.	LH
-	20009258-002	LINK-IT TO MANUAL CHIN BOOM CPL.	RH
2	20009259-001	LINK-IT TO POWER CHIN BOOM CPL.	LH
-	20009259-002	LINK-IT TO POWER CHIN BOOM CPL.	RH
3	6003662	SWING AWAY UNIT MANUAL	LH
-	6003658	SWING AWAY UNIT MANUAL	RH
4	6003565	SWING AWAY UNIT POWERED	LH
-	6002773	SWING AWAY UNIT POWERED	RH
5	20009258-010	LINK-IT MOUNTING BRACKET FOR CHIN CONTROL	LH
-	20009258-020	LINK-IT MOUNTING BRACKET FOR CHIN CONTROL	RH
6	6003896	SWING AWAY ARM FOR CHIN CONTROL	LH/RH USEABLE

## LINK-IT TO MANUAL / POWER CHIN BOOM FOR SEDEO LITE



Pos	Item number	Description	Comment
1	22809110-001	LINK-IT TO MANUAL CHIN BOOM CPL.	LH
-	22809110-002	LINK-IT TO MANUAL CHIN BOOM CPL.	RH
2	22809110-011	LINK-IT TO POWER CHIN BOOM CPL.	LH
-	22809110-012	LINK-IT TO POWER CHIN BOOM CPL.	RH
3	6003662	SWING AWAY UNIT MANUAL	LH
-	6003658	SWING AWAY UNIT MANUAL	RH
4	6003565	SWING AWAY UNIT POWERED	LH
-	6002773	SWING AWAY UNIT POWERED	RH
5	22809060-001	RECEIVER, CHIN CONTROL	LH
-	22809060-002	RECEIVER, CHIN CONTROL	RH
6	6003896	SWING AWAY ARM FOR CHIN CONTROL	LH/RH USEABLE

LINK-IT TO SEAT RAIL MOUNT (SWITCH MOUNTING)



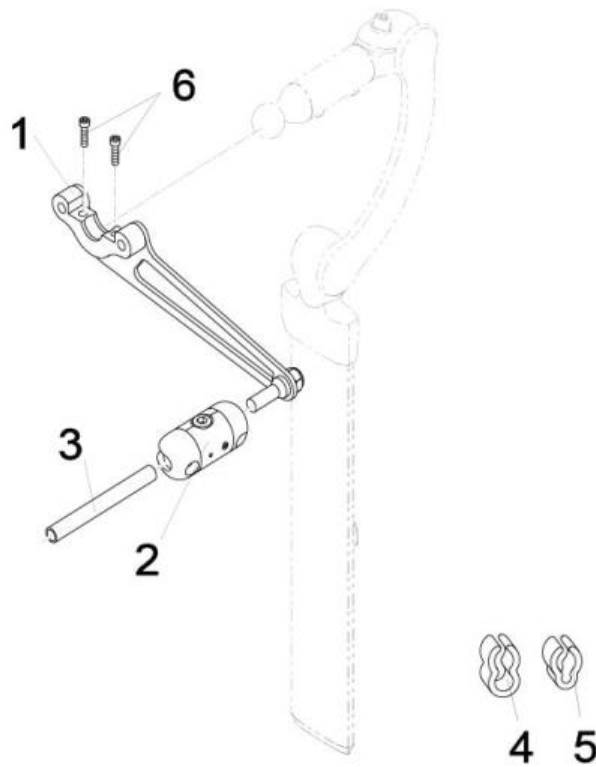
Pos	Item number	Description	Comment
1	22709111-ET	LINK-IT TUBE SET MED, INCL. 3 TUBES 8 X 75 MM, 8 X 100 MM, 8 X 150 MM	
2	22709008-ET	LINK-IT BASE MODULE	
3	066901-006-ET	SOCKET HEAD CAP SCREW DIN 912 M5 x 0,8 x 16	25 PCS./PACK
4	22709009-ET	LINK-IT WALL PLATE MODULE	
5	22709073	SEAT PROFILE ADAPTER	
6	000128103-ET	T-NUT M6	10 PCS./PACK
7	22709080-ET	CABLE CLIP SET 6 - 8 MM	10 PCS./PACK
8	22709082-ET	CABLE CLIP SET 3 - 8 MM	10 PCS./PACK

LINK-IT TO SEAT RAIL MOUNT (SWITCH MOUNTING)

Pos	Item number	Description	Comment
9	20009257	LINK-IT TO THE SEAT RAIL	FOR PRO/ LITE SEATING SYSTEM

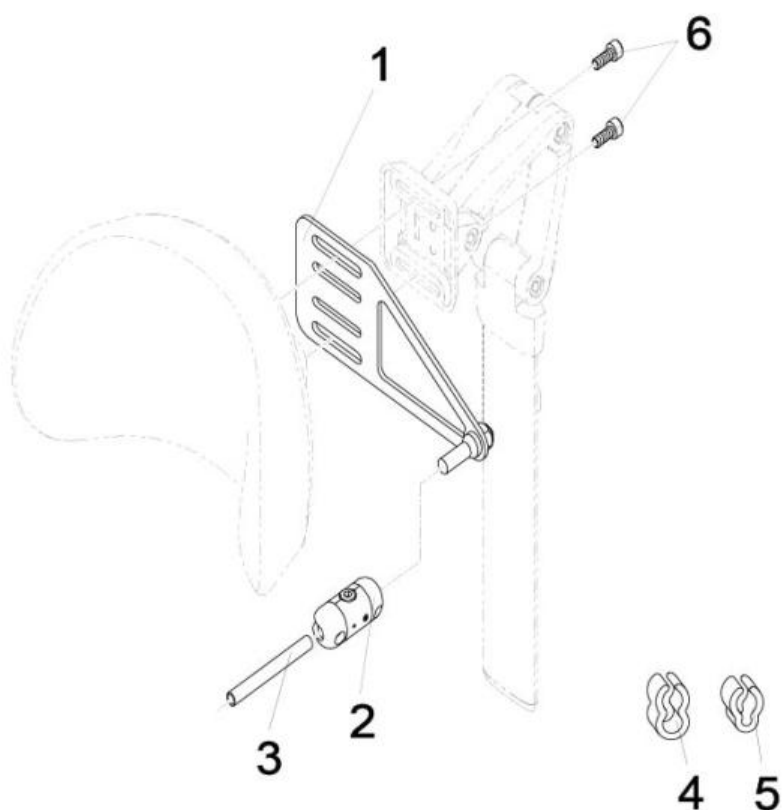
LINK-IT TO WHITMYER HEADREST MOUNT FIXED (SWITCH MOUNTING)

LINK-IT TO WHITMYER HEADREST MOUNT FIXED (SWITCH MOUNTING)



Pos	Item number	Description	Comment
1	20009249	PLATE FOR MOUNTING TO WHITMYER HEADREST	LH/RH USEABLE
2	22709008-ET	LINK-IT BASE MODULE	
3	22709111-ET	LINK-IT TUBE SET MED, INCL. 3 TUBES 8 X 75 MM, 8 X 100 MM, 8 X 150 MM	
4	22709080-ET	CABLE CLIP SET 6 - 8 MM	10 PCS./PACK
5	22709082-ET	CABLE CLIP SET 3 - 8 MM	10 PCS./PACK
6	MF014600-ET	SCREW 1/4 INCH-28x5/8 COLLAR BOLT	4 PCS./PACK

## LINK-IT TO SEDEO HEADREST MOUNT FIXED (SWITCH MOUNTING)



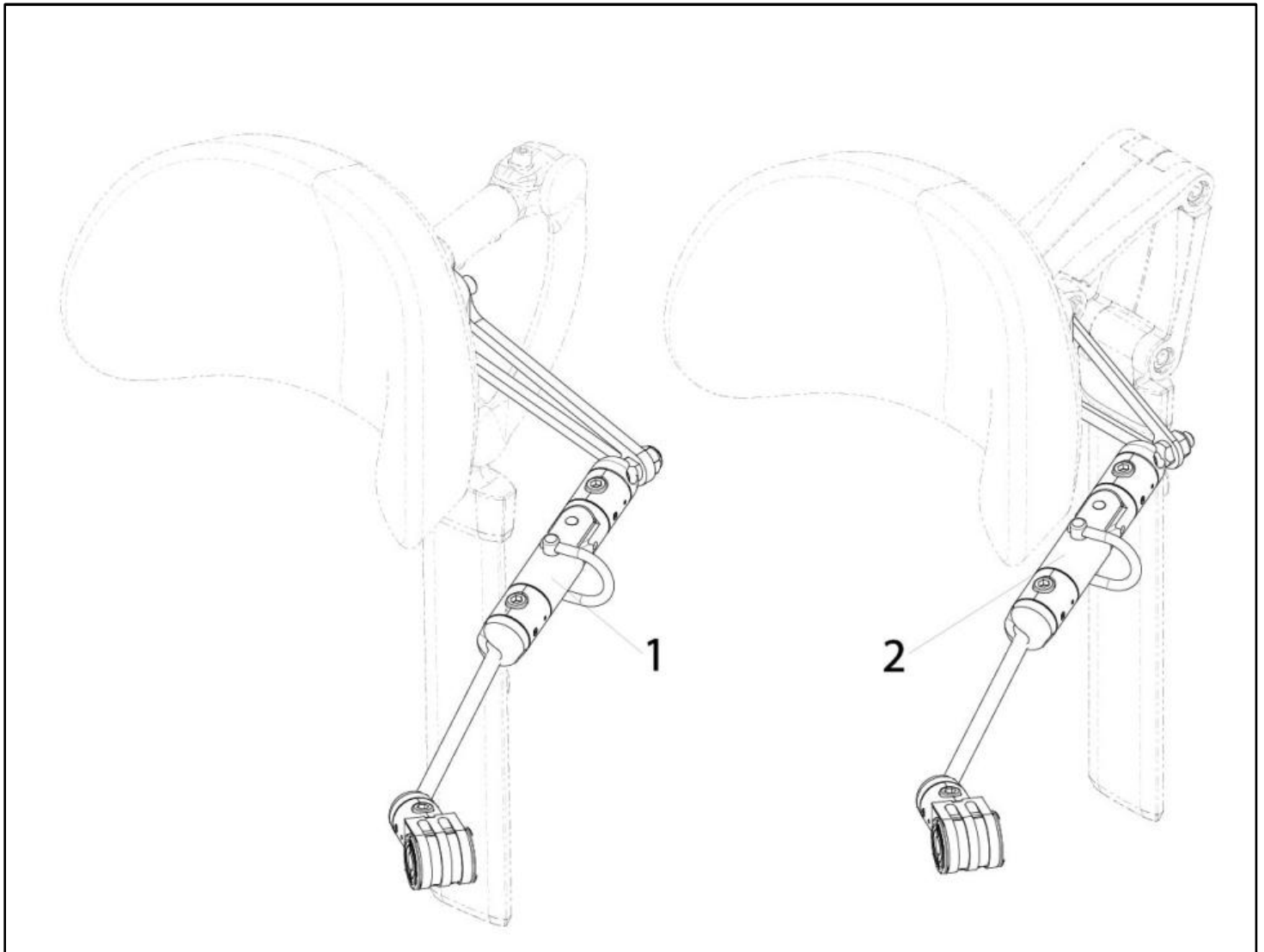
Pos	Item number	Description	Comment
1	20009250	PLATE FOR MOUNTING TO SEDEO HEADREST	LH/RH USEABLE
2	22709008-ET	LINK-IT BASE MODULE	
3	22709111-ET	LINK-IT TUBE SET MED, INCL. 3 TUBES 8 X 75 MM, 8 X 100 MM, 8 X 150 MM	
4	22709080-ET	CABLE CLIP SET 6 - 8 MM	10 PCS./PACK
5	22709082-ET	CABLE CLIP SET 3 - 8 MM	10 PCS./PACK
6	000925.0324-ET	SCREW ISO4762 M6x12 12.9 DPS NP	10 PCS./PACK, USED FOR SINGLE PLATE

**LINK-IT TO SEDEO HEADREST MOUNT FIXED (SWITCH MOUNTING)**

<b>Pos</b>	<b>Item number</b>	<b>Description</b>	<b>Comment</b>
-	050123-001-ET	SCREW ISO4762 M6x16 12.9 DPS NP	10 PCS./PACK, USED FOR 2 PLATE
-	000925.0247-ET	SCREW ISO4762 M6x20 12.9 DPS NP	10 PCS./PACK, USED FOR 3 PLATE
-	013157-ET	SCREW ISO4762 M6x25 12.9 DPS NP	10 PCS./PACK, USED FOR 4 PLATE

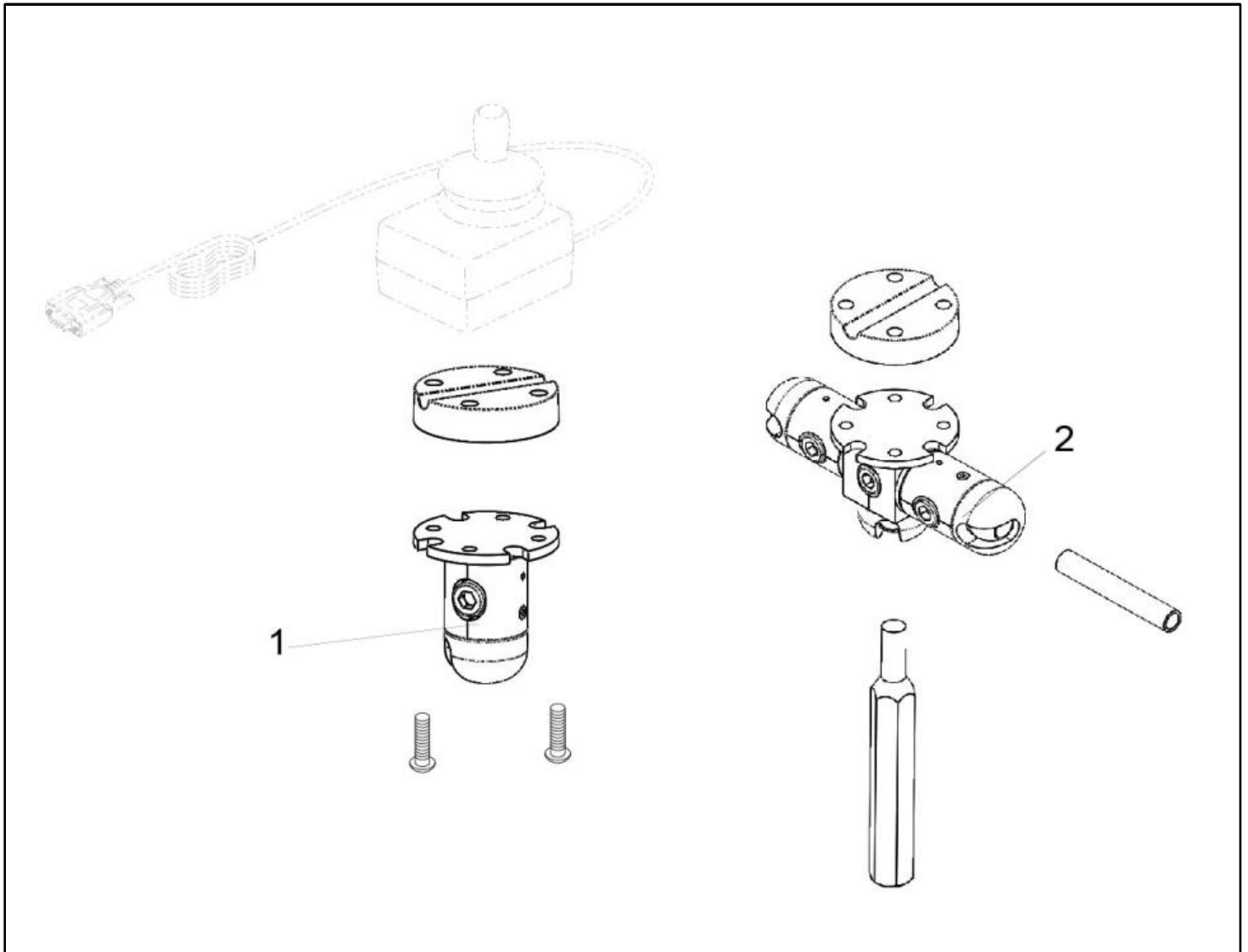


## LINK-IT SIP-N-PUFF SYSTEM



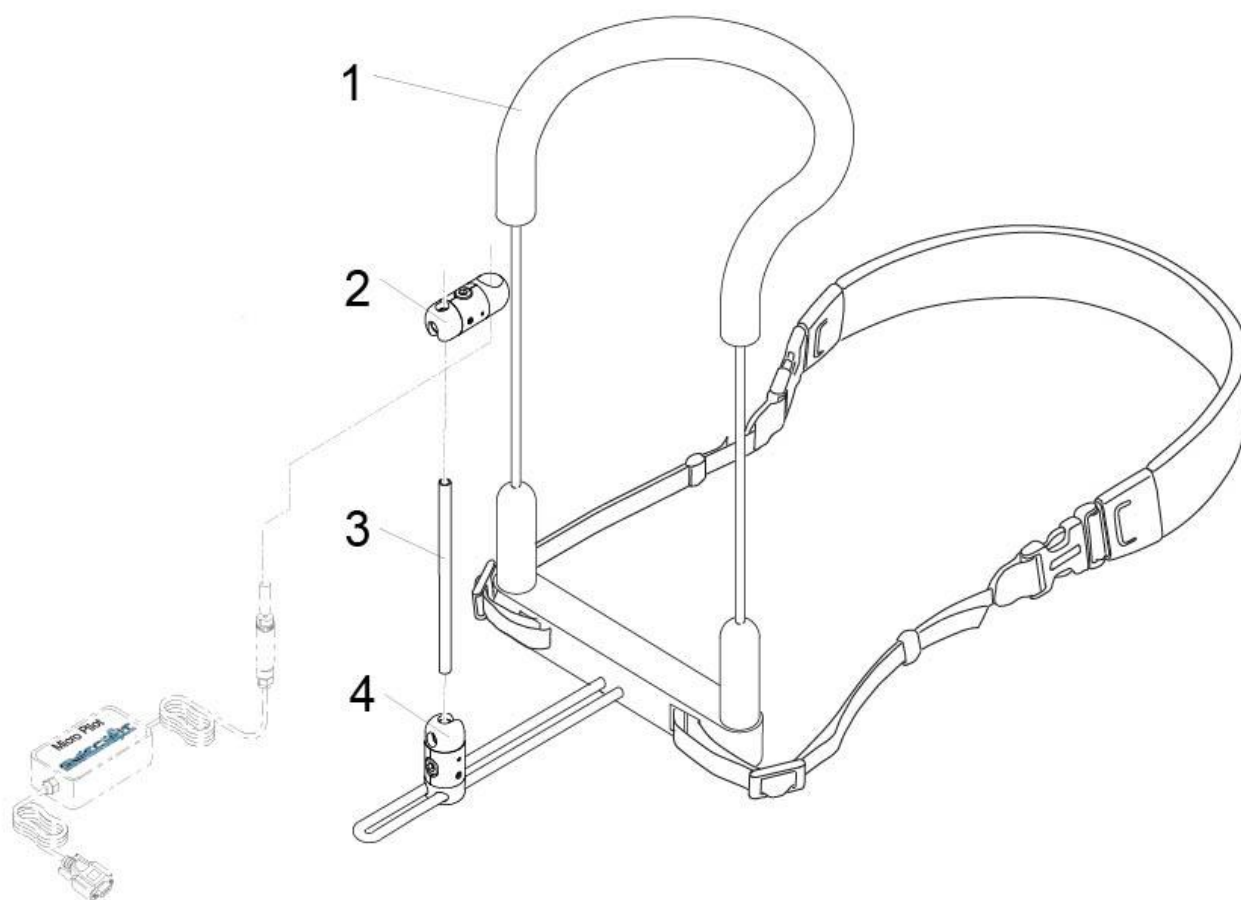
Pos	Item number	Description	Comment
1	20009229	LINK-IT SWING AWAY HEADREST FOR SIP-N-PUFF	FOR WHITMYER HEADRESTMOUNT
2	20009230	LINK-IT SWING AWAY HEADREST FOR SIP-N-PUFF	FOR SEDEO HEADRESTMOUNT

LINK-IT / SWITCH-IT COMPACT SERIES JOYSTICK (HAND / CHIN MOUNTING)



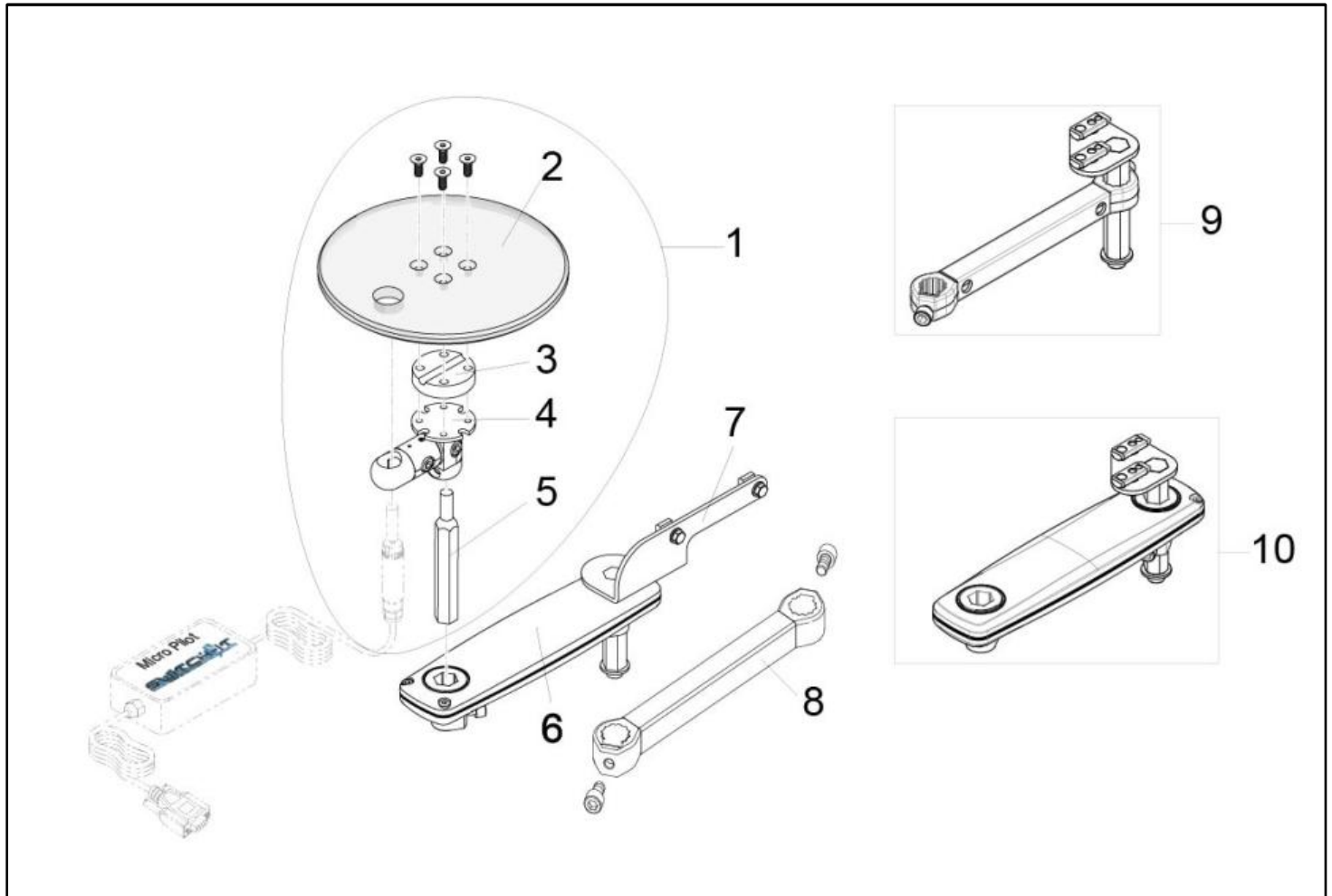
Pos	Item number	Description	Comment
1	20009213	LINK-IT MOUNT FOR NON-MICRO SERIES JOYSTICKS, OMIT SWITCHES	FOR VERSA GUIDE AND ALLROUND JOYSTICK
2	20009214	LINK-IT MOUNT FOR NON-MICRO SERIES JOYSTICKS, FOR ONE OR TWO SWITCHES	FOR VERSA GUIDE JOYSTICK

## LINK-IT / SWITCH-IT NECK RECEIVER MOUNT



Pos	Item number	Description	Comment
-	MA-BDN3S-SR	NECK RECEIVER, SMALL	
1	MA-BDN3L-SR	NECK RECEIVER, LARGE	
2	22709035-ET	LINK-IT MODULE WITH D 16 MM INCLUSION	FOR MICRO SERIES JOYSTICKS
3	22709110-ET	LINK-IT TUBE SET SHORT, INCL. 3 TUBES 8 X 50 MM, 8 X 75 MM, 8 X 100 MM	
4	22709075-ET	LINK-IT CONNECTING MODULE, BETWEEN NECK RECEIVER AND JOYSTICK MOUNT	

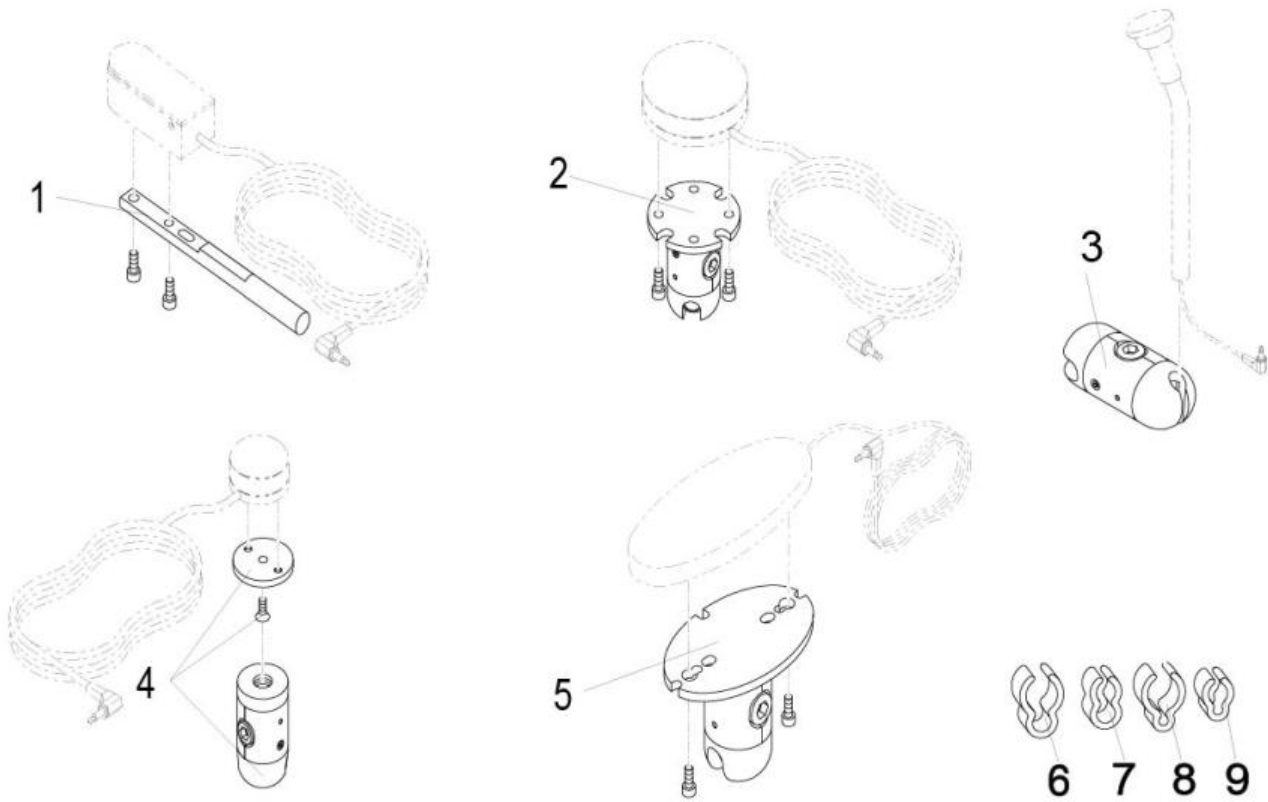
## LINK-IT / SWITCH-IT MICRO PILOT / MICRO GUIDE IN SUNDISC



Pos	Item number	Description	Comment
1	22709052	LINK-IT HAND TRAY WITH STANDARD ADAPTER CPL.	FOR MICRO SERIES JOYSTICKS
2	22709048	LINK-IT HAND TRAY	
3	22709049	LINK-IT FILLER DISC	
4	22709051-ET	LINK-IT MODULE FOR HAND TRAY	FOR MICRO SERIES JOYSTICKS
5	22709068-ET	LINK-IT ADAPTER HEX 13 - D 8 MM	
6	20009100	JOYSTICK MOUNT, SWING AWAY	LH/RH USEABLE
-	21809062-001-ET	RECEIVER SWING AWAY CONTROL MOUNT	LH, FOR UP AND ERGO SEATING SYSTEM
7	21809062-002-ET	RECEIVER SWING AWAY CONTROL MOUNT	RH, FOR UP AND ERGO SEATING SYSTEM
8	20009099	JOYSTICK MOUNT, FIXED	

Pos	Item number	Description	Comment
9	20009253	RECEIVER FIXED CONTROL MOUNT	LH/RH USEABLE, FOR PRO/LITE SEATING SYSTEM
10	20009254	RECEIVER SWING AWAY CONTROL MOUNT	LH/RH USEABLE, FOR PRO/LITE SEATING SYSTEM

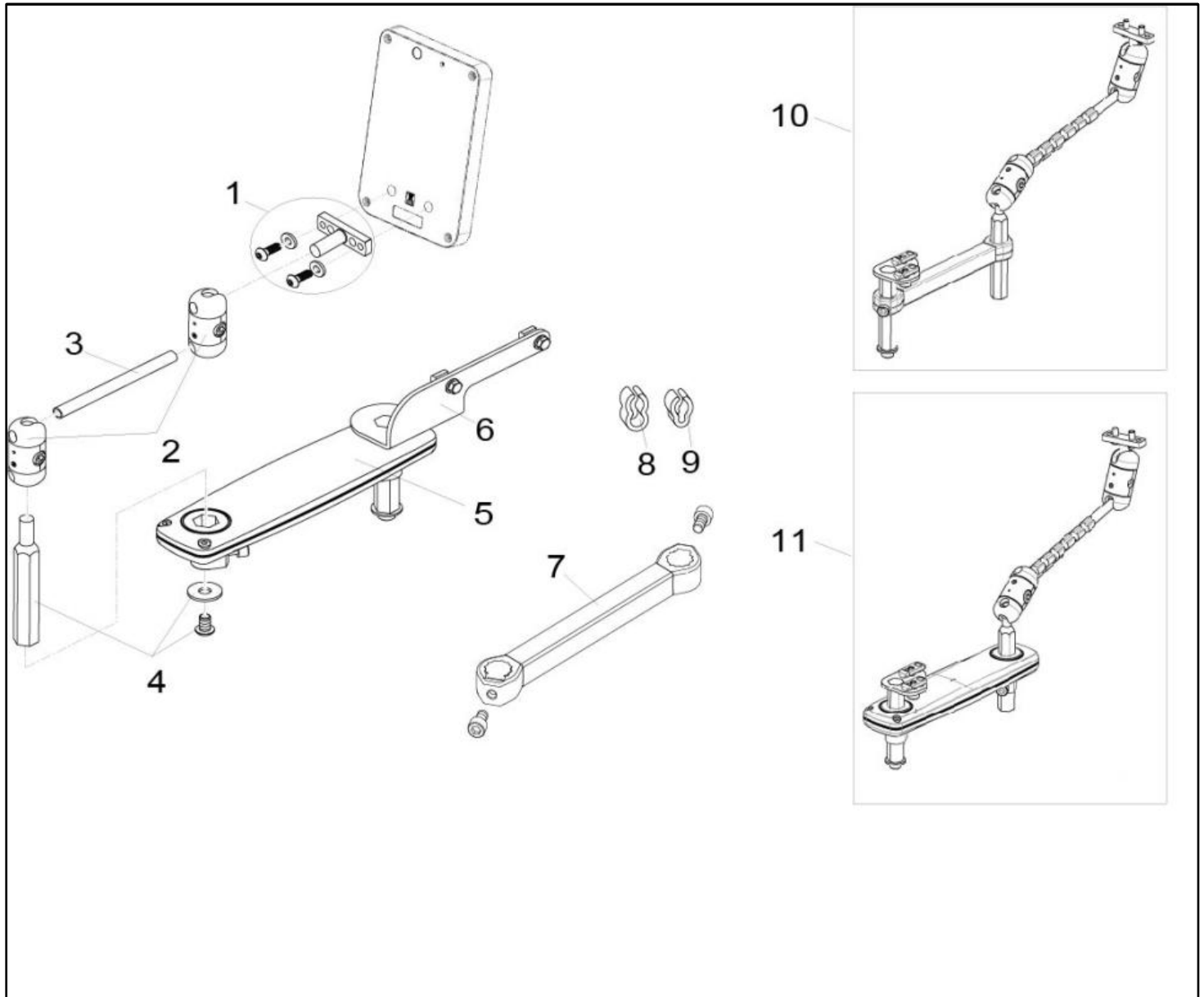
LINK-IT MECHANICAL SWITCHES



Pos	Item number	Description	Comment
1	20009202	LINK-IT MODULE, INCL. MOUNTING MATERIAL AND CABLE CLIPS 6 - 8 AND 3 - 8 MM	FOR MICRO LITE
2	20009200	LINK-IT MODULE, INCL. MOUNTING MATERIAL, TUBE 8 X 100 MM AND CABLE CLIPS 6 - 8 AND 3 - 8 MM	FOR BUDDY BUTTON
3	20009204	LINK-IT MODULE, INCL. MOUNTING MATERIAL, TUBE 8 X 100 MM AND CABLE CLIPS 6 - 8 AND 3 - 8 MM	FOR TWISTER SWITCH
4	20009203	LINK-IT MODULE, INCL. MOUNTING MATERIAL, TUBE 8 X 100 MM AND CABLE CLIPS 6 - 8 AND 3 - 8 MM	FOR PIKO BUTTON
5	20009201	LINK-IT MODULE, INCL. MOUNTING MATERIAL, TUBE 8 X 100 MM AND CABLE CLIPS 6 - 8 AND 3 - 8 MM	FOR EGG SWITCH
-	22709110-ET	LINK-IT TUBE SET SHORT, INCL. 3 TUBES 8 X 50 MM, 8 X 75 MM, 8 X 100 MM	
-	22709111-ET	LINK-IT TUBE SET MED, INCL. 3 TUBES 8 X 75 MM, 8 X 100 MM, 8 X 150 MM	
-	22709112-ET	LINK-IT TUBE SET LARDGE, INCL. 3 TUBES 8 X 100 MM, 8 X 150 MM, 8 X 200 MM	
6	22709079-ET	CABLE CLIP SET 6 - 12 MM	10 PCS./PACK

Pos	Item number	Description	Comment
7	22709080-ET	CABLE CLIP SET 6 - 8 MM	10 PCS./PACK
8	22709081-ET	CABLE CLIP SET 3 - 12 MM	10 PCS./PACK
9	22709082-ET	CABLE CLIP SET 3 - 8 MM	10 PCS./PACK

LINK-IT OMNI CONTROL MOUNT



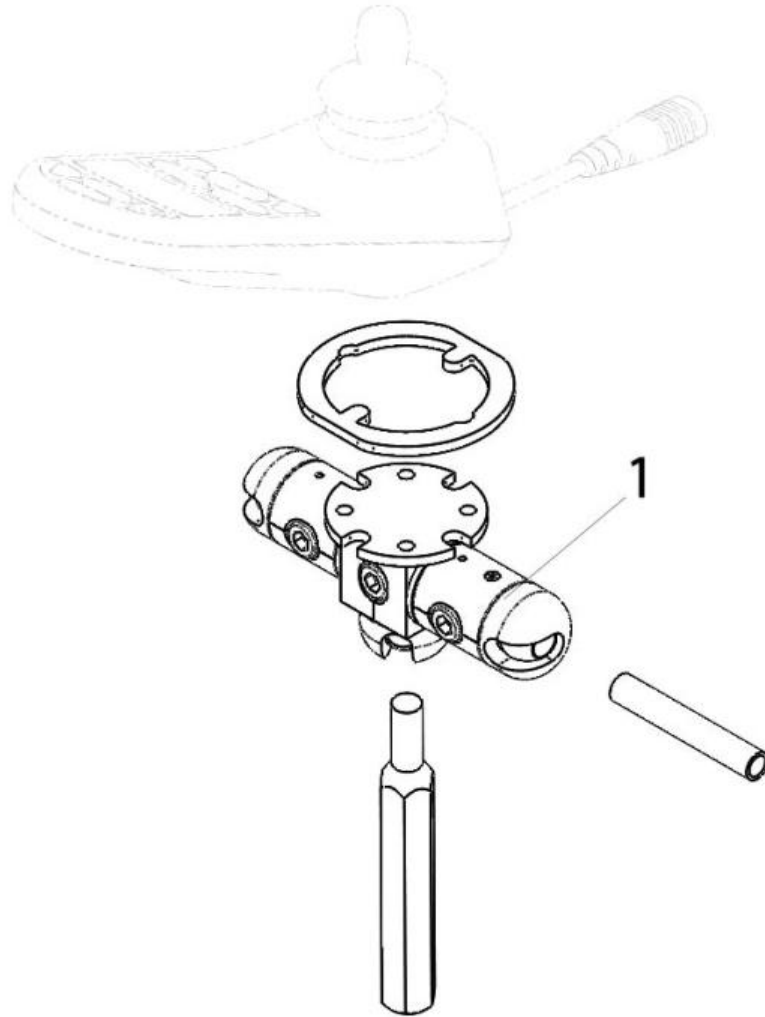
Pos	Item number	Description	Comment
1	22709045-ET	LINK-IT OMNI HOLDER WITH MOUNTING MATERIAL	
2	22709008-ET	LINK-IT BASE MODULE	
3	22709111-ET	LINK-IT TUBE SET MED, INCL. 3 TUBES 8 X 75 MM, 8 X 100 MM, 8 X 150 MM	
4	22709068-ET	LINK-IT ADAPTER HEX 13 - D 8 MM	
5	20009100	JOYSTICK MOUNT SWING AWAY	LH/RH USEABLE
-	21809062-001-ET	RECEIVER SWING AWAY CONTROL MOUNT	LH, FOR ERGO/UP SEATING SYSTEM



**LINK-IT OMNI CONTROL MOUNT**

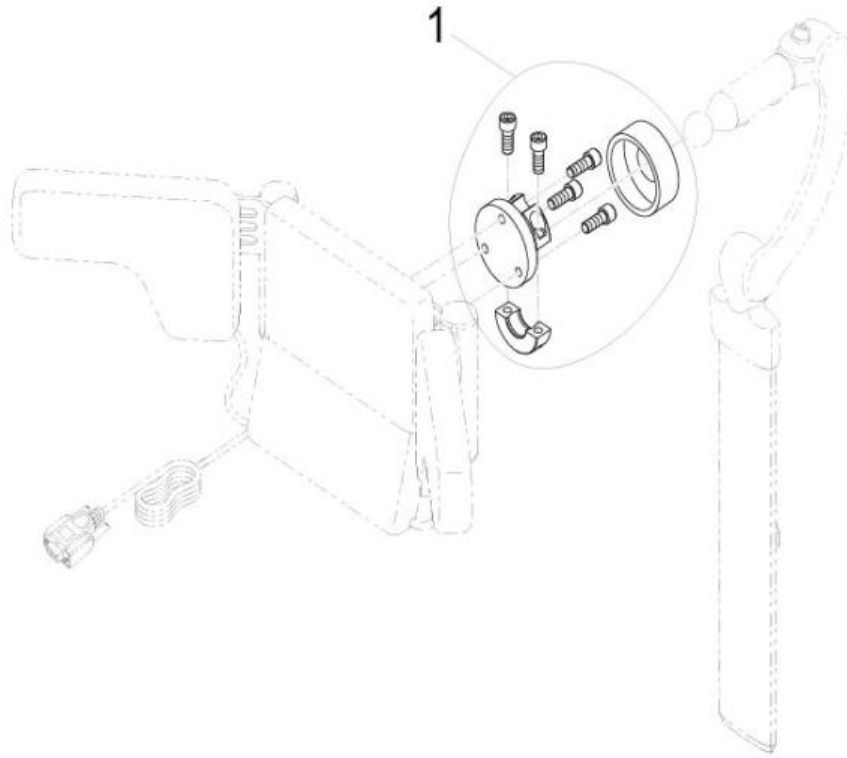
<b>Pos</b>	<b>Item number</b>	<b>Description</b>	<b>Comment</b>
6	21809062-002-ET	RECEIVER SWING AWAY CONTROL MOUNT	RH, FOR ERGO/UP SEATING SYSTEM
-	20009260	LINK-IT RECEIVER SWING AWAY CONTROL MOUNT	LH/RH USEABLE, FOR PRO / LITE SEATING SYSTEM
2-6	20009245	LINK-IT OMNI CONTROL MOUNT, SWING AWAY	RH, FOR ERGO/UP SEATING SYSTEM
-	20009246	LINK-IT OMNI CONTROL MOUNT, SWING AWAY	LH, FOR ERGO/UP SEATING SYSTEM
1,2,4,6,7,8,9	20009243	LINK-IT OMNI CONTROL MOUNT, FIXED	RH, FOR ERGO/UP SEATING SYSTEM
-	20009244	LINK-IT OMNI CONTROL MOUNT, FIXED	LH, FOR ERGO/UP SEATING SYSTEM
7	20009099	LINK-IT JOYSTICK MOUNT FIXED	LH/RH USEABLE
8	22709080-ET	CABLE CLIP SET 6 - 8 MM	10 PCS./PACK
9	22709082-ET	CABLE CLIP SET 3 - 8 MM	10 PCS./PACK
10	20009251	LINK-IT OMNI CONTROL MOUNT, FIXED	LH/RH USEABLE, FOR PRO / LITE SEATING SYSTEM
11	20009252	LINK-IT OMNI CONTROL MOUNT, SWING AWAY	LH/RH USEABLE, FOR PRO / LITE SEATING SYSTEM

LINK-IT TO R-NET JOYSTICK (SWITCH MOUNTING)



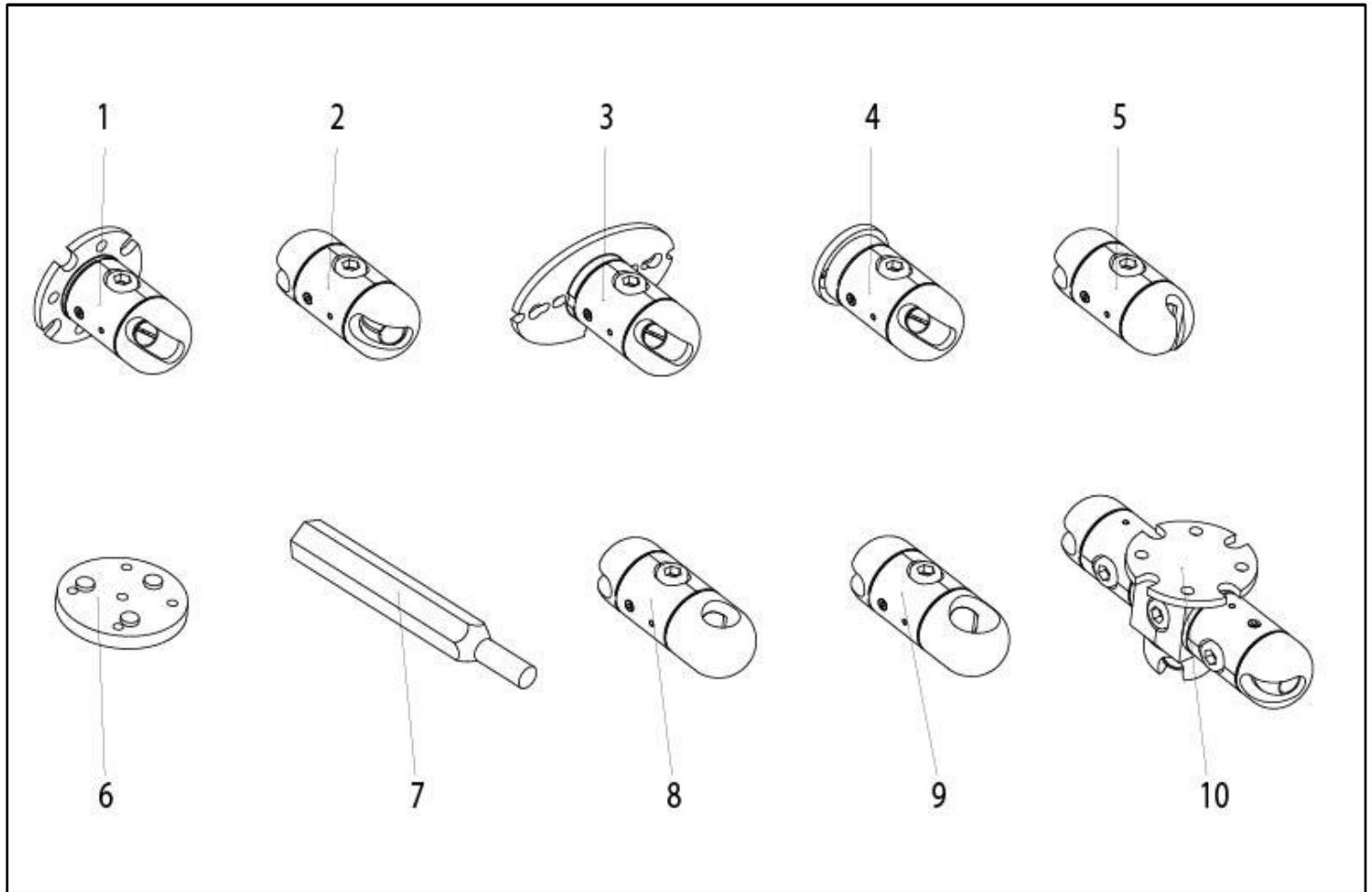
Pos	Item number	Description	Comment
1	20009216	LINK-IT MOUNT FOR JOYSTICKS	FOR ONE OR TWO SWITCHES

## LINK-IT / SWITCH-IT MOUNTING FOR SWITCH-IT HEAD ARRAY



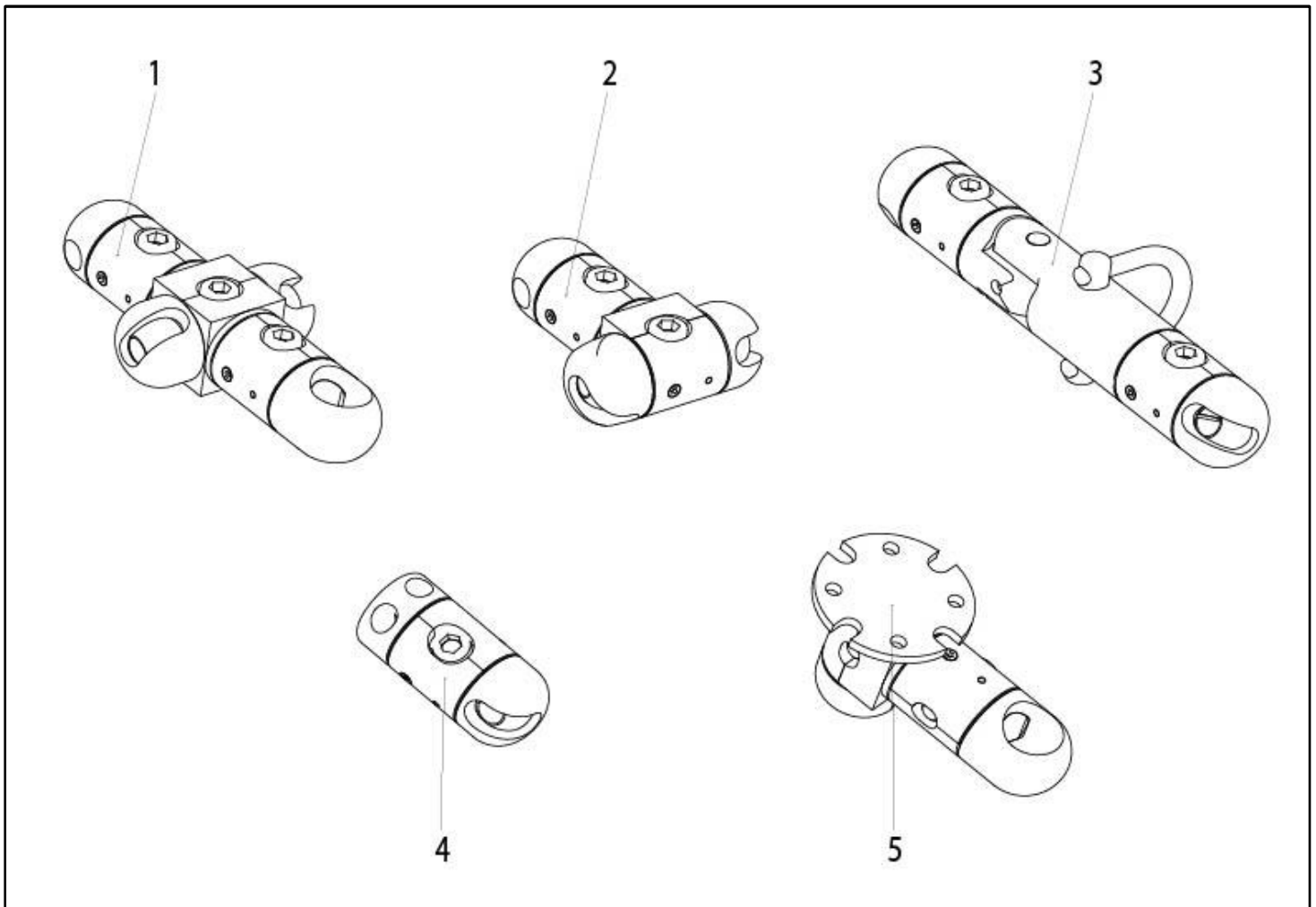
Pos	Item number	Description	Comment
1	20009092	LINK-IT MOUNTINGMATERIAL FOR SWITCH-IT HEAD ARRAY	

LINK-IT MODULES 1



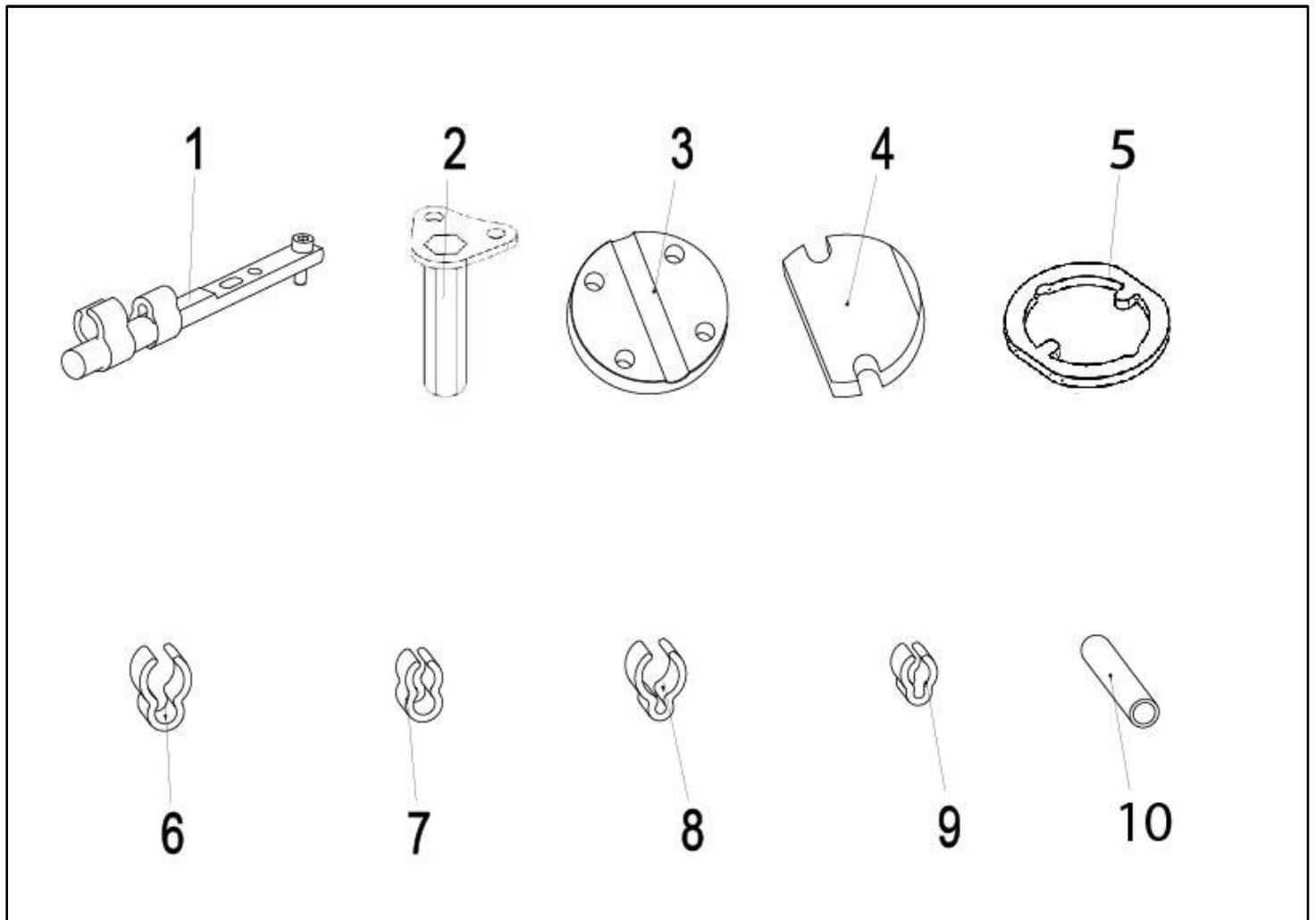
Pos	Item number	Description	Comment
1	22709009-ET	LINK-IT WALL PLATE MODULE	
2	22709008-ET	LINK-IT BASE MODULE	
3	22709071-ET	LINK-IT MODULE WITH OVAL MOUNTING PLATE	
4	22709074-ET	LINK-IT MODULE WITH ROUND MOUNTING PLATE	
5	22709031-ET	LINK-IT MODULE WITH D 6 MM INCLUSION	
6	22709083	LINK-IT ADAPTER D 42 MM	
7	22709068-ET	LINK-IT ADAPTER HEX 13 - D 8 MM	
8	22709033-ET	LINK-IT MODULE WITH D 12 MM INCLUSION	
9	22709035-ET	LINK-IT MODULE WITH D 16 MM INCLUSION	FOR MICRO SERIES JOYSTICKS
10	22709108-ET	LINK-IT MOUNT FOR JOYSTICKS	FOR ONE OR TWO SWITCHES

## LINK-IT MODULES 2



Pos	Item number	Description	Comment
1	22709107-ET	LINK-IT STAR MODULE WITH INCLUSION 3 X 8 MM / 1 X 16 MM	
2	22709050-ET	LINK-IT STAR MODULE	
3	22709044-ET	LINK-IT SWING AWAY MODULE CLIP BALL END	
4	22709075-ET	LINK-IT CONNECTING MODULE, BETWEEN NECK RECEIVER AND JOYSTICK MOUNT	
5	22709051-ET	LINK-IT MODULE FOR HAND TRAY	FOR MICRO SERIES JOYSTICKS

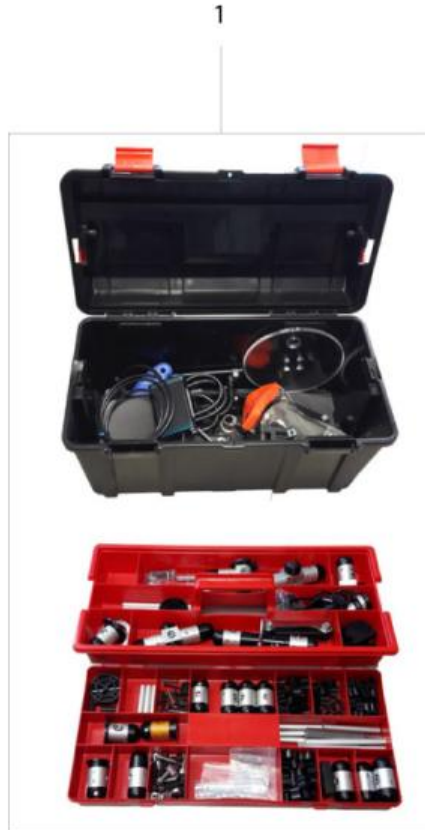
LINK-IT ACCESSORIES



Pos	Item number	Description	Comment
-	22709002-ET	ROD 8 x 75 MM	
-	22709003-ET	ROD 8 x 100 MM	
-	22709004-ET	ROD 8 x 150 MM	
-	22709005-ET	ROD 8 x 200 MM	
1	20009202	LINK-IT MODULE, INCL. MOUNTING MATERIAL AND CABLE CLIPS 6 - 8 AND 3 - 8 MM	FOR MICRO LITE
2	20009211	LINK-IT ALL ROUND HEAVY DUTY	
3	22709049	LINK-IT FILLER DISC	
4	22709073	LINK-IT SEAT PROFILE ADAPTER	
5	22709046-ET	LINK-IT ADAPTER RING	
6	22709079-ET	CABLE CLIP SET 6 - 12 MM	10 PCS./PACK
7	22709080-ET	CABLE CLIP SET 6 - 8 MM	10 PCS./PACK
8	22709081-ET	CABLE CLIP SET 3 - 12 MM	10 PCS./PACK

Pos	Item number	Description	Comment
9	22709082-ET	CABLE CLIP SET 3 - 8 MM	10 PCS./PACK
10	22709001-ET	ROD 8 x 50 MM	
-	22709110-ET	LINK-IT TUBE SET SHORT, INCL. 3 TUBES 8 X 50 MM, 8 X 75 MM, 8 X 100 MM	
-	22709111-ET	LINK-IT TUBE SET MED, INCL. 3 TUBES 8 X 75 MM, 8 X 100 MM, 8 X 150 MM	
-	22709112-ET	LINK-IT TUBE SET LARDGE, INCL. 3 TUBES 8 X 100 MM, 8 X 150 MM, 8 X 200 MM	

## LINK-IT TOOLBOX

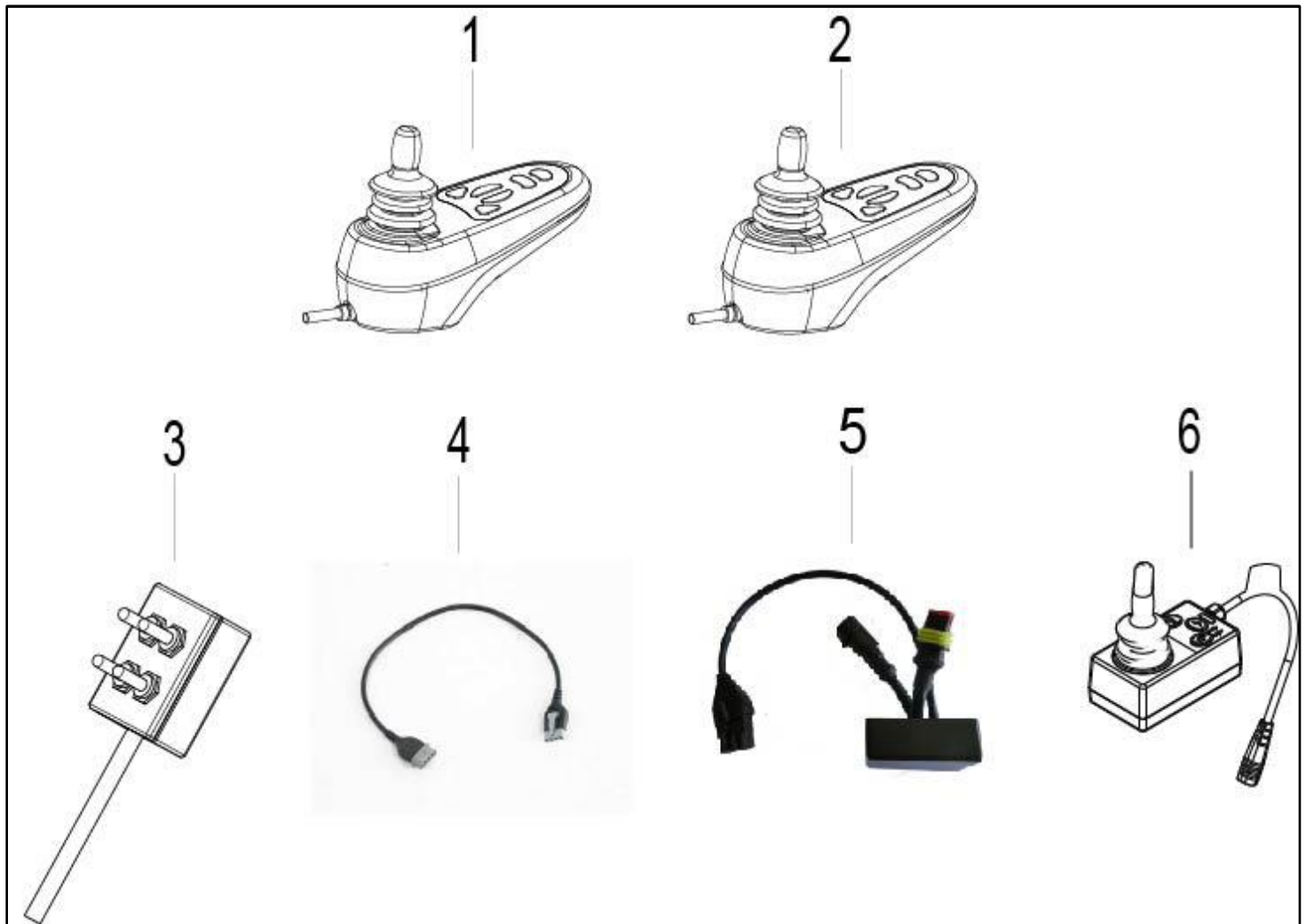


Pos	Item number	Description	Comment
1	22709120	TOOLBOX LINK-IT, COMPLETE	
-	22709035-ET	LINK-IT MODULE WITH D 16 MM INCLUSION	FOR MICRO SERIES JOYSTICKS
-	22709008-ET	LINK-IT BASE MODULE	
-	22709009-ET	LINK-IT WALL PLATE MODULE	
-	22709046-ET	LINK-IT ADAPTER RING	
-	22709044-ET	LINK-IT MODULE SA CLIP BALL END	
-	22709031-ET	LINK-IT MODULE WITH D 6 MM INCLUSION	
-	22709045-ET	LINK-IT OMNI HOLDER WITH MOUNTING MATERIAL	
-	22709050-ET	LINK-IT STAR MODULE	



Pos	Item number	Description	Comment
-	22709054-ET	LINK-IT PLATE FOR MOUNTING TO WHITMYER HEADREST	LH/RH USEABLE
-	6003815-ET	LINK-IT PLATE FOR MOUNTING TO SEDEO HEADREST	LH/RH USEABLE
-	22709049-ET	LINK-IT FILLER DISC	
-	22709073-ET	LINK-IT SEAT PROFILE ADAPTER	
-	22709074-ET	LINK-IT MODULE WITH ROUND MOUNTIG PLATE	
-	22709107-ET	LINK-IT STAR MODULE WITH INCLISION 3 X 8 MM / 1 X 16 MM	
-	6003072-ET	LINK-IT HORIZONTAL S-BAR DIA 8 MM	
-	22709108-ET	LINK-IT MOUNT FOR JOYSTICKS	FOR ONE OR TWO SWITCHES
-	22709001-ET	LINK IT TUB 8 x 50 MM	
-	22709002-ET	LINK-IT TUB 8 x 75 MM	
-	22709003-ET	LINK-IT TUB 8 x 100 MM	
-	22709004-ET	LINK-IT TUB 8 x 150 MM	
-	22709005-ET	LINK-IT TUB 8 x 200 MM	
-	22709048-ET	LINK-IT HANDTRAY	
-	22709051-ET	LINK-IT MODULE FOR HANDTRAY	FOR MICRO SERIES JOYSTICKS
-	000128100-ET	T-NUTS M5	10 PCS./PACK
-	20009099-ET	LINK-IT JOYSTICK MOUNT FIXED	LEFT / RIGHT USEABLE
-	22709081-ET	CABLE CLIP SET 3 - 12 MM	10 PCS./PACK
-	22709082-ET	CABLE CLIP SET 3 - 8 MM	10 PCS./PACK
-	22709079-ET	CABLE CLIP SET 6 - 12 MM	10 PCS./PACK
-	22709080-ET	CABLE CLIP SET 6 - 8 MM	10 PCS./PACK
-	22709068-ET	LINK-IT ADAPTER HEX 13 - D 8 MM	
-	21809062-001-ET	RECEIVER SWING AWAY CONTROL MOUNT	LH, FOR UP AND ERGO SEATING SYSTEM
-	21809062-002-ET	RECEIVER SWING AWAY CONTROL MOUNT	RH, FOR UP AND ERGO SEATING SYSTEM
-	20009100-ET	JOYSTICK MOUNT SWING AWAY	LH/RH USEABLE

VR2 JOYSTICKS AND 4-ACTUATOR BOX



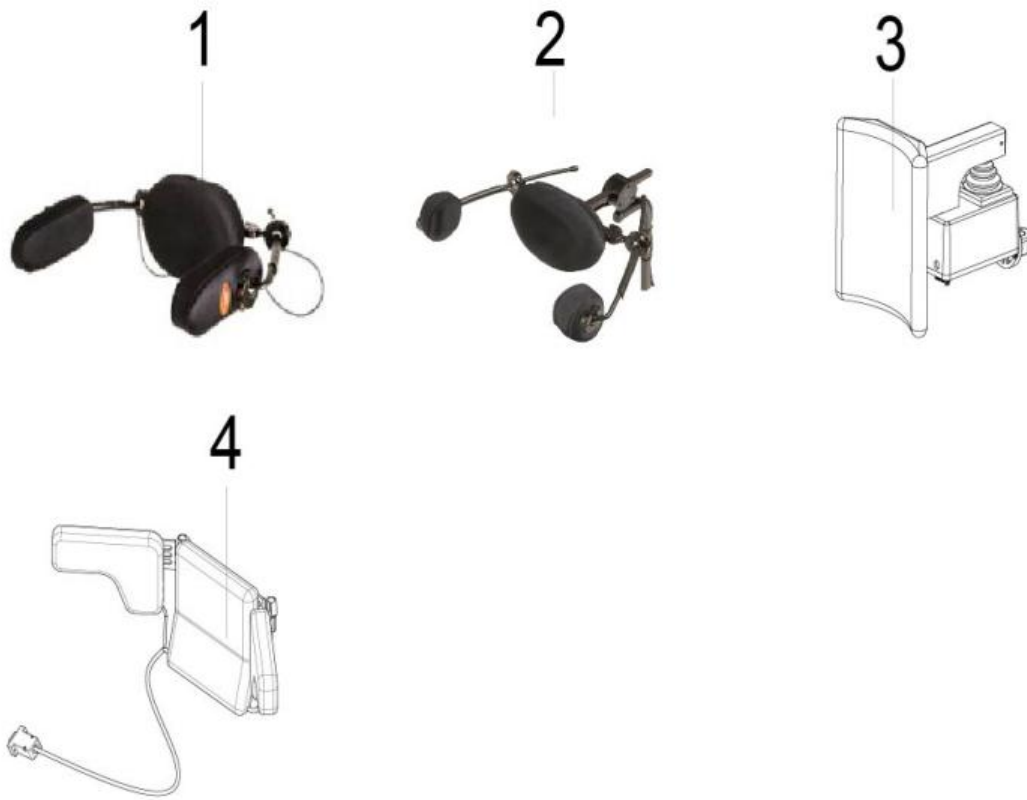
Pos	Item number	Description	Comment
2	20011014	VR2 JOYSTICK (DRIVE ONLY) INCL. MOUNTING ACCESSORIES	
1	21011015	VR2 JOYSTICK 2 ACTUATOR CONTROL INCL. MOUNTING ACCESSORIES	WITHOUT LIGHTS AND INDICATORS
1	21011016	VR2 JOYSTICK 2 ACTUATOR CONTROL L&I + ACTUATORS, INC. MOUNTING ACCESSORIES	
3	21011029	4-ACTUATOR CONTROL BOX AND LOOM INCL. MOUNTING ACCESSORIES	
5	060786	CIRCUIT BREAKER FOR 4-ACTUATOR CONTROL BOX	
4	172001.32117	VR2 EXTENSION CABLE - 0.3 M	
6	21011026	VR2 JOYSTICK ATTENDANT INCL. MOUNTING ACCESSORIES	

## R-NET JOYSTICKS



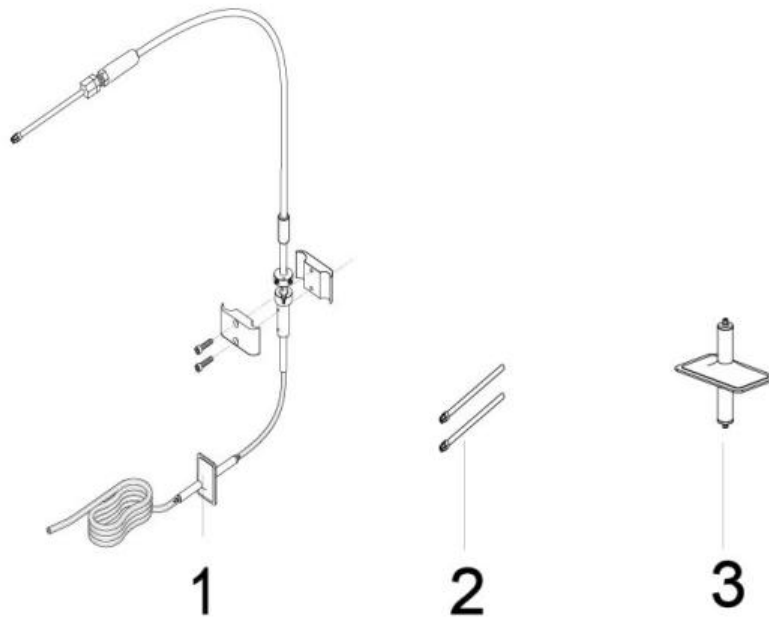
Pos	Item number	Description	Comment
1	21011017	R-NET JOYSTICK LED INCL. MOUNTING ACCESSORIES	
2	21011018	R-NET JOYSTICK LED WITH L&I INCL. MOUNTING ACCESSORIES	
3	20011015	R-NET JOYSTICK COLOUR LCD WITH L&I INCL. AND MOUNTING MATERIALS	INCL. 2 JACK SOCKETS
4	21011025	R-NET JOYSTICK ATTENDANT INCL. MOUNTING ACCESSORIES	
5	20011016-001	R-NET JOYSTICK HD COLOUR LCD, IR INCL. MOUNTING ACCESSORIES	
6	20011016-002	R-NET JOYSTICK HD COLOUR LCD, IR AND BLUETOOTH INCL. MOUNTING ACCESSORIES	
7	6002050	R-NET JOYSTICK, TABLE TOP CONTROL	
8	6003875	R-NET JOYSTICK COLOUR LCD WITH L&I HEAVY DUTY INCL. MOUNTING ACCESSORIES	INCL. 2 JACK SOCKETS

SPECIAL CONTROL, HEAD CONTROL



Pos	Item number	Description	Comment
1	DPA-WH-CON-ET	HEAD CONTROL, SWITCH-IT DUAL PRO, 3-WAY PROPORTIONAL, FACIAL PADS	
2	DPP-WH-CON-ET	HEAD CONTROL, SWITCH-IT DUAL PRO, 3-WAY PROPORTIONAL, SPOT PADS	
3	RIM-WH-CON	HEAD CONTROL, SWITCH-IT RIM PROPORTIONAL	
4	HDR3-SC-M2-WH-CON	HEAD CONTROL, SWITCH-IT 3-SWITCHES WITH SHORT AND CURVED WINGS	
-	HDR3-SS-M2-WH-CON	HEAD CONTROL, SWITCH-IT 3-SWITCHES WITH SHORT AND STRAIGHT WINGS	
-	HDR3-LC-M2-WH-CON	HEAD CONTROL, SWITCH-IT 3-SWITCHES WITH LONG AND CURVED WINGS	
-	HDR3-LS-M2-WH-CON	HEAD CONTROL, SWITCH-IT 3-SWITCHES WITH LONG AND STRAIGHT WINGS	
-	HDR4-LS-M1L-WH-CON	HEAD CONTROL, SWITCH-IT 4-SWITCHES WITH LONG AND STRAIGHT WINGS	
-	HDR5-LS-RR-WH-CON	HEAD CONTROL, SWITCH-IT 5-SWITCHES WITH LONG AND STRAIGHT WINGS	

## SPECIAL CONTROL, SIP AND PUFF



Pos	Item number	Description	Comment
1	244020	SIP AND PUFF CONTROL	
2	243758	MOUTHPIECE, SIP-N-PUFF	
3	243760	SALIVA TRAP, SIP-N-PUFF	

SPECIAL CONTROL, HAND CONTROL



Pos	Item number	Description	Comment
1	21011083	SWITCH-IT MINI JOYSTICK MICRO GUIDE (INCL. CAPS)	
2	21011006	SWITCH-IT 0-WAY JOYSTICK MICRO PILOT (INCL. CAPS)	
3	TD2	TOUCH DRIVE SCREEN	
4	20011103	SWITCH-IT COMPACT JOYSTICK, VERSAGUIDE	WITH SUB-D CONNECTOR
4	VG-EZ	SWITCH-IT COMPACT JOYSTICK, VERSAGUIDE, LIGHT-TOUCH	WITH SUB-D CONNECTOR
5	6003568	ALLROUND JOYSTICK FOR OMNI	WITH DB9 CONNECTOR
5	1018557	ALLROUND JOYSTICK R-NET	
6	6003569	ALLROUND JOYSTICK FOR OMNI, LIGHT-TOUCH	WITH DB9 CONNECTOR
6	1018558	ALLROUND JOYSTICK R-NET, LIGHT-TOUCH	
7	6003570	ALLROUND JOYSTICK HEAVY DUTY FOR OMNI	WITH DB9 CONNECTOR
7	1018559	ALLROUND JOYSTICK HEAVY DUTY R-NET	
8	21011099	SWITCH IT CAP KIT (MICRO PILOT)	
9	21011104	SWITCH IT CAP KIT (MICRO GUIDE)	

## SPECIAL CONTROL, CHIN CONTROL



Pos	Item number	Description	Comment
1	21011083	SWITCH-IT MINI JOYSTICK MICRO GUIDE (INCL. CAPS)	
2	21011006	SWITCH-IT 0-WAY JOYSTICK MICRO PILOT (INCL. CAPS)	
3	20011103	SWITCH-IT COMPACT JOYSTICK, VERSAGUIDE	WITH SUB-D CONNECTOR
3	VG-EZ	SWITCH-IT COMPACT JOYSTICK, VERSAGUIDE, LIGHT-TOUCH	WITH SUB-D CONNECTOR
4	6003568	ALLROUND JOYSTICK FOR OMNI	WITH DB9 CONNECTOR
4	1018557	ALLROUND JOYSTICK R-NET	
5	6003569	ALLROUND JOYSTICK FOR OMNI, LIGHT-TOUCH	WITH DB9 CONNECTOR
5	1018558	ALLROUND JOYSTICK R-NET, LIGHT-TOUCH	
6	21011099	SWITCH IT CAP KIT (MICRO PILOT)	
7	21011104	SWITCH IT CAP KIT (MICRO GUIDE)	

**JOYSTICK KNOBS**

**JOYSTICK KNOBS**

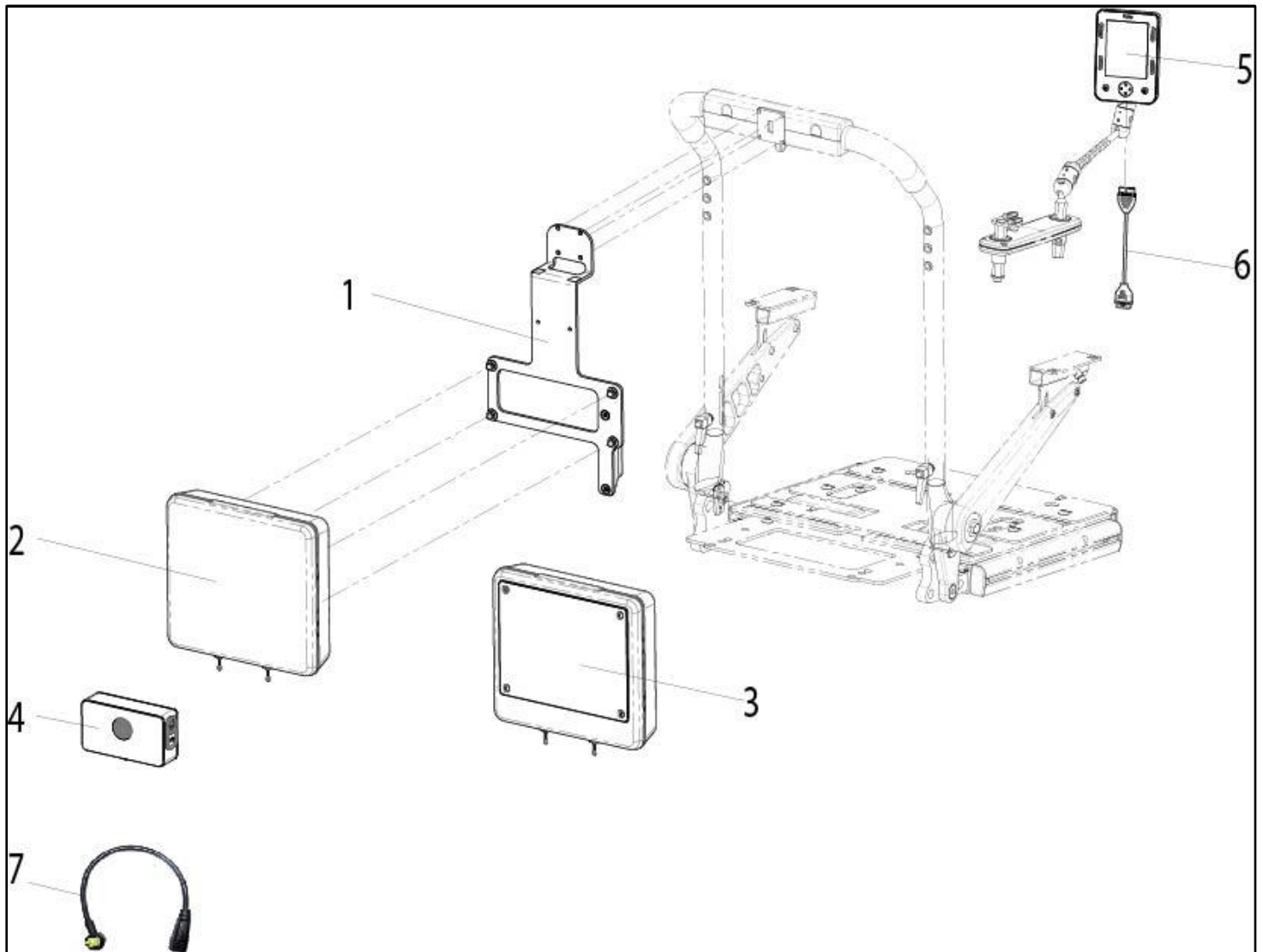


Pos	Item number	Description	Comment
1	6003447	KNOBS, ALLROUND BALL, D 48 MM	
2	014860	KNOBS, GOLF BALL, D 42 MM	NOT ALLOWED FOR ALLROUND JOYSTICK LIGHT AND VERSAGUIDE JOYSTICK LIGHT
3	172384.3801	KNOBS, T-BAR, 82 MM WIDTH	NOT ALLOWED FOR ALLROUND JOYSTICK LIGHT AND VERSAGUIDE JOYSTICK LIGHT



Pos	Item number	Description	Comment
4	172384.3800	KNOBS, SOFT BALL, D 70 MM	NOT ALLOWED FOR ALLROUND JOYSTICK LIGHT AND VERSAGUIDE JOYSTICK LIGHT
5	172384.3804	KNOBS, BALL, D 35 MM	NOT ALLOWED FOR ALLROUND JOYSTICK LIGHT AND VERSAGUIDE JOYSTICK LIGHT
6	000934.0139	KNOBS, CHIN CUP, D 37 MM	NOT ALLOWED FOR ALLROUND JOYSTICK LIGHT AND VERSAGUIDE JOYSTICK LIGHT
7	172384.3803	KNOBS, STICK, 80 X 15 MM	NOT ALLOWED FOR ALLROUND JOYSTICK LIGHT AND VERSAGUIDE JOYSTICK LIGHT
8	172384.3802	KNOBS, MUSHROOM, D 45 MM	NOT ALLOWED FOR ALLROUND JOYSTICK LIGHT AND VERSAGUIDE JOYSTICK LIGHT
9	108205	KNOBS, STANDARD JOYSTICK KNOB	NOT ALLOWED FOR ALLROUND JOYSTICK LIGHT AND VERSAGUIDE JOYSTICK LIGHT

OMNI 2



Pos	Item number	Description	Comment
1	22809099	OMNI 2 MOUNTING, COMPLETE - SEDEO LITE	
2	20009190-010	CASE OMNI 2 INPUT DEVICE	
3	20009190-020	CASE OMNI 2 INPUT DEVICE WITH STVZO REFLECTORFOIL	
4	20011230-010	OMNI 2 INPUT SECTION WITH USB CONNECTION	
5	20011231-010	OMNI 2 DISPLAY	
6	20011236-250	OMNI 2 DISPLAY CONNECTING CABLE, 2500 mm	
7	20011035	R-NET LOOM, 300 mm	

## LAP BELTS

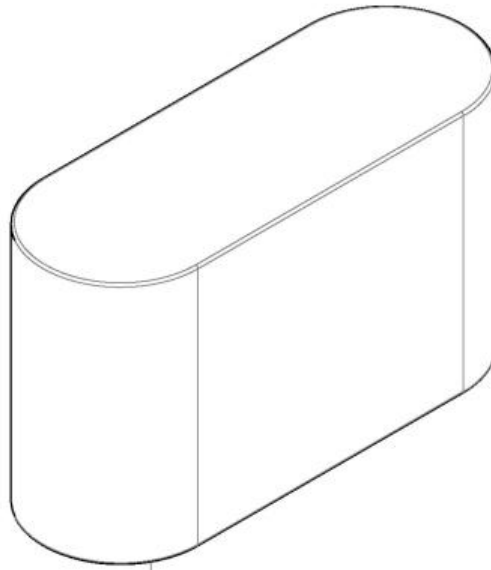
1



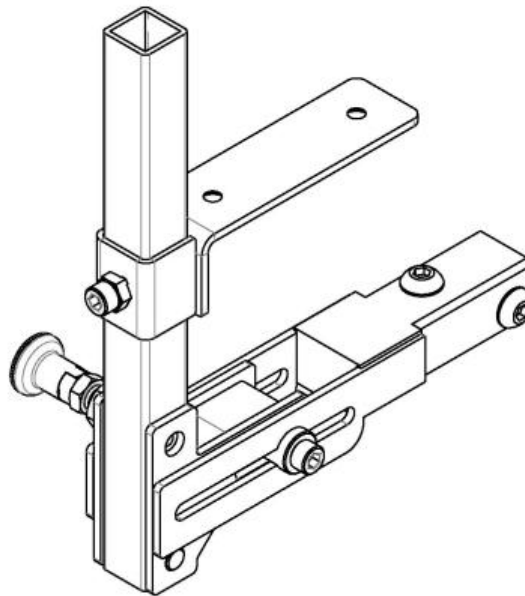
Pos	Item number	Description	Comment
1	22509015-001	LAP BELT SHORT	

POMMEL

2

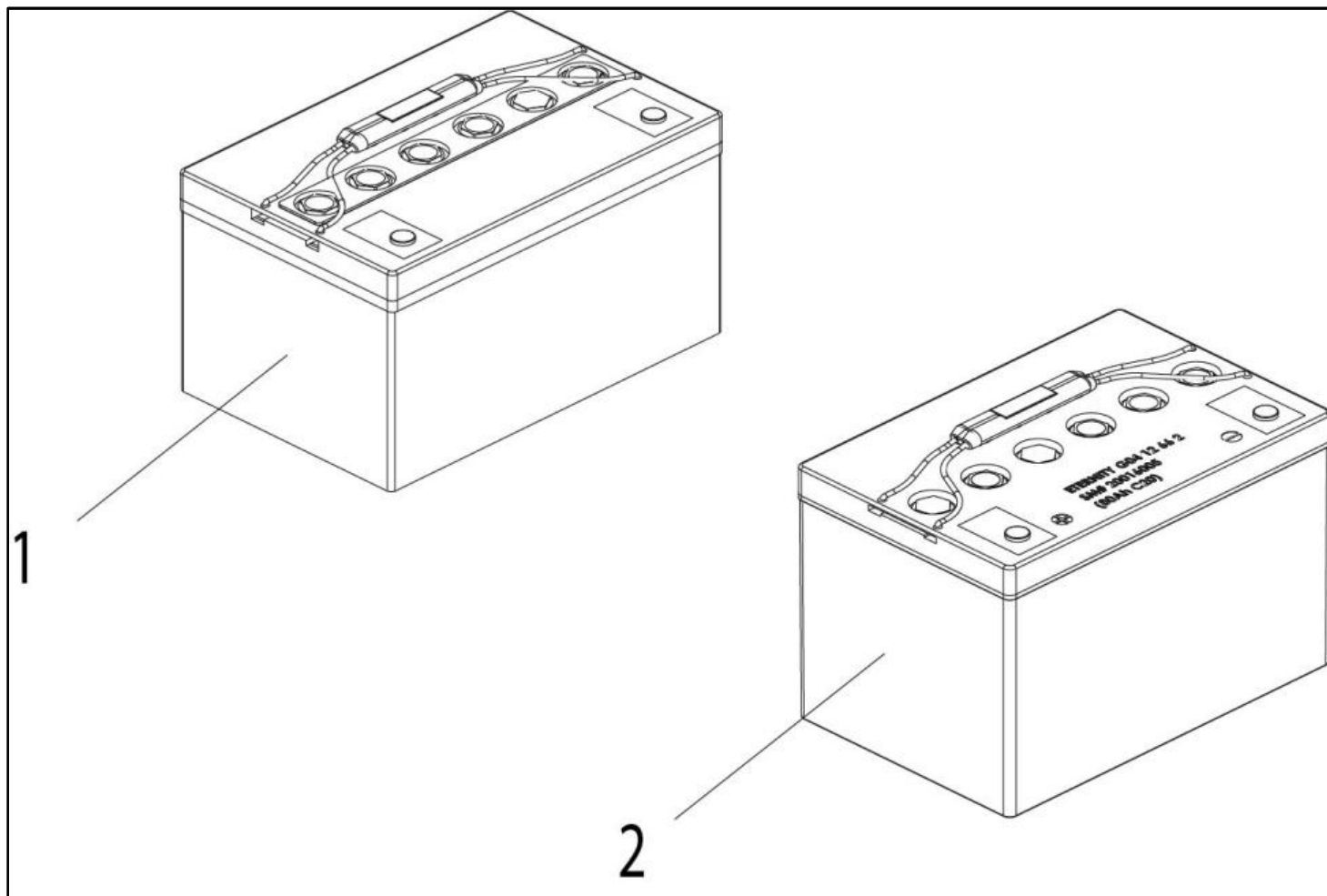


1



Pos	Item number	Description	Comment
1	22509054	METAL PARTS, INCLUDING POMMEL PAD, COMPLETE	
2	22509056	POMMEL PAD, INCLUDING SCREWS	

BATTERIES



Pos	Item number	Description	Comment
1	20016001	50 AH BATTERY G 04 12 045	
1	20016002	60 AH BATTERY G 04 12 052	
2	20016005	80 AH BATTERY G 04 12 066 2	
-	010563	BATTERY PACKER KIT	2 per Chair

## CHARGER

### CHARGER

1



5

Kein Bild vorhanden  
no image available

2



6

Kein Bild vorhanden  
no image available

3



7

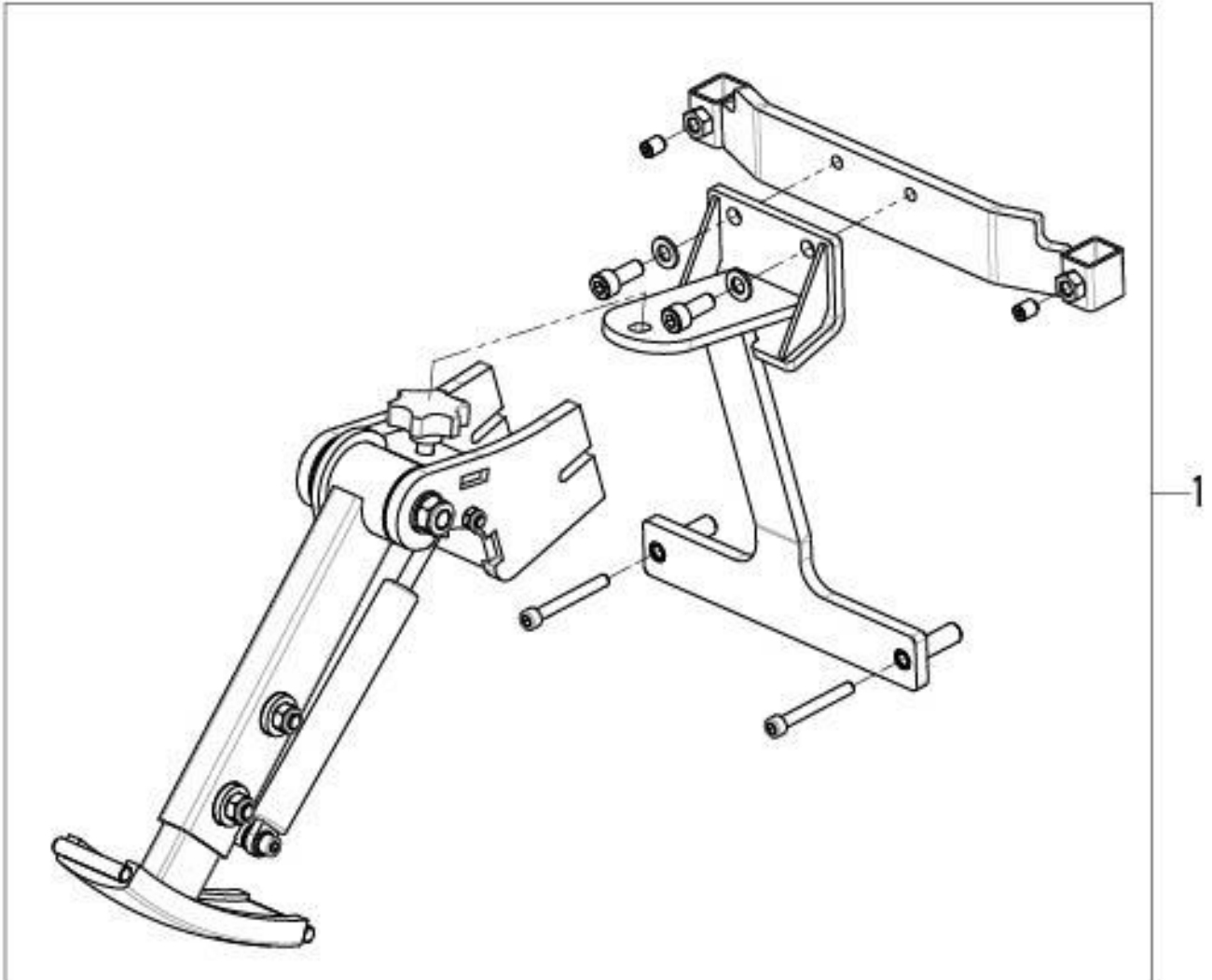


4



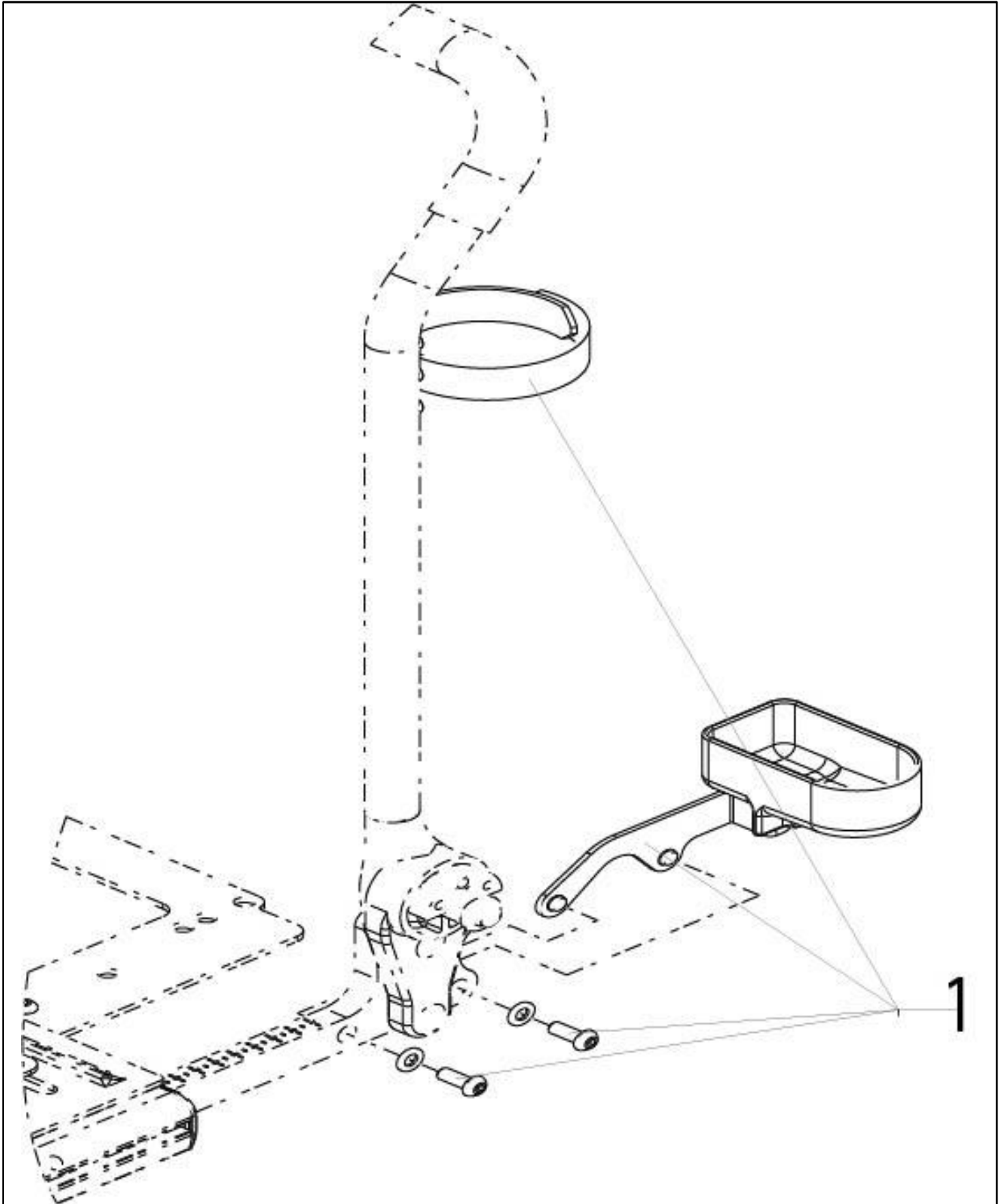
Pos	Item number	Description	Comment
1, 2	20016103	8 A IEB CHARGER WITH UK 3 PIN POWER CORD	
1, 3	20016102	8 A IEB CHARGER WITH EU 2 PIN POWER CORD	
1, 4	20016104	8 A IEB CHARGER WITH CH 3 PIN POWER CORD	
2	060501	UK 3 PIN POWER CORD	
3	060500	EU 2 PIN POWER CORD	
4	20016110	CH 3 PIN POWER CORD	
5	133001.10010	CHARGER 220V 8AMP - EUROPE	
6+2	133001.10012	CHARGER 220V 10AMP - UK	
7+3	133001.10013	CHARGER 220V 10AMP - EUROPE	

## KERB CLIMBER (ONLY FOR Q400R)



Pos	Item number	Description	Comment
1	22709250	KERB CLIMBER	

CRUTCH HOLDER

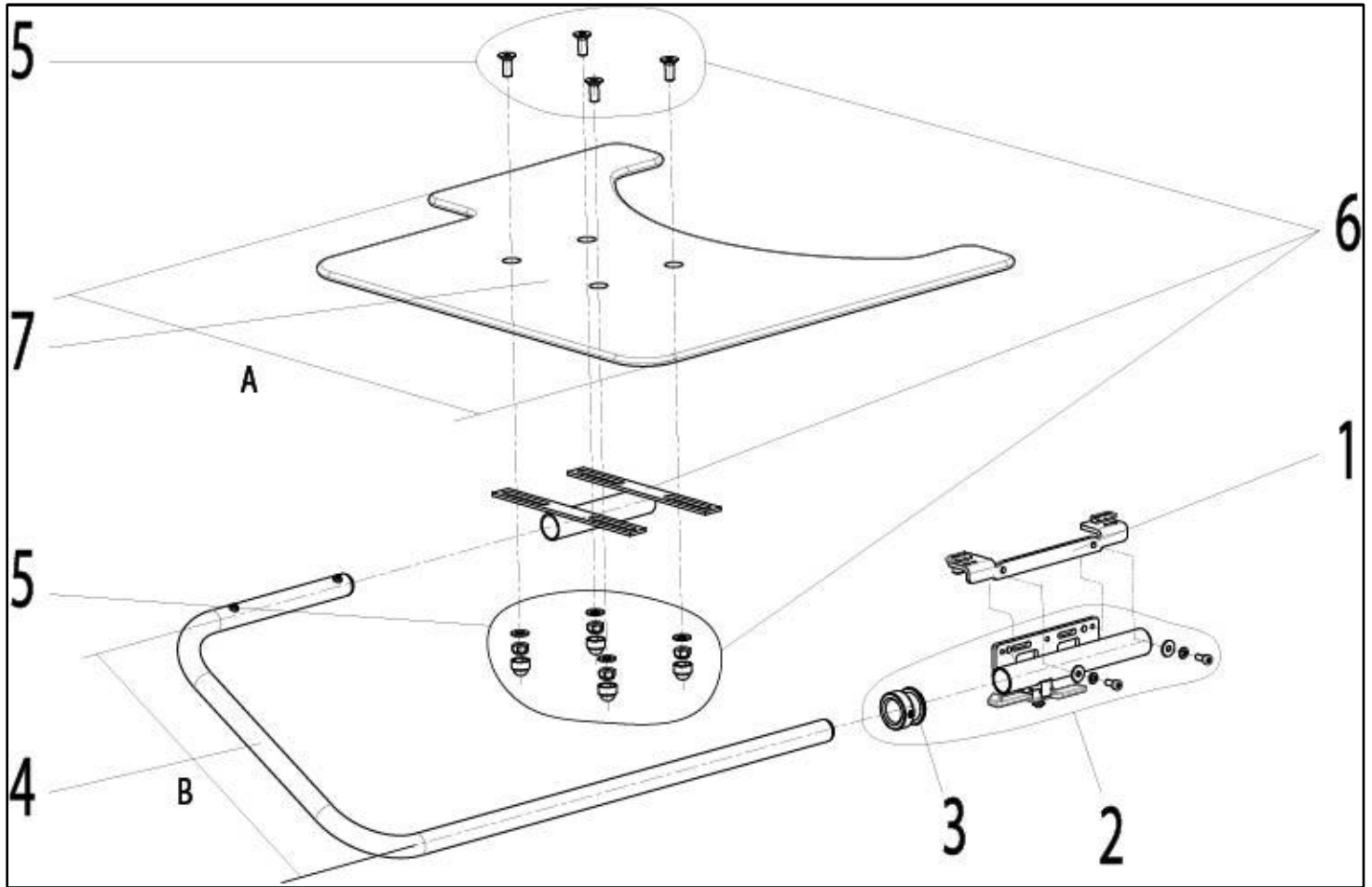




---

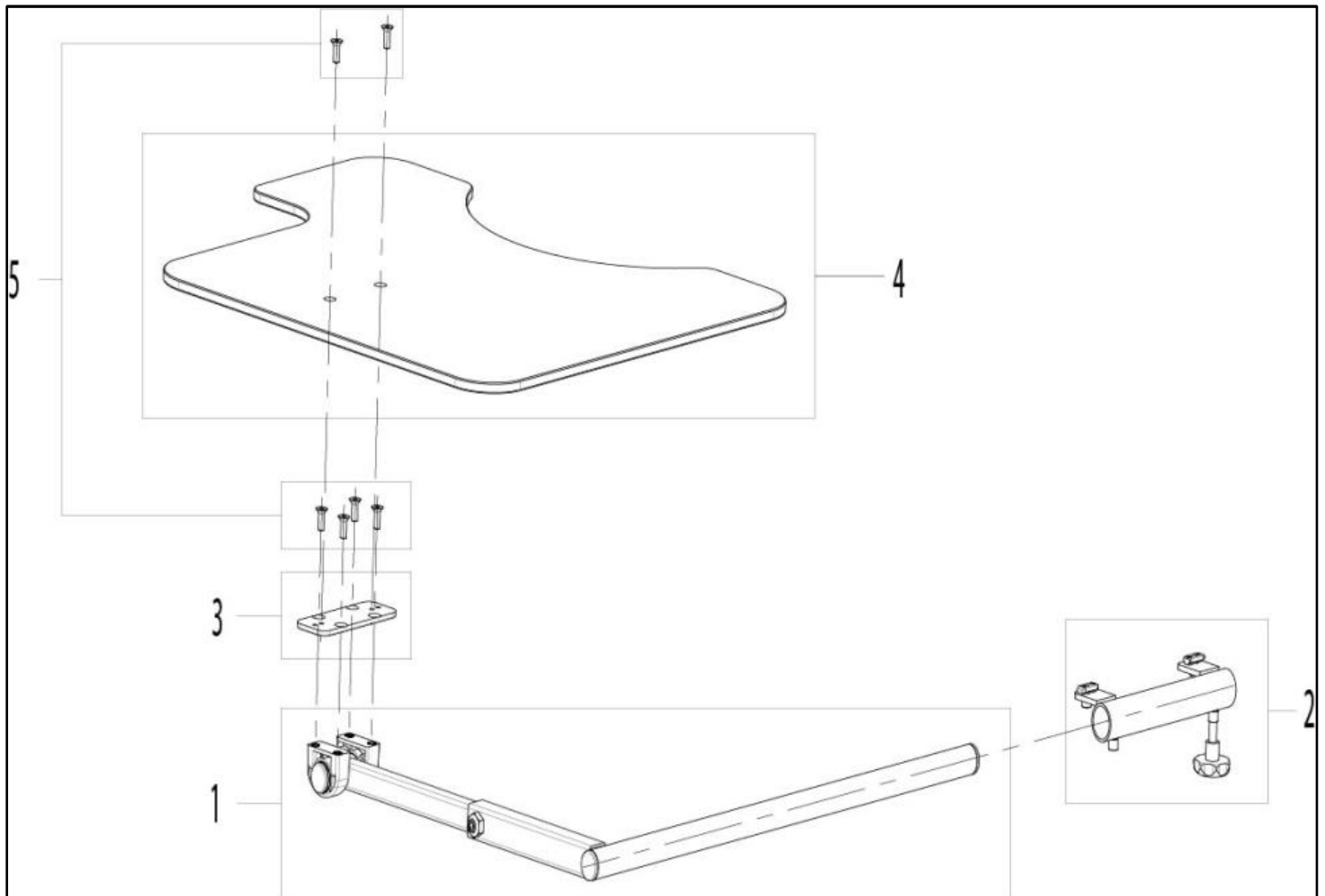
Pos	Item number	Description	Comment
1	22809030	CRUTCH HOLDER KIT	

TRAY TABLE, SWING AWAY



Pos	Item number	Description	Comment
1	22809070	CONNECTING BRACKET FOR TRAY TABLE SUPPORT	LH/RH USEABLE
2	20009021-003	SUPPORT USED WITH SWING AWAY TRAY	LH
-	20009021-004	SUPPORT USED WITH SWING AWAY TRAY	RH
3	21009128	CLIP RING WITH PIN	
4	20009002-280	STAY TUBE USED WITH SWING AWAY TRAY, WIDTH B = 280MM	
4	20009002-320	STAY TUBE USED WITH SWING AWAY TRAY, WIDTH B = 320MM	
5	20009010	MOUNTING ACCESSORIES SWIVEL	
6	20009009	SWIVEL USED WITH SWING AWAY TRAY, INCL. MOUNTING ACCESSORIES	
7	20009003-535	SWING AWAY TRAY PLATE, PLASTIC, THICKNESS 8MM, WIDTH A = 535MM	
7	20009003-560	SWING AWAY TRAY PLATE, PLASTIC, THICKNESS 8MM, WIDTH A = 560MM	
7	20009003-610	SWING AWAY TRAY PLATE, PLASTIC, THICKNESS 8MM, WIDTH A = 610MM	

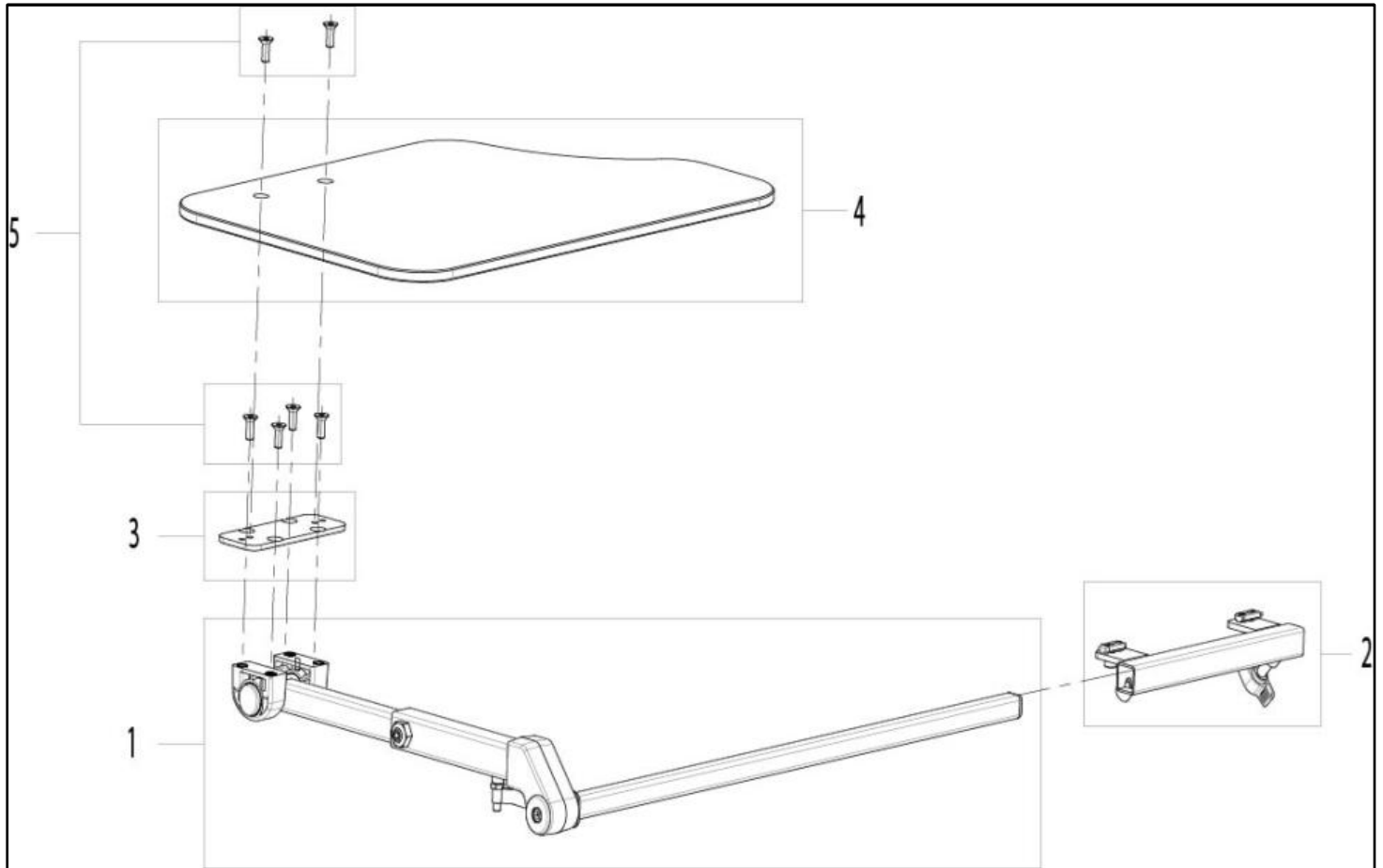
TRAY TABLE, WIDTH ADJUSTABLE, SWING AWAY



Pos	Item number	Description	Comment
1	90009026	METAL PARTS TRAY TABLE	LH/RH USEABLE
2	22509126	TRAY TABLE RECEIVER	LH/RH USEABLE
3	90009028	TRAY TABLE CONVERSION PLATE	
4	90009005	TRAY TABLE, STANDARD	LH/RH USEABLE
5	066902-001-ET	COUNTER SUNK SCREW M6 x 16 - DIN7991	25 PCS./PACK

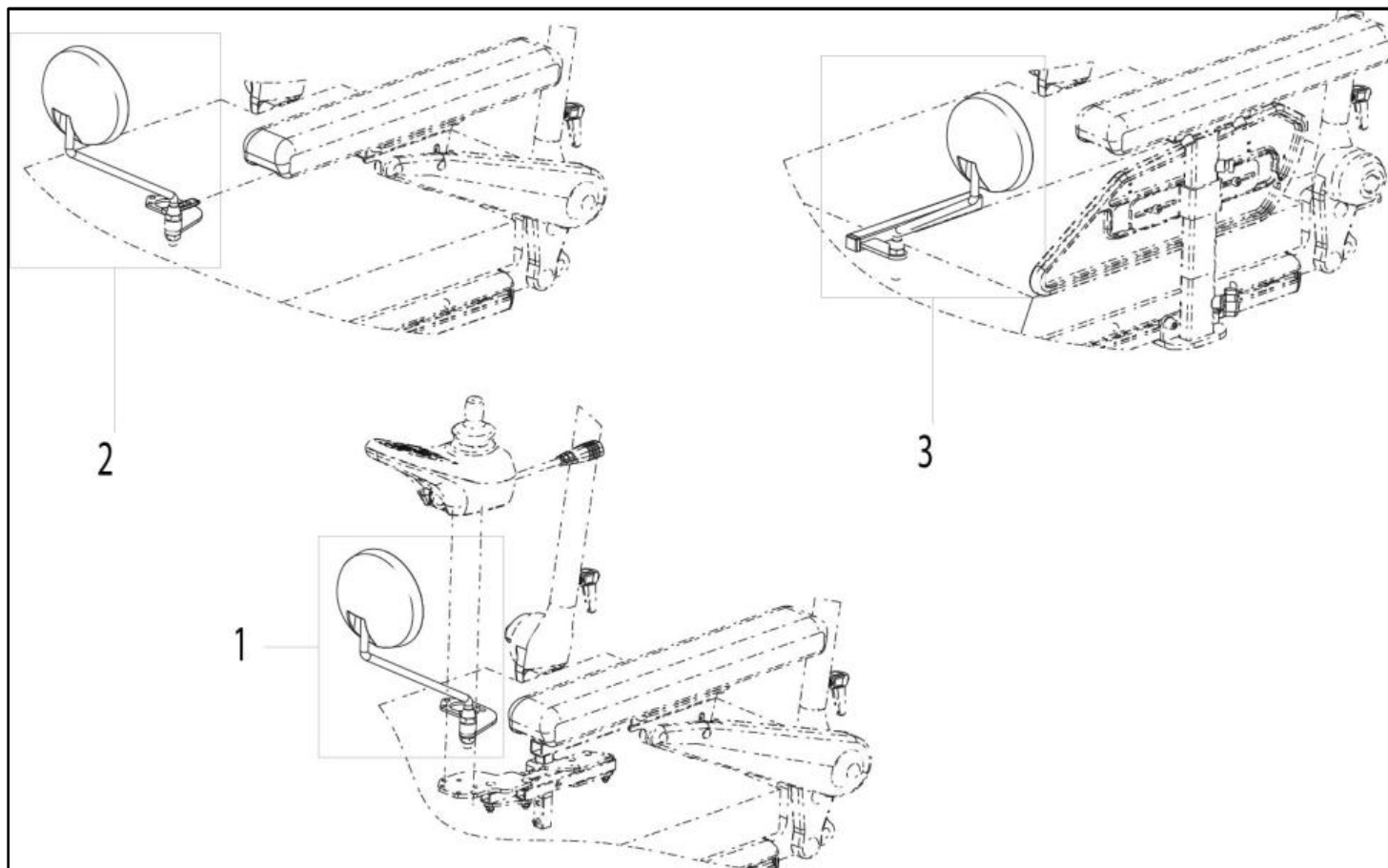
# TRAY TABLE, HALF, SWING AWAY

## TRAY TABLE, HALF, SWING AWAY



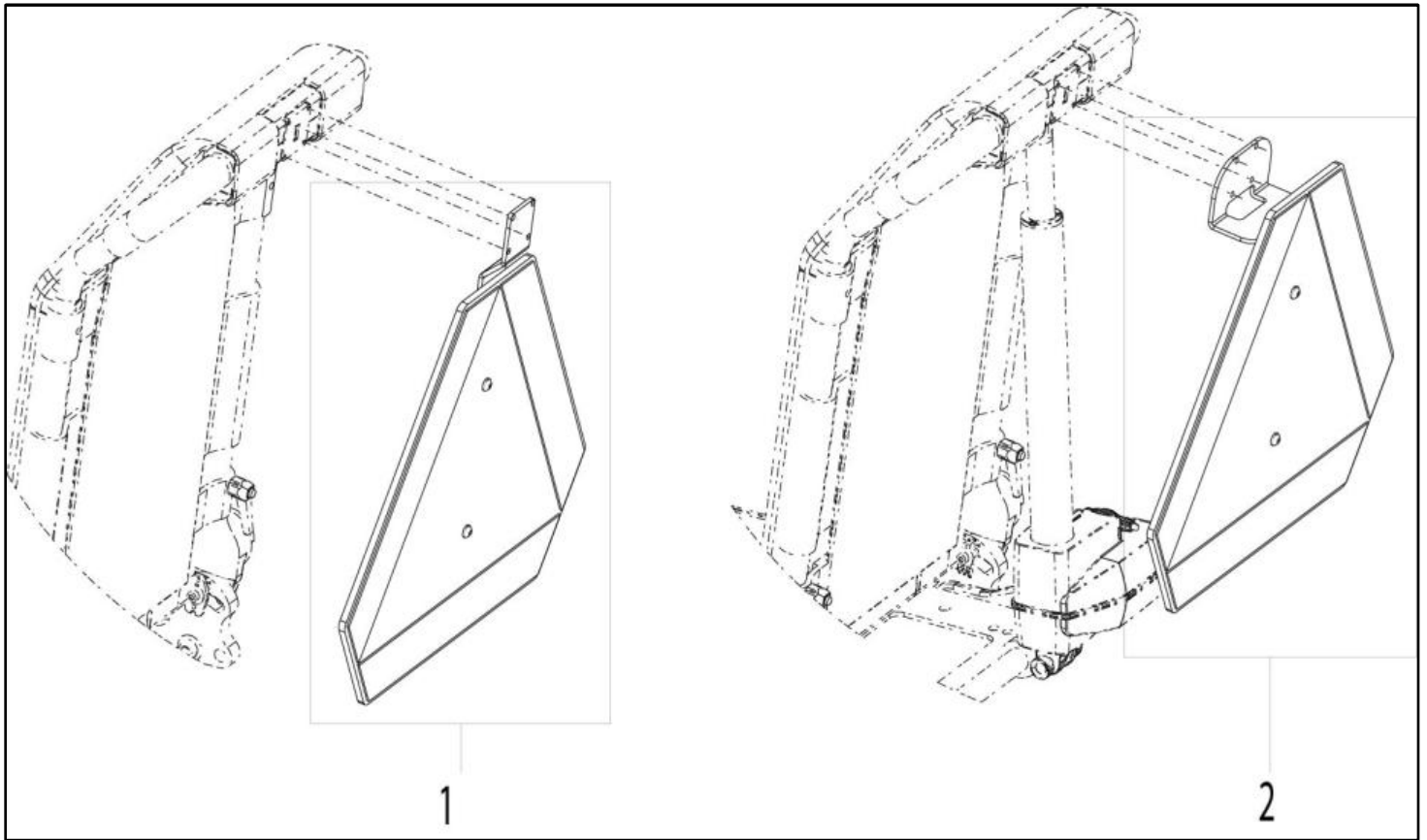
Pos	Item number	Description	Comment
1	90009074-001	METAL PARTS HALF TRAY TABLE	LH
-	90009074-002	METAL PARTS HALF TRAY TABLE	RH
2	22509090	HALF TRAY TABLE RECEIVER	LH/RH USEABLE
3	90009028	TRAY TABLE CONVERSION PLATE	
4	90009036-001	HALF TRAY TABLE	LH/RH USEABLE
5	066902-001-ET	COUNTER SUNK SCREW M6 x 16 - DIN7991	25 PCS./PACK

REAR VIEW MIRROR



Pos	Item number	Description	Comment
1	22509080-001	REAR VIEW MIRROR, COMPLETE, MOUNTED WITH JOYSTICK	LH
1	22509080-002	REAR VIEW MIRROR, COMPLETE, MOUNTED WITH JOYSTICK	RH
2	22509080-011	REAR VIEW MIRROR, COMPLETE, MOUNTED AT ARMREST	FOR FLIP BACK ARMREST, LH
2	22509080-012	REAR VIEW MIRROR, COMPLETE, MOUNTED AT ARMREST	FOR FLIP BACK ARMREST, RH
3	22809090-001	REAR VIEW MIRROR, COMPLETE, MOUNTED AT ARMREST	FOR FIXED ARMREST, LH
3	22809090-002	REAR VIEW MIRROR, COMPLETE, MOUNTED AT ARMREST	FOR FIXED ARMREST, RH

STVZO ACCESSORIES



Pos	Item number	Description	Comment
1	22809040-001	STVZO TRIANGLE KIT	FOR FIXED RECLINE
2	22809040-002	STVZO TRIANGLE KIT	FOR ADJUSTABLE RECLINE
-	000934.4034	REFLECTOR, RED, 36MM x 61MM, SELF-ADHESIVE	
-	000934.4035	REFLECTOR, AMBER, 36MM x 61MM, SELF-ADHESIVE	