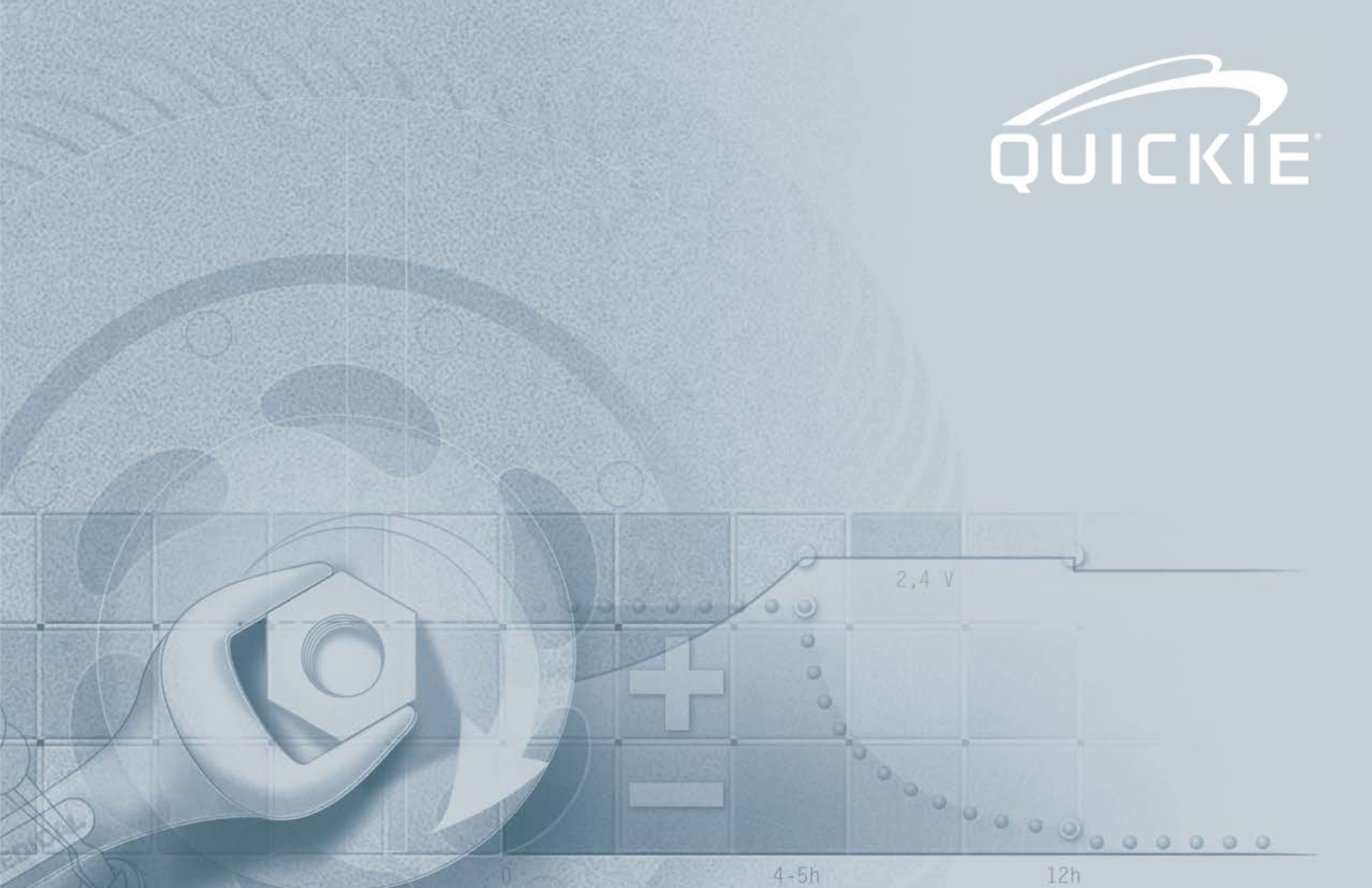




QUICKIE®



QUICKIE® 2  
Lite

S/N Prefix Q2L

# PARTS MANUAL

JANUARY 2023

Front Cover .....	1
QUICKIE 2 LITE EIQ2N (Chairs w/ S/N Prefix Q2L) .....	6
GLOSSARY OF ABBREVIATIONS .....	6
BASE FRAME .....	6
FRAMES .....	6
SWING-AWAY FRONT SIDE FRAME prior to Q2L-152965 .....	7
SWING-AWAY FRONT SIDE FRAME After Q2L-152965 .....	8
FIXED FRONT SIDE FRAME .....	9
REAR SIDE FRAME .....	11
CROSS TUBE ASSEMBLY .....	13
TRANSIT KIT QUICKIE 2 LITE prior to Q2L-152965 .....	16
WC19 TRANSIT KIT QUICKIE 2 LITE After Q2L-152965 .....	17
AXLE PLATES & AXLES .....	18
QUICK RELEASE AXLES .....	19
AXLE PLATE ASSEMBLY .....	20
FRONT CASTERS & FORK .....	21
FRONT CASTER PLATE & FORK .....	22
FROG LEGS SUSPENSION FORK .....	27
CASTER PIN LOCKS .....	29
MICRO CASTERS .....	30
3 SPOKE CASTERS .....	31
SOFT ROLL CASTERS .....	33
ALUMINUM CASTERS .....	34
ALUMINUM SOFT ROLL CASTERS .....	35
ANTI-TIPS .....	35
ANTI-TIP .....	36
WHEEL LOCKS .....	36
PUSH TO LOCK WHEEL LOCK .....	37
PULL TO LOCK WHEEL LOCK .....	39
ERGO SCISSOR WHEEL LOCK .....	41
PUSH & PULL WITH GRADE AID ASSM .....	42
COMPACT WHEEL LOCK .....	43
WHEEL LOCK EXTENSION HANDLE .....	44
WHEELS & TIRES .....	44
WHEELS .....	44
TRADITIONAL 6 SPOKE MAG .....	45
5 SPOKE MAG .....	47
LITE SPOKE .....	49
NEW ULTRA LITE SPOKE .....	51
SPINERGY SPOX (18 SPOKE) .....	53
SPINERGY LX (12 SPOKE) .....	55
SPINERGY SPORT LT EX (18 SPOKE) .....	57
MOUNTAIN .....	59
TIRES .....	59
PNEUMATIC & PNEU. AIRLESS TIRE .....	60
FULL POLY TIRE .....	61
HIGH PRESSURE CLINCHER TIRE .....	62
KNOBBY V-TRACK TIRE .....	63
SCHWALBE MARATHON PLUS TIRE .....	64
MOUNTAIN TIRE .....	65
SHOX TIRE .....	66
TUBES .....	66
TUBES AND AIRLESS INSERTS .....	67
HAND RIMS .....	67
ALUMINUM ANODIZED (SCREW MOUNT) .....	68
ALUMINUM ANODIZED 5 SPOKE MAG (SCREW MOUNT) .....	69
ALUMINUM ANODIZED (TAB MOUNT) .....	70
PLASTIC COATED (SCREW MOUNT) .....	71
PLASTIC COATED 5 SPOKE MAG (SCREW MOUNT) .....	72
PLASTIC COATED (REG TAB MOUNT) .....	73
NATURAL FIT (SCREW MOUNT) .....	74
NATURAL FIT 5 SPOKE MAG (SCREW MOUNT) .....	76
NATURAL FIT (TAB MOUNT) .....	77
PROJECTION .....	79
ULTRA LITE ANODIZED (TAB MOUNT) .....	81
PAINTED (CROSS SPOKE WHEELS ONLY) .....	82
CHROME (MAG WHEELS ONLY) .....	83
THE SURGE (SCREW MOUNT) .....	84
THE SURGE (TAB MOUNT) .....	85
Q-GRIP (SCREW MOUNT) .....	86

Q-GRIP (TAB MOUNT) .....	87
SEATING AND POSITIONING.....	87
SEAT .....	87
SEAT SLING .....	88
SEAT CUSHION.....	90
BACK.....	90
STANDARD BACK FRAME .....	91
ANGLE ADJUSTABLE BACK FRAME.....	93
BACK UPHOLSTERY .....	94
FOLDING PUSH HANDLE ADJUSTABLE BACKREST UPHOLSTERY .....	95
ADJUSTABLE BACK UPHOLSTERY .....	96
INTEGRAL PUSH HANDLE BACKREST UPHOLSTERY .....	97
TENSION ADJUSTABLE BALLISTIC NYLON UPHOLSTERY.....	98
TENSION ADJUSTABLE 3DX VENTED UPHOLSTERY .....	101
HANGERS & FOOTPLATES Prior to Q2L-152965.....	103
FIXED FRONT FRAME FOOTPLATES .....	103
TUBULAR SIDE LATCH FOOTREST ASSM.....	104
AUTOFOLD FOOTREST ASSM .....	106
PLATFORM FLIP-UP FOOTPLATE.....	108
COMPOSITE FOOTPLATE.....	110
COMPOSITE ANGLE ADJUSTABLE FOOTPLATE .....	115
ADULT ANGLE-ADJ FOOTPLATE EXT MOUNT .....	119
S/A FRAME HANGERS .....	122
HANGERS.....	122
70 DEG HANGER SWING IN-OUT .....	123
70 DEG HANGER V SWING IN-OUT .....	124
80 DEG HANGER SWING IN-OUT .....	125
FOOTPLATES.....	127
COMPOSITE FOOTPLATE.....	127
COMPOSITE ANGLE ADJUSTABLE FOOTPLATE .....	132
ADULT ANGLE-ADJ FOOTPLATE EXT MOUNT .....	136
PLATFORM FLIP-UP FOOTPLATE .....	140
MULTI-POSITION LATCH STUD SUPPORT .....	142
LIFT-OFF FRONT MOUNT HANGERS .....	142
70 DEG LIFT-OFF HANGER.....	143
80 DEG LIFT-OFF HANGER.....	145
90 DEG LIFT-OFF HANGER.....	147
EXTENSIONS .....	148
FRONT MOUNT HANGER EXT.....	149
FOOTPLATES.....	149
KIDS ANGLE ADJ FOOTPLATE FRONT MOUNT .....	150
ADULT ANGLE-ADJ FOOTPLATE FRONT MOUNT.....	153
90 DEG FOOTBOARD.....	155
HANGERS AND FOOTPLATES After Q2L-152965.....	156
FIXED FRONT FRAME FOOTPLATES .....	156
TUBULAR SIDE LATCH FOOTREST ASSM.....	157
AUTOFOLD FOOTREST ASSM .....	159
PLATFORM FLIP-UP FOOTPLATE.....	161
COMPOSITE FOOTPLATE.....	163
COMPOSITE ANGLE ADJUSTABLE FOOTPLATE .....	168
ADULT ANGLE-ADJ FOOTPLATE EXT MOUNT .....	172
S/A FRAME HANGERS .....	175
EXTENSION MOUNT HANGERS & FOOTPLATES.....	175
HANGERS.....	175
EXTENSION MOUNT HANGERS.....	175
60 DEG SWING IN/OUT HANGER .....	176
70 DEG SWING IN/OUT HANGER .....	177
80 DEG SWING IN/OUT HANGER .....	178
EXTENSION MOUNT HEMI HANGERS.....	178
60 DEG SWING IN/OUT HEMI HANGER .....	179
70 DEG SWING IN/OUT HEMI HANGER .....	180
EXTENSION MOUNT FOOTPLATES & EXTENSION TUBES.....	180
COMPOSITE FOOTPLATE.....	181
COMPOSITE ANGLE ADJUSTABLE FOOT PLATE .....	185
ADULT ALUMINUM ANGLE-ADJ FOOTPLATE EXT MOUNT.....	188
KIDS ANGLE ADJUSTABLE FOOTPLATE EXT MOUNT .....	192
PLATFORM FLIP-UP FOOTPLATE.....	194
HIGH MOUNT EXTENSION TUBE .....	196
MULTI-POSITION LATCH STUD SUPPORT .....	198
SWING AWAY ELR-ALR EXT MOUNT (LATCH STUD STYLE) (DISC. 2/6/17) .....	198

ALR (LATCH STUD STYLE) (DISC. 2/6/17) .....	199
EXTENSION MOUNT ELR RETROFIT (LATCH STUD STYLE) (DISC. 2/6/17) .....	201
EXTENSION MOUNT ELR REPLACEMENT PARTS (LATCH STUD STYLE) (DISC. 2/6/17) .....	202
ELR & ALR CALF PAD 14 -15" .....	204
ELR & ALR CALF PAD 16-20" .....	205
ELR/ALR ALUMINUM FOOTPLATE .....	206
ELR ALR KNUCKLE COVERS .....	208
SWING IN-OUT ELR & ALR .....	208
EXTENSION MOUNT ELR & ALR (PLUNGER STYLE) (EFFECTIVE 2/6/17) .....	208
SWING IN-OUT EXT MOUNT ELR & ALR RETROFIT (PLUNGER STYLE) (EFFECTIVE 2/6/17) .....	209
SWING IN-OUT EXT MOUNT ELR REPLACEMENT PARTS (PLUNGER STYLE) (EFFECTIVE 2/6/17) .....	210
SWING IN-OUT ALR EXT MNT REPLACEMENT PARTS (PLUNGER STYLE)(EFFECTIVE 2/6/17) .....	212
ELR & ALR CALF PAD 14 -15" .....	214
ELR & ALR CALF PAD 16-20" .....	215
EXTENSION MOUNT FOOTPLATES .....	215
COMPOSITE FOOTPLATE .....	216
COMPOSITE ANGLE ADJUSTABLE FOOT PLATE .....	220
ADULT ALUMINUM ANGLE-ADJ FOOTPLATE EXT MOUNT .....	223
KIDS ANGLE ADJUSTABLE FOOTPLATE EXT MOUNT .....	227
ELR/ALR ALUMINUM FOOTPLATE .....	229
FRONT MOUNTED HANGERS .....	230
FRONT MOUNT HANGERS .....	230
FRONT MOUNT HANGERS .....	230
70 DEG FRONT MOUNT SWING IN/OUT HANGER .....	231
80 DEG FRONT MOUNT SWING IN/OUT HANGER .....	233
90 DEG FRONT MOUNT SWING IN/OUT HANGER .....	235
FRONT MOUNT FOOTPLATES & EXTENSION TUBES .....	236
ADULT ANGLE-ADJ FOOTPLATE FRONT MOUNT .....	237
KIDS ANGLE ADJ FOOTPLATE FRONT MOUNT .....	239
FRONT MOUNT HANGER EXT .....	242
LIFT-OFF FRONT MOUNT HANGERS .....	242
70 DEG LIFT-OFF HANGER .....	243
80 DEG LIFT-OFF HANGER .....	245
90 DEG LIFT-OFF HANGER .....	247
EXTENSIONS .....	248
FRONT MOUNT HANGER EXT .....	249
FOOTPLATES .....	249
KIDS ANGLE ADJ FOOTPLATE FRONT MOUNT .....	250
ADULT ANGLE-ADJ FOOTPLATE FRONT MOUNT .....	253
90 DEG FOOTBOARD .....	255
SWING AWAY ELR FRONT MOUNT (LATCH STUD STYLE) (DISC. 2/6/17) .....	256
FRONT MOUNT ELR (LATCH STUD STYLE) (DISC. 2/6/17) .....	257
90 DEG ELEVATING CALF PAD .....	259
ADULT ANGLE-ADJ FOOTPLATE FRONT MOUNT .....	260
ELR ALR KNUCKLE COVERS .....	262
SWING IN-OUT ELR .....	262
FRONT MOUNT ELR (PLUNGER STYLE) (EFFECTIVE 2/6/17) .....	262
SWING IN-OUT FRONT MOUNT ELR RETRO KITS (PLUNGER STYLE) (EFFECTIVE 2/6/17) .....	263
SWING IN-OUT FRONT MOUNT ELR REPLACEMENT PARTS (PLUNGER STYLE) (EFFECTIVE 2/6/17) .....	264
90 DEG ELEVATING CALF PAD .....	266
FRONT MOUNT HANGER EXT .....	267
ADULT ANGLE-ADJ FOOTPLATE FRONT MOUNT .....	268
KIDS ANGLE ADJ FOOTPLATE FRONT MOUNT .....	270
ARMRESTS & RECEIVERS .....	272
ARMRESTS .....	272
FLIP BACK HEIGHT ADJUSTABLE LITE ARMREST .....	273
SINGLE POST HEIGHT ADJUSTABLE ARMREST .....	274
PADDED SWING-AWAY ARMREST .....	276
RECEIVERS .....	276
SINGLE POST ARMREST RECEIVER - STD .....	277
FLIP BACK ARMREST RECEIVER (LITE STYLE ARMREST) .....	279
PADDED SWING AWAY ARMREST RECEIVER .....	281
ACCESSORIES .....	281
BACKPACKS AND SEAT POUCHES .....	281
BACKPACKS AND SEAT POUCHES .....	282
QUICKIE SIDE POCKET .....	283
CELL PHONE PACK .....	284
LEG STRAPS .....	284
SOFT FEEL LEG STRAP .....	285
ADJUSTABLE LEG STRAP .....	286

POSITIONING BELTS .....	286
AIRCRAFT BUCKLE POSITIONING BELTS & ATTACHMENT KITS .....	287
AUTO BUCKLE POSITIONING BELT & ATTACHMENT KITS.....	289
SIDE GUARDS.....	290
SIDE GUARDS.....	291
SPOKE GUARDS.....	291
SPOKE GUARDS QUICKIE (Black & Clear).....	292
QUICKIE CADDY .....	294
CRUTCH HOLDER .....	295
IMPACT GUARD NEOPRENE & GEL VELCRO PADS.....	296
TOOL KIT .....	297
TIRE PUMP .....	298
Back Cover.....	299

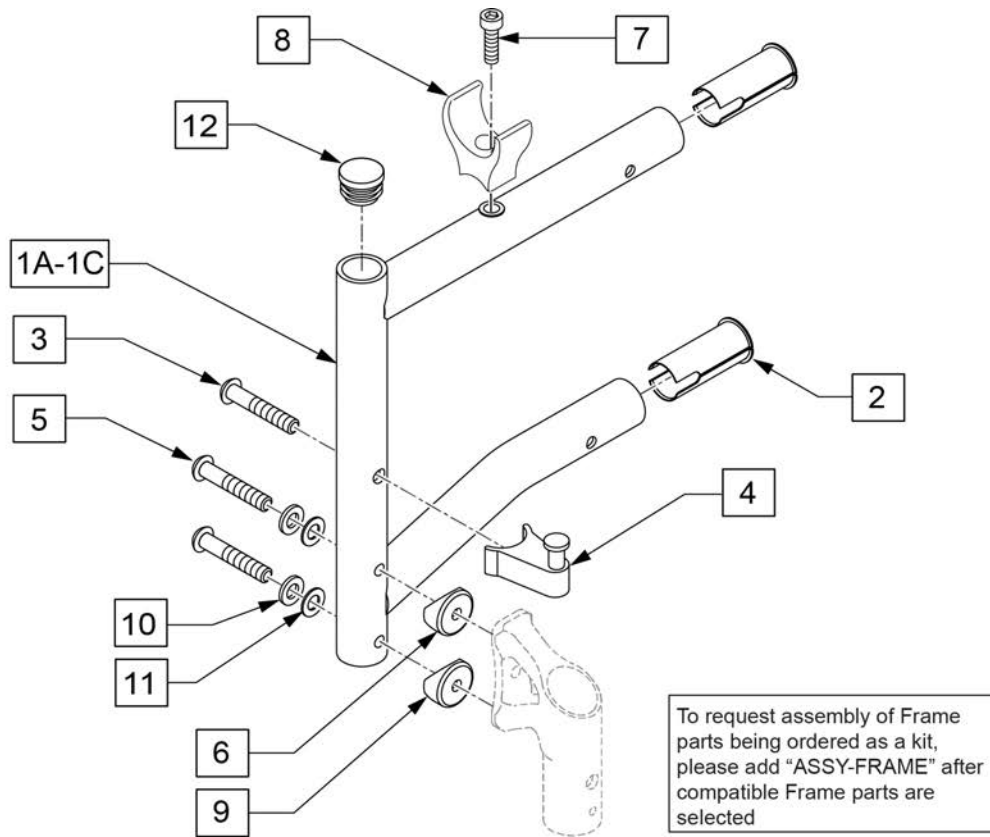
**GLOSSARY OF ABBREVIATIONS**

Note: see Informations Panel for file.

1AD One Arm Drive	CZ Cozy	INH Inhibit	PCB Pediatric Center of Gravity (AKA: Zippie Iris)	S/A Swing Away
3DCR 3DX Microclimatic cover for Cryo style inserts	DAB Depth-adjustable Back	INORG Inorganic coating	PCM Power Center Mount	S/F Side F frame
AAA Adult Angle Adjustable	DB Dynamic Back	INSRT Insert	PED Pediatric	SCW Screw
AACM Adjustable Center Mount	DBL Double	I/O Swing In Out	PEL Pelvic	SDLE Saddle
ABD Abductor	DC Deep Contour	IRIS Intelligent Rotation in Space	PH Push Handle	SG Side Guard
AC All Court	DL Desk Length	ISM Intelligent Seating Module	PHIL Phillips	SGTG Super Grip Thumb Guard
AD Arm Drive	DP Dual Post Armrest	JA Jay Active	PL Pin Lock	SHCS Socket Head Cap Screw
ADJ Adjustable	D-Post Dual Post Armrest	JNR Junior	PL Plated	SHLDR Shoulder
ADPT Adapter	DRP Drop (seat)	KAA Kids Angle Adjustable	PLL Pull	SHT Short
AE Air Exchange	DRV Drive	KDS Kids	PLT Plate	SLD Solid
AHAB ASAP II	DTT Diagnostic Test Tool	KT Kit (usually consists of all mounting hardware for one side)	PLST Plastic	SLNG Sling
ANG Angle	DY Dynamic Back	KVLR Kevlar	PLY Plywood	SLTD Slotted
ALR Articulating Legrest	EA Each	KZ Quickie Kidz/Zippie Kidz	PNEU Pneumatic	SLV Sleeve
ALUM Aluminum	ELR Elevating Legrest	L Left	PNK Pink	SM Small
AMH Adjustable Mounting Hardware	EXT Extension	LAT Lateral	PNT Paint	SNGL Single
ANO Anodized	EXTND Extended	LCK Lock	PNTD Painted	SOC Socket
ASAP Adjustable Seating and Positioning	F Folding Frame	LFH Left Front Horizontal	POLY Polyurethane	SPCR Spacer
ASL Adaptive Switch Labratones	FHCS Flat Head Cap Screw	LFT Left	POST Posterior	SPEC CLR Specify Color
ASM Assembly (includes other parts)	FL Full Length	LFV Left Front Vertical	PR Pressure Relieving	SFHIA Single Post Height Adjustable
ASSM Assembly	FLD Folding	LH Left Hand	PR Power Recline	SPK Spoke
ASSMLY Assembly	FL FT Flip-up Footrest	LH Left Horizontal	PR Pair	SPR Super Grip Handrim
ASSY Assembly	FLP Flip	LK Lock	PR (PR) Pair	SQZ Squeeze
AT Anti-tip	FLRD Flared	LNG Long	PRCR Premium Leatherette cover for Cryo style inserts	SS Stainless Steel
ATT Attachment	FM Foam	LO Lift Off	PRE-ISC Pre-Ischial	ST Seat
BB Basketball	FM Front Mount	L/O Lift Off	PREM Premium Leatherette cover material	ST/AP Self Tapping
BC Breezy Chrome	FNDR Fender	LP Loop	PROJ Projection	STCR Stretch Cover for Cryo Style inserts
BCK Back	FPH Folding Push Handle	LPS Loops	PRPL Purple	STD Standard
BCKBRD Backboard	FT Foot	LRG Large	PTL Partial	STL Style
BH Bultion Head	F/REST Footrest	LRH Left Rear Horizontal	PSH Push	STR Stretch cover material
BHCS Bultion Head Cap Screw	FRNT Front	LRV Left Rear Vertical	PT Point	STRLR Stroller
BKL Buckle	FT PLT Footplate	LS Low Sheer	PTRN Pattern	STRT Straight
BKRST Backrest	FTRST Footrest	LT Long Tab	PWR Power	SUP Support
B-LOCK Back Lock	F/UP Flip-up	LT Natural Fit Lite Handrims	Q1 Quickie 1	SYS System
BLD Build Up	FWD Front Wheel Drive	LTRL Lateral	Q2 Quickie 2	T Tab
BLK Black	FXT Fixed	LUMB Lumbar	Q2HIP Quickie 2 High Performance	TG Thumb Guard (std)
BLU Blue	G8 Grade 8 higher grade = stronger	LV Left Vertical	QC Quickie Carbon	THRD Threaded
BR Breezy	GP Quickie GP	LW Low	QR Quick Release	Ti Titanium
BRD Board	GPS Quickie GPS	LX Quickie LX	QRx Quickie RX	TL Tall
BRNG Bearing	GPV Quickie GPV	LXI Quickie LXi	QTI Quickie Titanium	TLC Tilt Lift Comb
BRKT Bracket	GNRC Generic	MACH Machine	QT/QTs Quickie Tilt & Space	TLT Tilt
BSHNG Bushing	H Hole	MECH Mechanism	QUAD Quadrant Pad	TNNS Tennis
BTIN Bultion	HB High Brake	MED Medium	R Right	TIS Tilt-in-Space
BTTRY Battery	HD Head or Heavy Duty	mm Millimeter	RCLNR Recliner	TTS Tilt-in-Space
BZ Breezy	HVD Heavy Duty	MNT Mount	REC Receiver	UNIV Universal
CAA Composite Angle Adjustable	HDRST Headrest	MNTG Mounting	REG Regular	UNTHRD Unthreaded
CG Center of Gravity	HDWR Hardware	MOD Modify or Modification	REL Release	UPH Upholstery
CGT Center of Gravity Tilt (AKA: IRIS)	HEX Hexagon	M/S Machine Screw	REV Reverse	VERT Vertical
CHRGR Charger	HH Hemi-Height or Hex Head	MWD Mid Wheel Drive	RH Right Hand	W With
CJSM Color Joystick Module	HK Hook	Nat.Fit Natural Fit Handrim	RH Right Horizontal	W/ With
CLMP Clamp	HL Heel Loops	NAUG Naugahyde	RFH Right Front Horizontal	W/F Water Fall
CLNCHR Cincher	HM High Mount	NF Non-folding	RFV Right Front Vertical	W/O Without
CLR Clear	HNDL Handle	NF Natural Fit Handrim	RNUT(S) Rivnut(s)	WHL Wheel
COMP Complete	HNGR Hanger	NFLT Natural Fit Lite Handrim	RoHS Restriction of Hazardous Substances	WLDMNT Weldment
CMPST Composite	HP High Pressure	NR Non-recessed	RR Rear	XS Cross Spoke
CRM Chrome	HR Handrim	OBLIQ Obliquity	RRH Right Rear Horizontal	YLW Yellow
C/S Cap Screw	HRDWR Hardware	OD Oblique	RRV Right Rear Vertical	Z2 Zippie 2
C-S Countersunk	HRNSS Harness	OD Outer/Outside Dimension	RT Right	ZN Zinc
CSTR Caster	HS High Speed	O/S Old Style	RV Right Vertical	ZP Zippie
CUSH Cushion	HT Height or Heat Treated	OUTBRD Outboard	RV Quickie Revolution	ZP2 Zippie 2
CV Conventional	ID Inner/Inside Dimension Diameter	P1 Quickie P100	RWD Rear Wheel Drive	
CVR Cover	IN In/Out (for swing in/out hangers)	P2 Quickie P200	SA Swing Away	
CVRS Covers	INBRD Inboard	P3 Quickie P300		
CYL Cylinder	INC Incontinent	P5 Quickie/Zippie P500		

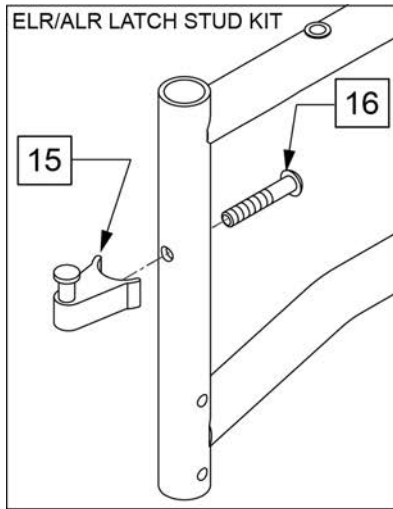
Pos.	Item Number	Description	Remarks
		GLOSSARY OF ABBREVIATIONS	see attachment in Informations Panel

NOTE: ORDER PART 12 (TUBE CAP QTY 2) WHEN SWING-AWAY FOOTRESTS ARE NOT INSTALLED.

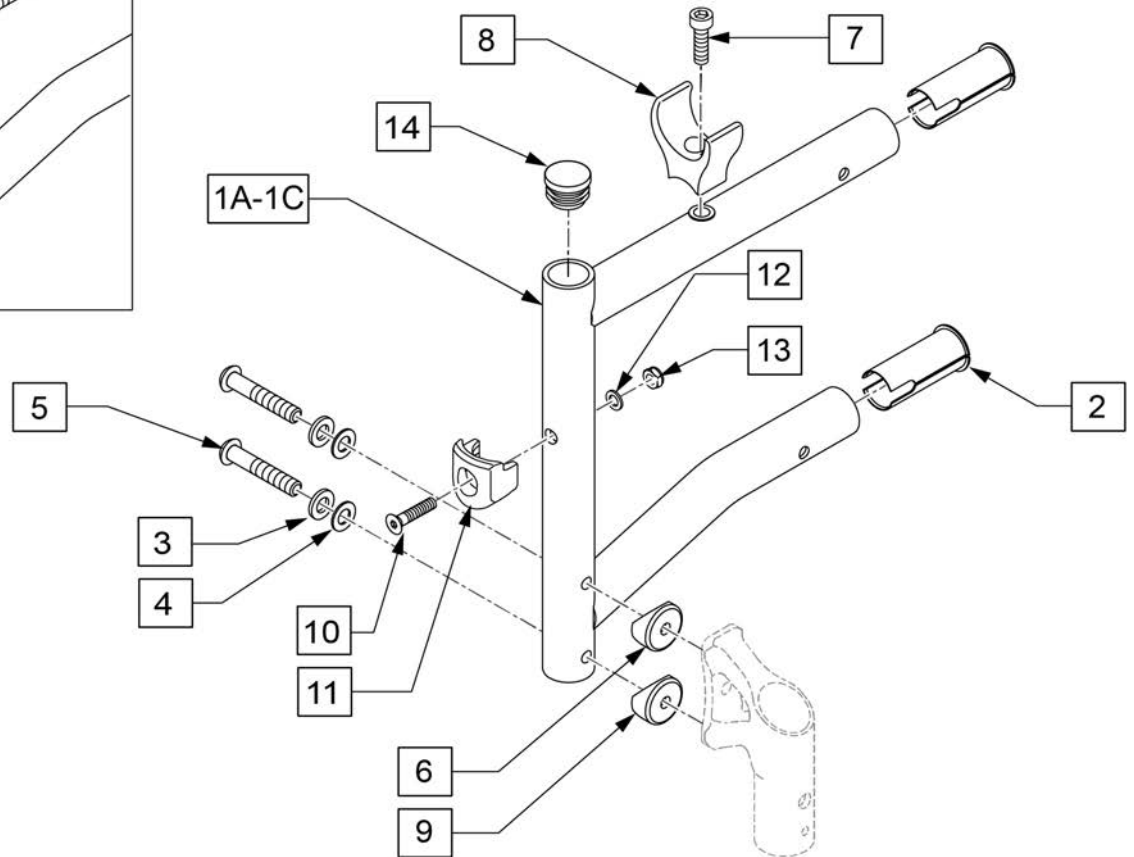


Pos.	Item Number	Description	Remarks
2	107487	FRAME BUSHING KIT	Set of 4
3,4	107491	LATCH STUD KIT	
5	108623	BHCS 1/4-28X1-1/2 SHLD PL ROHS	
1A,2-4,7,8	107488S	S/A FRAME REG R	14"-16" Seat Depth,REG-Right
1A,2-4,7,8	107582S	S/A FRAME REG L	14"-16" Seat Depth,REG-Left
1B,2-4,7,8	107489S	S/A FRAME LONG R	17"-18" Seat Depth,LONG-Right
1B,2-4,7,8	107583S	S/A FRAME LONG L	17"-18" Seat Depth,LONG-Left
1C,2-4,7,8	107490S	S/A FRAME XLONG R	19"-20" Seat Depth,X-LONG-Right
1C,2-4,7,8	107584S	S/A FRAME XLONG L	19"-20" Seat Depth,X-LONG-Left
7-8	107486	SEAT & RAIL SADDLE KIT	
5,6,9-11	107588	S/A FRM CASTR ATTACH KIT	
12	560735	7/8" ROUND TUBE PLUG	Use in place of SA Hanger
		Ship assembled part #	Use with multiple assemblies
	ASSY-FRAME	FRAME ASSY REQUIRED	add with Frame kit

**NOTE:** ORDER PART 14 (TUBE CAP QTY 2) WHEN SWING-AWAY FOOTRESTS ARE NOT INSTALLED.



To request assembly of Frame parts being ordered as a kit, please add "ASSY-FRAME" after compatible Frame parts are selected

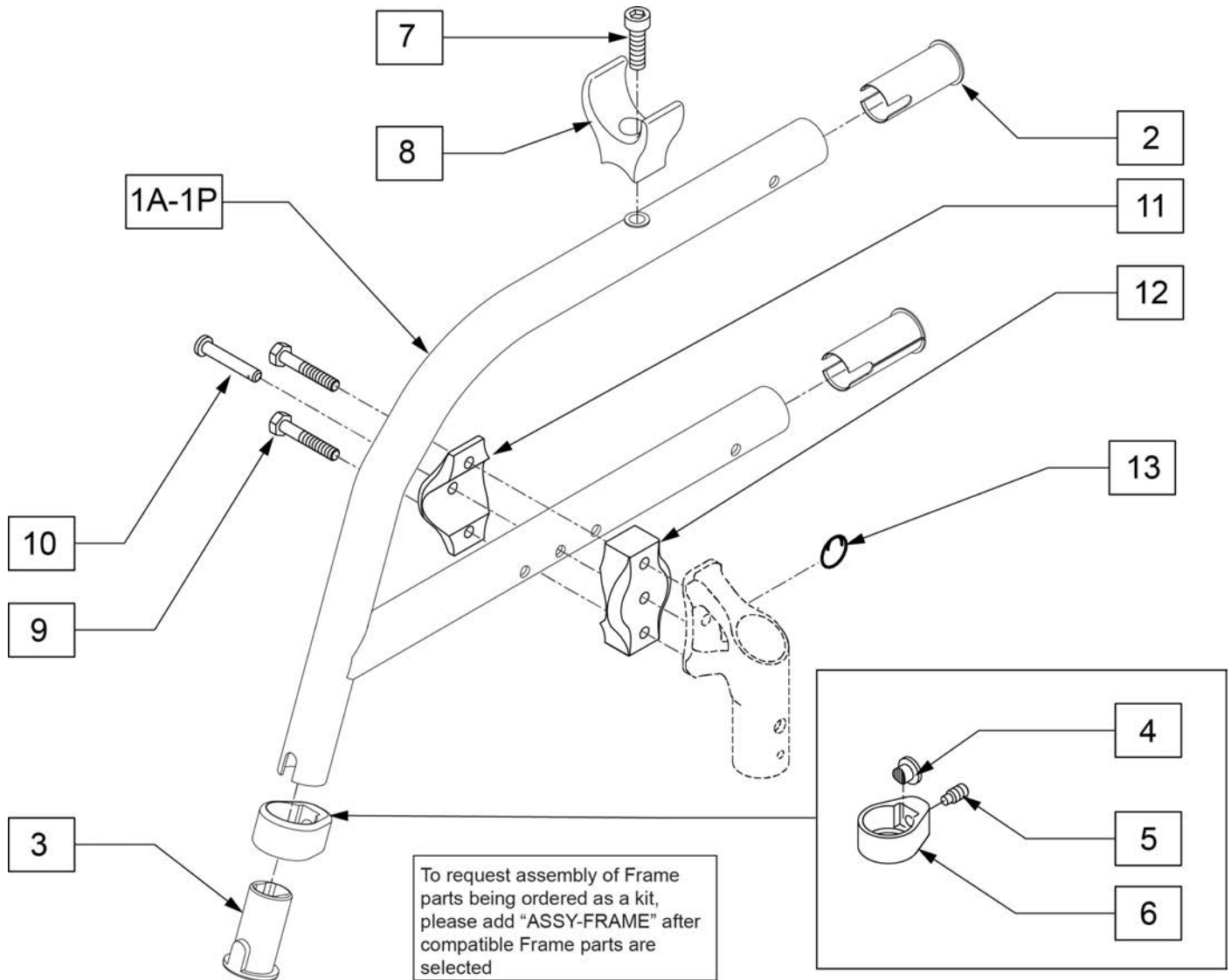


Pos.	Item Number	Description	Remarks
2	107487	FRAME BUSHING KIT	Set of 4
5	108623	BHCS 1/4-28X1-1/2 SHLD PL ROHS	
14	560735	7/8" ROUND TUBE PLUG	Use in place of SA Hanger
3-6,9	107588	S/A FRM CASTR ATTACH KIT	
7,8	107486	SEAT & RAIL SADDLE KIT	
10-13	119514	LATCH RECEIVER KIT	For Swing in/out hangers
15,16	107491	LATCH STUD KIT	For ELR hangers
1A,2,7,8	129706S	Q2 LITE S/A FRAME KIT REG	14"-16" Seat Depth,REG
1B,2,7,8	129707S	Q2 LITE S/A FRAME KIT LONG	17"-18" Seat Depth,LONG
1C,2,7,8	129708S	Q2 LITE S/A FRAME KIT XLONG	19"-20" Seat Depth,X-LONG
		Ship assembled part #	Use with multiple assemblies
	ASSY-FRAME	FRAME ASSY REQUIRED	add with Frame kit



**FIXED FRONT SIDE FRAME**

[08/2008]



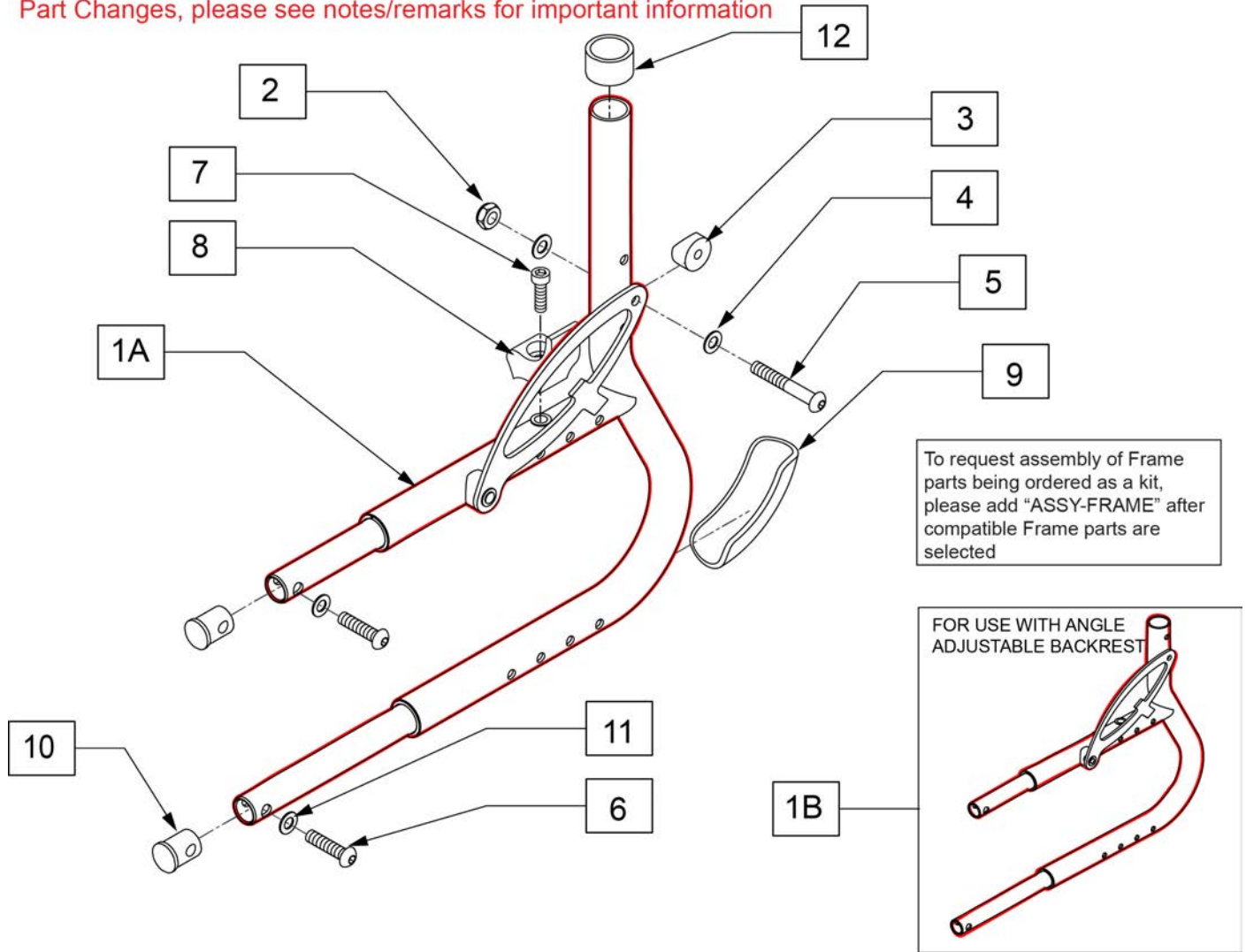
Pos.	Item Number	Description	Remarks
2	107487	FRAME BUSHING KIT (4)	Set of 4
3	104160	BUSHING FOOTREST	
13	349034	SAFETY COTTER	
3-6	107485	FOOTREST CLAMP ASSM	
1A,2-8	108250S	FX FRM STRT 70 DEG SML	14" Seat Depth,Short
1B,2-8	107467S	FIX FRAME STRAIGHT 70 DEG REG	15"-16" Seat Depth,REG
1C,2-8	107468S	FIX FRAME STRAIGHT 70 DEG LONG	17"-18" Seat Depth,LONG
1D,2-8	107469S	FIX FRAME STRAIGHT 70 DEG X-LONG	19"-20" Seat Depth,X-LONG
1E,2-8	108251S	FX FRM STRT 80 DEG SML	14" Seat Depth,SHORT
1F,2-8	107470S	FIX FRAME STRAIGHT 80 DEG REG	15"-16" Seat Depth,REG
1G,2-8	107471S	FIX FRAME STRAIGHT 80 DEG LONG	17"-18" Seat Depth,LONG
1H,2-8	107472S	FIX FRAME STRAIGHT 80 DEG X-LONG	19"-20" Seat Depth,X-LONG
1I,2-8	108252S	FX FRM NSET 70 DEG SML R	14" Seat Depth,Short,RIGHT
1I,2-8	108253S	FX FRM NSET 70 DEG SML L	14" Seat Depth,Short,LEFT
1J,2-8	107473S	FIX FRAME INSET 70 DEG REG R	15"-16" Seat Depth,REG,RIGHT
1J,2-8	107474S	FIX FRAME INSET 70 DEG REG L	15"-16" Seat Depth,REG,LEFT
1K,2-8	107475S	FIX FRAME INSET 70 DEG LONG R	17"-18" Seat Depth,LONG,RIGHT

Pos.	Item Number	Description	Remarks
1K,2-8	107476S	FIX FRAME INSET 70 DEG LONG L	17"-18" Seat Depth, LONG, LEFT
1L,2-8	107477S	FIX FRAME INSET 70 DEG X-LONG R	19"-20" Seat Depth, X-LONG, RIGHT
1L,2-8	107478S	FIX FRAME INSET 70 DEG X-LONG L	19"-20" Seat Depth, X-LONG, LEFT
1M,2-8	108254S	FX FRM NSET 80 DEG SML R	14" Seat Depth, SHORT, RIGHT
1M,2-8	108255S	FX FRM NSET 80 DEG SML L	14" Seat Depth, SHORT, LEFT
1N,2-9	107479S	FIX FRAME INSET 80 DEG REG R	15"-16" Seat Depth, REG, RIGHT
1N,2-9	107480S	FIX FRAME INSET 80 DEG REG L	15"-16" Seat Depth, REG, LEFT
1O,2-8	107481S	FIX FRAME INSET 80 DEG LONG R	17"-18" Seat Depth, LONG, RIGHT
1O,2-8	107482S	FIX FRAME INSET 80 DEG LONG L	17"-18" Seat Depth, LONG, LEFT
1P,2-8	107483S	FIX FRAME INSET 80 DEG X-LONG R	19"-20" Seat Depth, X-LONG, RIGHT
1P,2-8	107484S	FIX FRAME INSET 80 DEG X-LONG L	19"-20" Seat Depth, X-LONG, LEFT
7-8	107486	SEAT RAIL SADDLE KIT	
9-13	107589	FIX FRAME CASTER ATTACH KIT	
		Ship assembled part #	Use with multiple assemblies
	ASSY-FRAME	FRAME ASSY REQUIRED	add with Frame kit

Note: Q Bracket is not sold separately; entire Rear Side Frame must be replaced.

Note: if replacing a frame equipped with WC-19 Transit, please see the WC 19 TRANSIT KIT QUICKIE 2 LITE page to order the Rear Side Frame with Transit.

Part Changes, please see notes/remarks for important information

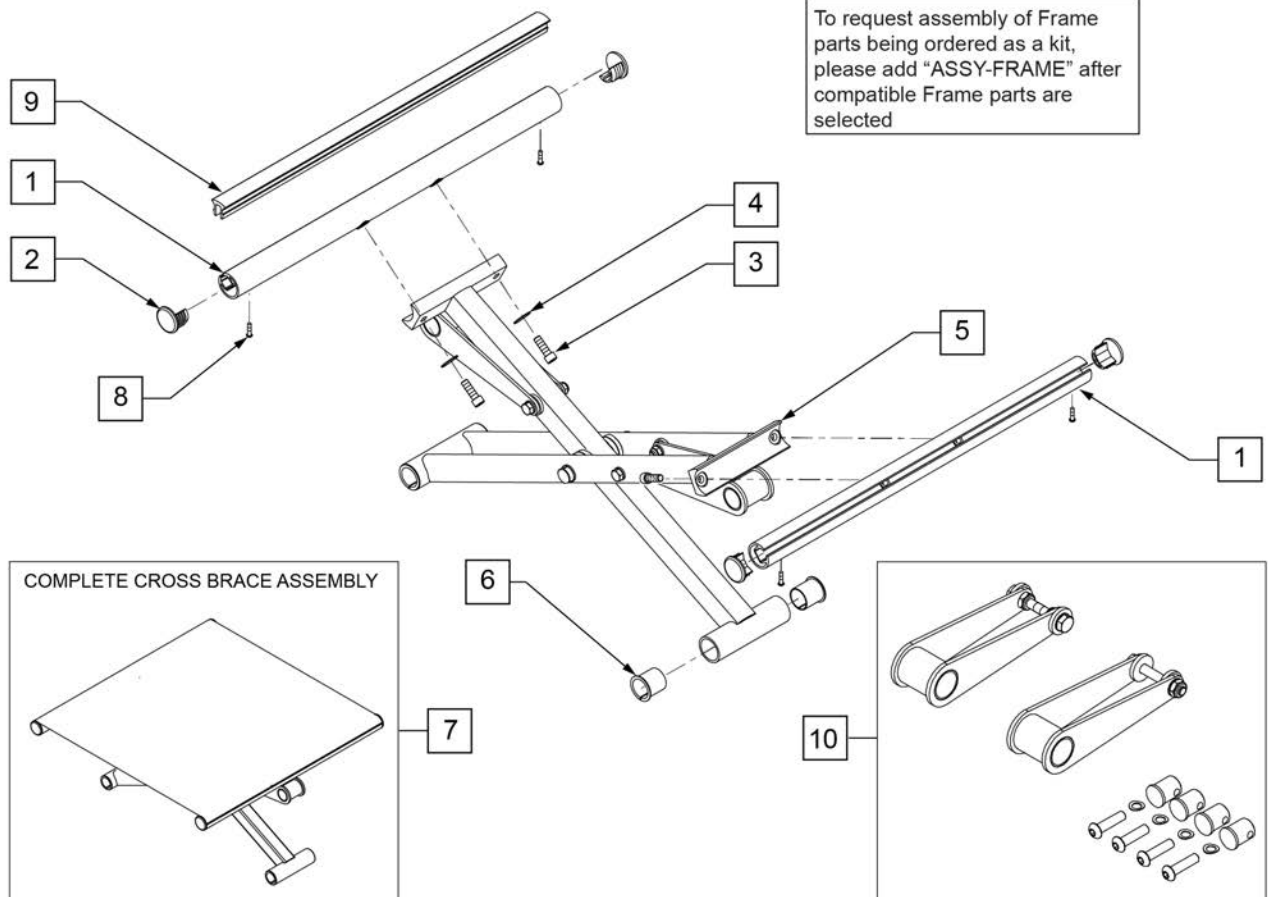


Pos.	Item Number	Description	Remarks
2	106935	NUT NYLOCK THIN 1/4-28 ROHS	
3	106944	WASHER FLAT THIN AN 1/4 ROHS	
4	561087	TUBE SADDLE	
5	106962	BHCS 1/4-28 X 1-3/4 ROHS	
6	107353	1/4-20 X 1 BH C/S	
7	106974	SHCS 1/4-28 x 3/4 PL	
8	112866	SADDLE SEAT RAIL REAR HD RAMQ	
9	104666	WEAR PAD FRAME ASSY	
10	107494	RETAINING PLUG KIT (4)	Set of 4 plugs only
11	104414	WAVE WASHER 6 MM	
12	561018	1" TUBE END BUSHING THICK	
1A,2-12	178061S	STDQ ASSM Q2 LITE STD R	STANDARD BACK-Right
1A,2-12	178063S	STDQ ASSM Q2 LITE STD L	STANDARD BACK-Left
1B,2-12	178066S	STDQ ASSM Q2 LITE ADJ R	ANGLE ADJUSTABLE BACK-Right
1B,2-12	178068S	STDQ ASSM Q2 LITE ADJ L	ANGLE ADJUSTABLE BACK-Left
		Ship assembled part #	Use with multiple assemblies
	ASSY-FRAME	FRAME ASSY REQUIRED	add with Frame kit

# CROSS TUBE ASSEMBLY

[07/2012]

**NOTE:** In order to properly mount a JAY DUO CUSHION; Qty (2) of the appropriate size SEAT RAIL INSERT (Item 9) must be ordered.



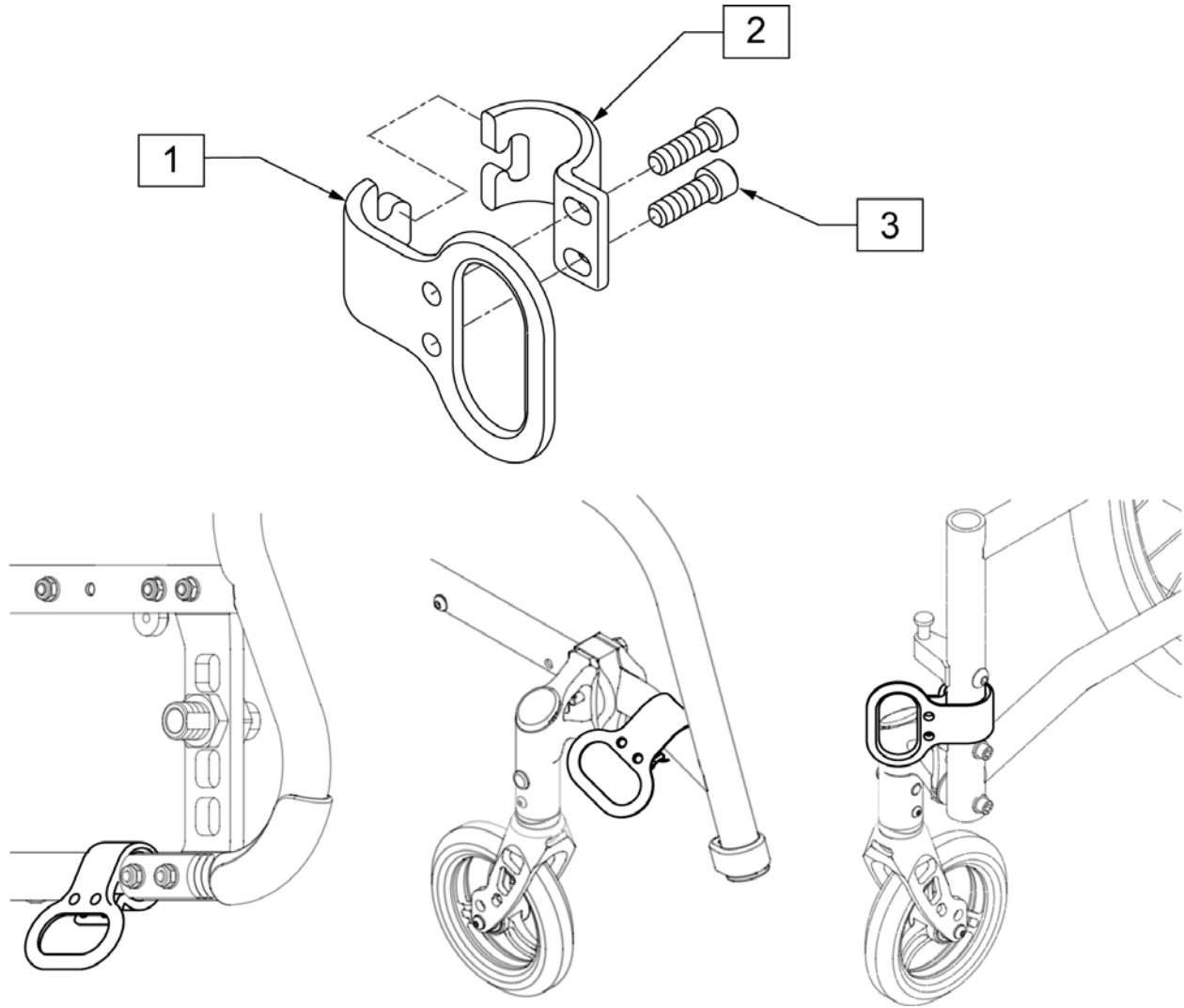
Pos.	Item Number	Description	Remarks
3	106974	SHCS 1/4-28 X 3/4 PL ROHS	
4	106944	WASHER FLAT THIN AN 1/4 ROHS	
6	108116	3/4" NY LINER (4)	SET OF 4
7	107502	X BRACE ASSM 14X14	
7	107503	X BRACE ASSM 14X15	
7	107504	X BRACE ASSM 14X16	
7	107505	X BRACE ASSM 14X17	
7	107506	X BRACE ASSM 14X18	
7	107507	X BRACE ASSM 14X19	
7	107508	X BRACE ASSM 14X20	
7	107509	X BRACE ASSM 15X14	
7	107510	X BRACE ASSM 15X15	
7	107511	X BRACE ASSM 15X16	
7	107512	X BRACE ASSM 15X17	
7	107514	X BRACE ASSM 15X18	
7	107515	X BRACE ASSM 15X19	
7	107516	X BRACE ASSM 15X20	
7	107517	X BRACE ASSM 16X14	
7	107518	X BRACE ASSM 16X15	

Pos.	Item Number	Description	Remarks
7	107519	X BRACE ASSM 16X16	
7	107520	X BRACE ASSM 16X17	
7	107521	X BRACE ASSM 16X18	
7	107522	X BRACE ASSM 16X19	
7	107523	X BRACE ASSM 16X20	
7	107524	X BRACE ASSM 17X14	
7	107525	X BRACE ASSM 17X15	
7	107526	X BRACE ASSM 17X16	
7	107527	X BRACE ASSM 17X17	
7	107528	X BRACE ASSM 17X18	
7	107529	X BRACE ASSM 17X19	
7	107530	X BRACE ASSM 17X20	
7	107531	X BRACE ASSM 18X14	
7	107532	X BRACE ASSM 18X15	
7	107533	X BRACE ASSM 18X16	
7	107534	X BRACE ASSM 18X17	
7	107535	X BRACE ASSM 18X18	
7	107536	X BRACE ASSM 18X19	
7	107537	X BRACE ASSM 18X20	
7	107538	X BRACE ASSM 19X14	
7	107539	X BRACE ASSM 19X15	
7	107540	X BRACE ASSM 19X16	
7	107541	X BRACE ASSM 19X17	
7	107542	X BRACE ASSM 19X18	
7	107543	X BRACE ASSM 19X19	
7	107544	X BRACE ASSM 19X20	
7	107545	X BRACE ASSM 20X14	
7	107546	X BRACE ASSM 20X15	
7	107547	X BRACE ASSM 20X16	
7	107548	X BRACE ASSM 20X17	
7	107549	X BRACE ASSM 20X18	
7	107550	X BRACE ASSM 20X19	
7	107551	X BRACE ASSM 20X20	
8	109819	SCREW #6 x 1/4 SLF TP PHL PN HD	
9	580024	SEAT RAIL INSERT STRIP 14"	
9	580025	SEAT RAIL INSERT STRIP 15"	
9	580026	SEAT RAIL INSERT STRIP 16"	
9	580027	SEAT RAIL INSERT STRIP 17"	
9	580028	SEAT RAIL INSERT STRIP 18"	
9	580029	SEAT RAIL INSERT STRIP 19"	
9	580030	SEAT RAIL INSERT STRIP 20"	
10	115899	Q2 LT X-HINGE REPLACEMENT KIT 14"	
10	115900	Q2 LT X-HINGE REPLACEMENT KIT 15"	
10	115901	Q2 LT X-HINGE REPLACEMENT KIT 16"	
10	115902	Q2 LT X-HINGE REPLACEMENT KIT 17"	
10	115903	Q2 LT X-HINGE REPLACEMENT KIT 18"	
10	115904	Q2 LT X-HINGE REPLACEMENT KIT 19"	
10	115905	Q2 LT X-HINGE REPLACEMENT KIT 20"	
2,8	108117	END PLUG KIT (4)	SET OF 4
5,6	107615	XTUBE W/ SERIAL LBL 14W	14W
5,6	107616	XTUBE W/ SERIAL LBL 15W	15W
5,6	107617	XTUBE W/ SERIAL LBL 16W	16W
5,6	107618	XTUBE W/ SERIAL LBL 17W	17W
5,6	107619	XTUBE W/ SERIAL LBL 18W	18W
5,6	107620	XTUBE W/ SERIAL LBL 19W	19W
5,6	107621	XTUBE W/ SERIAL LBL 20W	20W

<b>Pos.</b>	<b>Item Number</b>	<b>Description</b>	<b>Remarks</b>
1-4,8	107495	SEAT RAIL KIT 14D	14 DEEP-Each
1-4,8	107496	SEAT RAIL KIT 15D	15 DEEP-Each
1-4,8	107498	SEAT RAIL KIT 17D	17 DEEP-Each
1-4,8	107497	SEAT RAIL KIT 16D	16 DEEP-Each
1-4,8	107499	SEAT RAIL KIT 18D	18 DEEP-Each
1-4,8	107500	SEAT RAIL KIT 19D	19 DEEP-Each
1-4,8	107501	SEAT RAIL KIT 20D	20 DEEP-Each
		Ship assembled part #	Use with multiple assemblies
	ASSY-FRAME	FRAME ASSY REQUIRED	add with Frame kit

**NOTE:** Kit includes all items for adding the Transit Option to an existing chair.

**NOTE:** Transit Kit not available with 13" or 13.5" rear seat heights.



Pos.	Item Number	Description
3	107350	SHCS 1/4-28 X 1/2 PL ROHS
1-3	109277	TRANSIT KIT Q2 LITE

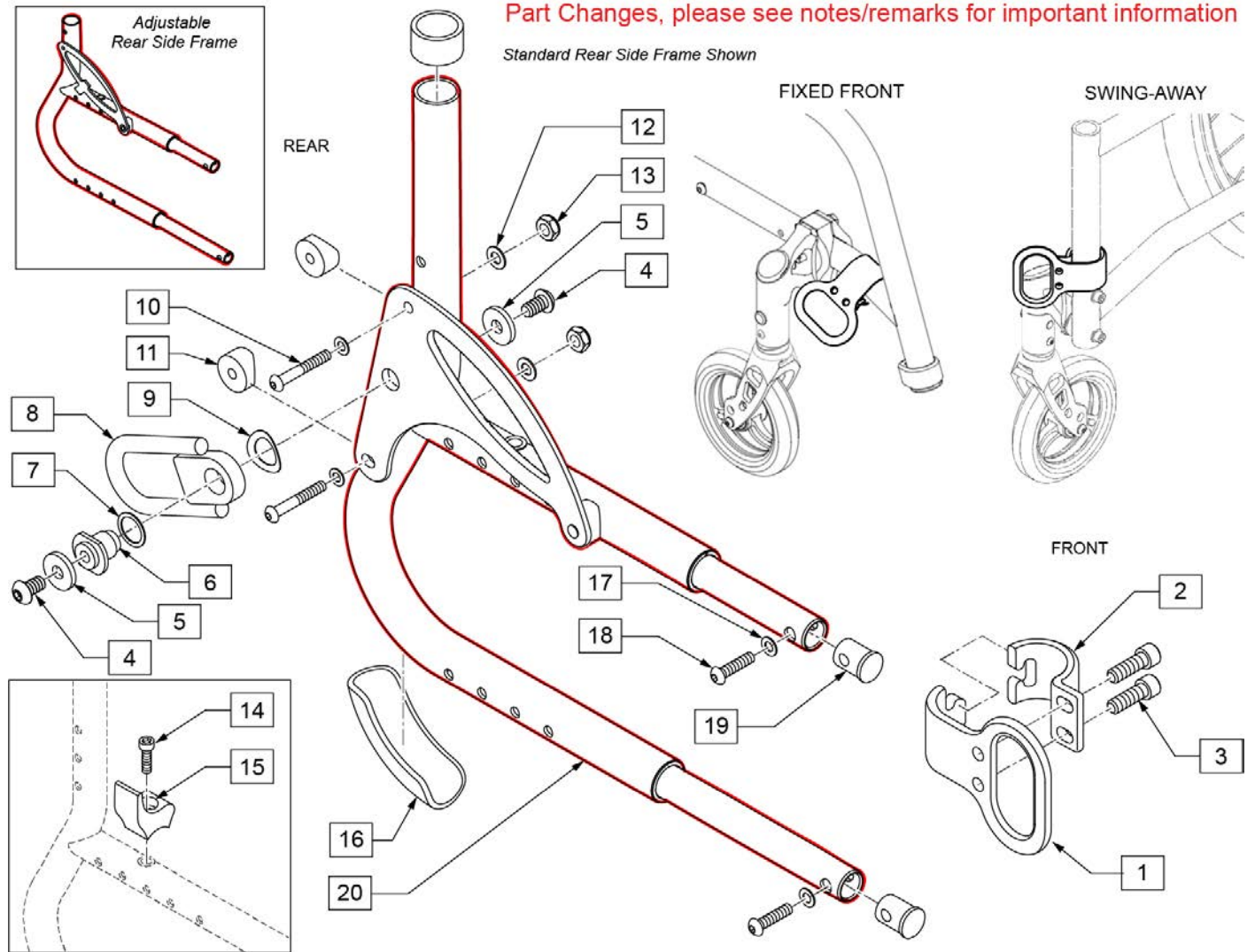


Note: Q Bracket is not sold separately; entire Rear Side Frame must be replaced.

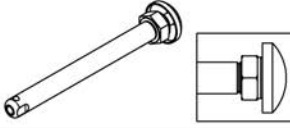
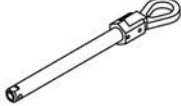
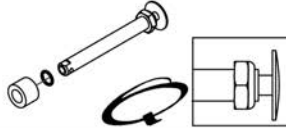
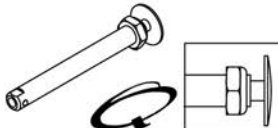
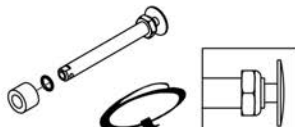
**NOTE:** Transit Kit not available with 13" or 13.5" rear seat heights.

Part Changes, please see notes/remarks for important information

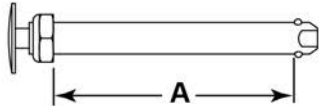
Standard Rear Side Frame Shown



Pos.	Item Number	Description	Remarks
3	107350	SHCS 1/4-28 X 1/2 PL ROHS	
4	230120	BHCS M8 X 1.25 X 14	
5	263113	5/16 WASHER THICK	
10	106962	BHCS 1/4-28 X 1-3/4	
11	561087	BACK RELEASE SADDLE-RIGID	
12	106943	WASHER FLAT AN 1/4	
13	106934	NUT NYLOCK 1/4-28	
1-20	178045S	TRANSIT ASSM Q2 LITE STD R	Right
1-20	178046S	TRANSIT ASSM Q2 LITE STD L	Left
1-20	178049S	TRANSIT ASSM Q2 LITE STD PR	Pair
1-20	178047S	TRANSIT ASSM Q2 LITE ADJ R	Right
1-20	178048S	TRANSIT ASSM Q2 LITE ADJ L	Left
1-20	178050S	TRANSIT ASSM Q2 LITE ADJ PR	Pair

Wheel Type	Axle Type		Axle P/N	Spacer P/N
6 Spoke Mag Wheels	Quick Release	1A 	102063 A=4 1/8	N/A
	Quad Quick Release	1B 	920171 A=4 1/8	N/A
5 Spoke Mag, Spinergy Wheels & Mountain Wheels	Quick Release	1C 	109385 A=4 1/2	N/A
Lite Spoke Wheels	Quick Release	1D 	107268 A=4 1/4	N/A
Ultra Lite Wheels	Quick Release	1E 	100793 Order Spacer A = 4 1/2"	2A 103093 2B 100768-001

Quick Release Measuring Guide

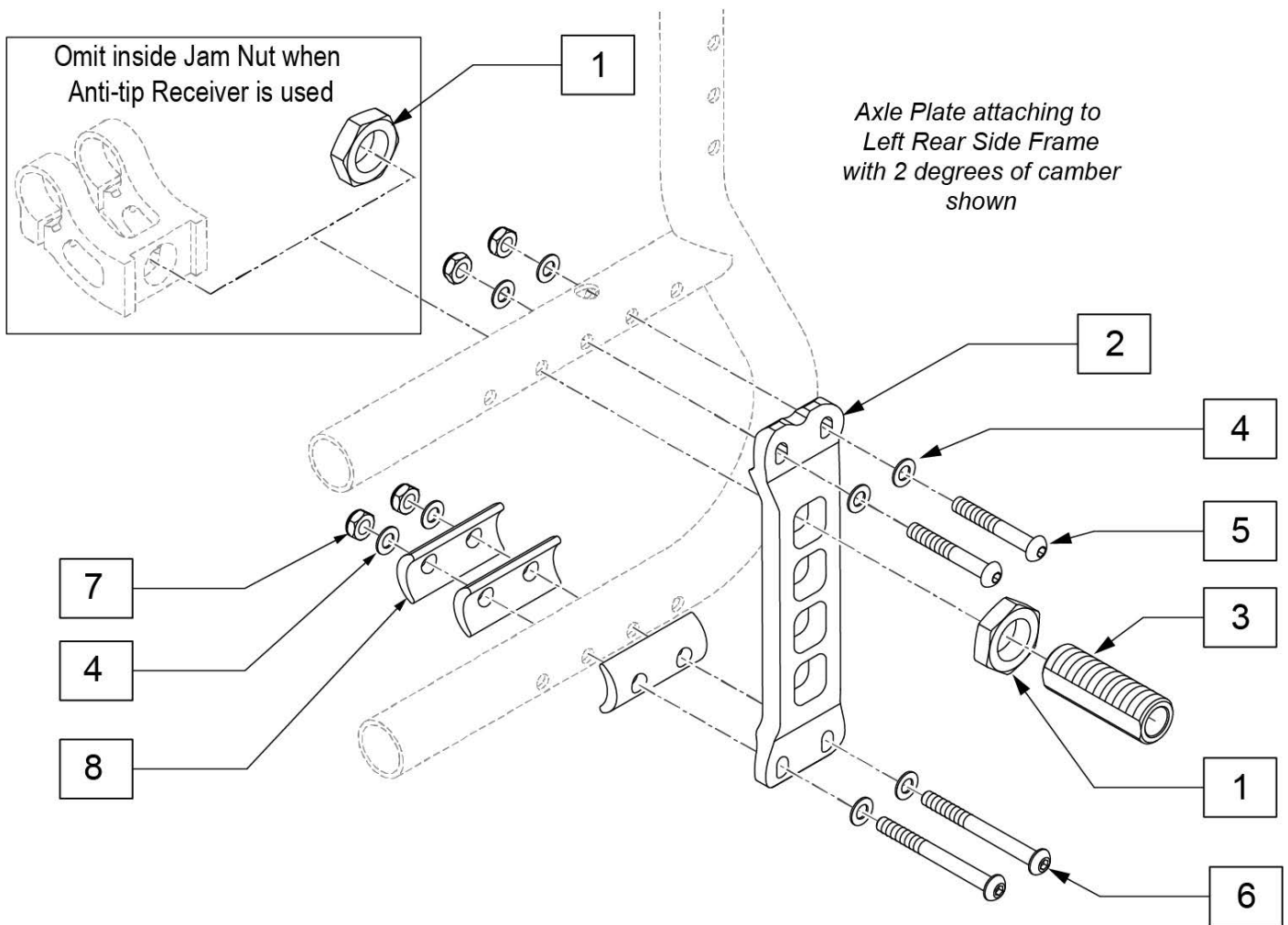


Pos.	Item Number	Description
1A	102063	QR AXLE MAG W/M-12 NUT
1B	920171	QR AXLE MAG W/QUAD NUT
1C	109385	QR AXLE / NUT LONG BIG BTTN
1D	107268	QR AXLE AND NUT SHORT BIG BTTN
1E	100793	AXLE QR SHORT ULTRALITE
2A	103093	O-RING 1/2" ID x 11/16" OD BUNA-N
2B	100768-001	SPACER AXLE 22 OD x 12.7 ID x 7mm

Note: EIQ2N s/n prefix Q2L camber ships standard at 2 degrees from the factory with 2 additional spacers to provide 4 and 6 degree options in the field.

Note: EIQ2X s/n prefix Q2XL camber is now an on-chair option and will ship based on what dealer selects: 0, 2, or 4; this information will be listed under the chair options on the order.

Note: 6 degree camber is not an on-chair option and must be achieved in the field by placing all 3 spacers between the frame and the axle plate; if the dealer would like the chair assembled with 6 degrees of camber, this will REQUIRE the order to be processed through our Built 4 Me department.

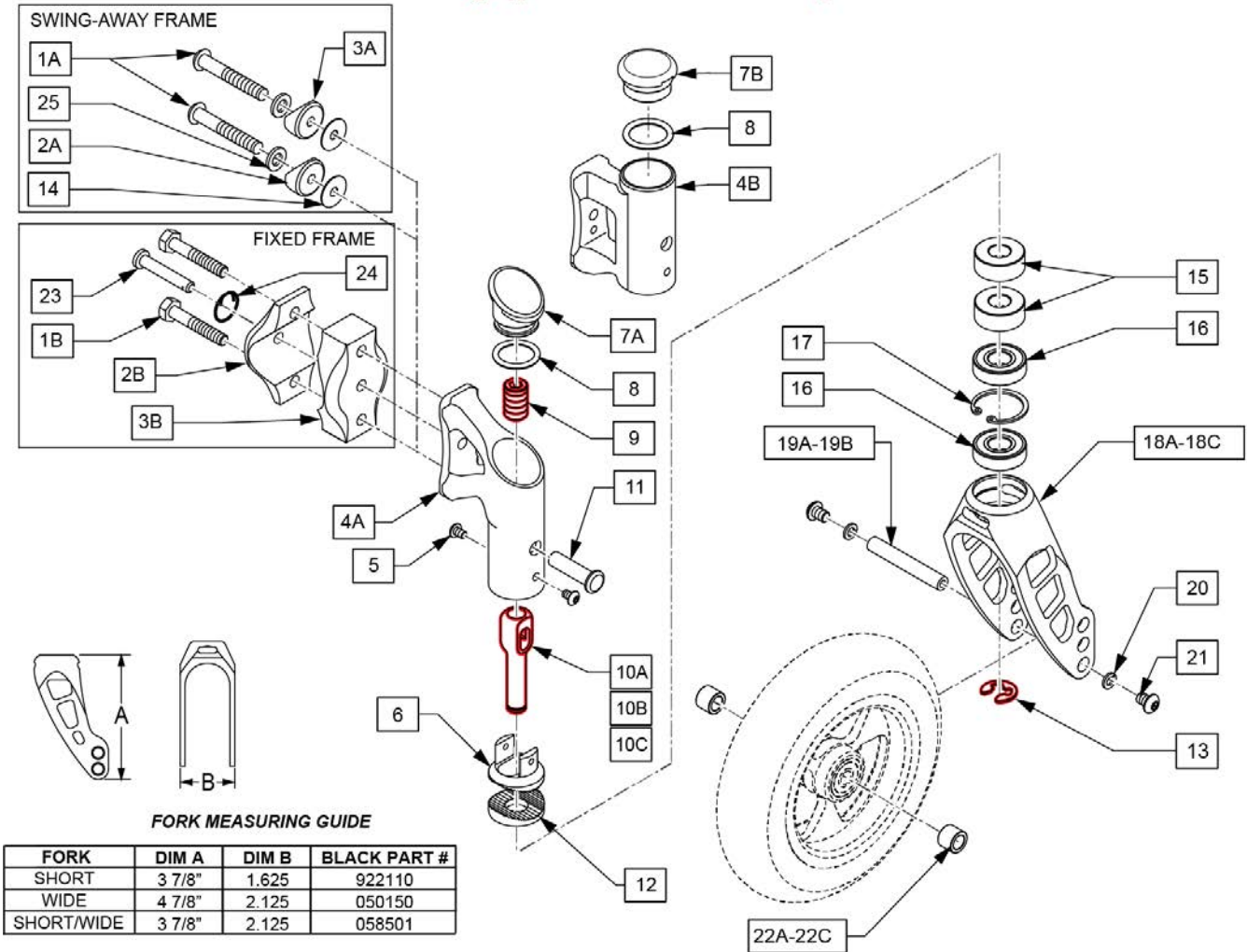


Pos.	Item Number	Description	Remarks
1	104195	NUT JAM ALUMINUM 20MM X 1.5	
2	104265	AXLE PLATE LEFT	Left
2	104266	AXLE PLATE RIGHT	Right
3	104196	AXLE SLEEVE 20MM NONADJ	
4	106943	WASHER FLAT AN 1/4	
5	107252	BHCS 1/4-28 X 1-5/8 ROHS	
6	106966	BHCS 1/4-28 X 2-1/4 SHLDR ROHS	
7	106935	NYLOCK NUT THIN 1/4-28 ROHS	
8	107554	CAMBER SPACER KIT	Set of 6; 1 Spacer provides 2 degrees of camber
1-8	107552	AXLE PLATE KIT LEFT	Left
1-8	107553	AXLE PLATE KIT RIGHT	Right

Note: Item 26 is used for additional barrel adjustment. Washers can be added or removed in order to ensure caster barrel is perpendicular to the ground.

Note: As of S/N Q2L-149887 Stem Assembly has changed. If replacing stem components on chairs prior to S/N Q2L-149887, replace complete Stem Assembly in pairs.

Part Changes, please see notes/remarks for important information



Pos.	Item Number	Description	Remarks
1A	108623	BHCS 1/4-28X1-1/2 SHLD PL ROHS	
1B	106972	HHCS 1/4-28 X 1-1/2 ROHS	
7A,8	104096	CASTER CAP WITH O RING	Standard Caster Cap
7B,8	104120	CASTER CAP HEMI WITH O RING	Hemi Caster Cap
12	104182	SPLINE CSTR ANGLE ADJ LOWER	
13	114479	E-STYLE BOWED CLIP	

Pos.	Item Number	Description	Remarks
14	113268	WASHER NYLON 1" OD x .312 ID	
15	483275	SPACER, CSTR, ANGLE ADJ .50	Not R'qd w/ Std Stem Bolt, Qty 1 R'qd w/ .5" Stem Bolt, Qty 2 R'qd w/ 1" Stem Bolt
16	349104	BRNG 28mm OD 12mm ID 8mm THK	
19A	050042	AXLE CASTER 52MM	2" - Used w/ Wide Fork & Short Wide Fork
19B	481483	AXLE CASTER	1 1/2" - Used w/ Short Fork
20	262132	WASHER LOCK M5	
21	102259-001	BHCS M5 X .8 X 12 W/PL INORG	
22A	481353	SPACER, BEARING	Used w/ Short Fork Only
22B	050043-001	SPCR BRNG CSTR 9.65MM	Used w/ Wide Fork & Short Wide Fork - not used w/ Soft Roll Casters
22C	050043-002	SPCR BRNG CSTR 2.20MM	Used w/ Wide Fork & Short Wide Fork - Soft Roll Casters
25	106944	WASHER FLAT THIN AN 1/4 ROHS	
16,17,18A	922111	ASSM INTGRL BRNG FORK SHRT BLK	Short Fork
16,17,18B	050150	ASSM FORK INT BRG WIDE BLK	Wide Fork
16,17,18C	108771	FORK SHORT WIDE ASSM	Short Wide Fork

Pos.	Item Number	Description	Remarks
4A,5-13,16-18A,19B,20-22A	107555	CSTR ASM SHRT STD	Std Caster Housing, Short Fork, Std Stem
4A,5-13,15-18A,19B,20-22A	107556	CSTR ASM SHRT +.5	Std Caster Housing, Short Fork,+.5 Stem
4A,5-13,15-18A,19B,20-22A	107557	CSTR ASM SHRT +1	Std Caster Housing, Short Fork, +1 Stem
4A,5-13,16-18C,19B,20-22A	107558	CSTR ASM WD S STD	Std Caster Housing, Short Wide Fork, Std Stem
4A,5-13,15-18C,19A,20-22A	107559	CSTR ASM WD S +.5	Std Caster Housing, Short Wide Fork, +.5 Stem
4A,5-13,15-18C,19A,20-22A	107560	CSTR ASM WD S +1	Std Caster Housing, Short Wide Fork, +1 Stem
4A,5-13,16-18B,19B,20-22B	107562	CSTR ASM WIDE STD	Std Caster Housing, Wide Fork, Std Stem
4A,5-13,15-18B,19B,20-22B	107563	CSTR ASM WIDE +.5	Std Caster Housing, Wide Fork, +.5 Stem
4A,5-13,15-18B,19B,20-22B	107564	CSTR ASM WIDE +1	Std Caster Housing, Wide Fork, +1 Stem
4A,5-13,16-18B,19B,20-22C	107565	CSTR ASM WD SR STD	Std Caster Housing, Wide Fork for Soft Roll Caster, Std Stem
4A,5-13,15-18B,19B,20-22C	107566	CSTR ASM WD SR +.5	Std Caster Housing, Wide Fork for Soft Roll Caster, +.5 Stem



Pos.	Item Number	Description	Remarks
4A,5-13,15-18B,19B,20-22C	107567	CSTR ASM WD SR +1	Std Caster Housing, Wide Fork for Soft Roll Caster, +1 Stem
4B,5-13,16-18A,19B,20-22A	107568	HCSTR ASM SHRT STD	Hemi Caster Housing, Short Fork, Std Stem
4B,5-13,15-18A,19B,20-22A	107569	HCSTR ASM SHRT +.5	Hemi Caster Housing, Short Fork, +.5 Stem
4B,5-13,15-18A,19B,20-22A	107570	HCSTR ASM SHRT +1	Hemi Caster Housing, Short Fork, +1 Stem
4B,5-13,16-18C,19A,20-22A	107571	HCSTR ASM WD S STD	Hemi Caster Housing, Short Wide Fork, Std Stem
4B,5-13,15-18C,19A,20-22A	107572	HCSTR ASM WD S +.5	Hemi Caster Housing, Short Wide Fork, +.5 Stem
4B,5-13,15-18C,19A,20-22A	107573	HCSTR ASM WD S +1	Hemi Caster Housing, Short Wide Fork, +1 Stem
4B,5-13,16-18B,19B,20-22B	107574	HCSTR ASM WIDE STD	Hemi Caster Housing, Wide Fork, Std Stem
4B,5-13,15-18B,19B,20-22B	107575	HCSTR ASM WIDE +.5	Hemi Caster Housing, Wide Fork, +.5 Stem
4B,5-13,15-18B,19B,20-22B	107576	HCSTR ASM WIDE +1	Hemi Caster Housing, Wide Fork, +1 Stem
4B,5-13,16-18B,19B,20-22C	107577	HCSTR ASM WD SR STD	Hemi Caster Housing, Wide Fork for Soft Roll Caster, Std Stem

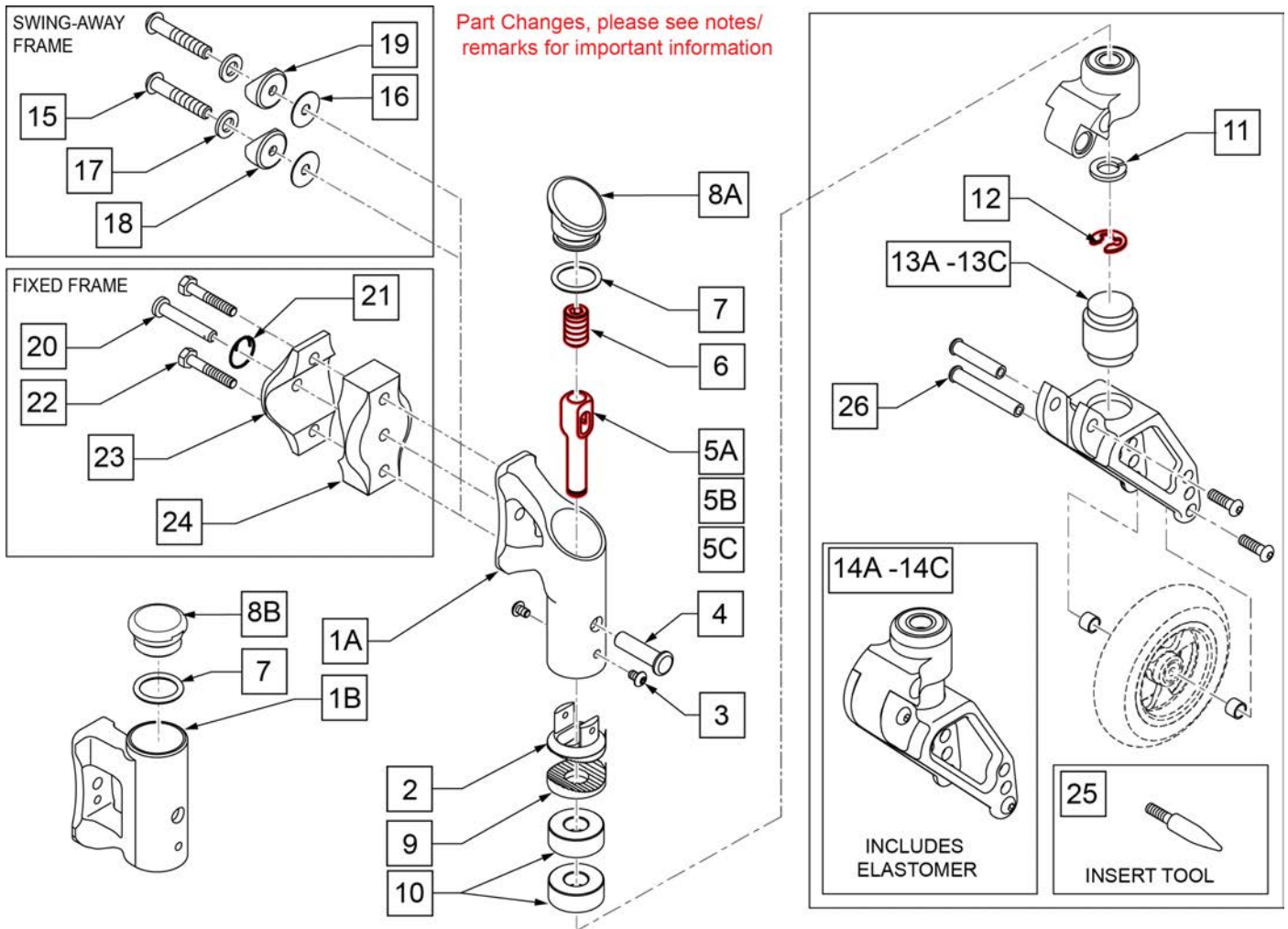
Pos.	Item Number	Description	Remarks
4B,5-13,15-18B,19B,20-22C	107578	HCSTR ASM WD SR +.5	Hemi Caster Housing, Wide Fork for Soft Roll Caster, +.5 Stem
4B,5-13,15-18B,19B,20-22C	107579	HCSTR ASM WD SR +1	Hemi Caster Housing, Wide Fork for Soft Roll Caster, +1 Stem
1A,2A,3A,14,25	107588	S/A FRM ATTACH KIT	
1B,2B,3B,23,24	107589	FIX FRM ATTACH KIT	
4A,5,6,7A,8,9,10A,11,12	126079	STD CASTR HOUSE ASSM STD STEM	
4A,5,6,7A,8,9,10B,11,12	126080	STD CASTR HOUSE ASSM +.5 STEM	
4A,5,6,7A,8,9,10C,11,12	126081	STD CASTR HOUSE ASSM +1 STEM	
4B,5,6,7B,8,9,10A,11,12	126082	HEMI CASTR HOUSE ASSM STD STEM	
4B,5,6,7B,8,9,10B,11,12	126083	HEMI CAST HOUSE ASSM +.5 STEM	
4B,5,6,7B,8,9,10C,11,12	126084	HEMI CASTR HOUSE ASSM +1 STEM	

**Note:** Item 10 Bearing Spacer not required with Standard Stem Bolt, 1 required with .5" Stem Bolt, 2 required with 1" Stem Bolt.

**Note:** item 16 used for additional barrel adjustment; washers can be added or removed in order to ensure caster barrel is perpendicular to the ground.

**Note:** items 25 and 26 used to aid in aligning the upper and lower fork assembly during Frog Leg assembly and elastomer replacement; see instruction sheet for details.

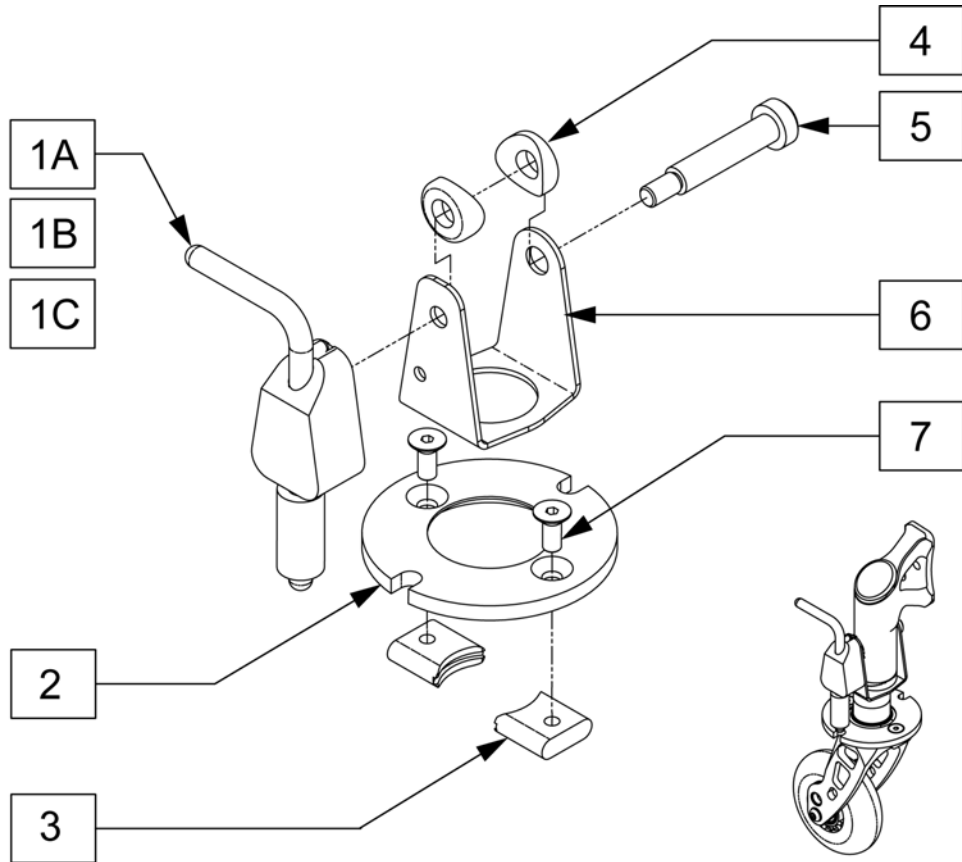
**Note:** Frog Legs will ship unassembled to facilitate replacement of the Caster Stem.



Pos.	Item Number	Description	Remarks
5A	122989	CASTER STEM ADJUSTABLE SHORT	No Spacer
5B	122993	CASTER STEM ADJUSTABLE MED	1/2 Spacer includes qty 1 Spacer

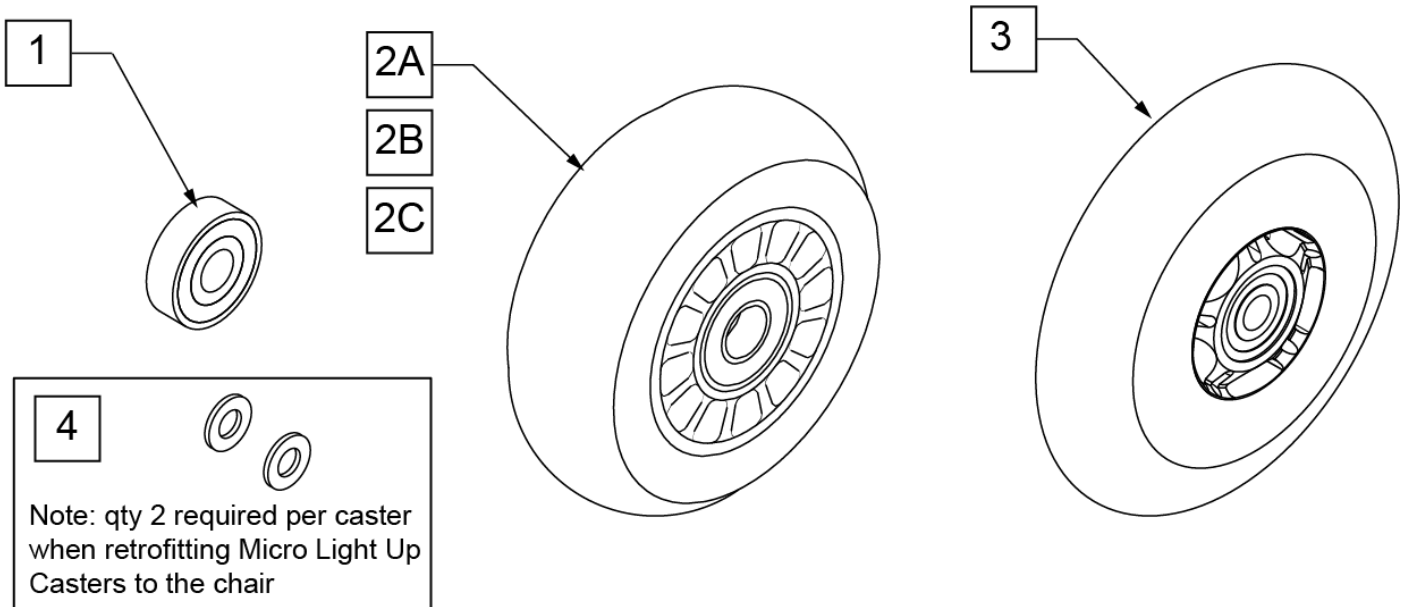
Pos.	Item Number	Description	Remarks
5C	122994	CASTER STEM ADJUSTABLE TALL	1 Spacer includes qty 2 Spacers
6	106684	SH SET SCREW 1/2-20X3/4 FLT PT	
7,8A	104096	CASTER CAP WITH O RING	
7,8B	104120	CASTER CAP HEMI WITH O RING	
9	502051	SPLINE CSTR ANGLE ADJ LWR	
10	483275	SPACER, CSTR, ANGLE ADJ .50	See Note
11	107359	WASHER LOCK M12	
12	114479	E-STYLE BOWED CLIP	
13A	050156-001	ELASTOMER FROGLEGS SOFT	0-100 lbs
13B	050156-002	ELASTOMER FROGLEGS MEDIUM	101-190 lbs
13C	050156-003	ELASTOMER FROGLEGS FIRM	191-265 lbs
14A	050225-001	FORK FROGLEGS INT BRNG SOFT	0-100 lbs
14B	050225-002	FORK FROGLEGS INT BRNG MED	101-190 lbs
14C	050225-003	FORK FROGLEGS INT BRNG FIRM	191-265 lbs
15	108623	BHCS 1/4-28X1-1/2 SHLD PL ROHS	
16	113268	WASHER NYLON 1IN OD X .312 ID	
17	106944	WASHER FLAT THIN AN 1/4 ROHS	
18	561086	1" HALF SADDLE 1/4" HOLE	
19	561004	1" SADDLE 1/4" HOLE	
20	349027	1/4 X 2 CLEVIS PIN	
21	349034	SAFETY COTTER	
22	106972	HHCS 1/4-28 X 1-1/2 ROHS	
23	500306	INNER CLAMP HALF	
24	500307	OUTER CLAMP HALF	
25	116351	FROG LEG FORK ASSEMBLY TOOL	
15-19	107588	S/A FRM ATTACH KIT	
20-24	107589	FIX FRM ATTACH KIT	
1A,2-4,5A,6,7,8A	126079	STD CASTR HOUSE ASSM STD STEM	
1A,2-4,5B,6,7,8A	126080	STD CASTR HOUSE ASSM +.5 STEM	
1A,2-4,5C,6,7,8A	126081	STD CASTR HOUSE ASSM +1 STEM	
1B,2-4,5A,6,7,8B	126082	HEMI CASTR HOUSE ASSM STD STEM	
1B,2-4,5B,6,7,8B	126083	HEMI CAST HOUSE ASSM +.5 STEM	
1B,2-4,5C,6,7,8B	126084	HEMI CASTR HOUSE ASSM +1 STEM	
1A,2-7,8A,9,11,14A	108062	FRG LG CSTR ASM SOFT STD	0-100 lbs, Std Caster Housing, no Spacer
1A,2-7,8A,9-11,14A	108063	FRG LG CSTR ASM SOFT +.5	0-100 lbs, Std Caster Housing, 1/2 Spacer
1A,2-7,8A,9-11,14A	108064	FRG LG CSTR ASM SOFT +1	0-100 lbs, Std Caster Housing, 1 Spacer
1A,2-7,8A,9,11,14B	108072	FRG LG CSTR ASM MED STD	101-190 lbs, Std Caster Housing, no Spacer
1A,2-7,8A,9-11,14B	108073	FRG LG CSTR ASM MED +.5	101-190 lbs, Std Caster Housing, 1/2 Spacer
1A,2-7,8A,9-11,14B	108074	FRG LG CSTR ASM MED +1	101-190 lbs, Std Caster Housing, 1 Spacer
1A,2-7,8A,9,11,14C	108075	FRG LG CSTR ASM FIRM STD	191-265 lbs, Std Caster Housing, no Spacer
1A,2-7,8A,9-11,14C	108076	FRG LG CSTR ASM FIRM +.5	191-265 lbs, Std Caster Housing, 1/2 Spacer
1A,2-7,8A,9-11,14C	108077	FRG LG CSTR ASM FIRM +1	191-265 lbs, Std Caster Housing, 1 Spacer
1B,2-7,8A,9,11,14A	108078	FRG LG HCSTR ASM SOFT STD	0-100 lbs, Hemi Caster Housing, no Spacer
1B,2-7,8A,9-11,14A	108079	FRG LG HCSTR ASM SOFT +.5	0-100 lbs, Hemi Caster Housing, 1/2 Spacer
1B,2-7,8A,9-11,14A	108080	FRG LG HCSTR ASM SOFT +1	0-100 lbs, Hemi Caster Housing, 1 Spacer
1B,2-7,8A,9,11,14B	108081	FRG LG HCSTR ASM MED STD	101-190 lbs, Hemi Caster Housing, no Spacer
1B,2-7,8A,9-11,14B	108082	FRG LG HCSTR ASM MED +.5	101-190 lbs, Hemi Caster Housing, 1/2 Spacer
1B,2-7,8A,9-11,14B	108083	FRG LG HCSTR ASM MED +1	101-190 lbs, Hemi Caster Housing, 1 Spacer
1B,2-7,8A,9,11,14C	108084	FRG LG HCSTR ASM FIRM STD	191-265 lbs, Hemi Caster Housing, no Spacer
1B,2-7,8A,9-11,14C	108085	FRG LG HCSTR ASM FIRM +.5	191-265 lbs, Hemi Caster Housing, 1/2 Spacer
1B,2-7,8A,9-11,14C	108086	FRG LG HCSTR ASM FIRM +1	191-265 lbs, Hemi Caster Housing, 1 Spacer

Note: Caster Pin Locks will not adapt to Short Wide Forks.



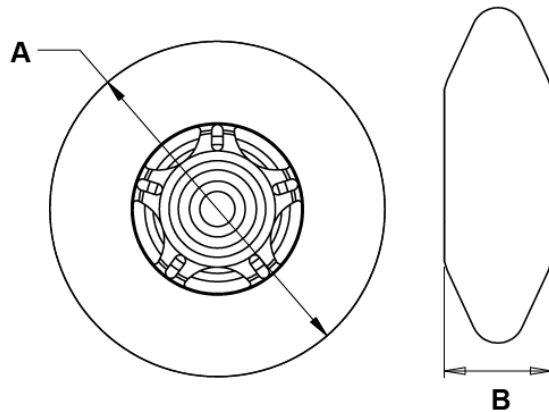
Pos.	Item Number	Description	Remarks
1A	052310-001	BLOCK ASSY CSTR PIN LCK R STD	Right - Used w/ Std Length Caster Stem
1A	052311-001	BLOCK ASSY CSTR PIN LCK L STD	Left - Used w/ Std Length Caster Stem
1B	052310-002	BLOCK ASSY CSTR PIN LCK R+.5	Right - Used w/ +.5" Length Caster Stem
1B	052311-002	BLOCK ASSY CSTR PIN LCK L+.5	Left - Used w/ +.5" Length Caster Stem
1C	052310-003	BLOCK ASSY CSTR PIN LOCK R+1	Right - Used w/ +1" Length Caster Stem
1C	052311-003	BLOCK ASSY CSTR PIN LCK +1	Left - Used w/ +1" Length Caster Stem
2	132532	PLATE, CASTER LOCK, 39MM DIA	
3	050050	KEY CASTER LOCK ANG ADJ	
4	050053	SADDLE 17.8MM OD 8MM HOLE	
5	050133	SHOULDER SCREW 8MMOD X 35MM LG	
6	107204	YOKE CASTER PIN LOCK	
7	102261	FHCS M5 X 12 INORGANIC	
1A,2-7	107622	CSTR PIN LOCK R STD ASSM	Right - Used w/ Std Length Caster Stem
1B,2-7	107623	CSTR PIN LOCK R+.5 ASSM	Right - Used w/ +.5" Length Caster Stem
1C,2-7	107624	CSTR PIN LOCK R+1 ASSM	Right - Used w/ +1" Length Caster Stem
1A,2-7	107625	CSTR PIN LOCK L STD ASSM	Left - Used w/ Std Length Caster Stem
1B,2-7	107626	CSTR PIN LOCK L+.5 ASSM	Left - Used w/ +.5" Length Caster Stem
1C,2-7	107627	CSTR PIN LOCK L+1 ASSM	Left - Used w/ +1" Length Caster Stem

**Note:** to ensure that the lights will function in the Micro Light Up Caster, qty 2 each of p/n 106947 will be required per caster when retrofitting Micro Light Up Casters to the chair.



**CASTER MEASURING GUIDE**

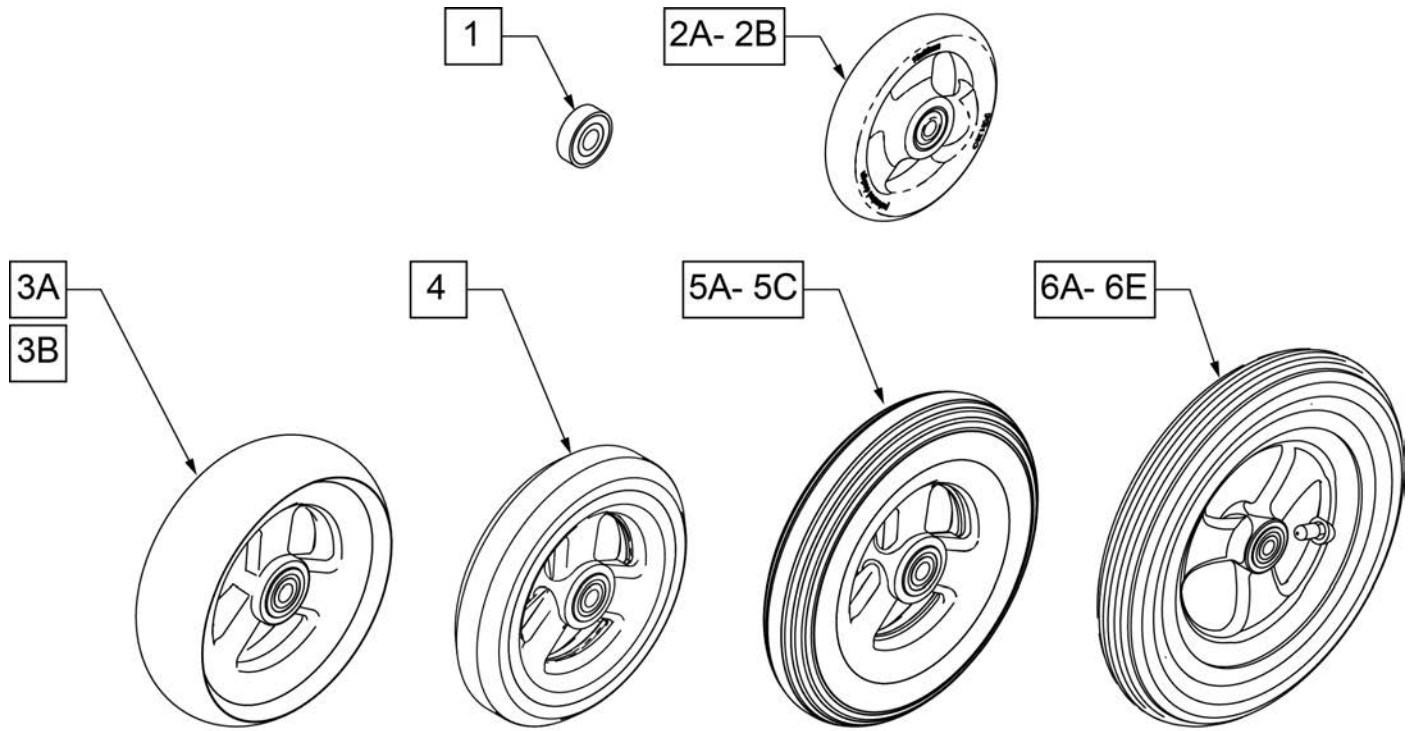
PART NUMBER	"A" TIRE DIAMETER	"B" HUB WIDTH
400108	4.0	1.0
400107	3.0	1.0
052129	4.7	1.0



Pos.	Item Number	Description	HPCP	Remarks
1	349502	7/8"x 5/16" BEARING		
2A	400108	4" MICRO CASTER LIGHTED	K0077	4" MICRO LIGHTED
2B	920025	3" MICRO CASTER W/ BEARING -PAIR	K0077	PAIR 3" MICRO
2C	400107	3" MICRO CASTER LIGHTED	K0077	3" MICRO LIGHTED
3	052129	5" MICRO CASTER LIGHTED	K0077	5" MICRO LIGHTED
4	106947	WASHER FLAT THIN AN 5/16 ROH		

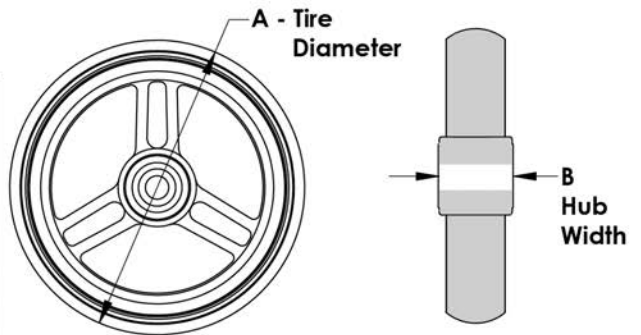
NOTE: 7" and 8" Casters are not available with Integral Bearing Forks.

Note: When 6" casters or larger casters are used, Anti Flutter Kit must be installed. See Standard Multi Position Fork page.



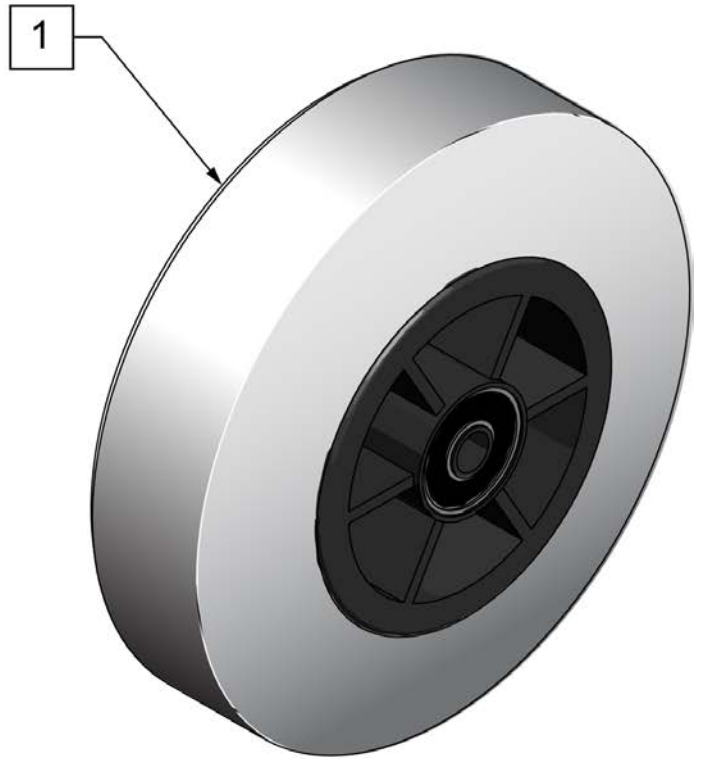
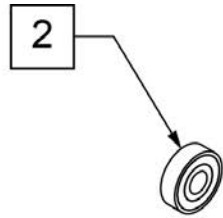
**CASTER  
MEASURING GUIDE**

PART NUMBER	"A" TIRE DIAMETER	"B" HUB WIDTH	PART NUMBER	"A" TIRE DIAMETER	"B" HUB WIDTH
101957	4.3	1.0	101256	5.75	1.0
101098	4.0	1.0	101257	5.9	1.0
101259	4.9	1.0	400212	8.0	1.0
101255	5.7	1.0	400213	7.8	1.0
101254	4.9	1.0	400214	6.9	1.0
			400215	7.25	1.0



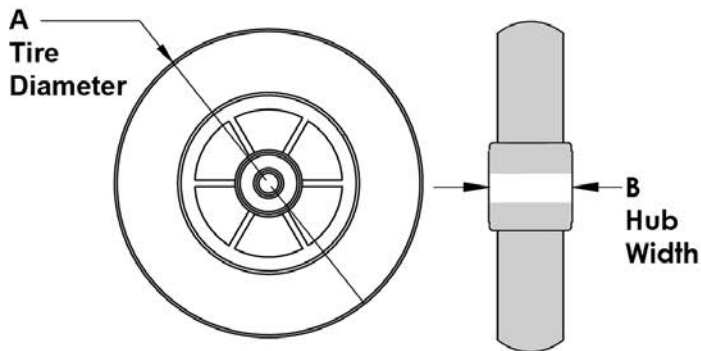
Pos.	Item Number	Description	Remarks
1	349502	7/8"x 5/16" BEARING	
2A	101957	4"X1-1/4 POLY 3 SPOKE CSTR	4" X 1.25 SEMI-PNEUMATIC
2B	101098	CASTER 4" PLASTIC/POLY W/BRG	4" LOW PROFILE POLY
3A	101259	5"X1-1/2" POLY 3 SPOKE CSTR	5" x 1.5" SEMI-PNEUMATIC
3B	101255	6"X1-1/2" POLY 3 SPOKE CSTR	6" x 1.5" SEMI-PNEUMATIC
4	101254	5" LOW POLY 3 SPOKE CASTER	5" LOW PROFILE POLY
5A	101256	6" SEMI PNEU 3 SPOKE CASTER	6" POLY
5B	101257	6" PNEUMATIC 3 SPOKE CASTER	6" PNEUMATIC
5C	383245	6" PNEUMATIC TIRE & TUBE	
6A	400212	CASTER 8" PNEU 3 SPK ASSM	8" PNEUMATIC
6B	400213	CASTER 8" POLY 3 SPK ASSM	8" POLY
6C	400214	CASTER 7" LOW POLY 3 SPK ASSM	7" x LOW PROFILE POLY
6D	383255	8" PNEUMATIC TIRE & TUBE	
6E	400215	CASTER 8" WIDE POLY 3 SPK ASSM	8" x 1.5" LOW POLY



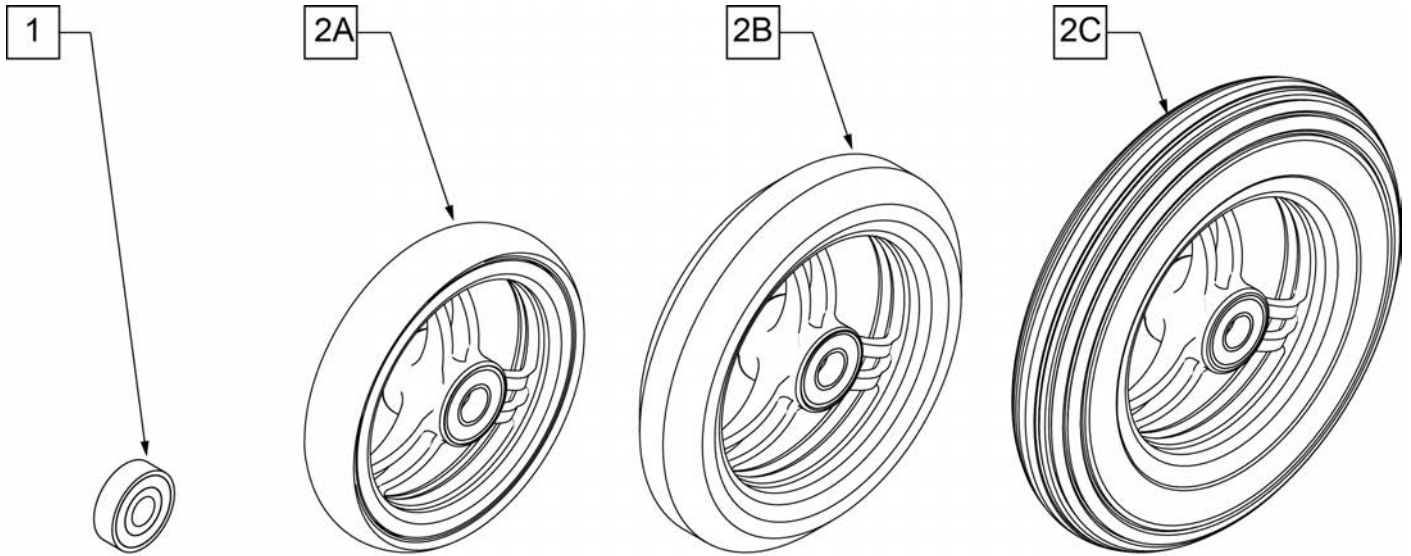


**CASTER  
MEASURING GUIDE**

"A" TIRE DIAMETER	"B" HUB WIDTH
4.9"	1.5"

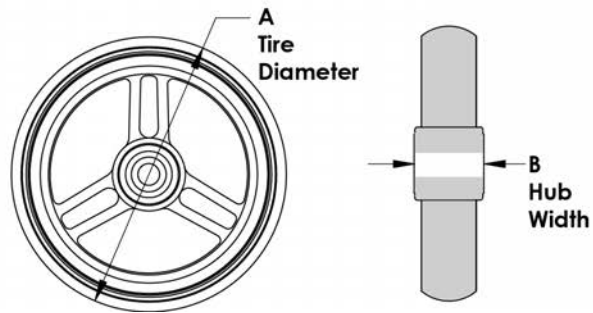


Pos.	Item Number	Description	HPCP	Remarks
1	400103	CASTER 5" SOFT ROLL W/BRNGS	K0077	5" SOFT ROLL SEMI PNEU (GREY)
2	349502	7/8"x 5/16" BEARING		



CASTER MEASURING GUIDE

"A" TIRE DIAMETER	"B" HUB WIDTH
4"	1"
5"	1"
6"	1"

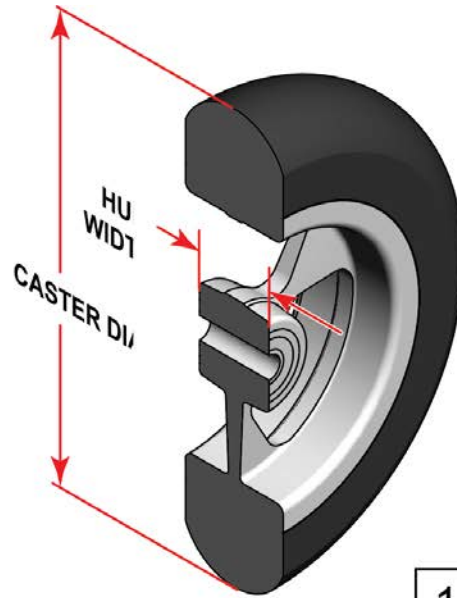


Pos.	Item Number	Description	HCPC	Remarks
1	349502	7/8"x 5/16" BEARING		
2A	101946-001	CASTR 4X1 ALUM/POLY W/BRG CLR	K0077	4" x 1" ALUMINUM POLY
2B	101946-002	CASTR 5X1 ALUM/POLY W/BRG CLR	K0077	5" x 1" ALUMINUM POLY
2C	101946-003	CASTR 6X1 ALUM/POLY W/BRG CLR	K0077	6" x 1" ALUMINUM POLY

Note: WHEEL CASTER 3" ULTRALITE SFTRLL no longer available as of April 22, 2020

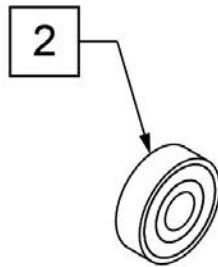


SIDE VIEW

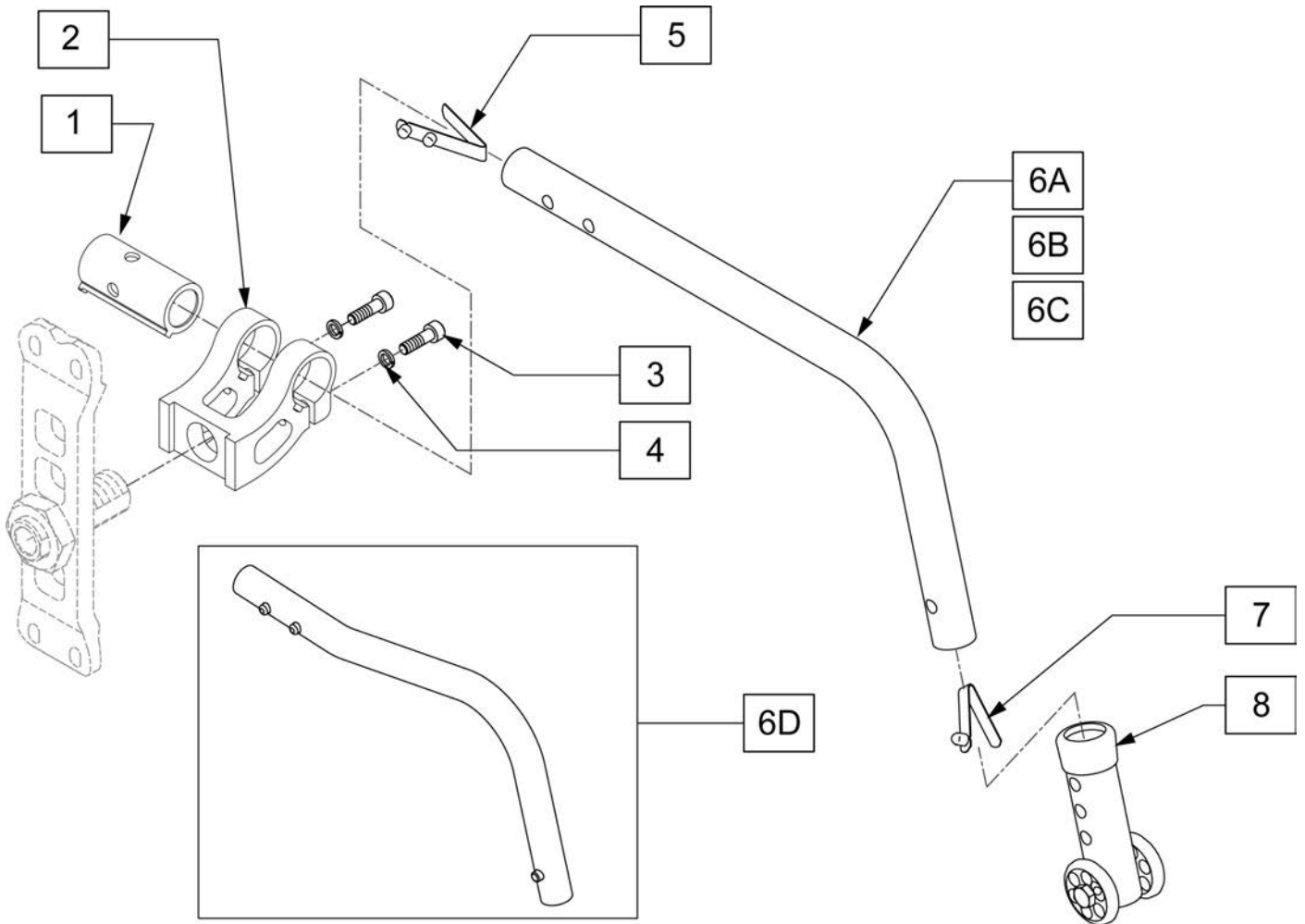


**CASTER MEASURING GUIDE**

TIRE DIAMETER	HUB WIDTH
3	1
4 1/8	1
5	1
6	1



Pos.	Item Number	Description	HCPC	Remarks
1	251732	CASTR ASSM ULTRLT SFTRL 4X1.5"	K0077	4" x 1.5" Aluminum Soft Roll - Black Tire - Silver Hub
1	251733	CASTR ASSM ULTRLT SFTRL 5X1.5"	K0077	5" x 1.5" Aluminum Soft Roll - Black Tire - Silver Hub
1	251734	CASTR ASSM ULTRLT SFTRL 6X1.5"	K0077	6" x 1.5" Aluminum Soft Roll - Black Tire - Silver Hub
		ANODIZED		
1	162609S	WHL CSTR 4" ULTRALT SFTRL ANO		4" x 1.5" Aluminum Soft Roll - Black Tire - Anodized Hub
1	162611S	WHL CSTR 5" ULTRALT SFTRLL ANO		5" x 1.5" Aluminum Soft Roll - Black Tire - Anodized Hub
1	162613S	WHL CSTR 6" ULTRALT SFTRLL ANO		6" x 1.5" Aluminum Soft Roll - Black Tire - Anodized Hub
2	349502	7/8" X 5/16" BEARING		

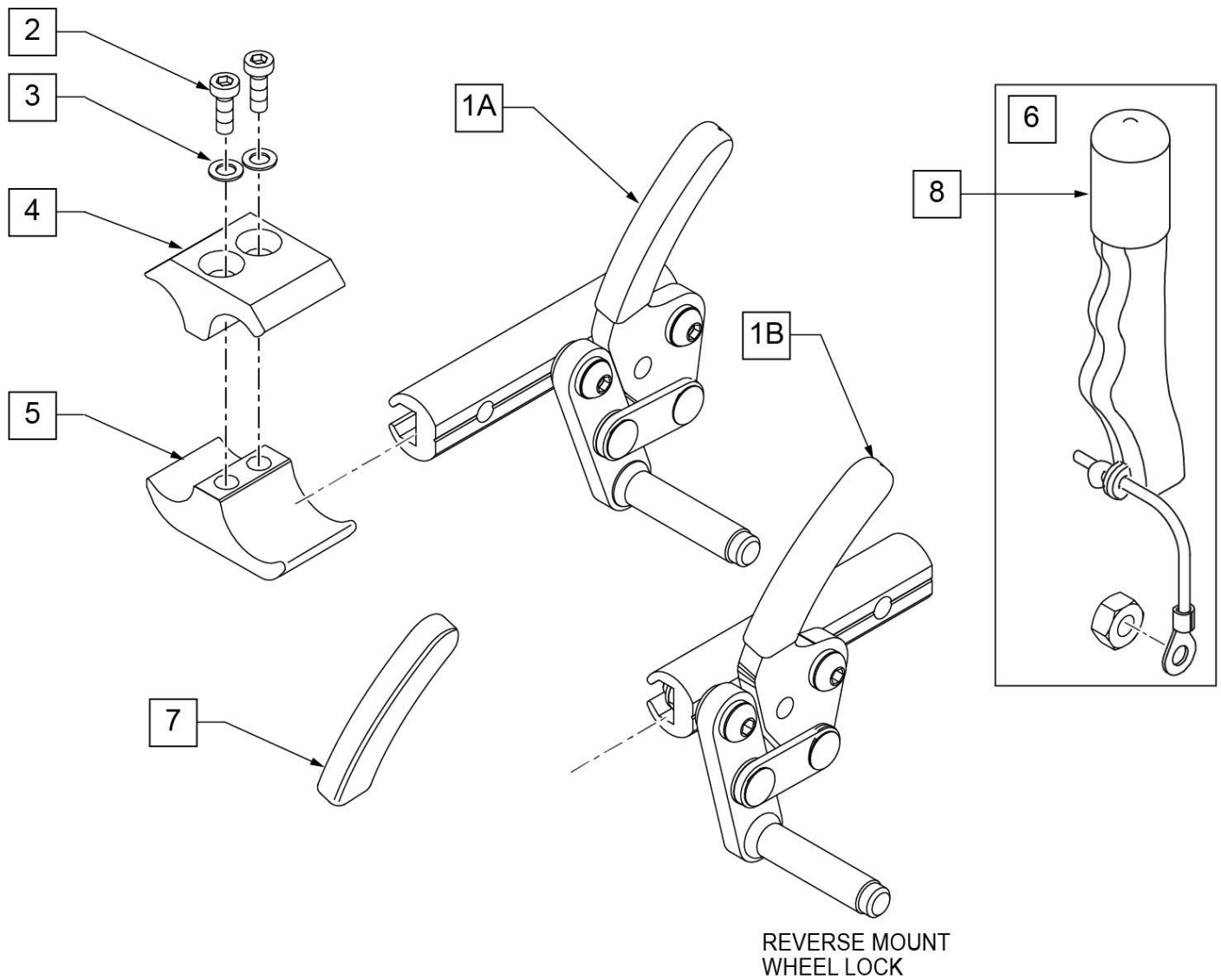


Pos.	Item Number	Description	Remarks
1	104349-001	SLEEVE RECEIVER ANTI-TIP STD	
2	104197	RECEIVER NON ADJ ANTI TIP	
3	106974	SHCS 1/4-28 X 3/4 PL ROHS	
4	107367	1/4 WASHER ROHS	
8	104640	ANTI TIP ARM ADJ. LONG	
1-4	107636	ANTI TIP RECEIVER ASSM	
5,6A,7,8	107628	ANTI TIP ARM SML L ASM	Left - 22" wheels
5,6A,7,8	107629	ANTI TIP ARM SML R ASM	Right - 22" wheels
5,6B,7,8	107630	ANTI TIP ARM MED L ASM	Left - 24" wheels
5,6B,7,8	107631	ANTI TIP ARM MED R ASM	Right - 24" wheels
5,6C,7,8	107632	ANTI TIP ARM LRG L ASM	Left - 25" & 26" wheels
5,6C,7,8	107633	ANTI TIP ARM LRG R ASM	Right - 25" & 26" wheels
5,6D,7,8	107634	ANTI TIP ARM BND L ASM	Left - 20" wheels
5,6D,7,8	107635	ANTI TIP ARM BND R ASM	Right - 20" wheels

**NOTE:** ATTACHMENT CLAMP mounts to 1" diameter tubing.

**Note:** the Wheel Locks for Chair or Replacement Part orders shipped on or after 6/27/17 have upgraded mounting hardware; please replace in pairs for chairs ordered prior to 6/27/17.

Note: refer to "Wheel Lock Availability" in Informations Panel for possible mount locations.

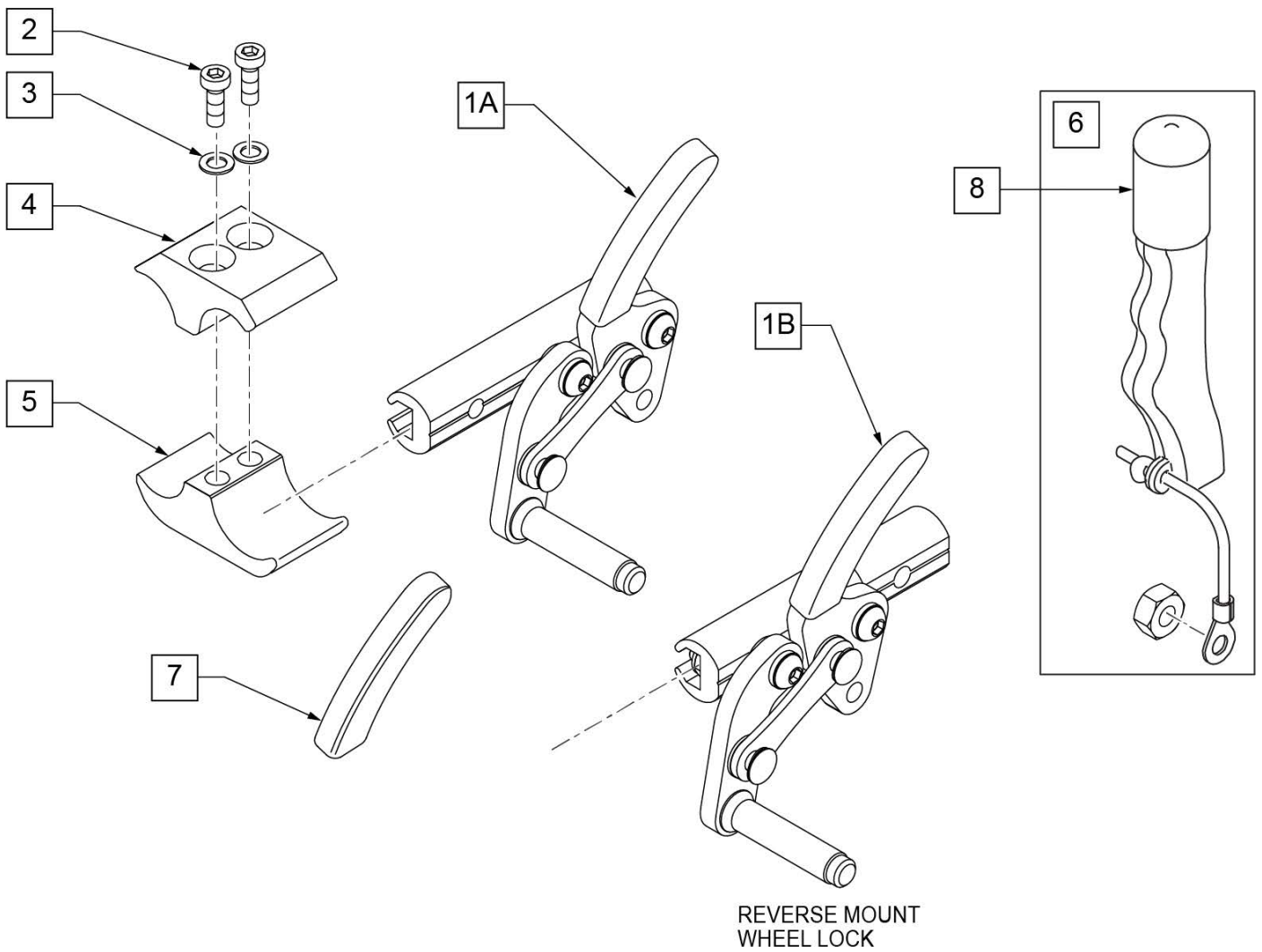


Pos.	Item Number	Description	Remarks
1A	104216-001	WHEEL LOCK ASSEMBLY PUSH RIGHT	RIGHT
1A	104216-002	WHEEL LOCK ASSEMBLY PUSH LEFT	LEFT
1B	109643	WHEEL LOCK HI PUSH REV R	RIGHT
1B	109644	WHEEL LOCK HI PUSH REV LEFT	LEFT
2	107032	SHCS 1/4-28 X 1 ROHS	
3	107367	1/4 WASHER HI COLLAR LOCK BLK	
6	161929	WHEEL LOCK EXTENSION ASSY KIT	EACH
7	104141	COVER CURVED WHEEL LOCK VINYL	
8	560600	FOAM GRIP 1 1/2 X 0.705 X 0.1	
1A,6	107637	WHEEL LOCK ASSM (PUSH) R W/ EXT	RIGHT
1A,6	107638	WHEEL LOCK ASSM (PUSH) L W/ EXT	LEFT
2-5	107639	WHL LCK CLMP ASM	
1B,6	112623	WHEEL LOCK ASSM (PUSH REV) R W/ EXT	RIGHT
1B,6	112624	WHEEL LOCK ASSM (PUSH REV) L W/ EXT	LEFT

**NOTE:** ATTACHMENT CLAMP mounts to 1" diameter tubing.

**Note:** the Wheel Locks for Chair or Replacement Part orders shipped on or after 6/27/17 have upgraded mounting hardware; please replace in pairs for chairs ordered prior to 6/27/17.

Note: refer to "Wheel Lock Availability" in Informations Panel for possible mount locations.

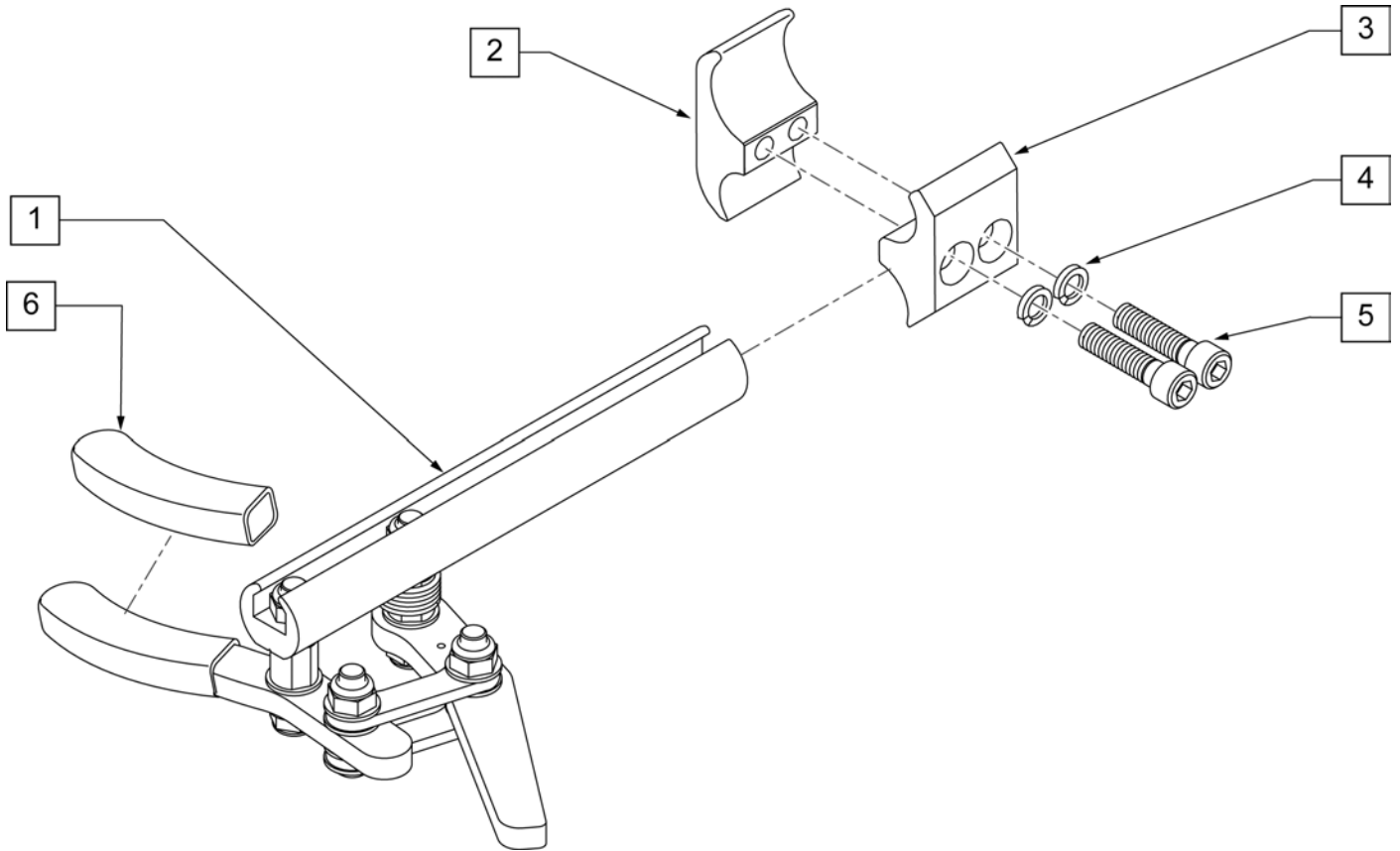


Pos.	Item Number	Description	Remarks
1A	104227-001	WHEEL LOCK ASSEMBLY (PULL) RIGHT	RIGHT
1A	104227-002	WHEEL LOCK ASSM (PULL) LEFT	LEFT
1B	109647	WHEEL LOCK HI PULL REV R	RIGHT
1B	109648	WHEEL LOCK HI PULL REV L	LEFT
2	107032	SHCS 1/4-28 X 1 ROHS	
3	107367	1/4 WASHER HI COLLAR LOCK BLK	
6	161929	WHEEL LOCK EXTENSION ASSY KIT	EACH
7	104141	COVER CURVED WHEEL LOCK VINYL	
8	560600	FOAM GRIP 1 1/2 X 0.705 X 0.1	
2-5	107639	WHL LCK CLMP ASM	
1A,6	107640	WHEEL LOCK ASSM (PULL) R W/ EXT	RIGHT
1A,6	107641	WHEEL LOCK ASSM (PULL) L W/ EXT	LEFT
1B,6	112625	WHEEL LOCK HI PULL REV R W/ EXT	RIGHT
1B,6	112626	WHEEL LOCK HI PULL REV L W/ EXT	LEFT



**NOTE:** ATTACHMENT CLAMP mounts to 1" diameter tubing.

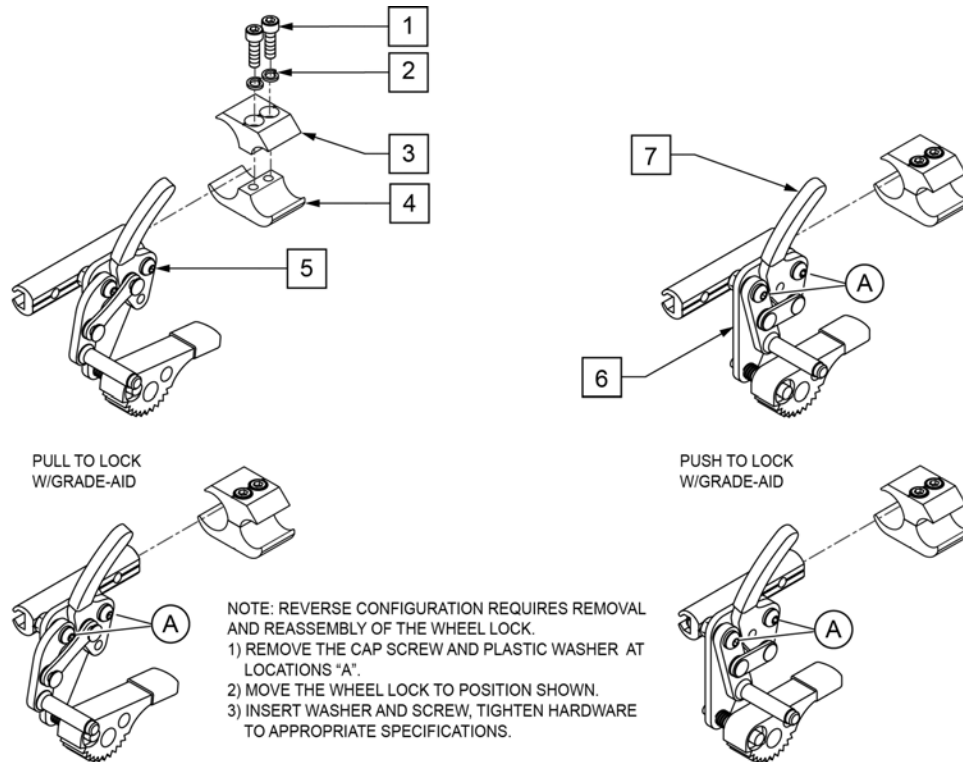
Note: refer to "Wheel Lock Availability" in Informations Panel for possible mount locations.



Pos.	Item Number	Description	Remarks
1	104726-001	ASSY WHL LOCK SCISSOR ERGO	RIGHT
1	104726-002	ASSY WHL LOCK SCISSOR ERGO	LEFT
4	107367	1/4 WASHER HI COLLAR LOCK BLK	
5	107032	SHCS 1/4-28 X 1 ROHS	
6	104141	COVER CURVED WHEELLOCK VIN	
2-6	107639	WHL LCK CLMP ASM	

**NOTE:** ATTACHMENT CLAMP mounts to 1" diameter tubing.

**Note:** the Wheel Locks for Chair or Replacement Part orders shipped on or after 6/27/17 have upgraded mounting hardware; please replace in pairs for chairs ordered prior to 6/27/17.

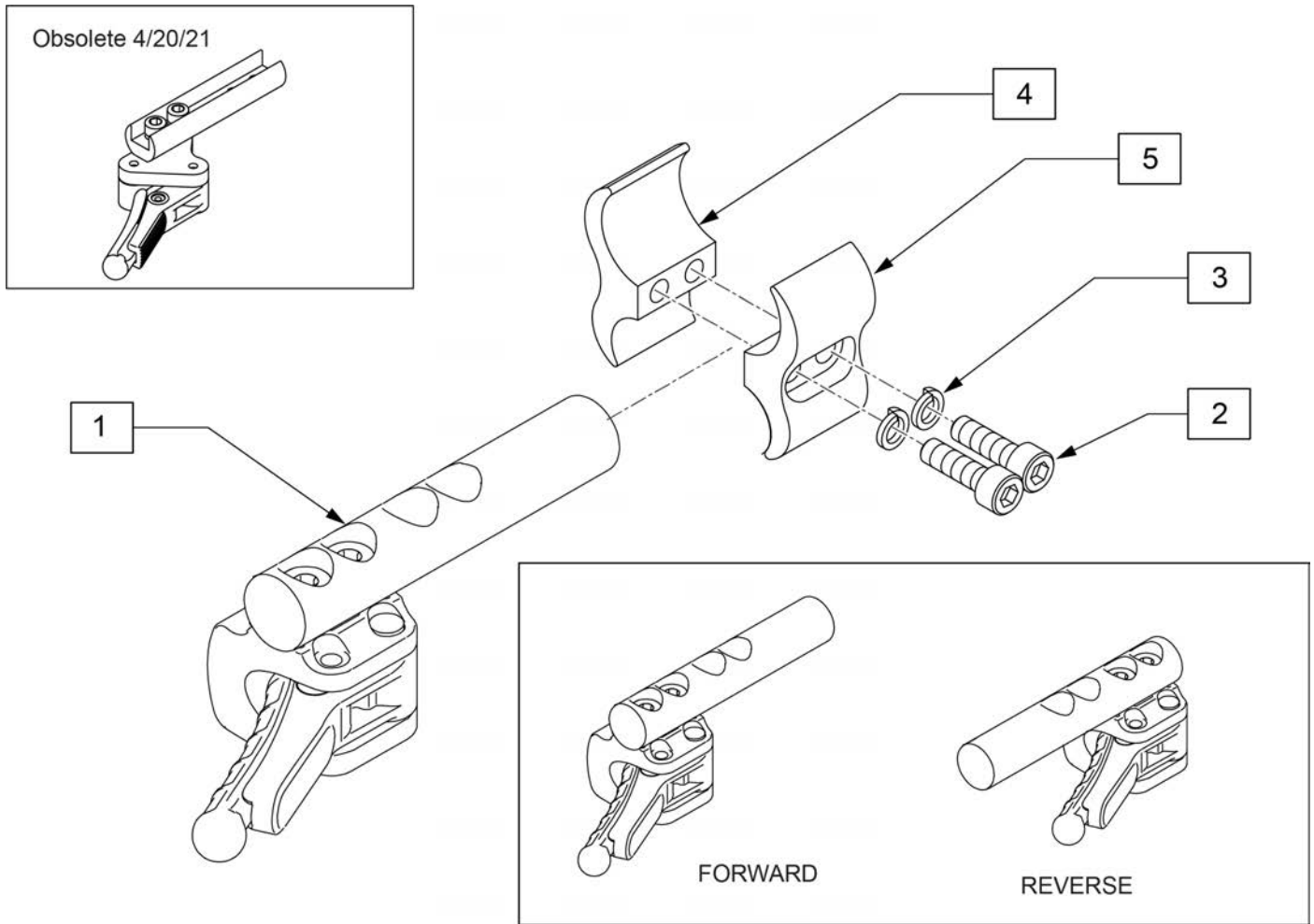


Pos.	Item Number	Description	Remarks
1	107032	SHCS 1/4-28 X 1 ROHS	
2	107367	1/4 WASHER HI COLLAR LOCK BLK	
1-4	107639	WHL LCK CLMP ASM	
5	107667	WHEEL LOCK PULL GRADE AID L	LEFT (Pull)
5	107668	WHEEL LOCK PULL GRADE AID R	RIGHT (Pull)
6	107665	WHEEL LOCK PUSH GRADE AID L	LEFT (Push)
6	107666	WHEEL LOCK PUSH GRADE AID R	RIGHT (Push)
7	104141	COVER CURVED WHEEL LOCK VIN	

NOTE: refer to "WHEEL LOCK AVAILABILITY" in Informations panel for possible mount locations.

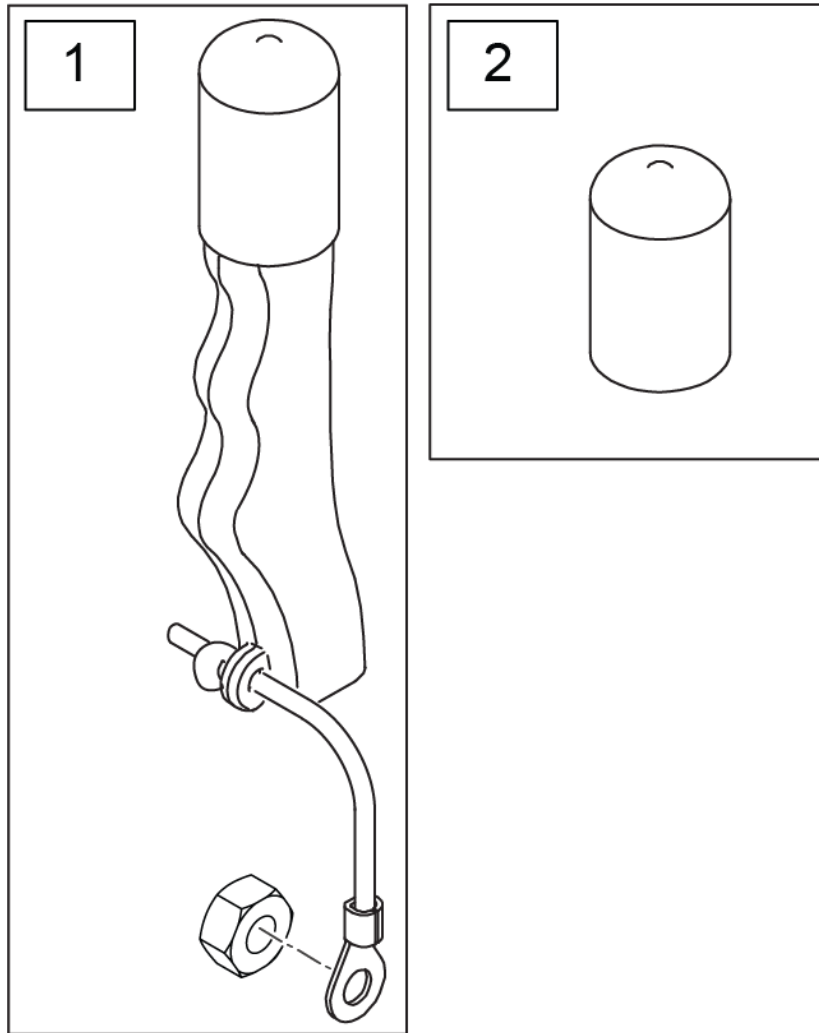
NOTE: ATTACHMENT CLAMP mounts to 1" diameter tubing.

Note: Sunrise recommends replacing in pairs for all chairs shipped prior to 4/21/2021.



Pos.	Item Number	Description	Remarks
1	66006100-301	COMPACT BRAKE	Left side Forward Mounted
1	66006100-302	COMPACT BRAKE	Right side Forward Mounted
1	66006100-401	COMPACT BRAKE STD BACK LEFT	Reverse Mounted
1	66006100-402	COMPACT BRAKE STD BACK RIGHT	Reverse Mounted
2	107032	SHCS 1/4-28 X 1 ROHS	
3	107367	1/4 WASHER HI COLLAR LOCK BLK	
2-5	107639	WHL LCK CLMP ASM	

**Note:** used on High Mount Push and Pull Wheel Locks only.



Pos.	Item Number	Description	Remarks
1	161930	WHEEL LOCK EXT ASSY (PAIR) KIT	Pair
2	560600	FOAM GRIP 1 1/2 X 0.705 X 0.1	

Note: this wheel utilizes Screw Mount Handrims - the handrim has a threaded hole that mounts the handrim to the wheel through a spacer and fastener.

Note: if Mag Wheel Assembly was ordered without Handrim and a Handrim is added to the wheel, qty 6 of 101932 and 281175 ARE REQUIRED to properly mount the handrim.

Note: if changing the Rear Wheel Size on a chair with Anti-tips, new size Anti-tip Assemblies ARE REQUIRED to accommodate the new Rear Wheel Size.

Note: for Zippie X'cape 6 Spoke Mags are only available with the One Arm Drive.

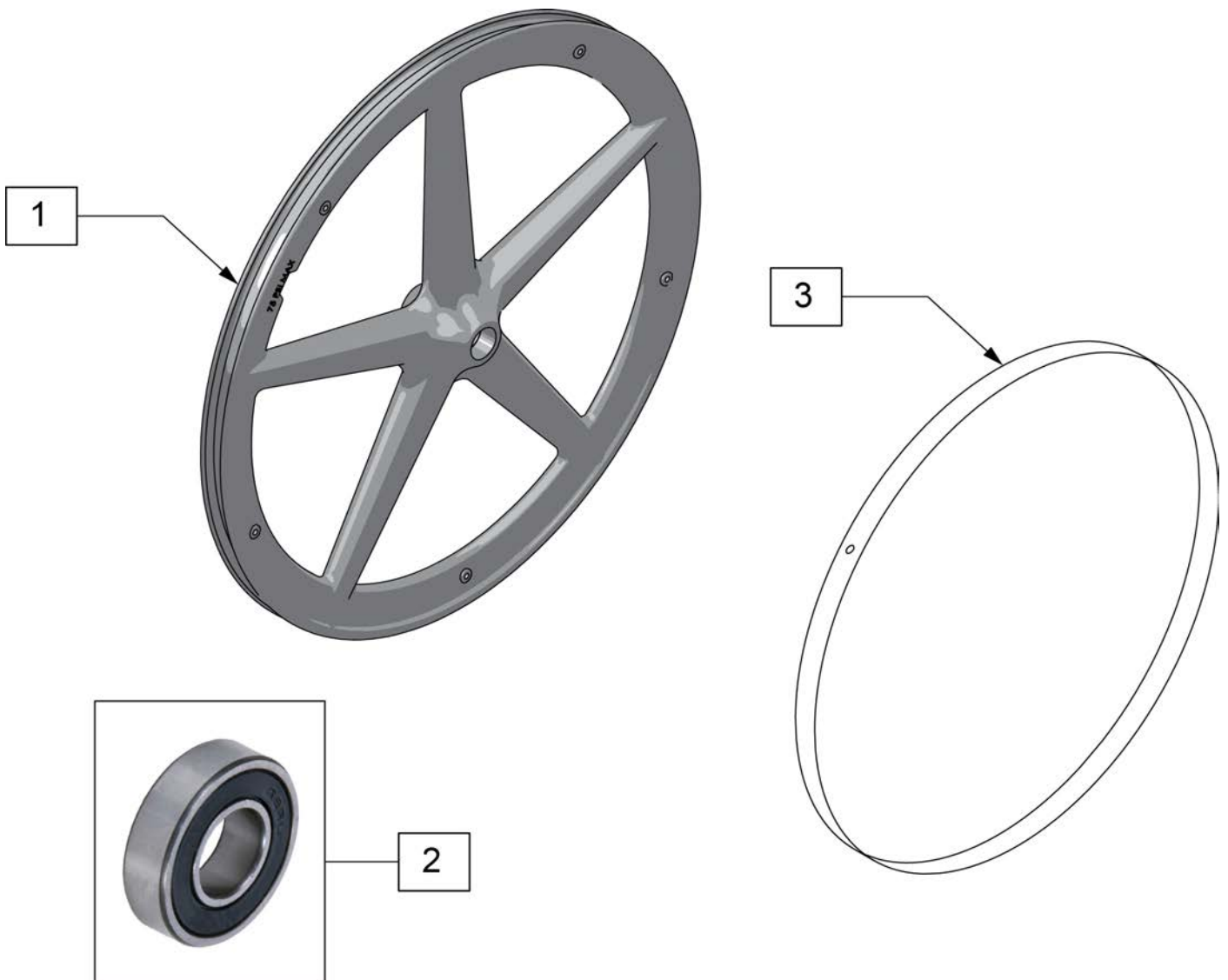


Pos.	Item Number	Description	Remarks
1-3	401094	20" MAG W/BRNG 6 SPOKE	20"
1-3	401093	22" MAG W/BRNG 6 SPOKE	22"(501mm)
1-3	401092	24" MAG W/BRNG 6 SPOKE	24"(540mm)
2	349500	1 1/8 X 1/2 BEARING	
3	521564	MAG BEARING SPACER	
4	101932	SPCR .194ID X .375 OD X .750	Used when previously ordered with Omit handrims or Natural Fit Handrims

Note: 5 Spoke Mag is not compatible with One Arm Drive or Projection Handrims.

Note: 5 Spoke Mag utilizes exclusive screw mounted handrims.

Note: if changing the Rear Wheel Size on a chair with Anti-tips, new size Anti-tip Assemblies ARE REQUIRED to accommodate the new Rear Wheel Size.



Pos.	Item Number	Description	Remarks
1,2	128985	20" 5 SPOKE MAG WHEEL	20" (451mm)
1,2	128986	22" 5 SPOKE MAG WHEEL	22" (501mm)
1,2	126405	24" MAG W/BRNG 5 SPOKE	24" (540mm)
2	349500	1 1/8 X 1/2 BEARING	
3	129325	20" MAG RIM STRIP	
3	129324	22" MAG RIM STRIP	
3	127912	24" MAG RIM STRIP	



Note: this Wheel utilizes Screw Mount Handrims; the Handrim has a threaded hole that mounts the Handrim to the Wheel through a spacer and fastener.

Note: the Lite Spoke Wheel has a total of 30 spokes.

Note: if changing the Rear Wheel Size on a chair with Anti-tips, new size Anti-tip Assemblies ARE REQUIRED to accommodate the new Rear Wheel Size.

Note: when ordering replacement bearings, if dust shield on bearing has the following markings: MBL-Z2 6001 2RS, then order P/N 114097.



Pos.	Item Number	Description	Remarks
1A	118755	WHEEL ASSM GALLOP 20IN	20" (451)
1B	118756	WHEEL ASSM GALLOP 22IN	22" (501)
1C	107131	WHEEL RIM/SPOKE 24" ASSM	24" (540)
1D	118764	25 LT SPK W-HNDRM ANO ASSM GLP	25" (559)
1E	118760	WHEEL ASSM GALLOP 26IN	26" (590)
2A	114097	BEARING, REPLACEMENT, MBL	12.7mm i.d. - 28mm o.d. - 8mm wide; used prior to 11/29/10
2B	349500	1_125 X .5 BEARING	Beginning 11/29/10
3A	118100	MBL LT 20IN SPOKE RPLMNT KIT	Kit contains 6 inner and 6 outer spokes
3B	118101	MBL LT 22IN SPOKE RPLMNT KIT	Kit contains 6 inner and 6 outer spokes
3C	118102	MBL LT 24IN SPOKE RPLMNT KIT	Kit contains 6 inner and 6 outer spokes
3D	118103	MBL LT 25IN SPOKE RPLMNT KIT	Kit contains 6 inner and 6 outer spokes
3E	118104	MBL LT 26IN SPOKE RPLMNT KIT	Kit contains 6 inner and 6 outer spokes

Note: Wheels do not include rim strips, see "RIM STRIP" page to order correct rim strip.

Note: this wheel utilizes Tab Mount Handrims - the handrim has a straight tab that mounts to the wheel through the rim.

Note: 20" wheels have 18 spokes per wheel; 22", 24" & 25" wheels have 24 spokes per wheel; spokes are black.

Note: if changing the Rear Wheel Size on a chair with Anti-tips, new size Anti-tip Assemblies ARE REQUIRED to accommodate the new Rear Wheel Size.



<b>Pos.</b>	<b>Item Number</b>	<b>Description</b>	<b>Remarks</b>
1A	112857	ULTRA LIGHTWEIGHT WHEEL 20"	20"
1B	112858	ULTRA LIGHT WHEEL 22"	22"(501mm)
1C	112859	ULTRA LIGHTWEIGHT WHEEL 24"	24"(540mm)
1D	112860	ULTRA LIGHTWEIGHT WHEEL 25"	25"(559mm)
2	349500	1 1/8 X 1/2 BEARING	
3A	118105	ULTRA LT 20IN SPOKE RPLMNT KIT	Kit contains 12 spokes
3B	118106	ULTRA LT 22IN SPOKE RPLMNT KIT	Kit contains 12 spokes
3C	118107	ULTRA LT 24IN SPOKE RPLMNT KIT	Kit contains 12 spokes
3D	118108	ULTRA LT 25IN SPOKE RPLMNT KIT	Kit contains 12 spokes

**Note:** this wheel utilizes tab mount handrims - the handrim has a straight tab that mounts to the wheel through the rim.

**Note:** please see the Rear Wheel Finder for the complete Wheel Assembly with the Flex Rim.

Note: if changing the Rear Wheel Size on a chair with Anti-tips, new size Anti-tip Assemblies ARE REQUIRED to accommodate the new Rear Wheel Size.



Pos.	Item Number	Description	Remarks
1	109242	SPINERGY STD WHL 22" BLK SPK	22"(489mm)
1	762438	SPINERGY STD WHEEL 540 BLK SPK	24"(540mm)
1	762441	SPINERGY STD WHL 559 BLK SPK	25"(559mm)
1	762437	SPINERGY STD WHEEL 590 BLK SPK	26"(590mm)
1	762442	SPINERGY STD WHEEL 540 BLUE	24"(540mm)
1	762444	SPINERGY STD WHEEL 559 BLU	25"(559mm)
1	762446	SPINERGY STD WHEEL 590 BLUE	26"(590mm)
1	762443	SPINERGY STD WHEEL 540 RED	24"(540mm)
1	762445	SPINERGY STD WHEEL 559 RED	25"(559mm)
1	762447	SPINERGY STD WHEEL 590 RED	26"(590mm)
1	762456	SPINERGY STD WHEEL 540 WHT	24"(540mm)
1	762433	SPINERGY STD WHEEL 540 YELLOW	24"(540mm)
1	762462	SPINERGY STD WHL 559 YLW SPK	25"(559mm)
1	762431	SPINERGY STD WHEEL 590 YELLOW	26"(590mm)
2	349500	1 1/8 X 1/2 BEARING	

**Note:** this wheel utilizes tab mount handrims - the handrim has a straight tab that mounts to the wheel through the rim.

**Note:** please see the Rear Wheel Finder for the complete Wheel Assembly with the Flex Rim.

Note: if changing the Rear Wheel Size on a chair with Anti-tips, new size Anti-tip Assemblies ARE REQUIRED to accommodate the new Rear Wheel Size.



Pos.	Item Number	Description	Remarks
1	108858	SPINERGY LT EX WHL 22" BLK	22"(489mm); 12 Spoke
1	109215	SPINERGY LT EX WHL 22" BLU	22"(489mm); 12 Spoke
1	109216	SPINERGY LT EX WHL 22" RED	22"(489mm); 12 Spoke
1	109217	SPINERGY LT EX WHL 22" WHT	22"(489mm); 12 Spoke
1	109218	SPINERGY LT EX WHL 22" YLW	22"(489mm); 12 Spoke
1	101989-001	SPINERGY LT EX WHEEL 540 BLK	24"(540mm); 12 Spoke
1	101989-002	SPINERGY LT EX WHEEL 540 BLU	24"(540mm); 12 Spoke
1	101989-003	SPINERGY LT EX WHEEL 540 RED	24"(540mm); 12 Spoke
1	101989-005	SPINERGY LT EX WHEEL 540 WHT	24"(540mm); 12 Spoke
1	101989-004	SPINERGY LT EX WHEEL 540 YLW	24"(540mm); 12 Spoke
1	101991-001	SPINERGY LT EX WHEEL 559 BLK	25"(559mm); 12 Spoke
1	101991-002	SPINERGY LT EX WHEEL 559 BLU	25"(559mm); 12 Spoke
1	101991-003	SPINERGY LT EX WHEEL 559 RED	25"(559mm); 12 Spoke
1	101991-004	SPINERGY LT EX WHEEL 559 YLW	25"(559mm); 12 Spoke
1	101993-001	SPINERGY LT EX WHEEL 590 BLK	26"(590mm); 12 Spoke
1	101993-004	SPINERGY LT EX WHEEL 590 YLW	26"(590mm); 12 Spoke
2	349500	1 1/8 X 1/2 BEARING	



**Note:** this wheel utilizes tab mount handrims - the handrim has a straight tab that mounts to the wheel through the rim.

**Note:** please see the Rear Wheel Finder for the complete Wheel Assembly with the Flex Rim.

Note: if changing the Rear Wheel Size on a chair with Anti-tips, new size Anti-tip Assemblies ARE REQUIRED to accommodate the new Rear Wheel Size.

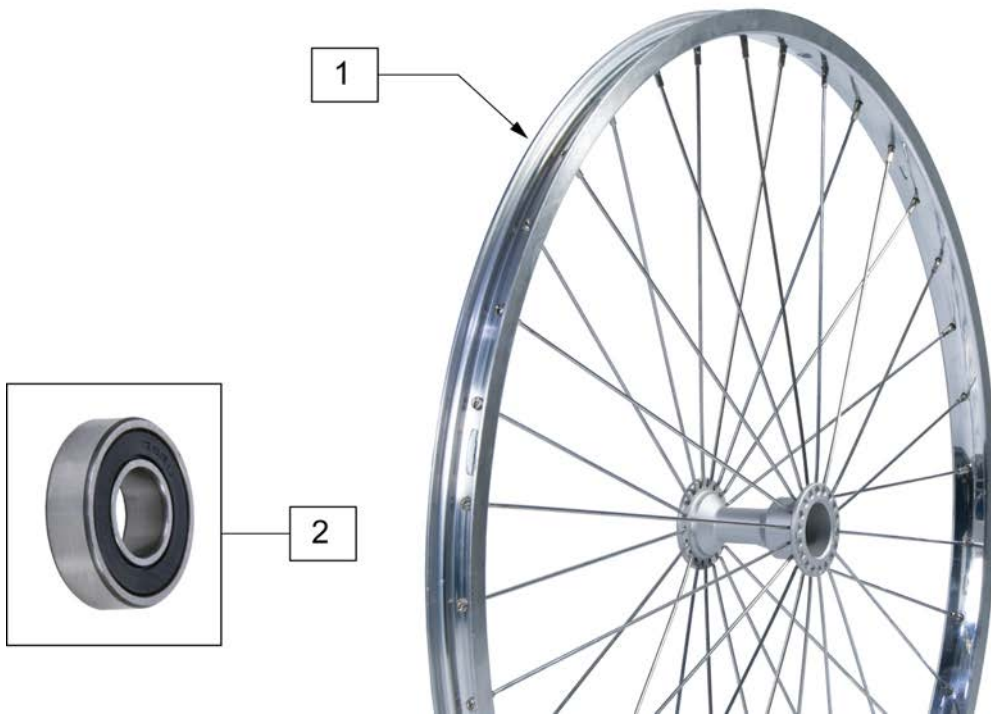


Pos.	Item Number	Description	Remarks
1	101988-001	SPINRGY SPT LT EX WHL 540 BLK	24"(540mm), 18 spoke
1	101988-002	SPINRGY SPT LT EX WHL 540 BLU	24"(540mm), 18 spoke
1	101988-003	SPINRGY SPT LT EX WHL 540 RED	24"(540mm), 18 spoke
1	101988-004	SPINRGY SPT LT EX WHL 540 YLW	24"(540mm), 18 spoke
1	101988-005	SPINRGY SPT LT EX WHL 540 WHT	24"(540mm), 18 spoke
1	101990-001	SPINRGY SPT LT EX WHL 559 BLK	25"(559mm), 18 spoke
1	101990-002	SPINRGY SPT LT EX WHL 559 BLU	25"(559mm), 18 spoke
1	101990-003	SPINRGY SPT LT EX WHL 559 RED	25"(559mm), 18 spoke
1	101990-004	SPINRGY SPT LT EX WHL 559 YLW	25"(559mm), 18 spoke
1	101990-005	SPINRGY SPT LT EX WHL 559 WHT	25"(559mm), 18 spoke
1	101992-001	SPINRGY SPT LT EX WHL 590 BLK	26"(590mm), 18 spoke
1	101992-002	SPINRGY SPT LT EX WHL 590 BLU	26"(590mm), 18 spoke
1	101992-003	SPINRGY SPT LT EX WHL 590 RED	26"(590mm), 18 spoke
1	101992-004	SPINRGY SPT LT EX WHL 590 YLW	26"(590mm), 18 spoke
1	101992-005	SPINRGY SPT LT EX WHL 590 WHT	26"(590mm), 18 spoke
2	349500	1 1/8 X 1/2 BEARING	

Note: this wheel utilizes Tab Mount Handrims - the handrim has a straight tab that mounts to the wheel through the rim.

Note: if changing the Rear Wheel Size on a chair with Anti-tips, new size Anti-tip Assemblies ARE REQUIRED to accommodate the new Rear Wheel Size.

Note: if retrofitting Natural Fit Handrims to a Mountain wheel assembly, the complete wheel assemblies will be required; see Rear Wheel Finder.



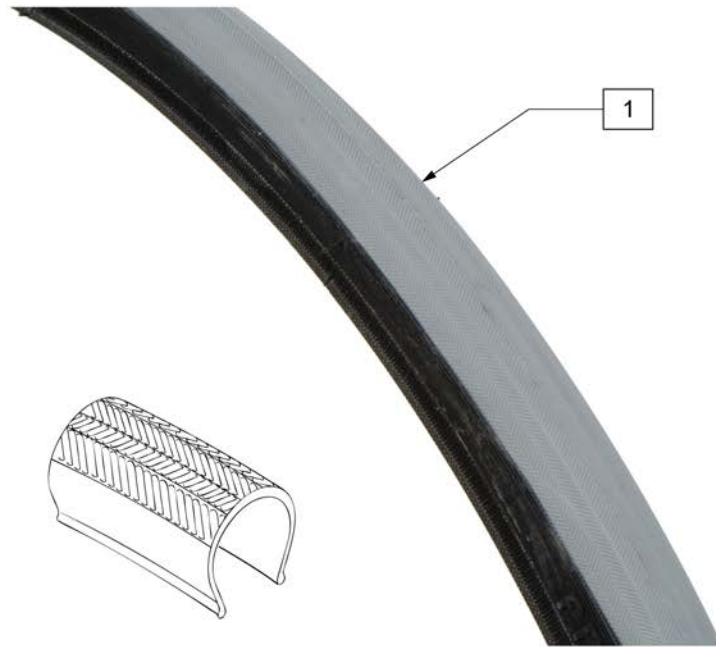
Pos.	Item Number	Description	Remarks
1	401075	24 RIM ASSM X 1.5 SUN PSH BTTN	22" (507mm); 4 Tabs; overall whl size w/tire = to 24"(540mm)
1	401076	24" HT RIM ASSM SUN PUSH BTTN	25" (559mm); 6 Tabs; overall whl size w/tire = to 26"(590mm)
1	108304	6 TAB RIM ASSM 24IN X 1.5	22" (507mm); use w/ Natural Fit HR's; overall whl size w/tire = to 24"(540mm)
2	349500	1 1/8 X 1/2 BEARING	



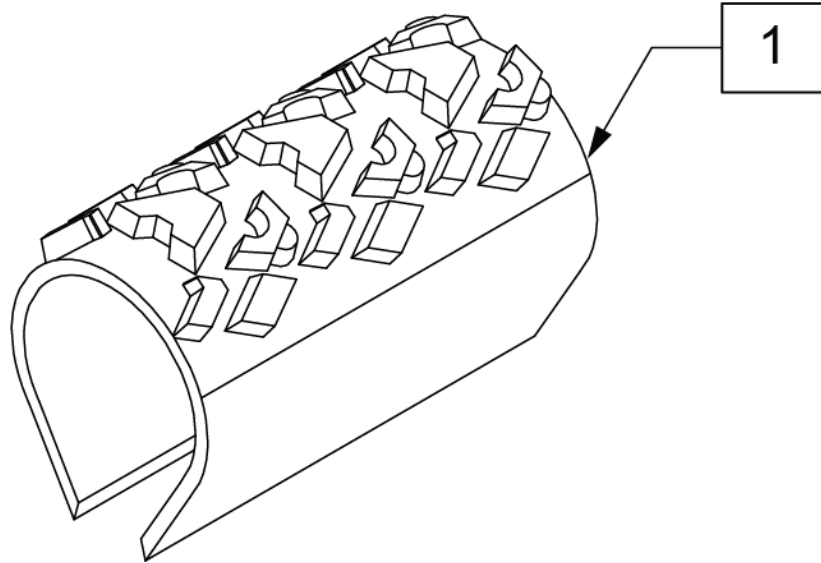
Pos.	Item Number	Description	Remarks
1	385237	16" X 1.75" PNEU TIRE	
1	385250	20" PNEUMATIC TIRE	
1	385275	22" PNEUMATIC TIRE	22" x 1 3/8 (501mm)
1	385300	24" PNEUMATIC TIRE	24" x 1 3/8 (540mm)
1	385325	26" PNEUMATIC TIRE	26" x 1 3/8 (590mm)
1	384614	24" x 2.125 PNEUMATIC TIRE	24"x2 1/8 (540mm) used w/ M6



Pos.	Item Number	Description	Remarks
1	386232	20" POLY TIRE STD	20"
1	386242	22" POLY TIRE STD	22" (501mm)
1	386252	24" POLY TIRE STD	24" (540mm)



Pos.	Item Number	Description	Remarks
1	385280	22" x 1" HI PRES CLINCHER	22" (501mm)
1	389020	24" x 1" HI PRES CLNCHR TIRE	24" (540mm)
1	389012	QP 24" x 1" HT TURB BLK WR/BD 559	25" (559mm)
1	389030	26" x 1" HI PRES CLNCHR TIRE	26" (590mm)
1	105919	22" x 1" HI PRESS CLNCHR ULTRALIGHT	22" (489mm)



Pos.	Item Number	Description	Remarks
1	385354	24" X 1-3/8" KNOBBIE TIRE	24"(540mm)



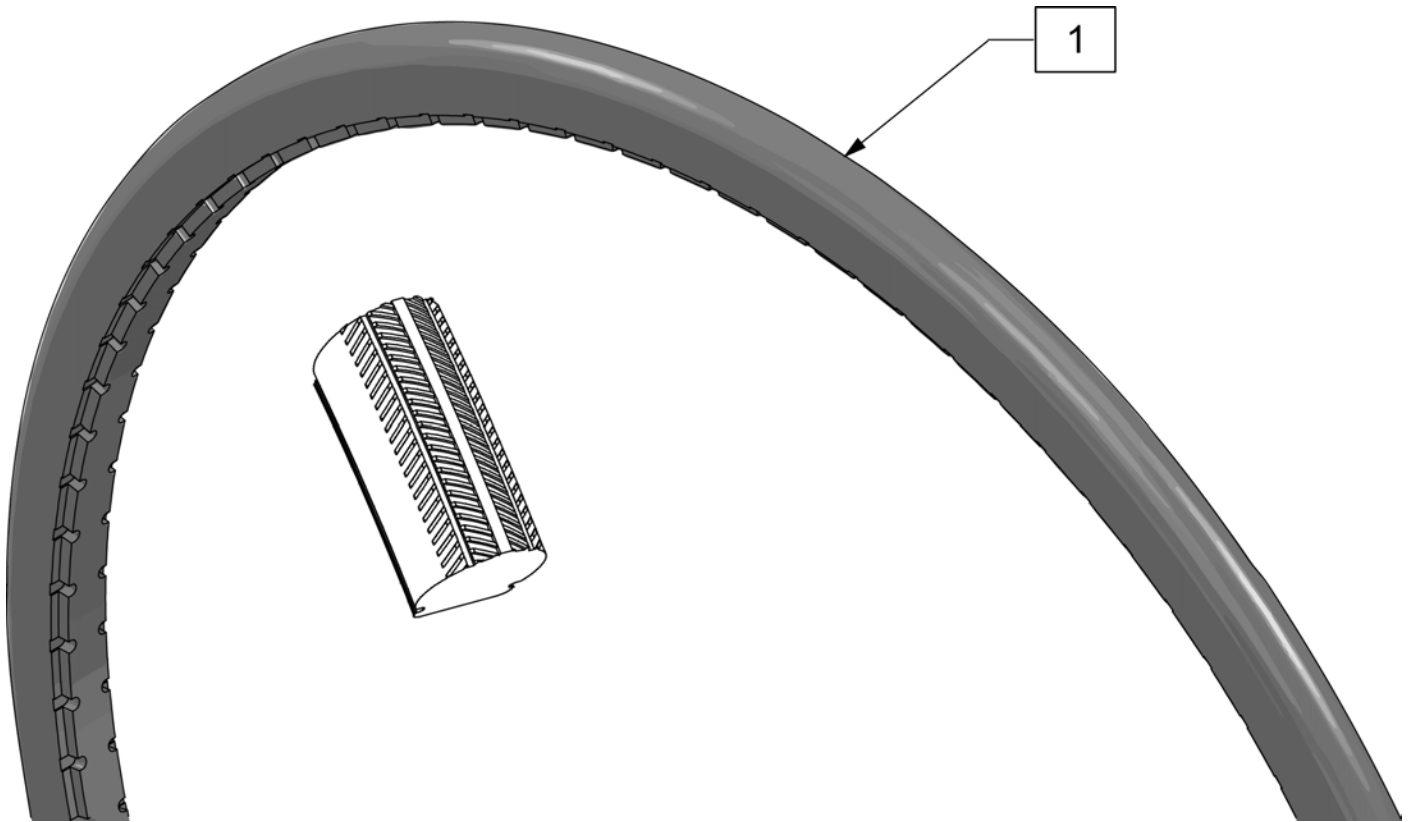
Pos.	Item Number	Description	Remarks
1	102066-004	TIRE SCHWALBE MP 489 BLK	22" (489mm)
1	102066-001	TIRE SCHWBL MPE 540 BLK	24" (540mm)
1	102066-002	TIRE SCHWBL MPE 559 BLK	25" (559mm)
1	102066-003	TIRE SCHWBL MPE 590 BLK	26" (590mm)





Pos.	Item Number	Description	Remarks
1	384604	TIRE CS 24 X 2.1 SMOKER 507MM	22"(501mm)
1	384606	TIRE CS 26 X 2.1 SMOKER 559MM	25"(559mm)

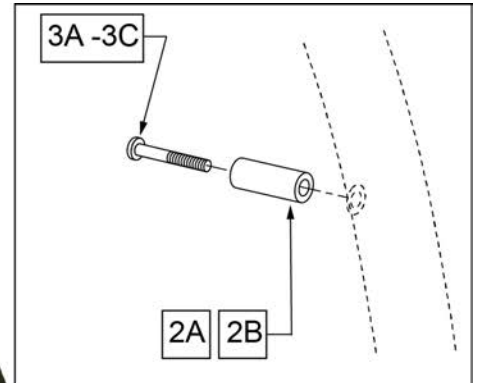
Note: Shox Tire do not fit Topolino Wheels due to width.



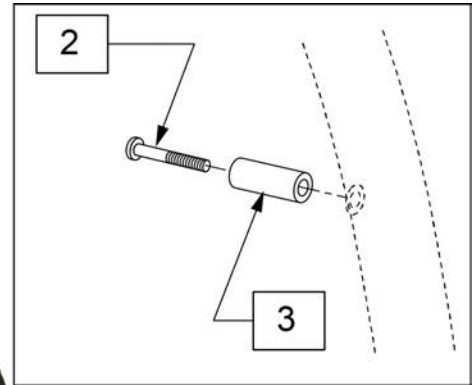
Pos.	Item Number	Description	Remarks
1	129924	TIRE SHOX CEW20"	20"(457mm) Black
1	129925	TIRE SHOX CEW22"	22"(501mm) Black
1	129926	TIRE SHOX CEW24"	24"(540mm) Black
1	129927	TIRE SHOX CEW25"	25"(559mm) Black



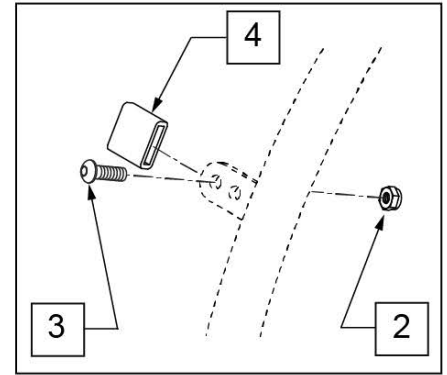
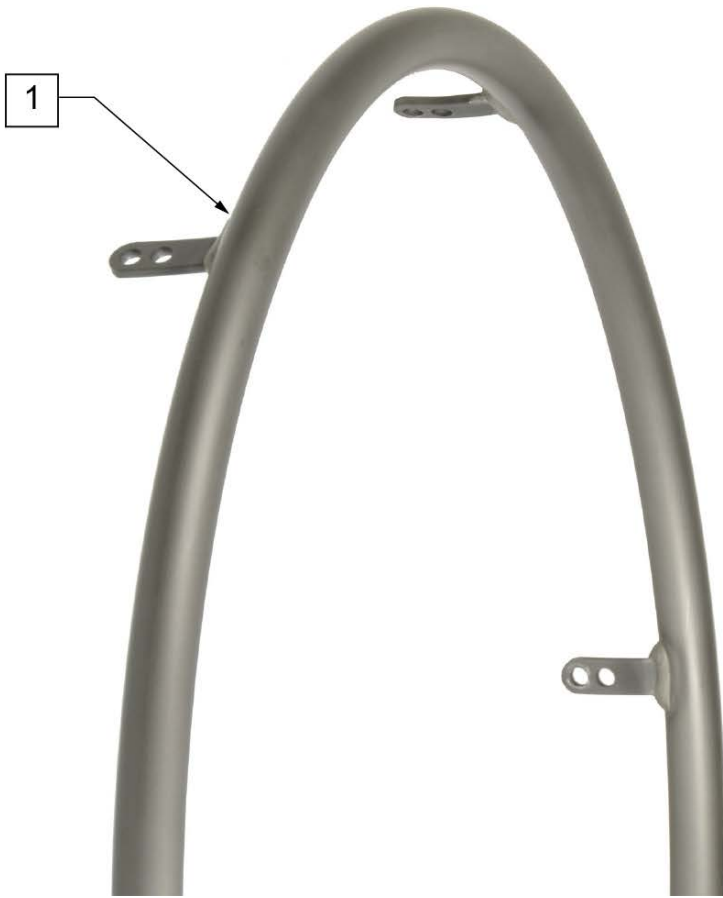
Pos.	Item Number	Description	Remarks
1A	Discontinued	Presta Valves Discontinued	
1A	384736	INNER TUBE 12-1/2" X 2-1/4"	
1A	384738	16" X 1.75" INNER TUBE	
1A	382255	TUBE 18" TIRE	18" X 1-3/4" TUBE
1A	382275	20" TUBE	20" 1-3/8" TUBE
1A	382300	22" TUBE	22" X 1-3/8" TUBE
1A	382336	TUBE PRIMO 24" 25-540 SV	24" X 1" TUBE
1A	382325	24 X 1.3/8IN TUBE REG	
1A	382334	TUBE INLINE 24 X 1.75	
1A	384551	26" X 1" TUBE SCHRADER	
1A	382350	26" TUBE	26" X 1-3/8" TUBE
1A	382361	TUBE 26 X 1.5/1.95/ S/V	
1A	382365	26 X 1.25/1.5 TUBE SHRADER	
1A	382375	24" x 2.125 TUBE	
1B	102972-001	12 1/2 IN AIRLESS INSERT	12-1/2" X 2-1/4"
1B	102973-001	16IN AIRLESS INSERT	16" X 1-3/4"
1B	102973-002	18IN AIRLESS INSERT	18" X 1-3/4"
1B	102973-003	20IN AIRLESS INSERT	20" X 1-3/8"
1B	102972-002	AIRLESS INSERT 20 X 2-1/8 P3	
1B	102973-004	22IN AIRLESS INSERT	22" X 1-3/8"
1B	102973-005	24IN AIRLESS INSERT	24" X 1-3/8"
1B	102972-003	AIRLESS INSERT 24 X 2-1/8	
1B	108259	26" AIRLESS INSERT	26" X 1-3/8"



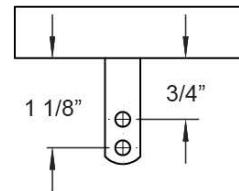
Pos.	Item Number	Description	Remarks
>>>>	>>>>>>>>	LITE SPOKE	>>>>
1,2A,3A	159508	20IN LT SPK AA HNDRIM W/HDWR	20" LITE SPOKE
1,2A,3A	159509	22IN LT SPK AA HNDRIM W/HDWR	22" (501) LITE SPOKE
1,2A,3A	159510	24IN LT SPK AA HNDRIM W/HDWR	24" (540) LITE SPOKE
1,2A,3A	159511	25IN LT SPK AA HNDRIM W/HDWR	25" (559) LITE SPOKE
1,2A,3A	159512	26IN LT SPK AA HNDRIM W/HDWR	26" (590) LITE SPOKE
2A,3A	159513	LT SPK AL AN HNDRIM HDWR	LITE SPOKE, SET OF 6
>>>>	>>>>>>>>	SPOKE	>>>>
1,2B,3B	425931	20" HR 6SMT W/HDWR	20" SPOKE
1,2B,3B	425941	22" HR 6SMT W/HDWR	22" (501) SPOKE
1,2B,3B	426000	24" HR 6SMT W/ HDWR	24" (540) SPOKE
2B,3B	159514	SPK AL AN HNDRIM HDWR	SPOKE, SET OF 6
>>>>	>>>>>>>>	MAG	>>>>
1,3C	425934	20" HR 6SMT 6MAG W/HDWR	20" MAG
1,3C	425951	22" HR 6SMT 6MAG W/HDWR	22" (501) MAG
1,3C	426009	24" HR 6SMT 6MAG W/HDWR	24" (540) MAG
3C	281175	10-32 X 2 1/8 PAN PHIL SS	MAG
>>>>	>>>>>>>>	M6 SPOKE	>>>>
1,2B,3B	425941	22" HR 6SMT W/HDWR	24" (540) SPOKE



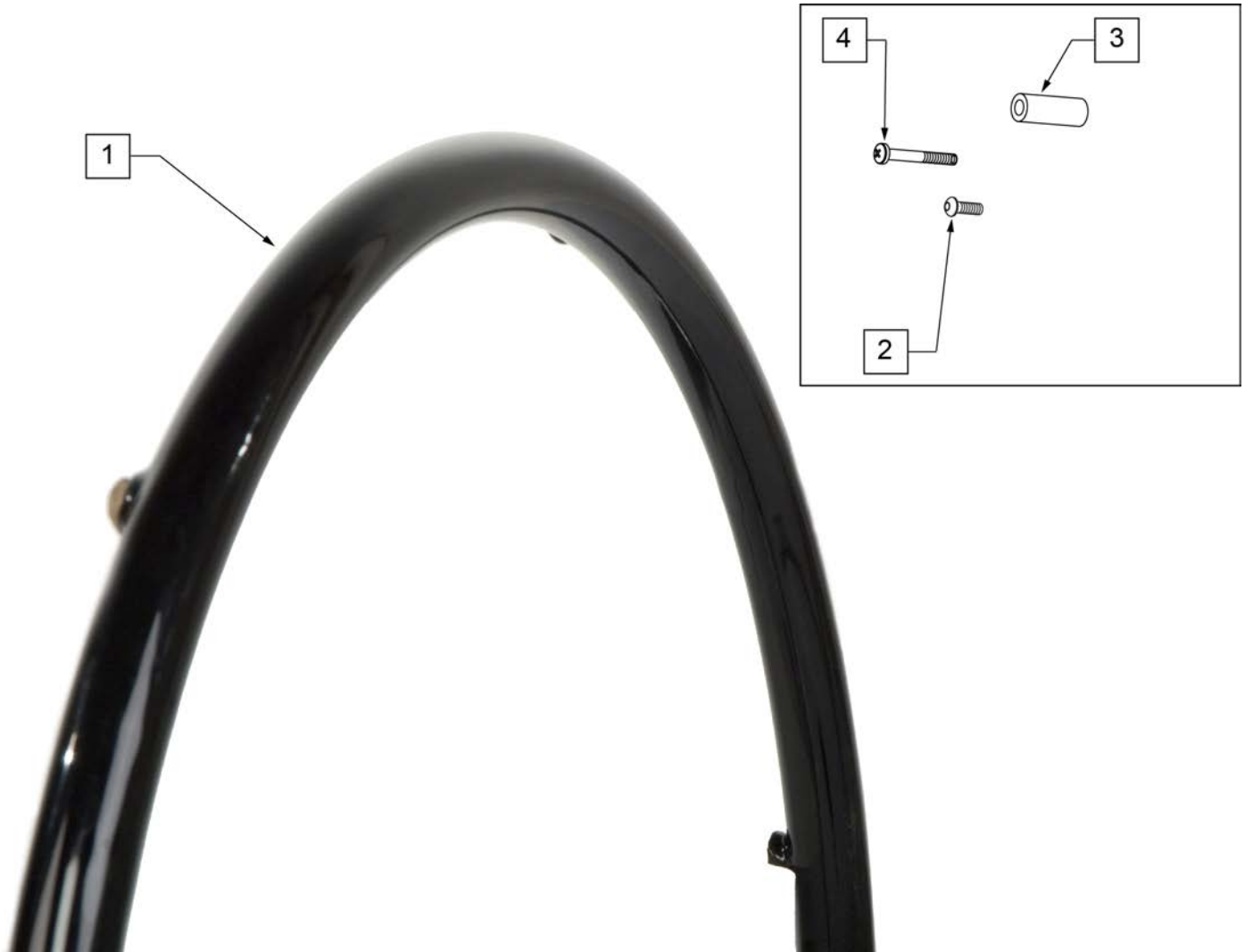
Pos.	Item Number	Description	Remarks
1-3	136158	20" ALU ANO HND RIM KIT	
1-3	136157	22" ALU ANO HND RIM KIT	
1-3	136156	24" ALU ANO HND RIM KIT	
2,3	159507	5 SPK HNDRM HDWR	set of 5



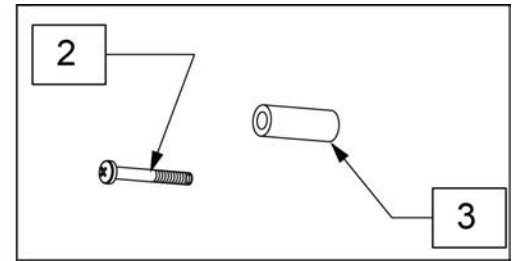
**MEASURING GUIDE**



Pos.	Item Number	Description	Remarks
>>>>>	>>>>>>>>>>	CROSS SPOKE & SPOKE	>>>>>
1 -4	425095	HANDRIM 18" 4T W/HDWR ANO	18" SPOKE
1	529529	QP 24" HR .065 (6) TAB ANO	24" (540) CROSS SPOKE -SHORT & REG TAB
1 -4	425030	24" HR 6T BB/HTBB W/HDWR	25" (590) CROSS SPOKE
>>>>>	>>>>>>>>>>	CROSS SPOKE QP (QUICKIE PERFORMANCE)	>>>>>
1 -4	425050	26" HR 6T BB/TN W/HDWR	26" (590) CROSS SPOKE TENNIS & BBALL
1 -4	425045	24" HR SHT(6T)ANO W/X/S HDWR	25" (590) CROSS SPOKE TENNIS & BBALL-SHORT TAB
1 -4	425048	26" HR (6T)ANO W/X/S HDWR	26" (700) CROSS SPOKE TENNIS & BBALL -REG TAB
1 -4	425055	26" HR SHT(6T)ANO W/X/S HDWR	26" (700) CROSS SPOKE TENNIS & BBALL-SHORT TAB
1 -4	426015	QP 24" HR .049 W/HDWR SMT	24" (540) TENNIS
1 -4	425030	24" HR 6T BB/HTBB W/HDWR	25" (559) TENNIS & BASKETBALL
1 -4	426050	QP 26" HR .065 W/HDWR (6T)	26" (700) TENNIS & BASKETBALL
1 -4	425050	26" HR 6T BB/TN W/HDWR	26" (590) TENNIS & BASKETBALL
>>>>>	>>>>>>>>>>	SPINERGY & PROTON	>>>>>
1	529529	QP 24" HR .065 (6) TAB ANO	24" (540) SPINERGY
1 -4	425038	QP 24" HR .049 W/HDWR (6T)	25" (559) SPINERGY
1 -4	425050	26" HR 6T BB/TN W/HDWR	26" (590) SPINERGY
>>>>>	>>>>>>>>>>	MOUNTAIN	>>>>>
1 -4	425020	22" HR 4T W/HDWR	24" (540) MOUNTAIN
1 -4	425030	24" HR 6T BB/HTBB W/HDWR	26" (590) MOUNTAIN
2-4	159515	AA TAB MOUNT HANDRIM HARDWARE	SET OF 6



Pos.	Item Number	Description	Remarks
>>>>>	>>>>>>>>>>	SPOKE & LITE SPOKE	>>>>>
1-3	425933	20" HR 6SMT PLST W/HDWR	20" SPOKE
1-3	425943	22" HR 6SMT PLST W/HDWR	22" (501) SPOKE
1-3	426004	24" HR 6SMT PLST W/HDWR	24" (540) SPOKE
>>>>>	>>>>>>>>>>	MAG	>>>>>
1,4	425935	20" HR 6SMT 6MAG PLST W/HDWR	20" MAG
1,4	425953	22" HR 6SMT 6MAG PLST W/HDWR	22" (501) MAG
1,4	426013	24" HR 6SMT 6MAG PLST W/HDWR	24" (540) MAG
>>>>>	>>>>>>>>>>	M6 SPOKE	>>>>>
1-3	425943	22" HR 6SMT 6 MAG PLST W/ HDWR	24" (540) M6 SPOKE
2,3	159534	PLST COATED HNDRM HARDWARE	SPOKE; SET OF 6
4	281175	10 -32 x 2 1/8 PAN PHIL SS	6 SPOKE MAG



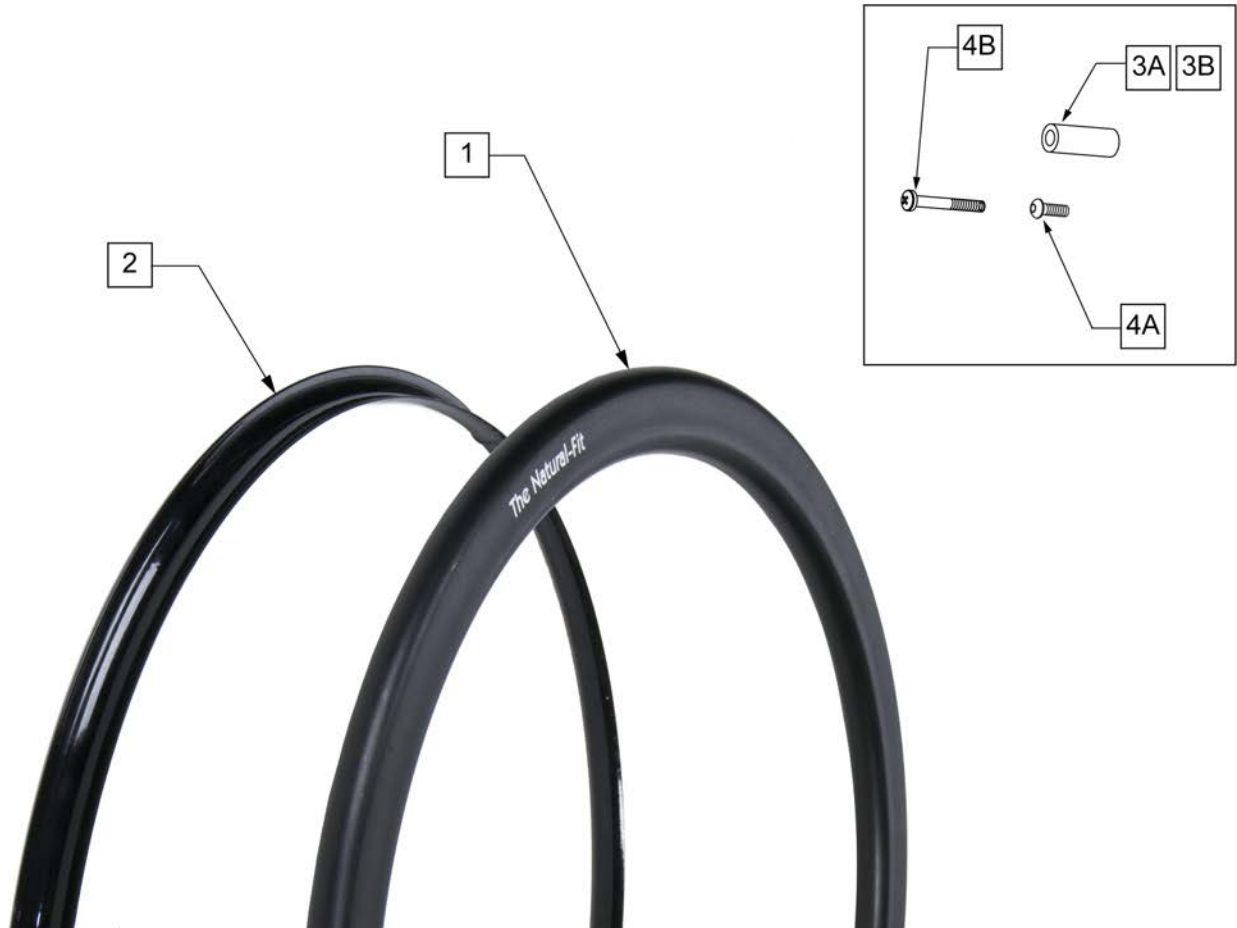
Pos.	Item Number	Description
2,3	159507	5 SPK HNDRM HDWR
1-3	136155	20" PLSTC COATED HND RIM KIT
1-3	136154	22" PLSTC COATED HND RIM KIT
1-3	136153	24" PLSTC COATED HND RIM KIT





Pos.	Item Number	Description	Remarks
>>>>>	>>>>>>>>>	MOUNTAIN	>>>>>
1,2	425022	22" HR 4T PLST W/ HDWR	24" (540)
>>>>>	>>>>>>>>>	SPINERGY & PROTON	>>>>>
1,2	425039	24"HR 6T BLK PLST W/HDWR	24" (540)
1,2	425052	26" HR 6T PLST BB/TN W/HDWR	26" (590)
>>>>>	>>>>>>>>>	QP (QUICKIE PERFORMANCE)	>>>>>
1,2	425052	26" HR 6T PLST BB/TN W/HDWR	26" (590)
1,2	426060	QP 26" HR W/ HDWR (6T) PLASTIC	26" (700)
2	159535	PLST COATED TAB HNDRM HDWR	

Note: Screw Mount Handrims are utilized with Lite Spoke, Spoke and 6 Spoke Mag Wheels.



Pos.	Item Number	Description	Remarks
>>>>>	>>>>>>>>>	STD GRIP THUMB GUARD	>>>>>
2	102168-001	GUARD THUMB NAT FIT 22 PC BLK	22" (501)- Std Grip Thumb Guard
2	102168-003	GUARD THUMB NAT FIT 24 PC BLK	24" (540)- Std Grip Thumb Guard
2	102168-005	GUARD THUMB NAT FIT 25 PC BLK	25" (559)- Std Grip Thumb Guard
2	102168-007	GUARD THUMB NAT FIT 26 PC BLK	26" (590)- Std Grip Thumb Guard
>>>>>	>>>>>>>>>	SUPER GRIP THUMB GUARD	>>>>>
2	102168-002	GUARD THUMB NAT FIT 22 SG BLK	22" (501)- Super Grip Thumb Guard
2	102168-004	GUARD THUMB NAT FIT 24 SG BLK	24" (540)- Super Grip Thumb Guard
2	102168-006	GUARD THUMB NAT FIT 25 SG BLK	25" (559)- Super Grip Thumb Guard
2	102168-008	THUMB GUARD NAT FIT 26 SG BLK	26" (590)- Super Grip Thumb Guard
>>>>>	>>>>>>>>>	NATURAL FIT LITE HANDRIM	>>>>>
1,3A,4A	159516	22 NAT-FIT LT HNDRIM W/HDWR	22" (501)
1,3A,4A	159517	24 NAT-FIT LT HNDRIM W/HDWR	24" (540)
1,3A,4A	159518	25 NAT-FIT LT HNDRIM W/HDWR	25" (559)
1,3A,4A	159519	26 NAT-FIT LT HNDRIM W/HDWR	26" (590)
>>>>>	>>>>>>>>>	NATURAL FIT HANDRIM	>>>>>
1,3A,4A	159520	22 NAT-FIT HNDRIM W/HDWR	22" (501)

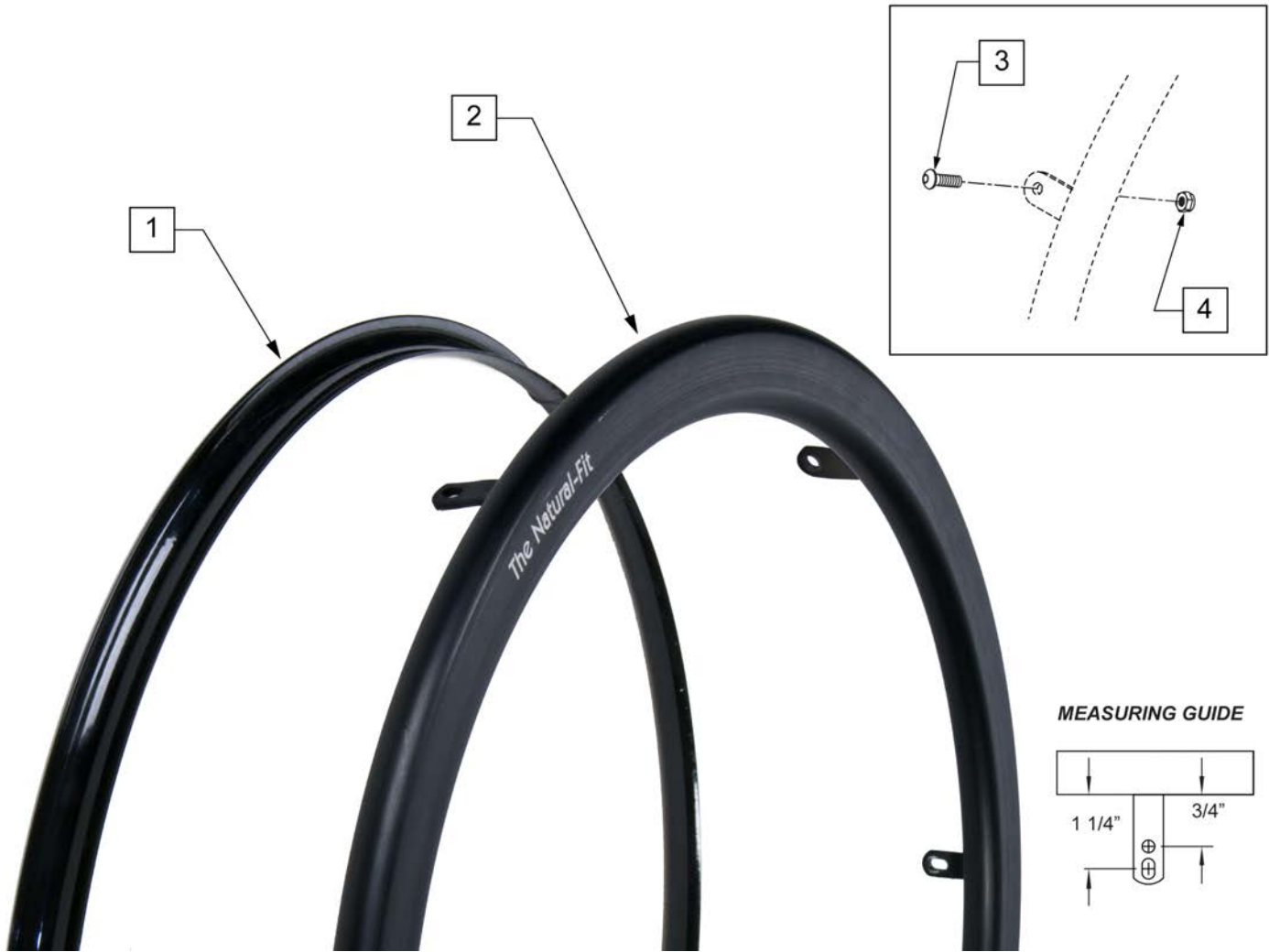
Pos.	Item Number	Description	Remarks
1,3A,4A	159521	24 NAT-FIT HNDRIM W/HDWR	24" (540)
1,3A,4A	159522	25 NAT-FIT HNDRIM W/HDWR	25" (559)
1,3A,4A	159523	26 NAT-FIT HNDRIM W/HDWR	26" (590)
3A,4A	159524	NAT-FIT HNDRIM LT HDWR SET 6	USED W/ LITE SPOKE & SPOKE; SET OF 6
3B	101932	SPCR .194ID X .375 OD X .750	USED W/ MAG
4B	281175	10-32 X 2 1/8 PAN PHIL SS	USED W/ MAG

NOTE: fits 24" 5 Spoke Wheel only.



Pos.	Item Number	Description	Remarks
1A	126558	HNDRM NAT FIT LT OVAL 5 RVT	24" Light
1B	126559	HNDRM NATURAL FIT OVAL 5 RVT	24" Standard
2A	102168-004	GUARD THUMB NAT FIT 24 SG BLK	24" (540)- Super Grip Thumb Guard
2B	102168-003	GUARD THUMB NAT FIT 24 PC BLK	24" (540)- Standard Grip Thumb Guard
3	101932	SPCR .194ID X .375 OD X .750	
4	281175	10-32 X 2 1/8 PAN PHIL SS	

Note: Tab Mount Hand Rims are utilized with Spinergy & Toplino Wheels.

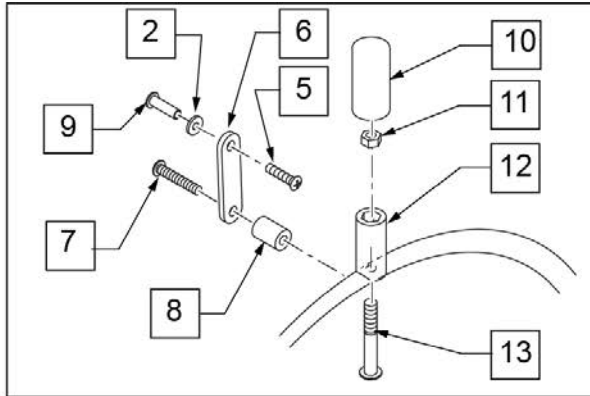


Pos.	Item Number	Description	Remarks
>>>>>	>>>>>>>>>	STD GRIP THUMB GRIP	>>>>>
1	102168-001	GUARD THUMB NAT FIT 22 PC BLK	22" (501)
1	102168-003	GUARD THUMB NAT FIT 24 PC BLK	24" (540)
1	102168-005	GUARD THUMB NAT FIT 25 PC BLK	25" (559)
1	102168-007	GUARD THUMB NAT FIT 26 PC BLK	26" (590)
>>>>>	>>>>>>>>>	SUPER GRIP THUMB GUARD	>>>>>
1	102168-002	GUARD THUMB NAT FIT 22 SG BLK	22" (501)
1	102168-004	GUARD THUMB NAT FIT 24 SG BLK	24" (540)
1	102168-006	GUARD THUMB NAT FIT 25 SG BLK	25" (559)
1	102168-008	THUMB GUARD NAT FIT 26 SG BLK	26" (590)
>>>>>	>>>>>>>>>	NATURAL FIT LITE HANDRIM	>>>>>
2-4	159525	22 NAT-FIT LT TB HNDRIM W/HDWR	22" (501)
2-4	159526	24 NAT-FIT LT TB HNDRIM W/HDWR	24" (540)
2-4	159527	25 NAT-FIT LT TB HNDRIM W/HDWR	25" (559)

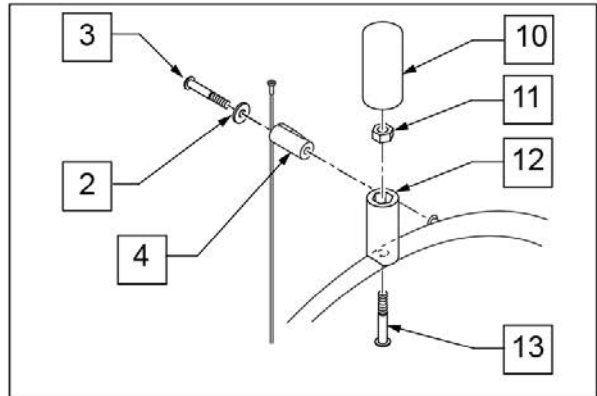
Pos.	Item Number	Description	Remarks
2-4	159528	26 NAT-FIT LT TB HNDRIM W/HDWR	26" (590)
>>>>>	>>>>>>>>>>	NATURAL FIT -W/O THUMB GRIP	>>>>>
2-4	159529	22 NAT-FIT TB HNDRIM W/HDWR	22" (501)
2-4	159530	24 NAT-FIT TB HNDRIM W/HDWR	24" (540)
2-4	159531	25 NAT-FIT TB HNDRIM W/HDWR	25" (559)
2-4	159532	26 NAT-FIT TB HNDRIM W/HDWR	26" (590)
3,4	159533	NAT-FIT TAB MNT HARDWARE	SET OF 6

**NOTE:** Not all Projection Handrims are offered on all chairs, check the order form for compatibility.

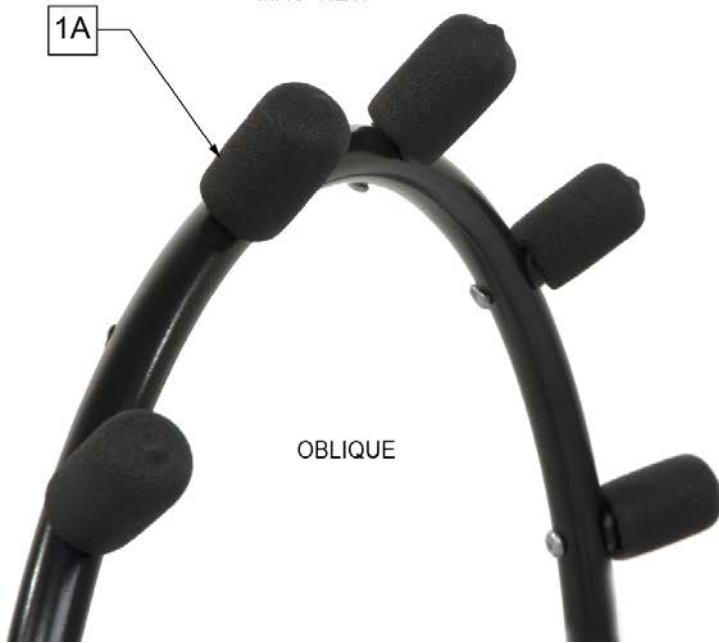
**NOTE:** Projection Handrims are only available with the Traditional 6 Spoke Mag and Quickie Spoke Wheels.



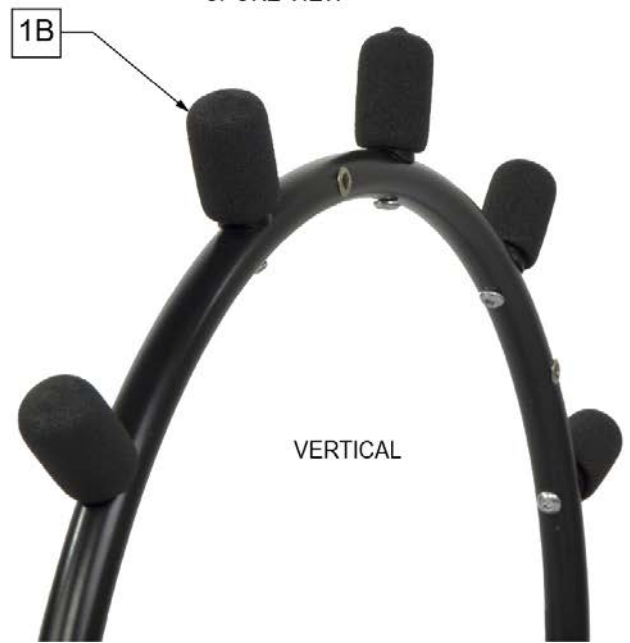
MAG VIEW



SPOKE VIEW



OBLIQUE

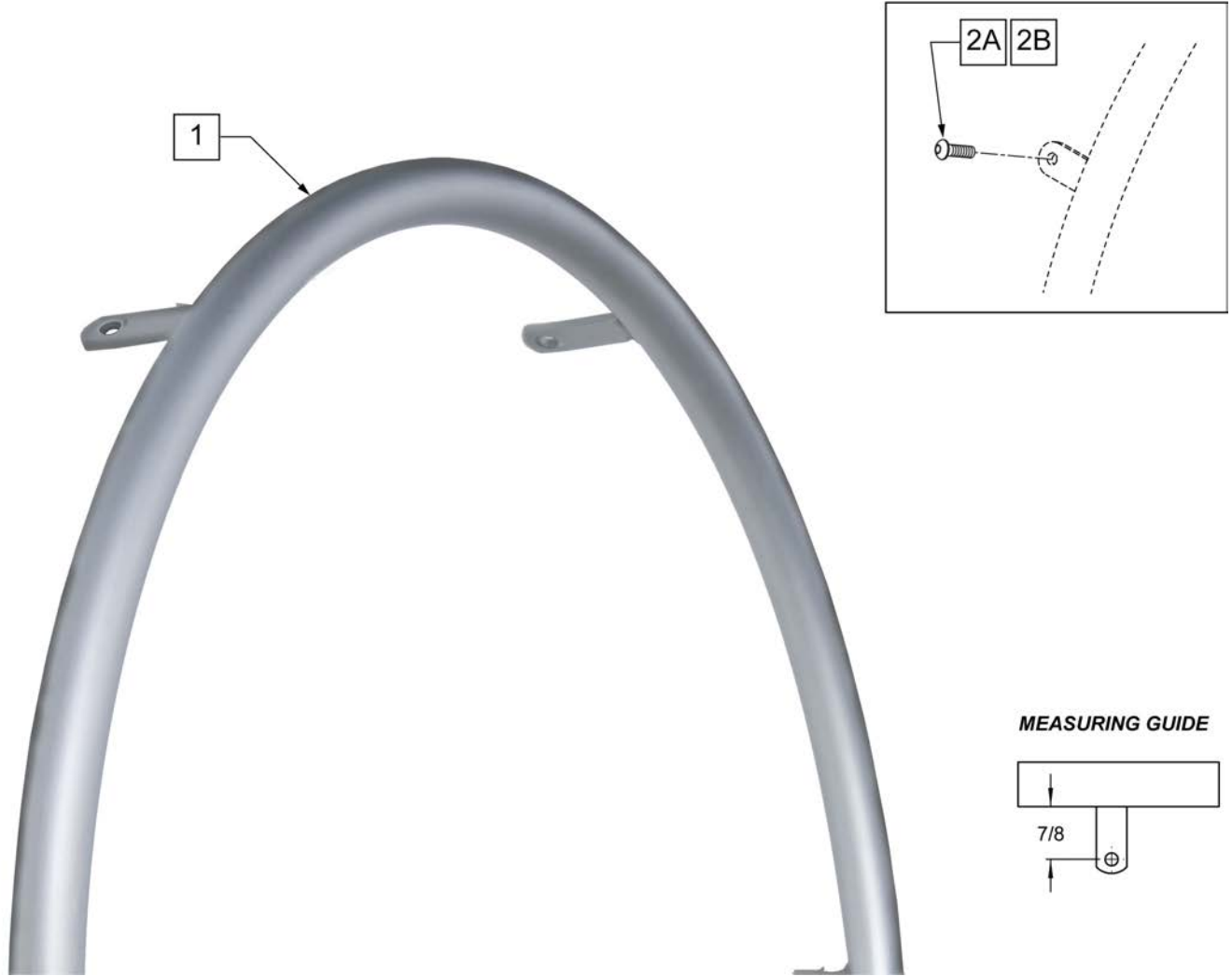


VERTICAL

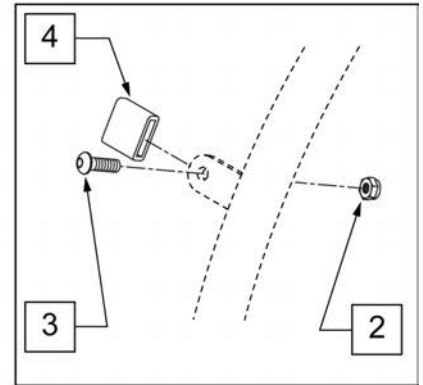
Pos.	Item Number	Description	Remarks
>>>>>	>>>>>>>>>	8" OBLIQUE	>>>>>
1A,2-4,10-13	427003	PROJ 24/26" HR 8OBLQ W/HDWR	24" (540), 25" (559), 26" (590) SPOKE
1A,2,3-13	427511	PROJ 24" HR 6MAG 8OBLQ W/HDWR	24" (540) MAG
>>>>>	>>>>>>>>>	12" OBLIQUE	>>>>>
1A,2-4,10-13	427007	PROJ 24/26" HR 12OBLQ W/HDWR	24" (540), 25" (559), 26" (590) SPOKE
1A,2,5-13	427515	PROJ 24" HR 6MAG 12OBLQ W/HDWR	24" (540) MAG
>>>>>	>>>>>>>>>	8" VERTICAL	>>>>>
1B,4,10-13	427002	PROJ 24/26" HR 8VERT W/HDWR	24" (540), 25" (559), 26" (590) SPOKE
1B,2,5-13	427510	PROJ 24" HR 6 MAG 8 VERT W/ HDWR	24" (540) MAG
>>>>>	>>>>>>>>>	12" VERTICAL	>>>>>

Pos.	Item Number	Description	Remarks
1B,4,10-13	427006	PROJ 24/26" HR 12VERT W/HDWR	24" (540), 25" (559), 26" (590) SPOKE
1B,2,5-13	427514	PROJ 24" HR 6MAG 12VERT W/HDWR	24" (540) MAG
2	261300	3/16 WASHER FLAT	
3	281170	10-32 X 1 5/8 PAN PHIL SS	SPOKE ONLY
4	561046	PROJECTION SPOKE MOUNT	SPOKE ONLY
5	281120	10/32 X 5/8 PAN HD PHIL	MAG ONLY
6	505004	TOGGLE 2 - HOLE	MAG ONLY
7	281147	10-32 X 1 1/4 PAN PHIL	MAG ONLY
8	561037	HANDRIM SPACER MAG	MAG ONLY
10	560600	1 1/2 x .705 x .187 FOAM GRIP	
11	106935	NUT NYLOCK THIN 1/4-28 ROHS	
12	561044	PROJECTION PEG	
13	226155	1 1/4 -28 x 2 1/4 BH C/S	

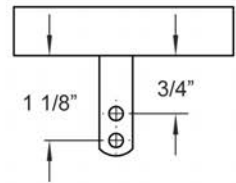




Pos.	Item Number	Description	Remarks
>>>>>	>>>>>>>>>	ULTRA LITE SPOKE	>>>>>
1	100739-001	HANDRIM 22" WHL MBL 1260	22" (489)
1	100739-002	HANDRIM 24" WHL MBL 1260	24" (540)
1	100739-003	HANDRIM 26" WHL MBL 1260	26" (590)
2A	102259-001	BHCS M5 X .8 X 12 W/PL INORG	QTY 6 REG
>>>>>	>>>>>>>>>	NEW ULTRA LITE SPOKE	>>>>>
1	066516-002	LIGHTWEIGHT HANDRIM 22"	22" (489)
1	066516-003	LIGHTWEIGHT HANDRIM 24"	24" (540)
1	066516-004	LIGHTWEIGHT HANDRIM 25"	26" (559)
2B	012931	BHCS M5 X 10 W/PL BLK CL 10.9	QTY 6 REG

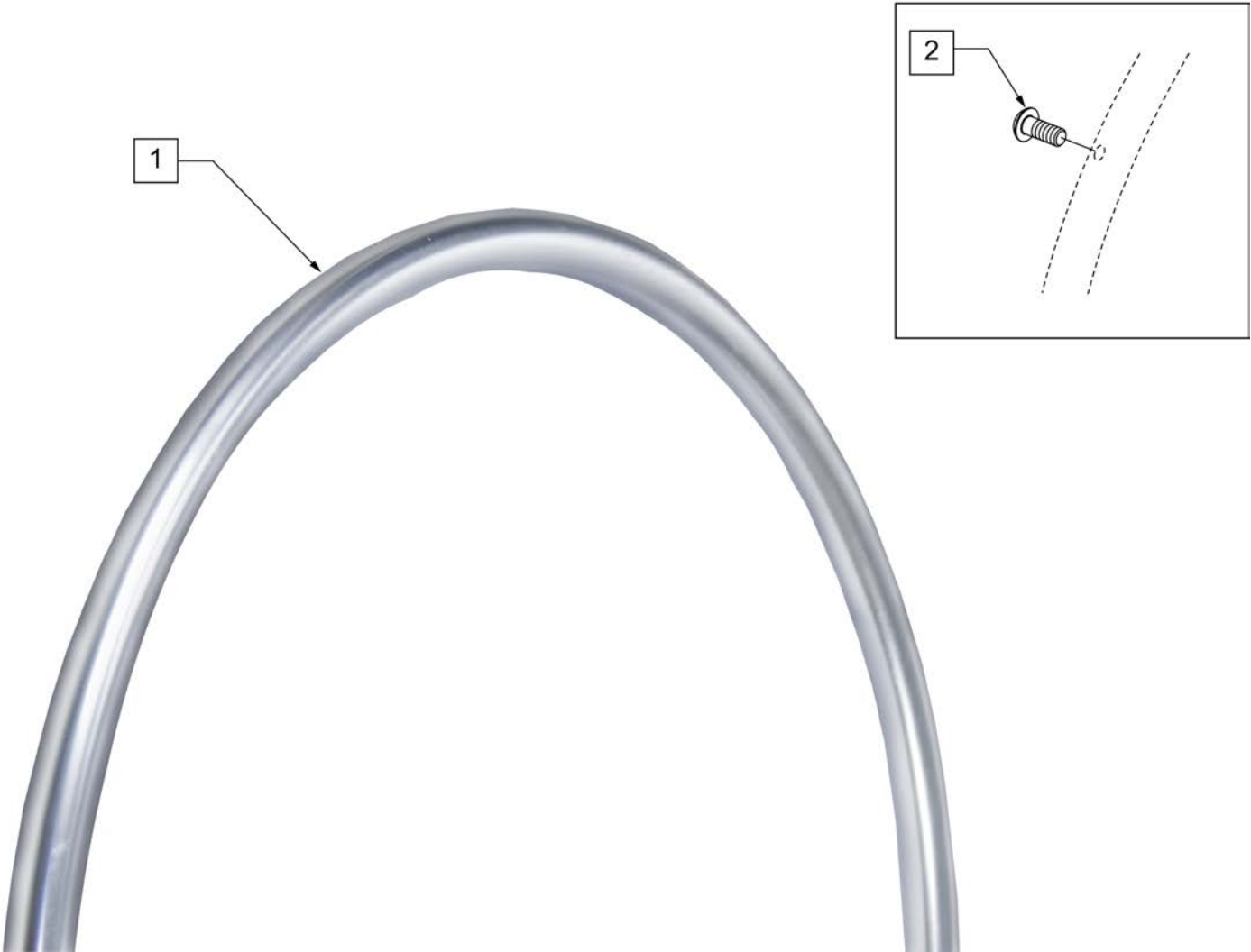


**MEASURING GUIDE**



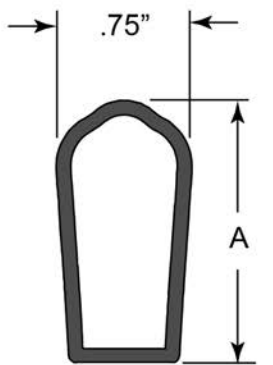
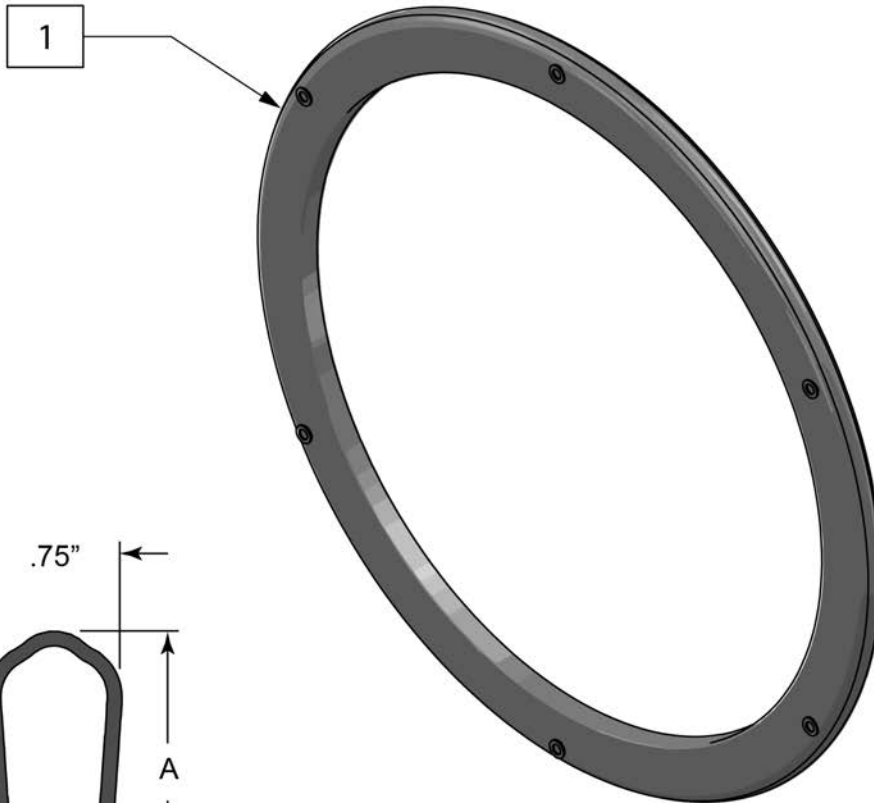
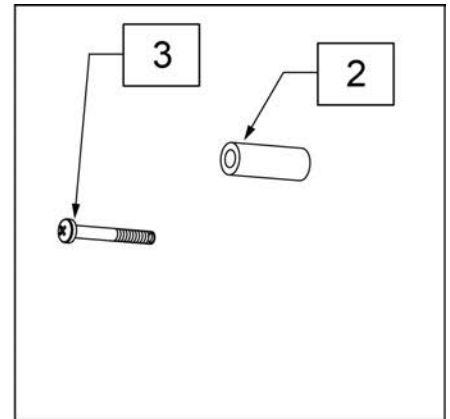
Pos.	Item Number	Description	Remarks
>>>>>	>>>>>>>>>>	PAINTED REG TAB	>>>>>
1	529528	QP 24" HR .065 (6)TAB BLK PNTD	24" (540)
1-4	425041	24" HR (6T)BLK W/X/S HDWR	25" (559)
1	529527	QP 26" HR .065 (6)TAB BLK PNTD	26" (590)
1-4	425047	26" HR (6T)BLK W/X/S HDWR	26" (700)
>>>>>	>>>>>>>>>>	PAINTED SHORT TAB	>>>>>
1	529528	QP 24" HR .065 (6)TAB BLK PNTD	24" (540)
1-4	425044	24" HR SHT(6T)BLK W/X/S HDWR	25" (559)
1	529527	QP 26" HR .065 (6)TAB BLK PNTD	26" (590)
1-4	425053	26" HR SHT(6T)BLK W/X/S HDWR	26" (700)
2	200100-QU	10-32 NYLOCK NUT	
3	281110	10-32 X 1/2 PAN PHIL	
4	580301	HR TAB COVER BLK	

NOTE: IF MAG WHEEL ASSEMBLY WAS ORDERED WITHOUT HANDRIM AND THIS HANDRIM IS ADDED TO THE WHEEL QTY 6 OF 101932 AND 281175 MUST BE ORDERED TO PROPERLY MOUNT THE HANDRIM.



Pos.	Item Number	Description	Remarks
1,2	426026	20" SCW MT HR CHRM 6S W/HDWR	20"
1,2	426024	22" SCW MT HR CHRM 6S W/HDWR	22" (501)
1,2	426011	24 IN SCW MT HR CHRM 6S W/HDWR	24" (540)
2	281175	10-32 X 2 1/8 PAN PHIL SS	QTY 6 REG

Note: used on Lite Spoke wheels.

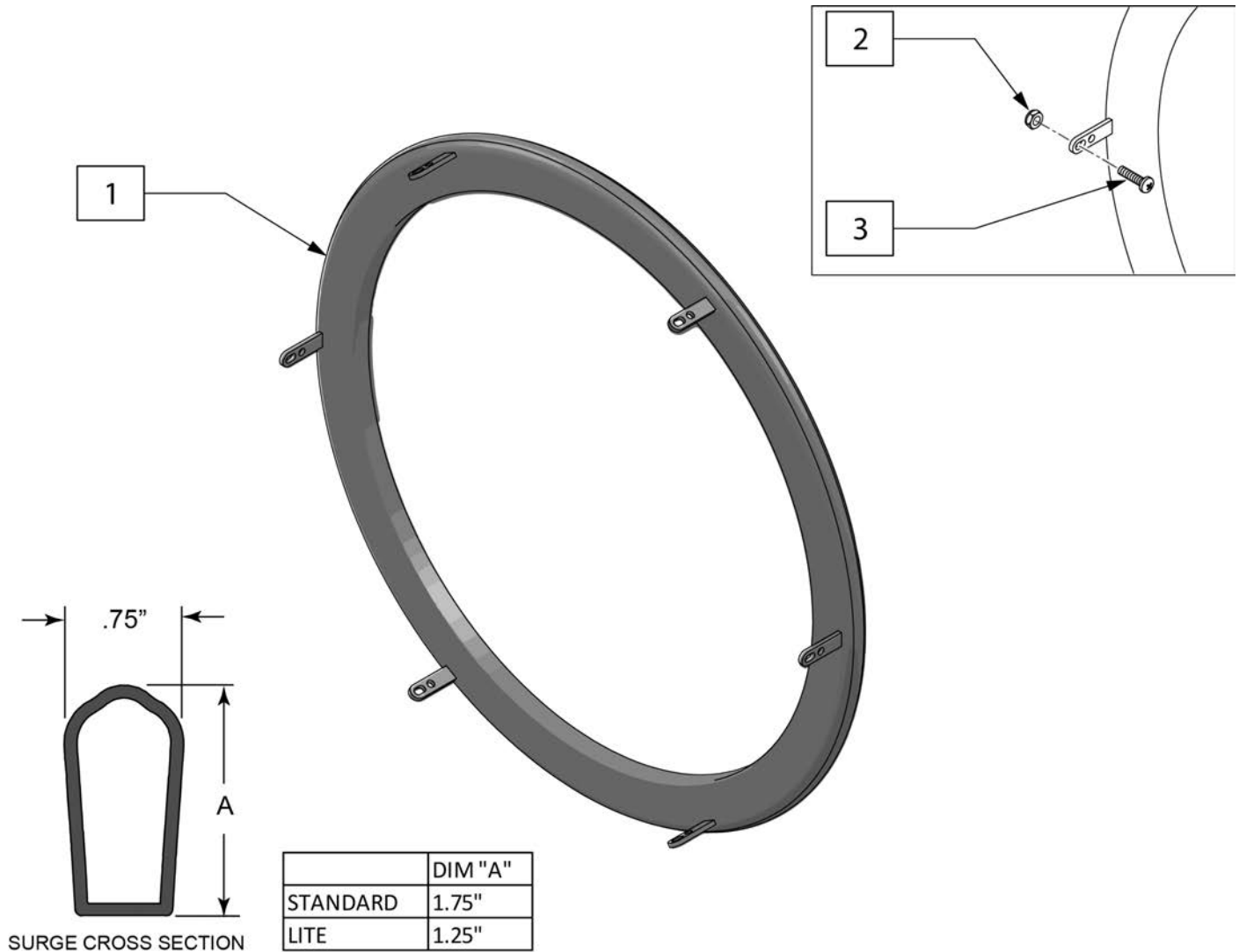


SURGE CROSS SECTION

	DIM "A"
STANDARD	1.75"
LITE	1.25"

Pos.	Item Number	Description	Remarks
1-3	159483	22IN HANDRIM SURGE W/HDWR	
1-3	159484	24IN HANDRIM SURGE W/HDWR	
1-3	159485	25IN HANDRIM SURGE W/HDWR	
1-3	159486	26IN HANDRIM SURGE W/HDWR	
1-3	159487	22IN HANDRIM LT SURGE W/HDWR	
1-3	159488	24IN HANDRIM LT SURGE W/HDWR	
1-3	159489	25IN HANDRIM LT SURGE W/HDWR	
1-3	159490	26IN HANDRIM LT SURGE W/HDWR	
2,3	159491	SURGE HARDWARE	set of 6

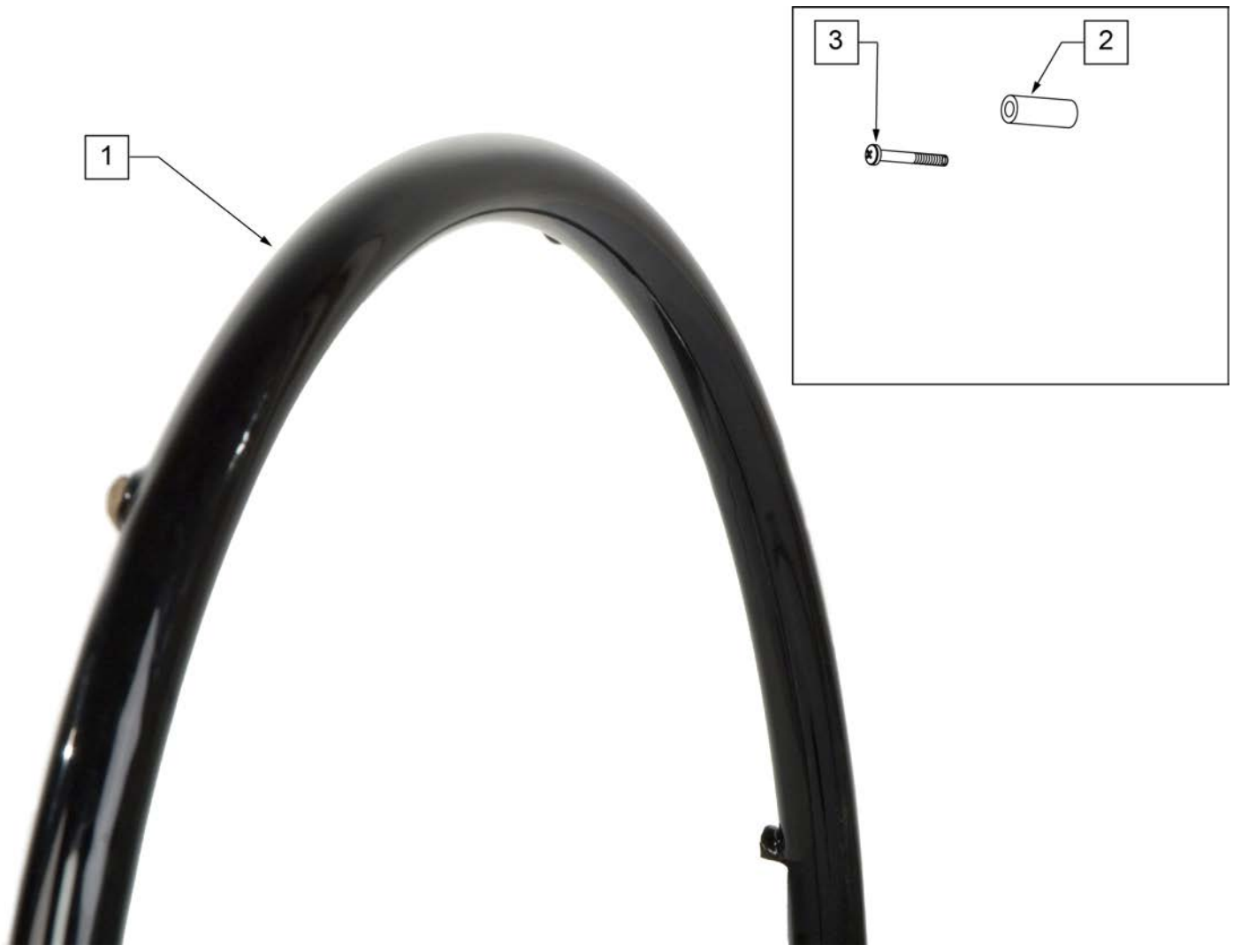
Note: used on Spinergy SPOX and LX wheels.



Pos.	Item Number	Description
1-3	159492	22IN TAB SURGE HANDRIM W/HDWR
1-3	159493	24IN TAB SURGE HANDRIM W/HDWR
1-3	159494	25IN TAB SURGE HANDRIM W/HDWR
1-3	159495	26IN TAB SURGE HANDRIM W/HDWR
1-3	159496	22IN TAB SURGE HANDRIM LT W/HDWR
1-3	159497	24IN TAB SURGE HANDRIM LT W/HDWR
1-3	159498	25IN TAB SURGE HANDRIM LT W/HDWR
1-3	159499	26IN TAB SURGE HANDRIM LT W/HDWR
2,3	159500	SURGE HARDWARE TAB MNT

Note: Handrim is Latex free.

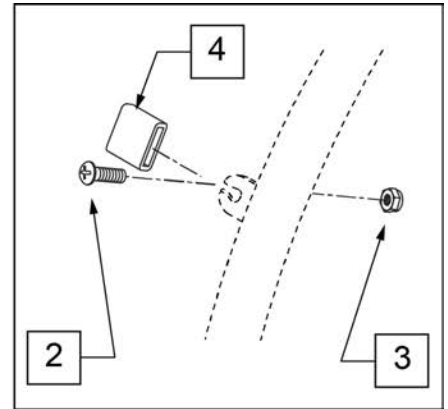
Note: used on Lite Spoke Wheels.



Pos.	Item Number	Description	Remarks
1-3	159504	24 HNDRIM RVNUT Q-GRIP W/HDWR	
1-3	159505	25 HNDRIM RVNUT Q-GRIP W/HDWR	
2,3	159506	Q-GRIP HARDWARE	set of 6

Note: Handrim is Latex free.

Note: used on Spinergy SPOX and LX wheels.

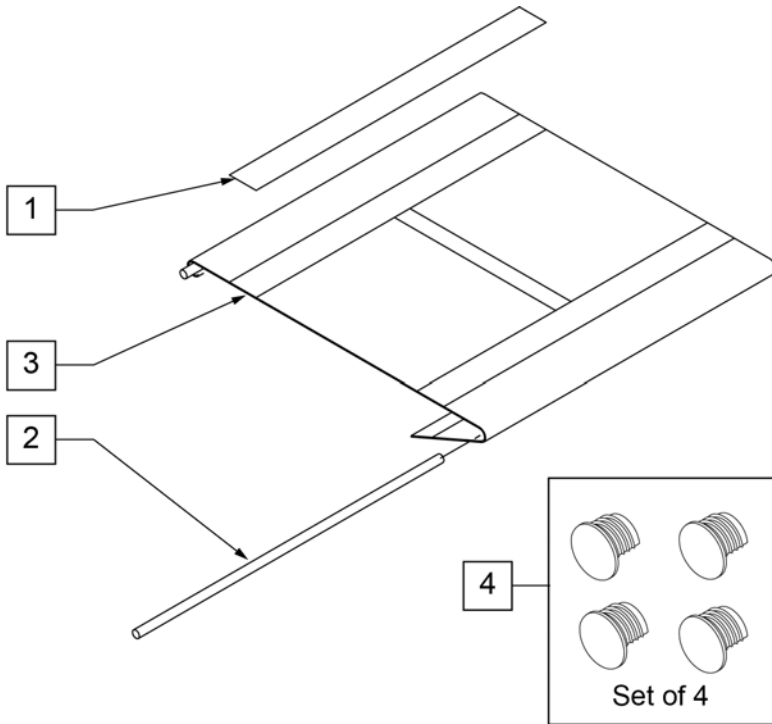


Pos.	Item Number	Description	Remarks
1-4	159501	24IN HANDRIM TAB Q-GRIP W/HDWR	
1-4	159502	25IN HANDRIM TAB Q-GRIP W/HDWR	
2-4	159503	HANDRIM TAB Q-GRIP HARDWARE	set of 6

Note: when replacing the Seat Sling it is recommended to order the Seat Rail End Plug Kit.

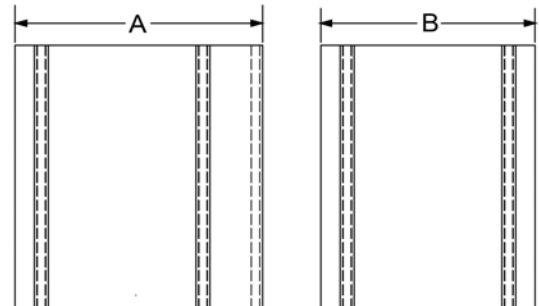
Note: on Quickie 2 chairs with S/N prefix (Q2V) & Quickie 2 Lite chairs the diameter of the Seat Rail Rod is 8mm (.31") which is larger than the Q2 chairs with S/N prefix (Q2 & Q2H) which is .25" in diameter.

Note: for proper fit open the velcro flap on the under side of the sling for installation; the sling may measure short, but by opening the flap it will adjust to fit the frame.



**MEASURING GUIDE**

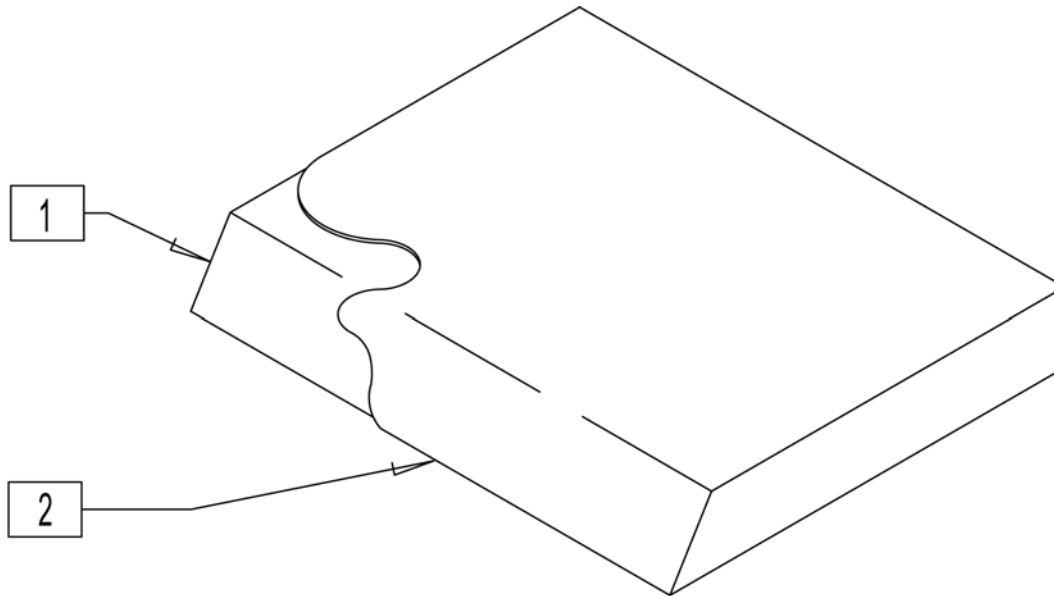
CHAIR WIDTH	DIM A	DIM B
12"	16.5"	13.5"
13"	17.5"	14.5"
14"	18.5"	15.5"
15"	19.5"	16.5"
16"	20.5"	17.5"
17"	21.5"	18.5"
18"	22.5"	19.5"
19"	23.5"	20.5"
20"	24.5"	21.5"



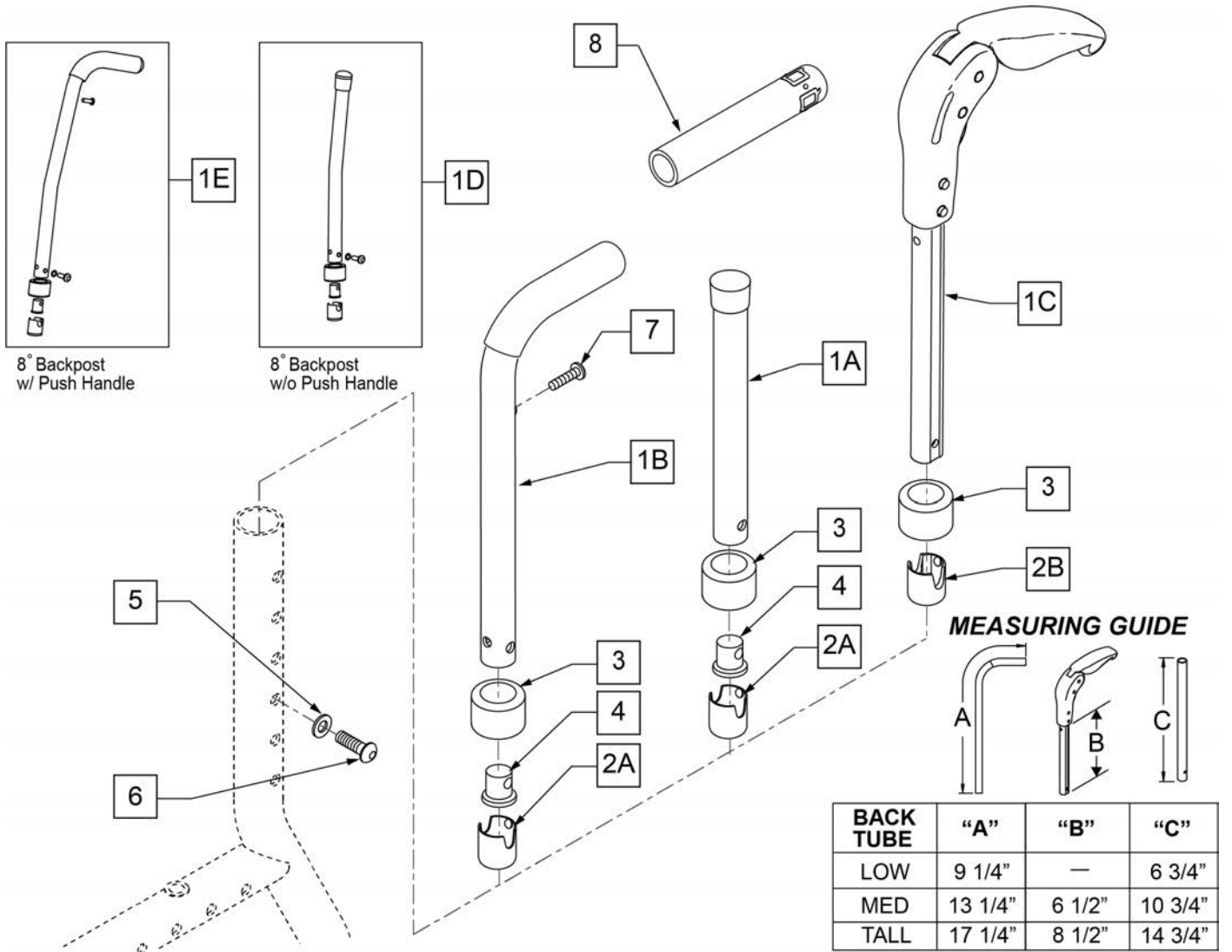
Pos.	Item Number	Description	Remarks	Pos.	Item Number	Description	Remarks
1	901169	SEAT SLING VELCRO STRIP 2"		3	722594	SEAT SLING 12" X 14" CHNL	
2	106584	SEAT RAIL ROD 12"		3	722595	SEAT SLING 12" X 15" CHNL	
2	106585	SEAT RAIL ROD 13"		3	722596	SEAT SLING 12" X 16" CHNL	
2	106586	SEAT RAIL ROD 14"		3	722597	SEAT SLING 12" X 17" CHNL	
2	106587	SEAT RAIL ROD 15"				13" Wide Seat Slings	
2	106588	SEAT RAIL ROD 16"		3	722600	SEAT SLING 13" X 10" CHNL	
2	106589	SEAT RAIL ROD 17"		3	722601	SEAT SLING 13" X 11" CHNL	
2	106590	SEAT RAIL ROD 18"		3	722602	SEAT SLING 13" X 12" CHNL	
2	106591	SEAT RAIL ROD 19"		3	722603	SEAT SLING 13" X 13" CHNL	
2	106592	SEAT RAIL ROD 20"		3	722604	SEAT SLING 13" X 14" CHNL	
		12" Wide Seat Slings		3	722605	SEAT SLING 13" X 15" CHNL	
3	722590	SEAT SLING 12" X 10" CHNL		3	722606	SEAT SLING 13" X 16" CHNL	
3	722591	SEAT SLING 12" X 11" CHNL		3	722607	SEAT SLING 13" X 17" CHNL	
3	722592	SEAT SLING 12" X 12" CHNL		3	722608	SEAT SLING 13" X 18" CHNL	
3	722593	SEAT SLING 12" X 13" CHNL				14" Seat Slings	



Pos.	Item Number	Description	Remarks	Pos.	Item Number	Description	Remarks
3	722616	SEAT SLING 14" X 10" CHNL		3	722652	SEAT SLING 17" X 16" CHNL	
3	722617	SEAT SLING 14" X 11" CHNL		3	722653	SEAT SLING 17" X 17" CHNL	
3	722618	SEAT SLING 14" X 12" CHNL		3	722654	SEAT SLING 17" X 18" CHNL	
3	722619	SEAT SLING 14" X 13" CHNL		3	722655	SEAT SLING 17" X 19" CHNL	
3	722620	SEAT SLING 14" X 14" CHNL		3	722656	SEAT SLING 17" X 20" CHNL	
3	722621	SEAT SLING 14" X 15" CHNL				18" Seat Slings	
3	722622	SEAT SLING 14" X 16" CHNL		3	722660	SEAT SLING 18" X 14" CHNL	
3	722623	SEAT SLING 14" X 17" CHNL		3	722661	SEAT SLING 18" X 15" CHNL	
3	722624	SEAT SLING 14" X 18" CHNL		3	722662	SEAT SLING 18" X 16" CHNL	
3	722625	SEAT SLING 14" X 19" CHNL		3	722663	SEAT SLING 18" X 17" CHNL	
3	722626	SEAT SLING 14" X 20" CHNL		3	722664	SEAT SLING 18" X 18" CHNL	
		15" Seat Slings		3	722665	SEAT SLING 18" X 19" CHNL	
3	722630	SEAT SLING 15" X 14" CHNL		3	722666	SEAT SLING 18" X 20" CHNL	
3	722631	SEAT SLING 15" X 15" CHNL				19" Seat Slings	
3	722632	SEAT SLING 15" X 16" CHNL		3	722670	SEAT SLING 19" X 14" CHNL	
3	722633	SEAT SLING 15" X 17" CHNL		3	722671	SEAT SLING 19" X 15" CHNL	
3	722634	SEAT SLING 15" X 18" CHNL		3	722672	SEAT SLING 19" X 16" CHNL	
3	722635	SEAT SLING 15" X 19" CHNL		3	722673	SEAT SLING 19" X 17" CHNL	
3	722636	SEAT SLING 15" X 20" CHNL		3	722674	SEAT SLING 19" X 18" CHNL	
		16" Seat Slings		3	722675	SEAT SLING 19" X 19" CHNL	
3	722640	SEAT SLING 16" X 14" CHNL		3	722676	SEAT SLING 19" X 20" CHNL	
3	722641	SEAT SLING 16" X 15" CHNL				20" Seat Slings	
3	722642	SEAT SLING 16" X 16" CHNL		3	722680	SEAT SLING 20" X 14" CHNL	
3	722643	SEAT SLING 16" X 17" CHNL		3	722681	SEAT SLING 20" X 15" CHNL	
3	722644	SEAT SLING 16" X 18" CHNL		3	722682	SEAT SLING 20" X 16" CHNL	
3	722645	SEAT SLING 16" X 19" CHNL		3	722683	SEAT SLING 20" X 17" CHNL	
3	722646	SEAT SLING 16" X 20" CHNL		3	722684	SEAT SLING 20" X 18" CHNL	
		17" Seat Slings		3	722685	SEAT SLING 20" X 19" CHNL	
3	722650	SEAT SLING 17" X 14" CHNL		3	722686	SEAT SLING 20" X 20" CHNL	
3	722651	SEAT SLING 17" X 15" CHNL		4	108117	SEAT RAIL END PLUG KIT	Set of 4

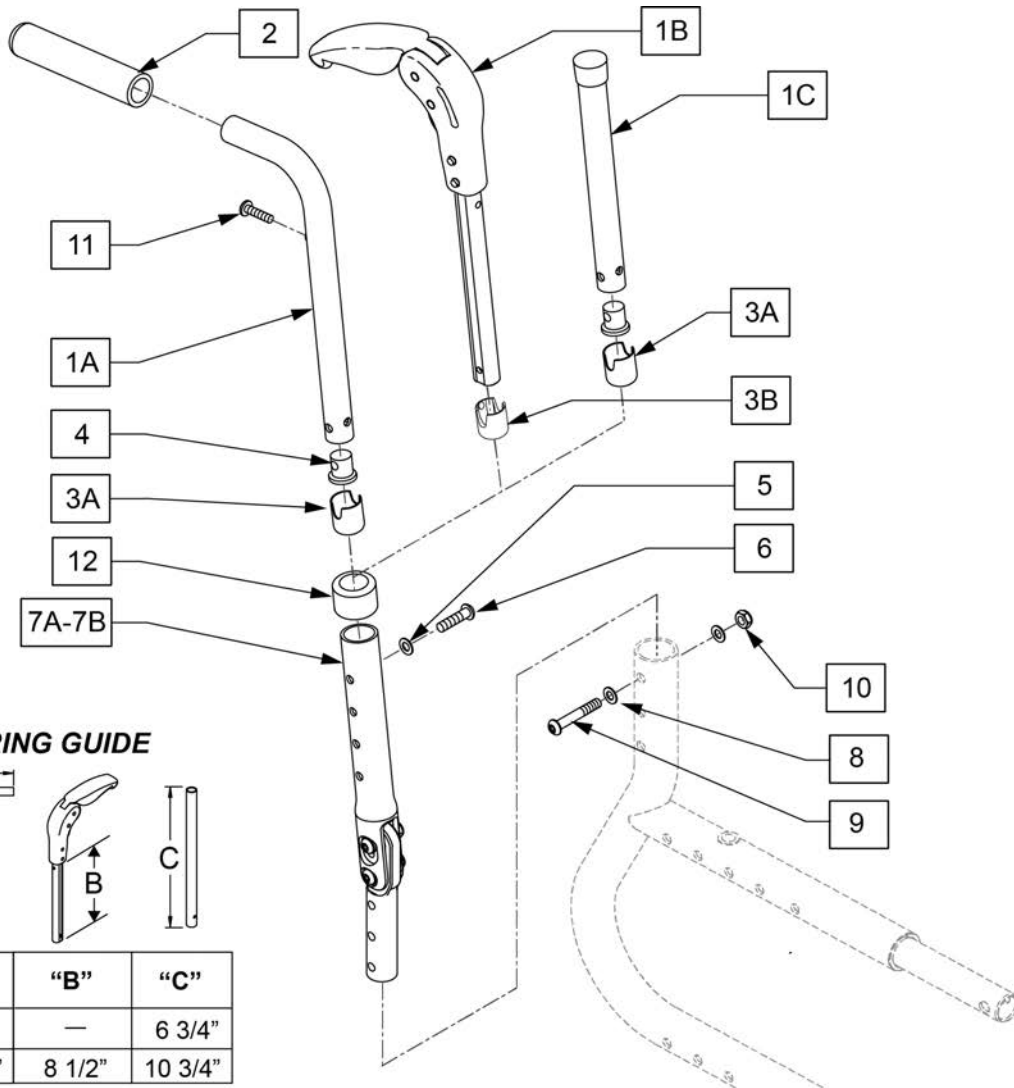


Pos.	Item Number	Description	Pos.	Item Number	Description
1-2	700322	SEAT CUSHION 14" X 14" X 2"	1-2	700642	SEAT CUSHION 17" X 18" X 2"
1-2	700332	SEAT CUSHION 14" X 15" X 2"	1-2	700652	SEAT CUSHION 17" X 19" X 2"
1-2	700342	SEAT CUSHION 14" X 16" X 2"	1-2	700662	SEAT CUSHION 17" X 20" X 2"
1-2	700352	SEAT CUSHION 14" X 17" X 2"	1-2	700702	SEAT CUSHION 18" X 14" X 2"
1-2	700362	SEAT CUSHION 14" X 18" X 2"	1-2	700712	SEAT CUSHION 18" X 15" X 2"
1-2	700372	SEAT CUSHION 14" X 19" X 2"	1-2	700722	SEAT CUSHION 18" X 16" X 2"
1-2	700382	SEAT CUSHION 14" X 20" X 2"	1-2	700732	SEAT CUSHION 18" X 17" X 2"
1-2	700422	SEAT CUSHION 15" X 14" X 2"	1-2	700742	SEAT CUSHION 18" X 18" X 2"
1-2	700432	SEAT CUSHION 15" X 15" X 2"	1-2	700752	SEAT CUSHION 18" X 19" X 2"
1-2	700442	SEAT CUSHION 15" X 16" X 2"	1-2	700762	SEAT CUSHION 18" X 20" X 2"
1-2	700452	SEAT CUSHION 15" X 17" X 2"	1-2	700802	SEAT CUSHION 19" X 14" X 2"
1-2	700462	SEAT CUSHION 15" X 18" X 2"	1-2	700812	SEAT CUSHION 19" X 15" X 2"
1-2	700472	SEAT CUSHION 15" X 19" X 2"	1-2	700822	SEAT CUSHION 19" X 16" X 2"
1-2	700482	SEAT CUSHION 15" X 20" X 2"	1-2	700832	SEAT CUSHION 19" X 17" X 2"
1-2	700522	SEAT CUSHION 16" X 14" X 2"	1-2	700842	SEAT CUSHION 19" X 18" X 2"
1-2	700532	SEAT CUSHION 16" X 15" X 2"	1-2	700852	SEAT CUSHION 19" X 19" X 2"
1-2	700542	SEAT CUSHION 16" X 16" X 2"	1-2	700862	SEAT CUSHION 19" X 20" X 2"
1-2	700552	SEAT CUSHION 16" X 17" X 2"	1-2	700902	SEAT CUSHION 20" X 14" X 2"
1-2	700562	SEAT CUSHION 16" X 18" X 2"	1-2	700912	SEAT CUSHION 20" X 15" X 2"
1-2	700572	SEAT CUSHION 16" X 19" X 2"	1-2	700922	SEAT CUSHION 20" X 16" X 2"
1-2	700582	SEAT CUSHION 16" X 20" X 2"	1-2	700932	SEAT CUSHION 20" X 17" X 2"
1-2	700602	SEAT CUSHION 17" X 14" X 2"	1-2	700942	SEAT CUSHION 20" X 18" X 2"
1-2	700612	SEAT CUSHION 17" X 15" X 2"	1-2	700952	SEAT CUSHION 20" X 19" X 2"
1-2	700622	SEAT CUSHION 17" X 16" X 2"	1-2	700962	SEAT CUSHION 20" X 20" X 2"
1-2	700632	SEAT CUSHION 17" X 17" X 2"			

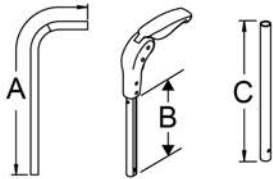


Pos.	Item Number	Description	Remarks
2A	104187	BUSHING BCKRST NONFLDNG	Straight & Integral Push Handle
2B	104369	BUSHING BCKRST FOLDING HANDLE	Folding Push Handle Only
3	561018	1" TUBE END BUSHING THICK	
4	483001	Q2 FRAME/FOOT RETAINING PLUG	
5	104414	WAVE WASHER 6 MM	
6	108107	BHCS 1/4-20 X 3/4 ROHS	
7	107384	10/32 X 5/8 PAN HD PHIL	
8	920026	QUICKIE GRIP 3/4" W/INSTR SH.	Replacement grips include Q-logo
1A,2A,3-6	107642	STRT BACKPOST LOW ASM	Low, 9-12" Back Height; omit Push Handle
1A,2A,3-6	107643	STRT BACKPOST MED ASM	Med, 13-16" Back Height; omit Push Handle
1A,2A,3-6	107644	STRT BACKPOST TAL ASM	Tall, 17-20" Back Height; omit Push Handle
1B,2A-8	107645	INTGRL P/H LOW ASM	Low, 9-12" Back Height
1B,2A-8	107646	INTGRL P/H MED ASM	Med, 13-16" Back Height
1B,2A-8	107647	INTGRL P/H TAL ASM	Tall, 17-20" Back Height
1C,2B,3,5,9	107648	FLD P/H FXD MED ASSM	Med, 12-15" Back Height
1C,2B,3,5,9	107649	FLD P/H FXD TAL ASSM	Tall, 16-19" Back Height
1D,2A,3-6	112392	8 DEG BACKPOST MED ASM W/O PUSH HANDLE	Omit Push Handle

<b>Pos.</b>	<b>Item Number</b>	<b>Description</b>	<b>Remarks</b>
1D,2A,3-6	112393	8 DEG BACKPOST TALL ASSM W/O PUSH HANDLE	Omit Push Handle
1E,2A,3-8	112394	8 DEG INTGRL PUSH HANDLE MED ASSM	
1E,2A,3-8	112395	8 DEG INTGRL PUSH HANDLE TALL ASSM	



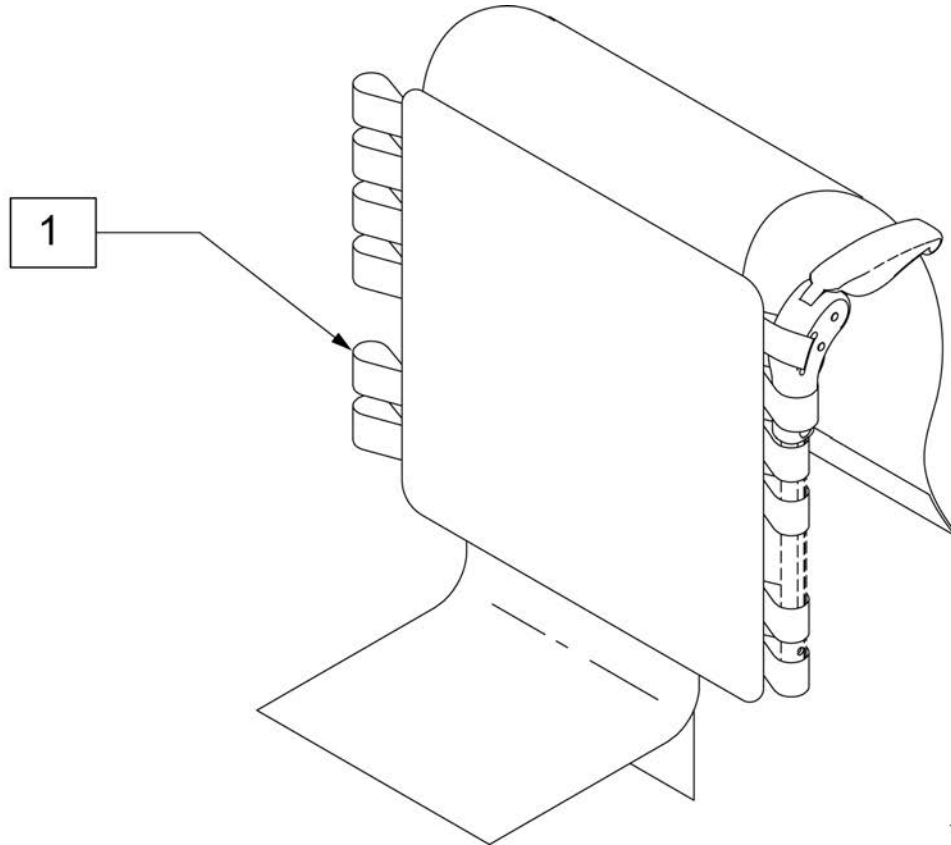
**MEASURING GUIDE**



BACK TUBE	"A"	"B"	"C"
LOW	9 1/4"	—	6 3/4"
MED	13 1/4"	8 1/2"	10 3/4"

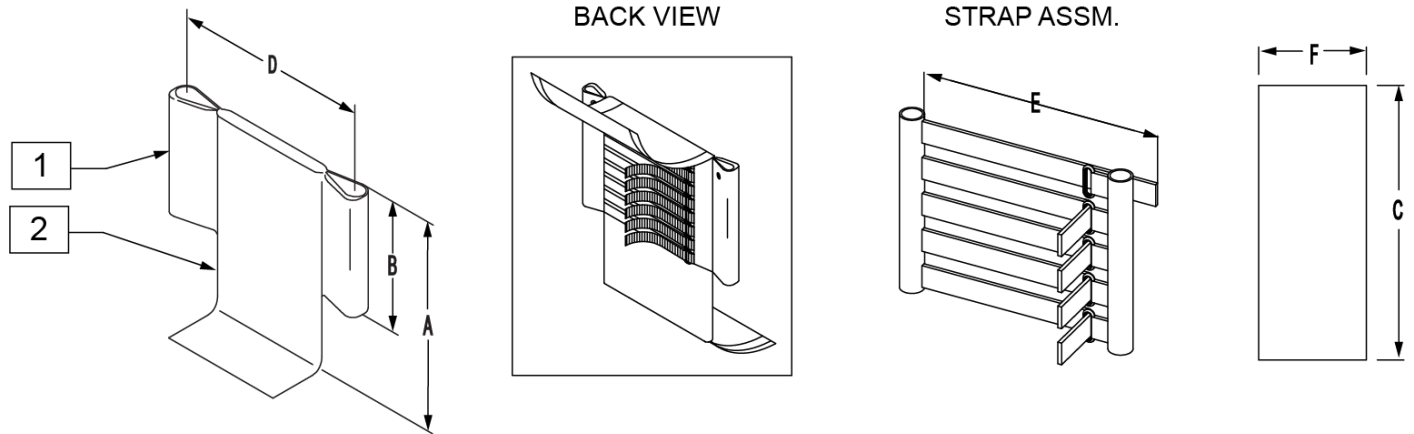
Pos.	Item Number	Description	Remarks
1A,2	104093-001	NON-FOLDING PH ASSY SHORT	Low-See Assm for Back Height
1A,2	104093-002	NON-FOLD PH ASSY MEDIUM	Med-See Assm for Back Height
1B	882606	FLDG PSH HNDL W/INSRT MED	Med-See Assm for Back Height
1C	104236-001	TUBE BACKREST STRAIGHT SHT.	Low-See Assm for Back Height; omit Push Handle
1C	104236-002	TUBE BACKREST STRAIGHT MED.	Med-See Assm for Back Height; omit Push Handle
3A	104187	BUSHING BCKRST NONFLDNG	Straight & Integral Push Handle
3B	104369	BUSHING BCKRST FOLDING HANDLE	Folding Push Handle Only
4	483001	Q2 FRAME/FOOT RETAINING PLUG	
5	104414	WAVE WASHER 6 MM	
6	108107	BHCS 1/4-20 X 3/4 ROHS	
7A	104228-001	ANGLE ADJUST BACKREST SHT	3" PIVOT
7B	104228-003	ANGLE ADJUST BACKREST TLL	4" PIVOT
8	106943	WASHER FLAT AN 1/4 ROHS	
9	106972	HHCS 1/4-28 X 1-1/2 ROHS	
10	106935	NUT NYLOCK THIN 1/4-28 ROHS	
11	107384	PAN HD PHIL 10/32 X 5/8 ROHS	
12	561018	1" TUBE END BUSHING THICK	
1C,3A,4-6,7A	107650	STRT 3" ANG ADJ LOW ASM	3" PIVOT - Low, 13-16" Back Height

<b>Pos.</b>	<b>Item Number</b>	<b>Description</b>	<b>Remarks</b>
1C,3A,4-6,7A	107651	STRT 3" ANG ADJ MED ASM	3" PIVOT - Med, 17-20" Back Height
1A,2,3A,4-6,7A,11	107652	INTGRL P/H 3" ANG ADJ LOW ASM	3" PIVOT - Low, 13-16" Back Height
1A,2,3A,4-6,7A,11	107653	INTGRL P/H 3" ANG ADJ MED ASM	3" PIVOT - Med, 17-20" Back Height
1B,3B,4-6,7A	107654	FLD P/H 3" ANG ADJ MED ASSM	3" PIVOT - Med, 16-19" Back Height
1C,3A,4-6,7B	107655	STRT 4" ANG ADJ LOW ASM	4" PIVOT - Low, 14-17" Back Height
1C,3A,4-6,7B	107656	STRT 4" ANG ADJ MED ASM	4" PIVOT - Med, 18-21" Back Height
1A,2,3A,4-6,7B,11	107657	INTGRL P/H 4" ANG ADJ LOW ASM	4" PIVOT - Low, 14-17" Back Height
1A,2,3A,4-6,7B,11	107658	INTGRL P/H 4 " ANG ADJ MED ASM	4" PIVOT - Med, 18-21" Back Height
1B,3B-6,7B	107659	FLD P/H 4" ANG ADJ MED ASSM	4" PIVOT - Med, 17-20" Back Height



Pos.	Item Number	Description	Remarks
1	687468	Upholstery, FPH, Adj, CE, 14W X 12H	Med Std Back Frame
1	687471	Upholstery, FPH, Adj, CE, 14W X 16H	Tall Std Back Frame/Med Ang Adj Back Frame
1	687474	Upholstery, FPH, Adj, CE, 15W X 12H	Med Std Back Frame
1	687477	Upholstery, FPH, Adj, CE, 15W X 16H	Tall Std Back Frame/Med Ang Adj Back Frame
1	687480	Upholstery, FPH, Adj, CE, 16W X 12H	Med Std Back Frame
1	687483	Upholstery, FPH, Adj, CE, 16W X 16H	Tall Std Back Frame/Med Ang Adj Back Frame
1	687486	Upholstery, FPH, Adj, CE, 17W X 12H	Med Std Back Frame
1	687489	Upholstery, FPH, Adj, CE, 17W X 16H	Tall Std Back Frame/Med Ang Adj Back Frame
1	687492	Upholstery, FPH, Adj, CE, 18W X 12H	Med Std Back Frame
1	687495	Upholstery, FPH, Adj, CE, 18W X 16H	Tall Std Back Frame/Med Ang Adj Back Frame
1	687541	Upholstery, FPH, Adj, CE, 19W X 12H	Med Std Back Frame
1	687543	Upholstery, FPH, Adj, CE, 19W X 16H	Tall Std Back Frame/Med Ang Adj Back Frame
1	687545	Upholstery, FPH, Adj, CE, 20W X 12H	Med Std Back Frame
1	687547	Upholstery, FPH, Adj, CE, 20W X 16H	Tall Std Back Frame/Med Ang Adj Back Frame

Note: For complete back upholstery order both Item 1 Back Upholstery & Item 2 Back Strap Cover.



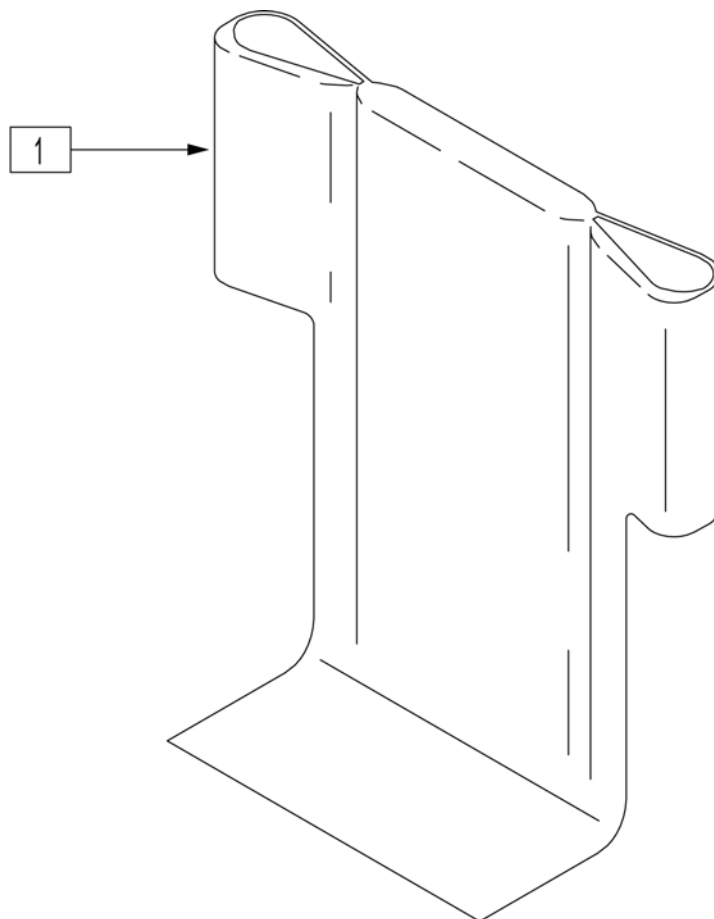
**ADJUSTABLE BACK UPHOLSTERY MEASURING GUIDE**

HEIGHT TABLE		STRAP ASSM.		PAD ASSM.
	BACK HEIGHT "A"	NO. OF STRAPS	HEIGHT "B"	LENGTH "C"
SHORT/LOW	11-14"	5	6 1/2"	25"
MED	12-16"	6	8 1/2"	29"
TALL	14-18"	8	10 1/2"	33"
X-TALL	16-20"	9	12 1/2"	37"

HEIGHT TABLE		WIDTH "D"					
		SMALL 10-12"	MED 12-14"	LARGE 14-16"	X-LARGE 16-18"	X-LARGE 18-20"	X-LARGE 20-22"
STRAP ASSM	STRAP LENGTH "E"	9 1/2"	13 1/2"	17 1/2"	17 1/2"	21 1/2"	21 1/2"
PAD ASSM	WIDTH "F"	8"	10"	12"	14"	16"	18"

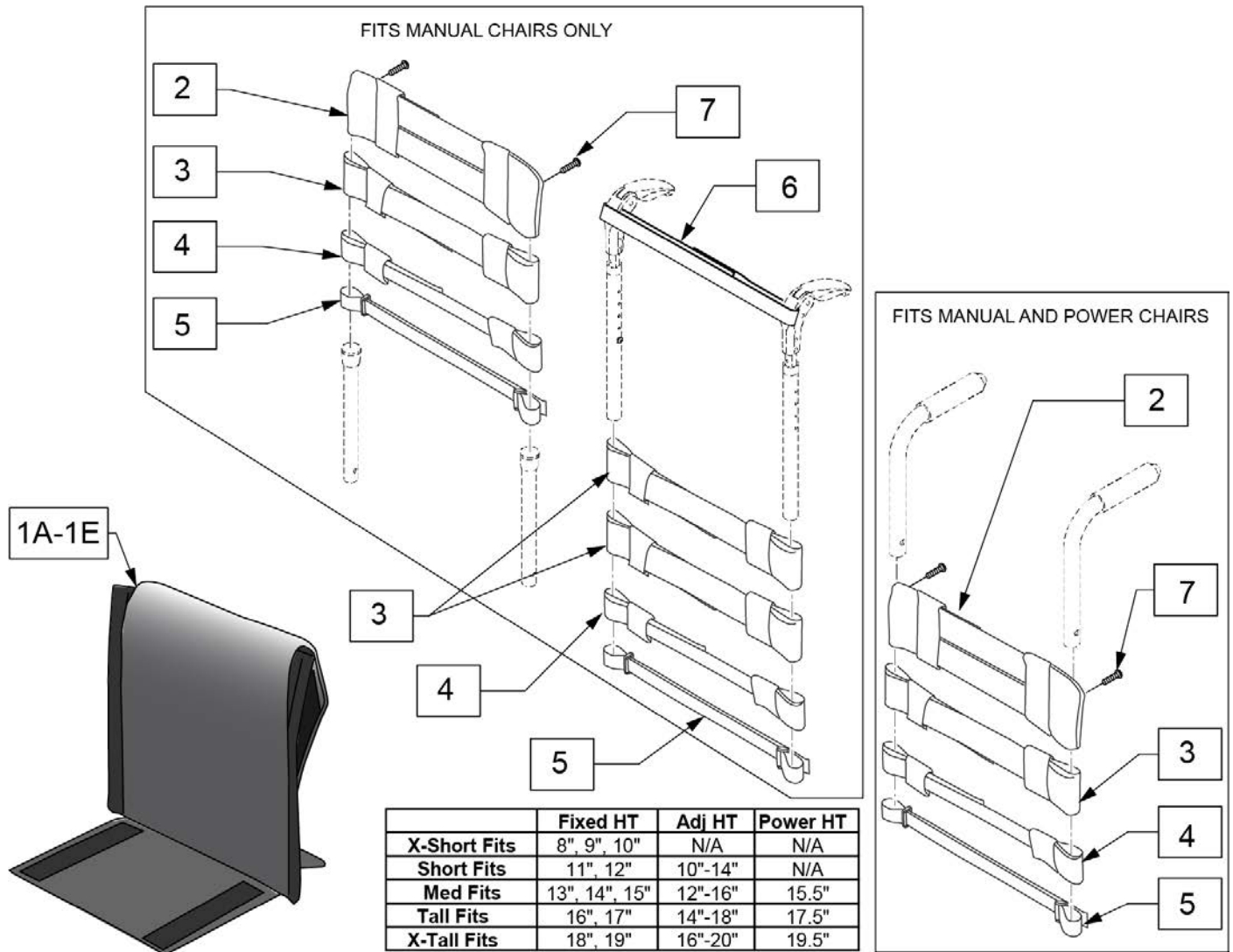
Pos.	Item Number	Description	Remarks
1	680236	GROWING ADJ BACK UPHOLSTERY 14-16 SHORT ZGS	14-15 wide, Low Std Back
1	680238	GROWING ADJ BACK UPHOLSTERY 14-16 TALL ZGS	14-15 wide, Med Std Back/Low Ang Adj Back
1	680222	GROWING ADJ BACK UPHOLSTERY 14-16 X-TALL ZGS	14-15 wide, Tall Std Back/Med Ang Adj Back
1	680239	GROWING ADJ BACK UPHOLSTERY 16-18 SHORT ZGS	16-17 wide, Low Std Back
1	680241	GROWING ADJ BACK UPHOLSTERY 16-18 TALL ZGS	16-17 wide, Med Std Back/Low Ang Adj Back
1	680242	GROWING ADJ BACK UPHOLSTERY 16-18 X-TALL ZGS	16-17 wide, Tall Std Back/Med Ang Adj Back
1	680243	GROWING ADJ BACK UPHOLSTERY 18-22 SHORT ZGS	18-20 wide, Low Std Back
1	680245	GROWING ADJ BACK UPHOLSTERY 18-22 TALL ZGS	18-20 wide, Med Std Back/Low Ang Adj Back
1	680246	GROWING ADJ BACK UPHOLSTERY 18-22 X-TALL ZGS	18-20 wide, Tall Std Back/Med Ang Adj Back
2	684486	ADJ BCK STRP CVR 14-16 SHT ZGS	14-15 wide, Low Std Back
2	684488	ADJUSTABLE BACK STRAP COVER 14-16 TALL ZGS	14-15 wide, Med Std Back/Low Ang Adj Back
2	684499	ADJ BCK STRP CVR 14-16 XTL ZGS	14-15 wide, Tall Std Back/Med Ang Adj Back
2	684489	ADJUSTABLE BACK STRAP COVER 16-18 SHORT ZGS	16-17 wide, Low Std Back
2	684491	ADJUSTABLE BACK STRAP COVER 16-18 TALL ZGS	16-17 wide, Med Std Back/Low Ang Adj Back
2	684492	ADJUSTABLE BACK STRAP COVER 16-18 X-TALL ZGS	16-17 wide, Tall Std Back/Med Ang Adj Back
2	684493	ADJUSTABLE BACK STRAP COVER 18-20 SHORT ZGS	18-20 wide, Low Std Back
2	684495	ADJUSTABLE BACK STRAP COVER 18-20 TALL ZGS	18-20 wide, Med Std Back/Low Ang Adj Back
2	684496	ADJUSTABLE BACK STRAP COVER 18-20 X-TALL ZGS	18-20 wide, Tall Std Back/Med Ang Adj Back





Pos.	Item Number	Description	Remarks
1	680454	BACK UPH 14" 11-14/12-16 RDG	14" Wide - Low Back Height
1	680455	BACK UPH 15" 11-14/12-16 RDG	15" Wide - Low Back Height
1	680456	BACK UPH 16" 11-14/12-16 RDG	16" Wide - Low Back Height
1	680457	BACK UPH 17" 11-14/12-16 RDG	17" Wide - Low Back Height
1	680458	BACK UPH 18" 11-14/12-16 RDG	18" Wide - Low Back Height
1	680459	BACK UPH 19" 11-14/12-16 RDG	19" Wide - Low Back Height
1	680460	BACK UPH 20" 11-14/12-16 RDG	20" Wide - Low Back Height
1	680464	BACK UPH 14" 14-18 RDG	14" Wide - Med STD Back Ht/ Low Angle Adg Back
1	680465	BACK UPH 15" 14-18 RDG	15" Wide - Med STD Back Ht/ Low Angle Adg Back
1	680466	BACK UPH 16" 14-18 RDG	16" Wide - Med STD Back Ht/ Low Angle Adg Back
1	680467	BACK UPH 17" 14-18 RDG	17" Wide - Med STD Back Ht/ Low Angle Adg Back
1	680468	BACK UPH 18" 14-18 RDG	18" Wide - Med STD Back Ht/ Low Angle Adg Back
1	680469	BACK UPH 19" 14-18 RDG	19" Wide - Med STD Back Ht/ Low Angle Adg Back
1	680470	BACK UPH 20" 14-18 RDG	20" Wide - Med STD Back Ht/ Low Angle Adg Back
1	680474	BACK UPH 14" 16-20 RDG	14" Wide - Tall STD Back Ht/ Med Angle Adg Back
1	680475	BACK UPH 15" 16-20 RDG	15" Wide - Tall STD Back Ht/ Med Angle Adg Back
1	680476	BACK UPH 16" 16-20 RDG	16" Wide - Tall STD Back Ht/ Med Angle Adg Back
1	680477	BACK UPH 17" 16-20 RDG	17" Wide - Tall STD Back Ht/ Med Angle Adg Back
1	680478	BACK UPH 18" 16-20 RDG	18" Wide - Tall STD Back Ht/ Med Angle Adg Back
1	680479	BACK UPH 19" 16-20 RDG	19" Wide - Tall STD Back Ht/ Med Angle Adg Back
1	680480	BACK UPH 20" 16-20 RDG	20" Wide - Tall STD Back Ht/ Med Angle Adg Back

Note: Each back height uses a different variation of back straps; replacement strap kits contain more straps than needed to support all back heights.

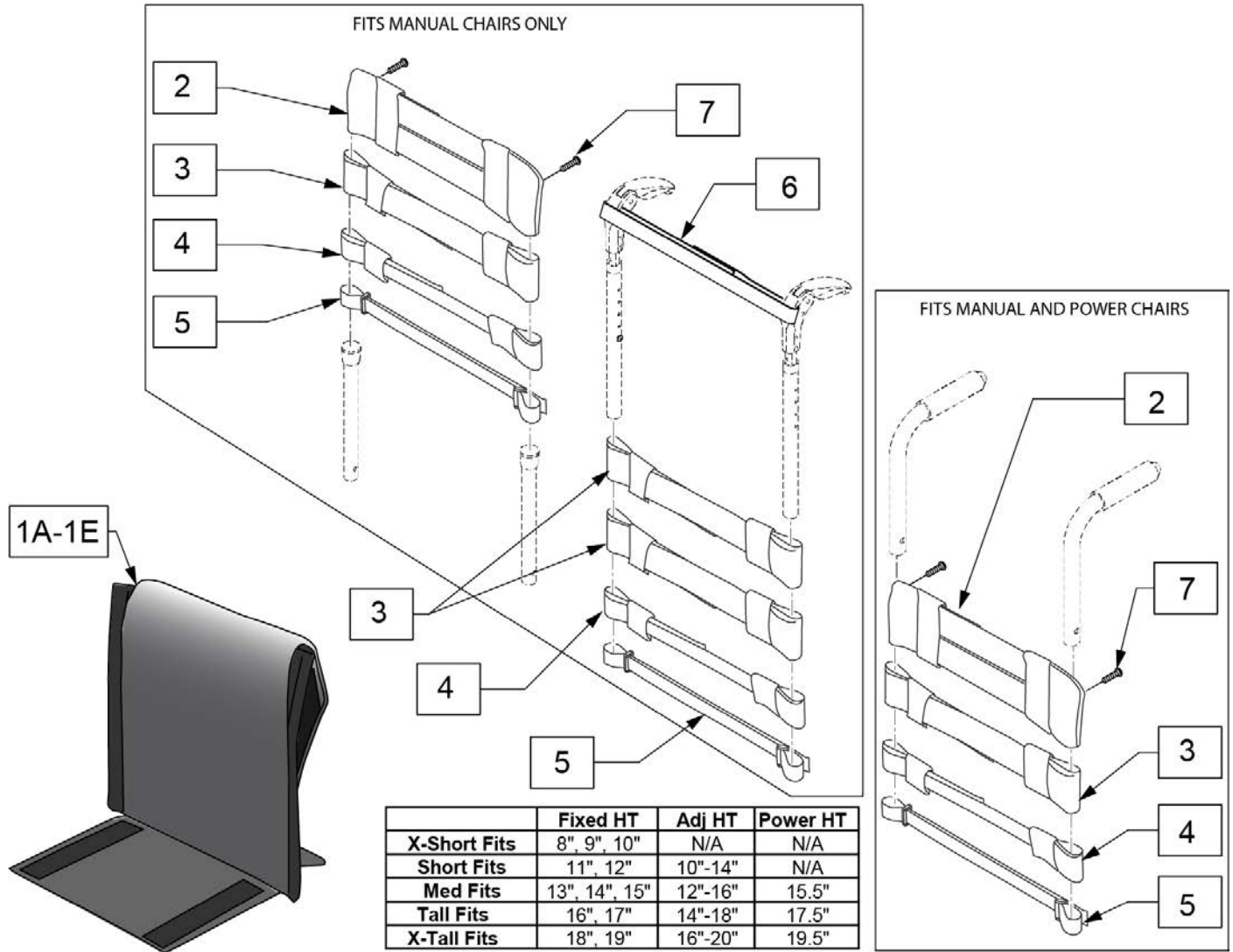


Pos.	Item Number	Description	Remarks
2	113712	TOP CAP, STD, 11 -12"	Used for Omit Push Handle & Integral Push Handle only
2	113713	TOP CAP, STD, 13 -14"	Used for Omit Push Handle & Integral Push Handle only
2	113714	TOP CAP, STD, 15 -16"	Used for Omit Push Handle & Integral Push Handle only
2	113715	TOP CAP, STD, 17 -18"	Used for Omit Push Handle & Integral Push Handle only
2	113716	TOP CAP, STD, 19 -20"	Used for Omit Push Handle & Integral Push Handle only
3	113727	STRAP PADDED 2", 11 -12"	
3	113728	STRAP PADDED 2", 13 -14"	
3	113729	STRAP PADDED 2", 15 -16"	
3	113730	STRAP PADDED 2", 17 -18"	
3	113731	STRAP PADDED 2", 19 -20"	
4	113732	STRAP PADDED 1", 11 -12"	
4	113733	STRAP PADDED 1", 13 -14"	
4	113734	STRAP PADDED 1", 15 -16"	
4	113735	STRAP PADDED 1", 16 -17"	

Pos.	Item Number	Description	Remarks
4	113736	STRAP PADDED 1", 18 -19"	
5	113717	POSITION STRAP 1", 11 -12	
5	113718	POSITION STRAP 1", 13 -14	
5	113719	POSITION STRAP 1", 15 -16	
5	113720	POSITION STRAP 1", 17 -18	
5	113721	POSITION STRAP 1", 19 -20	
6	052435-001	UPH,VNTD ADJ.,FPH STRP,12-13"W	Fold Down Push Handles only
6	052435-002	UPH,VNTD ADJ.,FPH STRP,14-15"W	Fold Down Push Handles only
6	052435-003	UPH,VNTD ADJ.,FPH STRP,16-17"W	Fold Down Push Handles only
6	052435-004	UPH,VNTD ADJ.,FPH STRP,18-20"W	Fold Down Push Handles only
7	107384	PAN HD PHIL 10/32 X 5/8 ROHS	
2-7	114879	ADJ UPH 11-12W STRAP KIT	
2-7	114880	ADJ UPH 13-14W STRAP KIT	
2-7	114881	ADJ UPH 15-16W STRAP KIT	
2-7	114882	ADJ UPH 17-18W STRAP KIT	
2-7	114883	ADJ UPH 19-20W STRAP KIT	
1A,2-7	113321-001	ADJ UP 12W X-SHT ASM	
1B,2-7	113321-002	ADJ UP 12W SHT ASM	
1C,2-7	113321-003	ADJ UP 12W MED ASM	
1D,2-7	113321-004	ADJ UP 12W TAL ASM	
1E,2-7	113321-005	ADJ UP 12W X-TAL ASM	
1A,2-7	113321-006	ADJ UP 13W X-SHT ASM	
1B,2-7	113321-007	ADJ UP 13W SHT ASM	
1C,2-7	113321-008	ADJ UP 13W MED ASM	
1D,2-7	113321-009	ADJ UP 13W TAL ASM	
1E,2-7	113321-010	ADJ UP 13W X-TAL ASM	
1A,2-7	113321-011	ADJ UP 14W X-SHT ASM	
1B,2-7	113321-012	ADJ UP 14W SHT ASM	
1C,2-7	113321-013	ADJ UP 14W MED ASM	
1D,2-7	113321-014	ADJ UP 14W TAL ASM	
1E,2-7	113321-015	ADJ UP 14W X-TAL ASM	
1A,2-7	113321-016	ADJ UP 15W X-SHT ASM	
1B,2-7	113321-017	ADJ UP 15W SHT ASM	
1C,2-7	113321-018	ADJ UP 15W MED ASM	
1D,2-7	113321-019	ADJ UP 15W TAL ASM	
1E,2-7	113321-020	ADJ UP 15W X-TAL ASM	
1A,2-7	113321-021	ADJ UP 16W X-SHT ASM	
1B,2-7	113321-022	ADJ UP 16W SHT ASM	
1C,2-7	113321-023	ADJ UP 16W MED ASM	
1D,2-7	113321-024	ADJ UP 16W TAL ASM	
1E,2-7	113321-025	ADJ UP 16W X-TAL ASM	
1A,2-7	113321-026	ADJ UP 17W X-SHT ASM	
1B,2-7	113321-027	ADJ UP 17W SHT ASM	
1C,2-7	113321-028	ADJ UP 17W MED ASM	
1D,2-7	113321-029	ADJ UP 17W TAL ASM	
1E,2-7	113321-030	ADJ UP 17W X-TAL ASM	
1A,2-7	113321-031	ADJ UP 18W X-SHT ASM	
1B,2-7	113321-032	ADJ UP 18W SHT ASM	
1C,2-7	113321-033	ADJ UP 18W MED ASM	
1D,2-7	113321-034	ADJ UP 18W TAL ASM	
1E,2-7	113321-035	ADJ UP 18W X-TAL ASM	
1A,2-7	113321-036	ADJ UP 19W X-SHT ASM	
1B,2-7	113321-037	ADJ UP 19W SHT ASM	
1C,2-7	113321-038	ADJ UP 19W MED ASM	
1D,2-7	113321-039	ADJ UP 19W TAL ASM	
1E,2-7	113321-040	ADJ UP 19W X-TAL ASM	

Pos.	Item Number	Description	Remarks
1A,2-7	113321-041	ADJ UP 20W X-SHT ASM	
1B,2-7	113321-042	ADJ UP 20W SHT ASM	
1C,2-7	113321-043	ADJ UP 20W MED ASM	
1D,2-7	113321-044	ADJ UP 20W TAL ASM	
1E,2-7	113321-045	ADJ UP 20W X-TAL ASM	

Note: Each back height uses a different variation of back straps; replacement strap kits contain more straps than needed to support all back heights.

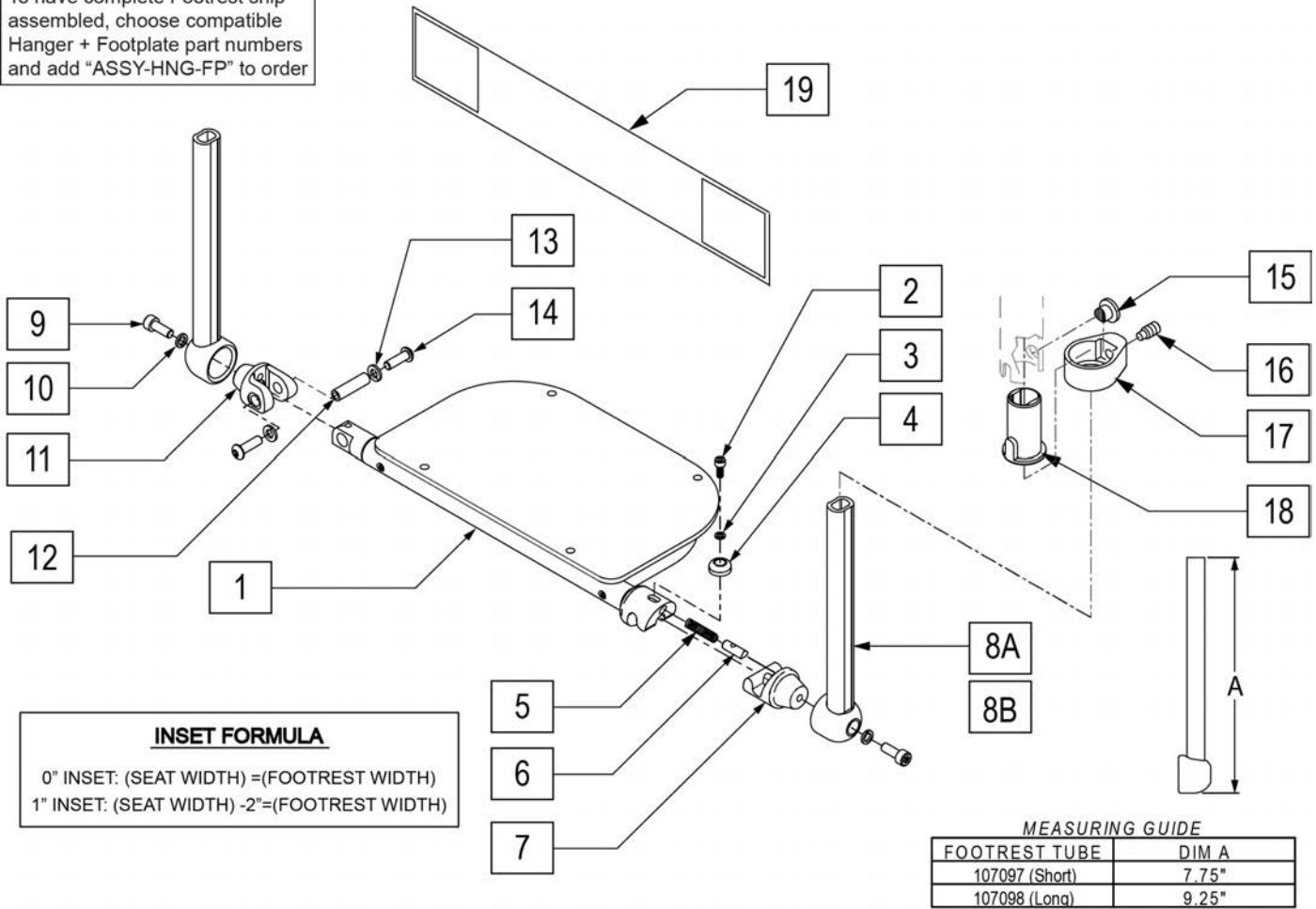


Pos.	Item Number	Description	Remarks
2	113712	TOP CAP, STD, 11 -12"	Used for Omit Push Handle & Integral Push Handle only
2	113713	TOP CAP, STD, 13 -14"	Used for Omit Push Handle & Integral Push Handle only
2	113714	TOP CAP, STD, 15 -16"	Used for Omit Push Handle & Integral Push Handle only
2	113715	TOP CAP, STD, 17 -18"	Used for Omit Push Handle & Integral Push Handle only
2	113716	TOP CAP, STD, 19 -20"	Used for Omit Push Handle & Integral Push Handle only
3	113727	STRAP PADDED 2", 11 -12"	
3	113728	STRAP PADDED 2", 13 -14"	
3	113729	STRAP PADDED 2", 15 -16"	
3	113730	STRAP PADDED 2", 17 -18"	
3	113731	STRAP PADDED 2", 19 -20"	
4	113732	STRAP PADDED 1", 11 -12"	
4	113733	STRAP PADDED 1", 13 -14"	
4	113734	STRAP PADDED 1", 15 -16"	
4	113735	STRAP PADDED 1", 16 -17"	

Pos.	Item Number	Description	Remarks
4	113736	STRAP PADDED 1", 18 -19"	
5	113717	POSITION STRAP 1", 11 -12	
5	113718	POSITION STRAP 1", 13 -14	
5	113719	POSITION STRAP 1", 15 -16	
5	113720	POSITION STRAP 1", 17 -18	
5	113721	POSITION STRAP 1", 19 -20	
6	052435-001	UPH,VNTD ADJ.,FPH STRP,12-13"W	Fold Down Push Handles only
6	052435-002	UPH,VNTD ADJ.,FPH STRP,14-15"W	Fold Down Push Handles only
6	052435-003	UPH,VNTD ADJ.,FPH STRP,16-17"W	Fold Down Push Handles only
6	052435-004	UPH,VNTD ADJ.,FPH STRP,18-20"W	Fold Down Push Handles only
7	107384	PAN HD PHIL 10/32 X 5/8 ROHS	
2-7	114879	ADJ UPH 11-12W STRAP KIT	
2-7	114880	ADJ UPH 13-14W STRAP KIT	
2-7	114881	ADJ UPH 15-16W STRAP KIT	
2-7	114882	ADJ UPH 17-18W STRAP KIT	
2-7	114883	ADJ UPH 19-20W STRAP KIT	
1A,2-7	113322-001	VNT ADJ UP 12W X-SHT ASM	
1B,2-7	113322-002	VNT ADJ UP 12W SHT ASM	
1C,2-7	113322-003	VNT ADJ UP 12W MED ASM	
1D,2-7	113322-004	VNT ADJ UP 12W TAL ASM	
1E,2-7	113322-005	VNT ADJ UP 12W X-TAL ASM	
1A,2-7	113322-006	VNT ADJ UP 13W X-SHT ASM	
1B,2-7	113322-007	VNT ADJ UP 13-W SHT ASM	
1C,2-7	113322-008	VNT ADJ UP 13W MED ASM	
1D,2-7	113322-009	VNT ADJ UP 13W TAL ASM	
1E,2-7	113322-010	VNT ADJ UP 13W X-TAL ASM	
1A,2-7	113322-011	VNT ADJ UP 14W X-SHT ASM	
1B,2-7	113322-012	VNT ADJ UP 14W SHT ASM	
1C,2-7	113322-013	VNT ADJ UP 14W MED ASM	
1D,2-7	113322-014	VNT ADJ UP 14W TAL ASM	
1E,2-7	113322-015	VNT ADJ UP 14W X-TAL ASM	
1A,2-7	113322-016	VNT ADJ UP 15W X-SHT ASM	
1B,2-7	113322-017	VNT ADJ UP 15W SHT ASM	
1C,2-7	113322-018	VNT ADJ UP 15W MED ASM	
1D,2-7	113322-019	VNT ADJ UP 15W TAL ASM	
1E,2-7	113322-020	VNT ADJ UP 15W X-TAL ASM	
1A,2-7	113322-021	VNT ADJ UP 16W X-SHT ASM	
1B,2-7	113322-022	VNT ADJ UP 16W SHT ASM	
1C,2-7	113322-023	VNT ADJ UP 16W MED ASM	
1D,2-7	113322-024	VNT ADJ UP 16W TAL ASM	
1E,2-7	113322-025	VNT ADJ UP 16W X-TAL ASM	
1A,2-7	113322-026	VNT ADJ UP 17W X-SHT ASM	
1B,2-7	113322-027	VNT ADJ UP 17W SHT ASM	
1C,2-7	113322-028	VNT ADJ UP 17W MED ASM	
1D,2-7	113322-029	VNT ADJ UP 17W TAL ASM	
1E,2-7	113322-030	VNT ADJ UP 17W X-TAL ASM	
1A,2-7	113322-031	VNT ADJ UP 18W X-SHT ASM	
1B,2-7	113322-032	VNT ADJ UP 18W SHT ASM	
1C,2-7	113322-033	VNT ADJ UP 18W MED ASM	
1D,2-7	113322-034	VNT ADJ UP 18W TAL ASM	
1E,2-7	113322-035	VNT ADJ UP 18W X-TAL ASM	
1A,2-7	113322-036	VNT ADJ UP 19W X-SHT ASM	
1B,2-7	113322-037	VNT ADJ UP 19W SHT ASM	
1C,2-7	113322-038	VNT ADJ UP 19W MED ASM	
1D,2-7	113322-039	VNT ADJ UP 19W TAL ASM	
1E,2-7	113322-040	VNT ADJ UP 19W X-TAL ASM	

<b>Pos.</b>	<b>Item Number</b>	<b>Description</b>	<b>Remarks</b>
1A,2-7	113322-041	VNT ADJ UP 20W X-SHT ASM	
1B,2-7	113322-042	VNT ADJ UP 20W SHT ASM	
1C,2-7	113322-043	VNT ADJ UP 20W MED ASM	
1D,2-7	113322-044	VNT ADJ UP 20W TAL ASM	
1E,2-7	113322-045	VNT ADJ UP 20W X-TAL ASM	

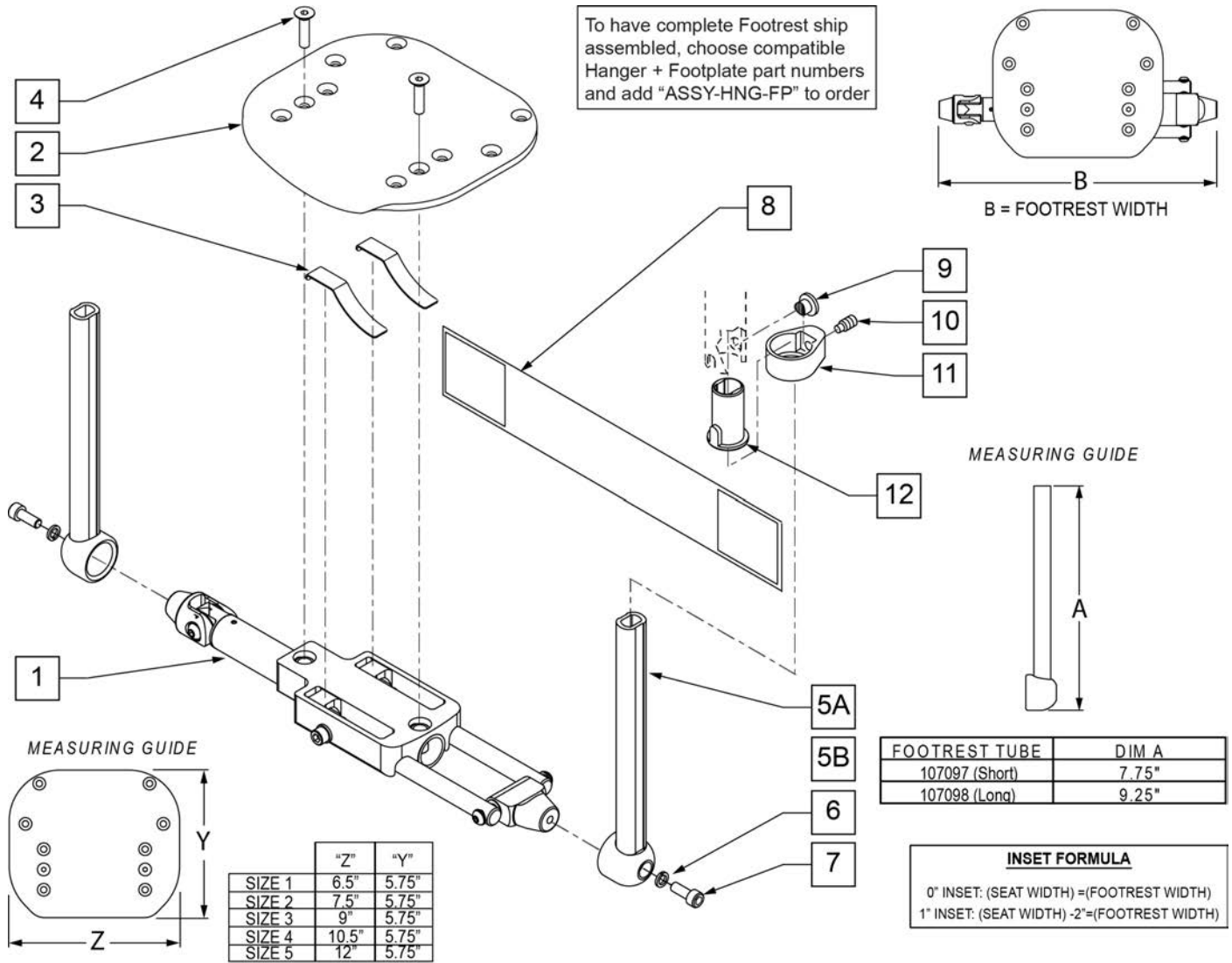
To have complete Footrest ship assembled, choose compatible Hanger + Footplate part numbers and add "ASSY-HNG-FP" to order



Pos.	Item Number	Description	Remarks
2	230132	SHCS M4 X .7 X 10	
3	050129-002	LOCKWASHER HIGH COLLAR M4	
4	052289	BUTTON LEVER LATCH	
5	100837	SPRING COMP .25OD X 1.0LG	
6	052103	LATCH PLUNGER FOOTREST	
7	100842	ASSY LATCH PIVOT FOOTREST	
8A	107097	WELDMENT TUBE FOOTREST STD	Short
8B	107098	WELDMENT TUBE FOOTREST LNG	Long
9	102263-001	SHCS M6X1X16 FULL NP	
10	107362	LOCKWASHER HIGH COLLAR M6	
11	052022	CLEVIS PIVOT TUBE	
12	052282	PIN PIVOT FOOTREST	
13	262133	WASHER LOCK M6	
14	013147	BHCS M6X1X12MM BLK	
18	104160	BUSHING FOOTREST	
19	740130	LEG STRAP 10"-14" BLK	
19	740131	LEG STRAP 15"-17" BLK	
19	740132	LEG STRAP 18"-20" BLK	
1-6	100830-010	ASSY TUBE FRST TBLR W-CVR 12W	12 wide
1-6	100830-011	ASSY TUBE FRST TBLR W-CVR 13W	13 wide



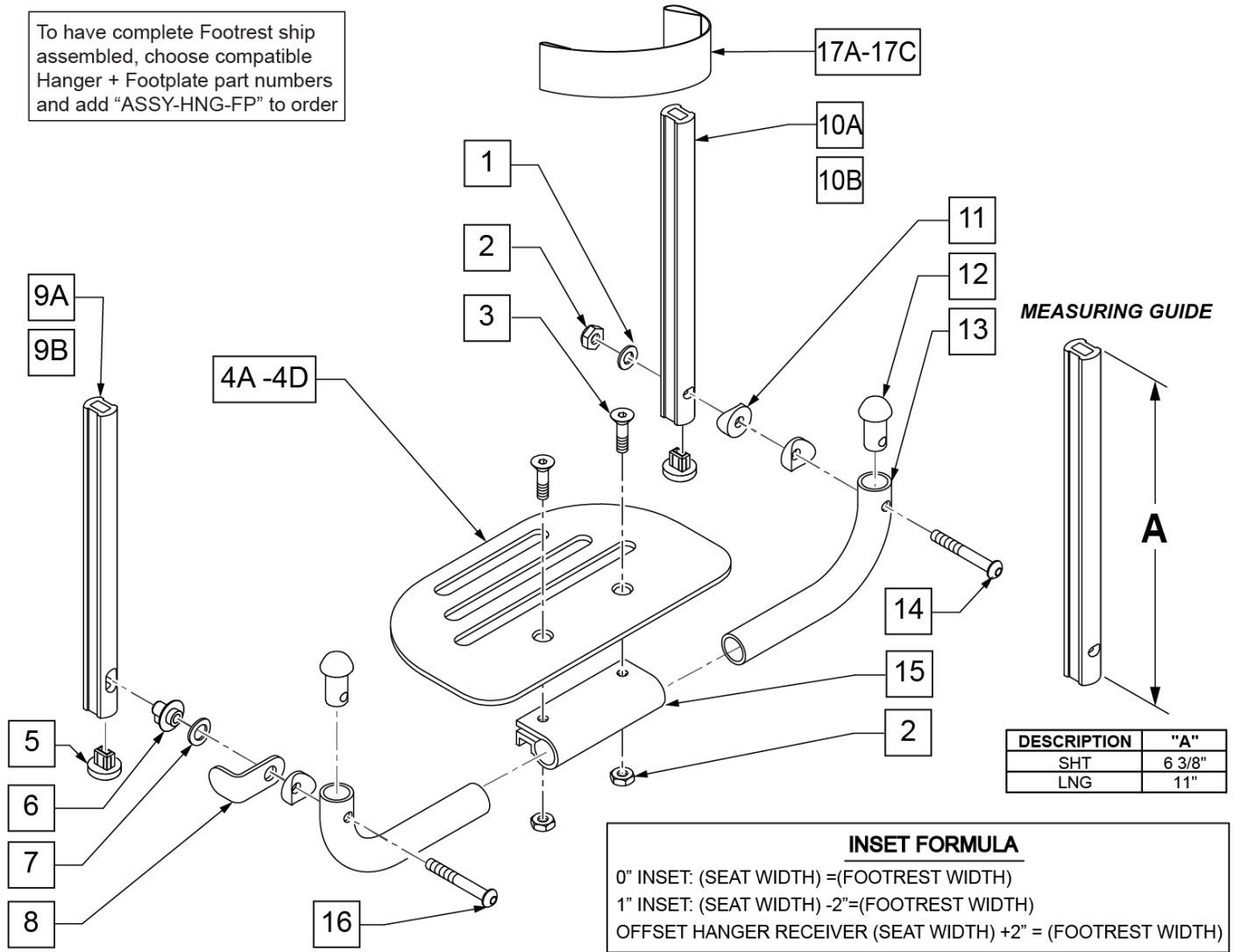
Pos.	Item Number	Description	Remarks
1-6	100830-012	ASSY TUBE FRST TBLR W-CVR 14W	14 wide
1-6	100830-013	ASSY TUBE FRST TBLR W-CVR 15W	15 wide
1-6	100830-014	ASSY TUBE FRST TBLR W-CVR 16W	16 wide
1-6	100830-015	ASSY TUBE FRST TBLR W-CVR 17W	17 wide
1-6	100830-016	ASSY TUBE FRST TBLR W-CVR 18W	18 wide
1-6	100830-017	ASSY TUBE FRST TBLR W-CVR 19W	19 wide
1-6	100830-018	ASSY TUBE FRST TBLR W-CVR 20W	20 wide
1-7,8A,9-14,19	107686	ASSM 12W SHORT	12 wide (Short)
1-7,8A,9-14,19	107687	ASSM 13W SHORT	13 wide (Short)
1-7,8A,9-14,19	107688	ASSM 14W SHORT	14 wide (Short)
1-7,8A,9-14,19	107689	ASSM 15W SHORT	15 wide (Short)
1-7,8A,9-14,19	107690	ASSM 16W SHORT	16 wide (Short)
1-7,8A,9-14,19	107691	ASSM 17W SHORT	17 wide (Short)
1-7,8A,9-14,19	107692	ASSM 18W SHORT	18 wide (Short)
1-7,8A,9-14,19	107693	ASSM 19W SHORT	19 wide (Short)
1-7,8A,9-14,19	107694	ASSM 20W SHORT	20 wide (Short)
1-7,8B,9-14,19	107695	ASSM 12W LONG	12 wide (Long)
1-7,8B,9-14,19	107696	ASSM 13W LONG	13 wide (Long)
1-7,8B,9-14,19	107697	ASSM 14W LONG	14 wide (Long)
1-7,8B,9-14,19	107698	ASSM 15W LONG	15 wide (Long)
1-7,8B,9-14,19	107699	ASSM 16W LONG	16 wide (Long)
1-7,8B,9-14,19	107700	ASSM 17W LONG	17 wide (Long)
1-7,8B,9-14,19	107701	ASSM 18W LONG	18 wide (Long)
1-7,8B,9-14,19	107702	ASSM 19W LONG	19 wide (Long)
1-7,8B,9-14,19	107703	ASSM 20W SHORT	20 wide (Long)
15-18	107485	FOOTREST CLAMP ASSM	
		Ship assembled part #	Use with multiple assemblies
	ASSY-HNG-FP	HANGER/FOOTPLATE ASSY REQUIRED	add with Hanger & Footplate kit



Pos.	Item Number	Description	Remarks
2	054853-001	FOOTPLATE SIZE 1	12" wide
2	054853-002	FOOTPLATE SIZE 2	13-14" wide
2	054853-003	FOOTPLATE SIZE 3	15-16" wide
2	054853-004	FOOTPLATE SIZE 4	17-18" wide
2	054853-005	FOOTPLATE SIZE 5	19-20" wide
3	054852	SPRING LEAF FOOTREST	
4	102265-003	FHCS M6X1X25 FULL NP	
5A	107097	WELDMENT TUBE FOOTREST STD	Short
5B	107098	WELDMENT TUBE FOOTREST LNG	Long
6	107362	LOCKWASHER HIGH COLLAR M6	
7	102263-001	SHCS M6X1X16 FULL NP	
8	740130	LEG STRAP 10"-14" BLK	12-14" wide
8	740131	LEG STRAP 15"-17" BLK	15-17" wide
8	740132	LEG STRAP 18"-20" BLK	18-20" wide
12	104160	BUSHING FOOTREST	
1-4	102830-001	ASSY FOOTPLATE AUTOFOLD 12W	12 wide
1-4	102830-002	ASSY FOOTPLATE AUTOFOLD 13W	13 wide

Pos.	Item Number	Description	Remarks
1-4	102830-003	ASSY FOOTPLATE AUTOFOLD 14W	14 wide
1-4	102830-004	ASSY FOOTPLATE AUTOFOLD 15W	15 wide
1-4	102830-005	ASSY FOOTPLATE AUTOFOLD 16W	16 wide
1-4	102830-006	ASSY FOOTPLATE AUTOFOLD 17W	17 wide
1-4	102830-007	ASSY FOOTPLATE AUTOFOLD 18W	18 wide
1-4	102830-008	ASSY FOOTPLATE AUTOFOLD 19W	19 wide
1-4	102830-009	ASSY FOOTPLATE AUTOFOLD 20W	20 wide
1-5A,6-8	107597	ASSM 12W SHORT	12 wide (Short)
1-5A,6-8	107598	ASSM 13W SHORT	13 wide (Short)
1-5A,6-8	107599	ASSM 14W SHORT	14 wide (Short)
1-5A,6-8	107600	ASSM 15W SHORT	15 wide (Short)
1-5A,6-8	107601	ASSM 16W SHORT	16 wide (Short)
1-5A,6-8	107602	ASSM 17W SHORT	17 wide (Short)
1-5A,6-8	107603	ASSM 18W SHORT	18 wide (Short)
1-5A,6-8	107604	ASSM 19W SHORT	19 wide (Short)
1-5A,6-8	107605	ASSM 20W SHORT	20 wide (Short)
1-5B,6-8	107606	ASSM 12W LONG	12 wide (Long)
1-5B,6-8	107607	ASSM 13W LONG	13 wide (Long)
1-5B,6-8	107608	ASSM 14W LONG	14 wide (Long)
1-5B,6-8	107609	ASSM 15W LONG	15 wide (Long)
1-5B,6-8	107610	ASSM 16W LONG	16 wide (Long)
1-5B,6-8	107611	ASSM 17W LONG	17 wide (Long)
1-5B,6-8	107612	ASSM 18W LONG	18 wide (Long)
1-5B,6-8	107613	ASSM 19W LONG	19 wide (Long)
1-5B,6-8	107614	ASSM 20W SHORT	20 wide (Long)
9-12	107485	FOOTREST CLAMP ASSM	
		Ship assembled part #	Use with multiple assemblies
	ASSY-HNG-FP	HANGER/FOOTPLATE ASSY REQUIRED	add with Hanger & Footplate kit

To have complete Footrest ship assembled, choose compatible Hanger + Footplate part numbers and add "ASSY-HNG-FP" to order



**INSET FORMULA**

0" INSET: (SEAT WIDTH) =(FOOTREST WIDTH)  
 1" INSET: (SEAT WIDTH) -2"=(FOOTREST WIDTH)  
 OFFSET HANGER RECEIVER (SEAT WIDTH) +2" = (FOOTREST WIDTH)

Pos.	Item Number	Description	Remarks
1	106944	WASHER FLAT THIN AN 1/4 ROHS	
2	106941	NUT AUTOMATION 1/4-28 ROHS	
3	106978	FHCS 1/4-28 X 7/8 ROHS	
4A	500651	PLATFORM F/PLT 8 x 5 1/2"	12 -14" Footrest Width
4B	500652	PLATFORM F/PLT 10" x 5 1/2"	15 -17" Footrest Width
4C	500653	PLATFORM F/PLT 12" x 5 1/2"	18 -20" Footrest Width
4D	500654	PLATFORM F/PLT 14" x 5 1/2"	21 -22" Footrest Width
5	113221	PLUG DOUBLE D EXT TUBE	
6	540410	F/UP FOOTREST KEY STUD D2	
7	107385	WASHER CURVED 3/8 ROHS	
8	505078	FOOTREST RETAINING BRACKET	
9A	106875	EXT TBE F/UP KEY SHT	Short -Latch Side
9B	106876	EXT TBE F/UP KEY LNG	Long -Latch Side
10A	106873	EXT TBE F/UP SLT SHT	Short -Pivot Side
10B	106874	EXT TBE F/UP SLT LNG	Long -Pivot Side
11	561003	3/4" SADDLE THIN	
12	561034	SHORT DOME PLUG	

Pos.	Item Number	Description	Remarks
14	106964	BHCS 1/4-28 X 2 ROHS	
15	550351	PLATFORM FOOTPLATE CLAMP	
16	107027	BHCS 1/4-28 X 1-1/4 SHLDR ROHS	
17A	740130	LEG STRAP 10"-14" BLK	12-14" Footrest Width
17B	740131	LEG STRAP 15"-17" BLK	15-17" Footrest Width
17C	740132	LEG STRAP 18"-20" BLK	18-20" Footrest Width
1-4A,6-8,11-16	900306	PLTFM F/P PLT BLK 12" D2 W/ INSTR	12" Footrest Width
1-4A,6-8,11-16	900307	PLTFM F/P PLT BLK 13" D2 W/ INSTR	13" Footrest Width
1-4A,6-8,11-16	900308	PLTFM F/P PLT BLK 14" D2 W /INSTR	14" Footrest Width
1-4B,6-8,11-16	900309	PLTFM F/P PLT BLK 15" D2 W /INSTR	15" Footrest Width
1-4B,6-8,11-16	900310	PLTFM F/P PLT BLK 16" D2 W /INSTR	16" Footrest Width
1-4B,6-8,11-16	900311	PLTFM F/P PLT BLK 17" D2 W /INSTR	17" Footrest Width
1-4C,6-8,11-16	900312	PLTFM F/P PLT BLK 18" D2 W /INSTR	18" Footrest Width
1-4C,6-8,11-16	900313	PLTFM F/P PLT BLK 19" D2 W /INSTR	19" Footrest Width
1-4C,6-8,11-16	900314	PLTFM F/P PLT BLK 20" D2 W/ INSTR	20" Footrest Width
1-4D,6-8,11-16	900315	PLTFM F/P PLT BLK 21" D2 W/ INSTR	21" Footrest Width
1-4D,6-8,11-16	900316	PLTFM F/P PLT BLK 22" D2 W/ INSTR	22" Footrest Width
		SHORT EXT ASSEMBLIES	
1-3,4A,5-8,9A,10B,11-16,17A	108043	PLTFRM FLIP FTRST SHT 12W	12" wide (Short)
1-3,4A,5-8,9A,10B,11-16,17A	108044	PLTFRM FLIP FTRST SHT 13W	13" wide (Short)
1-3,4A,5-8,9A,10B,11-16,17A	108045	PLTFRM FLIP FTRST SHT 14W	14" wide (Short)
1-3,4B,5-8,9A,10B,11-16,17B	108046	PLTFRM FLIP FTRST SHT 15W	15" wide (Short)
1-3,4B,5-8,9A,10B,11-16,17B	108047	PLTFRM FLIP FTRST SHT 16W	16" wide (Short)
1-3,4B,5-8,9A,10B,11-16,17B	108048	PLTFRM FLIP FTRST SHT 17W	17" wide (Short)
1-3,4C,5-8,9A,10B,11-16,17C	108049	PLTFRM FLIP FTRST SHT 18W	18" wide (Short)
1-3,4C,5-8,9A,10B,11-16,17C	108051	PLTFRM FLIP FTRST SHT 19W	19" wide (Short)
1-3,4C,5-8,9A,10B,11-16,17C	108052	PLTFRM FLIP FTRST SHT 20W	20" wide (Short)
1-3,4D,5-8,9A,10B,11-16,17C	111554	PLTFRM FLIP FTRST SHT 21W	21" wide (Short)
1-3,4D,5-8,9A,10B,11-16,17C	111555	PLTFRM FLIP FTRST SHT 22W	22" wide (Short)
		LONG EXT ASSEMBLIES	
1-3,4A,5-8,9B,10A,11-16,17A	108053	PLTFRM FLIP FTRST LONG 12W	12" wide (Long)
1-3,4A,5-8,9B,10A,11-16,17A	108054	PLTFRM FLIP FTRST LONG 13W	13" wide (Long)
1-3,4A,5-8,9B,10A,11-16,17A	108055	PLTFRM FLIP FTRST LONG 14W	14" wide (Long)
1-3,4B,5-8,9B,10A,11-16,17B	108056	PLTFRM FLIP FTRST LONG 15W	15" wide (Long)
1-3,4B,5-8,9B,10A,11-16,17B	108057	PLTFRM FLIP FTRST LONG 16W	16" wide (Long)
1-3,4B,5-8,9B,10A,11-16,17B	108058	PLTFRM FLIP FTRST LONG 17W	17" wide (Long)
1-3,4C,5-8,9B,10A,11-16,17C	108059	PLTFRM FLIP FTRST LONG 18W	18" wide (Long)
1-3,4C,5-8,9B,10A,11-16,17C	108060	PLTFRM FLIP FTRST LONG 19W	19" wide (Long)
1-3,4C,5-8,9B,10A,11-16,17C	108061	PLTFRM FLIP FTRST LONG 20W	20" wide (Long)
1-3,4D,5-8,9B,10A,11-16,17C	111556	PLTFRM FLIP FTRST LONG 21W	21" wide (Long)
1-3,4D,5-8,9B,10A,11-16,17C	111557	PLTFRM FLIP FTRST LONG 22W	22" wide (Long)
		Ship assembled part #	Use with multiple assemblies
	ASSY-HNG-FP	HANGER/FOOTPLATE ASSY REQUIRED	add with Hanger & Footplate kit

**Note:** Footplate Assemblies are set to footrest width; please see "Footplate Formula" table for seat width conversion.

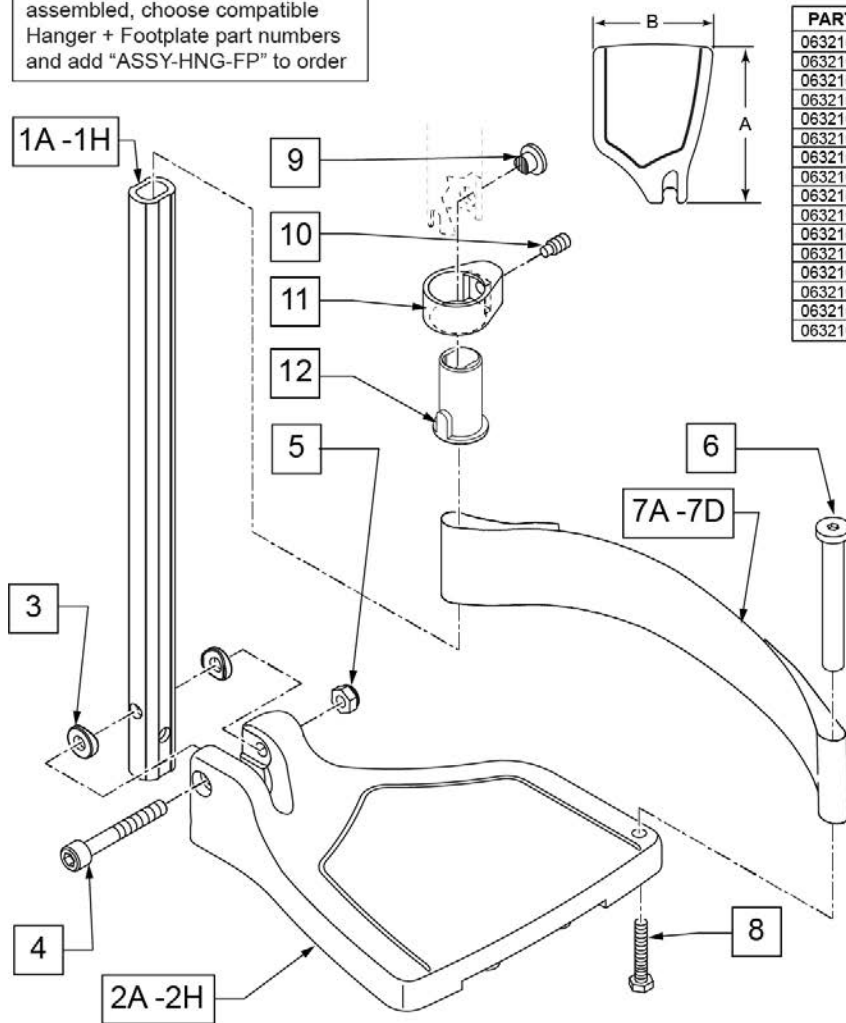
Note: V Style Hangers are not available on Swing Away Style chairs effective 7/14/14; see the "Prior To" ordering guide for V Style footplate assemblies.

Note: for QX Series or SR45 footplate replacement parts see the ordering guide marked specifically for these two models in the informations panel.

**FOOTPLATE MEASURING GUIDE**

PART NO	DESCRIPTION	"A"	"B"
063216-006	FOOTPLATE COMPOSITE 157 R (13"W)	6 1/8"	6"
063216-012	FOOTPLATE COMPOSITE 157 L (13"W)	6 1/8"	6"
063216-015	FOOTPLATE COMPOSITE 170 R (14"W)	6 5/8"	6"
063216-018	FOOTPLATE COMPOSITE 170 L (14"W)	6 5/8"	6"
063216-005	FOOTPLATE COMPOSITE 182 R (15"W)	7 1/8"	6"
063216-011	FOOTPLATE COMPOSITE 182 L (15"W)	7 1/8"	6"
063216-014	FOOTPLATE COMPOSITE 195 R (16"W)	7 5/8"	6"
063216-017	FOOTPLATE COMPOSITE 195 L (16"W)	7 5/8"	6"
063216-004	FOOTPLATE COMPOSITE 207 R (17"W)	8 1/8"	6"
063216-010	FOOTPLATE COMPOSITE 207 L (17"W)	8 1/8"	6"
063216-013	FOOTPLATE COMPOSITE 220 R (18"W)	8 5/8"	6 1/4"
063216-016	FOOTPLATE COMPOSITE 220 L (18"W)	8 5/8"	6 1/4"
063216-003	FOOTPLATE COMPOSITE 232 R (19-20"W)	9 1/8"	6 1/4"
063216-009	FOOTPLATE COMPOSITE 232 L (19-20"W)	9 1/8"	6 1/4"
063216-002	FOOTPLATE COMPOSITE 257 R (21-22"W)	10 1/8"	6 1/4"
063216-008	FOOTPLATE COMPOSITE 257 L (21-22"W)	10 1/8"	6 1/4"

To have complete Footrest ship assembled, choose compatible Hanger + Footplate part numbers and add "ASSY-HNG-FP" to order



**INSET FORMULA**  
 0" Inset (Seat Width) = Footrest Width  
 1" Inset (Seat Width) -2" = Footrest Width  
 "V" Hanger (Seat Width) -4" = Footrest Width  
 Offset Hanger Receiver (Seat Width) +2" = Footrest Width

Pos.	Item Number	Description	Remarks
1A,3-5	120660	SHT STRT EXT COMP HDWR	80 deg hangers + ELR only
1B,3-5	120661	MED STRT EXT COMP HDWR	80 deg hangers + ELR only
1C,3-5	120662	LNG STRT EXT COMP HDWR	80 deg hangers + ELR only
1D,3-5	120663	SHT BNT EXT COMP HDWR	60,70,70 Hemi Hangers
1E,3-5	120664	MED BNT EXT COMP HDWR	60,70,70 Hemi Hangers

Pos.	Item Number	Description	Remarks
1F,3-5	120665	LNG BNT EXT COMP HDWR	60,70,70 Hemi Hangers
1G,3-5	120666	SHT V EXT R COMP HDWR	70 deg V hangers only-LEFT
1G,3-5	120667	SHT V EXT L COMP HDWR	70 deg V hangers only-RIGHT
1H,3-5	120668	LNG V EXT R COMP HDWR	70 deg V hangers only-LEFT
1H,3-5	120669	LNG V EXT L COMP HDWR	70 deg V hangers only-RIGHT
2A	063216-006	FOOTPLATE COMPOSITE 157 R	RIGHT 13" Footrest Width
2A	063216-012	FOOTPLATE COMPOSITE 157 L	LEFT 13" Footrest Width
2B	063216-015	FOOTPLATE COMPOSITE 170 R	RIGHT 14" Footrest Width
2B	063216-018	FOOTPLATE COMPOSITE 170 L	LEFT 14" Footrest Width
2C	063216-005	COMPOSITE FOOTPLATE 182 R	RIGHT 15" Footrest Width
2C	063216-011	COMPOSITE FOOTPLATE 182 L	LEFT 15" Footrest Width
2D	063216-014	FOOTPLATE COMPOSITE 195 R	RIGHT 16" Footrest Width
2D	063216-017	FOOTPLATE COMPOSITE 195 L	LEFT 16" Footrest Width
2E	063216-004	COMPOSITE FOOTPLATE 207 R	RIGHT 17" Footrest Width
2E	063216-010	COMPOSITE FOOTPLATE 207 L	LEFT 17" Footrest Width
2F	063216-013	FOOTPLATE COMPOSITE 220 R	RIGHT 18" Footrest Width
2F	063216-016	FOOTPLATE COMPOSITE 220 L	LEFT 18" Footrest Width
2G	063216-003	COMPOSITE FOOTPLATE 232 R	RIGHT 19" & 20" Footrest Width
2G	063216-009	COMPOSITE FOOTPLATE 232 L	LEFT 19" & 20" Footrest Width
2H	063216-002	FOOTPLATE COMPOSITE 257 R	RIGHT 21" & 22" Footrest Width
2H	063216-008	FOOTPLATE COMPOSITE 257 L	LEFT 21" & 22" Footrest Width
3	104377	3/4" SADDLE THIN	
4	103175	SHCS M6 X 1 X 40 INORG	
5	132626	NUT AUTOMATION M6 X 1.0	Inserted in bottom of footplate.
6	104328	HEEL LOOP PEG	
7A	104380-001	ADJUSTABLE FOOT REST STRAP	14" wide
7B	104380-002	ADJUSTABLE FOOT REST STRAP	15-16" wide
7C	104380-003	ADJUSTABLE FOOT REST STRAP	17-18" wide
7D	104380-004	ADJUSTABLE FOOT REST STRAP	19-22" wide
8	102268-001	HHCS M6 X 1 X 25	
12	104160	BUSHING FOOTREST	
9-12	107485	FOOTREST CLAMP ASSM	
		Ship assembled part #	Use with multiple assemblies
	ASSY-HNG-FP	HANGER/FOOTPLATE ASSY REQUIRED	add with Hanger & Footplate kit
>>>>		60°,70°,70° HEMI HANGERS - SHORT EXT - RIGHT	
1D,2A,3-6,7A,8	107746	COMP BNT SHT EXT ASM 13" W R	Right- 70D- 13" W- SHORT
1D,2B,3-6,7A,8	107747	COMP BNT SHT EXT ASM 14" W R	Right- 70D- 14" W- SHORT
1D,2C,3-6,7B,8	107748	COMP BNT SHT EXT ASM 15" W R	Right- 70D- 15" W- SHORT
1D,2D,3-6,7B,8	107749	COMP BNT SHT EXT ASM 16" W R	Right- 70D- 16" W- SHORT
1D,2E,3-6,7C,8	107750	COMP BNT SHT EXT ASM 17" W R	Right- 70D- 17" W- SHORT
1D,2F,3-6,7C,8	107751	COMP BNT SHT EXT ASM 18" W R	Right- 70D- 18" W- SHORT
1D,2G,3-6,7D,8	107752	COMP BNT SHT EXT ASM 19 & 20"W R	Right- 70D- 19 & 20" W- SHORT
1D,2H,3-6,7D,8	111528	COMP BNT SHT EXT ASM 21 & 22"W R	Right- 70D- 21 & 22" W- SHORT
>>>>		60°,70°,70° HEMI HANGERS - SHORT EXT - LEFT	
1D,2A,3-6,7A,8	107753	COMP BNT SHT EXT ASM 13" W L	Left- 70D- 13 W- SHORT
1D,2B,3-6,7A,8	107754	COMP BNT SHT EXT ASM 14" W L	Left- 70D- 14 W- SHORT
1D,2C,3-6,7B,8	107755	COMP BNT SHT EXT ASM 15" W L	Left- 70D- 15 W- SHORT
1D,2D,3-6,7B,8	107756	COMP BNT SHT EXT ASM 16" W L	Left- 70D- 16 W- SHORT
1D,2E,3-6,7C,8	107757	COMP BNT SHT EXT ASM 17" W L	Left- 70D- 17 W- SHORT
1D,2F,3-6,7C,8	107758	COMP BNT SHT EXT ASM 18" W L	Left- 70D- 18 W- SHORT
1D,2G,3-6,7D,8	107759	COMP BNT SHT EXT ASM 19 & 20"W L	Left- 70D- 19 & 20" W- SHORT
1D,2H,3-6,7D,8	111529	COMP BNT SHT EXT ASM 21 & 22"W L	Left- 70D- 21 & 22" W- SHORT
>>>>		60°,70°,70° HEMI HANGERS - MED EXT - RIGHT	
1E,2A,3-6,7A,8	107760	COMP BNT MED EXT ASM 13" W R	Right- 70D- 13" W- MED
1E,2B,3-6,7A,8	107761	COMP BNT MED EXT ASM 14" W R	Right- 70D- 14" W- MED
1E,2C,3-6,7B,8	107762	COMP BNT MED EXT ASM 15" W R	Right- 70D- 15" W- MED

Pos.	Item Number	Description	Remarks
1E,2D,3-6,7B,8	107763	COMP BNT MED EXT ASM 16" W R	Right- 70D- 16" W- MED
1E,2E,3-6,7C,8	107764	COMP BNT MED EXT ASM 17" W R	Right- 70D- 17" W- MED
1E,2F,3-6,7C,8	107765	COMP BNT MED EXT ASM 18" W R	Right- 70D- 18" W- MED
1E,2G,3-6,7D,8	107766	COMP BNT MED EXT ASM 19 & 20"W R	Right- 70D- 19 & 20" W- MED
1E,2H,3-6,7D,8	111530	COMP BNT MED EXT ASM 21 & 22"W R	Right- 70D- 21 & 22" W- MED
>>>>		60°,70°,70° HEMI HANGERS - MED EXT - LEFT	
1E,2A,3-6,7A,8	107767	COMP BNT MED EXT ASM 13" W L	Left- 70D- 13 W- MED
1E,2B,3-6,7A,8	107768	COMP BNT MED EXT ASM 14" W L	Left- 70D- 14 W- MED
1E,2C,3-6,7B,8	107769	COMP BNT MED EXT ASM 15" W L	Left- 70D- 15 W- MED
1E,2D,3-6,7B,8	107770	COMP BNT MED EXT ASM 16" W L	Left- 70D- 16 W- MED
1E,2E,3-6,7C,8	107771	COMP BNT MED EXT ASM 17" W L	Left- 70D- 17 W- MED
1E,2F,3-6,7C,8	107772	COMP BNT MED EXT ASM 18" W L	Left- 70D- 18 W- MED
1E,2G,3-6,7D,8	107773	COMP BNT MED EXT ASM 19 & 20"W L	Left- 70D- 19 & 20" W- MED
1E,2H,3-6,7D,8	111531	COMP BNT MED EXT ASM 21 & 22"W L	Left- 70D- 21 & 22" W- MED
>>>>		60°,70°,70° HEMI HANGERS - LONG EXT - RIGHT	
1F,2A,3-6,7A,8	107774	COMP BNT LONG EXT ASM 13" W R	Right- 70D- 13" W- LONG
1F,2B,3-6,7A,8	107775	COMP BNT LONG EXT ASM 14" W R	Right- 70D- 14" W- LONG
1F,2C,3-6,7B,8	107776	COMP BNT LONG EXT ASM 15" W R	Right- 70D- 15" W- LONG
1F,2D,3-6,7B,8	107777	COMP BNT LONG EXT ASM 16" W R	Right- 70D- 16" W- LONG
1F,2E,3-6,7C,8	107778	COMP BNT LONG EXT ASM 17" W R	Right- 70D- 17" W- LONG
1F,2F,3-6,7C,8	107779	COMP BNT LONG EXT ASM 18" W R	Right- 70D- 18" W- LONG
1F,2G,3-6,7D,8	107780	COMP BNT LONG EXT ASM 19 & 20"W R	Right- 70D- 19 & 20" W- LONG
1F,2H,3-6,7D,8	111532	COMP BNT LONG EXT ASM 21 & 22"W R	Right- 70D- 21 & 22" W- LONG
>>>>		60°,70°,70° HEMI HANGERS - LONG EXT - LEFT	
1F,2A,3-6,7A,8	107781	COMP BNT LONG EXT ASM 13" W L	Left- 70D- 13 W- LONG
1F,2B,3-6,7A,8	107782	COMP BNT LONG EXT ASM 14" W L	Left- 70D- 14 W- LONG
1F,2C,3-6,7B,8	107783	COMP BNT LONG EXT ASM 15" W L	Left- 70D- 15 W- LONG
1F,2D,3-6,7B,8	107784	COMP BNT LONG EXT ASM 16" W L	Left- 70D- 16 W- LONG
1F,2E,3-6,7C,8	107785	COMP BNT LONG EXT ASM 17" W L	Left- 70D- 17 W- LONG
1F,2F,3-6,7C,8	107786	COMP BNT LONG EXT ASM 18" W L	Left- 70D- 18 W- LONG
1F,2G,3-6,7D,8	107787	COMP BNT LONG EXT ASM 19 & 20"W L	Left- 70D- 19 & 20" W- LONG
1F,2H,3-6,7D,8	111533	COMP BNT LONG EXT ASM 21 & 22"W L	Left- 70D- 21 & 22" W- LONG
>>>>		70 DEGREE "V" HANGERS - MED EXT - RIGHT	
1G,2A,3-8	107788	COMP V MED EXT ASM 13W R	Right- 70D V hangers only 13 W- MED
1G,2B,3-8	107789	COMP V MED EXT ASM 14W R	Right- 70D V hangers only 14 W- MED
1G,2C,3-8	107790	COMP V MED EXT ASM 15W R	Right- 70D V hangers only 15 W- MED
1G,2D,3-8	107791	COMP V MED EXT ASM 16W R	Right- 70D V hangers only 16 W- MED
1G,2E,3-8	107792	COMP V MED EXT ASM 17W R	Right- 70D V hangers only 17 W- MED
1G,2F,3-8	107793	COMP V MED EXT ASM 18W R	Right- 70D V hangers only 18 W- MED
>>>>		70 DEGREE "V" HANGERS - MED EXT - LEFT	
1G,2A,3-8	107795	COMP V MED EXT ASM 13W L	Left- 70D V hangers only 13 W- MED
1G,2B,3-8	107796	COMP V MED EXT ASM 14W L	Left- 70D V hangers only 14 W- MED
1G,2C,3-8	107797	COMP V MED EXT ASM 15W L	Left- 70D V hangers only 15 W- MED
1G,2D,3-8	107798	COMP V MED EXT ASM 16W L	Left- 70D V hangers only 16 W- MED
1G,2E,3-8	107799	COMP V MED EXT ASM 17W L	Left- 70D V hangers only 17 W- MED
1G,2F,3-8	107800	COMP V MED EXT ASM 18W L	Left- 70D V hangers only 18 W- MED
>>>>		70 DEGREE "V" HANGERS - LONG EXT - RIGHT	
1H,2A,3-8	107802	COMP V LNG EXT ASM 13W R	Right- 70D V hangers only 13 W- LONG
1H,2B,3-8	107803	COMP V LNG EXT ASM 14W R	Right- 70D V hangers only 14 W- LONG
1H,2C,3-8	107804	COMP V LNG EXT ASM 15W R	Right- 70D V hangers only 15 W- LONG
1H,2D,3-8	107805	COMP V LNG EXT ASM 16W R	Right- 70D V hangers only 16 W- LONG
1H,2E,3-8	107806	COMP V LNG EXT ASM 17W R	Right- 70D V hangers only 17 W- LONG
1H,2F,3-8	107807	COMP V LNG EXT ASM 18W R	Right- 70D V hangers only 18 W- LONG
>>>>		70 DEGREE "V" HANGERS - LONG EXT - LEFT	
1H,2A,3-8	107809	COMP V LNG EXT ASM 13W L	Left- 70D V hangers only 13 W- LONG
1H,2B,3-8	107810	COMP V LNG EXT ASM 14W L	Left- 70D V hangers only 14 W- LONG



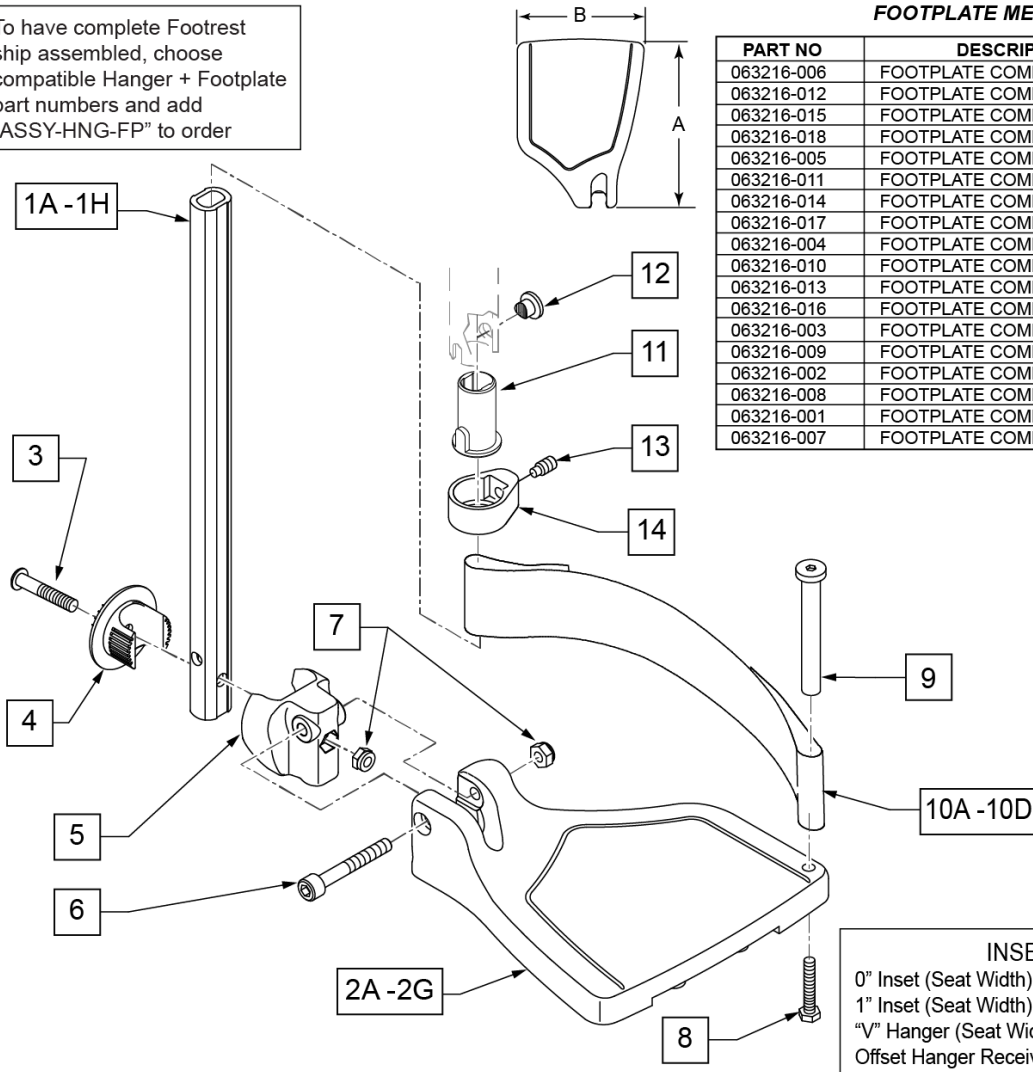
Pos.	Item Number	Description	Remarks
1H,2C,3-8	107811	COMP V LNG EXT ASM 15W L	Left- 70D V hangers only 15 W- LONG
1H,2D,3-8	107812	COMP V LNG EXT ASM 16W L	Left- 70D V hangers only 16 W- LONG
1H,2E,3-8	107813	COMP V LNG EXT ASM 17W L	Left- 70D V hangers only 17 W- LONG
1H,2F,3-8	107814	COMP V LNG EXT ASM 18W L	Left- 70D V hangers only 18 W- LONG
>>>>		80 DEGREE HANGERS - SHORT EXT - RIGHT	
1A,2A,3-6,7A,8	107704	COMP STRT SHT EXT ASM 13"W R	Right- 80D- 13" W- SHORT
1A,2B,3-6,7A,8	107705	COMP STRT SHT EXT ASM 14"W R	Right- 80D- 14" W- SHORT
1A,2C,3-6,7B,8	107706	COMP STRT SHT EXT ASM 15"W R	Right- 80D- 15" W- SHORT
1A,2D,3-6,7B,8	107707	COMP STRT SHT EXT ASM 16"W R	Right- 80D- 16" W- SHORT
1A,2E,3-6,7C,8	107708	COMP STRT SHT EXT ASM 17"W R	Right- 80D- 17" W- SHORT
1A,2F,3-6,7C,8	107709	COMP STRT SHT EXT ASM 18"W R	Right- 80D- 18" W- SHORT
1A,2G,3-6,7D,8	107710	COMP STRT SHT EXT ASM 19 & 20"W R	Right- 80D- 19 & 20" W- SHORT
1A,2H,3-6,7D,8	111522	COMP STRT SHT EXT ASM 21 & 22"W R	Right- 80D- 21 & 22" W- SHORT
>>>>		80 DEGREE HANGERS - SHORT EXT - LEFT	
1A,2A,3-6,7A,8	107711	COMP STRT SHT EXT ASM 13"W L	LEFT- 80D- 13" W- SHORT
1A,2B,3-6,7A,8	107712	COMP STRT SHT EXT ASM 14"W L	LEFT- 80D- 14" W- SHORT
1A,2C,3-6,7B,8	107713	COMP STRT SHT EXT ASM 15"W L	LEFT- 80D- 15" W- SHORT
1A,2D,3-6,7B,8	107714	COMP STRT SHT EXT ASM 16"W L	LEFT- 80D- 16" W- SHORT
1A,2E,3-6,7C,8	107715	COMP STRT SHT EXT ASM 17"W L	LEFT- 80D- 17" W- SHORT
1A,2F,3-6,7C,8	107716	COMP STRT SHT EXT ASM 18"W L	LEFT- 80D- 18" W- SHORT
1A,2G,3-6,7D,8	107717	COMP STRT SHT EXT ASM 19 & 20"W L	LEFT- 80D- 19 & 20" W- SHORT
1A,2H,3-6,7D,8	111523	COMP STRT SHT EXT ASM 21 & 22"W L	LEFT- 80D- 21 & 22" W- SHORT
>>>>		80 DEGREE HANGERS - MED EXT - RIGHT	
1B,2A,3-6,7A,8	107718	COMP STRT MED EXT ASM 13"W R	Right- 80D- 13" W- MED
1B,2B,3-6,7A,8	107719	COMP STRT MED EXT ASM 14"W R	Right- 80D- 14" W- MED
1B,2C,3-6,7B,8	107720	COMP STRT MED EXT ASM 15"W R	Right- 80D- 15" W- MED
1B,2D,3-6,7B,8	107721	COMP STRT MED EXT ASM 16"W R	Right- 80D- 16" W- MED
1B,2E,3-6,7C,8	107722	COMP STRT MED EXT ASM 17"W R	Right- 80D- 17" W- MED
1B,2F,3-6,7C,8	107723	COMP STRT MED EXT ASM 18"W R	Right- 80D- 18" W- MED
1B,2G,3-6,7D,8	107724	COMP STRT MED EXT ASM 19 & 20"W R	Right- 80D- 19 & 20" W- MED
1B,2H,3-6,7D,8	111524	COMP STRT MED EXT ASM 21 & 22"W R	Right- 80D- 21 & 22" W- MED
>>>>		80 DEGREE HANGERS - MED EXT - LEFT	
1B,2A,3-6,7A,8	107725	COMP STRT MED EXT ASM 13"W L	LEFT- 80D- 13" W- MED
1B,2B,3-6,7A,8	107726	COMP STRT MED EXT ASM 14"W L	LEFT- 80D- 14" W- MED
1B,2C,3-6,7B,8	107727	COMP STRT MED EXT ASM 15"W L	LEFT- 80D- 15" W- MED
1B,2D,3-6,7B,8	107728	COMP STRT MED EXT ASM 16"W L	LEFT- 80D- 16" W- MED
1B,2E,3-6,7C,8	107729	COMP STRT MED EXT ASM 17"W L	LEFT- 80D- 17" W- MED
1B,2F,3-6,7C,8	107730	COMP STRT MED EXT ASM 18"W L	LEFT- 80D- 18" W- MED
1B,2G,3-6,7D,8	107731	COMP STRT MED EXT ASM 19 & 20"W L	LEFT- 80D- 19 & 20" W- MED
1B,2H,3-6,7D,8	111525	COMP STRT MED EXT ASM 21 & 22"W L	LEFT- 80D- 21 & 22" W- MED
>>>>		80 DEGREE HANGERS - LONG EXT - RIGHT	
1C,2A,3-6,7A,8	107732	COMP STRT LONG EXT ASM 13"W R	Right- 80D- 13" W- LONG
1C,2B,3-6,7A,8	107733	COMP STRT LONG EXT ASM 14"W R	Right- 80D- 14" W- LONG
1C,2C,3-6,7B,8	107734	COMP STRT LONG EXT ASM 15"W R	Right- 80D- 15" W- LONG
1C,2D,3-6,7B,8	107735	COMP STRT LONG EXT ASM 16"W R	Right- 80D- 16" W- LONG
1C,2E,3-6,7C,8	107736	COMP STRT LONG EXT ASM 17"W R	Right- 80D- 17" W- LONG
1C,2F,3-6,7C,8	107737	COMP STRT LONG EXT ASM 18"W R	Right- 80D- 18" W- LONG
1C,2G,3-6,7D,8	107738	COMP STRT LONG EXT ASM 19 & 20"W R	Right- 80D- 19 & 20" W- LONG
1C,2H,3-6,7D,8	111526	COMP STRT LONG EXT ASM 21 & 22"W R	Right- 80D- 21 & 22" W- LONG
>>>>		80 DEGREE HANGERS - LONG EXT - LEFT	
1C,2A,3-6,7A,8	107739	COMP STRT LONG EXT ASM 13"W L	LEFT- 80D- 13" W- LONG
1C,2B,3-6,7A,8	107740	COMP STRT LONG EXT ASM 14"W L	LEFT- 80D- 14" W- LONG
1C,2C,3-6,7B,8	107741	COMP STRT LONG EXT ASM 15"W L	LEFT- 80D- 15" W- LONG
1C,2D,3-6,7B,8	107742	COMP STRT LONG EXT ASM 16"W L	LEFT- 80D- 16" W- LONG
1C,2E,3-6,7C,8	107743	COMP STRT LONG EXT ASM 17"W L	LEFT- 80D- 17" W- LONG
1C,2F,3-6,7C,8	107744	COMP STRT LONG EXT ASM 18"W L	LEFT- 80D- 18" W- LONG

<b>Pos.</b>	<b>Item Number</b>	<b>Description</b>	<b>Remarks</b>
1C,2G,3-6,7D,8	107745	COMP STRT LONG EXT ASM 19 & 20"W L	LEFT- 80D- 19 & 20" W- LONG
1C,2H,3-6,7D,8	111527	COMP STRT LONG EXT ASM 21 & 22"W L	LEFT- 80D- 21 & 22" W- LONG

**Note:** Footplate Assemblies are set to footrest width; please see "Footplate Formula" table for seat width conversion.

Note: V Style Hangers are not available on Swing Away Style chairs effective 7/14/14; see the "Prior To" ordering guide for V Style footplate assemblies.

To have complete Footrest ship assembled, choose compatible Hanger + Footplate part numbers and add "ASSY-HNG-FP" to order



**FOOTPLATE MEASURING GUIDE**

PART NO	DESCRIPTION	"A"	"B"
063216-006	FOOTPLATE COMPOSITE 157 R	6 1/8"	6"
063216-012	FOOTPLATE COMPOSITE 157 L	6 1/8"	6"
063216-015	FOOTPLATE COMPOSITE 170 R	6 5/8"	6"
063216-018	FOOTPLATE COMPOSITE 170 L	6 5/8"	6"
063216-005	FOOTPLATE COMPOSITE 182 R	7 1/8"	6"
063216-011	FOOTPLATE COMPOSITE 182 L	7 1/8"	6"
063216-014	FOOTPLATE COMPOSITE 195 R	7 5/8"	6"
063216-017	FOOTPLATE COMPOSITE 195 L	7 5/8"	6"
063216-004	FOOTPLATE COMPOSITE 207 R	8 1/8"	6"
063216-010	FOOTPLATE COMPOSITE 207 L	8 1/8"	6"
063216-013	FOOTPLATE COMPOSITE 220 R	8 5/8"	6 1/4"
063216-016	FOOTPLATE COMPOSITE 220 L	8 5/8"	6 1/4"
063216-003	FOOTPLATE COMPOSITE 232 R	9 1/8"	6 1/4"
063216-009	FOOTPLATE COMPOSITE 232 L	9 1/8"	6 1/4"
063216-002	FOOTPLATE COMPOSITE 257 R	10 1/8"	6 1/4"
063216-008	FOOTPLATE COMPOSITE 257 L	10 1/8"	6 1/4"
063216-001	FOOTPLATE COMPOSITE 282 R	11 1/8"	6 1/4"
063216-007	FOOTPLATE COMPOSITE 282 L	11 1/8"	6 1/4"

**INSET FORMULA**  
 0" Inset (Seat Width) = Footrest Width  
 1" Inset (Seat Width) -2" = Footrest Width  
 "V" Hanger (Seat Width) -4" = Footrest Width  
 Offset Hanger Receiver (Seat Width) +2" = Footrest Width

Pos.	Item Number	Description	Remarks
1A,6,7	120660	SHT STRT EXT COMP HDWR	80 deg hangers only
1B,6,7	120661	MED STRT EXT COMP HDWR	80 deg hangers only
1C,6,7	120662	LNG STRT EXT COMP HDWR	80 deg hangers only
1D,6,7	120663	SHT BNT EXT COMP HDWR	60,70,70 Hemi Hangers
1E,6,7	120664	MED BNT EXT COMP HDWR	60,70,70 Hemi Hangers
1F,6,7	120665	LNG BNT EXT COMP HDWR	60,70,70 Hemi Hangers
1G,6,7	120666	SHT V EXT R COMP HDWR	70 deg V hangers only-LEFT
1G,6,7	120667	SHT V EXT L COMP HDWR	70 deg V hangers only-RIGHT
1H,6,7	120668	LNG V EXT R COMP HDWR	70 deg V hangers only-LEFT

Pos.	Item Number	Description	Remarks
1H,6,7	120669	LNG V EXT L COMP HDWR	70 deg V hangers only-RIGHT
2A	063216-006	COMPOSITE FOOTPLATE RIGHT	RIGHT 15" Footrest Width
2A	063216-012	COMPOSITE FOOTPLATE LEFT	LEFT 15" Footrest Width
2B	063216-015	COMPOSITE FOOTPLATE RIGHT	RIGHT 16" Footrest Width
2B	063216-018	COMPOSITE FOOTPLATE LEFT	LEFT 16" Footrest Width
2C	063216-005	COMPOSITE FOOTPLATE RIGHT	RIGHT 17" Footrest Width
2C	063216-011	COMPOSITE FOOTPLATE LEFT	LEFT 17" Footrest Width
2D	063216-014	COMPOSITE FOOTPLATE RIGHT	RIGHT 18" Footrest Width
2D	063216-017	COMPOSITE FOOTPLATE LEFT	LEFT 18" Footrest Width
2E	063216-004	COMPOSITE FOOTPLATE RIGHT	RIGHT 19" Footrest Width
2E	063216-010	COMPOSITE FOOTPLATE LEFT	LEFT 19" Footrest Width
2F	063216-013	COMPOSITE FOOTPLATE RIGHT	RIGHT 20" Footrest Width
2F	063216-016	COMPOSITE FOOTPLATE LEFT	LEFT 20" Footrest Width
2G	063216-003	COMPOSITE FOOTPLATE RIGHT	RIGHT 21" & 22" Footrest Width
2G	063216-009	COMPOSITE FOOTPLATE LEFT	LEFT 21" & 22" Footrest Width
3	108233	BHCS M6 X 1 X 40	
4	054242	ANGLE COVER	
5	054241	ANGLE SEGMENT	
6	103175	SHCS M6 X 1 X 40 INORG	
7	132626	NUT AUTOMATION M6 X 1.0	
8	102268-001	HHCS M6X1X25	Inserted in bottom of footplate.
9	104328	HEEL LOOP PEG	
10A	104380-001	ADJUSTABLE FOOT REST STRAP	15" Footrest Width
10B	104380-002	ADJUSTABLE FOOT REST STRAP	16" Footrest Width
10C	104380-003	ADJUSTABLE FOOT REST STRAP	17-18" Footrest Width
10D	104380-004	ADJUSTABLE FOOT REST STRAP	19-22" Footrest Width
11	104160	BUSHING FOOTREST	
11-14	107485	FOOTREST CLAMP ASSM	
>>>>		60°,70°,70° HEMI HANGERS - SHORT EXT - RIGHT	
1D,2A,3-10A	107858	CAA BNT SHT EXT ASM 15W R	Right- 60° & 60° & 70° 15 W- SHORT
1D,2B,3-10B	107859	CAA BNT SHT EXT ASM 16W R	Right- 60° & 70° 16 W- SHORT
1D,2C,3-10B	107860	CAA BNT SHT EXT ASM 17W R	Right- 60° & 70° 17 W- SHORT
1D,2D,3-10C	107861	CAA BNT SHT EXT ASM 18W R	Right- 60° & 70° 18 W- SHORT
1D,2E,3-10C	107862	CAA BNT SHT EXT ASM 19W R	Right- 60° & 70° 19 W- SHORT
1D,2F,3-10D	107863	CAA BNT SHT EXT ASM 20W R	Right- 60° & 70° 20 W- SHORT
1D,2G,3-10D	107864	CAA BNT SHT EXT ASM 21&22W R	Right- 60° & 70° 21&22 W- SHORT
>>>>		60°,70°,70° HEMI HANGERS - SHORT EXT - LEFT	
1D,2A,3-10A	107865	CAA BNT SHT EXT ASM 15W L	Left- 60° & 70° 15 W- SHORT
1D,2B,3-10B	107866	CAA BNT SHT EXT ASM 16W L	Left- 60° & 70° 16 W- SHORT
1D,2C,3-10B	107867	CAA BNT SHT EXT ASM 17W L	Left- 60° & 70° 17 W- SHORT
1D,2D,3-10C	107868	CAA BNT SHT EXT ASM 18W L	Left- 60° & 70° 18 W- SHORT
1D,2E,3-10C	107869	CAA BNT SHT EXT ASM 19W L	Left- 60° & 70° 19 W- SHORT
1D,2F,3-10D	107870	CAA BNT SHT EXT ASM 20W L	Left- 60° & 70° 20 W- SHORT
1D,2G,3-10D	107871	CAA BNT SHT EXT ASM 21&22W L	Left- 60° & 70° 21&22 W- SHORT
>>>>		60°,70°,70° HEMI HANGERS - MED EXT - RIGHT	
1E,2A,3-10A	107872	CAA BNT MED EXT ASM 15W R	Right- 60° & 70° 15 W- MED
1E,2B,3-10B	107873	CAA BNT MED EXT ASM 16W R	Right- 60° & 70° 16 W- MED
1E,2C,3-10B	107874	CAA BNT MED EXT ASM 17W R	Right- 60° & 70° 17 W- MED
1E,2D,3-10C	107875	CAA BNT MED EXT ASM 18W R	Right- 60° & 70° 18 W- MED
1E,2E,3-10C	107876	CAA BNT MED EXT ASM 19W R	Right- 60° & 70° 19 W- MED
1E,2F,3-10D	107877	CAA BNT MED EXT ASM 20W R	Right- 60° & 70° 20 W- MED
1E,2G,3-10D	107878	CAA BNT MED EXT ASM 21&22W R	Right- 60° & 70° 21&22 W- MED
>>>>		60°,70°,70° HEMI HANGERS - MED EXT - LEFT	
1E,2A,3-10A	107879	CAA BNT MED EXT ASM 15W L	Left- 60° & 70° 15 W- MED
1E,2B,3-10B	107880	CAA BNT MED EXT ASM 16W L	Left- 60° & 70° 16 W- MED
1E,2C,3-10B	107881	CAA BNT MED EXT ASM 17W L	Left- 60° & 70° 17 W- MED

Pos.	Item Number	Description	Remarks
1E,2D,3-10C	107882	CAA BNT MED EXT ASM 18W L	Left- 60° & 70° 18 W- MED
1E,2E,3-10C	107883	CAA BNT MED EXT ASM 19W L	Left- 60° & 70° 19 W- MED
1E,2F,3-10D	107884	CAA BNT MED EXT ASM 20W L	Left- 60° & 70° 20 W- MED
1E,2G,3-10D	107885	CAA BNT MED EXT ASM 21&22W L	Left- 60° & 70° 21&22 W- MED
>>>>		60°,70°,70° HEMI HANGERS - LONG EXT - RIGHT	
1F,2A,3-10A	107886	CAA BNT LNG EXT ASM 15W R	Right- 60° & 70° 15 W- LONG
1F,2B,3-10B	107887	CAA BNT LNG EXT ASM 16W R	Right- 60° & 70° 16 W- LONG
1F,2C,3-10B	107888	CAA BNT LNG EXT ASM 17W R	Right- 60° & 70° 17 W- LONG
1F,2D,3-10C	107889	CAA BNT LNG EXT ASM 18W R	Right- 60° & 70° 18 W- LONG
1F,2E,3-10C	107890	CAA BNT LNG EXT ASM 19W R	Right- 60° & 70° 19 W- LONG
1F,2F,3-10D	107891	CAA BNT LNG EXT ASM 20W R	Right- 60° & 70° 20 W- LONG
1F,2G,3-10D	107892	CAA BNT LNG EXT ASM 21&22W R	Right- 60° & 70° 21&22 W- LONG
>>>>		60°,70°,70° HEMI HANGERS - LONG EXT - LEFT	
1F,2A,3-10A	107893	CAA BNT LNG EXT ASM 15W L	Left- 60° & 70° 15 W- LONG
1F,2B,3-10B	107894	CAA BNT LNG EXT ASM 16W L	Left- 60° & 70° 16 W- LONG
1F,2C,3-10B	107895	CAA BNT LNG EXT ASM 17W L	Left- 60° & 70° 17 W- LONG
1F,2D,3-10C	107896	CAA BNT LNG EXT ASM 18W L	Left- 60° & 70° 18 W- LONG
1F,2E,3-10C	107897	CAA BNT LNG EXT ASM 19W L	Left- 60° & 70° 19 W- LONG
1F,2F,3-10D	107898	CAA BNT LNG EXT ASM 20W L	Left- 60° & 70° 20 W- LONG
1F,2G,3-10D	107899	CAA BNT LNG EXT ASM 21&22W L	Left- 60° & 70° 21&22 W- LONG
>>>>		70° "V" HANGERS - MED EXT - RIGHT	
1G,2A,3-10A	107900	CAA V MED EXT ASM 15W R	Right- 70° V hangers only 15 W- MED
1G,2B,3-10B	107901	CAA V MED EXT ASM 16W R	Right- 70° V hangers only 16 W- MED
1G,2C,3-10B	107902	CAA V MED EXT ASM 17W R	Right- 70° V hangers only 17 W- MED
1G,2D,3-10C	107903	CAA V MED EXT ASM 18W R	Right- 70° V hangers only 18 W- MED
>>>>		70° "V" HANGERS - MED EXT - LEFT	
1G,2A,3-10A	107907	CAA V MED EXT ASM 15W L	Left- 70° V hangers only 15 W- MED
1G,2B,3-10B	107908	CAA V MED EXT ASM 16W L	Left- 70° V hangers only 16 W- MED
1G,2C,3-10B	107909	CAA V MED EXT ASM 17W L	Left- 70° V hangers only 17 W- MED
1G,2D,3-10C	107910	CAA V MED EXT ASM 18W L	Left- 70° V hangers only 18 W- MED
>>>>		70° "V" HANGERS - LONG EXT - RIGHT	
1H,2A,3-10A	107914	CAA V LNG EXT ASM 15W R	Right- 70° V hangers only 15 W- LONG
1H,2B,3-10B	107915	CAA V LNG EXT ASM 16W R	Right- 70° V hangers only 16 W- LONG
1H,2C,3-10B	107916	CAA V LNG EXT ASM 17W R	Right- 70° V hangers only 17 W- LONG
1H,2D,3-10C	107917	CAA V LNG EXT ASM 18W R	Right- 70° V hangers only 18 W- LONG
>>>>		70° "V" HANGERS - LONG EXT - LEFT	
1H,2A,3-10A	107921	CAA V LNG EXT ASM 15W L	Left- 70° V hangers only 15 W- LONG
1H,2B,3-10B	107922	CAA V LNG EXT ASM 16W L	Left- 70° V hangers only 16 W- LONG
1H,2C,3-10B	107923	CAA V LNG EXT ASM 17W L	Left- 70° V hangers only 17 W- LONG
1H,2D,3-10C	107924	CAA V LNG EXT ASM 18W L	Left- 70° V hangers only 18 W- LONG
>>>>		80° HANGERS - SHORT EXT - RIGHT	
1A,2A,3-10A	107816	CAA STRT SHT EXT ASM 15W R	Right- 80° 15 W- SHORT
1A,2B,3-10B	107817	CAA STRT SHT EXT ASM 16W R	Right- 80° 16 W- SHORT
1A,2C,3-10B	107818	CAA STRT SHT EXT ASM 17W R	Right- 80° 17 W- SHORT
1A,2D,3-10C	107819	CAA STRT SHT EXT ASM 18W R	Right- 80° 18 W- SHORT
1A,2E,3-10C	107820	CAA STRT SHT EXT ASM 19W R	Right- 80° 19 W- SHORT
1A,2F,3-10D	107821	CAA STRT SHT EXT ASM 20W R	Right- 80° 20 W- SHORT
1A,2G,3-10D	107822	CAA STRT SHT EXT ASM 21&22W R	Right- 80° 21&22 W- SHORT
>>>>		80° HANGERS - SHORT EXT - LEFT	
1A,2A,3-10A	107823	CAA STRT SHT EXT ASM 15W L	Left- 80° 15 W- SHORT
1A,2B,3-10B	107824	CAA STRT SHT EXT ASM 16W L	Left- 80° 16 W- SHORT
1A,2C,3-10B	107825	CAA STRT SHT EXT ASM 17W L	Left- 80° 17 W- SHORT
1A,2D,3-10C	107826	CAA STRT SHT EXT ASM 18W L	Left- 80° 18 W- SHORT
1A,2E,3-10C	107827	CAA STRT SHT EXT ASM 19W L	Left- 80° 19 W- SHORT
1A,2F,3-10D	107828	CAA STRT SHT EXT ASM 20W L	Left- 80° 20 W- SHORT
1A,2G,3-10D	107829	CAA STRT SHT EXT ASM 21&22W L	Left- 80° 21&22 W- SHORT

Pos.	Item Number	Description	Remarks
>>>>		80° HANGERS - MED EXT - RIGHT	
1B,2A,3-10A	107830	CAA STRT MED EXT ASM 15W R	Right- 80° 15 W- MED
1B,2B,3-10B	107831	CAA STRT MED EXT ASM 16W R	Right- 80° 16 W- MED
1B,2C,3-10B	107832	CAA STRT MED EXT ASM 17W R	Right- 80° 17 W- MED
1B,2D,3-10C	107833	CAA STRT MED EXT ASM 18W R	Right- 80° 18 W- MED
1B,2E,3-10C	107834	CAA STRT MED EXT ASM 19W R	Right- 80° 19 W- MED
1B,2F,3-10D	107835	CAA STRT MED EXT ASM 20W R	Right- 80° 20 W- MED
1B,2G,3-10D	107836	CAA STRT MED EXT ASM 21&22W R	Right- 80° 21&22 W- MED
>>>>		80° HANGERS - MED EXT - LEFT	
1B,2A,3-10A	107837	CAA STRT MED EXT ASM 15W L	Left- 80° 15 W- MED
1B,2B,3-10B	107838	CAA STRT MED EXT ASM 16W L	Left- 80° 16 W- MED
1B,2C,3-10B	107839	CAA STRT MED EXT ASM 17W L	Left- 80° 17 W- MED
1B,2D,3-10C	107840	CAA STRT MED EXT ASM 18W L	Left- 80° 18 W- MED
1B,2E,3-10C	107841	CAA STRT MED EXT ASM 19W L	Left- 80° 19 W- MED
1B,2F,3-10D	107842	CAA STRT MED EXT ASM 20W L	Left- 80° 20 W- MED
1B,2G,3-10D	107843	CAA STRT MED EXT ASM 21&22W L	Left- 80° 21&22 W- MED
>>>>		80° HANGERS - LONG EXT - RIGHT	
1C,2A,3-10A	107844	CAA STRT LNG EXT ASM 15W R	Right- 80° 15 W- LONG
1C,2B,3-10B	107845	CAA STRT LNG EXT ASM 16W R	Right- 80° 16 W- LONG
1C,2C,3-10B	107846	CAA STRT LNG EXT ASM 17W R	Right- 80° 17 W- LONG
1C,2D,3-10C	107847	CAA STRT LNG EXT ASM 18W R	Right- 80° 18 W- LONG
1C,2E,3-10C	107848	CAA STRT LNG EXT ASM 19W R	Right- 80° 19 W- LONG
1C,2F,3-10D	107849	CAA STRT LNG EXT ASM 20W R	Right- 80° 20 W- LONG
1C,2G,3-10D	107850	CAA STRT LNG EXT ASM 21&22W R	Right- 80° 21&22 W- LONG
>>>>		80° HANGERS - LONG EXT - LEFT	
1C,2A,3-10A	107851	CAA STRT LNG EXT ASM 15W L	Left- 80° 15 W- LONG
1C,2B,3-10B	107852	CAA STRT LNG EXT ASM 16W L	Left- 80° 16 W- LONG
1C,2C,3-10B	107853	CAA STRT LNG EXT ASM 17W L	Left- 80° 17 W- LONG
1C,2D,3-10C	107854	CAA STRT LNG EXT ASM 18W L	Left- 80° 18 W- LONG
1C,2E,3-10C	107855	CAA STRT LNG EXT ASM 19W L	Left- 80° 19 W- LONG
1C,2F,3-10D	107856	CAA STRT LNG EXT ASM 20W L	Left- 80° 20 W- LONG
1C,2G,3-10D	107857	CAA STRT LNG EXT ASM 21&22W L	Left- 80° 21&22 W- LONG
		Ship assembled part #	Use with multiple assemblies
	ASSY-HNG-FP	HANGER/FOOTPLATE ASSY REQUIRED	add with Hanger & Footplate kit

**Note:** Footplate Assemblies are set to footrest width; please see "Footplate Formula" table for seat width conversion.

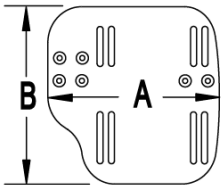
Note: V Style Hangers are not available on Swing Away Style chairs effective 7/14/14; see the "Prior To" ordering guide for V Style footplate assemblies.

Note: for QX Series or SR45 footplate replacement parts see the ordering guide marked specifically for these two models in the informations panel.

To have complete Footrest ship assembled, choose compatible Hanger + Footplate part numbers and add "ASSY-HNG-FP" to order

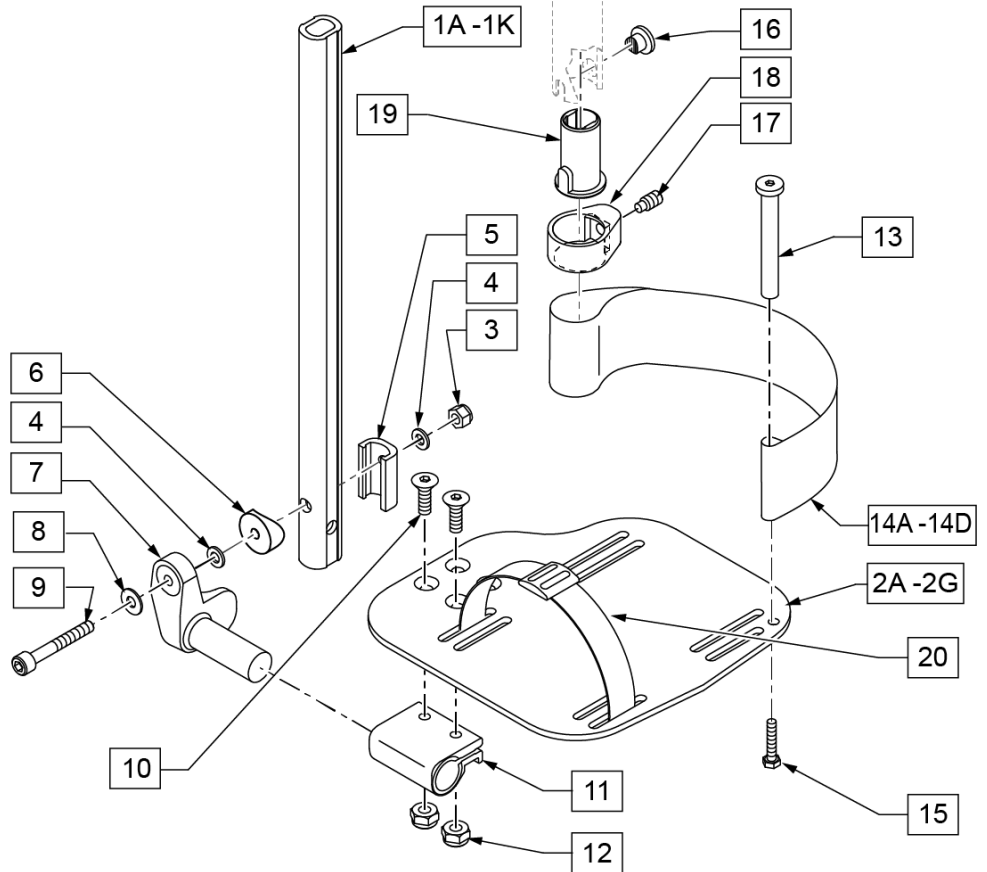
**INSET FORMULA**  
 0" Inset (Seat Width) = Footrest Width  
 1" Inset (Seat Width) -2" = Footrest Width  
 "V" Hanger (Seat Width) -4" = Footrest Width  
 Offset Hanger Receiver (Seat Width) +2" = Footrest Width

**MEASURING GUIDE**



CHAIR WIDTH	"A"	"B"
10" - 11"	3 1/2"	7 1/4"
12" - 13"	4 1/2"	7 3/4"
14" - 15"	5 1/2"	7 3/4"
16" - 17"	6 1/2"	7 3/4"
18" - 20"	7 1/2"	7 3/4"

21 EXT MNT HARDWARE 1 SIDE			
ITEM #	ILLUSTRATION	DESCRIPTION	QTY
3		NUT AUTOMATION M6 X 1.0 ROHS	1
4		WASHER FLAT THIN AN 1/4	2
5		HANGER EXTENSION SADDLE	1
6		3/4" SADDLE 1" OD	1
8		WASHER FLAT SAE 1/4 ROHS	1
9		SHCS M6 X 1 X 45 12MM PART THD	1



Pos.	Item Number	Description	Remarks
1A,3-6,8,9	120670	SHT STRT EXT AAA HDWR	80 deg Hangers Only
1B,3-6,8,9	120671	MED STRT EXT AAA HDWR	80 deg Hangers Only
1C,3-6,8,9	120672	LNG STRT EXT AAA HDWR	80 deg Hangers Only
1D,3-6,8,9	120673	SHT BNT EXT AAA HDWR	60,70,70 Hemi Hangers
1E,3-6,8,9	120674	MED BNT EXT AAA HDWR	60,70,70 Hemi Hangers

Pos.	Item Number	Description	Remarks
1F,3-6,8,9	120675	LNG BNT EXT AAA HDWR	60,70,70 Hemi Hangers
1G,3-6,8,9	120676	SHT V EXT R AAA HDWR	Left - 70 deg V Hangers Only
1H,3-6,8,9	120677	SHT V EXT L AAA HDWR	Right - 70 deg V Hangers Only
1I,3-6,8,9	120678	LNG V EXT R AAA HDWR	Left - 70 deg V Hangers Only
1J,3-6,8,9	120679	LNG V EXT L AAA HDWR	Right - 70 deg V Hangers Only
2A	500656	ADULT ANG ADJ F/PLT 10/11" R	RIGHT 10-11" Footrest Width
2A	500657	ADULT ANG ADJ F/PLT 10/11" L	LEFT 10-11" Footrest Width
2B	500658	ADULT ANG ADJ F/PLT 12/13" R	RIGHT 12-13" Footrest Width
2B	500659	ADULT ANG ADJ F/PLT 12/13" L	LEFT 12-13" Footrest Width
2C	500660	ADLT ANGL ADJ F/PLT 14/15	RIGHT 14-15" Footrest Width
2C	500661	ADLT ANGL ADJ F/PLT 14/15	LEFT 14-15" Footrest Width
2D	500662	ADLT ANGL ADJ F/PLT 16/17	RIGHT 16-17" Footrest Width
2D	500663	ADLT ANGL ADJ F/PLT 16/17	LEFT 16-17" Footrest Width
2E	500664	ADLT ANGL ADJ F/PLT 18-20	RIGHT 18-22" Footrest Width
2E	500665	ADLT ANGL ADJ F/PLT 18-20	LEFT 18-22" Footrest Width
3	132626	NUT AUTOMATION M6 X 1.0	
4	106944	WASHER FLAT THIN AN 1/4 ROHS	
5	107199	HANGER EXTENSION SADDLE	
6	104377	3/4" SADDLE THIN	
7	541002	FTRST MOUNTING BRKT-3/8 RAD R	RIGHT
7	541003	FTRST MOUNTING BRKT-3/8 RAD L	LEFT
8	106945	WASHER FLAT SAE 1/4 ROHS	
9	104399	SHCS M6X1X45 12 MM PART THD	
10	106978	FHCS 1/4-28 X 7/8 ROHS	
11	550350	3/4" CLMP ADJ FT PLT	
12	106935	NUT NYLOCK THIN 1/4-28 ROHS	
13	104328	POST HEEL LOOP	
14A	104380-001	ADJUSTABLE FOOT REST STRAP	12 - 14" WIDE
14B	104380-002	ADJUSTABLE FOOT REST STRAP	15 - 16" WIDE
14C	104380-003	ADJUSTABLE FOOT REST STRAP	17 - 18" WIDE
14D	104380-004	ADJUSTABLE FOOT REST STRAP	19 - 20" WIDE
15	102268-001	HHCS M6 X 1 X 25	
16-19	107485	FOOTREST CLAMP ASSM	
20	740260	TOE-ANKLE STRAP ADJ ADULT FOOTPLATE	
21	120659	EXT MNT HARDWARE 1 SIDE	
>>>>		80° HANGERS - SHORT EXT - RIGHT	
1A,2B,3-14A,15	111534	AAA STRT SHT EXT ASM 12-13" W R	Right- 80D- 12-13" W- SHORT
1A,2C,3-14B,15	107928	AAA STRT SHT EXT ASM 14-15" W R	Right- 80D- 14-15" W- SHORT
1A,2D,3-14C,15	107930	AAA STRT SHT EXT ASM 16-17" W R	Right- 80D- 16-17" W- SHORT
1A,2E,3-14D,15	107932	AAA STRT SHT EXT ASM 18-22" W R	Right- 80D- 18-22" W- SHORT
>>>>		80° HANGERS - SHORT EXT - LEFT	
1A,2B,3-14A,15	111535	AAA STRT SHT EXT ASM 12-13" W L	Left- 80D- 12-13" W- SHORT
1A,2C,3-14B,15	107935	AAA STRT SHT EXT ASM 14" W L	Left- 80D- 14-15" W- SHORT
1A,2D,3-14C,15	107937	AAA STRT SHT EXT ASM 16" W L	Left- 80D- 16-17" W- SHORT
1A,2E,3-14D,15	107939	AAA STRT SHT EXT ASM 18" W L	Left- 80D- 18-22" W- SHORT
>>>>		80° HANGERS - MED EXT - RIGHT	
1B,2B,3-14A,15	111536	AAA STRT MED EXT ASM 12-13" W R	Right- 80D- 12-13" W- MED
1B,2C,3-14B,15	107942	AAA STRT MED EXT ASM 14-15" W R	Right- 80D- 14-15" W- MED
1B,2D,3-14C,15	107944	AAA STRT MED EXT ASM 16-17" W R	Right- 80D- 16-17" W- MED
1B,2E,3-14D,15	107946	AAA STRT MED EXT ASM 18-22" W R	Right- 80D- 18-22" W- MED
>>>>		80° HANGERS - MED EXT - LEFT	
1B,2B,3-14A,15	111537	AAA STRT MED EXT ASM 12-13" W L	Left- 80D- 12-13" W- MED
1B,2C,3-14B,15	107949	AAA STRT MED EXT ASM 14" W L	Left- 80D- 14-15" W- MED
1B,2D,3-14C,15	107951	AAA STRT MED EXT ASM 16" W L	Left- 80D- 16-17" W- MED
1B,2E,3-14D,15	107953	AAA STRT MED EXT ASM 18" W L	Left- 80D- 18-22" W- MED
>>>>		80° HANGERS - LONG EXT - RIGHT	

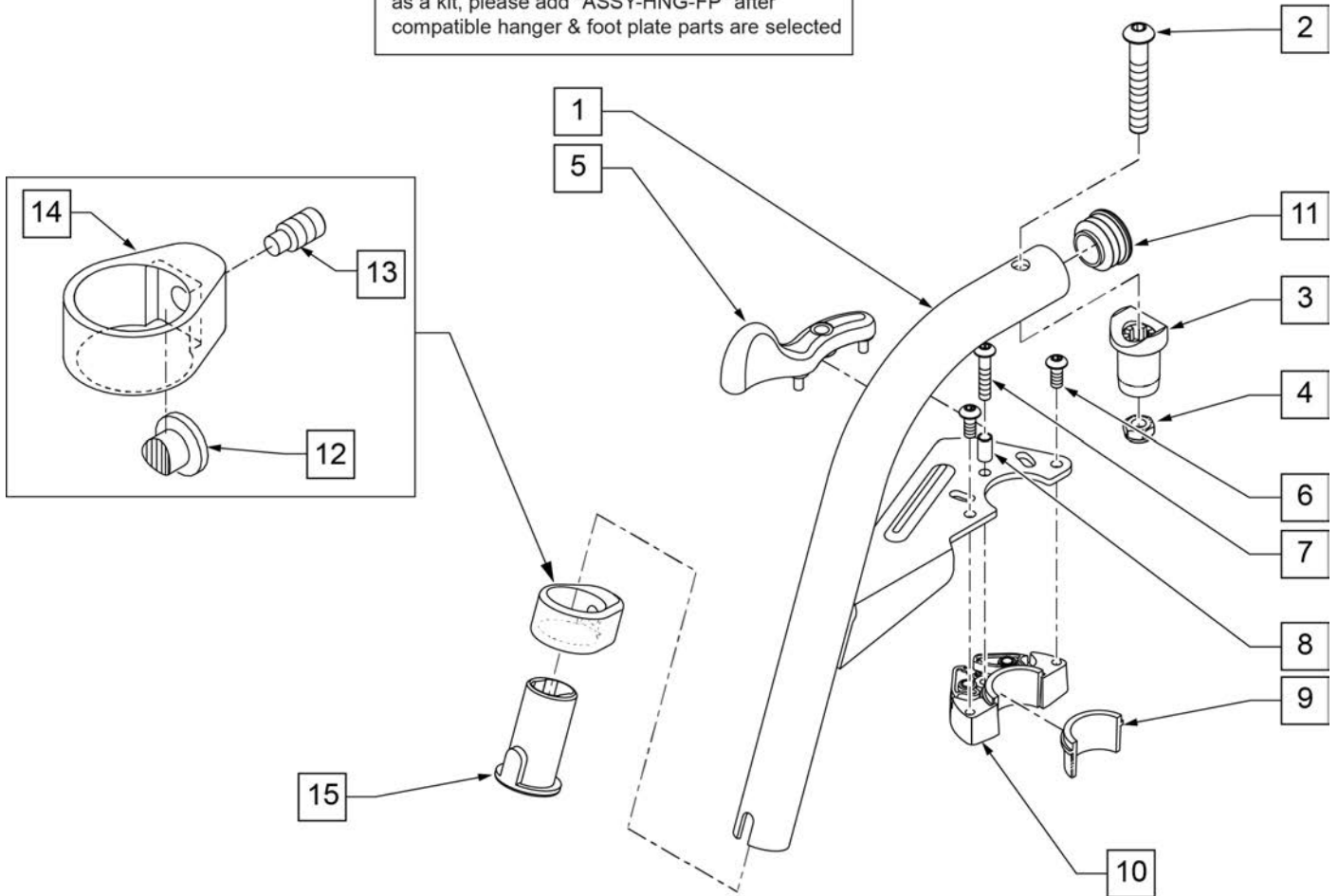


Pos.	Item Number	Description	Remarks
1C,2B,3-14A,15	111538	AAA STRT LNG EXT ASM 12-13" W R	Right- 80D- 12-13" W- LONG
1C,2C,3-14B,15	107956	AAA STRT LNG EXT ASM 14 -15" W R	Right- 80D- 14-15" W- LONG
1C,2D,3-14C,15	107958	AAA STRT LNG EXT ASM 16 -17" W R	Right- 80D- 16-17" W- LONG
1C,2E,3-14D,15	107960	AAA STRT LNG EXT ASM 18 -22" W R	Right- 80D- 18-22" W- LONG
>>>>		80° HANGERS - LONG EXT - LEFT	
1C,2B,3-14A,15	111539	AAA STRT LNG EXT ASM 12-13" W L	Left- 80D- 12-13" W- LONG
1C,2C,3-14B,15	107963	AAA STRT LNG EXT ASM 14W L	Left- 80D- 14-15" W- LONG
1C,2D,3-14C,15	107965	AAA STRT LNG EXT ASM 16W L	Left- 80D- 16-17" W- LONG
1C,2E,3-14D,15	107968	AAA STRT LNG EXT ASM 18W L	Left- 80D- 18-22" W- LONG
>>>>		70° HANGERS - SHORT EXT - RIGHT	
1D,2B,3-14A,15	111540	AAA BNT SHT EXT ASM 12-13" W R	Right- 60D,70D,70D HEMI - 12-13" W- SHORT
1D,2C,3-14B,15	107973	AAA BNT SHT EXT ASM 14 -15" W R	Right- 60D,70D,70D HEMI - 14-15" W- SHORT
1D,2D,3-14C,15	107975	AAA BNT SHT EXT ASM 16 -17" W R	Right- 60D,70D,70D HEMI - 16-17" W- SHORT
1D,2E,3-14D,15	107977	AAA BNT SHT EXT ASM 18 -22" W R	Right- 60D,70D,70D HEMI - 18-22" W- SHORT
>>>>		70° HANGERS - SHORT EXT - LEFT	
1D,2B,3-14A,15	111541	AAA BNT SHT EXT ASM 12-13" W L	Left- 60D,70D,70D HEMI - 12-13" W- SHORT
1D,2C,3-14B,15	107980	AAA BNT SHT EXT ASM 14 -15" W L	Left- 60D,70D,70D HEMI - 14-15" W- SHORT
1D,2D,3-14C,15	107982	AAA BNT SHT EXT ASM 16 -17" W L	Left- 60D,70D,70D HEMI - 16-17" W- SHORT
1D,2E,3-14D,15	107984	AAA BNT SHT EXT ASM 18 -22" W L	Left- 60D,70D,70D HEMI - 18-22" W- SHORT
>>>>		70° HANGERS - MED EXT - RIGHT	
1E,2B,3-14A,15	111542	AAA BNT MED EXT ASM 12-13" W R	Right- 60D,70D,70D HEMI - 12-13" W- MED
1E,2C,3-14B,15	107987	AAA BNT MED EXT ASM 14 -15" W R	Right- 60D,70D,70D HEMI - 14-15" W- MED
1E,2D,3-14C,15	107989	AAA BNT MED EXT ASM 16 -17" W R	Right- 60D,70D,70D HEMI - 16-17" W- MED
1E,2E,3-14D,15	107991	AAA BNT MED EXT ASM 18 -22" W R	Right- 60D,70D,70D HEMI - 18-22" W- MED
>>>>		70° HANGERS - MED EXT - LEFT	
1E,2B,3-14A,15	111543	AAA BNT MED EXT ASM 12-13" W L	Left- 60D,70D,70D HEMI - 12-13" W- MED
1E,2C,3-14B,15	107994	AAA BNT MED EXT ASM 14 -15" W L	Left- 60D,70D,70D HEMI - 14-15" W- MED
1E,2D,3-14C,15	107996	AAA BNT MED EXT ASM 16 -17" W L	Left- 60D,70D,70D HEMI - 16-17" W- MED
1E,2E,3-14D,15	107998	AAA BNT MED EXT ASM 18 -22" W L	Left- 60D,70D,70D HEMI - 18-22" W- MED
>>>>		70° HANGERS - LONG EXT - RIGHT	
1F,2B,3-14A,15	111544	AAA BNT LONG EXT ASM 12-13" W R	Right- 60D,70D,70D HEMI - 12-13" W- LONG
1F,2C,3-14B,15	108001	AAA BNT LONG EXT ASM 14 -15" W R	Right- 60D,70D,70D HEMI - 14-15" W- LONG
1F,2D,3-14C,15	108003	AAA BNT LONG EXT ASM 16 -17" W R	Right- 60D,70D,70D HEMI - 16-17" W- LONG
1F,2E,3-14D,15	108005	AAA BNT LONG EXT ASM 18 -22" W R	Right- 60D,70D,70D HEMI - 18-22" W- LONG
>>>>		70° HANGERS - LONG EXT - LEFT	
1F,2B,3-14A,15	111545	AAA BNT LONG EXT ASM 12-13" W L	Left- 60D,70D,70D HEMI - 12-13" W- LONG
1F,2C,3-14B,15	108008	AAA BNT LONG EXT ASM 14 -15" W L	Left- 60D,70D,70D HEMI - 14-15" W- LONG
1F,2D,3-14C,15	108010	AAA BNT LONG EXT ASM 16 -17" W L	Left- 60D,70D,70D HEMI - 16-17" W- LONG
1F,2E,3-14D,15	108012	AAA BNT LONG EXT ASM 18 -22" W L	Left- 60D,70D,70D HEMI - 18-22" W- LONG
>>>>		70° "V" HANGERS - MED EXT - RIGHT	
1G,2A,3-15	111546	AAA V MED EXT ASM 10-11" W R	Right- 70D V hangers only 10-11" W- MED
1G,2B,3-15	111548	AAA V MED EXT ASM 12-13" W R	Right- 70D V hangers only 12-13" W- MED
1G,2C,3-15	108015	AAA V MED EXT ASM 14 -15" W R	Right- 70D V hangers only 14-15" W- MED
1G,2D,3-15	108017	AAA V MED EXT ASM 16 -17" W R	Right- 70D V hangers only 16-18" W- MED
1G,2E,3-15	108019	AAA V MED EXT ASM 18 -18" W R	Right- 70D V hangers only 18-22" W- MED
>>>>		70° "V" HANGERS - MED EXT - LEFT	
1G,2A,3-15	111547	AAA V MED EXT ASM 10-11" W L	Left- 70D V hangers only 10-11" W- MED
1G,2B,3-15	111549	AAA V MED EXT ASM 12-13" W L	Left- 70D V hangers only 12-13" W- MED
1G,2C,3-15	108022	AAA V MED EXT ASM 14 -15" W L	Left- 70D V hangers only 14-15" W- MED
1G,2D,3-15	108024	AAA V MED EXT ASM 16 -17" W L	Left- 70D V hangers only 16-18" W- MED
1G,2E,3-15	108026	AAA V MED EXT ASM 18 -22" W L	Left- 70D V hangers only 18-22" W- MED
>>>>		70° "V" HANGERS - LONG EXT - RIGHT	
1H,2A,3-15	111550	AAA V LONG EXT ASM 10-11" W R	Right- 70D V hangers only 10-11" W- LONG
1H,2B,3-15	111552	AAA V LONG EXT ASM 12-13" W R	Right- 70D V hangers only 12-13" W- LONG
1H,2C,3-15	108029	AAA V LONG EXT ASM 14 -15" W R	Right- 70D V hangers only 14-15" W- LONG
1H,2D,3-15	108031	AAA V LONG EXT ASM 16 -17" W R	Right- 70D V hangers only 16-18" W- LONG

Pos.	Item Number	Description	Remarks
1H,2E,3-15	108033	AAA V LONG EXT ASM 18 -22: W R	Right- 70D V hangers only 18-22" W- LONG
>>>>		70° "V" HANGERS - LONG EXT - LEFT	
1H,2A,3-15	111551	AAA V LONG EXT ASM 10-11" W L	Left- 70D V hangers only 10-11" W- LONG
1H,2B,3-15	111553	AAA V LONG EXT ASM 12-13" W L	Left- 70D V hangers only 12-13" W- LONG
1H,2C,3-15	108036	AAA V LONG EXT ASM 14 -15" W L	Left- 70D V hangers only 14-15" W- LONG
1H,2D,3-15	108038	AAA V LONG EXT ASM 16 -17" W L	Left- 70D V hangers only 16-18" W- LONG
1H,2E,3-15	108040	AAA V LONG EXT ASM 18 -22" W L	Left- 70D V hangers only 18-22" W- LONG
		Ship assembled part #	Use with multiple assemblies
	ASSY-HNG-FP	HANGER/FOOTPLATE ASSY REQUIRED	add with Hanger & Footplate kit

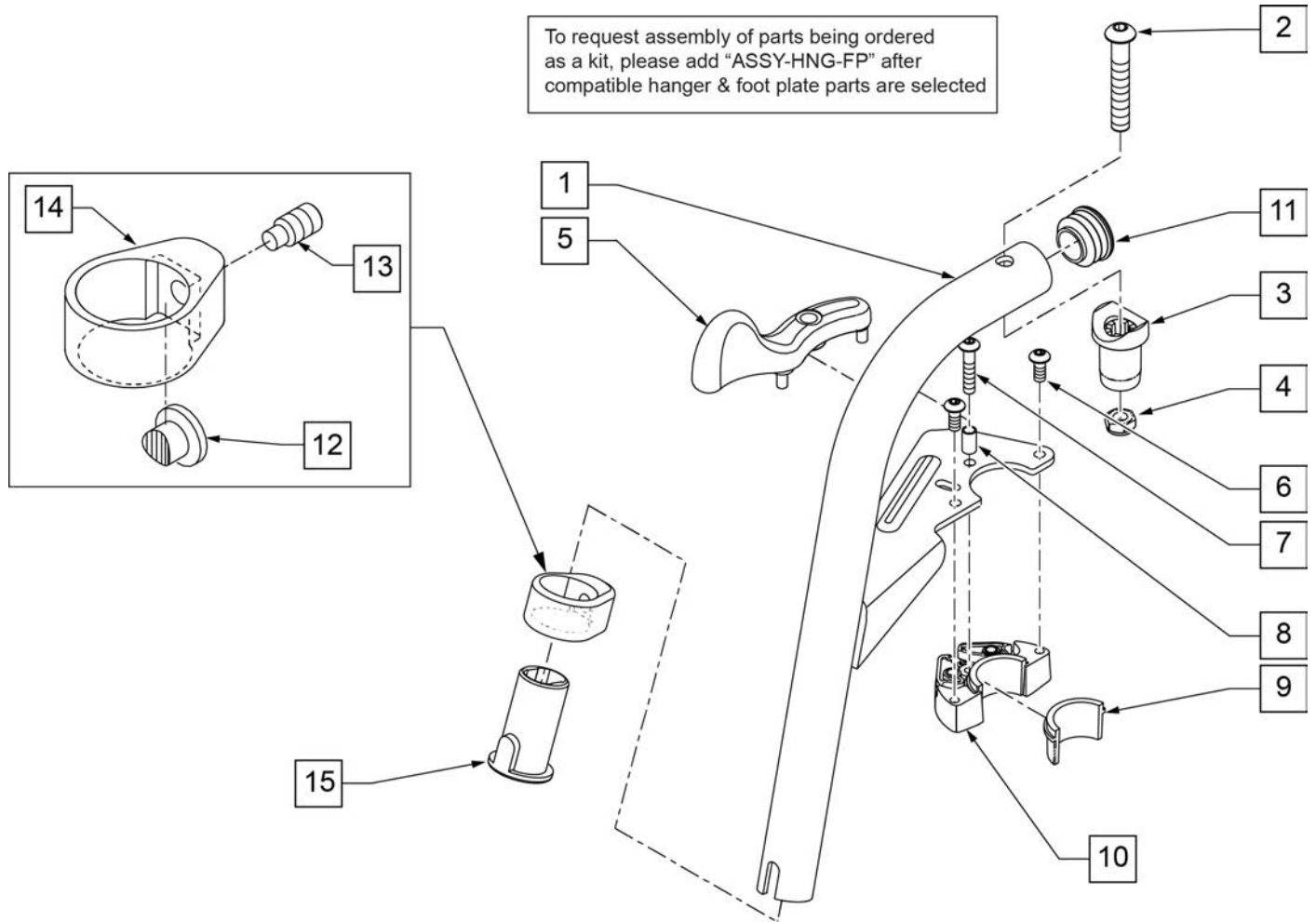
**Note:** Effective on GP SA beginning GP-95902, Kids Q2 SE beginning QKE-003425, LX/LXI beginning LXI-060868, Quickie TS beginning QT-044951 & QTE-002092.

To request assembly of parts being ordered as a kit, please add "ASSY-HNG-FP" after compatible hanger & foot plate parts are selected



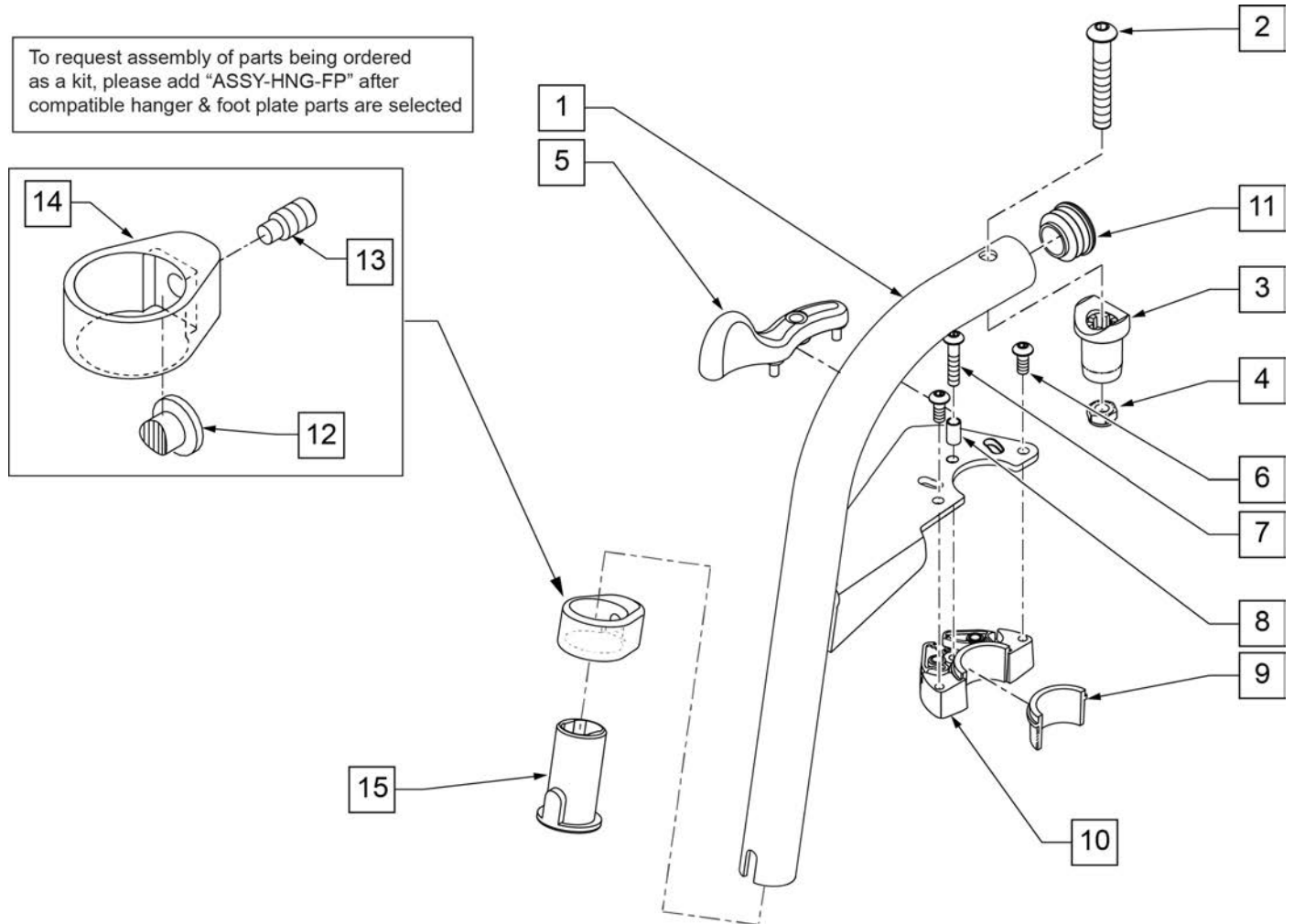
Pos.	Item Number	Description	Remarks
2	106983	5/16-18 X 2 BH C/S SHT THREAD	
3,4	561197	PIVOT SADDLE PLASTIC	
5	052296	SWING I/O LATCH LEVER RIGHT	Right
5	052297	SWING I/O LATCH LEVER LEFT	Left
6	102259-001	BHCS M5 X .8 X 12 W/PL INORG	
7	230494	M5-30 BTTN HD SOC C/S BLK	
8	052054	BUSHING PIVOT HANGER SWING I/O	
11	561062	1" INSERT PLUG .065 RIBS	
15	104160	BUSHING FOOTREST	
1-15	107671S	70 DEG SWING IN/OUT HANGER ASSEMBLY LEFT	SPECIFY COLOR,LEFT
1-15	107670S	70 DEG SWING IN/OUT HANGER ASSEMBLY RIGHT	SPECIFY COLOR,RIGHT
12-15	107485	FOOTREST CLAMP ASSM	
6,9,10	120976	ASSY LATCH BLOCK ANTI LIFT	
		Ship assembled part #	Use with multiple assemblies
	ASSY-HNG-FP	HANGER/FOOTPLATE ASSY REQUIRED	add with Hanger & Footplate kit

**Note:** Effective on GP SA beginning GP-95902, Kids Q2 SE beginning QKE-003425, LX/LXI beginning LXI-060868, Quickie TS beginning QT-044951 & QTE-002092.



Pos.	Item Number	Description	Remarks
2	106983	5/16-18 X 2 BH C/S SHT THREAD	
3	561197	PIVOT SADDLE PLASTIC	Includes nylock nut
5	052296	SWING I/O LATCH LEVER RIGHT	Right
5	052297	SWING I/O LATCH LEVER LEFT	Left
7	230494	M5-30 BTTN HD SOC C/S BLK	
8	052054	BUSHING PIVOT HANGER SWING I/O	
11	561062	1" INSERT PLUG .065 RIBS	
15	104160	BUSHING FOOTREST	
1-15	107675S	70D V HNGR SWNG I/O ASSM L	SPECIFY COLOR,LEFT
1-15	107674S	70D V HNGR SWNG I/O ASSM R	SPECIFY COLOR,RIGHT
12-15	107485	FOOTREST CLAMP ASSM	
6,9,10	120976	ASSY LATCH BLOCK ANTI LIFT	
		Ship assembled part #	Use with multiple assemblies
	ASSY-HNG-FP	HANGER/FOOTPLATE ASSY REQUIRED	add with Hanger & Footplate kit

**Note:** Effective on GP SA beginning GP-95902, Kids Q2 SE beginning QKE-003425, LX/LXI beginning LXI-060868, Quickie TS beginning QT-044951 & QTE-002092.



Pos.	Item Number	Description	Remarks
2	106983	5/16-18 X 2 BH C/S SHT THREAD	
3,4	561197	PIVOT SADDLE PLASTIC	
5	052296	SWING I/O LATCH LEVER RIGHT	Right
5	052297	SWING I/O LATCH LEVER LEFT	Left
6	102259-001	BHCS M5 X .8 X 12 W/PL INORG	
7	230494	M5-30 BTTN HD SOC C/S BLK	
8	052054	BUSHING PIVOT HANGER SWING I/O	
11	561062	1" INSERT PLUG .065 RIBS	
15	104160	BUSHING FOOTREST	
1-15	107673S	80 DEG HNGR SWING I/O L	SPECIFY COLOR,LEFT
1-15	107672S	80 DEG HNGR SWING I/O R	SPECIFY COLOR,RIGHT
12-15	107485	FOOTREST CLAMP ASSM	
6,9,10	120976	ASSY LATCH BLOCK ANTI LIFT	
		Ship assembled part #	Use with multiple assemblies
	ASSY-HNG-FP	HANGER/FOOTPLATE ASSY REQUIRED	add with Hanger & Footplate kit



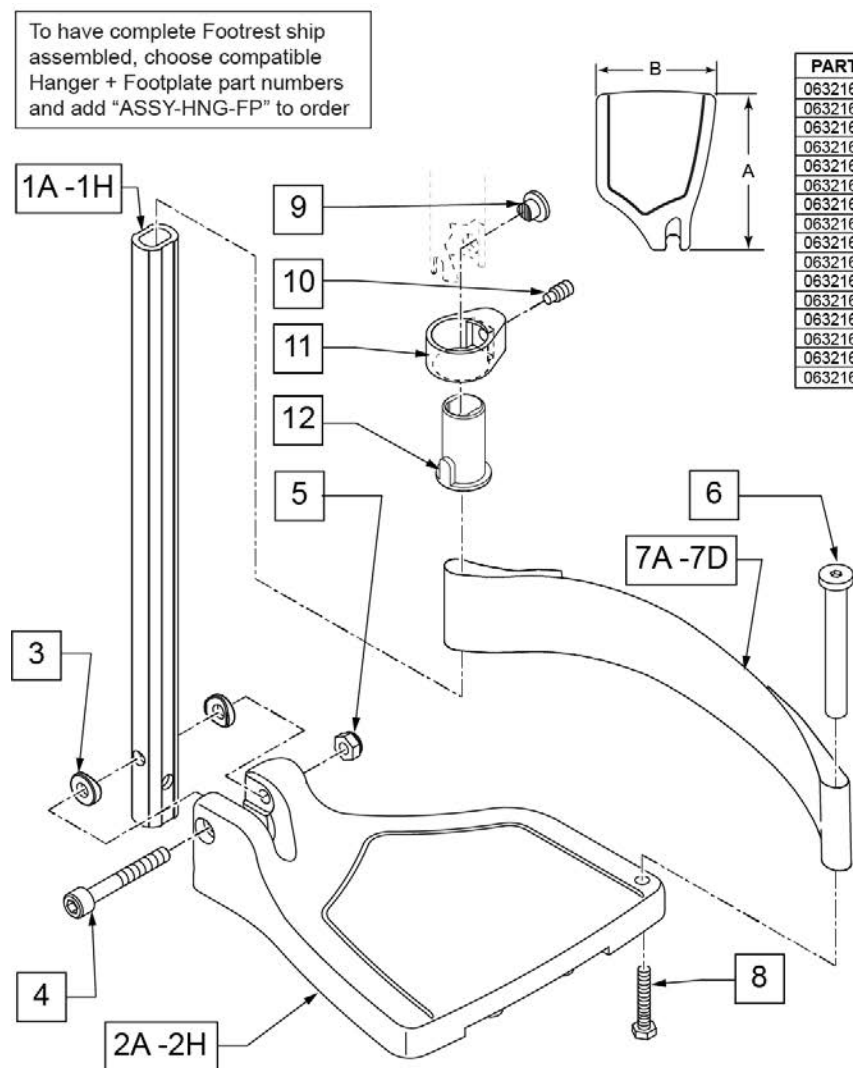
**Note:** Footplate Assemblies are set to footrest width; please see "Footplate Formula" table for seat width conversion.

Note: V Style Hangers are not available on Swing Away Style chairs effective 7/14/14; see the "Prior To" ordering guide for V Style footplate assemblies.

Note: for QX Series or SR45 footplate replacement parts see the ordering guide marked specifically for these two models in the informations panel.

**FOOTPLATE MEASURING GUIDE**

PART NO	DESCRIPTION	"A"	"B"
063216-006	FOOTPLATE COMPOSITE 157 R (13"W)	6 1/8"	6"
063216-012	FOOTPLATE COMPOSITE 157 L (13"W)	6 1/8"	6"
063216-015	FOOTPLATE COMPOSITE 170 R (14"W)	6 5/8"	6"
063216-018	FOOTPLATE COMPOSITE 170 L (14"W)	6 5/8"	6"
063216-005	FOOTPLATE COMPOSITE 182 R (15"W)	7 1/8"	6"
063216-011	FOOTPLATE COMPOSITE 182 L (15"W)	7 1/8"	6"
063216-014	FOOTPLATE COMPOSITE 195 R (16"W)	7 5/8"	6"
063216-017	FOOTPLATE COMPOSITE 195 L (16"W)	7 5/8"	6"
063216-004	FOOTPLATE COMPOSITE 207 R (17"W)	8 1/8"	6"
063216-010	FOOTPLATE COMPOSITE 207 L (17"W)	8 1/8"	6"
063216-013	FOOTPLATE COMPOSITE 220 R (18"W)	8 5/8"	6 1/4"
063216-016	FOOTPLATE COMPOSITE 220 L (18"W)	8 5/8"	6 1/4"
063216-003	FOOTPLATE COMPOSITE 232 R (19-20"W)	9 1/8"	6 1/4"
063216-009	FOOTPLATE COMPOSITE 232 L (19-20"W)	9 1/8"	6 1/4"
063216-002	FOOTPLATE COMPOSITE 257 R (21-22"W)	10 1/8"	6 1/4"
063216-008	FOOTPLATE COMPOSITE 257 L (21-22"W)	10 1/8"	6 1/4"



**INSET FORMULA**  
 0" Inset (Seat Width) = Footrest Width  
 1" Inset (Seat Width) -2" = Footrest Width  
 "V" Hanger (Seat Width) -4" = Footrest Width  
 Offset Hanger Receiver (Seat Width) +2" = Footrest Width

Pos.	Item Number	Description	Remarks
1A,3-5	120660	SHT STRT EXT COMP HDWR	80 deg hangers + ELR only
1B,3-5	120661	MED STRT EXT COMP HDWR	80 deg hangers + ELR only
1C,3-5	120662	LNG STRT EXT COMP HDWR	80 deg hangers + ELR only
1D,3-5	120663	SHT BNT EXT COMP HDWR	60,70,70 Hemi Hangers
1E,3-5	120664	MED BNT EXT COMP HDWR	60,70,70 Hemi Hangers

Pos.	Item Number	Description	Remarks
1F,3-5	120665	LNG BNT EXT COMP HDWR	60,70,70 Hemi Hangers
1G,3-5	120666	SHT V EXT R COMP HDWR	70 deg V hangers only-LEFT
1G,3-5	120667	SHT V EXT L COMP HDWR	70 deg V hangers only-RIGHT
1H,3-5	120668	LNG V EXT R COMP HDWR	70 deg V hangers only-LEFT
1H,3-5	120669	LNG V EXT L COMP HDWR	70 deg V hangers only-RIGHT
2A	063216-006	FOOTPLATE COMPOSITE 157 R	RIGHT 13" Footrest Width
2A	063216-012	FOOTPLATE COMPOSITE 157 L	LEFT 13" Footrest Width
2B	063216-015	FOOTPLATE COMPOSITE 170 R	RIGHT 14" Footrest Width
2B	063216-018	FOOTPLATE COMPOSITE 170 L	LEFT 14" Footrest Width
2C	063216-005	COMPOSITE FOOTPLATE 182 R	RIGHT 15" Footrest Width
2C	063216-011	COMPOSITE FOOTPLATE 182 L	LEFT 15" Footrest Width
2D	063216-014	FOOTPLATE COMPOSITE 195 R	RIGHT 16" Footrest Width
2D	063216-017	FOOTPLATE COMPOSITE 195 L	LEFT 16" Footrest Width
2E	063216-004	COMPOSITE FOOTPLATE 207 R	RIGHT 17" Footrest Width
2E	063216-010	COMPOSITE FOOTPLATE 207 L	LEFT 17" Footrest Width
2F	063216-013	FOOTPLATE COMPOSITE 220 R	RIGHT 18" Footrest Width
2F	063216-016	FOOTPLATE COMPOSITE 220 L	LEFT 18" Footrest Width
2G	063216-003	COMPOSITE FOOTPLATE 232 R	RIGHT 19" & 20" Footrest Width
2G	063216-009	COMPOSITE FOOTPLATE 232 L	LEFT 19" & 20" Footrest Width
2H	063216-002	FOOTPLATE COMPOSITE 257 R	RIGHT 21" & 22" Footrest Width
2H	063216-008	FOOTPLATE COMPOSITE 257 L	LEFT 21" & 22" Footrest Width
3	104377	3/4" SADDLE THIN	
4	103175	SHCS M6 X 1 X 40 INORG	
5	132626	NUT AUTOMATION M6 X 1.0	Inserted in bottom of footplate.
6	104328	HEEL LOOP PEG	
7A	104380-001	ADJUSTABLE FOOT REST STRAP	14" wide
7B	104380-002	ADJUSTABLE FOOT REST STRAP	15-16" wide
7C	104380-003	ADJUSTABLE FOOT REST STRAP	17-18" wide
7D	104380-004	ADJUSTABLE FOOT REST STRAP	19-22" wide
8	102268-001	HHCS M6 X 1 X 25	
12	104160	BUSHING FOOTREST	
9-12	107485	FOOTREST CLAMP ASSM	
		Ship assembled part #	Use with multiple assemblies
	ASSY-HNG-FP	HANGER/FOOTPLATE ASSY REQUIRED	add with Hanger & Footplate kit
>>>>		60°,70°,70° HEMI HANGERS - SHORT EXT - RIGHT	
1D,2A,3-6,7A,8	107746	COMP BNT SHT EXT ASM 13" W R	Right- 70D- 13" W- SHORT
1D,2B,3-6,7A,8	107747	COMP BNT SHT EXT ASM 14" W R	Right- 70D- 14" W- SHORT
1D,2C,3-6,7B,8	107748	COMP BNT SHT EXT ASM 15" W R	Right- 70D- 15" W- SHORT
1D,2D,3-6,7B,8	107749	COMP BNT SHT EXT ASM 16" W R	Right- 70D- 16" W- SHORT
1D,2E,3-6,7C,8	107750	COMP BNT SHT EXT ASM 17" W R	Right- 70D- 17" W- SHORT
1D,2F,3-6,7C,8	107751	COMP BNT SHT EXT ASM 18" W R	Right- 70D- 18" W- SHORT
1D,2G,3-6,7D,8	107752	COMP BNT SHT EXT ASM 19 & 20"W R	Right- 70D- 19 & 20" W- SHORT
1D,2H,3-6,7D,8	111528	COMP BNT SHT EXT ASM 21 & 22"W R	Right- 70D- 21 & 22" W- SHORT
>>>>		60°,70°,70° HEMI HANGERS - SHORT EXT - LEFT	
1D,2A,3-6,7A,8	107753	COMP BNT SHT EXT ASM 13" W L	Left- 70D- 13 W- SHORT
1D,2B,3-6,7A,8	107754	COMP BNT SHT EXT ASM 14" W L	Left- 70D- 14 W- SHORT
1D,2C,3-6,7B,8	107755	COMP BNT SHT EXT ASM 15" W L	Left- 70D- 15 W- SHORT
1D,2D,3-6,7B,8	107756	COMP BNT SHT EXT ASM 16" W L	Left- 70D- 16 W- SHORT
1D,2E,3-6,7C,8	107757	COMP BNT SHT EXT ASM 17" W L	Left- 70D- 17 W- SHORT
1D,2F,3-6,7C,8	107758	COMP BNT SHT EXT ASM 18" W L	Left- 70D- 18 W- SHORT
1D,2G,3-6,7D,8	107759	COMP BNT SHT EXT ASM 19 & 20"W L	Left- 70D- 19 & 20" W- SHORT
1D,2H,3-6,7D,8	111529	COMP BNT SHT EXT ASM 21 & 22"W L	Left- 70D- 21 & 22" W- SHORT
>>>>		60°,70°,70° HEMI HANGERS - MED EXT - RIGHT	
1E,2A,3-6,7A,8	107760	COMP BNT MED EXT ASM 13" W R	Right- 70D- 13" W- MED
1E,2B,3-6,7A,8	107761	COMP BNT MED EXT ASM 14" W R	Right- 70D- 14" W- MED
1E,2C,3-6,7B,8	107762	COMP BNT MED EXT ASM 15" W R	Right- 70D- 15" W- MED



Pos.	Item Number	Description	Remarks
1E,2D,3-6,7B,8	107763	COMP BNT MED EXT ASM 16" W R	Right- 70D- 16" W- MED
1E,2E,3-6,7C,8	107764	COMP BNT MED EXT ASM 17" W R	Right- 70D- 17" W- MED
1E,2F,3-6,7C,8	107765	COMP BNT MED EXT ASM 18" W R	Right- 70D- 18" W- MED
1E,2G,3-6,7D,8	107766	COMP BNT MED EXT ASM 19 & 20"W R	Right- 70D- 19 & 20" W- MED
1E,2H,3-6,7D,8	111530	COMP BNT MED EXT ASM 21 & 22"W R	Right- 70D- 21 & 22" W- MED
>>>>		60°,70°,70° HEMI HANGERS - MED EXT - LEFT	
1E,2A,3-6,7A,8	107767	COMP BNT MED EXT ASM 13" W L	Left- 70D- 13 W- MED
1E,2B,3-6,7A,8	107768	COMP BNT MED EXT ASM 14" W L	Left- 70D- 14 W- MED
1E,2C,3-6,7B,8	107769	COMP BNT MED EXT ASM 15" W L	Left- 70D- 15 W- MED
1E,2D,3-6,7B,8	107770	COMP BNT MED EXT ASM 16" W L	Left- 70D- 16 W- MED
1E,2E,3-6,7C,8	107771	COMP BNT MED EXT ASM 17" W L	Left- 70D- 17 W- MED
1E,2F,3-6,7C,8	107772	COMP BNT MED EXT ASM 18" W L	Left- 70D- 18 W- MED
1E,2G,3-6,7D,8	107773	COMP BNT MED EXT ASM 19 & 20"W L	Left- 70D- 19 & 20" W- MED
1E,2H,3-6,7D,8	111531	COMP BNT MED EXT ASM 21 & 22"W L	Left- 70D- 21 & 22" W- MED
>>>>		60°,70°,70° HEMI HANGERS - LONG EXT - RIGHT	
1F,2A,3-6,7A,8	107774	COMP BNT LONG EXT ASM 13" W R	Right- 70D- 13" W- LONG
1F,2B,3-6,7A,8	107775	COMP BNT LONG EXT ASM 14" W R	Right- 70D- 14" W- LONG
1F,2C,3-6,7B,8	107776	COMP BNT LONG EXT ASM 15" W R	Right- 70D- 15" W- LONG
1F,2D,3-6,7B,8	107777	COMP BNT LONG EXT ASM 16" W R	Right- 70D- 16" W- LONG
1F,2E,3-6,7C,8	107778	COMP BNT LONG EXT ASM 17" W R	Right- 70D- 17" W- LONG
1F,2F,3-6,7C,8	107779	COMP BNT LONG EXT ASM 18" W R	Right- 70D- 18" W- LONG
1F,2G,3-6,7D,8	107780	COMP BNT LONG EXT ASM 19 & 20"W R	Right- 70D- 19 & 20" W- LONG
1F,2H,3-6,7D,8	111532	COMP BNT LONG EXT ASM 21 & 22"W R	Right- 70D- 21 & 22" W- LONG
>>>>		60°,70°,70° HEMI HANGERS - LONG EXT - LEFT	
1F,2A,3-6,7A,8	107781	COMP BNT LONG EXT ASM 13" W L	Left- 70D- 13 W- LONG
1F,2B,3-6,7A,8	107782	COMP BNT LONG EXT ASM 14" W L	Left- 70D- 14 W- LONG
1F,2C,3-6,7B,8	107783	COMP BNT LONG EXT ASM 15" W L	Left- 70D- 15 W- LONG
1F,2D,3-6,7B,8	107784	COMP BNT LONG EXT ASM 16" W L	Left- 70D- 16 W- LONG
1F,2E,3-6,7C,8	107785	COMP BNT LONG EXT ASM 17" W L	Left- 70D- 17 W- LONG
1F,2F,3-6,7C,8	107786	COMP BNT LONG EXT ASM 18" W L	Left- 70D- 18 W- LONG
1F,2G,3-6,7D,8	107787	COMP BNT LONG EXT ASM 19 & 20"W L	Left- 70D- 19 & 20" W- LONG
1F,2H,3-6,7D,8	111533	COMP BNT LONG EXT ASM 21 & 22"W L	Left- 70D- 21 & 22" W- LONG
>>>>		70 DEGREE "V" HANGERS - MED EXT - RIGHT	
1G,2A,3-8	107788	COMP V MED EXT ASM 13W R	Right- 70D V hangers only 13 W- MED
1G,2B,3-8	107789	COMP V MED EXT ASM 14W R	Right- 70D V hangers only 14 W- MED
1G,2C,3-8	107790	COMP V MED EXT ASM 15W R	Right- 70D V hangers only 15 W- MED
1G,2D,3-8	107791	COMP V MED EXT ASM 16W R	Right- 70D V hangers only 16 W- MED
1G,2E,3-8	107792	COMP V MED EXT ASM 17W R	Right- 70D V hangers only 17 W- MED
1G,2F,3-8	107793	COMP V MED EXT ASM 18W R	Right- 70D V hangers only 18 W- MED
>>>>		70 DEGREE "V" HANGERS - MED EXT - LEFT	
1G,2A,3-8	107795	COMP V MED EXT ASM 13W L	Left- 70D V hangers only 13 W- MED
1G,2B,3-8	107796	COMP V MED EXT ASM 14W L	Left- 70D V hangers only 14 W- MED
1G,2C,3-8	107797	COMP V MED EXT ASM 15W L	Left- 70D V hangers only 15 W- MED
1G,2D,3-8	107798	COMP V MED EXT ASM 16W L	Left- 70D V hangers only 16 W- MED
1G,2E,3-8	107799	COMP V MED EXT ASM 17W L	Left- 70D V hangers only 17 W- MED
1G,2F,3-8	107800	COMP V MED EXT ASM 18W L	Left- 70D V hangers only 18 W- MED
>>>>		70 DEGREE "V" HANGERS - LONG EXT - RIGHT	
1H,2A,3-8	107802	COMP V LNG EXT ASM 13W R	Right- 70D V hangers only 13 W- LONG
1H,2B,3-8	107803	COMP V LNG EXT ASM 14W R	Right- 70D V hangers only 14 W- LONG
1H,2C,3-8	107804	COMP V LNG EXT ASM 15W R	Right- 70D V hangers only 15 W- LONG
1H,2D,3-8	107805	COMP V LNG EXT ASM 16W R	Right- 70D V hangers only 16 W- LONG
1H,2E,3-8	107806	COMP V LNG EXT ASM 17W R	Right- 70D V hangers only 17 W- LONG
1H,2F,3-8	107807	COMP V LNG EXT ASM 18W R	Right- 70D V hangers only 18 W- LONG
>>>>		70 DEGREE "V" HANGERS - LONG EXT - LEFT	
1H,2A,3-8	107809	COMP V LNG EXT ASM 13W L	Left- 70D V hangers only 13 W- LONG
1H,2B,3-8	107810	COMP V LNG EXT ASM 14W L	Left- 70D V hangers only 14 W- LONG

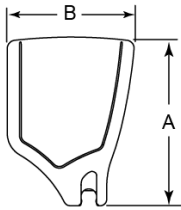
Pos.	Item Number	Description	Remarks
1H,2C,3-8	107811	COMP V LNG EXT ASM 15W L	Left- 70D V hangers only 15 W- LONG
1H,2D,3-8	107812	COMP V LNG EXT ASM 16W L	Left- 70D V hangers only 16 W- LONG
1H,2E,3-8	107813	COMP V LNG EXT ASM 17W L	Left- 70D V hangers only 17 W- LONG
1H,2F,3-8	107814	COMP V LNG EXT ASM 18W L	Left- 70D V hangers only 18 W- LONG
>>>>		80 DEGREE HANGERS - SHORT EXT - RIGHT	
1A,2A,3-6,7A,8	107704	COMP STRT SHT EXT ASM 13"W R	Right- 80D- 13" W- SHORT
1A,2B,3-6,7A,8	107705	COMP STRT SHT EXT ASM 14"W R	Right- 80D- 14" W- SHORT
1A,2C,3-6,7B,8	107706	COMP STRT SHT EXT ASM 15"W R	Right- 80D- 15" W- SHORT
1A,2D,3-6,7B,8	107707	COMP STRT SHT EXT ASM 16"W R	Right- 80D- 16" W- SHORT
1A,2E,3-6,7C,8	107708	COMP STRT SHT EXT ASM 17"W R	Right- 80D- 17" W- SHORT
1A,2F,3-6,7C,8	107709	COMP STRT SHT EXT ASM 18"W R	Right- 80D- 18" W- SHORT
1A,2G,3-6,7D,8	107710	COMP STRT SHT EXT ASM 19 & 20"W R	Right- 80D- 19 & 20" W- SHORT
1A,2H,3-6,7D,8	111522	COMP STRT SHT EXT ASM 21 & 22"W R	Right- 80D- 21 & 22" W- SHORT
>>>>		80 DEGREE HANGERS - SHORT EXT - LEFT	
1A,2A,3-6,7A,8	107711	COMP STRT SHT EXT ASM 13"W L	LEFT- 80D- 13" W- SHORT
1A,2B,3-6,7A,8	107712	COMP STRT SHT EXT ASM 14"W L	LEFT- 80D- 14" W- SHORT
1A,2C,3-6,7B,8	107713	COMP STRT SHT EXT ASM 15"W L	LEFT- 80D- 15" W- SHORT
1A,2D,3-6,7B,8	107714	COMP STRT SHT EXT ASM 16"W L	LEFT- 80D- 16" W- SHORT
1A,2E,3-6,7C,8	107715	COMP STRT SHT EXT ASM 17"W L	LEFT- 80D- 17" W- SHORT
1A,2F,3-6,7C,8	107716	COMP STRT SHT EXT ASM 18"W L	LEFT- 80D- 18" W- SHORT
1A,2G,3-6,7D,8	107717	COMP STRT SHT EXT ASM 19 & 20"W L	LEFT- 80D- 19 & 20" W- SHORT
1A,2H,3-6,7D,8	111523	COMP STRT SHT EXT ASM 21 & 22"W L	LEFT- 80D- 21 & 22" W- SHORT
>>>>		80 DEGREE HANGERS - MED EXT - RIGHT	
1B,2A,3-6,7A,8	107718	COMP STRT MED EXT ASM 13"W R	Right- 80D- 13" W- MED
1B,2B,3-6,7A,8	107719	COMP STRT MED EXT ASM 14"W R	Right- 80D- 14" W- MED
1B,2C,3-6,7B,8	107720	COMP STRT MED EXT ASM 15"W R	Right- 80D- 15" W- MED
1B,2D,3-6,7B,8	107721	COMP STRT MED EXT ASM 16"W R	Right- 80D- 16" W- MED
1B,2E,3-6,7C,8	107722	COMP STRT MED EXT ASM 17"W R	Right- 80D- 17" W- MED
1B,2F,3-6,7C,8	107723	COMP STRT MED EXT ASM 18"W R	Right- 80D- 18" W- MED
1B,2G,3-6,7D,8	107724	COMP STRT MED EXT ASM 19 & 20"W R	Right- 80D- 19 & 20" W- MED
1B,2H,3-6,7D,8	111524	COMP STRT MED EXT ASM 21 & 22"W R	Right- 80D- 21 & 22" W- MED
>>>>		80 DEGREE HANGERS - MED EXT - LEFT	
1B,2A,3-6,7A,8	107725	COMP STRT MED EXT ASM 13"W L	LEFT- 80D- 13" W- MED
1B,2B,3-6,7A,8	107726	COMP STRT MED EXT ASM 14"W L	LEFT- 80D- 14" W- MED
1B,2C,3-6,7B,8	107727	COMP STRT MED EXT ASM 15"W L	LEFT- 80D- 15" W- MED
1B,2D,3-6,7B,8	107728	COMP STRT MED EXT ASM 16"W L	LEFT- 80D- 16" W- MED
1B,2E,3-6,7C,8	107729	COMP STRT MED EXT ASM 17"W L	LEFT- 80D- 17" W- MED
1B,2F,3-6,7C,8	107730	COMP STRT MED EXT ASM 18"W L	LEFT- 80D- 18" W- MED
1B,2G,3-6,7D,8	107731	COMP STRT MED EXT ASM 19 & 20"W L	LEFT- 80D- 19 & 20" W- MED
1B,2H,3-6,7D,8	111525	COMP STRT MED EXT ASM 21 & 22"W L	LEFT- 80D- 21 & 22" W- MED
>>>>		80 DEGREE HANGERS - LONG EXT - RIGHT	
1C,2A,3-6,7A,8	107732	COMP STRT LONG EXT ASM 13"W R	Right- 80D- 13" W- LONG
1C,2B,3-6,7A,8	107733	COMP STRT LONG EXT ASM 14"W R	Right- 80D- 14" W- LONG
1C,2C,3-6,7B,8	107734	COMP STRT LONG EXT ASM 15"W R	Right- 80D- 15" W- LONG
1C,2D,3-6,7B,8	107735	COMP STRT LONG EXT ASM 16"W R	Right- 80D- 16" W- LONG
1C,2E,3-6,7C,8	107736	COMP STRT LONG EXT ASM 17"W R	Right- 80D- 17" W- LONG
1C,2F,3-6,7C,8	107737	COMP STRT LONG EXT ASM 18"W R	Right- 80D- 18" W- LONG
1C,2G,3-6,7D,8	107738	COMP STRT LONG EXT ASM 19 & 20"W R	Right- 80D- 19 & 20" W- LONG
1C,2H,3-6,7D,8	111526	COMP STRT LONG EXT ASM 21 & 22"W R	Right- 80D- 21 & 22" W- LONG
>>>>		80 DEGREE HANGERS - LONG EXT - LEFT	
1C,2A,3-6,7A,8	107739	COMP STRT LONG EXT ASM 13"W L	LEFT- 80D- 13" W- LONG
1C,2B,3-6,7A,8	107740	COMP STRT LONG EXT ASM 14"W L	LEFT- 80D- 14" W- LONG
1C,2C,3-6,7B,8	107741	COMP STRT LONG EXT ASM 15"W L	LEFT- 80D- 15" W- LONG
1C,2D,3-6,7B,8	107742	COMP STRT LONG EXT ASM 16"W L	LEFT- 80D- 16" W- LONG
1C,2E,3-6,7C,8	107743	COMP STRT LONG EXT ASM 17"W L	LEFT- 80D- 17" W- LONG
1C,2F,3-6,7C,8	107744	COMP STRT LONG EXT ASM 18"W L	LEFT- 80D- 18" W- LONG

<b>Pos.</b>	<b>Item Number</b>	<b>Description</b>	<b>Remarks</b>
1C,2G,3-6,7D,8	107745	COMP STRT LONG EXT ASM 19 & 20"W L	LEFT- 80D- 19 & 20" W- LONG
1C,2H,3-6,7D,8	111527	COMP STRT LONG EXT ASM 21 & 22"W L	LEFT- 80D- 21 & 22" W- LONG

**Note:** Footplate Assemblies are set to footrest width; please see "Footplate Formula" table for seat width conversion.

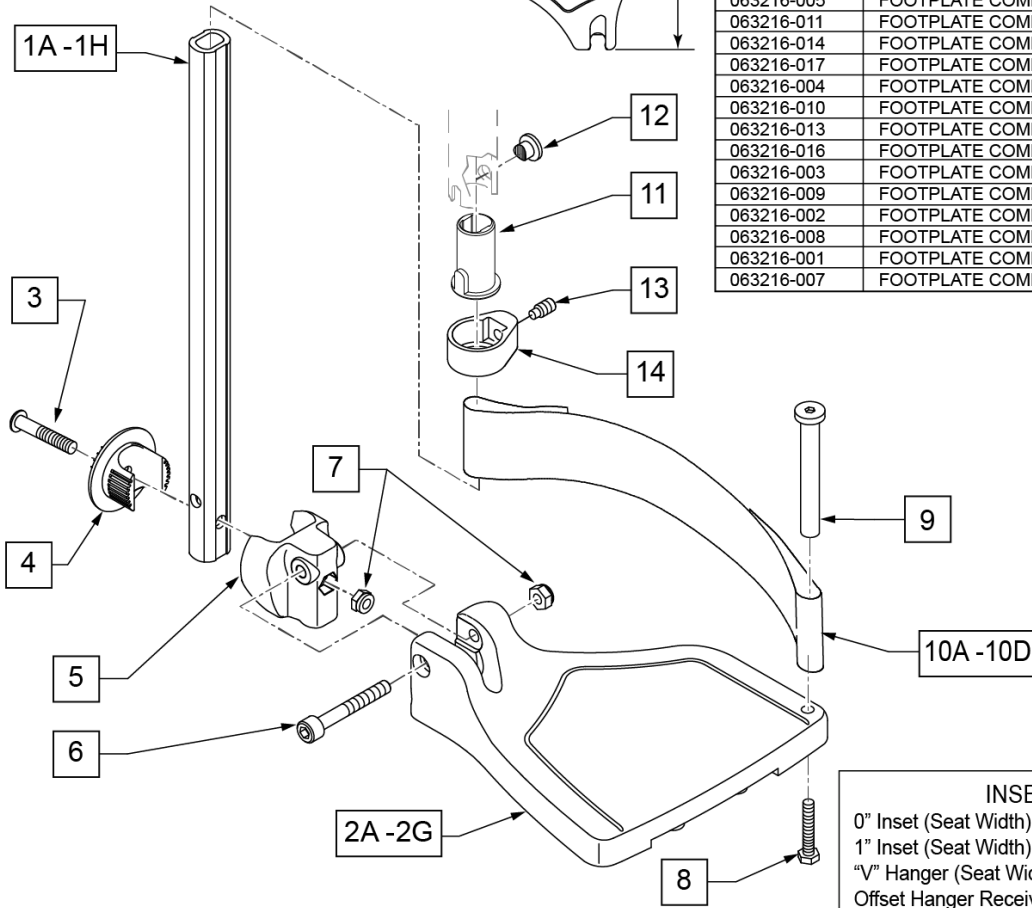
Note: V Style Hangers are not available on Swing Away Style chairs effective 7/14/14; see the "Prior To" ordering guide for V Style footplate assemblies.

To have complete Footrest ship assembled, choose compatible Hanger + Footplate part numbers and add "ASSY-HNG-FP" to order



**FOOTPLATE MEASURING GUIDE**

PART NO	DESCRIPTION	"A"	"B"
063216-006	FOOTPLATE COMPOSITE 157 R	6 1/8"	6"
063216-012	FOOTPLATE COMPOSITE 157 L	6 1/8"	6"
063216-015	FOOTPLATE COMPOSITE 170 R	6 5/8"	6"
063216-018	FOOTPLATE COMPOSITE 170 L	6 5/8"	6"
063216-005	FOOTPLATE COMPOSITE 182 R	7 1/8"	6"
063216-011	FOOTPLATE COMPOSITE 182 L	7 1/8"	6"
063216-014	FOOTPLATE COMPOSITE 195 R	7 5/8"	6"
063216-017	FOOTPLATE COMPOSITE 195 L	7 5/8"	6"
063216-004	FOOTPLATE COMPOSITE 207 R	8 1/8"	6"
063216-010	FOOTPLATE COMPOSITE 207 L	8 1/8"	6"
063216-013	FOOTPLATE COMPOSITE 220 R	8 5/8"	6 1/4"
063216-016	FOOTPLATE COMPOSITE 220 L	8 5/8"	6 1/4"
063216-003	FOOTPLATE COMPOSITE 232 R	9 1/8"	6 1/4"
063216-009	FOOTPLATE COMPOSITE 232 L	9 1/8"	6 1/4"
063216-002	FOOTPLATE COMPOSITE 257 R	10 1/8"	6 1/4"
063216-008	FOOTPLATE COMPOSITE 257 L	10 1/8"	6 1/4"
063216-001	FOOTPLATE COMPOSITE 282 R	11 1/8"	6 1/4"
063216-007	FOOTPLATE COMPOSITE 282 L	11 1/8"	6 1/4"



**INSET FORMULA**  
 0" Inset (Seat Width) = Footrest Width  
 1" Inset (Seat Width) -2" = Footrest Width  
 "V" Hanger (Seat Width) -4" = Footrest Width  
 Offset Hanger Receiver (Seat Width) +2" = Footrest Width

Pos.	Item Number	Description	Remarks
1A,6,7	120660	SHT STRT EXT COMP HDWR	80 deg hangers only
1B,6,7	120661	MED STRT EXT COMP HDWR	80 deg hangers only
1C,6,7	120662	LNG STRT EXT COMP HDWR	80 deg hangers only
1D,6,7	120663	SHT BNT EXT COMP HDWR	60,70,70 Hemi Hangers
1E,6,7	120664	MED BNT EXT COMP HDWR	60,70,70 Hemi Hangers
1F,6,7	120665	LNG BNT EXT COMP HDWR	60,70,70 Hemi Hangers
1G,6,7	120666	SHT V EXT R COMP HDWR	70 deg V hangers only-LEFT
1G,6,7	120667	SHT V EXT L COMP HDWR	70 deg V hangers only-RIGHT
1H,6,7	120668	LNG V EXT R COMP HDWR	70 deg V hangers only-LEFT

Pos.	Item Number	Description	Remarks
1H,6,7	120669	LNG V EXT L COMP HDWR	70 deg V hangers only-RIGHT
2A	063216-006	COMPOSITE FOOTPLATE RIGHT	RIGHT 15" Footrest Width
2A	063216-012	COMPOSITE FOOTPLATE LEFT	LEFT 15" Footrest Width
2B	063216-015	COMPOSITE FOOTPLATE RIGHT	RIGHT 16" Footrest Width
2B	063216-018	COMPOSITE FOOTPLATE LEFT	LEFT 16" Footrest Width
2C	063216-005	COMPOSITE FOOTPLATE RIGHT	RIGHT 17" Footrest Width
2C	063216-011	COMPOSITE FOOTPLATE LEFT	LEFT 17" Footrest Width
2D	063216-014	COMPOSITE FOOTPLATE RIGHT	RIGHT 18" Footrest Width
2D	063216-017	COMPOSITE FOOTPLATE LEFT	LEFT 18" Footrest Width
2E	063216-004	COMPOSITE FOOTPLATE RIGHT	RIGHT 19" Footrest Width
2E	063216-010	COMPOSITE FOOTPLATE LEFT	LEFT 19" Footrest Width
2F	063216-013	COMPOSITE FOOTPLATE RIGHT	RIGHT 20" Footrest Width
2F	063216-016	COMPOSITE FOOTPLATE LEFT	LEFT 20" Footrest Width
2G	063216-003	COMPOSITE FOOTPLATE RIGHT	RIGHT 21" & 22" Footrest Width
2G	063216-009	COMPOSITE FOOTPLATE LEFT	LEFT 21" & 22" Footrest Width
3	108233	BHCS M6 X 1 X 40	
4	054242	ANGLE COVER	
5	054241	ANGLE SEGMENT	
6	103175	SHCS M6 X 1 X 40 INORG	
7	132626	NUT AUTOMATION M6 X 1.0	
8	102268-001	HHCS M6X1X25	Inserted in bottom of footplate.
9	104328	HEEL LOOP PEG	
10A	104380-001	ADJUSTABLE FOOT REST STRAP	15" Footrest Width
10B	104380-002	ADJUSTABLE FOOT REST STRAP	16" Footrest Width
10C	104380-003	ADJUSTABLE FOOT REST STRAP	17-18" Footrest Width
10D	104380-004	ADJUSTABLE FOOT REST STRAP	19-22" Footrest Width
11	104160	BUSHING FOOTREST	
11-14	107485	FOOTREST CLAMP ASSM	
>>>>		60°,70°,70° HEMI HANGERS - SHORT EXT - RIGHT	
1D,2A,3-10A	107858	CAA BNT SHT EXT ASM 15W R	Right- 60° & 60° & 70° 15 W- SHORT
1D,2B,3-10B	107859	CAA BNT SHT EXT ASM 16W R	Right- 60° & 70° 16 W- SHORT
1D,2C,3-10B	107860	CAA BNT SHT EXT ASM 17W R	Right- 60° & 70° 17 W- SHORT
1D,2D,3-10C	107861	CAA BNT SHT EXT ASM 18W R	Right- 60° & 70° 18 W- SHORT
1D,2E,3-10C	107862	CAA BNT SHT EXT ASM 19W R	Right- 60° & 70° 19 W- SHORT
1D,2F,3-10D	107863	CAA BNT SHT EXT ASM 20W R	Right- 60° & 70° 20 W- SHORT
1D,2G,3-10D	107864	CAA BNT SHT EXT ASM 21&22W R	Right- 60° & 70° 21&22 W- SHORT
>>>>		60°,70°,70° HEMI HANGERS - SHORT EXT - LEFT	
1D,2A,3-10A	107865	CAA BNT SHT EXT ASM 15W L	Left- 60° & 70° 15 W- SHORT
1D,2B,3-10B	107866	CAA BNT SHT EXT ASM 16W L	Left- 60° & 70° 16 W- SHORT
1D,2C,3-10B	107867	CAA BNT SHT EXT ASM 17W L	Left- 60° & 70° 17 W- SHORT
1D,2D,3-10C	107868	CAA BNT SHT EXT ASM 18W L	Left- 60° & 70° 18 W- SHORT
1D,2E,3-10C	107869	CAA BNT SHT EXT ASM 19W L	Left- 60° & 70° 19 W- SHORT
1D,2F,3-10D	107870	CAA BNT SHT EXT ASM 20W L	Left- 60° & 70° 20 W- SHORT
1D,2G,3-10D	107871	CAA BNT SHT EXT ASM 21&22W L	Left- 60° & 70° 21&22 W- SHORT
>>>>		60°,70°,70° HEMI HANGERS - MED EXT - RIGHT	
1E,2A,3-10A	107872	CAA BNT MED EXT ASM 15W R	Right- 60° & 70° 15 W- MED
1E,2B,3-10B	107873	CAA BNT MED EXT ASM 16W R	Right- 60° & 70° 16 W- MED
1E,2C,3-10B	107874	CAA BNT MED EXT ASM 17W R	Right- 60° & 70° 17 W- MED
1E,2D,3-10C	107875	CAA BNT MED EXT ASM 18W R	Right- 60° & 70° 18 W- MED
1E,2E,3-10C	107876	CAA BNT MED EXT ASM 19W R	Right- 60° & 70° 19 W- MED
1E,2F,3-10D	107877	CAA BNT MED EXT ASM 20W R	Right- 60° & 70° 20 W- MED
1E,2G,3-10D	107878	CAA BNT MED EXT ASM 21&22W R	Right- 60° & 70° 21&22 W- MED
>>>>		60°,70°,70° HEMI HANGERS - MED EXT - LEFT	
1E,2A,3-10A	107879	CAA BNT MED EXT ASM 15W L	Left- 60° & 70° 15 W- MED
1E,2B,3-10B	107880	CAA BNT MED EXT ASM 16W L	Left- 60° & 70° 16 W- MED
1E,2C,3-10B	107881	CAA BNT MED EXT ASM 17W L	Left- 60° & 70° 17 W- MED

Pos.	Item Number	Description	Remarks
1E,2D,3-10C	107882	CAA BNT MED EXT ASM 18W L	Left- 60° & 70° 18 W- MED
1E,2E,3-10C	107883	CAA BNT MED EXT ASM 19W L	Left- 60° & 70° 19 W- MED
1E,2F,3-10D	107884	CAA BNT MED EXT ASM 20W L	Left- 60° & 70° 20 W- MED
1E,2G,3-10D	107885	CAA BNT MED EXT ASM 21&22W L	Left- 60° & 70° 21&22 W- MED
>>>>		60°,70°,70° HEMI HANGERS - LONG EXT - RIGHT	
1F,2A,3-10A	107886	CAA BNT LNG EXT ASM 15W R	Right- 60° & 70° 15 W- LONG
1F,2B,3-10B	107887	CAA BNT LNG EXT ASM 16W R	Right- 60° & 70° 16 W- LONG
1F,2C,3-10B	107888	CAA BNT LNG EXT ASM 17W R	Right- 60° & 70° 17 W- LONG
1F,2D,3-10C	107889	CAA BNT LNG EXT ASM 18W R	Right- 60° & 70° 18 W- LONG
1F,2E,3-10C	107890	CAA BNT LNG EXT ASM 19W R	Right- 60° & 70° 19 W- LONG
1F,2F,3-10D	107891	CAA BNT LNG EXT ASM 20W R	Right- 60° & 70° 20 W- LONG
1F,2G,3-10D	107892	CAA BNT LNG EXT ASM 21&22W R	Right- 60° & 70° 21&22 W- LONG
>>>>		60°,70°,70° HEMI HANGERS - LONG EXT - LEFT	
1F,2A,3-10A	107893	CAA BNT LNG EXT ASM 15W L	Left- 60° & 70° 15 W- LONG
1F,2B,3-10B	107894	CAA BNT LNG EXT ASM 16W L	Left- 60° & 70° 16 W- LONG
1F,2C,3-10B	107895	CAA BNT LNG EXT ASM 17W L	Left- 60° & 70° 17 W- LONG
1F,2D,3-10C	107896	CAA BNT LNG EXT ASM 18W L	Left- 60° & 70° 18 W- LONG
1F,2E,3-10C	107897	CAA BNT LNG EXT ASM 19W L	Left- 60° & 70° 19 W- LONG
1F,2F,3-10D	107898	CAA BNT LNG EXT ASM 20W L	Left- 60° & 70° 20 W- LONG
1F,2G,3-10D	107899	CAA BNT LNG EXT ASM 21&22W L	Left- 60° & 70° 21&22 W- LONG
>>>>		70° "V" HANGERS - MED EXT - RIGHT	
1G,2A,3-10A	107900	CAA V MED EXT ASM 15W R	Right- 70° V hangers only 15 W- MED
1G,2B,3-10B	107901	CAA V MED EXT ASM 16W R	Right- 70° V hangers only 16 W- MED
1G,2C,3-10B	107902	CAA V MED EXT ASM 17W R	Right- 70° V hangers only 17 W- MED
1G,2D,3-10C	107903	CAA V MED EXT ASM 18W R	Right- 70° V hangers only 18 W- MED
>>>>		70° "V" HANGERS - MED EXT - LEFT	
1G,2A,3-10A	107907	CAA V MED EXT ASM 15W L	Left- 70° V hangers only 15 W- MED
1G,2B,3-10B	107908	CAA V MED EXT ASM 16W L	Left- 70° V hangers only 16 W- MED
1G,2C,3-10B	107909	CAA V MED EXT ASM 17W L	Left- 70° V hangers only 17 W- MED
1G,2D,3-10C	107910	CAA V MED EXT ASM 18W L	Left- 70° V hangers only 18 W- MED
>>>>		70° "V" HANGERS - LONG EXT - RIGHT	
1H,2A,3-10A	107914	CAA V LNG EXT ASM 15W R	Right- 70° V hangers only 15 W- LONG
1H,2B,3-10B	107915	CAA V LNG EXT ASM 16W R	Right- 70° V hangers only 16 W- LONG
1H,2C,3-10B	107916	CAA V LNG EXT ASM 17W R	Right- 70° V hangers only 17 W- LONG
1H,2D,3-10C	107917	CAA V LNG EXT ASM 18W R	Right- 70° V hangers only 18 W- LONG
>>>>		70° "V" HANGERS - LONG EXT - LEFT	
1H,2A,3-10A	107921	CAA V LNG EXT ASM 15W L	Left- 70° V hangers only 15 W- LONG
1H,2B,3-10B	107922	CAA V LNG EXT ASM 16W L	Left- 70° V hangers only 16 W- LONG
1H,2C,3-10B	107923	CAA V LNG EXT ASM 17W L	Left- 70° V hangers only 17 W- LONG
1H,2D,3-10C	107924	CAA V LNG EXT ASM 18W L	Left- 70° V hangers only 18 W- LONG
>>>>		80° HANGERS - SHORT EXT - RIGHT	
1A,2A,3-10A	107816	CAA STRT SHT EXT ASM 15W R	Right- 80° 15 W- SHORT
1A,2B,3-10B	107817	CAA STRT SHT EXT ASM 16W R	Right- 80° 16 W- SHORT
1A,2C,3-10B	107818	CAA STRT SHT EXT ASM 17W R	Right- 80° 17 W- SHORT
1A,2D,3-10C	107819	CAA STRT SHT EXT ASM 18W R	Right- 80° 18 W- SHORT
1A,2E,3-10C	107820	CAA STRT SHT EXT ASM 19W R	Right- 80° 19 W- SHORT
1A,2F,3-10D	107821	CAA STRT SHT EXT ASM 20W R	Right- 80° 20 W- SHORT
1A,2G,3-10D	107822	CAA STRT SHT EXT ASM 21&22W R	Right- 80° 21&22 W- SHORT
>>>>		80° HANGERS - SHORT EXT - LEFT	
1A,2A,3-10A	107823	CAA STRT SHT EXT ASM 15W L	Left- 80° 15 W- SHORT
1A,2B,3-10B	107824	CAA STRT SHT EXT ASM 16W L	Left- 80° 16 W- SHORT
1A,2C,3-10B	107825	CAA STRT SHT EXT ASM 17W L	Left- 80° 17 W- SHORT
1A,2D,3-10C	107826	CAA STRT SHT EXT ASM 18W L	Left- 80° 18 W- SHORT
1A,2E,3-10C	107827	CAA STRT SHT EXT ASM 19W L	Left- 80° 19 W- SHORT
1A,2F,3-10D	107828	CAA STRT SHT EXT ASM 20W L	Left- 80° 20 W- SHORT
1A,2G,3-10D	107829	CAA STRT SHT EXT ASM 21&22W L	Left- 80° 21&22 W- SHORT

Pos.	Item Number	Description	Remarks
>>>>		80° HANGERS - MED EXT - RIGHT	
1B,2A,3-10A	107830	CAA STRT MED EXT ASM 15W R	Right- 80° 15 W- MED
1B,2B,3-10B	107831	CAA STRT MED EXT ASM 16W R	Right- 80° 16 W- MED
1B,2C,3-10B	107832	CAA STRT MED EXT ASM 17W R	Right- 80° 17 W- MED
1B,2D,3-10C	107833	CAA STRT MED EXT ASM 18W R	Right- 80° 18 W- MED
1B,2E,3-10C	107834	CAA STRT MED EXT ASM 19W R	Right- 80° 19 W- MED
1B,2F,3-10D	107835	CAA STRT MED EXT ASM 20W R	Right- 80° 20 W- MED
1B,2G,3-10D	107836	CAA STRT MED EXT ASM 21&22W R	Right- 80° 21&22 W- MED
>>>>		80° HANGERS - MED EXT - LEFT	
1B,2A,3-10A	107837	CAA STRT MED EXT ASM 15W L	Left- 80° 15 W- MED
1B,2B,3-10B	107838	CAA STRT MED EXT ASM 16W L	Left- 80° 16 W- MED
1B,2C,3-10B	107839	CAA STRT MED EXT ASM 17W L	Left- 80° 17 W- MED
1B,2D,3-10C	107840	CAA STRT MED EXT ASM 18W L	Left- 80° 18 W- MED
1B,2E,3-10C	107841	CAA STRT MED EXT ASM 19W L	Left- 80° 19 W- MED
1B,2F,3-10D	107842	CAA STRT MED EXT ASM 20W L	Left- 80° 20 W- MED
1B,2G,3-10D	107843	CAA STRT MED EXT ASM 21&22W L	Left- 80° 21&22 W- MED
>>>>		80° HANGERS - LONG EXT - RIGHT	
1C,2A,3-10A	107844	CAA STRT LNG EXT ASM 15W R	Right- 80° 15 W- LONG
1C,2B,3-10B	107845	CAA STRT LNG EXT ASM 16W R	Right- 80° 16 W- LONG
1C,2C,3-10B	107846	CAA STRT LNG EXT ASM 17W R	Right- 80° 17 W- LONG
1C,2D,3-10C	107847	CAA STRT LNG EXT ASM 18W R	Right- 80° 18 W- LONG
1C,2E,3-10C	107848	CAA STRT LNG EXT ASM 19W R	Right- 80° 19 W- LONG
1C,2F,3-10D	107849	CAA STRT LNG EXT ASM 20W R	Right- 80° 20 W- LONG
1C,2G,3-10D	107850	CAA STRT LNG EXT ASM 21&22W R	Right- 80° 21&22 W- LONG
>>>>		80° HANGERS - LONG EXT - LEFT	
1C,2A,3-10A	107851	CAA STRT LNG EXT ASM 15W L	Left- 80° 15 W- LONG
1C,2B,3-10B	107852	CAA STRT LNG EXT ASM 16W L	Left- 80° 16 W- LONG
1C,2C,3-10B	107853	CAA STRT LNG EXT ASM 17W L	Left- 80° 17 W- LONG
1C,2D,3-10C	107854	CAA STRT LNG EXT ASM 18W L	Left- 80° 18 W- LONG
1C,2E,3-10C	107855	CAA STRT LNG EXT ASM 19W L	Left- 80° 19 W- LONG
1C,2F,3-10D	107856	CAA STRT LNG EXT ASM 20W L	Left- 80° 20 W- LONG
1C,2G,3-10D	107857	CAA STRT LNG EXT ASM 21&22W L	Left- 80° 21&22 W- LONG
		Ship assembled part #	Use with multiple assemblies
	ASSY-HNG-FP	HANGER/FOOTPLATE ASSY REQUIRED	add with Hanger & Footplate kit

**Note:** Footplate Assemblies are set to footrest width; please see "Footplate Formula" table for seat width conversion.

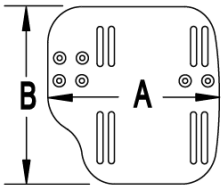
Note: V Style Hangers are not available on Swing Away Style chairs effective 7/14/14; see the "Prior To" ordering guide for V Style footplate assemblies.

Note: for QX Series or SR45 footplate replacement parts see the ordering guide marked specifically for these two models in the informations panel.

To have complete Footrest ship assembled, choose compatible Hanger + Footplate part numbers and add "ASSY-HNG-FP" to order

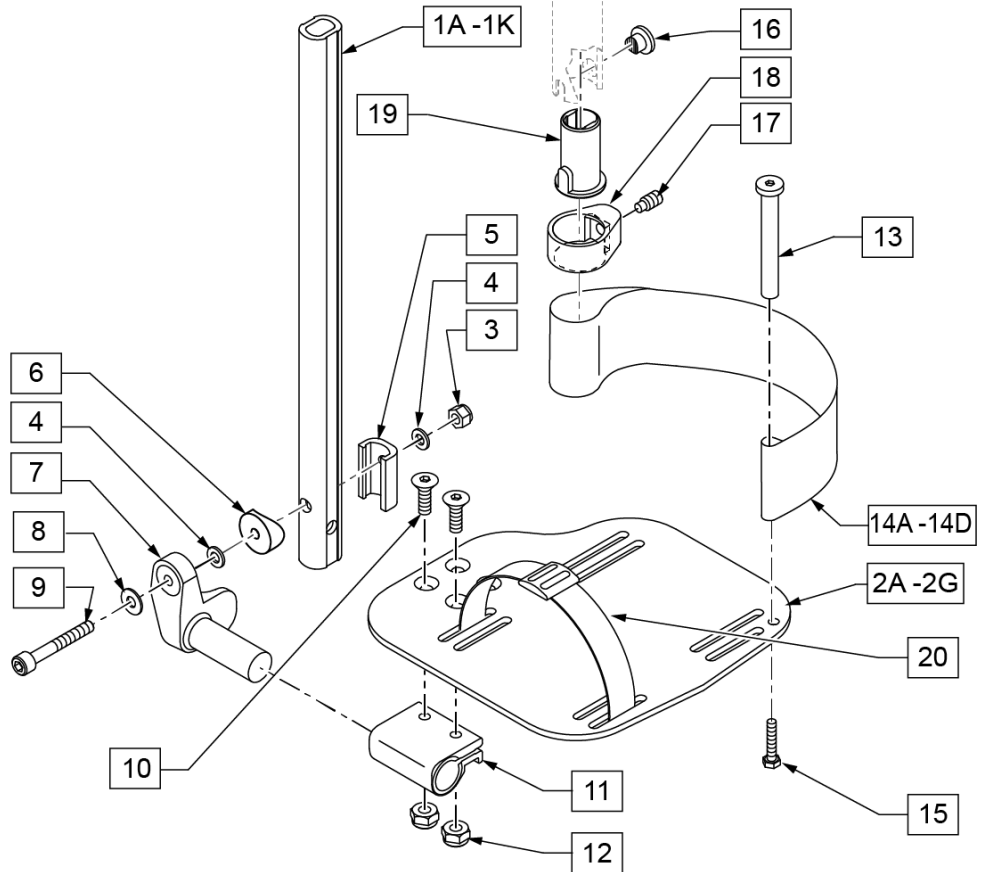
**INSET FORMULA**  
 0" Inset (Seat Width) = Footrest Width  
 1" Inset (Seat Width) -2" = Footrest Width  
 "V" Hanger (Seat Width) -4" = Footrest Width  
 Offset Hanger Receiver (Seat Width) +2" = Footrest Width

**MEASURING GUIDE**



CHAIR WIDTH	"A"	"B"
10" - 11"	3 1/2"	7 1/4"
12" - 13"	4 1/2"	7 3/4"
14" - 15"	5 1/2"	7 3/4"
16" - 17"	6 1/2"	7 3/4"
18" - 20"	7 1/2"	7 3/4"

21 EXT MNT HARDWARE 1 SIDE			
ITEM #	ILLUSTRATION	DESCRIPTION	QTY
3		NUT AUTOMATION M6 X 1.0 ROHS	1
4		WASHER FLAT THIN AN 1/4	2
5		HANGER EXTENSION SADDLE	1
6		3/4" SADDLE 1" OD	1
8		WASHER FLAT SAE 1/4 ROHS	1
9		SHCS M6 X 1 X 45 12MM PART THD	1



Pos.	Item Number	Description	Remarks
1A,3-6,8,9	120670	SHT STRT EXT AAA HDWR	80 deg Hangers Only
1B,3-6,8,9	120671	MED STRT EXT AAA HDWR	80 deg Hangers Only
1C,3-6,8,9	120672	LNG STRT EXT AAA HDWR	80 deg Hangers Only
1D,3-6,8,9	120673	SHT BNT EXT AAA HDWR	60,70,70 Hemi Hangers
1E,3-6,8,9	120674	MED BNT EXT AAA HDWR	60,70,70 Hemi Hangers

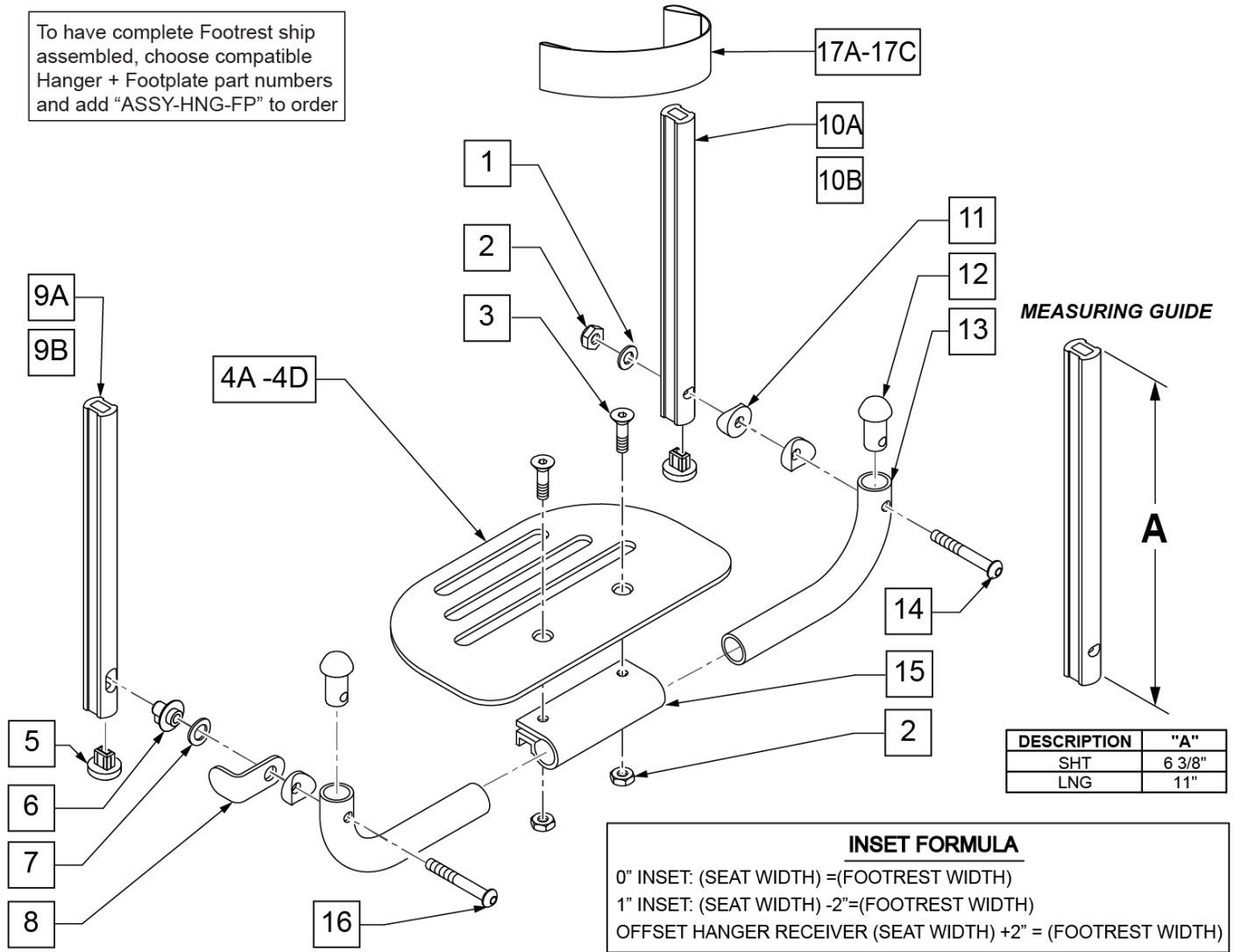


Pos.	Item Number	Description	Remarks
1F,3-6,8,9	120675	LNG BNT EXT AAA HDWR	60,70,70 Hemi Hangers
1G,3-6,8,9	120676	SHT V EXT R AAA HDWR	Left - 70 deg V Hangers Only
1H,3-6,8,9	120677	SHT V EXT L AAA HDWR	Right - 70 deg V Hangers Only
1I,3-6,8,9	120678	LNG V EXT R AAA HDWR	Left - 70 deg V Hangers Only
1J,3-6,8,9	120679	LNG V EXT L AAA HDWR	Right - 70 deg V Hangers Only
2A	500656	ADULT ANG ADJ F/PLT 10/11" R	RIGHT 10-11" Footrest Width
2A	500657	ADULT ANG ADJ F/PLT 10/11" L	LEFT 10-11" Footrest Width
2B	500658	ADULT ANG ADJ F/PLT 12/13" R	RIGHT 12-13" Footrest Width
2B	500659	ADULT ANG ADJ F/PLT 12/13" L	LEFT 12-13" Footrest Width
2C	500660	ADLT ANGL ADJ F/PLT 14/15	RIGHT 14-15" Footrest Width
2C	500661	ADLT ANGL ADJ F/PLT 14/15	LEFT 14-15" Footrest Width
2D	500662	ADLT ANGL ADJ F/PLT 16/17	RIGHT 16-17" Footrest Width
2D	500663	ADLT ANGL ADJ F/PLT 16/17	LEFT 16-17" Footrest Width
2E	500664	ADLT ANGL ADJ F/PLT 18-20	RIGHT 18-22" Footrest Width
2E	500665	ADLT ANGL ADJ F/PLT 18-20	LEFT 18-22" Footrest Width
3	132626	NUT AUTOMATION M6 X 1.0	
4	106944	WASHER FLAT THIN AN 1/4 ROHS	
5	107199	HANGER EXTENSION SADDLE	
6	104377	3/4" SADDLE THIN	
7	541002	FTRST MOUNTING BRKT-3/8 RAD R	RIGHT
7	541003	FTRST MOUNTING BRKT-3/8 RAD L	LEFT
8	106945	WASHER FLAT SAE 1/4 ROHS	
9	104399	SHCS M6X1X45 12 MM PART THD	
10	106978	FHCS 1/4-28 X 7/8 ROHS	
11	550350	3/4" CLMP ADJ FT PLT	
12	106935	NUT NYLOCK THIN 1/4-28 ROHS	
13	104328	POST HEEL LOOP	
14A	104380-001	ADJUSTABLE FOOT REST STRAP	12 - 14" WIDE
14B	104380-002	ADJUSTABLE FOOT REST STRAP	15 - 16" WIDE
14C	104380-003	ADJUSTABLE FOOT REST STRAP	17 - 18" WIDE
14D	104380-004	ADJUSTABLE FOOT REST STRAP	19 - 20" WIDE
15	102268-001	HHCS M6 X 1 X 25	
16-19	107485	FOOTREST CLAMP ASSM	
20	740260	TOE-ANKLE STRAP ADJ ADULT FOOTPLATE	
21	120659	EXT MNT HARDWARE 1 SIDE	
>>>>		80° HANGERS - SHORT EXT - RIGHT	
1A,2B,3-14A,15	111534	AAA STRT SHT EXT ASM 12-13" W R	Right- 80D- 12-13" W- SHORT
1A,2C,3-14B,15	107928	AAA STRT SHT EXT ASM 14-15" W R	Right- 80D- 14-15" W- SHORT
1A,2D,3-14C,15	107930	AAA STRT SHT EXT ASM 16-17" W R	Right- 80D- 16-17" W- SHORT
1A,2E,3-14D,15	107932	AAA STRT SHT EXT ASM 18-22" W R	Right- 80D- 18-22" W- SHORT
>>>>		80° HANGERS - SHORT EXT - LEFT	
1A,2B,3-14A,15	111535	AAA STRT SHT EXT ASM 12-13" W L	Left- 80D- 12-13" W- SHORT
1A,2C,3-14B,15	107935	AAA STRT SHT EXT ASM 14" W L	Left- 80D- 14-15" W- SHORT
1A,2D,3-14C,15	107937	AAA STRT SHT EXT ASM 16" W L	Left- 80D- 16-17" W- SHORT
1A,2E,3-14D,15	107939	AAA STRT SHT EXT ASM 18" W L	Left- 80D- 18-22" W- SHORT
>>>>		80° HANGERS - MED EXT - RIGHT	
1B,2B,3-14A,15	111536	AAA STRT MED EXT ASM 12-13" W R	Right- 80D- 12-13" W- MED
1B,2C,3-14B,15	107942	AAA STRT MED EXT ASM 14-15" W R	Right- 80D- 14-15" W- MED
1B,2D,3-14C,15	107944	AAA STRT MED EXT ASM 16-17" W R	Right- 80D- 16-17" W- MED
1B,2E,3-14D,15	107946	AAA STRT MED EXT ASM 18-22" W R	Right- 80D- 18-22" W- MED
>>>>		80° HANGERS - MED EXT - LEFT	
1B,2B,3-14A,15	111537	AAA STRT MED EXT ASM 12-13" W L	Left- 80D- 12-13" W- MED
1B,2C,3-14B,15	107949	AAA STRT MED EXT ASM 14" W L	Left- 80D- 14-15" W- MED
1B,2D,3-14C,15	107951	AAA STRT MED EXT ASM 16" W L	Left- 80D- 16-17" W- MED
1B,2E,3-14D,15	107953	AAA STRT MED EXT ASM 18" W L	Left- 80D- 18-22" W- MED
>>>>		80° HANGERS - LONG EXT - RIGHT	

Pos.	Item Number	Description	Remarks
1C,2B,3-14A,15	111538	AAA STRT LNG EXT ASM 12-13" W R	Right- 80D- 12-13" W- LONG
1C,2C,3-14B,15	107956	AAA STRT LNG EXT ASM 14 -15" W R	Right- 80D- 14-15" W- LONG
1C,2D,3-14C,15	107958	AAA STRT LNG EXT ASM 16 -17" W R	Right- 80D- 16-17" W- LONG
1C,2E,3-14D,15	107960	AAA STRT LNG EXT ASM 18 -22" W R	Right- 80D- 18-22" W- LONG
>>>>		80° HANGERS - LONG EXT - LEFT	
1C,2B,3-14A,15	111539	AAA STRT LNG EXT ASM 12-13" W L	Left- 80D- 12-13" W- LONG
1C,2C,3-14B,15	107963	AAA STRT LNG EXT ASM 14W L	Left- 80D- 14-15" W- LONG
1C,2D,3-14C,15	107965	AAA STRT LNG EXT ASM 16W L	Left- 80D- 16-17" W- LONG
1C,2E,3-14D,15	107968	AAA STRT LNG EXT ASM 18W L	Left- 80D- 18-22" W- LONG
>>>>		70° HANGERS - SHORT EXT - RIGHT	
1D,2B,3-14A,15	111540	AAA BNT SHT EXT ASM 12-13" W R	Right- 60D,70D,70D HEMI - 12-13" W- SHORT
1D,2C,3-14B,15	107973	AAA BNT SHT EXT ASM 14 -15" W R	Right- 60D,70D,70D HEMI - 14-15" W- SHORT
1D,2D,3-14C,15	107975	AAA BNT SHT EXT ASM 16 -17" W R	Right- 60D,70D,70D HEMI - 16-17" W- SHORT
1D,2E,3-14D,15	107977	AAA BNT SHT EXT ASM 18 -22" W R	Right- 60D,70D,70D HEMI - 18-22" W- SHORT
>>>>		70° HANGERS - SHORT EXT - LEFT	
1D,2B,3-14A,15	111541	AAA BNT SHT EXT ASM 12-13" W L	Left- 60D,70D,70D HEMI - 12-13" W- SHORT
1D,2C,3-14B,15	107980	AAA BNT SHT EXT ASM 14 -15" W L	Left- 60D,70D,70D HEMI - 14-15" W- SHORT
1D,2D,3-14C,15	107982	AAA BNT SHT EXT ASM 16 -17" W L	Left- 60D,70D,70D HEMI - 16-17" W- SHORT
1D,2E,3-14D,15	107984	AAA BNT SHT EXT ASM 18 -22" W L	Left- 60D,70D,70D HEMI - 18-22" W- SHORT
>>>>		70° HANGERS - MED EXT - RIGHT	
1E,2B,3-14A,15	111542	AAA BNT MED EXT ASM 12-13" W R	Right- 60D,70D,70D HEMI - 12-13" W- MED
1E,2C,3-14B,15	107987	AAA BNT MED EXT ASM 14 -15" W R	Right- 60D,70D,70D HEMI - 14-15" W- MED
1E,2D,3-14C,15	107989	AAA BNT MED EXT ASM 16 -17" W R	Right- 60D,70D,70D HEMI - 16-17" W- MED
1E,2E,3-14D,15	107991	AAA BNT MED EXT ASM 18 -22" W R	Right- 60D,70D,70D HEMI - 18-22" W- MED
>>>>		70° HANGERS - MED EXT - LEFT	
1E,2B,3-14A,15	111543	AAA BNT MED EXT ASM 12-13" W L	Left- 60D,70D,70D HEMI - 12-13" W- MED
1E,2C,3-14B,15	107994	AAA BNT MED EXT ASM 14 -15" W L	Left- 60D,70D,70D HEMI - 14-15" W- MED
1E,2D,3-14C,15	107996	AAA BNT MED EXT ASM 16 -17" W L	Left- 60D,70D,70D HEMI - 16-17" W- MED
1E,2E,3-14D,15	107998	AAA BNT MED EXT ASM 18 -22" W L	Left- 60D,70D,70D HEMI - 18-22" W- MED
>>>>		70° HANGERS - LONG EXT - RIGHT	
1F,2B,3-14A,15	111544	AAA BNT LONG EXT ASM 12-13" W R	Right- 60D,70D,70D HEMI - 12-13" W- LONG
1F,2C,3-14B,15	108001	AAA BNT LONG EXT ASM 14 -15" W R	Right- 60D,70D,70D HEMI - 14-15" W- LONG
1F,2D,3-14C,15	108003	AAA BNT LONG EXT ASM 16 -17" W R	Right- 60D,70D,70D HEMI - 16-17" W- LONG
1F,2E,3-14D,15	108005	AAA BNT LONG EXT ASM 18 -22" W R	Right- 60D,70D,70D HEMI - 18-22" W- LONG
>>>>		70° HANGERS - LONG EXT - LEFT	
1F,2B,3-14A,15	111545	AAA BNT LONG EXT ASM 12-13" W L	Left- 60D,70D,70D HEMI - 12-13" W- LONG
1F,2C,3-14B,15	108008	AAA BNT LONG EXT ASM 14 -15" W L	Left- 60D,70D,70D HEMI - 14-15" W- LONG
1F,2D,3-14C,15	108010	AAA BNT LONG EXT ASM 16 -17" W L	Left- 60D,70D,70D HEMI - 16-17" W- LONG
1F,2E,3-14D,15	108012	AAA BNT LONG EXT ASM 18 -22" W L	Left- 60D,70D,70D HEMI - 18-22" W- LONG
>>>>		70° "V" HANGERS - MED EXT - RIGHT	
1G,2A,3-15	111546	AAA V MED EXT ASM 10-11" W R	Right- 70D V hangers only 10-11" W- MED
1G,2B,3-15	111548	AAA V MED EXT ASM 12-13" W R	Right- 70D V hangers only 12-13" W- MED
1G,2C,3-15	108015	AAA V MED EXT ASM 14 -15" W R	Right- 70D V hangers only 14-15" W- MED
1G,2D,3-15	108017	AAA V MED EXT ASM 16 -17" W R	Right- 70D V hangers only 16-18" W- MED
1G,2E,3-15	108019	AAA V MED EXT ASM 18 -18" W R	Right- 70D V hangers only 18-22" W- MED
>>>>		70° "V" HANGERS - MED EXT - LEFT	
1G,2A,3-15	111547	AAA V MED EXT ASM 10-11" W L	Left- 70D V hangers only 10-11" W- MED
1G,2B,3-15	111549	AAA V MED EXT ASM 12-13" W L	Left- 70D V hangers only 12-13" W- MED
1G,2C,3-15	108022	AAA V MED EXT ASM 14 -15" W L	Left- 70D V hangers only 14-15" W- MED
1G,2D,3-15	108024	AAA V MED EXT ASM 16 -17" W L	Left- 70D V hangers only 16-18" W- MED
1G,2E,3-15	108026	AAA V MED EXT ASM 18 -22" W L	Left- 70D V hangers only 18-22" W- MED
>>>>		70° "V" HANGERS - LONG EXT - RIGHT	
1H,2A,3-15	111550	AAA V LONG EXT ASM 10-11" W R	Right- 70D V hangers only 10-11" W- LONG
1H,2B,3-15	111552	AAA V LONG EXT ASM 12-13" W R	Right- 70D V hangers only 12-13" W- LONG
1H,2C,3-15	108029	AAA V LONG EXT ASM 14 -15" W R	Right- 70D V hangers only 14-15" W- LONG
1H,2D,3-15	108031	AAA V LONG EXT ASM 16 -17" W R	Right- 70D V hangers only 16-18" W- LONG

Pos.	Item Number	Description	Remarks
1H,2E,3-15	108033	AAA V LONG EXT ASM 18 -22: W R	Right- 70D V hangers only 18-22" W- LONG
>>>>		70° "V" HANGERS - LONG EXT - LEFT	
1H,2A,3-15	111551	AAA V LONG EXT ASM 10-11" W L	Left- 70D V hangers only 10-11" W- LONG
1H,2B,3-15	111553	AAA V LONG EXT ASM 12-13" W L	Left- 70D V hangers only 12-13" W- LONG
1H,2C,3-15	108036	AAA V LONG EXT ASM 14 -15" W L	Left- 70D V hangers only 14-15" W- LONG
1H,2D,3-15	108038	AAA V LONG EXT ASM 16 -17" W L	Left- 70D V hangers only 16-18" W- LONG
1H,2E,3-15	108040	AAA V LONG EXT ASM 18 -22" W L	Left- 70D V hangers only 18-22" W- LONG
		Ship assembled part #	Use with multiple assemblies
	ASSY-HNG-FP	HANGER/FOOTPLATE ASSY REQUIRED	add with Hanger & Footplate kit

To have complete Footrest ship assembled, choose compatible Hanger + Footplate part numbers and add "ASSY-HNG-FP" to order

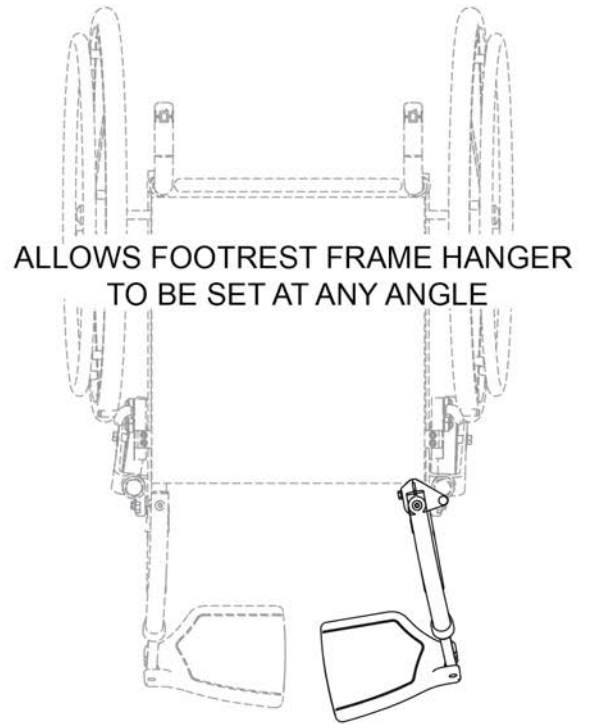
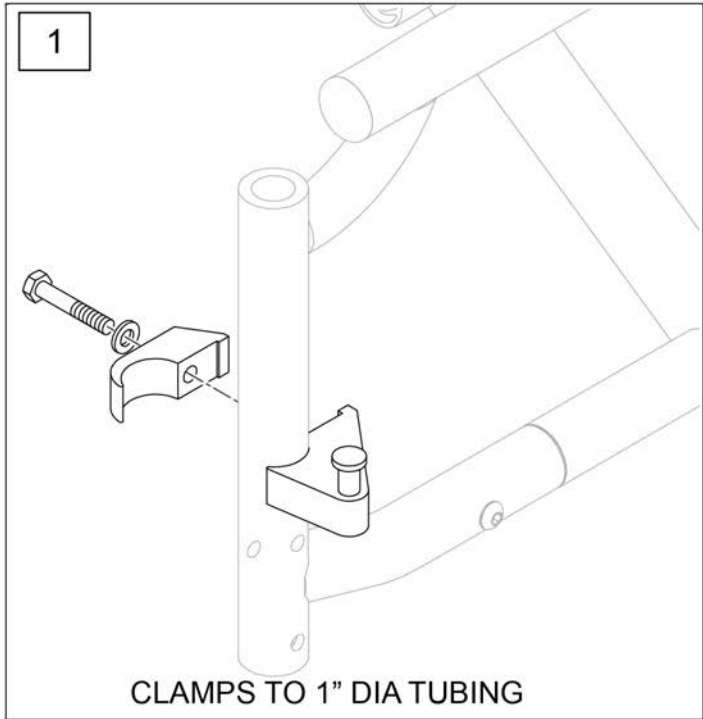


**INSET FORMULA**

0" INSET: (SEAT WIDTH) =(FOOTREST WIDTH)  
 1" INSET: (SEAT WIDTH) -2"=(FOOTREST WIDTH)  
 OFFSET HANGER RECEIVER (SEAT WIDTH) +2" = (FOOTREST WIDTH)

Pos.	Item Number	Description	Remarks
1	106944	WASHER FLAT THIN AN 1/4 ROHS	
2	106941	NUT AUTOMATION 1/4-28 ROHS	
3	106978	FHCS 1/4-28 X 7/8 ROHS	
4A	500651	PLATFORM F/PLT 8 x 5 1/2"	12 -14" Footrest Width
4B	500652	PLATFORM F/PLT 10" x 5 1/2"	15 -17" Footrest Width
4C	500653	PLATFORM F/PLT 12" x 5 1/2"	18 -20" Footrest Width
4D	500654	PLATFORM F/PLT 14" x 5 1/2"	21 -22" Footrest Width
5	113221	PLUG DOUBLE D EXT TUBE	
6	540410	F/UP FOOTREST KEY STUD D2	
7	107385	WASHER CURVED 3/8 ROHS	
8	505078	FOOTREST RETAINING BRACKET	
9A	106875	EXT TBE F/UP KEY SHT	Short -Latch Side
9B	106876	EXT TBE F/UP KEY LNG	Long -Latch Side
10A	106873	EXT TBE F/UP SLT SHT	Short -Pivot Side
10B	106874	EXT TBE F/UP SLT LNG	Long -Pivot Side
11	561003	3/4" SADDLE THIN	
12	561034	SHORT DOME PLUG	

Pos.	Item Number	Description	Remarks
14	106964	BHCS 1/4-28 X 2 ROHS	
15	550351	PLATFORM FOOTPLATE CLAMP	
16	107027	BHCS 1/4-28 X 1-1/4 SHLDR ROHS	
17A	740130	LEG STRAP 10"-14" BLK	12-14" Footrest Width
17B	740131	LEG STRAP 15"-17" BLK	15-17" Footrest Width
17C	740132	LEG STRAP 18"-20" BLK	18-20" Footrest Width
1-4A,6-8,11-16	900306	PLTFM F/P PLT BLK 12" D2 W/ INSTR	12" Footrest Width
1-4A,6-8,11-16	900307	PLTFM F/P PLT BLK 13" D2 W/ INSTR	13" Footrest Width
1-4A,6-8,11-16	900308	PLTFM F/P PLT BLK 14" D2 W /INSTR	14" Footrest Width
1-4B,6-8,11-16	900309	PLTFM F/P PLT BLK 15" D2 W /INSTR	15" Footrest Width
1-4B,6-8,11-16	900310	PLTFM F/P PLT BLK 16" D2 W /INSTR	16" Footrest Width
1-4B,6-8,11-16	900311	PLTFM F/P PLT BLK 17" D2 W /INSTR	17" Footrest Width
1-4C,6-8,11-16	900312	PLTFM F/P PLT BLK 18" D2 W /INSTR	18" Footrest Width
1-4C,6-8,11-16	900313	PLTFM F/P PLT BLK 19" D2 W /INSTR	19" Footrest Width
1-4C,6-8,11-16	900314	PLTFM F/P PLT BLK 20" D2 W/ INSTR	20" Footrest Width
1-4D,6-8,11-16	900315	PLTFM F/P PLT BLK 21" D2 W/ INSTR	21" Footrest Width
1-4D,6-8,11-16	900316	PLTFM F/P PLT BLK 22" D2 W/ INSTR	22" Footrest Width
		SHORT EXT ASSEMBLIES	
1-3,4A,5-8,9A,10B,11-16,17A	108043	PLTFRM FLIP FTRST SHT 12W	12" wide (Short)
1-3,4A,5-8,9A,10B,11-16,17A	108044	PLTFRM FLIP FTRST SHT 13W	13" wide (Short)
1-3,4A,5-8,9A,10B,11-16,17A	108045	PLTFRM FLIP FTRST SHT 14W	14" wide (Short)
1-3,4B,5-8,9A,10B,11-16,17B	108046	PLTFRM FLIP FTRST SHT 15W	15" wide (Short)
1-3,4B,5-8,9A,10B,11-16,17B	108047	PLTFRM FLIP FTRST SHT 16W	16" wide (Short)
1-3,4B,5-8,9A,10B,11-16,17B	108048	PLTFRM FLIP FTRST SHT 17W	17" wide (Short)
1-3,4C,5-8,9A,10B,11-16,17C	108049	PLTFRM FLIP FTRST SHT 18W	18" wide (Short)
1-3,4C,5-8,9A,10B,11-16,17C	108051	PLTFRM FLIP FTRST SHT 19W	19" wide (Short)
1-3,4C,5-8,9A,10B,11-16,17C	108052	PLTFRM FLIP FTRST SHT 20W	20" wide (Short)
1-3,4D,5-8,9A,10B,11-16,17C	111554	PLTFRM FLIP FTRST SHT 21W	21" wide (Short)
1-3,4D,5-8,9A,10B,11-16,17C	111555	PLTFRM FLIP FTRST SHT 22W	22" wide (Short)
		LONG EXT ASSEMBLIES	
1-3,4A,5-8,9B,10A,11-16,17A	108053	PLTFRM FLIP FTRST LONG 12W	12" wide (Long)
1-3,4A,5-8,9B,10A,11-16,17A	108054	PLTFRM FLIP FTRST LONG 13W	13" wide (Long)
1-3,4A,5-8,9B,10A,11-16,17A	108055	PLTFRM FLIP FTRST LONG 14W	14" wide (Long)
1-3,4B,5-8,9B,10A,11-16,17B	108056	PLTFRM FLIP FTRST LONG 15W	15" wide (Long)
1-3,4B,5-8,9B,10A,11-16,17B	108057	PLTFRM FLIP FTRST LONG 16W	16" wide (Long)
1-3,4B,5-8,9B,10A,11-16,17B	108058	PLTFRM FLIP FTRST LONG 17W	17" wide (Long)
1-3,4C,5-8,9B,10A,11-16,17C	108059	PLTFRM FLIP FTRST LONG 18W	18" wide (Long)
1-3,4C,5-8,9B,10A,11-16,17C	108060	PLTFRM FLIP FTRST LONG 19W	19" wide (Long)
1-3,4C,5-8,9B,10A,11-16,17C	108061	PLTFRM FLIP FTRST LONG 20W	20" wide (Long)
1-3,4D,5-8,9B,10A,11-16,17C	111556	PLTFRM FLIP FTRST LONG 21W	21" wide (Long)
1-3,4D,5-8,9B,10A,11-16,17C	111557	PLTFRM FLIP FTRST LONG 22W	22" wide (Long)
		Ship assembled part #	Use with multiple assemblies
	ASSY-HNG-FP	HANGER/FOOTPLATE ASSY REQUIRED	add with Hanger & Footplate kit

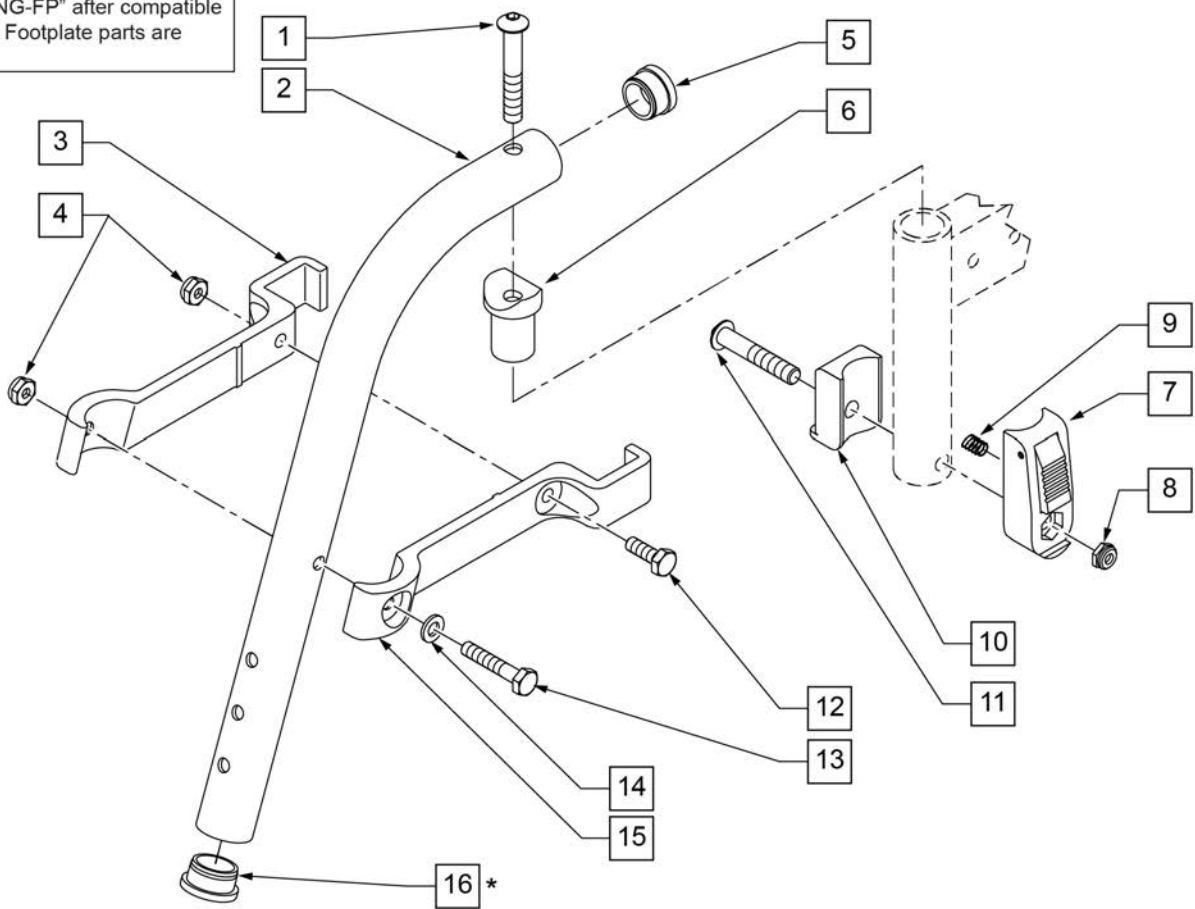


Pos.	Item Number	Description	Remarks
1	112807	LATCH STUD SUPPORT R MULTIPOS	Single
1	112808	LATCH STUD SUPPORT L MULTIPOS	Single
1	112809	LATCH STUD SUPPORT PR MULTIPOS	Pair

**NOTE:** \* ORDER ITEM 16 WHEN NOT USING FOOTREST EXTENSION.

**NOTE:** IF RETROFITTING LIFT OFF HANGERS TO A CURRENT STYLE Q2, S/A Q2 LITE, LX/LXI, OR ZIPPIE TS, THE OLD-STYLE FRAME COMPONENTS WILL BE REQUIRED. REFER TO PARTS PAGES FOR FRONT SIDE FRAMES FOR Q2 (PRIOR TO Q2V-091821 & Q2H-009882), Q2 LITE (PRIOR TO Q2L-152965), LX/LXI (PRIOR TO LX-061888), AND ZIPPIE TS (PRIOR TO Z1A-038633 & Z1SE-013380).

To request assembly of parts being ordered as a kit, please add "ASSY-HNG-FP" after compatible Hanger & Footplate parts are selected



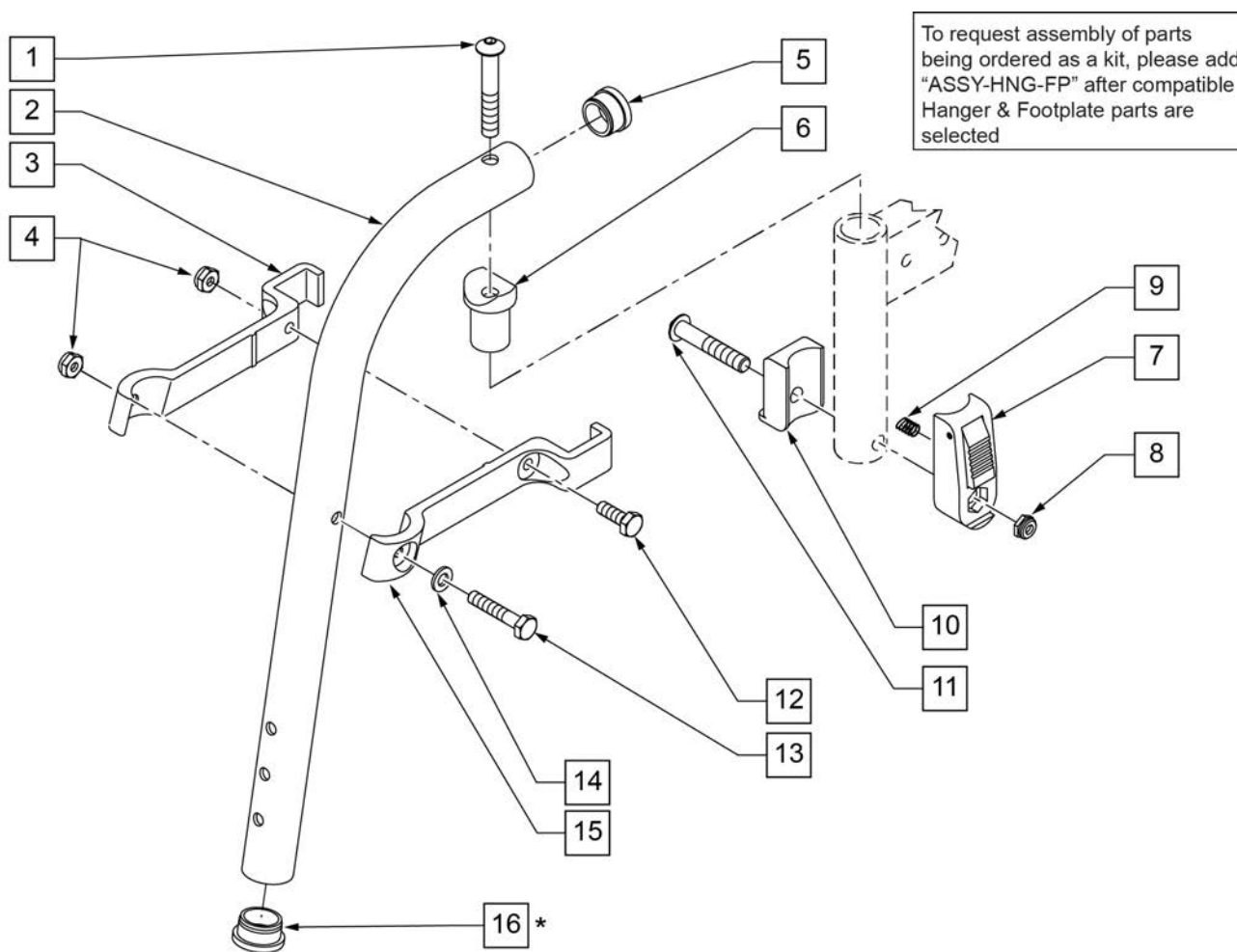
Pos.	Item Number	Description	Remarks
1	106983	BHCS 5/16 -18 x 2 SHLDR ROHS	
3	550152	T45 HANGER BRACKET 70° R	length of bracket: 6 3/4"
4	106935	NUT NYLOCK THIN 1/4 -28 ROHS	
5	561002	1" INSERT PLUG .083	
6	561197	PLASTIC PIVOT SADDLE	
7	880053	FOOTREST BLOCK T45	
8	202117	5/16-18 NYLOCK NUT THICK BLK	
9	321141	.650 x 6 COIL SPRING	
10	560684	T45 FOOTREST BLOCK RECESSED	
11	107029	BHCS 5/16 -18 x 1 5/8 SHLD ROHS	
12	107014	HHCS 1/4 -28 x 3/4 ROHS	

Pos.	Item Number	Description	Remarks
13	106971	HHCS 1/4 -28 x 1 3/8 ROHS	
14	106943	WASHER FLAT AN 1/4 ROHS	
15	550153	T45 HANGER BRACKET 70ø L	length of bracket: 6 3/4"
16	561002	1" INSERT PLUG .083	ORDER WHEN NOT USING FOOTREST EXTENSION
7-11	920720	FOOTREST BLOCK ASSEMBLY W/BOLT HD	required when retrofitting HD Lift Off Hangers to chair
1-6,12-15	641210S	HANGER 70D PNTD R HD	
1-6,12-15	641211S	HANGER 70D PNTD L HD	
		Ship assembled part #	Use with multiple assemblies
	ASSY-HNG-FP	HANGER/FOOTPLATE ASSY REQUIRED	add with Hanger & Footplate kit



**NOTE:** \* ORDER ITEM 16 WHEN NOT USING FOOTREST EXTENSION.

**NOTE:** IF RETROFITTING LIFT OFF HANGERS TO A CURRENT STYLE Q2, S/A Q2 LITE, LX/LXI, OR ZIPPIE TS, THE OLD-STYLE FRAME COMPONENTS WILL BE REQUIRED. REFER TO PARTS PAGES FOR FRONT SIDE FRAMES FOR Q2 (PRIOR TO Q2V-091821 & Q2H-009882), Q2 LITE (PRIOR TO Q2L-152965), LX/LXI (PRIOR TO LX-061888), AND ZIPPIE TS (PRIOR TO Z1A-038633 & Z1SE-013380).

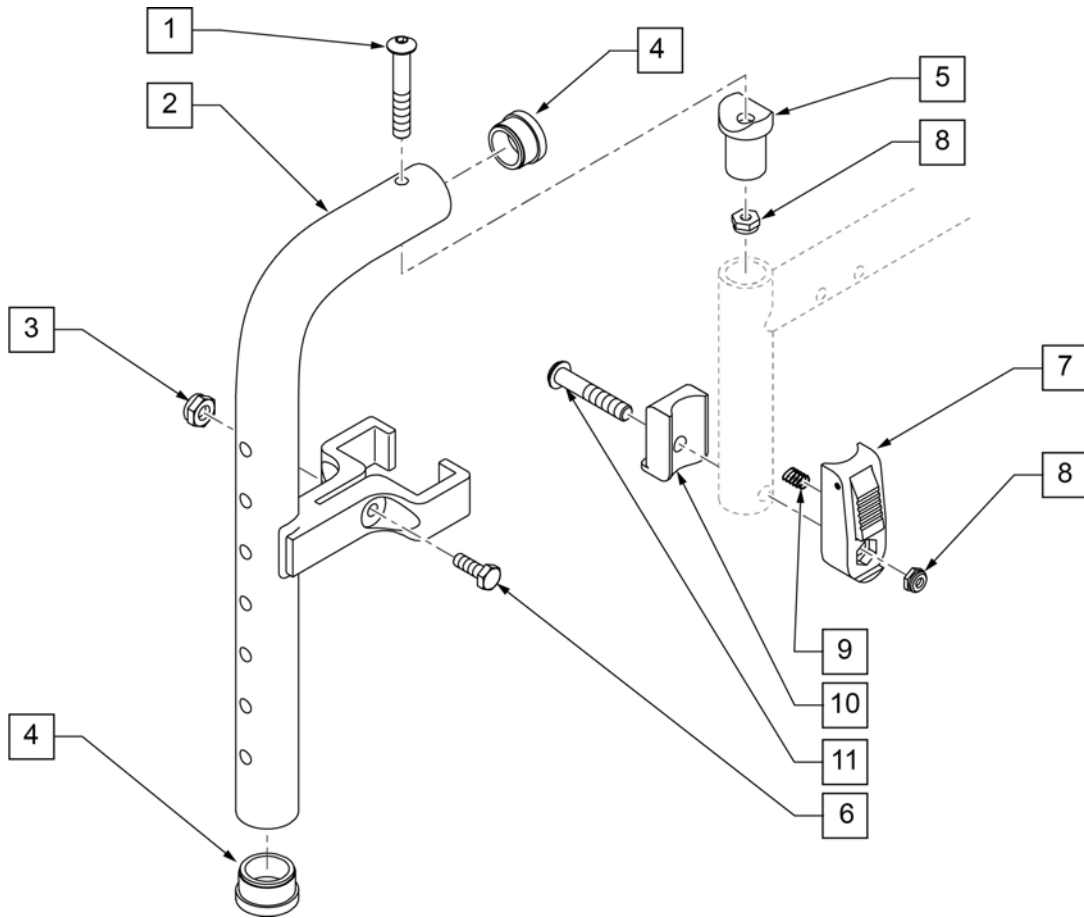


Pos.	Item Number	Description	Remarks
1	106983	BHCS 5/16 -18 x 2 SHLDR ROHS	
3	550154	T45 HANGER BRACKET 80ø R	length of bracket: 6"
4	106935	NUT NYLOCK THIN 1/4 -28 ROHS	
5	561002	1" INSERT PLUG .083	
6	561197	PLASTIC PIVOT SADDLE	
7	880053	FOOTREST BLOCK T45	
8	202117	5/16-18 NYLOCK NUT THICK BLK	
9	321141	.650L x 6 COIL SPRING	
10	560684	T45 FOOTREST BLOCK RECESSED	
11	107029	BHCS 5/16 -18 x 1 5/8 SHLD ROHS	
12	107014	HHCS 1/4 -28 x 3/4 ROHS	

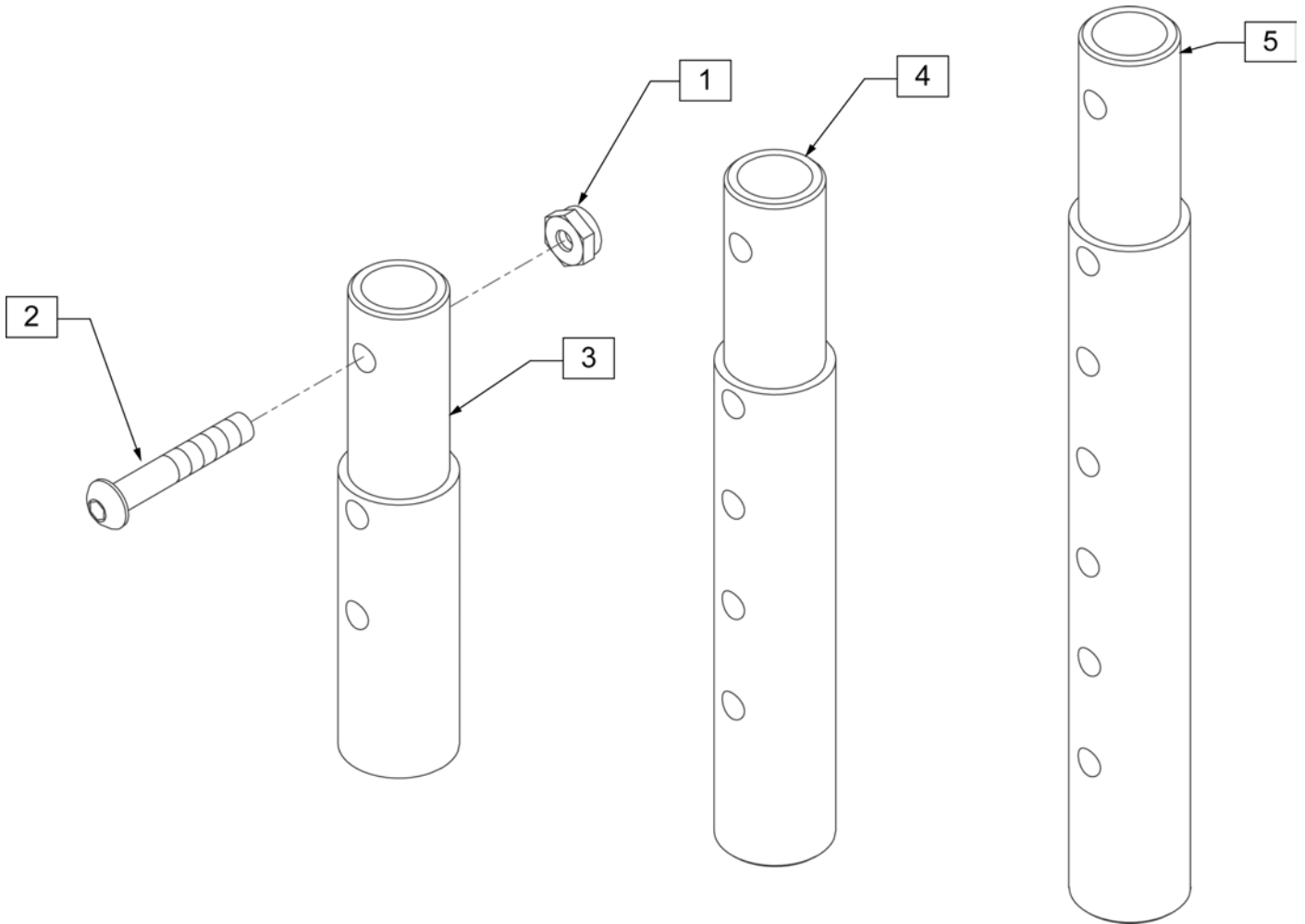
Pos.	Item Number	Description	Remarks
13	106971	HHCS 1/4 -28 x 1 3/8 ROHS	
14	106943	WASHER FLAT AN 1/4 ROHS	
15	550155	T45 HANGER BRACKET 80ø L	length of bracket: 6"
16	561002	1" INSERT PLUG .083	ORDER WHEN NOT USING FOOTREST EXTENSION
7-11	920720	FOOTREST BLOCK ASSEMBLY W/BOLT HD	required when retrofitting HD Lift Off Hangers to chair
1-6,12-15	641200S	HANGER 80D PNTD R HD	
1-6,12-15	641201S	HANGER 80D PNTD L HD	
		Ship assembled part #	Use with multiple assemblies
	ASSY-HNG-FP	HANGER/FOOTPLATE ASSY REQUIRED	add with Hanger & Footplate kit

NOTE: THIS HANGER HAS BEEN TESTED AND APPROVED FOR OCCUPANTS THAT WEIGH LESS THAN 150 POUNDS.

**NOTE:** IF RETROFITTING LIFT OFF HANGERS TO A CURRENT STYLE Q2, S/A Q2 LITE, LX/LXI, OR ZIPPIE TS, THE OLD-STYLE FRAME COMPONENTS WILL BE REQUIRED. REFER TO PARTS PAGES FOR FRONT SIDE FRAMES FOR Q2 (PRIOR TO Q2V-091821 & Q2H-009882), Q2 LITE (PRIOR TO Q2L-152965), LX/LXI (PRIOR TO LX-061888), AND ZIPPIE TS (PRIOR TO Z1A-038633 & Z1SE-013380).

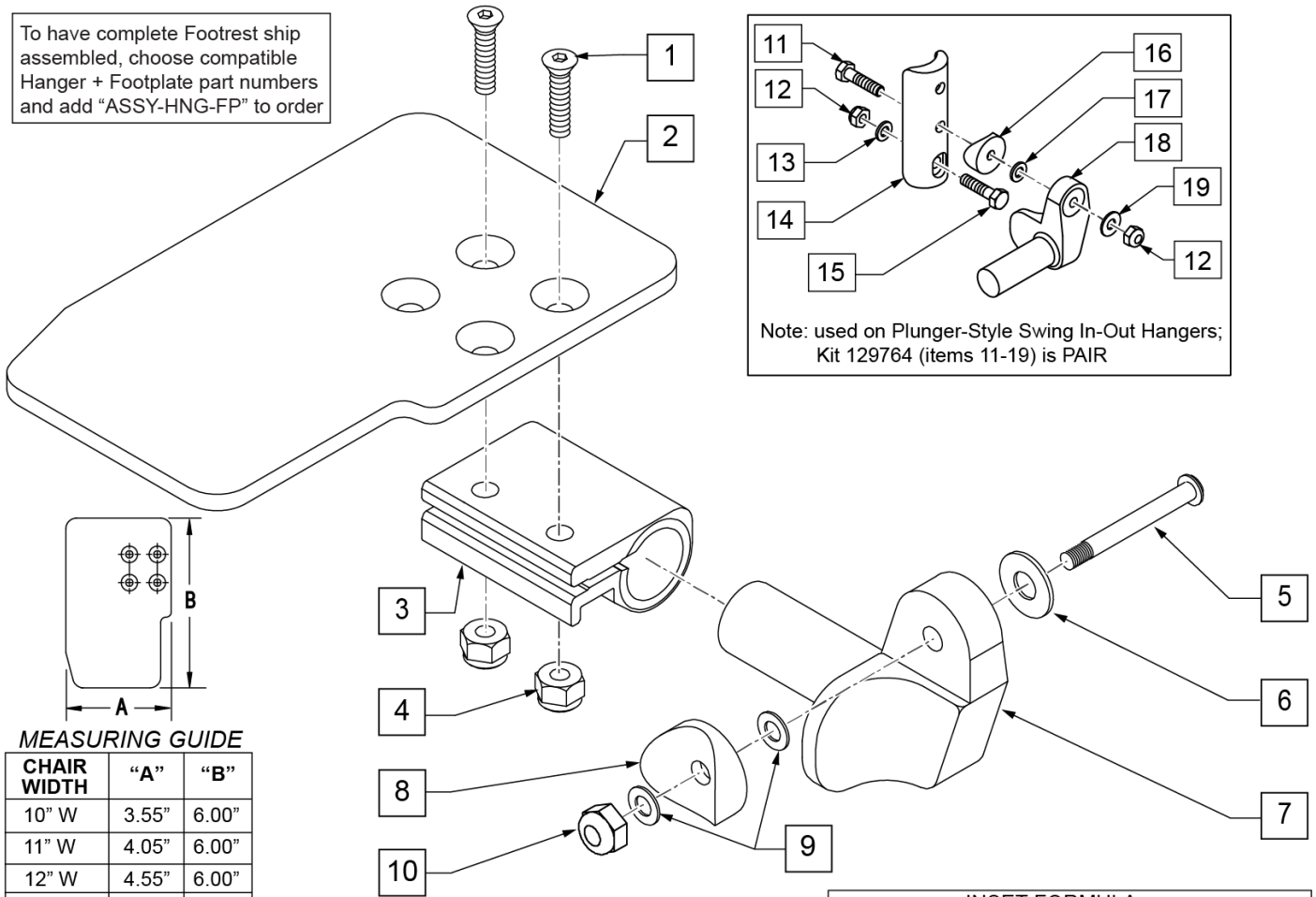


Pos.	Item Number	Description	Remarks
1	106983	BHCS 5/16 -18 x 2 SHLDR ROHS	
3	106935	NUT NYLOCK THIN 1/4 -28 ROHS	
4	561002	1" INSERT PLUG .083	
5	561197	PLASTIC PIVOT SADDLE	Includes nylock nut
6	107013	HHCS 1/4 -28 x 5/8 ROHS	
7	880053	FOOTREST BLOCK T45	
8	202117	5/16-18 NYLOCK NUT THICK BLK	
9	321141	.650L x 6 COIL SPRING	
10	560684	T45 FOOTREST BLOCK RECESSED	
11	107029	BHCS 5/16 -18 x 1 5/8 SHLD ROHS	
7-11	920720	FOOTREST BLOCK ASSM W/BOLT HD	
1-7	885005S	90 DEG F/D H/D L/O HNGR ASSM PNTD	
		Ship assembled part #	Use with multiple assemblies
	ASSY-HNG-FP	HANGER/FOOTPLATE ASSY REQUIRED	add with Hanger & Footplate kit



Pos.	Item Number	Description	Remarks
1	106935	NUT NYLOCK THIN 1/4 -28 ROHS	
2	106961	BHCS 1/4 -28 x 1 1/4 ROHS	
1-3	111505	2" FOOTREST EXTENSION TUBE W/ HDWR ASSM	2" EXT (PAIR)
1, 2, 4	111506	4" FOOTREST EXTENSION TUBE W/ HDWR ASSM	4" EXT (PAIR)
1, 2, 5	111507	6" FOOTREST EXTENSION TUBE W/ HDWR ASSM	6" EXT (PAIR)

To have complete Footrest ship assembled, choose compatible Hanger + Footplate part numbers and add "ASSY-HNG-FP" to order



Note: used on Plunger-Style Swing In-Out Hangers; Kit 129764 (items 11-19) is PAIR

MEASURING GUIDE

CHAIR WIDTH	"A"	"B"
10" W	3.55"	6.00"
11" W	4.05"	6.00"
12" W	4.55"	6.00"
13" W	5.05"	6.00"
14" W	5.55"	6.00"
15" W	6.05"	6.00"
16" W	6.55"	6.00"

INSET FORMULA

0" Inset (Seat Width) = Footrest Width  
 1" Inset (Seat Width) -2" = Footrest Width  
 "V" Hanger (Seat Width) -4" = Footrest Width  
 Offset Hanger Receiver (Seat Width) +2" = Footrest Width

Pos.	Item Number	Description	Remarks
1	106978	FHCS 1/4-28 X 7/8 ROHS	
2	500635	KIDS ANGL ADJ F/PLT 10	RIGHT
2	500636	KIDS ANGL ADJ F/PLT 10	LEFT
2	500637	KIDS ANGL ADJ F/PLT 11	RIGHT
2	500638	KIDS ANGL ADJ F/PLT 11	LEFT
2	500639	KIDS ANGL ADJ F/PLT 12	RIGHT
2	500640	KIDS ANGL ADJ F/PLT 12	LEFT
2	500641	KIDS ANGL ADJ F/PLT 13	RIGHT
2	500642	KIDS ANGL ADJ F/PLT 13	LEFT
2	500643	KIDS ANGL ADJ F/PLT 14	RIGHT
2	500644	KIDS ANGL ADJ F/PLT 14	LEFT
2	500645	KIDS ANGL ADJ F/PLT 15	RIGHT
2	500646	KIDS ANGL ADJ F/PLT 15	LEFT
2	500647	KIDS ANGL ADJ F/PLT 16	RIGHT
2	500648	KIDS ANGL ADJ F/PLT 16	LEFT
3	550350	3/4 CLAMP ADJ FOOTPLATE	
4	106935	NUT NYLOCK THIN 1/4-28 ROHS	
5	226147	1/4-28 X 1.85 BH C/S BLK ZN	

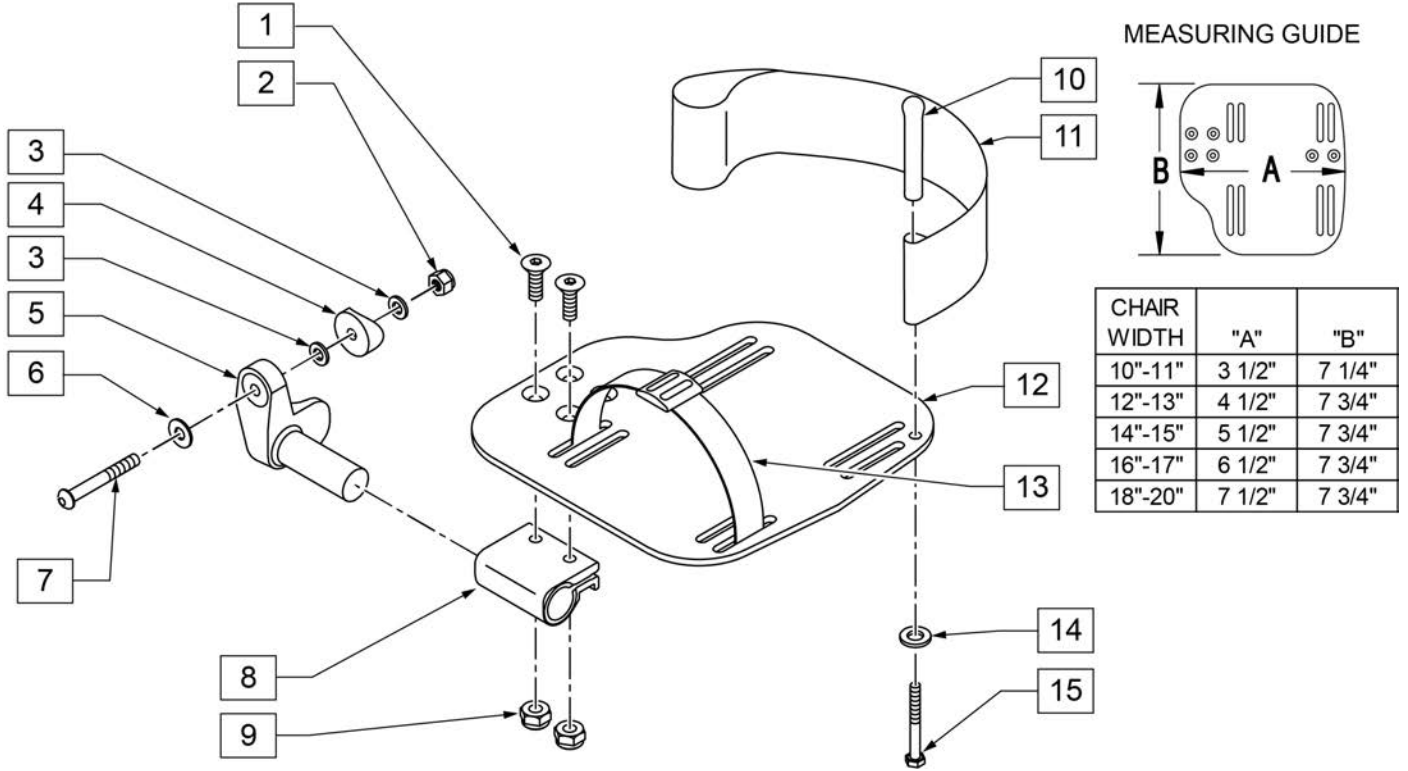
Pos.	Item Number	Description	Remarks
6	106945	WASHER FLAT SAE 1/4 ROHS	
7	541000	FTRST MOUNTING BRKT 1/2" RAD R	RIGHT
7	541001	FTRST MOUNTING BRKT 1/2" RAD L	LEFT
8	561004	1 SADDLE 1/4 HOLE	
9	106943	WASHER FLAT THIN AN 1/4	
10	106941	NUT AUTOMATION 1/4-28 ROHS	
11	102268-001	HHCS M6 X 1 X 25	
12	132626	NUT AUTOMATION M6 X 1.0 ROHS	
13	107383	WASHER FLAT M6 ROHS	
15	118198	HHCS M6 X 1 X 40 PART NP	
16	561004	1" SADDLE 1/4" HOLE	
17	106943	WASHER FLAT AN 1/4 ROHS	
19	106945	WASHER FLAT SAE 1/4 ROHS	
1-4	158632	CAA F/PLT KIT 10 RT	RIGHT; used with Front Mount Adapter Kit on Plunger-Style Swing In/Out Hangers
1-4	158633	CAA F/PLT KIT 10 LT	LEFT; used with Front Mount Adapter Kit on Plunger-Style Swing In/Out Hangers
1-4	158634	CAA F/PLT KIT 11 RT	RIGHT; used with Front Mount Adapter Kit on Plunger-Style Swing In/Out Hangers
1-4	158635	CAA F/PLT KIT 11 LT	LEFT; used with Front Mount Adapter Kit on Plunger-Style Swing In/Out Hangers
1-4	158636	CAA F/PLT KIT 12 RT	RIGHT; used with Front Mount Adapter Kit on Plunger-Style Swing In/Out Hangers
1-4	158637	CAA F/PLT KIT 12 LT	LEFT; used with Front Mount Adapter Kit on Plunger-Style Swing In/Out Hangers
1-4	158638	CAA F/PLT KIT 13 RT	RIGHT; used with Front Mount Adapter Kit on Plunger-Style Swing In/Out Hangers
1-4	158639	CAA F/PLT KIT 13 LT	LEFT; used with Front Mount Adapter Kit on Plunger-Style Swing In/Out Hangers
1-4	158640	CAA F/PLT KIT 14 RT	RIGHT; used with Front Mount Adapter Kit on Plunger-Style Swing In/Out Hangers
1-4	158641	CAA F/PLT KIT 14 LT	LEFT; used with Front Mount Adapter Kit on Plunger-Style Swing In/Out Hangers
1-4	158642	CAA F/PLT KIT 15 RT	RIGHT; used with Front Mount Adapter Kit on Plunger-Style Swing In/Out Hangers
1-4	158643	CAA F/PLT KIT 15 LT	LEFT; used with Front Mount Adapter Kit on Plunger-Style Swing In/Out Hangers
1-4	158644	CAA F/PLT KIT 16 RT	RIGHT; used with Front Mount Adapter Kit on Plunger-Style Swing In/Out Hangers
1-4	158645	CAA F/PLT KIT 16 LT	LEFT; used with Front Mount Adapter Kit on Plunger-Style Swing In/Out Hangers
1-10	828821	KIDS ANG ADJ F/PLT ASSM 10	RIGHT; used with Old-Style Latch Block Swing In/Out & S/A Hangers
1-10	828822	KIDS ANG ADJ F/PLT ASSM 10	LEFT; used with Old-Style Latch Block Swing In/Out & S/A Hangers
1-10	828823	KIDS ANG ADJ F/PLT ASSM 11	RIGHT; used with Old-Style Latch Block Swing In/Out & S/A Hangers
1-10	828824	KIDS ANG ADJ F/PLT ASSM 11	LEFT; used with Old-Style Latch Block Swing In/Out & S/A Hangers
1-10	828825	KIDS ANG ADJ F/PLT ASSM 12	RIGHT; used with Old-Style Latch Block Swing In/Out & S/A Hangers
1-10	828826	KIDS ANG ADJ F/PLT ASSM 12	LEFT; used with Old-Style Latch Block Swing In/Out & S/A Hangers
1-10	828827	KIDS ANG ADJ F/PLT ASSM 13	RIGHT; used with Old-Style Latch Block Swing In/Out & S/A Hangers
1-10	828828	KIDS ANG ADJ F/PLT ASSM 13	LEFT; used with Old-Style Latch Block Swing In/Out & S/A Hangers
1-10	828829	KIDS ANG ADJ F/PLT ASSM 14	RIGHT; used with Old-Style Latch Block Swing In/Out & S/A Hangers
1-10	828830	KIDS ANG ADJ F/PLT ASSM 14	LEFT; used with Old-Style Latch Block Swing In/Out & S/A Hangers
1-10	828831	KIDS ANG ADJ F/PLT ASSM 15	RIGHT; used with Old-Style Latch Block Swing In/Out & S/A Hangers
1-10	828832	KIDS ANG ADJ F/PLT ASSM 15	LEFT; used with Old-Style Latch Block Swing In/Out & S/A Hangers

Pos.	Item Number	Description	Remarks
1-10	828833	KIDS ANG ADJ F/PLT ASSM 16	RIGHT; used with Old-Style Latch Block Swing In/Out & S/A Hangers
1-10	828834	KIDS ANG ADJ F/PLT ASSM 16	LEFT; used with Old-Style Latch Block Swing In/Out & S/A Hangers
1-10	921226	KIDS ANG ADJ F/PLT ASSM 10	PAIR; used with Old-Style Latch Block Swing In/Out & S/A Hangers
1-10	921227	KIDS ANG ADJ F/PLT ASSM 11	PAIR; used with Old-Style Latch Block Swing In/Out & S/A Hangers
1-10	921228	KIDS ANG ADJ F/PLT ASSM 12	PAIR; used with Old-Style Latch Block Swing In/Out & S/A Hangers
1-10	921229	KIDS ANG ADJ F/PLT ASSM 13	PAIR; used with Old-Style Latch Block Swing In/Out & S/A Hangers
1-10	921230	KIDS ANG ADJ F/PLT ASSM 14	PAIR; used with Old-Style Latch Block Swing In/Out & S/A Hangers
1-10	921231	KIDS ANG ADJ F/PLT ASSM 15	PAIR; used with Old-Style Latch Block Swing In/Out & S/A Hangers
1-10	921232	KIDS ANG ADJ F/PLT ASSM 16	PAIR; used with Old-Style Latch Block Swing In/Out & S/A Hangers
11-19	129764	AAA FRNT MNT ADAPTER KIT PR	AAA FRNT MNT fits both Kids and Adult Angle Adjustable Footplates
		Ship assembled part #	Use with multiple assemblies
	ASSY-HNG-FP	HANGER/FOOTPLATE ASSY REQUIRED	add with Hanger & Footplate kit



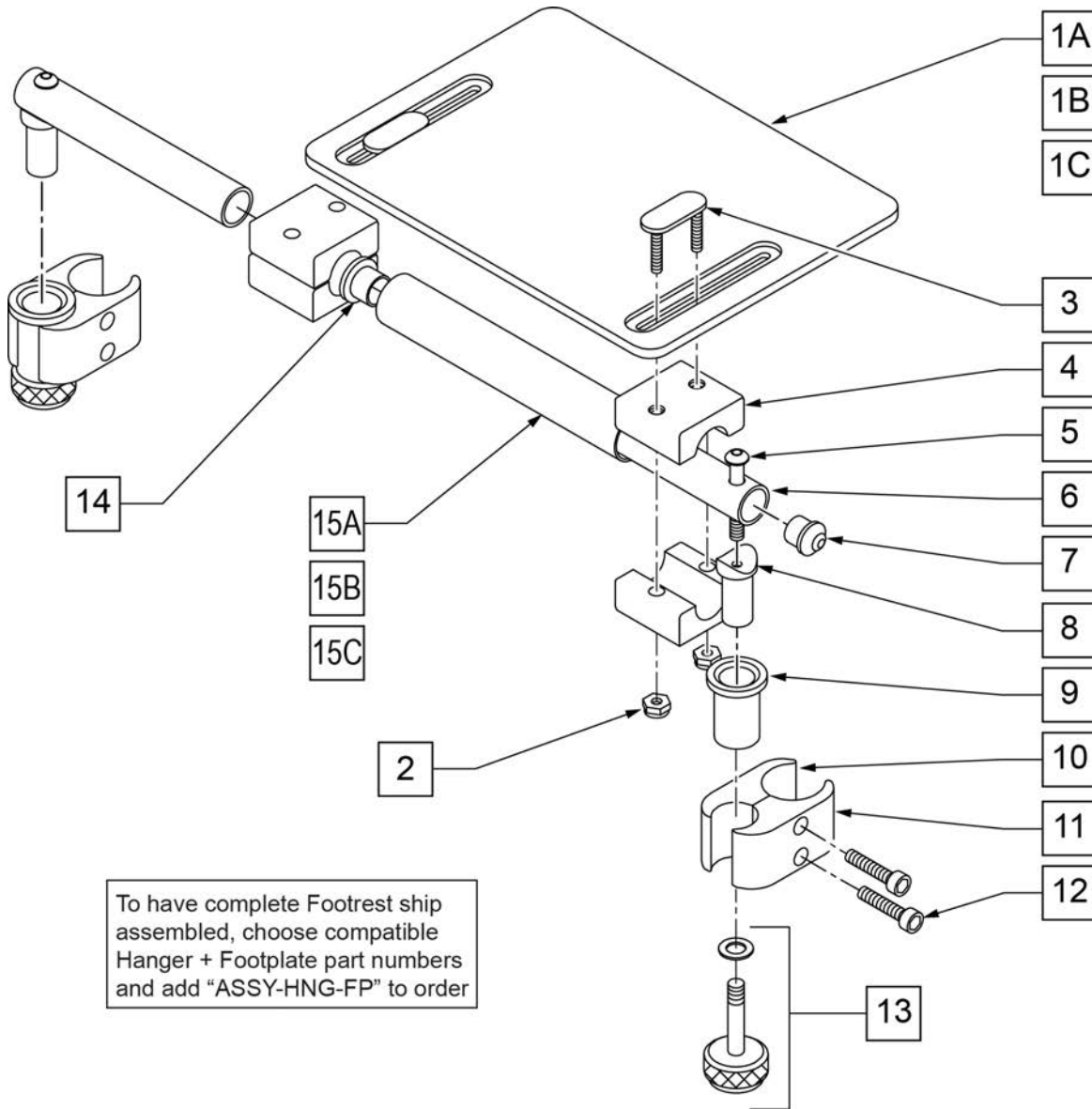
To have complete Footrest ship assembled, choose compatible Hanger + Footplate part numbers and add "ASSY-HNG-FP" to order

**INSET FORMULA**  
 0" Inset (Seat Width) = Footrest Width  
 1" Inset (Seat Width) - 2" = Footrest Width  
 "V" Hanger (Seat Width) - 4" = Footrest Width  
 Offset Hanger Receiver (Seat Width) + 2" = Footrest Width



Pos.	Item Number	Description	Remarks
1	106978	FHCS 1/4-28 X 7/8 ROHS	
2	106941	NUT AUTOMATION 1/4-28 ROHS	
3	106943	WASHER FLAT AN 1/4 ROHS	
4	561004	1" SADDLE 1/4" HOLE	
5	541000	FOOTREST MOUNTING BRKT 1/2" RAD R	RIGHT
5	541001	FOOTREST MOUNTING BRKT 1/2" RAD L	LEFT
6	106945	WASHER FLAT SAE 1/4 ROHS	
7	106964	BHCS 1/4-28 X 2	
8	550350	3/4" CLAMP ADJ FOOTPLATE	
9	106935	NUT NYLOCK THIN 1/4-28 ROHS	
10	561040	HEEL LOOP PEG	
11	741153	HEEL LOOP 18-20 CMPST/14-15 ANG ADJ	USED W/ 14-15"/16-17" ADULT ANG ADJ FTPLTS
11	741253	HEEL LOOP ADLT ADJ F/PLT 18-20	USED W/ 18 -20" ADULT ANG ADJ FTPLTS
12	500656	ADULT ANGL ADJ F/PLT 10/11	RIGHT
12	500657	ADULT ANGL ADJ F/PLT 10/11	LEFT
12	500658	ADULT ANGL ADJ F/PLT 12/13	RIGHT
12	500659	ADULT ANGL ADJ F/PLT 12/13	LEFT
12	500660	ADULT ANGL ADJ F/PLT 14/15	RIGHT
12	500661	ADULT ANGL ADJ F/PLT 14/15	LEFT
12	500662	ADULT ANGL ADJ F/PLT 16/17	RIGHT
12	500663	ADULT ANGL ADJ F/PLT 16/17	LEFT
12	500664	ADULT ANGL ADJ F/PLT 18-20	RIGHT

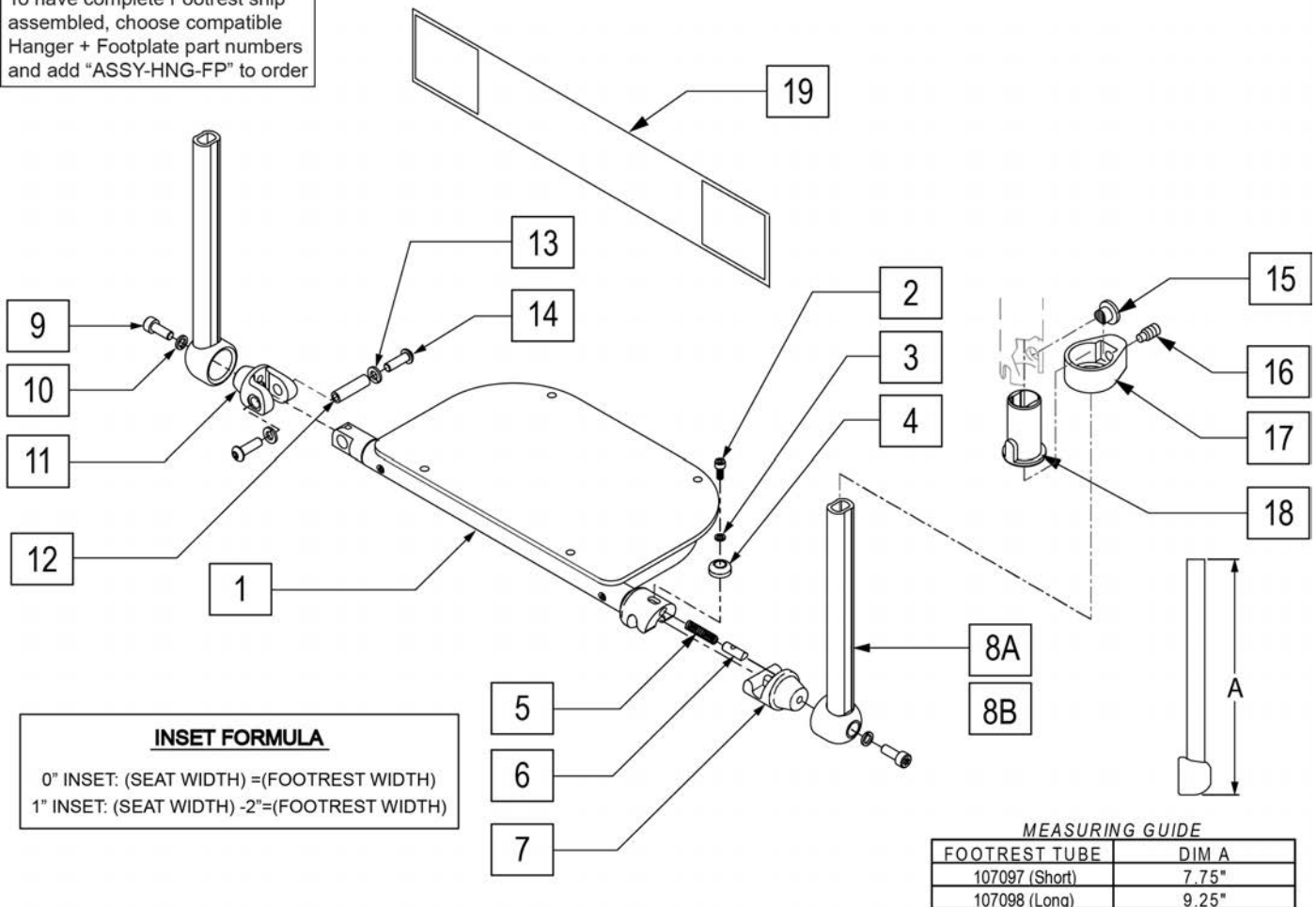
Pos.	Item Number	Description	Remarks
12	500665	ADULT ANGL ADJ F/PLT 18-20	LEFT
13	740260	TOE-ANKLE STRAP ADJ ADULT FOOTPLATE	
14	106943	WASHER FLAT AN 1/4 ROHS	
15	106958	HHCS 1/4-20 X 1 ROHS	
1-9,12	820544	FP ADULT ADJ 90D 10/11 R	RIGHT
1-9,12	820554	FP ADULT ADJ 90D 10/11 L	LEFT
1-9,12	820546	FP ADULT ADJ 90D 12/13 R	RIGHT
1-9,12	820556	FP ADULT ADJ 90D 12/13 L	LEFT
1-9,12	820472	FP ADULT ADJ 90D 14/15 R	RIGHT
1-9,12	820473	FP ADULT ADJ 90D 14/15 L	LEFT
1-9,12	820474	FP ADULT ADJ 90D 16/17 R	RIGHT
1-9,12	820475	FP ADULT ADJ 90D 16/17 L	LEFT
1-9,12	820476	FP ADULT ADJ 90D 18-20 R	RIGHT
1-9,12	820477	FP ADULT ADJ 90D 18-20 L	LEFT
1-9,12	921474	ADULT ANGL ADJ 90D 10/11 OMIT H/L	PAIR
1-9,12	921476	ADULT ANGL ADJ 90D 12/13 OMIT H/L	PAIR
1-9,12	921330	ADULT ANGL ADJ 90D 14/15 OMIT H/L	PAIR
1-9,12	921331	ADULT ANGL ADJ 90D 16/17 OMIT H/L	PAIR
1-9,12	921332	ADULT ANGL ADJ 90D 18-20 OMIT H/L	PAIR
1-12,14,15	820540	F/PLT ADULT ADJ 90D 10/11 R W/ HL	RIGHT
1-12,14,15	820550	F/PLT ADULT ADJ 90D 10/11 L W/ HL	LEFT
1-12,14,15	820542	F/PLT ADULT ADJ 90D 12/13 R W/ HL	RIGHT
1-12,14,15	820552	F/PLT ADULT ADJ 90D 12/13 L W/ HL	LEFT
1-12,14,15	820478	F/PLT ADULT ADJ 90D 14/15 R W/ HL	RIGHT
1-12,14,15	820479	F/PLT ADULT ADJ 90D 14/15 L W/ HL	LEFT
1-12,14,15	820480	F/PLT ADULT ADJ 90D 16/17 R W/ HL	RIGHT
1-12,14,15	820481	F/PLT ADULT ADJ 90D 16/17 L W/ HL	LEFT
1-12,14,15	820482	F/PLT ADULT ADJ 90D 18-20 R W/ HL	RIGHT
1-12,14,15	820483	F/PLT ADULT ADJ 90D 18-20 L W/ HL	LEFT
1-12,14,15	921470	F/PLT ADULT ADJ 90D 10/11 W/ HL	PAIR
1-12,14,15	921472	F/PLT ADULT ADJ 90D 12/13 W/ HL	PAIR
1-12,14,15	921333	F/PLT ADULT ADJ 90D 14/15 W/ HL	PAIR
1-12,14,15	921334	F/PLT ADULT ADJ 90D 16/17 W/ HL	PAIR
1-12,14,15	921335	F/PLT ADULT ADJ 90D 18-20 W/ HL	PAIR
		Ship assembled part #	Use with multiple assemblies
	ASSY-HNG-FP	HANGER/FOOTPLATE ASSY REQUIRED	add with Hanger & Footplate kit



Pos.	Item Number	Description	Remarks
1A	562610	SLD FOOTPLATE ONLY 8" x 8" (10"-12" W)	10 -12" WIDE
1B	562612	SLD FOOTPLATE ONLY 10" x 8" (13"-14" W)	13 -14" WIDE
1C	500709	SLD FT PLT ALUM ONLY 12" x 8" (15"-16" W)	15 -16" WIDE
2	106933	NUT NYLOCK THIN 1/4-20 ROHS	
3	330120	SLD FT/ANGLE ADJ DOUBLE T BOLT	
4	550444	SOLID FOOT/ANG ADJ CLAMP BLK	
5	107028	BHCS 1/4-28 X 1-1/2 ROHS	
7	561034	SHORT DOME PLUG	
8	483236	SOLID FOOT INSERT SADDLE BLK	
10	550658	CLAMP 1 1/4" THREADED BLK	
11	550657	CLAMP 1 1/4" RECESS FULL BLK	
12	107032	SHCS 1/4-28 X 1 ROHS	
9,13	880559	SOLID FOOT LOCK KNOB ASSEMBLY	
14	560402	3/4" ID NY-LINER	
15A	521621	SLD FOOT SUPPORT TUBE BLK 10"-12"	10 -12" WIDE

Pos.	Item Number	Description	Remarks
15B	521622	SLD FOOT SUPPORT TUBE BLK 13"-14"	13 -14" WIDE
15C	521624	SLD FOOT SUPPORT TUBE BLK 15"-16"	15 -16" WIDE
5-8	880183	SLD FT PLT PIVOT TUBE SUB-ASSM	
1A,2-14, 15A	921801	SLD FT PLT ASSEMBLY 8" x 8" (10"-12" W)	10 -12" WIDE
1B,2-14, 15B	921803	SOLID FOOTPLATE ASSEMBLY 10" x 8" (13"-14" W)	13 -14" WIDE
1C,2-14, 15C	921805	SOLID FOOTPLATE ASSEMBLY 12" x 8" (15"-16" W)	15 -16" WIDE
		Ship assembled part #	Use with multiple assemblies
	ASSY-HNG-FP	HANGER/FOOTPLATE ASSY REQUIRED	add with Hanger & Footplate kit

To have complete Footrest ship assembled, choose compatible Hanger + Footplate part numbers and add "ASSY-HNG-FP" to order

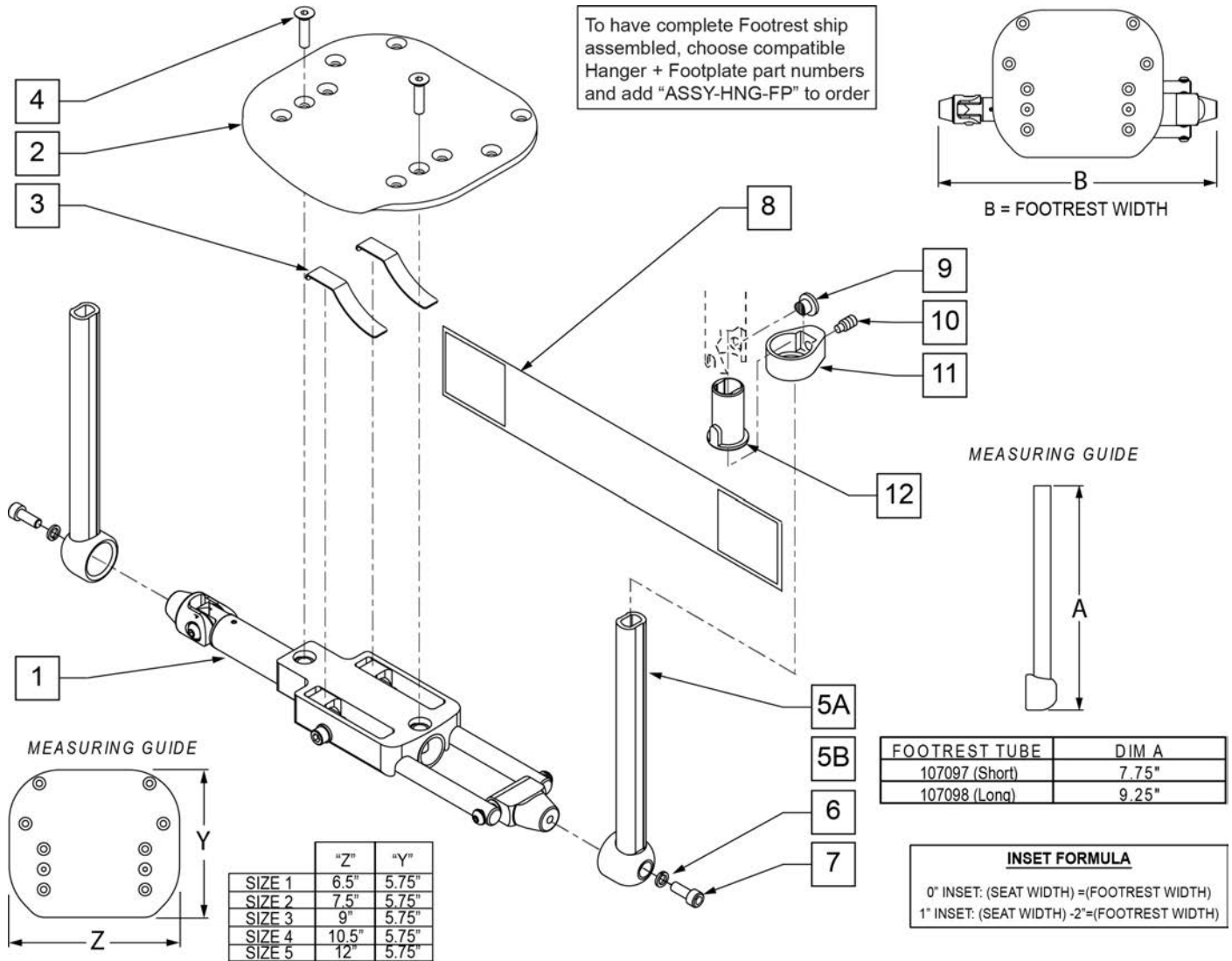


Pos.	Item Number	Description	Remarks
2	230132	SHCS M4 X .7 X 10	
3	050129-002	LOCKWASHER HIGH COLLAR M4	
4	052289	BUTTON LEVER LATCH	
5	100837	SPRING COMP .25OD X 1.0LG	
6	052103	LATCH PLUNGER FOOTREST	
7	100842	ASSY LATCH PIVOT FOOTREST	
8A	107097	WELDMENT TUBE FOOTREST STD	Short
8B	107098	WELDMENT TUBE FOOTREST LNG	Long
9	102263-001	SHCS M6X1X16 FULL NP	
10	107362	LOCKWASHER HIGH COLLAR M6	
11	052022	CLEVIS PIVOT TUBE	
12	052282	PIN PIVOT FOOTREST	
13	262133	WASHER LOCK M6	
14	013147	BHCS M6X1X12MM BLK	
18	104160	BUSHING FOOTREST	
19	740130	LEG STRAP 10"-14" BLK	
19	740131	LEG STRAP 15"-17" BLK	
19	740132	LEG STRAP 18"-20" BLK	
1-6	100830-010	ASSY TUBE FRST TBLR W-CVR 12W	12 wide
1-6	100830-011	ASSY TUBE FRST TBLR W-CVR 13W	13 wide

Pos.	Item Number	Description	Remarks
1-6	100830-012	ASSY TUBE FRST TBLR W-CVR 14W	14 wide
1-6	100830-013	ASSY TUBE FRST TBLR W-CVR 15W	15 wide
1-6	100830-014	ASSY TUBE FRST TBLR W-CVR 16W	16 wide
1-6	100830-015	ASSY TUBE FRST TBLR W-CVR 17W	17 wide
1-6	100830-016	ASSY TUBE FRST TBLR W-CVR 18W	18 wide
1-6	100830-017	ASSY TUBE FRST TBLR W-CVR 19W	19 wide
1-6	100830-018	ASSY TUBE FRST TBLR W-CVR 20W	20 wide
1-7,8A,9-14,19	107686	ASSM 12W SHORT	12 wide (Short)
1-7,8A,9-14,19	107687	ASSM 13W SHORT	13 wide (Short)
1-7,8A,9-14,19	107688	ASSM 14W SHORT	14 wide (Short)
1-7,8A,9-14,19	107689	ASSM 15W SHORT	15 wide (Short)
1-7,8A,9-14,19	107690	ASSM 16W SHORT	16 wide (Short)
1-7,8A,9-14,19	107691	ASSM 17W SHORT	17 wide (Short)
1-7,8A,9-14,19	107692	ASSM 18W SHORT	18 wide (Short)
1-7,8A,9-14,19	107693	ASSM 19W SHORT	19 wide (Short)
1-7,8A,9-14,19	107694	ASSM 20W SHORT	20 wide (Short)
1-7,8B,9-14,19	107695	ASSM 12W LONG	12 wide (Long)
1-7,8B,9-14,19	107696	ASSM 13W LONG	13 wide (Long)
1-7,8B,9-14,19	107697	ASSM 14W LONG	14 wide (Long)
1-7,8B,9-14,19	107698	ASSM 15W LONG	15 wide (Long)
1-7,8B,9-14,19	107699	ASSM 16W LONG	16 wide (Long)
1-7,8B,9-14,19	107700	ASSM 17W LONG	17 wide (Long)
1-7,8B,9-14,19	107701	ASSM 18W LONG	18 wide (Long)
1-7,8B,9-14,19	107702	ASSM 19W LONG	19 wide (Long)
1-7,8B,9-14,19	107703	ASSM 20W SHORT	20 wide (Long)
15-18	107485	FOOTREST CLAMP ASSM	
		Ship assembled part #	Use with multiple assemblies
	ASSY-HNG-FP	HANGER/FOOTPLATE ASSY REQUIRED	add with Hanger & Footplate kit

**AUTOFOLD FOOTREST ASSM**

[02/2010]

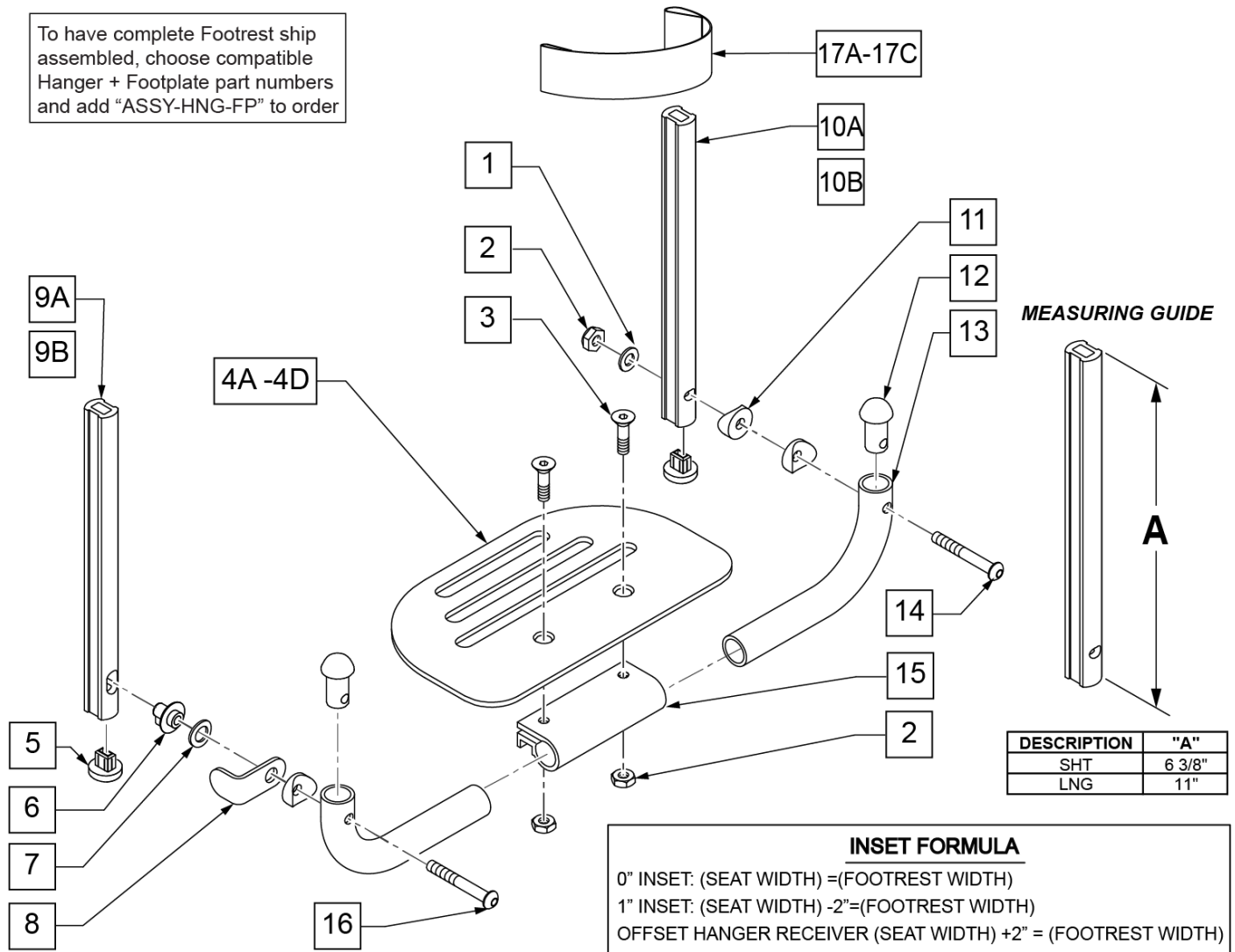


Pos.	Item Number	Description	Remarks
2	054853-001	FOOTPLATE SIZE 1	12" wide
2	054853-002	FOOTPLATE SIZE 2	13-14" wide
2	054853-003	FOOTPLATE SIZE 3	15-16" wide
2	054853-004	FOOTPLATE SIZE 4	17-18" wide
2	054853-005	FOOTPLATE SIZE 5	19-20" wide
3	054852	SPRING LEAF FOOTREST	
4	102265-003	FHCS M6X1X25 FULL NP	
5A	107097	WELDMENT TUBE FOOTREST STD	Short
5B	107098	WELDMENT TUBE FOOTREST LNG	Long
6	107362	LOCKWASHER HIGH COLLAR M6	
7	102263-001	SHCS M6X1X16 FULL NP	
8	740130	LEG STRAP 10"-14" BLK	12-14" wide
8	740131	LEG STRAP 15"-17" BLK	15-17" wide
8	740132	LEG STRAP 18"-20" BLK	18-20" wide
12	104160	BUSHING FOOTREST	
1-4	102830-001	ASSY FOOTPLATE AUTOFOLD 12W	12 wide
1-4	102830-002	ASSY FOOTPLATE AUTOFOLD 13W	13 wide

Pos.	Item Number	Description	Remarks
1-4	102830-003	ASSY FOOTPLATE AUTOFOLD 14W	14 wide
1-4	102830-004	ASSY FOOTPLATE AUTOFOLD 15W	15 wide
1-4	102830-005	ASSY FOOTPLATE AUTOFOLD 16W	16 wide
1-4	102830-006	ASSY FOOTPLATE AUTOFOLD 17W	17 wide
1-4	102830-007	ASSY FOOTPLATE AUTOFOLD 18W	18 wide
1-4	102830-008	ASSY FOOTPLATE AUTOFOLD 19W	19 wide
1-4	102830-009	ASSY FOOTPLATE AUTOFOLD 20W	20 wide
1-5A,6-8	107597	ASSM 12W SHORT	12 wide (Short)
1-5A,6-8	107598	ASSM 13W SHORT	13 wide (Short)
1-5A,6-8	107599	ASSM 14W SHORT	14 wide (Short)
1-5A,6-8	107600	ASSM 15W SHORT	15 wide (Short)
1-5A,6-8	107601	ASSM 16W SHORT	16 wide (Short)
1-5A,6-8	107602	ASSM 17W SHORT	17 wide (Short)
1-5A,6-8	107603	ASSM 18W SHORT	18 wide (Short)
1-5A,6-8	107604	ASSM 19W SHORT	19 wide (Short)
1-5A,6-8	107605	ASSM 20W SHORT	20 wide (Short)
1-5B,6-8	107606	ASSM 12W LONG	12 wide (Long)
1-5B,6-8	107607	ASSM 13W LONG	13 wide (Long)
1-5B,6-8	107608	ASSM 14W LONG	14 wide (Long)
1-5B,6-8	107609	ASSM 15W LONG	15 wide (Long)
1-5B,6-8	107610	ASSM 16W LONG	16 wide (Long)
1-5B,6-8	107611	ASSM 17W LONG	17 wide (Long)
1-5B,6-8	107612	ASSM 18W LONG	18 wide (Long)
1-5B,6-8	107613	ASSM 19W LONG	19 wide (Long)
1-5B,6-8	107614	ASSM 20W SHORT	20 wide (Long)
9-12	107485	FOOTREST CLAMP ASSM	
		Ship assembled part #	Use with multiple assemblies
	ASSY-HNG-FP	HANGER/FOOTPLATE ASSY REQUIRED	add with Hanger & Footplate kit



To have complete Footrest ship assembled, choose compatible Hanger + Footplate part numbers and add "ASSY-HNG-FP" to order



**INSET FORMULA**

0" INSET: (SEAT WIDTH) =(FOOTREST WIDTH)  
 1" INSET: (SEAT WIDTH) -2"=(FOOTREST WIDTH)  
 OFFSET HANGER RECEIVER (SEAT WIDTH) +2" = (FOOTREST WIDTH)

Pos.	Item Number	Description	Remarks
1	106944	WASHER FLAT THIN AN 1/4 ROHS	
2	106941	NUT AUTOMATION 1/4-28 ROHS	
3	106978	FHCS 1/4-28 X 7/8 ROHS	
4A	500651	PLATFORM F/PLT 8 x 5 1/2"	12 -14" Footrest Width
4B	500652	PLATFORM F/PLT 10" x 5 1/2"	15 -17" Footrest Width
4C	500653	PLATFORM F/PLT 12" x 5 1/2"	18 -20" Footrest Width
4D	500654	PLATFORM F/PLT 14" x 5 1/2"	21 -22" Footrest Width
5	113221	PLUG DOUBLE D EXT TUBE	
6	540410	F/UP FOOTREST KEY STUD D2	
7	107385	WASHER CURVED 3/8 ROHS	
8	505078	FOOTREST RETAINING BRACKET	
9A	106875	EXT TBE F/UP KEY SHT	Short -Latch Side
9B	106876	EXT TBE F/UP KEY LNG	Long -Latch Side
10A	106873	EXT TBE F/UP SLT SHT	Short -Pivot Side
10B	106874	EXT TBE F/UP SLT LNG	Long -Pivot Side
11	561003	3/4" SADDLE THIN	
12	561034	SHORT DOME PLUG	

Pos.	Item Number	Description	Remarks
14	106964	BHCS 1/4-28 X 2 ROHS	
15	550351	PLATFORM FOOTPLATE CLAMP	
16	107027	BHCS 1/4-28 X 1-1/4 SHLDR ROHS	
17A	740130	LEG STRAP 10"-14" BLK	12-14" Footrest Width
17B	740131	LEG STRAP 15"-17" BLK	15-17" Footrest Width
17C	740132	LEG STRAP 18"-20" BLK	18-20" Footrest Width
1-4A,6-8,11-16	900306	PLTFM F/P PLT BLK 12" D2 W/ INSTR	12" Footrest Width
1-4A,6-8,11-16	900307	PLTFM F/P PLT BLK 13" D2 W/ INSTR	13" Footrest Width
1-4A,6-8,11-16	900308	PLTFM F/P PLT BLK 14" D2 W /INSTR	14" Footrest Width
1-4B,6-8,11-16	900309	PLTFM F/P PLT BLK 15" D2 W /INSTR	15" Footrest Width
1-4B,6-8,11-16	900310	PLTFM F/P PLT BLK 16" D2 W /INSTR	16" Footrest Width
1-4B,6-8,11-16	900311	PLTFM F/P PLT BLK 17" D2 W /INSTR	17" Footrest Width
1-4C,6-8,11-16	900312	PLTFM F/P PLT BLK 18" D2 W /INSTR	18" Footrest Width
1-4C,6-8,11-16	900313	PLTFM F/P PLT BLK 19" D2 W /INSTR	19" Footrest Width
1-4C,6-8,11-16	900314	PLTFM F/P PLT BLK 20" D2 W/ INSTR	20" Footrest Width
1-4D,6-8,11-16	900315	PLTFM F/P PLT BLK 21" D2 W/ INSTR	21" Footrest Width
1-4D,6-8,11-16	900316	PLTFM F/P PLT BLK 22" D2 W/ INSTR	22" Footrest Width
		SHORT EXT ASSEMBLIES	
1-3,4A,5-8,9A,10B,11-16,17A	108043	PLTFRM FLIP FTRST SHT 12W	12" wide (Short)
1-3,4A,5-8,9A,10B,11-16,17A	108044	PLTFRM FLIP FTRST SHT 13W	13" wide (Short)
1-3,4A,5-8,9A,10B,11-16,17A	108045	PLTFRM FLIP FTRST SHT 14W	14" wide (Short)
1-3,4B,5-8,9A,10B,11-16,17B	108046	PLTFRM FLIP FTRST SHT 15W	15" wide (Short)
1-3,4B,5-8,9A,10B,11-16,17B	108047	PLTFRM FLIP FTRST SHT 16W	16" wide (Short)
1-3,4B,5-8,9A,10B,11-16,17B	108048	PLTFRM FLIP FTRST SHT 17W	17" wide (Short)
1-3,4C,5-8,9A,10B,11-16,17C	108049	PLTFRM FLIP FTRST SHT 18W	18" wide (Short)
1-3,4C,5-8,9A,10B,11-16,17C	108051	PLTFRM FLIP FTRST SHT 19W	19" wide (Short)
1-3,4C,5-8,9A,10B,11-16,17C	108052	PLTFRM FLIP FTRST SHT 20W	20" wide (Short)
1-3,4D,5-8,9A,10B,11-16,17C	111554	PLTFRM FLIP FTRST SHT 21W	21" wide (Short)
1-3,4D,5-8,9A,10B,11-16,17C	111555	PLTFRM FLIP FTRST SHT 22W	22" wide (Short)
		LONG EXT ASSEMBLIES	
1-3,4A,5-8,9B,10A,11-16,17A	108053	PLTFRM FLIP FTRST LONG 12W	12" wide (Long)
1-3,4A,5-8,9B,10A,11-16,17A	108054	PLTFRM FLIP FTRST LONG 13W	13" wide (Long)
1-3,4A,5-8,9B,10A,11-16,17A	108055	PLTFRM FLIP FTRST LONG 14W	14" wide (Long)
1-3,4B,5-8,9B,10A,11-16,17B	108056	PLTFRM FLIP FTRST LONG 15W	15" wide (Long)
1-3,4B,5-8,9B,10A,11-16,17B	108057	PLTFRM FLIP FTRST LONG 16W	16" wide (Long)
1-3,4B,5-8,9B,10A,11-16,17B	108058	PLTFRM FLIP FTRST LONG 17W	17" wide (Long)
1-3,4C,5-8,9B,10A,11-16,17C	108059	PLTFRM FLIP FTRST LONG 18W	18" wide (Long)
1-3,4C,5-8,9B,10A,11-16,17C	108060	PLTFRM FLIP FTRST LONG 19W	19" wide (Long)
1-3,4C,5-8,9B,10A,11-16,17C	108061	PLTFRM FLIP FTRST LONG 20W	20" wide (Long)
1-3,4D,5-8,9B,10A,11-16,17C	111556	PLTFRM FLIP FTRST LONG 21W	21" wide (Long)
1-3,4D,5-8,9B,10A,11-16,17C	111557	PLTFRM FLIP FTRST LONG 22W	22" wide (Long)
		Ship assembled part #	Use with multiple assemblies
	ASSY-HNG-FP	HANGER/FOOTPLATE ASSY REQUIRED	add with Hanger & Footplate kit

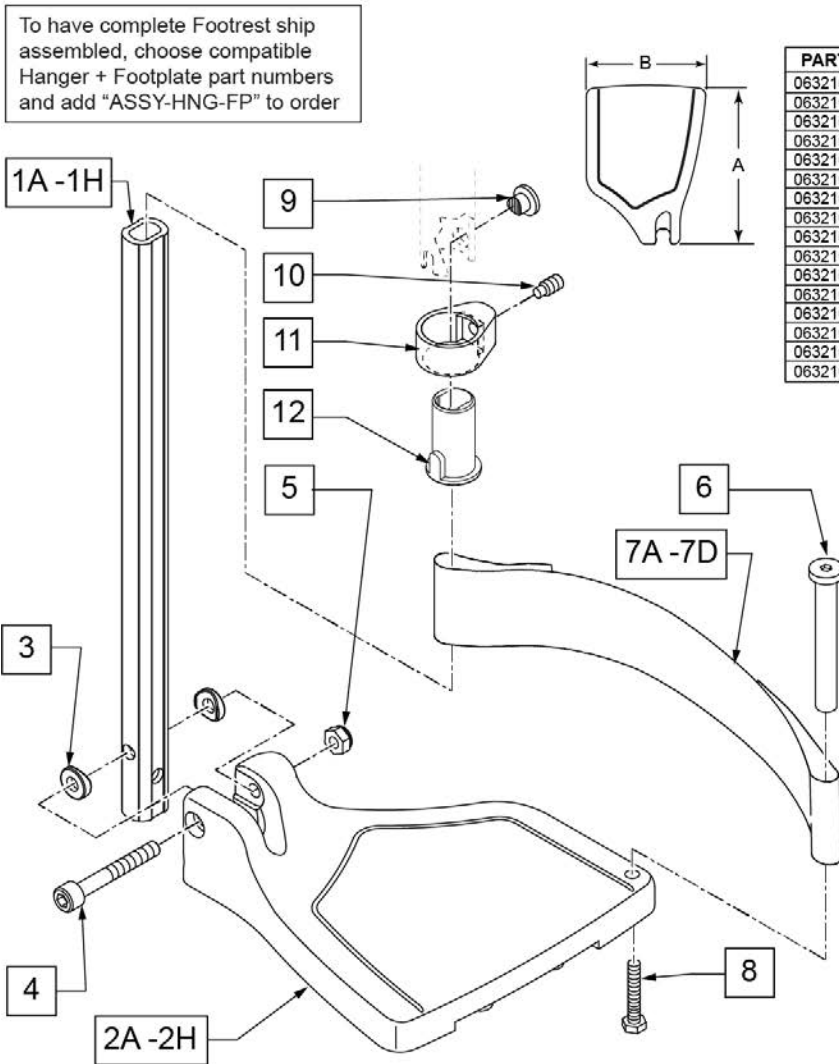
**Note:** Footplate Assemblies are set to footrest width; please see "Footplate Formula" table for seat width conversion.

Note: V Style Hangers are not available on Swing Away Style chairs effective 7/14/14; see the "Prior To" ordering guide for V Style footplate assemblies.

Note: for QX Series or SR45 footplate replacement parts see the ordering guide marked specifically for these two models in the informations panel.

**FOOTPLATE MEASURING GUIDE**

PART NO	DESCRIPTION	"A"	"B"
063216-006	FOOTPLATE COMPOSITE 157 R (13"W)	6 1/8"	6"
063216-012	FOOTPLATE COMPOSITE 157 L (13"W)	6 1/8"	6"
063216-015	FOOTPLATE COMPOSITE 170 R (14"W)	6 5/8"	6"
063216-018	FOOTPLATE COMPOSITE 170 L (14"W)	6 5/8"	6"
063216-005	FOOTPLATE COMPOSITE 182 R (15"W)	7 1/8"	6"
063216-011	FOOTPLATE COMPOSITE 182 L (15"W)	7 1/8"	6"
063216-014	FOOTPLATE COMPOSITE 195 R (16"W)	7 5/8"	6"
063216-017	FOOTPLATE COMPOSITE 195 L (16"W)	7 5/8"	6"
063216-004	FOOTPLATE COMPOSITE 207 R (17"W)	8 1/8"	6"
063216-010	FOOTPLATE COMPOSITE 207 L (17"W)	8 1/8"	6"
063216-013	FOOTPLATE COMPOSITE 220 R (18"W)	8 5/8"	6 1/4"
063216-016	FOOTPLATE COMPOSITE 220 L (18"W)	8 5/8"	6 1/4"
063216-003	FOOTPLATE COMPOSITE 232 R (19-20"W)	9 1/8"	6 1/4"
063216-009	FOOTPLATE COMPOSITE 232 L (19-20"W)	9 1/8"	6 1/4"
063216-002	FOOTPLATE COMPOSITE 257 R (21-22"W)	10 1/8"	6 1/4"
063216-008	FOOTPLATE COMPOSITE 257 L (21-22"W)	10 1/8"	6 1/4"



To have complete Footrest ship assembled, choose compatible Hanger + Footplate part numbers and add "ASSY-HNG-FP" to order

**INSET FORMULA**  
 0" Inset (Seat Width) = Footrest Width  
 1" Inset (Seat Width) -2" = Footrest Width  
 "V" Hanger (Seat Width) -4" = Footrest Width  
 Offset Hanger Receiver (Seat Width) +2" = Footrest Width

Pos.	Item Number	Description	Remarks
1A,3-5	120660	SHT STRT EXT COMP HDWR	80 deg hangers + ELR only
1B,3-5	120661	MED STRT EXT COMP HDWR	80 deg hangers + ELR only
1C,3-5	120662	LNG STRT EXT COMP HDWR	80 deg hangers + ELR only
1D,3-5	120663	SHT BNT EXT COMP HDWR	60,70,70 Hemi Hangers
1E,3-5	120664	MED BNT EXT COMP HDWR	60,70,70 Hemi Hangers

Pos.	Item Number	Description	Remarks
1F,3-5	120665	LNG BNT EXT COMP HDWR	60,70,70 Hemi Hangers
1G,3-5	120666	SHT V EXT R COMP HDWR	70 deg V hangers only-LEFT
1G,3-5	120667	SHT V EXT L COMP HDWR	70 deg V hangers only-RIGHT
1H,3-5	120668	LNG V EXT R COMP HDWR	70 deg V hangers only-LEFT
1H,3-5	120669	LNG V EXT L COMP HDWR	70 deg V hangers only-RIGHT
2A	063216-006	FOOTPLATE COMPOSITE 157 R	RIGHT 13" Footrest Width
2A	063216-012	FOOTPLATE COMPOSITE 157 L	LEFT 13" Footrest Width
2B	063216-015	FOOTPLATE COMPOSITE 170 R	RIGHT 14" Footrest Width
2B	063216-018	FOOTPLATE COMPOSITE 170 L	LEFT 14" Footrest Width
2C	063216-005	COMPOSITE FOOTPLATE 182 R	RIGHT 15" Footrest Width
2C	063216-011	COMPOSITE FOOTPLATE 182 L	LEFT 15" Footrest Width
2D	063216-014	FOOTPLATE COMPOSITE 195 R	RIGHT 16" Footrest Width
2D	063216-017	FOOTPLATE COMPOSITE 195 L	LEFT 16" Footrest Width
2E	063216-004	COMPOSITE FOOTPLATE 207 R	RIGHT 17" Footrest Width
2E	063216-010	COMPOSITE FOOTPLATE 207 L	LEFT 17" Footrest Width
2F	063216-013	FOOTPLATE COMPOSITE 220 R	RIGHT 18" Footrest Width
2F	063216-016	FOOTPLATE COMPOSITE 220 L	LEFT 18" Footrest Width
2G	063216-003	COMPOSITE FOOTPLATE 232 R	RIGHT 19" & 20" Footrest Width
2G	063216-009	COMPOSITE FOOTPLATE 232 L	LEFT 19" & 20" Footrest Width
2H	063216-002	FOOTPLATE COMPOSITE 257 R	RIGHT 21" & 22" Footrest Width
2H	063216-008	FOOTPLATE COMPOSITE 257 L	LEFT 21" & 22" Footrest Width
3	104377	3/4" SADDLE THIN	
4	103175	SHCS M6 X 1 X 40 INORG	
5	132626	NUT AUTOMATION M6 X 1.0	Inserted in bottom of footplate.
6	104328	HEEL LOOP PEG	
7A	104380-001	ADJUSTABLE FOOT REST STRAP	14" wide
7B	104380-002	ADJUSTABLE FOOT REST STRAP	15-16" wide
7C	104380-003	ADJUSTABLE FOOT REST STRAP	17-18" wide
7D	104380-004	ADJUSTABLE FOOT REST STRAP	19-22" wide
8	102268-001	HHCS M6 X 1 X 25	
12	104160	BUSHING FOOTREST	
9-12	107485	FOOTREST CLAMP ASSM	
		Ship assembled part #	Use with multiple assemblies
	ASSY-HNG-FP	HANGER/FOOTPLATE ASSY REQUIRED	add with Hanger & Footplate kit
>>>>		60°,70°,70° HEMI HANGERS - SHORT EXT - RIGHT	
1D,2A,3-6,7A,8	107746	COMP BNT SHT EXT ASM 13" W R	Right- 70D- 13" W- SHORT
1D,2B,3-6,7A,8	107747	COMP BNT SHT EXT ASM 14" W R	Right- 70D- 14" W- SHORT
1D,2C,3-6,7B,8	107748	COMP BNT SHT EXT ASM 15" W R	Right- 70D- 15" W- SHORT
1D,2D,3-6,7B,8	107749	COMP BNT SHT EXT ASM 16" W R	Right- 70D- 16" W- SHORT
1D,2E,3-6,7C,8	107750	COMP BNT SHT EXT ASM 17" W R	Right- 70D- 17" W- SHORT
1D,2F,3-6,7C,8	107751	COMP BNT SHT EXT ASM 18" W R	Right- 70D- 18" W- SHORT
1D,2G,3-6,7D,8	107752	COMP BNT SHT EXT ASM 19 & 20"W R	Right- 70D- 19 & 20" W- SHORT
1D,2H,3-6,7D,8	111528	COMP BNT SHT EXT ASM 21 & 22"W R	Right- 70D- 21 & 22" W- SHORT
>>>>		60°,70°,70° HEMI HANGERS - SHORT EXT - LEFT	
1D,2A,3-6,7A,8	107753	COMP BNT SHT EXT ASM 13" W L	Left- 70D- 13 W- SHORT
1D,2B,3-6,7A,8	107754	COMP BNT SHT EXT ASM 14" W L	Left- 70D- 14 W- SHORT
1D,2C,3-6,7B,8	107755	COMP BNT SHT EXT ASM 15" W L	Left- 70D- 15 W- SHORT
1D,2D,3-6,7B,8	107756	COMP BNT SHT EXT ASM 16" W L	Left- 70D- 16 W- SHORT
1D,2E,3-6,7C,8	107757	COMP BNT SHT EXT ASM 17" W L	Left- 70D- 17 W- SHORT
1D,2F,3-6,7C,8	107758	COMP BNT SHT EXT ASM 18" W L	Left- 70D- 18 W- SHORT
1D,2G,3-6,7D,8	107759	COMP BNT SHT EXT ASM 19 & 20"W L	Left- 70D- 19 & 20" W- SHORT
1D,2H,3-6,7D,8	111529	COMP BNT SHT EXT ASM 21 & 22"W L	Left- 70D- 21 & 22" W- SHORT
>>>>		60°,70°,70° HEMI HANGERS - MED EXT - RIGHT	
1E,2A,3-6,7A,8	107760	COMP BNT MED EXT ASM 13" W R	Right- 70D- 13" W- MED
1E,2B,3-6,7A,8	107761	COMP BNT MED EXT ASM 14" W R	Right- 70D- 14" W- MED
1E,2C,3-6,7B,8	107762	COMP BNT MED EXT ASM 15" W R	Right- 70D- 15" W- MED

Pos.	Item Number	Description	Remarks
1E,2D,3-6,7B,8	107763	COMP BNT MED EXT ASM 16" W R	Right- 70D- 16" W- MED
1E,2E,3-6,7C,8	107764	COMP BNT MED EXT ASM 17" W R	Right- 70D- 17" W- MED
1E,2F,3-6,7C,8	107765	COMP BNT MED EXT ASM 18" W R	Right- 70D- 18" W- MED
1E,2G,3-6,7D,8	107766	COMP BNT MED EXT ASM 19 & 20"W R	Right- 70D- 19 & 20" W- MED
1E,2H,3-6,7D,8	111530	COMP BNT MED EXT ASM 21 & 22"W R	Right- 70D- 21 & 22" W- MED
>>>>		60°,70°,70° HEMI HANGERS - MED EXT - LEFT	
1E,2A,3-6,7A,8	107767	COMP BNT MED EXT ASM 13" W L	Left- 70D- 13 W- MED
1E,2B,3-6,7A,8	107768	COMP BNT MED EXT ASM 14" W L	Left- 70D- 14 W- MED
1E,2C,3-6,7B,8	107769	COMP BNT MED EXT ASM 15" W L	Left- 70D- 15 W- MED
1E,2D,3-6,7B,8	107770	COMP BNT MED EXT ASM 16" W L	Left- 70D- 16 W- MED
1E,2E,3-6,7C,8	107771	COMP BNT MED EXT ASM 17" W L	Left- 70D- 17 W- MED
1E,2F,3-6,7C,8	107772	COMP BNT MED EXT ASM 18" W L	Left- 70D- 18 W- MED
1E,2G,3-6,7D,8	107773	COMP BNT MED EXT ASM 19 & 20"W L	Left- 70D- 19 & 20" W- MED
1E,2H,3-6,7D,8	111531	COMP BNT MED EXT ASM 21 & 22"W L	Left- 70D- 21 & 22" W- MED
>>>>		60°,70°,70° HEMI HANGERS - LONG EXT - RIGHT	
1F,2A,3-6,7A,8	107774	COMP BNT LONG EXT ASM 13" W R	Right- 70D- 13" W- LONG
1F,2B,3-6,7A,8	107775	COMP BNT LONG EXT ASM 14" W R	Right- 70D- 14" W- LONG
1F,2C,3-6,7B,8	107776	COMP BNT LONG EXT ASM 15" W R	Right- 70D- 15" W- LONG
1F,2D,3-6,7B,8	107777	COMP BNT LONG EXT ASM 16" W R	Right- 70D- 16" W- LONG
1F,2E,3-6,7C,8	107778	COMP BNT LONG EXT ASM 17" W R	Right- 70D- 17" W- LONG
1F,2F,3-6,7C,8	107779	COMP BNT LONG EXT ASM 18" W R	Right- 70D- 18" W- LONG
1F,2G,3-6,7D,8	107780	COMP BNT LONG EXT ASM 19 & 20"W R	Right- 70D- 19 & 20" W- LONG
1F,2H,3-6,7D,8	111532	COMP BNT LONG EXT ASM 21 & 22"W R	Right- 70D- 21 & 22" W- LONG
>>>>		60°,70°,70° HEMI HANGERS - LONG EXT - LEFT	
1F,2A,3-6,7A,8	107781	COMP BNT LONG EXT ASM 13" W L	Left- 70D- 13 W- LONG
1F,2B,3-6,7A,8	107782	COMP BNT LONG EXT ASM 14" W L	Left- 70D- 14 W- LONG
1F,2C,3-6,7B,8	107783	COMP BNT LONG EXT ASM 15" W L	Left- 70D- 15 W- LONG
1F,2D,3-6,7B,8	107784	COMP BNT LONG EXT ASM 16" W L	Left- 70D- 16 W- LONG
1F,2E,3-6,7C,8	107785	COMP BNT LONG EXT ASM 17" W L	Left- 70D- 17 W- LONG
1F,2F,3-6,7C,8	107786	COMP BNT LONG EXT ASM 18" W L	Left- 70D- 18 W- LONG
1F,2G,3-6,7D,8	107787	COMP BNT LONG EXT ASM 19 & 20"W L	Left- 70D- 19 & 20" W- LONG
1F,2H,3-6,7D,8	111533	COMP BNT LONG EXT ASM 21 & 22"W L	Left- 70D- 21 & 22" W- LONG
>>>>		70 DEGREE "V" HANGERS - MED EXT - RIGHT	
1G,2A,3-8	107788	COMP V MED EXT ASM 13W R	Right- 70D V hangers only 13 W- MED
1G,2B,3-8	107789	COMP V MED EXT ASM 14W R	Right- 70D V hangers only 14 W- MED
1G,2C,3-8	107790	COMP V MED EXT ASM 15W R	Right- 70D V hangers only 15 W- MED
1G,2D,3-8	107791	COMP V MED EXT ASM 16W R	Right- 70D V hangers only 16 W- MED
1G,2E,3-8	107792	COMP V MED EXT ASM 17W R	Right- 70D V hangers only 17 W- MED
1G,2F,3-8	107793	COMP V MED EXT ASM 18W R	Right- 70D V hangers only 18 W- MED
>>>>		70 DEGREE "V" HANGERS - MED EXT - LEFT	
1G,2A,3-8	107795	COMP V MED EXT ASM 13W L	Left- 70D V hangers only 13 W- MED
1G,2B,3-8	107796	COMP V MED EXT ASM 14W L	Left- 70D V hangers only 14 W- MED
1G,2C,3-8	107797	COMP V MED EXT ASM 15W L	Left- 70D V hangers only 15 W- MED
1G,2D,3-8	107798	COMP V MED EXT ASM 16W L	Left- 70D V hangers only 16 W- MED
1G,2E,3-8	107799	COMP V MED EXT ASM 17W L	Left- 70D V hangers only 17 W- MED
1G,2F,3-8	107800	COMP V MED EXT ASM 18W L	Left- 70D V hangers only 18 W- MED
>>>>		70 DEGREE "V" HANGERS - LONG EXT - RIGHT	
1H,2A,3-8	107802	COMP V LNG EXT ASM 13W R	Right- 70D V hangers only 13 W- LONG
1H,2B,3-8	107803	COMP V LNG EXT ASM 14W R	Right- 70D V hangers only 14 W- LONG
1H,2C,3-8	107804	COMP V LNG EXT ASM 15W R	Right- 70D V hangers only 15 W- LONG
1H,2D,3-8	107805	COMP V LNG EXT ASM 16W R	Right- 70D V hangers only 16 W- LONG
1H,2E,3-8	107806	COMP V LNG EXT ASM 17W R	Right- 70D V hangers only 17 W- LONG
1H,2F,3-8	107807	COMP V LNG EXT ASM 18W R	Right- 70D V hangers only 18 W- LONG
>>>>		70 DEGREE "V" HANGERS - LONG EXT - LEFT	
1H,2A,3-8	107809	COMP V LNG EXT ASM 13W L	Left- 70D V hangers only 13 W- LONG
1H,2B,3-8	107810	COMP V LNG EXT ASM 14W L	Left- 70D V hangers only 14 W- LONG

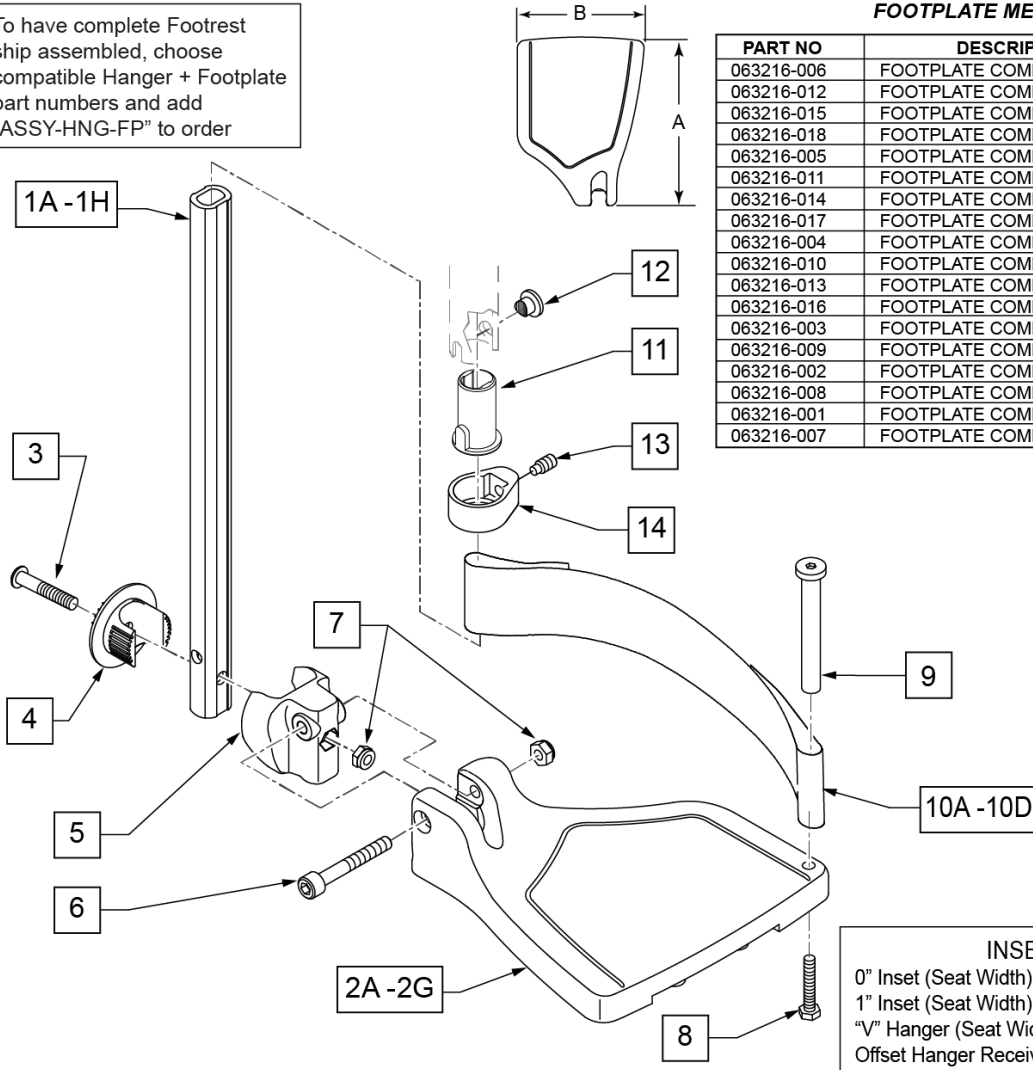
Pos.	Item Number	Description	Remarks
1H,2C,3-8	107811	COMP V LNG EXT ASM 15W L	Left- 70D V hangers only 15 W- LONG
1H,2D,3-8	107812	COMP V LNG EXT ASM 16W L	Left- 70D V hangers only 16 W- LONG
1H,2E,3-8	107813	COMP V LNG EXT ASM 17W L	Left- 70D V hangers only 17 W- LONG
1H,2F,3-8	107814	COMP V LNG EXT ASM 18W L	Left- 70D V hangers only 18 W- LONG
>>>>		80 DEGREE HANGERS - SHORT EXT - RIGHT	
1A,2A,3-6,7A,8	107704	COMP STRT SHT EXT ASM 13"W R	Right- 80D- 13" W- SHORT
1A,2B,3-6,7A,8	107705	COMP STRT SHT EXT ASM 14"W R	Right- 80D- 14" W- SHORT
1A,2C,3-6,7B,8	107706	COMP STRT SHT EXT ASM 15"W R	Right- 80D- 15" W- SHORT
1A,2D,3-6,7B,8	107707	COMP STRT SHT EXT ASM 16"W R	Right- 80D- 16" W- SHORT
1A,2E,3-6,7C,8	107708	COMP STRT SHT EXT ASM 17"W R	Right- 80D- 17" W- SHORT
1A,2F,3-6,7C,8	107709	COMP STRT SHT EXT ASM 18"W R	Right- 80D- 18" W- SHORT
1A,2G,3-6,7D,8	107710	COMP STRT SHT EXT ASM 19 & 20"W R	Right- 80D- 19 & 20" W- SHORT
1A,2H,3-6,7D,8	111522	COMP STRT SHT EXT ASM 21 & 22"W R	Right- 80D- 21 & 22" W- SHORT
>>>>		80 DEGREE HANGERS - SHORT EXT - LEFT	
1A,2A,3-6,7A,8	107711	COMP STRT SHT EXT ASM 13"W L	LEFT- 80D- 13" W- SHORT
1A,2B,3-6,7A,8	107712	COMP STRT SHT EXT ASM 14"W L	LEFT- 80D- 14" W- SHORT
1A,2C,3-6,7B,8	107713	COMP STRT SHT EXT ASM 15"W L	LEFT- 80D- 15" W- SHORT
1A,2D,3-6,7B,8	107714	COMP STRT SHT EXT ASM 16"W L	LEFT- 80D- 16" W- SHORT
1A,2E,3-6,7C,8	107715	COMP STRT SHT EXT ASM 17"W L	LEFT- 80D- 17" W- SHORT
1A,2F,3-6,7C,8	107716	COMP STRT SHT EXT ASM 18"W L	LEFT- 80D- 18" W- SHORT
1A,2G,3-6,7D,8	107717	COMP STRT SHT EXT ASM 19 & 20"W L	LEFT- 80D- 19 & 20" W- SHORT
1A,2H,3-6,7D,8	111523	COMP STRT SHT EXT ASM 21 & 22"W L	LEFT- 80D- 21 & 22" W- SHORT
>>>>		80 DEGREE HANGERS - MED EXT - RIGHT	
1B,2A,3-6,7A,8	107718	COMP STRT MED EXT ASM 13"W R	Right- 80D- 13" W- MED
1B,2B,3-6,7A,8	107719	COMP STRT MED EXT ASM 14"W R	Right- 80D- 14" W- MED
1B,2C,3-6,7B,8	107720	COMP STRT MED EXT ASM 15"W R	Right- 80D- 15" W- MED
1B,2D,3-6,7B,8	107721	COMP STRT MED EXT ASM 16"W R	Right- 80D- 16" W- MED
1B,2E,3-6,7C,8	107722	COMP STRT MED EXT ASM 17"W R	Right- 80D- 17" W- MED
1B,2F,3-6,7C,8	107723	COMP STRT MED EXT ASM 18"W R	Right- 80D- 18" W- MED
1B,2G,3-6,7D,8	107724	COMP STRT MED EXT ASM 19 & 20"W R	Right- 80D- 19 & 20" W- MED
1B,2H,3-6,7D,8	111524	COMP STRT MED EXT ASM 21 & 22"W R	Right- 80D- 21 & 22" W- MED
>>>>		80 DEGREE HANGERS - MED EXT - LEFT	
1B,2A,3-6,7A,8	107725	COMP STRT MED EXT ASM 13"W L	LEFT- 80D- 13" W- MED
1B,2B,3-6,7A,8	107726	COMP STRT MED EXT ASM 14"W L	LEFT- 80D- 14" W- MED
1B,2C,3-6,7B,8	107727	COMP STRT MED EXT ASM 15"W L	LEFT- 80D- 15" W- MED
1B,2D,3-6,7B,8	107728	COMP STRT MED EXT ASM 16"W L	LEFT- 80D- 16" W- MED
1B,2E,3-6,7C,8	107729	COMP STRT MED EXT ASM 17"W L	LEFT- 80D- 17" W- MED
1B,2F,3-6,7C,8	107730	COMP STRT MED EXT ASM 18"W L	LEFT- 80D- 18" W- MED
1B,2G,3-6,7D,8	107731	COMP STRT MED EXT ASM 19 & 20"W L	LEFT- 80D- 19 & 20" W- MED
1B,2H,3-6,7D,8	111525	COMP STRT MED EXT ASM 21 & 22"W L	LEFT- 80D- 21 & 22" W- MED
>>>>		80 DEGREE HANGERS - LONG EXT - RIGHT	
1C,2A,3-6,7A,8	107732	COMP STRT LONG EXT ASM 13"W R	Right- 80D- 13" W- LONG
1C,2B,3-6,7A,8	107733	COMP STRT LONG EXT ASM 14"W R	Right- 80D- 14" W- LONG
1C,2C,3-6,7B,8	107734	COMP STRT LONG EXT ASM 15"W R	Right- 80D- 15" W- LONG
1C,2D,3-6,7B,8	107735	COMP STRT LONG EXT ASM 16"W R	Right- 80D- 16" W- LONG
1C,2E,3-6,7C,8	107736	COMP STRT LONG EXT ASM 17"W R	Right- 80D- 17" W- LONG
1C,2F,3-6,7C,8	107737	COMP STRT LONG EXT ASM 18"W R	Right- 80D- 18" W- LONG
1C,2G,3-6,7D,8	107738	COMP STRT LONG EXT ASM 19 & 20"W R	Right- 80D- 19 & 20" W- LONG
1C,2H,3-6,7D,8	111526	COMP STRT LONG EXT ASM 21 & 22"W R	Right- 80D- 21 & 22" W- LONG
>>>>		80 DEGREE HANGERS - LONG EXT - LEFT	
1C,2A,3-6,7A,8	107739	COMP STRT LONG EXT ASM 13"W L	LEFT- 80D- 13" W- LONG
1C,2B,3-6,7A,8	107740	COMP STRT LONG EXT ASM 14"W L	LEFT- 80D- 14" W- LONG
1C,2C,3-6,7B,8	107741	COMP STRT LONG EXT ASM 15"W L	LEFT- 80D- 15" W- LONG
1C,2D,3-6,7B,8	107742	COMP STRT LONG EXT ASM 16"W L	LEFT- 80D- 16" W- LONG
1C,2E,3-6,7C,8	107743	COMP STRT LONG EXT ASM 17"W L	LEFT- 80D- 17" W- LONG
1C,2F,3-6,7C,8	107744	COMP STRT LONG EXT ASM 18"W L	LEFT- 80D- 18" W- LONG

<b>Pos.</b>	<b>Item Number</b>	<b>Description</b>	<b>Remarks</b>
1C,2G,3-6,7D,8	107745	COMP STRT LONG EXT ASM 19 & 20"W L	LEFT- 80D- 19 & 20" W- LONG
1C,2H,3-6,7D,8	111527	COMP STRT LONG EXT ASM 21 & 22"W L	LEFT- 80D- 21 & 22" W- LONG

**Note:** Footplate Assemblies are set to footrest width; please see "Footplate Formula" table for seat width conversion.

Note: V Style Hangers are not available on Swing Away Style chairs effective 7/14/14; see the "Prior To" ordering guide for V Style footplate assemblies.

To have complete Footrest ship assembled, choose compatible Hanger + Footplate part numbers and add "ASSY-HNG-FP" to order



**FOOTPLATE MEASURING GUIDE**

PART NO	DESCRIPTION	"A"	"B"
063216-006	FOOTPLATE COMPOSITE 157 R	6 1/8"	6"
063216-012	FOOTPLATE COMPOSITE 157 L	6 1/8"	6"
063216-015	FOOTPLATE COMPOSITE 170 R	6 5/8"	6"
063216-018	FOOTPLATE COMPOSITE 170 L	6 5/8"	6"
063216-005	FOOTPLATE COMPOSITE 182 R	7 1/8"	6"
063216-011	FOOTPLATE COMPOSITE 182 L	7 1/8"	6"
063216-014	FOOTPLATE COMPOSITE 195 R	7 5/8"	6"
063216-017	FOOTPLATE COMPOSITE 195 L	7 5/8"	6"
063216-004	FOOTPLATE COMPOSITE 207 R	8 1/8"	6"
063216-010	FOOTPLATE COMPOSITE 207 L	8 1/8"	6"
063216-013	FOOTPLATE COMPOSITE 220 R	8 5/8"	6 1/4"
063216-016	FOOTPLATE COMPOSITE 220 L	8 5/8"	6 1/4"
063216-003	FOOTPLATE COMPOSITE 232 R	9 1/8"	6 1/4"
063216-009	FOOTPLATE COMPOSITE 232 L	9 1/8"	6 1/4"
063216-002	FOOTPLATE COMPOSITE 257 R	10 1/8"	6 1/4"
063216-008	FOOTPLATE COMPOSITE 257 L	10 1/8"	6 1/4"
063216-001	FOOTPLATE COMPOSITE 282 R	11 1/8"	6 1/4"
063216-007	FOOTPLATE COMPOSITE 282 L	11 1/8"	6 1/4"

**INSET FORMULA**  
 0" Inset (Seat Width) = Footrest Width  
 1" Inset (Seat Width) -2" = Footrest Width  
 "V" Hanger (Seat Width) -4" = Footrest Width  
 Offset Hanger Receiver (Seat Width) +2" = Footrest Width

Pos.	Item Number	Description	Remarks
1A,6,7	120660	SHT STRT EXT COMP HDWR	80 deg hangers only
1B,6,7	120661	MED STRT EXT COMP HDWR	80 deg hangers only
1C,6,7	120662	LNG STRT EXT COMP HDWR	80 deg hangers only
1D,6,7	120663	SHT BNT EXT COMP HDWR	60,70,70 Hemi Hangers
1E,6,7	120664	MED BNT EXT COMP HDWR	60,70,70 Hemi Hangers
1F,6,7	120665	LNG BNT EXT COMP HDWR	60,70,70 Hemi Hangers
1G,6,7	120666	SHT V EXT R COMP HDWR	70 deg V hangers only-LEFT
1G,6,7	120667	SHT V EXT L COMP HDWR	70 deg V hangers only-RIGHT
1H,6,7	120668	LNG V EXT R COMP HDWR	70 deg V hangers only-LEFT



Pos.	Item Number	Description	Remarks
1H,6,7	120669	LNG V EXT L COMP HDWR	70 deg V hangers only-RIGHT
2A	063216-006	COMPOSITE FOOTPLATE RIGHT	RIGHT 15" Footrest Width
2A	063216-012	COMPOSITE FOOTPLATE LEFT	LEFT 15" Footrest Width
2B	063216-015	COMPOSITE FOOTPLATE RIGHT	RIGHT 16" Footrest Width
2B	063216-018	COMPOSITE FOOTPLATE LEFT	LEFT 16" Footrest Width
2C	063216-005	COMPOSITE FOOTPLATE RIGHT	RIGHT 17" Footrest Width
2C	063216-011	COMPOSITE FOOTPLATE LEFT	LEFT 17" Footrest Width
2D	063216-014	COMPOSITE FOOTPLATE RIGHT	RIGHT 18" Footrest Width
2D	063216-017	COMPOSITE FOOTPLATE LEFT	LEFT 18" Footrest Width
2E	063216-004	COMPOSITE FOOTPLATE RIGHT	RIGHT 19" Footrest Width
2E	063216-010	COMPOSITE FOOTPLATE LEFT	LEFT 19" Footrest Width
2F	063216-013	COMPOSITE FOOTPLATE RIGHT	RIGHT 20" Footrest Width
2F	063216-016	COMPOSITE FOOTPLATE LEFT	LEFT 20" Footrest Width
2G	063216-003	COMPOSITE FOOTPLATE RIGHT	RIGHT 21" & 22" Footrest Width
2G	063216-009	COMPOSITE FOOTPLATE LEFT	LEFT 21" & 22" Footrest Width
3	108233	BHCS M6 X 1 X 40	
4	054242	ANGLE COVER	
5	054241	ANGLE SEGMENT	
6	103175	SHCS M6 X 1 X 40 INORG	
7	132626	NUT AUTOMATION M6 X 1.0	
8	102268-001	HHCS M6X1X25	Inserted in bottom of footplate.
9	104328	HEEL LOOP PEG	
10A	104380-001	ADJUSTABLE FOOT REST STRAP	15" Footrest Width
10B	104380-002	ADJUSTABLE FOOT REST STRAP	16" Footrest Width
10C	104380-003	ADJUSTABLE FOOT REST STRAP	17-18" Footrest Width
10D	104380-004	ADJUSTABLE FOOT REST STRAP	19-22" Footrest Width
11	104160	BUSHING FOOTREST	
11-14	107485	FOOTREST CLAMP ASSM	
>>>>		60°,70°,70° HEMI HANGERS - SHORT EXT - RIGHT	
1D,2A,3-10A	107858	CAA BNT SHT EXT ASM 15W R	Right- 60° & 60° & 70° 15 W- SHORT
1D,2B,3-10B	107859	CAA BNT SHT EXT ASM 16W R	Right- 60° & 70° 16 W- SHORT
1D,2C,3-10B	107860	CAA BNT SHT EXT ASM 17W R	Right- 60° & 70° 17 W- SHORT
1D,2D,3-10C	107861	CAA BNT SHT EXT ASM 18W R	Right- 60° & 70° 18 W- SHORT
1D,2E,3-10C	107862	CAA BNT SHT EXT ASM 19W R	Right- 60° & 70° 19 W- SHORT
1D,2F,3-10D	107863	CAA BNT SHT EXT ASM 20W R	Right- 60° & 70° 20 W- SHORT
1D,2G,3-10D	107864	CAA BNT SHT EXT ASM 21&22W R	Right- 60° & 70° 21&22 W- SHORT
>>>>		60°,70°,70° HEMI HANGERS - SHORT EXT - LEFT	
1D,2A,3-10A	107865	CAA BNT SHT EXT ASM 15W L	Left- 60° & 70° 15 W- SHORT
1D,2B,3-10B	107866	CAA BNT SHT EXT ASM 16W L	Left- 60° & 70° 16 W- SHORT
1D,2C,3-10B	107867	CAA BNT SHT EXT ASM 17W L	Left- 60° & 70° 17 W- SHORT
1D,2D,3-10C	107868	CAA BNT SHT EXT ASM 18W L	Left- 60° & 70° 18 W- SHORT
1D,2E,3-10C	107869	CAA BNT SHT EXT ASM 19W L	Left- 60° & 70° 19 W- SHORT
1D,2F,3-10D	107870	CAA BNT SHT EXT ASM 20W L	Left- 60° & 70° 20 W- SHORT
1D,2G,3-10D	107871	CAA BNT SHT EXT ASM 21&22W L	Left- 60° & 70° 21&22 W- SHORT
>>>>		60°,70°,70° HEMI HANGERS - MED EXT - RIGHT	
1E,2A,3-10A	107872	CAA BNT MED EXT ASM 15W R	Right- 60° & 70° 15 W- MED
1E,2B,3-10B	107873	CAA BNT MED EXT ASM 16W R	Right- 60° & 70° 16 W- MED
1E,2C,3-10B	107874	CAA BNT MED EXT ASM 17W R	Right- 60° & 70° 17 W- MED
1E,2D,3-10C	107875	CAA BNT MED EXT ASM 18W R	Right- 60° & 70° 18 W- MED
1E,2E,3-10C	107876	CAA BNT MED EXT ASM 19W R	Right- 60° & 70° 19 W- MED
1E,2F,3-10D	107877	CAA BNT MED EXT ASM 20W R	Right- 60° & 70° 20 W- MED
1E,2G,3-10D	107878	CAA BNT MED EXT ASM 21&22W R	Right- 60° & 70° 21&22 W- MED
>>>>		60°,70°,70° HEMI HANGERS - MED EXT - LEFT	
1E,2A,3-10A	107879	CAA BNT MED EXT ASM 15W L	Left- 60° & 70° 15 W- MED
1E,2B,3-10B	107880	CAA BNT MED EXT ASM 16W L	Left- 60° & 70° 16 W- MED
1E,2C,3-10B	107881	CAA BNT MED EXT ASM 17W L	Left- 60° & 70° 17 W- MED

Pos.	Item Number	Description	Remarks
1E,2D,3-10C	107882	CAA BNT MED EXT ASM 18W L	Left- 60° & 70° 18 W- MED
1E,2E,3-10C	107883	CAA BNT MED EXT ASM 19W L	Left- 60° & 70° 19 W- MED
1E,2F,3-10D	107884	CAA BNT MED EXT ASM 20W L	Left- 60° & 70° 20 W- MED
1E,2G,3-10D	107885	CAA BNT MED EXT ASM 21&22W L	Left- 60° & 70° 21&22 W- MED
>>>>		60°,70°,70° HEMI HANGERS - LONG EXT - RIGHT	
1F,2A,3-10A	107886	CAA BNT LNG EXT ASM 15W R	Right- 60° & 70° 15 W- LONG
1F,2B,3-10B	107887	CAA BNT LNG EXT ASM 16W R	Right- 60° & 70° 16 W- LONG
1F,2C,3-10B	107888	CAA BNT LNG EXT ASM 17W R	Right- 60° & 70° 17 W- LONG
1F,2D,3-10C	107889	CAA BNT LNG EXT ASM 18W R	Right- 60° & 70° 18 W- LONG
1F,2E,3-10C	107890	CAA BNT LNG EXT ASM 19W R	Right- 60° & 70° 19 W- LONG
1F,2F,3-10D	107891	CAA BNT LNG EXT ASM 20W R	Right- 60° & 70° 20 W- LONG
1F,2G,3-10D	107892	CAA BNT LNG EXT ASM 21&22W R	Right- 60° & 70° 21&22 W- LONG
>>>>		60°,70°,70° HEMI HANGERS - LONG EXT - LEFT	
1F,2A,3-10A	107893	CAA BNT LNG EXT ASM 15W L	Left- 60° & 70° 15 W- LONG
1F,2B,3-10B	107894	CAA BNT LNG EXT ASM 16W L	Left- 60° & 70° 16 W- LONG
1F,2C,3-10B	107895	CAA BNT LNG EXT ASM 17W L	Left- 60° & 70° 17 W- LONG
1F,2D,3-10C	107896	CAA BNT LNG EXT ASM 18W L	Left- 60° & 70° 18 W- LONG
1F,2E,3-10C	107897	CAA BNT LNG EXT ASM 19W L	Left- 60° & 70° 19 W- LONG
1F,2F,3-10D	107898	CAA BNT LNG EXT ASM 20W L	Left- 60° & 70° 20 W- LONG
1F,2G,3-10D	107899	CAA BNT LNG EXT ASM 21&22W L	Left- 60° & 70° 21&22 W- LONG
>>>>		70° "V" HANGERS - MED EXT - RIGHT	
1G,2A,3-10A	107900	CAA V MED EXT ASM 15W R	Right- 70° V hangers only 15 W- MED
1G,2B,3-10B	107901	CAA V MED EXT ASM 16W R	Right- 70° V hangers only 16 W- MED
1G,2C,3-10B	107902	CAA V MED EXT ASM 17W R	Right- 70° V hangers only 17 W- MED
1G,2D,3-10C	107903	CAA V MED EXT ASM 18W R	Right- 70° V hangers only 18 W- MED
>>>>		70° "V" HANGERS - MED EXT - LEFT	
1G,2A,3-10A	107907	CAA V MED EXT ASM 15W L	Left- 70° V hangers only 15 W- MED
1G,2B,3-10B	107908	CAA V MED EXT ASM 16W L	Left- 70° V hangers only 16 W- MED
1G,2C,3-10B	107909	CAA V MED EXT ASM 17W L	Left- 70° V hangers only 17 W- MED
1G,2D,3-10C	107910	CAA V MED EXT ASM 18W L	Left- 70° V hangers only 18 W- MED
>>>>		70° "V" HANGERS - LONG EXT - RIGHT	
1H,2A,3-10A	107914	CAA V LNG EXT ASM 15W R	Right- 70° V hangers only 15 W- LONG
1H,2B,3-10B	107915	CAA V LNG EXT ASM 16W R	Right- 70° V hangers only 16 W- LONG
1H,2C,3-10B	107916	CAA V LNG EXT ASM 17W R	Right- 70° V hangers only 17 W- LONG
1H,2D,3-10C	107917	CAA V LNG EXT ASM 18W R	Right- 70° V hangers only 18 W- LONG
>>>>		70° "V" HANGERS - LONG EXT - LEFT	
1H,2A,3-10A	107921	CAA V LNG EXT ASM 15W L	Left- 70° V hangers only 15 W- LONG
1H,2B,3-10B	107922	CAA V LNG EXT ASM 16W L	Left- 70° V hangers only 16 W- LONG
1H,2C,3-10B	107923	CAA V LNG EXT ASM 17W L	Left- 70° V hangers only 17 W- LONG
1H,2D,3-10C	107924	CAA V LNG EXT ASM 18W L	Left- 70° V hangers only 18 W- LONG
>>>>		80° HANGERS - SHORT EXT - RIGHT	
1A,2A,3-10A	107816	CAA STRT SHT EXT ASM 15W R	Right- 80° 15 W- SHORT
1A,2B,3-10B	107817	CAA STRT SHT EXT ASM 16W R	Right- 80° 16 W- SHORT
1A,2C,3-10B	107818	CAA STRT SHT EXT ASM 17W R	Right- 80° 17 W- SHORT
1A,2D,3-10C	107819	CAA STRT SHT EXT ASM 18W R	Right- 80° 18 W- SHORT
1A,2E,3-10C	107820	CAA STRT SHT EXT ASM 19W R	Right- 80° 19 W- SHORT
1A,2F,3-10D	107821	CAA STRT SHT EXT ASM 20W R	Right- 80° 20 W- SHORT
1A,2G,3-10D	107822	CAA STRT SHT EXT ASM 21&22W R	Right- 80° 21&22 W- SHORT
>>>>		80° HANGERS - SHORT EXT - LEFT	
1A,2A,3-10A	107823	CAA STRT SHT EXT ASM 15W L	Left- 80° 15 W- SHORT
1A,2B,3-10B	107824	CAA STRT SHT EXT ASM 16W L	Left- 80° 16 W- SHORT
1A,2C,3-10B	107825	CAA STRT SHT EXT ASM 17W L	Left- 80° 17 W- SHORT
1A,2D,3-10C	107826	CAA STRT SHT EXT ASM 18W L	Left- 80° 18 W- SHORT
1A,2E,3-10C	107827	CAA STRT SHT EXT ASM 19W L	Left- 80° 19 W- SHORT
1A,2F,3-10D	107828	CAA STRT SHT EXT ASM 20W L	Left- 80° 20 W- SHORT
1A,2G,3-10D	107829	CAA STRT SHT EXT ASM 21&22W L	Left- 80° 21&22 W- SHORT

Pos.	Item Number	Description	Remarks
>>>>		80° HANGERS - MED EXT - RIGHT	
1B,2A,3-10A	107830	CAA STRT MED EXT ASM 15W R	Right- 80° 15 W- MED
1B,2B,3-10B	107831	CAA STRT MED EXT ASM 16W R	Right- 80° 16 W- MED
1B,2C,3-10B	107832	CAA STRT MED EXT ASM 17W R	Right- 80° 17 W- MED
1B,2D,3-10C	107833	CAA STRT MED EXT ASM 18W R	Right- 80° 18 W- MED
1B,2E,3-10C	107834	CAA STRT MED EXT ASM 19W R	Right- 80° 19 W- MED
1B,2F,3-10D	107835	CAA STRT MED EXT ASM 20W R	Right- 80° 20 W- MED
1B,2G,3-10D	107836	CAA STRT MED EXT ASM 21&22W R	Right- 80° 21&22 W- MED
>>>>		80° HANGERS - MED EXT - LEFT	
1B,2A,3-10A	107837	CAA STRT MED EXT ASM 15W L	Left- 80° 15 W- MED
1B,2B,3-10B	107838	CAA STRT MED EXT ASM 16W L	Left- 80° 16 W- MED
1B,2C,3-10B	107839	CAA STRT MED EXT ASM 17W L	Left- 80° 17 W- MED
1B,2D,3-10C	107840	CAA STRT MED EXT ASM 18W L	Left- 80° 18 W- MED
1B,2E,3-10C	107841	CAA STRT MED EXT ASM 19W L	Left- 80° 19 W- MED
1B,2F,3-10D	107842	CAA STRT MED EXT ASM 20W L	Left- 80° 20 W- MED
1B,2G,3-10D	107843	CAA STRT MED EXT ASM 21&22W L	Left- 80° 21&22 W- MED
>>>>		80° HANGERS - LONG EXT - RIGHT	
1C,2A,3-10A	107844	CAA STRT LNG EXT ASM 15W R	Right- 80° 15 W- LONG
1C,2B,3-10B	107845	CAA STRT LNG EXT ASM 16W R	Right- 80° 16 W- LONG
1C,2C,3-10B	107846	CAA STRT LNG EXT ASM 17W R	Right- 80° 17 W- LONG
1C,2D,3-10C	107847	CAA STRT LNG EXT ASM 18W R	Right- 80° 18 W- LONG
1C,2E,3-10C	107848	CAA STRT LNG EXT ASM 19W R	Right- 80° 19 W- LONG
1C,2F,3-10D	107849	CAA STRT LNG EXT ASM 20W R	Right- 80° 20 W- LONG
1C,2G,3-10D	107850	CAA STRT LNG EXT ASM 21&22W R	Right- 80° 21&22 W- LONG
>>>>		80° HANGERS - LONG EXT - LEFT	
1C,2A,3-10A	107851	CAA STRT LNG EXT ASM 15W L	Left- 80° 15 W- LONG
1C,2B,3-10B	107852	CAA STRT LNG EXT ASM 16W L	Left- 80° 16 W- LONG
1C,2C,3-10B	107853	CAA STRT LNG EXT ASM 17W L	Left- 80° 17 W- LONG
1C,2D,3-10C	107854	CAA STRT LNG EXT ASM 18W L	Left- 80° 18 W- LONG
1C,2E,3-10C	107855	CAA STRT LNG EXT ASM 19W L	Left- 80° 19 W- LONG
1C,2F,3-10D	107856	CAA STRT LNG EXT ASM 20W L	Left- 80° 20 W- LONG
1C,2G,3-10D	107857	CAA STRT LNG EXT ASM 21&22W L	Left- 80° 21&22 W- LONG
		Ship assembled part #	Use with multiple assemblies
	ASSY-HNG-FP	HANGER/FOOTPLATE ASSY REQUIRED	add with Hanger & Footplate kit

**Note:** Footplate Assemblies are set to footrest width; please see "Footplate Formula" table for seat width conversion.

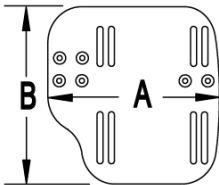
Note: V Style Hangers are not available on Swing Away Style chairs effective 7/14/14; see the "Prior To" ordering guide for V Style footplate assemblies.

Note: for QX Series or SR45 footplate replacement parts see the ordering guide marked specifically for these two models in the informations panel.

To have complete Footrest ship assembled, choose compatible Hanger + Footplate part numbers and add "ASSY-HNG-FP" to order

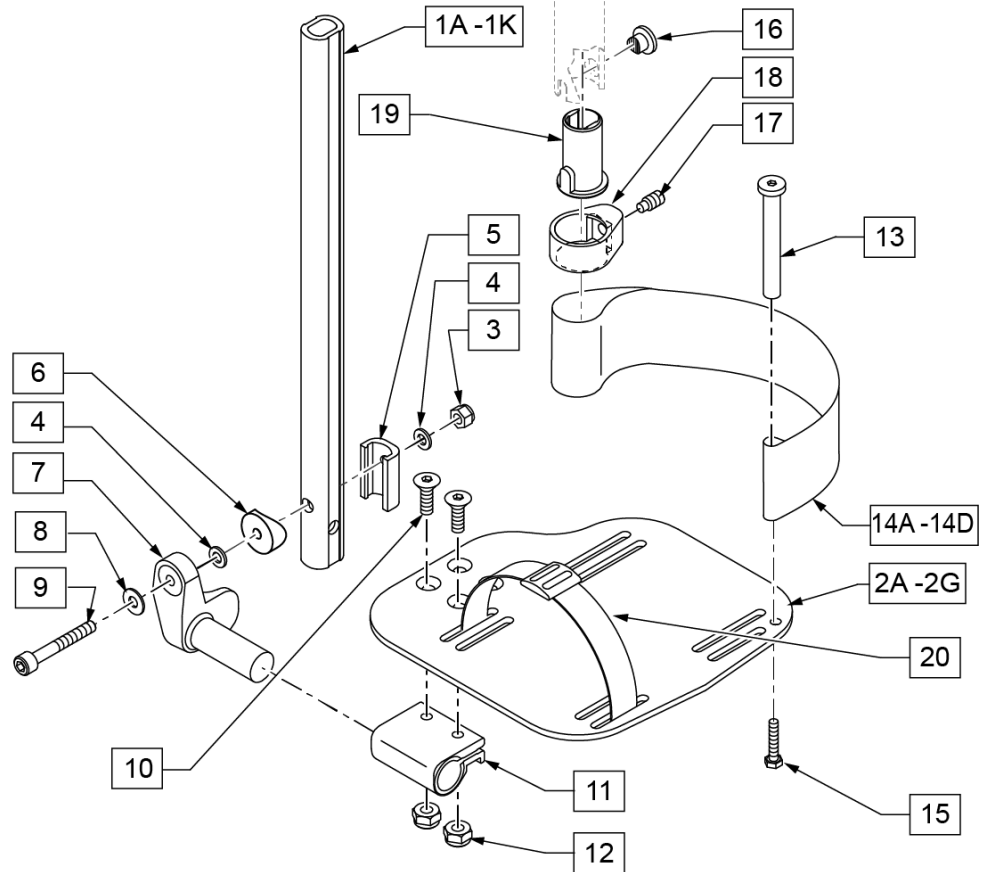
**INSET FORMULA**  
 0" Inset (Seat Width) = Footrest Width  
 1" Inset (Seat Width) -2" = Footrest Width  
 "V" Hanger (Seat Width) -4" = Footrest Width  
 Offset Hanger Receiver (Seat Width) +2" = Footrest Width

**MEASURING GUIDE**



CHAIR WIDTH	"A"	"B"
10" - 11"	3 1/2"	7 1/4"
12" - 13"	4 1/2"	7 3/4"
14" - 15"	5 1/2"	7 3/4"
16" - 17"	6 1/2"	7 3/4"
18" - 20"	7 1/2"	7 3/4"

21 EXT MNT HARDWARE 1 SIDE			
ITEM #	ILLUSTRATION	DESCRIPTION	QTY
3		NUT AUTOMATION M6 X 1.0 ROHS	1
4		WASHER FLAT THIN AN 1/4	2
5		HANGER EXTENSION SADDLE	1
6		3/4" SADDLE 1" OD	1
8		WASHER FLAT SAE 1/4 ROHS	1
9		SHCS M6 X 1 X 45 12MM PART THD	1



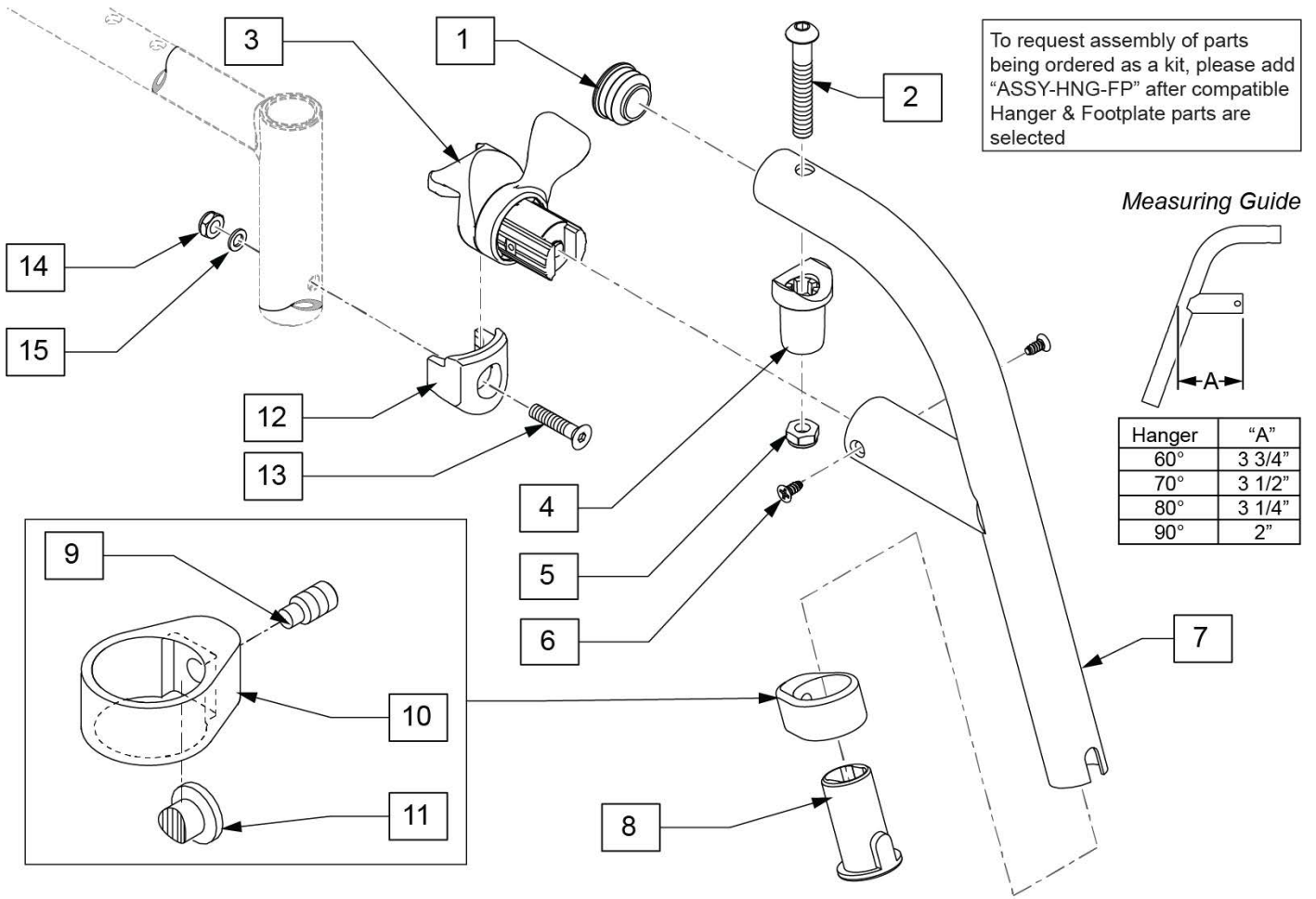
Pos.	Item Number	Description	Remarks
1A,3-6,8,9	120670	SHT STRT EXT AAA HDWR	80 deg Hangers Only
1B,3-6,8,9	120671	MED STRT EXT AAA HDWR	80 deg Hangers Only
1C,3-6,8,9	120672	LNG STRT EXT AAA HDWR	80 deg Hangers Only
1D,3-6,8,9	120673	SHT BNT EXT AAA HDWR	60,70,70 Hemi Hangers
1E,3-6,8,9	120674	MED BNT EXT AAA HDWR	60,70,70 Hemi Hangers

Pos.	Item Number	Description	Remarks
1F,3-6,8,9	120675	LNG BNT EXT AAA HDWR	60,70,70 Hemi Hangers
1G,3-6,8,9	120676	SHT V EXT R AAA HDWR	Left - 70 deg V Hangers Only
1H,3-6,8,9	120677	SHT V EXT L AAA HDWR	Right - 70 deg V Hangers Only
1I,3-6,8,9	120678	LNG V EXT R AAA HDWR	Left - 70 deg V Hangers Only
1J,3-6,8,9	120679	LNG V EXT L AAA HDWR	Right - 70 deg V Hangers Only
2A	500656	ADULT ANG ADJ F/PLT 10/11" R	RIGHT 10-11" Footrest Width
2A	500657	ADULT ANG ADJ F/PLT 10/11" L	LEFT 10-11" Footrest Width
2B	500658	ADULT ANG ADJ F/PLT 12/13" R	RIGHT 12-13" Footrest Width
2B	500659	ADULT ANG ADJ F/PLT 12/13" L	LEFT 12-13" Footrest Width
2C	500660	ADLT ANGL ADJ F/PLT 14/15	RIGHT 14-15" Footrest Width
2C	500661	ADLT ANGL ADJ F/PLT 14/15	LEFT 14-15" Footrest Width
2D	500662	ADLT ANGL ADJ F/PLT 16/17	RIGHT 16-17" Footrest Width
2D	500663	ADLT ANGL ADJ F/PLT 16/17	LEFT 16-17" Footrest Width
2E	500664	ADLT ANGL ADJ F/PLT 18-20	RIGHT 18-22" Footrest Width
2E	500665	ADLT ANGL ADJ F/PLT 18-20	LEFT 18-22" Footrest Width
3	132626	NUT AUTOMATION M6 X 1.0	
4	106944	WASHER FLAT THIN AN 1/4 ROHS	
5	107199	HANGER EXTENSION SADDLE	
6	104377	3/4" SADDLE THIN	
7	541002	FTRST MOUNTING BRKT-3/8 RAD R	RIGHT
7	541003	FTRST MOUNTING BRKT-3/8 RAD L	LEFT
8	106945	WASHER FLAT SAE 1/4 ROHS	
9	104399	SHCS M6X1X45 12 MM PART THD	
10	106978	FHCS 1/4-28 X 7/8 ROHS	
11	550350	3/4" CLMP ADJ FT PLT	
12	106935	NUT NYLOCK THIN 1/4-28 ROHS	
13	104328	POST HEEL LOOP	
14A	104380-001	ADJUSTABLE FOOT REST STRAP	12 - 14" WIDE
14B	104380-002	ADJUSTABLE FOOT REST STRAP	15 - 16" WIDE
14C	104380-003	ADJUSTABLE FOOT REST STRAP	17 - 18" WIDE
14D	104380-004	ADJUSTABLE FOOT REST STRAP	19 - 20" WIDE
15	102268-001	HHCS M6 X 1 X 25	
16-19	107485	FOOTREST CLAMP ASSM	
20	740260	TOE-ANKLE STRAP ADJ ADULT FOOTPLATE	
21	120659	EXT MNT HARDWARE 1 SIDE	
>>>>		80° HANGERS - SHORT EXT - RIGHT	
1A,2B,3-14A,15	111534	AAA STRT SHT EXT ASM 12-13" W R	Right- 80D- 12-13" W- SHORT
1A,2C,3-14B,15	107928	AAA STRT SHT EXT ASM 14-15" W R	Right- 80D- 14-15" W- SHORT
1A,2D,3-14C,15	107930	AAA STRT SHT EXT ASM 16-17" W R	Right- 80D- 16-17" W- SHORT
1A,2E,3-14D,15	107932	AAA STRT SHT EXT ASM 18-22" W R	Right- 80D- 18-22" W- SHORT
>>>>		80° HANGERS - SHORT EXT - LEFT	
1A,2B,3-14A,15	111535	AAA STRT SHT EXT ASM 12-13" W L	Left- 80D- 12-13" W- SHORT
1A,2C,3-14B,15	107935	AAA STRT SHT EXT ASM 14" W L	Left- 80D- 14-15" W- SHORT
1A,2D,3-14C,15	107937	AAA STRT SHT EXT ASM 16" W L	Left- 80D- 16-17" W- SHORT
1A,2E,3-14D,15	107939	AAA STRT SHT EXT ASM 18" W L	Left- 80D- 18-22" W- SHORT
>>>>		80° HANGERS - MED EXT - RIGHT	
1B,2B,3-14A,15	111536	AAA STRT MED EXT ASM 12-13" W R	Right- 80D- 12-13" W- MED
1B,2C,3-14B,15	107942	AAA STRT MED EXT ASM 14-15" W R	Right- 80D- 14-15" W- MED
1B,2D,3-14C,15	107944	AAA STRT MED EXT ASM 16-17" W R	Right- 80D- 16-17" W- MED
1B,2E,3-14D,15	107946	AAA STRT MED EXT ASM 18-22" W R	Right- 80D- 18-22" W- MED
>>>>		80° HANGERS - MED EXT - LEFT	
1B,2B,3-14A,15	111537	AAA STRT MED EXT ASM 12-13" W L	Left- 80D- 12-13" W- MED
1B,2C,3-14B,15	107949	AAA STRT MED EXT ASM 14" W L	Left- 80D- 14-15" W- MED
1B,2D,3-14C,15	107951	AAA STRT MED EXT ASM 16" W L	Left- 80D- 16-17" W- MED
1B,2E,3-14D,15	107953	AAA STRT MED EXT ASM 18" W L	Left- 80D- 18-22" W- MED
>>>>		80° HANGERS - LONG EXT - RIGHT	

Pos.	Item Number	Description	Remarks
1C,2B,3-14A,15	111538	AAA STRT LNG EXT ASM 12-13" W R	Right- 80D- 12-13" W- LONG
1C,2C,3-14B,15	107956	AAA STRT LNG EXT ASM 14 -15" W R	Right- 80D- 14-15" W- LONG
1C,2D,3-14C,15	107958	AAA STRT LNG EXT ASM 16 -17" W R	Right- 80D- 16-17" W- LONG
1C,2E,3-14D,15	107960	AAA STRT LNG EXT ASM 18 -22" W R	Right- 80D- 18-22" W- LONG
>>>>		80° HANGERS - LONG EXT - LEFT	
1C,2B,3-14A,15	111539	AAA STRT LNG EXT ASM 12-13" W L	Left- 80D- 12-13" W- LONG
1C,2C,3-14B,15	107963	AAA STRT LNG EXT ASM 14W L	Left- 80D- 14-15" W- LONG
1C,2D,3-14C,15	107965	AAA STRT LNG EXT ASM 16W L	Left- 80D- 16-17" W- LONG
1C,2E,3-14D,15	107968	AAA STRT LNG EXT ASM 18W L	Left- 80D- 18-22" W- LONG
>>>>		70° HANGERS - SHORT EXT - RIGHT	
1D,2B,3-14A,15	111540	AAA BNT SHT EXT ASM 12-13" W R	Right- 60D,70D,70D HEMI - 12-13" W- SHORT
1D,2C,3-14B,15	107973	AAA BNT SHT EXT ASM 14 -15" W R	Right- 60D,70D,70D HEMI - 14-15" W- SHORT
1D,2D,3-14C,15	107975	AAA BNT SHT EXT ASM 16 -17" W R	Right- 60D,70D,70D HEMI - 16-17" W- SHORT
1D,2E,3-14D,15	107977	AAA BNT SHT EXT ASM 18 -22" W R	Right- 60D,70D,70D HEMI - 18-22" W- SHORT
>>>>		70° HANGERS - SHORT EXT - LEFT	
1D,2B,3-14A,15	111541	AAA BNT SHT EXT ASM 12-13" W L	Left- 60D,70D,70D HEMI - 12-13" W- SHORT
1D,2C,3-14B,15	107980	AAA BNT SHT EXT ASM 14 -15" W L	Left- 60D,70D,70D HEMI - 14-15" W- SHORT
1D,2D,3-14C,15	107982	AAA BNT SHT EXT ASM 16 -17" W L	Left- 60D,70D,70D HEMI - 16-17" W- SHORT
1D,2E,3-14D,15	107984	AAA BNT SHT EXT ASM 18 -22" W L	Left- 60D,70D,70D HEMI - 18-22" W- SHORT
>>>>		70° HANGERS - MED EXT - RIGHT	
1E,2B,3-14A,15	111542	AAA BNT MED EXT ASM 12-13" W R	Right- 60D,70D,70D HEMI - 12-13" W- MED
1E,2C,3-14B,15	107987	AAA BNT MED EXT ASM 14 -15" W R	Right- 60D,70D,70D HEMI - 14-15" W- MED
1E,2D,3-14C,15	107989	AAA BNT MED EXT ASM 16 -17" W R	Right- 60D,70D,70D HEMI - 16-17" W- MED
1E,2E,3-14D,15	107991	AAA BNT MED EXT ASM 18 -22" W R	Right- 60D,70D,70D HEMI - 18-22" W- MED
>>>>		70° HANGERS - MED EXT - LEFT	
1E,2B,3-14A,15	111543	AAA BNT MED EXT ASM 12-13" W L	Left- 60D,70D,70D HEMI - 12-13" W- MED
1E,2C,3-14B,15	107994	AAA BNT MED EXT ASM 14 -15" W L	Left- 60D,70D,70D HEMI - 14-15" W- MED
1E,2D,3-14C,15	107996	AAA BNT MED EXT ASM 16 -17" W L	Left- 60D,70D,70D HEMI - 16-17" W- MED
1E,2E,3-14D,15	107998	AAA BNT MED EXT ASM 18 -22" W L	Left- 60D,70D,70D HEMI - 18-22" W- MED
>>>>		70° HANGERS - LONG EXT - RIGHT	
1F,2B,3-14A,15	111544	AAA BNT LONG EXT ASM 12-13" W R	Right- 60D,70D,70D HEMI - 12-13" W- LONG
1F,2C,3-14B,15	108001	AAA BNT LONG EXT ASM 14 -15" W R	Right- 60D,70D,70D HEMI - 14-15" W- LONG
1F,2D,3-14C,15	108003	AAA BNT LONG EXT ASM 16 -17" W R	Right- 60D,70D,70D HEMI - 16-17" W- LONG
1F,2E,3-14D,15	108005	AAA BNT LONG EXT ASM 18 -22" W R	Right- 60D,70D,70D HEMI - 18-22" W- LONG
>>>>		70° HANGERS - LONG EXT - LEFT	
1F,2B,3-14A,15	111545	AAA BNT LONG EXT ASM 12-13" W L	Left- 60D,70D,70D HEMI - 12-13" W- LONG
1F,2C,3-14B,15	108008	AAA BNT LONG EXT ASM 14 -15" W L	Left- 60D,70D,70D HEMI - 14-15" W- LONG
1F,2D,3-14C,15	108010	AAA BNT LONG EXT ASM 16 -17" W L	Left- 60D,70D,70D HEMI - 16-17" W- LONG
1F,2E,3-14D,15	108012	AAA BNT LONG EXT ASM 18 -22" W L	Left- 60D,70D,70D HEMI - 18-22" W- LONG
>>>>		70° "V" HANGERS - MED EXT - RIGHT	
1G,2A,3-15	111546	AAA V MED EXT ASM 10-11" W R	Right- 70D V hangers only 10-11" W- MED
1G,2B,3-15	111548	AAA V MED EXT ASM 12-13" W R	Right- 70D V hangers only 12-13" W- MED
1G,2C,3-15	108015	AAA V MED EXT ASM 14 -15" W R	Right- 70D V hangers only 14-15" W- MED
1G,2D,3-15	108017	AAA V MED EXT ASM 16 -17" W R	Right- 70D V hangers only 16-18" W- MED
1G,2E,3-15	108019	AAA V MED EXT ASM 18 -18" W R	Right- 70D V hangers only 18-22" W- MED
>>>>		70° "V" HANGERS - MED EXT - LEFT	
1G,2A,3-15	111547	AAA V MED EXT ASM 10-11" W L	Left- 70D V hangers only 10-11" W- MED
1G,2B,3-15	111549	AAA V MED EXT ASM 12-13" W L	Left- 70D V hangers only 12-13" W- MED
1G,2C,3-15	108022	AAA V MED EXT ASM 14 -15"W L	Left- 70D V hangers only 14-15" W- MED
1G,2D,3-15	108024	AAA V MED EXT ASM 16 -17" W L	Left- 70D V hangers only 16-18" W- MED
1G,2E,3-15	108026	AAA V MED EXT ASM 18 -22: W L	Left- 70D V hangers only 18-22" W- MED
>>>>		70° "V" HANGERS - LONG EXT - RIGHT	
1H,2A,3-15	111550	AAA V LONG EXT ASM 10-11" W R	Right- 70D V hangers only 10-11" W- LONG
1H,2B,3-15	111552	AAA V LONG EXT ASM 12-13" W R	Right- 70D V hangers only 12-13" W- LONG
1H,2C,3-15	108029	AAA V LONG EXT ASM 14 -15" W R	Right- 70D V hangers only 14-15" W- LONG
1H,2D,3-15	108031	AAA V LONG EXT ASM 16 -17" W R	Right- 70D V hangers only 16-18" W- LONG

Pos.	Item Number	Description	Remarks
1H,2E,3-15	108033	AAA V LONG EXT ASM 18 -22: W R	Right- 70D V hangers only 18-22" W- LONG
>>>>		70° "V" HANGERS - LONG EXT - LEFT	
1H,2A,3-15	111551	AAA V LONG EXT ASM 10-11" W L	Left- 70D V hangers only 10-11" W- LONG
1H,2B,3-15	111553	AAA V LONG EXT ASM 12-13" W L	Left- 70D V hangers only 12-13" W- LONG
1H,2C,3-15	108036	AAA V LONG EXT ASM 14 -15" W L	Left- 70D V hangers only 14-15" W- LONG
1H,2D,3-15	108038	AAA V LONG EXT ASM 16 -17" W L	Left- 70D V hangers only 16-18" W- LONG
1H,2E,3-15	108040	AAA V LONG EXT ASM 18 -22" W L	Left- 70D V hangers only 18-22" W- LONG
		Ship assembled part #	Use with multiple assemblies
	ASSY-HNG-FP	HANGER/FOOTPLATE ASSY REQUIRED	add with Hanger & Footplate kit

**60 DEG SWING IN/OUT HANGER**

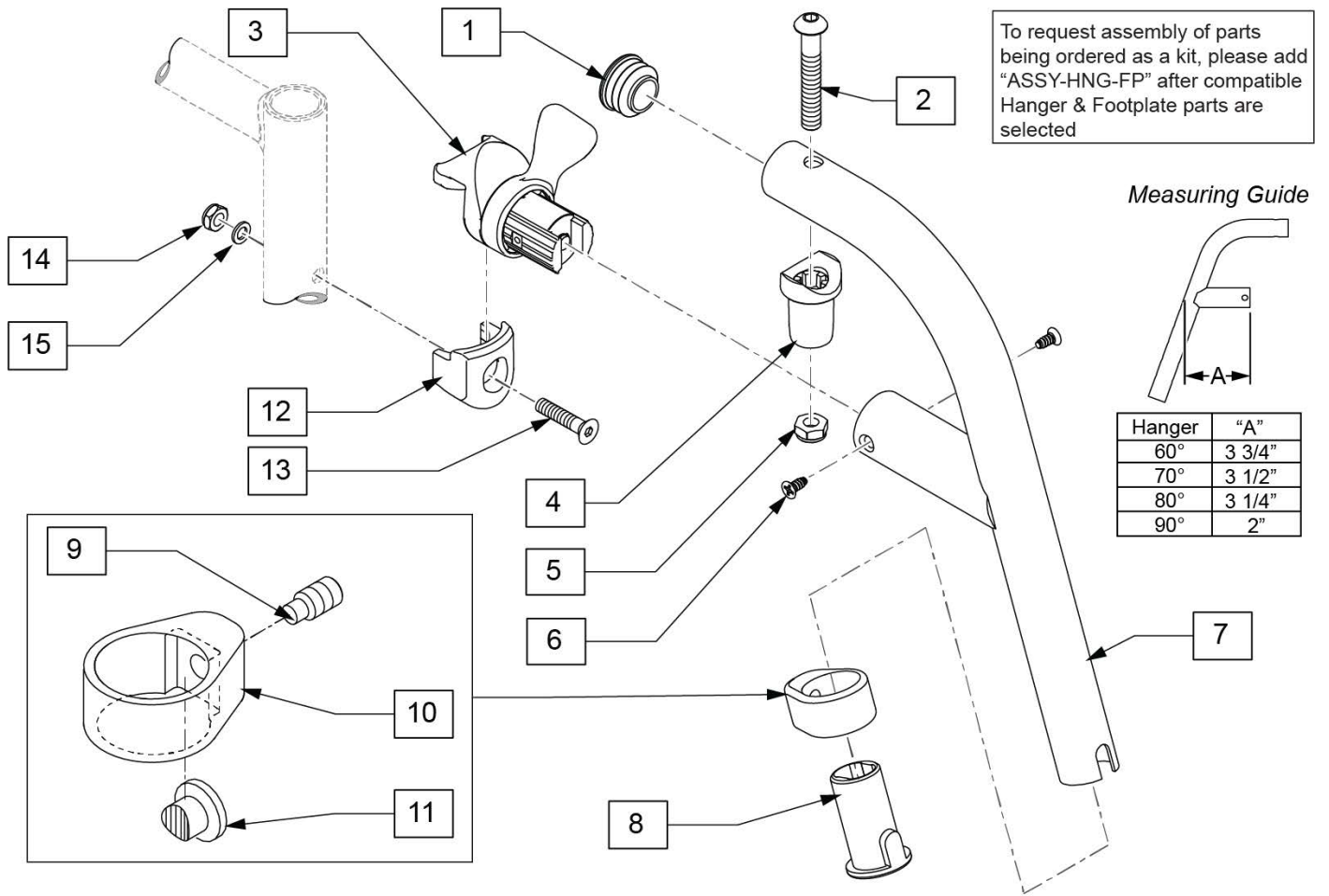


Pos.	Item Number	Description	Remarks
1	561062	1" INSERT PLUG .065 RIBS	
8	104160	BUSHING FOOTREST	
13	103500-010	FHCSM6X1X35FULLNP	
14	104381	NUT HEX NYLOCK M6X1.0	
15	104414	WAVE WASHER 6 MM	
1,2,4,5	119518	PIVOT SADDLE KIT	
3,6	119509	HANGER LATCH ASSM W/HDWR L	Left
3,6	119510	HANGER LATCH ASSM W/HDWR R	Right
1-11	122699S	60 D SWING I/O HNGR PNTD L	
1-11	122700S	60 D SWING I/O HNGR PNTD R	
8-11	107485	FOOTREST CLAMP ASSM	
12-15	119514	LATCH RECEIVER KIT	
		Ship assembled part #	Use with multiple assemblies
	ASSY-HNG-FP	HANGER/FOOTPLATE ASSY REQUIRED	add with Hanger & Footplate kit



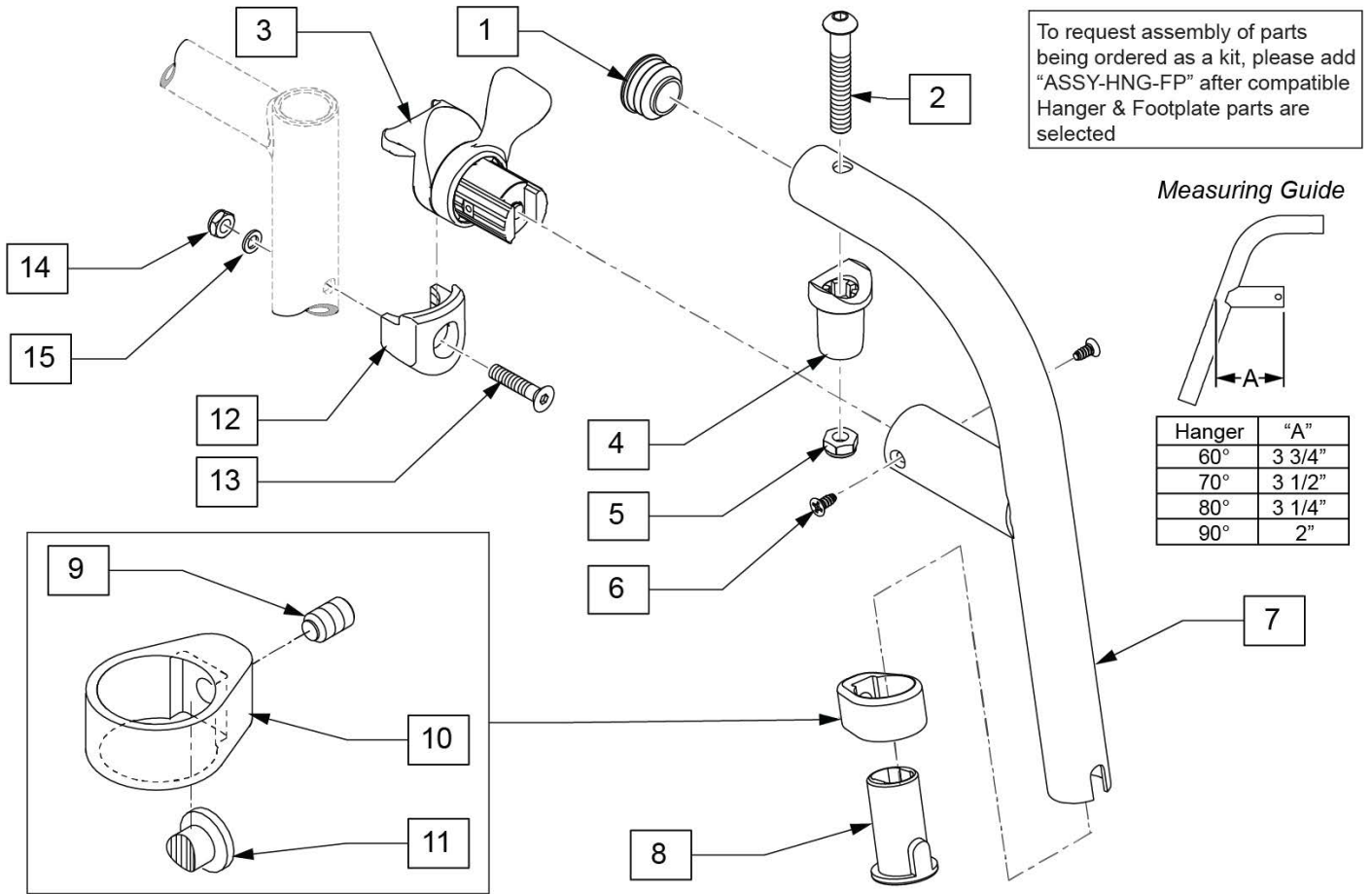
70 DEG SWING IN/OUT HANGER

[08/20/2019]



Pos.	Item Number	Description	Remarks
1	561062	1" INSERT PLUG .065 RIBS	
8	104160	BUSHING FOOTREST	
13	103500-010	FHCSM6X1X35FULLNP	
14	104381	NUT HEX NYLOCK M6X1.0	
15	104414	WAVE WASHER 6 MM	
1,2,4,5	119518	PIVOT SADDLE KIT	
3,6	119509	HANGER LATCH ASSM W/HDWR L	Left
3,6	119510	HANGER LATCH ASSM W/HDWR R	Right
1-11	119458S	70 D SWING I/O HNGR PNTD L	Left
1-11	119459S	70 D SWING I/O HNGR PNTD R	Right
8-11	107485	FOOTREST CLAMP ASSM	
12-15	119514	LATCH RECEIVER KIT	
		Ship assembled part #	Use with multiple assemblies
	ASSY-HNG-FP	HANGER/FOOTPLATE ASSY REQUIRED	add with Hanger & Footplate kit

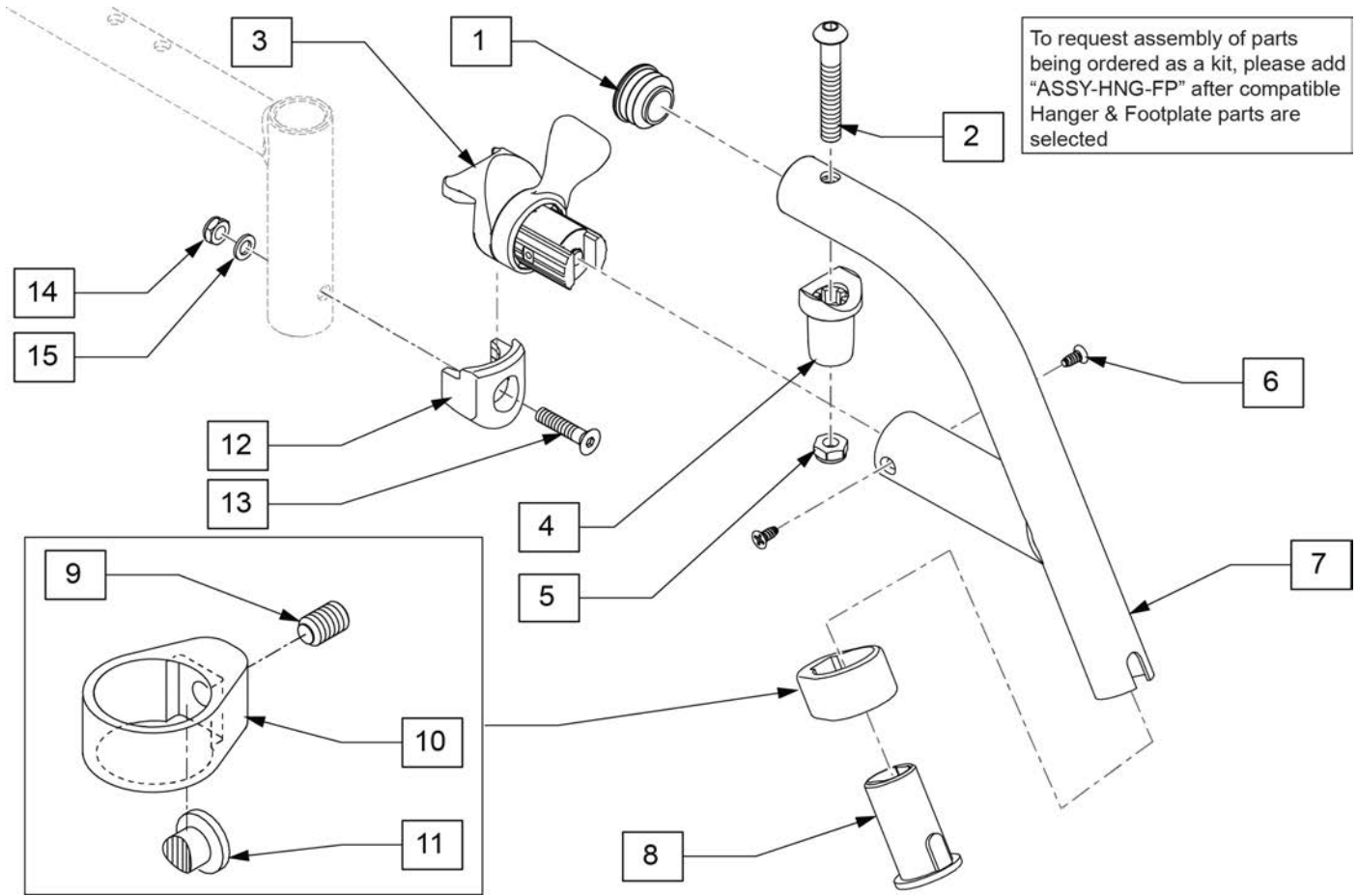
**80 DEG SWING IN/OUT HANGER**



Pos.	Item Number	Description	Remarks
1	561062	1" INSERT PLUG .065 RIBS	
8	104160	BUSHING FOOTREST	
13	103500-010	FHCSM6X1X35FULLNP	
14	104381	NUT HEX NYLOCK M6X1.0	
15	104414	WAVE WASHER 6 MM	
1,2,4,5	119518	PIVOT SADDLE KIT	
3,6	119509	HANGER LATCH ASSM W/HDWR L	Left
3,6	119510	HANGER LATCH ASSM W/HDWR R	Right
1-11	119466S	80 D SWING I/O HNGR PNTD L	Left
1-11	119467S	80 D SWING I/O HNGR PNTD R	Right
8-11	107485	FOOTREST CLAMP ASSM	
12-15	119514	LATCH RECEIVER KIT	
		Ship assembled part #	Use with multiple assemblies
	ASSY-HNG-FP	HANGER/FOOTPLATE ASSY REQUIRED	add with Hanger & Footplate kit

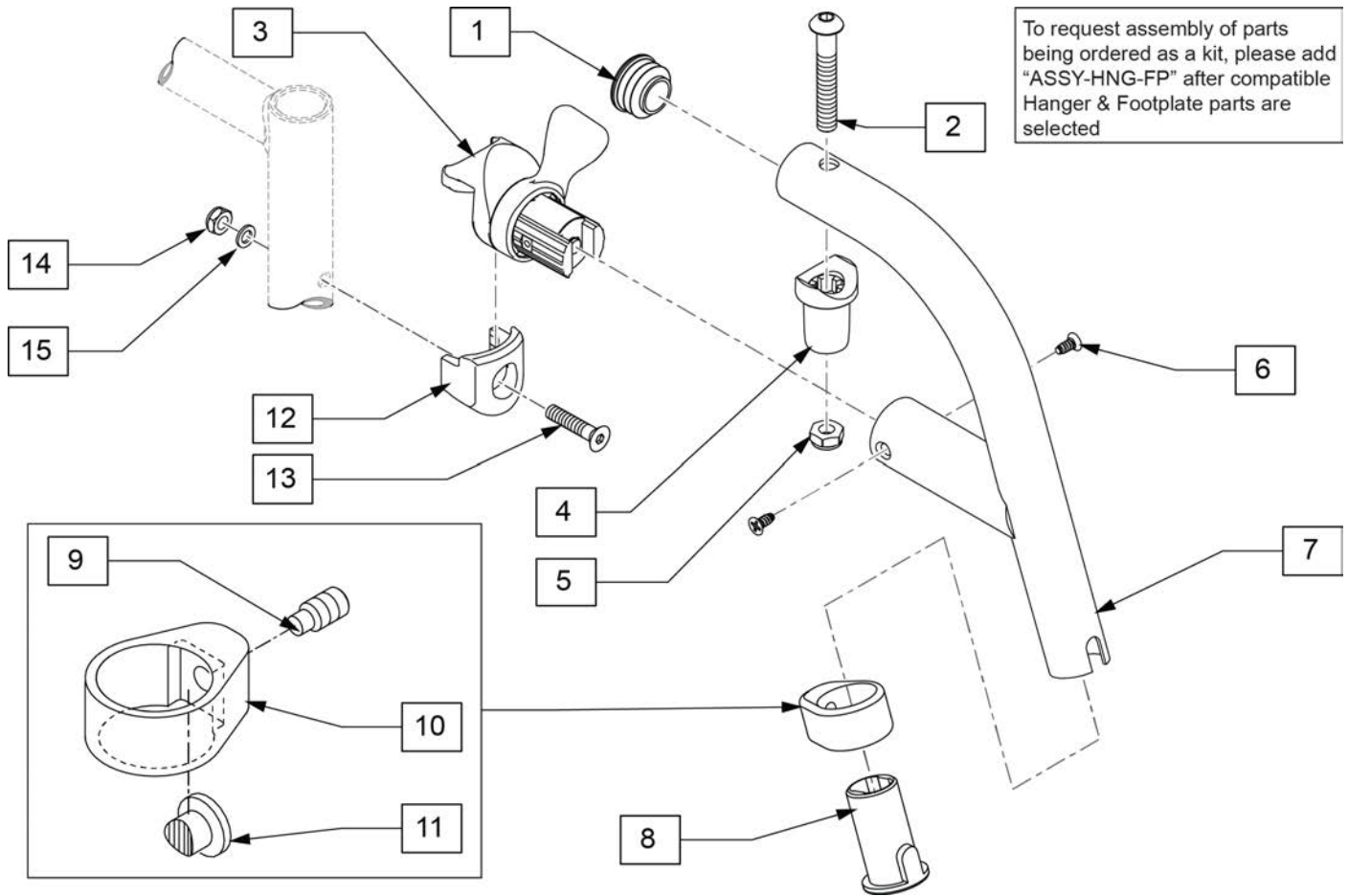
60 DEG SWING IN/OUT HEMI HANGER

[07/2014]



Pos.	Item Number	Description	Remarks
1	561062	1" INSERT PLUG .065 RIBS	
2	226217	5/16-18 X 2" BH C/S BLK	
4	561197	PLASTIC PIVOT SADDLE	
5	202102	5/16-18 NYLOCK NUT THIN	
6	118695	#8 LOW FLT HD TAP SCREW	
8	104160	BUSHING FOOTREST	
13	103500-010	FHCSM6X1X35FULLNP	
14	104381	NUT HEX NYLOCK M6X1.0	
15	104414	WAVE WASHER 6 MM	
1,2,4,5	119518	PIVOT SADDLE KIT	
3,6	119510	HANGER LATCH ASSM W/HDWR R	Right
3,6	119509	HANGER LATCH ASSM W/HDWR L	Left
1-11	129702S	60 D SWING HANGER HEMI R	Right
1-11	129703S	60 D SWING HANGER HEMI L	Left
8-11	107485	FOOTREST CLAMP ASSM	
12-15	119514	LATCH RECEIVER KIT	
		Ship assembled part #	Use with multiple assemblies
	ASSY-HNG-FP	HANGER/FOOTPLATE ASSY REQUIRED	add with Hanger & Footplate kit

70 DEG SWING IN/OUT HEMI HANGER



Pos.	Item Number	Description	Remarks
1	561062	1" INSERT PLUG .065 RIBS	
2	226217	5/16-18 X 2" BH C/S BLK	
4	561197	PLASTIC PIVOT SADDLE	
5	202102	5/16-18 NYLOCK NUT THIN	
6	118695	#8 LOW FLT HD TAP SCREW	
8	104160	BUSHING FOOTREST	
13	103500-010	FHCSM6X1X35FULLNP	
14	104381	NUT HEX NYLOCK M6X1.0	
15	104414	WAVE WASHER 6 MM	
1,2,4,5	119518	PIVOT SADDLE KIT	
3,6	119510	HANGER LATCH ASSM W/HDWR R	Right
3,6	119509	HANGER LATCH ASSM W/HDWR L	Left
1-11	129704S	70 D SWING HANGER HEMI R	Right
1-11	129705S	70 D SWING HANGER HEMI L	Left
8-11	107485	FOOTREST CLAMP ASSM	
12-15	119514	LATCH RECEIVER KIT	
		Ship assembled part #	Use with multiple assemblies
	ASSY-HNG-FP	HANGER/FOOTPLATE ASSY REQUIRED	add with Hanger & Footplate kit

**Note:** Footplate Assemblies are set to footrest width; please see "Footplate Formula" table for seat width conversion.

Note: If using Short Ext Tube & Hemi Hanger with Composite Footplate use 1G (bent) .

Note: V Style Hangers are not available on Swing Away Style chairs effective 7/14/14; see the "Prior To" ordering guide for V Style footplate assemblies.

Note: see Informations Panel for appropriate ordering guide; for QX Series or SR45 footplate replacement parts see ordering guide marked specifically for these two models.

To have complete Footrest ship assembled, choose compatible Hanger + Footplate part numbers and add "ASSY-HNG-FP" to order

**FOOTPLATE MEASURING GUIDE**

PART NO	DESCRIPTION	"A"	"B"
063216-006	FOOTPLATE COMPOSITE 157 R (13"W)	6 1/8"	6"
063216-012	FOOTPLATE COMPOSITE 157 L (13"W)	6 1/8"	6"
063216-015	FOOTPLATE COMPOSITE 170 R (14"W)	6 5/8"	6"
063216-018	FOOTPLATE COMPOSITE 170 L (14"W)	6 5/8"	6"
063216-005	FOOTPLATE COMPOSITE 182 R (15"W)	7 1/8"	6"
063216-011	FOOTPLATE COMPOSITE 182 L (15"W)	7 1/8"	6"
063216-014	FOOTPLATE COMPOSITE 195 R (16"W)	7 5/8"	6"
063216-017	FOOTPLATE COMPOSITE 195 L (16"W)	7 5/8"	6"
063216-004	FOOTPLATE COMPOSITE 207 R (17"W)	8 1/8"	6"
063216-010	FOOTPLATE COMPOSITE 207 L (17"W)	8 1/8"	6"
063216-013	FOOTPLATE COMPOSITE 220 R (18"W)	8 5/8"	6 1/4"
063216-016	FOOTPLATE COMPOSITE 220 L (18"W)	8 5/8"	6 1/4"
063216-003	FOOTPLATE COMPOSITE 232 R (19-20"W)	9 1/8"	6 1/4"
063216-009	FOOTPLATE COMPOSITE 232 L (19-20"W)	9 1/8"	6 1/4"
063216-002	FOOTPLATE COMPOSITE 257 R (21-22"W)	10 1/8"	6 1/4"
063216-008	FOOTPLATE COMPOSITE 257 L (21-22"W)	10 1/8"	6 1/4"

**INSET FORMULA**  
 0" Inset (Seat Width) = Footrest Width  
 1" Inset (Seat Width) -2" = Footrest Width  
 "V" Hanger (Seat Width) -4" = Footrest Width  
 Offset Hanger Receiver (Seat Width) +2" = Footrest Width

Pos.	Item Number	Description	Remarks
1A,3-5	120660	SHT STRT EXT COMP HDWR	80 deg hangers + ELR only
1B,3-5	120661	MED STRT EXT COMP HDWR	80 deg hangers + ELR only
1C,3-5	120662	LNG STRT EXT COMP HDWR	80 deg hangers + ELR only
1D,3-5	120663	SHT BNT EXT COMP HDWR	60,70,70 Hemi Hangers
1E,3-5	120664	MED BNT EXT COMP HDWR	60,70,70 Hemi Hangers
1F,3-5	120665	LNG BNT EXT COMP HDWR	60,70,70 Hemi Hangers
1G	128078	TUBE FOOTREST EXT SHT HEMI	use for Hemi Ext Tube option
2A	063216-006	COMPOSITE FOOTPLATE RIGHT	RIGHT 13" Footrest Width
2A	063216-012	COMPOSITE FOOTPLATE LEFT	LEFT 13" Footrest Width
2B	063216-015	FOOTPLATE COMPOSITE RIGHT	RIGHT 14" Footrest Width
2B	063216-018	FOOTPLATE COMPOSITE LEFT	LEFT 14" Footrest Width
2C	063216-005	COMPOSITE FOOTPLATE RIGHT	RIGHT 15" Footrest Width
2C	063216-011	COMPOSITE FOOTPLATE LEFT	LEFT 15" Footrest Width
2D	063216-014	FOOTPLATE COMPOSITE RIGHT	RIGHT 16" Footrest Width
2D	063216-017	FOOTPLATE COMPOSITE LEFT	LEFT 16" Footrest Width
2E	063216-004	COMPOSITE FOOTPLATE RIGHT	RIGHT 17" Footrest Width
2E	063216-010	COMPOSITE FOOTPLATE LEFT	LEFT 17" Footrest Width
2F	063216-013	FOOTPLATE COMPOSITE RIGHT	RIGHT 18" Footrest Width
2F	063216-016	FOOTPLATE COMPOSITE LEFT	LEFT 18" Footrest Width
2G	063216-003	COMPOSITE FOOTPLATE RIGHT	RIGHT 19" & 20" Footrest Width
2G	063216-009	COMPOSITE FOOTPLATE LEFT	LEFT 19" & 20" Footrest Width
2H	063216-002	FOOTPLATE COMPOSITE RIGHT	RIGHT 21" & 22" Footrest Width
2H	063216-008	FOOTPLATE COMPOSITE LEFT	LEFT 21" & 22" Footrest Width
3	104377	3/4" SADDLE THIN	
4	103175	SHCS M6 X 1 X 40 INORG	
5	132626	NUT AUTOMATION M6 X 1.0	Inserted in bottom of footplate.
6	104328	HEEL LOOP PEG	
7A	104380-001	ADJUSTABLE FOOT REST STRAP	14" wide
7B	104380-002	ADJUSTABLE FOOT REST STRAP	15-16" wide
7C	104380-003	ADJUSTABLE FOOT REST STRAP	17-18" wide
7D	104380-004	ADJUSTABLE FOOT REST STRAP	19-22" wide
8	102268-001	HHCS M6 X 1 X 25	
12	104160	BUSHING FOOTREST	
9-12	107485	FOOTREST CLAMP ASSM	
>>>>		80 DEGREE HANGERS - SHORT EXT - RIGHT	
1A,2A,3-6,7A,8	107704	COMP STRT SHT EXT ASM 13"W R	Right- 80D- 13" W- SHORT
1A,2B,3-6,7A,8	107705	COMP STRT SHT EXT ASM 14"W R	Right- 80D- 14" W- SHORT
1A,2C,3-6,7B,8	107706	COMP STRT SHT EXT ASM 15"W R	Right- 80D- 15" W- SHORT
1A,2D,3-6,7B,8	107707	COMP STRT SHT EXT ASM 16"W R	Right- 80D- 16" W- SHORT
1A,2E,3-6,7C,8	107708	COMP STRT SHT EXT ASM 17"W R	Right- 80D- 17" W- SHORT
1A,2F,3-6,7C,8	107709	COMP STRT SHT EXT ASM 18"W R	Right- 80D- 18" W- SHORT
1A,2G,3-6,7D,8	107710	COMP STRT SHT EXT ASM 19 & 20"W R	Right- 80D- 19 & 20" W- SHORT
1A,2H,3-6,7D,8	111522	COMP STRT SHT EXT ASM 21 & 22"W R	Right- 80D- 21 & 22" W- SHORT
>>>>		80 DEGREE HANGERS - SHORT EXT - LEFT	
1A,2A,3-6,7A,8	107711	COMP STRT SHT EXT ASM 13"W L	LEFT- 80D- 13" W- SHORT
1A,2B,3-6,7A,8	107712	COMP STRT SHT EXT ASM 14"W L	LEFT- 80D- 14" W- SHORT
1A,2C,3-6,7B,8	107713	COMP STRT SHT EXT ASM 15"W L	LEFT- 80D- 15" W- SHORT
1A,2D,3-6,7B,8	107714	COMP STRT SHT EXT ASM 16"W L	LEFT- 80D- 16" W- SHORT
1A,2E,3-6,7C,8	107715	COMP STRT SHT EXT ASM 17"W L	LEFT- 80D- 17" W- SHORT
1A,2F,3-6,7C,8	107716	COMP STRT SHT EXT ASM 18"W L	LEFT- 80D- 18" W- SHORT
1A,2G,3-6,7D,8	107717	COMP STRT SHT EXT ASM 19 & 20"W L	LEFT- 80D- 19 & 20" W- SHORT
1A,2H,3-6,7D,8	111523	COMP STRT SHT EXT ASM 21 & 22"W L	LEFT- 80D- 21 & 22" W- SHORT
>>>>		80 DEGREE HANGERS - MED EXT - RIGHT	
1B,2A,3-6,7A,8	107718	COMP STRT MED EXT ASM 13"W R	Right- 80D- 13" W- MED
1B,2B,3-6,7A,8	107719	COMP STRT MED EXT ASM 14"W R	Right- 80D- 14" W- MED
1B,2C,3-6,7B,8	107720	COMP STRT MED EXT ASM 15"W R	Right- 80D- 15" W- MED

Pos.	Item Number	Description	Remarks
1B,2D,3-6,7B,8	107721	COMP STRT MED EXT ASM 16"W R	Right- 80D- 16" W- MED
1B,2E,3-6,7C,8	107722	COMP STRT MED EXT ASM 17"W R	Right- 80D- 17" W- MED
1B,2F,3-6,7C,8	107723	COMP STRT MED EXT ASM 18"W R	Right- 80D- 18" W- MED
1B,2G,3-6,7D,8	107724	COMP STRT MED EXT ASM 19 & 20"W R	Right- 80D- 19 & 20" W- MED
1B,2H,3-6,7D,8	111524	COMP STRT MED EXT ASM 21 & 22"W R	Right- 80D- 21 & 22" W- MED
>>>>		80 DEGREE HANGERS - MED EXT - LEFT	
1B,2A,3-6,7A,8	107725	COMP STRT MED EXT ASM 13"W L	LEFT- 80D- 13" W- MED
1B,2B,3-6,7A,8	107726	COMP STRT MED EXT ASM 14"W L	LEFT- 80D- 14" W- MED
1B,2C,3-6,7B,8	107727	COMP STRT MED EXT ASM 15"W L	LEFT- 80D- 15" W- MED
1B,2D,3-6,7B,8	107728	COMP STRT MED EXT ASM 16"W L	LEFT- 80D- 16" W- MED
1B,2E,3-6,7C,8	107729	COMP STRT MED EXT ASM 17"W L	LEFT- 80D- 17" W- MED
1B,2F,3-6,7C,8	107730	COMP STRT MED EXT ASM 18"W L	LEFT- 80D- 18" W- MED
1B,2G,3-6,7D,8	107731	COMP STRT MED EXT ASM 19 & 20"W L	LEFT- 80D- 19 & 20" W- MED
1B,2H,3-6,7D,8	111525	COMP STRT MED EXT ASM 21 & 22"W L	LEFT- 80D- 21 & 22" W- MED
>>>>		80 DEGREE HANGERS - LONG EXT - RIGHT	
1C,2A,3-6,7A,8	107732	COMP STRT LONG EXT ASM 13"W R	Right- 80D- 13" W- LONG
1C,2B,3-6,7A,8	107733	COMP STRT LONG EXT ASM 14"W R	Right- 80D- 14" W- LONG
1C,2C,3-6,7B,8	107734	COMP STRT LONG EXT ASM 15"W R	Right- 80D- 15" W- LONG
1C,2D,3-6,7B,8	107735	COMP STRT LONG EXT ASM 16"W R	Right- 80D- 16" W- LONG
1C,2E,3-6,7C,8	107736	COMP STRT LONG EXT ASM 17"W R	Right- 80D- 17" W- LONG
1C,2F,3-6,7C,8	107737	COMP STRT LONG EXT ASM 18"W R	Right- 80D- 18" W- LONG
1C,2G,3-6,7D,8	107738	COMP STRT LONG EXT ASM 19 & 20"W R	Right- 80D- 19 & 20" W- LONG
1C,2H,3-6,7D,8	111526	COMP STRT LONG EXT ASM 21 & 22"W R	Right- 80D- 21 & 22" W- LONG
>>>>		80 DEGREE HANGERS - LONG EXT - LEFT	
1C,2A,3-6,7A,8	107739	COMP STRT LONG EXT ASM 13"W L	LEFT- 80D- 13" W- LONG
1C,2B,3-6,7A,8	107740	COMP STRT LONG EXT ASM 14"W L	LEFT- 80D- 14" W- LONG
1C,2C,3-6,7B,8	107741	COMP STRT LONG EXT ASM 15"W L	LEFT- 80D- 15" W- LONG
1C,2D,3-6,7B,8	107742	COMP STRT LONG EXT ASM 16"W L	LEFT- 80D- 16" W- LONG
1C,2E,3-6,7C,8	107743	COMP STRT LONG EXT ASM 17"W L	LEFT- 80D- 17" W- LONG
1C,2F,3-6,7C,8	107744	COMP STRT LONG EXT ASM 18"W L	LEFT- 80D- 18" W- LONG
1C,2G,3-6,7D,8	107745	COMP STRT LONG EXT ASM 19 & 20"W L	LEFT- 80D- 19 & 20" W- LONG
1C,2H,3-6,7D,8	111527	COMP STRT LONG EXT ASM 21 & 22"W L	LEFT- 80D- 21 & 22" W- LONG
>>>>		60°,70° SHORT EXT - RIGHT	
1D,2A,3-6,7A,8	107746	COMP BNT SHT EXT ASM 13" W R	Right- 70D- 13" W- SHORT
1D,2B,3-6,7A,8	107747	COMP BNT SHT EXT ASM 14" W R	Right- 70D- 14" W- SHORT
1D,2C,3-6,7B,8	107748	COMP BNT SHT EXT ASM 15" W R	Right- 70D- 15" W- SHORT
1D,2D,3-6,7B,8	107749	COMP BNT SHT EXT ASM 16" W R	Right- 70D- 16" W- SHORT
1D,2E,3-6,7C,8	107750	COMP BNT SHT EXT ASM 17" W R	Right- 70D- 17" W- SHORT
1D,2F,3-6,7C,8	107751	COMP BNT SHT EXT ASM 18" W R	Right- 70D- 18" W- SHORT
1D,2G,3-6,7D,8	107752	COMP BNT SHT EXT ASM 19 & 20"W R	Right- 70D- 19 & 20" W- SHORT
1D,2H,3-6,7D,8	111528	COMP BNT SHT EXT ASM 21 & 22"W R	Right- 70D- 21 & 22" W- SHORT
>>>>		60°,70° - SHORT EXT - LEFT	
1D,2A,3-6,7A,8	107753	COMP BNT SHT EXT ASM 13" W L	Left- 70D- 13 W- SHORT
1D,2B,3-6,7A,8	107754	COMP BNT SHT EXT ASM 14" W L	Left- 70D- 14 W- SHORT
1D,2C,3-6,7B,8	107755	COMP BNT SHT EXT ASM 15" W L	Left- 70D- 15 W- SHORT
1D,2D,3-6,7B,8	107756	COMP BNT SHT EXT ASM 16" W L	Left- 70D- 16 W- SHORT
1D,2E,3-6,7C,8	107757	COMP BNT SHT EXT ASM 17" W L	Left- 70D- 17 W- SHORT
1D,2F,3-6,7C,8	107758	COMP BNT SHT EXT ASM 18" W L	Left- 70D- 18 W- SHORT
1D,2G,3-6,7D,8	107759	COMP BNT SHT EXT ASM 19 & 20"W L	Left- 70D- 19 & 20" W- SHORT
1D,2H,3-6,7D,8	111529	COMP BNT SHT EXT ASM 21 & 22"W L	Left- 70D- 21 & 22" W- SHORT
>>>>		60°,70°,60°&70° HEMI HANGERS - MED EXT - RIGHT	
1E,2A,3-6,7A,8	107760	COMP BNT MED EXT ASM 13" W R	Right- 70D- 13" W- MED
1E,2B,3-6,7A,8	107761	COMP BNT MED EXT ASM 14" W R	Right- 70D- 14" W- MED
1E,2C,3-6,7B,8	107762	COMP BNT MED EXT ASM 15" W R	Right- 70D- 15" W- MED
1E,2D,3-6,7B,8	107763	COMP BNT MED EXT ASM 16" W R	Right- 70D- 16" W- MED
1E,2E,3-6,7C,8	107764	COMP BNT MED EXT ASM 17" W R	Right- 70D- 17" W- MED

Pos.	Item Number	Description	Remarks
1E,2F,3-6,7C,8	107765	COMP BNT MED EXT ASM 18" W R	Right- 70D- 18" W- MED
1E,2G,3-6,7D,8	107766	COMP BNT MED EXT ASM 19 & 20"W R	Right- 70D- 19 & 20" W- MED
1E,2H,3-6,7D,8	111530	COMP BNT MED EXT ASM 21 & 22"W R	Right- 70D- 21 & 22" W- MED
>>>>		60°,70°,60°&70° HEMI HANGERS - MED EXT - LEFT	
1E,2A,3-6,7A,8	107767	COMP BNT MED EXT ASM 13" W L	Left- 70D- 13 W- MED
1E,2B,3-6,7A,8	107768	COMP BNT MED EXT ASM 14" W L	Left- 70D- 14 W- MED
1E,2C,3-6,7B,8	107769	COMP BNT MED EXT ASM 15" W L	Left- 70D- 15 W- MED
1E,2D,3-6,7B,8	107770	COMP BNT MED EXT ASM 16" W L	Left- 70D- 16 W- MED
1E,2E,3-6,7C,8	107771	COMP BNT MED EXT ASM 17" W L	Left- 70D- 17 W- MED
1E,2F,3-6,7C,8	107772	COMP BNT MED EXT ASM 18" W L	Left- 70D- 18 W- MED
1E,2G,3-6,7D,8	107773	COMP BNT MED EXT ASM 19 & 20"W L	Left- 70D- 19 & 20" W- MED
1E,2H,3-6,7D,8	111531	COMP BNT MED EXT ASM 21 & 22"W L	Left- 70D- 21 & 22" W- MED
>>>>		60°,70°,60°&70° HEMI HANGERS - LONG EXT - RIGHT	
1F,2A,3-6,7A,8	107774	COMP BNT LONG EXT ASM 13" W R	Right- 70D- 13" W- LONG
1F,2B,3-6,7A,8	107775	COMP BNT LONG EXT ASM 14" W R	Right- 70D- 14" W- LONG
1F,2C,3-6,7B,8	107776	COMP BNT LONG EXT ASM 15" W R	Right- 70D- 15" W- LONG
1F,2D,3-6,7B,8	107777	COMP BNT LONG EXT ASM 16" W R	Right- 70D- 16" W- LONG
1F,2E,3-6,7C,8	107778	COMP BNT LONG EXT ASM 17" W R	Right- 70D- 17" W- LONG
1F,2F,3-6,7C,8	107779	COMP BNT LONG EXT ASM 18" W R	Right- 70D- 18" W- LONG
1F,2G,3-6,7D,8	107780	COMP BNT LONG EXT ASM 19 & 20"W R	Right- 70D- 19 & 20" W- LONG
1F,2H,3-6,7D,8	111532	COMP BNT LONG EXT ASM 21 & 22"W R	Right- 70D- 21 & 22" W- LONG
>>>>		60°,70°,60°&70° HEMI HANGERS - LONG EXT - LEFT	
1F,2A,3-6,7A,8	107781	COMP BNT LONG EXT ASM 13" W L	Left- 70D- 13 W- LONG
1F,2B,3-6,7A,8	107782	COMP BNT LONG EXT ASM 14" W L	Left- 70D- 14 W- LONG
1F,2C,3-6,7B,8	107783	COMP BNT LONG EXT ASM 15" W L	Left- 70D- 15 W- LONG
1F,2D,3-6,7B,8	107784	COMP BNT LONG EXT ASM 16" W L	Left- 70D- 16 W- LONG
1F,2E,3-6,7C,8	107785	COMP BNT LONG EXT ASM 17" W L	Left- 70D- 17 W- LONG
1F,2F,3-6,7C,8	107786	COMP BNT LONG EXT ASM 18" W L	Left- 70D- 18 W- LONG
1F,2G,3-6,7D,8	107787	COMP BNT LONG EXT ASM 19 & 20"W L	Left- 70D- 19 & 20" W- LONG
1F,2H,3-6,7D,8	111533	COMP BNT LONG EXT ASM 21 & 22"W L	Left- 70D- 21 & 22" W- LONG
>>>>		60°&70° HEMI HANGER SHORT EXT- RIGHT	
1G,2A,3-6,7A,8	129724	CMP FT BNT KIT SHT HNGR 13W R	Right-Hemi-13W; add Ext behind the Hemi
1G,2B,3-6,7A,8	129726	CMP FT BNT KIT SHT HNGR 14W R	Right-Hemi-14W; add Ext behind the Hemi
1G,2C,3-6,7B,8	129728	CMP FT BNT KIT SHT HNGR 15W R	Right-Hemi-15W; add Ext behind the Hemi
1G,2D,3-6,7B,8	129730	CMP FT BNT KIT SHT HNGR 16W R	Right-Hemi-16W; add Ext behind the Hemi
1G,2E,3-6,7C,8	129732	CMP FT BNT KIT SHT HNGR 17W R	Right-Hemi-17W; add Ext behind the Hemi
1G,2F,3-6,7C,8	129734	CMP FT BNT KIT SHT HNGR 18W R	Right-Hemi-18W; add Ext behind the Hemi
1G,2G,3-6,7D,8	129736	CMP FT BNT KIT SHT HNGR 19-20W R	Right-Hemi-19-20W; add Ext behind the Hemi
1G,2H,3-6,7D,8	129738	CMP FT BNT KIT SHT HNGR 21-22W R	Right-Hemi-21-22W; add Ext behind the Hemi
>>>>		60°&70° HEMI HANGER SHORT EXT- LEFT	
1G,2A,3-6,7A,8	129725	CMP FT BNT KIT SHT HNGR 13W L	Left-Hemi-13W; add Ext behind the Hemi
1G,2B,3-6,7A,8	129727	CMP FT BNT KIT SHT HNGR 14W L	Left-Hemi-14W; add Ext behind the Hemi
1G,2C,3-6,7B,8	129729	CMP FT BNT KIT SHT HNGR 15W L	Left-Hemi-15W; add Ext behind the Hemi
1G,2D,3-6,7B,8	129731	CMP FT BNT KIT SHT HNGR 16W L	Left-Hemi-16W; add Ext behind the Hemi
1G,2E,3-6,7C,8	129733	CMP FT BNT KIT SHT HNGR 17W L	Left-Hemi-17W; add Ext behind the Hemi
1G,2F,3-6,7C,8	129735	CMP FT BNT KIT SHT HNGR 18W L	Left-Hemi-18W; add Ext behind the Hemi
1G,2G,3-6,7D,8	129737	CMP FT BNT KIT SHT HNGR 19-20W L	Left-Hemi-19-20W; add Ext behind the Hemi
1G,2H,3-6,7D,8	129739	CMP FT BNT KIT SHT HNGR 21-22W L	Left-Hemi-21-22W; add Ext behind the Hemi
		Ship assembled part #	Use with multiple assemblies
	ASSY-HNG-FP	HANGER/FOOTPLATE ASSY REQUIRED	add with Hanger & Footplate kit



**Note:** Footplate Assemblies are set to footrest width; please see "Footplate Formula" table for seat width conversion.

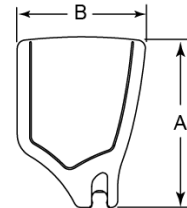
Note: If using Short Ext Tube & Hemi Hanger with Composite Angle Adjustable Footplate use 1D (straight) .

Note: V Style Hangers are not available on Swing Away Style chairs effective 7/14/14; see the "Prior To" ordering guide for V Style footplate assemblies.

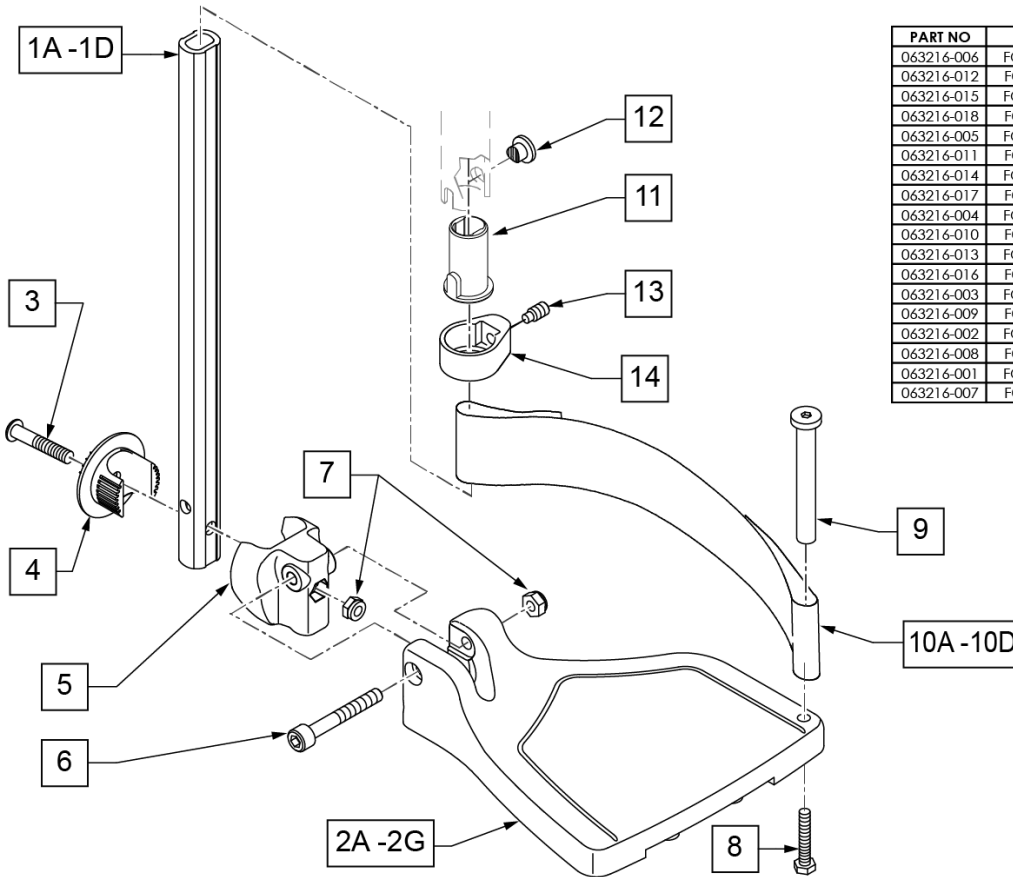
To have complete Footrest ship assembled, choose compatible Hanger + Footplate part numbers and add "ASSY-HNG-FP" to order

**ADD INSET FORMULA**  
 0" Inset (Seat Width) = Footrest Width  
 1" Inset (Seat Width) -2" = Footrest Width  
 2" Inset (Seat Width) -4" = Footrest Width  
 "V" Hanger (Seat Width) -4" = Footrest Width  
 Offset Hanger Receiver (Seat Width) +2" = Footrest Width  
 Flared Frame (Seat Width) = 2" = Footrest Width

**FOOTPLATE MEASURING GUIDE**



PART NO	DESCRIPTION	DIM -A-	DIM -B-
063216-006	FOOTPLATE COMPOSITE 157 R	6 1/8"	6"
063216-012	FOOTPLATE COMPOSITE 157 L	6 1/8"	6"
063216-015	FOOTPLATE COMPOSITE 170 R	6 5/8"	6"
063216-018	FOOTPLATE COMPOSITE 170 L	6 5/8"	6"
063216-005	FOOTPLATE COMPOSITE 182 R	7 1/8"	6"
063216-011	FOOTPLATE COMPOSITE 182 L	7 1/8"	6"
063216-014	FOOTPLATE COMPOSITE 195 R	7 5/8"	6"
063216-017	FOOTPLATE COMPOSITE 195 L	7 5/8"	6"
063216-004	FOOTPLATE COMPOSITE 207 R	8 1/8"	6"
063216-010	FOOTPLATE COMPOSITE 207 L	8 1/8"	6"
063216-013	FOOTPLATE COMPOSITE 220 R	8 5/8"	6 1/4"
063216-016	FOOTPLATE COMPOSITE 220 L	8 5/8"	6 1/4"
063216-003	FOOTPLATE COMPOSITE 232 R	9 1/8"	6 1/4"
063216-009	FOOTPLATE COMPOSITE 232 L	9 1/8"	6 1/4"
063216-002	FOOTPLATE COMPOSITE 257 R	10 1/8"	6 1/4"
063216-008	FOOTPLATE COMPOSITE 257 L	10 1/8"	6 1/4"
063216-001	FOOTPLATE COMPOSITE 282 R	11 1/8"	6 1/4"
063216-007	FOOTPLATE COMPOSITE 282 L	11 1/8"	6 1/4"



Pos.	Item Number	Description	Remarks
1A,6,7	120660	SHT STRT EXT COMP HDWR	
1B,6,7	120661	MED STRT EXT COMP HDWR	
1C,6,7	120662	LNG STRT EXT COMP HDWR	
1D	128079	TUBE FTRST EXT STRGHT SHT HEMI	Use for Hemi Ext Tube option
2A	063216-006	COMPOSITE FOOTPLATE RIGHT	RIGHT 15" Footrest Width

Pos.	Item Number	Description	Remarks
2A	063216-012	COMPOSITE FOOTPLATE LEFT	LEFT 15" Footrest Width
2B	063216-015	COMPOSITE FOOTPLATE RIGHT	RIGHT 16" Footrest Width
2B	063216-018	COMPOSITE FOOTPLATE LEFT	LEFT 16" Footrest Width
2C	063216-005	COMPOSITE FOOTPLATE RIGHT	RIGHT 17" Footrest Width
2C	063216-011	COMPOSITE FOOTPLATE LEFT	LEFT 17" Footrest Width
2D	063216-014	COMPOSITE FOOTPLATE RIGHT	RIGHT 18" Footrest Width
2D	063216-017	COMPOSITE FOOTPLATE LEFT	LEFT 18" Footrest Width
2E	063216-004	COMPOSITE FOOTPLATE RIGHT	RIGHT 19" Footrest Width
2E	063216-010	COMPOSITE FOOTPLATE LEFT	LEFT 19" Footrest Width
2F	063216-013	COMPOSITE FOOTPLATE RIGHT	RIGHT 20" Footrest Width
2F	063216-016	COMPOSITE FOOTPLATE LEFT	LEFT 20" Footrest Width
2G	063216-003	COMPOSITE FOOTPLATE RIGHT	RIGHT 21" & 22" Footrest Width
2G	063216-009	COMPOSITE FOOTPLATE LEFT	LEFT 21" & 22" Footrest Width
3	108233	BHCS M6 X 1 X 40	
4	054242	ANGLE COVER	
5	054241	ANGLE SEGMENT	
6	103175	SHCS M6 X 1 X 40 INORG	
7	132626	NUT AUTOMATION M6 X 1.0	
8	102268-001	HHCS M6X1X25	Inserted in bottom of footplate.
9	104328	HEEL LOOP PEG	
10A	104380-001	ADJUSTABLE FOOT REST STRAP	15" Footrest Width
10B	104380-002	ADJUSTABLE FOOT REST STRAP	16" Footrest Width
10C	104380-003	ADJUSTABLE FOOT REST STRAP	17-18" Footrest Width
10D	104380-004	ADJUSTABLE FOOT REST STRAP	19-22" Footrest Width
11	104160	BUSHING FOOTREST	
11-14	107485	FOOTREST CLAMP ASSM	
>>>>		60,70,80 HANGERS - SHORT EXT - RIGHT	
1A,2A,3-10A	107816	CAA STRT SHT EXT ASM 15W R	Right- 15 W- SHORT
1A,2B,3-10B	107817	CAA STRT SHT EXT ASM 16W R	Right- 16 W- SHORT
1A,2C,3-10B	107818	CAA STRT SHT EXT ASM 17W R	Right- 17 W- SHORT
1A,2D,3-10C	107819	CAA STRT SHT EXT ASM 18W R	Right- 18 W- SHORT
1A,2E,3-10C	107820	CAA STRT SHT EXT ASM 19W R	Right- 19 W- SHORT
1A,2F,3-10D	107821	CAA STRT SHT EXT ASM 20W R	Right- 20 W- SHORT
1A,2G,3-10D	107822	CAA STRT SHT EXT ASM 21&22W R	Right- 21&22 W- SHORT
>>>>		60,70,80 HANGERS - SHORT EXT - LEFT	
1A,2A,3-10A	107823	CAA STRT SHT EXT ASM 15W L	Left- 15 W- SHORT
1A,2B,3-10B	107824	CAA STRT SHT EXT ASM 16W L	Left- 16 W- SHORT
1A,2C,3-10B	107825	CAA STRT SHT EXT ASM 17W L	Left- 17 W- SHORT
1A,2D,3-10C	107826	CAA STRT SHT EXT ASM 18W L	Left- 18 W- SHORT
1A,2E,3-10C	107827	CAA STRT SHT EXT ASM 19W L	Left- 19 W- SHORT
1A,2F,3-10D	107828	CAA STRT SHT EXT ASM 20W L	Left- 20 W- SHORT
1A,2G,3-10D	107829	CAA STRT SHT EXT ASM 21&22W L	Left- 21&22 W- SHORT
>>>>		60,70,80& 60,70 HEMI HANGER- RIGHT	
1B,2A,3-10A	107830	CAA STRT MED EXT ASM 15W R	Right- 15 W- MED
1B,2B,3-10B	107831	CAA STRT MED EXT ASM 16W R	Right- 16 W- MED
1B,2C,3-10B	107832	CAA STRT MED EXT ASM 17W R	Right- 17 W- MED
1B,2D,3-10C	107833	CAA STRT MED EXT ASM 18W R	Right- 18 W- MED
1B,2E,3-10C	107834	CAA STRT MED EXT ASM 19W R	Right- 19 W- MED
1B,2F,3-10D	107835	CAA STRT MED EXT ASM 20W R	Right- 20 W- MED
1B,2G,3-10D	107836	CAA STRT MED EXT ASM 21&22W R	Right- 21&22 W- MED
>>>>		60,70,80& 60,70 HEMI HANGER- LEFT	
1B,2A,3-10A	107837	CAA STRT MED EXT ASM 15W L	Left- 15 W- MED
1B,2B,3-10B	107838	CAA STRT MED EXT ASM 16W L	Left- 16 W- MED
1B,2C,3-10B	107839	CAA STRT MED EXT ASM 17W L	Left- 17 W- MED
1B,2D,3-10C	107840	CAA STRT MED EXT ASM 18W L	Left- 18 W- MED
1B,2E,3-10C	107841	CAA STRT MED EXT ASM 19W L	Left- 19 W- MED

Pos.	Item Number	Description	Remarks
1B,2F,3-10D	107842	CAA STRT MED EXT ASM 20W L	Left- 20 W- MED
1B,2G,3-10D	107843	CAA STRT MED EXT ASM 21&22W L	Left- 21&22 W- MED
>>>>		60,70,80& 60,70 HEMI HANGER- RIGHT	
1C,2A,3-10A	107844	CAA STRT LNG EXT ASM 15W R	Right- 15 W- LONG
1C,2B,3-10B	107845	CAA STRT LNG EXT ASM 16W R	Right- 16 W- LONG
1C,2C,3-10B	107846	CAA STRT LNG EXT ASM 17W R	Right- 17 W- LONG
1C,2D,3-10C	107847	CAA STRT LNG EXT ASM 18W R	Right- 18 W- LONG
1C,2E,3-10C	107848	CAA STRT LNG EXT ASM 19W R	Right- 19 W- LONG
1C,2F,3-10D	107849	CAA STRT LNG EXT ASM 20W R	Right- 20 W- LONG
1C,2G,3-10D	107850	CAA STRT LNG EXT ASM 21&22W R	Right- 21&22 W- LONG
>>>>		60,70,80& 60,70 HEMI HANGER- LEFT	
1C,2A,3-10A	107851	CAA STRT LNG EXT ASM 15W L	Left- 15 W- LONG
1C,2B,3-10B	107852	CAA STRT LNG EXT ASM 16W L	Left- 16 W- LONG
1C,2C,3-10B	107853	CAA STRT LNG EXT ASM 17W L	Left- 17 W- LONG
1C,2D,3-10C	107854	CAA STRT LNG EXT ASM 18W L	Left- 18 W- LONG
1C,2E,3-10C	107855	CAA STRT LNG EXT ASM 19W L	Left- 19 W- LONG
1C,2F,3-10D	107856	CAA STRT LNG EXT ASM 20W L	Left- 20 W- LONG
1C,2G,3-10D	107857	CAA STRT LNG EXT ASM 21&22W L	Left- 21&22 W- LONG
>>>>		60&70 HEMI HANGERS- SHORT EXT- RIGHT	
1D,2A,3-10A	129710	CAA FOOT KIT SHT HNGR 15W R	Right-Hemi-15W; add Ext behind the Hemi
1D,2B,3-10B	129712	CAA FOOT KIT SHT HNGR 16W R	Right-Hemi-16W; add Ext behind the Hemi
1D,2C,3-10B	129714	CAA FOOT KIT SHT HNGR 17W R	Right-Hemi-17W; add Ext behind the Hemi
1D,2D,3-10C	129716	CAA FOOT KIT SHT HNGR 18W R	Right-Hemi-18W; add Ext behind the Hemi
1D,2E,3-10C	129718	CAA FOOT KIT SHT HNGR 19W R	Right-Hemi-19W; add Ext behind the Hemi
1D,2F,3-10D	129720	CAA FOOT KIT SHT HNGR 20W R	Right-Hemi-20W; add Ext behind the Hemi
1D,2G,3-10D	129722	CAA FOOT KIT SHT HNGR 22W R	Right-Hemi-21&22W; add Ext behind the Hemi
>>>>		60&70 HEMI HANGERS- SHORT EXT - LEFT	
1D,2A,3-10A	129711	CAA FOOT KIT SHT HNGR 15W L	Left-Hemi-15W; add Ext behind the Hemi
1D,2B,3-10B	129713	CAA FOOT KIT SHT HNGR 16W L	Left-Hemi-16W; add Ext behind the Hemi
1D,2C,3-10B	129715	CAA FOOT KIT SHT HNGR 17W L	Left-Hemi-17W; add Ext behind the Hemi
1D,2D,3-10C	129717	CAA FOOT KIT SHT HNGR 18W L	Left-Hemi-18W; add Ext behind the Hemi
1D,2E,3-10C	129719	CAA FOOT KIT SHT HNGR 19W L	Left-Hemi-19W; add Ext behind the Hemi
1D,2F,3-10D	129721	CAA FOOT KIT SHT HNGR 20W L	Left-Hemi-20W; add Ext behind the Hemi
1D,2G,3-10D	129723	CAA FOOT KIT SHT HNGR 22W L	Left-Hemi-21&22W; add Ext behind the Hemi
		Ship assembled part #	Use with multiple assemblies
	ASSY-HNG-FP	HANGER/FOOTPLATE ASSY REQUIRED	add with Hanger & Footplate kit

**Note:** Footplate Assemblies are set to footrest width; please see "Footplate Formula" table for seat width conversion.

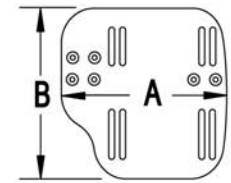
Note: If using Short Ext Tube & Hemi Hanger with Adult Angle Adjustable Footplate use 1D (straight) .

Note: V Style Hangers are not available on Swing Away Style chairs effective 7/14/14; see the "Prior To" ordering guide for V Style footplate assemblies.

Note: for QX Series or SR45 footplate replacement parts see the ordering guide marked specifically for these two models in the informations panel.

Note: if chair has High Mount Ext Tubes or if switching to High Mount Ext Tubes, see AAA Footplate w/ High Mount Extension Ordering Guide.

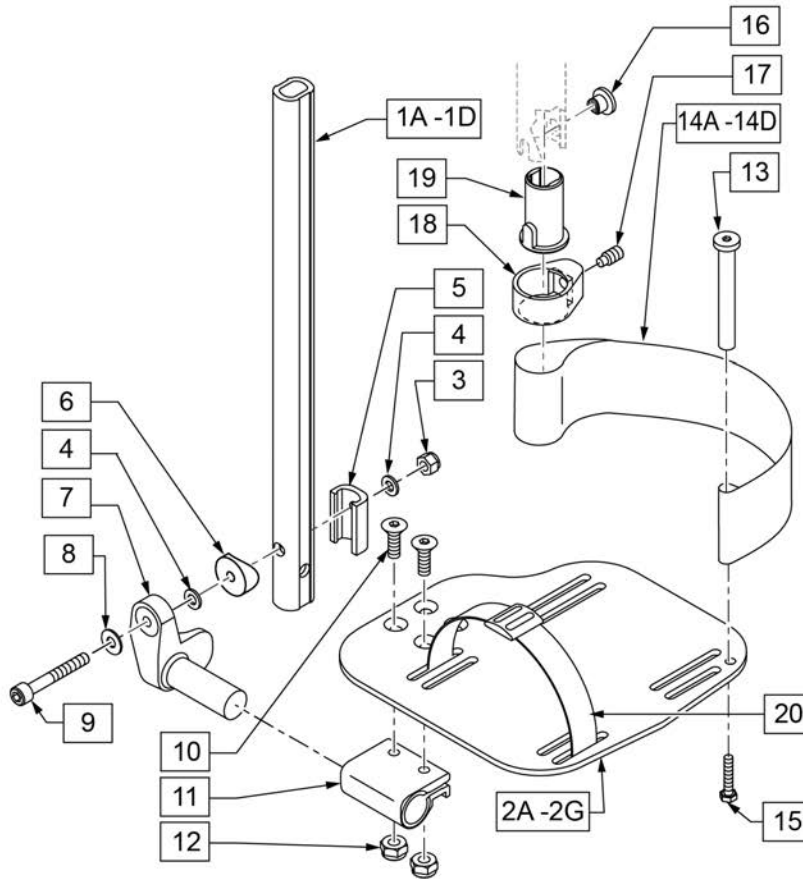
MEASURING GUIDE



CHAIR WIDTH	"A"	"B"
10" - 11"	3 1/2"	7 1/4"
12" - 13"	4 1/2"	7 3/4"
14" - 15"	5 1/2"	7 3/4"
16" - 17"	6 1/2"	7 3/4"
18" - 20"	7 1/2"	7 3/4"

To have complete Footrest ship assembled, choose compatible Hanger + Footplate part numbers and add "ASSY-HNG-FP" to order

**ADD INSET FORMULA**  
 0" Inset (Seat Width) = Footrest Width  
 1" Inset (Seat Width) -2" = Footrest Width  
 2" Inset (Seat Width) -4" = Footrest Width  
 "V" Hanger (Seat Width) -4" = Footrest Width  
 Offset Hanger Receiver (Seat Width) +2" = Footrest Width  
 Flared Frame (Seat Width) = 2" = Footrest Width



21 EXT MNT HARDWARE 1 SIDE			
ITEM #	ILLUSTRATION	DESCRIPTION	QTY
3		NUT AUTOMATION M6 X 1.0 ROHS	1
4		WASHER FLAT THIN AN 1/4	2
5		HANGER EXTENSION SADDLE	1
6		3/4" SADDLE 1" OD	1
8		WASHER FLAT SAE 1/4 ROHS	1
9		SHCS M6X1X45 12MM PART THD	1

Pos.	Item Number	Description	Remarks
1A,3-6,8,9	120670	SHT STRT EXT AAA HDWR	
1B,3-6,8,9	120671	MED STRT EXT AAA HDWR	
1C,3-6,8,9	120672	LNG STRT EXT AAA HDWR	
1D	128079	TUBE FTRST EXT STRGHT SHT HEMI	Use for Hemi Ext Tube option
2A	500656	ADULT ANG ADJ F/PLT 10/11" R	RIGHT 10-11" Footrest Width
2A	500657	ADULT ANG ADJ F/PLT 10/11" L	LEFT 10-11" Footrest Width
2B	500658	ADULT ANG ADJ F/PLT 12/13" R	RIGHT 12-13" Footrest Width
2B	500659	ADULT ANG ADJ F/PLT 12/13" L	LEFT 12-13" Footrest Width
2C	500660	ADLT ANGL ADJ F/PLT 14/15	RIGHT 14-15" Footrest Width
2C	500661	ADLT ANGL ADJ F/PLT 14/15	LEFT 14-15" Footrest Width
2D	500662	ADLT ANGL ADJ F/PLT 16/17	RIGHT 16-17" Footrest Width
2D	500663	ADLT ANGL ADJ F/PLT 16/17	LEFT 16-17" Footrest Width
2E	500664	ADLT ANGL ADJ F/PLT 18-20	RIGHT 18-22" Footrest Width
2E	500665	ADLT ANGL ADJ F/PLT 18-20	LEFT 18-22" Footrest Width
3	132626	NUT AUTOMATION M6 X 1.0	
4	106944	WASHER FLAT THIN AN 1/4 ROHS	
5	107199	HANGER EXTENSION SADDLE	
6	561055	3/4" SADDLE 1" OD	
7	541002	FTRST MOUNTING BRKT-3/8 RAD R	RIGHT

Pos.	Item Number	Description	Remarks
7	541003	FTRST MOUNTING BRKT-3/8 RAD L	LEFT
8	106945	WASHER FLAT SAE 1/4 ROHS	
9	104399	SHCS M6X1X45 12 MM PART THD	
10	106978	FHCS 1/4-28 X 7/8 ROHS	
11	550350	3/4" CLMP ADJ FT PLT	
12	106935	NUT NYLOCK THIN 1/4-28 ROHS	
13	104328	POST HEEL LOOP	
14A	104380-001	ADJUSTABLE FOOT REST STRAP	12 - 14" WIDE
14B	104380-002	ADJUSTABLE FOOT REST STRAP	15 - 16" WIDE
14C	104380-003	ADJUSTABLE FOOT REST STRAP	17 - 18" WIDE
14D	104380-004	ADJUSTABLE FOOT REST STRAP	19 - 20" WIDE
15	102268-001	HHCS M6 X 1 X 25	
16-19	107485	FOOTREST CLAMP ASSM	
20	740260	TOE-ANKLE STRAP ADJ ADULT FOOTPLATE	
21	120659	EXT MNT HARDWARE 1 SIDE	
>>>>		60,70,80 STD HANGERS - RIGHT	
1A,2B,3-14A,15	111534	AAA STRT SHT EXT ASM 12-13" W R	Right- 12-13" W- SHORT
1A,2C,3-14B,15	107928	AAA STRT SHT EXT ASM 14-15" W R	Right- 14-15" W- SHORT
1A,2D,3-14C,15	107930	AAA STRT SHT EXT ASM 16-17" W R	Right- 16-17" W- SHORT
1A,2E,3-14D,15	107932	AAA STRT SHT EXT ASM 18-22" W R	Right- 18-22" W- SHORT
>>>>		60,70,80 STD HANGERS - LEFT	
1A,2B,3-14A,15	111535	AAA STRT SHT EXT ASM 12-13" W L	Left- 12-13" W- SHORT
1A,2C,3-14B,15	107935	AAA STRT SHT EXT ASM 14" W L	Left- 14-15" W- SHORT
1A,2D,3-14C,15	107937	AAA STRT SHT EXT ASM 16" W L	Left- 16-17" W- SHORT
1A,2E,3-14D,15	107939	AAA STRT SHT EXT ASM 18" W L	Left- 18-22" W- SHORT
>>>>		60,70,80 & 60,70 HEMI HANGERS - RIGHT	
1B,2B,3-14A,15	111536	AAA STRT MED EXT ASM 12-13" W R	Right- 12-13" W- MED
1B,2C,3-14B,15	107942	AAA STRT MED EXT ASM 14-15" W R	Right- 14-15" W- MED
1B,2D,3-14C,15	107944	AAA STRT MED EXT ASM 16-17" W R	Right- 16-17" W- MED
1B,2E,3-14D,15	107946	AAA STRT MED EXT ASM 18-22" W R	Right- 18-22" W- MED
>>>>		60,70,80 & 60,70 HEMI HANGERS - LEFT	
1B,2B,3-14A,15	111537	AAA STRT MED EXT ASM 12-13" W L	Left- 12-13" W- MED
1B,2C,3-14B,15	107949	AAA STRT MED EXT ASM 14" W L	Left- 14-15" W- MED
1B,2D,3-14C,15	107951	AAA STRT MED EXT ASM 16" W L	Left- 16-17" W- MED
1B,2E,3-14D,15	107953	AAA STRT MED EXT ASM 18" W L	Left- 18-22" W- MED
>>>>		60,70,80 & 60,70 HEMI HANGERS - RIGHT	
1C,2B,3-14A,15	111538	AAA STRT LNG EXT ASM 12-13" W R	Right- 12-13" W- LONG
1C,2C,3-14B,15	107956	AAA STRT LNG EXT ASM 14 -15" W R	Right- 14-15" W- LONG
1C,2D,3-14C,15	107958	AAA STRT LNG EXT ASM 16 -17" W R	Right- 16-17" W- LONG
1C,2E,3-14D,15	107960	AAA STRT LNG EXT ASM 18 -22" W R	Right- 18-22" W- LONG
>>>>		60,70,80 & 60,70 HEMI HANGERS - LEFT	
1C,2B,3-14A,15	111539	AAA STRT LNG EXT ASM 12-13" W L	Left- 12-13" W- LONG
1C,2C,3-14B,15	107963	AAA STRT LNG EXT ASM 14W L	Left- 14-15" W- LONG
1C,2D,3-14C,15	107965	AAA STRT LNG EXT ASM 16W L	Left- 16-17" W- LONG
1C,2E,3-14D,15	107968	AAA STRT LNG EXT ASM 18W L	Left- 18-22" W- LONG
>>>>		60&70 HEMI HANGERS - SHORT EXT - RIGHT	
1D,2B,3-14A,15	129756	AAA FOOT KIT SHT HNGR 12W R	Right- 12-13" W- SHORT; add Ext behind the Hemi
1D,2C,3-14B,15	129758	AAA FOOT KIT SHT HNGR 14W R	Right- 14-15" W- SHORT; add Ext behind the Hemi
1D,2D,3-14C,15	129760	AAA FOOT KIT SHT HNGR 16W R	Right- 16-17" W- SHORT; add Ext behind the Hemi
1D,2E,3-14D,15	129762	AAA FOOT KIT SHT HNGR 18W R	Right- 18-22" W- SHORT; add Ext behind the Hemi
>>>>		60&70 HEMI HANGERS - SHORT EXT -LEFT	
1D,2B,3-14A,15	129757	AAA FOOT KIT SHT HNGR 12W L	Left- 12-13" W-SHORT; add Ext behind the Hemi
1D,2C,3-14B,15	129759	AAA FOOT KIT SHT HNGR 14W L	Left- 14-15" W- SHORT; add Ext behind the Hemi
1D,2D,3-14C,15	129761	AAA FOOT KIT SHT HNGR 16W L	Left- 16-17" W- SHORT; add Ext behind the Hemi
1D,2E,3-14D,15	129763	AAA FOOT KIT SHT HNGR 18W L	Left- 18-22" W- SHORT; add Ext behind the Hemi
		Ship assembled part #	Use with multiple assemblies

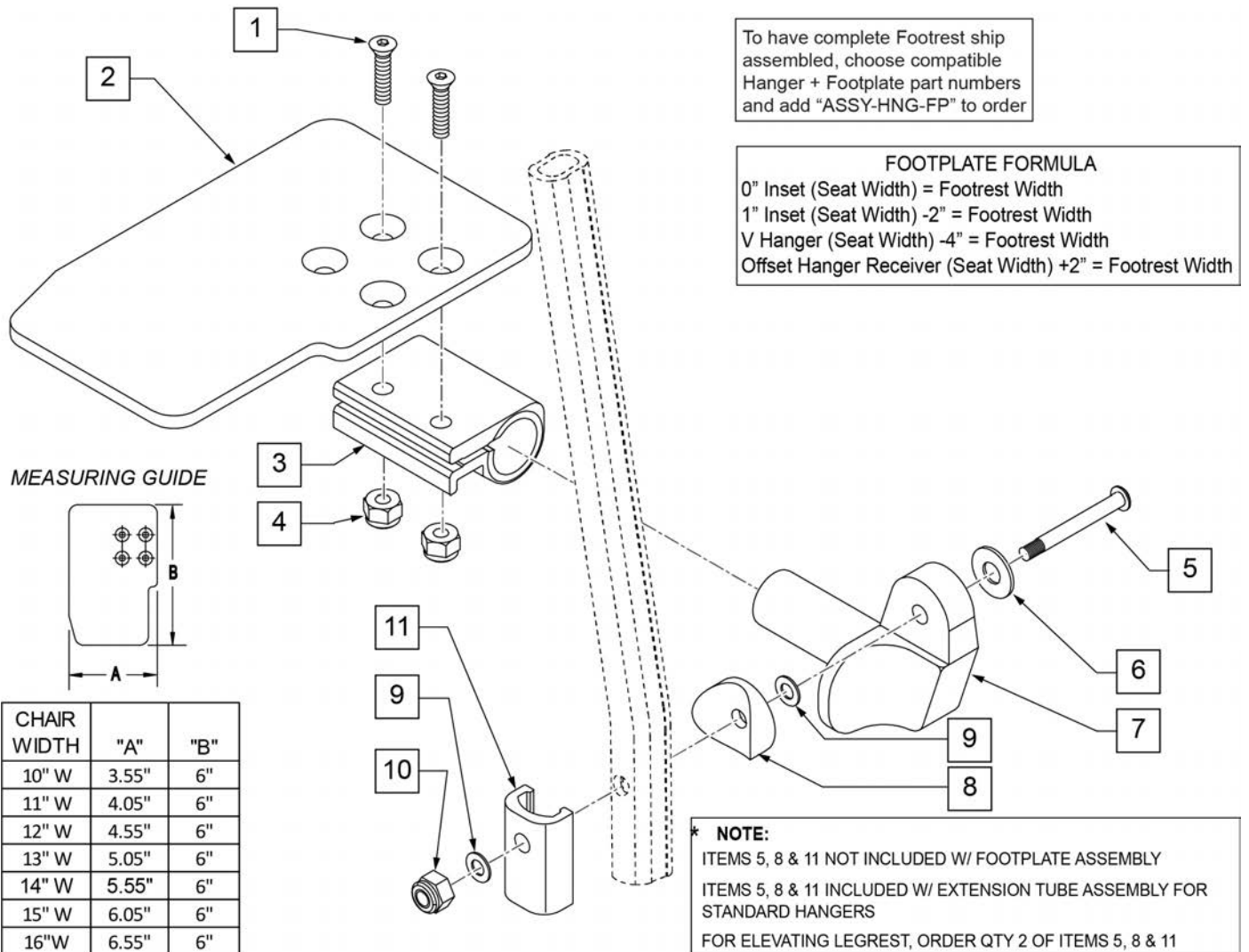
<b>Pos.</b>	<b>Item Number</b>	<b>Description</b>	<b>Remarks</b>
	ASSY-HNG-FP	HANGER/FOOTPLATE ASSY REQUIRED	add with Hanger & Footplate kit

**Note:** Footplate Assemblies are set to footrest width; please see "Footplate Formula" table for seat width conversion.

Note: V Style Hangers are not available on Swing Away Style chairs effective 7/14/14; see the "Prior To" ordering guide for V Style footplate assemblies.

**Note:** Zippie Iris (ZRS&ZRSE) and Zippie TS (Z1A&Z1SE) only use Straight Extension Tube.

Note: if chair has High Mount Ext Tubes or if switching to High Mount Ext Tubes, see KAA Footplate w/ High Mount Extension Ordering Guide.

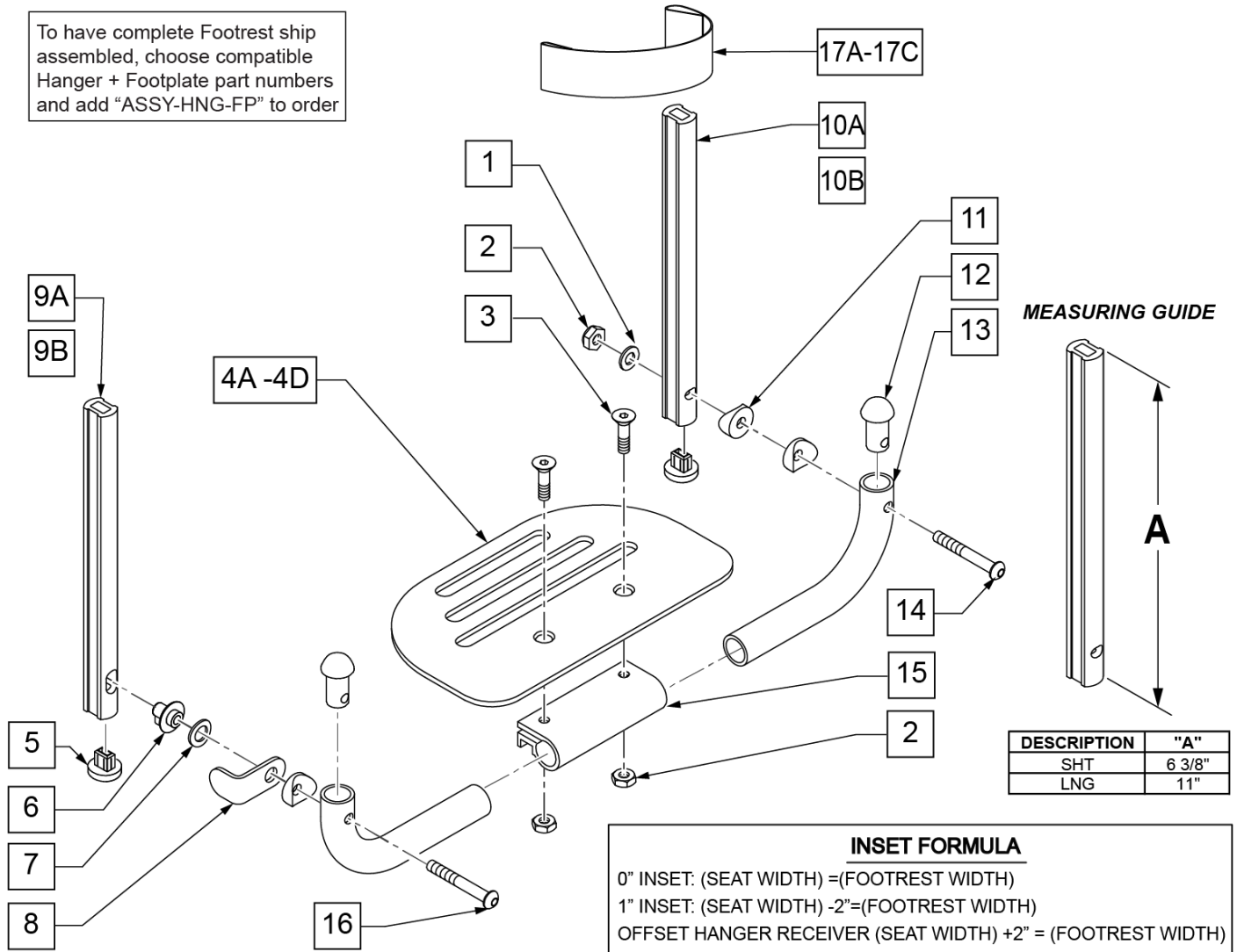


Pos.	Item Number	Description	Remarks
1	106978	FHCS 1/4 -28 x 7/8 ROHS	



Pos.	Item Number	Description	Remarks
2	500635	KIDS ANGL ADJ F/PLT 10" R	Right
2	500636	KIDS ANGL ADJ F/PLT 10" L	Left
2	500637	KIDS ANGL ADJ F/PLT 11" R	Right
2	500638	KIDS ANGL ADJ F/PLT 11" L	Left
2	500639	KIDS ANGL ADJ F/PLT 12" R	Right
2	500640	KIDS ANGL ADJ F/PLT 12" L	Left
2	500641	KIDS ANGL ADJ F/PLT 13" R	Right
2	500642	KIDS ANGL ADJ F/PLT 13" L	Left
2	500643	KIDS ANGL ADJ F/PLT 14" R	Right
2	500644	KIDS ANGL ADJ F/PLT 14" L	Left
2	500645	KIDS ANGL ADJ F/PLT 15" R	Right
2	500646	KIDS ANGL ADJ F/PLT 15" L	Left
2	500647	KIDS ANGL ADJ F/PLT 16" R	Right
2	500648	KIDS ANGL ADJ F/PLT 16" L	Left
3	550350	3/4" CLAMP ADJ FOOTPLATE	
4	106935	NUT NYLOCK THIN 1/4 -28 ROHS	
5	106962	1/4-28 x 1 3/4 BH C/S BLK ZN (D2 EXTENSION TUBES)	
5	226167	1/4-28 x 1.625 BH C/S BLK (ROUND EXTENSION TUBES)	
6	106945	1/4 SAE WASHER	
7	541002	FTRST MOUNTING BRKT-3/8 RAD R	
7	541003	FTRST MOUNTING BRKT-3/8 RAD L	
8	561055	3/4" SADDLE 1" OD	
9	106944	WASHER FLAT THIN AN 1/4 ROHS	
10	106941	NUT AUTOMATION 1/4 -28 ROHS	
11	483720	HANGER EXTENSION SADDLE LONG	Use with Double D Ext Tube
1-4,6,7,9,10	828850	KIDS ANG ADJ F/PLT EXT-MNT 10"R	Right
1-4,6,7,9,10	828851	KIDS ANG ADJ F/PLT EXT-MNT 10"L	Left
1-4,6,7,9,10	828852	KIDS ANG ADJ F/PLT EXT-MNT 11"R	Right
1-4,6,7,9,10	828853	KIDS ANG ADJ F/PLT EXT-MNT 11"L	Left
1-4,6,7,9,10	828854	KIDS ANG ADJ F/PLT EXT-MNT 12"R	Right
1-4,6,7,9,10	828855	KIDS ANG ADJ F/PLT EXT-MNT 12"L	Left
1-4,6,7,9,10	828856	KIDS ANG ADJ F/PLT EXT-MNT 13"R	Right
1-4,6,7,9,10	828857	KIDS ANG ADJ F/PLT EXT-MNT 13"L	Left
1-4,6,7,9,10	828858	KIDS ANG ADJ F/PLT EXT-MNT 14"R	Right
1-4,6,7,9,10	828859	KIDS ANG ADJ F/PLT EXT-MNT 14"L	Left
1-4,6,7,9,10	828860	KIDS ANG ADJ F/PLT EXT-MNT 15"R	Right
1-4,6,7,9,10	828861	KIDS ANG ADJ F/PLT EXT-MNT 15"L	Left
1-4,6,7,9,10	828862	KIDS ANG ADJ F/PLT EXT-MNT 16"R	Right
1-4,6,7,9,10	828863	KIDS ANG ADJ F/PLT EXT-MNT 16"L	Left
1-4,6,7,9,10	921280	KIDS ANG ADJ F/PLT EXT-MNT 10"	Pair
1-4,6,7,9,10	921281	KIDS ANG ADJ F/PLT EXT-MNT 11"	Pair
1-4,6,7,9,10	921282	KIDS ANG ADJ F/PLT EXT-MNT 12"	Pair
1-4,6,7,9,10	921283	KIDS ANG ADJ F/PLT EXT-MNT 13"	Pair
1-4,6,7,9,10	921284	KIDS ANG ADJ F/PLT EXT-MNT 14"	Pair
1-4,6,7,9,10	921285	KIDS ANG ADJ F/PLT EXT-MNT 15"	Pair
1-4,6,7,9,10	921286	KIDS ANG ADJ F/PLT EXT-MNT 16"	Pair
		Ship assembled part #	Use with multiple assemblies
	ASSY-HNG-FP	HANGER/FOOTPLATE ASSY REQUIRED	add with Hanger & Footplate kit

To have complete Footrest ship assembled, choose compatible Hanger + Footplate part numbers and add "ASSY-HNG-FP" to order



**INSET FORMULA**

0" INSET: (SEAT WIDTH) =(FOOTREST WIDTH)  
 1" INSET: (SEAT WIDTH) -2"=(FOOTREST WIDTH)  
 OFFSET HANGER RECEIVER (SEAT WIDTH) +2" = (FOOTREST WIDTH)

Pos.	Item Number	Description	Remarks
1	106944	WASHER FLAT THIN AN 1/4 ROHS	
2	106941	NUT AUTOMATION 1/4-28 ROHS	
3	106978	FHCS 1/4-28 X 7/8 ROHS	
4A	500651	PLATFORM F/PLT 8 x 5 1/2"	12 -14" Footrest Width
4B	500652	PLATFORM F/PLT 10" x 5 1/2"	15 -17" Footrest Width
4C	500653	PLATFORM F/PLT 12" x 5 1/2"	18 -20" Footrest Width
4D	500654	PLATFORM F/PLT 14" x 5 1/2"	21 -22" Footrest Width
5	113221	PLUG DOUBLE D EXT TUBE	
6	540410	F/UP FOOTREST KEY STUD D2	
7	107385	WASHER CURVED 3/8 ROHS	
8	505078	FOOTREST RETAINING BRACKET	
9A	106875	EXT TBE F/UP KEY SHT	Short -Latch Side
9B	106876	EXT TBE F/UP KEY LNG	Long -Latch Side
10A	106873	EXT TBE F/UP SLT SHT	Short -Pivot Side
10B	106874	EXT TBE F/UP SLT LNG	Long -Pivot Side
11	561003	3/4" SADDLE THIN	
12	561034	SHORT DOME PLUG	

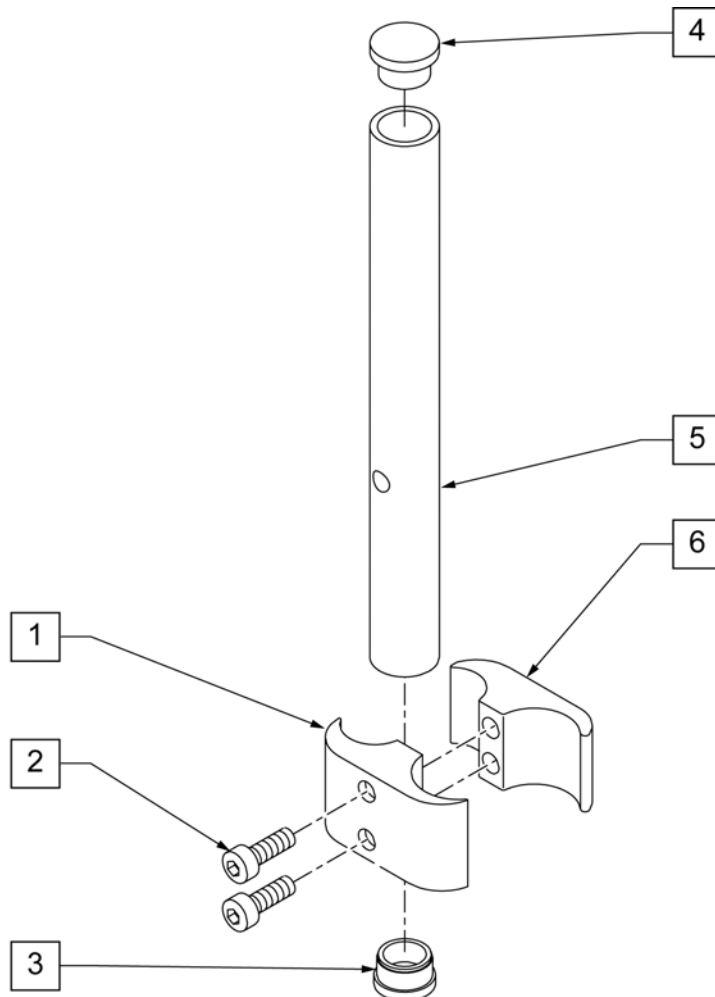
Pos.	Item Number	Description	Remarks
14	106964	BHCS 1/4-28 X 2 ROHS	
15	550351	PLATFORM FOOTPLATE CLAMP	
16	107027	BHCS 1/4-28 X 1-1/4 SHLDR ROHS	
17A	740130	LEG STRAP 10"-14" BLK	12-14" Footrest Width
17B	740131	LEG STRAP 15"-17" BLK	15-17" Footrest Width
17C	740132	LEG STRAP 18"-20" BLK	18-20" Footrest Width
1-4A,6-8,11-16	900306	PLTFM F/P PLT BLK 12" D2 W/ INSTR	12" Footrest Width
1-4A,6-8,11-16	900307	PLTFM F/P PLT BLK 13" D2 W/ INSTR	13" Footrest Width
1-4A,6-8,11-16	900308	PLTFM F/P PLT BLK 14" D2 W /INSTR	14" Footrest Width
1-4B,6-8,11-16	900309	PLTFM F/P PLT BLK 15" D2 W /INSTR	15" Footrest Width
1-4B,6-8,11-16	900310	PLTFM F/P PLT BLK 16" D2 W /INSTR	16" Footrest Width
1-4B,6-8,11-16	900311	PLTFM F/P PLT BLK 17" D2 W /INSTR	17" Footrest Width
1-4C,6-8,11-16	900312	PLTFM F/P PLT BLK 18" D2 W /INSTR	18" Footrest Width
1-4C,6-8,11-16	900313	PLTFM F/P PLT BLK 19" D2 W /INSTR	19" Footrest Width
1-4C,6-8,11-16	900314	PLTFM F/P PLT BLK 20" D2 W/ INSTR	20" Footrest Width
1-4D,6-8,11-16	900315	PLTFM F/P PLT BLK 21" D2 W/ INSTR	21" Footrest Width
1-4D,6-8,11-16	900316	PLTFM F/P PLT BLK 22" D2 W/ INSTR	22" Footrest Width
		SHORT EXT ASSEMBLIES	
1-3,4A,5-8,9A,10B,11-16,17A	108043	PLTFRM FLIP FTRST SHT 12W	12" wide (Short)
1-3,4A,5-8,9A,10B,11-16,17A	108044	PLTFRM FLIP FTRST SHT 13W	13" wide (Short)
1-3,4A,5-8,9A,10B,11-16,17A	108045	PLTFRM FLIP FTRST SHT 14W	14" wide (Short)
1-3,4B,5-8,9A,10B,11-16,17B	108046	PLTFRM FLIP FTRST SHT 15W	15" wide (Short)
1-3,4B,5-8,9A,10B,11-16,17B	108047	PLTFRM FLIP FTRST SHT 16W	16" wide (Short)
1-3,4B,5-8,9A,10B,11-16,17B	108048	PLTFRM FLIP FTRST SHT 17W	17" wide (Short)
1-3,4C,5-8,9A,10B,11-16,17C	108049	PLTFRM FLIP FTRST SHT 18W	18" wide (Short)
1-3,4C,5-8,9A,10B,11-16,17C	108051	PLTFRM FLIP FTRST SHT 19W	19" wide (Short)
1-3,4C,5-8,9A,10B,11-16,17C	108052	PLTFRM FLIP FTRST SHT 20W	20" wide (Short)
1-3,4D,5-8,9A,10B,11-16,17C	111554	PLTFRM FLIP FTRST SHT 21W	21" wide (Short)
1-3,4D,5-8,9A,10B,11-16,17C	111555	PLTFRM FLIP FTRST SHT 22W	22" wide (Short)
		LONG EXT ASSEMBLIES	
1-3,4A,5-8,9B,10A,11-16,17A	108053	PLTFRM FLIP FTRST LONG 12W	12" wide (Long)
1-3,4A,5-8,9B,10A,11-16,17A	108054	PLTFRM FLIP FTRST LONG 13W	13" wide (Long)
1-3,4A,5-8,9B,10A,11-16,17A	108055	PLTFRM FLIP FTRST LONG 14W	14" wide (Long)
1-3,4B,5-8,9B,10A,11-16,17B	108056	PLTFRM FLIP FTRST LONG 15W	15" wide (Long)
1-3,4B,5-8,9B,10A,11-16,17B	108057	PLTFRM FLIP FTRST LONG 16W	16" wide (Long)
1-3,4B,5-8,9B,10A,11-16,17B	108058	PLTFRM FLIP FTRST LONG 17W	17" wide (Long)
1-3,4C,5-8,9B,10A,11-16,17C	108059	PLTFRM FLIP FTRST LONG 18W	18" wide (Long)
1-3,4C,5-8,9B,10A,11-16,17C	108060	PLTFRM FLIP FTRST LONG 19W	19" wide (Long)
1-3,4C,5-8,9B,10A,11-16,17C	108061	PLTFRM FLIP FTRST LONG 20W	20" wide (Long)
1-3,4D,5-8,9B,10A,11-16,17C	111556	PLTFRM FLIP FTRST LONG 21W	21" wide (Long)
1-3,4D,5-8,9B,10A,11-16,17C	111557	PLTFRM FLIP FTRST LONG 22W	22" wide (Long)
		Ship assembled part #	Use with multiple assemblies
	ASSY-HNG-FP	HANGER/FOOTPLATE ASSY REQUIRED	add with Hanger & Footplate kit

**NOTE:** only available with Adult Angle Adjustable (AAA) or Kids Angle Adjustable (KAA) Footplates.

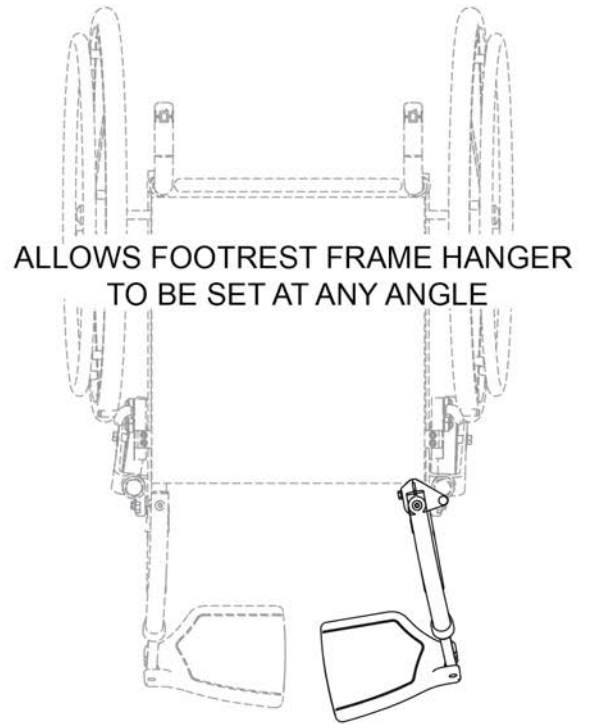
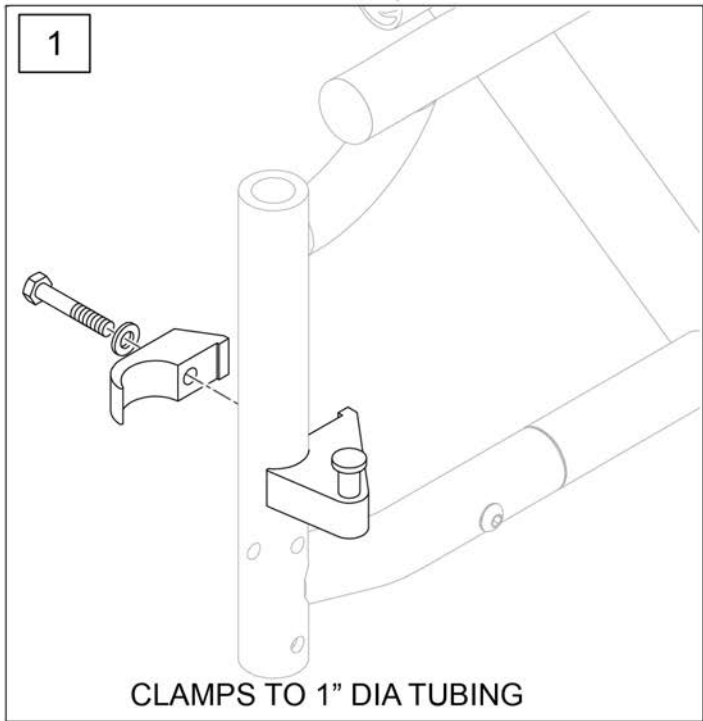
**NOTE:** if retrofitting to an existing chair with Front Mount Hangers, new Adult Angle Adjustable (AAA) or Kids Angle Adjustable (KAA) Footplates with High Mount Extension Tubes are required. See Footplate Ordering Guide.

**NOTE:** if retrofitting to an existing chair with extension tube mounted hangers (D2 extension tubes) with Adult Angle Adjustable (AAA) or Kids Angle Adjustable (KAA) Footplates, order 2 each of 226167 and 561055 to mount the footplates onto the round high-mount extension tubes.

**NOTE:** if retrofitting on a chair with extension tube mounted hangers with Composite, Composite Angle Adjustable, Foam, Locking Angle Adjustable, Platform Flip-Up, or Platform Flip-Up Locking Footplates, then new Adult Angle Adjustable (AAA) or Kids Angle Adjustable (KAA) Footplates with High Mount Extension Tubes are required. See Footplate Ordering Guide.

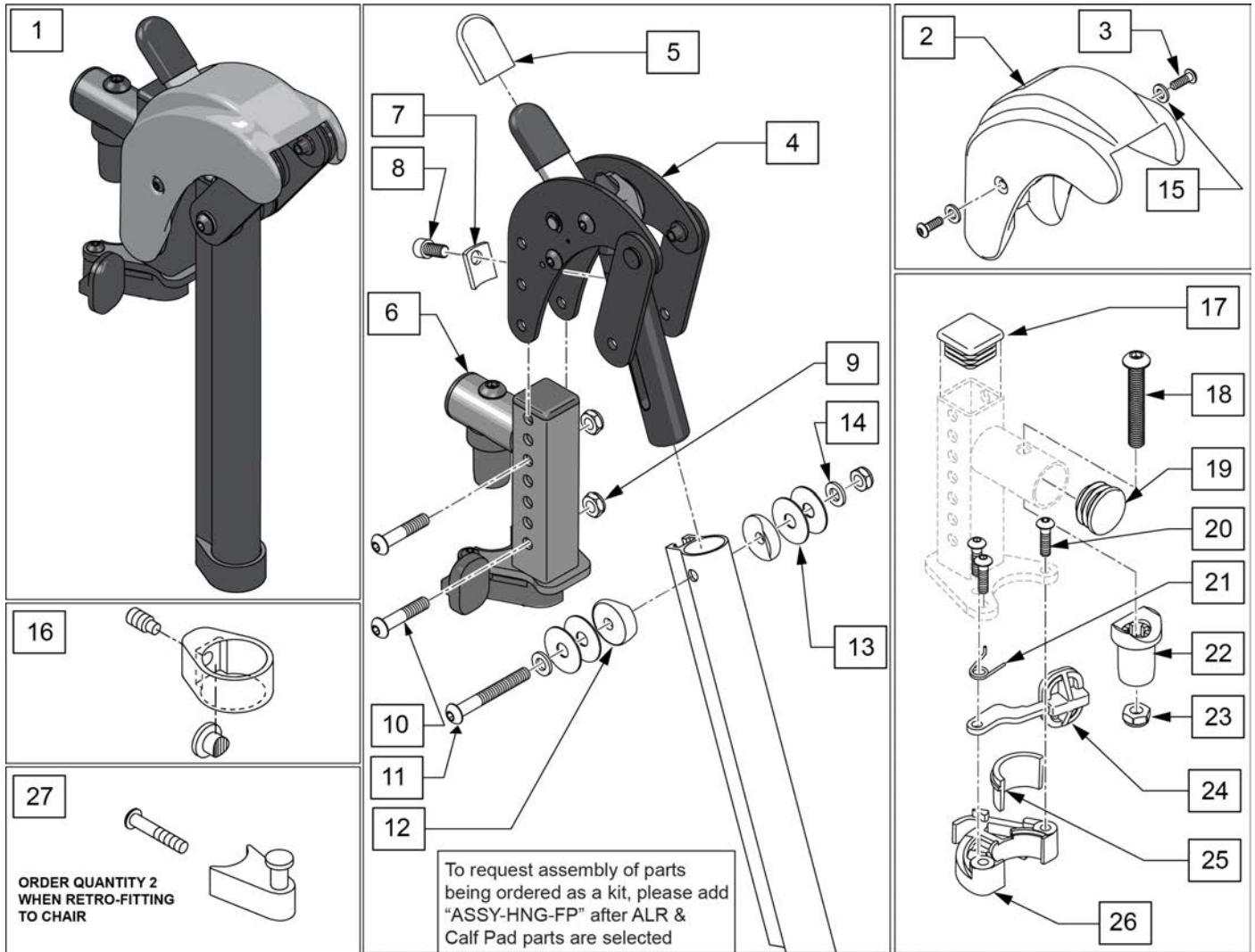


Pos.	Item Number	Description	Remarks
1	550657	CLAMP 1 1/4" RECESS FULL BLK	
2	107032	SHCS 1/4-28 X 1 ROHS	
3	561000-QU	3/4" INSERT PLUG .083	
4	482016	HIGH-MOUNT FL FT TUBE PLUG	
5	524100	H/M FL FT EXT TUBE BLK	
6	550658	CLAMP 1 1/4" THREADED BLK	
1,2,6	880538	HI-MOUNT FR CLAMP ASSEMBLY BLK	
1-6	921550S	H/M FL FT CLAMPS AND TUBES (PR)	Pair



Pos.	Item Number	Description	Remarks
1	112807	LATCH STUD SUPPORT R MULTIPOS	Single
1	112808	LATCH STUD SUPPORT L MULTIPOS	Single
1	112809	LATCH STUD SUPPORT PR MULTIPOS	Pair

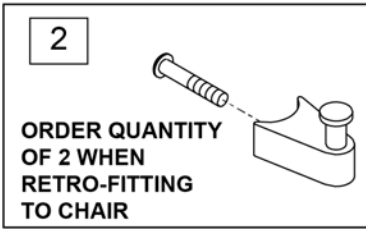
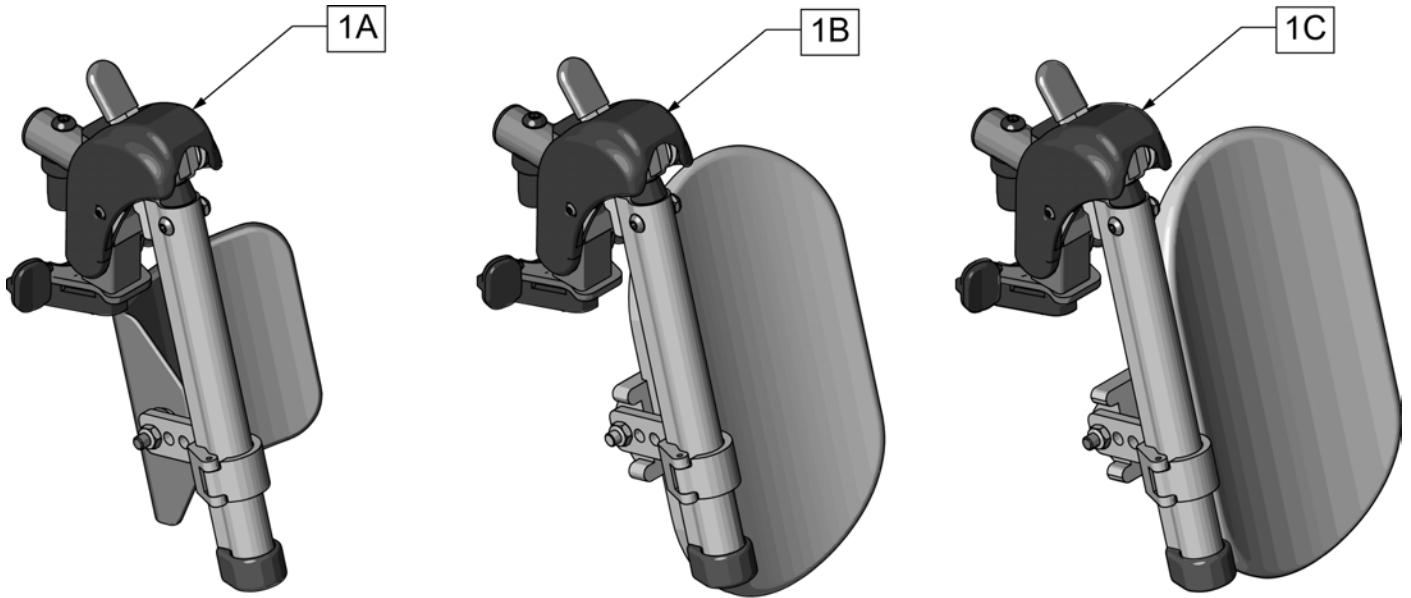
Note: When retrofitting ALR to a chair with S/A Hangers please order Qty 2 of p/n 107491 (Item 27).



Pos.	Item Number	Description	Remarks
1	129631S	ALR KIT R	Right-order item 27 when retro-fitting to chair
1	129632S	ALR KIT L	Left-order item 27 when retro-fitting to chair
1	129630S	ALR PAIR KIT	Pair-order item 27 when retro-fitting to chair
2,3,15	129633	ALR SHROUD KIT	1 side
3	127135	BHCS 8-32 X 1/2 BLK	
4	127153	HEMI ALR SUB ASSM	
5	560501	ALR REL LEVER COVER	
6	127114	HEMI RECEIVER ASSM ELR ALR R	Right
6	127115	HEMI RECEIVER ASSM ELR ALR L	Left
7	127129	ANGLE STOP ELR	
8	107350	SHCS 1/4-28 x 1/2	
9	106935	1/4-28 NYLOCK NUT THIN BLK ZN	
10	108623	BHCS 1/4-28 x 1-1/2	
11	106964	BHCS 1/4-28 X 2	

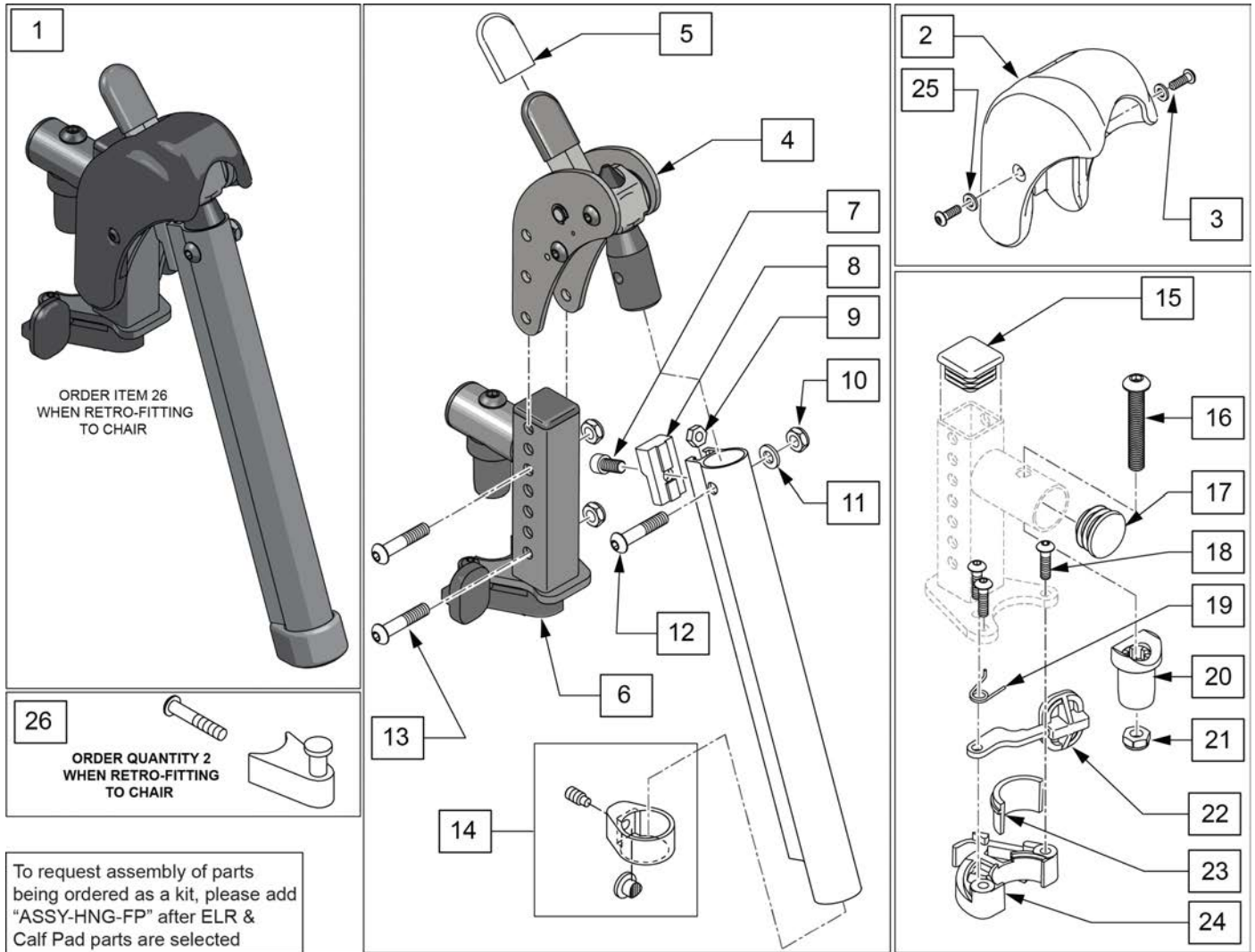
Pos.	Item Number	Description	Remarks
12	561086	1" HALF SADDLE 1/4" HOLE	
13	113268	WASHER NYLON 1IN OD X .312 ID	
14	106943	WASHER FLAT AN 1/4 ROHS	
15	113282	WASHER FLAT AN #10 ROHS	
16	119495	EXTENSION CLAMP KIT	
17	010615	SQUARE END CAP CNTR LEG	
18	226217	5/16-18 X 2" BH C/S BLK	
19	561062	1" INSERT PLUG .065 RIBS	
20	226057	BHCS 10-24 X .725 PL	
22	561197	PLASTIC PIVOT SADDLE	
23	202102	5/16-18 NYLOCK NUT THIN	
25,26	881500	LATCH BLOCK ASSM R	Right
25,26	881501	LATCH BLOCK ASSM L	Left
20,21,24-26	881521	S/A LATCH KIT CASTING RIGHT	Right
20,21,24-26	881522	S/A LATCH KIT CASTING LEFT	Left
27	107491	LATCH STUD KIT	order qty 2 when retro-fitting to chair
		Ship assembled part #	Use with multiple assemblies
	ASSY-HNG-FP	HANGER/FOOTPLATE ASSY REQUIRED	add with Hanger & Footplate kit





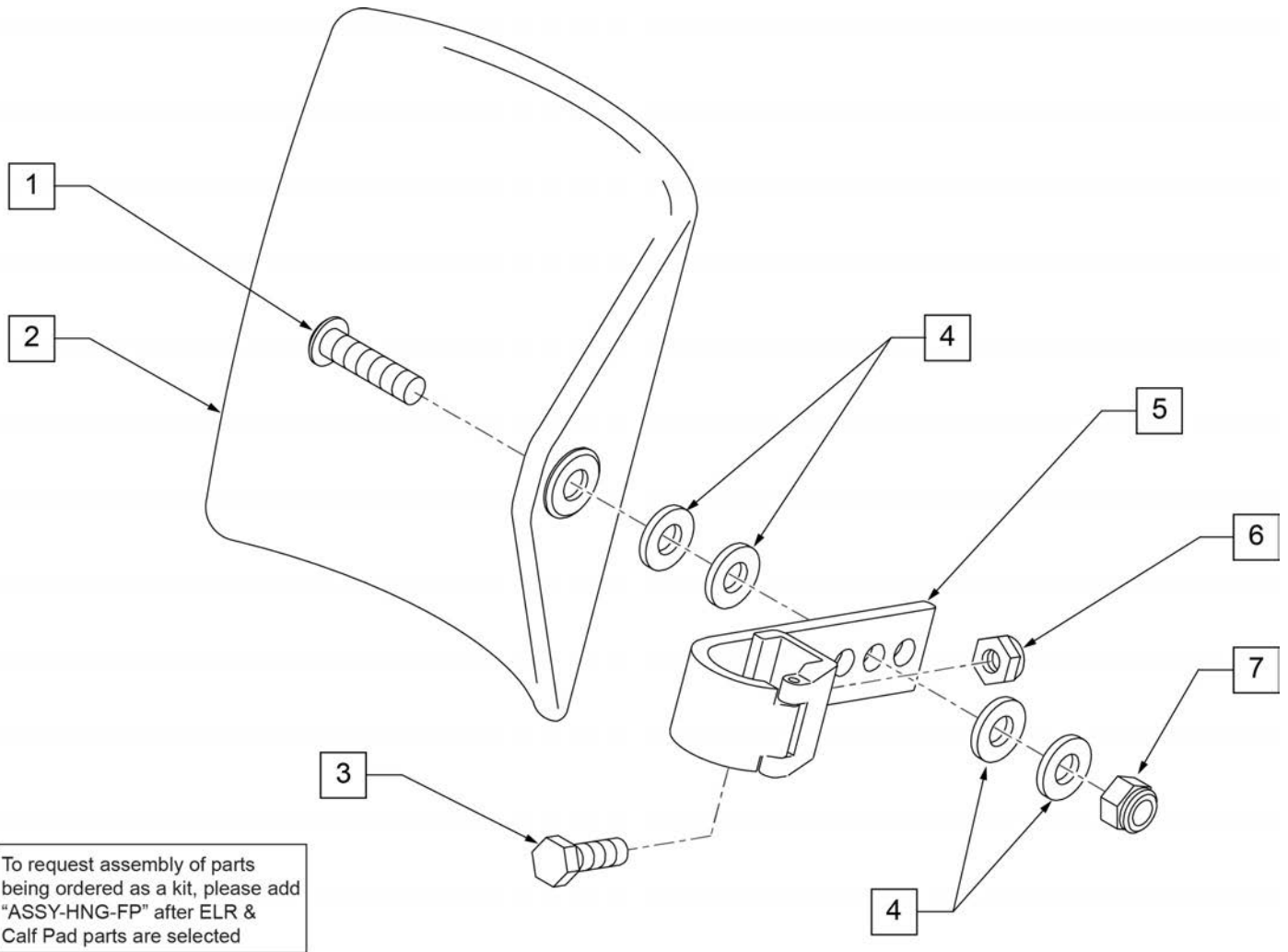
Pos.	Item Number	Description	Remarks
1A	131774S	HEMI ELR HNGR ASM 14-15 W/PAD	
1B	131775S	HEMI ELR HNGR ASM 16-17 W/PAD	
1C	131776S	HEMI ELR HNGR ASM 18-20 W/PAD	
2	107491	LATCH STUD KIT	order qty 2 when retro-fitting to chair
		Ship assembled part #	Use with multiple assemblies
	ASSY-HNG-FP	HANGER/FOOTPLATE ASSY REQUIRED	add with Hanger & Footplate kit

Note: When retrofitting existing chair with S/A Legrests please order Qty 2 of p/n 107491.(Item 26)

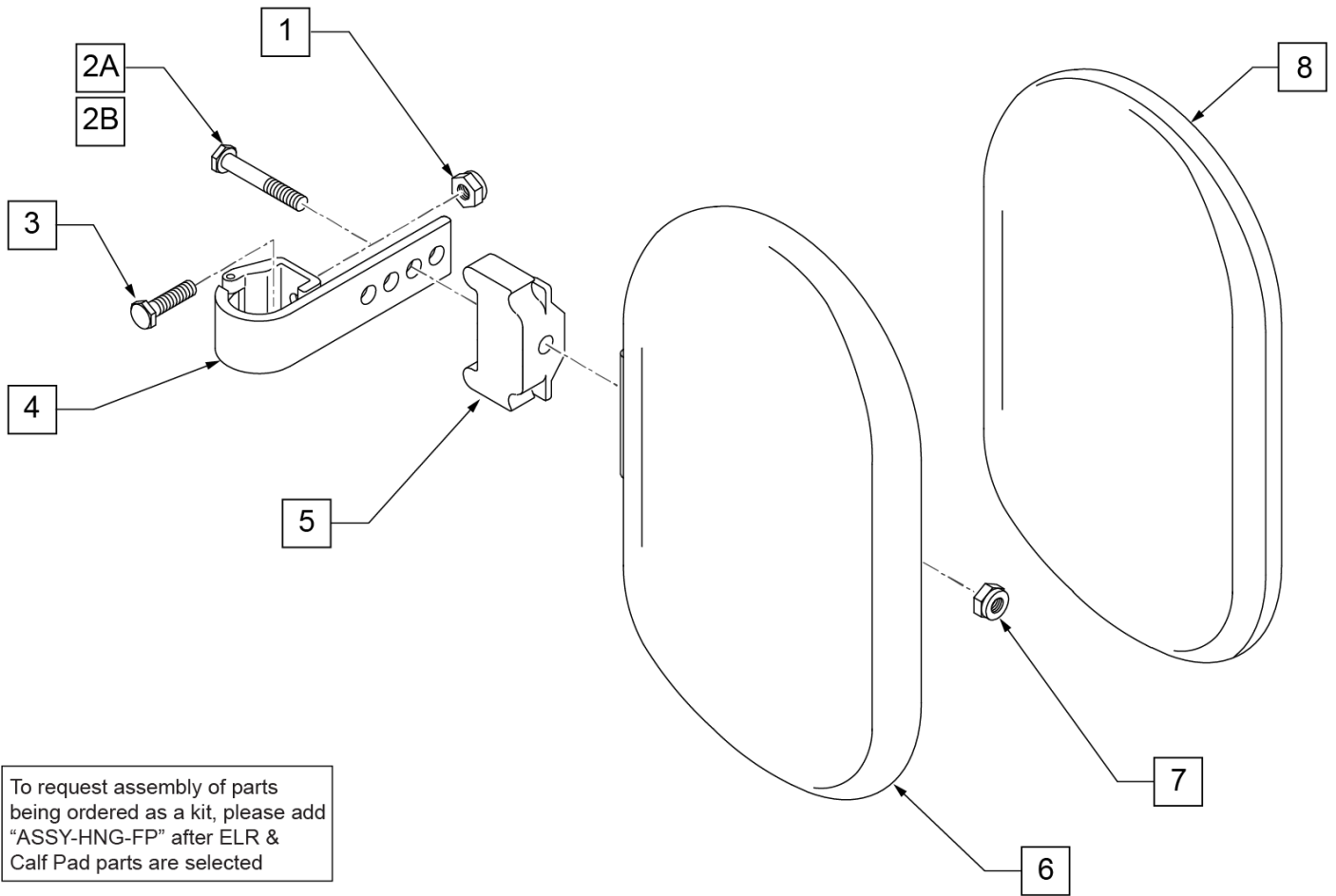


Pos.	Item Number	Description	Remarks
1	129638S	EXTENSION MOUNT ELR KIT R	Right-order item 26 when retro-fitting to chair
1	129639S	EXTENSION MOUNT ELR KIT L	Left-order item 26 when retro-fitting to chair
1	129637S	EXTENSION MOUNT ELR PAIR KIT	Pair-order item 26 when retro-fitting to chair
2,3,25	129640	ELR SHROUD KIT	Kit w/ 2 screws
3	127135	BHCS 8-32 X 1/2 BLK	
4	126992	HEMI ELR SUB ASSM	
5	560501	ALR REL LEVER COVER	
6	127114	HEMI RECEIVER ASSM ELR ALR R	Right
6	127115	HEMI RECEIVER ASSM ELR ALR L	Left
7	107350	SHCS 1/4-28 x 1/2	
8	127129	ANGLE STOP ELR	
9	107249	NUT HEX THIN 1/4-28	
10	106935	1/4-28 NYLOCK NUT THIN BLK ZN	
11	104414	WAVE WASHER 6 MM	

Pos.	Item Number	Description	Remarks
12	106961	BHCS 1/4 -28 x 1 1/4 ROHS	
13	108623	BHCS 1/4-28 x 1-1/2	
14	119495	EXTENSION CLAMP KIT	
15	010615	SQUARE END CAP CNTR LEG	
16	226217	5/16-18 X 2" BH C/S BLK	
17	561062	1" INSERT PLUG .065 RIBS	
18	226057	BHCS 10-24 X .725 PL	
20	561197	PLASTIC PIVOT SADDLE	
21	202102	5/16-18 NYLOCK NUT THIN	
23,24	881500	LATCH BLOCK ASSM R	Right
23,24	881501	LATCH BLOCK ASSM L	Left
25	113282	WASHER FLAT AN #10 ROHS	
18,19,22-24	881521	S/A LATCH KIT CASTING RIGHT	Right
18,19,22-24	881522	S/A LATCH KIT CASTING LEFT	Left
26	107491	LATCH STUD KIT	order qty 2 when retro-fitting to chair
		Ship assembled part #	Use with multiple assemblies
	ASSY-HNG-FP	HANGER/FOOTPLATE ASSY REQUIRED	add with Hanger & Footplate kit



Pos.	Item Number	Description	Remarks
1	106980	BHCS 5/16-18 X 1-1/4 ROHS	
2	755014	CALF PAD TROUGH STYLE 14"/16"	
3	221097	1/4-28 X 5/8 HEX C/S BZ	
4	561016	1" WASHER 5/16" HOLE	
5	881413	CALF PAD BRACKET ASSEMBLY	
6	106934	NUT NYLOCK 1/4-28 ROHS	
7	106937	NUT NYLOCK THIN 5/16-18	
1-7	881414	CALF PAD J-HOOK 14"-15" ASSEMBLY	
		Ship assembled part #	Use with multiple assemblies
	ASSY-HNG-FP	HANGER/FOOTPLATE ASSY REQUIRED	add with Hanger & Footplate kit

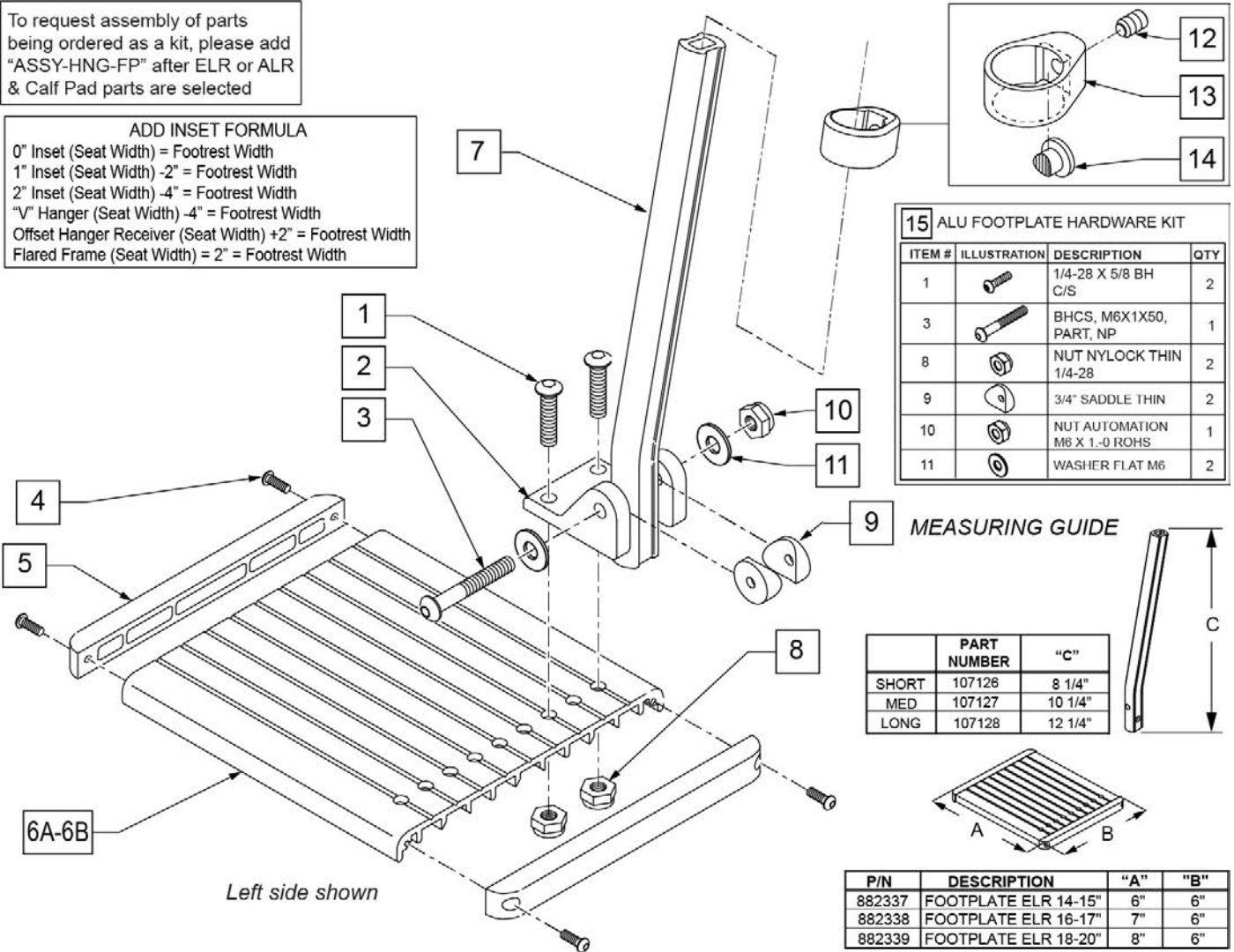


To request assembly of parts being ordered as a kit, please add "ASSY-HNG-FP" after ELR & Calf Pad parts are selected

Pos.	Item Number	Description	Remarks
1	106934	NUT NYLOCK 1/4-28 ROHS	
2A	107018	HHCS 5/16-18 X 2-1/2 ROHS	16"-17" wide only
2B	107019	HHCS 5/16-18 X 3-1/2 ROHS	18"-20" wide only
3	107013	HHCS 1/4-28 X 5/8 ROHS	
4	881413	CALF PAD BRACKET ASSEMBLY	
5	560199	ELR CALF HINGE SPACER	18"-20" wide only
6	560108	CALF PAD MOLDED 16"-20"	
7	106936	NUT NYLOCK 5/16-18 ROHS	
8	751045	CALF PAD COVER	
1,2A,3,4,6-8	881416	CALF MOLDED 16"-17" ASSEMBLY	
1,2B,3-7,8	881412	CALF PAD MOLDED 18"-20" ASSEMBLY	
		Ship assembled part #	Use with multiple assemblies
	ASSY-HNG-FP	HANGER/FOOTPLATE ASSY REQUIRED	add with Hanger & Footplate kit

To request assembly of parts being ordered as a kit, please add "ASSY-HNG-FP" after ELR or ALR & Calf Pad parts are selected

**ADD INSET FORMULA**  
 0" Inset (Seat Width) = Footrest Width  
 1" Inset (Seat Width) -2" = Footrest Width  
 2" Inset (Seat Width) -4" = Footrest Width  
 "V" Hanger (Seat Width) -4" = Footrest Width  
 Offset Hanger Receiver (Seat Width) +2" = Footrest Width  
 Flared Frame (Seat Width) = 2" = Footrest Width



**15 ALU FOOTPLATE HARDWARE KIT**

ITEM #	ILLUSTRATION	DESCRIPTION	QTY
1		1/4-28 X 5/8 BH C/S	2
3		BHCS, M6X1X50, PART, NP	1
8		NUT NYLOCK THIN 1/4-28	2
9		3/4" SADDLE THIN	2
10		NUT AUTOMATION M6 X 1-0 ROHS	1
11		WASHER FLAT M6	2

**9 MEASURING GUIDE**

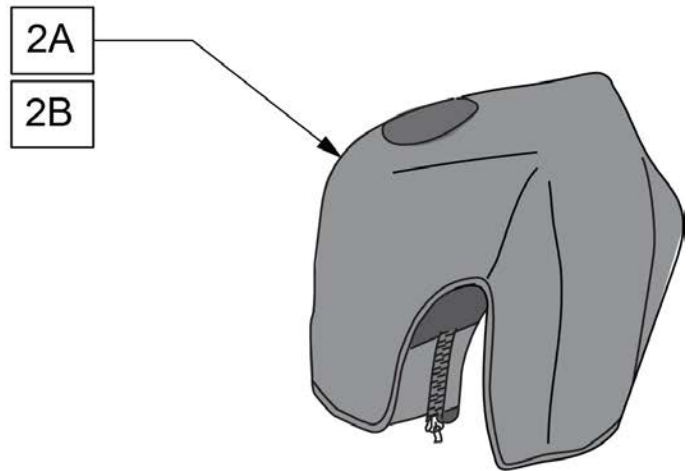
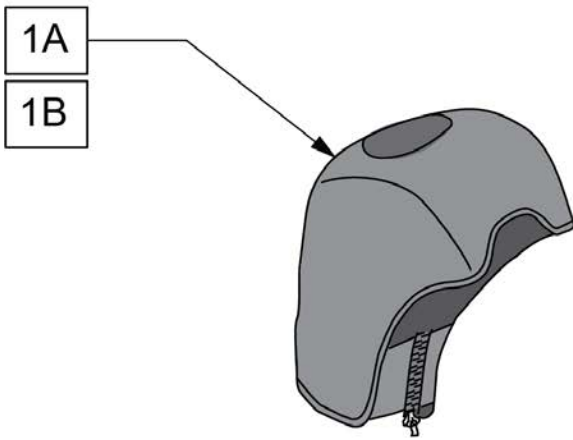
	PART NUMBER	"C"
SHORT	107126	8 1/4"
MED	107127	10 1/4"
LONG	107128	12 1/4"

P/N	DESCRIPTION	"A"	"B"
882337	FOOTPLATE ELR 14-15"	6"	6"
882338	FOOTPLATE ELR 16-17"	7"	6"
882339	FOOTPLATE ELR 18-20"	8"	6"

Pos.	Item Number	Description	Remarks
1	226090	1/4-28 x 5/8 BH C/S	
2	118093	BRACKET FOOTPLATE ALUM	
3	102262-008	BHCS M6 X 1 X 50 INORGANIC	
4	281043	#4 x 5/8 PAN PHIL S/TAP	
5	560101	END CAPS FOOTREST	
7	107126	SHORT BENT	
7	107127	MED BENT	
7	107128	LONG BENT	
7	128078	TUBE FOOTREST EXT SHT HEMI	Use for Hemi Extension option
8	106935	1/4-28 NYLOCK NUT THIN	
9	561003	3/4" SADDLE THIN	
10	132626	NUT AUTOMATION M6 X 1.0	
11	107383	WASHER FLAT M6 ROHS	
4,5,6A	882337	ELR FOOTPLATE ASSEMBLY 14 -15"	
4,5,6B	882338	ELR FOOTPLATE ASSEMBLY 16 -17"	
4,5,6C	882339	ELR FOOTPLATE ASSEMBLY 18 -20"	
12-14	119495	EXTENSION CLAMP KIT	
15	129775	ALU FOOTPLATE HDWARE KIT	Ext tube not included; bracket (118093) not included

<b>Pos.</b>	<b>Item Number</b>	<b>Description</b>	<b>Remarks</b>
		Ship assembled part #	Use with multiple assemblies
	ASSY-HNG-FP	HANGER/FOOTPLATE ASSY REQUIRED	add with Hanger & Footplate kit

Note: For installation instructions please see the informations section to the right of this parts page.

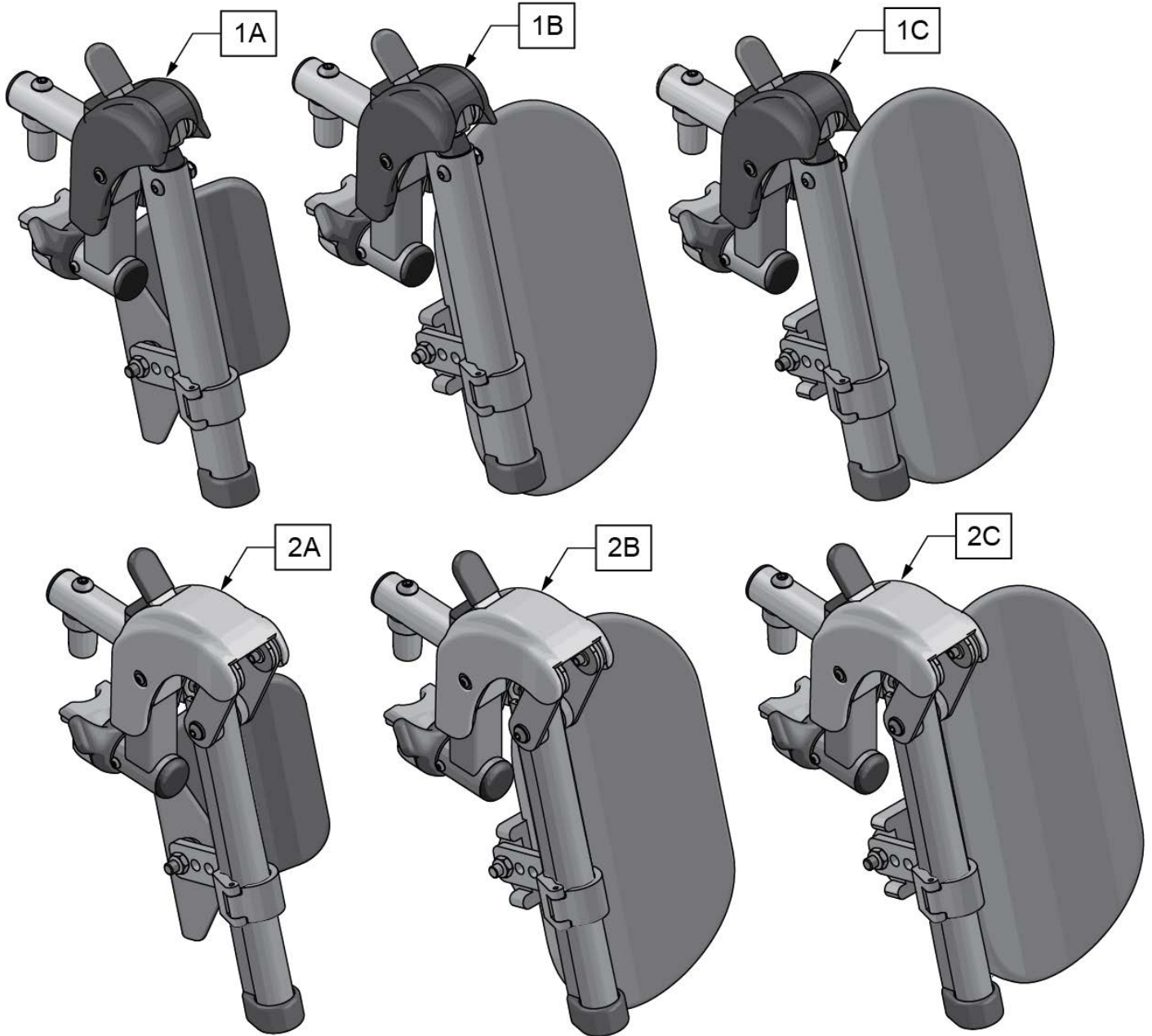


Pos.	Item Number	Description	Remarks
1A	163881	ELR NEOPRENE COVER PR	Pair
1B	163882	ELR GEL COVER PR	Pair
2A	163883	ALR NEOPRENE COVER PR	Pair
2B	163884	ALR GEL COVER PR	Pair



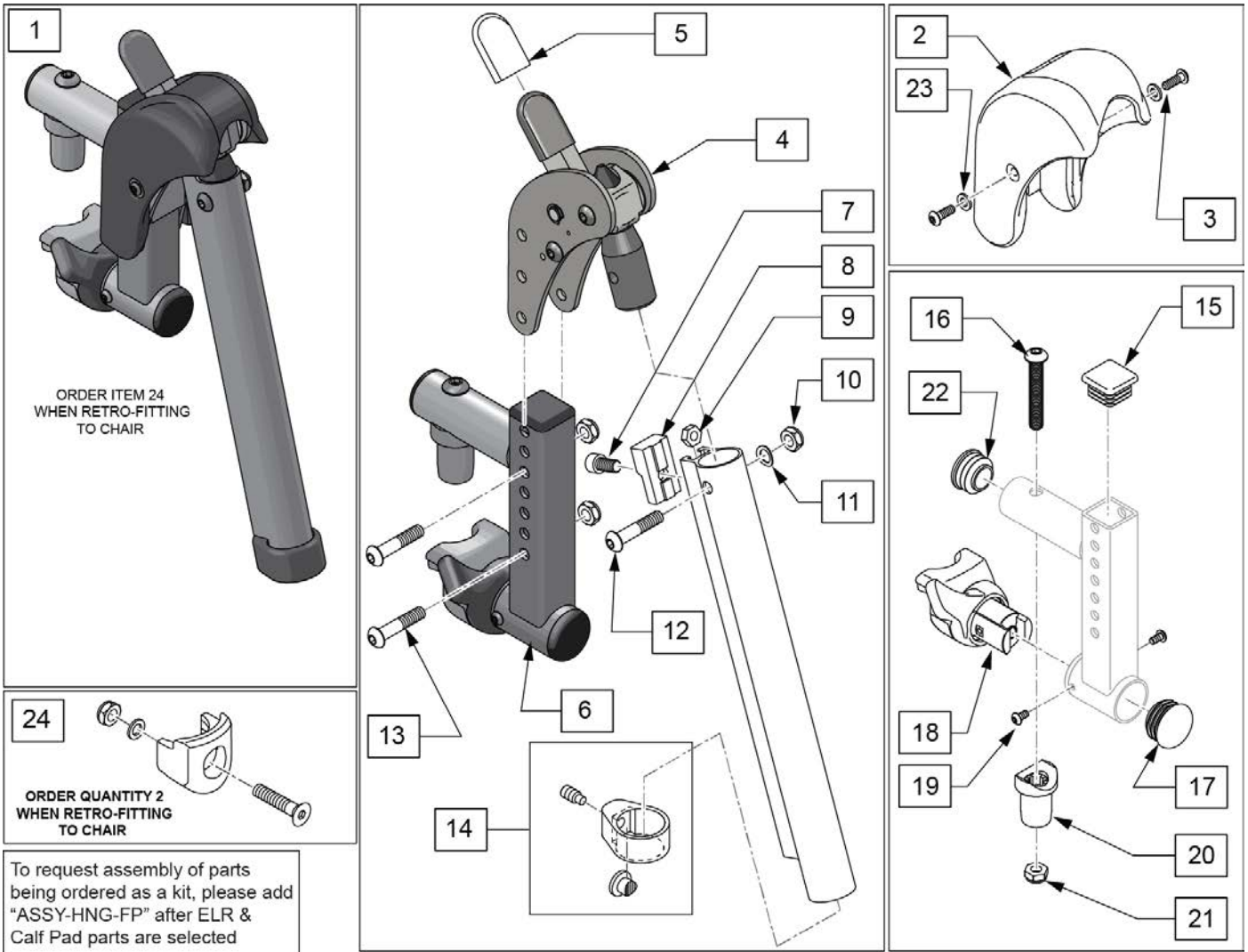
**SWING IN-OUT EXT MOUNT ELR & ALR RETROFIT (PLUNGER STYLE) (EFFECTIVE 2/6/17)**

[5/2017]



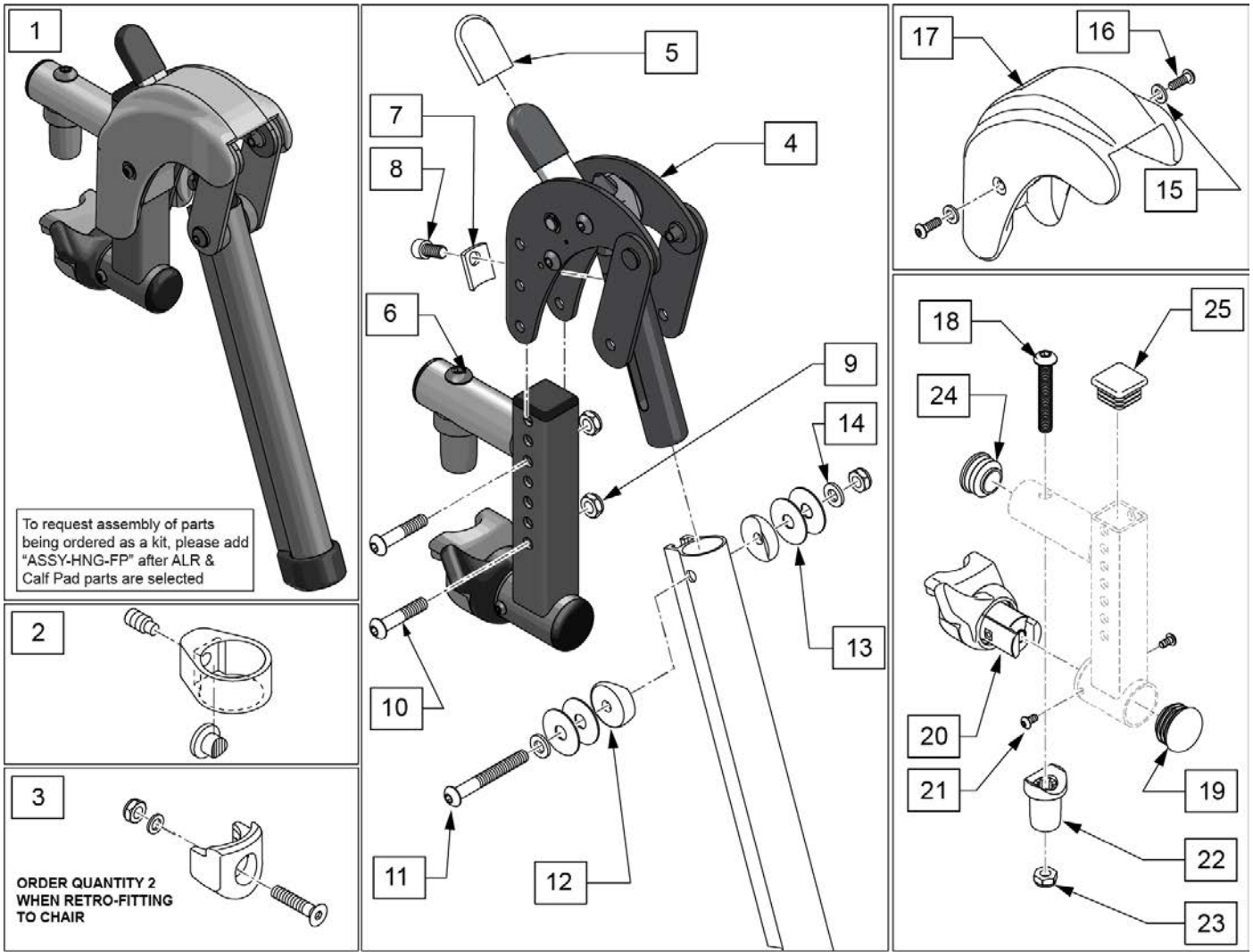
Pos.	Item Number	Description	Remarks
1A	161233S	SWNG I/O ELR ASM 14-15 W/PAD	Pair
1B	161234S	SWNG I/O ELR ASM 16-17 W/PAD	Pair
1C	161235S	SWNG I/O ELR ASM 18-20 W/PAD	Pair
2A	161236S	SWNG I/O ALR ASM 14-15 W/PAD	Pair
2B	161237S	SWNG I/O ALR ASM 16-17 W/PAD	Pair
2C	161238S	SWNG I/O ALR ASM 18-20 W/PAD	Pair
		Ship assembled part #	Use with multiple assemblies
	ASSY-HNG-FP	HANGER/FOOTPLATE ASSY REQUIRED	add with Hanger & Footplate kit

[7/2016] SWING IN-OUT EXT MOUNT ELR REPLACEMENT PARTS (PLUNGER STYLE) (EFFECTIVE 2/6/17)



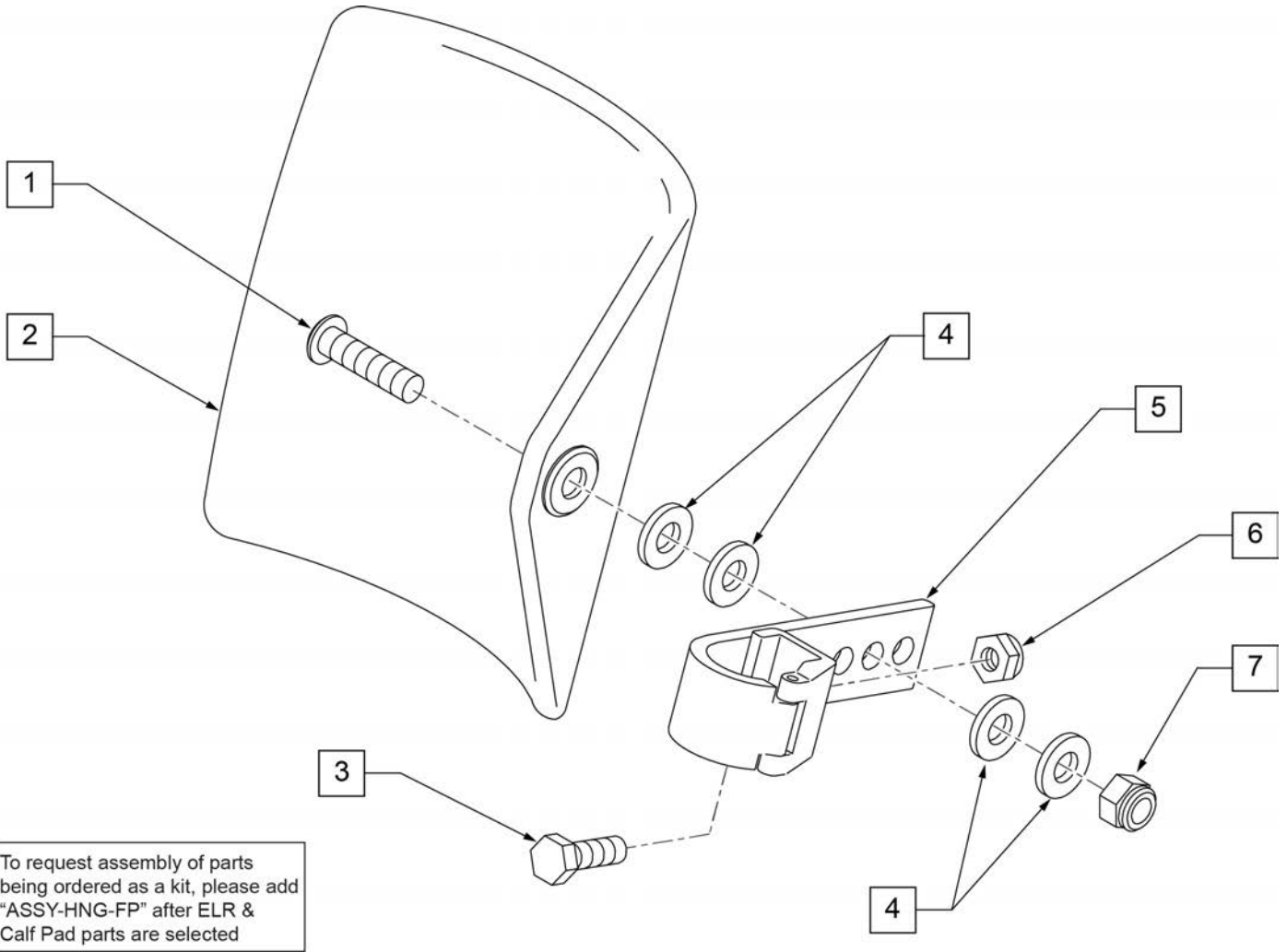
Pos.	Item Number	Description	Remarks
1	161239S	SWNG I/O ELR ASSM RH	Right
1	161240S	SWNG I/O ELR ASSM LH	Left
1	161241S	SWNG I/O ELR ASSM PR	Pair
2,3,23	129640	ELR SHROUD KIT	Kit w/ 2 screws
3	127135	BHCS 8-32 X 1/2 BLK	
4	126992	HEMI ELR SUB ASSM	
5	560501	ALR REL LEVER COVER	
6	134188	RECEIVER ASSY ELR ALR RH	
6	134186	RECEIVER ASSY ELR ALR LH	
7	107350	SHCS 1/4-28 x 1/2	
8	127129	ANGLE STOP ELR	
9	107249	NUT HEX THIN 1/4-28	
10	106935	1/4-28 NYLOCK NUT THIN BLK ZN	
11	104414	WAVE WASHER 6 MM	
12	106961	BHCS 1/4 -28 x 1 1/4 ROHS	
13	108623	BHCS 1/4-28 x 1-1/2	
14	119495	EXTENSION CLAMP KIT	
15	010615	SQUARE END CAP CNTR LEG	

Pos.	Item Number	Description	Remarks
16	226217	5/16-18 X 2" BH C/S BLK	
17	561062	1" INSERT PLUG .065 RIBS	
18,19	161242	ELR/ALR HANGER LATCH KIT RH	Right
18,19	161243	ELR/ALR HANGER LATCH KIT LH	Left
20	561197	PLASTIC PIVOT SADDLE	
21	202102	5/16-18 NYLOCK NUT THIN	
22	560110	ENDPLUG BACKREST TNT	
23	113282	WASHER FLAT AN #10 ROHS	
24	119514	LATCH RECEIVER KIT	order qty 2 when retro-fitting to chair
		Ship assembled part #	Use with multiple assemblies
	ASSY-HNG-FP	HANGER/FOOTPLATE ASSY REQUIRED	add with Hanger & Footplate kit

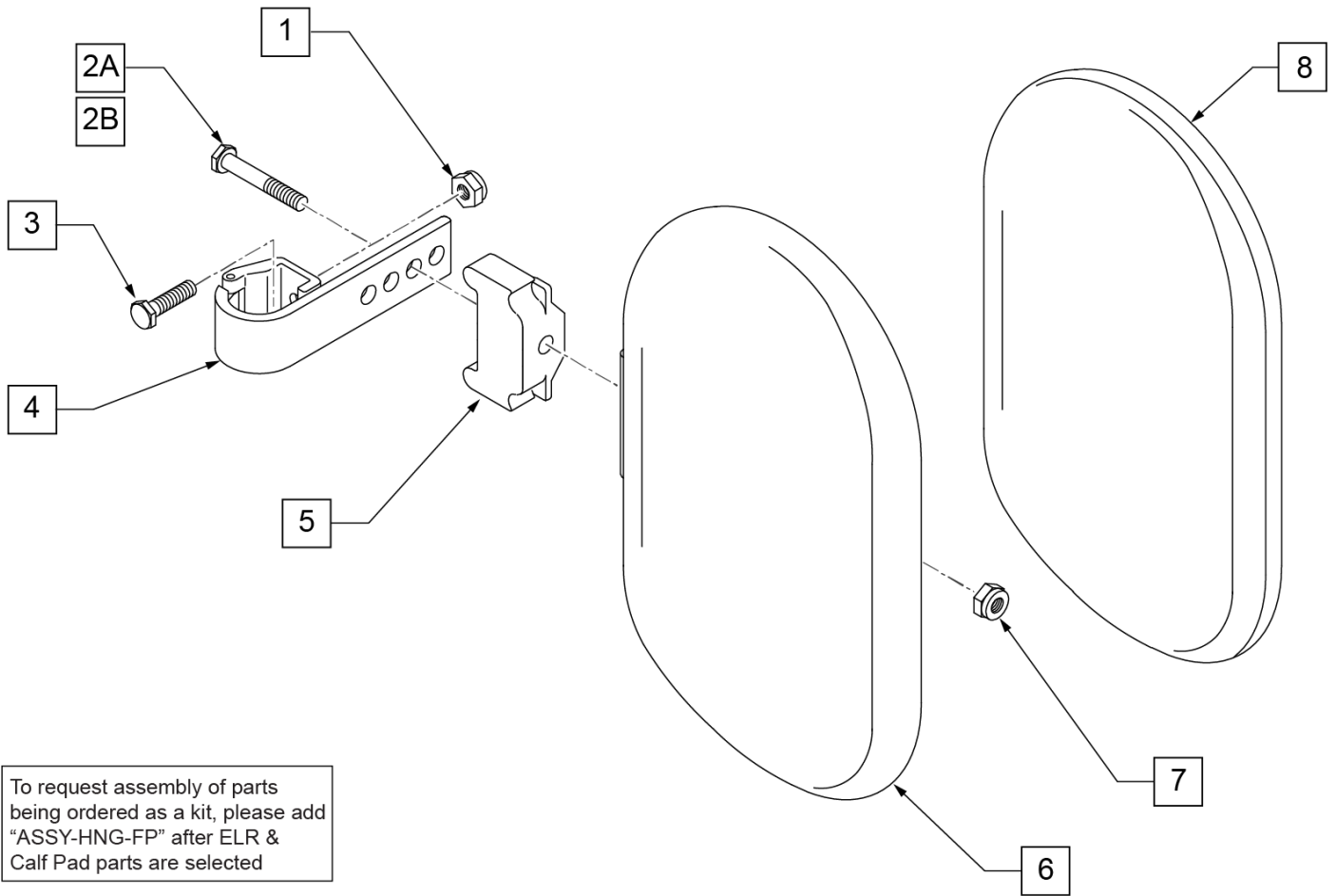


Pos.	Item Number	Description	Remarks
1	161244S	SWNG I/O ALR ASSM RH KIT	Right
1	161245S	SWNG I/O ALR ASSM LH KIT	Left
1	161246S	SWNG I/O ALR ASSM PR KIT	Pair
2	119495	EXTENSION CLAMP KIT	
3	119514	LATCH RECEIVER KIT	order qty 2 when retro-fitting to chair
4	127153	HEMI ALR SUB ASSM	
5	560501	ALR REL LEVER COVER	
6	134188	RECEIVER ASSY ELR ALR RH	
6	134186	RECEIVER ASSY ELR ALR LH	
7	127129	ANGLE STOP ELR	
8	107350	SHCS 1/4-28 x 1/2	
9	106935	1/4-28 NYLOCK NUT THIN BLK ZN	
10	108623	BHCS 1/4-28 x 1-1/2	
11	106964	BHCS 1/4-28 X 2	
12	561086	1" HALF SADDLE 1/4" HOLE	
13	113268	WASHER NYLON 1IN OD X .312 ID	
14	106943	WASHER FLAT AN 1/4 ROHS	
15	113282	WASHER FLAT AN #10 ROHS	

Pos.	Item Number	Description	Remarks
16	127135	BHCS 8-32 X 1/2 BLK	
15-17	129633	ALR SHROUD KIT	1 side
18	226217	5/16-18 X 2" BH C/S BLK	
19	560110	ENDPLUG BACKREST TNT	
20,21	161242	ELR/ALR HANGER LATCH KIT RH	Right
20,21	161243	ELR/ALR HANGER LATCH KIT LH	Left
22	561197	PLASTIC PIVOT SADDLE	
23	202102	5/16-18 NYLOCK NUT THIN	
24	561062	1" INSERT PLUG .065 RIBS	
25	010615	SQUARE END CAP CNTR LEG	
		Ship assembled part #	Use with multiple assemblies
	ASSY-HNG-FP	HANGER/FOOTPLATE ASSY REQUIRED	add with Hanger & Footplate kit



Pos.	Item Number	Description	Remarks
1	106980	BHCS 5/16-18 X 1-1/4 ROHS	
2	755014	CALF PAD TROUGH STYLE 14"/16"	
3	221097	1/4-28 X 5/8 HEX C/S BZ	
4	561016	1" WASHER 5/16" HOLE	
5	881413	CALF PAD BRACKET ASSEMBLY	
6	106934	NUT NYLOCK 1/4-28 ROHS	
7	106937	NUT NYLOCK THIN 5/16-18	
1-7	881414	CALF PAD J-HOOK 14"-15" ASSEMBLY	
		Ship assembled part #	Use with multiple assemblies
	ASSY-HNG-FP	HANGER/FOOTPLATE ASSY REQUIRED	add with Hanger & Footplate kit



To request assembly of parts being ordered as a kit, please add "ASSY-HNG-FP" after ELR & Calf Pad parts are selected

Pos.	Item Number	Description	Remarks
1	106934	NUT NYLOCK 1/4-28 ROHS	
2A	107018	HHCS 5/16-18 X 2-1/2 ROHS	16"-17" wide only
2B	107019	HHCS 5/16-18 X 3-1/2 ROHS	18"-20" wide only
3	107013	HHCS 1/4-28 X 5/8 ROHS	
4	881413	CALF PAD BRACKET ASSEMBLY	
5	560199	ELR CALF HINGE SPACER	18"-20" wide only
6	560108	CALF PAD MOLDED 16"-20"	
7	106936	NUT NYLOCK 5/16-18 ROHS	
8	751045	CALF PAD COVER	
1,2A,3,4,6-8	881416	CALF MOLDED 16"-17" ASSEMBLY	
1,2B,3-7,8	881412	CALF PAD MOLDED 18"-20" ASSEMBLY	
		Ship assembled part #	Use with multiple assemblies
	ASSY-HNG-FP	HANGER/FOOTPLATE ASSY REQUIRED	add with Hanger & Footplate kit

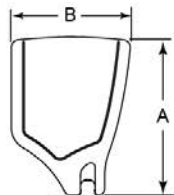
**Note:** Footplate Assemblies are set to footrest width; please see "Footplate Formula" table for seat width conversion.

Note: If using Short Ext Tube & Hemi Hanger with Composite Footplate use 1G (bent) .

Note: V Style Hangers are not available on Swing Away Style chairs effective 7/14/14; see the "Prior To" ordering guide for V Style footplate assemblies.

Note: see Informations Panel for appropriate ordering guide; for QX Series or SR45 footplate replacement parts see ordering guide marked specifically for these two models.

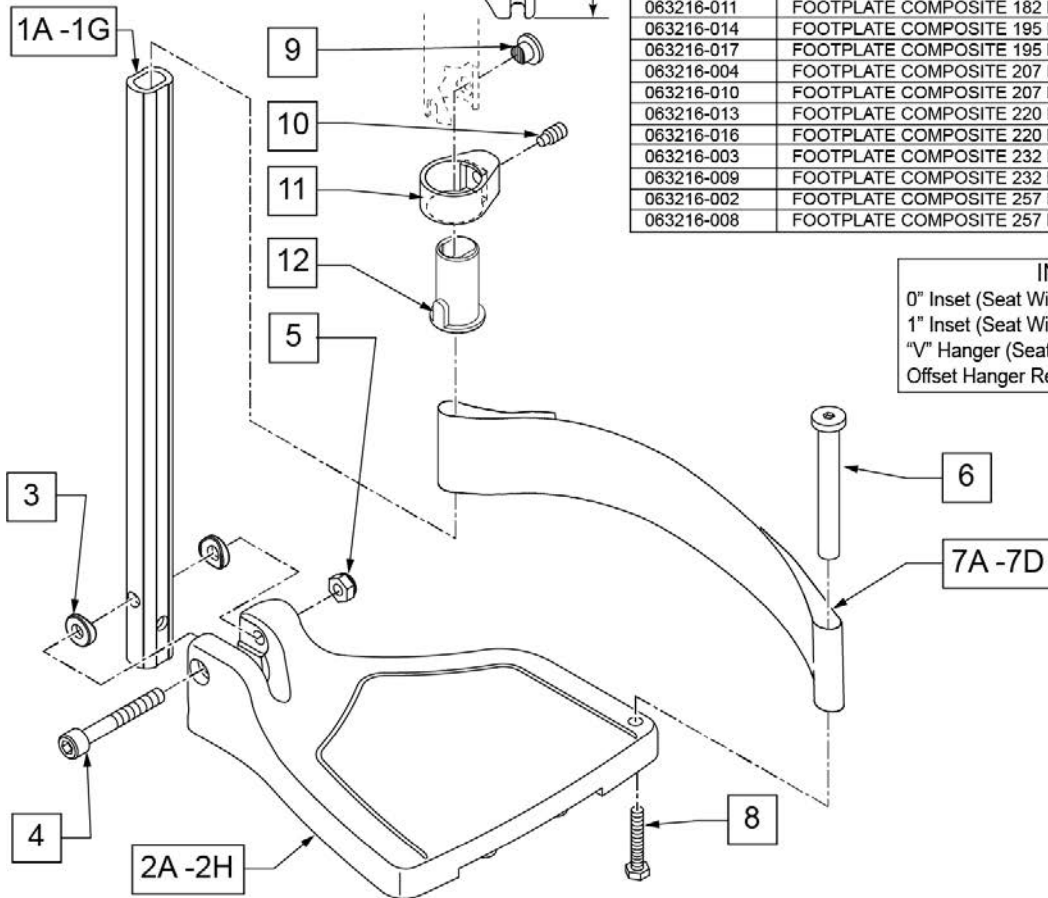
To have complete Footrest ship assembled, choose compatible Hanger + Footplate part numbers and add "ASSY-HNG-FP" to order



**FOOTPLATE MEASURING GUIDE**

PART NO	DESCRIPTION	"A"	"B"
063216-006	FOOTPLATE COMPOSITE 157 R (13"W)	6 1/8"	6"
063216-012	FOOTPLATE COMPOSITE 157 L (13"W)	6 1/8"	6"
063216-015	FOOTPLATE COMPOSITE 170 R (14"W)	6 5/8"	6"
063216-018	FOOTPLATE COMPOSITE 170 L (14"W)	6 5/8"	6"
063216-005	FOOTPLATE COMPOSITE 182 R (15"W)	7 1/8"	6"
063216-011	FOOTPLATE COMPOSITE 182 L (15"W)	7 1/8"	6"
063216-014	FOOTPLATE COMPOSITE 195 R (16"W)	7 5/8"	6"
063216-017	FOOTPLATE COMPOSITE 195 L (16"W)	7 5/8"	6"
063216-004	FOOTPLATE COMPOSITE 207 R (17"W)	8 1/8"	6"
063216-010	FOOTPLATE COMPOSITE 207 L (17"W)	8 1/8"	6"
063216-013	FOOTPLATE COMPOSITE 220 R (18"W)	8 5/8"	6 1/4"
063216-016	FOOTPLATE COMPOSITE 220 L (18"W)	8 5/8"	6 1/4"
063216-003	FOOTPLATE COMPOSITE 232 R (19-20"W)	9 1/8"	6 1/4"
063216-009	FOOTPLATE COMPOSITE 232 L (19-20"W)	9 1/8"	6 1/4"
063216-002	FOOTPLATE COMPOSITE 257 R (21-22"W)	10 1/8"	6 1/4"
063216-008	FOOTPLATE COMPOSITE 257 L (21-22"W)	10 1/8"	6 1/4"

**INSET FORMULA**  
 0" Inset (Seat Width) = Footrest Width  
 1" Inset (Seat Width) -2" = Footrest Width  
 "V" Hanger (Seat Width) -4" = Footrest Width  
 Offset Hanger Receiver (Seat Width) +2" = Footrest Width





Pos.	Item Number	Description	Remarks
1A,3-5	120660	SHT STRT EXT COMP HDWR	80 deg hangers + ELR only
1B,3-5	120661	MED STRT EXT COMP HDWR	80 deg hangers + ELR only
1C,3-5	120662	LNG STRT EXT COMP HDWR	80 deg hangers + ELR only
1D,3-5	120663	SHT BNT EXT COMP HDWR	60,70,70 Hemi Hangers
1E,3-5	120664	MED BNT EXT COMP HDWR	60,70,70 Hemi Hangers
1F,3-5	120665	LNG BNT EXT COMP HDWR	60,70,70 Hemi Hangers
1G	128078	TUBE FOOTREST EXT SHT HEMI	use for Hemi Ext Tube option
2A	063216-006	COMPOSITE FOOTPLATE RIGHT	RIGHT 13" Footrest Width
2A	063216-012	COMPOSITE FOOTPLATE LEFT	LEFT 13" Footrest Width
2B	063216-015	FOOTPLATE COMPOSITE RIGHT	RIGHT 14" Footrest Width
2B	063216-018	FOOTPLATE COMPOSITE LEFT	LEFT 14" Footrest Width
2C	063216-005	COMPOSITE FOOTPLATE RIGHT	RIGHT 15" Footrest Width
2C	063216-011	COMPOSITE FOOTPLATE LEFT	LEFT 15" Footrest Width
2D	063216-014	FOOTPLATE COMPOSITE RIGHT	RIGHT 16" Footrest Width
2D	063216-017	FOOTPLATE COMPOSITE LEFT	LEFT 16" Footrest Width
2E	063216-004	COMPOSITE FOOTPLATE RIGHT	RIGHT 17" Footrest Width
2E	063216-010	COMPOSITE FOOTPLATE LEFT	LEFT 17" Footrest Width
2F	063216-013	FOOTPLATE COMPOSITE RIGHT	RIGHT 18" Footrest Width
2F	063216-016	FOOTPLATE COMPOSITE LEFT	LEFT 18" Footrest Width
2G	063216-003	COMPOSITE FOOTPLATE RIGHT	RIGHT 19" & 20" Footrest Width
2G	063216-009	COMPOSITE FOOTPLATE LEFT	LEFT 19" & 20" Footrest Width
2H	063216-002	FOOTPLATE COMPOSITE RIGHT	RIGHT 21" & 22" Footrest Width
2H	063216-008	FOOTPLATE COMPOSITE LEFT	LEFT 21" & 22" Footrest Width
3	104377	3/4" SADDLE THIN	
4	103175	SHCS M6 X 1 X 40 INORG	
5	132626	NUT AUTOMATION M6 X 1.0	Inserted in bottom of footplate.
6	104328	HEEL LOOP PEG	
7A	104380-001	ADJUSTABLE FOOT REST STRAP	14" wide
7B	104380-002	ADJUSTABLE FOOT REST STRAP	15-16" wide
7C	104380-003	ADJUSTABLE FOOT REST STRAP	17-18" wide
7D	104380-004	ADJUSTABLE FOOT REST STRAP	19-22" wide
8	102268-001	HHCS M6 X 1 X 25	
12	104160	BUSHING FOOTREST	
9-12	107485	FOOTREST CLAMP ASSM	
>>>>		80 DEGREE HANGERS - SHORT EXT - RIGHT	
1A,2A,3-6,7A,8	107704	COMP STRT SHT EXT ASM 13"W R	Right- 80D- 13" W- SHORT
1A,2B,3-6,7A,8	107705	COMP STRT SHT EXT ASM 14"W R	Right- 80D- 14" W- SHORT
1A,2C,3-6,7B,8	107706	COMP STRT SHT EXT ASM 15"W R	Right- 80D- 15" W- SHORT
1A,2D,3-6,7B,8	107707	COMP STRT SHT EXT ASM 16"W R	Right- 80D- 16" W- SHORT
1A,2E,3-6,7C,8	107708	COMP STRT SHT EXT ASM 17"W R	Right- 80D- 17" W- SHORT
1A,2F,3-6,7C,8	107709	COMP STRT SHT EXT ASM 18"W R	Right- 80D- 18" W- SHORT
1A,2G,3-6,7D,8	107710	COMP STRT SHT EXT ASM 19 & 20"W R	Right- 80D- 19 & 20" W- SHORT
1A,2H,3-6,7D,8	111522	COMP STRT SHT EXT ASM 21 & 22"W R	Right- 80D- 21 & 22" W- SHORT
>>>>		80 DEGREE HANGERS - SHORT EXT - LEFT	
1A,2A,3-6,7A,8	107711	COMP STRT SHT EXT ASM 13"W L	LEFT- 80D- 13" W- SHORT
1A,2B,3-6,7A,8	107712	COMP STRT SHT EXT ASM 14"W L	LEFT- 80D- 14" W- SHORT
1A,2C,3-6,7B,8	107713	COMP STRT SHT EXT ASM 15"W L	LEFT- 80D- 15" W- SHORT
1A,2D,3-6,7B,8	107714	COMP STRT SHT EXT ASM 16"W L	LEFT- 80D- 16" W- SHORT
1A,2E,3-6,7C,8	107715	COMP STRT SHT EXT ASM 17"W L	LEFT- 80D- 17" W- SHORT
1A,2F,3-6,7C,8	107716	COMP STRT SHT EXT ASM 18"W L	LEFT- 80D- 18" W- SHORT
1A,2G,3-6,7D,8	107717	COMP STRT SHT EXT ASM 19 & 20"W L	LEFT- 80D- 19 & 20" W- SHORT
1A,2H,3-6,7D,8	111523	COMP STRT SHT EXT ASM 21 & 22"W L	LEFT- 80D- 21 & 22" W- SHORT
>>>>		80 DEGREE HANGERS - MED EXT - RIGHT	
1B,2A,3-6,7A,8	107718	COMP STRT MED EXT ASM 13"W R	Right- 80D- 13" W- MED
1B,2B,3-6,7A,8	107719	COMP STRT MED EXT ASM 14"W R	Right- 80D- 14" W- MED
1B,2C,3-6,7B,8	107720	COMP STRT MED EXT ASM 15"W R	Right- 80D- 15" W- MED

Pos.	Item Number	Description	Remarks
1B,2D,3-6,7B,8	107721	COMP STRT MED EXT ASM 16"W R	Right- 80D- 16" W- MED
1B,2E,3-6,7C,8	107722	COMP STRT MED EXT ASM 17"W R	Right- 80D- 17" W- MED
1B,2F,3-6,7C,8	107723	COMP STRT MED EXT ASM 18"W R	Right- 80D- 18" W- MED
1B,2G,3-6,7D,8	107724	COMP STRT MED EXT ASM 19 & 20"W R	Right- 80D- 19 & 20" W- MED
1B,2H,3-6,7D,8	111524	COMP STRT MED EXT ASM 21 & 22"W R	Right- 80D- 21 & 22" W- MED
>>>>		80 DEGREE HANGERS - MED EXT - LEFT	
1B,2A,3-6,7A,8	107725	COMP STRT MED EXT ASM 13"W L	LEFT- 80D- 13" W- MED
1B,2B,3-6,7A,8	107726	COMP STRT MED EXT ASM 14"W L	LEFT- 80D- 14" W- MED
1B,2C,3-6,7B,8	107727	COMP STRT MED EXT ASM 15"W L	LEFT- 80D- 15" W- MED
1B,2D,3-6,7B,8	107728	COMP STRT MED EXT ASM 16"W L	LEFT- 80D- 16" W- MED
1B,2E,3-6,7C,8	107729	COMP STRT MED EXT ASM 17"W L	LEFT- 80D- 17" W- MED
1B,2F,3-6,7C,8	107730	COMP STRT MED EXT ASM 18"W L	LEFT- 80D- 18" W- MED
1B,2G,3-6,7D,8	107731	COMP STRT MED EXT ASM 19 & 20"W L	LEFT- 80D- 19 & 20" W- MED
1B,2H,3-6,7D,8	111525	COMP STRT MED EXT ASM 21 & 22"W L	LEFT- 80D- 21 & 22" W- MED
>>>>		80 DEGREE HANGERS - LONG EXT - RIGHT	
1C,2A,3-6,7A,8	107732	COMP STRT LONG EXT ASM 13"W R	Right- 80D- 13" W- LONG
1C,2B,3-6,7A,8	107733	COMP STRT LONG EXT ASM 14"W R	Right- 80D- 14" W- LONG
1C,2C,3-6,7B,8	107734	COMP STRT LONG EXT ASM 15"W R	Right- 80D- 15" W- LONG
1C,2D,3-6,7B,8	107735	COMP STRT LONG EXT ASM 16"W R	Right- 80D- 16" W- LONG
1C,2E,3-6,7C,8	107736	COMP STRT LONG EXT ASM 17"W R	Right- 80D- 17" W- LONG
1C,2F,3-6,7C,8	107737	COMP STRT LONG EXT ASM 18"W R	Right- 80D- 18" W- LONG
1C,2G,3-6,7D,8	107738	COMP STRT LONG EXT ASM 19 & 20"W R	Right- 80D- 19 & 20" W- LONG
1C,2H,3-6,7D,8	111526	COMP STRT LONG EXT ASM 21 & 22"W R	Right- 80D- 21 & 22" W- LONG
>>>>		80 DEGREE HANGERS - LONG EXT - LEFT	
1C,2A,3-6,7A,8	107739	COMP STRT LONG EXT ASM 13"W L	LEFT- 80D- 13" W- LONG
1C,2B,3-6,7A,8	107740	COMP STRT LONG EXT ASM 14"W L	LEFT- 80D- 14" W- LONG
1C,2C,3-6,7B,8	107741	COMP STRT LONG EXT ASM 15"W L	LEFT- 80D- 15" W- LONG
1C,2D,3-6,7B,8	107742	COMP STRT LONG EXT ASM 16"W L	LEFT- 80D- 16" W- LONG
1C,2E,3-6,7C,8	107743	COMP STRT LONG EXT ASM 17"W L	LEFT- 80D- 17" W- LONG
1C,2F,3-6,7C,8	107744	COMP STRT LONG EXT ASM 18"W L	LEFT- 80D- 18" W- LONG
1C,2G,3-6,7D,8	107745	COMP STRT LONG EXT ASM 19 & 20"W L	LEFT- 80D- 19 & 20" W- LONG
1C,2H,3-6,7D,8	111527	COMP STRT LONG EXT ASM 21 & 22"W L	LEFT- 80D- 21 & 22" W- LONG
>>>>		60°,70° SHORT EXT - RIGHT	
1D,2A,3-6,7A,8	107746	COMP BNT SHT EXT ASM 13" W R	Right- 70D- 13" W- SHORT
1D,2B,3-6,7A,8	107747	COMP BNT SHT EXT ASM 14" W R	Right- 70D- 14" W- SHORT
1D,2C,3-6,7B,8	107748	COMP BNT SHT EXT ASM 15" W R	Right- 70D- 15" W- SHORT
1D,2D,3-6,7B,8	107749	COMP BNT SHT EXT ASM 16" W R	Right- 70D- 16" W- SHORT
1D,2E,3-6,7C,8	107750	COMP BNT SHT EXT ASM 17" W R	Right- 70D- 17" W- SHORT
1D,2F,3-6,7C,8	107751	COMP BNT SHT EXT ASM 18" W R	Right- 70D- 18" W- SHORT
1D,2G,3-6,7D,8	107752	COMP BNT SHT EXT ASM 19 & 20"W R	Right- 70D- 19 & 20" W- SHORT
1D,2H,3-6,7D,8	111528	COMP BNT SHT EXT ASM 21 & 22"W R	Right- 70D- 21 & 22" W- SHORT
>>>>		60°,70° - SHORT EXT - LEFT	
1D,2A,3-6,7A,8	107753	COMP BNT SHT EXT ASM 13" W L	Left- 70D- 13 W- SHORT
1D,2B,3-6,7A,8	107754	COMP BNT SHT EXT ASM 14" W L	Left- 70D- 14 W- SHORT
1D,2C,3-6,7B,8	107755	COMP BNT SHT EXT ASM 15" W L	Left- 70D- 15 W- SHORT
1D,2D,3-6,7B,8	107756	COMP BNT SHT EXT ASM 16" W L	Left- 70D- 16 W- SHORT
1D,2E,3-6,7C,8	107757	COMP BNT SHT EXT ASM 17" W L	Left- 70D- 17 W- SHORT
1D,2F,3-6,7C,8	107758	COMP BNT SHT EXT ASM 18" W L	Left- 70D- 18 W- SHORT
1D,2G,3-6,7D,8	107759	COMP BNT SHT EXT ASM 19 & 20"W L	Left- 70D- 19 & 20" W- SHORT
1D,2H,3-6,7D,8	111529	COMP BNT SHT EXT ASM 21 & 22"W L	Left- 70D- 21 & 22" W- SHORT
>>>>		60°,70°,60°&70° HEMI HANGERS - MED EXT - RIGHT	
1E,2A,3-6,7A,8	107760	COMP BNT MED EXT ASM 13" W R	Right- 70D- 13" W- MED
1E,2B,3-6,7A,8	107761	COMP BNT MED EXT ASM 14" W R	Right- 70D- 14" W- MED
1E,2C,3-6,7B,8	107762	COMP BNT MED EXT ASM 15" W R	Right- 70D- 15" W- MED
1E,2D,3-6,7B,8	107763	COMP BNT MED EXT ASM 16" W R	Right- 70D- 16" W- MED
1E,2E,3-6,7C,8	107764	COMP BNT MED EXT ASM 17" W R	Right- 70D- 17" W- MED

Pos.	Item Number	Description	Remarks
1E,2F,3-6,7C,8	107765	COMP BNT MED EXT ASM 18" W R	Right- 70D- 18" W- MED
1E,2G,3-6,7D,8	107766	COMP BNT MED EXT ASM 19 & 20"W R	Right- 70D- 19 & 20" W- MED
1E,2H,3-6,7D,8	111530	COMP BNT MED EXT ASM 21 & 22"W R	Right- 70D- 21 & 22" W- MED
>>>>		60°,70°,60°&70° HEMI HANGERS - MED EXT - LEFT	
1E,2A,3-6,7A,8	107767	COMP BNT MED EXT ASM 13" W L	Left- 70D- 13 W- MED
1E,2B,3-6,7A,8	107768	COMP BNT MED EXT ASM 14" W L	Left- 70D- 14 W- MED
1E,2C,3-6,7B,8	107769	COMP BNT MED EXT ASM 15" W L	Left- 70D- 15 W- MED
1E,2D,3-6,7B,8	107770	COMP BNT MED EXT ASM 16" W L	Left- 70D- 16 W- MED
1E,2E,3-6,7C,8	107771	COMP BNT MED EXT ASM 17" W L	Left- 70D- 17 W- MED
1E,2F,3-6,7C,8	107772	COMP BNT MED EXT ASM 18" W L	Left- 70D- 18 W- MED
1E,2G,3-6,7D,8	107773	COMP BNT MED EXT ASM 19 & 20"W L	Left- 70D- 19 & 20" W- MED
1E,2H,3-6,7D,8	111531	COMP BNT MED EXT ASM 21 & 22"W L	Left- 70D- 21 & 22" W- MED
>>>>		60°,70°,60°&70° HEMI HANGERS - LONG EXT - RIGHT	
1F,2A,3-6,7A,8	107774	COMP BNT LONG EXT ASM 13" W R	Right- 70D- 13" W- LONG
1F,2B,3-6,7A,8	107775	COMP BNT LONG EXT ASM 14" W R	Right- 70D- 14" W- LONG
1F,2C,3-6,7B,8	107776	COMP BNT LONG EXT ASM 15" W R	Right- 70D- 15" W- LONG
1F,2D,3-6,7B,8	107777	COMP BNT LONG EXT ASM 16" W R	Right- 70D- 16" W- LONG
1F,2E,3-6,7C,8	107778	COMP BNT LONG EXT ASM 17" W R	Right- 70D- 17" W- LONG
1F,2F,3-6,7C,8	107779	COMP BNT LONG EXT ASM 18" W R	Right- 70D- 18" W- LONG
1F,2G,3-6,7D,8	107780	COMP BNT LONG EXT ASM 19 & 20"W R	Right- 70D- 19 & 20" W- LONG
1F,2H,3-6,7D,8	111532	COMP BNT LONG EXT ASM 21 & 22"W R	Right- 70D- 21 & 22" W- LONG
>>>>		60°,70°,60°&70° HEMI HANGERS - LONG EXT - LEFT	
1F,2A,3-6,7A,8	107781	COMP BNT LONG EXT ASM 13" W L	Left- 70D- 13 W- LONG
1F,2B,3-6,7A,8	107782	COMP BNT LONG EXT ASM 14" W L	Left- 70D- 14 W- LONG
1F,2C,3-6,7B,8	107783	COMP BNT LONG EXT ASM 15" W L	Left- 70D- 15 W- LONG
1F,2D,3-6,7B,8	107784	COMP BNT LONG EXT ASM 16" W L	Left- 70D- 16 W- LONG
1F,2E,3-6,7C,8	107785	COMP BNT LONG EXT ASM 17" W L	Left- 70D- 17 W- LONG
1F,2F,3-6,7C,8	107786	COMP BNT LONG EXT ASM 18" W L	Left- 70D- 18 W- LONG
1F,2G,3-6,7D,8	107787	COMP BNT LONG EXT ASM 19 & 20"W L	Left- 70D- 19 & 20" W- LONG
1F,2H,3-6,7D,8	111533	COMP BNT LONG EXT ASM 21 & 22"W L	Left- 70D- 21 & 22" W- LONG
>>>>		60°&70° HEMI HANGER SHORT EXT- RIGHT	
1G,2A,3-6,7A,8	129724	CMP FT BNT KIT SHT HNGR 13W R	Right-Hemi-13W; add Ext behind the Hemi
1G,2B,3-6,7A,8	129726	CMP FT BNT KIT SHT HNGR 14W R	Right-Hemi-14W; add Ext behind the Hemi
1G,2C,3-6,7B,8	129728	CMP FT BNT KIT SHT HNGR 15W R	Right-Hemi-15W; add Ext behind the Hemi
1G,2D,3-6,7B,8	129730	CMP FT BNT KIT SHT HNGR 16W R	Right-Hemi-16W; add Ext behind the Hemi
1G,2E,3-6,7C,8	129732	CMP FT BNT KIT SHT HNGR 17W R	Right-Hemi-17W; add Ext behind the Hemi
1G,2F,3-6,7C,8	129734	CMP FT BNT KIT SHT HNGR 18W R	Right-Hemi-18W; add Ext behind the Hemi
1G,2G,3-6,7D,8	129736	CMP FT BNT KIT SHT HNGR 19-20W R	Right-Hemi-19-20W; add Ext behind the Hemi
1G,2H,3-6,7D,8	129738	CMP FT BNT KIT SHT HNGR 21-22W R	Right-Hemi-21-22W; add Ext behind the Hemi
>>>>		60°&70° HEMI HANGER SHORT EXT- LEFT	
1G,2A,3-6,7A,8	129725	CMP FT BNT KIT SHT HNGR 13W L	Left-Hemi-13W; add Ext behind the Hemi
1G,2B,3-6,7A,8	129727	CMP FT BNT KIT SHT HNGR 14W L	Left-Hemi-14W; add Ext behind the Hemi
1G,2C,3-6,7B,8	129729	CMP FT BNT KIT SHT HNGR 15W L	Left-Hemi-15W; add Ext behind the Hemi
1G,2D,3-6,7B,8	129731	CMP FT BNT KIT SHT HNGR 16W L	Left-Hemi-16W; add Ext behind the Hemi
1G,2E,3-6,7C,8	129733	CMP FT BNT KIT SHT HNGR 17W L	Left-Hemi-17W; add Ext behind the Hemi
1G,2F,3-6,7C,8	129735	CMP FT BNT KIT SHT HNGR 18W L	Left-Hemi-18W; add Ext behind the Hemi
1G,2G,3-6,7D,8	129737	CMP FT BNT KIT SHT HNGR 19-20W L	Left-Hemi-19-20W; add Ext behind the Hemi
1G,2H,3-6,7D,8	129739	CMP FT BNT KIT SHT HNGR 21-22W L	Left-Hemi-21-22W; add Ext behind the Hemi
		Ship assembled part #	Use with multiple assemblies
	ASSY-HNG-FP	HANGER/FOOTPLATE ASSY REQUIRED	add with Hanger & Footplate kit

**Note:** Footplate Assemblies are set to footrest width; please see "Footplate Formula" table for seat width conversion.

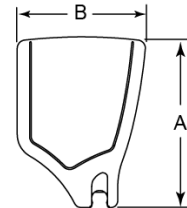
Note: If using Short Ext Tube & Hemi Hanger with Composite Angle Adjustable Footplate use 1D (straight) .

Note: V Style Hangers are not available on Swing Away Style chairs effective 7/14/14; see the "Prior To" ordering guide for V Style footplate assemblies.

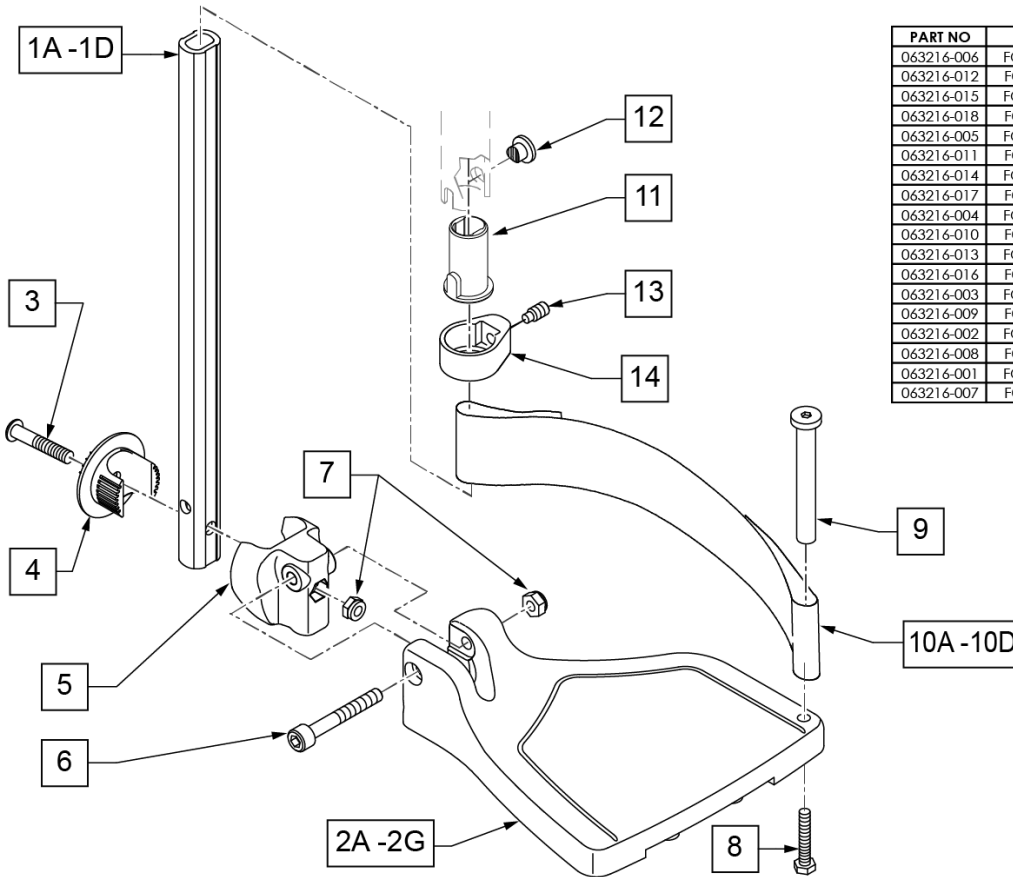
To have complete Footrest ship assembled, choose compatible Hanger + Footplate part numbers and add "ASSY-HNG-FP" to order

**ADD INSET FORMULA**  
 0" Inset (Seat Width) = Footrest Width  
 1" Inset (Seat Width) -2" = Footrest Width  
 2" Inset (Seat Width) -4" = Footrest Width  
 "V" Hanger (Seat Width) -4" = Footrest Width  
 Offset Hanger Receiver (Seat Width) +2" = Footrest Width  
 Flared Frame (Seat Width) = 2" = Footrest Width

**FOOTPLATE MEASURING GUIDE**



PART NO	DESCRIPTION	DIM -A-	DIM -B-
063216-006	FOOTPLATE COMPOSITE 157 R	6 1/8"	6"
063216-012	FOOTPLATE COMPOSITE 157 L	6 1/8"	6"
063216-015	FOOTPLATE COMPOSITE 170 R	6 5/8"	6"
063216-018	FOOTPLATE COMPOSITE 170 L	6 5/8"	6"
063216-005	FOOTPLATE COMPOSITE 182 R	7 1/8"	6"
063216-011	FOOTPLATE COMPOSITE 182 L	7 1/8"	6"
063216-014	FOOTPLATE COMPOSITE 195 R	7 5/8"	6"
063216-017	FOOTPLATE COMPOSITE 195 L	7 5/8"	6"
063216-004	FOOTPLATE COMPOSITE 207 R	8 1/8"	6"
063216-010	FOOTPLATE COMPOSITE 207 L	8 1/8"	6"
063216-013	FOOTPLATE COMPOSITE 220 R	8 5/8"	6 1/4"
063216-016	FOOTPLATE COMPOSITE 220 L	8 5/8"	6 1/4"
063216-003	FOOTPLATE COMPOSITE 232 R	9 1/8"	6 1/4"
063216-009	FOOTPLATE COMPOSITE 232 L	9 1/8"	6 1/4"
063216-002	FOOTPLATE COMPOSITE 257 R	10 1/8"	6 1/4"
063216-008	FOOTPLATE COMPOSITE 257 L	10 1/8"	6 1/4"
063216-001	FOOTPLATE COMPOSITE 282 R	11 1/8"	6 1/4"
063216-007	FOOTPLATE COMPOSITE 282 L	11 1/8"	6 1/4"



Pos.	Item Number	Description	Remarks
1A,6,7	120660	SHT STRT EXT COMP HDWR	
1B,6,7	120661	MED STRT EXT COMP HDWR	
1C,6,7	120662	LNG STRT EXT COMP HDWR	
1D	128079	TUBE FTRST EXT STRGHT SHT HEMI	Use for Hemi Ext Tube option
2A	063216-006	COMPOSITE FOOTPLATE RIGHT	RIGHT 15" Footrest Width

Pos.	Item Number	Description	Remarks
2A	063216-012	COMPOSITE FOOTPLATE LEFT	LEFT 15" Footrest Width
2B	063216-015	COMPOSITE FOOTPLATE RIGHT	RIGHT 16" Footrest Width
2B	063216-018	COMPOSITE FOOTPLATE LEFT	LEFT 16" Footrest Width
2C	063216-005	COMPOSITE FOOTPLATE RIGHT	RIGHT 17" Footrest Width
2C	063216-011	COMPOSITE FOOTPLATE LEFT	LEFT 17" Footrest Width
2D	063216-014	COMPOSITE FOOTPLATE RIGHT	RIGHT 18" Footrest Width
2D	063216-017	COMPOSITE FOOTPLATE LEFT	LEFT 18" Footrest Width
2E	063216-004	COMPOSITE FOOTPLATE RIGHT	RIGHT 19" Footrest Width
2E	063216-010	COMPOSITE FOOTPLATE LEFT	LEFT 19" Footrest Width
2F	063216-013	COMPOSITE FOOTPLATE RIGHT	RIGHT 20" Footrest Width
2F	063216-016	COMPOSITE FOOTPLATE LEFT	LEFT 20" Footrest Width
2G	063216-003	COMPOSITE FOOTPLATE RIGHT	RIGHT 21" & 22" Footrest Width
2G	063216-009	COMPOSITE FOOTPLATE LEFT	LEFT 21" & 22" Footrest Width
3	108233	BHCS M6 X 1 X 40	
4	054242	ANGLE COVER	
5	054241	ANGLE SEGMENT	
6	103175	SHCS M6 X 1 X 40 INORG	
7	132626	NUT AUTOMATION M6 X 1.0	
8	102268-001	HHCS M6X1X25	Inserted in bottom of footplate.
9	104328	HEEL LOOP PEG	
10A	104380-001	ADJUSTABLE FOOT REST STRAP	15" Footrest Width
10B	104380-002	ADJUSTABLE FOOT REST STRAP	16" Footrest Width
10C	104380-003	ADJUSTABLE FOOT REST STRAP	17-18" Footrest Width
10D	104380-004	ADJUSTABLE FOOT REST STRAP	19-22" Footrest Width
11	104160	BUSHING FOOTREST	
11-14	107485	FOOTREST CLAMP ASSM	
>>>>		60,70,80 HANGERS - SHORT EXT - RIGHT	
1A,2A,3-10A	107816	CAA STRT SHT EXT ASM 15W R	Right- 15 W- SHORT
1A,2B,3-10B	107817	CAA STRT SHT EXT ASM 16W R	Right- 16 W- SHORT
1A,2C,3-10B	107818	CAA STRT SHT EXT ASM 17W R	Right- 17 W- SHORT
1A,2D,3-10C	107819	CAA STRT SHT EXT ASM 18W R	Right- 18 W- SHORT
1A,2E,3-10C	107820	CAA STRT SHT EXT ASM 19W R	Right- 19 W- SHORT
1A,2F,3-10D	107821	CAA STRT SHT EXT ASM 20W R	Right- 20 W- SHORT
1A,2G,3-10D	107822	CAA STRT SHT EXT ASM 21&22W R	Right- 21&22 W- SHORT
>>>>		60,70,80 HANGERS - SHORT EXT - LEFT	
1A,2A,3-10A	107823	CAA STRT SHT EXT ASM 15W L	Left- 15 W- SHORT
1A,2B,3-10B	107824	CAA STRT SHT EXT ASM 16W L	Left- 16 W- SHORT
1A,2C,3-10B	107825	CAA STRT SHT EXT ASM 17W L	Left- 17 W- SHORT
1A,2D,3-10C	107826	CAA STRT SHT EXT ASM 18W L	Left- 18 W- SHORT
1A,2E,3-10C	107827	CAA STRT SHT EXT ASM 19W L	Left- 19 W- SHORT
1A,2F,3-10D	107828	CAA STRT SHT EXT ASM 20W L	Left- 20 W- SHORT
1A,2G,3-10D	107829	CAA STRT SHT EXT ASM 21&22W L	Left- 21&22 W- SHORT
>>>>		60,70,80& 60,70 HEMI HANGER- RIGHT	
1B,2A,3-10A	107830	CAA STRT MED EXT ASM 15W R	Right- 15 W- MED
1B,2B,3-10B	107831	CAA STRT MED EXT ASM 16W R	Right- 16 W- MED
1B,2C,3-10B	107832	CAA STRT MED EXT ASM 17W R	Right- 17 W- MED
1B,2D,3-10C	107833	CAA STRT MED EXT ASM 18W R	Right- 18 W- MED
1B,2E,3-10C	107834	CAA STRT MED EXT ASM 19W R	Right- 19 W- MED
1B,2F,3-10D	107835	CAA STRT MED EXT ASM 20W R	Right- 20 W- MED
1B,2G,3-10D	107836	CAA STRT MED EXT ASM 21&22W R	Right- 21&22 W- MED
>>>>		60,70,80& 60,70 HEMI HANGER- LEFT	
1B,2A,3-10A	107837	CAA STRT MED EXT ASM 15W L	Left- 15 W- MED
1B,2B,3-10B	107838	CAA STRT MED EXT ASM 16W L	Left- 16 W- MED
1B,2C,3-10B	107839	CAA STRT MED EXT ASM 17W L	Left- 17 W- MED
1B,2D,3-10C	107840	CAA STRT MED EXT ASM 18W L	Left- 18 W- MED
1B,2E,3-10C	107841	CAA STRT MED EXT ASM 19W L	Left- 19 W- MED

Pos.	Item Number	Description	Remarks
1B,2F,3-10D	107842	CAA STRT MED EXT ASM 20W L	Left- 20 W- MED
1B,2G,3-10D	107843	CAA STRT MED EXT ASM 21&22W L	Left- 21&22 W- MED
>>>>		60,70,80& 60,70 HEMI HANGER- RIGHT	
1C,2A,3-10A	107844	CAA STRT LNG EXT ASM 15W R	Right- 15 W- LONG
1C,2B,3-10B	107845	CAA STRT LNG EXT ASM 16W R	Right- 16 W- LONG
1C,2C,3-10B	107846	CAA STRT LNG EXT ASM 17W R	Right- 17 W- LONG
1C,2D,3-10C	107847	CAA STRT LNG EXT ASM 18W R	Right- 18 W- LONG
1C,2E,3-10C	107848	CAA STRT LNG EXT ASM 19W R	Right- 19 W- LONG
1C,2F,3-10D	107849	CAA STRT LNG EXT ASM 20W R	Right- 20 W- LONG
1C,2G,3-10D	107850	CAA STRT LNG EXT ASM 21&22W R	Right- 21&22 W- LONG
>>>>		60,70,80& 60,70 HEMI HANGER- LEFT	
1C,2A,3-10A	107851	CAA STRT LNG EXT ASM 15W L	Left- 15 W- LONG
1C,2B,3-10B	107852	CAA STRT LNG EXT ASM 16W L	Left- 16 W- LONG
1C,2C,3-10B	107853	CAA STRT LNG EXT ASM 17W L	Left- 17 W- LONG
1C,2D,3-10C	107854	CAA STRT LNG EXT ASM 18W L	Left- 18 W- LONG
1C,2E,3-10C	107855	CAA STRT LNG EXT ASM 19W L	Left- 19 W- LONG
1C,2F,3-10D	107856	CAA STRT LNG EXT ASM 20W L	Left- 20 W- LONG
1C,2G,3-10D	107857	CAA STRT LNG EXT ASM 21&22W L	Left- 21&22 W- LONG
>>>>		60&70 HEMI HANGERS- SHORT EXT- RIGHT	
1D,2A,3-10A	129710	CAA FOOT KIT SHT HNGR 15W R	Right-Hemi-15W; add Ext behind the Hemi
1D,2B,3-10B	129712	CAA FOOT KIT SHT HNGR 16W R	Right-Hemi-16W; add Ext behind the Hemi
1D,2C,3-10B	129714	CAA FOOT KIT SHT HNGR 17W R	Right-Hemi-17W; add Ext behind the Hemi
1D,2D,3-10C	129716	CAA FOOT KIT SHT HNGR 18W R	Right-Hemi-18W; add Ext behind the Hemi
1D,2E,3-10C	129718	CAA FOOT KIT SHT HNGR 19W R	Right-Hemi-19W; add Ext behind the Hemi
1D,2F,3-10D	129720	CAA FOOT KIT SHT HNGR 20W R	Right-Hemi-20W; add Ext behind the Hemi
1D,2G,3-10D	129722	CAA FOOT KIT SHT HNGR 22W R	Right-Hemi-21&22W; add Ext behind the Hemi
>>>>		60&70 HEMI HANGERS- SHORT EXT - LEFT	
1D,2A,3-10A	129711	CAA FOOT KIT SHT HNGR 15W L	Left-Hemi-15W; add Ext behind the Hemi
1D,2B,3-10B	129713	CAA FOOT KIT SHT HNGR 16W L	Left-Hemi-16W; add Ext behind the Hemi
1D,2C,3-10B	129715	CAA FOOT KIT SHT HNGR 17W L	Left-Hemi-17W; add Ext behind the Hemi
1D,2D,3-10C	129717	CAA FOOT KIT SHT HNGR 18W L	Left-Hemi-18W; add Ext behind the Hemi
1D,2E,3-10C	129719	CAA FOOT KIT SHT HNGR 19W L	Left-Hemi-19W; add Ext behind the Hemi
1D,2F,3-10D	129721	CAA FOOT KIT SHT HNGR 20W L	Left-Hemi-20W; add Ext behind the Hemi
1D,2G,3-10D	129723	CAA FOOT KIT SHT HNGR 22W L	Left-Hemi-21&22W; add Ext behind the Hemi
		Ship assembled part #	Use with multiple assemblies
	ASSY-HNG-FP	HANGER/FOOTPLATE ASSY REQUIRED	add with Hanger & Footplate kit

**Note:** Footplate Assemblies are set to footrest width; please see "Footplate Formula" table for seat width conversion.

Note: If using Short Ext Tube & Hemi Hanger with Adult Angle Adjustable Footplate use 1D (straight) .

Note: V Style Hangers are not available on Swing Away Style chairs effective 7/14/14; see the "Prior To" ordering guide for V Style footplate assemblies.

Note: for QX Series or SR45 footplate replacement parts see the ordering guide marked specifically for these two models in the informations panel.

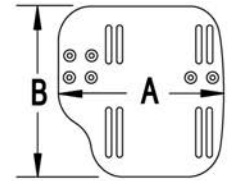
Note: if chair has High Mount Ext Tubes or if switching to High Mount Ext Tubes, see AAA Footplate w/ High Mount Extension Ordering Guide.

[02/19/2020]

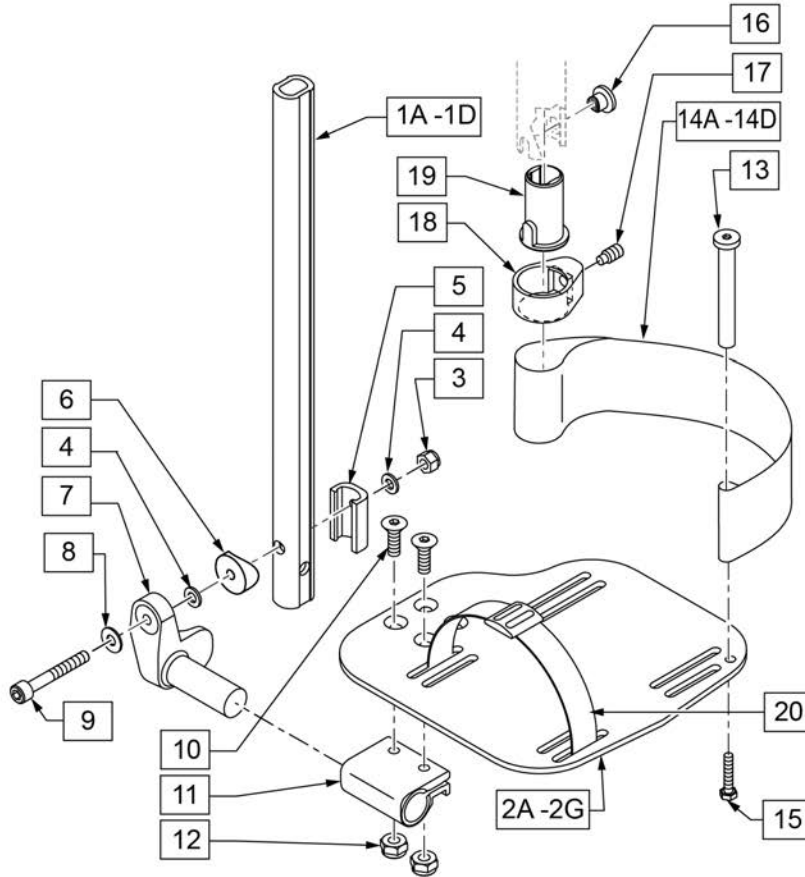
To have complete Footrest ship assembled, choose compatible Hanger + Footplate part numbers and add "ASSY-HNG-FP" to order

**ADD INSET FORMULA**  
 0" Inset (Seat Width) = Footrest Width  
 1" Inset (Seat Width) -2" = Footrest Width  
 2" Inset (Seat Width) -4" = Footrest Width  
 "V" Hanger (Seat Width) -4" = Footrest Width  
 Offset Hanger Receiver (Seat Width) +2" = Footrest Width  
 Flared Frame (Seat Width) = 2" = Footrest Width

**MEASURING GUIDE**



CHAIR WIDTH	"A"	"B"
10" - 11"	3 1/2"	7 1/4"
12" - 13"	4 1/2"	7 3/4"
14" - 15"	5 1/2"	7 3/4"
16" - 17"	6 1/2"	7 3/4"
18" - 20"	7 1/2"	7 3/4"



21 EXT MNT HARDWARE 1 SIDE			
ITEM #	ILLUSTRATION	DESCRIPTION	QTY
3		NUT AUTOMATION M6 X 1.0 ROHS	1
4		WASHER FLAT THIN AN 1/4	2
5		HANGER EXTENSION SADDLE	1
6		3/4" SADDLE 1" OD	1
8		WASHER FLAT SAE 1/4 ROHS	1
9		SHCS M6X1X45 12MM PART THD	1

Pos.	Item Number	Description	Remarks
1A,3-6,8,9	120670	SHT STRT EXT AAA HDWR	
1B,3-6,8,9	120671	MED STRT EXT AAA HDWR	
1C,3-6,8,9	120672	LNG STRT EXT AAA HDWR	
1D	128079	TUBE FTRST EXT STRGHT SHT HEMI	Use for Hemi Ext Tube option
2A	500656	ADULT ANGL ADJ F/PLT 10/11" R	RIGHT 10-11" Footrest Width
2A	500657	ADULT ANGL ADJ F/PLT 10/11" L	LEFT 10-11" Footrest Width
2B	500658	ADULT ANGL ADJ F/PLT 12/13" R	RIGHT 12-13" Footrest Width
2B	500659	ADULT ANGL ADJ F/PLT 12/13" L	LEFT 12-13" Footrest Width
2C	500660	ADLT ANGL ADJ F/PLT 14/15	RIGHT 14-15" Footrest Width
2C	500661	ADLT ANGL ADJ F/PLT 14/15	LEFT 14-15" Footrest Width
2D	500662	ADLT ANGL ADJ F/PLT 16/17	RIGHT 16-17" Footrest Width
2D	500663	ADLT ANGL ADJ F/PLT 16/17	LEFT 16-17" Footrest Width
2E	500664	ADLT ANGL ADJ F/PLT 18-20	RIGHT 18-22" Footrest Width
2E	500665	ADLT ANGL ADJ F/PLT 18-20	LEFT 18-22" Footrest Width
3	132626	NUT AUTOMATION M6 X 1.0	
4	106944	WASHER FLAT THIN AN 1/4 ROHS	
5	107199	HANGER EXTENSION SADDLE	
6	561055	3/4" SADDLE 1" OD	
7	541002	FTRST MOUNTING BRKT-3/8 RAD R	RIGHT



Pos.	Item Number	Description	Remarks
7	541003	FTRST MOUNTING BRKT-3/8 RAD L	LEFT
8	106945	WASHER FLAT SAE 1/4 ROHS	
9	104399	SHCS M6X1X45 12 MM PART THD	
10	106978	FHCS 1/4-28 X 7/8 ROHS	
11	550350	3/4" CLMP ADJ FT PLT	
12	106935	NUT NYLOCK THIN 1/4-28 ROHS	
13	104328	POST HEEL LOOP	
14A	104380-001	ADJUSTABLE FOOT REST STRAP	12 - 14" WIDE
14B	104380-002	ADJUSTABLE FOOT REST STRAP	15 - 16" WIDE
14C	104380-003	ADJUSTABLE FOOT REST STRAP	17 - 18" WIDE
14D	104380-004	ADJUSTABLE FOOT REST STRAP	19 - 20" WIDE
15	102268-001	HHCS M6 X 1 X 25	
16-19	107485	FOOTREST CLAMP ASSM	
20	740260	TOE-ANKLE STRAP ADJ ADULT FOOTPLATE	
21	120659	EXT MNT HARDWARE 1 SIDE	
>>>>		60,70,80 STD HANGERS - RIGHT	
1A,2B,3-14A,15	111534	AAA STRT SHT EXT ASM 12-13" W R	Right- 12-13" W- SHORT
1A,2C,3-14B,15	107928	AAA STRT SHT EXT ASM 14-15" W R	Right- 14-15" W- SHORT
1A,2D,3-14C,15	107930	AAA STRT SHT EXT ASM 16-17" W R	Right- 16-17" W- SHORT
1A,2E,3-14D,15	107932	AAA STRT SHT EXT ASM 18-22" W R	Right- 18-22" W- SHORT
>>>>		60,70,80 STD HANGERS - LEFT	
1A,2B,3-14A,15	111535	AAA STRT SHT EXT ASM 12-13" W L	Left- 12-13" W- SHORT
1A,2C,3-14B,15	107935	AAA STRT SHT EXT ASM 14" W L	Left- 14-15" W- SHORT
1A,2D,3-14C,15	107937	AAA STRT SHT EXT ASM 16" W L	Left- 16-17" W- SHORT
1A,2E,3-14D,15	107939	AAA STRT SHT EXT ASM 18" W L	Left- 18-22" W- SHORT
>>>>		60,70,80 & 60,70 HEMI HANGERS - RIGHT	
1B,2B,3-14A,15	111536	AAA STRT MED EXT ASM 12-13" W R	Right- 12-13" W- MED
1B,2C,3-14B,15	107942	AAA STRT MED EXT ASM 14-15" W R	Right- 14-15" W- MED
1B,2D,3-14C,15	107944	AAA STRT MED EXT ASM 16-17" W R	Right- 16-17" W- MED
1B,2E,3-14D,15	107946	AAA STRT MED EXT ASM 18-22" W R	Right- 18-22" W- MED
>>>>		60,70,80 & 60,70 HEMI HANGERS - LEFT	
1B,2B,3-14A,15	111537	AAA STRT MED EXT ASM 12-13" W L	Left- 12-13" W- MED
1B,2C,3-14B,15	107949	AAA STRT MED EXT ASM 14" W L	Left- 14-15" W- MED
1B,2D,3-14C,15	107951	AAA STRT MED EXT ASM 16" W L	Left- 16-17" W- MED
1B,2E,3-14D,15	107953	AAA STRT MED EXT ASM 18" W L	Left- 18-22" W- MED
>>>>		60,70,80 & 60,70 HEMI HANGERS - RIGHT	
1C,2B,3-14A,15	111538	AAA STRT LNG EXT ASM 12-13" W R	Right- 12-13" W- LONG
1C,2C,3-14B,15	107956	AAA STRT LNG EXT ASM 14 -15" W R	Right- 14-15" W- LONG
1C,2D,3-14C,15	107958	AAA STRT LNG EXT ASM 16 -17" W R	Right- 16-17" W- LONG
1C,2E,3-14D,15	107960	AAA STRT LNG EXT ASM 18 -22" W R	Right- 18-22" W- LONG
>>>>		60,70,80 & 60,70 HEMI HANGERS - LEFT	
1C,2B,3-14A,15	111539	AAA STRT LNG EXT ASM 12-13" W L	Left- 12-13" W- LONG
1C,2C,3-14B,15	107963	AAA STRT LNG EXT ASM 14W L	Left- 14-15" W- LONG
1C,2D,3-14C,15	107965	AAA STRT LNG EXT ASM 16W L	Left- 16-17" W- LONG
1C,2E,3-14D,15	107968	AAA STRT LNG EXT ASM 18W L	Left- 18-22" W- LONG
>>>>		60&70 HEMI HANGERS - SHORT EXT - RIGHT	
1D,2B,3-14A,15	129756	AAA FOOT KIT SHT HNGR 12W R	Right- 12-13" W- SHORT; add Ext behind the Hemi
1D,2C,3-14B,15	129758	AAA FOOT KIT SHT HNGR 14W R	Right- 14-15" W- SHORT; add Ext behind the Hemi
1D,2D,3-14C,15	129760	AAA FOOT KIT SHT HNGR 16W R	Right- 16-17" W- SHORT; add Ext behind the Hemi
1D,2E,3-14D,15	129762	AAA FOOT KIT SHT HNGR 18W R	Right- 18-22" W- SHORT; add Ext behind the Hemi
>>>>		60&70 HEMI HANGERS - SHORT EXT -LEFT	
1D,2B,3-14A,15	129757	AAA FOOT KIT SHT HNGR 12W L	Left- 12-13" W-SHORT; add Ext behind the Hemi
1D,2C,3-14B,15	129759	AAA FOOT KIT SHT HNGR 14W L	Left- 14-15" W- SHORT; add Ext behind the Hemi
1D,2D,3-14C,15	129761	AAA FOOT KIT SHT HNGR 16W L	Left- 16-17" W- SHORT; add Ext behind the Hemi
1D,2E,3-14D,15	129763	AAA FOOT KIT SHT HNGR 18W L	Left- 18-22" W- SHORT; add Ext behind the Hemi
		Ship assembled part #	Use with multiple assemblies

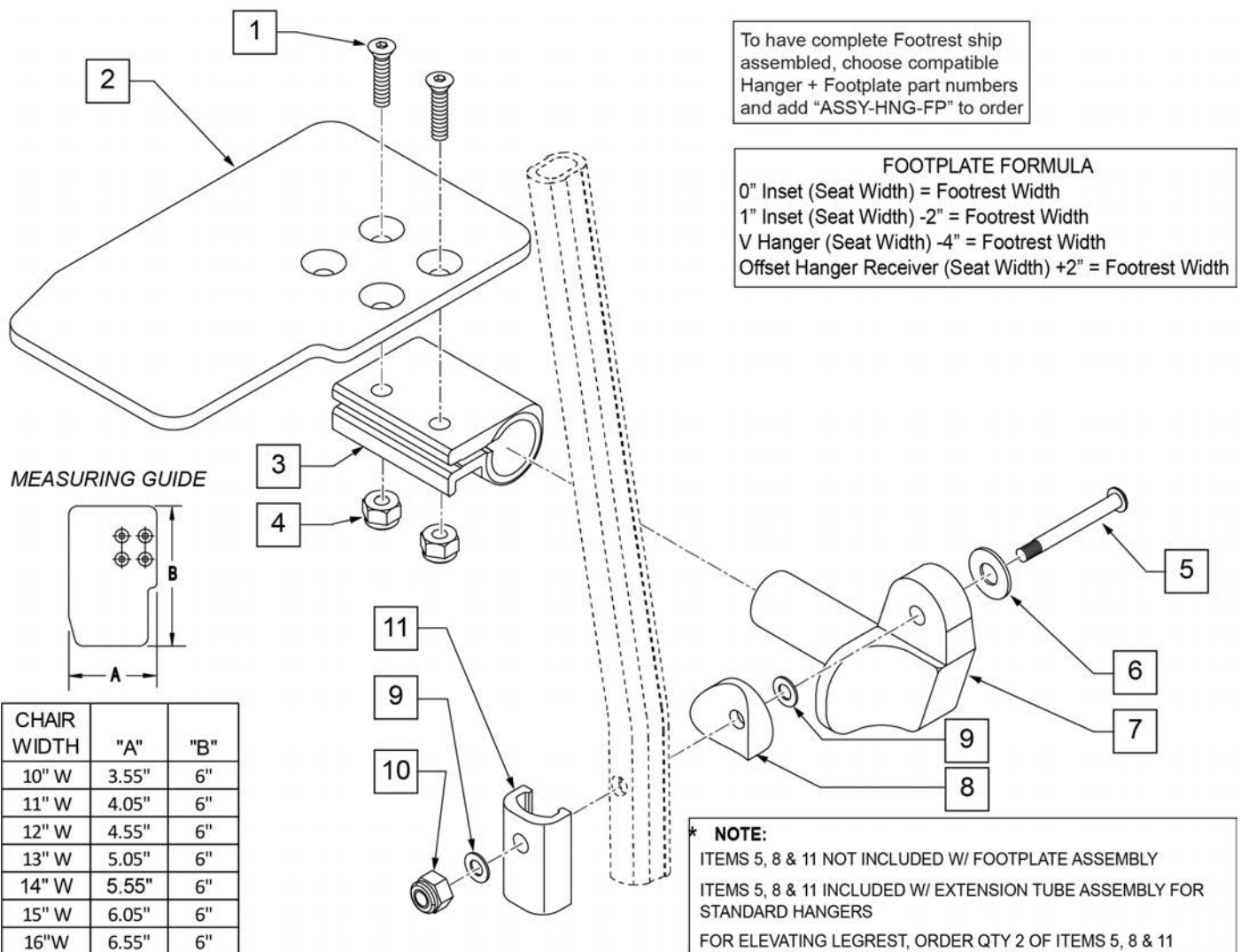
<b>Pos.</b>	<b>Item Number</b>	<b>Description</b>	<b>Remarks</b>
	ASSY-HNG-FP	HANGER/FOOTPLATE ASSY REQUIRED	add with Hanger & Footplate kit

**Note:** Footplate Assemblies are set to footrest width; please see "Footplate Formula" table for seat width conversion.

Note: V Style Hangers are not available on Swing Away Style chairs effective 7/14/14; see the "Prior To" ordering guide for V Style footplate assemblies.

**Note:** Zippie Iris (ZRS&ZRSE) and Zippie TS (Z1A&Z1SE) only use Straight Extension Tube.

Note: if chair has High Mount Ext Tubes or if switching to High Mount Ext Tubes, see KAA Footplate w/ High Mount Extension Ordering Guide.



Pos.	Item Number	Description	Remarks
1	106978	FHCS 1/4 -28 x 7/8 ROHS	

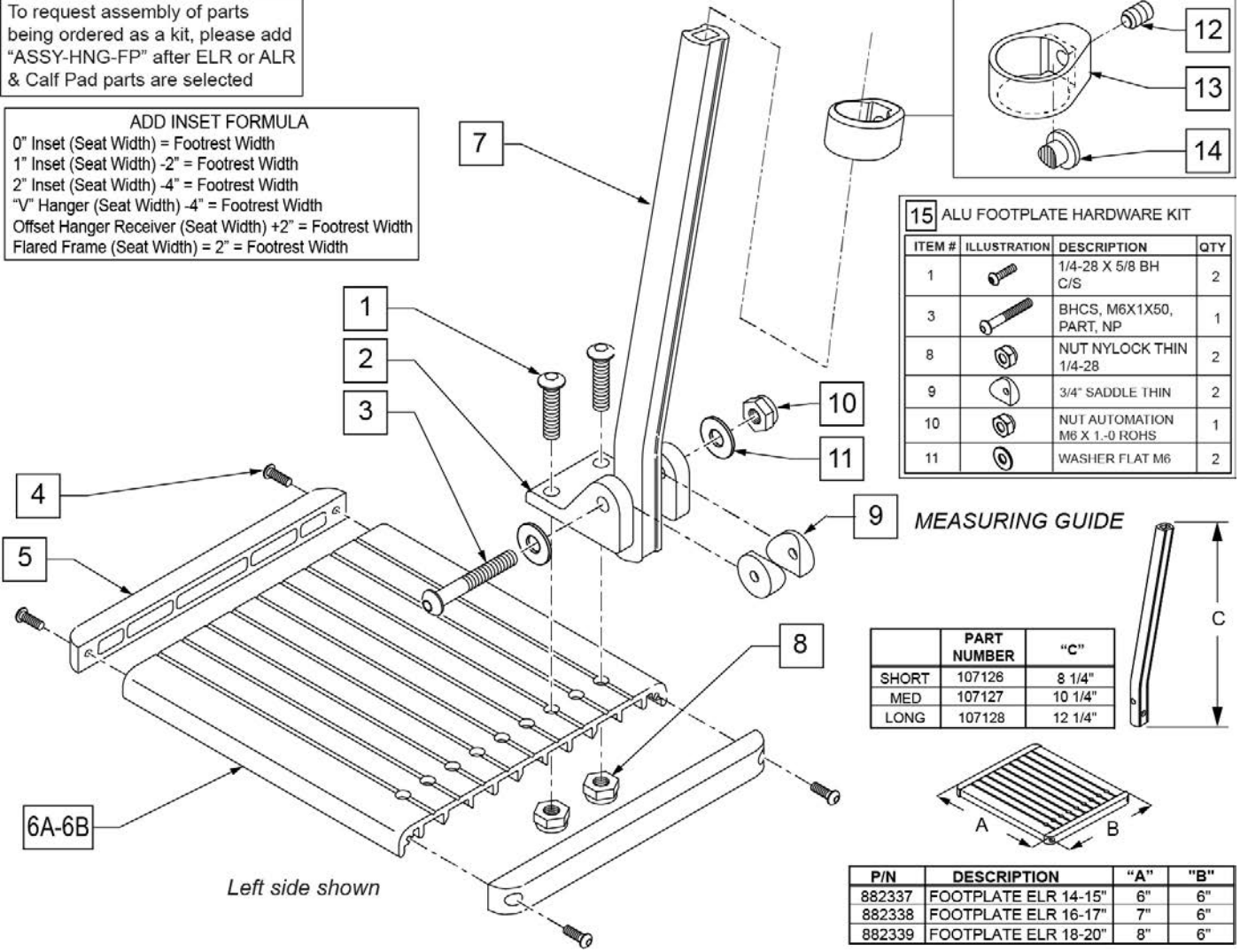
Pos.	Item Number	Description	Remarks
2	500635	KIDS ANGL ADJ F/PLT 10" R	Right
2	500636	KIDS ANGL ADJ F/PLT 10" L	Left
2	500637	KIDS ANGL ADJ F/PLT 11" R	Right
2	500638	KIDS ANGL ADJ F/PLT 11" L	Left
2	500639	KIDS ANGL ADJ F/PLT 12" R	Right
2	500640	KIDS ANGL ADJ F/PLT 12" L	Left
2	500641	KIDS ANGL ADJ F/PLT 13" R	Right
2	500642	KIDS ANGL ADJ F/PLT 13" L	Left
2	500643	KIDS ANGL ADJ F/PLT 14" R	Right
2	500644	KIDS ANGL ADJ F/PLT 14" L	Left
2	500645	KIDS ANGL ADJ F/PLT 15" R	Right
2	500646	KIDS ANGL ADJ F/PLT 15" L	Left
2	500647	KIDS ANGL ADJ F/PLT 16" R	Right
2	500648	KIDS ANGL ADJ F/PLT 16" L	Left
3	550350	3/4" CLAMP ADJ FOOTPLATE	
4	106935	NUT NYLOCK THIN 1/4 -28 ROHS	
5	106962	1/4-28 x 1 3/4 BH C/S BLK ZN (D2 EXTENSION TUBES)	
5	226167	1/4-28 x 1.625 BH C/S BLK (ROUND EXTENSION TUBES)	
6	106945	1/4 SAE WASHER	
7	541002	FTRST MOUNTING BRKT-3/8 RAD R	
7	541003	FTRST MOUNTING BRKT-3/8 RAD L	
8	561055	3/4" SADDLE 1" OD	
9	106944	WASHER FLAT THIN AN 1/4 ROHS	
10	106941	NUT AUTOMATION 1/4 -28 ROHS	
11	483720	HANGER EXTENSION SADDLE LONG	Use with Double D Ext Tube
1-4,6,7,9,10	828850	KIDS ANG ADJ F/PLT EXT-MNT 10"R	Right
1-4,6,7,9,10	828851	KIDS ANG ADJ F/PLT EXT-MNT 10"L	Left
1-4,6,7,9,10	828852	KIDS ANG ADJ F/PLT EXT-MNT 11"R	Right
1-4,6,7,9,10	828853	KIDS ANG ADJ F/PLT EXT-MNT 11"L	Left
1-4,6,7,9,10	828854	KIDS ANG ADJ F/PLT EXT-MNT 12"R	Right
1-4,6,7,9,10	828855	KIDS ANG ADJ F/PLT EXT-MNT 12"L	Left
1-4,6,7,9,10	828856	KIDS ANG ADJ F/PLT EXT-MNT 13"R	Right
1-4,6,7,9,10	828857	KIDS ANG ADJ F/PLT EXT-MNT 13"L	Left
1-4,6,7,9,10	828858	KIDS ANG ADJ F/PLT EXT-MNT 14"R	Right
1-4,6,7,9,10	828859	KIDS ANG ADJ F/PLT EXT-MNT 14"L	Left
1-4,6,7,9,10	828860	KIDS ANG ADJ F/PLT EXT-MNT 15"R	Right
1-4,6,7,9,10	828861	KIDS ANG ADJ F/PLT EXT-MNT 15"L	Left
1-4,6,7,9,10	828862	KIDS ANG ADJ F/PLT EXT-MNT 16"R	Right
1-4,6,7,9,10	828863	KIDS ANG ADJ F/PLT EXT-MNT 16"L	Left
1-4,6,7,9,10	921280	KIDS ANG ADJ F/PLT EXT-MNT 10"	Pair
1-4,6,7,9,10	921281	KIDS ANG ADJ F/PLT EXT-MNT 11"	Pair
1-4,6,7,9,10	921282	KIDS ANG ADJ F/PLT EXT-MNT 12"	Pair
1-4,6,7,9,10	921283	KIDS ANG ADJ F/PLT EXT-MNT 13"	Pair
1-4,6,7,9,10	921284	KIDS ANG ADJ F/PLT EXT-MNT 14"	Pair
1-4,6,7,9,10	921285	KIDS ANG ADJ F/PLT EXT-MNT 15"	Pair
1-4,6,7,9,10	921286	KIDS ANG ADJ F/PLT EXT-MNT 16"	Pair
		Ship assembled part #	Use with multiple assemblies
	ASSY-HNG-FP	HANGER/FOOTPLATE ASSY REQUIRED	add with Hanger & Footplate kit

ELR/ALR ALUMINUM FOOTPLATE

(02/11/2020)

To request assembly of parts being ordered as a kit, please add "ASSY-HNG-FP" after ELR or ALR & Calf Pad parts are selected

ADD INSET FORMULA  
 0" Inset (Seat Width) = Footrest Width  
 1" Inset (Seat Width) -2" = Footrest Width  
 2" Inset (Seat Width) -4" = Footrest Width  
 "V" Hanger (Seat Width) -4" = Footrest Width  
 Offset Hanger Receiver (Seat Width) +2" = Footrest Width  
 Flared Frame (Seat Width) = 2" = Footrest Width



**15 ALU FOOTPLATE HARDWARE KIT**

ITEM #	ILLUSTRATION	DESCRIPTION	QTY
1		1/4-28 X 5/8 BH C/S	2
3		BHCS, M6X1X50, PART, NP	1
8		NUT NYLOCK THIN 1/4-28	2
9		3/4" SADDLE THIN	2
10		NUT AUTOMATION M6 X 1-0 ROHS	1
11		WASHER FLAT M6	2

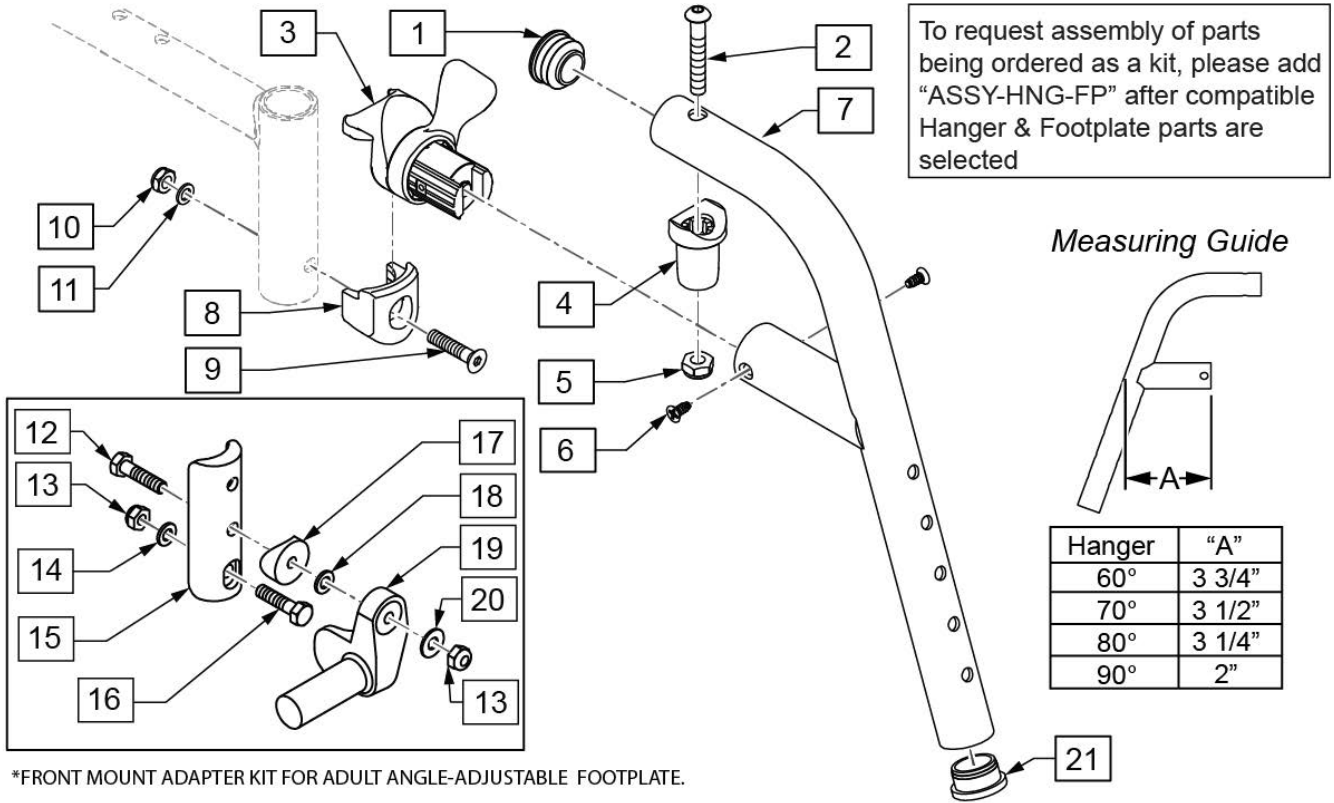
**MEASURING GUIDE**

	PART NUMBER	"C"
SHORT	107126	8 1/4"
MED	107127	10 1/4"
LONG	107128	12 1/4"

P/N	DESCRIPTION	"A"	"B"
882337	FOOTPLATE ELR 14-15"	6"	6"
882338	FOOTPLATE ELR 16-17"	7"	6"
882339	FOOTPLATE ELR 18-20"	8"	6"

Pos.	Item Number	Description	Remarks
1	226090	1/4-28 x 5/8 BH C/S	
2	118093	BRACKET FOOTPLATE ALUM	
3	102262-008	BHCS M6 X 1 X 50 INORGANIC	
4	281043	#4 x 5/8 PAN PHIL S/TAP	
5	560101	END CAPS FOOTREST	
7	107126	SHORT BENT	
7	107127	MED BENT	
7	107128	LONG BENT	
7	128078	TUBE FOOTREST EXT SHT HEMI	Use for Hemi Extension option
8	106935	1/4-28 NYLOCK NUT THIN	
9	561003	3/4" SADDLE THIN	
10	132626	NUT AUTOMATION M6 X 1.0	
11	107383	WASHER FLAT M6 ROHS	
4,5,6A	882337	ELR FOOTPLATE ASSEMBLY 14 -15"	
4,5,6B	882338	ELR FOOTPLATE ASSEMBLY 16 -17"	
4,5,6C	882339	ELR FOOTPLATE ASSEMBLY 18 -20"	
12-14	119495	EXTENSION CLAMP KIT	
15	129775	ALU FOOTPLATE HDWARE KIT	Ext tube not included; bracket (118093) not included

Pos.	Item Number	Description	Remarks
		Ship assembled part #	Use with multiple assemblies
	ASSY-HNG-FP	HANGER/FOOTPLATE ASSY REQUIRED	add with Hanger & Footplate kit



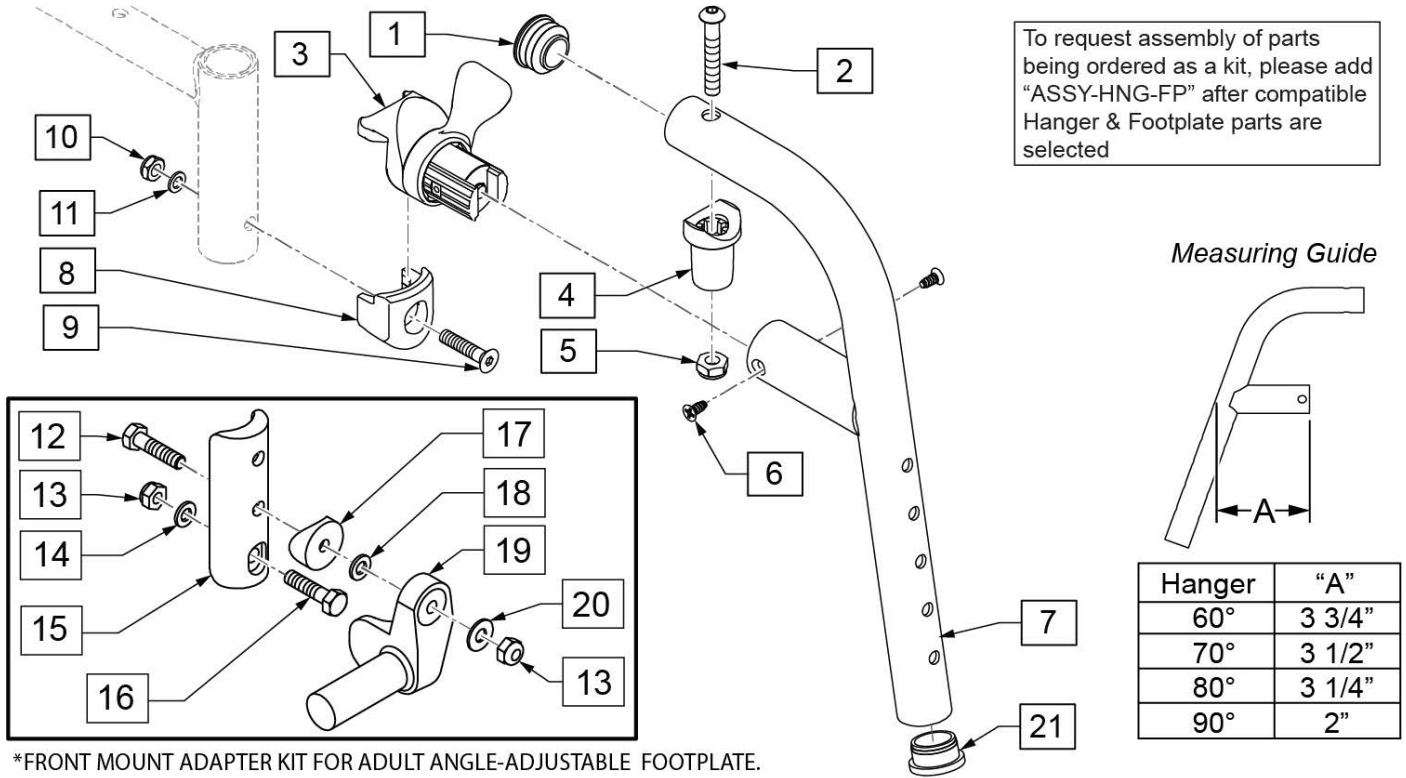
Pos.	Item Number	Description	Remarks
1	561062	1" INSERT PLUG .065 RIBS	
2	226217	5/16-18 X 2" BH C/S BLK	
4	561197	PLASTIC PIVOT SADDLE	
5	202102	5/16-18 NYLOCK NUT THIN	
6	118695	#8 LOW FLT HD TAP SCREW	
9	103500-010	FHCSM6X1X35FULLNP	
10	104381	NUT HEX NYLOCK M6X1.0	
11	104414	WAVE WASHER 6 MM	
12	102268-001	HHCS M6 X 1 X 25	
13	104381	NUT HEX NYLOCK M6 X 1	
14	107383	WASHER FLAT M6 ROHS	
15	119240	FOOTPLATE ADAPTER FM	3" tall
16	118198	HHCS M6X1X40 PART NP	
17	561004	1" SADDLE 1/4" HOLE	
18	106943	WASHER FLAT AN 1/4 ROHS	
19	541000	FOOTREST MOUNTING BRKT 1/2" RAD R	Right
19	541001	FOOTREST MOUNTING BRKT 1/2" RAD L	Left
20	106945	WASHER FLAT SAE 1/4 ROHS	
1,2,4,5	119518	PIVOT SADDLE KIT	
1-7	119456S	70 D FRNT MNT SWING IN/OUT HANGER L	Left
1-7	119457S	70 D FRNT MNT SWING IN/OUT HANGER R	Right
8-11	119514	LATCH RECEIVER KIT	
3,6	119509	HANGER LATCH ASSM W/HDWR L	Left
3,6	119510	HANGER LATCH ASSM W/HDWR R	Right
12-20	129764	AAA FRNT MNT ADAPTER KIT PR	Pair
21	561002	1" INSERT PLUG .083	

Pos.	Item Number	Description	Remarks
		Ship assembled part #	Use with multiple assemblies
	ASSY-HNG-FP	HANGER/FOOTPLATE ASSY REQUIRED	add with Hanger & Footplate kit



80 DEG FRONT MOUNT SWING IN/OUT HANGER

[08/22/2019]

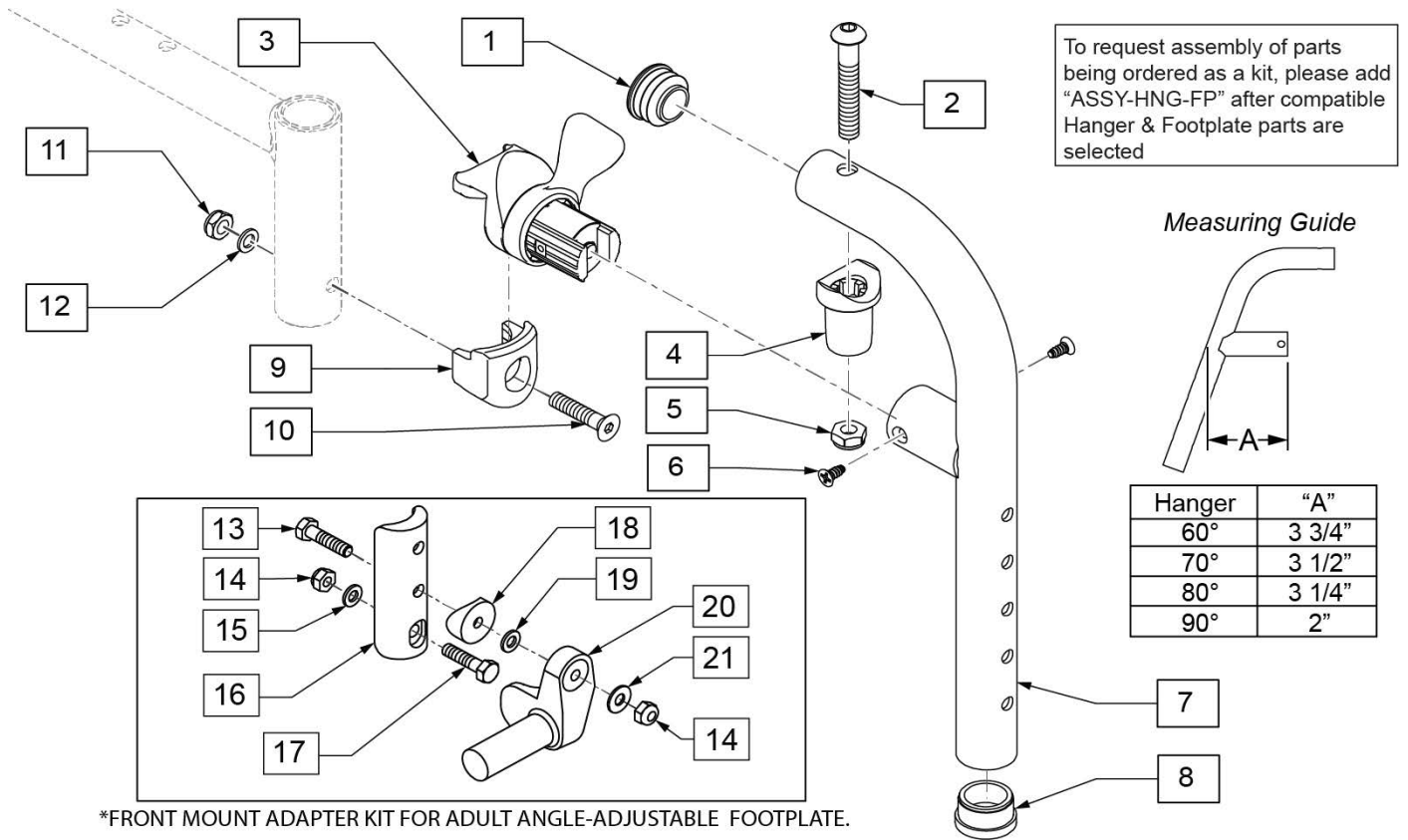


Pos.	Item Number	Description	Remarks
1	561062	1" INSERT PLUG .065 RIBS	
2	226217	5/16-18 X 2" BH C/S BLK	
4	561197	PLASTIC PIVOT SADDLE	
5	202102	5/16-18 NYLOCK NUT THIN	
6	118695	#8 LOW FLT HD TAP SCREW	
9	103500-010	FHCSM6X1X35FULLNP	
10	104381	NUT HEX NYLOCK M6X1.0	
11	104414	WAVE WASHER 6 MM	
12	102268-001	HHCS M6 X 1 X 25	
13	104381	NUT HEX NYLOCK M6 X 1	
14	107383	WASHER FLAT M6 ROHS	
15	119240	FOOTPLATE ADAPTER FM	3" tall
16	118198	HHCS M6X1X40 PART NP	
17	561004	1" SADDLE 1/4" HOLE	
18	106944	WASHER FLAT AN 1/4 ROHS	
19	541000	FOOTREST MOUNTING BRKT 1/2" RAD R	Right
19	541001	FOOTREST MOUNTING BRKT 1/2" RAD L	Left
20	106944	WASHER FLAT SAE 1/4 ROHS	
1,2,4,5	119518	PIVOT SADDLE KIT	
1-7	119464S	80 D FRNT MNT SWING IN/OUT HANGER L	Left
1-7	119465S	80 D FRNT MNT SWING IN/OUT HANGER R	Right
8-11	119514	LATCH RECEIVER KIT	
3,6	119509	HANGER LATCH ASSM W/HDWR L	Left
3,6	119510	HANGER LATCH ASSM W/HDWR R	Right
21	561002	1" INSERT PLUG .083	
12-20	129764	AAA FRNT MNT ADAPTER KIT PR	Pair
21	561002	1" INSERT PLUG .083	

<b>Pos.</b>	<b>Item Number</b>	<b>Description</b>	<b>Remarks</b>
		Ship assembled part #	Use with multiple assemblies
	ASSY-HNG-FP	HANGER/FOOTPLATE ASSY REQUIRED	add with Hanger & Footplate kit

90 DEG FRONT MOUNT SWING IN/OUT HANGER

[08/22/2019]



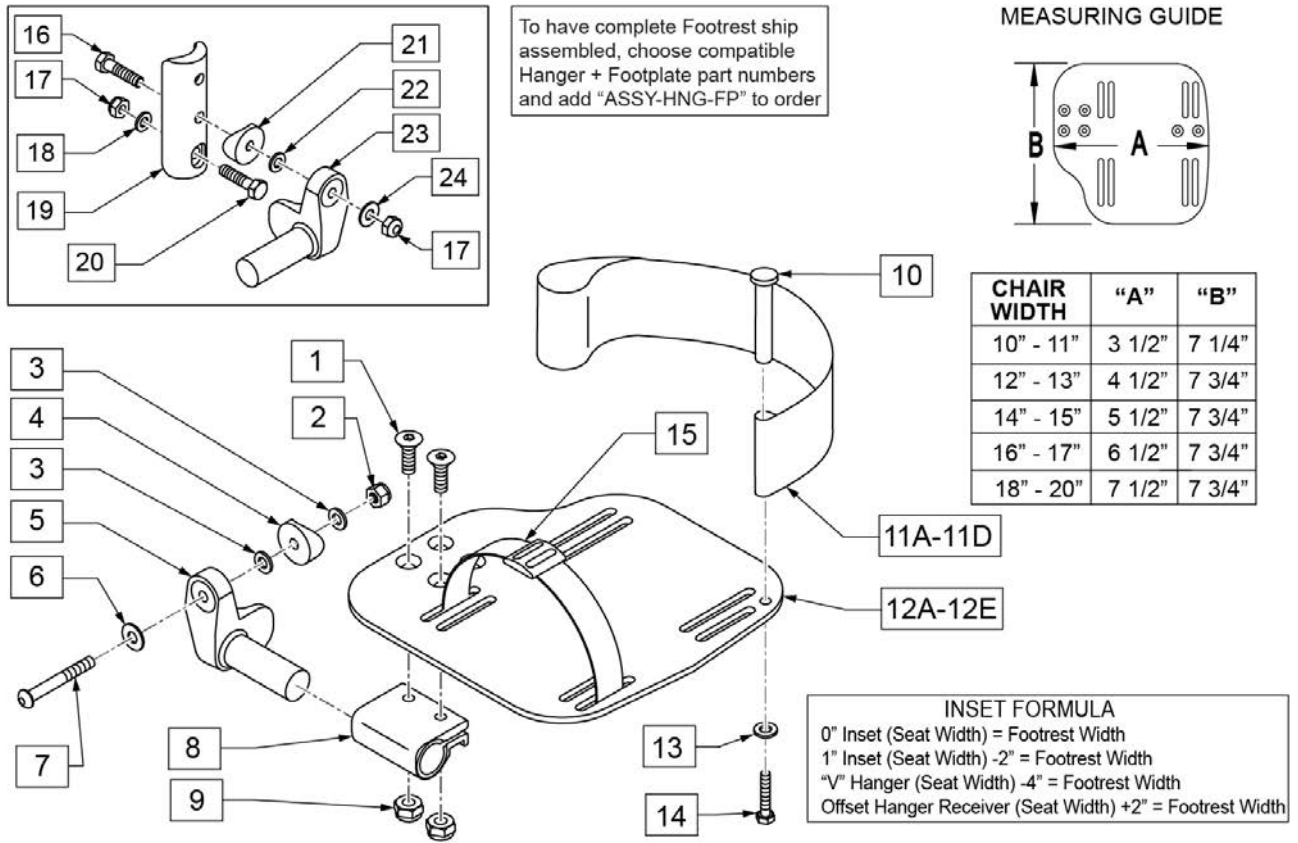
Pos.	Item Number	Description	Remarks
1	561062	1" INSERT PLUG .065 RIBS	
2	226217	5/16-18 X 2" BH C/S BLK	
4	561197	PLASTIC PIVOT SADDLE	
5	202102	5/16-18 NYLOCK NUT THIN	
6	118695	#8 LOW FLT HD TAP SCREW	
8	561002	1" INSERT PLUG .083	
10	103500-010	FHCSM6X1X35FULLNP	
11	104381	NUT HEX NYLOCK M6X1.0	
12	104414	WAVE WASHER 6 MM	
13	102268-001	HHCS M6 X 1 X 25	
14	104381	NUT HEX NYLOCK M6 X 1	
15	107383	WASHER FLAT M6 ROHS	
16	119240	FOOTPLATE ADAPTER FM	3" tall
17	118198	HHCS M6X1X40 PART NP	
18	561004	1" SADDLE 1/4" HOLE	
19	106943	WASHER FLAT AN 1/4 ROHS	
20	541000	FOOTREST MOUNTING BRKT 1/2" RAD R	Right
20	541001	FOOTREST MOUNTING BRKT 1/2" RAD L	Left
21	106945	WASHER FLAT SAE 1/4 ROHS	
1,2,4,5	119518	PIVOT SADDLE KIT	
1-7	129644S	90 D FRNT MNT SWING IN/OUT HANGER R	Right
1-7	129645S	90 D FRNT MNT SWING IN/OUT HANGER L	Left
9-12	119514	LATCH RECEIVER KIT	
3,6	119509	HANGER LATCH ASSM W/HDWR L	Left
3,6	119510	HANGER LATCH ASSM W/HDWR R	Right

Pos.	Item Number	Description	Remarks
13-21	129764	AAA FRNT MNT ADAPTER KIT PR	Pair
		Ship assembled part #	Use with multiple assemblies
	ASSY-HNG-FP	HANGER/FOOTPLATE ASSY REQUIRED	add with Hanger & Footplate kit

**ADULT ANGLE-ADJ FOOTPLATE FRONT MOUNT**

[10/26/2018]

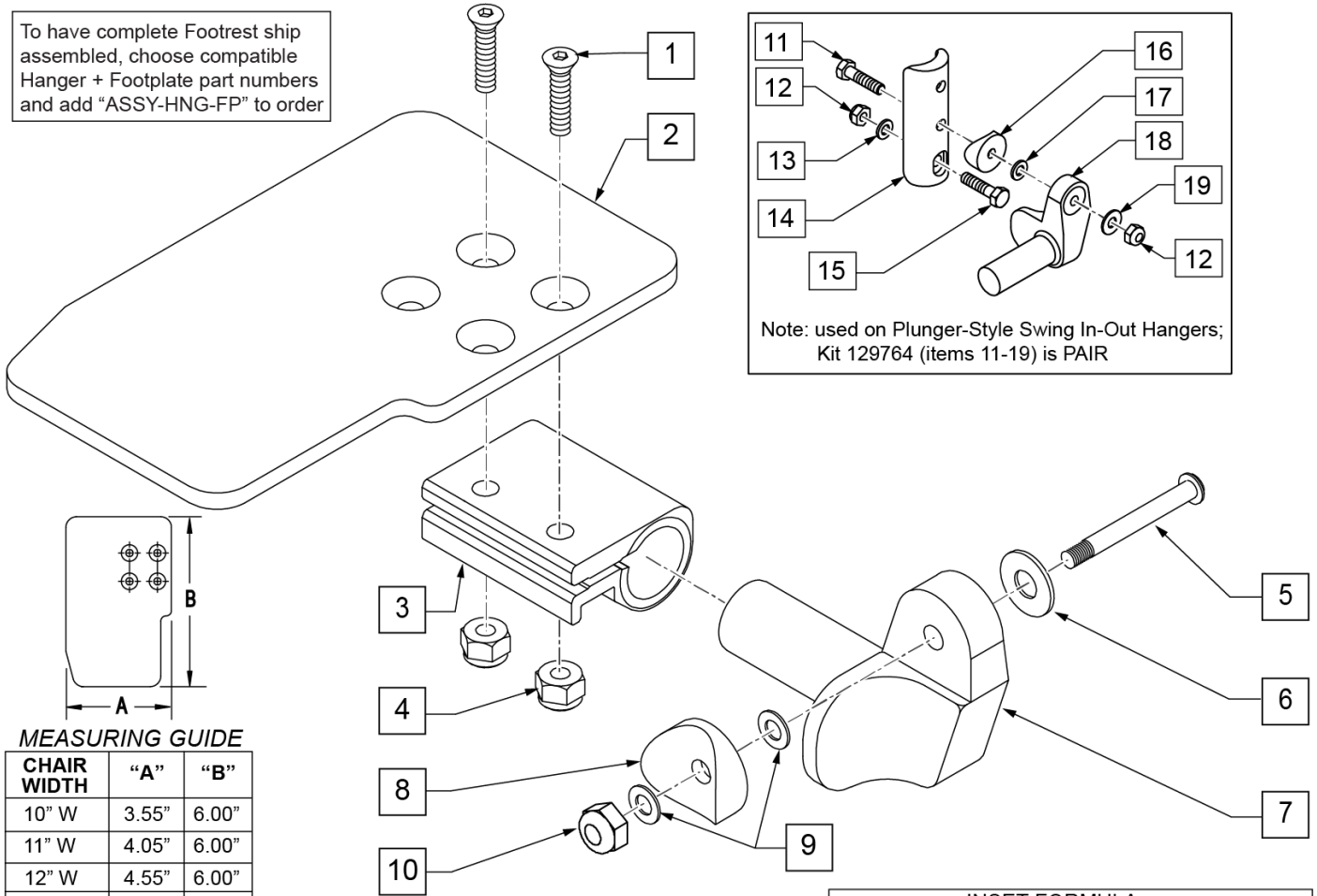
Note: for QX Series or SR45 footplate replacement parts see the ordering guide marked specifically for these two models in the informations panel.



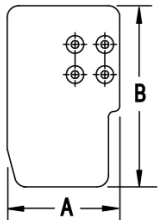
Pos.	Item Number	Description	Remarks
1	106978	FHCS 1/4-28 X 7/8	
2	106934	NUT NYLOCK 1/4-28	
3	106944	WASHER FLAT THIN AN 1/4	
4	561004	Q2 SADDLE	
5	541000	FTRST MOUNTING BRKT 1/2" RAD R	Right
5	541001	FTRST MOUNTING BRKT 1/2" RAD L	Left
6	106945	WASHER FLAT SAE 1/4 ROHS	
7	106964	BHCS 1/4-28 X 2	
8	550350	3/4 CLMP ADJ FT PLT	
9	106935	NUT NYLOCK THIN 1/4-28 ROHS	
10	561040	HEEL LOOP PEG	
11A	104380-001	ADJ FOOTREST STRAP 14W	Used on 10"-13" wide
11B	104380-002	ADJ FOOTREST STRAP 15-16W	Used on 14"-15" wide
11C	104380-003	ADJ FOOTREST STRAP 17-18W	Used on 16"-17" wide
11D	104380-004	ADJ FOOTREST STRAP 19-20W	Used on 18"-20" wide
12A	500656	ADULT ANGL ADJ F/PLT 10/11	Right; 10"-11" wide
12A	500657	ADULT ANGL ADJ F/PLT 10/11	Left; 10"-11" wide

Pos.	Item Number	Description	Remarks
12B	500658	ADULT ANGL ADJ F/PLT 12/13	Right; 12"-13" wide
12B	500659	ADULT ANGL ADJ F/PLT 12/13	Left; 12"-13" wide
12C	500660	ADULT ANGL ADJ F/PLT 14/15	Right; 14"-15" wide
12C	500661	ADULT ANGL ADJ F/PLT 14/15	Left; 14"-15" wide
12D	500662	ADULT ANGL ADJ F/PLT 16/17	Right; 16"-17" wide
12D	500663	ADULT ANGL ADJ F/PLT 16/17	Left; 16"-17" wide
12E	500664	ADULT ANGL ADJ F/PLT 18-20	Right; 18"-22" wide
12E	500665	ADULT ANGL ADJ F/PLT 18-20	Left; 18"-22" wide
13	107383	WASHER FLAT M6 ROHS	
14	102268-001	HHCS M6 X 1 X 25	
15	740260	TOE-ANKLE STRAP ADJ ADULT FOOTPLATE	
16	102268-001	HHCS M6 X 1 X 25	
17	132626	NUT AUTOMATION M6 X 1	
18	107383	WASHER FLAT M6 ROHS	
20	118198	HHCS M6X1X40 PART NP	
21	561004	Q2 SADDLE	
22	106943	WASHER FLAT AN 1/4 ROHS	
24	106945	WASHER FLAT SAE 1/4 ROHS	
16-24	129764	AAA FRNT MNT ADAPTER KIT PR	Pair; fits both Kids & Adult Angle Adj Footplates
1,8-10,11A,12A,13,14	129765	AAA F/PLT KIT 10-11 RT	Right; used w/ 129764 on Plunger-Style Swing In/Out Hangers
1,8-10,11A,12A,13,14	129766	AAA F/PLT KIT 10-11 LFT	Left; used w/ 129764 on Plunger-Style Swing In/Out Hangers
1,8-10,11A,12B,13,14	129767	AAA F/PLT KIT 12-13 RT	Right; used w/ 129764 on Plunger-Style Swing In/Out Hangers
1,8-10,11A,12B,13,14	129768	AAA F/PLT KIT 12-13 LFT	Left; used w/ 129764 on Plunger-Style Swing In/Out Hangers
1,8-10,11B,12C,13,14	129769	AAA F/PLT KIT 14-15 RT	Right; used w/ 129764 on Plunger-Style Swing In/Out Hangers
1,8-10,11B,12C,13,14	129770	AAA F/PLT KIT 14-15 LFT	Left; used w/ 129764 on Plunger-Style Swing In/Out Hangers
1,8-10,11C,12D,13,14	129771	AAA F/PLT KIT 16-17 RT	Right; used w/ 129764 on Plunger-Style Swing In/Out Hangers
1,8-10,11C,12D,13,14	129772	AAA F/PLT KIT 16-17 LFT	Left; used w/ 129764 on Plunger-Style Swing In/Out Hangers
1,8-10,11D,12E,13,14	129773	AAA F/PLT KIT 18-20 RT	Right; used w/ 129764 on Plunger-Style Swing In/Out Hangers
1,8-10,11D,12E,13,14	129774	AAA F/PLT KIT 18-20 LFT	Left; used w/ 129764 on Plunger-Style Swing In/Out Hangers
1-10,11A,12B	111514	AAA FTPLT 90D 12/13" R	Right; used w/ Old-Style Latch Block Swing In/Out & S/A Hngrs
1-10,11A,12B	111515	AAA FTPLT 90D 12/13" L	Left; used w/ Old-Style Latch Block Swing IO & S/A Hngrs
1-10,11B,12C	111516	AAA FTPLT 90D 14/15" R	Right; used w/ Old-Style Latch Block Swing In/Out & S/A Hngrs
1-10,11B,12C	111517	AAA FTPLT 90D 14/15" L	Left; used w/ Old-Style Latch Block Swing IO & S/A Hngrs
1-10,11C,12D	111518	AAA FTPLT 90D 16/17" R	Right; used w/ Old-Style Latch Block Swing In/Out & S/A Hngrs
1-10,11C,12D	111519	AAA FTPLT 90D 16/17" L	Left; used w/ Old-Style Latch Block Swing IO & S/A Hngrs
1-10,11D,12E	111520	AAA FTPLT 90D 18/20" R	Right; used w/ Old-Style Latch Block Swing In/Out & S/A Hngrs
1-10,11D,12E	111521	AAA FTPLT 90D 18/20" L	Left; used w/ Old-Style Latch Block Swing IO & S/A Hngrs
		Ship assembled part #	Use with multiple assemblies
	ASSY-HNG-FP	HANGER/FOOTPLATE ASSY REQUIRED	add with Hanger & Footplate kit

To have complete Footrest ship assembled, choose compatible Hanger + Footplate part numbers and add "ASSY-HNG-FP" to order



Note: used on Plunger-Style Swing In-Out Hangers; Kit 129764 (items 11-19) is PAIR



MEASURING GUIDE

CHAIR WIDTH	"A"	"B"
10" W	3.55"	6.00"
11" W	4.05"	6.00"
12" W	4.55"	6.00"
13" W	5.05"	6.00"
14" W	5.55"	6.00"
15" W	6.05"	6.00"
16" W	6.55"	6.00"

INSET FORMULA

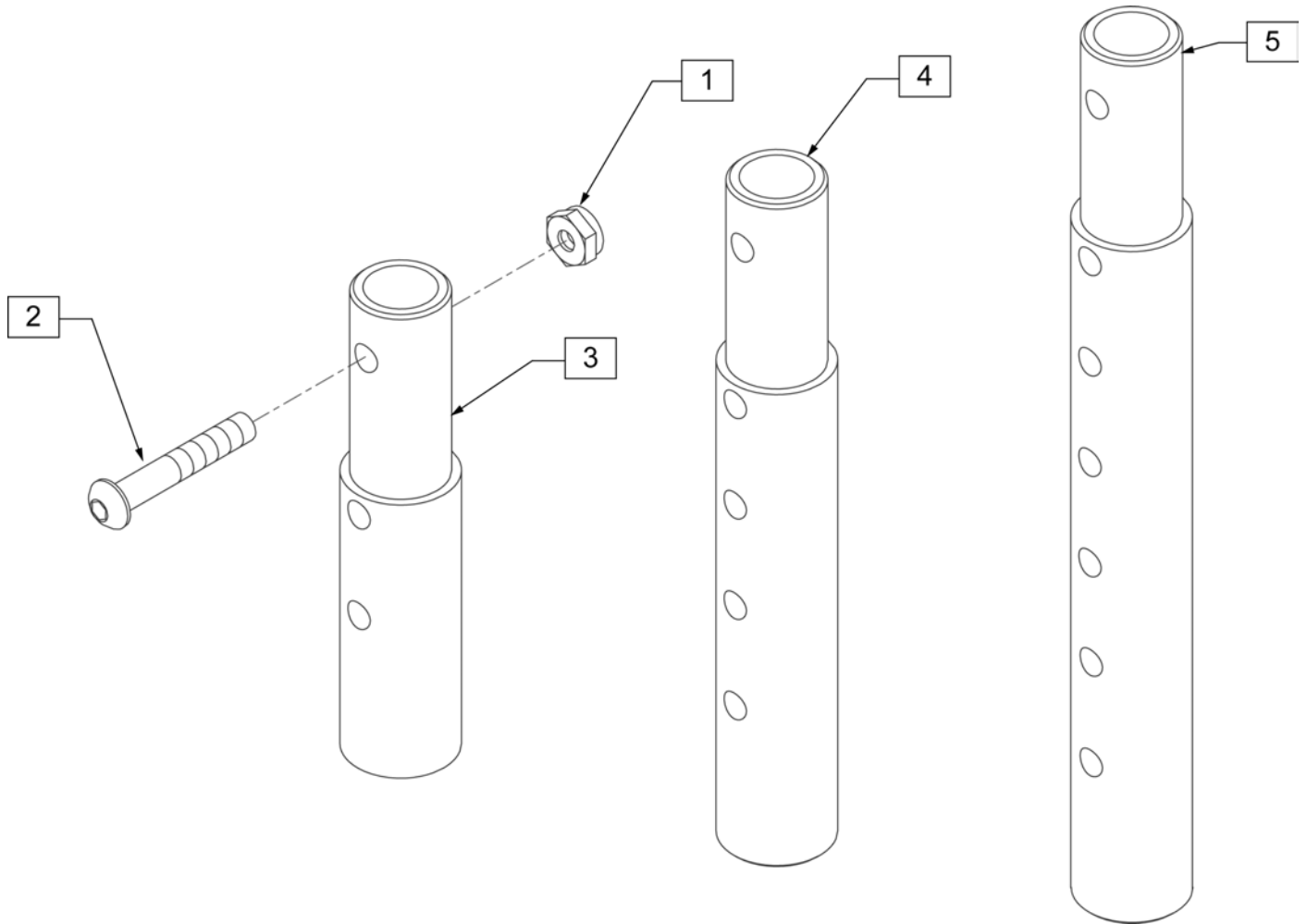
0" Inset (Seat Width) = Footrest Width  
 1" Inset (Seat Width) -2" = Footrest Width  
 "V" Hanger (Seat Width) -4" = Footrest Width  
 Offset Hanger Receiver (Seat Width) +2" = Footrest Width

Pos.	Item Number	Description	Remarks
1	106978	FHCS 1/4-28 X 7/8 ROHS	
2	500635	KIDS ANGL ADJ F/PLT 10	RIGHT
2	500636	KIDS ANGL ADJ F/PLT 10	LEFT
2	500637	KIDS ANGL ADJ F/PLT 11	RIGHT
2	500638	KIDS ANGL ADJ F/PLT 11	LEFT
2	500639	KIDS ANGL ADJ F/PLT 12	RIGHT
2	500640	KIDS ANGL ADJ F/PLT 12	LEFT
2	500641	KIDS ANGL ADJ F/PLT 13	RIGHT
2	500642	KIDS ANGL ADJ F/PLT 13	LEFT
2	500643	KIDS ANGL ADJ F/PLT 14	RIGHT
2	500644	KIDS ANGL ADJ F/PLT 14	LEFT
2	500645	KIDS ANGL ADJ F/PLT 15	RIGHT
2	500646	KIDS ANGL ADJ F/PLT 15	LEFT
2	500647	KIDS ANGL ADJ F/PLT 16	RIGHT
2	500648	KIDS ANGL ADJ F/PLT 16	LEFT
3	550350	3/4 CLAMP ADJ FOOTPLATE	
4	106935	NUT NYLOCK THIN 1/4-28 ROHS	
5	226147	1/4-28 X 1.85 BH C/S BLK ZN	

Pos.	Item Number	Description	Remarks
6	106945	WASHER FLAT SAE 1/4 ROHS	
7	541000	FTRST MOUNTING BRKT 1/2" RAD R	RIGHT
7	541001	FTRST MOUNTING BRKT 1/2" RAD L	LEFT
8	561004	1 SADDLE 1/4 HOLE	
9	106943	WASHER FLAT THIN AN 1/4	
10	106941	NUT AUTOMATION 1/4-28 ROHS	
11	102268-001	HHCS M6 X 1 X 25	
12	132626	NUT AUTOMATION M6 X 1.0 ROHS	
13	107383	WASHER FLAT M6 ROHS	
15	118198	HHCS M6 X 1 X 40 PART NP	
16	561004	1" SADDLE 1/4" HOLE	
17	106943	WASHER FLAT AN 1/4 ROHS	
19	106945	WASHER FLAT SAE 1/4 ROHS	
1-4	158632	CAA F/PLT KIT 10 RT	RIGHT; used with Front Mount Adapter Kit on Plunger-Style Swing In/Out Hangers
1-4	158633	CAA F/PLT KIT 10 LT	LEFT; used with Front Mount Adapter Kit on Plunger-Style Swing In/Out Hangers
1-4	158634	CAA F/PLT KIT 11 RT	RIGHT; used with Front Mount Adapter Kit on Plunger-Style Swing In/Out Hangers
1-4	158635	CAA F/PLT KIT 11 LT	LEFT; used with Front Mount Adapter Kit on Plunger-Style Swing In/Out Hangers
1-4	158636	CAA F/PLT KIT 12 RT	RIGHT; used with Front Mount Adapter Kit on Plunger-Style Swing In/Out Hangers
1-4	158637	CAA F/PLT KIT 12 LT	LEFT; used with Front Mount Adapter Kit on Plunger-Style Swing In/Out Hangers
1-4	158638	CAA F/PLT KIT 13 RT	RIGHT; used with Front Mount Adapter Kit on Plunger-Style Swing In/Out Hangers
1-4	158639	CAA F/PLT KIT 13 LT	LEFT; used with Front Mount Adapter Kit on Plunger-Style Swing In/Out Hangers
1-4	158640	CAA F/PLT KIT 14 RT	RIGHT; used with Front Mount Adapter Kit on Plunger-Style Swing In/Out Hangers
1-4	158641	CAA F/PLT KIT 14 LT	LEFT; used with Front Mount Adapter Kit on Plunger-Style Swing In/Out Hangers
1-4	158642	CAA F/PLT KIT 15 RT	RIGHT; used with Front Mount Adapter Kit on Plunger-Style Swing In/Out Hangers
1-4	158643	CAA F/PLT KIT 15 LT	LEFT; used with Front Mount Adapter Kit on Plunger-Style Swing In/Out Hangers
1-4	158644	CAA F/PLT KIT 16 RT	RIGHT; used with Front Mount Adapter Kit on Plunger-Style Swing In/Out Hangers
1-4	158645	CAA F/PLT KIT 16 LT	LEFT; used with Front Mount Adapter Kit on Plunger-Style Swing In/Out Hangers
1-10	828821	KIDS ANG ADJ F/PLT ASSM 10	RIGHT; used with Old-Style Latch Block Swing In/Out & S/A Hangers
1-10	828822	KIDS ANG ADJ F/PLT ASSM 10	LEFT; used with Old-Style Latch Block Swing In/Out & S/A Hangers
1-10	828823	KIDS ANG ADJ F/PLT ASSM 11	RIGHT; used with Old-Style Latch Block Swing In/Out & S/A Hangers
1-10	828824	KIDS ANG ADJ F/PLT ASSM 11	LEFT; used with Old-Style Latch Block Swing In/Out & S/A Hangers
1-10	828825	KIDS ANG ADJ F/PLT ASSM 12	RIGHT; used with Old-Style Latch Block Swing In/Out & S/A Hangers
1-10	828826	KIDS ANG ADJ F/PLT ASSM 12	LEFT; used with Old-Style Latch Block Swing In/Out & S/A Hangers
1-10	828827	KIDS ANG ADJ F/PLT ASSM 13	RIGHT; used with Old-Style Latch Block Swing In/Out & S/A Hangers
1-10	828828	KIDS ANG ADJ F/PLT ASSM 13	LEFT; used with Old-Style Latch Block Swing In/Out & S/A Hangers
1-10	828829	KIDS ANG ADJ F/PLT ASSM 14	RIGHT; used with Old-Style Latch Block Swing In/Out & S/A Hangers
1-10	828830	KIDS ANG ADJ F/PLT ASSM 14	LEFT; used with Old-Style Latch Block Swing In/Out & S/A Hangers
1-10	828831	KIDS ANG ADJ F/PLT ASSM 15	RIGHT; used with Old-Style Latch Block Swing In/Out & S/A Hangers
1-10	828832	KIDS ANG ADJ F/PLT ASSM 15	LEFT; used with Old-Style Latch Block Swing In/Out & S/A Hangers



Pos.	Item Number	Description	Remarks
1-10	828833	KIDS ANG ADJ F/PLT ASSM 16	RIGHT; used with Old-Style Latch Block Swing In/Out & S/A Hangers
1-10	828834	KIDS ANG ADJ F/PLT ASSM 16	LEFT; used with Old-Style Latch Block Swing In/Out & S/A Hangers
1-10	921226	KIDS ANG ADJ F/PLT ASSM 10	PAIR; used with Old-Style Latch Block Swing In/Out & S/A Hangers
1-10	921227	KIDS ANG ADJ F/PLT ASSM 11	PAIR; used with Old-Style Latch Block Swing In/Out & S/A Hangers
1-10	921228	KIDS ANG ADJ F/PLT ASSM 12	PAIR; used with Old-Style Latch Block Swing In/Out & S/A Hangers
1-10	921229	KIDS ANG ADJ F/PLT ASSM 13	PAIR; used with Old-Style Latch Block Swing In/Out & S/A Hangers
1-10	921230	KIDS ANG ADJ F/PLT ASSM 14	PAIR; used with Old-Style Latch Block Swing In/Out & S/A Hangers
1-10	921231	KIDS ANG ADJ F/PLT ASSM 15	PAIR; used with Old-Style Latch Block Swing In/Out & S/A Hangers
1-10	921232	KIDS ANG ADJ F/PLT ASSM 16	PAIR; used with Old-Style Latch Block Swing In/Out & S/A Hangers
11-19	129764	AAA FRNT MNT ADAPTER KIT PR	AAA FRNT MNT fits both Kids and Adult Angle Adjustable Footplates
		Ship assembled part #	Use with multiple assemblies
	ASSY-HNG-FP	HANGER/FOOTPLATE ASSY REQUIRED	add with Hanger & Footplate kit

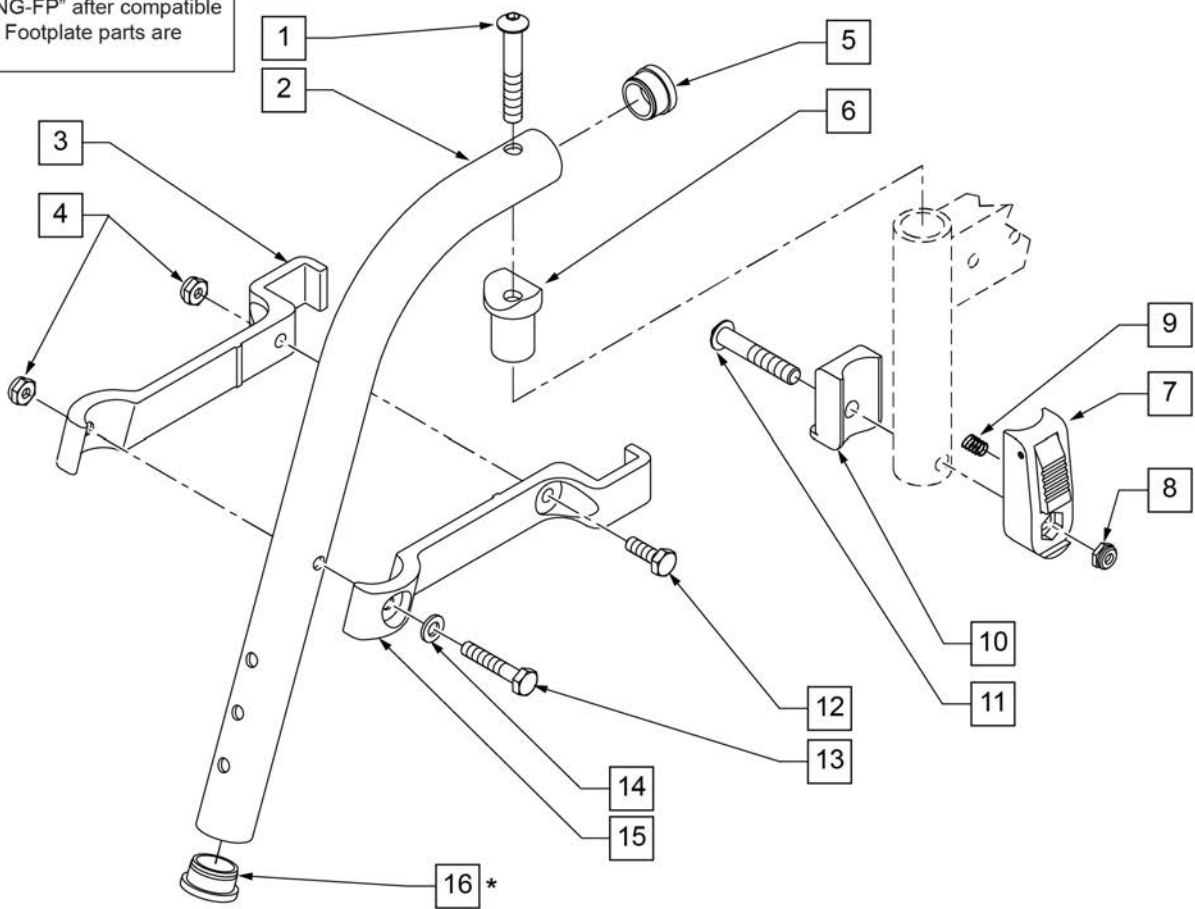


Pos.	Item Number	Description	Remarks
1	106935	NUT NYLOCK THIN 1/4 -28 ROHS	
2	106961	BHCS 1/4 -28 x 1 1/4 ROHS	
1-3	111505	2" FOOTREST EXTENSION TUBE W/ HDWR ASSM	2" EXT (PAIR)
1, 2, 4	111506	4" FOOTREST EXTENSION TUBE W/ HDWR ASSM	4" EXT (PAIR)
1, 2, 5	111507	6" FOOTREST EXTENSION TUBE W/ HDWR ASSM	6" EXT (PAIR)

**NOTE:** \* ORDER ITEM 16 WHEN NOT USING FOOTREST EXTENSION.

**NOTE:** IF RETROFITTING LIFT OFF HANGERS TO A CURRENT STYLE Q2, S/A Q2 LITE, LX/LXI, OR ZIPPIE TS, THE OLD-STYLE FRAME COMPONENTS WILL BE REQUIRED. REFER TO PARTS PAGES FOR FRONT SIDE FRAMES FOR Q2 (PRIOR TO Q2V-091821 & Q2H-009882), Q2 LITE (PRIOR TO Q2L-152965), LX/LXI (PRIOR TO LX-061888), AND ZIPPIE TS (PRIOR TO Z1A-038633 & Z1SE-013380).

To request assembly of parts being ordered as a kit, please add "ASSY-HNG-FP" after compatible Hanger & Footplate parts are selected

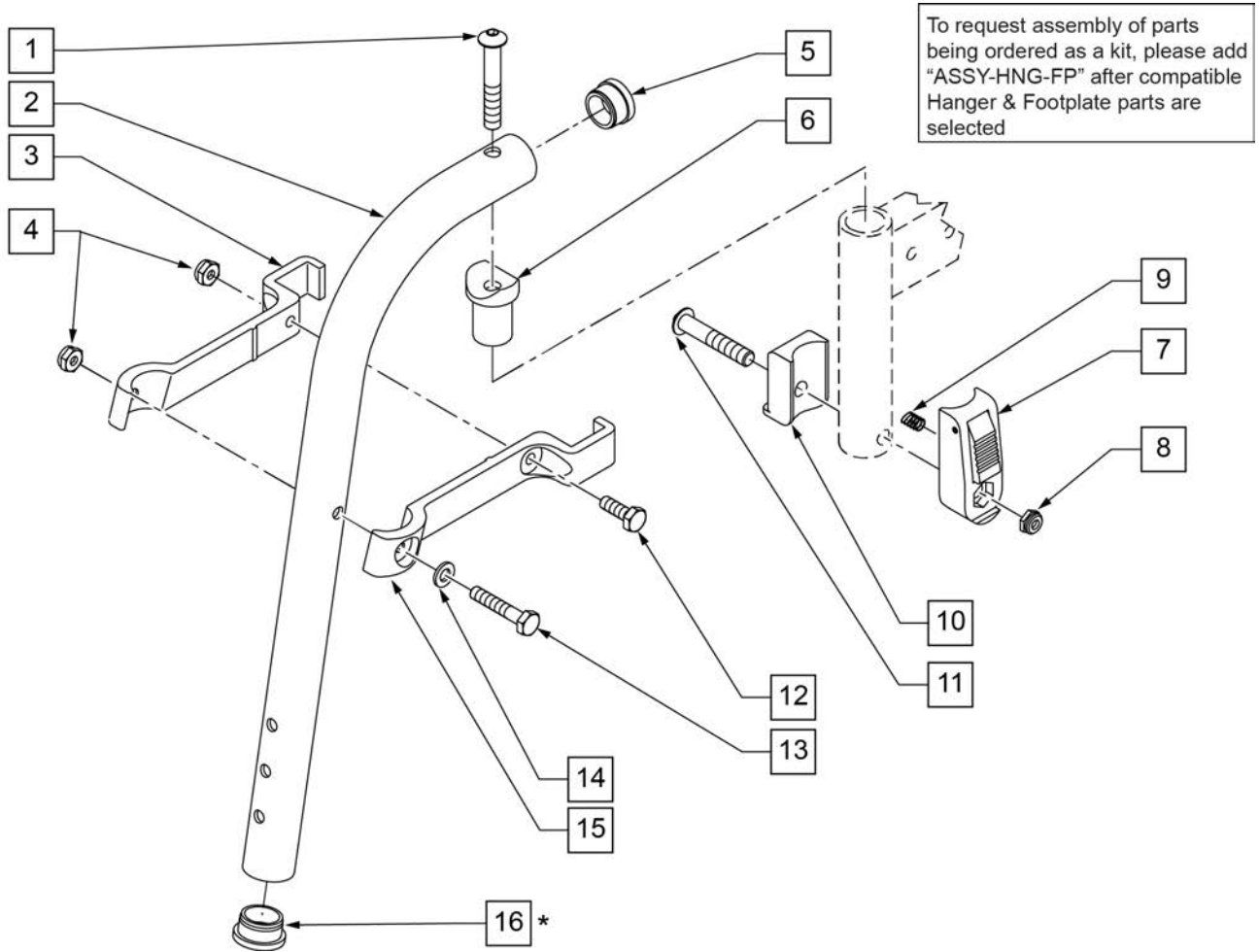


Pos.	Item Number	Description	Remarks
1	106983	BHCS 5/16 -18 x 2 SHLDR ROHS	
3	550152	T45 HANGER BRACKET 70° R	length of bracket: 6 3/4"
4	106935	NUT NYLOCK THIN 1/4 -28 ROHS	
5	561002	1" INSERT PLUG .083	
6	561197	PLASTIC PIVOT SADDLE	
7	880053	FOOTREST BLOCK T45	
8	202117	5/16-18 NYLOCK NUT THICK BLK	
9	321141	.650 x 6 COIL SPRING	
10	560684	T45 FOOTREST BLOCK RECESSED	
11	107029	BHCS 5/16 -18 x 1 5/8 SHLD ROHS	
12	107014	HHCS 1/4 -28 x 3/4 ROHS	

Pos.	Item Number	Description	Remarks
13	106971	HHCS 1/4 -28 x 1 3/8 ROHS	
14	106943	WASHER FLAT AN 1/4 ROHS	
15	550153	T45 HANGER BRACKET 70ø L	length of bracket: 6 3/4"
16	561002	1" INSERT PLUG .083	ORDER WHEN NOT USING FOOTREST EXTENSION
7-11	920720	FOOTREST BLOCK ASSEMBLY W/BOLT HD	required when retrofitting HD Lift Off Hangers to chair
1-6,12-15	641210S	HANGER 70D PNTD R HD	
1-6,12-15	641211S	HANGER 70D PNTD L HD	
		Ship assembled part #	Use with multiple assemblies
	ASSY-HNG-FP	HANGER/FOOTPLATE ASSY REQUIRED	add with Hanger & Footplate kit

**NOTE:** \* ORDER ITEM 16 WHEN NOT USING FOOTREST EXTENSION.

**NOTE:** IF RETROFITTING LIFT OFF HANGERS TO A CURRENT STYLE Q2, S/A Q2 LITE, LX/LXI, OR ZIPPIE TS, THE OLD-STYLE FRAME COMPONENTS WILL BE REQUIRED. REFER TO PARTS PAGES FOR FRONT SIDE FRAMES FOR Q2 (PRIOR TO Q2V-091821 & Q2H-009882), Q2 LITE (PRIOR TO Q2L-152965), LX/LXI (PRIOR TO LX-061888), AND ZIPPIE TS (PRIOR TO Z1A-038633 & Z1SE-013380).

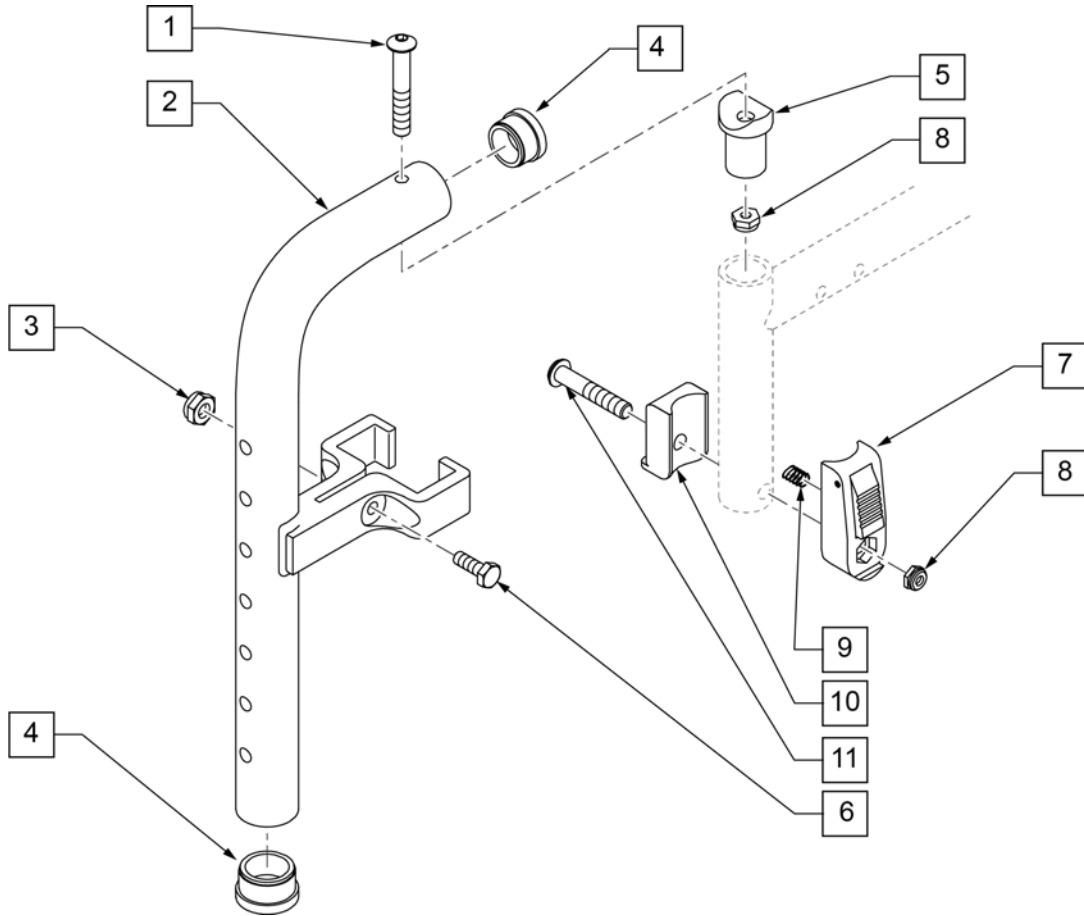


Pos.	Item Number	Description	Remarks
1	106983	BHCS 5/16 -18 x 2 SHLDR ROHS	
3	550154	T45 HANGER BRACKET 80ø R	length of bracket: 6"
4	106935	NUT NYLOCK THIN 1/4 -28 ROHS	
5	561002	1" INSERT PLUG .083	
6	561197	PLASTIC PIVOT SADDLE	
7	880053	FOOTREST BLOCK T45	
8	202117	5/16-18 NYLOCK NUT THICK BLK	
9	321141	.650L x 6 COIL SPRING	
10	560684	T45 FOOTREST BLOCK RECESSED	
11	107029	BHCS 5/16 -18 x 1 5/8 SHLD ROHS	
12	107014	HHCS 1/4 -28 x 3/4 ROHS	

Pos.	Item Number	Description	Remarks
13	106971	HHCS 1/4 -28 x 1 3/8 ROHS	
14	106943	WASHER FLAT AN 1/4 ROHS	
15	550155	T45 HANGER BRACKET 80ø L	length of bracket: 6"
16	561002	1" INSERT PLUG .083	ORDER WHEN NOT USING FOOTREST EXTENSION
7-11	920720	FOOTREST BLOCK ASSEMBLY W/BOLT HD	required when retrofitting HD Lift Off Hangers to chair
1-6,12-15	641200S	HANGER 80D PNTD R HD	
1-6,12-15	641201S	HANGER 80D PNTD L HD	
		Ship assembled part #	Use with multiple assemblies
	ASSY-HNG-FP	HANGER/FOOTPLATE ASSY REQUIRED	add with Hanger & Footplate kit

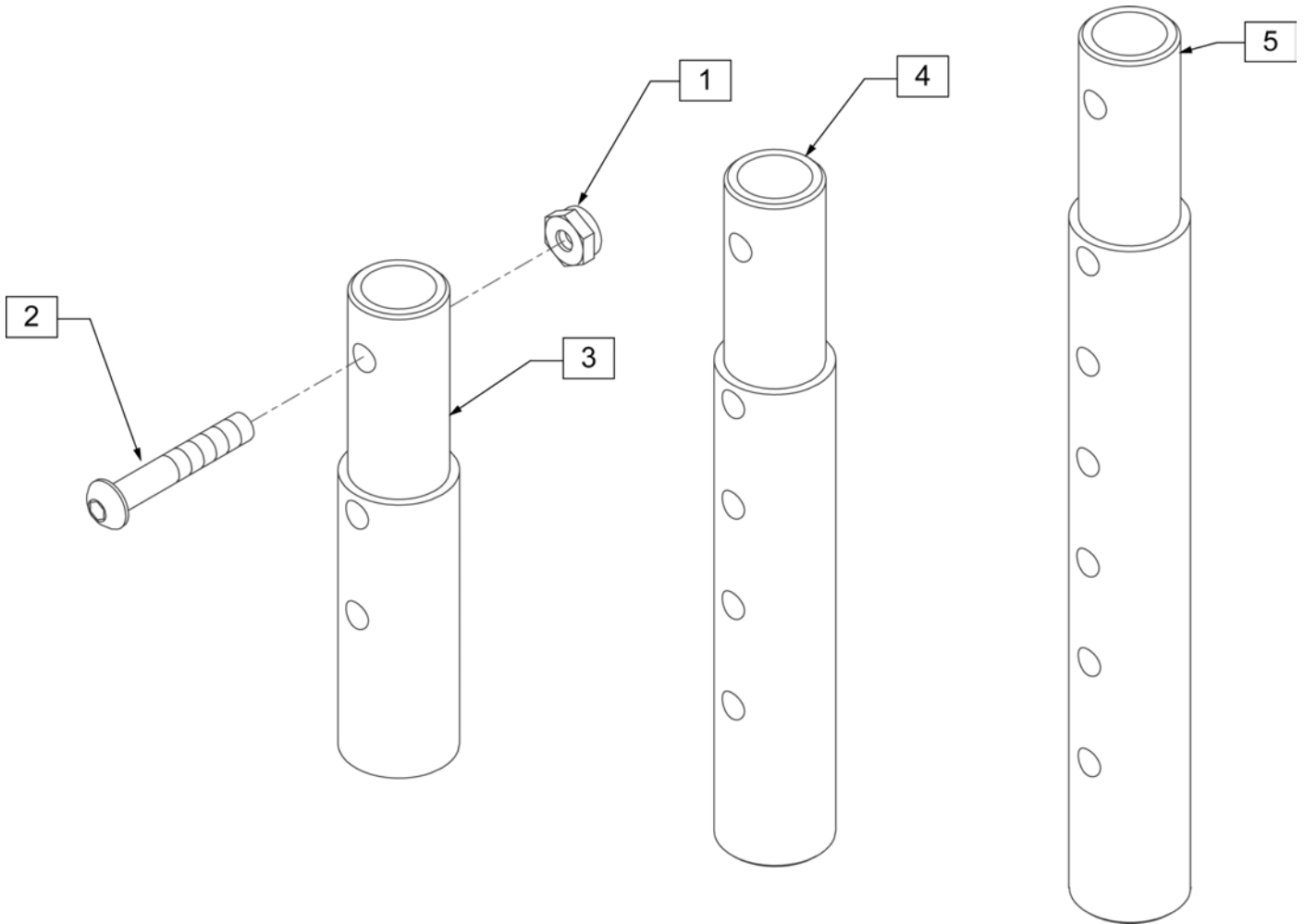
NOTE: THIS HANGER HAS BEEN TESTED AND APPROVED FOR OCCUPANTS THAT WEIGH LESS THAN 150 POUNDS.

**NOTE:** IF RETROFITTING LIFT OFF HANGERS TO A CURRENT STYLE Q2, S/A Q2 LITE, LX/LXI, OR ZIPPIE TS, THE OLD-STYLE FRAME COMPONENTS WILL BE REQUIRED. REFER TO PARTS PAGES FOR FRONT SIDE FRAMES FOR Q2 (PRIOR TO Q2V-091821 & Q2H-009882), Q2 LITE (PRIOR TO Q2L-152965), LX/LXI (PRIOR TO LX-061888), AND ZIPPIE TS (PRIOR TO Z1A-038633 & Z1SE-013380).



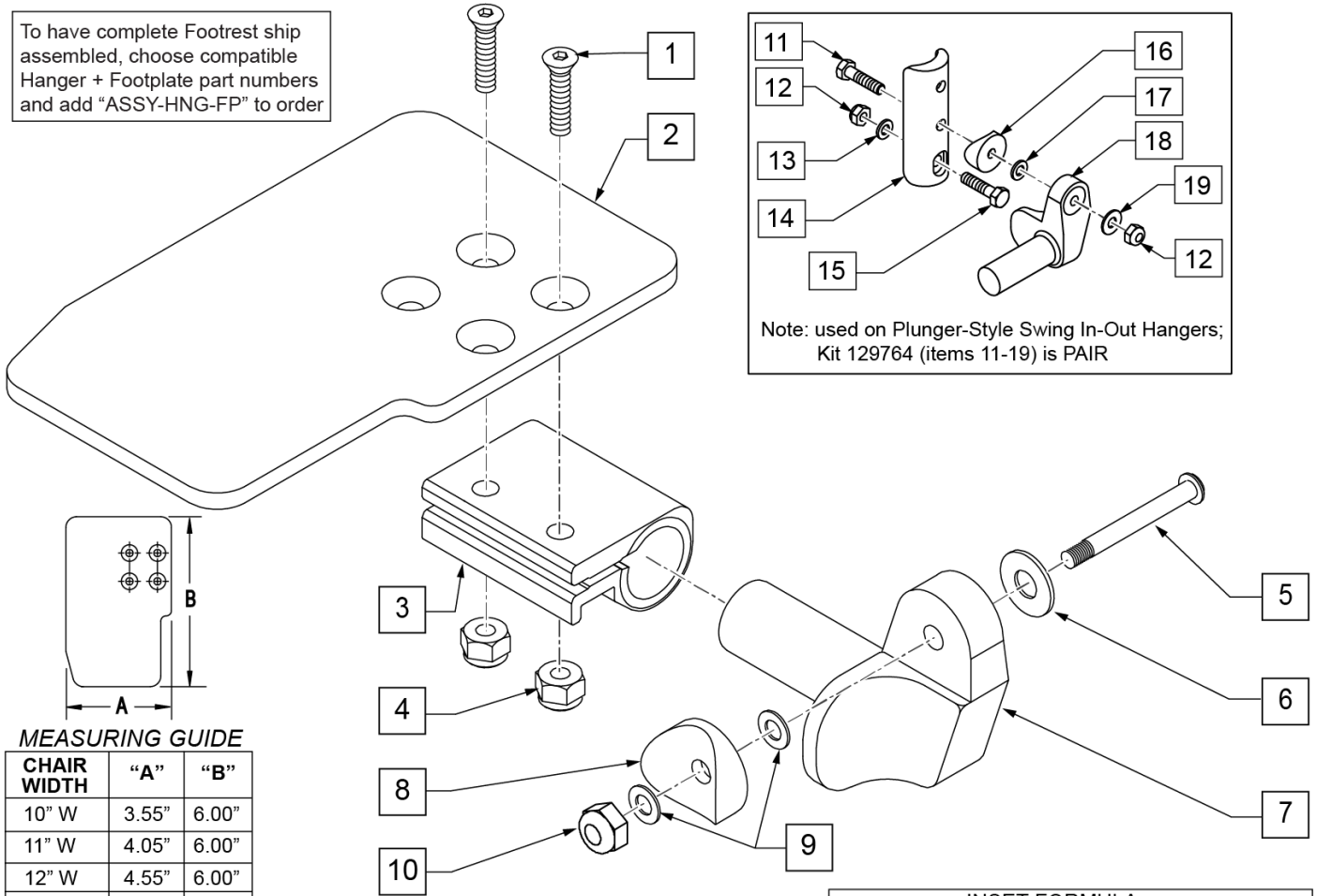
Pos.	Item Number	Description	Remarks
1	106983	BHCS 5/16 -18 x 2 SHLDR ROHS	
3	106935	NUT NYLOCK THIN 1/4 -28 ROHS	
4	561002	1" INSERT PLUG .083	
5	561197	PLASTIC PIVOT SADDLE	Includes nylock nut
6	107013	HHCS 1/4 -28 x 5/8 ROHS	
7	880053	FOOTREST BLOCK T45	
8	202117	5/16-18 NYLOCK NUT THICK BLK	
9	321141	.650L x 6 COIL SPRING	
10	560684	T45 FOOTREST BLOCK RECESSED	
11	107029	BHCS 5/16 -18 x 1 5/8 SHLD ROHS	
7-11	920720	FOOTREST BLOCK ASSM W/BOLT HD	
1-7	885005S	90 DEG F/D H/D L/O HNGR ASSM PNTD	
		Ship assembled part #	Use with multiple assemblies
	ASSY-HNG-FP	HANGER/FOOTPLATE ASSY REQUIRED	add with Hanger & Footplate kit



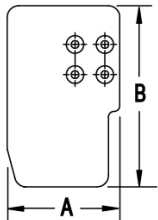


Pos.	Item Number	Description	Remarks
1	106935	NUT NYLOCK THIN 1/4 -28 ROHS	
2	106961	BHCS 1/4 -28 x 1 1/4 ROHS	
1-3	111505	2" FOOTREST EXTENSION TUBE W/ HDWR ASSM	2" EXT (PAIR)
1, 2, 4	111506	4" FOOTREST EXTENSION TUBE W/ HDWR ASSM	4" EXT (PAIR)
1, 2, 5	111507	6" FOOTREST EXTENSION TUBE W/ HDWR ASSM	6" EXT (PAIR)

To have complete Footrest ship assembled, choose compatible Hanger + Footplate part numbers and add "ASSY-HNG-FP" to order



Note: used on Plunger-Style Swing In-Out Hangers; Kit 129764 (items 11-19) is PAIR



MEASURING GUIDE

CHAIR WIDTH	"A"	"B"
10" W	3.55"	6.00"
11" W	4.05"	6.00"
12" W	4.55"	6.00"
13" W	5.05"	6.00"
14" W	5.55"	6.00"
15" W	6.05"	6.00"
16" W	6.55"	6.00"

INSET FORMULA

0" Inset (Seat Width) = Footrest Width  
 1" Inset (Seat Width) -2" = Footrest Width  
 "V" Hanger (Seat Width) -4" = Footrest Width  
 Offset Hanger Receiver (Seat Width) +2" = Footrest Width

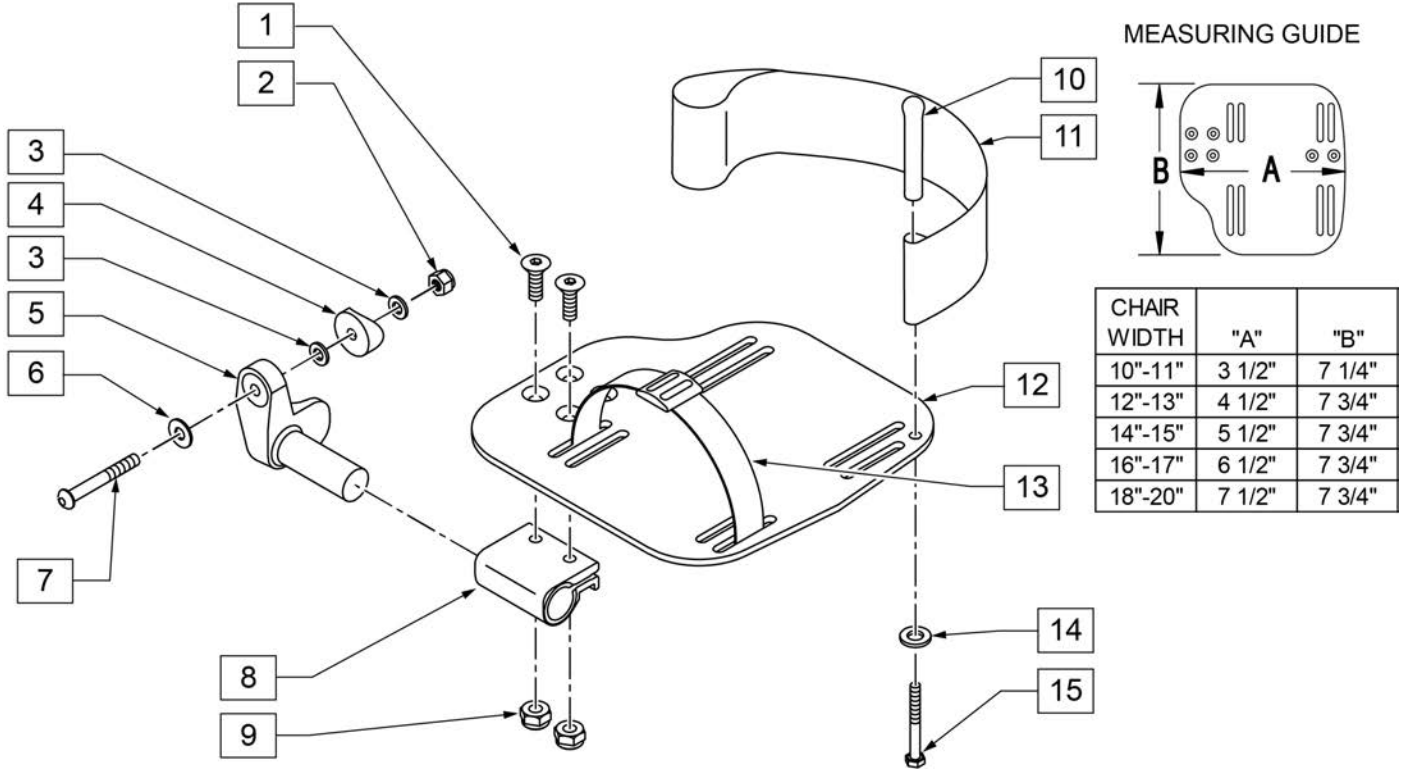
Pos.	Item Number	Description	Remarks
1	106978	FHCS 1/4-28 X 7/8 ROHS	
2	500635	KIDS ANGL ADJ F/PLT 10	RIGHT
2	500636	KIDS ANGL ADJ F/PLT 10	LEFT
2	500637	KIDS ANGL ADJ F/PLT 11	RIGHT
2	500638	KIDS ANGL ADJ F/PLT 11	LEFT
2	500639	KIDS ANGL ADJ F/PLT 12	RIGHT
2	500640	KIDS ANGL ADJ F/PLT 12	LEFT
2	500641	KIDS ANGL ADJ F/PLT 13	RIGHT
2	500642	KIDS ANGL ADJ F/PLT 13	LEFT
2	500643	KIDS ANGL ADJ F/PLT 14	RIGHT
2	500644	KIDS ANGL ADJ F/PLT 14	LEFT
2	500645	KIDS ANGL ADJ F/PLT 15	RIGHT
2	500646	KIDS ANGL ADJ F/PLT 15	LEFT
2	500647	KIDS ANGL ADJ F/PLT 16	RIGHT
2	500648	KIDS ANGL ADJ F/PLT 16	LEFT
3	550350	3/4 CLAMP ADJ FOOTPLATE	
4	106935	NUT NYLOCK THIN 1/4-28 ROHS	
5	226147	1/4-28 X 1.85 BH C/S BLK ZN	

Pos.	Item Number	Description	Remarks
6	106945	WASHER FLAT SAE 1/4 ROHS	
7	541000	FTRST MOUNTING BRKT 1/2" RAD R	RIGHT
7	541001	FTRST MOUNTING BRKT 1/2" RAD L	LEFT
8	561004	1 SADDLE 1/4 HOLE	
9	106943	WASHER FLAT THIN AN 1/4	
10	106941	NUT AUTOMATION 1/4-28 ROHS	
11	102268-001	HHCS M6 X 1 X 25	
12	132626	NUT AUTOMATION M6 X 1.0 ROHS	
13	107383	WASHER FLAT M6 ROHS	
15	118198	HHCS M6 X 1 X 40 PART NP	
16	561004	1" SADDLE 1/4" HOLE	
17	106943	WASHER FLAT AN 1/4 ROHS	
19	106945	WASHER FLAT SAE 1/4 ROHS	
1-4	158632	CAA F/PLT KIT 10 RT	RIGHT; used with Front Mount Adapter Kit on Plunger-Style Swing In/Out Hangers
1-4	158633	CAA F/PLT KIT 10 LT	LEFT; used with Front Mount Adapter Kit on Plunger-Style Swing In/Out Hangers
1-4	158634	CAA F/PLT KIT 11 RT	RIGHT; used with Front Mount Adapter Kit on Plunger-Style Swing In/Out Hangers
1-4	158635	CAA F/PLT KIT 11 LT	LEFT; used with Front Mount Adapter Kit on Plunger-Style Swing In/Out Hangers
1-4	158636	CAA F/PLT KIT 12 RT	RIGHT; used with Front Mount Adapter Kit on Plunger-Style Swing In/Out Hangers
1-4	158637	CAA F/PLT KIT 12 LT	LEFT; used with Front Mount Adapter Kit on Plunger-Style Swing In/Out Hangers
1-4	158638	CAA F/PLT KIT 13 RT	RIGHT; used with Front Mount Adapter Kit on Plunger-Style Swing In/Out Hangers
1-4	158639	CAA F/PLT KIT 13 LT	LEFT; used with Front Mount Adapter Kit on Plunger-Style Swing In/Out Hangers
1-4	158640	CAA F/PLT KIT 14 RT	RIGHT; used with Front Mount Adapter Kit on Plunger-Style Swing In/Out Hangers
1-4	158641	CAA F/PLT KIT 14 LT	LEFT; used with Front Mount Adapter Kit on Plunger-Style Swing In/Out Hangers
1-4	158642	CAA F/PLT KIT 15 RT	RIGHT; used with Front Mount Adapter Kit on Plunger-Style Swing In/Out Hangers
1-4	158643	CAA F/PLT KIT 15 LT	LEFT; used with Front Mount Adapter Kit on Plunger-Style Swing In/Out Hangers
1-4	158644	CAA F/PLT KIT 16 RT	RIGHT; used with Front Mount Adapter Kit on Plunger-Style Swing In/Out Hangers
1-4	158645	CAA F/PLT KIT 16 LT	LEFT; used with Front Mount Adapter Kit on Plunger-Style Swing In/Out Hangers
1-10	828821	KIDS ANG ADJ F/PLT ASSM 10	RIGHT; used with Old-Style Latch Block Swing In/Out & S/A Hangers
1-10	828822	KIDS ANG ADJ F/PLT ASSM 10	LEFT; used with Old-Style Latch Block Swing In/Out & S/A Hangers
1-10	828823	KIDS ANG ADJ F/PLT ASSM 11	RIGHT; used with Old-Style Latch Block Swing In/Out & S/A Hangers
1-10	828824	KIDS ANG ADJ F/PLT ASSM 11	LEFT; used with Old-Style Latch Block Swing In/Out & S/A Hangers
1-10	828825	KIDS ANG ADJ F/PLT ASSM 12	RIGHT; used with Old-Style Latch Block Swing In/Out & S/A Hangers
1-10	828826	KIDS ANG ADJ F/PLT ASSM 12	LEFT; used with Old-Style Latch Block Swing In/Out & S/A Hangers
1-10	828827	KIDS ANG ADJ F/PLT ASSM 13	RIGHT; used with Old-Style Latch Block Swing In/Out & S/A Hangers
1-10	828828	KIDS ANG ADJ F/PLT ASSM 13	LEFT; used with Old-Style Latch Block Swing In/Out & S/A Hangers
1-10	828829	KIDS ANG ADJ F/PLT ASSM 14	RIGHT; used with Old-Style Latch Block Swing In/Out & S/A Hangers
1-10	828830	KIDS ANG ADJ F/PLT ASSM 14	LEFT; used with Old-Style Latch Block Swing In/Out & S/A Hangers
1-10	828831	KIDS ANG ADJ F/PLT ASSM 15	RIGHT; used with Old-Style Latch Block Swing In/Out & S/A Hangers
1-10	828832	KIDS ANG ADJ F/PLT ASSM 15	LEFT; used with Old-Style Latch Block Swing In/Out & S/A Hangers

Pos.	Item Number	Description	Remarks
1-10	828833	KIDS ANG ADJ F/PLT ASSM 16	RIGHT; used with Old-Style Latch Block Swing In/Out & S/A Hangers
1-10	828834	KIDS ANG ADJ F/PLT ASSM 16	LEFT; used with Old-Style Latch Block Swing In/Out & S/A Hangers
1-10	921226	KIDS ANG ADJ F/PLT ASSM 10	PAIR; used with Old-Style Latch Block Swing In/Out & S/A Hangers
1-10	921227	KIDS ANG ADJ F/PLT ASSM 11	PAIR; used with Old-Style Latch Block Swing In/Out & S/A Hangers
1-10	921228	KIDS ANG ADJ F/PLT ASSM 12	PAIR; used with Old-Style Latch Block Swing In/Out & S/A Hangers
1-10	921229	KIDS ANG ADJ F/PLT ASSM 13	PAIR; used with Old-Style Latch Block Swing In/Out & S/A Hangers
1-10	921230	KIDS ANG ADJ F/PLT ASSM 14	PAIR; used with Old-Style Latch Block Swing In/Out & S/A Hangers
1-10	921231	KIDS ANG ADJ F/PLT ASSM 15	PAIR; used with Old-Style Latch Block Swing In/Out & S/A Hangers
1-10	921232	KIDS ANG ADJ F/PLT ASSM 16	PAIR; used with Old-Style Latch Block Swing In/Out & S/A Hangers
11-19	129764	AAA FRNT MNT ADAPTER KIT PR	AAA FRNT MNT fits both Kids and Adult Angle Adjustable Footplates
		Ship assembled part #	Use with multiple assemblies
	ASSY-HNG-FP	HANGER/FOOTPLATE ASSY REQUIRED	add with Hanger & Footplate kit

To have complete Footrest ship assembled, choose compatible Hanger + Footplate part numbers and add "ASSY-HNG-FP" to order

**INSET FORMULA**  
 0" Inset (Seat Width) = Footrest Width  
 1" Inset (Seat Width) - 2" = Footrest Width  
 "V" Hanger (Seat Width) - 4" = Footrest Width  
 Offset Hanger Receiver (Seat Width) + 2" = Footrest Width

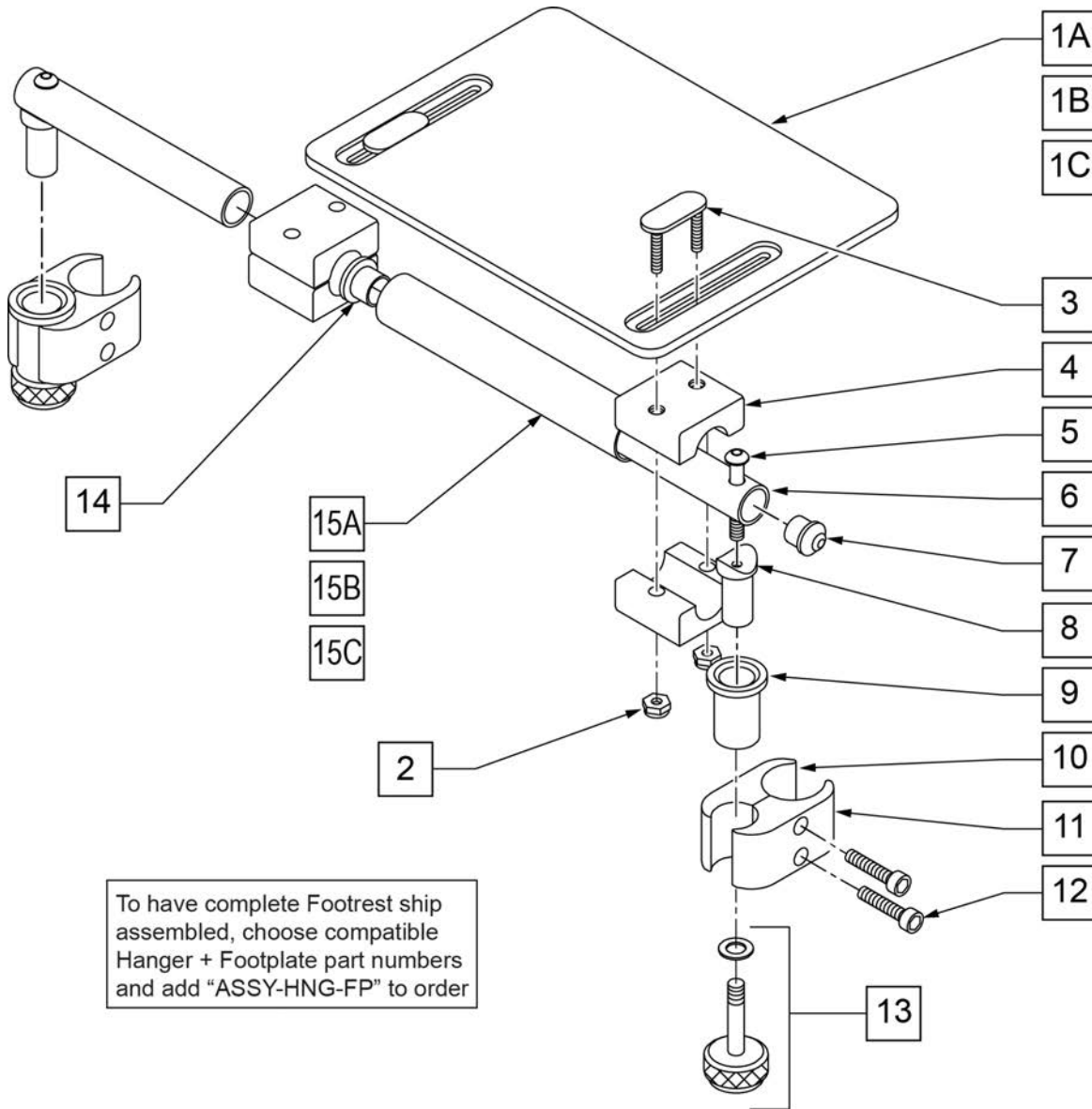


Pos.	Item Number	Description	Remarks
1	106978	FHCS 1/4-28 X 7/8 ROHS	
2	106941	NUT AUTOMATION 1/4-28 ROHS	
3	106943	WASHER FLAT AN 1/4 ROHS	
4	561004	1" SADDLE 1/4" HOLE	
5	541000	FOOTREST MOUNTING BRKT 1/2" RAD R	RIGHT
5	541001	FOOTREST MOUNTING BRKT 1/2" RAD L	LEFT
6	106945	WASHER FLAT SAE 1/4 ROHS	
7	106964	BHCS 1/4-28 X 2	
8	550350	3/4" CLAMP ADJ FOOTPLATE	
9	106935	NUT NYLOCK THIN 1/4-28 ROHS	
10	561040	HEEL LOOP PEG	
11	741153	HEEL LOOP 18-20 CMPST/14-15 ANG ADJ	USED W/ 14-15"/16-17" ADULT ANG ADJ FTPLTS
11	741253	HEEL LOOP ADLT ADJ F/PLT 18-20	USED W/ 18 -20" ADULT ANG ADJ FTPLTS
12	500656	ADULT ANGL ADJ F/PLT 10/11	RIGHT
12	500657	ADULT ANGL ADJ F/PLT 10/11	LEFT
12	500658	ADULT ANGL ADJ F/PLT 12/13	RIGHT
12	500659	ADULT ANGL ADJ F/PLT 12/13	LEFT
12	500660	ADULT ANGL ADJ F/PLT 14/15	RIGHT
12	500661	ADULT ANGL ADJ F/PLT 14/15	LEFT
12	500662	ADULT ANGL ADJ F/PLT 16/17	RIGHT
12	500663	ADULT ANGL ADJ F/PLT 16/17	LEFT
12	500664	ADULT ANGL ADJ F/PLT 18-20	RIGHT

Pos.	Item Number	Description	Remarks
12	500665	ADULT ANGL ADJ F/PLT 18-20	LEFT
13	740260	TOE-ANKLE STRAP ADJ ADULT FOOTPLATE	
14	106943	WASHER FLAT AN 1/4 ROHS	
15	106958	HHCS 1/4-20 X 1 ROHS	
1-9,12	820544	FP ADULT ADJ 90D 10/11 R	RIGHT
1-9,12	820554	FP ADULT ADJ 90D 10/11 L	LEFT
1-9,12	820546	FP ADULT ADJ 90D 12/13 R	RIGHT
1-9,12	820556	FP ADULT ADJ 90D 12/13 L	LEFT
1-9,12	820472	FP ADULT ADJ 90D 14/15 R	RIGHT
1-9,12	820473	FP ADULT ADJ 90D 14/15 L	LEFT
1-9,12	820474	FP ADULT ADJ 90D 16/17 R	RIGHT
1-9,12	820475	FP ADULT ADJ 90D 16/17 L	LEFT
1-9,12	820476	FP ADULT ADJ 90D 18-20 R	RIGHT
1-9,12	820477	FP ADULT ADJ 90D 18-20 L	LEFT
1-9,12	921474	ADULT ANGL ADJ 90D 10/11 OMIT H/L	PAIR
1-9,12	921476	ADULT ANGL ADJ 90D 12/13 OMIT H/L	PAIR
1-9,12	921330	ADULT ANGL ADJ 90D 14/15 OMIT H/L	PAIR
1-9,12	921331	ADULT ANGL ADJ 90D 16/17 OMIT H/L	PAIR
1-9,12	921332	ADULT ANGL ADJ 90D 18-20 OMIT H/L	PAIR
1-12,14,15	820540	F/PLT ADULT ADJ 90D 10/11 R W/ HL	RIGHT
1-12,14,15	820550	F/PLT ADULT ADJ 90D 10/11 L W/ HL	LEFT
1-12,14,15	820542	F/PLT ADULT ADJ 90D 12/13 R W/ HL	RIGHT
1-12,14,15	820552	F/PLT ADULT ADJ 90D 12/13 L W/ HL	LEFT
1-12,14,15	820478	F/PLT ADULT ADJ 90D 14/15 R W/ HL	RIGHT
1-12,14,15	820479	F/PLT ADULT ADJ 90D 14/15 L W/ HL	LEFT
1-12,14,15	820480	F/PLT ADULT ADJ 90D 16/17 R W/ HL	RIGHT
1-12,14,15	820481	F/PLT ADULT ADJ 90D 16/17 L W/ HL	LEFT
1-12,14,15	820482	F/PLT ADULT ADJ 90D 18-20 R W/ HL	RIGHT
1-12,14,15	820483	F/PLT ADULT ADJ 90D 18-20 L W/ HL	LEFT
1-12,14,15	921470	F/PLT ADULT ADJ 90D 10/11 W/ HL	PAIR
1-12,14,15	921472	F/PLT ADULT ADJ 90D 12/13 W/ HL	PAIR
1-12,14,15	921333	F/PLT ADULT ADJ 90D 14/15 W/ HL	PAIR
1-12,14,15	921334	F/PLT ADULT ADJ 90D 16/17 W/ HL	PAIR
1-12,14,15	921335	F/PLT ADULT ADJ 90D 18-20 W/ HL	PAIR
		Ship assembled part #	Use with multiple assemblies
	ASSY-HNG-FP	HANGER/FOOTPLATE ASSY REQUIRED	add with Hanger & Footplate kit

90 DEG FOOTBOARD

[02/2009]

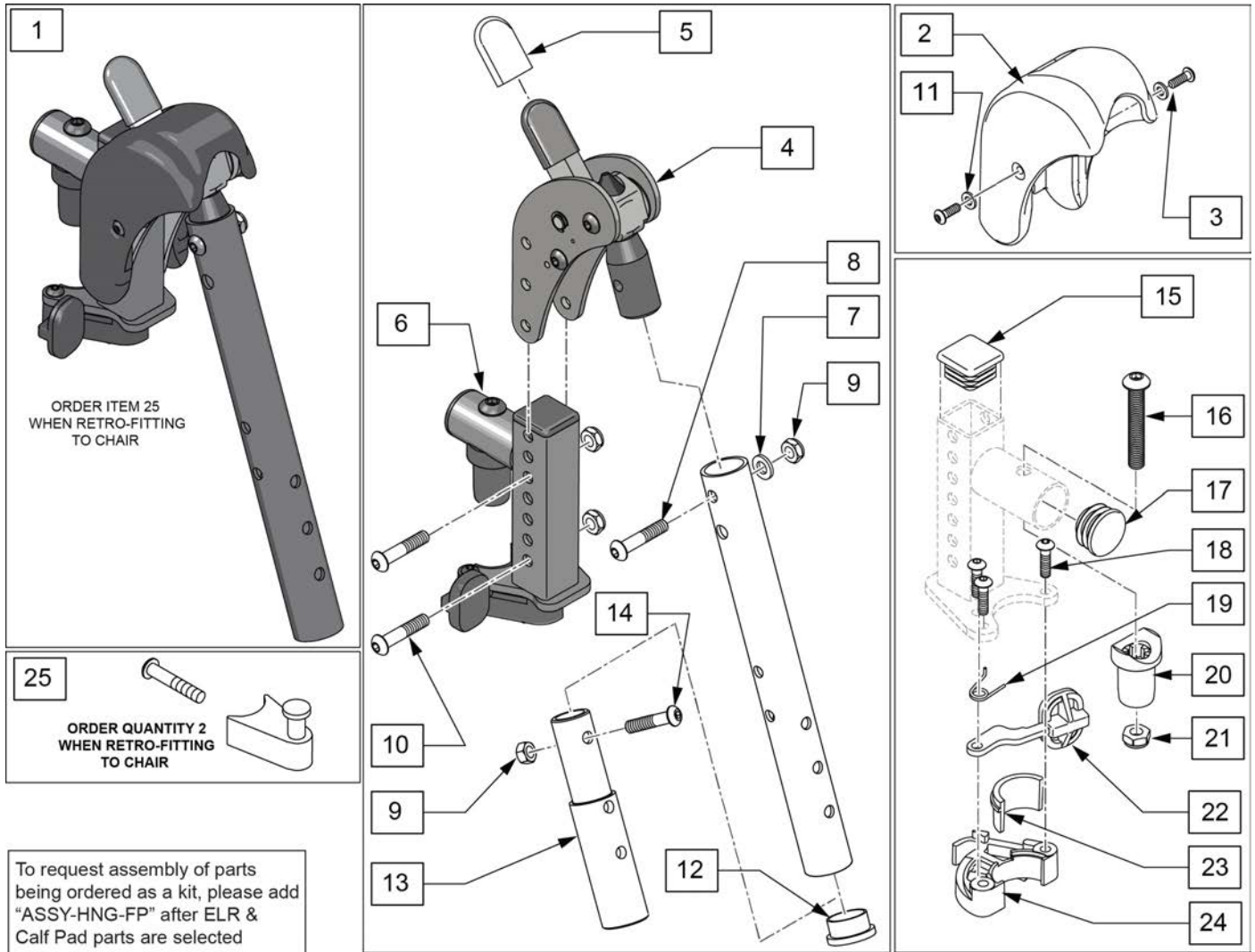


Pos.	Item Number	Description	Remarks
1A	562610	SLD FOOTPLATE ONLY 8" x 8" (10"-12" W)	10 -12" WIDE
1B	562612	SLD FOOTPLATE ONLY 10" x 8" (13"-14" W)	13 -14" WIDE
1C	500709	SLD FT PLT ALUM ONLY 12" x 8" (15"-16" W)	15 -16" WIDE
2	106933	NUT NYLOCK THIN 1/4-20 ROHS	
3	330120	SLD FT/ANGLE ADJ DOUBLE T BOLT	
4	550444	SOLID FOOT/ANG ADJ CLAMP BLK	
5	107028	BHCS 1/4-28 X 1-1/2 ROHS	
7	561034	SHORT DOME PLUG	
8	483236	SOLID FOOT INSERT SADDLE BLK	
10	550658	CLAMP 1 1/4" THREADED BLK	
11	550657	CLAMP 1 1/4" RECESS FULL BLK	
12	107032	SHCS 1/4-28 X 1 ROHS	
9,13	880559	SOLID FOOT LOCK KNOB ASSEMBLY	
14	560402	3/4" ID NY-LINER	
15A	521621	SLD FOOT SUPPORT TUBE BLK 10"-12"	10 -12" WIDE

Pos.	Item Number	Description	Remarks
15B	521622	SLD FOOT SUPPORT TUBE BLK 13"-14"	13 -14" WIDE
15C	521624	SLD FOOT SUPPORT TUBE BLK 15"-16"	15 -16" WIDE
5-8	880183	SLD FT PLT PIVOT TUBE SUB-ASSM	
1A,2-14, 15A	921801	SLD FT PLT ASSEMBLY 8" x 8" (10"-12" W)	10 -12" WIDE
1B,2-14, 15B	921803	SOLID FOOTPLATE ASSEMBLY 10" x 8" (13"-14" W)	13 -14" WIDE
1C,2-14, 15C	921805	SOLID FOOTPLATE ASSEMBLY 12" x 8" (15"-16" W)	15 -16" WIDE
		Ship assembled part #	Use with multiple assemblies
	ASSY-HNG-FP	HANGER/FOOTPLATE ASSY REQUIRED	add with Hanger & Footplate kit

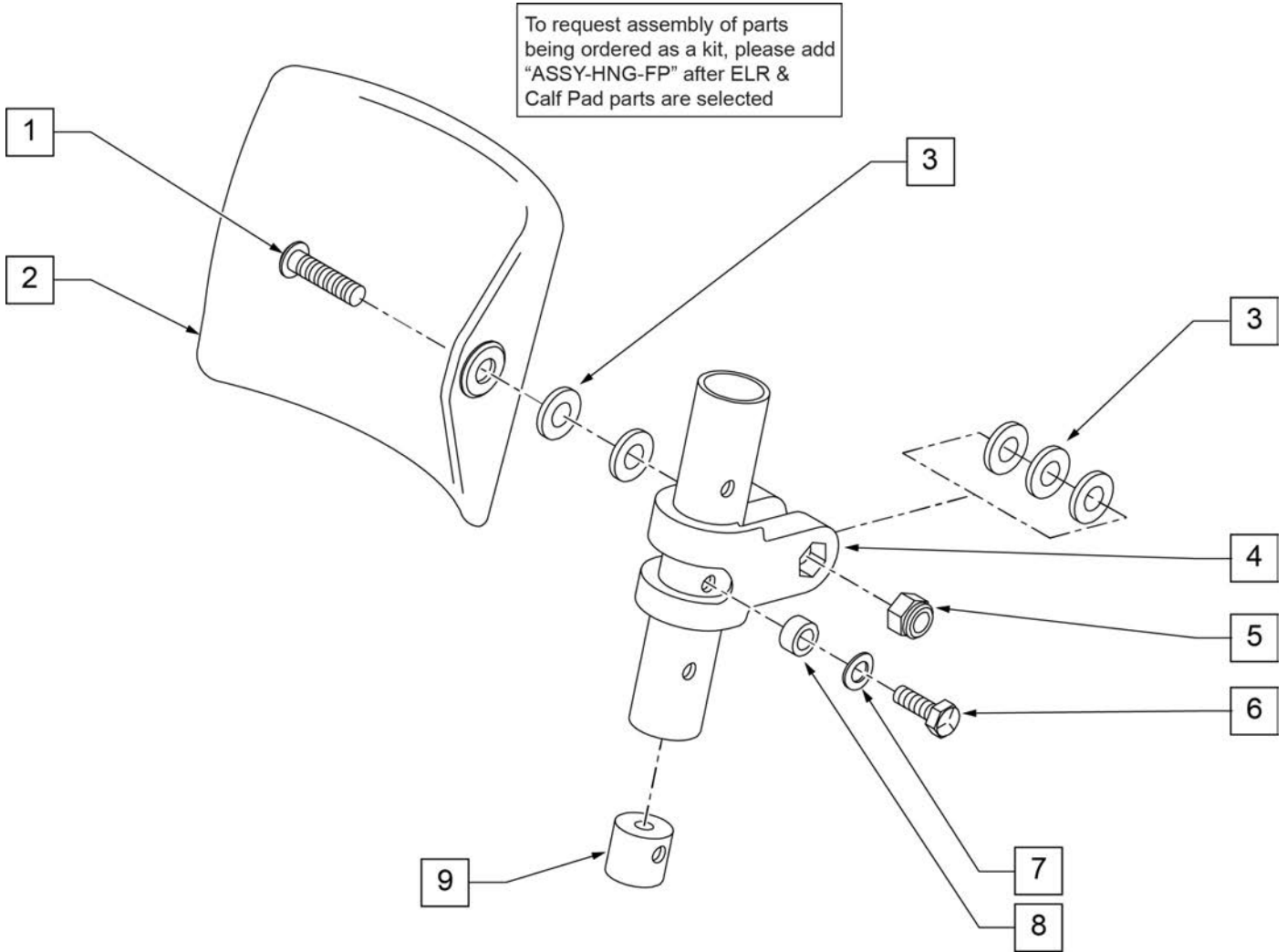


Note: When retrofitting ELR to a chair with S/A Hangers please order Qty 2 of p/n 107491(Item 25).



Pos.	Item Number	Description	Remarks
1	129635S	DIRECT MOUNT ELR KIT R	Right-order item 25 when retro-fitting to chair
1	129636S	DIRECT MOUNT ELR KIT L	Left-order item 25 when retro-fitting to chair
1	129634S	DIRECT MOUNT ELR PAIR KIT	Pair-order item 25 when retro-fitting to chair
2,3,25	129640	ELR SHROUD KIT	Kit w/ 2 screws
3	127135	BHCS 8-32 X 1/2 BLK	
4	126992	HEMI ELR SUB ASSM	
5	560501	ALR REL LEVER COVER	
6	127114	HEMI RECEIVER ASSM ELR ALR R	Right
6	127115	HEMI RECEIVER ASSM ELR ALR L	Left
7	104414	WAVE WASHER 6 MM	
8	106961	BHCS 1/4 -28 x 1 1/4 ROHS	
9	106935	1/4-28 NYLOCK NUT THIN BLK ZN	
10	108623	BHCS 1/4-28 x 1-1/2	
11	113282	WASHER FLAT AN #10 ROHS	

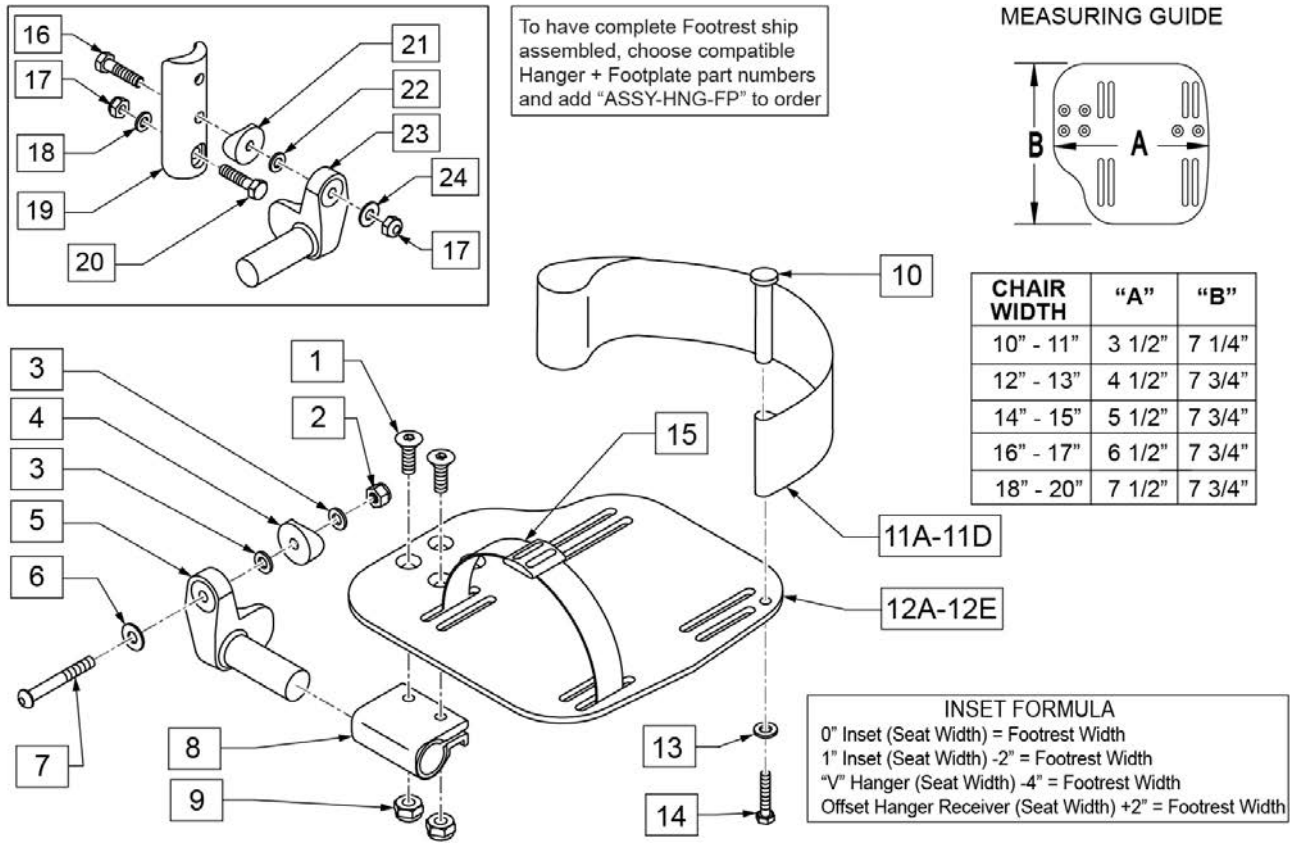
Pos.	Item Number	Description	Remarks
12	561002	1" INSERT PLUG .083	
13	500150	2" FOOTREST EXT TUBE	
14	106961	1/4-28 x 1 1/4 BH C/S	
15	010615	SQUARE END CAP CNTR LEG	
17	561062	1" INSERT PLUG .065 RIBS	
18	226057	BHCS 10-24 X .725 PL	
16,17,20,21	119518	PIVOT SADDLE KIT	
23,24	881500	LATCH BLOCK ASSM R	Right
23,24	881501	LATCH BLOCK ASSM L	Left
18,19,22-24	881521	S/A LATCH KIT CASTING RIGHT	Right
18,19,22-24	881522	S/A LATCH KIT CASTING LEFT	Left
25	107491	LATCH STUD KIT	order qty 2 when retro-fitting to chair
		Ship assembled part #	Use with multiple assemblies
	ASSY-HNG-FP	HANGER/FOOTPLATE ASSY REQUESTED	add with Hanger & Footplate kit



Pos.	Item Number	Description	Remarks
1	226217	5/16-18 x 2" BH C/S BLK	
2	755013	CALF PAD TROUGH STYLE KIDS	
3	561016	1" WASHER 5/16" HOLE	
4	561097	ELR ELEVATING TUBE CLAMP	
5	106937	5/16 -18 NYLOCK NUT THIN	
6	106958	HHCS 1/4-20 X 1 ROHS	
7	262130	6mm WASHER WAVE	
8	483027	1/4 x 1/4 ALUMINUM SPACER	
9	500151	KIDS ALR RETAINING PLUG	
1-9	880533	ELR TROUGH PAD ASSM KIDS	
		Ship assembled part #	Use with multiple assemblies
	ASSY-HNG-FP	HANGER/FOOTPLATE ASSY REQUIRED	add with Hanger & Footplate kit

**ADULT ANGLE-ADJ FOOTPLATE FRONT MOUNT**

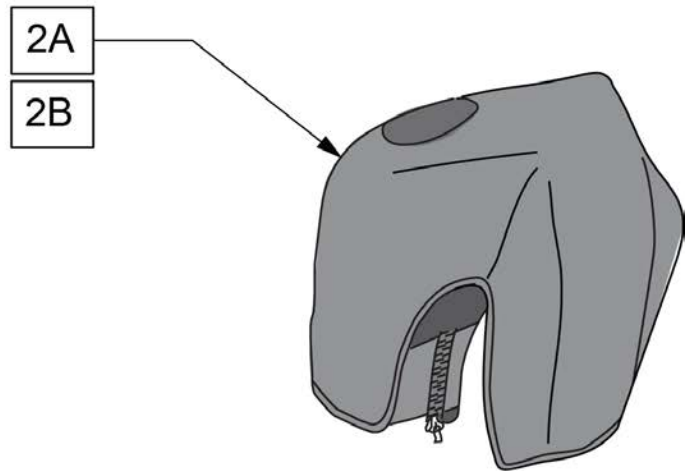
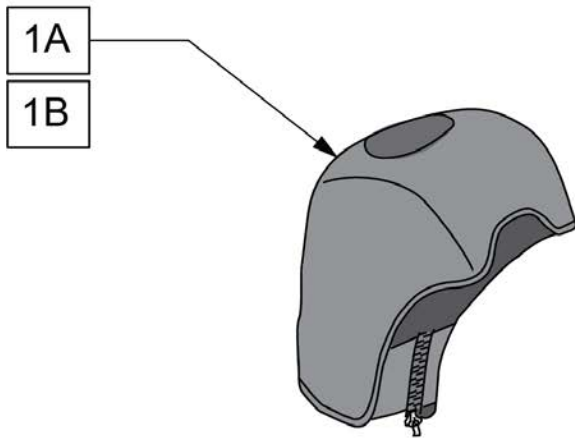
Note: for QX Series or SR45 footplate replacement parts see the ordering guide marked specifically for these two models in the informations panel.



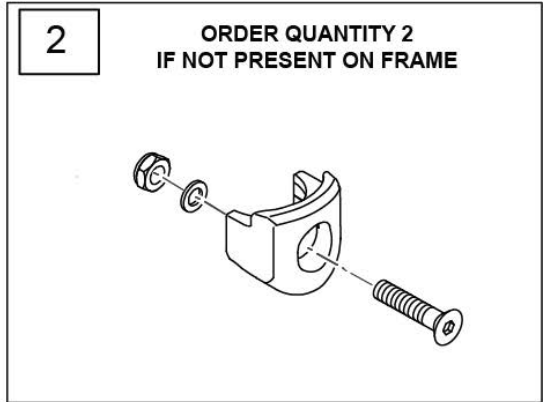
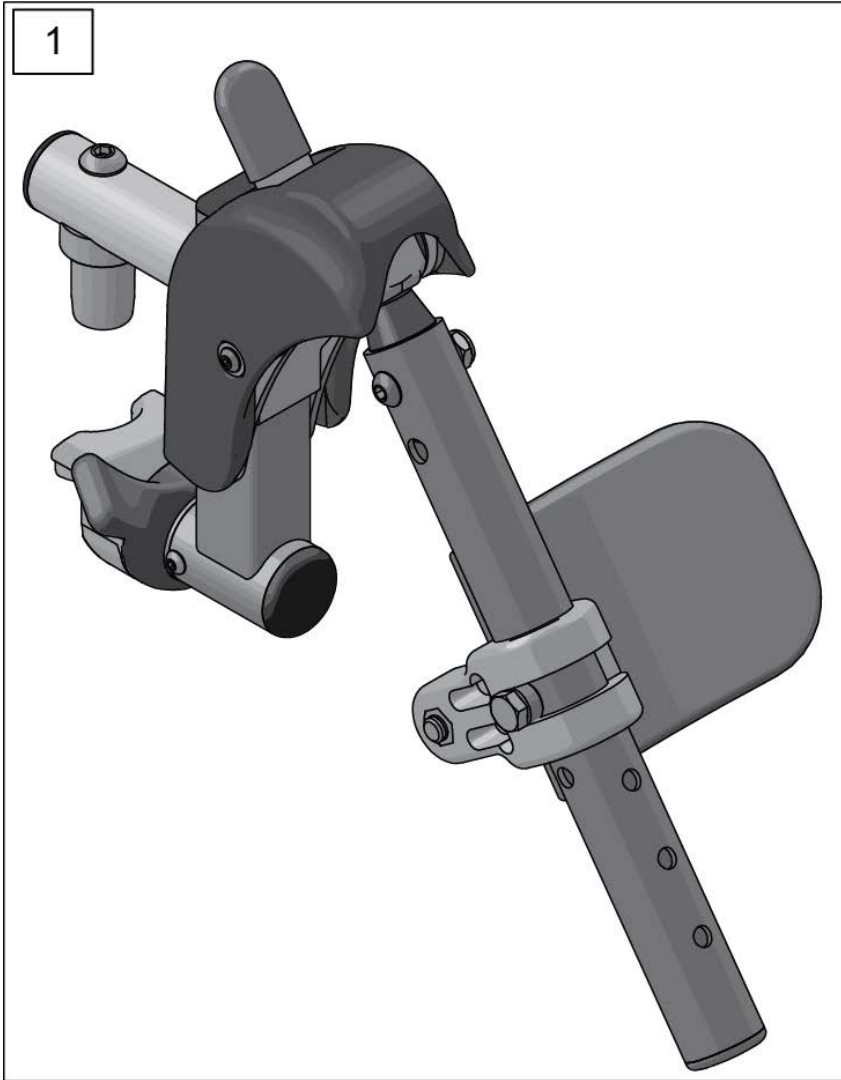
Pos.	Item Number	Description	Remarks
1	106978	FHCS 1/4-28 X 7/8	
2	106934	NUT NYLOCK 1/4-28	
3	106944	WASHER FLAT THIN AN 1/4	
4	561004	Q2 SADDLE	
5	541000	FTRST MOUNTING BRKT 1/2" RAD R	Right
5	541001	FTRST MOUNTING BRKT 1/2" RAD L	Left
6	106945	WASHER FLAT SAE 1/4 ROHS	
7	106964	BHCS 1/4-28 X 2	
8	550350	3/4 CLMP ADJ FT PLT	
9	106935	NUT NYLOCK THIN 1/4-28 ROHS	
10	561040	HEEL LOOP PEG	
11A	104380-001	ADJ FOOTREST STRAP 14W	Used on 10"-13" wide
11B	104380-002	ADJ FOOTREST STRAP 15-16W	Used on 14"-15" wide
11C	104380-003	ADJ FOOTREST STRAP 17-18W	Used on 16"-17" wide
11D	104380-004	ADJ FOOTREST STRAP 19-20W	Used on 18"-20" wide
12A	500656	ADULT ANGL ADJ F/PLT 10/11	Right; 10"-11" wide
12A	500657	ADULT ANGL ADJ F/PLT 10/11	Left; 10"-11" wide

Pos.	Item Number	Description	Remarks
12B	500658	ADULT ANGL ADJ F/PLT 12/13	Right; 12"-13" wide
12B	500659	ADULT ANGL ADJ F/PLT 12/13	Left; 12"-13" wide
12C	500660	ADULT ANGL ADJ F/PLT 14/15	Right; 14"-15" wide
12C	500661	ADULT ANGL ADJ F/PLT 14/15	Left; 14"-15" wide
12D	500662	ADULT ANGL ADJ F/PLT 16/17	Right; 16"-17" wide
12D	500663	ADULT ANGL ADJ F/PLT 16/17	Left; 16"-17" wide
12E	500664	ADULT ANGL ADJ F/PLT 18-20	Right; 18"-22" wide
12E	500665	ADULT ANGL ADJ F/PLT 18-20	Left; 18"-22" wide
13	107383	WASHER FLAT M6 ROHS	
14	102268-001	HHCS M6 X 1 X 25	
15	740260	TOE-ANKLE STRAP ADJ ADULT FOOTPLATE	
16	102268-001	HHCS M6 X 1 X 25	
17	132626	NUT AUTOMATION M6 X 1	
18	107383	WASHER FLAT M6 ROHS	
20	118198	HHCS M6X1X40 PART NP	
21	561004	Q2 SADDLE	
22	106943	WASHER FLAT AN 1/4 ROHS	
24	106945	WASHER FLAT SAE 1/4 ROHS	
16-24	129764	AAA FRNT MNT ADAPTER KIT PR	Pair; fits both Kids & Adult Angle Adj Footplates
1,8-10,11A,12A,13,14	129765	AAA F/PLT KIT 10-11 RT	Right; used w/ 129764 on Plunger-Style Swing In/Out Hangers
1,8-10,11A,12A,13,14	129766	AAA F/PLT KIT 10-11 LFT	Left; used w/ 129764 on Plunger-Style Swing In/Out Hangers
1,8-10,11A,12B,13,14	129767	AAA F/PLT KIT 12-13 RT	Right; used w/ 129764 on Plunger-Style Swing In/Out Hangers
1,8-10,11A,12B,13,14	129768	AAA F/PLT KIT 12-13 LFT	Left; used w/ 129764 on Plunger-Style Swing In/Out Hangers
1,8-10,11B,12C,13,14	129769	AAA F/PLT KIT 14-15 RT	Right; used w/ 129764 on Plunger-Style Swing In/Out Hangers
1,8-10,11B,12C,13,14	129770	AAA F/PLT KIT 14-15 LFT	Left; used w/ 129764 on Plunger-Style Swing In/Out Hangers
1,8-10,11C,12D,13,14	129771	AAA F/PLT KIT 16-17 RT	Right; used w/ 129764 on Plunger-Style Swing In/Out Hangers
1,8-10,11C,12D,13,14	129772	AAA F/PLT KIT 16-17 LFT	Left; used w/ 129764 on Plunger-Style Swing In/Out Hangers
1,8-10,11D,12E,13,14	129773	AAA F/PLT KIT 18-20 RT	Right; used w/ 129764 on Plunger-Style Swing In/Out Hangers
1,8-10,11D,12E,13,14	129774	AAA F/PLT KIT 18-20 LFT	Left; used w/ 129764 on Plunger-Style Swing In/Out Hangers
1-10,11A,12B	111514	AAA FTPLT 90D 12/13" R	Right; used w/ Old-Style Latch Block Swing In/Out & S/A Hngrs
1-10,11A,12B	111515	AAA FTPLT 90D 12/13" L	Left; used w/ Old-Style Latch Block Swing IO & S/A Hngrs
1-10,11B,12C	111516	AAA FTPLT 90D 14/15" R	Right; used w/ Old-Style Latch Block Swing In/Out & S/A Hngrs
1-10,11B,12C	111517	AAA FTPLT 90D 14/15" L	Left; used w/ Old-Style Latch Block Swing IO & S/A Hngrs
1-10,11C,12D	111518	AAA FTPLT 90D 16/17" R	Right; used w/ Old-Style Latch Block Swing In/Out & S/A Hngrs
1-10,11C,12D	111519	AAA FTPLT 90D 16/17" L	Left; used w/ Old-Style Latch Block Swing IO & S/A Hngrs
1-10,11D,12E	111520	AAA FTPLT 90D 18/20" R	Right; used w/ Old-Style Latch Block Swing In/Out & S/A Hngrs
1-10,11D,12E	111521	AAA FTPLT 90D 18/20" L	Left; used w/ Old-Style Latch Block Swing IO & S/A Hngrs
		Ship assembled part #	Use with multiple assemblies
	ASSY-HNG-FP	HANGER/FOOTPLATE ASSY REQUIRED	add with Hanger & Footplate kit

Note: For installation instructions please see the informations section to the right of this parts page.

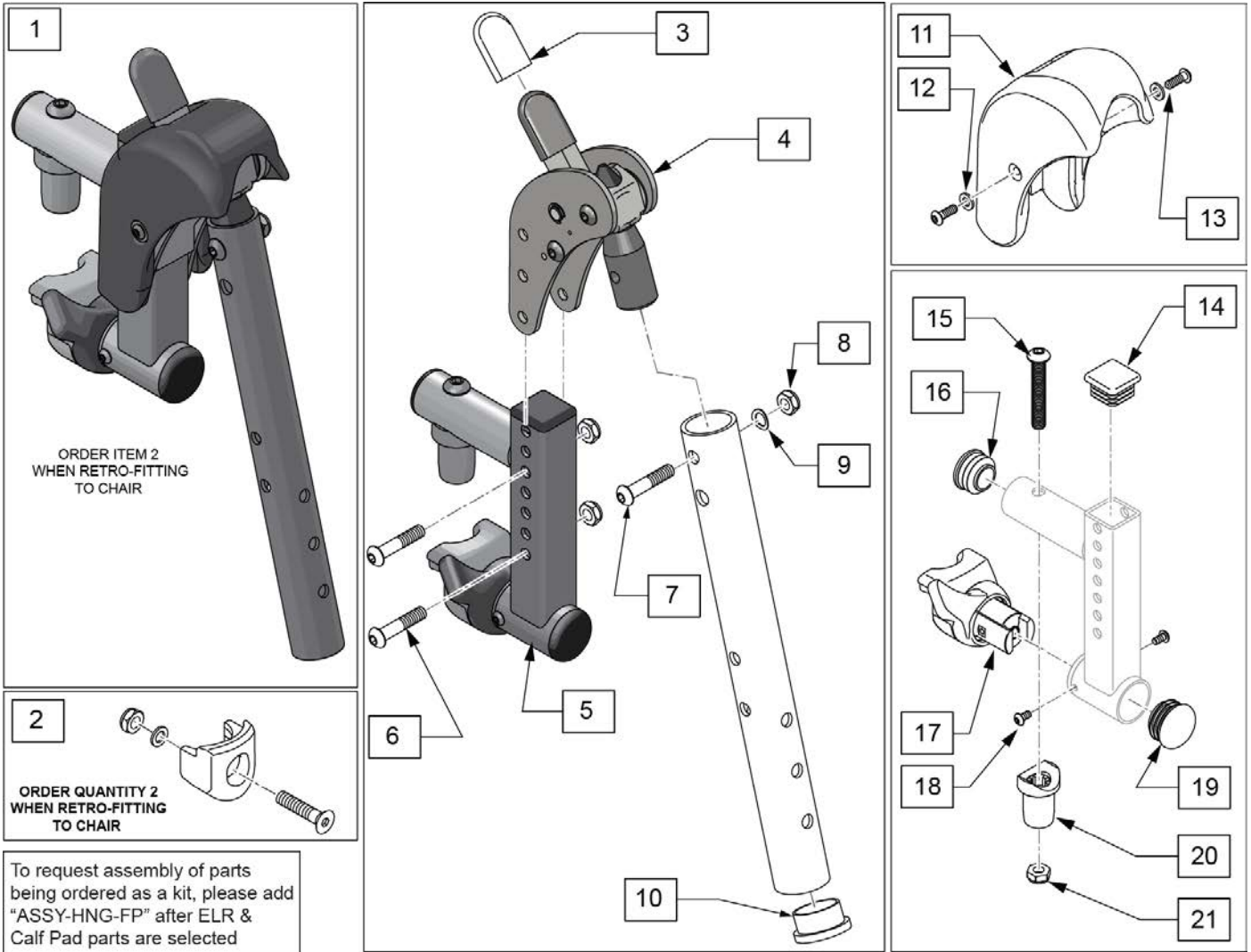


Pos.	Item Number	Description	Remarks
1A	163881	ELR NEOPRENE COVER PR	Pair
1B	163882	ELR GEL COVER PR	Pair
2A	163883	ALR NEOPRENE COVER PR	Pair
2B	163884	ALR GEL COVER PR	Pair



Pos.	Item Number	Description	Remarks
1	162048S	SWNG I/O ELR ASSM FM W/PAD	Kit includes both right & left sides with calf pads
2	119514	LATCH RECEIVER KIT	order qty 2 when retro-fitting to chair
		Ship assembled part #	Use with multiple assemblies
	ASSY-HNG-FP	HANGER/FOOTPLATE ASSY REQUIRED	add with Hanger & Footplate kit

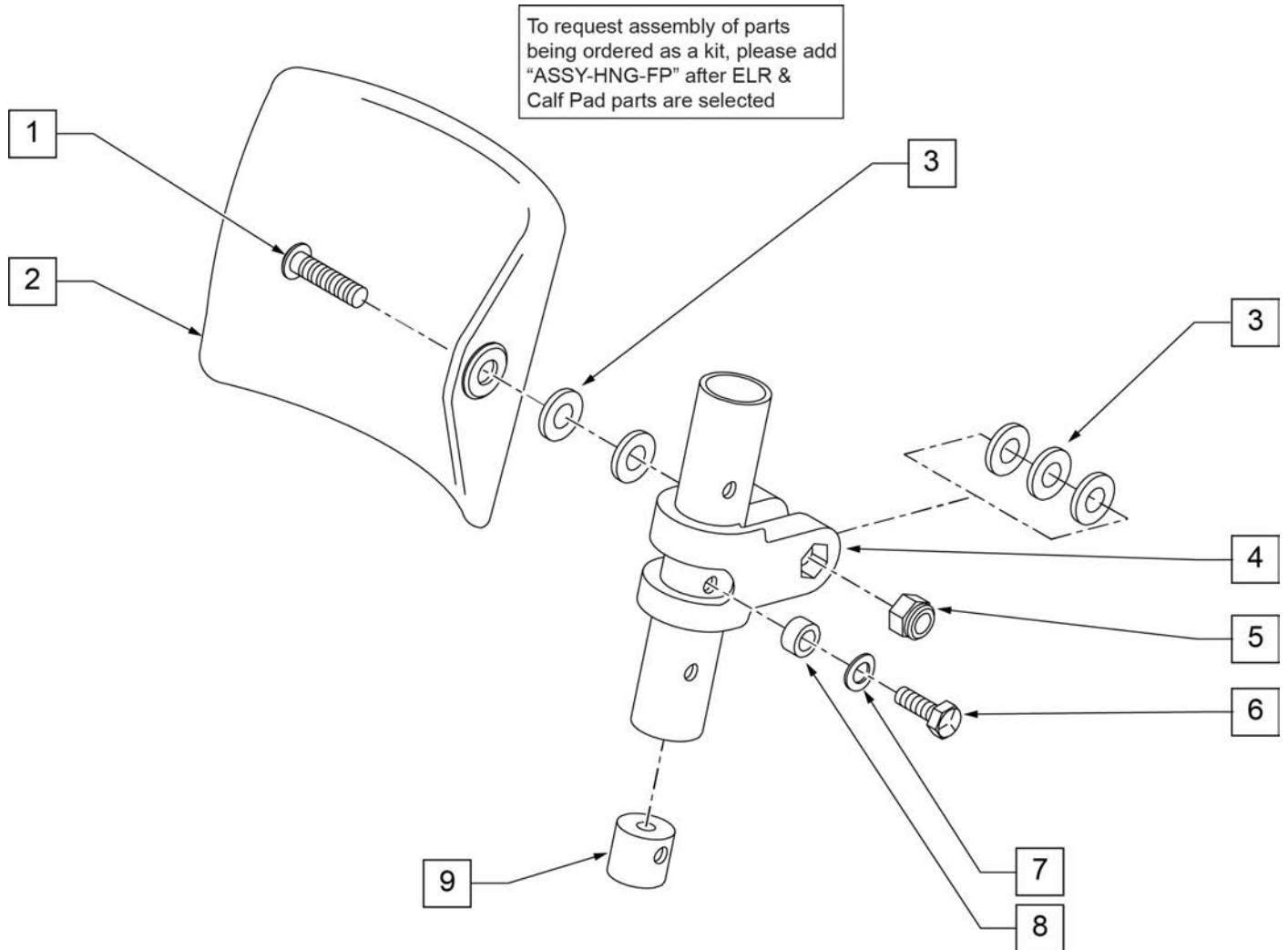
12/2018 SWING IN-OUT FRONT MOUNT ELR REPLACEMENT PARTS (PLUNGER STYLE) (EFFECTIVE 2/6/17)



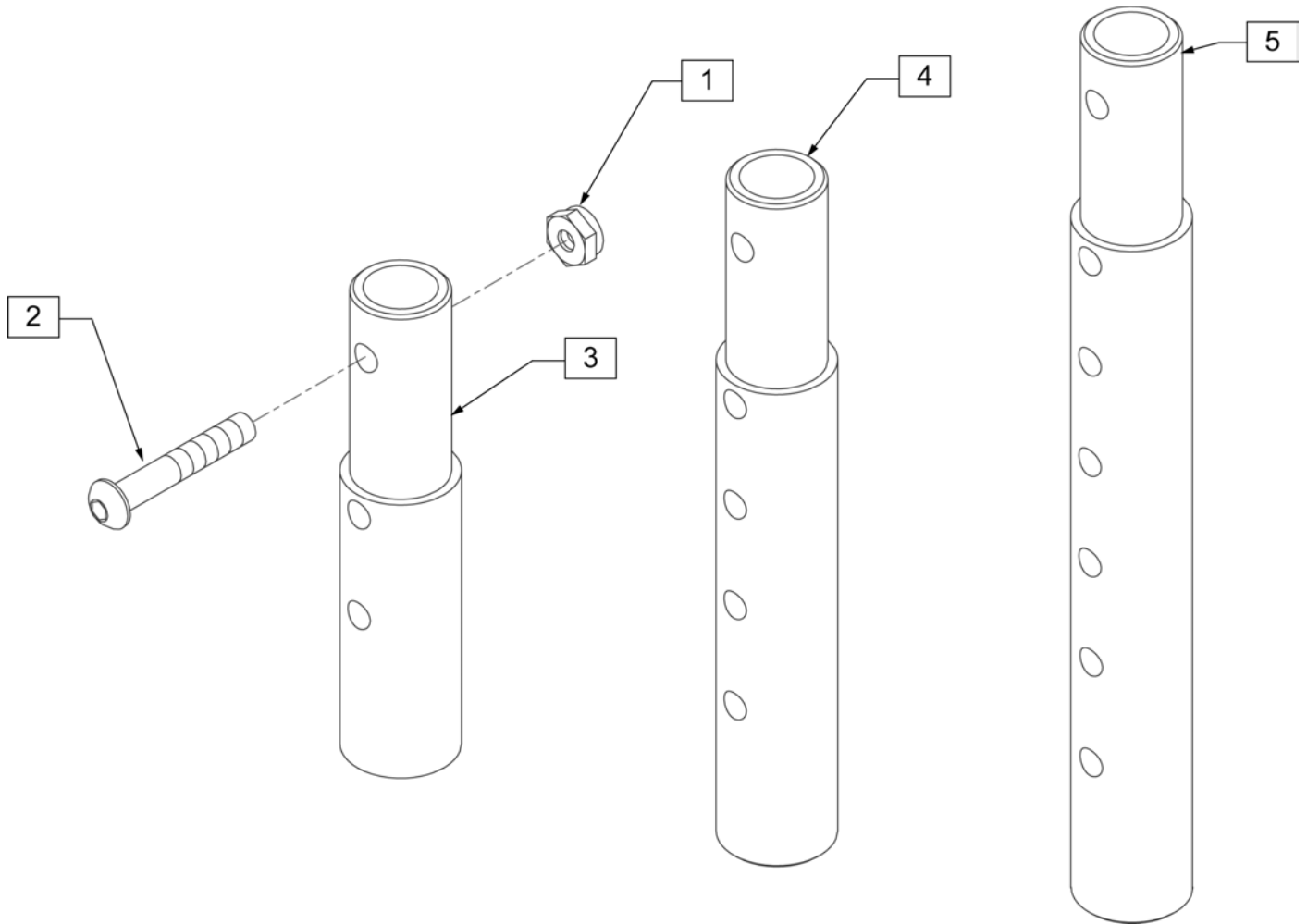
Pos.	Item Number	Description	Remarks
1	162049S	SWNG I/O ELR ASSM FM LH	Left
1	162050S	SWNG I/O ELR ASSM FM RH	Right
2	119514	LATCH RECEIVER KIT	order qty 2 when retro-fitting to chair
3	560501	ALR REL LEVER COVER	
4	126992	HEMI ELR SUB ASSM	
5	134188	RECEIVER ASSY ELR ALR RH	
5	134186	RECEIVER ASSY ELR ALR LH	
6	108623	BHCS 1/4-28 x 1-1/2	
7	106961	BHCS 1/4 -28 x 1 1/4 ROHS	
8	106935	1/4-28 NYLOCK NUT THIN BLK ZN	
9	104414	WAVE WASHER 6 MM	
10	561002	1" INSERT PLUG .083	
12	113282	WASHER FLAT AN #10 ROHS	
13	127135	BHCS 8-32 X 1/2 BLK	
11-13	129640	ELR SHROUD KIT	Kit w/ 2 screws
14	010615	SQUARE END CAP CNTR LEG	
15	226217	5/16-18 X 2" BH C/S BLK	
16	560110	ENDPLUG BACKREST TNT	



Pos.	Item Number	Description	Remarks
17,18	161243	ELR/ALR HANGER LATCH KIT LH	Left
17,18	161242	ELR/ALR HANGER LATCH KIT RH	Right
19	561062	1" INSERT PLUG .065 RIBS	
20	561197	PLASTIC PIVOT SADDLE	
21	202102	5/16-18 NYLOCK NUT THIN	
		Ship assembled part #	Use with multiple assemblies
	ASSY-HNG-FP	HANGER/FOOTPLATE ASSY REQUIRED	add with Hanger & Footplate kit



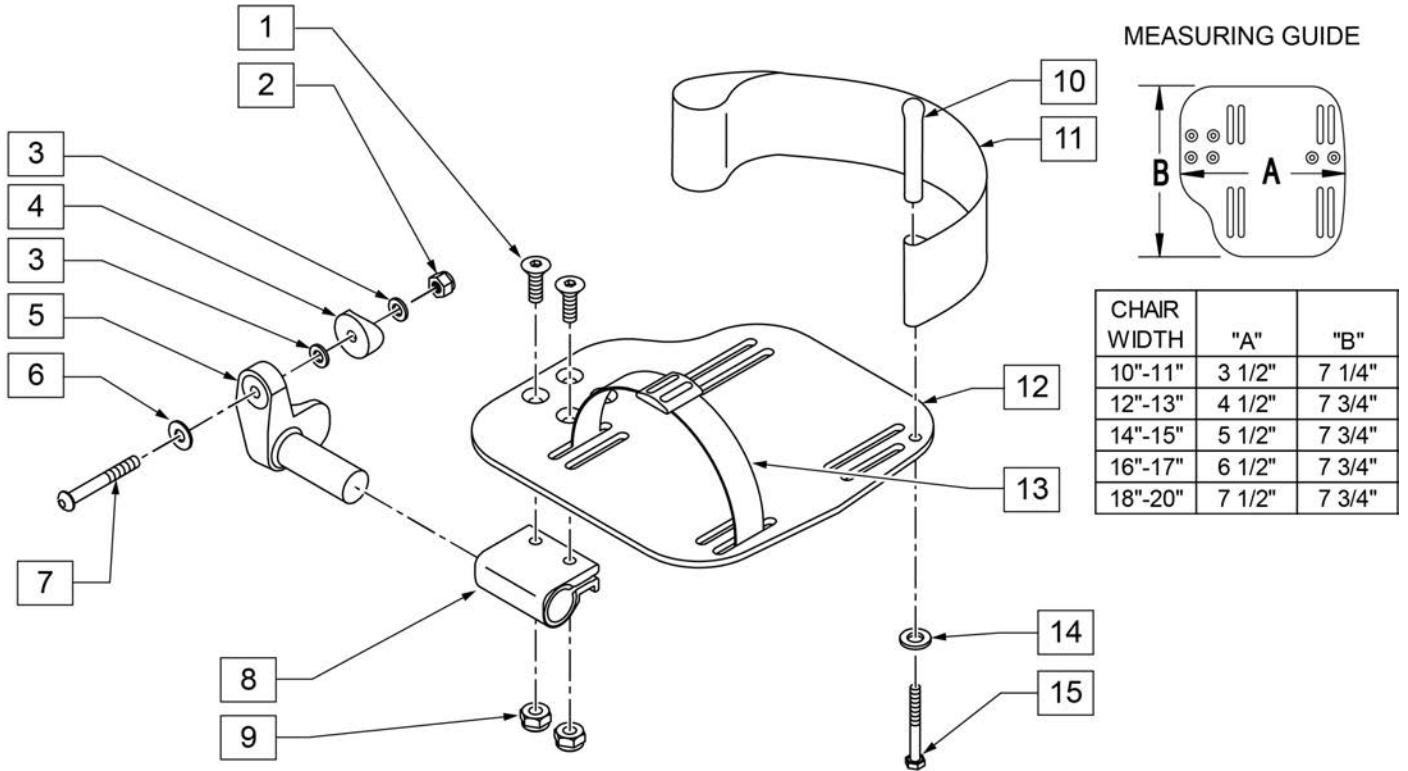
Pos.	Item Number	Description	Remarks
1	226217	5/16-18 x 2" BH C/S BLK	
2	755013	CALF PAD TROUGH STYLE KIDS	
3	561016	1" WASHER 5/16" HOLE	
4	561097	ELR ELEVATING TUBE CLAMP	
5	106937	5/16 -18 NYLOCK NUT THIN	
6	106958	HHCS 1/4-20 X 1 ROHS	
7	262130	6mm WASHER WAVE	
8	483027	1/4 x 1/4 ALUMINUM SPACER	
9	500151	KIDS ALR RETAINING PLUG	
1-9	880533	ELR TROUGH PAD ASSM KIDS	
		Ship assembled part #	Use with multiple assemblies
	ASSY-HNG-FP	HANGER/FOOTPLATE ASSY REQUIRED	add with Hanger & Footplate kit



Pos.	Item Number	Description	Remarks
1	106935	NUT NYLOCK THIN 1/4 -28 ROHS	
2	106961	BHCS 1/4 -28 x 1 1/4 ROHS	
1-3	111505	2" FOOTREST EXTENSION TUBE W/ HDWR ASSM	2" EXT (PAIR)
1, 2, 4	111506	4" FOOTREST EXTENSION TUBE W/ HDWR ASSM	4" EXT (PAIR)
1, 2, 5	111507	6" FOOTREST EXTENSION TUBE W/ HDWR ASSM	6" EXT (PAIR)

To have complete Footrest ship assembled, choose compatible Hanger + Footplate part numbers and add "ASSY-HNG-FP" to order

**INSET FORMULA**  
 0" Inset (Seat Width) = Footrest Width  
 1" Inset (Seat Width) - 2" = Footrest Width  
 "V" Hanger (Seat Width) - 4" = Footrest Width  
 Offset Hanger Receiver (Seat Width) + 2" = Footrest Width

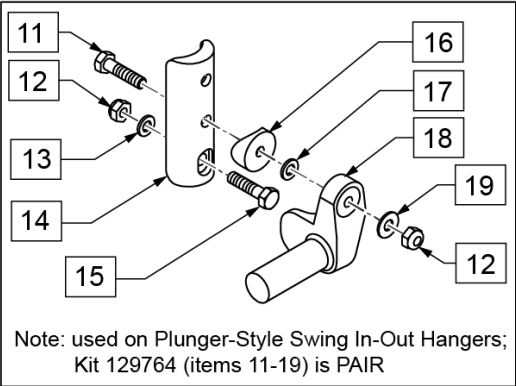
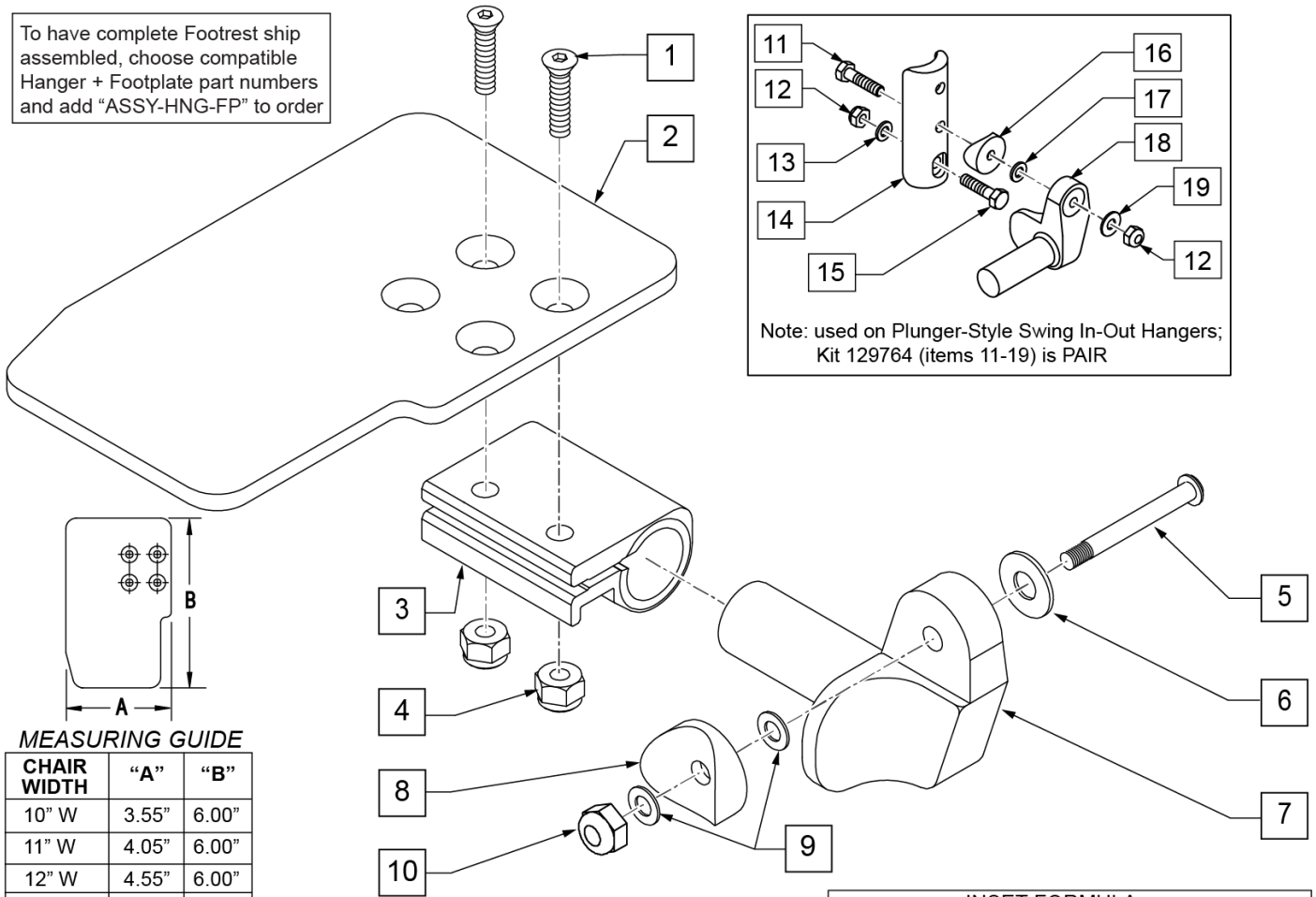


CHAIR WIDTH	"A"	"B"
10"-11"	3 1/2"	7 1/4"
12"-13"	4 1/2"	7 3/4"
14"-15"	5 1/2"	7 3/4"
16"-17"	6 1/2"	7 3/4"
18"-20"	7 1/2"	7 3/4"

Pos.	Item Number	Description	Remarks
1	106978	FHCS 1/4-28 X 7/8 ROHS	
2	106941	NUT AUTOMATION 1/4-28 ROHS	
3	106943	WASHER FLAT AN 1/4 ROHS	
4	561004	1" SADDLE 1/4" HOLE	
5	541000	FOOTREST MOUNTING BRKT 1/2" RAD R	RIGHT
5	541001	FOOTREST MOUNTING BRKT 1/2" RAD L	LEFT
6	106945	WASHER FLAT SAE 1/4 ROHS	
7	106964	BHCS 1/4-28 X 2	
8	550350	3/4" CLAMP ADJ FOOTPLATE	
9	106935	NUT NYLOCK THIN 1/4-28 ROHS	
10	561040	HEEL LOOP PEG	
11	741153	HEEL LOOP 18-20 CMPST/14-15 ANG ADJ	USED W/ 14-15"/16-17" ADULT ANG ADJ FTPLTS
11	741253	HEEL LOOP ADLT ADJ F/PLT 18-20	USED W/ 18 -20" ADULT ANG ADJ FTPLTS
12	500656	ADULT ANGL ADJ F/PLT 10/11	RIGHT
12	500657	ADULT ANGL ADJ F/PLT 10/11	LEFT
12	500658	ADULT ANGL ADJ F/PLT 12/13	RIGHT
12	500659	ADULT ANGL ADJ F/PLT 12/13	LEFT
12	500660	ADULT ANGL ADJ F/PLT 14/15	RIGHT
12	500661	ADULT ANGL ADJ F/PLT 14/15	LEFT
12	500662	ADULT ANGL ADJ F/PLT 16/17	RIGHT
12	500663	ADULT ANGL ADJ F/PLT 16/17	LEFT
12	500664	ADULT ANGL ADJ F/PLT 18-20	RIGHT

Pos.	Item Number	Description	Remarks
12	500665	ADULT ANGL ADJ F/PLT 18-20	LEFT
13	740260	TOE-ANKLE STRAP ADJ ADULT FOOTPLATE	
14	106943	WASHER FLAT AN 1/4 ROHS	
15	106958	HHCS 1/4-20 X 1 ROHS	
1-9,12	820544	FP ADULT ADJ 90D 10/11 R	RIGHT
1-9,12	820554	FP ADULT ADJ 90D 10/11 L	LEFT
1-9,12	820546	FP ADULT ADJ 90D 12/13 R	RIGHT
1-9,12	820556	FP ADULT ADJ 90D 12/13 L	LEFT
1-9,12	820472	FP ADULT ADJ 90D 14/15 R	RIGHT
1-9,12	820473	FP ADULT ADJ 90D 14/15 L	LEFT
1-9,12	820474	FP ADULT ADJ 90D 16/17 R	RIGHT
1-9,12	820475	FP ADULT ADJ 90D 16/17 L	LEFT
1-9,12	820476	FP ADULT ADJ 90D 18-20 R	RIGHT
1-9,12	820477	FP ADULT ADJ 90D 18-20 L	LEFT
1-9,12	921474	ADULT ANGL ADJ 90D 10/11 OMIT H/L	PAIR
1-9,12	921476	ADULT ANGL ADJ 90D 12/13 OMIT H/L	PAIR
1-9,12	921330	ADULT ANGL ADJ 90D 14/15 OMIT H/L	PAIR
1-9,12	921331	ADULT ANGL ADJ 90D 16/17 OMIT H/L	PAIR
1-9,12	921332	ADULT ANGL ADJ 90D 18-20 OMIT H/L	PAIR
1-12,14,15	820540	F/PLT ADULT ADJ 90D 10/11 R W/ HL	RIGHT
1-12,14,15	820550	F/PLT ADULT ADJ 90D 10/11 L W/ HL	LEFT
1-12,14,15	820542	F/PLT ADULT ADJ 90D 12/13 R W/ HL	RIGHT
1-12,14,15	820552	F/PLT ADULT ADJ 90D 12/13 L W/ HL	LEFT
1-12,14,15	820478	F/PLT ADULT ADJ 90D 14/15 R W/ HL	RIGHT
1-12,14,15	820479	F/PLT ADULT ADJ 90D 14/15 L W/ HL	LEFT
1-12,14,15	820480	F/PLT ADULT ADJ 90D 16/17 R W/ HL	RIGHT
1-12,14,15	820481	F/PLT ADULT ADJ 90D 16/17 L W/ HL	LEFT
1-12,14,15	820482	F/PLT ADULT ADJ 90D 18-20 R W/ HL	RIGHT
1-12,14,15	820483	F/PLT ADULT ADJ 90D 18-20 L W/ HL	LEFT
1-12,14,15	921470	F/PLT ADULT ADJ 90D 10/11 W/ HL	PAIR
1-12,14,15	921472	F/PLT ADULT ADJ 90D 12/13 W/ HL	PAIR
1-12,14,15	921333	F/PLT ADULT ADJ 90D 14/15 W/ HL	PAIR
1-12,14,15	921334	F/PLT ADULT ADJ 90D 16/17 W/ HL	PAIR
1-12,14,15	921335	F/PLT ADULT ADJ 90D 18-20 W/ HL	PAIR
		Ship assembled part #	Use with multiple assemblies
	ASSY-HNG-FP	HANGER/FOOTPLATE ASSY REQUIRED	add with Hanger & Footplate kit

To have complete Footrest ship assembled, choose compatible Hanger + Footplate part numbers and add "ASSY-HNG-FP" to order



MEASURING GUIDE

CHAIR WIDTH	"A"	"B"
10" W	3.55"	6.00"
11" W	4.05"	6.00"
12" W	4.55"	6.00"
13" W	5.05"	6.00"
14" W	5.55"	6.00"
15" W	6.05"	6.00"
16" W	6.55"	6.00"

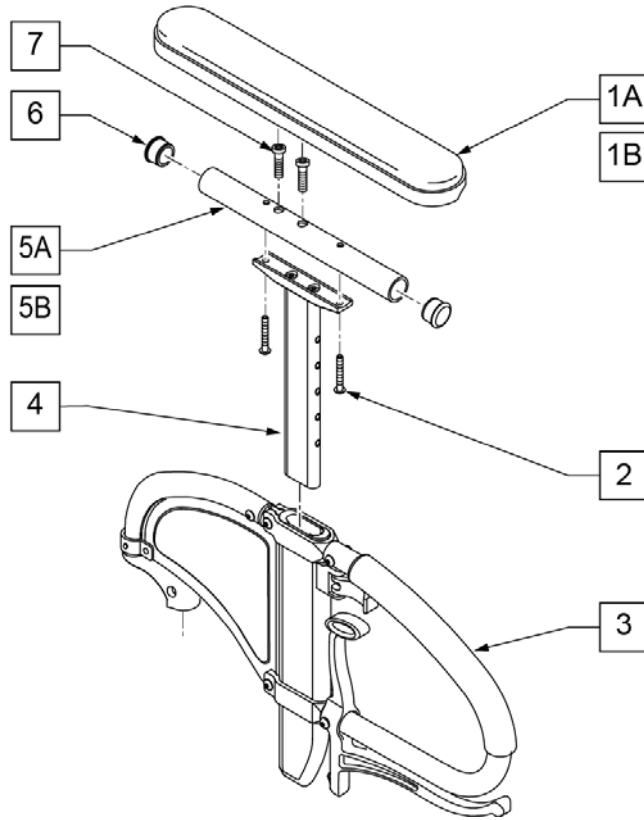
**INSET FORMULA**  
 0" Inset (Seat Width) = Footrest Width  
 1" Inset (Seat Width) -2" = Footrest Width  
 "V" Hanger (Seat Width) -4" = Footrest Width  
 Offset Hanger Receiver (Seat Width) +2" = Footrest Width

Pos.	Item Number	Description	Remarks
1	106978	FHCS 1/4-28 X 7/8 ROHS	
2	500635	KIDS ANGL ADJ F/PLT 10	RIGHT
2	500636	KIDS ANGL ADJ F/PLT 10	LEFT
2	500637	KIDS ANGL ADJ F/PLT 11	RIGHT
2	500638	KIDS ANGL ADJ F/PLT 11	LEFT
2	500639	KIDS ANGL ADJ F/PLT 12	RIGHT
2	500640	KIDS ANGL ADJ F/PLT 12	LEFT
2	500641	KIDS ANGL ADJ F/PLT 13	RIGHT
2	500642	KIDS ANGL ADJ F/PLT 13	LEFT
2	500643	KIDS ANGL ADJ F/PLT 14	RIGHT
2	500644	KIDS ANGL ADJ F/PLT 14	LEFT
2	500645	KIDS ANGL ADJ F/PLT 15	RIGHT
2	500646	KIDS ANGL ADJ F/PLT 15	LEFT
2	500647	KIDS ANGL ADJ F/PLT 16	RIGHT
2	500648	KIDS ANGL ADJ F/PLT 16	LEFT
3	550350	3/4 CLAMP ADJ FOOTPLATE	
4	106935	NUT NYLOCK THIN 1/4-28 ROHS	
5	226147	1/4-28 X 1.85 BH C/S BLK ZN	

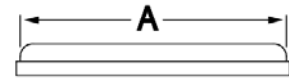
Pos.	Item Number	Description	Remarks
6	106945	WASHER FLAT SAE 1/4 ROHS	
7	541000	FTRST MOUNTING BRKT 1/2" RAD R	RIGHT
7	541001	FTRST MOUNTING BRKT 1/2" RAD L	LEFT
8	561004	1 SADDLE 1/4 HOLE	
9	106943	WASHER FLAT THIN AN 1/4	
10	106941	NUT AUTOMATION 1/4-28 ROHS	
11	102268-001	HHCS M6 X 1 X 25	
12	132626	NUT AUTOMATION M6 X 1.0 ROHS	
13	107383	WASHER FLAT M6 ROHS	
15	118198	HHCS M6 X 1 X 40 PART NP	
16	561004	1" SADDLE 1/4" HOLE	
17	106943	WASHER FLAT AN 1/4 ROHS	
19	106945	WASHER FLAT SAE 1/4 ROHS	
1-4	158632	CAA F/PLT KIT 10 RT	RIGHT; used with Front Mount Adapter Kit on Plunger-Style Swing In/Out Hangers
1-4	158633	CAA F/PLT KIT 10 LT	LEFT; used with Front Mount Adapter Kit on Plunger-Style Swing In/Out Hangers
1-4	158634	CAA F/PLT KIT 11 RT	RIGHT; used with Front Mount Adapter Kit on Plunger-Style Swing In/Out Hangers
1-4	158635	CAA F/PLT KIT 11 LT	LEFT; used with Front Mount Adapter Kit on Plunger-Style Swing In/Out Hangers
1-4	158636	CAA F/PLT KIT 12 RT	RIGHT; used with Front Mount Adapter Kit on Plunger-Style Swing In/Out Hangers
1-4	158637	CAA F/PLT KIT 12 LT	LEFT; used with Front Mount Adapter Kit on Plunger-Style Swing In/Out Hangers
1-4	158638	CAA F/PLT KIT 13 RT	RIGHT; used with Front Mount Adapter Kit on Plunger-Style Swing In/Out Hangers
1-4	158639	CAA F/PLT KIT 13 LT	LEFT; used with Front Mount Adapter Kit on Plunger-Style Swing In/Out Hangers
1-4	158640	CAA F/PLT KIT 14 RT	RIGHT; used with Front Mount Adapter Kit on Plunger-Style Swing In/Out Hangers
1-4	158641	CAA F/PLT KIT 14 LT	LEFT; used with Front Mount Adapter Kit on Plunger-Style Swing In/Out Hangers
1-4	158642	CAA F/PLT KIT 15 RT	RIGHT; used with Front Mount Adapter Kit on Plunger-Style Swing In/Out Hangers
1-4	158643	CAA F/PLT KIT 15 LT	LEFT; used with Front Mount Adapter Kit on Plunger-Style Swing In/Out Hangers
1-4	158644	CAA F/PLT KIT 16 RT	RIGHT; used with Front Mount Adapter Kit on Plunger-Style Swing In/Out Hangers
1-4	158645	CAA F/PLT KIT 16 LT	LEFT; used with Front Mount Adapter Kit on Plunger-Style Swing In/Out Hangers
1-10	828821	KIDS ANG ADJ F/PLT ASSM 10	RIGHT; used with Old-Style Latch Block Swing In/Out & S/A Hangers
1-10	828822	KIDS ANG ADJ F/PLT ASSM 10	LEFT; used with Old-Style Latch Block Swing In/Out & S/A Hangers
1-10	828823	KIDS ANG ADJ F/PLT ASSM 11	RIGHT; used with Old-Style Latch Block Swing In/Out & S/A Hangers
1-10	828824	KIDS ANG ADJ F/PLT ASSM 11	LEFT; used with Old-Style Latch Block Swing In/Out & S/A Hangers
1-10	828825	KIDS ANG ADJ F/PLT ASSM 12	RIGHT; used with Old-Style Latch Block Swing In/Out & S/A Hangers
1-10	828826	KIDS ANG ADJ F/PLT ASSM 12	LEFT; used with Old-Style Latch Block Swing In/Out & S/A Hangers
1-10	828827	KIDS ANG ADJ F/PLT ASSM 13	RIGHT; used with Old-Style Latch Block Swing In/Out & S/A Hangers
1-10	828828	KIDS ANG ADJ F/PLT ASSM 13	LEFT; used with Old-Style Latch Block Swing In/Out & S/A Hangers
1-10	828829	KIDS ANG ADJ F/PLT ASSM 14	RIGHT; used with Old-Style Latch Block Swing In/Out & S/A Hangers
1-10	828830	KIDS ANG ADJ F/PLT ASSM 14	LEFT; used with Old-Style Latch Block Swing In/Out & S/A Hangers
1-10	828831	KIDS ANG ADJ F/PLT ASSM 15	RIGHT; used with Old-Style Latch Block Swing In/Out & S/A Hangers
1-10	828832	KIDS ANG ADJ F/PLT ASSM 15	LEFT; used with Old-Style Latch Block Swing In/Out & S/A Hangers

Pos.	Item Number	Description	Remarks
1-10	828833	KIDS ANG ADJ F/PLT ASSM 16	RIGHT; used with Old-Style Latch Block Swing In/Out & S/A Hangers
1-10	828834	KIDS ANG ADJ F/PLT ASSM 16	LEFT; used with Old-Style Latch Block Swing In/Out & S/A Hangers
1-10	921226	KIDS ANG ADJ F/PLT ASSM 10	PAIR; used with Old-Style Latch Block Swing In/Out & S/A Hangers
1-10	921227	KIDS ANG ADJ F/PLT ASSM 11	PAIR; used with Old-Style Latch Block Swing In/Out & S/A Hangers
1-10	921228	KIDS ANG ADJ F/PLT ASSM 12	PAIR; used with Old-Style Latch Block Swing In/Out & S/A Hangers
1-10	921229	KIDS ANG ADJ F/PLT ASSM 13	PAIR; used with Old-Style Latch Block Swing In/Out & S/A Hangers
1-10	921230	KIDS ANG ADJ F/PLT ASSM 14	PAIR; used with Old-Style Latch Block Swing In/Out & S/A Hangers
1-10	921231	KIDS ANG ADJ F/PLT ASSM 15	PAIR; used with Old-Style Latch Block Swing In/Out & S/A Hangers
1-10	921232	KIDS ANG ADJ F/PLT ASSM 16	PAIR; used with Old-Style Latch Block Swing In/Out & S/A Hangers
11-19	129764	AAA FRNT MNT ADAPTER KIT PR	AAA FRNT MNT fits both Kids and Adult Angle Adjustable Footplates
		Ship assembled part #	Use with multiple assemblies
	ASSY-HNG-FP	HANGER/FOOTPLATE ASSY REQUIRED	add with Hanger & Footplate kit

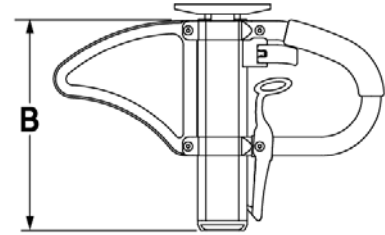




**MEASURING GUIDE**



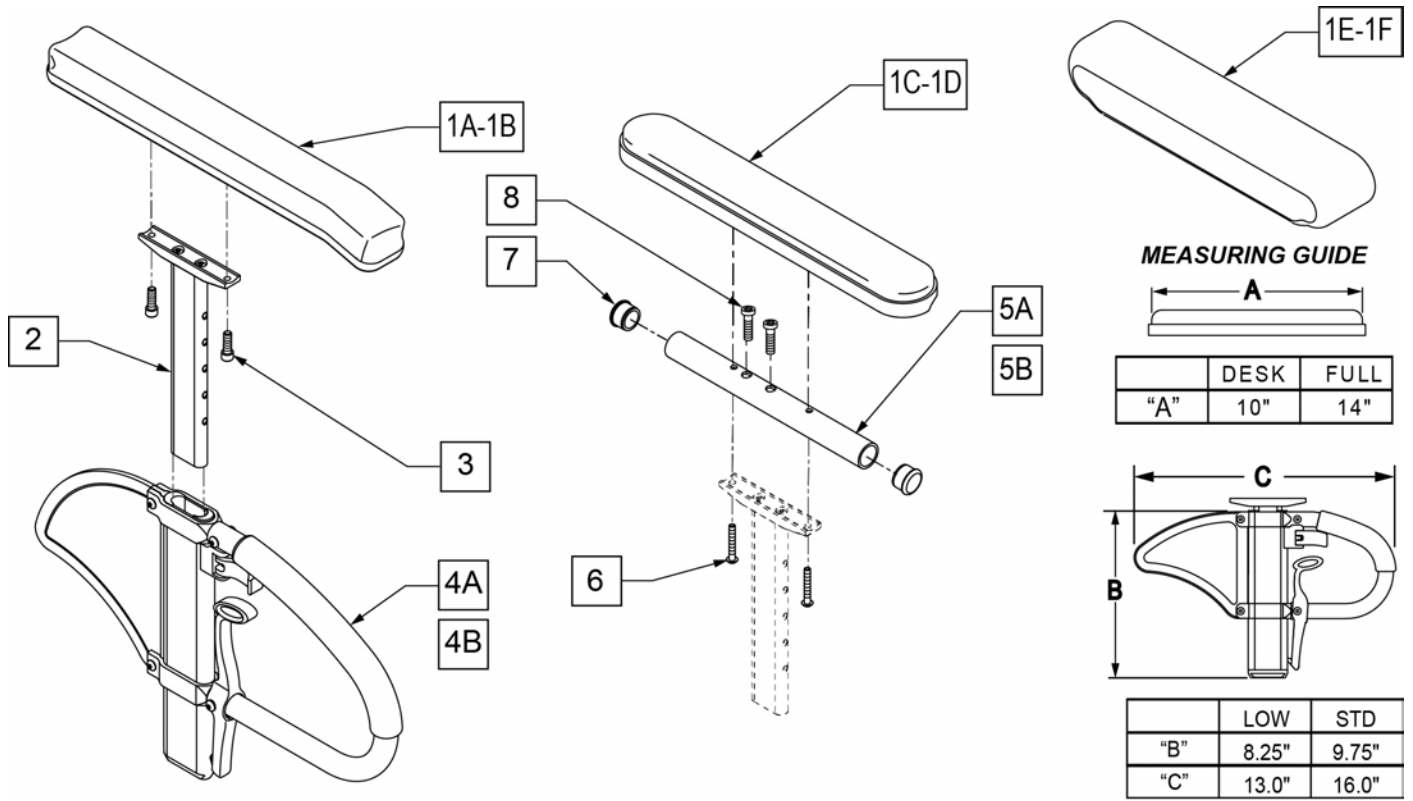
	DESK	FULL
A	10"	14"



	STD
B	9.75"

Pos.	Item Number	Description	Remarks
1A	561024	ARMREST PAD 10" DESK	CLASSIC DESK
1B	561031	ARMREST PAD 14" FULL	CLASSIC FULL
2	107024	10-32 X 1 1/2 BH C/S BLK	
3,4	109405	SPHA ARMREST ASSM RIGHT	RIGHT
3,4	109400	SPHA ARMREST ASSM LEFT	LEFT
4	116313	SPHA ARM PAD MOUNT	
5A	521812	HT ADJ PD TUBE 10IN DESK POWE	
5B	521813	HT ADJ PD TUBE 14IN FULL POWE	
6	560735	7/8" ROUND TUBE PLUG	
7	226031	10-32 x 1 1/4 SOC C/S BLK	FULL
1A,2,4,5A,6	115221	SPHA UPPER CLASSIC DESK PAD	Classic-Desk
1B,2,4,5B,6,7	115222	SPHA UPPER CLASSIC FULL PAD	Classic-Full
1A-5A,6	117834	SPHA FLP BCK LITE ARM DESK R	RIGHT
1A-5A,6	117835	SPHA FLP BCK LITE ARM DESK L	LEFT
1B-5B,6,7	117836	SPHA FLP BCK LITE ARM FULL R	RIGHT
1B-5B,6,7	117837	SPHA FLP BCK LITE ARM FULL L	LEFT

**SINGLE POST HEIGHT ADJUSTABLE ARMREST**



Pos.	Item Number	Description	Remarks
1A	104568-001	SPHA PAD DESK	CONTOUR DESK
1B	104568-002	SPHA PAD FULL	CONTOUR FULL
1C	561024	ARMREST PAD 10" DESK	CLASSIC DESK
1D	561031	ARMREST PAD 14" FULL	CLASSIC FULL
1E	561280	ARMREST PAD 10" LEFT W/F	Left-Waterfall Desk
1E	561281	ARMREST PAD 10" RIGHT W/F	Rightt-Waterfall Desk
1F	561284	ARMREST PAD 14" LEFT W/F	Leftt-Waterfall Full
1F	561285	ARMREST PAD 14" RIGHT W/F	Rightt-Waterfall Full
2	116312	SNGL POST UPPR ASSM LOW	LOW/SMALL
2	116313	SNGL POST UPPR ASSM STD	STANDARD
3	106956	SHCS 10-32 X 3/4 ROHS	
2,4A	104509-001	SPHA ARMREST ASSY STD	STANDARD
2,4B	104509-002	SPHA ARMREST ASSY LOW	LOW/SMALL
5A	521812	HT ADJ PD TUBE 10IN DESK POWE	Desk
5B	521813	HT ADJ PD TUBE 14IN FULL POWE	Full
6	107024	BHCS 10-32 X 1 1/2 ROHS	
7	560735	7/8" ROUND TUBE PLUG	
8	108534	SHCS 10-32 X 1-1/4 PL	Used with Full Length & Waterfall
1C,2,3,4A,5A,6,7	108599	SPHA STD CLASIC DESK PAD R	Right
1C,2,3,4A,5A,6,7	108603	SPHA STD CLASIC DESK PAD L	Left
1D,2,3,4A,5B,6-8	108601	SPHA STD CLASIC FULL PAD R	Right
1D,2,3,4A,5B,6-8	108605	SPHA STD CLASIC FULL PAD L	Left
1A,2,3,4A	108595	SPHA STD CNTUR DESK PAD	
1B,2,3,4A	108597	SPHA STD CNTUR FULL PAD	
1C,2,3,4B,5A,6,7	108600	SPHA LOW CLASIC DESK PAD R	Right
1C,2,3,4B,5A,6,7	108604	SPHA LOW CLASIC DESK PAD L	Left

Pos.	Item Number	Description	Remarks
1D,2,3,4B,5B,6-8	108602	SPHA LOW CLASIC FULL PAD R	Right
1D,2,3,4B,5B,6-8	108606	SPHA LOW CLASIC FULL PAD L	Left
1A,2,3,4B	108596	SPHA LOW CNTUR DESK PAD	
1B,2,3,4B	108598	SPHA LOW CNTUR FULL PAD	
1C,2,5A,6,7	159600	SPHA STD CLAS DESK UPPR R	Right
1C,2,5A,6,7	159601	SPHA STD CLAS DESK UPPR L	Left
1D,2,5B,6-8	159602	SPHA STD CLAS FULL UPPR R	Right
1D,2,5B,6-8	159603	SPHA STD CLAS FULL UPPR L	Left
1C,2,5A,6,7	159604	SPHA LOW CLAS DESK UPPR R	Right
1C,2,5A,6,7	159605	SPHA LOW CLAS DESK UPPR L	Left
1D,2,5B,6-8	159606	SPHA LOW CLAS FULL UPPR R	Right
1D,2,5B,6-8	159607	SPHA LOW CLAS FULL UPPR L	Left
1E,2,4B,5A,6,7	164089	SPHA LOW W/F DESK PAD R	Right
1E,2,4B,5A,6,8	164090	SPHA LOW W/F DESK PAD L	Left
1F,2,4B,5B,6,8	164091	SPHA LOW W/F FULL PAD R	Right
1F,2,4B,5B,6,8	164092	SPHA LOW W/F FULL PAD L	Left
1E,2,4A,5A,6,7	164093	SPHA STD W/F DESK PAD R	Right
1E,2,4A,5A,6,8	164094	SPHA STD W/F DESK PAD L	Left
1F,2,4A,5B,6,8	164095	SPHA STD W/F FULL PAD R	Right
1F,2,4A,5B,6,8	164096	SPHA STD W/F FULL PAD L	Left

Note: Fits most Manual Products, not all Armrest Pads are offered on all chairs, consult product order form for compatibility.

Note: available on Quickie Iris after S/N IRS-007726 & IRSE-008701 and prior to IRS-063000 & IRSE-083000, and Zippie Iris prior to ZRS-051000 & ZRSE-058000.

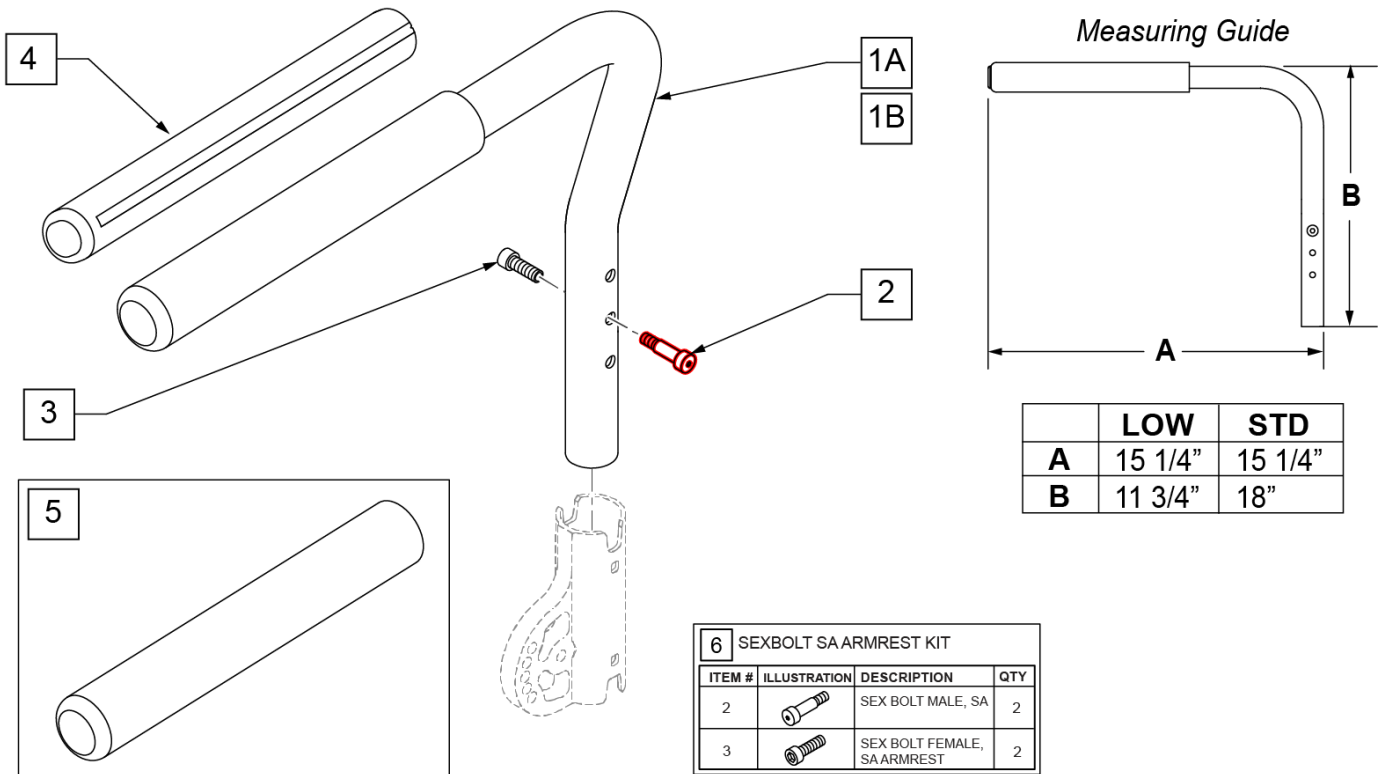
Note: if switching from Desk to Full Length Armrest Pad OR switching from Full Length to Desk Armrest Pad, the following items are required: 1C/1D, 5A/5B, and 6-8.

**NOTE:** Effective on GTi chairs after S/N T4-505800 & T4A-505900.

**NOTE:** Armrest heights that can be achieved are; 7, 8, & 9 with the RECEIVER IN THE DOWN position, and 10, 11, & 12 with RECEIVER IN THE UP position.

**NOTE:** GT,GTi, Q2 Lite & 5R chairs use Low Armrest only.

Part Changes, please see notes/remarks for important information



Pos.	Item Number	Description	Remarks
1A,2,3	111153	SWING-AWAY ARMREST LOW W/ BOLT R	RIGHT-LOW
1A,2,3	111154	SWING-AWAY ARMREST LOW W/ BOLT L	LEFT -LOW
1B,2,3	111155	SWING-AWAY ARMREST STD W/ BOLT R	RIGHT-STD
1B,2,3	111156	SWING-AWAY ARMREST STD W/ BOLT L	LEFT -STD
4	108315	GEL PAD S/ ARM	PAIR
5	560640	9X.93X.155 FOAM GRIP	Single replacement grip
6	108118	SEXBOLSA ARMREST KIT	

**NOTE:** USED ON QUICKIE 2 CHAIRS W/ S/N PREFIX Q2V.

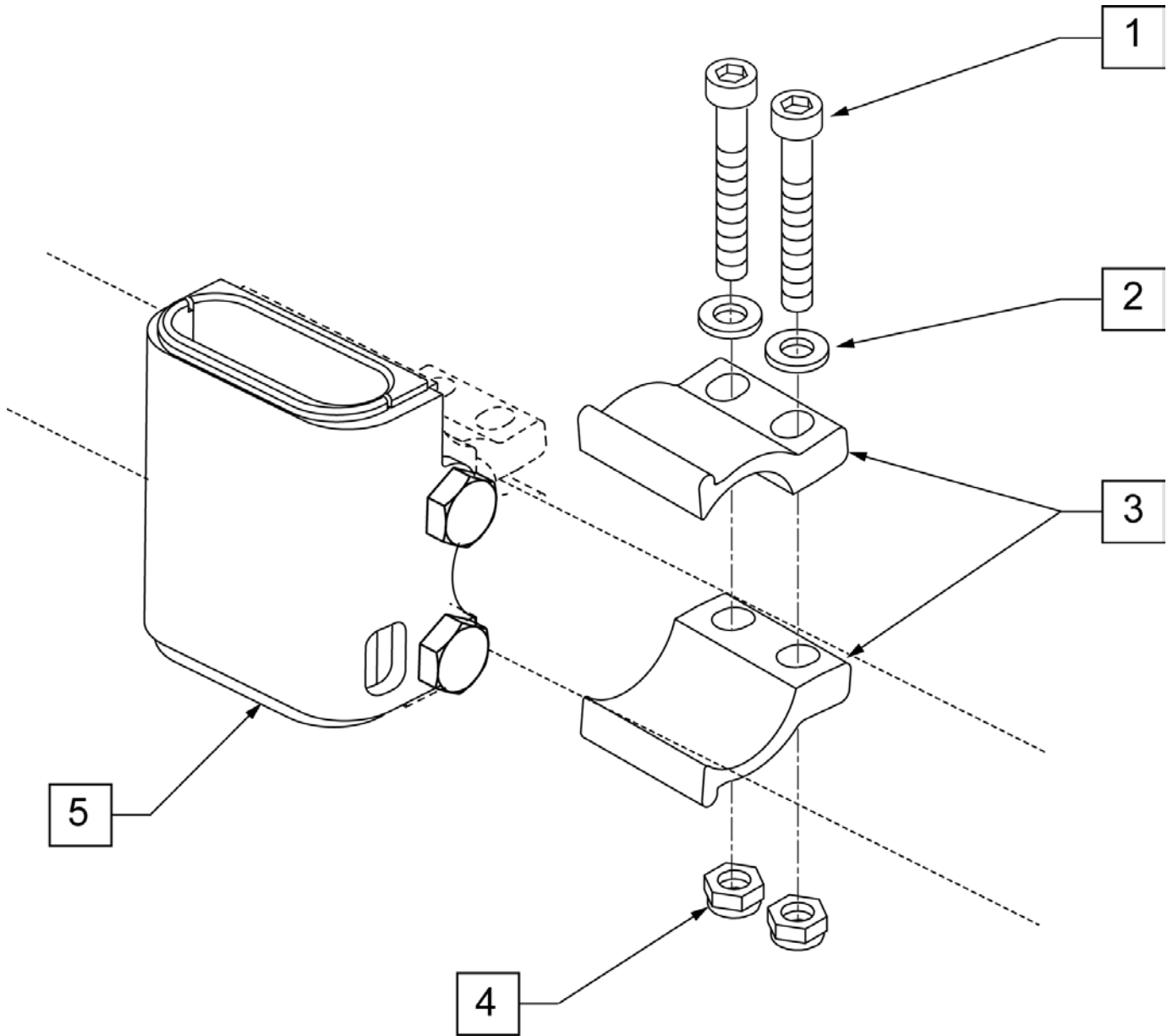
**NOTE:** USED ON QUICKIE 2 LITE CHAIRS.

**NOTE:** USED ON ZIPPIE TS CHAIRS W/ S/N PREFIX Z1A & Z1SE.

**NOTE:** USED ON ZIPPIE GS CHAIRS W/ S/N PREFIX ZGS & ZGSE.

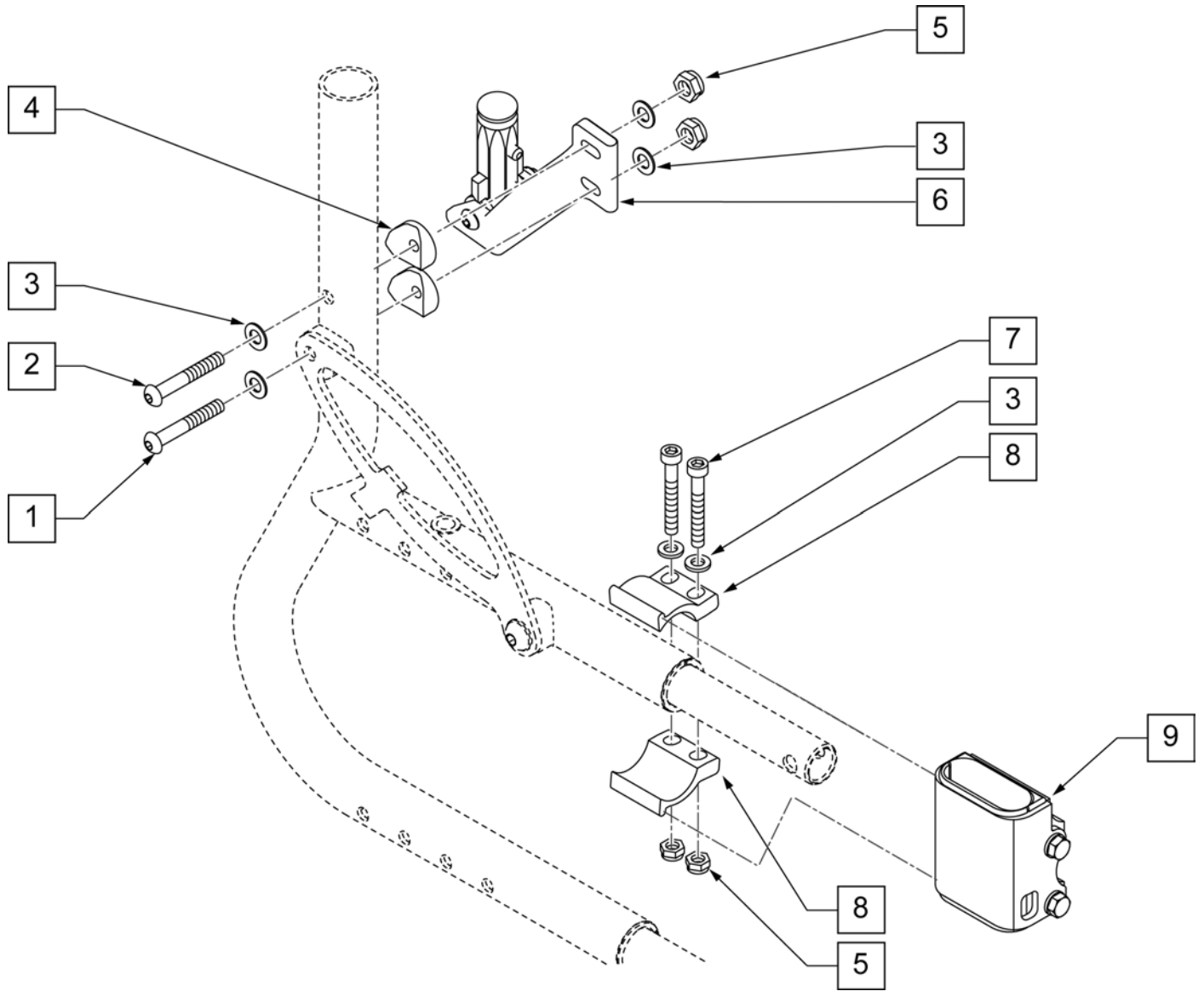
**NOTE:** USED ON ZIPPIE 2 CHAIRS W/ S/N PREFIX Z2A.

**NOTE:** CLAMP MOUNTS TO 1" TUBING.



Pos.	Item Number	Description
1	106975	SHCS 1/4 -28 x 1 1/4 ROHS
2	106943	WASHER FLAT AN 1/4 ROHS
3	107123	CLAMP, RECEIVER, 1" OD
4	106935	NUT NYLOCK THIN 1/4 -28 ROHS
5	107124	RECEIVER, SPHA 1" OD
1-5	108101	SPHA RECEIVER W/ CLAMP KIT

NOTE: USED ON QUICKIE 2 LITE CHAIRS.

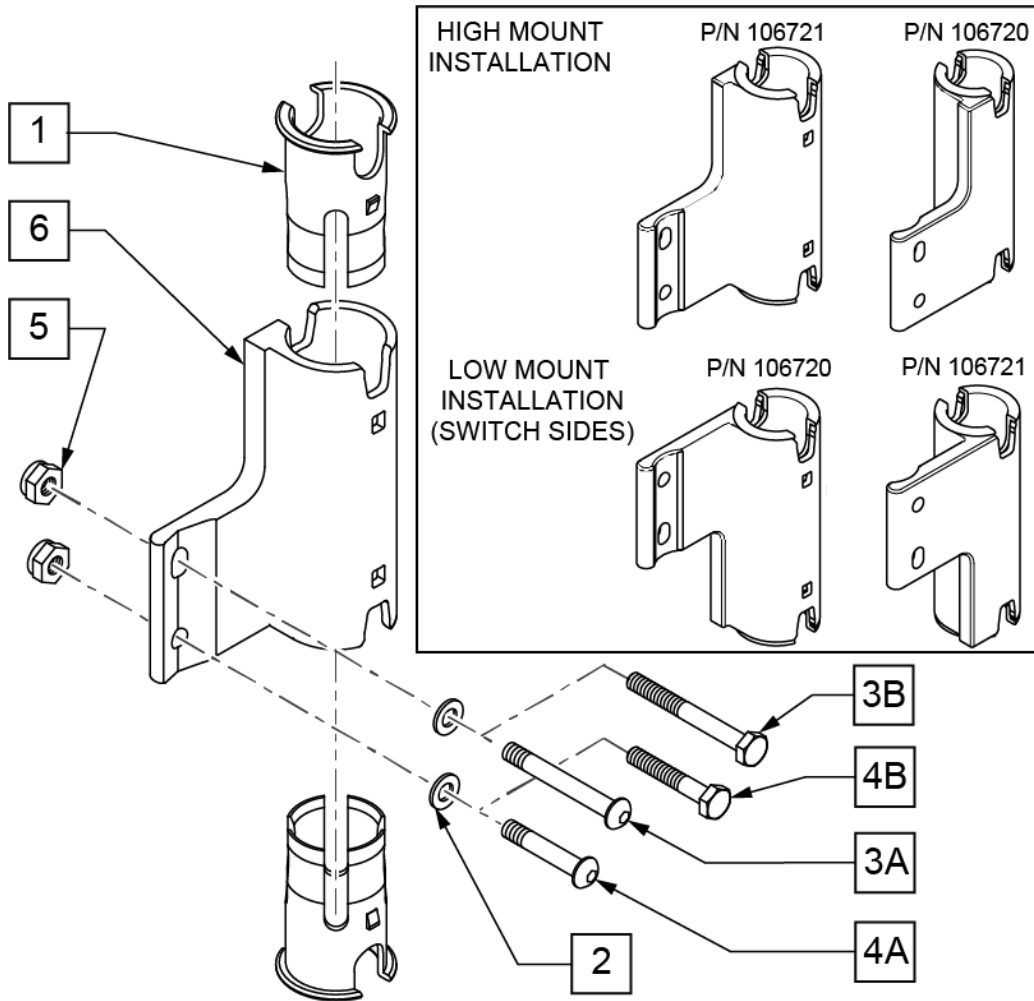


Pos.	Item Number	Description	Remarks
1	106964	BHCS 1/4-28 X 2 ROHS	
2	106962	BHCS 1/4 -28 x 1 3/4 ROHS	
3	106943	WASHER FLAT AN 1/4 ROHS	
4	561004	1" SADDLE 1/4" HOLE	
5	106935	NUT NYLOCK THIN 1/4 -28 ROHS	
6	109413	SPHA FB RECEIVER ASSM RH	RIGHT
6	109414	SPHA FB RECEIVER ASSM LH	LEFT
7	106975	SHCS 1/4 -28 x 1 1/4 ROHS	
8	107123	CLAMP, RECEIVER, 1" OD	
9	107124	SPHA RECEIVER KIT	
3,5,7-9	108101	SPHA RECEIVER W/ CLAMP KIT	
1-6	120657	REAR RECEIVER ASSM - RIGHT	RIGHT
1-6	120658	REAR RECEIVER ASSM - LEFT	LEFT



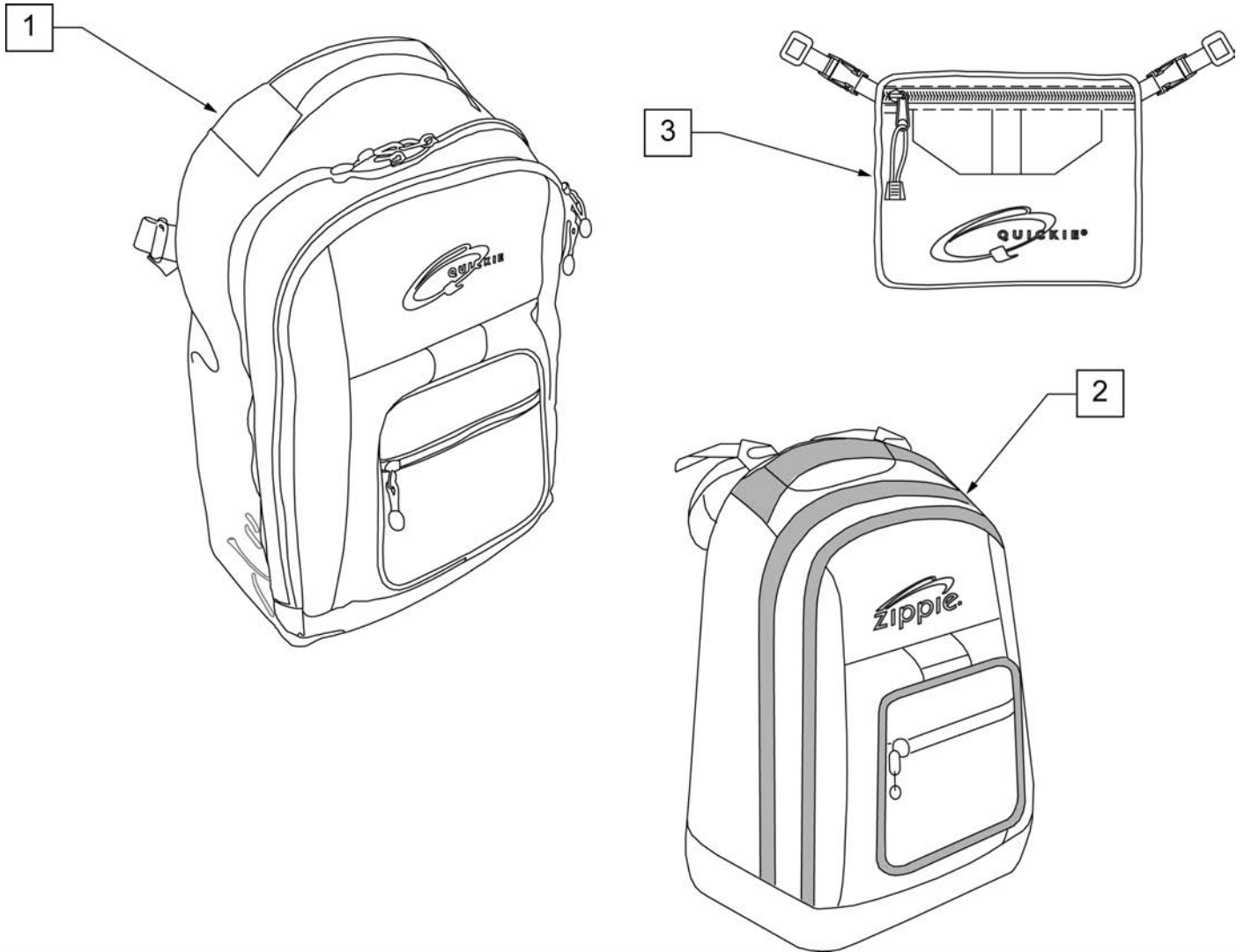
**NOTE:** Item 6 can be flipped for additional adjustment (see Low Mount Installation in illustration below). When flipped Left becomes Right and Right becomes Left.

**Note:** Armrest heights that can be achieved are: 7, 8, & 9 with RECEIVER IN THE LOW MOUNT position, and 10, 11, & 12 with RECEIVER IN THE HIGH MOUNT position.

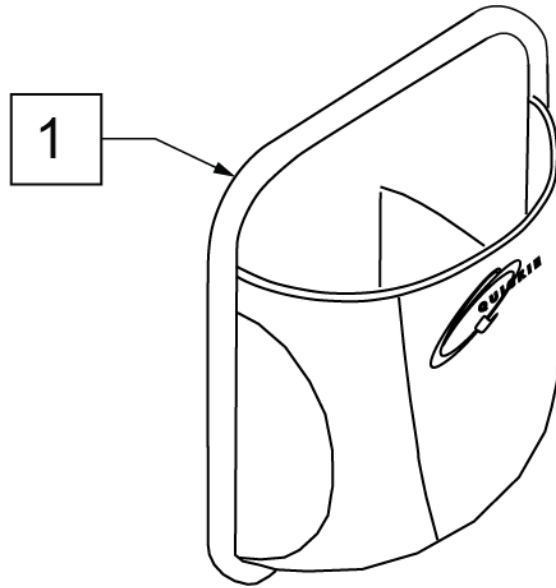


Pos.	Item Number	Description	Remarks
1	106505	SLEEVE SWING AWAY ARMREST	
2	106943	WASHER FLAT AN 1/4 ROHS	
3A	106964	BHCS 1/4-28 X 2 ROHS	Q2 LITE ONLY
3B	107351	HHCS 1/4-28 X 2 1/4 ROHS	Q2 ONLY
4A	106962	BHCS 1/4-28 X 1-3/4 ROHS	Q2 LITE ONLY
4B	109265	HHCS 1/4-28 X 2-1/2 ROHS	Q2 ONLY
5	106935	NUT NYLOCK THIN 1/4-28 ROHS	
1,6	106720	RECEIVER, SA ASSY, RH	RIGHT
1,6	106721	RECEIVER, SA ASSY, LH	LEFT- SHOWN

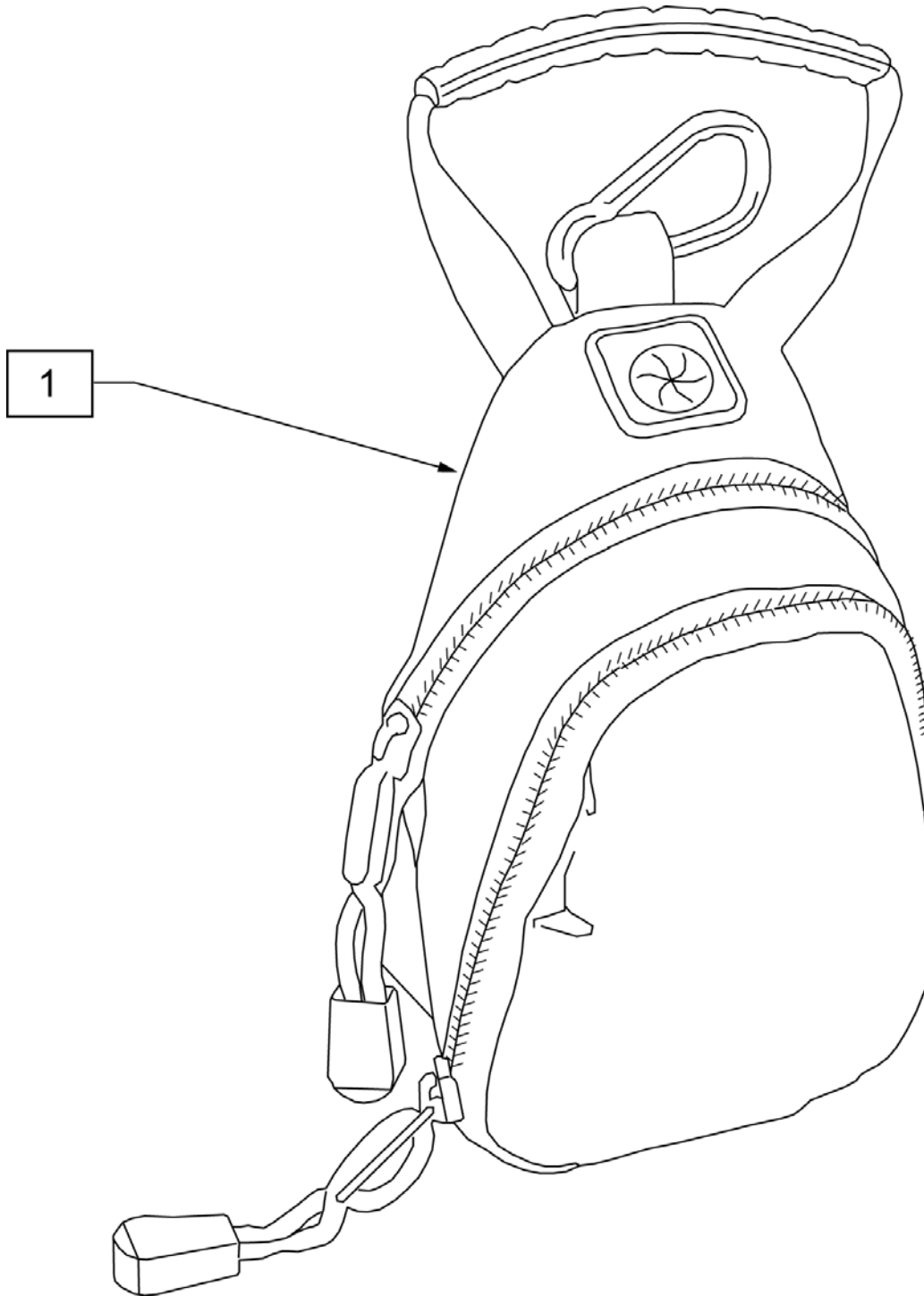
NOTE: KIDS BACKPACKS DO NOT HAVE ADJUSTABLE STRAPS W/ BUCKLES.



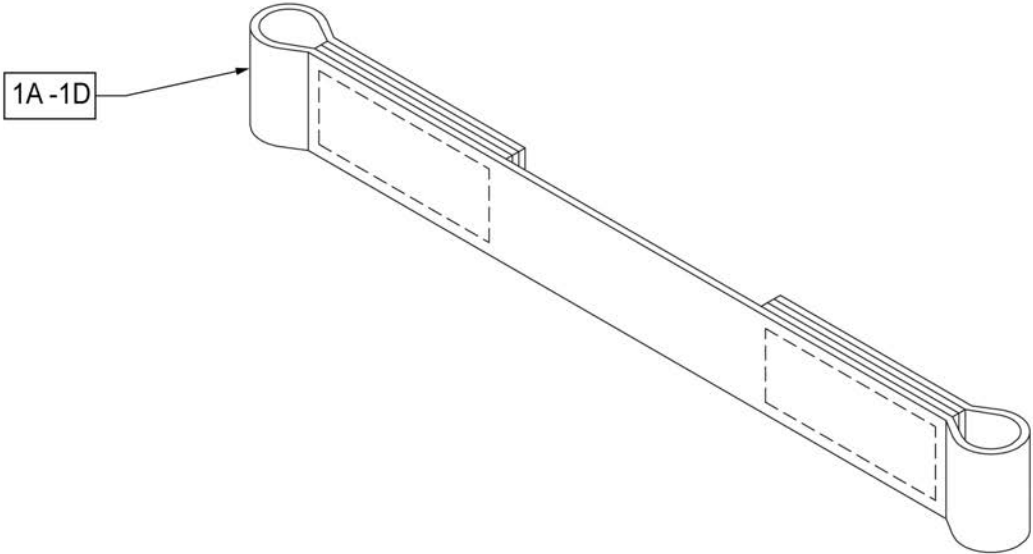
Pos.	Item Number	Description	Remarks
1	750115	BACK PACK QUICKIE	Overall dimensions:width 12.5", height 18.5", depth 6.5"
2	104572	BACKPACK ZIPPIE	Overall dimensions: width 12", height 16.5", depth 4.5"
3	750307	SEAT POUCH QUICKIE	Dimensions: width 8.5", height 6", depth top 2.5", depth bottom 3.5"



Pos.	Item Number	Description	Remarks
1	013475	QUICKIE SIDE POCKET	Size: 6.5"x 6.5"x 2"

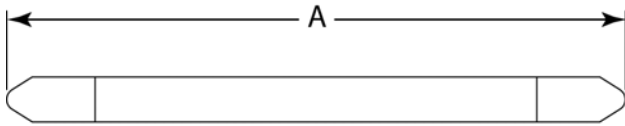


Pos.	Item Number	Description
1	109229	CELL PHONE PACK (ORANGE)

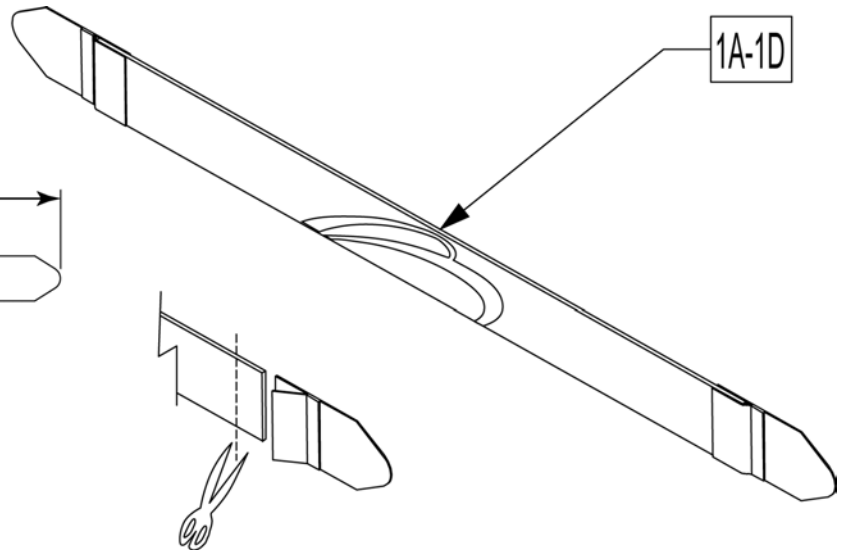


Pos.	Item Number	Description
1A	109356	LEG STRAP SOFT FEEL Q 11 -12"
1B	109357	LEG STRAP SOFT FEEL Q 13 -15"
1C	109366	LEG STRAP SOFT FEEL Q 16 -18"
1D	111487	LEG STRAP SOFT FEEL Q 19 -20"

**MEASURING GUIDE**



DESCRIPTION	DIM "A"
LEG STRAP 11"-12" BLK	27 1/2
LEG STRAP 13"-15" BLK	32 1/2
LEG STRAP 16"-18" BLK	39 1/2
LEG STRAP 19"-20" BLK	45 1/2

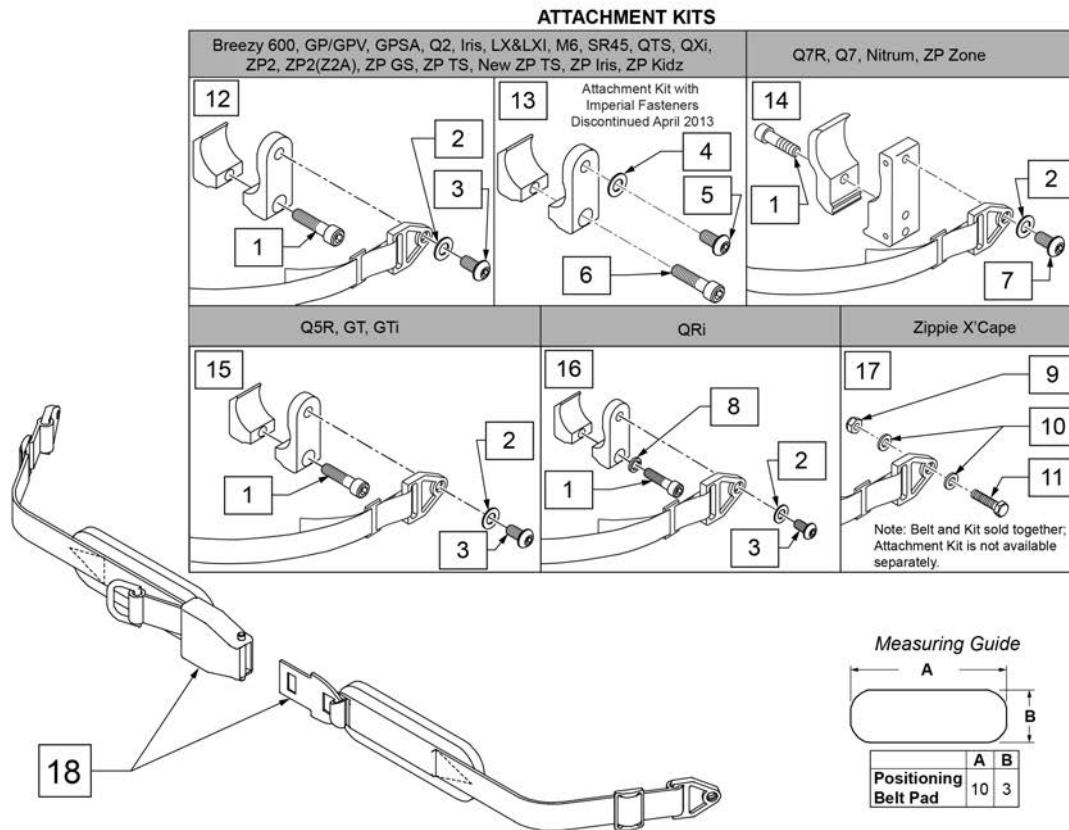


Leg Straps may be custom cut to a smaller size

Pos.	Item Number	Description
1A	113255	LEG STRAP 11"-12" BLK
1B	113256	LEG STRAP 13"-15" BLK
1C	113257	LEG STRAP 16"-18" BLK
1D	113258	LEG STRAP 19"-20" BLK

**Note:** some items listed may not be available with every chair model or in conjunction with another chair feature.

**NOTE:** when mounting Positioning Belts to the 5R, GT or GTi, it is recommended to attach the belt by using the Backrest Support Bracket Hardware.



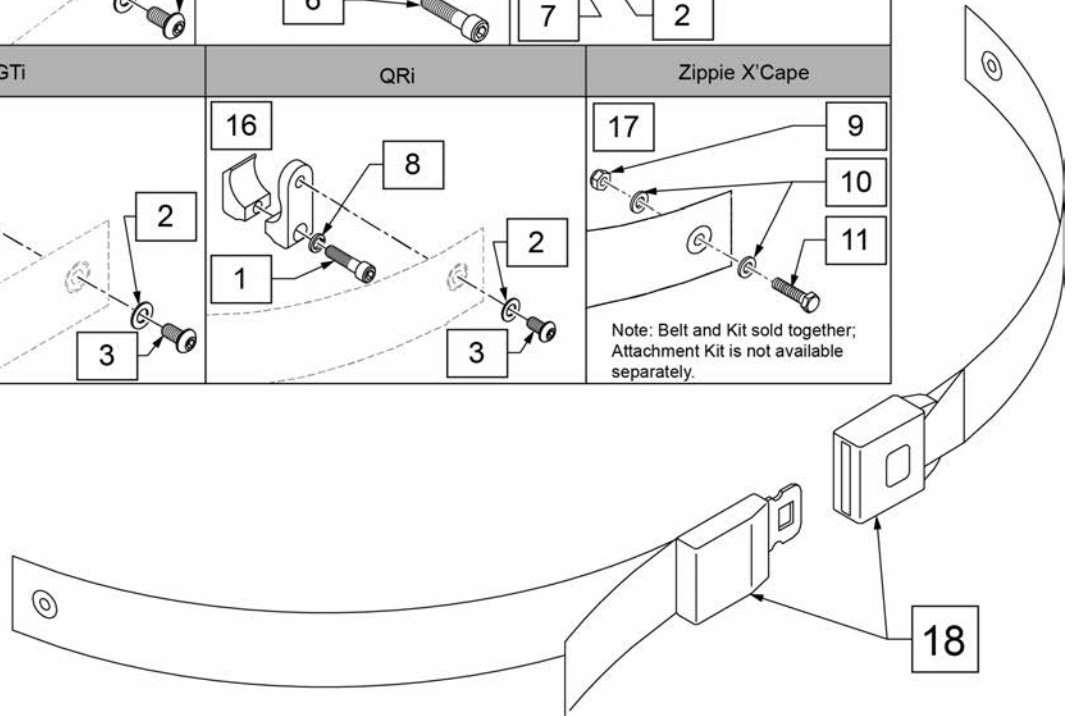
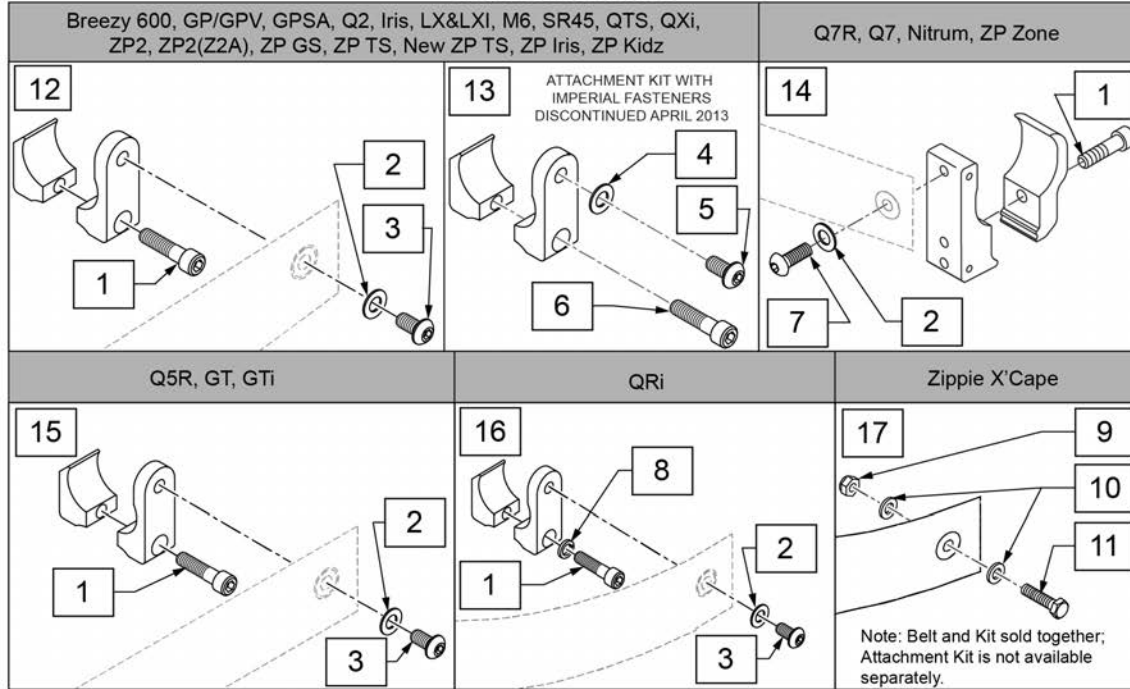
Pos.	Item Number	Description	Remarks
1	102263-003	SHCS M6 X 1 X 25 W/PL INORG	Metric
2	250104	WASHER FLAT M6	Metric
3	103185-005	BHCS M6 X 1 X 12 FULL PL	Metric
4	106943	WASHER FLAT AN 1/4 ROHS	Imperial (standard)
5	226154	1/4-20 X 1/2 BH C/S W/PATCH	Imperial (standard)
6	221116	1/4-20 X 1 SOC HD BLK	Imperial (standard)
7	230113	BHCS M6 X 1 X 12	
8	050129-001	LOCKWASHER HIGH COLLAR M6	
9	104381	NUT HEX NYLOCK M6 X 1.0	
10	107383	WASHER FLAT M6	
11	102268-002	HHCS M6 X 1 X 35 BLK	
12	120750	PSTN BELT CLAMP ASSM PR	Metric; Pair
13	900116	POSITION BELT ATTACHMENT KIT	Set of 2; Imperial (standard)

<b>Pos.</b>	<b>Item Number</b>	<b>Description</b>	<b>Remarks</b>
14	116268	OVAL CLAMP ASSM KIT	Kit contains 1 Clamp
15	159122	POSITIONING BELT CLAMPS PR	Pair
16	123534	POS BELT CLAMP KIT RPO	Set of 2
18	450418-QU	BELT 2" AIRCRAFT BUCKLE	Max length of belt 64"
18	450423-QU	BELT 2" AIRCRAFT BUCKLE W/PAD	Max length of belt 64"
18	450424	BELT 2" AIRCRAFT BKL LONG W/PAD	Max length of belt 72"
18	450425	BELT 2" AIRCRAFT BKL LONG	Max length of belt 72"
18	450419-QU	BELT 2" AIRCRAFT BKL W/QUAD LP	Max length of belt 64"
18	468419	BELT 2" AIRCRAFT BKL W/QD LPCZ	Max length of belt 64"
17,18	136464	AIRCRAFT HIP BELT 2" KIT	ZP Xcape: includes Belt & Attachment Kit
17,18	136465	AIRCRAFT HIP BELT 2" PAD KIT	ZP Xcape: includes Belt & Attachment Kit



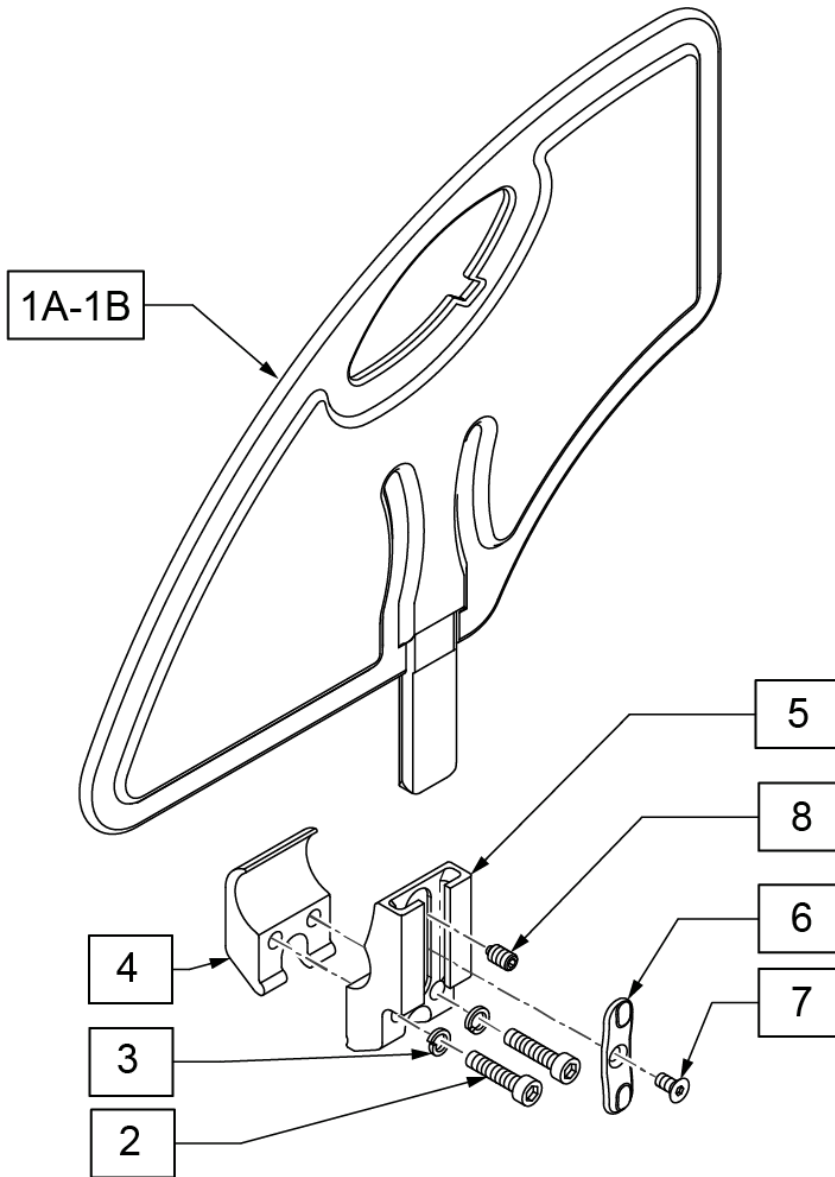
**NOTE:** when mounting Positioning Belts to the 5R, GT or GTI, it is recommended to attach the belt by using the Backrest Support Bracket Hardware.

**ATTACHMENT KITS**

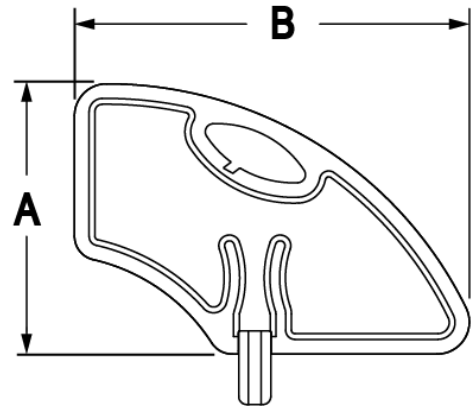


Pos.	Item Number	Description	Remarks
1	102263-003	SHCS M6 X 1 X 25 W/PL INORG	Metric
2	250104	WASHER FLAT M6	Metric
3	103185-005	BHCS M6 X 1 X 12 FULL PL	Metric
4	106943	WASHER FLAT AN 1/4 ROHS	Imperial (standard)
5	226154	1/4-20 X 1/2 BH C/S W/PATCH	Imperial (standard)
6	221116	1/4-20 X 1 SOC HD BLK	Imperial (standard)
7	230113	BHCS M6 X 1 X 12	
8	050129-001	LOCKWASHER HIGH COLLAR M6	
9	104381	NUT HEX NYLOCK M6 X 1.0	
10	107383	WASHER FLAT M6	
11	102268-002	HHCS M6 X 1 X 35 BLK	
12	120750	PSTN BELT CLAMP ASSM PR	Metric; Pair
13	900116	POSITION BELT ATTACHMENT KIT	Set of 2; Imperial (standard)
14	116268	OVAL CLAMP ASSM KIT	Kit contains 1 Clamp

Pos.	Item Number	Description	Remarks
15	159122	POSITIONING BELT CLAMPS PR	
16	123534	POS BELT CLAMP KIT RPO	Set of 2
18	750276	1 1/2" POSITION BELT	AUTOSTYLE-64" Max length of belt.
16,18	124269	AUTO POS BELT W/CLAMPS RPO	QRI: includes Belt & Attachment Kit
17,18	136463	AUTO HIP BELT 1.5" KIT	ZP Xcape: includes Belt & Attachment Kit



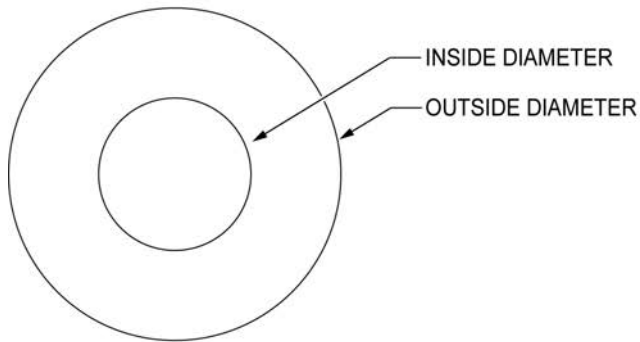
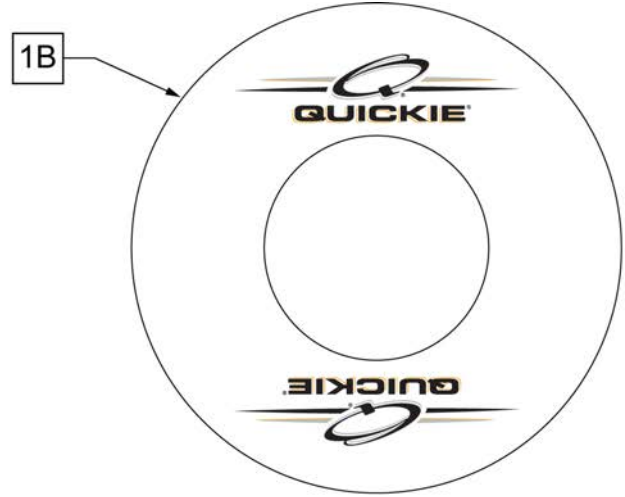
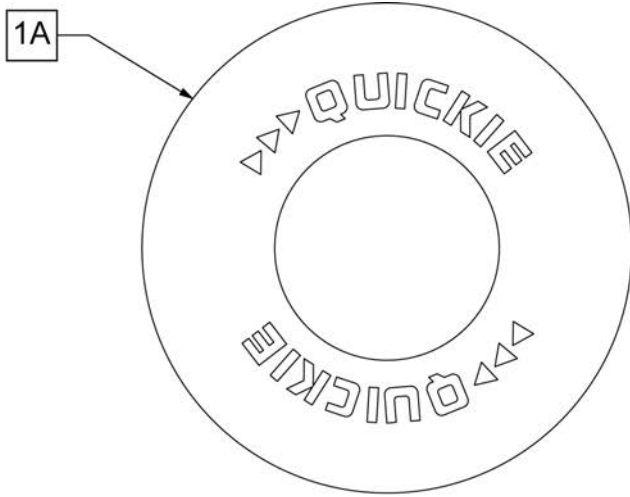
**MEASURING GUIDE**



	SMALL	STD
A	6.4"	8.4"
B	11"	12.3"

Pos.	Item Number	Description
1A	104164-001	SIDE GUARD ASSY STD
1B	104164-002	SIDE GUARD ASSY SMALL
2	106961	BHCS 1/4-28 X 1-1/4 ROHS
3	107367	WASHER LOCK HI COLLAR 1/4 ROHS
4	106714	REC SIDE GUARD CLAMP THREADED
6	108780	RECEIVER SG PLASTIC INSERT
7	107135	FHCS #6-32 X 1/4 BLK
8	107136	SETSCREW 1/4-28 X 5/16 OVAL PT
5-8	108781	RECEIVER SIDE GUARD ASSY
2-8	107592	REC SIDE GUARD ASSM W/CLAMP
1A,2-8	107590	SIDE GUARD ASSY W/ CLAMP STD
1B,2-8	107591	SIDE GUARD ASSY W/ CLAMP SMALL

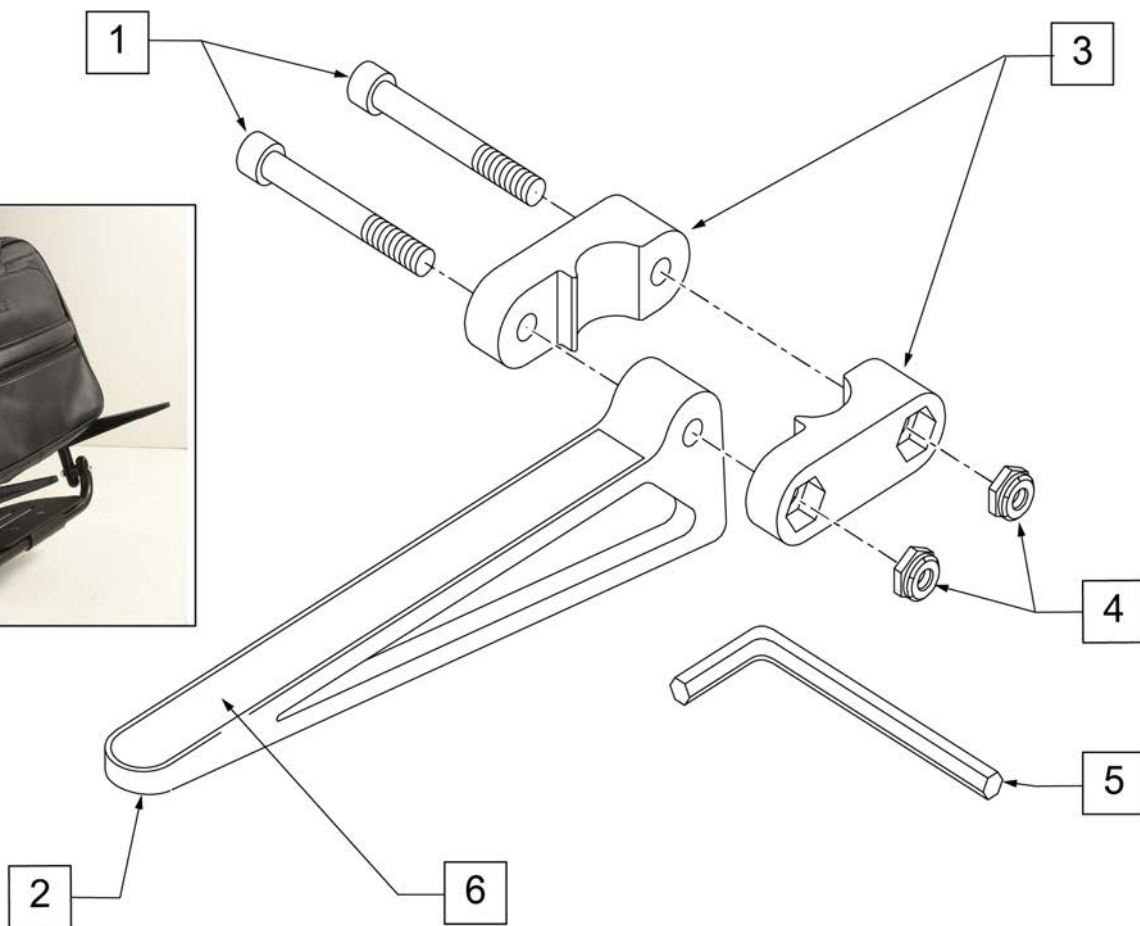
Note: Not available with 5 Spoke Mag or Xtender wheels. Not available with Projection style handrims.



**SPOKE GUARD MEASURING GUIDE**

PART NUMBER	INSIDE DIAMETER	OUTSIDE DIAMETER
902001	8 1/4	15 7/8
902011	8 1/4	18 1/8
902021	10 1/4	19 5/8
902025	10 1/4	20 3/8
902037	10 1/4	21 7/8
902038	10 1/4	23 3/8
103660-001	8 1/4	16
103660-002	8 1/4	18
103663-001	10 1/4	20 1/2
103663-002	10 1/4	23 1/2
103734-001	10 1/4	19 1/4
103734-002	10 1/4	22
119336	10 1/4	19 1/4

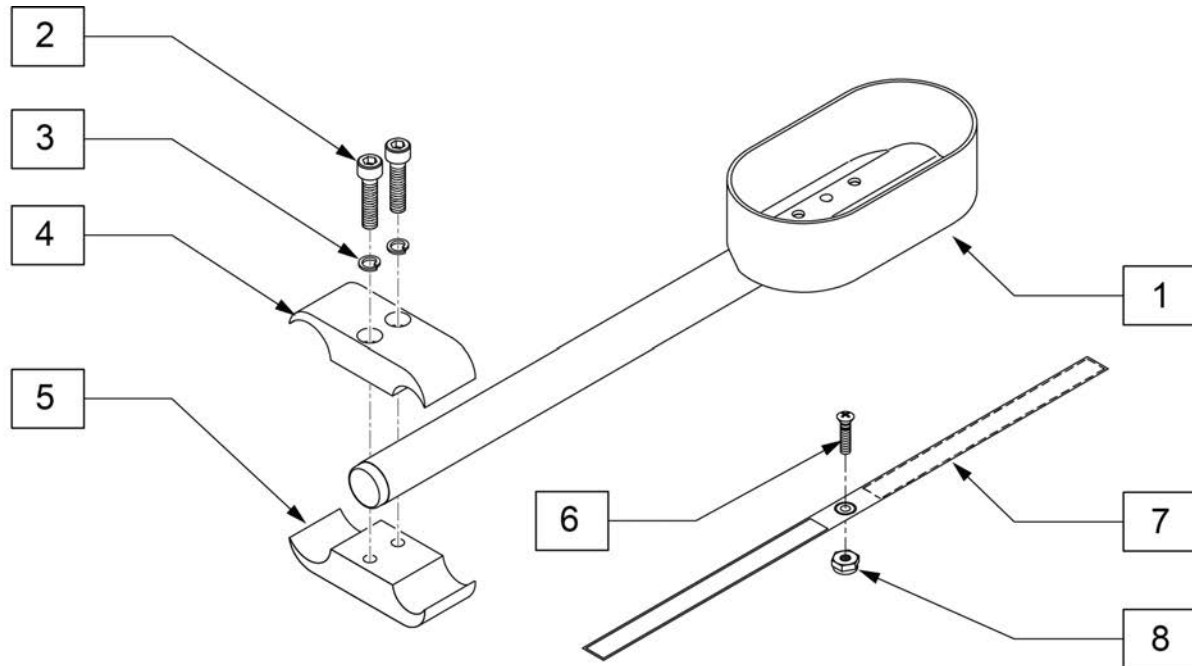
Pos.	Item Number	Description	Remarks
>>>>		BLACK SPOKE GUARDS	
1A	902001	SPK GRDS 20" QUICKIE BLK	PR-Black-fits 20" Whls
1A	902011	SPK GRDS 22" QUICKIE BLK	PR-Black-fits 22" Whls, 24" (540) Whls w/ Proj HR, 24" Mountain Spoke Whls, M6 24" (540) Spoke Whls
1A	902021	SPK GRD 24" QUICKIE SCR MT BLK	PR-Black-fits 24" (540) Mag & Spoke Whls
1A	902025	SPK GRD 24" QUICKIE TAB MT BLK	PR-Black-fits 25" (559) Spk Whls & 26" Mountain Spoke Whls
1A	902037	SPK GRD 26" QUICKIE TAB MT BLK	PR-Black-fits 26" (590) Whls
1A	902038	SPK GRD 26" QUICKIE HT BLK	PR-Black-fits 27" (700) Whls
>>>>		CLEAR SPOKE GUARDS	
1B	103660-001	CLEAR SPOKE GUARD 20"	PR-Clear-fits 20" Whls
1B	103660-002	CLEAR SPOKE GUARD 22"	PR-Clear-fits 22" Whls, 24" (540) Whls w/ Proj HR, 24" Mountain Spoke Whls, M6 24" (540) Spoke Whls
QUICKIE 2 LITE EIQ2N (Chairs w S/N Prefix Q2L)			
PAGE 293			
1B	103734-001	SPOKE GUARD 24" CLR	PR-Clear-fits 24" (540) Spoke Whls



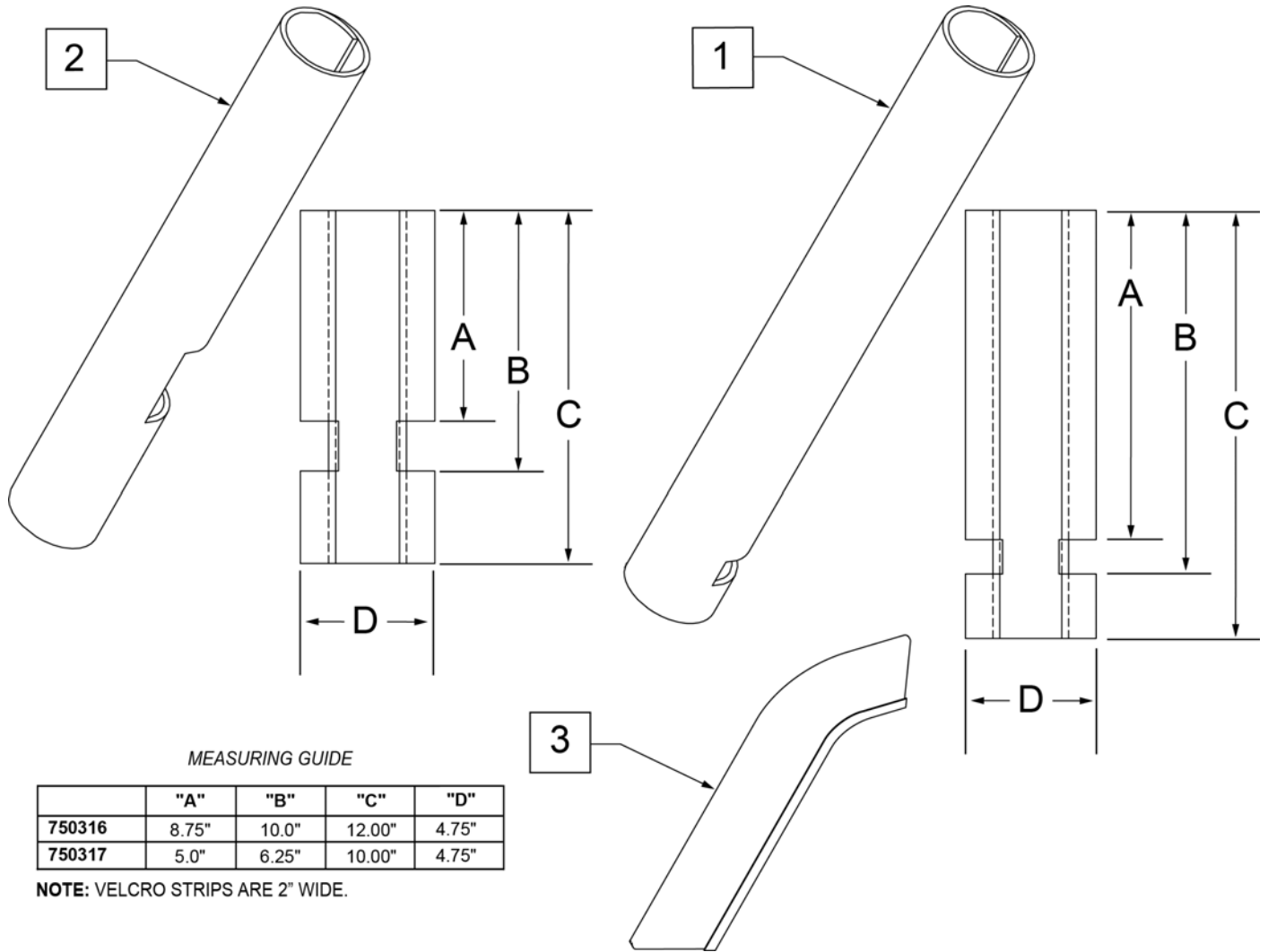
Pos.	Item Number	Description
1	106975	1/4-28 x 1 1/4 SOC C/S
2	561105	CADDY ARM
3	561104	CADDY CLAMP
4	106935	1/4-28 NYLOCK NUT THIN
5	349998	3/16" ALLEN WRENCH
6	580050	CADDY TAPE
1-6	902350	QUICKIE CADDY (PR)

CRUTCH HOLDER

[01/2012]

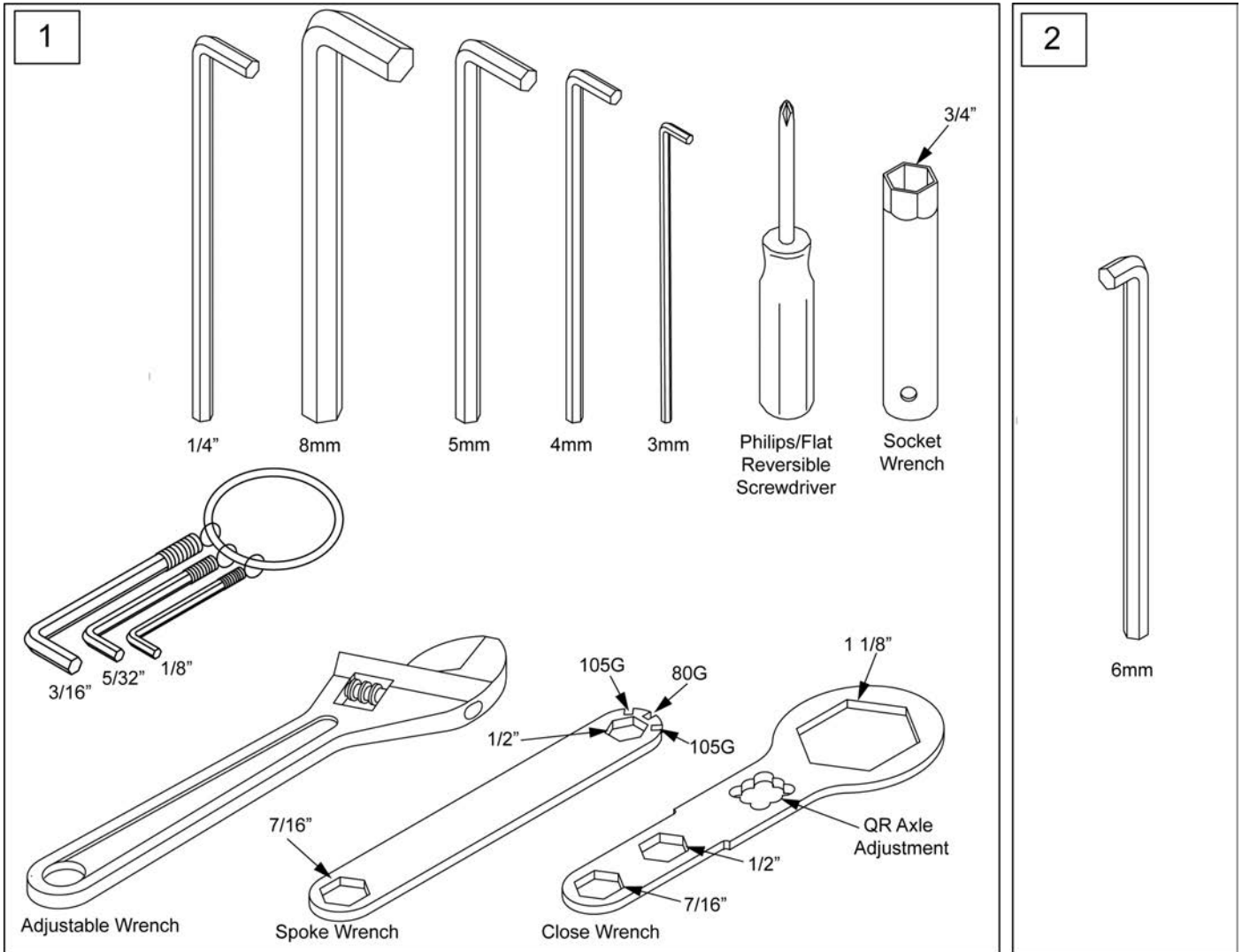


Pos.	Item Number	Description	Remarks
1	119353	12" CRUTCH HOLDER ASSY RH	
1	119354	12" CRUTCH HOLDER ASSY LH	
2	107032	SHCS 1/4-28 X 1	
3	455037-QU	1/4 X 1 FLAT WASHER	
2-5	884101	VENT TRAY CLAMP ASSM S626	
6	281110	10-32 x 1/2 PAN PHIL	
7	750495	CRUTCH HOLDER STRAP F	
8	200100-QU	10-32 NYLOCK NUT	
1-8	119242	CSTM Q2 LITE CRUTCH HOLDER R	Right
1-8	119270	CSTM Q2 LITE CRUTCH HOLDER L	Left

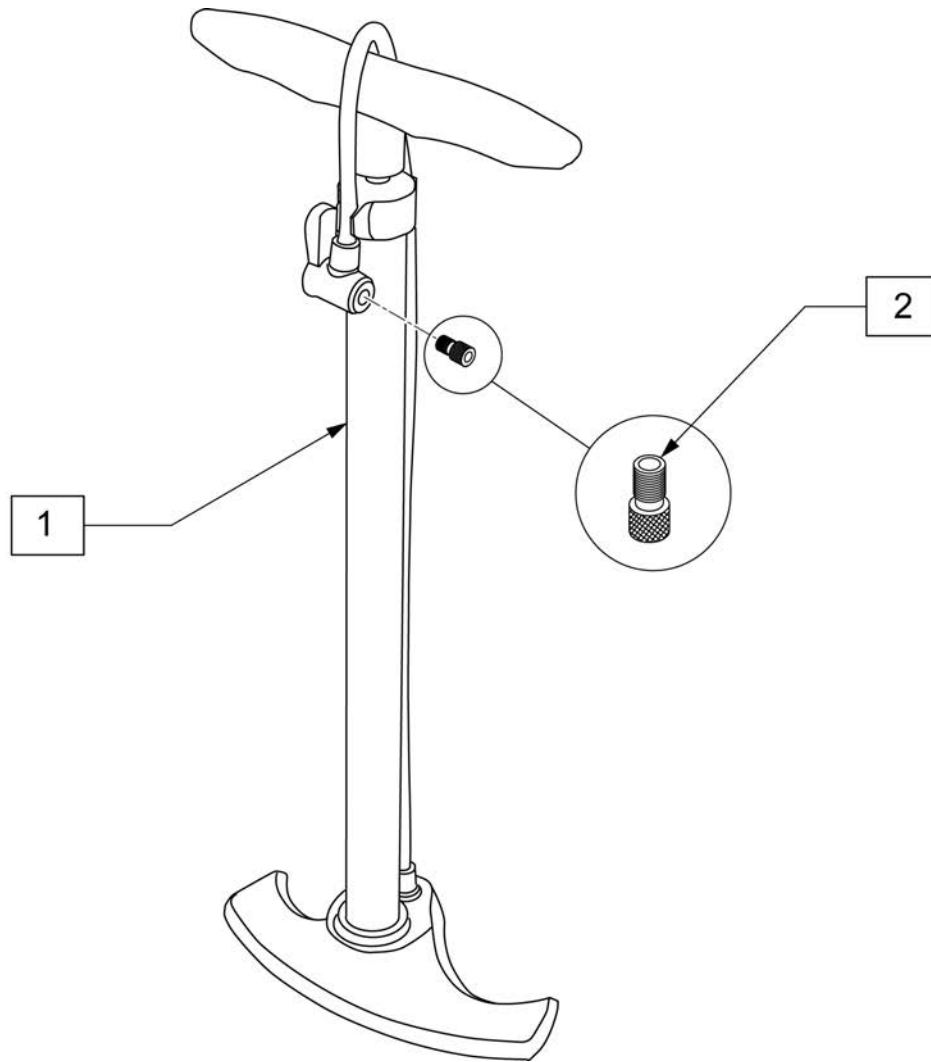


Pos.	Item Number	Description	Remarks
1	750316	IMPACT GUARDS NEOPRENE FIXED (PR)	PAIR-Fixed Front Frame
2	750317	IMPACT GUARDS NEOPRENE S/A	PAIR-S/A Footrest & Q7
3	109231	GEL VELCRO PAD HANGER/FRAME	PAIR- fits S/A & Fixed Front Frame
4	108315	GEL PAD SA ARM	Single, fits Padded SA Armrest





Pos.	Item Number	Description	Remarks
1	108314	QUICKIE COMBO TOOL KIT	Includes pouch
2	113403	6MM ALLEN WRENCH L, 7MM SHORT	caster spline chairs only



Pos.	Item Number	Description
1	389050	TIRE PUMP
2	381230	VALVE ADAPTER PRESTA

QUICKIE®



QUICKIE® **2**  
Lite

S/N Prefix Q2L

# PARTS MANUAL

SEPTEMBER 2022



Improving People's Lives