

QUICKIE 2

SERIAL NUMBER PREFIX Q2

PARTS MANUAL

(Q2 HP)
JANUARY 2023

QUICKIE 2/2 HP EIQ2 & EIHP (S/N Prefix Q2)	7
QUICKIE 2 HP DISCONTINUED	7
GLOSSARY OF ABBREVIATIONS	10
BASE FRAME	10
FRAME	10
FRONT SIDE FRAME	10
SWING-AWAY FRONT SIDE FRAME (S/N PREFIX Q2)	11
HEMI SWING-AWAY FRONT SIDE FRAME (S/N PREFIX Q2)	13
XL HEMI SWING-AWAY FRONT SIDE FRAME (S/N PREFIX Q2)	15
HP FIXED FRONT SIDE FRAME 60-70	17
REAR SIDE FRAME	18
STRAIGHT REAR SIDE FRAME	19
ROUNDED REAR SIDE FRAME	20
HEMI STRAIGHT REAR SIDE FRAME	21
HEMI ROUNDED REAR SIDE FRAME	23
DAB (DEPTH ADJ BACK) REAR SIDE FRAME	25
CROSS TUBES	25
Q2 CROSS TUBE & SEAT SLING	26
Q2 CROSS TUBE ASSM 11-13	29
Q2 CROSS TUBE ASSM 14-20	31
Q2 CROSS TUBE ASSM 18-22 HD	34
TRANSIT KIT QUICKIE 2	37
AXLE PLATES & AXLES	38
QUICK RELEASE AXLE MATRIX	39
STANDARD AXLE PLATE	41
AMPUTEE AXLE PLATE	43
CURVED AXLE PLATE	44
OFFSET AXLE PLATE	46
THREADED AXLE UPGRADE ASSM	48
CASTERS & FORKS	48
CASTER PLATES	49
HP CASTER PLATE	51
CASTERS	52
MICRO CASTERS	53
3 SPOKE CASTERS	54
SOFT ROLL CASTERS	56
ALUMINUM CASTERS	57
8" x 2" CASTERS	58
ALUMINUM SOFT ROLL CASTERS	59
CASTER TIRES & TUBES	60
FORKS & STEMS	60
FORK AND STEM ASSEMBLIES	61
MULTI-POSITION FORK	64
QUICK-RELEASE CASTER STEM & FORK ASSM	66
MULTI-POSITION FORK W/PIN LOCK PLATE	68
FROG LEG SUSPENSION FORK	70
CASTER STEMS	72
CASTER PIN LOCKS	73
HIGH ANGLE CASTER PIN LOCKS	75
ANTI-TIPS	77
ANTI TIPS	77
FRONT ANTI TIPS (HIGH ANGLE CASTER BARREL)	81
WHEEL LOCKS	81
WHEEL LOCK PUSH TO LOCK (QUICKIE STYLE)	82
WHEEL LOCK PULL TO LOCK (QUICKIE STYLE)	84
HIGH MOUNT SCISSOR WHEEL LOCK	86
HIGH WHEEL LOCK EXTENSION HANDLE (QUICKIE)	88
ERGO SCISSOR WHEEL LOCK	89
UNILATERAL WHEEL LOCK	90
COMPACT WHEEL LOCK	92
WHEELS & TIRES	92
WHEELS	92
TRADITIONAL 6 SPOKE MAG	93
QUICKIE SPOKE	95
SPINERGY LX (12 SPOKE)	96
SPINERGY SPORT LT EX (18 SPOKE)	98
NEW ULTRA LITE SPOKE	100
SPINERGY SPORT (24 SPOKE)	102
QUICKIE PERFORMANCE BASKETBALL	104
QUICKIE PERFORMANCE TENNIS	105

QUICKIE PERFORMANCE HEAT TREATED BASKETBALL	106
QUICKIE PERFORMANCE HEAT TREATED TENNIS	107
TIRES	107
PNEUMATIC & PNEU. AIRLESS TIRE	108
FULL POLY TIRE	109
LOW POLY TIRE	110
HIGH PRESSURE CLINCHER TIRE	111
QP TUBULAR TIRE	112
KEVLAR TIRE	113
TURBO TIRE	114
SCHWALBE MARATHON PLUS TIRE	115
HANDRIMS	115
ALUMINUM ANODIZED (SCREW MOUNT)	116
ULTRA LITE ANODIZED (TAB MOUNT)	117
ALUMINUM ANODIZED (TAB MOUNT)	118
PLASTIC COATED (SCREW MOUNT)	119
PLASTIC COATED (REG TAB MOUNT)	120
NATURAL FIT (SCREW MOUNT)	121
NATURAL FIT (TAB MOUNT)	123
PROJECTION	125
PAINTED (CROSS SPOKE WHEELS ONLY)	127
CHROME (MAG WHEELS ONLY)	128
TUBES	128
TUBES AND AIRLESS INSERTS	129
SEATING & POSITIONING	129
SEAT	129
SEAT CUSHION	129
2" SEAT CUSHION	130
SEAT SLING	132
SEAT SLING	132
SEAT SLING	133
SEAT SLING DISCONTINUED	135
SEAT SLING	136
BACK	140
BACK FRAME	140
DAB BACKREST	140
7/8 PUSH HANDLE BACKREST	143
7/8 NON-PUSH HANDLE BACKREST	145
ANGLE ADJUSTABLE BACKREST	147
SWING-AWAY ADJUSTABLE STROLLER HANDLE	149
REMOVABLE STROLLER HANDLE	151
SOLID BACK D.A.B. ONLY	153
BACKREST STABILIZER BAR	155
STROLLER HANDLE EXTENSION-REMOVABLE	157
REMOVABLE SOLID SEAT AND BACK	159
BACK UPHOLSTERY	159
STANDARD BACKREST UPHOLSTERY	160
TENSION ADJUSTABLE BACK UPHOLSTERY	161
HEAVY DUTY BACK UPHOLSTERY	163
JAY PRECISION BACKREST	164
BACKREST CUSHION	167
HEADREST	168
FOLDING STABILIZER BAR	169
HANGERS & FOOTPLATES	170
SWING AWAY HANGERS	170
SWING AWAY EXT MOUNT HANGERS	170
HANGERS (DISCONTINUED)	170
60 DEG S/A HANGER (DISC 4-21-15)	171
60 DEG S/A HANGER (DISC.8-13-01)	173
60 DEG S/A HANGER (DISC.10-23-99)	174
70 DEG S/A HANGER (DISC 4-21-15)	175
70 DEG S/A HANGER (DISC.8-13-01)	176
70 DEG S/A HANGER (DISC.10-23-99)	177
70 DEG V S/A HANGER (DISC 4-21-15)	178
70 DEG HEMI HANGER	180
HEMI 60 DEG S/A HANGER	182
FOOTPLATES & EXTENSIONS (D2 "OLD STYLE")	183
COMPOSITE FOOTPLATE	184
FOAM FOOTPLATE	186
ADULT ANGLE-ADJUSTABLE FOOTPLATE EXT MOUNT	188

KIDS ANGLE ADJUSTABLE FOOTPLATE EXT MOUNT	190
PLATFORM FLIP-UP FOOTPLATE.....	192
LOCKING ANGLE ADJUSTABLE FOOTPLATE.....	194
DOUBLE D FOOTREST EXTENSION TUBE "OLD STYLE".....	197
ROUND EXTENSION TUBE	199
CLAMP STYLE SWING IN-OUT HANGERS	200
HANGERS.....	200
60 DEG HANGER SWING IN-OUT.....	201
70 DEG HANGER SWING IN-OUT.....	202
70 DEG HANGER V SWING IN-OUT	203
70 DEG HEMI HANGER SWING IN-OUT.....	204
FOOTPLATES & EXTENSIONS.....	204
COMPOSITE FOOTPLATE.....	205
COMPOSITE ANGLE ADJUSTABLE FOOTPLATE	210
ADULT ANGLE-ADJ FOOTPLATE EXT MOUNT.....	214
KIDS ANGLE ADJ FOOTPLATE EXTENSION MOUNT.....	218
FOAM FOOTPLATE.....	222
LOCKING ANGLE ADJ FOOTPLATE.....	225
PLATFORM FLIP-UP FOOTPLATE.....	227
HIGH MOUNT EXTENSION TUBE.....	229
SWING AWAY FRONT MOUNT HANGERS	230
HANGERS.....	230
70 DEG FRONT MOUNT HANGER SWING IN-OUT	231
80 DEG FRONT MOUNT HANGER SWING IN-OUT	233
90 DEG FRONT MOUNT HANGER SWING IN-OUT	235
SWING AWAY FRONT MOUNT HANGERS (DISCONTINUED).....	236
90 DEG S/A FRONT MOUNT HANGER.....	237
80 DEG S/A FRONT MOUNT HANGER.....	239
70 DEG S/A FRONT MOUNT HANGER.....	241
LIFT OFF FRONT MOUNT HANGERS.....	243
70 DEG LIFT-OFF HANGER.....	243
80 DEG LIFT-OFF HANGER.....	245
90 DEG LIFT-OFF HANGER.....	247
EXTENSIONS	248
FRONT MOUNT HANGER EXT.....	249
FOOTPLATES.....	249
KIDS ANGLE ADJ FOOTPLATE FRONT MOUNT	250
ADULT ANGLE-ADJ FOOTPLATE FRONT MOUNT.....	253
90 DEG FOOTBOARD.....	255
ELRS	256
EXTENSION MOUNT ELRS	256
EXTENSION MOUNT ELR HANGERS.....	256
ELR HANGER	256
ELEVATING HANGER.....	257
ELR & ALR CALF PAD 14 -15".....	259
ELR & ALR CALF PAD 16-20".....	260
ELR HEMI HANGER	260
ELEVATING HEMI HANGER.....	261
ELR & ALR CALF PAD 14 -15".....	263
ELR & ALR CALF PAD 16-20".....	264
ELEVATING HEMI HANGER KNEE PAD.....	265
EXTENSION TUBES.....	265
DOUBLE D FOOTREST EXTENSION TUBE "OLD STYLE".....	266
FOOTPLATES.....	267
COMPOSITE FOOTPLATE.....	268
ADULT ANGLE-ADJUSTABLE FOOTPLATE EXT MOUNT.....	270
KIDS ANGLE ADJUSTABLE FOOTPLATE EXT MOUNT	272
ELR ALUMINUM FOOTPLATE	274
SWING AWAY ELR EXT MOUNT (LATCH STUD STYLE).....	275
EXTENSION MOUNT ELR RETROFIT (LATCH STUD STYLE) (DISC. 2/6/17)	276
EXTENSION MOUNT ELR REPLACEMENT PARTS (LATCH STUD STYLE) (DISC. 2/6/17)	277
ELR & ALR CALF PAD 14 -15".....	279
ELR & ALR CALF PAD 16-20".....	280
ELR/ALR ALUMINUM FOOTPLATE	281
FRONT MOUNT ELRS.....	282
FRONT MOUNT ELR HANGERS	282
FRONT MOUNT ELR HANGER.....	282
90 DEG ELEVATING HANGER	283
90 DEG ELEVATING CALF PAD.....	285
FRONT MOUNT HEMI ELR HANGER.....	285

90 DEG ELEVATING HEMI HANGER	286
90 DEG ELEVATING CALF PAD	288
ELEVATING HEMI HANGER KNEE PAD	289
EXTENSION TUBES	289
FRONT MOUNT HANGER EXT	290
FOOTPLATES	290
KIDS ANGLE ADJ FOOTPLATE FRONT MOUNT	291
ADULT ANGLE-ADJ FOOTPLATE FRONT MOUNT	294
ALRS	295
EXTENSION MOUNT ALRS	295
EXTENSION MOUNT ALR HANGER	295
ARTICULATING HANGER	296
ARTICULATING HANGER CALF PAD	298
EXTENSION TUBE	298
ROUND EXTENSION TUBE	299
FOOTPLATES	300
COMPOSITE FOOTPLATE	301
ADULT ANGLE-ADJUSTABLE FOOTPLATE EXT MOUNT	303
KIDS ANGLE ADJUSTABLE FOOTPLATE EXT MOUNT	305
FRONT MOUNT ALRS	306
FRONT MOUNT ALR HANGER	306
90 DEG ARTICULATING HANGER	307
90 DEG ARTICULATING HANGER CALF PAD	309
FOOTPLATES	309
KIDS ANGLE ADJ FOOTPLATE FRONT MOUNT	310
ADULT ANGLE-ADJ FOOTPLATE FRONT MOUNT	313
MULTI-POSITION LATCH STUD SUPPORT	315
HP FOOTPLATES & EXTENSIONS	315
COMPOSITE FOOTPLATE	316
FOAM FOOTPLATE	318
ADULT ANGLE-ADJUSTABLE FOOTPLATE EXT MOUNT	320
ROUND EXTENSION TUBE	322
PLATFORM FLIP UP FOOTREST GPV/Q2HP	324
ARMRESTS & RECEIVERS	325
ARMRESTS	325
PADDED SWING-AWAY ARMREST	326
PADDED SWING-AWAY ARMREST WITH REMOVABLE STROLLER HANDLE	328
FLIP-BACK ARMREST	330
FLIP-BACK ARMREST TI	332
FLIP-BACK HEIGHT ADJUSTABLE CLASSIC ARMREST	334
FLIP-BACK HEIGHT ADJUSTABLE ARMREST TI	336
ADJUSTABLE LOCKING FLIP-UP ARMREST (USE ON DAB FRAMES ONLY)	338
LENGTH ADJUSTABLE LOCKING FLIP-UP ARMREST (USE ON DAB FRAMES ONLY)	339
SINGLE POST HEIGHT ADJUSTABLE ARMREST (MANUAL PRODUCTS)	341
ARMREST RECEIVERS	343
ADULT SINGLE POST ARMREST RECEIVER	344
KIDS SINGLE POST ARMREST RECEIVER	346
ACCESSORIES	346
BACKPACKS & SEAT POUCHES	346
BACKPACKS AND SEAT POUCHES	347
QUICKIE SIDE POCKET	348
CELL PHONE PACK	349
LEG STRAPS	349
SOFT FEEL LEG STRAP	350
ADJUSTABLE LEG STRAP	351
POSITIONING BELTS	351
AIRCRAFT BUCKLE POSITIONING BELTS & ATTACHMENT KITS	352
AUTO BUCKLE POSITIONING BELT & ATTACHMENT KITS	354
SIDE GUARDS	355
FABRIC SIDE GUARDS	356
PLASTIC SIDE GUARD	357
SPOKE GUARDS	357
SPOKE GUARDS QUICKIE (Black & Clear)	358
TRAYS	361
TUFFAK TRAY (MANUAL & PEDIATRIC CHAIRS)	361
TRAY RIBS TUFFAK	363
PADDED STOMACH CUTOUT	364
PROTRACTOR PAD	365
HINGED OVERLAY NON-REMOVABLE	366
HINGED OVERLAY REMOVABLE	367

XTENDER	368
XTENDER INTERNAL REPLACEMENT PARTS.....	369
XTENDER FORKS.....	370
XTENDER 4X UNIVERSAL AXLE PLATE.....	372
XTENDER POWER ASSIST 4X PARTS.....	374
QUICKIE CADDY	376
CRUTCH HOLDER (FOLDING CHAIRS)	377
IMPACT GUARD NEOPRENE & GEL VELCRO PADS.....	378
ONE ARM DRIVE.....	379
TIRE PUMP	382
TOOL KIT	383
TRAVEL WHEEL.....	384

[06/24/2022]



Dear Valued Customer,

As of **6/24/2022**, the sale of **Quickie 2 HP** has been discontinued. In compliance with Sunrise Medical's policy, replacement parts will continue to be available until **6/24/2027 or until supplies last**.

Effective **6/24/2027**, replacement parts for the **Quickie 2 HP** will be obsolete and therefore no longer available for sale.

Sincerely,
Sunrise Medical

■ IMPROVING PEOPLE'S LIVES ■

Description

DISCONTINUED PRODUCT

GLOSSARY OF ABBREVIATIONS

Note: see Informations Panel for file.

1AD One Arm Drive	CZ Cozy	INH Inhibit	PCB Pediatric Center of Gravity (AKA: Zippie Iris)	S/A Swing Away
3DCR 3DX Microclimatic cover for Cryo style inserts	DAB Depth-adjustable Back	INORG Inorganic coating	PCM Power Center Mount	S/F Side Frame
AAA Adult Angle Adjustable	DB Dynamic Back	INSRT Insert	PED Pediatric	SCW Screw
AACM Angle Adjustable Center Mount	DBL Double	I/O Swing In Out	PEL Pelvic	SDLE Saddle
ABD Abductor	DC Deep Contour	IRIS Intelligent Rotation in Space	PH Push Handle	SG Side Guard
AC All Court	DL Desk Length	ISM Intelligent Seating Module	PHIL Phillips	SGTG Super Grip Thumb Guard
AD Arm Drive	DP Dual Post Armrest	JA Jay Active	PL Pin Lock	SHCS Socket Head Cap Screw
ADJ Adjustable	D-Post Dual Post Armrest	JNR Junior	PL Plated	SHLDR Shoulder
ADPT Adapter	DRP Drop (seat)	KAA Kids Angle Adjustable	PLL Pull	SHT Short
AE Air Exchange	DRV Drive	KDS Kids	PLT Plate	SLD Solid
AHAB ASAP II	DTT Diagnostic Test Tool	KT Kit (usually consists of all mounting hardware for one side)	PLST Plastic	SLNG Sling
ANG Angle	DY Dynamic Back	KVLR Kevlar	PLY Plywood	SLTD Slotted
ALR Articulating Legrest	EA Each	KZ Quickie Kidz/Zippie Kidz	PNEU Pneumatic	SLV Sleeve
ALUM Aluminum	ELR Elevating Legrest	L Left	PNK Pink	SM Small
AMH Adjustable Mounting Hardware	EXT Extension	LAT Lateral	PNT Paint	SNGL Single
ANO Anodized	EXTND Extended	LCK Lock	PNTD Painted	SOC Socket
ASAP Adjustable Seating and Positioning	F Folding Frame	LFH Left Front Horizontal	POLY Polyurethane	SPCR Spacer
ASL Adaptive Switch Laboratories	FHCS Flat Head Cap Screw	LFT Left	POST Posterior	SPEC CLR Specify Color
ASM Assembly (includes other parts)	FL Full Length	LFV Left Front Vertical	PR Pressure Relieving	SFHIA Single Post Height Adjustable
ASSM Assembly	FLD Folding	LH Left Hand	PR Power Recline	SFK Spoke
ASSMLY Assembly	FL FT Flip-up Footrest	LH Left Horizontal	PR Pair	SPR Super Grip Handrim
ASSY Assembly	FLP Flip	LK Lock	PR (PR) Pair	SQZ Squeeze
AT Anti-tip	FLRD Flared	LNG Long	PRCR Premium Leatherette cover for Cryo style inserts	SS Stainless Steel
ATT Attachment	FM Foam	LO Lift Off	PRE-ISC Pre-Ischial	ST Seat
BB Basketball	FM Front Mount	L/O Lift Off	PREM Premium Leatherette cover material	ST/AP Self Tapping
BC Breezy Chrome	FNDR Fender	LP Loop	PROJ Projection	STCR Stretch Cover for Cryo Style inserts
BCK Back	FPH Folding Push Handle	LPS Loops	PRPL Purple	STD Standard
BCKBRD Backboard	FT Foot	LRG Large	PTL Partial	STL Style
BH Bultion Head	F/REST Footrest	LRH Left Rear Horizontal	PSH Push	STR Stretch cover material
BHCS Bultion Head Cap Screw	FRNT Front	LRV Left Rear Vertical	PT Point	STRLR Stroller
BKL Buckle	FT PLT Footplate	LS Low Sheer	PTRN Pattern	STRT Straight
BKRST Backrest	FTRST Footrest	LT Long Tab	PWR Power	SUP Support
B-LOCK Back Lock	F/UP Flip-up	LT Natural Fit Lite Handrims	Q1 Quickie 1	SYS System
BLD Build Up	FWD Front Wheel Drive	LTRL Lateral	Q2 Quickie 2	T Tab
BLK Black	FXT Fixed	LUMB Lumbar	Q2HIP Quickie 2 High Performance	TG Thumb Guard (std)
BLU Blue	G8 Grade 8 higher grade = stronger	LV Left Vertical	QC Quickie Carbon	THRD Threaded
BR Breezy	GP Quickie GP	LW Low	QR Quick Release	Ti Titanium
BRD Board	GPS Quickie GPS	LX Quickie LX	QRx Quickie RX	TL Tall
BRNG Bearing	GPV Quickie GPV	LXI Quickie LXi	QTI Quickie Titanium	TLC Tilt Lift Comb
BRKT Bracket	GNRC Generic	MACH Machine	QT/QTs Quickie Tilt & Space	TLT Tilt
BSHNG Bushing	H Hole	MECH Mechanism	QUAD Quadrant Pad	TNNS Tennis
BTIN Bultion	HB High Brake	MED Medium	R Right	TIS Tilt-in-Space
BTTRY Battery	HD Head or Heavy Duty	mm Millimeter	RCLNR Recliner	TTS Tilt-in-Space
BZ Breezy	HVD Heavy Duty	MNT Mount	REC Receiver	UNIV Universal
CAA Composite Angle Adjustable	HDRST Headrest	MNTG Mounting	REG Regular	UNTHRD Unthreaded
CG Center of Gravity	HDWR Hardware	MOD Modify or Modification	REL Release	UPH Upholstery
CGT Center of Gravity Tilt (AKA: IRIS)	HEX Hexagon	M/S Machine Screw	REV Reverse	VERT Vertical
CHRGR Charger	HH Hemi-Height or Hex Head	MWD Mid Wheel Drive	RH Right Hand	W With
CJSM Color Joystick Module	HK Hook	Nat.Fit Natural Fit Handrim	RH Right Horizontal	W/ With
CLMP Clamp	HL Heel Loops	NAUG Naugahyde	RFH Right Front Horizontal	W/F Water Fall
CLNCHR Cincher	HM High Mount	NF Non-folding	RFV Right Front Vertical	W/O Without
CLR Clear	HNDL Handle	NF Natural Fit Handrim	RNUT(S) Rivnut(s)	WHL Wheel
COMP Complete	HNGR Hanger	NFLT Natural Fit Lite Handrim	RoHS Restriction of Hazardous Substances	WLDMNT Weldment
CMPST Composite	HP High Pressure	NR Non-recessed	RR Rear	XS Cross Spoke
CRM Chrome	HR Handrim	OBLIQ Obliquity	RRH Right Rear Horizontal	YLW Yellow
C/S Cap Screw	HRDWR Hardware	OD Oblique	RRV Right Rear Vertical	Z2 Zippie 2
C-S Countersunk	HRNSS Harness	OD Outer/Outside Dimension	RT Right	ZN Zinc
CSTR Caster	HS High Speed	O/S Old Style	RV Right Vertical	ZP Zippie
CUSH Cushion	HT Height or Heat Treated	OUTBRD Outboard	RV Quickie Revolution	ZP2 Zippie 2
CV Conventional	ID Inner/Inside Dimension Diameter	P1 Quickie P100	RWD Rear Wheel Drive	
CVR Cover	IN In/Out (for swing in/out hangers)	P2 Quickie P200	SA Swing Away	
CVRS Covers	INBRD Inboard	P3 Quickie P300		
CYL Cylinder	INC Incontinent	P5 Quickie/Zippie P500		

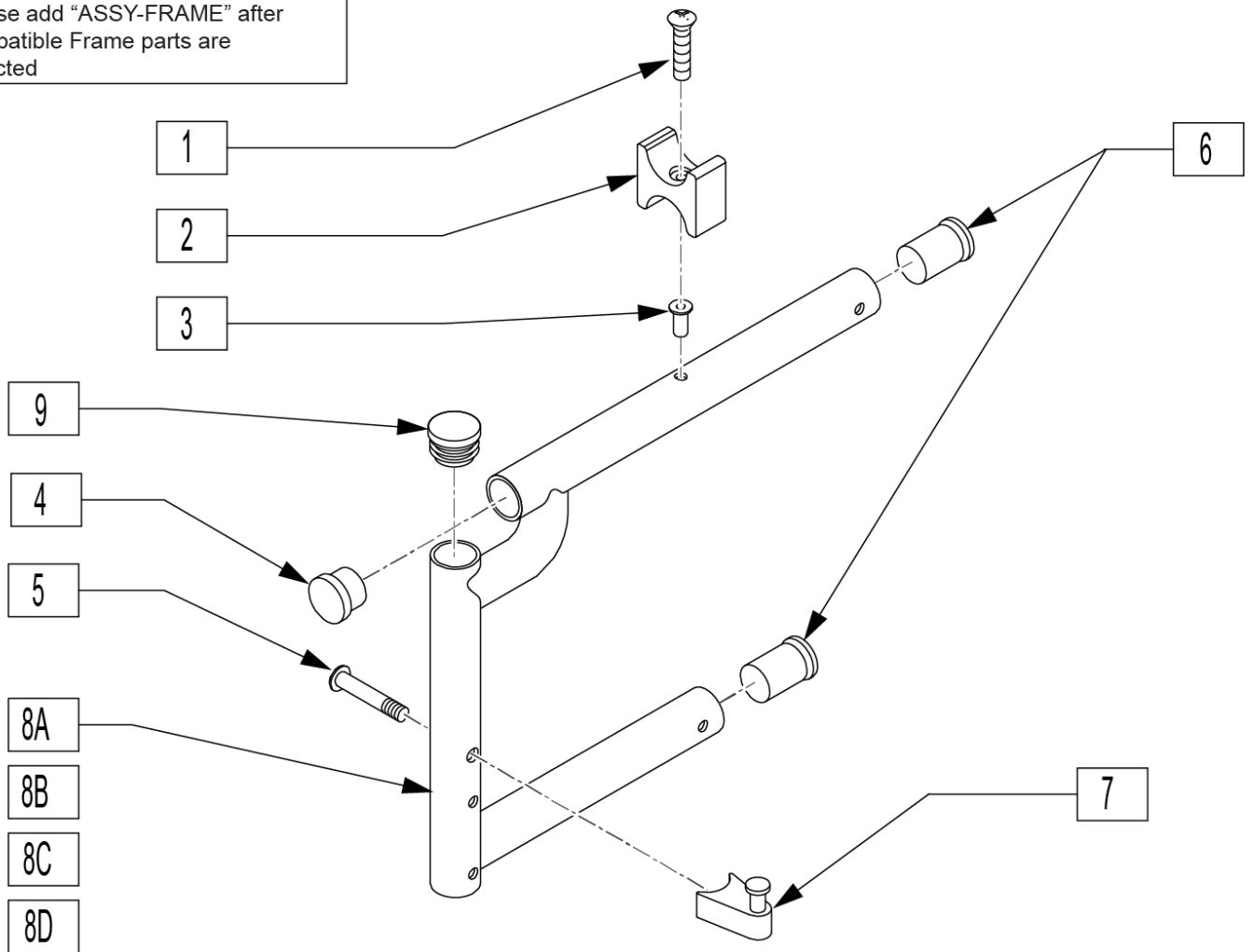
Pos.	Item Number	Description	Remarks
		GLOSSARY OF ABBREVIATIONS	see attachment in Informations Panel

Note: X-Long Side Frame will add 2.5 lbs to overall weight of the chair.

Note: new Side Frame Assembly comes with (qty 4) seat saddles to replace old seat saddles.

Note: order part 9 (TUBE CAP qty 2) when Swing-Away Footrests are not installed.

To request assembly of Frame parts being ordered as a kit, please add "ASSY-FRAME" after compatible Frame parts are selected



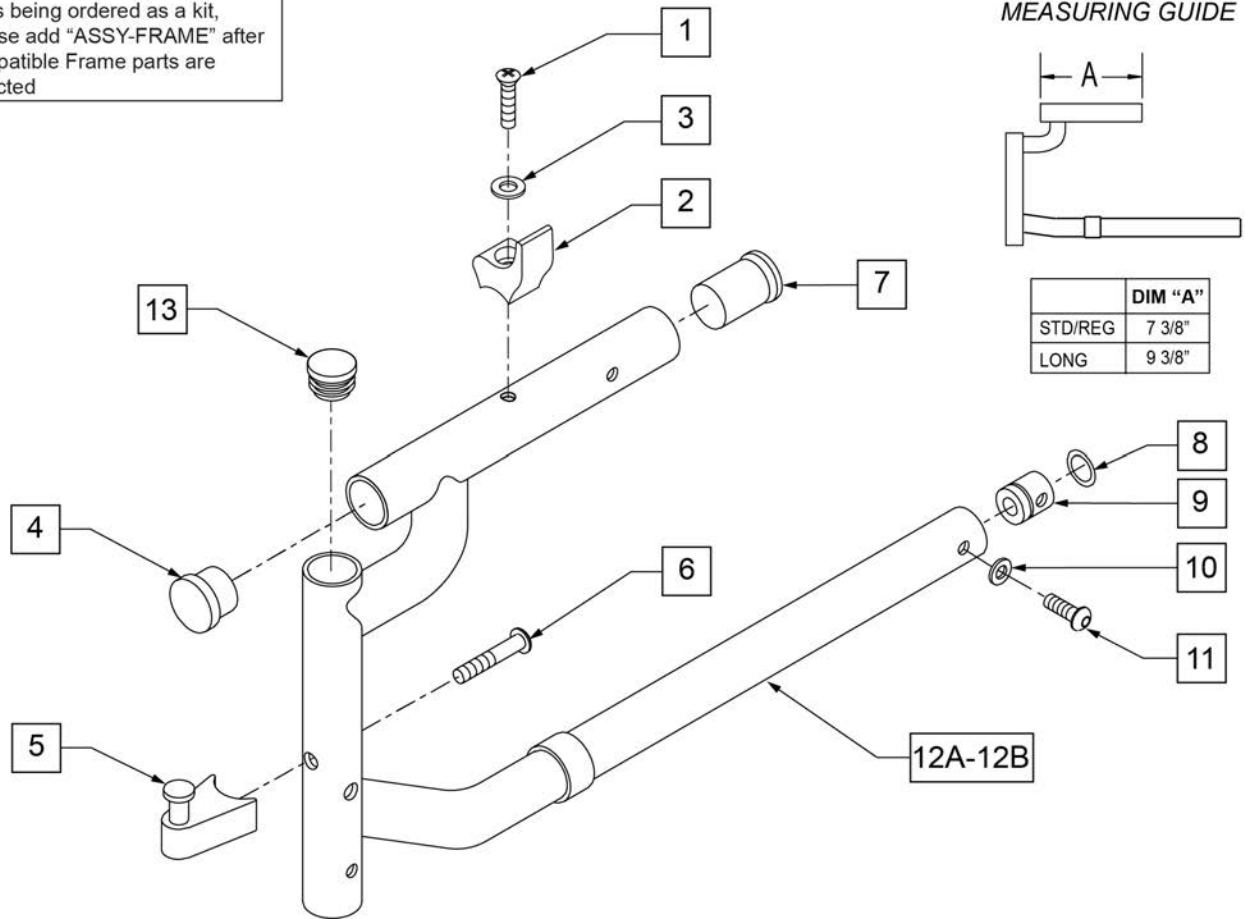
Pos.	Item Number	Description	Remarks
1	281122	10-32 x 3/4 PAN PHIL	
2	561030	SUSPENSION SADDLE STD	
4	561002	1" INSERT PLUG .083	
5	106982	BHCS 5/16-18 x 1-3/4 SHLD	
6	560406	FRAME BUSHING	
7	105787	S/A LATCH STUD NEW	
9	560735	7/8" ROUND TUBE PLUG	No SA Hanger
1-4,6,8A	640105S	FRONT S/F KIDS PAINTED S/A NEW	(SPECIFY COLOR) chairs manufactured before 9/9/99 replace both sides.
1-4,6,8A	640200S	FRONT S/F REG PAINTED S/A	(SPECIFY COLOR) chairs manufactured before 9/9/99 replace both sides.
1-4,6,8A	640300S	FRONT S/F LNG PAINTED S/A	(SPECIFY COLOR) chairs manufactured before 9/9/99 replace both sides.
1-4,6,8A	640301S	FRONT S/F X-LONG PAINTED S/A	(SPECIFY COLOR) chairs manufactured before 9/9/99 replace both sides.
5,7	920244	S/A LATCH ASSM W/ BOLT	
		Ship assembled part #	Use with multiple assemblies
	ASSY-FRAME	FRAME ASSY REQUIRED	add with Frame kit

Note: when exchanging an Extra-Long Hemi Front Side Frame to a Standard Hemi Front Side Frame, the Rear Side Frame also needs to be changed from Standard Rear to Hemi Rear.

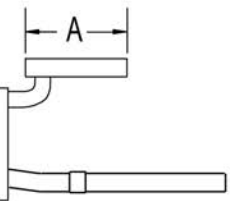
Note: order part 13 (TUBE CAP qty 2) when Swing-Away Footrests are not installed.

Note: new Side Frame Assembly comes with (qty 4) Seat Saddles to replace old seat saddles.

To request assembly of Frame parts being ordered as a kit, please add "ASSY-FRAME" after compatible Frame parts are selected



MEASURING GUIDE



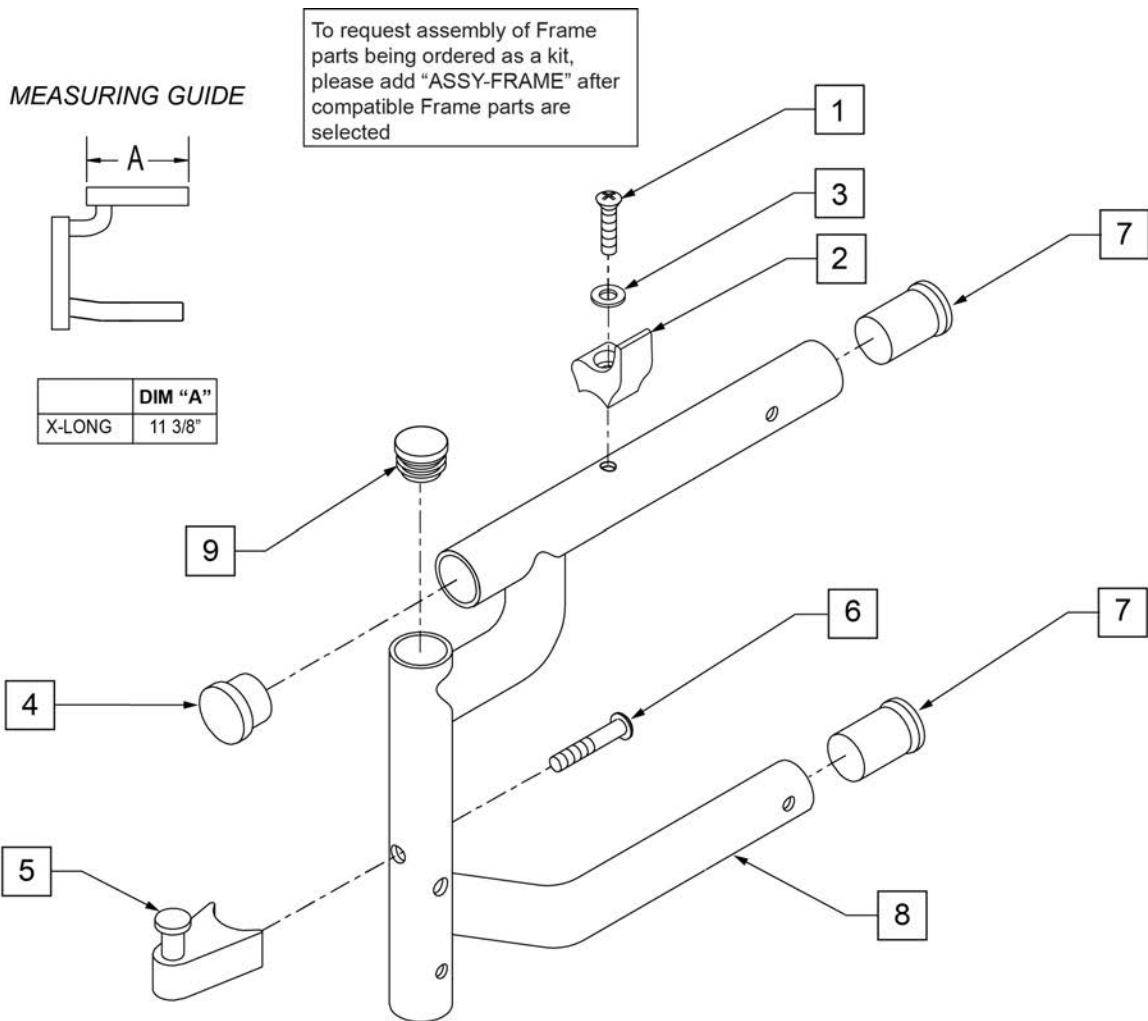
	DIM "A"
STD/REG	7 3/8"
LONG	9 3/8"

Pos.	Item Number	Description	Remarks
1	281122	10 -32 x 3/4 PAN PHIL	
3	2702	#10 SAE WASHER	
4	561002	1" INSERT PLUG .083	
7	560406	FRAME BUSHING	
8	342013	PLUG O-RING RUBBER HEMI	
9	483022	FRAME INSERT HEMI	
10	262130	6mm WASHER WAVE	
11	226101	1/4 -20 x 3/4 BH C/S	
5,6	107491	LATCH STUD KIT	
8,9	880140	FRAME INSERT W/O RING -HEMI	
1-3	113520	SEAT SADDLE KIT Q2 QTY (2)	PAIR
1-12A	113529S	FRONT SIDE FRAME HEMI STANDARD R	RIGHT -STANDARD
1-12A	113530S	FRONT SIDE FRAME HEMI STANDARD L	LEFT -STANDARD
1-12B	113531S	FRONT SIDE FRAME HEMI LONG R	RIFHT -LONG
1-12B	113532S	FRONT SIDE FRAME HEMI LONG L	LEFT -LONG
13	560735	7/8" ROUND TUBE PLUG	No SA Hanger
		Ship assembled part #	Use with multiple assemblies
	ASSY-FRAME	FRAME ASSY REQUIRED	add with Frame kit

Note: if growing chair from any shorter hemi front frame to Extra-Long, the Hemi Rear Side Frame needs to be changed to a Standard Rear Side Frame.

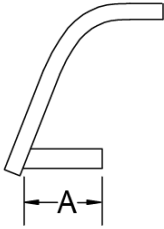
Note: new Side Frame Assembly comes with (qty 4) Seat Saddles to replace old seat saddles.

Note: order part 9 (TUBE CAP qty 2) when Swing-Away Footrests are not installed.



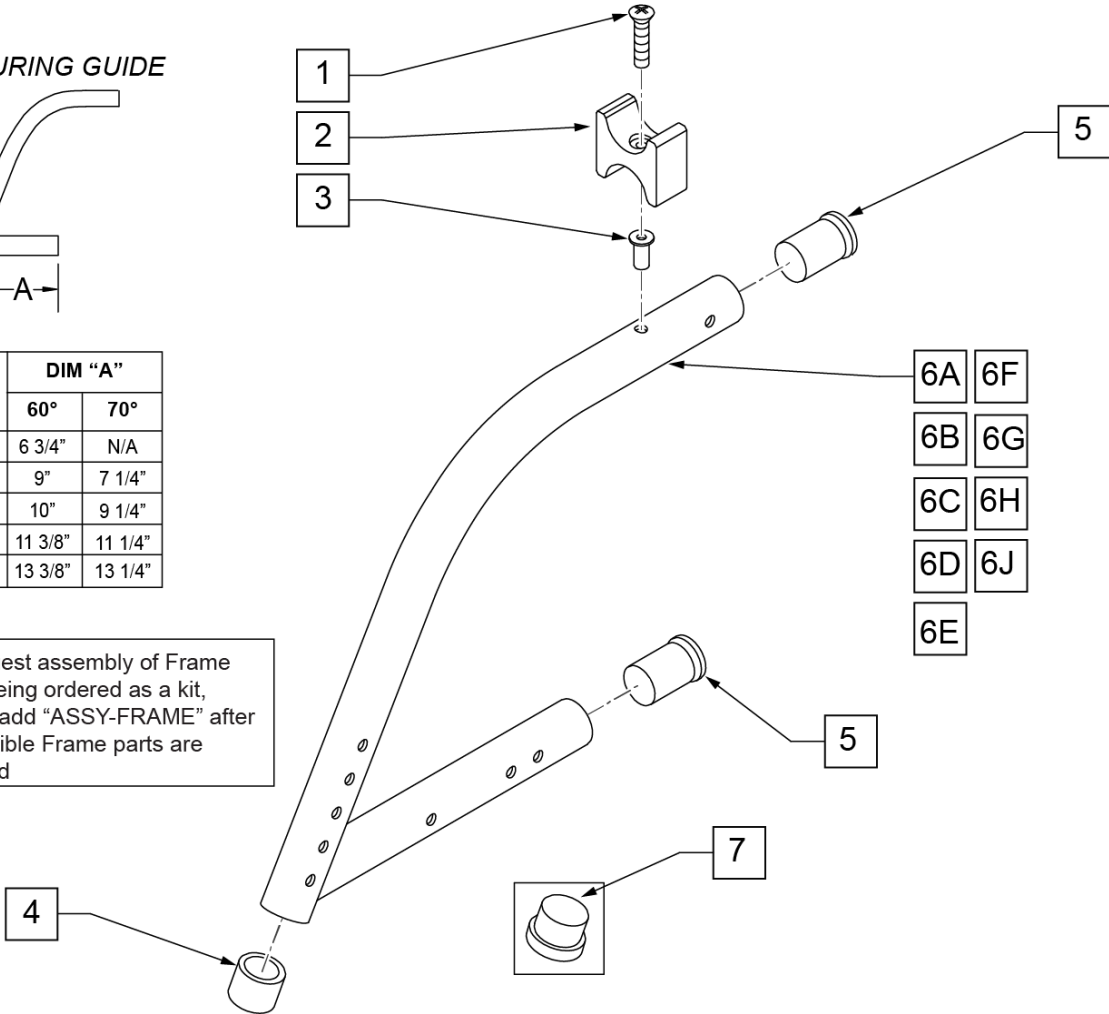
Pos.	Item Number	Description	Remarks
1	281122	10 -32 X 3/4 PAN PHIL	
3	2702	#10 SAE WASHER	
4	561002	1" INSERT PLUG .083	
6	106982	BHCS 5/16-18 X 1-3/4 SHLD ROHS	
7	560406	FRAME BUSHING	
5,6	107491	LATCH STUD KIT	
1-3	113520	SEAT SADDLE KIT Q2 QTY (2)	PAIR
1-8	113533S	FRONT SIDE FRAME X-LONG HEMI R	RIGHT -X-LONG
1-8	113534S	FRONT SIDE FRAME X-LONG HEMI L	LEFT -X-LONG
9	560735	7/8" ROUND TUBE PLUG	No SA Hanger
		Ship assembled part #	Use with multiple assemblies
	ASSY-FRAME	FRAME ASSY REQUIRED	add with Frame kit

MEASURING GUIDE



	DIM "A"	
	60°	70°
KIDZ	6 3/4"	N/A
SHORT	9"	7 1/4"
REG	10"	9 1/4"
LONG	11 3/8"	11 1/4"
X-LONG	13 3/8"	13 1/4"

To request assembly of Frame parts being ordered as a kit, please add "ASSY-FRAME" after compatible Frame parts are selected



Pos.	Item Number	Description	Remarks
1	281122	10-32 x 3/4 PAN PHIL	
2	561030	SUSPENSION SADDLE STD	
4	561082	1 TUBE END BUSHING THIN	
5	560406	FRAME BUSHING	
7	561002	1 INSERT PLUG .083	
5,6A,7	621100S	FRONT S/F KIDS 60ø PNTD Q2 FIXED	10-14 DEEP (SPECIFY COLOR)
1-5,6B	621200S	FRONT S/F SHT 60ø PNTD Q2 FIXED	10-14 & 13-17 DEEP ONLY (SPECIFY COLOR)
1-5,6C	621300S	FRONT S/F REG 60ø PNTD Q2 FIXED	13-17 DEEP (SPECIFY COLOR)
1-5,6D	621400S	FRONT S/F LNG 60ø PNTD Q2 FIXED	15-18 DEEP (SPECIFY COLOR)
1-5,6E	640304S	FRONT S/F X-LNG 60ø PNTD Q2 FIXED	17-20 DEEP (SPECIFY COLOR)
1-5,6F	621301S	FRONT S/F SHT PNTD 70ø Q2 FIXED	10&11 & 13-16 DEEP ONLY (SPECIFY COLOR)
1-5,6G	621302S	FRONT S/F REG PNTD 70ø Q2 FIXED	13-17 DEEP (SPECIFY COLOR)
1-5,6H	621402S	FRONT S/F LNG PNTD 70ø Q2 FIXED	15-18 DEEP (SPECIFY COLOR)
1-5,6J	640305S	FRONT S/F X-LNG 70ø Q2 FIXED	17-20 DEEP (SPECIFY COLOR)
		Ship assembled part #	Use with multiple assemblies
	ASSY-FRAME	FRAME ASSY REQUIRED	add with Frame kit

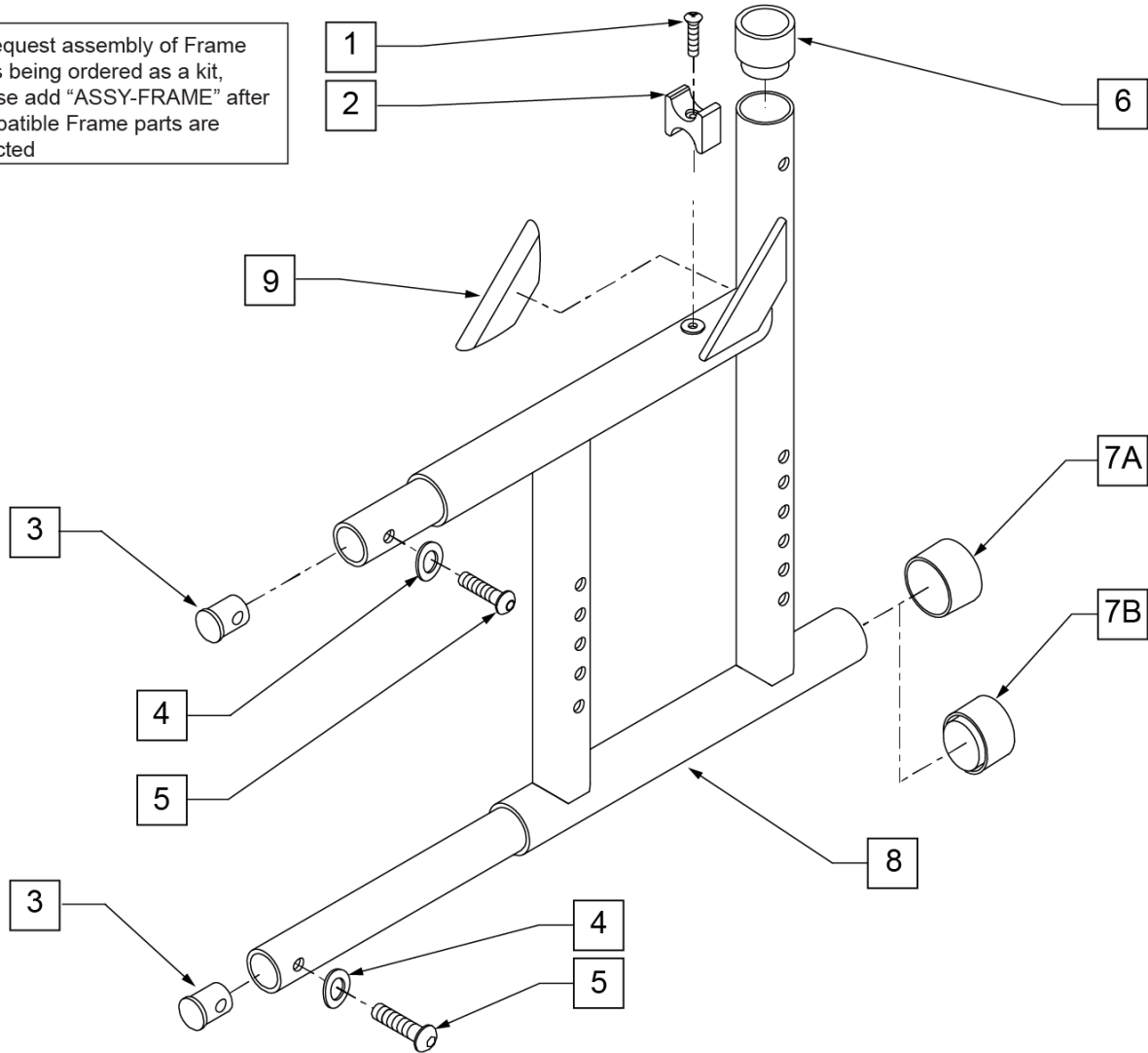
[06/07/2018]

NOTE: HP FRONT SIDE FRAMES UTILIZE A ROUND EXTENSION TUBE.

STRAIGHT REAR SIDE FRAME

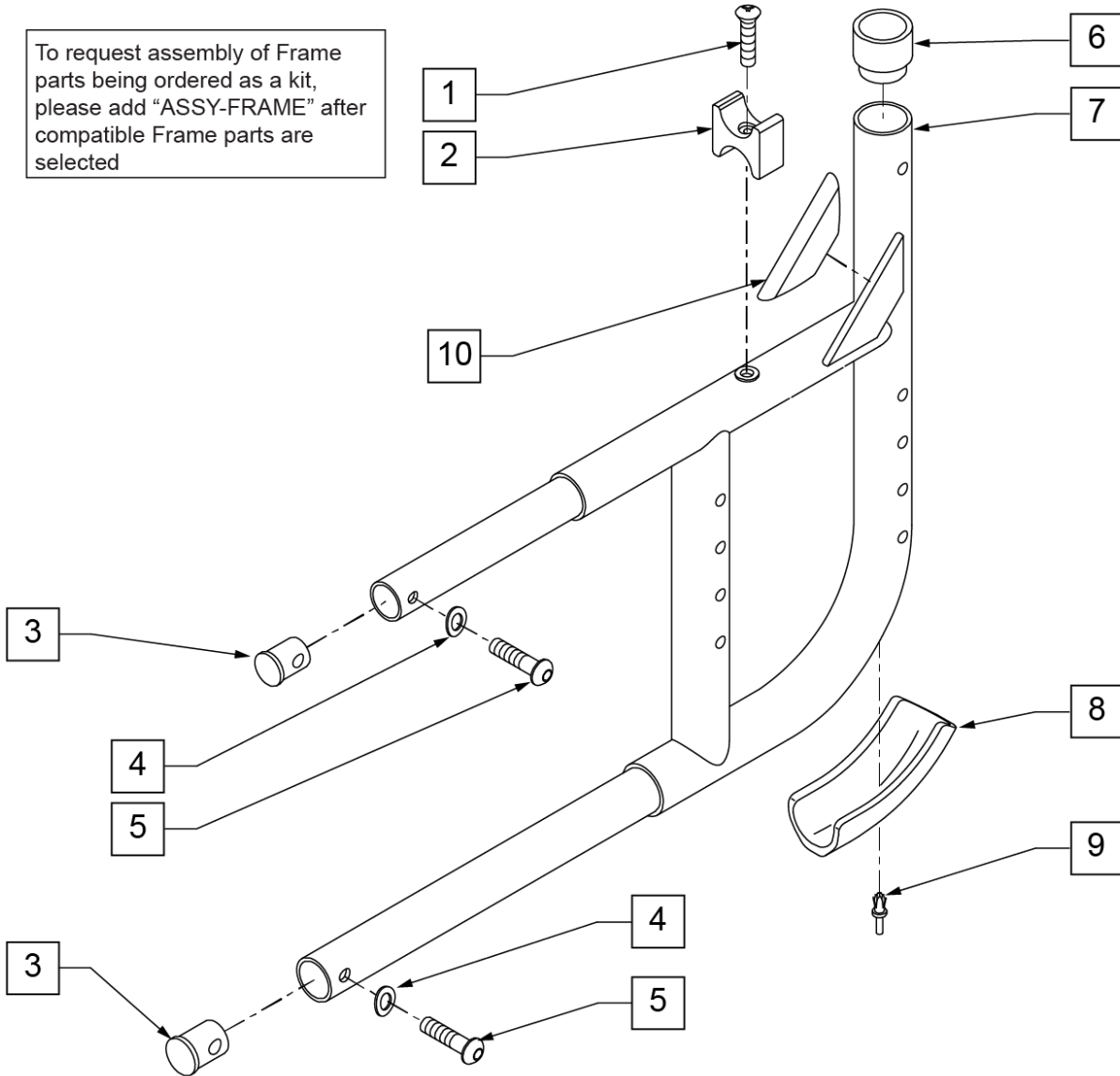
(05/2017)

To request assembly of Frame parts being ordered as a kit, please add "ASSY-FRAME" after compatible Frame parts are selected



Pos.	Item Number	Description	Remarks
1	281122	10 -32 x 3/4 PAN PHIL	
2	561030	SUSPENSION SADDLE STD	
3	483001	Q2 FRAME/FOOT RETAINING PLUG	
4	262130	6mm WASHER WAVE	
5	226120	1/4 -20 x 1 BH C/S	
6	561083	1 -1/8" TUBE END BUSHING THIN	
7A	561014	1" MED CAP	
7B	561018	1" TUBE END BUSHING THICK	Use with anti-tips that mount in frame tube.
9	341300	Q2 GUSSET WEAR STRIP	
1-6,7A,8,9	620120S	REAR S/F PAINTED Q2 R 1 1/8	(SPECIFY COLOR)
1-6,7A,8,9	620121S	REAR S/F PAINTED Q2 L 1 1/8	(SPECIFY COLOR)
		Ship assembled part #	Use with multiple assemblies
	ASSY-FRAME	FRAME ASSY REQUIRED	add with Frame kit

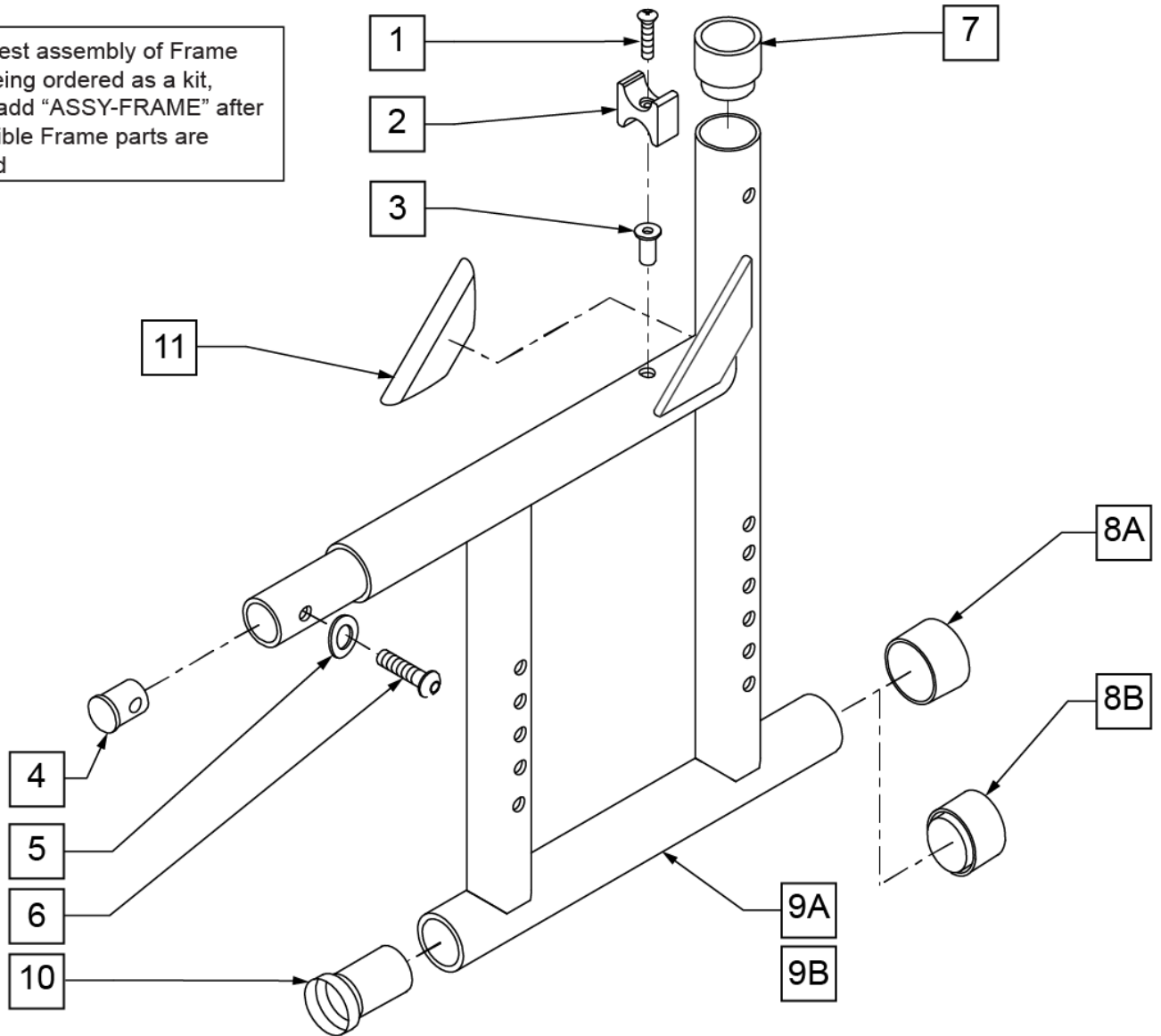
To request assembly of Frame parts being ordered as a kit, please add "ASSY-FRAME" after compatible Frame parts are selected



Pos.	Item Number	Description	Remarks
1	281122	10-32 x 3/4 PAN PHIL	
2	561030	SUSPENSION SADDLE STD	
3	483001	Q2 FRAME/FOOT RETAINING PLUG	
4	262130	6mm WASHER WAVE	
5	226120	1/4 -20 x 1 BH C/S	
6	561083	1 1/8" TUBE END BUSHING THIN	
8	560409	REAR FRAME BUMPER Q2	
9	240210	RIVET 3/16 PLASTIC	
10	341300	Q2 GUSSET WEARSTRIP	
1-10	620145S	REAR S/F PNTD Q2 CURVED R	RIGHT
1-10	620146S	REAR S/F PNTD Q2 CURVED L	LEFT
		Ship assembled part #	Use with multiple assemblies
	ASSY-FRAME	FRAME ASSY REQUIRED	add with Frame kit

NOTE: THE HEMI REAR SIDE FRAME IS USED WITH "STANDARD AND LONG HEMI FRONT FRAME" ONLY. IF HEMI X-LONG FRONT SIDE FRAME IS USED, THE "STANDARD REAR SIDE FRAME" IS USED.

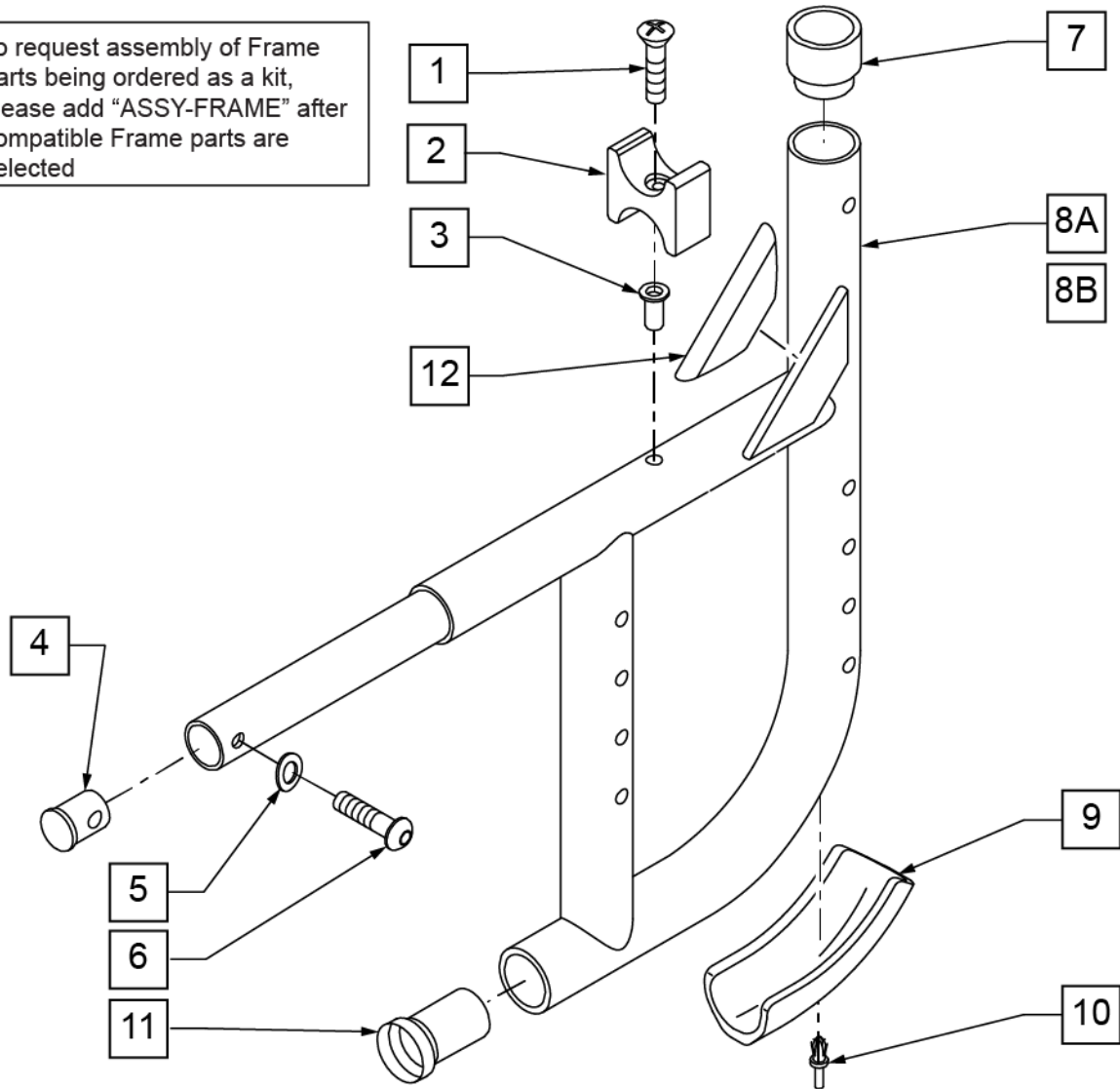
To request assembly of Frame parts being ordered as a kit, please add "ASSY-FRAME" after compatible Frame parts are selected



Pos.	Item Number	Description	Remarks
1	281122	10 -32 x 3/4 PAN PHIL	
2	561030	SUSPENSION SADDLE STD	
3	341497	10 -32 x .020 - .130 RIVNUT GOLD	Rivnut tool required for installation of this part
4	483001	Q2 FRAME/FOOT RETAINING PLUG	
5	262130	6mm WASHER WAVE	
6	226120	1/4-20 x 1 BH C/S	
7	561083	1-1/8" TUBE END BUSHING THIN	
8A	561014	1" MED CAP	
8B	561018	1" TUBE END BUSHING THICK	Use with anti-tips that mount in frame tube.
10	560406	FRAME BUSHING	
11	341300	Q2 GUSSET WEARSTRIP	
1-8A,9A,10,11	620130S	REAR S/F PNTD Q2 HEMI R 1 1/8	(SPECIFY COLOR)
1-8A,9B,10,11	620131S	REAR S/F PNTD Q2 HEMI L 1 1/8	(SPECIFY COLOR)
		Ship assembled part #	Use with multiple assemblies
	ASSY-FRAME	FRAME ASSY REQUIRED	add with Frame kit

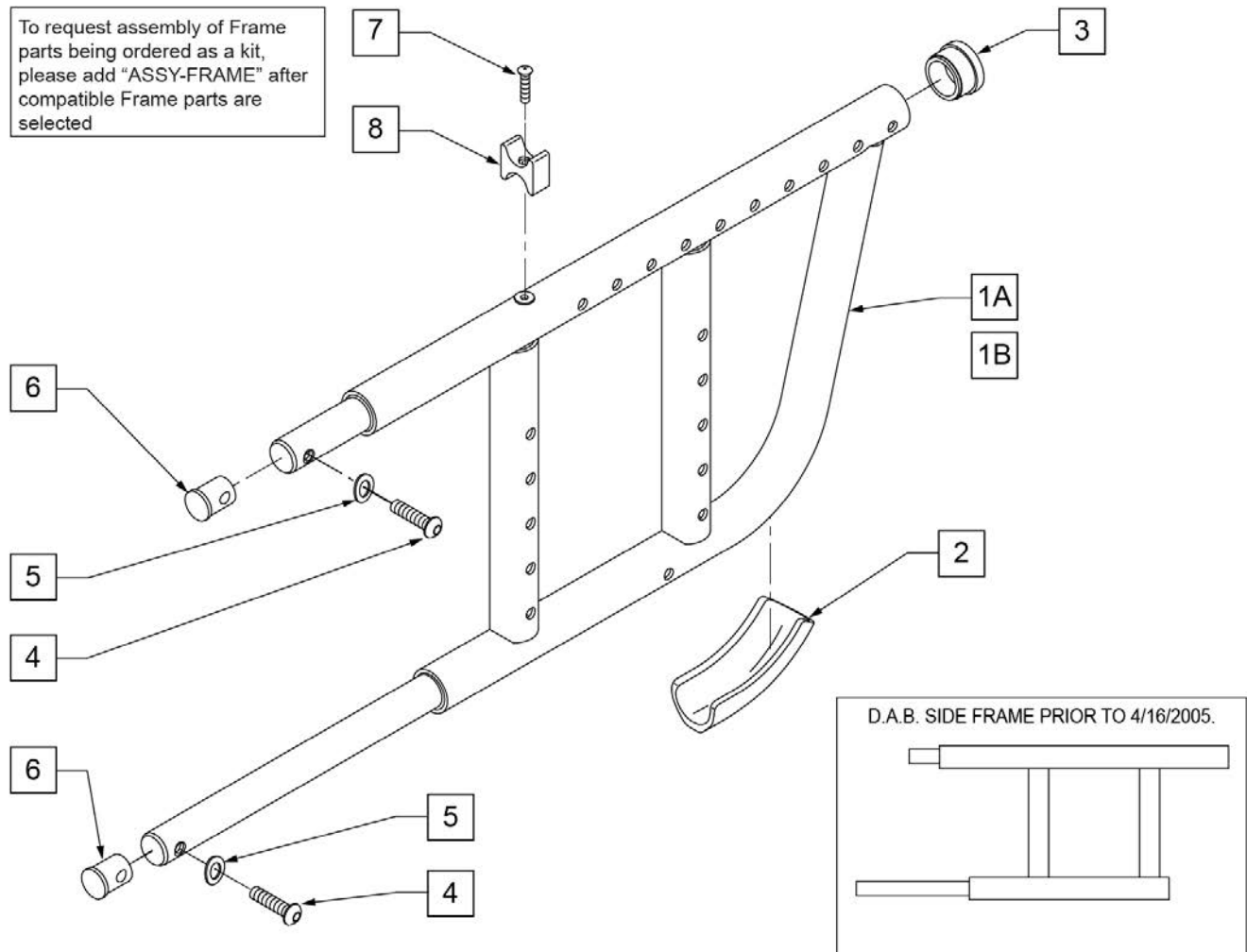
NOTE: THE HEMI REAR SIDE FRAME IS USED WITH "STANDARD AND LONG HEMI FRONT FRAME" ONLY. IF HEMI X-LONG FRONT SIDE FRAME IS USED, THE "STANDARD REAR SIDE FRAME" IS USED.

To request assembly of Frame parts being ordered as a kit, please add "ASSY-FRAME" after compatible Frame parts are selected



Pos.	Item Number	Description	Remarks
1	281122	10-32 x 3/4 PAN PHIL	
2	561030	SUSPENSION SADDLE STD	
3	341497	10-32 x .020-.130 RIVNUT GOLD	Rivnut tool required for installation of this part
4	483001	Q2 FRAME/FOOT RETAINING PLUG	
5	262130	6mm WASHER WAVE	
6	226120	1/4-20 x 1 BH C/S	
7	561083	1 1/8" TUBE END BUSHING THIN	
9	560409	REAR FRAME BUMPER Q2	
10	240210	RIVET 3/16 PLASTIC	
11	560408	FRAME BUSHING 3/4-1 1/8	
12	341300	Q2 GUSSET WEARSTRIP	
1-7,8A,9-12	620165S	REAR S/F PNTD Q2 HEMI R CURVED	(SPECIFY COLOR)
1-7,8B,9-12	620166S	REAR S/F PNTD Q2 HEMI L CURVED	(SPECIFY COLOR)
		Ship assembled part #	Use with multiple assemblies
	ASSY-FRAME	FRAME ASSY REQUIRED	add with Frame kit

NOTE: For chairs prior to 4/16/2005; both sides may need to be replaced.

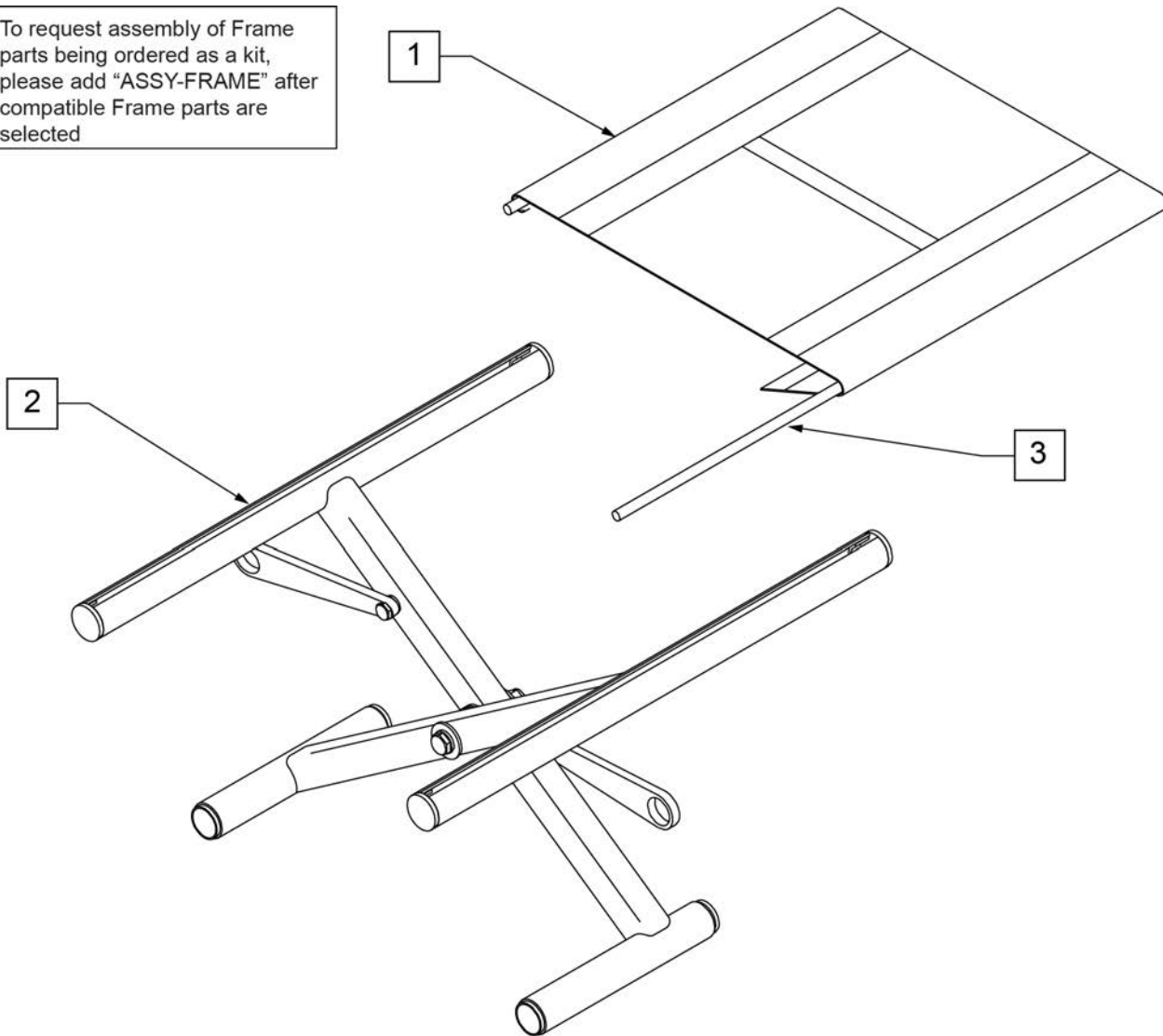


Pos.	Item Number	Description	Remarks
2	560413	REAR FRAME BUMPER GPS	
3	561002	1" INSERT PLUG .083	
4	226120	1/4-20 x 1 BH C/S	
5	262130	6mm WASHER WAVE	
6	483001	Q2 FRAME/FOOT RETAINING PLUG	
7	281122	10-32 x 3/4 PAN PHIL	
8	561030	SUSPENSION SADDLE STD	
1A,2-8	620161S	REAR S/F DAB PNTD R Q2	(SPECIFY COLOR)
1A,2-8	620163S	REAR S/F DAB PNTD L Q2	(SPECIFY COLOR)
1B,2-8	620167S	REAR S/F DAB HEMI PNTD R Q2	(SPECIFY COLOR)
1B,2-8	620168S	REAR S/F DAB HEMI PNTD L Q2	(SPECIFY COLOR)
		Ship assembled part #	Use with multiple assemblies
	ASSY-FRAME	FRAME ASSY REQUIRED	add with Frame kit

NOTE: Items 1 & 3 are listed separately on Seat Sling Page.

NOTE: ROD STYLE SEAT SLING EFFECTIVE 10/23/99 BEGINNING SERIAL NUMBER Q2-242051. IF CHAIR WAS EQUIPPED WITH SCREW MOUNT SEAT SLING THEN CROSS TUBE MUST BE REPLACED.

To request assembly of Frame parts being ordered as a kit, please add "ASSY-FRAME" after compatible Frame parts are selected



Pos.	Item Number	Description	Remarks
1-3	672210S	X-TUBE ASSM 12" X 10" KIT	
1-3	672211S	X-TUBE ASSM 12" X 11" KIT	
1-3	672212S	X-TUBE ASSM 12" X 12" KIT	
1-3	672213S	X-TUBE ASSM 12" X 13" KIT	
1-3	672214S	X-TUBE ASSM 12" X 14" KIT	
1-3	672215S	X-TUBE ASSM 12" X 15" KIT	
1-3	672216S	X-TUBE ASSM 12" X 16" KIT	

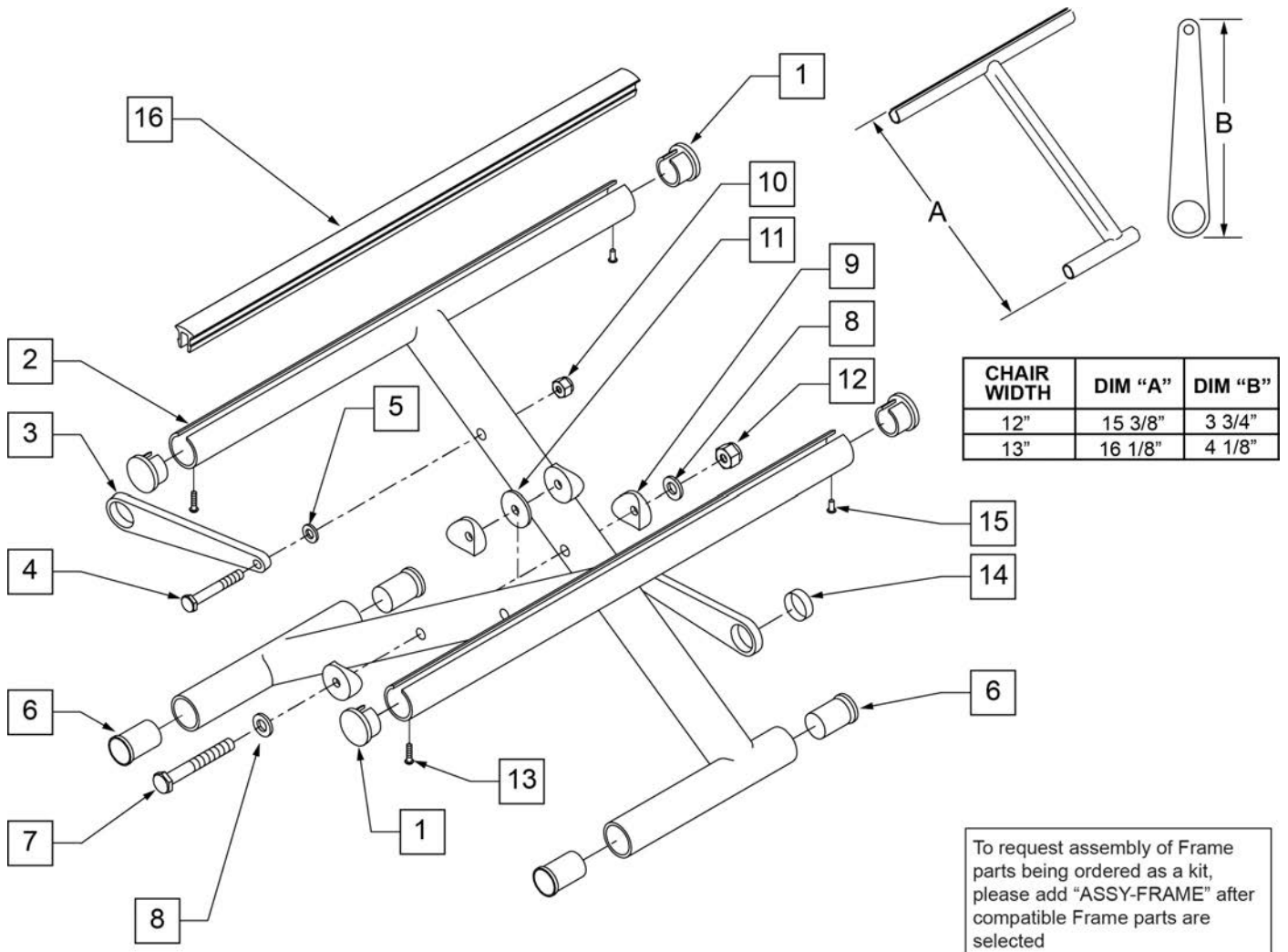
Pos.	Item Number	Description	Remarks
1-3	672217S	X-TUBE ASSM 12" X 17" KIT	
1-3	672218S	X-TUBE ASSM 12" X 18" KIT	
1-3	672310S	X-TUBE ASSM 13" X 10" KIT	
1-3	672311S	X-TUBE ASSM 13" X 11" KIT	
1-3	672312S	X-TUBE ASSM 13" X 12" KIT	
1-3	672313S	X-TUBE ASSM 13" X 13" KIT	
1-3	672314S	X-TUBE ASSM 13" X 14" KIT	
1-3	672315S	X-TUBE ASSM 13" X 15" KIT	
1-3	672316S	X-TUBE ASSM 13" X 16" KIT	
1-3	672317S	X-TUBE ASSM 13" X 17" KIT	
1-3	672318S	X-TUBE ASSM 13" X 18" KIT	
1-3	672410S	X-TUBE ASSM 14" X 10" KIT	
1-3	672411S	X-TUBE ASSM 14" X 11" KIT	
1-3	672412S	X-TUBE ASSM 14" X 12" KIT	
1-3	672413S	X-TUBE ASSM 14" X 13" KIT	
1-3	672560	X-TUBE ASSM 14" X 14"CHNL KIT	
1-3	672561	X-TUBE ASSM 14" X 15"CHNL KIT	
1-3	672562	X-TUBE ASSM 14" X 16"CHNL KIT	
1-3	672563	X-TUBE ASSM 14" X 17"CHNL KIT	
1-3	672564	X-TUBE ASSM 14" X 18"CHNL KIT	
1-3	672510S	X-TUBE ASSM 15" X 10" KIT	
1-3	672511S	X-TUBE ASSM 15" X 11" KIT	
1-3	672512S	X-TUBE ASSM 15" X 12" KIT	
1-3	672513S	X-TUBE ASSM 15" X 13" KIT	
1-3	672514S	X-TUBE ASSM 15" X 14" KIT	
1-3	672515S	X-TUBE ASSM 15" X 15" KIT	
1-3	672516S	X-TUBE ASSM 15" X 16" KIT	
1-3	672517S	X-TUBE ASSM 15" X 17" KIT	
1-3	672518S	X-TUBE ASSM 15" X 18" KIT	
1-3	672519S	X-TUBE ASSM 15" X 19" KIT	
1-3	672520S	X-TUBE ASSM 15" X 20" KIT	
1-3	672610S	X-TUBE ASSM 16" X 10" KIT	
1-3	672611S	X-TUBE ASSM 16" X 11" KIT	
1-3	672612S	X-TUBE ASSM 16" X 12" KIT	
1-3	672613S	X-TUBE ASSM 16" X 13" KIT	
1-3	672614S	X-TUBE ASSM 16" X 14" KIT	
1-3	672565	X-TUBE ASSM 16" X 15"CHNL KIT	
1-3	672566	X-TUBE ASSM 16" X 16"CHNL KIT	
1-3	672567	X-TUBE ASSM 16" X 17"CHNL KIT	
1-3	672568	X-TUBE ASSM 16" X 18"CHNL KIT	
1-3	672619S	X-TUBE ASSM 16" X 19" KIT	
1-3	672620S	X-TUBE ASSM 16" X 20" KIT	
1-3	672710S	X-TUBE ASSM 17" X 10" KIT	
1-3	672711S	X-TUBE ASSM 17" X 11" KIT	
1-3	672712S	X-TUBE ASSM 17" X 12" KIT	
1-3	672713S	X-TUBE ASSM 17" X 13" KIT	
1-3	672714S	X-TUBE ASSM 17" X 14" KIT	
1-3	672715S	X-TUBE ASSM 17" X 15" KIT	
1-3	672716S	X-TUBE ASSM 17" X 16" KIT	
1-3	672717S	X-TUBE ASSM 17" X 17" KIT	
1-3	672718S	X-TUBE ASSM 17" X 18" KIT	
1-3	672719S	X-TUBE ASSM 17" X 19" KIT	
1-3	672720S	X-TUBE ASSM 17" X 20" KIT	
1-3	672811S	X-TUBE ASSM 18" X 11" KIT	
1-3	672812S	X-TUBE ASSM 18" X 12" KIT	
1-3	672813S	X-TUBE ASSM 18" X 13" KIT	

Pos.	Item Number	Description	Remarks
1-3	672814S	X-TUBE ASSM 18" X 14" KIT	
1-3	672569	X-TUBE ASSM 18" X 15"CHNL KIT	
1-3	672570	X-TUBE ASSM 18" X 16"CHNL KIT	
1-3	672571	X-TUBE ASSM 18" X 17"CHNL KIT	
1-3	672572	X-TUBE ASSM 18" X 18"CHNL KIT	
1-3	672819S	X-TUBE ASSM 18" X 19" KIT	
1-3	672820S	X-TUBE ASSM 18" X 20" KIT	
1-3	672911S	X-TUBE ASSM 19" X 11" KIT	
1-3	672912S	X-TUBE ASSM 19" X 12" KIT	
1-3	672913S	X-TUBE ASSM 19" X 13" KIT	
1-3	672914S	X-TUBE ASSM 19" X 14" KIT	
1-3	672915S	X-TUBE ASSM 19" X 15" KIT	
1-3	672916S	X-TUBE ASSM 19" X 16" KIT	
1-3	672917S	X-TUBE ASSM 19" X 17" KIT	
1-3	672918S	X-TUBE ASSM 19" X 18" KIT	
1-3	672919S	X-TUBE ASSM 19" X 19" KIT	
1-3	672920S	X-TUBE ASSM 19" X 20" KIT	
1-3	673011S	X-TUBE ASSM 20" X 11" KIT	
1-3	673012S	X-TUBE ASSM 20" X 12" KIT	
1-3	673013S	X-TUBE ASSM 20" X 13" KIT	
1-3	673014S	X-TUBE ASSM 20" X 14" KIT	
1-3	673015S	X-TUBE ASSM 20" X 15" KIT	
1-3	673016S	X-TUBE ASSM 20" X 16" KIT	
1-3	673017S	X-TUBE ASSM 20" X 17" KIT	
1-3	673018S	X-TUBE ASSM 20" X 18" KIT	
1-3	673019S	X-TUBE ASSM 20" X 19" KIT	
1-3	673031S	X-TUBE ASSM 20" X 20" KIT	
		Ship assembled part #	Use with multiple assemblies
	ASSY-FRAME	FRAME ASSY REQUIRED	add with Frame kit

NOTE: In order to properly mount a Jay Duo Cushion Qty (2) of the appropriate size seat rail insert (Item 16) must be ordered.

NOTE: if switching from old style screw-mounted sling to this channel-style seat sling for Q2 or Kids Q2 SE chairs shipped on or prior to 10/23/99, order the complete Cross Tube Assembly Retrofit Kit (672210S - 673031S) located on Q2 Cross Tube & Seat Sling parts page; kit will include the Cross Tube Assembly, Sling, Retaining Rods and all mounting hardware and will be assembled prior to shipping.

NOTE: Item 16 is only utilized when the seat sling is not used.



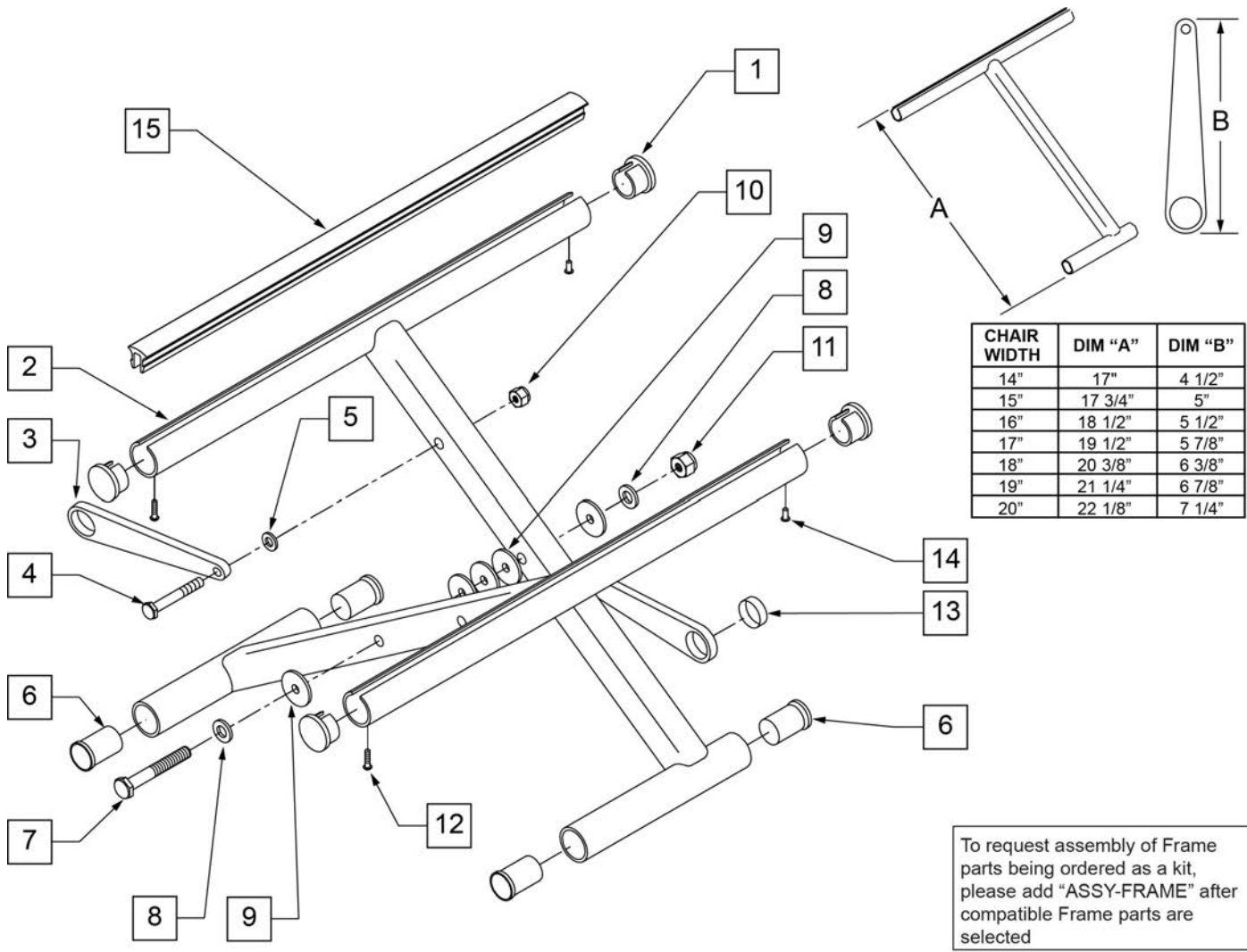
Pos.	Item Number	Description	Remarks
1	483552	SEAT RAIL END PLUG	
3	923600	X-HINGE 12 (PR)	PAIR
3	923601	X-HINGE 13 (PR)	PAIR
4	107015	HHCS 1/4-28 X 1-3/4 ROHS	
5	561028	1/4 NYLON WASHER	

Pos.	Item Number	Description	Remarks
6	560402	3/4 NY-LINER	
7	226300	5/16-24 x 3 G8 HHCS	
8	106947	5/16 AN WASHER FLAT THIN	
9	561006	1 SADDLE 5/16 HOLE	
10	106934	1/4-28 NYLOCK NUT	
11	561016	1 WASHER 5/16 HOLE	
12	106939	5/16-24 NYLOCK NUT THIN	
13	281131	#10 3/8 SELF TAPPING SCREW	
14	580200	TEFLON STRIP BEARING	
15	240111	RIVET POP AD55H BLK	
16	580020	SEAT RAIL INSERT STRIP 10	
16	580021	SEAT RAIL INSERT STRIP 11	
16	580022	SEAT RAIL INSERT STRIP 12	
16	580023	SEAT RAIL INSERT STRIP 13	
16	580024	SEAT RAIL INSERT STRIP 14	
16	580025	SEAT RAIL INSERT STRIP 15	
16	580026	SEAT RAIL INSERT STRIP 16	
16	580027	SEAT RAIL INSERT STRIP 17	
16	580028	SEAT RAIL INSERT STRIP 18	
1-15	673500	X-TUBE ASSM 11/12" X 10" CHNL	
1-15	673501	X-TUBE ASSM 11/12" X 11" CHNL	
1-15	673502	X-TUBE ASSM 11/12" X 12" CHN	
1-15	673503	X-TUBE ASSM 11/12" X 13" CHNL	
1-15	673504	X-TUBE ASSM 11/12" X 14" CHNL	
1-15	673505	X-TUBE ASSM 11/12" X 15" CHNL	
1-15	673506	X-TUBE ASSM 11/12" X 16" CHNL	
1-15	673507	X-TUBE ASSM 11/12" X 17" CHNL	
1-15	673508	X-TUBE ASSM 12" X 18" CHNL	
1-15	673509	X-TUBE ASSM 13" X 10" CHNL	
1-15	673510	X-TUBE ASSM 13" X 11" CHNL	
1-15	673511	X-TUBE ASSM 13" X 12" CHN	
1-15	673512	X-TUBE ASSM 13" X 13" CHNL	
1-15	673513	X-TUBE ASSM 13" X 14" CHNL	
1-15	673514	X-TUBE ASSM 13" X 15" CHNL	
1-15	673515	X-TUBE ASSM 13" X 16" CHNL	
1-15	673516	X-TUBE ASSM 13" X 17" CHNL	
1-15	673517	X-TUBE ASSM 13" X 18" CHNL	
		Ship assembled part #	Use with multiple assemblies
	ASSY-FRAME	FRAME ASSY REQUIRED	add with Frame kit

NOTE: In order to properly mount a Jay Duo Cushion Qty (2) of the appropriate size seat rail insert (Item 15) must be ordered.

NOTE: if switching from old style screw-mounted sling to this channel-style seat sling for Q2 or Kids Q2 SE chairs shipped on or prior to 10/23/99, order the complete Cross Tube Assembly Retrofit Kit (672210S - 673031S) located on Q2 Cross Tube & Seat Sling parts page; kit will include the Cross Tube Assembly, Sling, Retaining Rods and all mounting hardware and will be assembled prior to shipping.

NOTE: Item 15 is only utilized when the seat sling is not used.



Pos.	Item Number	Description	Remarks
1	483552	SEAT RAIL END PLUG	
3	923602	X-HINGE 14"	PAIR
3	923603	X-HINGE 15"	PAIR
3	923604	X-HINGE 16"	PAIR

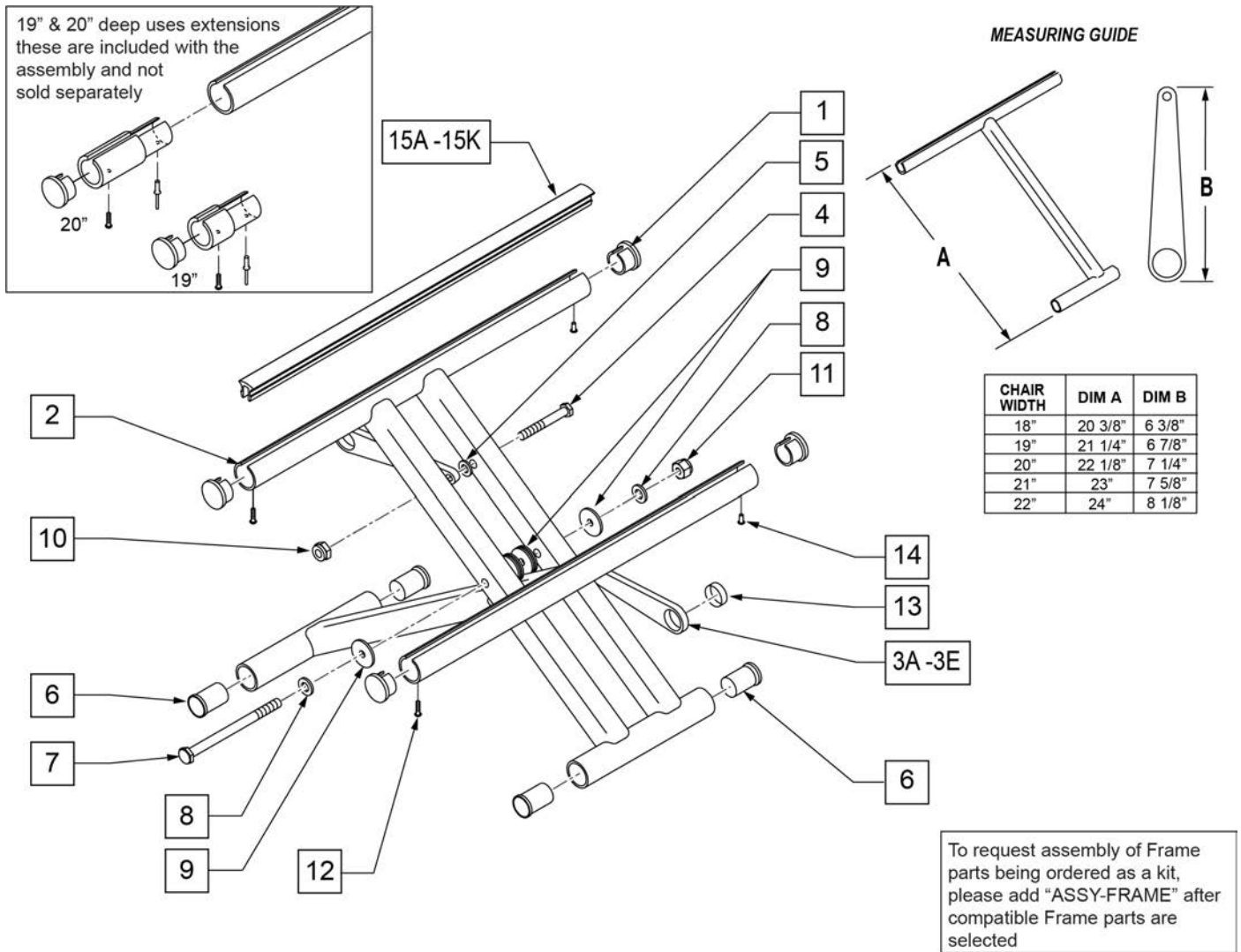
Pos.	Item Number	Description	Remarks
3	923605	X-HINGE 17"	PAIR
3	923606	X-HINGE 18"	PAIR
3	923607	X-HINGE 19"	PAIR
3	923608	X-HINGE 20"	PAIR
4	107015	1/4-28 x 1 3/4 G8 HEX C/S	
5	561028	1/4 NYLON WASHER	
6	560402	3/4 NY-LINER	
7	226300	5/16-24 x 3 G8 HHCS	
8	106947	5/16 AN WASHER FLAT THIN	
9	561016	1 WASHER 5/16 HOLE	
10	106934	1/4-28 NYLOCK NUT	
11	106939	5/16-24 NYLOCK NUT THIN	
12	281131	#10 3/8 SELF TAPPING SCREW	
13	580200	TEFLON STRIP BEARING	
14	240111	RIVET POP AD55H BLK	
15	580020	SEAT RAIL INSERT STRIP 10	
15	580021	SEAT RAIL INSERT STRIP 11	
15	580022	SEAT RAIL INSERT STRIP 12	
15	580023	SEAT RAIL INSERT STRIP 13	
15	580024	SEAT RAIL INSERT STRIP 14	
15	580025	SEAT RAIL INSERT STRIP 15	
15	580026	SEAT RAIL INSERT STRIP 16	
15	580027	SEAT RAIL INSERT STRIP 17	
15	580028	SEAT RAIL INSERT STRIP 18	
15	580029	SEAT RAIL INSERT STRIP 19	
15	580030	SEAT RAIL INSERT STRIP 20	
1-14	673518	X-TUBE ASSM 14" X 10" CHNL	
1-14	673519	X-TUBE ASSM 14" X 11" CHNL	
1-14	673520	X-TUBE ASSM 14" X 12" CHNL	
1-14	673521	X-TUBE ASSM 14" X 13" CHNL	
1-14	673522	X-TUBE ASSM 14" X 14" CHNL	
1-14	673523	X-TUBE ASSM 14" X 15" CHNL	
1-14	673524	X-TUBE ASSM 14" X 16" CHNL	
1-14	673525	X-TUBE ASSM 14" X 17" CHNL	
1-14	673526	X-TUBE ASSM 14" X 18" CHNL	
1-14	673527	X-TUBE ASSM 14" X 19" CHNL	
1-14	673528	X-TUBE ASSM 14" X 20" CHNL	
1-14	673529	X-TUBE ASSM 15" X 10" CHNL	
1-14	673530	X-TUBE ASSM 15" X 11" CHNL	
1-14	673531	X-TUBE ASSM 15" X 12" CHNL	
1-14	673532	X-TUBE ASSM 15" X 13" CHNL	
1-14	673533	X-TUBE ASSM 15" X 14" CHNL	
1-14	673534	X-TUBE ASSM 15" X 15" CHNL	
1-14	673535	X-TUBE ASSM 15" X 16" CHNL	
1-14	673536	X-TUBE ASSM 15" X 17" CHNL	
1-14	673537	X-TUBE ASSM 15" X 18" CHNL	
1-14	673538	X-TUBE ASSM 15" X 19" CHNL	
1-14	673539	X-TUBE ASSM 15" X 20" CHNL	
1-14	673540	X-TUBE ASSM 16" X 10" CHNL	
1-14	673541	X-TUBE ASSM 16" X 11" CHNL	
1-14	673542	X-TUBE ASSM 16" X 12" CHNL	
1-14	673543	X-TUBE ASSM 16" X 13" CHNL	
1-14	673544	X-TUBE ASSM 16" X 14" CHNL	
1-14	673545	X-TUBE ASSM 16" X 15" CHNL	
1-14	673546	X-TUBE ASSM 16" X 16" CHNL	
1-14	673547	X-TUBE ASSM 16" X 17" CHNL	

Pos.	Item Number	Description	Remarks
1-14	673548	X-TUBE ASSM 16" X 18" CHNL	
1-14	673549	X-TUBE ASSM 16" X 19" CHNL	
1-14	673550	X-TUBE ASSM 16" X 20" CHNL	
1-14	673551	X-TUBE ASSM 17" X 10" CHNL	
1-14	673552	X-TUBE ASSM 17" X 11" CHNL	
1-14	673553	X-TUBE ASSM 17" X 12" CHNL	
1-14	673554	X-TUBE ASSM 17" X 13" CHNL	
1-14	673555	X-TUBE ASSM 17" X 14" CHNL	
1-14	673556	X-TUBE ASSM 17" X 15" CHNL	
1-14	673557	X-TUBE ASSM 17" X 16" CHNL	
1-14	673558	X-TUBE ASSM 17" X 17" CHNL	
1-14	673559	X-TUBE ASSM 17" X 18" CHNL	
1-14	673560	X-TUBE ASSM 17" X 19" CHNL	
1-14	673561	X-TUBE ASSM 17" X 20" CHNL	
1-14	673562	X-TUBE ASSM 18" X 11" CHNL	
1-14	673563	X-TUBE ASSM 18" X 12" CHNL	
1-14	673564	X-TUBE ASSM 18" X 13" CHNL	
1-14	673565	X-TUBE ASSM 18" X 14" CHNL	
1-14	673566	X-TUBE ASSM 18" X 15" CHNL	
1-14	673567	X-TUBE ASSM 18" X 16" CHNL	
1-14	673568	X-TUBE ASSM 18" X 17" CHNL	
1-14	673569	X-TUBE ASSM 18" X 18" CHNL	
1-14	673570	X-TUBE ASSM 18" X 19" CHNL	
1-14	673571	X-TUBE ASSM 18" X 20" CHNL	
1-14	673572	X-TUBE ASSM 19" X 11" CHNL	
1-14	673573	X-TUBE ASSM 19" X 12" CHNL	
1-14	673574	X-TUBE ASSM 19" X 13" CHNL	
1-14	673575	X-TUBE ASSM 19" X 14" CHNL	
1-14	673576	X-TUBE ASSM 19" X 15" CHNL	
1-14	673577	X-TUBE ASSM 19" X 16" CHNL	
1-14	673578	X-TUBE ASSM 19" X 17" CHNL	
1-14	673579	X-TUBE ASSM 19" X 18" CHNL	
1-14	673580	X-TUBE ASSM 19" X 19" CHNL	
1-14	673581	X-TUBE ASSM 19" X 20" CHNL	
1-14	673582	X-TUBE ASSM 20" X 11" CHNL	
1-14	673583	X-TUBE ASSM 20" X 12" CHNL	
1-14	673584	X-TUBE ASSM 20" X 13" CHNL	
1-14	673585	X-TUBE ASSM 20" X 14" CHNL	
1-14	673586	X-TUBE ASSM 20" X 15" CHNL	
1-14	673587	X-TUBE ASSM 20" X 16" CHNL	
1-14	673588	X-TUBE ASSM 20" X 17" CHNL	
1-14	673589	X-TUBE ASSM 20" X 18" CHNL	
1-14	673590	X-TUBE ASSM 20" X 19" CHNL	
1-14	673591	X-TUBE ASSM 20" X 20" CHNL	
		Ship assembled part #	Use with multiple assemblies
	ASSY-FRAME	FRAME ASSY REQUIRED	add with Frame kit

NOTE: In order to properly mount a Jay Duo Cushion Qty (2) of the appropriate size seat rail insert (Item 15) must be ordered.

NOTE: if switching from old style screw-mounted sling to this channel-style seat sling for Q2 or Kids Q2 SE chairs shipped on or prior to 10/23/99, order the complete Cross Tube Assembly Retrofit Kit (672210S - 673031S) located on Q2 Cross Tube & Seat Sling parts page; kit will include the Cross Tube Assembly, Sling, Retaining Rods and all mounting hardware and will be assembled prior to shipping.

NOTE: Item 15 is only utilized when the seat sling is not used.



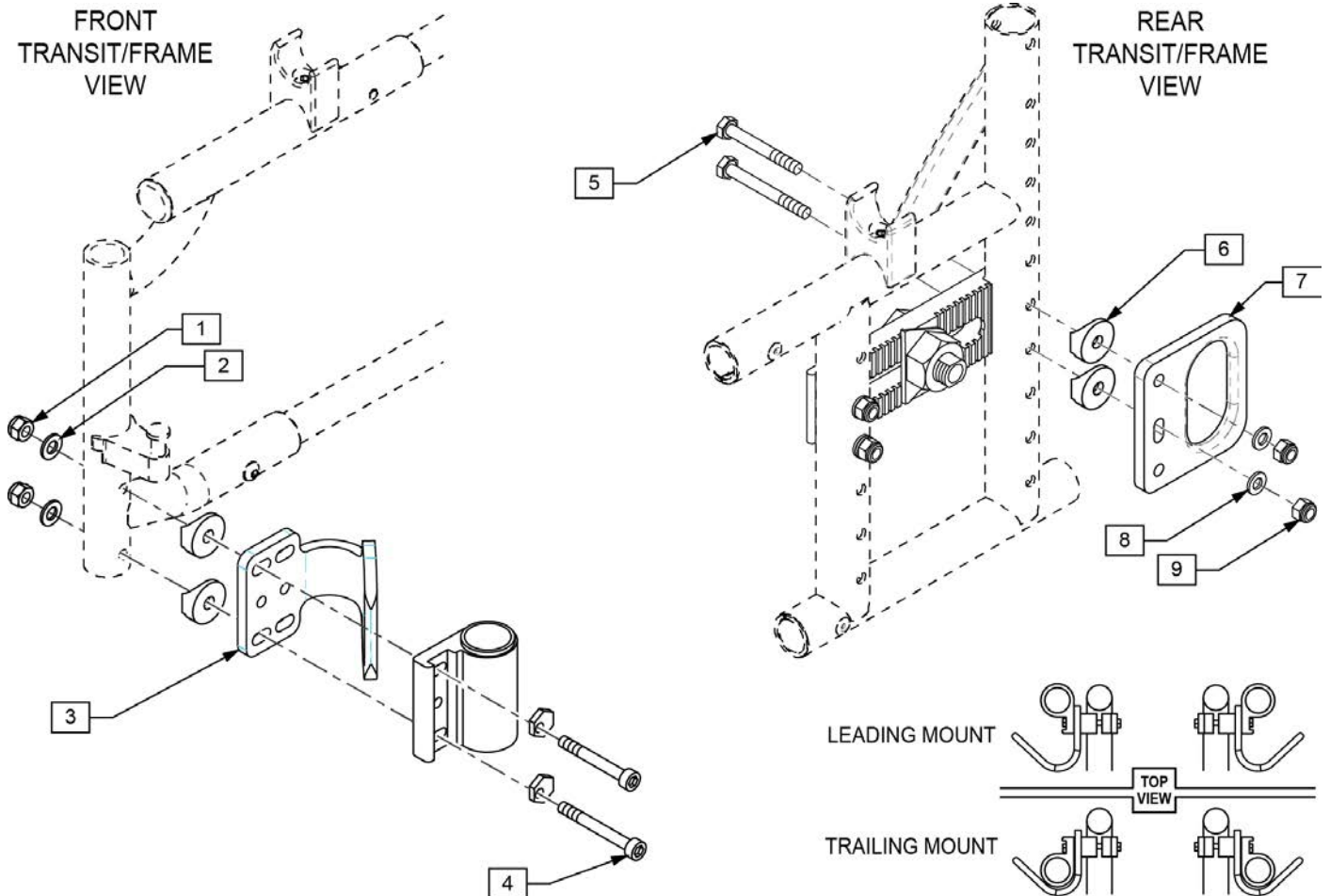
Pos.	Item Number	Description	Remarks
1	483552	SEAT RAIL END PLUG	
3A	923606	X-HINGE 18"	PAIR
3B	923607	X-HINGE 19"	PAIR
3C	923608	X-HINGE 20"	PAIR

Pos.	Item Number	Description	Remarks
3D	923609	X-HINGE 21"	PAIR
3E	923610	X-HINGE 22"	PAIR
4	107015	1/4-28 x 1 3/4 G8 HEX C/S	
5	561028	1/4" NYLON WASHER	
6	560402	3/4" NY-LINER	
7	222263	5/16-24 x 4-3/8 HHCS GR8	
8	106947	5/16 AN WASHER FLAT THIN	
9	561016	1" WASHER 5/16" HOLE	
10	106934	1/4-28 NYLOCK NUT	
11	106939	5/16-24 NYLOCK NUT THIN	
12	281131	#10 3/8" SELF TAPPING SCREW	
13	580200	TEFLON STRIP BEARING	
14	240111	RIVET POP AD55H BLK	
15A	580021	SEAT RAIL INSERT STRIP 11"	
15B	580022	SEAT RAIL INSERT STRIP 12"	
15C	580023	SEAT RAIL INSERT STRIP 13"	
15D	580024	SEAT RAIL INSERT STRIP 14"	
15E	580025	SEAT RAIL INSERT STRIP 15"	
15F	580026	SEAT RAIL INSERT STRIP 16"	
15G	580027	SEAT RAIL INSERT STRIP 17"	
15H	580028	SEAT RAIL INSERT STRIP 18"	
15J	580029	SEAT RAIL INSERT STRIP 19"	
15K	580030	SEAT RAIL INSERT STRIP 20"	
1-14	673592	X-TUBE ASSM 18" x11" CHNL HD	
1-14	673593	X-TUBE ASSM 18" x12" CHNL HD	
1-14	673594	X-TUBE ASSM 18" x13" CHNL HD	
1-14	673595	X-TUBE ASSM 18" x14" CHNL HD	
1-14	673596	X-TUBE ASSM 18" x15" CHNL HD	
1-14	673597	X-TUBE ASSM 18" x16" CHNL HD	
1-14	673598	X-TUBE ASSM 18" x17" CHNL HD	
1-14	673599	X-TUBE ASSM 18" x18" CHNL HD	
1-14	673600	X-TUBE ASSM 18" x19" CHNL HD	
1-14	673601	X-TUBE ASSM 18" x20" CHNL HD	
1-14	673602	X-TUBE ASSM 19" x11" CHNL HD	
1-14	673603	X-TUBE ASSM 19" x12" CHNL HD	
1-14	673604	X-TUBE ASSM 19" x13" CHNL HD	
1-14	673605	X-TUBE ASSM 19" x14" CHNL HD	
1-14	673606	X-TUBE ASSM 19" x15" CHNL HD	
1-14	673607	X-TUBE ASSM 19" x16" CHNL HD	
1-14	673608	X-TUBE ASSM 19" x17" CHNL HD	
1-14	673609	X-TUBE ASSM 19" x18" CHNL HD	
1-14	673610	X-TUBE ASSM 19" x19" CHNL HD	
1-14	673611	X-TUBE ASSM 19" x20" CHNL HD	
1-14	673612	X-TUBE ASSM 20" x11" CHNL HD	
1-14	673613	X-TUBE ASSM 20" x12" CHNL HD	
1-14	673614	X-TUBE ASSM 20" x13" CHNL HD	
1-14	673615	X-TUBE ASSM 20" x14" CHNL HD	
1-14	673616	X-TUBE ASSM 20" x15" CHNL HD	
1-14	673617	X-TUBE ASSM 20" x16" CHNL HD	
1-14	673618	X-TUBE ASSM 20" x17" CHNL HD	
1-14	673619	X-TUBE ASSM 20" x18" CHNL HD	
1-14	673620	X-TUBE ASSM 20" x19" CHNL HD	
1-14	673621	X-TUBE ASSM 20" x20" CHNL HD	
1-14	673622	X-TUBE ASSM 21" x12" CHNL HD	
1-14	673623	X-TUBE ASSM 21" x13" CHNL HD	
1-14	673624	X-TUBE ASSM 21" x14" CHNL HD	

Pos.	Item Number	Description	Remarks
1-14	673625	X-TUBE ASSM 21" x15" CHNL HD	
1-14	673626	X-TUBE ASSM 21" x16" CHNL HD	
1-14	673627	X-TUBE ASSM 21" x17" CHNL HD	
1-14	673628	X-TUBE ASSM 21" x18" CHNL HD	
1-14	673629	X-TUBE ASSM 21" x19" CHNL HD	
1-14	673630	X-TUBE ASSM 21" x20" CHNL HD	
1-14	673631	X-TUBE ASSM 22" x12" CHNL HD	
1-14	673632	X-TUBE ASSM 22" x13" CHNL HD	
1-14	673633	X-TUBE ASSM 22" x14" CHNL HD	
1-14	673634	X-TUBE ASSM 22" x15" CHNL HD	
1-14	673635	X-TUBE ASSM 22" x16" CHNL HD	
1-14	673636	X-TUBE ASSM 22" x17" CHNL HD	
1-14	673637	X-TUBE ASSM 22" x18" CHNL HD	
1-14	673638	X-TUBE ASSM 22" x19" CHNL HD	
1-14	673639	X-TUBE ASSM 22" x 20" CHNL HD	
		Ship assembled part #	Use with multiple assemblies
	ASSY-FRAME	FRAME ASSY REQUIRED	add with Frame kit

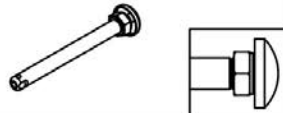

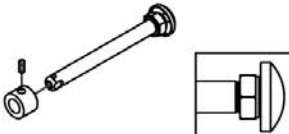

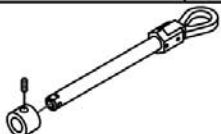

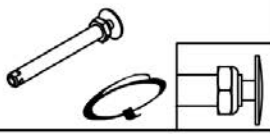

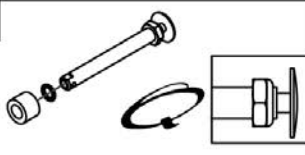

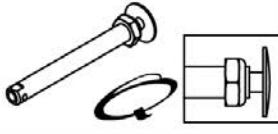
NOTE: Kit includes all items for adding the Transit Option to an existing chair.
Kits 106675-106683 and 921851-921859 include Stabilizer Bar assembly (not shown).

NOTE: Transit Kit not available with: Depth Adj Back (DAB) prior to Q2-351225; Padded Swing-away Arms; Adj or Length Adj Locking Arms prior to Q2-351225; Xtender; Removable Stroller Handles as Push Handles are required to mount Stabilizer Bar (included in kit).

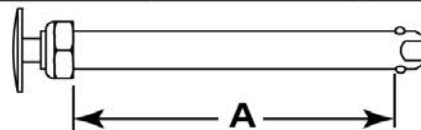


Pos.	Item Number	Description	Remarks
1	106941	1/4-28 AUTOMATION NUT	
2	106943	1/4 AN WASHER FLAT	
4	226257	1/4-28 X 2-1/4 SOC HD C/S	
5	221181	1/4-28 X 2 1/2 G8 HEX C/S	
6	561004	1" SADDLE 1/4" HOLE	
8	106944	1/4 AN WASHER FLAT THIN	
9	106934	1/4-28 NYLOCK NUT	
10	349034	SAFETY COTTER	
11	349005	1/4 X 21/4" CLEVIS PIN	
1-11	106674	TRANSIT KIT Q2/HP DAB HD	DAB; Heavy Duty option
1-11	106675	TRANSIT KIT Q2/HP DAB 12W	DAB; includes Stabilizer Cross Bar
1-11	106676	TRANSIT KIT Q2/HP DAB 13W	DAB; includes Stabilizer Cross Bar

Pos.	Item Number	Description	Remarks
1-11	106677	TRANSIT KIT Q2/HP DAB 14W	DAB; includes Stabilizer Cross Bar
1-11	106678	TRANSIT KIT Q2/HP DAB 15W	DAB; includes Stabilizer Cross Bar
1-11	106679	TRANSIT KIT Q2/HP DAB 16W	DAB; includes Stabilizer Cross Bar
1-11	106680	TRANSIT KIT Q2/HP DAB 17W	DAB; includes Stabilizer Cross Bar
1-11	106681	TRANSIT KIT Q2/HP DAB 18W	DAB; includes Stabilizer Cross Bar
1-11	106682	TRANSIT KIT Q2/HP DAB 19W	DAB; includes Stabilizer Cross Bar
1-11	106683	TRANSIT KIT Q2/HP DAB 20W	DAB; includes Stabilizer Cross Bar
1-11	921851S	TRANSIT KIT Q2/HP 12W	Includes Stabilizer Cross Bar
1-11	921852S	TRANSIT KIT Q2/HP 13W	Includes Stabilizer Cross Bar
1-11	921853S	TRANSIT KIT Q2/HP 14W	Includes Stabilizer Cross Bar
1-11	921854S	TRANSIT KIT Q2/HP 15W	Includes Stabilizer Cross Bar
1-11	921855S	TRANSIT KIT Q2/HP 16W	Includes Stabilizer Cross Bar
1-11	921856S	TRANSIT KIT Q2/HP 17W	Includes Stabilizer Cross Bar
1-11	921857S	TRANSIT KIT Q2/HP 18W	Includes Stabilizer Cross Bar
1-11	921858S	TRANSIT KIT Q2/HP 19W	Includes Stabilizer Cross Bar
1-11	921859S	TRANSIT KIT Q2/HP 20W	Includes Stabilizer Cross Bar
1-11	920629S	TRANSIT KIT Q2/HP HEAVY DUTY	Heavy Duty option

Wheel Type	Axle Type		Axle P/N	Spacer P/N
6 Spoke Mag Wheels	Quick Release	1A 	102063 A = 4 1/8"	N/A
	Quad Quick Release	1B 	920171 A = 4 1/8"	N/A
Mag Wheels (with Uni-lateral Wheel Locks or Travel Wheels)	Quick Release	1C 	922356 Includes Spacer A = 4 3/4"	2A  920117
	Quad Quick Release	1D 	920172 Includes Spacer A = 4 3/4"	2A  920117
Standard Spoke Wheels, 5 Spoke Mag Wheels, Spinergy Wheels & Mountain Wheels	Quick Release	1E 	109385 A = 4 1/2"	N/A
	Quad Quick Release (N/A with Spinergy)	1F 	922170 A = 4 1/2"	N/A
Ultra Light Wheels (Not available with Quad Quick release)	Quick Release	1E 	109385 Order Spacer A = 4 1/2" Note: Spacer is required to shorten the axle length to fit the Ultra Light Spoke Wheel	2C  103093
				2B 100768-003
Lite Spoke	Quick Release	1G 	107268 A = 4 1/4"	N/A

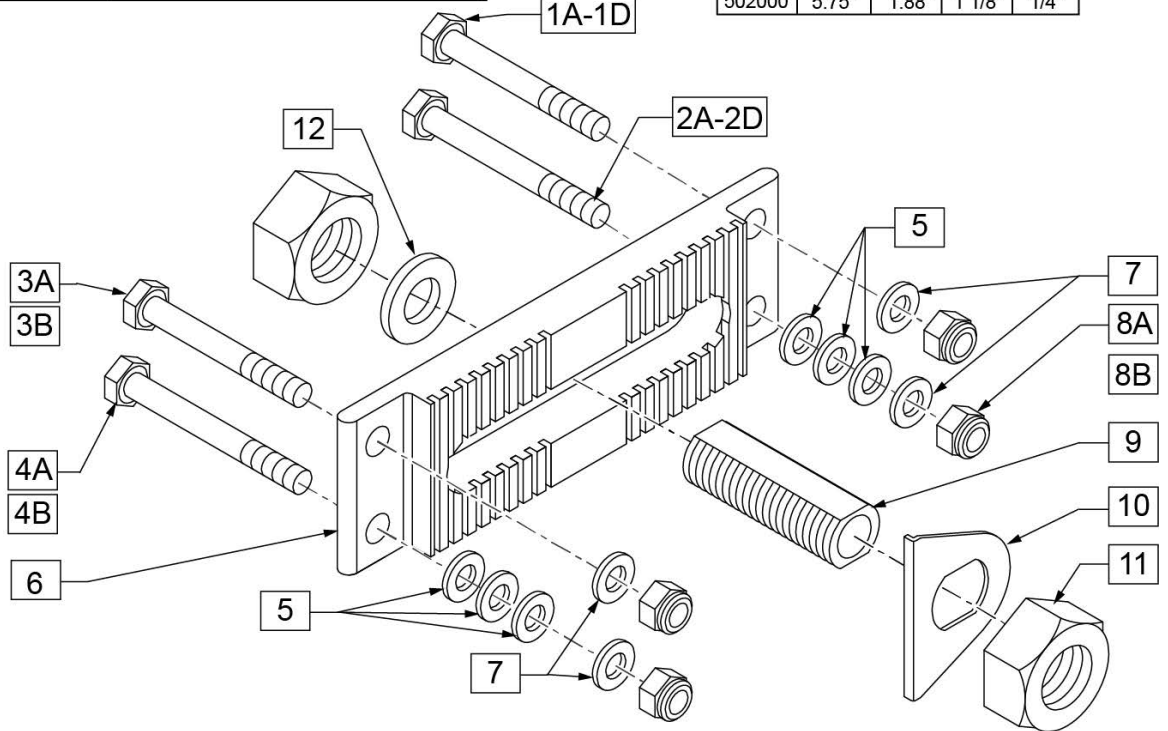
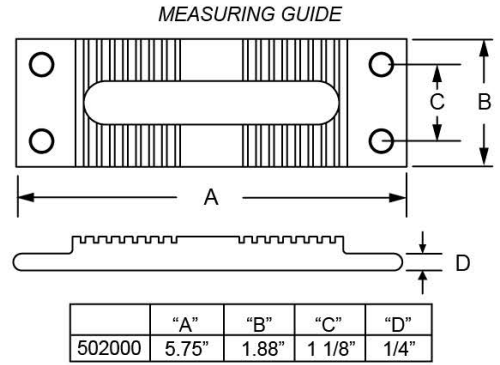
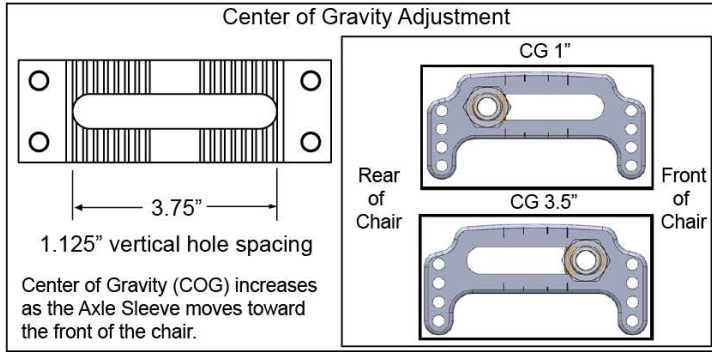
Quick Release Measuring Guide



Pos.	Item Number	Description	Remarks
1A	102063	QR AXLE MAG W/M-12 NUT	
1B	920171	QR AXLE MAG W/QUAD NUT	
1C	922356	QR AXLE BIG BUTTON W/SPACER	includes spacer
1D	920172	QR AXLE MAG W/ SPCR & QUAD NUT	includes spacer
1E	109385	QR AXLE/NUT LONG BIG BUTTON	
1F	922170	QR AXLE W/QUAD NUT PUSH BUTTON	Not available with Spinergy
1G	107268	QR AXLE AND NUT SHORT BIG BUTTON	
2A	920117	MAG SPACER 6S W/SET SCREW	
2B	100768-003	SPACER AXLE 220DX12.71X12MM	
2C	103093	O-RING 1/2"IDX11/16"OD BUNA-N	

STANDARD AXLE PLATE

[05/22/2019]

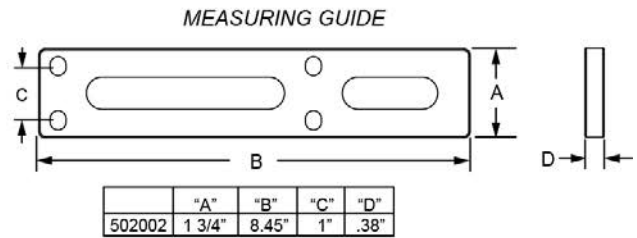
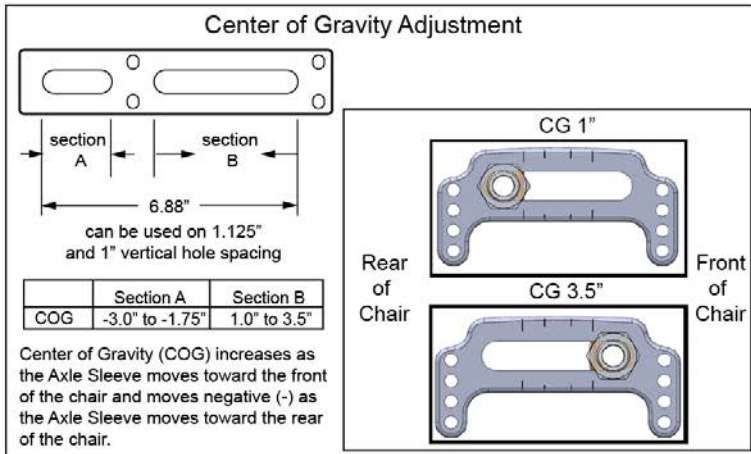
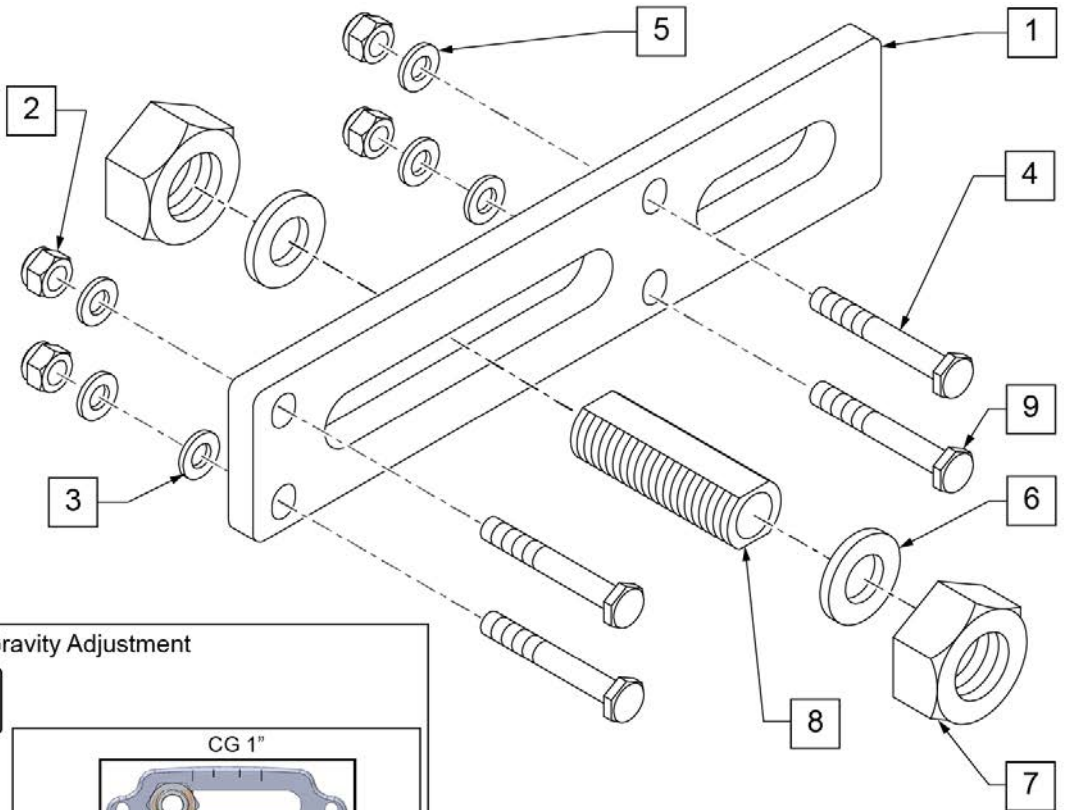


Pos.	Item Number	Description	Remarks
1A	107015	HHCS 1/4-28 X 1 3/4 G8 ROHS	Steel: use w/ Axle Plates Only
1B	106973	HHCS 1/4-28 X 2 ROHS	Steel: use w/ Anti Tips OR Transit
1C	107351	HHCS 1/4-28 X 2 1/4 G8 ROHS	Steel: use w/ Anti Tips & Transit &/Or Armrest Receiver
1D	330099	1/4-28 x 1 3/4 HEX C/S TI	Titanium: use w/ Axle Plates Only
2A	106973	HHCS 1/4-28 X 2 ROHS	Steel: use w/ Axle Plates Only
2B	107351	HHCS 1/4-28 X 2 1/4 G8 ROHS	Steel: use w/ Anti Tips or Transit
2C	109265	HHCS 1/4-28 X 2 1/2 G8 ROHS	Steel: use w/ Anti Tips & Transit &/Or Armrest Receiver
2D	330100	1/4-28 x 2 HEX C/S Ti	Titanium: use w/ Axle Plates Only
3A	107015	HHCS 1/4-28 X 1 3/4 G8 ROHS	Steel Hdwr
3B	330099	1/4-28 x 1 3/4 HEX C/S TI	Titanium Hdwr
4A	106973	HHCS 1/4-28 X 2 ROHS	Steel Hdwr
4B	330100	1/4-28 x 2 HEX C/S Ti	Titanium Hdwr
5	106943	WASHER FLAT AN 1/4 ROHS	
6	502000	AXLE PLATE Q2/HP/ZP2 INDEX	Indexed
7	106944	WASHER FLAT THIN AN 1/4 ROHS	
8A	106934	NUT NYLOCK 1/4-28 ROHS	Steel Hdwr
8B	330000-QU	1/4-28 NYLOCK NUT ALUMINUM	Alum Hdwr: used w/ Titanium Bolts
9	481065	AXLE SLEEVE SS	

Pos.	Item Number	Description	Remarks
10	505015	INDEX AXLE WASHER	
11	116569	NUT HEX 3/4-16 BLACK ZINC	
12	116570	WASHER FLAT 3/4 X 1.25 BLK ZNC	
1A,1B,1C,2A,2B,2C,3A,4A,5,7,8A	111237	AXLE PLATE HARDWARE KIT Q2	Q2 & Q2HP (Hdwr for Both Sides & All Configs)
1D,2D,3B,4B,5,7,8B	920216	AXLE PLATE HARDWARE KIT HP/T2	Q2HP Titanium Only (Hdwr for One Side)
1-12	111239	STD AXL PLATE KIT	Pair
9-12	920120	AXLE SLEEVE W/ HDWR INDEX	

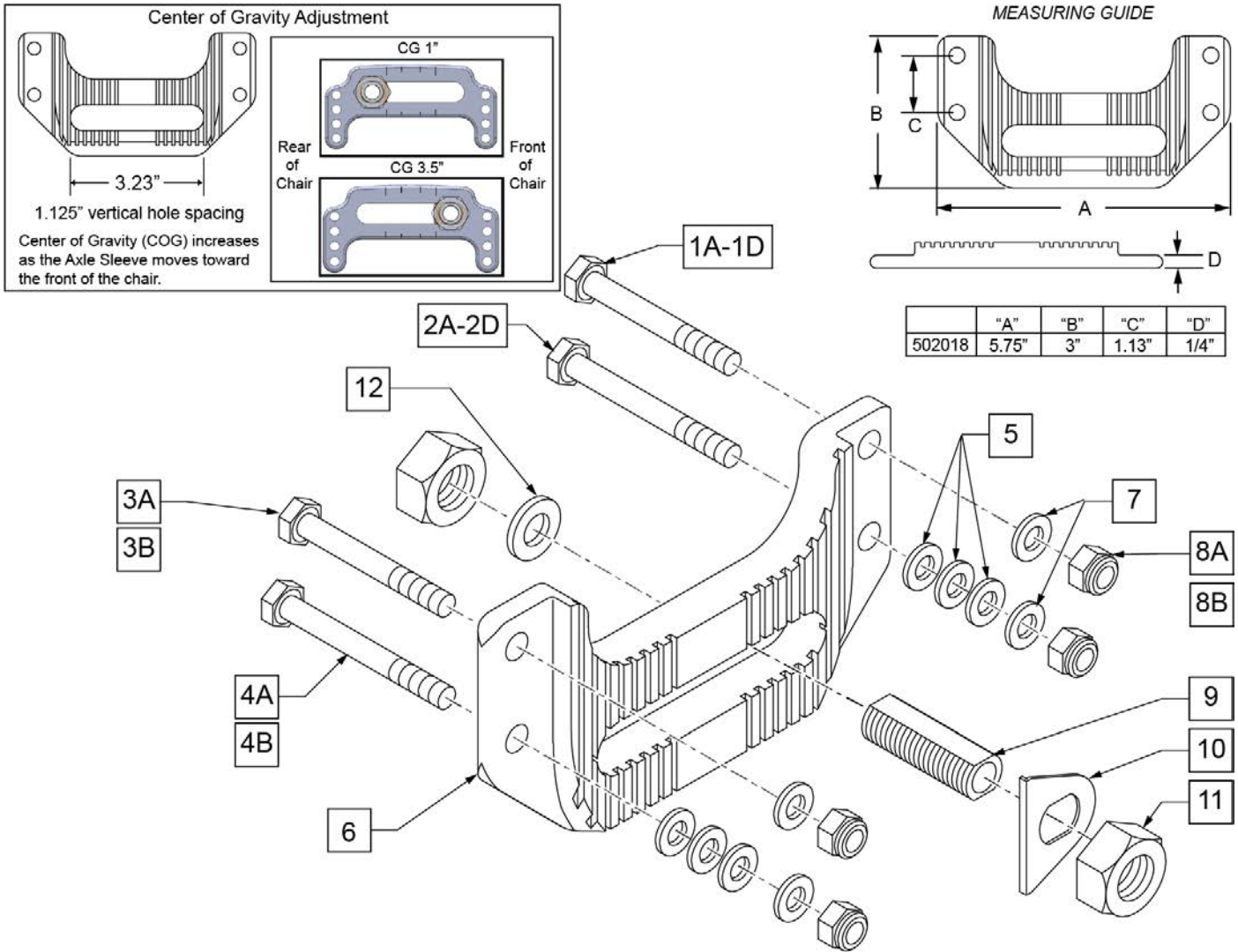
Note: fits S/N Prefix Q2X, Q2V & Q2H.

10 AXLE PLATE HARDWARE KIT Q2			
ITEM #	ILLUSTRATION	DESCRIPTION	QTY
2		NUT NYLOCK 1/4-28	8
3		WASHER FLAT AN 1/4	8
4		HHCS 1/4-28 X 1.3/4	8
5		WASHER FLAT THIN AN 1/4	8
9		HHCS 1/4-28 X 2	8



Pos.	Item Number	Description	Remarks
1	502002	AXLE PLATE AMPUTEE Q2	NON-INDEXED
2	106934	NUT NYLOCK 1/4 -28 ROHS	
3	106943	WASHER FLAT AN 1/4 ROHS	
4	107015	HHCS 1/4 -28 x 1 3/4 ROHS	
5	106944	WASHER FLAT THIN AN 1/4 ROHS	
6	116570	WASHER FLAT 3/4 X 1.25 BLK ZNC	
7	116569	NUT HEX 3/4-16 BLACK ZINC	
8	481065	AXLE SLEEVE S.S.	
9	106973	HHCS 1/4 -28 x 2 ROHS	
10	111237	Q2 AXLE PLATE HARDWARE KIT	PAIR
1-9	111238	AMPUTEE AXLE PLATE KIT	PAIR
6-8	920121	AXLE SLEEVE W/ HDWR (NON-INDEX)	

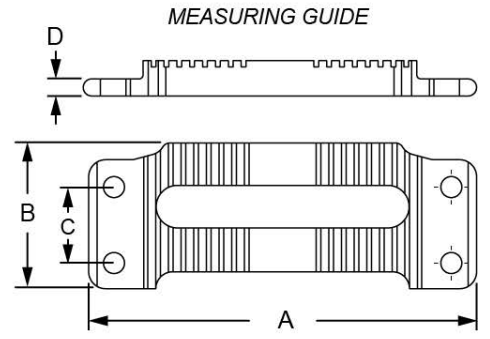
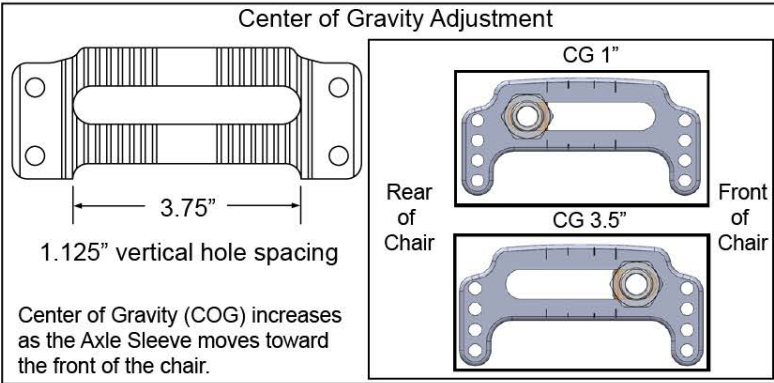
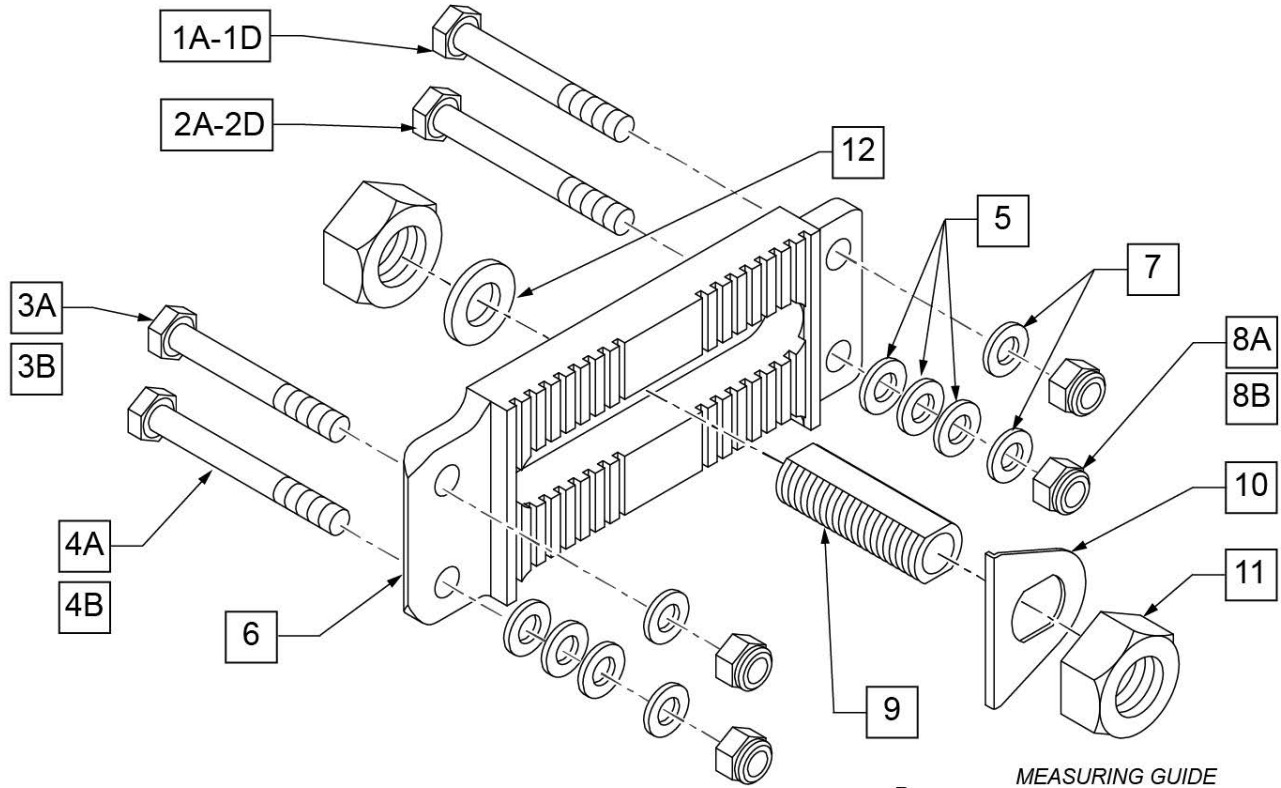
CURVED AXLE PLATE



Pos.	Item Number	Description	Remarks
1A	107015	HHCS 1/4-28 X 1 3/4 G8 ROHS	Steel: use w/ Axle Plates Only
1B	106973	HHCS 1/4-28 X 2 ROHS	Steel: use w/ Anti Tips OR Transit
1C	107351	HHCS 1/4-28 X 2 1/4 G8 ROHS	Steel: use w/ Anti Tips & Transit &/Or Armrest Receiver
1D	330099	1/4-28 x 1 3/4 HEX C/S TI	Titanium: use w/ Axle Plates Only
2A	106973	HHCS 1/4-28 X 2 ROHS	Steel: use w/ Axle Plates Only
2B	107351	HHCS 1/4-28 X 2 1/4 G8 ROHS	Steel: use w/ Anti Tips OR Transit
2C	109265	HHCS 1/4-28 X 2 1/2 G8 ROHS	Steel: use w/ Anti Tips & Transit &/Or Armrest Receiver
2D	330100	1/4-28 x 2 HEX C/S Ti	Titanium: use w/ Axle Plates Only
3A	107015	HHCS 1/4-28 X 1 3/4 G8 ROHS	Steel
3B	330099	1/4-28 x 1 3/4 HEX C/S TI	Titanium
4A	106973	HHCS 1/4-28 X 2 ROHS	Steel
4B	330100	1/4-28 x 2 HEX C/S Ti	Titanium
5	106943	WASHER FLAT AN 1/4 ROHS	
6	502018	CURVED PLATE Q2/HP/ZP2 INDEX	Indexed
7	106944	WASHER FLAT THIN AN 1/4 ROHS	
8A	106934	NUT NYLOCK 1/4-28 ROHS	Steel
8B	330000-QU	1/4-28 NYLOCK NUT ALUMINUM	Alum Hdwr: used w/ Titanium Bolts
9	481065	AXLE SLEEVE SS	

Pos.	Item Number	Description	Remarks
10	505015	INDEX AXLE WASHER	
11	116569	NUT HEX 3/4-16 BLACK ZINC	
12	116570	WASHER FLAT 3/4 X 1.25 BLK ZNC	
1A,1B,1C,2A,2B,2C,3A,4A,5,7,8A	111237	AXLE PLATE HARDWARE KIT Q2	Q2 & Q2HP (Hdwr for Both Sides & All Configs)
1D,2D,3B,4B,5,7,8B	920216	AXLE PLATE HARDWARE KIT HP/T2	Q2HP Titanium Only (Hdwr for One Side)
1-12	111240	CURVED AXL PLATE KIT	Pair
9-12	920120	AXLE SLEEVE W/ HDWR INDEX	

OFFSET AXLE PLATE



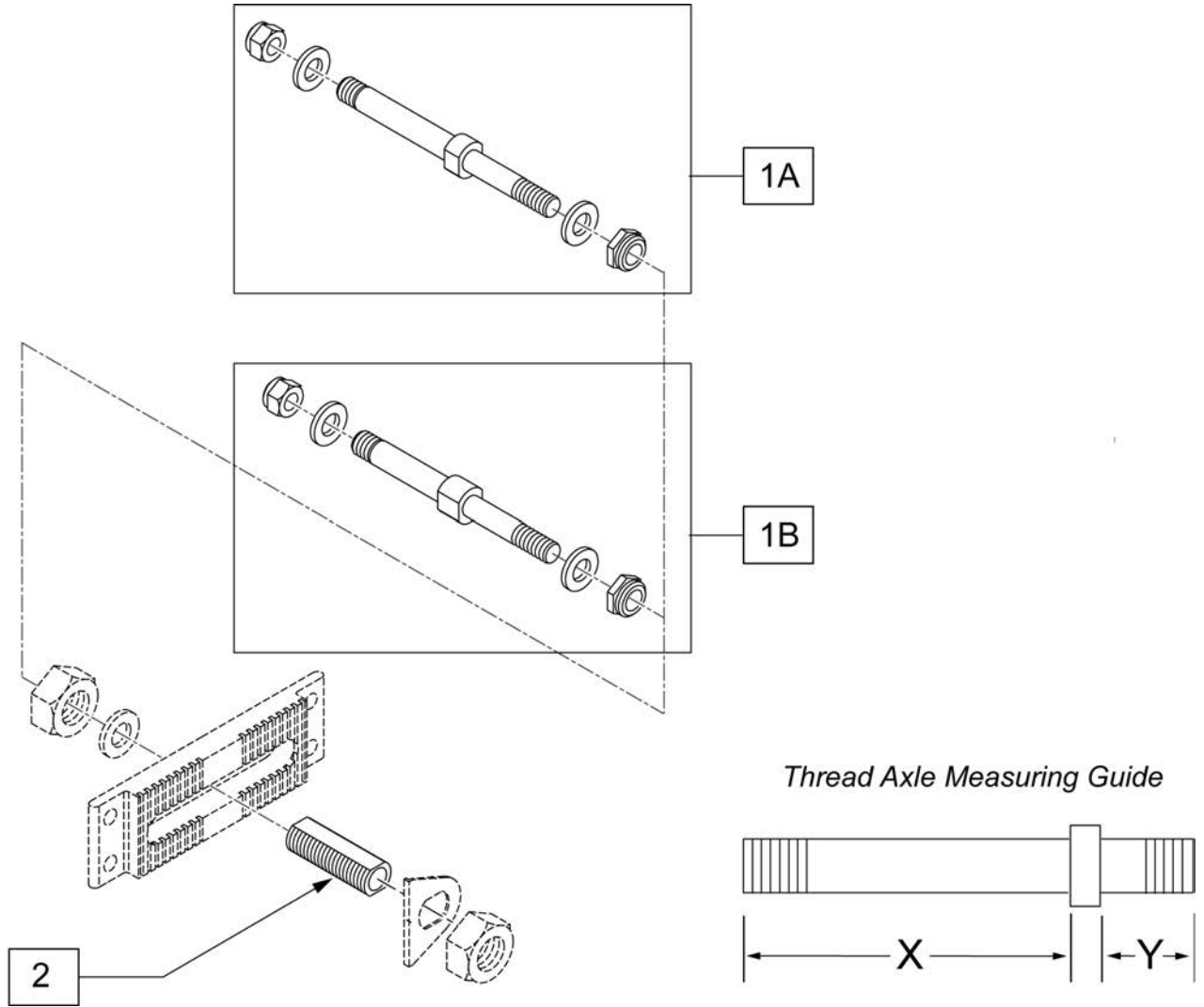
	"A"	"B"	"C"	"D"
550645	5 3/4"	2.16"	1.125"	.25"

Pos.	Item Number	Description	Remarks
1A	107015	HHCS 1/4-28 X 1 3/4 G8 ROHS	Steel: use w/ Axle Plates Only
1B	106973	HHCS 1/4-28 X 2 ROHS	Steel: use w/ Anti Tips OR Transit
1C	107351	HHCS 1/4-28 X 2 1/4 G8 ROHS	Steel: use w/ Anti Tips & Transit &/Or Armrest Receiver
1D	330099	1/4-28 x 1 3/4 HEX C/S TI	Titanium: use w/ Axle Plates Only
2A	106973	HHCS 1/4-28 X 2 ROHS	Steel: use w/ Axle Plates Only
2B	107351	HHCS 1/4-28 X 2 1/4 G8 ROHS	Steel: use w/ Anti Tips OR Transit
2C	109265	HHCS 1/4-28 X 2 1/2 G8 ROHS	Steel: use w/ Anti Tips & Transit &/Or Armrest Receiver
2D	330100	1/4-28 x 2 HEX C/S Ti	Titanium: use w/ Axle Plates Only
3A	107015	HHCS 1/4-28 X 1 3/4 G8 ROHS	Steel
3B	330099	1/4-28 x 1 3/4 HEX C/S TI	Titanium
4A	106973	HHCS 1/4-28 X 2 ROHS	Steel
4B	330100	1/4-28 x 2 HEX C/S Ti	Titanium
5	106943	WASHER FLAT AN 1/4 ROHS	
6	550645	OFFSET AXLE PLATE	Indexed
7	106944	WASHER FLAT THIN AN 1/4 ROHS	

Pos.	Item Number	Description	Remarks
8A	106934	NUT NYLOCK 1/4-28 ROHS	Steel
8B	330000-QU	1/4-28 NYLOCK NUT ALUMINUM	Alum Hdwr: used w/ Titanium Bolts
9	481065	AXLE SLEEVE SS	
10	505015	INDEX AXLE WASHER	
11	116569	NUT HEX 3/4-16 BLACK ZINC	
12	116570	WASHER FLAT 3/4 X 1.25 BLK ZNC	
1A,1B,1C,2A,2B,2C,3A,4A,5,7,8A	111237	AXLE PLATE HARDWARE KIT Q2	Q2 & Q2HP (Hdwr for Both Sides & All Configs)
1D,2D,3B,4B,5,7,8B	920216	AXLE PLATE HARDWARE KIT HP/T2	Q2HP Titanium Only (Hdwr for One Side)
1-12	111241	OFFSET AXL PLATE KIT	Pair
9-12	920120	AXLE SLEEVE W/ HDWR INDEX	

Note: To upgrade to threaded Axles from Quick Release Axles, Qty 2 is required.

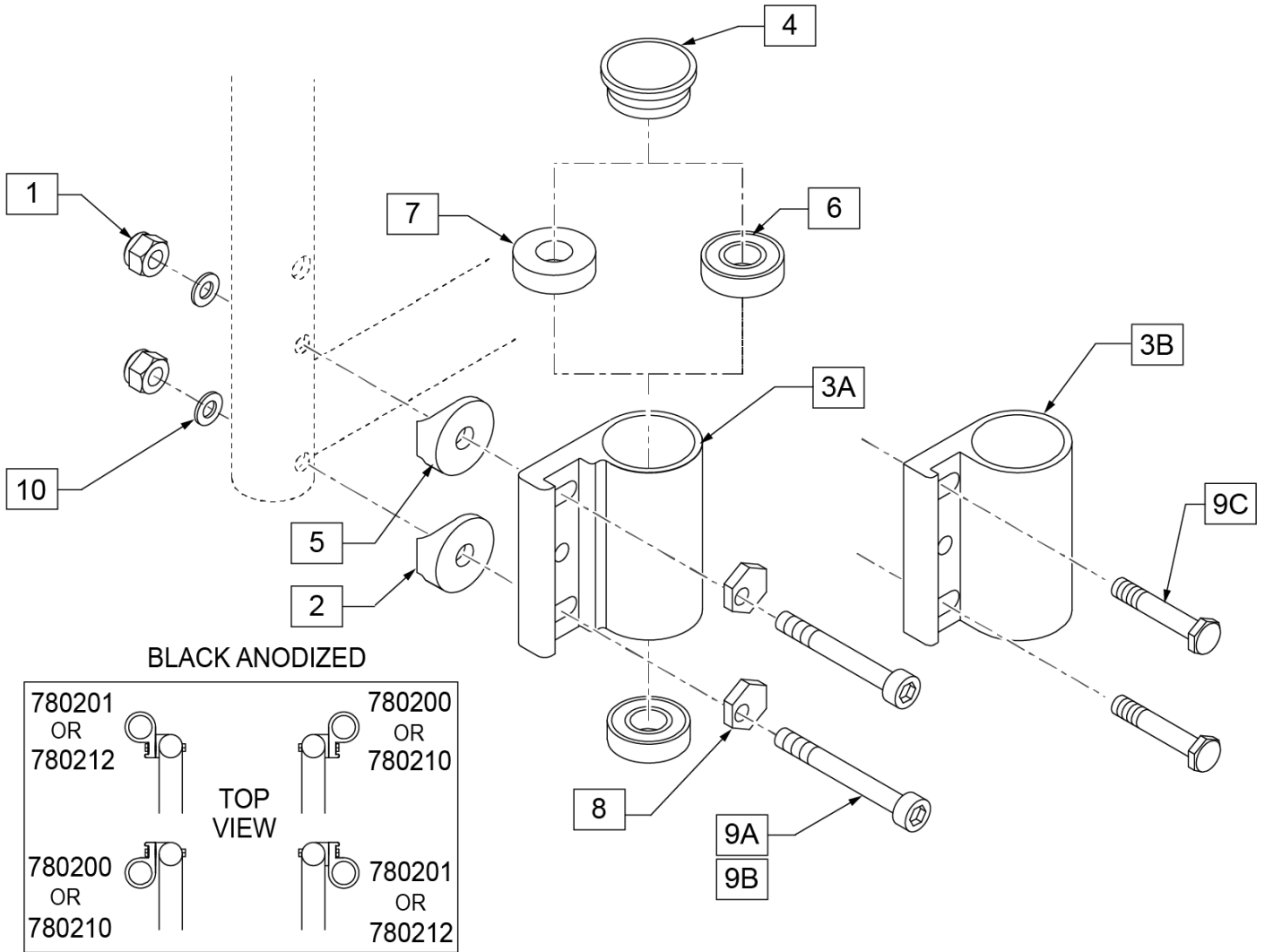
Note: for Quickie TS only available with Amputee Adjustable Axle Bracket.



Pos.	Item Number	Description	Remarks
1A	920108	AXLE THRD MAG(ADJ AXLE PLT) LX	For Mag Wheel X= 2.5 Y=2 1/8
1B	920109	AXLE THRD SPK(ADJ AXLE PLT) LX	For Spoke Wheel X= 3 Y=2 1/8
2	920099	AXLE SLEEVE 7/16 ID W/HDWR	

CASTER PLATES

[06/05/2019]

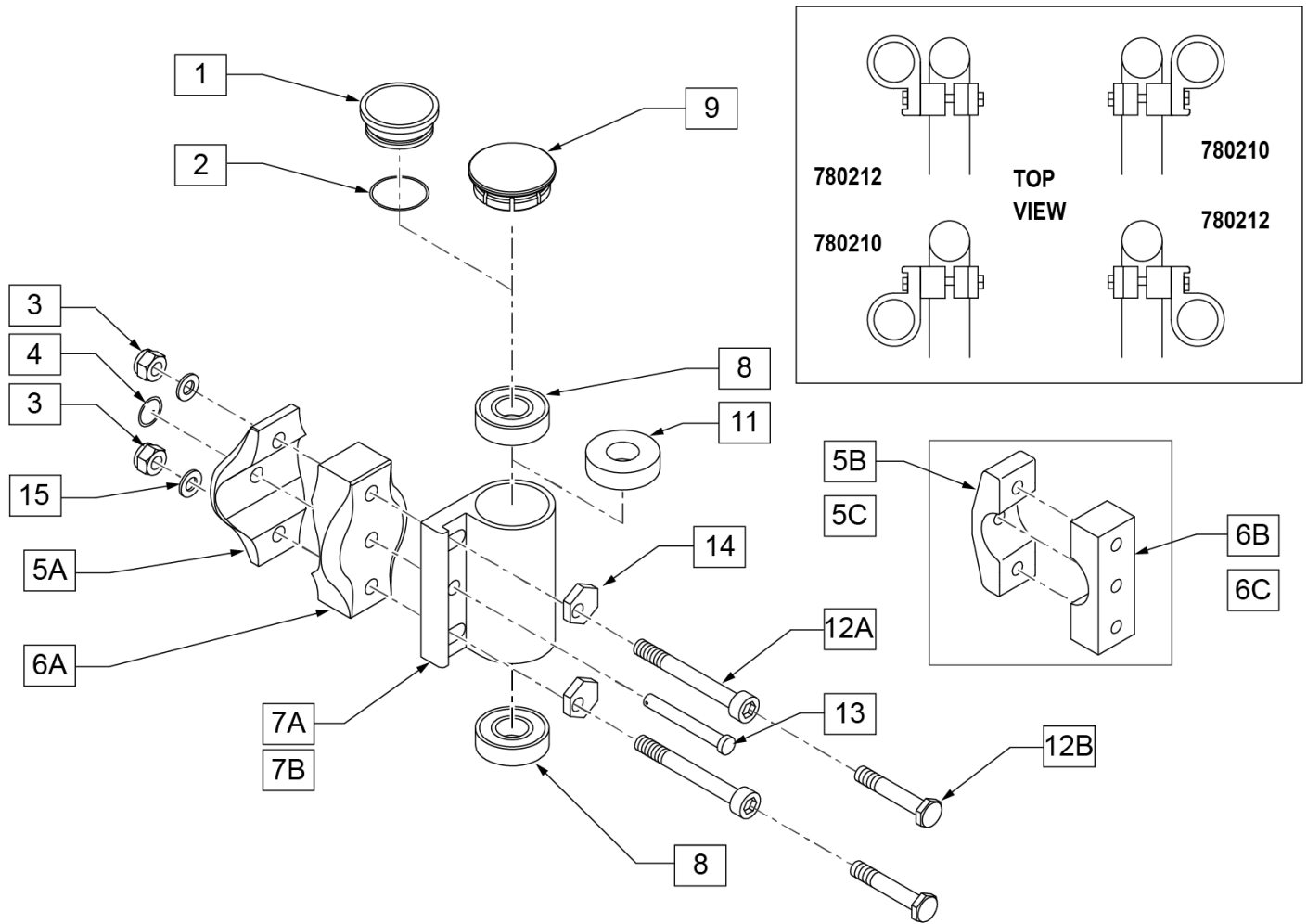


Pos.	Item Number	Description	Remarks
1	106941	NUT AUTOMATION 1/4 -28 ROHS	
2	561086	1" HALF SADDLE 1/4" HOLE	
4	561070	CASTER CAP PLASTIC	
4	920028	CASTER CAP PLASTIC	PAIR
5	561004	1" SADDLE 1/4" HOLE	
6	349500	1 1/8 x 1/2 BEARING	
7	561050	ANTI-FLUTTER BUSHING	USED W/ 8" CASTERS
8	262128	WASHER ECCENTRIC HD 1/4 HOLE	
9A	109809	SHCS 1/4 -28 x 2 ROHS	USED W/ NON-TRANSIT on Q2
9B	108791	SHCS 1/4 -28 x 2 1/4 SHLDR ROHS	USED W/ TRANSIT BRACKETS
9C	481017	1/4 -28 x 1.688 ECCENTRIC BOLT	USED W/ NON-TRANSIT on LX/LXI
10	106943	WASHER FLAT AN 1/4 ROHS	
1, 2, 4, 5, 8,9ABC,10	920474	CASTER PLATE HI ANGLE HARDWARE KIT	Includes bolts for standard and transit
3A, 6	780204	CASTER PLATE HI ANGLE DOUBLE BEARING	RIGHT - Effective on Q2 after 8/1/02; on LX/LXI TRANSIT 10/24/08.
3A, 6	780205	CASTER PLATE HI ANGLE DOUBLE BEARING	LEFT - Effective on Q2 after 8/1/02; on LX/LXI TRANSIT 10/24/08.

Pos.	Item Number	Description	Remarks
3A, 6, 7	780206	CASTER PLATE HI ANG R SNG BEARING	RIGHT- Effective on Q2 after 8/1/02; on LX/LXI TRANSIT 10/24/08.
3A, 6, 7	780207	CASTER PLATE HI ANG L SNG BEARING	LEFT - Effective on Q2 after 8/1/02; on LX/LXI TRANSIT 10/24/08.
3B,6	780210	CASTER PLATE R DBL BEARING BLK	RIGHT-Discontinued on Q2 chair 8/1/02
3B,6	780212	CASTER PLATE L DBL BEARING BLK	LEFT -Discontinued on Q2 chair 8/1/02
3B,6,7	780200	CASTER PLATE R SINGLE BEARING	RIGHT-Discontinued on Q2 chair 8/1/02
3B,6,7	780201	CASTER PLATE L SINGLE BEARING BLK	LEFT -Discontinued on Q2 chair 8/1/02

NOTE: Discontinued on Q2HP as of 08/01/2002.

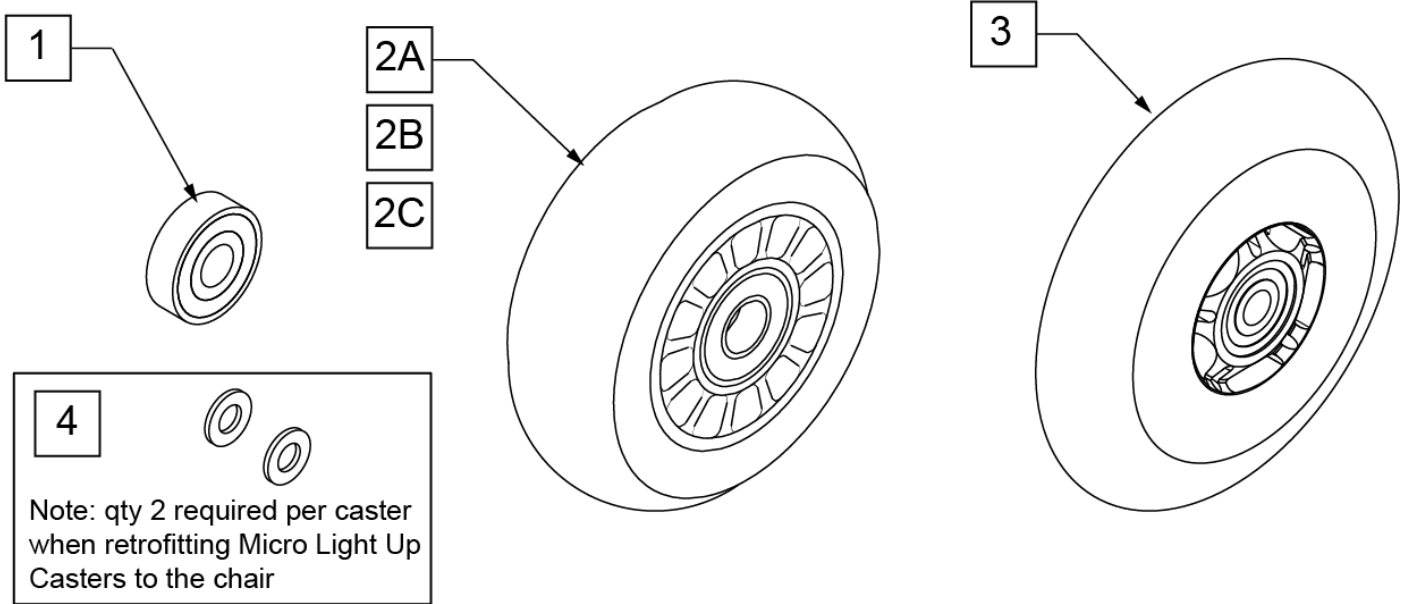
Note: 12A, 14 & 15 are used on Q2HP as of 8/1/02



Pos.	Item Number	Description	Remarks
1, 2	880554	CASTER CAP W/O RING ALUMINUM CLEAR	Item 2 used on Chairs prior to 4/99
2	342006	CASTER CAP O-RING RUBBER	Item 2 used on Chairs prior to 4/99
3	106941	1/4 - 28 AUTOMATION NUT	
4	349034	SAFETY COTTER	
5A	500306	INNER CLAMP HALF	
5B	550762	CASTER CLAMP LXJ RECESS	RIGHT
5C	550763	CASTER CLAMP LXJ RECESS	LEFT
6A	500307	OUTER CLAMP HALF	
6B	550760	CASTER CLAMP LXJ	RIGHT
6C	550761	CASTER CLAMP LXJ	LEFT
8	349500	1 1/8 x 1/2 BEARING	
9	561070	CASTER CAP PLASTIC	

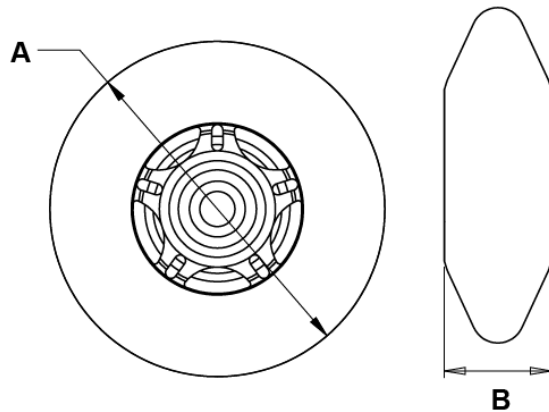
Pos.	Item Number	Description	Remarks
9	920028	CASTER CAP PLASTIC	PAIR
11	561050	ANTI-FLUTTER BUSHING	USED WITH 8" CASTERS
12A	225204	1/4-28 X 2 SOC HD C/S	Used on High Angle Caster Plate
12B	481017	1/4 - 28 x 1.688 ECCENTRIC BOLT	Discontinued on chair 8/1/02
13	349027	1/4 x 2 CLEVIS PIN	
14	262128	WASHER ECCENTRIC HD 1/4IN HOLE	Used on High Angle Caster Plate
15	106943	WASHER FLAT AN 1/4 ROHS	Used on High Angle Caster Plate
7A, 8	780210	CASTER PLATE DOUBLE BEARING BLK	RIGHT-Discontinued on chair 8/1/02
7A, 8	780212	CASTER PLATE DOUBLE BEARING BLK	LEFT-Discontinued on chair 8/1/02
7A, 8, 11	780200	CASTER PLATE SINGLE BEARING BLK	RIGHT-Discontinued on chair 8/1/02
7A, 8, 11	780201	CASTER PLATE SINGLE BEARING BLK	LEFT-Discontinued on chair 8/1/02
7B,8	780204	CASTER PLATE HI ANG R DBL BRNG	RIGHT-Effective on chair 8/1/02
7B,8	780205	CASTER PLATE HI ANG L DBL BRNG	LEFT-Effective on chair 8/1/02
7B,7,11	780206	CASTER PLATE HI ANG R SNG BRNG	RIGHT-Effective on chair 8/1/02
7B,7,11	780207	CASTER PLATE HI ANG L SNG BRNG	LEFT-Effective on chair 8/1/02
3-9, 12B, 13	780060	CASTER PLATE GP COMPLETE BLK	RIGHT-Discontinued on chair 8/1/02
3-9, 12B, 13	780061	CASTER PLATE GP COMPLETE BLK	LEFT-Discontinued on chair 8/1/02

Note: to ensure that the lights will function in the Micro Light Up Caster, qty 2 each of p/n 106947 will be required per caster when retrofitting Micro Light Up Casters to the chair.



CASTER MEASURING GUIDE

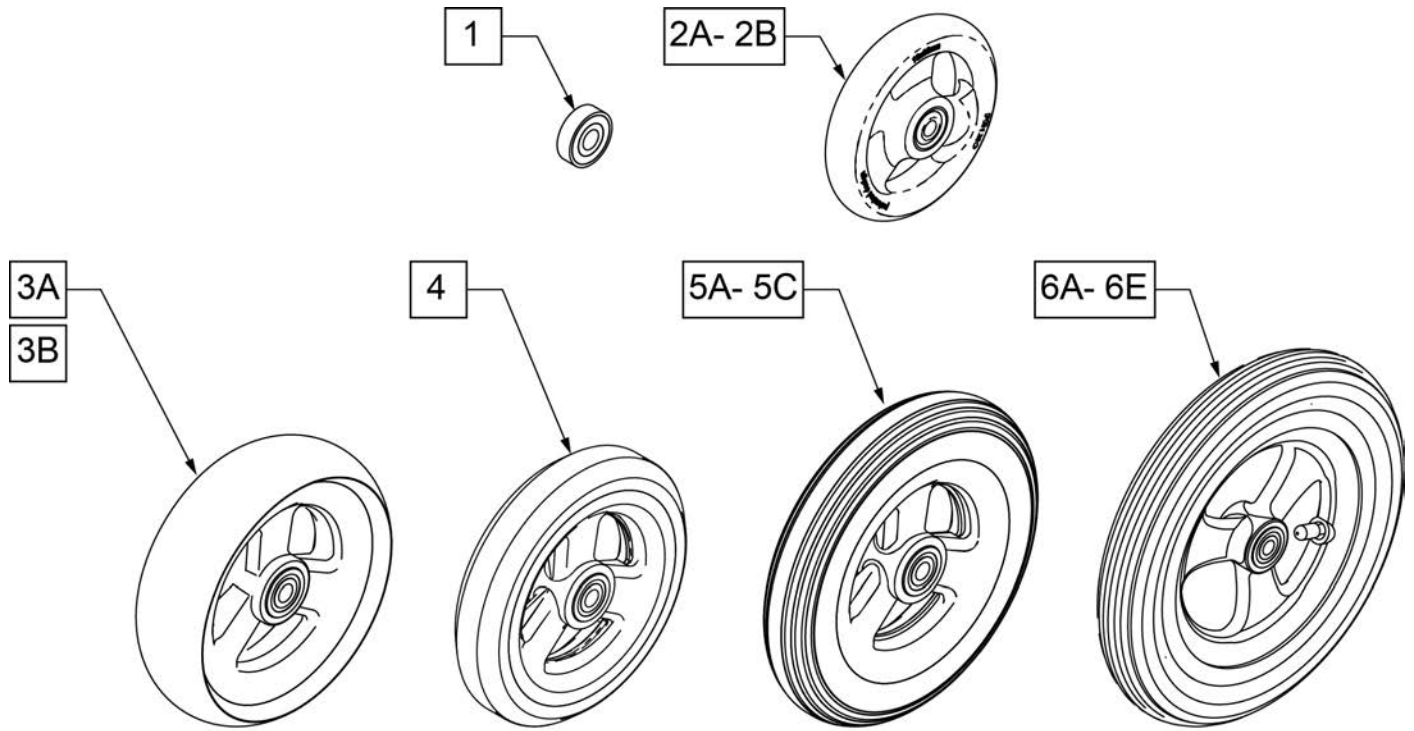
PART NUMBER	"A" TIRE DIAMETER	"B" HUB WIDTH
400108	4.0	1.0
400107	3.0	1.0
052129	4.7	1.0



Pos.	Item Number	Description	HPCP	Remarks
1	349502	7/8"x 5/16" BEARING		
2A	400108	4" MICRO CASTER LIGHTED	K0077	4" MICRO LIGHTED
2B	920025	3" MICRO CASTER W/ BEARING -PAIR	K0077	PAIR 3" MICRO
2C	400107	3" MICRO CASTER LIGHTED	K0077	3" MICRO LIGHTED
3	052129	5" MICRO CASTER LIGHTED	K0077	5" MICRO LIGHTED
4	106947	WASHER FLAT THIN AN 5/16 ROH		

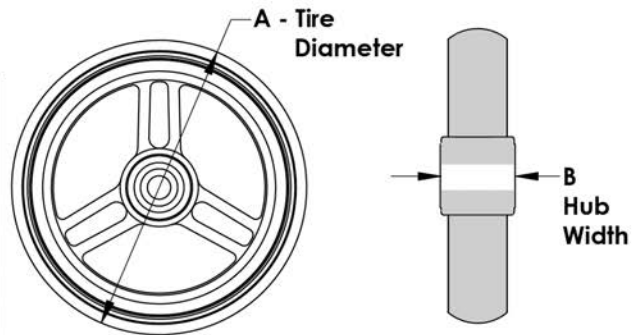
NOTE: 7" and 8" Casters are not available with Integral Bearing Forks.

Note: When 6" casters or larger casters are used, Anti Flutter Kit must be installed. See Standard Multi Position Fork page.

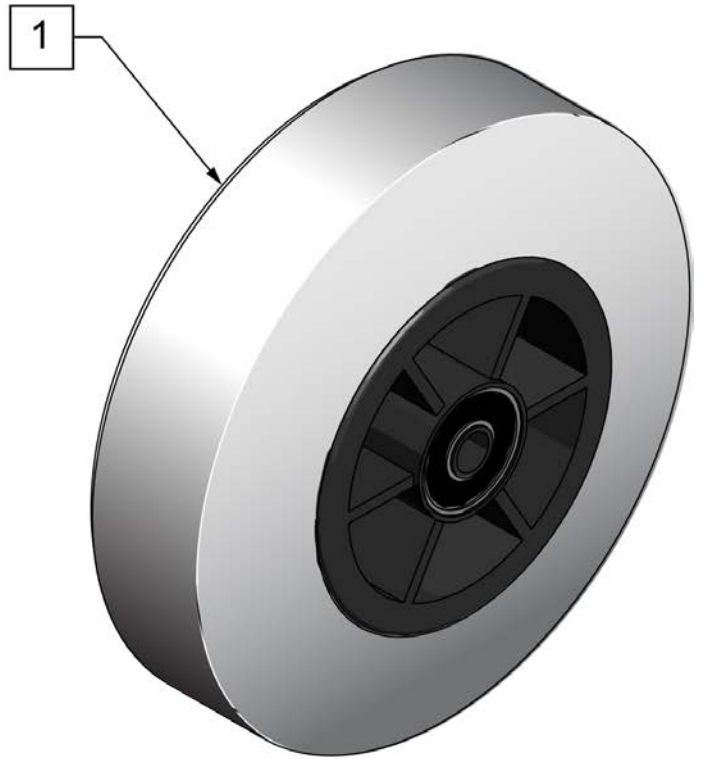
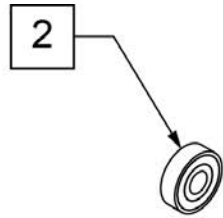


**CASTER
MEASURING GUIDE**

PART NUMBER	"A" TIRE DIAMETER	"B" HUB WIDTH	PART NUMBER	"A" TIRE DIAMETER	"B" HUB WIDTH
101957	4.3	1.0	101256	5.75	1.0
101098	4.0	1.0	101257	5.9	1.0
101259	4.9	1.0	400212	8.0	1.0
101255	5.7	1.0	400213	7.8	1.0
101254	4.9	1.0	400214	6.9	1.0
			400215	7.25	1.0

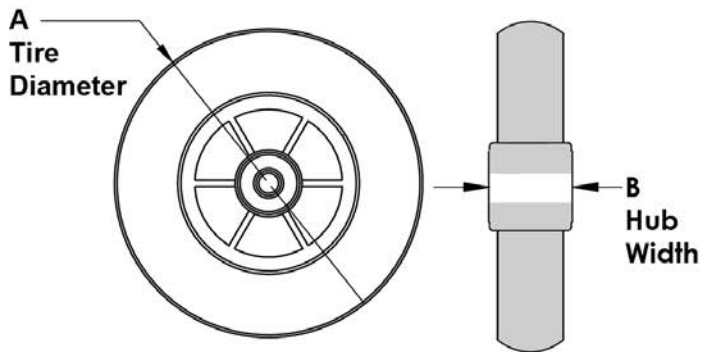


Pos.	Item Number	Description	Remarks
1	349502	7/8"x 5/16" BEARING	
2A	101957	4"X1-1/4 POLY 3 SPOKE CSTR	4" X 1.25 SEMI-PNEUMATIC
2B	101098	CASTER 4" PLASTIC/POLY W/BRG	4" LOW PROFILE POLY
3A	101259	5"X1-1/2" POLY 3 SPOKE CSTR	5" x 1.5" SEMI-PNEUMATIC
3B	101255	6"X1-1/2" POLY 3 SPOKE CSTR	6" x 1.5" SEMI-PNEUMATIC
4	101254	5" LOW POLY 3 SPOKE CASTER	5" LOW PROFILE POLY
5A	101256	6" SEMI PNEU 3 SPOKE CASTER	6" POLY
5B	101257	6" PNEUMATIC 3 SPOKE CASTER	6" PNEUMATIC
5C	383245	6" PNEUMATIC TIRE & TUBE	
6A	400212	CASTER 8" PNEU 3 SPK ASSM	8" PNEUMATIC
6B	400213	CASTER 8" POLY 3 SPK ASSM	8" POLY
6C	400214	CASTER 7" LOW POLY 3 SPK ASSM	7" x LOW PROFILE POLY
6D	383255	8" PNEUMATIC TIRE & TUBE	
6E	400215	CASTER 8" WIDE POLY 3 SPK ASSM	8" x 1.5" LOW POLY

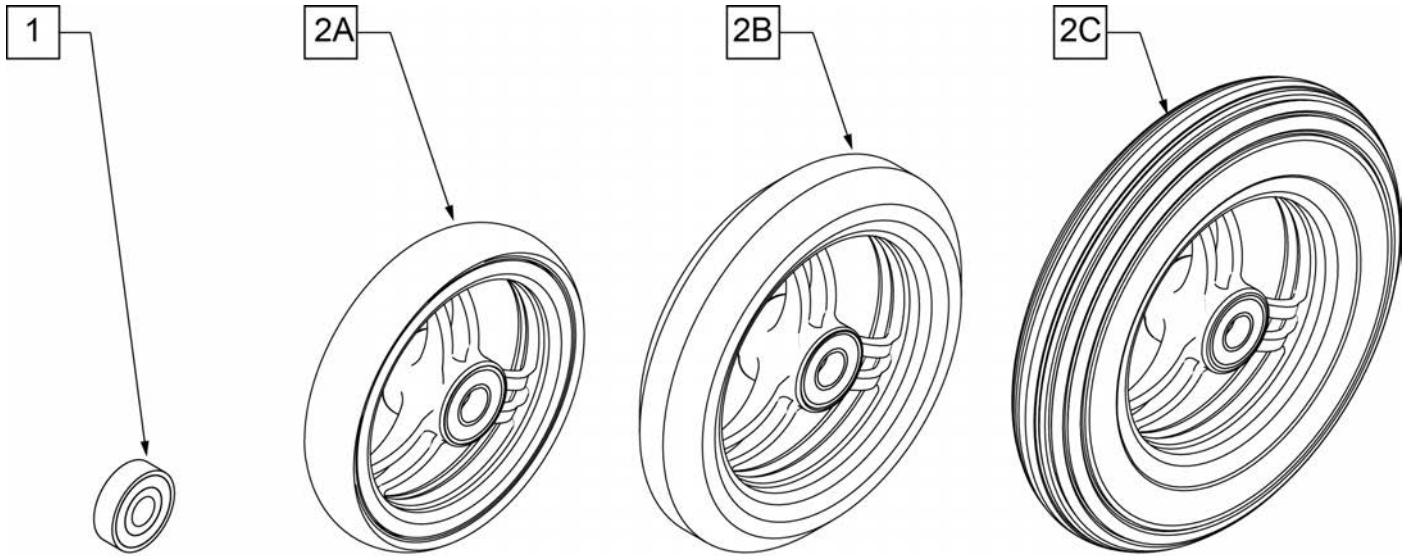


**CASTER
MEASURING GUIDE**

"A" TIRE DIAMETER	"B" HUB WIDTH
4.9"	1.5"

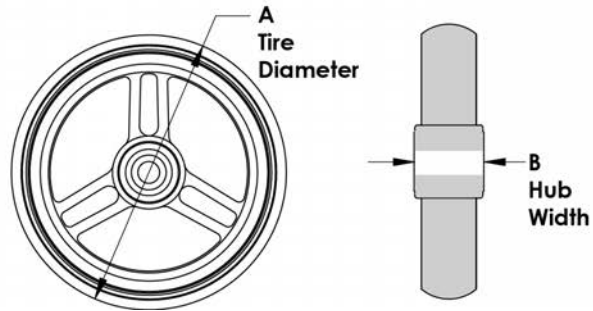


Pos.	Item Number	Description	HPCP	Remarks
1	400103	CASTER 5" SOFT ROLL W/BRNGS	K0077	5" SOFT ROLL SEMI PNEU (GREY)
2	349502	7/8"x 5/16" BEARING		

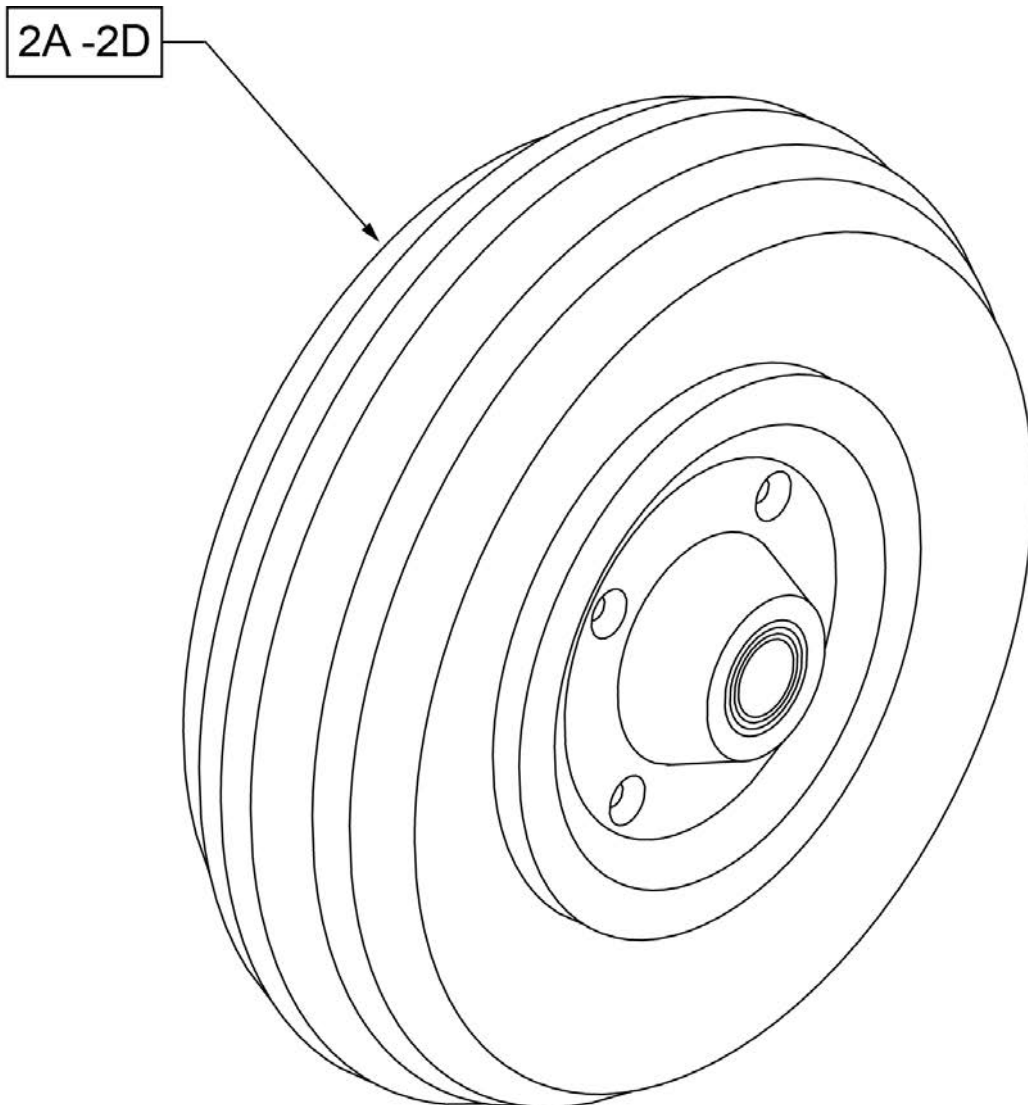
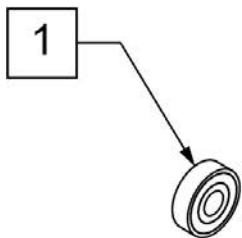


**CASTER
MEASURING GUIDE**

"A" TIRE DIAMETER	"B" HUB WIDTH
4"	1"
5"	1"
6"	1"



Pos.	Item Number	Description	HCPC	Remarks
1	349502	7/8"x 5/16" BEARING		
2A	101946-001	CASTR 4X1 ALUM/POLY W/BRG CLR	K0077	4" x 1" ALUMINUM POLY
2B	101946-002	CASTR 5X1 ALUM/POLY W/BRG CLR	K0077	5" x 1" ALUMINUM POLY
2C	101946-003	CASTR 6X1 ALUM/POLY W/BRG CLR	K0077	6" x 1" ALUMINUM POLY



**CASTER
MEASURING GUIDE**

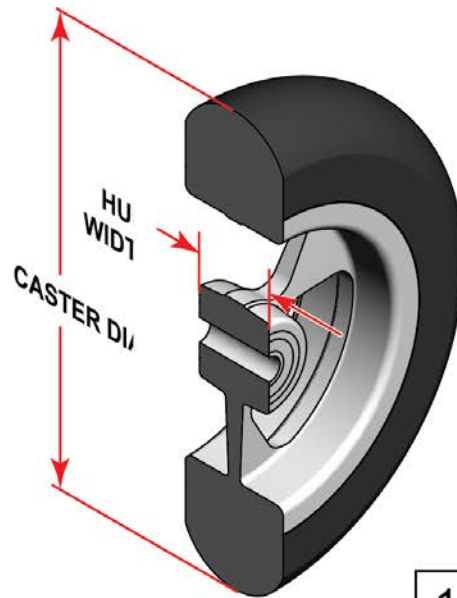
TIRE DIAMETER	HUB WIDTH
8"	2.6"

Pos.	Item Number	Description	Remarks
1	349502	7/8"x 5/16" BEARING	
2A	400700	8" X 2" CMPST W/PNEU & BEARING	8" x 2" PNEUMATIC
2B	400702	8" X 2" CMPST W/PNEU INSRT&BRG	8" x 2" PNEUMATIC W/ INSERT
2C	384700	TIRE PNEUMATIC 8" x 2"	
2D	384730	INNER TUBE CASTER 8" x 2"	

Note: WHEEL CASTER 3" ULTRALITE SFTRLL no longer available as of April 22, 2020

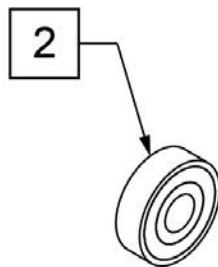


SIDE VIEW

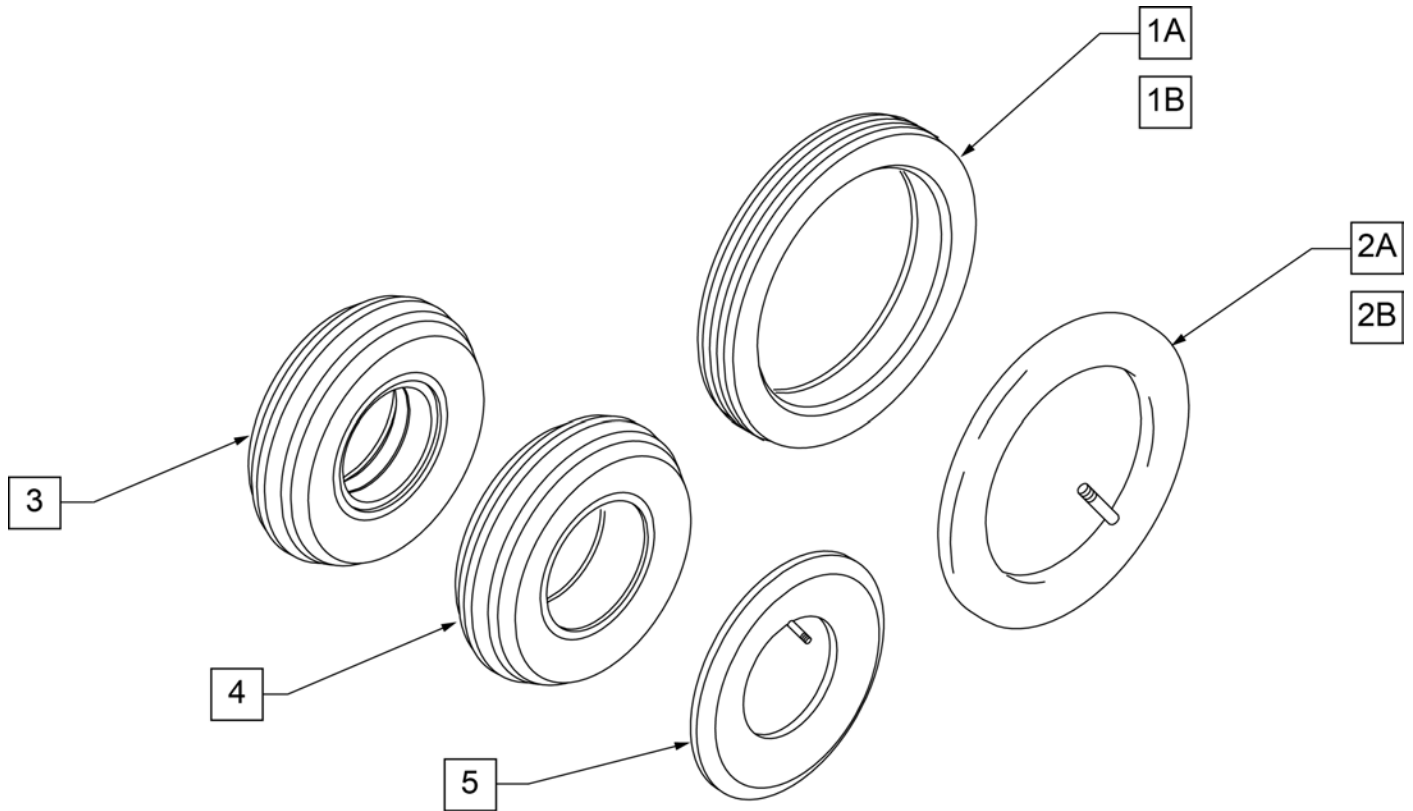


CASTER MEASURING GUIDE

TIRE DIAMETER	HUB WIDTH
3	1
4 1/8	1
5	1
6	1



Pos.	Item Number	Description	HCPC	Remarks
1	251732	CASTR ASSM ULTRLT SFTRL 4X1.5"	K0077	4" x 1.5" Aluminum Soft Roll - Black Tire - Silver Hub
1	251733	CASTR ASSM ULTRLT SFTRL 5X1.5"	K0077	5" x 1.5" Aluminum Soft Roll - Black Tire - Silver Hub
1	251734	CASTR ASSM ULTRLT SFTRL 6X1.5"	K0077	6" x 1.5" Aluminum Soft Roll - Black Tire - Silver Hub
		ANODIZED		
1	162609S	WHL CSTR 4" ULTRALT SFTRL ANO		4" x 1.5" Aluminum Soft Roll - Black Tire - Anodized Hub
1	162611S	WHL CSTR 5" ULTRALT SFTRLL ANO		5" x 1.5" Aluminum Soft Roll - Black Tire - Anodized Hub
1	162613S	WHL CSTR 6" ULTRALT SFTRLL ANO		6" x 1.5" Aluminum Soft Roll - Black Tire - Anodized Hub
2	349502	7/8" X 5/16" BEARING		

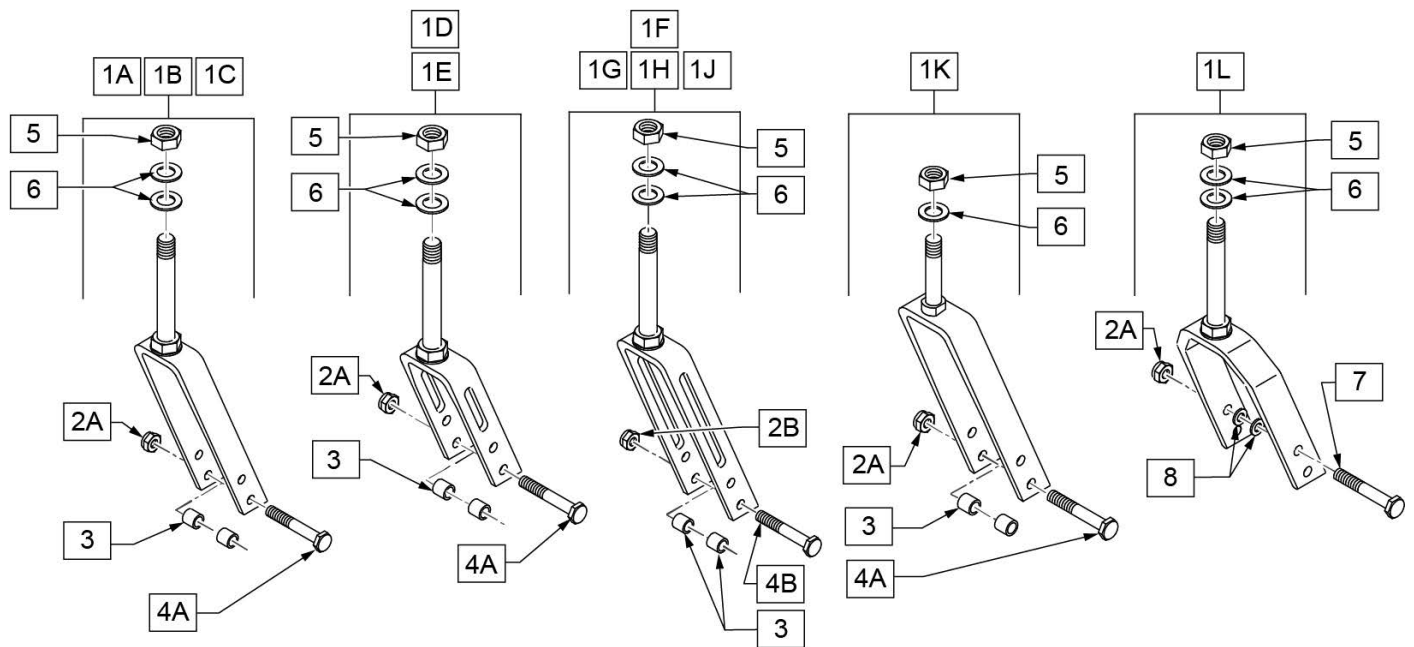


Pos.	Item Number	Description
1A	383250	8" PNEUMATIC TIRE
1B	383240	6" PNEUMATIC TIRE
2A	382250	8" TUBE
2B	382245	6" TUBE
3	384701	TIRE FOAMED INSERT 8" x 2"
4	384700	TIRE PNEUMATIC 8" x 2"
5	384730	INNER TUBE CASTER 8" x 2"
1A,2A	383255	8" PNEUMATIC TIRE AND TUBE

Note: discontinued on LX/LXI as of 10/24/2008 -- parts only for chairs built prior to S/N LX-034330.

Note: some assemblies include Caster Pin Locks, not shown; please refer to CASTER PIN LOCKS parts page.

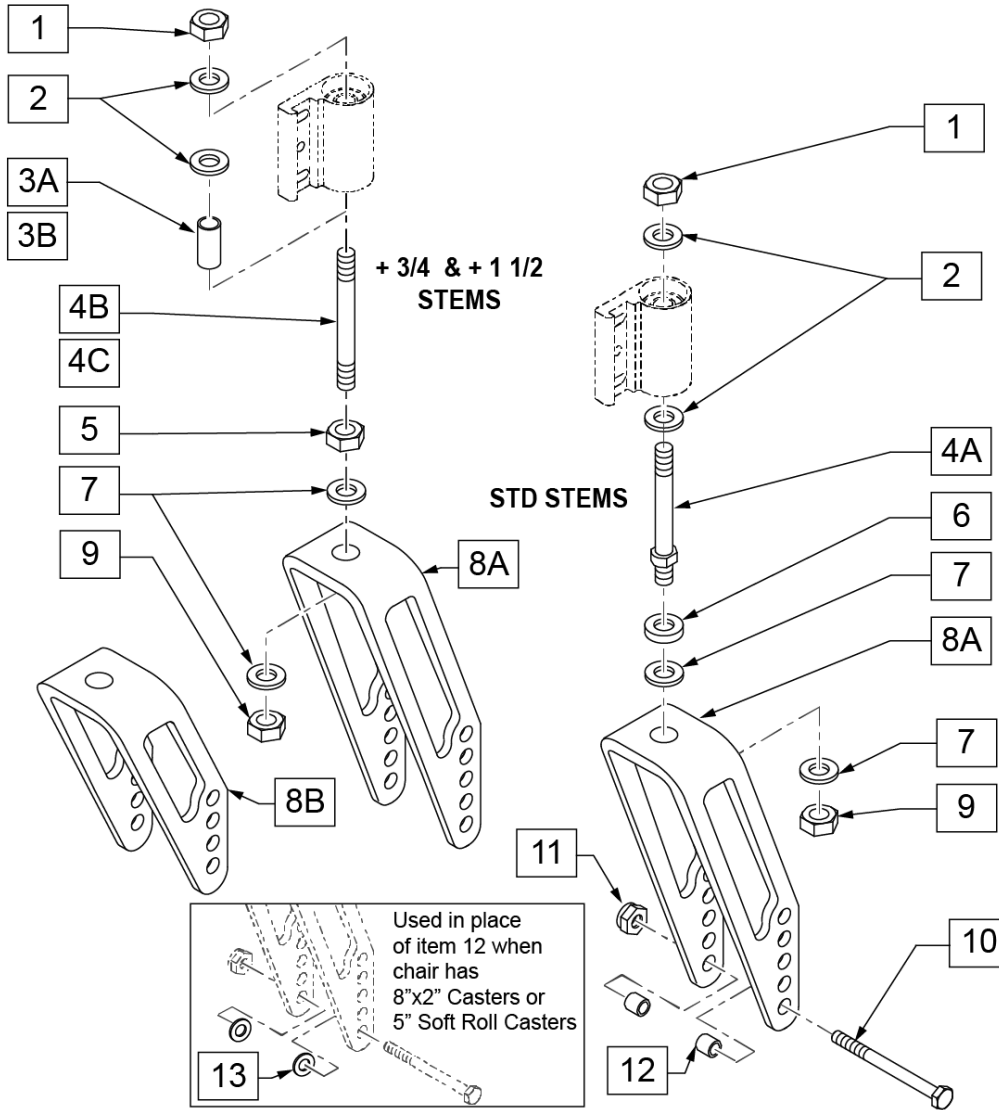
Note: some assemblies include Caster Stem Spacers, not shown; please refer to CASTER STEMS parts page.



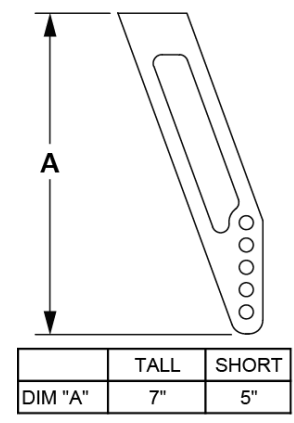
Pos.	Item Number	Description	Remarks
1A	780800	5 1/4 STD STEM W/ HDWR BLK	
1A	780802	5 1/4 STD STEM PL W/ HDWR BLK	Right; w/ Caster Pin Lock
1A	780803	5 1/4 STD STEM PL W/ HDWR BLK	Left; w/ Caster Pin Lock
1A	780804	5 1/4 + 3/4 STEM W/ HDWR BLK	
1A	780806	5 1/4 + 3/4 STEM PL W/ HDWR BLK	Right; w/ Caster Pin Lock
1A	780807	5 1/4 + 3/4 STEM PL W/ HDWR BLK	Left; w/ Caster Pin Lock
1A	780808	5 1/4 + 1 1/2 STEM W/ HDWR BLK	
1A	780810	5 1/4 + 1 1/2 STEM PL W/ HDWR BLK	Right; w/ Caster Pin Lock
1A	780811	5 1/4 + 1 1/2 STEM PL W/ HDWR BLK	Left; w/ Caster Pin Lock
1A	780812	5 1/4 QR W/ HDWR O/S	
1A	780813	5 1/4 QR PL W/ HDWR O/S	
1B	780640	6 1 1/2 STEM BLK	
1B	780840	6 STD STEM W/ HDWR BLK	
1B	780842	6 STD STEM PL W/ HDWR BLK	Right; w/ Caster Pin Lock
1B	780843	6 STD STEM PL W/ HDWR BLK	Left; w/ Caster Pin Lock
1B	780844	6 + 3/4 STEM W/ HDWR BLK	
1B	780846	6 + 3/4 STEM PL W/ HDWR BLK	Right; w/ Caster Pin Lock
1B	780847	6 + 3/4 STEM PL W/ HDWR BLK	Left; w/ Caster Pin Lock
1B	780848	6 + 1 1/2 STEM W/ HDWR BLK	
1B	780850	6 + 1 1/2 STEM PL W/ HDWR BLK	Right; w/ Caster Pin Lock

Pos.	Item Number	Description	Remarks
1B	780851	6 + 1 1/2 STEM PL W/ HDWR BLK	Left; w/ Caster Pin Lock
1B	780852	6 QR W/ HDWR O/S	w/ Quick Release Stem
1B	780853	6 QR PL W/ HDWR O/S	w/ Quick Release Stem
1C	780880	7 STD STEM W/ HDWR BLK	
1C	780882	7" STD STEM PL R W/HDWR BLK	Right; w/ Caster Pin Lock
1C	780883	7" STD STEM PL L W/HDWR BLK	Left; w/ Caster Pin Lock
1C	780884	7"+3/4 STEM W/HDWR BLK	
1C	780886	7"+3/4 STEM PL R W/HDWR BLK	Right; w/ Caster Pin Lock
1C	780887	7"+3/4 STEM PL L W/HDWR BLK	Left; w/ Caster Pin Lock
1C	780888	7"+1 1/2 STEM W/HDWR BLK	
1C	780890	7"+ 1 1/2 STEM PL R W/HDWR BLK	Right; w/ Caster Pin Lock
1C	780891	7"+ 1 1/2 STEM PL L W/HDWR BLK	Left; w/ Caster Pin Lock
1D	780950	3 1/4 GP STD STEM W/ STD HDWR	Slotted Fork
1E	780400	4 1/4 GP STD STEM W/ HDWR	Slotted Fork
1F	780814	5 1/4 GP STD STEM W/ HDWR	Slotted Fork
1F	780815	5 1/4 GP + 3/4 STEM W/ HDWR	Slotted Fork
1F	780816	5 1/4 GP + 1 1/2 STEM W/ HDWR	Slotted Fork
1F	780817	5 1/4 GP QR W/ HDWR O/S	Slotted Fork w/ Quick Release
1F	780819	5 1/4 GP STD STEM PL W/ HDWR	Right; Slotted Fork w/Caster Pin Lock
1F	780820	5 1/4 GP STD STEM PL W/ HDWR	Left; Slotted Fork w/Caster Pin Lock
1F	780822	5 1/4 GP + 3/4 STEM PL W/ HDWR	Right; Slotted Fork w/Caster Pin Lock
1F	780823	5 1/4 GP + 3/4 STEM PL W/ HDWR	Left; Slotted Fork w/Caster Pin Lock
1F	780825	5 1/4 GP + 1 1/2 STEM PL W/ HDWR	Right; Slotted Fork w/Caster Pin Lock
1F	780826	5 1/4 GP + 1 1/2 STEM PL W/ HDWR	Left; Slotted Fork w/Caster Pin Lock
1F	780827	5 1/4 GP QR	Slotted Fork w/ Quick Release Stem
1G	780852	6 QR W/ HDWR O/S	Slotted Fork w/ Quick Release Stem
1G	780853	6 QR PL W/ HDWR O/S	w/ Caster Pin Lock
1G	780854	6 GP STD STEM W/ HDWR	Slotted Fork
1G	780855	6 GP + 3/4 STEM W/ HDWR	Slotted Fork
1G	780856	6 GP + 1 1/2 STEM W/ HDWR	Slotted Fork
1G	780857	6 GP QR W/ HDWR O/S	Slotted Fork w/ Quick Release
1G	780859	6 GP STD STEM PL W/ HDWR	Right; Slotted Fork w/Caster Pin Lock
1G	780860	6 GP STD STEM PL W/ HDWR	Left; Slotted Fork w/Caster Pin Lock
1G	780862	6 GP + 3/4 STEM PL W/ HDWR	Right; Slotted Fork w/Caster Pin Lock
1G	780863	6 GP + 3/4 STEM PL W/ HDWR	Left; Slotted Fork w/Caster Pin Lock
1G	780865	6 GP + 1 1/2 STEM PL W/ HDWR	Right; Slotted Fork w/Caster Pin Lock
1G	780866	6 GP + 1 1/2 STEM PL W/ HDWR	Left; Slotted Fork w/Caster Pin Lock
1G	780867	6 GP QR PL W/ HDWR O/S	Slotted Fork w/ Quick Release
1H	780894	7 GP STD STEM W/ HDWR	Slotted Fork
1H	780895	7 GP + 3/4 STEM W/ HDWR	Slotted Fork
1H	780896	7 GP + 1 1/2 STEM W/ HDWR	Slotted Fork
1H	780897	7 GP QR W/ HDWR O/S	Slotted Fork w/ Quick Release
1H	780899	7 GP STD STEM PL W/ HDWR	Right; Slotted Fork w/Caster Pin Lock
1H	780900	7 GP STD STEM PL W/ HDWR	Left; Slotted Fork w/Caster Pin Lock
1H	780902	7 GP + 3/4 STEM PL W/ HDWR	Right; Slotted Fork w/Caster Pin Lock
1H	780903	7 GP + 3/4 STEM PL W/ HDWR	Left; Slotted Fork w/Caster Pin Lock
1H	780905	7 GP + 1 1/2 STEM PL W/ HDWR	Right; Slotted Fork w/Caster Pin Lock
1H	780906	7 GP + 1 1/2 STEM PL W/ HDWR	Left; Slotted Fork w/Caster Pin Lock
1H	780907	7 GP QR PL W/ HDWR O/S	Slotted Fork w/ Quick Release
1J	780951	3 1/4 GP STD STEM W/ HDWR	Slotted Fork
1J	780953	3 1/4 GP STD STEM PL W/ HDWR	Right
1J	780954	3 1/4 GP STD STEM PL W/ HDWR	Left
1J	780955	3 1/4 GP + 3/4 STEM W/ HDWR	Slotted Fork
1J	780957	3 1/4 GP + 3/4 STEM PL W/ HDWR	Right; Slotted Fork w/Caster Pin Lock
1J	780958	3 1/4 GP + 3/4 STEM PL W/ HDWR	Left; Slotted Fork w/Caster Pin Lock
1J	780959	3 1/4 GP 3D STEM W/ HDWR TI	Note: TI

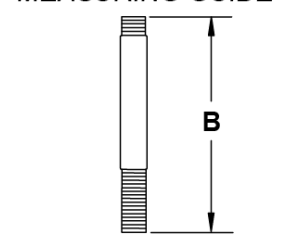
Pos.	Item Number	Description	Remarks
1J	780960	3 1/4 GP + 1 1/2 STEM W/ HDWR	Slotted Fork
1J	780962	3 1/4 GP + 1 1/2 STEM PL W/ HDWR	Right; Slotted Fork w/Caster Pin Lock
1J	780963	3 1/4 GP + 1 1/2 STEM PL W/ HDWR	Left; Slotted Fork w/Caster Pin Lock
1K	780980	4 3/4" FRK STD STEM W/HDWR BLK	
1K	780981	4 3/4 STD STEM PL W/ HDWR BLK	Right
1K	780982	4 3/4 + 3/4 STEM W/ HDWR BLK	
1K	780983	4 3/4 + 3/4 STEM PL W/ HDWR BLK	Right
1K	780986	4 3/4 STD STEM PL W/ HDWR BLK	Left
1K	780987	4 3/4 + 3/4 STEM PL W/ HDWR BLK	Left
1K	780984	4 + 1 1/2 STEM W/ HDWR BLK	
1K	780985	4 + 1 1/2 STEM PL W/ HDWR BLK	Right
1K	780988	4 + 1 1/2 STEM W/ HDWR BLK	Left
1L	787111	8 x 2 FORK STANDARD STEM W/ HDWR	Fits 8" X 2" Casters only
1L	787112	8 x 2 + 3/4 STEM W/ HDWR	Fits 8" X 2" Casters only
1L	787113	8 x 2 + 1 1/2 STEM W/ HDWR	Fits 8" X 2" Casters only
2A	106939	5/16 - 24 NYLOCK NUT THIN	
2B	330005	5/16 - 24 NYLOCK NUT ALUMINUM	
3	481113	SPACER 5/16 x .380	
4A	106987	5/16 -24 x 2 1/2 HEX C/S	
4B	330110	5/16 - 24 x 2 1/2 HEX C/S TI	
5	106940	NUT NYLOCK THIN 1/2-20	
6	106949	1/2 AN WASHER FLAT	
7	222253	5/16 -24 x 3 1/4 HEX C/S	
8	106947	5/16 AN WASHER FLAT	



MEASURING GUIDE



MEASURING GUIDE

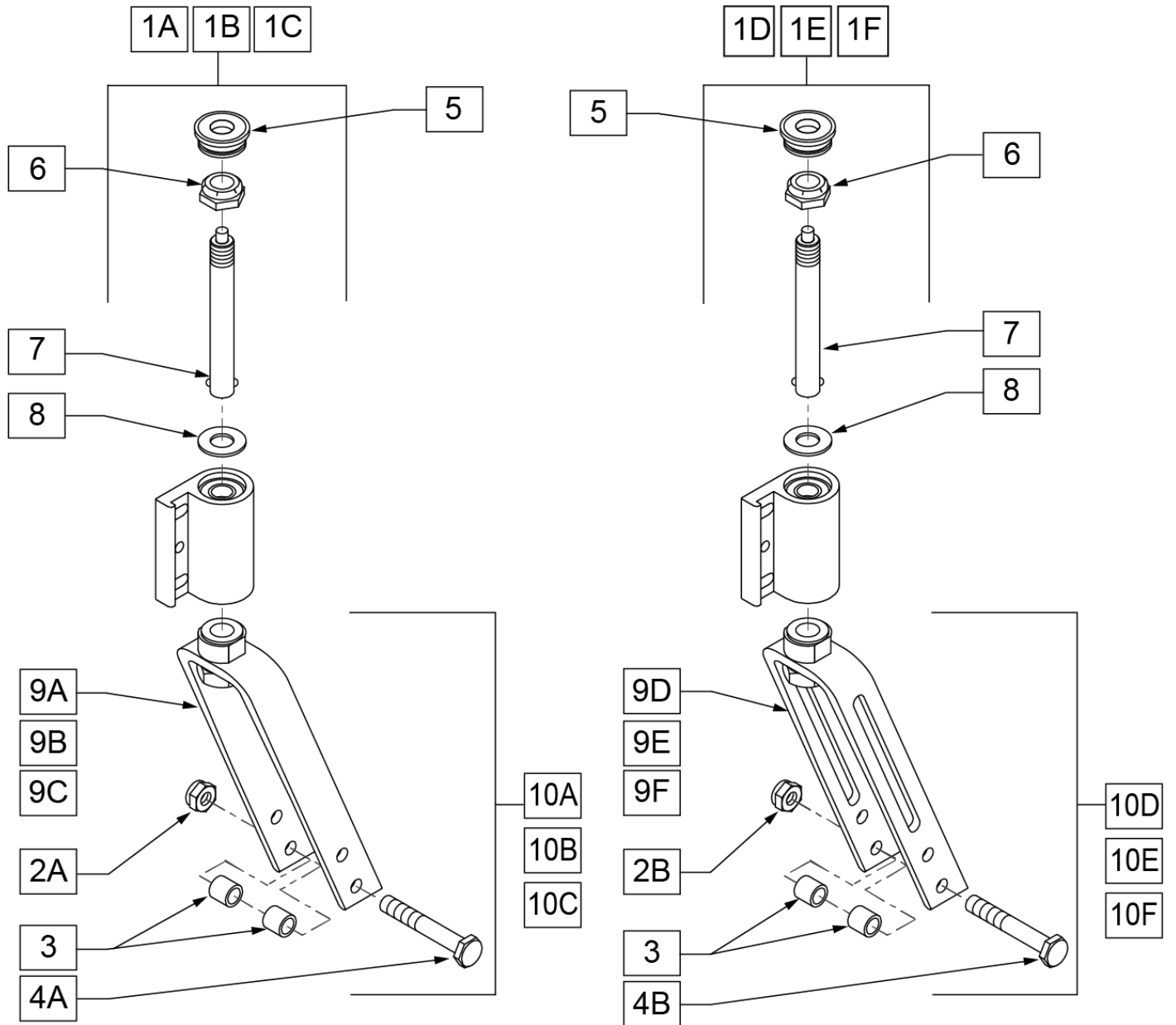


NOTE: CASTER STEM DIAMETER IS 1/2".

Pos.	Item Number	Description	Remarks
1	106940	1/2 - 20 NYLOCK NUT	
2	106949	1/2 AN WASHER FLAT	
3A	521560	+ 3/4" CASTER STEM SPACER BLK	
3B	521562	+ 1 1/2" CASTER STEM SPACER BLK	
4A	481712	CASTER STEM P1/P5	Standard Stem
4B	481004	CASTER STEM + 3/4"	+ 3/4"
4C	481006	CASTER STEM + 1-1/2"	+ 1 1/2"
5	203110	1/2 - 20 JAM NUT	
6	483254	SPACER .50 ID x .88 OD x .125	
7	106949	1/2 AN WASHER FLAT	
8A	550644	MULTI-POSITION FORK TALL	
8B	550646	MULTI-POSITION FORK SHORT	
9	106940	1/2 - 20 NYLOCK NUT	
10	106987	5/16 - 24 x 2 1/2 HEX C/S	
11	106939	5/16 - 24 NYLOCK NUT THIN	
12	481113	SPACER 5/16 x .380	
13	106946	WASHER FLAT AN 5/16 ROHS	Used with 8"x2" Casters, 5" Soft Roll Casters

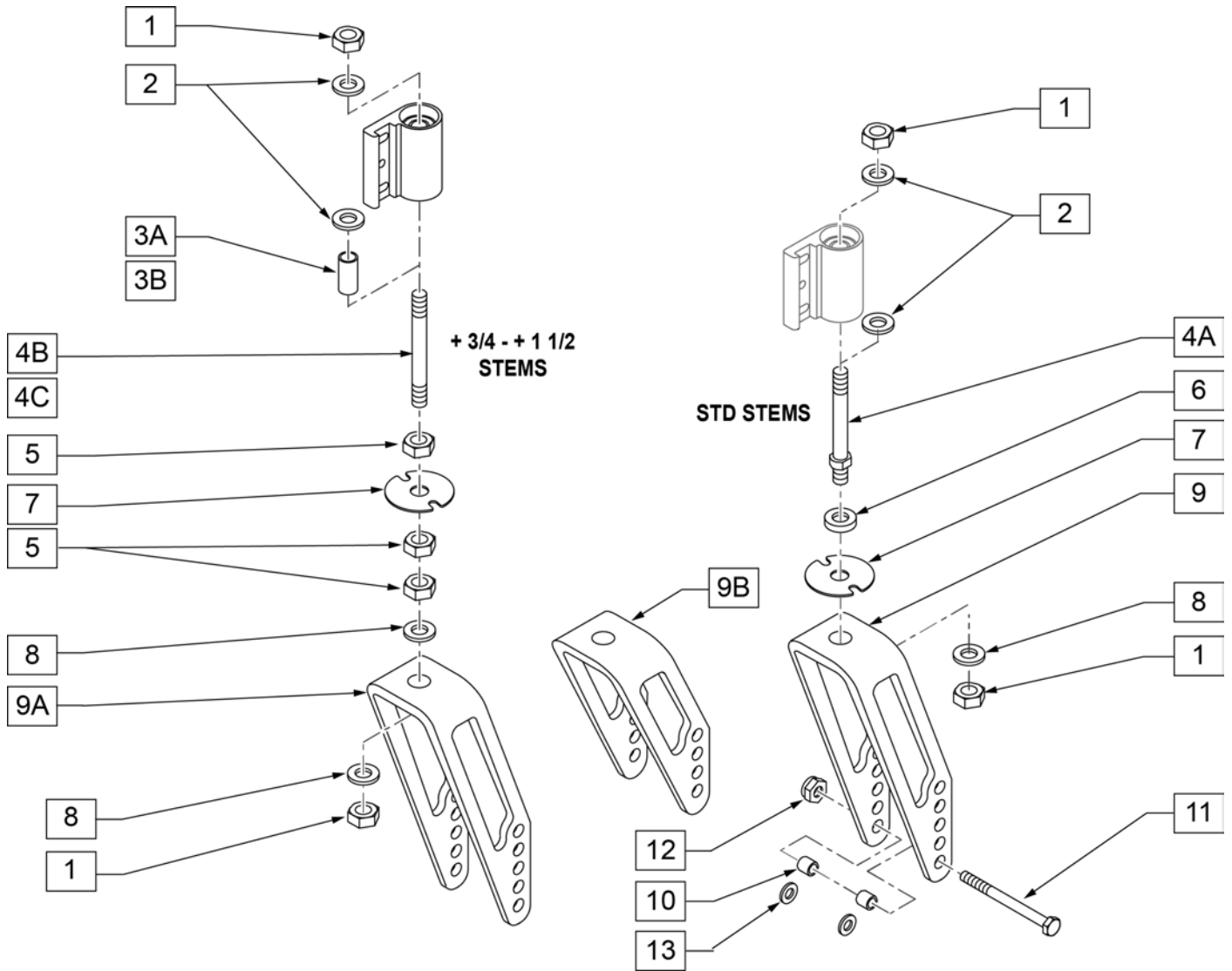
Pos.	Item Number	Description	Remarks
4A, 6, 7, 8A, 9	780236	MULTI-POSITION FORK TALL STD STEM	
4B, 5, 7, 8A, 9	780237	MULTI-POSITION FORK TALL 3/4 STEM	
4C, 5, 7, 8B, 9	780238	MULTI-POSITION FORK TALL 1 1/2 STEM	
4A, 6, 7, 8B, 9	780239	MULTI-POSITION FORK SHORT STD STEM	
4B, 5, 7, 8B, 9	780240	MULTI-POSITION FORK SHORT 3/4 STEM	
4C, 5, 7, 8B, 9	780241	MULTI-POSITION FORK SHORT 1 1/2 STEM	
1, 2, 4A, 6,7,8A-12	780330	MULTI-POSITION FORK TALL STD STEM W/ HDWR	
1-3A, 4B, 5, 7,8A-12	780331	MULTI-POSITION FORK TALL 3/4 STEM W/ HDWR	
1, 2, 3B, 4C, 5, 7,8A-12	780332	MULTI-POSITION FORK TALL 1 1/2 STEM W/HDWR	
1, 2, 4A, 6, 7, 8B, 9-12	780333	MULTI-POSITION FORK SHORT STD STEM W/ HDWR	
1-3A, 4B, 5, 7, 8B, 9-12	780334	MULTI-POSITION FORK SHORT 3/4 STEM W/HDWR	
1, 2, 3B, 4C, 5, 7, 8B, 9-12	780335	MULTI-POSITION FORK SHORT 1 1/2 STEM W/HDWR	

NOTE: Discontinued for LX/LXI as of 10/24/2008.



Pos.	Item Number	Description	Remarks
1A	780798	5 1/4" FORK AND STEM ASSM QR	
1B	780838	6" FORK AND STEM ASSM QR	
1C	780878	7" FORK AND STEM ASSM QR	
1D	780829	5 1/4" SLOTTED FORK AND STEM ASSM QR	
1E	780869	6" SLOTTED FORK AND STEM ASSM QR	
1F	780909	7" SLOTTED FORK AND STEM ASSM QR	
2A	106939	5/16 - 24 NYLOCK NUT THIN	
2B	330005	5/16 - 24 NYLOCK NUT ALUMINUM	
3	481113	SPACER 5/16 x .380	

Pos.	Item Number	Description	Remarks
4A	106987	5/16 - 24 x 2 1/2 HEX CS	
4B	330110	5/16 - 24 x 2 1/2 HEX CS TI	
5	561170	CASTER CAP PLASTIC WHOLE	
5	901021	CASTER HOUSING CAP W/HOLE	PAIR
6	106940	NUT NYLOCK THIN 1/2-20	
7	349006	QUICK RELEASE CASTER STEM	
8	106949	1/2 " AN WASHER FLAT	
6-8	920123	CASTER STEM W/ HARDWARE QR	
6-8	920127	CASTER STEM W/ HARDWARE SLOTTED QR	
9A	780592	5 1/4" FORK AND ADAPTER QU	
9B	780692	6" FORK AND ADAPTER QU	
9C	780792S	7" FORK AND ADAPTER QU	
9D	780593	5 1/4" SLOTTED FORK AND ADAPTER QU	
9E	780693	6" SLOTTED FORK AND ADAPTER QU	
9F	780793S	7" SLOTTED FORK AND ADAPTER QU	
10A	780797	5 1/4" FORK W/ HARDWARE QU	
10B	780837	6" FORK W/ HARDWARE QU	
10C	780877	7" FORK W/ HARDWARE QU	
10D	780828	5 1/4" SLOTTED FORK W/ HARDWARE QR	
10E	780868	6" SLOTTED FORK W/ HARDWARE QR	
10F	780908	7" SLOTTED FORK W/ HARDWARE QR	

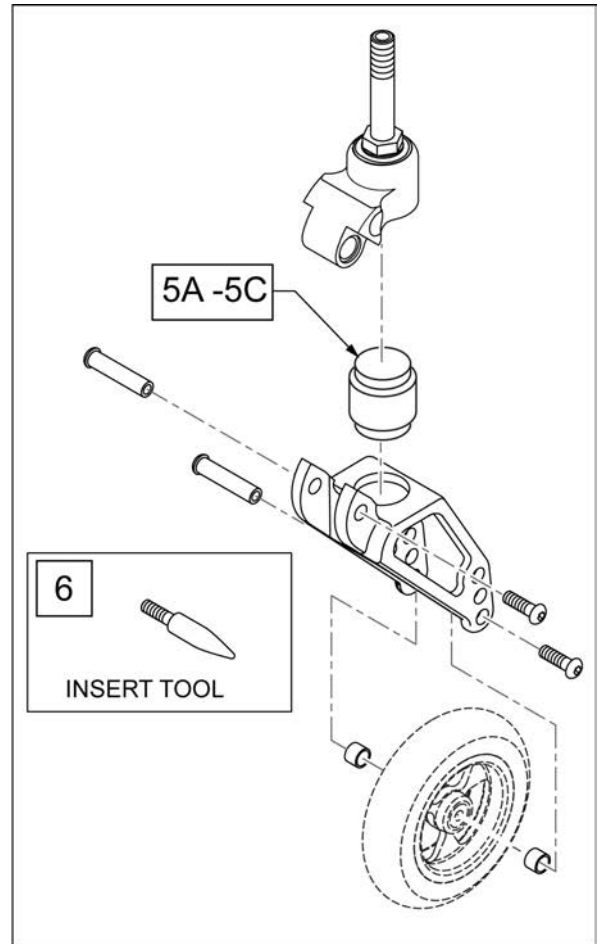
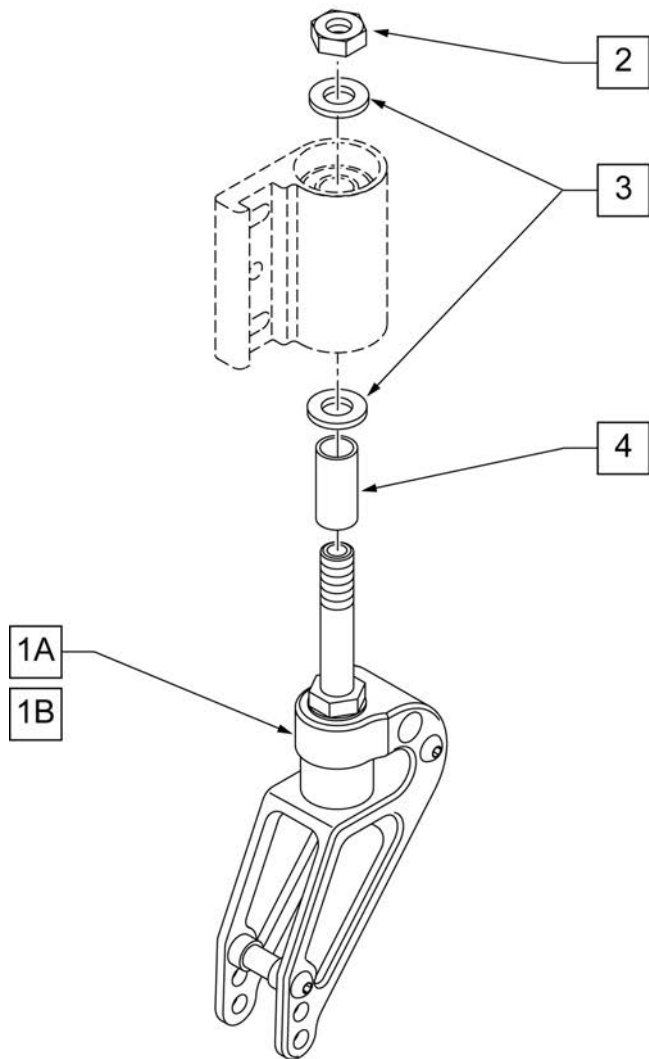


Pos.	Item Number	Description	Remarks
1	106940	1/2 - 20 NYLOCK NUT	
2	106949	1/2 AN WASHER FLAT	
3A	521560	3/4" CASTER STEM SPACER BLK	
3B	521562	1 1/2" CASTER STEM SPACER BLK	
4A	481712	CASTER STEM P1/P5	
4B	481005	CASTER STEM + 3/4" PIN LOCK	
4C	481007	CASTER STEM + 1-1/2" PIN LOCK	
5	203110	1/2 - 20 JAM NUT	
6	483254	SPACER .50 ID x .88 OD x .125	
7	505012	CASTER PIN LOCK PLATE	
8	106949	1/2" AN WASHER FLAT	
9A	550644	MULTI-POSITION FORK TALL	
9B	550646	MULTI-POSITION FORK SHORT	
10	481113	SPACET 5/16 x .380	
11	106987	5/16 - 24 x 2 1/2 HEX C/S	
12	106939	5/16 - 24 NYLOCK NUT THIN	
1,4A, 6, 7, 8,9A	780242	MULTI-POSITION FORK TALL STD STEM PL	RIGHT

Pos.	Item Number	Description	Remarks
1,4A, 6, 7, 8,9A	780243	MULTI-POSITION FORK TALL STD STEM PL	LEFT
1,4B, 5, 7, 8,9A	780244	MULTI-POSITION FORK TALL 3/4 STEM PL	RIGHT
1,4B, 5, 7-9	780245	MULTI-POSITION FORK TALL 3/4 STEM PL	LEFT
1,4C, 5, 7-9	780246	MULTI-POSITION FORK TALL 1 1/2 STEM PL	RIGHT
1,4C, 5, 7-9	780247	MULTI-POSITION FORK TALL 1 1/2 STEM PL	LEFT
1,4A, 6-8, 9B	780248	MULTI-POSITION FORK SHORT STD STEM PL	RIGHT
1,4A, 6-8, 9B	780249	MULTI-POSITION FORK SHORT STD STEM PL	LEFT
1,4B, 5, 7, 8, 9B	780254	MULTI-POSITION FORK SHORT 3/4 STEM PL	RIGHT
1,4B, 5, 7, 8, 9B	780255	MULTI-POSITION FORK SHORT 3/4 STEM PL	LEFT
1,4C, 5, 7, 8, 9B	780256	MULTI-POSITION FORK SHORT 1 1/2 STEM PL	RIGHT
1,4C, 5, 7, 8, 9B	780257	MULTI-POSITION FORK SHORT 1 1/2 STEM PL	LEFT
1, 2, 4, 6, 7-12	780336	MULTI-POSITION FORK TALL STD STEM PL W/HDWR	RIGHT
1, 2, 4, 6, 7-12	780337	MULTI-POSITION FORK TALL STD STEM PL W/HDWR	LEFT
1-3, 4B, 5, 7-12	780338	MULTI-POSITION FORK TALL 3/4 STEM PL W/HDWR	RIGHT
1-3, 4B, 5, 7-12	780339	MULTI-POSITION FORK TALL 3/4 STEM PL W/HDWR	LEFT
1, 2, 3B, 4C, 5, 7-12	780340	MULTI-POSITION FORK TALL 1 1/2 STEM PL W/HDWR	RIGHT
1, 2, 3B, 4C, 5, 7-12	780341	MULTI-POSITION FORK TALL 1 1/2 STEM PL W/HDWR	LEFT
1, 2, 4A, 6-8, 9B, 10-12	780342	MULTI-POSITION FORK SHORT STD STEM PL W/HDWR	RIGHT
1, 2, 4A, 6-8, 9B, 10-12	780343	MULTI-POSITION FORK SHORT STD STEM PL W/HDWR	LEFT
1, 2, 3, 4B, 5, 7, 8, 9B, 10-12	780344	MULTI-POSITION FORK SHORT 3/4 STEM PL W/HDWR	RIGHT
1, 2, 3, 4B, 5, 7, 8, 9B, 10-12	780345	MULTI-POSITION FORK SHORT 3/4 STEM PL W/HDWR	LEFT
1, 2, 3B, 4C, 5, 7, 8, 9B, 10-12	780346	MULTI-POSITION FORK SHORT 1 1/2 STEM PL W/HDWR	RIGHT
1, 2, 3B, 4C, 5, 7, 8, 9B, 10-12	780347	MULTI-POSITION FORK SHORT 1 1/2 STEM PL W/HDWR	LEFT

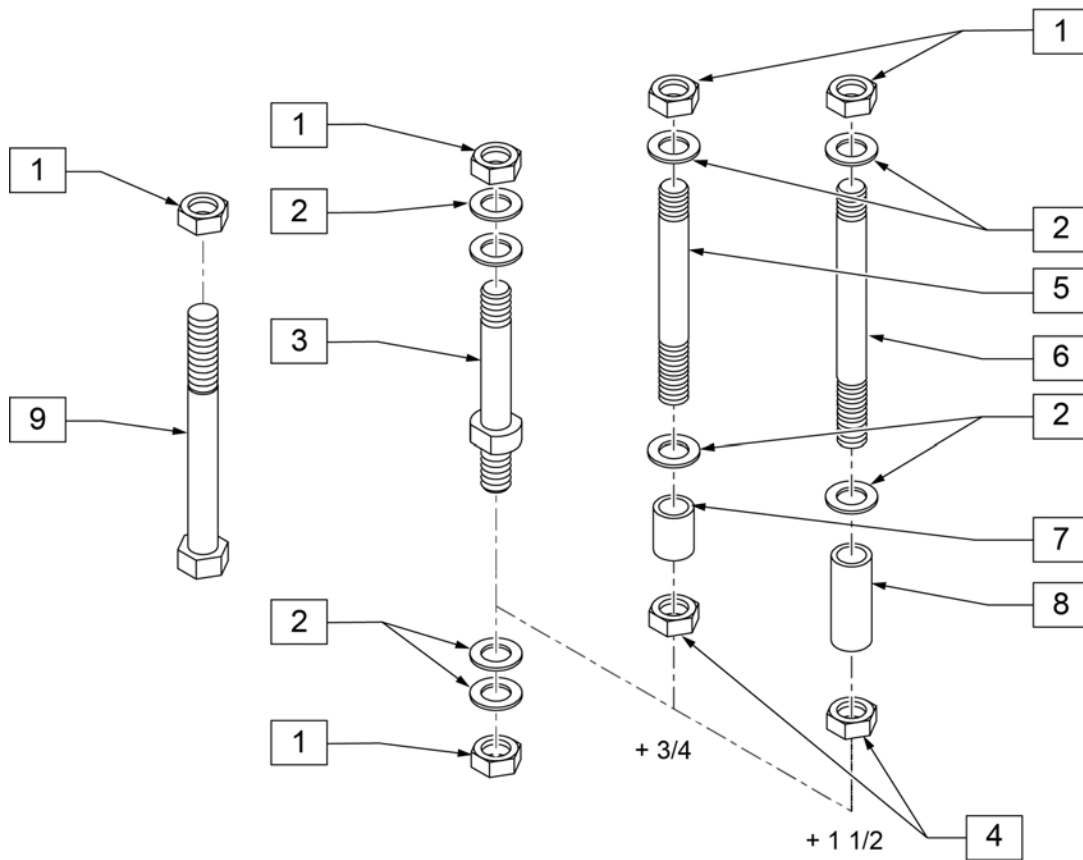
Note: Item 6 is used to aid in aligning the upper and lower fork assembly during elastomer replacement. See instruction sheet for details.

Note: if retrofitting Frog Legs to a Quickie QRi with 6" casters, then casters must be switched to 3", 4" or 5" depending on the Frame Angle; please contact Customer Service for verification of correct caster size required.

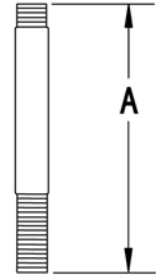


Pos.	Item Number	Description	Remarks
1A	921488	FROG LEG 6 INCH 2.5" STEM	
1B	921489	FROG LEG 6 INCH 4" STEM	
2	106940	1/2-20 NYLOCK NUT	
3	106949	1/2 AN WASHER FLAT	
4	521562	+1 1/2 CASTER STEM SPACER BLK	
5A	050156-001	ELASTOMER FROG LEGS SOFT	0 -100 Lbs
5B	050156-002	ELASTOMER FROG LEGS MEDIUM	101 -190 Lbs
5C	050156-003	ELASTOMER FROG LEGS FIRM	191 -265 Lbs
1A,2,3	921498	FROG LEG 6" W/ 2.5"STEM W/ HDWR	used with no spacer
1B,2-4	921499	FROG LEG 6" W/ 4"STEM W/ HDWR	used with 1 1/2 spacer
6	116351	FROG LEG FORK ASSEMBLY TOOL	

NOTE: DISCONTINUED 10/24/2008 -PARTS ONLY FOR CHAIRS PRIOR TO SERIAL NUMBER LX-xxxxxx.



MEASURING GUIDE



PART NUMBER	"A"
920050	3 5/8"
920100	4 3/8"
920110	5 1/8"

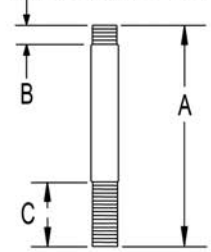
NOTE: CASTER STEM DIAMETER IS 1/2".

Pos.	Item Number	Description
1	106940	1/2 - 20 NYLOCK NUT
2	106949	1/2 AN WASHER FLAT
4	203110	1/2 - 20 JAM NUT
7	521560	+ 3/4" CASTER STEM SPACER BLK
8	521562	+ 1 1/2" CASTER STEM SPACER BLK
9	222292	1/2 - 20 x 4" GR 8 HEX C/S
1-3	920050	REG CASTER STEM W/ HARDWARE
1, 2, 4, 5, 7	920100	+ 3/4" CASTER STEM W/ HARDWARE BLK
1, 2, 4, 6, 8	920110	+ 1 1/2" CASTER STEM W/ HARDWARE BLK
1, 2, 9	920056	BL CASTER STEM W/ HARDWARE

CASTER PIN LOCKS

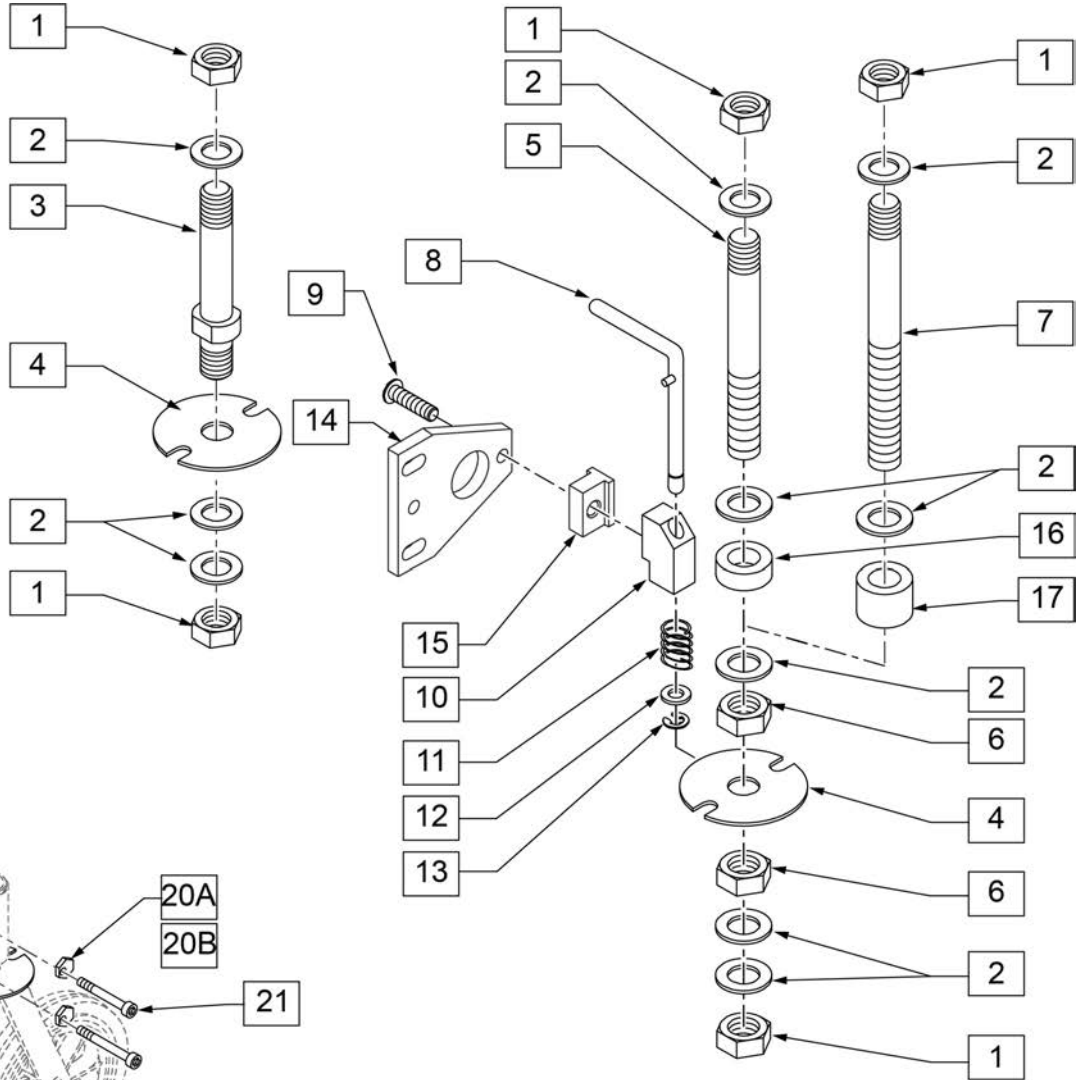
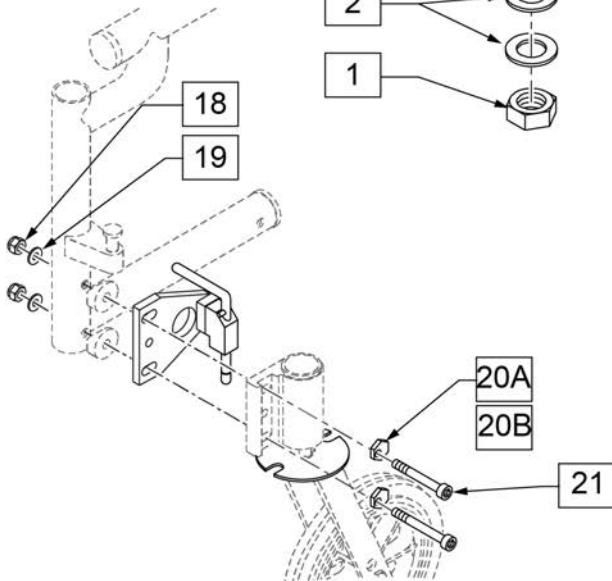
[09/20/2018]

MEASURING GUIDE



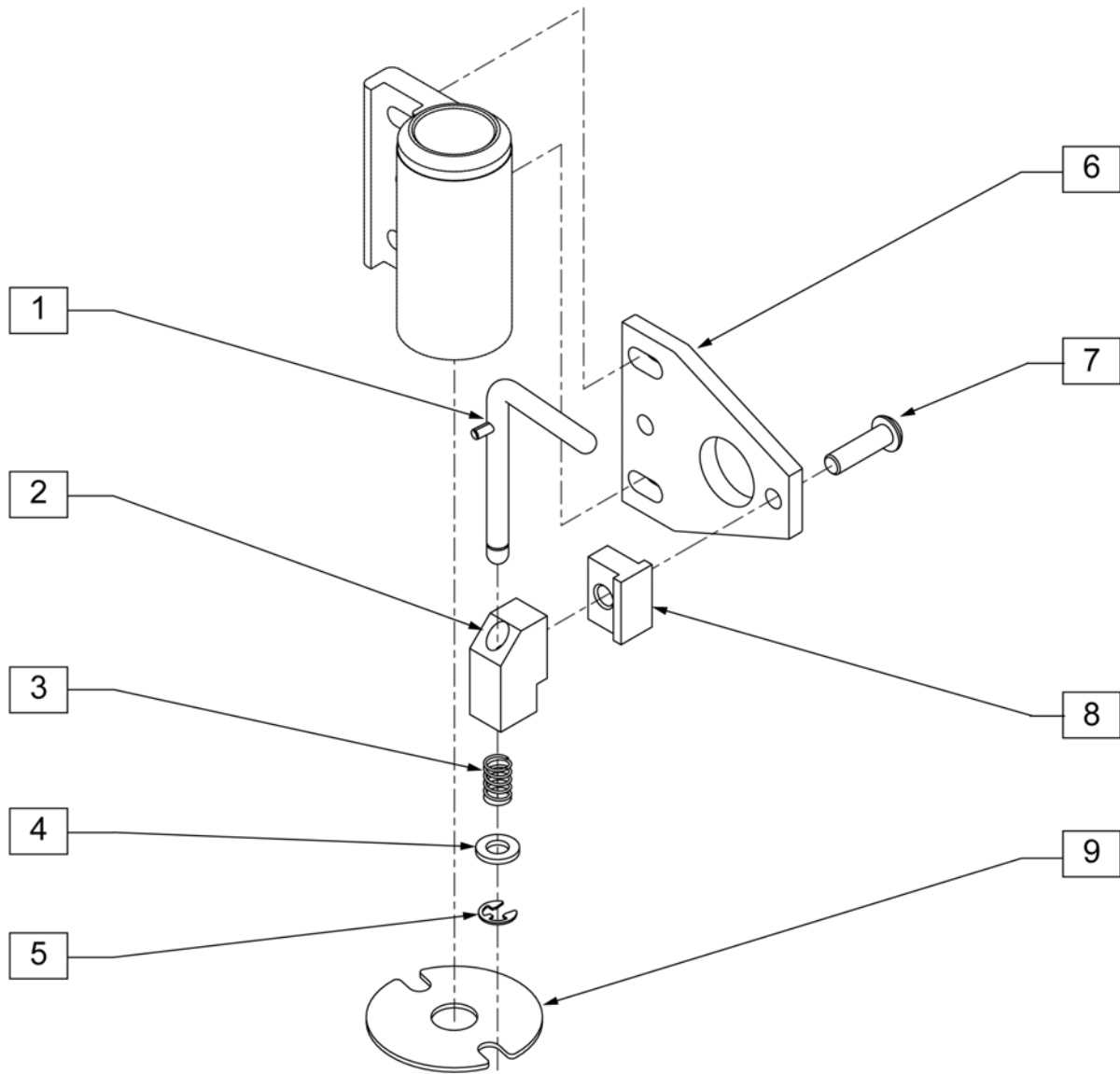
PART NUMBER	"A"	"B"	"C"
920050	3 5/8"	11/16"	11/16"
920100	4 3/8"	9/16"	1 15/16"
920110	5 1/8"	5/8"	1 3/4"

NOTE: CASTER STEM DIAMETER IS 1/2".



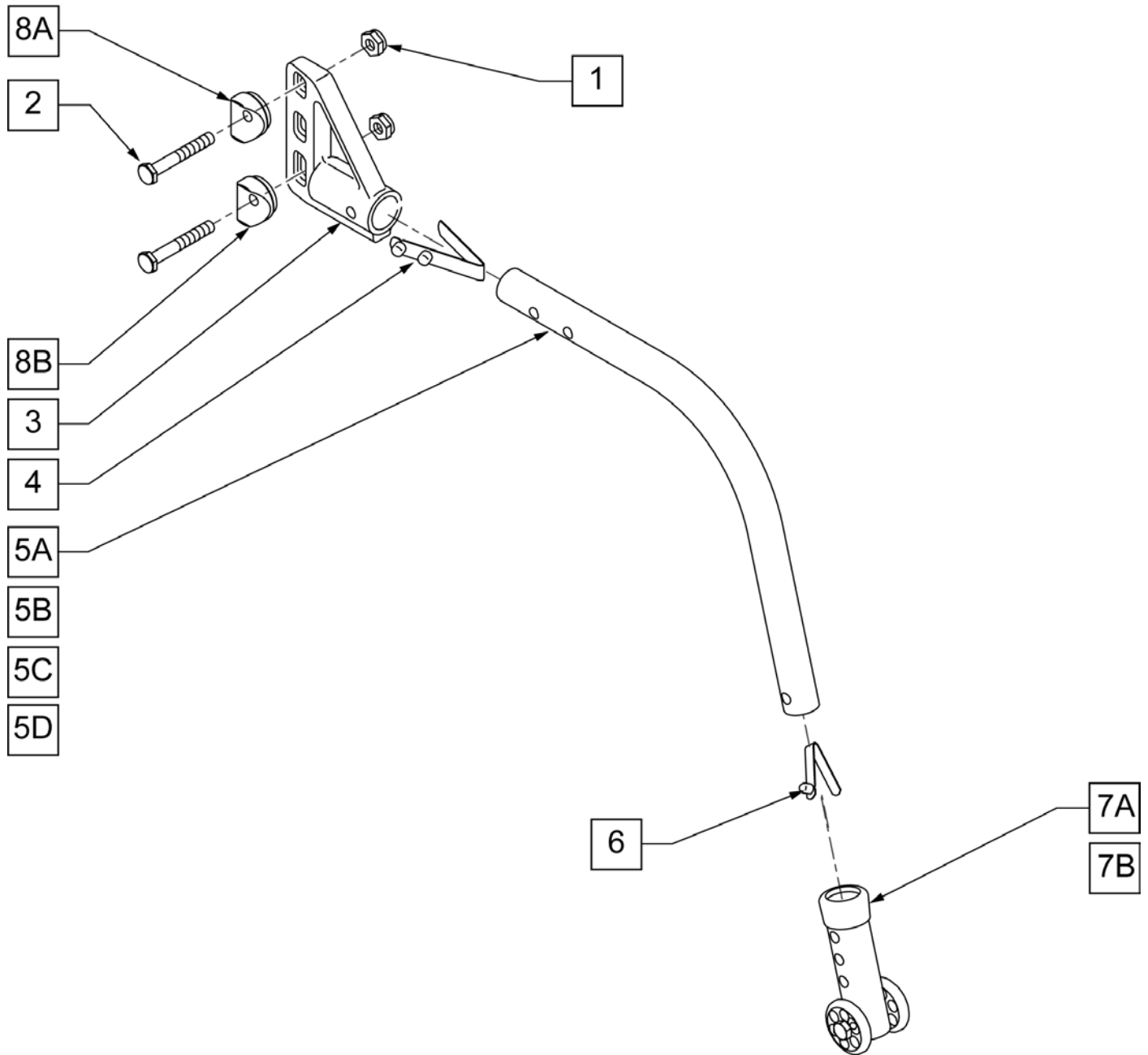
Pos.	Item Number	Description	Remarks
1	106940	1/2 - 20 NYLOCK NUT	
2	106949	1/2 AN WASHER FLAT	
4	505012	CASTER PIN LOCK PLATE	
6	203110	1/2 - 20 JAM NUT	
8	880761	PIN LOCK ARM W/ PIN S/A	Right
8	880762	PIN LOCK ARM W/ PIN S/A	Left
9	226168	1/4-28 x .875 BH C/S	
10	500262	CASTER PIN LOCK BLOCK S/A BLK	
11	321141	.650L x 6 COIL SPRING	
12	106943	1/4 AN WASHER FLAT	
13	342000	1/4" E-CLIP	
14	505667	PIN LOCK PLATE HI-ANGLE CASTER	
15	505666	PIN LOCK BLOCK HI-ANGLE CASTER	
16	521560	+3/4" CASTER STEM SPACER BLK	
17	521562	+1 1/2" CASTER STEM SPACER BLK	
1-4	920051	REG CASTER STEM P/L W/ HARDWARE	
1, 2, 4, 5, 6	920101	3/4" CASTER STEM P/L W/ HARDWARE	

Pos.	Item Number	Description	Remarks
1, 2, 4, 6, 7	920111	1 1/2" CASTER STEM P/L W/ HARDWARE	
1, 2, 4-6, 8-13,16	900800	CASTER PIN LOCK W/ 3/4 STEM ASSM	
1, 2, 4, 6-13,17	900802	CASTER PIN LOCK W/ 1 1/2 STEM ASSM	
8,10-13	880750	CASTER PIN LOCK S/A	Right
8,10-13	880751	CASTER PIN LOCK S/A	Left
3,4,8,10-13	900806	CASTER PIN LOCK ASSM S/A OFF CHAIR	Pair
4,8,10-13	900807	CSTR PIN LOCK ASSM GP/GPV	Pair
		To Retro-fit Caster Pin Locks order 4 each of the following	
18	106941	NUT AUTOMATION 1/4 -28 ROHS	
19	106943	WASHER FLAT AN 1/4 ROHS	
20A	262128	WASHER ECCENTRIC HD 1/4 HOLE	
20B	481430	ECCENTRIC WASHER TRANSPORT	For High Angle Caster Plate
21	108791	SHCS 1/4-28 X 2-1/4" SHLDR (black)	



Pos.	Item Number	Description	Remarks
1	880761	PIN LOCK ARM W/ PIN S/A	RIGHT
1	880762	PIN LOCK ARM W/ PIN S/A	LEFT
2	500262	CASTER PIN LOCK BLOCK S/A BLK	
3	321141	.650L x 6 COIL SPRING	
4	106943	WASHER FLAT AN 1/4 ROHS	
5	342000	1/4" E-CLIP	
6	505667	PIN LOCK PLATE HI-ANGLE CASTER	
7	226168	1/4 - 28 x .875 BH C/S	
8	505666	PIN LOCK BLOCK HI-ANGLE CASTER	
9	505012	CASTER PIN LOCK PLATE 1	
1-5	880750	CASTER PIN LOCK S/A	RIGHT
1-5	880751	CASTER PIN LOCK S/A	LEFT
1-8	882700	HI-ANGLE CASTER PIN LOCK ASSM	RIGHT
1-8	882701	HI-ANGLE CASTER PIN LOCK ASSM	LEFT

NOTE: WHEN USING PADDED SWING-AWAY ARMS, ANTI-TIP RECEIVERS ARE MOUNTED ON OUTSIDE OF FRAME.

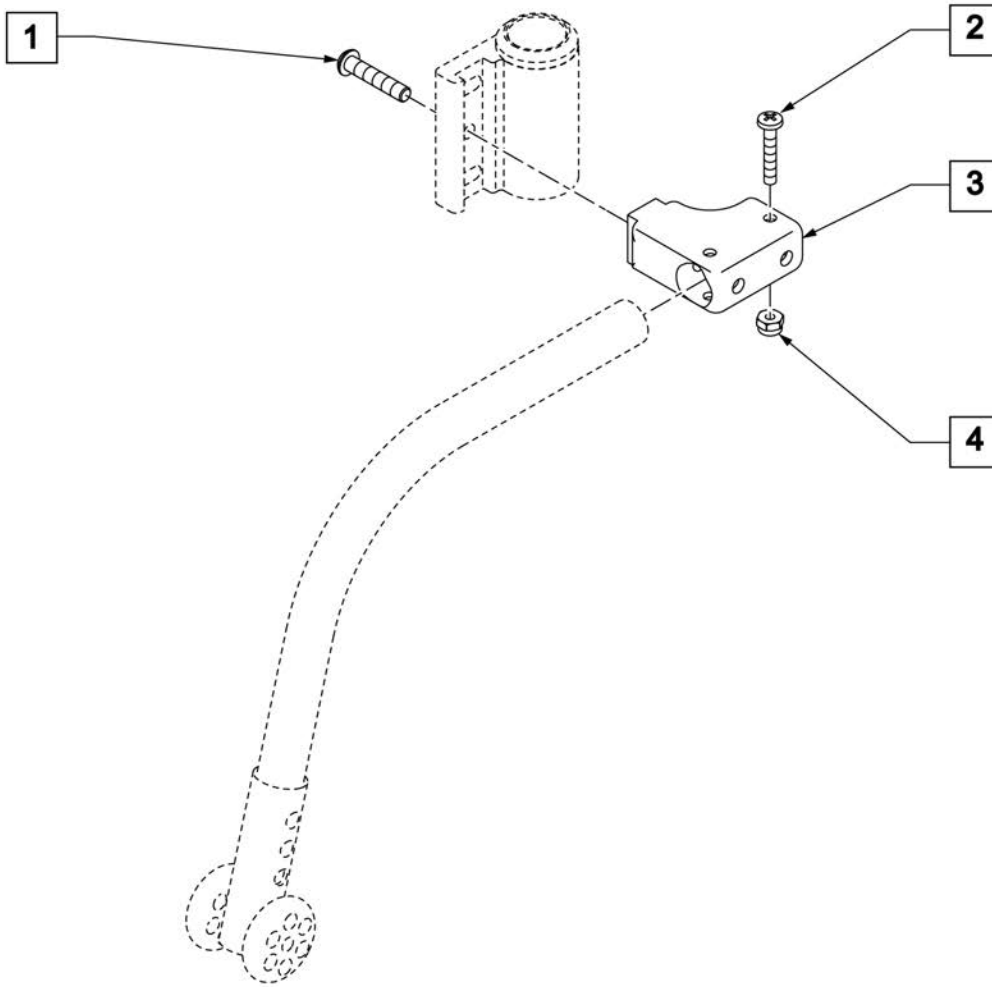


Pos.	Item Number	Description	Remarks
1	106934	1/4-28 NYLOCK NUT	
2	109265	1/4-28 x 2 1/2 G8 HEX C/S	
3	920407	ANTI-TIP RECEIVERS	PAIR
4	301109	SNAP BUTTON DUAL ONE SIDE	
4,5A,6	882964	ANTI-TIP TUBE SMALL BLACK	RIGHT

Pos.	Item Number	Description	Remarks
4,5A,6	882965	ANTI-TIP TUBE SMALL BLACK	LEFT
4,5B,6	882896	ANTI-TIP TUBE REGULAR BLACK	RIGHT
4,5B,6	882897	ANTI-TIP TUBE REGULAR BLACK	LEFT
4,5C,6	882966	ANTI-TIP TUBE EXTENDER SMALL BLACK	RIGHT
4,5C,6	882967	ANTI-TIP TUBE EXTENDER SMALL BLACK	LEFT
4,5D,6	882974	ANTI-TIP TUBE EXTENDER REGULAR BLACK	RIGHT
4,5D,6	882975	ANTI-TIP TUBE EXTENDER REGULAR BLACK	LEFT
4,5E,6	883008	MED ANTI TIP TUBE R W/SNAP BTN	
4,5E,6	883009	MED ANTI TIP TUBE L W/SNAP BTN	
6	301100	SNAP BUTTON 1/4" SINGLE	
7A	881512	ANTI-TIP SLEEVE W/WHEELS BLK (4H)	
7B	881513	ANTI-TIP SLEEVE W/WHEELS BLK (5H)	
8A	561001	1 1/8" SADDLE 1/4" HOLE	STRAIGHT & CURVED REAR SIDE FRAME N/A W/ XTENDER
8B	561087	BACK REL SADDLE RIGID DAB ONLY	DAB ONLY N/A W/ XTENDER
4,5A,6,7A	882906	ANTI-TIP ASSM SMALL BLACK	RIGHT 18",20",22"(STD or 1AD AXLE PLATE)
4,5A,6,7A	882907	ANTI-TIP ASSM SMALL BLACK	LEFT 18",20",22"(STD or 1AD AXLE PLATE)
4,5B,6,7A	882900	ANTI-TIP ASSM REGULAR BLACK	RIGHT 24" (STD or 1AD AXLE PLATE)
4,5B,6,7A	882901	ANTI-TIP ASSM REGULAR BLACK	LEFT 24" (STD or 1AD AXLE PLATE)
4,5C,6,7A	882908	ANTI-TIP ASSM SMALL EXTENDED BLACK	RIGHT 18",20",22"(CURVED & AMPUTEE AXLE PLATE)
4,5C,6,7A	882909	ANTI-TIP ASSM SMALL EXTENDED BLACK	LEFT 18",20",22"(CURVED & AMPUTEE AXLE PLATE)
4,5D,6,7A	882910	ANTI-TIP ASSM REGULAR EXTENDED BLACK	RIGHT 24" (CURVED & AMPUTEE AXLE PLATE)
4,5D,6,7A	882911	ANTI-TIP ASSM REGULAR EXTENDED BLACK	LEFT 24" (CURVED & AMPUTEE AXLE PLATE)

Pos.	Item Number	Description	Remarks
4,5A,6,7B	882918	ANTI-TIP SML LNG SLV R ZGS BLK	RIGHT 20" & 22" (DAB -STD & CURVED)
4,5A,6,7B	882919	ANTI-TIP SML LNG SLV L ZGS BLK	LEFT 20" & 22" (DAB -STD & CURVED)
4,5B,6,7B	882912	ANTI-TIP ASSM REG LONG SLEEVE BLACK	RIGHT 25" (DAB W/ ALL AXLE PLATES)
4,5B,6,7B	882913	ANTI-TIP ASSM REG LONG SLEEVE BLACK	LEFT 25" (DAB W/ ALL AXLE PLATES)
4,5D,6,7B	882922	ANTI-TIP ASSM REG XTENDED W/ LONG SLEEVE BLACK	RIGHT 24" (DAB W/ AMPUTEE AXLE) 26" (ALL AXLE PLATES)
4,5D,6,7B	882923	ANTI-TIP ASSM REG XTENDED W/ LONG SLEEVE BLACK	LEFT 24" (DAB W/ AMPUTEE AXLE) 26" (ALL AXLE PLATES)
4,5E,6,7B	881128	ANTI-TIP ASSM MED RT BLK	RIGHT XTENDER ONLY
4,5E,6,7B	881129	ANTI-TIP ASSM MED LT BLK	LEFT XTENDER ONLY
4,5A,6,7A	900701	ANTI-TIP ASSM SMALL	PAIR
4,5B,6,7A	900703	ANTI-TIP ASSM REGULAR	PAIR
4,5C,6,7A	900696	ANTI-TIP ASSM SMALL EXTEND	PAIR
4,5D,6,7A	900697	ANTI-TIP ASSM REGULAR EXTEND	PAIR
1-4,5A,6,7A	900830	ANTI-TIP ASSM SMALL W/ RECEIVER BLACK	PAIR W/ RECEIVERS
1-4,5B,6,7A	900832	ANTI-TIP ASSM REGULAR W/ RECEIVER BLACK	PAIR W/ RECEIVERS
1-4,5C,6,7A	900831	ANTI-TIP ASSM SMALL EXTENDER W/ RECEIVER BLACK	PAIR W/ RECEIVERS
1-4,5D,6,7A	900833	ANTI-TIP ASSM REGULAR EXTENDER W/ RECEIVER BLACK	PAIR W/ RECEIVERS
4,5A,6,7B	900241	ANTI TIP ASSM 5-HOLE HEMI BR	PAIR
4,5B,6,7B	900709	ANTI-TIP ASSM REG W/LNG SLEEVE	PAIR
1-4,5A,6,7B	900791	A/T ASSM 5-HOLE W/REC HEMI BR	PAIR W/ RECEIVERS
1-4,5B,6,7B	900714	ANTI-TIP LONG SLEEVE W/ RECEIVER	PAIR W/ RECEIVERS

Pos.	Item Number	Description	Remarks
1-4,5D,6,7B	900835	ANTI-TIP REGULAR EXTENDER W/ LONG SLEEVE BLACK	PAIR W/ RECEIVERS

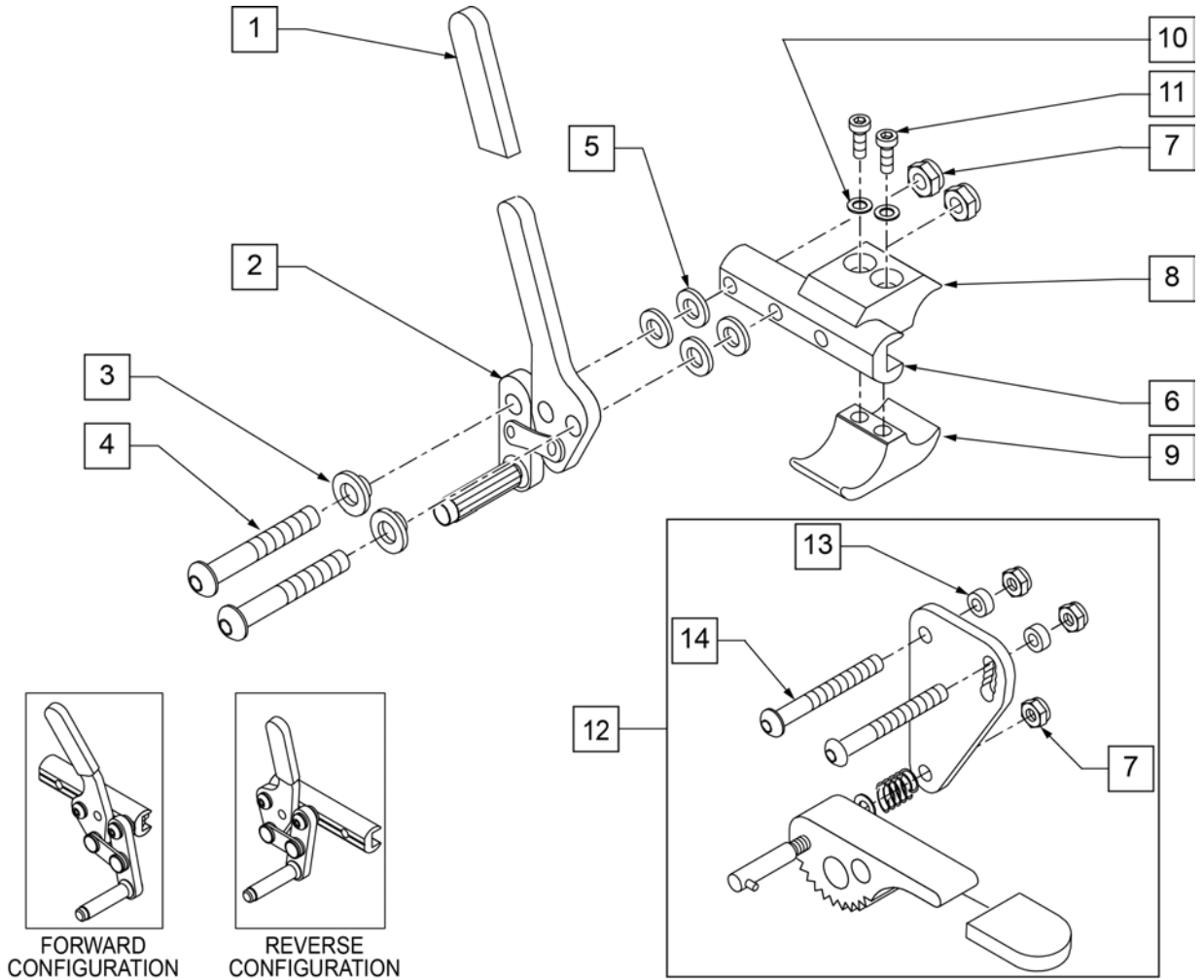


Pos.	Item Number	Description
1	106961	1/4-28 x 1 1/4 BH C/S
2	226029-QU	10 -32 x 1 1/8 BY C/S BLK
3	505341	FRONT ANTI-TIP H/D CASTER
4	200100-QU	10 -32 NYLOCK NUT
1-4	922050	FRONT ANTI-TIP REC H/A CASTER Q2

WHEEL LOCK PUSH TO LOCK (QUICKIE STYLE)

Note: Quickie Style Wheel Locks are not offered on the Breezy 600 but will mount directly using the Wheel Lock Clamp.

Note: the Wheel Locks for Chair or Replacement Part orders shipped on or after 6/27/17 have upgraded mounting hardware; please replace in pairs for chairs ordered prior to 6/27/17.



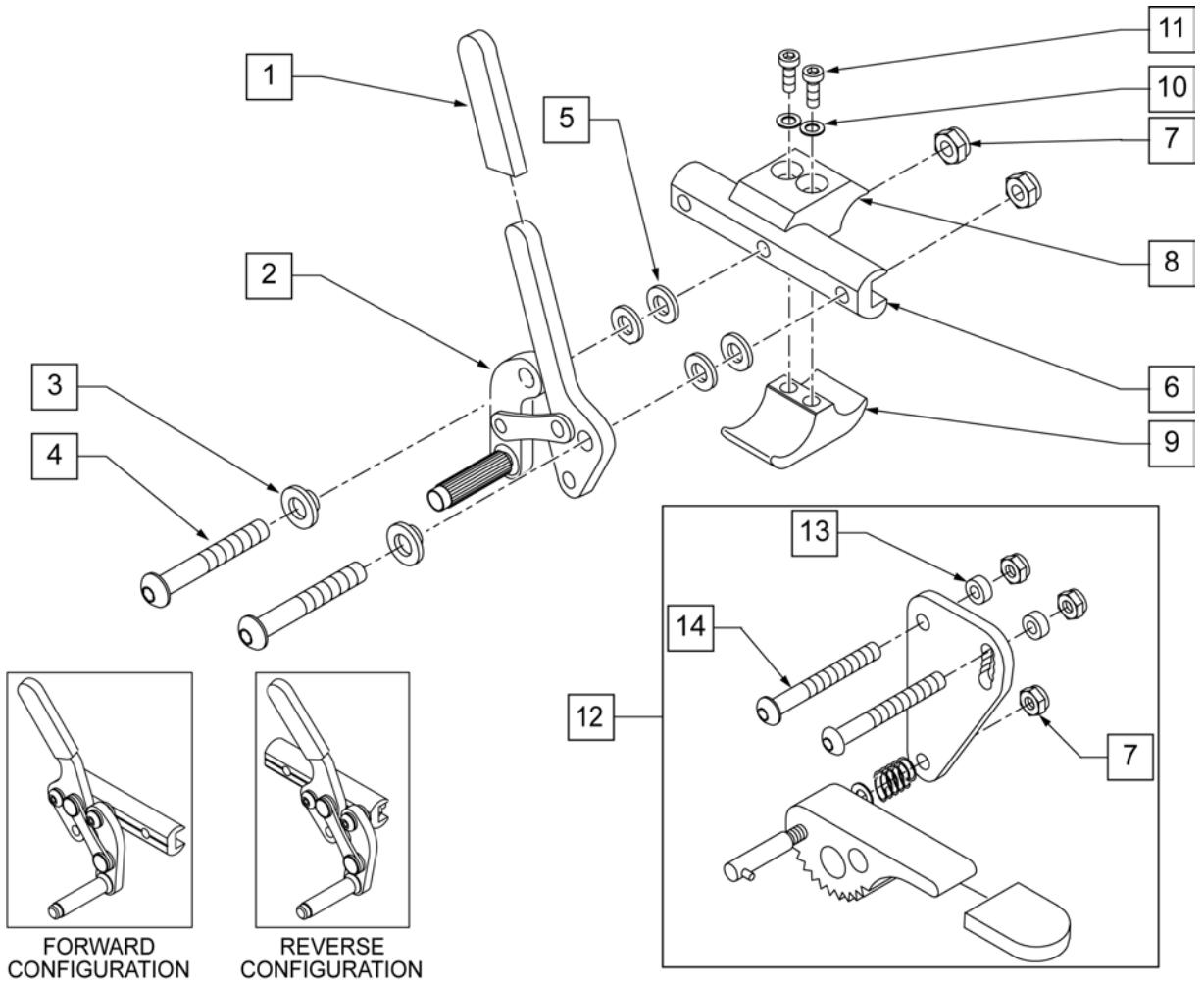
Pos.	Item Number	Description	Remarks
1	560500-QU	HB PLASTIC COVER	
1,2	881748	WHEEL LOCK ASSM R PUSH	
1,2	881749	WHEEL LOCK ASSM L PUSH	
3	560126	.250 ID .312 OD BUSHING PLASTIC	
4	226125	1/4-28 X 1 1/8 BH C/S	
5	561028	1/4" NYLON WASHER	
6	550374	WHEEL LOCK SLIDE BLOCK 3 1/2" BLK	3.5" long
7	106941	1/4-28 AUTOMATION NUT	
8	550659	CLAMP 1 1/4" RECESS HALF BLK	
9	550658	CLAMP 1 1/4" THREADED BLK	
10	107367	WASHER LOCK HI COLLAR 1/4 ROHS	

Pos.	Item Number	Description	Remarks
11	107032	SHCS 1/4-28 X 1 ROHS	
12	880916	GRADE AID PLATE W/WHL & HDWR R	
12	880917	GRADE AID PLATE W/WHL & HDWR L	
6,12	880912	GRADE AID ASSM BLK R N/CLAMP	
6,12	880913	GRADE AID ASSM BLK L N/CLAMP	
13	483027	1/4 x 1/4 ALUMINUM SPACER BLK	
14	226130	1/4-28 x 1 1/2 BH C/S	
8-11	107639	WHL LCK CLMP ASM	
8-12	880914	GRADE AID ASSM BLK R W/CLAMP	
8-12	880915	GRADE AID ASSM BLK L W/CLAMP	
1-7	883010	WHL LOCK PUSH R W/O CLMP BLK	FORWARD CONFIG.
1-7	883011	WHL LOCK PUSH L W/O CLMP BLK	FORWARD CONFIG.
1-7	881762	WHL LOCK PUSH R REV N/ CLMP BLK	REVERSE CONFIG.
1-7	881763	WHL LOCK L PUSH REV N/ CLMP BLK	REVERSE CONFIG.
1-11	881965	WHL LOCK PUSH R W/ CLMP BLK	FORWARD CONFIG.
1-11	881966	WHL LOCK PUSH L W/ CLMP BLK	FORWARD CONFIG.
1-11	881973	WHL LOCK PUSH R REV W/CLMP BLK	REVERSE CONFIG.
1-11	881974	WHL LOCK PUSH L REV W/CLMP BLK	REVERSE CONFIG.
1-11	901551	WHEEL LOCK PUSH W/CLAMP BLK	PAIR, FORWARD CONFIG.
1-11	901542	WHEEL LOCK PUSH REV W/CLAMP BLK	PAIR, REVERSE CONFIG.
1-11,12	901557	WHEEL LOCK PUSH W/GRADE AID W/CLAMP BLK	PAIR
1-11,12	881969	WHL LOCK R PUSH W/ G.A. W/CLMP BLK	
1-11,12	881970	WHL LOCK L PUSH W/ G.A. W/CLMP BLK	
1-7,12	881754	WHL LOCK R PUSH W/G.A. N/ CLMP BLK	
1-7,12	881755	WHL LOCK L PUSH W/G.A. N/ CLMP BLK	

WHEEL LOCK PULL TO LOCK (QUICKIE STYLE)

Note: Quickie Style Wheel Locks are not offered on the Breezy 600 but will mount directly using the Wheel Lock Clamp.

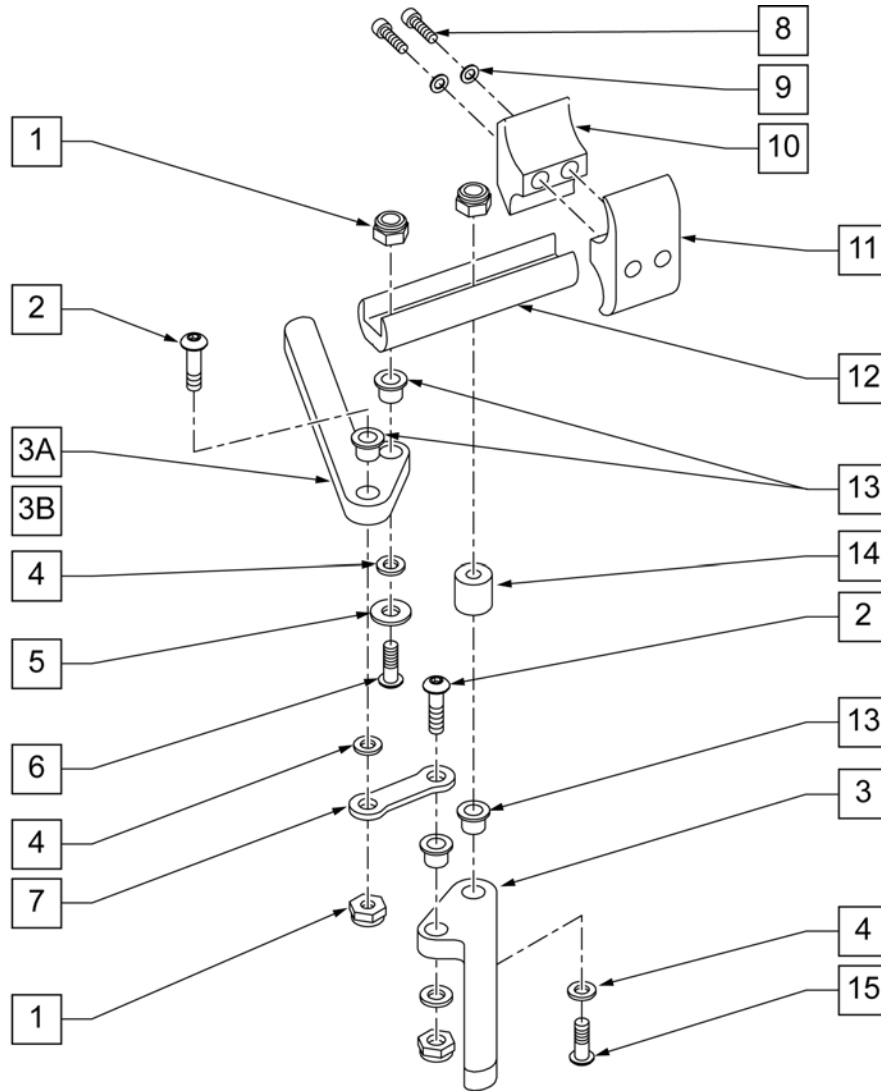
Note: the Wheel Locks for Chair or Replacement Part orders shipped on or after 6/27/17 have upgraded mounting hardware; please replace in pairs for chairs ordered prior to 6/27/17.



Pos.	Item Number	Description	Remarks
1	560500-QU	HB PLASTIC COVER	
3	560126	.250 ID .312 OD BUSHING PLASTIC	
4	226125	1/4-28 X 1 1/8 BH C/S	
5	561028	1/4" NYLON WASHER	
6	550374	WHEEL LOCK SLIDE BLOCK 3 1/2" BLK	3.5" long
7	106941	1/4-28 AUTOMATION NUT	
8	550659	CLAMP 1 1/4" RECESS HALF BLK	
9	550658	CLAMP 1 1/4" THREADED BLK	
10	107367	WASHER LOCK HI COLLAR 1/4 ROHS	
11	107032	SHCS 1/4-28 X 1 ROHS	
12	880916	GRADE AID PLATE W/WHL & HDWR R	
12	880917	GRADE AID PLATE W/WHL & HDWR L	

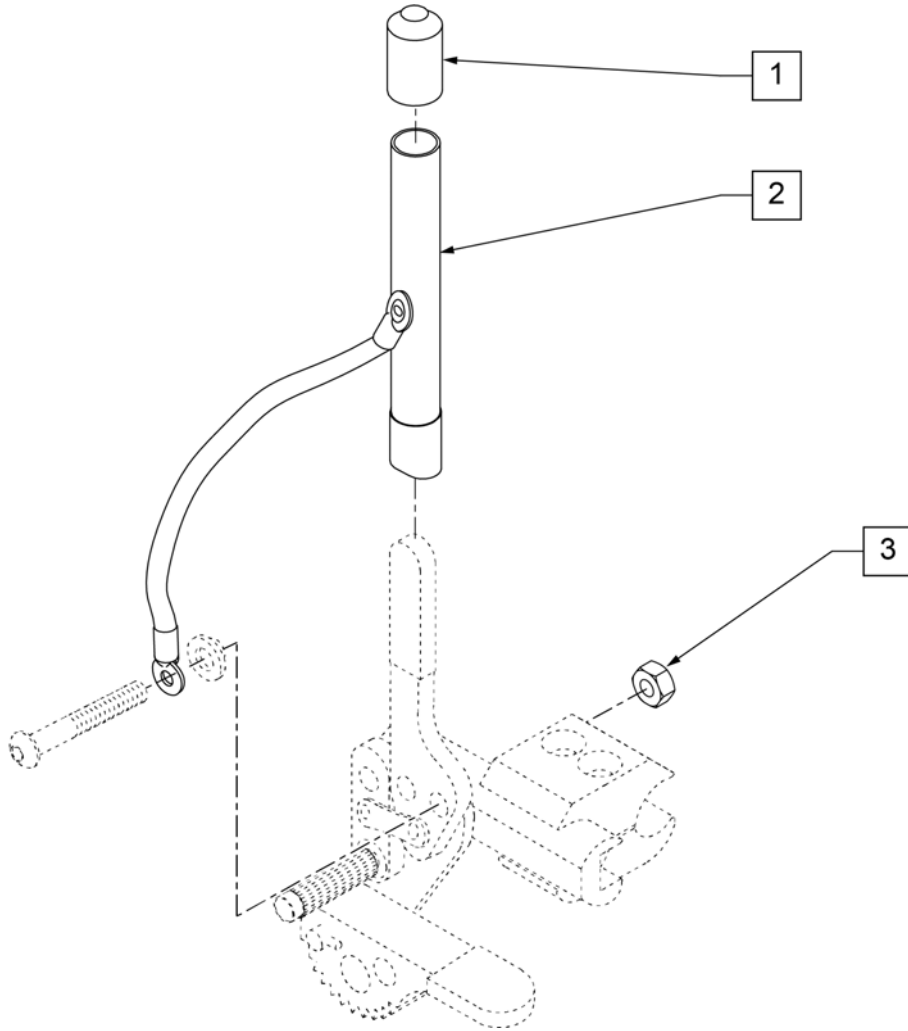
Pos.	Item Number	Description	Remarks
6,12	880912	GRADE AID ASSM BLK R N/CLAMP	
6,12	880913	GRADE AID ASSM BLK L N/CLAMP	
13	483027	1/4 x 1/4 ALUMINUM SPACER BLK	
14	226130	1/4-28 x 1 1/2 BH C/S	
8-11	107639	WHL LCK CLMP ASM	
8-12	880914	GRADE AID ASSM BLK R W/CLAMP	
8-12	880915	GRADE AID ASSM BLK L W/CLAMP	
1-7	883012	WHL LOCK PULL R W/O CLMP BLK	FORWARD CONFIG.
1-7	883013	WHL LOCK PULL L W/O CLMP BLK	FORWARD CONFIG.
1-7	881764	WHL LOCK PULL R REV N/ CLMP BLK	REVERSE CONFIG.
1-7	881765	WHL LOCK L PULL REV N/ CLMP BLK	REVERSE CONFIG.
1-11	881967	WHL LOCK PULL R W/ CLMP BLK	FORWARD CONFIG.
1-11	881968	WHL LOCK PULL L W/ CLMP BLK	FORWARD CONFIG.
1-11	881975	WHL LOCK PULL R REV W/CLMP BLK	REVERSE CONFIG.
1-11	881976	WHL LOCK PULL L REV W/CLMP BLK	REVERSE CONFIG.
1-11	901555	WHEEL LOCK PULL W/CLAMP BLK	PAIR, FORWARD CONFIG.
1-11	901543	WHEEL LOCK PULL REV W/CLAMP BLK	PAIR, REVERSE CONFIG.
1-7,12	881756	WHL LOCK R PULL W/G.A. N/ CLMP BLK	
1-7,12	881757	WHL LOCK L PULL W/G.A. N/ CLMP BLK	
1-11,12	881971	WHL LOCK R PULL W/ G.A. W/CLMP BLK	
1-11,12	881972	WHL LOCK L PULL W/ G.A. W/CLMP BLK	
1-11,12	901558	WHEEL LOCK PULL W/GRADE AID W/CLAMP BLK	PAIR

HIGH MOUNT SCISSOR WHEEL LOCK



Pos.	Item Number	Description	Remarks
1	106935	NUT NYLOCK THIN 1/4-28 ROHS	
2	226100	1/4-28 x 3/4 BH C/S	
3A	550232	HI-MOUNT SCISSOR WHEEL LOCK ARM	
3B	550231	HI-MOUNT SCISSOR WHL LOCK ARM LONG	
4	561028	1/4 NYLON WASHER	
5	106945	1/4 SAE WASHER	
6	226122	1/4-28 x 1.10 BH C/S	
7	504995	TOGGLE LINK 1.125	
8	107032	1/4-28 x 1 SOC C/S BLK	
9	262114	1/4 WASHER HI COLLAR LOCK ZN	
10	550659	CLAMP 1 1/4" RECESS HALF BLK	
11	550658	CLAMP 1 1/4" THREADED BLK	
12	550374	WHEEL LOCK SLIDE BLOCK 3 1/2" BLK	
13	560126	.250 ID .312 OD BUSHING PLASTIC	
14	483027	1/4 x 1/4 ALUMINUM SPACER BLK	
15	226130	1/4-28 x 1 1/2 BH C/S	
8-11	107639	WHL LCK CLMP ASM	
1,2,3A,4-7,12-15	880608	WHL LOCK R SCISSOR HI-MNT BLK	

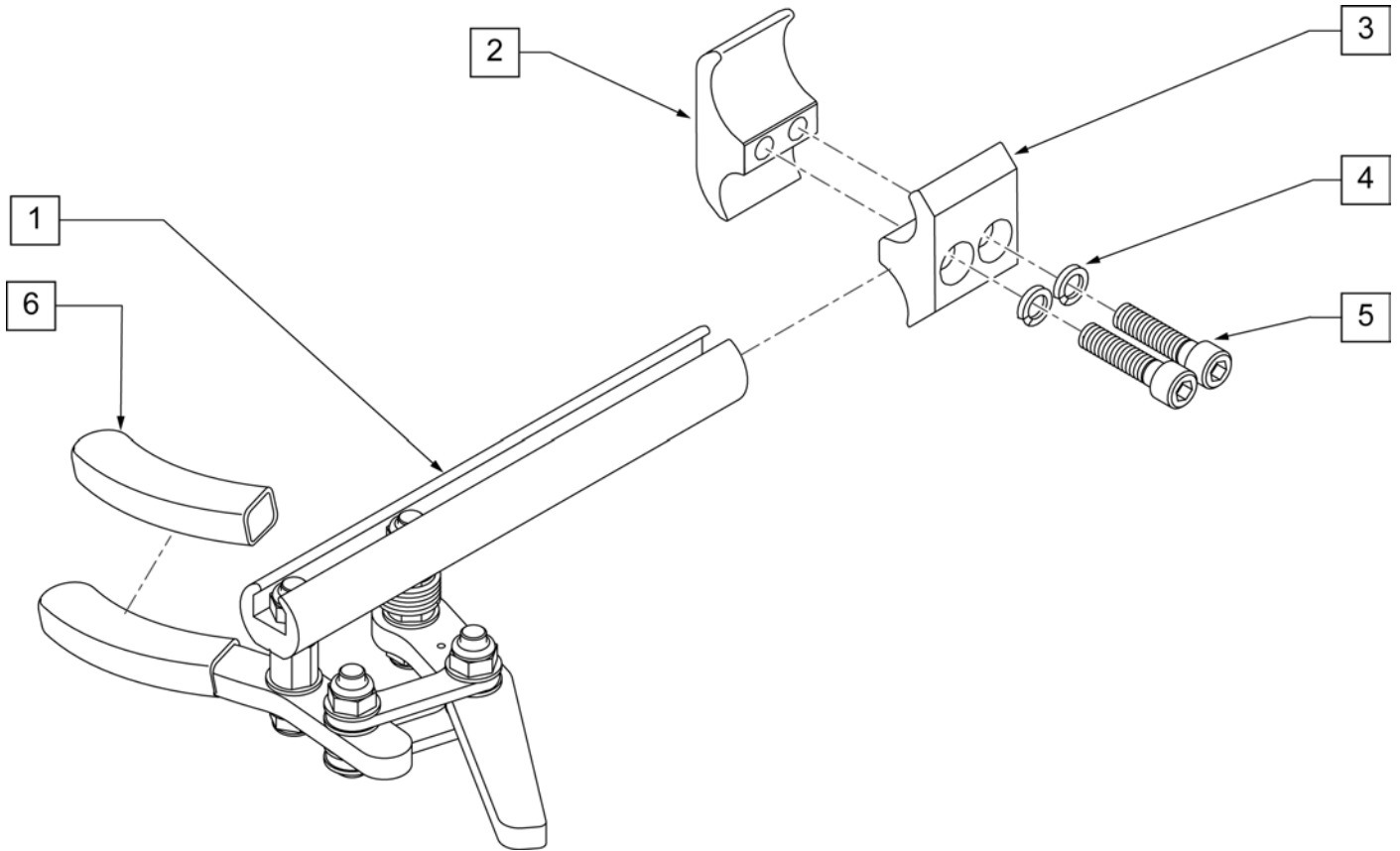
Pos.	Item Number	Description	Remarks
1,2,3A,4-7,12-15	880609	WHL LOCK L SCISSOR HI-MNT BLK	
1,2,3A,4-15	901501	WHL LOCK SCISSOR R W/CLMP BLK	
1,2,3A,4-15	901503	WHL LOCK SCISSOR L W/CLMP BLK	
1,2,3A,4-15	901505	WHEEL LOCK SCISSOR W/CLAMP	PAIR
1-2,3B,4-7,12-15	880612	WHLLCK R SCISOR HI-MNT LNG BLK	
1-2,3B,4-7,12-15	880613	WHLLCK L SCISOR HI-MNT LNG BLK	
1,2,3B,4-15	901507	WHLLCK SCSR R LONG W/CLMP BLK	
1,2,3B,4-15	901509	WHLLCK SCSR L LONG W/CLMP BLK	
1,2,3B,4-15	901510	WHEEL LOCK SCISSOR LONG W/CLAMP	PAIR



Pos.	Item Number	Description	Remarks
1	560600	1 1/2 x .705 x .187 FOAM GRIP	
3	106941	1/4-28 AUTOMATION NUT	
1-3	161931	WHL LOCK 6" EXT TUBE ASSM (EA)	EACH
1-3	920032	WHEEL LOCK 6" EXT TUBES (PR)	PAIR

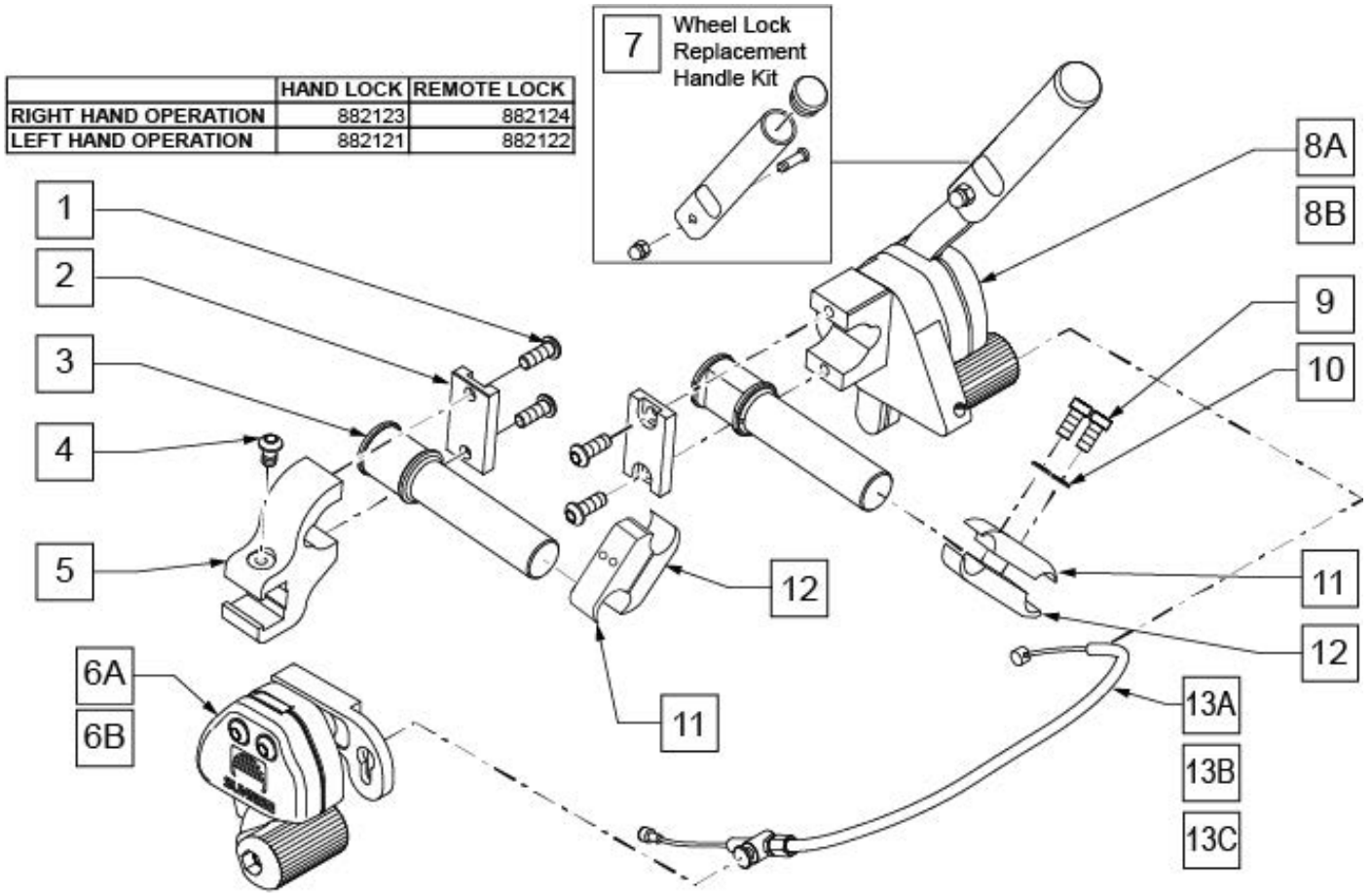
NOTE: ATTACHMENT CLAMP mounts to 1" diameter tubing.

Note: refer to "Wheel Lock Availability" in Informations Panel for possible mount locations.



Pos.	Item Number	Description	Remarks
1	104726-001	ASSY WHL LOCK SCISSOR ERGO	RIGHT
1	104726-002	ASSY WHL LOCK SCISSOR ERGO	LEFT
4	107367	1/4 WASHER HI COLLAR LOCK BLK	
5	107032	SHCS 1/4-28 X 1 ROHS	
6	104141	COVER CURVED WHEELLOCK VIN	
2-6	107639	WHL LCK CLMP ASM	

NOTE: ATTACHMENT CLAMP mounts to 1" diameter tubing.



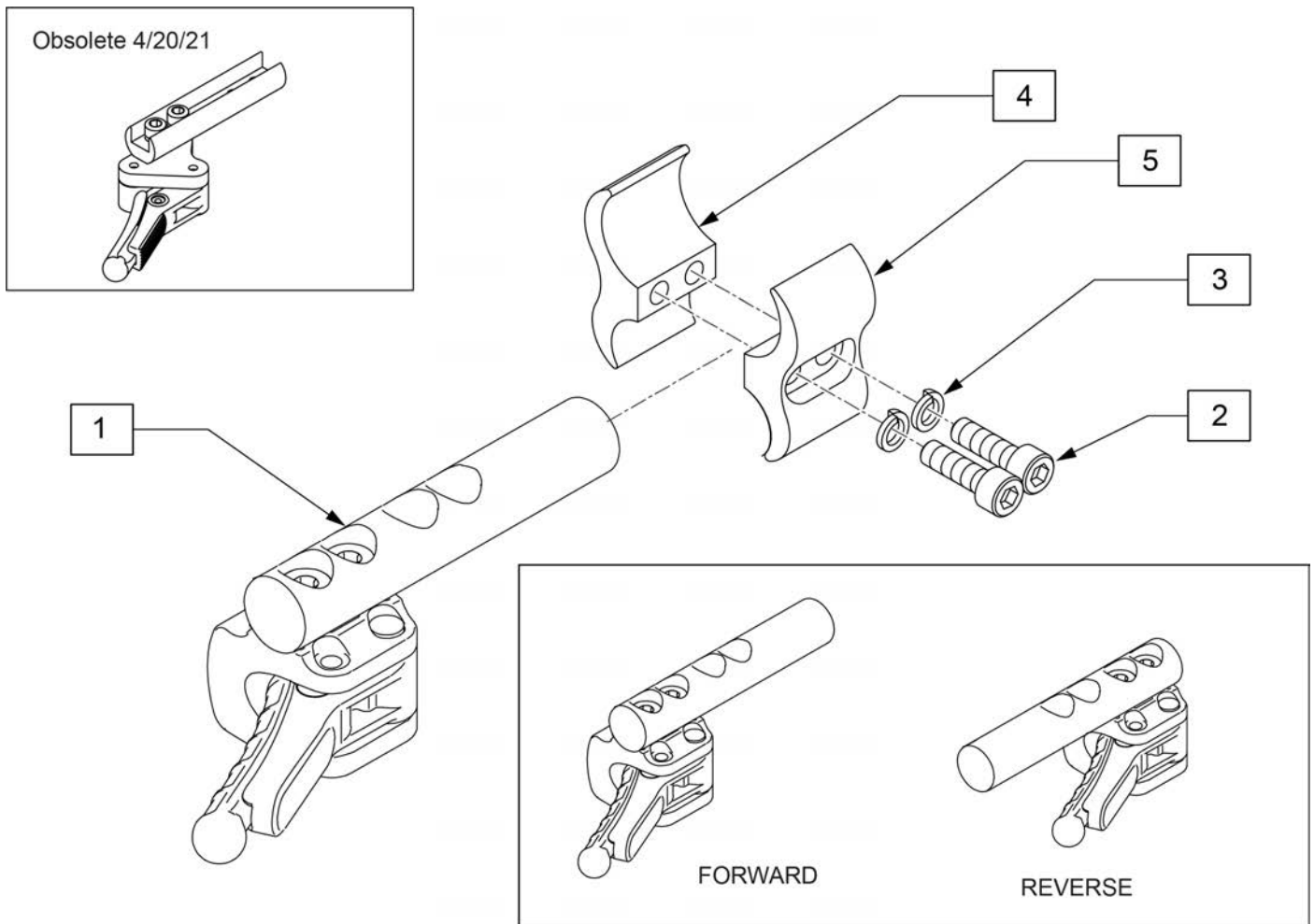
Pos.	Item Number	Description	Remarks
1	230032	M6 x 16 B/H CAP SCREW	
2	501032	CLAMP CAP	
3	501031	WHEEL LOCK EXTENSION	(not Handle)
4	230052	M6 1 x 10 BH C/S BLK	
5	501033	REMOTE LOCK CLAMP	
1-5,6A	882124	REMOTE LOCK ASSEMBLY RIGHT	Mounts on left side
1-5,6B	882122	REMOTE LOCK ASSEMBLY LEFT	Mounts on right side
7	883300	1-HAND WHLLCK RLCMNT HNDL KIT	4 7/8"; Replacement Handle Kit
1,2,3,8A	882123	HAND LOCK ASSEMBLY RIGHT	Mounts on right side
1,2,3,8B	882121	HAND LOCK ASSEMBLY LEFT	Mounts on left side
9	107032	1/4-28 x 1 SOC C/S BLK	
10	262114	1/4 WASHER HI COLLAR	
13A	341760	WHEEL LOCK CABLE SHORT (11"-14")	11 -14" WIDE CHAIRS
13B	341761	WHEEL LOCK CABLE MEDIUM (15"-18")	15 -18" WIDE CHAIRS
13C	341762	WHEEL LOCK CABLE LONG (19"-22")	19 -22" WIDE CHAIRS
9-12	880422	WHL LCK EXTND CLMP ASSM BLK	
1-5,6A,8A,9-12,13A	902184	UNILTERAL 1HAND PSH LOCK SHT RH	RH SHOWN 11 -14" WIDE
1-5,6A,8A,9-12,13B	902186	UNILTERAL 1HAND PSH LOCK MED RH	RH SHOWN 15 -18" WIDE
1-5,6A,8A,9-12,13C	902188	UNILTERAL 1HAND PSH LOCK LONG RH	RH SHOWN 19 -22" WIDE

Pos.	Item Number	Description	Remarks
1-5,6B,8B,9-12,13A	902183	UNILTERAL 1HAND PSH LOCK SHT LH	LH 11 -14" WIDE
1-5,6B,8B,9-12,13B	902185	UNILTERAL 1HAND PSH LOCK MED LH	LH 15 -18" WIDE
1-5,6B,8B,9-12,13C	902187	UNILTERAL 1HAND PSH LOCK LONG LH	LH 19 -22" WIDE

NOTE: refer to "WHEEL LOCK AVAILABILITY" in Informations panel for possible mount locations.

NOTE: ATTACHMENT CLAMP mounts to 1" diameter tubing.

Note: Sunrise recommends replacing in pairs for all chairs shipped prior to 4/21/2021.



Pos.	Item Number	Description	Remarks
1	66006100-301	COMPACT BRAKE	Left side Forward Mounted
1	66006100-302	COMPACT BRAKE	Right side Forward Mounted
1	66006100-401	COMPACT BRAKE STD BACK LEFT	Reverse Mounted
1	66006100-402	COMPACT BRAKE STD BACK RIGHT	Reverse Mounted
2	107032	SHCS 1/4-28 X 1 ROHS	
3	107367	1/4 WASHER HI COLLAR LOCK BLK	
2-5	107639	WHL LCK CLMP ASM	

Note: this wheel utilizes Screw Mount Handrims - the handrim has a threaded hole that mounts the handrim to the wheel through a spacer and fastener.

Note: if Mag Wheel Assembly was ordered without Handrim and a Handrim is added to the wheel, qty 6 of 101932 and 281175 ARE REQUIRED to properly mount the handrim.

Note: if changing the Rear Wheel Size on a chair with Anti-tips, new size Anti-tip Assemblies ARE REQUIRED to accommodate the new Rear Wheel Size.

Note: for Zippie X'Cape 6 Spoke Mags are only available with the One Arm Drive.



Pos.	Item Number	Description	Remarks
1-3	401094	20" MAG W/BRNG 6 SPOKE	20"
1-3	401093	22" MAG W/BRNG 6 SPOKE	22"(501mm)
1-3	401092	24" MAG W/BRNG 6 SPOKE	24"(540mm)
2	349500	1 1/8 X 1/2 BEARING	
3	521564	MAG BEARING SPACER	
4	101932	SPCR .194ID X .375 OD X .750	Used when previously ordered with Omit handrims or Natural Fit Handrims

Note: this wheel utilizes Screw Mount Handrims - the handrim has a threaded hole that mounts to the wheel through a spacer and fastener.

Note: if changing the Rear Wheel Size on a chair with Anti-tips, new size Anti-tip Assemblies ARE REQUIRED to accommodate the new Rear Wheel Size.

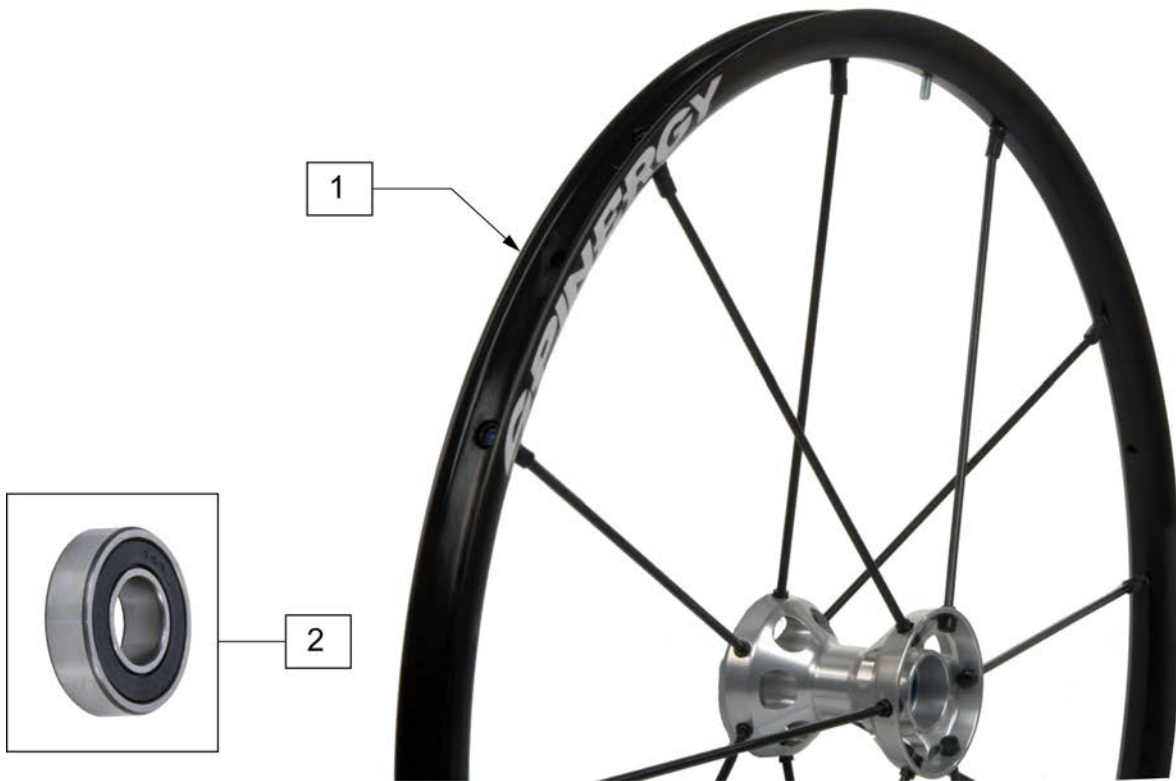


Pos.	Item Number	Description	Remarks
1A	401001	WHEEL ASSM PUSH BUTTON 18"	18"
1B	401070	20" RIM ASSM PUSH BUTTON	20"
1C	401072	22" RIM ASSM PUSH BUTTON	22"(501mm)
1D	401074	24" RIM ASSM PUSH BUTTON	24"(540mm)
1E	401077	26IN RIM ASSM PUSH BUTTON	26"(590mm)
2	349500	1 1/8 X 1/2 BEARING	
3A	362247	SPOKE 154MM X 2.0MM	
3B	362250	QP SPOKE 201MM X 2.0MM	
3C	362275	QP SPOKE 226MM X 2.0MM	
3D	362300	QP SPOKE 244MM X 2.0MM	
3E	362325	QP SPOKE 270MM X 2.0MM	

Note: this wheel utilizes tab mount handrims - the handrim has a straight tab that mounts to the wheel through the rim.

Note: please see the Rear Wheel Finder for the complete Wheel Assembly with the Flex Rim.

Note: if changing the Rear Wheel Size on a chair with Anti-tips, new size Anti-tip Assemblies ARE REQUIRED to accommodate the new Rear Wheel Size.



Pos.	Item Number	Description	Remarks
1	108858	SPINERGY LT EX WHL 22" BLK	22"(489mm); 12 Spoke
1	109215	SPINERGY LT EX WHL 22" BLU	22"(489mm); 12 Spoke
1	109216	SPINERGY LT EX WHL 22" RED	22"(489mm); 12 Spoke
1	109217	SPINERGY LT EX WHL 22" WHT	22"(489mm); 12 Spoke
1	109218	SPINERGY LT EX WHL 22" YLW	22"(489mm); 12 Spoke
1	101989-001	SPINERGY LT EX WHEEL 540 BLK	24"(540mm); 12 Spoke
1	101989-002	SPINERGY LT EX WHEEL 540 BLU	24"(540mm); 12 Spoke
1	101989-003	SPINERGY LT EX WHEEL 540 RED	24"(540mm); 12 Spoke
1	101989-005	SPINERGY LT EX WHEEL 540 WHT	24"(540mm); 12 Spoke
1	101989-004	SPINERGY LT EX WHEEL 540 YLW	24"(540mm); 12 Spoke
1	101991-001	SPINERGY LT EX WHEEL 559 BLK	25"(559mm); 12 Spoke
1	101991-002	SPINERGY LT EX WHEEL 559 BLU	25"(559mm); 12 Spoke
1	101991-003	SPINERGY LT EX WHEEL 559 RED	25"(559mm); 12 Spoke
1	101991-004	SPINERGY LT EX WHEEL 559 YLW	25"(559mm); 12 Spoke
1	101993-001	SPINERGY LT EX WHEEL 590 BLK	26"(590mm); 12 Spoke
1	101993-004	SPINERGY LT EX WHEEL 590 YLW	26"(590mm); 12 Spoke
2	349500	1 1/8 X 1/2 BEARING	

Note: this wheel utilizes tab mount handrims - the handrim has a straight tab that mounts to the wheel through the rim.

Note: please see the Rear Wheel Finder for the complete Wheel Assembly with the Flex Rim.

Note: if changing the Rear Wheel Size on a chair with Anti-tips, new size Anti-tip Assemblies ARE REQUIRED to accommodate the new Rear Wheel Size.



Pos.	Item Number	Description	Remarks
1	101988-001	SPINRGY SPT LT EX WHL 540 BLK	24"(540mm), 18 spoke
1	101988-002	SPINRGY SPT LT EX WHL 540 BLU	24"(540mm), 18 spoke
1	101988-003	SPINRGY SPT LT EX WHL 540 RED	24"(540mm), 18 spoke
1	101988-004	SPINRGY SPT LT EX WHL 540 YLW	24"(540mm), 18 spoke
1	101988-005	SPINRGY SPT LT EX WHL 540 WHT	24"(540mm), 18 spoke
1	101990-001	SPINRGY SPT LT EX WHL 559 BLK	25"(559mm), 18 spoke
1	101990-002	SPINRGY SPT LT EX WHL 559 BLU	25"(559mm), 18 spoke
1	101990-003	SPINRGY SPT LT EX WHL 559 RED	25"(559mm), 18 spoke
1	101990-004	SPINRGY SPT LT EX WHL 559 YLW	25"(559mm), 18 spoke
1	101990-005	SPINRGY SPT LT EX WHL 559 WHT	25"(559mm), 18 spoke
1	101992-001	SPINRGY SPT LT EX WHL 590 BLK	26"(590mm), 18 spoke
1	101992-002	SPINRGY SPT LT EX WHL 590 BLU	26"(590mm), 18 spoke
1	101992-003	SPINRGY SPT LT EX WHL 590 RED	26"(590mm), 18 spoke
1	101992-004	SPINRGY SPT LT EX WHL 590 YLW	26"(590mm), 18 spoke
1	101992-005	SPINRGY SPT LT EX WHL 590 WHT	26"(590mm), 18 spoke
2	349500	1 1/8 X 1/2 BEARING	

Note: Wheels do not include rim strips, see "RIM STRIP" page to order correct rim strip.

Note: this wheel utilizes Tab Mount Handrims - the handrim has a straight tab that mounts to the wheel through the rim.

Note: 20" wheels have 18 spokes per wheel; 22", 24" & 25" wheels have 24 spokes per wheel; spokes are black.

Note: if changing the Rear Wheel Size on a chair with Anti-tips, new size Anti-tip Assemblies ARE REQUIRED to accommodate the new Rear Wheel Size.

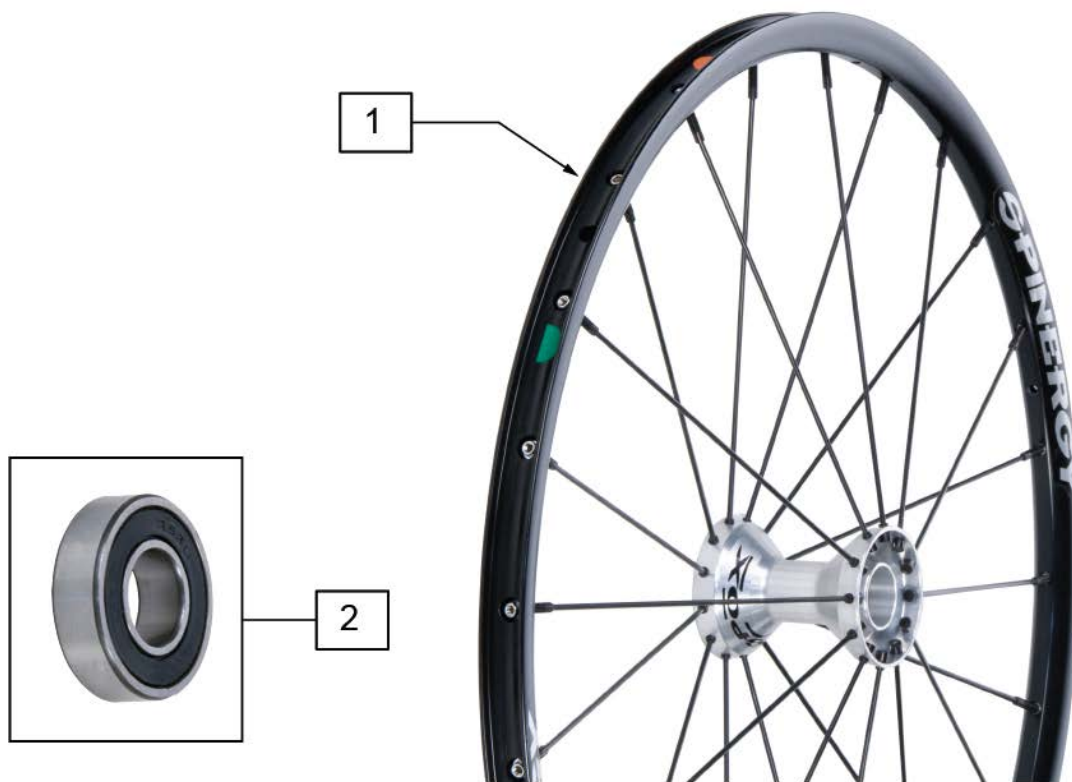


Pos.	Item Number	Description	Remarks
1A	112857	ULTRA LIGHTWEIGHT WHEEL 20"	20"
1B	112858	ULTRA LIGHT WHEEL 22"	22"(501mm)
1C	112859	ULTRA LIGHTWEIGHT WHEEL 24"	24"(540mm)
1D	112860	ULTRA LIGHTWEIGHT WHEEL 25"	25"(559mm)
2	349500	1 1/8 X 1/2 BEARING	
3A	118105	ULTRA LT 20IN SPOKE RPLMNT KIT	Kit contains 12 spokes
3B	118106	ULTRA LT 22IN SPOKE RPLMNT KIT	Kit contains 12 spokes
3C	118107	ULTRA LT 24IN SPOKE RPLMNT KIT	Kit contains 12 spokes
3D	118108	ULTRA LT 25IN SPOKE RPLMNT KIT	Kit contains 12 spokes

Note: this wheel utilizes tab mount handrims - the handrim has a straight tab that mounts to the wheel through the rim.

Note: please see the Rear Wheel Finder for the complete Wheel Assembly with the Flex Rim.

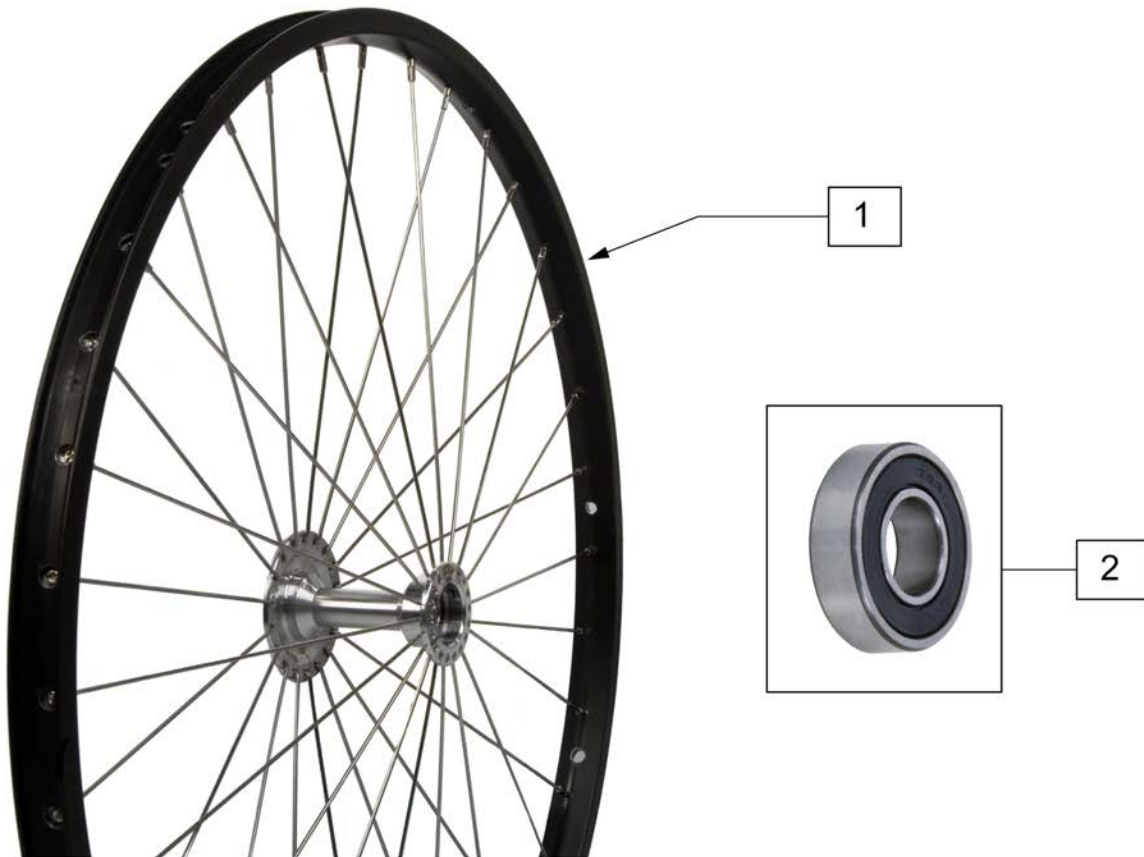
Note: if changing the Rear Wheel Size on a chair with Anti-tips, new size Anti-tip Assemblies ARE REQUIRED to accommodate the new Rear Wheel Size.



Pos.	Item Number	Description	Remarks
1	762434	SPINERGY SPORT WHEEL 540 BLK	24"(540mm)
1	762436	SPINERGY SPORT WHEEL 559 BLK	25"(559mm)
1	762435	SPINERGY SPORT WHEEL 590 BLK	26"(590mm)
1	762453	SPINERGY SPORT WHEEL 540 BLU	24"(540mm)
1	762457	SPINERGY SPORT WHEEL 559 BLU	25"(559mm)
1	762464	SPINERGY SPORT WHEEL 590 BLU	26"(590mm)
1	762454	SPINERGY SPORT WHEEL 540 RED	24"(540mm)
1	762458	SPINERGY SPORT WHEEL 559 RED	25"(559mm)
1	762465	SPINERGY SPORT WHEEL 590 RED	26"(590mm)
1	762429	SPINERGY SPORT WHEEL 540 WHT	24"(540mm)
1	762432	SPINERGY SPORT WHEEL 559 WHT	25"(559mm)
1	762430	SPINERGY SPORT WHEEL 590 WHT	26"(590mm)
1	762455	SPINERGY SPORT WHEEL 540 YLW	24"(540mm)
1	762459	SPINERGY SPORT WHEEL 559 YLW	25"(559mm)
1	762466	SPINERGY SPORT WHEEL 590 YLW	26"(590mm)
2	349500	1 1/8 X 1/2 BEARING	

Note: this wheel utilizes Tab Mount Handrims - the handrim has a straight tab that mounts to the wheel through the rim.

Note: if changing the Rear Wheel Size on a chair with Anti-tips, new size Anti-tip Assemblies ARE REQUIRED to accommodate the new Rear Wheel Size.



Pos.	Item Number	Description	Remarks
1	761119	QP 24" BB RIM ASSM	24" (540mm)
1	761167	QP 26" BB RIM ASSM	26" (590mm)
2	349500	1 1/8 X 1/2 BEARING	

Note: this wheel utilizes Tab Mount Handrims - the handrim has a straight tab that mounts to the wheel through the rim.

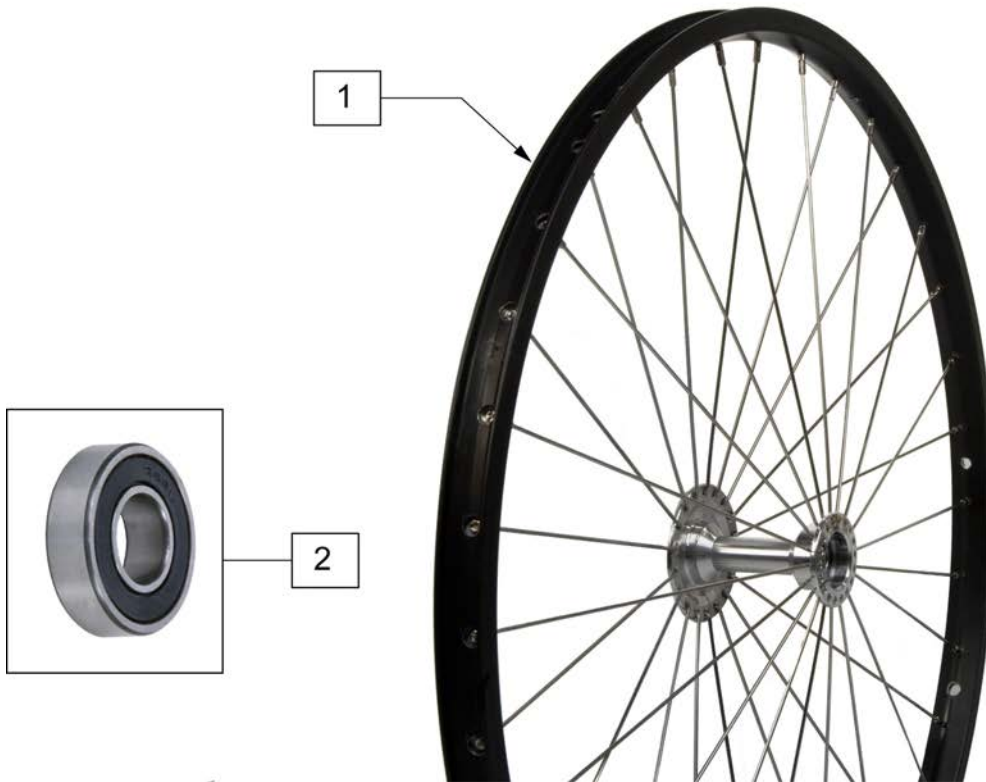
Note: if changing the Rear Wheel Size on a chair with Anti-tips, new size Anti-tip Assemblies ARE REQUIRED to accommodate the new Rear Wheel Size.



Pos.	Item Number	Description	Remarks
1	761109	QP 24" TNNS RIM ASSM	25" (559mm)
1	761157	QP 26" TNNS RIM ASSM	26" (590mm)
2	349500	1 1/8 X 1/2 BEARING	

Note: this wheel utilizes Tab Mount Handrims - the handrim has a straight tab that mounts of the wheel through the rim.

Note: if changing the Rear Wheel Size on a chair with Anti-tips, new size Anti-tip Assemblies ARE REQUIRED to accommodate the new Rear Wheel Size.



Pos.	Item Number	Description	Remarks
1	761149	QP 24" HT BB RIM ASSM	25" (559mm)
1	761188	QP 26" HT BB RIM ASSM	26" (590mm)
2	349500	1 1/8 X 1/2 BEARING	

Note: this wheel utilizes Tab Mount Handrims - the handrim has a straight tab that mounts to the wheel through the rim.

Note: if changing the Rear Wheel Size on a chair with Anti-tips, new size Anti-tip Assemblies ARE REQUIRED to accommodate the new Rear Wheel Size.



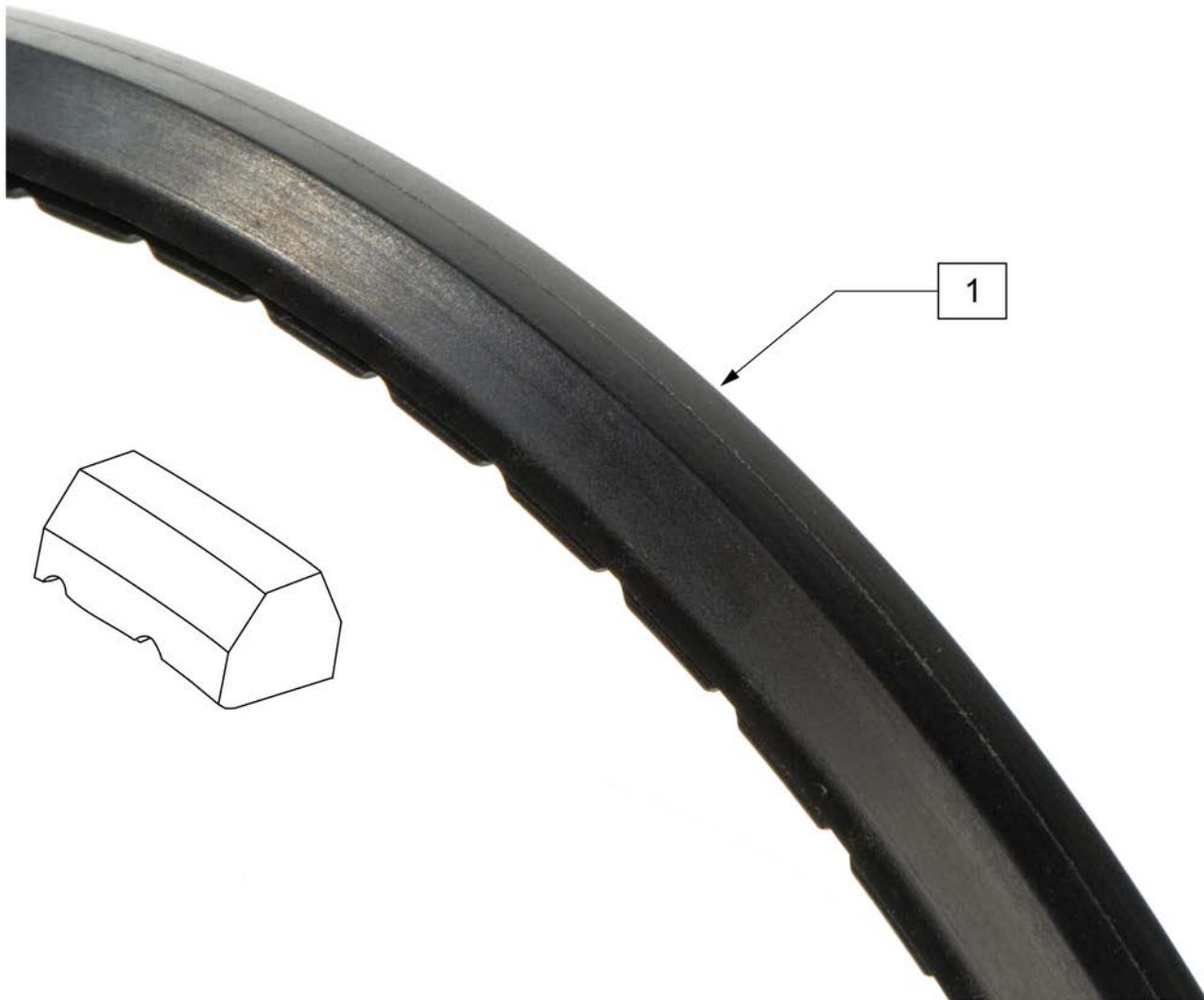
Pos.	Item Number	Description	Remarks
1	761128	QP 24" HT TNNS RIM ASSM 32H	559-32 spokes-25" (559mm)
1	761139	QP 24" HT TNNS RIM ASSM	36 spokes-25" (559mm)
1	761178	QP 26" HT TNNS RIM ASSM	36 hole spokes -26" (590mm)
2	349500	1 1/8 X 1/2 BEARING	



Pos.	Item Number	Description	Remarks
1	385237	16" X 1.75" PNEU TIRE	
1	385250	20" PNEUMATIC TIRE	
1	385275	22" PNEUMATIC TIRE	22" x 1 3/8 (501mm)
1	385300	24" PNEUMATIC TIRE	24" x 1 3/8 (540mm)
1	385325	26" PNEUMATIC TIRE	26" x 1 3/8 (590mm)
1	384614	24" x 2.125 PNEUMATIC TIRE	24"x2 1/8 (540mm) used w/ M6



Pos.	Item Number	Description	Remarks
1	386232	20" POLY TIRE STD	20"
1	386242	22" POLY TIRE STD	22" (501mm)
1	386252	24" POLY TIRE STD	24" (540mm)



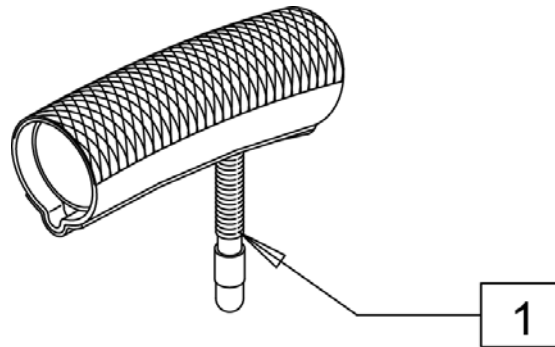
Pos.	Item Number	Description	Remarks
1	386262	20" LP POLY TIRE BR	20" =16" dia
1	386263	22" LP POLY TIRE BR	22"(501mm) = 18"dia
1	386254	24" POLY LOW PROFILE	24"(540mm)= 23" dia



Pos.	Item Number	Description	Remarks
1	385280	22" x 1" HI PRES CLINCHER	22" (501mm)
1	389020	24" x 1" HI PRES CLNCHR TIRE	24" (540mm)
1	389012	QP 24" x 1" HT TURB BLK WR/BD 559	25" (559mm)
1	389030	26" x 1" HI PRES CLNCHR TIRE	26" (590mm)
1	105919	22" x 1" HI PRESS CLNCHR ULTRALIGHT	22" (489mm)

Note: QP Tubular Tires are discontinued. Please see HIGH PRESSURE CLINCHER TIRE parts page. Order 389020 (540), 389012 (559), 389030 (590) replacement tires.

Note: when replacing QP Tubular Tire with High Pressure Clincher Tire, a replacement inner tube is required.



Pos.	Item Number	Description	Remarks
1	389004	QP 24" X 1" TUBULAR TIRE	DISCONTINUED - SEE NOTE
1	389006	QP 26" X 1" TUBULAR TIRE	DISCONTINUED - SEE NOTE



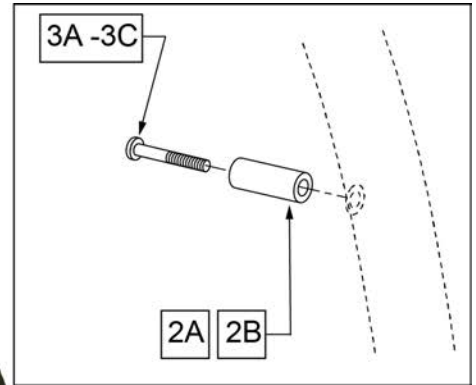
Pos.	Item Number	Description
1	385350	24" KEVLAR TIRE



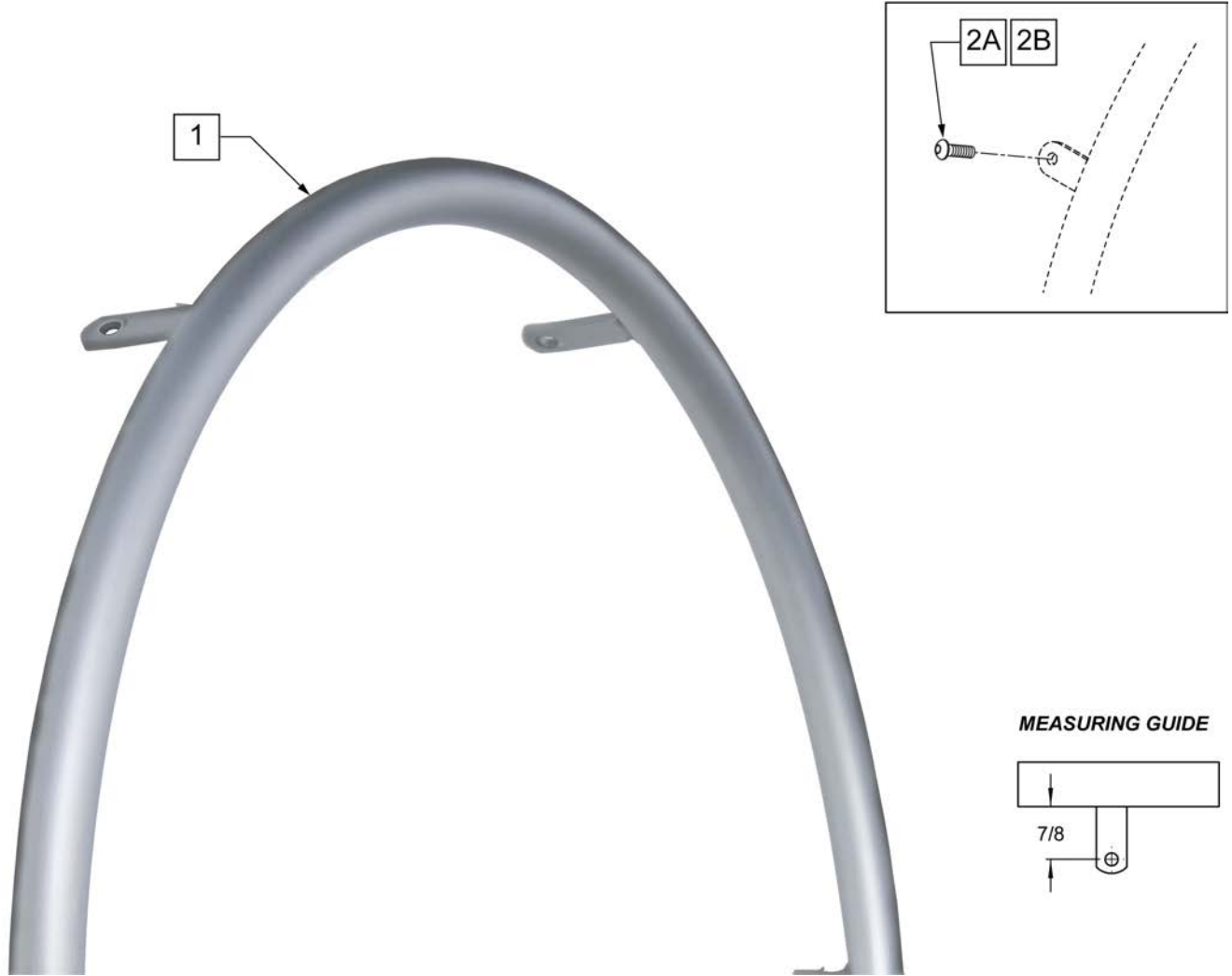
Pos.	Item Number	Description	Remarks
1	389012	QP 24"X1"HT TURB BLK WR/BD 559	25"(559mm), black sidewall
2	388999	26"X1" HT TIRE TURBO GY(700X23	27"(700mm), tan sidewall



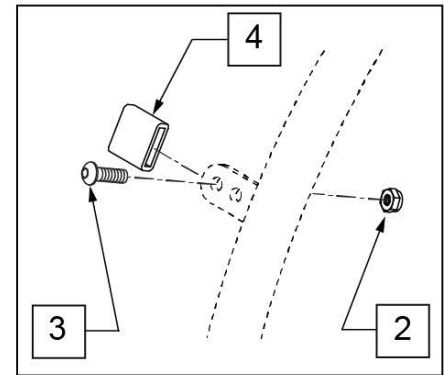
Pos.	Item Number	Description	Remarks
1	102066-004	TIRE SCHWALBE MP 489 BLK	22" (489mm)
1	102066-001	TIRE SCHWBL MPE 540 BLK	24" (540mm)
1	102066-002	TIRE SCHWBL MPE 559 BLK	25" (559mm)
1	102066-003	TIRE SCHWBL MPE 590 BLK	26" (590mm)



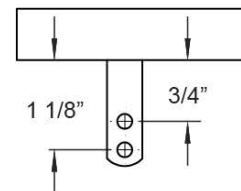
Pos.	Item Number	Description	Remarks
>>>>>	>>>>>>>>>	LITE SPOKE	>>>>>
1,2A,3A	159508	20IN LT SPK AA HNDRIM W/HDWR	20" LITE SPOKE
1,2A,3A	159509	22IN LT SPK AA HNDRIM W/HDWR	22" (501) LITE SPOKE
1,2A,3A	159510	24IN LT SPK AA HNDRIM W/HDWR	24" (540) LITE SPOKE
1,2A,3A	159511	25IN LT SPK AA HNDRIM W/HDWR	25" (559) LITE SPOKE
1,2A,3A	159512	26IN LT SPK AA HNDRIM W/HDWR	26" (590) LITE SPOKE
2A,3A	159513	LT SPK AL AN HNDRIM HDWR	LITE SPOKE, SET OF 6
>>>>>	>>>>>>>>>	SPOKE	>>>>>
1,2B,3B	425931	20" HR 6SMT W/HDWR	20" SPOKE
1,2B,3B	425941	22" HR 6SMT W/HDWR	22" (501) SPOKE
1,2B,3B	426000	24" HR 6SMT W/ HDWR	24" (540) SPOKE
2B,3B	159514	SPK AL AN HNDRIM HDWR	SPOKE, SET OF 6
>>>>>	>>>>>>>>>	MAG	>>>>>
1,3C	425934	20" HR 6SMT 6MAG W/HDWR	20" MAG
1,3C	425951	22" HR 6SMT 6MAG W/HDWR	22" (501) MAG
1,3C	426009	24" HR 6SMT 6MAG W/HDWR	24" (540) MAG
3C	281175	10-32 X 2 1/8 PAN PHIL SS	MAG
>>>>>	>>>>>>>>>	M6 SPOKE	>>>>>
1,2B,3B	425941	22" HR 6SMT W/HDWR	24" (540) SPOKE



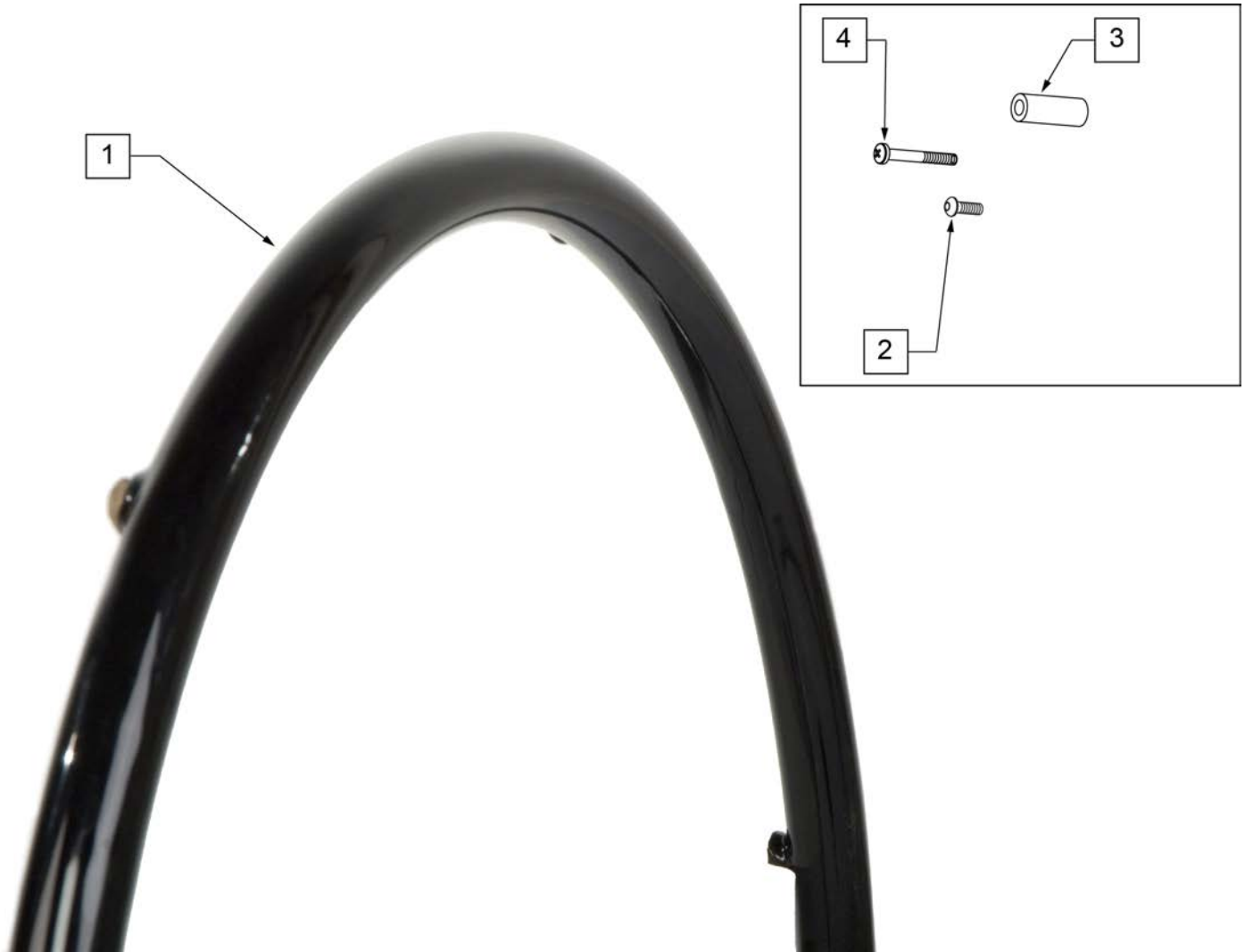
Pos.	Item Number	Description	Remarks
>>>>>	>>>>>>>>>	ULTRA LITE SPOKE	>>>>>
1	100739-001	HANDRIM 22" WHL MBL 1260	22" (489)
1	100739-002	HANDRIM 24" WHL MBL 1260	24" (540)
1	100739-003	HANDRIM 26" WHL MBL 1260	26" (590)
2A	102259-001	BHCS M5 X .8 X 12 W/PL INORG	QTY 6 REG
>>>>>	>>>>>>>>>	NEW ULTRA LITE SPOKE	>>>>>
1	066516-002	LIGHTWEIGHT HANDRIM 22"	22" (489)
1	066516-003	LIGHTWEIGHT HANDRIM 24"	24" (540)
1	066516-004	LIGHTWEIGHT HANDRIM 25"	26" (559)
2B	012931	BHCS M5 X 10 W/PL BLK CL 10.9	QTY 6 REG



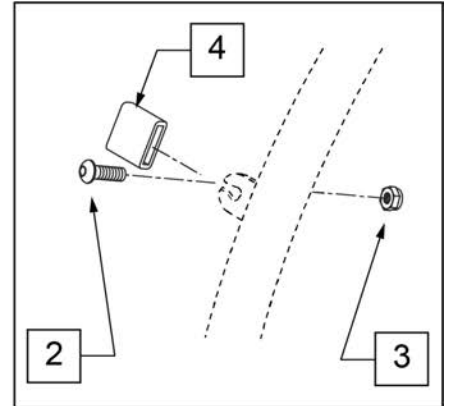
MEASURING GUIDE



Pos.	Item Number	Description	Remarks
>>>>>	>>>>>>>>>>	CROSS SPOKE & SPOKE	>>>>>
1 -4	425095	HANDRIM 18" 4T W/HDWR ANO	18" SPOKE
1	529529	QP 24" HR .065 (6) TAB ANO	24" (540) CROSS SPOKE -SHORT & REG TAB
1 -4	425030	24" HR 6T BB/HTBB W/HDWR	25" (590) CROSS SPOKE
>>>>>	>>>>>>>>>>	CROSS SPOKE QP (QUICKIE PERFORMANCE)	>>>>>
1 -4	425050	26" HR 6T BB/TN W/HDWR	26" (590) CROSS SPOKE TENNIS & BBALL
1 -4	425045	24" HR SHT(6T)ANO W/X/S HDWR	25" (590) CROSS SPOKE TENNIS & BBALL-SHORT TAB
1 -4	425048	26" HR (6T)ANO W/X/S HDWR	26" (700) CROSS SPOKE TENNIS & BBALL -REG TAB
1 -4	425055	26" HR SHT(6T)ANO W/X/S HDWR	26" (700) CROSS SPOKE TENNIS & BBALL-SHORT TAB
1 -4	426015	QP 24" HR .049 W/HDWR SMT	24" (540) TENNIS
1 -4	425030	24" HR 6T BB/HTBB W/HDWR	25" (559) TENNIS & BASKETBALL
1 -4	426050	QP 26" HR .065 W/HDWR (6T)	26" (700) TENNIS & BASKETBALL
1 -4	425050	26" HR 6T BB/TN W/HDWR	26" (590) TENNIS & BASKETBALL
>>>>>	>>>>>>>>>>	SPINERGY & PROTON	>>>>>
1	529529	QP 24" HR .065 (6) TAB ANO	24" (540) SPINERGY
1 -4	425038	QP 24" HR .049 W/HDWR (6T)	25" (559) SPINERGY
1 -4	425050	26" HR 6T BB/TN W/HDWR	26" (590) SPINERGY
>>>>>	>>>>>>>>>>	MOUNTAIN	>>>>>
1 -4	425020	22" HR 4T W/HDWR	24" (540) MOUNTAIN
1 -4	425030	24" HR 6T BB/HTBB W/HDWR	26" (590) MOUNTAIN
2-4	159515	AA TAB MOUNT HANDRIM HARDWARE	SET OF 6

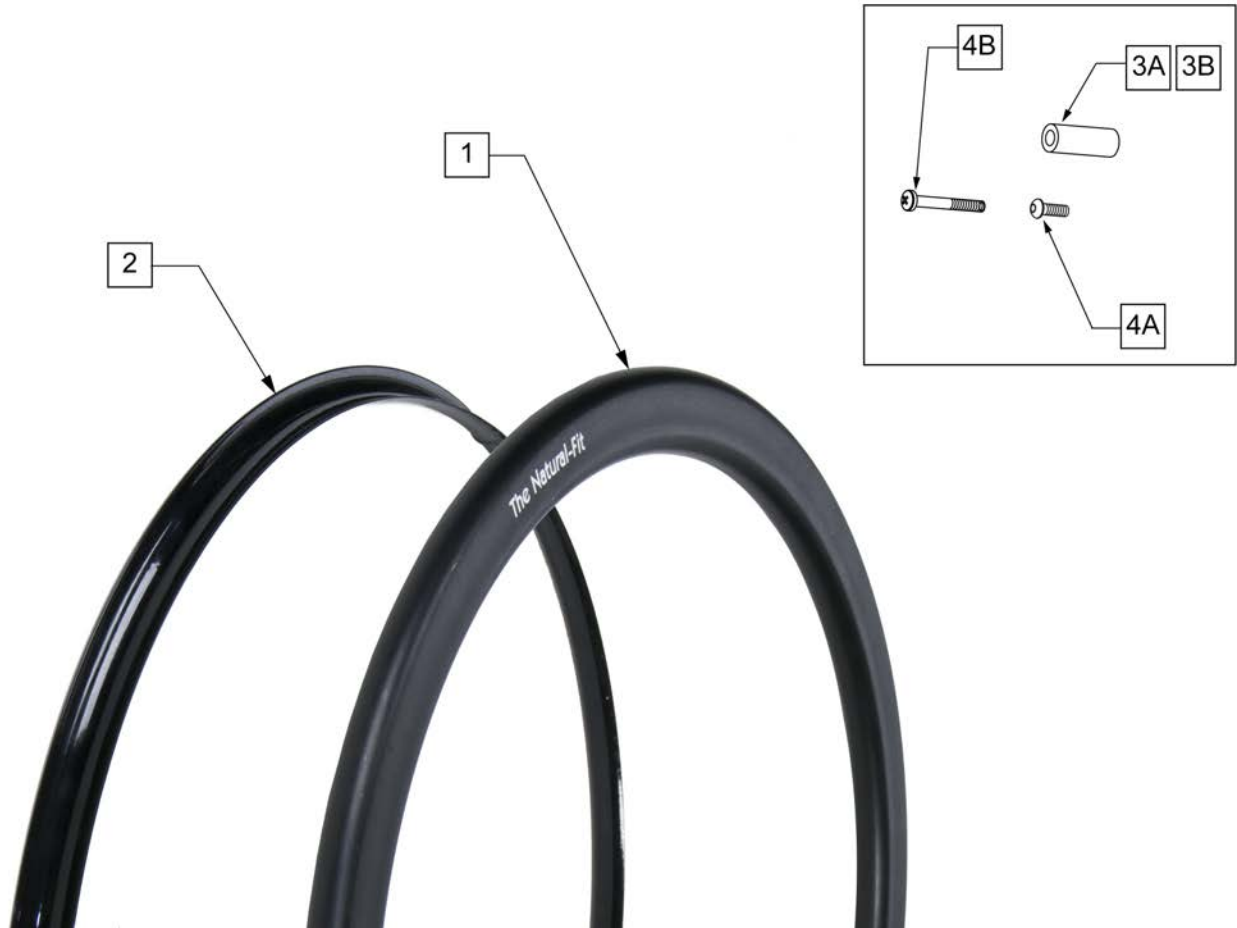


Pos.	Item Number	Description	Remarks
>>>>	>>>>>>>>>	SPOKE & LITE SPOKE	>>>>
1-3	425933	20" HR 6SMT PLST W/HDWR	20" SPOKE
1-3	425943	22" HR 6SMT PLST W/HDWR	22" (501) SPOKE
1-3	426004	24" HR 6SMT PLST W/HDWR	24" (540) SPOKE
>>>>	>>>>>>>>>	MAG	>>>>
1,4	425935	20" HR 6SMT 6MAG PLST W/HDWR	20" MAG
1,4	425953	22" HR 6SMT 6MAG PLST W/HDWR	22" (501) MAG
1,4	426013	24" HR 6SMT 6MAG PLST W/HDWR	24" (540) MAG
>>>>	>>>>>>>>>	M6 SPOKE	>>>>
1-3	425943	22" HR 6SMT 6 MAG PLST W/ HDWR	24" (540) M6 SPOKE
2,3	159534	PLST COATED HNDRM HARDWARE	SPOKE; SET OF 6
4	281175	10 -32 x 2 1/8 PAN PHIL SS	6 SPOKE MAG



Pos.	Item Number	Description	Remarks
>>>>	>>>>>>>>	MOUNTAIN	>>>>
1,2	425022	22" HR 4T PLST W/ HDWR	24" (540)
>>>>	>>>>>>>>	SPINERGY & PROTON	>>>>
1,2	425039	24"HR 6T BLK PLST W/HDWR	24" (540)
1,2	425052	26" HR 6T PLST BB/TN W/HDWR	26" (590)
>>>>	>>>>>>>>	QP (QUICKIE PERFORMANCE)	>>>>
1,2	425052	26" HR 6T PLST BB/TN W/HDWR	26" (590)
1,2	426060	QP 26" HR W/ HDWR (6T) PLASTIC	26" (700)
2	159535	PLST COATED TAB HNDRM HDWR	

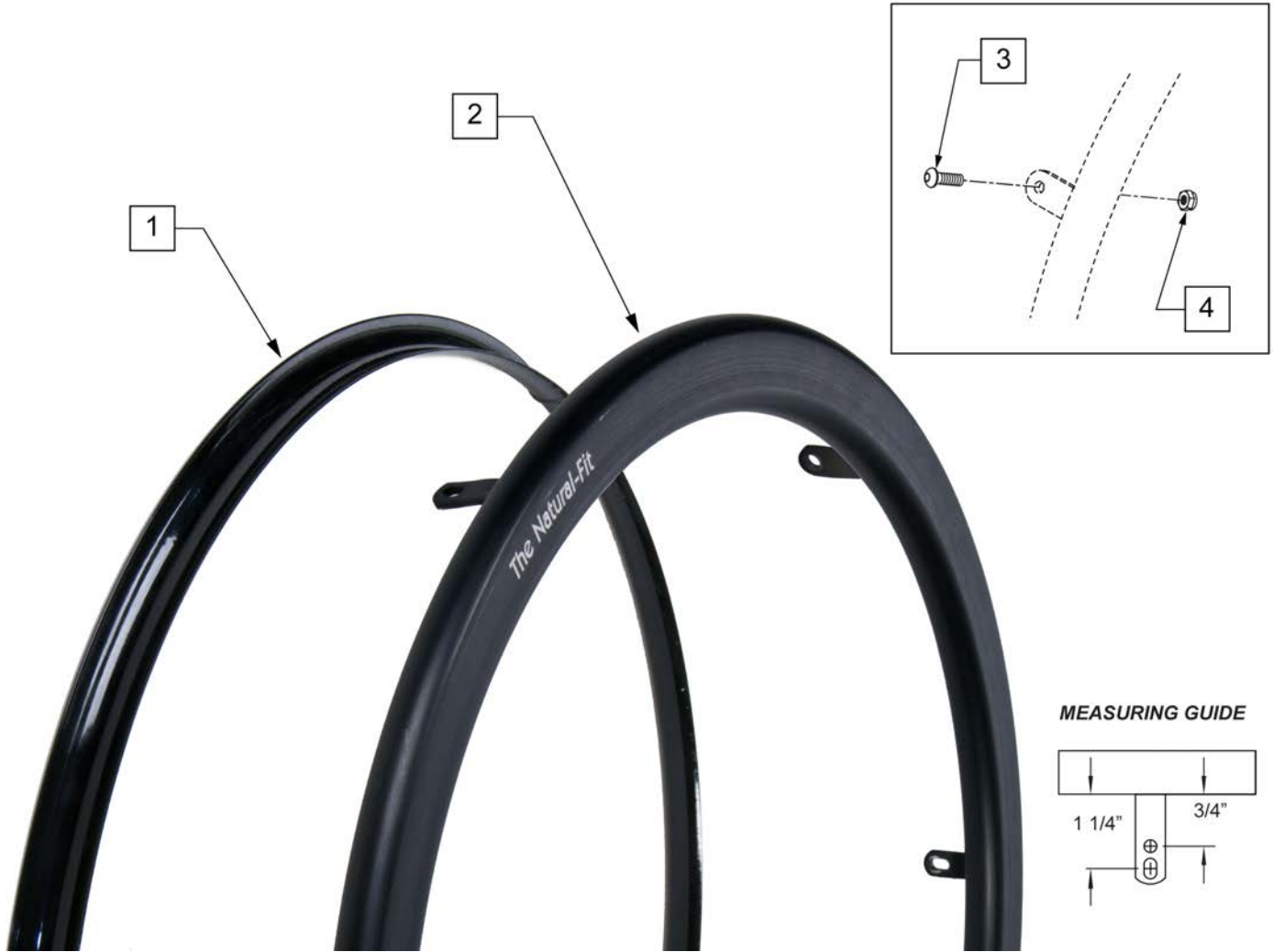
Note: Screw Mount Handrims are utilized with Lite Spoke, Spoke and 6 Spoke Mag Wheels.



Pos.	Item Number	Description	Remarks
>>>>>	>>>>>>>>>	STD GRIP THUMB GUARD	>>>>>
2	102168-001	GUARD THUMB NAT FIT 22 PC BLK	22" (501)- Std Grip Thumb Guard
2	102168-003	GUARD THUMB NAT FIT 24 PC BLK	24" (540)- Std Grip Thumb Guard
2	102168-005	GUARD THUMB NAT FIT 25 PC BLK	25" (559)- Std Grip Thumb Guard
2	102168-007	GUARD THUMB NAT FIT 26 PC BLK	26" (590)- Std Grip Thumb Guard
>>>>>	>>>>>>>>>	SUPER GRIP THUMB GUARD	>>>>>
2	102168-002	GUARD THUMB NAT FIT 22 SG BLK	22" (501)- Super Grip Thumb Guard
2	102168-004	GUARD THUMB NAT FIT 24 SG BLK	24" (540)- Super Grip Thumb Guard
2	102168-006	GUARD THUMB NAT FIT 25 SG BLK	25" (559)- Super Grip Thumb Guard
2	102168-008	THUMB GUARD NAT FIT 26 SG BLK	26" (590)- Super Grip Thumb Guard
>>>>>	>>>>>>>>>	NATURAL FIT LITE HANDRIM	>>>>>
1,3A,4A	159516	22 NAT-FIT LT HNDRIM W/HDWR	22" (501)
1,3A,4A	159517	24 NAT-FIT LT HNDRIM W/HDWR	24" (540)
1,3A,4A	159518	25 NAT-FIT LT HNDRIM W/HDWR	25" (559)
1,3A,4A	159519	26 NAT-FIT LT HNDRIM W/HDWR	26" (590)
>>>>>	>>>>>>>>>	NATURAL FIT HANDRIM	>>>>>
1,3A,4A	159520	22 NAT-FIT HNDRIM W/HDWR	22" (501)

Pos.	Item Number	Description	Remarks
1,3A,4A	159521	24 NAT-FIT HNDRIM W/HDWR	24" (540)
1,3A,4A	159522	25 NAT-FIT HNDRIM W/HDWR	25" (559)
1,3A,4A	159523	26 NAT-FIT HNDRIM W/HDWR	26" (590)
3A,4A	159524	NAT-FIT HNDRIM LT HDWR SET 6	USED W/ LITE SPOKE & SPOKE; SET OF 6
3B	101932	SPCR .194ID X .375 OD X .750	USED W/ MAG
4B	281175	10-32 X 2 1/8 PAN PHIL SS	USED W/ MAG

Note: Tab Mount Hand Rims are utilized with Spinergy & Toplino Wheels.

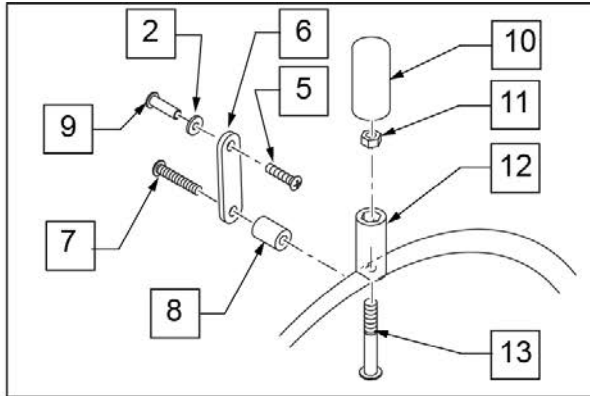


Pos.	Item Number	Description	Remarks
>>>>>	>>>>>>>>>	STD GRIP THUMB GRIP	>>>>>
1	102168-001	GUARD THUMB NAT FIT 22 PC BLK	22" (501)
1	102168-003	GUARD THUMB NAT FIT 24 PC BLK	24" (540)
1	102168-005	GUARD THUMB NAT FIT 25 PC BLK	25" (559)
1	102168-007	GUARD THUMB NAT FIT 26 PC BLK	26" (590)
>>>>>	>>>>>>>>>	SUPER GRIP THUMB GUARD	>>>>>
1	102168-002	GUARD THUMB NAT FIT 22 SG BLK	22" (501)
1	102168-004	GUARD THUMB NAT FIT 24 SG BLK	24" (540)
1	102168-006	GUARD THUMB NAT FIT 25 SG BLK	25" (559)
1	102168-008	THUMB GUARD NAT FIT 26 SG BLK	26" (590)
>>>>>	>>>>>>>>>	NATURAL FIT LITE HANDRIM	>>>>>
2-4	159525	22 NAT-FIT LT TB HNDRIM W/HDWR	22" (501)
2-4	159526	24 NAT-FIT LT TB HNDRIM W/HDWR	24" (540)
2-4	159527	25 NAT-FIT LT TB HNDRIM W/HDWR	25" (559)

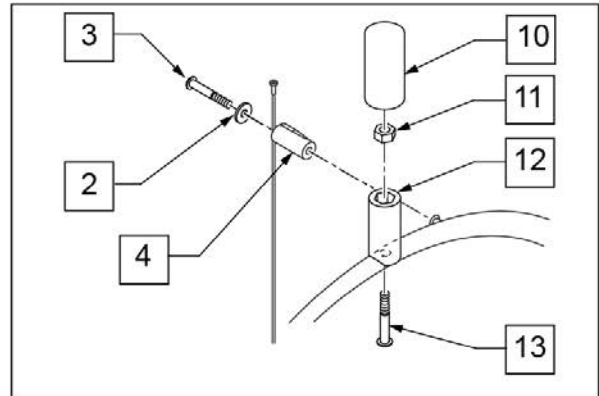
Pos.	Item Number	Description	Remarks
2-4	159528	26 NAT-FIT LT TB HNDRIM W/HDWR	26" (590)
>>>>>	>>>>>>>>>>	NATURAL FIT -W/O THUMB GRIP	>>>>>
2-4	159529	22 NAT-FIT TB HNDRIM W/HDWR	22" (501)
2-4	159530	24 NAT-FIT TB HNDRIM W/HDWR	24" (540)
2-4	159531	25 NAT-FIT TB HNDRIM W/HDWR	25" (559)
2-4	159532	26 NAT-FIT TB HNDRIM W/HDWR	26" (590)
3,4	159533	NAT-FIT TAB MNT HARDWARE	SET OF 6

NOTE: Not all Projection Handrims are offered on all chairs, check the order form for compatibility.

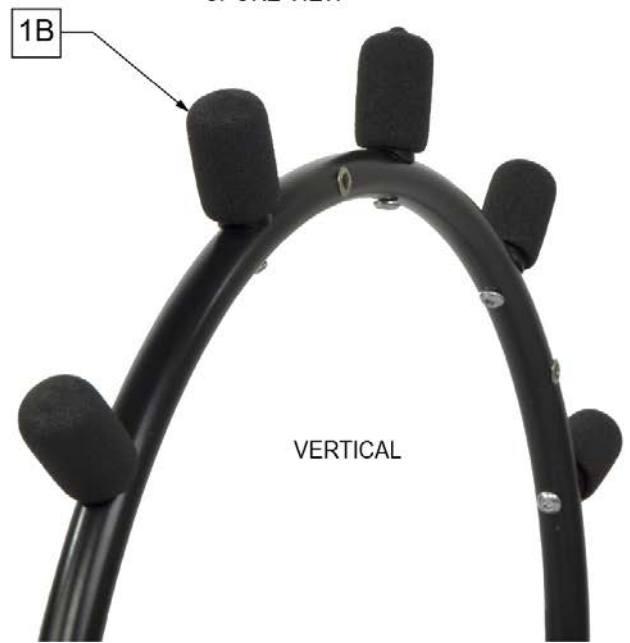
NOTE: Projection Handrims are only available with the Traditional 6 Spoke Mag and Quickie Spoke Wheels.



MAG VIEW

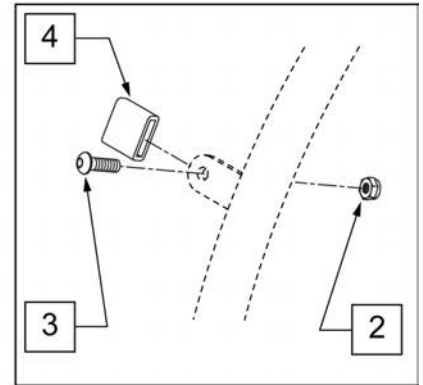


SPOKE VIEW

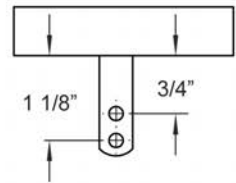


Pos.	Item Number	Description	Remarks
>>>>>	>>>>>>>>>	8" OBLIQUE	>>>>>
1A,2-4,10-13	427003	PROJ 24/26" HR 8OBLQ W/HDWR	24" (540), 25" (559), 26" (590) SPOKE
1A,2,3-13	427511	PROJ 24" HR 6MAG 8OBLQ W/HDWR	24" (540) MAG
>>>>>	>>>>>>>>>	12" OBLIQUE	>>>>>
1A,2-4,10-13	427007	PROJ 24/26" HR 12OBLQ W/HDWR	24" (540), 25" (559), 26" (590) SPOKE
1A,2,5-13	427515	PROJ 24" HR 6MAG 12OBLQ W/HDWR	24" (540) MAG
>>>>>	>>>>>>>>>	8" VERTICAL	>>>>>
1B,4,10-13	427002	PROJ 24/26" HR 8VERT W/HDWR	24" (540), 25" (559), 26" (590) SPOKE
1B,2,5-13	427510	PROJ 24" HR 6 MAG 8 VERT W/ HDWR	24" (540) MAG
>>>>>	>>>>>>>>>	12" VERTICAL	>>>>>

Pos.	Item Number	Description	Remarks
1B,4,10-13	427006	PROJ 24/26" HR 12VERT W/HDWR	24" (540), 25" (559), 26" (590) SPOKE
1B,2,5-13	427514	PROJ 24" HR 6MAG 12VERT W/HDWR	24" (540) MAG
2	261300	3/16 WASHER FLAT	
3	281170	10-32 X 1 5/8 PAN PHIL SS	SPOKE ONLY
4	561046	PROJECTION SPOKE MOUNT	SPOKE ONLY
5	281120	10/32 X 5/8 PAN HD PHIL	MAG ONLY
6	505004	TOGGLE 2 - HOLE	MAG ONLY
7	281147	10-32 X 1 1/4 PAN PHIL	MAG ONLY
8	561037	HANDRIM SPACER MAG	MAG ONLY
10	560600	1 1/2 x .705 x .187 FOAM GRIP	
11	106935	NUT NYLOCK THIN 1/4-28 ROHS	
12	561044	PROJECTION PEG	
13	226155	1 1/4 -28 x 2 1/4 BH C/S	

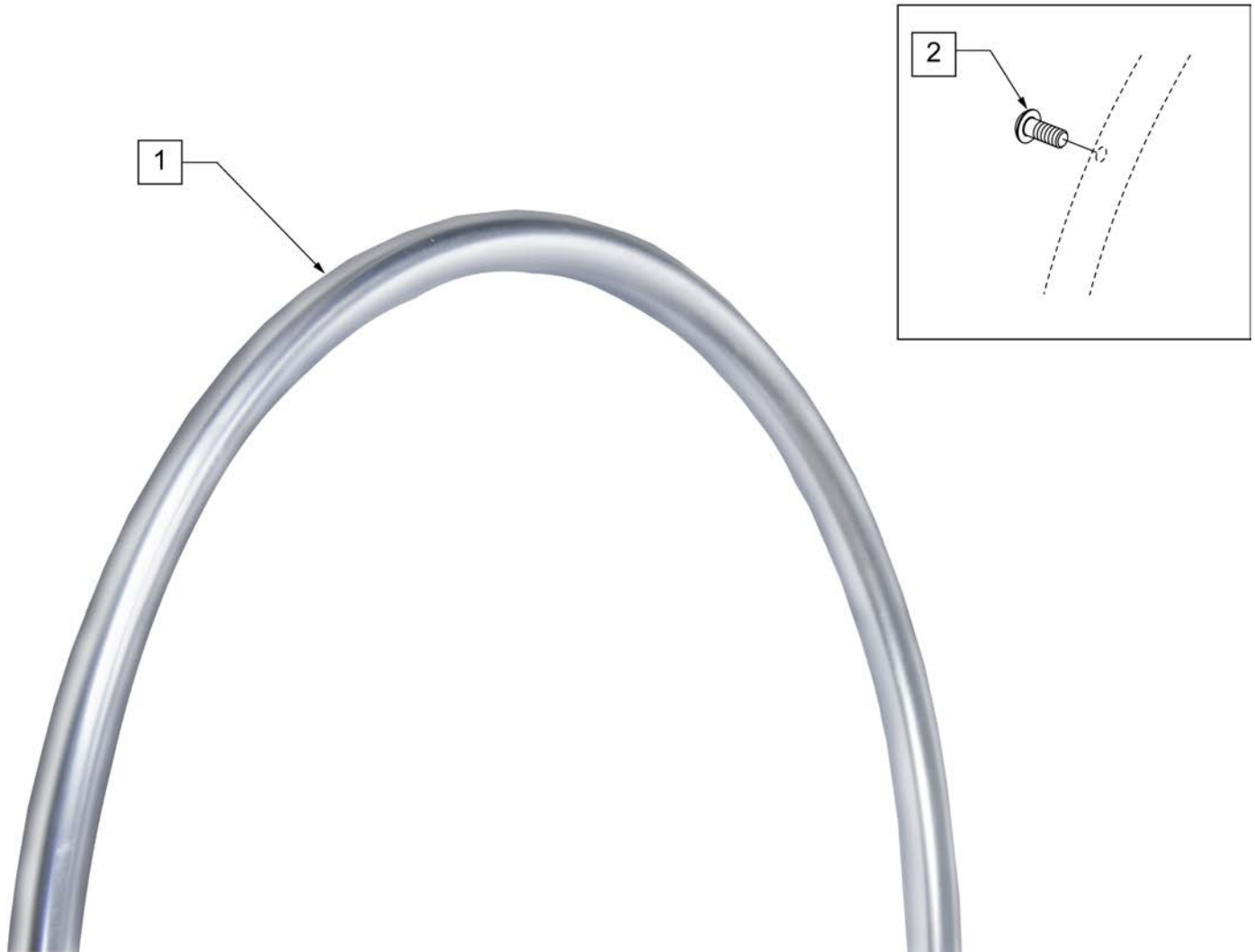


MEASURING GUIDE



Pos.	Item Number	Description	Remarks
>>>>>	>>>>>>>>>	PAINTED REG TAB	>>>>>
1	529528	QP 24" HR .065 (6)TAB BLK PNTD	24" (540)
1-4	425041	24" HR (6T)BLK W/X/S HDWR	25" (559)
1	529527	QP 26" HR .065 (6)TAB BLK PNTD	26" (590)
1-4	425047	26" HR (6T)BLK W/X/S HDWR	26" (700)
>>>>>	>>>>>>>>>	PAINTED SHORT TAB	>>>>>
1	529528	QP 24" HR .065 (6)TAB BLK PNTD	24" (540)
1-4	425044	24" HR SHT(6T)BLK W/X/S HDWR	25" (559)
1	529527	QP 26" HR .065 (6)TAB BLK PNTD	26" (590)
1-4	425053	26" HR SHT(6T)BLK W/X/S HDWR	26" (700)
2	200100-QU	10-32 NYLOCK NUT	
3	281110	10-32 X 1/2 PAN PHIL	
4	580301	HR TAB COVER BLK	

NOTE: IF MAG WHEEL ASSEMBLY WAS ORDERED WITHOUT HANDRIM AND THIS HANDRIM IS ADDED TO THE WHEEL QTY 6 OF 101932 AND 281175 MUST BE ORDERED TO PROPERLY MOUNT THE HANDRIM.

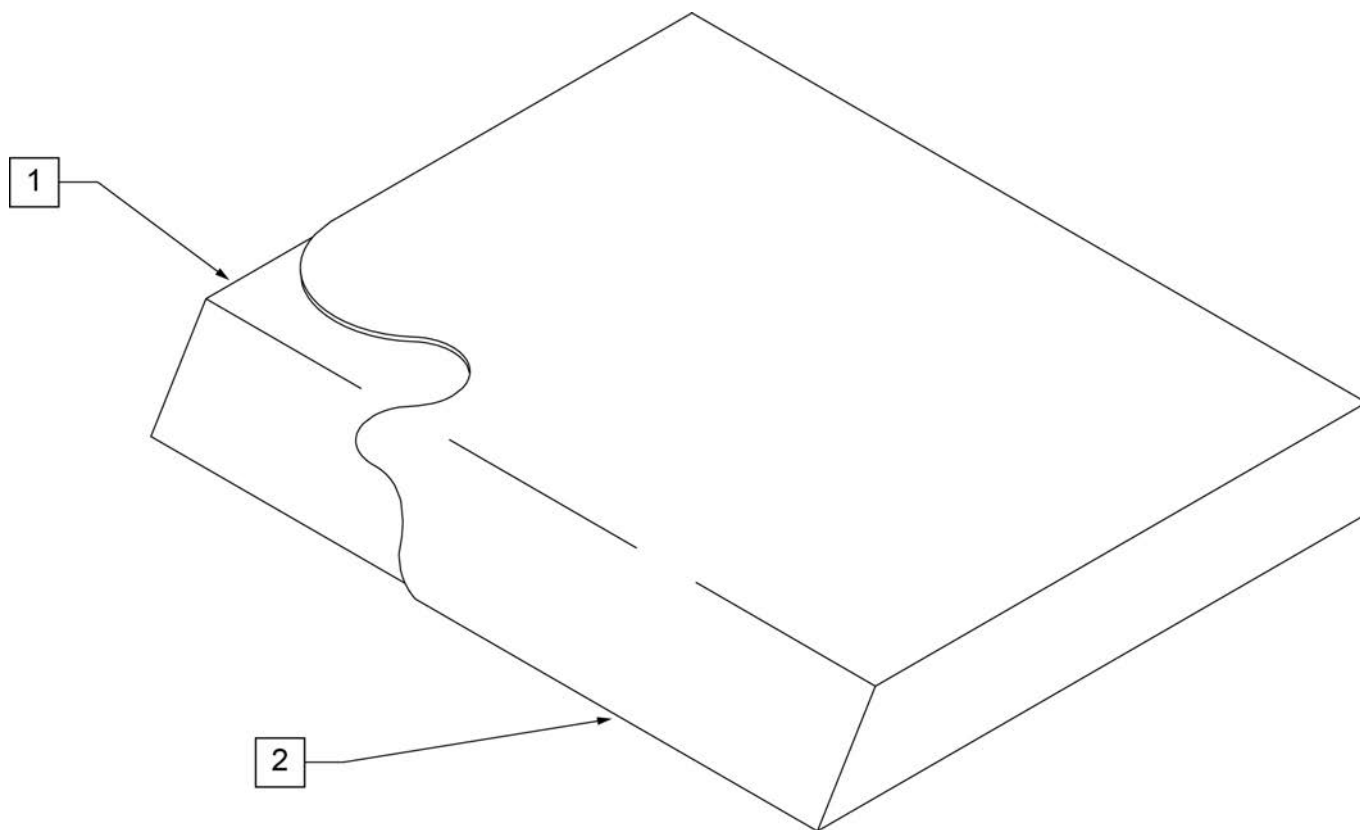


Pos.	Item Number	Description	Remarks
1,2	426026	20" SCW MT HR CHRM 6S W/HDWR	20"
1,2	426024	22" SCW MT HR CHRM 6S W/HDWR	22" (501)
1,2	426011	24 IN SCW MT HR CHRM 6S W/HDWR	24" (540)
2	281175	10-32 X 2 1/8 PAN PHIL SS	QTY 6 REG



Pos.	Item Number	Description	Remarks
1A	Discontinued	Presta Valves Discontinued	
1A	384736	INNER TUBE 12-1/2" X 2-1/4"	
1A	384738	16" X 1.75" INNER TUBE	
1A	382255	TUBE 18" TIRE	18" X 1-3/4" TUBE
1A	382275	20" TUBE	20" 1-3/8" TUBE
1A	382300	22" TUBE	22" X 1-3/8" TUBE
1A	382336	TUBE PRIMO 24" 25-540 SV	24" X 1" TUBE
1A	382325	24 X 1.3/8IN TUBE REG	
1A	382334	TUBE INLINE 24 X 1.75	
1A	384551	26" X 1" TUBE SCHRADER	
1A	382350	26" TUBE	26" X 1-3/8" TUBE
1A	382361	TUBE 26 X 1.5/1.95/ S/V	
1A	382365	26 X 1.25/1.5 TUBE SHRADER	
1A	382375	24" x 2.125 TUBE	
1B	102972-001	12 1/2 IN AIRLESS INSERT	12-1/2" X 2-1/4"
1B	102973-001	16IN AIRLESS INSERT	16" X 1-3/4"
1B	102973-002	18IN AIRLESS INSERT	18" X 1-3/4"
1B	102973-003	20IN AIRLESS INSERT	20" X 1-3/8"
1B	102972-002	AIRLESS INSERT 20 X 2-1/8 P3	
1B	102973-004	22IN AIRLESS INSERT	22" X 1-3/8"
1B	102973-005	24IN AIRLESS INSERT	24" X 1-3/8"
1B	102972-003	AIRLESS INSERT 24 X 2-1/8	
1B	108259	26" AIRLESS INSERT	26" X 1-3/8"

NOTE: On all Quickie 2 and GP Family of Chairs an inch deeper cushion is utilized on all seat depths.



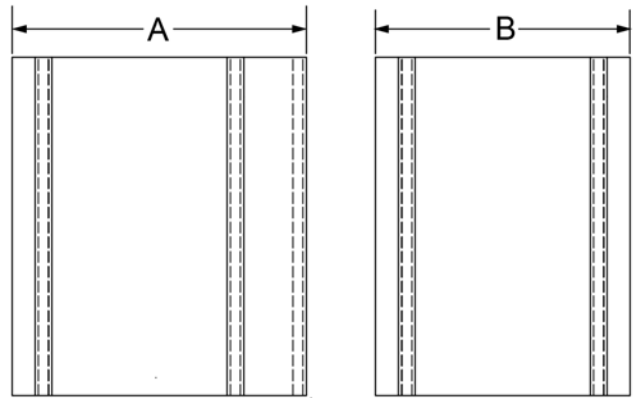
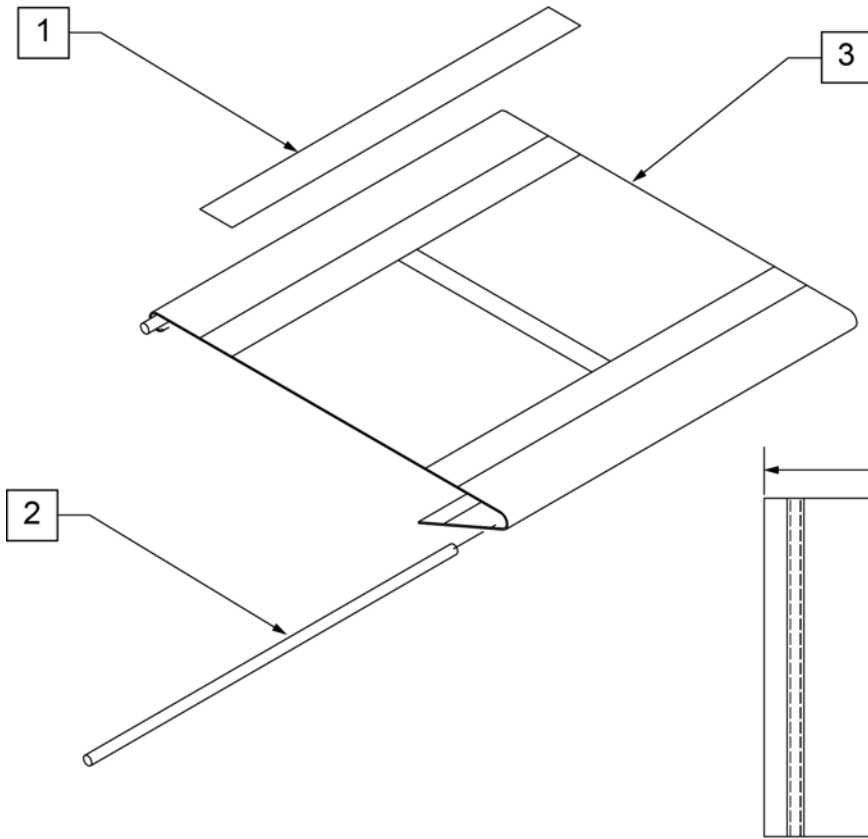
Pos.	Item Number	Description	Pos.	Item Number	Description
>>>>		10" WIDE SEAT CUSHION	1,2	700108	SEAT CUSHION 12" X 9" X 2"
1,2	700025	SEAT CUSHION 10" X 8" X 2"	1,2	700102	SEAT CUSHION 12" X 10" X 2"
1,2	700026	SEAT CUSHION 10" X 9" X 2"	1,2	700112	SEAT CUSHION 12" X 11" X 2"
1,2	700027	SEAT CUSHION 10" X 10" X 2"	1,2	700122	SEAT CUSHION 12" X 12" X 2"
1,2	700028	SEAT CUSHION 10" X 11" X 2"	1,2	700132	SEAT CUSHION 12" X 13" X 2"
1,2	700029	SEAT CUSHION 10" X 12" X 2"	1,2	700142	SEAT CUSHION 12" X 14" X 2"
1,2	700035	SEAT CUSHION 10" X 13" X 2"	1,2	700152	SEAT CUSHION 12" X 15" X 2"
1,2	700045	SEAT CUSHION 10" X 14" X 2"	1,2	700162	SEAT CUSHION 12" X 16" X 2"
>>>>		11" WIDE SEAT CUSHION	1,2	700172	SEAT CUSHION 12" X 17" X 2"
1,2	700055	SEAT CUSHION 11" X 8" X 2"	1,2	700182	SEAT CUSHION 12" X 18" X 2"
1,2	700056	SEAT CUSHION 11" X 9" X 2"	1,2	700192	SEAT CUSHION 12" X 19" X 2"
1,2	700002	SEAT CUSHION 11" X 10" X 2"	>>>>		13" WIDE SEAT CUSHION
1,2	700012	SEAT CUSHION 11" X 11" X 2"	1,2	700207	SEAT CUSHION 13" X 8" X 2"
1,2	700022	SEAT CUSHION 11" X 12" X 2"	1,2	700208	SEAT CUSHION 13" X 9" X 2"
1,2	700032	SEAT CUSHION 11" X 13" X 2"	1,2	700202	SEAT CUSHION 13" X 10" X 2"
1,2	700042	SEAT CUSHION 11" X 14" X 2"	1,2	700212	SEAT CUSHION 13" X 11" X 2"
1,2	700052	SEAT CUSHION 11" X 15" X 2"	1,2	700222	SEAT CUSHION 13" X 12" X 2"
1,2	700062	SEAT CUSHION 11" X 16" X 2"	1,2	700232	SEAT CUSHION 13" X 13" X 2"
1,2	700072	SEAT CUSHION 11" X 17" X 2"	1,2	700242	SEAT CUSHION 13" X 14" X 2"
1,2	700082	SEAT CUSHION 11" X 18" X 2"	1,2	700252	SEAT CUSHION 13" X 15" X 2"
>>>>		12" WIDE SEAT CUSHION	1,2	700262	SEAT CUSHION 13" X 16" X 2"
1,2	700107	SEAT CUSHION 12" X 8" X 2"	1,2	700272	SEAT CUSHION 13" X 17" X 2"

Pos.	Item Number	Description	Pos.	Item Number	Description
1,2	700277	SEAT CUSHION 13" X 18" X 2"	1,2	702113	SEAT CUSHION 17" X 22" X 2"
1,2	700267	SEAT CUSHION 13" X 19" X 2"	>>>>		18" WIDE SEAT CUSHION
>>>>		14" WIDE SEAT CUSHION	1,2	700682	SEAT CUSHION 18" X 12" X 2"
1,2	700287	SEAT CUSHION 14" X 8" X 2"	1,2	700692	SEAT CUSHION 18" X 13" X 2"
1,2	700288	SEAT CUSHION 14" X 9" X 2"	1,2	700702	SEAT CUSHION 18" X 14" X 2"
1,2	700282	SEAT CUSHION 14" X 10" X 2"	1,2	700712	SEAT CUSHION 18" X 15" X 2"
1,2	700292	SEAT CUSHION 14" X 11" X 2"	1,2	700722	SEAT CUSHION 18" X 16" X 2"
1,2	700302	SEAT CUSHION 14" X 12" X 2"	1,2	700732	SEAT CUSHION 18" X 17" X 2"
1,2	700312	SEAT CUSHION 14" X 13" X 2"	1,2	700742	SEAT CUSHION 18" X 18" X 2"
1,2	700322	SEAT CUSHION 14" X 14" X 2"	1,2	700752	SEAT CUSHION 18" X 19" X 2"
1,2	700332	SEAT CUSHION 14" X 15" X 2"	1,2	700762	SEAT CUSHION 18" X 20" X 2"
1,2	700342	SEAT CUSHION 14" X 16" X 2"	1,2	700772	SEAT CUSHION 18" X 21" X 2"
1,2	700352	SEAT CUSHION 14" X 17" X 2"	1,2	702114	SEAT CUSHION 18" X 22" X 2"
1,2	700362	SEAT CUSHION 14" X 18" X 2"	>>>>		19" WIDE SEAT CUSHION
1,2	700372	SEAT CUSHION 14" X 19" X 2"	1,2	700782	SEAT CUSHION 19" X 12" X 2"
1,2	700382	SEAT CUSHION 14" X 20" X 2"	1,2	700792	SEAT CUSHION 19" X 13" X 2"
1,2	700392	SEAT CUSHION 14" X 21" X 2"	1,2	700802	SEAT CUSHION 19" X 14" X 2"
1,2	702110	SEAT CUSHION 14" X 22" X 2"	1,2	700812	SEAT CUSHION 19" X 15" X 2"
>>>>		15" WIDE SEAT CUSHION	1,2	700822	SEAT CUSHION 19" X 16" X 2"
1,2	700398	SEAT CUSHION 15" X 11" X 2"	1,2	700832	SEAT CUSHION 19" X 17" X 2"
1,2	700402	SEAT CUSHION 15" X 12" X 2"	1,2	700842	SEAT CUSHION 19" X 18" X 2"
1,2	700412	SEAT CUSHION 15" X 13" X 2"	1,2	700852	SEAT CUSHION 19" X 19" X 2"
1,2	700422	SEAT CUSHION 15" X 14" X 2"	1,2	700862	SEAT CUSHION 19" X 20" X 2"
1,2	700432	SEAT CUSHION 15" X 15" X 2"	1,2	700872	SEAT CUSHION 19" X 21" X 2"
1,2	700442	SEAT CUSHION 15" X 16" X 2"	1,2	702115	SEAT CUSHION 19" X 22" X 2"
1,2	700452	SEAT CUSHION 15" X 17" X 2"	>>>>		20" WIDE SEAT CUSHION
1,2	700462	SEAT CUSHION 15" X 18" X 2"	1,2	700882	SEAT CUSHION 20" X 12" X 2"
1,2	700472	SEAT CUSHION 15" X 19" X 2"	1,2	700892	SEAT CUSHION 20" X 13" X 2"
1,2	700482	SEAT CUSHION 15" X 20" X 2"	1,2	700902	SEAT CUSHION 20" X 14" X 2"
1,2	700492	SEAT CUSHION 15" X 21" X 2"	1,2	700912	SEAT CUSHION 20" X 15" X 2"
1,2	702111	SEAT CUSHION 15" X 22" X 2"	1,2	700922	SEAT CUSHION 20" X 16" X 2"
>>>>		16" WIDE SEAT CUSHION	1,2	700932	SEAT CUSHION 20" X 17" X 2"
1,2	700498	SEAT CUSHION 16" X 11" X 2"	1,2	700942	SEAT CUSHION 20" X 18" X 2"
1,2	700502	SEAT CUSHION 16" X 12" X 2"	1,2	700952	SEAT CUSHION 20" X 19" X 2"
1,2	700512	SEAT CUSHION 16" X 13" X 2"	1,2	700962	SEAT CUSHION 20" X 20" X 2"
1,2	700522	SEAT CUSHION 16" X 14" X 2"	1,2	700972	SEAT CUSHION 20" X 21" X 2"
1,2	700532	SEAT CUSHION 16" X 15" X 2"	1,2	702116	SEAT CUSHION 20" X 22" X 2"
1,2	700542	SEAT CUSHION 16" X 16" X 2"	>>>>		21" WIDE SEAT CUSHION
1,2	700552	SEAT CUSHION 16" X 17" X 2"	1,2	702080	SEAT CUSHION 21" X 13" X 2"
1,2	700562	SEAT CUSHION 16" X 18" X 2"	1,2	702081	SEAT CUSHION 21" X 14" X 2"
1,2	700572	SEAT CUSHION 16" X 19" X 2"	1,2	702082	SEAT CUSHION 21" X 15" X 2"
1,2	700582	SEAT CUSHION 16" X 20" X 2"	1,2	702083	SEAT CUSHION 21" X 16" X 2"
1,2	700592	SEAT CUSHION 16" X 21" X 2"	1,2	702084	SEAT CUSHION 21" X 17" X 2"
1,2	702112	SEAT CUSHION 16" X 22" X 2"	1,2	702085	SEAT CUSHION 21" X 18" X 2"
>>>>		17" WIDE SEAT CUSHION	1,2	702086	SEAT CUSHION 21" X 19" X 2"
1,2	700585	SEAT CUSHION 17" X 11" X 2"	1,2	702087	SEAT CUSHION 21" X 20" X 2"
1,2	700606	SEAT CUSHION 17" X 12" X 2"	1,2	702088	SEAT CUSHION 21" X 21" X 2"
1,2	700597	SEAT CUSHION 17" X 13" X 2"	1,2	702089	SEAT CUSHION 21" X 22" X 2"
1,2	700602	SEAT CUSHION 17" X 14" X 2"	>>>>		22" WIDE SEAT CUSHION
1,2	700612	SEAT CUSHION 17" X 15" X 2"	1,2	702090	SEAT CUSHION 22" X 13" X 2"
1,2	700622	SEAT CUSHION 17" X 16" X 2"	1,2	702091	SEAT CUSHION 22" X 14" X 2"
1,2	700632	SEAT CUSHION 17" X 17" X 2"	1,2	702092	SEAT CUSHION 22" X 15" X 2"
1,2	700642	SEAT CUSHION 17" X 18" X 2"	1,2	702093	SEAT CUSHION 22" X 16" X 2"
1,2	700652	SEAT CUSHION 17" X 19" X 2"	1,2	702094	SEAT CUSHION 22" X 17" X 2"
1,2	700662	SEAT CUSHION 17" X 20" X 2"	1,2	702095	SEAT CUSHION 22" X 18" X 2"
1,2	700672	SEAT CUSHION 17" X 21" X 2"	1,2	702096	SEAT CUSHION 22" X 19" X 2"

Pos.	Item Number	Description	Pos.	Item Number	Description
1,2	702097	SEAT CUSHION 22" X 20" X 2"	1,2	702222	SEAT CUSHION 26" X 20" X 2"
1,2	702098	SEAT CUSHION 22" X 21" X 2"	1,2	702223	SEAT CUSHION 26" X 21" X 2"
1,2	702117	SEAT CUSHION 22" X 22" X 2"	1,2	702224	SEAT CUSHION 26" X 22" X 2"
>>>>		24" WIDE SEAT CUSHION	>>>>		28" WIDE SEAT CUSHION
1,2	702099	SEAT CUSHION 24" X 14" X 2	1,2	702225	SEAT CUSHION 28" X 18" X 2"
1,2	702100	SEAT CUSHION 24" X 15" X 2	1,2	702226	SEAT CUSHION 28" X 19" X 2"
1,2	702101	SEAT CUSHION 24" X 16" X 2	1,2	702227	SEAT CUSHION 28" X 20" X 2"
1,2	702102	SEAT CUSHION 24" X 17" X 2	1,2	702228	SEAT CUSHION 28" X 21" X 2"
1,2	702103	SEAT CUSHION 24" X 18" X 2	1,2	702229	SEAT CUSHION 28" X 22" X 2"
1,2	702104	SEAT CUSHION 24" X 19" X 2	>>>>		30" WIDE SEAT CUSHION
1,2	702105	SEAT CUSHION 24" X 20" X 2"	1,2	702230	SEAT CUSHION 30" X 18" X 2"
1,2	702106	SEAT CUSHION 24" X 21" X 2"	1,2	702231	SEAT CUSHION 30" X 19" X 2"
1,2	702118	SEAT CUSHION 24" X 22" X 2"	1,2	702232	SEAT CUSHION 30" X 20" X 2"
>>>>		26" WIDE SEAT CUSHION	1,2	702233	SEAT CUSHION 30" X 21" X 2"
1,2	702220	SEAT CUSHION 26" X 18" X 2"	1,2	702234	SEAT CUSHION 30" X 22" X 2"
1,2	702221	SEAT CUSHION 26" X 19" X 2"			

MEASURING GUIDE

CHAIR WIDTH	DIM A	DIM B
10"	14.5"	11.5"
11"	15.5"	12.5"
12"	16.5"	13.5"
13"	17.5"	14.5"
14"	18.5"	15.5"
15"	19.5"	16.5"
16"	20.5"	17.5"
17"	21.5"	18.5"
18"	22.5"	19.5"
19"	23.5"	20.5"
20"	24.5"	21.5"
21"	25.5"	22.5"
22"	26.5"	23.5"



Pos.	Item Number	Description	Pos.	Item Number	Description
1	901169	SEAT SLING VELCRO® STRIP 2"	3	722585	SEAT SLING 11" X 15" CHNL
2	580226	SEAT SLING RETAINING ROD 10"	3	722586	SEAT SLING 11" X 16" CHNL
2	580227	SEAT SLING RETAINING ROD 11"	3	722587	SEAT SLING 11" X 17" CHNL
2	580228	SEAT SLING RETAINING ROD 12"			12" Wide Seat Slings
2	580229	SEAT SLING RETAINING ROD 13"	3	722590	SEAT SLING 12" X 10" CHNL
2	580230	SEAT SLING RETAINING ROD 14"	3	722591	SEAT SLING 12" X 11" CHNL
2	580231	SEAT SLING RETAINING ROD 15"	3	722592	SEAT SLING 12" X 12" CHNL
2	580232	SEAT SLING RETAINING ROD 16"	3	722593	SEAT SLING 12" X 13" CHNL
2	580233	SEAT SLING RETAINING ROD 17"	3	722594	SEAT SLING 12" X 14" CHNL
2	580234	SEAT SLING RETAINING ROD 18"	3	722595	SEAT SLING 12" X 15" CHNL
2	580235	SEAT SLING RETAINING ROD 19"	3	722596	SEAT SLING 12" X 16" CHNL
2	580236	SEAT SLING RETAINING ROD 20"	3	722597	SEAT SLING 12" X 17" CHNL
		10" Wide Seat Slings			13" Wide Seat Slings
3	722489	SEAT SLING 10" X 12" CHNL	3	722600	SEAT SLING 13" X 10" CHNL
3	722490	SEAT SLING 10" X 13" CHNL	3	722601	SEAT SLING 13" X 11" CHNL
3	722491	SEAT SLING 10" X 14" CHNL	3	722602	SEAT SLING 13" X 12" CHNL
3	722492	SEAT SLING 10" X 15" CHNL	3	722603	SEAT SLING 13" X 13" CHNL
3	722493	SEAT SLING 10" X 16" CHNL	3	722604	SEAT SLING 13" X 14" CHNL
		11" Wide Seat Slings	3	722605	SEAT SLING 13" X 15" CHNL
3	722580	SEAT SLING 11" X 10" CHNL	3	722606	SEAT SLING 13" X 16" CHNL
3	722581	SEAT SLING 11" X 11" CHNL	3	722607	SEAT SLING 13" X 17" CHNL
3	722582	SEAT SLING 11" X 12" CHNL	3	722608	SEAT SLING 13" X 18" CHNL
3	722583	SEAT SLING 11" X 13" CHNL	3	722609	SEAT SLING 13" X 19" CHNL
3	722584	SEAT SLING 11" X 14" CHNL	3	722610	SEAT SLING 13" X 20" CHNL

Pos.	Item Number	Description	Pos.	Item Number	Description
		14" Wide Seat Slings			
3	722616	SEAT SLING 14" X 10" CHNL	3	722669	SEAT SLING 18" X 13" CHNL
3	722617	SEAT SLING 14" X 11" CHNL	3	722660	SEAT SLING 18" X 14" CHNL
3	722618	SEAT SLING 14" X 12" CHNL	3	722661	SEAT SLING 18" X 15" CHNL
3	722619	SEAT SLING 14" X 13" CHNL	3	722662	SEAT SLING 18" X 16" CHNL
3	722620	SEAT SLING 14" X 14" CHNL	3	722663	SEAT SLING 18" X 17" CHNL
3	722621	SEAT SLING 14" X 15" CHNL	3	722664	SEAT SLING 18" X 18" CHNL
3	722622	SEAT SLING 14" X 16" CHNL	3	722665	SEAT SLING 18" X 19" CHNL
3	722623	SEAT SLING 14" X 17" CHNL	3	722666	SEAT SLING 18" X 20" CHNL
3	722624	SEAT SLING 14" X 18" CHNL			19" Wide Seat Slings
3	722625	SEAT SLING 14" X 19" CHNL	3	722677	SEAT SLING 19" X 11" CHNL
3	722626	SEAT SLING 14" X 20" CHNL	3	722678	SEAT SLING 19" X 12" CHNL
		15" Wide Seat Slings	3	722679	SEAT SLING 19" X 13" CHNL
3	722700	SEAT SLING 15" X 10" CHNL	3	722670	SEAT SLING 19" X 14" CHNL
3	722701	SEAT SLING 15" X 11" CHNL	3	722671	SEAT SLING 19" X 15" CHNL
3	722702	SEAT SLING 15" X 12" CHNL	3	722672	SEAT SLING 19" X 16" CHNL
3	722703	SEAT SLING 15" X 13" CHNL	3	722673	SEAT SLING 19" X 17" CHNL
3	722630	SEAT SLING 15" X 14" CHNL	3	722674	SEAT SLING 19" X 18" CHNL
3	722631	SEAT SLING 15" X 15" CHNL	3	722675	SEAT SLING 19" X 19" CHNL
3	722632	SEAT SLING 15" X 16" CHNL	3	722676	SEAT SLING 19" X 20" CHNL
3	722633	SEAT SLING 15" X 17" CHNL			20" Wide Seat Slings
3	722634	SEAT SLING 15" X 18" CHNL	3	722687	SEAT SLING 20" X 11" CHNL
3	722635	SEAT SLING 15" X 19" CHNL	3	722688	SEAT SLING 20" X 12" CHNL
3	722636	SEAT SLING 15" X 20" CHNL	3	722689	SEAT SLING 20" X 13" CHNL
		16" Wide Seat Slings	3	722680	SEAT SLING 20" X 14" CHNL
3	722704	SEAT SLING 16" X 10" CHNL	3	722681	SEAT SLING 20" X 15" CHNL
3	722705	SEAT SLING 16" X 11" CHNL	3	722682	SEAT SLING 20" X 16" CHNL
3	722706	SEAT SLING 16" X 12" CHNL	3	722683	SEAT SLING 20" X 17" CHNL
3	722707	SEAT SLING 16" X 13" CHNL	3	722684	SEAT SLING 20" X 18" CHNL
3	722640	SEAT SLING 16" X 14" CHNL	3	722685	SEAT SLING 20" X 19" CHNL
3	722641	SEAT SLING 16" X 15" CHNL	3	722686	SEAT SLING 20" X 20" CHNL
3	722642	SEAT SLING 16" X 16" CHNL			21" Wide Seat Slings
3	722643	SEAT SLING 16" X 17" CHNL	3	722720	SEAT SLING 21" X 12" CHNL
3	722644	SEAT SLING 16" X 18" CHNL	3	722721	SEAT SLING 21" X 13" CHNL
3	722645	SEAT SLING 16" X 19" CHNL	3	722722	SEAT SLING 21" X 14" CHNL
3	722646	SEAT SLING 16" X 20" CHNL	3	722723	SEAT SLING 21" X 15" CHNL
		17" Wide Seat Slings	3	722724	SEAT SLING 21" X 16" CHNL
3	722708	SEAT SLING 17" X 10" CHNL	3	722725	SEAT SLING 21" X 17" CHNL
3	722709	SEAT SLING 17" X 11" CHNL	3	722726	SEAT SLING 21" X 18" CHNL
3	722710	SEAT SLING 17" X 12" CHNL	3	722727	SEAT SLING 21" X 19" CHNL
3	722711	SEAT SLING 17" X 13" CHNL	3	722728	SEAT SLING 21" X 20" CHNL
3	722650	SEAT SLING 17" X 14" CHNL			22" Wide Seat Slings
3	722651	SEAT SLING 17" X 15" CHNL	3	722730	SEAT SLING 22" X 12" CHNL
3	722652	SEAT SLING 17" X 16" CHNL	3	722731	SEAT SLING 22" X 13" CHNL
3	722653	SEAT SLING 17" X 17" CHNL	3	722732	SEAT SLING 22" X 14" CHNL
3	722654	SEAT SLING 17" X 18" CHNL	3	722733	SEAT SLING 22" X 15" CHNL
3	722655	SEAT SLING 17" X 19" CHNL	3	722734	SEAT SLING 22" X 16" CHNL
3	722656	SEAT SLING 17" X 20" CHNL	3	722735	SEAT SLING 22" X 17" CHNL
		18" Wide Seat Slings	3	722736	SEAT SLING 22" X 18" CHNL
3	722667	SEAT SLING 18" X 11" CHNL	3	722737	SEAT SLING 22" X 19" CHNL
3	722668	SEAT SLING 18" X 12" CHNL	3	722738	SEAT SLING 22" X 20" CHNL

NOTE: Effective on QUICKIE 2 chairs after S/N Q2-242050 (10/23/99).

NOTE: Effective on QUICKIE 2 HD chairs with serial number prefix Q2H

NOTE: Effective on LX/LXI chairs after S/N LX-034330 (10/24/08).

NOTE: On Q2 chairs (S/N prefix Q2 & Q2H) the Rail Rod diameter is .25" which is smaller than Q2 chairs (S/N prefix Q2V) and Q2 Lite in which the Rail Rod diameter is 8mm (.31")

NOTE: if switching from old style screw-mounted sling to channel-style seat sling for Q2 or Kids Q2 SE chairs shipped on or prior to 10/23/99, order complete Cross Tube Assembly Retrofit Kit (672210S - 673031S) located on Q2 Cross Tube & Seat Sling and Kids Q2 SE Cross Tube & Seat Sling parts pages; kit will include Cross Tube Assembly, Sling, Retaining Rods and all mounting hardware and will be assembled prior to shipping.

Note: for proper fit open the velcro flap on the under side of the sling for installation; the sling may measure short, but by opening the flap it will adjust to fit the frame.

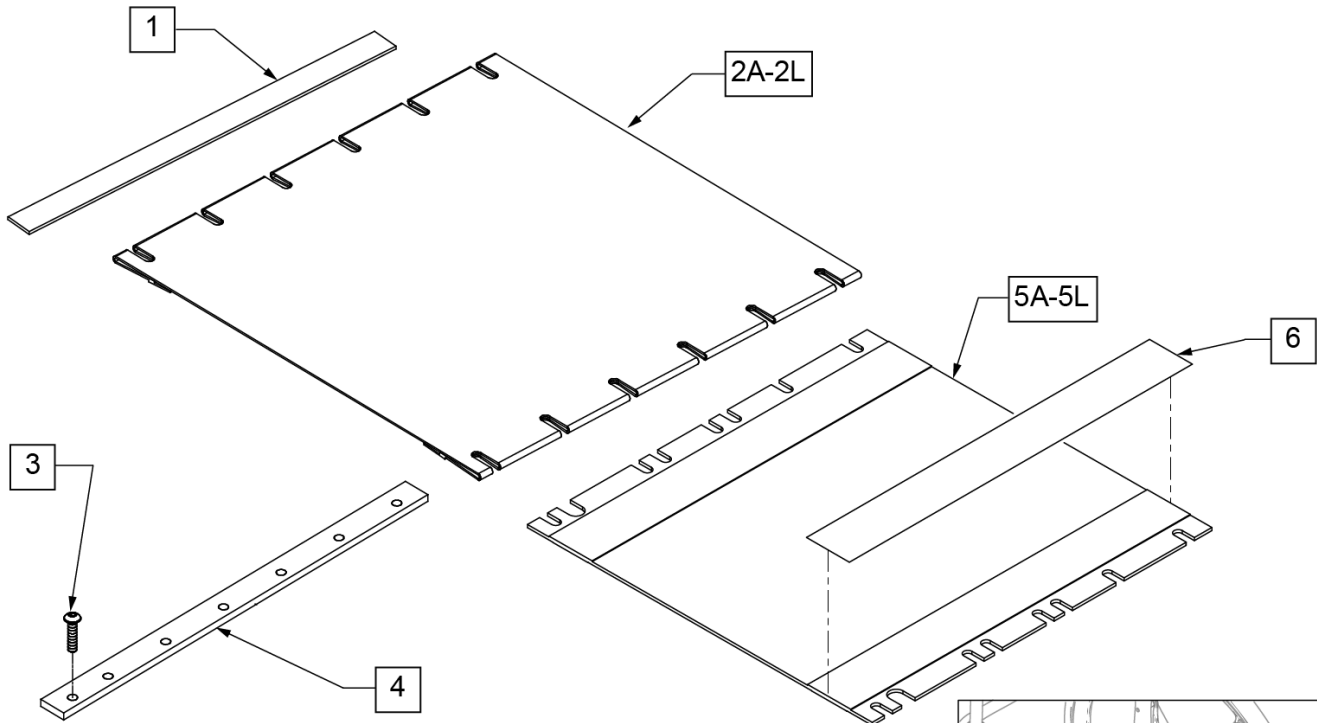
NOTE: Discontinued on QUICKIE 2 chairs as of S/N Q2-242050 (10/23/99).

NOTE: Discontinued on LX/LXI chairs as of S/N LX-034330 (10/24/08).

NOTE: As stock is depleted, pos5 & 6 are being utilized as a direct replacement for Quickie 2 prior to 10/23/1999 S/N Q2-242050.

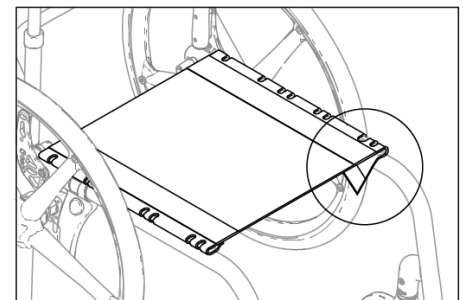
Note: 11" seat depth not offered on GP Series.

NOTE: if switching from old style screw-mounted sling to channel-style seat sling for Q2 or Kids Q2 SE chairs shipped on or prior to 10/23/99, order complete Cross Tube Assembly Retrofit Kit (672210S - 673031S) located on Q2 Cross Tube & Seat Sling and Kids Q2 SE Cross Tube & Seat Sling parts pages; kit will include Cross Tube Assembly, Sling, Retaining Rods and all mounting hardware and will be assembled prior to shipping.



MEASURING GUIDE

CHAIR WIDTH	"A" SLING WIDTH (UNFOLDED)	"B" SLING WIDTH (FOLDED)
10"	12"	9"
11"	13"	10"
12"	14"	11"
13"	15"	12"
14"	16"	13"
15"	17"	14"
16"	18"	15"
17"	19"	16"
18"	20"	17"
19"	21"	18"
20"	22"	19"
21"	23"	20"
22"	24"	21"
24"	26"	23"



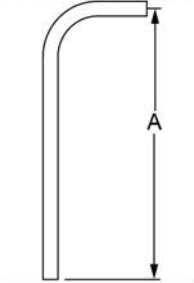
FOR PROPER FIT OPEN THE VELCRO FLAP ON THE UNDER SIDE OF THE SLING FOR INSTALLATION. THE SLING MAY MEASURE SHORT, BUT BY OPENING THE FLAP IT WILL ADJUST TO FIT THE FRAME.

Pos.	Item Number	Description	Pos.	Item Number	Description
1	901170	SEAT SLING VELCRO STRIP	2G	720498	SEAT SLING 16" x 10"
2A	720000	SEAT SLING 11 x 10	2G	720508	SEAT SLING 16" x 20"
2A	720001	SEAT SLING 11 x 11	2G	720509	SEAT SLING 16" X 21"
2A	720002	SEAT SLING 11 x 12	2G	720510	SEAT SLING 16" X 22"
2A	720003	SEAT SLING 11 x 13	2H	720607	SEAT SLING 17" x 20"
2A	720004	SEAT SLING 11 x 14	2H	720608	SEAT SLING 17" X 21"
2A	720005	SEAT SLING 11 x 15	2H	720609	SEAT SLING 17" X 22"
2A	720006	SEAT SLING 11 x 16	2J	720706	SEAT SLING 18" x 20"
2A	720007	SEAT SLING 11 x 17"	2J	720707	SEAT SLING 18" x 21"
2B	720010	SEAT SLING 10 x 10	2J	720708	SEAT SLING 18" X 22"
2B	720014	SEAT SLING 10 x 14	2K	720806	SEAT SLING 19" x 20"
2C	720100	SEAT SLING 12" x 10"	2K	720807	SEAT SLING 19" X 21"
2C	720101	SEAT SLING 12" x 11"	2K	720808	SEAT SLING 19" X 22"
2D	720200	SEAT SLING 13" x 10"	2L	720907	SEAT SLING 20" x 20"
2D	720209	SEAT SLING 13" x 19"	2L	720894	SEAT SLING 20" X 21"
2E	720298	SEAT SLING 14" x 10"	2L	720895	SEAT SLING 20" X 22"
2E	720308	SEAT SLING 14" x 20"	3	281122	10-32 x 3/4 PAN HD PHIL
2F	720398	SEAT SLING 15" x 10"	4	505112	SEAT RAIL 10"
2F	720408	SEAT SLING 15" x 20"	4	505114	SEAT RAIL 11"

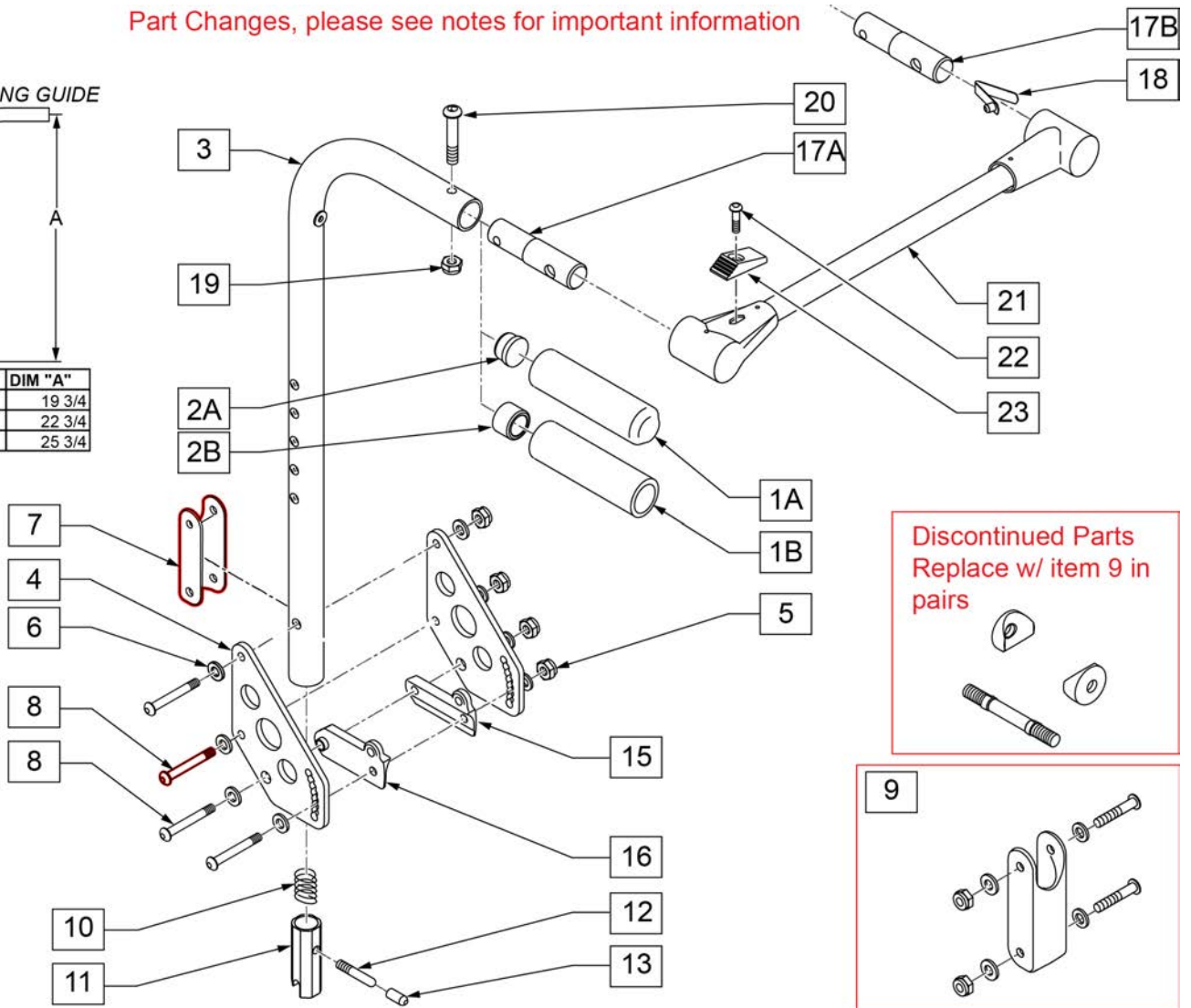
Pos.	Item Number	Description	Pos.	Item Number	Description
4	505100	SEAT RAIL 12"	5F	109509	SEAT SLING 17"W X 11"D
4	505101	SEAT RAIL 13"	5F	109510	SEAT SLING 17"W X 12"D
4	505102	SEAT RAIL 14"	5F	109511	SEAT SLING 17"W X 13"D
4	505104	SEAT RAIL 15"	5F	109512	SEAT SLING 17"W X 14"D
4	505106	SEAT RAIL 16"	5F	109513	SEAT SLING 17"W X 15"D
4	505108	SEAT RAIL 17"	5F	109514	SEAT SLING 17"W X 16"D
4	505110	SEAT RAIL 18"	5F	109515	SEAT SLING 17"W X 17"D
4	505115	SEAT RAIL 19"	5F	109516	SEAT SLING 17"W X 18"D
4	505116	SEAT RAIL 20"	5F	109517	SEAT SLING 17"W X 19"D
4	505118	SEAT RAIL 21"	5G	109518	SEAT SLING 18"W X 11"D
4	505117	SEAT RAIL 22"	5G	109519	SEAT SLING 18"W X 12"D
4	505119	SEAT RAIL 23"	5G	109520	SEAT SLING 18"W X 13"D
4	505133	SEAT RAIL 24"	5G	109521	SEAT SLING 18"W X 14"D
5A	109466	SEAT SLING 12"W X 11"D	5G	109522	SEAT SLING 18"W X 15"D
5A	109467	SEAT SLING 12"W X 12"D	5G	109523	SEAT SLING 18"W X 16"D
5A	109468	SEAT SLING 12"W X 13"D	5G	109524	SEAT SLING 18"W X 17"D
5A	109469	SEAT SLING 12"W X 14"D	5G	109525	SEAT SLING 18"W X 18"D
5A	109470	SEAT SLING 12"W X 15"D	5G	109526	SEAT SLING 18"W X 19"D
5A	109471	SEAT SLING 12"W X 16"D	5H	109527	SEAT SLING 19"W X 11"D
5A	109472	SEAT SLING 12"W X 17"D	5H	109528	SEAT SLING 19"W X 12"D
5A	109473	SEAT SLING 12"W X 18"D	5H	109529	SEAT SLING 19"W X 13"D
5B	109475	SEAT SLING 13"W X 12"D	5H	109530	SEAT SLING 19"W X 14"D
5B	109476	SEAT SLING 13"W X 13"D	5H	109531	SEAT SLING 19"W X 15"D
5B	109477	SEAT SLING 13"W X 14"D	5H	109532	SEAT SLING 19"W X 16"D
5B	109478	SEAT SLING 13"W X 15"D	5H	109533	SEAT SLING 19"W X 17"D
5B	109479	SEAT SLING 13"W X 16"D	5H	109534	SEAT SLING 19"W X 18"D
5B	109480	SEAT SLING 13"W X 17"D	5H	109535	SEAT SLING 19"W X 19"D
5B	109481	SEAT SLING 13"W X 18"D	5J	109536	SEAT SLING 20"W X 11"D
5C	109482	SEAT SLING 14"W X 11"D	5J	109537	SEAT SLING 20"W X 12"D
5C	109483	SEAT SLING 14"W X 12"D	5J	109538	SEAT SLING 20"W X 13"D
5C	109484	SEAT SLING 14"W X 13"D	5J	109539	SEAT SLING 20"W X 14"D
5C	109485	SEAT SLING 14"W X 14"D	5J	109540	SEAT SLING 20"W X 15"D
5C	109486	SEAT SLING 14"W X 15"D	5J	109541	SEAT SLING 20"W X 16"D
5C	109487	SEAT SLING 14"W X 16"D	5J	109542	SEAT SLING 20"W X 17"D
5C	109488	SEAT SLING 14"W X 17"D	5J	109543	SEAT SLING 20"W X 18"D
5C	109489	SEAT SLING 14"W X 18"D	5J	109544	SEAT SLING 20"W X 19"D
5C	109490	SEAT SLING 14"W X 19"D	5K	721250	SEAT SLING 21"W X 14"D
5D	109491	SEAT SLING 15"W X 11"D	5K	721251	SEAT SLING 21"W X 15"D
5D	109492	SEAT SLING 15"W X 12"D	5K	721252	SEAT SLING 21"W X 16"D
5D	109493	SEAT SLING 15"W X 13"D	5K	721253	SEAT SLING 21"W X 17"D
5D	109494	SEAT SLING 15"W X 14"D	5K	721254	SEAT SLING 21"W X 18"D
5D	109495	SEAT SLING 15"W X 15"D	5K	721255	SEAT SLING 21"W X 19"D
5D	109496	SEAT SLING 15"W X 16"D	5K	721256	SEAT SLING 21"W X 20"D
5D	109497	SEAT SLING 15"W X 17"D	5K	721257	SEAT SLING 21"W X 21"D
5D	109498	SEAT SLING 15"W X 18"D	5K	721258	SEAT SLING 21"W X 22"D
5D	109499	SEAT SLING 15"W X 19"D	5L	721259	SEAT SLING 22"W X 14"D
5E	109500	SEAT SLING 16"W X 11"D	5L	721260	SEAT SLING 22"W X 15"D
5E	109501	SEAT SLING 16"W X 12"D	5L	721261	SEAT SLING 22"W X 16"D
5E	109502	SEAT SLING 16"W X 13"D	5L	721262	SEAT SLING 22"W X 17"D
5E	109503	SEAT SLING 16"W X 14"D	5L	721263	SEAT SLING 22"W X 18"D
5E	109504	SEAT SLING 16"W X 15"D	5L	721264	SEAT SLING 22"W X 19"D
5E	109505	SEAT SLING 16"W X 16"D	5L	721265	SEAT SLING 22"W X 20"D
5E	109506	SEAT SLING 16"W X 17"D	5L	721266	SEAT SLING 22"W X 21"D
5E	109507	SEAT SLING 16"W X 18"D	5L	721267	SEAT SLING 22"W X 22"D
5E	109508	SEAT SLING 16"W X 19"D	6	901169	SEAT SLING VELCRO STRIP ® 2"

Part Changes, please see notes for important information

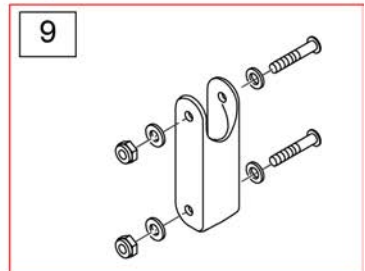
MEASURING GUIDE



	DIM "A"
STD	19 3/4
MED	22 3/4
TALL	25 3/4



Discontinued Parts
Replace w/ item 9 in
pairs

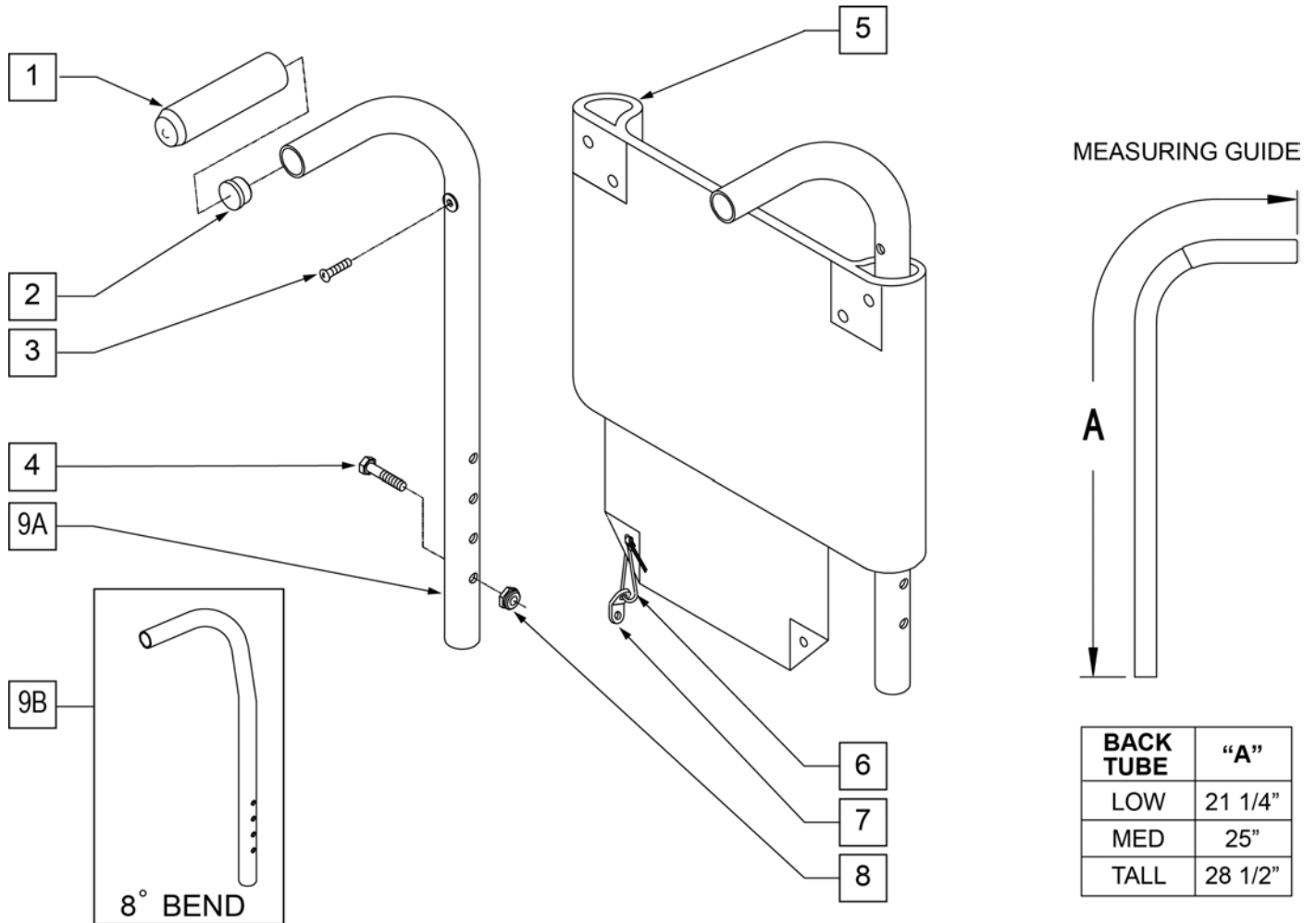


Pos.	Item Number	Description	Remarks
1A	920027	QUICKIE GRIP 1" W/INSTR SHEET	
1B	920023	QUICKIE GRIP 1" W/HOLE W/INSTR	
2A	561002	1 INSERT PLUG .083	
2B	561082	1" TUBE END BUSHING THIN	USED WITH STROLLER HANDLE EXT
4	506136	BACK PLATE DAB	
5	106935	NUT NYLOCK THIN 1/4-28 ROHS	
6	106943	1/4 AN WASHER FLAT	
7	124612	BLOCK-LATCH STOP	
8	106964	1/4-28 x 2 BH C/S	
9	126099	BACK REST SADDLE W/ HDWR PAIR	Pair-Replacement Latch Stop Kit
9	126100	BACK REST SADDLE W/ HDWR EACH	Each-Replacement Latch Stop Kit
10	321110	S/A LATCH SPRING	
11	483019	BACK RELEASE LATCH	
12	481084	BACK RELEASE PIN Z2/QT/EX	
13	126238	PUSH ON ROUND CAP	
15	560518	SADDLE BACKREST Q2 DAB	RIGHT

Pos.	Item Number	Description	Remarks
16	560519	SADDLE BACKREST Q2 DAB	LEFT
17B	483535	STABILIZER BAR LOCKING PIN Q2	
17A	483536	STABILIZER BAR PIVOT PIN Q2	
18	301100	SNAP BUTTON 1/4" SINGLE	
19	202116	5/16-18 NYLOCK NUT THIN BLK	
20	222109	5/16-18 x 1 1/4 BH C/S BLK ZN	
21-23	820693	STABILIZER CROSS BAR ASSM 12	
21-23	820694	STABILIZER CROSS BAR ASSM 13	
21-23	820695	STABILIZER CROSS BAR ASSM 14	
21-23	820696	STABILIZER CROSS BAR ASSM 15	
21-23	820697	STABILIZER CROSS BAR ASSM 16	
21-23	820698	STABILIZER CROSS BAR ASSM 17	
21-23	820700	STABILIZER CROSS BAR ASSM 18	
21-23	820701	STABILIZER CROSS BAR ASSM 19	
21-23	820702	STABILIZER CROSS BAR ASSM 20	
21-23	820703	STABILIZER CROSS BAR ASSM 21	
21-23	820704	STABILIZER CROSS BAR ASSM 22	
5-9	920539	BACK PLATE DAB HARDWARE KIT	
5-13	920328	BACKREST LATCH KIT	
>>>>		STROLLER HANDLE ONLY ASSEMBLIES	
1A,2A,3	842080	STROLLER HANDLE W/ FOAM STANDARD ZPS/P5/QT	STANDARD/LOW
1A,2A,3	842079	STROLLER HANDLE W/ FOAM MED ZPS/QT	MEDIUM
1A,2A,3	842081	STROLLER HANDLE W/ FOAM TALL ZPS/QT	TALL
1A,2A,3, 10-13	920390	STROLLER HANDLE W/ LATCH STANDARD ZPS/P5/QT	STANDARD/LOW
1A,2A,3, 10-13	920389	STROLLER HANDLE W/ LATCH MED ZPS/QT	MEDIUM
1A,2A,3, 10-13	920391	STROLLER HANDLE W/ LATCH TALL ZPS/QT	TALL
1A,2A-16	881846	STROLLER HANDLE STANDARD & PLATE ASSM DAB R	STANDARD/LOW-RIGHT
1A,2A-16	105390	STROLLER HANDLE STANDARD & PLATE ASSM DAB L	STANDARD/LOW-LEFT
1A,2A-16	881845	STROLLER HANDLE MED & PLATE ASSM DAB R	MEDIUM-RIGHT
1A,2A-16	105389	STROLLER HANDLE MED & PLATE ASSM DAB L	MEDIUM-LEFT
1A,2A-16	881847	STROLLER HANDLE TALL & PLATE ASSM DAB R	TALL-RIGHT
1A,2A-16	105395	STROLLER HANDLE TALL & PLATE ASSM DAB L	TALL-LEFT
>>>>		STROLLER HANDLES USED W/ REMOVABLE EXTENSION	
1B, 2B, 3	842067	EXTENSION-STROLLER HANDLE STANDARD	STANDARDLOW - Used w/ Removable Extension.
1B, 2B, 3	842066	EXTENSION-STROLLER HANDLE MED	MEDIUM-Used w/ Removable Extension.
1B, 2B, 3	842068	EXTENSION-STROLLER HANDLE TALL	TALL-Used w/ Removable Extension.
1B, 2B, 3, 10-13	920421	EXTENSION-STROLLER HANDLE STANDARD W/ LATCH	STANDARD/LOW - Used w/ Removable Extension.
1B, 2B, 3, 10-13	920423	EXTENSION-STROLLER HANDLE MED W/ LATCH	MEDIUM-Used w/ Removable Extension.
1B, 2B, 3, 10-13	920424	EXTENSION-STROLLER HANDLE TALL W/ LATCH	TALL-Used w/ Removable Extension.
1B, 2B-16	920762	EXTENSION-STROLLER HANDLE STANDARD & PLATE ASSM DAB	STANDARD/LOW - Used w/ Removable Extension.
1B, 2B-16	920761	EXTENSION-STROLLER HANDLE MED & PLATE ASSM DAB	MEDIUM-Used w/ Removable Extension.
1B, 2B-16	920763	EXTENSION-STROLLER HANDLE TALL & PLATE ASSM DAB	TALL-Used w/ Removable Extension.
>>>>		STROLLER HANDLES USED W/ STABILIZER BAR	
3	842089	BACK TUBE STD DAB STBLZR	STD/LOW - Used w/ Stabilizer Bar
3	842088	BACK TUBE MED DAB STBLZR	MEDIUM - Used w/ Stabilizer Bar

Pos.	Item Number	Description	Remarks
3	842090	BACK TUBE TLL DAB STBLZR	TALL - Used w/ Stabilizer Bar
3-13	882676	STBLZ STRL HNDL STD&PLT ASSM R	STD/LOW-RIGHT - Used w/ Stabilizer Bar
3-13	101131	STBLZR STRL HNDL STD&PLT ASSM L	STD/LOW-LEFT - Used w/ Stabilizer Bar
3-13	882677	STBLZ STRL HNDL MED&PLT ASSM R	MEDIUM-RIGHT - Used w/ Stabilizer Bar
3-13	101123	STBLZR STRL HNDL MED&PLT L	MEDIUM-LEFT - Used w/ Stabilizer Bar
3-13	882678	STBLZ STRL HNDL TLL&PLT ASSM R	TALL-RIGHT - Used w/ Stabilizer Bar
3-13	101122	STBLZR STRL HNDL TLL&PLT L	TALL-LEFT - Used w/ Stabilizer Bar

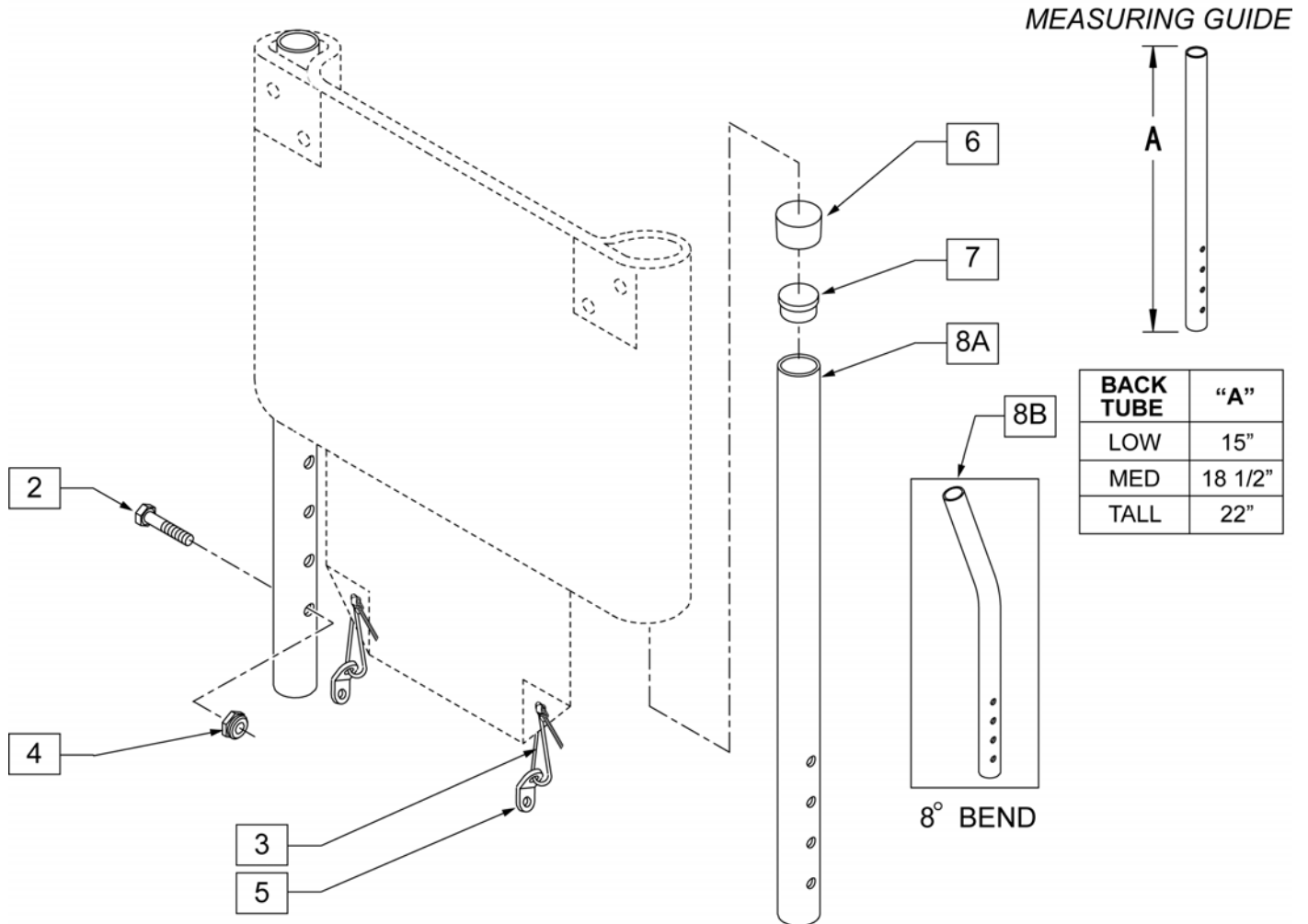
NOTE: BACK ASSEMBLY NUMBERS BELOW INCLUDE BACK UPHOLSTERY.



Pos.	Item Number	Description	Remarks
1	920024	QUICKIE GRIP 7/8" W/INSTR SH.	
2	561007	7/8 INSERT PLUG .083	
3	281120	10 - 32 X 5/8 PAN HD PHIL	
4	107015	1/4 - 28 X 1 3/4 G8 HEX C/S	
6	560410	ZIP TIE BLACK	
7	560227	2 HOLE TOGGLE BENT PLASTIC	
8	106934	1/4-28 NYLOCK NUT	
1,2,9A	842130	PUSH HANDLE LOW W/ GRIP	
12,9A	842132	PUSH HANDLE MED W/ GRIP	
1,2,9A	842136	PUSH HANDLE TALL W/ GRIP	
1,2,9B	842134	8 DEGREE PUSH HANDLE MED W/ GRIP	
1,2,9B	842138	8 DEGREE PUSH HANDLE TALL W/ GRIP	
9A	820720	PUSH HANDLE LOW	USED W/ STABILIZER BAR
9A	820721	PUSH HANDLE MED	USED W/ STABILIZER BAR
9A	820722	PUSH HANDLE TALL	USED W/ STABILIZER BAR
9B	820726	8 DEGREE PUSH HANDLE MED	USED W/ STABILIZER BAR

Pos.	Item Number	Description	Remarks
9B	820727	8 DEGREE PUSH HANDLE TALL	USED W/ STABILIZER BAR
1-8,9B	682001	BACK ASSM 11-12 Q2 7/8	
1-8,9B	682004	BACK ASSM 11-12 Q2 7/8	
1-8,9B	682005	BACK ASSM 11-12 Q2 7/8	
1-8,9B	682008	BACK ASSM 11-12 Q2 7/8	
1-8,9B	682009	BACK ASSM 11-12 Q2 7/8	
1-8,9A	682011	BACK ASSM 13 LOW PH Q2 7/8	
1-8,9A	682014	BACK ASSM 13 MED PH Q2 7/8	
1-8,9B	682015	BACK ASSM 13 MED PH 8D Q2 7/8	
1-8,9A	682018	BACK ASSM 13 TALL PH Q2 7/8	
1-8,9B	682019	BACK ASSM 13 TALL PH 8D Q2 7/8	
1-8,9A	682021	BACK ASSM 14 LOW PH Q2 7/8	
1-8,9A	682024	BACK ASSM 14 MED PH Q2 7/8	
1-8,9B	682025	BACK ASSM 14 MED PH 8D Q2 7/8	
1-8,9A	682028	BACK ASSM 14 TALL PH Q2 7/8	
1-8,9B	682029	BACK ASSM 14 TALL PH 8D Q2 7/8	
1-8,9A	682031	BACK ASSM 15 LOW PH Q2 7/8	
1-8,9A	682034	BACK ASSM 15 MED PH Q2 7/8	
1-8,9B	682035	BACK ASSM 15 MED PH 8D Q2 7/8	
1-8,9A	682038	BACK ASSM 15 TALL PH Q2 7/8	
1-8,9B	682039	BACK ASSM 15 TALL PH 8D Q2 7/8	
1-8,9A	682041	BACK ASSM 16 LOW PH Q2 7/8	
1-8,9A	682044	BACK ASSM 16 MED PH Q2 7/8	
1-8,9B	682045	BACK ASSM 16 MED PH 8D Q2 7/8	
1-8,9A	682048	BACK ASSM 16 TALL PH Q2 7/8	
1-8,9B	682049	BACK ASSM 16 TALL PH 8D Q2 7/8	
1-8,9A	682051	BACK ASSM 17 LOW PH Q2 7/8	
1-8,9A	682054	BACK ASSM 17 MED PH Q2 7/8	
1-8,9B	682055	BACK ASSM 17 MED PH 8D Q2 7/8	
1-8,9A	682058	BACK ASSM 17 TALL PH Q2 7/8	
1-8,9B	682059	BACK ASSM 17 TALL PH 8D Q2 7/8	
1-8,9A	682061	BACK ASSM 18 LOW PH Q2 7/8	
1-8,9A	682064	BACK ASSM 18 MED PH Q2 7/8	
1-8,9B	682065	BACK ASSM 18 MED PH 8D Q2 7/8	
1-8,9A	682068	BACK ASSM 18 TALL PH Q2 7/8	
1-8,9B	682069	BACK ASSM 18 TALL PH 8D Q2 7/8	
1-8,9A	682071	BACK ASSM 19 LOW PH Q2 7/8	
1-8,9A	682074	BACK ASSM 19 MED PH Q2 7/8	
1-8,9B	682075	BACK ASSM 19 MED PH 8D Q2 7/8	
1-8,9A	682078	BACK ASSM 19 TALL PH Q2 7/8	
1-8,9B	682079	BACK ASSM 19 TALL PH 8D Q2 7/8	
1-8,9A	682081	BACK ASSM 20 LOW PH Q2 7/8	
1-8,9A	682084	BACK ASSM 20 MED PH Q2 7/8	
1-8,9B	682085	BACK ASSM 20 MED PH 8D Q2 7/8	
1-8,9A	682088	BACK ASSM 20 TALL PH Q2 7/8	
1-8,9B	682089	BACK ASSM 20 TALL PH 8D Q2 7/8	

NOTE: BACK ASSEMBLY NUMBERS BELOW INCLUDE BACK UPHOLSTERY.



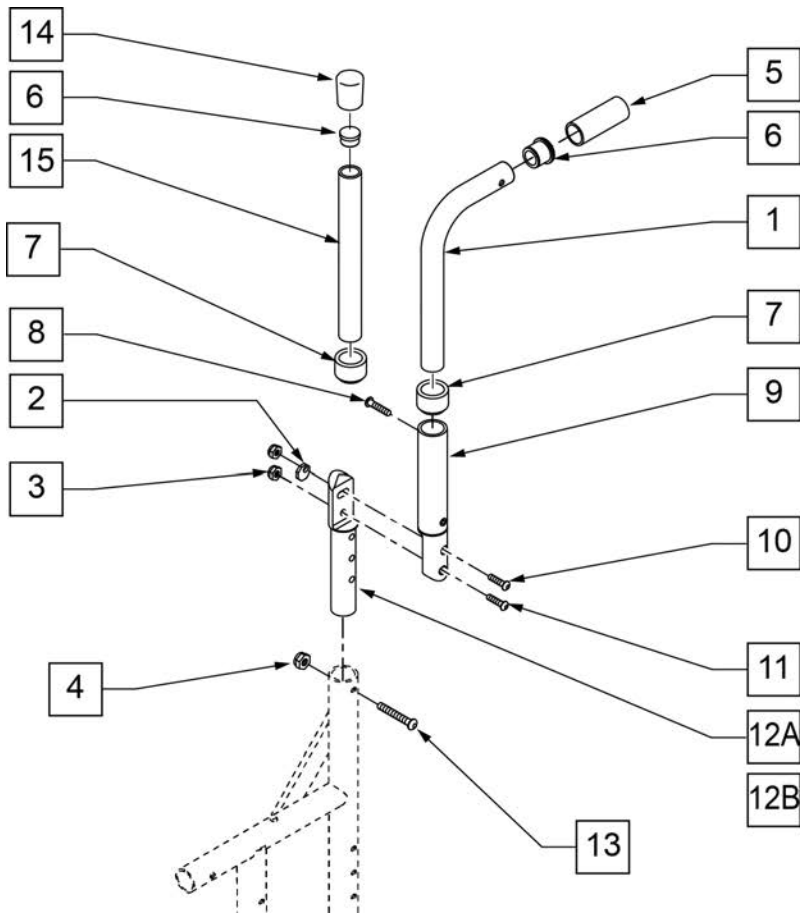
Pos.	Item Number	Description	Remarks
2	107015	1/4-28 x 1 3/4 G8 HEX C/S	
3	106934	1/4-28 NYLOCK NUT	
4	560410	ZIP TIE BACK	
5	560227	2 HOLE TOGGLE BENT PLASTIC	
6	561013	7/8 CAP	
7	561007	7/8 INSERT PLUG /083	
6-8A	842120	Q2 BACK TUBE LOW	
6-8A	842122	Q2 BACK TUBE MED	
6-8A	842126	Q2 BACK TUBE TALL	
6-8B	842124	Q2 BACK TUBE MED 8 DEGREE	
6-8B	842128	Q2 BACK TUBE TALL 8 DEGREE	
1-7, 8A	682000	BACK ASSM 11-12 Q2 7/8	INCLUDES UPHOLSTERY
1-7, 8A	682002	BACK ASSM 11-12 Q2 7/8	INCLUDES UPHOLSTERY
1-7, 8A	682003	BACK ASSM 11-12 Q2 7/8	INCLUDES UPHOLSTERY
1-7, 8A	682006	BACK ASSM 11-12 Q2 7/8	INCLUDES UPHOLSTERY

Pos.	Item Number	Description	Remarks
1-7, 8A	682007	BACK ASSM 11-12 Q2 7/8	INCLUDES UPHOLSTERY
1-7, 8A	682010	BACK ASSM 13 LOW Q2 7/8	INCLUDES UPHOLSTERY
1-7, 8A	682012	BACK ASSM 13 MED Q2 7/8	INCLUDES UPHOLSTERY
1-7, 8B	682013	BACK ASSM 13 MED 8D Q2 7/8	INCLUDES UPHOLSTERY
1-7, 8A	682016	BACK ASSM 13 TALL Q2 7/8	INCLUDES UPHOLSTERY
1-7, 8B	682017	BACK ASSM 13 TALL 8D Q2 7/8	INCLUDES UPHOLSTERY
1-7, 8A	682020	BACK ASSM 14 LOW Q2 7/8	INCLUDES UPHOLSTERY
1-7, 8A	682022	BACK ASSM 14 MED Q2 7/8	INCLUDES UPHOLSTERY
1-7, 8B	682023	BACK ASSM 14 MED 8D Q2 7/8	INCLUDES UPHOLSTERY
1-7, 8A	682026	BACK ASSM 14 TALL Q2 7/8	INCLUDES UPHOLSTERY
1-7, 8B	682027	BACK ASSM 14 TALL 8D Q2 7/8	INCLUDES UPHOLSTERY
1-7, 8A	682030	BACK ASSM 15 LOW Q2 7/8	INCLUDES UPHOLSTERY
1-7, 8A	682032	BACK ASSM 15 MED Q2 7	INCLUDES UPHOLSTERY
1-7, 8B	682033	BACK ASSM 15 MED 8D Q2 7/8	INCLUDES UPHOLSTERY
1-7, 8A	682036	BACK ASSM 15 TALL Q2 7/8	INCLUDES UPHOLSTERY
1-7, 8B	682037	BACK ASSM 15 TALL 8D Q2 7/8	INCLUDES UPHOLSTERY
1-7, 8A	682040	BACK ASSM 16 LOW Q2 7/8	INCLUDES UPHOLSTERY
1-7, 8A	682042	BACK ASSM 16 MED Q2 7/8	INCLUDES UPHOLSTERY
1-7, 8B	682043	BACK ASSM 16 MED 8D Q2 7/8	INCLUDES UPHOLSTERY
1-7, 8A	682046	BACK ASSM 16 TALL Q2 7/8	INCLUDES UPHOLSTERY
1-7, 8B	682047	BACK ASSM 16 TALL 8D Q2 7/8	INCLUDES UPHOLSTERY
1-7, 8A	682050	BACK ASSM 17 LOW Q2 7/8	INCLUDES UPHOLSTERY
1-7, 8A	682052	BACK ASSM 17 MED Q2 7/8	INCLUDES UPHOLSTERY
1-7, 8B	682053	BACK ASSM 17 MED 8D Q2 7/8	INCLUDES UPHOLSTERY
1-7, 8A	682056	BACK ASSM 17 TALL Q2 7/8	INCLUDES UPHOLSTERY
1-7, 8B	682057	BACK ASSM 17 TALL 8D Q2 7/8	INCLUDES UPHOLSTERY
1-7, 8A	682060	BACK ASSM 18 LOW Q2 7/8	INCLUDES UPHOLSTERY
1-7, 8A	682062	BACK ASSM 18 MED Q2 7/8	INCLUDES UPHOLSTERY
1-7, 8B	682063	BACK ASSM 18 MED 8D Q2 7/8	INCLUDES UPHOLSTERY
1-7, 8A	682066	BACK ASSM 18 TALL Q2 7/8	INCLUDES UPHOLSTERY
1-7, 8B	682067	BACK ASSM 18 TALL 8D Q2 7/8	INCLUDES UPHOLSTERY
1-7, 8A	682070	BACK ASSM 19 LOW Q2 7/8	INCLUDES UPHOLSTERY
1-7, 8A	682072	BACK ASSM 19 MED Q2 7/8	INCLUDES UPHOLSTERY
1-7, 8B	682073	BACK ASSM 19 MED 8D Q2 7/8	INCLUDES UPHOLSTERY
1-7, 8A	682076	BACK ASSM 19 TALL Q2 7/8	INCLUDES UPHOLSTERY
1-7, 8B	682077	BACK ASSM 19 TALL 8D Q2 7/8	INCLUDES UPHOLSTERY
1-7, 8A	682080	BACK ASSM 20 LOW Q2 7/8	INCLUDES UPHOLSTERY
1-7, 8A	682082	BACK ASSM 20 MED Q2 7/8	INCLUDES UPHOLSTERY
1-7, 8B	682083	BACK ASSM 20 MED 8D Q2 7/8	INCLUDES UPHOLSTERY
1-7, 8A	682086	BACK ASSM 20 TALL Q2 7/8	INCLUDES UPHOLSTERY
1-7, 8B	682087	BACK ASSM 20 TALL 8D Q2 7/8	INCLUDES UPHOLSTERY

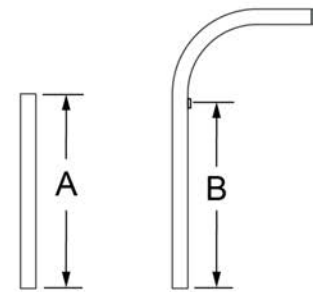
NOTE: Q2 Right Side Shown.

NOTE: Effective on LX/LXI 10/24/2008.

NOTE: Position #9 Adjustable Back Bracket is 1 1/8" diameter.



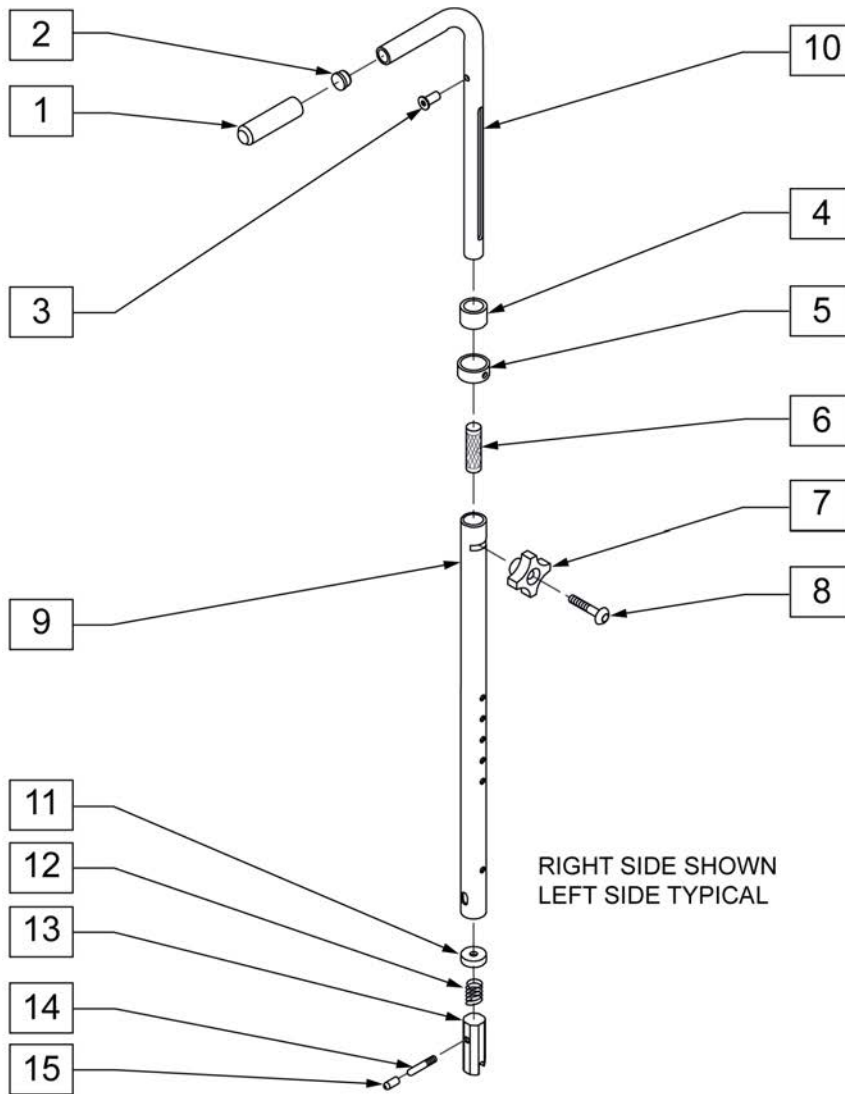
MEASURING GUIDE



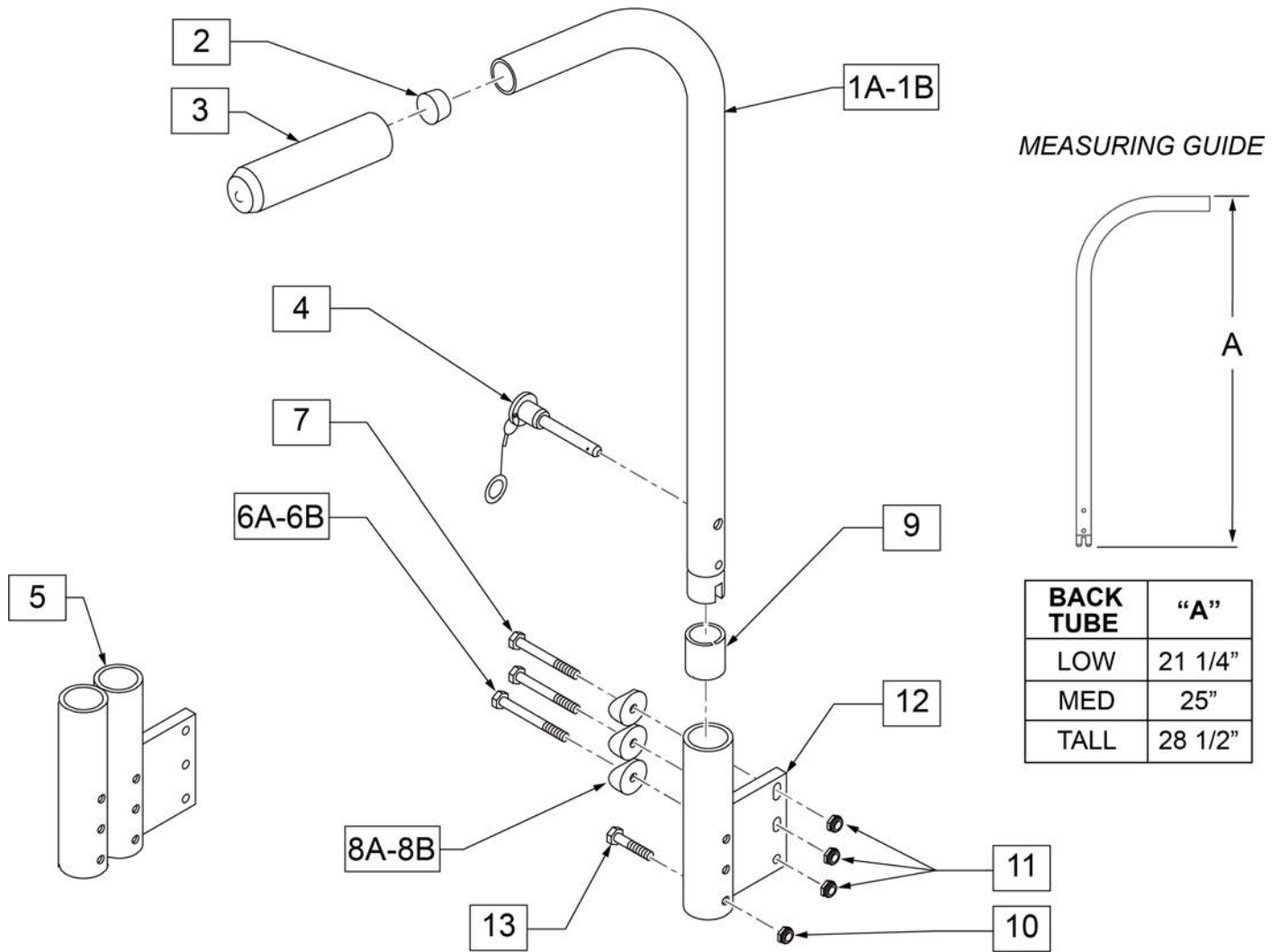
	DIM "A"	DIM "B"
LOW	6	4 3/8
MED	9	7 3/8
HIGH	11	9 3/8

Pos.	Item Number	Description	Remarks
2	341017	WASHER ECCENTRIC	
3	202300	1/4-28 NYLOCK NUT THIN BLK	
4	106934	1/4-28 NYLOCK NUT	
5	920024	QUICKIE GRIP 7/8	
7	561083	1 1/8 TUBE END BUSHING THIN	
6	561007	7/8 INSERT PLUG .083	
8	226100	1/4-28 x 3/4 BH C/S	
9	820723	ADJ BCK BRCKT W/INSERT TUBE R	Right-see assemblies
9	820724	ADJ BCK BRCKT W/INSERT TUBE L	Left-see assemblies
10	226122	1/4-28 x 1.10 BH C/S	
11	226131	1/4-28 x 1 1/4 BH C/S SHOULDER	

Pos.	Item Number	Description	Remarks
12A	109452	ADJ BACK INSERT STANDARD	-see assemblies
12B	483557	ADJUSTABLE BACK BRACKET TALL/RECEIVER	-see assemblies
13	226130	1/4-28 x 1 1/2 BH C/S	
14	561013	7/8 CAP	
1,7	820710	PSH HNDL Q2 ADJ R LOW W/ STABILIZER	RIGHT-WORKS W STABILIZER BAR
1,7	820713	PSH HNDL Q2 ADJ L LOW W/ STABILIZER	LEFT-WORKS W STABILIZER
1,7	820711	PSH HNDL Q2 ADJ R MED W/ STABILIZER	RIGHT-WORKS W STABILIZER BAR
1,7	820714	PSH HNDL Q2 ADJ L MED W/ STABILIZER	LEFT-WORKS W STABILIZER
1,7	820712	PSH HNDL Q2 ADJ R TALL W/ STABILIZER	RIGHT-WORKS W STABILIZER BAR
1,7	820715	PSH HNDL Q2 ADJ L TALL W/ STABILIZER	LEFT-WORKS W STABILIZER
1, 5-7	820730	PUSH HANDLE Q2 LOW ANGLE ADJUSTABLE 7/8	RIGHT
1, 5-7	820731	PUSH HANDLE Q2 MED ANGLE ADJUSTABLE 7/8	RIGHT
1, 5-7	820732	PUSH HANDLE Q2 TALL ANGLE ADJUSTABLE 7/8	RIGHT
1, 5-7	820733	PUSH HANDLE Q2 LOW ANGLE ADJUSTABLE 7/8	LEFT
1, 5-7	820734	PUSH HANDLE Q2 MED ANGLE ADJUSTABLE 7/8	LEFT
1, 5-7	820735	PUSH HANDLE Q2 TALL ANGLE ADJUSTABLE 7/8	LEFT
6,7, 14, 15	820736	BACK TUBE Q2 LOW ADJUSTABLE ANGLE 7/8	RIGHT
6,7, 14, 15	820737	BACK TUBE Q2 MED ADJUSTABLE ANGLE 7/8	RIGHT
6,7, 14, 15	820738	BACK TUBE Q2 TALL ADJUSTABLE ANGLE 7/8	RIGHT
6,7, 14, 15	820739	BACK TUBE Q2 LOW ADJUSTABLE ANGLE 7/8	LEFT
6,7, 14, 15	820740	BACK TUBE Q2 MED ADJUSTABLE ANGLE 7/8	LEFT
6,7, 14, 15	820741	BACK TUBE Q2 TALL ADJUSTABLE ANGLE 7/8	LEFT
2-3, 9-11, 12A	820742	BACK TUBE Q2 ANGL ADJ L	LEFT-1 1/8" diameter
2-3, 9-11, 12A	820744	BACK TUBE Q2 ANGL ADJ R	RIGHT-1 1/8" diameter
2-3, 9-11, 12B	820743	BACK TUBE Q2 ANGL ADJ TALL L	LEFT-1 1/8" diameter
2-3, 9-11, 12B	820745	BACK TUBE Q2 ANGL ADJ TALL R	RIGHT-1 1/8" diameter

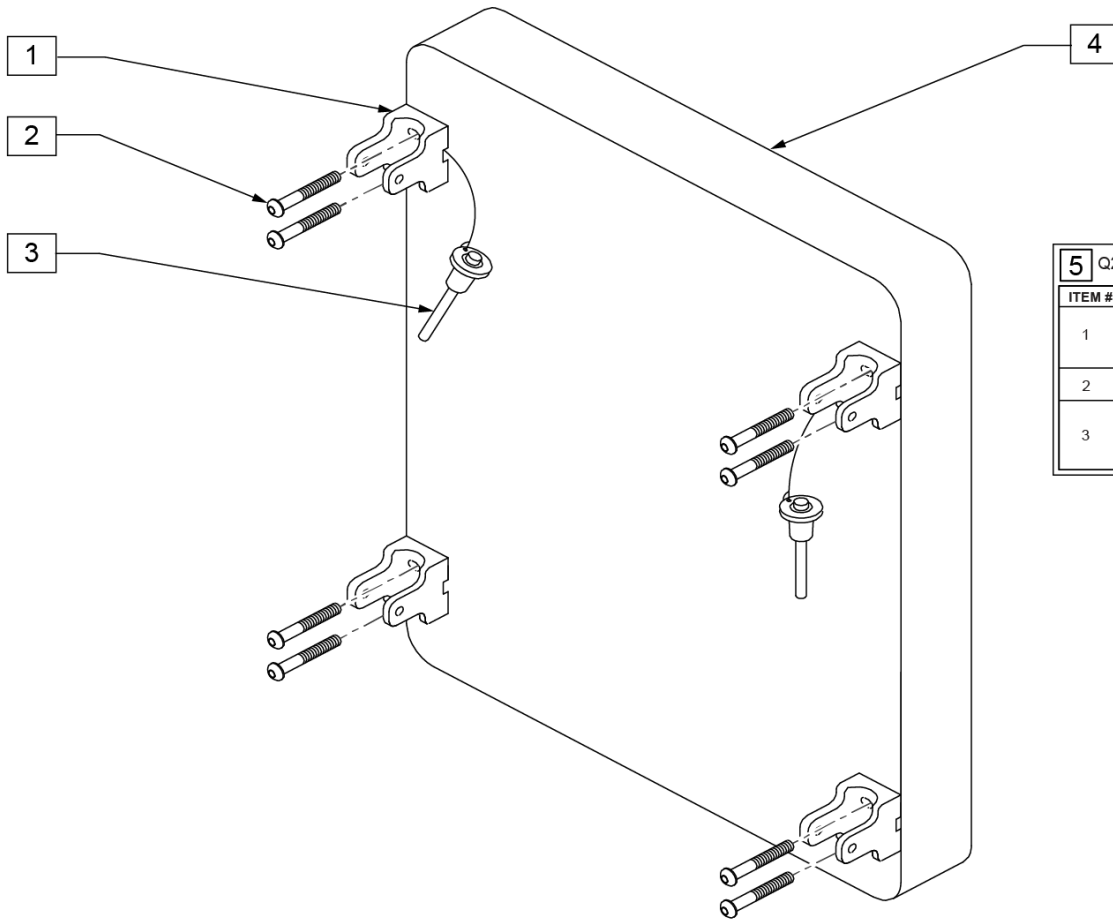


Pos.	Item Number	Description	Remarks
1	920026	QUICKIE GRIP 3/4" W/INSTR SH	
4	561082	1 TUBE END BUSHING THIN	
5	483096	S/A ADJUSTABLE STROLLER RING ZP/QT	
6	483095	S/A ADJUSTABLE STROLLER INSERT ZP/QT	
7	349018	KNOB S/A ADJUSTABLE STROLLER ZP	
8	226136	1/4-20 x 1 1/2 BH C/S BLK	
11	483021S	S/A SPRING RETAINER	
12	321110	S/A LATCH SPRING	
13	483019	BACK RELEASE LATCH	RIGHT
14	481084	BACK RELEASE PIN Z2/QT/EX	LEFT
15	126238	PUSH ON ROUND CAP	
1-10	842082	S/A ADJUSTABLE STROLLER HANDLE W/ FOAM	RIGHT
1-10	842083	S/A ADJUSTABLE STROLLER HANDLE W/ FOAM	LEFT
1-10	920306	S/A ADJUSTABLE STROLLER HANDLES W/ FOAM	PAIR
11-15	920291	BACKREST SLIDER LATCH KIT	



Pos.	Item Number	Description	Remarks
2	561002	1" INSERT PLUG .083	
3	920070	9 x .940 x .200 FOAM GRIP	
4	349020	STROLLER HANDLE RELEASE PIN	
5	540130	PADDED ARM RECEIVER STRAIGHT DOUBLE FOLDING FRAME	RIGHT; used with Padded S/A Arms and Removable Stroller Handle Combination

Pos.	Item Number	Description	Remarks
5	540132	PADDED ARM RECEIVER STRAIGHT DOUBLE FOLDING FRAME	LEFT; used with Padded S/A Arms and Removable Stroller Handle Combination
6A	106973	1/4-28 x 1 3/4 G8 HEX C/S	
6B	107351	1/4-28 x 2 G8 HEX C/S	
7	107351	1/4-28 x 2 1/4 G8 HEX C/S	
8A	561004	1" SADDLE 1/4 HOLE	
8B	561001	1 - 1/8 SADDLE 1/4 HOLE	
9	560400	1" I.D. NY-LINER	
10	106935	NUT NYLOCK THIN 1/4 -28 ROHS	
11	106934	1/4-28 NYLOCK NUT	
12	540100	PADDED ARM RECEIVER STRAIGHT FOLDING FRAME	RIGHT
12	540102	PADDED ARM RECEIVER STRAIGHT FOLDING FRAME	LEFT
13	106972	1/4-28 x 1 1/2 G8 HEX C/S	
14	341200	1/4 x 1 ROLL PIN	
15	483029	PUSH HANDLE PLUG	
1A-3, 14, 15	880360	STROLLER HANDLE REGULAR STRAIGHT FOLDING	
1B-3, 14, 15	880362	STROLLER HANDLE TALL STRAIGHT FOLDING	
1A-3, 14, 15	900420	STROLLER HANDLES REGULAR FOLDING	PAIR
1B-3, 14, 15	900421	STROLLER HANDLES TALL FOLDING	PAIR
4, 6-13	900500	STROLLER RECEIVER SINGLE CYL F 3/4	PAIR
4, 6B, 7, 8B, 9-13	900502	STROLLER RECEIVER SINGLE CYL FOLDING FRAME 7/8	PAIR
4-11, 13	900501	ARM/STROLLER RECEIVER DOUBLE CYL F 3/4	PAIR
4, 5, 6B, 7, 8B, 9-11, 13	900503	ARM/STROLLER RECEIVER DOUBLE CYL F 7/8	PAIR



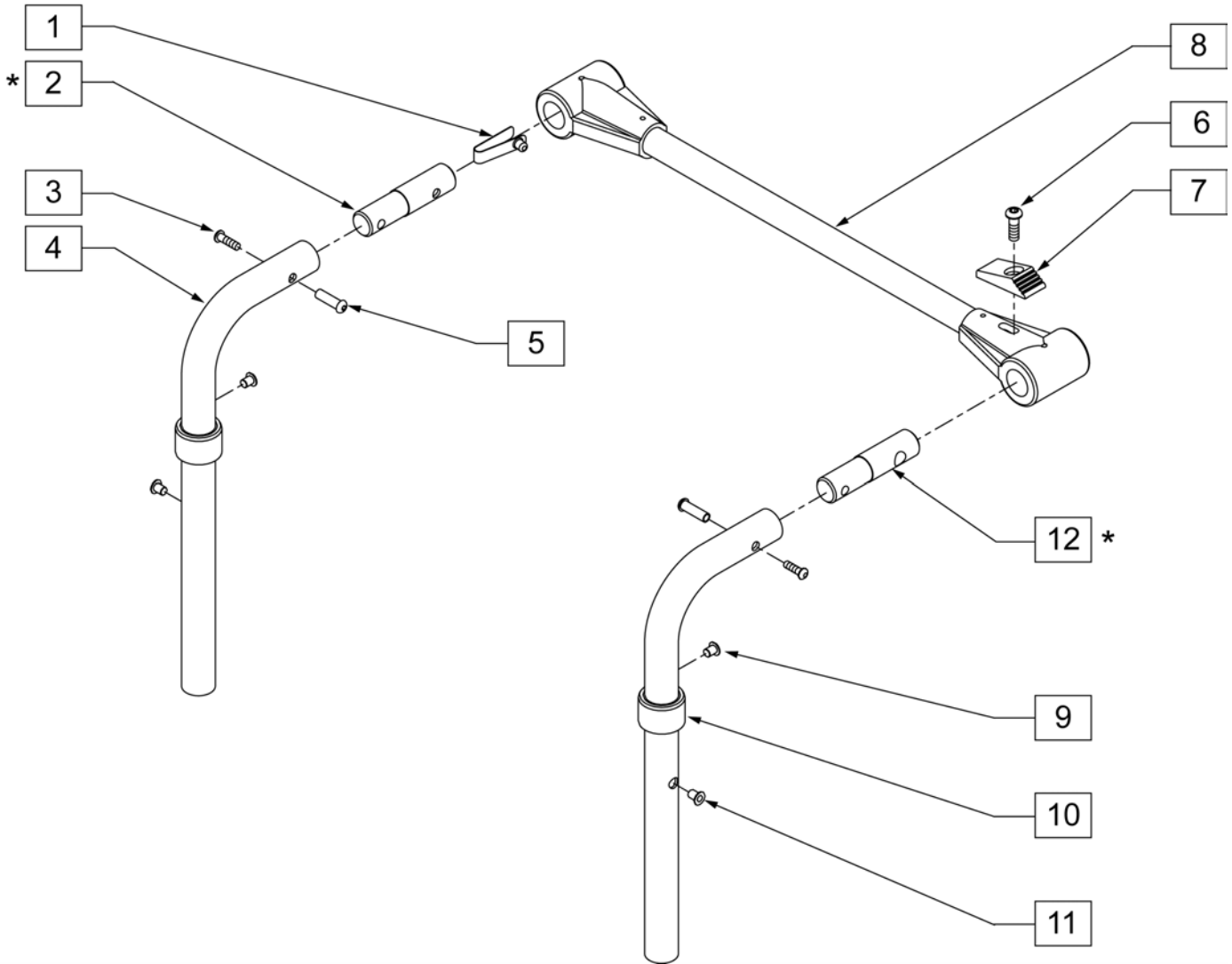
5 Q2 DEPTH ADJ BACK HDWR KIT			
ITEM #	ILLUSTRATION	DESCRIPTION	QTY
1		BRACKET SEAT QTS/ BACK Z2	4
2		1/4-20 X 3/4 BH C/S	8
3		RELEASE PIN STROLLER HANDLE	2

Pos.	Item Number	Description	Pos.	Item Number	Description
1	562609	BRACKET SEAT QTS/BACK Z2	1-4	681330	PLY BCK ASSM BLK 13X14 Q2 DAB
2	226101	1/4-20 x 3/4 BH C/S	1-4	681331	PLY BCK ASSM BLK 13X16 Q2 DAB
3	349020	STROLLER HANDLE RELEASE PIN	1-4	681332	PLY BCK ASSM BLK 13X18 Q2 DAB
5	920350	Q2 DEPTH ADJ BACK HARDWARE KIT	1-4	681333	PLY BCK ASSM BLK 14X12 Q2 DAB
1-4	681100	PLY BCK ASSM BLK 11X20 Q2 DAB	1-4	681334	PLY BCK ASSM BLK 14X14 Q2 DAB
1-4	681101	PLY BCK ASSM BLK 12X20 Q2 DAB	1-4	681335	PLY BCK ASSM BLK 14X16 Q2 DAB
1-4	681102	PLY BCK ASSM BLK 13X20 Q2 DAB	1-4	681336	PLY BCK ASSM BLK 14X18 Q2 DAB
1-4	681103	PLY BCK ASSM BLK 14X20 Q2 DAB	1-4	681337	PLY BCK ASSM BLK 15X12 Q2 DAB
1-4	681104	PLY BCK ASSM BLK 15X20 Q2 DAB	1-4	681338	PLY BCK ASSM BLK 15X14 Q2 DAB
1-4	681105	PLY BCK ASSM BLK 16X20 Q2 DAB	1-4	681339	PLY BCK ASSM BLK 15X16 Q2 DAB
1-4	681106	PLY BCK ASSM BLK 17X20 Q2 DAB	1-4	681340	PLY BCK ASSM BLK 15X18 Q2 DAB
1-4	681107	PLY BCK ASSM BLK 18X20 Q2 DAB	1-4	681341	PLY BCK ASSM BLK 16X12 Q2 DAB
1-4	681108	PLY BCK ASSM BLK 19X20 Q2 DAB	1-4	681342	PLY BCK ASSM BLK 16X14 Q2 DAB
1-4	681109	PLY BCK ASSM BLK 20X20 Q2 DAB	1-4	681343	PLY BCK ASSM BLK 16X16 Q2 DAB
1-4	681321	PLY BCK ASSM BLK 11X12 Q2 DAB	1-4	681344	PLY BCK ASSM BLK 16X18 Q2 DAB
1-4	681322	PLY BCK ASSM BLK 11X14 Q2 DAB	1-4	681345	PLY BCK ASSM BLK 17X12 Q2 DAB
1-4	681323	PLY BCK ASSM BLK 11X16 Q2 DAB	1-4	681346	PLY BCK ASSM BLK 17X14 Q2 DAB
1-4	681324	PLY BCK ASSM BLK 11X18 Q2 DAB	1-4	681347	PLY BCK ASSM BLK 17X16 Q2 DAB
1-4	681325	PLY BCK ASSM BLK 12X12 Q2 DAB	1-4	681348	PLY BCK ASSM BLK 17X18 Q2 DAB
1-4	681326	PLY BCK ASSM BLK 12X14 Q2 DAB	1-4	681349	PLY BCK ASSM BLK 18X12 Q2 DAB
1-4	681327	PLY BCK ASSM BLK 12X16 Q2 DAB	1-4	681350	PLY BCK ASSM BLK 18X14 Q2 DAB
1-4	681328	PLY BCK ASSM BLK 12X18 Q2 DAB	1-4	681351	PLY BCK ASSM BLK 18X16 Q2 DAB
1-4	681329	PLY BCK ASSM BLK 13X12 Q2 DAB	1-4	681352	PLY BCK ASSM BLK 18X18 Q2 DAB

Pos.	Item Number	Description	Pos.	Item Number	Description
1-4	681353	PLY BCK ASSM BLK 19X12 Q2 DAB	1-4	681357	PLY BCK ASSM BLK 20X12 Q2 DAB
1-4	681354	PLY BCK ASSM BLK 19X14 Q2 DAB	1-4	681358	PLY BCK ASSM BLK 20X14 Q2 DAB
1-4	681355	PLY BCK ASSM BLK 19X16 Q2 DAB	1-4	681359	PLY BCK ASSM BLK 20X16 Q2 DAB
1-4	681356	PLY BCK ASSM BLK 19X18 Q2 DAB	1-4	681360	PLY BCK ASSM BLK 20X18 Q2 DAB

BACKREST STABILIZER BAR

(12/2009)



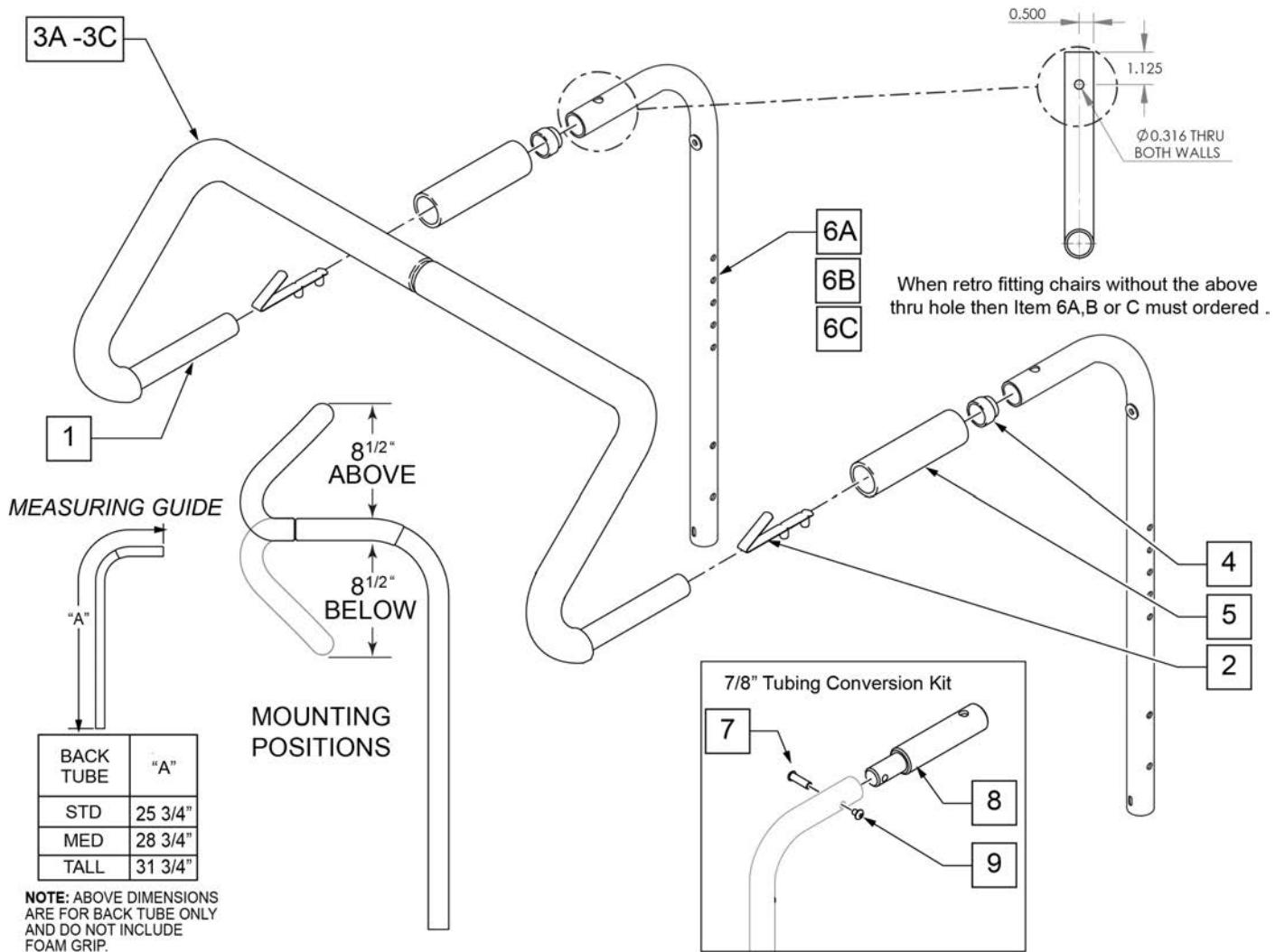
Pos.	Item Number	Description	Remarks
1	301100	1/4" SNAP BUTTON SINGLE	
2	483533	STABILIZER BAR PIVOT PIN Q2	
3	226020	10-32 x 5/8 BH C/S BLK	
1-3,5,12	885015	STABILIZER PIN ASSM	
5	221213	10-32 x 7/8 HEX SEX BOLT QTNT	
10	561083	1-1/8 TUBE END BUSHING THIN	
12	483534	STABILIZER BAR LOCKING PIN Q2	
6-8	820693	STABILIZER CROSS BAR ASSM 12	
6-8	820694	STABILIZER CROSS BAR ASSM 13	
6-8	820695	STABILIZER CROSS BAR ASSM 14	
6-8	820696	STABILIZER CROSS BAR ASSM 15	
6-8	820697	STABILIZER CROSS BAR ASSM 16	
6-8	820698	STABILIZER CROSS BAR ASSM 17	
6-8	820700	STABILIZER CROSS BAR ASSM 18	
6-8	820701	STABILIZER CROSS BAR ASSM 19	
6-8	820702	STABILIZER CROSS BAR ASSM 20	
6-8	820703	STABILIZER CROSS BAR ASSM 21	

Pos.	Item Number	Description	Remarks
6-8	820704	STABILIZER CROSS BAR ASSM 22	
4, 9-11	820710	PUSH HANDLE Q2 ADJ LOW FOR STABILIZER BAR	RIGHT USED W/Q2 ANGLE ADJ BACKREST
4, 9-11	820711	PUSH HANDLE Q2 ADJ MED FOR STABILIZER BAR	RIGHT USED W/Q2 ANGLE ADJ BACKREST
4, 9-11	820712	PUSH HANDLE Q2 ADJ TALL FOR STABILIZER BAR	RIGHT USED W/Q2 ANGLE ADJ BACKREST
4, 9-11	820713	PUSH HANDLE Q2 ADJ LOW FOR STABILIZER BAR	LEFT USED W/Q2 ANGLE ADJ BACKREST
4, 9-11	820714	PUSH HANDLE Q2 ADJ MED FOR STABILIZER BAR	LEFT USED W/Q2 ANGLE ADJ BACKREST
4, 9-11	820715	PUSH HANDLE Q2 ADJ TALL FOR STABILIZER BAR	LEFT USED W/Q2 ANGLE ADJ BACKREST
4, 9	820720	PUSH HANDLE LOW FOR STABILIZER BAR	USED W/Q2 STANDARD
4, 9	820721	PUSH HANDLE MED FOR STABILIZER BAR	USED W/Q2 STANDARD
4, 9	820722	PUSH HANDLE TALL FOR STABILIZER BAR	USED W/Q2 STANDARD
4, 9	820726	PUSH HANDLE 8D MED FOR STABILIZER BAR	USED W/Q2 STANDARD
4, 9	820727	PUSH HANDLE 8D TALL FOR STABILIZER BAR	USED W/Q2 STANDARD

NOTE: Stroller handle extension works with 1" tubing backrest only. Example: DAB on Q2 or Standard backrest on positioning chairs.

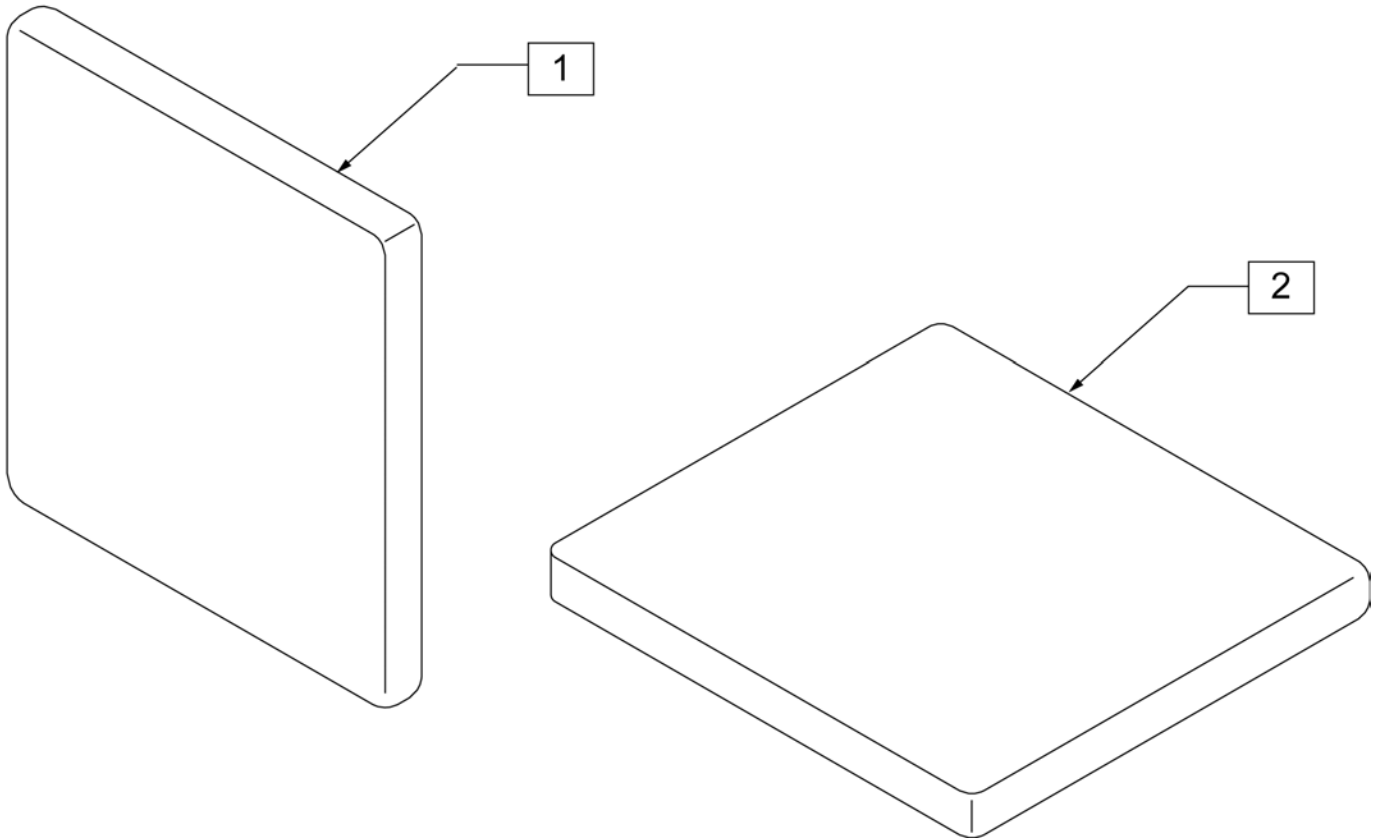
NOTE: Not compatible with Swing-Away Adjustable Stroller Handle.

Note: For Q2X S/N chairs this is an "Off Chair" option only.



Pos.	Item Number	Description	Remarks
2	301108	5/16 SNAP BUTTON DUAL ONE SIDE	
3A	560615	STROLLER EXTENSION GRIP 10 -13"	10 -13" WIDE
3B	560616	STROLLER EXTENSION GRIP 14 -17"	14 -17" WIDE
3C	560617	STROLLER EXTENSION GRIP 18 -20"	18 -20" WIDE
4	561082	1" TUBE END BUSHING THIN	
5	920023	QUICKIE GRIP 1 W/ HOLE	
1, 2, 3A	842050	STROLLER EXTENSION ASSM 10"	

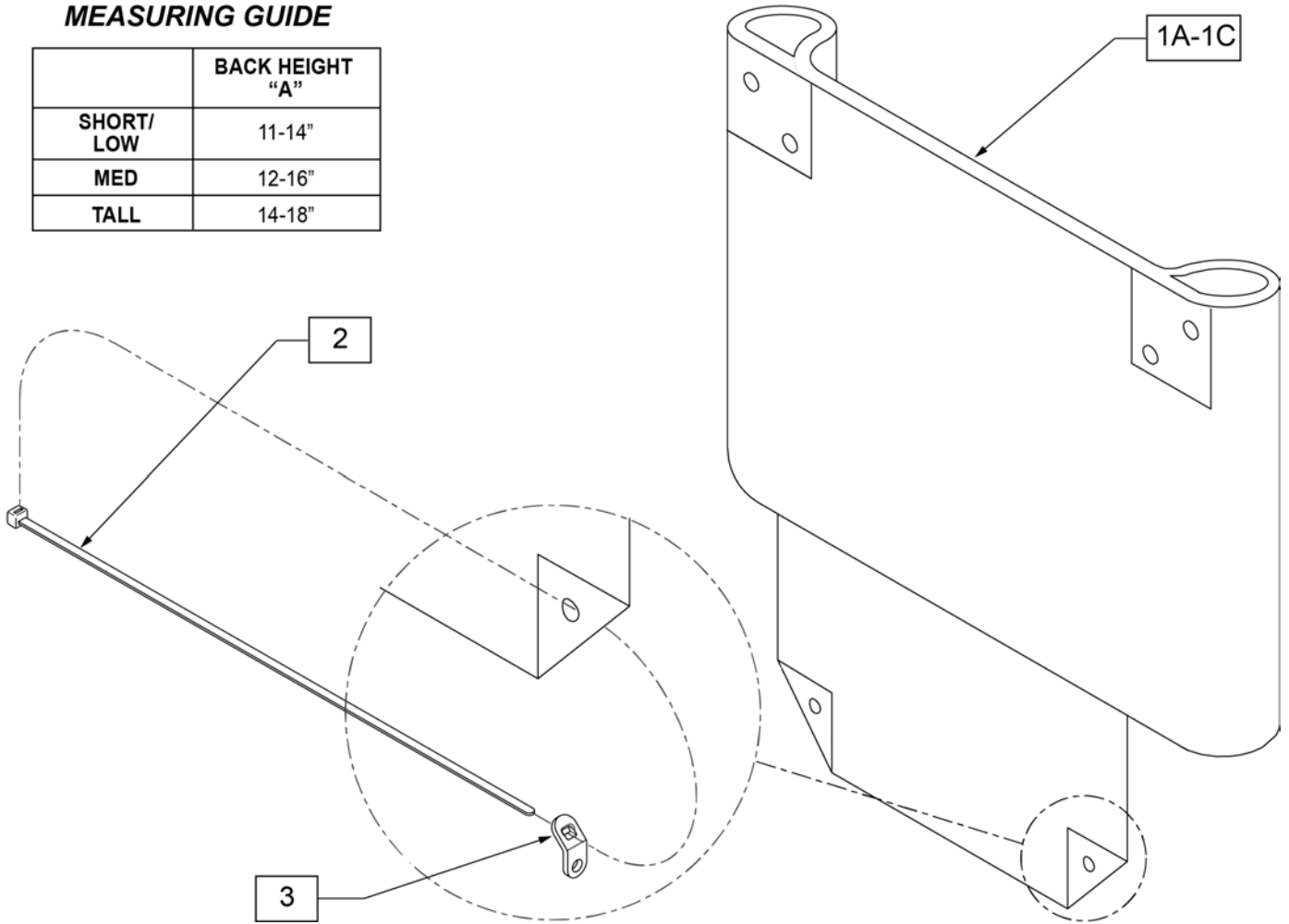
Pos.	Item Number	Description	Remarks
1, 2, 3A	842051	STROLLER EXTENSION ASSM 11"	
1, 2, 3A	842052	STROLLER EXTENSION ASSM 12"	
1, 2, 3A	842053	STROLLER EXTENSION ASSM 13"	
1, 2, 3B	842054	STROLLER EXTENSION ASSM 14"	
1, 2, 3B	842055	STROLLER EXTENSION ASSM 15"	
1, 2, 3B	842056	STROLLER EXTENSION ASSM 16"	
1, 2, 3B	842057	STROLLER EXTENSION ASSM 17"	
1, 2, 3C	842058	STROLLER EXTENSION ASSM 18"	
1, 2, 3C	842059	STROLLER EXTENSION ASSM 19	
1, 2, 3C	842063	STROLLER EXTENSION ASSM 20	
6A	842067	EXT STROLLER HANDLE STD	STANDARD/LOW
6B	842066	EXT STROLLER HANDLE MED	MEDIUM
6C	842068	EXT STROLLER HANDLE TALL	TALL
7-9	125324	STRLLR HNDL CNVERSN KIT 7/8 PH	To fit to 7/8" Push Handle; includes hardware for both sides



Pos.	Item Number	Description	Remarks
1	450780S	REMOVABLE R-BACK INSERT 16 - 20	SPECIFY DIMENSIONS
2	450781S	REMOVABLE SEAT INSERT 16 -20	SPECIFY DIMENSIONS

MEASURING GUIDE

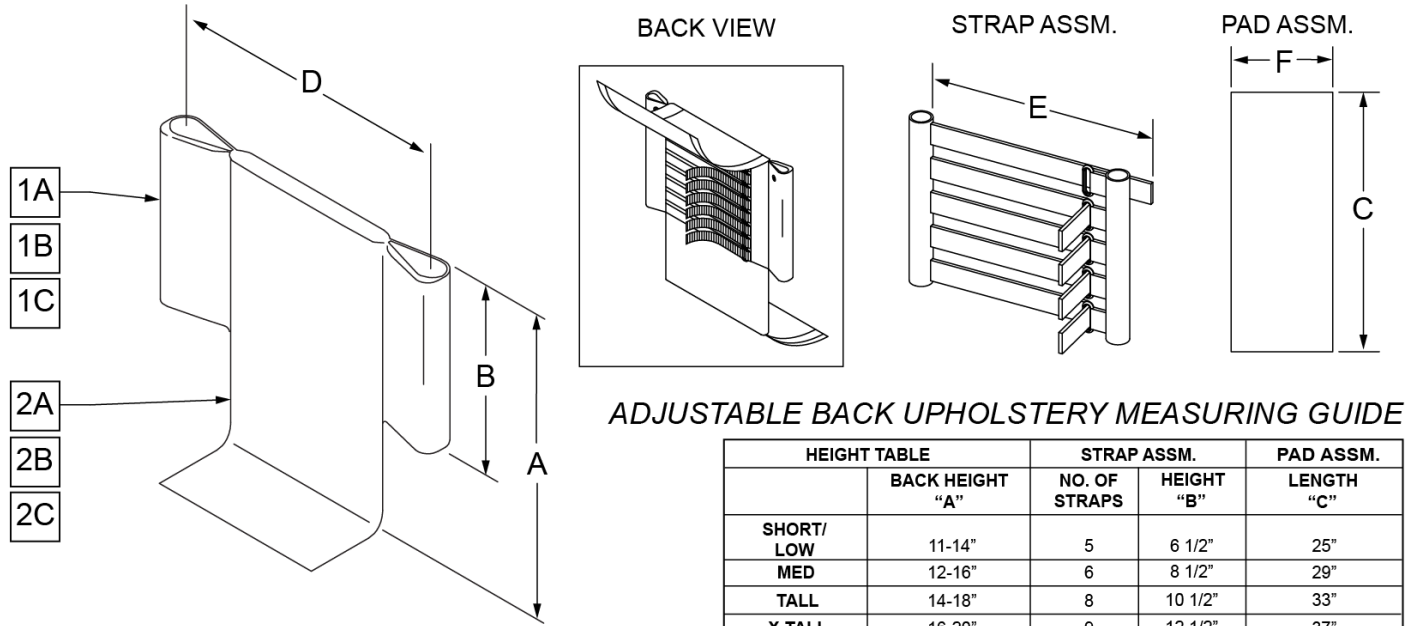
	BACK HEIGHT "A"
SHORT/ LOW	11-14"
MED	12-16"
TALL	14-18"



Pos.	Item Number	Description	Pos.	Item Number	Description
1A	684010	BACK UPHOLSTERY 11-12 Q2 LOW	1A	684060	BACK UPHOLSTERY 17 Q2 LOW
1B	684012	BACK UPHOLSTERY 11-12 Q2 MED Rx 14	1B	684062	BACK UPHOLSTERY 17 Q2 MED Rx 14
1C	684014	BACK UPHOLSTERY 11-12 Q2 TALL Rx 17/19	1C	684064	BACK UPHOLSTERY 17 Q2 TALL Rx 17/19
1A	684020	BACK UPHOLSTERY 13 Q2 LOW	1A	684070	BACK UPHOLSTERY 18 Q2 LOW
1B	684022	BACK UPHOLSTERY 13 Q2 MED Rx 14	1B	684072	BACK UPHOLSTERY 18 Q2 MED Rx 14
1C	684024	BACK UPHOLSTERY 13 Q2 TALL Rx 17/19	1C	684074	BACK UPHOLSTERY 18 Q2 TALL Rx 17/19
1A	684030	BACK UPHOLSTERY 14 Q2 LOW	1A	684080	BACK UPHOLSTERY 19 Q2 LOW
1B	684032	BACK UPHOLSTERY 14 Q2 MED Rx 14	1B	684082	BACK UPHOLSTERY 19 Q2 MED Rx 14
1C	684034	BACK UPHOLSTERY 14 Q2 TALL Rx 17/19	1C	684084	BACK UPHOLSTERY 19 Q2 TALL Rx 17/19
1A	684040	BACK UPHOLSTERY 15 Q2 LOW	1A	684090	BACK UPHOLSTERY 20 Q2 LOW
1B	684042	BACK UPHOLSTERY 15 Q2 MED Rx 14	1B	684092	BACK UPHOLSTERY 20 Q2 MED Rx 14
1C	684044	BACK UPHOLSTERY 15 Q2 TALL Rx 17/19	1C	684094	BACK UPHOLSTERY 20 Q2 TALL Rx 17/19
1A	684050	BACK UPHOLSTERY 16 Q2 LOW	2	560410	ZIP TIE BLK
1B	684052	BACK UPHOLSTERY 16 Q2 MED Rx 14	3	560227	2 HOLE TOGGLE BENT PLST
1C	684054	BACK UPHOLSTERY 16 Q2 TALL Rx 17/19			

NOTE: Items 1 and 2 must be ordered for complete back upholstery.

NOTE: Effective on LX/LXI as of 10/24/2008.



ADJUSTABLE BACK UPHOLSTERY MEASURING GUIDE

	HEIGHT TABLE	STRAP ASSM.		PAD ASSM.
	BACK HEIGHT "A"	NO. OF STRAPS	HEIGHT "B"	LENGTH "C"
SHORT/LOW	11-14"	5	6 1/2"	25"
MED	12-16"	6	8 1/2"	29"
TALL	14-18"	8	10 1/2"	33"
X-TALL	16-20"	9	12 1/2"	37"

HEIGHT TABLE		WIDTH "D"					
		SMALL 10-12"	MED 12-14"	LARGE 14-16"	X-LARGE 16-18"	X-LARGE 18-20"	X-LARGE 20-22"
STRAP ASSM	STRAP LENGTH "E"	9 1/2"	13 1/2"	17 1/2"	17 1/2"	21 1/2"	21 1/2"
PAD ASSM	WIDTH "F"	8"	10"	12"	14"	16"	18"

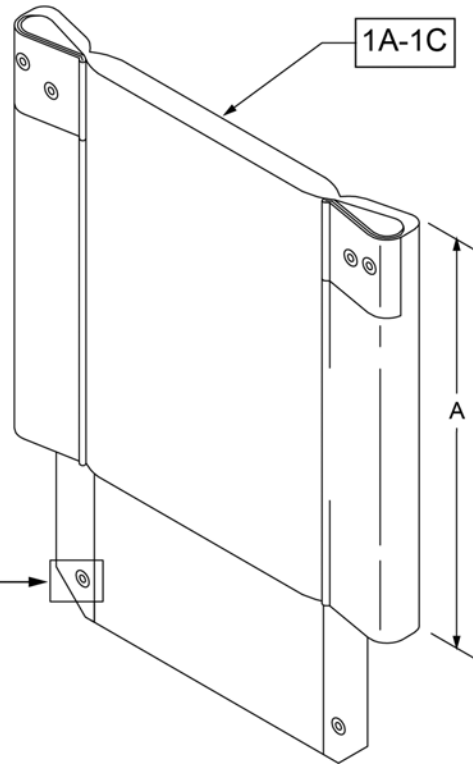
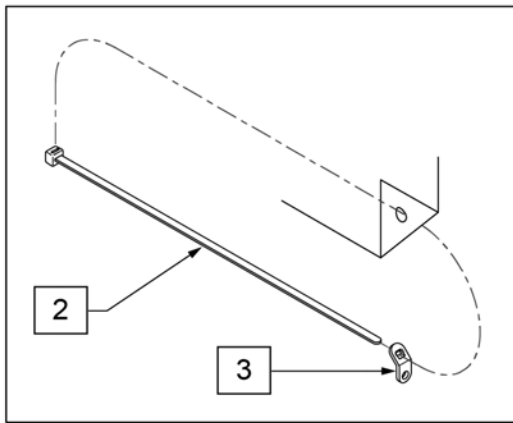
Pos.	Item Number	Description	Remarks
1A	680230	GROWING ADJ BACK UPHOLSTERY 10-12 SHORT ZGS	11" wide-Low
1B	680232	GROWING ADJ BACK UPHOLSTERY 10-12 TALL ZGS	11" wide-Med
1C	680220	GROWING ADJ BACK UPHOLSTERY 10-12 X-TALL ZGS	11" wide-Tall
1A	680233	GROWING ADJ BACK UPHOLSTERY 12-14 SHORT ZGS	12-13" wide-Low
1B	680235	GROWING ADJ BACK UPHOLSTERY 12-14 TALL ZGS	12-13" wide-Med
1C	680221	GROWING ADJ BACK UPHOLSTERY 12-14 X-TALL ZGS	12-13" wide-Tall
1A	680236	GROWING ADJ BACK UPHOLSTERY 14-16 SHORT ZGS	14-15" wide-Low
1B	680238	GROWING ADJ BACK UPHOLSTERY 14-16 TALL ZGS	14-15" wide-Med
1C	680222	GROWING ADJ BACK UPHOLSTERY 14-16 X-TALL ZGS	14-15" wide-Tall
1A	680239	GROWING ADJ BACK UPHOLSTERY 16-18 SHORT ZGS	16-17" wide-Low
1B	680241	GROWING ADJ BACK UPHOLSTERY 16-18 TALL ZGS	16-17" wide-Med
1C	680242	GROWING ADJ BACK UPHOLSTERY 16-18 X-TALL ZGS	16-17" wide-Tall
1A	680243	GROWING ADJ BACK UPHOLSTERY 18-22 SHORT ZGS	18 -22" wide-Low
1B	680245	GROWING ADJ BACK UPHOLSTERY 18-22 TALL ZGS	18 -22" wide-Med
1C	680246	GROWING ADJ BACK UPHOLSTERY 18-22 X-TALL ZGS	18 -22" wide-Tall
2A	684480	ADJ BACK STRAP COVER 10-12 SHORT ZGS	11" wide-Low
2B	684482	ADJ BACK STRAP COVER 10-12 TALL ZGS	11" wide-Med

Pos.	Item Number	Description	Remarks
2C	684497	ADJ BACK STRAP COVER 10-12 X-TALL ZGS	11" wide-Tall
2A	684483	ADJ BACK STRAP COVER 12-14 SHORT ZGS	12-13" wide-Low
2B	684485	ADJ BACK STRAP COVER 12-14 TALL ZGS	12-13" wide-Med
2C	684498	ADJ BACK STRAP COVER 12-14 X-TALL ZGS	12-13" wide-Tall
2A	684486	ADJ BACK STRAP COVER 14-16 SHORT ZGS	14-15" wide-Low
2B	684488	ADJ BACK STRAP COVER 14-16 TALL ZGS	14-15" wide-Med
2C	684499	ADJ BACK STRAP COVER 14-16 X-TALL ZGS	14-15" wide-Tall
2A	684489	ADJ BACK STRAP COVER 16-18 SHORT ZGS	16-17" wide-Low
2B	684491	ADJ BACK STRAP COVER 16-18 TALL ZGS	16-17" wide-Med
2C	684492	ADJ BACK STRAP COVER 16-18 X-TALL ZGS	16-17" wide-Tall
2A	684493	ADJ BACK STRAP COVER 18-20 SHORT ZGS	18 -20" wide-Low
2B	684495	ADJ BACK STRAP COVER 18-20 TALL ZGS	18 -20" wide-Med
2C	684496	ADJ BACK STRAP COVER 18-20 X-TALL ZGS	18 -20" wide-Tall
2A	684510	ADJ BACK STRAP COVER 20 -22" SHORT ZGS	20 -22" wide-Low
2B	684512	ADJ BACK STRAP COVER 20 -22" TALL ZGS	20 -22" wide-Med
2C	684513	ADJ BACK STRAP COVER 20 -22" X-TALL ZGS	20 -22" wide-Tall

Note: Upholstery utilizes a layer of dacron underneath the cover to increase strength.

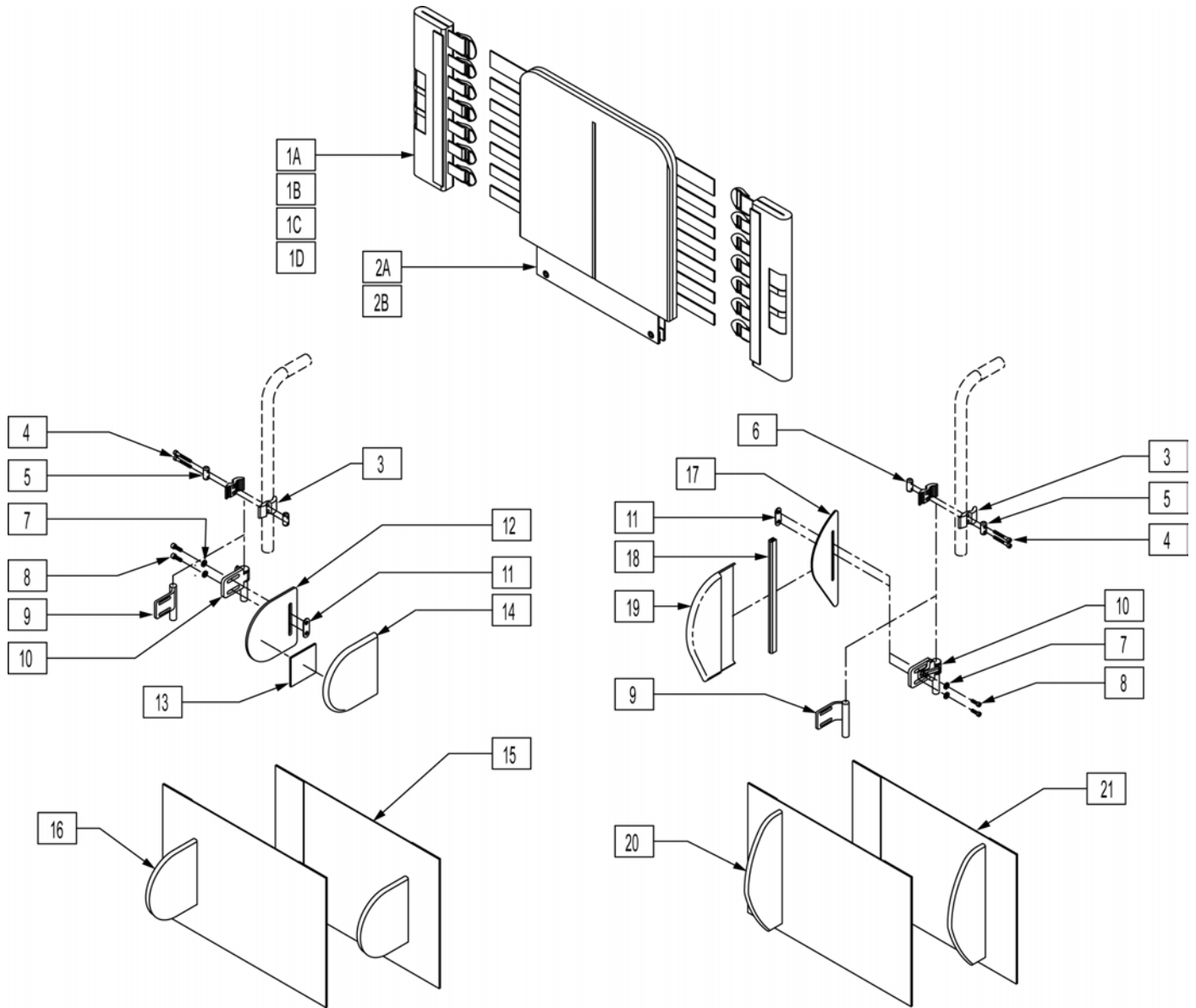
MEASURING GUIDE

	"A"	BACK HEIGHT
SHORT/LOW	7 1/2"	11-14"
MEDIUM	10 1/2"	12-16"
HIGH/TALL	13 1/2"	14-18"



Pos.	Item Number	Description
1A	680370	BACK UPH 18" LOW Q2 H/D
1B	680371	BACK UPH 18" MED Q2 H/D
1C	680372	BACK UPH 18" TALL Q2 H/D
1A	680373	BACK UPH 19" LOW Q2 H/D
1B	680374	BACK UPH 19" MED Q2 H/D
1C	680375	BACK UPH 19" TALL Q2 H/D
1A	680376	BACK UPH 20" LOW Q2 H/D
1B	680377	BACK UPH 20" MED Q2 H/D
1C	680378	BACK UPH 20" TALL Q2 H/D
1A	680379	BACK UPH 21" LOW Q2 H/D
1B	680380	BACK UPH 21" MED Q2 H/D
1C	680381	BACK UPH 21" TALL Q2 H/D
1A	680382	BACK UPH 22" LOW Q2 H/D
1B	680383	BACK UPH 22" MED Q2 H/D
1C	680384	BACK UPH 22" TALL Q2 H/D
2	560410	ZIP TIE BLK
3	560227	2 HOLE TOGGLE BENT PLST

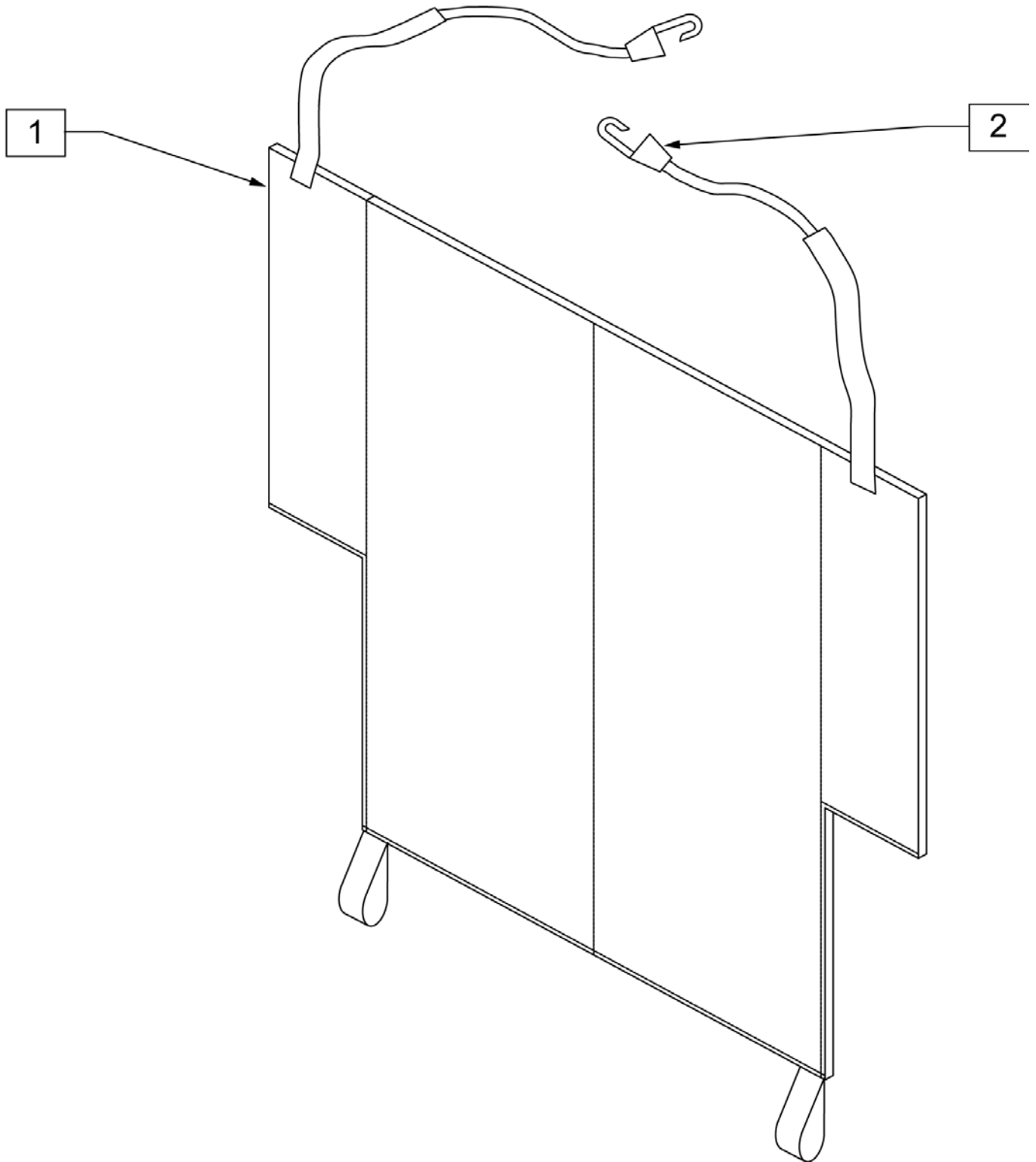
NOTE: IF MOUNTING LATERALS ONTO A SOLID BACK PLEASE REFER TO THE "LATERAL PAD ASSEMBLY" PARTS PAGE FOR MOUNTING HARDWARE.



Pos.	Item Number	Description	Remarks
1A	683358	JAY BACK UPH BACK CANE COVER MEDIUM	LEFT 10"-14" & 12"-16"
1A	683360	JAY BACK UPH BACK CANE COVER MEDIUM	RIGHT 10"-14" & 12"-16"
1B	683357	JAY BACK UPH BACK CANE COVER TALL	LEFT 14"-18" & 16"-20"
1B	683359	JAY BACK UPH BACK CANE COVER TALL	RIGHT 14"-18" & 16"-20"
1C	683362	JAY BACK UPH BACK CANE COVER NO LATERAL MEDIUM	LEFT 10"-14" & 12"-16"
1C	683364	JAY BACK UPH BACK CANE COVER NO LATERAL MEDIUM	RIGHT 10"-14" & 12"-16"
1D	683361	JAY BACK UPH BACK CANE COVER NO LATERAL TALL	LEFT 14"-18" & 16"-20"
1D	683363	JAY BACK UPH BACK CANE COVER NO LATERAL TALL	RIGHT 14"-18" & 16"-20"
2A	683305	JAY BACK UPH 14W MEDIUM	10"-14" & 12"-16"
2A	683307	JAY BACK UPH 15W MEDIUM	10"-14" & 12"-16"

Pos.	Item Number	Description	Remarks
2A	683309	JAY BACK UPH 16W MEDIUM	10"-14" & 12"-16"
2A	683311	JAY BACK UPH 17W MEDIUM	10"-14" & 12"-16"
2A	683313	JAY BACK UPH 18W MEDIUM	10"-14" & 12"-16"
2A	683315	JAY BACK UPH 19W MEDIUM	10"-14" & 12"-16"
2A	683317	JAY BACK UPH 20W MEDIUM	10"-14" & 12"-16"
2B	683306	JAY BACK UPH 14W TALL	14"-18" & 16"-20"
2B	683308	JAY BACK UPH 15W TALL	14"-18" & 16"-20"
2B	683310	JAY BACK UPH 16W TALL	14"-18" & 16"-20"
2B	683312	JAY BACK UPH 17W TALL	14"-18" & 16"-20"
2B	683314	JAY BACK UPH 18W TALL	14"-18" & 16"-20"
2B	683316	JAY BACK UPH 19W TALL	14"-18" & 16"-20"
2B	683318	JAY BACK UPH 20W TALL	14"-18" & 16"-20"
3	481800	UNI LATERAL BRKT JAY PRECISION	
4	226353	10-32 X 1 1/2 SOC HD C/S W/PL	
5	481810	UNI LATERAL BRKT SCR ROLL PIN	
6	481811	LATERAL BRKT PREC THD-ROLL PIN	
7	261204	#10 AN WASHER .063	
8	226043	10-32 x 1/2 BH C/S BL	
9	541144	LATERAL BRKT 1.5 W WLDMNT	RIGHT
9	541145	LATERAL BRKT 1.5 W WLDMNT	LEFT
10	881738	S/A ASSM JAY PRECISION	RIGHT
10	881739	S/A ASSM JAY PRECISION	LEFT
11	881109	1 NUT PLATE W/THREADED INSERT	
12	500914	SYMMETRIC LATERAL PANEL	Size 5"X5"
13	751314	2 x 2 VELCRO LOOP	
14	B672	BASE EXTENDED LATERAL	
17	501140	ASYMMETRIC LATERAL PANEL	Size 10"X3.25"
18	697100	ASYMMETRIC LATERAL PANEL EDGE TRIM	
19	683319	JAY BACK UPH INT LATERAL COVER ASYMMETRIC	LEFT
19	683320	JAY BACK UPH INT LATERAL COVER ASYMMETRIC	RIGHT
3-6	880959	UNI LATERAL CLAMP ASSM	
20,21	923300	JAY BACK EXTENSION LATERAL COVER ASYMMETRIC 14-16	
20,21	923301	JAY BACK EXTENSION LATERAL COVER ASYMMETRIC 17-20	
15,16	923302	JAY BACK EXTENSION LATERAL COVER SYMMETRIC 14-16	
15,16	923303	JAY BACK EXTENSION LATERAL COVER SYMMETRIC 17-20	
1C,2	682520	JAY MEDIUM BACK UPH 14 W/O LATERAL	
1C,2	682521	JAY MEDIUM BACK UPH 15 W/O LATERAL	
1C,2	682522	JAY MEDIUM BACK UPH 16 W/O LATERAL	
1C,2	682523	JAY MEDIUM BACK UPH 17 W/O LATERAL	
1C,2	682524	JAY MEDIUM BACK UPH 18 W/O LATERAL	
1C,2	682525	JAY MEDIUM BACK UPH 19 W/O LATERAL	
1C,2	682526	JAY MEDIUM BACK UPH 20 W/O LATERAL	
1D,2B	682527	JAY TALL BACK UPH 14 W/O LATERAL	
1D,2B	682528	JAY TALL BACK UPH 15 W/O LATERAL	
1D,2B	682529	JAY TALL BACK UPH 16 W/O LATERAL	
1D,2B	682530	JAY TALL BACK UPH 17 W/O LATERAL	
1D,2B	682531	JAY TALL BACK UPH 18 W/O LATERAL	
1D,2B	682532	JAY TALL BACK UPH 19 W/O LATERAL	
1D,2B	682533	JAY TALL BACK UPH 20 W/O LATERAL	
1A,2A,3-8,9-16	682534	JAY MEDIUM BACK UPH 14 W/ FIX SYMMETRIC LATERAL	
1A,2A,3-8,9-16	682535	JAY MEDIUM BACK UPH 15 W/ FIX SYMMETRIC LATERAL	
1A,2A,3-8,9-16	682536	JAY MEDIUM BACK UPH 16 W/ FIX SYMMETRIC LATERAL	
1A,2A,3-8,9-16	682537	JAY MEDIUM BACK UPH 17 W/ FIX SYMMETRIC LATERAL	
1A,2A,3-8,9-16	682538	JAY MEDIUM BACK UPH 18 W/ FIX SYMMETRIC LATERAL	
1A,2A,3-8,9-16	682539	JAY MEDIUM BACK UPH 19 W/ FIX SYMMETRIC LATERAL	
1A,2A,3-8,9-16	682540	JAY MEDIUM BAC KUPH 20 W/ FIX SYMMETRIC LATERAL	

Pos.	Item Number	Description	Remarks
1A,2A,3-8,10-16	682541	JAY MEDIUM BACK UPH 14 W/ S/A SYMMETRIC LATERAL	
1A,2A,3-8,10-16	682542	JAY MEDIUM BACK UPH 15 W/ S/A SYMMETRIC LATERAL	
1A,2A,3-8,10-16	682543	JAY MEDIUM BACK UPH 16 W/ S/A SYMMETRIC LATERAL	
1A,2A,3-8,10-16	682544	JAY MEDIUM BACK UPH 17 W/ S/A SYMMETRIC LATERAL	
1A,2A,3-8,10-16	682545	JAY MEDIUM BACK UPH 18 W/ S/A SYMMETRIC LATERAL	
1A,2A,3-8,10-16	682546	JAY MEDIUM BACK UPH 19 W/ S/A SYMMETRIC LATERAL	
1A,2A,3-8,10-16	682547	JAY MEDIUM BACK UPH 20 W/ S/A SYMMETRIC LATERAL	
1B,2B,3-9,11-16	682562	JAY TALL BACK UPH 14 W/ FIX SYMMETRIC LATERAL	
1B,2B,3-9,11-16	682563	JAY TALL BACK UPH 15 W/ FIX SYMMETRIC LATERAL	
1B,2B,3-9,11-16	682564	JAY TALL BACK UPH 16 W/ FIX SYMMETRIC LATERAL	
1B,2B,3-9,11-16	682565	JAY TALL BACK UPH 17 W/ FIX SYMMETRIC LATERAL	
1B,2B,3-9,11-16	682566	JAY TALL BACK UPH 18 W/ FIX SYMMETRIC LATERAL	
1B,2B,3-9,11-16	682567	JAY TALL BACK UPH 19 W/ FIX SYMMETRIC LATERAL	
1B,2B,3-9,11-16	682568	JAY TALL BACK UPH 20 W/ FIX SYMMETRIC LATERAL	
1B,2B,3-8,10-16	682569	JAY TALL BACK UPH 14 W/ S/A SYMMETRIC LATERAL	
1B,2B,3-8,10-16	682570	JAY TALL BACK UPH 15 W/ S/A SYMMETRIC LATERAL	
1B,2B,3-8,10-16	682571	JAY TALL BACK UPH 16 W/ S/A SYMMETRIC LATERAL	
1B,2B,3-8,10-16	682572	JAY TALL BACK UPH 17 W/ S/A SYMMETRIC LATERAL	
1B,2B,3-8,10-16	682573	JAY TALL BACK UPH 18 W/ S/A SYMMETRIC LATERAL	
1B,2B,3-8,10-16	682574	JAY TALL BACK UPH 19 W/ S/A SYMMETRIC LATERAL	
1B,2B,3-8,10-16	682575	JAY TALL BACK UPH 20 W/ S/A SYMMETRIC LATERAL	
1A,2A,3-9,11,17-21	682576	JAY TALL BACK UPH 14 W/ FIX ASYMMETRIC LATERAL	
1A,2A,3-9,11,17-21	682577	JAY TALL BACK UPH 15 W/ FIX ASYMMETRIC LATERAL	
1A,2A,3-9,11,17-21	682578	JAY TALL BACK UPH 16 W/ FIX ASYMMETRIC LATERAL	
1A,2A,3-9,11,17-21	682579	JAY TALL BACK UPH 17 W/ FIX ASYMMETRIC LATERAL	
1A,2A,3-9,11,17-21	682580	JAY TALL BACK UPH 18 W/ FIX ASYMMETRIC LATERAL	
1A,2A,3-9,11,17-21	682581	JAY TALL BACK UPH 19 W/ FIX ASYMMETRIC LATERAL	
1A,2A,3-9,11,17-21	682582	JAY TALL BACK UPH 20 W/ FIX ASYMMETRIC LATERAL	
1A,2A,3-8,10,11,17-21	682583	JAY TALL BACK UPH 14 W/ S/A ASYMMETRIC LATERAL	
1A,2A,3-8,10,11,17-21	682584	JAY TALL BACK UPH 15 W/ S/A ASYMMETRIC LATERAL	
1A,2A,3-8,10,11,17-21	682585	JAY TALL BACK UPH 16 W/ S/A ASYMMETRIC LATERAL	
1A,2A,3-8,10,11,17-21	682586	JAY TALL BACK UPH 17 W/ S/A ASYMMETRIC LATERAL	
1A,2A,3-8,10,11,17-21	682587	JAY TALL BACK UPH 18 W/ S/A ASYMMETRIC LATERAL	
1A,2A,3-8,10,11,17-21	682588	JAY TALL BACK UPH 19 W/ S/A ASYMMETRIC LATERAL	
1A,2A,3-8,10,11,17-21	682589	JAY TALL BACK UPH 20 W/ S/A ASYMMETRIC LATERAL	



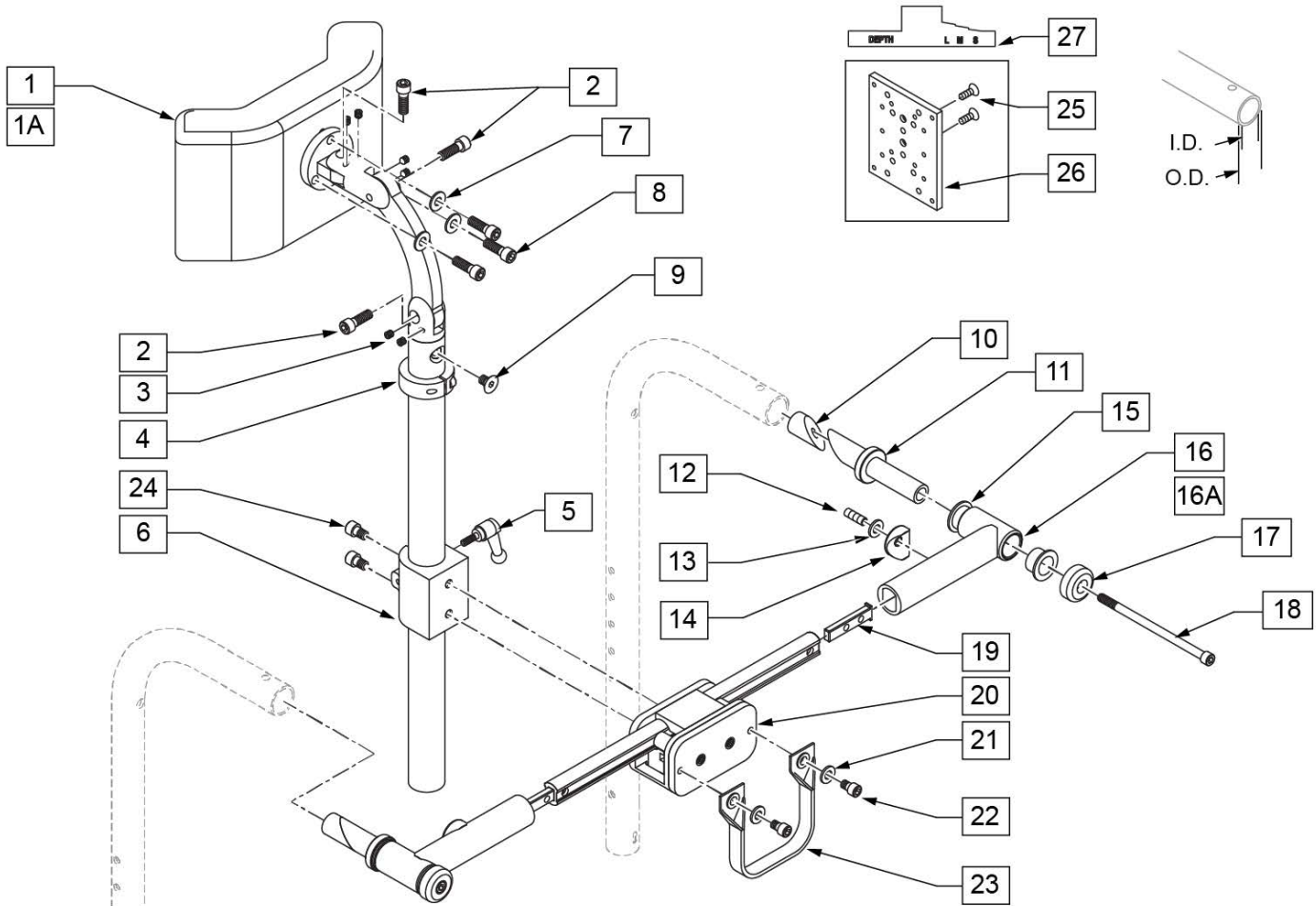
Pos.	Item Number	Description
1,2	750600	BACK CUSHION 12 LOW Q2

Pos.	Item Number	Description
1,2	750602	BACK CUSHION 12 MED Q2
1,2	750604	BACK CUSHION 12 TALL Q2
1,2	750610	BACK CUSHION 13 LOW Q2
1,2	750612	BACK CUSHION 13 MED Q2
1,2	750614	BACK CUSHION 13 TALL Q2
1,2	750620	BACK CUSHION 14 LOW Q2
1,2	750622	BACK CUSHION 14 MED Q2
1,2	750624	BACK CUSHION 14 TALL Q2
1,2	750630	BACK CUSHION 15 LOW Q2
1,2	750632	BACK CUSHION 15 MED Q2
1,2	750634	BACK CUSHION 15 TALL Q2
1,2	750640	BACK CUSHION 16 LOW Q2
1,2	750642	BACK CUSHION 16 MED Q2
1,2	750644	BACK CUSHION 16 TALL Q2
1,2	750650	BACK CUSHION 17 LOW Q2
1,2	750652	BACK CUSHION 17 MED Q2
1,2	750654	BACK CUSHION 17 TALL Q2
1,2	750660	BACK CUSHION 18 LOW Q2
1,2	750662	BACK CUSHION 18 MED Q2
1,2	750664	BACK CUSHION 18 TALL Q2
1,2	750670	BACK CUSHION 19 LOW Q2
1,2	750672	BACK CUSHION 19 MED Q2
1,2	750674	BACK CUSHION 19 TALL Q2
1,2	750680	BACK CUSHION 20 LOW Q2
1,2	750682	BACK CUSHION 20 MED Q2
1,2	750684	BACK CUSHION 20 TALL Q2
2	560230	PLASTIC HOOKS ACW #705

FOLDING STABILIZER BAR

[08/23/2019]

STUD WEDGE SIZE FOR:	SMALL	MEDIUM	LARGE
<u>MOST</u> OUTSIDE DIM	3/4"	7/8"	1"
AVERAGE INSIDE DIM	0.575 - 0.638	0.700 - 0.785	0.825 - 0.910

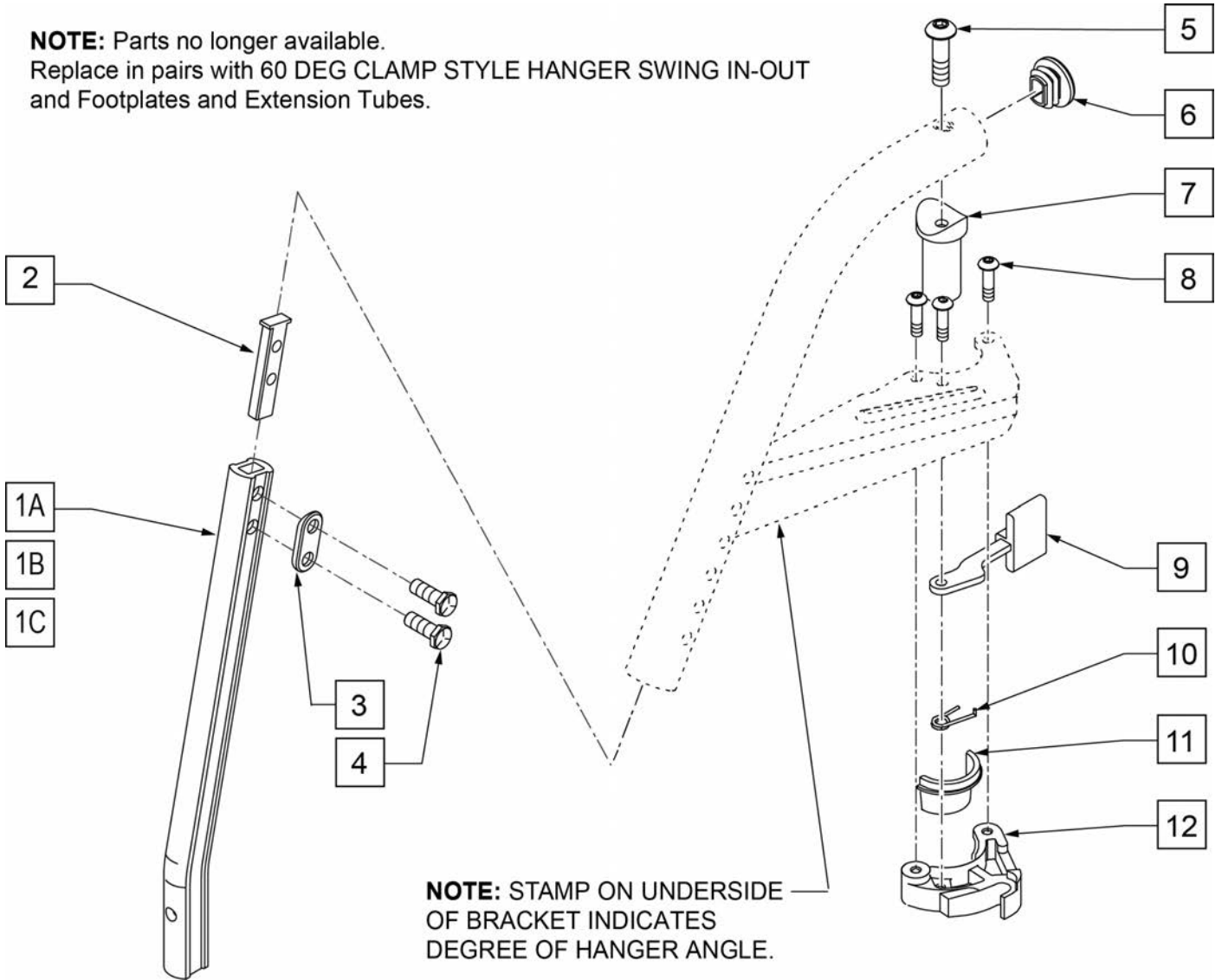


Pos.	Item Number	Description	Remarks
1A	750696	HEADREST W/ ZIPPER MEDIUM CG	8" X 4" Pad
1B	750697	HEADREST W/ ZIPPER LARGE CG	9" X 4.5" Pad
2	221115	1/4 - 20 X 3/4 SOC HD C/S BLK	
3	341045	#10 - 24 CONE POINT SET SCREW	
4	505933	HEADREST COLLAR	
5	341046	HEADREST CLAMPING HANDLE SCREW	
6	881003	CLAMP AND TUBE	
7	261204	#10 AN WASHER .063	
8	221010	10 - 32 X .75 SHCS BLK W/ PL	
9	226072	1/4 - 20 X 1/2 FH C/S BLK	
10A	520855	NUT WEDGE SMALL	
10B	520816	NUT WEDGE MEDIUM	
10C	520856	NUT WEDGE LARGE	
11A	520857	STUD WEDGE SMALL	
11B	520815	STUD WEDGE MEDIUM	
11C	520858	STUD WEDGE LARGE	
12	226064	1/4 - 28 X 3/4 BH C/S BLK W/PATCH	

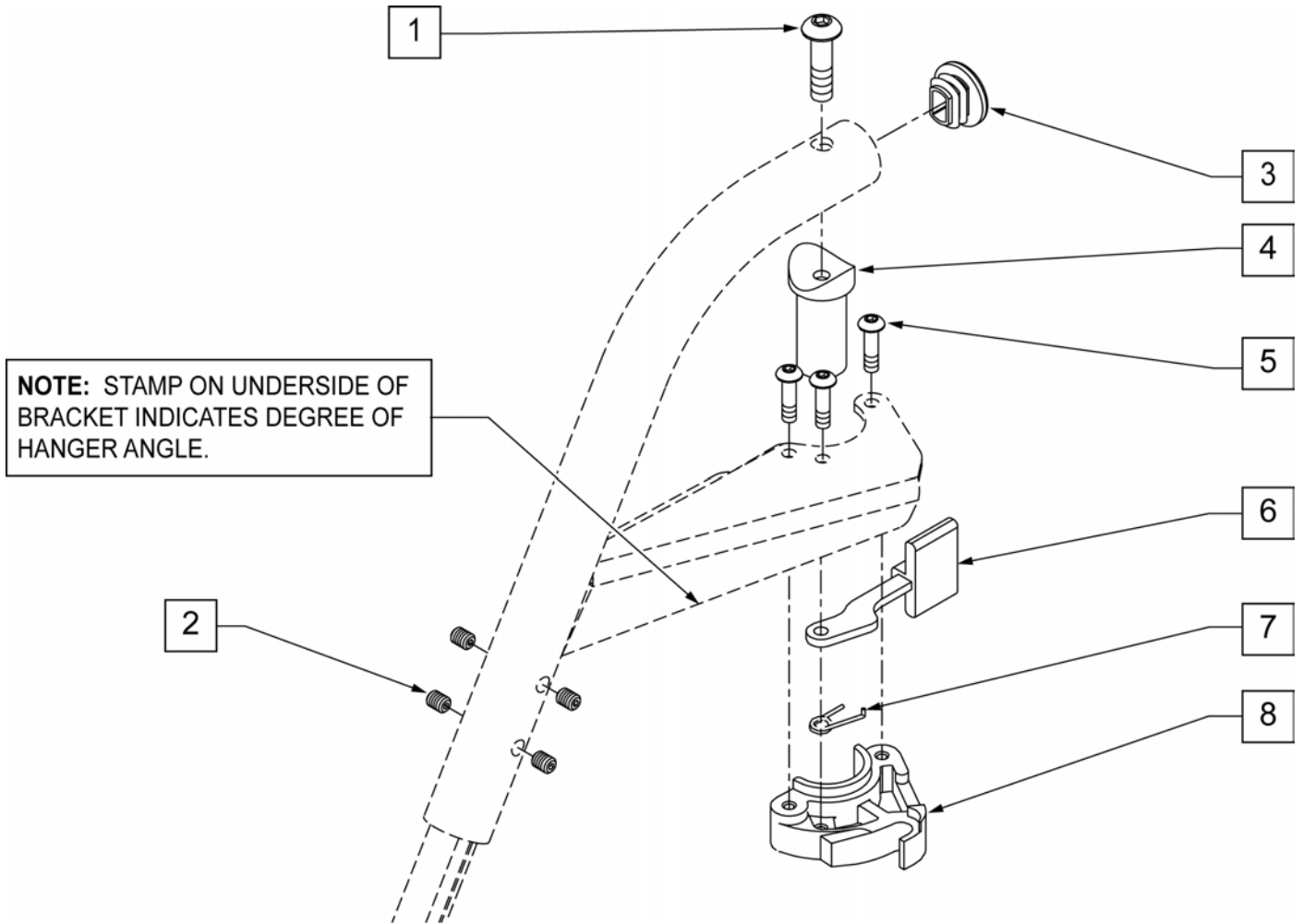
Pos.	Item Number	Description	Remarks
13	106943	WASHER FLAT AN 1/4 ROHS	
14	561004	1 SADDLE 1/4 HOLE	
15	349595	BEARING IGUS 3/8 X 15/32 X 1/2	
16A	542158	HEADREST PVT TB WELDMOUNT 14 - 17	
16B	542159	HEADREST PVT TB WELDMOUNT 17 - 20	
17	483342	STUD WEDGE CAP	
18	226351	1/4 - 20 X 4 - 1/2 SOC HD BLK ZINC	
19	500078	INSERT D2 EXT TUBE	
21	106943	WASHER FLAT AN 1/4 ROHS	
22	226095	1/4 - 20 X 4 - 3/8 SOC HD BLK ZINC	
23	750552	ZGS FOLDING STRAP	
24	226095	1/4 - 20 X 4 - 3/8 SOC HD BLK ZINC	
25	226076	1/4 - 28 X 1/2 FH C/S W/ PATCH	
26	XM2025	MNTNG PLATE/PEDIAT.HEAD REST	
27	342046	MEASURING TOOL FOLD HEADREST	
2-9	883350	HEADREST MOUNTING BRACKET ASSM EURO	
20-24	888920	CENTER MOUNT FOLD HEADREST ASSM	
21-23	750104	FOLD STABALIZER BAR STRAP ASSM	
10, 11, 17, 18	881897	STUD WEDGE ASSM SMALL	
10, 11, 17, 18	881898	STUD WEDGE ASSM MEDIUM	
10, 11, 17, 18	881899	STUD WEDGE ASSM LARGE	
10-15, 16A, 17-20	820750	STABALIZER BAR ASSM 14 - 17 SMALL	
10-15, 16A, 17-20	820751	STABALIZER BAR ASSM 14 - 17 MEDIUM	
10-15, 16A, 17-20	820752	STABALIZER BAR ASSM 14 - 17 LARGE	
10-15, 16B, 17-20	820753	STABALIZER BAR ASSM 17 - 20 SMALL	
10-15, 16B, 17-20	820754	STABALIZER BAR ASSM 17 - 20 MEDIUM	
10-15, 16B, 17-20	820755	STABALIZER BAR ASSM 17 - 20 LARGE	
1-15, 16A, 17-20	820760	STABALIZER W/ MEDIUM HEADREST 14 - 17 SMALL	
1-15, 16A, 17-20	820761	STABALIZER W/ MEDIUM HEADREST 14 - 17 MEDIUM	
1-15, 16A, 17-20	820762	STABALIZER W/ MEDIUM HEADREST 14 - 17 LARGE	
1-15, 16B, 17-20	820763	STABALIZER W/ MEDIUM HEADREST 17 - 20 SMALL	
1-15, 16B, 17-20	820764	STABALIZER W/ MEDIUM HEADREST 17 - 20 MEDIUM	
1-15, 16B, 17-20	820765	STABALIZER W/ MEDIUM HEADREST 17 - 20 LARGE	
1A, 2-15, 16A, 17-20	820766	STABALIZER W/ LARGE HEADREST 14 - 17 SMALL	
1A, 2-15, 16A, 17-20	820767	STABALIZER W/ LARGE HEADREST 14 - 17 MEDIUM	
1A, 2-15, 16A, 17-20	820768	STABALIZER W/ LARGE HEADREST 14 - 17 LARGE	
1A, 2-15, 16B, 17-20	820769	STABALIZER W/ LARGE HEADREST 17 - 20 SMALL	
1A, 2-15, 16B, 17-20	820770	STABALIZER W/ LARGE HEADREST 17 - 20 MEDIUM	
1A, 2-15, 16B, 17-20	820771	STABALIZER W/ LARGE HEADREST 17 - 20 LARGE	

NOTE: DISCONTINUED - PARTS ONLY ON GP SWNG-AWAY BEGINNING 4/4/15 & S/N GP-95902, KIDS Q2 SE BEGINNING 4/16/15 & S/N QKE-003425, LX BEGINNING 10/24/2008 & S/N LX-034330, LXI BEGINNING 4/25/15 & S/N LXI-060868, QTS BEGINNING 5/15/15 & S/N QT-044951, QTS SE BEGINNING 5/15/15 & S/N QTE-002092

NOTE: Parts no longer available.
 Replace in pairs with 60 DEG CLAMP STYLE HANGER SWING IN-OUT
 and Footplates and Extension Tubes.

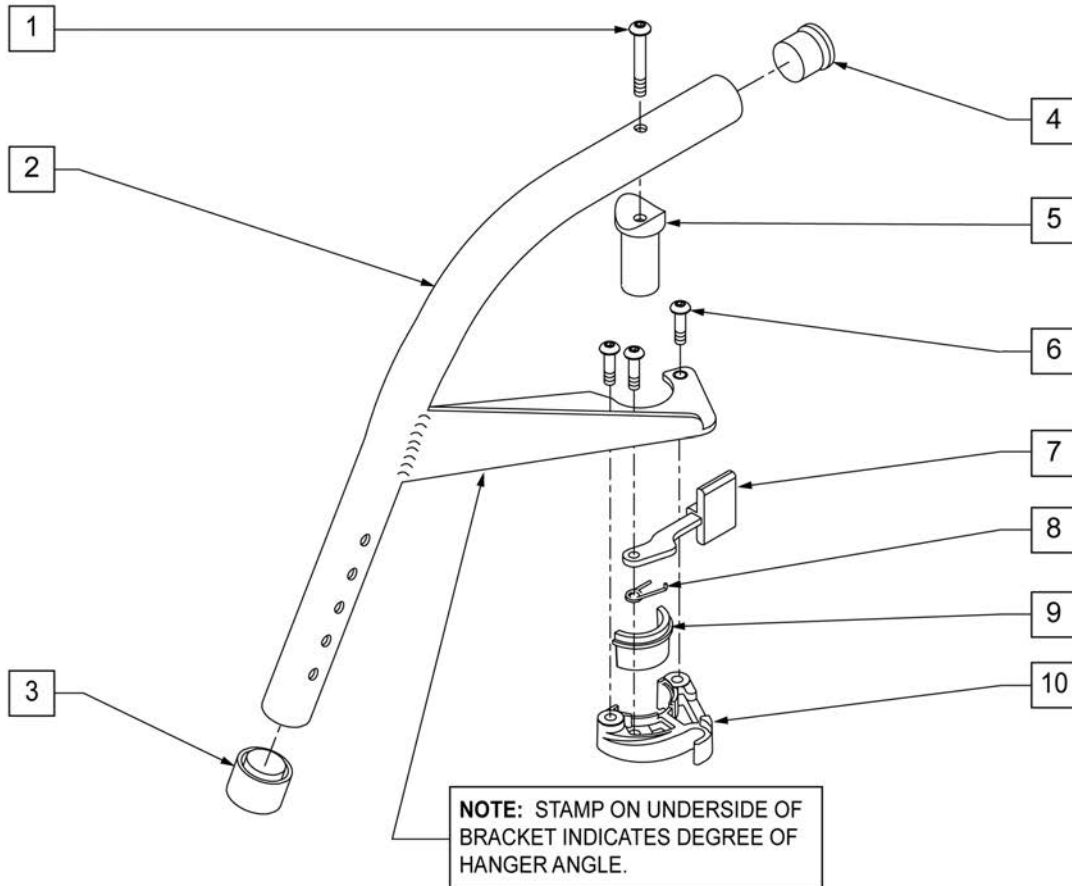


Pos.	Item Number	Description	Remarks
1A	550819	EXT TBE S/A ONLY SHT	SHORT
1B	550820	EXT TBE S/A ONLY MED	MEDIUM
1C	550821	EXT TBE S/A ONLY LONG	LONG
2	500078	INSERT D2 EXT TUBE	
3	483717	HANGER SADDLE	
4	221102	1/4-28 x 3/4 HEX HEAD C/S BLK W/PTCH	
5	226217	5/16-18 X 2" BH C/S BLK	
6	561378	END PLUG DBL "D" S525	
7	561197	PLASTIC PIVOT SADDLE	
8	226057	10/24 X .725 BTTN HD SOC BZ	
9	561079	S/A LATCH LEVER	
10	321136	S/A SPRING L RED	
10	321137	S/A SPRING R CLEAR	
11,12	881500	LATCH BLOCK ASSM R	
11,12	881501	LATCH BLOCK ASSM L	
8-12	881521	S/A LATCH KIT CASTING RIGHT	
8-12	881522	S/A LATCH KIT CASTING LEFT	



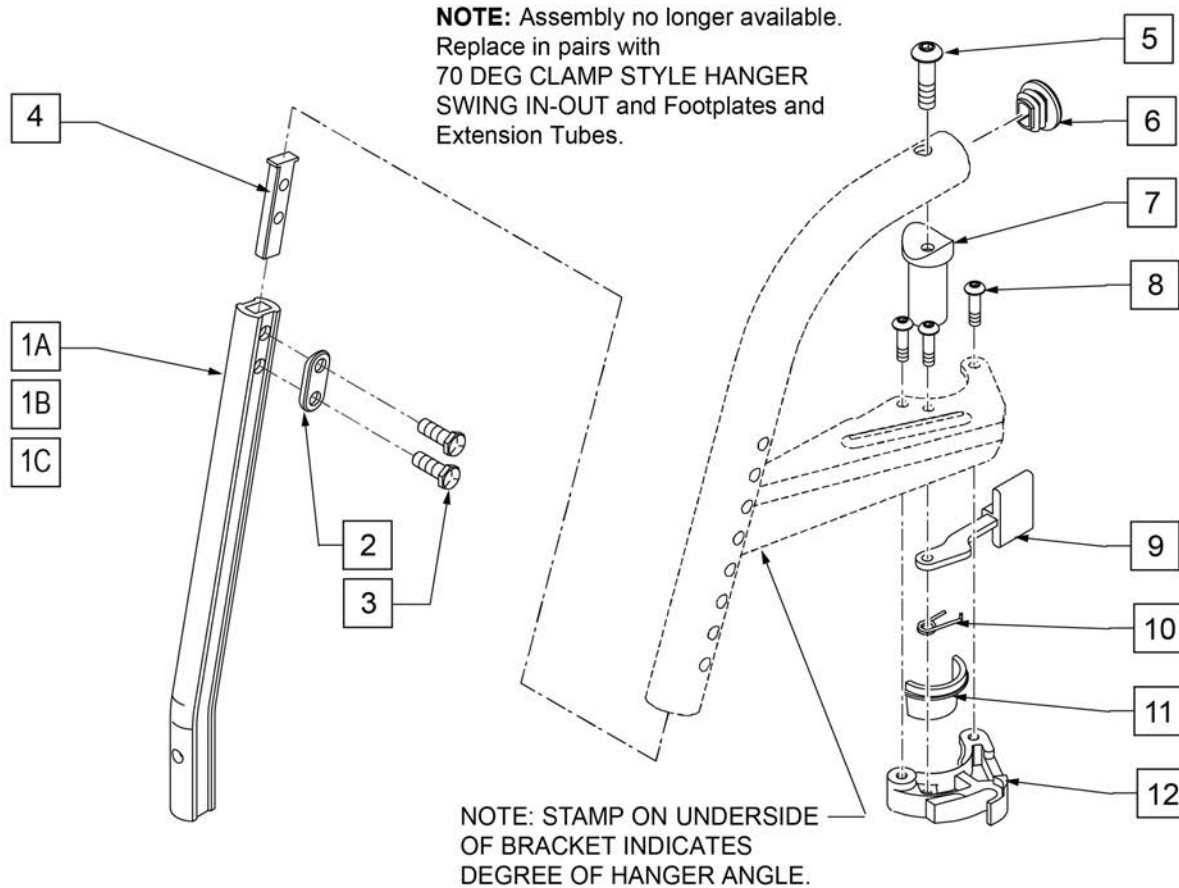
Pos.	Item Number	Description	Remarks
1	106983	5/16-18 x 2 BH C/S SHT THREAD	
2	225112	1/4-20 x 1/4 SS KNRLD CP W/PTCH	
3	561378	END PLUG DBL "D" S525	
4	561197	PLASTIC PIVOT SADDLE	
5	226057	10-24 x .725 BH SOC BZ	
6	561079	S/A LATCH LEVER	
7	321136	S/A SPRING L RED	LEFT
7	321137	S/A SPRING R CLEAR	RIGHT
8	881500	S/A LATCH BLOCK	RIGHT
8	881501	S/A LATCH BLOCK	LEFT
5-8	881521	S/A LATCH KIT	RIGHT
5-8	881522	S/A LATCH KIT	LEFT

NOTE: THIS HANGER UTILIZES A ROUND EXTENSION TUBE NOT A DOUBLE "D".

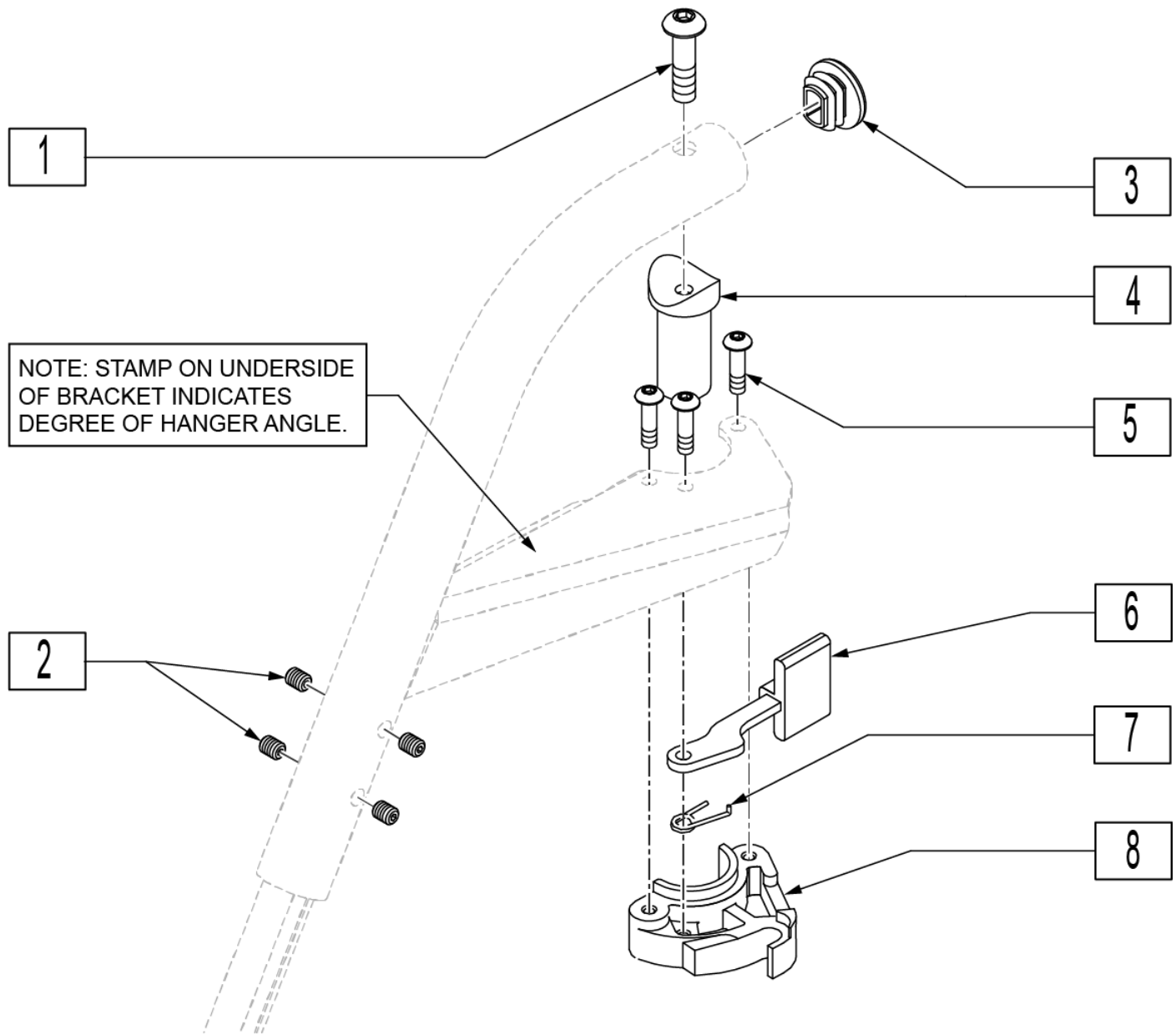


Pos.	Item Number	Description	Remarks
1	106983	5/16-18 x 2 BH C/S SHT THREAD	
3	561082	1" TUBE END BUSHING THIN	
4	561002	1" INSERT PLUG .083	
5	561197	PLASTIC PIVOT SADDLE	
1,5	880545	PIVOT SADDLE .125 W/SCREW	
6	226010	10-24 x .725 BH C/S W/PATCH	
7	561079	S/A LATCH LEVER	
8	321137	S/A SPRING R CLEAR	RIGHT
8	321136	S/A SPRING L RED	LEFT
9,10	881500	S/A LATCH BLOCK	RIGHT
9,10	881501	S/A LATCH BLOCK	LEFT
6-10	881521	S/A LATCH KIT CASTING RIGHT	RIGHT
6-10	881522	S/A LATCH KIT CASTING LEFT	LEFT
1-10	641170S	HANGER 60D L PNTD S/A	RIGHT
1-10	641150S	HANGER 60D R PNTD S/A	LEFT

NOTE: DISCONTINUED - PARTS ONLY ON GP SWNG-AWAY BEGINNING 4/4/15 & S/N GP-95902, KIDS Q2 SE BEGINNING 4/16/15 & S/N QKE-003425, LX BEGINNING 10/24/2008 & S/N LX-034330, LXI BEGINNING 4/25/15 & S/N LXI-060868, QTS BEGINNING 5/15/15 & S/N QT-044951, QTS SE BEGINNING 5/15/15 & S/N QTE-002092

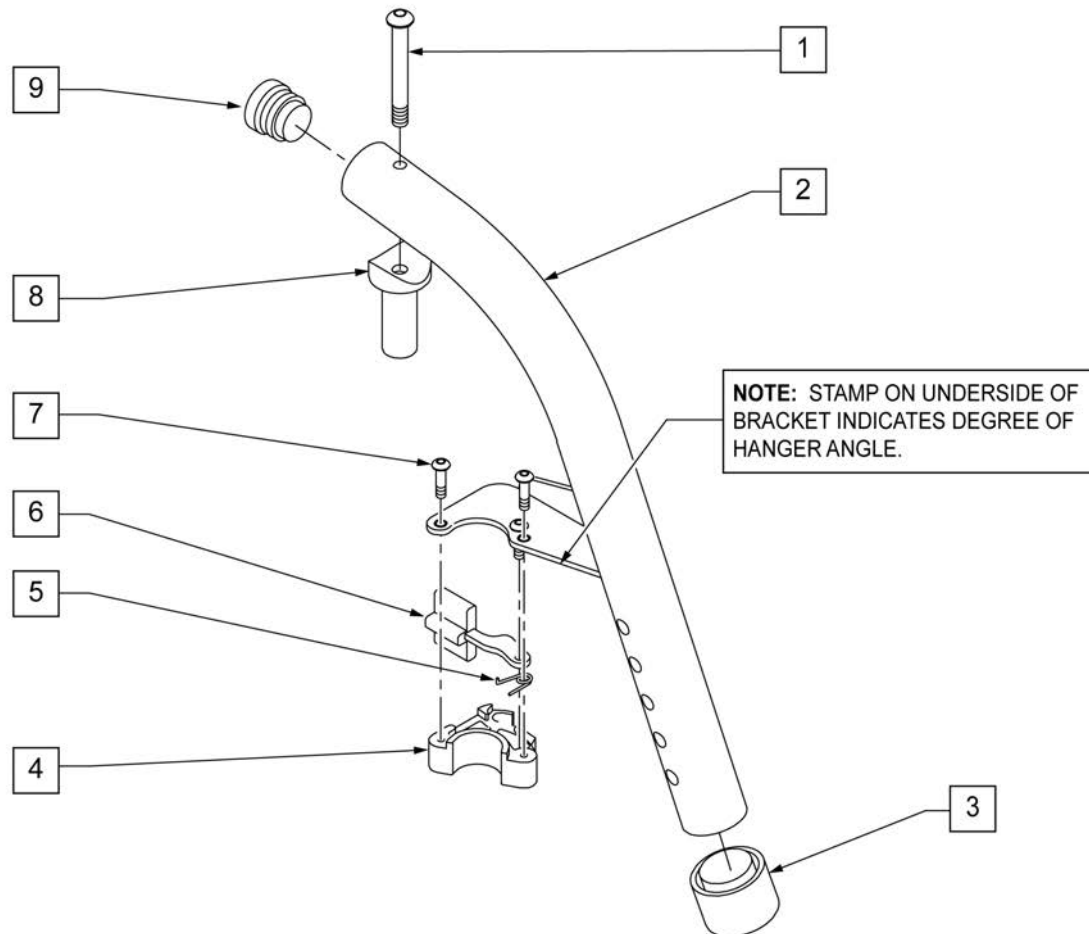


Pos.	Item Number	Description	Remarks
1A	550819	EXT TBE S/A ONLY SHT	SHORT
1B	550820	EXT TBE S/A ONLY MED	MEDIUM
1C	550821	EXT TBE S/A ONLY LONG	LONG
2	483717	HANGER SADDLE	
3	221102	1/4-28 x 3/4 HEX HEAD C/S BLK W/PTCH	
4	500078	INSERT D2 EXT TUBE	
5	226217	5/16-18 X 2" BH C/S BLK	
6	561378	END PLUG DBL "D" S525	
7	561197	PLASTIC PIVOT SADDLE	
8	226057	10/24 X .725 BTTN HD SOC BZ	
9	561079	S/A LATCH LEVER	
10	321136	S/A SPRING L RED	
10	321137	S/A SPRING R CLEAR	
11,12	881500	LATCH BLOCK ASSM R	
11,12	881501	LATCH BLOCK ASSM L	
8-12	881521	S/A LATCH KIT CASTING RIGHT	
8-12	881522	S/A LATCH KIT CASTING LEFT	



Pos.	Item Number	Description	Remarks
1	106983	5/16-18 x 2 BH C/S SHT THREAD	
2	225112	1/4-20 x 1/4 SS KNRLD CP W/PTCH	
3	561378	END PLUG DBL "D" S525	
4	561197	PLASTIC PIVOT SADDLE	
5	226057	10-24 x .725 BH SOC BZ	
6	561079	S/A LATCH LEVER	
7	321136	S/A SPRING L RED	LEFT
7	321137	S/A SPRING R CLEAR	RIGHT
8	561076	S/A LATCH BLOCK	RIGHT
8	561078	S/A LATCH BLOCK	LEFT
5-8	881521	S/A LATCH KIT CASTING RIGHT	RIGHT
5-8	881522	S/A LATCH KIT CASTING LEFT	LEFT

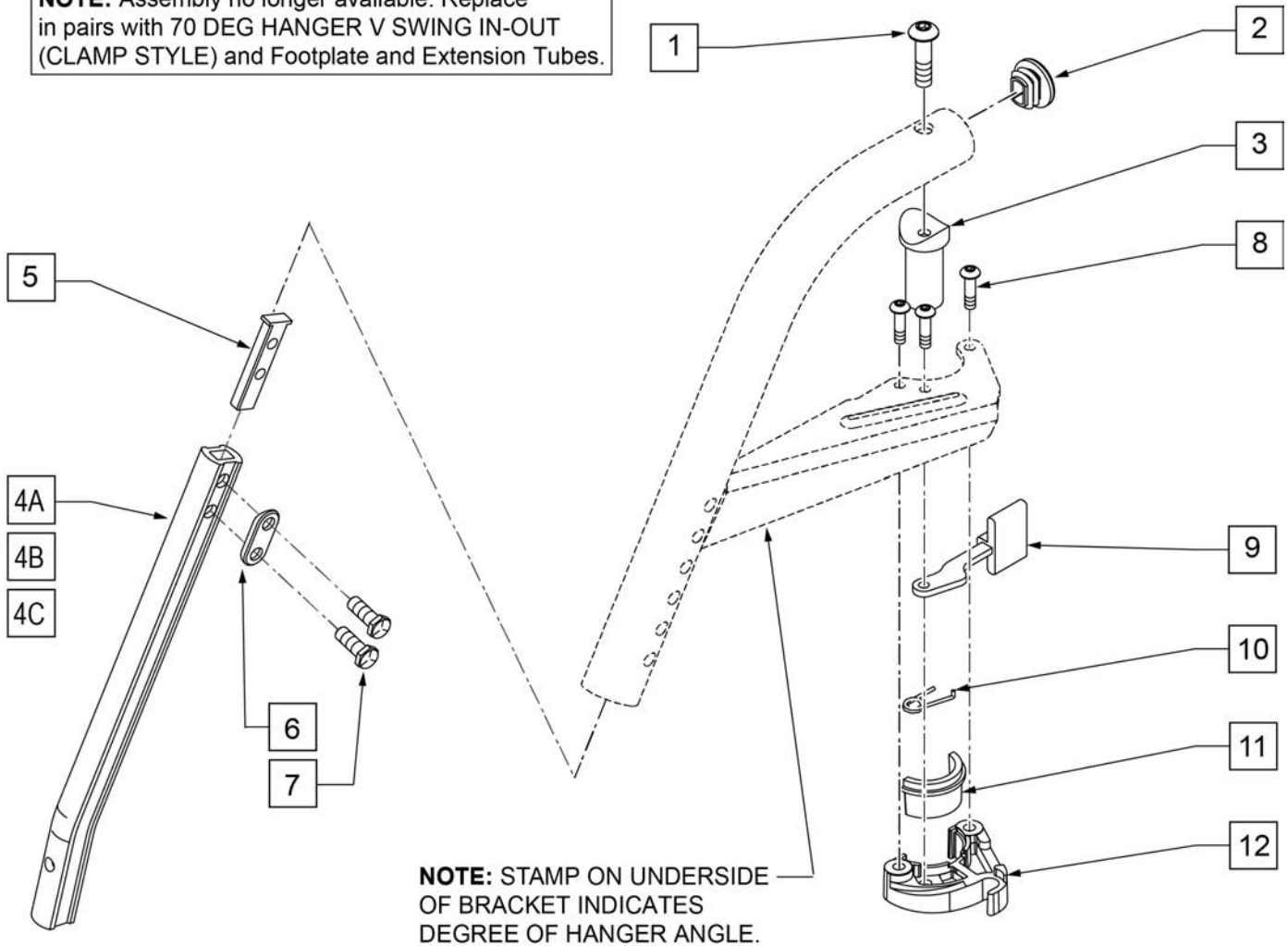
NOTE: THIS HANGER UTILIZES A ROUND EXTENSION TUBE NOT A DOUBLE "D".



Pos.	Item Number	Description	Remarks
1	106983	5/16-18 x 2 BH C/S SHT THREAD	
3	561082	1" TUBE END BUSHING THIN	
5	321136	S/A SPRING L RED	LEFT
5	321137	S/A SPRING R CLEAR	RIGHT
6	561079	S/A LATCH LEVER	
7	226057	10-24 x .725 BTTN HD SOC BZ	
8	561197	PLASTIC PIVOT SADDLE	
1,8	880545	PIVOT SADDLE .125 W/SCREW	
9	561002	1" INSERT PLUG .083	
4	881500	S/A LATCH BLOCK	RIGHT
4	881501	S/A LATCH BLOCK	LEFT
4-7	881521	S/A LATCH KIT	RIGHT
4-7	881522	S/A LATCH KIT	LEFT
1-9	641180S	HANGER 70° PAINTED S/A (SPECIFY COLOR)	RIGHT
1-9	641182S	HANGER 70° PAINTED S/A (SPECIFY COLOR)	LEFT

NOTE: DISCONTINUED - PARTS ONLY ON GP SWNG-AWAY BEGINNING 4/4/15 & S/N GP-95902, KIDS Q2 SE BEGINNING 4/16/15 & S/N QKE-003425, LX BEGINNING 10/24/2008 & S/N LX-034330, LXI BEGINNING 4/25/15 & S/N LXI-060868, QTS BEGINNING 5/15/15 & S/N QT-044951, QTS SE BEGINNING 5/15/15 & S/N QTE-002092

NOTE: Assembly no longer available. Replace in pairs with 70 DEG HANGER V SWING IN-OUT (CLAMP STYLE) and Footplate and Extension Tubes.

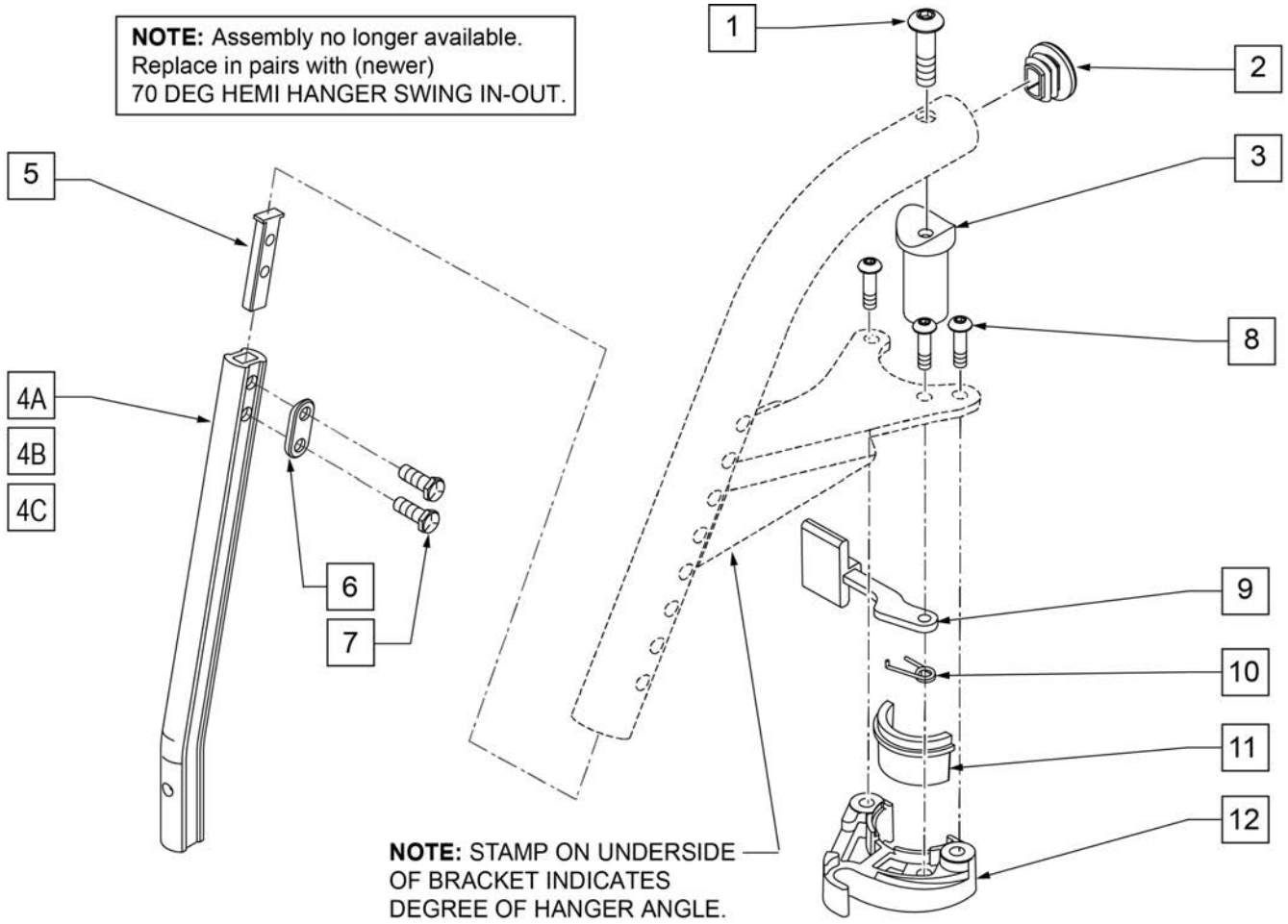


Pos.	Item Number	Description	Remarks
1	226217	5/16-18 x 2 BH C/S BLK	
2	561378	END PLUG DBL-D S525	
3	561197	PLASTIC PIVOT SADDLE	
4A	550834	EXT TBE INVIN ONLY D2 SHT R	RIGHT
4A	550835	EXT TBE INVIN ONLY D2 SHT L	LEFT
4B	550836	EXT TBE INVIN ONLY D2 MED R	RIGHT
4B	550837	EXT TBE INVIN ONLY D2 MED L	LEFT
4C	550838	EXT TBE INVIN ONLY D2 LNG R	RIGHT
4C	550839	EXT TBE INVIN ONLY D2 LNG L	LEFT
5	500078	INSERT D2 EXT TUBE	
6	483717	HANGER SADDLE	
7	221102	1/4-28 x 3/4 HEX HEAD C/S BLK W/PTCH	
8	226057	10/24 X .725 BTTN HD SOC BZ	

Pos.	Item Number	Description	Remarks
9	561079	S/A LATCH LEVER	
10	321136	S/A SPRING L RED	
10	321137	S/A SPRING R CLEAR	
11,12	881500	LATCH BLOCK ASSM R	
11,12	881501	LATCH BLOCK ASSM L	
8-12	881521	S/A LATCH KIT CASTING RIGHT	
8-12	881522	S/A LATCH KIT CASTING LEFT	

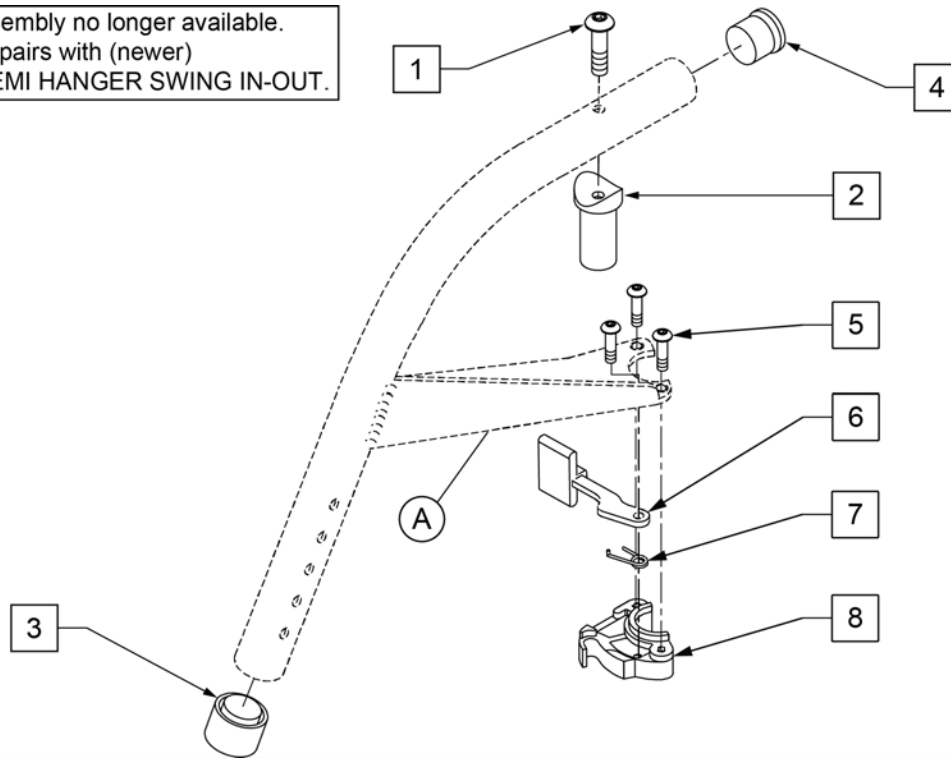
NOTE: DISCONTINUED - PARTS ONLY ON GP SWNG-AWAY BEGINNING 4/4/15 & S/N GP-95902, KIDS Q2 SE BEGINNING 4/16/15 & S/N QKE-003425, LX BEGINNING 10/24/2008 & S/N LX-034330, LXI BEGINNING 4/25/15 & S/N LXI-060868, QTS BEGINNING 5/15/15 & S/N QT-044951, QTS SE BEGINNING 5/15/15 & S/N QTE-002092

NOTE: Assembly no longer available.
Replace in pairs with (newer)
70 DEG HEMI HANGER SWING IN-OUT.



Pos.	Item Number	Description
1	226217	5/16-18 x 2" BH C/S BLK
2	561378	END PLUG DBL-D S525
3	561197	PLASTIC PIVOT SADDLE
4A	550819	EXT TBE S/A ONLY SHT
4B	550820	EXT TBE S/A ONLY MED
4C	550821	EXT TBE S/A ONLY LONG
5	500078	INSERT D2 EXT TUBE
6	483717	HANGER SADDLE
7	221102	1/4-28 x 3/4 HEX HEAD C/S BLK W/PTCH
8	226057	10/24 X .725 BTTN HD SOC BZ
9	561079	S/A LATCH LEVER
10	321136	S/A SPRING L RED
10	321137	S/A SPRING R CLEAR
11,12	881500	LATCH BLOCK ASSM R
11,12	881501	LATCH BLOCK ASSM L
8-12	881521	S/A LATCH KIT CASTING RIGHT
8-12	881522	S/A LATCH KIT CASTING LEFT

NOTE: Assembly no longer available.
 Replace in pairs with (newer)
 70 DEG HEMI HANGER SWING IN-OUT.



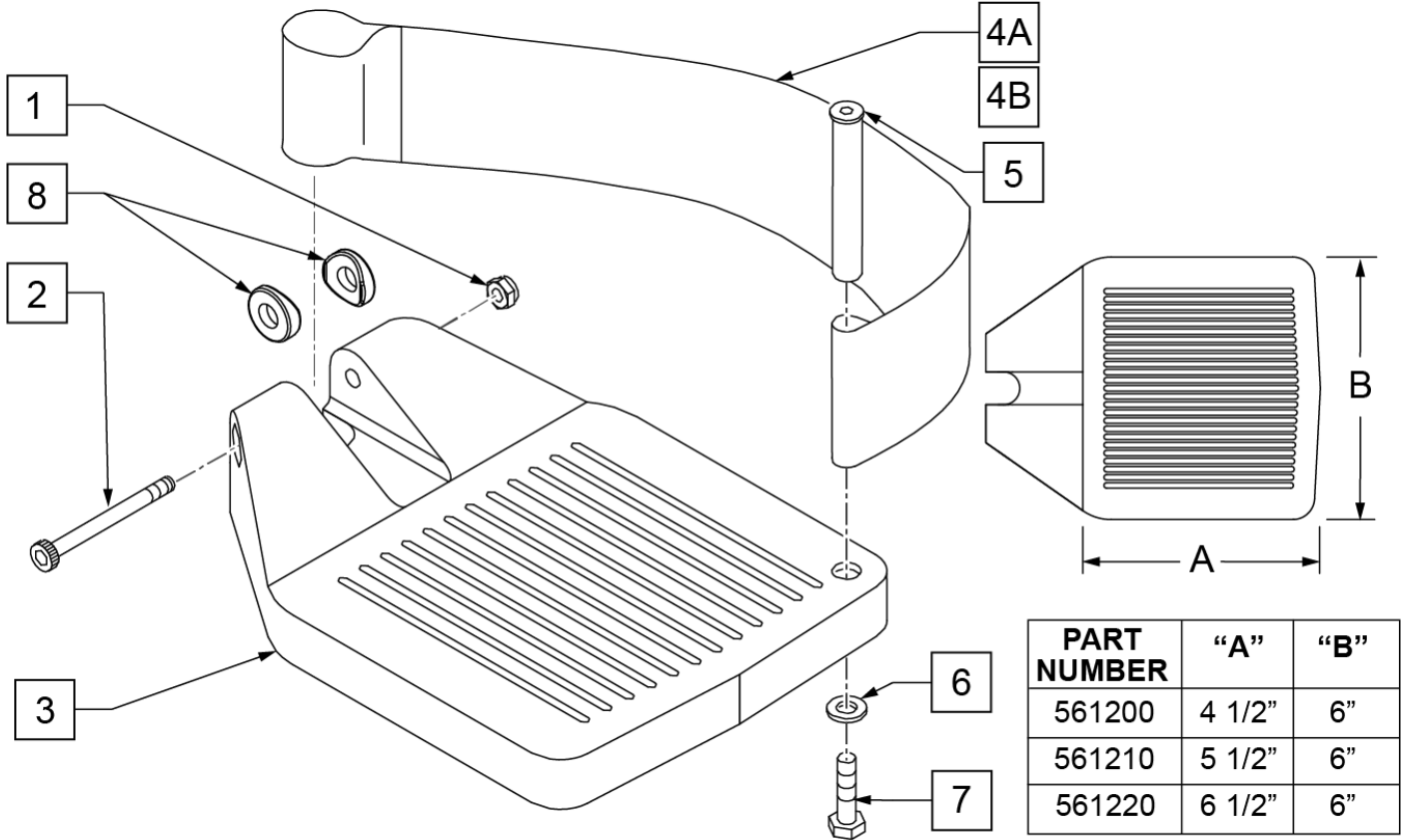
Pos.	Item Number	Description
1	226198	5/16-18 x 2 BH C/S SHT THREAD
2	561197	PLASTIC PIVOT SADDLE
3	561082	1" TUBE END BUSHING THIN
4	561002	1" INSERT PLUG .083
5	226057	10/24 X .725 BTTN HD SOC BZ
6	561079	S/A LATCH LEVER
7	321136	S/A SPRING L RED
7	321137	S/A SPRING R CLEAR
8	881500	LATCH BLOCK ASSM R
8	881501	LATCH BLOCK ASSM L
1,2	880545	PIVOT SADDLE .125 W/SCREW
5-8	881521	S/A LATCH KIT CASTING RIGHT
5-8	881522	S/A LATCH KIT CASTING LEFT

NOTE: DISCONTINUED - PARTS ONLY ON GP SWNG-AWAY BEGINNING 4/4/15 & S/N GP-95902, KIDS Q2 SE BEGINNING 4/16/15 & S/N QKE-003425, LX BEGINNING 10/24/2008 & S/N LX-034330, LXI BEGINNING 4/25/15 & S/N LXI-060868, QTS BEGINNING 5/15/15 & S/N QT-044951, QTS SE BEGINNING 5/15/15 & S/N QTE-002092

NOTE: Requires Round Extension Tubes.

To have complete Footrest ship assembled, choose compatible Hanger + Footplate part numbers and add "ASSY-HNG-FP" to order

INSET FORMULA
 0" Inset (Seat Width) = Footrest Width
 1" Inset (Seat Width) -2" = Footrest Width
 "V" Hanger (Seat Width) -4" = Footrest Width
 Offset Hanger Receiver (Seat Width) +2" = Footrest Width



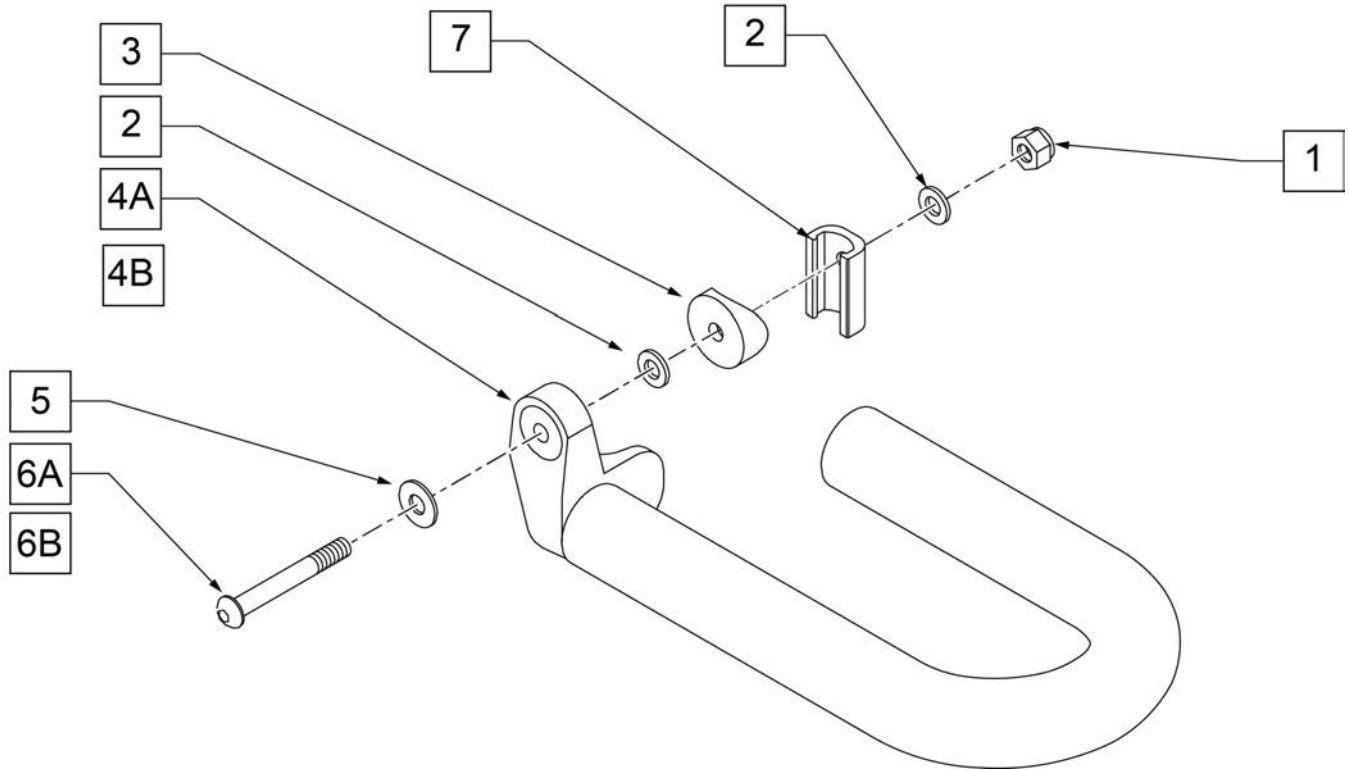
Pos.	Item Number	Description	Remarks
1	106935	1/4 - 28 NYLOCK NUT	
2	226165	1/4 - 28 x 2 1/2 SOC C/S	
3	561200	COMPOSITE FOOTPLATE 14 -15 (16 -18 V)	14 -15 OR 16 -18V
3	561210	COMPOSITE FOOTPLATE 16 -17 (19 -20 V)	16 -17 OR 19 -20V
3	561220	COMPOSITE FOOTPLATE 18 -20	18 -20
4A	741151	HEEL LOOP 14-15 COMPOSITE (14 -15 or 16 -18V)	14 -15 OR 16 -18V
4A	741156	HEEL LOOP 16 -17 or 19 -20V	16 -17 OR 19 -20V
4A	741153	HEEL LOOP 18 -20 COMPOSITE/14-15 ANG ADJ	18 -20
4A	902270	HEEL LOOP COMPOSITE FT 14-15	PAIR 14 -15 OR 16 -18V
4A	902271	HEEL LOOP COMPOSITE FT 16-17	PAIR 16 -17 OR 19 -20V
4A	902272	HEEL LOOP COMPOSITE FT 18-20	PAIR 18 -20
4B	741154	HEEL LOOP 14-15 COMPOSITE HEMI	14 -15 HEMI
4B	741155	HEEL LOOP 16-17 COMPOSITE HEMI	16 -17 HEMI
4B	741153	HEEL LOOP 18-20 COMPOSITE HEMI	18 -10 HEMI
4B	902260	HEEL LOOPS HEMI COMPOSITE 14-15	PAIR 14 -15 HEMI
4B	902261	HEEL LOOPS HEMI COMPOSITE 16-17	PAIR 16 -17 HEMI
4B	902262	HEEL LOOPS HEMI COMPOSITE 18-20	PAIR 18 -20 HEMI
5	561040	HEEL LOOP PEG	
6	106944	1/4 AN WASHER FLAT THIN	

Pos.	Item Number	Description	Remarks
7	106958	HHCS 1/4-20 X 1 ROHS	
8	561003	3/4" SADDLE THIN	USED W/ ROUND EXT TUBES ONLY
1-3	921180	COMPOSITE FOOTPLATE ASSM 14-15	RIGHT (14 -15 OR 16 -18V) W/O HEEL LOOP
1-3	921181	COMPOSITE FOOTPLATE ASSM 14-15	LEFT (14 -15 OR 16 -18V) W/O HEEL LOOP
1-3	921182	COMPOSITE FOOTPLATE ASSM 16-17	RIGHT (16 -17 OR 19 -20V) W/O HEEL LOOP
1-3	921183	COMPOSITE FOOTPLATE ASSM 16-17	LEFT (16 -17 OR 19 -20V) W/O HEEL LOOP
1-3	921184	COMPOSITE FOOTPLATE ASSM 18-20	RIGHT (18 -20) W/O HEEL LOOP
1-3	921185	COMPOSITE FOOTPLATE ASSM 18-20	LEFT (18 -20) W/O HEEL LOOP
1-3	921151	COMPOSITE FOOTPLATE ASSM 14-15/16-18V	PAIR (14 -15 OR 16 -18V) W/O HEEL LOOP
1-3	921152	COMPOSITE FOOTPLATE ASSM 16-17/19-20V	PAIR (16 -17 OR 19 -20V) W/O HEEL LOOP
1-3	921153	COMPOSITE FOOTPLATE ASSM 18-20	PAIR (18 -20) W/O HEEL LOOP
1,2,3A,4-7	921190	COMPOSITE FOOTPLATE ASSM HL LP 14-15	RIGHT (14 -15 OR 16 -18V) W/ HEEL LOOP
1,2,3A,4-7	921191	COMPOSITE FOOTPLATE ASSM HL LP 14-15	LEFT (14 -15 OR 16 -18V) W/ HEEL LOOP
1,2,3A,4-7	921192	COMPOSITE FOOTPLATE ASSM HL LP 16-17	RIGHT (16 -17 OR 19 -20V) W/ HEEL LOOP
1,2,3A,4-7	921193	COMPOSITE FOOTPLATE ASSM HL LP 16-17	LEFT (16 -17 OR 19 -20V) W/ HEEL LOOP
1,2,3A,4-7	921194	COMPOSITE FOOTPLATE ASSM HL LP 18-20	RIGHT (18 -20) W/ HEEL LOOP
1,2,3A,4-7	921195	COMPOSITE FOOTPLATE ASSM HL LP 18-20	LEFT (18 -20) W/ HEEL LOOP
1,2,3A,4-7	921161	COMPOSITE FOOTPLATE ASSM HL 14-15/16-18V	PAIR (14 -15 OR 16 -18V) W/ HEEL LOOP
1,2,3A,4-7	921162	COMPOSITE FOOTPLATE ASSM HL 16-17/19-20V	PAIR (16 -17 OR 19 -20V) W/ HEEL LOOP
1,2,3A,4-7	921163	COMPOSITE FOOTPLATE ASSM HL 18-20	PAIR (18 -20) W/ HEEL LOOP
1,2,3B,4-7	921140	COMPOSITE FOOTPLATE ASSM HEMI HL LP 14-15	RIGHT (14 -15) W/ HEEL LOOP
1,2,3B,4-7	921141	COMPOSITE FOOTPLATE ASSM HEMI HL LP 14-15	LEFT (14 -15) W/ HEEL LOOP
1,2,3B,4-7	921142	COMPOSITE FOOTPLATE ASSM HEMI HL LP 16-17	RIGHT (16 -17) W/ HEEL LOOP
1,2,3B,4-7	921143	COMPOSITE FOOTPLATE ASSM HEMI HL LP 16-17	LEFT (16 -17) W/ HEEL LOOP
1,2,3B,4-7	921144	COMPOSITE FOOTPLATE ASSM HEMI HL LP 18-20	RIGHT (18 -20) W/ HEEL LOOP
1,2,3B,4-7	921145	COMPOSITE FOOTPLATE ASSM HEMI HL LP 18-20	LEFT (18 -20) W/ HEEL LOOP
1,2,3B,4-7	921167	COMPOSITE FOOTPLATE ASSM HEMI HL LPS 14-15	PAIR (14 -15) W/ HEEL LOOP
1,2,3B,4-7	921168	COMPOSITE FOOTPLATE ASSM HEMI HL LPS 16-17	PAIR (16 -17) W/ HEEL LOOP
1,2,3B,4-7	921169	COMPOSITE FOOTPLATE ASSM HEMI HL LPS 18-20	PAIR (18 -20) W/ HEEL LOOP
		Ship assembled part #	Use with multiple assemblies
	ASSY-HNG-FP	HANGER/FOOTPLATE ASSY REQUIRED	add with Hanger & Footplate kit

NOTE: * ORDER ITEM 3 PRIOR TO 8/13/01.** ONLY 1 WASHER PRIOR TO 8/13/01.*** ORDER PART 226167 PRIOR TO 8/13/01.

To have complete Footrest ship assembled, choose compatible Hanger + Footplate part numbers and add "ASSY-HNG-FP" to order

INSET FORMULA
 0" Inset (Seat Width) = Footrest Width
 1" Inset (Seat Width) -2" = Footrest Width
 "V" Hanger (Seat Width) -4" = Footrest Width
 Offset Hanger Receiver (Seat Width) +2" = Footrest Width



Pos.	Item Number	Description	Remarks
1	106941	1/4-28 AUTOMATION NUT	
2	106944	1/4 AN WASHER FLAT THIN	
3	561055	3/4" SADDLE 1" OD	USED PRIOR TO 8/13/01
5	106945	1/4" SAE WASHER	1 WASHER PRIOR TO 8/13/01
6A	106962	1/4-28 x 1 3/4 BH C/S BLK ZN	226167 USED PRIOR TO 8/13/01
4A	820420	FT REST LOOP 11 RIGHT	
4B	820421	FT REST LOOP 11 LEFT	
4A	820422	FT REST LOOP 12 RIGHT	
4B	820423	FT REST LOOP 12 LEFT	
4A	820424	FT REST LOOP 14 RIGHT	
4B	820425	FT REST LOOP 14 LEFT	
4A	820426	FT REST LOOP 16 RIGHT	
4B	820427	FT REST LOOP 16 LEFT	
4A	820428	FT REST LOOP 18 RIGHT	
4B	820429	FT REST LOOP 18 LEFT	
1-7	921300	FT REST LOOP 11	Pair, w/ all possible hardware
1-7	921301	FT REST LOOP 12	Pair, w/ all possible hardware
1-7	921302	FT REST LOOP 14	Pair, w/ all possible hardware

Pos.	Item Number	Description	Remarks
1-7	921303	FT REST LOOP 16	Pair, w/ all possible hardware
1-7	921304	FT REST LOOP 18	Pair, w/ all possible hardware
		Ship assembled part #	Use with multiple assemblies
	ASSY-HNG-FP	HANGER/FOOTPLATE ASSY REQUIRED	add with Hanger& Footplate kit

NOTE: FOR HIGH-MOUNT ADULT ANGLE-ADJUSTABLE FOOTPLATE, SEE "HIGH-MOUNT EXTENSION TUBE" PAGE.

NOTE: ORDER ITEMS 4B AND 7B FOR CHAIRS PRIOR TO 8/13/01.

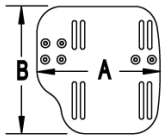
NOTE: ONLY 1 WASHER PRIOR TO 8/13/01.

NOTE: See attached REFERENCE GUIDE.

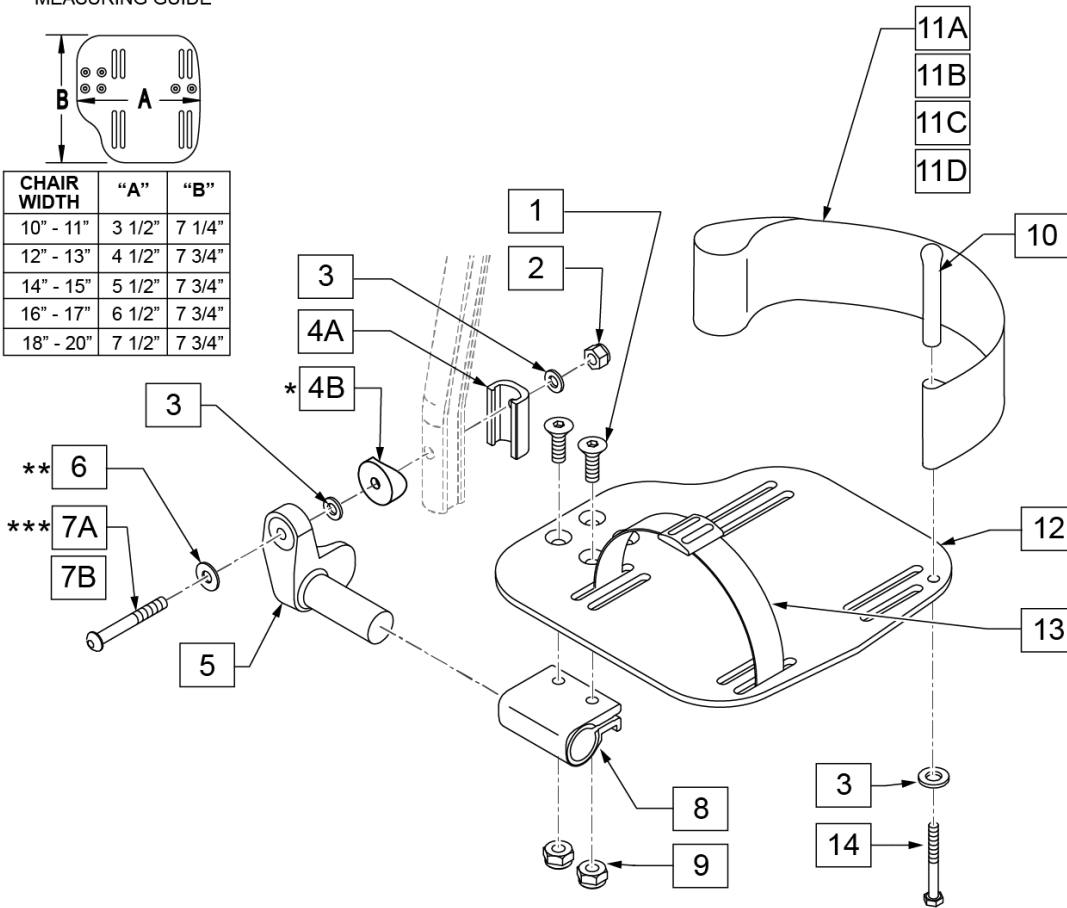
To have complete Footrest ship assembled, choose compatible Hanger + Footplate part numbers and add "ASSY-HNG-FP" to order

INSET FORMULA
 0" Inset (Seat Width) = Footrest Width
 1" Inset (Seat Width) -2" = Footrest Width
 "V" Hanger (Seat Width) -4" = Footrest Width
 Offset Hanger Receiver (Seat Width) +2" = Footrest Width

MEASURING GUIDE



CHAIR WIDTH	"A"	"B"
10" - 11"	3 1/2"	7 1/4"
12" - 13"	4 1/2"	7 3/4"
14" - 15"	5 1/2"	7 3/4"
16" - 17"	6 1/2"	7 3/4"
18" - 20"	7 1/2"	7 3/4"



15 ADLT ANG ADJ FP D2 HDWR KIT			
ITEM #	ILLUSTRATION	DESCRIPTION	QTY
1		1/4-28 X 7/8 FH C/S	2
2		1/4-28 AUTOMATION NUT	1
3		WASHER FLAT THIN AN 1/4	3
6		1/4" SAE WASHER	1
7A		BHCS 1/4-28 X 1-3/4	1
9		NUT NYLOCK THIN 1/4-28	2
10		HEEL LOOP PEG	1
14		1/4-20 X 1 HEX C/S	1

16 ADLT ANG ADJ FP RND HDWR KIT			
ITEM #	ILLUSTRATION	DESCRIPTION	QTY
1		1/4-28 X 7/8 FH C/S	2
2		1/4-28 AUTOMATION NUT	1
3		WASHER FLAT THIN AN 1/4	3
4B		3/4" SADDLE 1" OD	1
6		1/4" SAE WASHER	1
7B		1/4-28 X 1.625 BH C/S BLK	1
9		NUT NYLOCK THIN 1/4-28	2
10		HEEL LOOP PEG	1
14		1/4-20 X 1 HEX C/S	1

Pos.	Item Number	Description	Remarks
1	106978	1/4-28 x 7/8 FH C/S	
2	106941	1/4-28 AUTOMATION NUT	

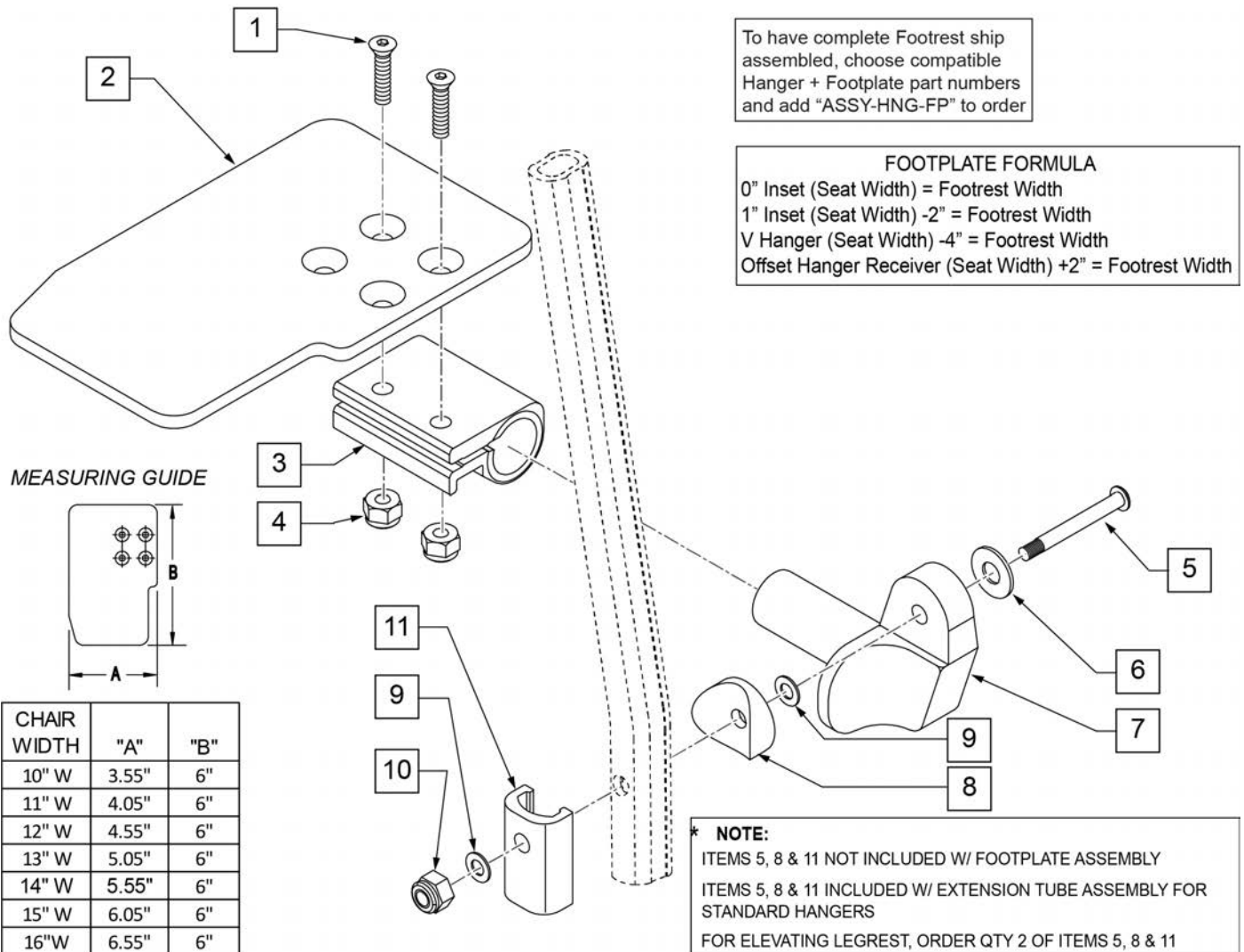
Pos.	Item Number	Description	Remarks
3	106944	WASHER FLAT THIN AN 1/4	
4A	483720	HANGER EXTENSION SADDLE LONG	USE W/ DOUBLE D EXT TUBE
4B	561055	3/4" SADDLE 1" OD	USE W/ ROUND EXT TUBE
5	541002	FTRST MOUNTING BRKT-3/8 RAD R	RIGHT
5	541003	FTRST MOUNTING BRKT-3/8 RAD L	LEFT
6	106945	WASHER FLAT SAE 1/4 ROHS	
7A	106962	BHCS 1/4-28 X 1-3/4 ROHS	use w/ Double D Ext Tube
7B	226167	1/4-28 x 1.625 BH C/S BLK	use w/ Round Ext Tube
8	550350	3/4" CLMP ADJ FT PLT	
9	106935	NUT NYLOCK THIN 1/4-28 ROHS	
10	561040	HEEL LOOP PEG	
11A	741154	HEEL LOOP 14-15 CMPST HEMI	used w/ 10-11" Adult Ang Adj Ftplts
11B	741155	HEEL LOOP 16-17 CMPST HEMI	used w/ 12 -13" Adult Ang Adj Ftplts
11C	741153	H/L 18-20 CMPST/14-15 ANG ADJ	used w/ 14-15"/16-17" Adult Ang Adj Ftplts
11D	741253	HEEL LOOP ADLT ADJ F/PLT 18-20	used w/ 18 -20" Adult Ang Adj Ftplts
12	500656	ADLT ANGL ADJ F/PLT 10/11" R	RIGHT
12	500657	ADLT ANGL ADJ F/PLT 10/11" L	LEFT
12	500658	ADLT ANGL ADJ F/PLT 12/13" R	RIGHT
12	500659	ADLT ANGL ADJ F/PLT 12/13" L	LEFT
12	500660	ADLT ANGL ADJ F/PLT 14/15	RIGHT
12	500661	ADLT ANGL ADJ F/PLT 14/15	LEFT
12	500662	ADLT ANGL ADJ F/PLT 16/17	RIGHT
12	500663	ADLT ANGL ADJ F/PLT 16/17	LEFT
12	500664	ADLT ANGL ADJ F/PLT 18-20	RIGHT
12	500665	ADLT ANGL ADJ F/PLT 18-20	LEFT
13	740260	TOE/ANKLE STRAP ADJ ADLT F/PLT	
14	106958	1/4-20 x 1 HEX C/S	
15	101533	ADLT ANG ADJ FP D2 HDWR KIT	for Double D Ext Tubes; Kit for one side
16	101534	ADLT ANG ADJ FP RND HDWR KIT	for Round Ext Tubes (Q2 HP only); Kit for one side
1-3,5,6,8,9,12	820526	AD ANG ADJ F/PLT R 12"/13" OMIT HL	RIGHT
1-3,5,6,8,9,12	820536	AD ANG ADJ F/PLT L 12"/13" OMT HL	LEFT
1-3,5,6,8,9,12	820460	FP ADLT ADJ 14/15 OMIT HL	RIGHT
1-3,5,6,8,9,12	820462	FP ADLT ADJ 14/15 OMIT HL	LEFT
1-3,5,6,8,9,12	820464	FP ADLT ADJ 16/17 OMIT HL	RIGHT
1-3,5,6,8,9,12	820466	FP ADLT ADJ 16/17 OMIT HL	LEFT
1-3,5,6,8,9,12	820468	FP ADLT ADJ 18-20 OMIT HL	RIGHT
1-3,5,6,8,9,12	820470	FP ADLT ADJ 18-20 OMIT HL	LEFT
1-3,5,6,8,9,12	921466	ADLT ANGL ADJ F/PLT 12"/13" OMIT HL	PAIR
1-3,5,6,8,9,12	921320	FP ADLT ADJ 14/15 OMIT HL	PAIR
1-3,5,6,8,9,12	921322	FP ADLT ADJ 16/17 OMIT HL	PAIR
1-3,5,6,8,9,12	921324	FP ADLT ADJ 18-20 OMIT HL	PAIR
1-3,5,6,8,9,11B,12	820522	AD ANGL ADJ F/PLT R 12/13" H/L	RIGHT
1-3,5,6,8,9,11B,12	820532	AD ANGL ADJ F/PLT L 12/13" H/L	LEFT
1-3,5,6,8-10,11C, 12,14	820461	FP ADLT ADJ 14/15 HL	RIGHT
1-3,5,6,8-10,11C, 12,14	820463	FP ADLT ADJ 14/15 HL	LEFT
1-3,5,6,8-10,11C, 12,14	820465	FP ADLT ADJ 16/17 HL	RIGHT
1-3,5,6,8-10,11C, 12,14	820467	FP ADLT ADJ 16/17 HL	LEFT
1-3,5,6,8-10,11D, 12,14	820469	FP ADLT ADJ 18-20 HL	RIGHT
1-3,5,6,8-10,11D, 12,14	820471	FP ADLT ADJ 18-20 HL	LEFT
1-3,5,6,8-10,11B, 12,14	921462	ADLT ANGL ADJ F/PLATE 12"/13" HL	PAIR
1-3,5,6,8-10,11C, 12,14	921321	FP ADLT ADJ 14/15 HL	PAIR
1-3,5,6,8-10,11C, 12,14	921323	FP ADLT ADJ 16/17 HL	PAIR
1-3,5,6,8-10,11D, 12,14	921325	FP ADLT ADJ 18-20 HL	PAIR
		Ship assembled part #	Use with multiple assemblies
	ASSY-HNG-FP	HANGER/FOOTPLATE ASSY REQUIRED	add with Hanger & Footplate kit

Note: Footplate Assemblies are set to footrest width; please see "Footplate Formula" table for seat width conversion.

Note: V Style Hangers are not available on Swing Away Style chairs effective 7/14/14; see the "Prior To" ordering guide for V Style footplate assemblies.

Note: Zippie Iris (ZRS&ZRSE) and Zippie TS (Z1A&Z1SE) only use Straight Extension Tube.

Note: if chair has High Mount Ext Tubes or if switching to High Mount Ext Tubes, see KAA Footplate w/ High Mount Extension Ordering Guide.



Pos.	Item Number	Description	Remarks
1	106978	FHCS 1/4 -28 x 7/8 ROHS	

Pos.	Item Number	Description	Remarks
2	500635	KIDS ANGL ADJ F/PLT 10" R	Right
2	500636	KIDS ANGL ADJ F/PLT 10" L	Left
2	500637	KIDS ANGL ADJ F/PLT 11" R	Right
2	500638	KIDS ANGL ADJ F/PLT 11" L	Left
2	500639	KIDS ANGL ADJ F/PLT 12" R	Right
2	500640	KIDS ANGL ADJ F/PLT 12" L	Left
2	500641	KIDS ANGL ADJ F/PLT 13" R	Right
2	500642	KIDS ANGL ADJ F/PLT 13" L	Left
2	500643	KIDS ANGL ADJ F/PLT 14" R	Right
2	500644	KIDS ANGL ADJ F/PLT 14" L	Left
2	500645	KIDS ANGL ADJ F/PLT 15" R	Right
2	500646	KIDS ANGL ADJ F/PLT 15" L	Left
2	500647	KIDS ANGL ADJ F/PLT 16" R	Right
2	500648	KIDS ANGL ADJ F/PLT 16" L	Left
3	550350	3/4" CLAMP ADJ FOOTPLATE	
4	106935	NUT NYLOCK THIN 1/4 -28 ROHS	
5	106962	1/4-28 x 1 3/4 BH C/S BLK ZN (D2 EXTENSION TUBES)	
5	226167	1/4-28 x 1.625 BH C/S BLK (ROUND EXTENSION TUBES)	
6	106945	1/4 SAE WASHER	
7	541002	FTRST MOUNTING BRKT-3/8 RAD R	
7	541003	FTRST MOUNTING BRKT-3/8 RAD L	
8	561055	3/4" SADDLE 1" OD	
9	106944	WASHER FLAT THIN AN 1/4 ROHS	
10	106941	NUT AUTOMATION 1/4 -28 ROHS	
11	483720	HANGER EXTENSION SADDLE LONG	Use with Double D Ext Tube
1-4,6,7,9,10	828850	KIDS ANG ADJ F/PLT EXT-MNT 10"R	Right
1-4,6,7,9,10	828851	KIDS ANG ADJ F/PLT EXT-MNT 10"L	Left
1-4,6,7,9,10	828852	KIDS ANG ADJ F/PLT EXT-MNT 11"R	Right
1-4,6,7,9,10	828853	KIDS ANG ADJ F/PLT EXT-MNT 11"L	Left
1-4,6,7,9,10	828854	KIDS ANG ADJ F/PLT EXT-MNT 12"R	Right
1-4,6,7,9,10	828855	KIDS ANG ADJ F/PLT EXT-MNT 12"L	Left
1-4,6,7,9,10	828856	KIDS ANG ADJ F/PLT EXT-MNT 13"R	Right
1-4,6,7,9,10	828857	KIDS ANG ADJ F/PLT EXT-MNT 13"L	Left
1-4,6,7,9,10	828858	KIDS ANG ADJ F/PLT EXT-MNT 14"R	Right
1-4,6,7,9,10	828859	KIDS ANG ADJ F/PLT EXT-MNT 14"L	Left
1-4,6,7,9,10	828860	KIDS ANG ADJ F/PLT EXT-MNT 15"R	Right
1-4,6,7,9,10	828861	KIDS ANG ADJ F/PLT EXT-MNT 15"L	Left
1-4,6,7,9,10	828862	KIDS ANG ADJ F/PLT EXT-MNT 16"R	Right
1-4,6,7,9,10	828863	KIDS ANG ADJ F/PLT EXT-MNT 16"L	Left
1-4,6,7,9,10	921280	KIDS ANG ADJ F/PLT EXT-MNT 10"	Pair
1-4,6,7,9,10	921281	KIDS ANG ADJ F/PLT EXT-MNT 11"	Pair
1-4,6,7,9,10	921282	KIDS ANG ADJ F/PLT EXT-MNT 12"	Pair
1-4,6,7,9,10	921283	KIDS ANG ADJ F/PLT EXT-MNT 13"	Pair
1-4,6,7,9,10	921284	KIDS ANG ADJ F/PLT EXT-MNT 14"	Pair
1-4,6,7,9,10	921285	KIDS ANG ADJ F/PLT EXT-MNT 15"	Pair
1-4,6,7,9,10	921286	KIDS ANG ADJ F/PLT EXT-MNT 16"	Pair
		Ship assembled part #	Use with multiple assemblies
	ASSY-HNG-FP	HANGER/FOOTPLATE ASSY REQUIRED	add with Hanger & Footplate kit

NOTE: * FOR ORDERING INFORMATION, PLEASE SEE "PLATFORM FLIP-UP FOOTREST REFERENCE GUIDE" ATTACHED.

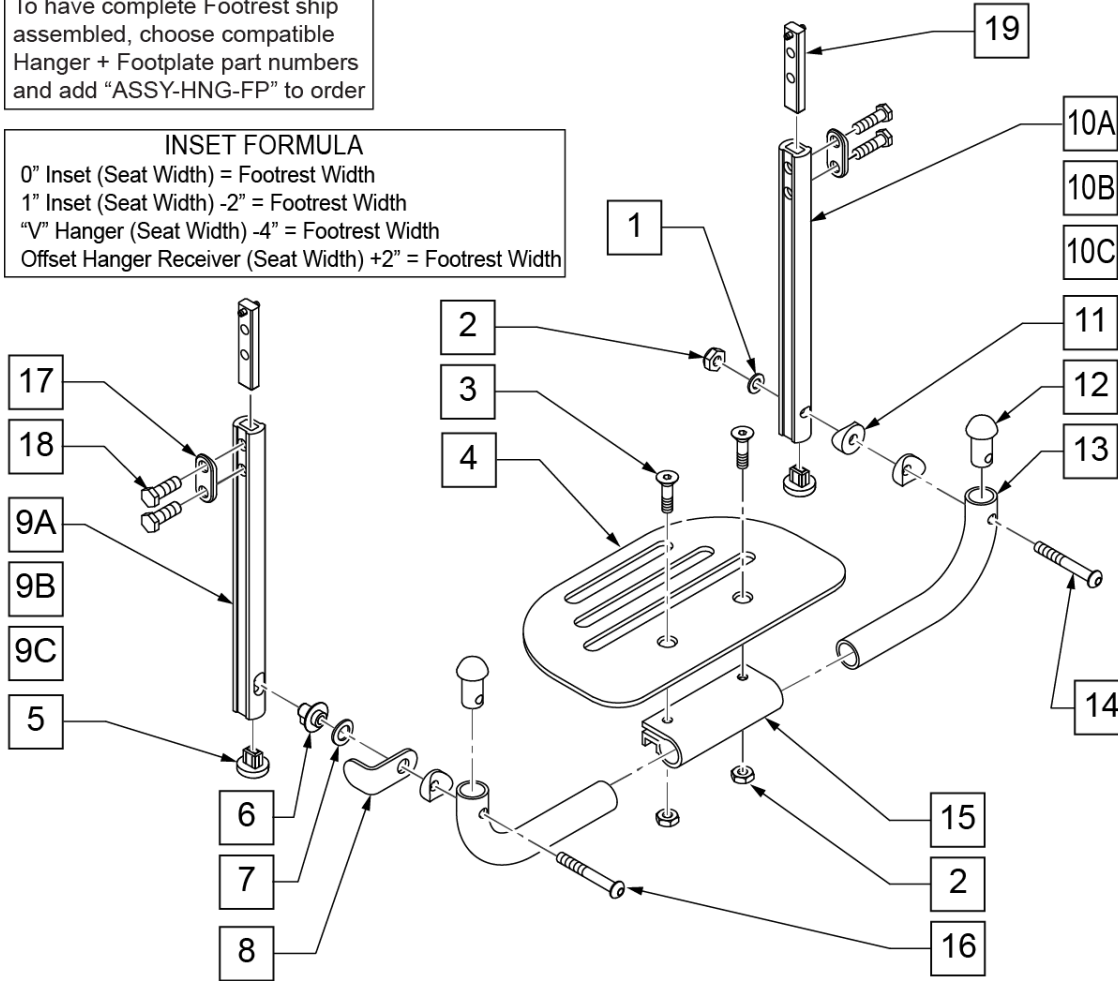
To have complete Footrest ship assembled, choose compatible Hanger + Footplate part numbers and add "ASSY-HNG-FP" to order

INSET FORMULA
 0" Inset (Seat Width) = Footrest Width
 1" Inset (Seat Width) -2" = Footrest Width
 "V" Hanger (Seat Width) -4" = Footrest Width
 Offset Hanger Receiver (Seat Width) +2" = Footrest Width

MEASURING GUIDE



DESCRIPTION	"A"
SHT	6 3/8"
MED	8 1/2"
LNG	11"



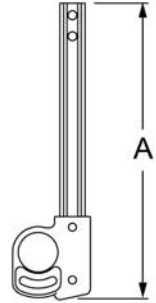
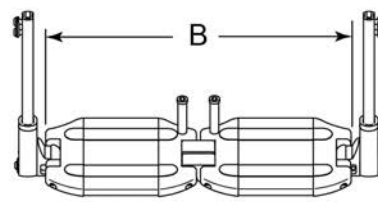
Pos.	Item Number	Description	Remarks
1	106944	1/4 AN WASHER FLAT THIN	
2	106941	1/4-28 AUTOMATION NUT	
3	106978	FHCS 1/4-28 X 7/8 ROHS	
4	500650	PLATFORM F/PLT 6" x 5 1/2"	
4	500651	PLATFORM F/PLT 8" x 5 1/2"	
4	500652	PLATFORM F/PLT 10" x 5 1/2"	
4	500653	PLATFORM F/PLT 12" x 5 1/2"	
4	500654	PLATFORM F/PLT 14" x 5 1/2"	
5	113221	PLUD DOUBLE D EXT TUBE	
6	540410	F/UP FOOTREST KEY STUD D2	
7	262137	3/8 WASHER CURVED	
8	505078	FOOTREST RETAINING BRACKET	
9C	550830	EXT TUBE F/UP KEY ONLY LONG	
9A	550828	EXT TUBE F/UP KEY ONLY SHORT	
9B	550829	EXT TUBE F/UP KEY ONLY MED	
10C	550827	EXT TUBE F/UP SLT ONLY LONG	

Pos.	Item Number	Description	Remarks
10A	550825	EXT TUBE F/UP SLT ONLY SHORT	
10B	550826	EXT TUBE F/UP SLT ONLY MED	
11	561003	3/4" SADDLE THIN	
12	561034	SHORT DOME PLUG	
14	106964	1/4-28 x 2 BH C/S	
15	550351	PLATFORM FOOTPLATE CLAMP	
16	226131	1/4-28 x 1 1/4 BH C/S SHLDR	
17	483717	HANGER SADDLE	
18	221102	1/4-28 x 3/4 HEX C/S	
19	500078	INSERT D2 EXT TUBE	
5,10A, 17-19	921742	EXT TBE F/UP SLT SHT ASSM PCKT	Pivot side
5,10B, 17-19	921743	EXT TBE F/UP SLT MED ASSM PCKT	Pivot side
5,10C, 17-19	921744	EXT TBE F/UP SLT LNG ASSM PCKT	Pivot side
5,9A, 17-19	921745	EXT TBE F/UP KEY SHT ASSM PCKT	Release side
5,9B, 17-19	921746	EXT TBE F/UP KEY MED ASSM PCKT	Release side
5,9C, 17-19	921747	EXT TBE F/UP KEY LNG ASSM PCKT	Release side
5,9A,10A, 17-19	921269	S/A EXT TUBE D2 SHT PLTFRM BLK	Pivot and Release Ext Assm
5,9B,10B, 17-19	921267	S/A EXT TUBE D2 MED PLTFRM BLK	Pivot and Release Ext Assm
5,9C,10C, 17-19	921268	S/A EXT TUBE D2 LNG PLTFRM BLK	Pivot and Release Ext Assm
1-4,6-8, 11-16	900304	PLATFM F/P F/PLT BLK 10" ASSM D2	
1-4,6-8, 11-16	900305	PLATFM F/P F/PLT BLK 11" ASSM D2	
1-4,6-8, 11-16	900306	PLATFM F/P F/PLT BLK 12" ASSM D2	
1-4,6-8, 11-16	900307	PLATFM F/P F/PLT BLK 13" ASSM D2	
1-4,6-8, 11-16	900308	PLATFM F/P F/PLT BLK 14" ASSM D2	
1-4,6-8, 11-16	900309	PLATFM F/P F/PLT BLK 15" ASSM D2	
1-4,6-8, 11-16	900310	PLATFM F/P F/PLT BLK 16" ASSM D2	
1-4,6-8, 11-16	900311	PLATFM F/P F/PLT BLK 17" ASSM D2	
1-4,6-8, 11-16	900312	PLATFM F/P F/PLT BLK 18" ASSM D2	
1-4,6-8, 11-16	900313	PLATFM F/P F/PLT BLK 19" ASSM D2	
1-4,6-8, 11-16	900314	PLATFM F/P F/PLT BLK 20" ASSM D2	
1-4,6-8, 11-16	900315	PLATFM F/P F/PLT BLK 21" ASSM D2	
1-4,6-8, 11-16	900316	PLATFM F/P F/PLT BLK 22" ASSM D2	
		Ship assembled part #	Use with multiple assemblies
	ASSY-HNG-FP	HANGER/FOOTPLATE ASSY REQUIRED	add with Hanger & Footplate kit

MEASURING GUIDE

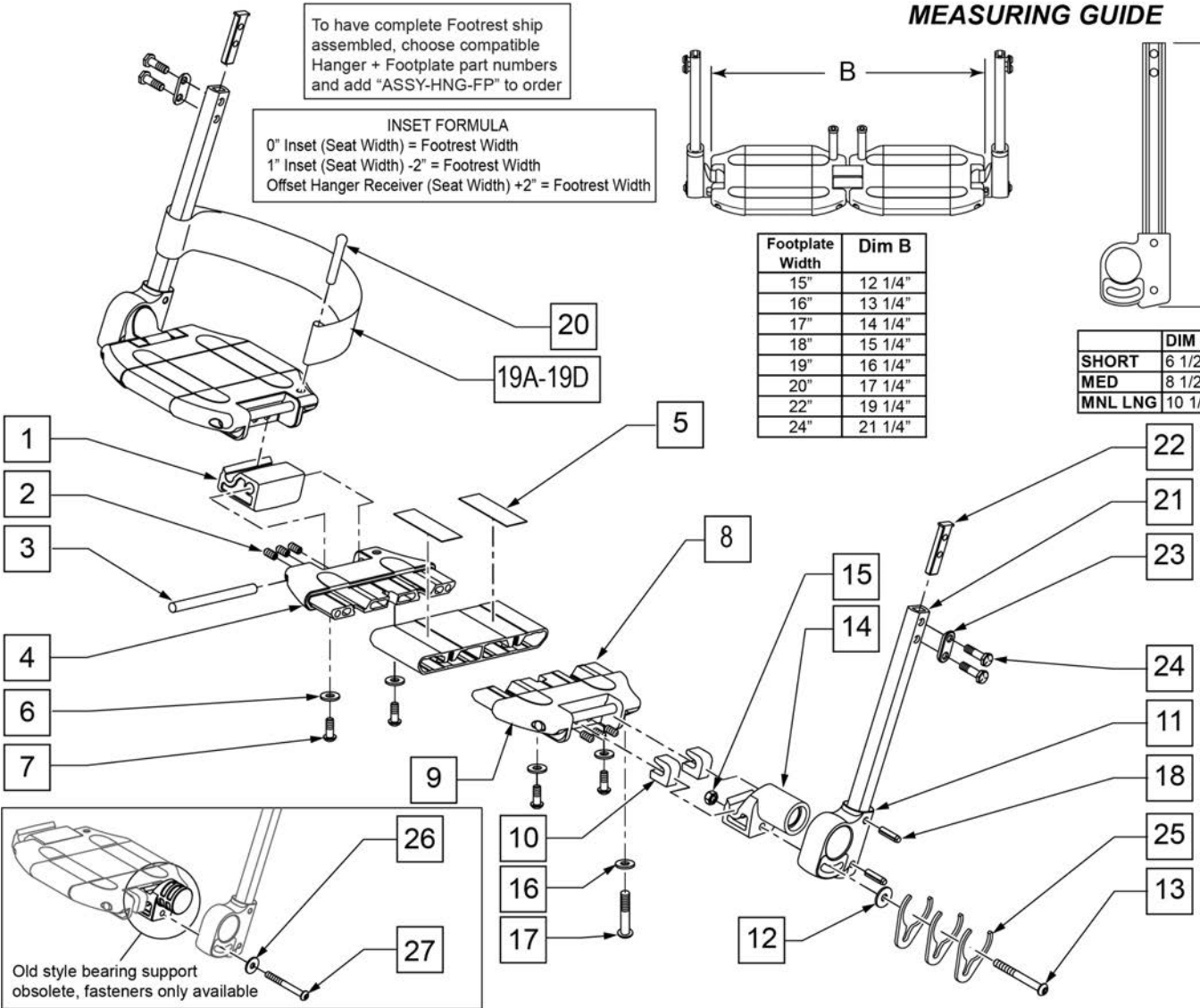
To have complete Footrest ship assembled, choose compatible Hanger + Footplate part numbers and add "ASSY-HNG-FP" to order

INSET FORMULA
 0" Inset (Seat Width) = Footrest Width
 1" Inset (Seat Width) -2" = Footrest Width
 Offset Hanger Receiver (Seat Width) +2" = Footrest Width



Footplate Width	Dim B
15"	12 1/4"
16"	13 1/4"
17"	14 1/4"
18"	15 1/4"
19"	16 1/4"
20"	17 1/4"
22"	19 1/4"
24"	21 1/4"

	DIM "A"
SHORT	6 1/2"
MED	8 1/2"
MNL LNG	10 1/2"



Pos.	Item Number	Description	Remarks
2	230030	M6 x 12 SET SCREW CUP POINT	
3	481283	PIN 8MM x 100 MM	
5	360010	FOOT BOARD SKID TAPE	
6	106943	1/4 AN WASHER FLAT	
7	230032	M6 x 16 B/H CAP SCREW	
9	560019	FOOT BOARD HOLDER R	
9	560020	FOOT BOARD HOLDER L	
10	560021	FOOT BOARD SHIM ALIGNMENT	
11	560024	FOOT YOKE	
12	250070	M6 WASHER	
13	210000	M6 x 55 8.8 BUTTON HD CAP SCR W	
15	200113	NUT HEX NYLOCK M6 X 1 NUT	
16	106944	1/4 AN WASHER FLAT THIN	
17	106958	1/4-20 x 1 HEX C/S	
18	349583	6 x 25MM GROOVED PIN	
19A	741151	HEEL LOOP 14-15 CMPST EA 13.24 44	

Pos.	Item Number	Description	Remarks
19B	741153	HEEL LOOP 18-20 CMPST/14-15 ANG ADJ	
19C	741156	HEEL LOOP 18-20 CMPST	
19D	741253	HEEL LOOP ADLT ADJ F/PLT 18-20	
20	561040	HEEL LOOP PEG	
21A	550831	EXT TBE PLTFRM ONLY SHT	
21B	550832	EXT TBE PLTFRM ONLY MED	
21C	550842	EXT TBE PLTFRM ONLY MNL LNG	
22	500078	INSERT D2 EXT TUBE	
23	483717	HANGER SADDLE	
24	221102	1/4-28 x 3/4 HEX HEAD C/S BLK W/PTCH	
26	250070	M6 WASHER	
27	210000	M6 x 55 8.8 BUTTON HD CAP SCRW	
11,18,21-24	921748	EXT TBE PLTFRM SHT ASSM PCKT	
11,18,21-24	921749	EXT TBE PLTFRM MED ASSM PCKT	
11,18,21-24	900368	EXT TBE PLTFRM MNL LNG PACKET	
1-10,12-16,19,20,25	820620	LOCKING FTPLT 15 W LEFT	
1-10,12-16,19,20,25	820621	LOCKING FTPLT 15 W RIGHT	
1-10,12-16,19,20,25	820622	LOCKING FTPLT 16 W LEFT	
1-10,12-16,19,20,25	820623	LOCKING FTPLT 16 W RIGHT	
1-10,12-16,19,20,25	820624	LOCKING FTPLT 17 W LEFT	
1-10,12-16,19,20,25	820625	LOCKING FTPLT 17 W RIGHT	
1-10,12-16,19,20,25	820626	LOCKING FTPLT 18 W LEFT	
1-10,12-16,19,20,25	820627	LOCKING FTPLT 18 W RIGHT	
1-10,12-16,19,20,25	820628	LOCKING FTPLT 19 W LEFT	
1-10,12-16,19,20,25	820629	LOCKING FTPLT 19 W RIGHT	
1-10,12-16,19,20,25	820630	LOCKING FTPLT 20 W LEFT	
1-10,12-16,19,20,25	820631	LOCKING FTPLT 20 W RIGHT	
1-10,12-16,19,20,25	820632	LOCKING FTPLT 22 W LEFT	
1-10,12-16,19,20,25	820633	LOCKING FTPLT 22 W RIGHT	
1-25	900280	LOCKING FTPLT 15" W/ SHT EXT ASSM	
1-25	900281	LOCKING FTPLT 16" W/ SHT EXT ASSM	
1-25	900282	LOCKING FTPLT 17" W/ SHT EXT ASSM	
1-25	900283	LOCKING FTPLT 18" W/ SHT EXT ASSM	
1-25	900284	LOCKING FTPLT 19" W/ SHT EXT ASSM	
1-25	900285	LOCKING FTPLT 20" W/ SHT EXT ASSM	
1-25	900763	LCKNG FTPLT 21" W/SHT EXT ASSM	
1-25	900763	LOCKING FTPLT 21" W/ SHT EXT ASSM	
1-25	900286	LOCKING FTPLT 22" W/ SHT EXT ASSM	
1-25	900287	LCKNG FTPLT 24" W/SHT EXT ASSM	
1-25	900290	LOCKING FTPLT 15" W/ MED EXT ASSM	
1-25	900291	LOCKING FTPLT 16" W/ MED EXT ASSM	
1-25	900292	LOCKING FTPLT 17" W/ MED EXT ASSM	
1-25	900293	LOCKING FTPLT 18" W/ MED EXT ASSM	
1-25	900294	LOCKING FTPLT 19" W/ MED EXT ASSM	
1-25	900295	LOCKING FTPLT 20" W/ MED EXT ASSM	
1-25	900296	LOCKING FTPLT 22" W/ MED EXT ASSM	
1-25	900762	LOCKING FTPLT 21" W /MED EXT ASSM	
1-25	900297	LCKNG FTPLT 24" W/MED EXT ASSM	
1-25	900360	LOCKING FTPLT 15" W/ MNL LONG EXT	
1-25	900361	LOCKING FTPLT 16" W/ MNL LONG EXT	
1-25	900362	LOCKING FTPLT 17" W/ MNL LONG EXT	
1-25	900363	LOCKING FTPLT 18" W/ MNL LONG EXT	
1-25	900364	LOCKING FTPLT 19" W/ MNL LONG EXT	
1-25	900365	LOCKING FTPLT 20" W/ MNL LONG EXT	
1-25	900366	LOCKING FTPLT 21" W/ MNL LONG EXT	
1-25	900367	LOCKING FTPLT 22" W/ MNL LONG EXT	

Pos.	Item Number	Description	Remarks
		Ship assembled part #	Use with multiple assemblies
	ASSY-HNG-FP	HANGER/FOOTPLATE ASSY REQUIRED	add with Hanger & Footplate kit

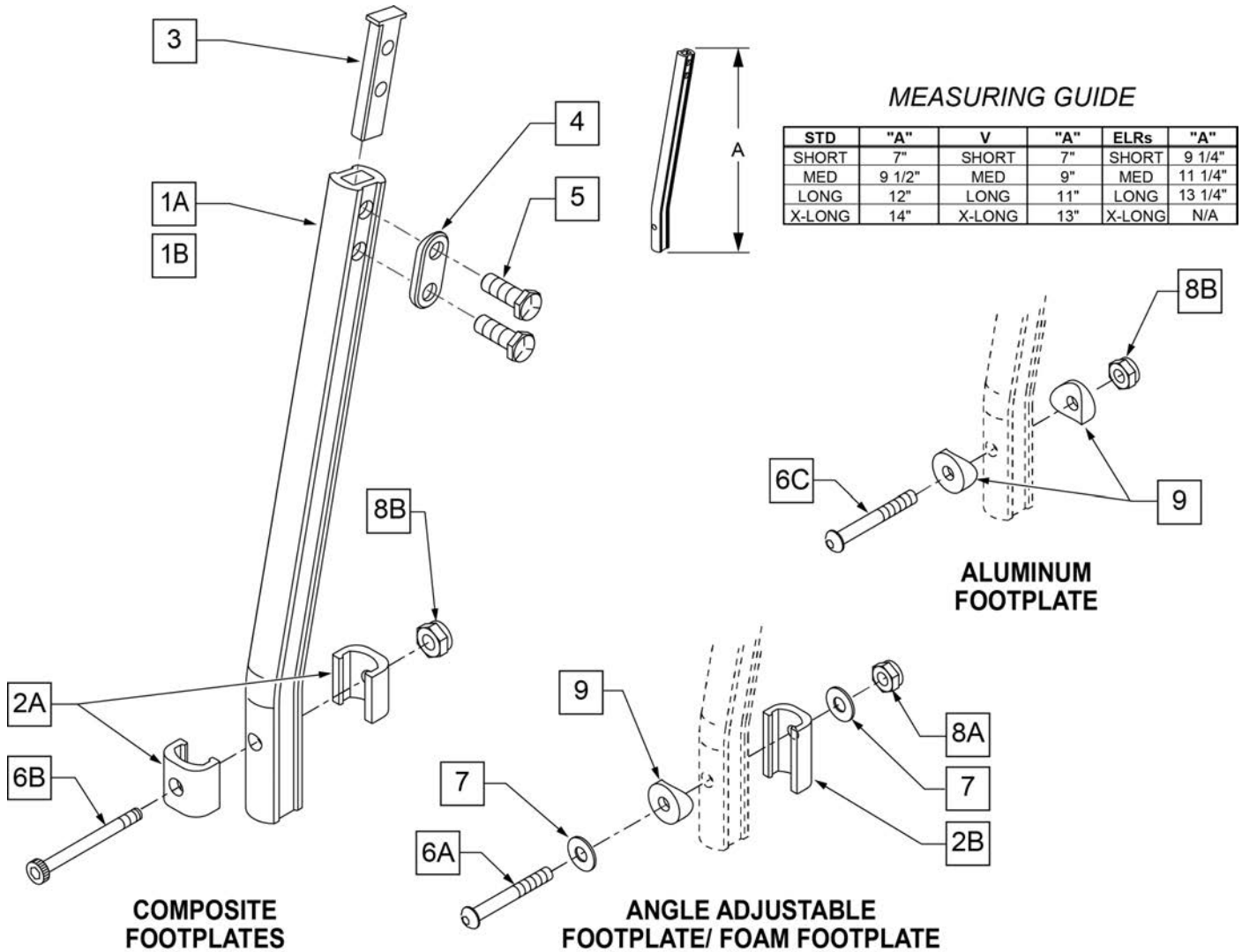
DOUBLE D FOOTREST EXTENSION TUBE "OLD STYLE"

[03/2017]

NOTE: DISCONTINUED - PARTS ONLY ON GP SWNG-AWAY BEGINNING 4/4/15 & S/N GP-95902, KIDS Q2 SE BEGINNING 4/16/15 & S/N QKE-003425, LX BEGINNING 10/24/2008 & S/N LX-034330, LXI BEGINNING 4/25/15 & S/N LXI-060868, QTS BEGINNING 5/15/15 & S/N QT-044951, QTS SE BEGINNING 5/15/15 & S/N QTE-002092

NOTE: IF REPLACING AN EXTENSION TUBE ON AN MANUAL ALR PLEASE REFER TO THE ROUND EXT TUBE PARTS MANUAL PAGE.

NOTE: WHEN ORDERING REPLACEMENT EXTENSION TUBES PLEASE VERIFY IF YOU HAVE THE OLD STYLE DOUBLE D EXTENSION TUBE OR THE NEW STYLE DOUBLE D EXTENSION TUBE. THIS CAN BE DONE BY REVIEWING THE HANGER THE EXTENSION TUBE IS USED ON. IF THE HANGER UTILIZES A SINGLE SET SCREW AT THE BOTTOM OF THE HANGER TUBE TO ATTACH THE EXTENSION TUBE TO THE HANGER, THEN THIS UTILIZES THE NEW STYLE DOUBLE D EXT TUBE. ALL OTHER HANGERS REQUIRING A DOUBLE D EXTENSION TUBE UTILIZE THE OLD STYLE.

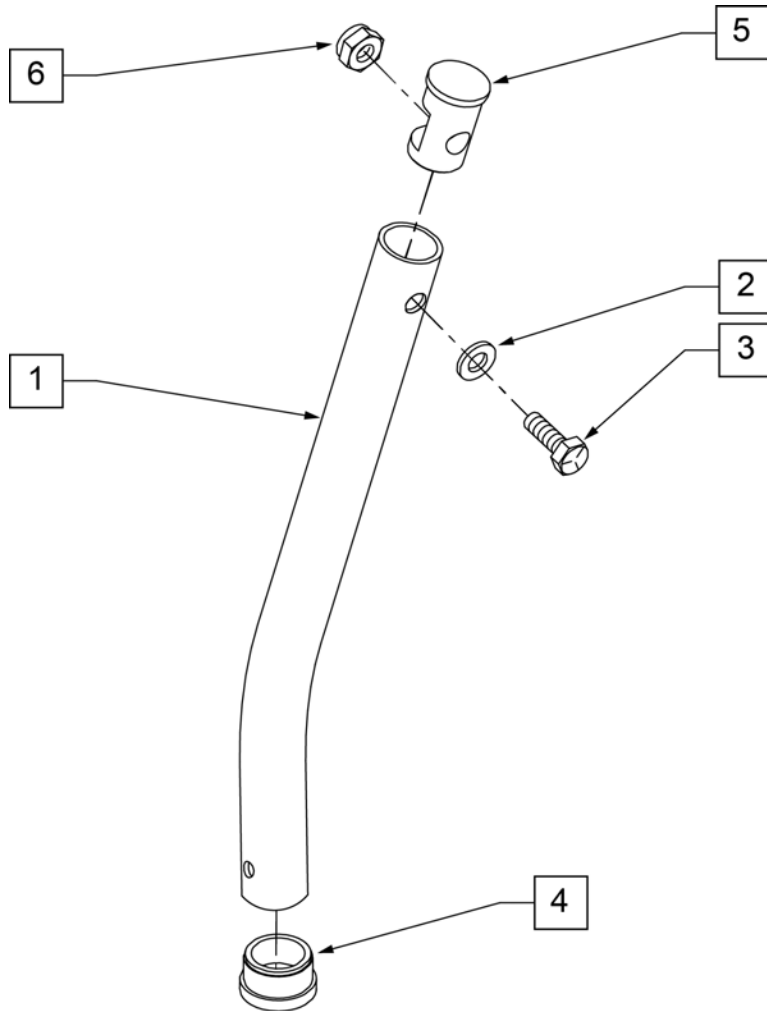


Pos.	Item Number	Description	Remarks
1A	550819	EXT TUBE S/A ONLY SHT	Short Ext-Swing Away Hanger

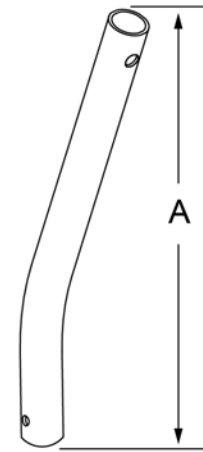
Pos.	Item Number	Description	Remarks
1A	550820	EXT TUBE S/A ONLY MED	Med Ext-Swing Away Hanger
1A	550821	EXT TUBE S/A ONLY LONG	Long Ext-Swing Away Hanger
1A	550822	EXT TUBE S/A ONLY X-LONG	X-Long Ext-Swing Away Hanger
1B	550834	EXT TUBE V IN ONLY D2 SHT R	Right Short Ext-Swing Away Hanger
1B	550835	EXT TUBE V IN ONLY D2 SHT L	Left Short Ext-Swing Away Hanger
1B	550836	EXT TUBE V IN ONLY D2 MED R	Right Med Ext-Swing Away Hanger
1B	550837	EXT TUBE V IN ONLY D2 MED L	Left Med Ext-Swing Away Hanger
1B	550838	EXT TUBE V IN ONLY D2 LONG R	Right Long Ext-Swing Away Hanger
1B	550839	EXT TUBE V IN ONLY D2 LONG L	Left Long Ext-Swing Away Hanger
1B	550840	EXT TUBE V IN ONLY D2 X-LONG R	Right X-Long Ext-Swing Away Hanger
1B	550841	EXT TUBE V IN ONLY D2 X-LONG L	Left X-Long Ext-Swing Away Hanger
2A	483718	HANGER EXTENSION SADDLE	USE W/ COMPOSITE FTPLT
2B	483720	HANGER EXTENSION SADDLE LONG	USE W/ ANGLE ADJ FTPLT
3	500078	INSERT D2 EXT TUBE	
4	483717	HANGER SADDLE	
5	221102	1/4-28 x 3/4 HEX HEAD C/S BLK W/PTCH	
6A	106962	1/4-28 x 1 3/4 BH C/S BLK ZN	USE W/ ANGLE ADJ FTPLT
6B	226165	1/4 -28 x 2 1/2 SOC C/S	USE W/ COMPOSITE FTPLT
6C	226147	1/4 -28 X 1.85 BH C/S	
7	106945	1/4" SAE WASHER	
8A	106941	1/4 -28 AUTOMATION NUT	USE W/ ANGLE ADJ FTPLT
8B	106935	1/4 -28 NYLOCK NUT THIN	USE W/ COMPOSITE FTPLT
9	561055	3/4 SADDLE 1" OD	USE W/ ANGLE ADJ FTPLT
1A,2A-5	921759	EXT TUBE S/A SHT ASSM PCKT	USE W/ COMPOSITE FTPLT
1A,2A-5	921760	EXT TUBE S/A MED ASSM PCKT	USE W/ COMPOSITE FTPLT
1A,2A-5	921761	EXT TUBE S/A LONG ASSM PCKT	USE W/ COMPOSITE FTPLT
1A,2A-5	921762	EXT TUBE S/A X-LONG ASSM PCKT	USE W/ COMPOSITE FTPLT
1B,2A-5	921751	EXT TUBE "V" D2 SHT R ASSM PCKT	RIGHT - USE W/ COMPOSITE FTPLT V HANGER
1B,2A-5	921752	EXT TUBE "V" D2 SHT L ASSM PCKT	LEFT - USE W/ COMPOSITE FTPLT V HANGER
1B,2A-5	921753	EXT TUBE "V" D2 MED R ASSM PCKT	RIGHT - USE W/ COMPOSITE FTPLT V HANGER
1B,2A-5	921754	EXT TUBE "V" D2 MED L ASSM PCKT	LEFT - USE W/ COMPOSITE FTPLT V HANGER
1B,2A-5	921755	EXT TUBE "V" D2 LONG R ASSM PCKT	RIGHT - USE W/ COMPOSITE FTPLT V HANGER
1B,2A-5	921756	EXT TUBE "V" D2 LONG L ASSM PCKT	LEFT - USE W/ COMPOSITE FTPLT V HANGER
1B,2A-5	921757	EXT TUBE "V" D2 X-LONG R ASSM PCKT	RIGHT - USE W/ COMPOSITE FTPLT V HANGER
1B,2A-5	921758	EXT TUBE "V" D2 X-LONG L ASSM PCKT	LEFT - USE W/ COMPOSITE FTPLT V HANGER
1A,2A-7,9	921772	EXT TUBE S/A SHT ANG ADJ PCKT	USE W/ ANGLE ADJ FTPLT
1A,2A-7,9	921773	EXT TUBE S/A MED ANG ADJ PCKT	USE W/ ANGLE ADJ FTPLT
1A,2A-7,9	921774	EXT TUBE S/A LONG ANG ADJ PCKT	USE W/ ANGLE ADJ FTPLT
1A,2A-7,9	921775	EXT TUBE S/A X-LONG ANG ADJ PCKT	USE W/ ANGLE ADJ FTPLT
1B,2A-7,9	921764	EXT TUBE "V" D2 SHT R ANG ADJ PCKT	RIGHT - USE W/ ANGLE ADJ FTPLT V HANGER
1B,2A-7,9	921765	EXT TUBE "V" D2 SHT L ANG ADJ PCKT	LEFT - USE W/ ANGLE ADJ FTPLT V HANGER
1B,2A-7,9	921766	EXT TUBE "V" D2 MED R ANG ADJ PCKT	RIGHT - USE W/ ANGLE ADJ FTPLT V HANGER
1B,2A-7,9	921767	EXT TUBE "V" D2 MED L ANG ADJ PCKT	LEFT - USE W/ ANGLE ADJ FTPLT V HANGER
1B,2A-7,9	921768	EXT TUBE "V" D2 LONG R ANG ADJ PCKT	RIGHT - USE W/ ANGLE ADJ FTPLT V HANGER
1B,2A-7,9	921769	EXT TUBE "V" D2 LONG L ANG ADJ PCKT	LEFT - USE W/ ANGLE ADJ FTPLT V HANGER
1B,2A-7,9	921770	EXT TUBE "V" D2 X-LONG R ANG AD PCKT	RIGHT - USE W/ ANGLE ADJ FTPLT V HANGER
1B,2A-7,9	921771	EXT TUBE "V" D2 X-LONG L ANG AD PCKT	LEFT - USE W/ ANGLE ADJ FTPLT V HANGER

NOTE: (Discontinued on Quickie 2 for 60° and 70° Hangers 10/23/99- Parts only).

NOTE: Used on Articulating Hanger Assemblies.



MEASURING GUIDE

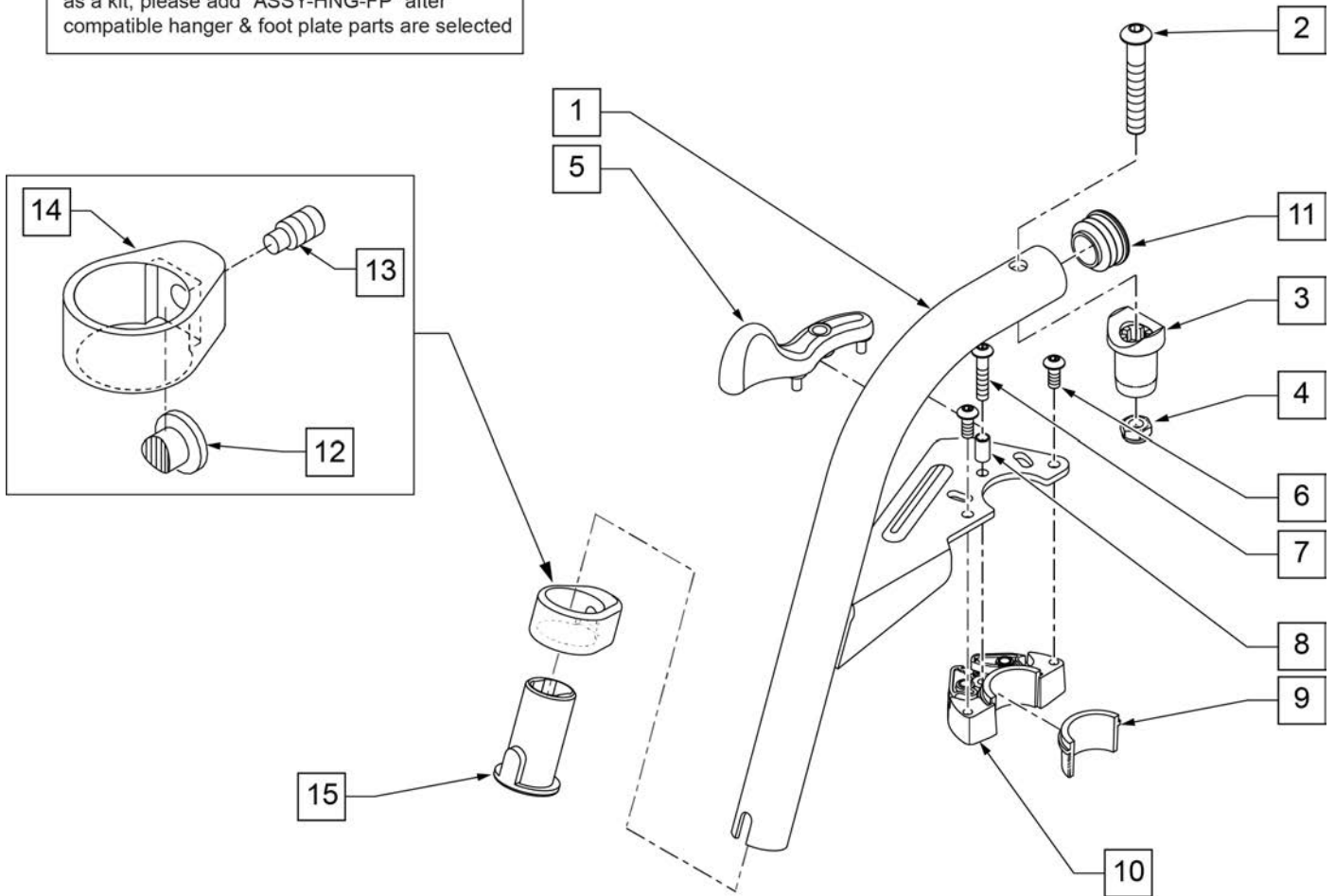


	"A"
SHORT	6 5/8"
MED	9"
LONG	11 5/8"
X-LONG	13 1/2"

Pos.	Item Number	Description
1	521010	FOOTREST EXT TUBE ONLY SHT BLK
1	521011	FOOTREST EXT TUBE ONLY MED BLK
1	521012	FOOTREST EXT TUBE ONLY LNG BLK
1	521013	FOOTREST EXT TUBE ONLY X-LNG BLK
2	104414	WAVE WASHER 6 MM
3	106958	HHCS 1/4-20 X 1 ROHS
4	561000-QU	3/4" INSERT PLUG .083
5	483553	FOOTREST INSERT PLUG Q2
6	106932	NUT NYLOCK 1/4-20 ROHS
1-6	921221	FOOTREST EXT TUBE SHT ASSM BLK (EA)
1-6	921222	FOOTREST EXT TUBE MED ASSM BLK (EA)
1-6	921223	FOOTREST EXT TUBE LNG ASSM BLK (EA)
1-6	921224	FOOTREST EXT TUBE X-LNG ASSM BLK (EA)

Note: Effective on GP SA beginning GP-95902, Kids Q2 SE beginning QKE-003425, LX/LXI beginning LXI-060868, Quickie TS beginning QT-044951 & QTE-002092.

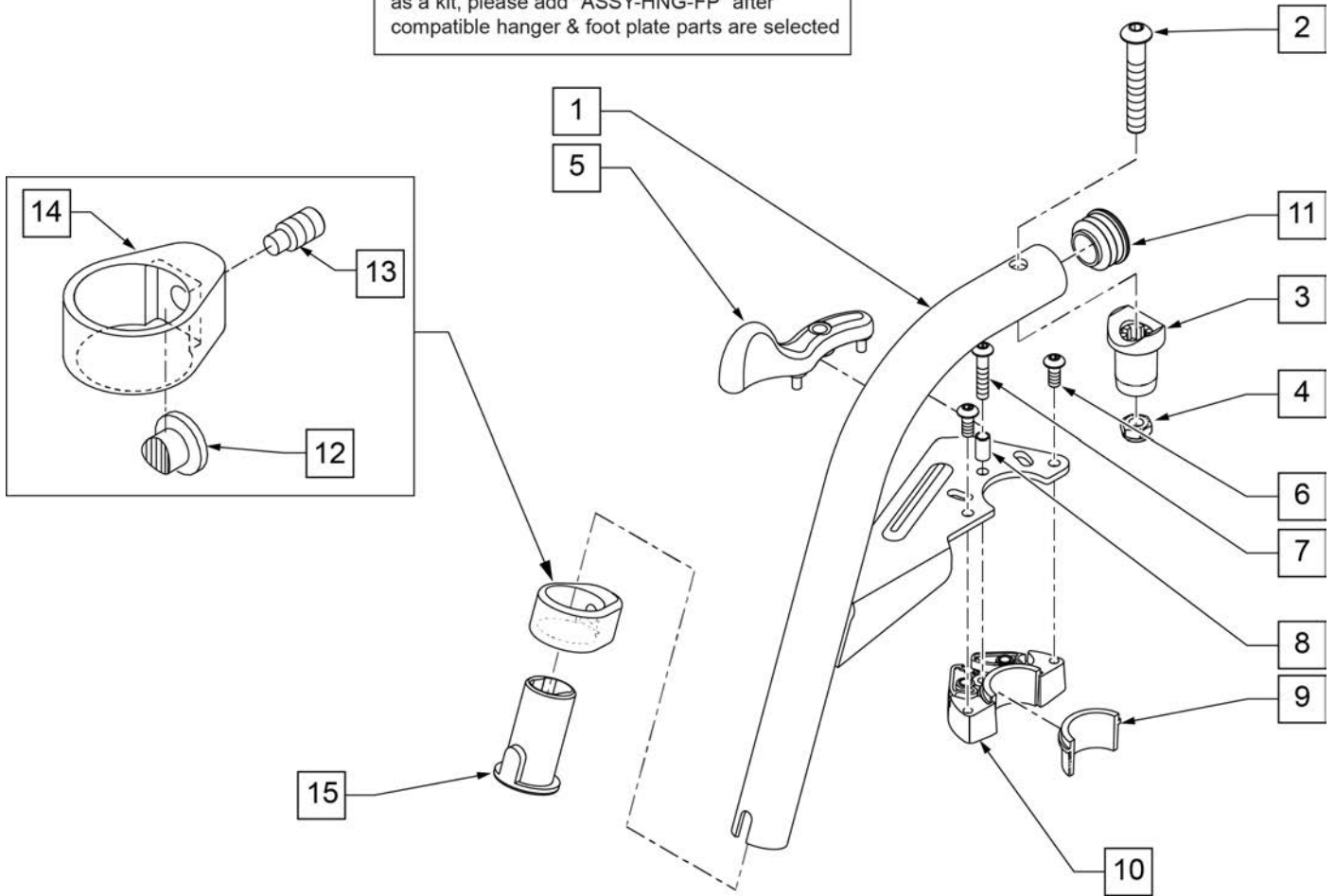
To request assembly of parts being ordered as a kit, please add "ASSY-HNG-FP" after compatible hanger & foot plate parts are selected



Pos.	Item Number	Description	Remarks
2	106983	5/16-18 X 2 BH C/S SHT THREAD	
3,4	561197	PIVOT SADDLE PLASTIC	
5	052296	SWING I/O LATCH LEVER RIGHT	Right
5	052297	SWING I/O LATCH LEVER LEFT	Left
6	102259-001	BHCS M5 X .8 X 12 W/PL INORG	
7	230494	M5-30 BTTN HD SOC C/S BLK	
8	052054	BUSHING PIVOT HANGER SWING I/O	
11	561062	1" INSERT PLUG .065 RIBS	
15	104160	BUSHING FOOTREST	
1-15	111243S	HANGER 60 Deg S/A ASSM R	SPECIFY COLOR,RIGHT
1-15	111242S	HANGER 60 Deg S/A ASSM L	SPECIFY COLOR,LEFT
12-15	107485	FOOTREST CLAMP ASSM	
6,9,10	120976	ASSY LATCH BLOCK ANTI LIFT	
		Ship assembled part #	Use with multiple assemblies
	ASSY-HNG-FP	HANGER/FOOTPLATE ASSY REQUIRED	add with Hanger & Footplate kit

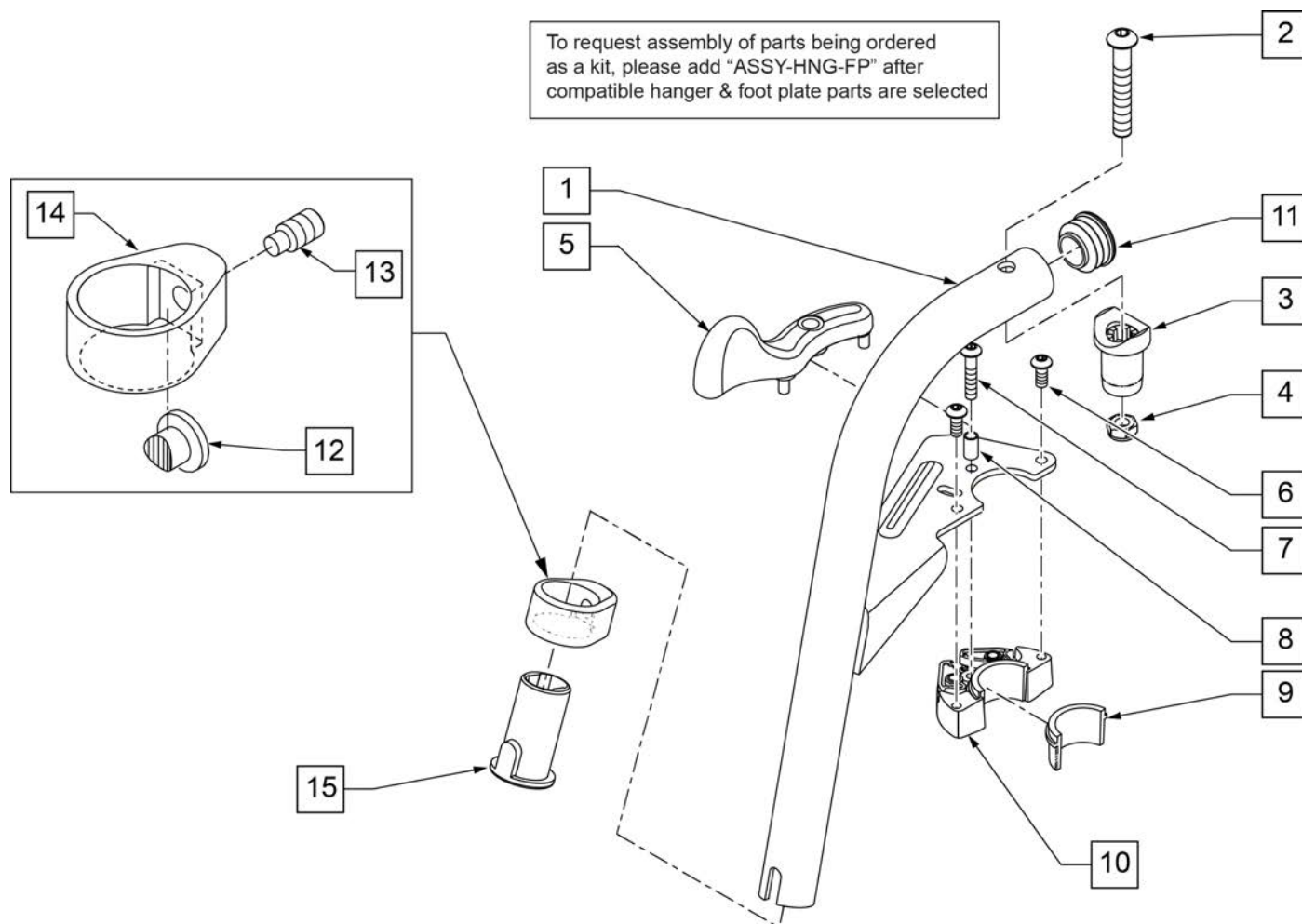
Note: Effective on GP SA beginning GP-95902, Kids Q2 SE beginning QKE-003425, LX/LXI beginning LXI-060868, Quickie TS beginning QT-044951 & QTE-002092.

To request assembly of parts being ordered as a kit, please add "ASSY-HNG-FP" after compatible hanger & foot plate parts are selected



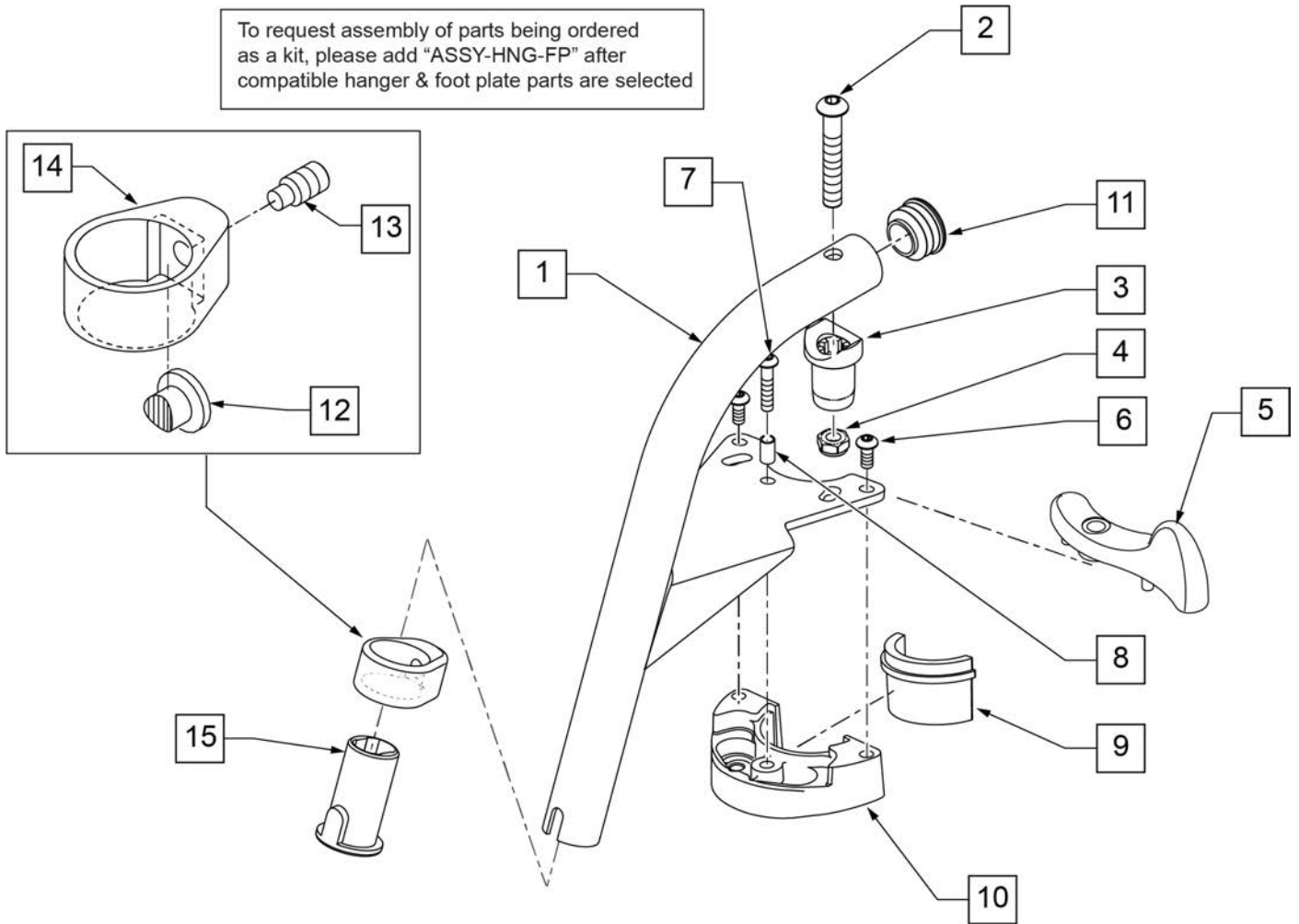
Pos.	Item Number	Description	Remarks
2	106983	5/16-18 X 2 BH C/S SHT THREAD	
3,4	561197	PIVOT SADDLE PLASTIC	
5	052296	SWING I/O LATCH LEVER RIGHT	Right
5	052297	SWING I/O LATCH LEVER LEFT	Left
6	102259-001	BHCS M5 X .8 X 12 W/PL INORG	
7	230494	M5-30 BTTN HD SOC C/S BLK	
8	052054	BUSHING PIVOT HANGER SWING I/O	
11	561062	1" INSERT PLUG .065 RIBS	
15	104160	BUSHING FOOTREST	
1-15	107671S	70 DEG SWING IN/OUT HANGER ASSEMBLY LEFT	SPECIFY COLOR,LEFT
1-15	107670S	70 DEG SWING IN/OUT HANGER ASSEMBLY RIGHT	SPECIFY COLOR,RIGHT
12-15	107485	FOOTREST CLAMP ASSM	
6,9,10	120976	ASSY LATCH BLOCK ANTI LIFT	
		Ship assembled part #	Use with multiple assemblies
	ASSY-HNG-FP	HANGER/FOOTPLATE ASSY REQUIRED	add with Hanger & Footplate kit

Note: Effective on GP SA beginning GP-95902, Kids Q2 SE beginning QKE-003425, LX/LXI beginning LXI-060868, Quickie TS beginning QT-044951 & QTE-002092.



Pos.	Item Number	Description	Remarks
2	106983	5/16-18 X 2 BH C/S SHT THREAD	
3	561197	PIVOT SADDLE PLASTIC	Includes nylock nut
5	052296	SWING I/O LATCH LEVER RIGHT	Right
5	052297	SWING I/O LATCH LEVER LEFT	Left
7	230494	M5-30 BTTN HD SOC C/S BLK	
8	052054	BUSHING PIVOT HANGER SWING I/O	
11	561062	1" INSERT PLUG .065 RIBS	
15	104160	BUSHING FOOTREST	
1-15	107675S	70D V HNGR SWNG I/O ASSM L	SPECIFY COLOR,LEFT
1-15	107674S	70D V HNGR SWNG I/O ASSM R	SPECIFY COLOR,RIGHT
12-15	107485	FOOTREST CLAMP ASSM	
6,9,10	120976	ASSY LATCH BLOCK ANTI LIFT	
		Ship assembled part #	Use with multiple assemblies
	ASSY-HNG-FP	HANGER/FOOTPLATE ASSY REQUIRED	add with Hanger & Footplate kit

To request assembly of parts being ordered as a kit, please add "ASSY-HNG-FP" after compatible hanger & foot plate parts are selected



Pos.	Item Number	Description	Remarks
2	106983	5/16-18 X 2 BH C/S SHT THREAD	
3,4	561197	PIVOT SADDLE PLASTIC	
5	052296	SWING I/O LATCH LEVER RIGHT	RIGHT
5	052297	SWING I/O LATCH LEVER LEFT	LEFT
7	230494	M5-30 BTTN HD SOC C/S BLK	
8	052054	BUSHING PIVOT HANGER SWING I/O	
11	561062	1" INSERT PLUG .065 RIBS	
15	104160	BUSHING FOOTREST	
1-15	111244S	HANGER 70 Deg HEMI WELDMNT R	SPECIFY COLOR-RIGHT
1-15	111245S	HANGER 70 Deg HEMI WELDMNT L	SPECIFY COLOR-LEFT
12-15	107485	FOOTREST CLAMP ASSM	
6,9,10	120976	ASSY LATCH BLOCK ANTI LIFT	
		Ship assembled part #	Use with multiple assemblies
	ASSY-HNG-FP	HANGER/FOOTPLATE ASSY REQUIRED	add with Hanger & Footplate kit

Note: Footplate Assemblies are set to footrest width; please see "Footplate Formula" table for seat width conversion.

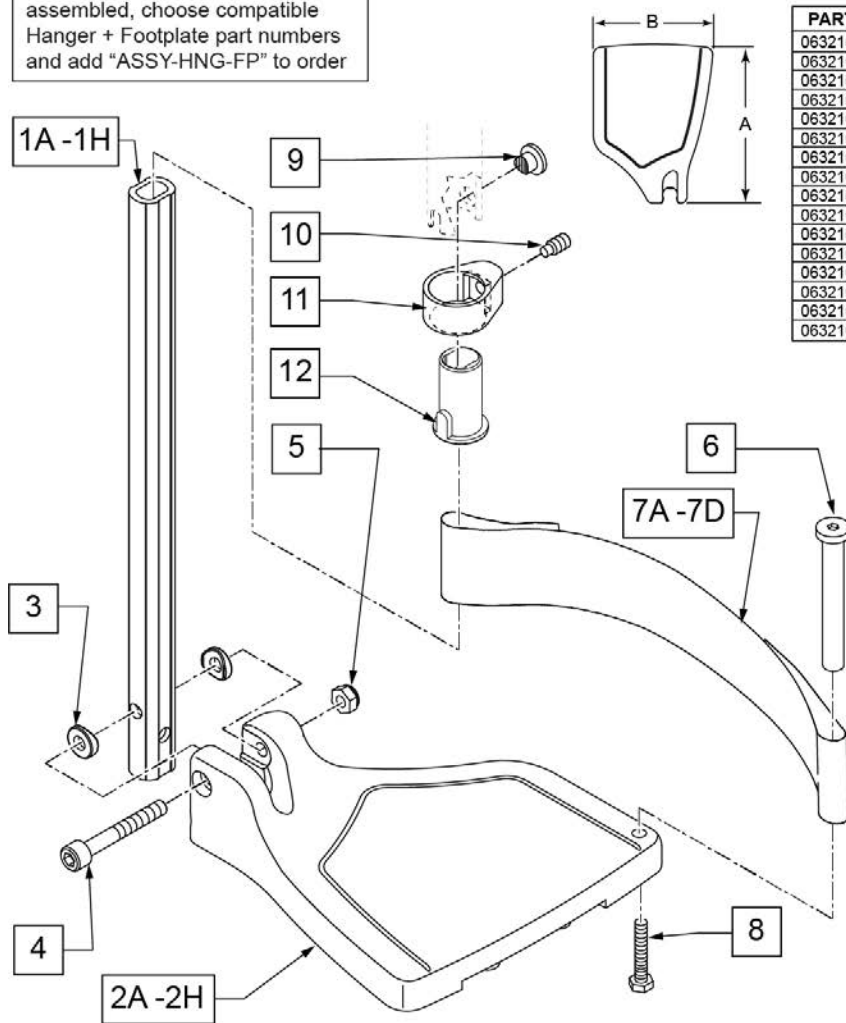
Note: V Style Hangers are not available on Swing Away Style chairs effective 7/14/14; see the "Prior To" ordering guide for V Style footplate assemblies.

Note: for QX Series or SR45 footplate replacement parts see the ordering guide marked specifically for these two models in the informations panel.

FOOTPLATE MEASURING GUIDE

PART NO	DESCRIPTION	"A"	"B"
063216-006	FOOTPLATE COMPOSITE 157 R (13"W)	6 1/8"	6"
063216-012	FOOTPLATE COMPOSITE 157 L (13"W)	6 1/8"	6"
063216-015	FOOTPLATE COMPOSITE 170 R (14"W)	6 5/8"	6"
063216-018	FOOTPLATE COMPOSITE 170 L (14"W)	6 5/8"	6"
063216-005	FOOTPLATE COMPOSITE 182 R (15"W)	7 1/8"	6"
063216-011	FOOTPLATE COMPOSITE 182 L (15"W)	7 1/8"	6"
063216-014	FOOTPLATE COMPOSITE 195 R (16"W)	7 5/8"	6"
063216-017	FOOTPLATE COMPOSITE 195 L (16"W)	7 5/8"	6"
063216-004	FOOTPLATE COMPOSITE 207 R (17"W)	8 1/8"	6"
063216-010	FOOTPLATE COMPOSITE 207 L (17"W)	8 1/8"	6"
063216-013	FOOTPLATE COMPOSITE 220 R (18"W)	8 5/8"	6 1/4"
063216-016	FOOTPLATE COMPOSITE 220 L (18"W)	8 5/8"	6 1/4"
063216-003	FOOTPLATE COMPOSITE 232 R (19-20"W)	9 1/8"	6 1/4"
063216-009	FOOTPLATE COMPOSITE 232 L (19-20"W)	9 1/8"	6 1/4"
063216-002	FOOTPLATE COMPOSITE 257 R (21-22"W)	10 1/8"	6 1/4"
063216-008	FOOTPLATE COMPOSITE 257 L (21-22"W)	10 1/8"	6 1/4"

To have complete Footrest ship assembled, choose compatible Hanger + Footplate part numbers and add "ASSY-HNG-FP" to order



INSET FORMULA
 0" Inset (Seat Width) = Footrest Width
 1" Inset (Seat Width) -2" = Footrest Width
 "V" Hanger (Seat Width) -4" = Footrest Width
 Offset Hanger Receiver (Seat Width) +2" = Footrest Width

Pos.	Item Number	Description	Remarks
1A,3-5	120660	SHT STRT EXT COMP HDWR	80 deg hangers + ELR only
1B,3-5	120661	MED STRT EXT COMP HDWR	80 deg hangers + ELR only
1C,3-5	120662	LNG STRT EXT COMP HDWR	80 deg hangers + ELR only
1D,3-5	120663	SHT BNT EXT COMP HDWR	60,70,70 Hemi Hangers
1E,3-5	120664	MED BNT EXT COMP HDWR	60,70,70 Hemi Hangers

Pos.	Item Number	Description	Remarks
1F,3-5	120665	LNG BNT EXT COMP HDWR	60,70,70 Hemi Hangers
1G,3-5	120666	SHT V EXT R COMP HDWR	70 deg V hangers only-LEFT
1G,3-5	120667	SHT V EXT L COMP HDWR	70 deg V hangers only-RIGHT
1H,3-5	120668	LNG V EXT R COMP HDWR	70 deg V hangers only-LEFT
1H,3-5	120669	LNG V EXT L COMP HDWR	70 deg V hangers only-RIGHT
2A	063216-006	FOOTPLATE COMPOSITE 157 R	RIGHT 13" Footrest Width
2A	063216-012	FOOTPLATE COMPOSITE 157 L	LEFT 13" Footrest Width
2B	063216-015	FOOTPLATE COMPOSITE 170 R	RIGHT 14" Footrest Width
2B	063216-018	FOOTPLATE COMPOSITE 170 L	LEFT 14" Footrest Width
2C	063216-005	COMPOSITE FOOTPLATE 182 R	RIGHT 15" Footrest Width
2C	063216-011	COMPOSITE FOOTPLATE 182 L	LEFT 15" Footrest Width
2D	063216-014	FOOTPLATE COMPOSITE 195 R	RIGHT 16" Footrest Width
2D	063216-017	FOOTPLATE COMPOSITE 195 L	LEFT 16" Footrest Width
2E	063216-004	COMPOSITE FOOTPLATE 207 R	RIGHT 17" Footrest Width
2E	063216-010	COMPOSITE FOOTPLATE 207 L	LEFT 17" Footrest Width
2F	063216-013	FOOTPLATE COMPOSITE 220 R	RIGHT 18" Footrest Width
2F	063216-016	FOOTPLATE COMPOSITE 220 L	LEFT 18" Footrest Width
2G	063216-003	COMPOSITE FOOTPLATE 232 R	RIGHT 19" & 20" Footrest Width
2G	063216-009	COMPOSITE FOOTPLATE 232 L	LEFT 19" & 20" Footrest Width
2H	063216-002	FOOTPLATE COMPOSITE 257 R	RIGHT 21" & 22" Footrest Width
2H	063216-008	FOOTPLATE COMPOSITE 257 L	LEFT 21" & 22" Footrest Width
3	104377	3/4" SADDLE THIN	
4	103175	SHCS M6 X 1 X 40 INORG	
5	132626	NUT AUTOMATION M6 X 1.0	Inserted in bottom of footplate.
6	104328	HEEL LOOP PEG	
7A	104380-001	ADJUSTABLE FOOT REST STRAP	14" wide
7B	104380-002	ADJUSTABLE FOOT REST STRAP	15-16" wide
7C	104380-003	ADJUSTABLE FOOT REST STRAP	17-18" wide
7D	104380-004	ADJUSTABLE FOOT REST STRAP	19-22" wide
8	102268-001	HHCS M6 X 1 X 25	
12	104160	BUSHING FOOTREST	
9-12	107485	FOOTREST CLAMP ASSM	
		Ship assembled part #	Use with multiple assemblies
	ASSY-HNG-FP	HANGER/FOOTPLATE ASSY REQUIRED	add with Hanger & Footplate kit
>>>>		60°,70°,70° HEMI HANGERS - SHORT EXT - RIGHT	
1D,2A,3-6,7A,8	107746	COMP BNT SHT EXT ASM 13" W R	Right- 70D- 13" W- SHORT
1D,2B,3-6,7A,8	107747	COMP BNT SHT EXT ASM 14" W R	Right- 70D- 14" W- SHORT
1D,2C,3-6,7B,8	107748	COMP BNT SHT EXT ASM 15" W R	Right- 70D- 15" W- SHORT
1D,2D,3-6,7B,8	107749	COMP BNT SHT EXT ASM 16" W R	Right- 70D- 16" W- SHORT
1D,2E,3-6,7C,8	107750	COMP BNT SHT EXT ASM 17" W R	Right- 70D- 17" W- SHORT
1D,2F,3-6,7C,8	107751	COMP BNT SHT EXT ASM 18" W R	Right- 70D- 18" W- SHORT
1D,2G,3-6,7D,8	107752	COMP BNT SHT EXT ASM 19 & 20"W R	Right- 70D- 19 & 20" W- SHORT
1D,2H,3-6,7D,8	111528	COMP BNT SHT EXT ASM 21 & 22"W R	Right- 70D- 21 & 22" W- SHORT
>>>>		60°,70°,70° HEMI HANGERS - SHORT EXT - LEFT	
1D,2A,3-6,7A,8	107753	COMP BNT SHT EXT ASM 13" W L	Left- 70D- 13 W- SHORT
1D,2B,3-6,7A,8	107754	COMP BNT SHT EXT ASM 14" W L	Left- 70D- 14 W- SHORT
1D,2C,3-6,7B,8	107755	COMP BNT SHT EXT ASM 15" W L	Left- 70D- 15 W- SHORT
1D,2D,3-6,7B,8	107756	COMP BNT SHT EXT ASM 16" W L	Left- 70D- 16 W- SHORT
1D,2E,3-6,7C,8	107757	COMP BNT SHT EXT ASM 17" W L	Left- 70D- 17 W- SHORT
1D,2F,3-6,7C,8	107758	COMP BNT SHT EXT ASM 18" W L	Left- 70D- 18 W- SHORT
1D,2G,3-6,7D,8	107759	COMP BNT SHT EXT ASM 19 & 20"W L	Left- 70D- 19 & 20" W- SHORT
1D,2H,3-6,7D,8	111529	COMP BNT SHT EXT ASM 21 & 22"W L	Left- 70D- 21 & 22" W- SHORT
>>>>		60°,70°,70° HEMI HANGERS - MED EXT - RIGHT	
1E,2A,3-6,7A,8	107760	COMP BNT MED EXT ASM 13" W R	Right- 70D- 13" W- MED
1E,2B,3-6,7A,8	107761	COMP BNT MED EXT ASM 14" W R	Right- 70D- 14" W- MED
1E,2C,3-6,7B,8	107762	COMP BNT MED EXT ASM 15" W R	Right- 70D- 15" W- MED

Pos.	Item Number	Description	Remarks
1E,2D,3-6,7B,8	107763	COMP BNT MED EXT ASM 16" W R	Right- 70D- 16" W- MED
1E,2E,3-6,7C,8	107764	COMP BNT MED EXT ASM 17" W R	Right- 70D- 17" W- MED
1E,2F,3-6,7C,8	107765	COMP BNT MED EXT ASM 18" W R	Right- 70D- 18" W- MED
1E,2G,3-6,7D,8	107766	COMP BNT MED EXT ASM 19 & 20"W R	Right- 70D- 19 & 20" W- MED
1E,2H,3-6,7D,8	111530	COMP BNT MED EXT ASM 21 & 22"W R	Right- 70D- 21 & 22" W- MED
>>>>		60°,70°,70° HEMI HANGERS - MED EXT - LEFT	
1E,2A,3-6,7A,8	107767	COMP BNT MED EXT ASM 13" W L	Left- 70D- 13 W- MED
1E,2B,3-6,7A,8	107768	COMP BNT MED EXT ASM 14" W L	Left- 70D- 14 W- MED
1E,2C,3-6,7B,8	107769	COMP BNT MED EXT ASM 15" W L	Left- 70D- 15 W- MED
1E,2D,3-6,7B,8	107770	COMP BNT MED EXT ASM 16" W L	Left- 70D- 16 W- MED
1E,2E,3-6,7C,8	107771	COMP BNT MED EXT ASM 17" W L	Left- 70D- 17 W- MED
1E,2F,3-6,7C,8	107772	COMP BNT MED EXT ASM 18" W L	Left- 70D- 18 W- MED
1E,2G,3-6,7D,8	107773	COMP BNT MED EXT ASM 19 & 20"W L	Left- 70D- 19 & 20" W- MED
1E,2H,3-6,7D,8	111531	COMP BNT MED EXT ASM 21 & 22"W L	Left- 70D- 21 & 22" W- MED
>>>>		60°,70°,70° HEMI HANGERS - LONG EXT - RIGHT	
1F,2A,3-6,7A,8	107774	COMP BNT LONG EXT ASM 13" W R	Right- 70D- 13" W- LONG
1F,2B,3-6,7A,8	107775	COMP BNT LONG EXT ASM 14" W R	Right- 70D- 14" W- LONG
1F,2C,3-6,7B,8	107776	COMP BNT LONG EXT ASM 15" W R	Right- 70D- 15" W- LONG
1F,2D,3-6,7B,8	107777	COMP BNT LONG EXT ASM 16" W R	Right- 70D- 16" W- LONG
1F,2E,3-6,7C,8	107778	COMP BNT LONG EXT ASM 17" W R	Right- 70D- 17" W- LONG
1F,2F,3-6,7C,8	107779	COMP BNT LONG EXT ASM 18" W R	Right- 70D- 18" W- LONG
1F,2G,3-6,7D,8	107780	COMP BNT LONG EXT ASM 19 & 20"W R	Right- 70D- 19 & 20" W- LONG
1F,2H,3-6,7D,8	111532	COMP BNT LONG EXT ASM 21 & 22"W R	Right- 70D- 21 & 22" W- LONG
>>>>		60°,70°,70° HEMI HANGERS - LONG EXT - LEFT	
1F,2A,3-6,7A,8	107781	COMP BNT LONG EXT ASM 13" W L	Left- 70D- 13 W- LONG
1F,2B,3-6,7A,8	107782	COMP BNT LONG EXT ASM 14" W L	Left- 70D- 14 W- LONG
1F,2C,3-6,7B,8	107783	COMP BNT LONG EXT ASM 15" W L	Left- 70D- 15 W- LONG
1F,2D,3-6,7B,8	107784	COMP BNT LONG EXT ASM 16" W L	Left- 70D- 16 W- LONG
1F,2E,3-6,7C,8	107785	COMP BNT LONG EXT ASM 17" W L	Left- 70D- 17 W- LONG
1F,2F,3-6,7C,8	107786	COMP BNT LONG EXT ASM 18" W L	Left- 70D- 18 W- LONG
1F,2G,3-6,7D,8	107787	COMP BNT LONG EXT ASM 19 & 20"W L	Left- 70D- 19 & 20" W- LONG
1F,2H,3-6,7D,8	111533	COMP BNT LONG EXT ASM 21 & 22"W L	Left- 70D- 21 & 22" W- LONG
>>>>		70 DEGREE "V" HANGERS - MED EXT - RIGHT	
1G,2A,3-8	107788	COMP V MED EXT ASM 13W R	Right- 70D V hangers only 13 W- MED
1G,2B,3-8	107789	COMP V MED EXT ASM 14W R	Right- 70D V hangers only 14 W- MED
1G,2C,3-8	107790	COMP V MED EXT ASM 15W R	Right- 70D V hangers only 15 W- MED
1G,2D,3-8	107791	COMP V MED EXT ASM 16W R	Right- 70D V hangers only 16 W- MED
1G,2E,3-8	107792	COMP V MED EXT ASM 17W R	Right- 70D V hangers only 17 W- MED
1G,2F,3-8	107793	COMP V MED EXT ASM 18W R	Right- 70D V hangers only 18 W- MED
>>>>		70 DEGREE "V" HANGERS - MED EXT - LEFT	
1G,2A,3-8	107795	COMP V MED EXT ASM 13W L	Left- 70D V hangers only 13 W- MED
1G,2B,3-8	107796	COMP V MED EXT ASM 14W L	Left- 70D V hangers only 14 W- MED
1G,2C,3-8	107797	COMP V MED EXT ASM 15W L	Left- 70D V hangers only 15 W- MED
1G,2D,3-8	107798	COMP V MED EXT ASM 16W L	Left- 70D V hangers only 16 W- MED
1G,2E,3-8	107799	COMP V MED EXT ASM 17W L	Left- 70D V hangers only 17 W- MED
1G,2F,3-8	107800	COMP V MED EXT ASM 18W L	Left- 70D V hangers only 18 W- MED
>>>>		70 DEGREE "V" HANGERS - LONG EXT - RIGHT	
1H,2A,3-8	107802	COMP V LNG EXT ASM 13W R	Right- 70D V hangers only 13 W- LONG
1H,2B,3-8	107803	COMP V LNG EXT ASM 14W R	Right- 70D V hangers only 14 W- LONG
1H,2C,3-8	107804	COMP V LNG EXT ASM 15W R	Right- 70D V hangers only 15 W- LONG
1H,2D,3-8	107805	COMP V LNG EXT ASM 16W R	Right- 70D V hangers only 16 W- LONG
1H,2E,3-8	107806	COMP V LNG EXT ASM 17W R	Right- 70D V hangers only 17 W- LONG
1H,2F,3-8	107807	COMP V LNG EXT ASM 18W R	Right- 70D V hangers only 18 W- LONG
>>>>		70 DEGREE "V" HANGERS - LONG EXT - LEFT	
1H,2A,3-8	107809	COMP V LNG EXT ASM 13W L	Left- 70D V hangers only 13 W- LONG
1H,2B,3-8	107810	COMP V LNG EXT ASM 14W L	Left- 70D V hangers only 14 W- LONG

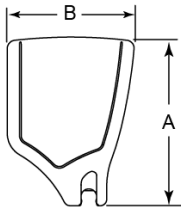
Pos.	Item Number	Description	Remarks
1H,2C,3-8	107811	COMP V LNG EXT ASM 15W L	Left- 70D V hangers only 15 W- LONG
1H,2D,3-8	107812	COMP V LNG EXT ASM 16W L	Left- 70D V hangers only 16 W- LONG
1H,2E,3-8	107813	COMP V LNG EXT ASM 17W L	Left- 70D V hangers only 17 W- LONG
1H,2F,3-8	107814	COMP V LNG EXT ASM 18W L	Left- 70D V hangers only 18 W- LONG
>>>>		80 DEGREE HANGERS - SHORT EXT - RIGHT	
1A,2A,3-6,7A,8	107704	COMP STRT SHT EXT ASM 13"W R	Right- 80D- 13" W- SHORT
1A,2B,3-6,7A,8	107705	COMP STRT SHT EXT ASM 14"W R	Right- 80D- 14" W- SHORT
1A,2C,3-6,7B,8	107706	COMP STRT SHT EXT ASM 15"W R	Right- 80D- 15" W- SHORT
1A,2D,3-6,7B,8	107707	COMP STRT SHT EXT ASM 16"W R	Right- 80D- 16" W- SHORT
1A,2E,3-6,7C,8	107708	COMP STRT SHT EXT ASM 17"W R	Right- 80D- 17" W- SHORT
1A,2F,3-6,7C,8	107709	COMP STRT SHT EXT ASM 18"W R	Right- 80D- 18" W- SHORT
1A,2G,3-6,7D,8	107710	COMP STRT SHT EXT ASM 19 & 20"W R	Right- 80D- 19 & 20" W- SHORT
1A,2H,3-6,7D,8	111522	COMP STRT SHT EXT ASM 21 & 22"W R	Right- 80D- 21 & 22" W- SHORT
>>>>		80 DEGREE HANGERS - SHORT EXT - LEFT	
1A,2A,3-6,7A,8	107711	COMP STRT SHT EXT ASM 13"W L	LEFT- 80D- 13" W- SHORT
1A,2B,3-6,7A,8	107712	COMP STRT SHT EXT ASM 14"W L	LEFT- 80D- 14" W- SHORT
1A,2C,3-6,7B,8	107713	COMP STRT SHT EXT ASM 15"W L	LEFT- 80D- 15" W- SHORT
1A,2D,3-6,7B,8	107714	COMP STRT SHT EXT ASM 16"W L	LEFT- 80D- 16" W- SHORT
1A,2E,3-6,7C,8	107715	COMP STRT SHT EXT ASM 17"W L	LEFT- 80D- 17" W- SHORT
1A,2F,3-6,7C,8	107716	COMP STRT SHT EXT ASM 18"W L	LEFT- 80D- 18" W- SHORT
1A,2G,3-6,7D,8	107717	COMP STRT SHT EXT ASM 19 & 20"W L	LEFT- 80D- 19 & 20" W- SHORT
1A,2H,3-6,7D,8	111523	COMP STRT SHT EXT ASM 21 & 22"W L	LEFT- 80D- 21 & 22" W- SHORT
>>>>		80 DEGREE HANGERS - MED EXT - RIGHT	
1B,2A,3-6,7A,8	107718	COMP STRT MED EXT ASM 13"W R	Right- 80D- 13" W- MED
1B,2B,3-6,7A,8	107719	COMP STRT MED EXT ASM 14"W R	Right- 80D- 14" W- MED
1B,2C,3-6,7B,8	107720	COMP STRT MED EXT ASM 15"W R	Right- 80D- 15" W- MED
1B,2D,3-6,7B,8	107721	COMP STRT MED EXT ASM 16"W R	Right- 80D- 16" W- MED
1B,2E,3-6,7C,8	107722	COMP STRT MED EXT ASM 17"W R	Right- 80D- 17" W- MED
1B,2F,3-6,7C,8	107723	COMP STRT MED EXT ASM 18"W R	Right- 80D- 18" W- MED
1B,2G,3-6,7D,8	107724	COMP STRT MED EXT ASM 19 & 20"W R	Right- 80D- 19 & 20" W- MED
1B,2H,3-6,7D,8	111524	COMP STRT MED EXT ASM 21 & 22"W R	Right- 80D- 21 & 22" W- MED
>>>>		80 DEGREE HANGERS - MED EXT - LEFT	
1B,2A,3-6,7A,8	107725	COMP STRT MED EXT ASM 13"W L	LEFT- 80D- 13" W- MED
1B,2B,3-6,7A,8	107726	COMP STRT MED EXT ASM 14"W L	LEFT- 80D- 14" W- MED
1B,2C,3-6,7B,8	107727	COMP STRT MED EXT ASM 15"W L	LEFT- 80D- 15" W- MED
1B,2D,3-6,7B,8	107728	COMP STRT MED EXT ASM 16"W L	LEFT- 80D- 16" W- MED
1B,2E,3-6,7C,8	107729	COMP STRT MED EXT ASM 17"W L	LEFT- 80D- 17" W- MED
1B,2F,3-6,7C,8	107730	COMP STRT MED EXT ASM 18"W L	LEFT- 80D- 18" W- MED
1B,2G,3-6,7D,8	107731	COMP STRT MED EXT ASM 19 & 20"W L	LEFT- 80D- 19 & 20" W- MED
1B,2H,3-6,7D,8	111525	COMP STRT MED EXT ASM 21 & 22"W L	LEFT- 80D- 21 & 22" W- MED
>>>>		80 DEGREE HANGERS - LONG EXT - RIGHT	
1C,2A,3-6,7A,8	107732	COMP STRT LONG EXT ASM 13"W R	Right- 80D- 13" W- LONG
1C,2B,3-6,7A,8	107733	COMP STRT LONG EXT ASM 14"W R	Right- 80D- 14" W- LONG
1C,2C,3-6,7B,8	107734	COMP STRT LONG EXT ASM 15"W R	Right- 80D- 15" W- LONG
1C,2D,3-6,7B,8	107735	COMP STRT LONG EXT ASM 16"W R	Right- 80D- 16" W- LONG
1C,2E,3-6,7C,8	107736	COMP STRT LONG EXT ASM 17"W R	Right- 80D- 17" W- LONG
1C,2F,3-6,7C,8	107737	COMP STRT LONG EXT ASM 18"W R	Right- 80D- 18" W- LONG
1C,2G,3-6,7D,8	107738	COMP STRT LONG EXT ASM 19 & 20"W R	Right- 80D- 19 & 20" W- LONG
1C,2H,3-6,7D,8	111526	COMP STRT LONG EXT ASM 21 & 22"W R	Right- 80D- 21 & 22" W- LONG
>>>>		80 DEGREE HANGERS - LONG EXT - LEFT	
1C,2A,3-6,7A,8	107739	COMP STRT LONG EXT ASM 13"W L	LEFT- 80D- 13" W- LONG
1C,2B,3-6,7A,8	107740	COMP STRT LONG EXT ASM 14"W L	LEFT- 80D- 14" W- LONG
1C,2C,3-6,7B,8	107741	COMP STRT LONG EXT ASM 15"W L	LEFT- 80D- 15" W- LONG
1C,2D,3-6,7B,8	107742	COMP STRT LONG EXT ASM 16"W L	LEFT- 80D- 16" W- LONG
1C,2E,3-6,7C,8	107743	COMP STRT LONG EXT ASM 17"W L	LEFT- 80D- 17" W- LONG
1C,2F,3-6,7C,8	107744	COMP STRT LONG EXT ASM 18"W L	LEFT- 80D- 18" W- LONG

Pos.	Item Number	Description	Remarks
1C,2G,3-6,7D,8	107745	COMP STRT LONG EXT ASM 19 & 20"W L	LEFT- 80D- 19 & 20" W- LONG
1C,2H,3-6,7D,8	111527	COMP STRT LONG EXT ASM 21 & 22"W L	LEFT- 80D- 21 & 22" W- LONG

Note: Footplate Assemblies are set to footrest width; please see "Footplate Formula" table for seat width conversion.

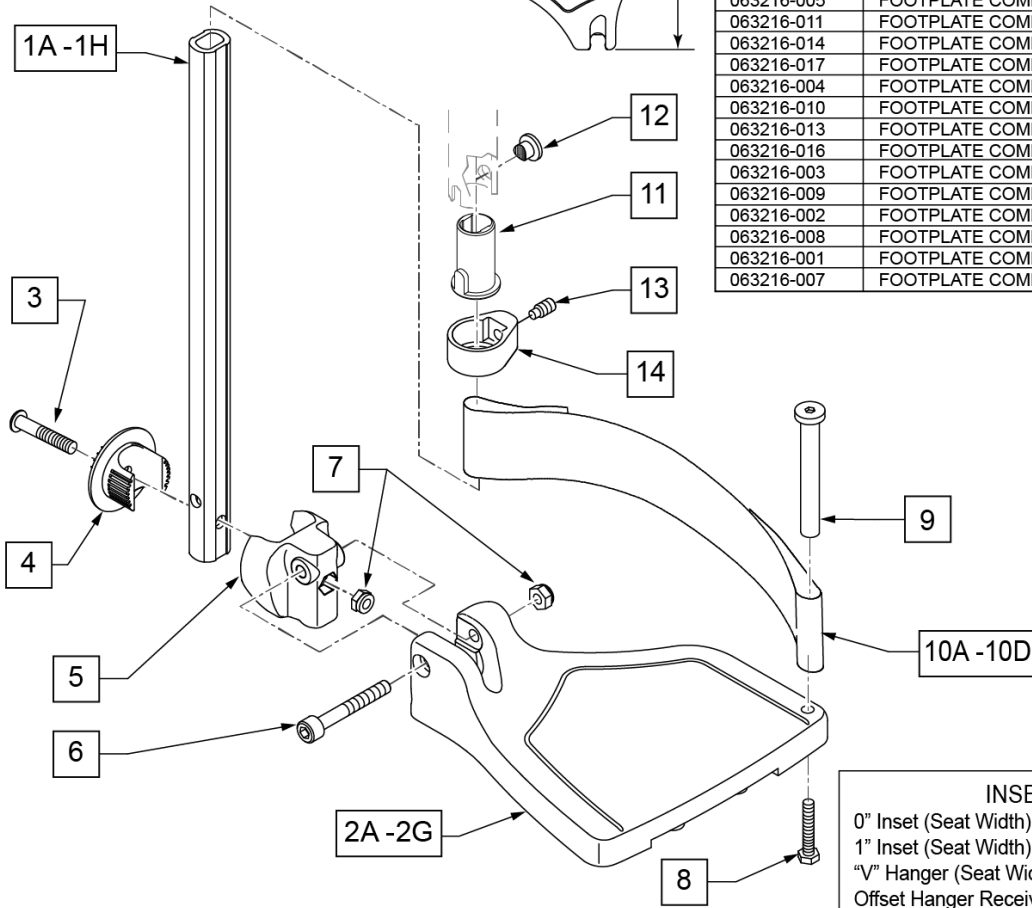
Note: V Style Hangers are not available on Swing Away Style chairs effective 7/14/14; see the "Prior To" ordering guide for V Style footplate assemblies.

To have complete Footrest ship assembled, choose compatible Hanger + Footplate part numbers and add "ASSY-HNG-FP" to order



FOOTPLATE MEASURING GUIDE

PART NO	DESCRIPTION	"A"	"B"
063216-006	FOOTPLATE COMPOSITE 157 R	6 1/8"	6"
063216-012	FOOTPLATE COMPOSITE 157 L	6 1/8"	6"
063216-015	FOOTPLATE COMPOSITE 170 R	6 5/8"	6"
063216-018	FOOTPLATE COMPOSITE 170 L	6 5/8"	6"
063216-005	FOOTPLATE COMPOSITE 182 R	7 1/8"	6"
063216-011	FOOTPLATE COMPOSITE 182 L	7 1/8"	6"
063216-014	FOOTPLATE COMPOSITE 195 R	7 5/8"	6"
063216-017	FOOTPLATE COMPOSITE 195 L	7 5/8"	6"
063216-004	FOOTPLATE COMPOSITE 207 R	8 1/8"	6"
063216-010	FOOTPLATE COMPOSITE 207 L	8 1/8"	6"
063216-013	FOOTPLATE COMPOSITE 220 R	8 5/8"	6 1/4"
063216-016	FOOTPLATE COMPOSITE 220 L	8 5/8"	6 1/4"
063216-003	FOOTPLATE COMPOSITE 232 R	9 1/8"	6 1/4"
063216-009	FOOTPLATE COMPOSITE 232 L	9 1/8"	6 1/4"
063216-002	FOOTPLATE COMPOSITE 257 R	10 1/8"	6 1/4"
063216-008	FOOTPLATE COMPOSITE 257 L	10 1/8"	6 1/4"
063216-001	FOOTPLATE COMPOSITE 282 R	11 1/8"	6 1/4"
063216-007	FOOTPLATE COMPOSITE 282 L	11 1/8"	6 1/4"



INSET FORMULA
 0" Inset (Seat Width) = Footrest Width
 1" Inset (Seat Width) -2" = Footrest Width
 "V" Hanger (Seat Width) -4" = Footrest Width
 Offset Hanger Receiver (Seat Width) +2" = Footrest Width

Pos.	Item Number	Description	Remarks
1A,6,7	120660	SHT STRT EXT COMP HDWR	80 deg hangers only
1B,6,7	120661	MED STRT EXT COMP HDWR	80 deg hangers only
1C,6,7	120662	LNG STRT EXT COMP HDWR	80 deg hangers only
1D,6,7	120663	SHT BNT EXT COMP HDWR	60,70,70 Hemi Hangers
1E,6,7	120664	MED BNT EXT COMP HDWR	60,70,70 Hemi Hangers
1F,6,7	120665	LNG BNT EXT COMP HDWR	60,70,70 Hemi Hangers
1G,6,7	120666	SHT V EXT R COMP HDWR	70 deg V hangers only-LEFT
1G,6,7	120667	SHT V EXT L COMP HDWR	70 deg V hangers only-RIGHT
1H,6,7	120668	LNG V EXT R COMP HDWR	70 deg V hangers only-LEFT

Pos.	Item Number	Description	Remarks
1H,6,7	120669	LNG V EXT L COMP HDWR	70 deg V hangers only-RIGHT
2A	063216-006	COMPOSITE FOOTPLATE RIGHT	RIGHT 15" Footrest Width
2A	063216-012	COMPOSITE FOOTPLATE LEFT	LEFT 15" Footrest Width
2B	063216-015	COMPOSITE FOOTPLATE RIGHT	RIGHT 16" Footrest Width
2B	063216-018	COMPOSITE FOOTPLATE LEFT	LEFT 16" Footrest Width
2C	063216-005	COMPOSITE FOOTPLATE RIGHT	RIGHT 17" Footrest Width
2C	063216-011	COMPOSITE FOOTPLATE LEFT	LEFT 17" Footrest Width
2D	063216-014	COMPOSITE FOOTPLATE RIGHT	RIGHT 18" Footrest Width
2D	063216-017	COMPOSITE FOOTPLATE LEFT	LEFT 18" Footrest Width
2E	063216-004	COMPOSITE FOOTPLATE RIGHT	RIGHT 19" Footrest Width
2E	063216-010	COMPOSITE FOOTPLATE LEFT	LEFT 19" Footrest Width
2F	063216-013	COMPOSITE FOOTPLATE RIGHT	RIGHT 20" Footrest Width
2F	063216-016	COMPOSITE FOOTPLATE LEFT	LEFT 20" Footrest Width
2G	063216-003	COMPOSITE FOOTPLATE RIGHT	RIGHT 21" & 22" Footrest Width
2G	063216-009	COMPOSITE FOOTPLATE LEFT	LEFT 21" & 22" Footrest Width
3	108233	BHCS M6 X 1 X 40	
4	054242	ANGLE COVER	
5	054241	ANGLE SEGMENT	
6	103175	SHCS M6 X 1 X 40 INORG	
7	132626	NUT AUTOMATION M6 X 1.0	
8	102268-001	HHCS M6X1X25	Inserted in bottom of footplate.
9	104328	HEEL LOOP PEG	
10A	104380-001	ADJUSTABLE FOOT REST STRAP	15" Footrest Width
10B	104380-002	ADJUSTABLE FOOT REST STRAP	16" Footrest Width
10C	104380-003	ADJUSTABLE FOOT REST STRAP	17-18" Footrest Width
10D	104380-004	ADJUSTABLE FOOT REST STRAP	19-22" Footrest Width
11	104160	BUSHING FOOTREST	
11-14	107485	FOOTREST CLAMP ASSM	
>>>>		60°,70°,70° HEMI HANGERS - SHORT EXT - RIGHT	
1D,2A,3-10A	107858	CAA BNT SHT EXT ASM 15W R	Right- 60° & 60° & 70° 15 W- SHORT
1D,2B,3-10B	107859	CAA BNT SHT EXT ASM 16W R	Right- 60° & 70° 16 W- SHORT
1D,2C,3-10B	107860	CAA BNT SHT EXT ASM 17W R	Right- 60° & 70° 17 W- SHORT
1D,2D,3-10C	107861	CAA BNT SHT EXT ASM 18W R	Right- 60° & 70° 18 W- SHORT
1D,2E,3-10C	107862	CAA BNT SHT EXT ASM 19W R	Right- 60° & 70° 19 W- SHORT
1D,2F,3-10D	107863	CAA BNT SHT EXT ASM 20W R	Right- 60° & 70° 20 W- SHORT
1D,2G,3-10D	107864	CAA BNT SHT EXT ASM 21&22W R	Right- 60° & 70° 21&22 W- SHORT
>>>>		60°,70°,70° HEMI HANGERS - SHORT EXT - LEFT	
1D,2A,3-10A	107865	CAA BNT SHT EXT ASM 15W L	Left- 60° & 70° 15 W- SHORT
1D,2B,3-10B	107866	CAA BNT SHT EXT ASM 16W L	Left- 60° & 70° 16 W- SHORT
1D,2C,3-10B	107867	CAA BNT SHT EXT ASM 17W L	Left- 60° & 70° 17 W- SHORT
1D,2D,3-10C	107868	CAA BNT SHT EXT ASM 18W L	Left- 60° & 70° 18 W- SHORT
1D,2E,3-10C	107869	CAA BNT SHT EXT ASM 19W L	Left- 60° & 70° 19 W- SHORT
1D,2F,3-10D	107870	CAA BNT SHT EXT ASM 20W L	Left- 60° & 70° 20 W- SHORT
1D,2G,3-10D	107871	CAA BNT SHT EXT ASM 21&22W L	Left- 60° & 70° 21&22 W- SHORT
>>>>		60°,70°,70° HEMI HANGERS - MED EXT - RIGHT	
1E,2A,3-10A	107872	CAA BNT MED EXT ASM 15W R	Right- 60° & 70° 15 W- MED
1E,2B,3-10B	107873	CAA BNT MED EXT ASM 16W R	Right- 60° & 70° 16 W- MED
1E,2C,3-10B	107874	CAA BNT MED EXT ASM 17W R	Right- 60° & 70° 17 W- MED
1E,2D,3-10C	107875	CAA BNT MED EXT ASM 18W R	Right- 60° & 70° 18 W- MED
1E,2E,3-10C	107876	CAA BNT MED EXT ASM 19W R	Right- 60° & 70° 19 W- MED
1E,2F,3-10D	107877	CAA BNT MED EXT ASM 20W R	Right- 60° & 70° 20 W- MED
1E,2G,3-10D	107878	CAA BNT MED EXT ASM 21&22W R	Right- 60° & 70° 21&22 W- MED
>>>>		60°,70°,70° HEMI HANGERS - MED EXT - LEFT	
1E,2A,3-10A	107879	CAA BNT MED EXT ASM 15W L	Left- 60° & 70° 15 W- MED
1E,2B,3-10B	107880	CAA BNT MED EXT ASM 16W L	Left- 60° & 70° 16 W- MED
1E,2C,3-10B	107881	CAA BNT MED EXT ASM 17W L	Left- 60° & 70° 17 W- MED

Pos.	Item Number	Description	Remarks
1E,2D,3-10C	107882	CAA BNT MED EXT ASM 18W L	Left- 60° & 70° 18 W- MED
1E,2E,3-10C	107883	CAA BNT MED EXT ASM 19W L	Left- 60° & 70° 19 W- MED
1E,2F,3-10D	107884	CAA BNT MED EXT ASM 20W L	Left- 60° & 70° 20 W- MED
1E,2G,3-10D	107885	CAA BNT MED EXT ASM 21&22W L	Left- 60° & 70° 21&22 W- MED
>>>>		60°,70°,70° HEMI HANGERS - LONG EXT - RIGHT	
1F,2A,3-10A	107886	CAA BNT LNG EXT ASM 15W R	Right- 60° & 70° 15 W- LONG
1F,2B,3-10B	107887	CAA BNT LNG EXT ASM 16W R	Right- 60° & 70° 16 W- LONG
1F,2C,3-10B	107888	CAA BNT LNG EXT ASM 17W R	Right- 60° & 70° 17 W- LONG
1F,2D,3-10C	107889	CAA BNT LNG EXT ASM 18W R	Right- 60° & 70° 18 W- LONG
1F,2E,3-10C	107890	CAA BNT LNG EXT ASM 19W R	Right- 60° & 70° 19 W- LONG
1F,2F,3-10D	107891	CAA BNT LNG EXT ASM 20W R	Right- 60° & 70° 20 W- LONG
1F,2G,3-10D	107892	CAA BNT LNG EXT ASM 21&22W R	Right- 60° & 70° 21&22 W- LONG
>>>>		60°,70°,70° HEMI HANGERS - LONG EXT - LEFT	
1F,2A,3-10A	107893	CAA BNT LNG EXT ASM 15W L	Left- 60° & 70° 15 W- LONG
1F,2B,3-10B	107894	CAA BNT LNG EXT ASM 16W L	Left- 60° & 70° 16 W- LONG
1F,2C,3-10B	107895	CAA BNT LNG EXT ASM 17W L	Left- 60° & 70° 17 W- LONG
1F,2D,3-10C	107896	CAA BNT LNG EXT ASM 18W L	Left- 60° & 70° 18 W- LONG
1F,2E,3-10C	107897	CAA BNT LNG EXT ASM 19W L	Left- 60° & 70° 19 W- LONG
1F,2F,3-10D	107898	CAA BNT LNG EXT ASM 20W L	Left- 60° & 70° 20 W- LONG
1F,2G,3-10D	107899	CAA BNT LNG EXT ASM 21&22W L	Left- 60° & 70° 21&22 W- LONG
>>>>		70° "V" HANGERS - MED EXT - RIGHT	
1G,2A,3-10A	107900	CAA V MED EXT ASM 15W R	Right- 70° V hangers only 15 W- MED
1G,2B,3-10B	107901	CAA V MED EXT ASM 16W R	Right- 70° V hangers only 16 W- MED
1G,2C,3-10B	107902	CAA V MED EXT ASM 17W R	Right- 70° V hangers only 17 W- MED
1G,2D,3-10C	107903	CAA V MED EXT ASM 18W R	Right- 70° V hangers only 18 W- MED
>>>>		70° "V" HANGERS - MED EXT - LEFT	
1G,2A,3-10A	107907	CAA V MED EXT ASM 15W L	Left- 70° V hangers only 15 W- MED
1G,2B,3-10B	107908	CAA V MED EXT ASM 16W L	Left- 70° V hangers only 16 W- MED
1G,2C,3-10B	107909	CAA V MED EXT ASM 17W L	Left- 70° V hangers only 17 W- MED
1G,2D,3-10C	107910	CAA V MED EXT ASM 18W L	Left- 70° V hangers only 18 W- MED
>>>>		70° "V" HANGERS - LONG EXT - RIGHT	
1H,2A,3-10A	107914	CAA V LNG EXT ASM 15W R	Right- 70° V hangers only 15 W- LONG
1H,2B,3-10B	107915	CAA V LNG EXT ASM 16W R	Right- 70° V hangers only 16 W- LONG
1H,2C,3-10B	107916	CAA V LNG EXT ASM 17W R	Right- 70° V hangers only 17 W- LONG
1H,2D,3-10C	107917	CAA V LNG EXT ASM 18W R	Right- 70° V hangers only 18 W- LONG
>>>>		70° "V" HANGERS - LONG EXT - LEFT	
1H,2A,3-10A	107921	CAA V LNG EXT ASM 15W L	Left- 70° V hangers only 15 W- LONG
1H,2B,3-10B	107922	CAA V LNG EXT ASM 16W L	Left- 70° V hangers only 16 W- LONG
1H,2C,3-10B	107923	CAA V LNG EXT ASM 17W L	Left- 70° V hangers only 17 W- LONG
1H,2D,3-10C	107924	CAA V LNG EXT ASM 18W L	Left- 70° V hangers only 18 W- LONG
>>>>		80° HANGERS - SHORT EXT - RIGHT	
1A,2A,3-10A	107816	CAA STRT SHT EXT ASM 15W R	Right- 80° 15 W- SHORT
1A,2B,3-10B	107817	CAA STRT SHT EXT ASM 16W R	Right- 80° 16 W- SHORT
1A,2C,3-10B	107818	CAA STRT SHT EXT ASM 17W R	Right- 80° 17 W- SHORT
1A,2D,3-10C	107819	CAA STRT SHT EXT ASM 18W R	Right- 80° 18 W- SHORT
1A,2E,3-10C	107820	CAA STRT SHT EXT ASM 19W R	Right- 80° 19 W- SHORT
1A,2F,3-10D	107821	CAA STRT SHT EXT ASM 20W R	Right- 80° 20 W- SHORT
1A,2G,3-10D	107822	CAA STRT SHT EXT ASM 21&22W R	Right- 80° 21&22 W- SHORT
>>>>		80° HANGERS - SHORT EXT - LEFT	
1A,2A,3-10A	107823	CAA STRT SHT EXT ASM 15W L	Left- 80° 15 W- SHORT
1A,2B,3-10B	107824	CAA STRT SHT EXT ASM 16W L	Left- 80° 16 W- SHORT
1A,2C,3-10B	107825	CAA STRT SHT EXT ASM 17W L	Left- 80° 17 W- SHORT
1A,2D,3-10C	107826	CAA STRT SHT EXT ASM 18W L	Left- 80° 18 W- SHORT
1A,2E,3-10C	107827	CAA STRT SHT EXT ASM 19W L	Left- 80° 19 W- SHORT
1A,2F,3-10D	107828	CAA STRT SHT EXT ASM 20W L	Left- 80° 20 W- SHORT
1A,2G,3-10D	107829	CAA STRT SHT EXT ASM 21&22W L	Left- 80° 21&22 W- SHORT

Pos.	Item Number	Description	Remarks
>>>>		80° HANGERS - MED EXT - RIGHT	
1B,2A,3-10A	107830	CAA STRT MED EXT ASM 15W R	Right- 80° 15 W- MED
1B,2B,3-10B	107831	CAA STRT MED EXT ASM 16W R	Right- 80° 16 W- MED
1B,2C,3-10B	107832	CAA STRT MED EXT ASM 17W R	Right- 80° 17 W- MED
1B,2D,3-10C	107833	CAA STRT MED EXT ASM 18W R	Right- 80° 18 W- MED
1B,2E,3-10C	107834	CAA STRT MED EXT ASM 19W R	Right- 80° 19 W- MED
1B,2F,3-10D	107835	CAA STRT MED EXT ASM 20W R	Right- 80° 20 W- MED
1B,2G,3-10D	107836	CAA STRT MED EXT ASM 21&22W R	Right- 80° 21&22 W- MED
>>>>		80° HANGERS - MED EXT - LEFT	
1B,2A,3-10A	107837	CAA STRT MED EXT ASM 15W L	Left- 80° 15 W- MED
1B,2B,3-10B	107838	CAA STRT MED EXT ASM 16W L	Left- 80° 16 W- MED
1B,2C,3-10B	107839	CAA STRT MED EXT ASM 17W L	Left- 80° 17 W- MED
1B,2D,3-10C	107840	CAA STRT MED EXT ASM 18W L	Left- 80° 18 W- MED
1B,2E,3-10C	107841	CAA STRT MED EXT ASM 19W L	Left- 80° 19 W- MED
1B,2F,3-10D	107842	CAA STRT MED EXT ASM 20W L	Left- 80° 20 W- MED
1B,2G,3-10D	107843	CAA STRT MED EXT ASM 21&22W L	Left- 80° 21&22 W- MED
>>>>		80° HANGERS - LONG EXT - RIGHT	
1C,2A,3-10A	107844	CAA STRT LNG EXT ASM 15W R	Right- 80° 15 W- LONG
1C,2B,3-10B	107845	CAA STRT LNG EXT ASM 16W R	Right- 80° 16 W- LONG
1C,2C,3-10B	107846	CAA STRT LNG EXT ASM 17W R	Right- 80° 17 W- LONG
1C,2D,3-10C	107847	CAA STRT LNG EXT ASM 18W R	Right- 80° 18 W- LONG
1C,2E,3-10C	107848	CAA STRT LNG EXT ASM 19W R	Right- 80° 19 W- LONG
1C,2F,3-10D	107849	CAA STRT LNG EXT ASM 20W R	Right- 80° 20 W- LONG
1C,2G,3-10D	107850	CAA STRT LNG EXT ASM 21&22W R	Right- 80° 21&22 W- LONG
>>>>		80° HANGERS - LONG EXT - LEFT	
1C,2A,3-10A	107851	CAA STRT LNG EXT ASM 15W L	Left- 80° 15 W- LONG
1C,2B,3-10B	107852	CAA STRT LNG EXT ASM 16W L	Left- 80° 16 W- LONG
1C,2C,3-10B	107853	CAA STRT LNG EXT ASM 17W L	Left- 80° 17 W- LONG
1C,2D,3-10C	107854	CAA STRT LNG EXT ASM 18W L	Left- 80° 18 W- LONG
1C,2E,3-10C	107855	CAA STRT LNG EXT ASM 19W L	Left- 80° 19 W- LONG
1C,2F,3-10D	107856	CAA STRT LNG EXT ASM 20W L	Left- 80° 20 W- LONG
1C,2G,3-10D	107857	CAA STRT LNG EXT ASM 21&22W L	Left- 80° 21&22 W- LONG
		Ship assembled part #	Use with multiple assemblies
	ASSY-HNG-FP	HANGER/FOOTPLATE ASSY REQUIRED	add with Hanger & Footplate kit

Note: Footplate Assemblies are set to footrest width; please see "Footplate Formula" table for seat width conversion.

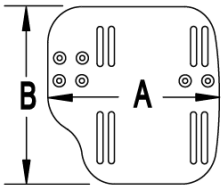
Note: V Style Hangers are not available on Swing Away Style chairs effective 7/14/14; see the "Prior To" ordering guide for V Style footplate assemblies.

Note: for QX Series or SR45 footplate replacement parts see the ordering guide marked specifically for these two models in the informations panel.

To have complete Footrest ship assembled, choose compatible Hanger + Footplate part numbers and add "ASSY-HNG-FP" to order

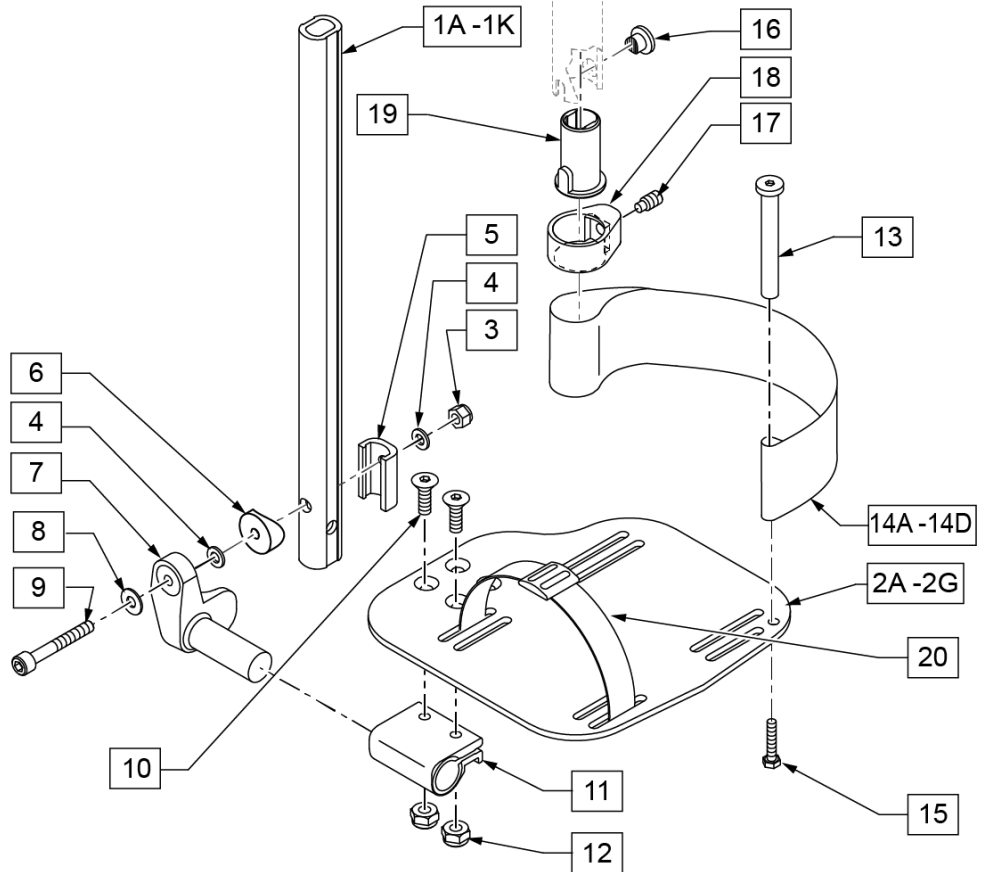
INSET FORMULA
 0" Inset (Seat Width) = Footrest Width
 1" Inset (Seat Width) -2" = Footrest Width
 "V" Hanger (Seat Width) -4" = Footrest Width
 Offset Hanger Receiver (Seat Width) +2" = Footrest Width

MEASURING GUIDE



CHAIR WIDTH	"A"	"B"
10" - 11"	3 1/2"	7 1/4"
12" - 13"	4 1/2"	7 3/4"
14" - 15"	5 1/2"	7 3/4"
16" - 17"	6 1/2"	7 3/4"
18" - 20"	7 1/2"	7 3/4"

21 EXT MNT HARDWARE 1 SIDE			
ITEM #	ILLUSTRATION	DESCRIPTION	QTY
3		NUT AUTOMATION M6 X 1.0 ROHS	1
4		WASHER FLAT THIN AN 1/4	2
5		HANGER EXTENSION SADDLE	1
6		3/4" SADDLE 1" OD	1
8		WASHER FLAT SAE 1/4 ROHS	1
9		SHCS M6 X 1 X 45 12MM PART THD	1



Pos.	Item Number	Description	Remarks
1A,3-6,8,9	120670	SHT STRT EXT AAA HDWR	80 deg Hangers Only
1B,3-6,8,9	120671	MED STRT EXT AAA HDWR	80 deg Hangers Only
1C,3-6,8,9	120672	LNG STRT EXT AAA HDWR	80 deg Hangers Only
1D,3-6,8,9	120673	SHT BNT EXT AAA HDWR	60,70,70 Hemi Hangers
1E,3-6,8,9	120674	MED BNT EXT AAA HDWR	60,70,70 Hemi Hangers

Pos.	Item Number	Description	Remarks
1F,3-6,8,9	120675	LNG BNT EXT AAA HDWR	60,70,70 Hemi Hangers
1G,3-6,8,9	120676	SHT V EXT R AAA HDWR	Left - 70 deg V Hangers Only
1H,3-6,8,9	120677	SHT V EXT L AAA HDWR	Right - 70 deg V Hangers Only
1I,3-6,8,9	120678	LNG V EXT R AAA HDWR	Left - 70 deg V Hangers Only
1J,3-6,8,9	120679	LNG V EXT L AAA HDWR	Right - 70 deg V Hangers Only
2A	500656	ADULT ANG ADJ F/PLT 10/11" R	RIGHT 10-11" Footrest Width
2A	500657	ADULT ANG ADJ F/PLT 10/11" L	LEFT 10-11" Footrest Width
2B	500658	ADULT ANG ADJ F/PLT 12/13" R	RIGHT 12-13" Footrest Width
2B	500659	ADULT ANG ADJ F/PLT 12/13" L	LEFT 12-13" Footrest Width
2C	500660	ADLT ANGL ADJ F/PLT 14/15	RIGHT 14-15" Footrest Width
2C	500661	ADLT ANGL ADJ F/PLT 14/15	LEFT 14-15" Footrest Width
2D	500662	ADLT ANGL ADJ F/PLT 16/17	RIGHT 16-17" Footrest Width
2D	500663	ADLT ANGL ADJ F/PLT 16/17	LEFT 16-17" Footrest Width
2E	500664	ADLT ANGL ADJ F/PLT 18-20	RIGHT 18-22" Footrest Width
2E	500665	ADLT ANGL ADJ F/PLT 18-20	LEFT 18-22" Footrest Width
3	132626	NUT AUTOMATION M6 X 1.0	
4	106944	WASHER FLAT THIN AN 1/4 ROHS	
5	107199	HANGER EXTENSION SADDLE	
6	104377	3/4" SADDLE THIN	
7	541002	FTRST MOUNTING BRKT-3/8 RAD R	RIGHT
7	541003	FTRST MOUNTING BRKT-3/8 RAD L	LEFT
8	106945	WASHER FLAT SAE 1/4 ROHS	
9	104399	SHCS M6X1X45 12 MM PART THD	
10	106978	FHCS 1/4-28 X 7/8 ROHS	
11	550350	3/4" CLMP ADJ FT PLT	
12	106935	NUT NYLOCK THIN 1/4-28 ROHS	
13	104328	POST HEEL LOOP	
14A	104380-001	ADJUSTABLE FOOT REST STRAP	12 - 14" WIDE
14B	104380-002	ADJUSTABLE FOOT REST STRAP	15 - 16" WIDE
14C	104380-003	ADJUSTABLE FOOT REST STRAP	17 - 18" WIDE
14D	104380-004	ADJUSTABLE FOOT REST STRAP	19 - 20" WIDE
15	102268-001	HHCS M6 X 1 X 25	
16-19	107485	FOOTREST CLAMP ASSM	
20	740260	TOE-ANKLE STRAP ADJ ADULT FOOTPLATE	
21	120659	EXT MNT HARDWARE 1 SIDE	
>>>>		80° HANGERS - SHORT EXT - RIGHT	
1A,2B,3-14A,15	111534	AAA STRT SHT EXT ASM 12-13" W R	Right- 80D- 12-13" W- SHORT
1A,2C,3-14B,15	107928	AAA STRT SHT EXT ASM 14-15" W R	Right- 80D- 14-15" W- SHORT
1A,2D,3-14C,15	107930	AAA STRT SHT EXT ASM 16-17" W R	Right- 80D- 16-17" W- SHORT
1A,2E,3-14D,15	107932	AAA STRT SHT EXT ASM 18-22" W R	Right- 80D- 18-22" W- SHORT
>>>>		80° HANGERS - SHORT EXT - LEFT	
1A,2B,3-14A,15	111535	AAA STRT SHT EXT ASM 12-13" W L	Left- 80D- 12-13" W- SHORT
1A,2C,3-14B,15	107935	AAA STRT SHT EXT ASM 14" W L	Left- 80D- 14-15" W- SHORT
1A,2D,3-14C,15	107937	AAA STRT SHT EXT ASM 16" W L	Left- 80D- 16-17" W- SHORT
1A,2E,3-14D,15	107939	AAA STRT SHT EXT ASM 18" W L	Left- 80D- 18-22" W- SHORT
>>>>		80° HANGERS - MED EXT - RIGHT	
1B,2B,3-14A,15	111536	AAA STRT MED EXT ASM 12-13" W R	Right- 80D- 12-13" W- MED
1B,2C,3-14B,15	107942	AAA STRT MED EXT ASM 14-15" W R	Right- 80D- 14-15" W- MED
1B,2D,3-14C,15	107944	AAA STRT MED EXT ASM 16-17" W R	Right- 80D- 16-17" W- MED
1B,2E,3-14D,15	107946	AAA STRT MED EXT ASM 18-22" W R	Right- 80D- 18-22" W- MED
>>>>		80° HANGERS - MED EXT - LEFT	
1B,2B,3-14A,15	111537	AAA STRT MED EXT ASM 12-13" W L	Left- 80D- 12-13" W- MED
1B,2C,3-14B,15	107949	AAA STRT MED EXT ASM 14" W L	Left- 80D- 14-15" W- MED
1B,2D,3-14C,15	107951	AAA STRT MED EXT ASM 16" W L	Left- 80D- 16-17" W- MED
1B,2E,3-14D,15	107953	AAA STRT MED EXT ASM 18" W L	Left- 80D- 18-22" W- MED
>>>>		80° HANGERS - LONG EXT - RIGHT	

Pos.	Item Number	Description	Remarks
1C,2B,3-14A,15	111538	AAA STRT LNG EXT ASM 12-13" W R	Right- 80D- 12-13" W- LONG
1C,2C,3-14B,15	107956	AAA STRT LNG EXT ASM 14 -15" W R	Right- 80D- 14-15" W- LONG
1C,2D,3-14C,15	107958	AAA STRT LNG EXT ASM 16 -17" W R	Right- 80D- 16-17" W- LONG
1C,2E,3-14D,15	107960	AAA STRT LNG EXT ASM 18 -22" W R	Right- 80D- 18-22" W- LONG
>>>>		80° HANGERS - LONG EXT - LEFT	
1C,2B,3-14A,15	111539	AAA STRT LNG EXT ASM 12-13" W L	Left- 80D- 12-13" W- LONG
1C,2C,3-14B,15	107963	AAA STRT LNG EXT ASM 14W L	Left- 80D- 14-15" W- LONG
1C,2D,3-14C,15	107965	AAA STRT LNG EXT ASM 16W L	Left- 80D- 16-17" W- LONG
1C,2E,3-14D,15	107968	AAA STRT LNG EXT ASM 18W L	Left- 80D- 18-22" W- LONG
>>>>		70° HANGERS - SHORT EXT - RIGHT	
1D,2B,3-14A,15	111540	AAA BNT SHT EXT ASM 12-13" W R	Right- 60D,70D,70D HEMI - 12-13" W- SHORT
1D,2C,3-14B,15	107973	AAA BNT SHT EXT ASM 14 -15" W R	Right- 60D,70D,70D HEMI - 14-15" W- SHORT
1D,2D,3-14C,15	107975	AAA BNT SHT EXT ASM 16 -17" W R	Right- 60D,70D,70D HEMI - 16-17" W- SHORT
1D,2E,3-14D,15	107977	AAA BNT SHT EXT ASM 18 -22" W R	Right- 60D,70D,70D HEMI - 18-22" W- SHORT
>>>>		70° HANGERS - SHORT EXT - LEFT	
1D,2B,3-14A,15	111541	AAA BNT SHT EXT ASM 12-13" W L	Left- 60D,70D,70D HEMI - 12-13" W- SHORT
1D,2C,3-14B,15	107980	AAA BNT SHT EXT ASM 14 -15" W L	Left- 60D,70D,70D HEMI - 14-15" W- SHORT
1D,2D,3-14C,15	107982	AAA BNT SHT EXT ASM 16 -17" W L	Left- 60D,70D,70D HEMI - 16-17" W- SHORT
1D,2E,3-14D,15	107984	AAA BNT SHT EXT ASM 18 -22" W L	Left- 60D,70D,70D HEMI - 18-22" W- SHORT
>>>>		70° HANGERS - MED EXT - RIGHT	
1E,2B,3-14A,15	111542	AAA BNT MED EXT ASM 12-13" W R	Right- 60D,70D,70D HEMI - 12-13" W- MED
1E,2C,3-14B,15	107987	AAA BNT MED EXT ASM 14 -15" W R	Right- 60D,70D,70D HEMI - 14-15" W- MED
1E,2D,3-14C,15	107989	AAA BNT MED EXT ASM 16 -17" W R	Right- 60D,70D,70D HEMI - 16-17" W- MED
1E,2E,3-14D,15	107991	AAA BNT MED EXT ASM 18 -22" W R	Right- 60D,70D,70D HEMI - 18-22" W- MED
>>>>		70° HANGERS - MED EXT - LEFT	
1E,2B,3-14A,15	111543	AAA BNT MED EXT ASM 12-13" W L	Left- 60D,70D,70D HEMI - 12-13" W- MED
1E,2C,3-14B,15	107994	AAA BNT MED EXT ASM 14 -15" W L	Left- 60D,70D,70D HEMI - 14-15" W- MED
1E,2D,3-14C,15	107996	AAA BNT MED EXT ASM 16 -17" W L	Left- 60D,70D,70D HEMI - 16-17" W- MED
1E,2E,3-14D,15	107998	AAA BNT MED EXT ASM 18 -22" W L	Left- 60D,70D,70D HEMI - 18-22" W- MED
>>>>		70° HANGERS - LONG EXT - RIGHT	
1F,2B,3-14A,15	111544	AAA BNT LONG EXT ASM 12-13" W R	Right- 60D,70D,70D HEMI - 12-13" W- LONG
1F,2C,3-14B,15	108001	AAA BNT LONG EXT ASM 14 -15" W R	Right- 60D,70D,70D HEMI - 14-15" W- LONG
1F,2D,3-14C,15	108003	AAA BNT LONG EXT ASM 16 -17" W R	Right- 60D,70D,70D HEMI - 16-17" W- LONG
1F,2E,3-14D,15	108005	AAA BNT LONG EXT ASM 18 -22" W R	Right- 60D,70D,70D HEMI - 18-22" W- LONG
>>>>		70° HANGERS - LONG EXT - LEFT	
1F,2B,3-14A,15	111545	AAA BNT LONG EXT ASM 12-13" W L	Left- 60D,70D,70D HEMI - 12-13" W- LONG
1F,2C,3-14B,15	108008	AAA BNT LONG EXT ASM 14 -15" W L	Left- 60D,70D,70D HEMI - 14-15" W- LONG
1F,2D,3-14C,15	108010	AAA BNT LONG EXT ASM 16 -17" W L	Left- 60D,70D,70D HEMI - 16-17" W- LONG
1F,2E,3-14D,15	108012	AAA BNT LONG EXT ASM 18 -22" W L	Left- 60D,70D,70D HEMI - 18-22" W- LONG
>>>>		70° "V" HANGERS - MED EXT - RIGHT	
1G,2A,3-15	111546	AAA V MED EXT ASM 10-11" W R	Right- 70D V hangers only 10-11" W- MED
1G,2B,3-15	111548	AAA V MED EXT ASM 12-13" W R	Right- 70D V hangers only 12-13" W- MED
1G,2C,3-15	108015	AAA V MED EXT ASM 14 -15" W R	Right- 70D V hangers only 14-15" W- MED
1G,2D,3-15	108017	AAA V MED EXT ASM 16 -17" W R	Right- 70D V hangers only 16-18" W- MED
1G,2E,3-15	108019	AAA V MED EXT ASM 18 -18" W R	Right- 70D V hangers only 18-22" W- MED
>>>>		70° "V" HANGERS - MED EXT - LEFT	
1G,2A,3-15	111547	AAA V MED EXT ASM 10-11" W L	Left- 70D V hangers only 10-11" W- MED
1G,2B,3-15	111549	AAA V MED EXT ASM 12-13" W L	Left- 70D V hangers only 12-13" W- MED
1G,2C,3-15	108022	AAA V MED EXT ASM 14 -15" W L	Left- 70D V hangers only 14-15" W- MED
1G,2D,3-15	108024	AAA V MED EXT ASM 16 -17" W L	Left- 70D V hangers only 16-18" W- MED
1G,2E,3-15	108026	AAA V MED EXT ASM 18 -22" W L	Left- 70D V hangers only 18-22" W- MED
>>>>		70° "V" HANGERS - LONG EXT - RIGHT	
1H,2A,3-15	111550	AAA V LONG EXT ASM 10-11" W R	Right- 70D V hangers only 10-11" W- LONG
1H,2B,3-15	111552	AAA V LONG EXT ASM 12-13" W R	Right- 70D V hangers only 12-13" W- LONG
1H,2C,3-15	108029	AAA V LONG EXT ASM 14 -15" W R	Right- 70D V hangers only 14-15" W- LONG
1H,2D,3-15	108031	AAA V LONG EXT ASM 16 -17" W R	Right- 70D V hangers only 16-18" W- LONG

Pos.	Item Number	Description	Remarks
1H,2E,3-15	108033	AAA V LONG EXT ASM 18 -22: W R	Right- 70D V hangers only 18-22" W- LONG
>>>>		70° "V" HANGERS - LONG EXT - LEFT	
1H,2A,3-15	111551	AAA V LONG EXT ASM 10-11" W L	Left- 70D V hangers only 10-11" W- LONG
1H,2B,3-15	111553	AAA V LONG EXT ASM 12-13" W L	Left- 70D V hangers only 12-13" W- LONG
1H,2C,3-15	108036	AAA V LONG EXT ASM 14 -15" W L	Left- 70D V hangers only 14-15" W- LONG
1H,2D,3-15	108038	AAA V LONG EXT ASM 16 -17" W L	Left- 70D V hangers only 16-18" W- LONG
1H,2E,3-15	108040	AAA V LONG EXT ASM 18 -22" W L	Left- 70D V hangers only 18-22" W- LONG
		Ship assembled part #	Use with multiple assemblies
	ASSY-HNG-FP	HANGER/FOOTPLATE ASSY REQUIRED	add with Hanger & Footplate kit

Note: Footplate Assemblies are set to footrest width; please see "Footplate Formula" table for seat width conversion.

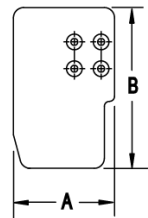
Note: Zippie Iris (ZRS&ZRSE) and Zippie TS (Z1A&Z1SE) only use Straight Extension Tube.

Note: V Style Hangers are not available on Swing Away Style chairs effective 7/14/14; see the "Prior To" ordering guide for V Style footplate assemblies.

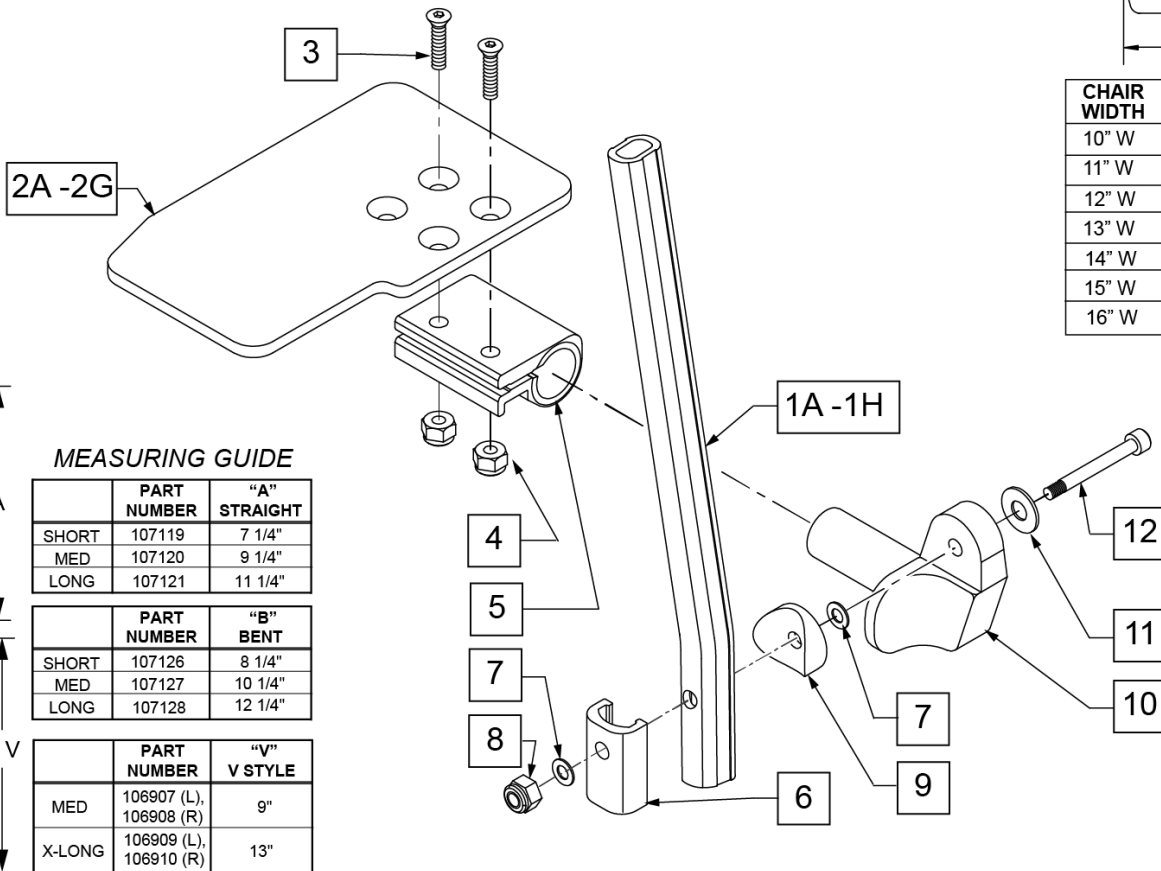
To have complete Footrest ship assembled, choose compatible Hanger + Footplate part numbers and add "ASSY-HNG-FP" to order

FOOTPLATE FORMULA
 0" Inset (Seat Width) = Footrest Width
 1" Inset (Seat Width) - 2 = Footrest Width
 V Hanger (Seat Width) - 4 = Footrest Width
 Offset Hanger Receiver (Seat Width) + 2" = Footrest Width

MEASURING GUIDE



CHAIR WIDTH	"A"	"B"
10" W	3.55"	6.00"
11" W	4.05"	6.00"
12" W	4.55"	6.00"
13" W	5.05"	6.00"
14" W	5.55"	6.00"
15" W	6.05"	6.00"
16" W	6.55"	6.00"



MEASURING GUIDE

	PART NUMBER	"A" STRAIGHT
SHORT	107119	7 1/4"
MED	107120	9 1/4"
LONG	107121	11 1/4"

	PART NUMBER	"B" BENT
SHORT	107126	8 1/4"
MED	107127	10 1/4"
LONG	107128	12 1/4"

	PART NUMBER	"V" V STYLE
MED	106907 (L), 106908 (R)	9"
X-LONG	106909 (L), 106910 (R)	13"

Pos.	Item Number	Description	Remarks
1A	107119	TUBE FOOTREST EXT STRAIGHT SHORT	80 deg hangers only
1B	107120	TUBE FOOTREST EXT STRAIGHT MED	80 deg hangers only
1C	107121	TUBE FOOTREST EXT STRAIGHT LONG	80 deg hangers only
1D	107126	TUBE FOOTREST EXT SHORT	60,70,70 Hemi Hangers
1E	107127	TUBE FOOTREST EXT MED	60,70,70 Hemi Hangers

Pos.	Item Number	Description	Remarks
1F	107128	TUBE FOOTREST EXT LONG	60,70,70 Hemi Hangers
1G	106907	EXT TUBE V ONLY D2 MED LEFT	70 deg V hangers only-LEFT
1G	106908	EXT TUBE V ONLY D2 MED RIGHT	70 deg V hangers only-RIGHT
1H	106909	EXT TUBE V ONLY D2 X-LONG LEFT	70 deg V hangers only-LEFT
1H	106910	EXT TUBE V ONLY D2 X-LONG RIGHT	70 deg V hangers only-RIGHT
2A	500635	KIDS ANGL ADJ F/PLT 10" R	RIGHT -10" Footrest Width
2A	500636	KIDS ANGL ADJ F/PLT 10" L	LEFT -10" Footrest Width
2B	500637	KIDS ANGL ADJ F/PLT 11" R	RIGHT -11" Footrest Width
2B	500638	KIDS ANGL ADJ F/PLT 11" L	LEFT -11" Footrest Width
2C	500639	KIDS ANGL ADJ F/PLT 12" R	RIGHT -12" Footrest Width
2C	500640	KIDS ANGL ADJ F/PLT 12" L	LEFT -12" Footrest Width
2D	500641	KIDS ANGL ADJ F/PLT 13" R	RIGHT -13" Footrest Width
2D	500642	KIDS ANGL ADJ F/PLT 13" L	LEFT -13" Footrest Width
2E	500643	KIDS ANGL ADJ F/PLT 14" R	RIGHT -14" Footrest Width
2E	500644	KIDS ANGL ADJ F/PLT 14" L	LEFT -14" Footrest Width
2F	500645	KIDS ANGL ADJ F/PLT 15" R	RIGHT -15" Footrest Width
2F	500646	KIDS ANGL ADJ F/PLT 15" L	LEFT -15" Footrest Width
2G	500647	KIDS ANGL ADJ F/PLT 16" R	RIGHT -16" Footrest Width
2G	500648	KIDS ANGL ADJ F/PLT 16" L	LEFT -16" Footrest Width
3	106978	FHCS 1/4 -28 x 7/8 ROHS	
4	106935	NUT NYLOCK THIN 1/4-28 ROHS	
5	550350	3/4" CLAMP ADJ FT PLT	
6	107199	HANGER EXTENSION SADDLE	
7	106944	WASHER FLAT THIN AN 1/4 ROHS	
8	132626	NUT AUTOMATION M6 x 1.0	
9	104377	3/4" SADDLE THIN	
10	541002	FOOTREST MOUNTING BRKT 3/8 RAD R	RIGHT
10	541003	FOOTREST MOUNTING BRKT 3/8 RAD L	LEFT
11	106945	WASHER FLAT SAE 1/4 ROHS	
12	104399	SHCS M6 x 1 x 45 12mm PART THD	
1A,2C,3-12	111310	KAA STRT SHT EXT ASM 12W R	RIGHT- 80D- 12 W- SHORT
1A,2D,3-12	111311	KAA STRT SHT EXT ASM 13W R	RIGHT- 80D- 13 W- SHORT
1A,2E,3-12	111312	KAA STRT SHT EXT ASM 14W R	RIGHT- 80D- 14 W- SHORT
1A,2F,3-12	111313	KAA STRT SHT EXT ASM 15W R	RIGHT- 80D- 15 W- SHORT
1A,2G,3-12	111314	KAA STRT SHT EXT ASM 16W R	RIGHT- 80D- 16 W- SHORT
1A,2C,3-12	111315	KAA STRT SHT EXT ASM 12W L	LEFT- 80D- 12 W- SHORT
1A,2D,3-12	111316	KAA STRT SHT EXT ASM 13W L	LEFT- 80D- 13 W- SHORT
1A,2E,3-12	111317	KAA STRT SHT EXT ASM 14W L	LEFT- 80D- 14 W- SHORT
1A,2F,3-12	111318	KAA STRT SHT EXT ASM 15W L	LEFT- 80D- 15 W- SHORT
1A,2G,3-12	111319	KAA STRT SHT EXT ASM 16W L	LEFT- 80D- 16 W- SHORT
1B,2C,3-12	111320	KAA STRT MED EXT ASM 12W R	RIGHT- 80D- 12 W- MED
1B,2D,3-12	111321	KAA STRT MED EXT ASM 13W R	RIGHT- 80D- 13 W- MED
1B,2E,3-12	111322	KAA STRT MED EXT ASM 14W R	RIGHT- 80D- 14 W- MED
1B,2F,3-12	111323	KAA STRT MED EXT ASM 15W R	RIGHT- 80D- 15 W- MED
1B,2G,3-12	111324	KAA STRT MED EXT ASM 16W R	RIGHT- 80D- 16 W- MED
1B,2C,3-12	111325	KAA STRT MED EXT ASM 12W L	LEFT- 80D- 12 W- MED
1B,2D,3-12	111326	KAA STRT MED EXT ASM 13W L	LEFT- 80D- 13 W- MED
1B,2E,3-12	111327	KAA STRT MED EXT ASM 14W L	LEFT- 80D- 14 W- MED
1B,2F,3-12	111328	KAA STRT MED EXT ASM 15W L	LEFT- 80D- 15 W- MED
1B,2G,3-12	111329	KAA STRT MED EXT ASM 16W L	LEFT- 80D- 16 W- MED
1C,2C,3-12	111330	KAA STRT LNG EXT ASM 12W R	RIGHT- 80D- 12 W- LONG
1C,2D,3-12	111331	KAA STRT LNG EXT ASM 13W R	RIGHT- 80D- 13 W- LONG
1C,2E,3-12	111332	KAA STRT LNG EXT ASM 14W R	RIGHT- 80D- 14 W- LONG
1C,2F,3-12	111333	KAA STRT LNG EXT ASM 15W R	RIGHT- 80D- 15 W- LONG
1C,2G,3-12	111334	KAA STRT LNG EXT ASM 16W R	RIGHT- 80D- 16 W- LONG
1C,2C,3-12	111335	KAA STRT LNG EXT ASM 12W L	LEFT- 80D- 12 W- LONG

Pos.	Item Number	Description	Remarks
1C,2D,3-12	111336	KAA STRT LNG EXT ASM 13W L	LEFT- 80D- 13 W- LONG
1C,2E,3-12	111337	KAA STRT LNG EXT ASM 14W L	LEFT- 80D- 14 W- LONG
1C,2F,3-12	111338	KAA STRT LNG EXT ASM 15W L	LEFT- 80D- 15 W- LONG
1C,2G,3-12	111339	KAA STRT LNG EXT ASM 16W L	LEFT- 80D- 16 W- LONG
1D,2C,3-12	111340	KAA BNT SHT EXT ASM 12W R	RIGHT- 60 & 70D- 12 W- SHORT
1D,2D,3-12	111341	KAA BNT SHT EXT ASM 13W R	RIGHT- 60 & 70D- 13 W- SHORT
1D,2E,3-12	111342	KAA BNT SHT EXT ASM 14W R	RIGHT- 60 & 70D- 14 W- SHORT
1D,2F,3-12	111343	KAA BNT SHT EXT ASM 15W R	RIGHT- 60 & 70D- 15 W- SHORT
1D,2G,3-12	111344	KAA BNT SHT EXT ASM 16W R	RIGHT- 60 & 70D- 16 W- SHORT
1D,2C,3-12	111345	KAA BNT SHT EXT ASM 12W L	LEFT- 70D- 12 W- SHORT
1D,2D,3-12	111346	KAA BNT SHT EXT ASM 13W L	LEFT- 70D- 13 W- SHORT
1D,2E,3-12	111347	KAA BNT SHT EXT ASM 14W L	LEFT- 70D- 14 W- SHORT
1D,2F,3-12	111348	KAA BNT SHT EXT ASM 15W L	LEFT- 70D- 15 W- SHORT
1D,2G,3-12	111349	KAA BNT SHT EXT ASM 16W L	LEFT- 70D- 16 W- SHORT
1E,2C,3-12	111350	KAA BNT MED EXT ASM 12W R	RIGHT- 70D- 12 W- MED
1E,2D,3-12	111351	KAA BNT MED EXT ASM 13W R	RIGHT- 70D- 13 W- MED
1E,2E,3-12	111352	KAA BNT MED EXT ASM 14W R	RIGHT- 60 & 70D- 14 W- MED
1E,2F,3-12	111353	KAA BNT MED EXT ASM 15W R	RIGHT- 60 & 70D- 15 W- MED
1E,2G,3-12	111354	KAA BNT MED EXT ASM 16W R	RIGHT- 60 & 70D- 16 W- MED
1E,2C,3-12	111355	KAA BNT MED EXT ASM 12W L	LEFT- 60 & 70D- 12 W- MED
1E,2D,3-12	111356	KAA BNT MED EXT ASM 13W L	LEFT- 60 & 70D- 13 W- MED
1E,2E,3-12	111357	KAA BNT MED EXT ASM 14W L	LEFT- 60 & 70D- 14 W- MED
1E,2F,3-12	111358	KAA BNT MED EXT ASM 15W L	LEFT- 60 & 70D- 15 W- MED
1E,2G,3-12	111359	KAA BNT MED EXT ASM 16W L	LEFT- 60 & 70D- 16 W- MED
1F,2C,3-12	111360	KAA BNT LNG EXT ASM 12W R	RIGHT- 60 & 70D- 12 W- LONG
1F,2D,3-12	111361	KAA BNT LNG EXT ASM 13W R	RIGHT- 60 & 70D- 13 W- LONG
1F,2E,3-12	111362	KAA BNT LNG EXT ASM 14W R	RIGHT- 60 & 70D- 14 W- LONG
1F,2F,3-12	111363	KAA BNT LNG EXT ASM 15W R	RIGHT- 60 & 70D- 15 W- LONG
1F,2G,3-12	111364	KAA BNT LNG EXT ASM 16W R	RIGHT- 60 & 70D- 16 W- LONG
1F,2C,3-12	111365	KAA BNT LNG EXT ASM 12W L	LEFT- 60 & 70D- 12 W- LONG
1F,2D,3-12	111366	KAA BNT LNG EXT ASM 13W L	LEFT- 60 & 70D- 13 W- LONG
1F,2E,3-12	111367	KAA BNT LNG EXT ASM 14W L	LEFT- 60 & 70D- 14 W- LONG
1F,2F,3-12	111368	KAA BNT LNG EXT ASM 15W L	LEFT- 60 & 70D- 15 W- LONG
1F,2G,3-12	111369	KAA BNT LNG EXT ASM 16W L	LEFT- 60 & 70D- 16 W- LONG
1G,2A,3-12	111370	KAA V MED EXT ASM 10W R	RIGHT- 70D V hangers only 10 W- MED
1G,2B,3-12	111371	KAA V MED EXT ASM 11W R	RIGHT- 70D V hangers only 11 W- MED
1G,2C,3-12	111372	KAA V MED EXT ASM 12W R	RIGHT- 70D V hangers only 12 W- MED
1G,2D,3-12	111373	KAA V MED EXT ASM 13W R	RIGHT- 70D V hangers only 13 W- MED
1G,2E,3-12	111374	KAA V MED EXT ASM 14W R	RIGHT- 70D V hangers only 14 W- MED
1G,2F,3-12	111375	KAA V MED EXT ASM 15W R	RIGHT- 70D V hangers only 15 W- MED
1G,2G,3-12	111376	KAA V MED EXT ASM 16W R	RIGHT- 70D V hangers only 16 W- MED
1G,2A,3-12	111377	KAA V MED EXT ASM 10W L	LEFT- 70D V hangers only 10 W- MED
1G,2B,3-12	111378	KAA V MED EXT ASM 11W L	LEFT- 70D V hangers only 11 W- MED
1G,2C,3-12	111379	KAA V MED EXT ASM 12W L	LEFT- 70D V hangers only 12 W- MED
1G,2D,3-12	111380	KAA V MED EXT ASM 13W L	LEFT- 70D V hangers only 13 W- MED
1G,2E,3-12	111381	KAA V MED EXT ASM 14W L	LEFT- 70D V hangers only 14 W- MED
1G,2F,3-12	111382	KAA V MED EXT ASM 15W L	LEFT- 70D V hangers only 15 W- MED
1G,2G,3-12	111383	KAA V MED EXT ASM 16W L	LEFT- 70D V hangers only 16 W- MED
1H,2A,3-12	111384	KAA V LNG EXT ASM 10W R	RIGHT- 70D V hangers only 10 W- LONG
1H,2B,3-12	111385	KAA V LNG EXT ASM 11W R	RIGHT- 70D V hangers only 11 W- LONG
1H,2C,3-12	111386	KAA V LNG EXT ASM 12W R	RIGHT- 70D V hangers only 12 W- LONG
1H,2D,3-12	111387	KAA V LNG EXT ASM 13W R	RIGHT- 70D V hangers only 13 W- LONG
1H,2E,3-12	111388	KAA V LNG EXT ASM 14W R	RIGHT- 70D V hangers only 14 W- LONG
1H,2F,3-12	111389	KAA V LNG EXT ASM 15W R	RIGHT- 70D V hangers only 15 W- LONG
1H,2G,3-12	111390	KAA V LNG EXT ASM 16W R	RIGHT- 70D V hangers only 16 W- LONG
1H,2A,3-12	111391	KAA V LNG EXT ASM 10W L	LEFT- 70D V hangers only 10 W- LONG

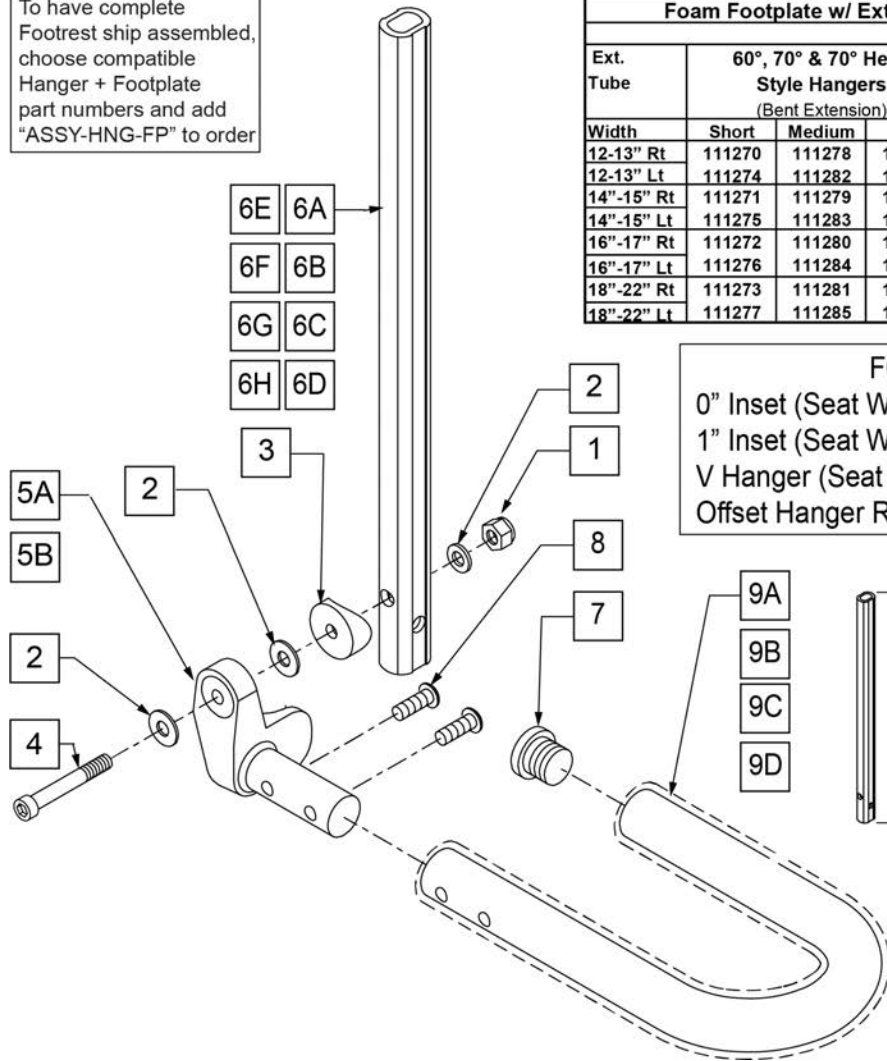
Pos.	Item Number	Description	Remarks
1H,2B,3-12	111392	KAA V LNG EXT ASM 11W L	LEFT- 70D V hangers only 11 W- LONG
1H,2C,3-12	111393	KAA V LNG EXT ASM 12W L	LEFT- 70D V hangers only 12 W- LONG
1H,2D,3-12	111394	KAA V LNG EXT ASM 13W L	LEFT- 70D V hangers only 13 W- LONG
1H,2E,3-12	111395	KAA V LNG EXT ASM 14W L	LEFT- 70D V hangers only 14 W- LONG
1H,2F,3-12	111396	KAA V LNG EXT ASM 15W L	LEFT- 70D V hangers only 15 W- LONG
1H,2G,3-12	111397	KAA V LNG EXT ASM 16W L	LEFT- 70D V hangers only 16 W- LONG
		Ship assembled part #	Use with multiple assemblies
	ASSY-HNG-FP	HANGER/FOOTPLATE ASSY REQUIRED	add with Hanger & Footplate kit

Note: Footplate Assemblies are set to footrest width; please see "Footplate Formula" table for seat width conversion.

Note: V Style Hangers are not available on Swing Away Style chairs effective 7/14/14; see the "Prior To" ordering guide for V Style footplate assemblies.

To have complete Footrest ship assembled, choose compatible Hanger + Footplate part numbers and add "ASSY-HNG-FP" to order

Foam Footplate w/ Ext. for Swing I/O Hangers -leg strap not included								
(Order 1 each)								
Ext. Tube	60°, 70° & 70° Hemi Style Hangers (Bent Extension)			80° Style hanger (Straight Extension)			70° V Style Hangers	
	Short	Medium	Long	Short	Medium	Long	Medium	Long
12-13" Rt	111270	111278	111286	111246	111254	111262	111294	111302
12-13" Lt	111274	111282	111290	111250	111258	111266	111298	111306
14"-15" Rt	111271	111279	111287	111247	111255	111263	111295	111303
14"-15" Lt	111275	111283	111291	111251	111259	111267	111299	111307
16"-17" Rt	111272	111280	111288	111248	111256	111264	111296	111304
16"-17" Lt	111276	111284	111292	111252	111260	111268	111300	111308
18"-22" Rt	111273	111281	111289	111249	111257	111265	111297	111305
18"-22" Lt	111277	111285	111293	111253	111261	111269	111301	111309



FOOTPLATE FORMULA
 0" Inset (Seat Width) = Footrest Width
 1" Inset (Seat Width) -2 = Footrest Width
 V Hanger (Seat Width) -4 = Footrest Width
 Offset Hanger Receiver (Seat Width) +2" = Footrest Width

MEASURING GUIDE

	PART NUMBER	"A" STRAIGHT
SHORT	107119	7 1/4"
MED	107120	9 1/4"
LONG	107121	11 1/4"

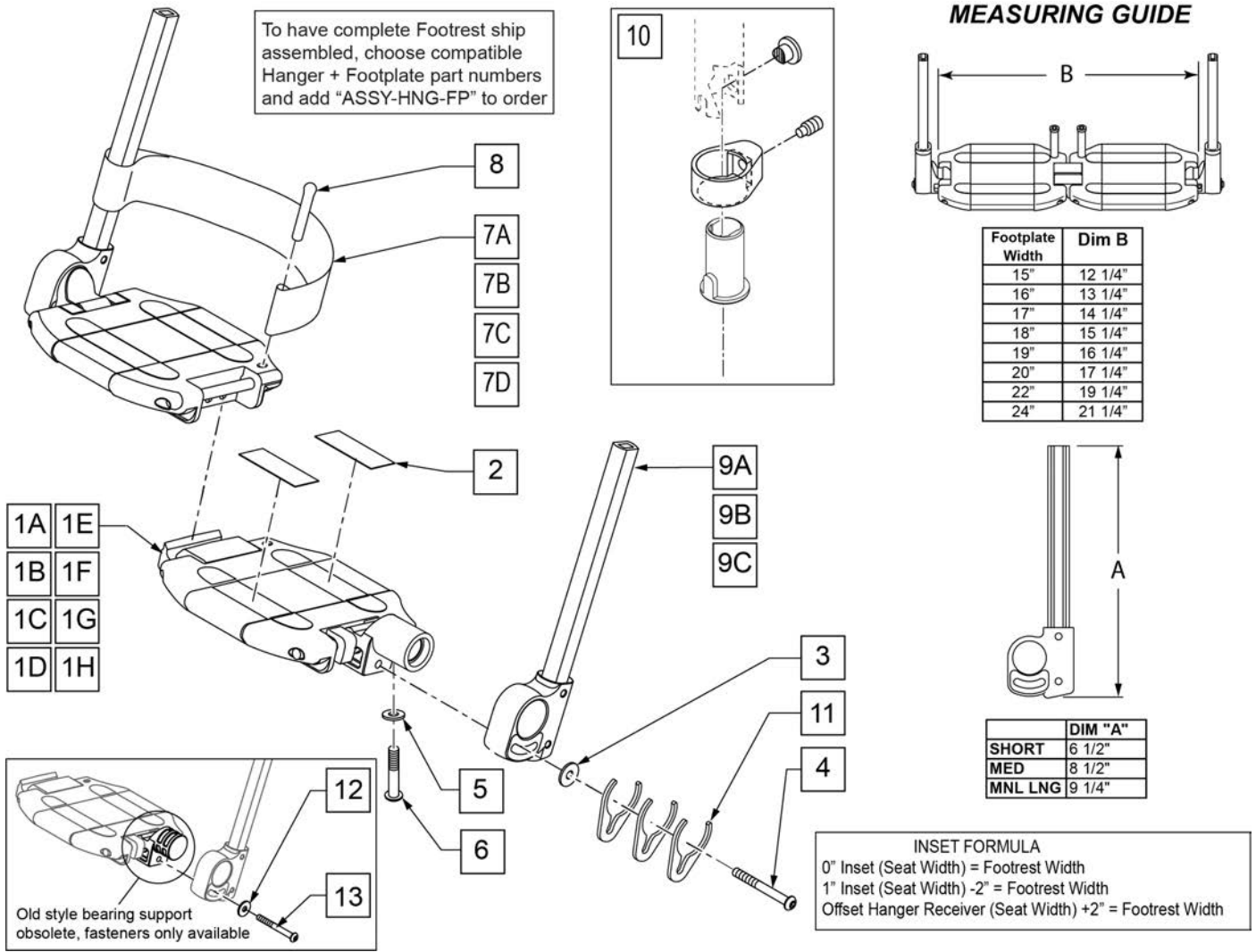
	PART NUMBER	"B" BENT
SHORT	107126	8 1/4"
MED	107127	10 1/4"
LONG	107128	12 1/4"

	PART NUMBER	"V" V STYLE
MED	106907 (L), 106908 (R)	9"
X-LONG	106909 (L), 106910 (R)	13"

Pos.	Item Number	Description	Remarks
1	132626	NUT AUTOMATION M6 X 1.0	
2	107383	WASHER FLAT M6 ROHS	
3	561055	3/4" SADDLE 1" OD	
4	104399	SHCS M6X1X45 12 MM PART THD	
5	541002	FTRST MOUNTING BRKT-3/8 RAD R	RIGHT
5	541003	FTRST MOUNTING BRKT-3/8 RAD L	LEFT
6A	107119	SHORT STRAIGHT	80 deg Hangers only
6B	107120	MED STRAIGHT	80 deg Hangers only
6C	107121	LONG STRAIGHT	80 deg Hangers only

Pos.	Item Number	Description	Remarks
6D	107126	SHORT BENT	60,70,70 Hemi Hangers
6E	107127	MED BENT	60,70,70 Hemi Hangers
6F	107128	LONG BENT	60,70,70 Hemi Hangers
6G	106907	EXT TUBE V ONLY D2 MED L	70 deg V Hangers only-LEFT
6G	106908	EXT TUBE V ONLY D2 MED R	70 deg V Hangers only-RIGHT
6H	106909	EXT TUBE V ONLY D2 X-LONG L	70 deg V Hangers only-LEFT
6H	106910	EXT TUBE V ONLY D2 X-LONG R	70 deg V Hangers only-RIGHT
7	560735	7/8" ROUND TUBE PLUG	
8	226168	1/4-28 X .875 BH C/S	
5,7-9A	820422	FT REST LOOP 12 RIGHT	RIGHT 12-13" Footrest Width
5,7-9A	820423	FT REST LOOP 12 LEFT	LEFT 12-13" Footrest Width
5,7-9B	820424	FT REST LOOP 14 RIGHT	RIGHT 14-15" Footrest Width
5,7-9B	820425	FT REST LOOP 14 LEFT	LEFT 14-15" Footrest Width
5,7-9C	820426	FT REST LOOP 16 RIGHT	RIGHT 16-17" Footrest Width
5,7-9C	820427	FT REST LOOP 16 LEFT	LEFT 16-17" Footrest Width
5,7-9D	820428	FT REST LOOP 18 RIGHT	RIGHT 18-19" Footrest Width
5,7-9D	820429	FT REST LOOP 18 LEFT	LEFT 16-19" Footrest Width
1-5,6A,7-8,9A	111246	FOAM STRT SHT EXT ASM 12W R	RIGHT- 80D- 12"-13" W- SHORT
1-5,6A,7-8,9B	111247	FOAM STRT SHT EXT ASM 14W R	RIGHT- 80D- 14"-15" W- SHORT
1-5,6A,7-8,9C	111248	FOAM STRT SHT EXT ASM 16W R	RIGHT- 80D- 16"-17" W- SHORT
1-5,6A,7-8,9D	111249	FOAM STRT SHT EXT ASM 18W R	RIGHT- 80D- 18"-22" W- SHORT
1-5,6A,7-8,9A	111250	FOAM STRT SHT EXT ASM 12W L	LEFT- 80D- 12"-13" W- SHORT
1-5,6A,7-8,9B	111251	FOAM STRT SHT EXT ASM 14W L	LEFT- 80D- 14"-15" W- SHORT
1-5,6A,7-8,9C	111252	FOAM STRT SHT EXT ASM 16W L	LEFT- 80D- 16"-17" W- SHORT
1-5,6A,7-8,9D	111253	FOAM STRT SHT EXT ASM 18W L	LEFT- 80D- 18"-22" W- SHORT
1-5,6B,7-8,9A	111254	FOAM STRT MED EXT ASM 12W R	RIGHT- 80D- 12"-13" W- MED
1-5,6B,7-8,9B	111255	FOAM STRT MED EXT ASM 14W R	RIGHT- 80D- 14"-15" W- MED
1-5,6B,7-8,9C	111256	FOAM STRT MED EXT ASM 16W R	RIGHT- 80D- 16"-17" W- MED
1-5,6B,7-8,9D	111257	FOAM STRT MED EXT ASM 18W R	RIGHT- 80D- 18"-22" W- MED
1-5,6B,7-8,9A	111258	FOAM STRT MED EXT ASM 12W L	LEFT- 80D- 12"-13" W- MED
1-5,6B,7-8,9B	111259	FOAM STRT MED EXT ASM 14W L	LEFT- 80D- 14"-15" W- MED
1-5,6B,7-8,9C	111260	FOAM STRT MED EXT ASM 16W L	LEFT- 80D- 16"-17" W- MED
1-5,6B,7-8,9D	111261	FOAM STRT MED EXT ASM 18W L	LEFT- 80D- 18"-22" W- MED
1-5,6C,7-8,9A	111262	FOAM STRT LNG EXT ASM 12W R	RIGHT- 80D- 12"-13" W- LONG
1-5,6C,7-8,9B	111263	FOAM STRT LNG EXT ASM 14W R	RIGHT- 80D- 14"-15" W- LONG
1-5,6C,7-8,9C	111264	FOAM STRT LNG EXT ASM 16W R	RIGHT- 80D- 16"-17" W- LONG
1-5,6C,7-8,9D	111265	FOAM STRT LNG EXT ASM 18W R	RIGHT- 80D- 18"-22" W- LONG
1-5,6C,7-8,9A	111266	FOAM STRT LNG EXT ASM 12W L	LEFT- 80D- 12"-13" W- LONG
1-5,6C,7-8,9B	111267	FOAM STRT LNG EXT ASM 14W L	LEFT- 80D- 14"-15" W- LONG
1-5,6C,7-8,9C	111268	FOAM STRT LNG EXT ASM 16W L	LEFT- 80D- 16"-17" W- LONG
1-5,6C,7-8,9D	111269	FOAM STRT LNG EXT ASM 18W L	LEFT- 80D- 18"-22" W- LONG
1-5,6D,7-8,9A	111270	FOAM BNT SHT EXT ASM 12W R	RIGHT- 70D- 12"-13" W- SHORT
1-5,6D,7-8,9B	111271	FOAM BNT SHT EXT ASM 14W R	RIGHT- 70D- 14"-15" W- SHORT
1-5,6D,7-8,9C	111272	FOAM BNT SHT EXT ASM 16W R	RIGHT- 70D- 16"-17" W- SHORT
1-5,6D,7-8,9D	111273	FOAM BNT SHT EXT ASM 18W R	RIGHT- 70D- 18"-22" W- SHORT
1-5,6D,7-8,9A	111274	FOAM BNT SHT EXT ASM 12W L	LEFT- 70D- 12"-13" W- SHORT
1-5,6D,7-8,9B	111275	FOAM BNT SHT EXT ASM 14W L	LEFT- 70D- 14"-15" W- SHORT
1-5,6D,7-8,9C	111276	FOAM BNT SHT EXT ASM 16W L	LEFT- 70D- 16"-17" W- SHORT
1-5,6D,7-8,9D	111277	FOAM BNT SHT EXT ASM 18W L	LEFT- 70D- 18"-22" W- SHORT
1-5,6E,7-8,9A	111278	FOAM BNT MED EXT ASM 12W R	RIGHT- 70D- 12"-13" W- MED
1-5,6E,7-8,9B	111279	FOAM BNT MED EXT ASM 14W R	RIGHT- 70D- 14"-15" W- MED
1-5,6E,7-8,9C	111280	FOAM BNT MED EXT ASM 16W R	RIGHT- 70D- 16"-17" W- MED
1-5,6E,7-8,9D	111281	FOAM BNT MED EXT ASM 18W R	RIGHT- 70D- 18"-22" W- MED
1-5,6E,7-8,9A	111282	FOAM BNT MED EXT ASM 12W L	LEFT- 70D- 12"-13" W- MED
1-5,6E,7-8,9B	111283	FOAM BNT MED EXT ASM 14W L	LEFT- 70D- 14"-15" W- MED
1-5,6E,7-8,9C	111284	FOAM BNT MED EXT ASM 16W L	LEFT- 70D- 16"-17" W- MED

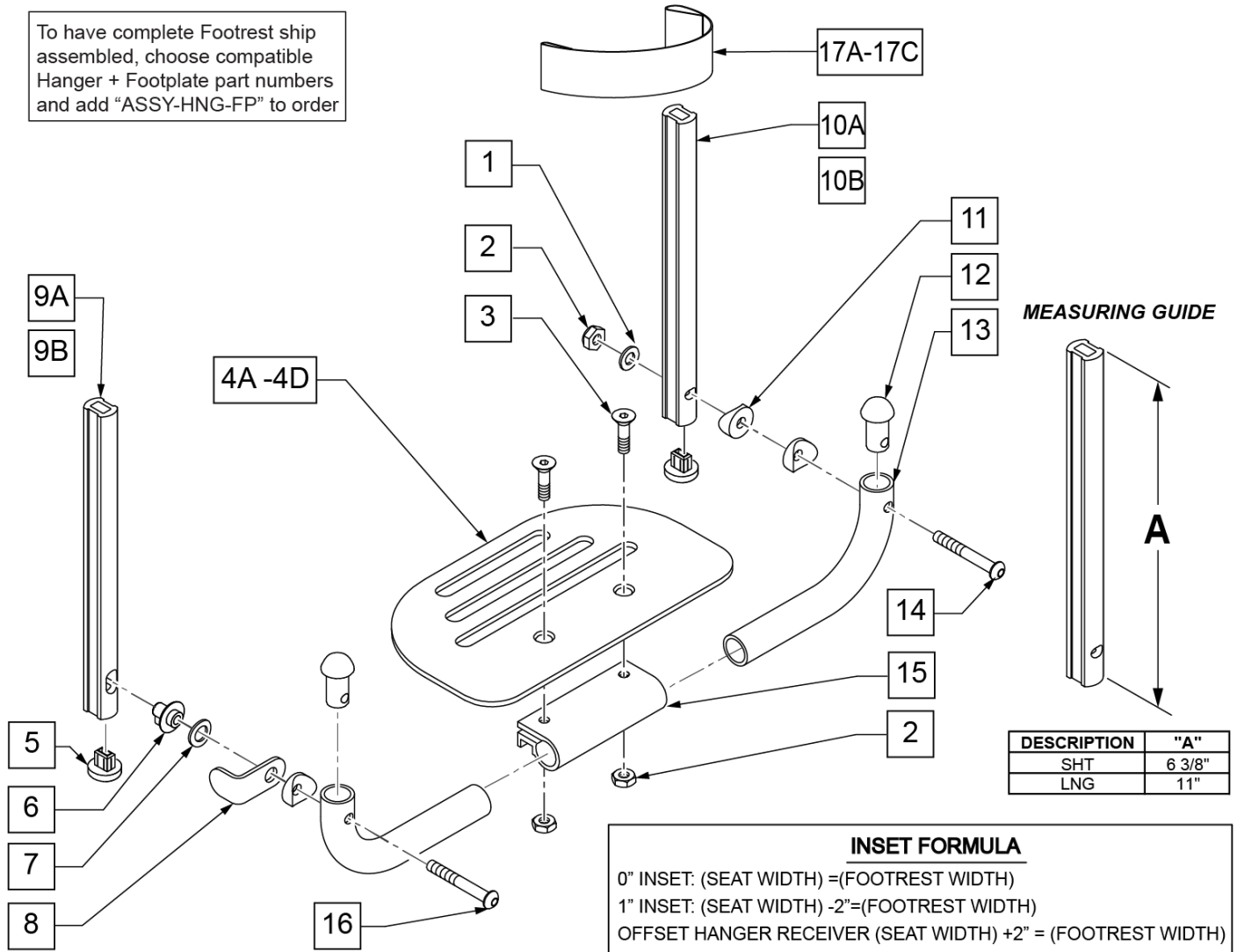
Pos.	Item Number	Description	Remarks
1-5,6E,7-8,9D	111285	FOAM BNT MED EXT ASM 18W L	LEFT- 70D- 18"-22" W- MED
1-5,6F,7-8,9A	111286	FOAM BNT LNG EXT ASM 12W R	RIGHT- 70D- 12"-13" W- LONG
1-5,6F,7-8,9B	111287	FOAM BNT LNG EXT ASM 14W R	RIGHT- 70D- 14"-15" W- LONG
1-5,6F,7-8,9C	111288	FOAM BNT LNG EXT ASM 16W R	RIGHT- 70D- 16"-17" W- LONG
1-5,6F,7-8,9D	111289	FOAM BNT LNG EXT ASM 18W R	RIGHT- 70D- 18"-22" W- LONG
1-5,6F,7-8,9A	111290	FOAM BNT LNG EXT ASM 12W L	LEFT- 70D- 12"-13" W- LONG
1-5,6F,7-8,9B	111291	FOAM BNT LNG EXT ASM 14W L	LEFT- 70D- 14"-15" W- LONG
1-5,6F,7-8,9C	111292	FOAM BNT LNG EXT ASM 16W L	LEFT- 70D- 16"-17" W- LONG
1-5,6F,7-8,9D	111293	FOAM BNT LNG EXT ASM 18W L	LEFT- 70D- 18"-22" W- LONG
1-5,6G,7-8,9A	111294	FOAM V MED EXT ASM 12W R	RIGHT- 70D V Hangers only 12"-13" W- MED
1-5,6G,7-8,9B	111295	FOAM V MED EXT ASM 14W R	RIGHT- 70D V Hangers only 14"-15" W- MED
1-5,6G,7-8,9C	111296	FOAM V MED EXT ASM 16W R	RIGHT- 70D V Hangers only 16"-17" W- MED
1-5,6G,7-8,9D	111297	FOAM V MED EXT ASM 18W R	RIGHT- 70D V Hangers only 18"-22" W- MED
1-5,6G,7-8,9A	111298	FOAM V MED EXT ASM 12W L	LEFT- 70D V Hangers only 12"-13" W- MED
1-5,6G,7-8,9B	111299	FOAM V MED EXT ASM 14W L	LEFT- 70D V Hangers only 14"-15" W- MED
1-5,6G,7-8,9C	111300	FOAM V MED EXT ASM 16W L	LEFT- 70D V Hangers only 16"-17" W- MED
1-5,6G,7-8,9D	111301	FOAM V MED EXT ASM 18W L	LEFT- 70D V Hangers only 18"-22" W- MED
1-5,6H,7-8,9A	111302	FOAM V LNG EXT ASM 12W R	RIGHT- 70D V Hangers only 12"-13" W- LONG
1-5,6H,7-8,9B	111303	FOAM V LNG EXT ASM 14W R	RIGHT- 70D V Hangers only 14"-15" W- LONG
1-5,6H,7-8,9C	111304	FOAM V LNG EXT ASM 16W R	RIGHT- 70D V Hangers only 16"-17" W- LONG
1-5,6H,7-8,9D	111305	FOAM V LNG EXT ASM 18W R	RIGHT- 70D V Hangers only 18"-22" W- LONG
1-5,6H,7-8,9A	111306	FOAM V LNG EXT ASM 12W L	LEFT- 70D V Hangers only 12"-13" W- LONG
1-5,6H,7-8,9B	111307	FOAM V LNG EXT ASM 14W L	LEFT- 70D V Hangers only 14"-15" W- LONG
1-5,6H,7-8,9C	111308	FOAM V LNG EXT ASM 16W L	LEFT- 70D V Hangers only 16"-17" W- LONG
1-5,6H,7-8,9D	111309	FOAM V LNG EXT ASM 18W L	LEFT- 70D V Hangers only 18"-22" W- LONG
		Ship assembled part #	Use with multiple assemblies
	ASSY-HNG-FP	HANGER/FOOTPLATE ASSY REQUIRED	add with Hanger & Footplate kit



Pos.	Item Number	Description	Remarks
2	360010	FOOT BOARD SKID TAPE	
3	250070	M6 WASHER	
4	210000	M6 x 55 8.8 BUTTON HD CAP SCRW	
5	106944	1/4 AN WASHER FLAT THIN	
6	106958	1/4-20 x 1 HEX C/S	
7A	741151	HEEL LOOP 14-15 CMPST EA 13.24 44	15" Footrest Width
7B	741156	HEEL LOOP 18-20 CMPST HEMI	16 -17" Footrest Width
7C	741153	HEEL LOOP 18-20 CMPST/14-15 ANG ADJ	18 -20" Footrest Width
7D	741253	HEEL LOOP ADLT ADJ F/PLT 18-20	21 & 22" Footrest Width
8	561040	HEEL LOOP PEG	
9A	109780	EXT TUBE PLTFRM SMALL ASSM	SMALL EXT
9B	109781	EXT TUBE PLTFRM MEDIUM ASSM	MEDIUM EXT
9C	109782	EXT TUBE PLTFRM LONG ASSM	LONG EXT
10	107485	FOOTREST CLAMP ASSM	
1A,2-7A,8,11	820620	LOCKING FTPLT 15" W LEFT	Left -15" Footrest Width
1A,2-7A,8,11	820621	LOCKING FTPLT 15" W RIGHT	Right -15" Footrest Width
1B,2-7B,8,11	820622	LOCKING FTPLT 16" W LEFT	Left -16" Footrest Width
1B,2-7B,8,11	820623	LOCKING FTPLT 16" W RIGHT	Right -16" Footrest Width

Pos.	Item Number	Description	Remarks
1C,2-7B,8,11	820624	LOCKING FTPLT 17" W LEFT	Left -17" Footrest Width
1C,2-7B,8,11	820625	LOCKING FTPLT 17" W RIGHT	Right -17" Footrest Width
1D,2-7C,8,11	820626	LOCKING FTPLT 18" W LEFT	Left -18" Footrest Width
1D,2-7C,8,11	820627	LOCKING FTPLT 18" W RIGHT	Right -18" Footrest Width
1E,2-7C,8,11	820628	LOCKING FTPLT 19" W LEFT	Left -19" Footrest Width
1E,2-7C,8,11	820629	LOCKING FTPLT 19" W RIGHT	Right -19" Footrest Width
1F,2-7C,8,11	820630	LOCKING FTPLT 20" W LEFT	Left -20" Footrest Width
1F,2-7C,8,11	820631	LOCKING FTPLT 20" W RIGHT	Right -20" Footrest Width
1H,2-7D,8,11	820632	LOCKING FTPLT 22" W LEFT	Left -22" Footrest Width
1H,2-7D,8,11	820633	LOCKING FTPLT 22" W RIGHT	Right -22" Footrest Width
		FOOTPLATE W/ SMALL EXT	
1A,2-7A,8,9A,11	109783	15" W LOCKING F/PLT SMALL EXT HL	Small Ext 15" Footrest Width
1B,2-7B,8,9A,11	109787	16" W LOCKING F/PLT SMALL EXT HL	Small Ext 16" Footrest Width
1C,2-7B,8,9A,11	109790	17" W LOCKING F/PLT SMALL EXT HL	Small Ext 17" Footrest Width
1D,2-7C,8,9A,11	109793	18" W LOCKING F/PLT SMALL EXT HL	Small Ext 18" Footrest Width
1E,2-7C,8,9A,11	109796	19" W LOCKING F/PLT SMALL EXT HL	Small Ext 19" Footrest Width
1F,2-7C,8,9A,11	109799	20" W LOCKING F/PLT SMALL EXT HL	Small Ext 20" Footrest Width
1G,2-7D,8,9A,11	109802	21" W LOCKING F/PLT SMALL EXT HL	Small Ext 21" Footrest Width
1H,2-7D,8,9A,11	109805	22" W LOCKING F/PLT SMALL EXT HL	Small Ext 22" Footrest Width
		FOOTPLATE W/ MED EXT	
1A,2-7A,8,9B,11	109784	15" W LOCKING F/PLT MED EXT HL	Med Ext 15" Footrest Width
1B,2-7B,8,9B,11	109788	16" W LOCKING F/PLT MED EXT HL	Med Ext 16" Footrest Width
1C,2-7B,8,9B,11	109791	17" W LOCKING F/PLT MED EXT HL	Med Ext 17" Footrest Width
1D,2-7C,8,9B,11	109794	18" W LOCKING F/PLT MED EXT HL	Med Ext 18" Footrest Width
1E,2-7C,8,9B,11	109797	19" W LOCKING F/PLT MED EXT HL	Med Ext 19" Footrest Width
1F,2-7C,8,9B,11	109800	20" W LOCKING F/PLT MED EXT HL	Med Ext 20" Footrest Width
1G,2-7D,8,9B,11	109803	21" W LOCKING F/PLT MED EXT HL	Med Ext 21" Footrest Width
1H,2-7D,8,9B,11	109806	22" W LOCKING F/PLT MED EXT HL	Med Ext 22" Footrest Width
		FOOTPLATE W/ LONG EXT	
1A,2-7A,8,9C,11	109786	15" W LOCKING F/PLT LONG EXT HL	Long Ext 15" Footrest Width
1B,2-7B,8,9C,11	109789	16" W LOCKING F/PLT LONG EXT HL	Long Ext 16" Footrest Width
1C,2-7B,8,9C,11	109792	17" W LOCKING F/PLT LONG EXT HL	Long Ext 17" Footrest Width
1D,2-7C,8,9C,11	109795	18" W LOCKING F/PLT LONG EXT HL	Long Ext 18" Footrest Width
1E,2-7C,8,9C,11	109798	19" W LOCKING F/PLT LONG EXT HL	Long Ext 19" Footrest Width
1F,2-7C,8,9C,11	109801	20" W LOCKING F/PLT LONG EXT HL	Long Ext 20" Footrest Width
1G,2-7D,8,9C,11	109804	21" W LOCKING F/PLT LONG EXT HL	Long Ext 21" Footrest Width
1H,2-7D,8,9C,11	109807	22" W LOCKING F/PLT LONG EXT HL	Long Ext 22" Footrest Width
		Ship assembled part #	Use with multiple assemblies
	ASSY-HNG-FP	HANGER/FOOTPLATE ASSY REQUIRED	add with Hanger & Footplate kit
12	250070	M6 WASHER	
13	210000	M6 x 55 8.8 BUTTON HD CAP SCRW	

To have complete Footrest ship assembled, choose compatible Hanger + Footplate part numbers and add "ASSY-HNG-FP" to order



Pos.	Item Number	Description	Remarks
1	106944	WASHER FLAT THIN AN 1/4 ROHS	
2	106941	NUT AUTOMATION 1/4-28 ROHS	
3	106978	FHCS 1/4-28 X 7/8 ROHS	
4A	500651	PLATFORM F/PLT 8 x 5 1/2"	12 -14" Footrest Width
4B	500652	PLATFORM F/PLT 10" x 5 1/2"	15 -17" Footrest Width
4C	500653	PLATFORM F/PLT 12" x 5 1/2"	18 -20" Footrest Width
4D	500654	PLATFORM F/PLT 14" x 5 1/2"	21 -22" Footrest Width
5	113221	PLUG DOUBLE D EXT TUBE	
6	540410	F/UP FOOTREST KEY STUD D2	
7	107385	WASHER CURVED 3/8 ROHS	
8	505078	FOOTREST RETAINING BRACKET	
9A	106875	EXT TBE F/UP KEY SHT	Short -Latch Side
9B	106876	EXT TBE F/UP KEY LNG	Long -Latch Side
10A	106873	EXT TBE F/UP SLT SHT	Short -Pivot Side
10B	106874	EXT TBE F/UP SLT LNG	Long -Pivot Side
11	561003	3/4" SADDLE THIN	
12	561034	SHORT DOME PLUG	

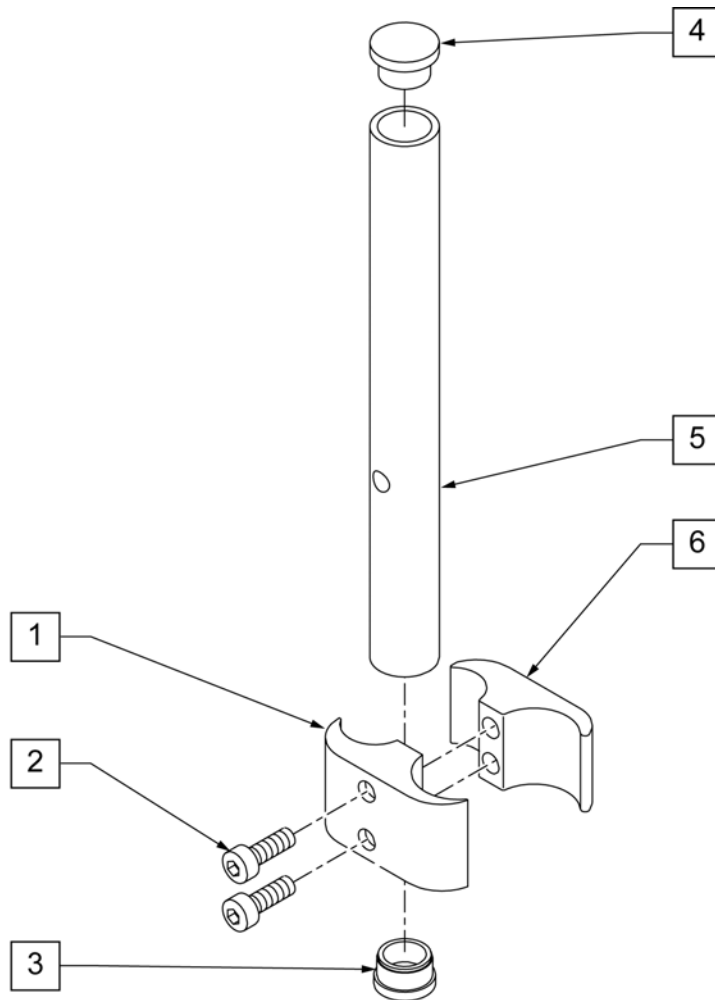
Pos.	Item Number	Description	Remarks
14	106964	BHCS 1/4-28 X 2 ROHS	
15	550351	PLATFORM FOOTPLATE CLAMP	
16	107027	BHCS 1/4-28 X 1-1/4 SHLDR ROHS	
17A	740130	LEG STRAP 10"-14" BLK	12-14" Footrest Width
17B	740131	LEG STRAP 15"-17" BLK	15-17" Footrest Width
17C	740132	LEG STRAP 18"-20" BLK	18-20" Footrest Width
1-4A,6-8,11-16	900306	PLTFM F/P PLT BLK 12" D2 W/ INSTR	12" Footrest Width
1-4A,6-8,11-16	900307	PLTFM F/P PLT BLK 13" D2 W/ INSTR	13" Footrest Width
1-4A,6-8,11-16	900308	PLTFM F/P PLT BLK 14" D2 W /INSTR	14" Footrest Width
1-4B,6-8,11-16	900309	PLTFM F/P PLT BLK 15" D2 W /INSTR	15" Footrest Width
1-4B,6-8,11-16	900310	PLTFM F/P PLT BLK 16" D2 W /INSTR	16" Footrest Width
1-4B,6-8,11-16	900311	PLTFM F/P PLT BLK 17" D2 W /INSTR	17" Footrest Width
1-4C,6-8,11-16	900312	PLTFM F/P PLT BLK 18" D2 W /INSTR	18" Footrest Width
1-4C,6-8,11-16	900313	PLTFM F/P PLT BLK 19" D2 W /INSTR	19" Footrest Width
1-4C,6-8,11-16	900314	PLTFM F/P PLT BLK 20" D2 W/ INSTR	20" Footrest Width
1-4D,6-8,11-16	900315	PLTFM F/P PLT BLK 21" D2 W/ INSTR	21" Footrest Width
1-4D,6-8,11-16	900316	PLTFM F/P PLT BLK 22" D2 W/ INSTR	22" Footrest Width
		SHORT EXT ASSEMBLIES	
1-3,4A,5-8,9A,10B,11-16,17A	108043	PLTFRM FLIP FTRST SHT 12W	12" wide (Short)
1-3,4A,5-8,9A,10B,11-16,17A	108044	PLTFRM FLIP FTRST SHT 13W	13" wide (Short)
1-3,4A,5-8,9A,10B,11-16,17A	108045	PLTFRM FLIP FTRST SHT 14W	14" wide (Short)
1-3,4B,5-8,9A,10B,11-16,17B	108046	PLTFRM FLIP FTRST SHT 15W	15" wide (Short)
1-3,4B,5-8,9A,10B,11-16,17B	108047	PLTFRM FLIP FTRST SHT 16W	16" wide (Short)
1-3,4B,5-8,9A,10B,11-16,17B	108048	PLTFRM FLIP FTRST SHT 17W	17" wide (Short)
1-3,4C,5-8,9A,10B,11-16,17C	108049	PLTFRM FLIP FTRST SHT 18W	18" wide (Short)
1-3,4C,5-8,9A,10B,11-16,17C	108051	PLTFRM FLIP FTRST SHT 19W	19" wide (Short)
1-3,4C,5-8,9A,10B,11-16,17C	108052	PLTFRM FLIP FTRST SHT 20W	20" wide (Short)
1-3,4D,5-8,9A,10B,11-16,17C	111554	PLTFRM FLIP FTRST SHT 21W	21" wide (Short)
1-3,4D,5-8,9A,10B,11-16,17C	111555	PLTFRM FLIP FTRST SHT 22W	22" wide (Short)
		LONG EXT ASSEMBLIES	
1-3,4A,5-8,9B,10A,11-16,17A	108053	PLTFRM FLIP FTRST LONG 12W	12" wide (Long)
1-3,4A,5-8,9B,10A,11-16,17A	108054	PLTFRM FLIP FTRST LONG 13W	13" wide (Long)
1-3,4A,5-8,9B,10A,11-16,17A	108055	PLTFRM FLIP FTRST LONG 14W	14" wide (Long)
1-3,4B,5-8,9B,10A,11-16,17B	108056	PLTFRM FLIP FTRST LONG 15W	15" wide (Long)
1-3,4B,5-8,9B,10A,11-16,17B	108057	PLTFRM FLIP FTRST LONG 16W	16" wide (Long)
1-3,4B,5-8,9B,10A,11-16,17B	108058	PLTFRM FLIP FTRST LONG 17W	17" wide (Long)
1-3,4C,5-8,9B,10A,11-16,17C	108059	PLTFRM FLIP FTRST LONG 18W	18" wide (Long)
1-3,4C,5-8,9B,10A,11-16,17C	108060	PLTFRM FLIP FTRST LONG 19W	19" wide (Long)
1-3,4C,5-8,9B,10A,11-16,17C	108061	PLTFRM FLIP FTRST LONG 20W	20" wide (Long)
1-3,4D,5-8,9B,10A,11-16,17C	111556	PLTFRM FLIP FTRST LONG 21W	21" wide (Long)
1-3,4D,5-8,9B,10A,11-16,17C	111557	PLTFRM FLIP FTRST LONG 22W	22" wide (Long)
		Ship assembled part #	Use with multiple assemblies
	ASSY-HNG-FP	HANGER/FOOTPLATE ASSY REQUIRED	add with Hanger & Footplate kit

NOTE: only available with Adult Angle Adjustable (AAA) or Kids Angle Adjustable (KAA) Footplates.

NOTE: if retrofitting to an existing chair with Front Mount Hangers, new Adult Angle Adjustable (AAA) or Kids Angle Adjustable (KAA) Footplates with High Mount Extension Tubes are required. See Footplate Ordering Guide.

NOTE: if retrofitting to an existing chair with extension tube mounted hangers (D2 extension tubes) with Adult Angle Adjustable (AAA) or Kids Angle Adjustable (KAA) Footplates, order 2 each of 226167 and 561055 to mount the footplates onto the round high-mount extension tubes.

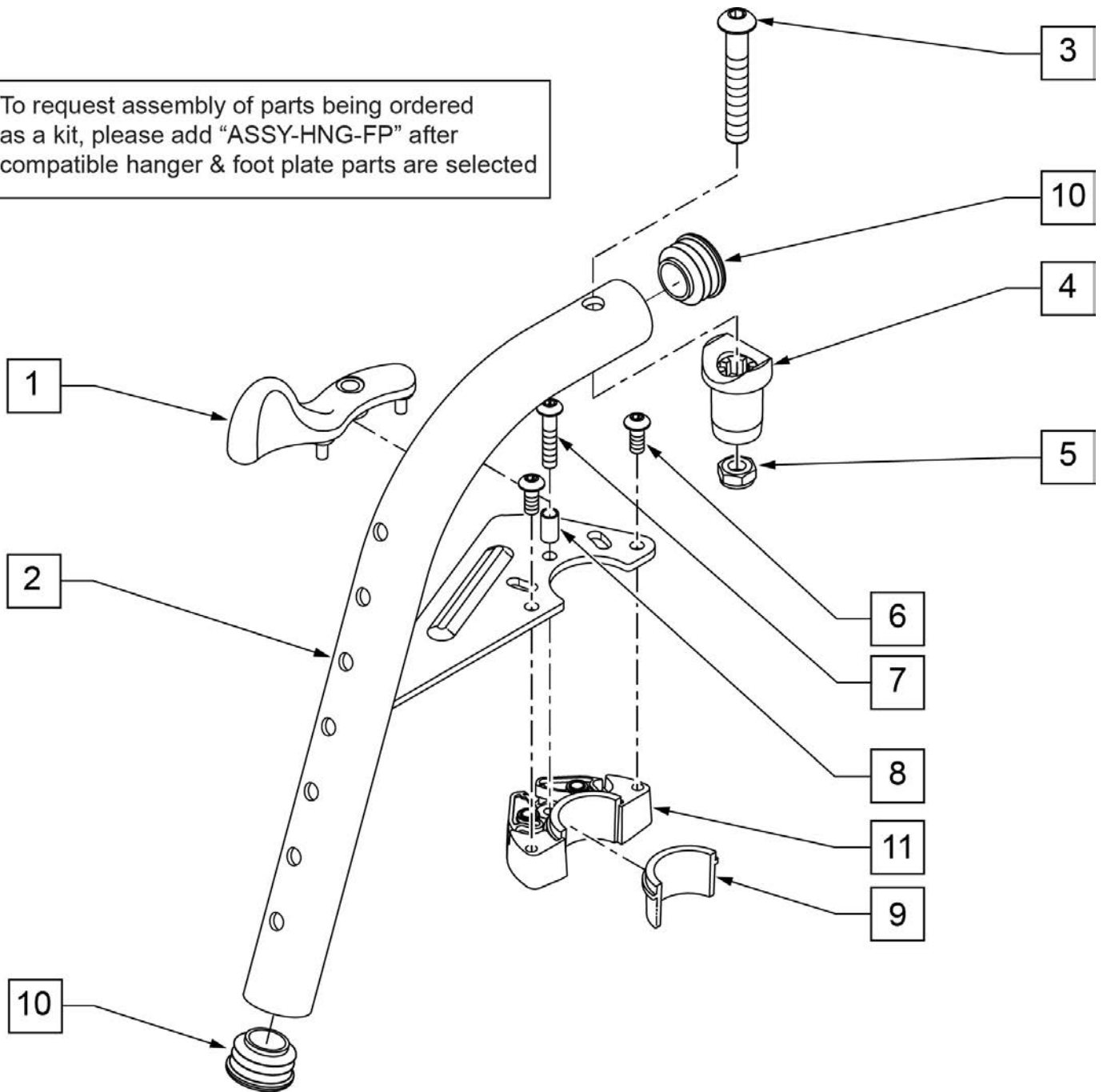
NOTE: if retrofitting on a chair with extension tube mounted hangers with Composite, Composite Angle Adjustable, Foam, Locking Angle Adjustable, Platform Flip-Up, or Platform Flip-Up Locking Footplates, then new Adult Angle Adjustable (AAA) or Kids Angle Adjustable (KAA) Footplates with High Mount Extension Tubes are required. See Footplate Ordering Guide.



Pos.	Item Number	Description	Remarks
1	550657	CLAMP 1 1/4" RECESS FULL BLK	
2	107032	SHCS 1/4-28 X 1 ROHS	
3	561000-QU	3/4" INSERT PLUG .083	
4	482016	HIGH-MOUNT FL FT TUBE PLUG	
5	524100	H/M FL FT EXT TUBE BLK	
6	550658	CLAMP 1 1/4" THREADED BLK	
1,2,6	880538	HI-MOUNT FR CLAMP ASSEMBLY BLK	
1-6	921550S	H/M FL FT CLAMPS AND TUBES (PR)	Pair

Note: Effective on GP SA beginning GP-95902, Kids Q2 SE beginning QKE-003425, LX/LXI beginning LXI-060868, Quickie TS beginning QT-044951 & GTE-002092.

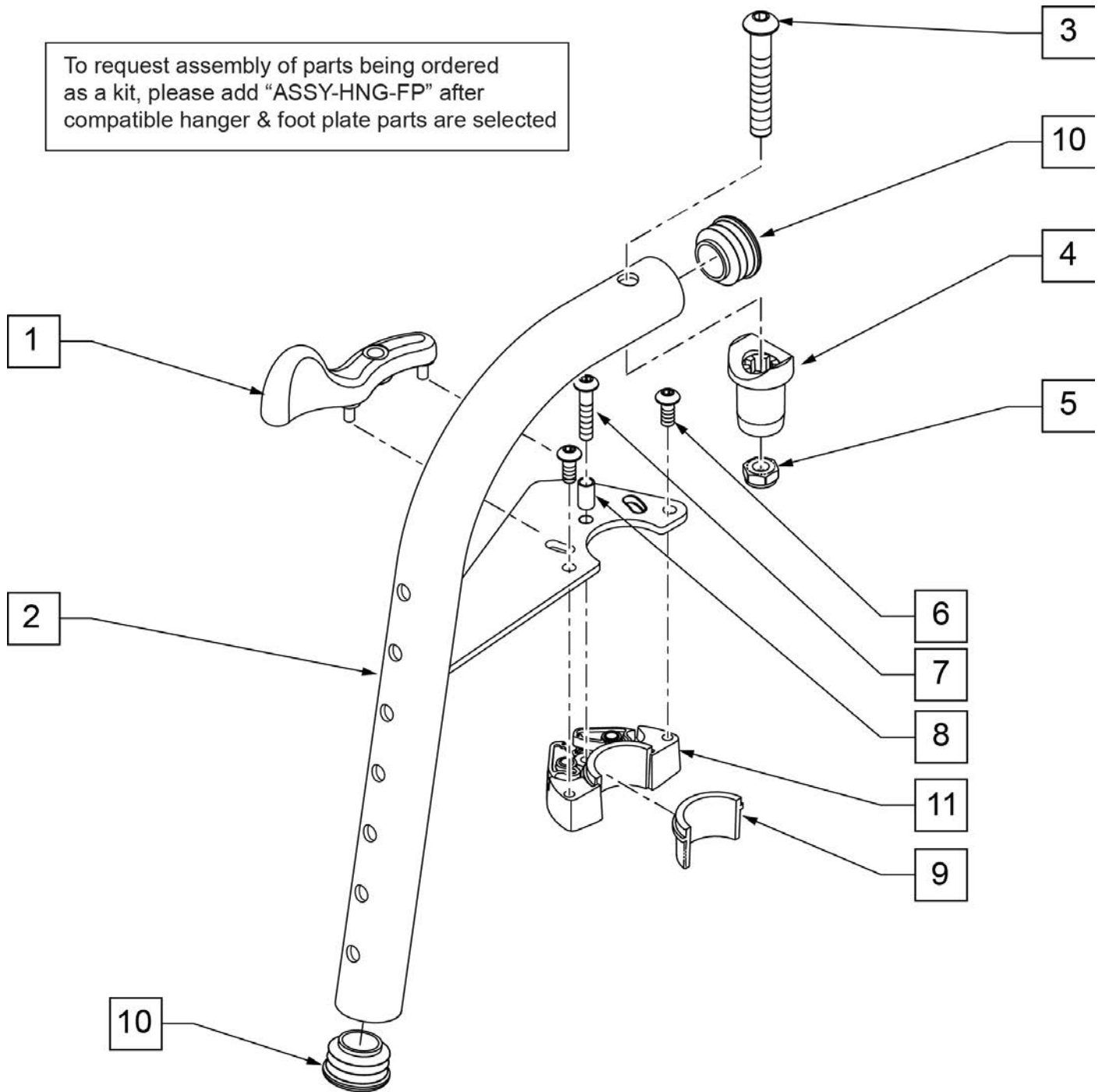
To request assembly of parts being ordered as a kit, please add "ASSY-HNG-FP" after compatible hanger & foot plate parts are selected



Pos.	Item Number	Description	Remarks
1	052296	SWING I/O LATCH LEVER R W/ PINS	RIGHT
1	052297	SWING I/O LATCH LEVER L W/ PINS	LEFT
3	106983	BHCS 5/16 -18 x 2 SHLDR ROHS	
4	561197	PLASTIC PIVOT SADDLE	Includes nylock nut
5	202117	5/16-18 NYLOCK NUT THICK BLK	
6	102259-001	BHCS M5 X .8 X 12 BLK W/ PL	
7	230494	M5-30 BTTN HD SOC C/S BLK	
8	052054	BUSHING PIVOT HANGER SWING I/O	
10	561062	1" INSERT PLUG .065 RIBS	
6,9,11	120976	ASSY LATCH BLOCK ANTI LIFT	
1-11	101153S	70D FM SWING I/O HNGR ASSY R	RIGHT
1-11	101154S	70D FM SWING I/O HNGR ASSY L	LEFT
		Ship assembled part #	Use with multiple assemblies
	ASSY-HNG-FP	HANGER/FOOTPLATE ASSY REQUIRED	add with Hanger & Footplate kit

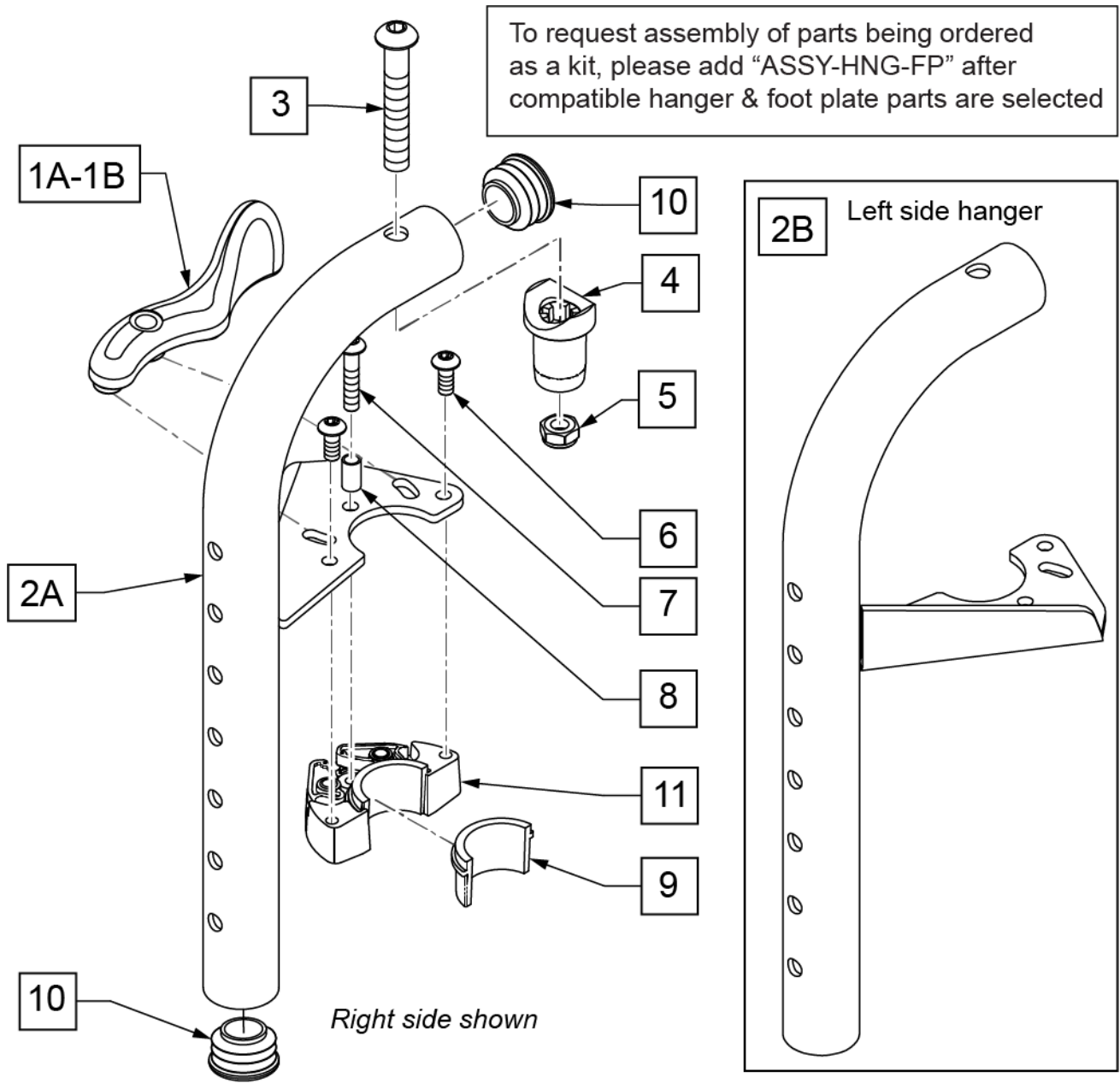
Note: Effective on GP SA beginning GP-95902, Kids Q2 SE beginning QKE-003425, LX/LXI beginning LXI-060868, Quickie TS beginning QT-044951 & GTE-002092.

To request assembly of parts being ordered as a kit, please add "ASSY-HNG-FP" after compatible hanger & foot plate parts are selected



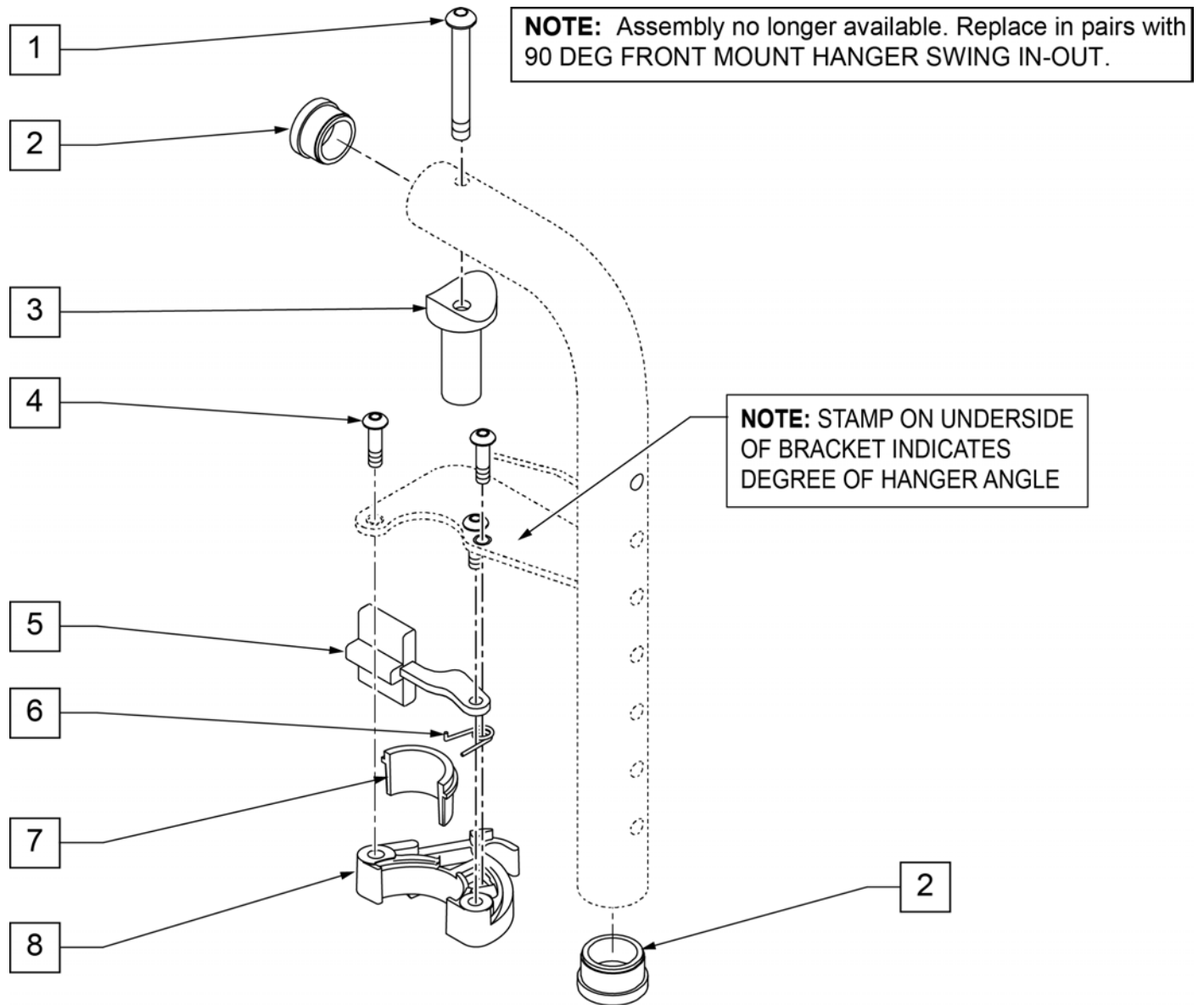
Pos.	Item Number	Description	Remarks
1	052296	SWING I/O LATCH LEVER R w/ PINS	RIGHT
1	052297	SWING I/O LATCH LEVER L w/ PINS	LEFT
3	106983	BHCS 5/16 -18 x 2 SHLDR ROHS	
4	561197	PLASTIC PIVOT SADDLE	Includes nylock nut
5	202117	5/16-18 NYLOCK NUT THICK BLK	
6	102259-001	BHCS M5 X .8 X 12 BLK W/PL	
7	230494	M5-30 BTTN HD SOC C/S BLK	
8	052054	BUSHING PIVOT HANGER SWING I/O	
10	561062	1" INSERT PLUG .065 RIBS	
6,9,11	120976	ASSY LATCH BLOCK ANTI LIFT	
1A,2A,3-11	101155S	80D FM SWNG I/O HNGR ASSY R	RIGHT
1B,2B,3-11	101156S	80D FM SWNG I/O HNGR ASSY L	LEFT
		Ship assembled part #	Use with multiple assemblies
	ASSY-HNG-FP	HANGER/FOOTPLATE ASSY REQUIRED	add with Hanger & Footplate kit

NOTE: Effective on LX/LXI as of 10/24/2008.



Pos.	Item Number	Description	Remarks
1A	052297	SWING I/O LATCH LEVER L w/ PINS	Used on Right Side 90D Swing I/O Hanger only
1B	052296	SWING I/O LATCH LEVER R w/ PINS	Used on Left Side 90D Swing I/O Hanger only
3	106983	BHCS 5/16 -18 x 2 SHLDR ROHS	
4	561197	PLASTIC PIVOT SADDLE	
5	202117	5/16-18 NYLOCK NUT THICK BLK	
6	102259-001	BHCS M5 x .8 x 12 W /PL INORG	
7	230494	M5-30 BTTN HD SOC C/S BLK	
8	052054	BUSHING PIVOT HANGER SWING I/O	
10	561062	1" INSERT PLUG .065 RIBS	
6,9,11	120976	ASSY LATCH BLOCK ANTI LIFT	
1A,2A,3-11	101157S	90D FM SWNG I/O HNGR ASSY R	RIGHT
1B,2B,3-11	101158S	90D FM SWNG I/O HNGR ASSY L	LEFT
		Ship assembled part #	Use with multiple assemblies
	ASSY-HNG-FP	HANGER/FOOTPLATE ASSY REQUIRED	add with Hanger & Footplate kit

Note: Discontinued on LX/LXI prior to LXI-060868, Kids Q2 SE prior to QKE-003425, Quickie TS prior to QT-044951 & QTE-002092, GP S/A prior to GP-95902

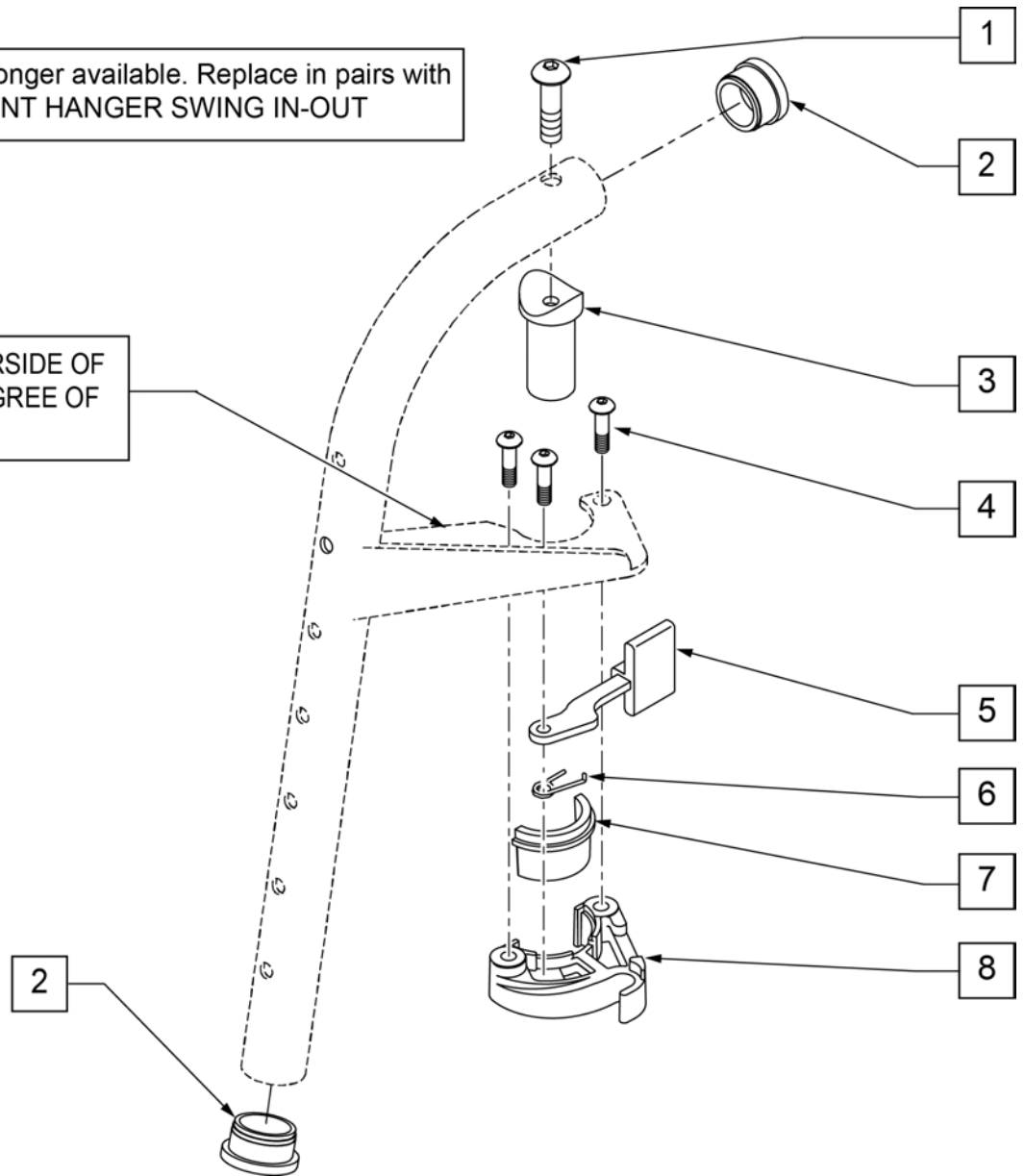


Pos.	Item Number	Description	Remarks
1	226217	5/16-18 x 2 BH C/S BLK	
2	561002	1" INSERT PLUG .083	
3	561197	PLASTIC PIVOT SADDLE	
4	226057	10/24 x .725 BTTN HD SOC BZ	
5	561079	S/A LATCH LEVER	
6	321136	S/A SPRING L RED	LEFT
6	321137	S/A SPRING R CLEAR	RIGHT
1,3	880545	PIVOT SADDLE .125 W/SCREW	
7,8	881500	LATCH BLOCK ASSM R	RIGHT
7,8	881501	LATCH BLOCK ASSM L	LEFT
5-8	881521	S/A LATCH KIT CASTING	RIGHT
5-8	881522	S/A LATCH KIT CASTING	LEFT

Note: Discontinued on LX/LXI prior to LXI-060868, Kids Q2 SE prior to QKE-003425, Quickie TS prior to QT-044951 & QTE-002092, GP S/A prior to GP-95902

NOTE: Assembly no longer available. Replace in pairs with 80 DEG FRONT MOUNT HANGER SWING IN-OUT

NOTE: STAMP ON UNDERSIDE OF BRACKET INDICATES DEGREE OF HANGER ANGLE.

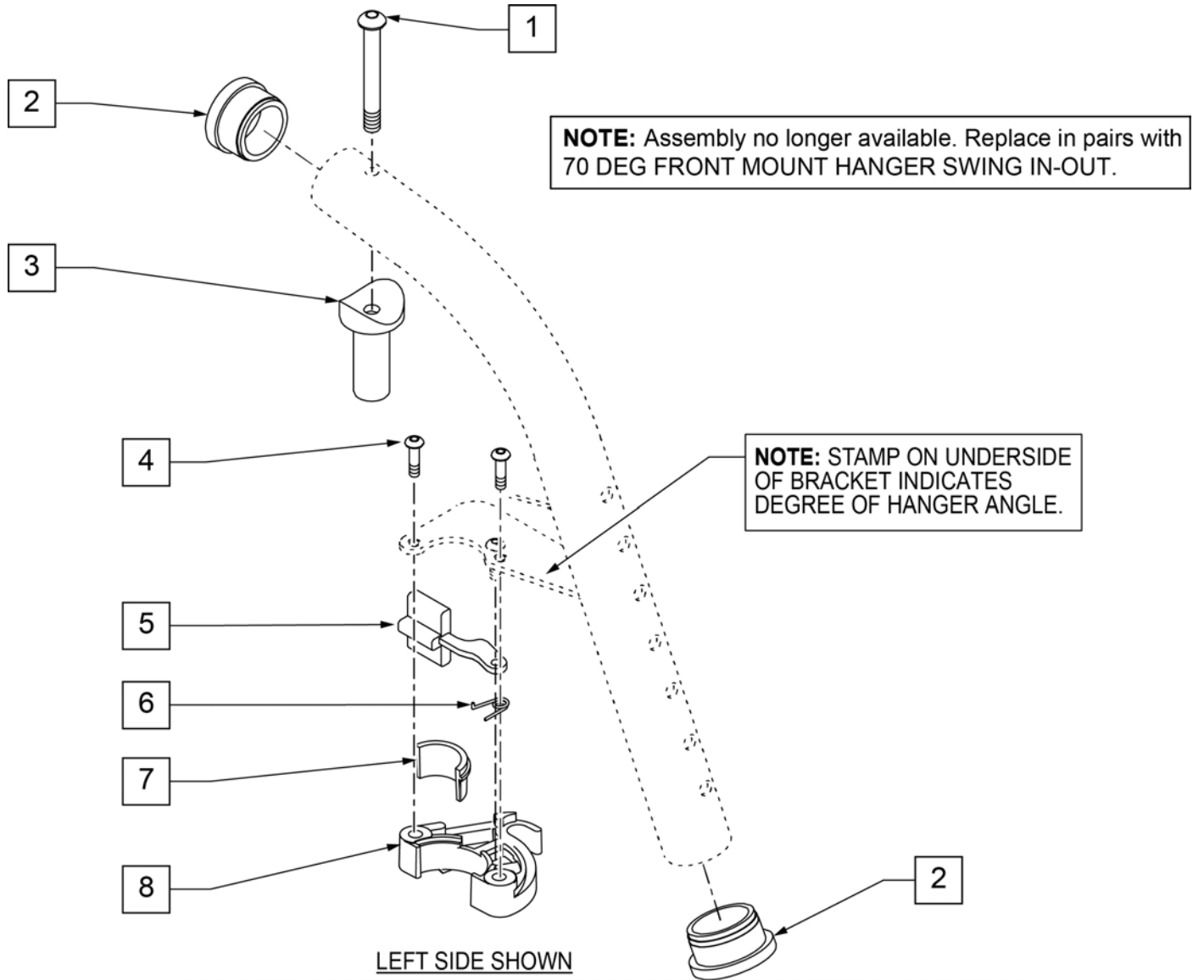


Pos.	Item Number	Description	Remarks
1	226217	5/16-18 x 2 BH C/S BLK	
2	561002	1" INSERT PLUG .083	
3	561197	PLASTIC PIVOT SADDLE	
4	226057	10/24 x .725 BTTN HD SOC BZ	
5	561079	S/A LATCH LEVER	
6	321136	S/A SPRING L RED	LEFT
6	321137	S/A SPRING R CLEAR	RIGHT
7,8	881500	LATCH BLOCK ASSM R	RIGHT
7,8	881501	LATCH BLOCK ASSM L	LEFT
4-8	881521	S/A LATCH KIT CASTING	RIGHT
4-8	881522	S/A LATCH KIT CASTING	LEFT

70 DEG S/A FRONT MOUNT HANGER

[07/2008]

Note: Discontinued on LX/LXI prior to LXI-060868, Kids Q2 SE prior to QKE-003425, Quickie TS prior to QT-044951 & QTE-002092, GP S/A prior to GP-95902

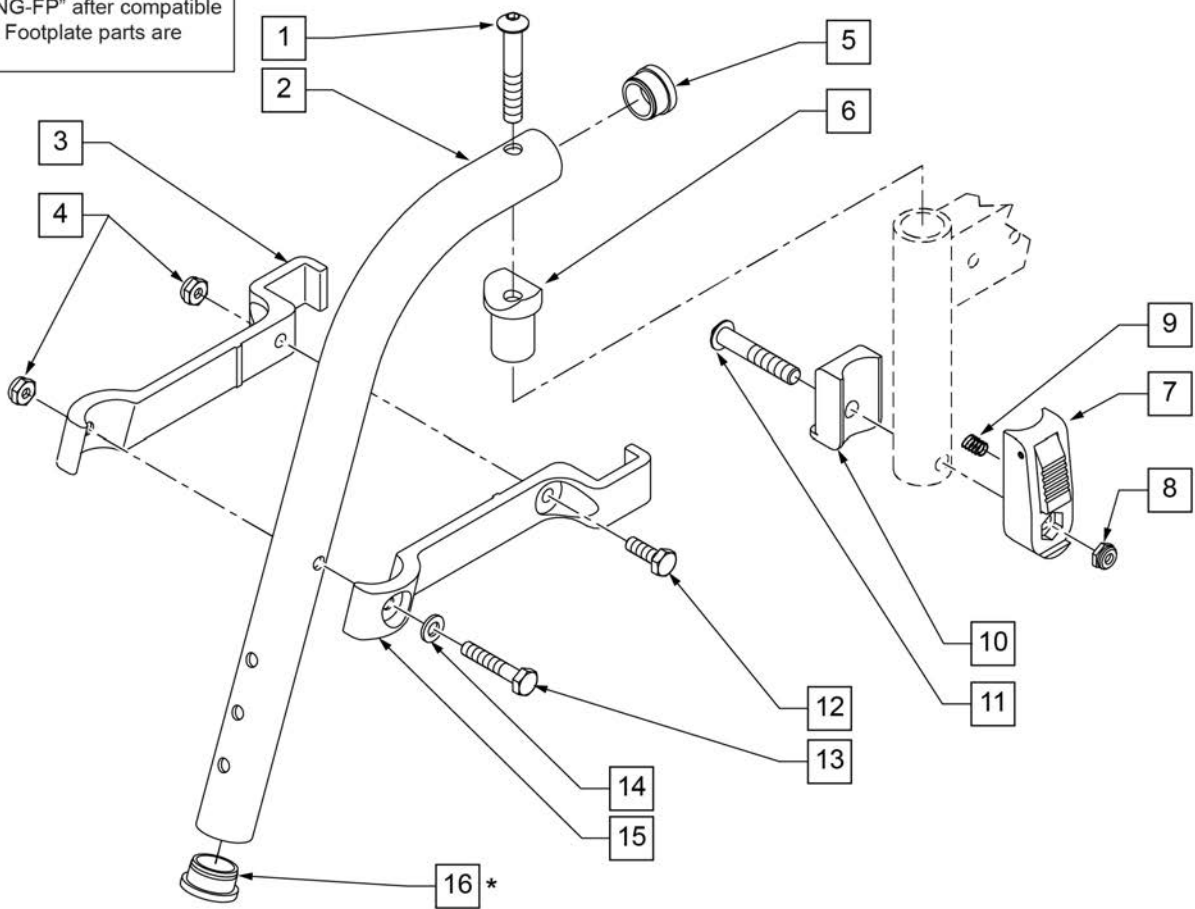


Pos.	Item Number	Description	Remarks
1	226217	5/16-18 x 2 BH C/S BLK	
2	561002	1" INSERT PLUG .083	
3	561197	PLASTIC PIVOT SADDLE	
4	226057	10/24 x .725 BTTN HD SOC BZ	
5	561079	S/A LATCH LEVER	
6	321136	S/A SPRING L RED	LEFT
6	321137	S/A SPRING R CLEAR	RIGHT
7,8	881500	LATCH BLOCK ASSM R	RIGHT
7,8	881501	LATCH BLOCK ASSM L	LEFT
4-8	881521	S/A LATCH KIT CASTING	RIGHT
4-8	881522	S/A LATCH KIT CASTING	LEFT

NOTE: * ORDER ITEM 16 WHEN NOT USING FOOTREST EXTENSION.

NOTE: IF RETROFITTING LIFT OFF HANGERS TO A CURRENT STYLE Q2, S/A Q2 LITE, LX/LXI, OR ZIPPIE TS, THE OLD-STYLE FRAME COMPONENTS WILL BE REQUIRED. REFER TO PARTS PAGES FOR FRONT SIDE FRAMES FOR Q2 (PRIOR TO Q2V-091821 & Q2H-009882), Q2 LITE (PRIOR TO Q2L-152965), LX/LXI (PRIOR TO LX-061888), AND ZIPPIE TS (PRIOR TO Z1A-038633 & Z1SE-013380).

To request assembly of parts being ordered as a kit, please add "ASSY-HNG-FP" after compatible Hanger & Footplate parts are selected

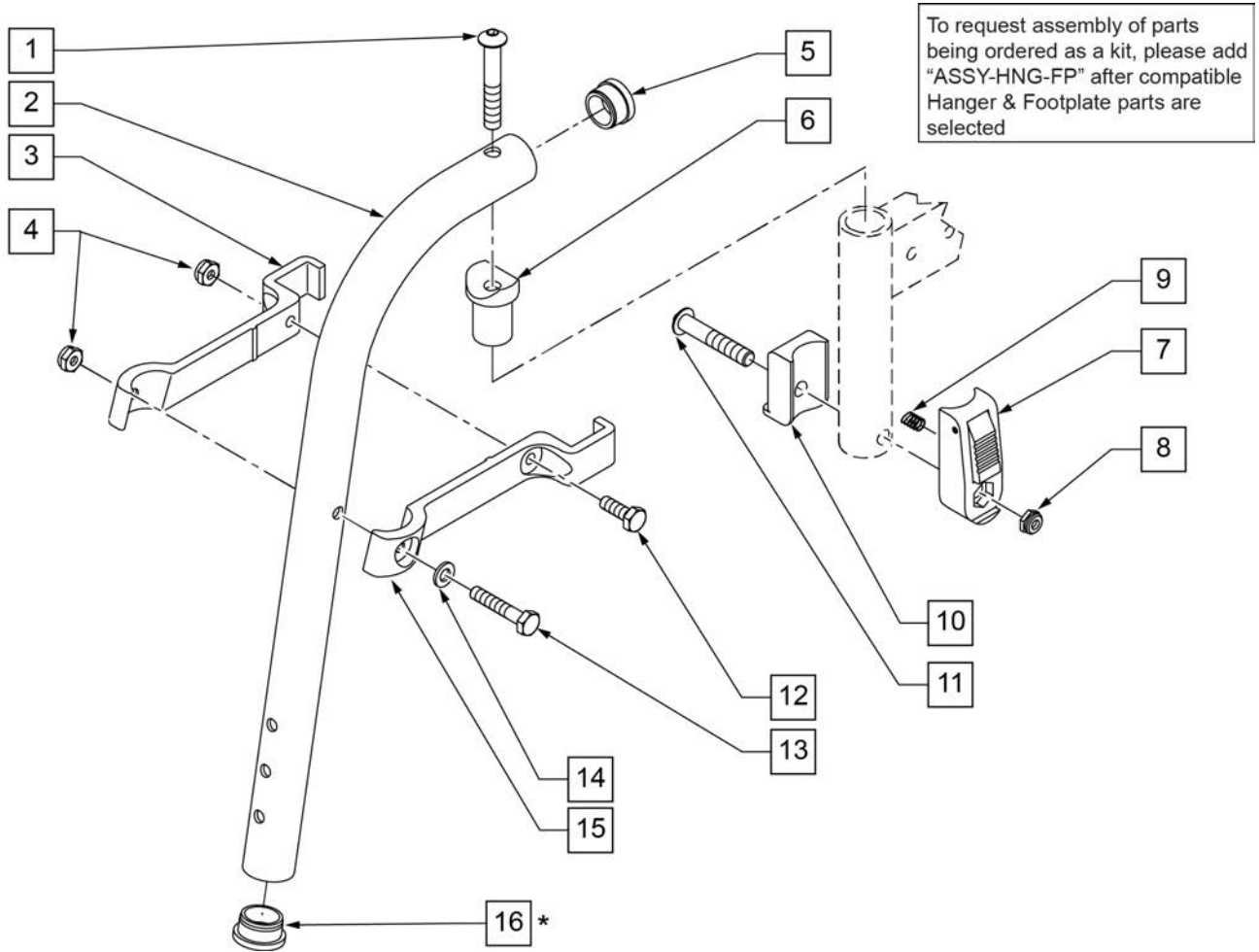


Pos.	Item Number	Description	Remarks
1	106983	BHCS 5/16 -18 x 2 SHLDR ROHS	
3	550152	T45 HANGER BRACKET 70ø R	length of bracket: 6 3/4"
4	106935	NUT NYLOCK THIN 1/4 -28 ROHS	
5	561002	1" INSERT PLUG .083	
6	561197	PLASTIC PIVOT SADDLE	
7	880053	FOOTREST BLOCK T45	
8	202117	5/16-18 NYLOCK NUT THICK BLK	
9	321141	.650 x 6 COIL SPRING	
10	560684	T45 FOOTREST BLOCK RECESSED	
11	107029	BHCS 5/16 -18 x 1 5/8 SHLD ROHS	
12	107014	HHCS 1/4 -28 x 3/4 ROHS	

Pos.	Item Number	Description	Remarks
13	106971	HHCS 1/4 -28 x 1 3/8 ROHS	
14	106943	WASHER FLAT AN 1/4 ROHS	
15	550153	T45 HANGER BRACKET 70ø L	length of bracket: 6 3/4"
16	561002	1" INSERT PLUG .083	ORDER WHEN NOT USING FOOTREST EXTENSION
7-11	920720	FOOTREST BLOCK ASSEMBLY W/BOLT HD	required when retrofitting HD Lift Off Hangers to chair
1-6,12-15	641210S	HANGER 70D PNTD R HD	
1-6,12-15	641211S	HANGER 70D PNTD L HD	
		Ship assembled part #	Use with multiple assemblies
	ASSY-HNG-FP	HANGER/FOOTPLATE ASSY REQUIRED	add with Hanger & Footplate kit

NOTE: * ORDER ITEM 16 WHEN NOT USING FOOTREST EXTENSION.

NOTE: IF RETROFITTING LIFT OFF HANGERS TO A CURRENT STYLE Q2, S/A Q2 LITE, LX/LXI, OR ZIPPIE TS, THE OLD-STYLE FRAME COMPONENTS WILL BE REQUIRED. REFER TO PARTS PAGES FOR FRONT SIDE FRAMES FOR Q2 (PRIOR TO Q2V-091821 & Q2H-009882), Q2 LITE (PRIOR TO Q2L-152965), LX/LXI (PRIOR TO LX-061888), AND ZIPPIE TS (PRIOR TO Z1A-038633 & Z1SE-013380).

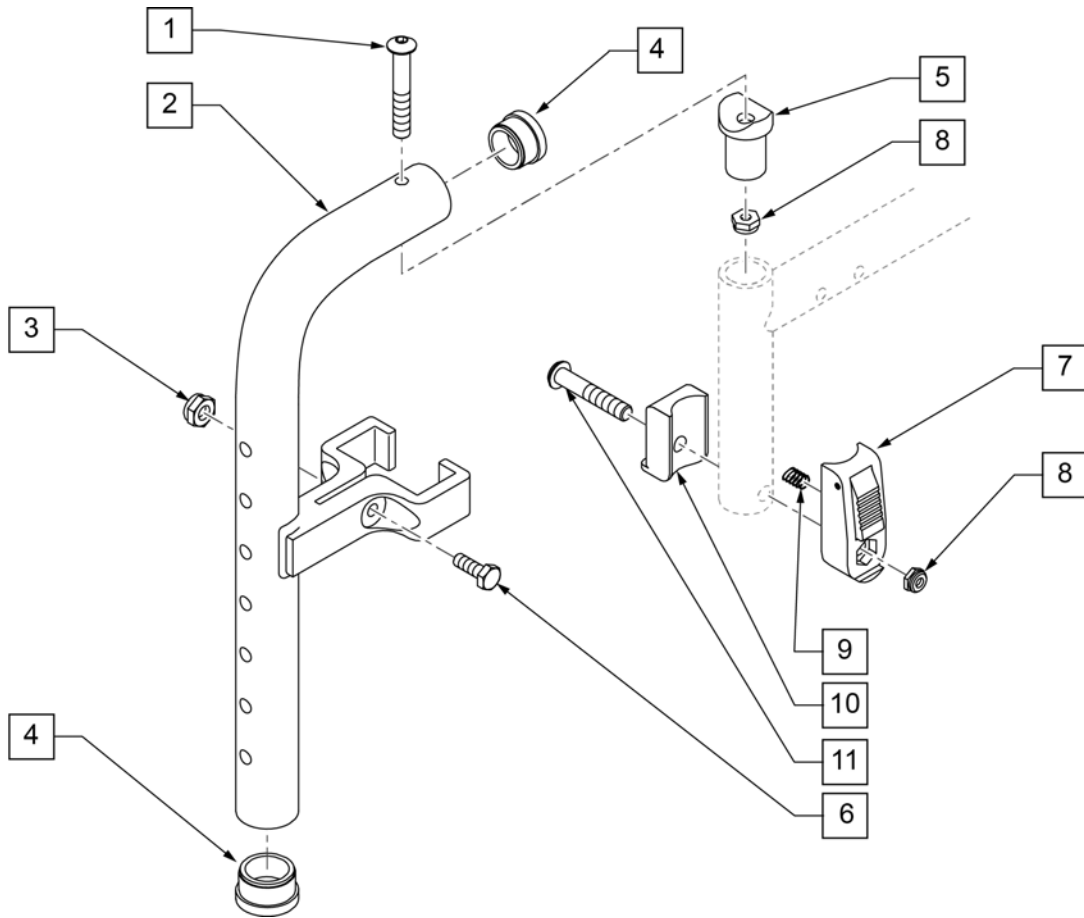


Pos.	Item Number	Description	Remarks
1	106983	BHCS 5/16 -18 x 2 SHLDR ROHS	
3	550154	T45 HANGER BRACKET 80ø R	length of bracket: 6"
4	106935	NUT NYLOCK THIN 1/4 -28 ROHS	
5	561002	1" INSERT PLUG .083	
6	561197	PLASTIC PIVOT SADDLE	
7	880053	FOOTREST BLOCK T45	
8	202117	5/16-18 NYLOCK NUT THICK BLK	
9	321141	.650L x 6 COIL SPRING	
10	560684	T45 FOOTREST BLOCK RECESSED	
11	107029	BHCS 5/16 -18 x 1 5/8 SHLD ROHS	
12	107014	HHCS 1/4 -28 x 3/4 ROHS	

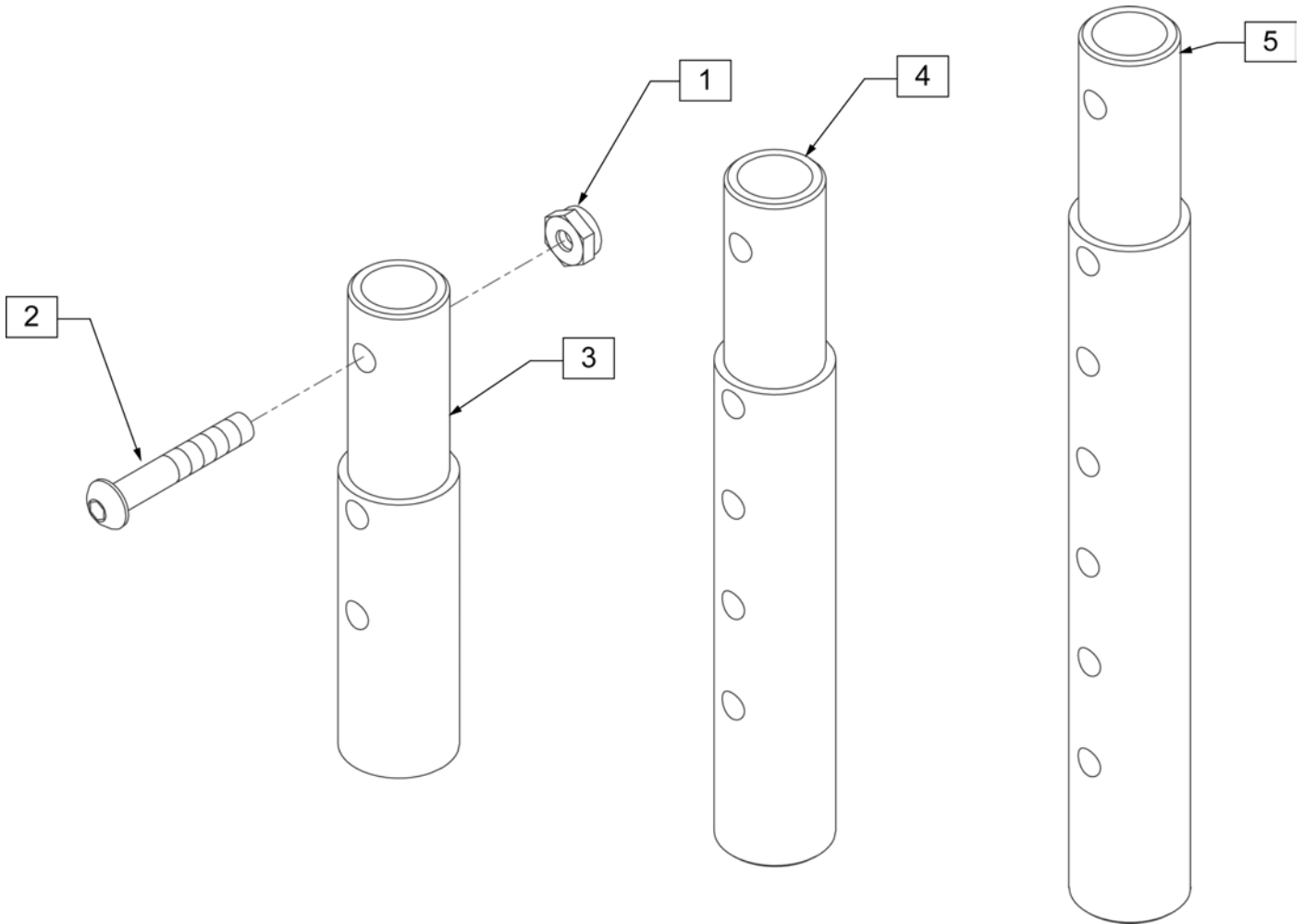
Pos.	Item Number	Description	Remarks
13	106971	HHCS 1/4 -28 x 1 3/8 ROHS	
14	106943	WASHER FLAT AN 1/4 ROHS	
15	550155	T45 HANGER BRACKET 80ø L	length of bracket: 6"
16	561002	1" INSERT PLUG .083	ORDER WHEN NOT USING FOOTREST EXTENSION
7-11	920720	FOOTREST BLOCK ASSEMBLY W/BOLT HD	required when retrofitting HD Lift Off Hangers to chair
1-6,12-15	641200S	HANGER 80D PNTD R HD	
1-6,12-15	641201S	HANGER 80D PNTD L HD	
		Ship assembled part #	Use with multiple assemblies
	ASSY-HNG-FP	HANGER/FOOTPLATE ASSY REQUIRED	add with Hanger & Footplate kit

NOTE: THIS HANGER HAS BEEN TESTED AND APPROVED FOR OCCUPANTS THAT WEIGH LESS THAN 150 POUNDS.

NOTE: IF RETROFITTING LIFT OFF HANGERS TO A CURRENT STYLE Q2, S/A Q2 LITE, LX/LXI, OR ZIPPIE TS, THE OLD-STYLE FRAME COMPONENTS WILL BE REQUIRED. REFER TO PARTS PAGES FOR FRONT SIDE FRAMES FOR Q2 (PRIOR TO Q2V-091821 & Q2H-009882), Q2 LITE (PRIOR TO Q2L-152965), LX/LXI (PRIOR TO LX-061888), AND ZIPPIE TS (PRIOR TO Z1A-038633 & Z1SE-013380).

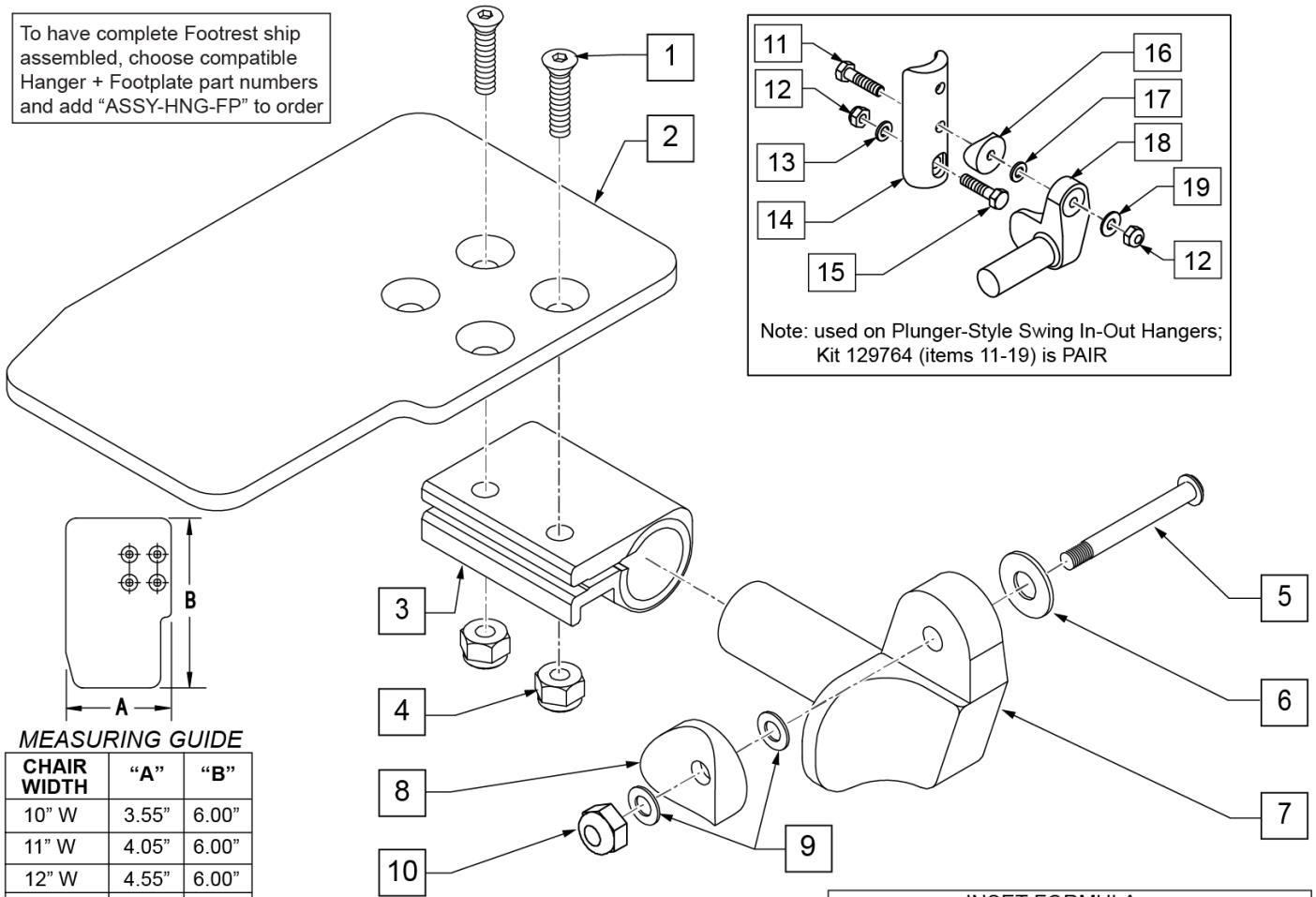


Pos.	Item Number	Description	Remarks
1	106983	BHCS 5/16 -18 x 2 SHLDR ROHS	
3	106935	NUT NYLOCK THIN 1/4 -28 ROHS	
4	561002	1" INSERT PLUG .083	
5	561197	PLASTIC PIVOT SADDLE	Includes nylock nut
6	107013	HHCS 1/4 -28 x 5/8 ROHS	
7	880053	FOOTREST BLOCK T45	
8	202117	5/16-18 NYLOCK NUT THICK BLK	
9	321141	.650L x 6 COIL SPRING	
10	560684	T45 FOOTREST BLOCK RECESSED	
11	107029	BHCS 5/16 -18 x 1 5/8 SHLD ROHS	
7-11	920720	FOOTREST BLOCK ASSM W/BOLT HD	
1-7	885005S	90 DEG F/D H/D L/O HNGR ASSM PNTD	
		Ship assembled part #	Use with multiple assemblies
	ASSY-HNG-FP	HANGER/FOOTPLATE ASSY REQUIRED	add with Hanger & Footplate kit



Pos.	Item Number	Description	Remarks
1	106935	NUT NYLOCK THIN 1/4 -28 ROHS	
2	106961	BHCS 1/4 -28 x 1 1/4 ROHS	
1-3	111505	2" FOOTREST EXTENSION TUBE W/ HDWR ASSM	2" EXT (PAIR)
1, 2, 4	111506	4" FOOTREST EXTENSION TUBE W/ HDWR ASSM	4" EXT (PAIR)
1, 2, 5	111507	6" FOOTREST EXTENSION TUBE W/ HDWR ASSM	6" EXT (PAIR)

To have complete Footrest ship assembled, choose compatible Hanger + Footplate part numbers and add "ASSY-HNG-FP" to order



MEASURING GUIDE

CHAIR WIDTH	"A"	"B"
10" W	3.55"	6.00"
11" W	4.05"	6.00"
12" W	4.55"	6.00"
13" W	5.05"	6.00"
14" W	5.55"	6.00"
15" W	6.05"	6.00"
16" W	6.55"	6.00"

INSET FORMULA

0" Inset (Seat Width) = Footrest Width
 1" Inset (Seat Width) -2" = Footrest Width
 "V" Hanger (Seat Width) -4" = Footrest Width
 Offset Hanger Receiver (Seat Width) +2" = Footrest Width

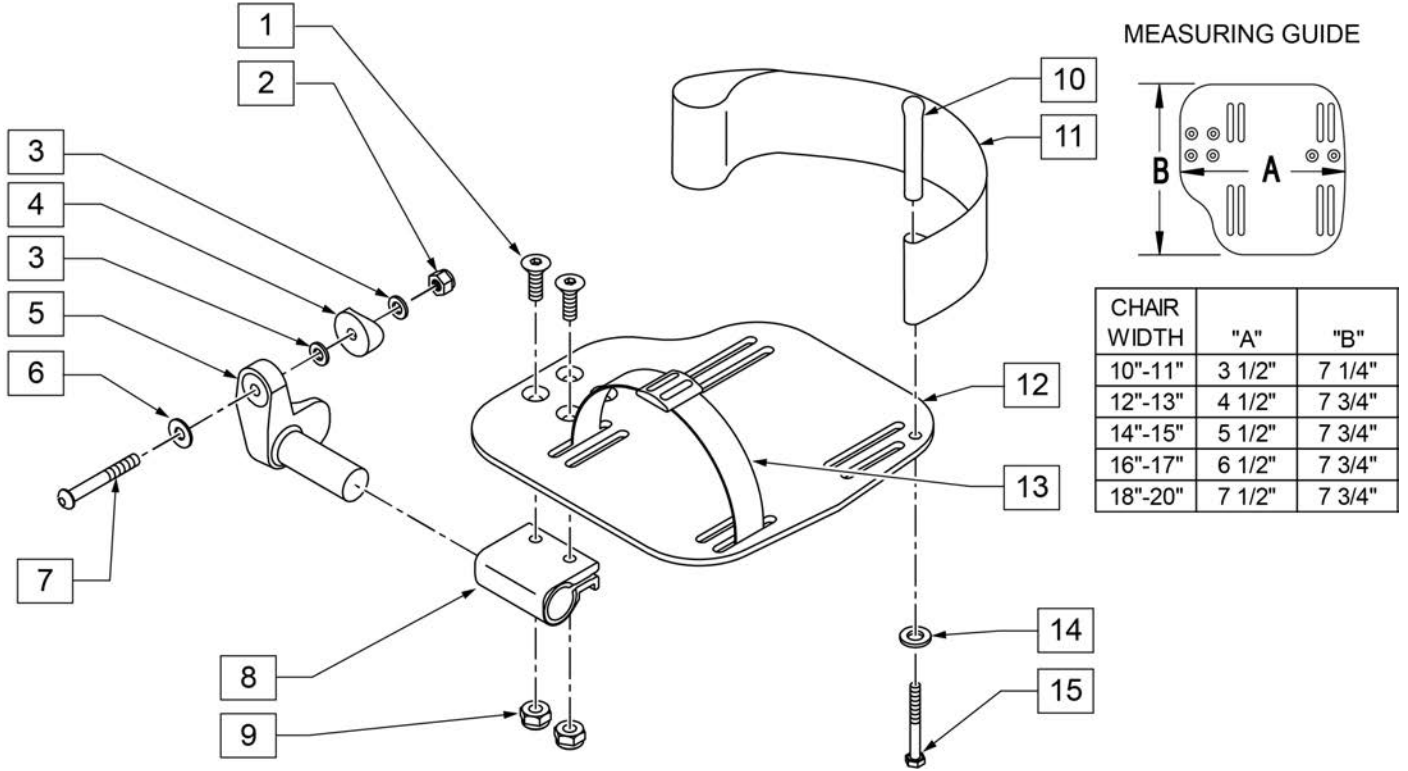
Pos.	Item Number	Description	Remarks
1	106978	FHCS 1/4-28 X 7/8 ROHS	
2	500635	KIDS ANGL ADJ F/PLT 10	RIGHT
2	500636	KIDS ANGL ADJ F/PLT 10	LEFT
2	500637	KIDS ANGL ADJ F/PLT 11	RIGHT
2	500638	KIDS ANGL ADJ F/PLT 11	LEFT
2	500639	KIDS ANGL ADJ F/PLT 12	RIGHT
2	500640	KIDS ANGL ADJ F/PLT 12	LEFT
2	500641	KIDS ANGL ADJ F/PLT 13	RIGHT
2	500642	KIDS ANGL ADJ F/PLT 13	LEFT
2	500643	KIDS ANGL ADJ F/PLT 14	RIGHT
2	500644	KIDS ANGL ADJ F/PLT 14	LEFT
2	500645	KIDS ANGL ADJ F/PLT 15	RIGHT
2	500646	KIDS ANGL ADJ F/PLT 15	LEFT
2	500647	KIDS ANGL ADJ F/PLT 16	RIGHT
2	500648	KIDS ANGL ADJ F/PLT 16	LEFT
3	550350	3/4 CLAMP ADJ FOOTPLATE	
4	106935	NUT NYLOCK THIN 1/4-28 ROHS	
5	226147	1/4-28 X 1.85 BH C/S BLK ZN	

Pos.	Item Number	Description	Remarks
6	106945	WASHER FLAT SAE 1/4 ROHS	
7	541000	FTRST MOUNTING BRKT 1/2" RAD R	RIGHT
7	541001	FTRST MOUNTING BRKT 1/2" RAD L	LEFT
8	561004	1 SADDLE 1/4 HOLE	
9	106943	WASHER FLAT THIN AN 1/4	
10	106941	NUT AUTOMATION 1/4-28 ROHS	
11	102268-001	HHCS M6 X 1 X 25	
12	132626	NUT AUTOMATION M6 X 1.0 ROHS	
13	107383	WASHER FLAT M6 ROHS	
15	118198	HHCS M6 X 1 X 40 PART NP	
16	561004	1" SADDLE 1/4" HOLE	
17	106943	WASHER FLAT AN 1/4 ROHS	
19	106945	WASHER FLAT SAE 1/4 ROHS	
1-4	158632	CAA F/PLT KIT 10 RT	RIGHT; used with Front Mount Adapter Kit on Plunger-Style Swing In/Out Hangers
1-4	158633	CAA F/PLT KIT 10 LT	LEFT; used with Front Mount Adapter Kit on Plunger-Style Swing In/Out Hangers
1-4	158634	CAA F/PLT KIT 11 RT	RIGHT; used with Front Mount Adapter Kit on Plunger-Style Swing In/Out Hangers
1-4	158635	CAA F/PLT KIT 11 LT	LEFT; used with Front Mount Adapter Kit on Plunger-Style Swing In/Out Hangers
1-4	158636	CAA F/PLT KIT 12 RT	RIGHT; used with Front Mount Adapter Kit on Plunger-Style Swing In/Out Hangers
1-4	158637	CAA F/PLT KIT 12 LT	LEFT; used with Front Mount Adapter Kit on Plunger-Style Swing In/Out Hangers
1-4	158638	CAA F/PLT KIT 13 RT	RIGHT; used with Front Mount Adapter Kit on Plunger-Style Swing In/Out Hangers
1-4	158639	CAA F/PLT KIT 13 LT	LEFT; used with Front Mount Adapter Kit on Plunger-Style Swing In/Out Hangers
1-4	158640	CAA F/PLT KIT 14 RT	RIGHT; used with Front Mount Adapter Kit on Plunger-Style Swing In/Out Hangers
1-4	158641	CAA F/PLT KIT 14 LT	LEFT; used with Front Mount Adapter Kit on Plunger-Style Swing In/Out Hangers
1-4	158642	CAA F/PLT KIT 15 RT	RIGHT; used with Front Mount Adapter Kit on Plunger-Style Swing In/Out Hangers
1-4	158643	CAA F/PLT KIT 15 LT	LEFT; used with Front Mount Adapter Kit on Plunger-Style Swing In/Out Hangers
1-4	158644	CAA F/PLT KIT 16 RT	RIGHT; used with Front Mount Adapter Kit on Plunger-Style Swing In/Out Hangers
1-4	158645	CAA F/PLT KIT 16 LT	LEFT; used with Front Mount Adapter Kit on Plunger-Style Swing In/Out Hangers
1-10	828821	KIDS ANG ADJ F/PLT ASSM 10	RIGHT; used with Old-Style Latch Block Swing In/Out & S/A Hangers
1-10	828822	KIDS ANG ADJ F/PLT ASSM 10	LEFT; used with Old-Style Latch Block Swing In/Out & S/A Hangers
1-10	828823	KIDS ANG ADJ F/PLT ASSM 11	RIGHT; used with Old-Style Latch Block Swing In/Out & S/A Hangers
1-10	828824	KIDS ANG ADJ F/PLT ASSM 11	LEFT; used with Old-Style Latch Block Swing In/Out & S/A Hangers
1-10	828825	KIDS ANG ADJ F/PLT ASSM 12	RIGHT; used with Old-Style Latch Block Swing In/Out & S/A Hangers
1-10	828826	KIDS ANG ADJ F/PLT ASSM 12	LEFT; used with Old-Style Latch Block Swing In/Out & S/A Hangers
1-10	828827	KIDS ANG ADJ F/PLT ASSM 13	RIGHT; used with Old-Style Latch Block Swing In/Out & S/A Hangers
1-10	828828	KIDS ANG ADJ F/PLT ASSM 13	LEFT; used with Old-Style Latch Block Swing In/Out & S/A Hangers
1-10	828829	KIDS ANG ADJ F/PLT ASSM 14	RIGHT; used with Old-Style Latch Block Swing In/Out & S/A Hangers
1-10	828830	KIDS ANG ADJ F/PLT ASSM 14	LEFT; used with Old-Style Latch Block Swing In/Out & S/A Hangers
1-10	828831	KIDS ANG ADJ F/PLT ASSM 15	RIGHT; used with Old-Style Latch Block Swing In/Out & S/A Hangers
1-10	828832	KIDS ANG ADJ F/PLT ASSM 15	LEFT; used with Old-Style Latch Block Swing In/Out & S/A Hangers

Pos.	Item Number	Description	Remarks
1-10	828833	KIDS ANG ADJ F/PLT ASSM 16	RIGHT; used with Old-Style Latch Block Swing In/Out & S/A Hangers
1-10	828834	KIDS ANG ADJ F/PLT ASSM 16	LEFT; used with Old-Style Latch Block Swing In/Out & S/A Hangers
1-10	921226	KIDS ANG ADJ F/PLT ASSM 10	PAIR; used with Old-Style Latch Block Swing In/Out & S/A Hangers
1-10	921227	KIDS ANG ADJ F/PLT ASSM 11	PAIR; used with Old-Style Latch Block Swing In/Out & S/A Hangers
1-10	921228	KIDS ANG ADJ F/PLT ASSM 12	PAIR; used with Old-Style Latch Block Swing In/Out & S/A Hangers
1-10	921229	KIDS ANG ADJ F/PLT ASSM 13	PAIR; used with Old-Style Latch Block Swing In/Out & S/A Hangers
1-10	921230	KIDS ANG ADJ F/PLT ASSM 14	PAIR; used with Old-Style Latch Block Swing In/Out & S/A Hangers
1-10	921231	KIDS ANG ADJ F/PLT ASSM 15	PAIR; used with Old-Style Latch Block Swing In/Out & S/A Hangers
1-10	921232	KIDS ANG ADJ F/PLT ASSM 16	PAIR; used with Old-Style Latch Block Swing In/Out & S/A Hangers
11-19	129764	AAA FRNT MNT ADAPTER KIT PR	AAA FRNT MNT fits both Kids and Adult Angle Adjustable Footplates
		Ship assembled part #	Use with multiple assemblies
	ASSY-HNG-FP	HANGER/FOOTPLATE ASSY REQUIRED	add with Hanger & Footplate kit

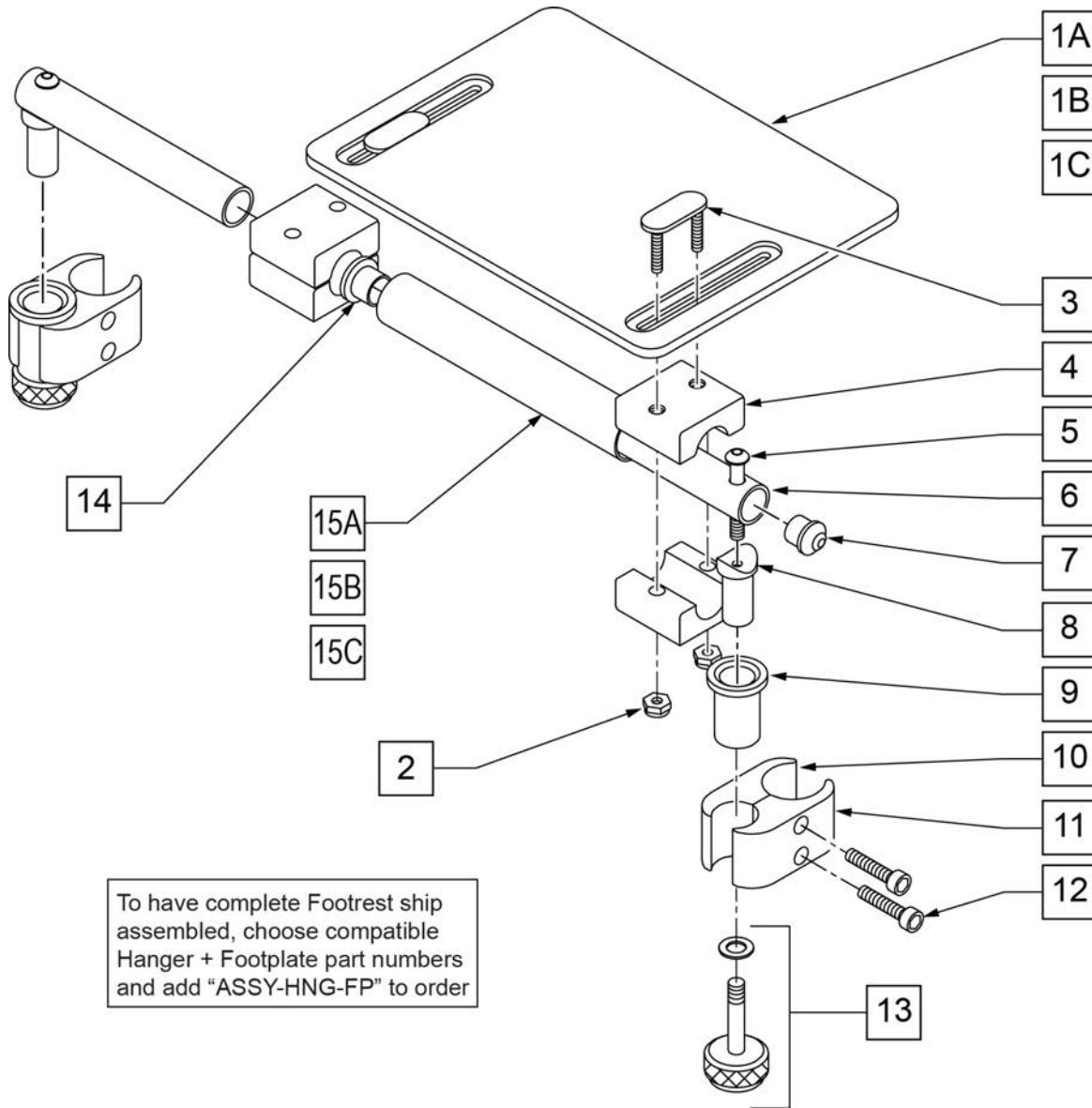
To have complete Footrest ship assembled, choose compatible Hanger + Footplate part numbers and add "ASSY-HNG-FP" to order

INSET FORMULA
 0" Inset (Seat Width) = Footrest Width
 1" Inset (Seat Width) - 2" = Footrest Width
 "V" Hanger (Seat Width) - 4" = Footrest Width
 Offset Hanger Receiver (Seat Width) + 2" = Footrest Width



Pos.	Item Number	Description	Remarks
1	106978	FHCS 1/4-28 X 7/8 ROHS	
2	106941	NUT AUTOMATION 1/4-28 ROHS	
3	106943	WASHER FLAT AN 1/4 ROHS	
4	561004	1" SADDLE 1/4" HOLE	
5	541000	FOOTREST MOUNTING BRKT 1/2" RAD R	RIGHT
5	541001	FOOTREST MOUNTING BRKT 1/2" RAD L	LEFT
6	106945	WASHER FLAT SAE 1/4 ROHS	
7	106964	BHCS 1/4-28 X 2	
8	550350	3/4" CLAMP ADJ FOOTPLATE	
9	106935	NUT NYLOCK THIN 1/4-28 ROHS	
10	561040	HEEL LOOP PEG	
11	741153	HEEL LOOP 18-20 CMPST/14-15 ANG ADJ	USED W/ 14-15"/16-17" ADULT ANG ADJ FTPLTS
11	741253	HEEL LOOP ADLT ADJ F/PLT 18-20	USED W/ 18 -20" ADULT ANG ADJ FTPLTS
12	500656	ADULT ANGL ADJ F/PLT 10/11	RIGHT
12	500657	ADULT ANGL ADJ F/PLT 10/11	LEFT
12	500658	ADULT ANGL ADJ F/PLT 12/13	RIGHT
12	500659	ADULT ANGL ADJ F/PLT 12/13	LEFT
12	500660	ADULT ANGL ADJ F/PLT 14/15	RIGHT
12	500661	ADULT ANGL ADJ F/PLT 14/15	LEFT
12	500662	ADULT ANGL ADJ F/PLT 16/17	RIGHT
12	500663	ADULT ANGL ADJ F/PLT 16/17	LEFT
12	500664	ADULT ANGL ADJ F/PLT 18-20	RIGHT

Pos.	Item Number	Description	Remarks
12	500665	ADULT ANGL ADJ F/PLT 18-20	LEFT
13	740260	TOE-ANKLE STRAP ADJ ADULT FOOTPLATE	
14	106943	WASHER FLAT AN 1/4 ROHS	
15	106958	HHCS 1/4-20 X 1 ROHS	
1-9,12	820544	FP ADULT ADJ 90D 10/11 R	RIGHT
1-9,12	820554	FP ADULT ADJ 90D 10/11 L	LEFT
1-9,12	820546	FP ADULT ADJ 90D 12/13 R	RIGHT
1-9,12	820556	FP ADULT ADJ 90D 12/13 L	LEFT
1-9,12	820472	FP ADULT ADJ 90D 14/15 R	RIGHT
1-9,12	820473	FP ADULT ADJ 90D 14/15 L	LEFT
1-9,12	820474	FP ADULT ADJ 90D 16/17 R	RIGHT
1-9,12	820475	FP ADULT ADJ 90D 16/17 L	LEFT
1-9,12	820476	FP ADULT ADJ 90D 18-20 R	RIGHT
1-9,12	820477	FP ADULT ADJ 90D 18-20 L	LEFT
1-9,12	921474	ADULT ANGL ADJ 90D 10/11 OMIT H/L	PAIR
1-9,12	921476	ADULT ANGL ADJ 90D 12/13 OMIT H/L	PAIR
1-9,12	921330	ADULT ANGL ADJ 90D 14/15 OMIT H/L	PAIR
1-9,12	921331	ADULT ANGL ADJ 90D 16/17 OMIT H/L	PAIR
1-9,12	921332	ADULT ANGL ADJ 90D 18-20 OMIT H/L	PAIR
1-12,14,15	820540	F/PLT ADULT ADJ 90D 10/11 R W/ HL	RIGHT
1-12,14,15	820550	F/PLT ADULT ADJ 90D 10/11 L W/ HL	LEFT
1-12,14,15	820542	F/PLT ADULT ADJ 90D 12/13 R W/ HL	RIGHT
1-12,14,15	820552	F/PLT ADULT ADJ 90D 12/13 L W/ HL	LEFT
1-12,14,15	820478	F/PLT ADULT ADJ 90D 14/15 R W/ HL	RIGHT
1-12,14,15	820479	F/PLT ADULT ADJ 90D 14/15 L W/ HL	LEFT
1-12,14,15	820480	F/PLT ADULT ADJ 90D 16/17 R W/ HL	RIGHT
1-12,14,15	820481	F/PLT ADULT ADJ 90D 16/17 L W/ HL	LEFT
1-12,14,15	820482	F/PLT ADULT ADJ 90D 18-20 R W/ HL	RIGHT
1-12,14,15	820483	F/PLT ADULT ADJ 90D 18-20 L W/ HL	LEFT
1-12,14,15	921470	F/PLT ADULT ADJ 90D 10/11 W/ HL	PAIR
1-12,14,15	921472	F/PLT ADULT ADJ 90D 12/13 W/ HL	PAIR
1-12,14,15	921333	F/PLT ADULT ADJ 90D 14/15 W/ HL	PAIR
1-12,14,15	921334	F/PLT ADULT ADJ 90D 16/17 W/ HL	PAIR
1-12,14,15	921335	F/PLT ADULT ADJ 90D 18-20 W/ HL	PAIR
		Ship assembled part #	Use with multiple assemblies
	ASSY-HNG-FP	HANGER/FOOTPLATE ASSY REQUIRED	add with Hanger & Footplate kit



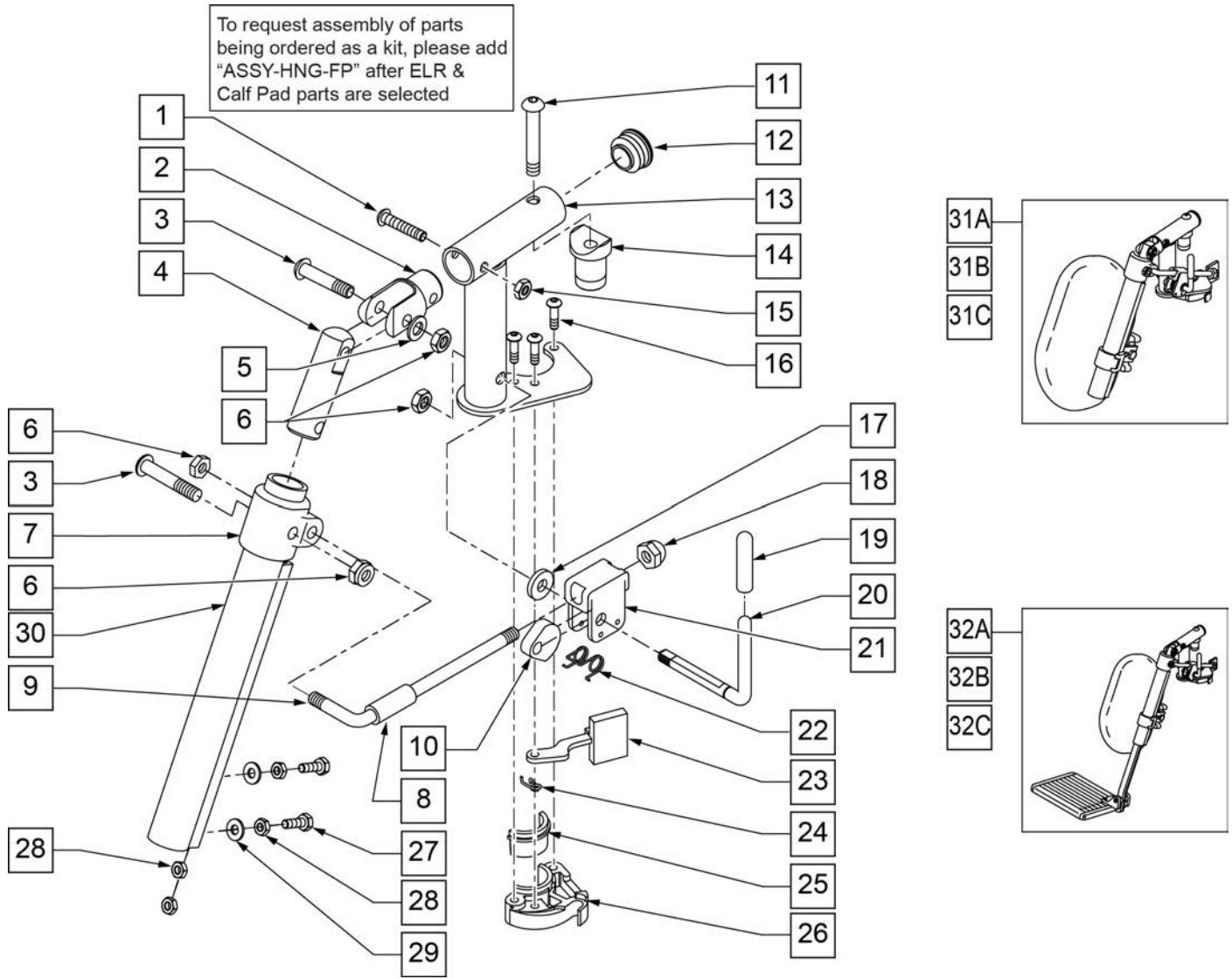
To have complete Footrest ship assembled, choose compatible Hanger + Footplate part numbers and add "ASSY-HNG-FP" to order

Pos.	Item Number	Description	Remarks
1A	562610	SLD FOOTPLATE ONLY 8" x 8" (10"-12" W)	10 -12" WIDE
1B	562612	SLD FOOTPLATE ONLY 10" x 8" (13"-14" W)	13 -14" WIDE
1C	500709	SLD FT PLT ALUM ONLY 12" x 8" (15"-16" W)	15 -16" WIDE
2	106933	NUT NYLOCK THIN 1/4-20 ROHS	
3	330120	SLD FT/ANGLE ADJ DOUBLE T BOLT	
4	550444	SOLID FOOT/ANG ADJ CLAMP BLK	
5	107028	BHCS 1/4-28 X 1-1/2 ROHS	
7	561034	SHORT DOME PLUG	
8	483236	SOLID FOOT INSERT SADDLE BLK	
10	550658	CLAMP 1 1/4" THREADED BLK	
11	550657	CLAMP 1 1/4" RECESS FULL BLK	
12	107032	SHCS 1/4-28 X 1 ROHS	
9,13	880559	SOLID FOOT LOCK KNOB ASSEMBLY	
14	560402	3/4" ID NY-LINER	
15A	521621	SLD FOOT SUPPORT TUBE BLK 10"-12"	10 -12" WIDE

Pos.	Item Number	Description	Remarks
15B	521622	SLD FOOT SUPPORT TUBE BLK 13"-14"	13 -14" WIDE
15C	521624	SLD FOOT SUPPORT TUBE BLK 15"-16"	15 -16" WIDE
5-8	880183	SLD FT PLT PIVOT TUBE SUB-ASSM	
1A,2-14, 15A	921801	SLD FT PLT ASSEMBLY 8" x 8" (10"-12" W)	10 -12" WIDE
1B,2-14, 15B	921803	SOLID FOOTPLATE ASSEMBLY 10" x 8" (13"-14" W)	13 -14" WIDE
1C,2-14, 15C	921805	SOLID FOOTPLATE ASSEMBLY 12" x 8" (15"-16" W)	15 -16" WIDE
		Ship assembled part #	Use with multiple assemblies
	ASSY-HNG-FP	HANGER/FOOTPLATE ASSY REQUIRED	add with Hanger & Footplate kit

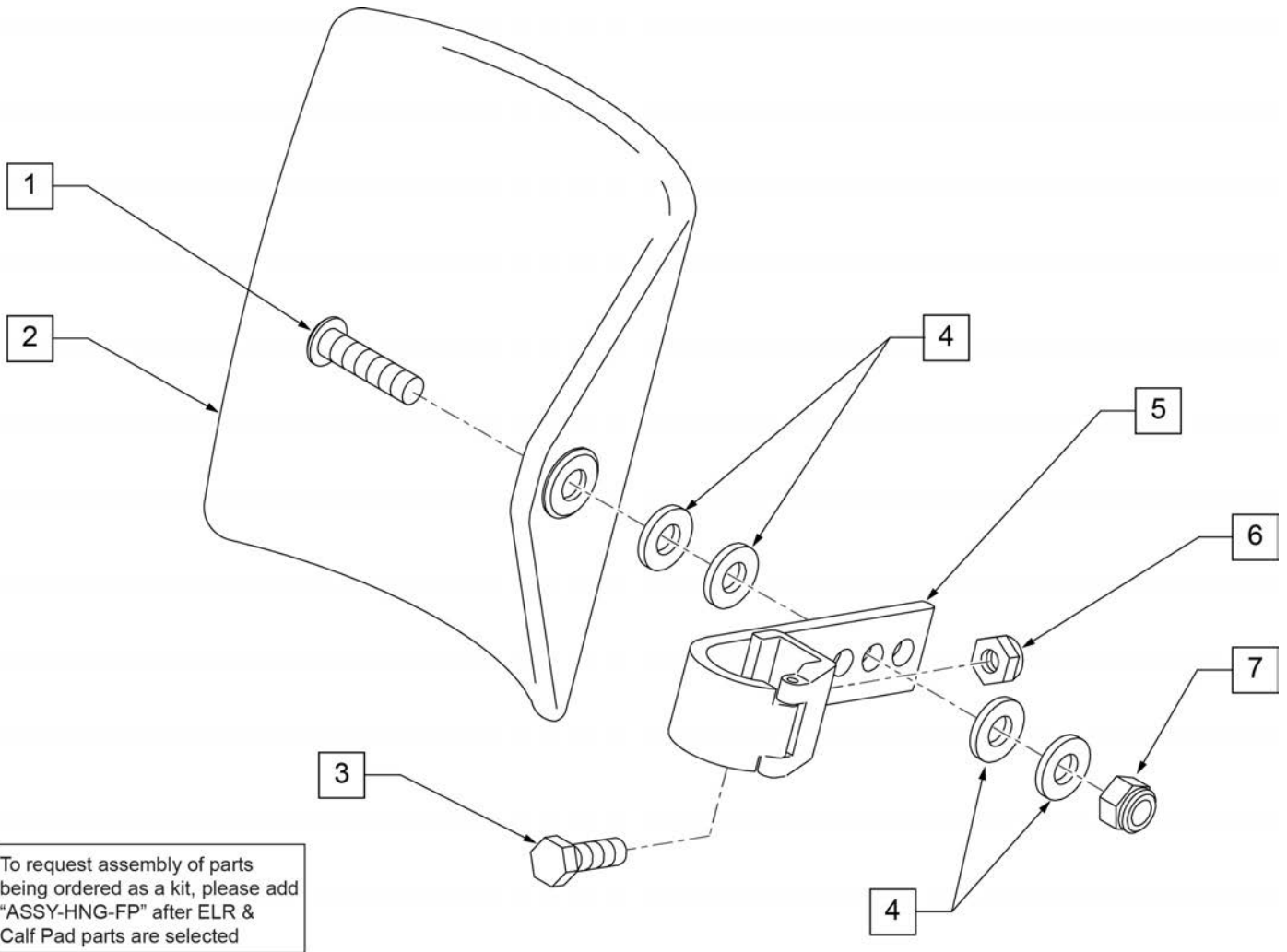
ELEVATING HANGER

(09/2011)

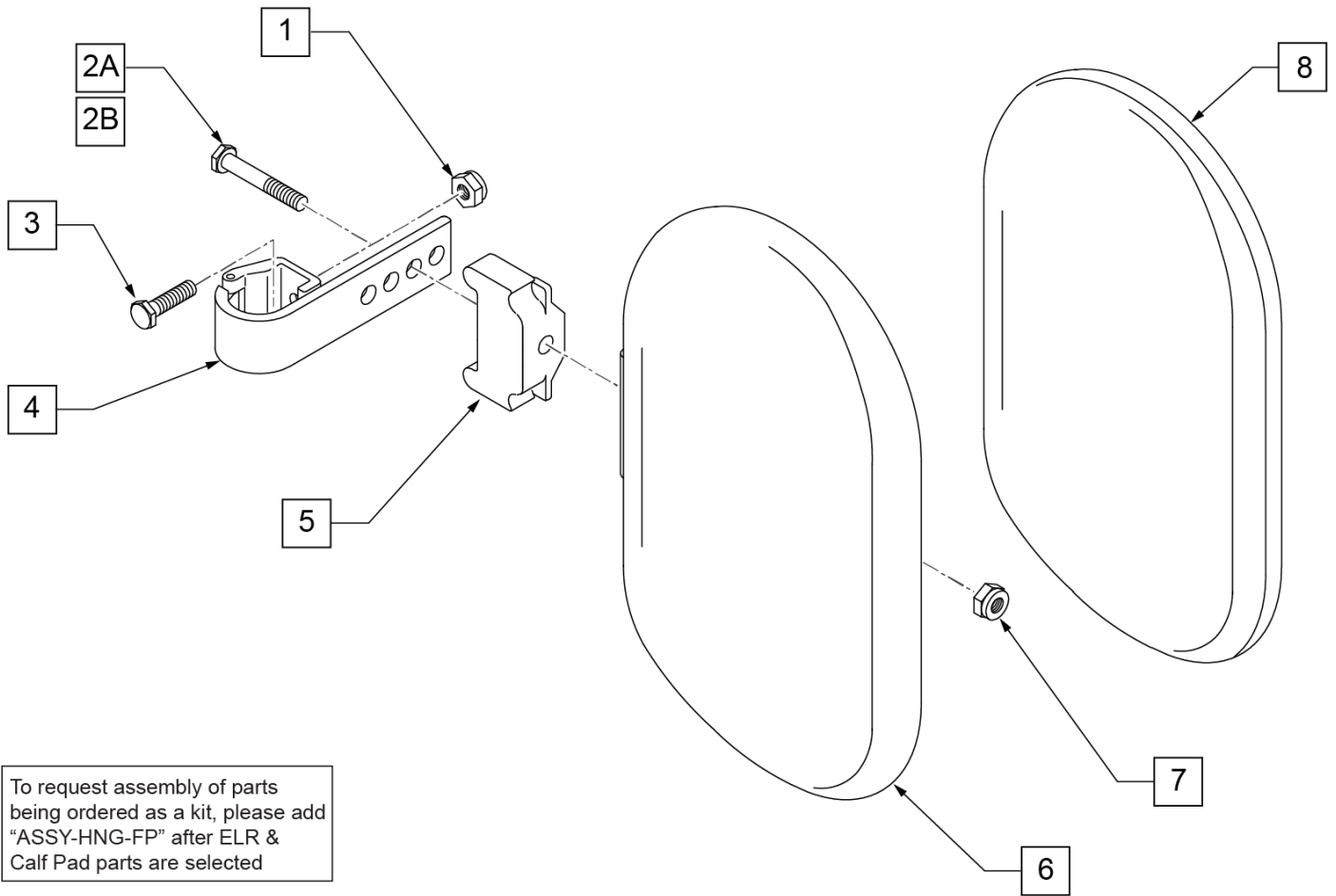


Pos.	Item Number	Description	Remarks
1	106961	1/4-28 X 1 1/4 BH C/S	
2	505281	ELR CLEVIS	
3	107037	BHCS 5/16-24 X 1-1/2 SHLD ROHS	
4	540252	ELR PIVOT PRS	
5	106946	WASHER FLAT AN 5/16 ROHS	
6	106939	NUT NYLOCK THIN 5/16-24 ROHS	
7	560420	ELR UPPER PIVOT PLST	
8	560784	ELR ADJUSTMENT STOP	
9	481117	ELR LOCK ROD	
10	481119	ELR CAM LOCKING POWDERED METAL	
11	106982	BHCS 5/16 -18 x 1 3/4 SHLD ROHS	
12	561062	1" INSERT PLUG .065 RIBS	
14	122729	ELR ALUM PIVOT SADDLE	
15	106935	NUT NYLOCK THIN 1/4-28 ROHS	
16	107035	BHCS 10-24 X .725 PL ROHS	
17	561059	3/4 OD x .318 ID WASHER	
18	202109	5/16-24 ACORN NUT HEX	

Pos.	Item Number	Description	Remarks
19	561049	ELR RELEASE ROD COVER	
19,20	882410S	ELR ACTUATION ARM ASSEMBLY	
21	880990	ELR LOCK HOUSING W/PIN	
22	321106	ELR TORSION SPRING	
23	561079	S/A LATCH LEVER	
24	321136	S/A SPRING L RED	LEFT
24	321137	S/A SPRING R CLEAR	RIGHT
27	107014	1/4-28 x 3/4 HEX C/S	
28	107249	NUT HEX THIN 1/4-28 ROHS	
29	106944	WASHER FLAT THIN AN 1/4 ROHS	
30	550722S	ELR ADJUSTMENT TUBE	
6,8-10,17-22	881077S	ELR LOCK ROD/ARM ASSEMBLY	
25,26	881500	LATCH BLOCK ASSM	RIGHT
25,26	881501	LATCH BLOCK ASSM	LEFT
1-6,11-16,20-24	882413	ELR PIVOT BLOCK ASSM	RIGHT
1-6,11-16,20-24	882414	ELR PIVOT BLOCK ASSM	LEFT
1-26	881422	ELR PIVOT ASSM RIGHT	RIGHT
1-26	881423	ELR PIVOT ASSM LEFT	LEFT
1-30	641452S	ELR HNGR W/O PAD PNTD MNL	RIGHT
1-30	641453S	ELR HNGR W/O PAD PNTD MNL	LEFT
31A	923082S	ELR HNGR ASSM 14-15 W /PAD (PR)	PAIR
31B	923041S	ELR HNGR ASSM W/PAD 16-17"	PAIR
31C	923061S	ELR HNGR ASSM W/PAD 18-20"	PAIR
32A	923088S	ELR HNGR REG EXT 14 15" F/PLT	Pair-includes short extensions, 11.5" - 15.5"
32B	923084S	ELR HNGR REG EXT 16 17" F/PLT	Pair-includes short extensions, 11.5" - 15.5"
32C	923085S	ELR HNGR REG EXT 18-20" F/PLT	Pair-includes short extensions, 11.5" - 15.5"
16,23-26	881521	S/A LATCH KIT CASTING RIGHT	RIGHT
16,23-26	881522	S/A LATCH KIT CASTING LEFT	LEFT
		Ship assembled part #	Use with multiple assemblies
	ASSY-HNG-FP	HANGER/FOOTPLATE ASSY REQUIRED	add with Hanger & Footplate kit



Pos.	Item Number	Description	Remarks
1	106980	BHCS 5/16-18 X 1-1/4 ROHS	
2	755014	CALF PAD TROUGH STYLE 14"/16"	
3	221097	1/4-28 X 5/8 HEX C/S BZ	
4	561016	1" WASHER 5/16" HOLE	
5	881413	CALF PAD BRACKET ASSEMBLY	
6	106934	NUT NYLOCK 1/4-28 ROHS	
7	106937	NUT NYLOCK THIN 5/16-18	
1-7	881414	CALF PAD J-HOOK 14"-15" ASSEMBLY	
		Ship assembled part #	Use with multiple assemblies
	ASSY-HNG-FP	HANGER/FOOTPLATE ASSY REQUIRED	add with Hanger & Footplate kit



To request assembly of parts being ordered as a kit, please add "ASSY-HNG-FP" after ELR & Calf Pad parts are selected

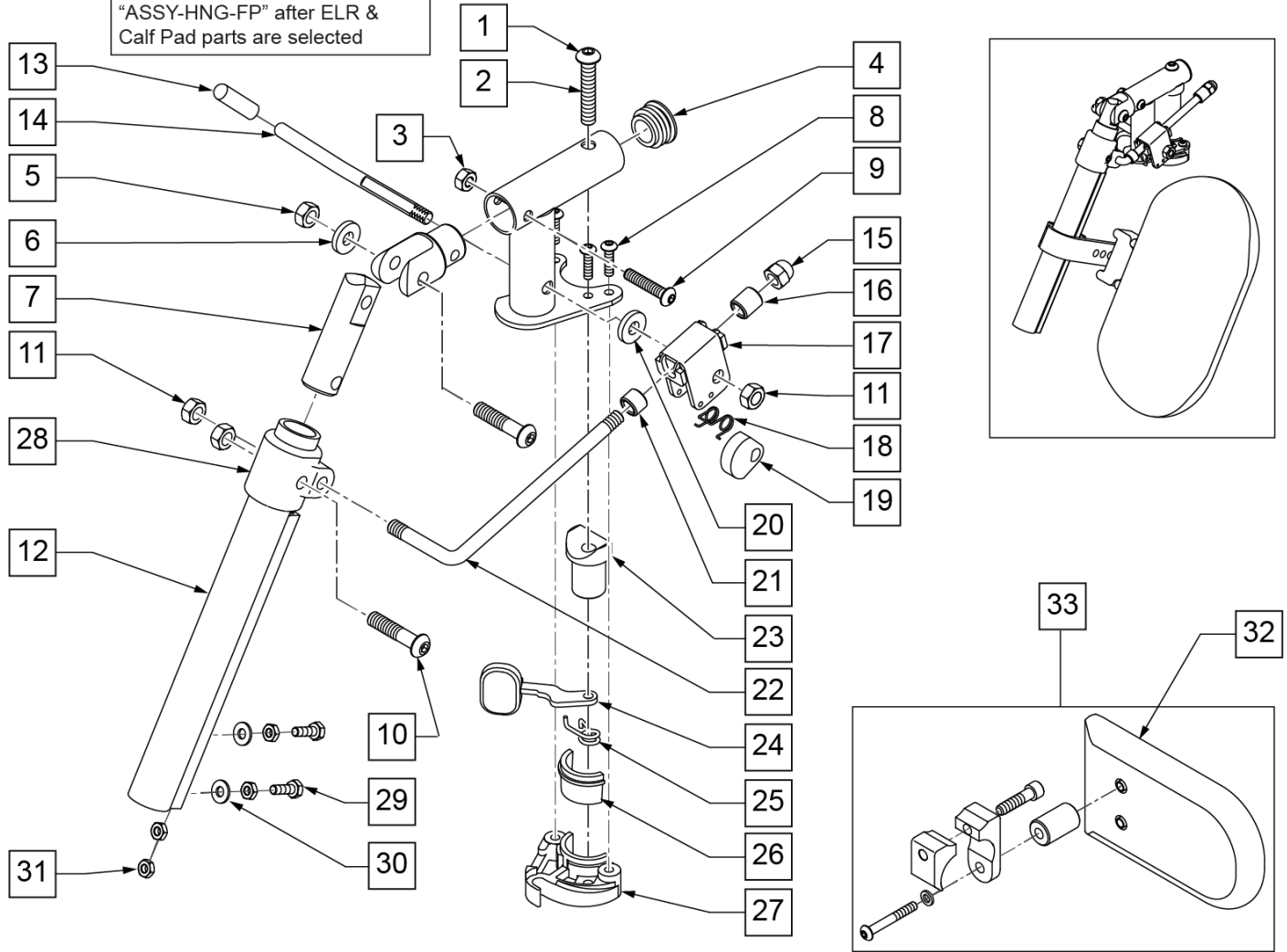
Pos.	Item Number	Description	Remarks
1	106934	NUT NYLOCK 1/4-28 ROHS	
2A	107018	HHCS 5/16-18 X 2-1/2 ROHS	16"-17" wide only
2B	107019	HHCS 5/16-18 X 3-1/2 ROHS	18"-20" wide only
3	107013	HHCS 1/4-28 X 5/8 ROHS	
4	881413	CALF PAD BRACKET ASSEMBLY	
5	560199	ELR CALF HINGE SPACER	18"-20" wide only
6	560108	CALF PAD MOLDED 16"-20"	
7	106936	NUT NYLOCK 5/16-18 ROHS	
8	751045	CALF PAD COVER	
1,2A,3,4,6-8	881416	CALF MOLDED 16"-17" ASSEMBLY	
1,2B,3-7,8	881412	CALF PAD MOLDED 18"-20" ASSEMBLY	
		Ship assembled part #	Use with multiple assemblies
	ASSY-HNG-FP	HANGER/FOOTPLATE ASSY REQUIRED	add with Hanger & Footplate kit

ELEVATING HEMI HANGER

[07/2017]

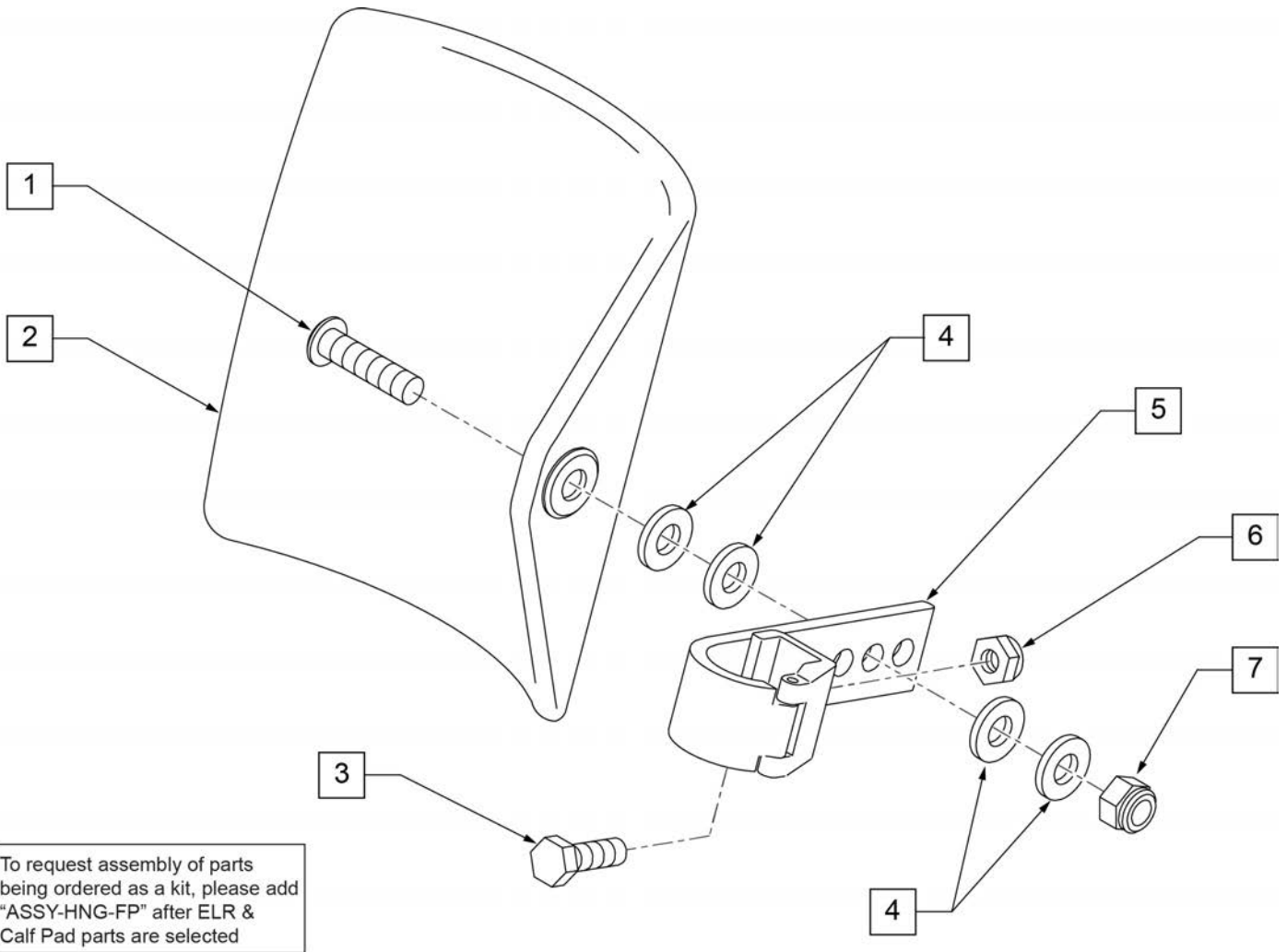
Note: assemblies obsolete -- replace in pairs; see EXTENSION MOUNT ELR RETROFIT parts page.

To request assembly of parts being ordered as a kit, please add "ASSY-HNG-FP" after ELR & Calf Pad parts are selected

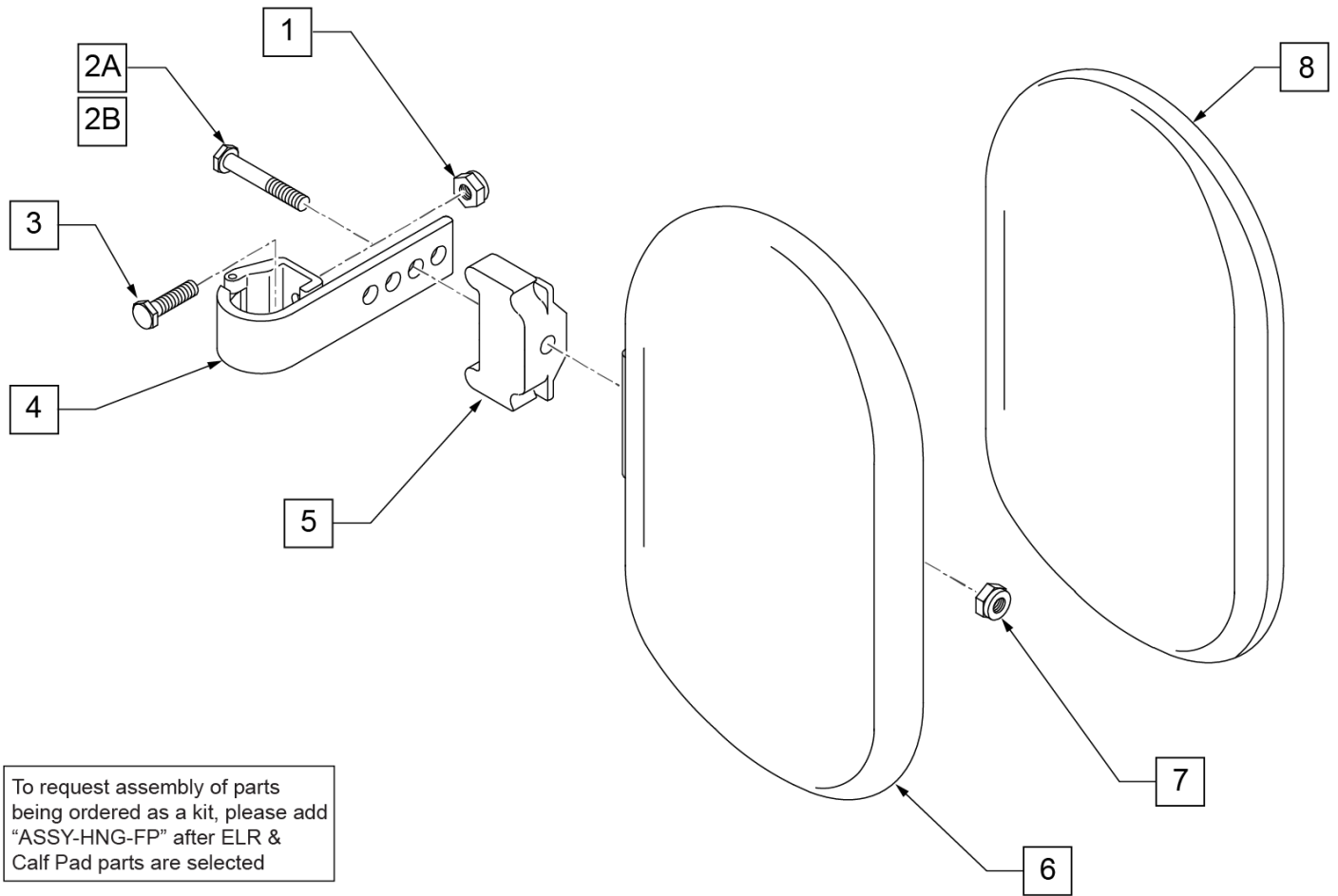


Pos.	Item Number	Description	Remarks
1	226217	5/16-18 x 2" BH C/S BLK	
3	106935	NUT NYLOCK THIN 1/4-28 ROHS	
4	561062	1" INSERT PLUG .065 RIBS	
5	505281	ELR CLEVIS	
6	263100	5/16 AN WASHER FLAT	
7	540252	ELR PIVOT PRS	
8	226057	10/24 x .725 BTTN HD SOC BZ	
9	106961	BHCS 1/4-28 X 1-1/4 ROHS	
10	226138	5/16-24 x 1 1/2 BH C/S	
11	106939	5/16-24 NYLOCK NUT THIN	
12	550722S	ELR ADJUSTMENT TUBE	
13	561049	ELR RELEASE ROD COVER	
14	481123	ELR ACTUATION ARM 90 DEG KDS	

Pos.	Item Number	Description	Remarks
15	202109	5/16-24 ACORN NUT HEX	
16	560815	HEMI ELR ADJ STOP BACK LG	
17	880990	ELR LOCK HOUSING W/PIN	
18	321106	ELR TORSION SPRING	
19	481119	ELR CAM LOCKING POWDERED METAL	
20	561059	3/4 OD x .318 ID WASHER	
21	500806	HEMI ELR ADJ STOP FRONT SMALL	
22	481117	ELR LOCK ROD	
23	561197	PLASTIC PIVOT SADDLE	
24	561079	S/A LATCH LEVER	
25	321136	S/A SPRING L RED	
25	321137	S/A SPRING R CLEAR	
28	560420	ELR UPPER PIVOT PLST	
29	107014	1/4-28 X 3/4 HEX C/S	
30	106944	1/4 AN WASHER FLAT THIN	
31	201112	1/4-28 NUT THIN	
32	750226	KNEE PAD FLAT 3H X 5L W/COVER	
33	922328	ELR HEMI KNEE PAD ASSM	
26,27	881500	LATCH BLOCK ASSM R	
26,27	881501	LATCH BLOCK ASSM L	
13,14	882411	ELR 90D ACTUATION ARM ASSM	
1-9,23-27	921826	ELR PIVOT BLOCK ASSM R	
1-9,23-27	921827	ELR PIVOT BLOCK ASSM L	
11,13-19, 21,22	922323S	HEMI ELR LOCK ROD/ARM ASSM	
		Ship assembled part #	Use with multiple assemblies
	ASSY-HNG-FP	HANGER/FOOTPLATE ASSY REQUIRED	add with Hanger & Footplate kit

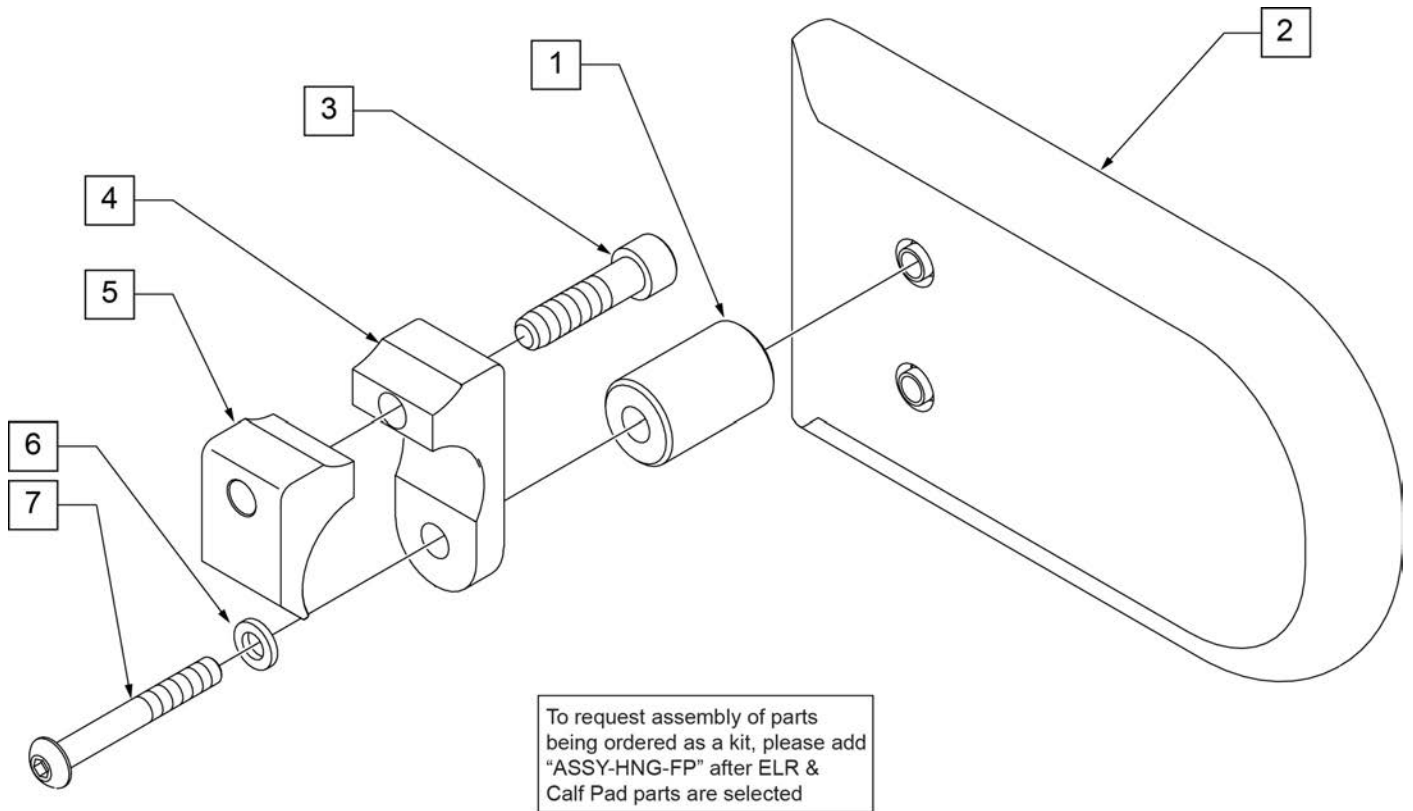


Pos.	Item Number	Description	Remarks
1	106980	BHCS 5/16-18 X 1-1/4 ROHS	
2	755014	CALF PAD TROUGH STYLE 14"/16"	
3	221097	1/4-28 X 5/8 HEX C/S BZ	
4	561016	1" WASHER 5/16" HOLE	
5	881413	CALF PAD BRACKET ASSEMBLY	
6	106934	NUT NYLOCK 1/4-28 ROHS	
7	106937	NUT NYLOCK THIN 5/16-18	
1-7	881414	CALF PAD J-HOOK 14"-15" ASSEMBLY	
		Ship assembled part #	Use with multiple assemblies
	ASSY-HNG-FP	HANGER/FOOTPLATE ASSY REQUIRED	add with Hanger & Footplate kit



To request assembly of parts being ordered as a kit, please add "ASSY-HNG-FP" after ELR & Calf Pad parts are selected

Pos.	Item Number	Description	Remarks
1	106934	NUT NYLOCK 1/4-28 ROHS	
2A	107018	HHCS 5/16-18 X 2-1/2 ROHS	16"-17" wide only
2B	107019	HHCS 5/16-18 X 3-1/2 ROHS	18"-20" wide only
3	107013	HHCS 1/4-28 X 5/8 ROHS	
4	881413	CALF PAD BRACKET ASSEMBLY	
5	560199	ELR CALF HINGE SPACER	18"-20" wide only
6	560108	CALF PAD MOLDED 16"-20"	
7	106936	NUT NYLOCK 5/16-18 ROHS	
8	751045	CALF PAD COVER	
1,2A,3,4,6-8	881416	CALF MOLDED 16"-17" ASSEMBLY	
1,2B,3-7,8	881412	CALF PAD MOLDED 18"-20" ASSEMBLY	
		Ship assembled part #	Use with multiple assemblies
	ASSY-HNG-FP	HANGER/FOOTPLATE ASSY REQUIRED	add with Hanger & Footplate kit

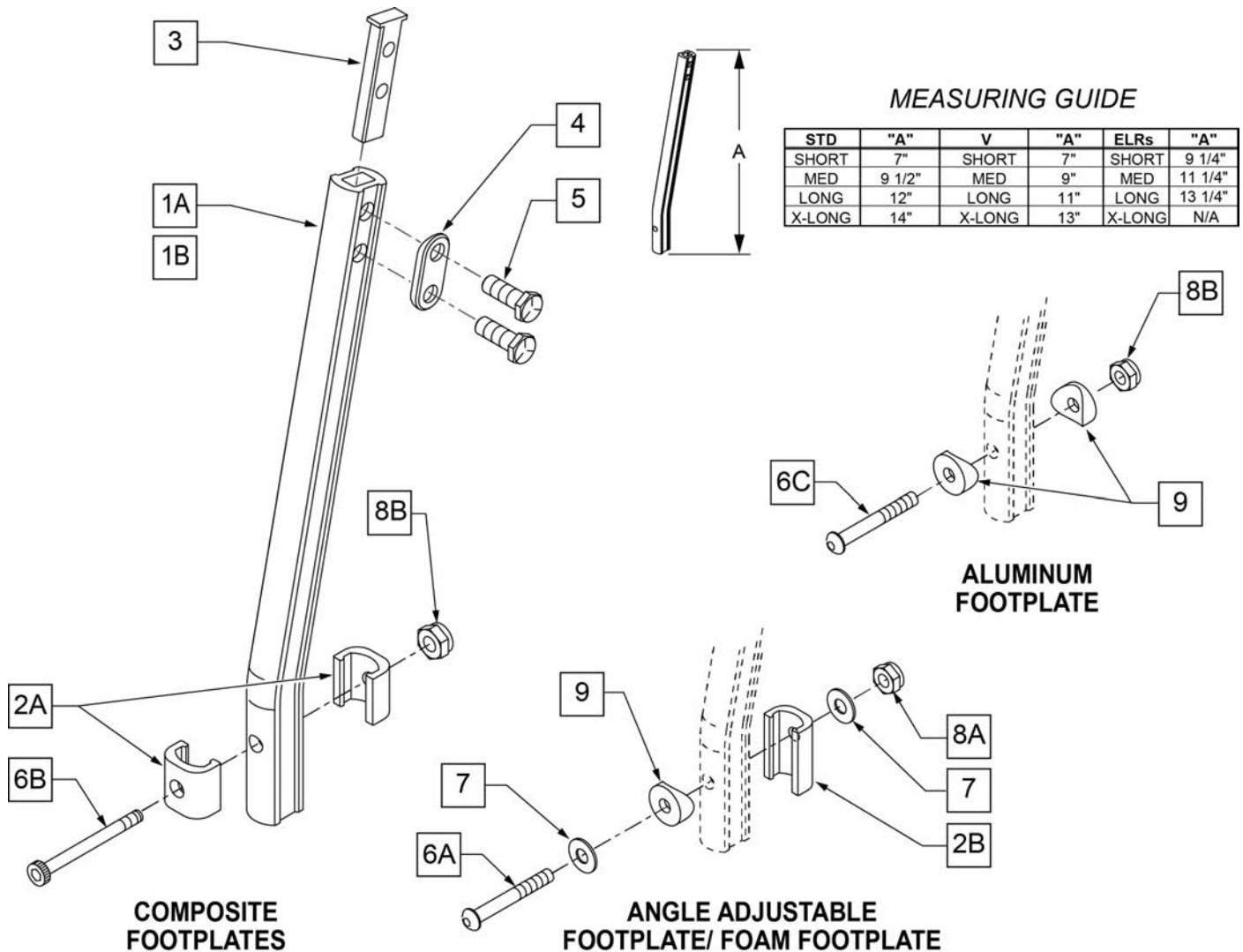


Pos.	Item Number	Description	Remarks
2	750226	KNEE PAD FLAT 3H X 5L W/COVER	
1-7	922328	ELR HEMI KNEE PAD ASSM	
		Ship assembled part #	Use with multiple assemblies
	ASSY-HNG-FP	HANGER/FOOTPLATE ASSY REQUIRED	add with Hanger & Footplate kit

NOTE: DISCONTINUED - PARTS ONLY ON GP SWNG-AWAY BEGINNING 4/4/15 & S/N GP-95902, KIDS Q2 SE BEGINNING 4/16/15 & S/N QKE-003425, LX BEGINNING 10/24/2008 & S/N LX-034330, LXI BEGINNING 4/25/15 & S/N LXI-060868, QTS BEGINNING 5/15/15 & S/N QT-044951, QTS SE BEGINNING 5/15/15 & S/N QTE-002092

NOTE: IF REPLACING AN EXTENSION TUBE ON AN MANUAL ALR PLEASE REFER TO THE ROUND EXT TUBE PARTS MANUAL PAGE.

NOTE: WHEN ORDERING REPLACEMENT EXTENSION TUBES PLEASE VERIFY IF YOU HAVE THE OLD STYLE DOUBLE D EXTENSION TUBE OR THE NEW STYLE DOUBLE D EXTENSION TUBE. THIS CAN BE DONE BY REVIEWING THE HANGER THE EXTENSION TUBE IS USED ON. IF THE HANGER UTILIZES A SINGLE SET SCREW AT THE BOTTOM OF THE HANGER TUBE TO ATTACH THE EXTENSION TUBE TO THE HANGER, THEN THIS UTILIZES THE NEW STYLE DOUBLE D EXT TUBE. ALL OTHER HANGERS REQUIRING A DOUBLE D EXTENSION TUBE UTILIZE THE OLD STYLE.



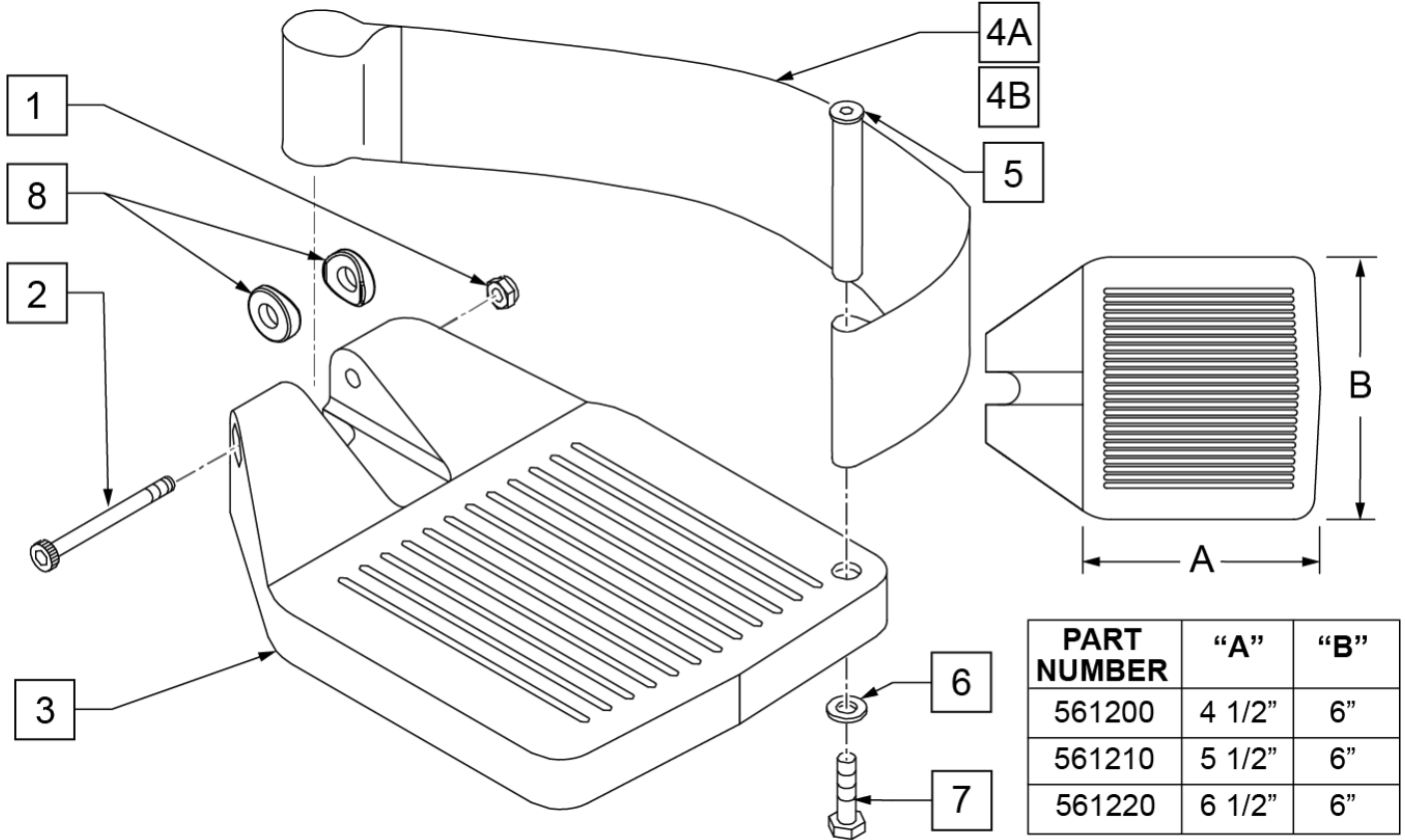
Pos.	Item Number	Description	Remarks
1A	550819	EXT TUBE S/A ONLY SHT	Short Ext-Swing Away Hanger

Pos.	Item Number	Description	Remarks
1A	550820	EXT TUBE S/A ONLY MED	Med Ext-Swing Away Hanger
1A	550821	EXT TUBE S/A ONLY LONG	Long Ext-Swing Away Hanger
1A	550822	EXT TUBE S/A ONLY X-LONG	X-Long Ext-Swing Away Hanger
1B	550834	EXT TUBE V IN ONLY D2 SHT R	Right Short Ext-Swing Away Hanger
1B	550835	EXT TUBE V IN ONLY D2 SHT L	Left Short Ext-Swing Away Hanger
1B	550836	EXT TUBE V IN ONLY D2 MED R	Right Med Ext-Swing Away Hanger
1B	550837	EXT TUBE V IN ONLY D2 MED L	Left Med Ext-Swing Away Hanger
1B	550838	EXT TUBE V IN ONLY D2 LONG R	Right Long Ext-Swing Away Hanger
1B	550839	EXT TUBE V IN ONLY D2 LONG L	Left Long Ext-Swing Away Hanger
1B	550840	EXT TUBE V IN ONLY D2 X-LONG R	Right X-Long Ext-Swing Away Hanger
1B	550841	EXT TUBE V IN ONLY D2 X-LONG L	Left X-Long Ext-Swing Away Hanger
2A	483718	HANGER EXTENSION SADDLE	USE W/ COMPOSITE FTPLT
2B	483720	HANGER EXTENSION SADDLE LONG	USE W/ ANGLE ADJ FTPLT
3	500078	INSERT D2 EXT TUBE	
4	483717	HANGER SADDLE	
5	221102	1/4-28 x 3/4 HEX HEAD C/S BLK W/PTCH	
6A	106962	1/4-28 x 1 3/4 BH C/S BLK ZN	USE W/ ANGLE ADJ FTPLT
6B	226165	1/4 -28 x 2 1/2 SOC C/S	USE W/ COMPOSITE FTPLT
6C	226147	1/4 -28 X 1.85 BH C/S	
7	106945	1/4" SAE WASHER	
8A	106941	1/4 -28 AUTOMATION NUT	USE W/ ANGLE ADJ FTPLT
8B	106935	1/4 -28 NYLOCK NUT THIN	USE W/ COMPOSITE FTPLT
9	561055	3/4 SADDLE 1" OD	USE W/ ANGLE ADJ FTPLT
1A,2A-5	921759	EXT TUBE S/A SHT ASSM PCKT	USE W/ COMPOSITE FTPLT
1A,2A-5	921760	EXT TUBE S/A MED ASSM PCKT	USE W/ COMPOSITE FTPLT
1A,2A-5	921761	EXT TUBE S/A LONG ASSM PCKT	USE W/ COMPOSITE FTPLT
1A,2A-5	921762	EXT TUBE S/A X-LONG ASSM PCKT	USE W/ COMPOSITE FTPLT
1B,2A-5	921751	EXT TUBE "V" D2 SHT R ASSM PCKT	RIGHT - USE W/ COMPOSITE FTPLT V HANGER
1B,2A-5	921752	EXT TUBE "V" D2 SHT L ASSM PCKT	LEFT - USE W/ COMPOSITE FTPLT V HANGER
1B,2A-5	921753	EXT TUBE "V" D2 MED R ASSM PCKT	RIGHT - USE W/ COMPOSITE FTPLT V HANGER
1B,2A-5	921754	EXT TUBE "V" D2 MED L ASSM PCKT	LEFT - USE W/ COMPOSITE FTPLT V HANGER
1B,2A-5	921755	EXT TUBE "V" D2 LONG R ASSM PCKT	RIGHT - USE W/ COMPOSITE FTPLT V HANGER
1B,2A-5	921756	EXT TUBE "V" D2 LONG L ASSM PCKT	LEFT - USE W/ COMPOSITE FTPLT V HANGER
1B,2A-5	921757	EXT TUBE "V" D2 X-LONG R ASSM PCKT	RIGHT - USE W/ COMPOSITE FTPLT V HANGER
1B,2A-5	921758	EXT TUBE "V" D2 X-LONG L ASSM PCKT	LEFT - USE W/ COMPOSITE FTPLT V HANGER
1A,2A-7,9	921772	EXT TUBE S/A SHT ANG ADJ PCKT	USE W/ ANGLE ADJ FTPLT
1A,2A-7,9	921773	EXT TUBE S/A MED ANG ADJ PCKT	USE W/ ANGLE ADJ FTPLT
1A,2A-7,9	921774	EXT TUBE S/A LONG ANG ADJ PCKT	USE W/ ANGLE ADJ FTPLT
1A,2A-7,9	921775	EXT TUBE S/A X-LONG ANG ADJ PCKT	USE W/ ANGLE ADJ FTPLT
1B,2A-7,9	921764	EXT TUBE "V" D2 SHT R ANG ADJ PCKT	RIGHT - USE W/ ANGLE ADJ FTPLT V HANGER
1B,2A-7,9	921765	EXT TUBE "V" D2 SHT L ANG ADJ PCKT	LEFT - USE W/ ANGLE ADJ FTPLT V HANGER
1B,2A-7,9	921766	EXT TUBE "V" D2 MED R ANG ADJ PCKT	RIGHT - USE W/ ANGLE ADJ FTPLT V HANGER
1B,2A-7,9	921767	EXT TUBE "V" D2 MED L ANG ADJ PCKT	LEFT - USE W/ ANGLE ADJ FTPLT V HANGER
1B,2A-7,9	921768	EXT TUBE "V" D2 LONG R ANG ADJ PCKT	RIGHT - USE W/ ANGLE ADJ FTPLT V HANGER
1B,2A-7,9	921769	EXT TUBE "V" D2 LONG L ANG ADJ PCKT	LEFT - USE W/ ANGLE ADJ FTPLT V HANGER
1B,2A-7,9	921770	EXT TUBE "V" D2 X-LONG R ANG AD PCKT	RIGHT - USE W/ ANGLE ADJ FTPLT V HANGER
1B,2A-7,9	921771	EXT TUBE "V" D2 X-LONG L ANG AD PCKT	LEFT - USE W/ ANGLE ADJ FTPLT V HANGER

COMPOSITE FOOTPLATE

To have complete Footrest ship assembled, choose compatible Hanger + Footplate part numbers and add "ASSY-HNG-FP" to order

INSET FORMULA
 0" Inset (Seat Width) = Footrest Width
 1" Inset (Seat Width) -2" = Footrest Width
 "V" Hanger (Seat Width) -4" = Footrest Width
 Offset Hanger Receiver (Seat Width) +2" = Footrest Width



Pos.	Item Number	Description	Remarks
1	106935	1/4 - 28 NYLOCK NUT	
2	226165	1/4 - 28 x 2 1/2 SOC C/S	
3	561200	COMPOSITE FOOTPLATE 14 -15 (16 -18 V)	14 -15 OR 16 -18V
3	561210	COMPOSITE FOOTPLATE 16 -17 (19 -20 V)	16 -17 OR 19 -20V
3	561220	COMPOSITE FOOTPLATE 18 -20	18 -20
4A	741151	HEEL LOOP 14-15 COMPOSITE (14 -15 or 16 -18V)	14 -15 OR 16 -18V
4A	741156	HEEL LOOP 16 -17 or 19 -20V	16 -17 OR 19 -20V
4A	741153	HEEL LOOP 18 -20 COMPOSITE/14-15 ANG ADJ	18 -20
4A	902270	HEEL LOOP COMPOSITE FT 14-15	PAIR 14 -15 OR 16 -18V
4A	902271	HEEL LOOP COMPOSITE FT 16-17	PAIR 16 -17 OR 19 -20V
4A	902272	HEEL LOOP COMPOSITE FT 18-20	PAIR 18 -20
4B	741154	HEEL LOOP 14-15 COMPOSITE HEMI	14 -15 HEMI
4B	741155	HEEL LOOP 16-17 COMPOSITE HEMI	16 -17 HEMI
4B	741153	HEEL LOOP 18-20 COMPOSITE HEMI	18 -10 HEMI
4B	902260	HEEL LOOPS HEMI COMPOSITE 14-15	PAIR 14 -15 HEMI
4B	902261	HEEL LOOPS HEMI COMPOSITE 16-17	PAIR 16 -17 HEMI
4B	902262	HEEL LOOPS HEMI COMPOSITE 18-20	PAIR 18 -20 HEMI
5	561040	HEEL LOOP PEG	
6	106944	1/4 AN WASHER FLAT THIN	

Pos.	Item Number	Description	Remarks
7	106958	HHCS 1/4-20 X 1 ROHS	
8	561003	3/4" SADDLE THIN	USED W/ ROUND EXT TUBES ONLY
1-3	921180	COMPOSITE FOOTPLATE ASSM 14-15	RIGHT (14 -15 OR 16 -18V) W/O HEEL LOOP
1-3	921181	COMPOSITE FOOTPLATE ASSM 14-15	LEFT (14 -15 OR 16 -18V) W/O HEEL LOOP
1-3	921182	COMPOSITE FOOTPLATE ASSM 16-17	RIGHT (16 -17 OR 19 -20V) W/O HEEL LOOP
1-3	921183	COMPOSITE FOOTPLATE ASSM 16-17	LEFT (16 -17 OR 19 -20V) W/O HEEL LOOP
1-3	921184	COMPOSITE FOOTPLATE ASSM 18-20	RIGHT (18 -20) W/O HEEL LOOP
1-3	921185	COMPOSITE FOOTPLATE ASSM 18-20	LEFT (18 -20) W/O HEEL LOOP
1-3	921151	COMPOSITE FOOTPLATE ASSM 14-15/16-18V	PAIR (14 -15 OR 16 -18V) W/O HEEL LOOP
1-3	921152	COMPOSITE FOOTPLATE ASSM 16-17/19-20V	PAIR (16 -17 OR 19 -20V) W/O HEEL LOOP
1-3	921153	COMPOSITE FOOTPLATE ASSM 18-20	PAIR (18 -20) W/O HEEL LOOP
1,2,3A,4-7	921190	COMPOSITE FOOTPLATE ASSM HL LP 14-15	RIGHT (14 -15 OR 16 -18V) W/ HEEL LOOP
1,2,3A,4-7	921191	COMPOSITE FOOTPLATE ASSM HL LP 14-15	LEFT (14 -15 OR 16 -18V) W/ HEEL LOOP
1,2,3A,4-7	921192	COMPOSITE FOOTPLATE ASSM HL LP 16-17	RIGHT (16 -17 OR 19 -20V) W/ HEEL LOOP
1,2,3A,4-7	921193	COMPOSITE FOOTPLATE ASSM HL LP 16-17	LEFT (16 -17 OR 19 -20V) W/ HEEL LOOP
1,2,3A,4-7	921194	COMPOSITE FOOTPLATE ASSM HL LP 18-20	RIGHT (18 -20) W/ HEEL LOOP
1,2,3A,4-7	921195	COMPOSITE FOOTPLATE ASSM HL LP 18-20	LEFT (18 -20) W/ HEEL LOOP
1,2,3A,4-7	921161	COMPOSITE FOOTPLATE ASSM HL 14-15/16-18V	PAIR (14 -15 OR 16 -18V) W/ HEEL LOOP
1,2,3A,4-7	921162	COMPOSITE FOOTPLATE ASSM HL 16-17/19-20V	PAIR (16 -17 OR 19 -20V) W/ HEEL LOOP
1,2,3A,4-7	921163	COMPOSITE FOOTPLATE ASSM HL 18-20	PAIR (18 -20) W/ HEEL LOOP
1,2,3B,4-7	921140	COMPOSITE FOOTPLATE ASSM HEMI HL LP 14-15	RIGHT (14 -15) W/ HEEL LOOP
1,2,3B,4-7	921141	COMPOSITE FOOTPLATE ASSM HEMI HL LP 14-15	LEFT (14 -15) W/ HEEL LOOP
1,2,3B,4-7	921142	COMPOSITE FOOTPLATE ASSM HEMI HL LP 16-17	RIGHT (16 -17) W/ HEEL LOOP
1,2,3B,4-7	921143	COMPOSITE FOOTPLATE ASSM HEMI HL LP 16-17	LEFT (16 -17) W/ HEEL LOOP
1,2,3B,4-7	921144	COMPOSITE FOOTPLATE ASSM HEMI HL LP 18-20	RIGHT (18 -20) W/ HEEL LOOP
1,2,3B,4-7	921145	COMPOSITE FOOTPLATE ASSM HEMI HL LP 18-20	LEFT (18 -20) W/ HEEL LOOP
1,2,3B,4-7	921167	COMPOSITE FOOTPLATE ASSM HEMI HL LPS 14-15	PAIR (14 -15) W/ HEEL LOOP
1,2,3B,4-7	921168	COMPOSITE FOOTPLATE ASSM HEMI HL LPS 16-17	PAIR (16 -17) W/ HEEL LOOP
1,2,3B,4-7	921169	COMPOSITE FOOTPLATE ASSM HEMI HL LPS 18-20	PAIR (18 -20) W/ HEEL LOOP
		Ship assembled part #	Use with multiple assemblies
	ASSY-HNG-FP	HANGER/FOOTPLATE ASSY REQUIRED	add with Hanger & Footplate kit

NOTE: FOR HIGH-MOUNT ADULT ANGLE-ADJUSTABLE FOOTPLATE, SEE "HIGH-MOUNT EXTENSION TUBE" PAGE.

NOTE: ORDER ITEMS 4B AND 7B FOR CHAIRS PRIOR TO 8/13/01.

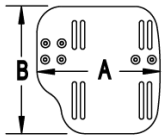
NOTE: ONLY 1 WASHER PRIOR TO 8/13/01.

NOTE: See attached REFERENCE GUIDE.

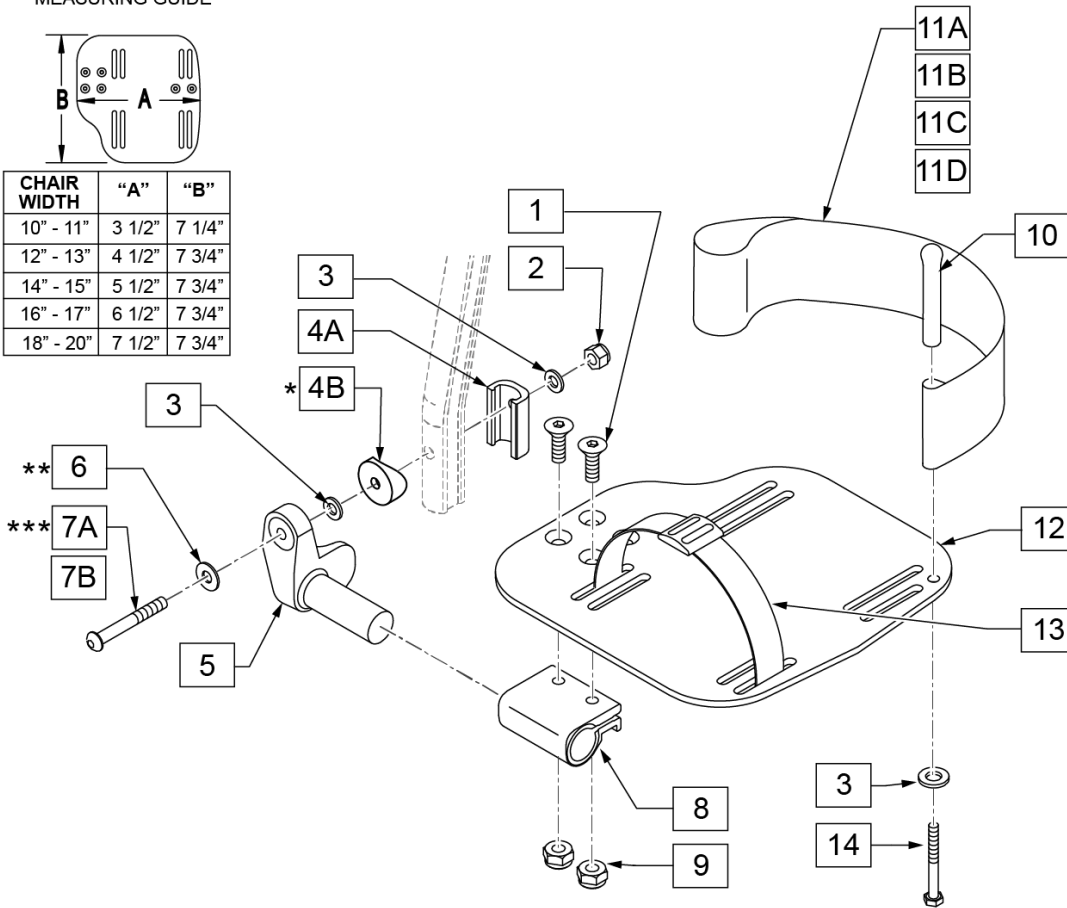
To have complete Footrest ship assembled, choose compatible Hanger + Footplate part numbers and add "ASSY-HNG-FP" to order

INSET FORMULA
 0" Inset (Seat Width) = Footrest Width
 1" Inset (Seat Width) -2" = Footrest Width
 "V" Hanger (Seat Width) -4" = Footrest Width
 Offset Hanger Receiver (Seat Width) +2" = Footrest Width

MEASURING GUIDE



CHAIR WIDTH	"A"	"B"
10" - 11"	3 1/2"	7 1/4"
12" - 13"	4 1/2"	7 3/4"
14" - 15"	5 1/2"	7 3/4"
16" - 17"	6 1/2"	7 3/4"
18" - 20"	7 1/2"	7 3/4"



15 ADLT ANG ADJ FP D2 HDWR KIT			
ITEM #	ILLUSTRATION	DESCRIPTION	QTY
1		1/4-28 X 7/8 FH C/S	2
2		1/4-28 AUTOMATION NUT	1
3		WASHER FLAT THIN AN 1/4	3
6		1/4" SAE WASHER	1
7A		BHCS 1/4-28 X 1-3/4	1
9		NUT NYLOCK THIN 1/4-28	2
10		HEEL LOOP PEG	1
14		1/4-20 X 1 HEX C/S	1

16 ADLT ANG ADJ FP RND HDWR KIT			
ITEM #	ILLUSTRATION	DESCRIPTION	QTY
1		1/4-28 X 7/8 FH C/S	2
2		1/4-28 AUTOMATION NUT	1
3		WASHER FLAT THIN AN 1/4	3
4B		3/4" SADDLE 1" OD	1
6		1/4" SAE WASHER	1
7B		1/4-28 X 1.625 BH C/S BLK	1
9		NUT NYLOCK THIN 1/4-28	2
10		HEEL LOOP PEG	1
14		1/4-20 X 1 HEX C/S	1

Pos.	Item Number	Description	Remarks
1	106978	1/4-28 x 7/8 FH C/S	
2	106941	1/4-28 AUTOMATION NUT	

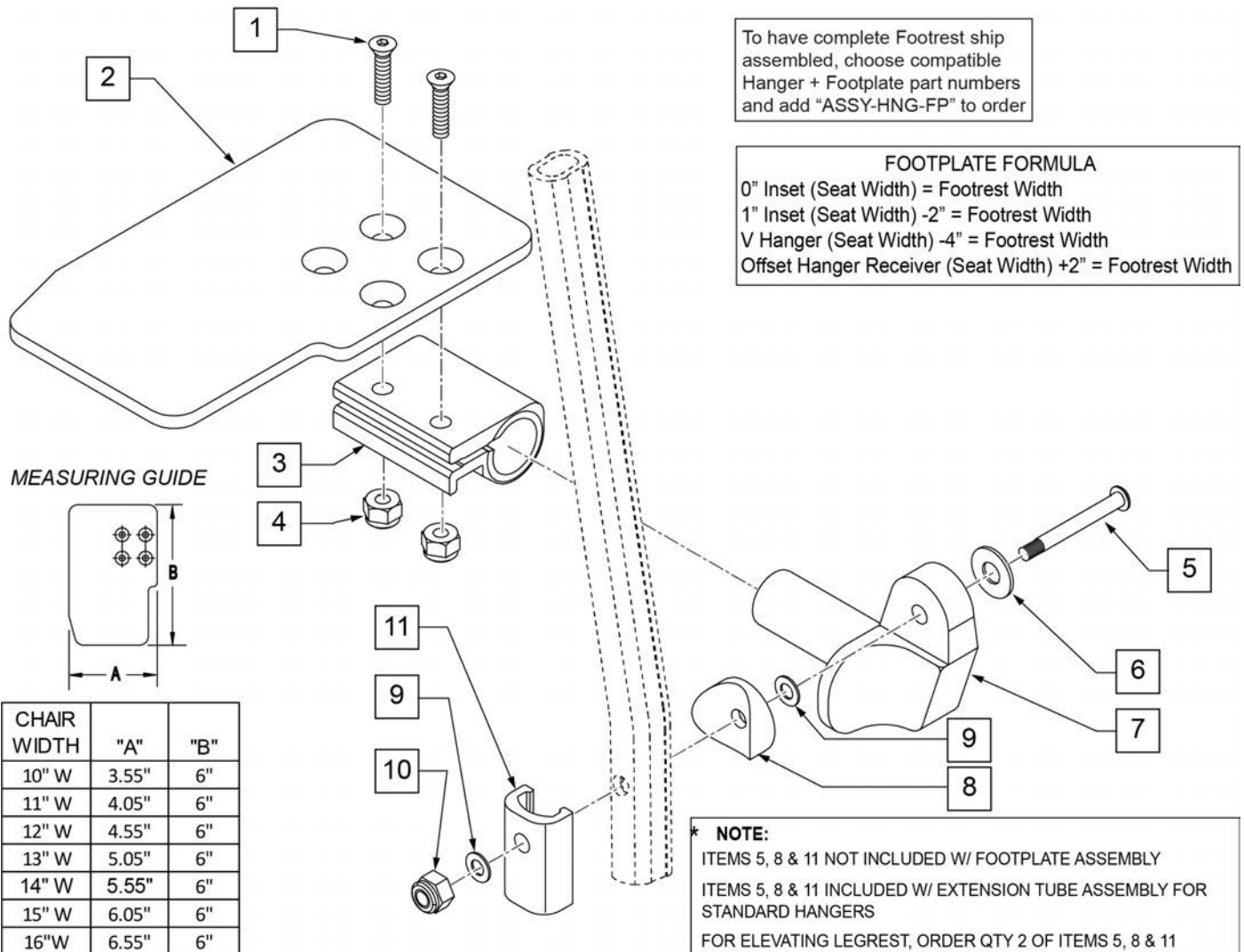
Pos.	Item Number	Description	Remarks
3	106944	WASHER FLAT THIN AN 1/4	
4A	483720	HANGER EXTENSION SADDLE LONG	USE W/ DOUBLE D EXT TUBE
4B	561055	3/4" SADDLE 1" OD	USE W/ ROUND EXT TUBE
5	541002	FTRST MOUNTING BRKT-3/8 RAD R	RIGHT
5	541003	FTRST MOUNTING BRKT-3/8 RAD L	LEFT
6	106945	WASHER FLAT SAE 1/4 ROHS	
7A	106962	BHCS 1/4-28 X 1-3/4 ROHS	use w/ Double D Ext Tube
7B	226167	1/4-28 x 1.625 BH C/S BLK	use w/ Round Ext Tube
8	550350	3/4" CLMP ADJ FT PLT	
9	106935	NUT NYLOCK THIN 1/4-28 ROHS	
10	561040	HEEL LOOP PEG	
11A	741154	HEEL LOOP 14-15 CMPST HEMI	used w/ 10-11" Adult Ang Adj Ftplts
11B	741155	HEEL LOOP 16-17 CMPST HEMI	used w/ 12 -13" Adult Ang Adj Ftplts
11C	741153	H/L 18-20 CMPST/14-15 ANG ADJ	used w/ 14-15"/16-17" Adult Ang Adj Ftplts
11D	741253	HEEL LOOP ADLT ADJ F/PLT 18-20	used w/ 18 -20" Adult Ang Adj Ftplts
12	500656	ADLT ANGL ADJ F/PLT 10/11" R	RIGHT
12	500657	ADLT ANGL ADJ F/PLT 10/11" L	LEFT
12	500658	ADLT ANGL ADJ F/PLT 12/13" R	RIGHT
12	500659	ADLT ANGL ADJ F/PLT 12/13" L	LEFT
12	500660	ADLT ANGL ADJ F/PLT 14/15	RIGHT
12	500661	ADLT ANGL ADJ F/PLT 14/15	LEFT
12	500662	ADLT ANGL ADJ F/PLT 16/17	RIGHT
12	500663	ADLT ANGL ADJ F/PLT 16/17	LEFT
12	500664	ADLT ANGL ADJ F/PLT 18-20	RIGHT
12	500665	ADLT ANGL ADJ F/PLT 18-20	LEFT
13	740260	TOE/ANKLE STRAP ADJ ADLT F/PLT	
14	106958	1/4-20 x 1 HEX C/S	
15	101533	ADLT ANG ADJ FP D2 HDWR KIT	for Double D Ext Tubes; Kit for one side
16	101534	ADLT ANG ADJ FP RND HDWR KIT	for Round Ext Tubes (Q2 HP only); Kit for one side
1-3,5,6,8,9,12	820526	AD ANG ADJ F/PLT R 12"/13" OMIT HL	RIGHT
1-3,5,6,8,9,12	820536	AD ANG ADJ F/PLT L 12"/13" OMT HL	LEFT
1-3,5,6,8,9,12	820460	FP ADLT ADJ 14/15 OMIT HL	RIGHT
1-3,5,6,8,9,12	820462	FP ADLT ADJ 14/15 OMIT HL	LEFT
1-3,5,6,8,9,12	820464	FP ADLT ADJ 16/17 OMIT HL	RIGHT
1-3,5,6,8,9,12	820466	FP ADLT ADJ 16/17 OMIT HL	LEFT
1-3,5,6,8,9,12	820468	FP ADLT ADJ 18-20 OMIT HL	RIGHT
1-3,5,6,8,9,12	820470	FP ADLT ADJ 18-20 OMIT HL	LEFT
1-3,5,6,8,9,12	921466	ADLT ANGL ADJ F/PLT 12"/13" OMIT HL	PAIR
1-3,5,6,8,9,12	921320	FP ADLT ADJ 14/15 OMIT HL	PAIR
1-3,5,6,8,9,12	921322	FP ADLT ADJ 16/17 OMIT HL	PAIR
1-3,5,6,8,9,12	921324	FP ADLT ADJ 18-20 OMIT HL	PAIR
1-3,5,6,8,9,11B,12	820522	AD ANGL ADJ F/PLT R 12/13" H/L	RIGHT
1-3,5,6,8,9,11B,12	820532	AD ANGL ADJ F/PLT L 12/13" H/L	LEFT
1-3,5,6,8-10,11C, 12,14	820461	FP ADLT ADJ 14/15 HL	RIGHT
1-3,5,6,8-10,11C, 12,14	820463	FP ADLT ADJ 14/15 HL	LEFT
1-3,5,6,8-10,11C, 12,14	820465	FP ADLT ADJ 16/17 HL	RIGHT
1-3,5,6,8-10,11C, 12,14	820467	FP ADLT ADJ 16/17 HL	LEFT
1-3,5,6,8-10,11D, 12,14	820469	FP ADLT ADJ 18-20 HL	RIGHT
1-3,5,6,8-10,11D, 12,14	820471	FP ADLT ADJ 18-20 HL	LEFT
1-3,5,6,8-10,11B, 12,14	921462	ADLT ANGL ADJ F/PLATE 12"/13" HL	PAIR
1-3,5,6,8-10,11C, 12,14	921321	FP ADLT ADJ 14/15 HL	PAIR
1-3,5,6,8-10,11C, 12,14	921323	FP ADLT ADJ 16/17 HL	PAIR
1-3,5,6,8-10,11D, 12,14	921325	FP ADLT ADJ 18-20 HL	PAIR
		Ship assembled part #	Use with multiple assemblies
	ASSY-HNG-FP	HANGER/FOOTPLATE ASSY REQUIRED	add with Hanger & Footplate kit

Note: Footplate Assemblies are set to footrest width; please see "Footplate Formula" table for seat width conversion.

Note: V Style Hangers are not available on Swing Away Style chairs effective 7/14/14; see the "Prior To" ordering guide for V Style footplate assemblies.

Note: Zippie Iris (ZRS&ZRSE) and Zippie TS (Z1A&Z1SE) only use Straight Extension Tube.

Note: if chair has High Mount Ext Tubes or if switching to High Mount Ext Tubes, see KAA Footplate w/ High Mount Extension Ordering Guide.



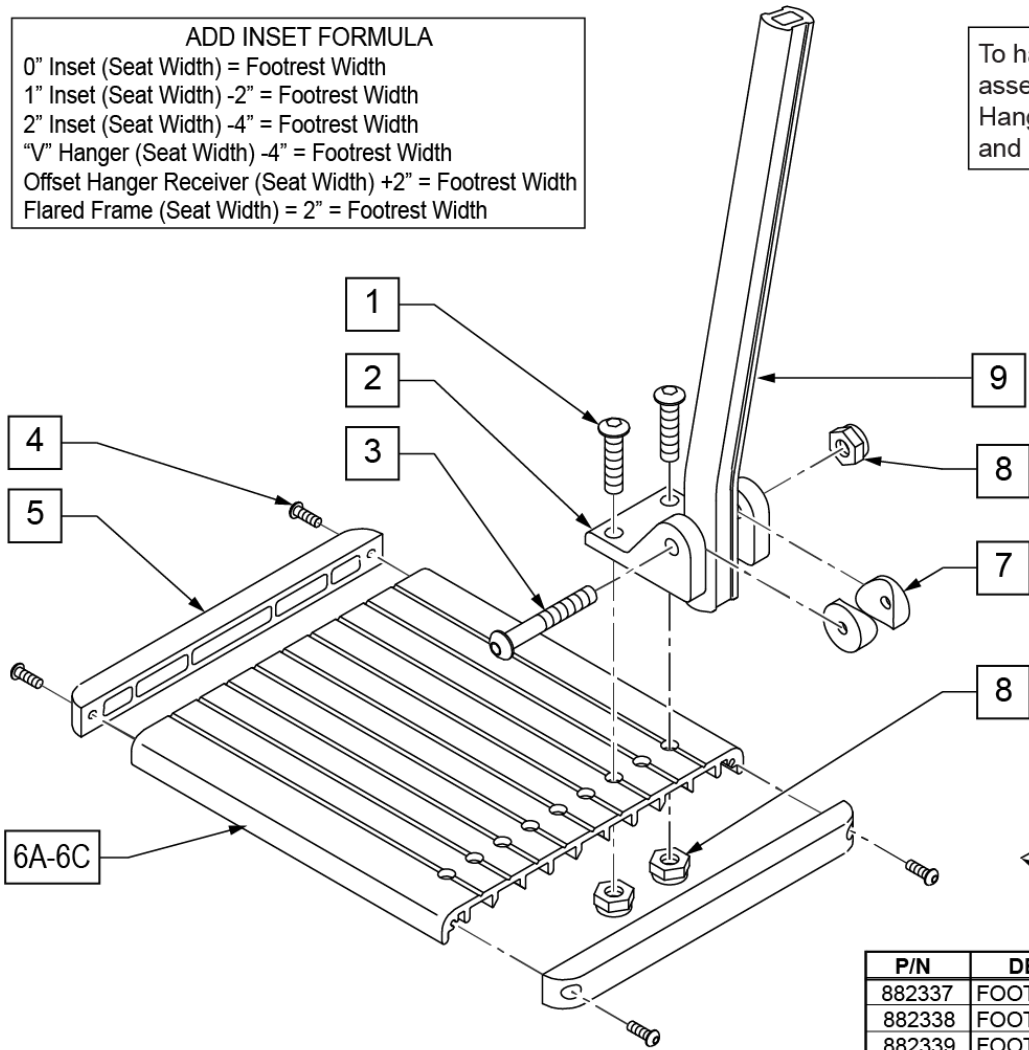
Pos.	Item Number	Description	Remarks
1	106978	FHCS 1/4 -28 x 7/8 ROHS	

Pos.	Item Number	Description	Remarks
2	500635	KIDS ANGL ADJ F/PLT 10" R	Right
2	500636	KIDS ANGL ADJ F/PLT 10" L	Left
2	500637	KIDS ANGL ADJ F/PLT 11" R	Right
2	500638	KIDS ANGL ADJ F/PLT 11" L	Left
2	500639	KIDS ANGL ADJ F/PLT 12" R	Right
2	500640	KIDS ANGL ADJ F/PLT 12" L	Left
2	500641	KIDS ANGL ADJ F/PLT 13" R	Right
2	500642	KIDS ANGL ADJ F/PLT 13" L	Left
2	500643	KIDS ANGL ADJ F/PLT 14" R	Right
2	500644	KIDS ANGL ADJ F/PLT 14" L	Left
2	500645	KIDS ANGL ADJ F/PLT 15" R	Right
2	500646	KIDS ANGL ADJ F/PLT 15" L	Left
2	500647	KIDS ANGL ADJ F/PLT 16" R	Right
2	500648	KIDS ANGL ADJ F/PLT 16" L	Left
3	550350	3/4" CLAMP ADJ FOOTPLATE	
4	106935	NUT NYLOCK THIN 1/4 -28 ROHS	
5	106962	1/4-28 x 1 3/4 BH C/S BLK ZN (D2 EXTENSION TUBES)	
5	226167	1/4-28 x 1.625 BH C/S BLK (ROUND EXTENSION TUBES)	
6	106945	1/4 SAE WASHER	
7	541002	FTRST MOUNTING BRKT-3/8 RAD R	
7	541003	FTRST MOUNTING BRKT-3/8 RAD L	
8	561055	3/4" SADDLE 1" OD	
9	106944	WASHER FLAT THIN AN 1/4 ROHS	
10	106941	NUT AUTOMATION 1/4 -28 ROHS	
11	483720	HANGER EXTENSION SADDLE LONG	Use with Double D Ext Tube
1-4,6,7,9,10	828850	KIDS ANG ADJ F/PLT EXT-MNT 10"R	Right
1-4,6,7,9,10	828851	KIDS ANG ADJ F/PLT EXT-MNT 10"L	Left
1-4,6,7,9,10	828852	KIDS ANG ADJ F/PLT EXT-MNT 11"R	Right
1-4,6,7,9,10	828853	KIDS ANG ADJ F/PLT EXT-MNT 11"L	Left
1-4,6,7,9,10	828854	KIDS ANG ADJ F/PLT EXT-MNT 12"R	Right
1-4,6,7,9,10	828855	KIDS ANG ADJ F/PLT EXT-MNT 12"L	Left
1-4,6,7,9,10	828856	KIDS ANG ADJ F/PLT EXT-MNT 13"R	Right
1-4,6,7,9,10	828857	KIDS ANG ADJ F/PLT EXT-MNT 13"L	Left
1-4,6,7,9,10	828858	KIDS ANG ADJ F/PLT EXT-MNT 14"R	Right
1-4,6,7,9,10	828859	KIDS ANG ADJ F/PLT EXT-MNT 14"L	Left
1-4,6,7,9,10	828860	KIDS ANG ADJ F/PLT EXT-MNT 15"R	Right
1-4,6,7,9,10	828861	KIDS ANG ADJ F/PLT EXT-MNT 15"L	Left
1-4,6,7,9,10	828862	KIDS ANG ADJ F/PLT EXT-MNT 16"R	Right
1-4,6,7,9,10	828863	KIDS ANG ADJ F/PLT EXT-MNT 16"L	Left
1-4,6,7,9,10	921280	KIDS ANG ADJ F/PLT EXT-MNT 10"	Pair
1-4,6,7,9,10	921281	KIDS ANG ADJ F/PLT EXT-MNT 11"	Pair
1-4,6,7,9,10	921282	KIDS ANG ADJ F/PLT EXT-MNT 12"	Pair
1-4,6,7,9,10	921283	KIDS ANG ADJ F/PLT EXT-MNT 13"	Pair
1-4,6,7,9,10	921284	KIDS ANG ADJ F/PLT EXT-MNT 14"	Pair
1-4,6,7,9,10	921285	KIDS ANG ADJ F/PLT EXT-MNT 15"	Pair
1-4,6,7,9,10	921286	KIDS ANG ADJ F/PLT EXT-MNT 16"	Pair
		Ship assembled part #	Use with multiple assemblies
	ASSY-HNG-FP	HANGER/FOOTPLATE ASSY REQUIRED	add with Hanger & Footplate kit

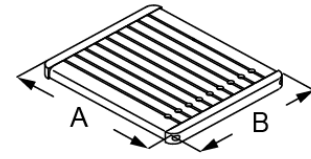
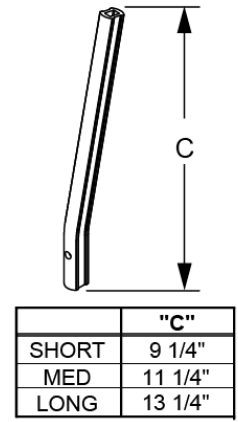
NOTE: Left Side Shown

ADD INSET FORMULA
 0" Inset (Seat Width) = Footrest Width
 1" Inset (Seat Width) - 2" = Footrest Width
 2" Inset (Seat Width) - 4" = Footrest Width
 "V" Hanger (Seat Width) - 4" = Footrest Width
 Offset Hanger Receiver (Seat Width) + 2" = Footrest Width
 Flared Frame (Seat Width) = 2" = Footrest Width

To have complete Footrest ship assembled, choose compatible Hanger + Footplate part numbers and add "ASSY-HNG-FP" to order

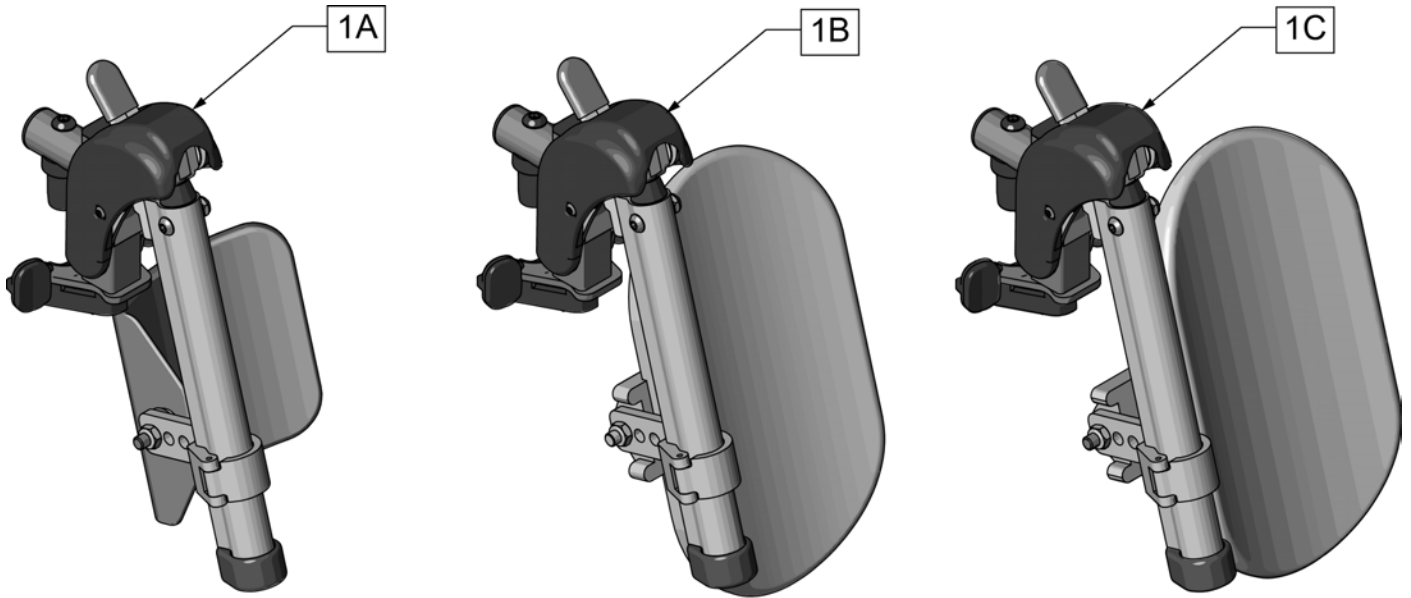


MEASURING GUIDE



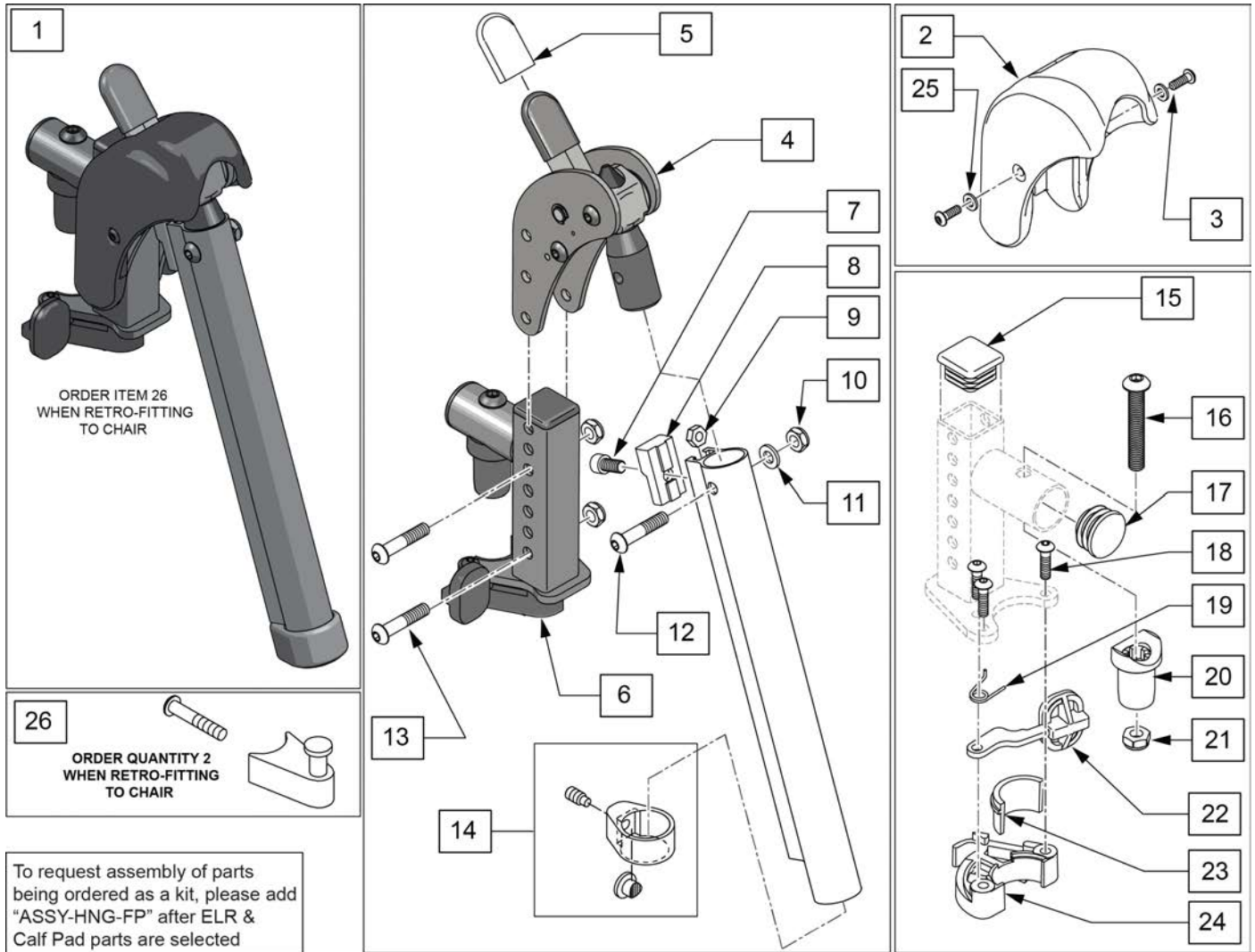
P/N	DESCRIPTION	"A"	"B"
882337	FOOTPLATE ELR 14-15"	6"	6"
882338	FOOTPLATE ELR 16-17"	7"	6"
882339	FOOTPLATE ELR 18-20"	8"	6"

Pos.	Item Number	Description	Remarks
1	106959	1/4-28 x 5/8 BH C/S	
2	550739	FOOTPLATE MOUNTING BRACKET	
3	226147	1/4-28 x 1.85 BH C/S	
4	281043	#4 x 5/8 PAN PHIL S/TAP	
5	560101	END CAPS FOOTREST	
7	561003	3/4" SADDLE THIN	
8	106935	1/4-28 NYLOCK NUT THIN	
9	550764	S/A HANGER EXT D2 SHORT BLACK	
9	550765	S/A HANGER EXT D2 MED BLK	
9	550766	S/A HANGER EXT D2 LONG BLACK	
4,5,6A	882337	ELR FOOTPLATE ASSEMBLY 14 -15"	
4,5,6B	882338	ELR FOOTPLATE ASSEMBLY 16 -17"	
4,5,6C	882339	ELR FOOTPLATE ASSEMBLY 18 -20"	
1-5,6A-8	921400S	ELR FOOTPLATE KIT 14 -15"	Does not include Extension
1-5,6B-8	921401S	ELR FOOTPLATE KIT 16 -17"	Does not include Extension
1-5,6C-8	921402S	ELR FOOTPLATE KIT 18 -20"	Does not include Extension
		Ship assembled part #	Use with multiple assemblies
	ASSY-HNG-FP	HANGER/FOOTPLATE ASSY REQUIRED	add with Hanger & Footplate kit



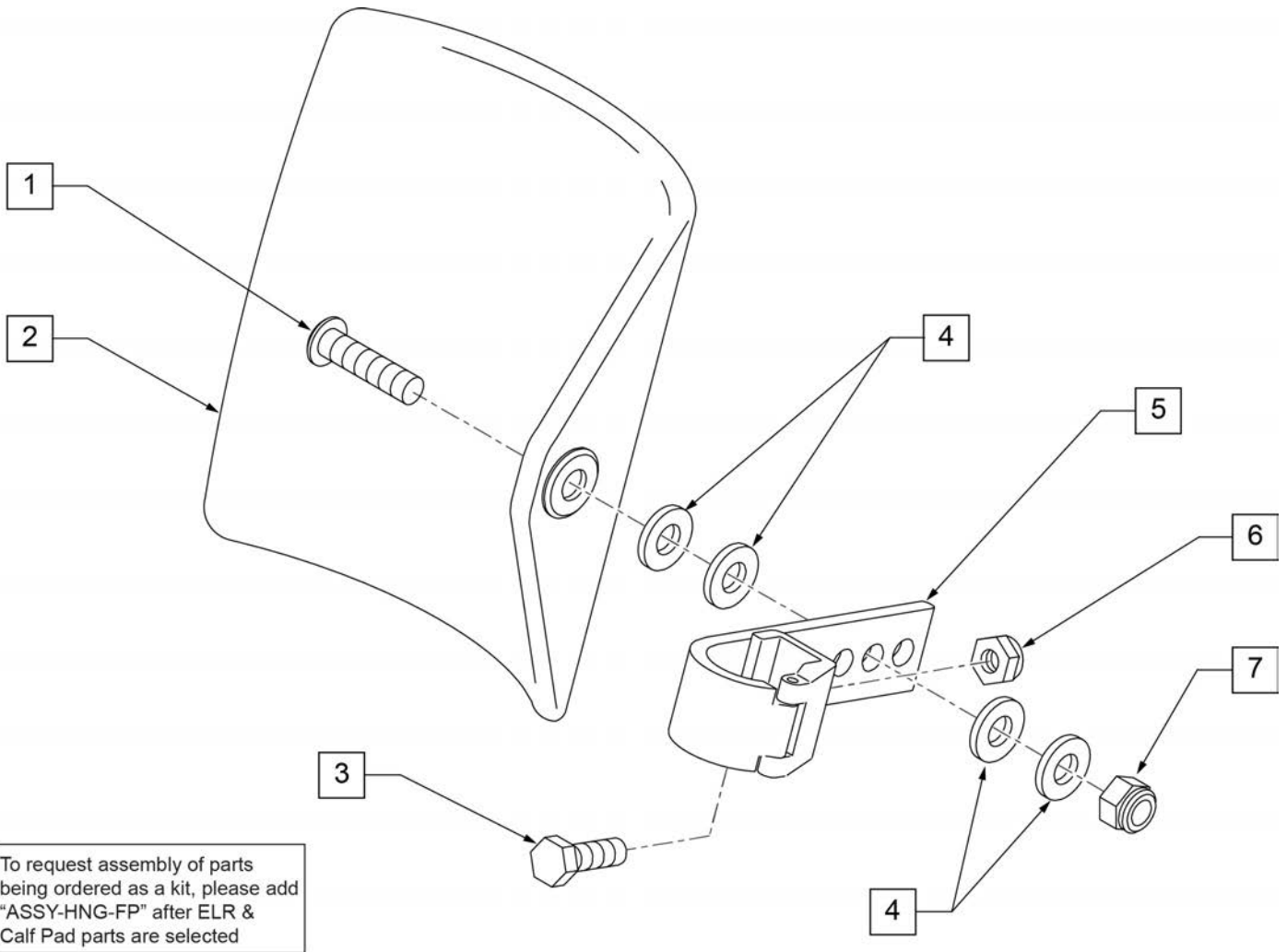
Pos.	Item Number	Description	Remarks
1A	131774S	HEMI ELR HNGR ASM 14-15 W/PAD	
1B	131775S	HEMI ELR HNGR ASM 16-17 W/PAD	
1C	131776S	HEMI ELR HNGR ASM 18-20 W/PAD	
2	107491	LATCH STUD KIT	order qty 2 when retro-fitting to chair
		Ship assembled part #	Use with multiple assemblies
	ASSY-HNG-FP	HANGER/FOOTPLATE ASSY REQUIRED	add with Hanger & Footplate kit

Note: When retrofitting existing chair with S/A Legrests please order Qty 2 of p/n 107491.(Item 26)

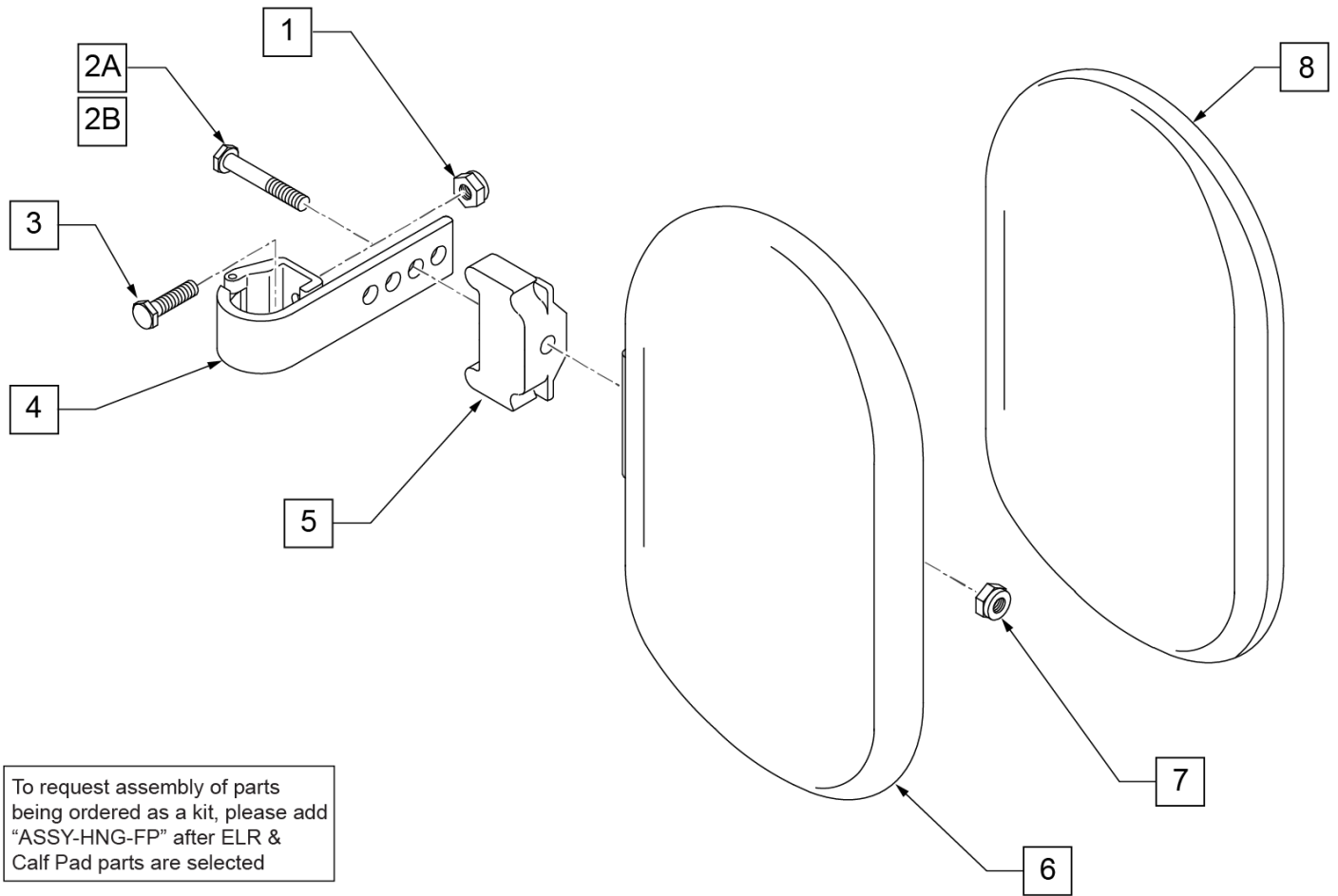


Pos.	Item Number	Description	Remarks
1	129638S	EXTENSION MOUNT ELR KIT R	Right-order item 26 when retro-fitting to chair
1	129639S	EXTENSION MOUNT ELR KIT L	Left-order item 26 when retro-fitting to chair
1	129637S	EXTENSION MOUNT ELR PAIR KIT	Pair-order item 26 when retro-fitting to chair
2,3,25	129640	ELR SHROUD KIT	Kit w/ 2 screws
3	127135	BHCS 8-32 X 1/2 BLK	
4	126992	HEMI ELR SUB ASSM	
5	560501	ALR REL LEVER COVER	
6	127114	HEMI RECEIVER ASSM ELR ALR R	Right
6	127115	HEMI RECEIVER ASSM ELR ALR L	Left
7	107350	SHCS 1/4-28 x 1/2	
8	127129	ANGLE STOP ELR	
9	107249	NUT HEX THIN 1/4-28	
10	106935	1/4-28 NYLOCK NUT THIN BLK ZN	
11	104414	WAVE WASHER 6 MM	

Pos.	Item Number	Description	Remarks
12	106961	BHCS 1/4 -28 x 1 1/4 ROHS	
13	108623	BHCS 1/4-28 x 1-1/2	
14	119495	EXTENSION CLAMP KIT	
15	010615	SQUARE END CAP CNTR LEG	
16	226217	5/16-18 X 2" BH C/S BLK	
17	561062	1" INSERT PLUG .065 RIBS	
18	226057	BHCS 10-24 X .725 PL	
20	561197	PLASTIC PIVOT SADDLE	
21	202102	5/16-18 NYLOCK NUT THIN	
23,24	881500	LATCH BLOCK ASSM R	Right
23,24	881501	LATCH BLOCK ASSM L	Left
25	113282	WASHER FLAT AN #10 ROHS	
18,19,22-24	881521	S/A LATCH KIT CASTING RIGHT	Right
18,19,22-24	881522	S/A LATCH KIT CASTING LEFT	Left
26	107491	LATCH STUD KIT	order qty 2 when retro-fitting to chair
		Ship assembled part #	Use with multiple assemblies
	ASSY-HNG-FP	HANGER/FOOTPLATE ASSY REQUIRED	add with Hanger & Footplate kit



Pos.	Item Number	Description	Remarks
1	106980	BHCS 5/16-18 X 1-1/4 ROHS	
2	755014	CALF PAD TROUGH STYLE 14"/16"	
3	221097	1/4-28 X 5/8 HEX C/S BZ	
4	561016	1" WASHER 5/16" HOLE	
5	881413	CALF PAD BRACKET ASSEMBLY	
6	106934	NUT NYLOCK 1/4-28 ROHS	
7	106937	NUT NYLOCK THIN 5/16-18	
1-7	881414	CALF PAD J-HOOK 14"-15" ASSEMBLY	
		Ship assembled part #	Use with multiple assemblies
	ASSY-HNG-FP	HANGER/FOOTPLATE ASSY REQUIRED	add with Hanger & Footplate kit



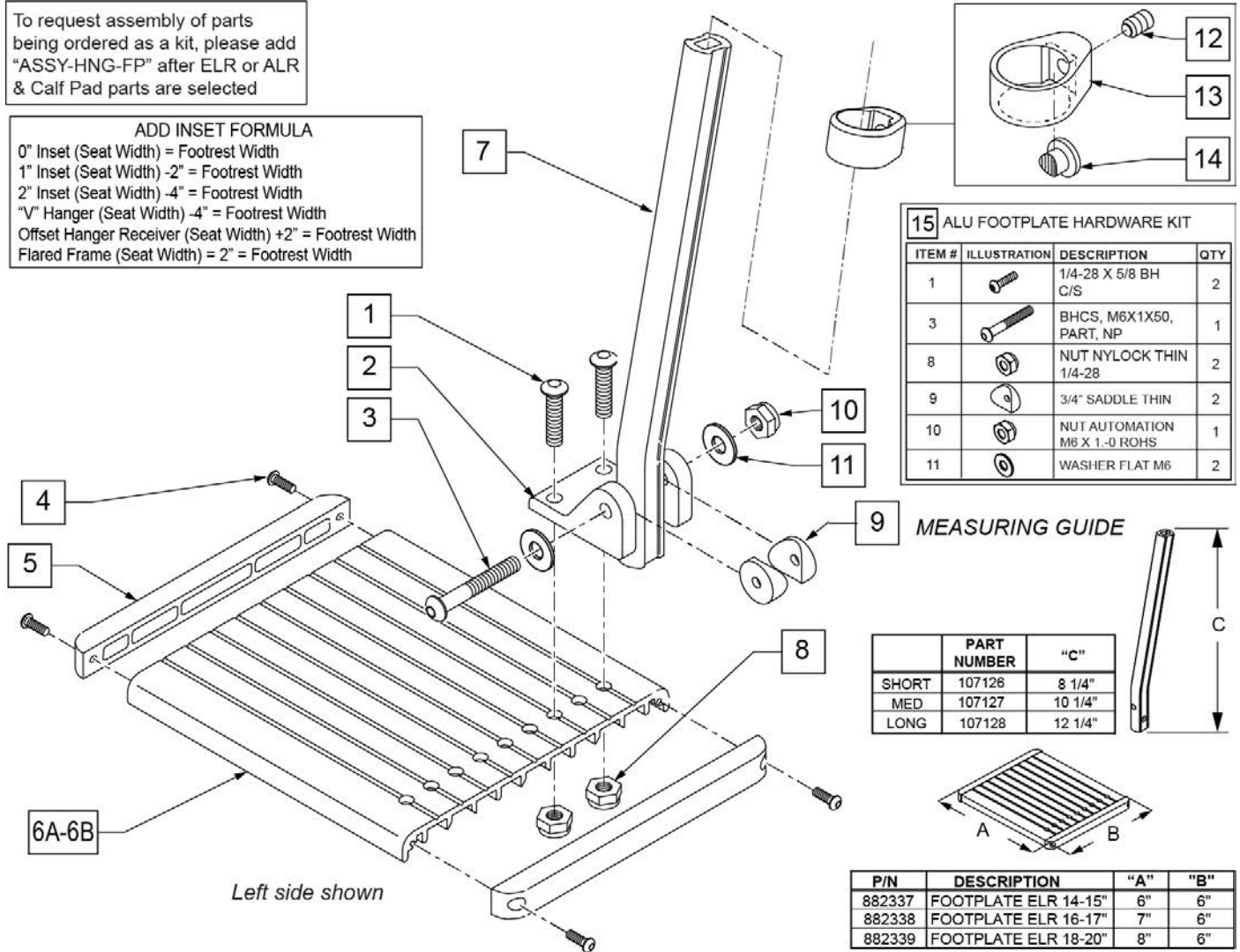
Pos.	Item Number	Description	Remarks
1	106934	NUT NYLOCK 1/4-28 ROHS	
2A	107018	HHCS 5/16-18 X 2-1/2 ROHS	16"-17" wide only
2B	107019	HHCS 5/16-18 X 3-1/2 ROHS	18"-20" wide only
3	107013	HHCS 1/4-28 X 5/8 ROHS	
4	881413	CALF PAD BRACKET ASSEMBLY	
5	560199	ELR CALF HINGE SPACER	18"-20" wide only
6	560108	CALF PAD MOLDED 16"-20"	
7	106936	NUT NYLOCK 5/16-18 ROHS	
8	751045	CALF PAD COVER	
1,2A,3,4,6-8	881416	CALF MOLDED 16"-17" ASSEMBLY	
1,2B,3-7,8	881412	CALF PAD MOLDED 18"-20" ASSEMBLY	
		Ship assembled part #	Use with multiple assemblies
	ASSY-HNG-FP	HANGER/FOOTPLATE ASSY REQUIRED	add with Hanger & Footplate kit

ELR/ALR ALUMINUM FOOTPLATE

(02/11/2020)

To request assembly of parts being ordered as a kit, please add "ASSY-HNG-FP" after ELR or ALR & Calf Pad parts are selected

ADD INSET FORMULA
 0" Inset (Seat Width) = Footrest Width
 1" Inset (Seat Width) -2" = Footrest Width
 2" Inset (Seat Width) -4" = Footrest Width
 "V" Hanger (Seat Width) -4" = Footrest Width
 Offset Hanger Receiver (Seat Width) +2" = Footrest Width
 Flared Frame (Seat Width) = 2" = Footrest Width



15 ALU FOOTPLATE HARDWARE KIT			
ITEM #	ILLUSTRATION	DESCRIPTION	QTY
1		1/4-28 X 5/8 BH C/S	2
3		BHCS, M6X1X50, PART, NP	1
8		NUT NYLOCK THIN 1/4-28	2
9		3/4" SADDLE THIN	2
10		NUT AUTOMATION M6 X 1-0 ROHS	1
11		WASHER FLAT M6	2

	PART NUMBER	"C"
SHORT	107126	8 1/4"
MED	107127	10 1/4"
LONG	107128	12 1/4"

P/N	DESCRIPTION	"A"	"B"
882337	FOOTPLATE ELR 14-15"	6"	6"
882338	FOOTPLATE ELR 16-17"	7"	6"
882339	FOOTPLATE ELR 18-20"	8"	6"

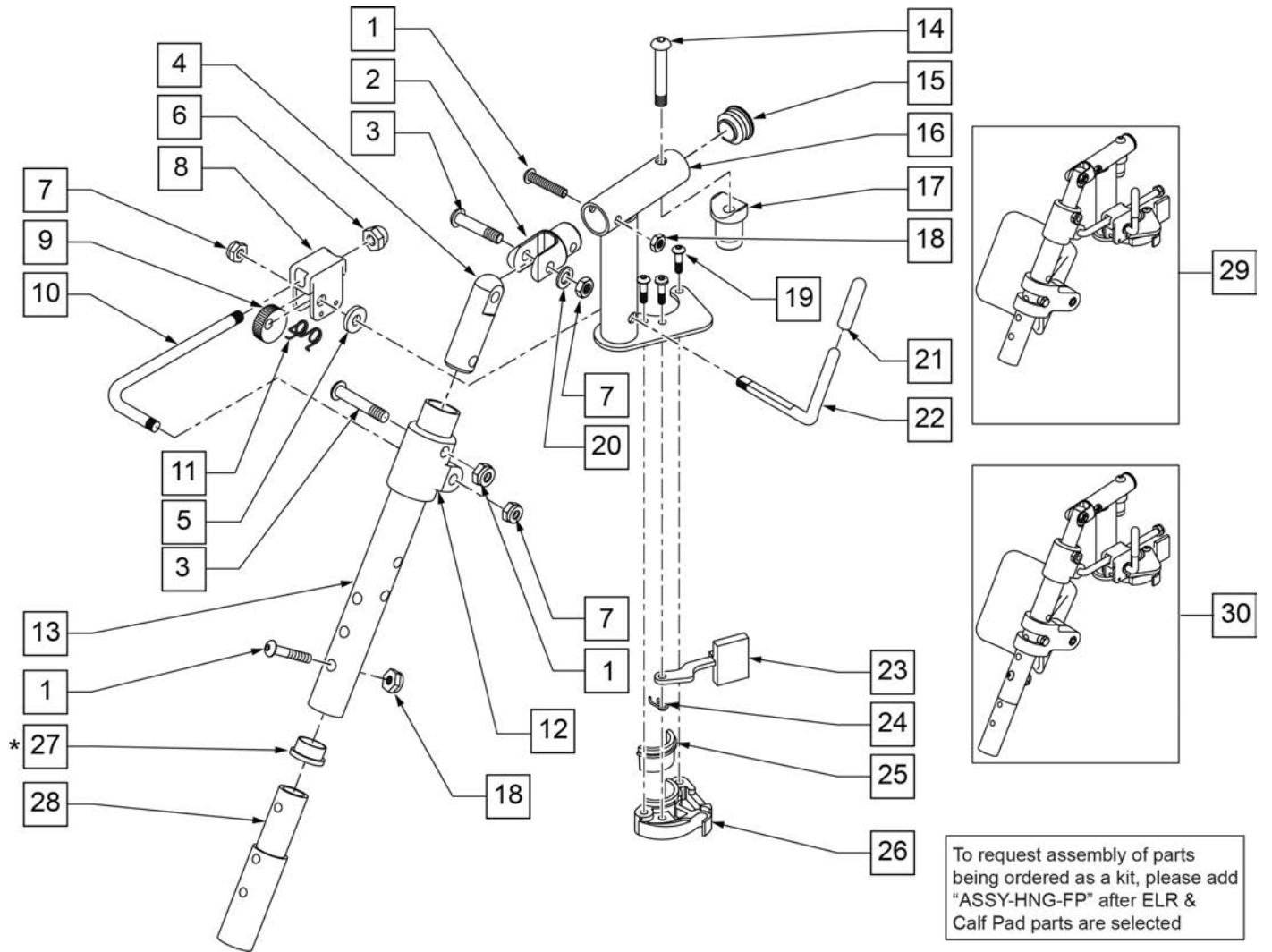
Pos.	Item Number	Description	Remarks
1	226090	1/4-28 x 5/8 BH C/S	
2	118093	BRACKET FOOTPLATE ALUM	
3	102262-008	BHCS M6 X 1 X 50 INORGANIC	
4	281043	#4 x 5/8 PAN PHIL S/TAP	
5	560101	END CAPS FOOTREST	
7	107126	SHORT BENT	
7	107127	MED BENT	
7	107128	LONG BENT	
7	128078	TUBE FOOTREST EXT SHT HEMI	Use for Hemi Extension option
8	106935	1/4-28 NYLOCK NUT THIN	
9	561003	3/4" SADDLE THIN	
10	132626	NUT AUTOMATION M6 X 1.0	
11	107383	WASHER FLAT M6 ROHS	
4,5,6A	882337	ELR FOOTPLATE ASSEMBLY 14 -15"	
4,5,6B	882338	ELR FOOTPLATE ASSEMBLY 16 -17"	
4,5,6C	882339	ELR FOOTPLATE ASSEMBLY 18 -20"	
12-14	119495	EXTENSION CLAMP KIT	
15	129775	ALU FOOTPLATE HDWARE KIT	Ext tube not included; bracket (118093) not included

Pos.	Item Number	Description	Remarks
		Ship assembled part #	Use with multiple assemblies
	ASSY-HNG-FP	HANGER/FOOTPLATE ASSY REQUIRED	add with Hanger & Footplate kit

90 DEG ELEVATING HANGER

[11/2009]

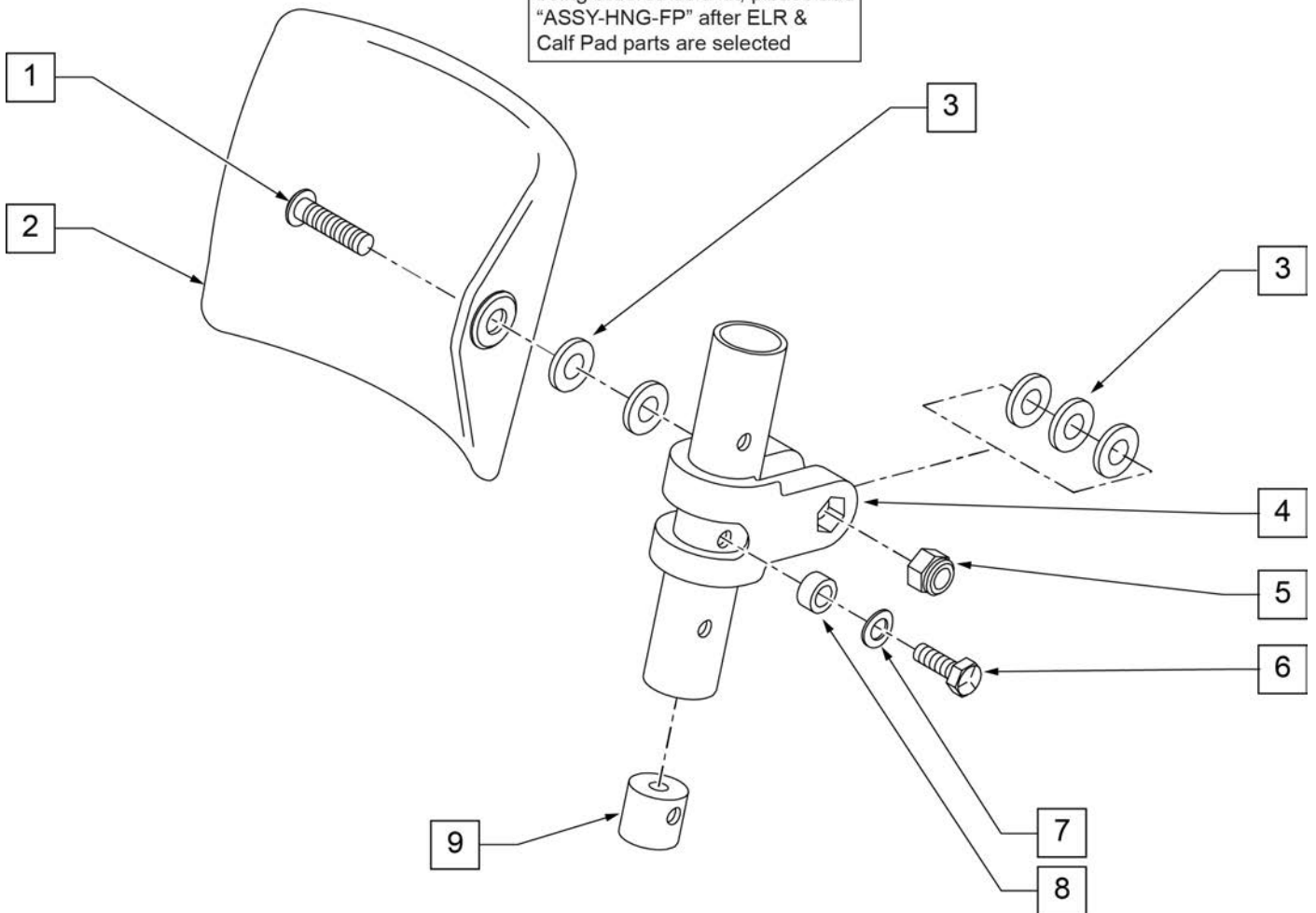
NOTE: Order Item 27 (561002) when NOT using Footrest Extension.



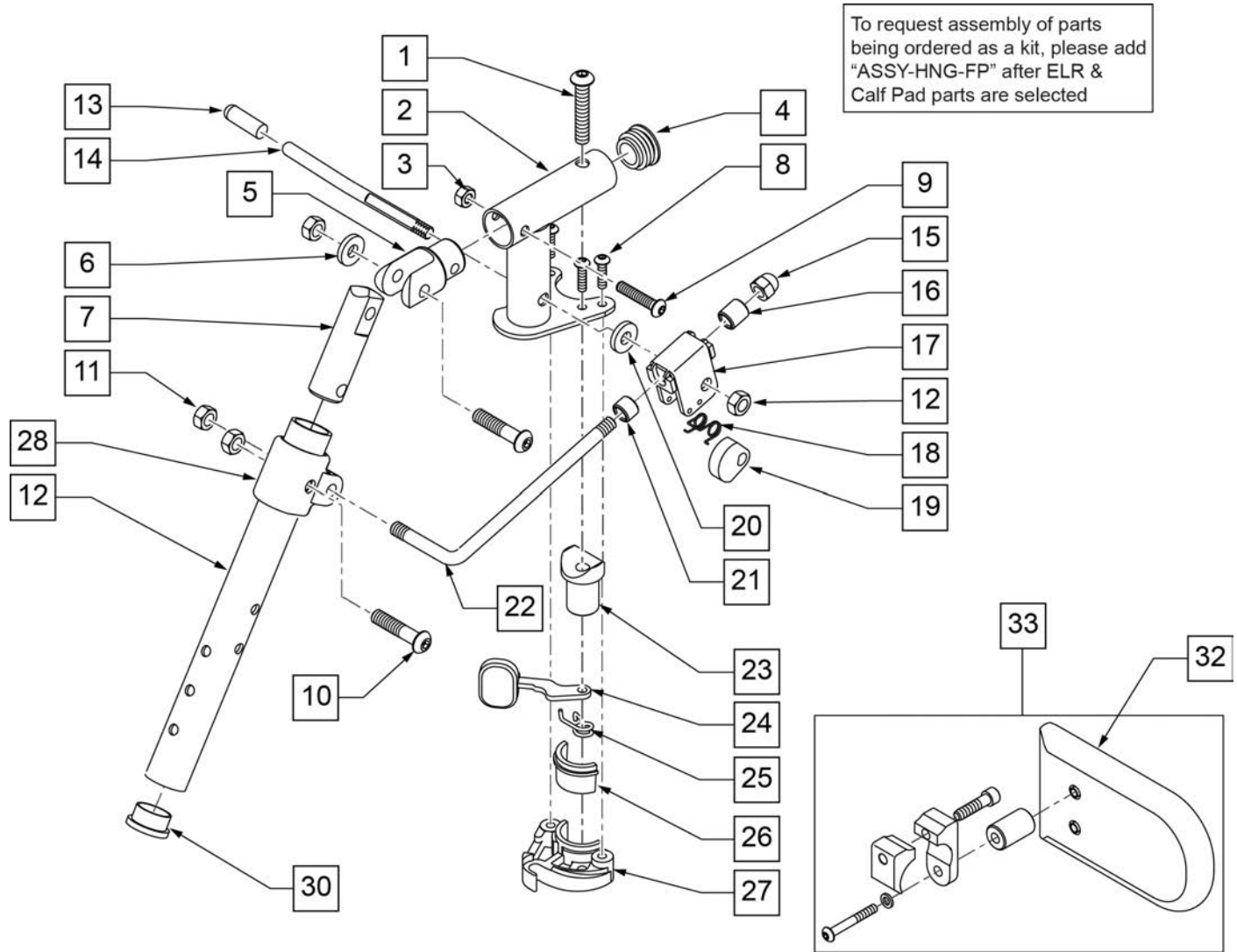
Pos.	Item Number	Description	Remarks
1	107027	BHCS 1/4-28 X 1-1/4 SHLDR ROHS	
2	505281	ELR CLEVIS	
3	107037	BHCS 5/16-24 X 1-1/2 SHLD ROHS	
4	540252	ELR PIVOT PRS	
5	561059	3/4 OD x .318 ID WASHER	
6	202109	5/16-24 ACORN NUT HEX	
7	106939	NUT NYLOCK THIN 5/16-24 ROHS	
8	880990	ELR LOCK HOUSING W/PIN	
9	481119	ELR CAM LOCKING POWDERED METAL	
10	481505	ELR LOCK ROD 90D	
11	321106	ELR TORSION SPRING	
12	560430	ELR ROD UPPER PIVOT	
13	505097S	ELR KIDS TUBE	SPECIFY COLOR
14	106983	BHCS 5/16-18 X 2 SHLDR ROHS	
15	561062	1" INSERT PLUG .065 RIBS	

Pos.	Item Number	Description	Remarks
17	561197	PLASTIC PIVOT SADDLE	
18	106935	NUT NYLOCK THIN 1/4-28 ROHS	
19	107035	BHCS 10-24 X .725 PL ROHS	
20	263100	5/16 AN WASHER FLAT	
21	561049	ELR RELEASE ROD COVER	
23	561079	S/A LATCH LEVER	
24	321136	S/A SPRING L RED	
24	321137	S/A SPRING R CLEAR	
27	561002	1" INSERT PLUG .083	
29	923067S	ELR HNGR ASSM 90D W/PAD	PAIR
30	923068S	ELR HNGR ASSM 90D W/PAD 2" EXT	PAIR
1,18,28	111505	2" FTREST EXT W/ HDWR	
25,26	881500	LATCH BLOCK ASSM R	RIGHT
25,26	881501	LATCH BLOCK ASSM L	LEFT
21,22	882411	ELR 90D ACTUATION ARM ASSM	
1-4,7,14-20,23-28	882413	ELR PIVOT BLOCK ASSM R	RIGHT
1-4,7,14-20,23-28	882414	ELR PIVOT BLOCK ASSM L	LEFT
1-26	641458S	ELR HNGR 90D W/O PAD PNTD R	RIGHT
1-26	641459S	ELR HNGR 90D W/O PAD PNTD L	LEFT
1-26,28	641468S	HANGER ELR 90 W/O PAD R 2" EXT	RIGHT
1-26,28	641469S	HANGER ELR 90 W/O PAD L 2" EXT	LEFT
19,23-26	881521	S/A LATCH KIT CASTING RIGHT	RIGHT
19,23-26	881522	S/A LATCH KIT CASTING LEFT	LEFT
		Ship assembled part #	Use with multiple assemblies
	ASSY-HNG-FP	HANGER/FOOTPLATE ASSY REQUIRED	add with Hanger & Footplate kit

To request assembly of parts being ordered as a kit, please add "ASSY-HNG-FP" after ELR & Calf Pad parts are selected

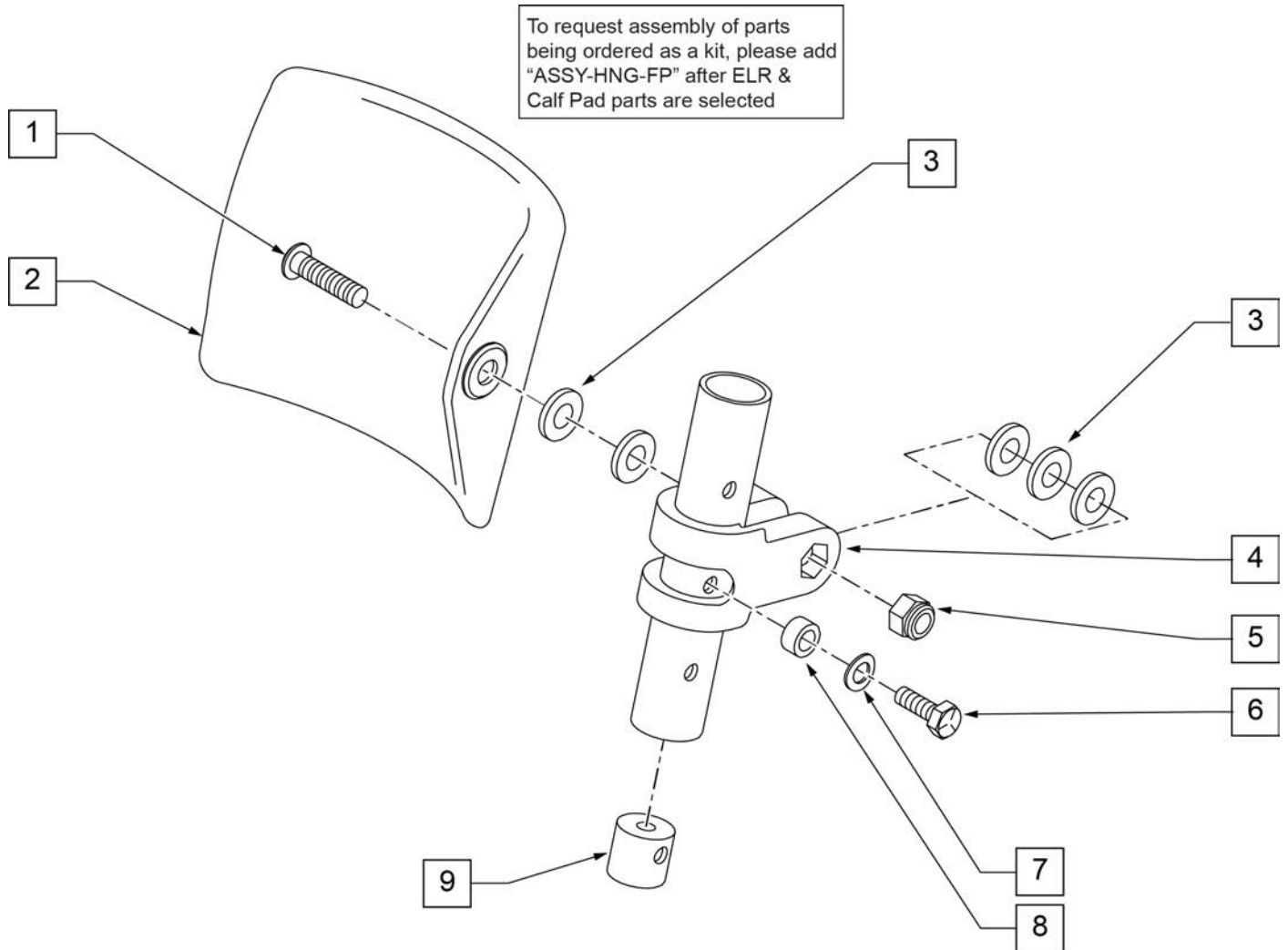


Pos.	Item Number	Description	Remarks
1	226217	5/16-18 x 2" BH C/S BLK	
2	755013	CALF PAD TROUGH STYLE KIDS	
3	561016	1" WASHER 5/16" HOLE	
4	561097	ELR ELEVATING TUBE CLAMP	
5	106937	5/16 -18 NYLOCK NUT THIN	
6	106958	HHCS 1/4-20 X 1 ROHS	
7	262130	6mm WASHER WAVE	
8	483027	1/4 x 1/4 ALUMINUM SPACER	
9	500151	KIDS ALR RETAINING PLUG	
1-9	880533	ELR TROUGH PAD ASSM KIDS	
		Ship assembled part #	Use with multiple assemblies
	ASSY-HNG-FP	HANGER/FOOTPLATE ASSY REQUIRED	add with Hanger & Footplate kit

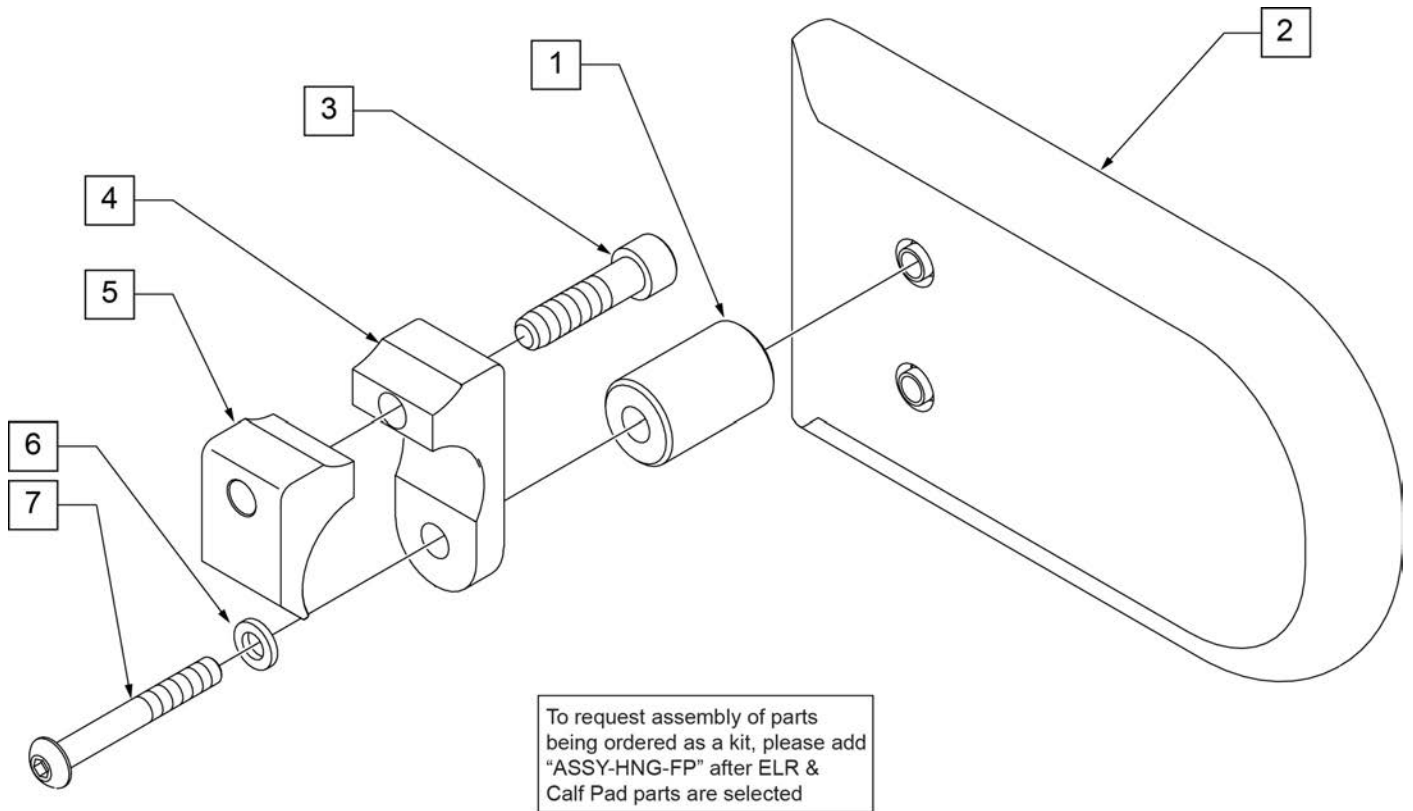


Pos.	Item Number	Description	Remarks
1	226217	5/16-18 x 2" BH C/S BLK	
3	106935	NUT NYLOCK THIN 1/4-28 ROHS	
4	561062	1" INSERT PLUG .065 RIBS	
5	505281	ELR CLEVIS	
6	263100	5/16 AN WASHER FLAT	
7	540252	ELR PIVOT PRS	
8	226057	10/24 x .725 BTTN HD SOC BZ	
9	106961	1/4-28 x 1 1/4 BH C/S	
10	226138	5/16-24 x 1 1/2 BH C/S	
11	106939	5/16-24 NYLOCK NUT THIN	
12	505097S	ELR KIDS TUBE (SPECIFY COLOR)	
15	202109	5/16-24 ACORN NUT HEX	
16	560815	HEMI ELR ADJ STOP BACK LG	
17	880990	ELR LOCK HOUSING W/PIN	
18	321106	ELR TORSION SPRING	
19	481119	ELR CAM LOCKING POWDERED METAL	
20	561059	3/4 OD x .318 ID WASHER	
21	500806	HEMI ELR ADJ STOP FRONT SMALL	

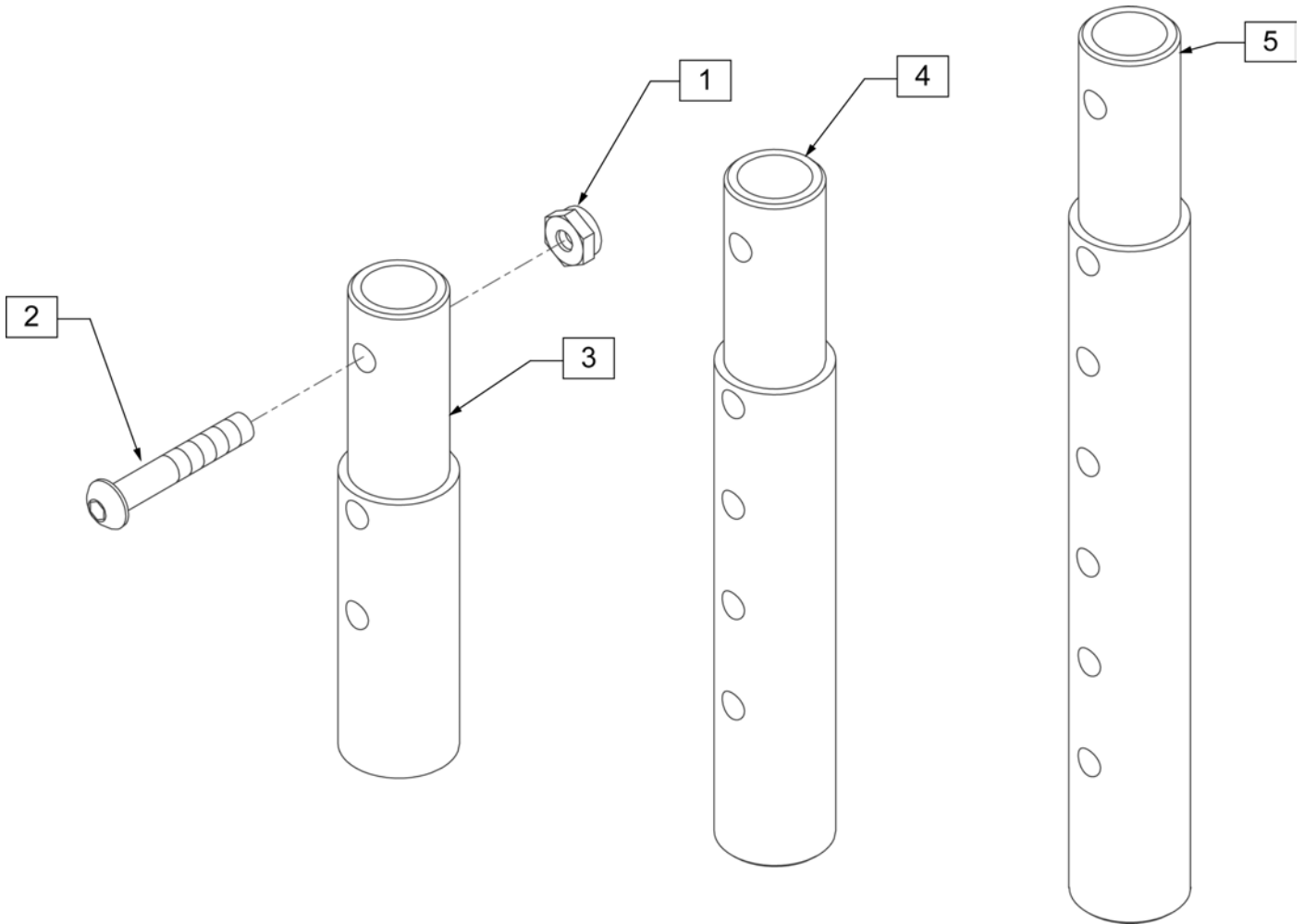
Pos.	Item Number	Description	Remarks
22	481117	ELR LOCK ROD	
23	561197	PLASTIC PIVOT SADDLE	
24	561079	S/A LATCH LEVER	
25	321136	S/A SPRING L RED	
25	321137	S/A SPRING R CLEAR	
28	560420	ELR UPPER PIVOT PLST	
30	561002	1" INSERT PLUG .083	
32	750226	KNEE PAD FLAT 3H X 5L W/COVER	
33	922328	ELR HEMI KNEE PAD ASSM	
26,27	881500	LATCH BLOCK ASSM R	
26,27	881501	LATCH BLOCK ASSM L	
13,14	882411	ELR 90D ACTUATION ARM ASSM	
1-11,23-27	921826	ELR PIVOT BLOCK ASSM R	RIGHT
1-11,23-27	921827	ELR PIVOT BLOCK ASSM L	LEFT
1-11,13-28	921888	HEMI ELR PIVOT ASSEMBLY RIGHT	RIGHT
1-11,13-28	921889	HEMI ELR PIVOT ASSEMBLY LEFT	LEFT
11,13-19, 21,22	922323S	HEMI ELR LOCK ROD/ARM ASSM	
1-28	921894S	HEMI ELR HANGER 90 D W/O PAD R	RIGHT
1-28	921895S	HEMI ELR HANGER 90 D W/O PAD L	LEFT
		Ship assembled part #	Use with multiple assemblies
	ASSY-HNG-FP	HANGER/FOOTPLATE ASSY REQUIRED	add with Hanger & Footplate kit



Pos.	Item Number	Description	Remarks
1	226217	5/16-18 x 2" BH C/S BLK	
2	755013	CALF PAD TROUGH STYLE KIDS	
3	561016	1" WASHER 5/16" HOLE	
4	561097	ELR ELEVATING TUBE CLAMP	
5	106937	5/16 -18 NYLOCK NUT THIN	
6	106958	HHCS 1/4-20 X 1 ROHS	
7	262130	6mm WASHER WAVE	
8	483027	1/4 x 1/4 ALUMINUM SPACER	
9	500151	KIDS ALR RETAINING PLUG	
1-9	880533	ELR TROUGH PAD ASSM KIDS	
		Ship assembled part #	Use with multiple assemblies
	ASSY-HNG-FP	HANGER/FOOTPLATE ASSY REQUIRED	add with Hanger & Footplate kit

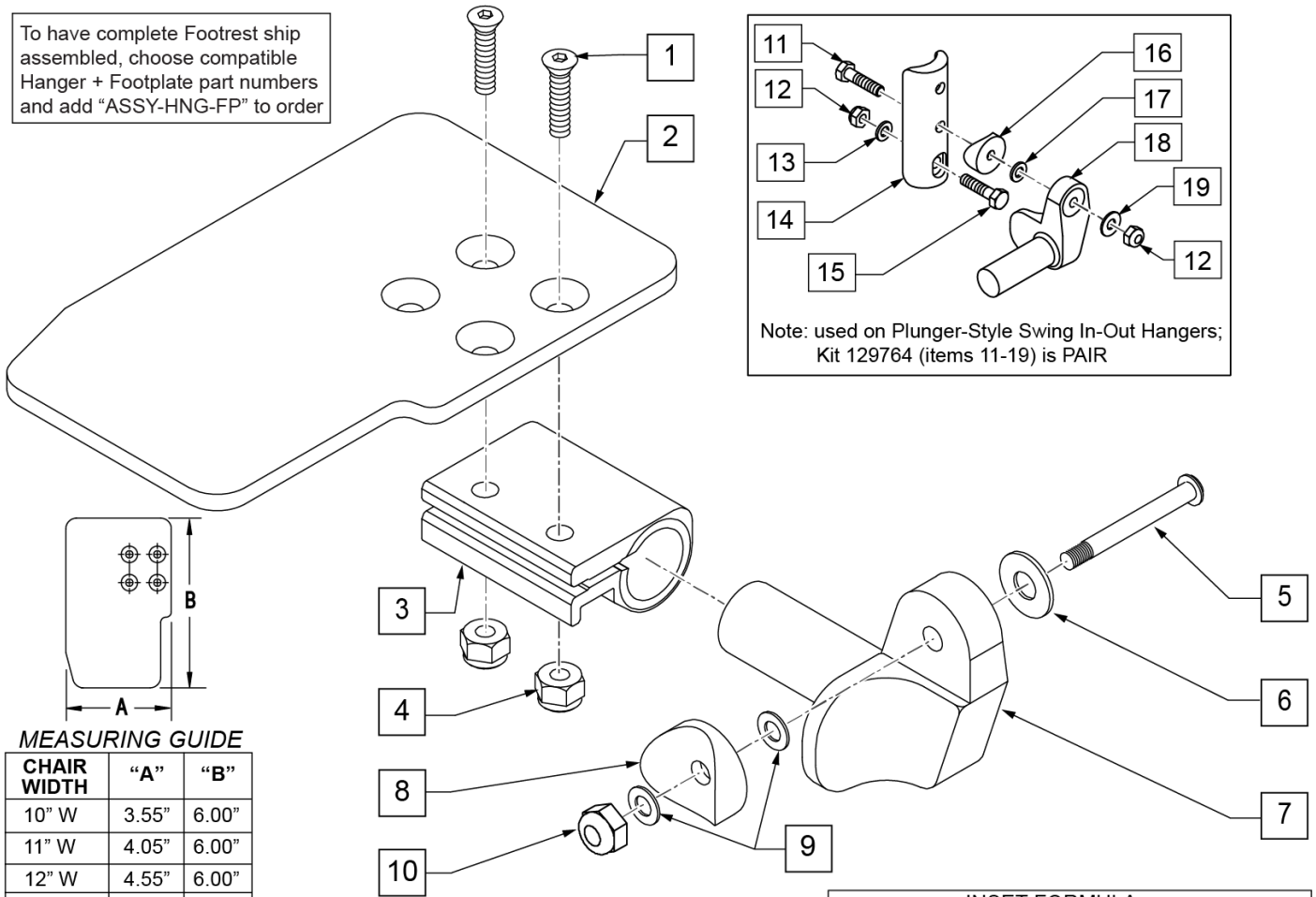


Pos.	Item Number	Description	Remarks
2	750226	KNEE PAD FLAT 3H X 5L W/COVER	
1-7	922328	ELR HEMI KNEE PAD ASSM	
		Ship assembled part #	Use with multiple assemblies
	ASSY-HNG-FP	HANGER/FOOTPLATE ASSY REQUIRED	add with Hanger & Footplate kit



Pos.	Item Number	Description	Remarks
1	106935	NUT NYLOCK THIN 1/4 -28 ROHS	
2	106961	BHCS 1/4 -28 x 1 1/4 ROHS	
1-3	111505	2" FOOTREST EXTENSION TUBE W/ HDWR ASSM	2" EXT (PAIR)
1, 2, 4	111506	4" FOOTREST EXTENSION TUBE W/ HDWR ASSM	4" EXT (PAIR)
1, 2, 5	111507	6" FOOTREST EXTENSION TUBE W/ HDWR ASSM	6" EXT (PAIR)

To have complete Footrest ship assembled, choose compatible Hanger + Footplate part numbers and add "ASSY-HNG-FP" to order



MEASURING GUIDE

CHAIR WIDTH	"A"	"B"
10" W	3.55"	6.00"
11" W	4.05"	6.00"
12" W	4.55"	6.00"
13" W	5.05"	6.00"
14" W	5.55"	6.00"
15" W	6.05"	6.00"
16" W	6.55"	6.00"

INSET FORMULA

0" Inset (Seat Width) = Footrest Width
 1" Inset (Seat Width) -2" = Footrest Width
 "V" Hanger (Seat Width) -4" = Footrest Width
 Offset Hanger Receiver (Seat Width) +2" = Footrest Width

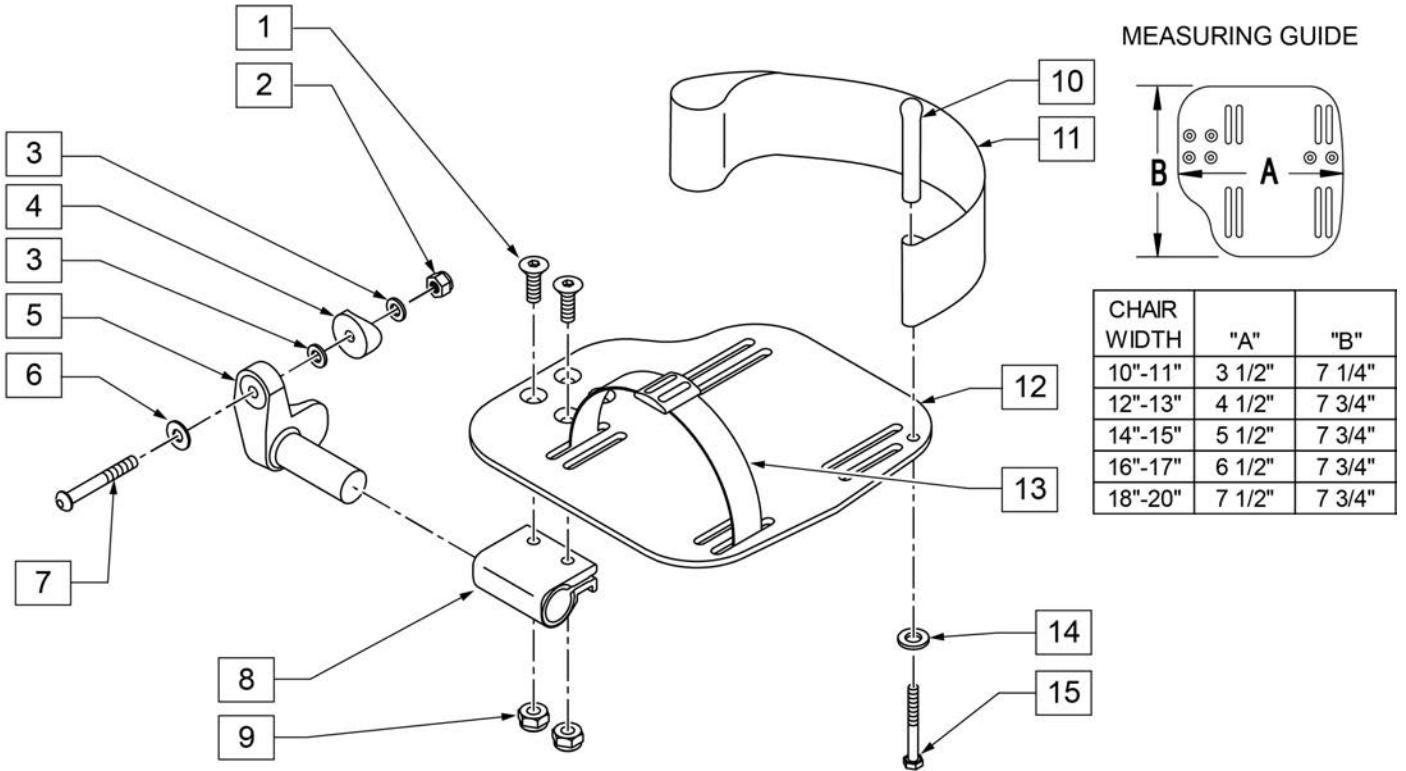
Pos.	Item Number	Description	Remarks
1	106978	FHCS 1/4-28 X 7/8 ROHS	
2	500635	KIDS ANGL ADJ F/PLT 10	RIGHT
2	500636	KIDS ANGL ADJ F/PLT 10	LEFT
2	500637	KIDS ANGL ADJ F/PLT 11	RIGHT
2	500638	KIDS ANGL ADJ F/PLT 11	LEFT
2	500639	KIDS ANGL ADJ F/PLT 12	RIGHT
2	500640	KIDS ANGL ADJ F/PLT 12	LEFT
2	500641	KIDS ANGL ADJ F/PLT 13	RIGHT
2	500642	KIDS ANGL ADJ F/PLT 13	LEFT
2	500643	KIDS ANGL ADJ F/PLT 14	RIGHT
2	500644	KIDS ANGL ADJ F/PLT 14	LEFT
2	500645	KIDS ANGL ADJ F/PLT 15	RIGHT
2	500646	KIDS ANGL ADJ F/PLT 15	LEFT
2	500647	KIDS ANGL ADJ F/PLT 16	RIGHT
2	500648	KIDS ANGL ADJ F/PLT 16	LEFT
3	550350	3/4 CLAMP ADJ FOOTPLATE	
4	106935	NUT NYLOCK THIN 1/4-28 ROHS	
5	226147	1/4-28 X 1.85 BH C/S BLK ZN	

Pos.	Item Number	Description	Remarks
6	106945	WASHER FLAT SAE 1/4 ROHS	
7	541000	FTRST MOUNTING BRKT 1/2" RAD R	RIGHT
7	541001	FTRST MOUNTING BRKT 1/2" RAD L	LEFT
8	561004	1 SADDLE 1/4 HOLE	
9	106943	WASHER FLAT THIN AN 1/4	
10	106941	NUT AUTOMATION 1/4-28 ROHS	
11	102268-001	HHCS M6 X 1 X 25	
12	132626	NUT AUTOMATION M6 X 1.0 ROHS	
13	107383	WASHER FLAT M6 ROHS	
15	118198	HHCS M6 X 1 X 40 PART NP	
16	561004	1" SADDLE 1/4" HOLE	
17	106943	WASHER FLAT AN 1/4 ROHS	
19	106945	WASHER FLAT SAE 1/4 ROHS	
1-4	158632	CAA F/PLT KIT 10 RT	RIGHT; used with Front Mount Adapter Kit on Plunger-Style Swing In/Out Hangers
1-4	158633	CAA F/PLT KIT 10 LT	LEFT; used with Front Mount Adapter Kit on Plunger-Style Swing In/Out Hangers
1-4	158634	CAA F/PLT KIT 11 RT	RIGHT; used with Front Mount Adapter Kit on Plunger-Style Swing In/Out Hangers
1-4	158635	CAA F/PLT KIT 11 LT	LEFT; used with Front Mount Adapter Kit on Plunger-Style Swing In/Out Hangers
1-4	158636	CAA F/PLT KIT 12 RT	RIGHT; used with Front Mount Adapter Kit on Plunger-Style Swing In/Out Hangers
1-4	158637	CAA F/PLT KIT 12 LT	LEFT; used with Front Mount Adapter Kit on Plunger-Style Swing In/Out Hangers
1-4	158638	CAA F/PLT KIT 13 RT	RIGHT; used with Front Mount Adapter Kit on Plunger-Style Swing In/Out Hangers
1-4	158639	CAA F/PLT KIT 13 LT	LEFT; used with Front Mount Adapter Kit on Plunger-Style Swing In/Out Hangers
1-4	158640	CAA F/PLT KIT 14 RT	RIGHT; used with Front Mount Adapter Kit on Plunger-Style Swing In/Out Hangers
1-4	158641	CAA F/PLT KIT 14 LT	LEFT; used with Front Mount Adapter Kit on Plunger-Style Swing In/Out Hangers
1-4	158642	CAA F/PLT KIT 15 RT	RIGHT; used with Front Mount Adapter Kit on Plunger-Style Swing In/Out Hangers
1-4	158643	CAA F/PLT KIT 15 LT	LEFT; used with Front Mount Adapter Kit on Plunger-Style Swing In/Out Hangers
1-4	158644	CAA F/PLT KIT 16 RT	RIGHT; used with Front Mount Adapter Kit on Plunger-Style Swing In/Out Hangers
1-4	158645	CAA F/PLT KIT 16 LT	LEFT; used with Front Mount Adapter Kit on Plunger-Style Swing In/Out Hangers
1-10	828821	KIDS ANG ADJ F/PLT ASSM 10	RIGHT; used with Old-Style Latch Block Swing In/Out & S/A Hangers
1-10	828822	KIDS ANG ADJ F/PLT ASSM 10	LEFT; used with Old-Style Latch Block Swing In/Out & S/A Hangers
1-10	828823	KIDS ANG ADJ F/PLT ASSM 11	RIGHT; used with Old-Style Latch Block Swing In/Out & S/A Hangers
1-10	828824	KIDS ANG ADJ F/PLT ASSM 11	LEFT; used with Old-Style Latch Block Swing In/Out & S/A Hangers
1-10	828825	KIDS ANG ADJ F/PLT ASSM 12	RIGHT; used with Old-Style Latch Block Swing In/Out & S/A Hangers
1-10	828826	KIDS ANG ADJ F/PLT ASSM 12	LEFT; used with Old-Style Latch Block Swing In/Out & S/A Hangers
1-10	828827	KIDS ANG ADJ F/PLT ASSM 13	RIGHT; used with Old-Style Latch Block Swing In/Out & S/A Hangers
1-10	828828	KIDS ANG ADJ F/PLT ASSM 13	LEFT; used with Old-Style Latch Block Swing In/Out & S/A Hangers
1-10	828829	KIDS ANG ADJ F/PLT ASSM 14	RIGHT; used with Old-Style Latch Block Swing In/Out & S/A Hangers
1-10	828830	KIDS ANG ADJ F/PLT ASSM 14	LEFT; used with Old-Style Latch Block Swing In/Out & S/A Hangers
1-10	828831	KIDS ANG ADJ F/PLT ASSM 15	RIGHT; used with Old-Style Latch Block Swing In/Out & S/A Hangers
1-10	828832	KIDS ANG ADJ F/PLT ASSM 15	LEFT; used with Old-Style Latch Block Swing In/Out & S/A Hangers

Pos.	Item Number	Description	Remarks
1-10	828833	KIDS ANG ADJ F/PLT ASSM 16	RIGHT; used with Old-Style Latch Block Swing In/Out & S/A Hangers
1-10	828834	KIDS ANG ADJ F/PLT ASSM 16	LEFT; used with Old-Style Latch Block Swing In/Out & S/A Hangers
1-10	921226	KIDS ANG ADJ F/PLT ASSM 10	PAIR; used with Old-Style Latch Block Swing In/Out & S/A Hangers
1-10	921227	KIDS ANG ADJ F/PLT ASSM 11	PAIR; used with Old-Style Latch Block Swing In/Out & S/A Hangers
1-10	921228	KIDS ANG ADJ F/PLT ASSM 12	PAIR; used with Old-Style Latch Block Swing In/Out & S/A Hangers
1-10	921229	KIDS ANG ADJ F/PLT ASSM 13	PAIR; used with Old-Style Latch Block Swing In/Out & S/A Hangers
1-10	921230	KIDS ANG ADJ F/PLT ASSM 14	PAIR; used with Old-Style Latch Block Swing In/Out & S/A Hangers
1-10	921231	KIDS ANG ADJ F/PLT ASSM 15	PAIR; used with Old-Style Latch Block Swing In/Out & S/A Hangers
1-10	921232	KIDS ANG ADJ F/PLT ASSM 16	PAIR; used with Old-Style Latch Block Swing In/Out & S/A Hangers
11-19	129764	AAA FRNT MNT ADAPTER KIT PR	AAA FRNT MNT fits both Kids and Adult Angle Adjustable Footplates
		Ship assembled part #	Use with multiple assemblies
	ASSY-HNG-FP	HANGER/FOOTPLATE ASSY REQUIRED	add with Hanger & Footplate kit

To have complete Footrest ship assembled, choose compatible Hanger + Footplate part numbers and add "ASSY-HNG-FP" to order

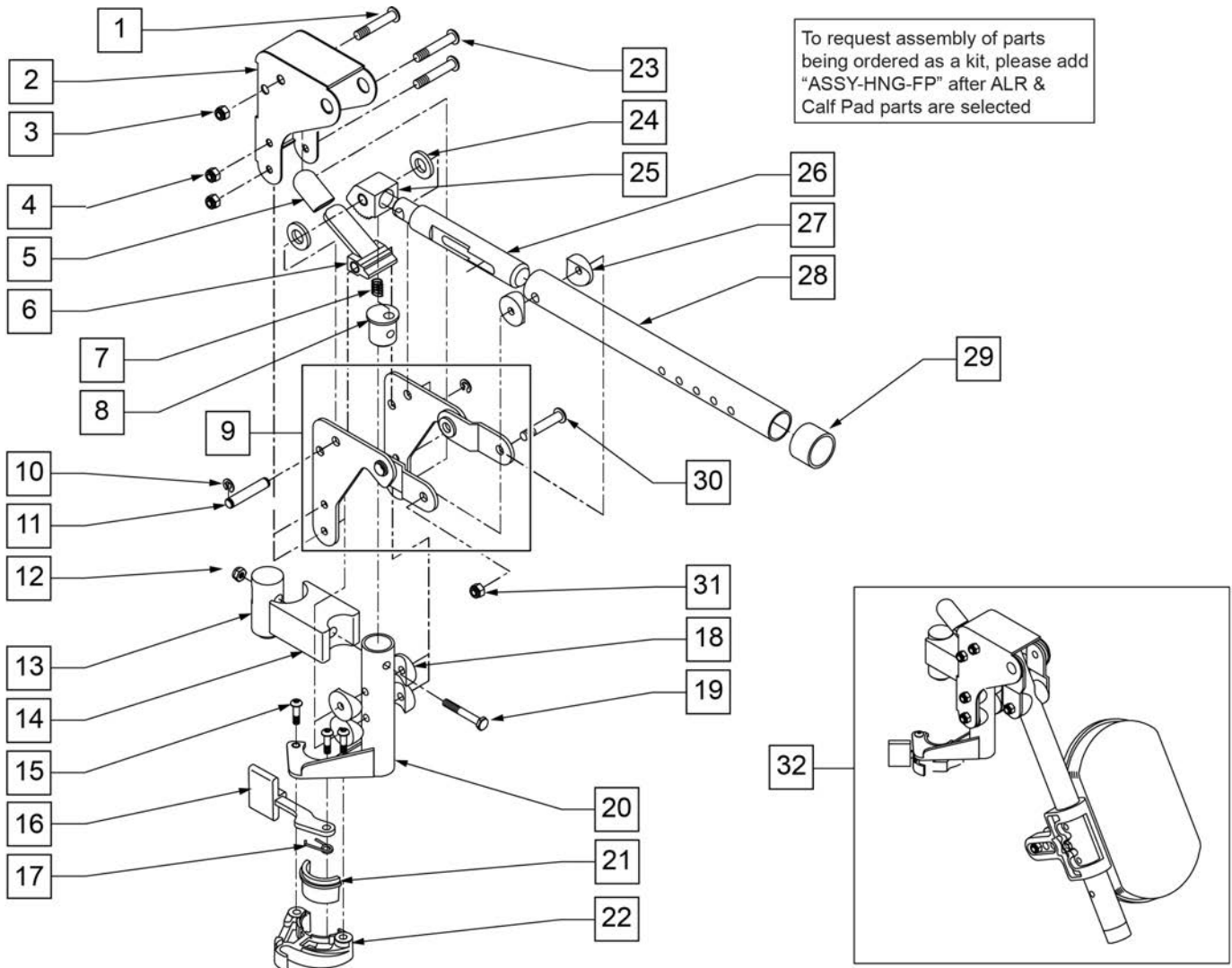
INSET FORMULA
 0" Inset (Seat Width) = Footrest Width
 1" Inset (Seat Width) - 2" = Footrest Width
 "V" Hanger (Seat Width) - 4" = Footrest Width
 Offset Hanger Receiver (Seat Width) + 2" = Footrest Width



Pos.	Item Number	Description	Remarks
1	106978	FHCS 1/4-28 X 7/8 ROHS	
2	106941	NUT AUTOMATION 1/4-28 ROHS	
3	106943	WASHER FLAT AN 1/4 ROHS	
4	561004	1" SADDLE 1/4" HOLE	
5	541000	FOOTREST MOUNTING BRKT 1/2" RAD R	RIGHT
5	541001	FOOTREST MOUNTING BRKT 1/2" RAD L	LEFT
6	106945	WASHER FLAT SAE 1/4 ROHS	
7	106964	BHCS 1/4-28 X 2	
8	550350	3/4" CLAMP ADJ FOOTPLATE	
9	106935	NUT NYLOCK THIN 1/4-28 ROHS	
10	561040	HEEL LOOP PEG	
11	741153	HEEL LOOP 18-20 CMPST/14-15 ANG ADJ	USED W/ 14-15"/16-17" ADULT ANG ADJ FTPLTS
11	741253	HEEL LOOP ADLT ADJ F/PLT 18-20	USED W/ 18 -20" ADULT ANG ADJ FTPLTS
12	500656	ADULT ANGL ADJ F/PLT 10/11	RIGHT
12	500657	ADULT ANGL ADJ F/PLT 10/11	LEFT
12	500658	ADULT ANGL ADJ F/PLT 12/13	RIGHT
12	500659	ADULT ANGL ADJ F/PLT 12/13	LEFT
12	500660	ADULT ANGL ADJ F/PLT 14/15	RIGHT
12	500661	ADULT ANGL ADJ F/PLT 14/15	LEFT
12	500662	ADULT ANGL ADJ F/PLT 16/17	RIGHT
12	500663	ADULT ANGL ADJ F/PLT 16/17	LEFT
12	500664	ADULT ANGL ADJ F/PLT 18-20	RIGHT

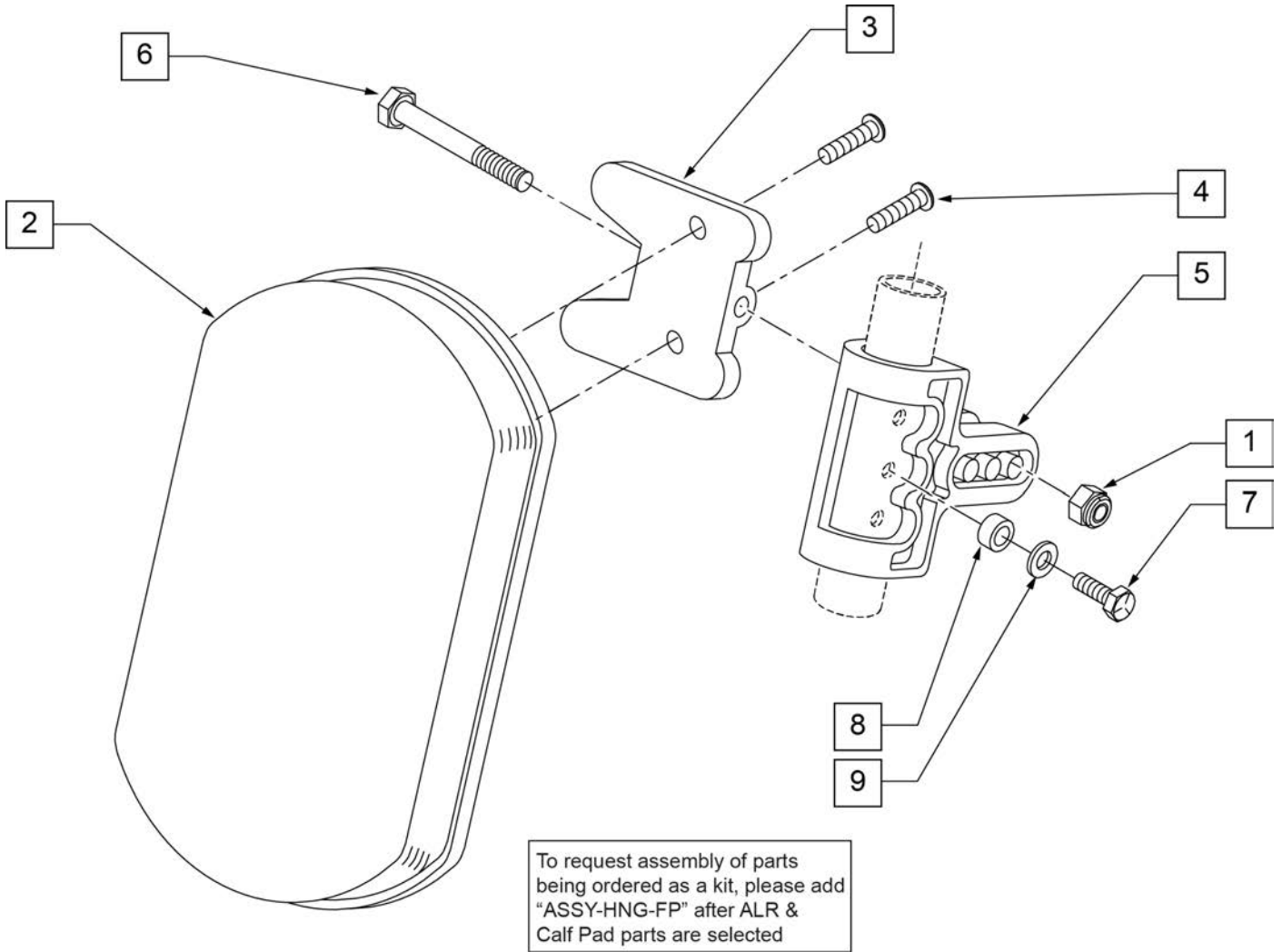
Pos.	Item Number	Description	Remarks
12	500665	ADULT ANGL ADJ F/PLT 18-20	LEFT
13	740260	TOE-ANKLE STRAP ADJ ADULT FOOTPLATE	
14	106943	WASHER FLAT AN 1/4 ROHS	
15	106958	HHCS 1/4-20 X 1 ROHS	
1-9,12	820544	FP ADULT ADJ 90D 10/11 R	RIGHT
1-9,12	820554	FP ADULT ADJ 90D 10/11 L	LEFT
1-9,12	820546	FP ADULT ADJ 90D 12/13 R	RIGHT
1-9,12	820556	FP ADULT ADJ 90D 12/13 L	LEFT
1-9,12	820472	FP ADULT ADJ 90D 14/15 R	RIGHT
1-9,12	820473	FP ADULT ADJ 90D 14/15 L	LEFT
1-9,12	820474	FP ADULT ADJ 90D 16/17 R	RIGHT
1-9,12	820475	FP ADULT ADJ 90D 16/17 L	LEFT
1-9,12	820476	FP ADULT ADJ 90D 18-20 R	RIGHT
1-9,12	820477	FP ADULT ADJ 90D 18-20 L	LEFT
1-9,12	921474	ADULT ANGL ADJ 90D 10/11 OMIT H/L	PAIR
1-9,12	921476	ADULT ANGL ADJ 90D 12/13 OMIT H/L	PAIR
1-9,12	921330	ADULT ANGL ADJ 90D 14/15 OMIT H/L	PAIR
1-9,12	921331	ADULT ANGL ADJ 90D 16/17 OMIT H/L	PAIR
1-9,12	921332	ADULT ANGL ADJ 90D 18-20 OMIT H/L	PAIR
1-12,14,15	820540	F/PLT ADULT ADJ 90D 10/11 R W/ HL	RIGHT
1-12,14,15	820550	F/PLT ADULT ADJ 90D 10/11 L W/ HL	LEFT
1-12,14,15	820542	F/PLT ADULT ADJ 90D 12/13 R W/ HL	RIGHT
1-12,14,15	820552	F/PLT ADULT ADJ 90D 12/13 L W/ HL	LEFT
1-12,14,15	820478	F/PLT ADULT ADJ 90D 14/15 R W/ HL	RIGHT
1-12,14,15	820479	F/PLT ADULT ADJ 90D 14/15 L W/ HL	LEFT
1-12,14,15	820480	F/PLT ADULT ADJ 90D 16/17 R W/ HL	RIGHT
1-12,14,15	820481	F/PLT ADULT ADJ 90D 16/17 L W/ HL	LEFT
1-12,14,15	820482	F/PLT ADULT ADJ 90D 18-20 R W/ HL	RIGHT
1-12,14,15	820483	F/PLT ADULT ADJ 90D 18-20 L W/ HL	LEFT
1-12,14,15	921470	F/PLT ADULT ADJ 90D 10/11 W/ HL	PAIR
1-12,14,15	921472	F/PLT ADULT ADJ 90D 12/13 W/ HL	PAIR
1-12,14,15	921333	F/PLT ADULT ADJ 90D 14/15 W/ HL	PAIR
1-12,14,15	921334	F/PLT ADULT ADJ 90D 16/17 W/ HL	PAIR
1-12,14,15	921335	F/PLT ADULT ADJ 90D 18-20 W/ HL	PAIR
		Ship assembled part #	Use with multiple assemblies
	ASSY-HNG-FP	HANGER/FOOTPLATE ASSY REQUIRED	add with Hanger & Footplate kit

NOTE: WHEN USING AN ARTICULATING LEGREST ASSEMBLY, THE PULL-TO-LOCK WHEEL LOCK MUST BE USED.



Pos.	Item Number	Description	Remarks
1	106983	5/16-18 x 2 BH C/S SHT THREAD	
2	562720	ALR COVER STD	
3	106937	5/16-18 NYLOCK NUT THIN	
4	106935	1/4-28 NYLOCK NUT THIN	
5	560501	ALR RELEASE LEVER COVER	
6	505902	ALR RELEASE LEVER	
7	321141	650L x 6 COIL SPRING	
8	483060	ALR SPRING PLUG	
9	880526	ALR BRACKET W/LINK R	RIGHT
9	880527	ALR BRACKET W/LINK L	LEFT
10	342000	1/4" E-CLIP	
11	481052	ALR RETAINING STUD	
12	106934	1/4-28 NYLOCK NUT	
13	122991	ALR PIVOT SADDLE WITH LEDGE	

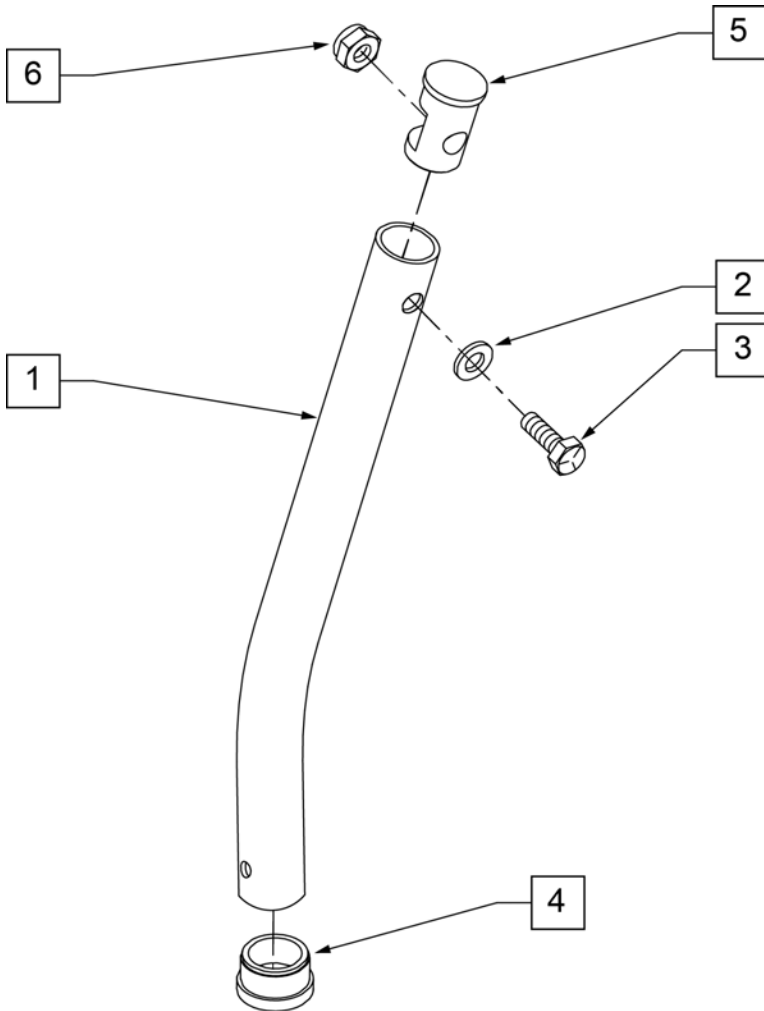
Pos.	Item Number	Description	Remarks
14	122992	ALR PIVOT SADDLE BLOCK W/NOTCH	
15	226057	10/24 x .725 BTTN HD SOC BZ	
16	561079	S/A LATCH LEVER	
17	321136	S/A SPRING L RED	
17	321137	S/A SPRING R CLEAR	
18	561004	1" SADDLE 1/4" HOLE	
19	107016	1/4-28 x 3 G8 HEX C/S	
20	882466	ALR S/A TUBE ASSM L	LEFT
20	882467	ALR S/A TUBE ASSM R	RIGHT
23	106964	1/4-28 x 2 BH C/S	
24	561016	1" WASHER 5/16" HOLE	
25	505900	ALR RATCHET BLOCK	
26	483062	ALR RATCHET ROD	
27	561006	1" SADDLE 5/16" HOLE	
28	505026S	ALR TUBE ONLY	
29	561082	1" TUBE END BUSHING THIN	
30	226195	5/16-18 x 1.82 BH C/S	
31	106937	NUT NYLOCK THIN 5/16-18 ROHS	
21,22	881500	LATCH BLOCK ASSM R	RIGHT
21,22	881501	LATCH BLOCK ASSM L	LEFT
1-26	880092	HANGER ALR SUB ASSM R	RIGHT
1-26	880093	HANGER ALR SUB ASSM L	LEFT
1-31	641464S	HANGER ALR W/O PAD PNTD R	RIGHT
1-31	641465S	HANGER ALR W/O PAD PNTD L	LEFT
32	923051S	ALR HANGER ASSM W/PAD ALUM LB	PAIR
15-17,21,22	881521	S/A LATCH KIT CASTING RIGHT	
15-17,21,22	881522	S/A LATCH KIT CASTING LEFT	
		Ship assembled part #	Use with multiple assemblies
	ASSY-HNG-FP	HANGER/FOOTPLATE ASSY REQUIRED	add with Hanger & Footplate kit



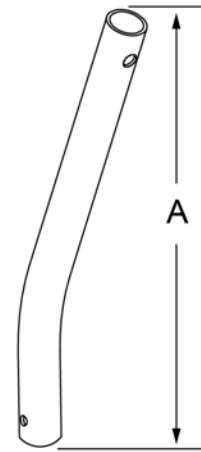
Pos.	Item Number	Description	Remarks
1	106936	5/16-18 NYLOCK NUT THICK	
2	755010	ALR/ELR PAD	
3	561096	ALR/ELR CALF PAD BRACKET	
4	281182	1/4-20 x 5/8 PAN PHIL	
5	561099	CALF CLAMP ALR	
6	107019	HHCS 5/16-18 X 3-1/2 ROHS	
7	107017	1/4-20 x 1 1/4 G8 HEX C/S	
8	483027	1/4 x 1/4 ALUMINUM SPACER BLK	
9	104414	WAVE WASHER 6 MM	
1-6	881399	ALR CALF PAD W/BRACKET	
1,3-9	881398	ALR CALF CLAMP ASSM W/O PAD	
1-9	881400	ALR CALF PAD ASSEMBLY (EA)	
		Ship assembled part #	Use with multiple assemblies
	ASSY-HNG-FP	HANGER/FOOTPLATE ASSY REQUIRED	add with Hanger & Footplate kit

NOTE: (Discontinued on Quickie 2 for 60° and 70° Hangers 10/23/99- Parts only).

NOTE: Used on Articulating Hanger Assemblies.



MEASURING GUIDE



	"A"
SHORT	6 5/8"
MED	9"
LONG	11 5/8"
X-LONG	13 1/2"

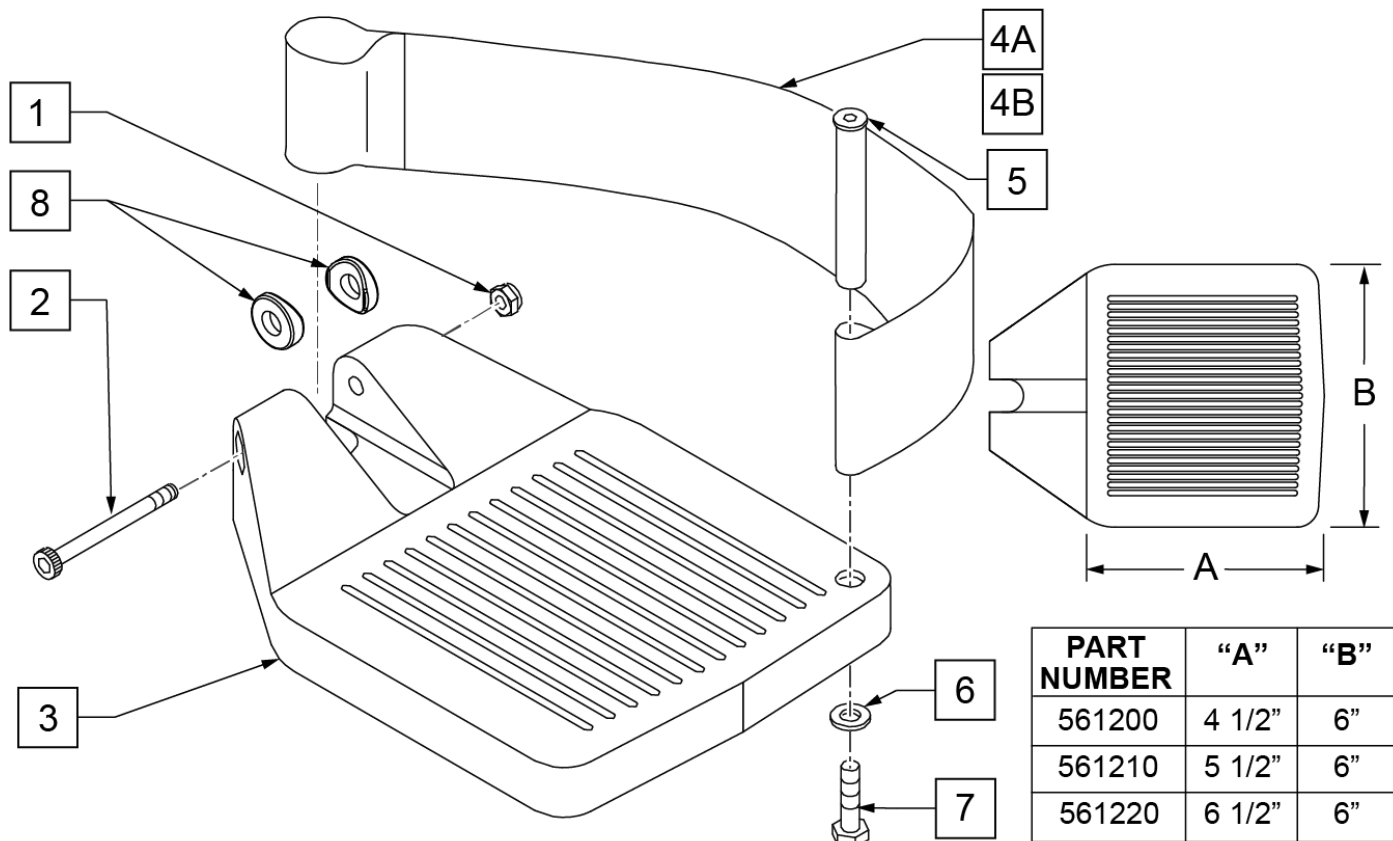
Pos.	Item Number	Description
1	521010	FOOTREST EXT TUBE ONLY SHT BLK
1	521011	FOOTREST EXT TUBE ONLY MED BLK
1	521012	FOOTREST EXT TUBE ONLY LNG BLK
1	521013	FOOTREST EXT TUBE ONLY X-LNG BLK
2	104414	WAVE WASHER 6 MM
3	106958	HHCS 1/4-20 X 1 ROHS
4	561000-QU	3/4" INSERT PLUG .083
5	483553	FOOTREST INSERT PLUG Q2
6	106932	NUT NYLOCK 1/4-20 ROHS
1-6	921221	FOOTREST EXT TUBE SHT ASSM BLK (EA)
1-6	921222	FOOTREST EXT TUBE MED ASSM BLK (EA)
1-6	921223	FOOTREST EXT TUBE LNG ASSM BLK (EA)
1-6	921224	FOOTREST EXT TUBE X-LNG ASSM BLK (EA)

COMPOSITE FOOTPLATE

[12/2017]

To have complete Footrest ship assembled, choose compatible Hanger + Footplate part numbers and add "ASSY-HNG-FP" to order

INSET FORMULA
 0" Inset (Seat Width) = Footrest Width
 1" Inset (Seat Width) -2" = Footrest Width
 "V" Hanger (Seat Width) -4" = Footrest Width
 Offset Hanger Receiver (Seat Width) +2" = Footrest Width



Pos.	Item Number	Description	Remarks
1	106935	1/4 - 28 NYLOCK NUT	
2	226165	1/4 - 28 x 2 1/2 SOC C/S	
3	561200	COMPOSITE FOOTPLATE 14 -15 (16 -18 V)	14 -15 OR 16 -18V
3	561210	COMPOSITE FOOTPLATE 16 -17 (19 -20 V)	16 -17 OR 19 -20V
3	561220	COMPOSITE FOOTPLATE 18 -20	18 -20
4A	741151	HEEL LOOP 14-15 COMPOSITE (14 -15 or 16 -18V)	14 -15 OR 16 -18V
4A	741156	HEEL LOOP 16 -17 or 19 -20V	16 -17 OR 19 -20V
4A	741153	HEEL LOOP 18 -20 COMPOSITE/14-15 ANG ADJ	18 -20
4A	902270	HEEL LOOP COMPOSITE FT 14-15	PAIR 14 -15 OR 16 -18V
4A	902271	HEEL LOOP COMPOSITE FT 16-17	PAIR 16 -17 OR 19 -20V
4A	902272	HEEL LOOP COMPOSITE FT 18-20	PAIR 18 -20
4B	741154	HEEL LOOP 14-15 COMPOSITE HEMI	14 -15 HEMI
4B	741155	HEEL LOOP 16-17 COMPOSITE HEMI	16 -17 HEMI
4B	741153	HEEL LOOP 18-20 COMPOSITE HEMI	18 -10 HEMI
4B	902260	HEEL LOOPS HEMI COMPOSITE 14-15	PAIR 14 -15 HEMI
4B	902261	HEEL LOOPS HEMI COMPOSITE 16-17	PAIR 16 -17 HEMI
4B	902262	HEEL LOOPS HEMI COMPOSITE 18-20	PAIR 18 -20 HEMI
5	561040	HEEL LOOP PEG	
6	106944	1/4 AN WASHER FLAT THIN	

Pos.	Item Number	Description	Remarks
7	106958	HHCS 1/4-20 X 1 ROHS	
8	561003	3/4" SADDLE THIN	USED W/ ROUND EXT TUBES ONLY
1-3	921180	COMPOSITE FOOTPLATE ASSM 14-15	RIGHT (14 -15 OR 16 -18V) W/O HEEL LOOP
1-3	921181	COMPOSITE FOOTPLATE ASSM 14-15	LEFT (14 -15 OR 16 -18V) W/O HEEL LOOP
1-3	921182	COMPOSITE FOOTPLATE ASSM 16-17	RIGHT (16 -17 OR 19 -20V) W/O HEEL LOOP
1-3	921183	COMPOSITE FOOTPLATE ASSM 16-17	LEFT (16 -17 OR 19 -20V) W/O HEEL LOOP
1-3	921184	COMPOSITE FOOTPLATE ASSM 18-20	RIGHT (18 -20) W/O HEEL LOOP
1-3	921185	COMPOSITE FOOTPLATE ASSM 18-20	LEFT (18 -20) W/O HEEL LOOP
1-3	921151	COMPOSITE FOOTPLATE ASSM 14-15/16-18V	PAIR (14 -15 OR 16 -18V) W/O HEEL LOOP
1-3	921152	COMPOSITE FOOTPLATE ASSM 16-17/19-20V	PAIR (16 -17 OR 19 -20V) W/O HEEL LOOP
1-3	921153	COMPOSITE FOOTPLATE ASSM 18-20	PAIR (18 -20) W/O HEEL LOOP
1,2,3A,4-7	921190	COMPOSITE FOOTPLATE ASSM HL LP 14-15	RIGHT (14 -15 OR 16 -18V) W/ HEEL LOOP
1,2,3A,4-7	921191	COMPOSITE FOOTPLATE ASSM HL LP 14-15	LEFT (14 -15 OR 16 -18V) W/ HEEL LOOP
1,2,3A,4-7	921192	COMPOSITE FOOTPLATE ASSM HL LP 16-17	RIGHT (16 -17 OR 19 -20V) W/ HEEL LOOP
1,2,3A,4-7	921193	COMPOSITE FOOTPLATE ASSM HL LP 16-17	LEFT (16 -17 OR 19 -20V) W/ HEEL LOOP
1,2,3A,4-7	921194	COMPOSITE FOOTPLATE ASSM HL LP 18-20	RIGHT (18 -20) W/ HEEL LOOP
1,2,3A,4-7	921195	COMPOSITE FOOTPLATE ASSM HL LP 18-20	LEFT (18 -20) W/ HEEL LOOP
1,2,3A,4-7	921161	COMPOSITE FOOTPLATE ASSM HL 14-15/16-18V	PAIR (14 -15 OR 16 -18V) W/ HEEL LOOP
1,2,3A,4-7	921162	COMPOSITE FOOTPLATE ASSM HL 16-17/19-20V	PAIR (16 -17 OR 19 -20V) W/ HEEL LOOP
1,2,3A,4-7	921163	COMPOSITE FOOTPLATE ASSM HL 18-20	PAIR (18 -20) W/ HEEL LOOP
1,2,3B,4-7	921140	COMPOSITE FOOTPLATE ASSM HEMI HL LP 14-15	RIGHT (14 -15) W/ HEEL LOOP
1,2,3B,4-7	921141	COMPOSITE FOOTPLATE ASSM HEMI HL LP 14-15	LEFT (14 -15) W/ HEEL LOOP
1,2,3B,4-7	921142	COMPOSITE FOOTPLATE ASSM HEMI HL LP 16-17	RIGHT (16 -17) W/ HEEL LOOP
1,2,3B,4-7	921143	COMPOSITE FOOTPLATE ASSM HEMI HL LP 16-17	LEFT (16 -17) W/ HEEL LOOP
1,2,3B,4-7	921144	COMPOSITE FOOTPLATE ASSM HEMI HL LP 18-20	RIGHT (18 -20) W/ HEEL LOOP
1,2,3B,4-7	921145	COMPOSITE FOOTPLATE ASSM HEMI HL LP 18-20	LEFT (18 -20) W/ HEEL LOOP
1,2,3B,4-7	921167	COMPOSITE FOOTPLATE ASSM HEMI HL LPS 14-15	PAIR (14 -15) W/ HEEL LOOP
1,2,3B,4-7	921168	COMPOSITE FOOTPLATE ASSM HEMI HL LPS 16-17	PAIR (16 -17) W/ HEEL LOOP
1,2,3B,4-7	921169	COMPOSITE FOOTPLATE ASSM HEMI HL LPS 18-20	PAIR (18 -20) W/ HEEL LOOP
		Ship assembled part #	Use with multiple assemblies
	ASSY-HNG-FP	HANGER/FOOTPLATE ASSY REQUIRED	add with Hanger & Footplate kit

NOTE: FOR HIGH-MOUNT ADULT ANGLE-ADJUSTABLE FOOTPLATE, SEE "HIGH-MOUNT EXTENSION TUBE" PAGE.

NOTE: ORDER ITEMS 4B AND 7B FOR CHAIRS PRIOR TO 8/13/01.

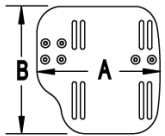
NOTE: ONLY 1 WASHER PRIOR TO 8/13/01.

NOTE: See attached REFERENCE GUIDE.

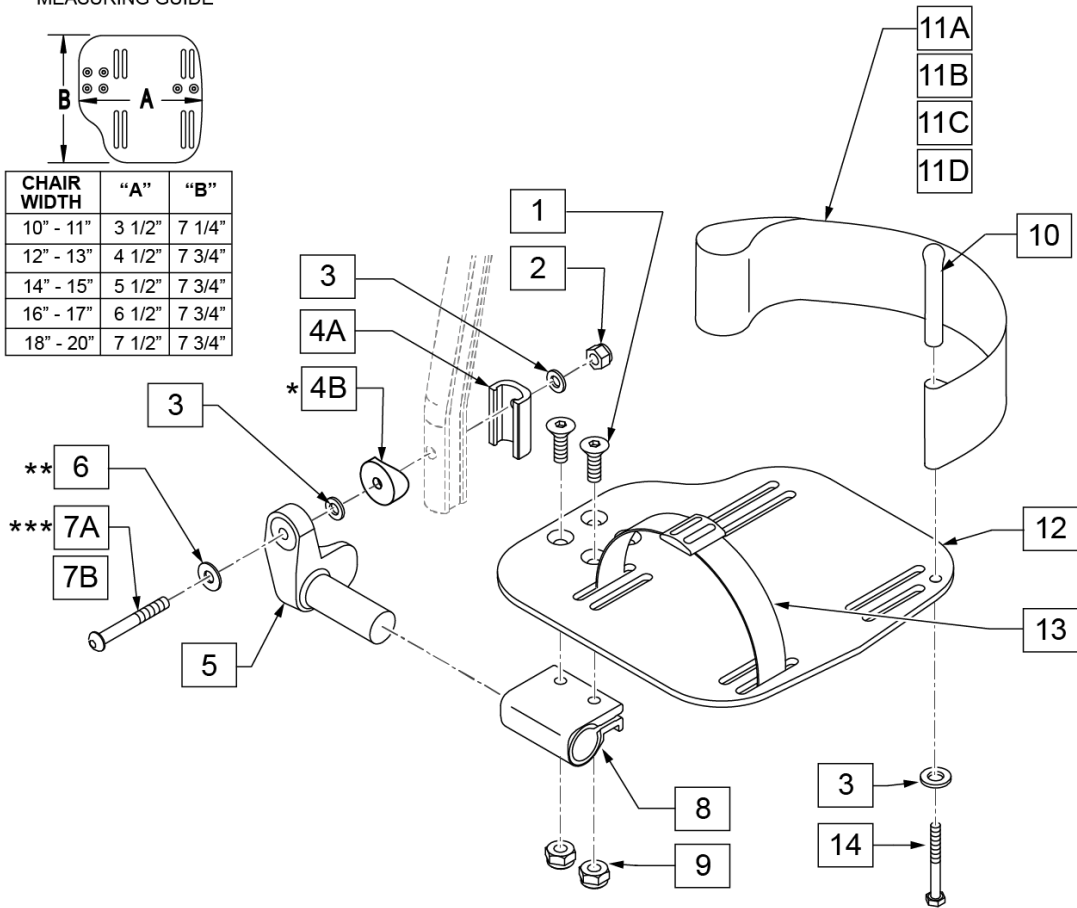
To have complete Footrest ship assembled, choose compatible Hanger + Footplate part numbers and add "ASSY-HNG-FP" to order

INSET FORMULA
 0" Inset (Seat Width) = Footrest Width
 1" Inset (Seat Width) -2" = Footrest Width
 "V" Hanger (Seat Width) -4" = Footrest Width
 Offset Hanger Receiver (Seat Width) +2" = Footrest Width

MEASURING GUIDE



CHAIR WIDTH	"A"	"B"
10" - 11"	3 1/2"	7 1/4"
12" - 13"	4 1/2"	7 3/4"
14" - 15"	5 1/2"	7 3/4"
16" - 17"	6 1/2"	7 3/4"
18" - 20"	7 1/2"	7 3/4"



15 ADLT ANG ADJ FP D2 HDWR KIT			
ITEM #	ILLUSTRATION	DESCRIPTION	QTY
1		1/4-28 X 7/8 FH C/S	2
2		1/4-28 AUTOMATION NUT	1
3		WASHER FLAT THIN AN 1/4	3
6		1/4" SAE WASHER	1
7A		BHCS 1/4-28 X 1-3/4	1
9		NUT NYLOCK THIN 1/4-28	2
10		HEEL LOOP PEG	1
14		1/4-20 X 1 HEX C/S	1

16 ADLT ANG ADJ FP RND HDWR KIT			
ITEM #	ILLUSTRATION	DESCRIPTION	QTY
1		1/4-28 X 7/8 FH C/S	2
2		1/4-28 AUTOMATION NUT	1
3		WASHER FLAT THIN AN 1/4	3
4B		3/4" SADDLE 1" OD	1
6		1/4" SAE WASHER	1
7B		1/4-28 X 1.625 BH C/S BLK	1
9		NUT NYLOCK THIN 1/4-28	2
10		HEEL LOOP PEG	1
14		1/4-20 X 1 HEX C/S	1

Pos.	Item Number	Description	Remarks
1	106978	1/4-28 x 7/8 FH C/S	
2	106941	1/4-28 AUTOMATION NUT	

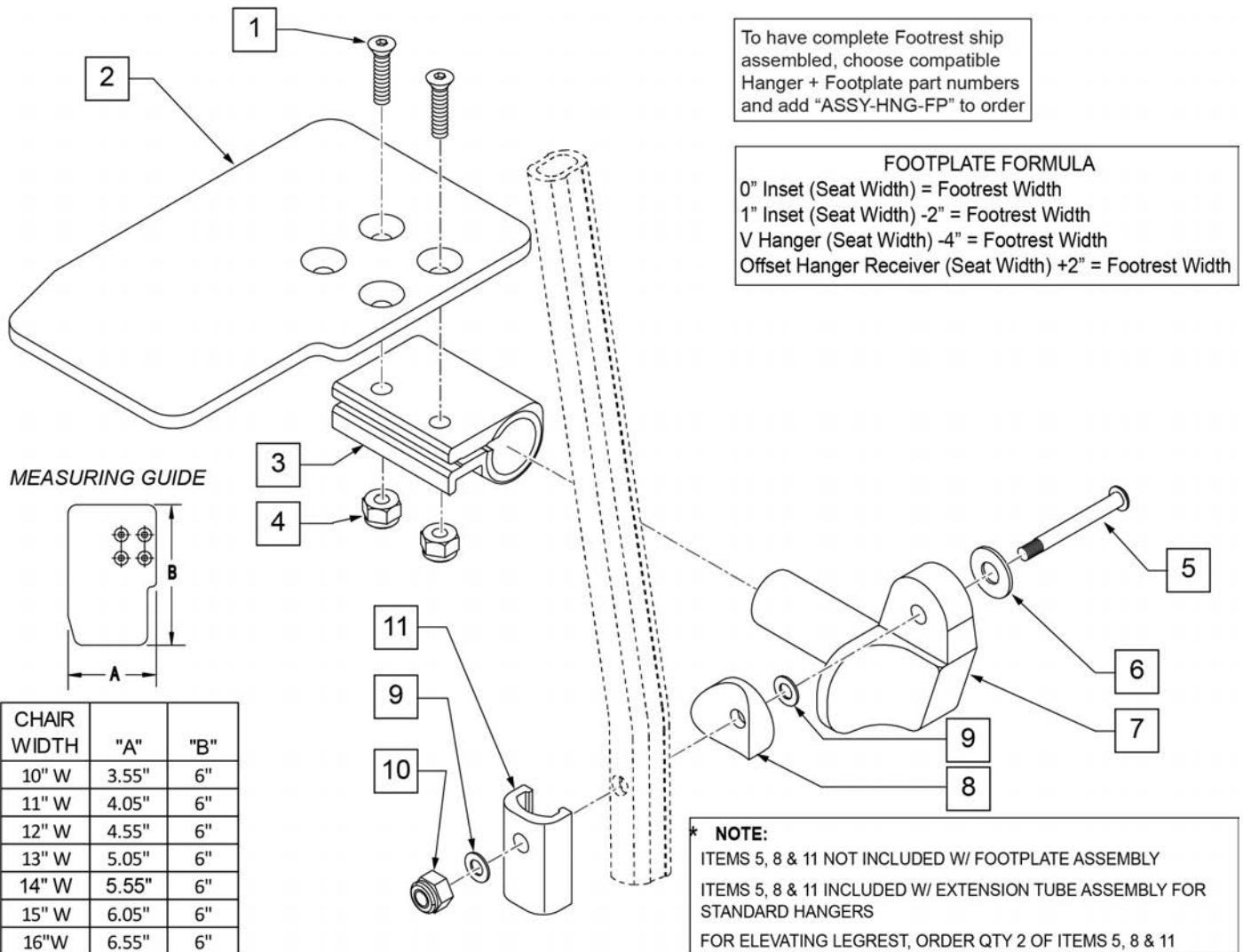
Pos.	Item Number	Description	Remarks
3	106944	WASHER FLAT THIN AN 1/4	
4A	483720	HANGER EXTENSION SADDLE LONG	USE W/ DOUBLE D EXT TUBE
4B	561055	3/4" SADDLE 1" OD	USE W/ ROUND EXT TUBE
5	541002	FTRST MOUNTING BRKT-3/8 RAD R	RIGHT
5	541003	FTRST MOUNTING BRKT-3/8 RAD L	LEFT
6	106945	WASHER FLAT SAE 1/4 ROHS	
7A	106962	BHCS 1/4-28 X 1-3/4 ROHS	use w/ Double D Ext Tube
7B	226167	1/4-28 x 1.625 BH C/S BLK	use w/ Round Ext Tube
8	550350	3/4" CLMP ADJ FT PLT	
9	106935	NUT NYLOCK THIN 1/4-28 ROHS	
10	561040	HEEL LOOP PEG	
11A	741154	HEEL LOOP 14-15 CMPST HEMI	used w/ 10-11" Adult Ang Adj Ftplts
11B	741155	HEEL LOOP 16-17 CMPST HEMI	used w/ 12 -13" Adult Ang Adj Ftplts
11C	741153	H/L 18-20 CMPST/14-15 ANG ADJ	used w/ 14-15"/16-17" Adult Ang Adj Ftplts
11D	741253	HEEL LOOP ADLT ADJ F/PLT 18-20	used w/ 18 -20" Adult Ang Adj Ftplts
12	500656	ADLT ANGL ADJ F/PLT 10/11" R	RIGHT
12	500657	ADLT ANGL ADJ F/PLT 10/11" L	LEFT
12	500658	ADLT ANGL ADJ F/PLT 12/13" R	RIGHT
12	500659	ADLT ANGL ADJ F/PLT 12/13" L	LEFT
12	500660	ADLT ANGL ADJ F/PLT 14/15	RIGHT
12	500661	ADLT ANGL ADJ F/PLT 14/15	LEFT
12	500662	ADLT ANGL ADJ F/PLT 16/17	RIGHT
12	500663	ADLT ANGL ADJ F/PLT 16/17	LEFT
12	500664	ADLT ANGL ADJ F/PLT 18-20	RIGHT
12	500665	ADLT ANGL ADJ F/PLT 18-20	LEFT
13	740260	TOE/ANKLE STRAP ADJ ADLT F/PLT	
14	106958	1/4-20 x 1 HEX C/S	
15	101533	ADLT ANG ADJ FP D2 HDWR KIT	for Double D Ext Tubes; Kit for one side
16	101534	ADLT ANG ADJ FP RND HDWR KIT	for Round Ext Tubes (Q2 HP only); Kit for one side
1-3,5,6,8,9,12	820526	AD ANG ADJ F/PLT R 12"/13" OMIT HL	RIGHT
1-3,5,6,8,9,12	820536	AD ANG ADJ F/PLT L 12"/13" OMT HL	LEFT
1-3,5,6,8,9,12	820460	FP ADLT ADJ 14/15 OMIT HL	RIGHT
1-3,5,6,8,9,12	820462	FP ADLT ADJ 14/15 OMIT HL	LEFT
1-3,5,6,8,9,12	820464	FP ADLT ADJ 16/17 OMIT HL	RIGHT
1-3,5,6,8,9,12	820466	FP ADLT ADJ 16/17 OMIT HL	LEFT
1-3,5,6,8,9,12	820468	FP ADLT ADJ 18-20 OMIT HL	RIGHT
1-3,5,6,8,9,12	820470	FP ADLT ADJ 18-20 OMIT HL	LEFT
1-3,5,6,8,9,12	921466	ADLT ANGL ADJ F/PLT 12"/13" OMIT HL	PAIR
1-3,5,6,8,9,12	921320	FP ADLT ADJ 14/15 OMIT HL	PAIR
1-3,5,6,8,9,12	921322	FP ADLT ADJ 16/17 OMIT HL	PAIR
1-3,5,6,8,9,12	921324	FP ADLT ADJ 18-20 OMIT HL	PAIR
1-3,5,6,8,9,11B,12	820522	AD ANGL ADJ F/PLT R 12/13" H/L	RIGHT
1-3,5,6,8,9,11B,12	820532	AD ANGL ADJ F/PLT L 12/13" H/L	LEFT
1-3,5,6,8-10,11C, 12,14	820461	FP ADLT ADJ 14/15 HL	RIGHT
1-3,5,6,8-10,11C, 12,14	820463	FP ADLT ADJ 14/15 HL	LEFT
1-3,5,6,8-10,11C, 12,14	820465	FP ADLT ADJ 16/17 HL	RIGHT
1-3,5,6,8-10,11C, 12,14	820467	FP ADLT ADJ 16/17 HL	LEFT
1-3,5,6,8-10,11D, 12,14	820469	FP ADLT ADJ 18-20 HL	RIGHT
1-3,5,6,8-10,11D, 12,14	820471	FP ADLT ADJ 18-20 HL	LEFT
1-3,5,6,8-10,11B, 12,14	921462	ADLT ANGL ADJ F/PLATE 12"/13" HL	PAIR
1-3,5,6,8-10,11C, 12,14	921321	FP ADLT ADJ 14/15 HL	PAIR
1-3,5,6,8-10,11C, 12,14	921323	FP ADLT ADJ 16/17 HL	PAIR
1-3,5,6,8-10,11D, 12,14	921325	FP ADLT ADJ 18-20 HL	PAIR
		Ship assembled part #	Use with multiple assemblies
	ASSY-HNG-FP	HANGER/FOOTPLATE ASSY REQUIRED	add with Hanger & Footplate kit

Note: Footplate Assemblies are set to footrest width; please see "Footplate Formula" table for seat width conversion.

Note: V Style Hangers are not available on Swing Away Style chairs effective 7/14/14; see the "Prior To" ordering guide for V Style footplate assemblies.

Note: Zippie Iris (ZRS&ZRSE) and Zippie TS (Z1A&Z1SE) only use Straight Extension Tube.

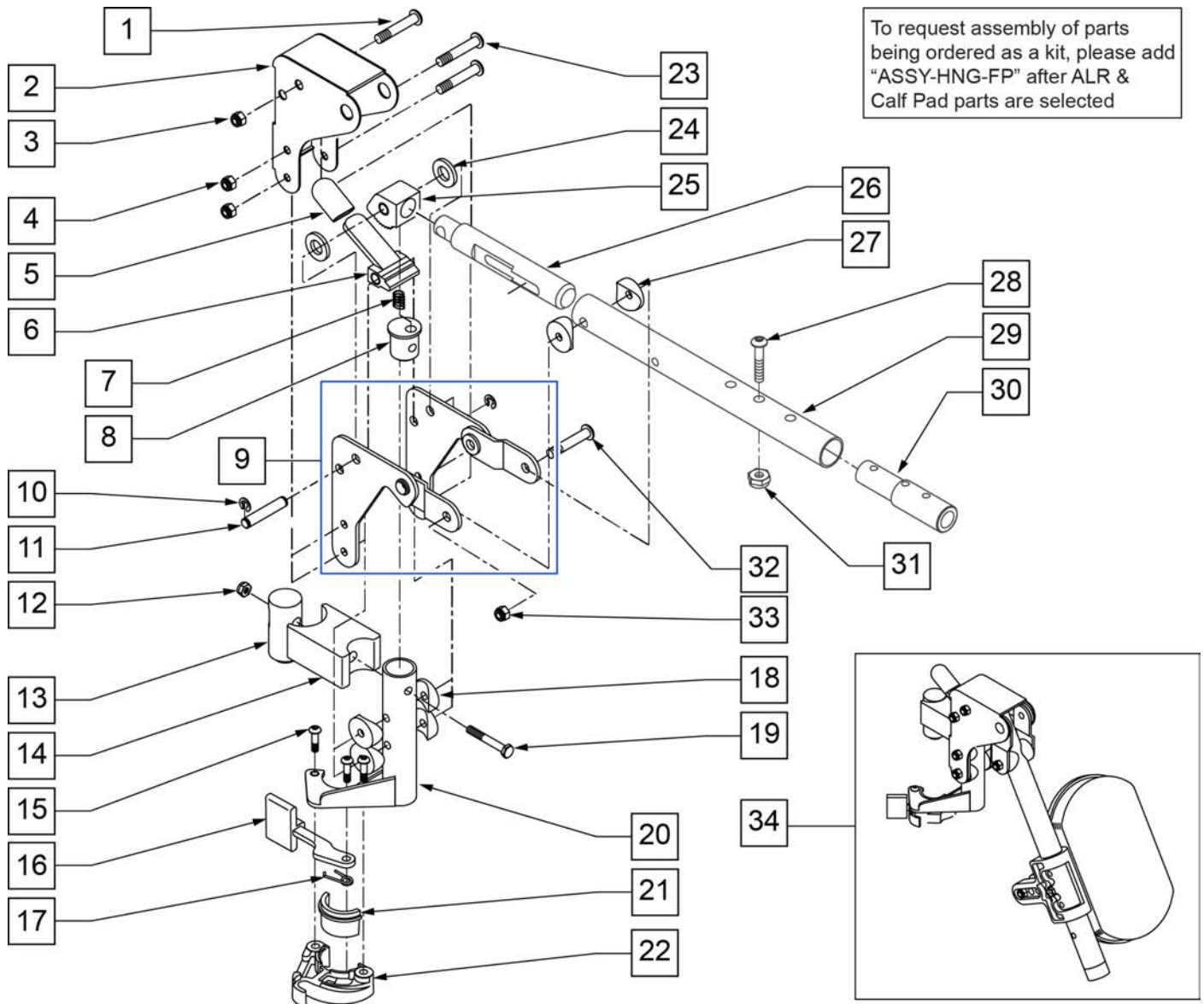
Note: if chair has High Mount Ext Tubes or if switching to High Mount Ext Tubes, see KAA Footplate w/ High Mount Extension Ordering Guide.



Pos.	Item Number	Description	Remarks
1	106978	FHCS 1/4 -28 x 7/8 ROHS	

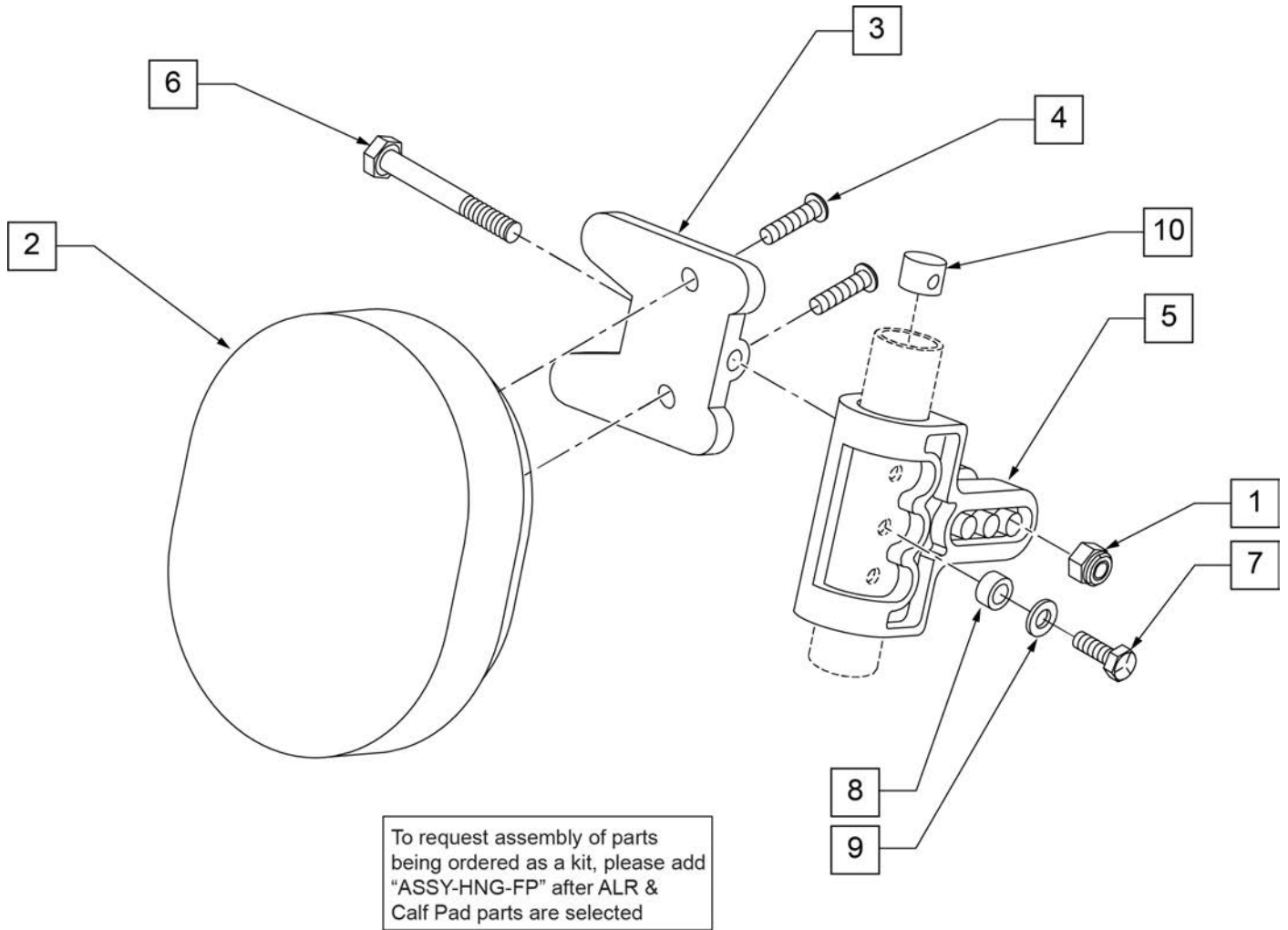
Pos.	Item Number	Description	Remarks
2	500635	KIDS ANGL ADJ F/PLT 10" R	Right
2	500636	KIDS ANGL ADJ F/PLT 10" L	Left
2	500637	KIDS ANGL ADJ F/PLT 11" R	Right
2	500638	KIDS ANGL ADJ F/PLT 11" L	Left
2	500639	KIDS ANGL ADJ F/PLT 12" R	Right
2	500640	KIDS ANGL ADJ F/PLT 12" L	Left
2	500641	KIDS ANGL ADJ F/PLT 13" R	Right
2	500642	KIDS ANGL ADJ F/PLT 13" L	Left
2	500643	KIDS ANGL ADJ F/PLT 14" R	Right
2	500644	KIDS ANGL ADJ F/PLT 14" L	Left
2	500645	KIDS ANGL ADJ F/PLT 15" R	Right
2	500646	KIDS ANGL ADJ F/PLT 15" L	Left
2	500647	KIDS ANGL ADJ F/PLT 16" R	Right
2	500648	KIDS ANGL ADJ F/PLT 16" L	Left
3	550350	3/4" CLAMP ADJ FOOTPLATE	
4	106935	NUT NYLOCK THIN 1/4 -28 ROHS	
5	106962	1/4-28 x 1 3/4 BH C/S BLK ZN (D2 EXTENSION TUBES)	
5	226167	1/4-28 x 1.625 BH C/S BLK (ROUND EXTENSION TUBES)	
6	106945	1/4 SAE WASHER	
7	541002	FTRST MOUNTING BRKT-3/8 RAD R	
7	541003	FTRST MOUNTING BRKT-3/8 RAD L	
8	561055	3/4" SADDLE 1" OD	
9	106944	WASHER FLAT THIN AN 1/4 ROHS	
10	106941	NUT AUTOMATION 1/4 -28 ROHS	
11	483720	HANGER EXTENSION SADDLE LONG	Use with Double D Ext Tube
1-4,6,7,9,10	828850	KIDS ANG ADJ F/PLT EXT-MNT 10"R	Right
1-4,6,7,9,10	828851	KIDS ANG ADJ F/PLT EXT-MNT 10"L	Left
1-4,6,7,9,10	828852	KIDS ANG ADJ F/PLT EXT-MNT 11"R	Right
1-4,6,7,9,10	828853	KIDS ANG ADJ F/PLT EXT-MNT 11"L	Left
1-4,6,7,9,10	828854	KIDS ANG ADJ F/PLT EXT-MNT 12"R	Right
1-4,6,7,9,10	828855	KIDS ANG ADJ F/PLT EXT-MNT 12"L	Left
1-4,6,7,9,10	828856	KIDS ANG ADJ F/PLT EXT-MNT 13"R	Right
1-4,6,7,9,10	828857	KIDS ANG ADJ F/PLT EXT-MNT 13"L	Left
1-4,6,7,9,10	828858	KIDS ANG ADJ F/PLT EXT-MNT 14"R	Right
1-4,6,7,9,10	828859	KIDS ANG ADJ F/PLT EXT-MNT 14"L	Left
1-4,6,7,9,10	828860	KIDS ANG ADJ F/PLT EXT-MNT 15"R	Right
1-4,6,7,9,10	828861	KIDS ANG ADJ F/PLT EXT-MNT 15"L	Left
1-4,6,7,9,10	828862	KIDS ANG ADJ F/PLT EXT-MNT 16"R	Right
1-4,6,7,9,10	828863	KIDS ANG ADJ F/PLT EXT-MNT 16"L	Left
1-4,6,7,9,10	921280	KIDS ANG ADJ F/PLT EXT-MNT 10"	Pair
1-4,6,7,9,10	921281	KIDS ANG ADJ F/PLT EXT-MNT 11"	Pair
1-4,6,7,9,10	921282	KIDS ANG ADJ F/PLT EXT-MNT 12"	Pair
1-4,6,7,9,10	921283	KIDS ANG ADJ F/PLT EXT-MNT 13"	Pair
1-4,6,7,9,10	921284	KIDS ANG ADJ F/PLT EXT-MNT 14"	Pair
1-4,6,7,9,10	921285	KIDS ANG ADJ F/PLT EXT-MNT 15"	Pair
1-4,6,7,9,10	921286	KIDS ANG ADJ F/PLT EXT-MNT 16"	Pair
		Ship assembled part #	Use with multiple assemblies
	ASSY-HNG-FP	HANGER/FOOTPLATE ASSY REQUIRED	add with Hanger & Footplate kit

NOTE: WHEN USING AN ARTICULATING LEGREST ASSEMBLY, THE PULL-TO-LOCK WHEEL LOCK MUST BE USED.



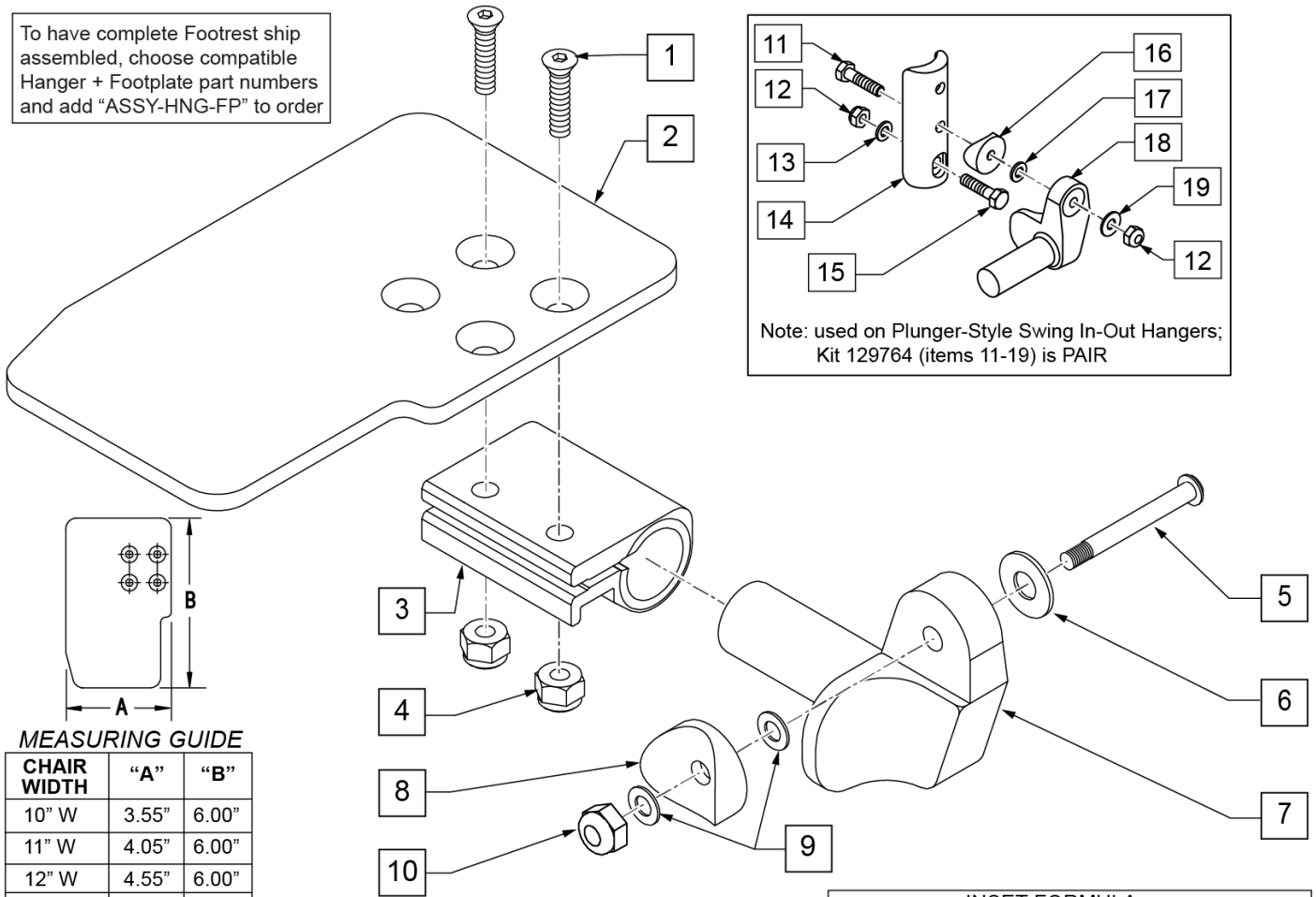
Pos.	Item Number	Description	Remarks
1	106983	5/16-18 x 2 BH C/S SHT THREAD	
2	562720	ALR COVER STD	
3	106937	5/16-18 NYLOCK NUT THIN	
4	106935	NUT NYLOCK THIN 1/4-28 ROHS	
5	560501	ALR RELEASE LEVER COVER	
6	505902	ALR RELEASE LEVER	
7	321141	650L x 6 COIL SPRING	
8	483060	ALR SPRING PLUG	
9	880526	ALR BRACKET W/LINK R	
9	880527	ALR BRACKET W/LINK L	
10	342000	1/4" E-CLIP	

Pos.	Item Number	Description	Remarks
11	481052	ALR RETAINING STUD	
12	106934	1/4-28 NYLOCK NUT	
13	500177	ALR PIVOT SADDLE .125	
14	500178	ALR PIVOT SADDLE BLOCK	
15	226057	10/24 x .725 BTTN HD SOC BZ	
16	561079	S/A LATCH LEVER	
17	321136	S/A SPRING R CLEAR	
17	321137	S/A SPRING R	
18	561004	1" SADDLE 1/4 HOLE	
19	107016	1/4-28 x 3 G8 HEX C/S	
20	882466	ALR S/A TUBE ASSM L	
20	882467	ALR S/A TUBE ASSM R	
23	106964	1/4-28 x 2 BH C/S	
24	561016	1" WASHER 5/16 HOLE	
25	505900	ALR RATCHET BLOCK	
26	483062	ALR RATCHET ROD	
27	561006	1" SADDLE 5/16" HOLE	
28	106961	1/4-28 x 1 1/4 BH C/S	
29	505025S	KIDS ALR LEGREST TUBE 11-13"	
30	500150	2" FOOTREST EXT TUBE	
31	106935	NUT NYLOCK THIN 1/4-28 ROHS	
32	226195	5/16-18 x 1.82 BH C/S	
33	106937	5/16-18 NYLOCK NUT THIN	
34	923053S	KIDS ALR HANGER ASSEM W/PAD	(PR) (SPECIFY COLOR)
28,30,31	111505	2" FTREST EXT W/ HDWR	
21,22	881500	LATCH BLOCK ASSM R	
21,22	881501	LATCH BLOCK ASSM L	
1-31	641432S	KIDS ALR HNGR W/O PAD R 2" EXT	
1-31	641433S	KIDS ALR HNGR W/O PAD L 2" EXT	
		Ship assembled part #	Use with multiple assemblies
	ASSY-HNG-FP	HANGER/FOOTPLATE ASSY REQUIRED	add with Hanger & Footplate kit



Pos.	Item Number	Description	Remarks
1	106936	5/16-18 NYLOCK NUT THICK	
2	755020	4 x 5 OVAL PAD	
3	561096	ALR/ELR CALF PAD BRACKET	
4	281181	1/4-20 x 3/4 PAN PHIL	
5	561099	CALF CLAMP ALR	
6	107019	HHCS 5/16-18 X 3-1/2 ROHS	
7	107017	1/4-20 x 1 1/4 G8 HEX C/S	
8	483027	1/4 x 1/4 ALUMINUM SPACER	
9	262130	6mm WASHER WAVE	
10	500151	KIDS ALR RETAINING PLUG	
1-6	881401	KIDS ALR OVAL PAD W/BRACKET	
1-10	881402	KIDS ALR OVAL PAD ASSEMBLY (EA)	
		Ship assembled part #	Use with multiple assemblies
	ASSY-HNG-FP	HANGER/FOOTPLATE ASSY REQUIRED	add with Hanger & Footplate kit

To have complete Footrest ship assembled, choose compatible Hanger + Footplate part numbers and add "ASSY-HNG-FP" to order



MEASURING GUIDE

CHAIR WIDTH	"A"	"B"
10" W	3.55"	6.00"
11" W	4.05"	6.00"
12" W	4.55"	6.00"
13" W	5.05"	6.00"
14" W	5.55"	6.00"
15" W	6.05"	6.00"
16" W	6.55"	6.00"

INSET FORMULA

0" Inset (Seat Width) = Footrest Width
 1" Inset (Seat Width) - 2" = Footrest Width
 "V" Hanger (Seat Width) - 4" = Footrest Width
 Offset Hanger Receiver (Seat Width) + 2" = Footrest Width

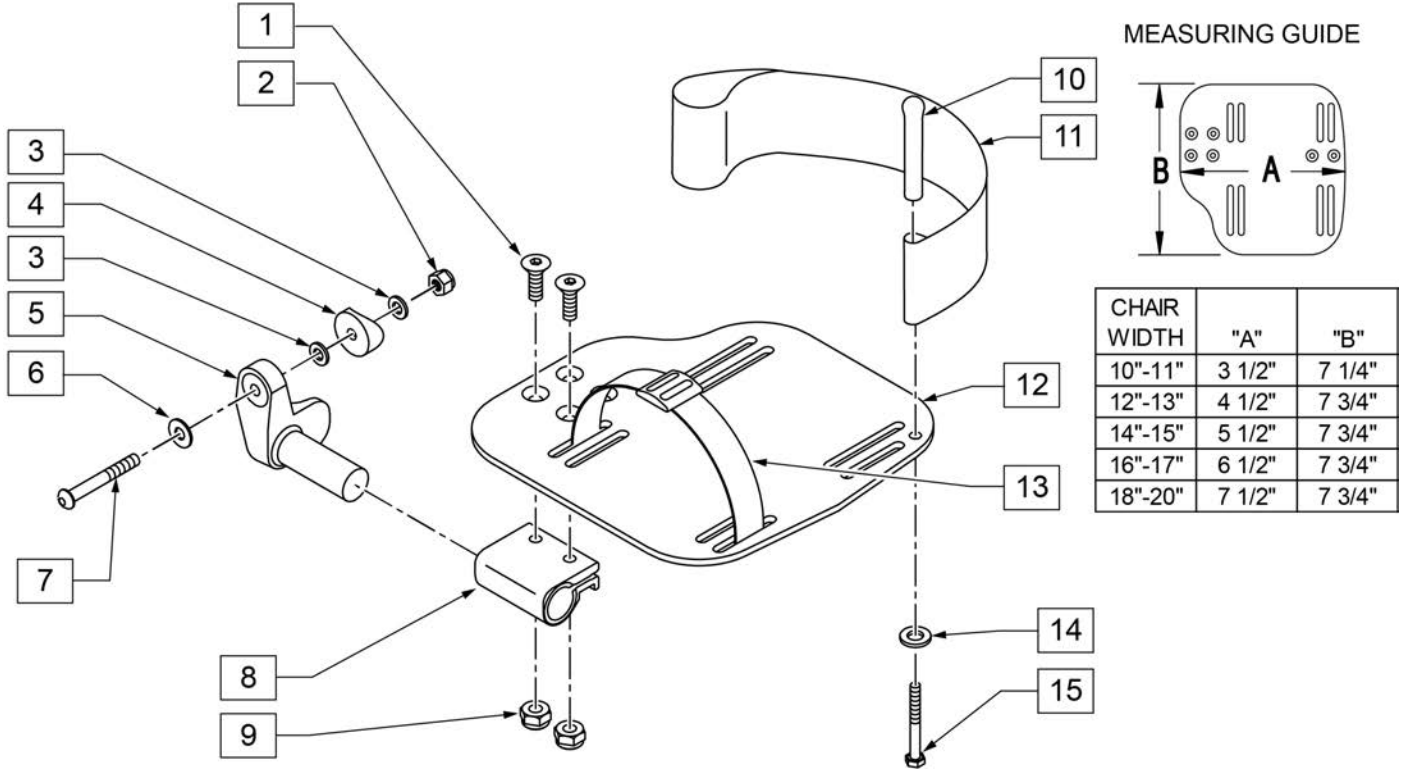
Pos.	Item Number	Description	Remarks
1	106978	FHCS 1/4-28 X 7/8 ROHS	
2	500635	KIDS ANGL ADJ F/PLT 10	RIGHT
2	500636	KIDS ANGL ADJ F/PLT 10	LEFT
2	500637	KIDS ANGL ADJ F/PLT 11	RIGHT
2	500638	KIDS ANGL ADJ F/PLT 11	LEFT
2	500639	KIDS ANGL ADJ F/PLT 12	RIGHT
2	500640	KIDS ANGL ADJ F/PLT 12	LEFT
2	500641	KIDS ANGL ADJ F/PLT 13	RIGHT
2	500642	KIDS ANGL ADJ F/PLT 13	LEFT
2	500643	KIDS ANGL ADJ F/PLT 14	RIGHT
2	500644	KIDS ANGL ADJ F/PLT 14	LEFT
2	500645	KIDS ANGL ADJ F/PLT 15	RIGHT
2	500646	KIDS ANGL ADJ F/PLT 15	LEFT
2	500647	KIDS ANGL ADJ F/PLT 16	RIGHT
2	500648	KIDS ANGL ADJ F/PLT 16	LEFT
3	550350	3/4 CLAMP ADJ FOOTPLATE	
4	106935	NUT NYLOCK THIN 1/4-28 ROHS	
5	226147	1/4-28 X 1.85 BH C/S BLK ZN	

Pos.	Item Number	Description	Remarks
6	106945	WASHER FLAT SAE 1/4 ROHS	
7	541000	FTRST MOUNTING BRKT 1/2" RAD R	RIGHT
7	541001	FTRST MOUNTING BRKT 1/2" RAD L	LEFT
8	561004	1 SADDLE 1/4 HOLE	
9	106943	WASHER FLAT THIN AN 1/4	
10	106941	NUT AUTOMATION 1/4-28 ROHS	
11	102268-001	HHCS M6 X 1 X 25	
12	132626	NUT AUTOMATION M6 X 1.0 ROHS	
13	107383	WASHER FLAT M6 ROHS	
15	118198	HHCS M6 X 1 X 40 PART NP	
16	561004	1" SADDLE 1/4" HOLE	
17	106943	WASHER FLAT AN 1/4 ROHS	
19	106945	WASHER FLAT SAE 1/4 ROHS	
1-4	158632	CAA F/PLT KIT 10 RT	RIGHT; used with Front Mount Adapter Kit on Plunger-Style Swing In/Out Hangers
1-4	158633	CAA F/PLT KIT 10 LT	LEFT; used with Front Mount Adapter Kit on Plunger-Style Swing In/Out Hangers
1-4	158634	CAA F/PLT KIT 11 RT	RIGHT; used with Front Mount Adapter Kit on Plunger-Style Swing In/Out Hangers
1-4	158635	CAA F/PLT KIT 11 LT	LEFT; used with Front Mount Adapter Kit on Plunger-Style Swing In/Out Hangers
1-4	158636	CAA F/PLT KIT 12 RT	RIGHT; used with Front Mount Adapter Kit on Plunger-Style Swing In/Out Hangers
1-4	158637	CAA F/PLT KIT 12 LT	LEFT; used with Front Mount Adapter Kit on Plunger-Style Swing In/Out Hangers
1-4	158638	CAA F/PLT KIT 13 RT	RIGHT; used with Front Mount Adapter Kit on Plunger-Style Swing In/Out Hangers
1-4	158639	CAA F/PLT KIT 13 LT	LEFT; used with Front Mount Adapter Kit on Plunger-Style Swing In/Out Hangers
1-4	158640	CAA F/PLT KIT 14 RT	RIGHT; used with Front Mount Adapter Kit on Plunger-Style Swing In/Out Hangers
1-4	158641	CAA F/PLT KIT 14 LT	LEFT; used with Front Mount Adapter Kit on Plunger-Style Swing In/Out Hangers
1-4	158642	CAA F/PLT KIT 15 RT	RIGHT; used with Front Mount Adapter Kit on Plunger-Style Swing In/Out Hangers
1-4	158643	CAA F/PLT KIT 15 LT	LEFT; used with Front Mount Adapter Kit on Plunger-Style Swing In/Out Hangers
1-4	158644	CAA F/PLT KIT 16 RT	RIGHT; used with Front Mount Adapter Kit on Plunger-Style Swing In/Out Hangers
1-4	158645	CAA F/PLT KIT 16 LT	LEFT; used with Front Mount Adapter Kit on Plunger-Style Swing In/Out Hangers
1-10	828821	KIDS ANG ADJ F/PLT ASSM 10	RIGHT; used with Old-Style Latch Block Swing In/Out & S/A Hangers
1-10	828822	KIDS ANG ADJ F/PLT ASSM 10	LEFT; used with Old-Style Latch Block Swing In/Out & S/A Hangers
1-10	828823	KIDS ANG ADJ F/PLT ASSM 11	RIGHT; used with Old-Style Latch Block Swing In/Out & S/A Hangers
1-10	828824	KIDS ANG ADJ F/PLT ASSM 11	LEFT; used with Old-Style Latch Block Swing In/Out & S/A Hangers
1-10	828825	KIDS ANG ADJ F/PLT ASSM 12	RIGHT; used with Old-Style Latch Block Swing In/Out & S/A Hangers
1-10	828826	KIDS ANG ADJ F/PLT ASSM 12	LEFT; used with Old-Style Latch Block Swing In/Out & S/A Hangers
1-10	828827	KIDS ANG ADJ F/PLT ASSM 13	RIGHT; used with Old-Style Latch Block Swing In/Out & S/A Hangers
1-10	828828	KIDS ANG ADJ F/PLT ASSM 13	LEFT; used with Old-Style Latch Block Swing In/Out & S/A Hangers
1-10	828829	KIDS ANG ADJ F/PLT ASSM 14	RIGHT; used with Old-Style Latch Block Swing In/Out & S/A Hangers
1-10	828830	KIDS ANG ADJ F/PLT ASSM 14	LEFT; used with Old-Style Latch Block Swing In/Out & S/A Hangers
1-10	828831	KIDS ANG ADJ F/PLT ASSM 15	RIGHT; used with Old-Style Latch Block Swing In/Out & S/A Hangers
1-10	828832	KIDS ANG ADJ F/PLT ASSM 15	LEFT; used with Old-Style Latch Block Swing In/Out & S/A Hangers

Pos.	Item Number	Description	Remarks
1-10	828833	KIDS ANG ADJ F/PLT ASSM 16	RIGHT; used with Old-Style Latch Block Swing In/Out & S/A Hangers
1-10	828834	KIDS ANG ADJ F/PLT ASSM 16	LEFT; used with Old-Style Latch Block Swing In/Out & S/A Hangers
1-10	921226	KIDS ANG ADJ F/PLT ASSM 10	PAIR; used with Old-Style Latch Block Swing In/Out & S/A Hangers
1-10	921227	KIDS ANG ADJ F/PLT ASSM 11	PAIR; used with Old-Style Latch Block Swing In/Out & S/A Hangers
1-10	921228	KIDS ANG ADJ F/PLT ASSM 12	PAIR; used with Old-Style Latch Block Swing In/Out & S/A Hangers
1-10	921229	KIDS ANG ADJ F/PLT ASSM 13	PAIR; used with Old-Style Latch Block Swing In/Out & S/A Hangers
1-10	921230	KIDS ANG ADJ F/PLT ASSM 14	PAIR; used with Old-Style Latch Block Swing In/Out & S/A Hangers
1-10	921231	KIDS ANG ADJ F/PLT ASSM 15	PAIR; used with Old-Style Latch Block Swing In/Out & S/A Hangers
1-10	921232	KIDS ANG ADJ F/PLT ASSM 16	PAIR; used with Old-Style Latch Block Swing In/Out & S/A Hangers
11-19	129764	AAA FRNT MNT ADAPTER KIT PR	AAA FRNT MNT fits both Kids and Adult Angle Adjustable Footplates
		Ship assembled part #	Use with multiple assemblies
	ASSY-HNG-FP	HANGER/FOOTPLATE ASSY REQUIRED	add with Hanger & Footplate kit

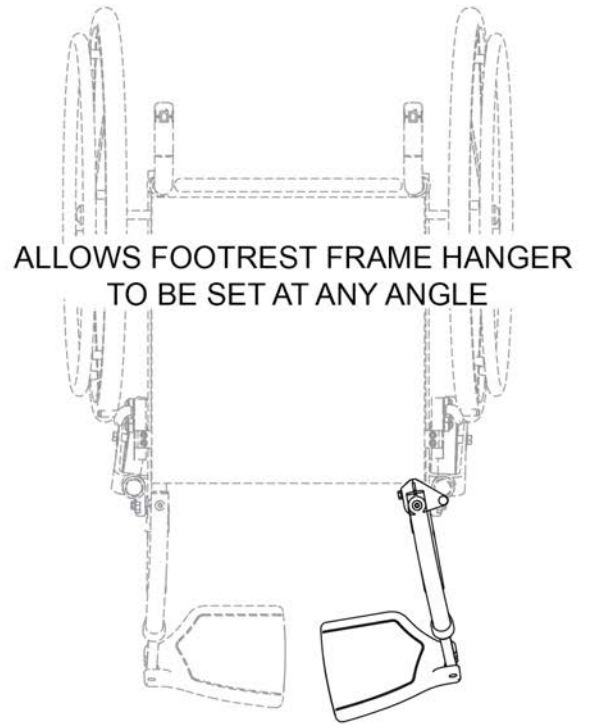
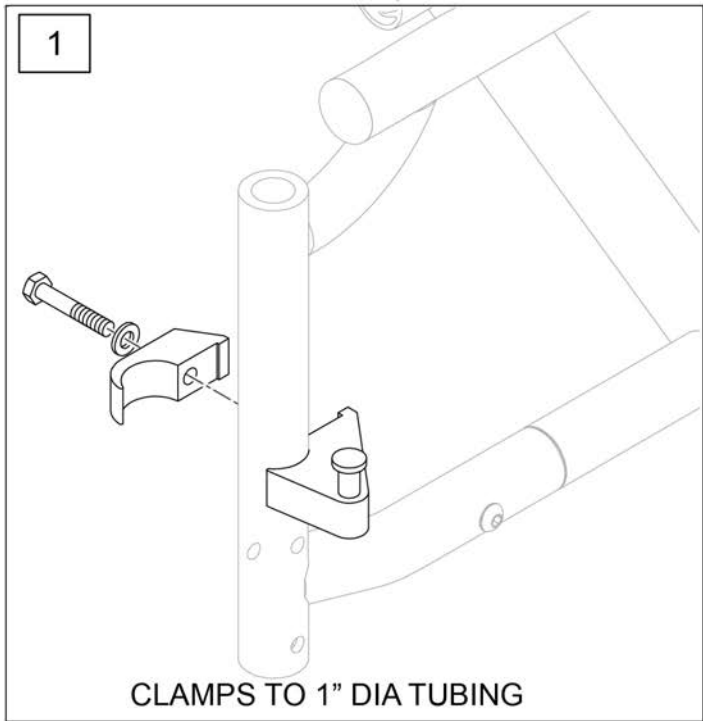
To have complete Footrest ship assembled, choose compatible Hanger + Footplate part numbers and add "ASSY-HNG-FP" to order

INSET FORMULA
 0" Inset (Seat Width) = Footrest Width
 1" Inset (Seat Width) - 2" = Footrest Width
 "V" Hanger (Seat Width) - 4" = Footrest Width
 Offset Hanger Receiver (Seat Width) + 2" = Footrest Width



Pos.	Item Number	Description	Remarks
1	106978	FHCS 1/4-28 X 7/8 ROHS	
2	106941	NUT AUTOMATION 1/4-28 ROHS	
3	106943	WASHER FLAT AN 1/4 ROHS	
4	561004	1" SADDLE 1/4" HOLE	
5	541000	FOOTREST MOUNTING BRKT 1/2" RAD R	RIGHT
5	541001	FOOTREST MOUNTING BRKT 1/2" RAD L	LEFT
6	106945	WASHER FLAT SAE 1/4 ROHS	
7	106964	BHCS 1/4-28 X 2	
8	550350	3/4" CLAMP ADJ FOOTPLATE	
9	106935	NUT NYLOCK THIN 1/4-28 ROHS	
10	561040	HEEL LOOP PEG	
11	741153	HEEL LOOP 18-20 CMPST/14-15 ANG ADJ	USED W/ 14-15"/16-17" ADULT ANG ADJ FTPLTS
11	741253	HEEL LOOP ADLT ADJ F/PLT 18-20	USED W/ 18 -20" ADULT ANG ADJ FTPLTS
12	500656	ADULT ANGL ADJ F/PLT 10/11	RIGHT
12	500657	ADULT ANGL ADJ F/PLT 10/11	LEFT
12	500658	ADULT ANGL ADJ F/PLT 12/13	RIGHT
12	500659	ADULT ANGL ADJ F/PLT 12/13	LEFT
12	500660	ADULT ANGL ADJ F/PLT 14/15	RIGHT
12	500661	ADULT ANGL ADJ F/PLT 14/15	LEFT
12	500662	ADULT ANGL ADJ F/PLT 16/17	RIGHT
12	500663	ADULT ANGL ADJ F/PLT 16/17	LEFT
12	500664	ADULT ANGL ADJ F/PLT 18-20	RIGHT

Pos.	Item Number	Description	Remarks
12	500665	ADULT ANGL ADJ F/PLT 18-20	LEFT
13	740260	TOE-ANKLE STRAP ADJ ADULT FOOTPLATE	
14	106943	WASHER FLAT AN 1/4 ROHS	
15	106958	HHCS 1/4-20 X 1 ROHS	
1-9,12	820544	FP ADULT ADJ 90D 10/11 R	RIGHT
1-9,12	820554	FP ADULT ADJ 90D 10/11 L	LEFT
1-9,12	820546	FP ADULT ADJ 90D 12/13 R	RIGHT
1-9,12	820556	FP ADULT ADJ 90D 12/13 L	LEFT
1-9,12	820472	FP ADULT ADJ 90D 14/15 R	RIGHT
1-9,12	820473	FP ADULT ADJ 90D 14/15 L	LEFT
1-9,12	820474	FP ADULT ADJ 90D 16/17 R	RIGHT
1-9,12	820475	FP ADULT ADJ 90D 16/17 L	LEFT
1-9,12	820476	FP ADULT ADJ 90D 18-20 R	RIGHT
1-9,12	820477	FP ADULT ADJ 90D 18-20 L	LEFT
1-9,12	921474	ADULT ANGL ADJ 90D 10/11 OMIT H/L	PAIR
1-9,12	921476	ADULT ANGL ADJ 90D 12/13 OMIT H/L	PAIR
1-9,12	921330	ADULT ANGL ADJ 90D 14/15 OMIT H/L	PAIR
1-9,12	921331	ADULT ANGL ADJ 90D 16/17 OMIT H/L	PAIR
1-9,12	921332	ADULT ANGL ADJ 90D 18-20 OMIT H/L	PAIR
1-12,14,15	820540	F/PLT ADULT ADJ 90D 10/11 R W/ HL	RIGHT
1-12,14,15	820550	F/PLT ADULT ADJ 90D 10/11 L W/ HL	LEFT
1-12,14,15	820542	F/PLT ADULT ADJ 90D 12/13 R W/ HL	RIGHT
1-12,14,15	820552	F/PLT ADULT ADJ 90D 12/13 L W/ HL	LEFT
1-12,14,15	820478	F/PLT ADULT ADJ 90D 14/15 R W/ HL	RIGHT
1-12,14,15	820479	F/PLT ADULT ADJ 90D 14/15 L W/ HL	LEFT
1-12,14,15	820480	F/PLT ADULT ADJ 90D 16/17 R W/ HL	RIGHT
1-12,14,15	820481	F/PLT ADULT ADJ 90D 16/17 L W/ HL	LEFT
1-12,14,15	820482	F/PLT ADULT ADJ 90D 18-20 R W/ HL	RIGHT
1-12,14,15	820483	F/PLT ADULT ADJ 90D 18-20 L W/ HL	LEFT
1-12,14,15	921470	F/PLT ADULT ADJ 90D 10/11 W/ HL	PAIR
1-12,14,15	921472	F/PLT ADULT ADJ 90D 12/13 W/ HL	PAIR
1-12,14,15	921333	F/PLT ADULT ADJ 90D 14/15 W/ HL	PAIR
1-12,14,15	921334	F/PLT ADULT ADJ 90D 16/17 W/ HL	PAIR
1-12,14,15	921335	F/PLT ADULT ADJ 90D 18-20 W/ HL	PAIR
		Ship assembled part #	Use with multiple assemblies
	ASSY-HNG-FP	HANGER/FOOTPLATE ASSY REQUIRED	add with Hanger & Footplate kit

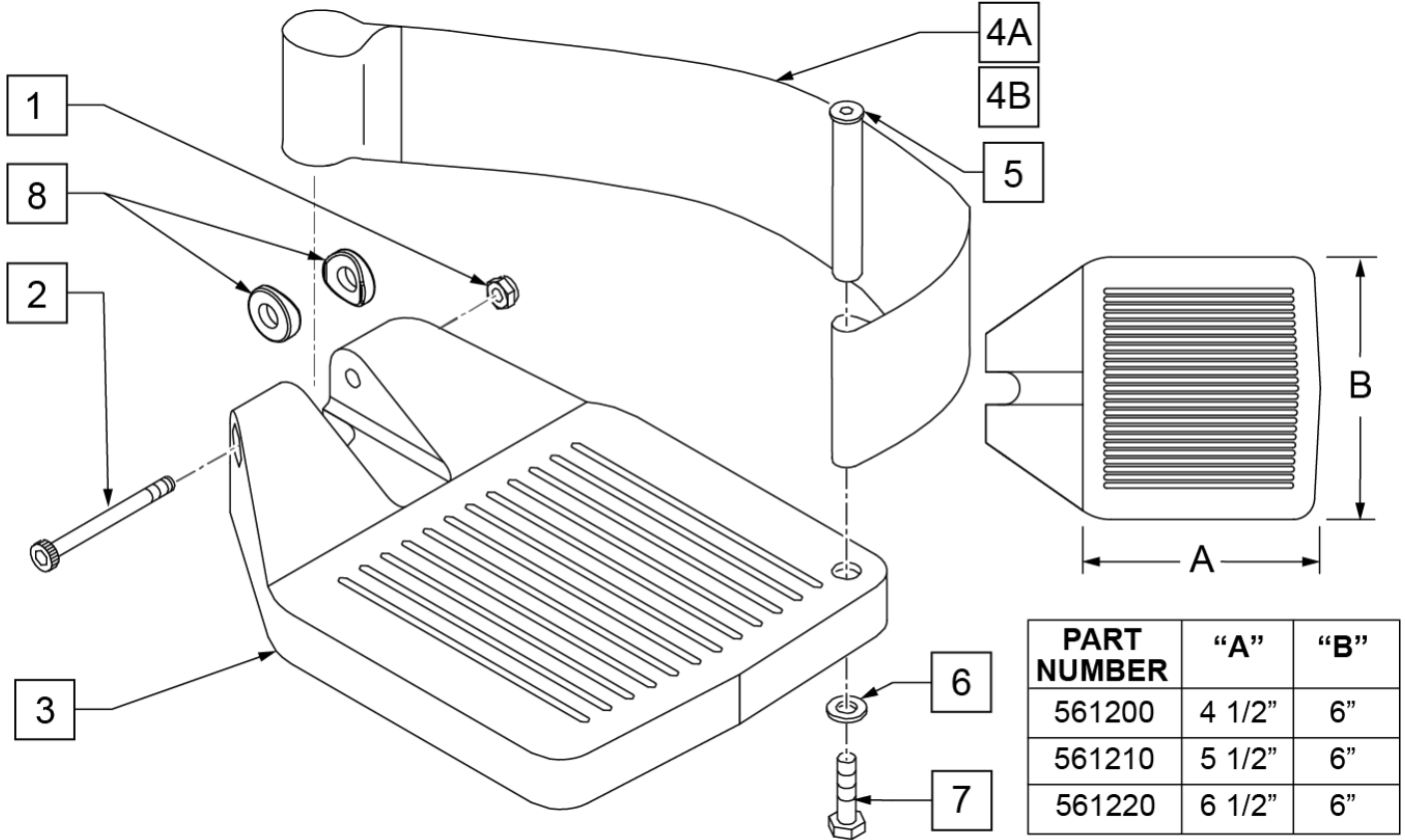


Pos.	Item Number	Description	Remarks
1	112807	LATCH STUD SUPPORT R MULTIPOS	Single
1	112808	LATCH STUD SUPPORT L MULTIPOS	Single
1	112809	LATCH STUD SUPPORT PR MULTIPOS	Pair

COMPOSITE FOOTPLATE

To have complete Footrest ship assembled, choose compatible Hanger + Footplate part numbers and add "ASSY-HNG-FP" to order

INSET FORMULA
 0" Inset (Seat Width) = Footrest Width
 1" Inset (Seat Width) -2" = Footrest Width
 "V" Hanger (Seat Width) -4" = Footrest Width
 Offset Hanger Receiver (Seat Width) +2" = Footrest Width



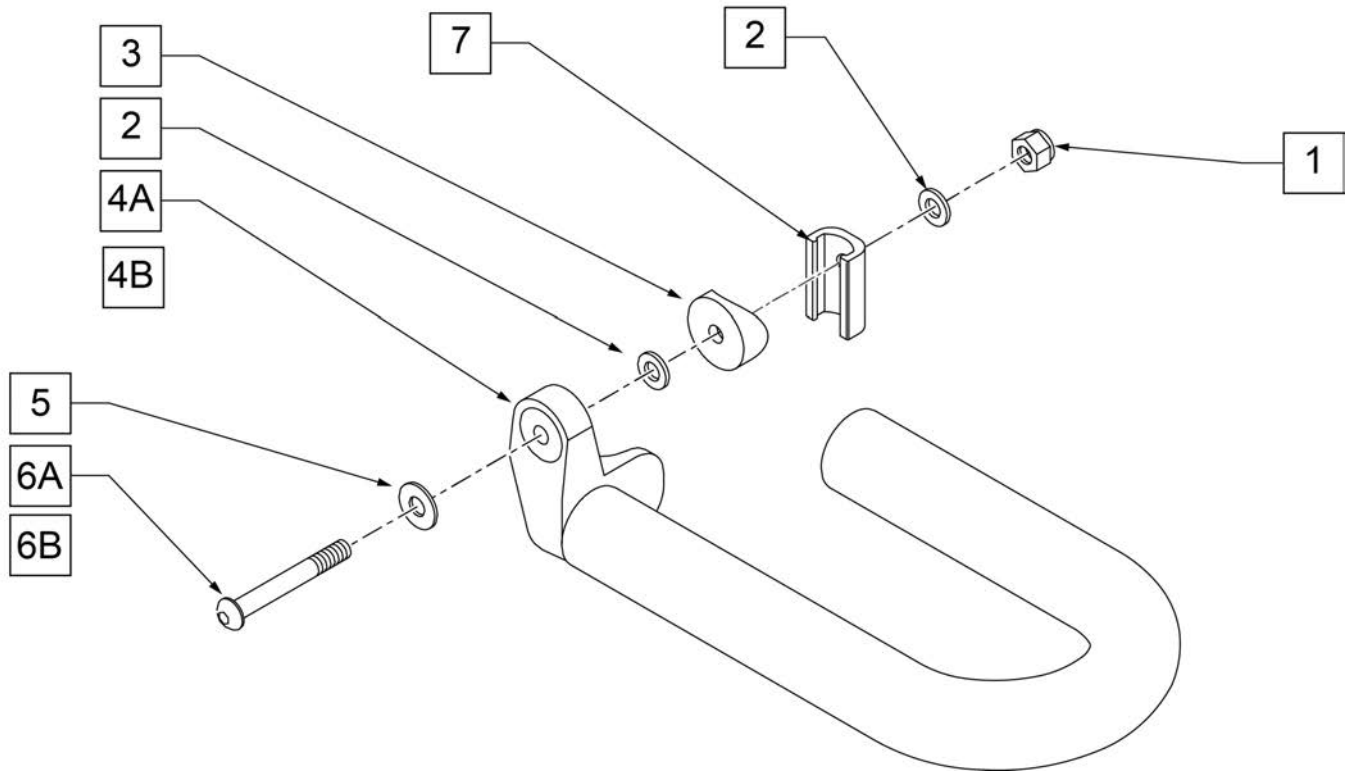
Pos.	Item Number	Description	Remarks
1	106935	1/4 - 28 NYLOCK NUT	
2	226165	1/4 - 28 x 2 1/2 SOC C/S	
3	561200	COMPOSITE FOOTPLATE 14 -15 (16 -18 V)	14 -15 OR 16 -18V
3	561210	COMPOSITE FOOTPLATE 16 -17 (19 -20 V)	16 -17 OR 19 -20V
3	561220	COMPOSITE FOOTPLATE 18 -20	18 -20
4A	741151	HEEL LOOP 14-15 COMPOSITE (14 -15 or 16 -18V)	14 -15 OR 16 -18V
4A	741156	HEEL LOOP 16 -17 or 19 -20V	16 -17 OR 19 -20V
4A	741153	HEEL LOOP 18 -20 COMPOSITE/14-15 ANG ADJ	18 -20
4A	902270	HEEL LOOP COMPOSITE FT 14-15	PAIR 14 -15 OR 16 -18V
4A	902271	HEEL LOOP COMPOSITE FT 16-17	PAIR 16 -17 OR 19 -20V
4A	902272	HEEL LOOP COMPOSITE FT 18-20	PAIR 18 -20
4B	741154	HEEL LOOP 14-15 COMPOSITE HEMI	14 -15 HEMI
4B	741155	HEEL LOOP 16-17 COMPOSITE HEMI	16 -17 HEMI
4B	741153	HEEL LOOP 18-20 COMPOSITE HEMI	18 -10 HEMI
4B	902260	HEEL LOOPS HEMI COMPOSITE 14-15	PAIR 14 -15 HEMI
4B	902261	HEEL LOOPS HEMI COMPOSITE 16-17	PAIR 16 -17 HEMI
4B	902262	HEEL LOOPS HEMI COMPOSITE 18-20	PAIR 18 -20 HEMI
5	561040	HEEL LOOP PEG	
6	106944	1/4 AN WASHER FLAT THIN	

Pos.	Item Number	Description	Remarks
7	106958	HHCS 1/4-20 X 1 ROHS	
8	561003	3/4" SADDLE THIN	USED W/ ROUND EXT TUBES ONLY
1-3	921180	COMPOSITE FOOTPLATE ASSM 14-15	RIGHT (14 -15 OR 16 -18V) W/O HEEL LOOP
1-3	921181	COMPOSITE FOOTPLATE ASSM 14-15	LEFT (14 -15 OR 16 -18V) W/O HEEL LOOP
1-3	921182	COMPOSITE FOOTPLATE ASSM 16-17	RIGHT (16 -17 OR 19 -20V) W/O HEEL LOOP
1-3	921183	COMPOSITE FOOTPLATE ASSM 16-17	LEFT (16 -17 OR 19 -20V) W/O HEEL LOOP
1-3	921184	COMPOSITE FOOTPLATE ASSM 18-20	RIGHT (18 -20) W/O HEEL LOOP
1-3	921185	COMPOSITE FOOTPLATE ASSM 18-20	LEFT (18 -20) W/O HEEL LOOP
1-3	921151	COMPOSITE FOOTPLATE ASSM 14-15/16-18V	PAIR (14 -15 OR 16 -18V) W/O HEEL LOOP
1-3	921152	COMPOSITE FOOTPLATE ASSM 16-17/19-20V	PAIR (16 -17 OR 19 -20V) W/O HEEL LOOP
1-3	921153	COMPOSITE FOOTPLATE ASSM 18-20	PAIR (18 -20) W/O HEEL LOOP
1,2,3A,4-7	921190	COMPOSITE FOOTPLATE ASSM HL LP 14-15	RIGHT (14 -15 OR 16 -18V) W/ HEEL LOOP
1,2,3A,4-7	921191	COMPOSITE FOOTPLATE ASSM HL LP 14-15	LEFT (14 -15 OR 16 -18V) W/ HEEL LOOP
1,2,3A,4-7	921192	COMPOSITE FOOTPLATE ASSM HL LP 16-17	RIGHT (16 -17 OR 19 -20V) W/ HEEL LOOP
1,2,3A,4-7	921193	COMPOSITE FOOTPLATE ASSM HL LP 16-17	LEFT (16 -17 OR 19 -20V) W/ HEEL LOOP
1,2,3A,4-7	921194	COMPOSITE FOOTPLATE ASSM HL LP 18-20	RIGHT (18 -20) W/ HEEL LOOP
1,2,3A,4-7	921195	COMPOSITE FOOTPLATE ASSM HL LP 18-20	LEFT (18 -20) W/ HEEL LOOP
1,2,3A,4-7	921161	COMPOSITE FOOTPLATE ASSM HL 14-15/16-18V	PAIR (14 -15 OR 16 -18V) W/ HEEL LOOP
1,2,3A,4-7	921162	COMPOSITE FOOTPLATE ASSM HL 16-17/19-20V	PAIR (16 -17 OR 19 -20V) W/ HEEL LOOP
1,2,3A,4-7	921163	COMPOSITE FOOTPLATE ASSM HL 18-20	PAIR (18 -20) W/ HEEL LOOP
1,2,3B,4-7	921140	COMPOSITE FOOTPLATE ASSM HEMI HL LP 14-15	RIGHT (14 -15) W/ HEEL LOOP
1,2,3B,4-7	921141	COMPOSITE FOOTPLATE ASSM HEMI HL LP 14-15	LEFT (14 -15) W/ HEEL LOOP
1,2,3B,4-7	921142	COMPOSITE FOOTPLATE ASSM HEMI HL LP 16-17	RIGHT (16 -17) W/ HEEL LOOP
1,2,3B,4-7	921143	COMPOSITE FOOTPLATE ASSM HEMI HL LP 16-17	LEFT (16 -17) W/ HEEL LOOP
1,2,3B,4-7	921144	COMPOSITE FOOTPLATE ASSM HEMI HL LP 18-20	RIGHT (18 -20) W/ HEEL LOOP
1,2,3B,4-7	921145	COMPOSITE FOOTPLATE ASSM HEMI HL LP 18-20	LEFT (18 -20) W/ HEEL LOOP
1,2,3B,4-7	921167	COMPOSITE FOOTPLATE ASSM HEMI HL LPS 14-15	PAIR (14 -15) W/ HEEL LOOP
1,2,3B,4-7	921168	COMPOSITE FOOTPLATE ASSM HEMI HL LPS 16-17	PAIR (16 -17) W/ HEEL LOOP
1,2,3B,4-7	921169	COMPOSITE FOOTPLATE ASSM HEMI HL LPS 18-20	PAIR (18 -20) W/ HEEL LOOP
		Ship assembled part #	Use with multiple assemblies
	ASSY-HNG-FP	HANGER/FOOTPLATE ASSY REQUIRED	add with Hanger & Footplate kit

NOTE: * ORDER ITEM 3 PRIOR TO 8/13/01.** ONLY 1 WASHER PRIOR TO 8/13/01.*** ORDER PART 226167 PRIOR TO 8/13/01.

To have complete Footrest ship assembled, choose compatible Hanger + Footplate part numbers and add "ASSY-HNG-FP" to order

INSET FORMULA
 0" Inset (Seat Width) = Footrest Width
 1" Inset (Seat Width) -2" = Footrest Width
 "V" Hanger (Seat Width) -4" = Footrest Width
 Offset Hanger Receiver (Seat Width) +2" = Footrest Width



Pos.	Item Number	Description	Remarks
1	106941	1/4-28 AUTOMATION NUT	
2	106944	1/4 AN WASHER FLAT THIN	
3	561055	3/4" SADDLE 1" OD	USED PRIOR TO 8/13/01
5	106945	1/4" SAE WASHER	1 WASHER PRIOR TO 8/13/01
6A	106962	1/4-28 x 1 3/4 BH C/S BLK ZN	226167 USED PRIOR TO 8/13/01
4A	820420	FT REST LOOP 11 RIGHT	
4B	820421	FT REST LOOP 11 LEFT	
4A	820422	FT REST LOOP 12 RIGHT	
4B	820423	FT REST LOOP 12 LEFT	
4A	820424	FT REST LOOP 14 RIGHT	
4B	820425	FT REST LOOP 14 LEFT	
4A	820426	FT REST LOOP 16 RIGHT	
4B	820427	FT REST LOOP 16 LEFT	
4A	820428	FT REST LOOP 18 RIGHT	
4B	820429	FT REST LOOP 18 LEFT	
1-7	921300	FT REST LOOP 11	Pair, w/ all possible hardware
1-7	921301	FT REST LOOP 12	Pair, w/ all possible hardware
1-7	921302	FT REST LOOP 14	Pair, w/ all possible hardware

Pos.	Item Number	Description	Remarks
1-7	921303	FT REST LOOP 16	Pair, w/ all possible hardware
1-7	921304	FT REST LOOP 18	Pair, w/ all possible hardware
		Ship assembled part #	Use with multiple assemblies
	ASSY-HNG-FP	HANGER/FOOTPLATE ASSY REQUIRED	add with Hanger& Footplate kit

NOTE: FOR HIGH-MOUNT ADULT ANGLE-ADJUSTABLE FOOTPLATE, SEE "HIGH-MOUNT EXTENSION TUBE" PAGE.

NOTE: ORDER ITEMS 4B AND 7B FOR CHAIRS PRIOR TO 8/13/01.

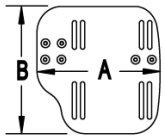
NOTE: ONLY 1 WASHER PRIOR TO 8/13/01.

NOTE: See attached REFERENCE GUIDE.

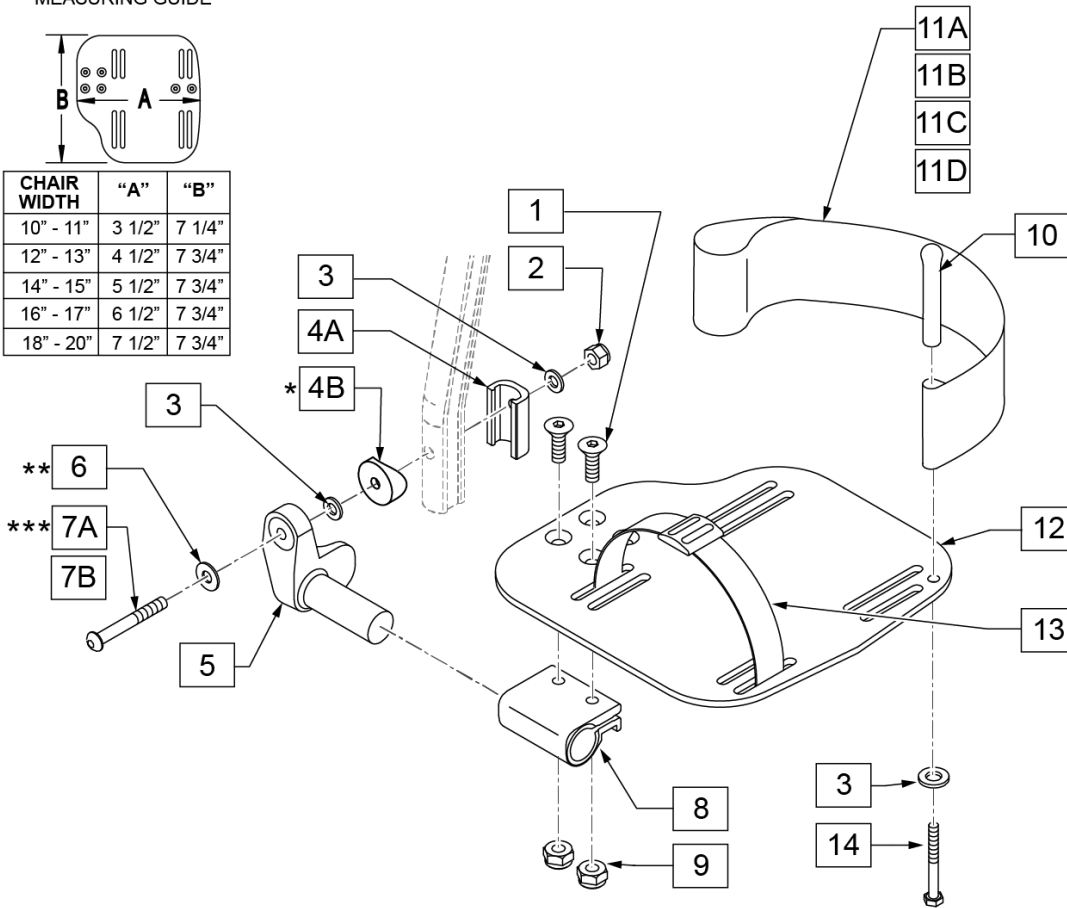
To have complete Footrest ship assembled, choose compatible Hanger + Footplate part numbers and add "ASSY-HNG-FP" to order

INSET FORMULA
 0" Inset (Seat Width) = Footrest Width
 1" Inset (Seat Width) -2" = Footrest Width
 "V" Hanger (Seat Width) -4" = Footrest Width
 Offset Hanger Receiver (Seat Width) +2" = Footrest Width

MEASURING GUIDE



CHAIR WIDTH	"A"	"B"
10" - 11"	3 1/2"	7 1/4"
12" - 13"	4 1/2"	7 3/4"
14" - 15"	5 1/2"	7 3/4"
16" - 17"	6 1/2"	7 3/4"
18" - 20"	7 1/2"	7 3/4"



15 ADLT ANG ADJ FP D2 HDWR KIT			
ITEM #	ILLUSTRATION	DESCRIPTION	QTY
1		1/4-28 X 7/8 FH C/S	2
2		1/4-28 AUTOMATION NUT	1
3		WASHER FLAT THIN AN 1/4	3
6		1/4" SAE WASHER	1
7A		BHCS 1/4-28 X 1-3/4	1
9		NUT NYLOCK THIN 1/4-28	2
10		HEEL LOOP PEG	1
14		1/4-20 X 1 HEX C/S	1

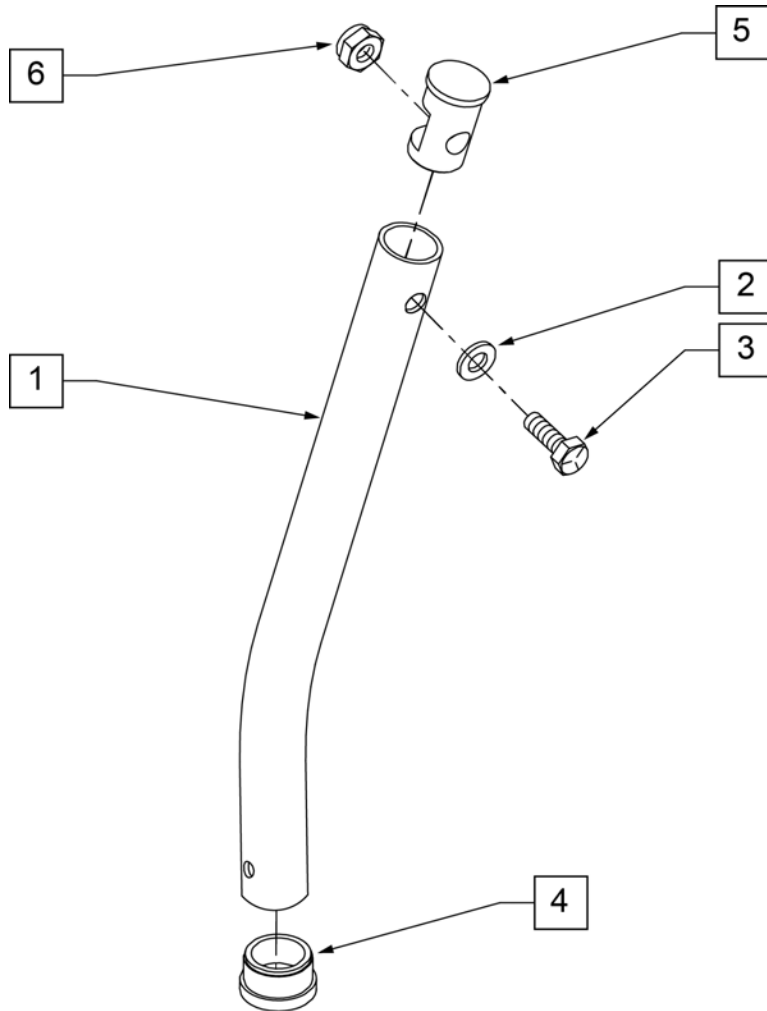
16 ADLT ANG ADJ FP RND HDWR KIT			
ITEM #	ILLUSTRATION	DESCRIPTION	QTY
1		1/4-28 X 7/8 FH C/S	2
2		1/4-28 AUTOMATION NUT	1
3		WASHER FLAT THIN AN 1/4	3
4B		3/4" SADDLE 1" OD	1
6		1/4" SAE WASHER	1
7B		1/4-28 X 1.625 BH C/S BLK	1
9		NUT NYLOCK THIN 1/4-28	2
10		HEEL LOOP PEG	1
14		1/4-20 X 1 HEX C/S	1

Pos.	Item Number	Description	Remarks
1	106978	1/4-28 x 7/8 FH C/S	
2	106941	1/4-28 AUTOMATION NUT	

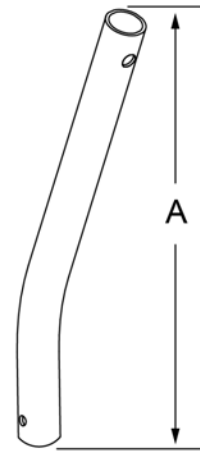
Pos.	Item Number	Description	Remarks
3	106944	WASHER FLAT THIN AN 1/4	
4A	483720	HANGER EXTENSION SADDLE LONG	USE W/ DOUBLE D EXT TUBE
4B	561055	3/4" SADDLE 1" OD	USE W/ ROUND EXT TUBE
5	541002	FTRST MOUNTING BRKT-3/8 RAD R	RIGHT
5	541003	FTRST MOUNTING BRKT-3/8 RAD L	LEFT
6	106945	WASHER FLAT SAE 1/4 ROHS	
7A	106962	BHCS 1/4-28 X 1-3/4 ROHS	use w/ Double D Ext Tube
7B	226167	1/4-28 x 1.625 BH C/S BLK	use w/ Round Ext Tube
8	550350	3/4" CLMP ADJ FT PLT	
9	106935	NUT NYLOCK THIN 1/4-28 ROHS	
10	561040	HEEL LOOP PEG	
11A	741154	HEEL LOOP 14-15 CMPST HEMI	used w/ 10-11" Adult Ang Adj Ftplts
11B	741155	HEEL LOOP 16-17 CMPST HEMI	used w/ 12 -13" Adult Ang Adj Ftplts
11C	741153	H/L 18-20 CMPST/14-15 ANG ADJ	used w/ 14-15"/16-17" Adult Ang Adj Ftplts
11D	741253	HEEL LOOP ADLT ADJ F/PLT 18-20	used w/ 18 -20" Adult Ang Adj Ftplts
12	500656	ADLT ANGL ADJ F/PLT 10/11" R	RIGHT
12	500657	ADLT ANGL ADJ F/PLT 10/11" L	LEFT
12	500658	ADLT ANGL ADJ F/PLT 12/13" R	RIGHT
12	500659	ADLT ANGL ADJ F/PLT 12/13" L	LEFT
12	500660	ADLT ANGL ADJ F/PLT 14/15	RIGHT
12	500661	ADLT ANGL ADJ F/PLT 14/15	LEFT
12	500662	ADLT ANGL ADJ F/PLT 16/17	RIGHT
12	500663	ADLT ANGL ADJ F/PLT 16/17	LEFT
12	500664	ADLT ANGL ADJ F/PLT 18-20	RIGHT
12	500665	ADLT ANGL ADJ F/PLT 18-20	LEFT
13	740260	TOE/ANKLE STRAP ADJ ADLT F/PLT	
14	106958	1/4-20 x 1 HEX C/S	
15	101533	ADLT ANG ADJ FP D2 HDWR KIT	for Double D Ext Tubes; Kit for one side
16	101534	ADLT ANG ADJ FP RND HDWR KIT	for Round Ext Tubes (Q2 HP only); Kit for one side
1-3,5,6,8,9,12	820526	AD ANG ADJ F/PLT R 12"/13" OMIT HL	RIGHT
1-3,5,6,8,9,12	820536	AD ANG ADJ F/PLT L 12"/13" OMT HL	LEFT
1-3,5,6,8,9,12	820460	FP ADLT ADJ 14/15 OMIT HL	RIGHT
1-3,5,6,8,9,12	820462	FP ADLT ADJ 14/15 OMIT HL	LEFT
1-3,5,6,8,9,12	820464	FP ADLT ADJ 16/17 OMIT HL	RIGHT
1-3,5,6,8,9,12	820466	FP ADLT ADJ 16/17 OMIT HL	LEFT
1-3,5,6,8,9,12	820468	FP ADLT ADJ 18-20 OMIT HL	RIGHT
1-3,5,6,8,9,12	820470	FP ADLT ADJ 18-20 OMIT HL	LEFT
1-3,5,6,8,9,12	921466	ADLT ANGL ADJ F/PLT 12"/13" OMIT HL	PAIR
1-3,5,6,8,9,12	921320	FP ADLT ADJ 14/15 OMIT HL	PAIR
1-3,5,6,8,9,12	921322	FP ADLT ADJ 16/17 OMIT HL	PAIR
1-3,5,6,8,9,12	921324	FP ADLT ADJ 18-20 OMIT HL	PAIR
1-3,5,6,8,9,11B,12	820522	AD ANGL ADJ F/PLT R 12/13" H/L	RIGHT
1-3,5,6,8,9,11B,12	820532	AD ANGL ADJ F/PLT L 12/13" H/L	LEFT
1-3,5,6,8-10,11C, 12,14	820461	FP ADLT ADJ 14/15 HL	RIGHT
1-3,5,6,8-10,11C, 12,14	820463	FP ADLT ADJ 14/15 HL	LEFT
1-3,5,6,8-10,11C, 12,14	820465	FP ADLT ADJ 16/17 HL	RIGHT
1-3,5,6,8-10,11C, 12,14	820467	FP ADLT ADJ 16/17 HL	LEFT
1-3,5,6,8-10,11D, 12,14	820469	FP ADLT ADJ 18-20 HL	RIGHT
1-3,5,6,8-10,11D, 12,14	820471	FP ADLT ADJ 18-20 HL	LEFT
1-3,5,6,8-10,11B, 12,14	921462	ADLT ANGL ADJ F/PLATE 12"/13" HL	PAIR
1-3,5,6,8-10,11C, 12,14	921321	FP ADLT ADJ 14/15 HL	PAIR
1-3,5,6,8-10,11C, 12,14	921323	FP ADLT ADJ 16/17 HL	PAIR
1-3,5,6,8-10,11D, 12,14	921325	FP ADLT ADJ 18-20 HL	PAIR
		Ship assembled part #	Use with multiple assemblies
	ASSY-HNG-FP	HANGER/FOOTPLATE ASSY REQUIRED	add with Hanger & Footplate kit

NOTE: (Discontinued on Quickie 2 for 60° and 70° Hangers 10/23/99- Parts only).

NOTE: Used on Articulating Hanger Assemblies.



MEASURING GUIDE

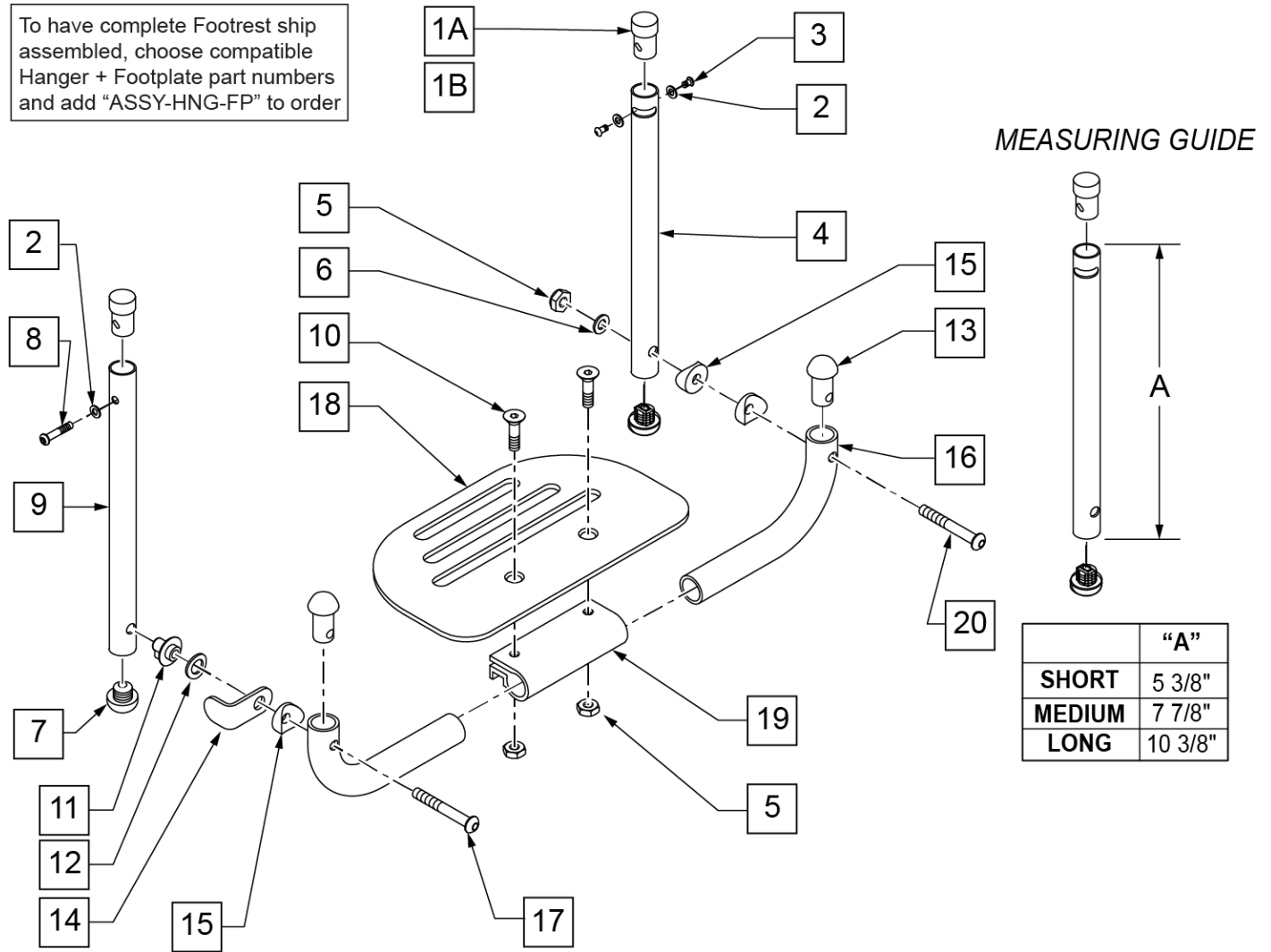


	"A"
SHORT	6 5/8"
MED	9"
LONG	11 5/8"
X-LONG	13 1/2"

Pos.	Item Number	Description
1	521010	FOOTREST EXT TUBE ONLY SHT BLK
1	521011	FOOTREST EXT TUBE ONLY MED BLK
1	521012	FOOTREST EXT TUBE ONLY LNG BLK
1	521013	FOOTREST EXT TUBE ONLY X-LNG BLK
2	104414	WAVE WASHER 6 MM
3	106958	HHCS 1/4-20 X 1 ROHS
4	561000-QU	3/4" INSERT PLUG .083
5	483553	FOOTREST INSERT PLUG Q2
6	106932	NUT NYLOCK 1/4-20 ROHS
1-6	921221	FOOTREST EXT TUBE SHT ASSM BLK (EA)
1-6	921222	FOOTREST EXT TUBE MED ASSM BLK (EA)
1-6	921223	FOOTREST EXT TUBE LNG ASSM BLK (EA)
1-6	921224	FOOTREST EXT TUBE X-LNG ASSM BLK (EA)

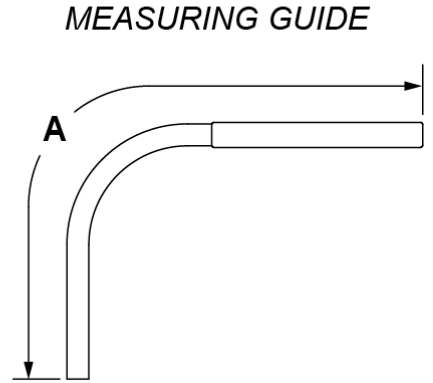
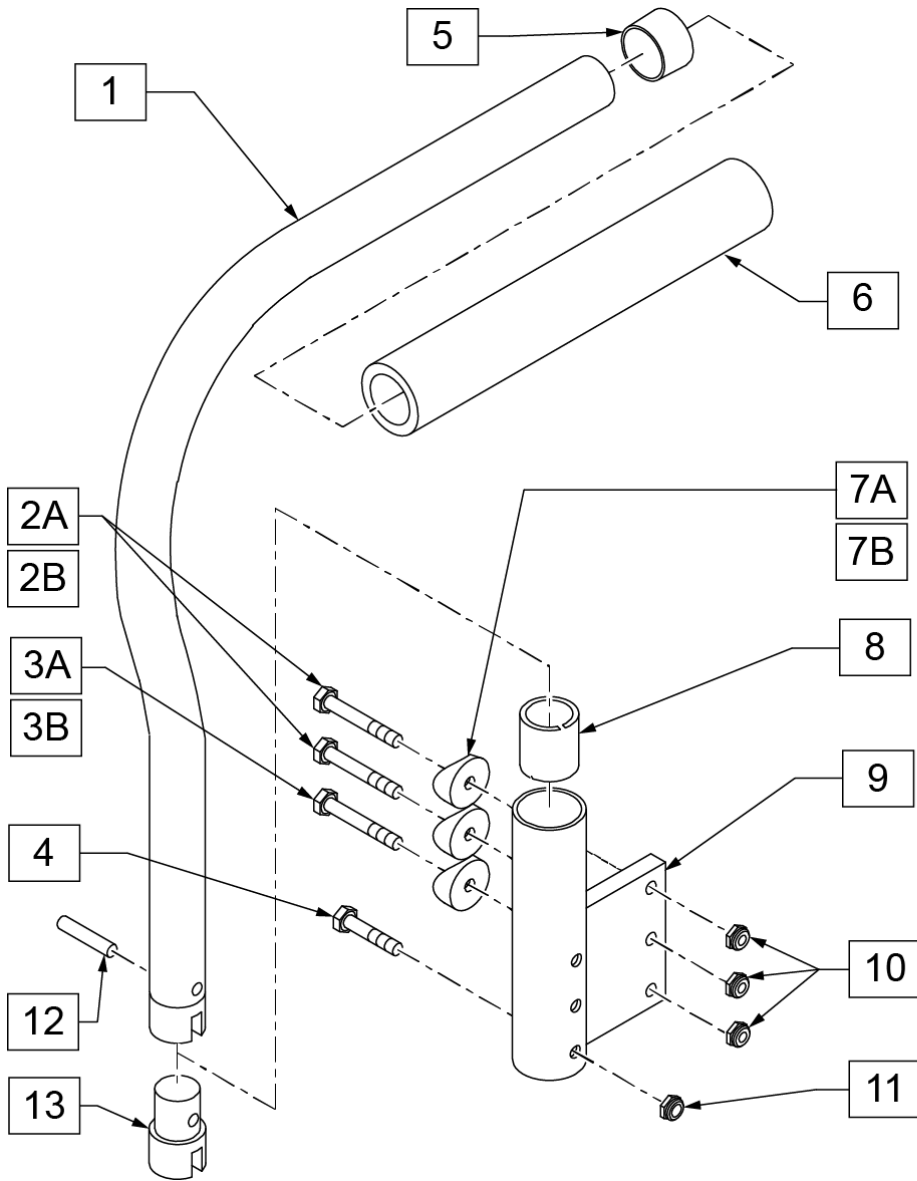
Note: For width reference see "Platform Flip-Up Reference Guide" in the Information panel.

To have complete Footrest ship assembled, choose compatible Hanger + Footplate part numbers and add "ASSY-HNG-FP" to order



Pos.	Item Number	Description	Remarks
1A	483065	THREADED EXT TUBE PLUG	
1B	483066	THREADED EXT TUBE PLUG TI	
2	262130	6mm WASHER WAVE	
3	221060	1/4-28 x 1/2 BH C/S	
4	521075	FOOTPLATE EXT TUBE SLOT L SHT 1-PC	
4	521076	FOOTPLATE EXT TUBE SLOT L MED 1-PC	
4	521077	FOOTPLATE EXT TUBE SLOT L LONG 1-PC	
5	106941	1/4-28 AUTOMATION NUT	
6	106944	1/4 AN WASHER FLAT THIN	
7	482028	3/4" DOME PLUG .125	
8	226110	1/4-28 x 1 BH C/S	
9	521054	FOOTPLATE EXT TUBE KEYHOLED SHT 1-PC	
9	521055	FOOTPLATE EXT TUBE KEYHOLED MED 1-PC	
9	521056	FOOTPLATE EXT TUBE KEYHOLED LONG 1-PC	

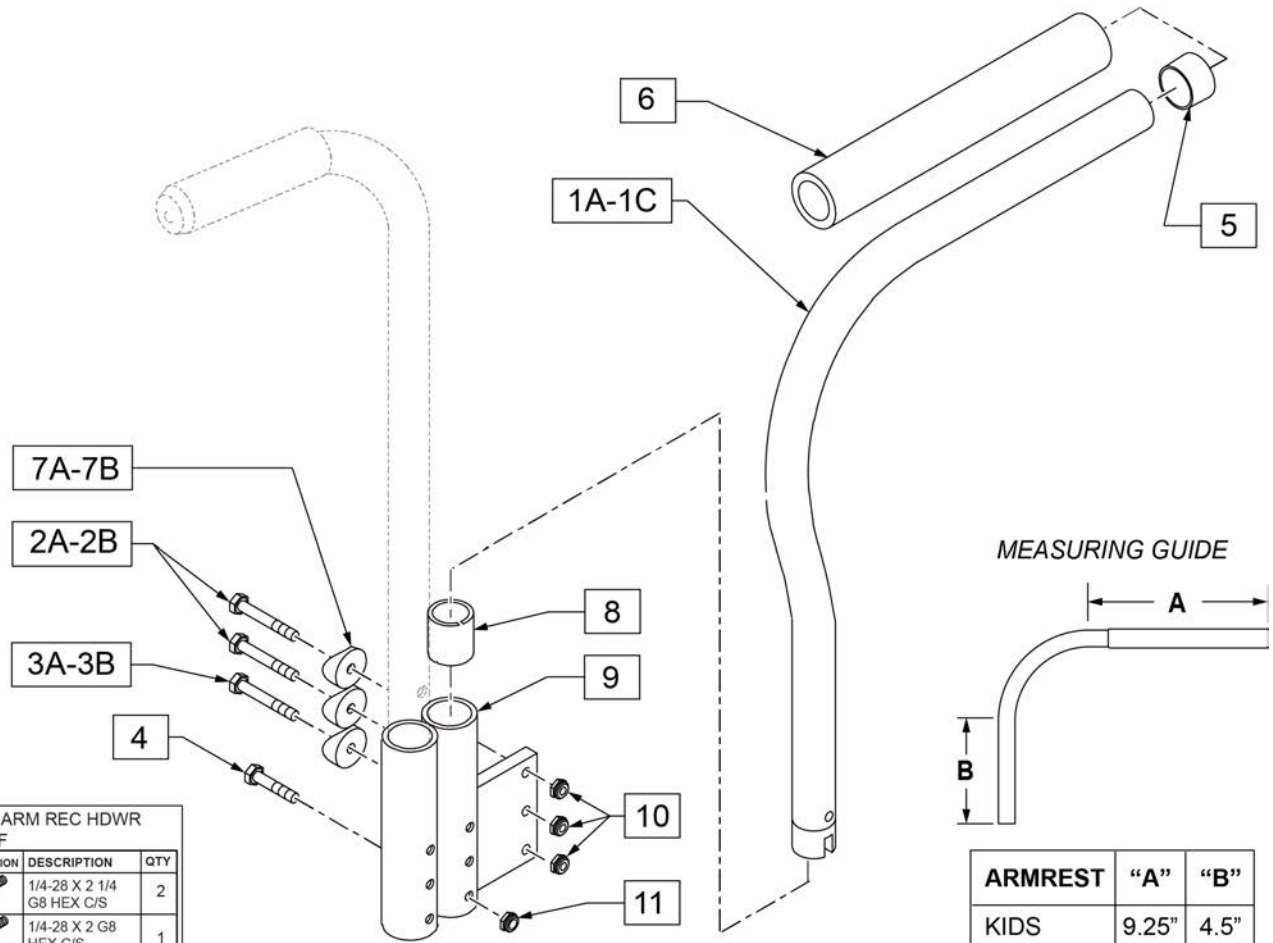
Pos.	Item Number	Description	Remarks
10	106978	FHCS 1/4-28 X 7/8 ROHS	
11	481148	KEYHOLED STUD	
12	262137	3/8 WASHER CURVED	
13	561034	SHORT DOME PLUG	
14	505078	FOOTREST RETAINING BRACKET	
15	561003	3/4" SADDLE THIN	
17	226131	1/4-28 x 1 1/4 BH C/S SHLDR	
18*	500650	PLATFORM F/PLT 6" X 5 1/2"	
18	500651	PLATFORM F/PLT 8" X 5 1/2"	
18	500652	PLATFORM F/PLT 10" X 5 1/2"	
18	500653	PLATFORM F/PLT 12" X 5 1/2"	
18	500654	PLATFORM F/PLT 14 X 5 1/2"	
19	550351	PLATFORM FOOTPLATE CLAMP	
20	106964	1/4-28 x 2 BH C/S	
1A,2-4,7	900105	PLATFORM FLIP-UP EXT L SHORT ASSM	
1A,2-4,7	900106	PLATFORM FLIP-UP EXT L MED ASSM	
1A,2-4,7	900107	PLATFORM FLIP-UP EXT L LONG ASSM	
1B,2-4,7	900125	PLATFORM FLIP-UP EXT L SHORT TI ASSM	
1B,2-4,7	900126	PLATFORM FLIP-UP EXT L MED TI ASSM	
1B,2-4,7	900127	PLATFORM FLIP-UP EXT L LONG TI ASSM	
1A,2,7-9	900111	PLATFORM FLIP-UP EXT KEYHOLED SHORT	
1A,2,7-9	900112	PLATFORM FLIP-UP EXT KEYHOLED MED	
1A,2,7-9	900113	PLATFORM FLIP-UP EXT KEYHOLED LONG	
1B,2,7-9	900131	PLATFORM FLIP-UP EXT KEYHOLED SHORT TI	
1B,2,7-9	900132	PLATFORM FLIP-UP EXT KEYHOLED MED TI	
1B,2,7-9	900133	PLATFORM FLIP-UP EXT KEYHOLED LONG TI	
1A-4,7-9	921242	PLATFORM FLIP-UP EXT TUBE SHORT ASSM	PAIR
1A-4,7-9	921243	PLATFORM FLIP-UP EXT TUBE MED ASSM	PAIR
1A-4,7-9	921244	PLATFORM FLIP-UP EXT TUBE LONG ASSM	PAIR
1A-4,7-9	921246	PLATFORM FLIP-UP EXT TUBE SHORT TI ASSM	PAIR
1A-4,7-9	921247	PLATFORM FLIP-UP EXT TUBE MED TI ASSM	PAIR
1A-4,7-9	921248	PLATFORM FLIP-UP EXT TUBE LONG TI ASSM	PAIR
5,6,10-20*	900150	PLATFORM F/UP F/PLT 10" ASSM	
5,6,10-20*	900151	PLATFORM F/UP F/PLT 11" ASSM	
5,6,10-20*	900152	PLATFORM F/UP F/PLT 12" ASSM	
5,6,10-20*	900153	PLATFORM F/UP F/PLT 13" ASSM	
5,6,10-20*	900154	PLATFORM F/UP F/PLT BLK 14" ASSM	
5,6,10-20*	900155	PLATFORM F/UP F/PLT BLK 15" ASSM	
5,6,10-20*	900156	PLATFORM F/UP F/PLT 16" ASSM	
5,6,10-20*	900157	PLATFORM F/UP F/PLT BLK 17" ASSM	
5,6,10-20*	900158	PLATFORM F/UP F/PLT BLK 18" ASSM	
5,6,10-20*	900159	PLATFORM F/UP F/PLT BLK 19" ASSM	
5,6,10-20*	900160	PLATFORM F/UP F/PLT BLK 20" ASSM	
5,6,10-20*	900161	PLATFORM F/UP F/PLT BLK 21" ASSM	
5,6,10-20*	900162	PLATFORM F/UP F/PLT BLK 22" ASSM	
		Ship assembled part #	Use with multiple assemblies
	ASSY-HNG-FP	HANGER/FOOTPLATE ASSY REQUIRED	add with Hanger & Footplate kit



ARMREST	"A"
KIDS	25"
MED	29"
ADULT/REG	31"

Pos.	Item Number	Description	Remarks
2A	221191	1/4-28 X 2 1/4 G8 HEX C/S	
2B	221192	1/4-28 X 2 G8 HEX C/S	
3A	221151-QU	1/4-28 X 1 3/4 G8 HEX C/S	
3B	221192	1/4-28 X 2 G8 HEX C/S	
4	221133	1/4-28 X 1 1/2 G8 HEX C/S	
5	561002	1" INSERT PLUG .083	
6	920070	9X.940X.200 FOAM GRIP	
7A	561004	Q2 SADDLE	
7B	561001	1-1/8" SADDLE 1/4" HOLE	
8	560400	1" I.D. NY-LINER	
9	540100	PADDED ARM REC STRT F	Right
9	540102	PADDED ARM REC STRT L F	Left
10	106934	NUT NYLOCK 1/4-28	
11	106935	NUT NYLOCK THIN 1/4-28	
12	341200	1/4 X 1 ROLL PIN	

Pos.	Item Number	Description	Remarks
13	483006	ARMREST PLUG	
7A,12,13	920351	S/A PADDED ARM PLUG KIT	
2A,3B,7B,10	920154	PADDED ARM REC HDWR KIT 1-1/8F	
1,5,6,12,13	880320	PADDED ARM KIDS R	Right; Kids
1,5,6,12,13	880322	PADDED ARM KIDS L	Left; Kids
1,5,6,12,13	880324	PADDED ARM RX KDS/MED R	Right; Medium
1,5,6,12,13	880326	PADDED ARM RX KDS/MED L	Left; Medium
1,5,6,12,13	880328	PADDED ARM REG R	Right; Regular/Adult
1,5,6,12,13	880330	PADDED ARM REG L	Left; Regular/Adult
1,5,6,12,13	900400	PADDED ARMS Q2/BZ KIDS F	Kids
1,5,6,12,13	900401	PADDED ARMS RX KDS/MED F	Medium
1,5,6,12,13	900402	PADDED ARMS REG F	Adult
2B,3A,4,7A,8-11	900510	ARM REC SINGLE CYL F 3/4"	used prior to 4/9/90 for chairs w/ 3/4"Back Tube
2A,3B,4,7B,8-11	900512	ARM REC SINGLE CYL F 7/8"	used beginning 4/9/90 for chairs w/ 7/8 Back Tube



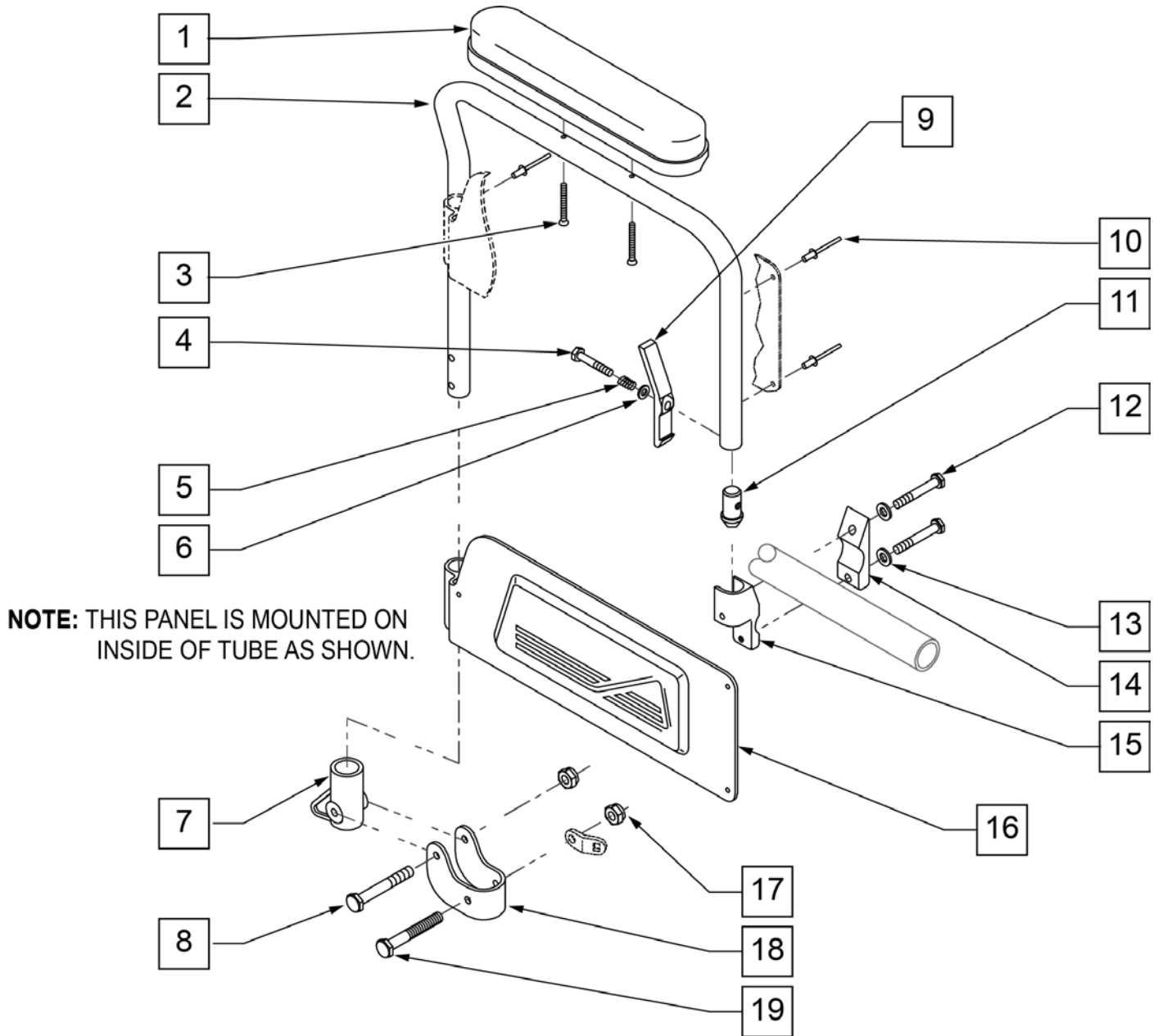
ITEM #	ILLUSTRATION	DESCRIPTION	QTY
2A		1/4-28 X 2 1/4 G8 HEX C/S	2
3B		1/4-28 X 2 G8 HEX C/S	1
7B		1-1/8" SADDLE 1/4" HOLE	3
10		1/4-28 NYLOCK NUT	3

ARMREST	"A"	"B"
KIDS	9.25"	4.5"
MED	9.25"	6.5"
ADULT	9.25"	8.75"

Pos.	Item Number	Description	Remarks
2A	107351	1/4-28 x 2 1/4 G8 HEX C/S	For chairs built AFTER 4/30/1990.
2B	106973	1/4-28 x 2 G8 HEX C/S	For chairs built BEFORE 4/30/1990.
3A	107015	1/4-28 x 1 3/4 G8 HEX C/S	For chairs built BEFORE 4/30/1990.
3B	106973	1/4-28 x 2 G8 HEX C/S	For chairs built AFTER 4/30/1990.
4	106972	1/4-28 x 1 1/2 G8 HEX C/S	
5	561002	1" INSERT PLUG .083	
6	920070	9 x .940 x .200 FOAM GRIP	
7A	561004	1" SADDLE 1/4" HOLE	For chairs built BEFORE 4/30/1990.
7B	561001	1 1/8" SADDLE 1/4" HOLE	For chairs built AFTER 4/30/1990.
8	560400	1" ID NY-LINER	
9	540130	PADDED ARM REC STRT R DBL F	RIGHT
9	540132	PADDED ARM REC STRT L DBL F	LEFT
10	106934	1/4-28 NYLOCK NUT	
11	106935	NUT NYLOCK THIN 1/4-28 ROHS	
12	920154	PADDED ARM REC HDWR KIT 1 1/8 F	
1A, 5, 6	880320	PADDED ARM KIDS	RIGHT-KIDS
1A, 5, 6	880322	PADDED ARM KIDS	LEFT-KIDS
1B, 5, 6	880324	PADDED ARM RX KIDS MEDIUM	RIGHT-MED
1B, 5, 6	880326	PADDED ARM RX KIDS MEDIUM	LEFT-MED

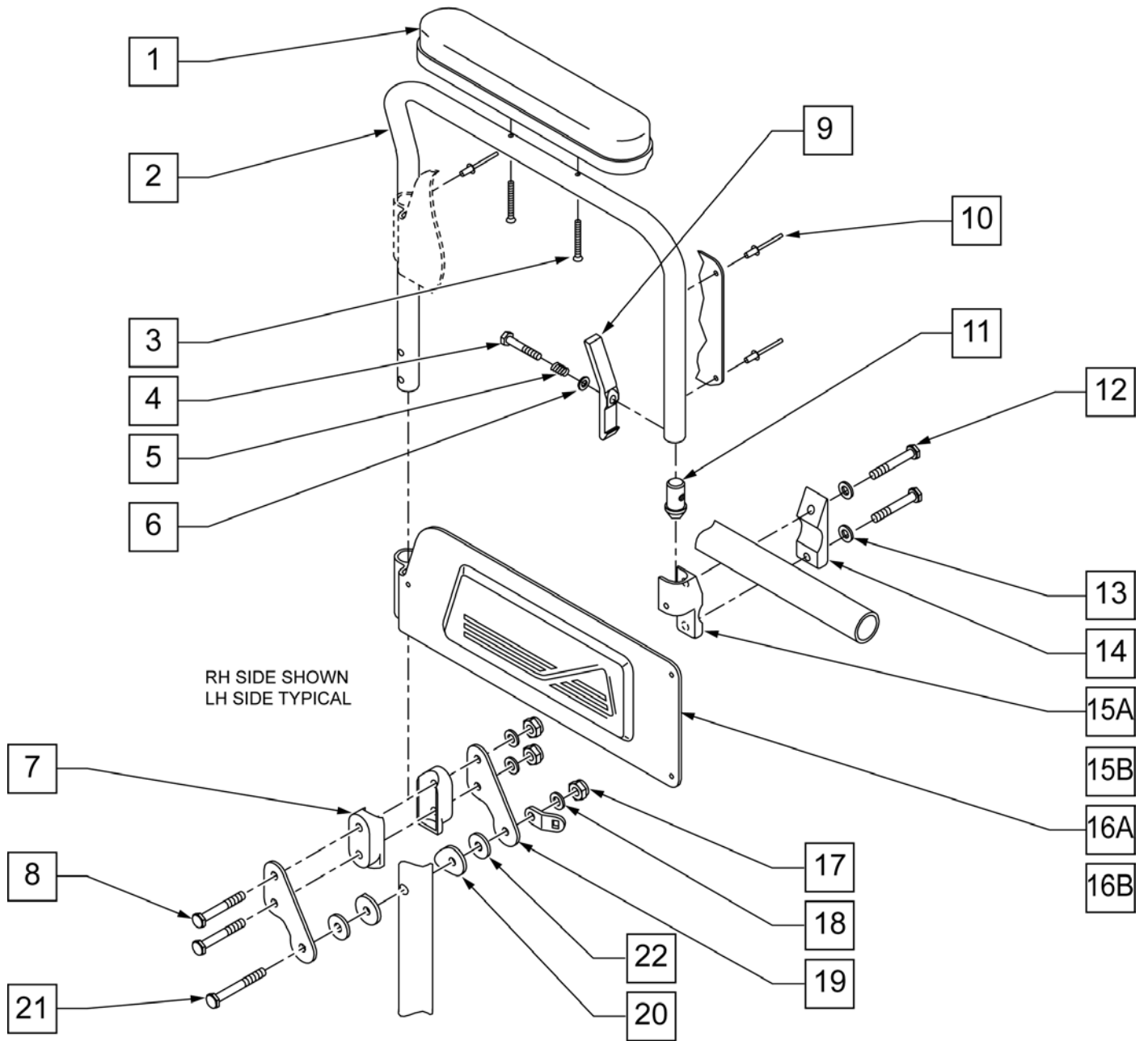
Pos.	Item Number	Description	Remarks
1C, 5, 6	880328	PADDED ARM ADULT	RIGHT-ADULT
1C, 5, 6	880330	PADDED ARM ADULT	LEFT-ADULT
1A, 5, 6	900400	PADDED ARMS Q2 KIDZ F	PAIR-KIDS
1B, 5, 6	900401	PADDED ARMS Rx KIDZ/MED F	PAIR-MED
1C, 5, 6	900402	PADDED ARMS REG F	PAIR-ADULT

FLIP-BACK ARMREST



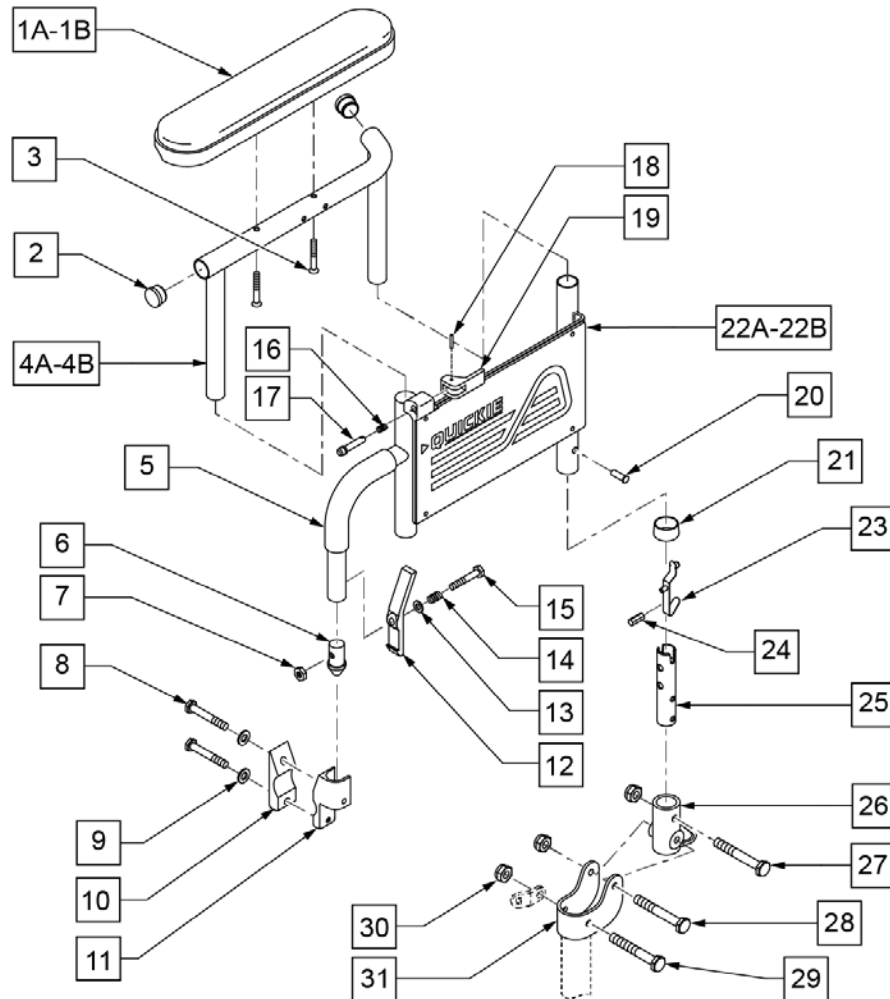
Pos.	Item Number	Description	Remarks
1	561024	ARMREST PAD 10" DESK	
3	226030-QU	10-32 x 1 1/4 BH C/S BLK	
4	221124-QU	1/4-28 x 1 1/4 G8 HEX C/S	
5	321141	.650L x 6 COIL SPRING	
6	106944	1/4 AN WASHER FLAT THIN	
7	561080	ARM RECEIVER BRACKET	
8	107015	1/4-28 x 1 3/4 G8 HEX C/S	
9	561067	ARM LATCH LEVER	
11	561075	ARM DOME PLUG BZ	
12	106971	1/4-28 x 1 3/8 HEX C/S	
13	106943	1/4 AN WASHER FLAT	
14	550256	CLAMP ADJ FL STANDARD	

Pos.	Item Number	Description	Remarks
15	550102	FRONT ARM RECEIVER	RIGHT
15	550103	FRONT ARM RECEIVER	LEFT
17	106934	1/4-28 NYLOCK NUT	
18	505352	FLIP-BACK ARM PIVOT BRACKET	
19	106973	1/4-28 x 2 G8 HEX C/S	
12-15	880106	FLIP-BACK FRONT RECEIVER W/CLAMP	RIGHT
12-15	880107	FLIP-BACK FRONT RECEIVER W/CLAMP	LEFT
7,17-19	880108	FLIP-BACK ARM REAR RECEIVER W/ BRACKET	
1-11,16-19	880256	FLIP-BACK ARM ASSM DESK Q2	RIGHT
1-11,16-19	880257	FLIP-BACK ARM ASSM DESK Q2	LEFT
1-19	880258	FLIP-BACK ARM ASSM DESK W/RECEIVER Q2	RIGHT
1-19	880259	FLIP-BACK ARM ASSM DESK W/RECEIVER Q2	LEFT
1-19	900695	FLIP-BACK ARM ASSM DESK W/RECEIVER Q2	PAIR



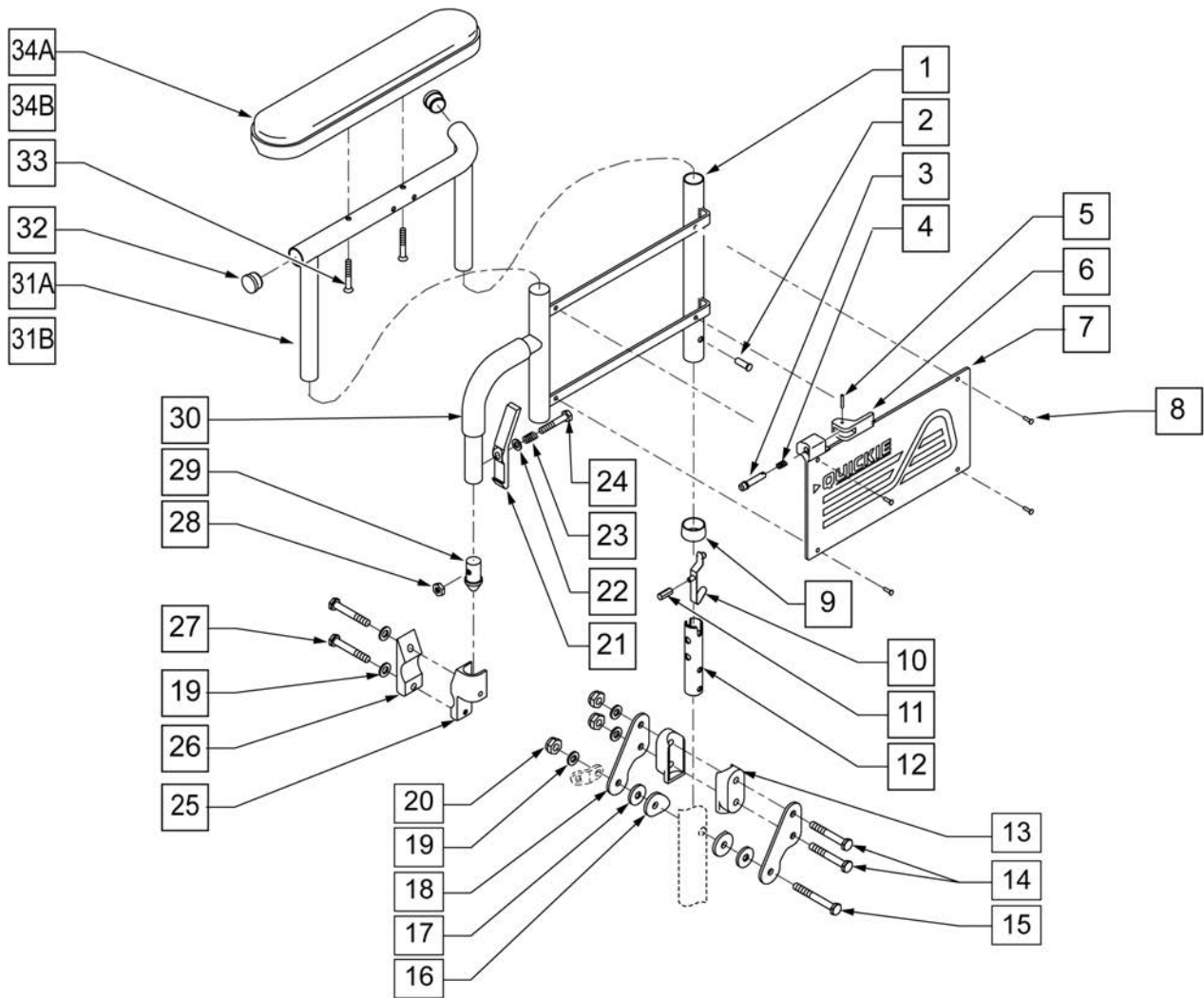
Pos.	Item Number	Description	Remarks
1	561024	ARMREST PAD 10" DESK	
3	226030-QU	10-32 X 1 1/4 BH C/S BLK	
4	221124-QU	1/4-28 x 1 1/4 G8 HEX C/S	
5	321141	.650L x 6 COIL SPRING	
6	106944	1/4 AN WASHER FLAT THIN	
7	562613	3/4 DOUBLE SADDLE CLOSED	
8	106973	1/4-28 x 2 G8 HEX C/S	
9	561067	ARM LATCH LEVER	
11	561075	ARM DOME PLUG BZ	
12	106971	1/4-28 x 1 3/8 HEX C/S	

Pos.	Item Number	Description	Remarks
13	106943	1/4 AN WASHER FLAT	
14	550256	CLAMP ADJ FL STD	
15	550102	FRONT ARM RECEIVER	RIGHT
15	550103	FRONT ARM RECEIVER	LEFT
17	106934	1/4-28 NYLOCK NUT	
18	106943	1/4 AN WASHER FLAT	
19	505158	ARMREST PIVOT PLATE W/NOTCH	
20	561086	1" HALF SADDLE 1/4 HOLE	
21	107351	1/4-28 x 2 1/4 G8 HEX C/S	
22	561016	1" WASHER 5/16 HOLE (QUICKIE 2HPTi)	USED WITH QUICKIE 2HPTi.
12-15	880106	FLIP-BACK FRONT RECEIVER W/CLAMP	RIGHT
12-15	880107	FLIP-BACK FRONT RECEIVER W/CLAMP	LEFT
1-11, 16-21	881222	FLIP-BACK ARM ASSM DESK Rx/HPTi	RIGHT
1-11, 16-21	881223	FLIP-BACK ARM ASSM DESK Rx/HPTi	LEFT
1-21	881224	FLIP-BACK ARM DESK W/RECEIVER Rx/HPTi	RIGHT
1-21	881225	FLIP-BACK ARM DESK W/RECEIVER Rx/HPTi	LEFT
1-21	900774	FLIP-BACK ARMS DESK W/RECEIVER Rx/HPTi	PAIR



Pos.	Item Number	Description	Remarks
1A	561024	ARMREST PAD 10 DESK	DESK LENGTH
1B	561031	ARMREST PAD 14 FULL	FULL LENGTH
2	560735	7/8 ROUND TUBE PLUG	
3	226030-QU	10-32 x 1 1/4 BH C/S BLK	
4A	521834	FLIP-BACK HEIGHT ADJUSTABLE POWER ARM DESK	RIGHT
4A	521835	FLIP-BACK HEIGHT ADJUSTABLE POWER ARM DESK	LEFT
4B	521836	FLIP-BACK HEIGHT ADJUSTABLE POWER ARM FULL	RIGHT
4B	521837	FLIP-BACK HEIGHT ADJUSTABLE POWER ARM FULL	LEFT
5	560610	5 x .705 x .125 FOAM TUBE	
6	561065	ARMREST DOME PLUG BR	
7	106935	NUT NYLOCK THIN 1/4-28 ROHS	
8	106971	1/4-28 x 1 3/8 HEX C/S	
9	106943	1/4 AN WASHER FLAT	
10	550256	CLAMP ADJ FULL STD	
11	550102	FRONT ARM RECEIVER	RIGHT
11	550103	FRONT ARM RECEIVER	LEFT
12	561067	ARM LATCH LEVER	
13	106943	1/4 AN WASHER FLAT	
14	321141	.650L X 6 COIL SPRING	
15	221124-QU	1/4-28 x 1 1/4 G8 HEX C/S	

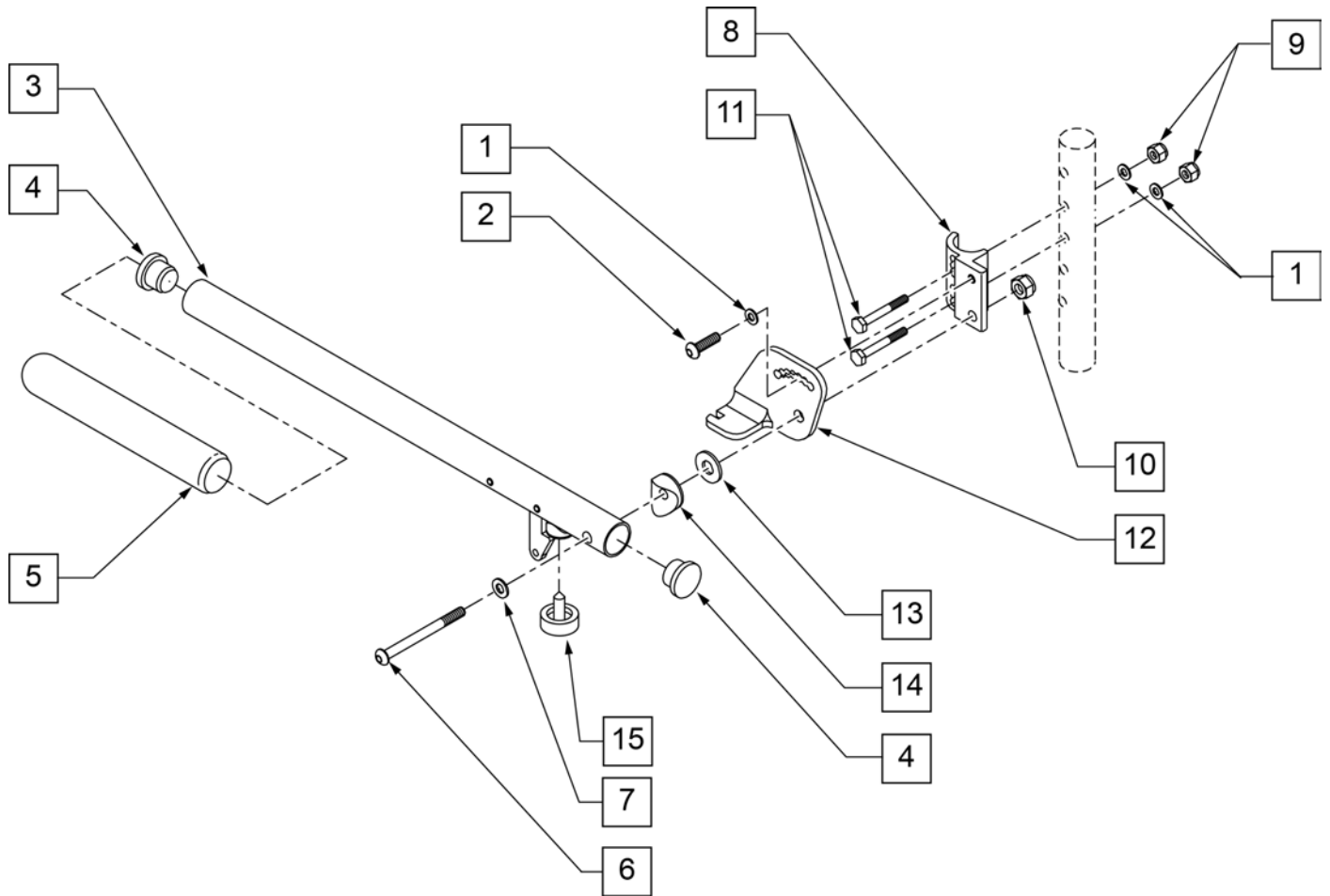
Pos.	Item Number	Description	Remarks
26	561080	ARM RECEIVER BR	
27	106972	1/4-28 X 1 1/2 G8 HEX C/S	
28	107015	1/4-28 x 1 3/4 G8 HEX C/S	
29	106973	1/4-28 x 2 G8 HEX C/S	
30	106934	1/4-28 NYLOCK NUT	
31	505352	FLIP-BACK ARM PIVOT BRACKET	
8-11	880106	FLIP-BACK FRONT RECEIVER W/CLAMP	RIGHT
8-11	880107	FLIP-BACK FRONT RECEIVER W/CLAMP	LEFT
23-25,27,30	880261	RECEIVER POST W/BUTTON	
1A,2,3,4A	880390	FLIP-BACK HEIGHT ADJUSTABLE UPPER ARM W/DESK	RIGHT - DESK LENGTH
1A,2,3,4A	880391	FLIP-BACK HEIGHT ADJUSTABLE UPPER ARM W/DESK	LEFT - DESK LENGTH
1B,2,3,4B	880392	FLIP-BACK HEIGHT ADJUSTABLE UPPER ARM ASSM FULL	RIGHT - FULL LENGTH
1B,2,3,4B	880393	FLIP-BACK HEIGHT ADJUSTABLE UPPER ARM ASSM FULL	LEFT - FULL LENGTH
5-7,12-21,22A	880288	FLIP-BACK HEIGHT ADJUSTABLE LOWER ARM ASSM	RIGHT
5-7,12-21,22B	880289	FLIP-BACK HEIGHT ADJUSTABLE LOWER ARM ASSM	LEFT
1A-4A-7,12-21,22A	880296	FLIP-BACK HEIGHT ADJUSTABLE ARM ASSM DESK	RIGHT - DESK LENGTH
1A-4A-7,12-21,22B	880297	FLIP-BACK HEIGHT ADJUSTABLE ARM ASSM DESK	LEFT - DESK LENGTH
1B-4B-7,12-21, 22A	880396	FLIP-BACK HEIGHT ADJUSTABLE ARM ASSM FULL	RIGHT - FULL LENGTH
1B-4B-7,12-21, 22B	880397	FLIP-BACK HEIGHT ADJUSTABLE ARM ASSM FULL	LEFT - FULL LENGTH
1A,2,3,4A,5-31	923220	FLIP-BACK HEIGHT ADJUSTABLE DESK ARM RETRO	PAIR - DESK LENGTH
1B,2,3,4B,5-31	923221	FLIP-BACK HEIGHT ADJUSTABLE FULL ARM RETRO	PAIR - FULL LENGTH
26, 27, 30	880009	RETRO KIT BR FLIP-BACK HEIGHT ADJUSTABLE ARM	
23-26,28-31	880109	FLIP-BACK HEIGHT ADJUSTABLE RR REC ASSM W/PST	



Pos.	Item Number	Description	Remarks
9	563065	3/4 ANTI-RATTLE	
13	561080	ARM RECEIVER BR	
14	107015	1/4-28 x 1 3/4 G8 HEX C/S	
15	106973	1/4-28 x 2 G8 HEX C/S	
16	561086	1" HALF SADDLE 1/4" HOLE	
17	561016	1" WASHER 5/16 HOLE	QUICKIE 2HPTi
18	505158	ARMREST PIVOT PLATE W/ NOTCH	
19	106943	1/4 AN WASHER FLAT	
20	106934	1/4-28 NYLOCK NUT	
21	561067	ARM LATCH LEVER	
22	106943	1/4 AN WASHER FLAT	
23	321141	.650I x 6 COIL SPRING	
24	221124-QU	1/4-28 x 1 1/4 G8 HEX C/S	
25	550102	FRONT ARM RECEIVER	RIGHT
25	550103	FRONT ARM RECEIVER	LEFT
26	550256	CLAMP ADJ FULL STD	
27	106971	1/4-28 x 1 3/8 HEX C/S	

Pos.	Item Number	Description	Remarks
28	106935	NUT NYLOCK THIN 1/4-28 ROHS	
29	561065	ARMREST DOME PLUG BR	
30	560610	5 x .705 x .125 FOAM TUBE	
31A	521834	FLIP-BACK HEIGHT ADJUSTABLE POWER ARM DESK	RIGHT
31A	521835	FLIP-BACK HEIGHT ADJUSTABLE POWER ARM DESK	LEFT
31B	521836	FLIP-BACK HEIGHT ADJUSTABLE POWER ARM FULL	RIGHT
31B	521837	FLIP-BACK HEIGHT ADJUSTABLE POWER ARM FULL	LEFT
32	560735	7/8 ROUND TUBE PLUG	
33	226030-QU	10-32 x 1 1/4 BH C/S BLK	
34A	561024	ARMREST PAD 10 DESK	
34B	561031	ARMREST PAD 14 FULL	
10,11,12	880261	RECEIVER POST W/BUTTON	
25-27	880106	FLIP-BACK FRONT RECEIVER W/CLAMP	RIGHT
25-27	880107	FLIP-BACK FRONT RECEIVER W/CLAMP	LEFT
31A-34B	880390	FLIP-BACK HEIGHT ADJUSTABLE UPPER ARM W/DESK	RIGHT
31A-34B	880391	FLIP-BACK HEIGHT ADJUSTABLE UPPER ARM W/DESK	LEFT
31A-34B	880392	FLIP-BACK HEIGHT ADJUSTABLE UPPER ARM ASSM FULL	RIGHT
31A-34B	880393	FLIP-BACK HEIGHT ADJUSTABLE UPPER ARM ASSM FULL	LEFT
1-8,21-24,28-30	880288	FLIP-BACK HEIGHT ADJUSTABLE LOWER ARM ASSM	RIGHT
1-8,21-24,28-30	880289	FLIP-BACK HEIGHT ADJUSTABLE LOWER ARM ASSM	LEFT
1-9,21-24,28-34B	880296	FLIP-BACK HEIGHT ADJUSTABLE ARM ASSM DESK	RIGHT
1-9,21-24,28-34B	880297	FLIP-BACK HEIGHT ADJUSTABLE ARM ASSM DESK	LEFT
1-9,21-24,28-34B	880396	FLIP-BACK HEIGHT ADJUSTABLE ARM ASSM FULL	RIGHT
1-9,21-24,28-34B	880397	FLIP-BACK HEIGHT ADJUSTABLE ARM ASSM FULL	LEFT
1-34B	923232	FLIP-BACK HEIGHT ADJUSTABLE DESK ARMS Rx/HPTi	PAIR
1-34B	923233	FLIP-BACK HEIGHT ADJUSTABLE FULL ARMS Rx/HPTi	PAIR

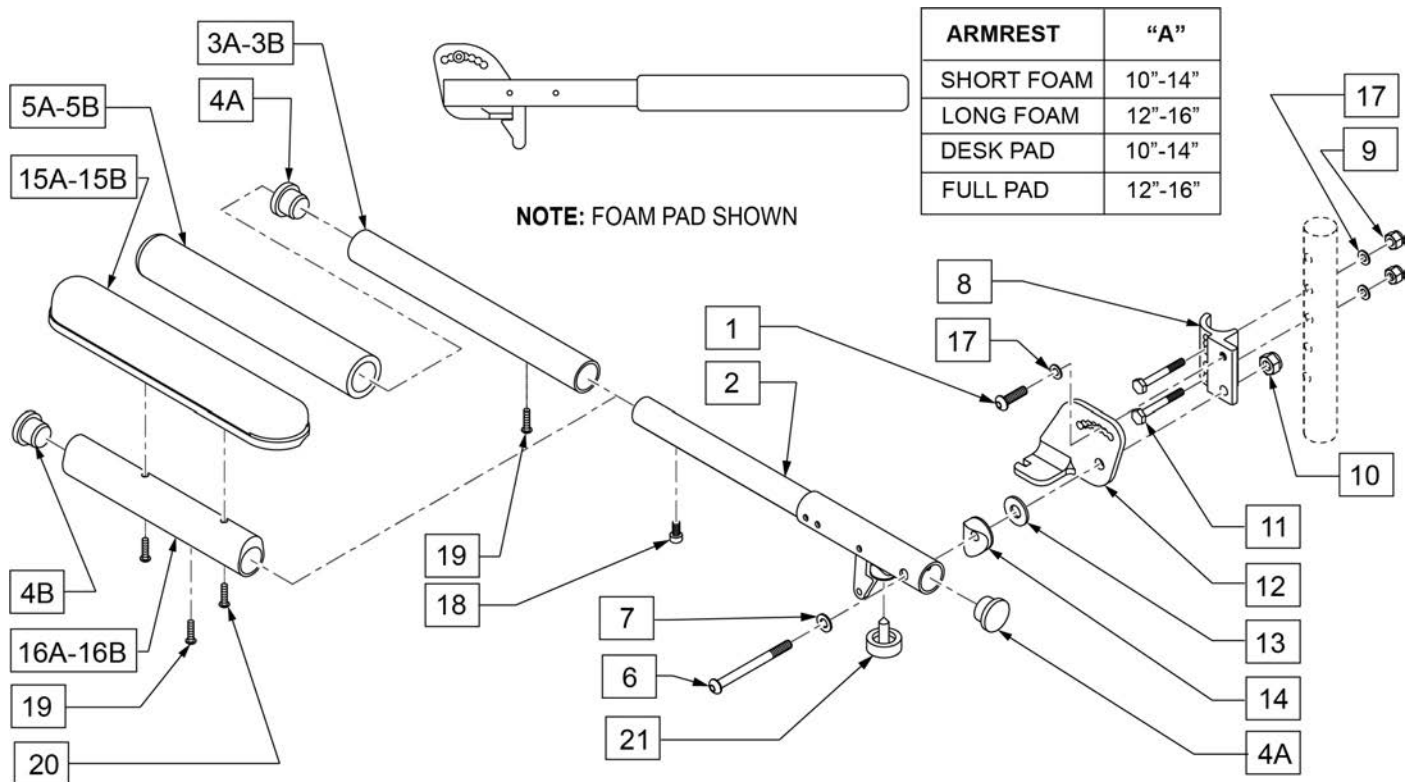
ADJUSTABLE LOCKING FLIP-UP ARMREST (USE ON DAB FRAMES ONLY)



Pos.	Item Number	Description	Remarks
1	106943	1/4 AN WASHER FLAT	
2	107025	1/4-28 x 1/2 BH C/S	
4	561002	1" INSERT PLUG .083	
5	560640	9 x .93 x .155 FOAM GRIP	
6	106983	5/16-18 x 2 BH C/S SHT THREAD	
7	106947	5/16 WASHER FLAT THIN	
8	550168	ADJ LOCK FLIP-UP ARM MNT R	
8	550169	ADJ LOCK FLIP-UP ARM MNT L	
9	106935	1/4-28 NYLOCK NUT THIN	
10	202117	5/16-18 NYLOCK NUT THICK BLK	
11	106972	1/4-28 x 1 1/2 G8 HEX C/S	
12	550474	ADJ FLIP-BACK ARM BRACKET R	
12	550475	ADJ FLIP BACK ARM BRACKET L	
13	561016	1" WASHER 5/16" HOLE	
14	561006	1" SADDLE 5/16" HOLE	
15	560252	1" COVED STEM BUMPER	
3-5	880274	ADJ FLIP-BACK TUBE W/LATCH	
1,2,6,8-10	881272	ADJ LOCK F-UP ARMREST RETRO R	USE FOR ARMREST PRIOR TO 7/22/96
1,2,6,8-10	881273	ADJ LOCK F-UP ARMREST RETRO L	USE FOR ARMREST PRIOR TO 7/22/96
1-15	880272	ADJ FLIP BACK ARMREST R	
1-15	880273	ADJ FLIP BACK ARMREST L	
1-15	900449	ADJ LOCK FLIP-UP ARMREST ASSM	PAIR

LENGTH ADJUSTABLE LOCKING FLIP-UP ARMREST (USE ON DAB FRAMES ONLY) (08/23/2019)

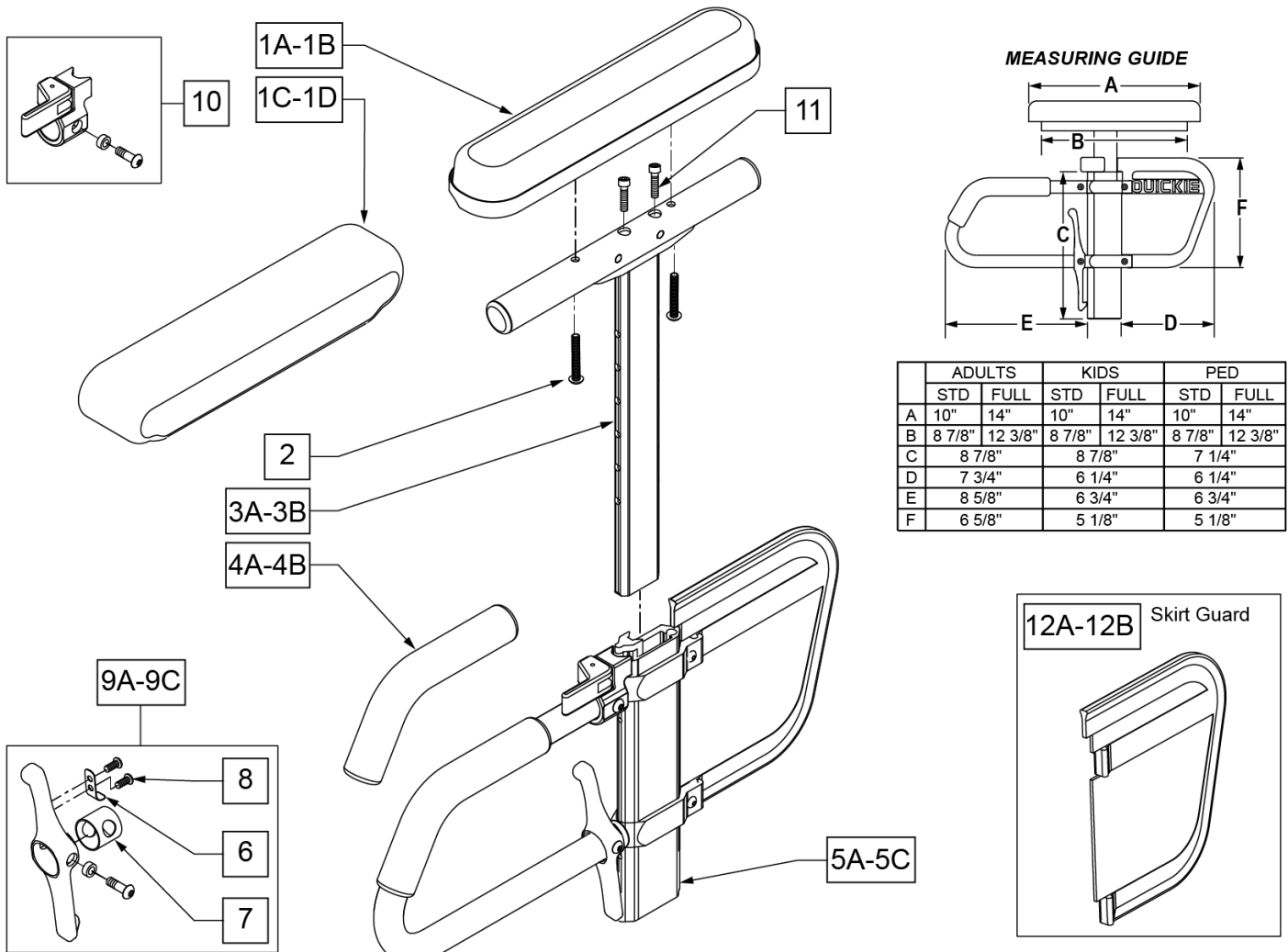
NOTE: FOR ARMRESTS PRIOR TO 7/22/96 USE RETRO FIT KIT TO REPLACE ADJUSTABLE FLIP-UP ARM CLAMP.



Pos.	Item Number	Description	Remarks
1	107025	BHCS 1/4-28 x 1/2 ROHS	
4A	561002	1" INSERT PLUG .083	
4B	561062	1" INSERT PLUG .065	
5A	560299	7 x .940 x .20 FOAM GRIP	SHORT PAD
5B	560640	9" X .93" X .155" FOAM GRIP	LONG PAD
6	106983	BHCS 5/16-18 x 2 SHLDR ROHS	
7	106947	WASHER FLAT THIN AN 5/16 ROHS	
8	550168	ADJUSTABLE LOCK FLIP-UP ARM MOUNT	RIGHT
8	550169	ADJUSTABLE LOCK FLIP-UP ARM MOUNT	LEFT
9	106935	NYLOCK NUT THIN 1/4 -28 ROHS	
10	202117	5/16-18 NYLOCK NUT THICK BLK	
11	106972	HHCS 1/4-28 x 1 1/2 ROHS	
12	550474	ADJUSTABLE FLIP-BACK ARM BRACKET	RIGHT
12	550475	ADJUSTABLE FLIP-BACK ARM BRACKET	LEFT
13	561016	1" WASHER 5/16" HOLE	
14	561006	1" SADDLE 5/16" HOLE	
15A	561024	ARMREST PAD 10" DESK	
15B	561031	ARMREST PAD 14" FULL	
17	106943	WASHER FLAT AN 1/4 ROHS	
18	107036	SHCS 8 -32 x 3/8 ROHS	
19	225110	10-32 X 1/2" SET SCREW	
20	107022	BHCS 10-32 X 5/8 ROHS	
21	560252	1" COVED STEM BUMPER	

Pos.	Item Number	Description	Remarks
3B, 4A, 5B, 19	882074	FOAM PAD LONG ADJUSTABLE LENGTH	LONG PAD ASSM ONLY
3A, 4A, 5A, 19	882075	FOAM PAD LONG ADJUSTABLE LENGTH	SHORT PAD ASSM ONLY
4B,15B,16B,19,20	882070	FULL PAD ADJUSTABLE LENGTH ASSM	RIGHT FULL PAD ASSM ONLY
4B,15B,16B,19,20	882071	FULL PAD ADJUSTABLE LENGTH ASSM	LEFT FULL PAD ASSM ONLY
4B,15A,16A,19,20	882072	DESK PAD ADJUSTABLE LENGTH ASSM	RIGHT DESK PAD ASSM ONLY
4B,15A,16A,19,20	882073	DESK PAD ADJUSTABLE LENGTH ASSM	LEFT DESK PAD ASSM ONLY
1,2,6-14,17,21	882088	ADJ LENGTH LOCKING FLIP-UP ASSM R	RIGHT ARM ASSM W/O PAD
1,2,6-14,17,21	882089	ADJ LENGTH LOCKING FLIP-UP ASSM R	LEFT ARM ASSM W/O PAD
1,2,3B,4A,5B,6-14,17,19 -21	900454	ADJ LENGTH LOCKING FLIP-UP FOAM LONG	PAIR - LONG FOAM ARM ASSM
1,2,3B,4A,5B,6-14,17,19 -21	881294	ADJ LENGTH LOCKING FLIP-UP FOAM LONG	RIGHT - LONG FOAM ARM ASSM
1,2,3B,4A,5B,6-14,17,19 -21	881295	ADJ LENGTH LOCKING FLIP-UP FOAM LONG	LEFT - LONG FOAM ARM ASSM
1,2,3A,4A,5A,6-14,17,19 -21	900455	ADJ LENGTH LOCKING FLIP-UP FOAM SHORT	PAIR - SHORT FOAM ARM ASSM
1,2,3A,4A,5A,6-14,17,19 -21	881296	ADJ LENGTH LOCKING FLIP-UP FOAM SHORT	RIGHT - SHORT FOAM ARM ASSM
1,2,3A,4A,5A,6-14,17,19 -21	881297	ADJ LENGTH LOCKING FLIP-UP FOAM SHORT	LEFT - SHORT FOAM ARM ASSM
1,2,4B,6-14,15B,16B,17-21	900452	ADJ LENGTH LOCKING FLIP-UP ASSM FULL	PAIR - FULL PAD ARM ASSM
1,2,4B,6-14,15B,16B,17-21	881290	ADJ LENGTH LOCKING FLIP-UP FULL PAD	RIGHT - FULL PAD ARM ASSM
1,2,4B,6-14,15B,16B,17-21	881291	ADJ LENGTH LOCKING FLIP-UP FULL PAD	LEFT - FULL PAD ARM ASSM
1,2,4B,6-14,15A,16A,17-21	900453	ADJ LENGTH LOCKING FLIP-UP ASSM DESK	PAIR - DESK PAD ARM ASSM
1,2,4B,6-14,15A,16A,17-21	881292	ADJ LENGTH LOCKING FLIP-UP DESK PAD	RIGHT - DESK PAD ARM ASSM
1,2,4B,6-14,15A,16A,17-21	881293	ADJ LENGTH LOCKING FLIP-UP DESK PAD	LEFT - DESK PAD ARM ASSM

Note: available on Quickie Iris chairs S/N prefix CGT and prior to IRS-007726 & IRSE-008701.



Pos.	Item Number	Description	Remarks
1A	561024	ARMREST PAD 10" DESK	DESK PAD
1B	561031	ARMREST PAD 14" FULL	FULL PAD
1C	561280	ARMREST PAD 10" L W/F	LEFT - DESK WATERFALL PAD
1C	561281	ARMREST PAD 10" R W/F	RIGHT - DESK WATERFALL PAD
1D	561284	ARMREST PAD 14" L W/F	LEFT - FULL WATERFALL PAD
1D	561285	ARMREST PAD 14" R W/F	RIGHT - FULL WATERFALL PAD
2	226038	10-32 x 1 3/8 BH C/S BLK	
4A	560610	5" x .705 x .125 FOAM TUBE	ADULT
4B	560627	7-1/2" x .705 x .125 FOAM TUBE	PEDS/KIDS
5A	882084	HT ADJ LOWER DC ARM ASSM STD R	RIGHT - STANDARD/ADULT
5A	882085	HT ADJ LOWER DC ARM ASSM STD L	LEFT - STANDARD/ADULT
5B	882082	HT ADJ LOWER DC ARM ASM KIDS R	RIGHT - KIDS
5B	882083	HT ADJ LOWER DC ARM ASM KIDS L	LEFT - KIDS
5C	882080	HT ADJ LOWER ARM ASSM PE D R	RIGHT - PEDIATRIC
5C	882081	HT ADJ LOWER ARM ASSM PE D L	LEFT - PEDIATRIC

Pos.	Item Number	Description	Remarks
6	321721	LEVER RETURN SPRING	
7	562825	RELEASE LEVER INNER SLEEVE	
8	281045	#6 x 1/4 PAN PHIL S/M/S	
9A	888000	HT ADJ REC REL LEVER ASSM STD	ADULT
9B	888001	HT ADJ REC REL LEVER ASSM KIDS	KIDS
9C	888002	HT ADJ REC REL LEVER ASSM PEDS	PEDS
10	888003	HT ADJ UPPER ARM REL ASSM R	RIGHT
10	888004	HT ADJ UPPER ARM REL ASSM L	LEFT
11	108534	SHCS 10-32 X 1-1/4 PL	Used with Classic Full only
12A	561140	HT ADJ SKIRT GUARD STD	Standard
12B	561141	HT ADJ SKIRT GUARD KDS	Kids
>>>>		ADULT UPPER ASSEMBLIES	
1A-3A	880192	HT ADJ UPPER ARM ASSM DESK R	RIGHT - ADULT DESK PAD
1A-3A	880198	HT ADJ UPPER ARM ASSM DESK L	LEFT - ADULT DESK PAD
1B-3A,11	880193	HT ADJ UPPER ARM ASSM FL R	RIGHT - ADULT FULL PAD
1B-3A,11	880199	HT ADJ UPPER ARM ASSM FL L	LEFT - ADULT FULL PAD
>>>>		ADULT UPPER ASSEMBLIES	
1C-3A	881230	HT ADJ UPPER L ARM ASSM DESK W/F	RIGHT - ADULT DESK WATER FALL PAD
1C-3A	881231	HT ADJ UPPER R ARM ASSM DESK W/F	LEFT - ADULT DESK WATER FALL PAD
1D-3A	881232	HT ADJ UPPER L ARM ASSM FL W/F	RIGHT - ADULT FULL WATER FALL PAD
1D-3A	881233	HT ADJ UPPER R ARM ASSM FL W/F	LEFT - ADULT FULL WATER FALL PAD
>>>>		PEDIATRIC AND KIDS UPPER ASSEMBLIES	
1A-3B	880174	HT ADJ UPPER ARM PED PWR DESK R	RIGHT - PED/KIDS DESK PAD
1A-3B	880175	HT ADJ UPPER ARM PED PWR DESK L	LEFT - PED/KIDS DESK PAD
1B-3B,11	880176	HT ADJ UPPER ARM PED PWR FULL R	RIGHT - PED/KIDS FULL PAD
1B-3B,11	880177	HT ADJ UPPER ARM PED PWR FULL L	LEFT - PED/KIDS FULL PAD
>>>>		PEDIATRIC AND KIDS UPPER ASSEMBLIES	
1C-3B	888341	HT ADJ PED UPPER R ARM ASSM D WF	RIGHT - PED/KIDS DESK WATER FALL PAD
1C-3B	888342	HT ADJ PED UPPER L ARM ASSM D WF	LEFT - PED/KIDS DESK WATER FALL PAD
1D-3B	888343	HT ADJ PED UPPER R ARM ASSM F WF	RIGHT - PED/KIDS FULL WATER FALL PAD
1D-3B	888344	HT ADJ PED UPPER L ARM ASSM F WF	LEFT - PED/KIDS FULL WATER FALL PAD
>>>>		COMPLETE ADULT ARMREST ASSEMBLY	
1A-3A-5A	880210	HT ADJ STD R W/DESK ARM PAD	RIGHT - ADULT - DESK PAD
1A-3A-5A	880211	HT ADJ STD L W/DESK ARM PAD	LEFT - ADULT - DESK PAD
1B-3A-5A,11	880212	HT ADJ STD R W/FULL ARM PAD	RIGHT - ADULT - FULL PAD
1B-3A-5A,11	880213	HT ADJ STD L W/FULL ARM PAD	LEFT - ADULT - FULL PAD
1C-3A-5A	881301	HT ADJ STD R W/DESK W/F PAD	RIGHT - ADULT - WATERFALL DESK PAD
1C-3A-5A	881300	HT ADJ STD L W/DESK W/F PAD	LEFT - ADULT - WATERFALL DESK PAD
1D-3A-5A	881305	HT ADJ STD R W/FULL W/F PAD	RIGHT - ADULT - WATERFALL FULL PAD
1D-3A-5A	881304	HT ADJ STD L W/FULL W/F PAD	LEFT - ADULT - WATERFALL FULL PAD
>>>>		COMPLETE KIDS ARMREST ASSEMBLY	
1A-3B-5B	880214	HT ADJ KIDS R W/DESK ARM PAD	RIGHT - KIDS - DESK PAD
1A-3B-5B	880215	HT ADJ KIDS L W/DESK ARM PAD	LEFT - KIDS - DESK PAD
1B-3B-5B,11	880216	HT ADJ KIDS R W/FULL ARM PAD	RIGHT - KIDS - FULL PAD
1B-3B-5B,11	880217	HT ADJ KIDS L W/FULL ARM PAD	LEFT - KIDS - FULL PAD
1C-3B-5B	881303	HT ADJ KIDS R W/DESK W/F PAD	RIGHT - KIDS - WATERFALL DESK PAD
1C-3B-5B	881302	HT ADJ KIDS L W/DESK W/F PAD	LEFT - KIDS - WATERFALL DESK PAD
1D-3B-5B	881307	HT ADJ KIDS R W/FULL W/F PAD	RIGHT - KIDS - WATERFALL FULL PAD
1D-3B-5B	881306	HT ADJ KIDS L W/FULL W/F PAD	LEFT - KIDS - WATERFALL FULL PAD
>>>>		COMPLETE PEDIATRIC ARMREST ASSEMBLY	
1A-3B-5C	880226	HT ADJ PED R W/DESK ARM PAD	RIGHT - PEDS - DESK PAD
1A-3B-5C	880227	HT ADJ PED L W/DESK ARM PAD	LEFT - PEDS - DESK PAD
1B-3B-5C,11	880228	HT ADJ PED R W/FULL ARM PAD	RIGHT - PEDS - FULL PAD
1B-3B-5C,11	880229	HT ADJ PED L W/FULL ARM PAD	LEFT - PEDS - FULL PAD
1C-3B-5C	888345	HT ADJ PED R W/DESK W/F PAD	RIGHT - PEDS - WATERFALL DESK PAD
1C-3B-5C	888346	HT ADJ PED L W/DESK W/F PAD	LEFT - PEDS - WATERFALL DESK PAD

Pos.	Item Number	Description	Remarks
1D-3B-5C	888347	HT ADJ PED R W/FULL W/F PAD	RIGHT - PEDS - WATERFALL FULL PAD
1D-3B-5C	888348	HT ADJ PED L W/FULL W/F PAD	LEFT - PEDS - WATERFALL FULL PAD

Note: used on Quickie 2 chairs w/ S/N Prefix Q2.

Note: used on Zippie GS chairs w/ S/N Prefix ZGS & ZGE.

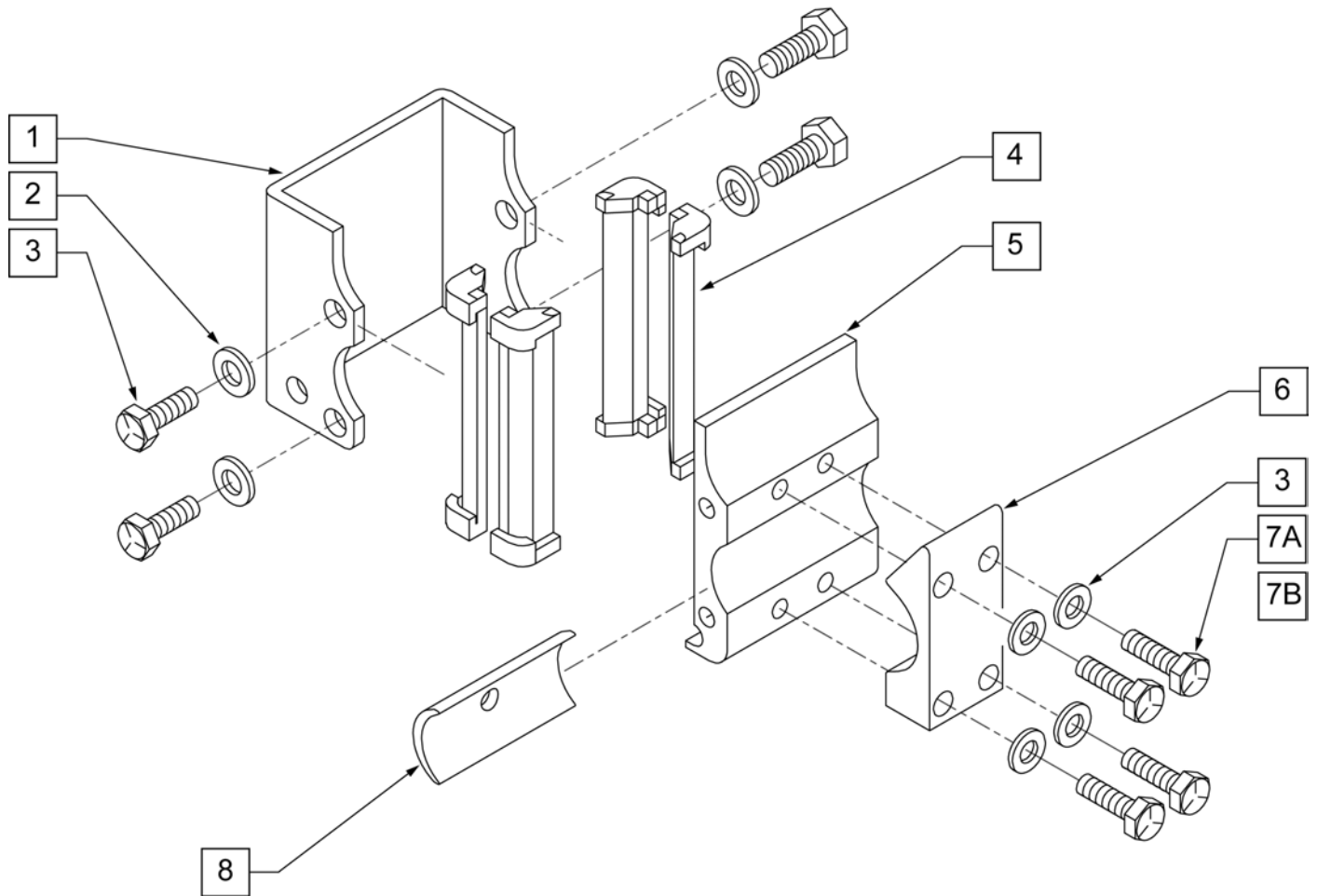
Note: used on Quickie Iris chairs S/N Prefix CGT & prior to IRS-007726 & IRSE-008701.

Note: used on Quickie LX/LXI CHAIRS.

Note: used on Zippie Z-BOP chairs.

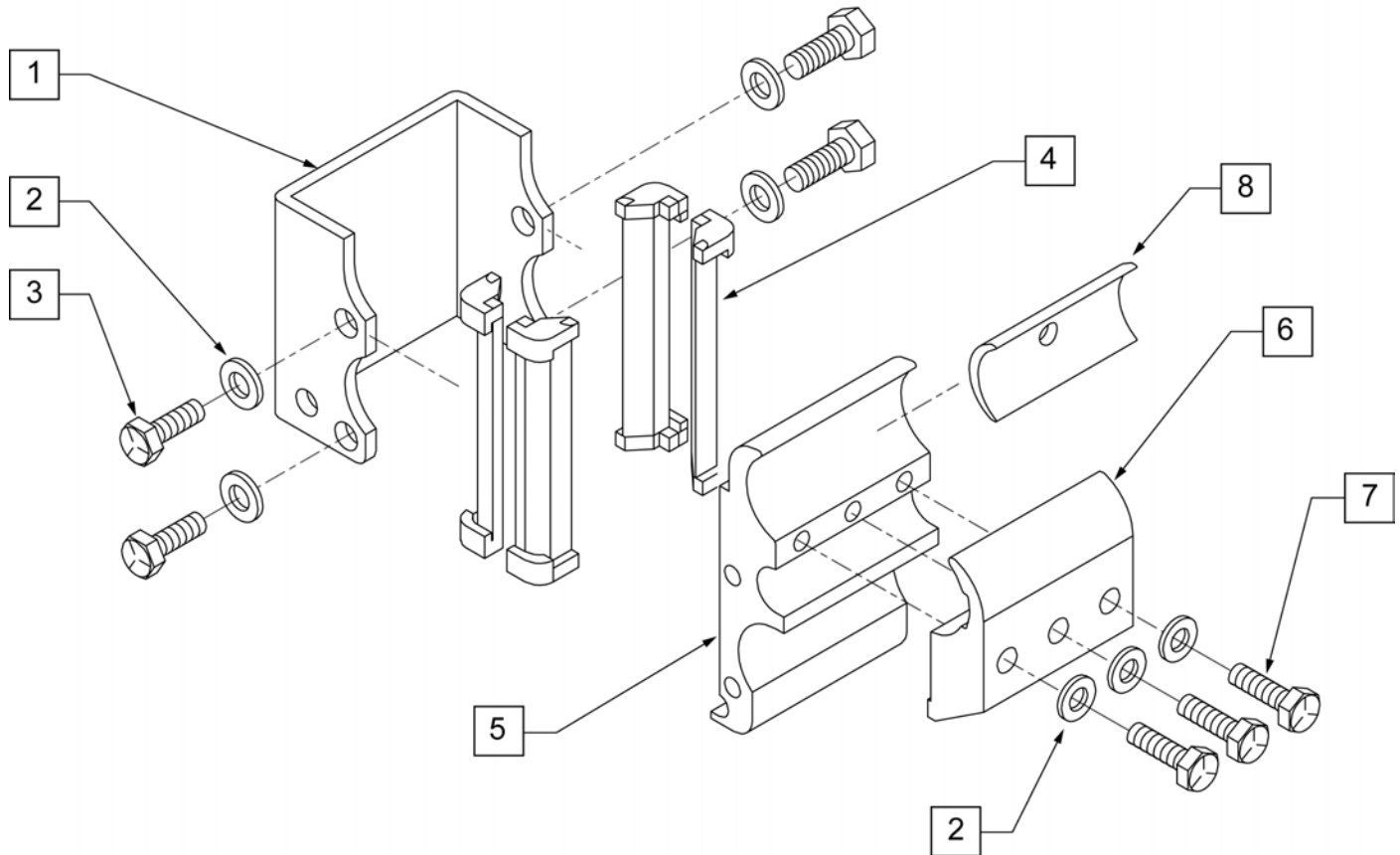
Note: used on Zippie TS chairs.

Note: used on Breezy 600 chairs.



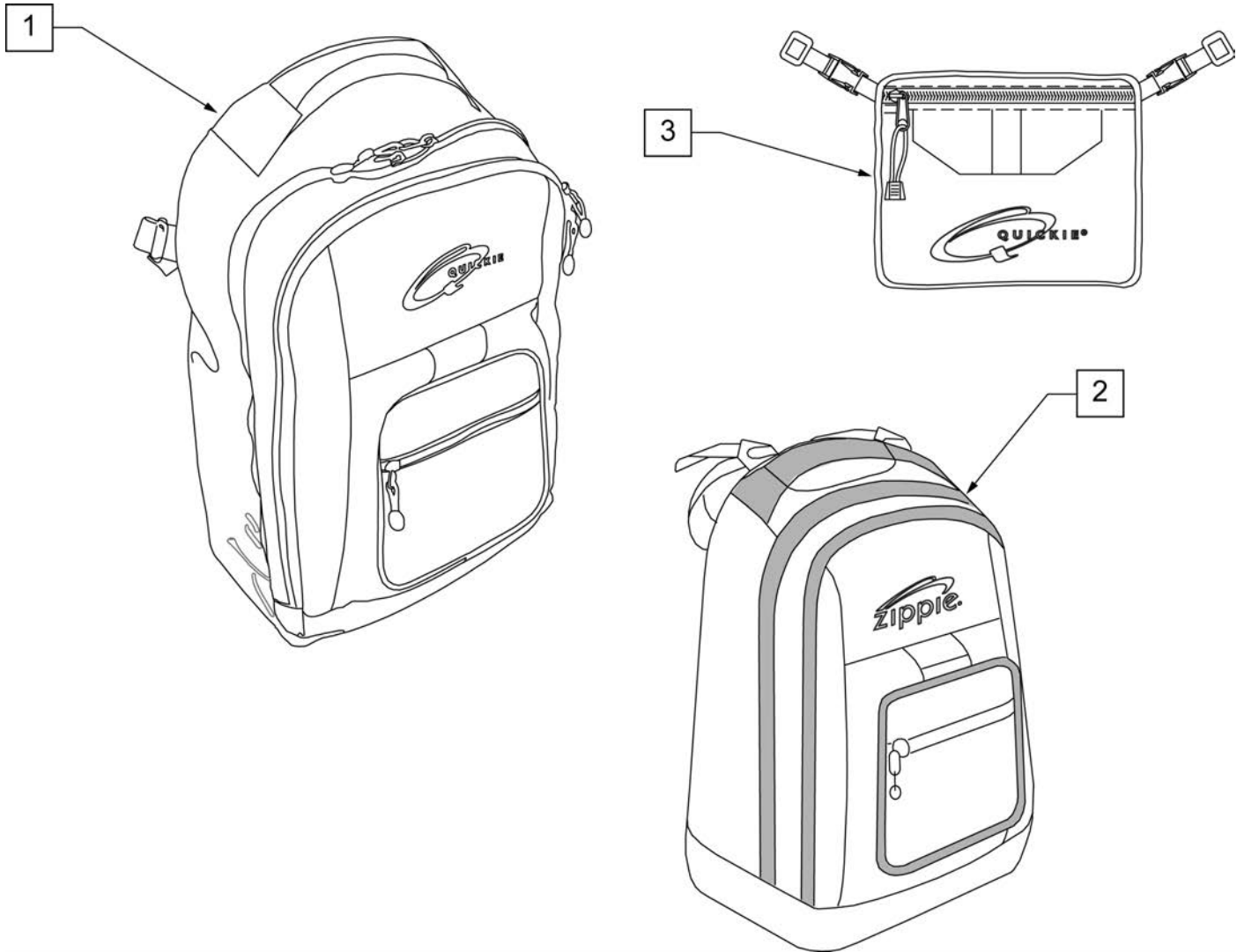
Pos.	Item Number	Description	Remarks
1	550485	HEIGHT ADJUSTABLE RECEIVER CHANNEL	
2	221096	1/4-28 x 5/8 HEX C/S	
3	106943	1/4 AN WASHER FLAT	
4	561134	HEIGHT ADJUSTABLE RECEIVER LINER	
5	550483	HEIGHT ADJUSTABLE RECEIVER STD	
6	550490	HEIGHT ADJUSTABLE RECEIVER CLAMP 4 HOLE	
7A	106971	1/4-28 x 1 3/8 HEX C/S	
7B	106972	1/4-28 X 1 1/2 G8 HEX C/S	use with receiver spacer
8	550486	HEIGHT ADJUSTABLE RECEIVER SPACER	Used to space Armrest 1/8" from frame on each side
1-5	880230	HEIGHT ADJUSTABLE RECEIVER STD W/O CLAMP	
1-7A	880240	HEIGHT ADJUSTABLE RECEIVER STD W/ CLAMP	
1-7B,8	880245	HEIGHT ADJUSTABLE RECEIVER STD W/ CLAMP AND SPACER	

Note: available on Quickie Iris S/N Prefix CGT & prior to IRS-007726 & IRSE-008701.

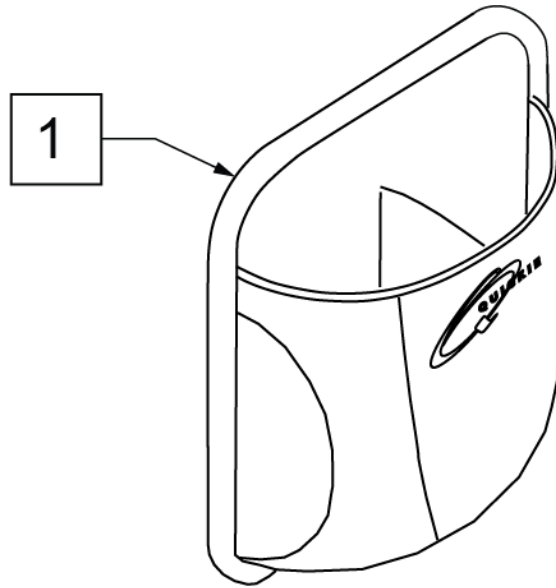


Pos.	Item Number	Description	Remarks
1	550485	HEIGHT ADJUSTABLE RECEIVER CHANNEL	
2	106943	WASHER FLAT AN 1/4 ROHS	
3	221096	1/4-28 x 5/8 HEX C/S	
4	561134	HEIGHT ADJUSTABLE RECEIVER LINER	
5	550484	HEIGHT ADJUSTABLE RECEIVER LOW	
6	550491	HEIGHT ADJUSTABLE RECEIVER CLAMP LOW	
7	221133	1/4-28 x 1 1/2 G8 HEX C/S	
8	550486	HEIGHT ADJUSTABLE RECEIVER SPACER	Used to space Armrest 1/8" from frame on each side
1-5	880231	HEIGHT ADJUSTABLE RECEIVER KIDS W/O CLAMP	
1-7	880241	HEIGHT ADJUSTABLE RECEIVER KIDS W/ CLAMP	
1-8	880249	HEIGHT ADJUSTABLE RECEIVER KIDS W/ CLAMP AND SPACER	

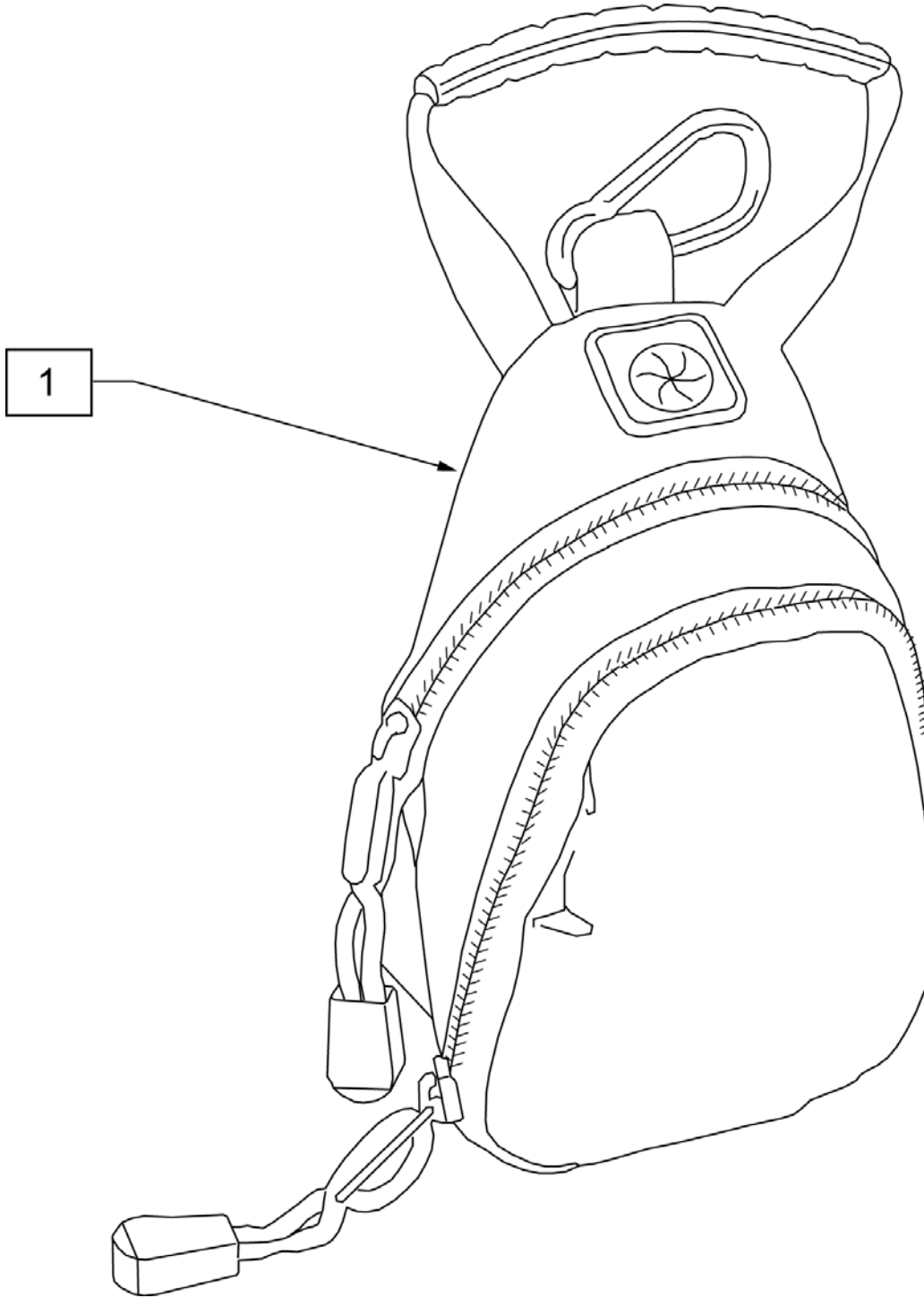
NOTE: KIDS BACKPACKS DO NOT HAVE ADJUSTABLE STRAPS W/ BUCKLES.



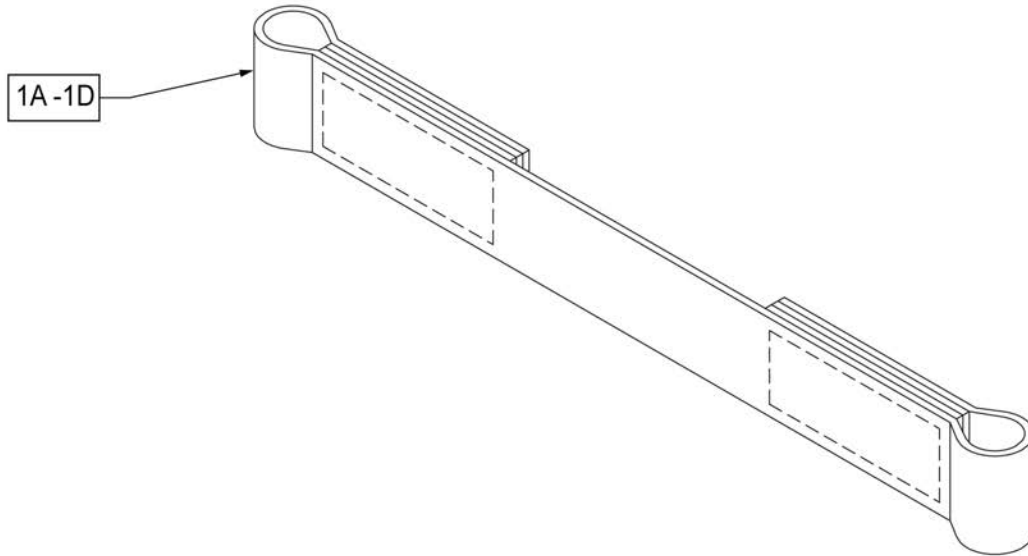
Pos.	Item Number	Description	Remarks
1	750115	BACK PACK QUICKIE	Overall dimensions:width 12.5", height 18.5", depth 6.5"
2	104572	BACKPACK ZIPPIE	Overall dimensions: width 12", height 16.5", depth 4.5"
3	750307	SEAT POUCH QUICKIE	Dimensions: width 8.5", height 6", depth top 2.5", depth bottom 3.5"



Pos.	Item Number	Description	Remarks
1	013475	QUICKIE SIDE POCKET	Size: 6.5"x 6.5"x 2"

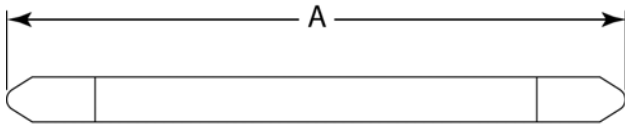


Pos.	Item Number	Description
1	109229	CELL PHONE PACK (ORANGE)

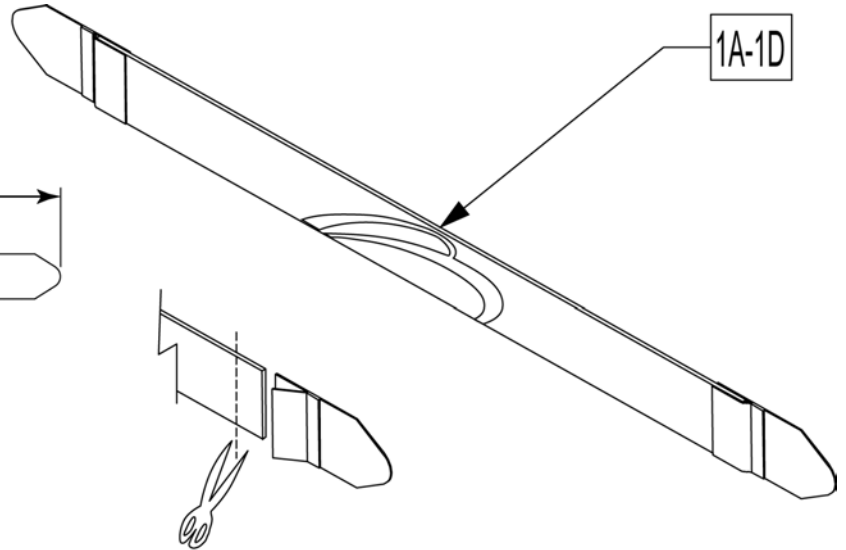


Pos.	Item Number	Description
1A	109356	LEG STRAP SOFT FEEL Q 11 -12"
1B	109357	LEG STRAP SOFT FEEL Q 13 -15"
1C	109366	LEG STRAP SOFT FEEL Q 16 -18"
1D	111487	LEG STRAP SOFT FEEL Q 19 -20"

MEASURING GUIDE



DESCRIPTION	DIM "A"
LEG STRAP 11"-12" BLK	27 1/2
LEG STRAP 13"-15" BLK	32 1/2
LEG STRAP 16"-18" BLK	39 1/2
LEG STRAP 19"-20" BLK	45 1/2

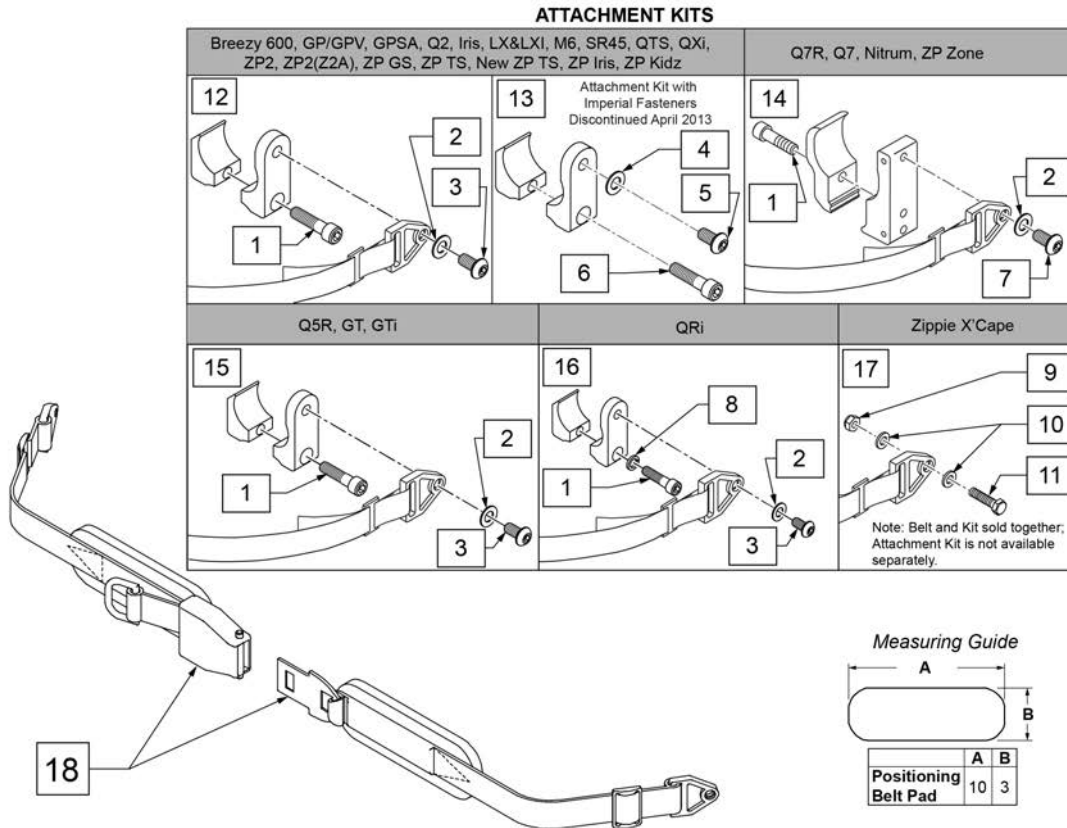


Leg Straps may be custom cut to a smaller size

Pos.	Item Number	Description
1A	113255	LEG STRAP 11"-12" BLK
1B	113256	LEG STRAP 13"-15" BLK
1C	113257	LEG STRAP 16"-18" BLK
1D	113258	LEG STRAP 19"-20" BLK

Note: some items listed may not be available with every chair model or in conjunction with another chair feature.

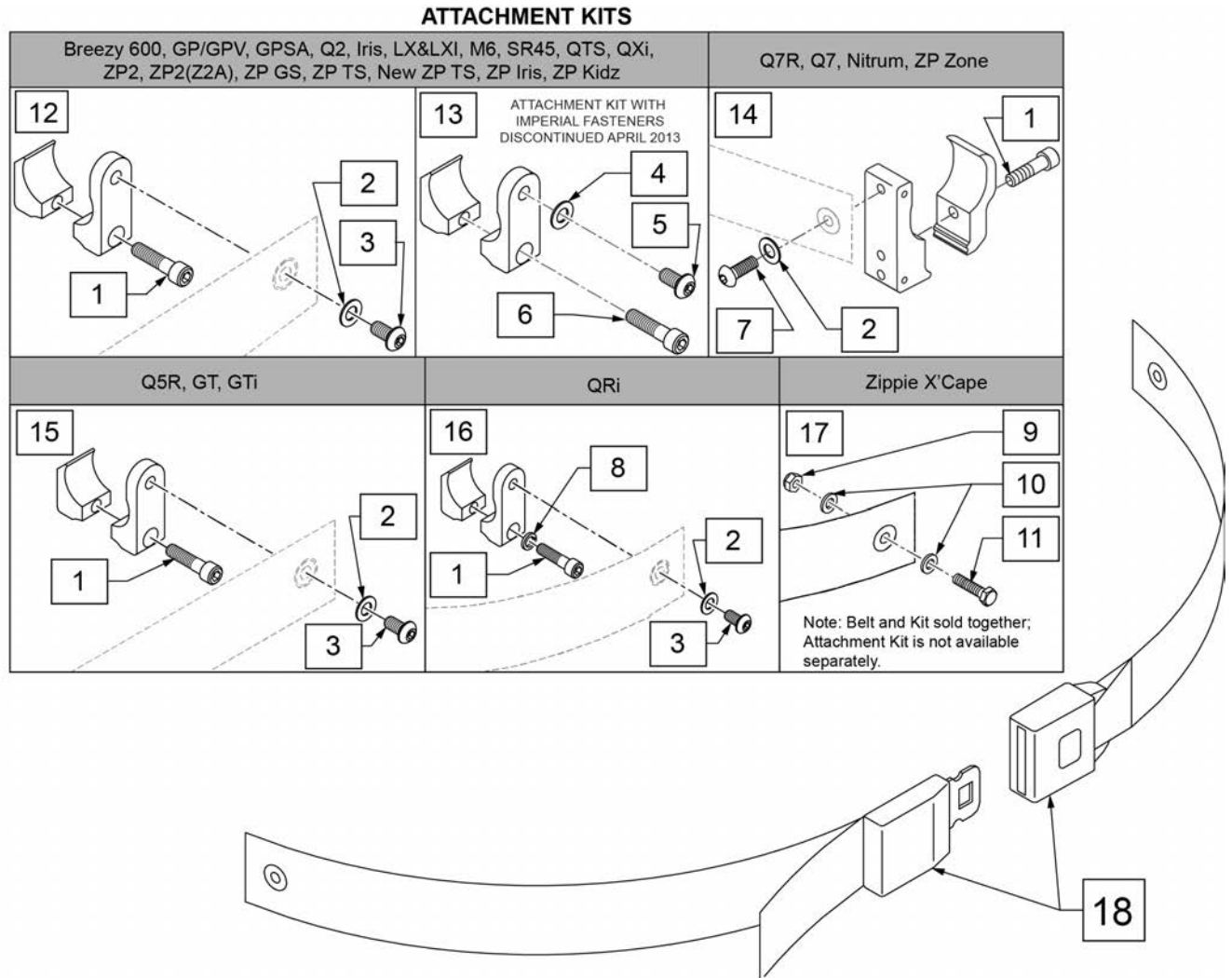
NOTE: when mounting Positioning Belts to the 5R, GT or GTi, it is recommended to attach the belt by using the Backrest Support Bracket Hardware.



Pos.	Item Number	Description	Remarks
1	102263-003	SHCS M6 X 1 X 25 W/PL INORG	Metric
2	250104	WASHER FLAT M6	Metric
3	103185-005	BHCS M6 X 1 X 12 FULL PL	Metric
4	106943	WASHER FLAT AN 1/4 ROHS	Imperial (standard)
5	226154	1/4-20 X 1/2 BH C/S W/PATCH	Imperial (standard)
6	221116	1/4-20 X 1 SOC HD BLK	Imperial (standard)
7	230113	BHCS M6 X 1 X 12	
8	050129-001	LOCKWASHER HIGH COLLAR M6	
9	104381	NUT HEX NYLOCK M6 X 1.0	
10	107383	WASHER FLAT M6	
11	102268-002	HHCS M6 X 1 X 35 BLK	
12	120750	PSTN BELT CLAMP ASSM PR	Metric; Pair
13	900116	POSITION BELT ATTACHMENT KIT	Set of 2; Imperial (standard)

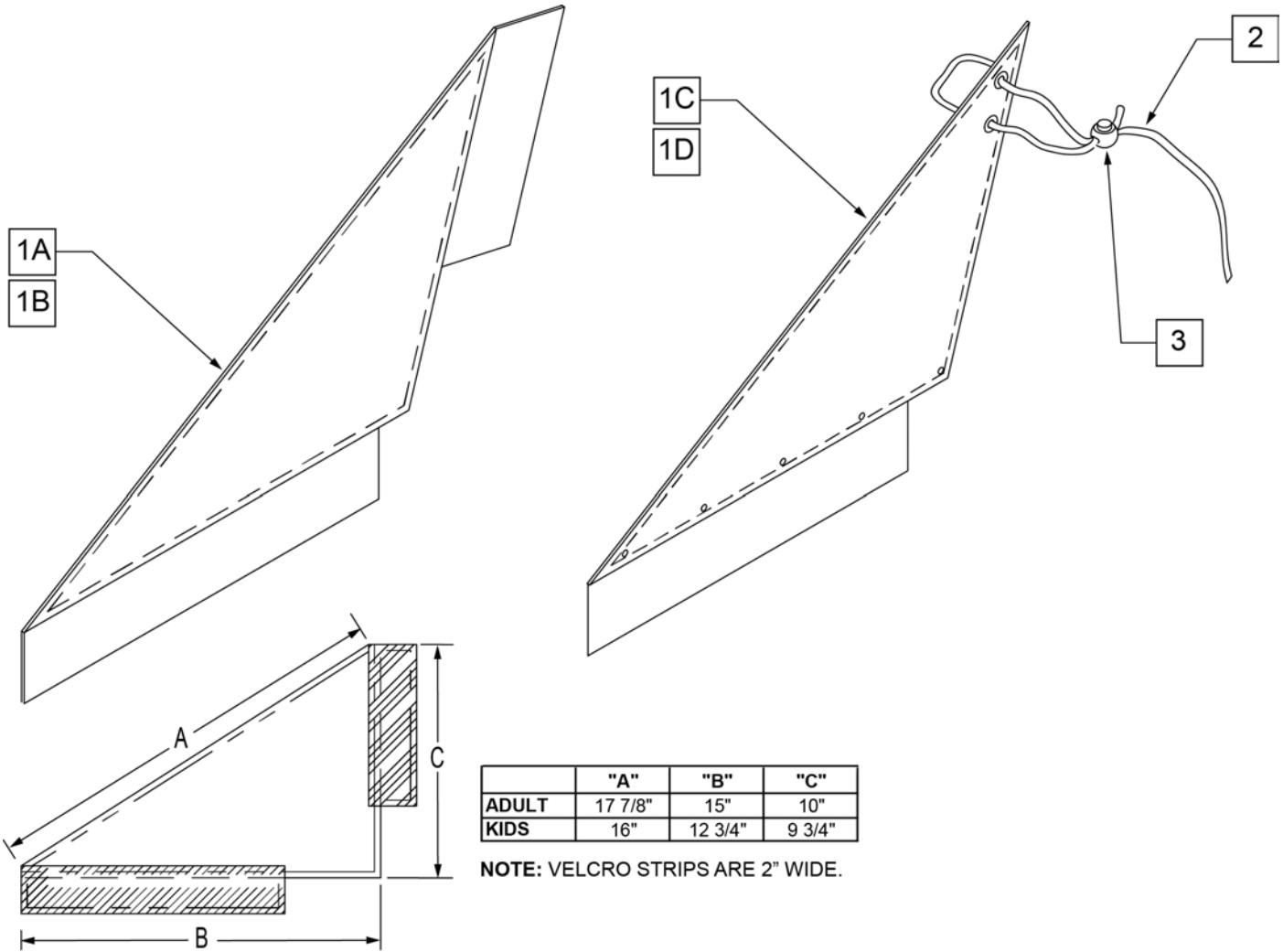
Pos.	Item Number	Description	Remarks
14	116268	OVAL CLAMP ASSM KIT	Kit contains 1 Clamp
15	159122	POSITIONING BELT CLAMPS PR	Pair
16	123534	POS BELT CLAMP KIT RPO	Set of 2
18	450418-QU	BELT 2" AIRCRAFT BUCKLE	Max length of belt 64"
18	450423-QU	BELT 2" AIRCRAFT BUCKLE W/PAD	Max length of belt 64"
18	450424	BELT 2" AIRCRAFT BKL LONG W/PAD	Max length of belt 72"
18	450425	BELT 2" AIRCRAFT BKL LONG	Max length of belt 72"
18	450419-QU	BELT 2" AIRCRAFT BKL W/QUAD LP	Max length of belt 64"
18	468419	BELT 2" AIRCRAFT BKL W/QD LPCZ	Max length of belt 64"
17,18	136464	AIRCRAFT HIP BELT 2" KIT	ZP Xcape: includes Belt & Attachment Kit
17,18	136465	AIRCRAFT HIP BELT 2" PAD KIT	ZP Xcape: includes Belt & Attachment Kit

NOTE: when mounting Positioning Belts to the 5R, GT or GTI, it is recommended to attach the belt by using the Backrest Support Bracket Hardware.

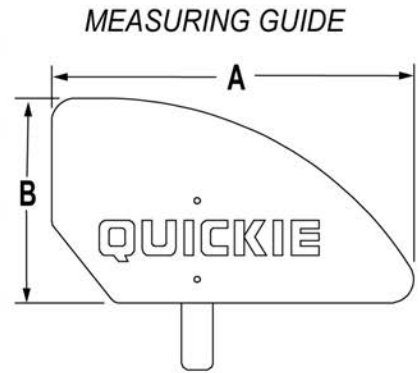
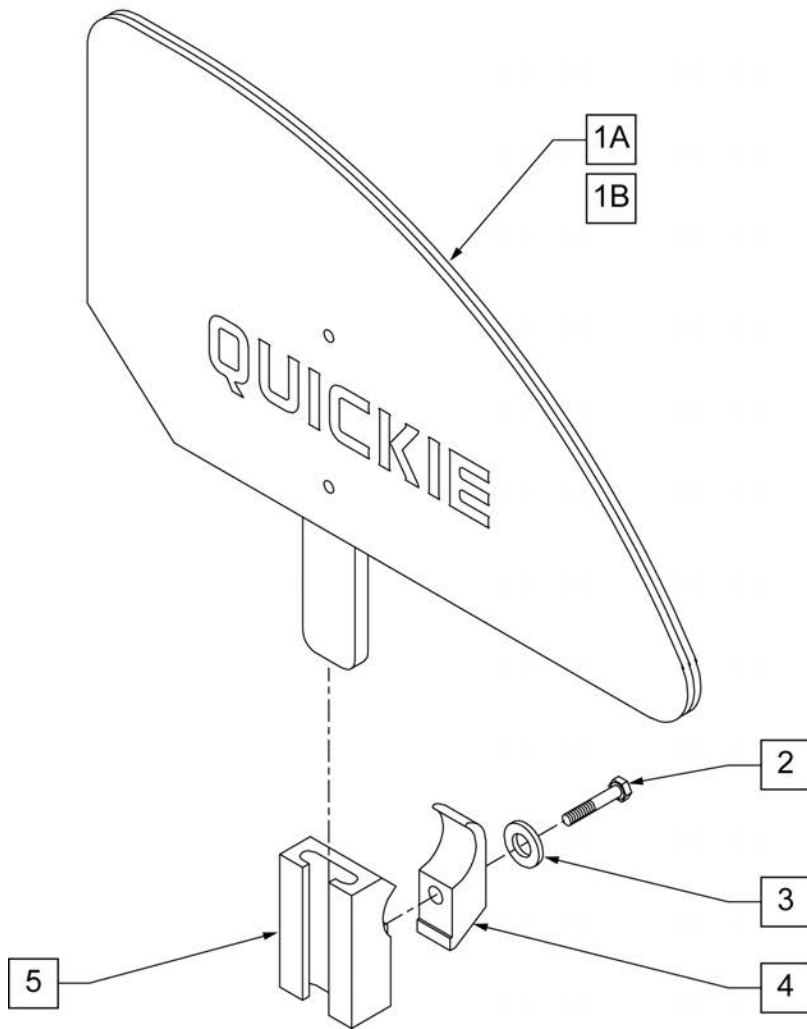


Pos.	Item Number	Description	Remarks
1	102263-003	SHCS M6 X 1 X 25 W/PL INORG	Metric
2	250104	WASHER FLAT M6	Metric
3	103185-005	BHCS M6 X 1 X 12 FULL PL	Metric
4	106943	WASHER FLAT AN 1/4 ROHS	Imperial (standard)
5	226154	1/4-20 X 1/2 BH C/S W/PATCH	Imperial (standard)
6	221116	1/4-20 X 1 SOC HD BLK	Imperial (standard)
7	230113	BHCS M6 X 1 X 12	
8	050129-001	LOCKWASHER HIGH COLLAR M6	
9	104381	NUT HEX NYLOCK M6 X 1.0	
10	107383	WASHER FLAT M6	
11	102268-002	HHCS M6 X 1 X 35 BLK	
12	120750	PSTN BELT CLAMP ASSM PR	Metric; Pair
13	900116	POSITION BELT ATTACHMENT KIT	Set of 2; Imperial (standard)
14	116268	OVAL CLAMP ASSM KIT	Kit contains 1 Clamp

Pos.	Item Number	Description	Remarks
15	159122	POSITIONING BELT CLAMPS PR	
16	123534	POS BELT CLAMP KIT RPO	Set of 2
18	750276	1 1/2" POSITION BELT	AUTOSTYLE-64" Max length of belt.
16,18	124269	AUTO POS BELT W/CLAMPS RPO	QRI: includes Belt & Attachment Kit
17,18	136463	AUTO HIP BELT 1.5" KIT	ZP Xcape: includes Belt & Attachment Kit



Pos.	Item Number	Description	Remarks
1A	750400	SIDE GUARD REG Q1 R	RIGHT-ADULT-Used w/ Straight Back
1A	750401	SIDE GUARD REG Q1 L	LEFT-ADULT-Used w/ Straight Back
1A	901102	SIDE GUARDS REG NF	PAIR-ADULT-Used w/ Straight Back
1B	901100	SIDE GUARDS KIDS NF	PAIR-KIDS-Used w/ Straight Back
1C	750240	SIDE GUARD FABRIC SHORT Q2 R	RIGHT-KIDS-Used w/ Integral Push Handle
1C	750241	SIDE GUARD FABRIC SHORT Q2 L	LEFT-KIDS-Used w/ Integral Push Handle
1D	750434	SIDE GUARD REG W/VELCRO R	RIGHT-ADULT-Used w/ Integral Push Handle
1D	750435	SIDE GUARD REG W/VELCRO L	LEFT-ADULT-Used w/ Integral Push Handle
2	750050	SIDE GUARD LACE Q2	
3	560220	B-LOCK	
1C,2,3	901121	SIDE GUARDS KIDS FABRIC Q2 NEW	PAIR-KIDS-Used w/ Integral Push Handle
1D,2,3	901109	SIDE GUARDS REG EX/RV	PAIR-ADULT-Used w/ Integral Push Handle

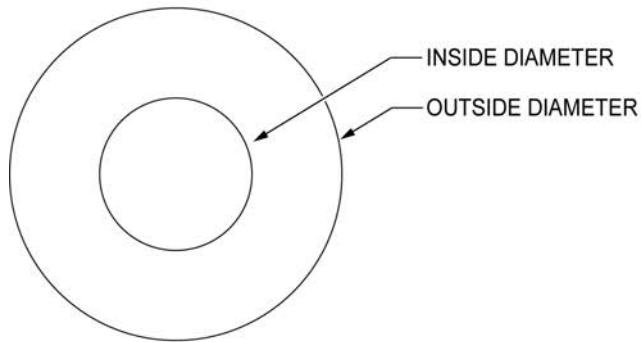
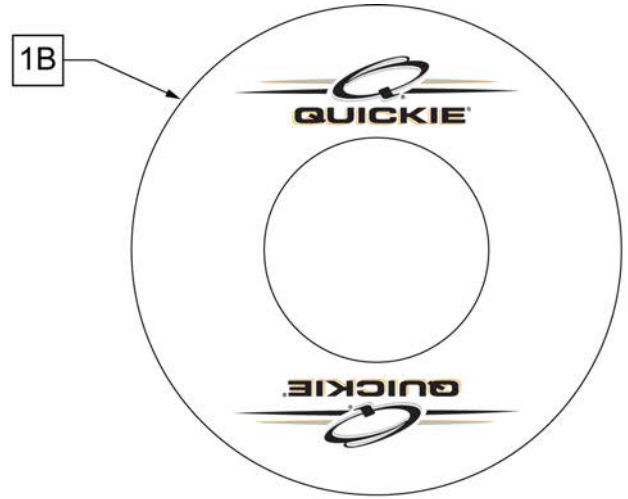
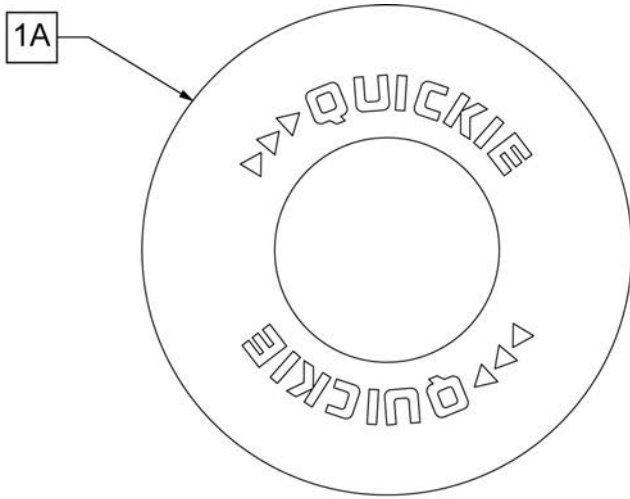


	"A"	"B"
ADULT	12 3/4"	8 5/8"
KIDS	11 1/2"	6 1/2"

NOTE: STANDARD (ADULT) SIDE GUARD FITS 14-20" DEPTHS, KIDS SIDE GUARD FITS 10-13" DEPTHS.

Pos.	Item Number	Description	Remarks
1A	881150	PLASTIC SIDE GUARD KIDS R	
1A	881151	PLASTIC SIDE GUARD KIDS L	
1B	881152	PLASTIC SIDE GUARD STD R	
1B	881153	PLASTIC SIDE GUARD STD L	
2	106971	1/4-28 x 1 3/8 HEX C/S	
3	106944	1/4 AN WASHER FLAT THIN	
4	550251	CLAMP P300 CHARGING/ADJ FL KIDS	
5	550325	SIDE GUARD/KIDZ ARM RECEIVER	
2-5	881200	SIDE GUARD/KIDZ ARM RECEIVER W/CLAMP	
1A,2-5	901111	PLASTIC SIDE GUARD KIDS ASSM W/CLAMP	Pair
1B,2-5	901110	PLASTIC SIDE GUARD STD ASSM W/CLAMP	Pair

Note: Not available with 5 Spoke Mag or Xtender wheels. Not available with Projection style handrims.



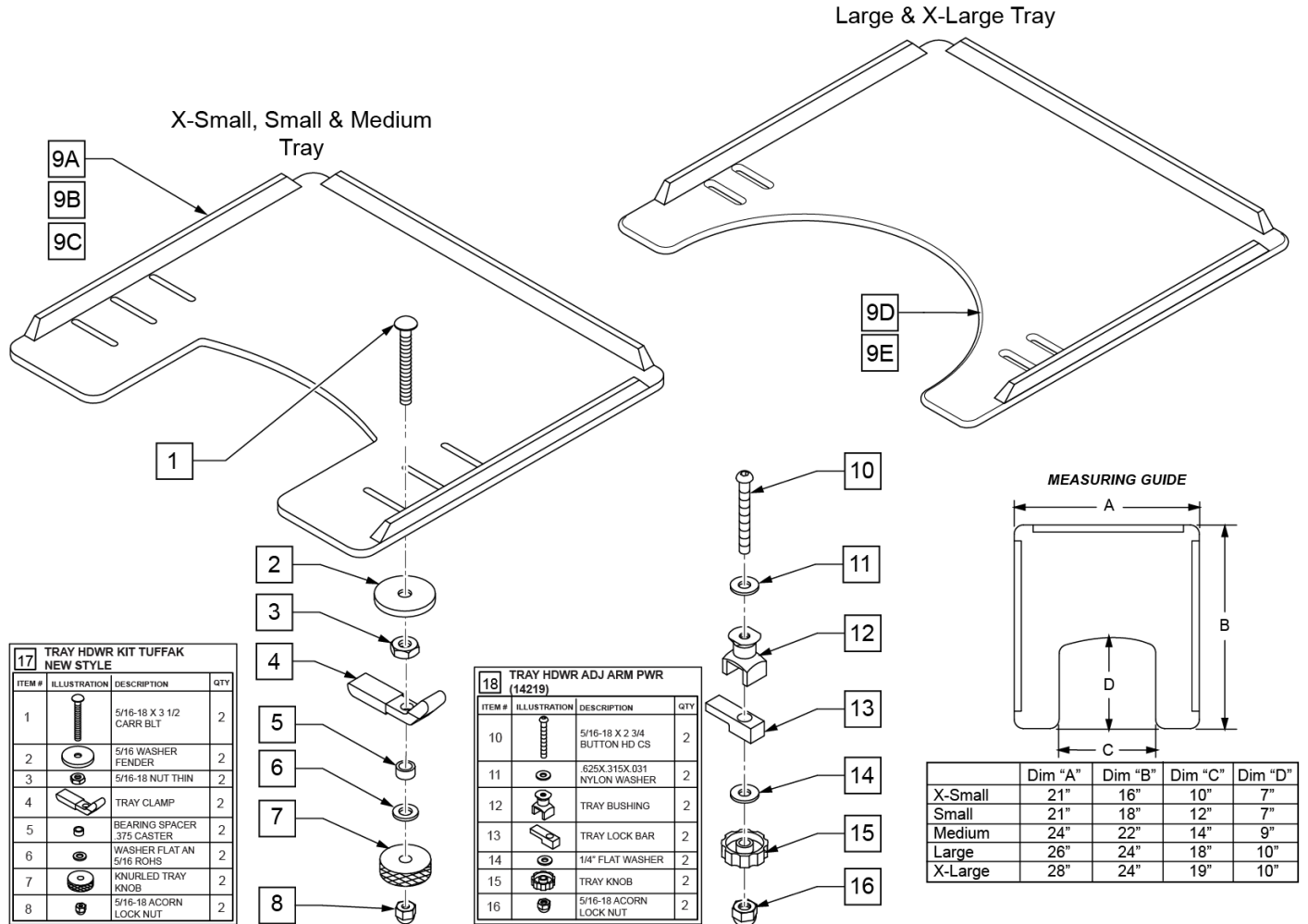
SPOKE GUARD MEASURING GUIDE

PART NUMBER	INSIDE DIAMETER	OUTSIDE DIAMETER
902001	8 1/4	15 7/8
902011	8 1/4	18 1/8
902021	10 1/4	19 5/8
902025	10 1/4	20 3/8
902037	10 1/4	21 7/8
902038	10 1/4	23 3/8
103660-001	8 1/4	16
103660-002	8 1/4	18
103663-001	10 1/4	20 1/2
103663-002	10 1/4	23 1/2
103734-001	10 1/4	19 1/4
103734-002	10 1/4	22
119336	10 1/4	19 1/4

Pos.	Item Number	Description	Remarks
>>>>		BLACK SPOKE GUARDS	
1A	902001	SPK GRDS 20" QUICKIE BLK	PR-Black-fits 20" Whls
1A	902011	SPK GRDS 22" QUICKIE BLK	PR-Black-fits 22" Whls, 24" (540) Whls w/ Proj HR, 24" Mountain Spoke Whls, M6 24" (540) Spoke Whls
1A	902021	SPK GRD 24" QUICKIE SCR MT BLK	PR-Black-fits 24" (540) Mag & Spoke Whls
1A	902025	SPK GRD 24" QUICKIE TAB MT BLK	PR-Black-fits 25" (559) Spk Whls & 26" Mountain Spoke Whls
1A	902037	SPK GRD 26" QUICKIE TAB MT BLK	PR-Black-fits 26" (590) Whls
1A	902038	SPK GRD 26" QUICKIE HT BLK	PR-Black-fits 27" (700) Whls
>>>>		CLEAR SPOKE GUARDS	
1B	103660-001	CLEAR SPOKE GUARD 20"	PR-Clear-fits 20" Whls
1B	103660-002	CLEAR SPOKE GUARD 22"	PR-Clear-fits 22" Whls, 24" (540) Whls w/ Proj HR, 24" Mountain Spoke Whls, M6 24" (540) Spoke Whls
QUICKIE 2/2 HP (Chairs w S/N Prefix Q2) PAGE 359			
1B	103734-001	SPOKE GUARD 24" CLR	PR-Clear-fits 24" (540) Spoke Whls

Note: when adding a Tray to an existing chair with Desk or Full Length Arm Pads, add 1" to current seat width to achieve the best tray size.

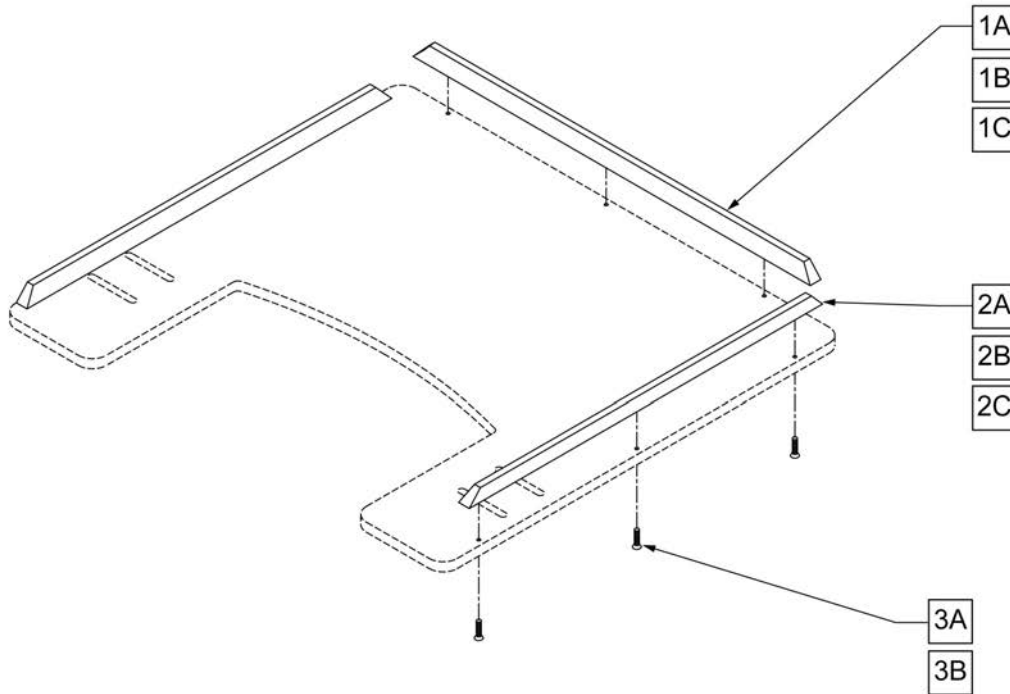
Note: Large and X-Large Trays have a round cut-out.



Pos.	Item Number	Description	Remarks
1	226199	5/16-18 x 3 1/2 CARR BOLT	
2	263112	5/16 WASHER FENDER	
3	202110	5/16-18 NUT THIN	
4	550400	TRAY CLAMP	
5	481113	SPACER 5/16 X .380	
6	263100	5/16 AN WASHER FLAT	
7	483026	KNURLED TRAY KNOB	
8	202114	5/16-18 ACORN LOCK NUT	
9A	562619	TRAY TOP EX-SM W/RAIL	
9B	562620	TRAY TOP SM W/RAIL	
9C	562621	TRAY TOP MED W/RAIL	
9D	562622	TRAY TOP LRG W/RAIL	

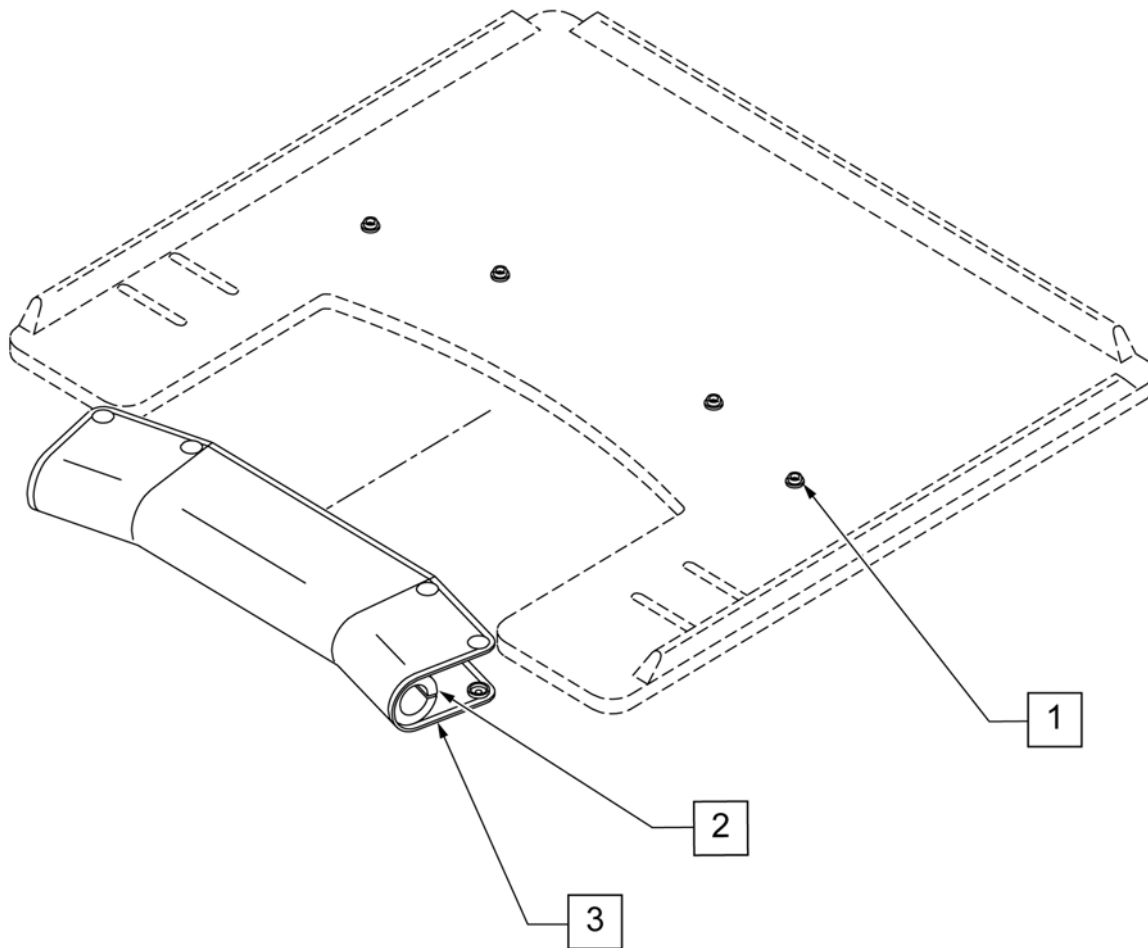
Pos.	Item Number	Description	Remarks
9E	562623	TRAY TOP X-LRG W/RAIL	
17	881051	TRAY HARDWARE KIT TUFFAK NEW STYLE	Pair
18	881053	TRAY HARDWARE ADJ ARM PWR (14219)	Pair
1-8,9A	902306	TRAY ASSEMBLY EX-SM TUFFAK (10 -12")	Fits 10"-12" wide chairs
1-8,9B	902303	TRAY ASSEMBLY SM TUFFAK (13 -14")	Fits 13"-14" wide chairs
1-8,9C	902304	TRAY ASSEMBLY MED TUFFAK (15 -17")	Fits 15"-17" wide chairs
1-8,9D	902305	TRAY ASSEMBLY LRG TUFFAK (18 -20")	Fits 18"-20" wide chairs
1-8,9E	902309	TRAY ASSEMBLY X-LRG TUFFAK (21 -22")	Fits 21"-22" wide chairs
9A,10-16	902330	TRAY ASSM X-SM TFK 10-12/CAM	Fits 10"-12" wide chairs
9B,10-16	902331	TRAY ASSM SM TUFFAK 13-14/CAM	Fits 13"-14" wide chairs
9C,10-16	902332	TRAY ASSM MED TUFFAK 15-17/CAM	Fits 15"-17" wide chairs
9D,10-16	902333	TRAY ASSM LRG TUFFAK 18-20/CAM	Fits 18"-20" wide chairs

NOTE: ONE 19" RIB AND TWO 15 1/2" RIBS FIT THE EXTRA-SMALL, SMALL, 9-0 AND 9-1 TRAY TABLES. ONE 21" RIB AND TWO 19" RIBS FIT THE MEDIUM AND 9-2 TRAY TABLES. ONE 23 1/2" RIB AND TWO 21" RIBS FIT THE LARGE, 9-2, 9-5, AND 9-6 TRAY TABLES.

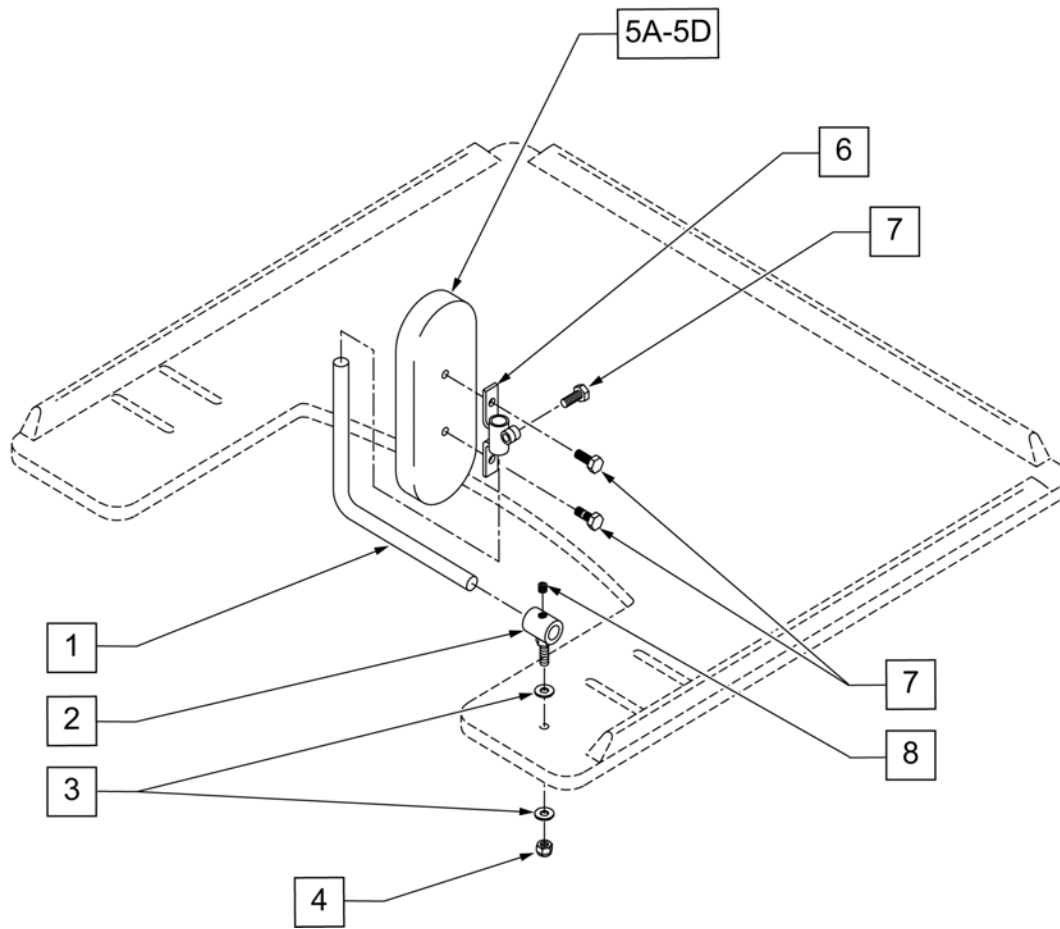


Pos.	Item Number	Description	Pos.	Item Number	Description
1A	9004	19" WOOD TRAY RIBS	2A	9004	19" WOOD TRAY RIBS
1A	9005	21" WOOD TRAY RIBS	2A	9005	21" WOOD TRAY RIBS
1A	9006-QU	23 1/2" WOOD TRAY RIBS	2B	9007-QU	15 1/2" HEAVY DUTY RIB FOR WOOD TRAY
1B	9010	19" HEAVY DUTY RIB FOR WOOD TRAY	2B	9010	19" HEAVY DUTY RIB FOR WOOD TRAY
1B	9013	21" HEAVY DUTY RIB FOR WOOD TRAY	2B	9013	21" HEAVY DUTY RIB FOR WOOD TRAY
1B	9016	23 1/2" HEAVY DUTY RIB FOR WOOD TRAY	2C	9008-QU	15 1/2" HEAVY DUTY RIB FOR 3/8" TUFFAK
1C	9011-QU	19" HEAVY DUTY RIB FOR 3/8" TUFFAK	2C	9011-QU	19" HEAVY DUTY RIB FOR 3/8" TUFFAK
1C	9014	21" HEAVY DUTY RIB FOR 3/8" TUFFAK	2C	9014	21" HEAVY DUTY RIB FOR 3/8" TUFFAK
1C	9017	23 1/2" HEAVY DUTY RIB FOR 3/8" TUFFAK	3A	2268	#6 x 5/8" OVAL PHILLIPS SCREW
2A	9003	15 1/2" WOOD TRAY RIBS	3B	230047	#6 x 3/4" FH PHIL S/M SCREW

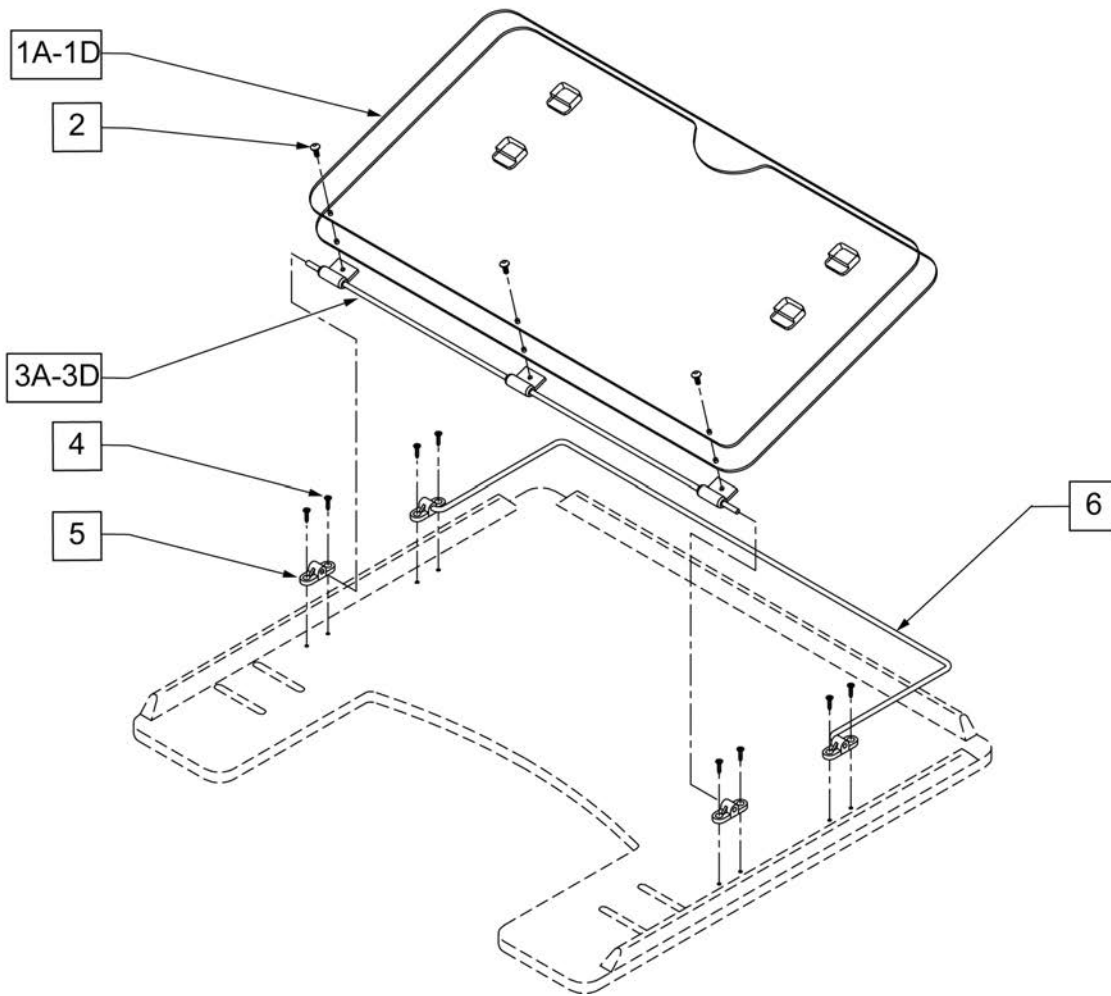
Note: Pad cannot be added to an existing tray as snaps must be installed at the factory to function correctly.



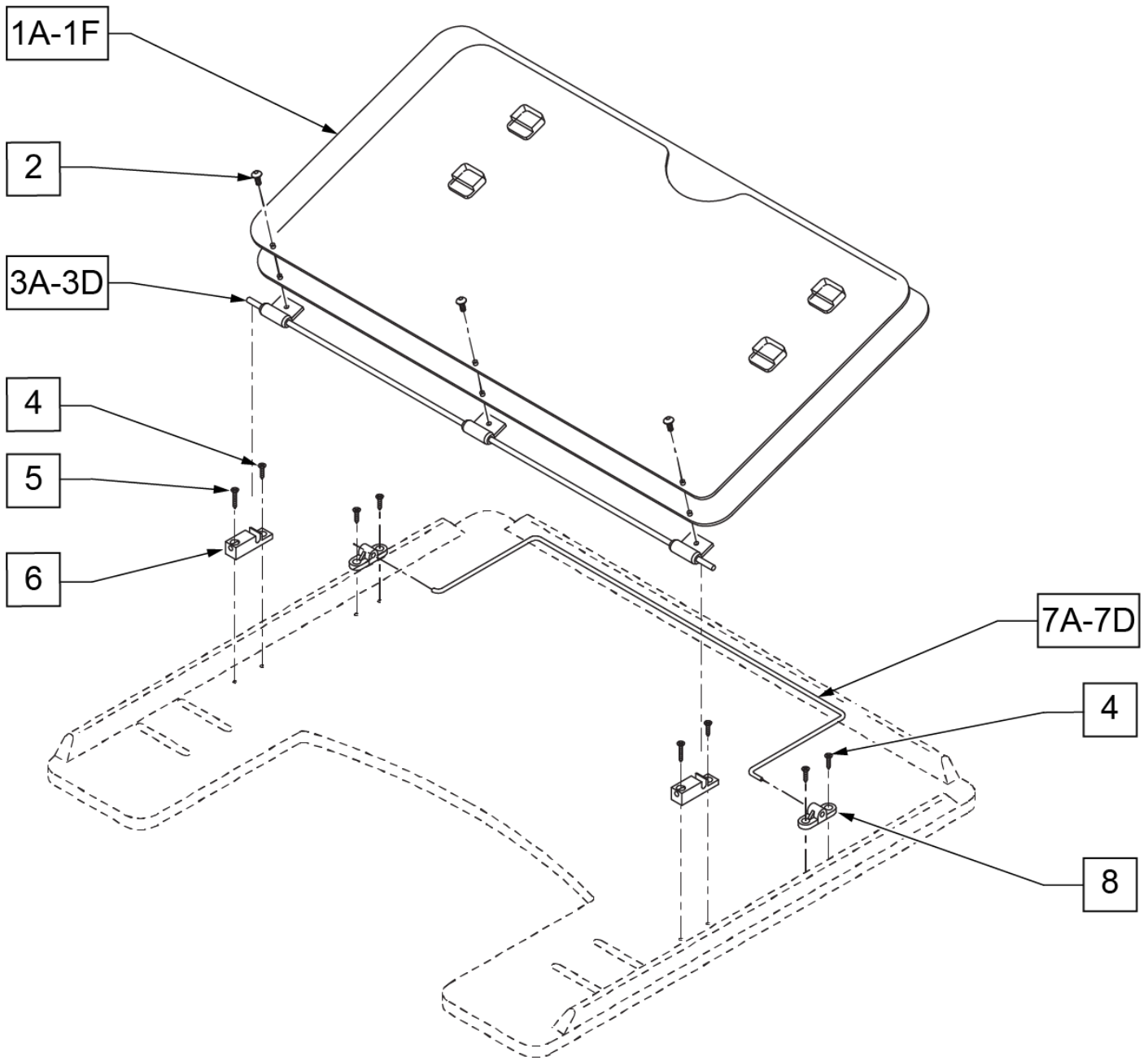
Pos.	Item Number	Description	Remarks
1-3	9PS	PADDED STOMACH CUT OUT	(SPECIFY COLOR)



Pos.	Item Number	Description	Remarks
1	450752	HEADREST ADJUSTMENT BAR	
2	450751	HEADREST PAD BUSHING	
3	2702	#10 SAE FLAT WASHER	
4	106932	1/4 -20 NYLOCK NUT HIGH	
5A	15022	4X6 RECTANGULAR PAD	
5B	15013	5 x 7 OVAL PAD	
5C	755020	4 x 5 OVAL PAD	
5D	15018	4 x 6 OVAL PAD	
6	450750	HEADREST PAD BRACKET	
7	221105-QU	1/4-20 x 3/4" HEX C/S	
8	2270	5/16-18 x 1/4" SOC SET SCREW	
1-4,5A,6-8	14980A	TRAY PROTRACTION ASSM-4X6 RECT	PAIR
1-4,5B,6-8	14980B	TRAY PROTRACTION ASSM-5X7 OVAL	PAIR
1-4,5C,6-8	14980D	TRAY PROTRACTION ASSM-4X5 OVAL	PAIR
1-4,5D,6-8	14980E	TRAY PROTRACTION ASSM-4X6 OVAL	PAIR

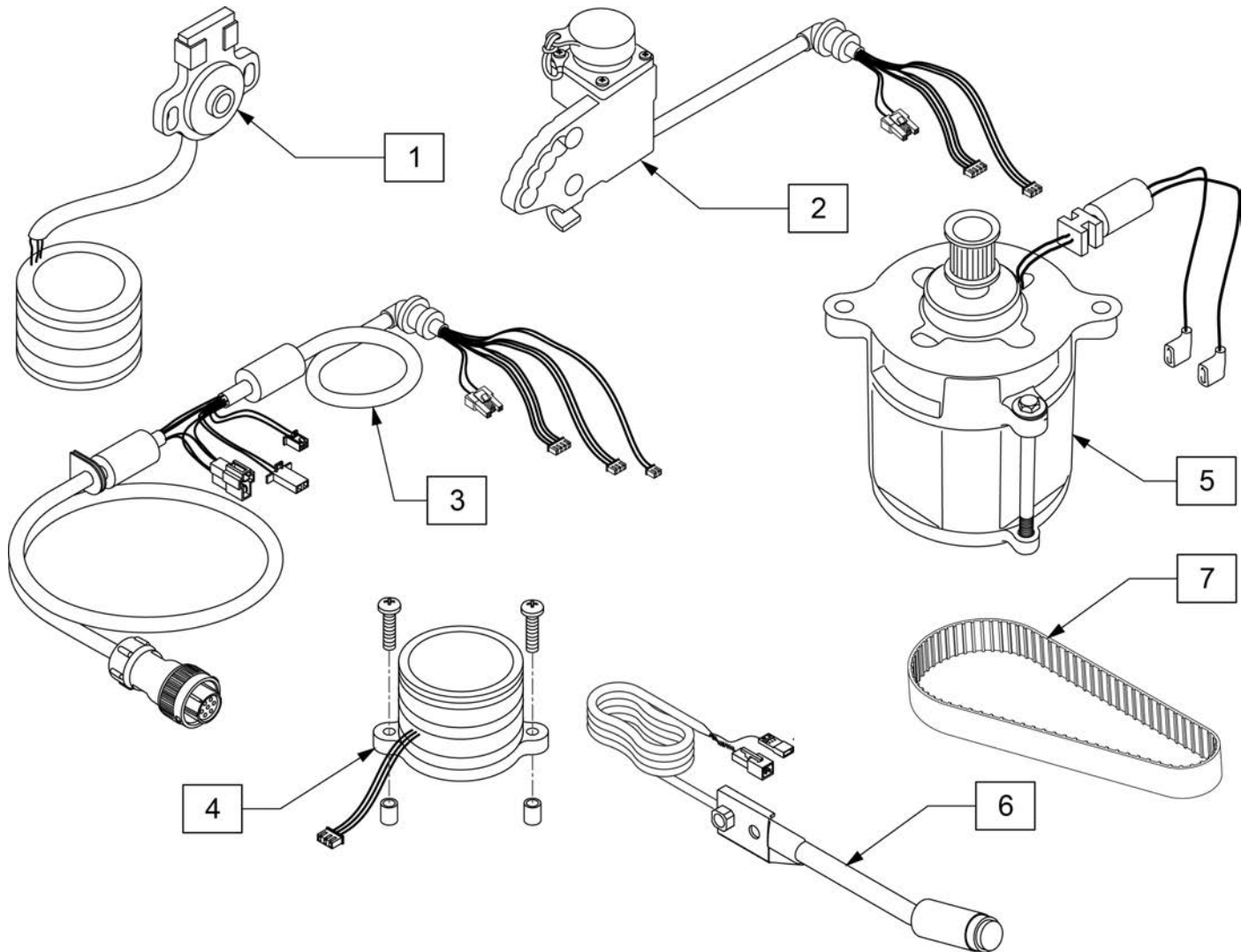


Pos.	Item Number	Description
1A,2	17916	9-1 STYLE 3 OVERLAY ONLY
1B,2	17917	9-2 STYLE 3 OVERLAY ONLY
1C,2	17918	9-5 STYLE 3 OVERLAY ONLY
1D,2	17939	9-6 STYLE 3 OVERLAY ONLY
2	226017	10-32 x 3/8 BH C/S BLK
3A	17922	9-1 HINGED OVERLAY PIVOT BAR
3B	17923	9-2 HINGED OVERLAY PIVOT BAR
3C	17924	9-5 HINGED OVERLAY PIVOT BAR
3D	17929	9-6 HINGED OVERLAY PIVOT BAR
4	2266	#6 x 1/2" FL DH PHL SCREW
5	4061	TRAY OVERLAY MOUNTING BRACKET
6A	17925	TRAY OVERLAY ROD
6B	17926	9-2 OVERLAY ROD
6C	17927	9-5 OVERLAY ROD
6D	17928	9-6 TRAY OVERLAY ROD
1A,2,3A,4,5,6A	17919	9-1 STYLE 3 OVERLAY ASSM
1B,2,3B,4,5,6B	17920	9-2 STYLE 3 OVERLAY ASSM
1C,2,3C,4,5,6C	17921	9-5 STYLE 3 OVERLAY ASSM
1D,2,3D,4,5,6D	17902	9-6 STYLE 3 OVERLAY ASSY

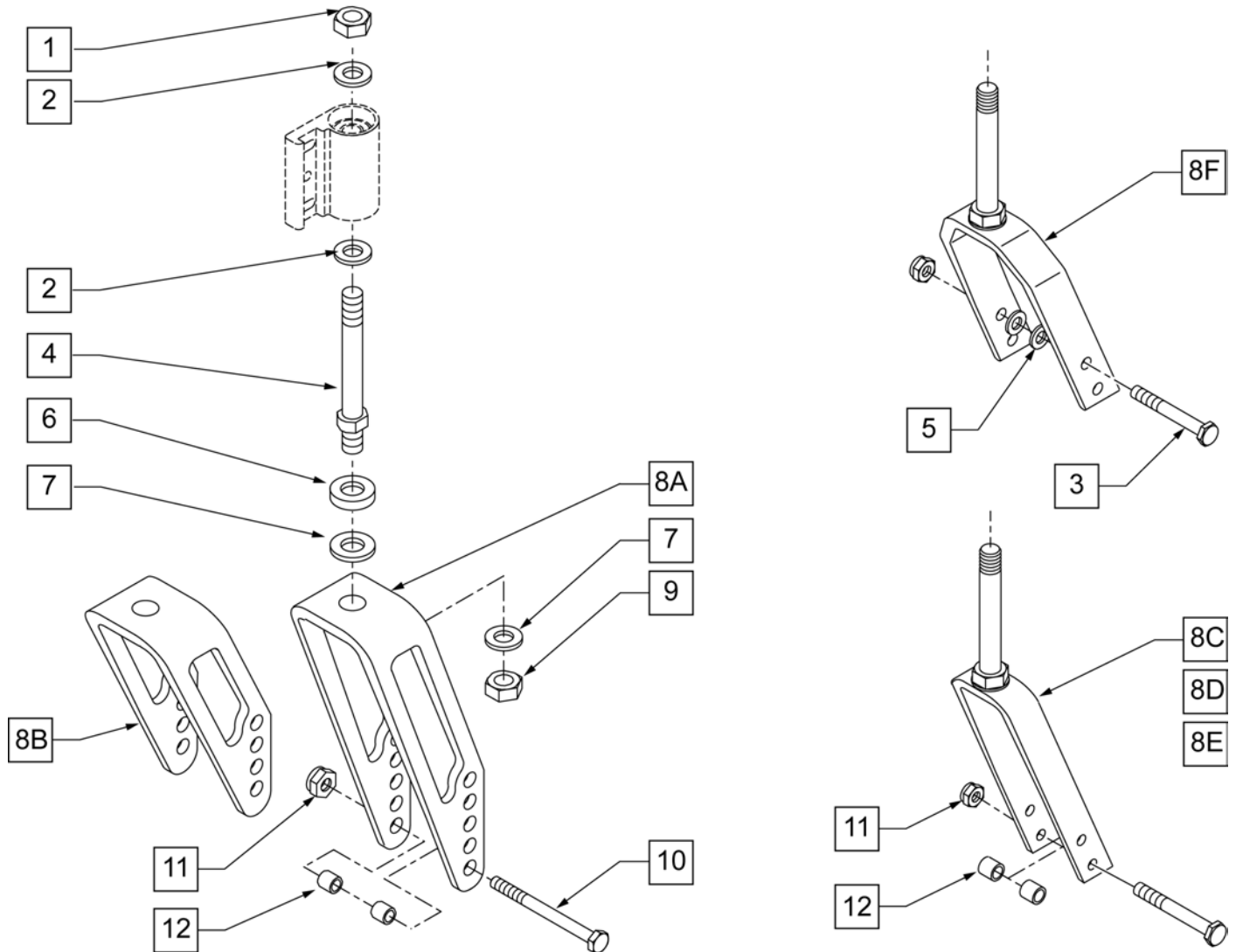


Pos.	Item Number	Description
1A	17935	9-1 STYLE 2 OVERLAY
1B	17936	9-2 STYLE 2 OVERLAY
1C	17937	9-5 STYLE 2 OVERLAY
1D	17938	9-6 STYLE 2 OVERLAY
1E	17930	STYLE #1 LEARNING BOARD
1F	17931	STYLE #1 FULL LEARNING BOARD
1A,2	17916	9-1 STYLE 3 OVERLAY ONLY
1B,2	17917	9-2 STYLE 3 OVERLAY ONLY
1C,2	17918	9-5 STYLE 3 OVERLAY ONLY
1D,2	17939	9-6 STYLE 3 OVERLAY ONLY
2	226017	10-32 x 3/8 BH C/S BLK

Pos.	Item Number	Description
3A	17922	9-1 HINGED OVERLAY PIVOT BAR
3B	17923	9-2 HINGED OVERLAY PIVOT BAR
3C	17924	9-5 HINGED OVERLAY PIVOT BAR
3D	17929	9-6 HINGED OVERLAY PIVOT BAR
4	2266	#6 x 1/2" FL DH PHL SCREW
5	230047	#6 x 3/4" FH PHIL S/M SCREW
6	14232	TRAY OVERLAY - QUICK RELEASE
7A	17925	TRAY OVERLAY ROD
7B	17926	9-2 OVERLAY ROD
7C	17927	9-5 OVERLAY ROD
7D	17928	9-6 TRAY OVERLAY ROD
8	4061	TRAY OVERLAY MOUNTING BRACKET
1A,2,3A,4-6,7A,8	17903	9-1 STYLE 3A OVERLAY ASSEMBLY
1B,2,3B,4-6,7B,8	17904	9-2 STYLE 3A OVERLAY ASSEMBLY
1,2,3C,4-6,7C,8	17905	9-5 STYLE 3A OVERLAY ASSEMBLY
1,2,3D,4-6,7D,8	17906	9-6 STYLE 3A OVERLAY ASSEMBLY



Pos.	Item Number	Description
1	107008	YAMAHA SENSOR KIT
2	107005	YAMAHA RECEPTICAL KIT
3	107010	YAMAHA COUPLER HRNS
4	107007	YAMAHA ROTARY TRANS KIT
5	107009	YAMAHA MOTOR REPLACEMENT KIT
6	107012	YAMAHA SWITCH KIT
7	107006	YAMAHA DRIVE BELT KIT

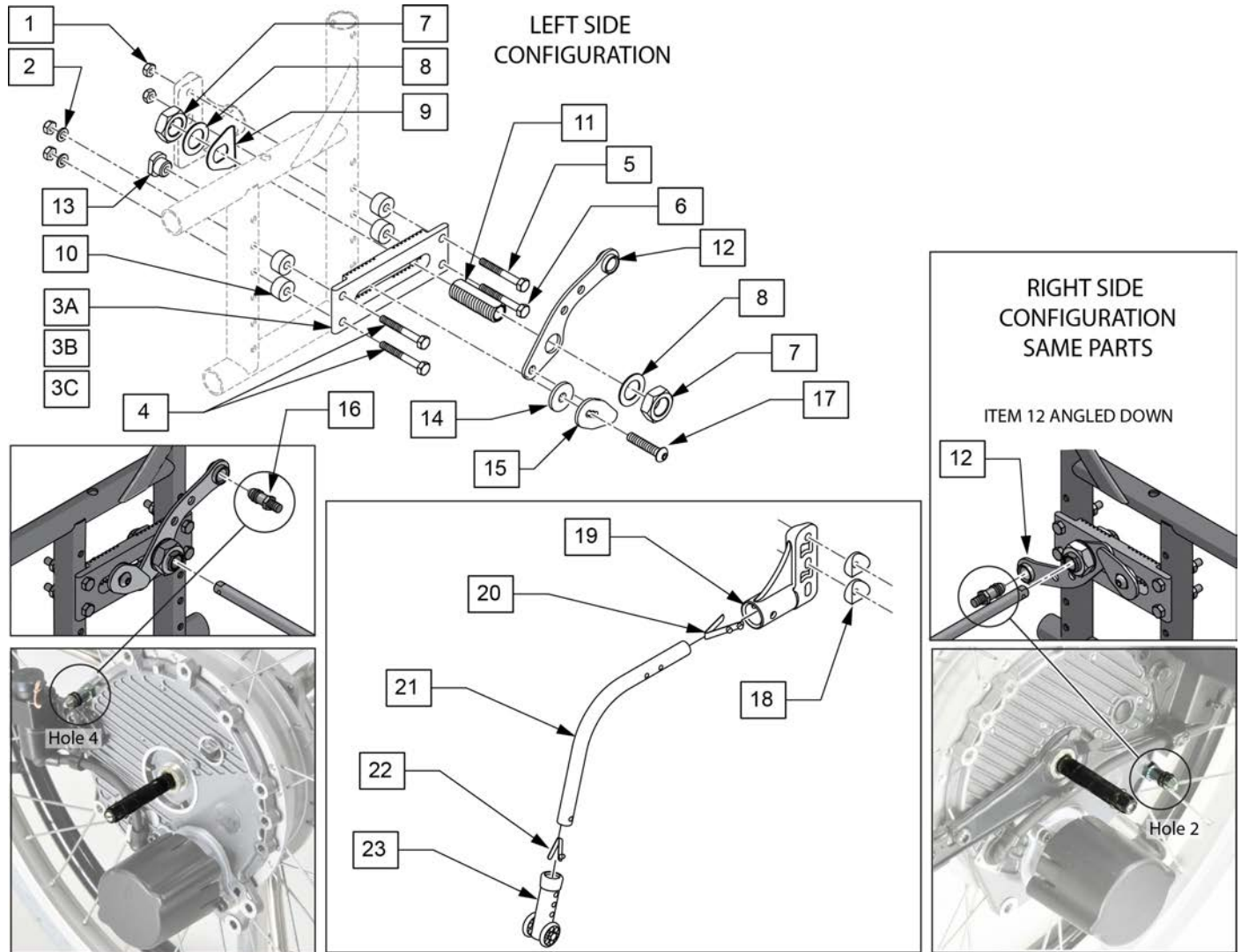


Pos.	Item Number	Description
1	106940	1/2-20 NYLOCK NUT
2	106949	1/2 AN WASHER FLAT
3	222253	5/16-24 x 3 1/4 HEX C/S
4	481712	CASTER STEM P1/P5
5	106947	5/16 AN WASHER FLAT THIN
6	483254	SPACER .5 ID x .88 OD x .125
7	106949	1/2 AN WASHER FLAT
8A	550644	MULTI-POSITION FORK TALL
8B	550646	MULTI-POSITION FORK SHORT
8C	550280	5-1/4 FORK ONLY BLK
8D	550290	6" FORK ONLY BLK
8E	550300	7" FORK ONLY BLK
8F	550730	8 x 2 FORK ONLY
9	106940	1/2-20 NYLOCK NUT
10	106987	5/16-24 x 2 1/2 HEX C/S
11	106939	5/16-24 NYLOCK NUT THIN
12	481113	SPACER 5/16 x .380

Pos.	Item Number	Description
4,6,7,8A,9	780236	MULTI POS FORK TALL STD STEM
4,6,7,8B,9	780239	MULTI POS FORK SHORT STD STEM
4,6,7,8C,9	785450	5-1/4 P1/P5 STEM BLK
4,6,7,8D,9	785451	6 P1/P5 STEM BLK
4,6,7,8E,9	785452	7 P1/P5 STEM BLK
4,6,7,8F,9	785453	8 x 2 P1/P5 STEM BLK
1,2,4,6,7,8A,9-12	780330	M/P FORK TALL STD STM W/HDWR
1,2,4,6,7,8B,9-12	780333	M/P FORK SHORT STD STM W/HDWR
1,2,4,6,7,8C,9-12	780830	5 1/4 P1/P5 STEM W/HDWR BLK
1,2,4,6,7,8D,9-12	780658	6 P1/P5 STEM W/HDWR BLK
1,2,4,6,7,8E,9-12	780876	7 P1/P5 STEM W/HDWR BLK
1-7,8F,9-12	780918	8 x 2 P1/P5 STEM W/HDWR BLK

Note: When adding the Yamaha Xtender to an existing Quickie 2 chair, the rear side frames can not be curved, they must be straight as shown.

Note: The Yamaha Xtender is not transit approved and can not be added to a chair that is transit approved.

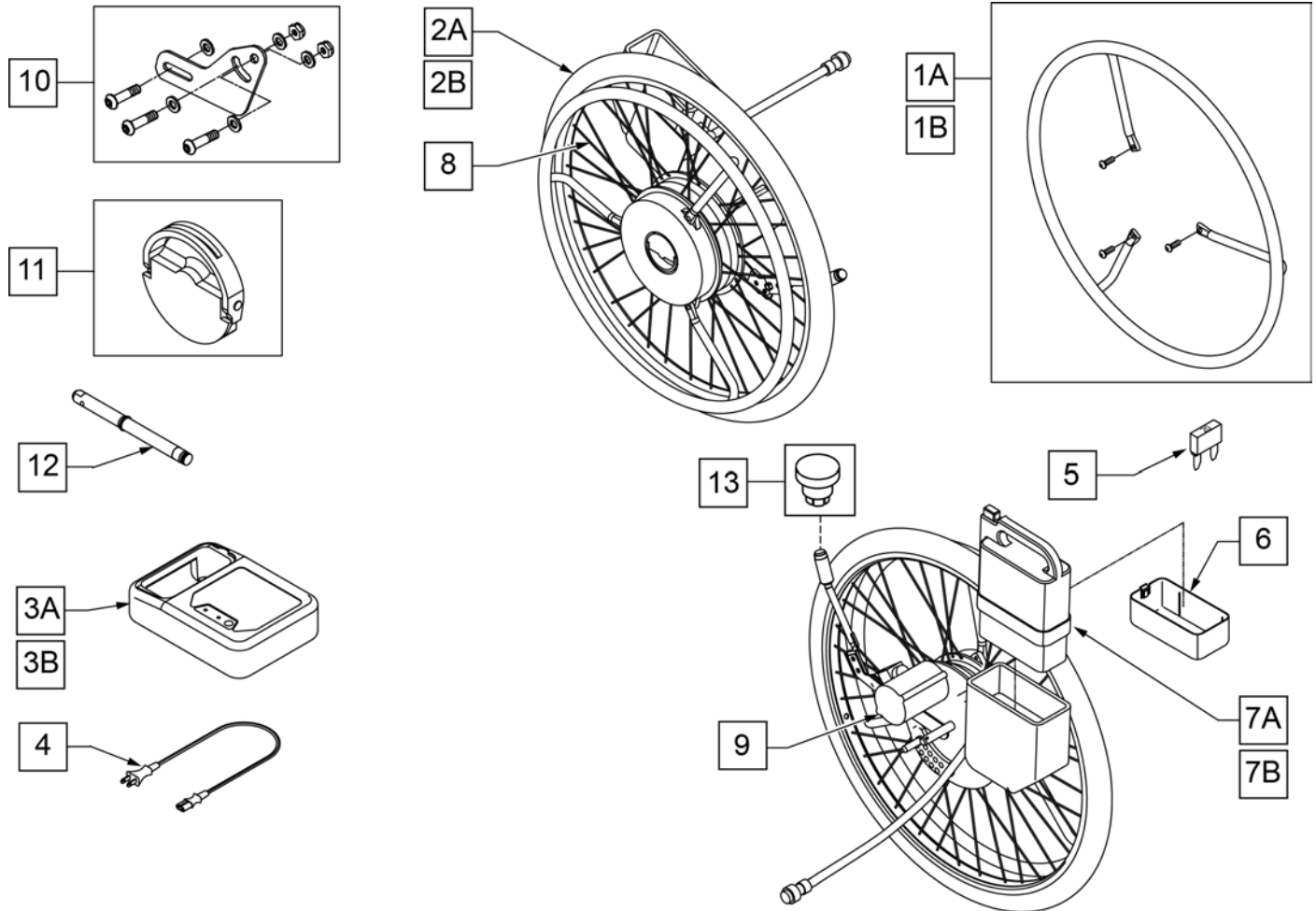


Pos.	Item Number	Description	Remarks
1	106934	1/4-28 NYLOCK NUT	
2	106943	WASHER FLAT AN 1/4 ROHS	
3A	502000	AXLE PLATE Q2/HP/ZP2 INDEX	
3B	502018	CURVED PLATE Q2/HP/ZP2 INDEX	
3C	550645	OFFSET AXLE PLATE	
4	109265	HHCS 1/4-28 X 2-1/2	
5	221201	1/4-28 X 3 G8 HEX C/S	
6	107264	HHCS 1/4-28 X 2-3/4 PL ROHS	
7	116569	NUT HEX 3/4-16 BLACK ZINC	
8	116570	WASHER FLAT 3/4 X 1.25 BLK ZNC	

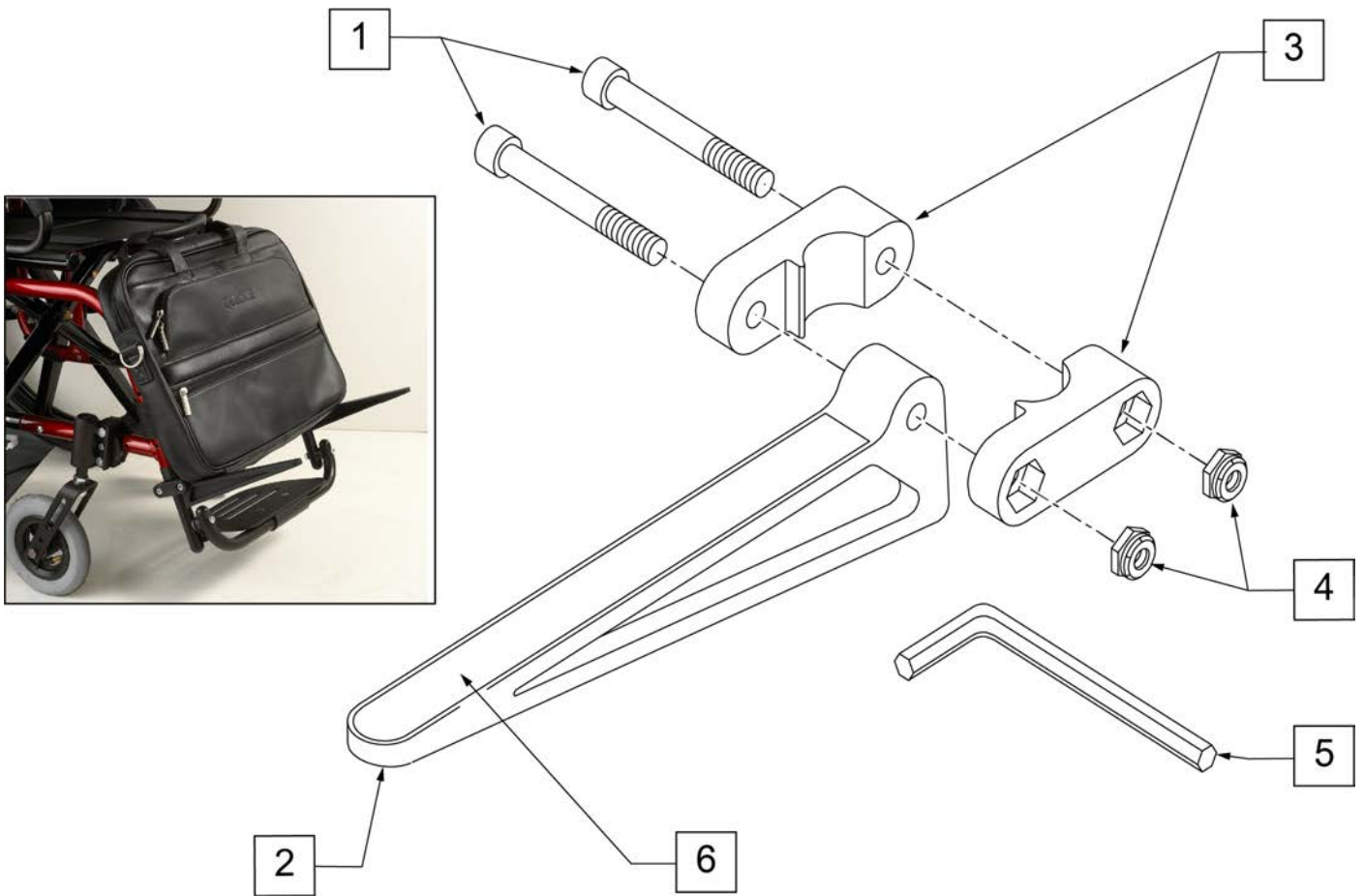
Pos.	Item Number	Description	Remarks
9	505015	INDEX AXLE WASHER	
10	330031	SUSPENSION SPACER 1/2" P3	
11-17	125331	XTENDER UNIVERSAL BRACKET KIT	
18	561001	1 1/8" SADDLE 1/4" HOLE	
19	920407	ANTI-TIP RECEIVER PR	PAIR
20	301109	SNAP BUTTON DUAL ONE SIDE	
22	301100	1/4" SNAP BTTN SINGLE	
23	881513	ANTI-TIP SLV W/WHLS BLK - 5H (EA)	
20-23	881128	MED ANTI TIP ASSM RT BLK	
20-23	881129	MED ANTI TIP ASSM LT B	
20-22	883008	MED ANTI TIP TUBE R W/ SNAP BUTTON	RIGHT
20-22	883009	MED ANTI TIP TUBE L W/ SNAP BUTTON	LEFT

Note: If replacing or retrofitting an Xtender, please contact Customer Service to ensure compatibility.

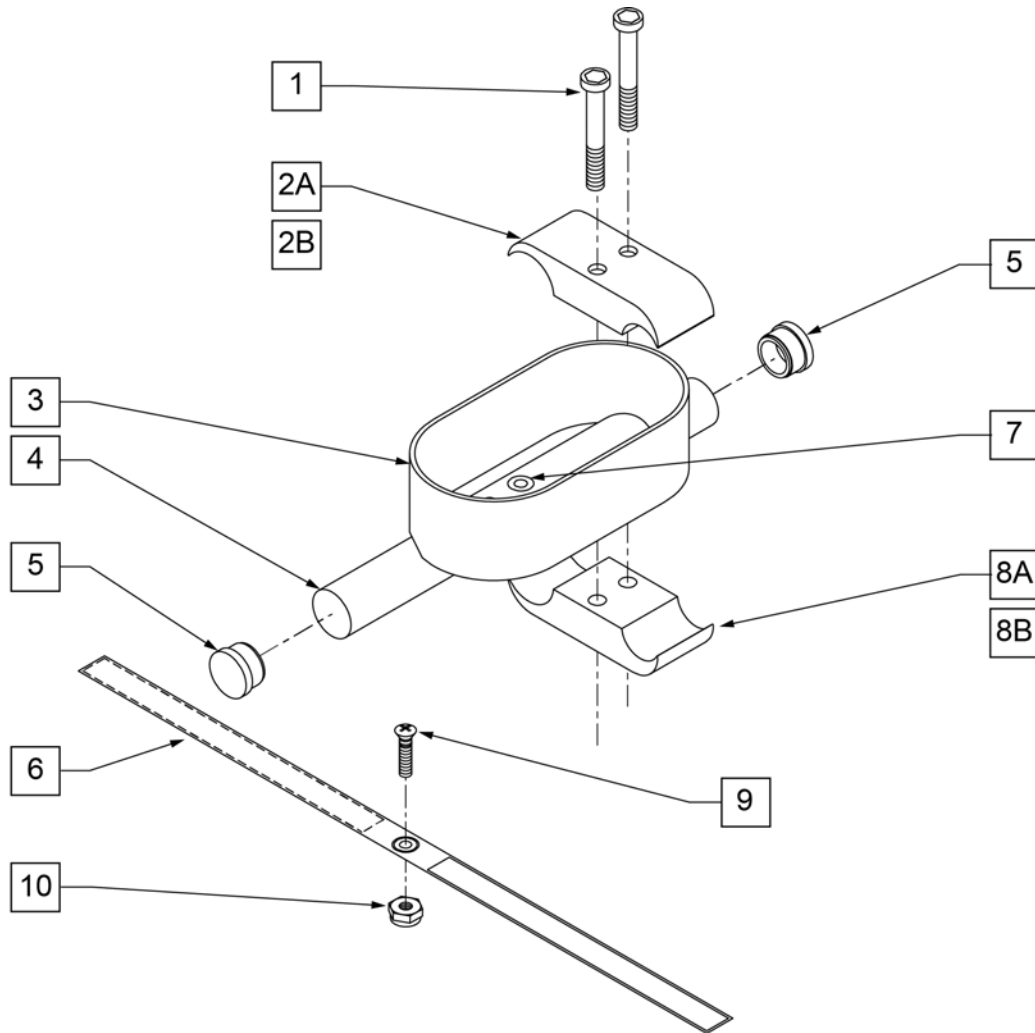
Note: Battery Type :NiMH- Nickel Metal Hydride, Capacity: 24V x 6.7Ah , Weight 2.9 [kg], Fuse: 20A.



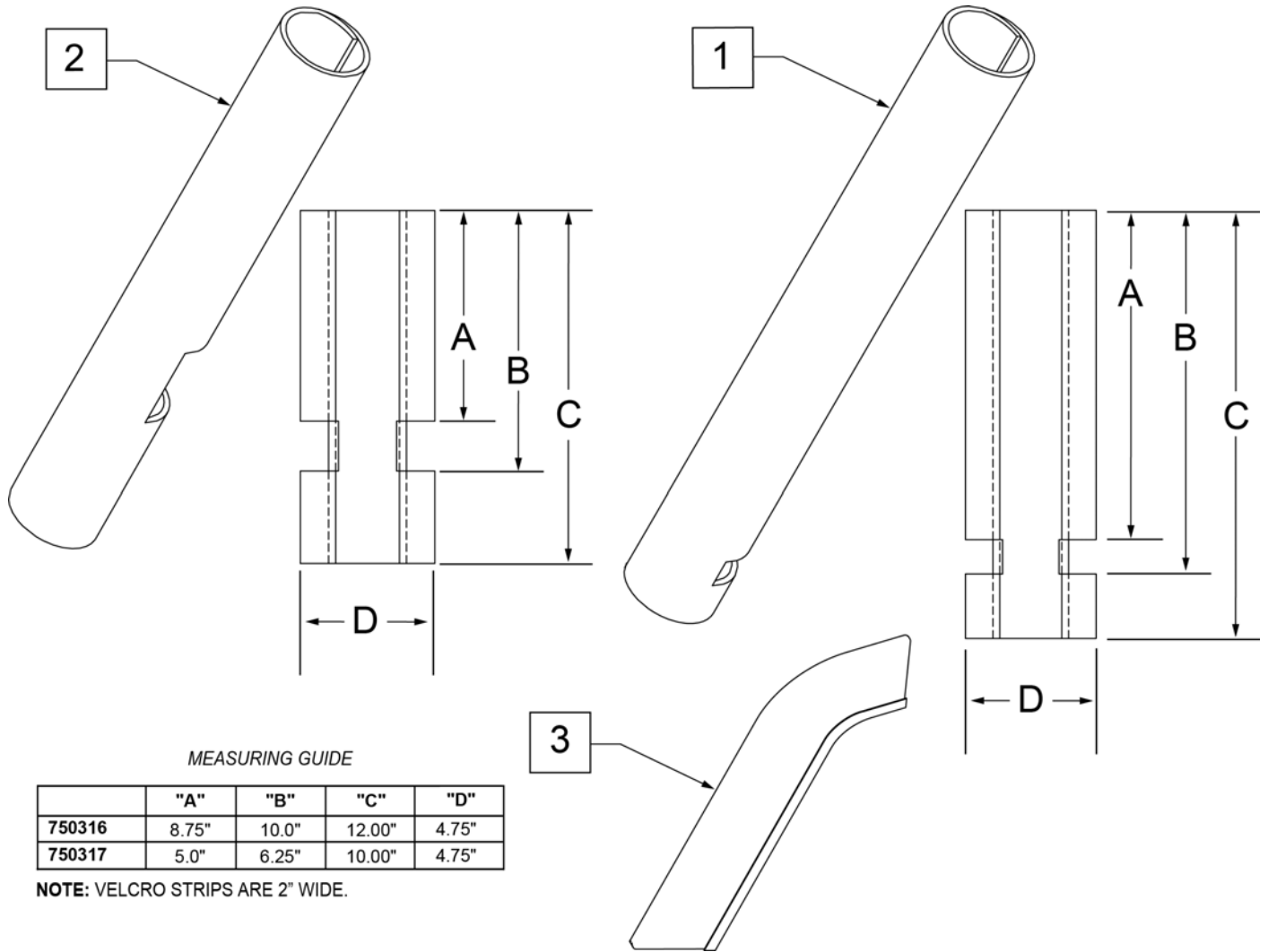
Pos.	Item Number	Description	Remarks
1A	242232	HNDRM W/O COATING 24", 21" DIA	24" Stainless Steel Handrim w/3 fixing bolts
1B	242234	HNDRM W/COATING 24", 21" DIA	24" Plastic Coated Handrim w/3 fixing bolts
2A	385300	24" PNEUMATIC TIRE	
2B	382325	24" TUBE	
3A,4	114474	CHARGER YAMAHA W/ ADDRESS LBL	Nickel Battery Charger
3B,4	120710	BATTERY CHARGER YAMAHA	Lithium Battery Charger
4	134121	PWR CORD BATT CHARGER YAMAHA	Used on Nickel Battery Charger only
5	138219	FUSE 20A BLADE	
5,6,7A	134000	JWX-2 NICKEL BATTERY BLACK	Nickel Battery
5,6,7B	134002	JWX-2 LI-ION BATTERY BLACK	Lithium Battery
8	133108	SPOKE SET 24" YAMAHA	Includes 36 spokes
9	490013	MOTOR COVER YAMAHA	
10	921763	XTNDR ADJ BRCKT KIT (W/HDWR)	
11	107011	YAMAHA PLATE ASSM KIT	
12	541155	XTNDR QUICK RELEASE AXLE	
13	108273	PWR BUTTON SWITCH	



Pos.	Item Number	Description	Remarks
1	106975	1/4-28 x 1 1/4 SOC C/S	
2	561105	CADDY ARM	Clamps on to Extension Tube (3/4" round and D2); Caddy Arm length is 7 1/2"
3	561104	CADDY CLAMP	Clamps on to Extension Tube (3/4" round and D2)
4	106935	1/4-28 NYLOCK NUT THIN	
5	349998	3/16" ALLEN WRENCH	
6	580050	CADDY TAPE	
1-6	902350	QUICKIE CADDY (PR)	



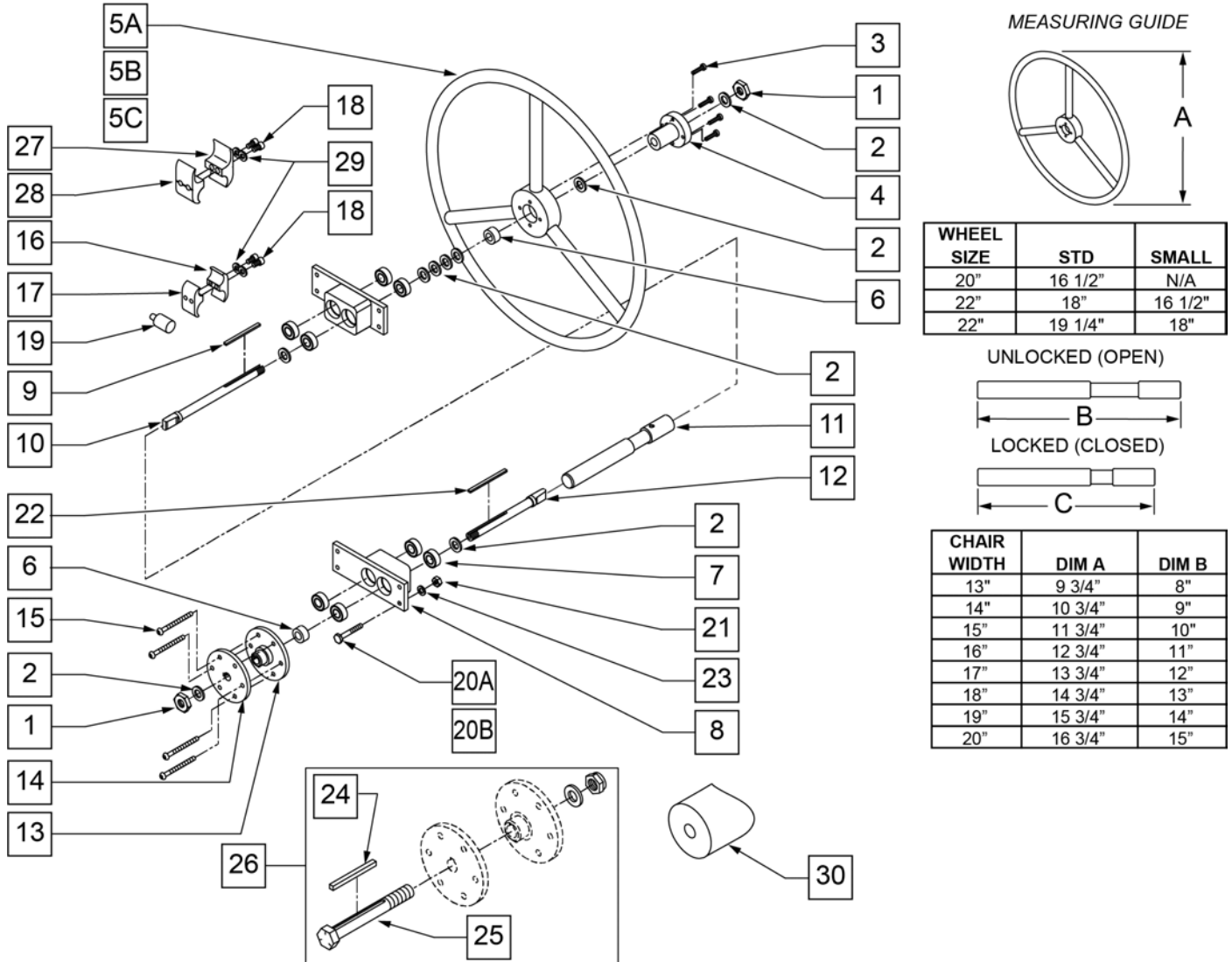
Pos.	Item Number	Description
1	107032	1/4-28 x 1 SOC C/S BLK
2B	550287	CLAMP 1 1/8" - 3/4" W/RECESS
2A	550477	CLAMP 2 1/4" RECESS BLK
6	750495	CRUTCH HOLDER STRAP F
8A	550576	CLAMP 2 1/4' THREADED BLK
8B	550288	CLAMP 1 1/8" - 3/4" THREADED
9	281110	10-32 x 1/2 PAN PHIL
10	200100-QU	10-32 NYLOCK NUT
1,2A,3-5,7,8A	880802	CRUTCH HOLDER F
1,2B,3-5,7,8B	880803	CRUTCH HOLDER CURVED REAR S/F
1,2A,3-7,8A,9,10	901002	CRUTCH HOLDER ASSEMBLY F
1,2B,3-7,8B,9,10	901004	CRUTCH HOLDER ASSEMBLY Q2 CURVED REAR



Pos.	Item Number	Description	Remarks
1	750316	IMPACT GUARDS NEOPRENE FIXED (PR)	PAIR-Fixed Front Frame
2	750317	IMPACT GUARDS NEOPRENE S/A	PAIR-S/A Footrest & Q7
3	109231	GEL VELCRO PAD HANGER/FRAME	PAIR- fits S/A & Fixed Front Frame
4	108315	GEL PAD SA ARM	Single, fits Padded SA Armrest

NOTE: WHEN USING ONE-ARM DRIVE AND HEIGHT ADJUSTABLE ARMS OR ADJUSTABLE LOCKING FLIPBACK ARMS ON A ZIPPIE 2, ITEM 30 IS MOUNTED BETWEEN THE AXLE PLATES AND THE FRAME. WHEN ITEM 30 IS USED, CHAIR WILL REQUIRE A 2" LONGER ONE-ARM DRIVE SHAFT AND ITEM 26A IS USED.

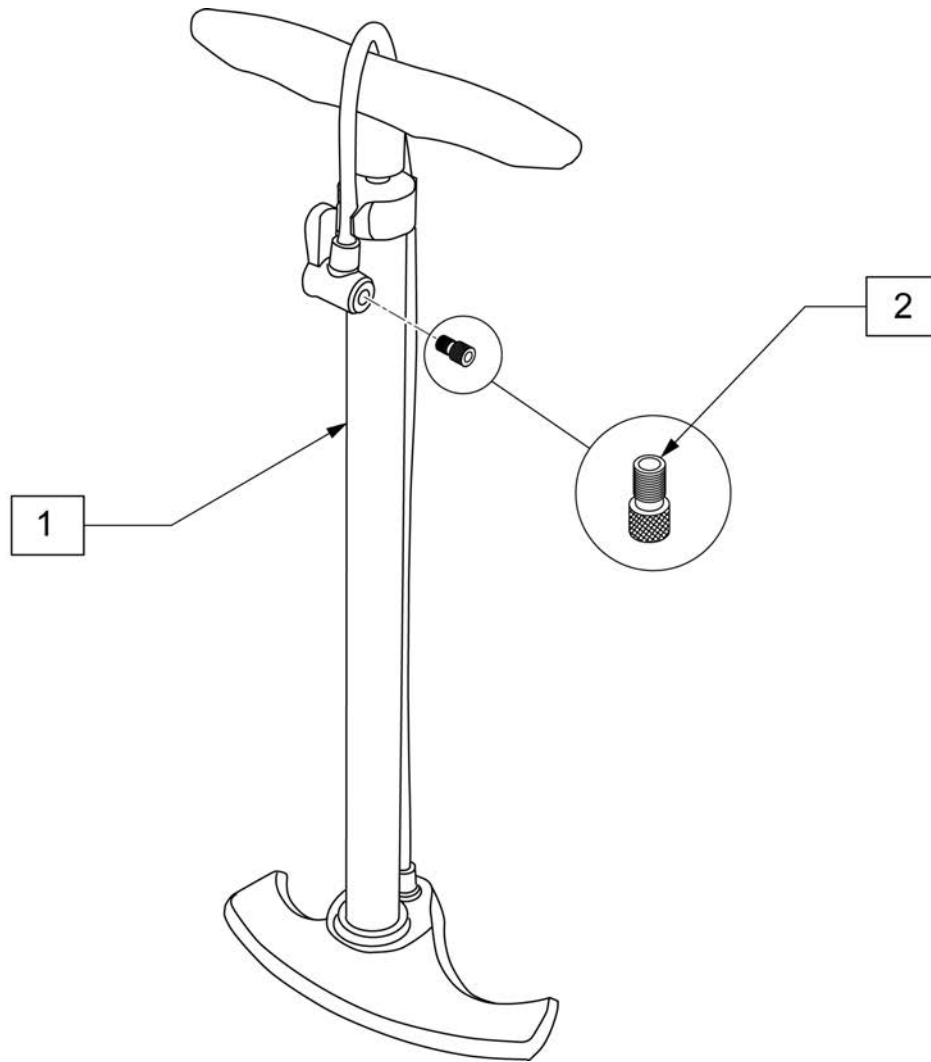
NOTE: PART # 107639 IS USED ON 14"-20" WIDE WHEELCHAIRS PRIOR TO S/N Q2-16996 AND ALL 13" WIDE WHEELCHAIRS. PART # 880729 IS USED ON 14"-20" WIDE WHEELCHAIRS BEGINNING WITH S/N Q2-16996.



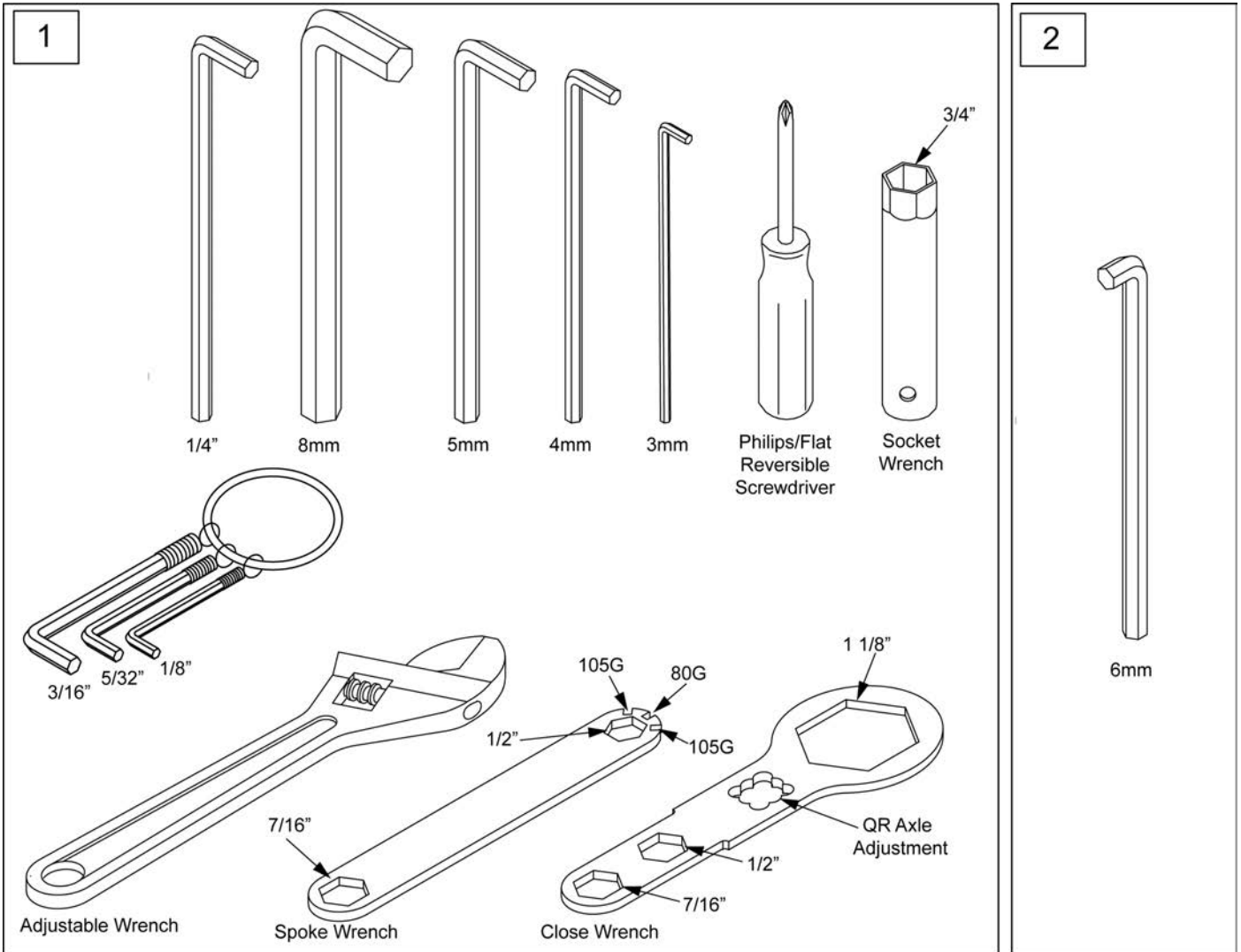
Pos.	Item Number	Description	Remarks
1	106940	NUT NYLOCK THIN 1/2 -20 ROHS	
2	106949	WASHER FLAT AN 1/2 ROHS	
3	106956	SHCS 10 -32 x 3/4 ROHS	4 required
4	106691	HAND RING HUB	
5A	529801	1 AD HR ONLY 20" STD/22" SM	
5B	529800	1 AD HR ONLY 22" STD/24" SM	
5C	529802	1 AD HR ONLY 24" STD	

Pos.	Item Number	Description	Remarks
6	483058	1 AD WHEEL SPACER	
7	349500	1 1/8 x 1/2 BEARING	
7,8	880820	1 AD AXLE PLATE W/BEARINGS BLK	
9	341274	3/16 SQ x 1 1/2 KEY STL	
10	481131	1 AD HANDRIM DRIVE SHAFT	
11A	101097-002	1 AD SHAFT ASSM 13"	
11B	101097-003	1 AD SHAFT ASSM 14"	
11C	101097-004	1 AD SHAFT ASSM 15"	
11D	101097-005	1 AD SHAFT ASSM 16"	
11E	101097-006	1 AD SHAFT ASSM 17"	
11F	101097-007	1 AD SHAFT ASSM 18"	
11G	101097-008	1 AD SHAFT ASSM 19"	
11H	101097-009	1 AD SHAFT ASSM 20"	
12	481132	1 AD WHEEL DRIVE SHAFT	
13	500631	WHEEL HUB 1 ARM DRIVE W/TAP	
14	500630	1 AD WHEEL HUB W/O TAP	
15	226166	1/4-28 X 2 1/2 BH C/S BLK	6 required
16	550658	CLAMP 1 1/4" THREADED BLK	
17	550659	CLAMP 1 1/4" RECESS HALF BLK	
18	107032	SHCS 1/4 -28 x 1 ROHS	
19	482030	1 AD DRIVE RECEIVER	
20A	106973	HHCS 1/4 -28 x 2 ROHS	
20B	107264	HHCS 5/16 -24 x 2 3/4 PL ROHS	
21	106934	NUT NYLOCK 1/4 -28 ROHS	
22	341277	3/16 SQ x 2 3/8 KEY STL	
23	106944	WASHER FLAT THIN AN 1/4 ROHS	
24	341278	3/16" SQ x 2 1/4" KEY STL	
25	330014	1 AD ALIGNMENT BOLT	
26	330015	1 AD ALIGNMENT TOOL ASSEMBLY	
27	550245	1 AD CLAMP RECESSED 14"-20"	
28	550244	1 AD CLAMP THREADED 14"-20"	
29	107367	WASHER LOCK HI COLLAR 1/4 ROHS	
30	483071	SADDLE 1 1/8" ALUMINUM 1/4" HOLE	
19-23,29	107639	WHL LCK CLMP ASM	See Note
18,27-29	880729	1 AD CLAMP ASSEMBLY 14"-20"	See Note
1-4,5A,6-11A,12-15,19-23	923532	1 AD 13" RETRO (20" STD/22" SM HR)	
1-4,5A,6-11A,12-15,19-23	923532	1AD 13" RETRO 20"STD/22"SM HR	
1-4,5A,6-11B,12-15,19-23	923533	1AD 14" RETRO 20"STD/22"SM HR	
1-4,5A,6-11C,12-15,19-23	923534	1AD 15" RETRO 20"STD/22"SM HR	
1-4,5A,6-11D,12-15,19-23	923535	1AD 16" RETRO 20"STD/22"SM HR	
1-4,5A,6-11E,12-15,19-23	923536	1AD 17" RETRO 20"STD/22"SM HR	
1-4,5A,6-11F,12-15,19-23	923537	1AD 18" RETRO 20"STD/22"SM HR	
1-4,5A,6-11G,12-15,19-23	923538	1AD 19" RETRO 20"STD/22"SM HR	
1-4,5A,6-11H,12-15,19-23	923539	1AD 20" RETRO 20"STD/22"SM HR	
1-4,5B,6-11A,12-15,19-23	923512	1 AD 13" RETRO (22" STD/24" SM HR)	
1-4,5B,6-11B,12-15,19-23	923513	1AD 14" RETRO 22"STD/24"SM HR	
1-4,5B,6-11C,12-15,19-23	923514	1AD 15" RETRO 22"STD/24"SM HR	
1-4,5B,6-11D,12-15,19-23	923515	1AD 16" RETRO 22"STD/24"SM HR	
1-4,5B,6-11E,12-15,19-23	923516	1AD 17" RETRO 22"STD/24"SM HR	
1-4,5B,6-11F,12-15,19-23	923517	1AD 18" RETRO 22"STD/24"SM HR	
1-4,5B,6-11G,12-15,19-23	923518	1AD 19" RETRO 22"STD/24"SM HR	
1-4,5B,6-11H,12-15,19-23	923519	1AD 20" RETRO 22"STD/24"SM HR	
1-4,5C,6-11A,12-15,19-23	923522	1 AD 13" (24" STD HR)	
1-4,5C,6-11B,12-15,19-23	923523	1AD 14" RETRO 24" STD HR	
1-4,5C,6-11C,12-15,19-23	923524	1AD 15" RETRO 24" STD HR	
1-4,5C,6-11D,12-15,19-23	923525	1AD 16" RETRO 24" STD HR	

Pos.	Item Number	Description	Remarks
1-4,5C,6-11E,12-15,19-23	923526	1AD 17" RETRO 24" STD HR	
1-4,5C,6-11F,12-15,19-23	923527	1AD 18" RETRO 24" STD HR	
1-4,5C,6-11G,12-15,19-23	923528	1AD 19" RETRO 24" STD HR	
1-4,5C,6-11H,12-15,19-23	923529	1AD 20" RETRO 24" STD HR	

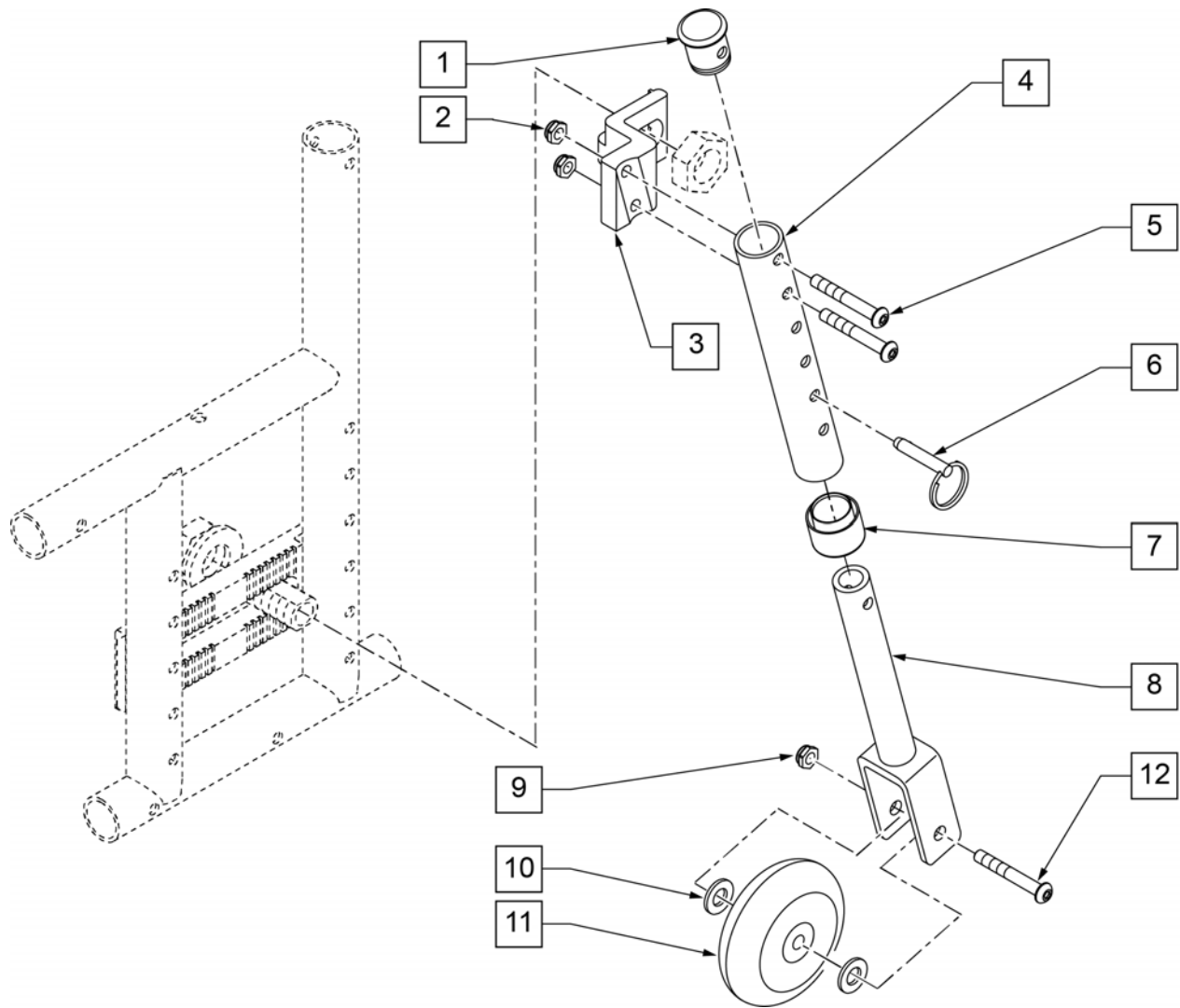


Pos.	Item Number	Description
1	389050	TIRE PUMP
2	381230	VALVE ADAPTER PRESTA



Pos.	Item Number	Description	Remarks
1	108314	QUICKIE COMBO TOOL KIT	Includes pouch
2	113403	6MM ALLEN WRENCH L, 7MM SHORT	caster spline chairs only

Note: Travel Wheel not available with the Xtender Option, Heavy Duty Options, or Low Poly (profile) Tires.



Pos.	Item Number	Description	Remarks
1	560999	1" INSERT PLUG .083 W/1/4 HOLE	
2	106935	NUT NYLOCK THIN 1/4-28 ROHS	
3	550090	BRKT TRAVEL WHL RCVR MNT R Q2	Right
3	550091	BRKT TRAVEL WHL RCVR MNT L Q2	Left
4	528031	TRAVEL WHEEL MOUNT TUBE Q2	
5	106962	1/4-28 x 1 3/4 BH C/S BLK ZN	
6	330027	QUICK RELEASE PIN 1/4"	
7	561018	1" TUBE END BUSHING THICK	
8	542160	FORK EXT WELDMENT TRVL WHL Q2	
9	106937	5/16 NYLOCK NUT THIN	
10	263100	5/16 AN WASHER FLAT	
11	920025	3" MICRO CASTER W/BRNG (PR)	
12	106982	BHCS 5/16-18 X 1-3/4 SHLD ROHS	
1-12	880082	TRAVEL WHEEL ASSY R	Right
1-12	880083	TRAVEL WHEEL ASSY L	Left
1-12	920035	TRAVEL WHL ASSM W/HDWR (PR)	Pair

