

QUICKIE 2

SERIAL NUMBER PREFIX Q2V & Q2H

PARTS MANUAL

(Q2N)
JANUARY 2023

QUICKIE 2 EIQ2N (S/N Prefix Q2V & Q2H)	7
GLOSSARY OF ABBREVIATIONS.....	7
BASE FRAME	7
FRAME	7
FRONT SIDE FRAME prior to Q2V-091821 & Q2H-009882.....	7
SWING-AWAY FRONT SIDE FRAME	8
HEMI SWING-AWAY FRONT SIDE FRAME	10
XL HEMI SWING-AWAY FRONT SIDE FRAME.....	12
FRONT SIDE FRAME after Q2V-091821 & Q2H-009882.....	13
SWING-AWAY FRONT SIDE FRAME After Q2V-091821 & Q2H-009882	14
HEMI SWING-AWAY FRONT SIDE FRAME After Q2V-091821 & Q2H-009882	16
XL HEMI SWING-AWAY FRONT SIDE FRAME After Q2V-091821 & Q2H-009882.....	18
REAR SIDE FRAMES.....	20
STRAIGHT REAR SIDE FRAME	20
ROUNDED REAR SIDE FRAME	22
HEMI STRAIGHT REAR SIDE FRAME	23
HEMI ROUNDED REAR SIDE FRAME	25
D.A.B.(Depth Adj Back) FRAME	27
CROSS TUBES.....	28
CROSS TUBE ASSEMBLY QUICKIE 2	29
Q2 CROSS TUBE ASSM 18-22 HD.....	33
WC19 TRANSIT KIT after Q2V-091821 & Q2H-009882	36
AXLE & AXLE PLATES.....	37
AXLES.....	37
QUICK RELEASE AXLE MATRIX.....	38
THREADED AXLE UPGRADE ASSM.....	40
AXLE PLATES	40
STANDARD AXLE PLATE	41
AMPUTEE AXLE PLATE.....	43
CURVED AXLE PLATE.....	44
OFFSET AXLE PLATE.....	46
CASTERS, CASTER PLATES & CASTER FORKS.....	47
CASTERS	47
MICRO CASTERS.....	48
SOFT ROLL CASTERS.....	49
ALUMINUM CASTERS	50
ALUMINUM SOFT ROLL CASTERS	51
8" x 2" CASTERS	52
CASTER TIRES & TUBES.....	53
3 SPOKE CASTERS	54
CASTER PLATES & CASTER FORKS.....	55
CASTER STEM & FORK ASSEMBLY	56
MULTI-POSITION FORK	58
FROG LEG SUSPENSION FORK	60
QUICK RELEASE CASTER STEM & FORK ASSEMBLY	62
CASTER PIN LOCK.....	64
CASTER PLATES	65
ANTI-TIPS.....	66
ANTI-TIP	67
WHEEL LOCKS	69
PUSH TO LOCK WHEEL LOCK	70
PULL TO LOCK WHEEL LOCK	72
PUSH & PULL WITH GRADE AID ASSM.....	74
ERGO SCISSOR WHEEL LOCK.....	75
UNILATERAL WHEEL LOCK.....	76
WHEEL LOCK EXTENSION HANDLE.....	78
COMPACT WHEEL LOCK.....	79
WHEELS & TIRES	79
WHEELS	79
5 SPOKE MAG	80
TRADITIONAL 6 SPOKE MAG	82
LITE SPOKE.....	84
NEW ULTRA LITE SPOKE	86
SPINERGY SPOX (18 SPOKE).....	88
SPINERGY LX (12 SPOKE).....	90
SPINERGY SPORT LT EX (18 SPOKE).....	92
MOUNTAIN	94
TIRES.....	94
PNEUMATIC & PNEU. AIRLESS TIRE.....	95
FULL POLY TIRE	96

KEVLAR TIRE	97
LOW POLY TIRE	98
BLACK HIGH PRESSURE CLINCHER.....	99
HIGH PRESSURE CLINCHER TIRE	100
KNOBBY V-TRACK TIRE.....	101
SCHWALBE MARATHON PLUS TIRE	102
MOUNTAIN TIRE	103
SHOX TIRE	104
HAND RIMS	104
ALUMINUM ANODIZED (SCREW MOUNT).....	105
ALUMINUM ANODIZED 5 SPOKE MAG (SCREW MOUNT)	106
ALUMINUM ANODIZED (TAB MOUNT)	107
PLASTIC COATED (SCREW MOUNT).....	108
PLASTIC COATED 5 SPOKE MAG (SCREW MOUNT)	109
PLASTIC COATED (REG TAB MOUNT)	110
NATURAL FIT (SCREW MOUNT)	111
NATURAL FIT 5 SPOKE MAG (SCREW MOUNT).....	113
NATURAL FIT (TAB MOUNT).....	114
PROJECTION	116
ULTRA LITE ANODIZED (TAB MOUNT).....	118
PAINTED (CROSS SPOKE WHEELS ONLY)	119
CHROME (MAG WHEELS ONLY).....	120
THE SURGE (SCREW MOUNT).....	121
THE SURGE (TAB MOUNT).....	122
Q-GRIP (SCREW MOUNT).....	123
Q-GRIP (TAB MOUNT).....	124
TUBES	124
TUBES AND AIRLESS INSERTS	125
SEATING & POSITIONING.....	125
SEAT	125
SEAT CUSHION.....	125
2" SEAT CUSHION	126
SEAT SLING (Q2H).....	128
SEAT SLING	129
SEAT SLING (Q2V).....	131
SEAT SLING	132
BACK.....	133
BACK FRAME	133
TUBE BACK PUSH HANDLE ASSM	134
TUBE BACK NON-PUSH HANDLE ASSM (OMIT PH).....	136
ANGLE ADJUSTABLE BACKREST.....	137
BACKREST STABILIZER BAR	139
D.A.B. BACKREST.....	139
D.A.B. FIXED HEIGHT STROLLER HANDLES	140
D.A.B. SWING-AWAY ADJ STROLLER HANDLES	142
D.A.B. BACKREST WITH STABILIZER BAR.....	144
SOLID BACK D.A.B. ONLY.....	146
REMOVABLE STROLLER HANDLE.....	148
STROLLER HANDLE EXTENSION-REMOVABLE.....	150
FOLDING STABILIZER BAR.....	152
BACK UPHOLSTERY	153
STANDARD BACKREST UPHOLSTERY	154
TENSION ADJUSTABLE BACK UPHOLSTERY	155
HEAVY DUTY BACK UPHOLSTERY	157
TENSION ADJUSTABLE BALLISTIC NYLON UPHOLSTERY.....	158
TENSION ADJUSTABLE 3DX VENTED UPHOLSTERY	161
TENSION ADJUSTABLE EXO UPHOLSTERY (Folding Chairs).....	164
EXO BACK UPHOLSTERY STD (Folding Chairs).....	170
HANGERS & FOOTRESTS prior to Q2V-091821 & Q2H-009882.....	173
SWING AWAY EXTENSION MOUNT HANGERS prior to Q2V-091821 & Q2H-009882	173
HANGERS.....	173
60 DEG HANGER SWING IN-OUT	174
70 DEG HANGER SWING IN-OUT	175
70 DEG HANGER V SWING IN-OUT	176
70 DEG HEMI HANGER SWING IN-OUT.....	177
80 DEG HANGER SWING IN-OUT	178
FOOTPLATES & EXTENSIONS.....	180
COMPOSITE FOOTPLATE.....	180
COMPOSITE ANGLE ADJUSTABLE FOOTPLATE	185
ADULT ANGLE-ADJ FOOTPLATE EXT MOUNT	189

KIDS ANGLE ADJ FOOTPLATE EXTENSION MOUNT.....	193
FOAM FOOTPLATE.....	197
LOCKING ANGLE ADJ FOOTPLATE.....	200
PLATFORM FLIP-UP FOOTPLATE.....	202
HIGH MOUNT EXTENSION TUBE.....	204
SWING AWAY FRONT MOUNT HANGERS prior to Q2V-091821 & Q2H-009882.....	205
HANGERS.....	205
70 DEG FRONT MOUNT HANGER SWING IN-OUT.....	206
80 DEG FRONT MOUNT HANGER SWING IN-OUT.....	208
90 DEG FRONT MOUNT HANGER SWING IN-OUT.....	210
EXTENSIONS.....	211
FRONT MOUNT HANGER EXT.....	212
FOOTPLATES.....	212
ADULT ANGLE-ADJ FOOTPLATE FRONT MOUNT.....	213
KIDS ANGLE ADJ FOOTPLATE DIRECT MOUNT.....	215
90 DEG FOOTBOARD.....	217
LIFT-OFF FRONT MOUNT HANGERS.....	218
70 DEG LIFT-OFF HANGER.....	219
80 DEG LIFT-OFF HANGER.....	221
90 DEG LIFT-OFF HANGER.....	223
EXTENSIONS.....	224
FRONT MOUNT HANGER EXT.....	225
FOOTPLATES.....	225
KIDS ANGLE ADJ FOOTPLATE FRONT MOUNT.....	226
ADULT ANGLE-ADJ FOOTPLATE FRONT MOUNT.....	229
90 DEG FOOTBOARD.....	231
ELR's prior to Q2V-091821 & Q2H-009882.....	232
EXTENSION MOUNT ELR.....	232
EXTENSION MOUNT ELR HANGERS.....	232
ELR HANGER.....	232
ELEVATING HANGER.....	233
ELR & ALR CALF PAD 14 -15".....	235
ELR & ALR CALF PAD 16-20".....	236
ELR HEMI HANGER.....	236
ELEVATING HEMI HANGER.....	237
ELEVATING HEMI HANGER KNEE PAD.....	239
ELR & ALR CALF PAD 14 -15".....	240
ELR & ALR CALF PAD 16-20".....	241
EXTENSION TUBES.....	241
DOUBLE D FOOTREST EXTENSION TUBE "OLD STYLE".....	242
FOOTPLATES.....	243
COMPOSITE FOOTPLATE.....	244
ADULT ANGLE-ADJUSTABLE FOOTPLATE EXT MOUNT.....	246
KIDS ANGLE ADJUSTABLE FOOTPLATE EXT MOUNT.....	248
ELR ALUMINUM FOOTPLATE.....	250
FRONT MOUNT ELR.....	251
FRONT MOUNT ELR HANGERS.....	251
FRONT MOUNT ELR HANGER.....	251
90 DEG ELEVATING HANGER.....	252
90 DEG ELEVATING CALF PAD.....	254
FRONT MOUNT HEMI ELR HANGER.....	254
90 DEG ELEVATING HEMI HANGER.....	255
ELEVATING HEMI HANGER KNEE PAD.....	257
90 DEG ELEVATING CALF PAD.....	258
EXTENSIONS.....	258
FRONT MOUNT HANGER EXT.....	259
FOOTPLATES.....	259
KIDS ANGLE ADJ FOOTPLATE FRONT MOUNT.....	260
ADULT ANGLE-ADJ FOOTPLATE FRONT MOUNT.....	263
ALR's prior to Q2V-091821 & Q2H-009882.....	264
ALR HANGER.....	264
ARTICULATING HANGER.....	265
ARTICULATING HANGER CALF PAD.....	267
EXTENSION.....	267
ROUND EXTENSION TUBE.....	268
FOOTPLATES.....	269
COMPOSITE FOOTPLATE.....	270
ADULT ANGLE-ADJUSTABLE FOOTPLATE EXT MOUNT.....	272
KIDS ANGLE ADJUSTABLE FOOTPLATE EXT MOUNT.....	274
MULTI-POSITION LATCH STUD SUPPORT.....	276

HANGERS AND FOOTPLATES After Q2V-091821 & Q2H-009882	276
EXTENSION MOUNT HANGERS	276
60 DEG SWING IN/OUT HANGER	277
70 DEG SWING IN/OUT HANGER	278
80 DEG SWING IN/OUT HANGER	279
EXTENSION MOUNT HEMI HANGERS	279
60 DEG SWING IN/OUT HEMI HANGER	280
70 DEG SWING IN/OUT HEMI HANGER	281
FRONT MOUNT HANGERS	281
70 DEG FRONT MOUNT SWING IN/OUT HANGER	282
80 DEG FRONT MOUNT SWING IN/OUT HANGER	284
90 DEG FRONT MOUNT SWING IN/OUT HANGER	286
SWING AWAY ELR-ALR EXT MOUNT (LATCH STUD STYLE) (DISC. 2/6/17)	287
ALR (LATCH STUD STYLE) (DISC. 2/6/17)	288
EXTENSION MOUNT ELR RETROFIT (LATCH STUD STYLE) (DISC. 2/6/17)	290
EXTENSION MOUNT ELR REPLACEMENT PARTS (LATCH STUD STYLE) (DISC. 2/6/17)	291
ELR & ALR CALF PAD 14 -15"	293
ELR & ALR CALF PAD 16-20"	294
ELR/ALR ALUMINUM FOOTPLATE	295
ELR ALR KNUCKLE COVERS	297
SWING AWAY ELR FRONT MOUNT (LATCH STUD STYLE) (DISC. 2/6/17)	297
FRONT MOUNT ELR (LATCH STUD STYLE) (DISC. 2/6/17)	298
90 DEG ELEVATING CALF PAD	300
ADULT ANGLE-ADJ FOOTPLATE FRONT MOUNT	301
ELR ALR KNUCKLE COVERS	303
EXTENSION MOUNT FOOTPLATES & EXTENSION TUBES	303
COMPOSITE FOOTPLATE	304
COMPOSITE ANGLE ADJUSTABLE FOOT PLATE	308
ADULT ALUMINUM ANGLE-ADJ FOOTPLATE EXT MOUNT	311
KIDS ANGLE ADJUSTABLE FOOTPLATE EXT MOUNT	315
LOCKING ANGLE ADJ FOOTPLATE	317
PLATFORM FLIP-UP FOOTPLATE	319
HIGH MOUNT EXTENSION TUBE	321
FRONT MOUNT FOOTPLATES & EXTENSION TUBES	322
ADULT ANGLE-ADJ FOOTPLATE FRONT MOUNT	323
KIDS ANGLE ADJ FOOTPLATE FRONT MOUNT	325
FRONT MOUNT HANGER EXT	328
SWING IN-OUT ELR & ALR (PLUNGER STYLE) (EFFECTIVE 2/6/17)	328
FRONT MOUNT ELR (PLUNGER STYLE) (EFFECTIVE 2/6/17)	328
SWING IN-OUT FRONT MOUNT ELR RETRO KITS (PLUNGER STYLE) (EFFECTIVE 2/6/17)	329
SWING IN-OUT FRONT MOUNT ELR REPLACEMENT PARTS (PLUNGER STYLE) (EFFECTIVE 2/6/17)	330
90 DEG ELEVATING CALF PAD	332
FRONT MOUNT HANGER EXT	333
ADULT ANGLE-ADJ FOOTPLATE FRONT MOUNT	334
KIDS ANGLE ADJ FOOTPLATE FRONT MOUNT	336
EXTENSION MOUNT ELR & ALR (PLUNGER STYLE) (EFFECTIVE 2/6/17)	338
SWING IN-OUT EXT MOUNT ELR & ALR RETROFIT (PLUNGER STYLE) (EFFECTIVE 2/6/17)	339
SWING IN-OUT EXT MOUNT ELR REPLACEMENT PARTS (PLUNGER STYLE) (EFFECTIVE 2/6/17)	340
SWING IN-OUT ALR EXT MNT REPLACEMENT PARTS (PLUNGER STYLE)(EFFECTIVE 2/6/17)	342
ELR & ALR CALF PAD 14 -15"	344
ELR & ALR CALF PAD 16-20"	345
EXTENSION MOUNT FOOTPLATES	345
COMPOSITE FOOTPLATE	346
COMPOSITE ANGLE ADJUSTABLE FOOT PLATE	350
ADULT ALUMINUM ANGLE-ADJ FOOTPLATE EXT MOUNT	353
KIDS ANGLE ADJUSTABLE FOOTPLATE EXT MOUNT	357
ELR/ALR ALUMINUM FOOTPLATE	359
ELR ALR KNUCKLE COVERS	361
ARMRESTS & RECEIVERS	361
PADDED SWING-AWAY ARMREST	362
PADDED SWING AWAY ARMREST RECEIVER	363
PADDED SWING AWAY ARMS W/ REMOVABLE STROLLER HANDLES	363
PADDED SWING-AWAY ARMREST WITH REMOVABLE STROLLER HANDLE	364
REMOVABLE STROLLER HANDLE	366
SINGLE POST HT ADJ ARMRESTS	367
SINGLE POST HEIGHT ADJUSTABLE ARMREST	368
SINGLE POST ARMREST RECEIVER - STD	370
FLIP BACK HT ADJ LITE ARMREST	371
FLIP BACK HEIGHT ADJUSTABLE LITE ARMREST & RECEIVER	372
FLIP-BACK HEIGHT ADJUSTABLE CLASSIC ARMREST	374

FLIP-BACK ARMREST	376
ADJUSTABLE LOCKING FLIP-UP ARMREST (USE ON DAB FRAMES ONLY)	378
LENGTH ADJUSTABLE LOCKING FLIP-UP ARMREST (USE ON DAB FRAMES ONLY)	379
ACCESSORIES	380
BAGS & POUCHES	380
QUICKIE SIDE POCKET.....	381
CELL PHONE PACK.....	382
BACKPACKS AND SEAT POUCHES.....	383
LEG STRAPS.....	383
SOFT FEEL LEG STRAP.....	384
ADJUSTABLE LEG STRAP	385
POSITIONING BELTS	385
AIRCRAFT BUCKLE POSITIONING BELTS & ATTACHMENT KITS	386
AUTO BUCKLE POSITIONING BELT & ATTACHMENT KITS.....	388
SIDE GUARDS.....	389
SIDE GUARDS.....	390
FABRIC SIDE GUARDS.....	391
SPOKE GUARDS.....	391
SPOKE GUARDS QUICKIE (Black & Clear).....	392
TRAYS	395
TUFFAK TRAY (MANUAL & PEDIATRIC CHAIRS)	395
TRAY RIBS TUFFAK.....	397
PADDED STOMACH CUTOUT.....	398
PROTRACTOR PAD	399
HINGED OVERLAY NON-REMOVABLE	400
HINGED OVERLAY REMOVABLE	401
XTENDER	402
4X XTENDER- discontinued.....	402
XTENDER 4X UNIVERSAL AXLE PLATE	403
XTENDER POWER ASSIST 4X PARTS.....	405
XTENDER INTERNAL REPLACEMENT PARTS.....	407
JWX-2 XTENDER.....	407
GEN 2 XTENDER RETRO KIT Q2/Q2HP	408
GEN 2 XTENDER UNIVERSAL AXLE PLATE Q2V&Q2H.....	410
XTENDER GEN 2 WHEEL PARTS.....	412
DRIVE UNIT INTERNAL PARTS	413
XTENDER RIGHT HAND CONTROL SPARE PARTS	414
BATTERY AND CHARGER	415
BATTERY BACKPACK PARTS	416
XTENDER SPOKE GUARD	417
QUICKIE CADDY	418
CRUTCH HOLDER (FOLDING CHAIRS)	419
IMPACT GUARD NEOPRENE & GEL VELCRO PADS.....	420
ONE ARM DRIVE S/N Prefix Q2V & Q2H.....	421
OXYGEN TANK HOLDER.....	424
ADJUSTABLE IV POLE ASSM	425
TIRE PUMP	427
TOOL KIT	428
TRAVEL WHEEL.....	429

GLOSSARY OF ABBREVIATIONS

[12/10/2019]

Note: see Informations Panel for file.

1AD One Arm Drive	CZ Cozy	INH Inhibit	PCB Pediatric Center of Gravity (AKA: Zippie Iris)	S/A Swing Away
3DCR 3DX Microclimatic cover for Cryo style inserts	DAB Depth-adjustable Back	INORG Inorganic coating	PCM Power Center Mount	S/F Side Frame
AAA Adult Angle Adjustable	DB Dynamic Back	INSRT Insert	PED Pediatric	SCW Screw
AACM Angle Adjustable Center Mount	DBL Double	I/O Swing In Out	PEL Pelvic	SDLE Saddle
ABD Abductor	DC Deep Contour	IRIS Intelligent Rotation in Space	PH Push Handle	SG Side Guard
AC All Court	DL Desk Length	ISM Intelligent Seating Module	PHIL Phillips	SGTG Super Grip Thumb Guard
AD Arm Drive	DP Dual Post Armrest	JA Jay Active	PL Pin Lock	SHCS Socket Head Cap Screw
ADJ Adjustable	D-Post Dual Post Armrest	JNR Junior	PL Plated	SHLDR Shoulder
ADPT Adapter	D-PST Dual Post Armrest	KAA Kids Angle Adjustable	PLL Pull	SHT Short
AE Air Exchange	DRV Drive	KDS Kids	PLT Plate	SLD Solid
AHAB ASAP II	DTT Diagnostic Test Tool	KT Kit (usually consists of all mounting hardware for one side)	PLST Plastic	SLNG Sling
ANG Angle	DY Dynamic Back	KVLR Kevlar	PLY Plywood	SLTD Stotted
ALR Articulating Legrest	EA Each	KZ Quickie Kidz/Zippie Kidz	PNEU Pneumatic	SLV Sleeve
ALUM Aluminum	ELR Elevating Legrest	L Left	PNK Pink	SM Small
AMH Adjustable Mounting Hardware	EXT Extension	LAT Lateral	PNT Paint	SNGL Single
ANO Anodized	EXTND Extended	LCK Lock	PNTD Painted	SOC Socket
ASAP Adjustable Seating and Positioning	F Folding Frame	LFH Left Front Horizontal	POLY Polyurethane	SPCR Spacer
ASL Adaptive Switch Laboratories	FHCS Flat Head Cap Screw	LFT Left	POST Posterior	SPEC CLR Specify Color
ASM Assembly (includes other parts)	FL Full Length	LFV Left Front Vertical	PR Pressure Relieving	SPIA Single Post Height Adjustable
ASSM Assembly	FLD Folding	LH Left Hand	PR Power Recline	SPK Spoke
ASSMLY Assembly	FL FT Flip-up Footrest	LH Left Horizontal	PR Pair	SPR Super Grip Handrim
ASSY Assembly	FLP Flip	LK Lock	(PR) Pair	SQZ Squeeze
AT Anti-tip	FLRD Flared	LNG Long	PRCR Premium Leatherette cover for Cryo style inserts	SS Stainless Steel
ATT Attachment	FM Foam	LO Lift Off	PRE-ISC Pre-Ischial	ST Seat
BB Basketball	FM Front Mount	L/O Lift Off	PREM Premium Leatherette cover material	ST/AP Self Tapping
BC Breezy Chrome	FNDR Fender	LP Loop	PROJ Projection	STCR Stretch Cover for Cryo Style inserts
BCK Back	FPH Folding Push Handle	LPS Loops	PRPL Purple	STD Standard
BCKBRD Backboard	FT Foot	LRG Large	PTL Partial	STL Style
BH Bultion Head	F/REST Footrest	LRH Left Rear Horizontal	PSH Push	STR Stretch cover material
BHCS Bultion Head Cap Screw	FRNT Front	LRV Left Rear Vertical	PT Point	STRLR Stroller
BKL Buckle	FT PLT Footplate	LS Low Sheer	PTRN Pattern	STRT Straight
BKRST Backrest	FTRST Footrest	LT Long Tab	PWR Power	SUP Support
B-LOCK Back Lock	F/UP Flip-up	LT Natural Fit Lite Handrims	Q1 Quickie 1	SYS System
BLD Build Up	FWD Front Wheel Drive	LTRL Lateral	Q2 Quickie 2	T Tab
BLK Black	FXT Fixed	LUMB Lumber	Q2HIP Quickie 2 High Performance	TG Thumb Guard (std)
BLU Blue	G8 Grade 8 higher grade = stronger	LV Left Vertical	QC Quickie Carbon	THRD Threaded
BR Breezy	GP Quickie GP	LW Low	QR Quick Release	Ti Titanium
BRD Board	GPS Quickie GPS	LX Quickie LX	QRx Quickie RX	TL Tall
BRNG Bearing	GPV Quickie GPV	LXI Quickie LXi	QTI Quickie Titanium	TLC Tilt Lift Comb
BRKT Bracket	GNRC Generic	MACH Machine	QT/QTs Quickie Tilt & Space	TLT Tilt
BSHNG Bushing	H Hole	MECH Mechanism	QUAD Quadrant Pad	TNNS Tennis
BT TN Bultion	HB High Brake	MED Medium	R Right	TIS Tilt-in-Space
BTTRY Battery	HD Head or Heavy Duty	mm Millimeter	RCLNR Recliner	TTS Tilt-in-Space
BZ Breezy	HVD Heavy Duty	MNT Mount	REC Receiver	UNIV Universal
CAA Composite Angle Adjustable	HDRST Headrest	MNTG Mounting	REG Regular	UNTHRD Unthreaded
CG Center of Gravity	HDWR Hardware	MOD Modify or Modification	REL Release	UPH Upholstery
CGT Center of Gravity Tilt (AKA: IRIS)	HEX Hexagon	M/S Machine Screw	REV Reverse	VERT Vertical
CHRGR Charger	HH Hemi-Height or Hex Head	MWD Mid Wheel Drive	RH Right Hand	W With
CJSM Color Joystick Module	HK Hook	Nat.Fit Natural Fit Handrim	RH Right Horizontal	W/ With
CLMP Clamp	HL Heel Loops	NAUG Naugahyde	RFH Right Front Horizontal	W/F Water Fall
CLNCHR Cincher	HM High Mount	NF Non-folding	RFV Right Front Vertical	W/O Without
CLR Clear	HNDL Handle	NF Natural Fit Handrim	RNUT(S) Rivnut(s)	WHL Wheel
COMP Complete	HNGR Hanger	NFLT Natural Fit Lite Handrim	RoHS Restriction of Hazardous Substances	WLDMNT Weldment
CMPST Composite	HP High Pressure	NR Non-recessed	RR Rear	XS Cross Spoke
CRM Chrome	HR Handrim	OBLIQ Obliquity	RRH Right Rear Horizontal	YLW Yellow
C/S Cap Screw	HRDWR Hardware	OD Oblique	RRV Right Rear Vertical	Z2 Zippie 2
C-S Countersunk	HRNSS Harness	OD Outer/Outside Dimension	RT Right	ZN Zinc
CSTR Caster	HS High Speed	O/S Old Style	RV Right Vertical	ZP Zippie
CUSH Cushion	HT Height or Heat Treated	OUTBRD Outboard	RV Quickie Revolution	ZP2 Zippie 2
CV Conventional	ID Inner/Inside Dimension Diameter	P1 Quickie P100	RWD Rear Wheel Drive	
CVR Cover	IN In/Out (for swing in/out hangers)	P2 Quickie P200	SA Swing Away	
CVRS Covers	INBRD Inboard	P3 Quickie P300		
CYL Cylinder	INC Incontinent	P5 Quickie/Zippie P500		

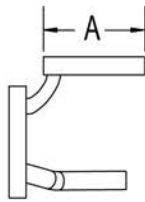
Pos.	Item Number	Description	Remarks
		GLOSSARY OF ABBREVIATIONS	see attachment in Informations Panel

NOTE: X-LONG SIDE FRAME WILL ADD 2.5 LBS TO THE TOTAL WEIGHT OF THE CHAIR

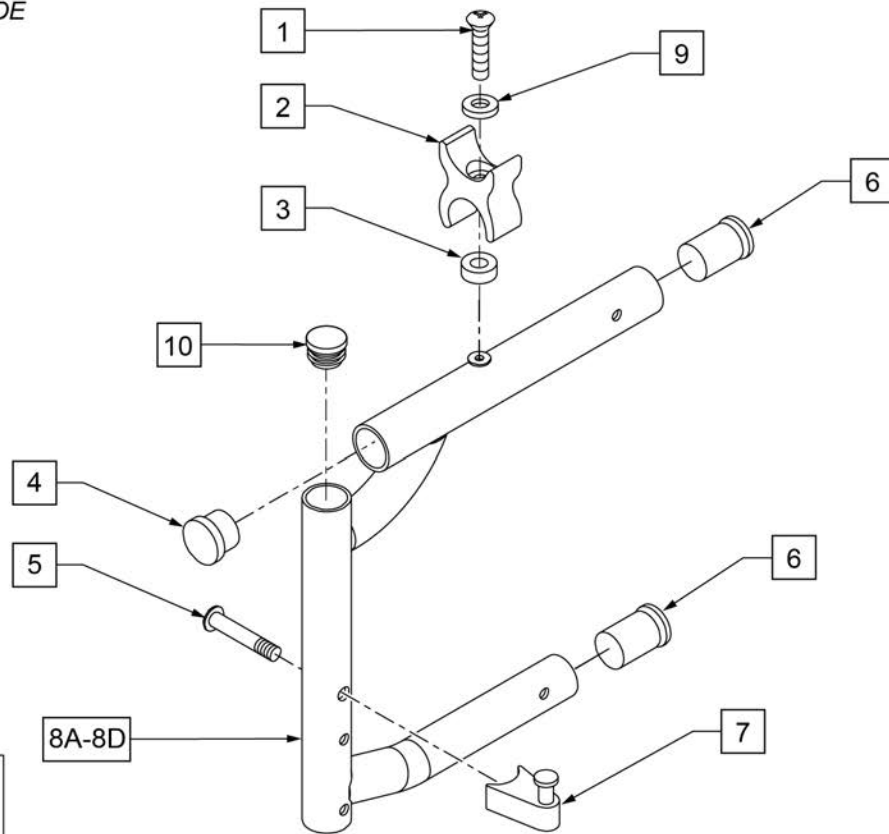
NOTE: ORDER PART 10 (TUBE CAP QTY 2) WHEN SWING-AWAY FOOTRESTS ARE NOT INSTALLED.

NOTE: NEW SIDE FRAME ASSEMBLY COMES WITH (4) SEAT SADDLES TO REPLACE OLD SEAT SADDLES.

MEASURING GUIDE



	DIM "A"
KIDS	5 1/8"
REG	7 3/8"
LONG	9 3/8"
X-LONG	11 3/8"



To request assembly of Frame parts being ordered as a kit, please add "ASSY-FRAME" after compatible Frame parts are selected

Pos.	Item Number	Description	Remarks
1	108837	BHCS 1/4 -28 x 1 PL ROHS	
2	106673	SADDLE, SEAT RAIL REVERSIBLE	
3	109367	SPACER 1/2 x 1/4 ID x 3/16 THK	
4	561002	1" INSERT PLUG .083	
5	106982	BHCS 5/16" x 1 3/4 SHLD ROHS	
5,7	107491	LATCH STUD KIT	
6	560406	FRAME BUSHING	
9	106944	WASHER FLAT THIN AN 1/4 ROHS	
1-8A,9	111211S	FRONT S/F KIDS PAINTED S/A RIGHT	RIGHT (SPECIFY COLOR) 12 -14" DEEP
1-8B,9	111213S	FRONT S/F REG PAINTED S/A RIGHT	RIGHT (SPECIFY COLOR) 13 -16" DEEP
1-8C,9	111215S	FRONT S/F LNG PAINTED S/A RIGHT	RIGHT (SPECIFY COLOR) 15 -18" DEEP
1-8D,9	111217S	FRONT S/F X-LONG PAINTED S/A RIGHT	RIGHT (SPECIFY COLOR) 17 -20" DEEP

Pos.	Item Number	Description	Remarks
1-8A,9	111212S	FRONT S/F KIDS PAINTED S/A LEFT	LEFT (SPECIFY COLOR) 12 -14" DEEP
1-8B,9	111214S	FRONT S/F REG PAINTED S/A LEFT	LEFT (SPECIFY COLOR) 13 -16" DEEP
1-8C,9	111216S	FRONT S/F LNG PAINTED S/A LEFT	LEFT (SPECIFY COLOR) 15 -18" DEEP
1-8D,9	111218S	FRONT S/F X-LONG PAINTED S/A LEFT	LEFT (SPECIFY COLOR) 17 -20" DEEP
10	560735	7/8" ROUND TUBE PLUG	No SA Hanger SEE NOTE
		Ship assembled part #	Use with multiple assemblies
	ASSY-FRAME	FRAME ASSY REQUIRED	add with Frame kit

NOTE: X-LONG SIDE FRAME WILL ADD 2.5LBS TO THE TOTAL WEIGHT OF THE CHAIR.

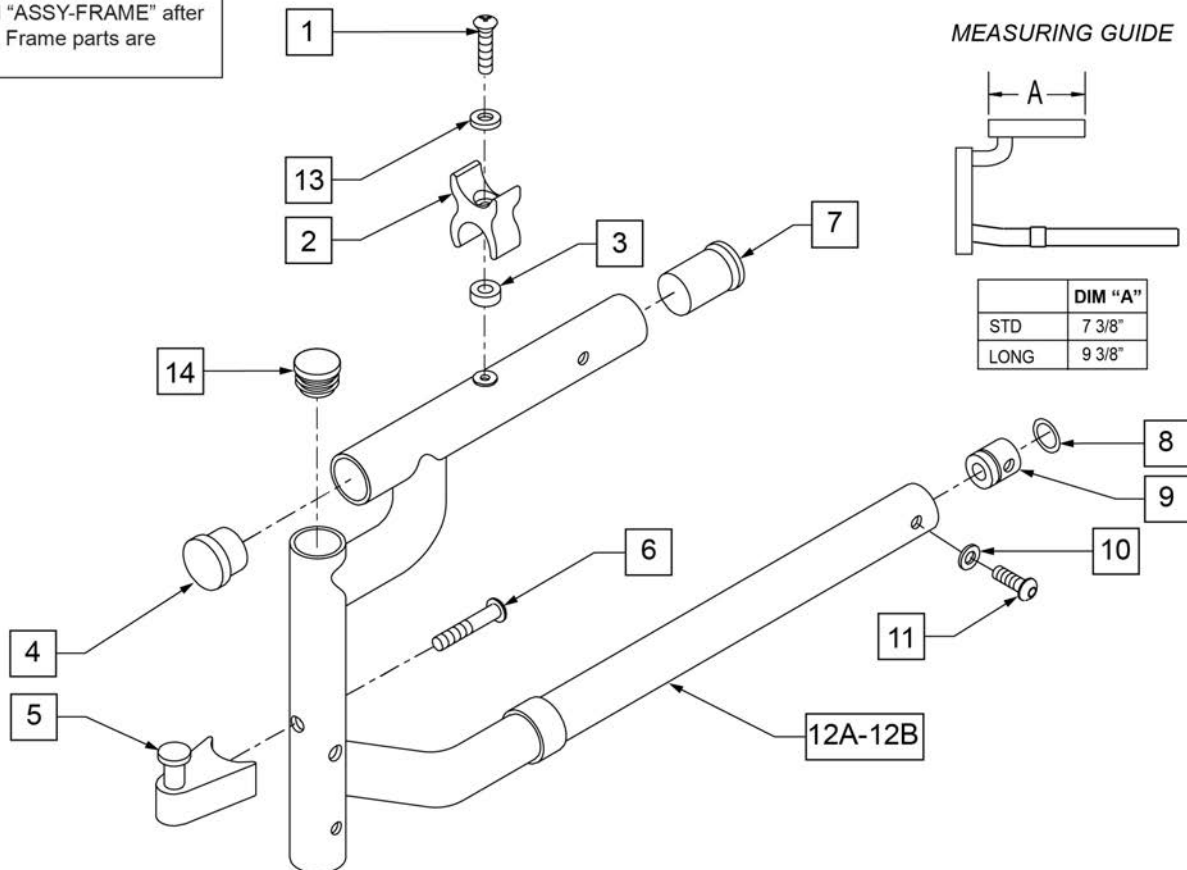
NOTE: IF GROWING CHAIR FROM ANY SHORTER HEMI FRONT FRAME TO EXTRA LONG, THE HEMI REAR SIDE FRAME NEEDS TO BE CHANGED TO A STANDARD REAR SIDE FRAME.

NOTE: ORDER PART 14 (TUBE CAP QTY 2) WHEN SWING-AWAY FOOTRESTS ARE NOT INSTALLED.

NOTE: NEW SIDE FRAME ASSEMBLY COMES WITH (4) SEAT SADDLES TO REPLACE OLD SEAT SADDLES.

NOTE: WHEN SHRINKING FROM X-LONG HEMI FRONT SIDE FRAMES TO STANDARD OR LONG HEMI FRONT SIDE FRAMES, THEN NEW LEFT AND RIGHT HEMI REAR SIDE FRAMES WILL BE REQUIRED. THIS ALSO APPLIES TO THE DAB REAR SIDE FRAME.

To request assembly of Frame parts being ordered as a kit, please add "ASSY-FRAME" after compatible Frame parts are selected



Pos.	Item Number	Description	Remarks
1	108837	BHCS 1/4 -28 x 1 PL ROHS	

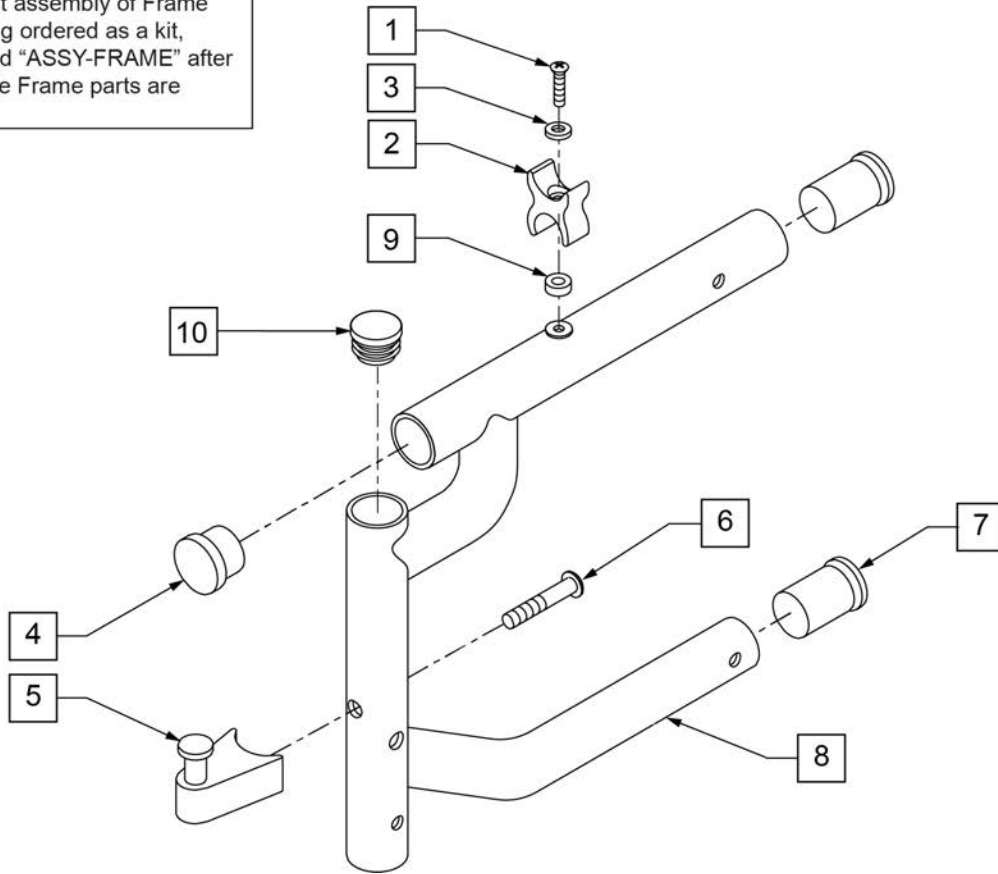
Pos.	Item Number	Description	Remarks
2	106673	SADDLE, SEAT RAIL REVERSIBLE	
3	109367	SPACER 1/2 x 1/4 ID x 3/16 THK	
4	561002	1" INSERT PLUG .083	
6	106982	BHCS 5/16 -18 x 1 3/4 SHLD ROHS	
7	560406	FRAME BUSHING	
8	342013	PLUG O-RING RUBBER HEMI	
9	483022	FRAME INSERT HEMI	
10	262130	6mm WASHER WAVE	
11	226101	1/4 -20 x 3/4 BH C/S	
13	106944	WASHER FLAT THIN AN 1/4 ROHS	
5,6	107491	LATCH/STUD KIT	
8,9	880140	FRAME INSERT W/ O- RING HEMI	
1-11,12A,13	111220S	FRONT S/F STD HEMI PNTD S/A LEFT	LEFT (SPECIFY COLOR) 13 -16" DEEP
1-11,12A,13	111219S	FRONT S/F STD HEMI PNTD S/A RIGHT	RIGHT (SPECIFY COLOR) 13 -16" DEEP
1-11,12B,13	111222S	FRONT S/F LONG HEMI PNTD S/A LEFT	LEFT (SPECIFY COLOR)15 -18" DEEP
1-11,12B,13	111221S	FRONT S/F LONG HEMI PNTD S/A RIGHT	RIGHT (SPECIFY COLOR) 15 -18" DEEP
14	560735	7/8" ROUND TUBE PLUG	No SA Hanger
		Ship assembled part #	Use with multiple assemblies
	ASSY-FRAME	FRAME ASSY REQUIRED	add with Frame kit

Note: If growing a chair from any shorter Hemi Front Frame to extra long, the Hemi Rear Side Frame needs to be changed to a standard Rear Side Frame. This includes the DAB Rear Side Frame also.

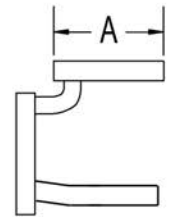
NOTE: ORDER PART 10 (TUBE CAP QTY 2) WHEN SWING-AWAY FOOTRESTS ARE NOT INSTALLED.

NOTE: NEW SIDE FRAME ASSEMBLY COMES WITH (4) SEAT SADDLES TO REPLACE OLD SEAT SADDLES.

To request assembly of Frame parts being ordered as a kit, please add "ASSY-FRAME" after compatible Frame parts are selected



MEASURING GUIDE

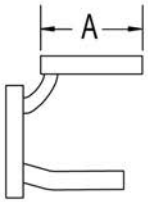


	DIM "A"
X-LONG	11 3/8"

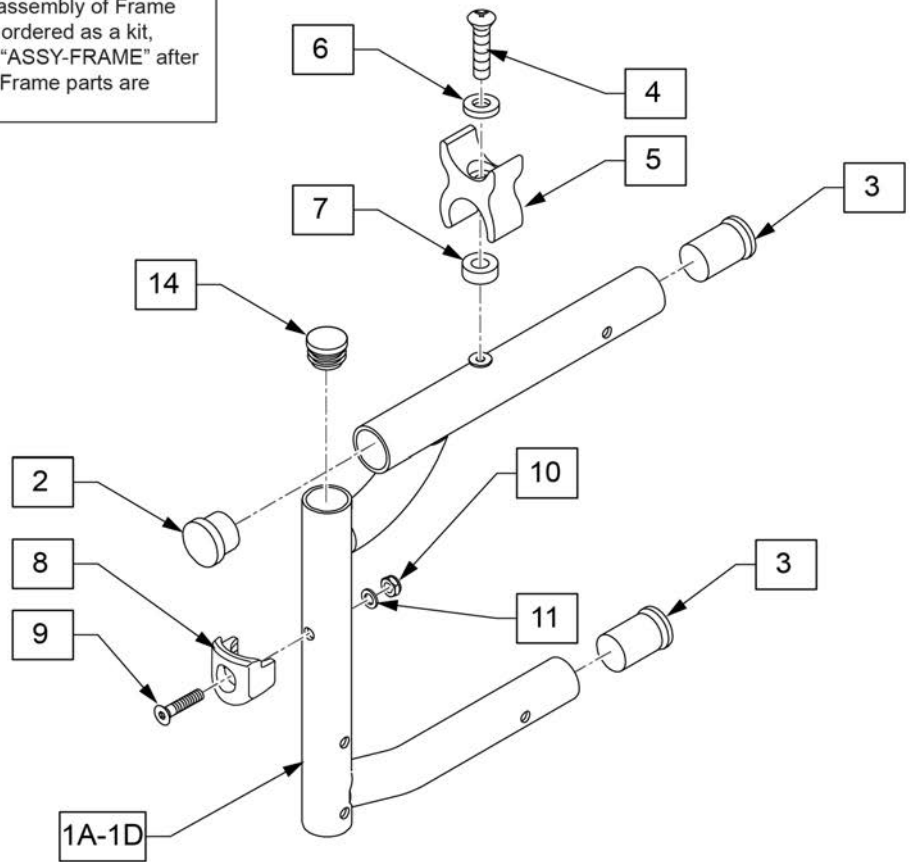
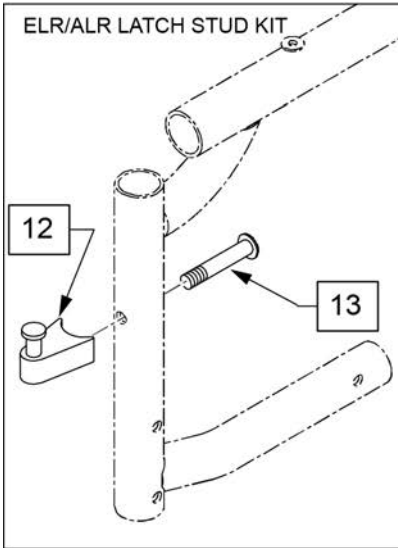
Pos.	Item Number	Description	Remarks
1	108837	BHCS 1/4 -28 x 1 PL ROHS	
2	106673	SADDLE, SEAT RAIL REVERSIBLE	
3	106944	WASHER FLAT THIN AN 1/4 ROHS	
4	561002	1" INSERT PLUG .083	
6	106982	BHCS 5/16 -18 x 1 3/4 SHLD ROHS	
7	560406	FRAME BUSHING	
9	109367	SPACER 1/2 x 1/4 ID x 3/16 THK	
5,6	107491	LATCH/STUD KIT	
1-9	111223S	FRONT S/F X-LONG HEMI PNTD RIGHT	17 -20" DEEP (SPECIFY COLOR)
1-9	111224S	FRONT S/F X-LONG HEMI PNTD LEFT	17 -20" DEEP (SPECIFY COLOR)
10	560735	7/8" ROUND TUBE PLUG	Use in place of SA Hanger
		Ship assembled part #	Use with multiple assemblies
	ASSY-FRAME	FRAME ASSY REQUIRED	add with Frame kit

To request assembly of Frame parts being ordered as a kit, please add "ASSY-FRAME" after compatible Frame parts are selected

MEASURING GUIDE



	DIM "A"
KIDS	5 1/8"
REG	7 3/8"
LONG	9 3/8"
X-LONG	11 3/8"

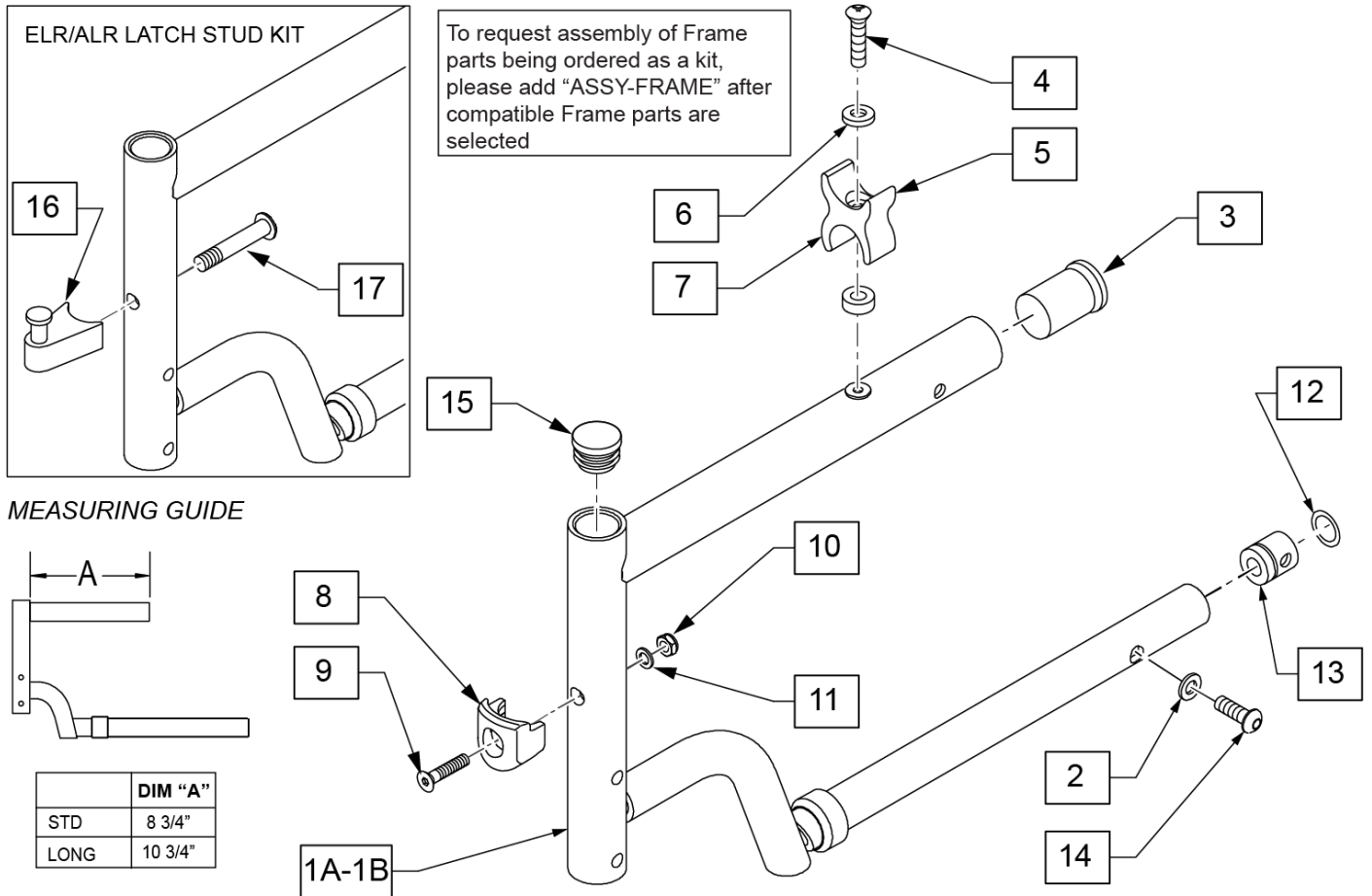


Pos.	Item Number	Description	Remarks
2	561002	1" INSERT PLUG .083	
3	560406	FRAME BUSHING	
4	108837	BHCS 1/4 -28 x 1 PL ROHS	
5	106673	SADDLE, SEAT RAIL REVERSIBLE	
6	106944	WASHER FLAT THIN AN 1/4 ROHS	
7	109367	SPACER 1/2 x 1/4 ID x 3/16 THK	
1A-7	129691S	FRONT SIDE FRAME KIT SMALL	Used for 12"-14" Seat Depths
1B-7	129692S	FRONT SIDE FRAME KIT REG	Used for 13"-16" Seat Depths
1C-7	129693S	FRONT SIDE FRAME KIT LONG	Used for 15"-18" Seat Depths
1D-7	129694S	FRONT SIDE FRAME KIT XLNG	Used for 17"-20" Seat Depths
8-11	119514	LATCH RECEIVER KIT	For Swing I/O Hanger & Swing I/O ELR/ALR's effective 2/6/17
12,13	107491	LATCH STUD KIT	Used on ELR/ALR's shipped prior to 2/6/17
14	560735	7/8" ROUND TUBE PLUG	No SA Hanger SEE NOTE
		Ship assembled part #	Use with multiple assemblies
	ASSY-FRAME	FRAME ASSEMBLY REQUIRED	add with Front, Rear & Cross frame assemblies

NOTE: ORDER PART 14 (TUBE CAP QTY 2) WHEN SWING-AWAY FOOTRESTS ARE NOT INSTALLED.

NOTE: ORDER PART 14 (TUBE CAP QTY 2) WHEN SWING-AWAY FOOTRESTS ARE NOT INSTALLED.

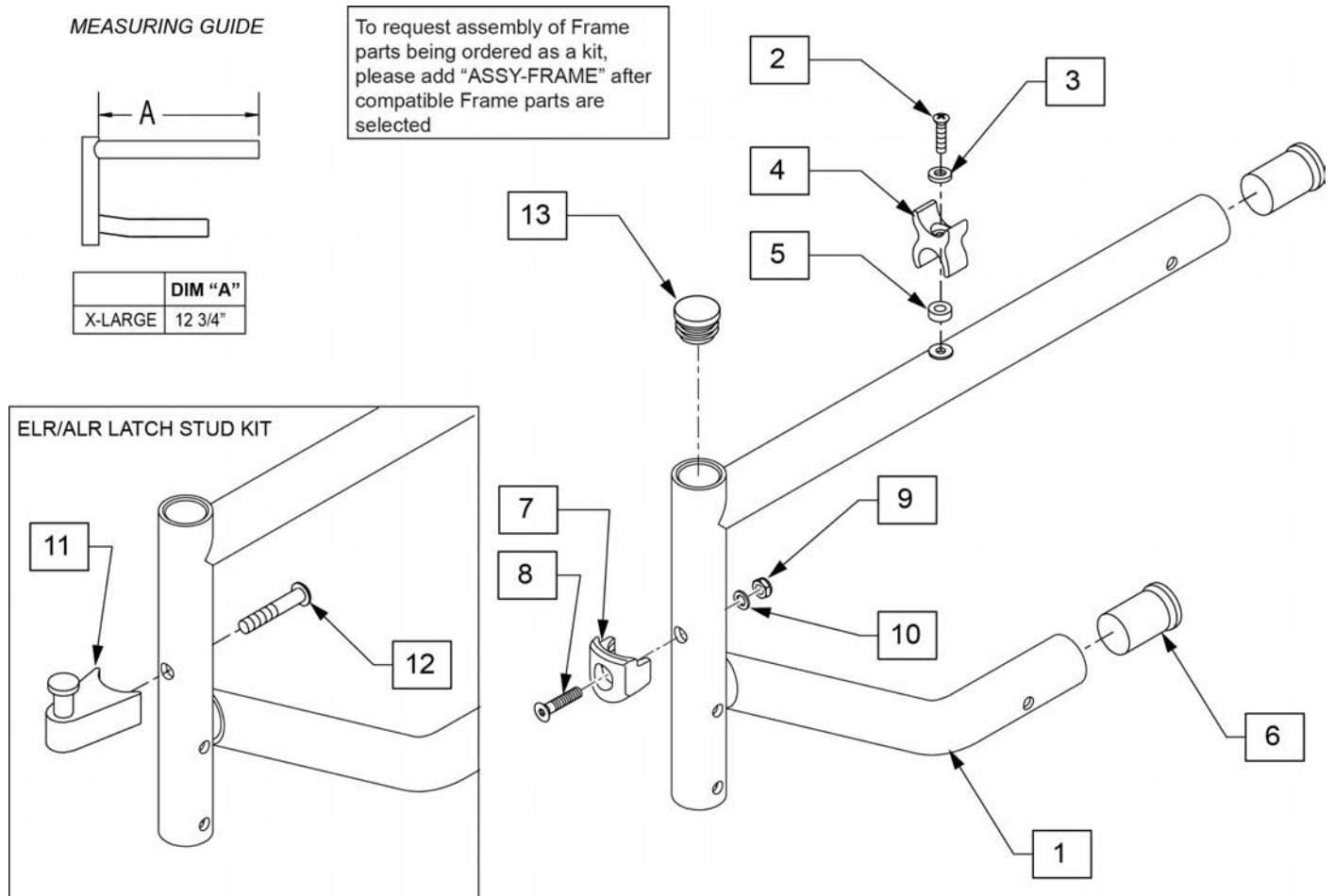
NOTE: WHEN SHRINKING FROM X-LONG HEMI FRONT SIDE FRAMES TO STANDARD OR LONG HEMI FRONT SIDE FRAMES, THEN NEW LEFT AND RIGHT HEMI REAR SIDE FRAMES WILL BE REQUIRED. THIS ALSO APPLIES TO THE DAB REAR SIDE FRAME.



Pos.	Item Number	Description	Remarks
2	106944	WASHER FLAT THIN AN 1/4 ROHS	
3	560406	FRAME BUSHING	
4	108837	BHCS 1/4 -28 x 1 PL ROHS	
5	106673	SADDLE, SEAT RAIL REVERSIBLE	
6	262130	6mm WASHER WAVE	
7	109367	SPACER 1/2 x 1/4 ID x 3/16 THK	
14	226101	1/4 -20 x 3/4 BH C/S	
15	560735	7/8" ROUND TUBE PLUG	No SA Hanger
8-11	119514	LATCH RECEIVER KIT	For Swing I/O Hanger & Swing I/O ELR/ALR's effective 2/6/17
12,13	880140	FRAME INSERT W/ O- RING HEMI	
16,17	107491	LATCH STUD KIT	Used on ELR/ALR's shipped prior to 2/6/17
1A,2-7,12-14	129695S	HEMI FRONT SIDE FRAME KIT STD	
1B,2-7,12-14	129696S	HEMI FRONT SIDE FRAME KIT LNG	
		Ship assembled part #	Use with multiple assemblies
	ASSY-FRAME	FRAME ASSY REQUIRED	add with Frame kit

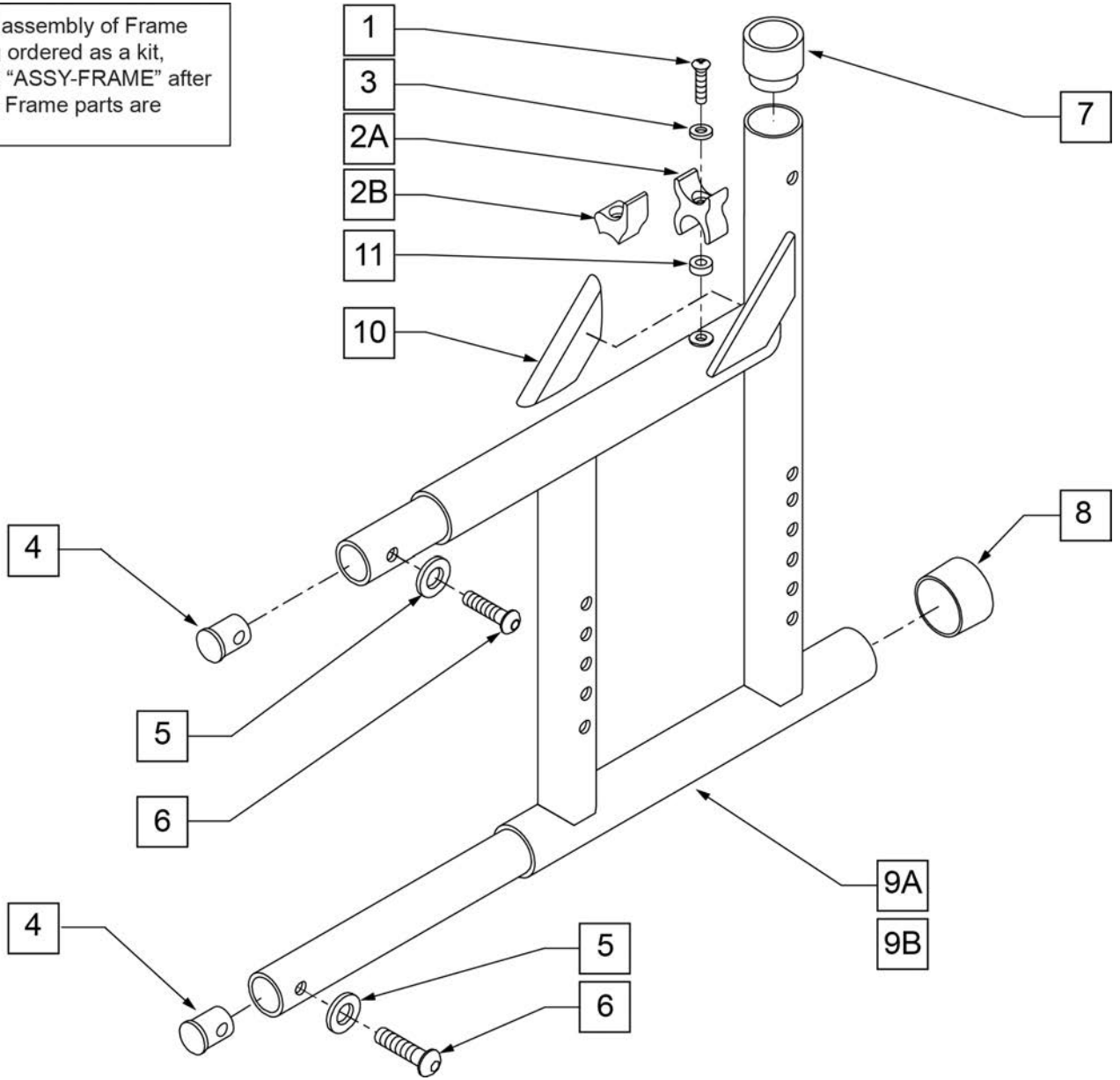
Note: If growing a chair from any shorter Hemi Front Frame to extra long, the Hemi Rear Side Frame needs to be changed to a standard Rear Side Frame. This includes the DAB Rear Side Frame also.

NOTE: ORDER PART 13 (TUBE CAP QTY 2) WHEN SWING-AWAY FOOTRESTS ARE NOT INSTALLED.



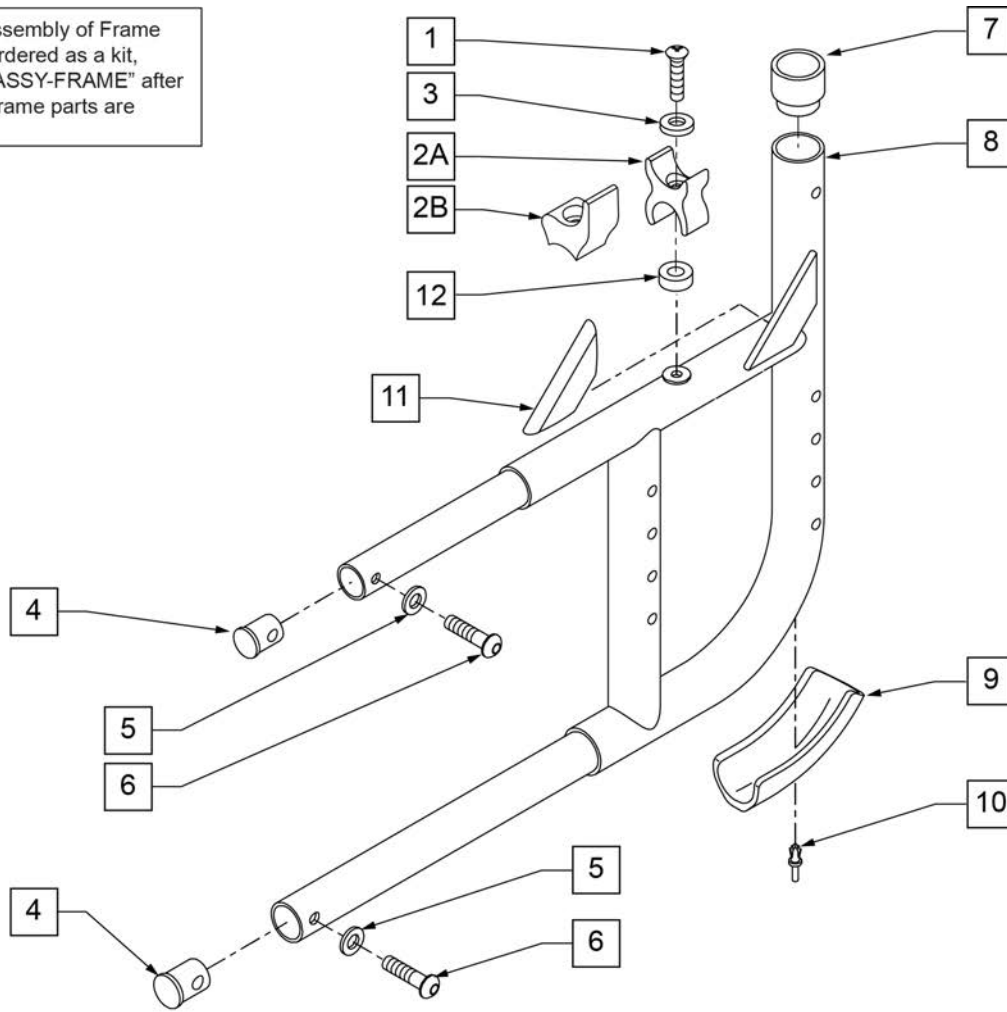
Pos.	Item Number	Description	Remarks
2	108837	BHCS 1/4 -28 x 1 PL ROHS	
3	106944	WASHER FLAT THIN AN 1/4 ROHS	
4	106673	SADDLE, SEAT RAIL REVERSIBLE	
5	109367	SPACER 1/2 x 1/4 ID x 3/16 THK	
6	560406	FRAME BUSHING	
1-6	129697S	XL HEMI FRONT SIDE FRAME KIT	17 -20" DEEP (SPECIFY COLOR)
12	106982	BHCS 5/16 -18 x 1 3/4 SHLD ROHS	
7-10	119514	LATCH RECEIVER KIT	For Swing I/O Hanger & Swing I/O ELR/ALR's effective 2/6/17
11,12	107491	LATCH/STUD KIT	Used on ELR/ALR's shipped prior to 2/6/17
13	560735	7/8" ROUND TUBE PLUG	Use in place of SA Hanger
		Ship assembled part #	Use with multiple assemblies
	ASSY-FRAME	FRAME ASSY REQUIRED	add with Frame kit

To request assembly of Frame parts being ordered as a kit, please add "ASSY-FRAME" after compatible Frame parts are selected



Pos.	Item Number	Description	Remarks
1	108837	BHCS 1/4 -28 x 1 PL ROHS	
2A	106673	SADDLE, SEAT RAIL REVERSIBLE	
2B	112866	SADDLE SEAT RAIL REAR HD RAMQ	HD CHAIRS ONLY
3	106944	WASHER FLAT THIN AN 1/4 ROHS	
4	483001	Q2 FRAME/FOOT RETAINING PLUG	
5	104414	WAVE WASHER 6 MM	
6	107353	BHCS 1/4-20 X 1 ROHS	
7	561083	1 1/8" TUBE END BUSHING THIN	
8	561014	1" MED CAP	
10	341300	Q2 GUSSET WEAR STRIP	
11	109367	SPACER 1/2 x 1/4ID x 3/16 THK	
1,2A-11	111227S	REAR S/F PAINTED Q2 R 1 1/8	RIGHT (SPECIFY COLOR) Fits chairs w/ serial# prefix Q2V
1,2A-11	111228S	REAR S/F PAINTED Q2 L 1 1/8	LEFT (SPECIFY COLOR) Fits chairs w/ serial# prefix Q2V
1,2B-11	112627S	REAR S/F PAINTED Q2 R HD	RIGHT (SPECIFY COLOR) HD ONLY Fits chairs w/ serial# prefix Q2H & Q2
1,2B-11	112628S	REAR S/F PAINTED Q2 L HD	LEFT (SPECIFY COLOR) HD ONLY Fits chairs w/ serial# prefix Q2H & Q2
		Ship assembled part #	Use with multiple assemblies
	ASSY-FRAME	FRAME ASSEMBLY REQUIRED	add with Front, Rear& Cross frame assems

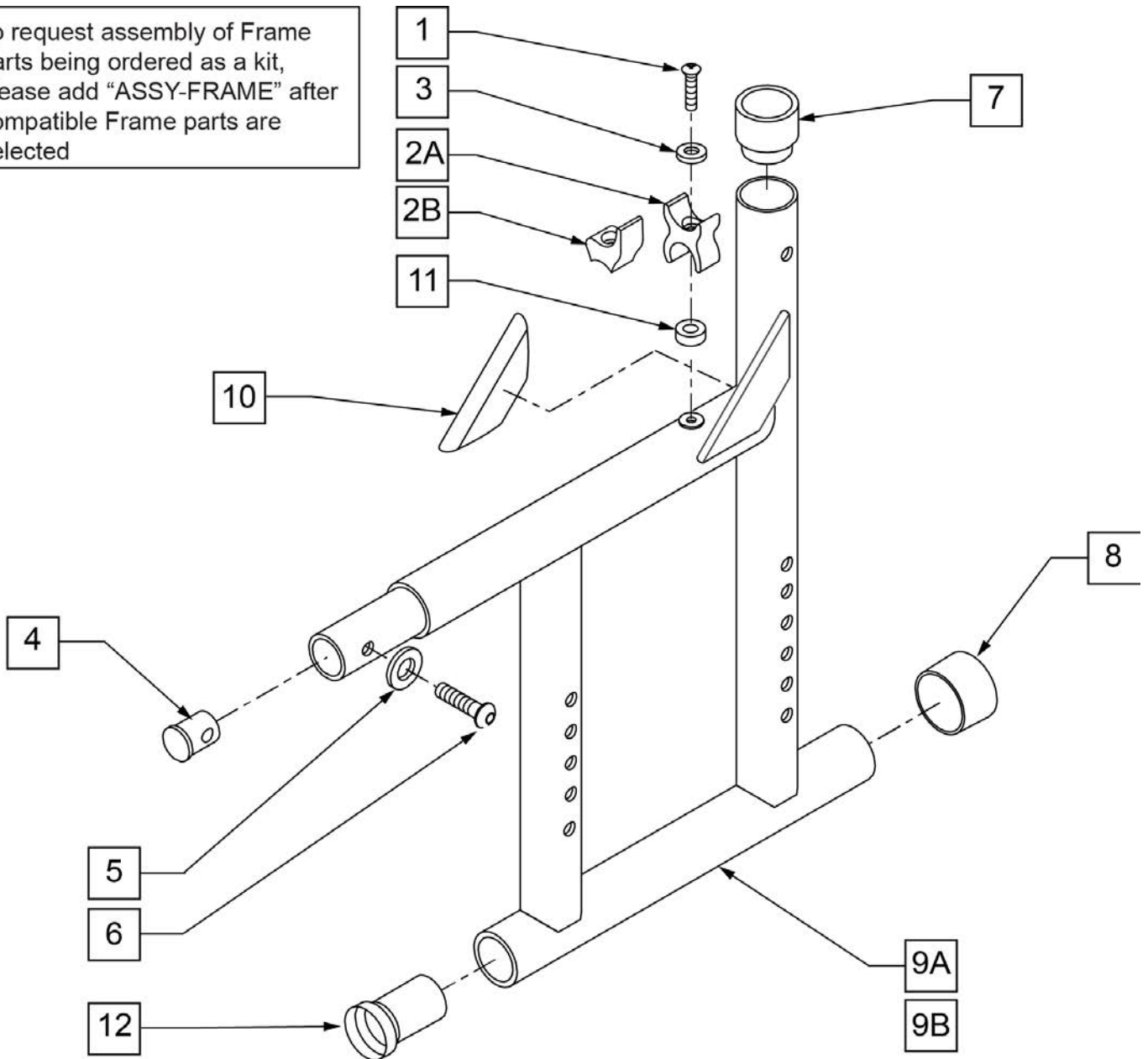
To request assembly of Frame parts being ordered as a kit, please add "ASSY-FRAME" after compatible Frame parts are selected



Pos.	Item Number	Description	Remarks
1	108837	BHCS 1/4 -28 x 1 PL ROHS	
2A	106673	SADDLE SEAT RAIL REVERSIBLE	
2B	112866	SADDLE SEAT RAIL REAR HD RAMQ	HD CHAIRS ONLY
3	106944	WASHER FLAT THIN AN 1/4 ROHS	
4	483001	Q2 FRAME/FOOT RETAINING PLUG	
5	104414	WAVE WASHER 6 MM	
6	107353	BHCS 1/4 -20 x 1 ROHS	
7	561083	1-1/8" TUBE END BUSHING THIN	
9	560409	REAR FRAME BUMPER Q2	
10	240210	RIVET 3/16 PLASTIC	
11	341300	Q2 GUSSET WEARSTRIP	
12	109367	SPACER 1/2 x 1/4 ID x 3/16 THK	
1,2A-12	111229S	REAR S/F PNTD Q2 CURVED	RIGHT (SPECIFY COLOR) Fits chairs w/ serial# prefix Q2V
1,2A-12	111230S	REAR S/F PAINTED Q2 CURVED	LEFT (SPECIFY COLOR) Fits chairs w/ serial# prefix Q2V
1,2B-12	112629S	REAR S/F PAINTED Q2 CURVED R HD	RIGHT (SPECIFY COLOR) HD ONLY Fits chairs w/ serial# prefix Q2H & Q2
1,2B-12	112630S	REAR S/F PAINTED Q2 CURVED L HD	LEFT (SPECIFY COLOR) HD ONLY Fits chairs w/ serial# prefix Q2H & Q2
		Ship assembled part #	Use with multiple assemblies
	ASSY-FRAME	FRAME ASSY REQUIRED	add with Frame kit

Note: The HEMI rear side frame is used with "STANDARD AND LONG HEMI FRONT FRAME" ONLY. If Hemi X-long front side frame is used, the "STANDARD REAR SIDE FRAME" is used.

To request assembly of Frame parts being ordered as a kit, please add "ASSY-FRAME" after compatible Frame parts are selected

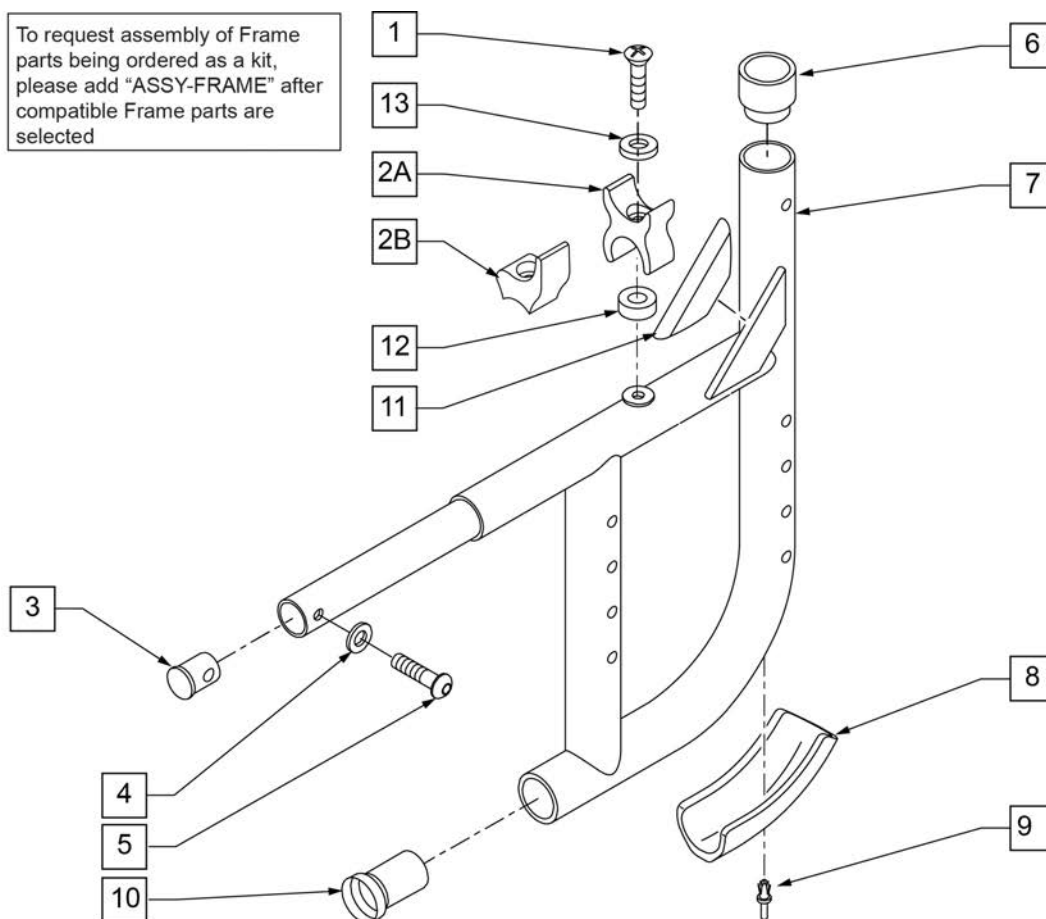


Pos.	Item Number	Description	Remarks
1	108837	BHCS 1/4 -28 x 1 PL ROHS	
2A	106673	SADDLE, SEAT RAIL REVERSIBLE	
2B	112866	SADDLE SEAT RAIL REAR HD RAMQ	HD CHAIRS ONLY
3	106944	WASHER FLAT THIN AN 1/4 ROHS	
4	483001	Q2 FRAME/FOOT RETAINING PLUG	
5	104414	WAVE WASHER 6 MM	
6	107353	BHCS 1/4-20 X 1 ROHS	
7	561083	1 1/8" TUBE END BUSHING THIN	
8	561014	1" MED CAP	
10	341300	Q2 GUSSET WEAR STRIP	
11	109367	SPACER 1/2 x 1/4ID x 3/16 THK	
1,2A-12	111225S	REAR S/F PNTD HEMI R	RIGHT (SPECIFY COLOR) Fits chairs w/ serial# prefix Q2V
1,2A-12	111226S	REAR S/F PNTD HEMI L	LEFT (SPECIFY COLOR) Fits chairs w/ serial# prefix Q2V
1,2B-12	112631S	REAR S/F PNTD Q2 HEMI R HD	RIGHT (SPECIFY COLOR) HD ONLY Fits chairs w/ serial# prefix Q2H & Q2
1,2B-12	112632S	REAR S/F PNTD Q2 HEMI L HD	LEFT (SPECIFY COLOR) HD ONLY Fits chairs w/ serial# prefix Q2H & Q2
		Ship assembled part #	Use with multiple assemblies
	ASSY-FRAME	FRAME ASSY REQUIRED	add with Frame kit

HEMI ROUNDED REAR SIDE FRAME

[10/2009]

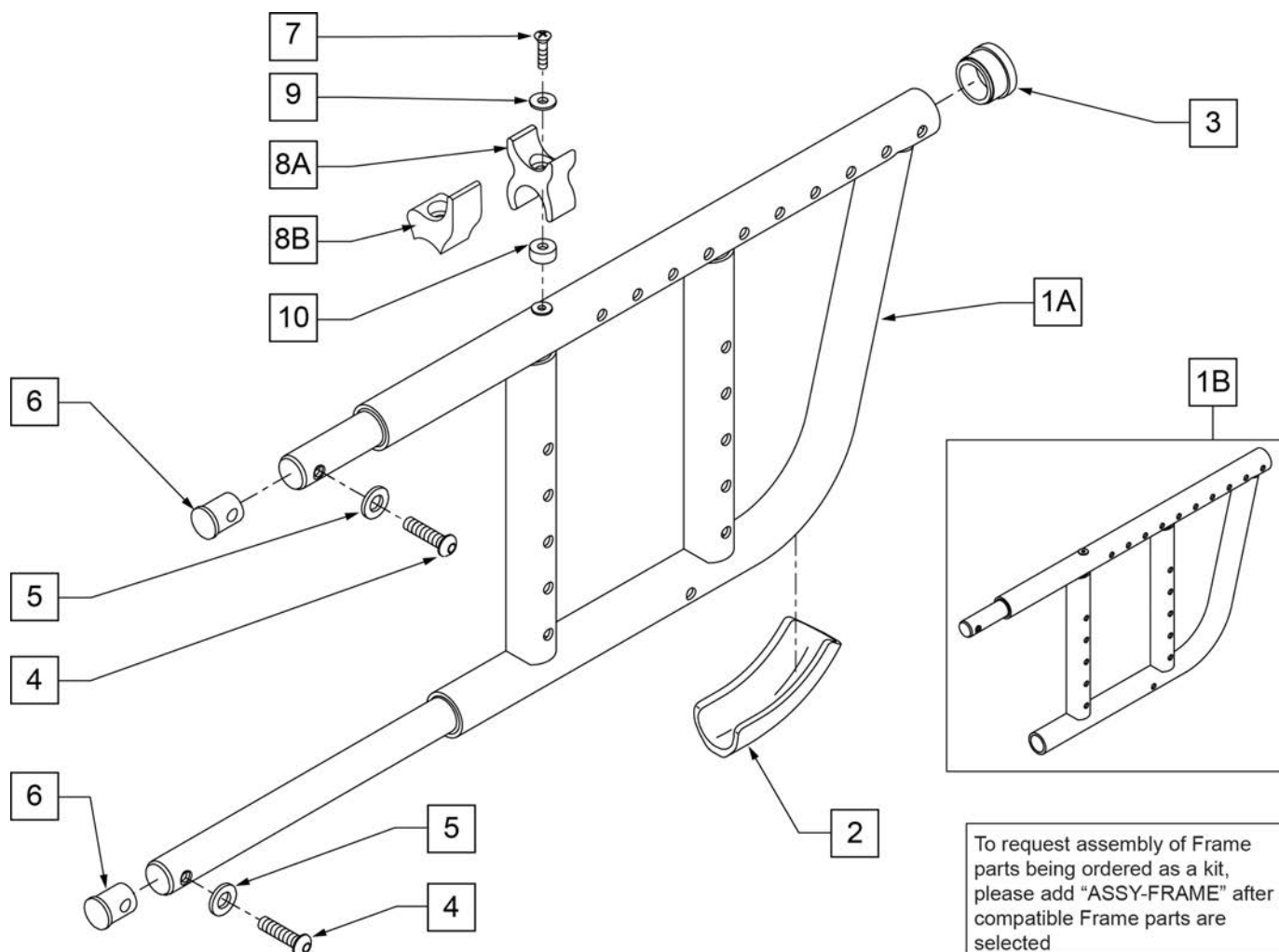
NOTE: The HEMI rear side frame is used with "STANDARD AND LONG HEMI FRONT FRAME" ONLY. If Hemi X-long front side frame is used, the "STANDARD REAR SIDE FRAME" is used.



Pos.	Item Number	Description	Remarks
1	108837	BHCS 1/4 -28 x 1 PL ROHS	
2A	106673	SADDLE SEAT RAIL REVERSIBLE	
2B	112866	SADDLE SEAT RAIL REAR HD RAMQ	HD CHAIRS ONLY
3	483001	Q2 FRAME/FOOT RETAINING PLUG	
4	104414	WAVE WASHER 6 MM	
5	107353	BHCS 1/4 -20 x 1 ROHS	
6	561083	1-1/8" TUBE END BUSHING THIN	
8	560409	REAR FRAME BUMPER Q2	
9	240210	RIVET 3/16 PLASTIC	
10	560408	FRAME BUSHING 3/4 - 1 1/8"	
11	341300	Q2 GUSSET WEARSTRIP	
12	109367	SPACER 1/2 x 1/4 ID x 3/16 THK	
13	106944	WASHER FLAT THIN AN 1/4 ROHS	
1,2A,3-11	111231S	REAR S/F PAINTED Q2 HEMI CURVED -RH	Right (Specify Color) Fits chairs w/ SN prefix Q2V
1,2A,3-11	111232S	REAR S/F PAINTED Q2 HEMI CURVED -LH	LEFT (Specify Color) Fits chairs w/ SN prefix Q2V
1,2B,3-11	112633S	REAR S/F PAINTED Q2 HEMI CURVED R HD	RIGHT (Specify Color) HD ONLY Fits chairs w/ SN prefix Q2H & Q2
1,2B,3-11	112634S	REAR S/F PAINTED Q2 HEMI CURVED L HD	LEFT (Specify Color) HD ONLY Fits chairs w/ SN prefix Q2H & Q2
		Ship assembled part #	Use with multiple assemblies

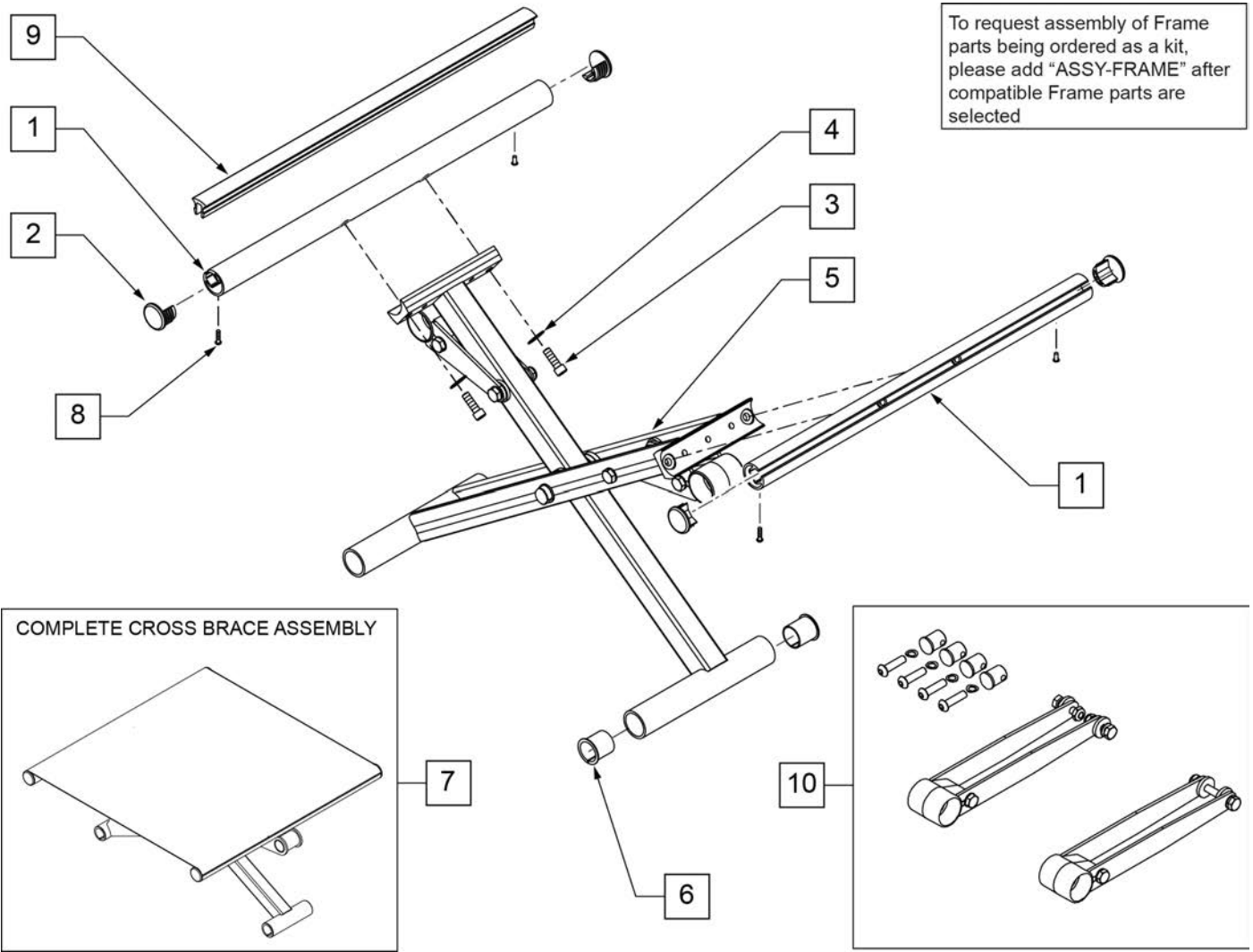
Pos.	Item Number	Description	Remarks
	ASSY-FRAME	FRAME ASSY REQUIRED	add with Frame kit

Note: The DAB Hemi Rear Side Frame is used with "STANDARD AND LONG HEMI FRONT FRAME" ONLY. If Hemi X-long Front Side Frame is used, the "STANDARD DAB REAR SIDE FRAME" is used.



Pos.	Item Number	Description	Remarks
2	560413	REAR FRAME BUMPER GPS	
3	561002	1" INSERT PLUG .083	
4	107353	BHCS 1/4-20 x 1 ROHS	
5	104414	WAVE WASHER 6mm	
6	483001	Q2 FRAME/FOOT RETAINING PLUG	
7	108837	BHCS 1/4-28 x 1 PL ROHS	
8A	106673	SADDLE SEAT RAIL REVERSIBLE	
8B	112866	SADDLE SEAT RAIL REAR HD RAMQ	HD CHAIRS ONLY
9	106944	WASHER FLAT THIN AN 1/4 ROHS	
10	109367	SPACER 1/2 x 1/4 ID x 3/16 THK	
1A,2-7,8A,9,10	111233S	REAR S/F DAB PNTD R	RIGHT (SPECIFY COLOR) Fits chairs w/ SN prefix Q2V
1A,2-7,8A,9,10	111234S	REAR S/F DAB PNTD L	LEFT (SPECIFY COLOR) Fits chairs w/ SN prefix Q2V
1B,2-7,8A,9,10	111235S	REAR S/F DAB HEMI PNTD R	RIGHT (SPECIFY COLOR) Fits chairs w/ SN prefix Q2V
1B,2-7,8A,9,10	111236S	REAR S/F DAB HEMI PNTD L	LEFT (SPECIFY COLOR) Fits chairs w/ SN prefix Q2V
1A,2-7,8B,9,10	112635S	REAR S/F DAB PNTD Q2 R HD	RIGHT (SPECIFY COLOR) HD ONLY Fits chairs w/ SN prefix Q2H & Q2

Pos.	Item Number	Description	Remarks
1A,2-7,8B,9,10	112636S	REAR S/F DAB PNTD Q2 L HD	LEFT (SPECIFY COLOR) HD ONLY Fits chairs w/ SN prefix Q2H & Q2
1B,2-7,8B,9,10	112637S	REAR S/F DAB HEMI PAINTED R	RIGHT (SPECIFY COLOR) HD ONLY Fits chairs w/ SN prefix Q2H & Q2
1B,2-7,8B,9,10	112638S	REAR S/F DAB HEMI PAINTED L	LEFT (SPECIFY COLOR) HD ONLY Fits chairs w/ SN prefix Q2H & Q2
		Ship assembled part #	Use with multiple assemblies
	ASSY-FRAME	FRAME ASSY REQUIRED	add with Frame kit



Pos.	Item Number	Description	Remarks
2,8	108117	END PLUG KIT (4)	SET OF 4
3	106974	SHCS 1/4-28 X 3/4 PL ROHS	
4	106944	WASHER FLAT THIN AN 1/4 ROHS	
6	108116	3/4" NY LINER (4)	SET OF 4
5,6	111569	XTUBE ASSM 12W	12" WIDE
5,6	111570	XTUBE ASSM 13W	13" WIDE
5,6	111571	XTUBE ASSM 14W	14" WIDE
5,6	111572	XTUBE ASSM 15W	15" WIDE
5,6	111573	XTUBE ASSM 16W	16" WIDE
5,6	111574	XTUBE ASSM 17W	17" WIDE
5,6	111575	XTUBE ASSM 18W	18" WIDE
5,6	111576	XTUBE ASSM 19W	19" WIDE
5,6	111577	XTUBE ASSM 20W	20" WIDE
1-4,8	111567	SEAT RAIL KIT 12D	12" DEEP-Each
1-4,8	111568	SEAT RAIL KIT 13D	13" DEEP-Each
1-4,8	107495	SEAT RAIL KIT 14D	14" DEEP-Each
1-4,8	107496	SEAT RAIL KIT 15D	15" DEEP-Each
1-4,8	107497	SEAT RAIL KIT 16D	16" DEEP-Each

Pos.	Item Number	Description	Remarks
1-4,8	107498	SEAT RAIL KIT 17D	17" DEEP-Each
1-4,8	107499	SEAT RAIL KIT 18D	18" DEEP-Each
1-4,8	107500	SEAT RAIL KIT 19D	19" DEEP-Each
1-4,8	107501	SEAT RAIL KIT 20D	20" DEEP-Each
		Ship assembled part #	Use with multiple assemblies
	ASSY-FRAME	FRAME ASSEMBLY REQUIRED	add with Front, Rear& Cross frame assems
7	111578	X BRACE ASSM 12 x 12	
7	111579	X BRACE ASSM 12 x 13	
7	111580	X BRACE ASSM 12 x 14	
7	111581	X BRACE ASSM 12 x 15	
7	111582	X BRACE ASSM 12 x 16	
7	111583	X BRACE ASSM 12 x 17	
7	111584	X BRACE ASSM 12 x 18	
7	111587	X BRACE ASSM 13 x 12	
7	111588	X BRACE ASSM 13 x 13	
7	111589	X BRACE ASSM 13 x 14	
7	111590	X BRACE ASSM 13 x 15	
7	111591	X BRACE ASSM 13 x 16	
7	111592	X BRACE ASSM 13 x 17	
7	111593	X BRACE ASSM 13 x 18	
7	111594	X BRACE ASSM 13 x 19	
7	111595	X BRACE ASSM 13 x 20	
7	111596	X BRACE ASSM 14 x 12	
7	111597	X BRACE ASSM 14 x 13	
7	111598	X BRACE ASSM 14 x 14	
7	111599	X BRACE ASSM 14 x 15	
7	111600	X BRACE ASSM 14 x 16	
7	111601	X BRACE ASSM 14 x 17	
7	111602	X BRACE ASSM 14 x 18	
7	111603	X BRACE ASSM 14 x 19	
7	111604	X BRACE ASSM 14 x 20	
7	111605	X BRACE ASSM 15 x 12	
7	111606	X BRACE ASSM 15 x 13	
7	111607	X BRACE ASSM 15 x 14	
7	111608	X BRACE ASSM 15 x 15	
7	111609	X BRACE ASSM 15 x 16	
7	111610	X BRACE ASSM 15 x 17	
7	111611	X BRACE ASSM 15 x 18	
7	111612	X BRACE ASSM 15 x 19	
7	111613	X BRACE ASSM 15 x 20	
7	111614	X BRACE ASSM 16 x 12	
7	111615	X BRACE ASSM 16 x 13	
7	111616	X BRACE ASSM 16 x 14	
7	111617	X BRACE ASSM 16 x 15	
7	111618	X BRACE ASSM 16 x 16	
7	111619	X BRACE ASSM 16 x 17	
7	111620	X BRACE ASSM 16 x 18	
7	111621	X BRACE ASSM 16 x 19	
7	111622	X BRACE ASSM 16 x 20	
7	111623	X BRACE ASSM 17 x 12	
7	111624	X BRACE ASSM 17 x 13	
7	111625	X BRACE ASSM 17 x 14	
7	111626	X BRACE ASSM 17 x 15	
7	111627	X BRACE ASSM 17 x 16	
7	111628	X BRACE ASSM 17 x 17	
7	111629	X BRACE ASSM 17 x 18	

Pos.	Item Number	Description	Remarks
7	111630	X BRACE ASSM 17 x 19	
7	111631	X BRACE ASSM 17 x 20	
7	111632	X BRACE ASSM 18 x 12	
7	111633	X BRACE ASSM 18 x 13	
7	111634	X BRACE ASSM 18 x 14	
7	111635	X BRACE ASSM 18 x 15	
7	111636	X BRACE ASSM 18 x 16	
7	111637	X BRACE ASSM 18 x 17	
7	111638	X BRACE ASSM 18 x 18	
7	111639	X BRACE ASSM 18 x 19	
7	111640	X BRACE ASSM 18 x 20	
7	111641	X BRACE ASSM 19 x 12	
7	111642	X BRACE ASSM 19 x 13	
7	111643	X BRACE ASSM 19 x 14	
7	111644	X BRACE ASSM 19 x 15	
7	111645	X BRACE ASSM 19 x 16	
7	111646	X BRACE ASSM 19 x 17	
7	111647	X BRACE ASSM 19 x 18	
7	111648	X BRACE ASSM 19 x 19	
7	111649	X BRACE ASSM 19 x 20	
7	111650	X BRACE ASSM 20 x 12	
7	111651	X BRACE ASSM 20 x 13	
7	111652	X BRACE ASSM 20 x 14	
7	111653	X BRACE ASSM 20 x 15	
7	111654	X BRACE ASSM 20 x 16	
7	111655	X BRACE ASSM 20 x 17	
7	111656	X BRACE ASSM 20 x 18	
7	111657	X BRACE ASSM 20 x 19	
7	111658	X BRACE ASSM 20 x 20	
8	109819	SCREW #6 x 1/4 SLF TP PHL PN HD	
9	108773	SEAT RAIL PLASTIC INSERT 18"	For 12' to 18" deep, cut to fit
9	108774	SEAT RAIL PLASTIC INSERT 22"	For 19' to 20" deep, cut to fit
10	112527	Q2 X-HINGE REPLACEMENT KIT 12"W	Kit includes a pair of hinges
10	115888	Q2 X-HINGE REPLACEMENT KIT 13"W	Kit includes a pair of hinges
10	115890	Q2 X-HINGE REPLACEMENT KIT 14"W	Kit includes a pair of hinges
10	115891	Q2 X-HINGE REPLACEMENT KIT 15"W	Kit includes a pair of hinges
10	115892	Q2 X-HINGE REPLACEMENT KIT 16"W	Kit includes a pair of hinges
10	115893	Q2 X-HINGE REPLACEMENT KIT 17"W	Kit includes a pair of hinges
10	115894	Q2 X-HINGE REPLACEMENT KIT 18"W	Kit includes a pair of hinges
10	115895	Q2 X-HINGE REPLACEMENT KIT 19"W	Kit includes a pair of hinges
10	115896	Q2 X-HINGE REPLACEMENT KIT 20"W	Kit includes a pair of hinges
		Ship assembled part #	Use with multiple assemblies
	ASSY-FRAME	FRAME ASSY REQUIRED	add with Frame kit

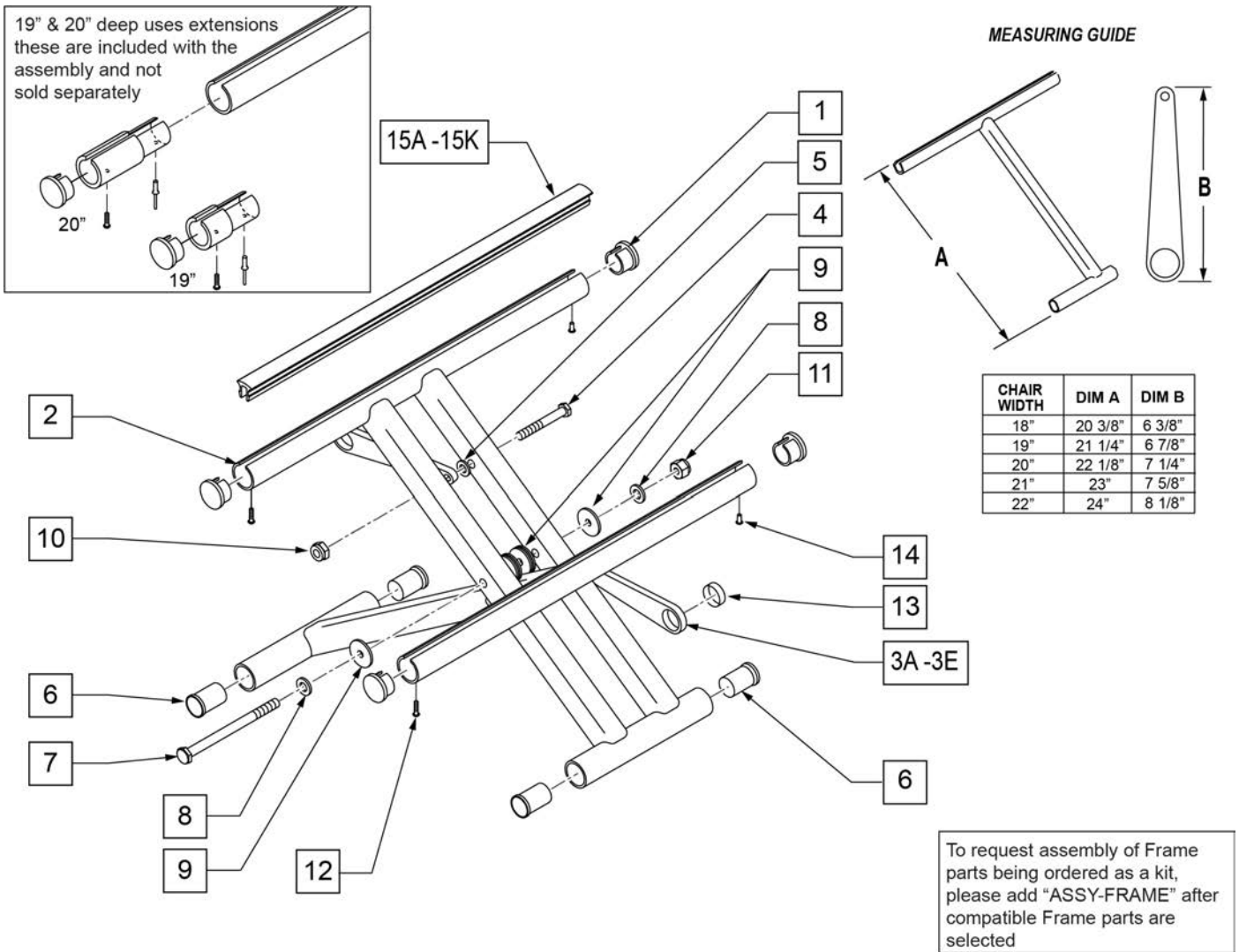
[10/19/2018]

NOTE: In order to properly mount a JAY DUO CUSHION; Qty (2) of the appropriate size SEAT RAIL INSERT (Item 9) must be ordered.

NOTE: In order to properly mount a Jay Duo Cushion Qty (2) of the appropriate size seat rail insert (Item 15) must be ordered.

NOTE: if switching from old style screw-mounted sling to this channel-style seat sling for Q2 or Kids Q2 SE chairs shipped on or prior to 10/23/99, order the complete Cross Tube Assembly Retrofit Kit (672210S - 673031S) located on Q2 Cross Tube & Seat Sling parts page; kit will include the Cross Tube Assembly, Sling, Retaining Rods and all mounting hardware and will be assembled prior to shipping.

NOTE: Item 15 is only utilized when the seat sling is not used.



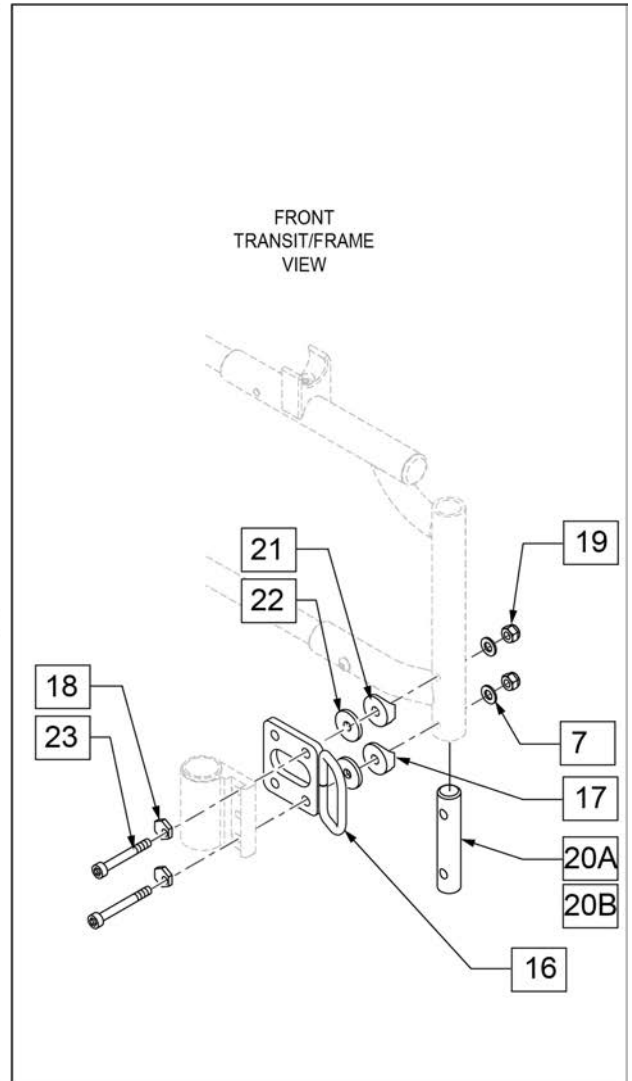
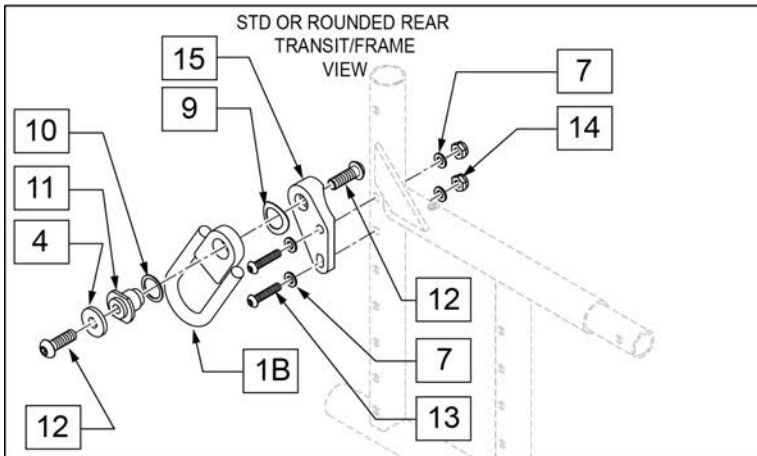
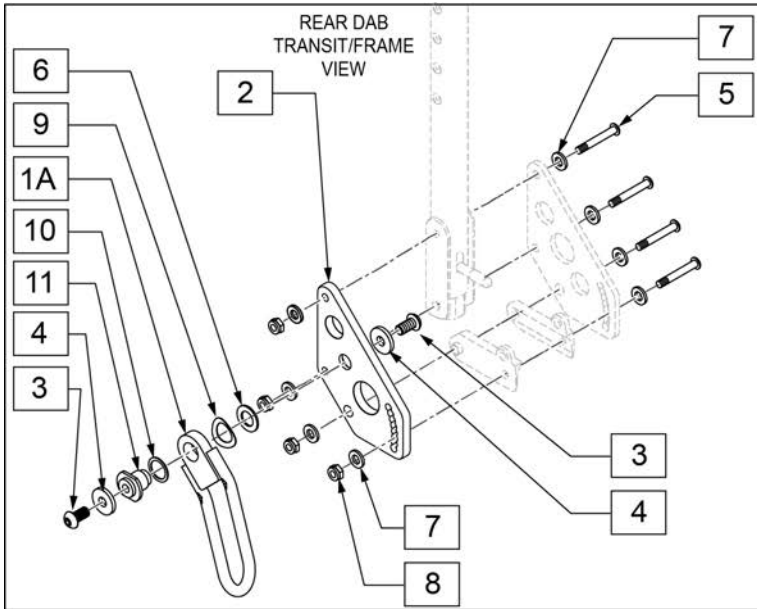
Pos.	Item Number	Description	Remarks
1	483552	SEAT RAIL END PLUG	
3A	923606	X-HINGE 18"	PAIR
3B	923607	X-HINGE 19"	PAIR
3C	923608	X-HINGE 20"	PAIR

Pos.	Item Number	Description	Remarks
3D	923609	X-HINGE 21"	PAIR
3E	923610	X-HINGE 22"	PAIR
4	107015	1/4-28 x 1 3/4 G8 HEX C/S	
5	561028	1/4" NYLON WASHER	
6	560402	3/4" NY-LINER	
7	222263	5/16-24 x 4-3/8 HHCS GR8	
8	106947	5/16 AN WASHER FLAT THIN	
9	561016	1" WASHER 5/16" HOLE	
10	106934	1/4-28 NYLOCK NUT	
11	106939	5/16-24 NYLOCK NUT THIN	
12	281131	#10 3/8" SELF TAPPING SCREW	
13	580200	TEFLON STRIP BEARING	
14	240111	RIVET POP AD55H BLK	
15A	580021	SEAT RAIL INSERT STRIP 11"	
15B	580022	SEAT RAIL INSERT STRIP 12"	
15C	580023	SEAT RAIL INSERT STRIP 13"	
15D	580024	SEAT RAIL INSERT STRIP 14"	
15E	580025	SEAT RAIL INSERT STRIP 15"	
15F	580026	SEAT RAIL INSERT STRIP 16"	
15G	580027	SEAT RAIL INSERT STRIP 17"	
15H	580028	SEAT RAIL INSERT STRIP 18"	
15J	580029	SEAT RAIL INSERT STRIP 19"	
15K	580030	SEAT RAIL INSERT STRIP 20"	
1-14	673592	X-TUBE ASSM 18" x11" CHNL HD	
1-14	673593	X-TUBE ASSM 18" x12" CHNL HD	
1-14	673594	X-TUBE ASSM 18" x13" CHNL HD	
1-14	673595	X-TUBE ASSM 18" x14" CHNL HD	
1-14	673596	X-TUBE ASSM 18" x15" CHNL HD	
1-14	673597	X-TUBE ASSM 18" x16" CHNL HD	
1-14	673598	X-TUBE ASSM 18" x17" CHNL HD	
1-14	673599	X-TUBE ASSM 18" x18" CHNL HD	
1-14	673600	X-TUBE ASSM 18" x19" CHNL HD	
1-14	673601	X-TUBE ASSM 18" x20" CHNL HD	
1-14	673602	X-TUBE ASSM 19" x11" CHNL HD	
1-14	673603	X-TUBE ASSM 19" x12" CHNL HD	
1-14	673604	X-TUBE ASSM 19" x13" CHNL HD	
1-14	673605	X-TUBE ASSM 19" x14" CHNL HD	
1-14	673606	X-TUBE ASSM 19" x15" CHNL HD	
1-14	673607	X-TUBE ASSM 19" x16" CHNL HD	
1-14	673608	X-TUBE ASSM 19" x17" CHNL HD	
1-14	673609	X-TUBE ASSM 19" x18" CHNL HD	
1-14	673610	X-TUBE ASSM 19" x19" CHNL HD	
1-14	673611	X-TUBE ASSM 19" x20" CHNL HD	
1-14	673612	X-TUBE ASSM 20" x11" CHNL HD	
1-14	673613	X-TUBE ASSM 20" x12" CHNL HD	
1-14	673614	X-TUBE ASSM 20" x13" CHNL HD	
1-14	673615	X-TUBE ASSM 20" x14" CHNL HD	
1-14	673616	X-TUBE ASSM 20" x15" CHNL HD	
1-14	673617	X-TUBE ASSM 20" x16" CHNL HD	
1-14	673618	X-TUBE ASSM 20" x17" CHNL HD	
1-14	673619	X-TUBE ASSM 20" x18" CHNL HD	
1-14	673620	X-TUBE ASSM 20" x19" CHNL HD	
1-14	673621	X-TUBE ASSM 20" x20" CHNL HD	
1-14	673622	X-TUBE ASSM 21" x12" CHNL HD	
1-14	673623	X-TUBE ASSM 21" x13" CHNL HD	
1-14	673624	X-TUBE ASSM 21" x14" CHNL HD	

Pos.	Item Number	Description	Remarks
1-14	673625	X-TUBE ASSM 21" x15" CHNL HD	
1-14	673626	X-TUBE ASSM 21" x16" CHNL HD	
1-14	673627	X-TUBE ASSM 21" x17" CHNL HD	
1-14	673628	X-TUBE ASSM 21" x18" CHNL HD	
1-14	673629	X-TUBE ASSM 21" x19" CHNL HD	
1-14	673630	X-TUBE ASSM 21" x20" CHNL HD	
1-14	673631	X-TUBE ASSM 22" x12" CHNL HD	
1-14	673632	X-TUBE ASSM 22" x13" CHNL HD	
1-14	673633	X-TUBE ASSM 22" x14" CHNL HD	
1-14	673634	X-TUBE ASSM 22" x15" CHNL HD	
1-14	673635	X-TUBE ASSM 22" x16" CHNL HD	
1-14	673636	X-TUBE ASSM 22" x17" CHNL HD	
1-14	673637	X-TUBE ASSM 22" x18" CHNL HD	
1-14	673638	X-TUBE ASSM 22" x19" CHNL HD	
1-14	673639	X-TUBE ASSM 22" x 20" CHNL HD	
		Ship assembled part #	Use with multiple assemblies
	ASSY-FRAME	FRAME ASSY REQUIRED	add with Frame kit

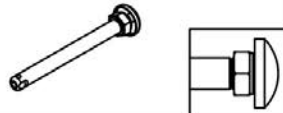

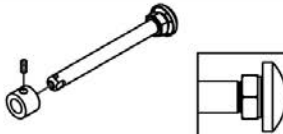



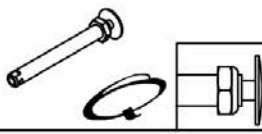

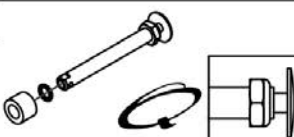

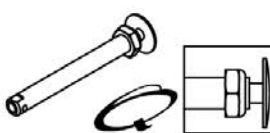
NOTE: Kit includes all items for adding the Transit Option to an existing chair.

NOTE: Transit Option not available with Padded S/A Arms, Removable Stroller Handles, or Xtender.

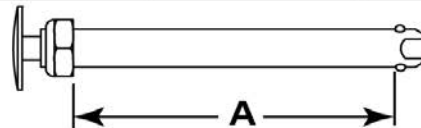


Pos.	Item Number	Description	Remarks
3	230120	BHCS, M8X1.25X16	
4	263113	5/16 WASHER 1/8" THK	
5	106966	BHCS 1/4-28 X 2-1/4 SHLDR	
6	106949	WASHER FLAT AN 1/2	
7	106943	1/4 AN WASHER FLAT	
8	106934	1/4-28 NYLOCK NUT	
12	013149	BHCS M8 X 1.25 X 16 BLK W/PL	
13	106964	BHCS 1/4-28 X 2	
14	106935	NUT NYLOCK THIN 1/4-28	
17	561004	1" SADDLE 1/4" HOLE	

Pos.	Item Number	Description	Remarks
18	262128	WASHER ECCENTRIC HD 1/4 IN HOLE	
19	106941	1/4-28 AUTOMATION NUT	
20A	108790	TRANSIT INSERT	For HD chairs with Short, Reg & Long Frames
20B	127881	TRANSIT INSERT HD	For HD chairs with X-Long Frames
21	561086	1" HALF SADDLE 1/4" HOLE	
22	113268	WASHER NYLON 1IN OD X .312 ID	
23	108791	SHCS 1/4-28 X 2-1/4 SHLDR	
1A-11,16-19,20B-23	129698	TRANSIT KIT XL FRAME DAB	For X-Long Frames w/DAB Rear S/F
1B,4,7,10-19,20B-23	129699	TRANSIT KIT XL FRAME STD	For X-Long Frames w/Straight or Rounded Rear S/F
1A-11,16-19,20A-23	129700	TRANSIT KIT SHT,REG,LNG,STD DAB	For Short, Reg & Long Frames w/DAB Rear S/F
1B,4,7,10-19,20A-23	129701	TRANSIT KIT SHT,REG,LNG,STD	For Short, Reg & Long Frames w/Straight or Rounded Rear S/F

Wheel Type	Axle Type		Axle P/N	Spacer P/N
6 Spoke Mag Wheels	Quick Release	1A 	102063 A = 4 1/8"	N/A
	Quad Quick Release	1B 	920171 A = 4 1/8"	N/A
Mag Wheels (with Uni-lateral Wheel Locks or Travel Wheels)	Quick Release	1C 	922356 Includes Spacer A = 4 3/4"	2A  920117
	Quad Quick Release	1D 	920172 Includes Spacer A = 4 3/4"	2A  920117
Standard Spoke Wheels, 5 Spoke Mag Wheels, Spinergy Wheels & Mountain Wheels	Quick Release	1E 	109385 A = 4 1/2"	N/A
	Quad Quick Release (N/A with Spinergy)	1F 	922170 A = 4 1/2"	N/A
Ultra Light Wheels (Not available with Quad Quick release)	Quick Release	1E 	109385 Order Spacer A = 4 1/2" Note: Spacer is required to shorten the axle length to fit the Ultra Light Spoke Wheel	2C  103093
				2B 100768-003
Lite Spoke	Quick Release	1G 	107268 A = 4 1/4"	N/A

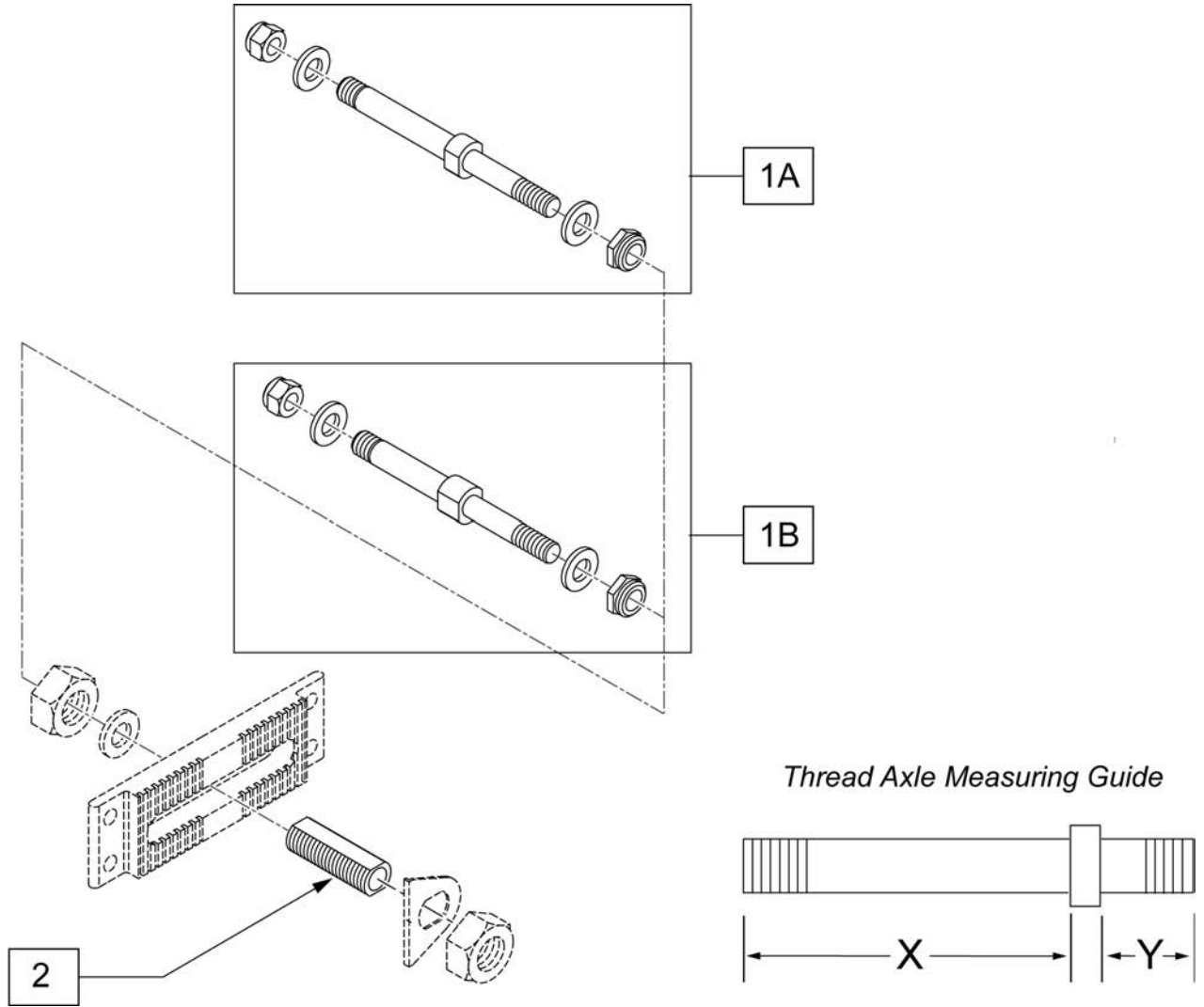
Quick Release Measuring Guide



Pos.	Item Number	Description	Remarks
1A	102063	QR AXLE MAG W/M-12 NUT	
1B	920171	QR AXLE MAG W/QUAD NUT	
1C	922356	QR AXLE BIG BUTTON W/SPACER	includes spacer
1D	920172	QR AXLE MAG W/ SPCR & QUAD NUT	includes spacer
1E	109385	QR AXLE/NUT LONG BIG BUTTON	
1F	922170	QR AXLE W/QUAD NUT PUSH BUTTON	Not available with Spinergy
1G	107268	QR AXLE AND NUT SHORT BIG BUTTON	
2A	920117	MAG SPACER 6S W/SET SCREW	
2B	100768-003	SPACER AXLE 220DX12.71X12MM	
2C	103093	O-RING 1/2"IDX11/16"OD BUNA-N	

Note: To upgrade to threaded Axles from Quick Release Axles, Qty 2 is required.

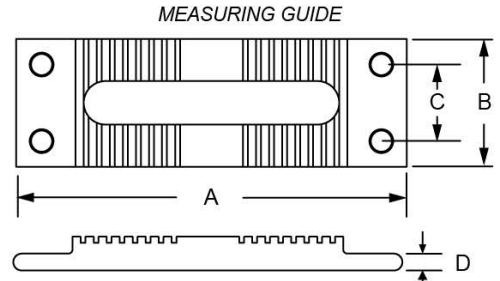
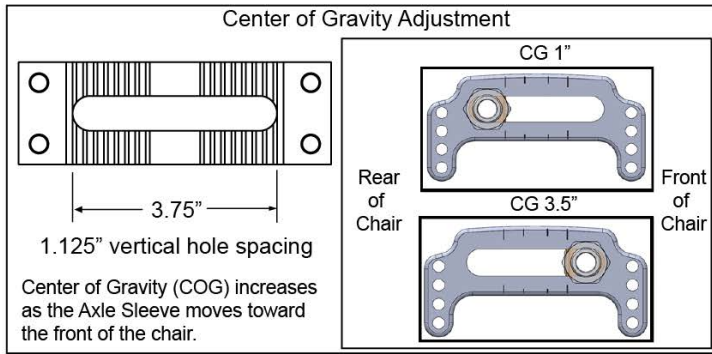
Note: for Quickie TS only available with Amputee Adjustable Axle Bracket.



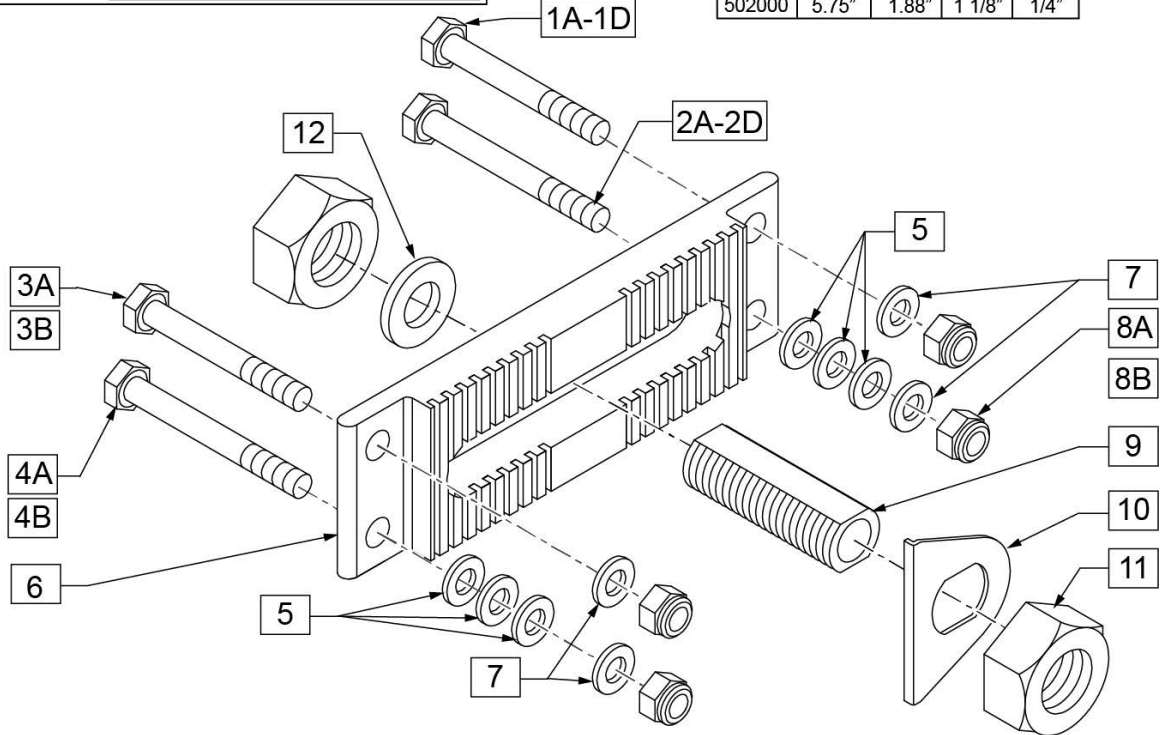
Pos.	Item Number	Description	Remarks
1A	920108	AXLE THRD MAG(ADJ AXLE PLT) LX	For Mag Wheel X= 2.5 Y=2 1/8
1B	920109	AXLE THRD SPK(ADJ AXLE PLT) LX	For Spoke Wheel X= 3 Y=2 1/8
2	920099	AXLE SLEEVE 7/16 ID W/HDWR	

STANDARD AXLE PLATE

[05/22/2019]



	"A"	"B"	"C"	"D"
502000	5.75"	1.88"	1 1/8"	1/4"

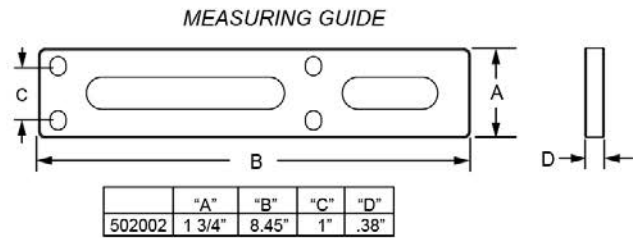
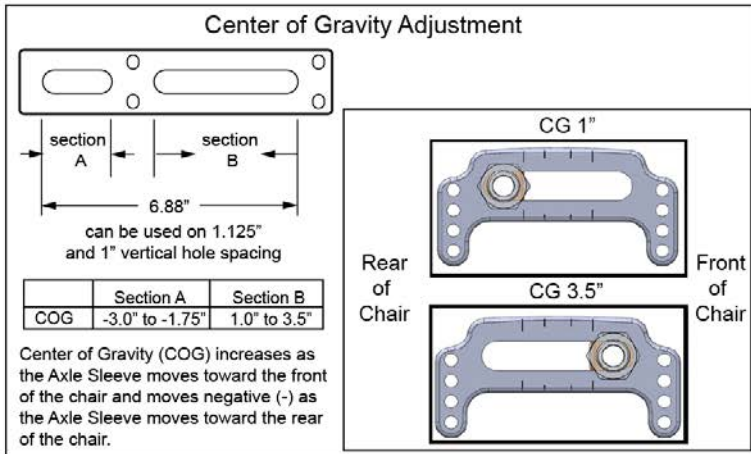
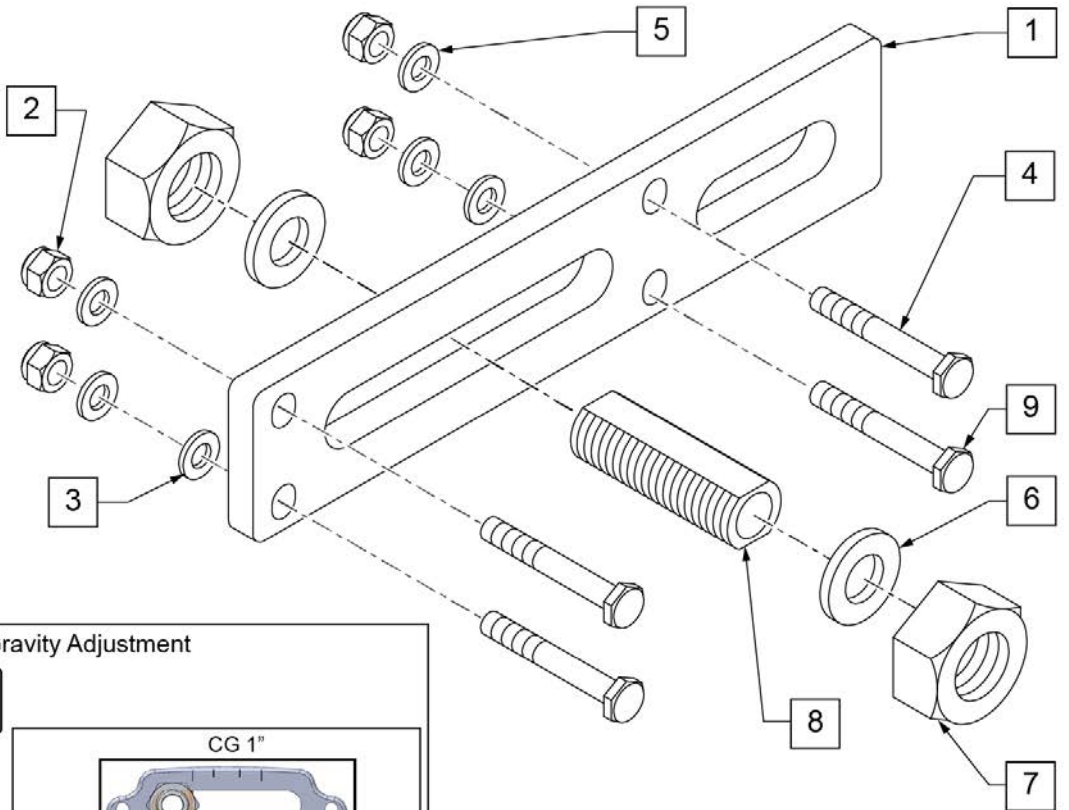


Pos.	Item Number	Description	Remarks
1A	107015	HHCS 1/4-28 X 1 3/4 G8 ROHS	Steel: use w/ Axle Plates Only
1B	106973	HHCS 1/4-28 X 2 ROHS	Steel: use w/ Anti Tips OR Transit
1C	107351	HHCS 1/4-28 X 2 1/4 G8 ROHS	Steel: use w/ Anti Tips & Transit &/Or Armrest Receiver
1D	330099	1/4-28 x 1 3/4 HEX C/S TI	Titanium: use w/ Axle Plates Only
2A	106973	HHCS 1/4-28 X 2 ROHS	Steel: use w/ Axle Plates Only
2B	107351	HHCS 1/4-28 X 2 1/4 G8 ROHS	Steel: use w/ Anti Tips or Transit
2C	109265	HHCS 1/4-28 X 2 1/2 G8 ROHS	Steel: use w/ Anti Tips & Transit &/Or Armrest Receiver
2D	330100	1/4-28 x 2 HEX C/S Ti	Titanium: use w/ Axle Plates Only
3A	107015	HHCS 1/4-28 X 1 3/4 G8 ROHS	Steel Hdwr
3B	330099	1/4-28 x 1 3/4 HEX C/S TI	Titanium Hdwr
4A	106973	HHCS 1/4-28 X 2 ROHS	Steel Hdwr
4B	330100	1/4-28 x 2 HEX C/S Ti	Titanium Hdwr
5	106943	WASHER FLAT AN 1/4 ROHS	
6	502000	AXLE PLATE Q2/HP/ZP2 INDEX	Indexed
7	106944	WASHER FLAT THIN AN 1/4 ROHS	
8A	106934	NUT NYLOCK 1/4-28 ROHS	Steel Hdwr
8B	330000-QU	1/4-28 NYLOCK NUT ALUMINUM	Alum Hdwr: used w/ Titanium Bolts
9	481065	AXLE SLEEVE SS	

Pos.	Item Number	Description	Remarks
10	505015	INDEX AXLE WASHER	
11	116569	NUT HEX 3/4-16 BLACK ZINC	
12	116570	WASHER FLAT 3/4 X 1.25 BLK ZNC	
1A,1B,1C,2A,2B,2C,3A,4A,5,7,8A	111237	AXLE PLATE HARDWARE KIT Q2	Q2 & Q2HP (Hdwr for Both Sides & All Configs)
1D,2D,3B,4B,5,7,8B	920216	AXLE PLATE HARDWARE KIT HP/T2	Q2HP Titanium Only (Hdwr for One Side)
1-12	111239	STD AXL PLATE KIT	Pair
9-12	920120	AXLE SLEEVE W/ HDWR INDEX	

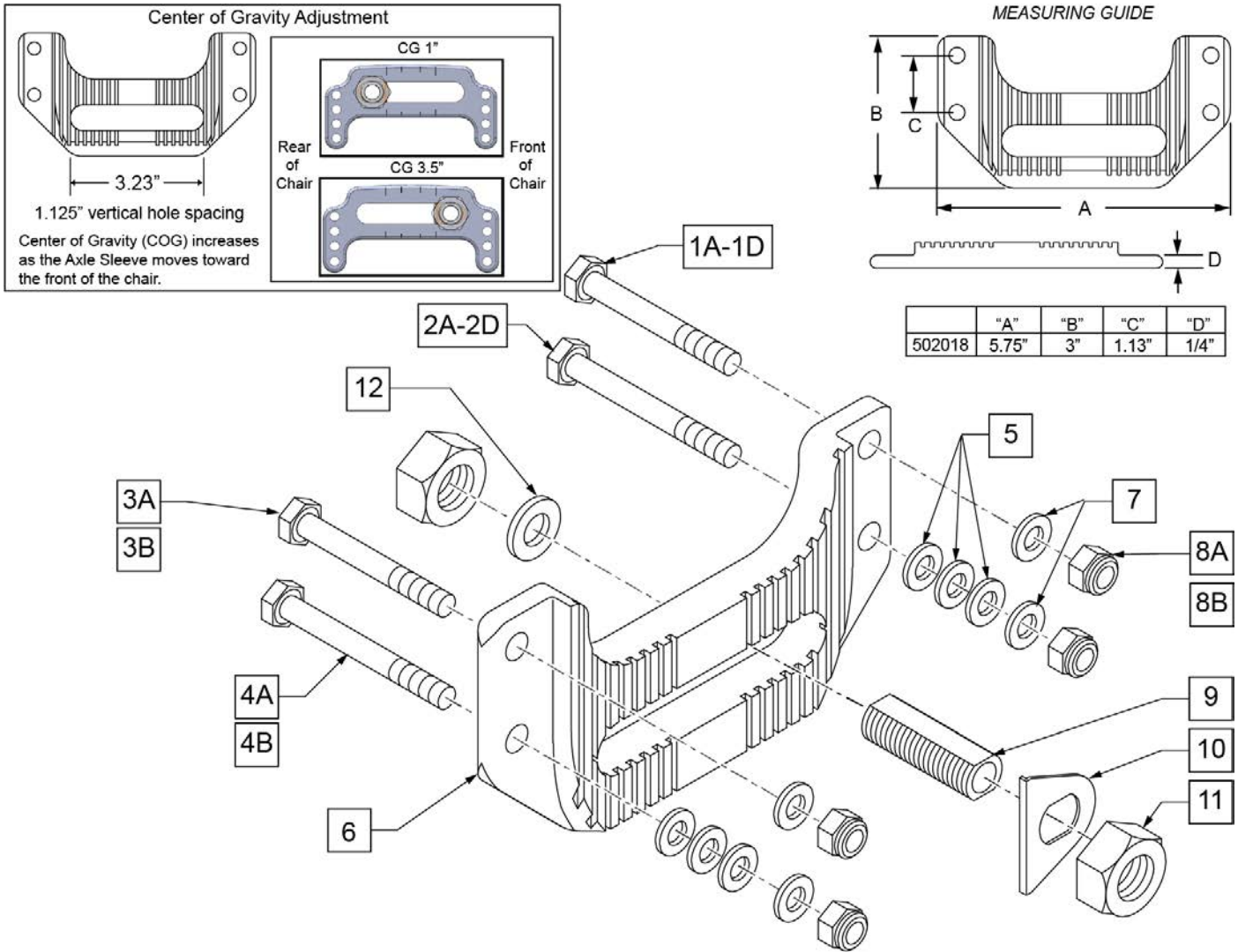
Note: fits S/N Prefix Q2X, Q2V & Q2H.

10 AXLE PLATE HARDWARE KIT Q2			
ITEM #	ILLUSTRATION	DESCRIPTION	QTY
2		NUT NYLOCK 1/4-28	8
3		WASHER FLAT AN 1/4	8
4		HHCS 1/4-28 X 1.3/4	8
5		WASHER FLAT THIN AN 1/4	8
9		HHCS 1/4-28 X 2	8



Pos.	Item Number	Description	Remarks
1	502002	AXLE PLATE AMPUTEE Q2	NON-INDEXED
2	106934	NUT NYLOCK 1/4 -28 ROHS	
3	106943	WASHER FLAT AN 1/4 ROHS	
4	107015	HHCS 1/4 -28 x 1 3/4 ROHS	
5	106944	WASHER FLAT THIN AN 1/4 ROHS	
6	116570	WASHER FLAT 3/4 X 1.25 BLK ZNC	
7	116569	NUT HEX 3/4-16 BLACK ZINC	
8	481065	AXLE SLEEVE S.S.	
9	106973	HHCS 1/4 -28 x 2 ROHS	
10	111237	Q2 AXLE PLATE HARDWARE KIT	PAIR
1-9	111238	AMPUTEE AXLE PLATE KIT	PAIR
6-8	920121	AXLE SLEEVE W/ HDWR (NON-INDEX)	

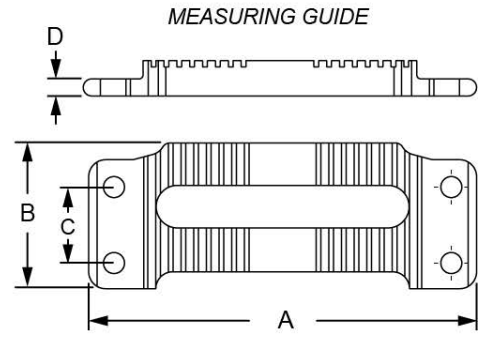
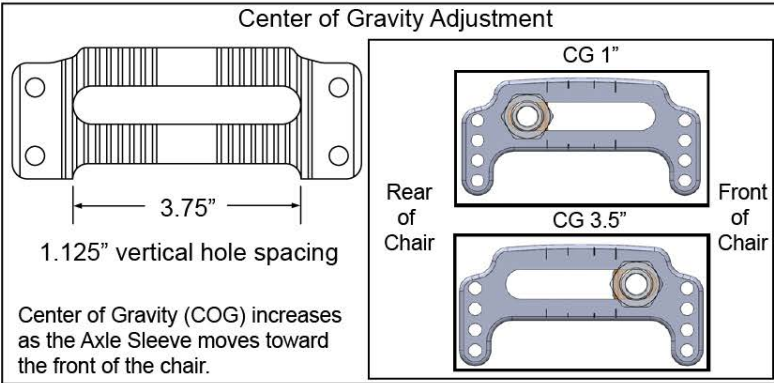
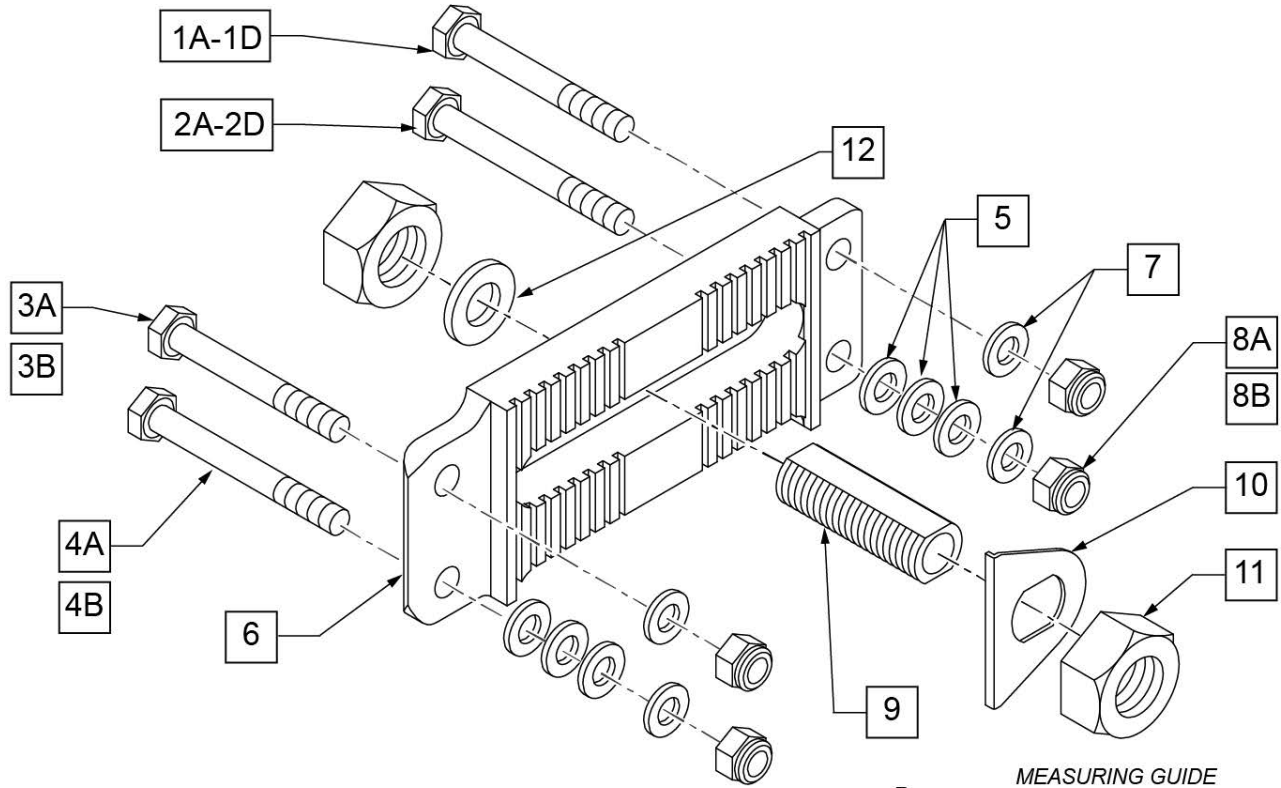
CURVED AXLE PLATE



Pos.	Item Number	Description	Remarks
1A	107015	HHCS 1/4-28 X 1 3/4 G8 ROHS	Steel: use w/ Axle Plates Only
1B	106973	HHCS 1/4-28 X 2 ROHS	Steel: use w/ Anti Tips OR Transit
1C	107351	HHCS 1/4-28 X 2 1/4 G8 ROHS	Steel: use w/ Anti Tips & Transit &/Or Armrest Receiver
1D	330099	1/4-28 x 1 3/4 HEX C/S TI	Titanium: use w/ Axle Plates Only
2A	106973	HHCS 1/4-28 X 2 ROHS	Steel: use w/ Axle Plates Only
2B	107351	HHCS 1/4-28 X 2 1/4 G8 ROHS	Steel: use w/ Anti Tips OR Transit
2C	109265	HHCS 1/4-28 X 2 1/2 G8 ROHS	Steel: use w/ Anti Tips & Transit &/Or Armrest Receiver
2D	330100	1/4-28 x 2 HEX C/S Ti	Titanium: use w/ Axle Plates Only
3A	107015	HHCS 1/4-28 X 1 3/4 G8 ROHS	Steel
3B	330099	1/4-28 x 1 3/4 HEX C/S TI	Titanium
4A	106973	HHCS 1/4-28 X 2 ROHS	Steel
4B	330100	1/4-28 x 2 HEX C/S Ti	Titanium
5	106943	WASHER FLAT AN 1/4 ROHS	
6	502018	CURVED PLATE Q2/HP/ZP2 INDEX	Indexed
7	106944	WASHER FLAT THIN AN 1/4 ROHS	
8A	106934	NUT NYLOCK 1/4-28 ROHS	Steel
8B	330000-QU	1/4-28 NYLOCK NUT ALUMINUM	Alum Hdwr: used w/ Titanium Bolts
9	481065	AXLE SLEEVE SS	

Pos.	Item Number	Description	Remarks
10	505015	INDEX AXLE WASHER	
11	116569	NUT HEX 3/4-16 BLACK ZINC	
12	116570	WASHER FLAT 3/4 X 1.25 BLK ZNC	
1A,1B,1C,2A,2B,2C,3A,4A,5,7,8A	111237	AXLE PLATE HARDWARE KIT Q2	Q2 & Q2HP (Hdwr for Both Sides & All Configs)
1D,2D,3B,4B,5,7,8B	920216	AXLE PLATE HARDWARE KIT HP/T2	Q2HP Titanium Only (Hdwr for One Side)
1-12	111240	CURVED AXL PLATE KIT	Pair
9-12	920120	AXLE SLEEVE W/ HDWR INDEX	

OFFSET AXLE PLATE

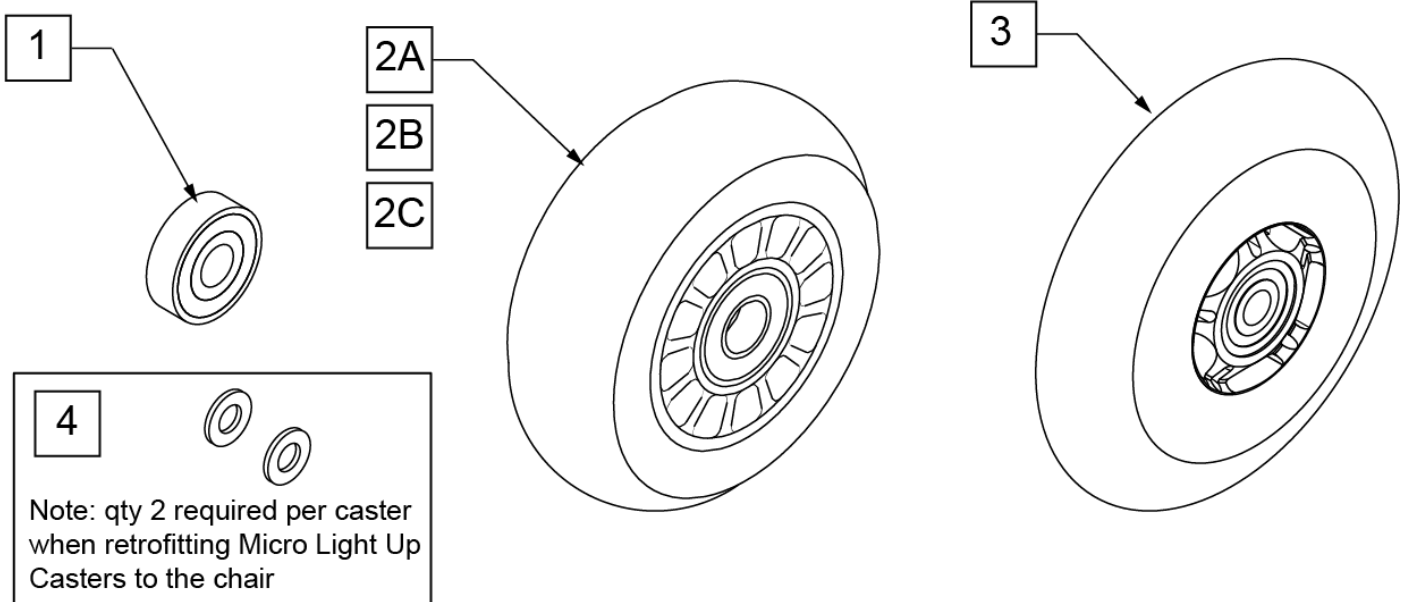


	"A"	"B"	"C"	"D"
550645	5 3/4"	2.16"	1.125"	.25"

Pos.	Item Number	Description	Remarks
1A	107015	HHCS 1/4-28 X 1 3/4 G8 ROHS	Steel: use w/ Axle Plates Only
1B	106973	HHCS 1/4-28 X 2 ROHS	Steel: use w/ Anti Tips OR Transit
1C	107351	HHCS 1/4-28 X 2 1/4 G8 ROHS	Steel: use w/ Anti Tips & Transit &/Or Armrest Receiver
1D	330099	1/4-28 x 1 3/4 HEX C/S TI	Titanium: use w/ Axle Plates Only
2A	106973	HHCS 1/4-28 X 2 ROHS	Steel: use w/ Axle Plates Only
2B	107351	HHCS 1/4-28 X 2 1/4 G8 ROHS	Steel: use w/ Anti Tips OR Transit
2C	109265	HHCS 1/4-28 X 2 1/2 G8 ROHS	Steel: use w/ Anti Tips & Transit &/Or Armrest Receiver
2D	330100	1/4-28 x 2 HEX C/S Ti	Titanium: use w/ Axle Plates Only
3A	107015	HHCS 1/4-28 X 1 3/4 G8 ROHS	Steel
3B	330099	1/4-28 x 1 3/4 HEX C/S TI	Titanium
4A	106973	HHCS 1/4-28 X 2 ROHS	Steel
4B	330100	1/4-28 x 2 HEX C/S Ti	Titanium
5	106943	WASHER FLAT AN 1/4 ROHS	
6	550645	OFFSET AXLE PLATE	Indexed
7	106944	WASHER FLAT THIN AN 1/4 ROHS	

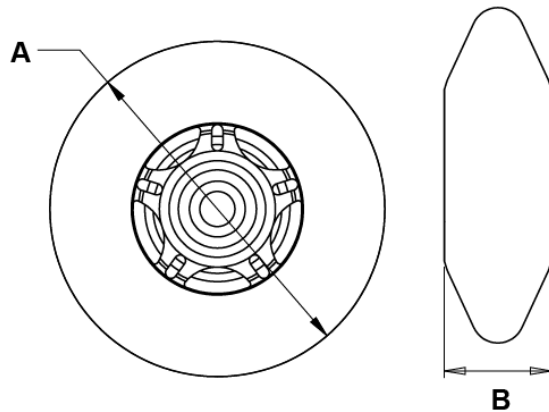
Pos.	Item Number	Description	Remarks
8A	106934	NUT NYLOCK 1/4-28 ROHS	Steel
8B	330000-QU	1/4-28 NYLOCK NUT ALUMINUM	Alum Hdwr: used w/ Titanium Bolts
9	481065	AXLE SLEEVE SS	
10	505015	INDEX AXLE WASHER	
11	116569	NUT HEX 3/4-16 BLACK ZINC	
12	116570	WASHER FLAT 3/4 X 1.25 BLK ZNC	
1A,1B,1C,2A,2B,2C,3A,4A,5,7,8A	111237	AXLE PLATE HARDWARE KIT Q2	Q2 & Q2HP (Hdwr for Both Sides & All Configs)
1D,2D,3B,4B,5,7,8B	920216	AXLE PLATE HARDWARE KIT HP/T2	Q2HP Titanium Only (Hdwr for One Side)
1-12	111241	OFFSET AXL PLATE KIT	Pair
9-12	920120	AXLE SLEEVE W/ HDWR INDEX	

Note: to ensure that the lights will function in the Micro Light Up Caster, qty 2 each of p/n 106947 will be required per caster when retrofitting Micro Light Up Casters to the chair.

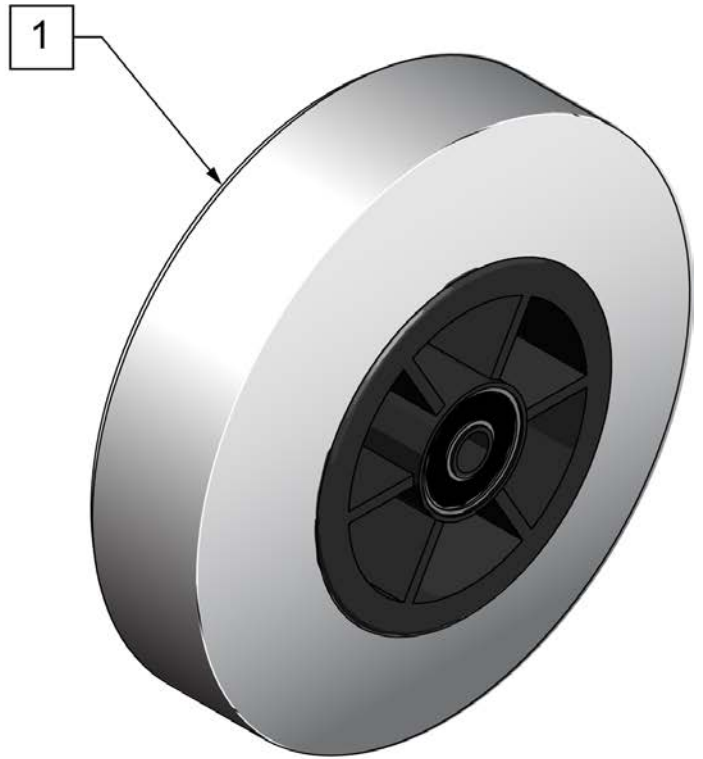
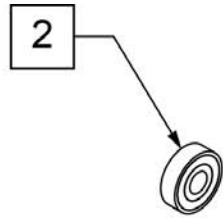


CASTER MEASURING GUIDE

PART NUMBER	"A" TIRE DIAMETER	"B" HUB WIDTH
400108	4.0	1.0
400107	3.0	1.0
052129	4.7	1.0

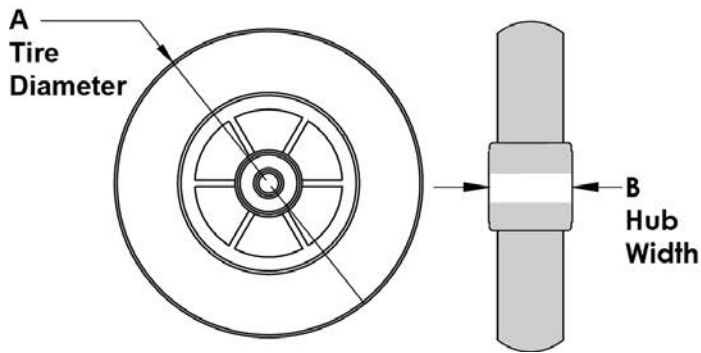


Pos.	Item Number	Description	HPCP	Remarks
1	349502	7/8"x 5/16" BEARING		
2A	400108	4" MICRO CASTER LIGHTED	K0077	4" MICRO LIGHTED
2B	920025	3" MICRO CASTER W/ BEARING -PAIR	K0077	PAIR 3" MICRO
2C	400107	3" MICRO CASTER LIGHTED	K0077	3" MICRO LIGHTED
3	052129	5" MICRO CASTER LIGHTED	K0077	5" MICRO LIGHTED
4	106947	WASHER FLAT THIN AN 5/16 ROH		

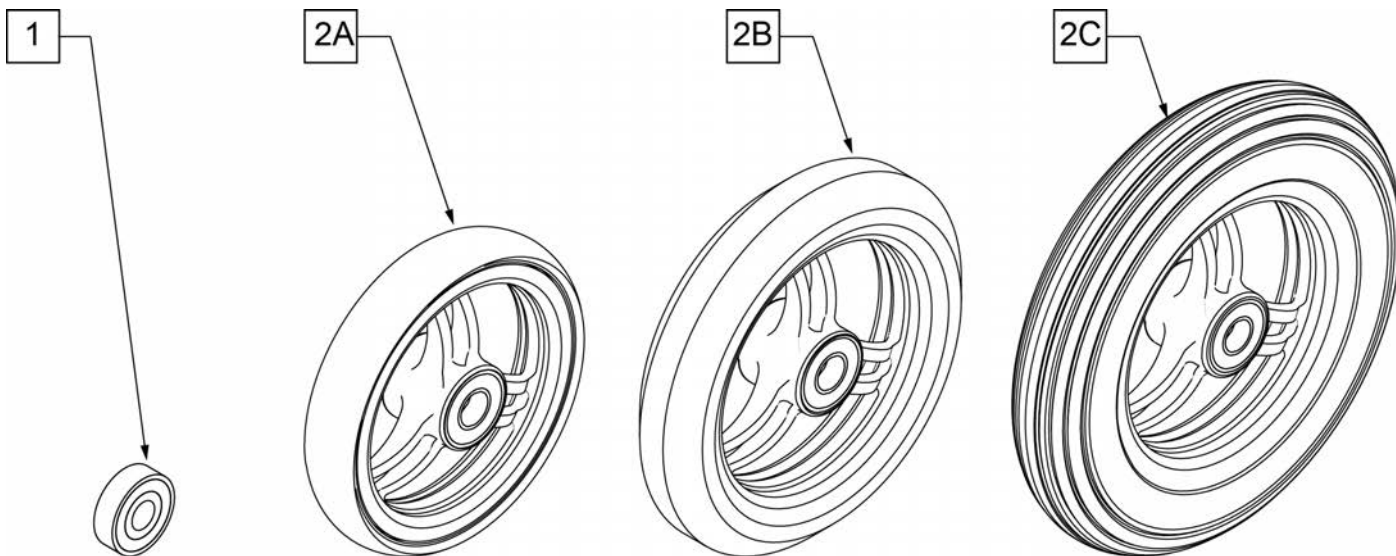


**CASTER
MEASURING GUIDE**

"A" TIRE DIAMETER	"B" HUB WIDTH
4.9"	1.5"

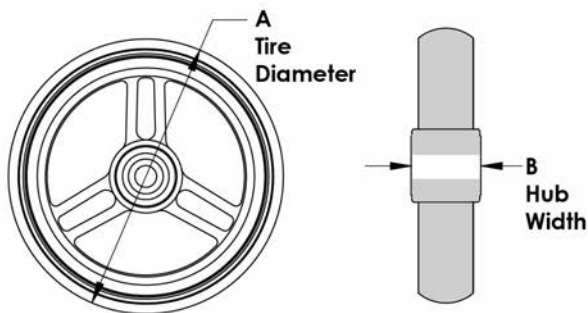


Pos.	Item Number	Description	HPCP	Remarks
1	400103	CASTER 5" SOFT ROLL W/BRNGS	K0077	5" SOFT ROLL SEMI PNEU (GREY)
2	349502	7/8"x 5/16" BEARING		



**CASTER
MEASURING GUIDE**

"A" TIRE DIAMETER	"B" HUB WIDTH
4"	1"
5"	1"
6"	1"

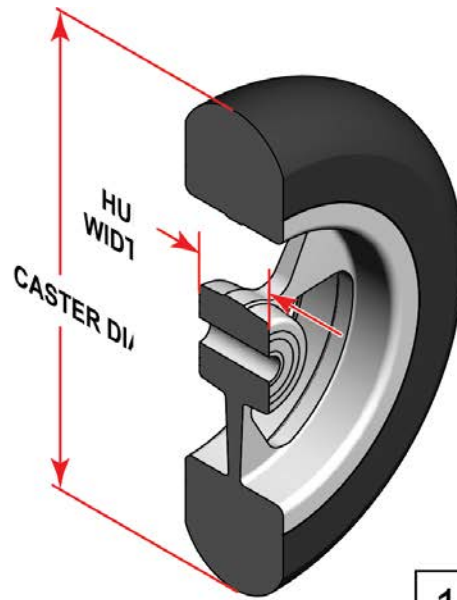


Pos.	Item Number	Description	HCPC	Remarks
1	349502	7/8"x 5/16" BEARING		
2A	101946-001	CASTR 4X1 ALUM/POLY W/BRG CLR	K0077	4" x 1" ALUMINUM POLY
2B	101946-002	CASTR 5X1 ALUM/POLY W/BRG CLR	K0077	5" x 1" ALUMINUM POLY
2C	101946-003	CASTR 6X1 ALUM/POLY W/BRG CLR	K0077	6" x 1" ALUMINUM POLY

Note: WHEEL CASTER 3" ULTRALITE SFTRLL no longer available as of April 22, 2020

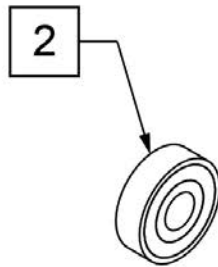


SIDE VIEW

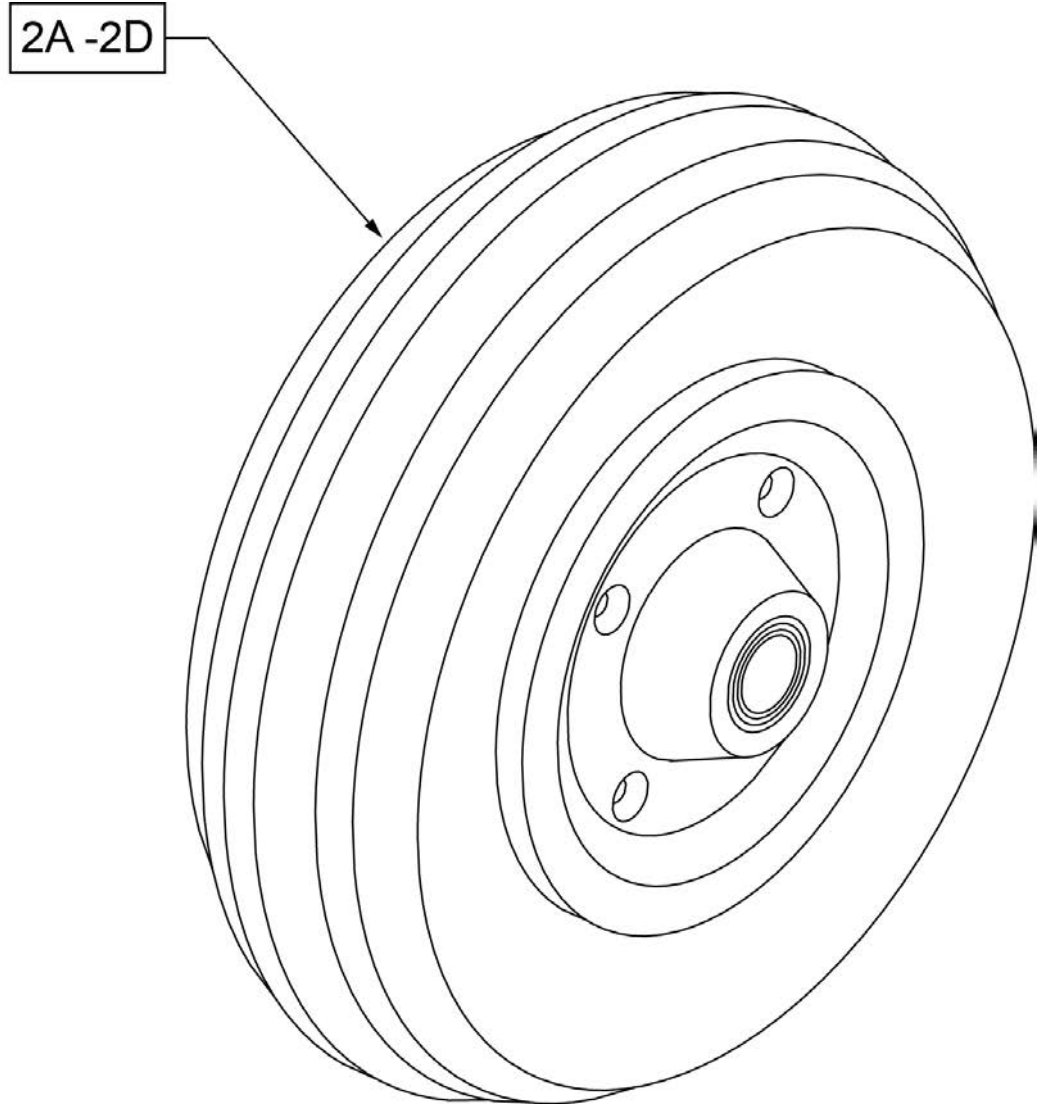
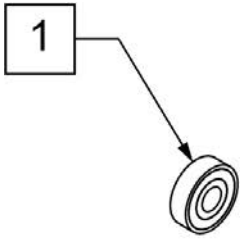


CASTER MEASURING GUIDE

TIRE DIAMETER	HUB WIDTH
3	1
4 1/8	1
5	1
6	1



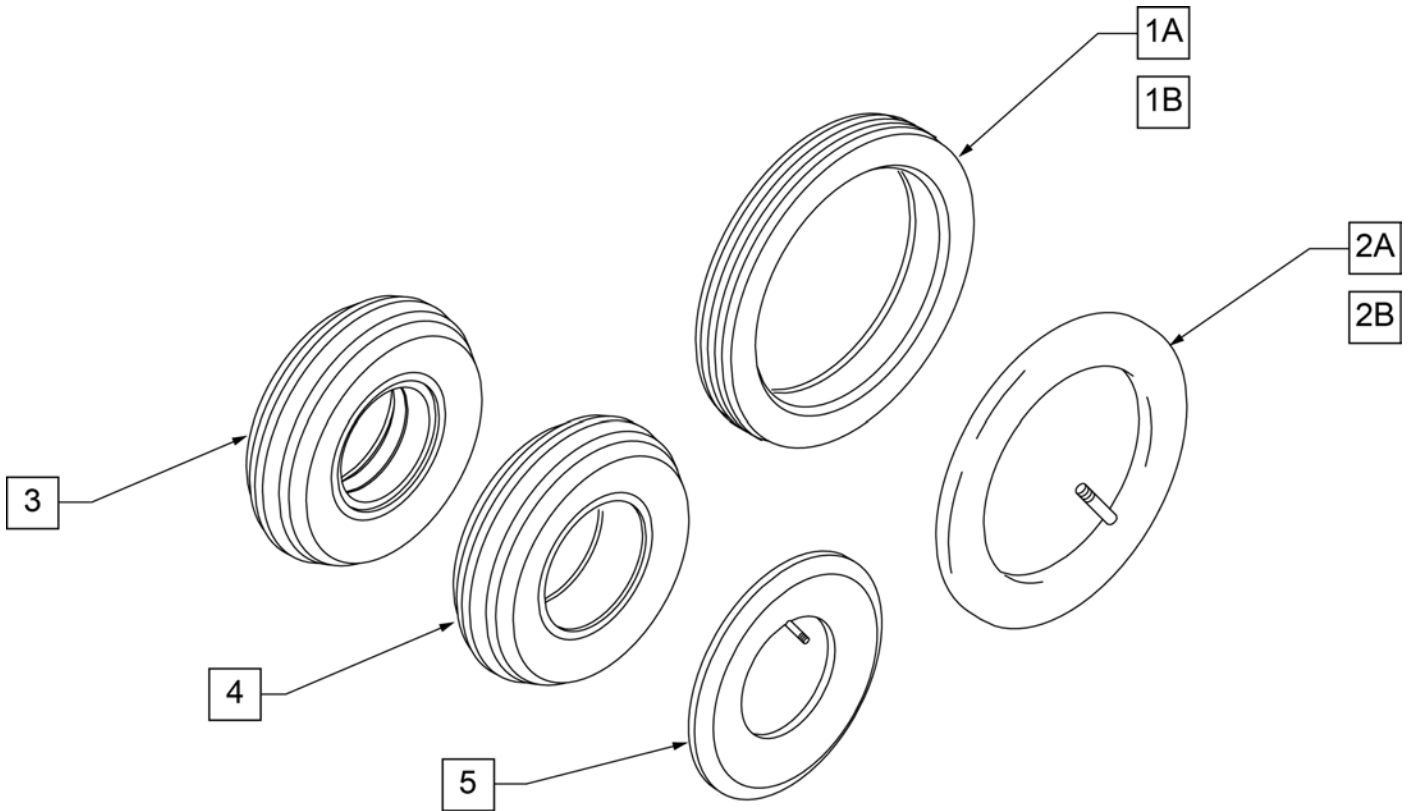
Pos.	Item Number	Description	HCPC	Remarks
1	251732	CASTR ASSM ULTRLT SFTRL 4X1.5"	K0077	4" x 1.5" Aluminum Soft Roll - Black Tire - Silver Hub
1	251733	CASTR ASSM ULTRLT SFTRL 5X1.5"	K0077	5" x 1.5" Aluminum Soft Roll - Black Tire - Silver Hub
1	251734	CASTR ASSM ULTRLT SFTRL 6X1.5"	K0077	6" x 1.5" Aluminum Soft Roll - Black Tire - Silver Hub
		ANODIZED		
1	162609S	WHL CSTR 4" ULTRALT SFTRL ANO		4" x 1.5" Aluminum Soft Roll - Black Tire - Anodized Hub
1	162611S	WHL CSTR 5" ULTRALT SFTRLL ANO		5" x 1.5" Aluminum Soft Roll - Black Tire - Anodized Hub
1	162613S	WHL CSTR 6" ULTRALT SFTRLL ANO		6" x 1.5" Aluminum Soft Roll - Black Tire - Anodized Hub
2	349502	7/8" X 5/16" BEARING		



**CASTER
MEASURING GUIDE**

TIRE DIAMETER	HUB WIDTH
8"	2.6"

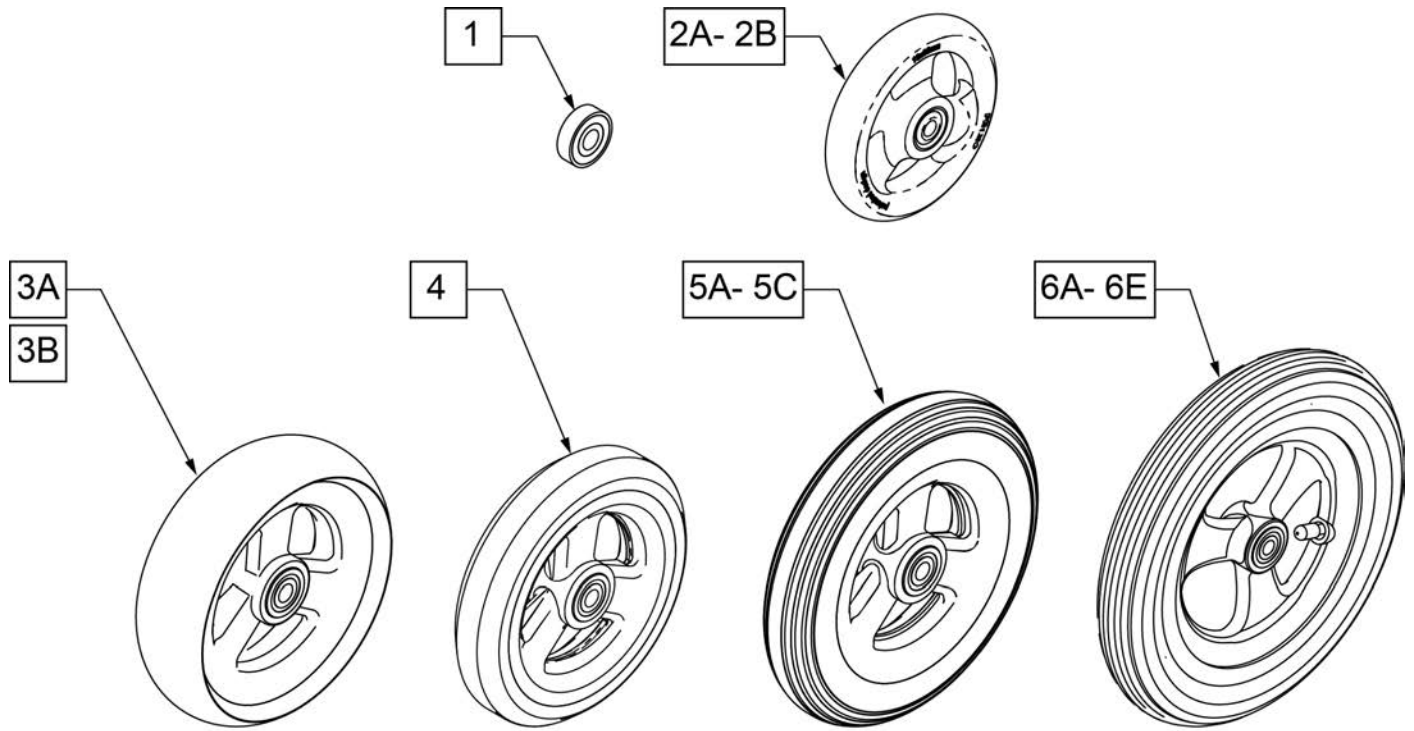
Pos.	Item Number	Description	Remarks
1	349502	7/8"x 5/16" BEARING	
2A	400700	8" X 2" CMPST W/PNEU & BEARING	8" x 2" PNEUMATIC
2B	400702	8" X 2" CMPST W/PNEU INSRT&BRG	8" x 2" PNEUMATIC W/ INSERT
2C	384700	TIRE PNEUMATIC 8" x 2"	
2D	384730	INNER TUBE CASTER 8" x 2"	



Pos.	Item Number	Description
1A	383250	8" PNEUMATIC TIRE
1B	383240	6" PNEUMATIC TIRE
2A	382250	8" TUBE
2B	382245	6" TUBE
3	384701	TIRE FOAMED INSERT 8" x 2"
4	384700	TIRE PNEUMATIC 8" x 2"
5	384730	INNER TUBE CASTER 8" x 2"
1A,2A	383255	8" PNEUMATIC TIRE AND TUBE

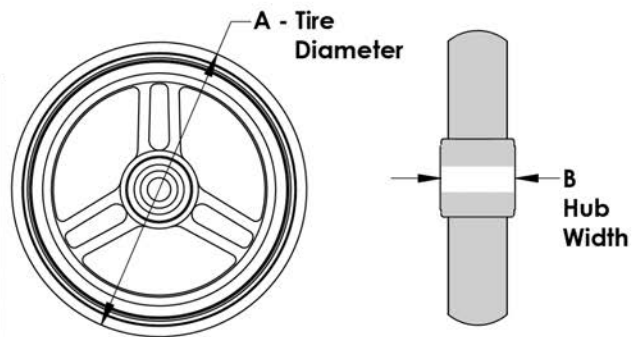
NOTE: 7" and 8" Casters are not available with Integral Bearing Forks.

Note: When 6" casters or larger casters are used, Anti Flutter Kit must be installed. See Standard Multi Position Fork page.

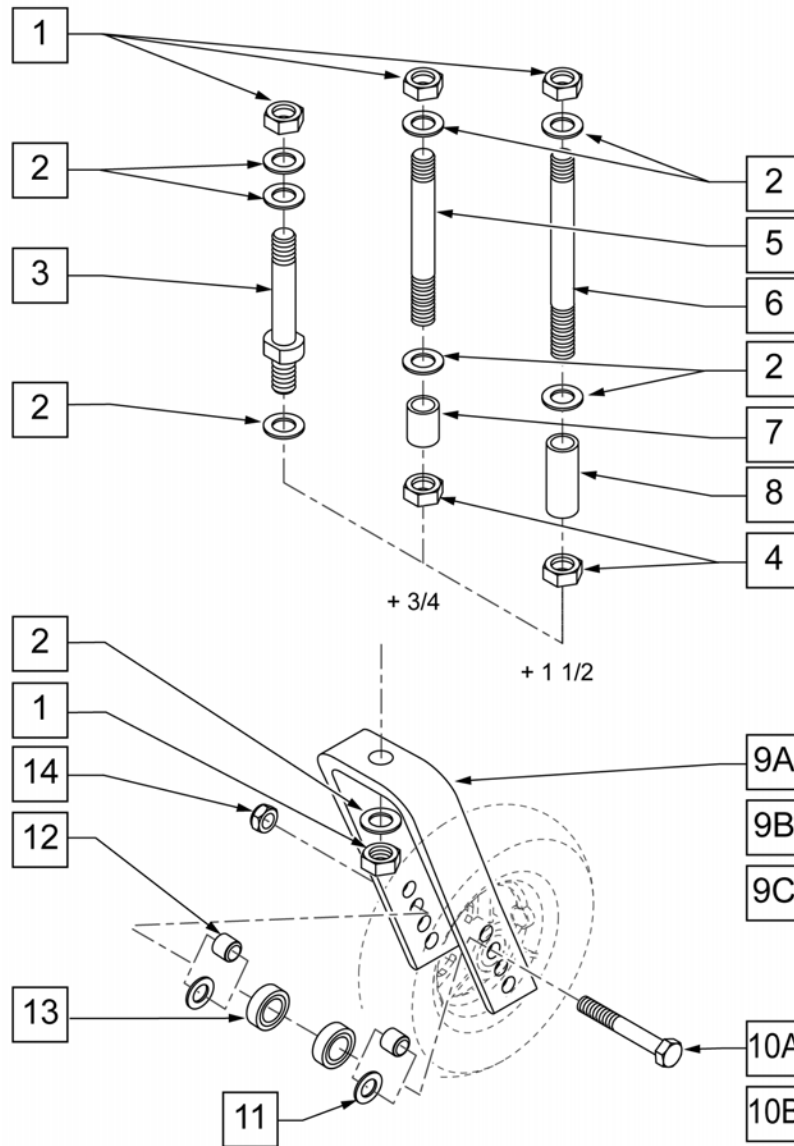


**CASTER
MEASURING GUIDE**

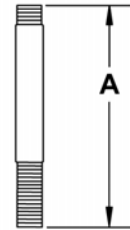
PART NUMBER	"A" TIRE DIAMETER	"B" HUB WIDTH	PART NUMBER	"A" TIRE DIAMETER	"B" HUB WIDTH
101957	4.3	1.0	101256	5.75	1.0
101098	4.0	1.0	101257	5.9	1.0
101259	4.9	1.0	400212	8.0	1.0
101255	5.7	1.0	400213	7.8	1.0
101254	4.9	1.0	400214	6.9	1.0
			400215	7.25	1.0



Pos.	Item Number	Description	Remarks
1	349502	7/8"x 5/16" BEARING	
2A	101957	4"X1-1/4 POLY 3 SPOKE CSTR	4" X 1.25 SEMI-PNEUMATIC
2B	101098	CASTER 4" PLASTIC/POLY W/BRG	4" LOW PROFILE POLY
3A	101259	5"X1-1/2" POLY 3 SPOKE CSTR	5" x 1.5" SEMI-PNEUMATIC
3B	101255	6"X1-1/2" POLY 3 SPOKE CSTR	6" x 1.5" SEMI-PNEUMATIC
4	101254	5" LOW POLY 3 SPOKE CASTER	5" LOW PROFILE POLY
5A	101256	6" SEMI PNEU 3 SPOKE CASTER	6" POLY
5B	101257	6" PNEUMATIC 3 SPOKE CASTER	6" PNEUMATIC
5C	383245	6" PNEUMATIC TIRE & TUBE	
6A	400212	CASTER 8" PNEU 3 SPK ASSM	8" PNEUMATIC
6B	400213	CASTER 8" POLY 3 SPK ASSM	8" POLY
6C	400214	CASTER 7" LOW POLY 3 SPK ASSM	7" x LOW PROFILE POLY
6D	383255	8" PNEUMATIC TIRE & TUBE	
6E	400215	CASTER 8" WIDE POLY 3 SPK ASSM	8" x 1.5" LOW POLY

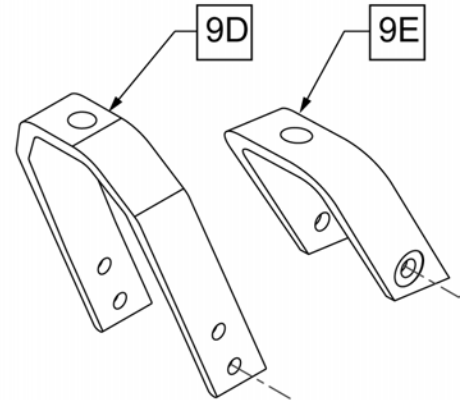


MEASURING GUIDE



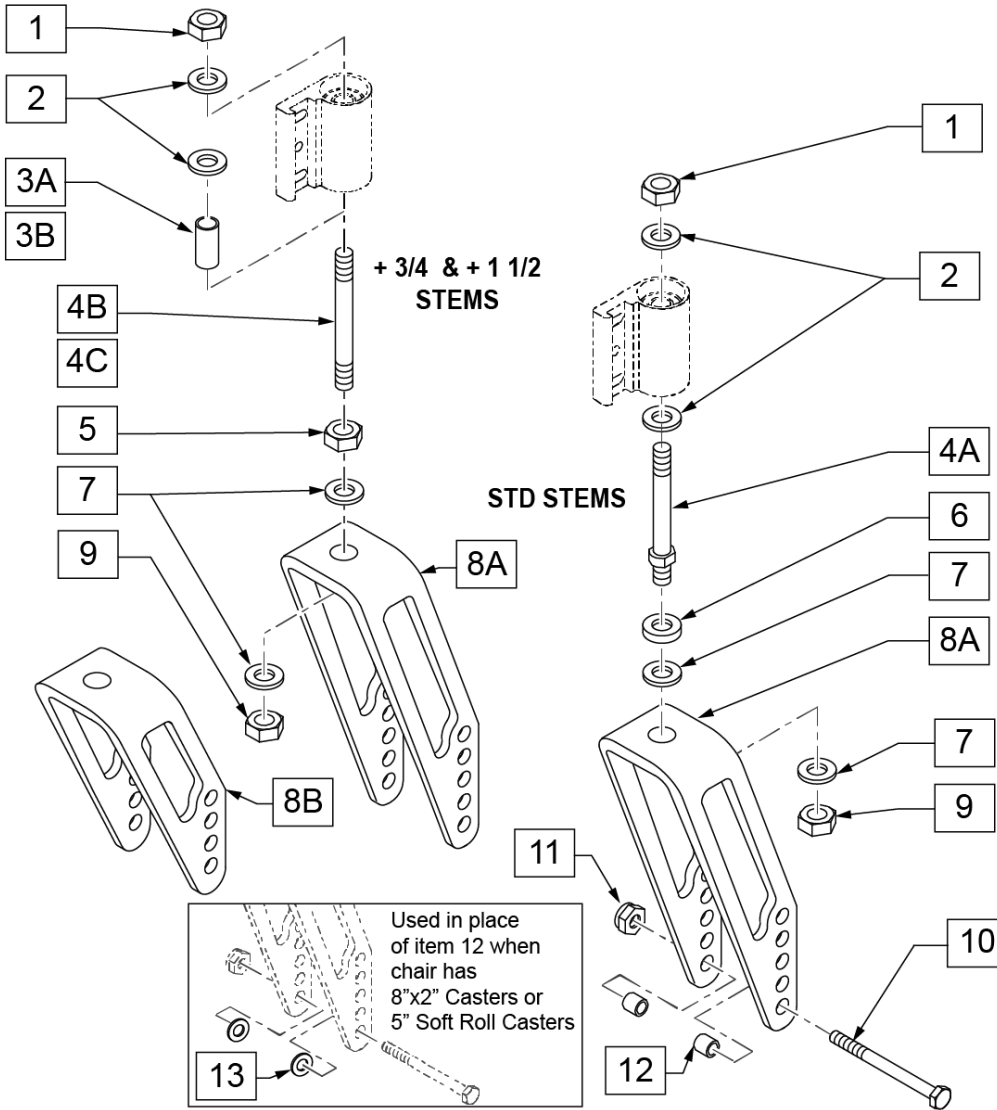
	PART NUMBER	"A"
STD	920050	3 5/8"
+ 3/4	920100	4 3/8"
+1 1/2	920110	5 1/8"

NOTE: CASTER STEM DIAMETER IS 1/2".

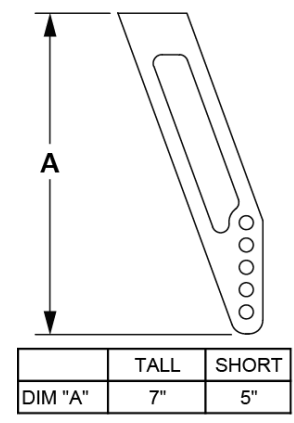


Pos.	Item Number	Description	Remarks
1	106940	NUT NYLON THIN 1/2 -20 ROHS	
2	106949	WASHER FLAT AN 1/2 ROHS	
4	203110	1/2 - 20 JAM NUT	
1-3	920050	REG CASTER STEM W/ HARDWARE	STD STEM
7	521560	+ 3/4 CASTER STEM SPACER BLK	+3/4" STEM
8	521562	+ 1 1/2 CASTER STEM SPACER BLK	+1 1/2" STEM
9A	105839-001	FORK CASTER 5 1/4"	WORKS WITH 4", 5", 6", & 8" CASTERS
9B	105839-002	FORK CASTER 6"	WORKS WITH 4", 5", 6", & 8" CASTERS
9C	105839-003	FORK CASTER 7"	WORKS WITH 4", 5", 6", & 8" CASTERS
9D	550730	8" FORK P100 ONLY	WORKS WITH 8" x 2" CASTER ONLY
9E	106810	FORK CASTER 3"	WORKS WITH 3" CASTERS ONLY
10A	106987	HHCS 5/16 -24 x 2 1/2 ROHS	
10B	106988	HHCS 5/16 -24 x 3 1/4 ROHS	Used w/ 8x2 fork only.
11	106946	WASHER FLAT AN 5/16 ROHS	Used w/ 8x2 fork. Used with 5" Soft Roll Caster

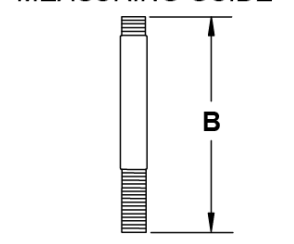
Pos.	Item Number	Description	Remarks
12	481113	BEARING SPACER	
13	349502	7/8 x 5/16 BEARING	
14	106939	NUT NYLOCK THIN 5/16 -24 ROHS	
1-3	920050	REG CASTER STEM W/ HARDWARE	STD STEM
1, 2, 4, 5, 7	920100	+ 3/4 CASTER STEM W/ HARDWARE BLK	+3/4" STEM
1, 2, 4, 6, 8	920110	+ 1 1/2 CASTER STEM W/ HARDWARE BLK	+1 1/2" STEM
1-3,9E,10A,12,14	109334	FORK CASTER 3" REG STEM	STD Stem - 3" Fork - Works w/ 3" Casters only
1-3,9A,10A,12,14	109335	FORK CASTER 5 1/4" REG STEM	STD Stem - 5 1/4" Fork - Works w/ 4", 5", 6", & 8" Casters
1,2,4,5,7,9A,10A,12,14	109336	FORK CASTER 5 1/4" + 3/4" STEM	+3/4" Stem - 5 1/4" Fork - Works w/ 4", 5", 6", & 8" Casters
1,2,4,6,8,9A,10A,12,14	109337	FORK CASTER 5 1/4" + 1 1/2" STEM	+1 1/2" Stem - 5 1/4" Fork - Works w/ 4", 5", 6", & 8" Casters
1-3,9B,10A,12,14	109338	FORK CASTER 6" REG STEM	STD Stem - 6" Fork - Works w/ 4", 5", 6", & 8" Casters
1,2,4,5,7,9B,10A,12,14	109339	FORK CASTER 6" + 3/4" STEM	+ 3/4" Stem - 6" Fork - Works w/ 4", 5", 6", & 8" Casters
1,2,4,6,8,9B,10A,12,14	109340	FORK CASTER 6" + 1 1/2" STEM	+1 1/2" Stem - 6" Fork - Works w/ 4", 5", 6", & 8" Casters
1-3,9C,10A,12,14	109341	FORK CASTER 7" REG STEM	STD Stem - 7" Fork - Works w/ 4", 5", 6", & 8" Casters
1,2,4,5,7,9C,10A,12,14	109342	FORK CASTER 7" + 3/4" STEM	+3/4" Stem - 7" Fork - Works w/ 4", 5", 6", & 8" Casters
1,2,4,6,8,9C,10A,12,14	109343	FORK CASTER 7" + 1/1/2" STEM	+1 1/2" Stem - 7" Fork - Works w/ 4", 5", 6", & 8" Casters
1-3,9D,10B,11,12,14	109344	FORK CASTER 8" REG STEM	STD Stem - 8" Fork - Works w/ 8" X 2" Casters only
1,2,4,5,7,9D,10B,11,12,14	109345	FORK CASTER 8 + 3/4" STEM	+3/4" Stem - 8" Fork - Works w/ 8" X 2" Casters only
1,2,4,6,8,9D,10B,11,12,14	109346	FORK CASTER 8 + 1 1/2" STEM	+1 1/2" Stem - 8" Fork - Works w/ 8" X 2" Casters only



MEASURING GUIDE



MEASURING GUIDE



	PART NUMBER	"B"
STD	481712	3.68"
+ 3/4	481004	4.38"
+ 1 1/2	481006	5.13"

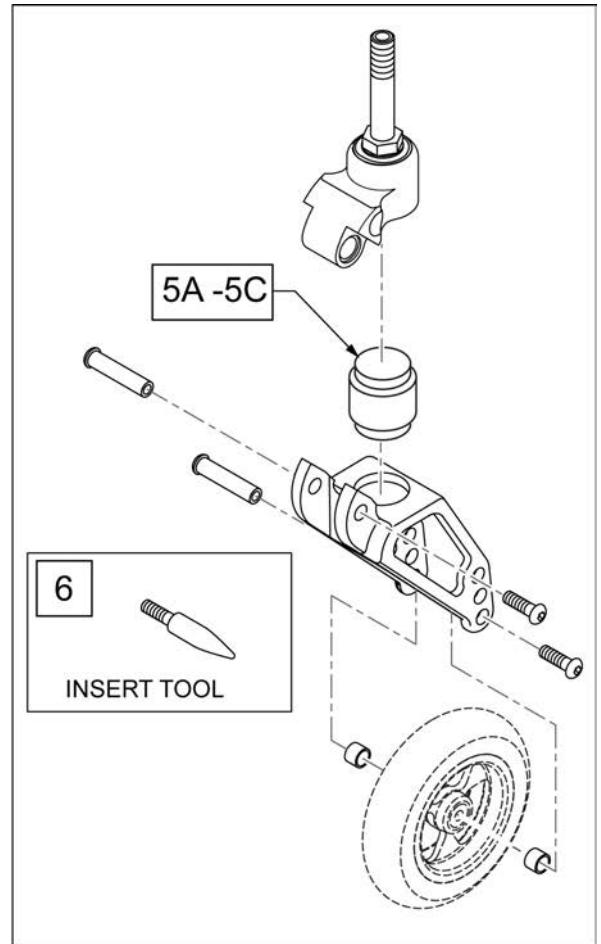
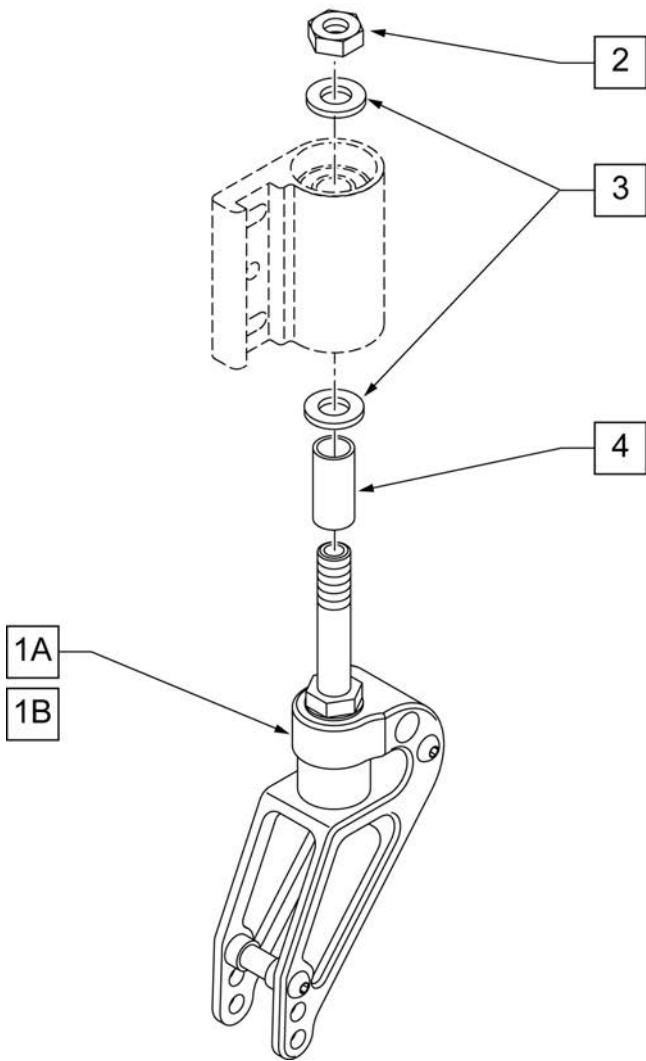
NOTE: CASTER STEM DIAMETER IS 1/2".

Pos.	Item Number	Description	Remarks
1	106940	1/2 - 20 NYLOCK NUT	
2	106949	1/2 AN WASHER FLAT	
3A	521560	+ 3/4" CASTER STEM SPACER BLK	
3B	521562	+ 1 1/2" CASTER STEM SPACER BLK	
4A	481712	CASTER STEM P1/P5	Standard Stem
4B	481004	CASTER STEM + 3/4"	+ 3/4"
4C	481006	CASTER STEM + 1-1/2"	+ 1 1/2"
5	203110	1/2 - 20 JAM NUT	
6	483254	SPACER .50 ID x .88 OD x .125	
7	106949	1/2 AN WASHER FLAT	
8A	550644	MULTI-POSITION FORK TALL	
8B	550646	MULTI-POSITION FORK SHORT	
9	106940	1/2 - 20 NYLOCK NUT	
10	106987	5/16 - 24 x 2 1/2 HEX C/S	
11	106939	5/16 - 24 NYLOCK NUT THIN	
12	481113	SPACER 5/16 x .380	
13	106946	WASHER FLAT AN 5/16 ROHS	Used with 8"x2" Casters, 5" Soft Roll Casters

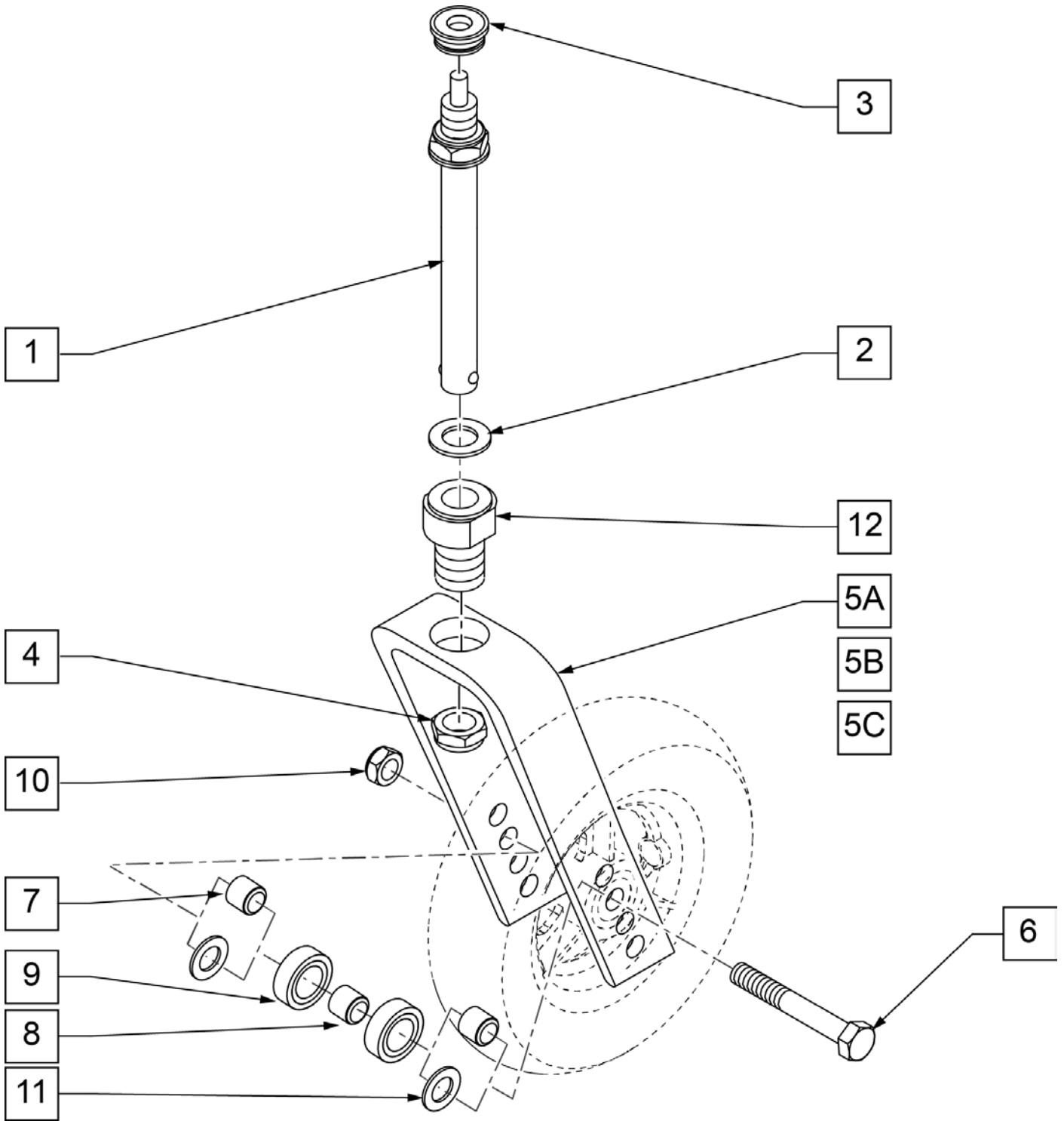
Pos.	Item Number	Description	Remarks
4A, 6, 7, 8A, 9	780236	MULTI-POSITION FORK TALL STD STEM	
4B, 5, 7, 8A, 9	780237	MULTI-POSITION FORK TALL 3/4 STEM	
4C, 5, 7, 8B, 9	780238	MULTI-POSITION FORK TALL 1 1/2 STEM	
4A, 6, 7, 8B, 9	780239	MULTI-POSITION FORK SHORT STD STEM	
4B, 5, 7, 8B, 9	780240	MULTI-POSITION FORK SHORT 3/4 STEM	
4C, 5, 7, 8B, 9	780241	MULTI-POSITION FORK SHORT 1 1/2 STEM	
1, 2, 4A, 6,7,8A-12	780330	MULTI-POSITION FORK TALL STD STEM W/ HDWR	
1-3A, 4B, 5, 7,8A-12	780331	MULTI-POSITION FORK TALL 3/4 STEM W/ HDWR	
1, 2, 3B, 4C, 5, 7,8A-12	780332	MULTI-POSITION FORK TALL 1 1/2 STEM W/HDWR	
1, 2, 4A, 6, 7, 8B, 9-12	780333	MULTI-POSITION FORK SHORT STD STEM W/ HDWR	
1-3A, 4B, 5, 7, 8B, 9-12	780334	MULTI-POSITION FORK SHORT 3/4 STEM W/HDWR	
1, 2, 3B, 4C, 5, 7, 8B, 9-12	780335	MULTI-POSITION FORK SHORT 1 1/2 STEM W/HDWR	

Note: Item 6 is used to aid in aligning the upper and lower fork assembly during elastomer replacement. See instruction sheet for details.

Note: if retrofitting Frog Legs to a Quickie QRi with 6" casters, then casters must be switched to 3", 4" or 5" depending on the Frame Angle; please contact Customer Service for verification of correct caster size required.

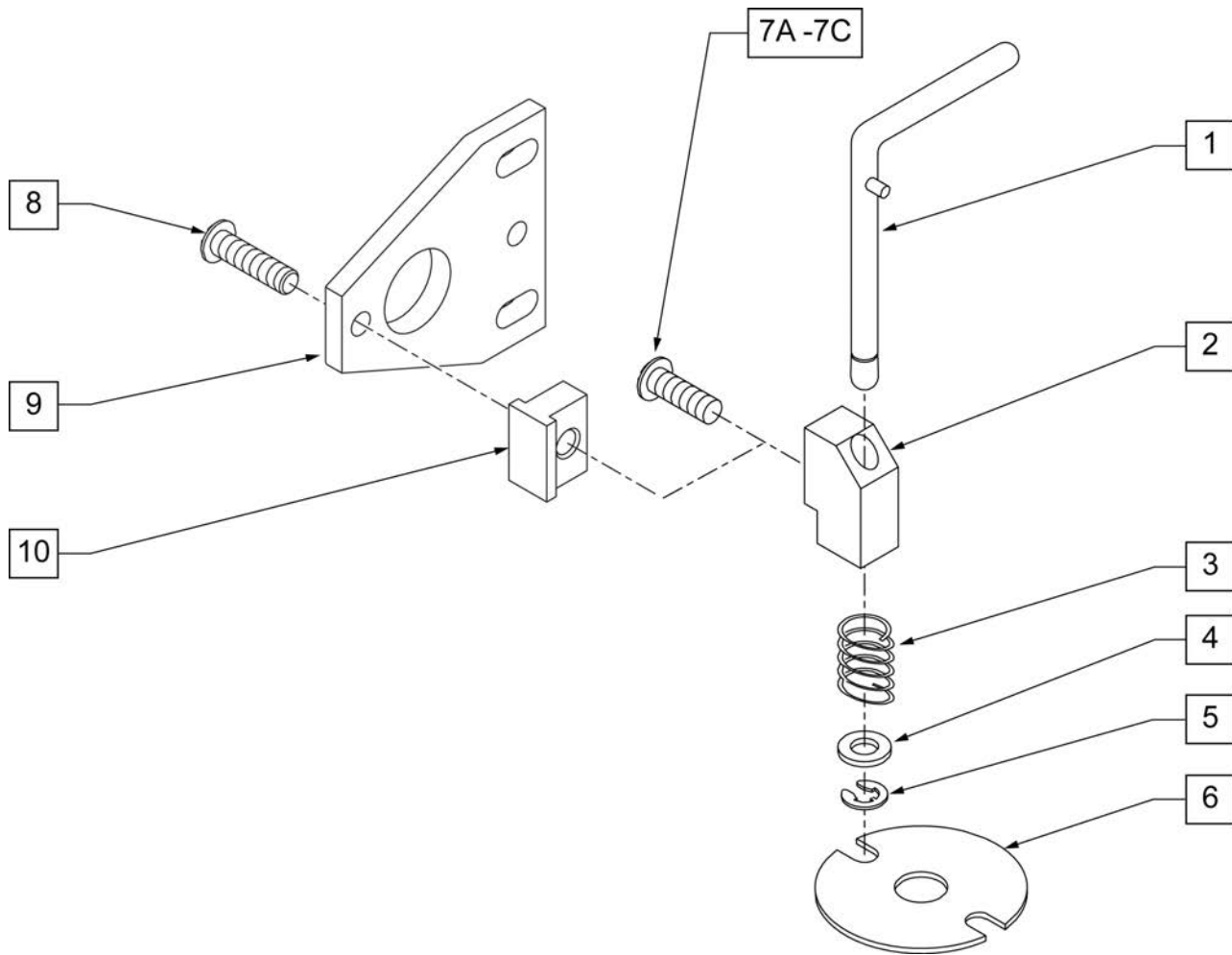


Pos.	Item Number	Description	Remarks
1A	921488	FROG LEG 6 INCH 2.5" STEM	
1B	921489	FROG LEG 6 INCH 4" STEM	
2	106940	1/2-20 NYLOCK NUT	
3	106949	1/2 AN WASHER FLAT	
4	521562	+1 1/2 CASTER STEM SPACER BLK	
5A	050156-001	ELASTOMER FROG LEGS SOFT	0 -100 Lbs
5B	050156-002	ELASTOMER FROG LEGS MEDIUM	101 -190 Lbs
5C	050156-003	ELASTOMER FROG LEGS FIRM	191 -265 Lbs
1A,2,3	921498	FROG LEG 6" W/ 2.5"STEM W/ HDWR	used with no spacer
1B,2-4	921499	FROG LEG 6" W/ 4"STEM W/ HDWR	used with 1 1/2 spacer
6	116351	FROG LEG FORK ASSEMBLY TOOL	



Pos.	Item Number	Description
1,2,4	920123	CASTER STEM W/ HARDWARE QR
2	106949	WASHER FLAT AN 1/2 ROHS
3	561170	CASTER CAP PLASTIC W/HOLE
4	204000	3/4 -16 NUT
5A	110961	FORK CASTER 5 1/4" QR
5B	110964	FORK CASTER 6" QR
5C	110965	FORK CASTER 7" QR
6	106987	HHCS 5/16 -24 x 2 1/2 ROHS
7	481113	SPACER 5/16 x 0.380
8	481013	BEARING SPACER
9	349502	7/8 x 5/16 BEARING
10	106939	NUT NYLOCK THIN 5/16 -24 ROHS
11	106946	WASHER FLAT AN 5/16 ROHS
12	481045	QUICK RELEASE CASTER ADAPTER
1-4,5A,6,7,10,12	116084	FORK CASTER 5 1/4" QR ASSM
1-4,5B,6,7,10,12	116085	FORK CASTER 6" QR ASSM
1-4,5C,6,7,10,12	116086	FORK CASTER 7" QR ASSM

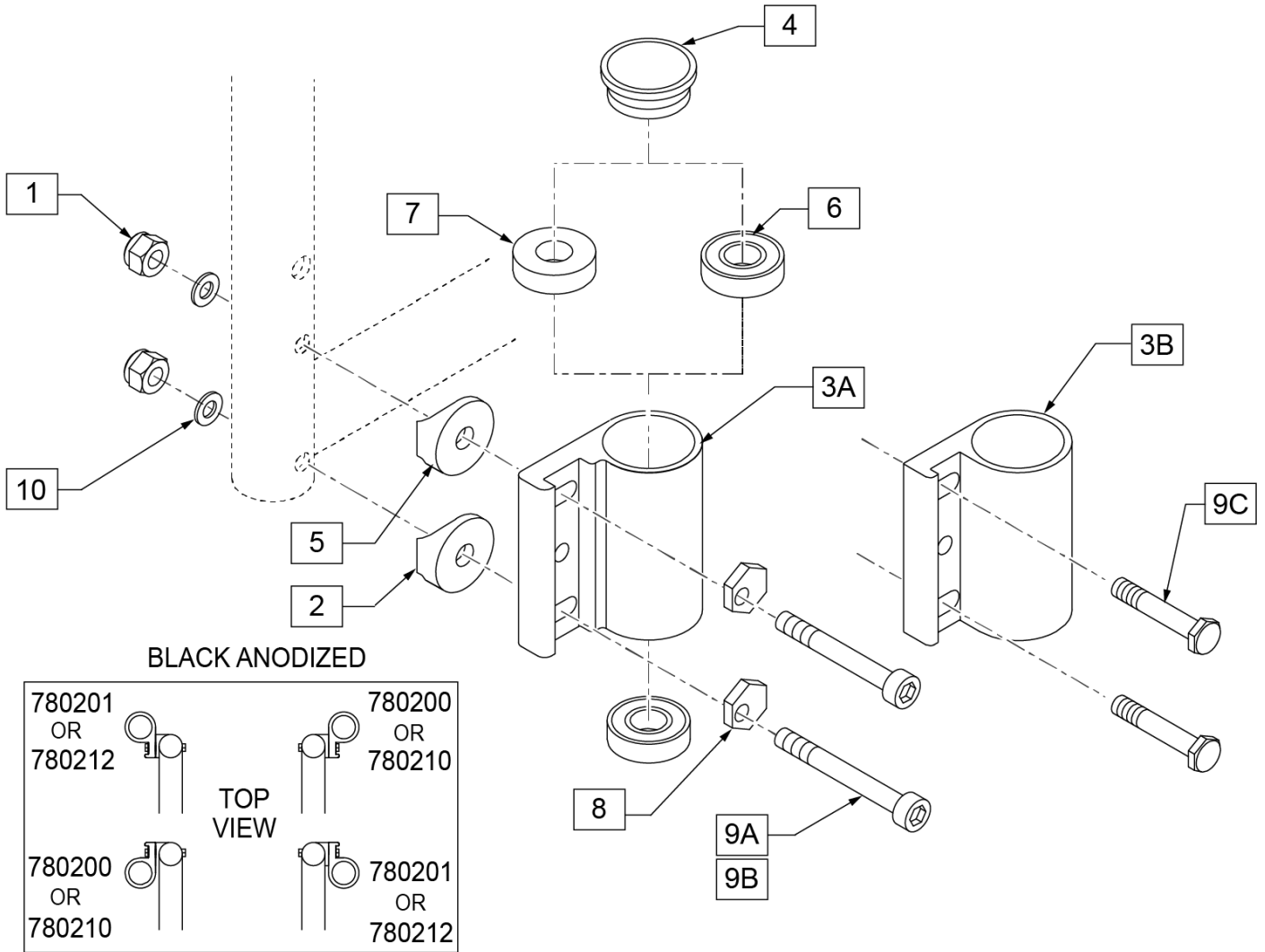
Note: Caster Pin Locks are not available with 8 x 2 or 8 x 1.5 caster sizes or with 3/4" or 1-1/2" longer stem bolts.



Pos.	Item Number	Description	Remarks
1	880761	PIN LOCK ARM W/ PIN S/A	RIGHT
1	880762	PIN LOCK ARM W/ PIN S/A	LEFT
2	500262	CASTER PIN LOCK BLOCK S/A BLK	
3	321141	.650L x 6 COIL SPRING	
4	106943	WASHER FLAT AN 1/4 ROHS	
5	342000	1/4" E-CLIP	
6	505012	CASTER PIN LOCK PLATE	
7A	106959	BHCS 1/4 -28 x 5/8 ROHS	USED W/ S/A HANGER FRT FRAME ONLY
7B	107015	HHCS 1/4 -28 x 1 3/4 ROHS	USED W/ TRANSIT OPTION
7C	106973	HHCS 1/4 -28 x 2 ROHS	USED FOR GP FIXED FRT FRAME ONLY
8	106959	1/4 -28 X 5/8 BH C/S	
9	505667	PIN LOCK PLATE HI-ANGLE CASTER	
10	505666	PIN LOCK BLOCK HI-ANGLE CASTER	
1-5	880750	CASTER PIN LOCK S/A	RIGHT
1-5	880751	CASTER PIN LOCK S/A	LEFT
1-6,7A	900806	CASTER PIN LOCK ASSM S/A OFF CHAIR	USED W/ S/A HANGER FRT FRAME ONLY
1-6,7C	900807	CASTER PIN LOCK ASSM GP/GPV	USED FOR GP FIXED FRT FRAME ONLY

CASTER PLATES

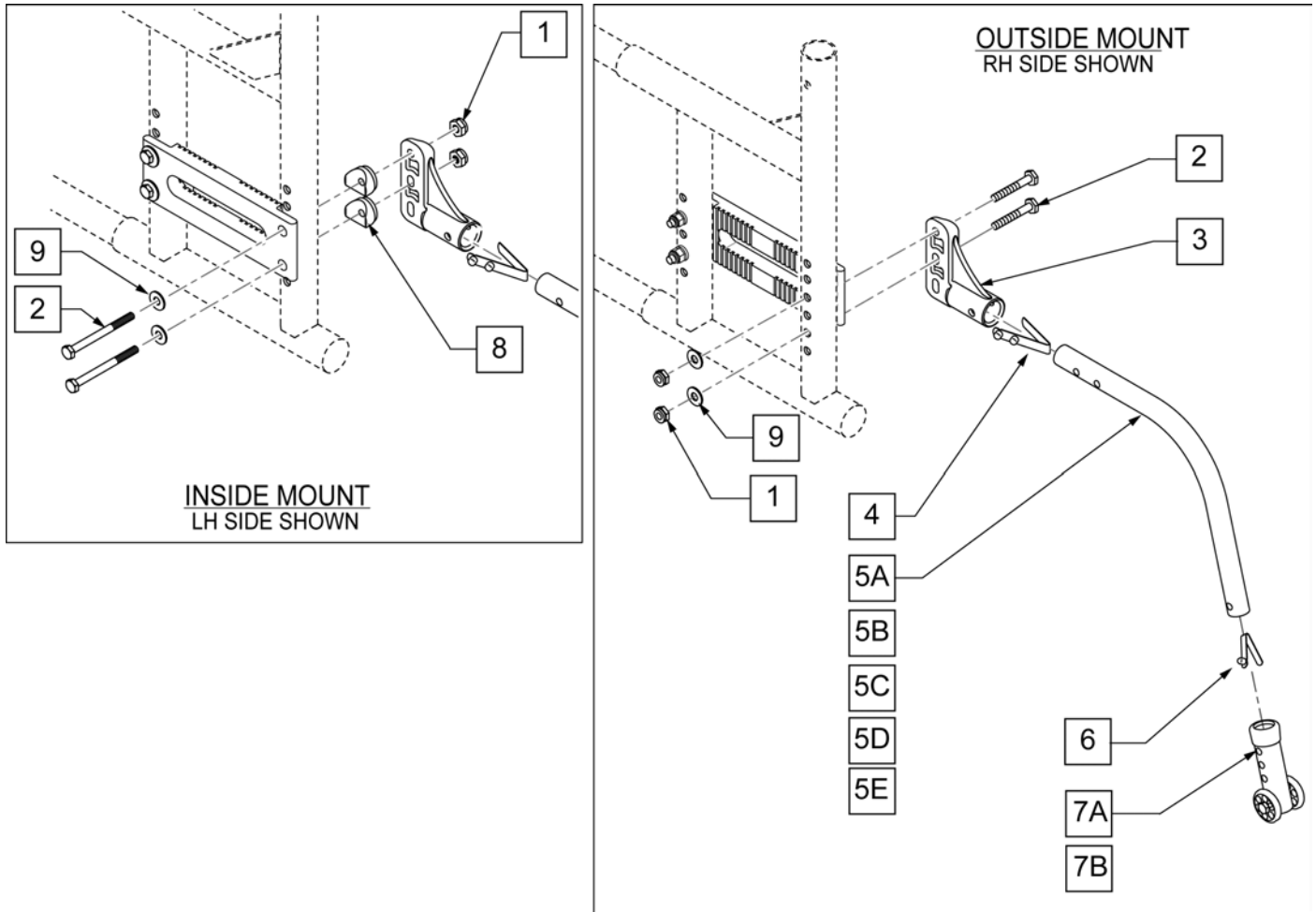
[06/05/2019]



Pos.	Item Number	Description	Remarks
1	106941	NUT AUTOMATION 1/4 -28 ROHS	
2	561086	1" HALF SADDLE 1/4" HOLE	
4	561070	CASTER CAP PLASTIC	
4	920028	CASTER CAP PLASTIC	PAIR
5	561004	1" SADDLE 1/4" HOLE	
6	349500	1 1/8 x 1/2 BEARING	
7	561050	ANTI-FLUTTER BUSHING	USED W/ 8" CASTERS
8	262128	WASHER ECCENTRIC HD 1/4 HOLE	
9A	109809	SHCS 1/4 -28 x 2 ROHS	USED W/ NON-TRANSIT on Q2
9B	108791	SHCS 1/4 -28 x 2 1/4 SHLDR ROHS	USED W/ TRANSIT BRACKETS
9C	481017	1/4 -28 x 1.688 ECCENTRIC BOLT	USED W/ NON-TRANSIT on LX/LXI
10	106943	WASHER FLAT AN 1/4 ROHS	
1, 2, 4, 5, 8,9ABC,10	920474	CASTER PLATE HI ANGLE HARDWARE KIT	Includes bolts for standard and transit
3A, 6	780204	CASTER PLATE HI ANGLE DOUBLE BEARING	RIGHT - Effective on Q2 after 8/1/02; on LX/LXI TRANSIT 10/24/08.
3A, 6	780205	CASTER PLATE HI ANGLE DOUBLE BEARING	LEFT - Effective on Q2 after 8/1/02; on LX/LXI TRANSIT 10/24/08.

Pos.	Item Number	Description	Remarks
3A, 6, 7	780206	CASTER PLATE HI ANG R SNG BEARING	RIGHT- Effective on Q2 after 8/1/02; on LX/LXI TRANSIT 10/24/08.
3A, 6, 7	780207	CASTER PLATE HI ANG L SNG BEARING	LEFT - Effective on Q2 after 8/1/02; on LX/LXI TRANSIT 10/24/08.
3B,6	780210	CASTER PLATE R DBL BEARING BLK	RIGHT-Discontinued on Q2 chair 8/1/02
3B,6	780212	CASTER PLATE L DBL BEARING BLK	LEFT -Discontinued on Q2 chair 8/1/02
3B,6,7	780200	CASTER PLATE R SINGLE BEARING	RIGHT-Discontinued on Q2 chair 8/1/02
3B,6,7	780201	CASTER PLATE L SINGLE BEARING BLK	LEFT -Discontinued on Q2 chair 8/1/02

NOTE: When using Padded Swing-Away Arms, Anti-Tip Receivers are mounted on outside of frame.



Pos.	Item Number	Description	Remarks
1	106934	1/4-28 NYLOCK NUT	
2	221181	1/4-28 x 2 1/2 G8 HEX C/S	
3	920407	ANTI-TIP RECEIVER	PAIR
4	301109	SNAP BUTTON DUAL ONE SIDE	
4,5A,6	882964	ANTI-TIP TUBE SMALL BLACK	RIGHT
4,5A,6	882965	ANTI-TIP TUBE SMALL BLACK	LEFT
4,5B,6	882896	ANTI-TIP TUBE REGULAR BLACK	RIGHT
4,5B,6	882897	ANTI-TIP TUBE REGULAR BLACK	LEFT
4,5C,6	882966	ANTI-TIP TUBE EXTENDED SMALL BLACK	RIGHT
4,5C,6	882967	ANTI-TIP TUBE EXTENDED SMALL BLACK	LEFT
4,5D,6	882974	ANTI-TIP TUBE EXTENDED REGULAR BLACK	RIGHT
4,5D,6	882975	ANTI-TIP TUBE EXTENDED REGULAR BLACK	LEFT
4,5E,6	883008	MED ANTI-TIP TUBE R W/ SNAP BUTTON	RIGHT
4,5E,6	883009	MED ANTI-TIP TUBE L W/ SNAP BUTTON	LEFT
6	301100	SNAP BUTTON 1/4" SINGLE	
7A	881512	ANTI-TIP SLEEVE W/WHEELS BLK (4H)	

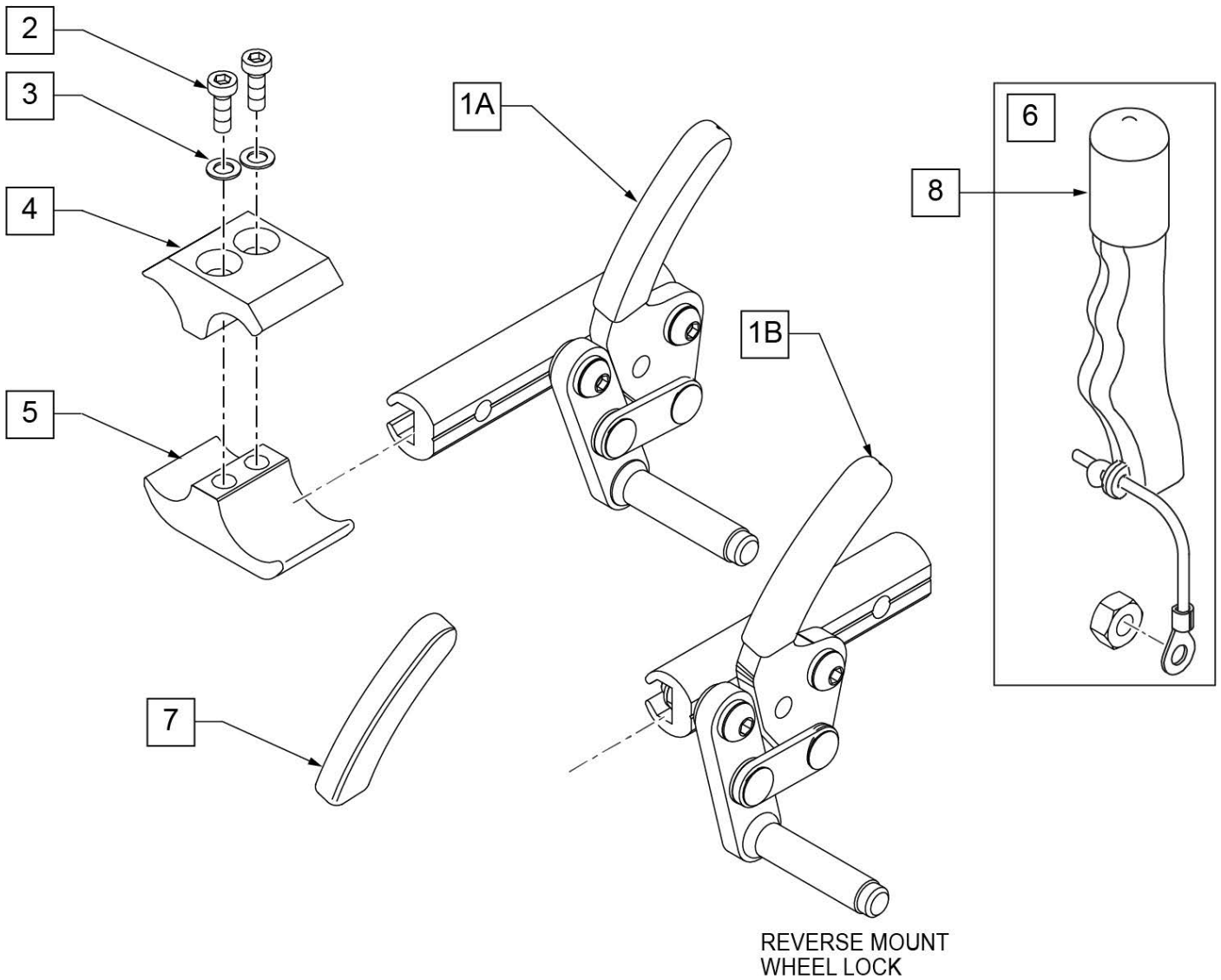
Pos.	Item Number	Description	Remarks
7B	881513	ANTI-TIP SLEEVE W/WHEELS BLK (5H)	
8	561001	1 1/8" SADDLE 1/4" HOLE	N/A W/ XTENDER STRAIGHT & CURVED REAR SIDE FRAME
9	106944	WASHER FLAT THIN AN 1/4 ROHS	
4,5A,6,7A	882906	ANTI-TIP ASSM SMALL BLACK	RIGHT 18",20",22"(STD or 1AD AXLE PLATE)
4,5A,6,7A	882907	ANTI-TIP ASSM SMALL BLACK	LEFT 18",20",22"(STD or 1AD AXLE PLATE)
4,5B,6,7A	882900	ANTI-TIP ASSM REGULAR BLACK	RIGHT 24" (STD or 1AD AXLE PLATE)
4,5B,6,7A	882901	ANTI-TIP ASSM REGULAR BLACK	LEFT 24" (STD or 1AD AXLE PLATE)
4,5C,6,7A	882908	ANTI-TIP ASSM SMALL EXTENDED BLACK	RIGHT 18",20",22"(STD or 1AD AXLE PLATE)
4,5C,6,7A	882909	ANTI-TIP ASSM SMALL EXTENDED BLACK	LEFT 18",20",22"(STD or 1AD AXLE PLATE)
4,5D,6,7A	882910	ANTI-TIP ASSM REGULAR EXTENDED BLACK	RIGHT 24" (STD or 1AD AXLE PLATE)
4,5D,6,7A	882911	ANTI-TIP ASSM REGULAR EXTENDED BLACK	LEFT 24" (STD or 1AD AXLE PLATE)
4,5A,6,7B	882918	ANTI-TIP SML LNG SLV R ZGS BLK	RIGHT 20" & 22" (DAB - STD & CURVED)
4,5A,6,7B	882919	ANTI-TIP SML LNG SLV L ZGS BLK	LEFT 20" & 22" (DAB - STD & CURVED)
4,5B,6,7B	882912	ANTI-TIP ASSM REG LONG SLEEVE BLACK	RIGHT 24" -25" (ALL AXLE PLATES)

Pos.	Item Number	Description	Remarks
4,5B,6,7B	882913	ANTI-TIP ASSM REG LONG SLEEVE BLACK	LEFT 24" -25" (ALL AXLE PLATES)
4,5D,6,7B	882922	ANTI-TIP ASSM REG XTENDER W/ LONG SLEEVE BLACK	RIGHT & 24" -26" (DAB AMPUTEE AXLE) 26" (ALL AXLE PLATES)
4,5D,6,7B	882923	ANTI-TIP ASSM REG XTENDER W/ LONG SLEEVE BLACK	LEFT & 24" -26" (DAB AMPUTEE AXLE) 26" (ALL AXLE PLATES)
4,5E,6,7B	881128	ANTI-TIP ASSM MED RT BLK	RIGHT XTENDER ONLY
4,5E,6,7B	881129	ANTI-TIP ASSM MED LT BLK	LEFT XTENDER ONLY
4,5C,6,7B	880498	ANTI-TIP ASSM SMALL EXTND W/ LONG SLEEVE R BLK	RIGHT 20" & 22" (DAB-AMPUTEE AXLE)
4,5C,6,7B	880499	ANTI-TIP ASSM SMALL EXTND W/ LONG SLEEVE L BLK	LEFT 20" & 22" (DAB-AMPUTEE AXLE)
4,5A,6,7A	900701	ANTI-TIP ASSM SMALL	PAIR 18",20",22"(STD or 1AD AXLE PLATE)
4,5B,6,7A	900703	ANTI-TIP ASSM REGULAR	PAIR 24" (STD or 1AD AXLE PLATE)
4,5C,6,7A	900696	ANTI-TIP ASSM SMALL EXTEND	PAIR 18",20",22"(STD or 1AD AXLE PLATE)
4,5D,6,7A	900697	ANTI-TIP ASSM REGULAR EXTEND	PAIR 24" (STD or 1AD AXLE PLATE)
4,5A,6,7B	900241	ANTI TIP ASSM 5-HOLE HEMI BR	PAIR
4,5B,6,7B	900709	ANTI-TIP ASSM REG W/LNG SLEEVE	PAIR 24" -25" (ALL AXLE PLATES)

NOTE: ATTACHMENT CLAMP mounts to 1" diameter tubing.

Note: the Wheel Locks for Chair or Replacement Part orders shipped on or after 6/27/17 have upgraded mounting hardware; please replace in pairs for chairs ordered prior to 6/27/17.

Note: refer to "Wheel Lock Availability" in Informations Panel for possible mount locations.

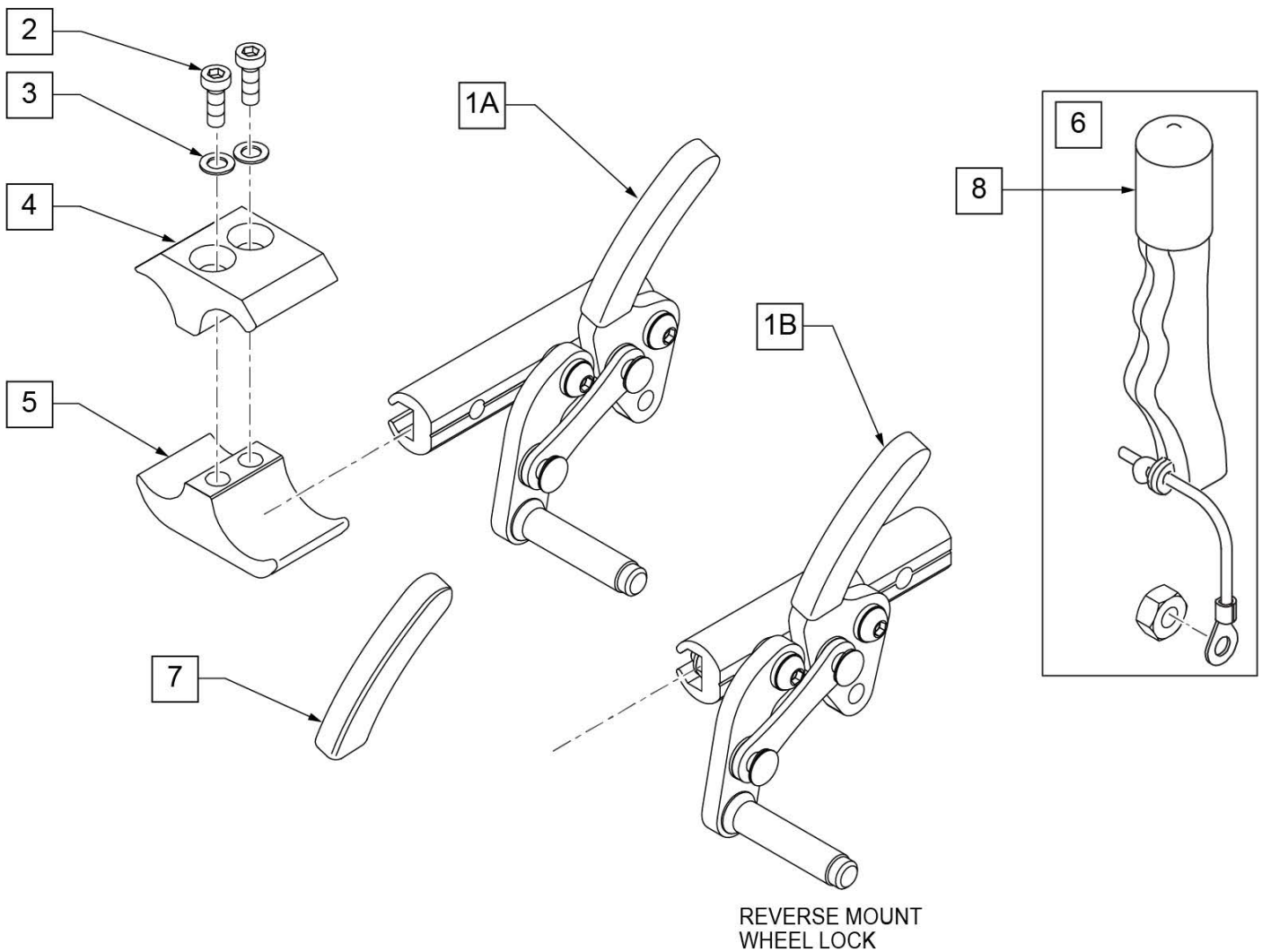


Pos.	Item Number	Description	Remarks
1A	104216-001	WHEEL LOCK ASSEMBLY PUSH RIGHT	RIGHT
1A	104216-002	WHEEL LOCK ASSEMBLY PUSH LEFT	LEFT
1B	109643	WHEEL LOCK HI PUSH REV R	RIGHT
1B	109644	WHEEL LOCK HI PUSH REV LEFT	LEFT
2	107032	SHCS 1/4-28 X 1 ROHS	
3	107367	1/4 WASHER HI COLLAR LOCK BLK	
6	161929	WHEEL LOCK EXTENSION ASSY KIT	EACH
7	104141	COVER CURVED WHEEL LOCK VINYL	
8	560600	FOAM GRIP 1 1/2 X 0.705 X 0.1	
1A,6	107637	WHEEL LOCK ASSM (PUSH) R W/ EXT	RIGHT
1A,6	107638	WHEEL LOCK ASSM (PUSH) L W/ EXT	LEFT
2-5	107639	WHL LCK CLMP ASM	
1B,6	112623	WHEEL LOCK ASSM (PUSH REV) R W/ EXT	RIGHT
1B,6	112624	WHEEL LOCK ASSM (PUSH REV) L W/ EXT	LEFT

NOTE: ATTACHMENT CLAMP mounts to 1" diameter tubing.

Note: the Wheel Locks for Chair or Replacement Part orders shipped on or after 6/27/17 have upgraded mounting hardware; please replace in pairs for chairs ordered prior to 6/27/17.

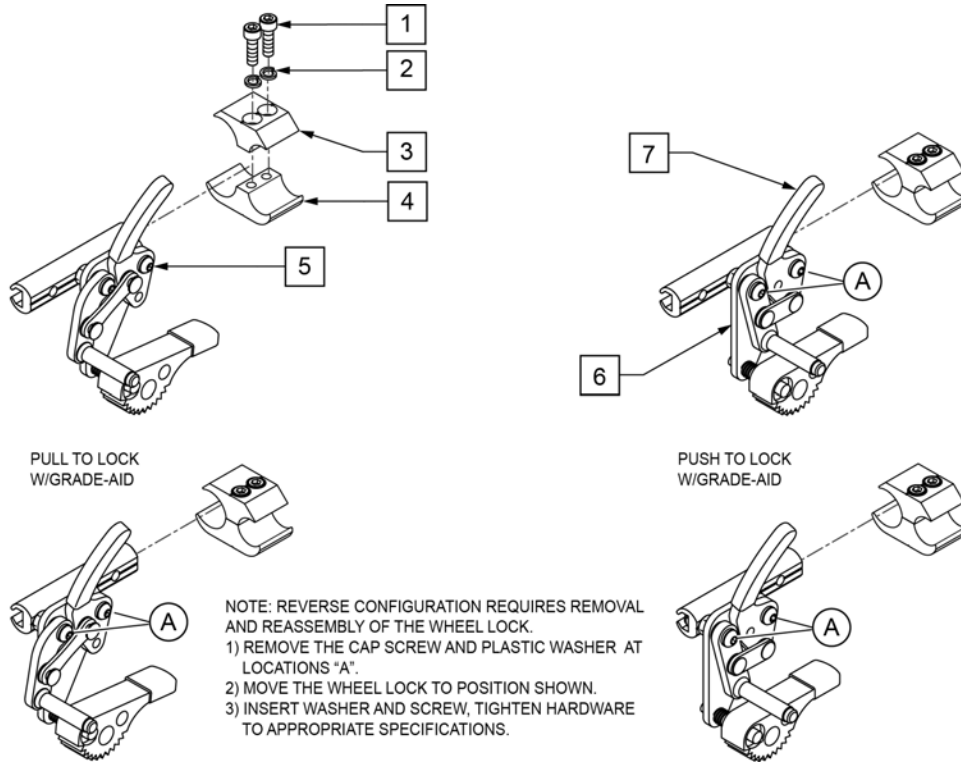
Note: refer to "Wheel Lock Availability" in Informations Panel for possible mount locations.



Pos.	Item Number	Description	Remarks
1A	104227-001	WHEEL LOCK ASSEMBLY (PULL) RIGHT	RIGHT
1A	104227-002	WHEEL LOCK ASSM (PULL) LEFT	LEFT
1B	109647	WHEEL LOCK HI PULL REV R	RIGHT
1B	109648	WHEEL LOCK HI PULL REV L	LEFT
2	107032	SHCS 1/4-28 X 1 ROHS	
3	107367	1/4 WASHER HI COLLAR LOCK BLK	
6	161929	WHEEL LOCK EXTENSION ASSY KIT	EACH
7	104141	COVER CURVED WHEEL LOCK VINYL	
8	560600	FOAM GRIP 1 1/2 X 0.705 X 0.1	
2-5	107639	WHL LCK CLMP ASM	
1A,6	107640	WHEEL LOCK ASSM (PULL) R W/ EXT	RIGHT
1A,6	107641	WHEEL LOCK ASSM (PULL) L W/ EXT	LEFT
1B,6	112625	WHEEL LOCK HI PULL REV R W/ EXT	RIGHT
1B,6	112626	WHEEL LOCK HI PULL REV L W/ EXT	LEFT

NOTE: ATTACHMENT CLAMP mounts to 1" diameter tubing.

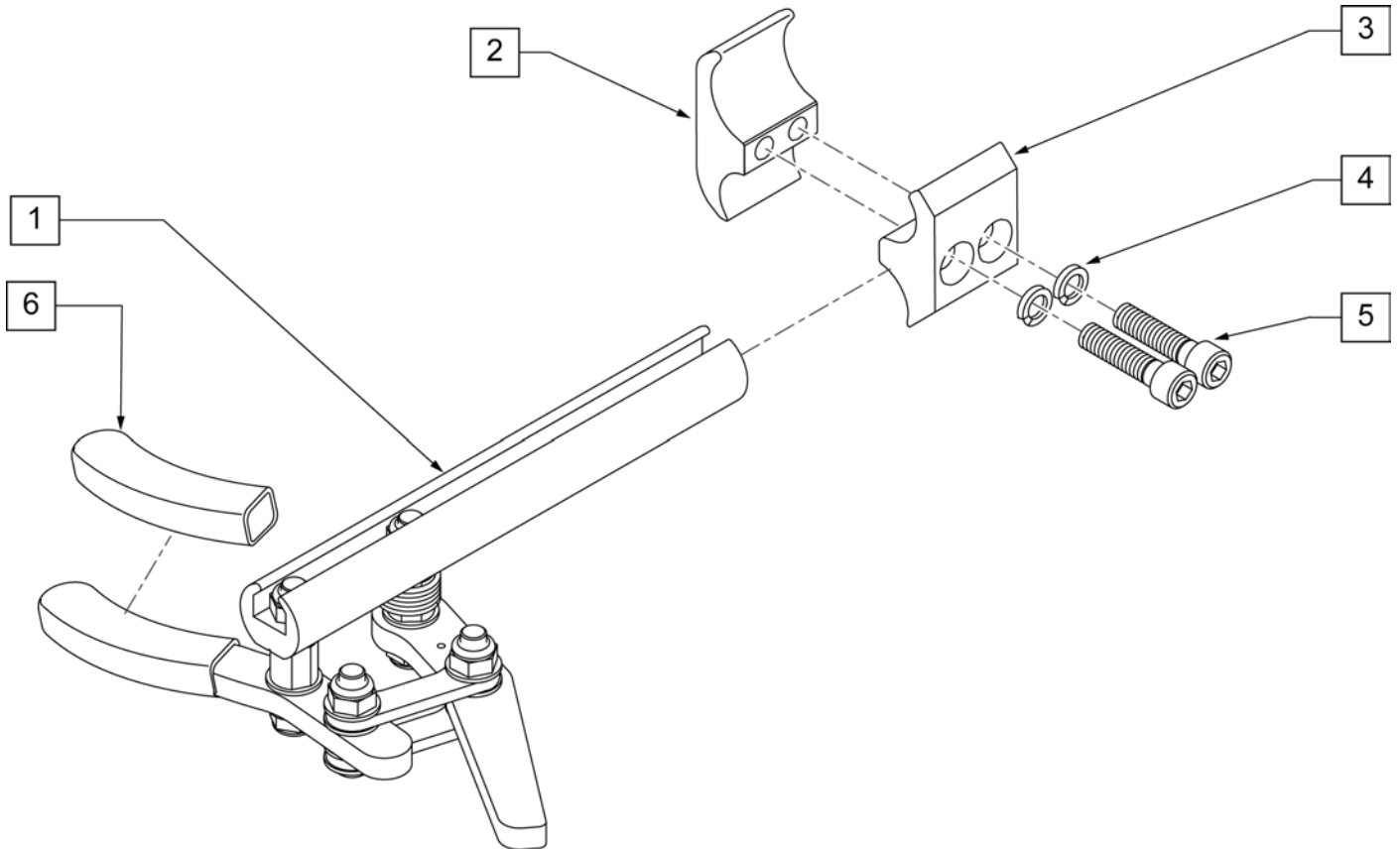
Note: the Wheel Locks for Chair or Replacement Part orders shipped on or after 6/27/17 have upgraded mounting hardware; please replace in pairs for chairs ordered prior to 6/27/17.



Pos.	Item Number	Description	Remarks
1	107032	SHCS 1/4-28 X 1 ROHS	
2	107367	1/4 WASHER HI COLLAR LOCK BLK	
1-4	107639	WHL LCK CLMP ASM	
5	107667	WHEEL LOCK PULL GRADE AID L	LEFT (Pull)
5	107668	WHEEL LOCK PULL GRADE AID R	RIGHT (Pull)
6	107665	WHEEL LOCK PUSH GRADE AID L	LEFT (Push)
6	107666	WHEEL LOCK PUSH GRADE AID R	RIGHT (Push)
7	104141	COVER CURVED WHEEL LOCK VIN	

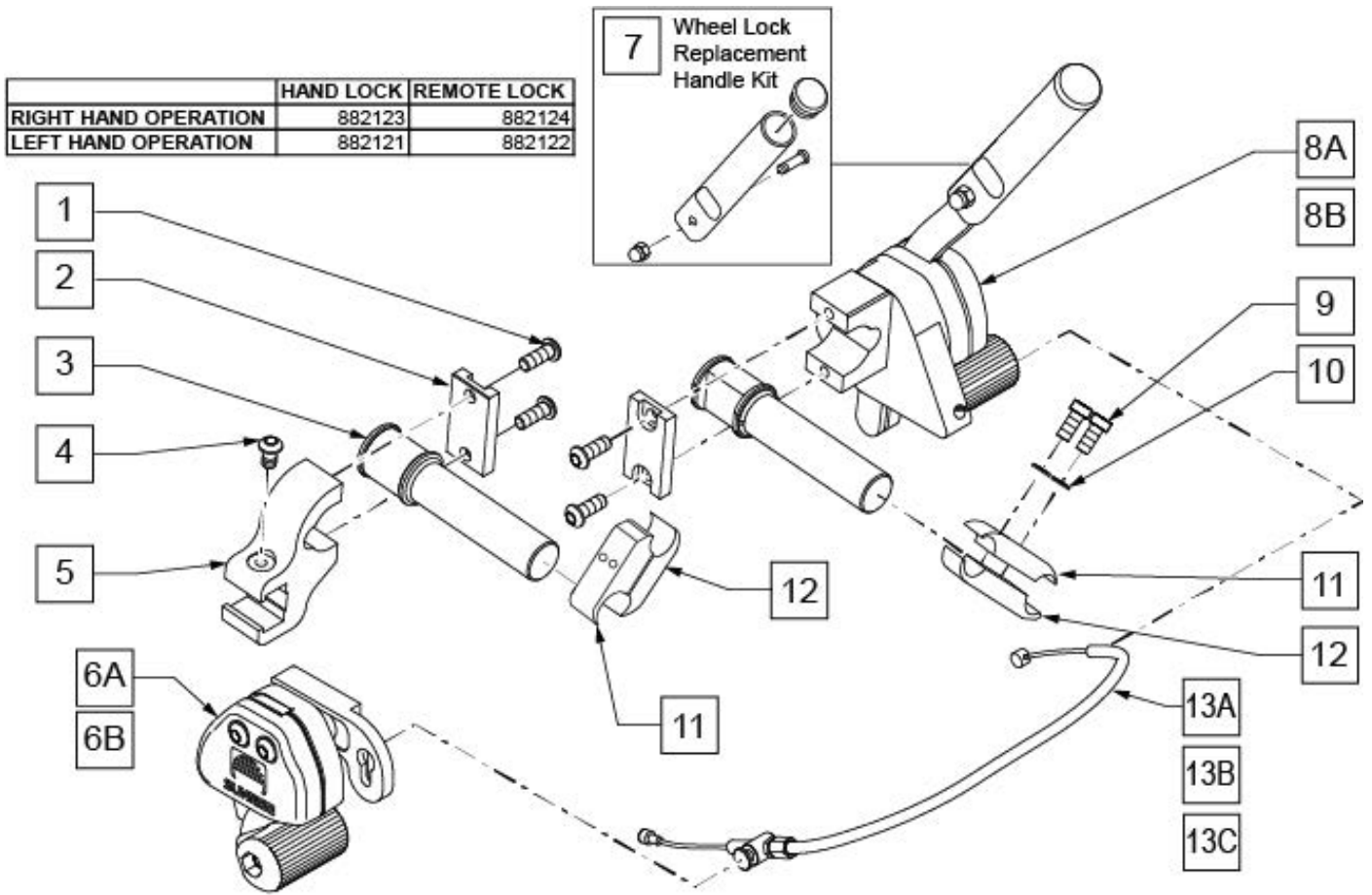
NOTE: ATTACHMENT CLAMP mounts to 1" diameter tubing.

Note: refer to "Wheel Lock Availability" in Informations Panel for possible mount locations.



Pos.	Item Number	Description	Remarks
1	104726-001	ASSY WHL LOCK SCISSOR ERGO	RIGHT
1	104726-002	ASSY WHL LOCK SCISSOR ERGO	LEFT
4	107367	1/4 WASHER HI COLLAR LOCK BLK	
5	107032	SHCS 1/4-28 X 1 ROHS	
6	104141	COVER CURVED WHEELLOCK VIN	
2-6	107639	WHL LCK CLMP ASM	

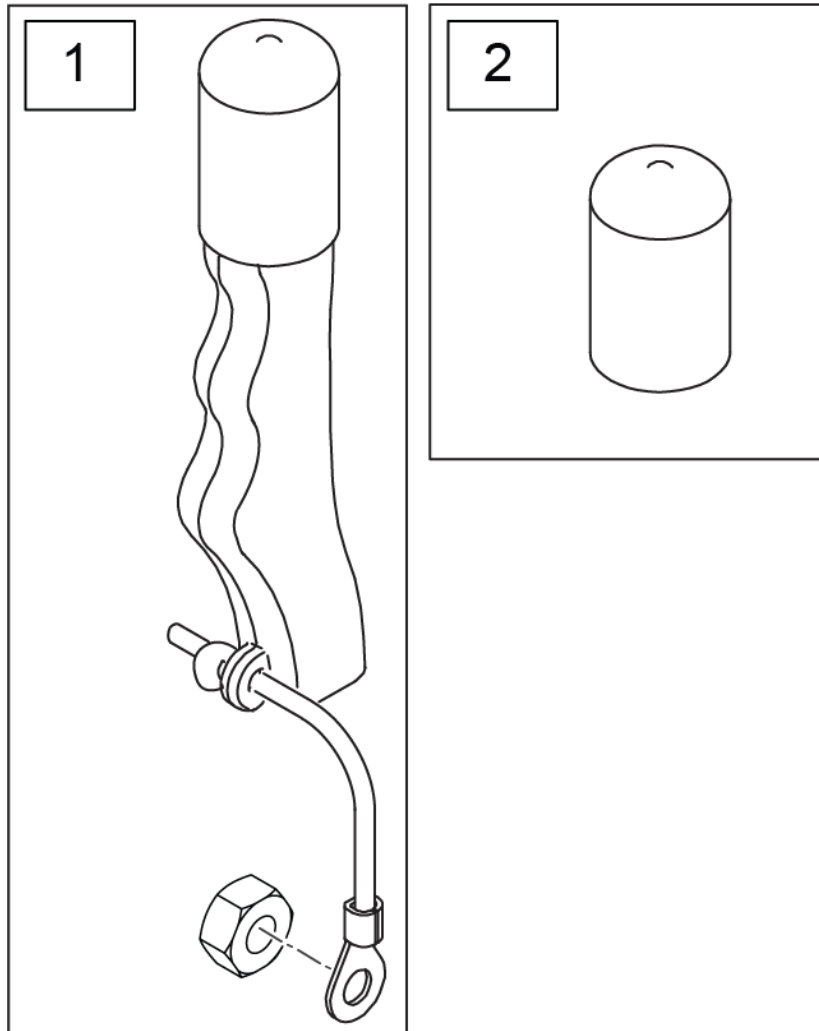
NOTE: ATTACHMENT CLAMP mounts to 1" diameter tubing.



Pos.	Item Number	Description	Remarks
1	230032	M6 x 16 B/H CAP SCREW	
2	501032	CLAMP CAP	
3	501031	WHEEL LOCK EXTENSION	(not Handle)
4	230052	M6 1 x 10 BH C/S BLK	
5	501033	REMOTE LOCK CLAMP	
1-5,6A	882124	REMOTE LOCK ASSEMBLY RIGHT	Mounts on left side
1-5,6B	882122	REMOTE LOCK ASSEMBLY LEFT	Mounts on right side
7	883300	1-HAND WHLLCK RLCMNT HNDL KIT	4 7/8"; Replacement Handle Kit
1,2,3,8A	882123	HAND LOCK ASSEMBLY RIGHT	Mounts on right side
1,2,3,8B	882121	HAND LOCK ASSEMBLY LEFT	Mounts on left side
9	107032	1/4-28 x 1 SOC C/S BLK	
10	262114	1/4 WASHER HI COLLAR	
13A	341760	WHEEL LOCK CABLE SHORT (11"-14")	11 -14" WIDE CHAIRS
13B	341761	WHEEL LOCK CABLE MEDIUM (15"-18")	15 -18" WIDE CHAIRS
13C	341762	WHEEL LOCK CABLE LONG (19"-22")	19 -22" WIDE CHAIRS
9-12	880422	WHL LCK EXTND CLMP ASSM BLK	
1-5,6A,8A,9-12,13A	902184	UNILTERAL 1HAND PSH LOCK SHT RH	RH SHOWN 11 -14" WIDE
1-5,6A,8A,9-12,13B	902186	UNILTERAL 1HAND PSH LOCK MED RH	RH SHOWN 15 -18" WIDE
1-5,6A,8A,9-12,13C	902188	UNILTERAL 1HAND PSH LOCK LONG RH	RH SHOWN 19 -22" WIDE

Pos.	Item Number	Description	Remarks
1-5,6B,8B,9-12,13A	902183	UNILTERAL 1HAND PSH LOCK SHT LH	LH 11 -14" WIDE
1-5,6B,8B,9-12,13B	902185	UNILTERAL 1HAND PSH LOCK MED LH	LH 15 -18" WIDE
1-5,6B,8B,9-12,13C	902187	UNILTERAL 1HAND PSH LOCK LONG LH	LH 19 -22" WIDE

Note: used on High Mount Push and Pull Wheel Locks only.

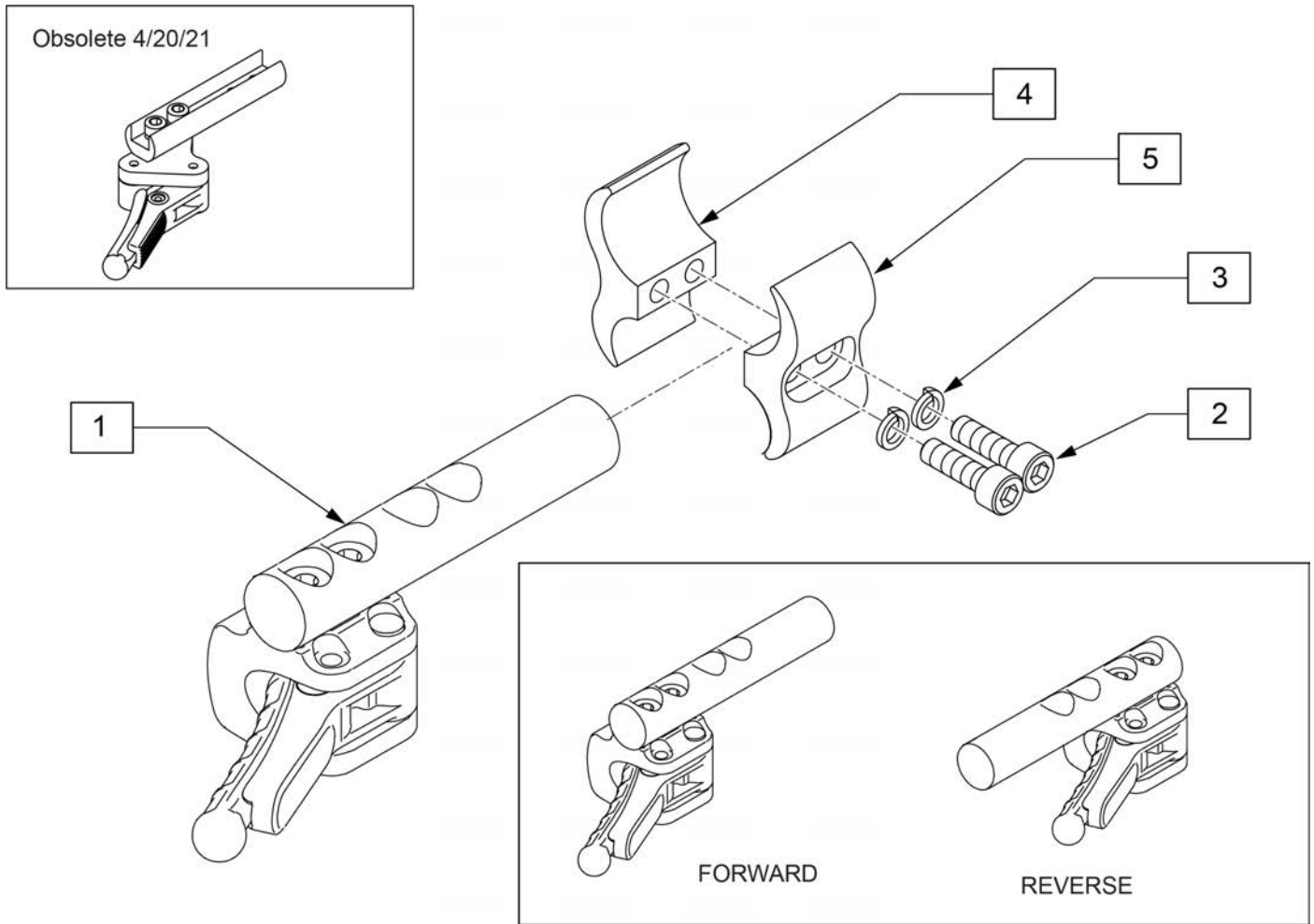


Pos.	Item Number	Description	Remarks
1	161930	WHEEL LOCK EXT ASSY (PAIR) KIT	Pair
2	560600	FOAM GRIP 1 1/2 X 0.705 X 0.1	

NOTE: refer to "WHEEL LOCK AVAILABILITY" in Informations panel for possible mount locations.

NOTE: ATTACHMENT CLAMP mounts to 1" diameter tubing.

Note: Sunrise recommends replacing in pairs for all chairs shipped prior to 4/21/2021.

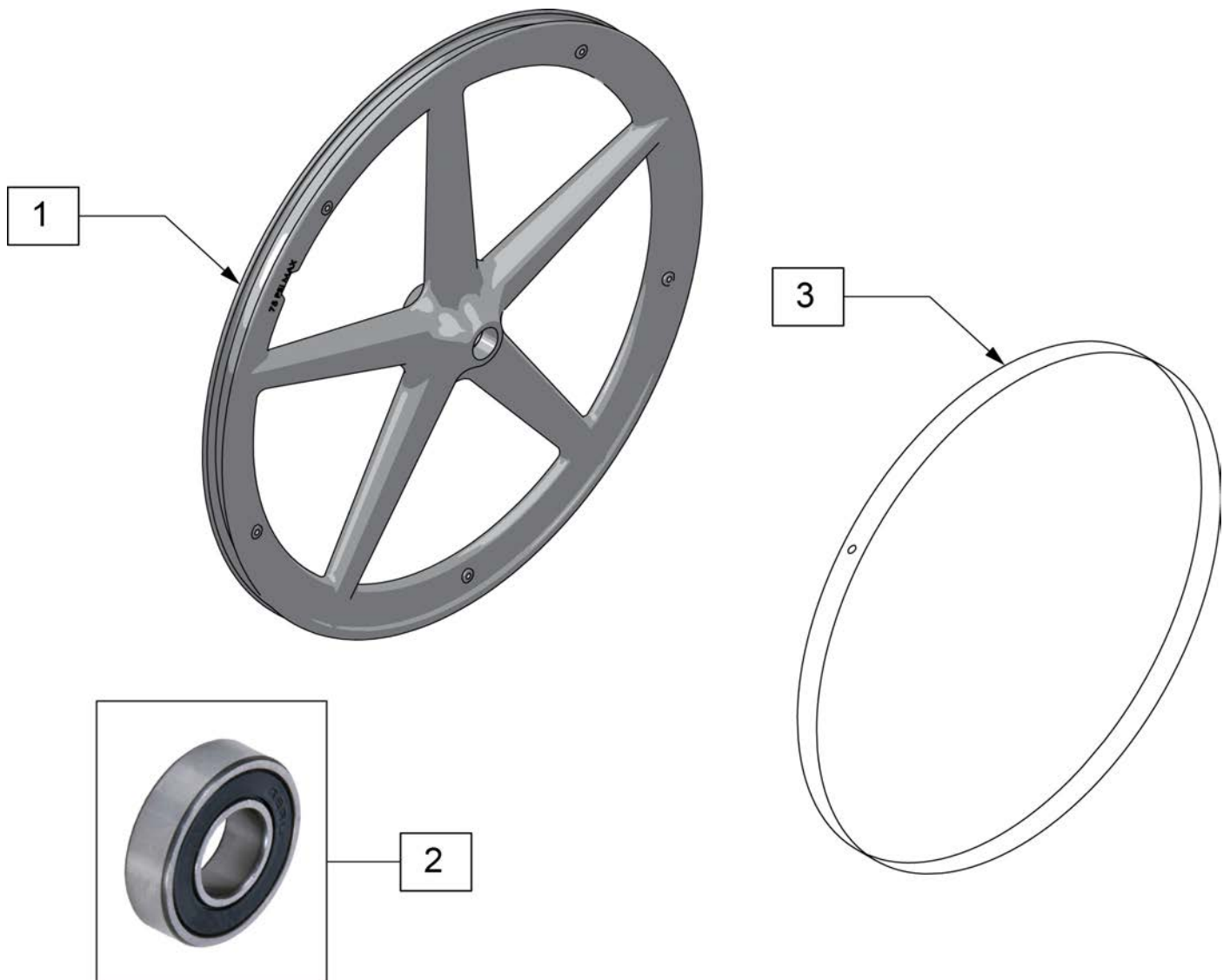


Pos.	Item Number	Description	Remarks
1	66006100-301	COMPACT BRAKE	Left side Forward Mounted
1	66006100-302	COMPACT BRAKE	Right side Forward Mounted
1	66006100-401	COMPACT BRAKE STD BACK LEFT	Reverse Mounted
1	66006100-402	COMPACT BRAKE STD BACK RIGHT	Reverse Mounted
2	107032	SHCS 1/4-28 X 1 ROHS	
3	107367	1/4 WASHER HI COLLAR LOCK BLK	
2-5	107639	WHL LCK CLMP ASM	

Note: 5 Spoke Mag is not compatible with One Arm Drive or Projection Handrims.

Note: 5 Spoke Mag utilizes exclusive screw mounted handrims.

Note: if changing the Rear Wheel Size on a chair with Anti-tips, new size Anti-tip Assemblies ARE REQUIRED to accommodate the new Rear Wheel Size.



Pos.	Item Number	Description	Remarks
1,2	128985	20" 5 SPOKE MAG WHEEL	20" (451mm)
1,2	128986	22" 5 SPOKE MAG WHEEL	22" (501mm)
1,2	126405	24" MAG W/BRNG 5 SPOKE	24" (540mm)
2	349500	1 1/8 X 1/2 BEARING	
3	129325	20" MAG RIM STRIP	
3	129324	22" MAG RIM STRIP	
3	127912	24" MAG RIM STRIP	

Note: this wheel utilizes Screw Mount Handrims - the handrim has a threaded hole that mounts the handrim to the wheel through a spacer and fastener.

Note: if Mag Wheel Assembly was ordered without Handrim and a Handrim is added to the wheel, qty 6 of 101932 and 281175 ARE REQUIRED to properly mount the handrim.

Note: if changing the Rear Wheel Size on a chair with Anti-tips, new size Anti-tip Assemblies ARE REQUIRED to accommodate the new Rear Wheel Size.

Note: for Zippie X'cape 6 Spoke Mags are only available with the One Arm Drive.



Pos.	Item Number	Description	Remarks
1-3	401094	20" MAG W/BRNG 6 SPOKE	20"
1-3	401093	22" MAG W/BRNG 6 SPOKE	22"(501mm)
1-3	401092	24" MAG W/BRNG 6 SPOKE	24"(540mm)
2	349500	1 1/8 X 1/2 BEARING	
3	521564	MAG BEARING SPACER	
4	101932	SPCR .194ID X .375 OD X .750	Used when previously ordered with Omit handrims or Natural Fit Handrims

Note: this Wheel utilizes Screw Mount Handrims; the Handrim has a threaded hole that mounts the Handrim to the Wheel through a spacer and fastener.

Note: the Lite Spoke Wheel has a total of 30 spokes.

Note: if changing the Rear Wheel Size on a chair with Anti-tips, new size Anti-tip Assemblies ARE REQUIRED to accommodate the new Rear Wheel Size.

Note: when ordering replacement bearings, if dust shield on bearing has the following markings: MBL-Z2 6001 2RS, then order P/N 114097.



Pos.	Item Number	Description	Remarks
1A	118755	WHEEL ASSM GALLOP 20IN	20" (451)
1B	118756	WHEEL ASSM GALLOP 22IN	22" (501)
1C	107131	WHEEL RIM/SPOKE 24" ASSM	24" (540)
1D	118764	25 LT SPK W-HNDRM ANO ASSM GLP	25" (559)
1E	118760	WHEEL ASSM GALLOP 26IN	26" (590)
2A	114097	BEARING, REPLACEMENT, MBL	12.7mm i.d. - 28mm o.d. - 8mm wide; used prior to 11/29/10
2B	349500	1_125 X .5 BEARING	Beginning 11/29/10
3A	118100	MBL LT 20IN SPOKE RPLMNT KIT	Kit contains 6 inner and 6 outer spokes
3B	118101	MBL LT 22IN SPOKE RPLMNT KIT	Kit contains 6 inner and 6 outer spokes
3C	118102	MBL LT 24IN SPOKE RPLMNT KIT	Kit contains 6 inner and 6 outer spokes
3D	118103	MBL LT 25IN SPOKE RPLMNT KIT	Kit contains 6 inner and 6 outer spokes
3E	118104	MBL LT 26IN SPOKE RPLMNT KIT	Kit contains 6 inner and 6 outer spokes

Note: Wheels do not include rim strips, see "RIM STRIP" page to order correct rim strip.

Note: this wheel utilizes Tab Mount Handrims - the handrim has a straight tab that mounts to the wheel through the rim.

Note: 20" wheels have 18 spokes per wheel; 22", 24" & 25" wheels have 24 spokes per wheel; spokes are black.

Note: if changing the Rear Wheel Size on a chair with Anti-tips, new size Anti-tip Assemblies ARE REQUIRED to accommodate the new Rear Wheel Size.



Pos.	Item Number	Description	Remarks
1A	112857	ULTRA LIGHTWEIGHT WHEEL 20"	20"
1B	112858	ULTRA LIGHT WHEEL 22"	22"(501mm)
1C	112859	ULTRA LIGHTWEIGHT WHEEL 24"	24"(540mm)
1D	112860	ULTRA LIGHTWEIGHT WHEEL 25"	25"(559mm)
2	349500	1 1/8 X 1/2 BEARING	
3A	118105	ULTRA LT 20IN SPOKE RPLMNT KIT	Kit contains 12 spokes
3B	118106	ULTRA LT 22IN SPOKE RPLMNT KIT	Kit contains 12 spokes
3C	118107	ULTRA LT 24IN SPOKE RPLMNT KIT	Kit contains 12 spokes
3D	118108	ULTRA LT 25IN SPOKE RPLMNT KIT	Kit contains 12 spokes

Note: this wheel utilizes tab mount handrims - the handrim has a straight tab that mounts to the wheel through the rim.

Note: please see the Rear Wheel Finder for the complete Wheel Assembly with the Flex Rim.

Note: if changing the Rear Wheel Size on a chair with Anti-tips, new size Anti-tip Assemblies ARE REQUIRED to accommodate the new Rear Wheel Size.

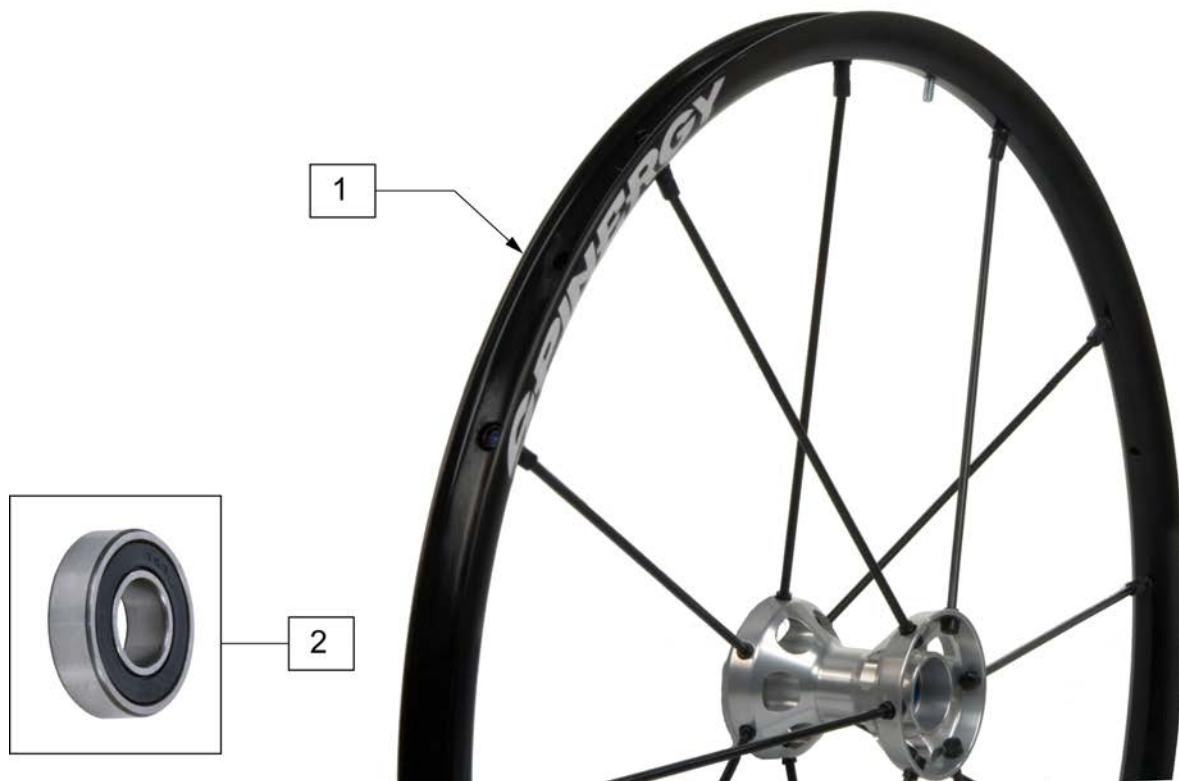


Pos.	Item Number	Description	Remarks
1	109242	SPINERGY STD WHL 22" BLK SPK	22"(489mm)
1	762438	SPINERGY STD WHEEL 540 BLK SPK	24"(540mm)
1	762441	SPINERGY STD WHL 559 BLK SPK	25"(559mm)
1	762437	SPINERGY STD WHEEL 590 BLK SPK	26"(590mm)
1	762442	SPINERGY STD WHEEL 540 BLUE	24"(540mm)
1	762444	SPINERGY STD WHEEL 559 BLU	25"(559mm)
1	762446	SPINERGY STD WHEEL 590 BLUE	26"(590mm)
1	762443	SPINERGY STD WHEEL 540 RED	24"(540mm)
1	762445	SPINERGY STD WHEEL 559 RED	25"(559mm)
1	762447	SPINERGY STD WHEEL 590 RED	26"(590mm)
1	762456	SPINERGY STD WHEEL 540 WHT	24"(540mm)
1	762433	SPINERGY STD WHEEL 540 YELLOW	24"(540mm)
1	762462	SPINERGY STD WHL 559 YLW SPK	25"(559mm)
1	762431	SPINERGY STD WHEEL 590 YELLOW	26"(590mm)
2	349500	1 1/8 X 1/2 BEARING	

Note: this wheel utilizes tab mount handrims - the handrim has a straight tab that mounts to the wheel through the rim.

Note: please see the Rear Wheel Finder for the complete Wheel Assembly with the Flex Rim.

Note: if changing the Rear Wheel Size on a chair with Anti-tips, new size Anti-tip Assemblies ARE REQUIRED to accommodate the new Rear Wheel Size.



Pos.	Item Number	Description	Remarks
1	108858	SPINERGY LT EX WHL 22" BLK	22"(489mm); 12 Spoke
1	109215	SPINERGY LT EX WHL 22" BLU	22"(489mm); 12 Spoke
1	109216	SPINERGY LT EX WHL 22" RED	22"(489mm); 12 Spoke
1	109217	SPINERGY LT EX WHL 22" WHT	22"(489mm); 12 Spoke
1	109218	SPINERGY LT EX WHL 22" YLW	22"(489mm); 12 Spoke
1	101989-001	SPINERGY LT EX WHEEL 540 BLK	24"(540mm); 12 Spoke
1	101989-002	SPINERGY LT EX WHEEL 540 BLU	24"(540mm); 12 Spoke
1	101989-003	SPINERGY LT EX WHEEL 540 RED	24"(540mm); 12 Spoke
1	101989-005	SPINERGY LT EX WHEEL 540 WHT	24"(540mm); 12 Spoke
1	101989-004	SPINERGY LT EX WHEEL 540 YLW	24"(540mm); 12 Spoke
1	101991-001	SPINERGY LT EX WHEEL 559 BLK	25"(559mm); 12 Spoke
1	101991-002	SPINERGY LT EX WHEEL 559 BLU	25"(559mm); 12 Spoke
1	101991-003	SPINERGY LT EX WHEEL 559 RED	25"(559mm); 12 Spoke
1	101991-004	SPINERGY LT EX WHEEL 559 YLW	25"(559mm); 12 Spoke
1	101993-001	SPINERGY LT EX WHEEL 590 BLK	26"(590mm); 12 Spoke
1	101993-004	SPINERGY LT EX WHEEL 590 YLW	26"(590mm); 12 Spoke
2	349500	1 1/8 X 1/2 BEARING	

Note: this wheel utilizes tab mount handrims - the handrim has a straight tab that mounts to the wheel through the rim.

Note: please see the Rear Wheel Finder for the complete Wheel Assembly with the Flex Rim.

Note: if changing the Rear Wheel Size on a chair with Anti-tips, new size Anti-tip Assemblies ARE REQUIRED to accommodate the new Rear Wheel Size.

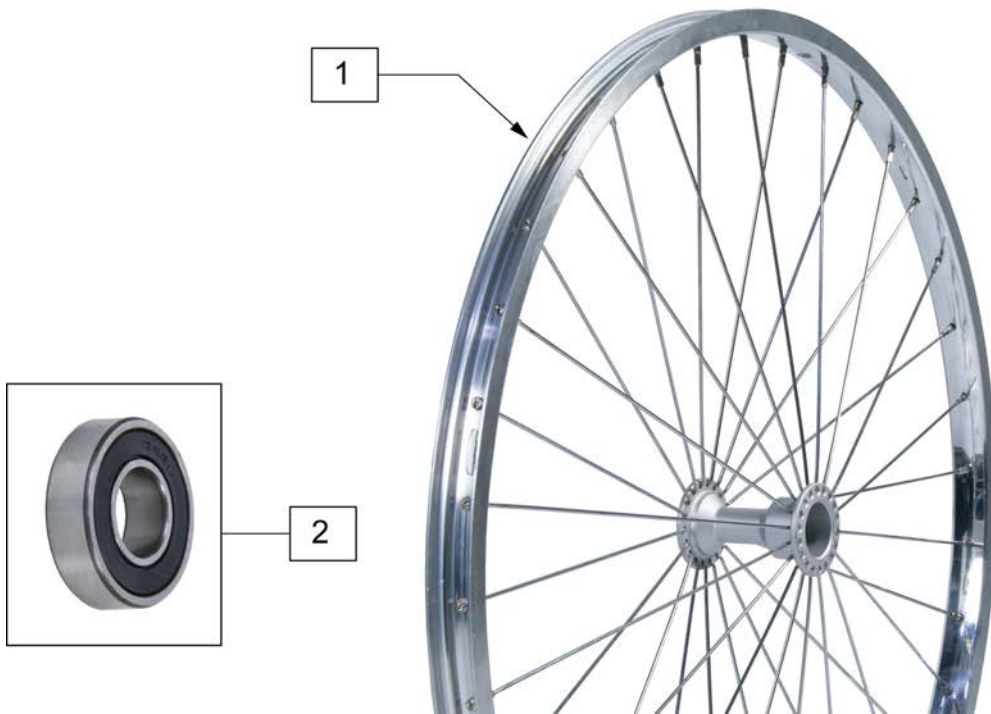


Pos.	Item Number	Description	Remarks
1	101988-001	SPINRGY SPT LT EX WHL 540 BLK	24"(540mm), 18 spoke
1	101988-002	SPINRGY SPT LT EX WHL 540 BLU	24"(540mm), 18 spoke
1	101988-003	SPINRGY SPT LT EX WHL 540 RED	24"(540mm), 18 spoke
1	101988-004	SPINRGY SPT LT EX WHL 540 YLW	24"(540mm), 18 spoke
1	101988-005	SPINRGY SPT LT EX WHL 540 WHT	24"(540mm), 18 spoke
1	101990-001	SPINRGY SPT LT EX WHL 559 BLK	25"(559mm), 18 spoke
1	101990-002	SPINRGY SPT LT EX WHL 559 BLU	25"(559mm), 18 spoke
1	101990-003	SPINRGY SPT LT EX WHL 559 RED	25"(559mm), 18 spoke
1	101990-004	SPINRGY SPT LT EX WHL 559 YLW	25"(559mm), 18 spoke
1	101990-005	SPINRGY SPT LT EX WHL 559 WHT	25"(559mm), 18 spoke
1	101992-001	SPINRGY SPT LT EX WHL 590 BLK	26"(590mm), 18 spoke
1	101992-002	SPINRGY SPT LT EX WHL 590 BLU	26"(590mm), 18 spoke
1	101992-003	SPINRGY SPT LT EX WHL 590 RED	26"(590mm), 18 spoke
1	101992-004	SPINRGY SPT LT EX WHL 590 YLW	26"(590mm), 18 spoke
1	101992-005	SPINRGY SPT LT EX WHL 590 WHT	26"(590mm), 18 spoke
2	349500	1 1/8 X 1/2 BEARING	

Note: this wheel utilizes Tab Mount Handrims - the handrim has a straight tab that mounts to the wheel through the rim.

Note: if changing the Rear Wheel Size on a chair with Anti-tips, new size Anti-tip Assemblies ARE REQUIRED to accommodate the new Rear Wheel Size.

Note: if retrofitting Natural Fit Handrims to a Mountain wheel assembly, the complete wheel assemblies will be required; see Rear Wheel Finder.



Pos.	Item Number	Description	Remarks
1	401075	24 RIM ASSM X 1.5 SUN PSH BTTN	22" (507mm); 4 Tabs; overall whl size w/tire = to 24"(540mm)
1	401076	24" HT RIM ASSM SUN PUSH BTTN	25" (559mm); 6 Tabs; overall whl size w/tire = to 26"(590mm)
1	108304	6 TAB RIM ASSM 24IN X 1.5	22" (507mm); use w/ Natural Fit HR's; overall whl size w/tire = to 24"(540mm)
2	349500	1 1/8 X 1/2 BEARING	



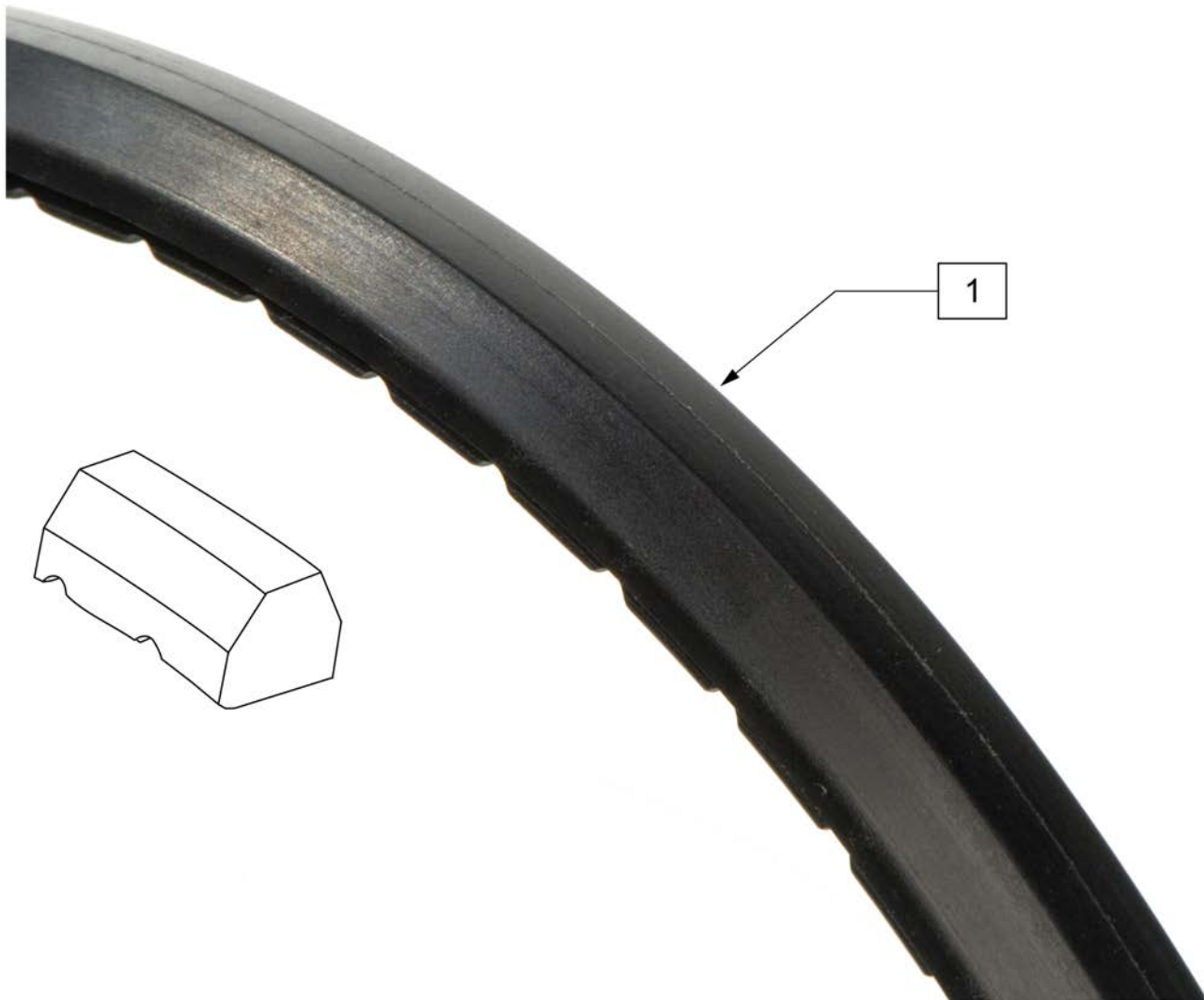
Pos.	Item Number	Description	Remarks
1	385237	16" X 1.75" PNEU TIRE	
1	385250	20" PNEUMATIC TIRE	
1	385275	22" PNEUMATIC TIRE	22" x 1 3/8 (501mm)
1	385300	24" PNEUMATIC TIRE	24" x 1 3/8 (540mm)
1	385325	26" PNEUMATIC TIRE	26" x 1 3/8 (590mm)
1	384614	24" x 2.125 PNEUMATIC TIRE	24"x2 1/8 (540mm) used w/ M6



Pos.	Item Number	Description	Remarks
1	386232	20" POLY TIRE STD	20"
1	386242	22" POLY TIRE STD	22" (501mm)
1	386252	24" POLY TIRE STD	24" (540mm)



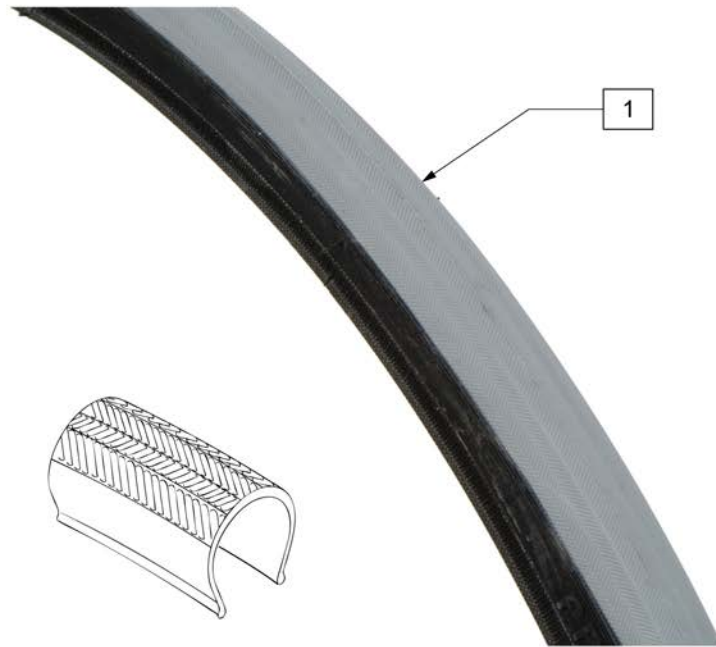
Pos.	Item Number	Description
1	385350	24" KEVLAR TIRE



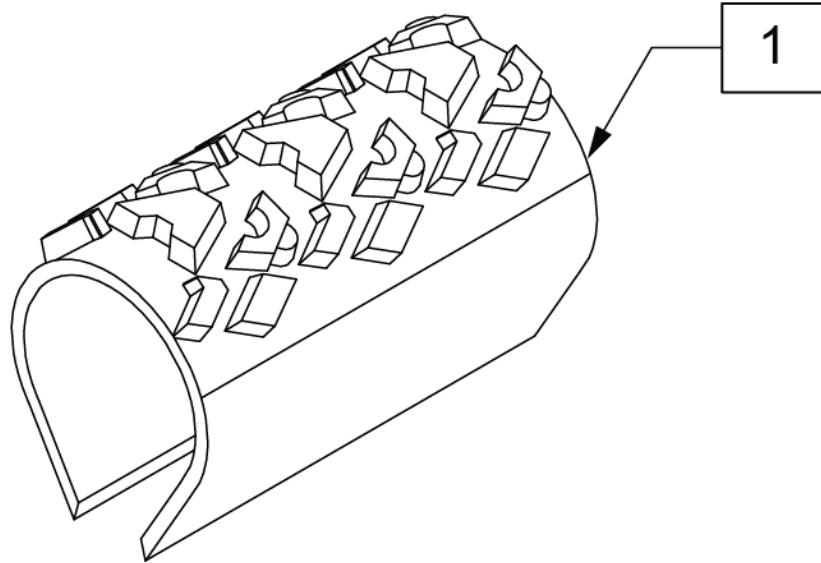
Pos.	Item Number	Description	Remarks
1	386262	20" LP POLY TIRE BR	20" =16" dia
1	386263	22" LP POLY TIRE BR	22"(501mm) = 18"dia
1	386254	24" POLY LOW PROFILE	24"(540mm)= 23" dia



Pos.	Item Number	Description
1	129903	22X1 HI PRESSURE CLINCHER BLK
1	129904	24X1 HI PRESSURE CLINCHER BLK
1	129905	26X1 HI PRESSURE CLINCHER BLK



Pos.	Item Number	Description	Remarks
1	385280	22" x 1" HI PRES CLINCHER	22" (501mm)
1	389020	24" x 1" HI PRES CLNCHR TIRE	24" (540mm)
1	389012	QP 24" x 1" HT TURB BLK WR/BD 559	25" (559mm)
1	389030	26" x 1" HI PRES CLNCHR TIRE	26" (590mm)
1	105919	22" x 1" HI PRESS CLNCHR ULTRALIGHT	22" (489mm)



Pos.	Item Number	Description	Remarks
1	385354	24" X 1-3/8" KNOBBIE TIRE	24"(540mm)

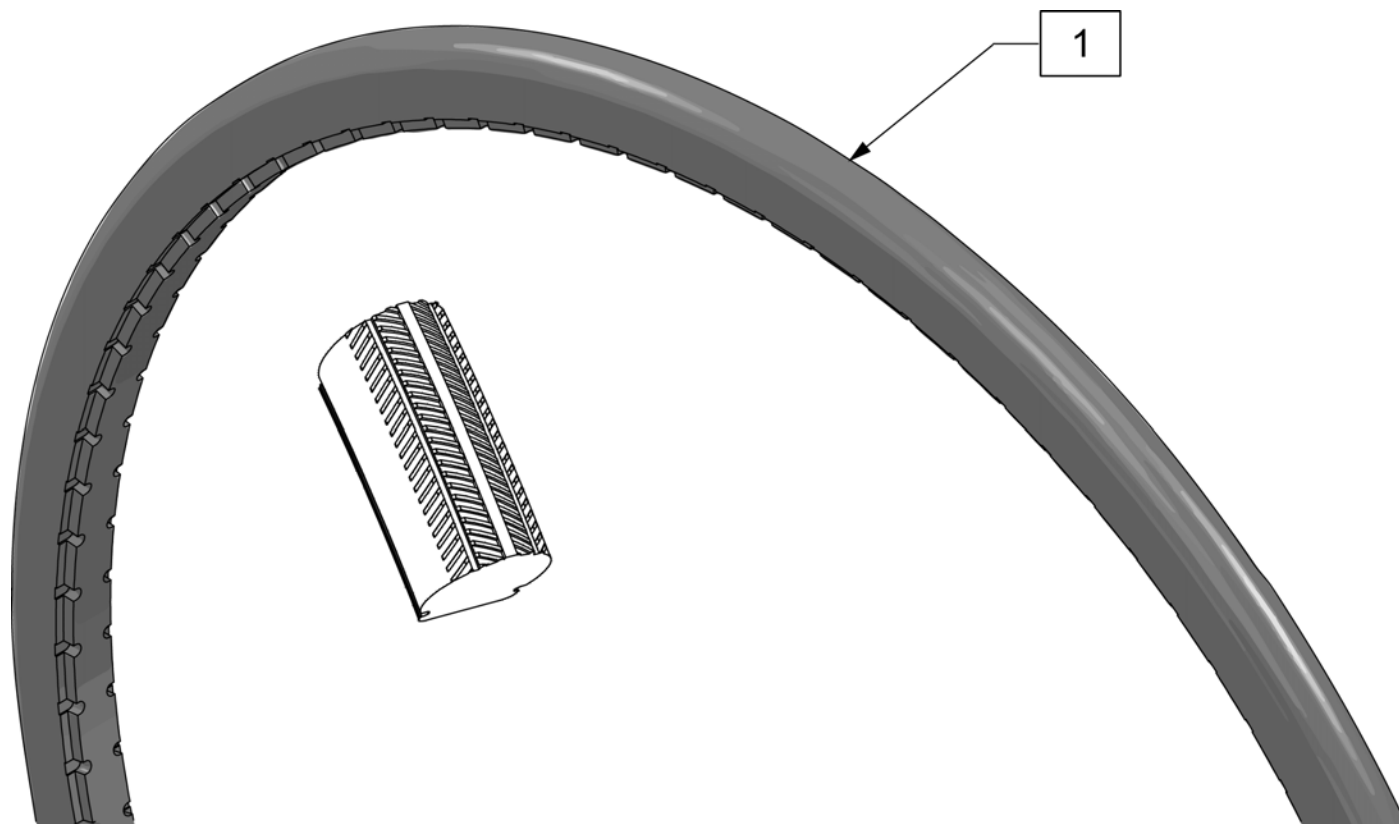


Pos.	Item Number	Description	Remarks
1	102066-004	TIRE SCHWALBE MP 489 BLK	22" (489mm)
1	102066-001	TIRE SCHWBL MPE 540 BLK	24" (540mm)
1	102066-002	TIRE SCHWBL MPE 559 BLK	25" (559mm)
1	102066-003	TIRE SCHWBL MPE 590 BLK	26" (590mm)

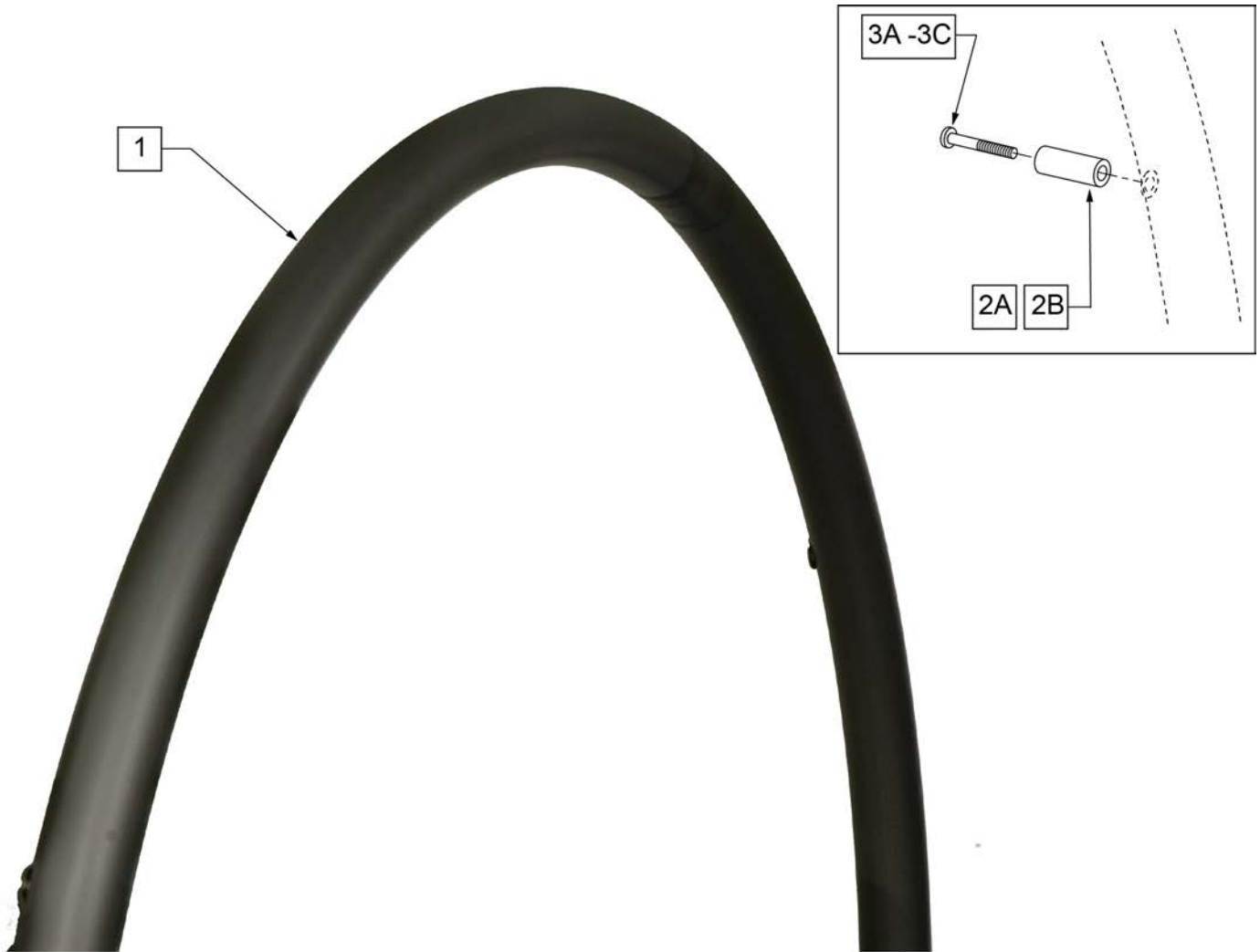


Pos.	Item Number	Description	Remarks
1	384604	TIRE CS 24 X 2.1 SMOKER 507MM	22"(501mm)
1	384606	TIRE CS 26 X 2.1 SMOKER 559MM	25"(559mm)

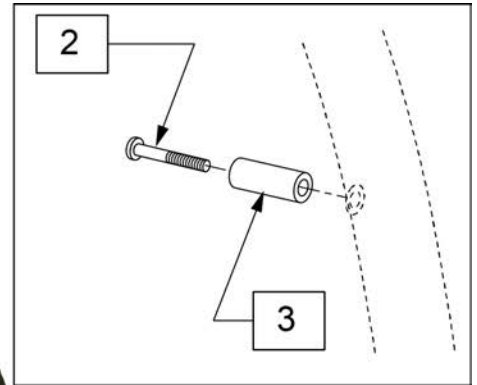
Note: Shox Tire do not fit Topolino Wheels due to width.



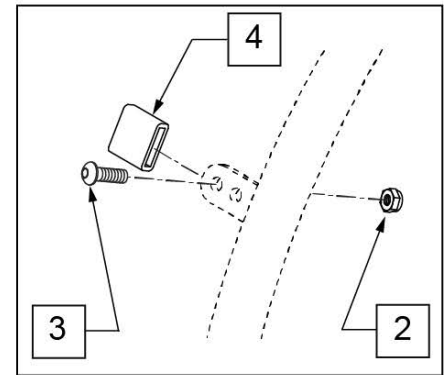
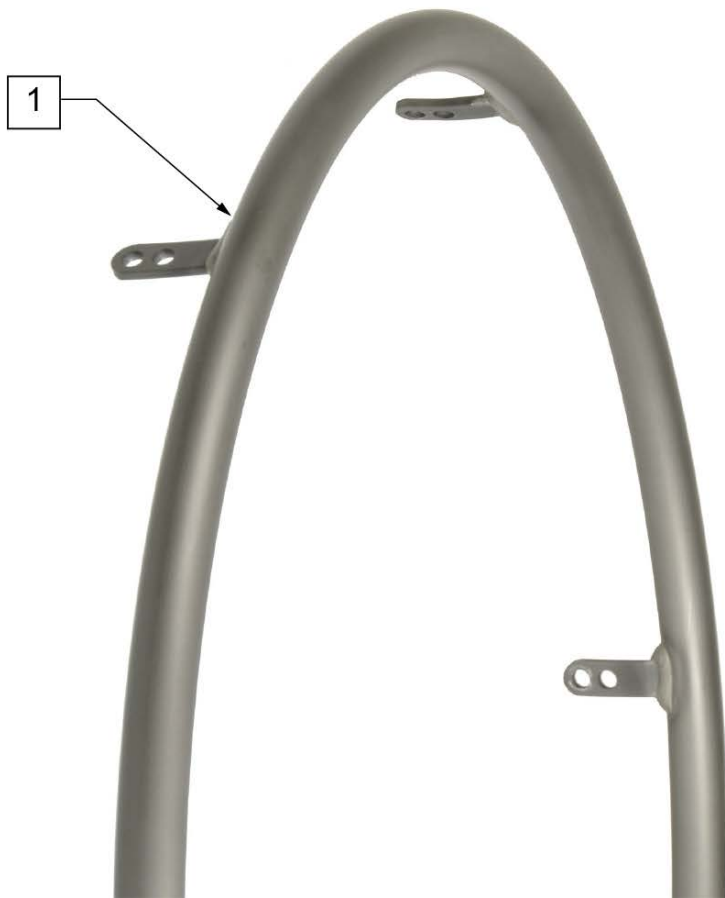
Pos.	Item Number	Description	Remarks
1	129924	TIRE SHOX CEW20"	20"(457mm) Black
1	129925	TIRE SHOX CEW22"	22"(501mm) Black
1	129926	TIRE SHOX CEW24"	24"(540mm) Black
1	129927	TIRE SHOX CEW25"	25"(559mm) Black



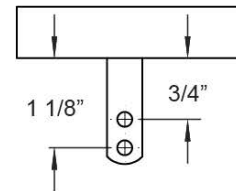
Pos.	Item Number	Description	Remarks
>>>>>	>>>>>>>>>	LITE SPOKE	>>>>>
1,2A,3A	159508	20IN LT SPK AA HNDRIM W/HDWR	20" LITE SPOKE
1,2A,3A	159509	22IN LT SPK AA HNDRIM W/HDWR	22" (501) LITE SPOKE
1,2A,3A	159510	24IN LT SPK AA HNDRIM W/HDWR	24" (540) LITE SPOKE
1,2A,3A	159511	25IN LT SPK AA HNDRIM W/HDWR	25" (559) LITE SPOKE
1,2A,3A	159512	26IN LT SPK AA HNDRIM W/HDWR	26" (590) LITE SPOKE
2A,3A	159513	LT SPK AL AN HNDRIM HDWR	LITE SPOKE, SET OF 6
>>>>>	>>>>>>>>>	SPOKE	>>>>>
1,2B,3B	425931	20" HR 6SMT W/HDWR	20" SPOKE
1,2B,3B	425941	22" HR 6SMT W/HDWR	22" (501) SPOKE
1,2B,3B	426000	24" HR 6SMT W/ HDWR	24" (540) SPOKE
2B,3B	159514	SPK AL AN HNDRIM HDWR	SPOKE, SET OF 6
>>>>>	>>>>>>>>>	MAG	>>>>>
1,3C	425934	20" HR 6SMT 6MAG W/HDWR	20" MAG
1,3C	425951	22" HR 6SMT 6MAG W/HDWR	22" (501) MAG
1,3C	426009	24" HR 6SMT 6MAG W/HDWR	24" (540) MAG
3C	281175	10-32 X 2 1/8 PAN PHIL SS	MAG
>>>>>	>>>>>>>>>	M6 SPOKE	>>>>>
1,2B,3B	425941	22" HR 6SMT W/HDWR	24" (540) SPOKE



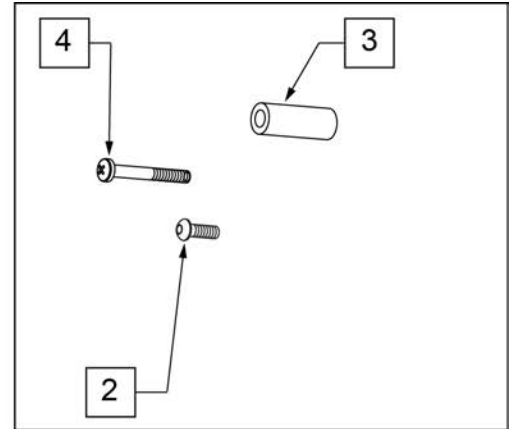
Pos.	Item Number	Description	Remarks
1-3	136158	20" ALU ANO HND RIM KIT	
1-3	136157	22" ALU ANO HND RIM KIT	
1-3	136156	24" ALU ANO HND RIM KIT	
2,3	159507	5 SPK HNDRM HDWR	set of 5



MEASURING GUIDE



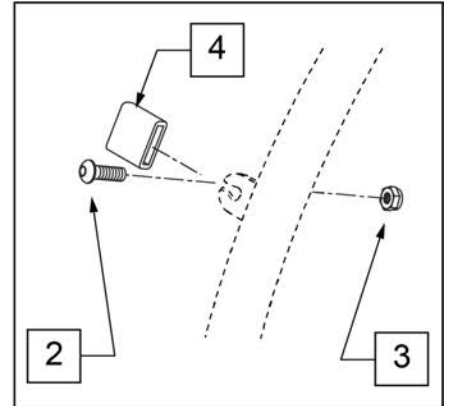
Pos.	Item Number	Description	Remarks
>>>>	>>>>>>>>>	CROSS SPOKE & SPOKE	>>>>
1 -4	425095	HANDRIM 18" 4T W/HDWR ANO	18" SPOKE
1	529529	QP 24" HR .065 (6) TAB ANO	24" (540) CROSS SPOKE -SHORT & REG TAB
1 -4	425030	24" HR 6T BB/HTBB W/HDWR	25" (590) CROSS SPOKE
>>>>	>>>>>>>>>	CROSS SPOKE QP (QUICKIE PERFORMANCE)	>>>>
1 -4	425050	26" HR 6T BB/TN W/HDWR	26" (590) CROSS SPOKE TENNIS & BBALL
1 -4	425045	24" HR SHT(6T)ANO W/X/S HDWR	25" (590) CROSS SPOKE TENNIS & BBALL-SHORT TAB
1 -4	425048	26" HR (6T)ANO W/X/S HDWR	26" (700) CROSS SPOKE TENNIS & BBALL -REG TAB
1 -4	425055	26" HR SHT(6T)ANO W/X/S HDWR	26" (700) CROSS SPOKE TENNIS & BBALL-SHORT TAB
1 -4	426015	QP 24" HR .049 W/HDWR SMT	24" (540) TENNIS
1 -4	425030	24" HR 6T BB/HTBB W/HDWR	25" (559) TENNIS & BASKETBALL
1 -4	426050	QP 26" HR .065 W/HDWR (6T)	26" (700) TENNIS & BASKETBALL
1 -4	425050	26" HR 6T BB/TN W/HDWR	26" (590) TENNIS & BASKETBALL
>>>>	>>>>>>>>>	SPINERGY & PROTON	>>>>
1	529529	QP 24" HR .065 (6) TAB ANO	24" (540) SPINERGY
1 -4	425038	QP 24" HR .049 W/HDWR (6T)	25" (559) SPINERGY
1 -4	425050	26" HR 6T BB/TN W/HDWR	26" (590) SPINERGY
>>>>	>>>>>>>>>	MOUNTAIN	>>>>
1 -4	425020	22" HR 4T W/HDWR	24" (540) MOUNTAIN
1 -4	425030	24" HR 6T BB/HTBB W/HDWR	26" (590) MOUNTAIN
2-4	159515	AA TAB MOUNT HANDRIM HARDWARE	SET OF 6



Pos.	Item Number	Description	Remarks
>>>>>	>>>>>>>>>>	SPOKE & LITE SPOKE	>>>>>
1-3	425933	20" HR 6SMT PLST W/HDWR	20" SPOKE
1-3	425943	22" HR 6SMT PLST W/HDWR	22" (501) SPOKE
1-3	426004	24" HR 6SMT PLST W/HDWR	24" (540) SPOKE
>>>>>	>>>>>>>>>>	MAG	>>>>>
1,4	425935	20" HR 6SMT 6MAG PLST W/HDWR	20" MAG
1,4	425953	22" HR 6SMT 6MAG PLST W/HDWR	22" (501) MAG
1,4	426013	24" HR 6SMT 6MAG PLST W/HDWR	24" (540) MAG
>>>>>	>>>>>>>>>>	M6 SPOKE	>>>>>
1-3	425943	22" HR 6SMT 6 MAG PLST W/ HDWR	24" (540) M6 SPOKE
2,3	159534	PLST COATED HNDRM HARDWARE	SPOKE; SET OF 6
4	281175	10 -32 x 2 1/8 PAN PHIL SS	6 SPOKE MAG

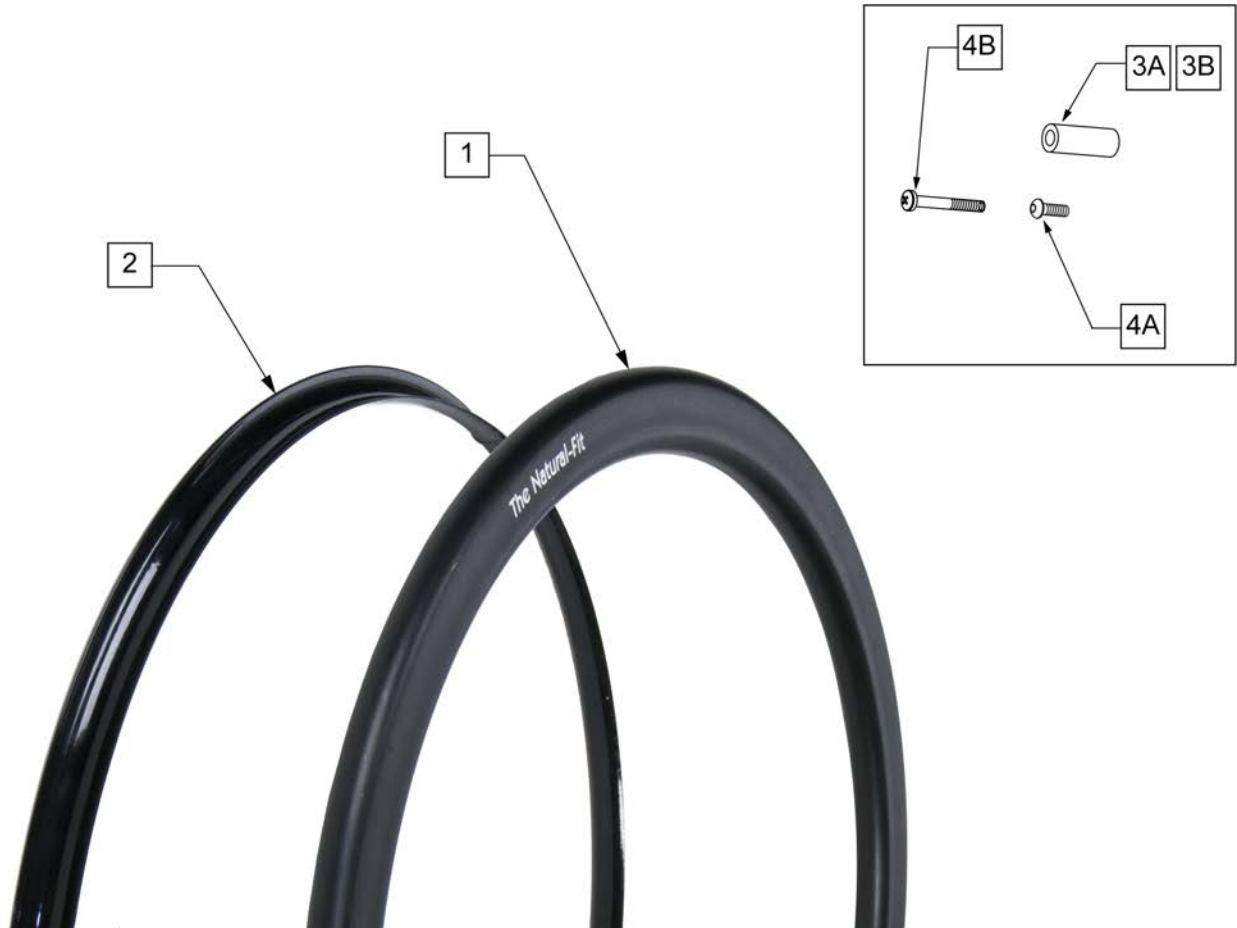


Pos.	Item Number	Description
2,3	159507	5 SPK HNDRM HDWR
1-3	136155	20" PLSTC COATED HND RIM KIT
1-3	136154	22" PLSTC COATED HND RIM KIT
1-3	136153	24" PLSTC COATED HND RIM KIT



Pos.	Item Number	Description	Remarks
>>>>>	>>>>>>>>>	MOUNTAIN	>>>>>
1,2	425022	22" HR 4T PLST W/ HDWR	24" (540)
>>>>>	>>>>>>>>>	SPINERGY & PROTON	>>>>>
1,2	425039	24"HR 6T BLK PLST W/HDWR	24" (540)
1,2	425052	26" HR 6T PLST BB/TN W/HDWR	26" (590)
>>>>>	>>>>>>>>>	QP (QUICKIE PERFORMANCE)	>>>>>
1,2	425052	26" HR 6T PLST BB/TN W/HDWR	26" (590)
1,2	426060	QP 26" HR W/ HDWR (6T) PLASTIC	26" (700)
2	159535	PLST COATED TAB HNDRM HDWR	

Note: Screw Mount Handrims are utilized with Lite Spoke, Spoke and 6 Spoke Mag Wheels.



Pos.	Item Number	Description	Remarks
>>>>>	>>>>>>>>>	STD GRIP THUMB GUARD	>>>>>
2	102168-001	GUARD THUMB NAT FIT 22 PC BLK	22" (501)- Std Grip Thumb Guard
2	102168-003	GUARD THUMB NAT FIT 24 PC BLK	24" (540)- Std Grip Thumb Guard
2	102168-005	GUARD THUMB NAT FIT 25 PC BLK	25" (559)- Std Grip Thumb Guard
2	102168-007	GUARD THUMB NAT FIT 26 PC BLK	26" (590)- Std Grip Thumb Guard
>>>>>	>>>>>>>>>	SUPER GRIP THUMB GUARD	>>>>>
2	102168-002	GUARD THUMB NAT FIT 22 SG BLK	22" (501)- Super Grip Thumb Guard
2	102168-004	GUARD THUMB NAT FIT 24 SG BLK	24" (540)- Super Grip Thumb Guard
2	102168-006	GUARD THUMB NAT FIT 25 SG BLK	25" (559)- Super Grip Thumb Guard
2	102168-008	THUMB GUARD NAT FIT 26 SG BLK	26" (590)- Super Grip Thumb Guard
>>>>>	>>>>>>>>>	NATURAL FIT LITE HANDRIM	>>>>>
1,3A,4A	159516	22 NAT-FIT LT HNDRIM W/HDWR	22" (501)
1,3A,4A	159517	24 NAT-FIT LT HNDRIM W/HDWR	24" (540)
1,3A,4A	159518	25 NAT-FIT LT HNDRIM W/HDWR	25" (559)
1,3A,4A	159519	26 NAT-FIT LT HNDRIM W/HDWR	26" (590)
>>>>>	>>>>>>>>>	NATURAL FIT HANDRIM	>>>>>
1,3A,4A	159520	22 NAT-FIT HNDRIM W/HDWR	22" (501)

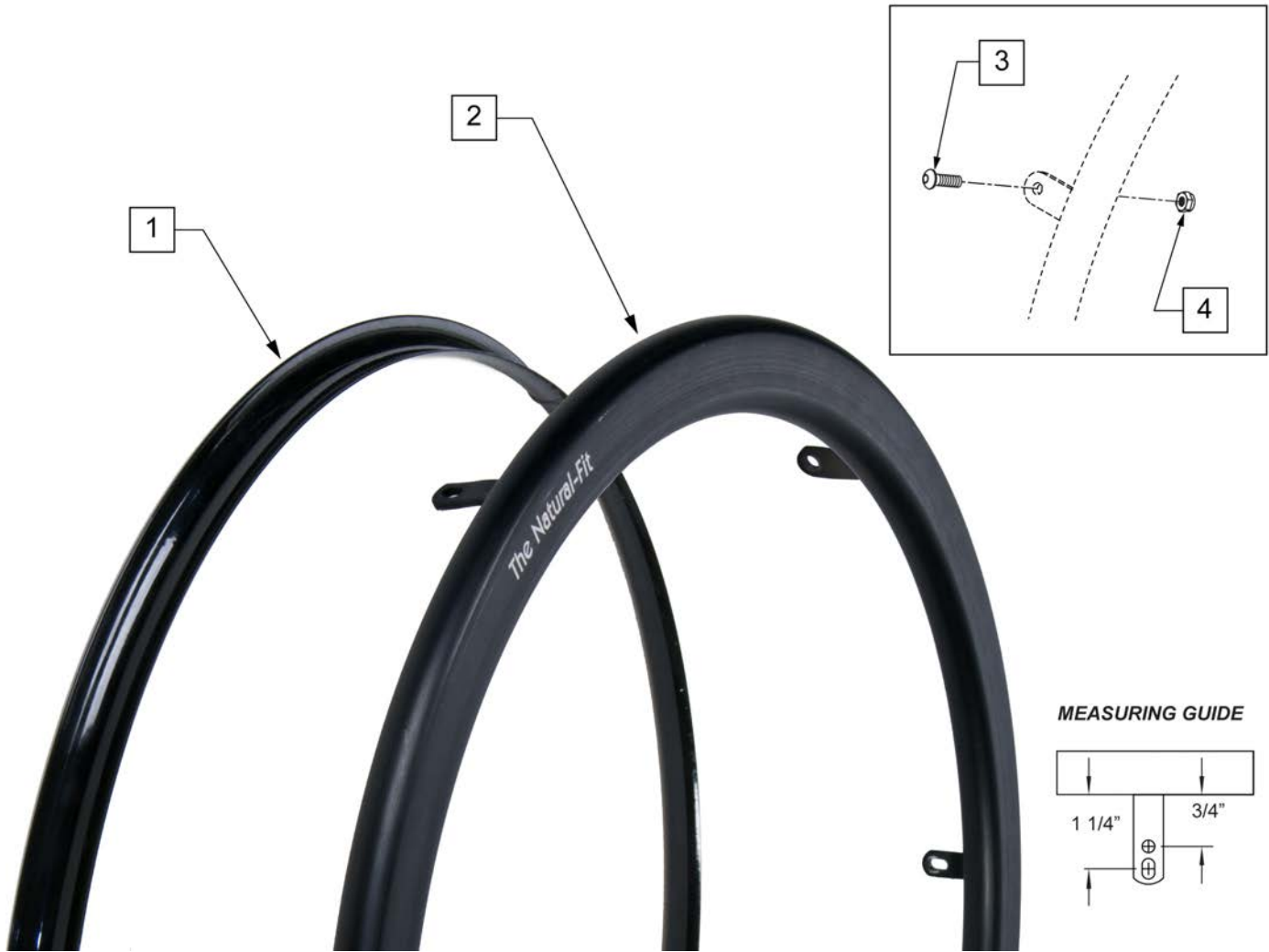
Pos.	Item Number	Description	Remarks
1,3A,4A	159521	24 NAT-FIT HNDRIM W/HDWR	24" (540)
1,3A,4A	159522	25 NAT-FIT HNDRIM W/HDWR	25" (559)
1,3A,4A	159523	26 NAT-FIT HNDRIM W/HDWR	26" (590)
3A,4A	159524	NAT-FIT HNDRIM LT HDWR SET 6	USED W/ LITE SPOKE & SPOKE; SET OF 6
3B	101932	SPCR .194ID X .375 OD X .750	USED W/ MAG
4B	281175	10-32 X 2 1/8 PAN PHIL SS	USED W/ MAG

NOTE: fits 24" 5 Spoke Wheel only.



Pos.	Item Number	Description	Remarks
1A	126558	HNDRM NAT FIT LT OVAL 5 RVT	24" Light
1B	126559	HNDRM NATURAL FIT OVAL 5 RVT	24" Standard
2A	102168-004	GUARD THUMB NAT FIT 24 SG BLK	24" (540)- Super Grip Thumb Guard
2B	102168-003	GUARD THUMB NAT FIT 24 PC BLK	24" (540)- Standard Grip Thumb Guard
3	101932	SPCR .194ID X .375 OD X .750	
4	281175	10-32 X 2 1/8 PAN PHIL SS	

Note: Tab Mount Hand Rims are utilized with Spinergy & Toplino Wheels.

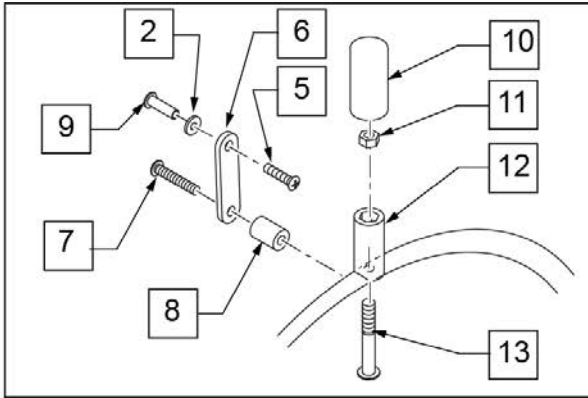


Pos.	Item Number	Description	Remarks
>>>>>	>>>>>>>>>	STD GRIP THUMB GRIP	>>>>>
1	102168-001	GUARD THUMB NAT FIT 22 PC BLK	22" (501)
1	102168-003	GUARD THUMB NAT FIT 24 PC BLK	24" (540)
1	102168-005	GUARD THUMB NAT FIT 25 PC BLK	25" (559)
1	102168-007	GUARD THUMB NAT FIT 26 PC BLK	26" (590)
>>>>>	>>>>>>>>>	SUPER GRIP THUMB GUARD	>>>>>
1	102168-002	GUARD THUMB NAT FIT 22 SG BLK	22" (501)
1	102168-004	GUARD THUMB NAT FIT 24 SG BLK	24" (540)
1	102168-006	GUARD THUMB NAT FIT 25 SG BLK	25" (559)
1	102168-008	THUMB GUARD NAT FIT 26 SG BLK	26" (590)
>>>>>	>>>>>>>>>	NATURAL FIT LITE HANDRIM	>>>>>
2-4	159525	22 NAT-FIT LT TB HNDRIM W/HDWR	22" (501)
2-4	159526	24 NAT-FIT LT TB HNDRIM W/HDWR	24" (540)
2-4	159527	25 NAT-FIT LT TB HNDRIM W/HDWR	25" (559)

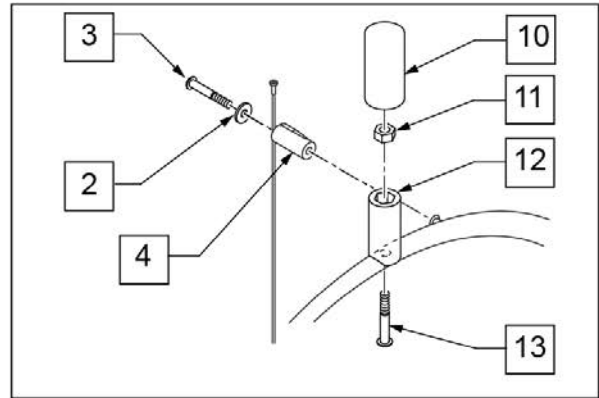
Pos.	Item Number	Description	Remarks
2-4	159528	26 NAT-FIT LT TB HNDRIM W/HDWR	26" (590)
>>>>>	>>>>>>>>>>	NATURAL FIT -W/O THUMB GRIP	>>>>>
2-4	159529	22 NAT-FIT TB HNDRIM W/HDWR	22" (501)
2-4	159530	24 NAT-FIT TB HNDRIM W/HDWR	24" (540)
2-4	159531	25 NAT-FIT TB HNDRIM W/HDWR	25" (559)
2-4	159532	26 NAT-FIT TB HNDRIM W/HDWR	26" (590)
3,4	159533	NAT-FIT TAB MNT HARDWARE	SET OF 6

NOTE: Not all Projection Handrims are offered on all chairs, check the order form for compatibility.

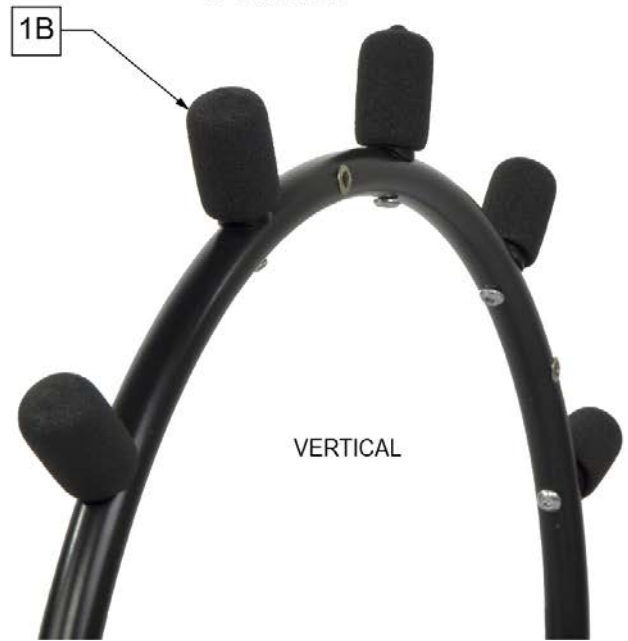
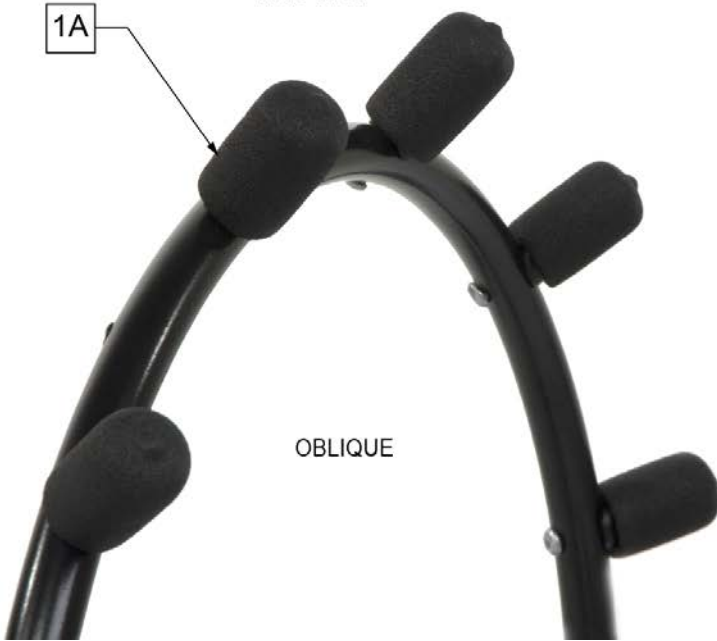
NOTE: Projection Handrims are only available with the Traditional 6 Spoke Mag and Quickie Spoke Wheels.



MAG VIEW

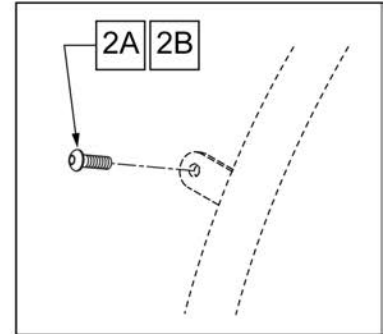


SPOKE VIEW

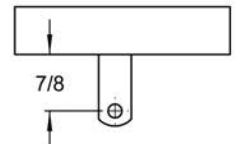


Pos.	Item Number	Description	Remarks
>>>>>	>>>>>>>>>	8" OBLIQUE	>>>>>
1A,2-4,10-13	427003	PROJ 24/26" HR 8OBLQ W/HDWR	24" (540), 25" (559), 26" (590) SPOKE
1A,2,3-13	427511	PROJ 24" HR 6MAG 8OBLQ W/HDWR	24" (540) MAG
>>>>>	>>>>>>>>>	12" OBLIQUE	>>>>>
1A,2-4,10-13	427007	PROJ 24/26" HR 12OBLQ W/HDWR	24" (540), 25" (559), 26" (590) SPOKE
1A,2,5-13	427515	PROJ 24" HR 6MAG 12OBLQ W/HDWR	24" (540) MAG
>>>>>	>>>>>>>>>	8" VERTICAL	>>>>>
1B,4,10-13	427002	PROJ 24/26" HR 8VERT W/HDWR	24" (540), 25" (559), 26" (590) SPOKE
1B,2,5-13	427510	PROJ 24" HR 6 MAG 8 VERT W/ HDWR	24" (540) MAG
>>>>>	>>>>>>>>>	12" VERTICAL	>>>>>

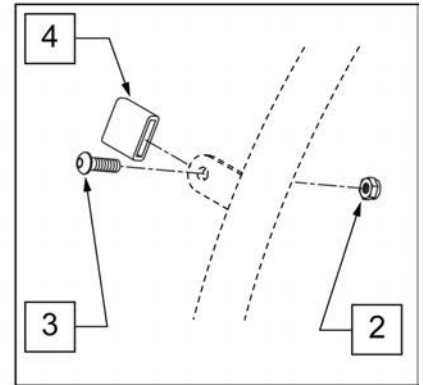
Pos.	Item Number	Description	Remarks
1B,4,10-13	427006	PROJ 24/26" HR 12VERT W/HDWR	24" (540), 25" (559), 26" (590) SPOKE
1B,2,5-13	427514	PROJ 24" HR 6MAG 12VERT W/HDWR	24" (540) MAG
2	261300	3/16 WASHER FLAT	
3	281170	10-32 X 1 5/8 PAN PHIL SS	SPOKE ONLY
4	561046	PROJECTION SPOKE MOUNT	SPOKE ONLY
5	281120	10/32 X 5/8 PAN HD PHIL	MAG ONLY
6	505004	TOGGLE 2 - HOLE	MAG ONLY
7	281147	10-32 X 1 1/4 PAN PHIL	MAG ONLY
8	561037	HANDRIM SPACER MAG	MAG ONLY
10	560600	1 1/2 x .705 x .187 FOAM GRIP	
11	106935	NUT NYLOCK THIN 1/4-28 ROHS	
12	561044	PROJECTION PEG	
13	226155	1 1/4 -28 x 2 1/4 BH C/S	



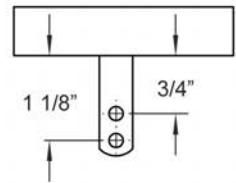
MEASURING GUIDE



Pos.	Item Number	Description	Remarks
>>>>>	>>>>>>>>>	ULTRA LITE SPOKE	>>>>>
1	100739-001	HANDRIM 22" WHL MBL 1260	22" (489)
1	100739-002	HANDRIM 24" WHL MBL 1260	24" (540)
1	100739-003	HANDRIM 26" WHL MBL 1260	26" (590)
2A	102259-001	BHCS M5 X .8 X 12 W/PL INORG	QTY 6 REG
>>>>>	>>>>>>>>>	NEW ULTRA LITE SPOKE	>>>>>
1	066516-002	LIGHTWEIGHT HANDRIM 22"	22" (489)
1	066516-003	LIGHTWEIGHT HANDRIM 24"	24" (540)
1	066516-004	LIGHTWEIGHT HANDRIM 25"	26" (559)
2B	012931	BHCS M5 X 10 W/PL BLK CL 10.9	QTY 6 REG

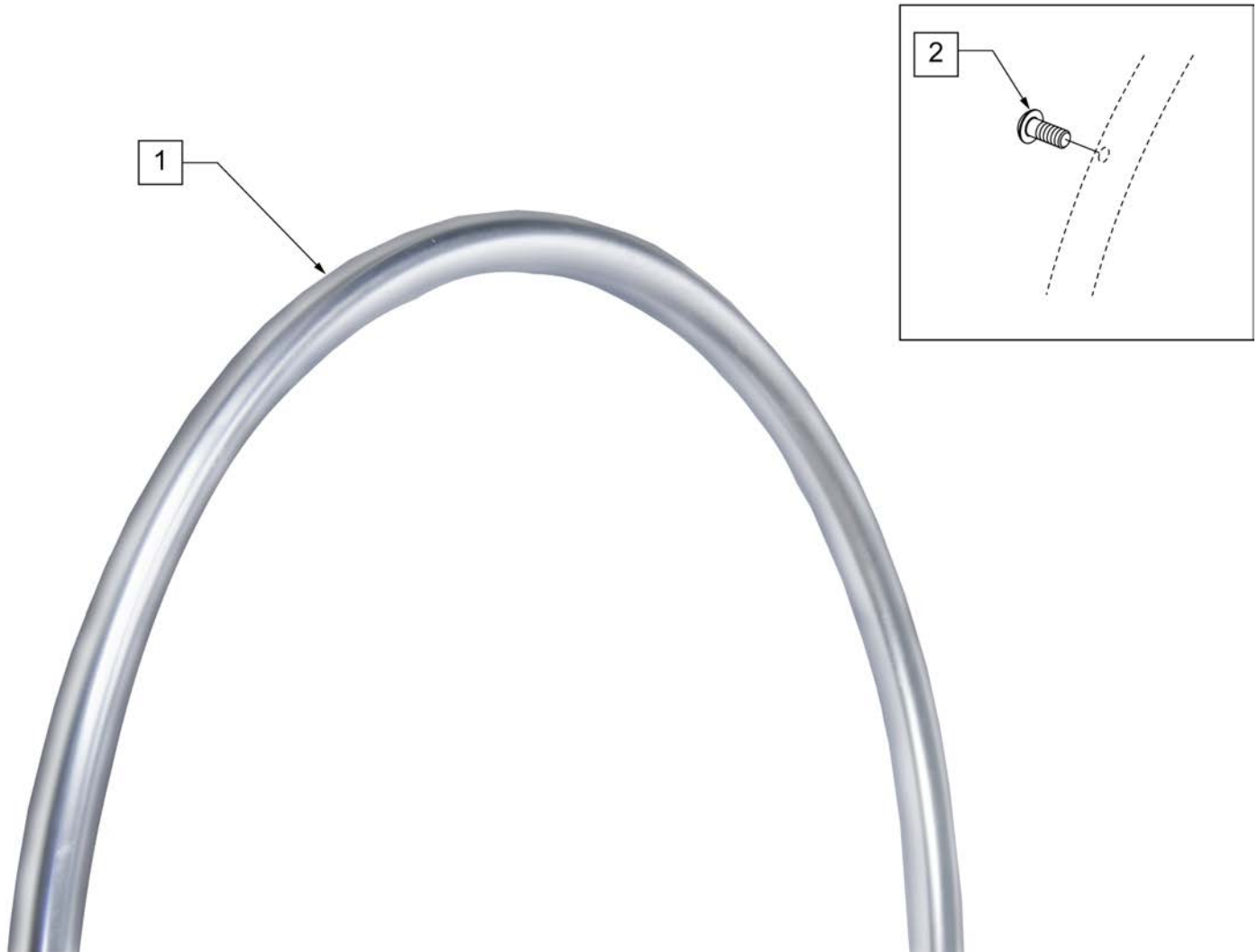


MEASURING GUIDE



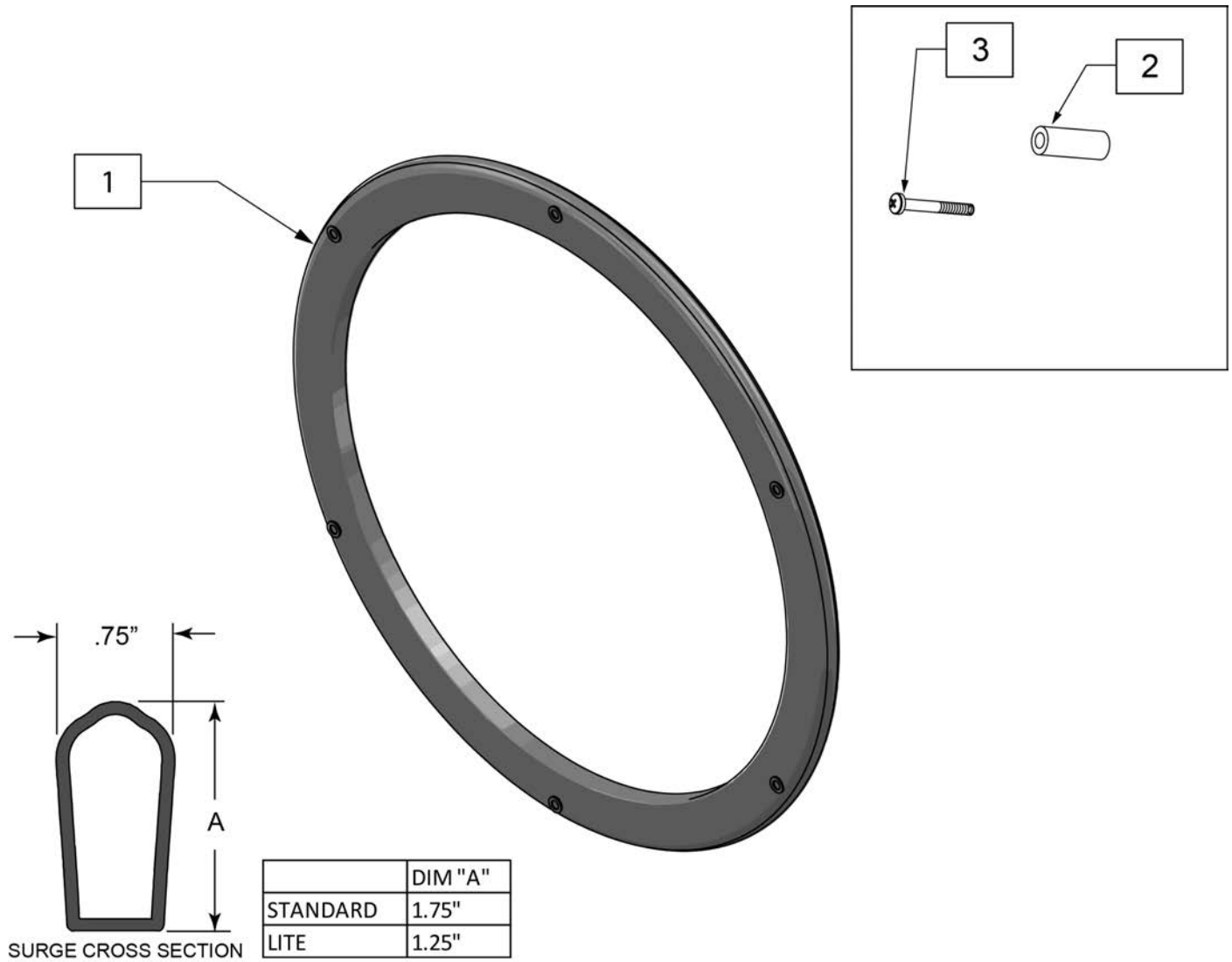
Pos.	Item Number	Description	Remarks
>>>>>	>>>>>>>>>>	PAINTED REG TAB	>>>>>
1	529528	QP 24" HR .065 (6)TAB BLK PNTD	24" (540)
1-4	425041	24" HR (6T)BLK W/X/S HDWR	25" (559)
1	529527	QP 26" HR .065 (6)TAB BLK PNTD	26" (590)
1-4	425047	26" HR (6T)BLK W/X/S HDWR	26" (700)
>>>>>	>>>>>>>>>>	PAINTED SHORT TAB	>>>>>
1	529528	QP 24" HR .065 (6)TAB BLK PNTD	24" (540)
1-4	425044	24" HR SHT(6T)BLK W/X/S HDWR	25" (559)
1	529527	QP 26" HR .065 (6)TAB BLK PNTD	26" (590)
1-4	425053	26" HR SHT(6T)BLK W/X/S HDWR	26" (700)
2	200100-QU	10-32 NYLOCK NUT	
3	281110	10-32 X 1/2 PAN PHIL	
4	580301	HR TAB COVER BLK	

NOTE: IF MAG WHEEL ASSEMBLY WAS ORDERED WITHOUT HANDRIM AND THIS HANDRIM IS ADDED TO THE WHEEL QTY 6 OF 101932 AND 281175 MUST BE ORDERED TO PROPERLY MOUNT THE HANDRIM.



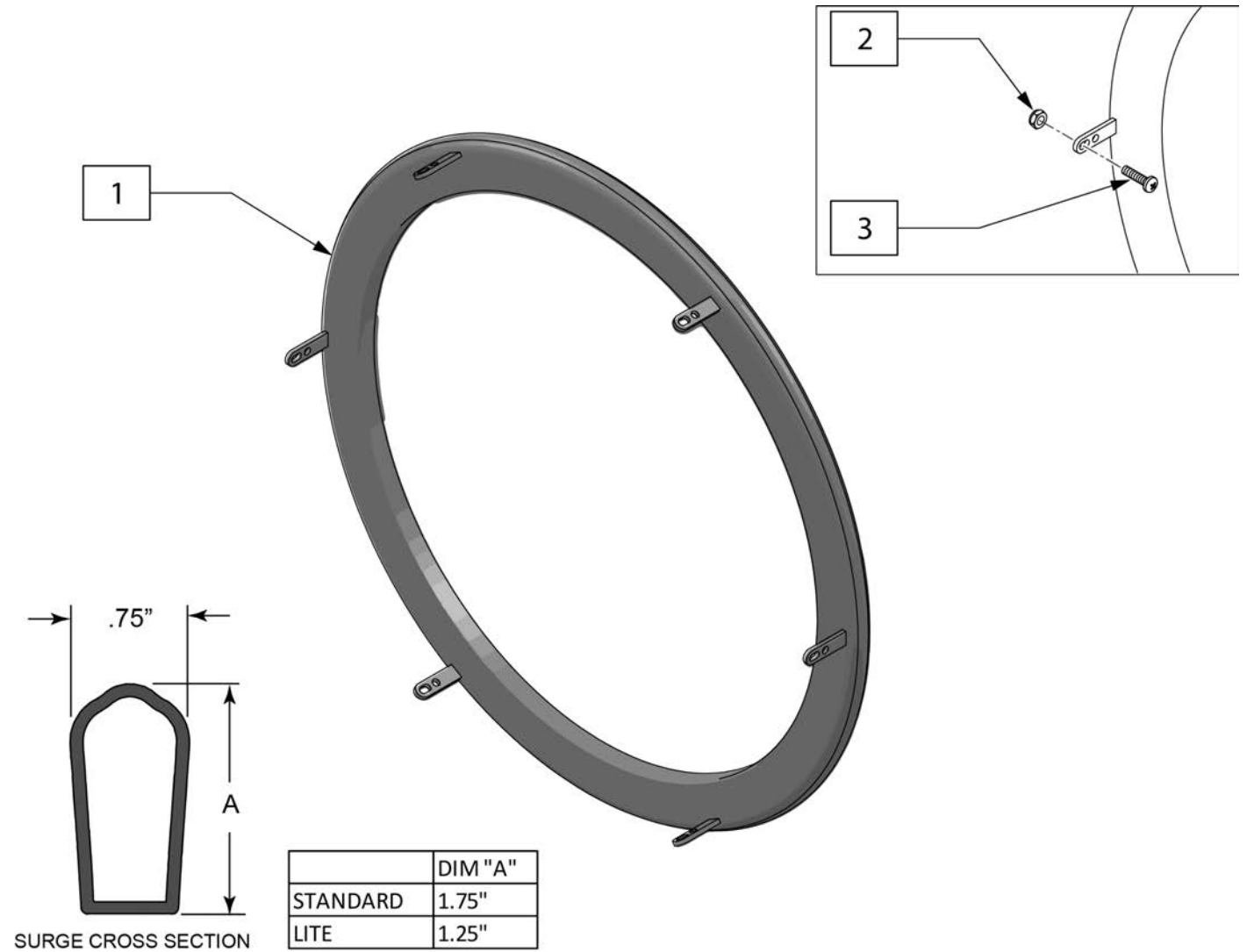
Pos.	Item Number	Description	Remarks
1,2	426026	20" SCW MT HR CHRM 6S W/HDWR	20"
1,2	426024	22" SCW MT HR CHRM 6S W/HDWR	22" (501)
1,2	426011	24 IN SCW MT HR CHRM 6S W/HDWR	24" (540)
2	281175	10-32 X 2 1/8 PAN PHIL SS	QTY 6 REG

Note: used on Lite Spoke wheels.



Pos.	Item Number	Description	Remarks
1-3	159483	22IN HANDRIM SURGE W/HDWR	
1-3	159484	24IN HANDRIM SURGE W/HDWR	
1-3	159485	25IN HANDRIM SURGE W/HDWR	
1-3	159486	26IN HANDRIM SURGE W/HDWR	
1-3	159487	22IN HANDRIM LT SURGE W/HDWR	
1-3	159488	24IN HANDRIM LT SURGE W/HDWR	
1-3	159489	25IN HANDRIM LT SURGE W/HDWR	
1-3	159490	26IN HANDRIM LT SURGE W/HDWR	
2,3	159491	SURGE HARDWARE	set of 6

Note: used on Spinergy SPOX and LX wheels.



Pos.	Item Number	Description
1-3	159492	22IN TAB SURGE HANDRIM W/HDWR
1-3	159493	24IN TAB SURGE HANDRIM W/HDWR
1-3	159494	25IN TAB SURGE HANDRIM W/HDWR
1-3	159495	26IN TAB SURGE HANDRIM W/HDWR
1-3	159496	22IN TAB SURGE HANDRIM LT W/HDWR
1-3	159497	24IN TAB SURGE HANDRIM LT W/HDWR
1-3	159498	25IN TAB SURGE HANDRIM LT W/HDWR
1-3	159499	26IN TAB SURGE HANDRIM LT W/HDWR
2,3	159500	SURGE HARDWARE TAB MNT

Note: Handrim is Latex free.

Note: used on Lite Spoke Wheels.



Pos.	Item Number	Description	Remarks
1-3	159504	24 HNDRIM RVNUT Q-GRIP W/HDWR	
1-3	159505	25 HNDRIM RVNUT Q-GRIP W/HDWR	
2,3	159506	Q-GRIP HARDWARE	set of 6

Note: Handrim is Latex free.

Note: used on Spinergy SPOX and LX wheels.

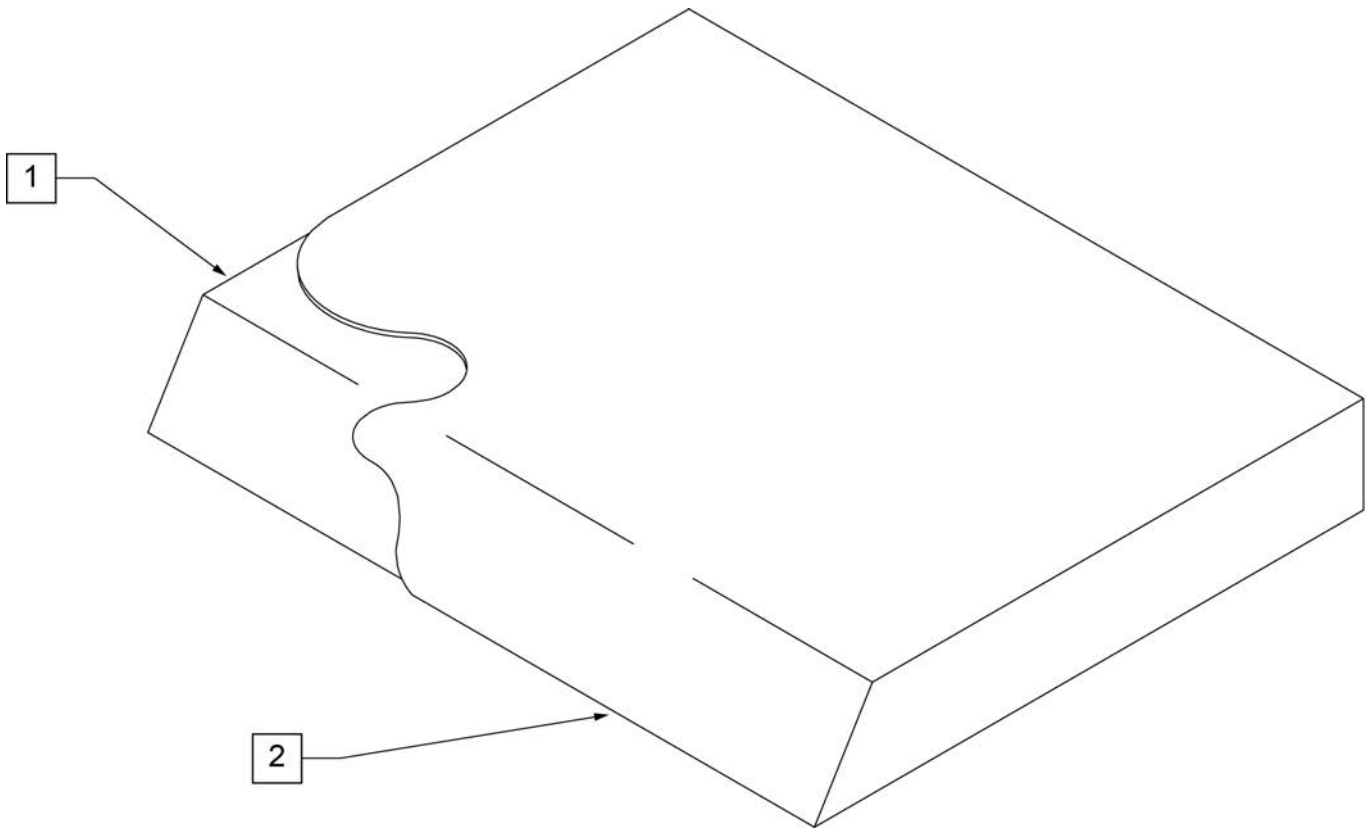


Pos.	Item Number	Description	Remarks
1-4	159501	24IN HANDRIM TAB Q-GRIP W/HDWR	
1-4	159502	25IN HANDRIM TAB Q-GRIP W/HDWR	
2-4	159503	HANDRIM TAB Q-GRIP HARDWARE	set of 6



Pos.	Item Number	Description	Remarks
1A	Discontinued	Presta Valves Discontinued	
1A	384736	INNER TUBE 12-1/2" X 2-1/4"	
1A	384738	16" X 1.75" INNER TUBE	
1A	382255	TUBE 18" TIRE	18" X 1-3/4" TUBE
1A	382275	20" TUBE	20" 1-3/8" TUBE
1A	382300	22" TUBE	22" X 1-3/8" TUBE
1A	382336	TUBE PRIMO 24" 25-540 SV	24" X 1" TUBE
1A	382325	24 X 1.3/8IN TUBE REG	
1A	382334	TUBE INLINE 24 X 1.75	
1A	384551	26" X 1" TUBE SCHRADER	
1A	382350	26" TUBE	26" X 1-3/8" TUBE
1A	382361	TUBE 26 X 1.5/1.95/ S/V	
1A	382365	26 X 1.25/1.5 TUBE SHRADER	
1A	382375	24" x 2.125 TUBE	
1B	102972-001	12 1/2 IN AIRLESS INSERT	12-1/2" X 2-1/4"
1B	102973-001	16IN AIRLESS INSERT	16" X 1-3/4"
1B	102973-002	18IN AIRLESS INSERT	18" X 1-3/4"
1B	102973-003	20IN AIRLESS INSERT	20" X 1-3/8"
1B	102972-002	AIRLESS INSERT 20 X 2-1/8 P3	
1B	102973-004	22IN AIRLESS INSERT	22" X 1-3/8"
1B	102973-005	24IN AIRLESS INSERT	24" X 1-3/8"
1B	102972-003	AIRLESS INSERT 24 X 2-1/8	
1B	108259	26" AIRLESS INSERT	26" X 1-3/8"

NOTE: On all Quickie 2 and GP Family of Chairs an inch deeper cushion is utilized on all seat depths.



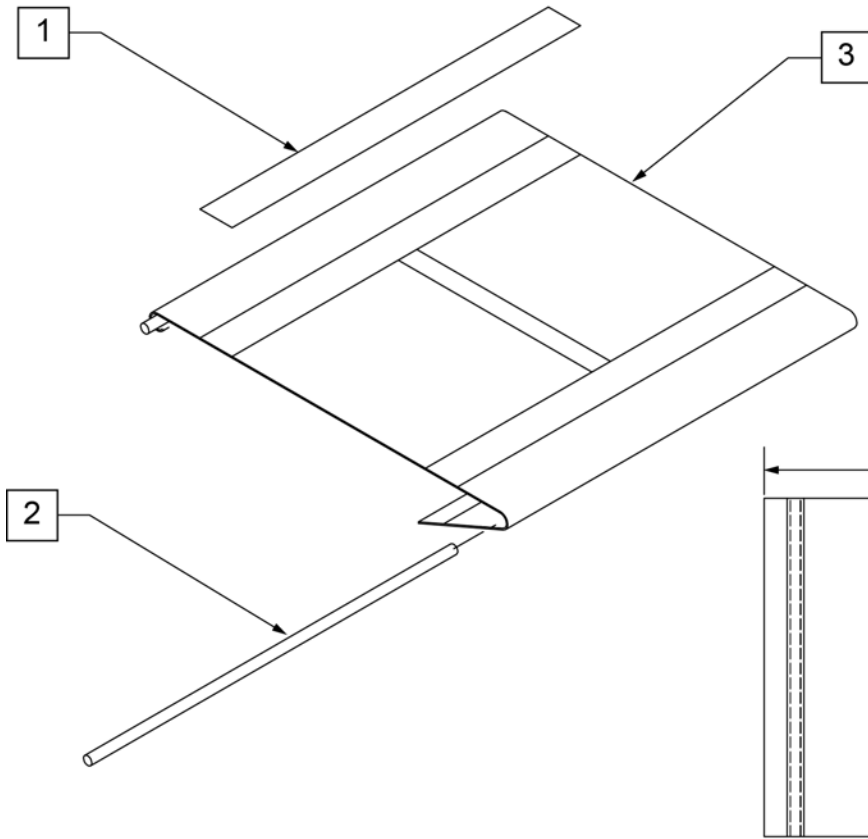
Pos.	Item Number	Description	Pos.	Item Number	Description
>>>>		10" WIDE SEAT CUSHION	1,2	700108	SEAT CUSHION 12" X 9" X 2"
1,2	700025	SEAT CUSHION 10" X 8" X 2"	1,2	700102	SEAT CUSHION 12" X 10" X 2"
1,2	700026	SEAT CUSHION 10" X 9" X 2"	1,2	700112	SEAT CUSHION 12" X 11" X 2"
1,2	700027	SEAT CUSHION 10" X 10" X 2"	1,2	700122	SEAT CUSHION 12" X 12" X 2"
1,2	700028	SEAT CUSHION 10" X 11" X 2"	1,2	700132	SEAT CUSHION 12" X 13" X 2"
1,2	700029	SEAT CUSHION 10" X 12" X 2"	1,2	700142	SEAT CUSHION 12" X 14" X 2"
1,2	700035	SEAT CUSHION 10" X 13" X 2"	1,2	700152	SEAT CUSHION 12" X 15" X 2"
1,2	700045	SEAT CUSHION 10" X 14" X 2"	1,2	700162	SEAT CUSHION 12" X 16" X 2"
>>>>		11" WIDE SEAT CUSHION	1,2	700172	SEAT CUSHION 12" X 17" X 2"
1,2	700055	SEAT CUSHION 11" X 8" X 2"	1,2	700182	SEAT CUSHION 12" X 18" X 2"
1,2	700056	SEAT CUSHION 11" X 9" X 2"	1,2	700192	SEAT CUSHION 12" X 19" X 2"
1,2	700002	SEAT CUSHION 11" X 10" X 2"	>>>>		13" WIDE SEAT CUSHION
1,2	700012	SEAT CUSHION 11" X 11" X 2"	1,2	700207	SEAT CUSHION 13" X 8" X 2"
1,2	700022	SEAT CUSHION 11" X 12" X 2"	1,2	700208	SEAT CUSHION 13" X 9" X 2"
1,2	700032	SEAT CUSHION 11" X 13" X 2"	1,2	700202	SEAT CUSHION 13" X 10" X 2"
1,2	700042	SEAT CUSHION 11" X 14" X 2"	1,2	700212	SEAT CUSHION 13" X 11" X 2"
1,2	700052	SEAT CUSHION 11" X 15" X 2"	1,2	700222	SEAT CUSHION 13" X 12" X 2"
1,2	700062	SEAT CUSHION 11" X 16" X 2"	1,2	700232	SEAT CUSHION 13" X 13" X 2"
1,2	700072	SEAT CUSHION 11" X 17" X 2"	1,2	700242	SEAT CUSHION 13" X 14" X 2"
1,2	700082	SEAT CUSHION 11" X 18" X 2"	1,2	700252	SEAT CUSHION 13" X 15" X 2"
>>>>		12" WIDE SEAT CUSHION	1,2	700262	SEAT CUSHION 13" X 16" X 2"
1,2	700107	SEAT CUSHION 12" X 8" X 2"	1,2	700272	SEAT CUSHION 13" X 17" X 2"

Pos.	Item Number	Description	Pos.	Item Number	Description
1,2	700277	SEAT CUSHION 13" X 18" X 2"	1,2	702113	SEAT CUSHION 17" X 22" X 2"
1,2	700267	SEAT CUSHION 13" X 19" X 2"	>>>>		18" WIDE SEAT CUSHION
>>>>		14" WIDE SEAT CUSHION	1,2	700682	SEAT CUSHION 18" X 12" X 2"
1,2	700287	SEAT CUSHION 14" X 8" X 2"	1,2	700692	SEAT CUSHION 18" X 13" X 2"
1,2	700288	SEAT CUSHION 14" X 9" X 2"	1,2	700702	SEAT CUSHION 18" X 14" X 2"
1,2	700282	SEAT CUSHION 14" X 10" X 2"	1,2	700712	SEAT CUSHION 18" X 15" X 2"
1,2	700292	SEAT CUSHION 14" X 11" X 2"	1,2	700722	SEAT CUSHION 18" X 16" X 2"
1,2	700302	SEAT CUSHION 14" X 12" X 2"	1,2	700732	SEAT CUSHION 18" X 17" X 2"
1,2	700312	SEAT CUSHION 14" X 13" X 2"	1,2	700742	SEAT CUSHION 18" X 18" X 2"
1,2	700322	SEAT CUSHION 14" X 14" X 2"	1,2	700752	SEAT CUSHION 18" X 19" X 2"
1,2	700332	SEAT CUSHION 14" X 15" X 2"	1,2	700762	SEAT CUSHION 18" X 20" X 2"
1,2	700342	SEAT CUSHION 14" X 16" X 2"	1,2	700772	SEAT CUSHION 18" X 21" X 2"
1,2	700352	SEAT CUSHION 14" X 17" X 2"	1,2	702114	SEAT CUSHION 18" X 22" X 2"
1,2	700362	SEAT CUSHION 14" X 18" X 2"	>>>>		19" WIDE SEAT CUSHION
1,2	700372	SEAT CUSHION 14" X 19" X 2"	1,2	700782	SEAT CUSHION 19" X 12" X 2"
1,2	700382	SEAT CUSHION 14" X 20" X 2"	1,2	700792	SEAT CUSHION 19" X 13" X 2"
1,2	700392	SEAT CUSHION 14" X 21" X 2"	1,2	700802	SEAT CUSHION 19" X 14" X 2"
1,2	702110	SEAT CUSHION 14" X 22" X 2"	1,2	700812	SEAT CUSHION 19" X 15" X 2"
>>>>		15" WIDE SEAT CUSHION	1,2	700822	SEAT CUSHION 19" X 16" X 2"
1,2	700398	SEAT CUSHION 15" X 11" X 2"	1,2	700832	SEAT CUSHION 19" X 17" X 2"
1,2	700402	SEAT CUSHION 15" X 12" X 2"	1,2	700842	SEAT CUSHION 19" X 18" X 2"
1,2	700412	SEAT CUSHION 15" X 13" X 2"	1,2	700852	SEAT CUSHION 19" X 19" X 2"
1,2	700422	SEAT CUSHION 15" X 14" X 2"	1,2	700862	SEAT CUSHION 19" X 20" X 2"
1,2	700432	SEAT CUSHION 15" X 15" X 2"	1,2	700872	SEAT CUSHION 19" X 21" X 2"
1,2	700442	SEAT CUSHION 15" X 16" X 2"	1,2	702115	SEAT CUSHION 19" X 22" X 2"
1,2	700452	SEAT CUSHION 15" X 17" X 2"	>>>>		20" WIDE SEAT CUSHION
1,2	700462	SEAT CUSHION 15" X 18" X 2"	1,2	700882	SEAT CUSHION 20" X 12" X 2"
1,2	700472	SEAT CUSHION 15" X 19" X 2"	1,2	700892	SEAT CUSHION 20" X 13" X 2"
1,2	700482	SEAT CUSHION 15" X 20" X 2"	1,2	700902	SEAT CUSHION 20" X 14" X 2"
1,2	700492	SEAT CUSHION 15" X 21" X 2"	1,2	700912	SEAT CUSHION 20" X 15" X 2"
1,2	702111	SEAT CUSHION 15" X 22" X 2"	1,2	700922	SEAT CUSHION 20" X 16" X 2"
>>>>		16" WIDE SEAT CUSHION	1,2	700932	SEAT CUSHION 20" X 17" X 2"
1,2	700498	SEAT CUSHION 16" X 11" X 2"	1,2	700942	SEAT CUSHION 20" X 18" X 2"
1,2	700502	SEAT CUSHION 16" X 12" X 2"	1,2	700952	SEAT CUSHION 20" X 19" X 2"
1,2	700512	SEAT CUSHION 16" X 13" X 2"	1,2	700962	SEAT CUSHION 20" X 20" X 2"
1,2	700522	SEAT CUSHION 16" X 14" X 2"	1,2	700972	SEAT CUSHION 20" X 21" X 2"
1,2	700532	SEAT CUSHION 16" X 15" X 2"	1,2	702116	SEAT CUSHION 20" X 22" X 2"
1,2	700542	SEAT CUSHION 16" X 16" X 2"	>>>>		21" WIDE SEAT CUSHION
1,2	700552	SEAT CUSHION 16" X 17" X 2"	1,2	702080	SEAT CUSHION 21" X 13" X 2"
1,2	700562	SEAT CUSHION 16" X 18" X 2"	1,2	702081	SEAT CUSHION 21" X 14" X 2"
1,2	700572	SEAT CUSHION 16" X 19" X 2"	1,2	702082	SEAT CUSHION 21" X 15" X 2"
1,2	700582	SEAT CUSHION 16" X 20" X 2"	1,2	702083	SEAT CUSHION 21" X 16" X 2"
1,2	700592	SEAT CUSHION 16" X 21" X 2"	1,2	702084	SEAT CUSHION 21" X 17" X 2"
1,2	702112	SEAT CUSHION 16" X 22" X 2"	1,2	702085	SEAT CUSHION 21" X 18" X 2"
>>>>		17" WIDE SEAT CUSHION	1,2	702086	SEAT CUSHION 21" X 19" X 2"
1,2	700585	SEAT CUSHION 17" X 11" X 2"	1,2	702087	SEAT CUSHION 21" X 20" X 2"
1,2	700606	SEAT CUSHION 17" X 12" X 2"	1,2	702088	SEAT CUSHION 21" X 21" X 2"
1,2	700597	SEAT CUSHION 17" X 13" X 2"	1,2	702089	SEAT CUSHION 21" X 22" X 2"
1,2	700602	SEAT CUSHION 17" X 14" X 2"	>>>>		22" WIDE SEAT CUSHION
1,2	700612	SEAT CUSHION 17" X 15" X 2"	1,2	702090	SEAT CUSHION 22" X 13" X 2"
1,2	700622	SEAT CUSHION 17" X 16" X 2"	1,2	702091	SEAT CUSHION 22" X 14" X 2"
1,2	700632	SEAT CUSHION 17" X 17" X 2"	1,2	702092	SEAT CUSHION 22" X 15" X 2"
1,2	700642	SEAT CUSHION 17" X 18" X 2"	1,2	702093	SEAT CUSHION 22" X 16" X 2"
1,2	700652	SEAT CUSHION 17" X 19" X 2"	1,2	702094	SEAT CUSHION 22" X 17" X 2"
1,2	700662	SEAT CUSHION 17" X 20" X 2"	1,2	702095	SEAT CUSHION 22" X 18" X 2"
1,2	700672	SEAT CUSHION 17" X 21" X 2"	1,2	702096	SEAT CUSHION 22" X 19" X 2"

Pos.	Item Number	Description	Pos.	Item Number	Description
1,2	702097	SEAT CUSHION 22" X 20" X 2"	1,2	702222	SEAT CUSHION 26" X 20" X 2"
1,2	702098	SEAT CUSHION 22" X 21" X 2"	1,2	702223	SEAT CUSHION 26" X 21" X 2"
1,2	702117	SEAT CUSHION 22" X 22" X 2"	1,2	702224	SEAT CUSHION 26" X 22" X 2"
>>>>		24" WIDE SEAT CUSHION	>>>>		28" WIDE SEAT CUSHION
1,2	702099	SEAT CUSHION 24" X 14" X 2	1,2	702225	SEAT CUSHION 28" X 18" X 2"
1,2	702100	SEAT CUSHION 24" X 15" X 2	1,2	702226	SEAT CUSHION 28" X 19" X 2"
1,2	702101	SEAT CUSHION 24" X 16" X 2	1,2	702227	SEAT CUSHION 28" X 20" X 2"
1,2	702102	SEAT CUSHION 24" X 17" X 2	1,2	702228	SEAT CUSHION 28" X 21" X 2"
1,2	702103	SEAT CUSHION 24" X 18" X 2	1,2	702229	SEAT CUSHION 28" X 22" X 2"
1,2	702104	SEAT CUSHION 24" X 19" X 2	>>>>		30" WIDE SEAT CUSHION
1,2	702105	SEAT CUSHION 24" X 20" X 2"	1,2	702230	SEAT CUSHION 30" X 18" X 2"
1,2	702106	SEAT CUSHION 24" X 21" X 2"	1,2	702231	SEAT CUSHION 30" X 19" X 2"
1,2	702118	SEAT CUSHION 24" X 22" X 2"	1,2	702232	SEAT CUSHION 30" X 20" X 2"
>>>>		26" WIDE SEAT CUSHION	1,2	702233	SEAT CUSHION 30" X 21" X 2"
1,2	702220	SEAT CUSHION 26" X 18" X 2"	1,2	702234	SEAT CUSHION 30" X 22" X 2"
1,2	702221	SEAT CUSHION 26" X 19" X 2"			

MEASURING GUIDE

CHAIR WIDTH	DIM A	DIM B
10"	14.5"	11.5"
11"	15.5"	12.5"
12"	16.5"	13.5"
13"	17.5"	14.5"
14"	18.5"	15.5"
15"	19.5"	16.5"
16"	20.5"	17.5"
17"	21.5"	18.5"
18"	22.5"	19.5"
19"	23.5"	20.5"
20"	24.5"	21.5"
21"	25.5"	22.5"
22"	26.5"	23.5"



Pos.	Item Number	Description	Pos.	Item Number	Description
1	901169	SEAT SLING VELCRO® STRIP 2"	3	722585	SEAT SLING 11" X 15" CHNL
2	580226	SEAT SLING RETAINING ROD 10"	3	722586	SEAT SLING 11" X 16" CHNL
2	580227	SEAT SLING RETAINING ROD 11"	3	722587	SEAT SLING 11" X 17" CHNL
2	580228	SEAT SLING RETAINING ROD 12"			12" Wide Seat Slings
2	580229	SEAT SLING RETAINING ROD 13"	3	722590	SEAT SLING 12" X 10" CHNL
2	580230	SEAT SLING RETAINING ROD 14"	3	722591	SEAT SLING 12" X 11" CHNL
2	580231	SEAT SLING RETAINING ROD 15"	3	722592	SEAT SLING 12" X 12" CHNL
2	580232	SEAT SLING RETAINING ROD 16"	3	722593	SEAT SLING 12" X 13" CHNL
2	580233	SEAT SLING RETAINING ROD 17"	3	722594	SEAT SLING 12" X 14" CHNL
2	580234	SEAT SLING RETAINING ROD 18"	3	722595	SEAT SLING 12" X 15" CHNL
2	580235	SEAT SLING RETAINING ROD 19"	3	722596	SEAT SLING 12" X 16" CHNL
2	580236	SEAT SLING RETAINING ROD 20"	3	722597	SEAT SLING 12" X 17" CHNL
		10" Wide Seat Slings			13" Wide Seat Slings
3	722489	SEAT SLING 10" X 12" CHNL	3	722600	SEAT SLING 13" X 10" CHNL
3	722490	SEAT SLING 10" X 13" CHNL	3	722601	SEAT SLING 13" X 11" CHNL
3	722491	SEAT SLING 10" X 14" CHNL	3	722602	SEAT SLING 13" X 12" CHNL
3	722492	SEAT SLING 10" X 15" CHNL	3	722603	SEAT SLING 13" X 13" CHNL
3	722493	SEAT SLING 10" X 16" CHNL	3	722604	SEAT SLING 13" X 14" CHNL
		11" Wide Seat Slings	3	722605	SEAT SLING 13" X 15" CHNL
3	722580	SEAT SLING 11" X 10" CHNL	3	722606	SEAT SLING 13" X 16" CHNL
3	722581	SEAT SLING 11" X 11" CHNL	3	722607	SEAT SLING 13" X 17" CHNL
3	722582	SEAT SLING 11" X 12" CHNL	3	722608	SEAT SLING 13" X 18" CHNL
3	722583	SEAT SLING 11" X 13" CHNL	3	722609	SEAT SLING 13" X 19" CHNL
3	722584	SEAT SLING 11" X 14" CHNL	3	722610	SEAT SLING 13" X 20" CHNL

Pos.	Item Number	Description	Pos.	Item Number	Description
		14" Wide Seat Slings			
3	722616	SEAT SLING 14" X 10" CHNL	3	722669	SEAT SLING 18" X 13" CHNL
3	722617	SEAT SLING 14" X 11" CHNL	3	722660	SEAT SLING 18" X 14" CHNL
3	722618	SEAT SLING 14" X 12" CHNL	3	722661	SEAT SLING 18" X 15" CHNL
3	722619	SEAT SLING 14" X 13" CHNL	3	722662	SEAT SLING 18" X 16" CHNL
3	722620	SEAT SLING 14" X 14" CHNL	3	722663	SEAT SLING 18" X 17" CHNL
3	722621	SEAT SLING 14" X 15" CHNL	3	722664	SEAT SLING 18" X 18" CHNL
3	722622	SEAT SLING 14" X 16" CHNL	3	722665	SEAT SLING 18" X 19" CHNL
3	722623	SEAT SLING 14" X 17" CHNL	3	722666	SEAT SLING 18" X 20" CHNL
3	722624	SEAT SLING 14" X 18" CHNL			19" Wide Seat Slings
3	722625	SEAT SLING 14" X 19" CHNL	3	722677	SEAT SLING 19" X 11" CHNL
3	722626	SEAT SLING 14" X 20" CHNL	3	722678	SEAT SLING 19" X 12" CHNL
		15" Wide Seat Slings	3	722679	SEAT SLING 19" X 13" CHNL
3	722700	SEAT SLING 15" X 10" CHNL	3	722670	SEAT SLING 19" X 14" CHNL
3	722701	SEAT SLING 15" X 11" CHNL	3	722671	SEAT SLING 19" X 15" CHNL
3	722702	SEAT SLING 15" X 12" CHNL	3	722672	SEAT SLING 19" X 16" CHNL
3	722703	SEAT SLING 15" X 13" CHNL	3	722673	SEAT SLING 19" X 17" CHNL
3	722630	SEAT SLING 15" X 14" CHNL	3	722674	SEAT SLING 19" X 18" CHNL
3	722631	SEAT SLING 15" X 15" CHNL	3	722675	SEAT SLING 19" X 19" CHNL
3	722632	SEAT SLING 15" X 16" CHNL	3	722676	SEAT SLING 19" X 20" CHNL
3	722633	SEAT SLING 15" X 17" CHNL			20" Wide Seat Slings
3	722634	SEAT SLING 15" X 18" CHNL	3	722687	SEAT SLING 20" X 11" CHNL
3	722635	SEAT SLING 15" X 19" CHNL	3	722688	SEAT SLING 20" X 12" CHNL
3	722636	SEAT SLING 15" X 20" CHNL	3	722689	SEAT SLING 20" X 13" CHNL
		16" Wide Seat Slings	3	722680	SEAT SLING 20" X 14" CHNL
3	722704	SEAT SLING 16" X 10" CHNL	3	722681	SEAT SLING 20" X 15" CHNL
3	722705	SEAT SLING 16" X 11" CHNL	3	722682	SEAT SLING 20" X 16" CHNL
3	722706	SEAT SLING 16" X 12" CHNL	3	722683	SEAT SLING 20" X 17" CHNL
3	722707	SEAT SLING 16" X 13" CHNL	3	722684	SEAT SLING 20" X 18" CHNL
3	722640	SEAT SLING 16" X 14" CHNL	3	722685	SEAT SLING 20" X 19" CHNL
3	722641	SEAT SLING 16" X 15" CHNL	3	722686	SEAT SLING 20" X 20" CHNL
3	722642	SEAT SLING 16" X 16" CHNL			21" Wide Seat Slings
3	722643	SEAT SLING 16" X 17" CHNL	3	722720	SEAT SLING 21" X 12" CHNL
3	722644	SEAT SLING 16" X 18" CHNL	3	722721	SEAT SLING 21" X 13" CHNL
3	722645	SEAT SLING 16" X 19" CHNL	3	722722	SEAT SLING 21" X 14" CHNL
3	722646	SEAT SLING 16" X 20" CHNL	3	722723	SEAT SLING 21" X 15" CHNL
		17" Wide Seat Slings	3	722724	SEAT SLING 21" X 16" CHNL
3	722708	SEAT SLING 17" X 10" CHNL	3	722725	SEAT SLING 21" X 17" CHNL
3	722709	SEAT SLING 17" X 11" CHNL	3	722726	SEAT SLING 21" X 18" CHNL
3	722710	SEAT SLING 17" X 12" CHNL	3	722727	SEAT SLING 21" X 19" CHNL
3	722711	SEAT SLING 17" X 13" CHNL	3	722728	SEAT SLING 21" X 20" CHNL
3	722650	SEAT SLING 17" X 14" CHNL			22" Wide Seat Slings
3	722651	SEAT SLING 17" X 15" CHNL	3	722730	SEAT SLING 22" X 12" CHNL
3	722652	SEAT SLING 17" X 16" CHNL	3	722731	SEAT SLING 22" X 13" CHNL
3	722653	SEAT SLING 17" X 17" CHNL	3	722732	SEAT SLING 22" X 14" CHNL
3	722654	SEAT SLING 17" X 18" CHNL	3	722733	SEAT SLING 22" X 15" CHNL
3	722655	SEAT SLING 17" X 19" CHNL	3	722734	SEAT SLING 22" X 16" CHNL
3	722656	SEAT SLING 17" X 20" CHNL	3	722735	SEAT SLING 22" X 17" CHNL
		18" Wide Seat Slings	3	722736	SEAT SLING 22" X 18" CHNL
3	722667	SEAT SLING 18" X 11" CHNL	3	722737	SEAT SLING 22" X 19" CHNL
3	722668	SEAT SLING 18" X 12" CHNL	3	722738	SEAT SLING 22" X 20" CHNL

NOTE: Effective on QUICKIE 2 chairs after S/N Q2-242050 (10/23/99).

NOTE: Effective on QUICKIE 2 HD chairs with serial number prefix Q2H

NOTE: Effective on LX/LXI chairs after S/N LX-034330 (10/24/08).

NOTE: On Q2 chairs (S/N prefix Q2 & Q2H) the Rail Rod diameter is .25" which is smaller than Q2 chairs (S/N prefix Q2V) and Q2 Lite in which the Rail Rod diameter is 8mm (.31")

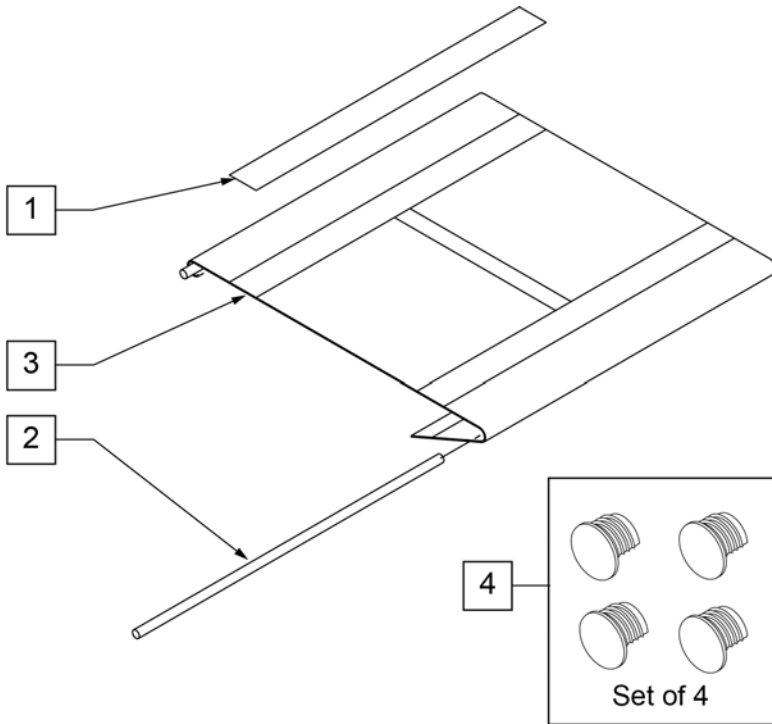
NOTE: if switching from old style screw-mounted sling to channel-style seat sling for Q2 or Kids Q2 SE chairs shipped on or prior to 10/23/99, order complete Cross Tube Assembly Retrofit Kit (672210S - 673031S) located on Q2 Cross Tube & Seat Sling and Kids Q2 SE Cross Tube & Seat Sling parts pages; kit will include Cross Tube Assembly, Sling, Retaining Rods and all mounting hardware and will be assembled prior to shipping.

Note: for proper fit open the velcro flap on the under side of the sling for installation; the sling may measure short, but by opening the flap it will adjust to fit the frame.

Note: when replacing the Seat Sling it is recommended to order the Seat Rail End Plug Kit.

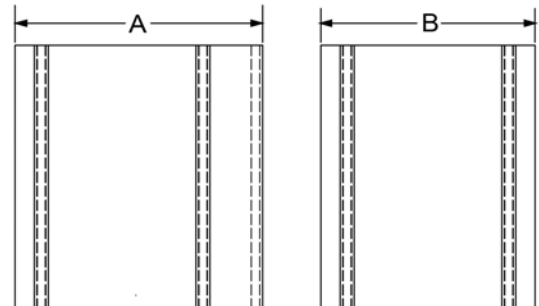
Note: on Quickie 2 chairs with S/N prefix (Q2V) & Quickie 2 Lite chairs the diameter of the Seat Rail Rod is 8mm (.31") which is larger than the Q2 chairs with S/N prefix (Q2 & Q2H) which is .25" in diameter.

Note: for proper fit open the velcro flap on the under side of the sling for installation; the sling may measure short, but by opening the flap it will adjust to fit the frame.



MEASURING GUIDE

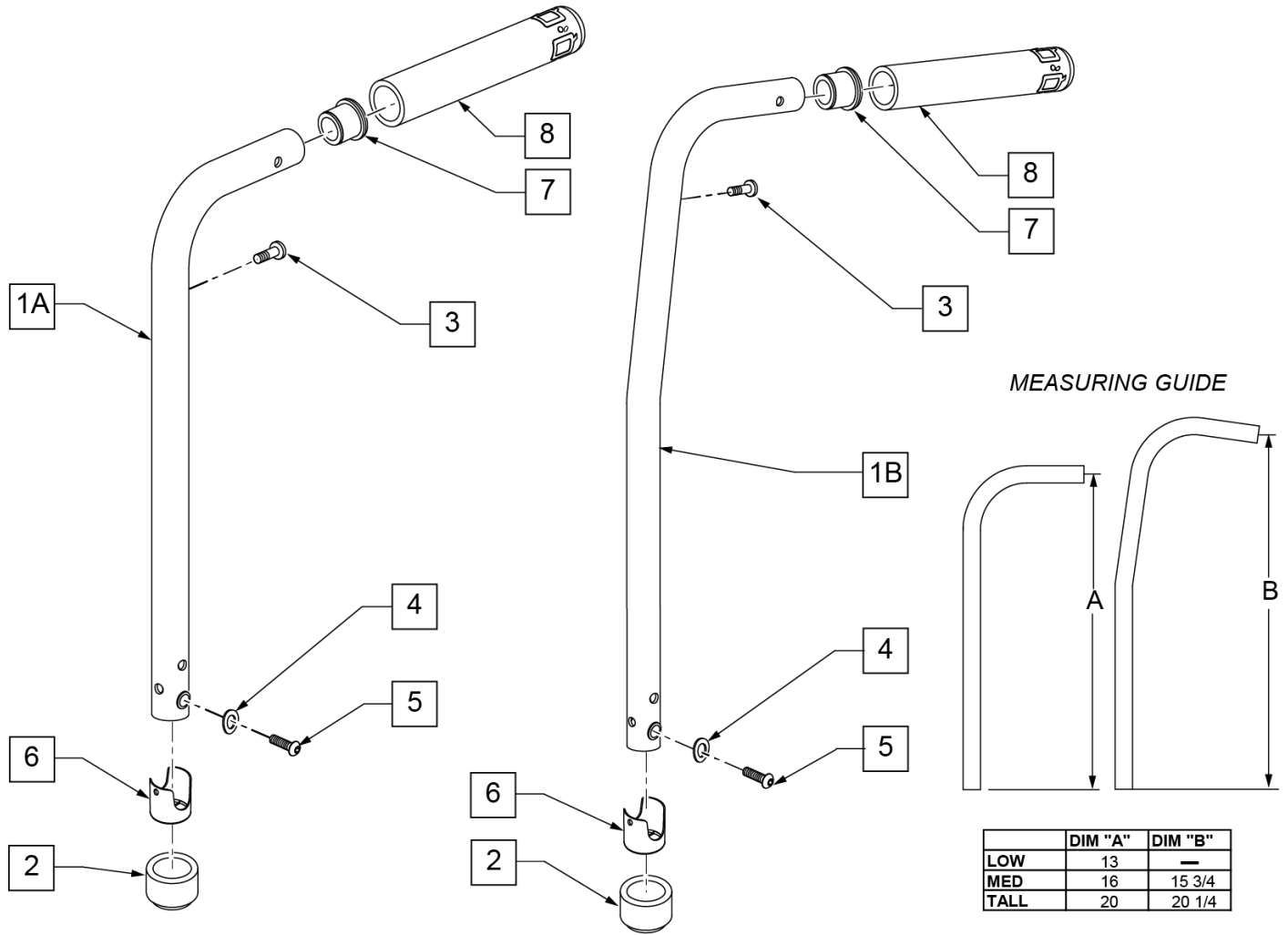
CHAIR WIDTH	DIM A	DIM B
12"	16.5"	13.5"
13"	17.5"	14.5"
14"	18.5"	15.5"
15"	19.5"	16.5"
16"	20.5"	17.5"
17"	21.5"	18.5"
18"	22.5"	19.5"
19"	23.5"	20.5"
20"	24.5"	21.5"



Pos.	Item Number	Description	Remarks	Pos.	Item Number	Description	Remarks
1	901169	SEAT SLING VELCRO STRIP 2"		3	722594	SEAT SLING 12" X 14" CHNL	
2	106584	SEAT RAIL ROD 12"		3	722595	SEAT SLING 12" X 15" CHNL	
2	106585	SEAT RAIL ROD 13"		3	722596	SEAT SLING 12" X 16" CHNL	
2	106586	SEAT RAIL ROD 14"		3	722597	SEAT SLING 12" X 17" CHNL	
2	106587	SEAT RAIL ROD 15"				13" Wide Seat Slings	
2	106588	SEAT RAIL ROD 16"		3	722600	SEAT SLING 13" X 10" CHNL	
2	106589	SEAT RAIL ROD 17"		3	722601	SEAT SLING 13" X 11" CHNL	
2	106590	SEAT RAIL ROD 18"		3	722602	SEAT SLING 13" X 12" CHNL	
2	106591	SEAT RAIL ROD 19"		3	722603	SEAT SLING 13" X 13" CHNL	
2	106592	SEAT RAIL ROD 20"		3	722604	SEAT SLING 13" X 14" CHNL	
		12" Wide Seat Slings		3	722605	SEAT SLING 13" X 15" CHNL	
3	722590	SEAT SLING 12" X 10" CHNL		3	722606	SEAT SLING 13" X 16" CHNL	
3	722591	SEAT SLING 12" X 11" CHNL		3	722607	SEAT SLING 13" X 17" CHNL	
3	722592	SEAT SLING 12" X 12" CHNL		3	722608	SEAT SLING 13" X 18" CHNL	
3	722593	SEAT SLING 12" X 13" CHNL				14" Seat Slings	

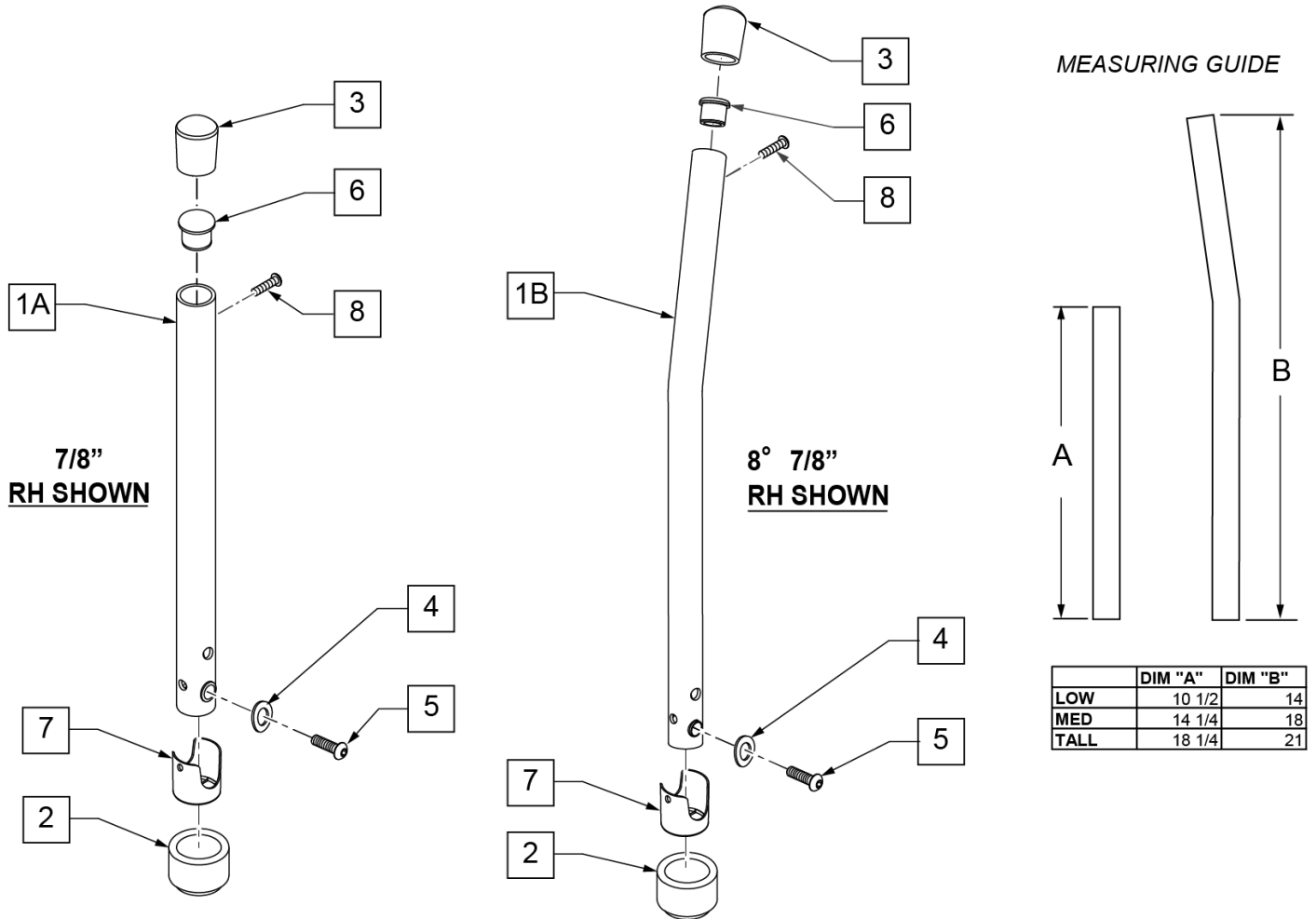
Pos.	Item Number	Description	Remarks	Pos.	Item Number	Description	Remarks
3	722616	SEAT SLING 14" X 10" CHNL		3	722652	SEAT SLING 17" X 16" CHNL	
3	722617	SEAT SLING 14" X 11" CHNL		3	722653	SEAT SLING 17" X 17" CHNL	
3	722618	SEAT SLING 14" X 12" CHNL		3	722654	SEAT SLING 17" X 18" CHNL	
3	722619	SEAT SLING 14" X 13" CHNL		3	722655	SEAT SLING 17" X 19" CHNL	
3	722620	SEAT SLING 14" X 14" CHNL		3	722656	SEAT SLING 17" X 20" CHNL	
3	722621	SEAT SLING 14" X 15" CHNL				18" Seat Slings	
3	722622	SEAT SLING 14" X 16" CHNL		3	722660	SEAT SLING 18" X 14" CHNL	
3	722623	SEAT SLING 14" X 17" CHNL		3	722661	SEAT SLING 18" X 15" CHNL	
3	722624	SEAT SLING 14" X 18" CHNL		3	722662	SEAT SLING 18" X 16" CHNL	
3	722625	SEAT SLING 14" X 19" CHNL		3	722663	SEAT SLING 18" X 17" CHNL	
3	722626	SEAT SLING 14" X 20" CHNL		3	722664	SEAT SLING 18" X 18" CHNL	
		15" Seat Slings		3	722665	SEAT SLING 18" X 19" CHNL	
3	722630	SEAT SLING 15" X 14" CHNL		3	722666	SEAT SLING 18" X 20" CHNL	
3	722631	SEAT SLING 15" X 15" CHNL				19" Seat Slings	
3	722632	SEAT SLING 15" X 16" CHNL		3	722670	SEAT SLING 19" X 14" CHNL	
3	722633	SEAT SLING 15" X 17" CHNL		3	722671	SEAT SLING 19" X 15" CHNL	
3	722634	SEAT SLING 15" X 18" CHNL		3	722672	SEAT SLING 19" X 16" CHNL	
3	722635	SEAT SLING 15" X 19" CHNL		3	722673	SEAT SLING 19" X 17" CHNL	
3	722636	SEAT SLING 15" X 20" CHNL		3	722674	SEAT SLING 19" X 18" CHNL	
		16" Seat Slings		3	722675	SEAT SLING 19" X 19" CHNL	
3	722640	SEAT SLING 16" X 14" CHNL		3	722676	SEAT SLING 19" X 20" CHNL	
3	722641	SEAT SLING 16" X 15" CHNL				20" Seat Slings	
3	722642	SEAT SLING 16" X 16" CHNL		3	722680	SEAT SLING 20" X 14" CHNL	
3	722643	SEAT SLING 16" X 17" CHNL		3	722681	SEAT SLING 20" X 15" CHNL	
3	722644	SEAT SLING 16" X 18" CHNL		3	722682	SEAT SLING 20" X 16" CHNL	
3	722645	SEAT SLING 16" X 19" CHNL		3	722683	SEAT SLING 20" X 17" CHNL	
3	722646	SEAT SLING 16" X 20" CHNL		3	722684	SEAT SLING 20" X 18" CHNL	
		17" Seat Slings		3	722685	SEAT SLING 20" X 19" CHNL	
3	722650	SEAT SLING 17" X 14" CHNL		3	722686	SEAT SLING 20" X 20" CHNL	
3	722651	SEAT SLING 17" X 15" CHNL		4	108117	SEAT RAIL END PLUG KIT	Set of 4

NOTE: Stabilizer bar is sold separately and can be found on the "BACKREST STABILIZER BAR" page.



Pos.	Item Number	Description	Remarks
2	561083	1 1/8" TUBE END BUSHING	
3	107384	PAN HD PHIL 10/32 x 5/8 ROHS	
4	104414	WAVE WASHER 6MM	
5	106960	BHCS 1/4 -28 x 7/8 ROHS	
6	106919	BUSHING BACKREST 7/8 OD NF	
7	561007	7/8" INSERT PLUG .083	
8	920024	QUICKIE GRIP 7/8	
1A,2,7,8	107341	TUBE BACK PH ASSY 7/8 LOW RH	RIGHT-LOW STD PUSH HANDLE
1A,2,7,8	107342	TUBE BACK PH ASSY 7/8 LOW LH	LEFT -LOW STD PUSH HANDLE
1A,2,7,8	107343	TUBE BACK PH ASSY 7/8 MED RH	RIGHT-MED STD PUSH HANDLE
1A,2,7,8	107344	TUBE BACK PH ASSY 7/8 MED LH	LEFT -MED STD PUSH HANDLE
1A,2,7,8	107345	TUBE BACK PH ASSY 7/8 TALL RH	RIGHT-TALL STD PUSH HANDLE
1A,2,7,8	107346	TUBE BACK PH ASSY 7/8 TALL LH	LEFT -TALL STD PUSH HANDLE
1A,2	109584	TUBE BACK PH ASSY 7/8 LOW RH STABILIZER	RIGHT -LOW USED W/ STABILIZER BAR
1A,2	109585	TUBE BACK PH ASSY 7/8 LOW LH STABILIZER	LEFT -LOW USED W/ STABILIZER BAR
1A,2	109586	TUBE BACK PH ASSY 7/8 MED RH STABILIZER	RIGHT -MED USED W/ STABILIZER BAR

Pos.	Item Number	Description	Remarks
1A,2	109587	TUBE BACK PH ASSY 7/8 MED LH STABILIZER	LEFT -MED USED W/ STABILIZER BAR
1A,2	109588	TUBE BACK PH ASSY 7/8 TALL RH STABILIZER	RIGHT -TALL USED W/ STABILIZER BAR
1A,2	109589	TUBE BACK PH ASSY 7/8 TALL LH STABILIZER	LEFT -TALL USED W/ STABILIZER BAR
1B,2,7,8	107333	TUBE BACK 8° PH ASSM 7/8 MED RH	RIGHT MED 8° PUSH HANDLE
1B,2,7,8	107334	TUBE BACK 8° PH ASSM 7/8 MED LH	LEFT MED 8° PUSH HANDLE
1B,2,7,8	107335	TUBE BACK 8° PH ASSM 7/8 TALL RH	RIGHT TALL 8° PUSH HANDLE
1B,2,7,8	107336	TUBE BACK 8° PH ASSM 7/8 TALL LH	LEFT TALL 8° PUSH HANDLE
1B,2	109590	TUBE BACK 8° PH ASSM 7/8 MED STABILIZER RH	RIGHT MED 8° PUSH HANDLE USED W/ STABILIZER BAR
1B,2	109591	TUBE BACK 8° PH ASSM 7/8 MED STABILIZER LH	LEFT MED 8° PUSH HANDLE USED W/ STABILIZER BAR
1B,2	109592	TUBE BACK 8° PH ASSM 7/8 TALL STABILIZER RH	RIGHT TALL 8° PUSH HANDLE USED W/ STABILIZER BAR
1B,2	109593	TUBE BACK 8° PH ASSM 7/8 TALL STABILIZER LH	LEFT TALL 8° PUSH HANDLE USED W/ STABILIZER BAR

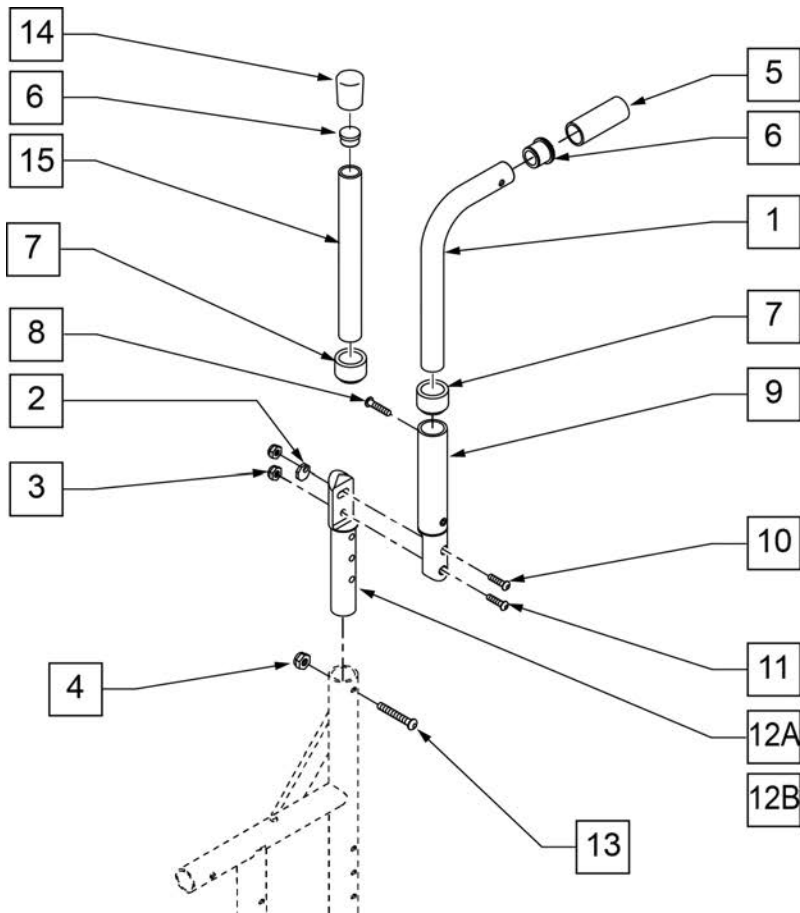


Pos.	Item Number	Description	Remarks
2	561083	1 1/8" TUBE END BUSHING	
3	561013	7/8" CAP	
4	104414	WAVE WASHER 6MM	
5	106960	BHCS 1/4 -28 x 7/8 ROHS	
6	561007	7/8" INSERT PLUG .083	
7	106919	BUSHING BACKREST 7/8 OD NF	
8	107384	PAN HD PHIL 10/32 X 5/8 ROHS	
1A-3,6	107327	TUBE BACK ASSY 7/8 LOW RH	RIGHT LOW STD NON-PUSH HANDLE (OMIT PH)
1A-3,6	107328	TUBE BACK ASSY 7/8 LOW LH	LEFT LOW STD NON-PUSH HANDLE (OMIT PH)
1A-3,6	107329	TUBE BACK ASSY 7/8 MED RH	RIGHT MED STD NON-PUSH HANDLE (OMIT PH)
1A-3,6	107330	TUBE BACK ASSY 7/8 MED LH	LEFT MED STD NON-PUSH HANDLE (OMIT PH)
1A-3,6	107331	TUBE BACK ASSY 7/8 TALL RH	RIGHT TALL STD NON-PUSH HANDLE (OMIT PH)
1A-3,6	107332	TUBE BACK ASSY 7/8 TALL LH	LEFT TALL STD NON-PUSH HANDLE (OMIT PH)
1B-3,6	107337	TUBE BACK 8° ASSM MED RH	RIGHT MED 8° NON-PUSH HANDLE (OMIT PH)
1B-3,6	107338	TUBE BACK 8° ASSM MED LH	LEFT MED 8° NON-PUSH HANDLE (OMIT PH)
1B-3,6	107339	TUBE BACK 8° ASSM TALL RH	RIGHT TALL 8° NON-PUSH HANDLE (OMIT PH)
1B-3,6	107340	TUBE BACK 8° ASSM TALL LH	LEFT TALL 8° DEG NON-PUSH HANDLE (OMIT PH)

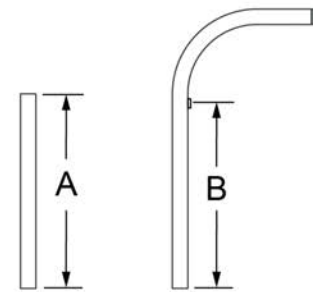
NOTE: Q2 Right Side Shown.

NOTE: Effective on LX/LXI 10/24/2008.

NOTE: Position #9 Adjustable Back Bracket is 1 1/8" diameter.



MEASURING GUIDE



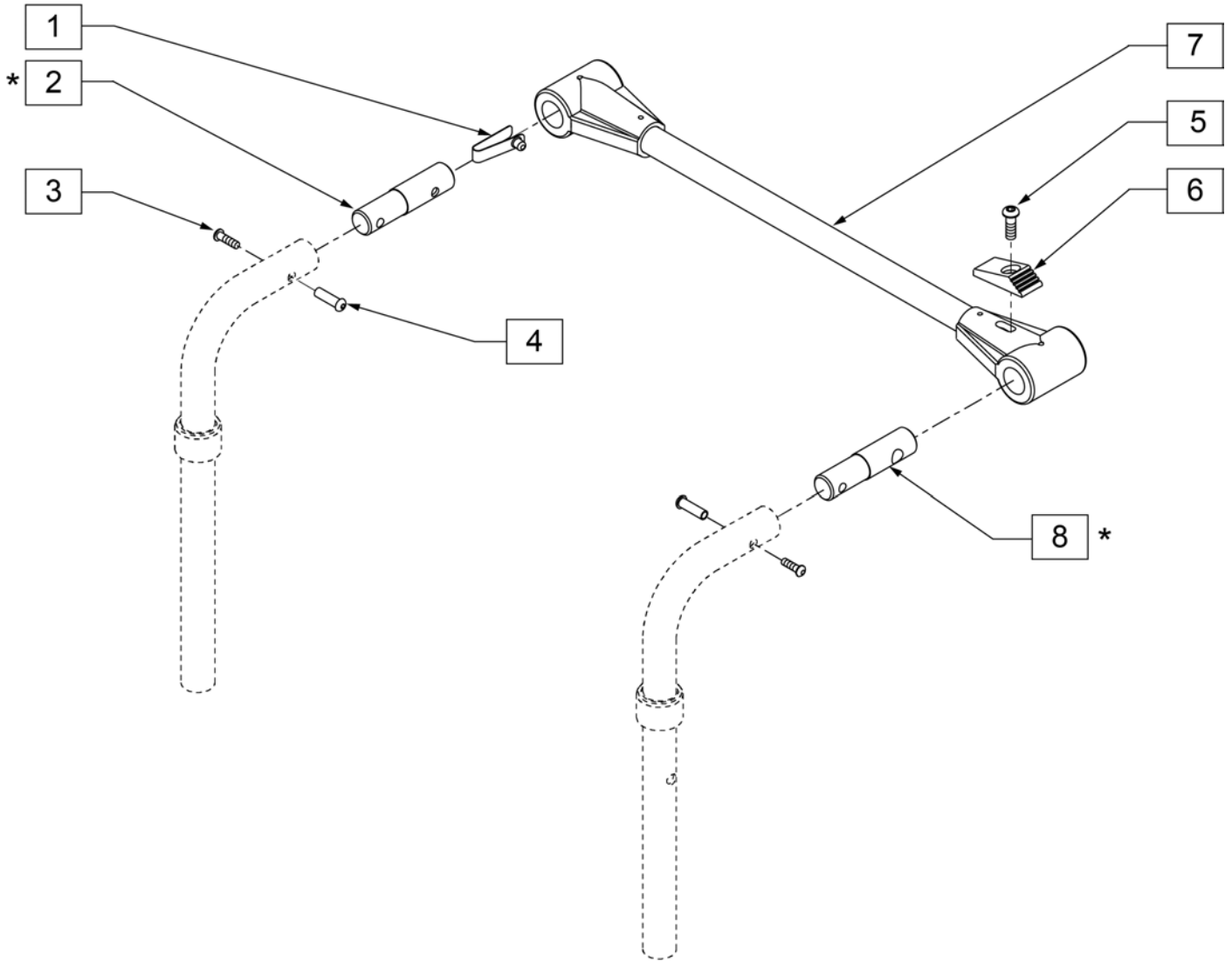
	DIM "A"	DIM "B"
LOW	6	4 3/8
MED	9	7 3/8
HIGH	11	9 3/8

Pos.	Item Number	Description	Remarks
2	341017	WASHER ECCENTRIC	
3	202300	1/4-28 NYLOCK NUT THIN BLK	
4	106934	1/4-28 NYLOCK NUT	
5	920024	QUICKIE GRIP 7/8	
7	561083	1 1/8 TUBE END BUSHING THIN	
6	561007	7/8 INSERT PLUG .083	
8	226100	1/4-28 x 3/4 BH C/S	
9	820723	ADJ BCK BRCKT W/INSERT TUBE R	Right-see assemblies
9	820724	ADJ BCK BRCKT W/INSERT TUBE L	Left-see assemblies
10	226122	1/4-28 x 1.10 BH C/S	
11	226131	1/4-28 x 1 1/4 BH C/S SHOULDER	

Pos.	Item Number	Description	Remarks
12A	109452	ADJ BACK INSERT STANDARD	-see assemblies
12B	483557	ADJUSTABLE BACK BRACKET TALL/RECEIVER	-see assemblies
13	226130	1/4-28 x 1 1/2 BH C/S	
14	561013	7/8 CAP	
1,7	820710	PSH HNDL Q2 ADJ R LOW W/ STABILIZER	RIGHT-WORKS W STABILIZER BAR
1,7	820713	PSH HNDL Q2 ADJ L LOW W/ STABILIZER	LEFT-WORKS W STABILIZER
1,7	820711	PSH HNDL Q2 ADJ R MED W/ STABILIZER	RIGHT-WORKS W STABILIZER BAR
1,7	820714	PSH HNDL Q2 ADJ L MED W/ STABILIZER	LEFT-WORKS W STABILIZER
1,7	820712	PSH HNDL Q2 ADJ R TALL W/ STABILIZER	RIGHT-WORKS W STABILIZER BAR
1,7	820715	PSH HNDL Q2 ADJ L TALL W/ STABILIZER	LEFT-WORKS W STABILIZER
1, 5-7	820730	PUSH HANDLE Q2 LOW ANGLE ADJUSTABLE 7/8	RIGHT
1, 5-7	820731	PUSH HANDLE Q2 MED ANGLE ADJUSTABLE 7/8	RIGHT
1, 5-7	820732	PUSH HANDLE Q2 TALL ANGLE ADJUSTABLE 7/8	RIGHT
1, 5-7	820733	PUSH HANDLE Q2 LOW ANGLE ADJUSTABLE 7/8	LEFT
1, 5-7	820734	PUSH HANDLE Q2 MED ANGLE ADJUSTABLE 7/8	LEFT
1, 5-7	820735	PUSH HANDLE Q2 TALL ANGLE ADJUSTABLE 7/8	LEFT
6,7, 14, 15	820736	BACK TUBE Q2 LOW ADJUSTABLE ANGLE 7/8	RIGHT
6,7, 14, 15	820737	BACK TUBE Q2 MED ADJUSTABLE ANGLE 7/8	RIGHT
6,7, 14, 15	820738	BACK TUBE Q2 TALL ADJUSTABLE ANGLE 7/8	RIGHT
6,7, 14, 15	820739	BACK TUBE Q2 LOW ADJUSTABLE ANGLE 7/8	LEFT
6,7, 14, 15	820740	BACK TUBE Q2 MED ADJUSTABLE ANGLE 7/8	LEFT
6,7, 14, 15	820741	BACK TUBE Q2 TALL ADJUSTABLE ANGLE 7/8	LEFT
2-3, 9-11, 12A	820742	BACK TUBE Q2 ANGL ADJ L	LEFT-1 1/8" diameter
2-3, 9-11, 12A	820744	BACK TUBE Q2 ANGL ADJ R	RIGHT-1 1/8" diameter
2-3, 9-11, 12B	820743	BACK TUBE Q2 ANGL ADJ TALL L	LEFT-1 1/8" diameter
2-3, 9-11, 12B	820745	BACK TUBE Q2 ANGL ADJ TALL R	RIGHT-1 1/8" diameter

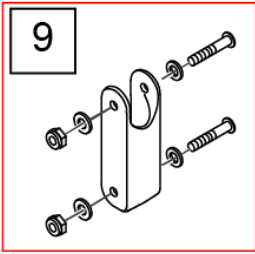
NOTE: items 2 & 8 are different and both are required for assembly.

***NOTE:** if replacing or adding on to DAB BACKREST, please refer to the DAB BACKREST page.

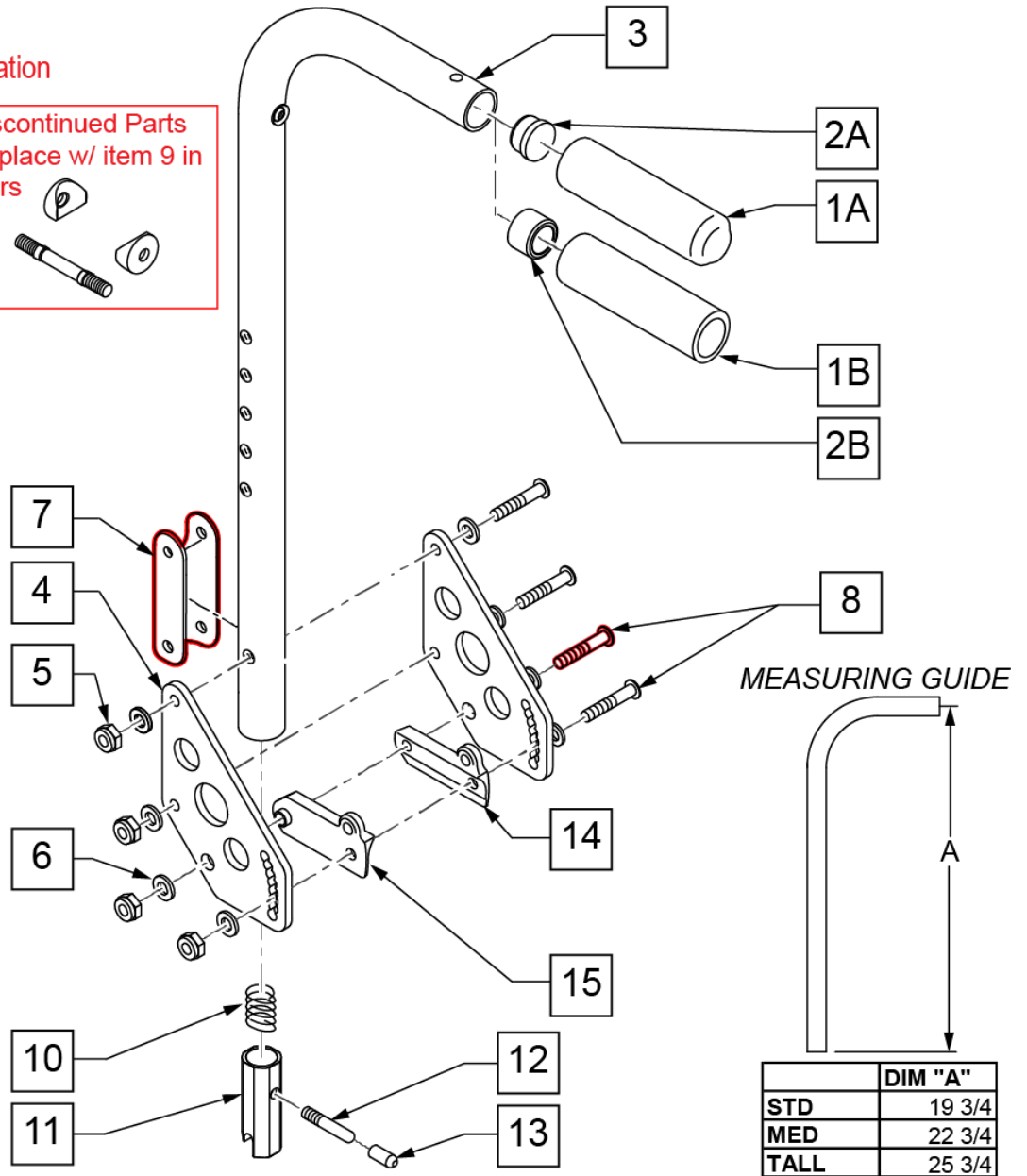


Pos.	Item Number	Description	Pos.	Item Number	Description
1	301100	1/4" SNAP BUTTON SINGLE	5-7	820696	STABILIZER CROSS BAR ASSM 15
2	483533	STABILIZER BAR PIVOT PIN Q2	5-7	820697	STABILIZER CROSS BAR ASSM 16
3	106952	BHCS 10-32 X 1/2	5-7	820698	STABILIZER CROSS BAR ASSM 17
4	221213	10-32 x 7/8 HEX SEX BOLT QTNT	5-7	820700	STABILIZER CROSS BAR ASSM 18
5	226110	1/4-28 x 1 BH C/S	5-7	820701	STABILIZER CROSS BAR ASSM 19
6	560143	STABILIZER LATCH RELEASE BR	5-7	820702	STABILIZER CROSS BAR ASSM 20
8	483534	STABILIZER BAR LOCKING PIN Q2	5-7	820703	STABILIZER CROSS BAR ASSM 21
5-7	820693	STABILIZER CROSS BAR ASSM 12	5-7	820704	STABILIZER CROSS BAR ASSM 22
5-7	820694	STABILIZER CROSS BAR ASSM 13	1-4,8	885015	STABILIZER PIN ASSM
5-7	820695	STABILIZER CROSS BAR ASSM 14			

Part Changes, please see notes for important information



Discontinued Parts
Replace w/ item 9 in pairs



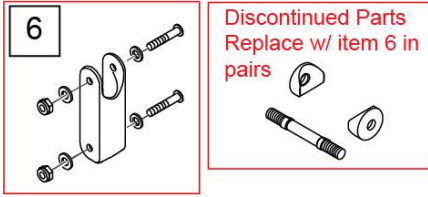
MEASURING GUIDE

	DIM "A"
STD	19 3/4
MED	22 3/4
TALL	25 3/4

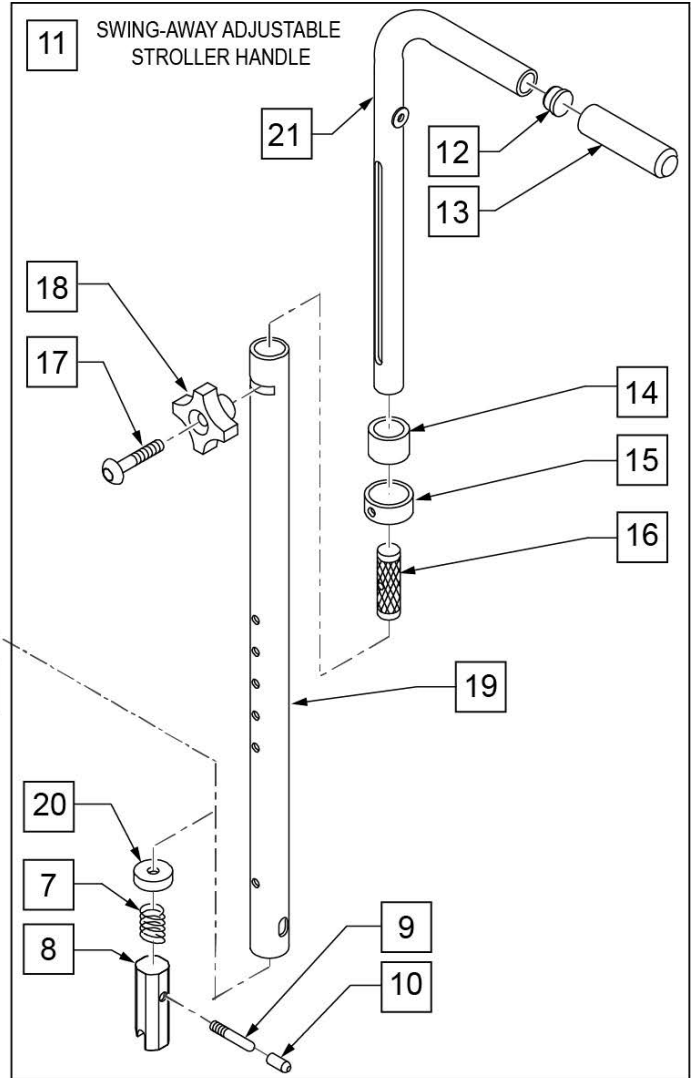
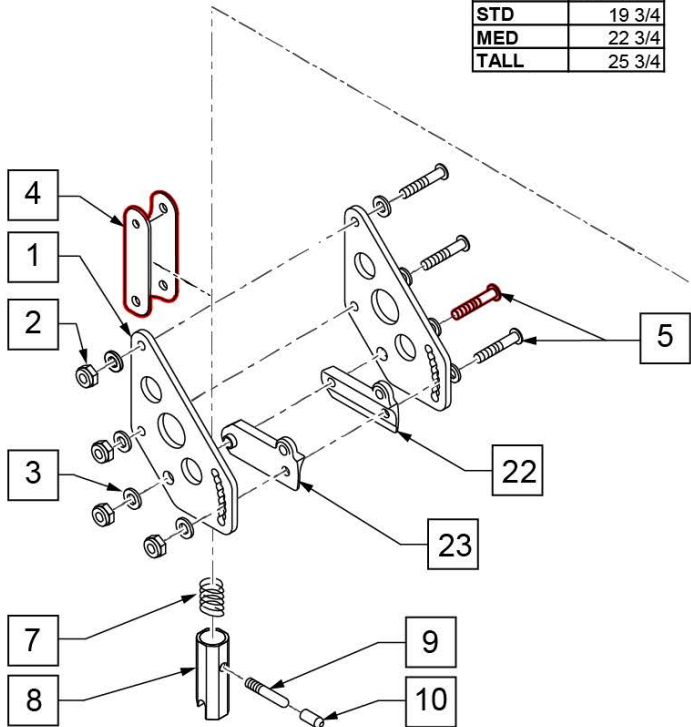
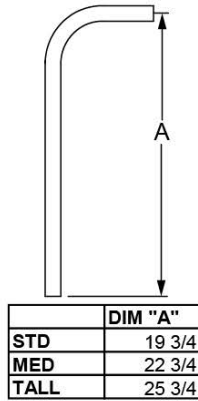
Pos.	Item Number	Description	Remarks
1A	920027	QUICKIE GRIP 1" W/ INSTR SHEET	
1B	920023	QUICKIE GRIP 1" W/ HOLE W/ INSTR	
2A	561002	1 INSERT PLUG .083	
2B	561082	1" TUBE END BUSHING THIN	USED WITH STROLLER HANDLE EXT
4	506136	BACK PLATE DAB	
5	106935	NUT NYLOCK THIN 1/4 -28 ROHS	
6	106943	1/4 AN WASHER FLAT	
7	124612	BLOCK-LATCH STOP	
8	106964	1/4-28 x 2 BH C/S	
9	126099	BACK REST SADDLE W/ HDWR PAIR	Pair-Replacement Latch Stop Kit
9	126100	BACK REST SADDLE W/ HDWR EACH	Each-Replacement Latch Stop Kit

Pos.	Item Number	Description	Remarks
10	321110	S/A LATCH SPRING	
11	483019	BACK RELEASE LATCH	
12	481084	BACK RELEASE PIN Z2/QT/EX	
13	126238	PUSH ON ROUND CAP	
14	560518	SADDLE BACKREST Q2 DAB	RIGHT
15	560519	SADDLE BACKREST Q2 DAB	LEFT
5-9	920539	BACK PLATE DAB HARDWARE KIT	
5-13	920328	BACKREST LATCH KIT	
1A,2A-15	881846	STROLLER HANDLE STANDARD & PLATE ASSM DAB R	STANDARD/LOW-RIGHT
1A,2A-15	105390	STROLLER HANDLE STANDARD & PLATE ASSM DAB L	STANDARD/LOW-LEFT
1A,2A-15	881845	STROLLER HANDLE MED & PLATE ASSM DAB R	MEDIUM-RIGHT
1A,2A-15	105389	STROLLER HANDLE MED & PLATE ASSM DAB L	MEDIUM-LEFT
1A,2A-15	881847	STROLLER HANDLE TALL & PLATE ASSM DAB R	TALL-RIGHT
1A,2A-15	105395	STROLLER HANDLE TALL & PLATE ASSM DAB L	TALL-LEFT
1B,2B-15	920348	EXT STROLLER HANDLE STD & PLATE ASSM	PAIR
1B,2B-15	920375	EXT STROLLER HANDLE MED & PLATE ASSM	PAIR
1B,2B-15	920349	EXT STROLLER HANDLE TALL & PLATE ASSM	PAIR
>>>>		STROLLER HANDLE ONLY ASSEMBLIES	
1A,2A,3	842080	STROLLER HANDLE W/ FOAM STANDARD ZPS/P5/QT	STANDARD/LOW
1A,2A,3	842079	STROLLER HANDLE W/ FOAM MED ZPS/QT	MEDIUM
1A,2A,3	842081	STROLLER HANDLE W/ FOAM TALL ZPS/QT	TALL
1A,2A,3,10-13	920390	STROLLER HANDLE W/ LATCH STANDARD ZPS/P5/QT	STANDARD/LOW
1A,2A,3,10-13	920389	STROLLER HANDLE W/ LATCH MED ZPS/QT	MEDIUM
1A,2A,3,10-13	920391	STROLLER HANDLE W/ LATCH TALL ZPS/QT	TALL
>>>>		STROLLER HANDLES USED W/ REMOVABLE EXTENSION	
1B,2B,3	842067	EXTENSION-STROLLER HANDLE STANDARD	STANDARDLOW - Used w/ Removable Extension.
1B,2B,3	842066	EXTENSION-STROLLER HANDLE MED	MEDIUM-Used w/ Removable Extension.
1B,2B,3	842068	EXTENSION-STROLLER HANDLE TALL	TALL-Used w/ Removable Extension.
1B,2B,3 10-13	920421	EXTENSION-STROLLER HANDLE STANDARD W/ LATCH	STANDARD/LOW - Used w/ Removable Extension.
1B,2B,3,10-13	920423	EXTENSION-STROLLER HANDLE MED W/ LATCH	MEDIUM-Used w/ Removable Extension.
1B,2B,3,10-13	920424	EXTENSION-STROLLER HANDLE TALL W/ LATCH	TALL-Used w/ Removable Extension.
1B,2B-15	920762	EXTENSION-STROLLER HANDLE STANDARD & PLATE ASSM DAB	Right; STANDARD/LOW w/plates - Used w/ Removable Extension.
1B,2B-15	920761	EXTENSION-STROLLER HANDLE MED & PLATE ASSM DAB	Right; MEDIUM w/plates- Used w/ Removable Extension.
1B,2B-15	920763	EXTENSION-STROLLER HANDLE TALL & PLATE ASSM DAB	Right; TALL w/plates - Used w/ Removable Extension.
1B,2B-15	TBD	EXT STRL HNDL STD&PLT DAB L	Left; STANDARD/LOW w/plates - Used w/ Removable Extension.
1B,2B-15	104768	EXT STRL HNDL MED & PLT DAB L	Left; MEDIUM w/plates- Used w/ Removable Extension.
1B,2B-15	104766	EXT STRL HNDL TLL & PLT DAB L	Left; TALL w/plates - Used w/ Removable Extension.

Part Changes, please see notes for important information



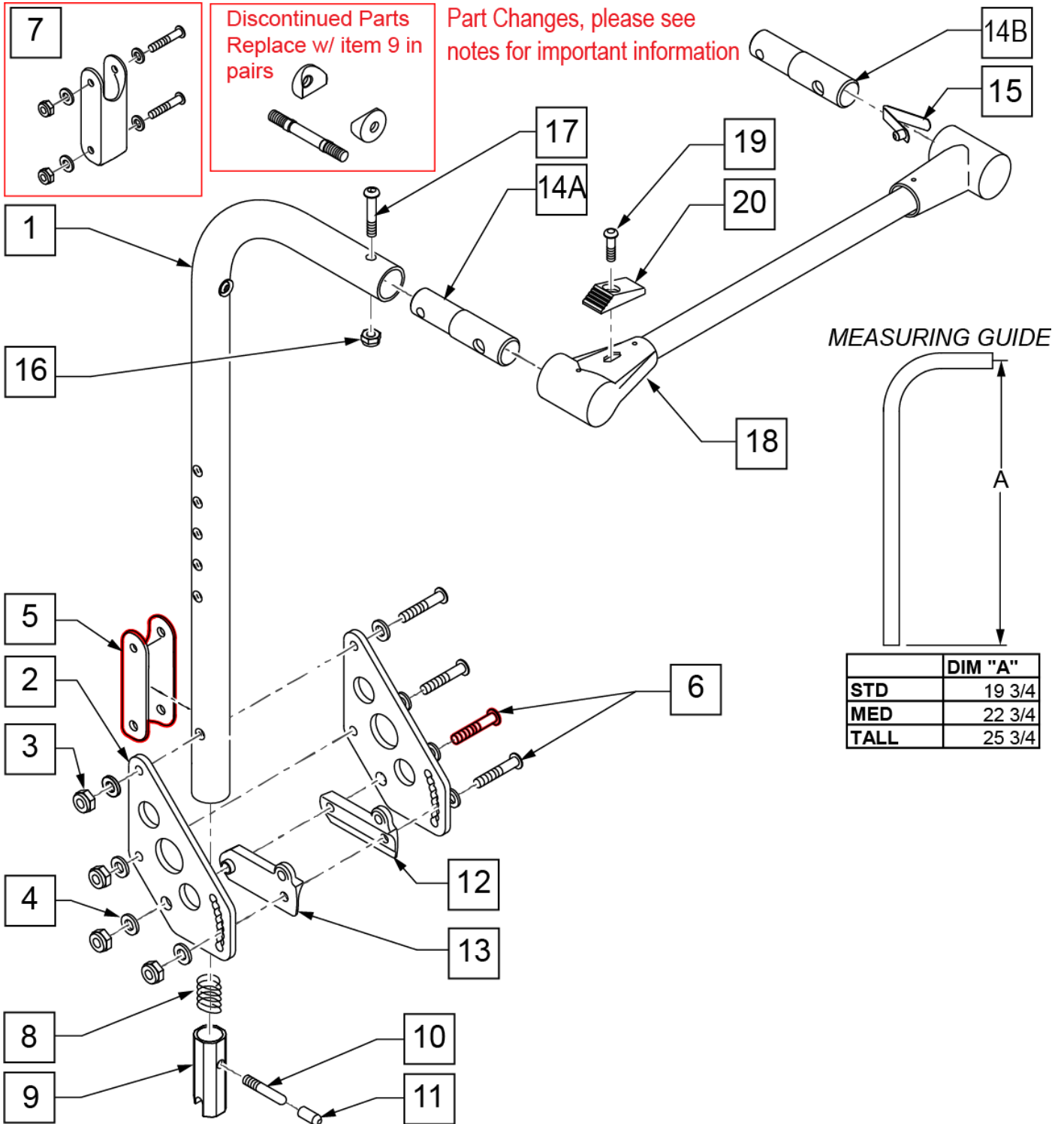
MEASURING GUIDE



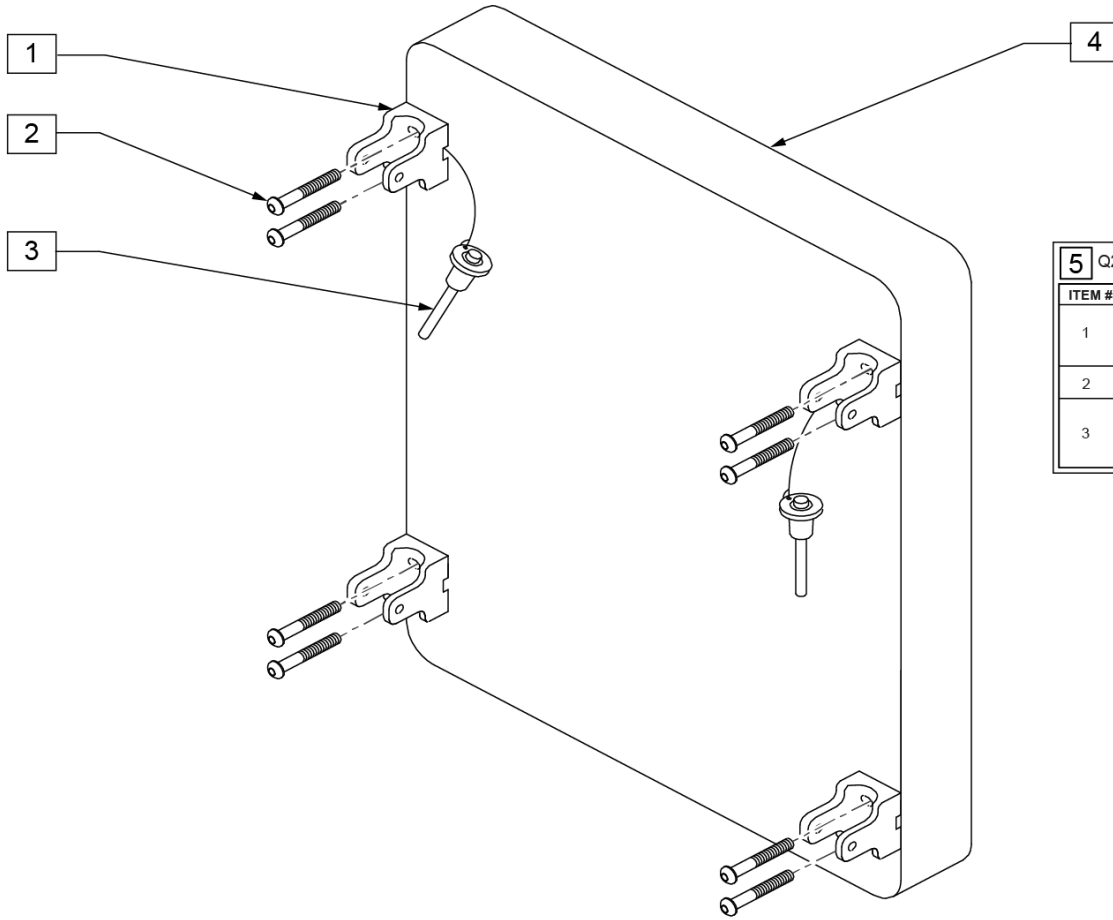
Pos.	Item Number	Description	Remarks
1	506136	BACK PLATE DAB	
2	106935	NUT NYLOCK THIN 1/4 -28 ROHS	
3	106943	1/4 AN WASHER FLAT	
4	124612	BLOCK-LATCH STOP	
5	106964	1/4-28 x 2 BH C/S	
6	126099	BACK REST SADDLE W/ HDWR PAIR	Pair-Replacement Latch Stop Kit
6	126100	BACK REST SADDLE W/ HDWR EACH	Each-Replacement Latch Stop Kit
7	321110	S/A LATCH SPRING	
8	483019	BACK RELEASE LATCH	
9	481084	BACK RELEASE PIN Z2/QT/EX	
10	126238	PUSH ON ROUND CAP	
11	842082	S/A ADJ STROLLER HANDLE W/ FOAM R	Right
11	842083	S/A ADJ STROLLER HANDLE W/ FOAM L	Left
11	920306	S/A ADJ STROLLER HANDLE W/ FOAM (PR)	Pair
12	561000-QU	3/4" INSERT PLUG .083	
13	920026	QUICKIE GRIP 3/4" W/ INSTR SHEET	
14	561082	1" TUBE END BUSHING THIN	Used with Stroller Handle Ext
15	483096	S/A ADJUSTABLE STROLLER RING ZP/QT	

Pos.	Item Number	Description	Remarks
16	483095	S/A ADJUSTABLE STROLLER INSERT ZP/QT	
17	226136	1/4-20 x 1 1/2 BH C/S BLK	
18	349018	KNOB S/A ADJUSTABLE STROLLER ZP	
19	521791	ZP S/A ADJ BACK TUBE ONLY R	Right
19	521792	ZP S/A ADJ BACK TUBE ONLY L	Left
20	483021S	S/A SPRING RETAINER	
21	N/A	SA ADJ STROLLER TUBE PH	see kit to order, item 11
22	560518	SADDLE BACKREST Q2 DAB RIGHT	Right
23	560519	SADDLE BACKREST Q2 DAB LEFT	Left
2-6	920539	BACK PLATE DAB HARDWARE KIT	
2-10	920328	BACKREST LATCH KIT	

Note: if retrofitting the Stabilizer to the chair, order complete left and right handle assemblies, Stabilizer Attachment kit 116604 & the appropriate Stabilizer Bar assembly (based on the seat width of the chair).



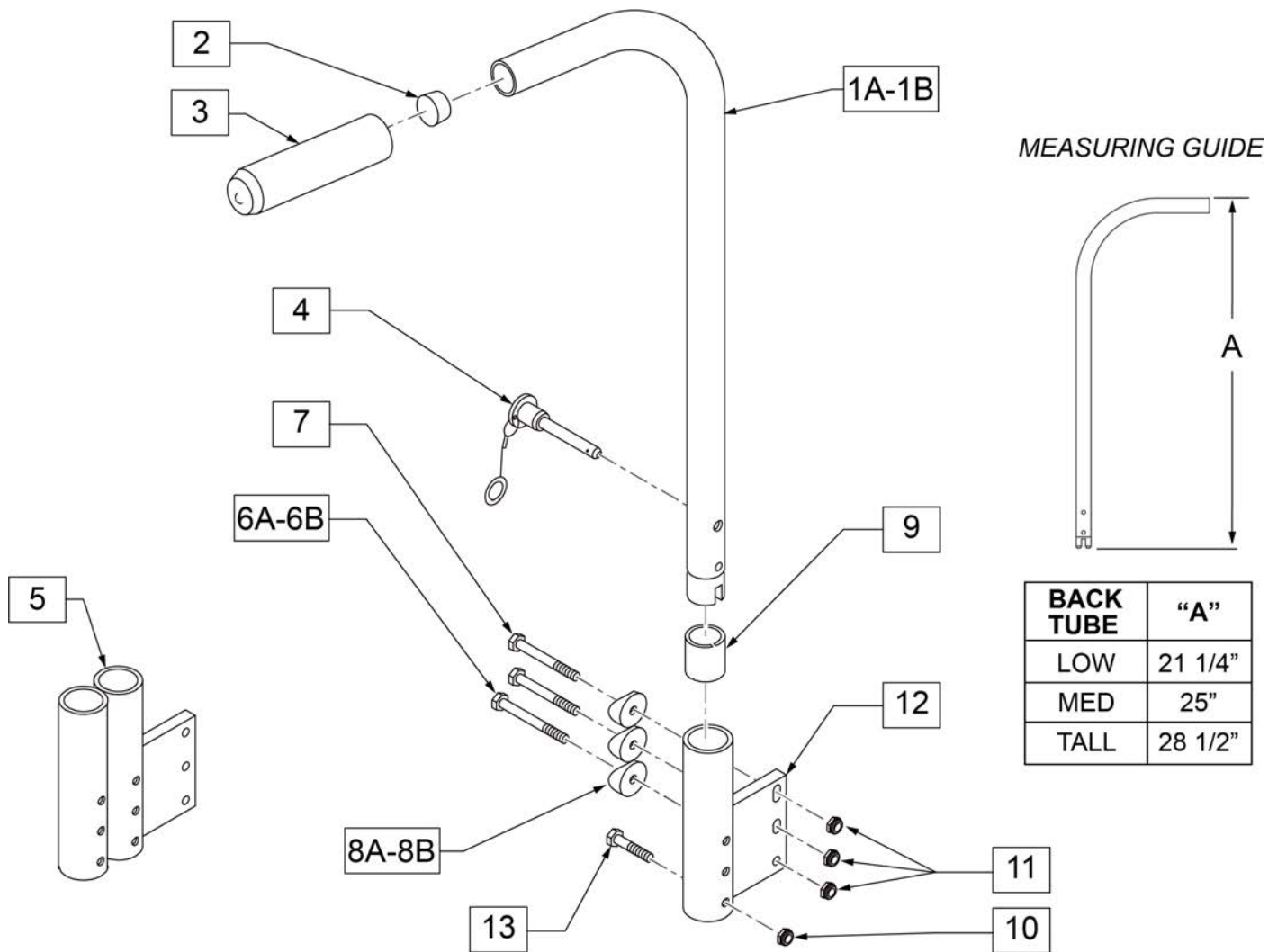
Pos.	Item Number	Description	Remarks
2	506136	BACK PLATE DAB	
3	106935	NUT NYLOCK THIN 1/4 -28 ROHS	
4	106943	1/4 AN WASHER FLAT	
5	124612	BLOCK-LATCH STOP	
6	106964	1/4-28 x 2 BH C/S	
7	126099	BACK REST SADDLE W/ HDWR PAIR	Pair-Replacement Latch Stop Kit
7	126100	BACK REST SADDLE W/ HDWR EACH	Each-Replacement Latch Stop Kit
8	321110	S/A LATCH SPRING	
9	483019	BACK RELEASE LATCH	
10	481084	BACK RELEASE PIN Z2/QT/EX	
11	126238	PUSH ON ROUND CAP	
12	560518	SADDLE BACKREST Q2 DAB	RIGHT
13	560519	SADDLE BACKREST Q2 DAB	LEFT
14A	483536	STABILIZER BAR PIVOT PIN Q2	
14B	483535	STABILIZER BAR LOCKING PIN Q2	
15	301100	SNAP BUTTON 1/4" SINGLE	
16	202116	5/16-18 NYLOCK NUT THIN BLK	
17	222109	5/16-18 x 1 1/4 BH C/S BLK ZN	
18-20	820693	STABILIZER CROSS BAR ASSM 12	12" WIDE
18-20	820694	STABILIZER CROSS BAR ASSM 13	13" WIDE
18-20	820695	STABILIZER CROSS BAR ASSM 14	14" WIDE
18-20	820696	STABILIZER CROSS BAR ASSM 15	15" WIDE
18-20	820697	STABILIZER CROSS BAR ASSM 16	16" WIDE
18-20	820698	STABILIZER CROSS BAR ASSM 17	17" WIDE
18-20	820700	STABILIZER CROSS BAR ASSM 18	18" WIDE
18-20	820701	STABILIZER CROSS BAR ASSM 19	19" WIDE
18-20	820702	STABILIZER CROSS BAR ASSM 20	20" WIDE
18-20	820703	STABILIZER CROSS BAR ASSM 21	21" WIDE
18-20	820704	STABILIZER CROSS BAR ASSM 22	22" WIDE
3-7	920539	BACK PLATE DAB HARDWARE KIT	
3-11	920328	BACKREST LATCH KIT	
14A,14B,15-17	116604	DAB STBLZR ATTACH KIT	
1	842089	BACK TUBE STD DAB STBLZR	STD/LOW - Used w/ Stabilizer Bar
1	842088	BACK TUBE MED DAB STBLZR	MEDIUM - Used w/ Stabilizer Bar
1	842090	BACK TUBE TLL DAB STBLZR	TALL - Used w/ Stabilizer Bar
1-11	882676	STBLZ STRL HNDL STD&PLT ASSM R	STD/LOW-RIGHT - Used w/ Stabilizer Bar
1-11	101131	STBLZR STRL HNDL STD&PLT ASSM L	STD/LOW-LEFT - Used w/ Stabilizer Bar
1-11	882677	STBLZ STRL HNDL MED&PLT ASSM R	MEDIUM-RIGHT - Used w/ Stabilizer Bar
1-11	101123	STBLZR STRL HNDL MED&PLT L	MEDIUM-LEFT - Used w/ Stabilizer Bar
1-11	882678	STBLZ STRL HNDL TLL&PLT ASSM R	TALL-RIGHT - Used w/ Stabilizer Bar
1-11	101122	STBLZR STRL HNDL TLL&PLT L	TALL-LEFT - Used w/ Stabilizer Bar



5 Q2 DEPTH ADJ BACK HDWR KIT			
ITEM #	ILLUSTRATION	DESCRIPTION	QTY
1		BRACKET SEAT QTS/BACK Z2	4
2		1/4-20 X 3/4 BH C/S	8
3		RELEASE PIN STROLLER HANDLE	2

Pos.	Item Number	Description	Pos.	Item Number	Description
1	562609	BRACKET SEAT QTS/BACK Z2	1-4	681330	PLY BCK ASSM BLK 13X14 Q2 DAB
2	226101	1/4-20 x 3/4 BH C/S	1-4	681331	PLY BCK ASSM BLK 13X16 Q2 DAB
3	349020	STROLLER HANDLE RELEASE PIN	1-4	681332	PLY BCK ASSM BLK 13X18 Q2 DAB
5	920350	Q2 DEPTH ADJ BACK HARDWARE KIT	1-4	681333	PLY BCK ASSM BLK 14X12 Q2 DAB
1-4	681100	PLY BCK ASSM BLK 11X20 Q2 DAB	1-4	681334	PLY BCK ASSM BLK 14X14 Q2 DAB
1-4	681101	PLY BCK ASSM BLK 12X20 Q2 DAB	1-4	681335	PLY BCK ASSM BLK 14X16 Q2 DAB
1-4	681102	PLY BCK ASSM BLK 13X20 Q2 DAB	1-4	681336	PLY BCK ASSM BLK 14X18 Q2 DAB
1-4	681103	PLY BCK ASSM BLK 14X20 Q2 DAB	1-4	681337	PLY BCK ASSM BLK 15X12 Q2 DAB
1-4	681104	PLY BCK ASSM BLK 15X20 Q2 DAB	1-4	681338	PLY BCK ASSM BLK 15X14 Q2 DAB
1-4	681105	PLY BCK ASSM BLK 16X20 Q2 DAB	1-4	681339	PLY BCK ASSM BLK 15X16 Q2 DAB
1-4	681106	PLY BCK ASSM BLK 17X20 Q2 DAB	1-4	681340	PLY BCK ASSM BLK 15X18 Q2 DAB
1-4	681107	PLY BCK ASSM BLK 18X20 Q2 DAB	1-4	681341	PLY BCK ASSM BLK 16X12 Q2 DAB
1-4	681108	PLY BCK ASSM BLK 19X20 Q2 DAB	1-4	681342	PLY BCK ASSM BLK 16X14 Q2 DAB
1-4	681109	PLY BCK ASSM BLK 20X20 Q2 DAB	1-4	681343	PLY BCK ASSM BLK 16X16 Q2 DAB
1-4	681321	PLY BCK ASSM BLK 11X12 Q2 DAB	1-4	681344	PLY BCK ASSM BLK 16X18 Q2 DAB
1-4	681322	PLY BCK ASSM BLK 11X14 Q2 DAB	1-4	681345	PLY BCK ASSM BLK 17X12 Q2 DAB
1-4	681323	PLY BCK ASSM BLK 11X16 Q2 DAB	1-4	681346	PLY BCK ASSM BLK 17X14 Q2 DAB
1-4	681324	PLY BCK ASSM BLK 11X18 Q2 DAB	1-4	681347	PLY BCK ASSM BLK 17X16 Q2 DAB
1-4	681325	PLY BCK ASSM BLK 12X12 Q2 DAB	1-4	681348	PLY BCK ASSM BLK 17X18 Q2 DAB
1-4	681326	PLY BCK ASSM BLK 12X14 Q2 DAB	1-4	681349	PLY BCK ASSM BLK 18X12 Q2 DAB
1-4	681327	PLY BCK ASSM BLK 12X16 Q2 DAB	1-4	681350	PLY BCK ASSM BLK 18X14 Q2 DAB
1-4	681328	PLY BCK ASSM BLK 12X18 Q2 DAB	1-4	681351	PLY BCK ASSM BLK 18X16 Q2 DAB
1-4	681329	PLY BCK ASSM BLK 13X12 Q2 DAB	1-4	681352	PLY BCK ASSM BLK 18X18 Q2 DAB

Pos.	Item Number	Description	Pos.	Item Number	Description
1-4	681353	PLY BCK ASSM BLK 19X12 Q2 DAB	1-4	681357	PLY BCK ASSM BLK 20X12 Q2 DAB
1-4	681354	PLY BCK ASSM BLK 19X14 Q2 DAB	1-4	681358	PLY BCK ASSM BLK 20X14 Q2 DAB
1-4	681355	PLY BCK ASSM BLK 19X16 Q2 DAB	1-4	681359	PLY BCK ASSM BLK 20X16 Q2 DAB
1-4	681356	PLY BCK ASSM BLK 19X18 Q2 DAB	1-4	681360	PLY BCK ASSM BLK 20X18 Q2 DAB



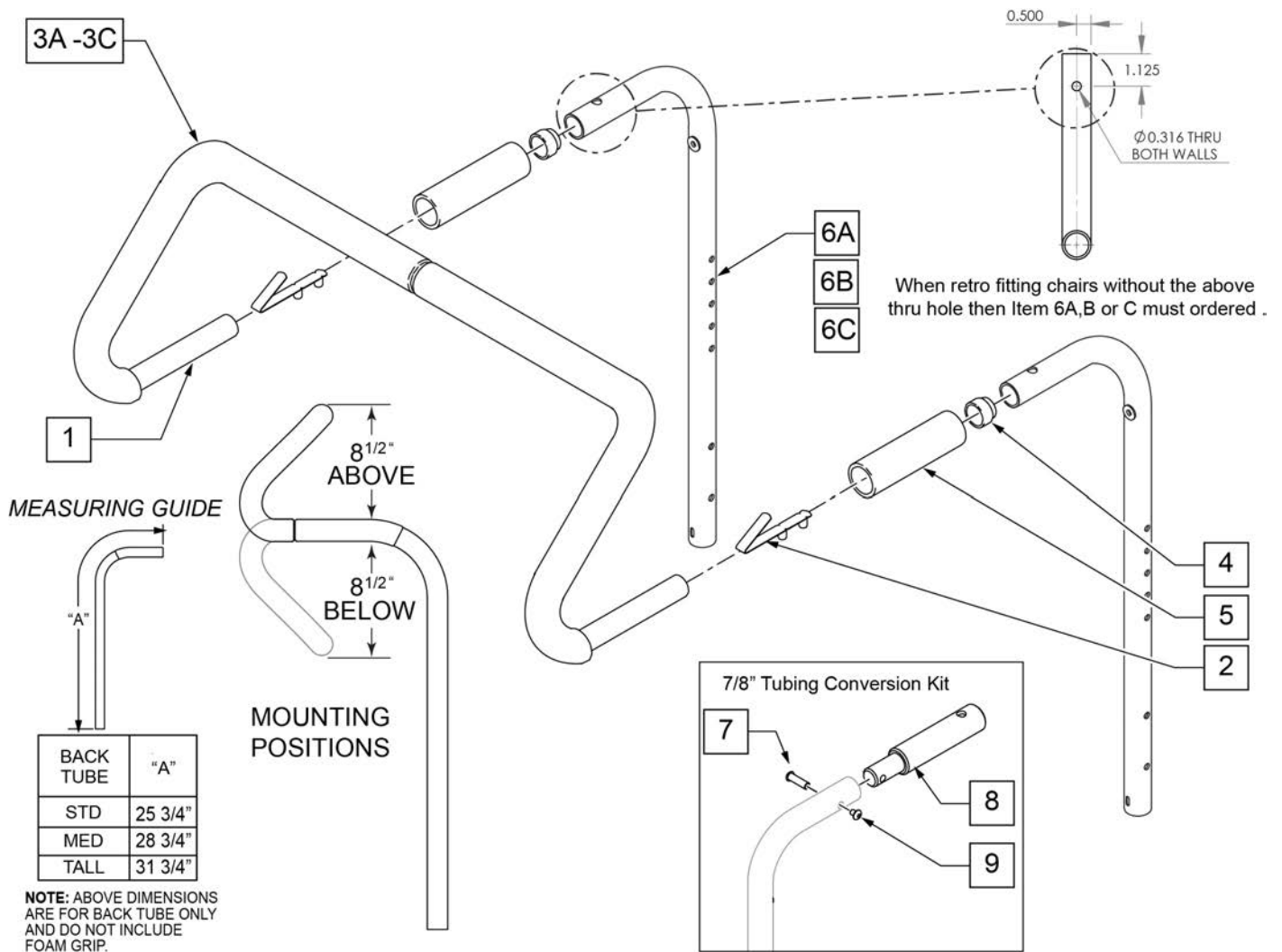
Pos.	Item Number	Description	Remarks
2	561002	1" INSERT PLUG .083	
3	920070	9 x .940 x .200 FOAM GRIP	
4	349020	STROLLER HANDLE RELEASE PIN	
5	540130	PADDED ARM RECEIVER STRAIGHT DOUBLE FOLDING FRAME	RIGHT; used with Padded S/A Arms and Removable Stroller Handle Combination

Pos.	Item Number	Description	Remarks
5	540132	PADDED ARM RECEIVER STRAIGHT DOUBLE FOLDING FRAME	LEFT; used with Padded S/A Arms and Removable Stroller Handle Combination
6A	106973	1/4-28 x 1 3/4 G8 HEX C/S	
6B	107351	1/4-28 x 2 G8 HEX C/S	
7	107351	1/4-28 x 2 1/4 G8 HEX C/S	
8A	561004	1" SADDLE 1/4 HOLE	
8B	561001	1 - 1/8 SADDLE 1/4 HOLE	
9	560400	1" I.D. NY-LINER	
10	106935	NUT NYLOCK THIN 1/4 -28 ROHS	
11	106934	1/4-28 NYLOCK NUT	
12	540100	PADDED ARM RECEIVER STRAIGHT FOLDING FRAME	RIGHT
12	540102	PADDED ARM RECEIVER STRAIGHT FOLDING FRAME	LEFT
13	106972	1/4-28 x 1 1/2 G8 HEX C/S	
14	341200	1/4 x 1 ROLL PIN	
15	483029	PUSH HANDLE PLUG	
1A-3, 14, 15	880360	STROLLER HANDLE REGULAR STRAIGHT FOLDING	
1B-3, 14, 15	880362	STROLLER HANDLE TALL STRAIGHT FOLDING	
1A-3, 14, 15	900420	STROLLER HANDLES REGULAR FOLDING	PAIR
1B-3, 14, 15	900421	STROLLER HANDLES TALL FOLDING	PAIR
4, 6-13	900500	STROLLER RECEIVER SINGLE CYL F 3/4	PAIR
4, 6B, 7, 8B, 9-13	900502	STROLLER RECEIVER SINGLE CYL FOLDING FRAME 7/8	PAIR
4-11, 13	900501	ARM/STROLLER RECEIVER DOUBLE CYL F 3/4	PAIR
4, 5, 6B, 7, 8B, 9-11, 13	900503	ARM/STROLLER RECEIVER DOUBLE CYL F 7/8	PAIR

NOTE: Stroller handle extension works with 1" tubing backrest only. Example: DAB on Q2 or Standard backrest on positioning chairs.

NOTE: Not compatible with Swing-Away Adjustable Stroller Handle.

Note: For Q2X S/N chairs this is an "Off Chair" option only.

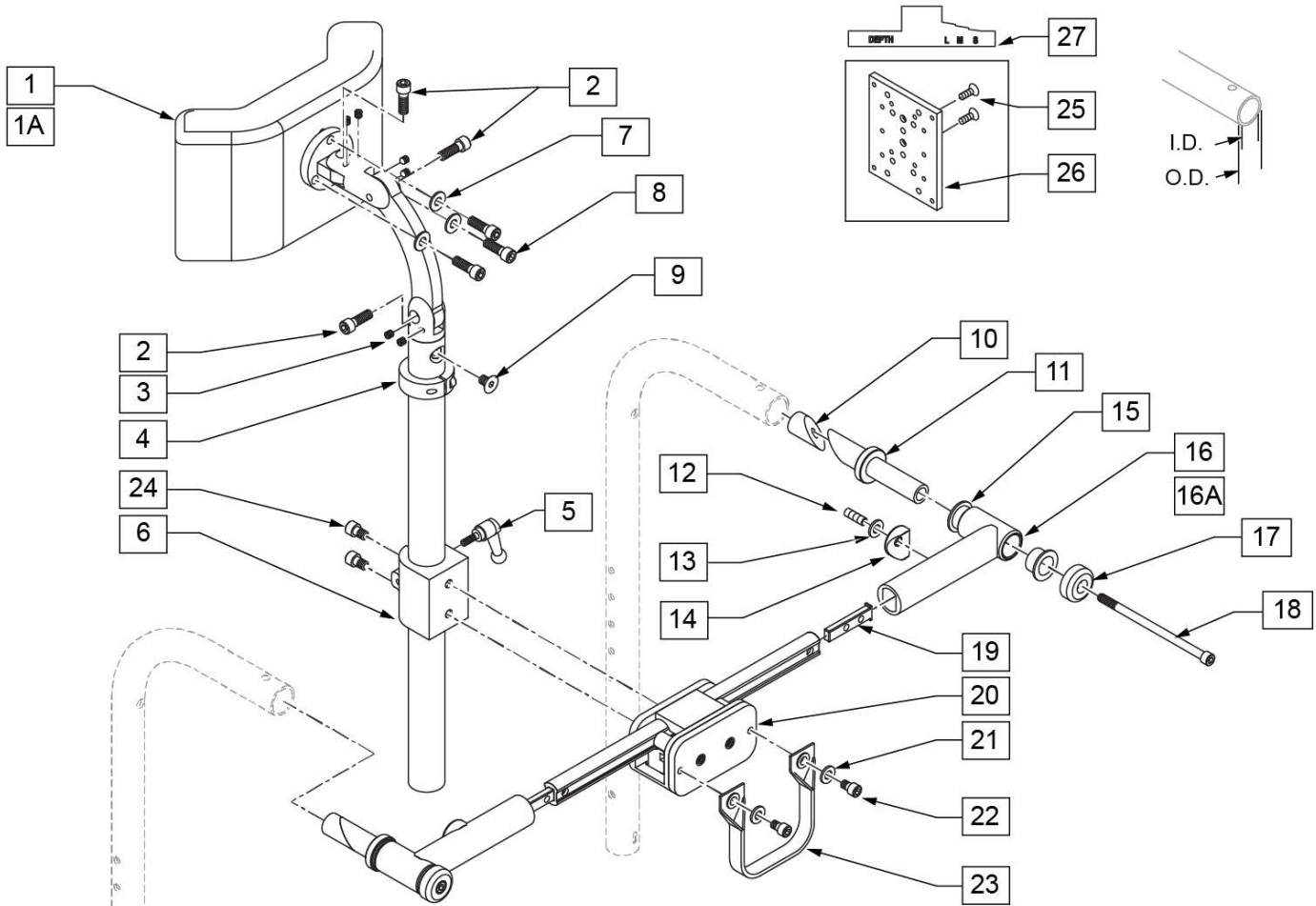


Pos.	Item Number	Description	Remarks
2	301108	5/16 SNAP BUTTON DUAL ONE SIDE	
3A	560615	STROLLER EXTENSION GRIP 10 -13"	10 -13" WIDE
3B	560616	STROLLER EXTENSION GRIP 14 -17"	14 -17" WIDE
3C	560617	STROLLER EXTENSION GRIP 18 -20"	18 -20" WIDE
4	561082	1" TUBE END BUSHING THIN	
5	920023	QUICKIE GRIP 1 W/ HOLE	
1, 2, 3A	842050	STROLLER EXTENSION ASSM 10"	

Pos.	Item Number	Description	Remarks
1, 2, 3A	842051	STROLLER EXTENSION ASSM 11"	
1, 2, 3A	842052	STROLLER EXTENSION ASSM 12"	
1, 2, 3A	842053	STROLLER EXTENSION ASSM 13"	
1, 2, 3B	842054	STROLLER EXTENSION ASSM 14"	
1, 2, 3B	842055	STROLLER EXTENSION ASSM 15"	
1, 2, 3B	842056	STROLLER EXTENSION ASSM 16"	
1, 2, 3B	842057	STROLLER EXTENSION ASSM 17"	
1, 2, 3C	842058	STROLLER EXTENSION ASSM 18"	
1, 2, 3C	842059	STROLLER EXTENSION ASSM 19	
1, 2, 3C	842063	STROLLER EXTENSION ASSM 20	
6A	842067	EXT STROLLER HANDLE STD	STANDARD/LOW
6B	842066	EXT STROLLER HANDLE MED	MEDIUM
6C	842068	EXT STROLLER HANDLE TALL	TALL
7-9	125324	STRLLR HNDL CNVERSN KIT 7/8 PH	To fit to 7/8" Push Handle; includes hardware for both sides

FOLDING STABILIZER BAR

STUD WEDGE SIZE FOR:	SMALL	MEDIUM	LARGE
<u>MOST</u> OUTSIDE DIM	3/4"	7/8"	1"
AVERAGE INSIDE DIM	0.575 - 0.638	0.700 - 0.785	0.825 - 0.910

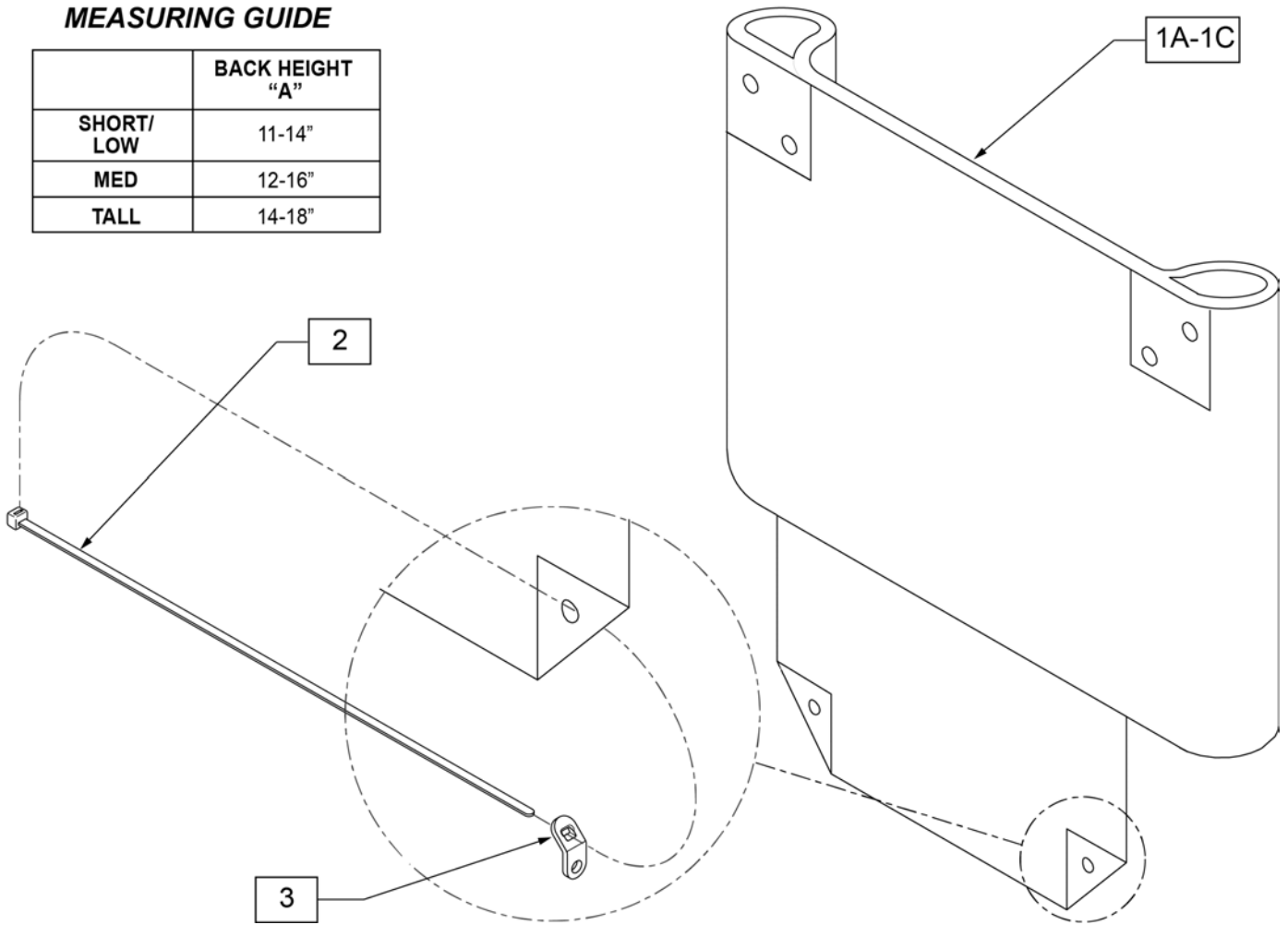


Pos.	Item Number	Description	Remarks
1A	750696	HEADREST W/ ZIPPER MEDIUM CG	8" X 4" Pad
1B	750697	HEADREST W/ ZIPPER LARGE CG	9" X 4.5" Pad
2	221115	1/4 - 20 X 3/4 SOC HD C/S BLK	
3	341045	#10 - 24 CONE POINT SET SCREW	
4	505933	HEADREST COLLAR	
5	341046	HEADREST CLAMPING HANDLE SCREW	
6	881003	CLAMP AND TUBE	
7	261204	#10 AN WASHER .063	
8	221010	10 - 32 X .75 SHCS BLK W/ PL	
9	226072	1/4 - 20 X 1/2 FH C/S BLK	
10A	520855	NUT WEDGE SMALL	
10B	520816	NUT WEDGE MEDIUM	
10C	520856	NUT WEDGE LARGE	
11A	520857	STUD WEDGE SMALL	
11B	520815	STUD WEDGE MEDIUM	
11C	520858	STUD WEDGE LARGE	
12	226064	1/4 - 28 X 3/4 BH C/S BLK W/PATCH	

Pos.	Item Number	Description	Remarks
13	106943	WASHER FLAT AN 1/4 ROHS	
14	561004	1 SADDLE 1/4 HOLE	
15	349595	BEARING IGUS 3/8 X 15/32 X 1/2	
16A	542158	HEADREST PVT TB WELDMOUNT 14 - 17	
16B	542159	HEADREST PVT TB WELDMOUNT 17 - 20	
17	483342	STUD WEDGE CAP	
18	226351	1/4 - 20 X 4 - 1/2 SOC HD BLK ZINC	
19	500078	INSERT D2 EXT TUBE	
21	106943	WASHER FLAT AN 1/4 ROHS	
22	226095	1/4 - 20 X 4 - 3/8 SOC HD BLK ZINC	
23	750552	ZGS FOLDING STRAP	
24	226095	1/4 - 20 X 4 - 3/8 SOC HD BLK ZINC	
25	226076	1/4 - 28 X 1/2 FH C/S W/ PATCH	
26	XM2025	MNTNG PLATE/PEDIAT.HEAD REST	
27	342046	MEASURING TOOL FOLD HEADREST	
2-9	883350	HEADREST MOUNTING BRACKET ASSM EURO	
20-24	888920	CENTER MOUNT FOLD HEADREST ASSM	
21-23	750104	FOLD STABALIZER BAR STRAP ASSM	
10, 11, 17, 18	881897	STUD WEDGE ASSM SMALL	
10, 11, 17, 18	881898	STUD WEDGE ASSM MEDIUM	
10, 11, 17, 18	881899	STUD WEDGE ASSM LARGE	
10-15, 16A, 17-20	820750	STABALIZER BAR ASSM 14 - 17 SMALL	
10-15, 16A, 17-20	820751	STABALIZER BAR ASSM 14 - 17 MEDIUM	
10-15, 16A, 17-20	820752	STABALIZER BAR ASSM 14 - 17 LARGE	
10-15, 16B, 17-20	820753	STABALIZER BAR ASSM 17 - 20 SMALL	
10-15, 16B, 17-20	820754	STABALIZER BAR ASSM 17 - 20 MEDIUM	
10-15, 16B, 17-20	820755	STABALIZER BAR ASSM 17 - 20 LARGE	
1-15, 16A, 17-20	820760	STABALIZER W/ MEDIUM HEADREST 14 - 17 SMALL	
1-15, 16A, 17-20	820761	STABALIZER W/ MEDIUM HEADREST 14 - 17 MEDIUM	
1-15, 16A, 17-20	820762	STABALIZER W/ MEDIUM HEADREST 14 - 17 LARGE	
1-15, 16B, 17-20	820763	STABALIZER W/ MEDIUM HEADREST 17 - 20 SMALL	
1-15, 16B, 17-20	820764	STABALIZER W/ MEDIUM HEADREST 17 - 20 MEDIUM	
1-15, 16B, 17-20	820765	STABALIZER W/ MEDIUM HEADREST 17 - 20 LARGE	
1A, 2-15, 16A, 17-20	820766	STABALIZER W/ LARGE HEADREST 14 - 17 SMALL	
1A, 2-15, 16A, 17-20	820767	STABALIZER W/ LARGE HEADREST 14 - 17 MEDIUM	
1A, 2-15, 16A, 17-20	820768	STABALIZER W/ LARGE HEADREST 14 - 17 LARGE	
1A, 2-15, 16B, 17-20	820769	STABALIZER W/ LARGE HEADREST 17 - 20 SMALL	
1A, 2-15, 16B, 17-20	820770	STABALIZER W/ LARGE HEADREST 17 - 20 MEDIUM	
1A, 2-15, 16B, 17-20	820771	STABALIZER W/ LARGE HEADREST 17 - 20 LARGE	

MEASURING GUIDE

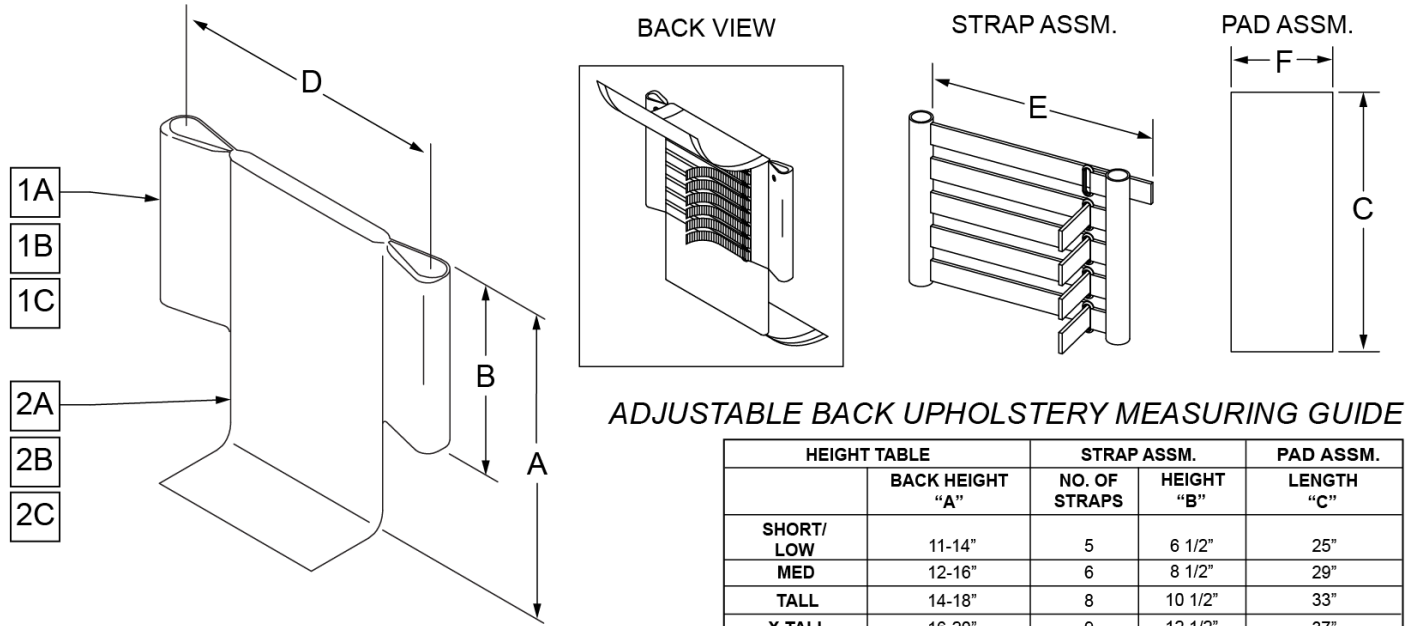
	BACK HEIGHT "A"
SHORT/ LOW	11-14"
MED	12-16"
TALL	14-18"



Pos.	Item Number	Description	Pos.	Item Number	Description
1A	684010	BACK UPHOLSTERY 11-12 Q2 LOW	1A	684060	BACK UPHOLSTERY 17 Q2 LOW
1B	684012	BACK UPHOLSTERY 11-12 Q2 MED Rx 14	1B	684062	BACK UPHOLSTERY 17 Q2 MED Rx 14
1C	684014	BACK UPHOLSTERY 11-12 Q2 TALL Rx 17/19	1C	684064	BACK UPHOLSTERY 17 Q2 TALL Rx 17/19
1A	684020	BACK UPHOLSTERY 13 Q2 LOW	1A	684070	BACK UPHOLSTERY 18 Q2 LOW
1B	684022	BACK UPHOLSTERY 13 Q2 MED Rx 14	1B	684072	BACK UPHOLSTERY 18 Q2 MED Rx 14
1C	684024	BACK UPHOLSTERY 13 Q2 TALL Rx 17/19	1C	684074	BACK UPHOLSTERY 18 Q2 TALL Rx 17/19
1A	684030	BACK UPHOLSTERY 14 Q2 LOW	1A	684080	BACK UPHOLSTERY 19 Q2 LOW
1B	684032	BACK UPHOLSTERY 14 Q2 MED Rx 14	1B	684082	BACK UPHOLSTERY 19 Q2 MED Rx 14
1C	684034	BACK UPHOLSTERY 14 Q2 TALL Rx 17/19	1C	684084	BACK UPHOLSTERY 19 Q2 TALL Rx 17/19
1A	684040	BACK UPHOLSTERY 15 Q2 LOW	1A	684090	BACK UPHOLSTERY 20 Q2 LOW
1B	684042	BACK UPHOLSTERY 15 Q2 MED Rx 14	1B	684092	BACK UPHOLSTERY 20 Q2 MED Rx 14
1C	684044	BACK UPHOLSTERY 15 Q2 TALL Rx 17/19	1C	684094	BACK UPHOLSTERY 20 Q2 TALL Rx 17/19
1A	684050	BACK UPHOLSTERY 16 Q2 LOW	2	560410	ZIP TIE BLK
1B	684052	BACK UPHOLSTERY 16 Q2 MED Rx 14	3	560227	2 HOLE TOGGLE BENT PLST
1C	684054	BACK UPHOLSTERY 16 Q2 TALL Rx 17/19			

NOTE: Items 1 and 2 must be ordered for complete back upholstery.

NOTE: Effective on LX/LXI as of 10/24/2008.



ADJUSTABLE BACK UPHOLSTERY MEASURING GUIDE

	HEIGHT TABLE	STRAP ASSM.		PAD ASSM.
	BACK HEIGHT "A"	NO. OF STRAPS	HEIGHT "B"	LENGTH "C"
SHORT/LOW	11-14"	5	6 1/2"	25"
MED	12-16"	6	8 1/2"	29"
TALL	14-18"	8	10 1/2"	33"
X-TALL	16-20"	9	12 1/2"	37"

HEIGHT TABLE		WIDTH "D"					
STRAP ASSM	STRAP LENGTH "E"	SMALL 10-12"	MED 12-14"	LARGE 14-16"	X-LARGE 16-18"	X-LARGE 18-20"	X-LARGE 20-22"
		9 1/2"	13 1/2"	17 1/2"	17 1/2"	21 1/2"	21 1/2"
PAD ASSM	WIDTH "F"	8"	10"	12"	14"	16"	18"

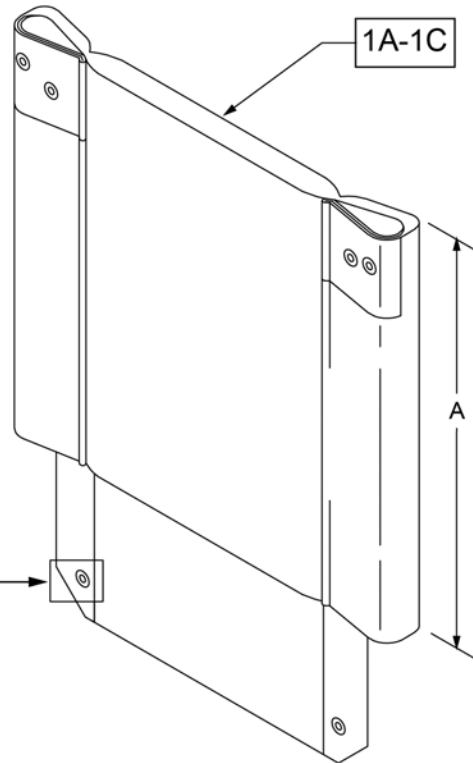
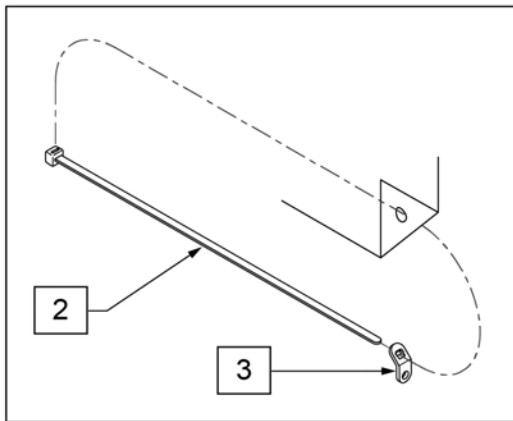
Pos.	Item Number	Description	Remarks
1A	680230	GROWING ADJ BACK UPHOLSTERY 10-12 SHORT ZGS	11" wide-Low
1B	680232	GROWING ADJ BACK UPHOLSTERY 10-12 TALL ZGS	11" wide-Med
1C	680220	GROWING ADJ BACK UPHOLSTERY 10-12 X-TALL ZGS	11" wide-Tall
1A	680233	GROWING ADJ BACK UPHOLSTERY 12-14 SHORT ZGS	12-13" wide-Low
1B	680235	GROWING ADJ BACK UPHOLSTERY 12-14 TALL ZGS	12-13" wide-Med
1C	680221	GROWING ADJ BACK UPHOLSTERY 12-14 X-TALL ZGS	12-13" wide-Tall
1A	680236	GROWING ADJ BACK UPHOLSTERY 14-16 SHORT ZGS	14-15" wide-Low
1B	680238	GROWING ADJ BACK UPHOLSTERY 14-16 TALL ZGS	14-15" wide-Med
1C	680222	GROWING ADJ BACK UPHOLSTERY 14-16 X-TALL ZGS	14-15" wide-Tall
1A	680239	GROWING ADJ BACK UPHOLSTERY 16-18 SHORT ZGS	16-17" wide-Low
1B	680241	GROWING ADJ BACK UPHOLSTERY 16-18 TALL ZGS	16-17" wide-Med
1C	680242	GROWING ADJ BACK UPHOLSTERY 16-18 X-TALL ZGS	16-17" wide-Tall
1A	680243	GROWING ADJ BACK UPHOLSTERY 18-22 SHORT ZGS	18 -22" wide-Low
1B	680245	GROWING ADJ BACK UPHOLSTERY 18-22 TALL ZGS	18 -22" wide-Med
1C	680246	GROWING ADJ BACK UPHOLSTERY 18-22 X-TALL ZGS	18 -22" wide-Tall
2A	684480	ADJ BACK STRAP COVER 10-12 SHORT ZGS	11" wide-Low
2B	684482	ADJ BACK STRAP COVER 10-12 TALL ZGS	11" wide-Med

Pos.	Item Number	Description	Remarks
2C	684497	ADJ BACK STRAP COVER 10-12 X-TALL ZGS	11" wide-Tall
2A	684483	ADJ BACK STRAP COVER 12-14 SHORT ZGS	12-13" wide-Low
2B	684485	ADJ BACK STRAP COVER 12-14 TALL ZGS	12-13" wide-Med
2C	684498	ADJ BACK STRAP COVER 12-14 X-TALL ZGS	12-13" wide-Tall
2A	684486	ADJ BACK STRAP COVER 14-16 SHORT ZGS	14-15" wide-Low
2B	684488	ADJ BACK STRAP COVER 14-16 TALL ZGS	14-15" wide-Med
2C	684499	ADJ BACK STRAP COVER 14-16 X-TALL ZGS	14-15" wide-Tall
2A	684489	ADJ BACK STRAP COVER 16-18 SHORT ZGS	16-17" wide-Low
2B	684491	ADJ BACK STRAP COVER 16-18 TALL ZGS	16-17" wide-Med
2C	684492	ADJ BACK STRAP COVER 16-18 X-TALL ZGS	16-17" wide-Tall
2A	684493	ADJ BACK STRAP COVER 18-20 SHORT ZGS	18 -20" wide-Low
2B	684495	ADJ BACK STRAP COVER 18-20 TALL ZGS	18 -20" wide-Med
2C	684496	ADJ BACK STRAP COVER 18-20 X-TALL ZGS	18 -20" wide-Tall
2A	684510	ADJ BACK STRAP COVER 20 -22" SHORT ZGS	20 -22" wide-Low
2B	684512	ADJ BACK STRAP COVER 20 -22" TALL ZGS	20 -22" wide-Med
2C	684513	ADJ BACK STRAP COVER 20 -22" X-TALL ZGS	20 -22" wide-Tall

Note: Upholstery utilizes a layer of dacron underneath the cover to increase strength.

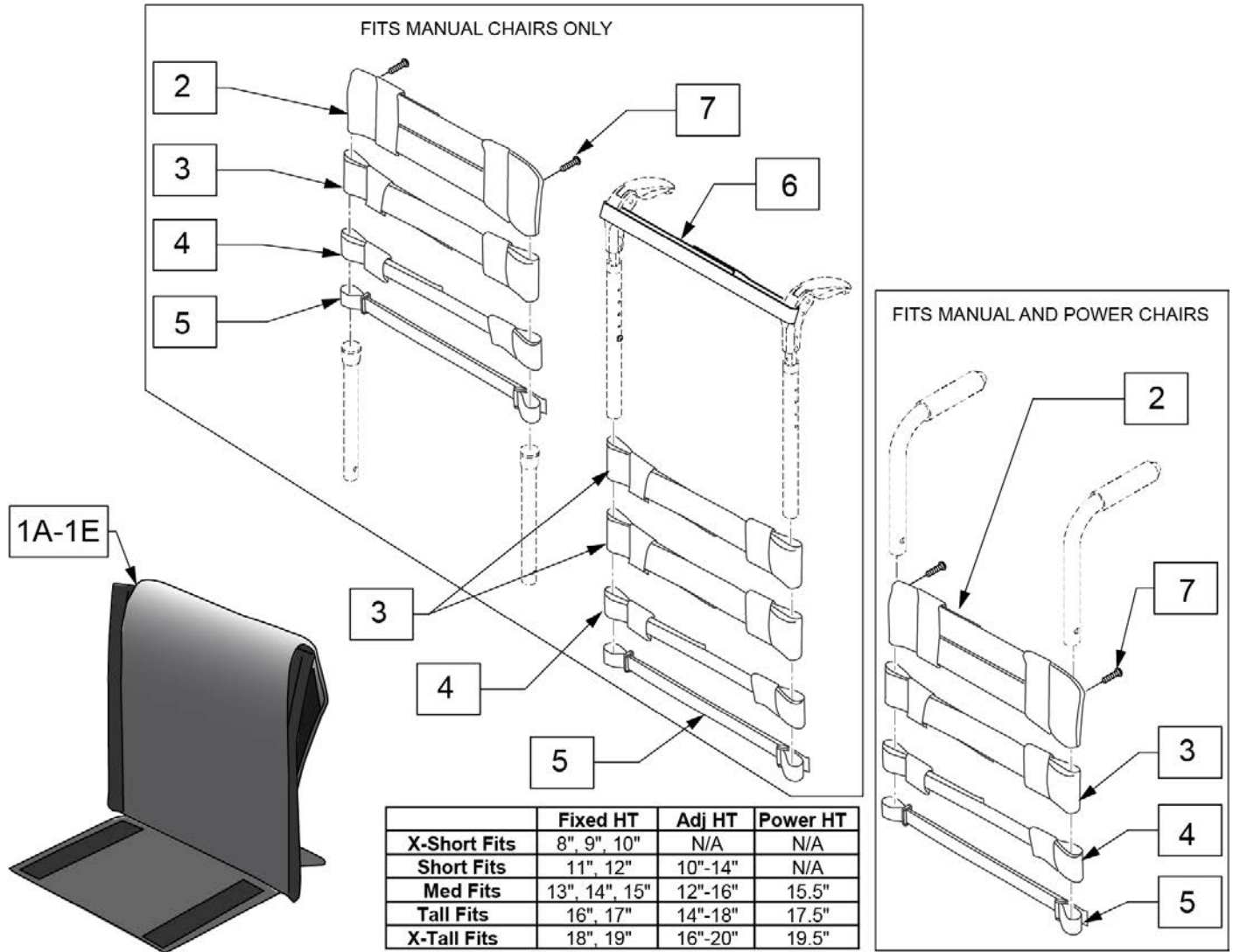
MEASURING GUIDE

	"A"	BACK HEIGHT
SHORT/LOW	7 1/2"	11-14"
MEDIUM	10 1/2"	12-16"
HIGH/TALL	13 1/2"	14-18"



Pos.	Item Number	Description
1A	680370	BACK UPH 18" LOW Q2 H/D
1B	680371	BACK UPH 18" MED Q2 H/D
1C	680372	BACK UPH 18" TALL Q2 H/D
1A	680373	BACK UPH 19" LOW Q2 H/D
1B	680374	BACK UPH 19" MED Q2 H/D
1C	680375	BACK UPH 19" TALL Q2 H/D
1A	680376	BACK UPH 20" LOW Q2 H/D
1B	680377	BACK UPH 20" MED Q2 H/D
1C	680378	BACK UPH 20" TALL Q2 H/D
1A	680379	BACK UPH 21" LOW Q2 H/D
1B	680380	BACK UPH 21" MED Q2 H/D
1C	680381	BACK UPH 21" TALL Q2 H/D
1A	680382	BACK UPH 22" LOW Q2 H/D
1B	680383	BACK UPH 22" MED Q2 H/D
1C	680384	BACK UPH 22" TALL Q2 H/D
2	560410	ZIP TIE BLK
3	560227	2 HOLE TOGGLE BENT PLST

Note: Each back height uses a different variation of back straps; replacement strap kits contain more straps than needed to support all back heights.

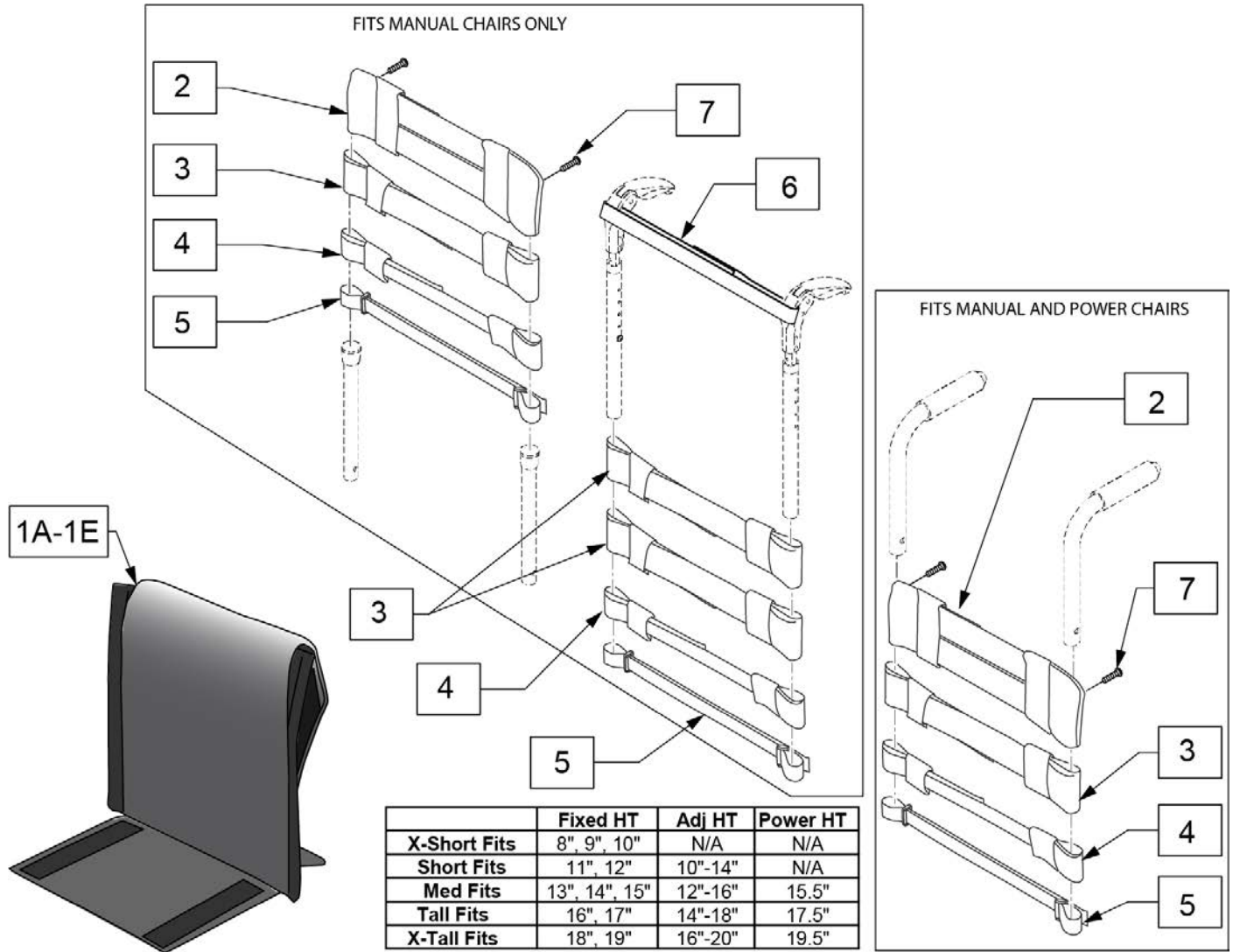


Pos.	Item Number	Description	Remarks
2	113712	TOP CAP, STD, 11 -12"	Used for Omit Push Handle & Integral Push Handle only
2	113713	TOP CAP, STD, 13 -14"	Used for Omit Push Handle & Integral Push Handle only
2	113714	TOP CAP, STD, 15 -16"	Used for Omit Push Handle & Integral Push Handle only
2	113715	TOP CAP, STD, 17 -18"	Used for Omit Push Handle & Integral Push Handle only
2	113716	TOP CAP, STD, 19 -20"	Used for Omit Push Handle & Integral Push Handle only
3	113727	STRAP PADDED 2", 11 -12"	
3	113728	STRAP PADDED 2", 13 -14"	
3	113729	STRAP PADDED 2", 15 -16"	
3	113730	STRAP PADDED 2", 17 -18"	
3	113731	STRAP PADDED 2", 19 -20"	
4	113732	STRAP PADDED 1", 11 -12"	
4	113733	STRAP PADDED 1", 13 -14"	
4	113734	STRAP PADDED 1", 15 -16"	
4	113735	STRAP PADDED 1", 16 -17"	

Pos.	Item Number	Description	Remarks
4	113736	STRAP PADDED 1", 18 -19"	
5	113717	POSITION STRAP 1", 11 -12	
5	113718	POSITION STRAP 1", 13 -14	
5	113719	POSITION STRAP 1", 15 -16	
5	113720	POSITION STRAP 1", 17 -18	
5	113721	POSITION STRAP 1", 19 -20	
6	052435-001	UPH,VNTD ADJ.,FPH STRP,12-13"W	Fold Down Push Handles only
6	052435-002	UPH,VNTD ADJ.,FPH STRP,14-15"W	Fold Down Push Handles only
6	052435-003	UPH,VNTD ADJ.,FPH STRP,16-17"W	Fold Down Push Handles only
6	052435-004	UPH,VNTD ADJ.,FPH STRP,18-20"W	Fold Down Push Handles only
7	107384	PAN HD PHIL 10/32 X 5/8 ROHS	
2-7	114879	ADJ UPH 11-12W STRAP KIT	
2-7	114880	ADJ UPH 13-14W STRAP KIT	
2-7	114881	ADJ UPH 15-16W STRAP KIT	
2-7	114882	ADJ UPH 17-18W STRAP KIT	
2-7	114883	ADJ UPH 19-20W STRAP KIT	
1A,2-7	113321-001	ADJ UP 12W X-SHT ASM	
1B,2-7	113321-002	ADJ UP 12W SHT ASM	
1C,2-7	113321-003	ADJ UP 12W MED ASM	
1D,2-7	113321-004	ADJ UP 12W TAL ASM	
1E,2-7	113321-005	ADJ UP 12W X-TAL ASM	
1A,2-7	113321-006	ADJ UP 13W X-SHT ASM	
1B,2-7	113321-007	ADJ UP 13W SHT ASM	
1C,2-7	113321-008	ADJ UP 13W MED ASM	
1D,2-7	113321-009	ADJ UP 13W TAL ASM	
1E,2-7	113321-010	ADJ UP 13W X-TAL ASM	
1A,2-7	113321-011	ADJ UP 14W X-SHT ASM	
1B,2-7	113321-012	ADJ UP 14W SHT ASM	
1C,2-7	113321-013	ADJ UP 14W MED ASM	
1D,2-7	113321-014	ADJ UP 14W TAL ASM	
1E,2-7	113321-015	ADJ UP 14W X-TAL ASM	
1A,2-7	113321-016	ADJ UP 15W X-SHT ASM	
1B,2-7	113321-017	ADJ UP 15W SHT ASM	
1C,2-7	113321-018	ADJ UP 15W MED ASM	
1D,2-7	113321-019	ADJ UP 15W TAL ASM	
1E,2-7	113321-020	ADJ UP 15W X-TAL ASM	
1A,2-7	113321-021	ADJ UP 16W X-SHT ASM	
1B,2-7	113321-022	ADJ UP 16W SHT ASM	
1C,2-7	113321-023	ADJ UP 16W MED ASM	
1D,2-7	113321-024	ADJ UP 16W TAL ASM	
1E,2-7	113321-025	ADJ UP 16W X-TAL ASM	
1A,2-7	113321-026	ADJ UP 17W X-SHT ASM	
1B,2-7	113321-027	ADJ UP 17W SHT ASM	
1C,2-7	113321-028	ADJ UP 17W MED ASM	
1D,2-7	113321-029	ADJ UP 17W TAL ASM	
1E,2-7	113321-030	ADJ UP 17W X-TAL ASM	
1A,2-7	113321-031	ADJ UP 18W X-SHT ASM	
1B,2-7	113321-032	ADJ UP 18W SHT ASM	
1C,2-7	113321-033	ADJ UP 18W MED ASM	
1D,2-7	113321-034	ADJ UP 18W TAL ASM	
1E,2-7	113321-035	ADJ UP 18W X-TAL ASM	
1A,2-7	113321-036	ADJ UP 19W X-SHT ASM	
1B,2-7	113321-037	ADJ UP 19W SHT ASM	
1C,2-7	113321-038	ADJ UP 19W MED ASM	
1D,2-7	113321-039	ADJ UP 19W TAL ASM	
1E,2-7	113321-040	ADJ UP 19W X-TAL ASM	

Pos.	Item Number	Description	Remarks
1A,2-7	113321-041	ADJ UP 20W X-SHT ASM	
1B,2-7	113321-042	ADJ UP 20W SHT ASM	
1C,2-7	113321-043	ADJ UP 20W MED ASM	
1D,2-7	113321-044	ADJ UP 20W TAL ASM	
1E,2-7	113321-045	ADJ UP 20W X-TAL ASM	

Note: Each back height uses a different variation of back straps; replacement strap kits contain more straps than needed to support all back heights.



Pos.	Item Number	Description	Remarks
2	113712	TOP CAP, STD, 11 -12"	Used for Omit Push Handle & Integral Push Handle only
2	113713	TOP CAP, STD, 13 -14"	Used for Omit Push Handle & Integral Push Handle only
2	113714	TOP CAP, STD, 15 -16"	Used for Omit Push Handle & Integral Push Handle only
2	113715	TOP CAP, STD, 17 -18"	Used for Omit Push Handle & Integral Push Handle only
2	113716	TOP CAP, STD, 19 -20"	Used for Omit Push Handle & Integral Push Handle only
3	113727	STRAP PADDED 2", 11 -12"	
3	113728	STRAP PADDED 2", 13 -14"	
3	113729	STRAP PADDED 2", 15 -16"	
3	113730	STRAP PADDED 2", 17 -18"	
3	113731	STRAP PADDED 2", 19 -20"	
4	113732	STRAP PADDED 1", 11 -12"	
4	113733	STRAP PADDED 1", 13 -14"	
4	113734	STRAP PADDED 1", 15 -16"	
4	113735	STRAP PADDED 1", 16 -17"	

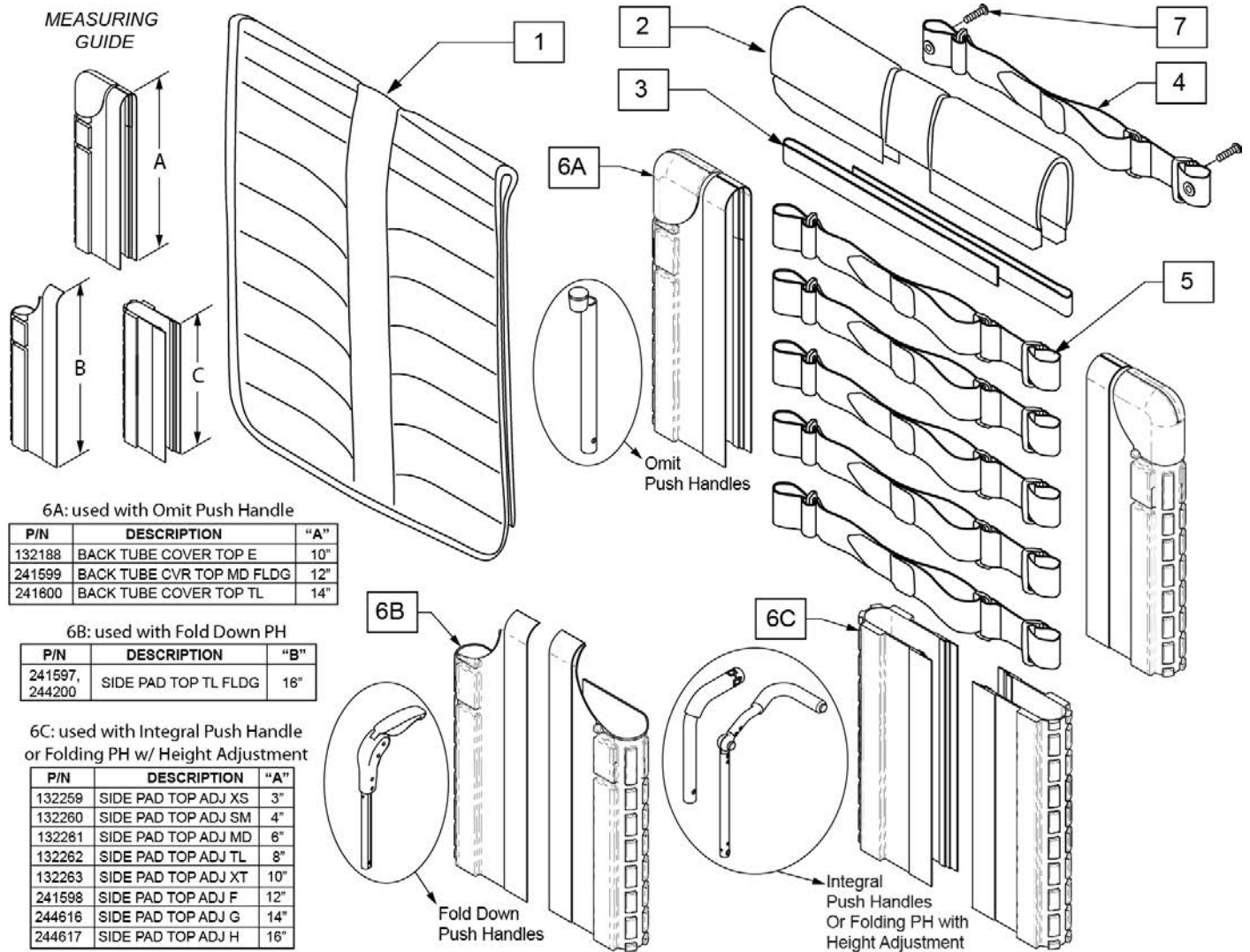
Pos.	Item Number	Description	Remarks
4	113736	STRAP PADDED 1", 18 -19"	
5	113717	POSITION STRAP 1", 11 -12	
5	113718	POSITION STRAP 1", 13 -14	
5	113719	POSITION STRAP 1", 15 -16	
5	113720	POSITION STRAP 1", 17 -18	
5	113721	POSITION STRAP 1", 19 -20	
6	052435-001	UPH,VNTD ADJ.,FPH STRP,12-13"W	Fold Down Push Handles only
6	052435-002	UPH,VNTD ADJ.,FPH STRP,14-15"W	Fold Down Push Handles only
6	052435-003	UPH,VNTD ADJ.,FPH STRP,16-17"W	Fold Down Push Handles only
6	052435-004	UPH,VNTD ADJ.,FPH STRP,18-20"W	Fold Down Push Handles only
7	107384	PAN HD PHIL 10/32 X 5/8 ROHS	
2-7	114879	ADJ UPH 11-12W STRAP KIT	
2-7	114880	ADJ UPH 13-14W STRAP KIT	
2-7	114881	ADJ UPH 15-16W STRAP KIT	
2-7	114882	ADJ UPH 17-18W STRAP KIT	
2-7	114883	ADJ UPH 19-20W STRAP KIT	
1A,2-7	113322-001	VNT ADJ UP 12W X-SHT ASM	
1B,2-7	113322-002	VNT ADJ UP 12W SHT ASM	
1C,2-7	113322-003	VNT ADJ UP 12W MED ASM	
1D,2-7	113322-004	VNT ADJ UP 12W TAL ASM	
1E,2-7	113322-005	VNT ADJ UP 12W X-TAL ASM	
1A,2-7	113322-006	VNT ADJ UP 13W X-SHT ASM	
1B,2-7	113322-007	VNT ADJ UP 13-W SHT ASM	
1C,2-7	113322-008	VNT ADJ UP 13W MED ASM	
1D,2-7	113322-009	VNT ADJ UP 13W TAL ASM	
1E,2-7	113322-010	VNT ADJ UP 13W X-TAL ASM	
1A,2-7	113322-011	VNT ADJ UP 14W X-SHT ASM	
1B,2-7	113322-012	VNT ADJ UP 14W SHT ASM	
1C,2-7	113322-013	VNT ADJ UP 14W MED ASM	
1D,2-7	113322-014	VNT ADJ UP 14W TAL ASM	
1E,2-7	113322-015	VNT ADJ UP 14W X-TAL ASM	
1A,2-7	113322-016	VNT ADJ UP 15W X-SHT ASM	
1B,2-7	113322-017	VNT ADJ UP 15W SHT ASM	
1C,2-7	113322-018	VNT ADJ UP 15W MED ASM	
1D,2-7	113322-019	VNT ADJ UP 15W TAL ASM	
1E,2-7	113322-020	VNT ADJ UP 15W X-TAL ASM	
1A,2-7	113322-021	VNT ADJ UP 16W X-SHT ASM	
1B,2-7	113322-022	VNT ADJ UP 16W SHT ASM	
1C,2-7	113322-023	VNT ADJ UP 16W MED ASM	
1D,2-7	113322-024	VNT ADJ UP 16W TAL ASM	
1E,2-7	113322-025	VNT ADJ UP 16W X-TAL ASM	
1A,2-7	113322-026	VNT ADJ UP 17W X-SHT ASM	
1B,2-7	113322-027	VNT ADJ UP 17W SHT ASM	
1C,2-7	113322-028	VNT ADJ UP 17W MED ASM	
1D,2-7	113322-029	VNT ADJ UP 17W TAL ASM	
1E,2-7	113322-030	VNT ADJ UP 17W X-TAL ASM	
1A,2-7	113322-031	VNT ADJ UP 18W X-SHT ASM	
1B,2-7	113322-032	VNT ADJ UP 18W SHT ASM	
1C,2-7	113322-033	VNT ADJ UP 18W MED ASM	
1D,2-7	113322-034	VNT ADJ UP 18W TAL ASM	
1E,2-7	113322-035	VNT ADJ UP 18W X-TAL ASM	
1A,2-7	113322-036	VNT ADJ UP 19W X-SHT ASM	
1B,2-7	113322-037	VNT ADJ UP 19W SHT ASM	
1C,2-7	113322-038	VNT ADJ UP 19W MED ASM	
1D,2-7	113322-039	VNT ADJ UP 19W TAL ASM	
1E,2-7	113322-040	VNT ADJ UP 19W X-TAL ASM	

Pos.	Item Number	Description	Remarks
1A,2-7	113322-041	VNT ADJ UP 20W X-SHT ASM	
1B,2-7	113322-042	VNT ADJ UP 20W SHT ASM	
1C,2-7	113322-043	VNT ADJ UP 20W MED ASM	
1D,2-7	113322-044	VNT ADJ UP 20W TAL ASM	
1E,2-7	113322-045	VNT ADJ UP 20W X-TAL ASM	

Note: Each back height/type uses a different variation of back straps; replacement strap kits contain more straps than needed to support all back types/heights.

Note: Item 6A/6B/6C is required when ordering a complete back upholstery; order 2 each of the universal item 6A or 6C, or order left and right parts for item 6B; order based on Backrest Type, Back Post/Push Handle Style & Back Height Setting on the chair.

Note: for a Complete Backrest Upholstery, order item 1-5 and item 6A/6B/6C.



Pos.	Item Number	Description	Remarks
2	244215	BACKREST PAD SMALL 14"	Seat width 14"
2	244216	BACKREST PAD SMALL 15"	Seat width 15"
2	131876	BACKREST PAD SMALL 16"	Seat width 16"
2	244217	BACKREST PAD LARGE 17"	Seat width 17"

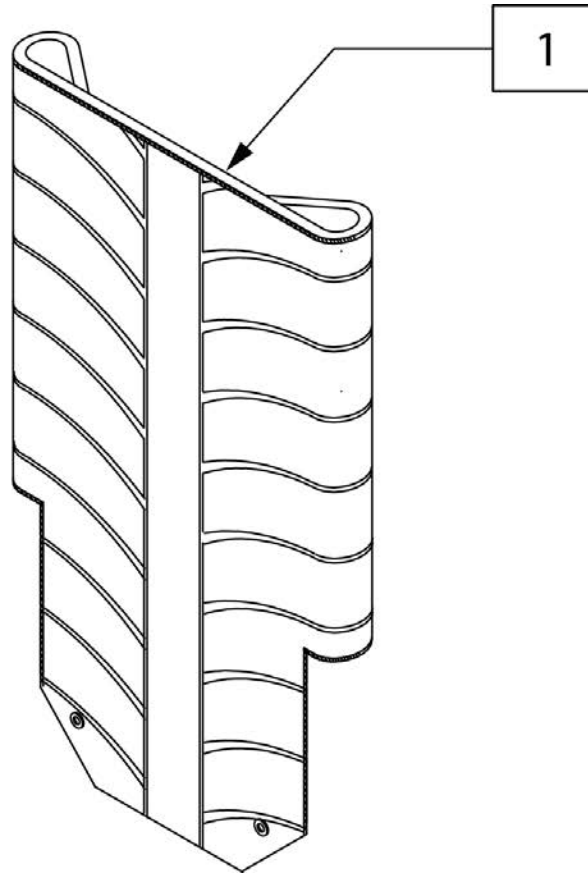
Pos.	Item Number	Description	Remarks
2	244218	BACKREST PAD LARGE 18"	Seat width 18"
2	244219	BACKREST PAD LARGE 19"	Seat width 19"
2	131877	BACKREST PAD LARGE 20"	Seat width 20"
3	052435-002	UPH,VNTD ADJ.,FPH STRP,14-15"W	Fold down push handle only
3	052435-003	UPH,VNTD ADJ.,FPH STRP,16-17"W	Fold down push handle only
3	052435-004	UPH,VNTD ADJ.,FPH STRP,18-20"W	Fold down push handle only
4	132337	BACK BELT ASSY W/ GROMMET 10-16	Integral, Omit & Folding w/Height Adj push handles
4	132338	BACK BELT ASSY W/ GROMMET 17-18	Integral, Omit & Folding w/Height Adj push handles
4	132339	BACK BELT ASSY W/ GROMMET 19-22	Integral, Omit & Folding w/Height Adj push handles
5	132297	BACK BELT ASSY 10-16	
5	132298	BACK BELT ASSY 17-18	
5	132299	BACK BELT ASSY 19-20	
6A	132188	BACK TUBE COVER TOP E	omit push handle only; see ordering guide
6A	241599	BACK TUBE COVER TOP MD FLDG	QXi ONLY; Med; Ht:13-17"; omit push handle only
6A	241600	BACK TUBE COVER TOP TL	Tall; Ht:16-20"; omit push handle only
6B	241597	SIDE PAD TOP TL FLDG RH	Q2 Lite only; Right; Tall: 16-20"; Fold down push handle only
6B	244200	SIDE PAD TOP TL FLDG LH	Q2 Lite only; Left; Tall: 16-20"; Fold down push handle only
6C	132259	SIDE PAD TOP ADJ XS	Ht:11"; for Integral PH OR Folding PH w/ Ht Adj; see ordering guide
6C	132260	SIDE PAD TOP ADJ SM	Ht:12",13"; Adj.Ht:10-14"; for Integral PH OR Folding PH w/ Ht Adj; see ordering guide
6C	132261	SIDE PAD TOP ADJ MD	Ht:14",15"; Adj.Ht:12-16"; for Integral PH OR Folding PH w/ Ht Adj; see ordering guide
6C	132262	SIDE PAD TOP ADJ TL	Ht:16"; Adj.Ht:14-18"; for Integral PH OR Folding PH w/ Ht Adj; see ordering guide
6C	132263	SIDE PAD TOP ADJ XT	Adj.Ht:16-20"; for Integral PH OR Folding PH w/ Ht Adj; see ordering guide
6C	241598	SIDE PAD TOP ADJ F	for Integral PH OR Folding PH w/ Ht Adj; see ordering guide
6C	244616	SIDE PAD TOP ADJ G	for Integral PH OR Folding PH w/ Ht Adj; see ordering guide
6C	244617	SIDE PAD TOP ADJ H	for Integral PH OR Folding PH w/ Ht Adj; see ordering guide
7	107384	PAN HD PHIL 10/32 X 5/8 ROHS	
1-5	161665	BACK UPH TA EXO 12 WD XS	
1-5	161666	BACK UPH TA EXO 12 WD SM	
1-5	161667	BACK UPH TA EXO 12 WD MD	
1-5	161668	BACK UPH TA EXO 12 WD TL	
1-5	161669	BACK UPH TA EXO 12 WD XT	
1-5	161670	BACK UPH TA EXO 13 WD XS	
1-5	161671	BACK UPH TA EXO 13 WD SM	
1-5	161672	BACK UPH TA EXO 13 WD MD	
1-5	161673	BACK UPH TA EXO 13 WD TL	
1-5	161674	BACK UPH TA EXO 13 WD XT	
1-5	161675	BACK UPH TA EXO 14 WD XS	
1-5	161676	BACK UPH TA EXO 14 WD SM	
1-5	161677	BACK UPH TA EXO 14 WD MD	
1-5	161441	BACK UPH TA EXO 14 WD TL	
1-5	161442	BACK UPH TA EXO 14 WD XT	
1-5	161678	BACK UPH TA EXO 15 WD XS	
1-5	161679	BACK UPH TA EXO 15 WD SM	
1-5	161680	BACK UPH TA EXO 15 WD MD	
1-5	161443	BACK UPH TA EXO 15 WD TL	
1-5	161444	BACK UPH TA EXO 15 WD XT	
1-5	161681	BACK UPH TA EXO 16 WD XS	
1-5	161682	BACK UPH TA EXO 16 WD SM	
1-5	161683	BACK UPH TA EXO 16 WD MD	
1-5	161445	BACK UPH TA EXO 16 WD TL	
1-5	161446	BACK UPH TA EXO 16 WD XT	

Pos.	Item Number	Description	Remarks
1-5	161684	BACK UPH TA EXO 17 WD XS	
1-5	161685	BACK UPH TA EXO 17 WD SM	
1-5	161686	BACK UPH TA EXO 17 WD MD	
1-5	161447	BACK UPH TA EXO 17 WD TL	
1-5	161448	BACK UPH TA EXO 17 WD XT	
1-5	161687	BACK UPH TA EXO 18 WD XS	
1-5	161688	BACK UPH TA EXO 18 WD SM	
1-5	161689	BACK UPH TA EXO 18 WD MD	
1-5	161449	BACK UPH TA EXO 18 WD TL	
1-5	161450	BACK UPH TA EXO 18 WD XT	
1-5	161690	BACK UPH TA EXO 19 WD XS	
1-5	161691	BACK UPH TA EXO 19 WD SM	
1-5	161692	BACK UPH TA EXO 19 WD MD	
1-5	161451	BACK UPH TA EXO 19 WD TL	
1-5	161452	BACK UPH TA EXO 19 WD XT	
1-5	161693	BACK UPH TA EXO 20 WD XS	
1-5	161694	BACK UPH TA EXO 20 WD SM	
1-5	161695	BACK UPH TA EXO 20 WD MD	
1-5	161453	BACK UPH TA EXO 20 WD TL	
1-5	161454	BACK UPH TA EXO 20 WD XT	
1-5	161706	BACK UPH TA EXO 12 WD XS ORNG	
1-5	161707	BACK UPH TA EXO 12 WD SM ORNG	
1-5	161708	BACK UPH TA EXO 12 WD MD ORNG	
1-5	161709	BACK UPH TA EXO 12 WD TL ORNG	
1-5	161710	BACK UPH TA EXO 12 WD XT ORNG	
1-5	161711	BACK UPH TA EXO 13 WD XS ORNG	
1-5	161712	BACK UPH TA EXO 13 WD SM ORNG	
1-5	161713	BACK UPH TA EXO 13 WD MD ORNG	
1-5	161714	BACK UPH TA EXO 13 WD TL ORNG	
1-5	161715	BACK UPH TA EXO 13 WD XT ORNG	
1-5	161716	BACK UPH TA EXO 14 WD XS ORNG	
1-5	161717	BACK UPH TA EXO 14 WD SM ORNG	
1-5	161718	BACK UPH TA EXO 14 WD MD ORNG	
1-5	161719	BACK UPH TA EXO 14 WD TL ORNG	
1-5	161720	BACK UPH TA EXO 14 WD XT ORNG	
1-5	161721	BACK UPH TA EXO 15 WD XS ORNG	
1-5	161722	BACK UPH TA EXO 15 WD SM ORNG	
1-5	161723	BACK UPH TA EXO 15 WD MD ORNG	
1-5	161724	BACK UPH TA EXO 15 WD TL ORNG	
1-5	161725	BACK UPH TA EXO 15 WD XT ORNG	
1-5	161726	BACK UPH TA EXO 16 WD XS ORNG	
1-5	161727	BACK UPH TA EXO 16 WD SM ORNG	
1-5	161728	BACK UPH TA EXO 16 WD MD ORNG	
1-5	161729	BACK UPH TA EXO 16 WD TL ORNG	
1-5	161730	BACK UPH TA EXO 16 WD XT ORNG	
1-5	161731	BACK UPH TA EXO 17 WD XS ORNG	
1-5	161732	BACK UPH TA EXO 17 WD SM ORNG	
1-5	161733	BACK UPH TA EXO 17 WD MD ORNG	
1-5	161734	BACK UPH TA EXO 17 WD TL ORNG	
1-5	161735	BACK UPH TA EXO 17 WD XT ORNG	
1-5	161736	BACK UPH TA EXO 18 WD XS ORNG	
1-5	161737	BACK UPH TA EXO 18 WD SM ORNG	
1-5	161738	BACK UPH TA EXO 18 WD MD ORNG	
1-5	161739	BACK UPH TA EXO 18 WD TL ORNG	
1-5	161740	BACK UPH TA EXO 18 WD XT ORNG	
1-5	161741	BACK UPH TA EXO 19 WD XS ORNG	

Pos.	Item Number	Description	Remarks
1-5	161742	BACK UPH TA EXO 19 WD SM ORNG	
1-5	161743	BACK UPH TA EXO 19 WD MD ORNG	
1-5	161744	BACK UPH TA EXO 19 WD TL ORNG	
1-5	161745	BACK UPH TA EXO 19 WD XT ORNG	
1-5	161746	BACK UPH TA EXO 20 WD XS ORNG	
1-5	161747	BACK UPH TA EXO 20 WD SM ORNG	
1-5	161748	BACK UPH TA EXO 20 WD MD ORNG	
1-5	161749	BACK UPH TA EXO 20 WD TL ORNG	
1-5	161750	BACK UPH TA EXO 20 WD XT ORNG	
1-5	161761	BACK UPH TA EXO 12 WD XS SLVR	
1-5	161762	BACK UPH TA EXO 12 WD SM SLVR	
1-5	161763	BACK UPH TA EXO 12 WD MD SLVR	
1-5	161764	BACK UPH TA EXO 12 WD TL SLVR	
1-5	161765	BACK UPH TA EXO 12 WD XT SLVR	
1-5	161766	BACK UPH TA EXO 13 WD XS SLVR	
1-5	161767	BACK UPH TA EXO 13 WD SM SLVR	
1-5	161768	BACK UPH TA EXO 13 WD MD SLVR	
1-5	161769	BACK UPH TA EXO 13 WD TL SLVR	
1-5	161770	BACK UPH TA EXO 13 WD XT SLVR	
1-5	161771	BACK UPH TA EXO 14 WD XS SLVR	
1-5	161772	BACK UPH TA EXO 14 WD SM SLVR	
1-5	161773	BACK UPH TA EXO 14 WD MD SLVR	
1-5	161774	BACK UPH TA EXO 14 WD TL SLVR	
1-5	161775	BACK UPH TA EXO 14 WD XT SLVR	
1-5	161776	BACK UPH TA EXO 15 WD XS SLVR	
1-5	161777	BACK UPH TA EXO 15 WD SM SLVR	
1-5	161778	BACK UPH TA EXO 15 WD MD SLVR	
1-5	161779	BACK UPH TA EXO 15 WD TL SLVR	
1-5	161780	BACK UPH TA EXO 15 WD XT SLVR	
1-5	161781	BACK UPH TA EXO 16 WD XS SLVR	
1-5	161782	BACK UPH TA EXO 16 WD SM SLVR	
1-5	161783	BACK UPH TA EXO 16 WD MD SLVR	
1-5	161784	BACK UPH TA EXO 16 WD TL SLVR	
1-5	161785	BACK UPH TA EXO 16 WD XT SLVR	
1-5	161786	BACK UPH TA EXO 17 WD XS SLVR	
1-5	161787	BACK UPH TA EXO 17 WD SM SLVR	
1-5	161788	BACK UPH TA EXO 17 WD MD SLVR	
1-5	161789	BACK UPH TA EXO 17 WD TL SLVR	
1-5	161790	BACK UPH TA EXO 17 WD XT SLVR	
1-5	161791	BACK UPH TA EXO 18 WD XS SLVR	
1-5	161792	BACK UPH TA EXO 18 WD SM SLVR	
1-5	161793	BACK UPH TA EXO 18 WD MD SLVR	
1-5	161794	BACK UPH TA EXO 18 WD TL SLVR	
1-5	161795	BACK UPH TA EXO 18 WD XT SLVR	
1-5	161796	BACK UPH TA EXO 19 WD XS SLVR	
1-5	161797	BACK UPH TA EXO 19 WD SM SLVR	
1-5	161798	BACK UPH TA EXO 19 WD MD SLVR	
1-5	161799	BACK UPH TA EXO 19 WD TL SLVR	
1-5	161800	BACK UPH TA EXO 19 WD XT SLVR	
1-5	161801	BACK UPH TA EXO 20 WD XS SLVR	
1-5	161802	BACK UPH TA EXO 20 WD SM SLVR	
1-5	161803	BACK UPH TA EXO 20 WD MD SLVR	
1-5	161859	BACK UPH TA EXO 20 WD TL SLVR	
1-5	161805	BACK UPH TA EXO 20 WD XT SLVR	
1-5	161816	BACK UPH TA EXO 12 WD XS BLUE	
1-5	161817	BACK UPH TA EXO 12 WD SM BLUE	

Pos.	Item Number	Description	Remarks
1-5	161818	BACK UPH TA EXO 12 WD MD BLUE	
1-5	161819	BACK UPH TA EXO 12 WD TL BLUE	
1-5	161820	BACK UPH TA EXO 12 WD XT BLUE	
1-5	161821	BACK UPH TA EXO 13 WD XS BLUE	
1-5	161822	BACK UPH TA EXO 13 WD SM BLUE	
1-5	161823	BACK UPH TA EXO 13 WD MD BLUE	
1-5	161824	BACK UPH TA EXO 13 WD TL BLUE	
1-5	161825	BACK UPH TA EXO 13 WD XT BLUE	
1-5	161826	BACK UPH TA EXO 14 WD XS BLUE	
1-5	161827	BACK UPH TA EXO 14 WD SM BLUE	
1-5	161828	BACK UPH TA EXO 14 WD MD BLUE	
1-5	161829	BACK UPH TA EXO 14 WD TL BLUE	
1-5	161830	BACK UPH TA EXO 14 WD XT BLUE	
1-5	161831	BACK UPH TA EXO 15 WD XS BLUE	
1-5	161832	BACK UPH TA EXO 15 WD SM BLUE	
1-5	161833	BACK UPH TA EXO 15 WD MD BLUE	
1-5	161834	BACK UPH TA EXO 15 WD TL BLUE	
1-5	161835	BACK UPH TA EXO 15 WD XT BLUE	
1-5	161836	BACK UPH TA EXO 16 WD XS BLUE	
1-5	161837	BACK UPH TA EXO 16 WD SM BLUE	
1-5	161838	BACK UPH TA EXO 16 WD MD BLUE	
1-5	161839	BACK UPH TA EXO 16 WD TL BLUE	
1-5	161840	BACK UPH TA EXO 16 WD XT BLUE	
1-5	161841	BACK UPH TA EXO 17 WD XS BLUE	
1-5	161842	BACK UPH TA EXO 17 WD SM BLUE	
1-5	161843	BACK UPH TA EXO 17 WD MD BLUE	
1-5	161844	BACK UPH TA EXO 17 WD TL BLUE	
1-5	161845	BACK UPH TA EXO 17 WD XT BLUE	
1-5	161846	BACK UPH TA EXO 18 WD XS BLUE	
1-5	161847	BACK UPH TA EXO 18 WD SM BLUE	
1-5	161848	BACK UPH TA EXO 18 WD MD BLUE	
1-5	161849	BACK UPH TA EXO 18 WD TL BLUE	
1-5	161850	BACK UPH TA EXO 18 WD XT BLUE	
1-5	161851	BACK UPH TA EXO 19 WD XS BLUE	
1-5	161852	BACK UPH TA EXO 19 WD SM BLUE	
1-5	161853	BACK UPH TA EXO 19 WD MD BLUE	
1-5	161854	BACK UPH TA EXO 19 WD TL BLUE	
1-5	161855	BACK UPH TA EXO 19 WD XT BLUE	
1-5	161856	BACK UPH TA EXO 20 WD XS BLUE	
1-5	161857	BACK UPH TA EXO 20 WD SM BLUE	
1-5	161858	BACK UPH TA EXO 20 WD MD BLUE	
1-5	161804	BACK UPH TA EXO 20 WD TL BLUE	
1-5	161860	BACK UPH TA EXO 20 WD XT BLUE	
1-5	161871	BACK UPH TA EXO 12 WD XS RED	
1-5	161872	BACK UPH TA EXO 12 WD SM RED	
1-5	161873	BACK UPH TA EXO 12 WD MD RED	
1-5	161874	BACK UPH TA EXO 12 WD TL RED	
1-5	161875	BACK UPH TA EXO 12 WD XT RED	
1-5	161876	BACK UPH TA EXO 13 WD XS RED	
1-5	161877	BACK UPH TA EXO 13 WD SM RED	
1-5	161878	BACK UPH TA EXO 13 WD MD RED	
1-5	161879	BACK UPH TA EXO 13 WD TL RED	
1-5	161880	BACK UPH TA EXO 13 WD XT RED	
1-5	161881	BACK UPH TA EXO 14 WD XS RED	
1-5	161882	BACK UPH TA EXO 14 WD SM RED	
1-5	161883	BACK UPH TA EXO 14 WD MD RED	

Pos.	Item Number	Description	Remarks
1-5	161884	BACK UPH TA EXO 14 WD TL RED	
1-5	161885	BACK UPH TA EXO 14 WD XT RED	
1-5	161886	BACK UPH TA EXO 15 WD XS RED	
1-5	161887	BACK UPH TA EXO 15 WD SM RED	
1-5	161888	BACK UPH TA EXO 15 WD MD RED	
1-5	161889	BACK UPH TA EXO 15 WD TL RED	
1-5	161890	BACK UPH TA EXO 15 WD XT RED	
1-5	161891	BACK UPH TA EXO 16 WD XS RED	
1-5	161892	BACK UPH TA EXO 16 WD SM RED	
1-5	161893	BACK UPH TA EXO 16 WD MD RED	
1-5	161894	BACK UPH TA EXO 16 WD TL RED	
1-5	161895	BACK UPH TA EXO 16 WD XT RED	
1-5	161896	BACK UPH TA EXO 17 WD XS RED	
1-5	161897	BACK UPH TA EXO 17 WD SM RED	
1-5	161898	BACK UPH TA EXO 17 WD MD RED	
1-5	161899	BACK UPH TA EXO 17 WD TL RED	
1-5	161900	BACK UPH TA EXO 17 WD XT RED	
1-5	161901	BACK UPH TA EXO 18 WD XS RED	
1-5	161902	BACK UPH TA EXO 18 WD SM RED	
1-5	161903	BACK UPH TA EXO 18 WD MD RED	
1-5	161904	BACK UPH TA EXO 18 WD TL RED	
1-5	161905	BACK UPH TA EXO 18 WD XT RED	
1-5	161906	BACK UPH TA EXO 19 WD XS RED	
1-5	161907	BACK UPH TA EXO 19 WD SM RED	
1-5	161908	BACK UPH TA EXO 19 WD MD RED	
1-5	161909	BACK UPH TA EXO 19 WD TL RED	
1-5	161910	BACK UPH TA EXO 19 WD XT RED	
1-5	161911	BACK UPH TA EXO 20 WD XS RED	
1-5	161912	BACK UPH TA EXO 20 WD SM RED	
1-5	161913	BACK UPH TA EXO 20 WD MD RED	
1-5	161914	BACK UPH TA EXO 20 WD TL RED	
1-5	161915	BACK UPH TA EXO 20 WD XT RED	



Pos.	Item Number	Description	Remarks
1	241275	BACK UPH EXO FLDG 14WD MD	Black
1	241276	BACK UPH EXO FLDG 14WD TL	Black
1	241277	BACK UPH EXO FLDG 15WD MD	Black
1	241278	BACK UPH EXO FLDG 15WD TL	Black
1	241279	BACK UPH EXO FLDG 16WD MD	Black
1	241280	BACK UPH EXO FLDG 16WD TL	Black
1	241281	BACK UPH EXO FLDG 17WD MD	Black
1	241282	BACK UPH EXO FLDG 17WD TL	Black
1	241283	BACK UPH EXO FLDG 18WD MD	Black
1	241284	BACK UPH EXO FLDG 18WD TL	Black
1	241285	BACK UPH EXO FLDG 19WD MD	Black
1	241286	BACK UPH EXO FLDG 19WD TL	Black
1	241287	BACK UPH EXO FLDG 20WD MD	Black
1	241288	BACK UPH EXO FLDG 20WD TL	Black
1	243650	BK UPH EXO FDG 11-12 LW BLK725	Black
1	243651	BK UPH EXO FDG 11-12 MD BLK725	Black
1	243652	BK UPH EXO FDG 11-12 TL BLK725	Black
1	243653	BK UPH EXO FDG 13W LW BLK725	Black
1	243654	BK UPH EXO FDG 13W MD BLK725	Black
1	243655	BK UPH EXO FDG 13W TL BLK725	Black
1	243656	BK UPH EXO FDG 14W LW BLK725	Black
1	243657	BK UPH EXO FDG 14W M-L BLK725	Black
1	243658	BK UPH EXO FDG 15W LW BLK725	Black
1	243659	BK UPH EXO FDG 16W LW BLK725	Black

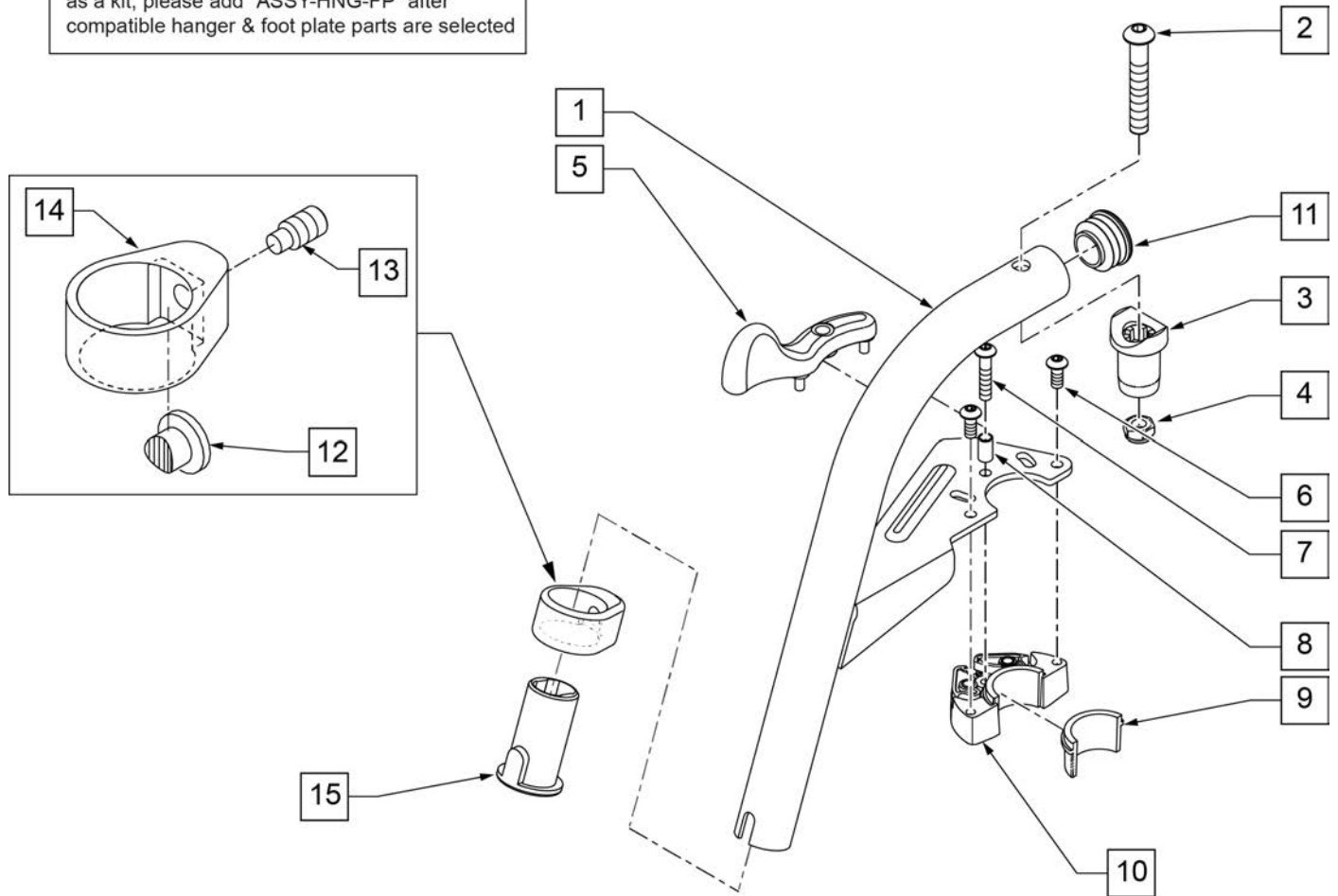
Pos.	Item Number	Description	Remarks
1	243660	BK UPH EXO FDG 16W M-L BLK725	Black
1	243661	BK UPH EXO FDG 17W LW BLK725	Black
1	243662	BK UPH EXO FDG 18W LW BLK725	Black
1	243663	BK UPH EXO FDG 18W M-L BLK725	Black
1	243664	BK UPH EXO FDG 19W LW BLK725	Black
1	243665	BK UPH EXO FDG 20W LW BLK725	Black
1	243666	BK UPH EXO FDG 20W M-L BLK725	Black
1	242667	BACK UPH EXO FDG 14W MD ORANGE139	
1	242668	BACK UPH EXO FDG 14W TL ORANGE139	
1	242669	BACK UPH EXO FDG 15W MD ORANGE139	
1	242670	BACK UPH EXO FDG 15W TL ORANGE139	
1	242671	BACK UPH EXO FDG 16W MD ORANGE139	
1	242672	BACK UPH EXO FDG 16W TL ORANGE139	
1	242673	BACK UPH EXO FDG 17W MD ORANGE139	
1	242674	BACK UPH EXO FDG 17W TL ORANGE139	
1	242675	BACK UPH EXO FDG 18W MD ORANGE139	
1	242676	BACK UPH EXO FDG 18W TL ORANGE139	
1	242677	BACK UPH EXO FDG 19W MD ORANGE139	
1	242678	BACK UPH EXO FDG 19W TL ORANGE139	
1	242679	BACK UPH EXO FDG 20W MD ORANGE139	
1	242680	BACK UPH EXO FDG 20W TL ORANGE139	
1	243671	BK UPH EXO FDG 13W MD ORG139	
1	243672	BK UPH EXO FDG 13W TL ORG139	
1	243673	BK UPH EXO FDG 14W LW ORG139	
1	243674	BK UPH EXO FDG 14W M-L ORG139	
1	243675	BK UPH EXO FDG 15W LW ORG139	
1	243676	BK UPH EXO FDG 16W LW ORG139	
1	243677	BK UPH EXO FDG 16W M-L ORG139	
1	243678	BK UPH EXO FDG 17W LW ORG139	
1	243679	BK UPH EXO FDG 18W LW ORG139	
1	243680	BK UPH EXO FDG 18W M-L ORG139	
1	243681	BK UPH EXO FDG 19W LW ORG139	
1	243682	BK UPH EXO FDG 20W LW ORG139	
1	243683	BK UPH EXO FDG 20W M-L ORG139	
1	242737	BACK UPH EXO FDG 14W MD SILVER 702	
1	242738	BACK UPH EXO FDG 14W TL SILVER 702	
1	242739	BACK UPH EXO FDG 15W MD SILVER 702	
1	242740	BACK UPH EXO FDG 15W TL SILVER 702	
1	242741	BACK UPH EXO FDG 16W MD SILVER 702	
1	242742	BACK UPH EXO FDG 16W TL SILVER 702	
1	242743	BACK UPH EXO FDG 17W MD SILVER 702	
1	242744	BACK UPH EXO FDG 17W TL SILVER 702	
1	242745	BACK UPH EXO FDG 18W MD SILVER 702	
1	242746	BACK UPH EXO FDG 18W TL SILVER 702	
1	242747	BACK UPH EXO FDG 19W MD SILVER 702	
1	242748	BACK UPH EXO FDG 19W TL SILVER 702	
1	242749	BACK UPH EXO FDG 20W MD SILVER 702	
1	242750	BACK UPH EXO FDG 20W TL SILVER 702	
1	243684	BK UPH EXO FDG 11-12 LW SLV702	
1	243685	BK UPH EXO FDG 11-12 MD SLV702	
1	243686	BK UPH EXO FDG 11-12 TL SLV702	
1	243687	BK UPH EXO FDG 13W LW SLV702	
1	243688	BK UPH EXO FDG 13W MD SLV702	
1	243689	BK UPH EXO FDG 13W TL SLV702	
1	243690	BK UPH EXO FDG 14W LW SLV702	
1	243691	BK UPH EXO FDG 14W M-L SLV702	

Pos.	Item Number	Description	Remarks
1	243692	BK UPH EXO FDG 15W LW SLV702	
1	243693	BK UPH EXO FDG 16W LW SLV702	
1	243694	BK UPH EXO FDG 16W M-L SLV702	
1	243695	BK UPH EXO FDG 17W LW SLV702	
1	243696	BK UPH EXO FDG 18W LW SLV702	
1	243697	BK UPH EXO FDG 18W M-L SLV702	
1	243698	BK UPH EXO FDG 19W LW SLV702	
1	243699	BK UPH EXO FDG 20W LW SLV702	
1	243700	BK UPH EXO FDG 20W M-L SLV702	
1	242806	BACK UPH EXO FDG 14W MD BLUE 570	
1	242807	BACK UPH EXO FDG 14W TL BLUE 570	
1	242808	BACK UPH EXO FDG 15W MD BLUE 570	
1	242809	BACK UPH EXO FDG 15W TL BLUE 570	
1	242810	BACK UPH EXO FDG 16W MD BLUE 570	
1	242811	BACK UPH EXO FDG 16W TL BLUE 570	
1	242812	BACK UPH EXO FDG 17W MD BLUE 570	
1	242813	BACK UPH EXO FDG 17W TL BLUE 570	
1	242814	BACK UPH EXO FDG 18W MD BLUE 570	
1	242815	BACK UPH EXO FDG 18W TL BLUE 570	
1	242816	BACK UPH EXO FDG 19W MD BLUE 570	
1	242817	BACK UPH EXO FDG 19W TL BLUE 570	
1	242818	BACK UPH EXO FDG 20W MD BLUE 570	
1	242819	BACK UPH EXO FDG 20W TL BLUE 570	
1	243701	BK UPH EXO FDG 11-12 LW BLU570	
1	243702	BK UPH EXO FDG 11-12 MD BLU570	
1	243703	BK UPH EXO FDG 11-12 TL BLU570	
1	243704	BK UPH EXO FDG 13W LW BLU570	
1	243705	BK UPH EXO FDG 13W MD BLU570	
1	243706	BK UPH EXO FDG 13W TL BLU570	
1	243707	BK UPH EXO FDG 14W LW BLU570	
1	243708	BK UPH EXO FDG 14W M-L BLU570	
1	243709	BK UPH EXO FDG 15W LW BLU570	
1	243710	BK UPH EXO FDG 16W LW BLU570	
1	243711	BK UPH EXO FDG 16W M-L BLU570	
1	243712	BK UPH EXO FDG 17W LW BLU570	
1	243713	BK UPH EXO FDG 18W LW BLU570	
1	243714	BK UPH EXO FDG 18W M-L BLU570	
1	243715	BK UPH EXO FDG 19W LW BLU570	
1	243716	BK UPH EXO FDG 20W LW BLU570	
1	243717	BK UPH EXO FDG 20W M-L BLU570	
1	242929	BACK UPH EXO FDG 14W MD RED 320	
1	242930	BACK UPH EXO FDG 14W TL RED 320	
1	242931	BACK UPH EXO FDG 15W MD RED 320	
1	242932	BACK UPH EXO FDG 15W TL RED 320	
1	242933	BACK UPH EXO FDG 16W MD RED 320	
1	242934	BACK UPH EXO FDG 16W TL RED 320	
1	242935	BACK UPH EXO FDG 17W MD RED 320	
1	242936	BACK UPH EXO FDG 17W TL RED 320	
1	242937	BACK UPH EXO FDG 18W MD RED 320	
1	242938	BACK UPH EXO FDG 18W TL RED 320	
1	242939	BACK UPH EXO FDG 19W MD RED 320	
1	242940	BACK UPH EXO FDG 19W TL RED 320	
1	242941	BACK UPH EXO FDG 20W MD RED 320	
1	242942	BACK UPH EXO FDG 20W TL RED 320	
1	243718	BK UPH EXO FDG 11-12 LW RED320	
1	243719	BK UPH EXO FDG 11-12 MD RED320	

Pos.	Item Number	Description	Remarks
1	243720	BK UPH EXO FDG 11-12 TL RED320	
1	243721	BK UPH EXO FDG 13W LW RED320	
1	243722	BK UPH EXO FDG 13W MD RED320	
1	243723	BK UPH EXO FDG 13W TL RED320	
1	243724	BK UPH EXO FDG 14W LW RED320	
1	243725	BK UPH EXO FDG 14W M-L RED320	
1	243726	BK UPH EXO FDG 15W LW RED320	
1	243727	BK UPH EXO FDG 16W LW RED320	
1	243728	BK UPH EXO FDG 16W M-L RED320	
1	243729	BK UPH EXO FDG 17W LW RED320	
1	243730	BK UPH EXO FDG 18W LW RED320	
1	243731	BK UPH EXO FDG 18W M-L RED320	
1	243732	BK UPH EXO FDG 19W LW RED320	
1	243733	BK UPH EXO FDG 20W LW RED320	
1	243734	BK UPH EXO FDG 20W M-L RED320	

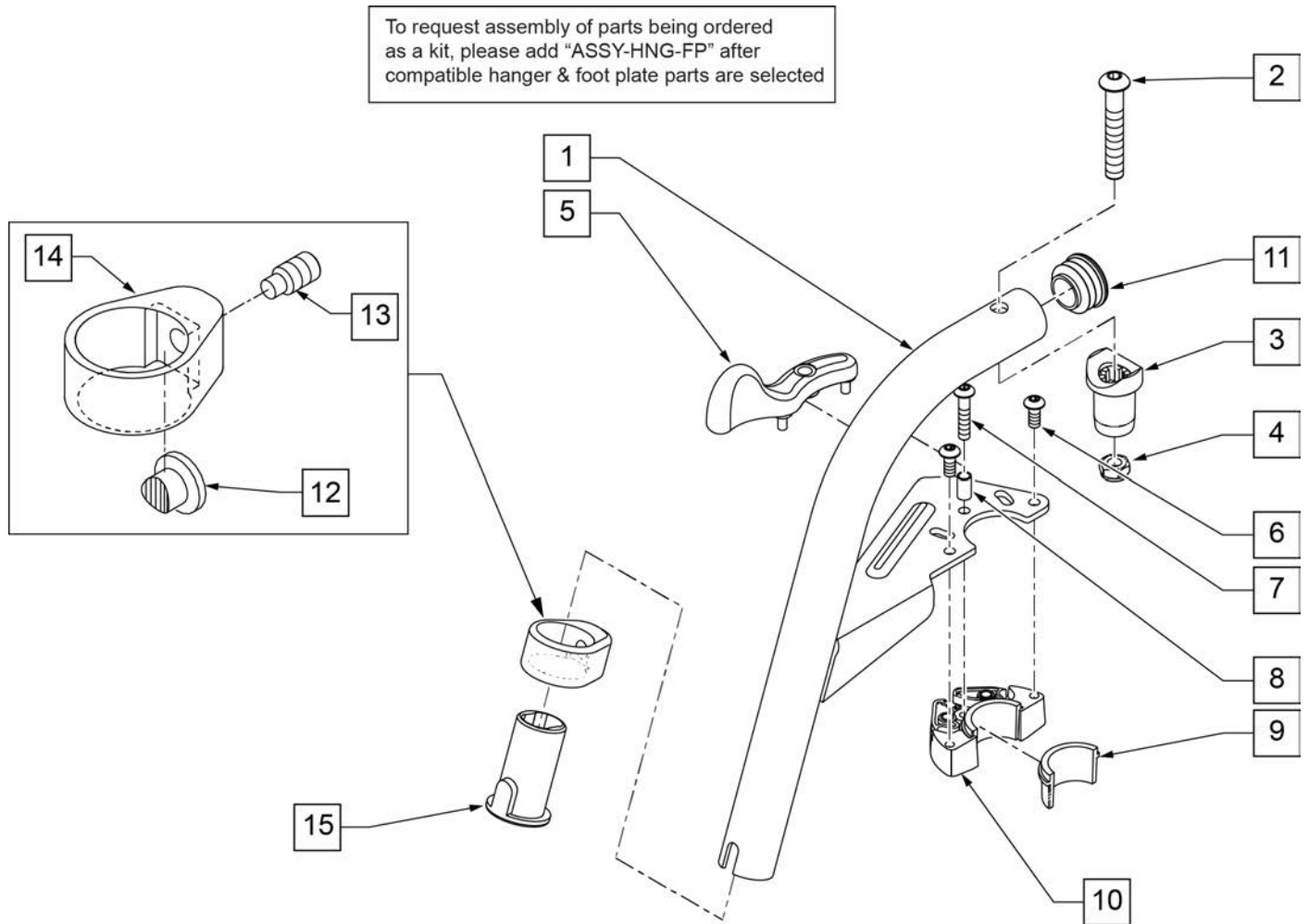
Note: Effective on GP SA beginning GP-95902, Kids Q2 SE beginning QKE-003425, LX/LXI beginning LXI-060868, Quickie TS beginning QT-044951 & QTE-002092.

To request assembly of parts being ordered as a kit, please add "ASSY-HNG-FP" after compatible hanger & foot plate parts are selected



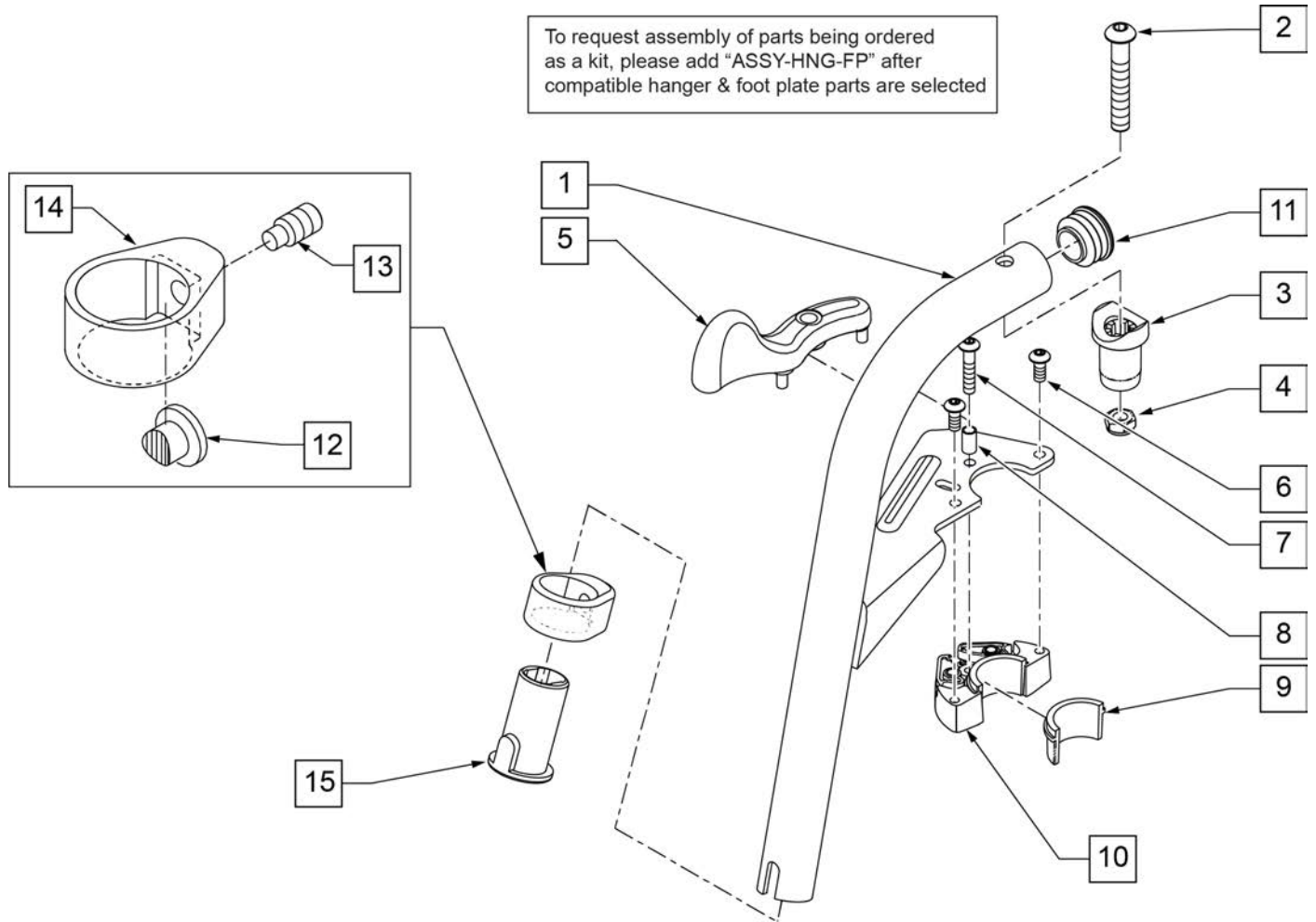
Pos.	Item Number	Description	Remarks
2	106983	5/16-18 X 2 BH C/S SHT THREAD	
3,4	561197	PIVOT SADDLE PLASTIC	
5	052296	SWING I/O LATCH LEVER RIGHT	Right
5	052297	SWING I/O LATCH LEVER LEFT	Left
6	102259-001	BHCS M5 X .8 X 12 W/PL INORG	
7	230494	M5-30 BTTN HD SOC C/S BLK	
8	052054	BUSHING PIVOT HANGER SWING I/O	
11	561062	1" INSERT PLUG .065 RIBS	
15	104160	BUSHING FOOTREST	
1-15	111243S	HANGER 60 Deg S/A ASSM R	SPECIFY COLOR,RIGHT
1-15	111242S	HANGER 60 Deg S/A ASSM L	SPECIFY COLOR,LEFT
12-15	107485	FOOTREST CLAMP ASSM	
6,9,10	120976	ASSY LATCH BLOCK ANTI LIFT	
		Ship assembled part #	Use with multiple assemblies
	ASSY-HNG-FP	HANGER/FOOTPLATE ASSY REQUIRED	add with Hanger & Footplate kit

Note: Effective on GP SA beginning GP-95902, Kids Q2 SE beginning QKE-003425, LX/LXI beginning LXI-060868, Quickie TS beginning QT-044951 & QTE-002092.



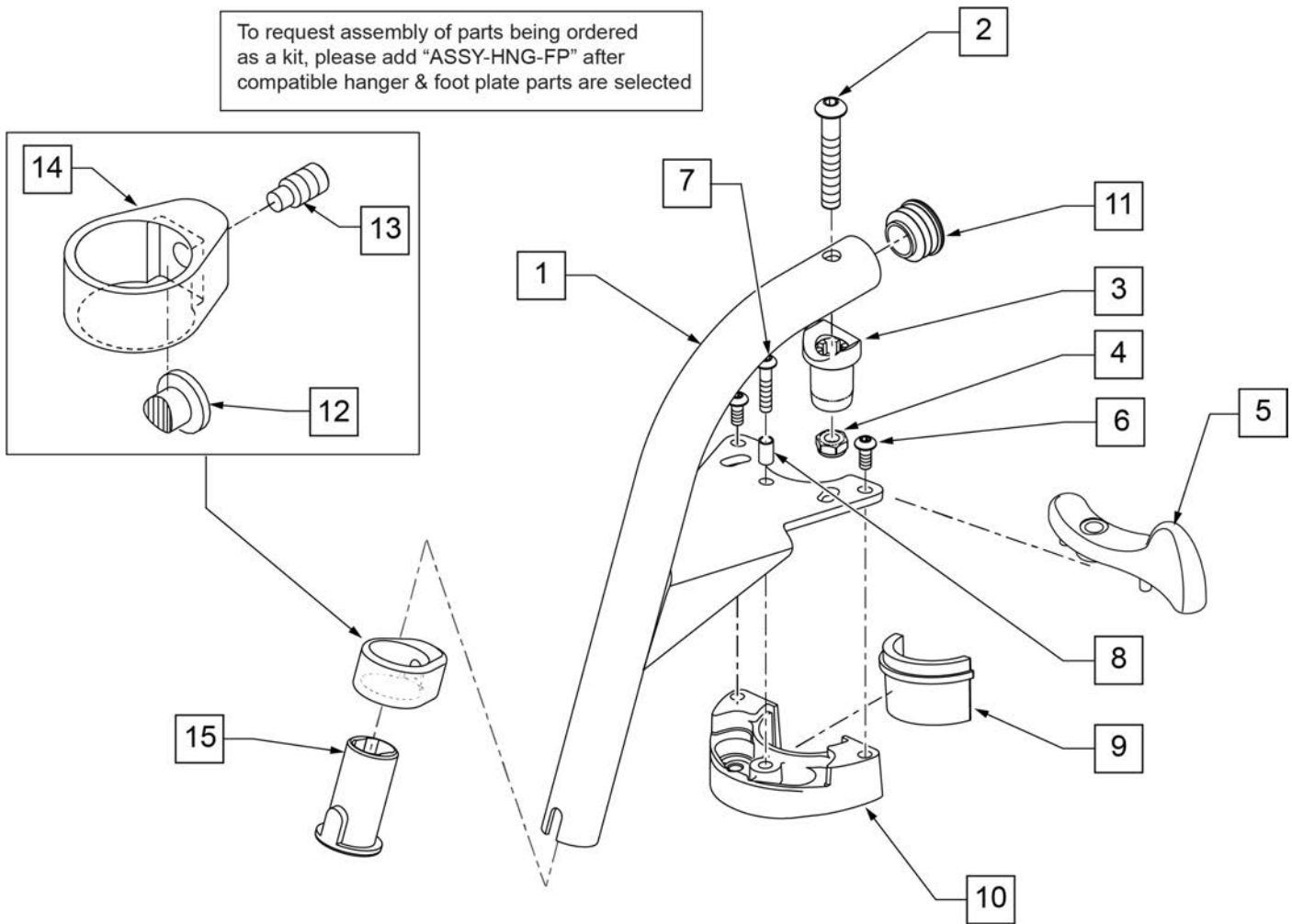
Pos.	Item Number	Description	Remarks
2	106983	5/16-18 X 2 BH C/S SHT THREAD	
3,4	561197	PIVOT SADDLE PLASTIC	
5	052296	SWING I/O LATCH LEVER RIGHT	Right
5	052297	SWING I/O LATCH LEVER LEFT	Left
6	102259-001	BHCS M5 X .8 X 12 W/PL INORG	
7	230494	M5-30 BTTN HD SOC C/S BLK	
8	052054	BUSHING PIVOT HANGER SWING I/O	
11	561062	1" INSERT PLUG .065 RIBS	
15	104160	BUSHING FOOTREST	
1-15	107671S	70 DEG SWING IN/OUT HANGER ASSEMBLY LEFT	SPECIFY COLOR,LEFT
1-15	107670S	70 DEG SWING IN/OUT HANGER ASSEMBLY RIGHT	SPECIFY COLOR,RIGHT
12-15	107485	FOOTREST CLAMP ASSM	
6,9,10	120976	ASSY LATCH BLOCK ANTI LIFT	
		Ship assembled part #	Use with multiple assemblies
	ASSY-HNG-FP	HANGER/FOOTPLATE ASSY REQUIRED	add with Hanger & Footplate kit

Note: Effective on GP SA beginning GP-95902, Kids Q2 SE beginning QKE-003425, LX/LXI beginning LXI-060868, Quickie TS beginning QT-044951 & QTE-002092.



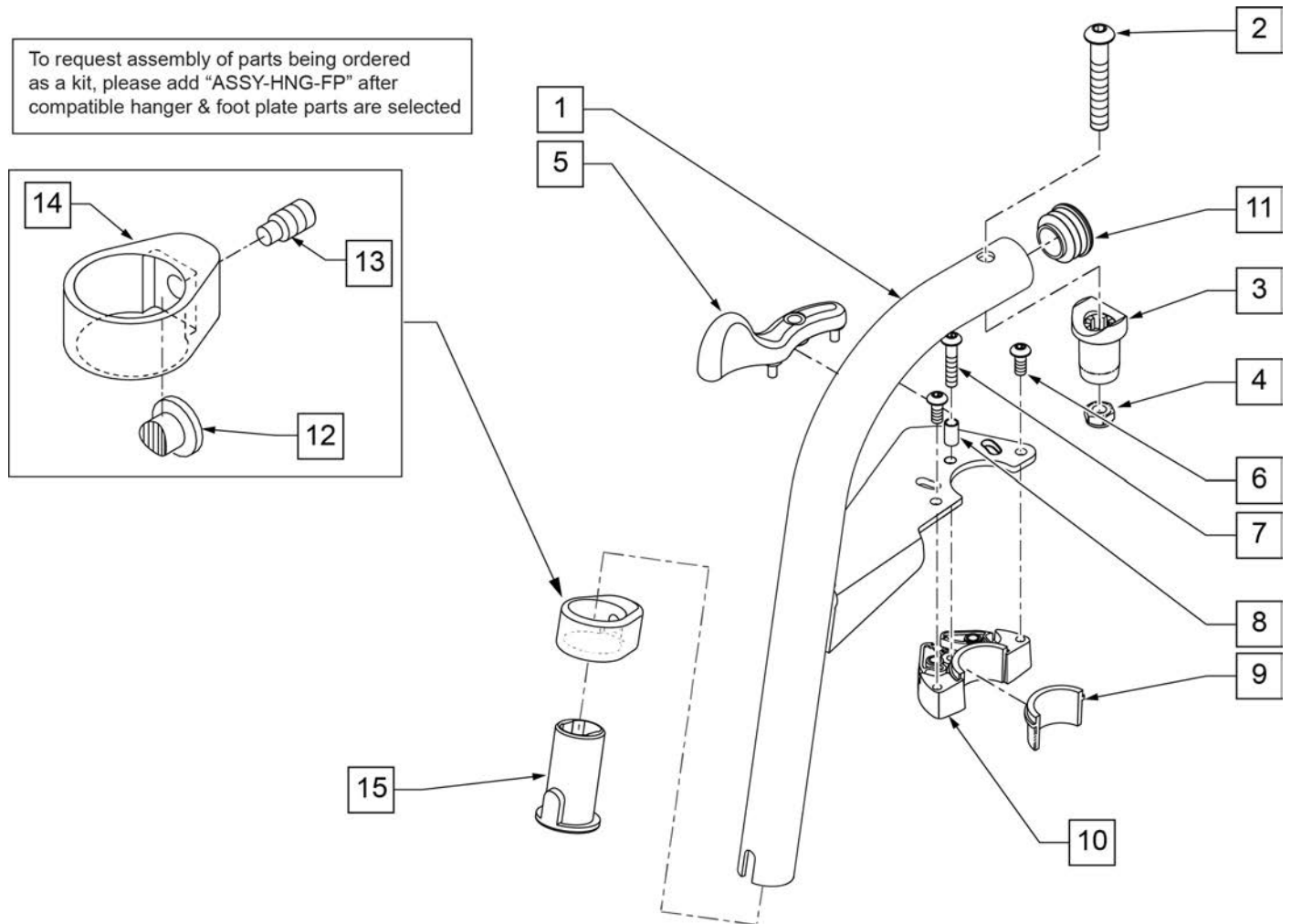
Pos.	Item Number	Description	Remarks
2	106983	5/16-18 X 2 BH C/S SHT THREAD	
3	561197	PIVOT SADDLE PLASTIC	Includes nylock nut
5	052296	SWING I/O LATCH LEVER RIGHT	Right
5	052297	SWING I/O LATCH LEVER LEFT	Left
7	230494	M5-30 BTTN HD SOC C/S BLK	
8	052054	BUSHING PIVOT HANGER SWING I/O	
11	561062	1" INSERT PLUG .065 RIBS	
15	104160	BUSHING FOOTREST	
1-15	107675S	70D V HNGR SWNG I/O ASSM L	SPECIFY COLOR,LEFT
1-15	107674S	70D V HNGR SWNG I/O ASSM R	SPECIFY COLOR,RIGHT
12-15	107485	FOOTREST CLAMP ASSM	
6,9,10	120976	ASSY LATCH BLOCK ANTI LIFT	
		Ship assembled part #	Use with multiple assemblies
	ASSY-HNG-FP	HANGER/FOOTPLATE ASSY REQUIRED	add with Hanger & Footplate kit

To request assembly of parts being ordered as a kit, please add "ASSY-HNG-FP" after compatible hanger & foot plate parts are selected



Pos.	Item Number	Description	Remarks
2	106983	5/16-18 X 2 BH C/S SHT THREAD	
3,4	561197	PIVOT SADDLE PLASTIC	
5	052296	SWING I/O LATCH LEVER RIGHT	RIGHT
5	052297	SWING I/O LATCH LEVER LEFT	LEFT
7	230494	M5-30 BTTN HD SOC C/S BLK	
8	052054	BUSHING PIVOT HANGER SWING I/O	
11	561062	1" INSERT PLUG .065 RIBS	
15	104160	BUSHING FOOTREST	
1-15	111244S	HANGER 70 Deg HEMI WELDMNT R	SPECIFY COLOR-RIGHT
1-15	111245S	HANGER 70 Deg HEMI WELDMNT L	SPECIFY COLOR-LEFT
12-15	107485	FOOTREST CLAMP ASSM	
6,9,10	120976	ASSY LATCH BLOCK ANTI LIFT	
		Ship assembled part #	Use with multiple assemblies
	ASSY-HNG-FP	HANGER/FOOTPLATE ASSY REQUIRED	add with Hanger & Footplate kit

Note: Effective on GP SA beginning GP-95902, Kids Q2 SE beginning QKE-003425, LX/LXI beginning LXI-060868, Quickie TS beginning QT-044951 & QTE-002092.



Pos.	Item Number	Description	Remarks
2	106983	5/16-18 X 2 BH C/S SHT THREAD	
3,4	561197	PIVOT SADDLE PLASTIC	
5	052296	SWING I/O LATCH LEVER RIGHT	Right
5	052297	SWING I/O LATCH LEVER LEFT	Left
6	102259-001	BHCS M5 X .8 X 12 W/PL INORG	
7	230494	M5-30 BTTN HD SOC C/S BLK	
8	052054	BUSHING PIVOT HANGER SWING I/O	
11	561062	1" INSERT PLUG .065 RIBS	
15	104160	BUSHING FOOTREST	
1-15	107673S	80 DEG HNGR SWING I/O L	SPECIFY COLOR,LEFT
1-15	107672S	80 DEG HNGR SWING I/O R	SPECIFY COLOR,RIGHT
12-15	107485	FOOTREST CLAMP ASSM	
6,9,10	120976	ASSY LATCH BLOCK ANTI LIFT	
		Ship assembled part #	Use with multiple assemblies
	ASSY-HNG-FP	HANGER/FOOTPLATE ASSY REQUIRED	add with Hanger & Footplate kit

Note: Footplate Assemblies are set to footrest width; please see "Footplate Formula" table for seat width conversion.

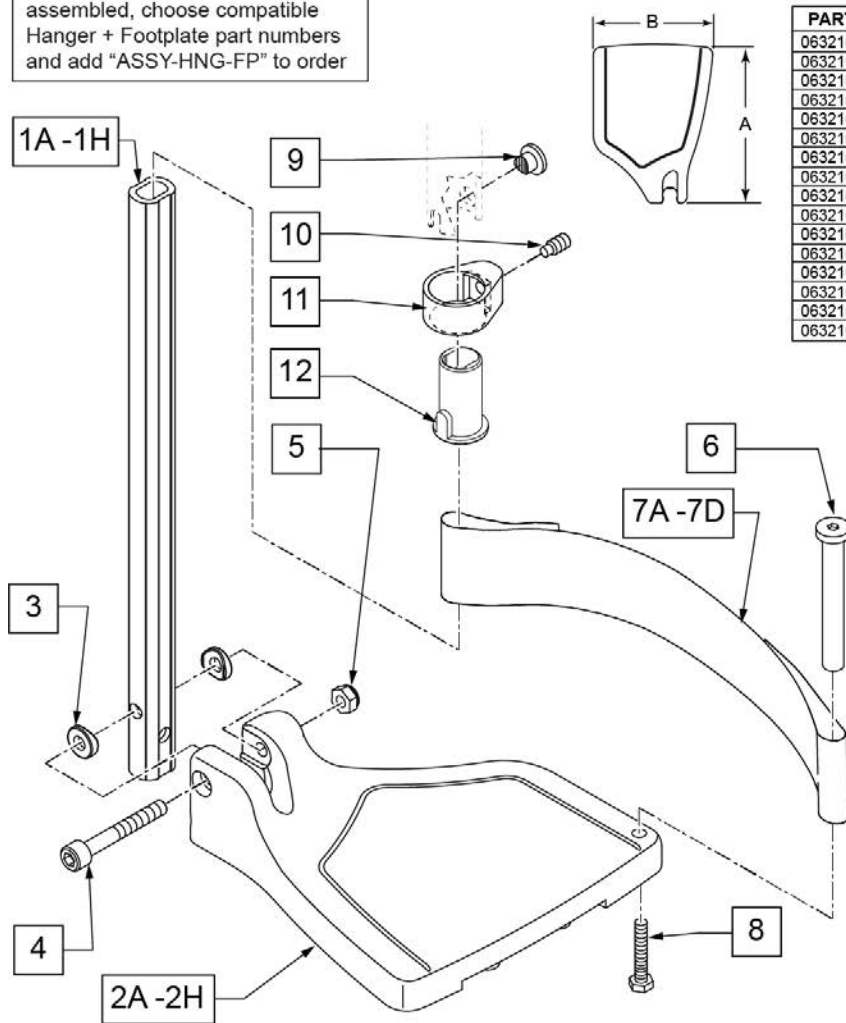
Note: V Style Hangers are not available on Swing Away Style chairs effective 7/14/14; see the "Prior To" ordering guide for V Style footplate assemblies.

Note: for QX Series or SR45 footplate replacement parts see the ordering guide marked specifically for these two models in the informations panel.

FOOTPLATE MEASURING GUIDE

PART NO	DESCRIPTION	"A"	"B"
063216-006	FOOTPLATE COMPOSITE 157 R (13"W)	6 1/8"	6"
063216-012	FOOTPLATE COMPOSITE 157 L (13"W)	6 1/8"	6"
063216-015	FOOTPLATE COMPOSITE 170 R (14"W)	6 5/8"	6"
063216-018	FOOTPLATE COMPOSITE 170 L (14"W)	6 5/8"	6"
063216-005	FOOTPLATE COMPOSITE 182 R (15"W)	7 1/8"	6"
063216-011	FOOTPLATE COMPOSITE 182 L (15"W)	7 1/8"	6"
063216-014	FOOTPLATE COMPOSITE 195 R (16"W)	7 5/8"	6"
063216-017	FOOTPLATE COMPOSITE 195 L (16"W)	7 5/8"	6"
063216-004	FOOTPLATE COMPOSITE 207 R (17"W)	8 1/8"	6"
063216-010	FOOTPLATE COMPOSITE 207 L (17"W)	8 1/8"	6"
063216-013	FOOTPLATE COMPOSITE 220 R (18"W)	8 5/8"	6 1/4"
063216-016	FOOTPLATE COMPOSITE 220 L (18"W)	8 5/8"	6 1/4"
063216-003	FOOTPLATE COMPOSITE 232 R (19-20"W)	9 1/8"	6 1/4"
063216-009	FOOTPLATE COMPOSITE 232 L (19-20"W)	9 1/8"	6 1/4"
063216-002	FOOTPLATE COMPOSITE 257 R (21-22"W)	10 1/8"	6 1/4"
063216-008	FOOTPLATE COMPOSITE 257 L (21-22"W)	10 1/8"	6 1/4"

To have complete Footrest ship assembled, choose compatible Hanger + Footplate part numbers and add "ASSY-HNG-FP" to order



INSET FORMULA
 0" Inset (Seat Width) = Footrest Width
 1" Inset (Seat Width) -2" = Footrest Width
 "V" Hanger (Seat Width) -4" = Footrest Width
 Offset Hanger Receiver (Seat Width) +2" = Footrest Width

Pos.	Item Number	Description	Remarks
1A,3-5	120660	SHT STRT EXT COMP HDWR	80 deg hangers + ELR only
1B,3-5	120661	MED STRT EXT COMP HDWR	80 deg hangers + ELR only
1C,3-5	120662	LNG STRT EXT COMP HDWR	80 deg hangers + ELR only
1D,3-5	120663	SHT BNT EXT COMP HDWR	60,70,70 Hemi Hangers
1E,3-5	120664	MED BNT EXT COMP HDWR	60,70,70 Hemi Hangers

Pos.	Item Number	Description	Remarks
1F,3-5	120665	LNG BNT EXT COMP HDWR	60,70,70 Hemi Hangers
1G,3-5	120666	SHT V EXT R COMP HDWR	70 deg V hangers only-LEFT
1G,3-5	120667	SHT V EXT L COMP HDWR	70 deg V hangers only-RIGHT
1H,3-5	120668	LNG V EXT R COMP HDWR	70 deg V hangers only-LEFT
1H,3-5	120669	LNG V EXT L COMP HDWR	70 deg V hangers only-RIGHT
2A	063216-006	FOOTPLATE COMPOSITE 157 R	RIGHT 13" Footrest Width
2A	063216-012	FOOTPLATE COMPOSITE 157 L	LEFT 13" Footrest Width
2B	063216-015	FOOTPLATE COMPOSITE 170 R	RIGHT 14" Footrest Width
2B	063216-018	FOOTPLATE COMPOSITE 170 L	LEFT 14" Footrest Width
2C	063216-005	COMPOSITE FOOTPLATE 182 R	RIGHT 15" Footrest Width
2C	063216-011	COMPOSITE FOOTPLATE 182 L	LEFT 15" Footrest Width
2D	063216-014	FOOTPLATE COMPOSITE 195 R	RIGHT 16" Footrest Width
2D	063216-017	FOOTPLATE COMPOSITE 195 L	LEFT 16" Footrest Width
2E	063216-004	COMPOSITE FOOTPLATE 207 R	RIGHT 17" Footrest Width
2E	063216-010	COMPOSITE FOOTPLATE 207 L	LEFT 17" Footrest Width
2F	063216-013	FOOTPLATE COMPOSITE 220 R	RIGHT 18" Footrest Width
2F	063216-016	FOOTPLATE COMPOSITE 220 L	LEFT 18" Footrest Width
2G	063216-003	COMPOSITE FOOTPLATE 232 R	RIGHT 19" & 20" Footrest Width
2G	063216-009	COMPOSITE FOOTPLATE 232 L	LEFT 19" & 20" Footrest Width
2H	063216-002	FOOTPLATE COMPOSITE 257 R	RIGHT 21" & 22" Footrest Width
2H	063216-008	FOOTPLATE COMPOSITE 257 L	LEFT 21" & 22" Footrest Width
3	104377	3/4" SADDLE THIN	
4	103175	SHCS M6 X 1 X 40 INORG	
5	132626	NUT AUTOMATION M6 X 1.0	Inserted in bottom of footplate.
6	104328	HEEL LOOP PEG	
7A	104380-001	ADJUSTABLE FOOT REST STRAP	14" wide
7B	104380-002	ADJUSTABLE FOOT REST STRAP	15-16" wide
7C	104380-003	ADJUSTABLE FOOT REST STRAP	17-18" wide
7D	104380-004	ADJUSTABLE FOOT REST STRAP	19-22" wide
8	102268-001	HHCS M6 X 1 X 25	
12	104160	BUSHING FOOTREST	
9-12	107485	FOOTREST CLAMP ASSM	
		Ship assembled part #	Use with multiple assemblies
	ASSY-HNG-FP	HANGER/FOOTPLATE ASSY REQUIRED	add with Hanger & Footplate kit
>>>>		60°,70°,70° HEMI HANGERS - SHORT EXT - RIGHT	
1D,2A,3-6,7A,8	107746	COMP BNT SHT EXT ASM 13" W R	Right- 70D- 13" W- SHORT
1D,2B,3-6,7A,8	107747	COMP BNT SHT EXT ASM 14" W R	Right- 70D- 14" W- SHORT
1D,2C,3-6,7B,8	107748	COMP BNT SHT EXT ASM 15" W R	Right- 70D- 15" W- SHORT
1D,2D,3-6,7B,8	107749	COMP BNT SHT EXT ASM 16" W R	Right- 70D- 16" W- SHORT
1D,2E,3-6,7C,8	107750	COMP BNT SHT EXT ASM 17" W R	Right- 70D- 17" W- SHORT
1D,2F,3-6,7C,8	107751	COMP BNT SHT EXT ASM 18" W R	Right- 70D- 18" W- SHORT
1D,2G,3-6,7D,8	107752	COMP BNT SHT EXT ASM 19 & 20"W R	Right- 70D- 19 & 20" W- SHORT
1D,2H,3-6,7D,8	111528	COMP BNT SHT EXT ASM 21 & 22"W R	Right- 70D- 21 & 22" W- SHORT
>>>>		60°,70°,70° HEMI HANGERS - SHORT EXT - LEFT	
1D,2A,3-6,7A,8	107753	COMP BNT SHT EXT ASM 13" W L	Left- 70D- 13 W- SHORT
1D,2B,3-6,7A,8	107754	COMP BNT SHT EXT ASM 14" W L	Left- 70D- 14 W- SHORT
1D,2C,3-6,7B,8	107755	COMP BNT SHT EXT ASM 15" W L	Left- 70D- 15 W- SHORT
1D,2D,3-6,7B,8	107756	COMP BNT SHT EXT ASM 16" W L	Left- 70D- 16 W- SHORT
1D,2E,3-6,7C,8	107757	COMP BNT SHT EXT ASM 17" W L	Left- 70D- 17 W- SHORT
1D,2F,3-6,7C,8	107758	COMP BNT SHT EXT ASM 18" W L	Left- 70D- 18 W- SHORT
1D,2G,3-6,7D,8	107759	COMP BNT SHT EXT ASM 19 & 20"W L	Left- 70D- 19 & 20" W- SHORT
1D,2H,3-6,7D,8	111529	COMP BNT SHT EXT ASM 21 & 22"W L	Left- 70D- 21 & 22" W- SHORT
>>>>		60°,70°,70° HEMI HANGERS - MED EXT - RIGHT	
1E,2A,3-6,7A,8	107760	COMP BNT MED EXT ASM 13" W R	Right- 70D- 13" W- MED
1E,2B,3-6,7A,8	107761	COMP BNT MED EXT ASM 14" W R	Right- 70D- 14" W- MED
1E,2C,3-6,7B,8	107762	COMP BNT MED EXT ASM 15" W R	Right- 70D- 15" W- MED

Pos.	Item Number	Description	Remarks
1E,2D,3-6,7B,8	107763	COMP BNT MED EXT ASM 16" W R	Right- 70D- 16" W- MED
1E,2E,3-6,7C,8	107764	COMP BNT MED EXT ASM 17" W R	Right- 70D- 17" W- MED
1E,2F,3-6,7C,8	107765	COMP BNT MED EXT ASM 18" W R	Right- 70D- 18" W- MED
1E,2G,3-6,7D,8	107766	COMP BNT MED EXT ASM 19 & 20"W R	Right- 70D- 19 & 20" W- MED
1E,2H,3-6,7D,8	111530	COMP BNT MED EXT ASM 21 & 22"W R	Right- 70D- 21 & 22" W- MED
>>>>		60°,70°,70° HEMI HANGERS - MED EXT - LEFT	
1E,2A,3-6,7A,8	107767	COMP BNT MED EXT ASM 13" W L	Left- 70D- 13 W- MED
1E,2B,3-6,7A,8	107768	COMP BNT MED EXT ASM 14" W L	Left- 70D- 14 W- MED
1E,2C,3-6,7B,8	107769	COMP BNT MED EXT ASM 15" W L	Left- 70D- 15 W- MED
1E,2D,3-6,7B,8	107770	COMP BNT MED EXT ASM 16" W L	Left- 70D- 16 W- MED
1E,2E,3-6,7C,8	107771	COMP BNT MED EXT ASM 17" W L	Left- 70D- 17 W- MED
1E,2F,3-6,7C,8	107772	COMP BNT MED EXT ASM 18" W L	Left- 70D- 18 W- MED
1E,2G,3-6,7D,8	107773	COMP BNT MED EXT ASM 19 & 20"W L	Left- 70D- 19 & 20" W- MED
1E,2H,3-6,7D,8	111531	COMP BNT MED EXT ASM 21 & 22"W L	Left- 70D- 21 & 22" W- MED
>>>>		60°,70°,70° HEMI HANGERS - LONG EXT - RIGHT	
1F,2A,3-6,7A,8	107774	COMP BNT LONG EXT ASM 13" W R	Right- 70D- 13" W- LONG
1F,2B,3-6,7A,8	107775	COMP BNT LONG EXT ASM 14" W R	Right- 70D- 14" W- LONG
1F,2C,3-6,7B,8	107776	COMP BNT LONG EXT ASM 15" W R	Right- 70D- 15" W- LONG
1F,2D,3-6,7B,8	107777	COMP BNT LONG EXT ASM 16" W R	Right- 70D- 16" W- LONG
1F,2E,3-6,7C,8	107778	COMP BNT LONG EXT ASM 17" W R	Right- 70D- 17" W- LONG
1F,2F,3-6,7C,8	107779	COMP BNT LONG EXT ASM 18" W R	Right- 70D- 18" W- LONG
1F,2G,3-6,7D,8	107780	COMP BNT LONG EXT ASM 19 & 20"W R	Right- 70D- 19 & 20" W- LONG
1F,2H,3-6,7D,8	111532	COMP BNT LONG EXT ASM 21 & 22"W R	Right- 70D- 21 & 22" W- LONG
>>>>		60°,70°,70° HEMI HANGERS - LONG EXT - LEFT	
1F,2A,3-6,7A,8	107781	COMP BNT LONG EXT ASM 13" W L	Left- 70D- 13 W- LONG
1F,2B,3-6,7A,8	107782	COMP BNT LONG EXT ASM 14" W L	Left- 70D- 14 W- LONG
1F,2C,3-6,7B,8	107783	COMP BNT LONG EXT ASM 15" W L	Left- 70D- 15 W- LONG
1F,2D,3-6,7B,8	107784	COMP BNT LONG EXT ASM 16" W L	Left- 70D- 16 W- LONG
1F,2E,3-6,7C,8	107785	COMP BNT LONG EXT ASM 17" W L	Left- 70D- 17 W- LONG
1F,2F,3-6,7C,8	107786	COMP BNT LONG EXT ASM 18" W L	Left- 70D- 18 W- LONG
1F,2G,3-6,7D,8	107787	COMP BNT LONG EXT ASM 19 & 20"W L	Left- 70D- 19 & 20" W- LONG
1F,2H,3-6,7D,8	111533	COMP BNT LONG EXT ASM 21 & 22"W L	Left- 70D- 21 & 22" W- LONG
>>>>		70 DEGREE "V" HANGERS - MED EXT - RIGHT	
1G,2A,3-8	107788	COMP V MED EXT ASM 13W R	Right- 70D V hangers only 13 W- MED
1G,2B,3-8	107789	COMP V MED EXT ASM 14W R	Right- 70D V hangers only 14 W- MED
1G,2C,3-8	107790	COMP V MED EXT ASM 15W R	Right- 70D V hangers only 15 W- MED
1G,2D,3-8	107791	COMP V MED EXT ASM 16W R	Right- 70D V hangers only 16 W- MED
1G,2E,3-8	107792	COMP V MED EXT ASM 17W R	Right- 70D V hangers only 17 W- MED
1G,2F,3-8	107793	COMP V MED EXT ASM 18W R	Right- 70D V hangers only 18 W- MED
>>>>		70 DEGREE "V" HANGERS - MED EXT - LEFT	
1G,2A,3-8	107795	COMP V MED EXT ASM 13W L	Left- 70D V hangers only 13 W- MED
1G,2B,3-8	107796	COMP V MED EXT ASM 14W L	Left- 70D V hangers only 14 W- MED
1G,2C,3-8	107797	COMP V MED EXT ASM 15W L	Left- 70D V hangers only 15 W- MED
1G,2D,3-8	107798	COMP V MED EXT ASM 16W L	Left- 70D V hangers only 16 W- MED
1G,2E,3-8	107799	COMP V MED EXT ASM 17W L	Left- 70D V hangers only 17 W- MED
1G,2F,3-8	107800	COMP V MED EXT ASM 18W L	Left- 70D V hangers only 18 W- MED
>>>>		70 DEGREE "V" HANGERS - LONG EXT - RIGHT	
1H,2A,3-8	107802	COMP V LNG EXT ASM 13W R	Right- 70D V hangers only 13 W- LONG
1H,2B,3-8	107803	COMP V LNG EXT ASM 14W R	Right- 70D V hangers only 14 W- LONG
1H,2C,3-8	107804	COMP V LNG EXT ASM 15W R	Right- 70D V hangers only 15 W- LONG
1H,2D,3-8	107805	COMP V LNG EXT ASM 16W R	Right- 70D V hangers only 16 W- LONG
1H,2E,3-8	107806	COMP V LNG EXT ASM 17W R	Right- 70D V hangers only 17 W- LONG
1H,2F,3-8	107807	COMP V LNG EXT ASM 18W R	Right- 70D V hangers only 18 W- LONG
>>>>		70 DEGREE "V" HANGERS - LONG EXT - LEFT	
1H,2A,3-8	107809	COMP V LNG EXT ASM 13W L	Left- 70D V hangers only 13 W- LONG
1H,2B,3-8	107810	COMP V LNG EXT ASM 14W L	Left- 70D V hangers only 14 W- LONG

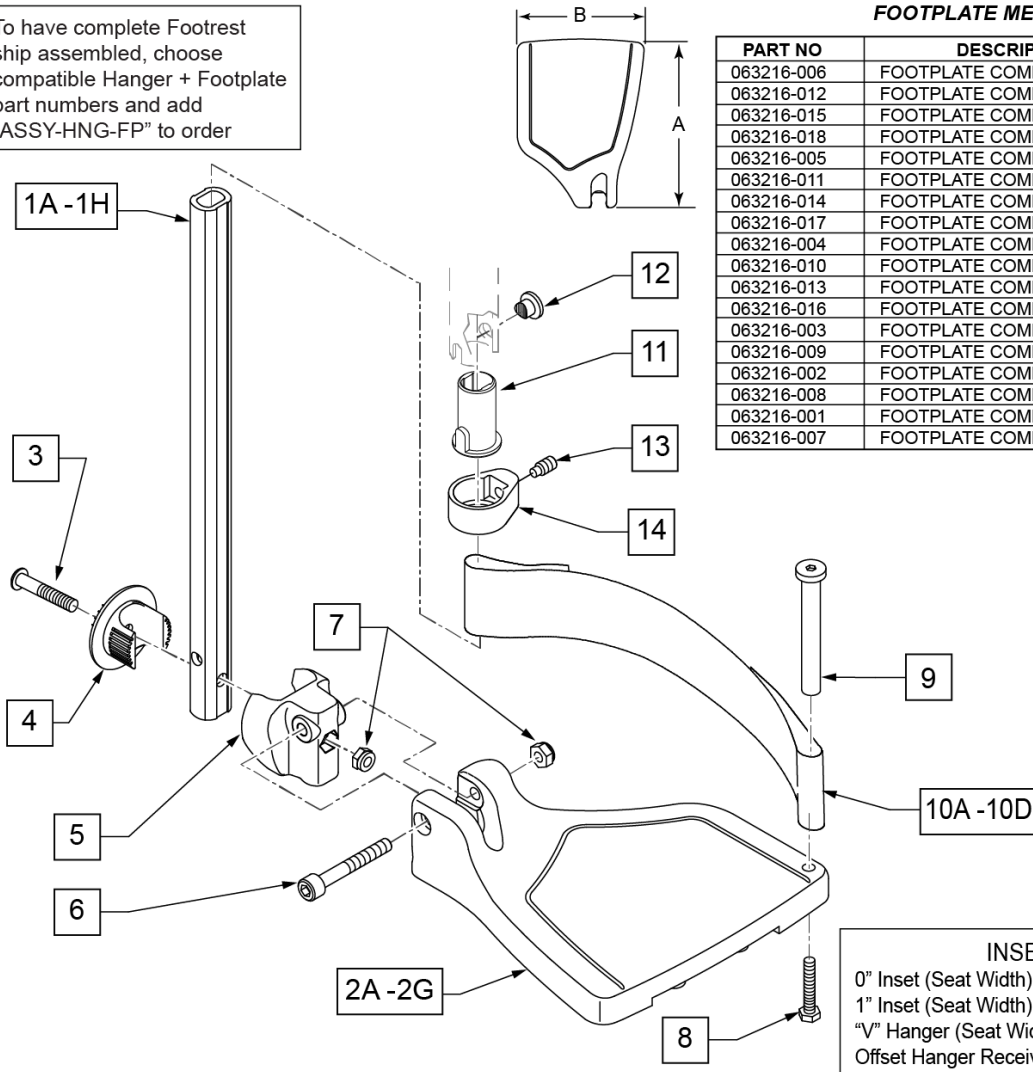
Pos.	Item Number	Description	Remarks
1H,2C,3-8	107811	COMP V LNG EXT ASM 15W L	Left- 70D V hangers only 15 W- LONG
1H,2D,3-8	107812	COMP V LNG EXT ASM 16W L	Left- 70D V hangers only 16 W- LONG
1H,2E,3-8	107813	COMP V LNG EXT ASM 17W L	Left- 70D V hangers only 17 W- LONG
1H,2F,3-8	107814	COMP V LNG EXT ASM 18W L	Left- 70D V hangers only 18 W- LONG
>>>>		80 DEGREE HANGERS - SHORT EXT - RIGHT	
1A,2A,3-6,7A,8	107704	COMP STRT SHT EXT ASM 13"W R	Right- 80D- 13" W- SHORT
1A,2B,3-6,7A,8	107705	COMP STRT SHT EXT ASM 14"W R	Right- 80D- 14" W- SHORT
1A,2C,3-6,7B,8	107706	COMP STRT SHT EXT ASM 15"W R	Right- 80D- 15" W- SHORT
1A,2D,3-6,7B,8	107707	COMP STRT SHT EXT ASM 16"W R	Right- 80D- 16" W- SHORT
1A,2E,3-6,7C,8	107708	COMP STRT SHT EXT ASM 17"W R	Right- 80D- 17" W- SHORT
1A,2F,3-6,7C,8	107709	COMP STRT SHT EXT ASM 18"W R	Right- 80D- 18" W- SHORT
1A,2G,3-6,7D,8	107710	COMP STRT SHT EXT ASM 19 & 20"W R	Right- 80D- 19 & 20" W- SHORT
1A,2H,3-6,7D,8	111522	COMP STRT SHT EXT ASM 21 & 22"W R	Right- 80D- 21 & 22" W- SHORT
>>>>		80 DEGREE HANGERS - SHORT EXT - LEFT	
1A,2A,3-6,7A,8	107711	COMP STRT SHT EXT ASM 13"W L	LEFT- 80D- 13" W- SHORT
1A,2B,3-6,7A,8	107712	COMP STRT SHT EXT ASM 14"W L	LEFT- 80D- 14" W- SHORT
1A,2C,3-6,7B,8	107713	COMP STRT SHT EXT ASM 15"W L	LEFT- 80D- 15" W- SHORT
1A,2D,3-6,7B,8	107714	COMP STRT SHT EXT ASM 16"W L	LEFT- 80D- 16" W- SHORT
1A,2E,3-6,7C,8	107715	COMP STRT SHT EXT ASM 17"W L	LEFT- 80D- 17" W- SHORT
1A,2F,3-6,7C,8	107716	COMP STRT SHT EXT ASM 18"W L	LEFT- 80D- 18" W- SHORT
1A,2G,3-6,7D,8	107717	COMP STRT SHT EXT ASM 19 & 20"W L	LEFT- 80D- 19 & 20" W- SHORT
1A,2H,3-6,7D,8	111523	COMP STRT SHT EXT ASM 21 & 22"W L	LEFT- 80D- 21 & 22" W- SHORT
>>>>		80 DEGREE HANGERS - MED EXT - RIGHT	
1B,2A,3-6,7A,8	107718	COMP STRT MED EXT ASM 13"W R	Right- 80D- 13" W- MED
1B,2B,3-6,7A,8	107719	COMP STRT MED EXT ASM 14"W R	Right- 80D- 14" W- MED
1B,2C,3-6,7B,8	107720	COMP STRT MED EXT ASM 15"W R	Right- 80D- 15" W- MED
1B,2D,3-6,7B,8	107721	COMP STRT MED EXT ASM 16"W R	Right- 80D- 16" W- MED
1B,2E,3-6,7C,8	107722	COMP STRT MED EXT ASM 17"W R	Right- 80D- 17" W- MED
1B,2F,3-6,7C,8	107723	COMP STRT MED EXT ASM 18"W R	Right- 80D- 18" W- MED
1B,2G,3-6,7D,8	107724	COMP STRT MED EXT ASM 19 & 20"W R	Right- 80D- 19 & 20" W- MED
1B,2H,3-6,7D,8	111524	COMP STRT MED EXT ASM 21 & 22"W R	Right- 80D- 21 & 22" W- MED
>>>>		80 DEGREE HANGERS - MED EXT - LEFT	
1B,2A,3-6,7A,8	107725	COMP STRT MED EXT ASM 13"W L	LEFT- 80D- 13" W- MED
1B,2B,3-6,7A,8	107726	COMP STRT MED EXT ASM 14"W L	LEFT- 80D- 14" W- MED
1B,2C,3-6,7B,8	107727	COMP STRT MED EXT ASM 15"W L	LEFT- 80D- 15" W- MED
1B,2D,3-6,7B,8	107728	COMP STRT MED EXT ASM 16"W L	LEFT- 80D- 16" W- MED
1B,2E,3-6,7C,8	107729	COMP STRT MED EXT ASM 17"W L	LEFT- 80D- 17" W- MED
1B,2F,3-6,7C,8	107730	COMP STRT MED EXT ASM 18"W L	LEFT- 80D- 18" W- MED
1B,2G,3-6,7D,8	107731	COMP STRT MED EXT ASM 19 & 20"W L	LEFT- 80D- 19 & 20" W- MED
1B,2H,3-6,7D,8	111525	COMP STRT MED EXT ASM 21 & 22"W L	LEFT- 80D- 21 & 22" W- MED
>>>>		80 DEGREE HANGERS - LONG EXT - RIGHT	
1C,2A,3-6,7A,8	107732	COMP STRT LONG EXT ASM 13"W R	Right- 80D- 13" W- LONG
1C,2B,3-6,7A,8	107733	COMP STRT LONG EXT ASM 14"W R	Right- 80D- 14" W- LONG
1C,2C,3-6,7B,8	107734	COMP STRT LONG EXT ASM 15"W R	Right- 80D- 15" W- LONG
1C,2D,3-6,7B,8	107735	COMP STRT LONG EXT ASM 16"W R	Right- 80D- 16" W- LONG
1C,2E,3-6,7C,8	107736	COMP STRT LONG EXT ASM 17"W R	Right- 80D- 17" W- LONG
1C,2F,3-6,7C,8	107737	COMP STRT LONG EXT ASM 18"W R	Right- 80D- 18" W- LONG
1C,2G,3-6,7D,8	107738	COMP STRT LONG EXT ASM 19 & 20"W R	Right- 80D- 19 & 20" W- LONG
1C,2H,3-6,7D,8	111526	COMP STRT LONG EXT ASM 21 & 22"W R	Right- 80D- 21 & 22" W- LONG
>>>>		80 DEGREE HANGERS - LONG EXT - LEFT	
1C,2A,3-6,7A,8	107739	COMP STRT LONG EXT ASM 13"W L	LEFT- 80D- 13" W- LONG
1C,2B,3-6,7A,8	107740	COMP STRT LONG EXT ASM 14"W L	LEFT- 80D- 14" W- LONG
1C,2C,3-6,7B,8	107741	COMP STRT LONG EXT ASM 15"W L	LEFT- 80D- 15" W- LONG
1C,2D,3-6,7B,8	107742	COMP STRT LONG EXT ASM 16"W L	LEFT- 80D- 16" W- LONG
1C,2E,3-6,7C,8	107743	COMP STRT LONG EXT ASM 17"W L	LEFT- 80D- 17" W- LONG
1C,2F,3-6,7C,8	107744	COMP STRT LONG EXT ASM 18"W L	LEFT- 80D- 18" W- LONG

Pos.	Item Number	Description	Remarks
1C,2G,3-6,7D,8	107745	COMP STRT LONG EXT ASM 19 & 20"W L	LEFT- 80D- 19 & 20" W- LONG
1C,2H,3-6,7D,8	111527	COMP STRT LONG EXT ASM 21 & 22"W L	LEFT- 80D- 21 & 22" W- LONG

Note: Footplate Assemblies are set to footrest width; please see "Footplate Formula" table for seat width conversion.

Note: V Style Hangers are not available on Swing Away Style chairs effective 7/14/14; see the "Prior To" ordering guide for V Style footplate assemblies.

To have complete Footrest ship assembled, choose compatible Hanger + Footplate part numbers and add "ASSY-HNG-FP" to order



FOOTPLATE MEASURING GUIDE

PART NO	DESCRIPTION	"A"	"B"
063216-006	FOOTPLATE COMPOSITE 157 R	6 1/8"	6"
063216-012	FOOTPLATE COMPOSITE 157 L	6 1/8"	6"
063216-015	FOOTPLATE COMPOSITE 170 R	6 5/8"	6"
063216-018	FOOTPLATE COMPOSITE 170 L	6 5/8"	6"
063216-005	FOOTPLATE COMPOSITE 182 R	7 1/8"	6"
063216-011	FOOTPLATE COMPOSITE 182 L	7 1/8"	6"
063216-014	FOOTPLATE COMPOSITE 195 R	7 5/8"	6"
063216-017	FOOTPLATE COMPOSITE 195 L	7 5/8"	6"
063216-004	FOOTPLATE COMPOSITE 207 R	8 1/8"	6"
063216-010	FOOTPLATE COMPOSITE 207 L	8 1/8"	6"
063216-013	FOOTPLATE COMPOSITE 220 R	8 5/8"	6 1/4"
063216-016	FOOTPLATE COMPOSITE 220 L	8 5/8"	6 1/4"
063216-003	FOOTPLATE COMPOSITE 232 R	9 1/8"	6 1/4"
063216-009	FOOTPLATE COMPOSITE 232 L	9 1/8"	6 1/4"
063216-002	FOOTPLATE COMPOSITE 257 R	10 1/8"	6 1/4"
063216-008	FOOTPLATE COMPOSITE 257 L	10 1/8"	6 1/4"
063216-001	FOOTPLATE COMPOSITE 282 R	11 1/8"	6 1/4"
063216-007	FOOTPLATE COMPOSITE 282 L	11 1/8"	6 1/4"

INSET FORMULA
 0" Inset (Seat Width) = Footrest Width
 1" Inset (Seat Width) -2" = Footrest Width
 "V" Hanger (Seat Width) -4" = Footrest Width
 Offset Hanger Receiver (Seat Width) +2" = Footrest Width

Pos.	Item Number	Description	Remarks
1A,6,7	120660	SHT STRT EXT COMP HDWR	80 deg hangers only
1B,6,7	120661	MED STRT EXT COMP HDWR	80 deg hangers only
1C,6,7	120662	LNG STRT EXT COMP HDWR	80 deg hangers only
1D,6,7	120663	SHT BNT EXT COMP HDWR	60,70,70 Hemi Hangers
1E,6,7	120664	MED BNT EXT COMP HDWR	60,70,70 Hemi Hangers
1F,6,7	120665	LNG BNT EXT COMP HDWR	60,70,70 Hemi Hangers
1G,6,7	120666	SHT V EXT R COMP HDWR	70 deg V hangers only-LEFT
1G,6,7	120667	SHT V EXT L COMP HDWR	70 deg V hangers only-RIGHT
1H,6,7	120668	LNG V EXT R COMP HDWR	70 deg V hangers only-LEFT

Pos.	Item Number	Description	Remarks
1H,6,7	120669	LNG V EXT L COMP HDWR	70 deg V hangers only-RIGHT
2A	063216-006	COMPOSITE FOOTPLATE RIGHT	RIGHT 15" Footrest Width
2A	063216-012	COMPOSITE FOOTPLATE LEFT	LEFT 15" Footrest Width
2B	063216-015	COMPOSITE FOOTPLATE RIGHT	RIGHT 16" Footrest Width
2B	063216-018	COMPOSITE FOOTPLATE LEFT	LEFT 16" Footrest Width
2C	063216-005	COMPOSITE FOOTPLATE RIGHT	RIGHT 17" Footrest Width
2C	063216-011	COMPOSITE FOOTPLATE LEFT	LEFT 17" Footrest Width
2D	063216-014	COMPOSITE FOOTPLATE RIGHT	RIGHT 18" Footrest Width
2D	063216-017	COMPOSITE FOOTPLATE LEFT	LEFT 18" Footrest Width
2E	063216-004	COMPOSITE FOOTPLATE RIGHT	RIGHT 19" Footrest Width
2E	063216-010	COMPOSITE FOOTPLATE LEFT	LEFT 19" Footrest Width
2F	063216-013	COMPOSITE FOOTPLATE RIGHT	RIGHT 20" Footrest Width
2F	063216-016	COMPOSITE FOOTPLATE LEFT	LEFT 20" Footrest Width
2G	063216-003	COMPOSITE FOOTPLATE RIGHT	RIGHT 21" & 22" Footrest Width
2G	063216-009	COMPOSITE FOOTPLATE LEFT	LEFT 21" & 22" Footrest Width
3	108233	BHCS M6 X 1 X 40	
4	054242	ANGLE COVER	
5	054241	ANGLE SEGMENT	
6	103175	SHCS M6 X 1 X 40 INORG	
7	132626	NUT AUTOMATION M6 X 1.0	
8	102268-001	HHCS M6X1X25	Inserted in bottom of footplate.
9	104328	HEEL LOOP PEG	
10A	104380-001	ADJUSTABLE FOOT REST STRAP	15" Footrest Width
10B	104380-002	ADJUSTABLE FOOT REST STRAP	16" Footrest Width
10C	104380-003	ADJUSTABLE FOOT REST STRAP	17-18" Footrest Width
10D	104380-004	ADJUSTABLE FOOT REST STRAP	19-22" Footrest Width
11	104160	BUSHING FOOTREST	
11-14	107485	FOOTREST CLAMP ASSM	
>>>>		60°,70°,70° HEMI HANGERS - SHORT EXT - RIGHT	
1D,2A,3-10A	107858	CAA BNT SHT EXT ASM 15W R	Right- 60° & 60° & 70° 15 W- SHORT
1D,2B,3-10B	107859	CAA BNT SHT EXT ASM 16W R	Right- 60° & 70° 16 W- SHORT
1D,2C,3-10B	107860	CAA BNT SHT EXT ASM 17W R	Right- 60° & 70° 17 W- SHORT
1D,2D,3-10C	107861	CAA BNT SHT EXT ASM 18W R	Right- 60° & 70° 18 W- SHORT
1D,2E,3-10C	107862	CAA BNT SHT EXT ASM 19W R	Right- 60° & 70° 19 W- SHORT
1D,2F,3-10D	107863	CAA BNT SHT EXT ASM 20W R	Right- 60° & 70° 20 W- SHORT
1D,2G,3-10D	107864	CAA BNT SHT EXT ASM 21&22W R	Right- 60° & 70° 21&22 W- SHORT
>>>>		60°,70°,70° HEMI HANGERS - SHORT EXT - LEFT	
1D,2A,3-10A	107865	CAA BNT SHT EXT ASM 15W L	Left- 60° & 70° 15 W- SHORT
1D,2B,3-10B	107866	CAA BNT SHT EXT ASM 16W L	Left- 60° & 70° 16 W- SHORT
1D,2C,3-10B	107867	CAA BNT SHT EXT ASM 17W L	Left- 60° & 70° 17 W- SHORT
1D,2D,3-10C	107868	CAA BNT SHT EXT ASM 18W L	Left- 60° & 70° 18 W- SHORT
1D,2E,3-10C	107869	CAA BNT SHT EXT ASM 19W L	Left- 60° & 70° 19 W- SHORT
1D,2F,3-10D	107870	CAA BNT SHT EXT ASM 20W L	Left- 60° & 70° 20 W- SHORT
1D,2G,3-10D	107871	CAA BNT SHT EXT ASM 21&22W L	Left- 60° & 70° 21&22 W- SHORT
>>>>		60°,70°,70° HEMI HANGERS - MED EXT - RIGHT	
1E,2A,3-10A	107872	CAA BNT MED EXT ASM 15W R	Right- 60° & 70° 15 W- MED
1E,2B,3-10B	107873	CAA BNT MED EXT ASM 16W R	Right- 60° & 70° 16 W- MED
1E,2C,3-10B	107874	CAA BNT MED EXT ASM 17W R	Right- 60° & 70° 17 W- MED
1E,2D,3-10C	107875	CAA BNT MED EXT ASM 18W R	Right- 60° & 70° 18 W- MED
1E,2E,3-10C	107876	CAA BNT MED EXT ASM 19W R	Right- 60° & 70° 19 W- MED
1E,2F,3-10D	107877	CAA BNT MED EXT ASM 20W R	Right- 60° & 70° 20 W- MED
1E,2G,3-10D	107878	CAA BNT MED EXT ASM 21&22W R	Right- 60° & 70° 21&22 W- MED
>>>>		60°,70°,70° HEMI HANGERS - MED EXT - LEFT	
1E,2A,3-10A	107879	CAA BNT MED EXT ASM 15W L	Left- 60° & 70° 15 W- MED
1E,2B,3-10B	107880	CAA BNT MED EXT ASM 16W L	Left- 60° & 70° 16 W- MED
1E,2C,3-10B	107881	CAA BNT MED EXT ASM 17W L	Left- 60° & 70° 17 W- MED

Pos.	Item Number	Description	Remarks
1E,2D,3-10C	107882	CAA BNT MED EXT ASM 18W L	Left- 60° & 70° 18 W- MED
1E,2E,3-10C	107883	CAA BNT MED EXT ASM 19W L	Left- 60° & 70° 19 W- MED
1E,2F,3-10D	107884	CAA BNT MED EXT ASM 20W L	Left- 60° & 70° 20 W- MED
1E,2G,3-10D	107885	CAA BNT MED EXT ASM 21&22W L	Left- 60° & 70° 21&22 W- MED
>>>>		60°,70°,70° HEMI HANGERS - LONG EXT - RIGHT	
1F,2A,3-10A	107886	CAA BNT LNG EXT ASM 15W R	Right- 60° & 70° 15 W- LONG
1F,2B,3-10B	107887	CAA BNT LNG EXT ASM 16W R	Right- 60° & 70° 16 W- LONG
1F,2C,3-10B	107888	CAA BNT LNG EXT ASM 17W R	Right- 60° & 70° 17 W- LONG
1F,2D,3-10C	107889	CAA BNT LNG EXT ASM 18W R	Right- 60° & 70° 18 W- LONG
1F,2E,3-10C	107890	CAA BNT LNG EXT ASM 19W R	Right- 60° & 70° 19 W- LONG
1F,2F,3-10D	107891	CAA BNT LNG EXT ASM 20W R	Right- 60° & 70° 20 W- LONG
1F,2G,3-10D	107892	CAA BNT LNG EXT ASM 21&22W R	Right- 60° & 70° 21&22 W- LONG
>>>>		60°,70°,70° HEMI HANGERS - LONG EXT - LEFT	
1F,2A,3-10A	107893	CAA BNT LNG EXT ASM 15W L	Left- 60° & 70° 15 W- LONG
1F,2B,3-10B	107894	CAA BNT LNG EXT ASM 16W L	Left- 60° & 70° 16 W- LONG
1F,2C,3-10B	107895	CAA BNT LNG EXT ASM 17W L	Left- 60° & 70° 17 W- LONG
1F,2D,3-10C	107896	CAA BNT LNG EXT ASM 18W L	Left- 60° & 70° 18 W- LONG
1F,2E,3-10C	107897	CAA BNT LNG EXT ASM 19W L	Left- 60° & 70° 19 W- LONG
1F,2F,3-10D	107898	CAA BNT LNG EXT ASM 20W L	Left- 60° & 70° 20 W- LONG
1F,2G,3-10D	107899	CAA BNT LNG EXT ASM 21&22W L	Left- 60° & 70° 21&22 W- LONG
>>>>		70° "V" HANGERS - MED EXT - RIGHT	
1G,2A,3-10A	107900	CAA V MED EXT ASM 15W R	Right- 70° V hangers only 15 W- MED
1G,2B,3-10B	107901	CAA V MED EXT ASM 16W R	Right- 70° V hangers only 16 W- MED
1G,2C,3-10B	107902	CAA V MED EXT ASM 17W R	Right- 70° V hangers only 17 W- MED
1G,2D,3-10C	107903	CAA V MED EXT ASM 18W R	Right- 70° V hangers only 18 W- MED
>>>>		70° "V" HANGERS - MED EXT - LEFT	
1G,2A,3-10A	107907	CAA V MED EXT ASM 15W L	Left- 70° V hangers only 15 W- MED
1G,2B,3-10B	107908	CAA V MED EXT ASM 16W L	Left- 70° V hangers only 16 W- MED
1G,2C,3-10B	107909	CAA V MED EXT ASM 17W L	Left- 70° V hangers only 17 W- MED
1G,2D,3-10C	107910	CAA V MED EXT ASM 18W L	Left- 70° V hangers only 18 W- MED
>>>>		70° "V" HANGERS - LONG EXT - RIGHT	
1H,2A,3-10A	107914	CAA V LNG EXT ASM 15W R	Right- 70° V hangers only 15 W- LONG
1H,2B,3-10B	107915	CAA V LNG EXT ASM 16W R	Right- 70° V hangers only 16 W- LONG
1H,2C,3-10B	107916	CAA V LNG EXT ASM 17W R	Right- 70° V hangers only 17 W- LONG
1H,2D,3-10C	107917	CAA V LNG EXT ASM 18W R	Right- 70° V hangers only 18 W- LONG
>>>>		70° "V" HANGERS - LONG EXT - LEFT	
1H,2A,3-10A	107921	CAA V LNG EXT ASM 15W L	Left- 70° V hangers only 15 W- LONG
1H,2B,3-10B	107922	CAA V LNG EXT ASM 16W L	Left- 70° V hangers only 16 W- LONG
1H,2C,3-10B	107923	CAA V LNG EXT ASM 17W L	Left- 70° V hangers only 17 W- LONG
1H,2D,3-10C	107924	CAA V LNG EXT ASM 18W L	Left- 70° V hangers only 18 W- LONG
>>>>		80° HANGERS - SHORT EXT - RIGHT	
1A,2A,3-10A	107816	CAA STRT SHT EXT ASM 15W R	Right- 80° 15 W- SHORT
1A,2B,3-10B	107817	CAA STRT SHT EXT ASM 16W R	Right- 80° 16 W- SHORT
1A,2C,3-10B	107818	CAA STRT SHT EXT ASM 17W R	Right- 80° 17 W- SHORT
1A,2D,3-10C	107819	CAA STRT SHT EXT ASM 18W R	Right- 80° 18 W- SHORT
1A,2E,3-10C	107820	CAA STRT SHT EXT ASM 19W R	Right- 80° 19 W- SHORT
1A,2F,3-10D	107821	CAA STRT SHT EXT ASM 20W R	Right- 80° 20 W- SHORT
1A,2G,3-10D	107822	CAA STRT SHT EXT ASM 21&22W R	Right- 80° 21&22 W- SHORT
>>>>		80° HANGERS - SHORT EXT - LEFT	
1A,2A,3-10A	107823	CAA STRT SHT EXT ASM 15W L	Left- 80° 15 W- SHORT
1A,2B,3-10B	107824	CAA STRT SHT EXT ASM 16W L	Left- 80° 16 W- SHORT
1A,2C,3-10B	107825	CAA STRT SHT EXT ASM 17W L	Left- 80° 17 W- SHORT
1A,2D,3-10C	107826	CAA STRT SHT EXT ASM 18W L	Left- 80° 18 W- SHORT
1A,2E,3-10C	107827	CAA STRT SHT EXT ASM 19W L	Left- 80° 19 W- SHORT
1A,2F,3-10D	107828	CAA STRT SHT EXT ASM 20W L	Left- 80° 20 W- SHORT
1A,2G,3-10D	107829	CAA STRT SHT EXT ASM 21&22W L	Left- 80° 21&22 W- SHORT

Pos.	Item Number	Description	Remarks
>>>>		80° HANGERS - MED EXT - RIGHT	
1B,2A,3-10A	107830	CAA STRT MED EXT ASM 15W R	Right- 80° 15 W- MED
1B,2B,3-10B	107831	CAA STRT MED EXT ASM 16W R	Right- 80° 16 W- MED
1B,2C,3-10B	107832	CAA STRT MED EXT ASM 17W R	Right- 80° 17 W- MED
1B,2D,3-10C	107833	CAA STRT MED EXT ASM 18W R	Right- 80° 18 W- MED
1B,2E,3-10C	107834	CAA STRT MED EXT ASM 19W R	Right- 80° 19 W- MED
1B,2F,3-10D	107835	CAA STRT MED EXT ASM 20W R	Right- 80° 20 W- MED
1B,2G,3-10D	107836	CAA STRT MED EXT ASM 21&22W R	Right- 80° 21&22 W- MED
>>>>		80° HANGERS - MED EXT - LEFT	
1B,2A,3-10A	107837	CAA STRT MED EXT ASM 15W L	Left- 80° 15 W- MED
1B,2B,3-10B	107838	CAA STRT MED EXT ASM 16W L	Left- 80° 16 W- MED
1B,2C,3-10B	107839	CAA STRT MED EXT ASM 17W L	Left- 80° 17 W- MED
1B,2D,3-10C	107840	CAA STRT MED EXT ASM 18W L	Left- 80° 18 W- MED
1B,2E,3-10C	107841	CAA STRT MED EXT ASM 19W L	Left- 80° 19 W- MED
1B,2F,3-10D	107842	CAA STRT MED EXT ASM 20W L	Left- 80° 20 W- MED
1B,2G,3-10D	107843	CAA STRT MED EXT ASM 21&22W L	Left- 80° 21&22 W- MED
>>>>		80° HANGERS - LONG EXT - RIGHT	
1C,2A,3-10A	107844	CAA STRT LNG EXT ASM 15W R	Right- 80° 15 W- LONG
1C,2B,3-10B	107845	CAA STRT LNG EXT ASM 16W R	Right- 80° 16 W- LONG
1C,2C,3-10B	107846	CAA STRT LNG EXT ASM 17W R	Right- 80° 17 W- LONG
1C,2D,3-10C	107847	CAA STRT LNG EXT ASM 18W R	Right- 80° 18 W- LONG
1C,2E,3-10C	107848	CAA STRT LNG EXT ASM 19W R	Right- 80° 19 W- LONG
1C,2F,3-10D	107849	CAA STRT LNG EXT ASM 20W R	Right- 80° 20 W- LONG
1C,2G,3-10D	107850	CAA STRT LNG EXT ASM 21&22W R	Right- 80° 21&22 W- LONG
>>>>		80° HANGERS - LONG EXT - LEFT	
1C,2A,3-10A	107851	CAA STRT LNG EXT ASM 15W L	Left- 80° 15 W- LONG
1C,2B,3-10B	107852	CAA STRT LNG EXT ASM 16W L	Left- 80° 16 W- LONG
1C,2C,3-10B	107853	CAA STRT LNG EXT ASM 17W L	Left- 80° 17 W- LONG
1C,2D,3-10C	107854	CAA STRT LNG EXT ASM 18W L	Left- 80° 18 W- LONG
1C,2E,3-10C	107855	CAA STRT LNG EXT ASM 19W L	Left- 80° 19 W- LONG
1C,2F,3-10D	107856	CAA STRT LNG EXT ASM 20W L	Left- 80° 20 W- LONG
1C,2G,3-10D	107857	CAA STRT LNG EXT ASM 21&22W L	Left- 80° 21&22 W- LONG
		Ship assembled part #	Use with multiple assemblies
	ASSY-HNG-FP	HANGER/FOOTPLATE ASSY REQUIRED	add with Hanger & Footplate kit

Note: Footplate Assemblies are set to footrest width; please see "Footplate Formula" table for seat width conversion.

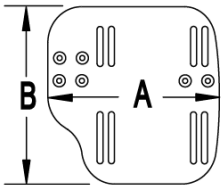
Note: V Style Hangers are not available on Swing Away Style chairs effective 7/14/14; see the "Prior To" ordering guide for V Style footplate assemblies.

Note: for QX Series or SR45 footplate replacement parts see the ordering guide marked specifically for these two models in the informations panel.

To have complete Footrest ship assembled, choose compatible Hanger + Footplate part numbers and add "ASSY-HNG-FP" to order

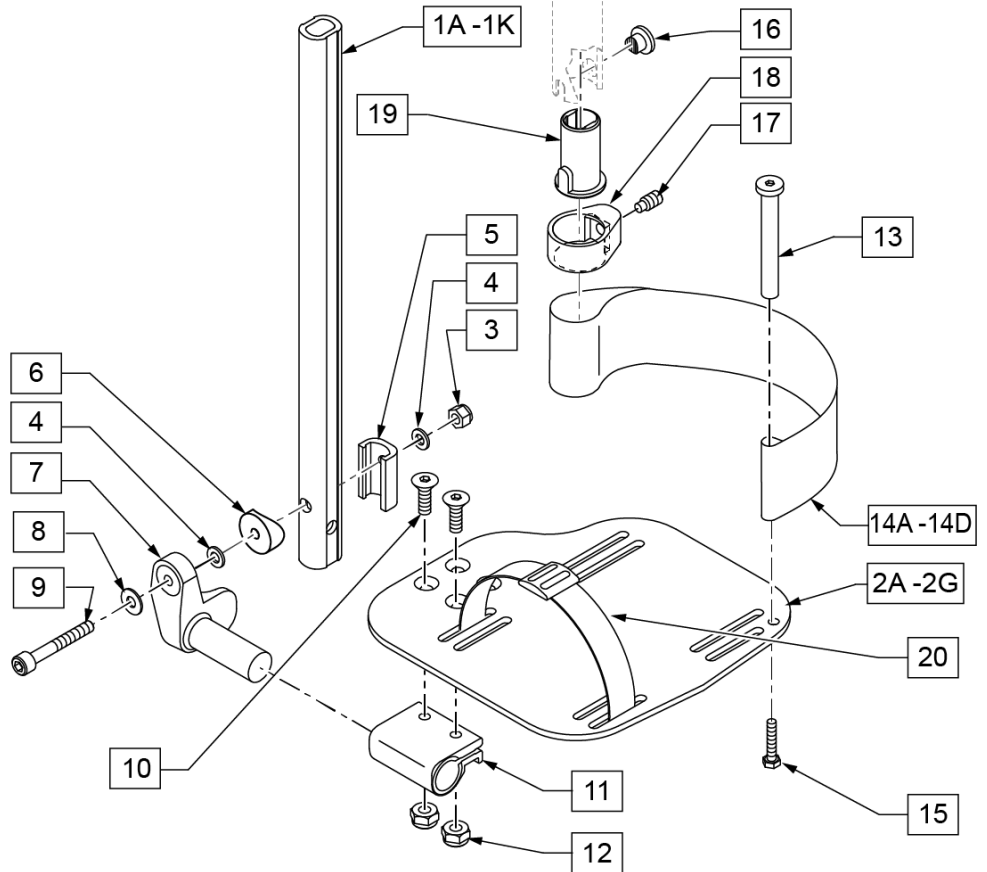
INSET FORMULA
 0" Inset (Seat Width) = Footrest Width
 1" Inset (Seat Width) -2" = Footrest Width
 "V" Hanger (Seat Width) -4" = Footrest Width
 Offset Hanger Receiver (Seat Width) +2" = Footrest Width

MEASURING GUIDE



CHAIR WIDTH	"A"	"B"
10" - 11"	3 1/2"	7 1/4"
12" - 13"	4 1/2"	7 3/4"
14" - 15"	5 1/2"	7 3/4"
16" - 17"	6 1/2"	7 3/4"
18" - 20"	7 1/2"	7 3/4"

21 EXT MNT HARDWARE 1 SIDE			
ITEM #	ILLUSTRATION	DESCRIPTION	QTY
3		NUT AUTOMATION M6 X 1.0 ROHS	1
4		WASHER FLAT THIN AN 1/4	2
5		HANGER EXTENSION SADDLE	1
6		3/4" SADDLE 1" OD	1
8		WASHER FLAT SAE 1/4 ROHS	1
9		SHCS M6 X 1 X 45 12MM PART THD	1



Pos.	Item Number	Description	Remarks
1A,3-6,8,9	120670	SHT STRT EXT AAA HDWR	80 deg Hangers Only
1B,3-6,8,9	120671	MED STRT EXT AAA HDWR	80 deg Hangers Only
1C,3-6,8,9	120672	LNG STRT EXT AAA HDWR	80 deg Hangers Only
1D,3-6,8,9	120673	SHT BNT EXT AAA HDWR	60,70,70 Hemi Hangers
1E,3-6,8,9	120674	MED BNT EXT AAA HDWR	60,70,70 Hemi Hangers

Pos.	Item Number	Description	Remarks
1F,3-6,8,9	120675	LNG BNT EXT AAA HDWR	60,70,70 Hemi Hangers
1G,3-6,8,9	120676	SHT V EXT R AAA HDWR	Left - 70 deg V Hangers Only
1H,3-6,8,9	120677	SHT V EXT L AAA HDWR	Right - 70 deg V Hangers Only
1I,3-6,8,9	120678	LNG V EXT R AAA HDWR	Left - 70 deg V Hangers Only
1J,3-6,8,9	120679	LNG V EXT L AAA HDWR	Right - 70 deg V Hangers Only
2A	500656	ADULT ANG ADJ F/PLT 10/11" R	RIGHT 10-11" Footrest Width
2A	500657	ADULT ANG ADJ F/PLT 10/11" L	LEFT 10-11" Footrest Width
2B	500658	ADULT ANG ADJ F/PLT 12/13" R	RIGHT 12-13" Footrest Width
2B	500659	ADULT ANG ADJ F/PLT 12/13" L	LEFT 12-13" Footrest Width
2C	500660	ADLT ANGL ADJ F/PLT 14/15	RIGHT 14-15" Footrest Width
2C	500661	ADLT ANGL ADJ F/PLT 14/15	LEFT 14-15" Footrest Width
2D	500662	ADLT ANGL ADJ F/PLT 16/17	RIGHT 16-17" Footrest Width
2D	500663	ADLT ANGL ADJ F/PLT 16/17	LEFT 16-17" Footrest Width
2E	500664	ADLT ANGL ADJ F/PLT 18-20	RIGHT 18-22" Footrest Width
2E	500665	ADLT ANGL ADJ F/PLT 18-20	LEFT 18-22" Footrest Width
3	132626	NUT AUTOMATION M6 X 1.0	
4	106944	WASHER FLAT THIN AN 1/4 ROHS	
5	107199	HANGER EXTENSION SADDLE	
6	104377	3/4" SADDLE THIN	
7	541002	FTRST MOUNTING BRKT-3/8 RAD R	RIGHT
7	541003	FTRST MOUNTING BRKT-3/8 RAD L	LEFT
8	106945	WASHER FLAT SAE 1/4 ROHS	
9	104399	SHCS M6X1X45 12 MM PART THD	
10	106978	FHCS 1/4-28 X 7/8 ROHS	
11	550350	3/4" CLMP ADJ FT PLT	
12	106935	NUT NYLOCK THIN 1/4-28 ROHS	
13	104328	POST HEEL LOOP	
14A	104380-001	ADJUSTABLE FOOT REST STRAP	12 - 14" WIDE
14B	104380-002	ADJUSTABLE FOOT REST STRAP	15 - 16" WIDE
14C	104380-003	ADJUSTABLE FOOT REST STRAP	17 - 18" WIDE
14D	104380-004	ADJUSTABLE FOOT REST STRAP	19 - 20" WIDE
15	102268-001	HHCS M6 X 1 X 25	
16-19	107485	FOOTREST CLAMP ASSM	
20	740260	TOE-ANKLE STRAP ADJ ADULT FOOTPLATE	
21	120659	EXT MNT HARDWARE 1 SIDE	
>>>>		80° HANGERS - SHORT EXT - RIGHT	
1A,2B,3-14A,15	111534	AAA STRT SHT EXT ASM 12-13" W R	Right- 80D- 12-13" W- SHORT
1A,2C,3-14B,15	107928	AAA STRT SHT EXT ASM 14-15" W R	Right- 80D- 14-15" W- SHORT
1A,2D,3-14C,15	107930	AAA STRT SHT EXT ASM 16-17" W R	Right- 80D- 16-17" W- SHORT
1A,2E,3-14D,15	107932	AAA STRT SHT EXT ASM 18-22" W R	Right- 80D- 18-22" W- SHORT
>>>>		80° HANGERS - SHORT EXT - LEFT	
1A,2B,3-14A,15	111535	AAA STRT SHT EXT ASM 12-13" W L	Left- 80D- 12-13" W- SHORT
1A,2C,3-14B,15	107935	AAA STRT SHT EXT ASM 14" W L	Left- 80D- 14-15" W- SHORT
1A,2D,3-14C,15	107937	AAA STRT SHT EXT ASM 16" W L	Left- 80D- 16-17" W- SHORT
1A,2E,3-14D,15	107939	AAA STRT SHT EXT ASM 18" W L	Left- 80D- 18-22" W- SHORT
>>>>		80° HANGERS - MED EXT - RIGHT	
1B,2B,3-14A,15	111536	AAA STRT MED EXT ASM 12-13" W R	Right- 80D- 12-13" W- MED
1B,2C,3-14B,15	107942	AAA STRT MED EXT ASM 14-15" W R	Right- 80D- 14-15" W- MED
1B,2D,3-14C,15	107944	AAA STRT MED EXT ASM 16-17" W R	Right- 80D- 16-17" W- MED
1B,2E,3-14D,15	107946	AAA STRT MED EXT ASM 18-22" W R	Right- 80D- 18-22" W- MED
>>>>		80° HANGERS - MED EXT - LEFT	
1B,2B,3-14A,15	111537	AAA STRT MED EXT ASM 12-13" W L	Left- 80D- 12-13" W- MED
1B,2C,3-14B,15	107949	AAA STRT MED EXT ASM 14" W L	Left- 80D- 14-15" W- MED
1B,2D,3-14C,15	107951	AAA STRT MED EXT ASM 16" W L	Left- 80D- 16-17" W- MED
1B,2E,3-14D,15	107953	AAA STRT MED EXT ASM 18" W L	Left- 80D- 18-22" W- MED
>>>>		80° HANGERS - LONG EXT - RIGHT	

Pos.	Item Number	Description	Remarks
1C,2B,3-14A,15	111538	AAA STRT LNG EXT ASM 12-13" W R	Right- 80D- 12-13" W- LONG
1C,2C,3-14B,15	107956	AAA STRT LNG EXT ASM 14 -15" W R	Right- 80D- 14-15" W- LONG
1C,2D,3-14C,15	107958	AAA STRT LNG EXT ASM 16 -17" W R	Right- 80D- 16-17" W- LONG
1C,2E,3-14D,15	107960	AAA STRT LNG EXT ASM 18 -22" W R	Right- 80D- 18-22" W- LONG
>>>>		80° HANGERS - LONG EXT - LEFT	
1C,2B,3-14A,15	111539	AAA STRT LNG EXT ASM 12-13" W L	Left- 80D- 12-13" W- LONG
1C,2C,3-14B,15	107963	AAA STRT LNG EXT ASM 14W L	Left- 80D- 14-15" W- LONG
1C,2D,3-14C,15	107965	AAA STRT LNG EXT ASM 16W L	Left- 80D- 16-17" W- LONG
1C,2E,3-14D,15	107968	AAA STRT LNG EXT ASM 18W L	Left- 80D- 18-22" W- LONG
>>>>		70° HANGERS - SHORT EXT - RIGHT	
1D,2B,3-14A,15	111540	AAA BNT SHT EXT ASM 12-13" W R	Right- 60D,70D,70D HEMI - 12-13" W- SHORT
1D,2C,3-14B,15	107973	AAA BNT SHT EXT ASM 14 -15" W R	Right- 60D,70D,70D HEMI - 14-15" W- SHORT
1D,2D,3-14C,15	107975	AAA BNT SHT EXT ASM 16 -17" W R	Right- 60D,70D,70D HEMI - 16-17" W- SHORT
1D,2E,3-14D,15	107977	AAA BNT SHT EXT ASM 18 -22" W R	Right- 60D,70D,70D HEMI - 18-22" W- SHORT
>>>>		70° HANGERS - SHORT EXT - LEFT	
1D,2B,3-14A,15	111541	AAA BNT SHT EXT ASM 12-13" W L	Left- 60D,70D,70D HEMI - 12-13" W- SHORT
1D,2C,3-14B,15	107980	AAA BNT SHT EXT ASM 14 -15" W L	Left- 60D,70D,70D HEMI - 14-15" W- SHORT
1D,2D,3-14C,15	107982	AAA BNT SHT EXT ASM 16 -17" W L	Left- 60D,70D,70D HEMI - 16-17" W- SHORT
1D,2E,3-14D,15	107984	AAA BNT SHT EXT ASM 18 -22" W L	Left- 60D,70D,70D HEMI - 18-22" W- SHORT
>>>>		70° HANGERS - MED EXT - RIGHT	
1E,2B,3-14A,15	111542	AAA BNT MED EXT ASM 12-13" W R	Right- 60D,70D,70D HEMI - 12-13" W- MED
1E,2C,3-14B,15	107987	AAA BNT MED EXT ASM 14 -15" W R	Right- 60D,70D,70D HEMI - 14-15" W- MED
1E,2D,3-14C,15	107989	AAA BNT MED EXT ASM 16 -17" W R	Right- 60D,70D,70D HEMI - 16-17" W- MED
1E,2E,3-14D,15	107991	AAA BNT MED EXT ASM 18 -22" W R	Right- 60D,70D,70D HEMI - 18-22" W- MED
>>>>		70° HANGERS - MED EXT - LEFT	
1E,2B,3-14A,15	111543	AAA BNT MED EXT ASM 12-13" W L	Left- 60D,70D,70D HEMI - 12-13" W- MED
1E,2C,3-14B,15	107994	AAA BNT MED EXT ASM 14 -15" W L	Left- 60D,70D,70D HEMI - 14-15" W- MED
1E,2D,3-14C,15	107996	AAA BNT MED EXT ASM 16 -17" W L	Left- 60D,70D,70D HEMI - 16-17" W- MED
1E,2E,3-14D,15	107998	AAA BNT MED EXT ASM 18 -22" W L	Left- 60D,70D,70D HEMI - 18-22" W- MED
>>>>		70° HANGERS - LONG EXT - RIGHT	
1F,2B,3-14A,15	111544	AAA BNT LONG EXT ASM 12-13" W R	Right- 60D,70D,70D HEMI - 12-13" W- LONG
1F,2C,3-14B,15	108001	AAA BNT LONG EXT ASM 14 -15" W R	Right- 60D,70D,70D HEMI - 14-15" W- LONG
1F,2D,3-14C,15	108003	AAA BNT LONG EXT ASM 16 -17" W R	Right- 60D,70D,70D HEMI - 16-17" W- LONG
1F,2E,3-14D,15	108005	AAA BNT LONG EXT ASM 18 -22" W R	Right- 60D,70D,70D HEMI - 18-22" W- LONG
>>>>		70° HANGERS - LONG EXT - LEFT	
1F,2B,3-14A,15	111545	AAA BNT LONG EXT ASM 12-13" W L	Left- 60D,70D,70D HEMI - 12-13" W- LONG
1F,2C,3-14B,15	108008	AAA BNT LONG EXT ASM 14 -15" W L	Left- 60D,70D,70D HEMI - 14-15" W- LONG
1F,2D,3-14C,15	108010	AAA BNT LONG EXT ASM 16 -17" W L	Left- 60D,70D,70D HEMI - 16-17" W- LONG
1F,2E,3-14D,15	108012	AAA BNT LONG EXT ASM 18 -22" W L	Left- 60D,70D,70D HEMI - 18-22" W- LONG
>>>>		70° "V" HANGERS - MED EXT - RIGHT	
1G,2A,3-15	111546	AAA V MED EXT ASM 10-11" W R	Right- 70D V hangers only 10-11" W- MED
1G,2B,3-15	111548	AAA V MED EXT ASM 12-13" W R	Right- 70D V hangers only 12-13" W- MED
1G,2C,3-15	108015	AAA V MED EXT ASM 14 -15" W R	Right- 70D V hangers only 14-15" W- MED
1G,2D,3-15	108017	AAA V MED EXT ASM 16 -17" W R	Right- 70D V hangers only 16-18" W- MED
1G,2E,3-15	108019	AAA V MED EXT ASM 18 -18" W R	Right- 70D V hangers only 18-22" W- MED
>>>>		70° "V" HANGERS - MED EXT - LEFT	
1G,2A,3-15	111547	AAA V MED EXT ASM 10-11" W L	Left- 70D V hangers only 10-11" W- MED
1G,2B,3-15	111549	AAA V MED EXT ASM 12-13" W L	Left- 70D V hangers only 12-13" W- MED
1G,2C,3-15	108022	AAA V MED EXT ASM 14 -15" W L	Left- 70D V hangers only 14-15" W- MED
1G,2D,3-15	108024	AAA V MED EXT ASM 16 -17" W L	Left- 70D V hangers only 16-18" W- MED
1G,2E,3-15	108026	AAA V MED EXT ASM 18 -22" W L	Left- 70D V hangers only 18-22" W- MED
>>>>		70° "V" HANGERS - LONG EXT - RIGHT	
1H,2A,3-15	111550	AAA V LONG EXT ASM 10-11" W R	Right- 70D V hangers only 10-11" W- LONG
1H,2B,3-15	111552	AAA V LONG EXT ASM 12-13" W R	Right- 70D V hangers only 12-13" W- LONG
1H,2C,3-15	108029	AAA V LONG EXT ASM 14 -15" W R	Right- 70D V hangers only 14-15" W- LONG
1H,2D,3-15	108031	AAA V LONG EXT ASM 16 -17" W R	Right- 70D V hangers only 16-18" W- LONG

Pos.	Item Number	Description	Remarks
1H,2E,3-15	108033	AAA V LONG EXT ASM 18 -22: W R	Right- 70D V hangers only 18-22" W- LONG
>>>>		70° "V" HANGERS - LONG EXT - LEFT	
1H,2A,3-15	111551	AAA V LONG EXT ASM 10-11" W L	Left- 70D V hangers only 10-11" W- LONG
1H,2B,3-15	111553	AAA V LONG EXT ASM 12-13" W L	Left- 70D V hangers only 12-13" W- LONG
1H,2C,3-15	108036	AAA V LONG EXT ASM 14 -15" W L	Left- 70D V hangers only 14-15" W- LONG
1H,2D,3-15	108038	AAA V LONG EXT ASM 16 -17" W L	Left- 70D V hangers only 16-18" W- LONG
1H,2E,3-15	108040	AAA V LONG EXT ASM 18 -22" W L	Left- 70D V hangers only 18-22" W- LONG
		Ship assembled part #	Use with multiple assemblies
	ASSY-HNG-FP	HANGER/FOOTPLATE ASSY REQUIRED	add with Hanger & Footplate kit

Note: Footplate Assemblies are set to footrest width; please see "Footplate Formula" table for seat width conversion.

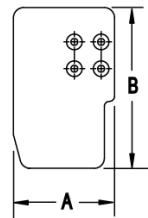
Note: Zippie Iris (ZRS&ZRSE) and Zippie TS (Z1A&Z1SE) only use Straight Extension Tube.

Note: V Style Hangers are not available on Swing Away Style chairs effective 7/14/14; see the "Prior To" ordering guide for V Style footplate assemblies.

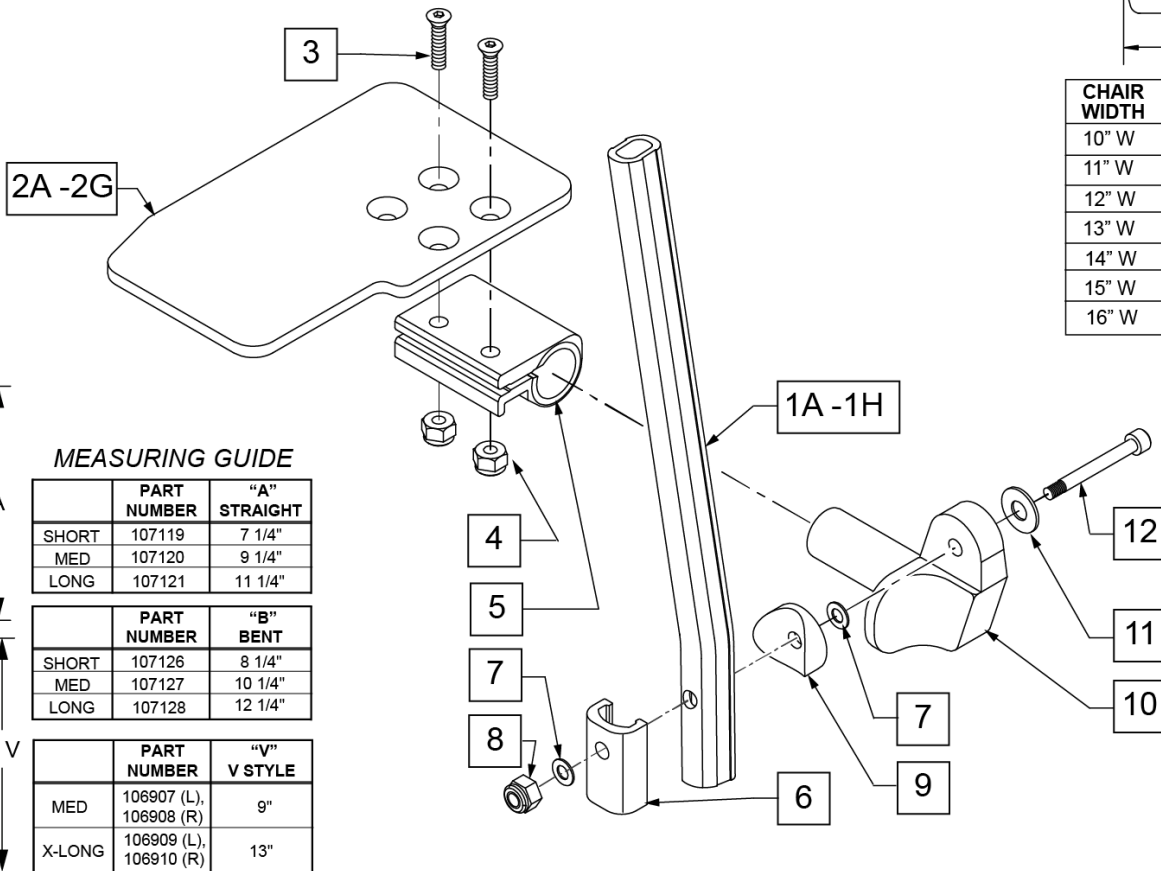
To have complete Footrest ship assembled, choose compatible Hanger + Footplate part numbers and add "ASSY-HNG-FP" to order

FOOTPLATE FORMULA
 0" Inset (Seat Width) = Footrest Width
 1" Inset (Seat Width) - 2 = Footrest Width
 V Hanger (Seat Width) - 4 = Footrest Width
 Offset Hanger Receiver (Seat Width) + 2" = Footrest Width

MEASURING GUIDE



CHAIR WIDTH	"A"	"B"
10" W	3.55"	6.00"
11" W	4.05"	6.00"
12" W	4.55"	6.00"
13" W	5.05"	6.00"
14" W	5.55"	6.00"
15" W	6.05"	6.00"
16" W	6.55"	6.00"



MEASURING GUIDE

	PART NUMBER	"A" STRAIGHT
SHORT	107119	7 1/4"
MED	107120	9 1/4"
LONG	107121	11 1/4"

	PART NUMBER	"B" BENT
SHORT	107126	8 1/4"
MED	107127	10 1/4"
LONG	107128	12 1/4"

	PART NUMBER	"V" V STYLE
MED	106907 (L), 106908 (R)	9"
X-LONG	106909 (L), 106910 (R)	13"

Pos.	Item Number	Description	Remarks
1A	107119	TUBE FOOTREST EXT STRAIGHT SHORT	80 deg hangers only
1B	107120	TUBE FOOTREST EXT STRAIGHT MED	80 deg hangers only
1C	107121	TUBE FOOTREST EXT STRAIGHT LONG	80 deg hangers only
1D	107126	TUBE FOOTREST EXT SHORT	60,70,70 Hemi Hangers
1E	107127	TUBE FOOTREST EXT MED	60,70,70 Hemi Hangers

Pos.	Item Number	Description	Remarks
1F	107128	TUBE FOOTREST EXT LONG	60,70,70 Hemi Hangers
1G	106907	EXT TUBE V ONLY D2 MED LEFT	70 deg V hangers only-LEFT
1G	106908	EXT TUBE V ONLY D2 MED RIGHT	70 deg V hangers only-RIGHT
1H	106909	EXT TUBE V ONLY D2 X-LONG LEFT	70 deg V hangers only-LEFT
1H	106910	EXT TUBE V ONLY D2 X-LONG RIGHT	70 deg V hangers only-RIGHT
2A	500635	KIDS ANGL ADJ F/PLT 10" R	RIGHT -10" Footrest Width
2A	500636	KIDS ANGL ADJ F/PLT 10" L	LEFT -10" Footrest Width
2B	500637	KIDS ANGL ADJ F/PLT 11" R	RIGHT -11" Footrest Width
2B	500638	KIDS ANGL ADJ F/PLT 11" L	LEFT -11" Footrest Width
2C	500639	KIDS ANGL ADJ F/PLT 12" R	RIGHT -12" Footrest Width
2C	500640	KIDS ANGL ADJ F/PLT 12" L	LEFT -12" Footrest Width
2D	500641	KIDS ANGL ADJ F/PLT 13" R	RIGHT -13" Footrest Width
2D	500642	KIDS ANGL ADJ F/PLT 13" L	LEFT -13" Footrest Width
2E	500643	KIDS ANGL ADJ F/PLT 14" R	RIGHT -14" Footrest Width
2E	500644	KIDS ANGL ADJ F/PLT 14" L	LEFT -14" Footrest Width
2F	500645	KIDS ANGL ADJ F/PLT 15" R	RIGHT -15" Footrest Width
2F	500646	KIDS ANGL ADJ F/PLT 15" L	LEFT -15" Footrest Width
2G	500647	KIDS ANGL ADJ F/PLT 16" R	RIGHT -16" Footrest Width
2G	500648	KIDS ANGL ADJ F/PLT 16" L	LEFT -16" Footrest Width
3	106978	FHCS 1/4 -28 x 7/8 ROHS	
4	106935	NUT NYLOCK THIN 1/4-28 ROHS	
5	550350	3/4" CLAMP ADJ FT PLT	
6	107199	HANGER EXTENSION SADDLE	
7	106944	WASHER FLAT THIN AN 1/4 ROHS	
8	132626	NUT AUTOMATION M6 x 1.0	
9	104377	3/4" SADDLE THIN	
10	541002	FOOTREST MOUNTING BRKT 3/8 RAD R	RIGHT
10	541003	FOOTREST MOUNTING BRKT 3/8 RAD L	LEFT
11	106945	WASHER FLAT SAE 1/4 ROHS	
12	104399	SHCS M6 x 1 x 45 12mm PART THD	
1A,2C,3-12	111310	KAA STRT SHT EXT ASM 12W R	RIGHT- 80D- 12 W- SHORT
1A,2D,3-12	111311	KAA STRT SHT EXT ASM 13W R	RIGHT- 80D- 13 W- SHORT
1A,2E,3-12	111312	KAA STRT SHT EXT ASM 14W R	RIGHT- 80D- 14 W- SHORT
1A,2F,3-12	111313	KAA STRT SHT EXT ASM 15W R	RIGHT- 80D- 15 W- SHORT
1A,2G,3-12	111314	KAA STRT SHT EXT ASM 16W R	RIGHT- 80D- 16 W- SHORT
1A,2C,3-12	111315	KAA STRT SHT EXT ASM 12W L	LEFT- 80D- 12 W- SHORT
1A,2D,3-12	111316	KAA STRT SHT EXT ASM 13W L	LEFT- 80D- 13 W- SHORT
1A,2E,3-12	111317	KAA STRT SHT EXT ASM 14W L	LEFT- 80D- 14 W- SHORT
1A,2F,3-12	111318	KAA STRT SHT EXT ASM 15W L	LEFT- 80D- 15 W- SHORT
1A,2G,3-12	111319	KAA STRT SHT EXT ASM 16W L	LEFT- 80D- 16 W- SHORT
1B,2C,3-12	111320	KAA STRT MED EXT ASM 12W R	RIGHT- 80D- 12 W- MED
1B,2D,3-12	111321	KAA STRT MED EXT ASM 13W R	RIGHT- 80D- 13 W- MED
1B,2E,3-12	111322	KAA STRT MED EXT ASM 14W R	RIGHT- 80D- 14 W- MED
1B,2F,3-12	111323	KAA STRT MED EXT ASM 15W R	RIGHT- 80D- 15 W- MED
1B,2G,3-12	111324	KAA STRT MED EXT ASM 16W R	RIGHT- 80D- 16 W- MED
1B,2C,3-12	111325	KAA STRT MED EXT ASM 12W L	LEFT- 80D- 12 W- MED
1B,2D,3-12	111326	KAA STRT MED EXT ASM 13W L	LEFT- 80D- 13 W- MED
1B,2E,3-12	111327	KAA STRT MED EXT ASM 14W L	LEFT- 80D- 14 W- MED
1B,2F,3-12	111328	KAA STRT MED EXT ASM 15W L	LEFT- 80D- 15 W- MED
1B,2G,3-12	111329	KAA STRT MED EXT ASM 16W L	LEFT- 80D- 16 W- MED
1C,2C,3-12	111330	KAA STRT LNG EXT ASM 12W R	RIGHT- 80D- 12 W- LONG
1C,2D,3-12	111331	KAA STRT LNG EXT ASM 13W R	RIGHT- 80D- 13 W- LONG
1C,2E,3-12	111332	KAA STRT LNG EXT ASM 14W R	RIGHT- 80D- 14 W- LONG
1C,2F,3-12	111333	KAA STRT LNG EXT ASM 15W R	RIGHT- 80D- 15 W- LONG
1C,2G,3-12	111334	KAA STRT LNG EXT ASM 16W R	RIGHT- 80D- 16 W- LONG
1C,2C,3-12	111335	KAA STRT LNG EXT ASM 12W L	LEFT- 80D- 12 W- LONG

Pos.	Item Number	Description	Remarks
1C,2D,3-12	111336	KAA STRT LNG EXT ASM 13W L	LEFT- 80D- 13 W- LONG
1C,2E,3-12	111337	KAA STRT LNG EXT ASM 14W L	LEFT- 80D- 14 W- LONG
1C,2F,3-12	111338	KAA STRT LNG EXT ASM 15W L	LEFT- 80D- 15 W- LONG
1C,2G,3-12	111339	KAA STRT LNG EXT ASM 16W L	LEFT- 80D- 16 W- LONG
1D,2C,3-12	111340	KAA BNT SHT EXT ASM 12W R	RIGHT- 60 & 70D- 12 W- SHORT
1D,2D,3-12	111341	KAA BNT SHT EXT ASM 13W R	RIGHT- 60 & 70D- 13 W- SHORT
1D,2E,3-12	111342	KAA BNT SHT EXT ASM 14W R	RIGHT- 60 & 70D- 14 W- SHORT
1D,2F,3-12	111343	KAA BNT SHT EXT ASM 15W R	RIGHT- 60 & 70D- 15 W- SHORT
1D,2G,3-12	111344	KAA BNT SHT EXT ASM 16W R	RIGHT- 60 & 70D- 16 W- SHORT
1D,2C,3-12	111345	KAA BNT SHT EXT ASM 12W L	LEFT- 70D- 12 W- SHORT
1D,2D,3-12	111346	KAA BNT SHT EXT ASM 13W L	LEFT- 70D- 13 W- SHORT
1D,2E,3-12	111347	KAA BNT SHT EXT ASM 14W L	LEFT- 70D- 14 W- SHORT
1D,2F,3-12	111348	KAA BNT SHT EXT ASM 15W L	LEFT- 70D- 15 W- SHORT
1D,2G,3-12	111349	KAA BNT SHT EXT ASM 16W L	LEFT- 70D- 16 W- SHORT
1E,2C,3-12	111350	KAA BNT MED EXT ASM 12W R	RIGHT- 70D- 12 W- MED
1E,2D,3-12	111351	KAA BNT MED EXT ASM 13W R	RIGHT- 70D- 13 W- MED
1E,2E,3-12	111352	KAA BNT MED EXT ASM 14W R	RIGHT- 60 & 70D- 14 W- MED
1E,2F,3-12	111353	KAA BNT MED EXT ASM 15W R	RIGHT- 60 & 70D- 15 W- MED
1E,2G,3-12	111354	KAA BNT MED EXT ASM 16W R	RIGHT- 60 & 70D- 16 W- MED
1E,2C,3-12	111355	KAA BNT MED EXT ASM 12W L	LEFT- 60 & 70D- 12 W- MED
1E,2D,3-12	111356	KAA BNT MED EXT ASM 13W L	LEFT- 60 & 70D- 13 W- MED
1E,2E,3-12	111357	KAA BNT MED EXT ASM 14W L	LEFT- 60 & 70D- 14 W- MED
1E,2F,3-12	111358	KAA BNT MED EXT ASM 15W L	LEFT- 60 & 70D- 15 W- MED
1E,2G,3-12	111359	KAA BNT MED EXT ASM 16W L	LEFT- 60 & 70D- 16 W- MED
1F,2C,3-12	111360	KAA BNT LNG EXT ASM 12W R	RIGHT- 60 & 70D- 12 W- LONG
1F,2D,3-12	111361	KAA BNT LNG EXT ASM 13W R	RIGHT- 60 & 70D- 13 W- LONG
1F,2E,3-12	111362	KAA BNT LNG EXT ASM 14W R	RIGHT- 60 & 70D- 14 W- LONG
1F,2F,3-12	111363	KAA BNT LNG EXT ASM 15W R	RIGHT- 60 & 70D- 15 W- LONG
1F,2G,3-12	111364	KAA BNT LNG EXT ASM 16W R	RIGHT- 60 & 70D- 16 W- LONG
1F,2C,3-12	111365	KAA BNT LNG EXT ASM 12W L	LEFT- 60 & 70D- 12 W- LONG
1F,2D,3-12	111366	KAA BNT LNG EXT ASM 13W L	LEFT- 60 & 70D- 13 W- LONG
1F,2E,3-12	111367	KAA BNT LNG EXT ASM 14W L	LEFT- 60 & 70D- 14 W- LONG
1F,2F,3-12	111368	KAA BNT LNG EXT ASM 15W L	LEFT- 60 & 70D- 15 W- LONG
1F,2G,3-12	111369	KAA BNT LNG EXT ASM 16W L	LEFT- 60 & 70D- 16 W- LONG
1G,2A,3-12	111370	KAA V MED EXT ASM 10W R	RIGHT- 70D V hangers only 10 W- MED
1G,2B,3-12	111371	KAA V MED EXT ASM 11W R	RIGHT- 70D V hangers only 11 W- MED
1G,2C,3-12	111372	KAA V MED EXT ASM 12W R	RIGHT- 70D V hangers only 12 W- MED
1G,2D,3-12	111373	KAA V MED EXT ASM 13W R	RIGHT- 70D V hangers only 13 W- MED
1G,2E,3-12	111374	KAA V MED EXT ASM 14W R	RIGHT- 70D V hangers only 14 W- MED
1G,2F,3-12	111375	KAA V MED EXT ASM 15W R	RIGHT- 70D V hangers only 15 W- MED
1G,2G,3-12	111376	KAA V MED EXT ASM 16W R	RIGHT- 70D V hangers only 16 W- MED
1G,2A,3-12	111377	KAA V MED EXT ASM 10W L	LEFT- 70D V hangers only 10 W- MED
1G,2B,3-12	111378	KAA V MED EXT ASM 11W L	LEFT- 70D V hangers only 11 W- MED
1G,2C,3-12	111379	KAA V MED EXT ASM 12W L	LEFT- 70D V hangers only 12 W- MED
1G,2D,3-12	111380	KAA V MED EXT ASM 13W L	LEFT- 70D V hangers only 13 W- MED
1G,2E,3-12	111381	KAA V MED EXT ASM 14W L	LEFT- 70D V hangers only 14 W- MED
1G,2F,3-12	111382	KAA V MED EXT ASM 15W L	LEFT- 70D V hangers only 15 W- MED
1G,2G,3-12	111383	KAA V MED EXT ASM 16W L	LEFT- 70D V hangers only 16 W- MED
1H,2A,3-12	111384	KAA V LNG EXT ASM 10W R	RIGHT- 70D V hangers only 10 W- LONG
1H,2B,3-12	111385	KAA V LNG EXT ASM 11W R	RIGHT- 70D V hangers only 11 W- LONG
1H,2C,3-12	111386	KAA V LNG EXT ASM 12W R	RIGHT- 70D V hangers only 12 W- LONG
1H,2D,3-12	111387	KAA V LNG EXT ASM 13W R	RIGHT- 70D V hangers only 13 W- LONG
1H,2E,3-12	111388	KAA V LNG EXT ASM 14W R	RIGHT- 70D V hangers only 14 W- LONG
1H,2F,3-12	111389	KAA V LNG EXT ASM 15W R	RIGHT- 70D V hangers only 15 W- LONG
1H,2G,3-12	111390	KAA V LNG EXT ASM 16W R	RIGHT- 70D V hangers only 16 W- LONG
1H,2A,3-12	111391	KAA V LNG EXT ASM 10W L	LEFT- 70D V hangers only 10 W- LONG

Pos.	Item Number	Description	Remarks
1H,2B,3-12	111392	KAA V LNG EXT ASM 11W L	LEFT- 70D V hangers only 11 W- LONG
1H,2C,3-12	111393	KAA V LNG EXT ASM 12W L	LEFT- 70D V hangers only 12 W- LONG
1H,2D,3-12	111394	KAA V LNG EXT ASM 13W L	LEFT- 70D V hangers only 13 W- LONG
1H,2E,3-12	111395	KAA V LNG EXT ASM 14W L	LEFT- 70D V hangers only 14 W- LONG
1H,2F,3-12	111396	KAA V LNG EXT ASM 15W L	LEFT- 70D V hangers only 15 W- LONG
1H,2G,3-12	111397	KAA V LNG EXT ASM 16W L	LEFT- 70D V hangers only 16 W- LONG
		Ship assembled part #	Use with multiple assemblies
	ASSY-HNG-FP	HANGER/FOOTPLATE ASSY REQUIRED	add with Hanger & Footplate kit

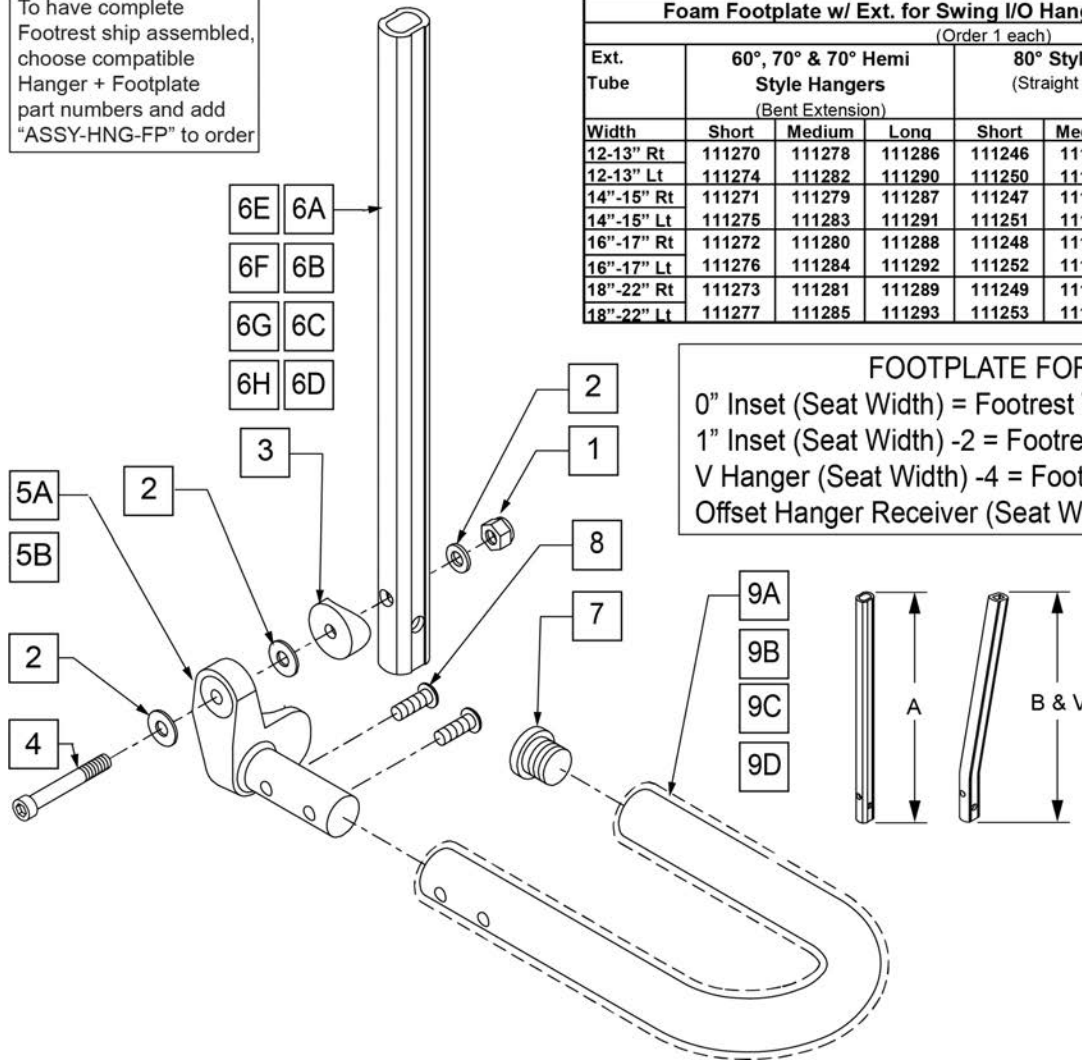
Note: Footplate Assemblies are set to footrest width; please see "Footplate Formula" table for seat width conversion.

Note: V Style Hangers are not available on Swing Away Style chairs effective 7/14/14; see the "Prior To" ordering guide for V Style footplate assemblies.

To have complete Footrest ship assembled, choose compatible Hanger + Footplate part numbers and add "ASSY-HNG-FP" to order

Foam Footplate w/ Ext. for Swing I/O Hangers -leg strap not included								
(Order 1 each)								
Ext. Tube	60°, 70° & 70° Hemi Style Hangers (Bent Extension)			80° Style hanger (Straight Extension)			70° V Style Hangers	
	Short	Medium	Long	Short	Medium	Long	Medium	Long
12-13" Rt	111270	111278	111286	111246	111254	111262	111294	111302
12-13" Lt	111274	111282	111290	111250	111258	111266	111298	111306
14"-15" Rt	111271	111279	111287	111247	111255	111263	111295	111303
14"-15" Lt	111275	111283	111291	111251	111259	111267	111299	111307
16"-17" Rt	111272	111280	111288	111248	111256	111264	111296	111304
16"-17" Lt	111276	111284	111292	111252	111260	111268	111300	111308
18"-22" Rt	111273	111281	111289	111249	111257	111265	111297	111305
18"-22" Lt	111277	111285	111293	111253	111261	111269	111301	111309

FOOTPLATE FORMULA
 0" Inset (Seat Width) = Footrest Width
 1" Inset (Seat Width) -2 = Footrest Width
 V Hanger (Seat Width) -4 = Footrest Width
 Offset Hanger Receiver (Seat Width) +2" = Footrest Width



MEASURING GUIDE

	PART NUMBER	"A" STRAIGHT
SHORT	107119	7 1/4"
MED	107120	9 1/4"
LONG	107121	11 1/4"

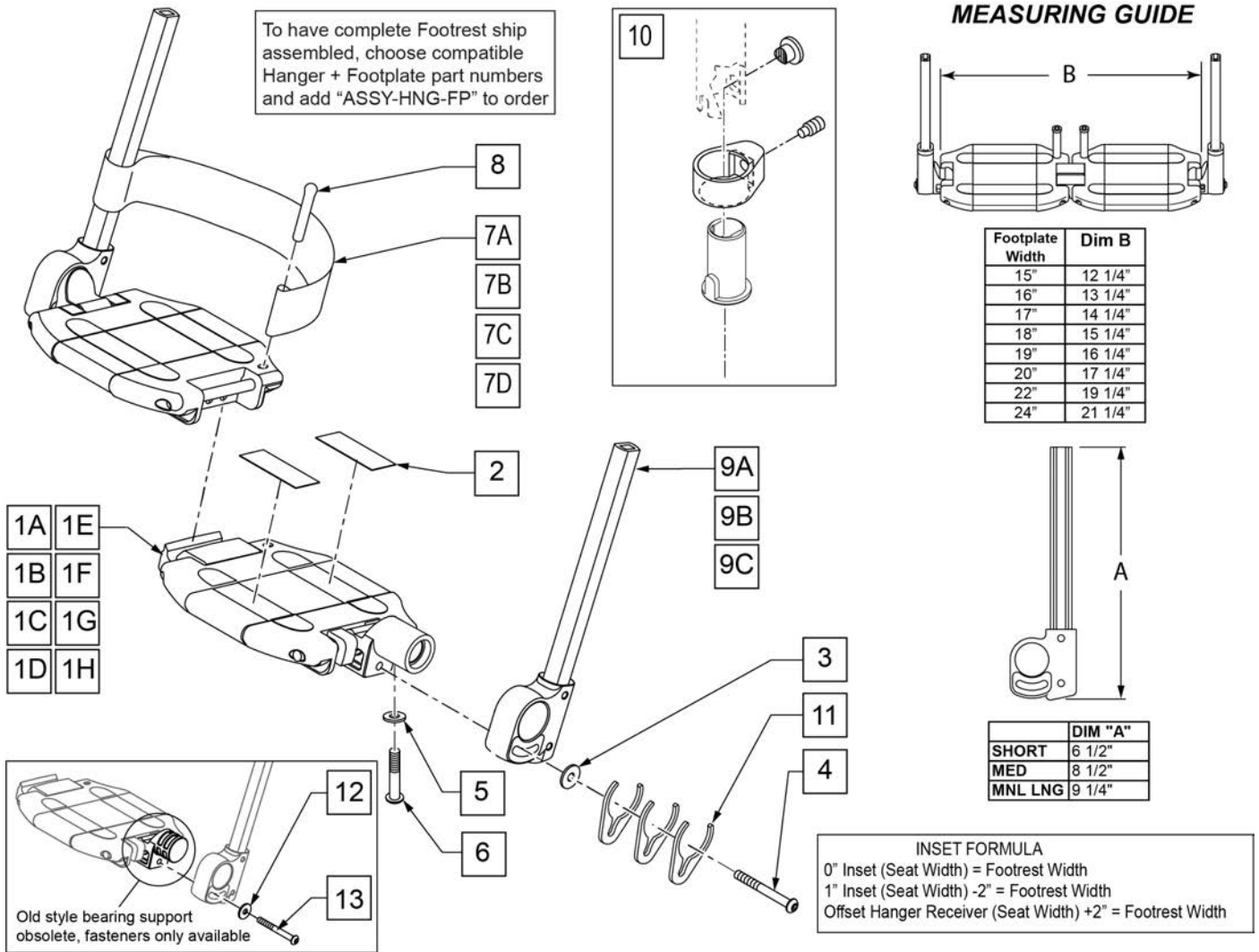
	PART NUMBER	"B" BENT
SHORT	107126	8 1/4"
MED	107127	10 1/4"
LONG	107128	12 1/4"

	PART NUMBER	"V" V STYLE
MED	106907 (L), 106908 (R)	9"
X-LONG	106909 (L), 106910 (R)	13"

Pos.	Item Number	Description	Remarks
1	132626	NUT AUTOMATION M6 X 1.0	
2	107383	WASHER FLAT M6 ROHS	
3	561055	3/4" SADDLE 1" OD	
4	104399	SHCS M6X1X45 12 MM PART THD	
5	541002	FTRST MOUNTING BRKT-3/8 RAD R	RIGHT
5	541003	FTRST MOUNTING BRKT-3/8 RAD L	LEFT
6A	107119	SHORT STRAIGHT	80 deg Hangers only
6B	107120	MED STRAIGHT	80 deg Hangers only
6C	107121	LONG STRAIGHT	80 deg Hangers only

Pos.	Item Number	Description	Remarks
6D	107126	SHORT BENT	60,70,70 Hemi Hangers
6E	107127	MED BENT	60,70,70 Hemi Hangers
6F	107128	LONG BENT	60,70,70 Hemi Hangers
6G	106907	EXT TUBE V ONLY D2 MED L	70 deg V Hangers only-LEFT
6G	106908	EXT TUBE V ONLY D2 MED R	70 deg V Hangers only-RIGHT
6H	106909	EXT TUBE V ONLY D2 X-LONG L	70 deg V Hangers only-LEFT
6H	106910	EXT TUBE V ONLY D2 X-LONG R	70 deg V Hangers only-RIGHT
7	560735	7/8" ROUND TUBE PLUG	
8	226168	1/4-28 X .875 BH C/S	
5,7-9A	820422	FT REST LOOP 12 RIGHT	RIGHT 12-13" Footrest Width
5,7-9A	820423	FT REST LOOP 12 LEFT	LEFT 12-13" Footrest Width
5,7-9B	820424	FT REST LOOP 14 RIGHT	RIGHT 14-15" Footrest Width
5,7-9B	820425	FT REST LOOP 14 LEFT	LEFT 14-15" Footrest Width
5,7-9C	820426	FT REST LOOP 16 RIGHT	RIGHT 16-17" Footrest Width
5,7-9C	820427	FT REST LOOP 16 LEFT	LEFT 16-17" Footrest Width
5,7-9D	820428	FT REST LOOP 18 RIGHT	RIGHT 18-19" Footrest Width
5,7-9D	820429	FT REST LOOP 18 LEFT	LEFT 16-19" Footrest Width
1-5,6A,7-8,9A	111246	FOAM STRT SHT EXT ASM 12W R	RIGHT- 80D- 12"-13" W- SHORT
1-5,6A,7-8,9B	111247	FOAM STRT SHT EXT ASM 14W R	RIGHT- 80D- 14"-15" W- SHORT
1-5,6A,7-8,9C	111248	FOAM STRT SHT EXT ASM 16W R	RIGHT- 80D- 16"-17" W- SHORT
1-5,6A,7-8,9D	111249	FOAM STRT SHT EXT ASM 18W R	RIGHT- 80D- 18"-22" W- SHORT
1-5,6A,7-8,9A	111250	FOAM STRT SHT EXT ASM 12W L	LEFT- 80D- 12"-13" W- SHORT
1-5,6A,7-8,9B	111251	FOAM STRT SHT EXT ASM 14W L	LEFT- 80D- 14"-15" W- SHORT
1-5,6A,7-8,9C	111252	FOAM STRT SHT EXT ASM 16W L	LEFT- 80D- 16"-17" W- SHORT
1-5,6A,7-8,9D	111253	FOAM STRT SHT EXT ASM 18W L	LEFT- 80D- 18"-22" W- SHORT
1-5,6B,7-8,9A	111254	FOAM STRT MED EXT ASM 12W R	RIGHT- 80D- 12"-13" W- MED
1-5,6B,7-8,9B	111255	FOAM STRT MED EXT ASM 14W R	RIGHT- 80D- 14"-15" W- MED
1-5,6B,7-8,9C	111256	FOAM STRT MED EXT ASM 16W R	RIGHT- 80D- 16"-17" W- MED
1-5,6B,7-8,9D	111257	FOAM STRT MED EXT ASM 18W R	RIGHT- 80D- 18"-22" W- MED
1-5,6B,7-8,9A	111258	FOAM STRT MED EXT ASM 12W L	LEFT- 80D- 12"-13" W- MED
1-5,6B,7-8,9B	111259	FOAM STRT MED EXT ASM 14W L	LEFT- 80D- 14"-15" W- MED
1-5,6B,7-8,9C	111260	FOAM STRT MED EXT ASM 16W L	LEFT- 80D- 16"-17" W- MED
1-5,6B,7-8,9D	111261	FOAM STRT MED EXT ASM 18W L	LEFT- 80D- 18"-22" W- MED
1-5,6C,7-8,9A	111262	FOAM STRT LNG EXT ASM 12W R	RIGHT- 80D- 12"-13" W- LONG
1-5,6C,7-8,9B	111263	FOAM STRT LNG EXT ASM 14W R	RIGHT- 80D- 14"-15" W- LONG
1-5,6C,7-8,9C	111264	FOAM STRT LNG EXT ASM 16W R	RIGHT- 80D- 16"-17" W- LONG
1-5,6C,7-8,9D	111265	FOAM STRT LNG EXT ASM 18W R	RIGHT- 80D- 18"-22" W- LONG
1-5,6C,7-8,9A	111266	FOAM STRT LNG EXT ASM 12W L	LEFT- 80D- 12"-13" W- LONG
1-5,6C,7-8,9B	111267	FOAM STRT LNG EXT ASM 14W L	LEFT- 80D- 14"-15" W- LONG
1-5,6C,7-8,9C	111268	FOAM STRT LNG EXT ASM 16W L	LEFT- 80D- 16"-17" W- LONG
1-5,6C,7-8,9D	111269	FOAM STRT LNG EXT ASM 18W L	LEFT- 80D- 18"-22" W- LONG
1-5,6D,7-8,9A	111270	FOAM BNT SHT EXT ASM 12W R	RIGHT- 70D- 12"-13" W- SHORT
1-5,6D,7-8,9B	111271	FOAM BNT SHT EXT ASM 14W R	RIGHT- 70D- 14"-15" W- SHORT
1-5,6D,7-8,9C	111272	FOAM BNT SHT EXT ASM 16W R	RIGHT- 70D- 16"-17" W- SHORT
1-5,6D,7-8,9D	111273	FOAM BNT SHT EXT ASM 18W R	RIGHT- 70D- 18"-22" W- SHORT
1-5,6D,7-8,9A	111274	FOAM BNT SHT EXT ASM 12W L	LEFT- 70D- 12"-13" W- SHORT
1-5,6D,7-8,9B	111275	FOAM BNT SHT EXT ASM 14W L	LEFT- 70D- 14"-15" W- SHORT
1-5,6D,7-8,9C	111276	FOAM BNT SHT EXT ASM 16W L	LEFT- 70D- 16"-17" W- SHORT
1-5,6D,7-8,9D	111277	FOAM BNT SHT EXT ASM 18W L	LEFT- 70D- 18"-22" W- SHORT
1-5,6E,7-8,9A	111278	FOAM BNT MED EXT ASM 12W R	RIGHT- 70D- 12"-13" W- MED
1-5,6E,7-8,9B	111279	FOAM BNT MED EXT ASM 14W R	RIGHT- 70D- 14"-15" W- MED
1-5,6E,7-8,9C	111280	FOAM BNT MED EXT ASM 16W R	RIGHT- 70D- 16"-17" W- MED
1-5,6E,7-8,9D	111281	FOAM BNT MED EXT ASM 18W R	RIGHT- 70D- 18"-22" W- MED
1-5,6E,7-8,9A	111282	FOAM BNT MED EXT ASM 12W L	LEFT- 70D- 12"-13" W- MED
1-5,6E,7-8,9B	111283	FOAM BNT MED EXT ASM 14W L	LEFT- 70D- 14"-15" W- MED
1-5,6E,7-8,9C	111284	FOAM BNT MED EXT ASM 16W L	LEFT- 70D- 16"-17" W- MED

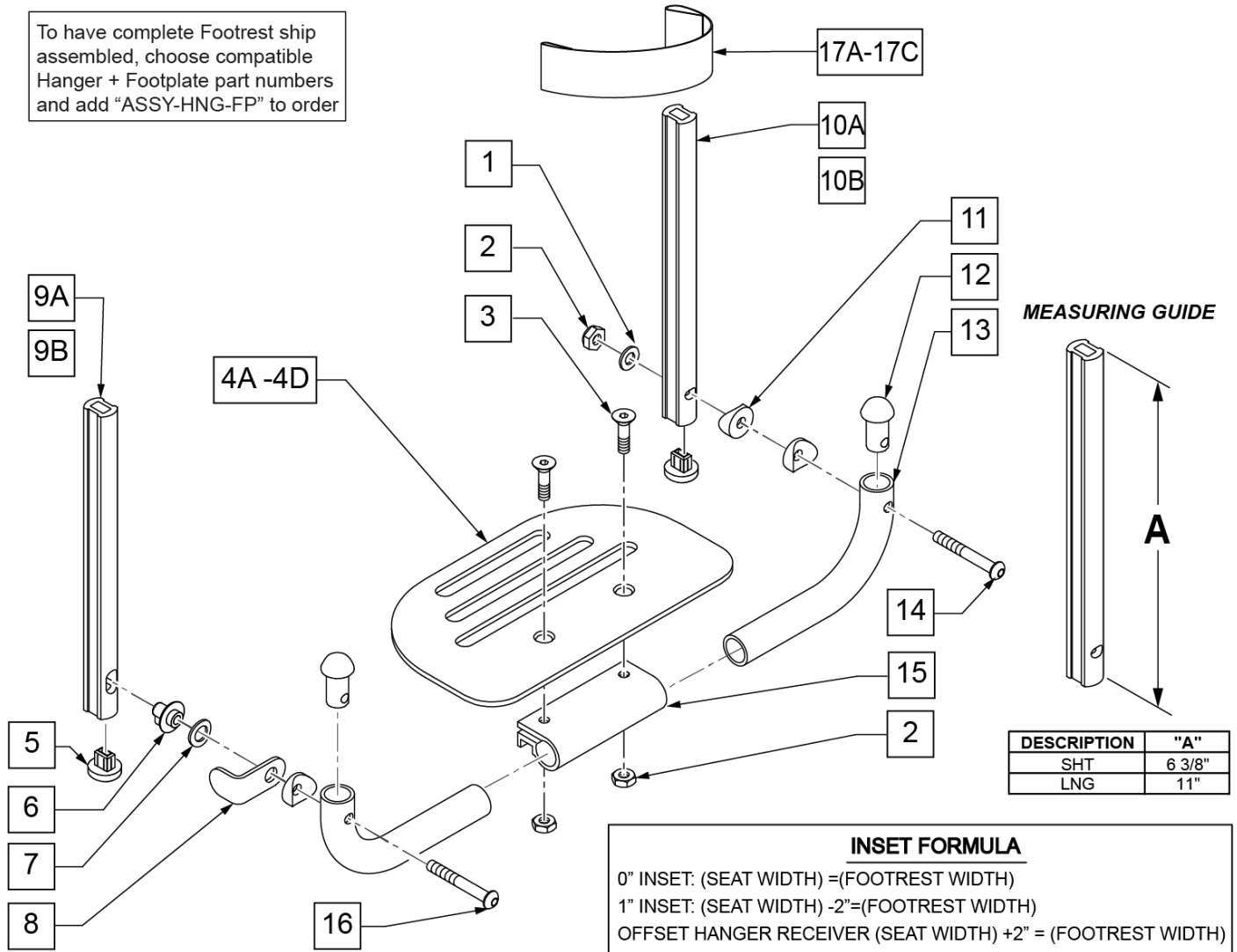
Pos.	Item Number	Description	Remarks
1-5,6E,7-8,9D	111285	FOAM BNT MED EXT ASM 18W L	LEFT- 70D- 18"-22" W- MED
1-5,6F,7-8,9A	111286	FOAM BNT LNG EXT ASM 12W R	RIGHT- 70D- 12"-13" W- LONG
1-5,6F,7-8,9B	111287	FOAM BNT LNG EXT ASM 14W R	RIGHT- 70D- 14"-15" W- LONG
1-5,6F,7-8,9C	111288	FOAM BNT LNG EXT ASM 16W R	RIGHT- 70D- 16"-17" W- LONG
1-5,6F,7-8,9D	111289	FOAM BNT LNG EXT ASM 18W R	RIGHT- 70D- 18"-22" W- LONG
1-5,6F,7-8,9A	111290	FOAM BNT LNG EXT ASM 12W L	LEFT- 70D- 12"-13" W- LONG
1-5,6F,7-8,9B	111291	FOAM BNT LNG EXT ASM 14W L	LEFT- 70D- 14"-15" W- LONG
1-5,6F,7-8,9C	111292	FOAM BNT LNG EXT ASM 16W L	LEFT- 70D- 16"-17" W- LONG
1-5,6F,7-8,9D	111293	FOAM BNT LNG EXT ASM 18W L	LEFT- 70D- 18"-22" W- LONG
1-5,6G,7-8,9A	111294	FOAM V MED EXT ASM 12W R	RIGHT- 70D V Hangers only 12"-13" W- MED
1-5,6G,7-8,9B	111295	FOAM V MED EXT ASM 14W R	RIGHT- 70D V Hangers only 14"-15" W- MED
1-5,6G,7-8,9C	111296	FOAM V MED EXT ASM 16W R	RIGHT- 70D V Hangers only 16"-17" W- MED
1-5,6G,7-8,9D	111297	FOAM V MED EXT ASM 18W R	RIGHT- 70D V Hangers only 18"-22" W- MED
1-5,6G,7-8,9A	111298	FOAM V MED EXT ASM 12W L	LEFT- 70D V Hangers only 12"-13" W- MED
1-5,6G,7-8,9B	111299	FOAM V MED EXT ASM 14W L	LEFT- 70D V Hangers only 14"-15" W- MED
1-5,6G,7-8,9C	111300	FOAM V MED EXT ASM 16W L	LEFT- 70D V Hangers only 16"-17" W- MED
1-5,6G,7-8,9D	111301	FOAM V MED EXT ASM 18W L	LEFT- 70D V Hangers only 18"-22" W- MED
1-5,6H,7-8,9A	111302	FOAM V LNG EXT ASM 12W R	RIGHT- 70D V Hangers only 12"-13" W- LONG
1-5,6H,7-8,9B	111303	FOAM V LNG EXT ASM 14W R	RIGHT- 70D V Hangers only 14"-15" W- LONG
1-5,6H,7-8,9C	111304	FOAM V LNG EXT ASM 16W R	RIGHT- 70D V Hangers only 16"-17" W- LONG
1-5,6H,7-8,9D	111305	FOAM V LNG EXT ASM 18W R	RIGHT- 70D V Hangers only 18"-22" W- LONG
1-5,6H,7-8,9A	111306	FOAM V LNG EXT ASM 12W L	LEFT- 70D V Hangers only 12"-13" W- LONG
1-5,6H,7-8,9B	111307	FOAM V LNG EXT ASM 14W L	LEFT- 70D V Hangers only 14"-15" W- LONG
1-5,6H,7-8,9C	111308	FOAM V LNG EXT ASM 16W L	LEFT- 70D V Hangers only 16"-17" W- LONG
1-5,6H,7-8,9D	111309	FOAM V LNG EXT ASM 18W L	LEFT- 70D V Hangers only 18"-22" W- LONG
		Ship assembled part #	Use with multiple assemblies
	ASSY-HNG-FP	HANGER/FOOTPLATE ASSY REQUIRED	add with Hanger & Footplate kit



Pos.	Item Number	Description	Remarks
2	360010	FOOT BOARD SKID TAPE	
3	250070	M6 WASHER	
4	210000	M6 x 55 8.8 BUTTON HD CAP SCRW	
5	106944	1/4 AN WASHER FLAT THIN	
6	106958	1/4-20 x 1 HEX C/S	
7A	741151	HEEL LOOP 14-15 CMPST EA 13.24 44	15" Footrest Width
7B	741156	HEEL LOOP 18-20 CMPST HEMI	16 -17" Footrest Width
7C	741153	HEEL LOOP 18-20 CMPST/14-15 ANG ADJ	18 -20" Footrest Width
7D	741253	HEEL LOOP ADLT ADJ F/PLT 18-20	21 & 22" Footrest Width
8	561040	HEEL LOOP PEG	
9A	109780	EXT TUBE PLTFRM SMALL ASSM	SMALL EXT
9B	109781	EXT TUBE PLTFRM MEDIUM ASSM	MEDIUM EXT
9C	109782	EXT TUBE PLTFRM LONG ASSM	LONG EXT
10	107485	FOOTREST CLAMP ASSM	
1A,2-7A,8,11	820620	LOCKING FTPLT 15" W LEFT	Left -15" Footrest Width
1A,2-7A,8,11	820621	LOCKING FTPLT 15" W RIGHT	Right -15" Footrest Width
1B,2-7B,8,11	820622	LOCKING FTPLT 16" W LEFT	Left -16" Footrest Width
1B,2-7B,8,11	820623	LOCKING FTPLT 16" W RIGHT	Right -16" Footrest Width

Pos.	Item Number	Description	Remarks
1C,2-7B,8,11	820624	LOCKING FTPLT 17" W LEFT	Left -17" Footrest Width
1C,2-7B,8,11	820625	LOCKING FTPLT 17" W RIGHT	Right -17" Footrest Width
1D,2-7C,8,11	820626	LOCKING FTPLT 18" W LEFT	Left -18" Footrest Width
1D,2-7C,8,11	820627	LOCKING FTPLT 18" W RIGHT	Right -18" Footrest Width
1E,2-7C,8,11	820628	LOCKING FTPLT 19" W LEFT	Left -19" Footrest Width
1E,2-7C,8,11	820629	LOCKING FTPLT 19" W RIGHT	Right -19" Footrest Width
1F,2-7C,8,11	820630	LOCKING FTPLT 20" W LEFT	Left -20" Footrest Width
1F,2-7C,8,11	820631	LOCKING FTPLT 20" W RIGHT	Right -20" Footrest Width
1H,2-7D,8,11	820632	LOCKING FTPLT 22" W LEFT	Left -22" Footrest Width
1H,2-7D,8,11	820633	LOCKING FTPLT 22" W RIGHT	Right -22" Footrest Width
		FOOTPLATE W/ SMALL EXT	
1A,2-7A,8,9A,11	109783	15" W LOCKING F/PLT SMALL EXT HL	Small Ext 15" Footrest Width
1B,2-7B,8,9A,11	109787	16" W LOCKING F/PLT SMALL EXT HL	Small Ext 16" Footrest Width
1C,2-7B,8,9A,11	109790	17" W LOCKING F/PLT SMALL EXT HL	Small Ext 17" Footrest Width
1D,2-7C,8,9A,11	109793	18" W LOCKING F/PLT SMALL EXT HL	Small Ext 18" Footrest Width
1E,2-7C,8,9A,11	109796	19" W LOCKING F/PLT SMALL EXT HL	Small Ext 19" Footrest Width
1F,2-7C,8,9A,11	109799	20" W LOCKING F/PLT SMALL EXT HL	Small Ext 20" Footrest Width
1G,2-7D,8,9A,11	109802	21" W LOCKING F/PLT SMALL EXT HL	Small Ext 21" Footrest Width
1H,2-7D,8,9A,11	109805	22" W LOCKING F/PLT SMALL EXT HL	Small Ext 22" Footrest Width
		FOOTPLATE W/ MED EXT	
1A,2-7A,8,9B,11	109784	15" W LOCKING F/PLT MED EXT HL	Med Ext 15" Footrest Width
1B,2-7B,8,9B,11	109788	16" W LOCKING F/PLT MED EXT HL	Med Ext 16" Footrest Width
1C,2-7B,8,9B,11	109791	17" W LOCKING F/PLT MED EXT HL	Med Ext 17" Footrest Width
1D,2-7C,8,9B,11	109794	18" W LOCKING F/PLT MED EXT HL	Med Ext 18" Footrest Width
1E,2-7C,8,9B,11	109797	19" W LOCKING F/PLT MED EXT HL	Med Ext 19" Footrest Width
1F,2-7C,8,9B,11	109800	20" W LOCKING F/PLT MED EXT HL	Med Ext 20" Footrest Width
1G,2-7D,8,9B,11	109803	21" W LOCKING F/PLT MED EXT HL	Med Ext 21" Footrest Width
1H,2-7D,8,9B,11	109806	22" W LOCKING F/PLT MED EXT HL	Med Ext 22" Footrest Width
		FOOTPLATE W/ LONG EXT	
1A,2-7A,8,9C,11	109786	15" W LOCKING F/PLT LONG EXT HL	Long Ext 15" Footrest Width
1B,2-7B,8,9C,11	109789	16" W LOCKING F/PLT LONG EXT HL	Long Ext 16" Footrest Width
1C,2-7B,8,9C,11	109792	17" W LOCKING F/PLT LONG EXT HL	Long Ext 17" Footrest Width
1D,2-7C,8,9C,11	109795	18" W LOCKING F/PLT LONG EXT HL	Long Ext 18" Footrest Width
1E,2-7C,8,9C,11	109798	19" W LOCKING F/PLT LONG EXT HL	Long Ext 19" Footrest Width
1F,2-7C,8,9C,11	109801	20" W LOCKING F/PLT LONG EXT HL	Long Ext 20" Footrest Width
1G,2-7D,8,9C,11	109804	21" W LOCKING F/PLT LONG EXT HL	Long Ext 21" Footrest Width
1H,2-7D,8,9C,11	109807	22" W LOCKING F/PLT LONG EXT HL	Long Ext 22" Footrest Width
		Ship assembled part #	Use with multiple assemblies
	ASSY-HNG-FP	HANGER/FOOTPLATE ASSY REQUIRED	add with Hanger & Footplate kit
12	250070	M6 WASHER	
13	210000	M6 x 55 8.8 BUTTON HD CAP SCRW	

To have complete Footrest ship assembled, choose compatible Hanger + Footplate part numbers and add "ASSY-HNG-FP" to order



INSET FORMULA

0" INSET: (SEAT WIDTH) =(FOOTREST WIDTH)
 1" INSET: (SEAT WIDTH) -2"=(FOOTREST WIDTH)
 OFFSET HANGER RECEIVER (SEAT WIDTH) +2" = (FOOTREST WIDTH)

Pos.	Item Number	Description	Remarks
1	106944	WASHER FLAT THIN AN 1/4 ROHS	
2	106941	NUT AUTOMATION 1/4-28 ROHS	
3	106978	FHCS 1/4-28 X 7/8 ROHS	
4A	500651	PLATFORM F/PLT 8 x 5 1/2"	12 -14" Footrest Width
4B	500652	PLATFORM F/PLT 10" x 5 1/2"	15 -17" Footrest Width
4C	500653	PLATFORM F/PLT 12" x 5 1/2"	18 -20" Footrest Width
4D	500654	PLATFORM F/PLT 14" x 5 1/2"	21 -22" Footrest Width
5	113221	PLUG DOUBLE D EXT TUBE	
6	540410	F/UP FOOTREST KEY STUD D2	
7	107385	WASHER CURVED 3/8 ROHS	
8	505078	FOOTREST RETAINING BRACKET	
9A	106875	EXT TBE F/UP KEY SHT	Short -Latch Side
9B	106876	EXT TBE F/UP KEY LNG	Long -Latch Side
10A	106873	EXT TBE F/UP SLT SHT	Short -Pivot Side
10B	106874	EXT TBE F/UP SLT LNG	Long -Pivot Side
11	561003	3/4" SADDLE THIN	
12	561034	SHORT DOME PLUG	

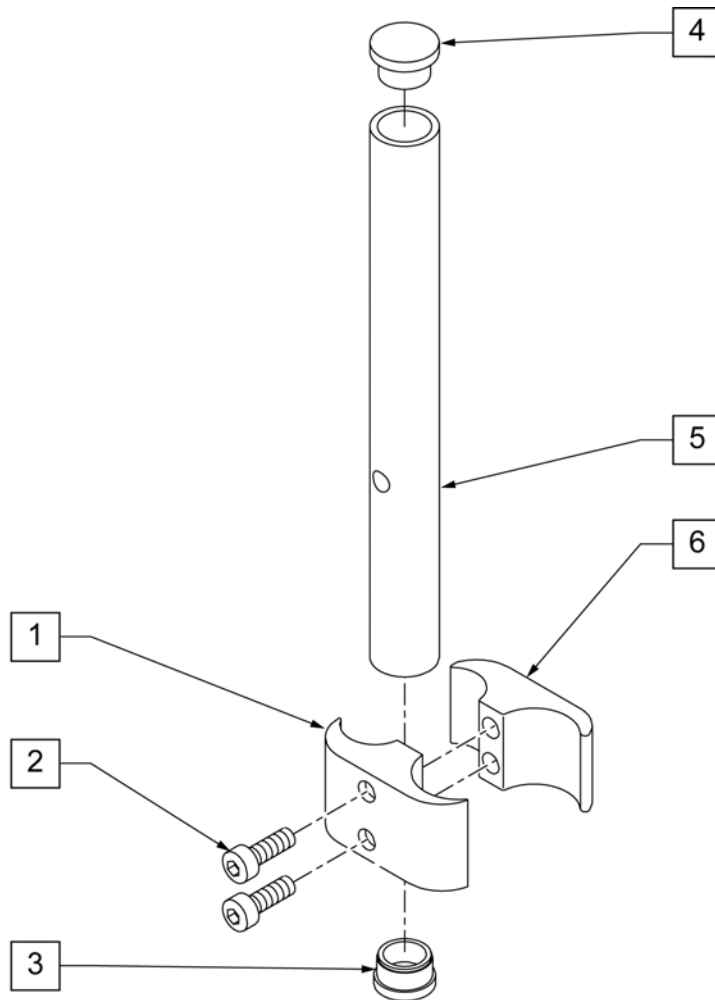
Pos.	Item Number	Description	Remarks
14	106964	BHCS 1/4-28 X 2 ROHS	
15	550351	PLATFORM FOOTPLATE CLAMP	
16	107027	BHCS 1/4-28 X 1-1/4 SHLDR ROHS	
17A	740130	LEG STRAP 10"-14" BLK	12-14" Footrest Width
17B	740131	LEG STRAP 15"-17" BLK	15-17" Footrest Width
17C	740132	LEG STRAP 18"-20" BLK	18-20" Footrest Width
1-4A,6-8,11-16	900306	PLTFM F/P PLT BLK 12" D2 W/ INSTR	12" Footrest Width
1-4A,6-8,11-16	900307	PLTFM F/P PLT BLK 13" D2 W/ INSTR	13" Footrest Width
1-4A,6-8,11-16	900308	PLTFM F/P PLT BLK 14" D2 W /INSTR	14" Footrest Width
1-4B,6-8,11-16	900309	PLTFM F/P PLT BLK 15" D2 W /INSTR	15" Footrest Width
1-4B,6-8,11-16	900310	PLTFM F/P PLT BLK 16" D2 W /INSTR	16" Footrest Width
1-4B,6-8,11-16	900311	PLTFM F/P PLT BLK 17" D2 W /INSTR	17" Footrest Width
1-4C,6-8,11-16	900312	PLTFM F/P PLT BLK 18" D2 W /INSTR	18" Footrest Width
1-4C,6-8,11-16	900313	PLTFM F/P PLT BLK 19" D2 W /INSTR	19" Footrest Width
1-4C,6-8,11-16	900314	PLTFM F/P PLT BLK 20" D2 W/ INSTR	20" Footrest Width
1-4D,6-8,11-16	900315	PLTFM F/P PLT BLK 21" D2 W/ INSTR	21" Footrest Width
1-4D,6-8,11-16	900316	PLTFM F/P PLT BLK 22" D2 W/ INSTR	22" Footrest Width
		SHORT EXT ASSEMBLIES	
1-3,4A,5-8,9A,10B,11-16,17A	108043	PLTFRM FLIP FTRST SHT 12W	12" wide (Short)
1-3,4A,5-8,9A,10B,11-16,17A	108044	PLTFRM FLIP FTRST SHT 13W	13" wide (Short)
1-3,4A,5-8,9A,10B,11-16,17A	108045	PLTFRM FLIP FTRST SHT 14W	14" wide (Short)
1-3,4B,5-8,9A,10B,11-16,17B	108046	PLTFRM FLIP FTRST SHT 15W	15" wide (Short)
1-3,4B,5-8,9A,10B,11-16,17B	108047	PLTFRM FLIP FTRST SHT 16W	16" wide (Short)
1-3,4B,5-8,9A,10B,11-16,17B	108048	PLTFRM FLIP FTRST SHT 17W	17" wide (Short)
1-3,4C,5-8,9A,10B,11-16,17C	108049	PLTFRM FLIP FTRST SHT 18W	18" wide (Short)
1-3,4C,5-8,9A,10B,11-16,17C	108051	PLTFRM FLIP FTRST SHT 19W	19" wide (Short)
1-3,4C,5-8,9A,10B,11-16,17C	108052	PLTFRM FLIP FTRST SHT 20W	20" wide (Short)
1-3,4D,5-8,9A,10B,11-16,17C	111554	PLTFRM FLIP FTRST SHT 21W	21" wide (Short)
1-3,4D,5-8,9A,10B,11-16,17C	111555	PLTFRM FLIP FTRST SHT 22W	22" wide (Short)
		LONG EXT ASSEMBLIES	
1-3,4A,5-8,9B,10A,11-16,17A	108053	PLTFRM FLIP FTRST LONG 12W	12" wide (Long)
1-3,4A,5-8,9B,10A,11-16,17A	108054	PLTFRM FLIP FTRST LONG 13W	13" wide (Long)
1-3,4A,5-8,9B,10A,11-16,17A	108055	PLTFRM FLIP FTRST LONG 14W	14" wide (Long)
1-3,4B,5-8,9B,10A,11-16,17B	108056	PLTFRM FLIP FTRST LONG 15W	15" wide (Long)
1-3,4B,5-8,9B,10A,11-16,17B	108057	PLTFRM FLIP FTRST LONG 16W	16" wide (Long)
1-3,4B,5-8,9B,10A,11-16,17B	108058	PLTFRM FLIP FTRST LONG 17W	17" wide (Long)
1-3,4C,5-8,9B,10A,11-16,17C	108059	PLTFRM FLIP FTRST LONG 18W	18" wide (Long)
1-3,4C,5-8,9B,10A,11-16,17C	108060	PLTFRM FLIP FTRST LONG 19W	19" wide (Long)
1-3,4C,5-8,9B,10A,11-16,17C	108061	PLTFRM FLIP FTRST LONG 20W	20" wide (Long)
1-3,4D,5-8,9B,10A,11-16,17C	111556	PLTFRM FLIP FTRST LONG 21W	21" wide (Long)
1-3,4D,5-8,9B,10A,11-16,17C	111557	PLTFRM FLIP FTRST LONG 22W	22" wide (Long)
		Ship assembled part #	Use with multiple assemblies
	ASSY-HNG-FP	HANGER/FOOTPLATE ASSY REQUIRED	add with Hanger & Footplate kit

NOTE: only available with Adult Angle Adjustable (AAA) or Kids Angle Adjustable (KAA) Footplates.

NOTE: if retrofitting to an existing chair with Front Mount Hangers, new Adult Angle Adjustable (AAA) or Kids Angle Adjustable (KAA) Footplates with High Mount Extension Tubes are required. See Footplate Ordering Guide.

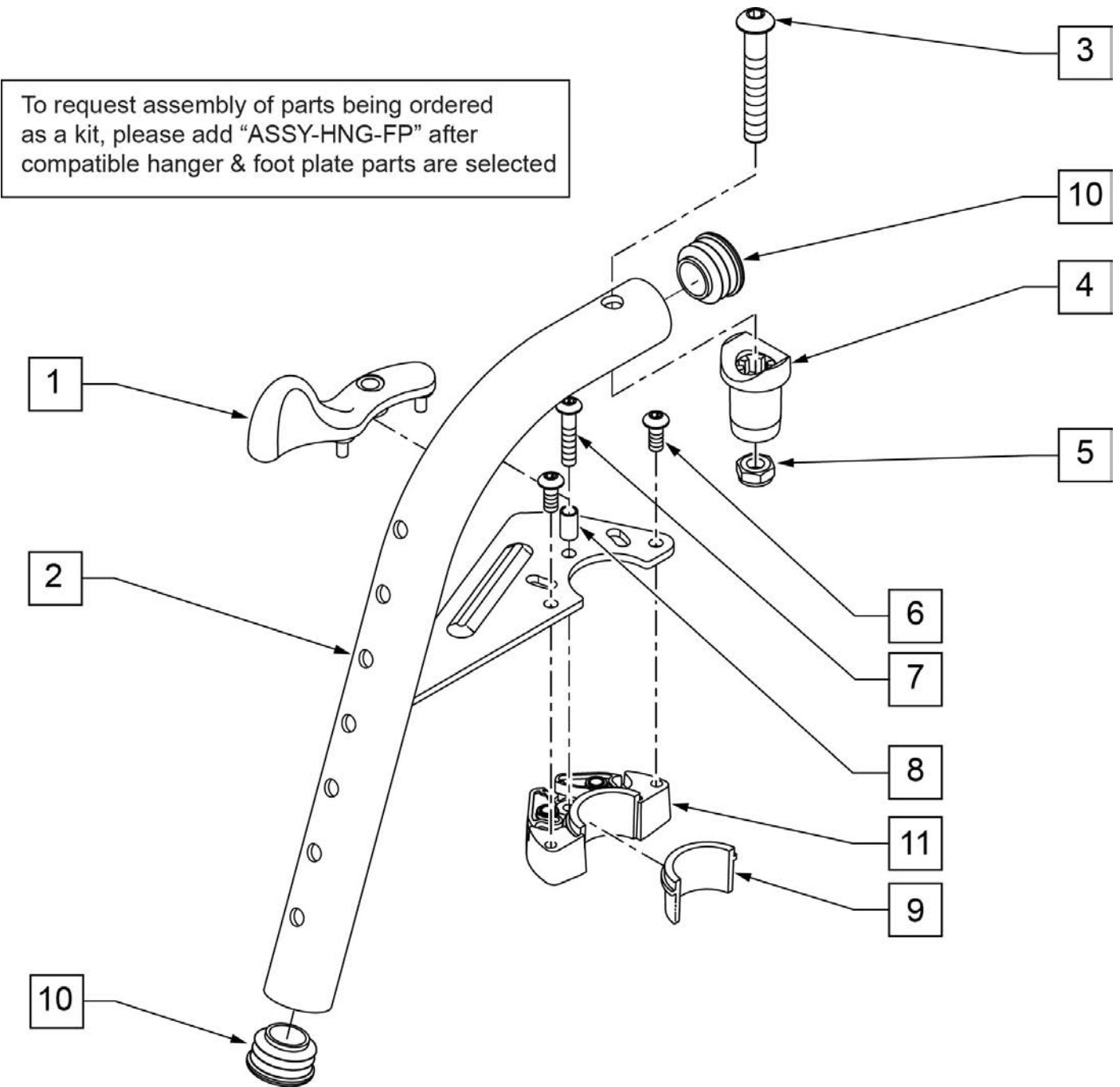
NOTE: if retrofitting to an existing chair with extension tube mounted hangers (D2 extension tubes) with Adult Angle Adjustable (AAA) or Kids Angle Adjustable (KAA) Footplates, order 2 each of 226167 and 561055 to mount the footplates onto the round high-mount extension tubes.

NOTE: if retrofitting on a chair with extension tube mounted hangers with Composite, Composite Angle Adjustable, Foam, Locking Angle Adjustable, Platform Flip-Up, or Platform Flip-Up Locking Footplates, then new Adult Angle Adjustable (AAA) or Kids Angle Adjustable (KAA) Footplates with High Mount Extension Tubes are required. See Footplate Ordering Guide.



Pos.	Item Number	Description	Remarks
1	550657	CLAMP 1 1/4" RECESS FULL BLK	
2	107032	SHCS 1/4-28 X 1 ROHS	
3	561000-QU	3/4" INSERT PLUG .083	
4	482016	HIGH-MOUNT FL FT TUBE PLUG	
5	524100	H/M FL FT EXT TUBE BLK	
6	550658	CLAMP 1 1/4" THREADED BLK	
1,2,6	880538	HI-MOUNT FR CLAMP ASSEMBLY BLK	
1-6	921550S	H/M FL FT CLAMPS AND TUBES (PR)	Pair

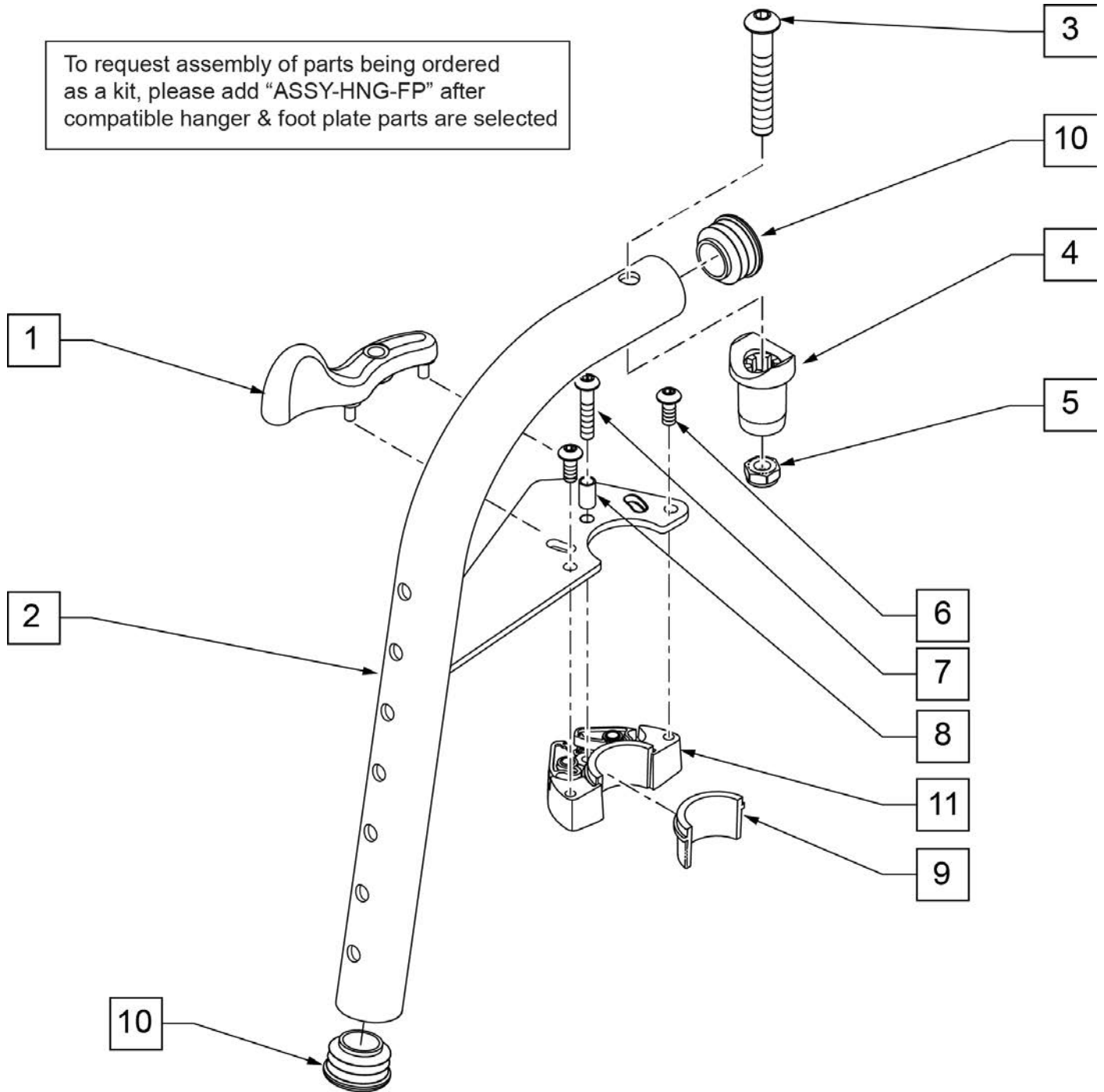
Note: Effective on GP SA beginning GP-95902, Kids Q2 SE beginning QKE-003425, LX/LXI beginning LXI-060868, Quickie TS beginning QT-044951 & GTE-002092.



Pos.	Item Number	Description	Remarks
1	052296	SWING I/O LATCH LEVER R W/ PINS	RIGHT
1	052297	SWING I/O LATCH LEVER L W/ PINS	LEFT
3	106983	BHCS 5/16 -18 x 2 SHLDR ROHS	
4	561197	PLASTIC PIVOT SADDLE	Includes nylock nut
5	202117	5/16-18 NYLOCK NUT THICK BLK	
6	102259-001	BHCS M5 X .8 X 12 BLK W/ PL	
7	230494	M5-30 BTTN HD SOC C/S BLK	
8	052054	BUSHING PIVOT HANGER SWING I/O	
10	561062	1" INSERT PLUG .065 RIBS	
6,9,11	120976	ASSY LATCH BLOCK ANTI LIFT	
1-11	101153S	70D FM SWING I/O HNGR ASSY R	RIGHT
1-11	101154S	70D FM SWING I/O HNGR ASSY L	LEFT
		Ship assembled part #	Use with multiple assemblies
	ASSY-HNG-FP	HANGER/FOOTPLATE ASSY REQUIRED	add with Hanger & Footplate kit

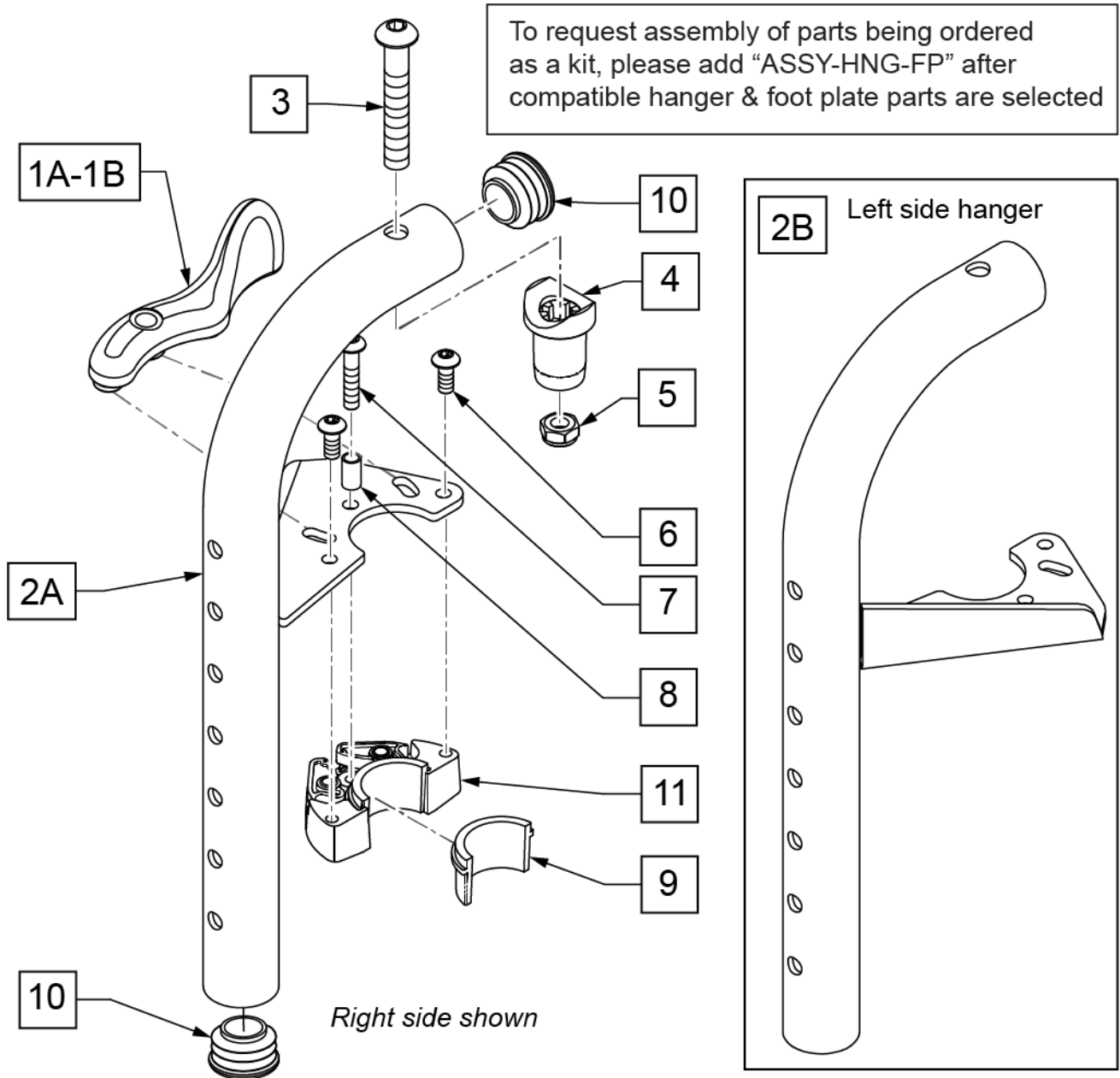
Note: Effective on GP SA beginning GP-95902, Kids Q2 SE beginning QKE-003425, LX/LXI beginning LXI-060868, Quickie TS beginning QT-044951 & GTE-002092.

To request assembly of parts being ordered as a kit, please add "ASSY-HNG-FP" after compatible hanger & foot plate parts are selected

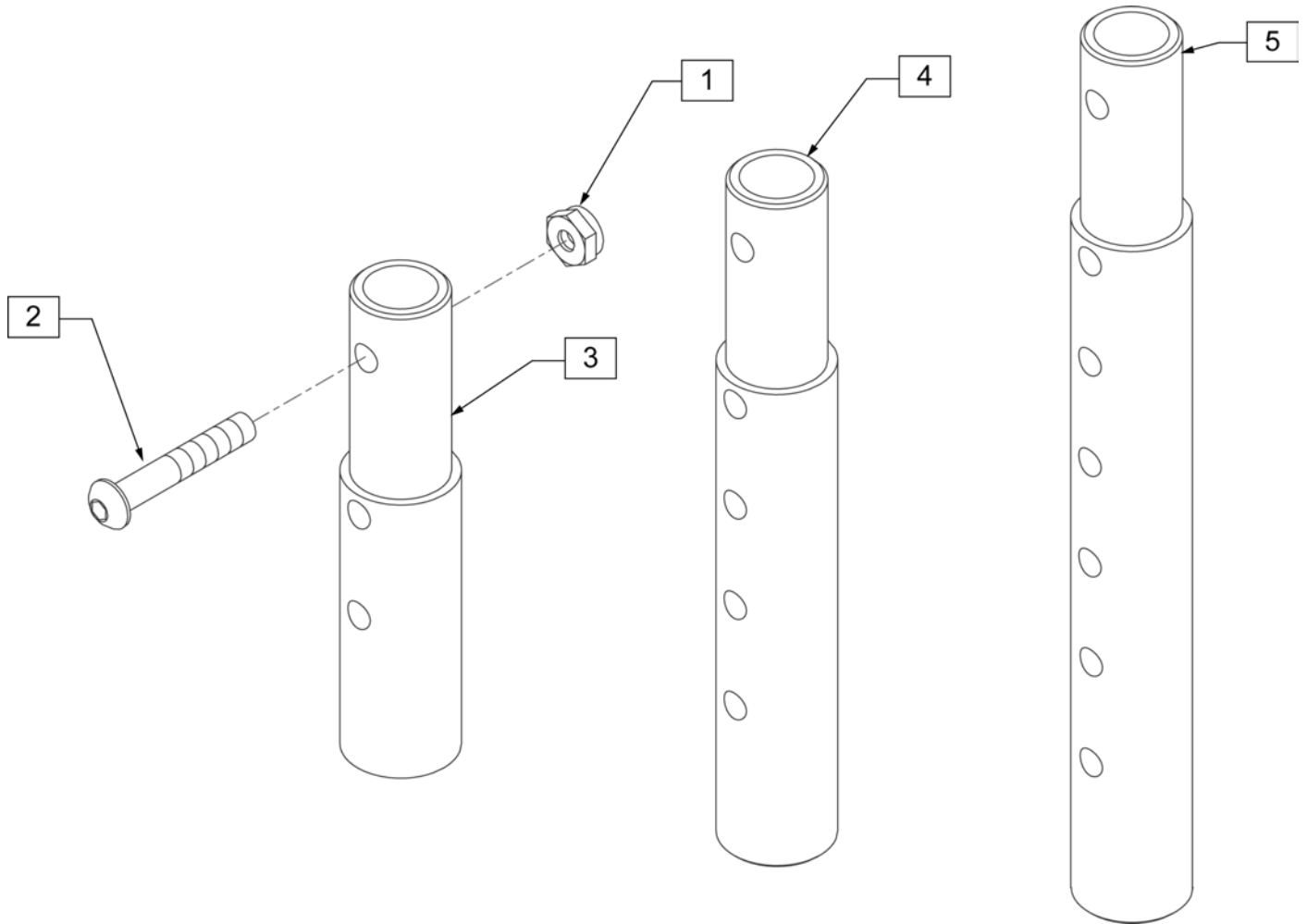


Pos.	Item Number	Description	Remarks
1	052296	SWING I/O LATCH LEVER R w/ PINS	RIGHT
1	052297	SWING I/O LATCH LEVER L w/ PINS	LEFT
3	106983	BHCS 5/16 -18 x 2 SHLDR ROHS	
4	561197	PLASTIC PIVOT SADDLE	Includes nylock nut
5	202117	5/16-18 NYLOCK NUT THICK BLK	
6	102259-001	BHCS M5 X .8 X 12 BLK W/PL	
7	230494	M5-30 BTTN HD SOC C/S BLK	
8	052054	BUSHING PIVOT HANGER SWING I/O	
10	561062	1" INSERT PLUG .065 RIBS	
6,9,11	120976	ASSY LATCH BLOCK ANTI LIFT	
1A,2A,3-11	101155S	80D FM SWNG I/O HNGR ASSY R	RIGHT
1B,2B,3-11	101156S	80D FM SWNG I/O HNGR ASSY L	LEFT
		Ship assembled part #	Use with multiple assemblies
	ASSY-HNG-FP	HANGER/FOOTPLATE ASSY REQUIRED	add with Hanger & Footplate kit

NOTE: Effective on LX/LXI as of 10/24/2008.

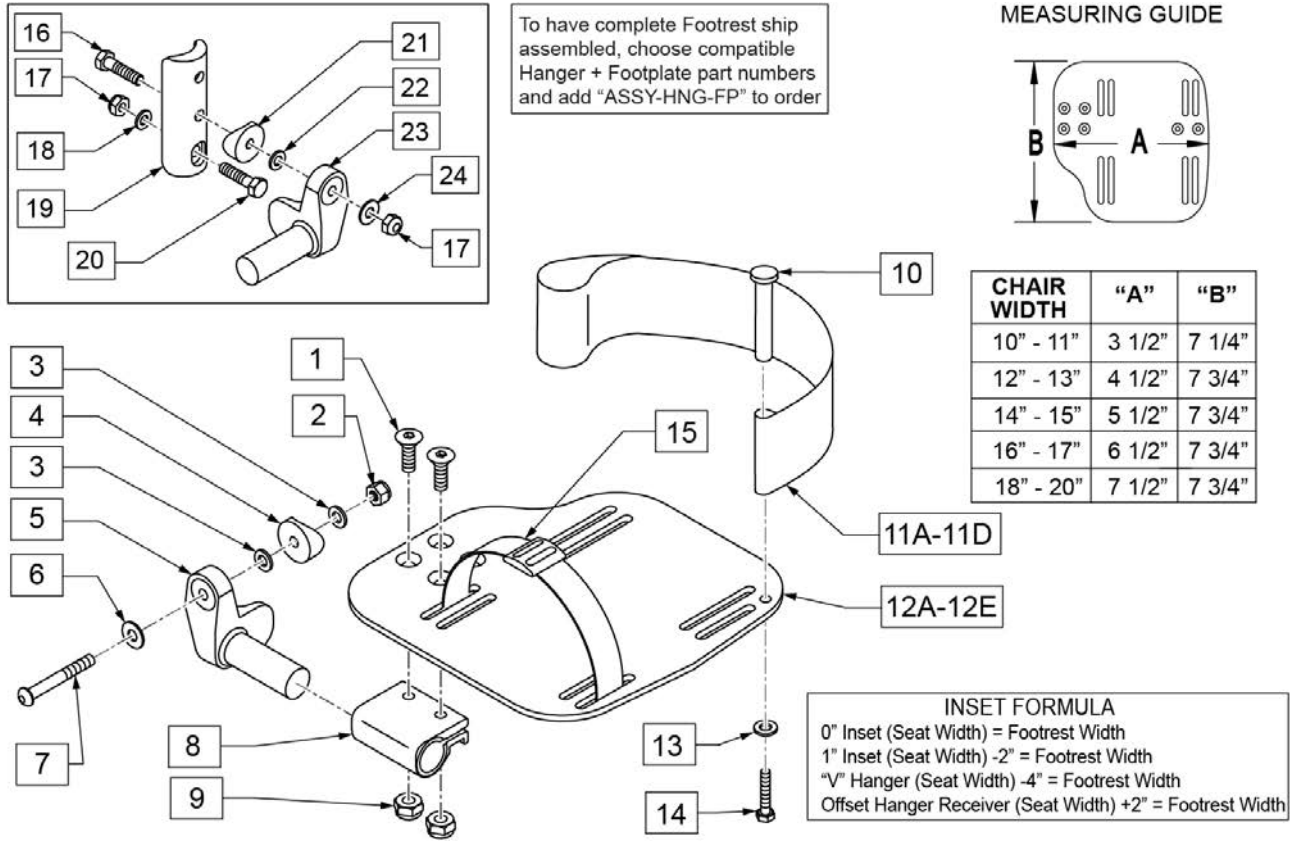


Pos.	Item Number	Description	Remarks
1A	052297	SWING I/O LATCH LEVER L w/ PINS	Used on Right Side 90D Swing I/O Hanger only
1B	052296	SWING I/O LATCH LEVER R w/ PINS	Used on Left Side 90D Swing I/O Hanger only
3	106983	BHCS 5/16 -18 x 2 SHLDR ROHS	
4	561197	PLASTIC PIVOT SADDLE	
5	202117	5/16-18 NYLOCK NUT THICK BLK	
6	102259-001	BHCS M5 x .8 x 12 W /PL INORG	
7	230494	M5-30 BTTN HD SOC C/S BLK	
8	052054	BUSHING PIVOT HANGER SWING I/O	
10	561062	1" INSERT PLUG .065 RIBS	
6,9,11	120976	ASSY LATCH BLOCK ANTI LIFT	
1A,2A,3-11	101157S	90D FM SWNG I/O HNGR ASSY R	RIGHT
1B,2B,3-11	101158S	90D FM SWNG I/O HNGR ASSY L	LEFT
		Ship assembled part #	Use with multiple assemblies
	ASSY-HNG-FP	HANGER/FOOTPLATE ASSY REQUIRED	add with Hanger & Footplate kit



Pos.	Item Number	Description	Remarks
1	106935	NUT NYLOCK THIN 1/4 -28 ROHS	
2	106961	BHCS 1/4 -28 x 1 1/4 ROHS	
1-3	111505	2" FOOTREST EXTENSION TUBE W/ HDWR ASSM	2" EXT (PAIR)
1, 2, 4	111506	4" FOOTREST EXTENSION TUBE W/ HDWR ASSM	4" EXT (PAIR)
1, 2, 5	111507	6" FOOTREST EXTENSION TUBE W/ HDWR ASSM	6" EXT (PAIR)

Note: for QX Series or SR45 footplate replacement parts see the ordering guide marked specifically for these two models in the informations panel.

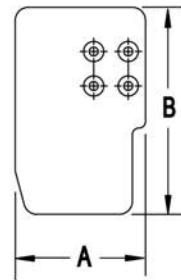


Pos.	Item Number	Description	Remarks
1	106978	FHCS 1/4-28 X 7/8	
2	106934	NUT NYLOCK 1/4-28	
3	106944	WASHER FLAT THIN AN 1/4	
4	561004	Q2 SADDLE	
5	541000	FTRST MOUNTING BRKT 1/2" RAD R	Right
5	541001	FTRST MOUNTING BRKT 1/2" RAD L	Left
6	106945	WASHER FLAT SAE 1/4 ROHS	
7	106964	BHCS 1/4-28 X 2	
8	550350	3/4 CLMP ADJ FT PLT	
9	106935	NUT NYLOCK THIN 1/4-28 ROHS	
10	561040	HEEL LOOP PEG	
11A	104380-001	ADJ FOOTREST STRAP 14W	Used on 10"-13" wide
11B	104380-002	ADJ FOOTREST STRAP 15-16W	Used on 14"-15" wide
11C	104380-003	ADJ FOOTREST STRAP 17-18W	Used on 16"-17" wide
11D	104380-004	ADJ FOOTREST STRAP 19-20W	Used on 18"-20" wide
12A	500656	ADULT ANGL ADJ F/PLT 10/11	Right; 10"-11" wide
12A	500657	ADULT ANGL ADJ F/PLT 10/11	Left; 10"-11" wide

Pos.	Item Number	Description	Remarks
12B	500658	ADULT ANGL ADJ F/PLT 12/13	Right; 12"-13" wide
12B	500659	ADULT ANGL ADJ F/PLT 12/13	Left; 12"-13" wide
12C	500660	ADULT ANGL ADJ F/PLT 14/15	Right; 14"-15" wide
12C	500661	ADULT ANGL ADJ F/PLT 14/15	Left; 14"-15" wide
12D	500662	ADULT ANGL ADJ F/PLT 16/17	Right; 16"-17" wide
12D	500663	ADULT ANGL ADJ F/PLT 16/17	Left; 16"-17" wide
12E	500664	ADULT ANGL ADJ F/PLT 18-20	Right; 18"-22" wide
12E	500665	ADULT ANGL ADJ F/PLT 18-20	Left; 18"-22" wide
13	107383	WASHER FLAT M6 ROHS	
14	102268-001	HHCS M6 X 1 X 25	
15	740260	TOE-ANKLE STRAP ADJ ADULT FOOTPLATE	
16	102268-001	HHCS M6 X 1 X 25	
17	132626	NUT AUTOMATION M6 X 1	
18	107383	WASHER FLAT M6 ROHS	
20	118198	HHCS M6X1X40 PART NP	
21	561004	Q2 SADDLE	
22	106943	WASHER FLAT AN 1/4 ROHS	
24	106945	WASHER FLAT SAE 1/4 ROHS	
16-24	129764	AAA FRNT MNT ADAPTER KIT PR	Pair; fits both Kids & Adult Angle Adj Footplates
1,8-10,11A,12A,13,14	129765	AAA F/PLT KIT 10-11 RT	Right; used w/ 129764 on Plunger-Style Swing In/Out Hangers
1,8-10,11A,12A,13,14	129766	AAA F/PLT KIT 10-11 LFT	Left; used w/ 129764 on Plunger-Style Swing In/Out Hangers
1,8-10,11A,12B,13,14	129767	AAA F/PLT KIT 12-13 RT	Right; used w/ 129764 on Plunger-Style Swing In/Out Hangers
1,8-10,11A,12B,13,14	129768	AAA F/PLT KIT 12-13 LFT	Left; used w/ 129764 on Plunger-Style Swing In/Out Hangers
1,8-10,11B,12C,13,14	129769	AAA F/PLT KIT 14-15 RT	Right; used w/ 129764 on Plunger-Style Swing In/Out Hangers
1,8-10,11B,12C,13,14	129770	AAA F/PLT KIT 14-15 LFT	Left; used w/ 129764 on Plunger-Style Swing In/Out Hangers
1,8-10,11C,12D,13,14	129771	AAA F/PLT KIT 16-17 RT	Right; used w/ 129764 on Plunger-Style Swing In/Out Hangers
1,8-10,11C,12D,13,14	129772	AAA F/PLT KIT 16-17 LFT	Left; used w/ 129764 on Plunger-Style Swing In/Out Hangers
1,8-10,11D,12E,13,14	129773	AAA F/PLT KIT 18-20 RT	Right; used w/ 129764 on Plunger-Style Swing In/Out Hangers
1,8-10,11D,12E,13,14	129774	AAA F/PLT KIT 18-20 LFT	Left; used w/ 129764 on Plunger-Style Swing In/Out Hangers
1-10,11A,12B	111514	AAA FTPLT 90D 12/13" R	Right; used w/ Old-Style Latch Block Swing In/Out & S/A Hngrs
1-10,11A,12B	111515	AAA FTPLT 90D 12/13" L	Left; used w/ Old-Style Latch Block Swing IO & S/A Hngrs
1-10,11B,12C	111516	AAA FTPLT 90D 14/15" R	Right; used w/ Old-Style Latch Block Swing In/Out & S/A Hngrs
1-10,11B,12C	111517	AAA FTPLT 90D 14/15" L	Left; used w/ Old-Style Latch Block Swing IO & S/A Hngrs
1-10,11C,12D	111518	AAA FTPLT 90D 16/17" R	Right; used w/ Old-Style Latch Block Swing In/Out & S/A Hngrs
1-10,11C,12D	111519	AAA FTPLT 90D 16/17" L	Left; used w/ Old-Style Latch Block Swing IO & S/A Hngrs
1-10,11D,12E	111520	AAA FTPLT 90D 18/20" R	Right; used w/ Old-Style Latch Block Swing In/Out & S/A Hngrs
1-10,11D,12E	111521	AAA FTPLT 90D 18/20" L	Left; used w/ Old-Style Latch Block Swing IO & S/A Hngrs
		Ship assembled part #	Use with multiple assemblies
	ASSY-HNG-FP	HANGER/FOOTPLATE ASSY REQUIRED	add with Hanger & Footplate kit

To have complete Footrest ship assembled, choose compatible Hanger + Footplate part numbers and add "ASSY-HNG-FP" to order

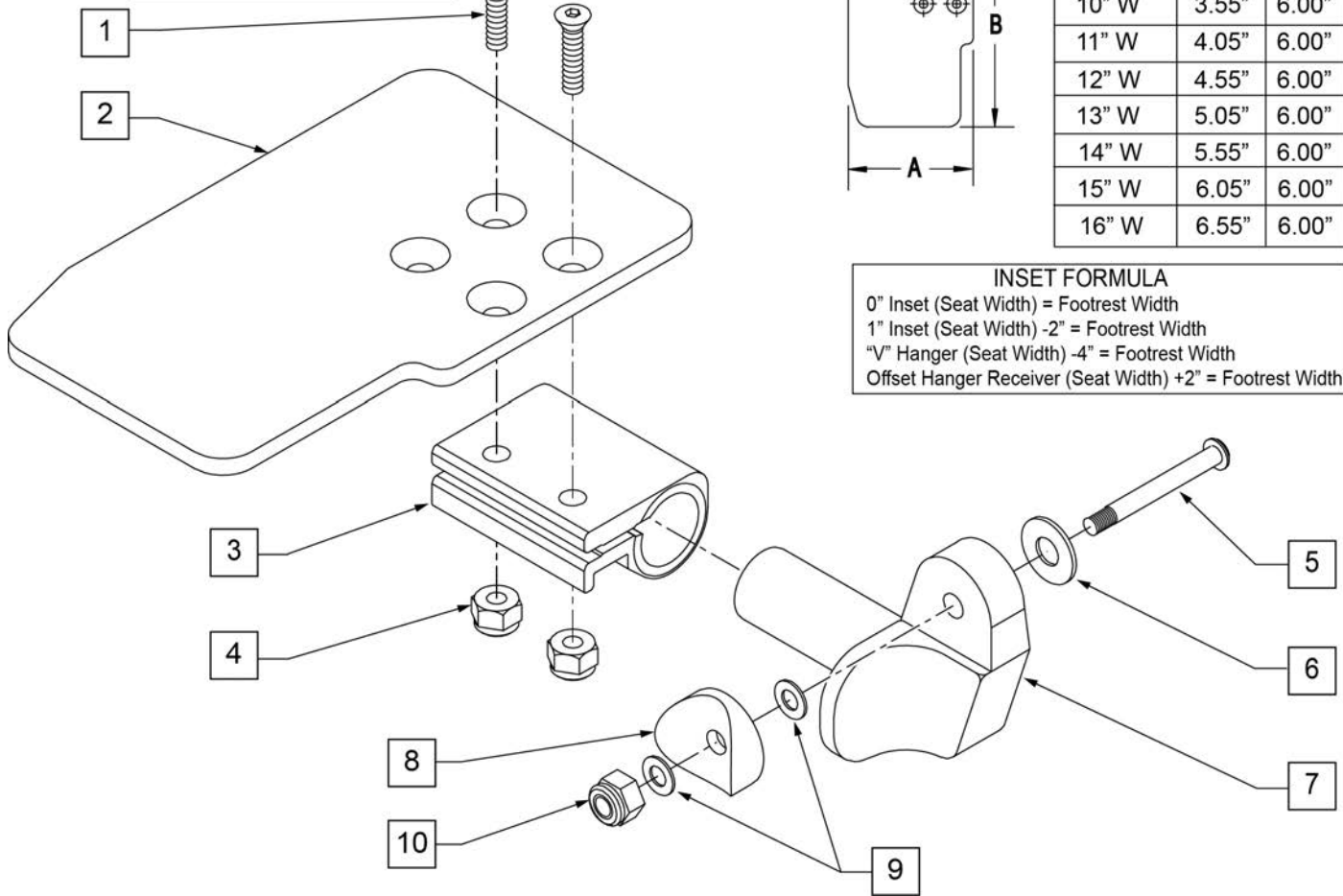
MEASURING GUIDE



CHAIR WIDTH	"A"	"B"
10" W	3.55"	6.00"
11" W	4.05"	6.00"
12" W	4.55"	6.00"
13" W	5.05"	6.00"
14" W	5.55"	6.00"
15" W	6.05"	6.00"
16" W	6.55"	6.00"

INSET FORMULA

0" Inset (Seat Width) = Footrest Width
 1" Inset (Seat Width) -2" = Footrest Width
 "V" Hanger (Seat Width) -4" = Footrest Width
 Offset Hanger Receiver (Seat Width) +2" = Footrest Width

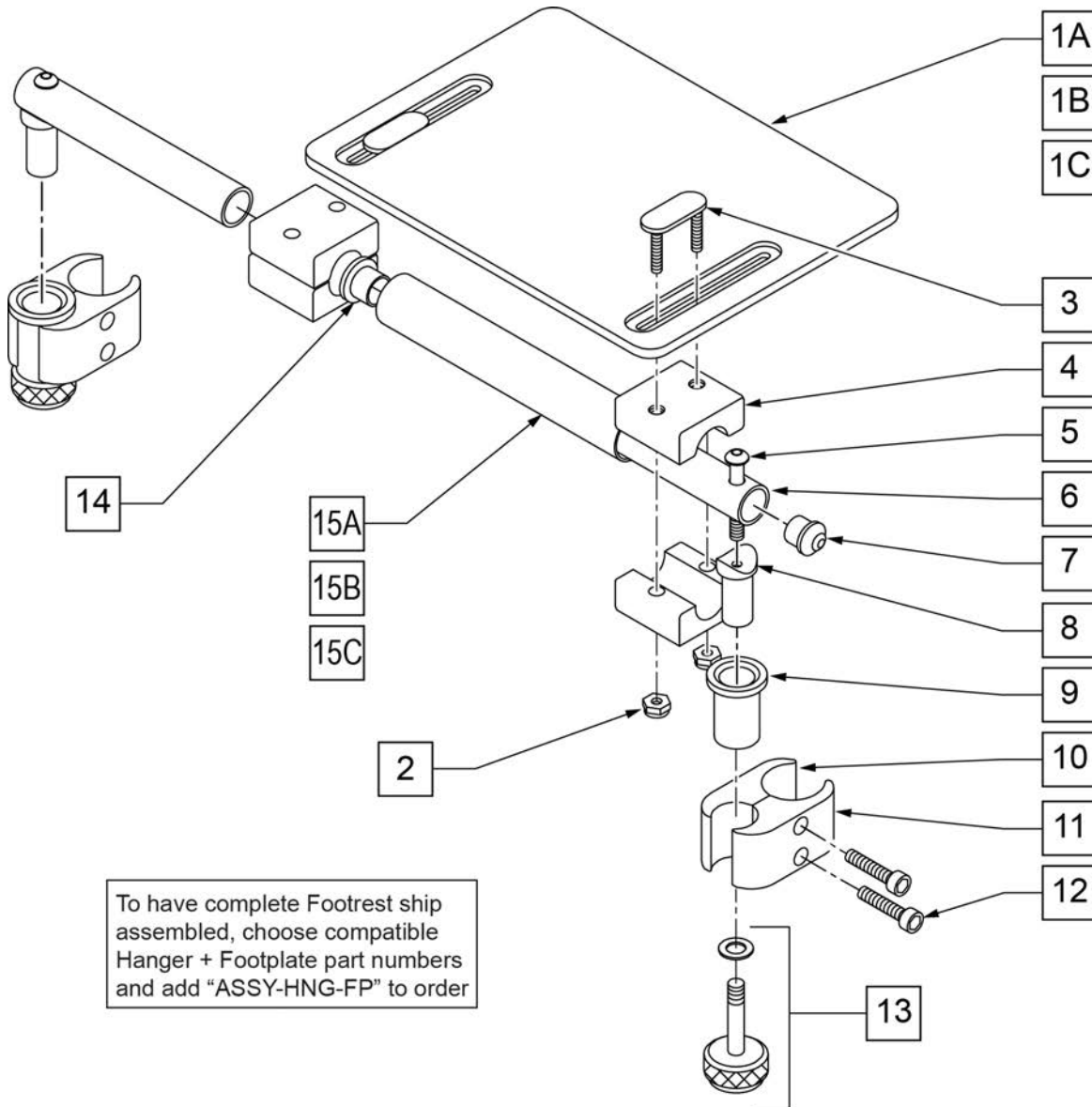


Pos.	Item Number	Description	Remarks
1	106978	FHCS 1/4 -28 x 7/8 ROHS	
2	500635	KIDS ANGLE ADJ FOOTPLATE 10" R	
2	500636	KIDS ANGLE ADJ FOOTPLATE 10" L	
2	500637	KIDS ANGLE ADJ FOOTPLATE 11" R	
2	500638	KIDS ANGLE ADJ FOOTPLATE 11" L	
2	500639	KIDS ANGLE ADJ FOOTPLATE 12" R	
2	500640	KIDS ANGLE ADJ FOOTPLATE 12" L	
2	500641	KIDS ANGLE ADJ FOOTPLATE 13" R	
2	500642	KIDS ANGLE ADJ FOOTPLATE 13" L	
2	500643	KIDS ANGLE ADJ FOOTPLATE 14" R	
2	500644	KIDS ANGLE ADJ FOOTPLATE 14" L	
2	500645	KIDS ANGLE ADJ FOOTPLATE 15" R	
2	500646	KIDS ANGLE ADJ FOOTPLATE 15" L	
2	500647	KIDS ANGLE ADJ FOOTPLATE 16" R	
2	500648	KIDS ANGLE ADJ FOOTPLATE 16" L	
3	550350	3/4" CLAMP ADJ FOOTPLATE	
4	106935	NUT NYLOCK THIN 1/4 -28 ROHS	
5	106964	BHCS 1/4 -28 x 2 ROHS	

Pos.	Item Number	Description	Remarks
6	106945	WASHER FLAT SAE 1/4 ROHS	
7	541000	FOOTREST MOUNTING BRKT 1/2" RAD R	RIGHT
7	541001	FOOTREST MOUNTING BRKT 1/2" RAD L	LEFT
8	561004	1" SADDLE 1/4" HOLE	
9	106944	WASHER FLAT THIN AN 1/4 ROHS	
10	106934	NUT NYLOCK 1/4 -28 ROHS	
1-10	111491	KIDS ANGLE ADJ FOOTPLATE 10" R	RIGHT -10" Footrest Width
1-10	111492	KIDS ANGLE ADJ FOOTPLATE 10" L	LEFT -10" Footrest Width
1-10	111493	KIDS ANGLE ADJ FOOTPLATE 11" R	RIGHT -11" Footrest Width
1-10	111494	KIDS ANGLE ADJ FOOTPLATE 11" L	LEFT -11" Footrest Width
1-10	111495	KIDS ANGLE ADJ FOOTPLATE 12" R	RIGHT -12" Footrest Width
1-10	111496	KIDS ANGLE ADJ FOOTPLATE 12" L	LEFT -12" Footrest Width
1-10	111497	KIDS ANGLE ADJ FOOTPLATE 13" R	RIGHT -13" Footrest Width
1-10	111498	KIDS ANGLE ADJ FOOTPLATE 13" L	LEFT -13" Footrest Width
1-10	111499	KIDS ANGLE ADJ FOOTPLATE 14" R	RIGHT -14" Footrest Width
1-10	111500	KIDS ANGLE ADJ FOOTPLATE 14" L	LEFT -14" Footrest Width
1-10	111501	KIDS ANGLE ADJ FOOTPLATE 15" R	RIGHT -15" Footrest Width
1-10	111502	KIDS ANGLE ADJ FOOTPLATE 15" L	LEFT -15" Footrest Width
1-10	111503	KIDS ANGLE ADJ FOOTPLATE 16" R	RIGHT -16" Footrest Width
1-10	111504	KIDS ANGLE ADJ FOOTPLATE 16" L	LEFT -16" Footrest Width
		Ship assembled part #	Use with multiple assemblies
	ASSY-HNG-FP	HANGER/FOOTPLATE REQUIRED	add with Hanger & Footplate kit

90 DEG FOOTBOARD

[02/2009]



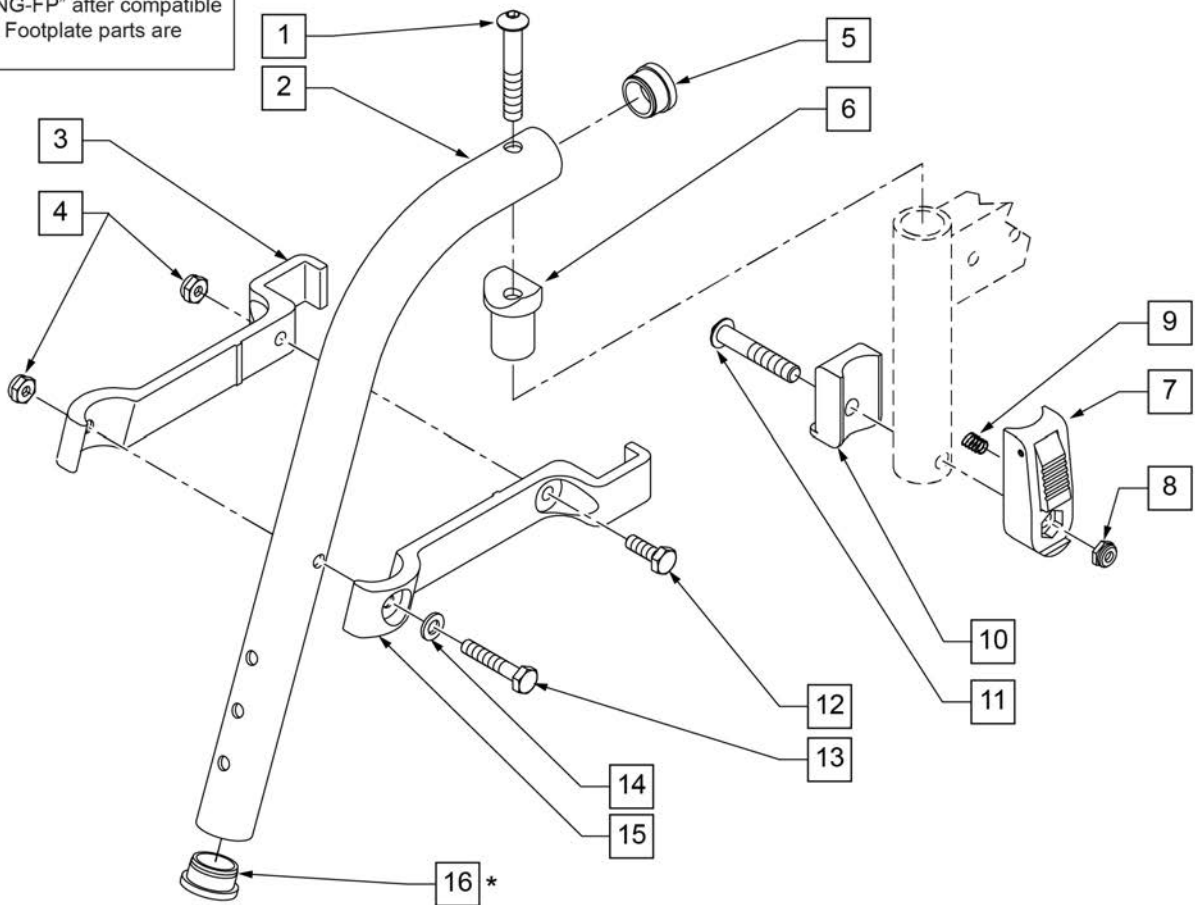
Pos.	Item Number	Description	Remarks
1A	562610	SLD FOOTPLATE ONLY 8" x 8" (10"-12" W)	10 -12" WIDE
1B	562612	SLD FOOTPLATE ONLY 10" x 8" (13"-14" W)	13 -14" WIDE
1C	500709	SLD FT PLT ALUM ONLY 12" x 8" (15"-16" W)	15 -16" WIDE
2	106933	NUT NYLOCK THIN 1/4-20 ROHS	
3	330120	SLD FT/ANGLE ADJ DOUBLE T BOLT	
4	550444	SOLID FOOT/ANG ADJ CLAMP BLK	
5	107028	BHCS 1/4-28 X 1-1/2 ROHS	
7	561034	SHORT DOME PLUG	
8	483236	SOLID FOOT INSERT SADDLE BLK	
10	550658	CLAMP 1 1/4" THREADED BLK	
11	550657	CLAMP 1 1/4" RECESS FULL BLK	
12	107032	SHCS 1/4-28 X 1 ROHS	
9,13	880559	SOLID FOOT LOCK KNOB ASSEMBLY	
14	560402	3/4" ID NY-LINER	
15A	521621	SLD FOOT SUPPORT TUBE BLK 10"-12"	10 -12" WIDE

Pos.	Item Number	Description	Remarks
15B	521622	SLD FOOT SUPPORT TUBE BLK 13"-14"	13 -14" WIDE
15C	521624	SLD FOOT SUPPORT TUBE BLK 15"-16"	15 -16" WIDE
5-8	880183	SLD FT PLT PIVOT TUBE SUB-ASSM	
1A,2-14, 15A	921801	SLD FT PLT ASSEMBLY 8" x 8" (10"-12" W)	10 -12" WIDE
1B,2-14, 15B	921803	SOLID FOOTPLATE ASSEMBLY 10" x 8" (13"-14" W)	13 -14" WIDE
1C,2-14, 15C	921805	SOLID FOOTPLATE ASSEMBLY 12" x 8" (15"-16" W)	15 -16" WIDE
		Ship assembled part #	Use with multiple assemblies
	ASSY-HNG-FP	HANGER/FOOTPLATE ASSY REQUIRED	add with Hanger & Footplate kit

NOTE: * ORDER ITEM 16 WHEN NOT USING FOOTREST EXTENSION.

NOTE: IF RETROFITTING LIFT OFF HANGERS TO A CURRENT STYLE Q2, S/A Q2 LITE, LX/LXI, OR ZIPPIE TS, THE OLD-STYLE FRAME COMPONENTS WILL BE REQUIRED. REFER TO PARTS PAGES FOR FRONT SIDE FRAMES FOR Q2 (PRIOR TO Q2V-091821 & Q2H-009882), Q2 LITE (PRIOR TO Q2L-152965), LX/LXI (PRIOR TO LX-061888), AND ZIPPIE TS (PRIOR TO Z1A-038633 & Z1SE-013380).

To request assembly of parts being ordered as a kit, please add "ASSY-HNG-FP" after compatible Hanger & Footplate parts are selected

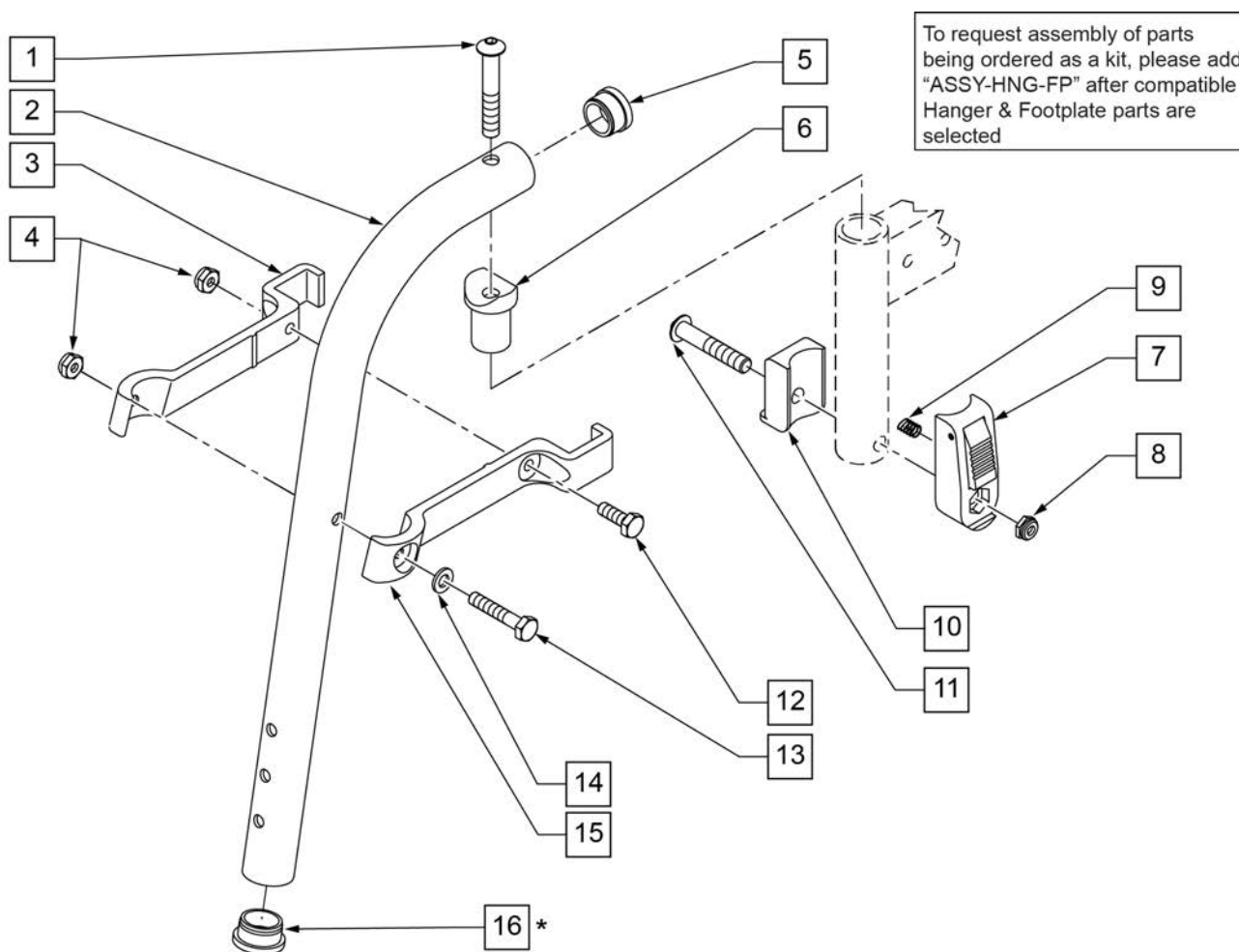


Pos.	Item Number	Description	Remarks
1	106983	BHCS 5/16 -18 x 2 SHLDR ROHS	
3	550152	T45 HANGER BRACKET 70° R	length of bracket: 6 3/4"
4	106935	NUT NYLOCK THIN 1/4 -28 ROHS	
5	561002	1" INSERT PLUG .083	
6	561197	PLASTIC PIVOT SADDLE	
7	880053	FOOTREST BLOCK T45	
8	202117	5/16-18 NYLOCK NUT THICK BLK	
9	321141	.650 x 6 COIL SPRING	
10	560684	T45 FOOTREST BLOCK RECESSED	
11	107029	BHCS 5/16 -18 x 1 5/8 SHLD ROHS	
12	107014	HHCS 1/4 -28 x 3/4 ROHS	

Pos.	Item Number	Description	Remarks
13	106971	HHCS 1/4 -28 x 1 3/8 ROHS	
14	106943	WASHER FLAT AN 1/4 ROHS	
15	550153	T45 HANGER BRACKET 70ø L	length of bracket: 6 3/4"
16	561002	1" INSERT PLUG .083	ORDER WHEN NOT USING FOOTREST EXTENSION
7-11	920720	FOOTREST BLOCK ASSEMBLY W/BOLT HD	required when retrofitting HD Lift Off Hangers to chair
1-6,12-15	641210S	HANGER 70D PNTD R HD	
1-6,12-15	641211S	HANGER 70D PNTD L HD	
		Ship assembled part #	Use with multiple assemblies
	ASSY-HNG-FP	HANGER/FOOTPLATE ASSY REQUIRED	add with Hanger & Footplate kit

NOTE: * ORDER ITEM 16 WHEN NOT USING FOOTREST EXTENSION.

NOTE: IF RETROFITTING LIFT OFF HANGERS TO A CURRENT STYLE Q2, S/A Q2 LITE, LX/LXI, OR ZIPPIE TS, THE OLD-STYLE FRAME COMPONENTS WILL BE REQUIRED. REFER TO PARTS PAGES FOR FRONT SIDE FRAMES FOR Q2 (PRIOR TO Q2V-091821 & Q2H-009882), Q2 LITE (PRIOR TO Q2L-152965), LX/LXI (PRIOR TO LX-061888), AND ZIPPIE TS (PRIOR TO Z1A-038633 & Z1SE-013380).

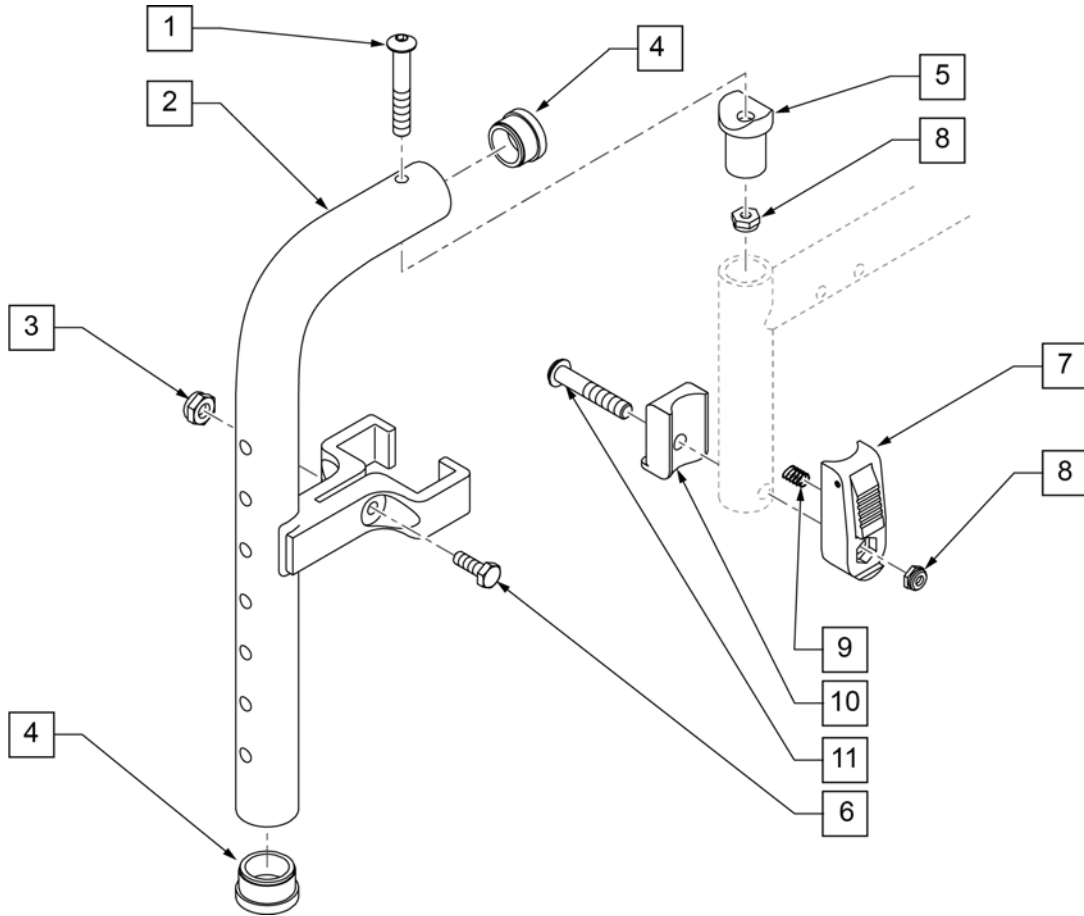


Pos.	Item Number	Description	Remarks
1	106983	BHCS 5/16 -18 x 2 SHLDR ROHS	
3	550154	T45 HANGER BRACKET 80ø R	length of bracket: 6"
4	106935	NUT NYLOCK THIN 1/4 -28 ROHS	
5	561002	1" INSERT PLUG .083	
6	561197	PLASTIC PIVOT SADDLE	
7	880053	FOOTREST BLOCK T45	
8	202117	5/16-18 NYLOCK NUT THICK BLK	
9	321141	.650L x 6 COIL SPRING	
10	560684	T45 FOOTREST BLOCK RECESSED	
11	107029	BHCS 5/16 -18 x 1 5/8 SHLD ROHS	
12	107014	HHCS 1/4 -28 x 3/4 ROHS	

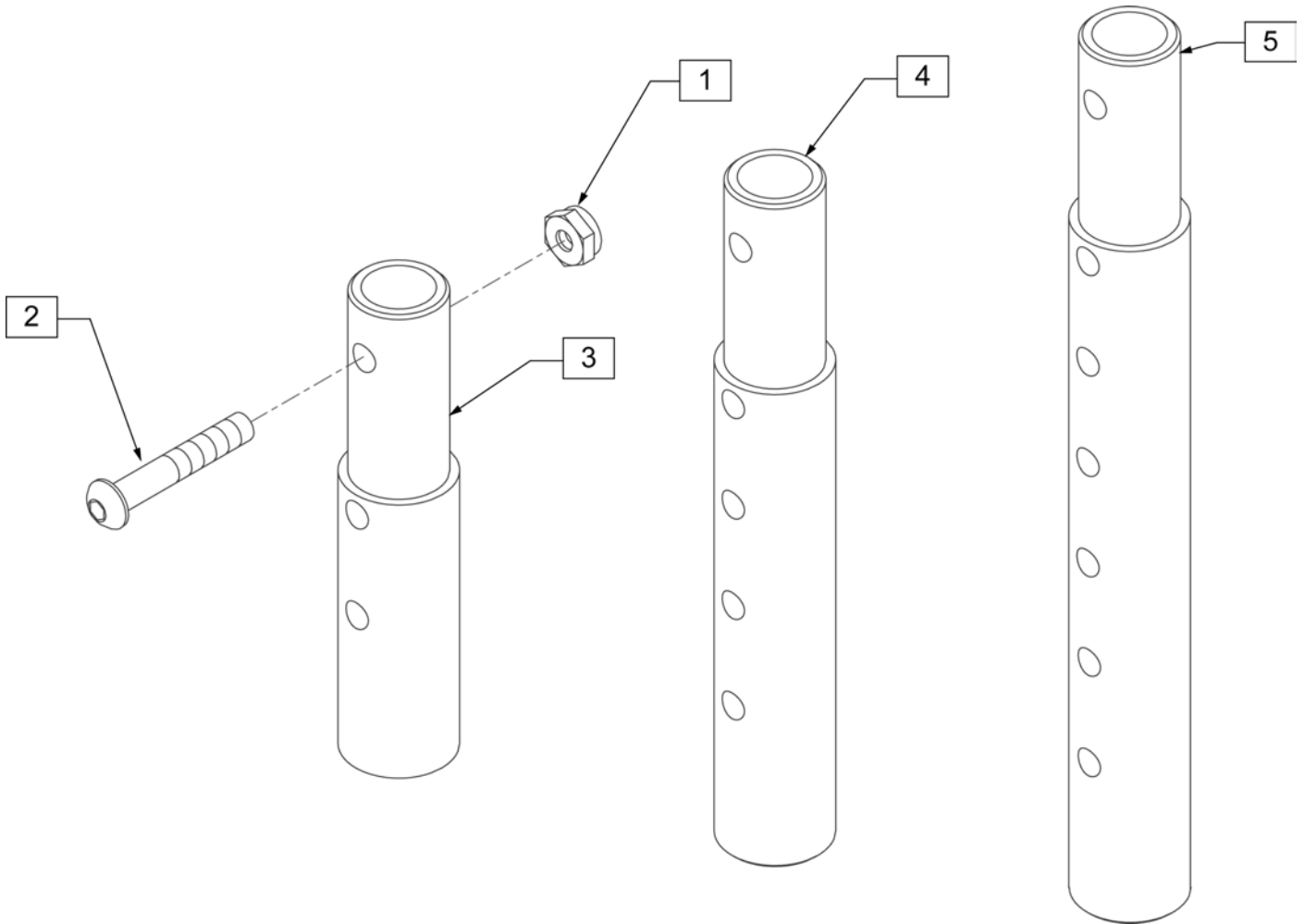
Pos.	Item Number	Description	Remarks
13	106971	HHCS 1/4 -28 x 1 3/8 ROHS	
14	106943	WASHER FLAT AN 1/4 ROHS	
15	550155	T45 HANGER BRACKET 80ø L	length of bracket: 6"
16	561002	1" INSERT PLUG .083	ORDER WHEN NOT USING FOOTREST EXTENSION
7-11	920720	FOOTREST BLOCK ASSEMBLY W/BOLT HD	required when retrofitting HD Lift Off Hangers to chair
1-6,12-15	641200S	HANGER 80D PNTD R HD	
1-6,12-15	641201S	HANGER 80D PNTD L HD	
		Ship assembled part #	Use with multiple assemblies
	ASSY-HNG-FP	HANGER/FOOTPLATE ASSY REQUIRED	add with Hanger & Footplate kit

NOTE: THIS HANGER HAS BEEN TESTED AND APPROVED FOR OCCUPANTS THAT WEIGH LESS THAN 150 POUNDS.

NOTE: IF RETROFITTING LIFT OFF HANGERS TO A CURRENT STYLE Q2, S/A Q2 LITE, LX/LXI, OR ZIPPIE TS, THE OLD-STYLE FRAME COMPONENTS WILL BE REQUIRED. REFER TO PARTS PAGES FOR FRONT SIDE FRAMES FOR Q2 (PRIOR TO Q2V-091821 & Q2H-009882), Q2 LITE (PRIOR TO Q2L-152965), LX/LXI (PRIOR TO LX-061888), AND ZIPPIE TS (PRIOR TO Z1A-038633 & Z1SE-013380).

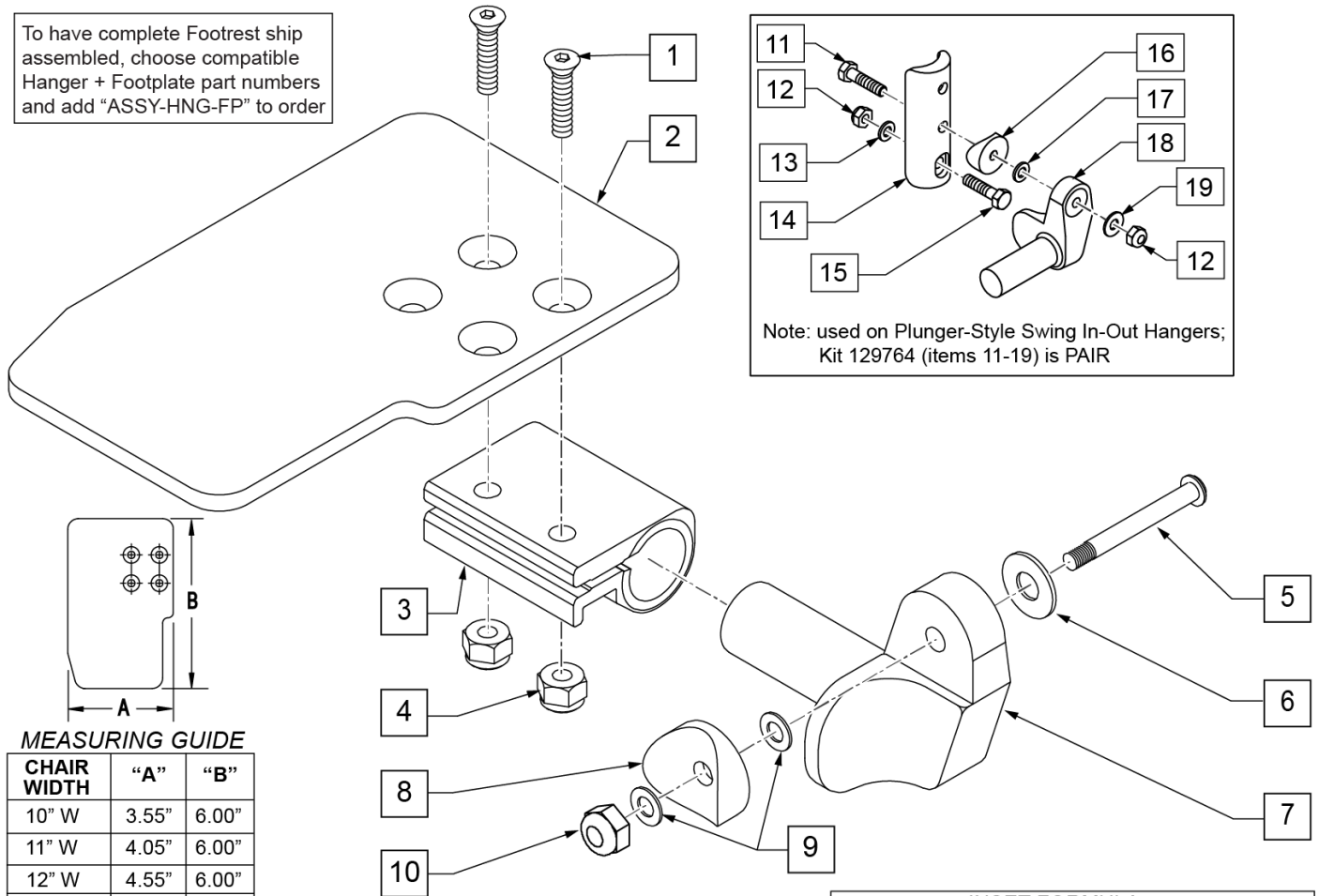


Pos.	Item Number	Description	Remarks
1	106983	BHCS 5/16 -18 x 2 SHLDR ROHS	
3	106935	NUT NYLOCK THIN 1/4 -28 ROHS	
4	561002	1" INSERT PLUG .083	
5	561197	PLASTIC PIVOT SADDLE	Includes nylock nut
6	107013	HHCS 1/4 -28 x 5/8 ROHS	
7	880053	FOOTREST BLOCK T45	
8	202117	5/16-18 NYLOCK NUT THICK BLK	
9	321141	.650L x 6 COIL SPRING	
10	560684	T45 FOOTREST BLOCK RECESSED	
11	107029	BHCS 5/16 -18 x 1 5/8 SHLD ROHS	
7-11	920720	FOOTREST BLOCK ASSM W/BOLT HD	
1-7	885005S	90 DEG F/D H/D L/O HNGR ASSM PNTD	
		Ship assembled part #	Use with multiple assemblies
	ASSY-HNG-FP	HANGER/FOOTPLATE ASSY REQUIRED	add with Hanger & Footplate kit



Pos.	Item Number	Description	Remarks
1	106935	NUT NYLOCK THIN 1/4 -28 ROHS	
2	106961	BHCS 1/4 -28 x 1 1/4 ROHS	
1-3	111505	2" FOOTREST EXTENSION TUBE W/ HDWR ASSM	2" EXT (PAIR)
1, 2, 4	111506	4" FOOTREST EXTENSION TUBE W/ HDWR ASSM	4" EXT (PAIR)
1, 2, 5	111507	6" FOOTREST EXTENSION TUBE W/ HDWR ASSM	6" EXT (PAIR)

To have complete Footrest ship assembled, choose compatible Hanger + Footplate part numbers and add "ASSY-HNG-FP" to order



MEASURING GUIDE

CHAIR WIDTH	"A"	"B"
10" W	3.55"	6.00"
11" W	4.05"	6.00"
12" W	4.55"	6.00"
13" W	5.05"	6.00"
14" W	5.55"	6.00"
15" W	6.05"	6.00"
16" W	6.55"	6.00"

INSET FORMULA

0" Inset (Seat Width) = Footrest Width
 1" Inset (Seat Width) -2" = Footrest Width
 "V" Hanger (Seat Width) -4" = Footrest Width
 Offset Hanger Receiver (Seat Width) +2" = Footrest Width

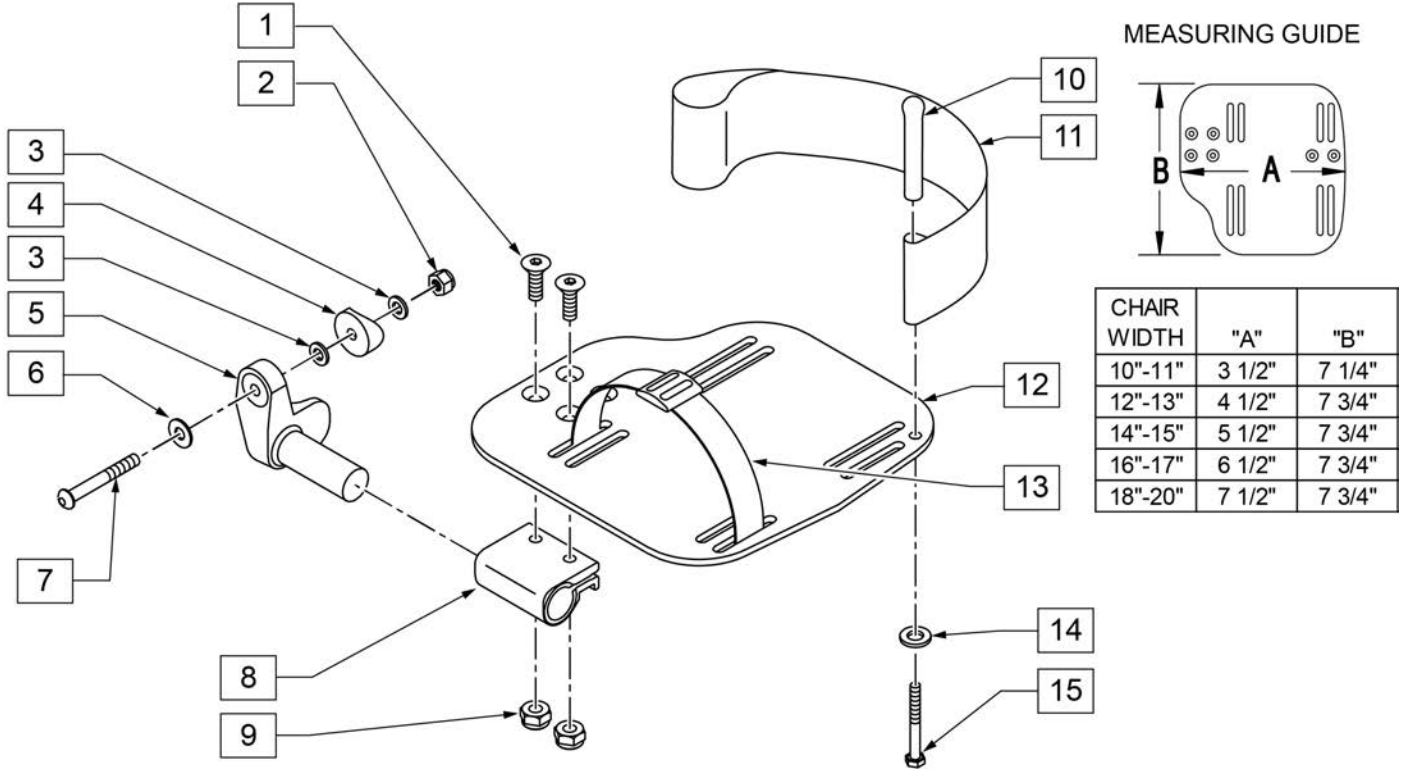
Pos.	Item Number	Description	Remarks
1	106978	FHCS 1/4-28 X 7/8 ROHS	
2	500635	KIDS ANGL ADJ F/PLT 10	RIGHT
2	500636	KIDS ANGL ADJ F/PLT 10	LEFT
2	500637	KIDS ANGL ADJ F/PLT 11	RIGHT
2	500638	KIDS ANGL ADJ F/PLT 11	LEFT
2	500639	KIDS ANGL ADJ F/PLT 12	RIGHT
2	500640	KIDS ANGL ADJ F/PLT 12	LEFT
2	500641	KIDS ANGL ADJ F/PLT 13	RIGHT
2	500642	KIDS ANGL ADJ F/PLT 13	LEFT
2	500643	KIDS ANGL ADJ F/PLT 14	RIGHT
2	500644	KIDS ANGL ADJ F/PLT 14	LEFT
2	500645	KIDS ANGL ADJ F/PLT 15	RIGHT
2	500646	KIDS ANGL ADJ F/PLT 15	LEFT
2	500647	KIDS ANGL ADJ F/PLT 16	RIGHT
2	500648	KIDS ANGL ADJ F/PLT 16	LEFT
3	550350	3/4 CLAMP ADJ FOOTPLATE	
4	106935	NUT NYLOCK THIN 1/4-28 ROHS	
5	226147	1/4-28 X 1.85 BH C/S BLK ZN	

Pos.	Item Number	Description	Remarks
6	106945	WASHER FLAT SAE 1/4 ROHS	
7	541000	FTRST MOUNTING BRKT 1/2" RAD R	RIGHT
7	541001	FTRST MOUNTING BRKT 1/2" RAD L	LEFT
8	561004	1 SADDLE 1/4 HOLE	
9	106943	WASHER FLAT THIN AN 1/4	
10	106941	NUT AUTOMATION 1/4-28 ROHS	
11	102268-001	HHCS M6 X 1 X 25	
12	132626	NUT AUTOMATION M6 X 1.0 ROHS	
13	107383	WASHER FLAT M6 ROHS	
15	118198	HHCS M6 X 1 X 40 PART NP	
16	561004	1" SADDLE 1/4" HOLE	
17	106943	WASHER FLAT AN 1/4 ROHS	
19	106945	WASHER FLAT SAE 1/4 ROHS	
1-4	158632	CAA F/PLT KIT 10 RT	RIGHT; used with Front Mount Adapter Kit on Plunger-Style Swing In/Out Hangers
1-4	158633	CAA F/PLT KIT 10 LT	LEFT; used with Front Mount Adapter Kit on Plunger-Style Swing In/Out Hangers
1-4	158634	CAA F/PLT KIT 11 RT	RIGHT; used with Front Mount Adapter Kit on Plunger-Style Swing In/Out Hangers
1-4	158635	CAA F/PLT KIT 11 LT	LEFT; used with Front Mount Adapter Kit on Plunger-Style Swing In/Out Hangers
1-4	158636	CAA F/PLT KIT 12 RT	RIGHT; used with Front Mount Adapter Kit on Plunger-Style Swing In/Out Hangers
1-4	158637	CAA F/PLT KIT 12 LT	LEFT; used with Front Mount Adapter Kit on Plunger-Style Swing In/Out Hangers
1-4	158638	CAA F/PLT KIT 13 RT	RIGHT; used with Front Mount Adapter Kit on Plunger-Style Swing In/Out Hangers
1-4	158639	CAA F/PLT KIT 13 LT	LEFT; used with Front Mount Adapter Kit on Plunger-Style Swing In/Out Hangers
1-4	158640	CAA F/PLT KIT 14 RT	RIGHT; used with Front Mount Adapter Kit on Plunger-Style Swing In/Out Hangers
1-4	158641	CAA F/PLT KIT 14 LT	LEFT; used with Front Mount Adapter Kit on Plunger-Style Swing In/Out Hangers
1-4	158642	CAA F/PLT KIT 15 RT	RIGHT; used with Front Mount Adapter Kit on Plunger-Style Swing In/Out Hangers
1-4	158643	CAA F/PLT KIT 15 LT	LEFT; used with Front Mount Adapter Kit on Plunger-Style Swing In/Out Hangers
1-4	158644	CAA F/PLT KIT 16 RT	RIGHT; used with Front Mount Adapter Kit on Plunger-Style Swing In/Out Hangers
1-4	158645	CAA F/PLT KIT 16 LT	LEFT; used with Front Mount Adapter Kit on Plunger-Style Swing In/Out Hangers
1-10	828821	KIDS ANG ADJ F/PLT ASSM 10	RIGHT; used with Old-Style Latch Block Swing In/Out & S/A Hangers
1-10	828822	KIDS ANG ADJ F/PLT ASSM 10	LEFT; used with Old-Style Latch Block Swing In/Out & S/A Hangers
1-10	828823	KIDS ANG ADJ F/PLT ASSM 11	RIGHT; used with Old-Style Latch Block Swing In/Out & S/A Hangers
1-10	828824	KIDS ANG ADJ F/PLT ASSM 11	LEFT; used with Old-Style Latch Block Swing In/Out & S/A Hangers
1-10	828825	KIDS ANG ADJ F/PLT ASSM 12	RIGHT; used with Old-Style Latch Block Swing In/Out & S/A Hangers
1-10	828826	KIDS ANG ADJ F/PLT ASSM 12	LEFT; used with Old-Style Latch Block Swing In/Out & S/A Hangers
1-10	828827	KIDS ANG ADJ F/PLT ASSM 13	RIGHT; used with Old-Style Latch Block Swing In/Out & S/A Hangers
1-10	828828	KIDS ANG ADJ F/PLT ASSM 13	LEFT; used with Old-Style Latch Block Swing In/Out & S/A Hangers
1-10	828829	KIDS ANG ADJ F/PLT ASSM 14	RIGHT; used with Old-Style Latch Block Swing In/Out & S/A Hangers
1-10	828830	KIDS ANG ADJ F/PLT ASSM 14	LEFT; used with Old-Style Latch Block Swing In/Out & S/A Hangers
1-10	828831	KIDS ANG ADJ F/PLT ASSM 15	RIGHT; used with Old-Style Latch Block Swing In/Out & S/A Hangers
1-10	828832	KIDS ANG ADJ F/PLT ASSM 15	LEFT; used with Old-Style Latch Block Swing In/Out & S/A Hangers

Pos.	Item Number	Description	Remarks
1-10	828833	KIDS ANG ADJ F/PLT ASSM 16	RIGHT; used with Old-Style Latch Block Swing In/Out & S/A Hangers
1-10	828834	KIDS ANG ADJ F/PLT ASSM 16	LEFT; used with Old-Style Latch Block Swing In/Out & S/A Hangers
1-10	921226	KIDS ANG ADJ F/PLT ASSM 10	PAIR; used with Old-Style Latch Block Swing In/Out & S/A Hangers
1-10	921227	KIDS ANG ADJ F/PLT ASSM 11	PAIR; used with Old-Style Latch Block Swing In/Out & S/A Hangers
1-10	921228	KIDS ANG ADJ F/PLT ASSM 12	PAIR; used with Old-Style Latch Block Swing In/Out & S/A Hangers
1-10	921229	KIDS ANG ADJ F/PLT ASSM 13	PAIR; used with Old-Style Latch Block Swing In/Out & S/A Hangers
1-10	921230	KIDS ANG ADJ F/PLT ASSM 14	PAIR; used with Old-Style Latch Block Swing In/Out & S/A Hangers
1-10	921231	KIDS ANG ADJ F/PLT ASSM 15	PAIR; used with Old-Style Latch Block Swing In/Out & S/A Hangers
1-10	921232	KIDS ANG ADJ F/PLT ASSM 16	PAIR; used with Old-Style Latch Block Swing In/Out & S/A Hangers
11-19	129764	AAA FRNT MNT ADAPTER KIT PR	AAA FRNT MNT fits both Kids and Adult Angle Adjustable Footplates
		Ship assembled part #	Use with multiple assemblies
	ASSY-HNG-FP	HANGER/FOOTPLATE ASSY REQUIRED	add with Hanger & Footplate kit

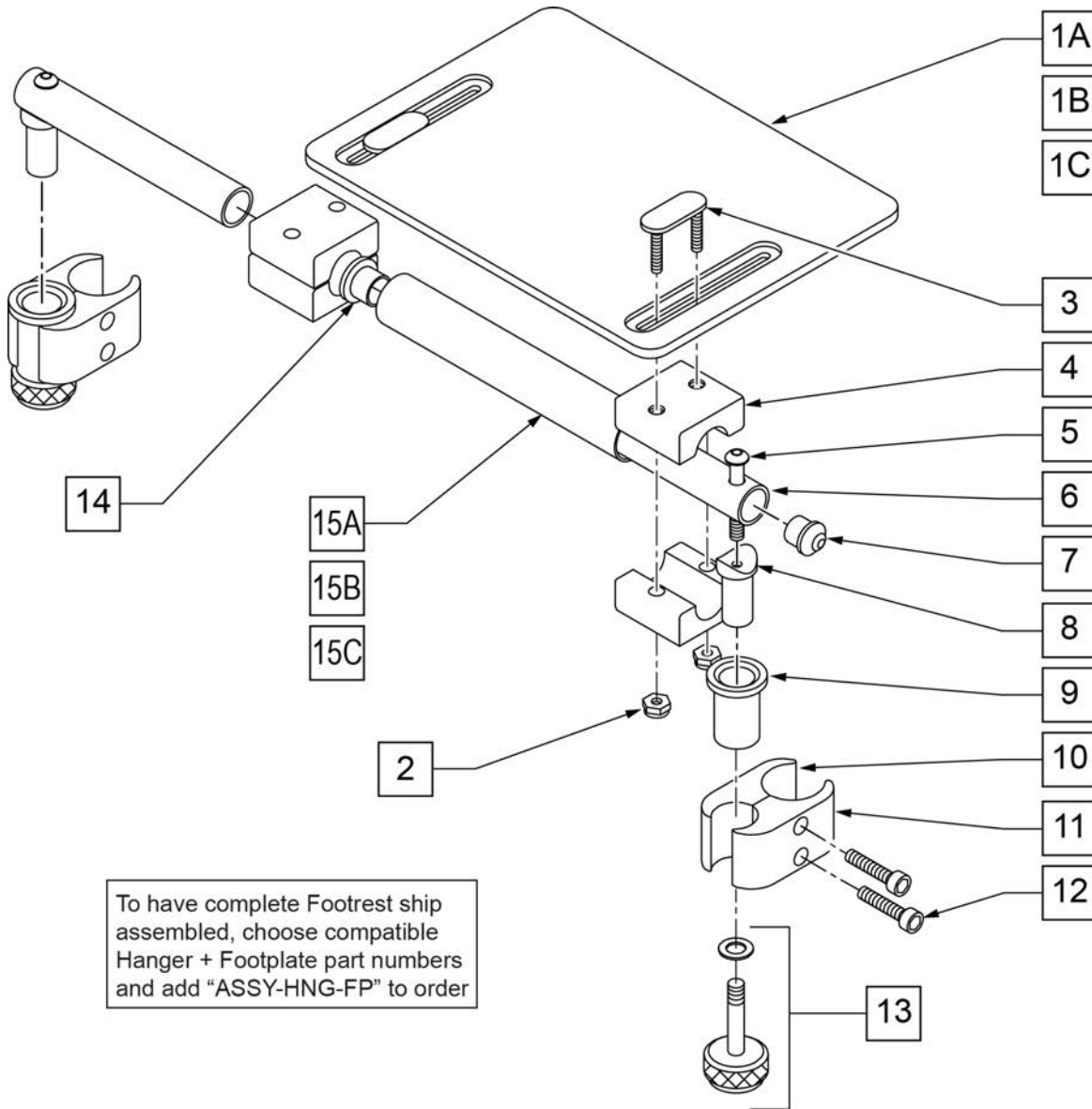
To have complete Footrest ship assembled, choose compatible Hanger + Footplate part numbers and add "ASSY-HNG-FP" to order

INSET FORMULA
 0" Inset (Seat Width) = Footrest Width
 1" Inset (Seat Width) - 2" = Footrest Width
 "V" Hanger (Seat Width) - 4" = Footrest Width
 Offset Hanger Receiver (Seat Width) + 2" = Footrest Width



Pos.	Item Number	Description	Remarks
1	106978	FHCS 1/4-28 X 7/8 ROHS	
2	106941	NUT AUTOMATION 1/4-28 ROHS	
3	106943	WASHER FLAT AN 1/4 ROHS	
4	561004	1" SADDLE 1/4" HOLE	
5	541000	FOOTREST MOUNTING BRKT 1/2" RAD R	RIGHT
5	541001	FOOTREST MOUNTING BRKT 1/2" RAD L	LEFT
6	106945	WASHER FLAT SAE 1/4 ROHS	
7	106964	BHCS 1/4-28 X 2	
8	550350	3/4" CLAMP ADJ FOOTPLATE	
9	106935	NUT NYLOCK THIN 1/4-28 ROHS	
10	561040	HEEL LOOP PEG	
11	741153	HEEL LOOP 18-20 CMPST/14-15 ANG ADJ	USED W/ 14-15"/16-17" ADULT ANG ADJ FTPLTS
11	741253	HEEL LOOP ADLT ADJ F/PLT 18-20	USED W/ 18 -20" ADULT ANG ADJ FTPLTS
12	500656	ADULT ANGL ADJ F/PLT 10/11	RIGHT
12	500657	ADULT ANGL ADJ F/PLT 10/11	LEFT
12	500658	ADULT ANGL ADJ F/PLT 12/13	RIGHT
12	500659	ADULT ANGL ADJ F/PLT 12/13	LEFT
12	500660	ADULT ANGL ADJ F/PLT 14/15	RIGHT
12	500661	ADULT ANGL ADJ F/PLT 14/15	LEFT
12	500662	ADULT ANGL ADJ F/PLT 16/17	RIGHT
12	500663	ADULT ANGL ADJ F/PLT 16/17	LEFT
12	500664	ADULT ANGL ADJ F/PLT 18-20	RIGHT

Pos.	Item Number	Description	Remarks
12	500665	ADULT ANGL ADJ F/PLT 18-20	LEFT
13	740260	TOE-ANKLE STRAP ADJ ADULT FOOTPLATE	
14	106943	WASHER FLAT AN 1/4 ROHS	
15	106958	HHCS 1/4-20 X 1 ROHS	
1-9,12	820544	FP ADULT ADJ 90D 10/11 R	RIGHT
1-9,12	820554	FP ADULT ADJ 90D 10/11 L	LEFT
1-9,12	820546	FP ADULT ADJ 90D 12/13 R	RIGHT
1-9,12	820556	FP ADULT ADJ 90D 12/13 L	LEFT
1-9,12	820472	FP ADULT ADJ 90D 14/15 R	RIGHT
1-9,12	820473	FP ADULT ADJ 90D 14/15 L	LEFT
1-9,12	820474	FP ADULT ADJ 90D 16/17 R	RIGHT
1-9,12	820475	FP ADULT ADJ 90D 16/17 L	LEFT
1-9,12	820476	FP ADULT ADJ 90D 18-20 R	RIGHT
1-9,12	820477	FP ADULT ADJ 90D 18-20 L	LEFT
1-9,12	921474	ADULT ANGL ADJ 90D 10/11 OMIT H/L	PAIR
1-9,12	921476	ADULT ANGL ADJ 90D 12/13 OMIT H/L	PAIR
1-9,12	921330	ADULT ANGL ADJ 90D 14/15 OMIT H/L	PAIR
1-9,12	921331	ADULT ANGL ADJ 90D 16/17 OMIT H/L	PAIR
1-9,12	921332	ADULT ANGL ADJ 90D 18-20 OMIT H/L	PAIR
1-12,14,15	820540	F/PLT ADULT ADJ 90D 10/11 R W/ HL	RIGHT
1-12,14,15	820550	F/PLT ADULT ADJ 90D 10/11 L W/ HL	LEFT
1-12,14,15	820542	F/PLT ADULT ADJ 90D 12/13 R W/ HL	RIGHT
1-12,14,15	820552	F/PLT ADULT ADJ 90D 12/13 L W/ HL	LEFT
1-12,14,15	820478	F/PLT ADULT ADJ 90D 14/15 R W/ HL	RIGHT
1-12,14,15	820479	F/PLT ADULT ADJ 90D 14/15 L W/ HL	LEFT
1-12,14,15	820480	F/PLT ADULT ADJ 90D 16/17 R W/ HL	RIGHT
1-12,14,15	820481	F/PLT ADULT ADJ 90D 16/17 L W/ HL	LEFT
1-12,14,15	820482	F/PLT ADULT ADJ 90D 18-20 R W/ HL	RIGHT
1-12,14,15	820483	F/PLT ADULT ADJ 90D 18-20 L W/ HL	LEFT
1-12,14,15	921470	F/PLT ADULT ADJ 90D 10/11 W/ HL	PAIR
1-12,14,15	921472	F/PLT ADULT ADJ 90D 12/13 W/ HL	PAIR
1-12,14,15	921333	F/PLT ADULT ADJ 90D 14/15 W/ HL	PAIR
1-12,14,15	921334	F/PLT ADULT ADJ 90D 16/17 W/ HL	PAIR
1-12,14,15	921335	F/PLT ADULT ADJ 90D 18-20 W/ HL	PAIR
		Ship assembled part #	Use with multiple assemblies
	ASSY-HNG-FP	HANGER/FOOTPLATE ASSY REQUIRED	add with Hanger & Footplate kit

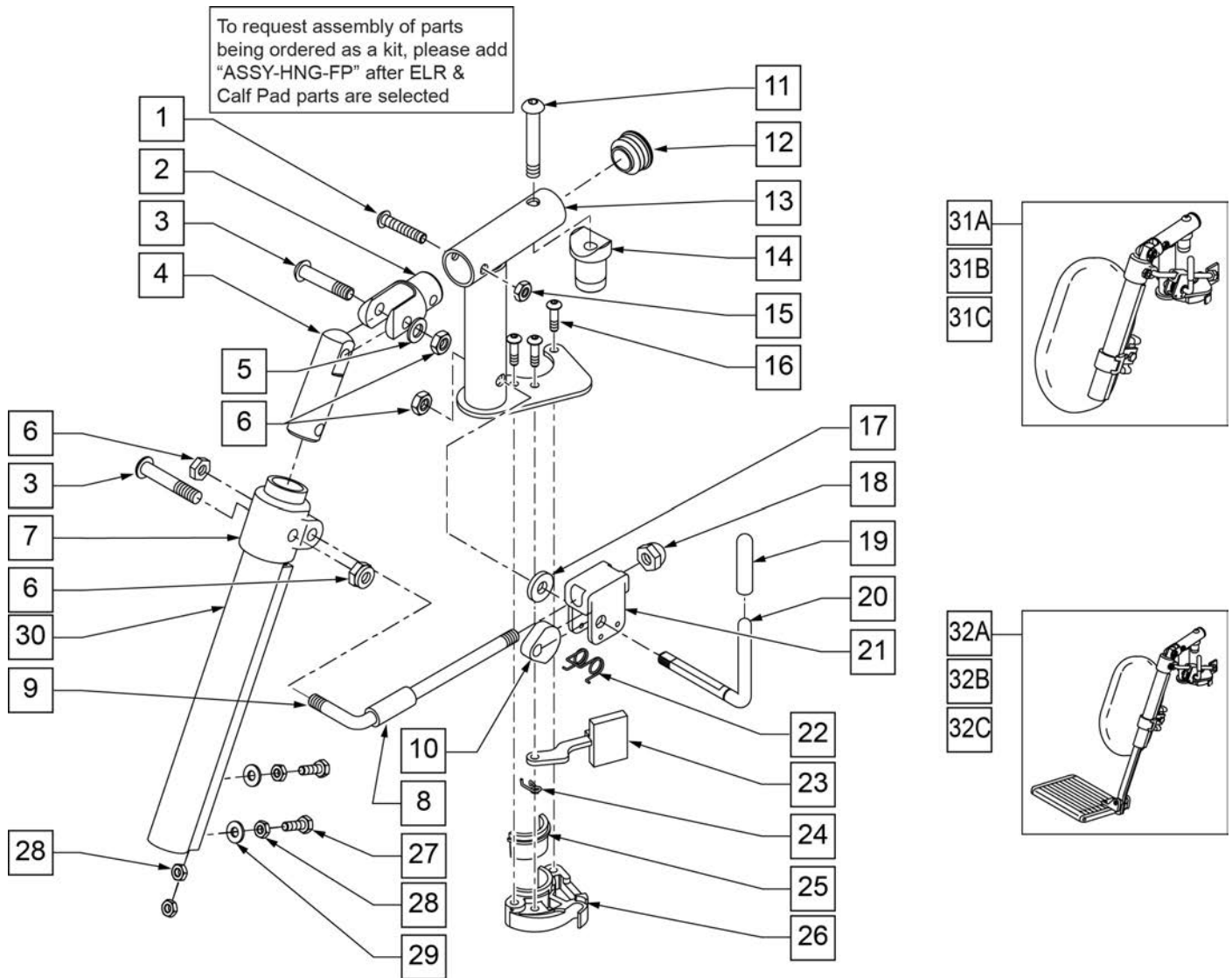


Pos.	Item Number	Description	Remarks
1A	562610	SLD FOOTPLATE ONLY 8" x 8" (10"-12" W)	10 -12" WIDE
1B	562612	SLD FOOTPLATE ONLY 10" x 8" (13"-14" W)	13 -14" WIDE
1C	500709	SLD FT PLT ALUM ONLY 12" x 8" (15"-16" W)	15 -16" WIDE
2	106933	NUT NYLOCK THIN 1/4-20 ROHS	
3	330120	SLD FT/ANGLE ADJ DOUBLE T BOLT	
4	550444	SOLID FOOT/ANG ADJ CLAMP BLK	
5	107028	BHCS 1/4-28 X 1-1/2 ROHS	
7	561034	SHORT DOME PLUG	
8	483236	SOLID FOOT INSERT SADDLE BLK	
10	550658	CLAMP 1 1/4" THREADED BLK	
11	550657	CLAMP 1 1/4" RECESS FULL BLK	
12	107032	SHCS 1/4-28 X 1 ROHS	
9,13	880559	SOLID FOOT LOCK KNOB ASSEMBLY	
14	560402	3/4" ID NY-LINER	
15A	521621	SLD FOOT SUPPORT TUBE BLK 10"-12"	10 -12" WIDE

Pos.	Item Number	Description	Remarks
15B	521622	SLD FOOT SUPPORT TUBE BLK 13"-14"	13 -14" WIDE
15C	521624	SLD FOOT SUPPORT TUBE BLK 15"-16"	15 -16" WIDE
5-8	880183	SLD FT PLT PIVOT TUBE SUB-ASSM	
1A,2-14, 15A	921801	SLD FT PLT ASSEMBLY 8" x 8" (10"-12" W)	10 -12" WIDE
1B,2-14, 15B	921803	SOLID FOOTPLATE ASSEMBLY 10" x 8" (13"-14" W)	13 -14" WIDE
1C,2-14, 15C	921805	SOLID FOOTPLATE ASSEMBLY 12" x 8" (15"-16" W)	15 -16" WIDE
		Ship assembled part #	Use with multiple assemblies
	ASSY-HNG-FP	HANGER/FOOTPLATE ASSY REQUIRED	add with Hanger & Footplate kit

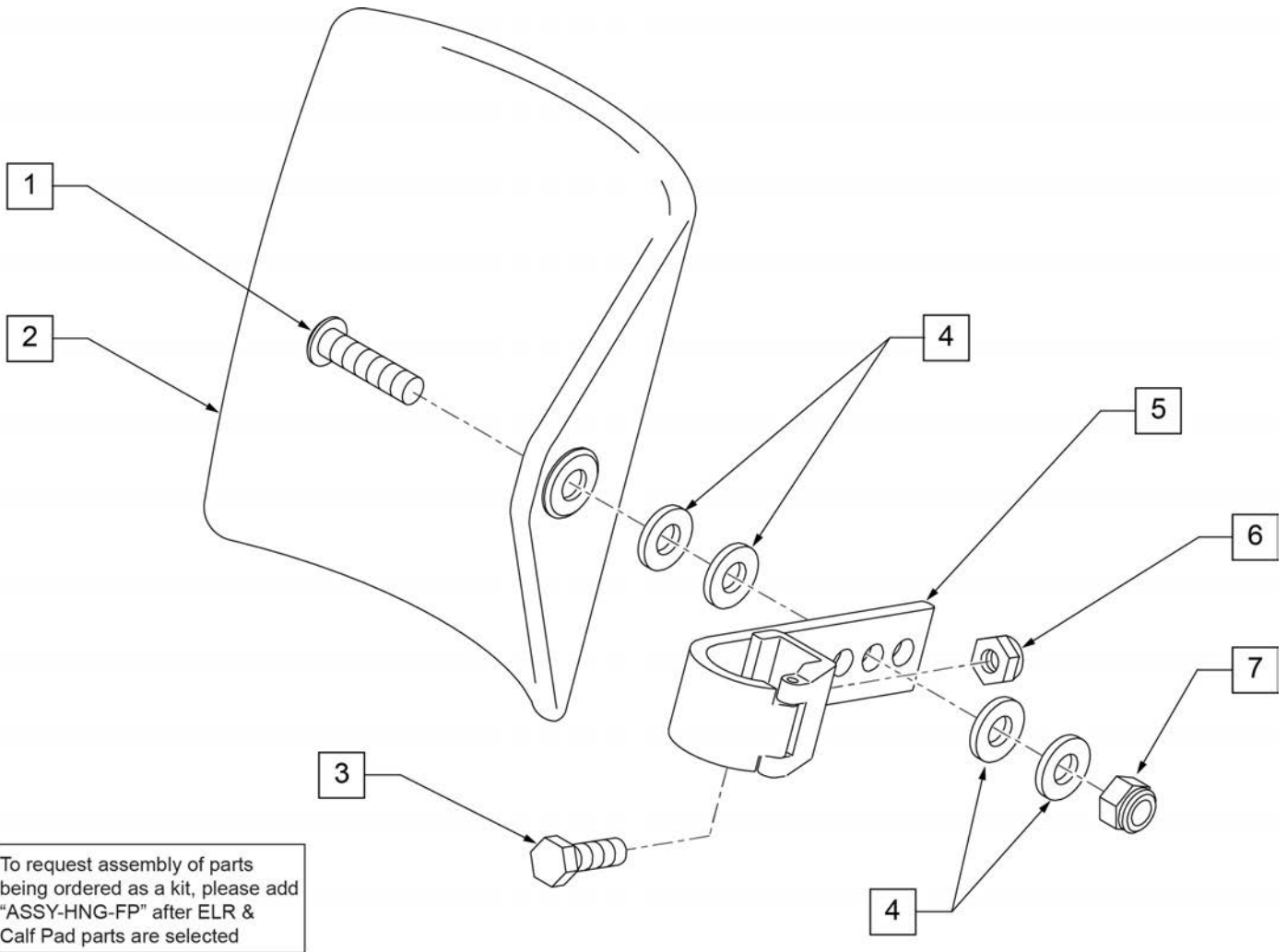
ELEVATING HANGER

(09/2011)

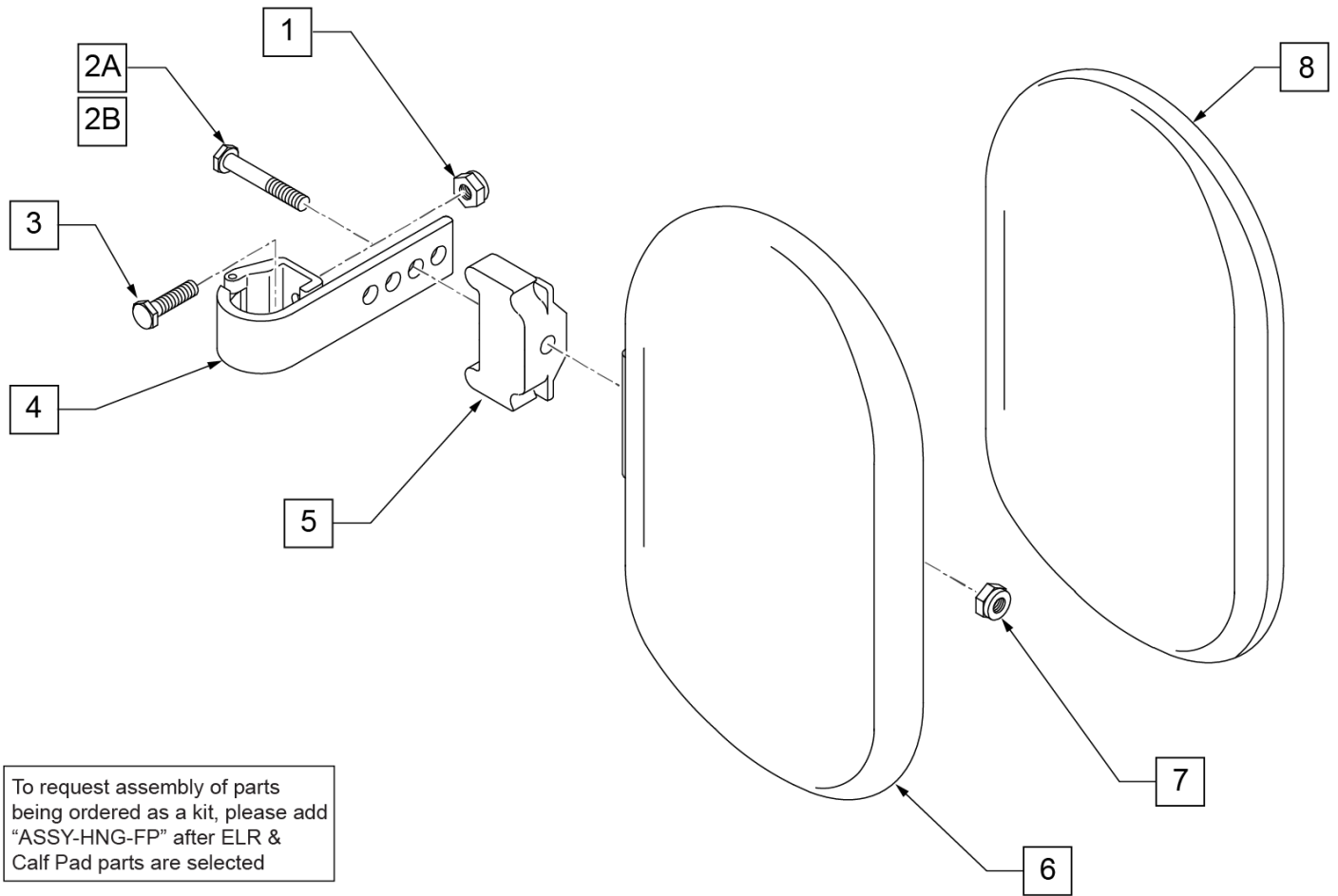


Pos.	Item Number	Description	Remarks
1	106961	1/4-28 X 1 1/4 BH C/S	
2	505281	ELR CLEVIS	
3	107037	BHCS 5/16-24 X 1-1/2 SHLD ROHS	
4	540252	ELR PIVOT PRS	
5	106946	WASHER FLAT AN 5/16 ROHS	
6	106939	NUT NYLOCK THIN 5/16-24 ROHS	
7	560420	ELR UPPER PIVOT PLST	
8	560784	ELR ADJUSTMENT STOP	
9	481117	ELR LOCK ROD	
10	481119	ELR CAM LOCKING POWDERED METAL	
11	106982	BHCS 5/16 -18 x 1 3/4 SHLD ROHS	
12	561062	1" INSERT PLUG .065 RIBS	
14	122729	ELR ALUM PIVOT SADDLE	
15	106935	NUT NYLOCK THIN 1/4-28 ROHS	
16	107035	BHCS 10-24 X .725 PL ROHS	
17	561059	3/4 OD x .318 ID WASHER	
18	202109	5/16-24 ACORN NUT HEX	

Pos.	Item Number	Description	Remarks
19	561049	ELR RELEASE ROD COVER	
19,20	882410S	ELR ACTUATION ARM ASSEMBLY	
21	880990	ELR LOCK HOUSING W/PIN	
22	321106	ELR TORSION SPRING	
23	561079	S/A LATCH LEVER	
24	321136	S/A SPRING L RED	LEFT
24	321137	S/A SPRING R CLEAR	RIGHT
27	107014	1/4-28 x 3/4 HEX C/S	
28	107249	NUT HEX THIN 1/4-28 ROHS	
29	106944	WASHER FLAT THIN AN 1/4 ROHS	
30	550722S	ELR ADJUSTMENT TUBE	
6,8-10,17-22	881077S	ELR LOCK ROD/ARM ASSEMBLY	
25,26	881500	LATCH BLOCK ASSM	RIGHT
25,26	881501	LATCH BLOCK ASSM	LEFT
1-6,11-16,20-24	882413	ELR PIVOT BLOCK ASSM	RIGHT
1-6,11-16,20-24	882414	ELR PIVOT BLOCK ASSM	LEFT
1-26	881422	ELR PIVOT ASSM RIGHT	RIGHT
1-26	881423	ELR PIVOT ASSM LEFT	LEFT
1-30	641452S	ELR HNGR W/O PAD PNTD MNL	RIGHT
1-30	641453S	ELR HNGR W/O PAD PNTD MNL	LEFT
31A	923082S	ELR HNGR ASSM 14-15 W /PAD (PR)	PAIR
31B	923041S	ELR HNGR ASSM W/PAD 16-17"	PAIR
31C	923061S	ELR HNGR ASSM W/PAD 18-20"	PAIR
32A	923088S	ELR HNGR REG EXT 14 15" F/PLT	Pair-includes short extensions, 11.5" - 15.5"
32B	923084S	ELR HNGR REG EXT 16 17" F/PLT	Pair-includes short extensions, 11.5" - 15.5"
32C	923085S	ELR HNGR REG EXT 18-20" F/PLT	Pair-includes short extensions, 11.5" - 15.5"
16,23-26	881521	S/A LATCH KIT CASTING RIGHT	RIGHT
16,23-26	881522	S/A LATCH KIT CASTING LEFT	LEFT
		Ship assembled part #	Use with multiple assemblies
	ASSY-HNG-FP	HANGER/FOOTPLATE ASSY REQUIRED	add with Hanger & Footplate kit



Pos.	Item Number	Description	Remarks
1	106980	BHCS 5/16-18 X 1-1/4 ROHS	
2	755014	CALF PAD TROUGH STYLE 14"/16"	
3	221097	1/4-28 X 5/8 HEX C/S BZ	
4	561016	1" WASHER 5/16" HOLE	
5	881413	CALF PAD BRACKET ASSEMBLY	
6	106934	NUT NYLOCK 1/4-28 ROHS	
7	106937	NUT NYLOCK THIN 5/16-18	
1-7	881414	CALF PAD J-HOOK 14"-15" ASSEMBLY	
		Ship assembled part #	Use with multiple assemblies
	ASSY-HNG-FP	HANGER/FOOTPLATE ASSY REQUIRED	add with Hanger & Footplate kit



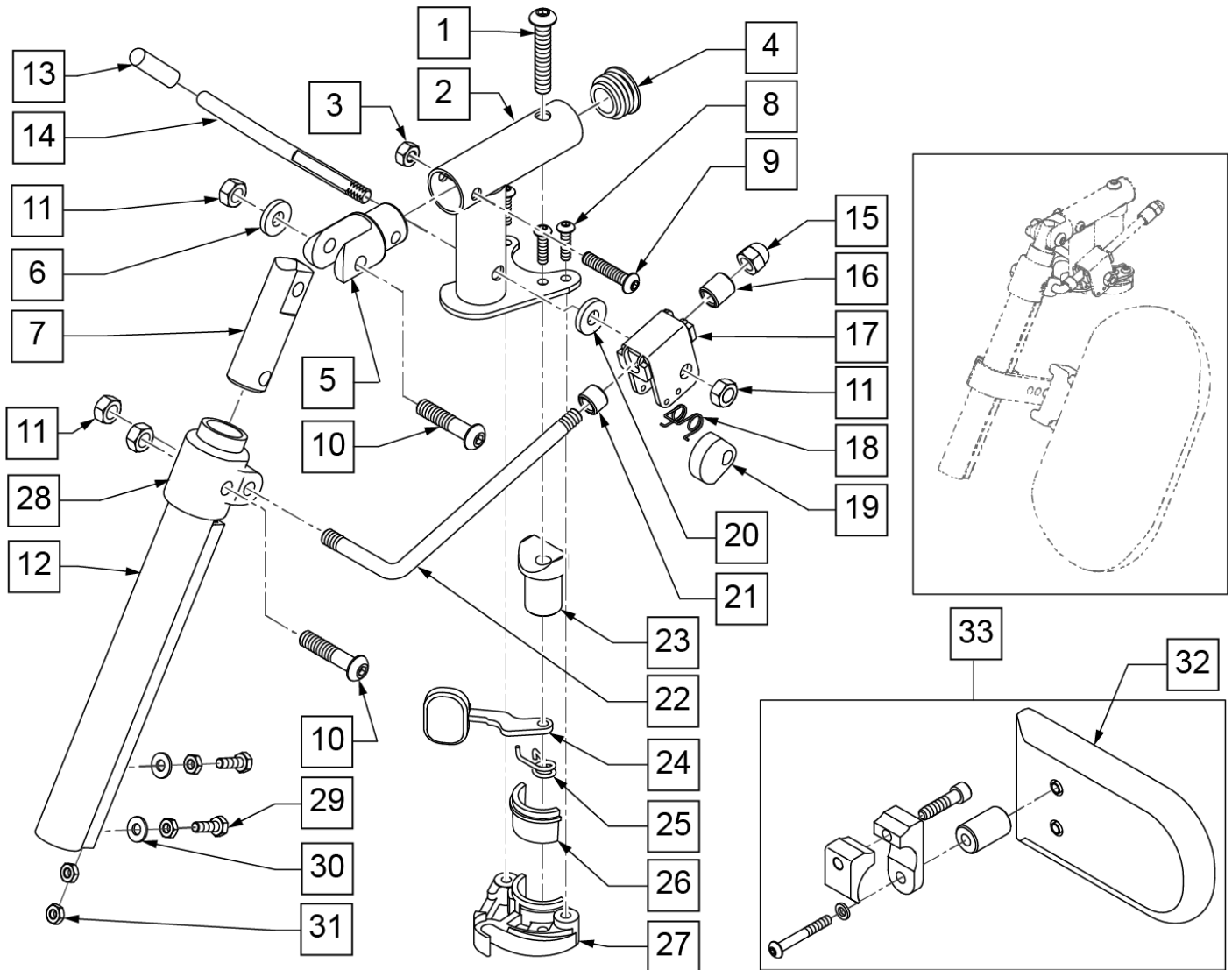
To request assembly of parts being ordered as a kit, please add "ASSY-HNG-FP" after ELR & Calf Pad parts are selected

Pos.	Item Number	Description	Remarks
1	106934	NUT NYLOCK 1/4-28 ROHS	
2A	107018	HHCS 5/16-18 X 2-1/2 ROHS	16"-17" wide only
2B	107019	HHCS 5/16-18 X 3-1/2 ROHS	18"-20" wide only
3	107013	HHCS 1/4-28 X 5/8 ROHS	
4	881413	CALF PAD BRACKET ASSEMBLY	
5	560199	ELR CALF HINGE SPACER	18"-20" wide only
6	560108	CALF PAD MOLDED 16"-20"	
7	106936	NUT NYLOCK 5/16-18 ROHS	
8	751045	CALF PAD COVER	
1,2A,3,4,6-8	881416	CALF MOLDED 16"-17" ASSEMBLY	
1,2B,3-7,8	881412	CALF PAD MOLDED 18"-20" ASSEMBLY	
		Ship assembled part #	Use with multiple assemblies
	ASSY-HNG-FP	HANGER/FOOTPLATE ASSY REQUIRED	add with Hanger & Footplate kit

ELEVATING HEMI HANGER

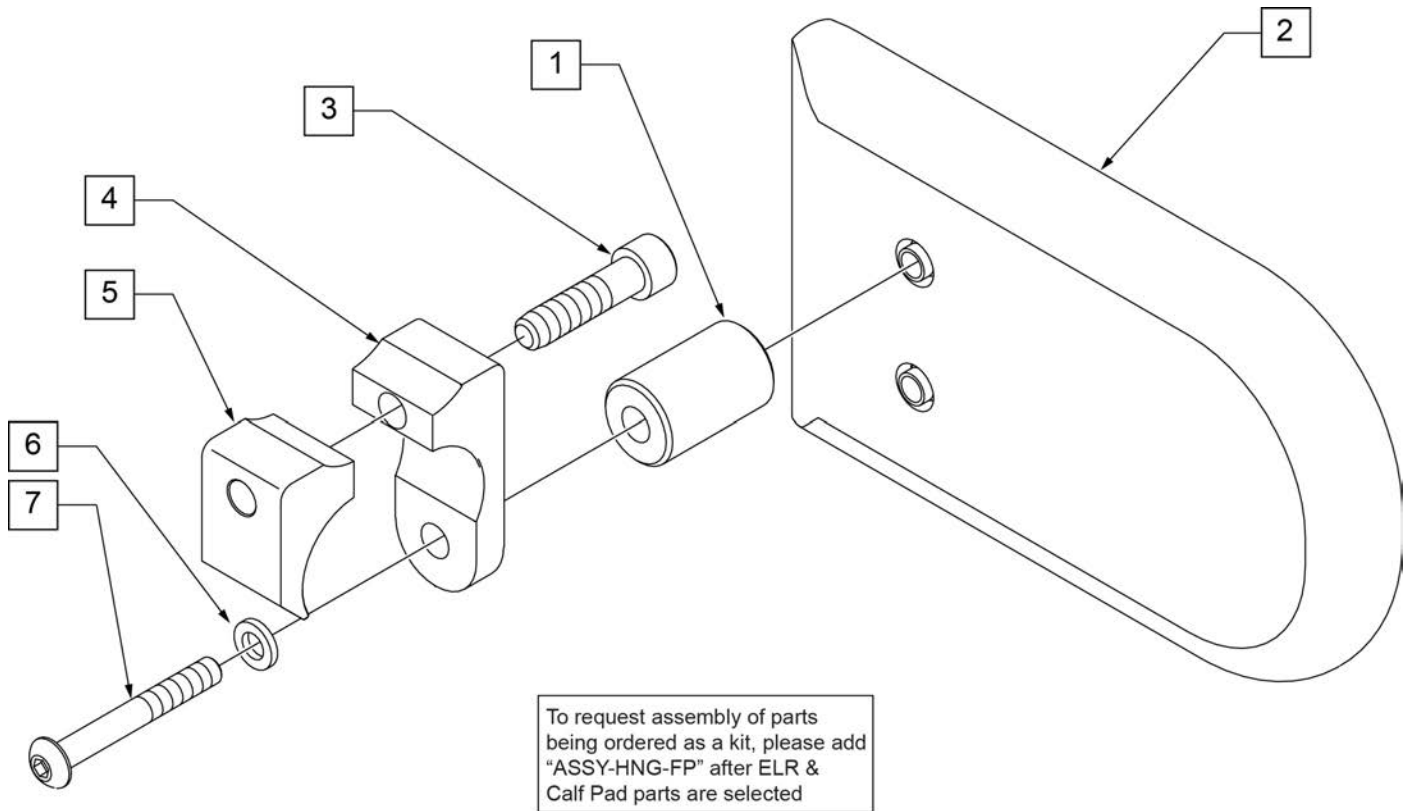
[09/2017]

Note: assembly no longer available; replace in pairs with Swing In/Out ELR's 131774S/131775S/131776S; new Footplates & Extension Tubes are REQUIRED; see EXTENSION MOUNT ELR RETROFIT (LATCH STUD STYLE) (DISC 2/6/17) parts page.

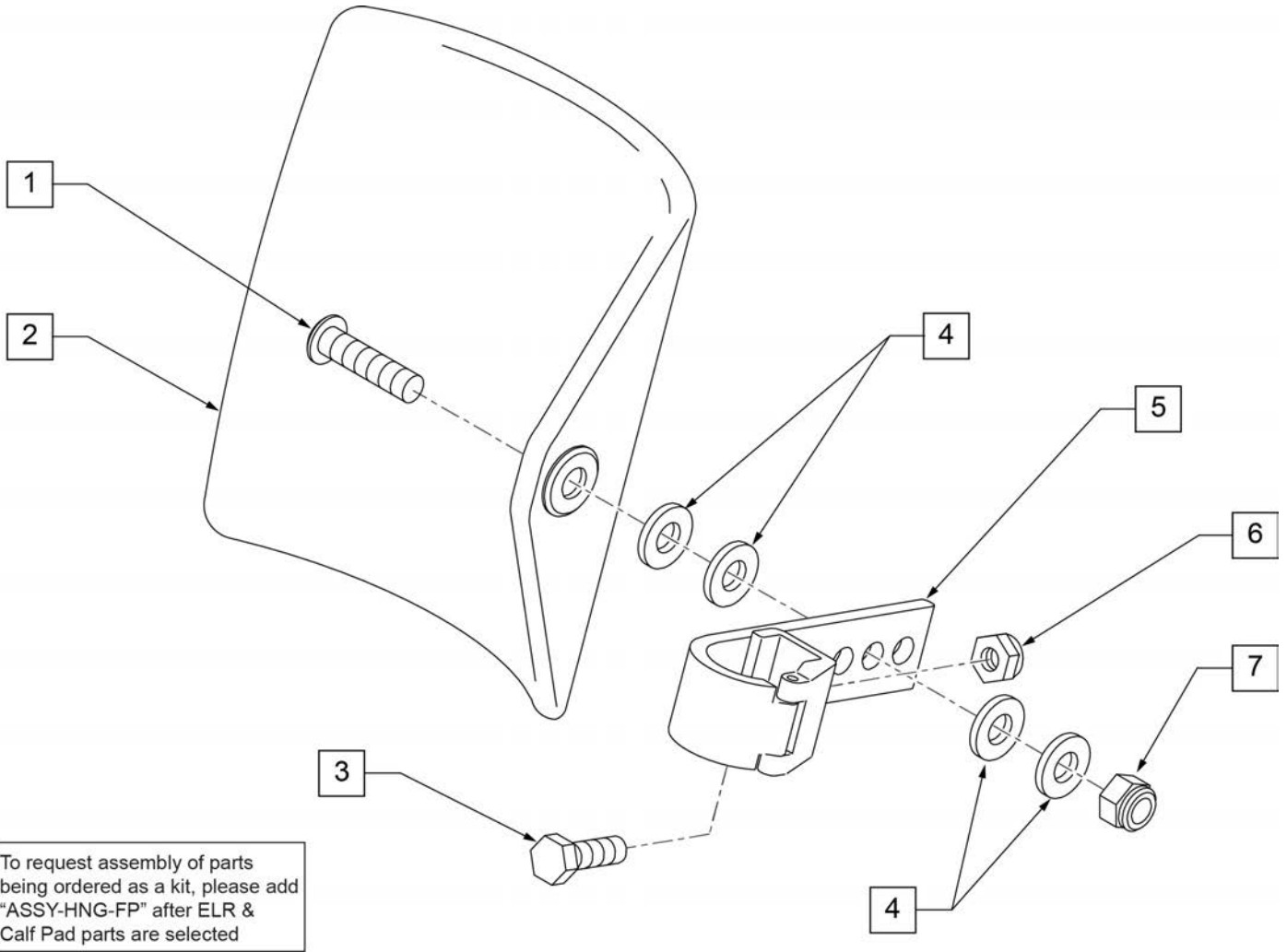


Pos.	Item Number	Description	Remarks
1	226217	5/16-18 x 2" BH C/S BLK	
3	106935	NUT NYLOCK THIN 1/4-28 ROHS	
4	561062	1" INSERT PLUG .065 RIBS	
5	505281	ELR CLEVIS	
6	263100	5/16 AN WASHER FLAT	
7	540252	ELR PIVOT PRS	
8	226057	10/24 x .725 BTTN HD SOC BZ	
9	106961	BHCS 1/4-28 X 1-1/4 ROHS	
10	226138	5/16-24 x 1 1/2 BH C/S	
11	106939	5/16-24 NYLOCK NUT THIN	
12	550722S	ELR KIDS TUBE (SPECIFY COLOR)	SPECIFY COLOR
15	202109	5/16-24 ACORN NUT HEX	

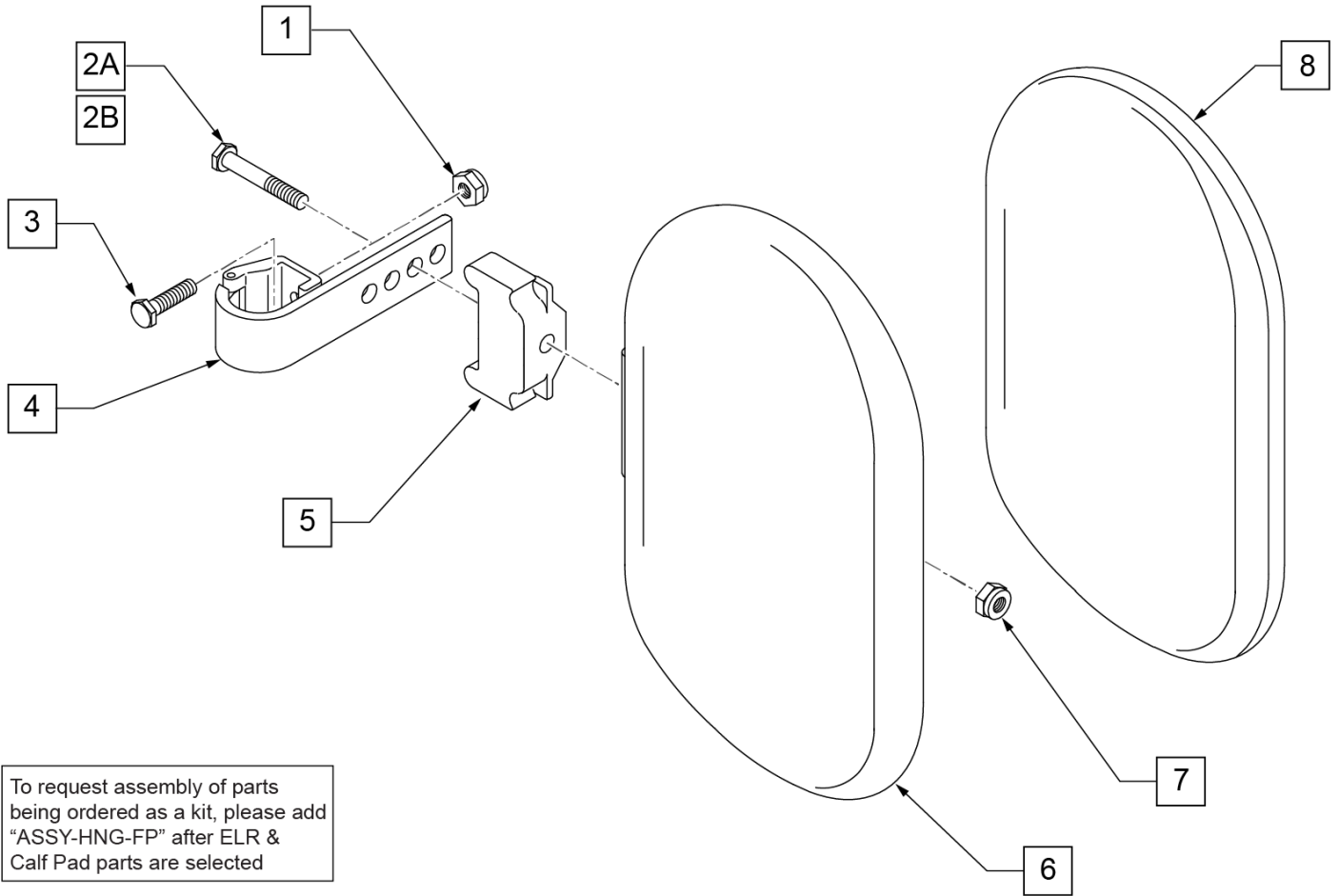
Pos.	Item Number	Description	Remarks
16	560815	HEMI ELR ADJ STOP BACK LG	
17	880990	ELR LOCK HOUSING W/PIN	
18	321106	ELR TORSION SPRING	
19	481119	ELR CAM LOCKING POWDERED METAL	
20	561059	3/4 OD x .318 ID WASHER	
21	500806	HEMI ELR ADJ STOP FRONT SMALL	
22	481117	ELR LOCK ROD	
23	561197	PLASTIC PIVOT SADDLE	
24	561079	S/A LATCH LEVER	
25	321136	S/A SPRING L RED	LEFT
25	321137	S/A SPRING R CLEAR	RIGHT
28	560420	ELR UPPER PIVOT PLST	
29	107014	HHCS 1/4-28 X 3/4 ROHS	
30	106944	WASHER FLAT THIN AN 1/4 ROHS	
31	201112	1/4 -28 NUT THIN	
32	750226	KNEE PAD FLAT 3H X 5L W/COVER	
33	922328	ELR HEMI KNEE PAD ASSM	
26,27	881500	LATCH BLOCK ASSM R	RIGHT
26,27	881501	LATCH BLOCK ASSM L	LEFT
13,14	882411	ELR 90D ACTUATION ARM ASSM	
1-11,23-27	921826	ELR PIVOT BLOCK ASSM R	RIGHT
1-11,23-27	921827	ELR PIVOT BLOCK ASSM L	LEFT
1-11,13-28	921888	HEMI ELR PIVOT ASSEMBLY RIGHT	RIGHT
1-11,13-28	921889	HEMI ELR PIVOT ASSEMBLY LEFT	LEFT



Pos.	Item Number	Description	Remarks
2	750226	KNEE PAD FLAT 3H X 5L W/COVER	
1-7	922328	ELR HEMI KNEE PAD ASSM	
		Ship assembled part #	Use with multiple assemblies
	ASSY-HNG-FP	HANGER/FOOTPLATE ASSY REQUIRED	add with Hanger & Footplate kit



Pos.	Item Number	Description	Remarks
1	106980	BHCS 5/16-18 X 1-1/4 ROHS	
2	755014	CALF PAD TROUGH STYLE 14"/16"	
3	221097	1/4-28 X 5/8 HEX C/S BZ	
4	561016	1" WASHER 5/16" HOLE	
5	881413	CALF PAD BRACKET ASSEMBLY	
6	106934	NUT NYLOCK 1/4-28 ROHS	
7	106937	NUT NYLOCK THIN 5/16-18	
1-7	881414	CALF PAD J-HOOK 14"-15" ASSEMBLY	
		Ship assembled part #	Use with multiple assemblies
	ASSY-HNG-FP	HANGER/FOOTPLATE ASSY REQUIRED	add with Hanger & Footplate kit



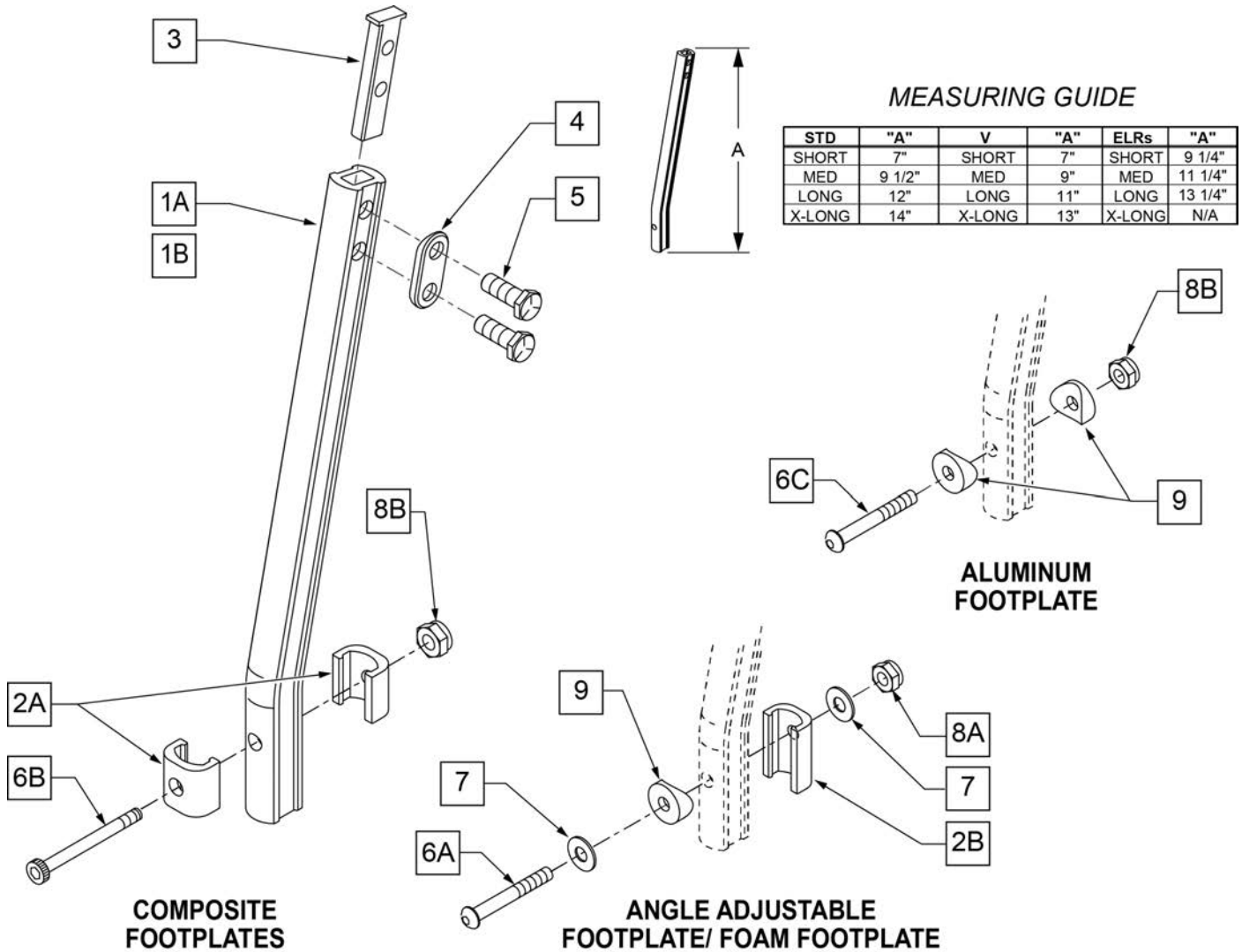
To request assembly of parts being ordered as a kit, please add "ASSY-HNG-FP" after ELR & Calf Pad parts are selected

Pos.	Item Number	Description	Remarks
1	106934	NUT NYLOCK 1/4-28 ROHS	
2A	107018	HHCS 5/16-18 X 2-1/2 ROHS	16"-17" wide only
2B	107019	HHCS 5/16-18 X 3-1/2 ROHS	18"-20" wide only
3	107013	HHCS 1/4-28 X 5/8 ROHS	
4	881413	CALF PAD BRACKET ASSEMBLY	
5	560199	ELR CALF HINGE SPACER	18"-20" wide only
6	560108	CALF PAD MOLDED 16"-20"	
7	106936	NUT NYLOCK 5/16-18 ROHS	
8	751045	CALF PAD COVER	
1,2A,3,4,6-8	881416	CALF MOLDED 16"-17" ASSEMBLY	
1,2B,3-7,8	881412	CALF PAD MOLDED 18"-20" ASSEMBLY	
		Ship assembled part #	Use with multiple assemblies
	ASSY-HNG-FP	HANGER/FOOTPLATE ASSY REQUIRED	add with Hanger & Footplate kit

NOTE: DISCONTINUED - PARTS ONLY ON GP SWNG-AWAY BEGINNING 4/4/15 & S/N GP-95902, KIDS Q2 SE BEGINNING 4/16/15 & S/N QKE-003425, LX BEGINNING 10/24/2008 & S/N LX-034330, LXI BEGINNING 4/25/15 & S/N LXI-060868, QTS BEGINNING 5/15/15 & S/N QT-044951, QTS SE BEGINNING 5/15/15 & S/N QTE-002092

NOTE: IF REPLACING AN EXTENSION TUBE ON AN MANUAL ALR PLEASE REFER TO THE ROUND EXT TUBE PARTS MANUAL PAGE.

NOTE: WHEN ORDERING REPLACEMENT EXTENSION TUBES PLEASE VERIFY IF YOU HAVE THE OLD STYLE DOUBLE D EXTENSION TUBE OR THE NEW STYLE DOUBLE D EXTENSION TUBE. THIS CAN BE DONE BY REVIEWING THE HANGER THE EXTENSION TUBE IS USED ON. IF THE HANGER UTILIZES A SINGLE SET SCREW AT THE BOTTOM OF THE HANGER TUBE TO ATTACH THE EXTENSION TUBE TO THE HANGER, THEN THIS UTILIZES THE NEW STYLE DOUBLE D EXT TUBE. ALL OTHER HANGERS REQUIRING A DOUBLE D EXTENSION TUBE UTILIZE THE OLD STYLE.

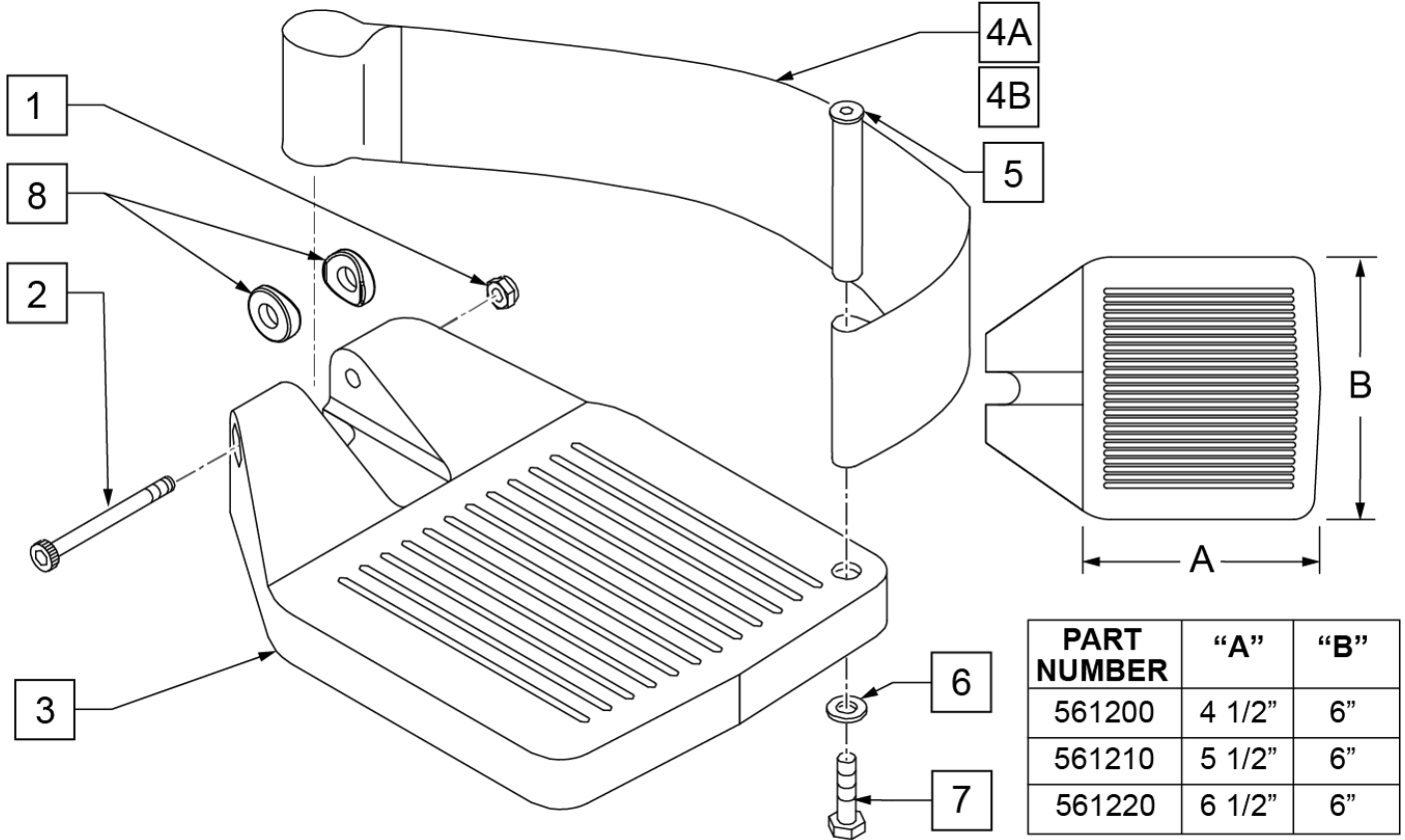


Pos.	Item Number	Description	Remarks
1A	550819	EXT TUBE S/A ONLY SHT	Short Ext-Swing Away Hanger

Pos.	Item Number	Description	Remarks
1A	550820	EXT TUBE S/A ONLY MED	Med Ext-Swing Away Hanger
1A	550821	EXT TUBE S/A ONLY LONG	Long Ext-Swing Away Hanger
1A	550822	EXT TUBE S/A ONLY X-LONG	X-Long Ext-Swing Away Hanger
1B	550834	EXT TUBE V IN ONLY D2 SHT R	Right Short Ext-Swing Away Hanger
1B	550835	EXT TUBE V IN ONLY D2 SHT L	Left Short Ext-Swing Away Hanger
1B	550836	EXT TUBE V IN ONLY D2 MED R	Right Med Ext-Swing Away Hanger
1B	550837	EXT TUBE V IN ONLY D2 MED L	Left Med Ext-Swing Away Hanger
1B	550838	EXT TUBE V IN ONLY D2 LONG R	Right Long Ext-Swing Away Hanger
1B	550839	EXT TUBE V IN ONLY D2 LONG L	Left Long Ext-Swing Away Hanger
1B	550840	EXT TUBE V IN ONLY D2 X-LONG R	Right X-Long Ext-Swing Away Hanger
1B	550841	EXT TUBE V IN ONLY D2 X-LONG L	Left X-Long Ext-Swing Away Hanger
2A	483718	HANGER EXTENSION SADDLE	USE W/ COMPOSITE FTPLT
2B	483720	HANGER EXTENSION SADDLE LONG	USE W/ ANGLE ADJ FTPLT
3	500078	INSERT D2 EXT TUBE	
4	483717	HANGER SADDLE	
5	221102	1/4-28 x 3/4 HEX HEAD C/S BLK W/PTCH	
6A	106962	1/4-28 x 1 3/4 BH C/S BLK ZN	USE W/ ANGLE ADJ FTPLT
6B	226165	1/4 -28 x 2 1/2 SOC C/S	USE W/ COMPOSITE FTPLT
6C	226147	1/4 -28 X 1.85 BH C/S	
7	106945	1/4" SAE WASHER	
8A	106941	1/4 -28 AUTOMATION NUT	USE W/ ANGLE ADJ FTPLT
8B	106935	1/4 -28 NYLOCK NUT THIN	USE W/ COMPOSITE FTPLT
9	561055	3/4 SADDLE 1" OD	USE W/ ANGLE ADJ FTPLT
1A,2A-5	921759	EXT TUBE S/A SHT ASSM PCKT	USE W/ COMPOSITE FTPLT
1A,2A-5	921760	EXT TUBE S/A MED ASSM PCKT	USE W/ COMPOSITE FTPLT
1A,2A-5	921761	EXT TUBE S/A LONG ASSM PCKT	USE W/ COMPOSITE FTPLT
1A,2A-5	921762	EXT TUBE S/A X-LONG ASSM PCKT	USE W/ COMPOSITE FTPLT
1B,2A-5	921751	EXT TUBE "V" D2 SHT R ASSM PCKT	RIGHT - USE W/ COMPOSITE FTPLT V HANGER
1B,2A-5	921752	EXT TUBE "V" D2 SHT L ASSM PCKT	LEFT - USE W/ COMPOSITE FTPLT V HANGER
1B,2A-5	921753	EXT TUBE "V" D2 MED R ASSM PCKT	RIGHT - USE W/ COMPOSITE FTPLT V HANGER
1B,2A-5	921754	EXT TUBE "V" D2 MED L ASSM PCKT	LEFT - USE W/ COMPOSITE FTPLT V HANGER
1B,2A-5	921755	EXT TUBE "V" D2 LONG R ASSM PCKT	RIGHT - USE W/ COMPOSITE FTPLT V HANGER
1B,2A-5	921756	EXT TUBE "V" D2 LONG L ASSM PCKT	LEFT - USE W/ COMPOSITE FTPLT V HANGER
1B,2A-5	921757	EXT TUBE "V" D2 X-LONG R ASSM PCKT	RIGHT - USE W/ COMPOSITE FTPLT V HANGER
1B,2A-5	921758	EXT TUBE "V" D2 X-LONG L ASSM PCKT	LEFT - USE W/ COMPOSITE FTPLT V HANGER
1A,2A-7,9	921772	EXT TUBE S/A SHT ANG ADJ PCKT	USE W/ ANGLE ADJ FTPLT
1A,2A-7,9	921773	EXT TUBE S/A MED ANG ADJ PCKT	USE W/ ANGLE ADJ FTPLT
1A,2A-7,9	921774	EXT TUBE S/A LONG ANG ADJ PCKT	USE W/ ANGLE ADJ FTPLT
1A,2A-7,9	921775	EXT TUBE S/A X-LONG ANG ADJ PCKT	USE W/ ANGLE ADJ FTPLT
1B,2A-7,9	921764	EXT TUBE "V" D2 SHT R ANG ADJ PCKT	RIGHT - USE W/ ANGLE ADJ FTPLT V HANGER
1B,2A-7,9	921765	EXT TUBE "V" D2 SHT L ANG ADJ PCKT	LEFT - USE W/ ANGLE ADJ FTPLT V HANGER
1B,2A-7,9	921766	EXT TUBE "V" D2 MED R ANG ADJ PCKT	RIGHT - USE W/ ANGLE ADJ FTPLT V HANGER
1B,2A-7,9	921767	EXT TUBE "V" D2 MED L ANG ADJ PCKT	LEFT - USE W/ ANGLE ADJ FTPLT V HANGER
1B,2A-7,9	921768	EXT TUBE "V" D2 LONG R ANG ADJ PCKT	RIGHT - USE W/ ANGLE ADJ FTPLT V HANGER
1B,2A-7,9	921769	EXT TUBE "V" D2 LONG L ANG ADJ PCKT	LEFT - USE W/ ANGLE ADJ FTPLT V HANGER
1B,2A-7,9	921770	EXT TUBE "V" D2 X-LONG R ANG AD PCKT	RIGHT - USE W/ ANGLE ADJ FTPLT V HANGER
1B,2A-7,9	921771	EXT TUBE "V" D2 X-LONG L ANG AD PCKT	LEFT - USE W/ ANGLE ADJ FTPLT V HANGER

To have complete Footrest ship assembled, choose compatible Hanger + Footplate part numbers and add "ASSY-HNG-FP" to order

INSET FORMULA
 0" Inset (Seat Width) = Footrest Width
 1" Inset (Seat Width) -2" = Footrest Width
 "V" Hanger (Seat Width) -4" = Footrest Width
 Offset Hanger Receiver (Seat Width) +2" = Footrest Width



Pos.	Item Number	Description	Remarks
1	106935	1/4 - 28 NYLOCK NUT	
2	226165	1/4 - 28 x 2 1/2 SOC C/S	
3	561200	COMPOSITE FOOTPLATE 14 -15 (16 -18 V)	14 -15 OR 16 -18V
3	561210	COMPOSITE FOOTPLATE 16 -17 (19 -20 V)	16 -17 OR 19 -20V
3	561220	COMPOSITE FOOTPLATE 18 -20	18 -20
4A	741151	HEEL LOOP 14-15 COMPOSITE (14 -15 or 16 -18V)	14 -15 OR 16 -18V
4A	741156	HEEL LOOP 16 -17 or 19 -20V	16 -17 OR 19 -20V
4A	741153	HEEL LOOP 18 -20 COMPOSITE/14-15 ANG ADJ	18 -20
4A	902270	HEEL LOOP COMPOSITE FT 14-15	PAIR 14 -15 OR 16 -18V
4A	902271	HEEL LOOP COMPOSITE FT 16-17	PAIR 16 -17 OR 19 -20V
4A	902272	HEEL LOOP COMPOSITE FT 18-20	PAIR 18 -20
4B	741154	HEEL LOOP 14-15 COMPOSITE HEMI	14 -15 HEMI
4B	741155	HEEL LOOP 16-17 COMPOSITE HEMI	16 -17 HEMI
4B	741153	HEEL LOOP 18-20 COMPOSITE HEMI	18 -10 HEMI
4B	902260	HEEL LOOPS HEMI COMPOSITE 14-15	PAIR 14 -15 HEMI
4B	902261	HEEL LOOPS HEMI COMPOSITE 16-17	PAIR 16 -17 HEMI
4B	902262	HEEL LOOPS HEMI COMPOSITE 18-20	PAIR 18 -20 HEMI
5	561040	HEEL LOOP PEG	
6	106944	1/4 AN WASHER FLAT THIN	

Pos.	Item Number	Description	Remarks
7	106958	HHCS 1/4-20 X 1 ROHS	
8	561003	3/4" SADDLE THIN	USED W/ ROUND EXT TUBES ONLY
1-3	921180	COMPOSITE FOOTPLATE ASSM 14-15	RIGHT (14 -15 OR 16 -18V) W/O HEEL LOOP
1-3	921181	COMPOSITE FOOTPLATE ASSM 14-15	LEFT (14 -15 OR 16 -18V) W/O HEEL LOOP
1-3	921182	COMPOSITE FOOTPLATE ASSM 16-17	RIGHT (16 -17 OR 19 -20V) W/O HEEL LOOP
1-3	921183	COMPOSITE FOOTPLATE ASSM 16-17	LEFT (16 -17 OR 19 -20V) W/O HEEL LOOP
1-3	921184	COMPOSITE FOOTPLATE ASSM 18-20	RIGHT (18 -20) W/O HEEL LOOP
1-3	921185	COMPOSITE FOOTPLATE ASSM 18-20	LEFT (18 -20) W/O HEEL LOOP
1-3	921151	COMPOSITE FOOTPLATE ASSM 14-15/16-18V	PAIR (14 -15 OR 16 -18V) W/O HEEL LOOP
1-3	921152	COMPOSITE FOOTPLATE ASSM 16-17/19-20V	PAIR (16 -17 OR 19 -20V) W/O HEEL LOOP
1-3	921153	COMPOSITE FOOTPLATE ASSM 18-20	PAIR (18 -20) W/O HEEL LOOP
1,2,3A,4-7	921190	COMPOSITE FOOTPLATE ASSM HL LP 14-15	RIGHT (14 -15 OR 16 -18V) W/ HEEL LOOP
1,2,3A,4-7	921191	COMPOSITE FOOTPLATE ASSM HL LP 14-15	LEFT (14 -15 OR 16 -18V) W/ HEEL LOOP
1,2,3A,4-7	921192	COMPOSITE FOOTPLATE ASSM HL LP 16-17	RIGHT (16 -17 OR 19 -20V) W/ HEEL LOOP
1,2,3A,4-7	921193	COMPOSITE FOOTPLATE ASSM HL LP 16-17	LEFT (16 -17 OR 19 -20V) W/ HEEL LOOP
1,2,3A,4-7	921194	COMPOSITE FOOTPLATE ASSM HL LP 18-20	RIGHT (18 -20) W/ HEEL LOOP
1,2,3A,4-7	921195	COMPOSITE FOOTPLATE ASSM HL LP 18-20	LEFT (18 -20) W/ HEEL LOOP
1,2,3A,4-7	921161	COMPOSITE FOOTPLATE ASSM HL 14-15/16-18V	PAIR (14 -15 OR 16 -18V) W/ HEEL LOOP
1,2,3A,4-7	921162	COMPOSITE FOOTPLATE ASSM HL 16-17/19-20V	PAIR (16 -17 OR 19 -20V) W/ HEEL LOOP
1,2,3A,4-7	921163	COMPOSITE FOOTPLATE ASSM HL 18-20	PAIR (18 -20) W/ HEEL LOOP
1,2,3B,4-7	921140	COMPOSITE FOOTPLATE ASSM HEMI HL LP 14-15	RIGHT (14 -15) W/ HEEL LOOP
1,2,3B,4-7	921141	COMPOSITE FOOTPLATE ASSM HEMI HL LP 14-15	LEFT (14 -15) W/ HEEL LOOP
1,2,3B,4-7	921142	COMPOSITE FOOTPLATE ASSM HEMI HL LP 16-17	RIGHT (16 -17) W/ HEEL LOOP
1,2,3B,4-7	921143	COMPOSITE FOOTPLATE ASSM HEMI HL LP 16-17	LEFT (16 -17) W/ HEEL LOOP
1,2,3B,4-7	921144	COMPOSITE FOOTPLATE ASSM HEMI HL LP 18-20	RIGHT (18 -20) W/ HEEL LOOP
1,2,3B,4-7	921145	COMPOSITE FOOTPLATE ASSM HEMI HL LP 18-20	LEFT (18 -20) W/ HEEL LOOP
1,2,3B,4-7	921167	COMPOSITE FOOTPLATE ASSM HEMI HL LPS 14-15	PAIR (14 -15) W/ HEEL LOOP
1,2,3B,4-7	921168	COMPOSITE FOOTPLATE ASSM HEMI HL LPS 16-17	PAIR (16 -17) W/ HEEL LOOP
1,2,3B,4-7	921169	COMPOSITE FOOTPLATE ASSM HEMI HL LPS 18-20	PAIR (18 -20) W/ HEEL LOOP
		Ship assembled part #	Use with multiple assemblies
	ASSY-HNG-FP	HANGER/FOOTPLATE ASSY REQUIRED	add with Hanger & Footplate kit

NOTE: FOR HIGH-MOUNT ADULT ANGLE-ADJUSTABLE FOOTPLATE, SEE "HIGH-MOUNT EXTENSION TUBE" PAGE.

NOTE: ORDER ITEMS 4B AND 7B FOR CHAIRS PRIOR TO 8/13/01.

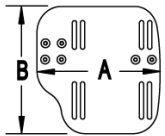
NOTE: ONLY 1 WASHER PRIOR TO 8/13/01.

NOTE: See attached REFERENCE GUIDE.

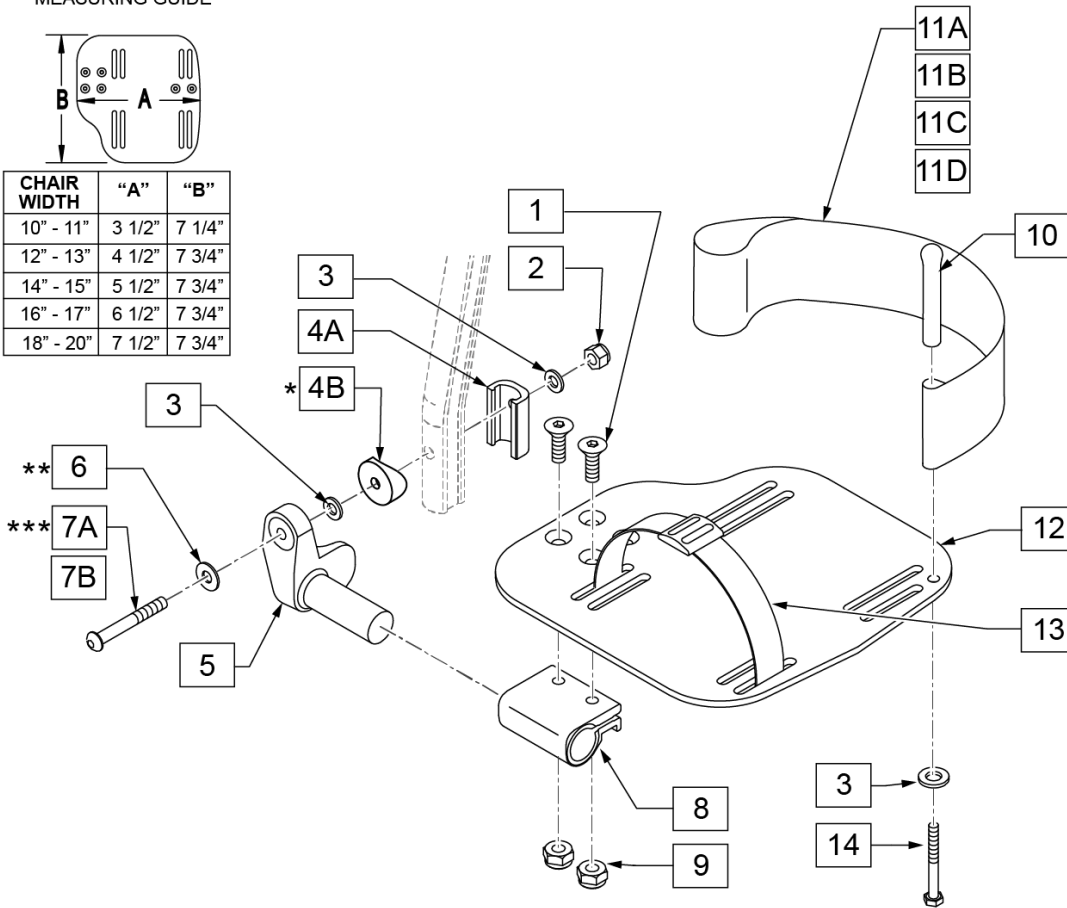
To have complete Footrest ship assembled, choose compatible Hanger + Footplate part numbers and add "ASSY-HNG-FP" to order

INSET FORMULA
 0" Inset (Seat Width) = Footrest Width
 1" Inset (Seat Width) -2" = Footrest Width
 "V" Hanger (Seat Width) -4" = Footrest Width
 Offset Hanger Receiver (Seat Width) +2" = Footrest Width

MEASURING GUIDE



CHAIR WIDTH	"A"	"B"
10" - 11"	3 1/2"	7 1/4"
12" - 13"	4 1/2"	7 3/4"
14" - 15"	5 1/2"	7 3/4"
16" - 17"	6 1/2"	7 3/4"
18" - 20"	7 1/2"	7 3/4"



15 ADLT ANG ADJ FP D2 HDWR KIT			
ITEM #	ILLUSTRATION	DESCRIPTION	QTY
1		1/4-28 X 7/8 FH C/S	2
2		1/4-28 AUTOMATION NUT	1
3		WASHER FLAT THIN AN 1/4	3
6		1/4" SAE WASHER	1
7A		BHCS 1/4-28 X 1-3/4	1
9		NUT NYLOCK THIN 1/4-28	2
10		HEEL LOOP PEG	1
14		1/4-20 X 1 HEX C/S	1

16 ADLT ANG ADJ FP RND HDWR KIT			
ITEM #	ILLUSTRATION	DESCRIPTION	QTY
1		1/4-28 X 7/8 FH C/S	2
2		1/4-28 AUTOMATION NUT	1
3		WASHER FLAT THIN AN 1/4	3
4B		3/4" SADDLE 1" OD	1
6		1/4" SAE WASHER	1
7B		1/4-28 X 1.625 BH C/S BLK	1
9		NUT NYLOCK THIN 1/4-28	2
10		HEEL LOOP PEG	1
14		1/4-20 X 1 HEX C/S	1

Pos.	Item Number	Description	Remarks
1	106978	1/4-28 x 7/8 FH C/S	
2	106941	1/4-28 AUTOMATION NUT	

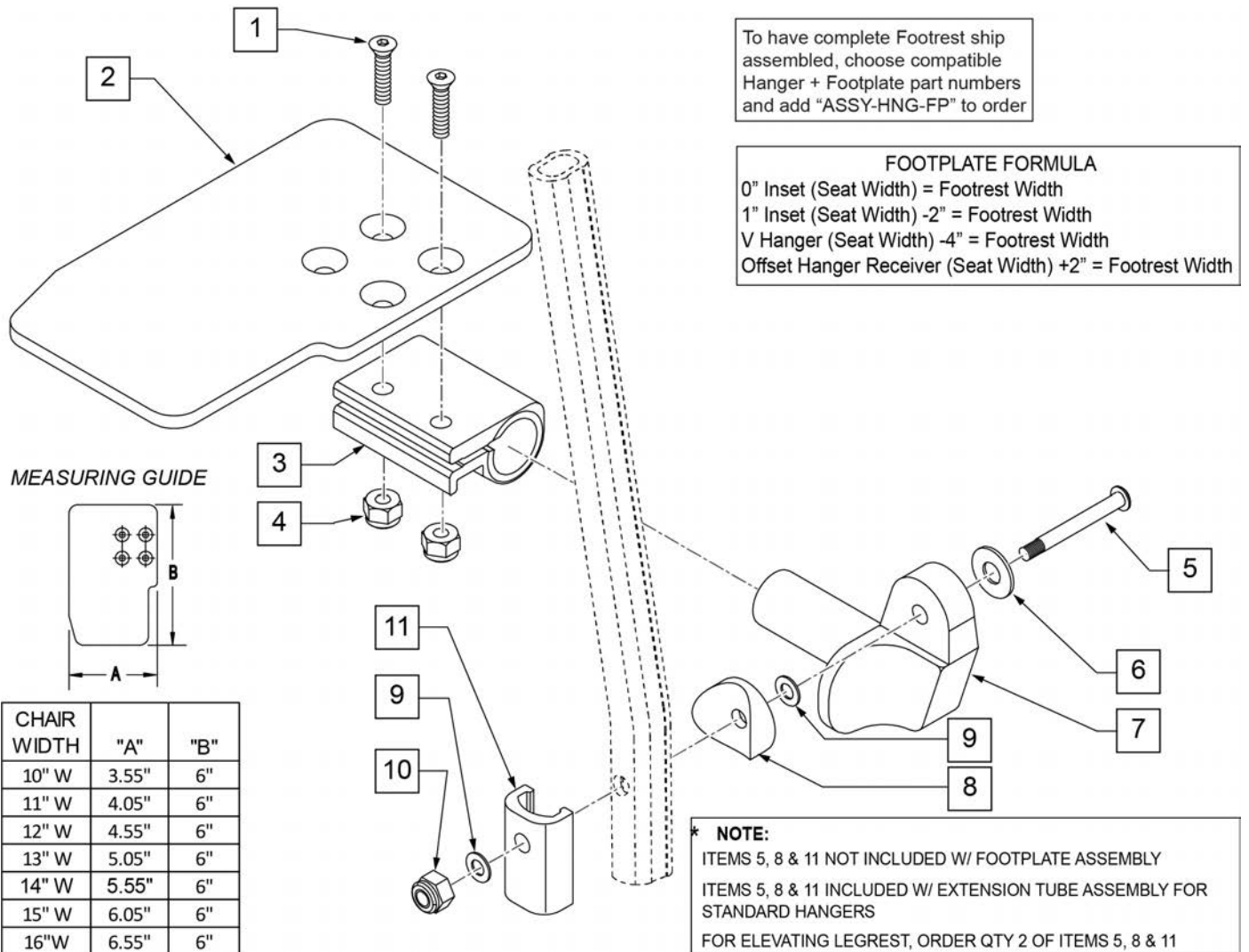
Pos.	Item Number	Description	Remarks
3	106944	WASHER FLAT THIN AN 1/4	
4A	483720	HANGER EXTENSION SADDLE LONG	USE W/ DOUBLE D EXT TUBE
4B	561055	3/4" SADDLE 1" OD	USE W/ ROUND EXT TUBE
5	541002	FTRST MOUNTING BRKT-3/8 RAD R	RIGHT
5	541003	FTRST MOUNTING BRKT-3/8 RAD L	LEFT
6	106945	WASHER FLAT SAE 1/4 ROHS	
7A	106962	BHCS 1/4-28 X 1-3/4 ROHS	use w/ Double D Ext Tube
7B	226167	1/4-28 x 1.625 BH C/S BLK	use w/ Round Ext Tube
8	550350	3/4" CLMP ADJ FT PLT	
9	106935	NUT NYLOCK THIN 1/4-28 ROHS	
10	561040	HEEL LOOP PEG	
11A	741154	HEEL LOOP 14-15 CMPST HEMI	used w/ 10-11" Adult Ang Adj Ftplts
11B	741155	HEEL LOOP 16-17 CMPST HEMI	used w/ 12 -13" Adult Ang Adj Ftplts
11C	741153	H/L 18-20 CMPST/14-15 ANG ADJ	used w/ 14-15"/16-17" Adult Ang Adj Ftplts
11D	741253	HEEL LOOP ADLT ADJ F/PLT 18-20	used w/ 18 -20" Adult Ang Adj Ftplts
12	500656	ADLT ANGL ADJ F/PLT 10/11" R	RIGHT
12	500657	ADLT ANGL ADJ F/PLT 10/11" L	LEFT
12	500658	ADLT ANGL ADJ F/PLT 12/13" R	RIGHT
12	500659	ADLT ANGL ADJ F/PLT 12/13" L	LEFT
12	500660	ADLT ANGL ADJ F/PLT 14/15	RIGHT
12	500661	ADLT ANGL ADJ F/PLT 14/15	LEFT
12	500662	ADLT ANGL ADJ F/PLT 16/17	RIGHT
12	500663	ADLT ANGL ADJ F/PLT 16/17	LEFT
12	500664	ADLT ANGL ADJ F/PLT 18-20	RIGHT
12	500665	ADLT ANGL ADJ F/PLT 18-20	LEFT
13	740260	TOE/ANKLE STRAP ADJ ADLT F/PLT	
14	106958	1/4-20 x 1 HEX C/S	
15	101533	ADLT ANG ADJ FP D2 HDWR KIT	for Double D Ext Tubes; Kit for one side
16	101534	ADLT ANG ADJ FP RND HDWR KIT	for Round Ext Tubes (Q2 HP only); Kit for one side
1-3,5,6,8,9,12	820526	AD ANG ADJ F/PLT R 12"/13" OMIT HL	RIGHT
1-3,5,6,8,9,12	820536	AD ANG ADJ F/PLT L 12"/13" OMT HL	LEFT
1-3,5,6,8,9,12	820460	FP ADLT ADJ 14/15 OMIT HL	RIGHT
1-3,5,6,8,9,12	820462	FP ADLT ADJ 14/15 OMIT HL	LEFT
1-3,5,6,8,9,12	820464	FP ADLT ADJ 16/17 OMIT HL	RIGHT
1-3,5,6,8,9,12	820466	FP ADLT ADJ 16/17 OMIT HL	LEFT
1-3,5,6,8,9,12	820468	FP ADLT ADJ 18-20 OMIT HL	RIGHT
1-3,5,6,8,9,12	820470	FP ADLT ADJ 18-20 OMIT HL	LEFT
1-3,5,6,8,9,12	921466	ADLT ANGL ADJ F/PLT 12"/13" OMIT HL	PAIR
1-3,5,6,8,9,12	921320	FP ADLT ADJ 14/15 OMIT HL	PAIR
1-3,5,6,8,9,12	921322	FP ADLT ADJ 16/17 OMIT HL	PAIR
1-3,5,6,8,9,12	921324	FP ADLT ADJ 18-20 OMIT HL	PAIR
1-3,5,6,8,9,11B,12	820522	AD ANGL ADJ F/PLT R 12/13" H/L	RIGHT
1-3,5,6,8,9,11B,12	820532	AD ANGL ADJ F/PLT L 12/13" H/L	LEFT
1-3,5,6,8-10,11C, 12,14	820461	FP ADLT ADJ 14/15 HL	RIGHT
1-3,5,6,8-10,11C, 12,14	820463	FP ADLT ADJ 14/15 HL	LEFT
1-3,5,6,8-10,11C, 12,14	820465	FP ADLT ADJ 16/17 HL	RIGHT
1-3,5,6,8-10,11C, 12,14	820467	FP ADLT ADJ 16/17 HL	LEFT
1-3,5,6,8-10,11D, 12,14	820469	FP ADLT ADJ 18-20 HL	RIGHT
1-3,5,6,8-10,11D, 12,14	820471	FP ADLT ADJ 18-20 HL	LEFT
1-3,5,6,8-10,11B, 12,14	921462	ADLT ANGL ADJ F/PLATE 12"/13" HL	PAIR
1-3,5,6,8-10,11C, 12,14	921321	FP ADLT ADJ 14/15 HL	PAIR
1-3,5,6,8-10,11C, 12,14	921323	FP ADLT ADJ 16/17 HL	PAIR
1-3,5,6,8-10,11D, 12,14	921325	FP ADLT ADJ 18-20 HL	PAIR
		Ship assembled part #	Use with multiple assemblies
	ASSY-HNG-FP	HANGER/FOOTPLATE ASSY REQUIRED	add with Hanger & Footplate kit

Note: Footplate Assemblies are set to footrest width; please see "Footplate Formula" table for seat width conversion.

Note: V Style Hangers are not available on Swing Away Style chairs effective 7/14/14; see the "Prior To" ordering guide for V Style footplate assemblies.

Note: Zippie Iris (ZRS&ZRSE) and Zippie TS (Z1A&Z1SE) only use Straight Extension Tube.

Note: if chair has High Mount Ext Tubes or if switching to High Mount Ext Tubes, see KAA Footplate w/ High Mount Extension Ordering Guide.



Pos.	Item Number	Description	Remarks
1	106978	FHCS 1/4 -28 x 7/8 ROHS	

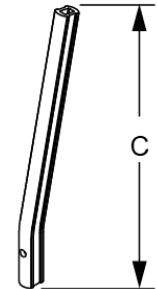
Pos.	Item Number	Description	Remarks
2	500635	KIDS ANGL ADJ F/PLT 10" R	Right
2	500636	KIDS ANGL ADJ F/PLT 10" L	Left
2	500637	KIDS ANGL ADJ F/PLT 11" R	Right
2	500638	KIDS ANGL ADJ F/PLT 11" L	Left
2	500639	KIDS ANGL ADJ F/PLT 12" R	Right
2	500640	KIDS ANGL ADJ F/PLT 12" L	Left
2	500641	KIDS ANGL ADJ F/PLT 13" R	Right
2	500642	KIDS ANGL ADJ F/PLT 13" L	Left
2	500643	KIDS ANGL ADJ F/PLT 14" R	Right
2	500644	KIDS ANGL ADJ F/PLT 14" L	Left
2	500645	KIDS ANGL ADJ F/PLT 15" R	Right
2	500646	KIDS ANGL ADJ F/PLT 15" L	Left
2	500647	KIDS ANGL ADJ F/PLT 16" R	Right
2	500648	KIDS ANGL ADJ F/PLT 16" L	Left
3	550350	3/4" CLAMP ADJ FOOTPLATE	
4	106935	NUT NYLOCK THIN 1/4 -28 ROHS	
5	106962	1/4-28 x 1 3/4 BH C/S BLK ZN (D2 EXTENSION TUBES)	
5	226167	1/4-28 x 1.625 BH C/S BLK (ROUND EXTENSION TUBES)	
6	106945	1/4 SAE WASHER	
7	541002	FTRST MOUNTING BRKT-3/8 RAD R	
7	541003	FTRST MOUNTING BRKT-3/8 RAD L	
8	561055	3/4" SADDLE 1" OD	
9	106944	WASHER FLAT THIN AN 1/4 ROHS	
10	106941	NUT AUTOMATION 1/4 -28 ROHS	
11	483720	HANGER EXTENSION SADDLE LONG	Use with Double D Ext Tube
1-4,6,7,9,10	828850	KIDS ANG ADJ F/PLT EXT-MNT 10"R	Right
1-4,6,7,9,10	828851	KIDS ANG ADJ F/PLT EXT-MNT 10"L	Left
1-4,6,7,9,10	828852	KIDS ANG ADJ F/PLT EXT-MNT 11"R	Right
1-4,6,7,9,10	828853	KIDS ANG ADJ F/PLT EXT-MNT 11"L	Left
1-4,6,7,9,10	828854	KIDS ANG ADJ F/PLT EXT-MNT 12"R	Right
1-4,6,7,9,10	828855	KIDS ANG ADJ F/PLT EXT-MNT 12"L	Left
1-4,6,7,9,10	828856	KIDS ANG ADJ F/PLT EXT-MNT 13"R	Right
1-4,6,7,9,10	828857	KIDS ANG ADJ F/PLT EXT-MNT 13"L	Left
1-4,6,7,9,10	828858	KIDS ANG ADJ F/PLT EXT-MNT 14"R	Right
1-4,6,7,9,10	828859	KIDS ANG ADJ F/PLT EXT-MNT 14"L	Left
1-4,6,7,9,10	828860	KIDS ANG ADJ F/PLT EXT-MNT 15"R	Right
1-4,6,7,9,10	828861	KIDS ANG ADJ F/PLT EXT-MNT 15"L	Left
1-4,6,7,9,10	828862	KIDS ANG ADJ F/PLT EXT-MNT 16"R	Right
1-4,6,7,9,10	828863	KIDS ANG ADJ F/PLT EXT-MNT 16"L	Left
1-4,6,7,9,10	921280	KIDS ANG ADJ F/PLT EXT-MNT 10"	Pair
1-4,6,7,9,10	921281	KIDS ANG ADJ F/PLT EXT-MNT 11"	Pair
1-4,6,7,9,10	921282	KIDS ANG ADJ F/PLT EXT-MNT 12"	Pair
1-4,6,7,9,10	921283	KIDS ANG ADJ F/PLT EXT-MNT 13"	Pair
1-4,6,7,9,10	921284	KIDS ANG ADJ F/PLT EXT-MNT 14"	Pair
1-4,6,7,9,10	921285	KIDS ANG ADJ F/PLT EXT-MNT 15"	Pair
1-4,6,7,9,10	921286	KIDS ANG ADJ F/PLT EXT-MNT 16"	Pair
		Ship assembled part #	Use with multiple assemblies
	ASSY-HNG-FP	HANGER/FOOTPLATE ASSY REQUIRED	add with Hanger & Footplate kit

NOTE: Left Side Shown

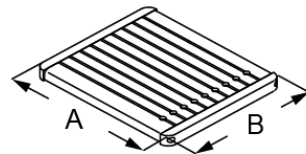
ADD INSET FORMULA
 0" Inset (Seat Width) = Footrest Width
 1" Inset (Seat Width) - 2" = Footrest Width
 2" Inset (Seat Width) - 4" = Footrest Width
 "V" Hanger (Seat Width) - 4" = Footrest Width
 Offset Hanger Receiver (Seat Width) + 2" = Footrest Width
 Flared Frame (Seat Width) = 2" = Footrest Width

To have complete Footrest ship assembled, choose compatible Hanger + Footplate part numbers and add "ASSY-HNG-FP" to order

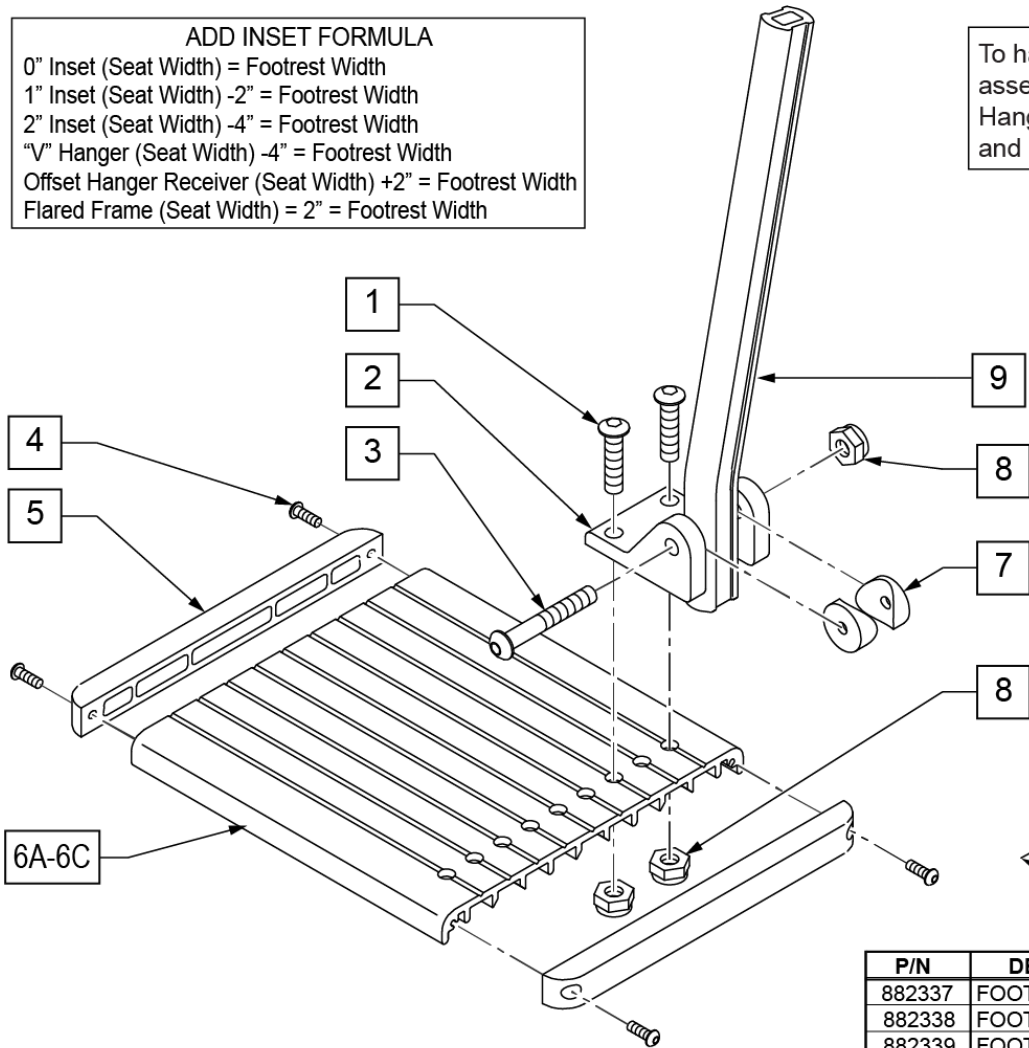
MEASURING GUIDE



	"C"
SHORT	9 1/4"
MED	11 1/4"
LONG	13 1/4"

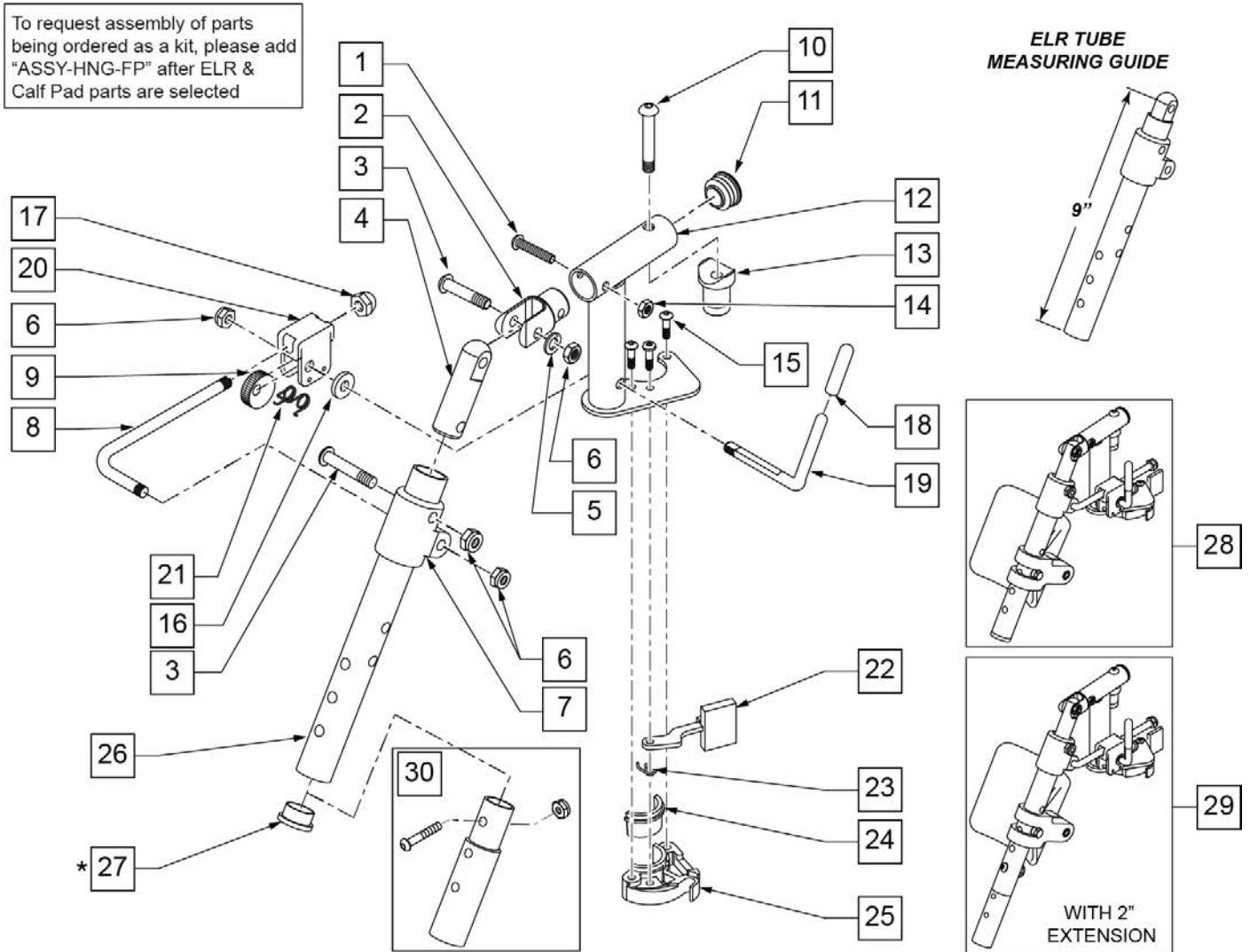


P/N	DESCRIPTION	"A"	"B"
882337	FOOTPLATE ELR 14-15"	6"	6"
882338	FOOTPLATE ELR 16-17"	7"	6"
882339	FOOTPLATE ELR 18-20"	8"	6"



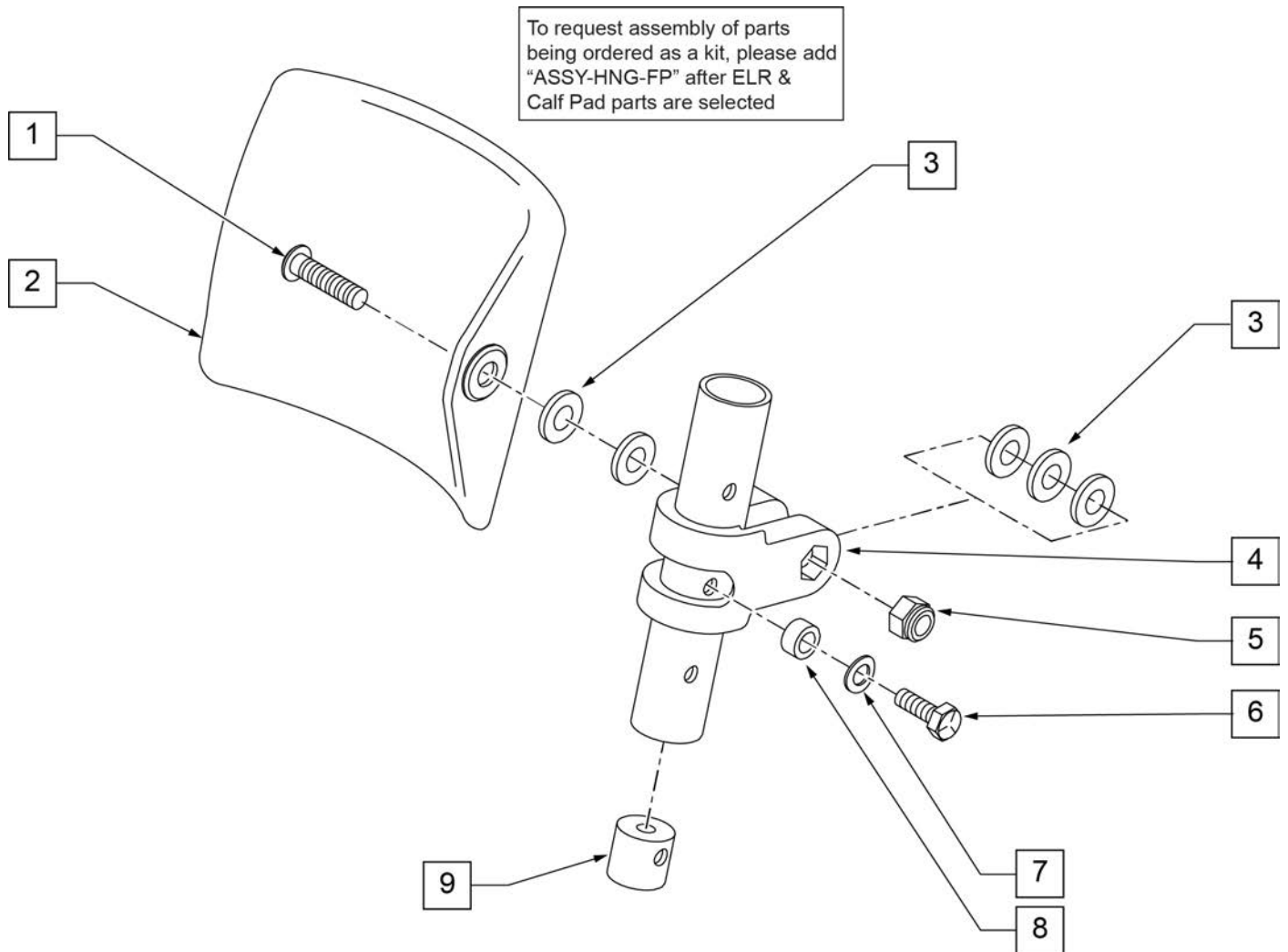
Pos.	Item Number	Description	Remarks
1	106959	1/4-28 x 5/8 BH C/S	
2	550739	FOOTPLATE MOUNTING BRACKET	
3	226147	1/4-28 x 1.85 BH C/S	
4	281043	#4 x 5/8 PAN PHIL S/TAP	
5	560101	END CAPS FOOTREST	
7	561003	3/4" SADDLE THIN	
8	106935	1/4-28 NYLOCK NUT THIN	
9	550764	S/A HANGER EXT D2 SHORT BLACK	
9	550765	S/A HANGER EXT D2 MED BLK	
9	550766	S/A HANGER EXT D2 LONG BLACK	
4,5,6A	882337	ELR FOOTPLATE ASSEMBLY 14 -15"	
4,5,6B	882338	ELR FOOTPLATE ASSEMBLY 16 -17"	
4,5,6C	882339	ELR FOOTPLATE ASSEMBLY 18 -20"	
1-5,6A-8	921400S	ELR FOOTPLATE KIT 14 -15"	Does not include Extension
1-5,6B-8	921401S	ELR FOOTPLATE KIT 16 -17"	Does not include Extension
1-5,6C-8	921402S	ELR FOOTPLATE KIT 18 -20"	Does not include Extension
		Ship assembled part #	Use with multiple assemblies
	ASSY-HNG-FP	HANGER/FOOTPLATE ASSY REQUIRED	add with Hanger & Footplate kit

NOTE: Order Item 27 (561002) when NOT using Footrest Extension.



Pos.	Item Number	Description	Remarks
1	106961	BHCS 1/4-28 X 1-1/4 ROHS	
2	505281	ELR CLEVIS	
3	226138	5/16-24 x 1 1/2 BH C/S	
4	540252	ELR PIVOT PRS	
5	263100	5/16 AN WASHER FLAT	
6	106939	5/16-24 NYLOCK NUT THIN	
7	560430	ELR ROD UPPER PIVOT	
8	481505	ELR LOCK ROD 90D	
9	481119	ELR CAM LOCKING POWDERED METAL	
10	226217	5/16-18 x 2" BH C/S BLK	
11	561062	1" INSERT PLUG .065 RIBS	
13	561197	PLASTIC PIVOT SADDLE	
14	106935	NUT NYLOCK THIN 1/4-28 ROHS	
15	226057	10/24 x .725 BTTN HD SOC BZ	

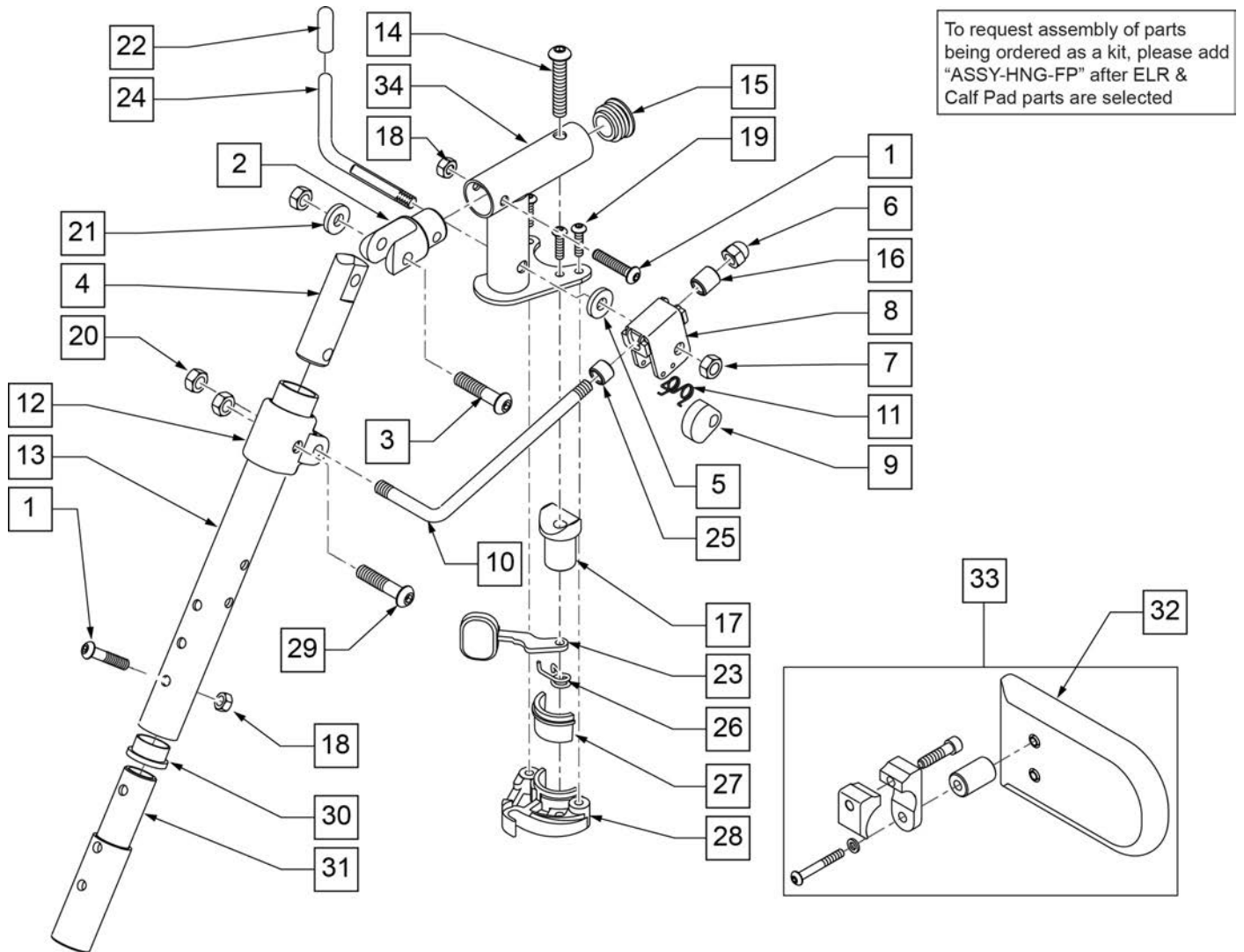
Pos.	Item Number	Description	Remarks
16	561059	3/4 OD x .318 ID WASHER	
17	202109	5/16-24 ACORN NUT HEX	
18	561049	ELR RELEASE ROD COVER	
19,20	882411	ELR 90D ACTUATION ARM ASSM	
20	880990	ELR LOCK HOUSING W/PIN	
21	321106	ELR TORSION SPRING	
22	561079	S/A LATCH LEVER	
23	321136	S/A SPRING L RED	LEFT
23	321137	S/A SPRING R CLEAR	RIGHT
24,25	881500	LATCH BLOCK ASSM R	RIGHT
24,25	881501	LATCH BLOCK ASSM L	LEFT
26	505097S	ELR KIDS TUBE	
27	561002	1" INSERT PLUG .083	
28	923067S	ELR HNGR ASSM 90° W/ PAD	
29,30	923068S	ELR HNGR ASSM 90° W/ PAD 2" EXT	
30	111505	2" FOOTREST EXTENSION TUBE W/ HDWR ASSM	
1-6,10-15,22-25	882413	ELR PIVOT BLOCK ASSM R	RIGHT
1-6,10-15,22-25	882414	ELR PIVOT BLOCK ASSM L	LEFT
1-25	641458S	ELR HNGR 90° W/O PAD PNTD R	RIGHT
1-25	641459S	ELR HNGR 90° W/O PAD PNTD L	LEFT
1-25	641468S	HANGER ELR 90° W/O PAD R 2" EXT	RIGHT
1-25	641469S	HANGER ELR 90° W/O PAD L 2" EXT	LEFT
		Ship assembled part #	Use with multiple assemblies
	ASSY-HNG-FP	HANGER/FOOTPLATE ASSY REQUIRED	add with Hanger & Footplate kit



Pos.	Item Number	Description	Remarks
1	226217	5/16-18 x 2" BH C/S BLK	
2	755013	CALF PAD TROUGH STYLE KIDS	
3	561016	1" WASHER 5/16" HOLE	
4	561097	ELR ELEVATING TUBE CLAMP	
5	106937	5/16 -18 NYLOCK NUT THIN	
6	106958	HHCS 1/4-20 X 1 ROHS	
7	262130	6mm WASHER WAVE	
8	483027	1/4 x 1/4 ALUMINUM SPACER	
9	500151	KIDS ALR RETAINING PLUG	
1-9	880533	ELR TROUGH PAD ASSM KIDS	
		Ship assembled part #	Use with multiple assemblies
	ASSY-HNG-FP	HANGER/FOOTPLATE ASSY REQUIRED	add with Hanger & Footplate kit

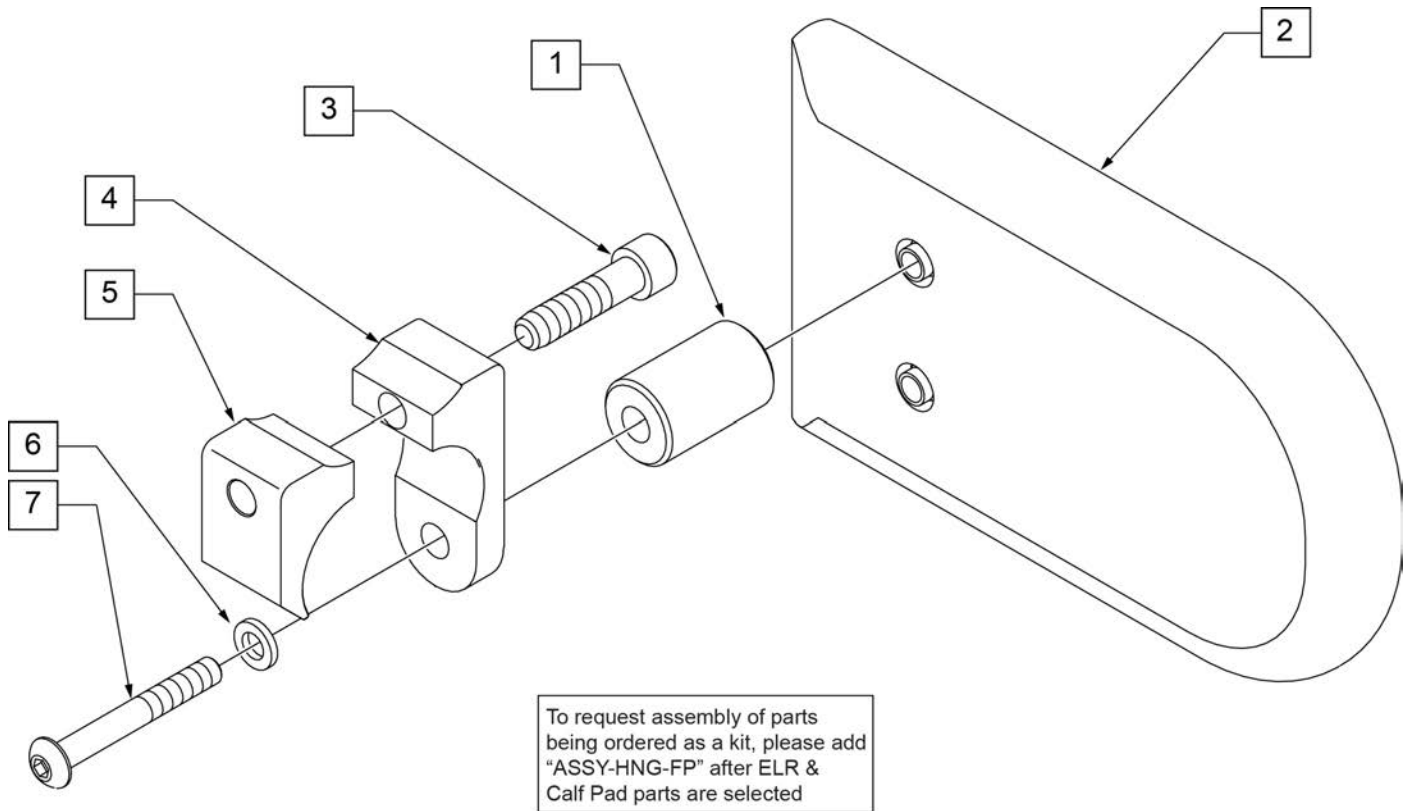
90 DEG ELEVATING HEMI HANGER

[09/2011]



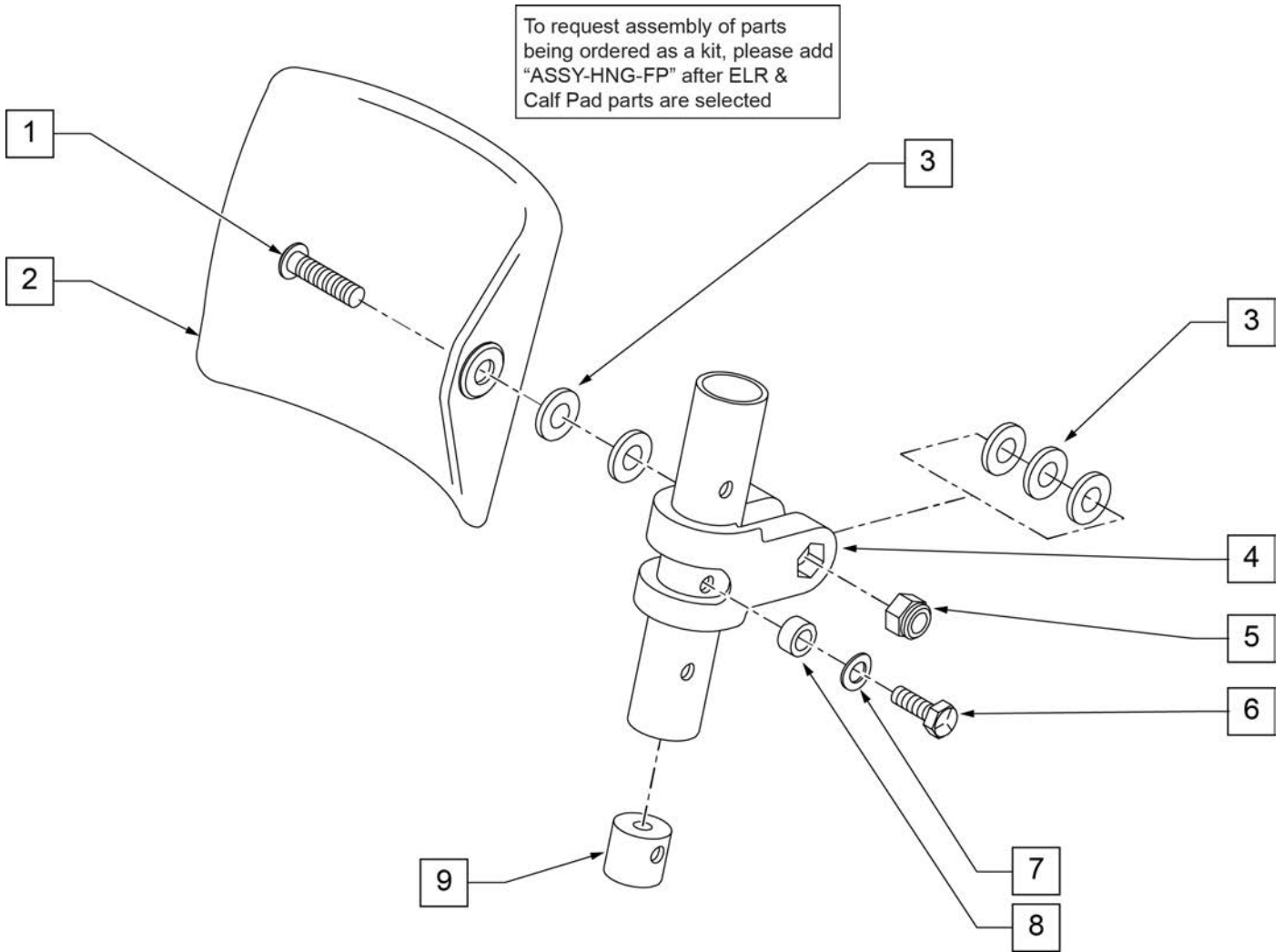
Pos.	Item Number	Description	Remarks
1	106961	1/4-28 x 1 1/4 BH C/S	
2	505281	ELR CLEVIS	
3	226138	5/16-24 x 1 1/2 BH C/S	
4	540252	ELR PIVOT PRS	
5	561059	3/4 OD x .318 ID WASHER	
6	202109	5/16-24 ACORN NUT HEX	
7	106939	5/16-24 NYLOCK NUT THIN	
8	880990	ELR LOCK HOUSING W/PIN	
9	481119	ELR CAM LOCKING POWDERED METAL	
10	481117	ELR LOCK ROD	
11	321106	ELR TORSION SPRING	
12	560420	ELR UPPER PIVOT	
13	505097S	ELR KIDS TUBE	
14	226217	5/16-18 x 2" BH C/S BLK	
15	561062	1" INSERT PLUG .065 RIBS	
16	560815	HEMI ELR ADJ STOP BACK LG	
17	561197	PLASTIC PIVOT SADDLE	
18	106935	NUT NYLOCK THIN 1/4-28 ROHS	

Pos.	Item Number	Description	Remarks
19	226057	10/24 x .725 BTTN HD SOC BZ	
20	106939	5/16-24 NYLOCK NUT THIN	
21	263100	5/16 AN WASHER FLAT	
22	561049	ELR RELEASE ROD COVER	
23	561079	S/A LATCH LEVER	
23	321136	S/A SPRING L RED	
24	481123	ELR ACTUATION ARM 90 DEG KDS	
25	500806	HEMI ELR ADJ STOP FRONT SM	
26	321137	S/A SPRING R CLEAR	
29	107037	BHCS 5/16-24 X 1-1/4 SHLD ROHS	
30	561002	1" INSERT PLUG .083	
31	500150	2" FOOTREST EXT TUBE	
1,18,31	111505	2" FTREST EXT W/ HDWR	
27,28	881500	LATCH BLOCK ASSM R	Right
27,28	881501	LATCH BLOCK ASSM L	Left
1-28,32,33	882881	HEMI ELR SUB ASSM R	Right
1-28,32,33	882882	HEMI ELR SUB ASSM L	Left
32	750226	KNEE PAD FLAT 3H X 5L W/COVER	
33	922328	ELR HEMI KNEE PAD ASSM	
1-30,32,33	119295S	HEMI FM ELR ASSM PNTD R	Right
1-30,32,33	119296S	HEMI FM ELR ASSM PNTD L	Left
		Ship assembled part #	Use with multiple assemblies
	ASSY-HNG-FP	HANGER/FOOTPLATE ASSY REQUIRED	add with Hanger & Footplate kit

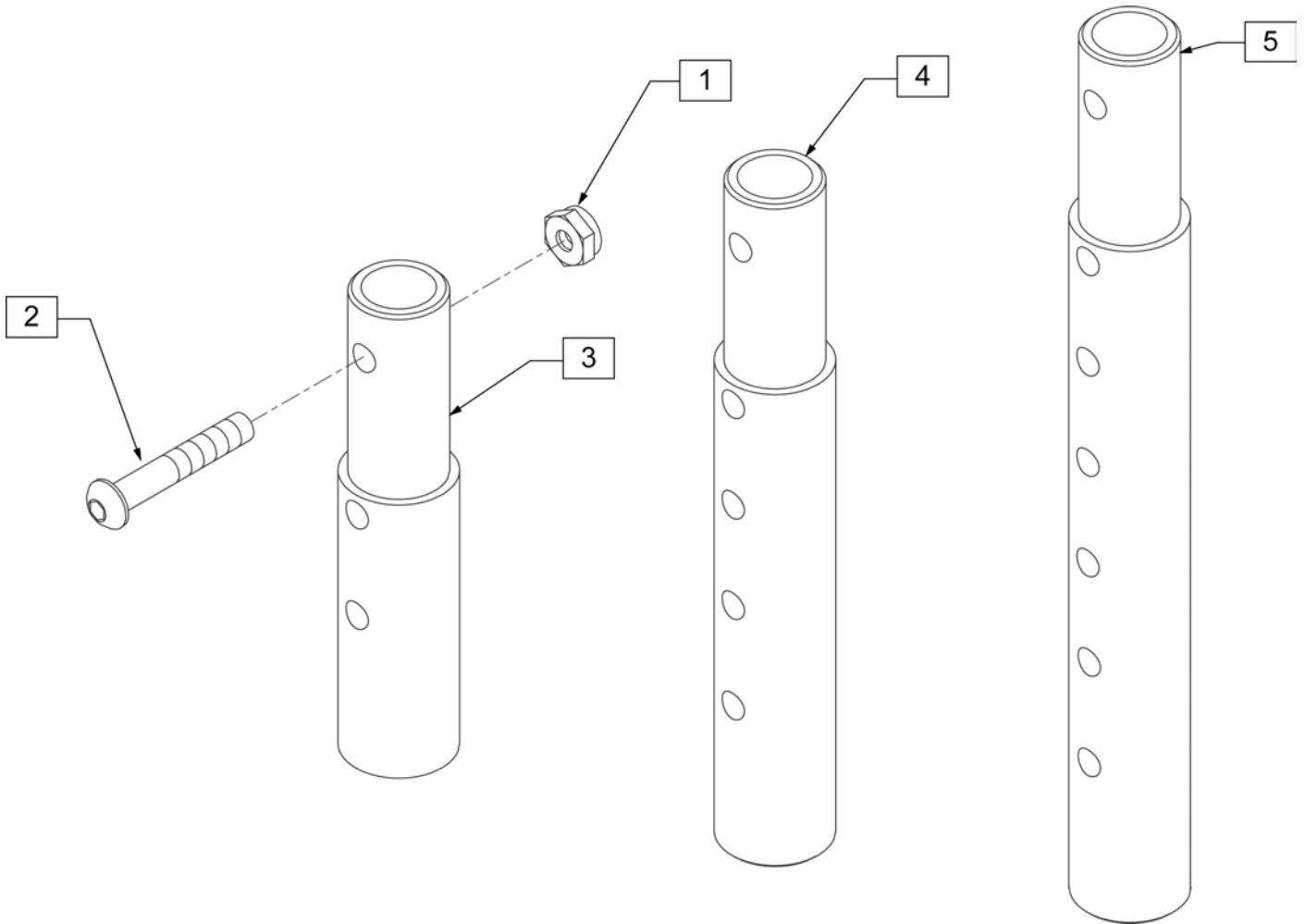


Pos.	Item Number	Description	Remarks
2	750226	KNEE PAD FLAT 3H X 5L W/COVER	
1-7	922328	ELR HEMI KNEE PAD ASSM	
		Ship assembled part #	Use with multiple assemblies
	ASSY-HNG-FP	HANGER/FOOTPLATE ASSY REQUIRED	add with Hanger & Footplate kit

To request assembly of parts being ordered as a kit, please add "ASSY-HNG-FP" after ELR & Calf Pad parts are selected

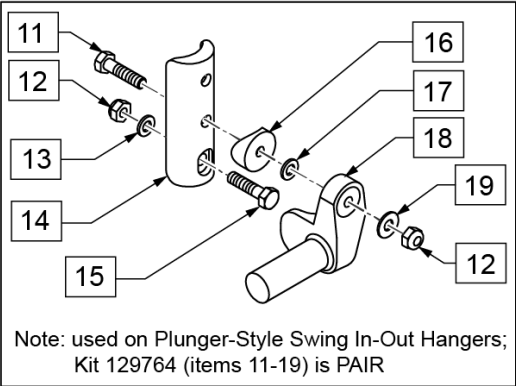
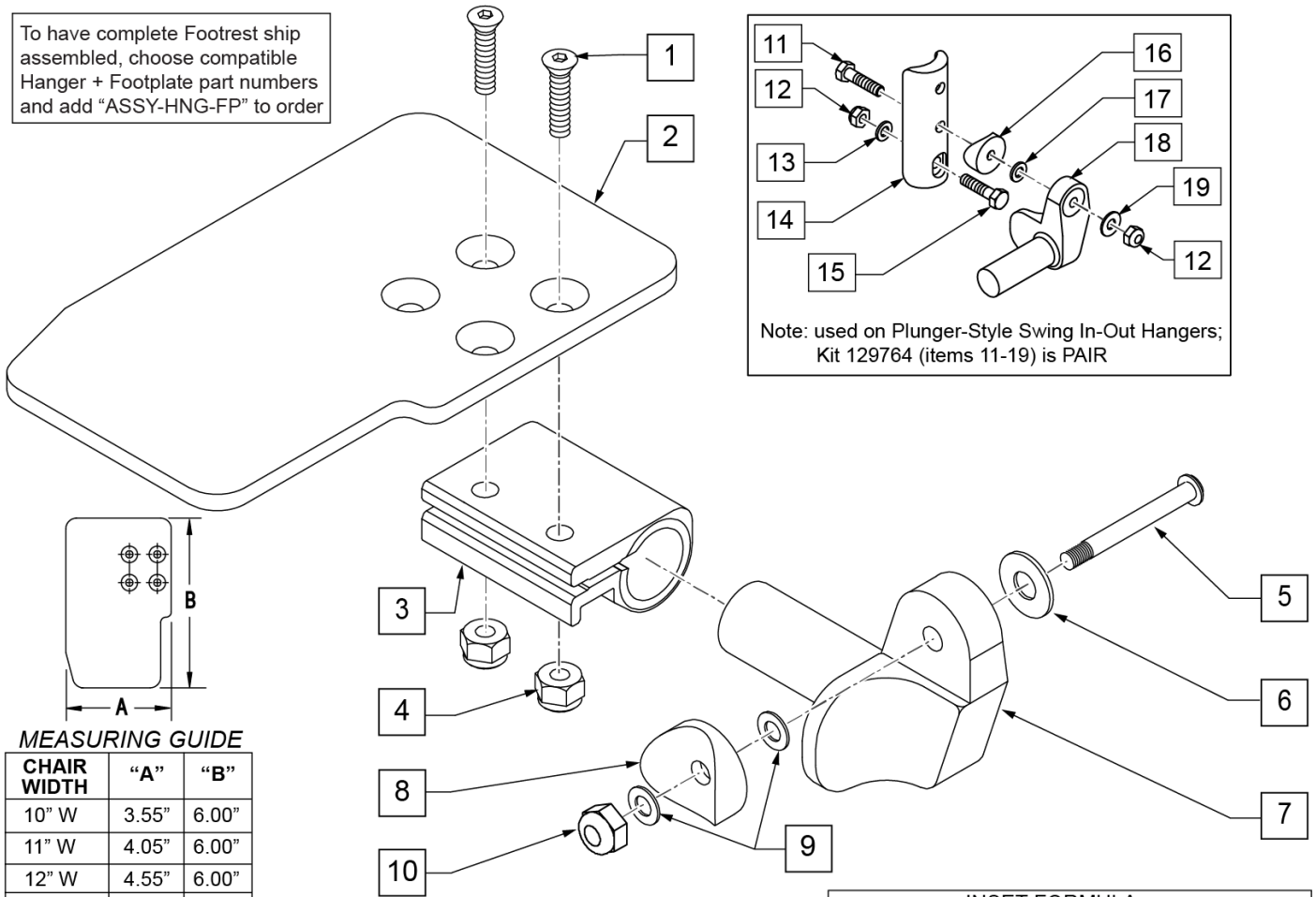


Pos.	Item Number	Description	Remarks
1	226217	5/16-18 x 2" BH C/S BLK	
2	755013	CALF PAD TROUGH STYLE KIDS	
3	561016	1" WASHER 5/16" HOLE	
4	561097	ELR ELEVATING TUBE CLAMP	
5	106937	5/16 -18 NYLOCK NUT THIN	
6	106958	HHCS 1/4-20 X 1 ROHS	
7	262130	6mm WASHER WAVE	
8	483027	1/4 x 1/4 ALUMINUM SPACER	
9	500151	KIDS ALR RETAINING PLUG	
1-9	880533	ELR TROUGH PAD ASSM KIDS	
		Ship assembled part #	Use with multiple assemblies
	ASSY-HNG-FP	HANGER/FOOTPLATE ASSY REQUIRED	add with Hanger & Footplate kit



Pos.	Item Number	Description	Remarks
1	106935	NUT NYLOCK THIN 1/4 -28 ROHS	
2	106961	BHCS 1/4 -28 x 1 1/4 ROHS	
1-3	111505	2" FOOTREST EXTENSION TUBE W/ HDWR ASSM	2" EXT (PAIR)
1, 2, 4	111506	4" FOOTREST EXTENSION TUBE W/ HDWR ASSM	4" EXT (PAIR)
1, 2, 5	111507	6" FOOTREST EXTENSION TUBE W/ HDWR ASSM	6" EXT (PAIR)

To have complete Footrest ship assembled, choose compatible Hanger + Footplate part numbers and add "ASSY-HNG-FP" to order



Note: used on Plunger-Style Swing In-Out Hangers; Kit 129764 (items 11-19) is PAIR

MEASURING GUIDE

CHAIR WIDTH	"A"	"B"
10" W	3.55"	6.00"
11" W	4.05"	6.00"
12" W	4.55"	6.00"
13" W	5.05"	6.00"
14" W	5.55"	6.00"
15" W	6.05"	6.00"
16" W	6.55"	6.00"

INSET FORMULA

0" Inset (Seat Width) = Footrest Width
 1" Inset (Seat Width) -2" = Footrest Width
 "V" Hanger (Seat Width) -4" = Footrest Width
 Offset Hanger Receiver (Seat Width) +2" = Footrest Width

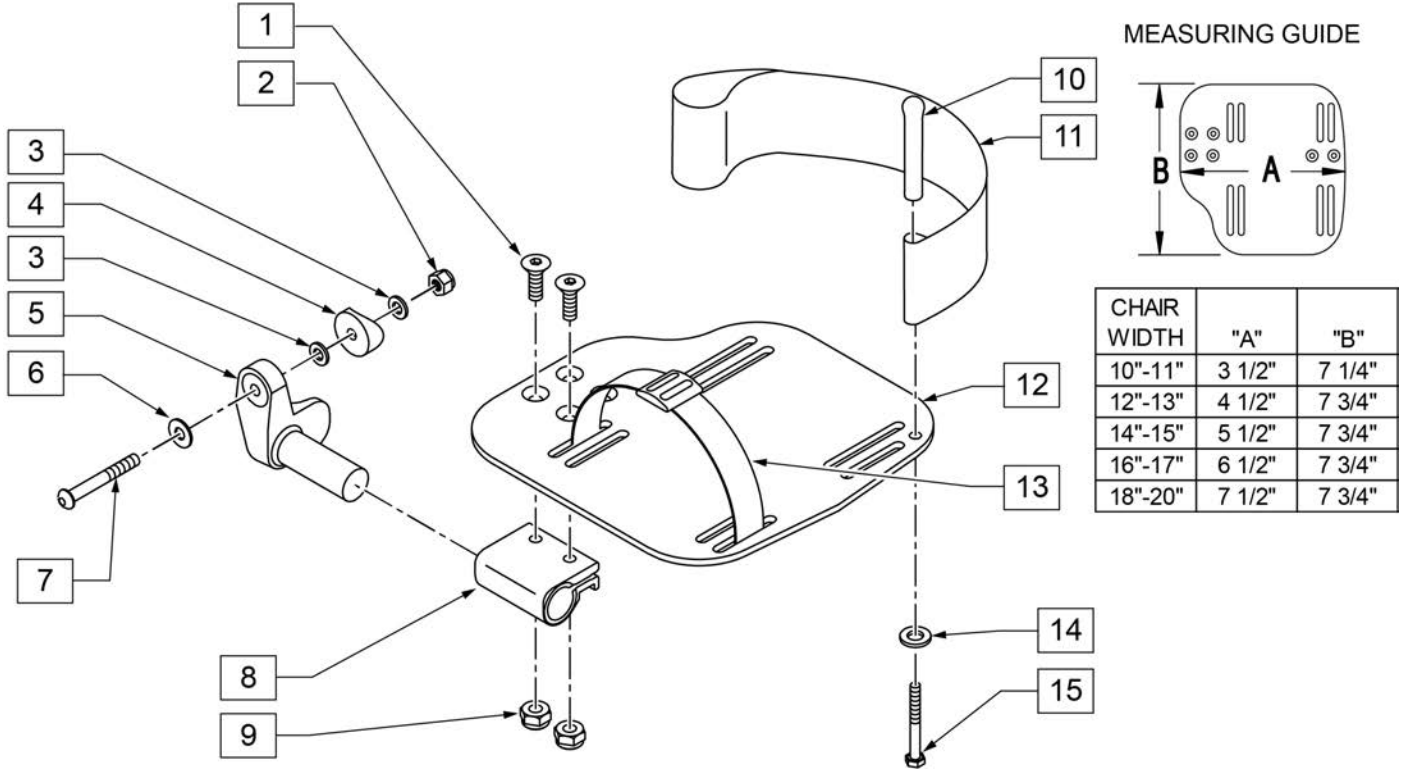
Pos.	Item Number	Description	Remarks
1	106978	FHCS 1/4-28 X 7/8 ROHS	
2	500635	KIDS ANGL ADJ F/PLT 10	RIGHT
2	500636	KIDS ANGL ADJ F/PLT 10	LEFT
2	500637	KIDS ANGL ADJ F/PLT 11	RIGHT
2	500638	KIDS ANGL ADJ F/PLT 11	LEFT
2	500639	KIDS ANGL ADJ F/PLT 12	RIGHT
2	500640	KIDS ANGL ADJ F/PLT 12	LEFT
2	500641	KIDS ANGL ADJ F/PLT 13	RIGHT
2	500642	KIDS ANGL ADJ F/PLT 13	LEFT
2	500643	KIDS ANGL ADJ F/PLT 14	RIGHT
2	500644	KIDS ANGL ADJ F/PLT 14	LEFT
2	500645	KIDS ANGL ADJ F/PLT 15	RIGHT
2	500646	KIDS ANGL ADJ F/PLT 15	LEFT
2	500647	KIDS ANGL ADJ F/PLT 16	RIGHT
2	500648	KIDS ANGL ADJ F/PLT 16	LEFT
3	550350	3/4 CLAMP ADJ FOOTPLATE	
4	106935	NUT NYLOCK THIN 1/4-28 ROHS	
5	226147	1/4-28 X 1.85 BH C/S BLK ZN	

Pos.	Item Number	Description	Remarks
6	106945	WASHER FLAT SAE 1/4 ROHS	
7	541000	FTRST MOUNTING BRKT 1/2" RAD R	RIGHT
7	541001	FTRST MOUNTING BRKT 1/2" RAD L	LEFT
8	561004	1 SADDLE 1/4 HOLE	
9	106943	WASHER FLAT THIN AN 1/4	
10	106941	NUT AUTOMATION 1/4-28 ROHS	
11	102268-001	HHCS M6 X 1 X 25	
12	132626	NUT AUTOMATION M6 X 1.0 ROHS	
13	107383	WASHER FLAT M6 ROHS	
15	118198	HHCS M6 X 1 X 40 PART NP	
16	561004	1" SADDLE 1/4" HOLE	
17	106943	WASHER FLAT AN 1/4 ROHS	
19	106945	WASHER FLAT SAE 1/4 ROHS	
1-4	158632	CAA F/PLT KIT 10 RT	RIGHT; used with Front Mount Adapter Kit on Plunger-Style Swing In/Out Hangers
1-4	158633	CAA F/PLT KIT 10 LT	LEFT; used with Front Mount Adapter Kit on Plunger-Style Swing In/Out Hangers
1-4	158634	CAA F/PLT KIT 11 RT	RIGHT; used with Front Mount Adapter Kit on Plunger-Style Swing In/Out Hangers
1-4	158635	CAA F/PLT KIT 11 LT	LEFT; used with Front Mount Adapter Kit on Plunger-Style Swing In/Out Hangers
1-4	158636	CAA F/PLT KIT 12 RT	RIGHT; used with Front Mount Adapter Kit on Plunger-Style Swing In/Out Hangers
1-4	158637	CAA F/PLT KIT 12 LT	LEFT; used with Front Mount Adapter Kit on Plunger-Style Swing In/Out Hangers
1-4	158638	CAA F/PLT KIT 13 RT	RIGHT; used with Front Mount Adapter Kit on Plunger-Style Swing In/Out Hangers
1-4	158639	CAA F/PLT KIT 13 LT	LEFT; used with Front Mount Adapter Kit on Plunger-Style Swing In/Out Hangers
1-4	158640	CAA F/PLT KIT 14 RT	RIGHT; used with Front Mount Adapter Kit on Plunger-Style Swing In/Out Hangers
1-4	158641	CAA F/PLT KIT 14 LT	LEFT; used with Front Mount Adapter Kit on Plunger-Style Swing In/Out Hangers
1-4	158642	CAA F/PLT KIT 15 RT	RIGHT; used with Front Mount Adapter Kit on Plunger-Style Swing In/Out Hangers
1-4	158643	CAA F/PLT KIT 15 LT	LEFT; used with Front Mount Adapter Kit on Plunger-Style Swing In/Out Hangers
1-4	158644	CAA F/PLT KIT 16 RT	RIGHT; used with Front Mount Adapter Kit on Plunger-Style Swing In/Out Hangers
1-4	158645	CAA F/PLT KIT 16 LT	LEFT; used with Front Mount Adapter Kit on Plunger-Style Swing In/Out Hangers
1-10	828821	KIDS ANG ADJ F/PLT ASSM 10	RIGHT; used with Old-Style Latch Block Swing In/Out & S/A Hangers
1-10	828822	KIDS ANG ADJ F/PLT ASSM 10	LEFT; used with Old-Style Latch Block Swing In/Out & S/A Hangers
1-10	828823	KIDS ANG ADJ F/PLT ASSM 11	RIGHT; used with Old-Style Latch Block Swing In/Out & S/A Hangers
1-10	828824	KIDS ANG ADJ F/PLT ASSM 11	LEFT; used with Old-Style Latch Block Swing In/Out & S/A Hangers
1-10	828825	KIDS ANG ADJ F/PLT ASSM 12	RIGHT; used with Old-Style Latch Block Swing In/Out & S/A Hangers
1-10	828826	KIDS ANG ADJ F/PLT ASSM 12	LEFT; used with Old-Style Latch Block Swing In/Out & S/A Hangers
1-10	828827	KIDS ANG ADJ F/PLT ASSM 13	RIGHT; used with Old-Style Latch Block Swing In/Out & S/A Hangers
1-10	828828	KIDS ANG ADJ F/PLT ASSM 13	LEFT; used with Old-Style Latch Block Swing In/Out & S/A Hangers
1-10	828829	KIDS ANG ADJ F/PLT ASSM 14	RIGHT; used with Old-Style Latch Block Swing In/Out & S/A Hangers
1-10	828830	KIDS ANG ADJ F/PLT ASSM 14	LEFT; used with Old-Style Latch Block Swing In/Out & S/A Hangers
1-10	828831	KIDS ANG ADJ F/PLT ASSM 15	RIGHT; used with Old-Style Latch Block Swing In/Out & S/A Hangers
1-10	828832	KIDS ANG ADJ F/PLT ASSM 15	LEFT; used with Old-Style Latch Block Swing In/Out & S/A Hangers

Pos.	Item Number	Description	Remarks
1-10	828833	KIDS ANG ADJ F/PLT ASSM 16	RIGHT; used with Old-Style Latch Block Swing In/Out & S/A Hangers
1-10	828834	KIDS ANG ADJ F/PLT ASSM 16	LEFT; used with Old-Style Latch Block Swing In/Out & S/A Hangers
1-10	921226	KIDS ANG ADJ F/PLT ASSM 10	PAIR; used with Old-Style Latch Block Swing In/Out & S/A Hangers
1-10	921227	KIDS ANG ADJ F/PLT ASSM 11	PAIR; used with Old-Style Latch Block Swing In/Out & S/A Hangers
1-10	921228	KIDS ANG ADJ F/PLT ASSM 12	PAIR; used with Old-Style Latch Block Swing In/Out & S/A Hangers
1-10	921229	KIDS ANG ADJ F/PLT ASSM 13	PAIR; used with Old-Style Latch Block Swing In/Out & S/A Hangers
1-10	921230	KIDS ANG ADJ F/PLT ASSM 14	PAIR; used with Old-Style Latch Block Swing In/Out & S/A Hangers
1-10	921231	KIDS ANG ADJ F/PLT ASSM 15	PAIR; used with Old-Style Latch Block Swing In/Out & S/A Hangers
1-10	921232	KIDS ANG ADJ F/PLT ASSM 16	PAIR; used with Old-Style Latch Block Swing In/Out & S/A Hangers
11-19	129764	AAA FRNT MNT ADAPTER KIT PR	AAA FRNT MNT fits both Kids and Adult Angle Adjustable Footplates
		Ship assembled part #	Use with multiple assemblies
	ASSY-HNG-FP	HANGER/FOOTPLATE ASSY REQUIRED	add with Hanger & Footplate kit

To have complete Footrest ship assembled, choose compatible Hanger + Footplate part numbers and add "ASSY-HNG-FP" to order

INSET FORMULA
 0" Inset (Seat Width) = Footrest Width
 1" Inset (Seat Width) - 2" = Footrest Width
 "V" Hanger (Seat Width) - 4" = Footrest Width
 Offset Hanger Receiver (Seat Width) + 2" = Footrest Width



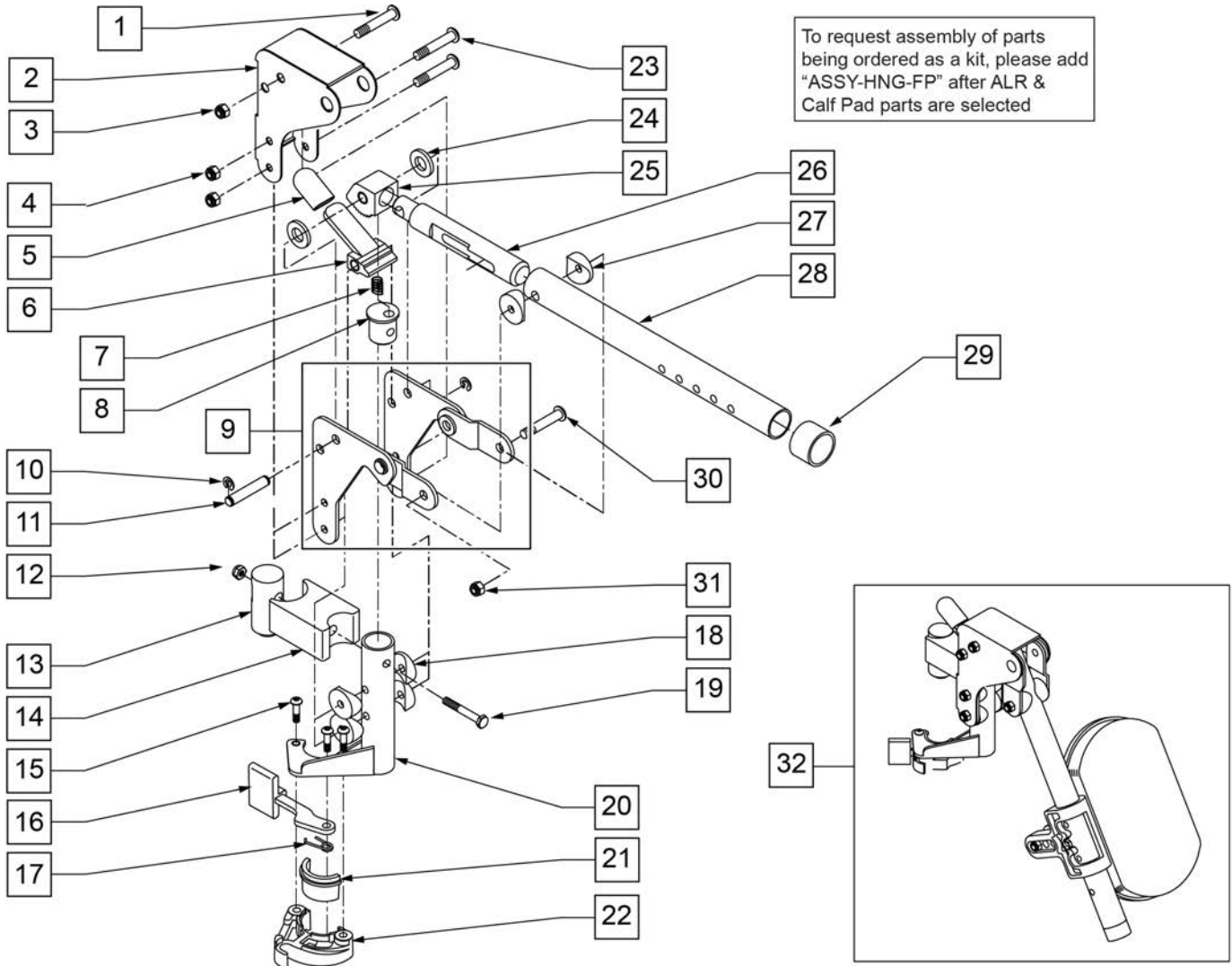
Pos.	Item Number	Description	Remarks
1	106978	FHCS 1/4-28 X 7/8 ROHS	
2	106941	NUT AUTOMATION 1/4-28 ROHS	
3	106943	WASHER FLAT AN 1/4 ROHS	
4	561004	1" SADDLE 1/4" HOLE	
5	541000	FOOTREST MOUNTING BRKT 1/2" RAD R	RIGHT
5	541001	FOOTREST MOUNTING BRKT 1/2" RAD L	LEFT
6	106945	WASHER FLAT SAE 1/4 ROHS	
7	106964	BHCS 1/4-28 X 2	
8	550350	3/4" CLAMP ADJ FOOTPLATE	
9	106935	NUT NYLOCK THIN 1/4-28 ROHS	
10	561040	HEEL LOOP PEG	
11	741153	HEEL LOOP 18-20 CMPST/14-15 ANG ADJ	USED W/ 14-15"/16-17" ADULT ANG ADJ FTPLTS
11	741253	HEEL LOOP ADLT ADJ F/PLT 18-20	USED W/ 18 -20" ADULT ANG ADJ FTPLTS
12	500656	ADULT ANGL ADJ F/PLT 10/11	RIGHT
12	500657	ADULT ANGL ADJ F/PLT 10/11	LEFT
12	500658	ADULT ANGL ADJ F/PLT 12/13	RIGHT
12	500659	ADULT ANGL ADJ F/PLT 12/13	LEFT
12	500660	ADULT ANGL ADJ F/PLT 14/15	RIGHT
12	500661	ADULT ANGL ADJ F/PLT 14/15	LEFT
12	500662	ADULT ANGL ADJ F/PLT 16/17	RIGHT
12	500663	ADULT ANGL ADJ F/PLT 16/17	LEFT
12	500664	ADULT ANGL ADJ F/PLT 18-20	RIGHT

Pos.	Item Number	Description	Remarks
12	500665	ADULT ANGL ADJ F/PLT 18-20	LEFT
13	740260	TOE-ANKLE STRAP ADJ ADULT FOOTPLATE	
14	106943	WASHER FLAT AN 1/4 ROHS	
15	106958	HHCS 1/4-20 X 1 ROHS	
1-9,12	820544	FP ADULT ADJ 90D 10/11 R	RIGHT
1-9,12	820554	FP ADULT ADJ 90D 10/11 L	LEFT
1-9,12	820546	FP ADULT ADJ 90D 12/13 R	RIGHT
1-9,12	820556	FP ADULT ADJ 90D 12/13 L	LEFT
1-9,12	820472	FP ADULT ADJ 90D 14/15 R	RIGHT
1-9,12	820473	FP ADULT ADJ 90D 14/15 L	LEFT
1-9,12	820474	FP ADULT ADJ 90D 16/17 R	RIGHT
1-9,12	820475	FP ADULT ADJ 90D 16/17 L	LEFT
1-9,12	820476	FP ADULT ADJ 90D 18-20 R	RIGHT
1-9,12	820477	FP ADULT ADJ 90D 18-20 L	LEFT
1-9,12	921474	ADULT ANGL ADJ 90D 10/11 OMIT H/L	PAIR
1-9,12	921476	ADULT ANGL ADJ 90D 12/13 OMIT H/L	PAIR
1-9,12	921330	ADULT ANGL ADJ 90D 14/15 OMIT H/L	PAIR
1-9,12	921331	ADULT ANGL ADJ 90D 16/17 OMIT H/L	PAIR
1-9,12	921332	ADULT ANGL ADJ 90D 18-20 OMIT H/L	PAIR
1-12,14,15	820540	F/PLT ADULT ADJ 90D 10/11 R W/ HL	RIGHT
1-12,14,15	820550	F/PLT ADULT ADJ 90D 10/11 L W/ HL	LEFT
1-12,14,15	820542	F/PLT ADULT ADJ 90D 12/13 R W/ HL	RIGHT
1-12,14,15	820552	F/PLT ADULT ADJ 90D 12/13 L W/ HL	LEFT
1-12,14,15	820478	F/PLT ADULT ADJ 90D 14/15 R W/ HL	RIGHT
1-12,14,15	820479	F/PLT ADULT ADJ 90D 14/15 L W/ HL	LEFT
1-12,14,15	820480	F/PLT ADULT ADJ 90D 16/17 R W/ HL	RIGHT
1-12,14,15	820481	F/PLT ADULT ADJ 90D 16/17 L W/ HL	LEFT
1-12,14,15	820482	F/PLT ADULT ADJ 90D 18-20 R W/ HL	RIGHT
1-12,14,15	820483	F/PLT ADULT ADJ 90D 18-20 L W/ HL	LEFT
1-12,14,15	921470	F/PLT ADULT ADJ 90D 10/11 W/ HL	PAIR
1-12,14,15	921472	F/PLT ADULT ADJ 90D 12/13 W/ HL	PAIR
1-12,14,15	921333	F/PLT ADULT ADJ 90D 14/15 W/ HL	PAIR
1-12,14,15	921334	F/PLT ADULT ADJ 90D 16/17 W/ HL	PAIR
1-12,14,15	921335	F/PLT ADULT ADJ 90D 18-20 W/ HL	PAIR
		Ship assembled part #	Use with multiple assemblies
	ASSY-HNG-FP	HANGER/FOOTPLATE ASSY REQUIRED	add with Hanger & Footplate kit

ARTICULATING HANGER

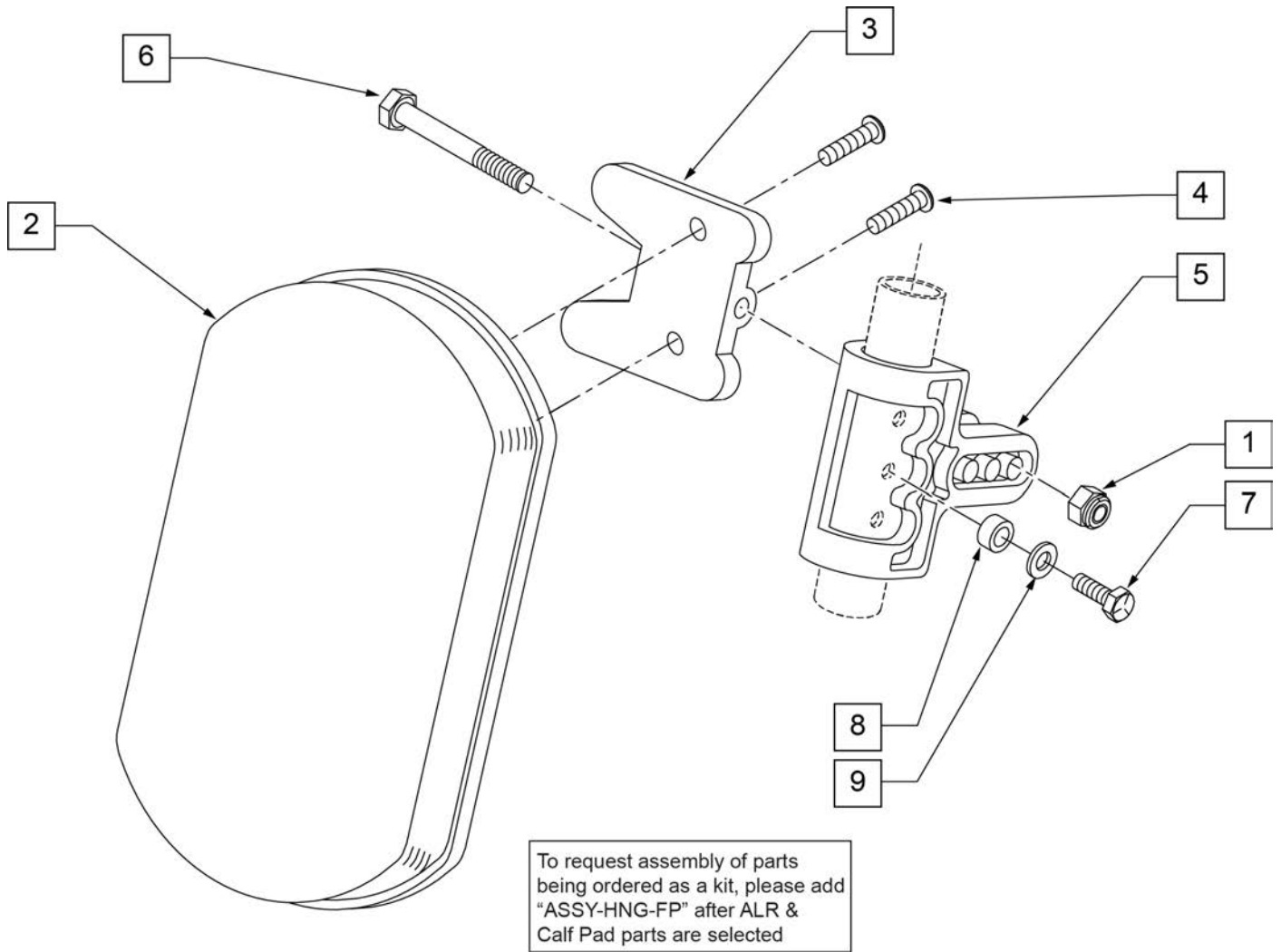
[10/2011]

NOTE: WHEN USING AN ARTICULATING LEGREST ASSEMBLY, THE PULL-TO-LOCK WHEEL LOCK MUST BE USED.



Pos.	Item Number	Description	Remarks
1	106983	5/16-18 x 2 BH C/S SHT THREAD	
2	562720	ALR COVER STD	
3	106937	5/16-18 NYLOCK NUT THIN	
4	106935	1/4-28 NYLOCK NUT THIN	
5	560501	ALR RELEASE LEVER COVER	
6	505902	ALR RELEASE LEVER	
7	321141	650L x 6 COIL SPRING	
8	483060	ALR SPRING PLUG	
9	880526	ALR BRACKET W/LINK R	RIGHT
9	880527	ALR BRACKET W/LINK L	LEFT
10	342000	1/4" E-CLIP	
11	481052	ALR RETAINING STUD	
12	106934	1/4-28 NYLOCK NUT	
13	122991	ALR PIVOT SADDLE WITH LEDGE	

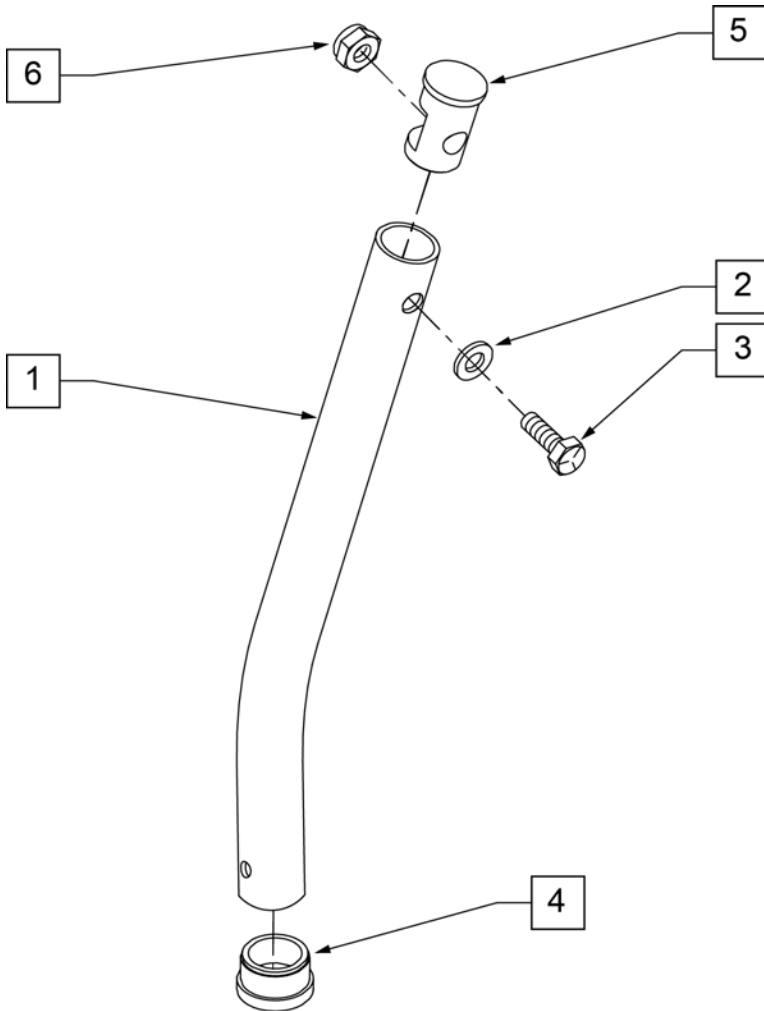
Pos.	Item Number	Description	Remarks
14	122992	ALR PIVOT SADDLE BLOCK W/NOTCH	
15	226057	10/24 x .725 BTTN HD SOC BZ	
16	561079	S/A LATCH LEVER	
17	321136	S/A SPRING L RED	
17	321137	S/A SPRING R CLEAR	
18	561004	1" SADDLE 1/4" HOLE	
19	107016	1/4-28 x 3 G8 HEX C/S	
20	882466	ALR S/A TUBE ASSM L	LEFT
20	882467	ALR S/A TUBE ASSM R	RIGHT
23	106964	1/4-28 x 2 BH C/S	
24	561016	1" WASHER 5/16" HOLE	
25	505900	ALR RATCHET BLOCK	
26	483062	ALR RATCHET ROD	
27	561006	1" SADDLE 5/16" HOLE	
28	505026S	ALR TUBE ONLY	
29	561082	1" TUBE END BUSHING THIN	
30	226195	5/16-18 x 1.82 BH C/S	
31	106937	NUT NYLOCK THIN 5/16-18 ROHS	
21,22	881500	LATCH BLOCK ASSM R	RIGHT
21,22	881501	LATCH BLOCK ASSM L	LEFT
1-26	880092	HANGER ALR SUB ASSM R	RIGHT
1-26	880093	HANGER ALR SUB ASSM L	LEFT
1-31	641464S	HANGER ALR W/O PAD PNTD R	RIGHT
1-31	641465S	HANGER ALR W/O PAD PNTD L	LEFT
32	923051S	ALR HANGER ASSM W/PAD ALUM LB	PAIR
15-17,21,22	881521	S/A LATCH KIT CASTING RIGHT	
15-17,21,22	881522	S/A LATCH KIT CASTING LEFT	
		Ship assembled part #	Use with multiple assemblies
	ASSY-HNG-FP	HANGER/FOOTPLATE ASSY REQUIRED	add with Hanger & Footplate kit



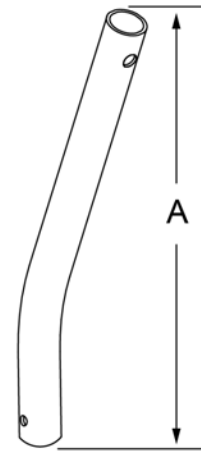
Pos.	Item Number	Description	Remarks
1	106936	5/16-18 NYLOCK NUT THICK	
2	755010	ALR/ELR PAD	
3	561096	ALR/ELR CALF PAD BRACKET	
4	281182	1/4-20 x 5/8 PAN PHIL	
5	561099	CALF CLAMP ALR	
6	107019	HHCS 5/16-18 X 3-1/2 ROHS	
7	107017	1/4-20 x 1 1/4 G8 HEX C/S	
8	483027	1/4 x 1/4 ALUMINUM SPACER BLK	
9	104414	WAVE WASHER 6 MM	
1-6	881399	ALR CALF PAD W/BRACKET	
1,3-9	881398	ALR CALF CLAMP ASSM W/O PAD	
1-9	881400	ALR CALF PAD ASSEMBLY (EA)	
		Ship assembled part #	Use with multiple assemblies
	ASSY-HNG-FP	HANGER/FOOTPLATE ASSY REQUIRED	add with Hanger & Footplate kit

NOTE: (Discontinued on Quickie 2 for 60° and 70° Hangers 10/23/99- Parts only).

NOTE: Used on Articulating Hanger Assemblies.



MEASURING GUIDE

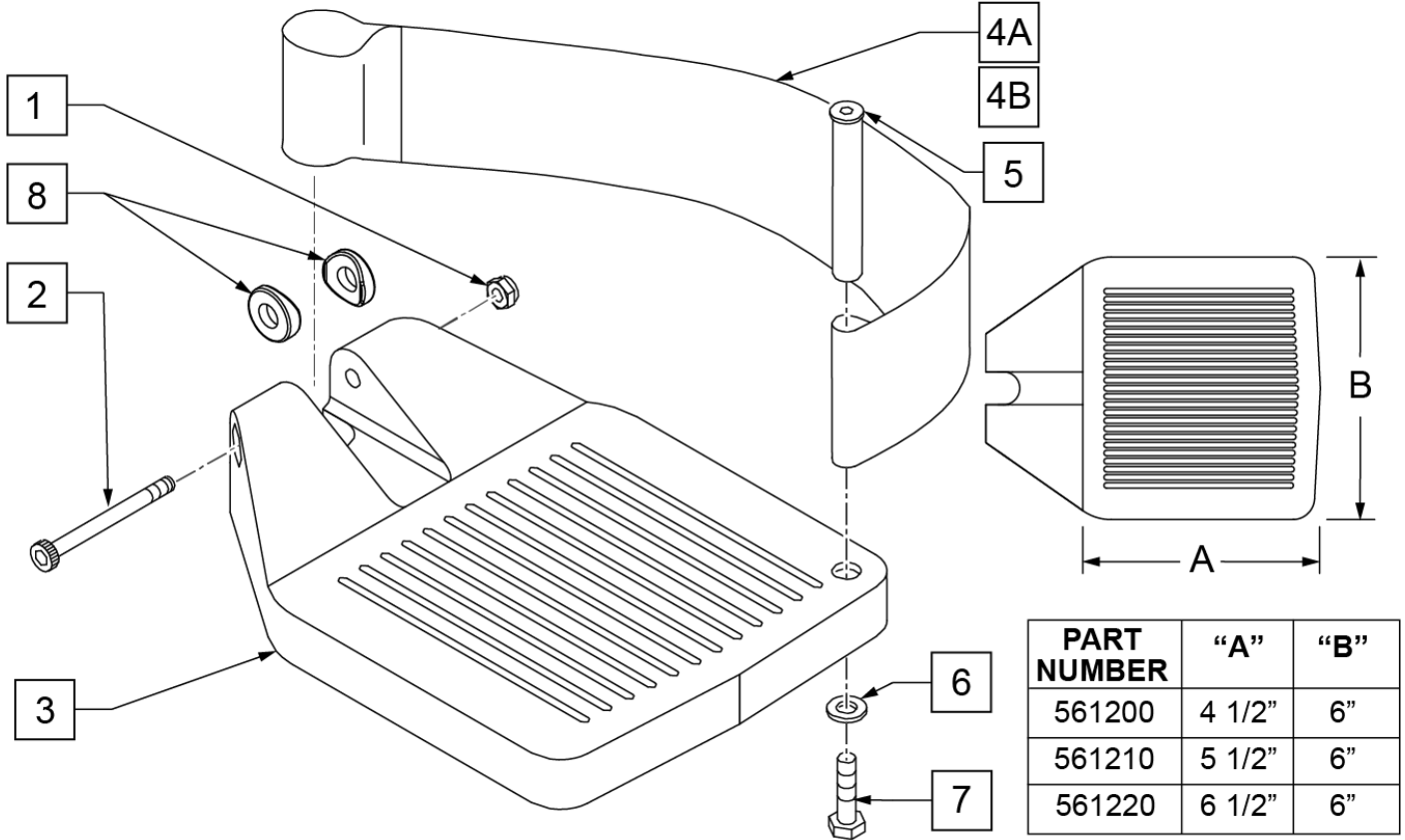


	"A"
SHORT	6 5/8"
MED	9"
LONG	11 5/8"
X-LONG	13 1/2"

Pos.	Item Number	Description
1	521010	FOOTREST EXT TUBE ONLY SHT BLK
1	521011	FOOTREST EXT TUBE ONLY MED BLK
1	521012	FOOTREST EXT TUBE ONLY LNG BLK
1	521013	FOOTREST EXT TUBE ONLY X-LNG BLK
2	104414	WAVE WASHER 6 MM
3	106958	HHCS 1/4-20 X 1 ROHS
4	561000-QU	3/4" INSERT PLUG .083
5	483553	FOOTREST INSERT PLUG Q2
6	106932	NUT NYLOCK 1/4-20 ROHS
1-6	921221	FOOTREST EXT TUBE SHT ASSM BLK (EA)
1-6	921222	FOOTREST EXT TUBE MED ASSM BLK (EA)
1-6	921223	FOOTREST EXT TUBE LNG ASSM BLK (EA)
1-6	921224	FOOTREST EXT TUBE X-LNG ASSM BLK (EA)

To have complete Footrest ship assembled, choose compatible Hanger + Footplate part numbers and add "ASSY-HNG-FP" to order

INSET FORMULA
 0" Inset (Seat Width) = Footrest Width
 1" Inset (Seat Width) -2" = Footrest Width
 "V" Hanger (Seat Width) -4" = Footrest Width
 Offset Hanger Receiver (Seat Width) +2" = Footrest Width



Pos.	Item Number	Description	Remarks
1	106935	1/4 - 28 NYLOCK NUT	
2	226165	1/4 - 28 x 2 1/2 SOC C/S	
3	561200	COMPOSITE FOOTPLATE 14 -15 (16 -18 V)	14 -15 OR 16 -18V
3	561210	COMPOSITE FOOTPLATE 16 -17 (19 -20 V)	16 -17 OR 19 -20V
3	561220	COMPOSITE FOOTPLATE 18 -20	18 -20
4A	741151	HEEL LOOP 14-15 COMPOSITE (14 -15 or 16 -18V)	14 -15 OR 16 -18V
4A	741156	HEEL LOOP 16 -17 or 19 -20V	16 -17 OR 19 -20V
4A	741153	HEEL LOOP 18 -20 COMPOSITE/14-15 ANG ADJ	18 -20
4A	902270	HEEL LOOP COMPOSITE FT 14-15	PAIR 14 -15 OR 16 -18V
4A	902271	HEEL LOOP COMPOSITE FT 16-17	PAIR 16 -17 OR 19 -20V
4A	902272	HEEL LOOP COMPOSITE FT 18-20	PAIR 18 -20
4B	741154	HEEL LOOP 14-15 COMPOSITE HEMI	14 -15 HEMI
4B	741155	HEEL LOOP 16-17 COMPOSITE HEMI	16 -17 HEMI
4B	741153	HEEL LOOP 18-20 COMPOSITE HEMI	18 -10 HEMI
4B	902260	HEEL LOOPS HEMI COMPOSITE 14-15	PAIR 14 -15 HEMI
4B	902261	HEEL LOOPS HEMI COMPOSITE 16-17	PAIR 16 -17 HEMI
4B	902262	HEEL LOOPS HEMI COMPOSITE 18-20	PAIR 18 -20 HEMI
5	561040	HEEL LOOP PEG	
6	106944	1/4 AN WASHER FLAT THIN	

Pos.	Item Number	Description	Remarks
7	106958	HHCS 1/4-20 X 1 ROHS	
8	561003	3/4" SADDLE THIN	USED W/ ROUND EXT TUBES ONLY
1-3	921180	COMPOSITE FOOTPLATE ASSM 14-15	RIGHT (14 -15 OR 16 -18V) W/O HEEL LOOP
1-3	921181	COMPOSITE FOOTPLATE ASSM 14-15	LEFT (14 -15 OR 16 -18V) W/O HEEL LOOP
1-3	921182	COMPOSITE FOOTPLATE ASSM 16-17	RIGHT (16 -17 OR 19 -20V) W/O HEEL LOOP
1-3	921183	COMPOSITE FOOTPLATE ASSM 16-17	LEFT (16 -17 OR 19 -20V) W/O HEEL LOOP
1-3	921184	COMPOSITE FOOTPLATE ASSM 18-20	RIGHT (18 -20) W/O HEEL LOOP
1-3	921185	COMPOSITE FOOTPLATE ASSM 18-20	LEFT (18 -20) W/O HEEL LOOP
1-3	921151	COMPOSITE FOOTPLATE ASSM 14-15/16-18V	PAIR (14 -15 OR 16 -18V) W/O HEEL LOOP
1-3	921152	COMPOSITE FOOTPLATE ASSM 16-17/19-20V	PAIR (16 -17 OR 19 -20V) W/O HEEL LOOP
1-3	921153	COMPOSITE FOOTPLATE ASSM 18-20	PAIR (18 -20) W/O HEEL LOOP
1,2,3A,4-7	921190	COMPOSITE FOOTPLATE ASSM HL LP 14-15	RIGHT (14 -15 OR 16 -18V) W/ HEEL LOOP
1,2,3A,4-7	921191	COMPOSITE FOOTPLATE ASSM HL LP 14-15	LEFT (14 -15 OR 16 -18V) W/ HEEL LOOP
1,2,3A,4-7	921192	COMPOSITE FOOTPLATE ASSM HL LP 16-17	RIGHT (16 -17 OR 19 -20V) W/ HEEL LOOP
1,2,3A,4-7	921193	COMPOSITE FOOTPLATE ASSM HL LP 16-17	LEFT (16 -17 OR 19 -20V) W/ HEEL LOOP
1,2,3A,4-7	921194	COMPOSITE FOOTPLATE ASSM HL LP 18-20	RIGHT (18 -20) W/ HEEL LOOP
1,2,3A,4-7	921195	COMPOSITE FOOTPLATE ASSM HL LP 18-20	LEFT (18 -20) W/ HEEL LOOP
1,2,3A,4-7	921161	COMPOSITE FOOTPLATE ASSM HL 14-15/16-18V	PAIR (14 -15 OR 16 -18V) W/ HEEL LOOP
1,2,3A,4-7	921162	COMPOSITE FOOTPLATE ASSM HL 16-17/19-20V	PAIR (16 -17 OR 19 -20V) W/ HEEL LOOP
1,2,3A,4-7	921163	COMPOSITE FOOTPLATE ASSM HL 18-20	PAIR (18 -20) W/ HEEL LOOP
1,2,3B,4-7	921140	COMPOSITE FOOTPLATE ASSM HEMI HL LP 14-15	RIGHT (14 -15) W/ HEEL LOOP
1,2,3B,4-7	921141	COMPOSITE FOOTPLATE ASSM HEMI HL LP 14-15	LEFT (14 -15) W/ HEEL LOOP
1,2,3B,4-7	921142	COMPOSITE FOOTPLATE ASSM HEMI HL LP 16-17	RIGHT (16 -17) W/ HEEL LOOP
1,2,3B,4-7	921143	COMPOSITE FOOTPLATE ASSM HEMI HL LP 16-17	LEFT (16 -17) W/ HEEL LOOP
1,2,3B,4-7	921144	COMPOSITE FOOTPLATE ASSM HEMI HL LP 18-20	RIGHT (18 -20) W/ HEEL LOOP
1,2,3B,4-7	921145	COMPOSITE FOOTPLATE ASSM HEMI HL LP 18-20	LEFT (18 -20) W/ HEEL LOOP
1,2,3B,4-7	921167	COMPOSITE FOOTPLATE ASSM HEMI HL LPS 14-15	PAIR (14 -15) W/ HEEL LOOP
1,2,3B,4-7	921168	COMPOSITE FOOTPLATE ASSM HEMI HL LPS 16-17	PAIR (16 -17) W/ HEEL LOOP
1,2,3B,4-7	921169	COMPOSITE FOOTPLATE ASSM HEMI HL LPS 18-20	PAIR (18 -20) W/ HEEL LOOP
		Ship assembled part #	Use with multiple assemblies
	ASSY-HNG-FP	HANGER/FOOTPLATE ASSY REQUIRED	add with Hanger & Footplate kit

NOTE: FOR HIGH-MOUNT ADULT ANGLE-ADJUSTABLE FOOTPLATE, SEE "HIGH-MOUNT EXTENSION TUBE" PAGE.

NOTE: ORDER ITEMS 4B AND 7B FOR CHAIRS PRIOR TO 8/13/01.

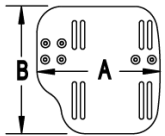
NOTE: ONLY 1 WASHER PRIOR TO 8/13/01.

NOTE: See attached REFERENCE GUIDE.

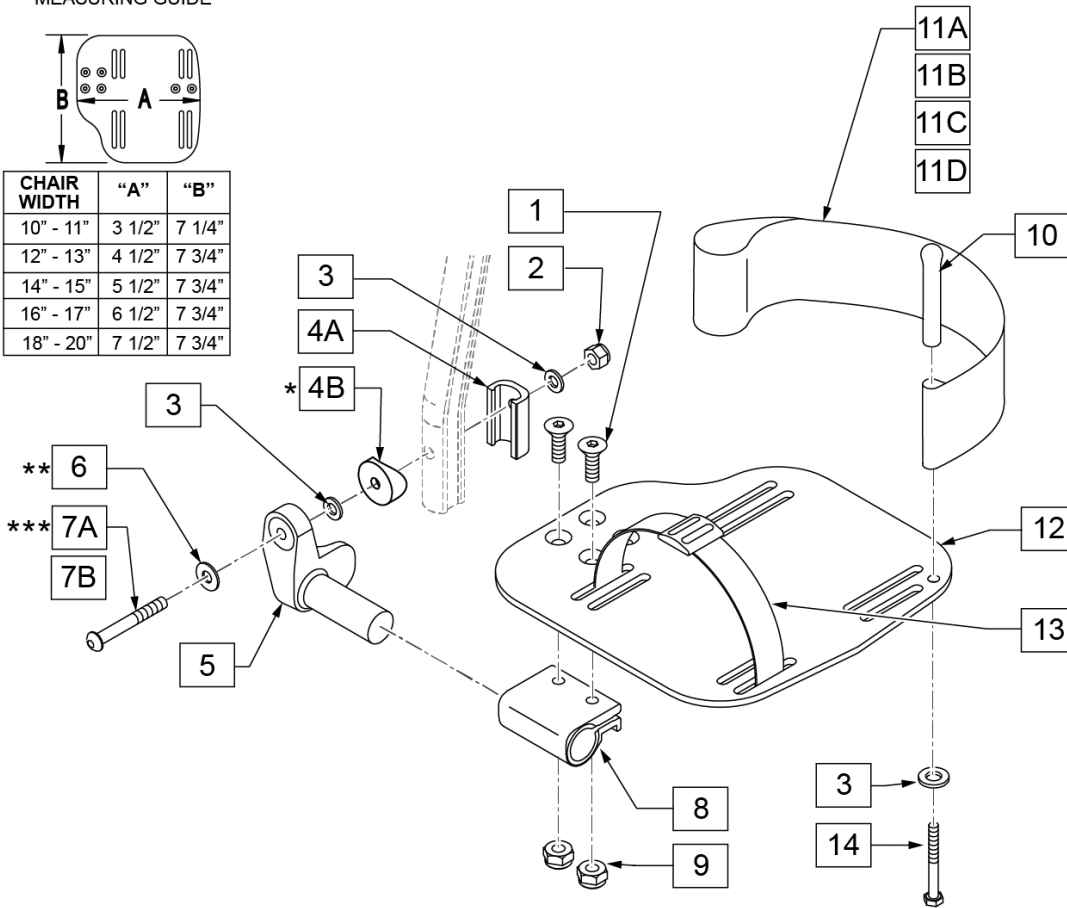
To have complete Footrest ship assembled, choose compatible Hanger + Footplate part numbers and add "ASSY-HNG-FP" to order

INSET FORMULA
 0" Inset (Seat Width) = Footrest Width
 1" Inset (Seat Width) -2" = Footrest Width
 "V" Hanger (Seat Width) -4" = Footrest Width
 Offset Hanger Receiver (Seat Width) +2" = Footrest Width

MEASURING GUIDE



CHAIR WIDTH	"A"	"B"
10" - 11"	3 1/2"	7 1/4"
12" - 13"	4 1/2"	7 3/4"
14" - 15"	5 1/2"	7 3/4"
16" - 17"	6 1/2"	7 3/4"
18" - 20"	7 1/2"	7 3/4"



15 ADLT ANG ADJ FP D2 HDWR KIT			
ITEM #	ILLUSTRATION	DESCRIPTION	QTY
1		1/4-28 X 7/8 FH C/S	2
2		1/4-28 AUTOMATION NUT	1
3		WASHER FLAT THIN AN 1/4	3
6		1/4" SAE WASHER	1
7A		BHCS 1/4-28 X 1-3/4	1
9		NUT NYLOCK THIN 1/4-28	2
10		HEEL LOOP PEG	1
14		1/4-20 X 1 HEX C/S	1

16 ADLT ANG ADJ FP RND HDWR KIT			
ITEM #	ILLUSTRATION	DESCRIPTION	QTY
1		1/4-28 X 7/8 FH C/S	2
2		1/4-28 AUTOMATION NUT	1
3		WASHER FLAT THIN AN 1/4	3
4B		3/4" SADDLE 1" OD	1
6		1/4" SAE WASHER	1
7B		1/4-28 X 1.625 BH C/S BLK	1
9		NUT NYLOCK THIN 1/4-28	2
10		HEEL LOOP PEG	1
14		1/4-20 X 1 HEX C/S	1

Pos.	Item Number	Description	Remarks
1	106978	1/4-28 x 7/8 FH C/S	
2	106941	1/4-28 AUTOMATION NUT	

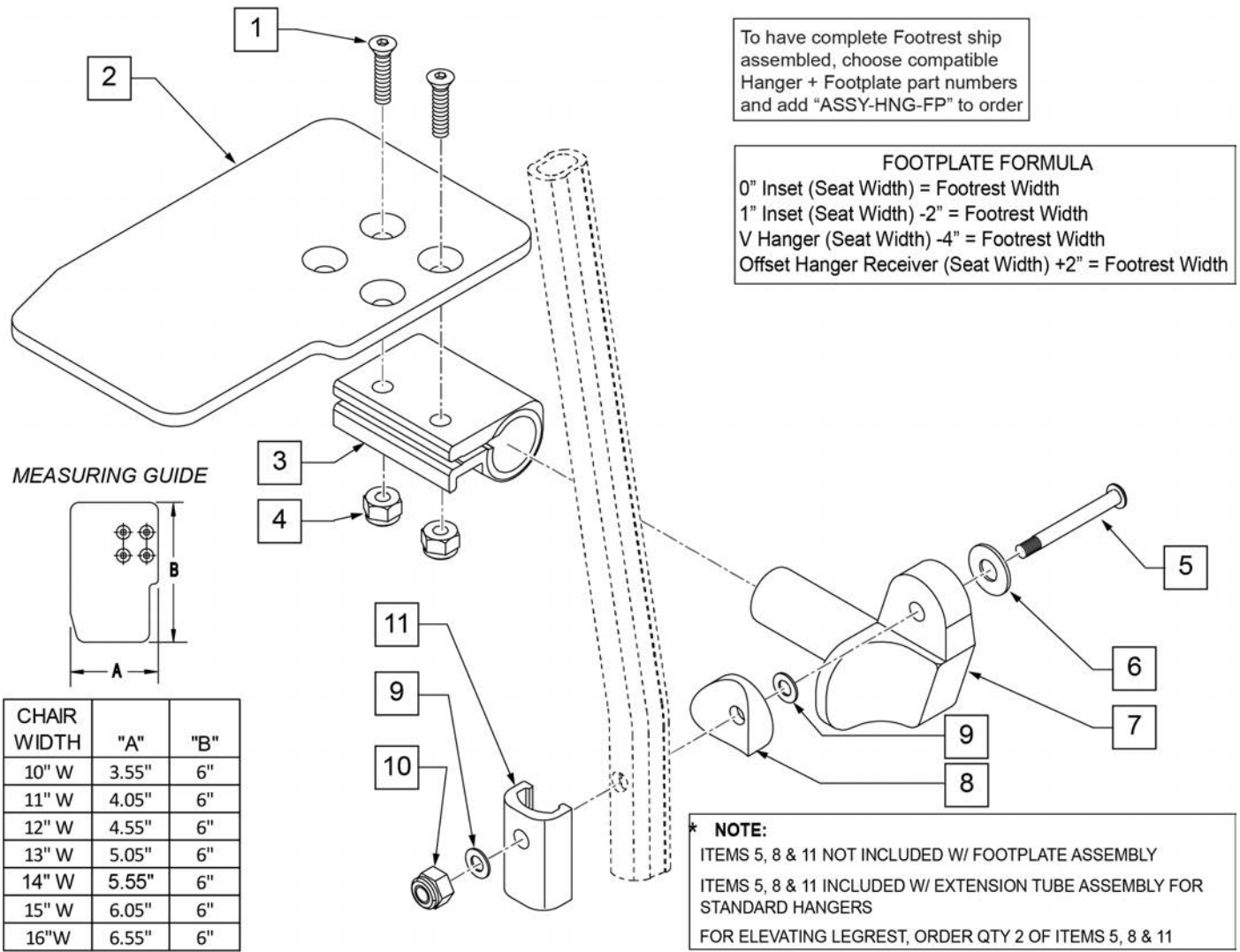
Pos.	Item Number	Description	Remarks
3	106944	WASHER FLAT THIN AN 1/4	
4A	483720	HANGER EXTENSION SADDLE LONG	USE W/ DOUBLE D EXT TUBE
4B	561055	3/4" SADDLE 1" OD	USE W/ ROUND EXT TUBE
5	541002	FTRST MOUNTING BRKT-3/8 RAD R	RIGHT
5	541003	FTRST MOUNTING BRKT-3/8 RAD L	LEFT
6	106945	WASHER FLAT SAE 1/4 ROHS	
7A	106962	BHCS 1/4-28 X 1-3/4 ROHS	use w/ Double D Ext Tube
7B	226167	1/4-28 x 1.625 BH C/S BLK	use w/ Round Ext Tube
8	550350	3/4" CLMP ADJ FT PLT	
9	106935	NUT NYLOCK THIN 1/4-28 ROHS	
10	561040	HEEL LOOP PEG	
11A	741154	HEEL LOOP 14-15 CMPST HEMI	used w/ 10-11" Adult Ang Adj Ftplts
11B	741155	HEEL LOOP 16-17 CMPST HEMI	used w/ 12 -13" Adult Ang Adj Ftplts
11C	741153	H/L 18-20 CMPST/14-15 ANG ADJ	used w/ 14-15"/16-17" Adult Ang Adj Ftplts
11D	741253	HEEL LOOP ADLT ADJ F/PLT 18-20	used w/ 18 -20" Adult Ang Adj Ftplts
12	500656	ADLT ANGL ADJ F/PLT 10/11" R	RIGHT
12	500657	ADLT ANGL ADJ F/PLT 10/11" L	LEFT
12	500658	ADLT ANGL ADJ F/PLT 12/13" R	RIGHT
12	500659	ADLT ANGL ADJ F/PLT 12/13" L	LEFT
12	500660	ADLT ANGL ADJ F/PLT 14/15	RIGHT
12	500661	ADLT ANGL ADJ F/PLT 14/15	LEFT
12	500662	ADLT ANGL ADJ F/PLT 16/17	RIGHT
12	500663	ADLT ANGL ADJ F/PLT 16/17	LEFT
12	500664	ADLT ANGL ADJ F/PLT 18-20	RIGHT
12	500665	ADLT ANGL ADJ F/PLT 18-20	LEFT
13	740260	TOE/ANKLE STRAP ADJ ADLT F/PLT	
14	106958	1/4-20 x 1 HEX C/S	
15	101533	ADLT ANG ADJ FP D2 HDWR KIT	for Double D Ext Tubes; Kit for one side
16	101534	ADLT ANG ADJ FP RND HDWR KIT	for Round Ext Tubes (Q2 HP only); Kit for one side
1-3,5,6,8,9,12	820526	AD ANG ADJ F/PLT R 12"/13" OMIT HL	RIGHT
1-3,5,6,8,9,12	820536	AD ANG ADJ F/PLT L 12"/13" OMT HL	LEFT
1-3,5,6,8,9,12	820460	FP ADLT ADJ 14/15 OMIT HL	RIGHT
1-3,5,6,8,9,12	820462	FP ADLT ADJ 14/15 OMIT HL	LEFT
1-3,5,6,8,9,12	820464	FP ADLT ADJ 16/17 OMIT HL	RIGHT
1-3,5,6,8,9,12	820466	FP ADLT ADJ 16/17 OMIT HL	LEFT
1-3,5,6,8,9,12	820468	FP ADLT ADJ 18-20 OMIT HL	RIGHT
1-3,5,6,8,9,12	820470	FP ADLT ADJ 18-20 OMIT HL	LEFT
1-3,5,6,8,9,12	921466	ADLT ANGL ADJ F/PLT 12"/13" OMIT HL	PAIR
1-3,5,6,8,9,12	921320	FP ADLT ADJ 14/15 OMIT HL	PAIR
1-3,5,6,8,9,12	921322	FP ADLT ADJ 16/17 OMIT HL	PAIR
1-3,5,6,8,9,12	921324	FP ADLT ADJ 18-20 OMIT HL	PAIR
1-3,5,6,8,9,11B,12	820522	AD ANGL ADJ F/PLT R 12/13" H/L	RIGHT
1-3,5,6,8,9,11B,12	820532	AD ANGL ADJ F/PLT L 12/13" H/L	LEFT
1-3,5,6,8-10,11C, 12,14	820461	FP ADLT ADJ 14/15 HL	RIGHT
1-3,5,6,8-10,11C, 12,14	820463	FP ADLT ADJ 14/15 HL	LEFT
1-3,5,6,8-10,11C, 12,14	820465	FP ADLT ADJ 16/17 HL	RIGHT
1-3,5,6,8-10,11C, 12,14	820467	FP ADLT ADJ 16/17 HL	LEFT
1-3,5,6,8-10,11D, 12,14	820469	FP ADLT ADJ 18-20 HL	RIGHT
1-3,5,6,8-10,11D, 12,14	820471	FP ADLT ADJ 18-20 HL	LEFT
1-3,5,6,8-10,11B, 12,14	921462	ADLT ANGL ADJ F/PLATE 12"/13" HL	PAIR
1-3,5,6,8-10,11C, 12,14	921321	FP ADLT ADJ 14/15 HL	PAIR
1-3,5,6,8-10,11C, 12,14	921323	FP ADLT ADJ 16/17 HL	PAIR
1-3,5,6,8-10,11D, 12,14	921325	FP ADLT ADJ 18-20 HL	PAIR
		Ship assembled part #	Use with multiple assemblies
	ASSY-HNG-FP	HANGER/FOOTPLATE ASSY REQUIRED	add with Hanger & Footplate kit

Note: Footplate Assemblies are set to footrest width; please see "Footplate Formula" table for seat width conversion.

Note: V Style Hangers are not available on Swing Away Style chairs effective 7/14/14; see the "Prior To" ordering guide for V Style footplate assemblies.

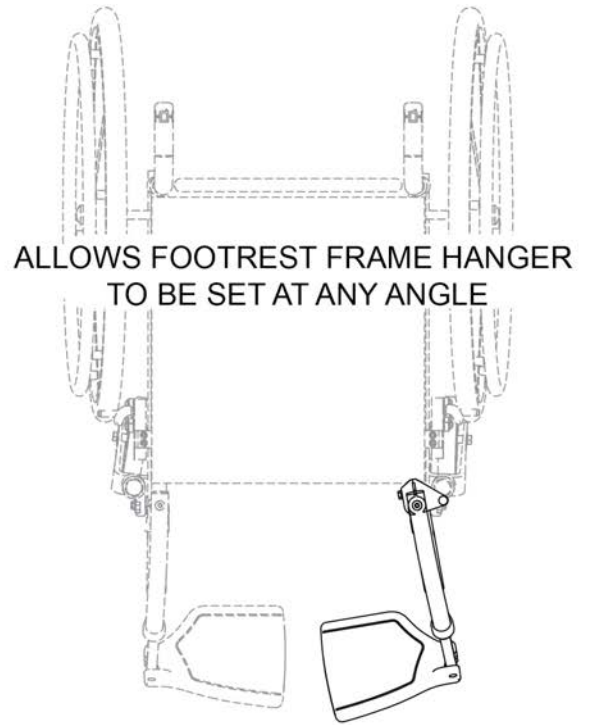
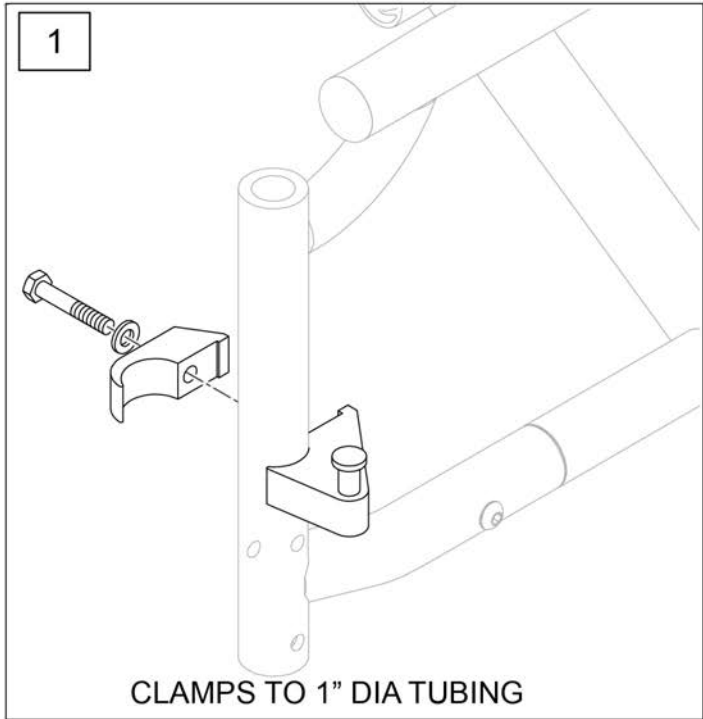
Note: Zippie Iris (ZRS&ZRSE) and Zippie TS (Z1A&Z1SE) only use Straight Extension Tube.

Note: if chair has High Mount Ext Tubes or if switching to High Mount Ext Tubes, see KAA Footplate w/ High Mount Extension Ordering Guide.



Pos.	Item Number	Description	Remarks
1	106978	FHCS 1/4 -28 x 7/8 ROHS	

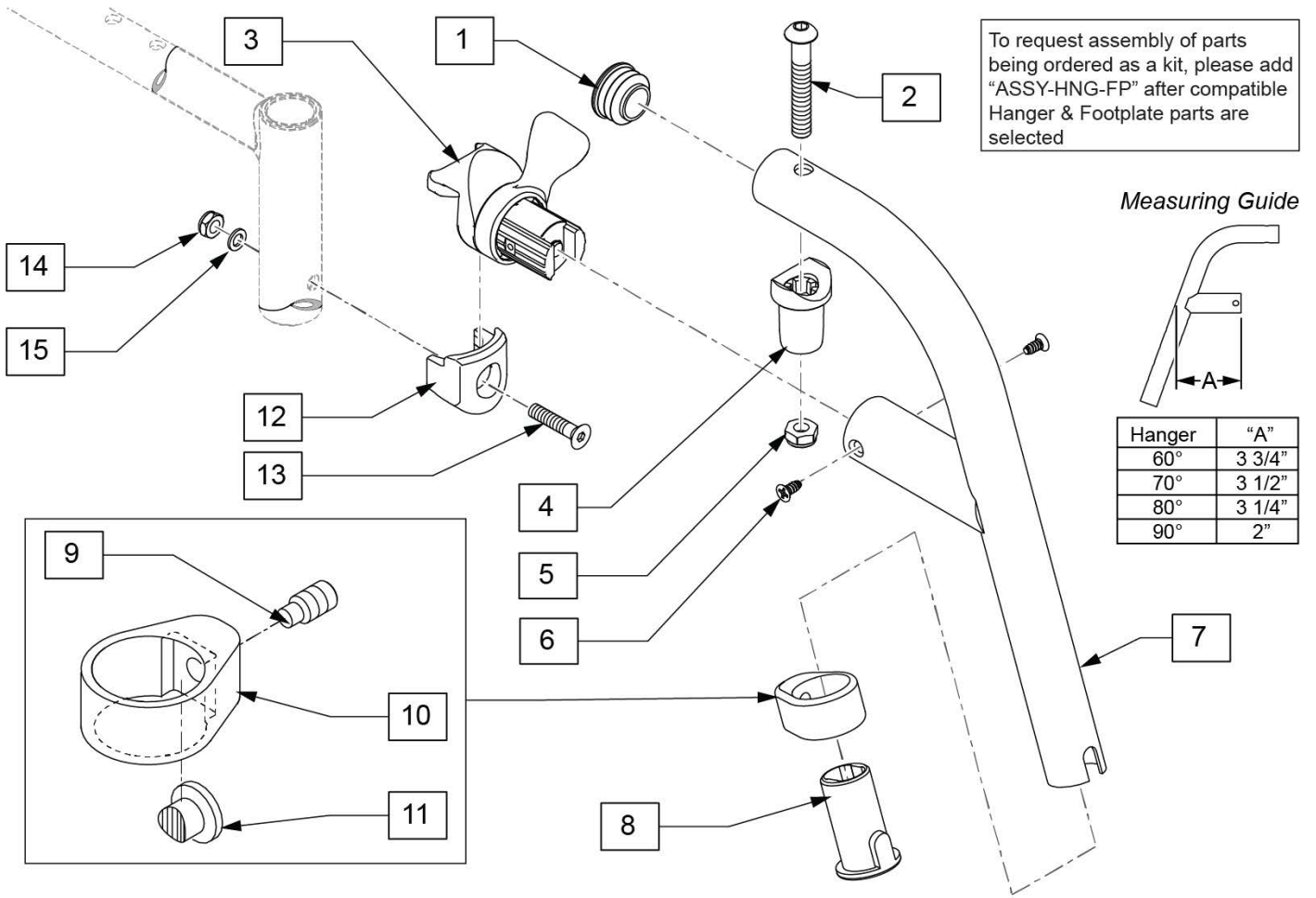
Pos.	Item Number	Description	Remarks
2	500635	KIDS ANGL ADJ F/PLT 10" R	Right
2	500636	KIDS ANGL ADJ F/PLT 10" L	Left
2	500637	KIDS ANGL ADJ F/PLT 11" R	Right
2	500638	KIDS ANGL ADJ F/PLT 11" L	Left
2	500639	KIDS ANGL ADJ F/PLT 12" R	Right
2	500640	KIDS ANGL ADJ F/PLT 12" L	Left
2	500641	KIDS ANGL ADJ F/PLT 13" R	Right
2	500642	KIDS ANGL ADJ F/PLT 13" L	Left
2	500643	KIDS ANGL ADJ F/PLT 14" R	Right
2	500644	KIDS ANGL ADJ F/PLT 14" L	Left
2	500645	KIDS ANGL ADJ F/PLT 15" R	Right
2	500646	KIDS ANGL ADJ F/PLT 15" L	Left
2	500647	KIDS ANGL ADJ F/PLT 16" R	Right
2	500648	KIDS ANGL ADJ F/PLT 16" L	Left
3	550350	3/4" CLAMP ADJ FOOTPLATE	
4	106935	NUT NYLOCK THIN 1/4 -28 ROHS	
5	106962	1/4-28 x 1 3/4 BH C/S BLK ZN (D2 EXTENSION TUBES)	
5	226167	1/4-28 x 1.625 BH C/S BLK (ROUND EXTENSION TUBES)	
6	106945	1/4 SAE WASHER	
7	541002	FTRST MOUNTING BRKT-3/8 RAD R	
7	541003	FTRST MOUNTING BRKT-3/8 RAD L	
8	561055	3/4" SADDLE 1" OD	
9	106944	WASHER FLAT THIN AN 1/4 ROHS	
10	106941	NUT AUTOMATION 1/4 -28 ROHS	
11	483720	HANGER EXTENSION SADDLE LONG	Use with Double D Ext Tube
1-4,6,7,9,10	828850	KIDS ANG ADJ F/PLT EXT-MNT 10"R	Right
1-4,6,7,9,10	828851	KIDS ANG ADJ F/PLT EXT-MNT 10"L	Left
1-4,6,7,9,10	828852	KIDS ANG ADJ F/PLT EXT-MNT 11"R	Right
1-4,6,7,9,10	828853	KIDS ANG ADJ F/PLT EXT-MNT 11"L	Left
1-4,6,7,9,10	828854	KIDS ANG ADJ F/PLT EXT-MNT 12"R	Right
1-4,6,7,9,10	828855	KIDS ANG ADJ F/PLT EXT-MNT 12"L	Left
1-4,6,7,9,10	828856	KIDS ANG ADJ F/PLT EXT-MNT 13"R	Right
1-4,6,7,9,10	828857	KIDS ANG ADJ F/PLT EXT-MNT 13"L	Left
1-4,6,7,9,10	828858	KIDS ANG ADJ F/PLT EXT-MNT 14"R	Right
1-4,6,7,9,10	828859	KIDS ANG ADJ F/PLT EXT-MNT 14"L	Left
1-4,6,7,9,10	828860	KIDS ANG ADJ F/PLT EXT-MNT 15"R	Right
1-4,6,7,9,10	828861	KIDS ANG ADJ F/PLT EXT-MNT 15"L	Left
1-4,6,7,9,10	828862	KIDS ANG ADJ F/PLT EXT-MNT 16"R	Right
1-4,6,7,9,10	828863	KIDS ANG ADJ F/PLT EXT-MNT 16"L	Left
1-4,6,7,9,10	921280	KIDS ANG ADJ F/PLT EXT-MNT 10"	Pair
1-4,6,7,9,10	921281	KIDS ANG ADJ F/PLT EXT-MNT 11"	Pair
1-4,6,7,9,10	921282	KIDS ANG ADJ F/PLT EXT-MNT 12"	Pair
1-4,6,7,9,10	921283	KIDS ANG ADJ F/PLT EXT-MNT 13"	Pair
1-4,6,7,9,10	921284	KIDS ANG ADJ F/PLT EXT-MNT 14"	Pair
1-4,6,7,9,10	921285	KIDS ANG ADJ F/PLT EXT-MNT 15"	Pair
1-4,6,7,9,10	921286	KIDS ANG ADJ F/PLT EXT-MNT 16"	Pair
		Ship assembled part #	Use with multiple assemblies
	ASSY-HNG-FP	HANGER/FOOTPLATE ASSY REQUIRED	add with Hanger & Footplate kit



Pos.	Item Number	Description	Remarks
1	112807	LATCH STUD SUPPORT R MULTIPOS	Single
1	112808	LATCH STUD SUPPORT L MULTIPOS	Single
1	112809	LATCH STUD SUPPORT PR MULTIPOS	Pair

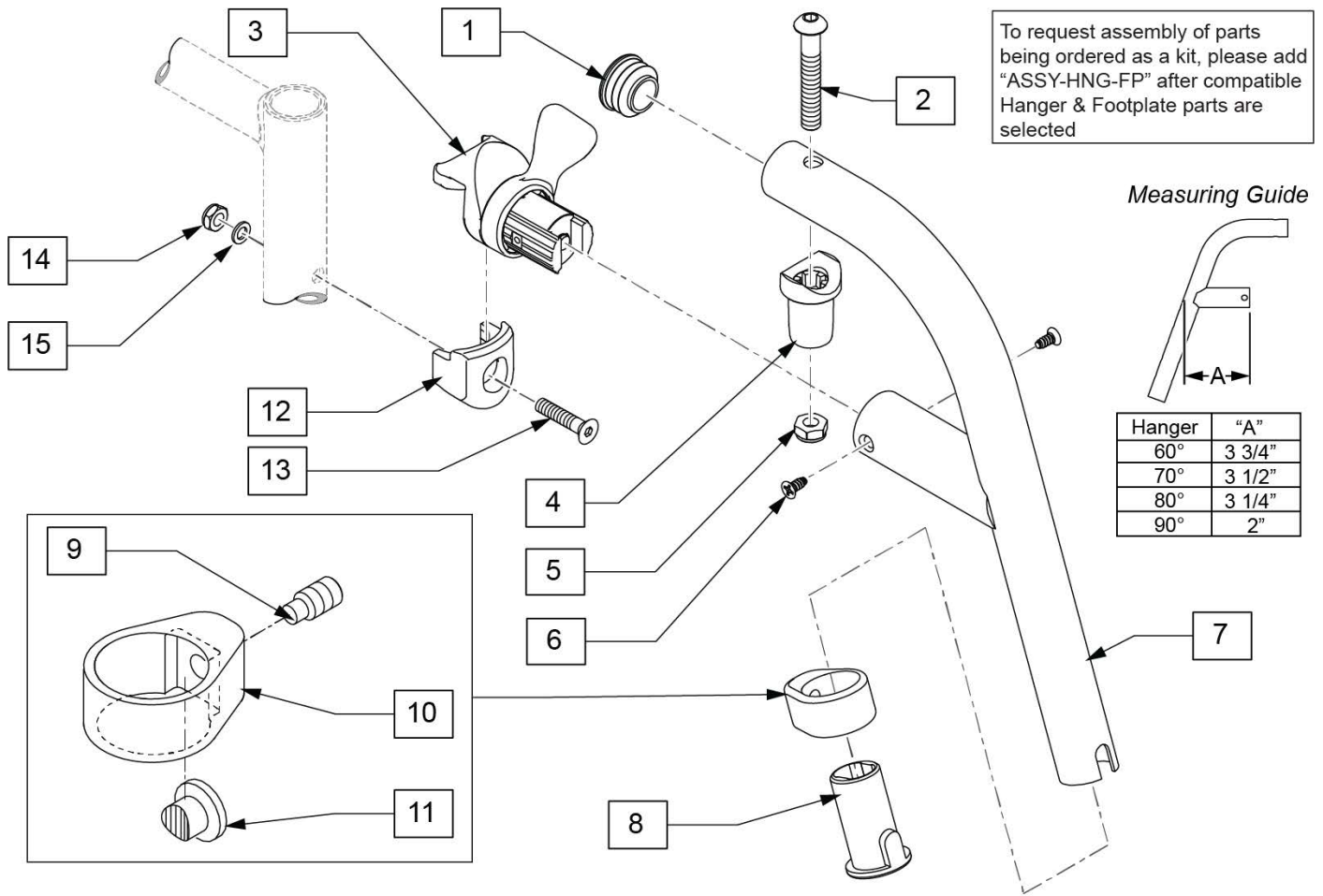
60 DEG SWING IN/OUT HANGER

[08/20/2019]

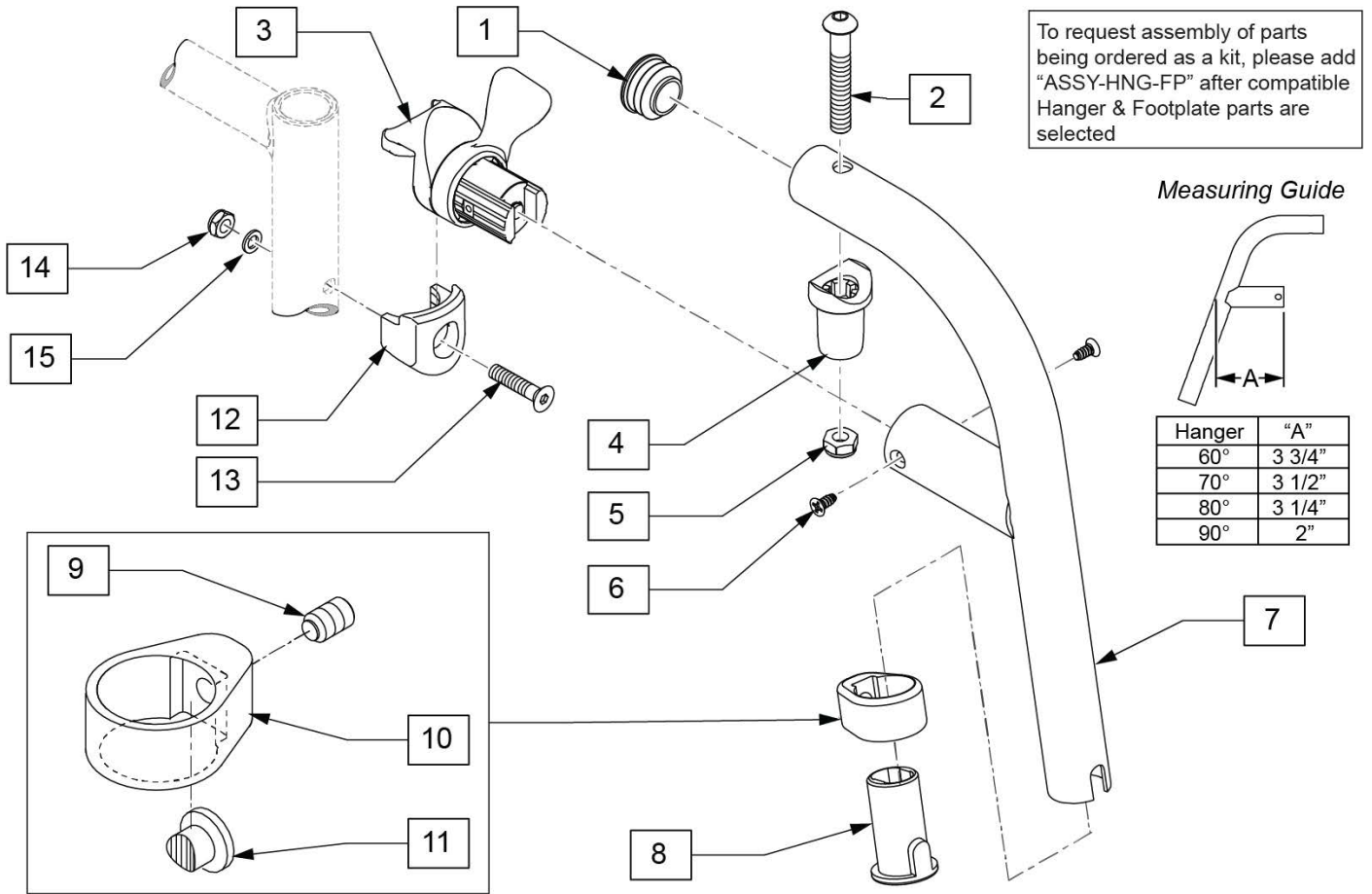


Pos.	Item Number	Description	Remarks
1	561062	1" INSERT PLUG .065 RIBS	
8	104160	BUSHING FOOTREST	
13	103500-010	FHCSM6X1X35FULLNP	
14	104381	NUT HEX NYLOCK M6X1.0	
15	104414	WAVE WASHER 6 MM	
1,2,4,5	119518	PIVOT SADDLE KIT	
3,6	119509	HANGER LATCH ASSM W/HDWR L	Left
3,6	119510	HANGER LATCH ASSM W/HDWR R	Right
1-11	122699S	60 D SWING I/O HNGR PNTD L	
1-11	122700S	60 D SWING I/O HNGR PNTD R	
8-11	107485	FOOTREST CLAMP ASSM	
12-15	119514	LATCH RECEIVER KIT	
		Ship assembled part #	Use with multiple assemblies
	ASSY-HNG-FP	HANGER/FOOTPLATE ASSY REQUIRED	add with Hanger & Footplate kit

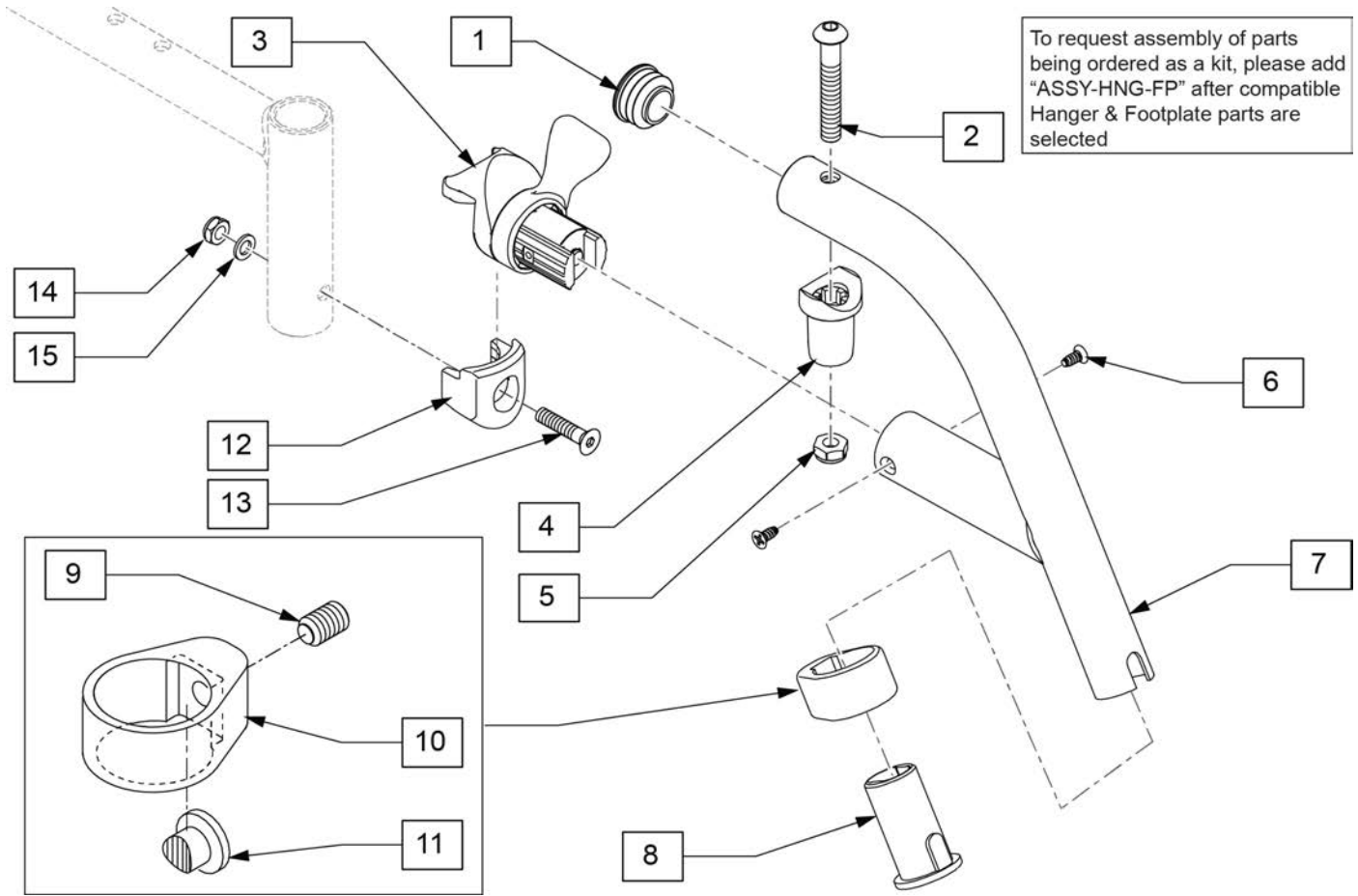
70 DEG SWING IN/OUT HANGER



Pos.	Item Number	Description	Remarks
1	561062	1" INSERT PLUG .065 RIBS	
8	104160	BUSHING FOOTREST	
13	103500-010	FHCSM6X1X35FULLNP	
14	104381	NUT HEX NYLOCK M6X1.0	
15	104414	WAVE WASHER 6 MM	
1,2,4,5	119518	PIVOT SADDLE KIT	
3,6	119509	HANGER LATCH ASSM W/HDWR L	Left
3,6	119510	HANGER LATCH ASSM W/HDWR R	Right
1-11	119458S	70 D SWING I/O HNGR PNTD L	Left
1-11	119459S	70 D SWING I/O HNGR PNTD R	Right
8-11	107485	FOOTREST CLAMP ASSM	
12-15	119514	LATCH RECEIVER KIT	
		Ship assembled part #	Use with multiple assemblies
	ASSY-HNG-FP	HANGER/FOOTPLATE ASSY REQUIRED	add with Hanger & Footplate kit



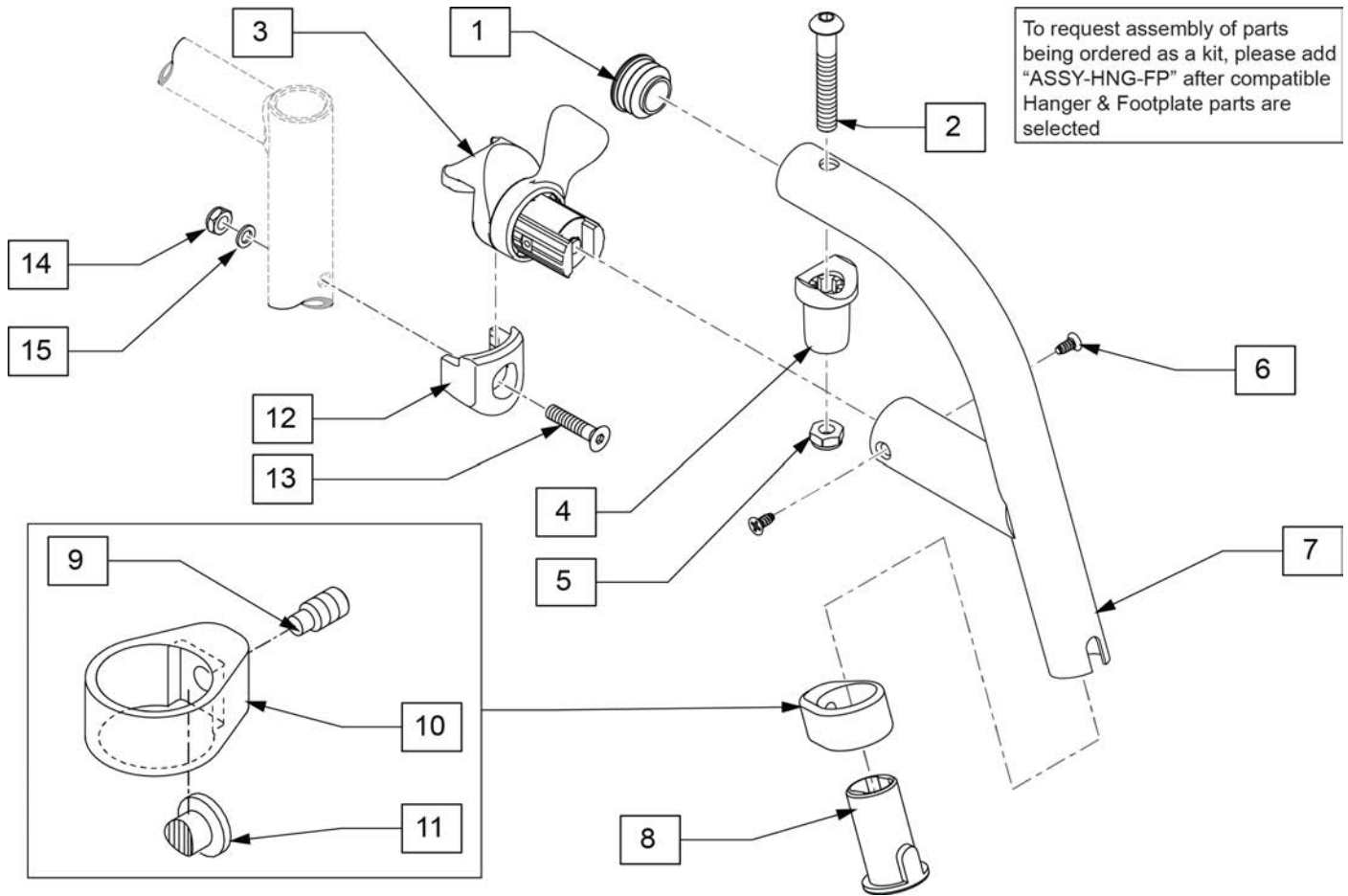
Pos.	Item Number	Description	Remarks
1	561062	1" INSERT PLUG .065 RIBS	
8	104160	BUSHING FOOTREST	
13	103500-010	FHCSM6X1X35FULLNP	
14	104381	NUT HEX NYLOCK M6X1.0	
15	104414	WAVE WASHER 6 MM	
1,2,4,5	119518	PIVOT SADDLE KIT	
3,6	119509	HANGER LATCH ASSM W/HDWR L	Left
3,6	119510	HANGER LATCH ASSM W/HDWR R	Right
1-11	119466S	80 D SWING I/O HNGR PNTD L	Left
1-11	119467S	80 D SWING I/O HNGR PNTD R	Right
8-11	107485	FOOTREST CLAMP ASSM	
12-15	119514	LATCH RECEIVER KIT	
		Ship assembled part #	Use with multiple assemblies
	ASSY-HNG-FP	HANGER/FOOTPLATE ASSY REQUIRED	add with Hanger & Footplate kit



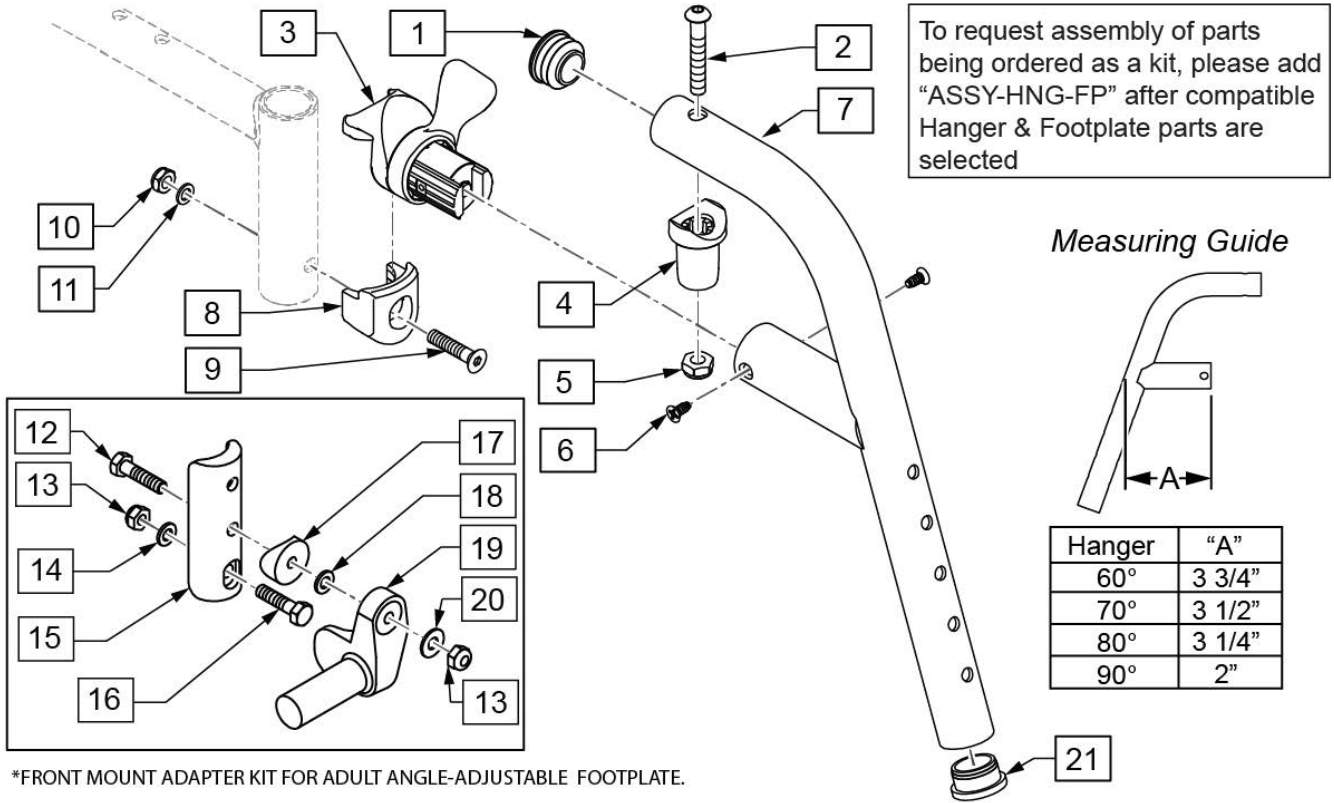
Pos.	Item Number	Description	Remarks
1	561062	1" INSERT PLUG .065 RIBS	
2	226217	5/16-18 X 2" BH C/S BLK	
4	561197	PLASTIC PIVOT SADDLE	
5	202102	5/16-18 NYLOCK NUT THIN	
6	118695	#8 LOW FLT HD TAP SCREW	
8	104160	BUSHING FOOTREST	
13	103500-010	FHCSM6X1X35FULLNP	
14	104381	NUT HEX NYLOCK M6X1.0	
15	104414	WAVE WASHER 6 MM	
1,2,4,5	119518	PIVOT SADDLE KIT	
3,6	119510	HANGER LATCH ASSM W/HDWR R	Right
3,6	119509	HANGER LATCH ASSM W/HDWR L	Left
1-11	129702S	60 D SWING HANGER HEMI R	Right
1-11	129703S	60 D SWING HANGER HEMI L	Left
8-11	107485	FOOTREST CLAMP ASSM	
12-15	119514	LATCH RECEIVER KIT	
		Ship assembled part #	Use with multiple assemblies
	ASSY-HNG-FP	HANGER/FOOTPLATE ASSY REQUIRED	add with Hanger & Footplate kit

70 DEG SWING IN/OUT HEMI HANGER

[07/2014]



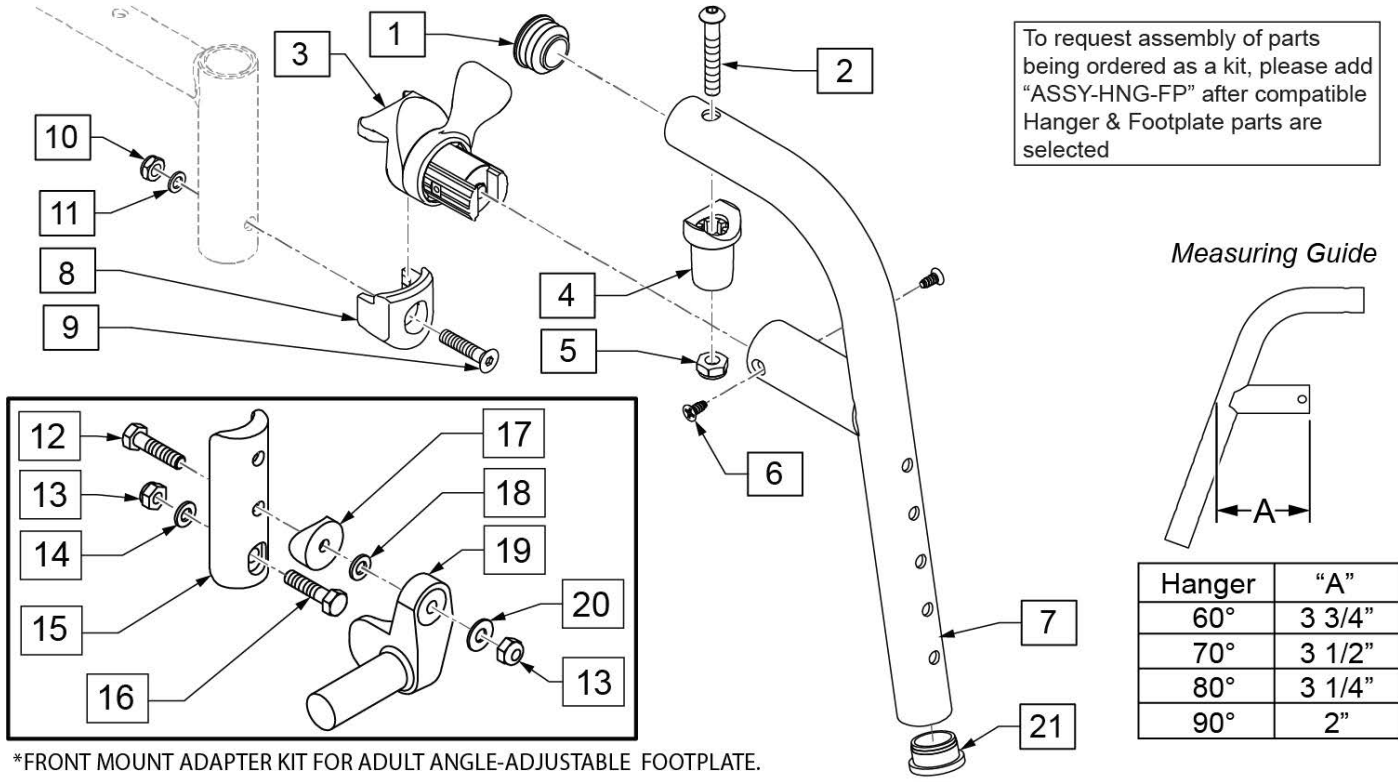
Pos.	Item Number	Description	Remarks
1	561062	1" INSERT PLUG .065 RIBS	
2	226217	5/16-18 X 2" BH C/S BLK	
4	561197	PLASTIC PIVOT SADDLE	
5	202102	5/16-18 NYLOCK NUT THIN	
6	118695	#8 LOW FLT HD TAP SCREW	
8	104160	BUSHING FOOTREST	
13	103500-010	FHCSM6X1X35FULLNP	
14	104381	NUT HEX NYLOCK M6X1.0	
15	104414	WAVE WASHER 6 MM	
1,2,4,5	119518	PIVOT SADDLE KIT	
3,6	119510	HANGER LATCH ASSM W/HDWR R	Right
3,6	119509	HANGER LATCH ASSM W/HDWR L	Left
1-11	129704S	70 D SWING HANGER HEMI R	Right
1-11	129705S	70 D SWING HANGER HEMI L	Left
8-11	107485	FOOTREST CLAMP ASSM	
12-15	119514	LATCH RECEIVER KIT	
		Ship assembled part #	Use with multiple assemblies
	ASSY-HNG-FP	HANGER/FOOTPLATE ASSY REQUIRED	add with Hanger & Footplate kit



Pos.	Item Number	Description	Remarks
1	561062	1" INSERT PLUG .065 RIBS	
2	226217	5/16-18 X 2" BH C/S BLK	
4	561197	PLASTIC PIVOT SADDLE	
5	202102	5/16-18 NYLOCK NUT THIN	
6	118695	#8 LOW FLT HD TAP SCREW	
9	103500-010	FHCSM6X1X35FULLNP	
10	104381	NUT HEX NYLOCK M6X1.0	
11	104414	WAVE WASHER 6 MM	
12	102268-001	HHCS M6 X 1 X 25	
13	104381	NUT HEX NYLOCK M6 X 1	
14	107383	WASHER FLAT M6 ROHS	
15	119240	FOOTPLATE ADAPTER FM	3" tall
16	118198	HHCS M6X1X40 PART NP	
17	561004	1" SADDLE 1/4" HOLE	
18	106943	WASHER FLAT AN 1/4 ROHS	
19	541000	FOOTREST MOUNTING BRKT 1/2" RAD R	Right
19	541001	FOOTREST MOUNTING BRKT 1/2" RAD L	Left
20	106945	WASHER FLAT SAE 1/4 ROHS	
1,2,4,5	119518	PIVOT SADDLE KIT	
1-7	119456S	70 D FRNT MNT SWING IN/OUT HANGER L	Left
1-7	119457S	70 D FRNT MNT SWING IN/OUT HANGER R	Right
8-11	119514	LATCH RECEIVER KIT	
3,6	119509	HANGER LATCH ASSM W/HDWR L	Left
3,6	119510	HANGER LATCH ASSM W/HDWR R	Right
12-20	129764	AAA FRNT MNT ADAPTER KIT PR	Pair
21	561002	1" INSERT PLUG .083	

Pos.	Item Number	Description	Remarks
		Ship assembled part #	Use with multiple assemblies
	ASSY-HNG-FP	HANGER/FOOTPLATE ASSY REQUIRED	add with Hanger & Footplate kit

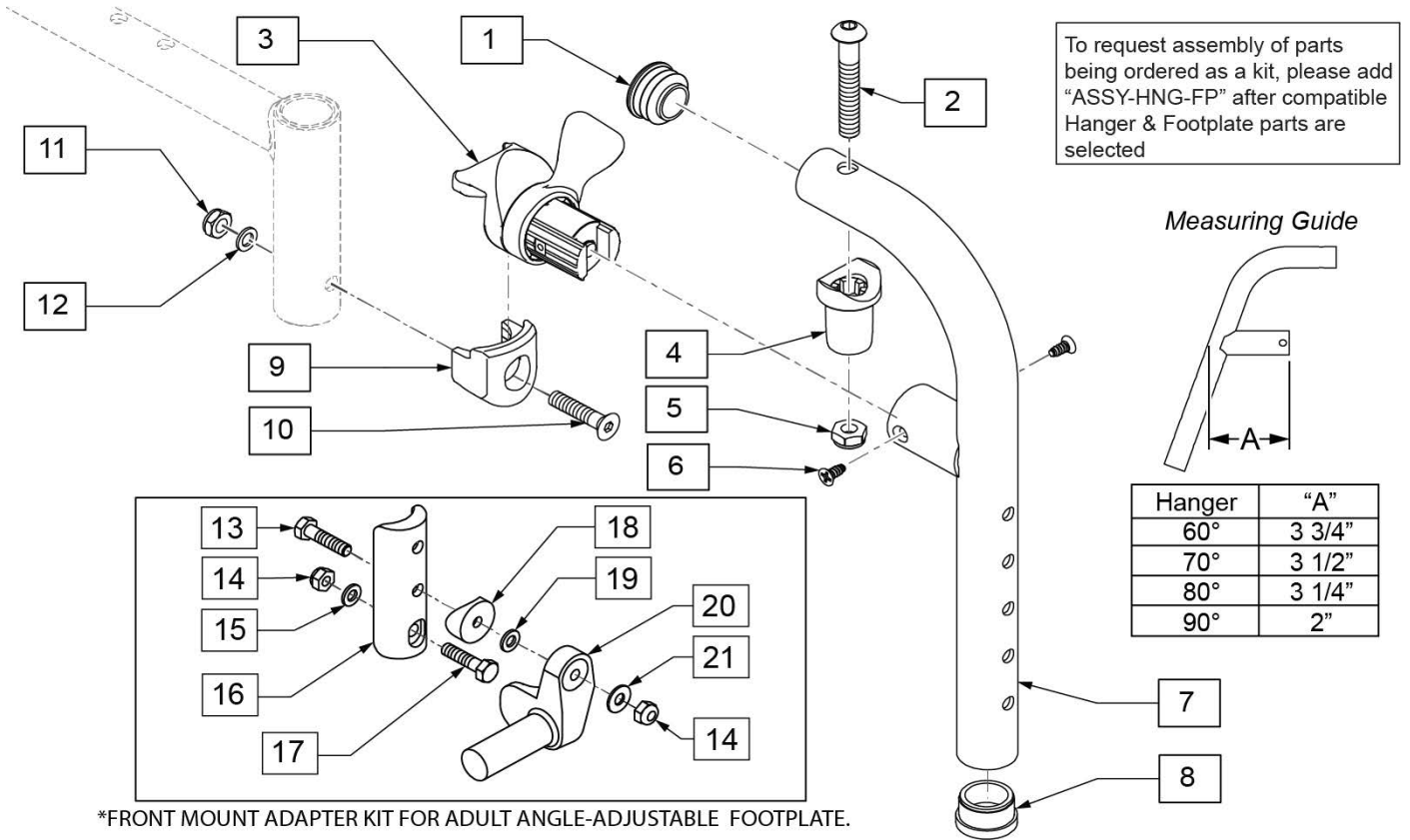
80 DEG FRONT MOUNT SWING IN/OUT HANGER



Pos.	Item Number	Description	Remarks
1	561062	1" INSERT PLUG .065 RIBS	
2	226217	5/16-18 X 2" BH C/S BLK	
4	561197	PLASTIC PIVOT SADDLE	
5	202102	5/16-18 NYLOCK NUT THIN	
6	118695	#8 LOW FLT HD TAP SCREW	
9	103500-010	FHCSM6X1X35FULLNP	
10	104381	NUT HEX NYLOCK M6X1.0	
11	104414	WAVE WASHER 6 MM	
12	102268-001	HHCS M6 X 1 X 25	
13	104381	NUT HEX NYLOCK M6 X 1	
14	107383	WASHER FLAT M6 ROHS	
15	119240	FOOTPLATE ADAPTER FM	3" tall
16	118198	HHCS M6X1X40 PART NP	
17	561004	1" SADDLE 1/4" HOLE	
18	106944	WASHER FLAT AN 1/4 ROHS	
19	541000	FOOTREST MOUNTING BRKT 1/2" RAD R	Right
19	541001	FOOTREST MOUNTING BRKT 1/2" RAD L	Left
20	106944	WASHER FLAT SAE 1/4 ROHS	
1,2,4,5	119518	PIVOT SADDLE KIT	
1-7	119464S	80 D FRNT MNT SWING IN/OUT HANGER L	Left
1-7	119465S	80 D FRNT MNT SWING IN/OUT HANGER R	Right
8-11	119514	LATCH RECEIVER KIT	
3,6	119509	HANGER LATCH ASSM W/HDWR L	Left
3,6	119510	HANGER LATCH ASSM W/HDWR R	Right
21	561002	1" INSERT PLUG .083	
12-20	129764	AAA FRNT MNT ADAPTER KIT PR	Pair
21	561002	1" INSERT PLUG .083	

Pos.	Item Number	Description	Remarks
		Ship assembled part #	Use with multiple assemblies
	ASSY-HNG-FP	HANGER/FOOTPLATE ASSY REQUIRED	add with Hanger & Footplate kit

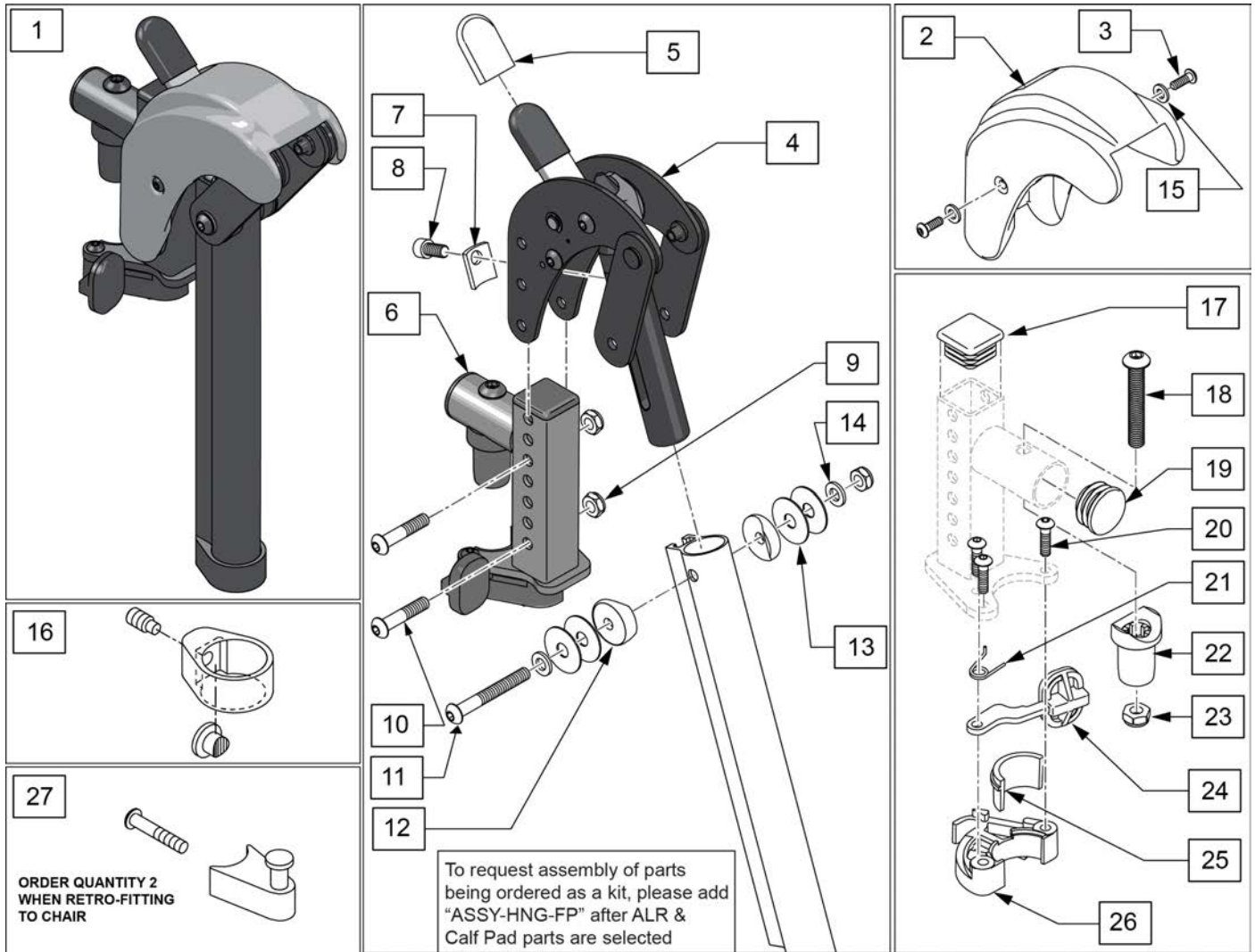
90 DEG FRONT MOUNT SWING IN/OUT HANGER



Pos.	Item Number	Description	Remarks
1	561062	1" INSERT PLUG .065 RIBS	
2	226217	5/16-18 X 2" BH C/S BLK	
4	561197	PLASTIC PIVOT SADDLE	
5	202102	5/16-18 NYLOCK NUT THIN	
6	118695	#8 LOW FLT HD TAP SCREW	
8	561002	1" INSERT PLUG .083	
10	103500-010	FHCSM6X1X35FULLNP	
11	104381	NUT HEX NYLOCK M6X1.0	
12	104414	WAVE WASHER 6 MM	
13	102268-001	HHCS M6 X 1 X 25	
14	104381	NUT HEX NYLOCK M6 X 1	
15	107383	WASHER FLAT M6 ROHS	
16	119240	FOOTPLATE ADAPTER FM	3" tall
17	118198	HHCS M6X1X40 PART NP	
18	561004	1" SADDLE 1/4" HOLE	
19	106943	WASHER FLAT AN 1/4 ROHS	
20	541000	FOOTREST MOUNTING BRKT 1/2" RAD R	Right
20	541001	FOOTREST MOUNTING BRKT 1/2" RAD L	Left
21	106945	WASHER FLAT SAE 1/4 ROHS	
1,2,4,5	119518	PIVOT SADDLE KIT	
1-7	129644S	90 D FRNT MNT SWING IN/OUT HANGER R	Right
1-7	129645S	90 D FRNT MNT SWING IN/OUT HANGER L	Left
9-12	119514	LATCH RECEIVER KIT	
3,6	119509	HANGER LATCH ASSM W/HDWR L	Left
3,6	119510	HANGER LATCH ASSM W/HDWR R	Right

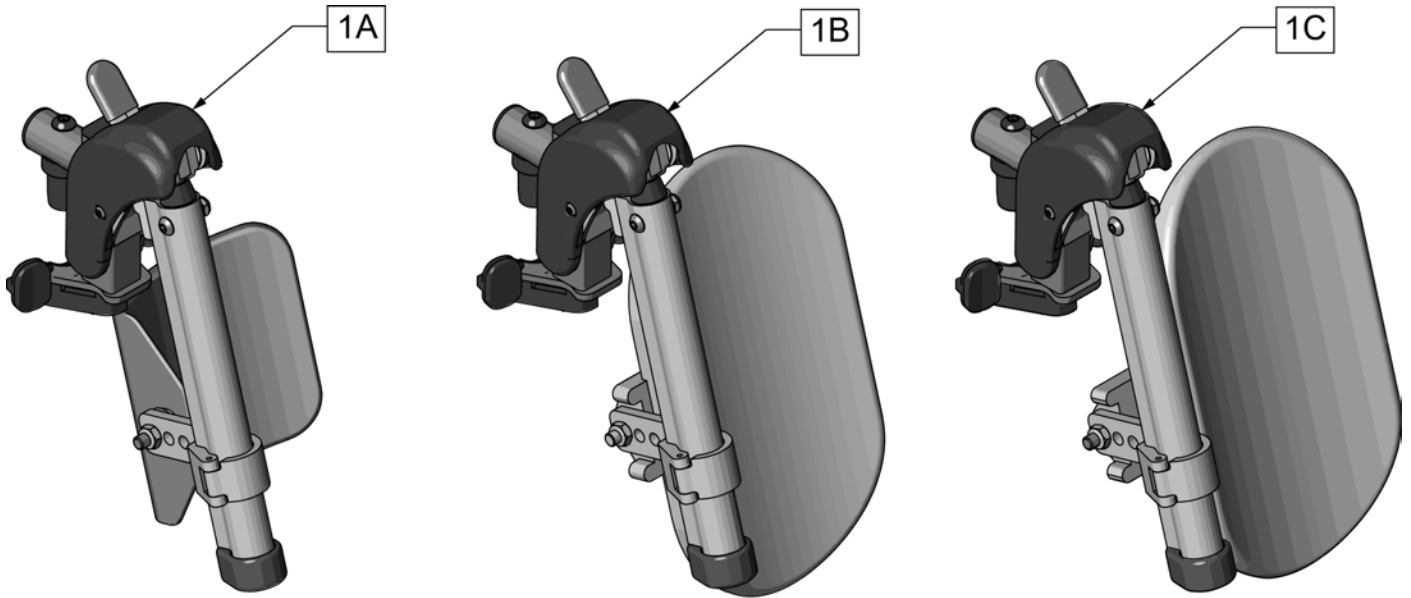
Pos.	Item Number	Description	Remarks
13-21	129764	AAA FRNT MNT ADAPTER KIT PR	Pair
		Ship assembled part #	Use with multiple assemblies
	ASSY-HNG-FP	HANGER/FOOTPLATE ASSY REQUIRED	add with Hanger & Footplate kit

Note: When retrofitting ALR to a chair with S/A Hangers please order Qty 2 of p/n 107491 (Item 27).



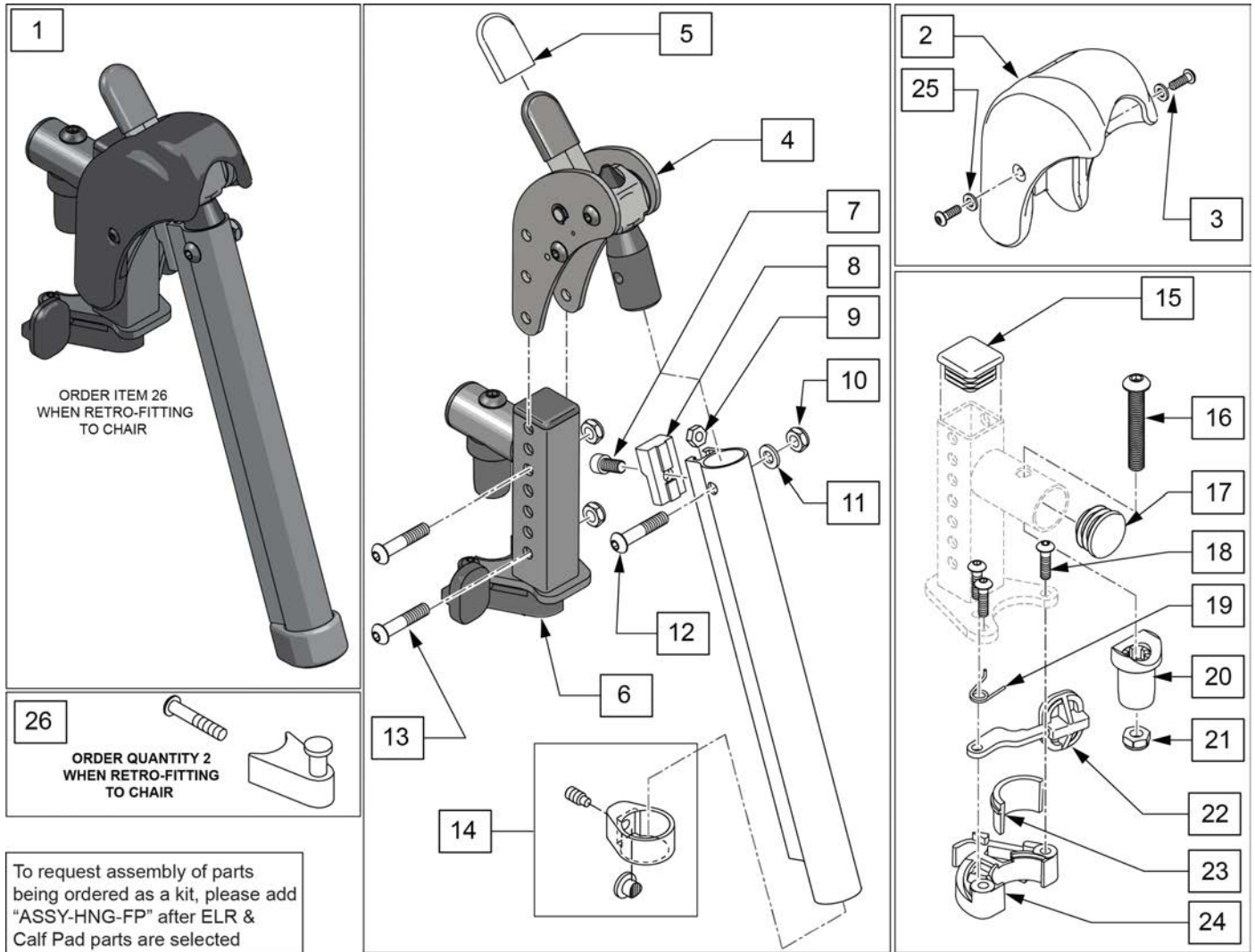
Pos.	Item Number	Description	Remarks
1	129631S	ALR KIT R	Right-order item 27 when retro-fitting to chair
1	129632S	ALR KIT L	Left-order item 27 when retro-fitting to chair
1	129630S	ALR PAIR KIT	Pair-order item 27 when retro-fitting to chair
2,3,15	129633	ALR SHROUD KIT	1 side
3	127135	BHCS 8-32 X 1/2 BLK	
4	127153	HEMI ALR SUB ASSM	
5	560501	ALR REL LEVER COVER	
6	127114	HEMI RECEIVER ASSM ELR ALR R	Right
6	127115	HEMI RECEIVER ASSM ELR ALR L	Left
7	127129	ANGLE STOP ELR	
8	107350	SHCS 1/4-28 x 1/2	
9	106935	1/4-28 NYLOCK NUT THIN BLK ZN	
10	108623	BHCS 1/4-28 x 1-1/2	
11	106964	BHCS 1/4-28 X 2	

Pos.	Item Number	Description	Remarks
12	561086	1" HALF SADDLE 1/4" HOLE	
13	113268	WASHER NYLON 1IN OD X .312 ID	
14	106943	WASHER FLAT AN 1/4 ROHS	
15	113282	WASHER FLAT AN #10 ROHS	
16	119495	EXTENSION CLAMP KIT	
17	010615	SQUARE END CAP CNTR LEG	
18	226217	5/16-18 X 2" BH C/S BLK	
19	561062	1" INSERT PLUG .065 RIBS	
20	226057	BHCS 10-24 X .725 PL	
22	561197	PLASTIC PIVOT SADDLE	
23	202102	5/16-18 NYLOCK NUT THIN	
25,26	881500	LATCH BLOCK ASSM R	Right
25,26	881501	LATCH BLOCK ASSM L	Left
20,21,24-26	881521	S/A LATCH KIT CASTING RIGHT	Right
20,21,24-26	881522	S/A LATCH KIT CASTING LEFT	Left
27	107491	LATCH STUD KIT	order qty 2 when retro-fitting to chair
		Ship assembled part #	Use with multiple assemblies
	ASSY-HNG-FP	HANGER/FOOTPLATE ASSY REQUIRED	add with Hanger & Footplate kit



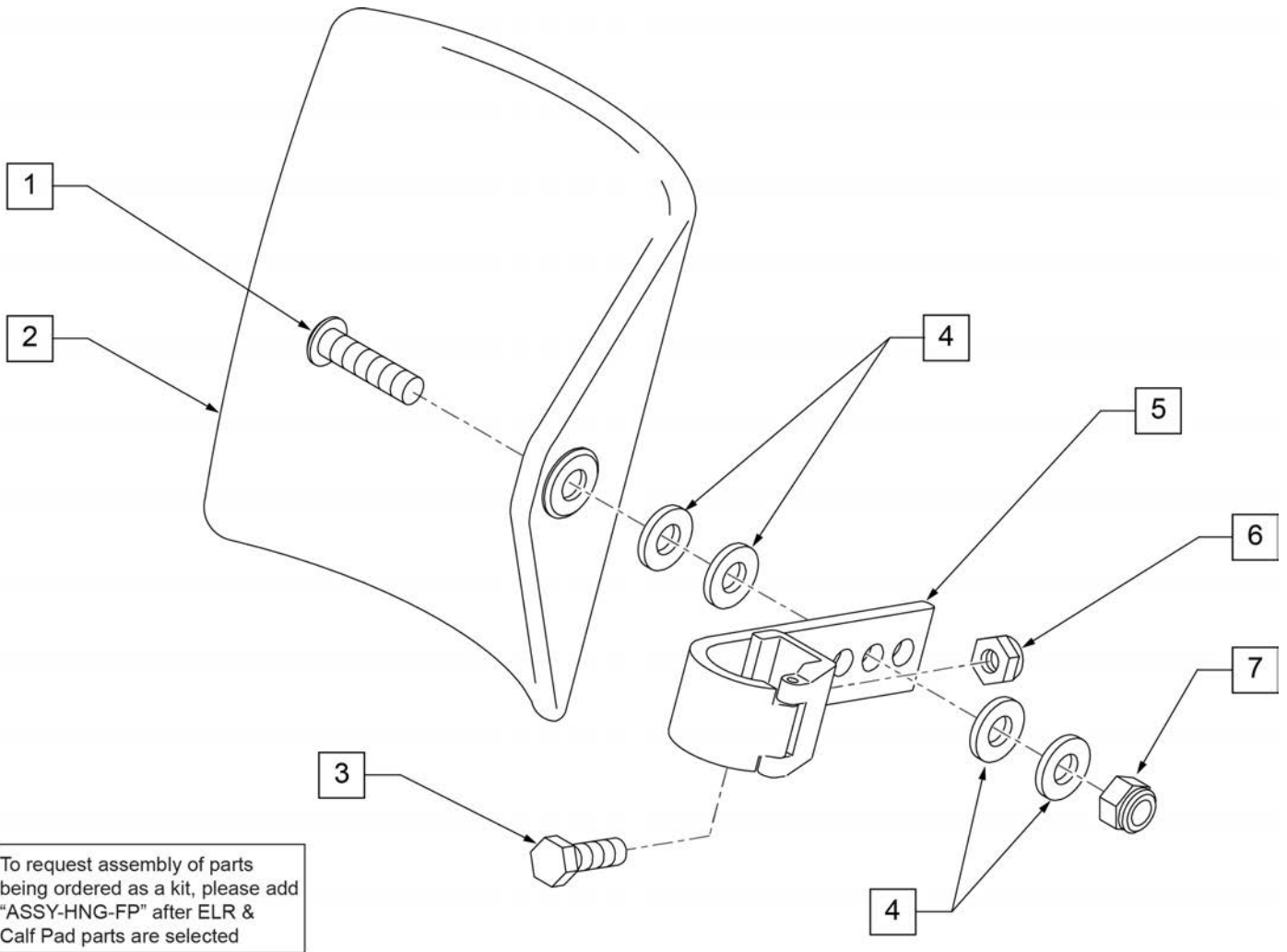
Pos.	Item Number	Description	Remarks
1A	131774S	HEMI ELR HNGR ASM 14-15 W/PAD	
1B	131775S	HEMI ELR HNGR ASM 16-17 W/PAD	
1C	131776S	HEMI ELR HNGR ASM 18-20 W/PAD	
2	107491	LATCH STUD KIT	order qty 2 when retro-fitting to chair
		Ship assembled part #	Use with multiple assemblies
	ASSY-HNG-FP	HANGER/FOOTPLATE ASSY REQUIRED	add with Hanger & Footplate kit

Note: When retrofitting existing chair with S/A Legrests please order Qty 2 of p/n 107491.(Item 26)

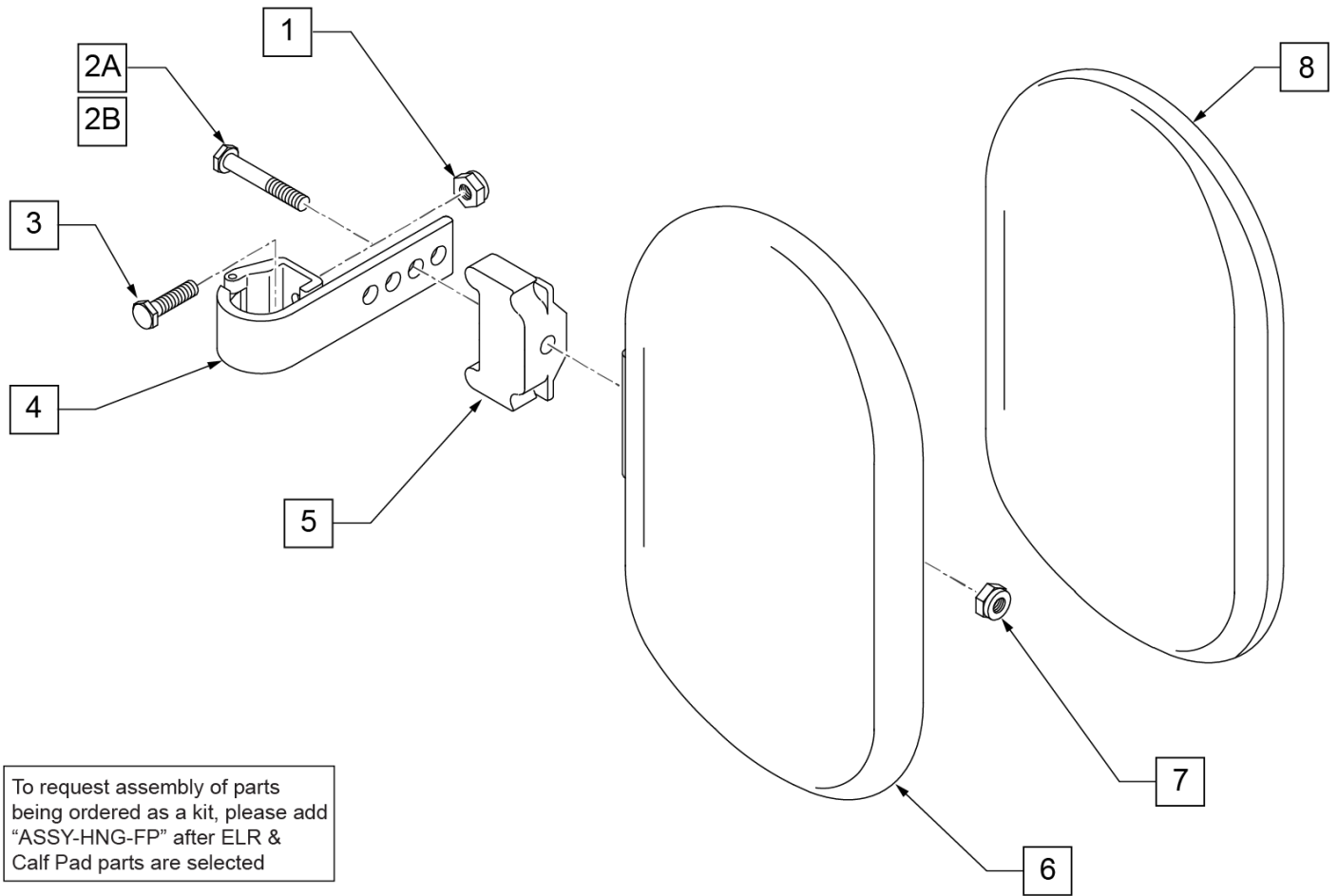


Pos.	Item Number	Description	Remarks
1	129638S	EXTENSION MOUNT ELR KIT R	Right-order item 26 when retro-fitting to chair
1	129639S	EXTENSION MOUNT ELR KIT L	Left-order item 26 when retro-fitting to chair
1	129637S	EXTENSION MOUNT ELR PAIR KIT	Pair-order item 26 when retro-fitting to chair
2,3,25	129640	ELR SHROUD KIT	Kit w/ 2 screws
3	127135	BHCS 8-32 X 1/2 BLK	
4	126992	HEMI ELR SUB ASSM	
5	560501	ALR REL LEVER COVER	
6	127114	HEMI RECEIVER ASSM ELR ALR R	Right
6	127115	HEMI RECEIVER ASSM ELR ALR L	Left
7	107350	SHCS 1/4-28 x 1/2	
8	127129	ANGLE STOP ELR	
9	107249	NUT HEX THIN 1/4-28	
10	106935	1/4-28 NYLOCK NUT THIN BLK ZN	
11	104414	WAVE WASHER 6 MM	

Pos.	Item Number	Description	Remarks
12	106961	BHCS 1/4 -28 x 1 1/4 ROHS	
13	108623	BHCS 1/4-28 x 1-1/2	
14	119495	EXTENSION CLAMP KIT	
15	010615	SQUARE END CAP CNTR LEG	
16	226217	5/16-18 X 2" BH C/S BLK	
17	561062	1" INSERT PLUG .065 RIBS	
18	226057	BHCS 10-24 X .725 PL	
20	561197	PLASTIC PIVOT SADDLE	
21	202102	5/16-18 NYLOCK NUT THIN	
23,24	881500	LATCH BLOCK ASSM R	Right
23,24	881501	LATCH BLOCK ASSM L	Left
25	113282	WASHER FLAT AN #10 ROHS	
18,19,22-24	881521	S/A LATCH KIT CASTING RIGHT	Right
18,19,22-24	881522	S/A LATCH KIT CASTING LEFT	Left
26	107491	LATCH STUD KIT	order qty 2 when retro-fitting to chair
		Ship assembled part #	Use with multiple assemblies
	ASSY-HNG-FP	HANGER/FOOTPLATE ASSY REQUIRED	add with Hanger & Footplate kit



Pos.	Item Number	Description	Remarks
1	106980	BHCS 5/16-18 X 1-1/4 ROHS	
2	755014	CALF PAD TROUGH STYLE 14"/16"	
3	221097	1/4-28 X 5/8 HEX C/S BZ	
4	561016	1" WASHER 5/16" HOLE	
5	881413	CALF PAD BRACKET ASSEMBLY	
6	106934	NUT NYLOCK 1/4-28 ROHS	
7	106937	NUT NYLOCK THIN 5/16-18	
1-7	881414	CALF PAD J-HOOK 14"-15" ASSEMBLY	
		Ship assembled part #	Use with multiple assemblies
	ASSY-HNG-FP	HANGER/FOOTPLATE ASSY REQUIRED	add with Hanger & Footplate kit



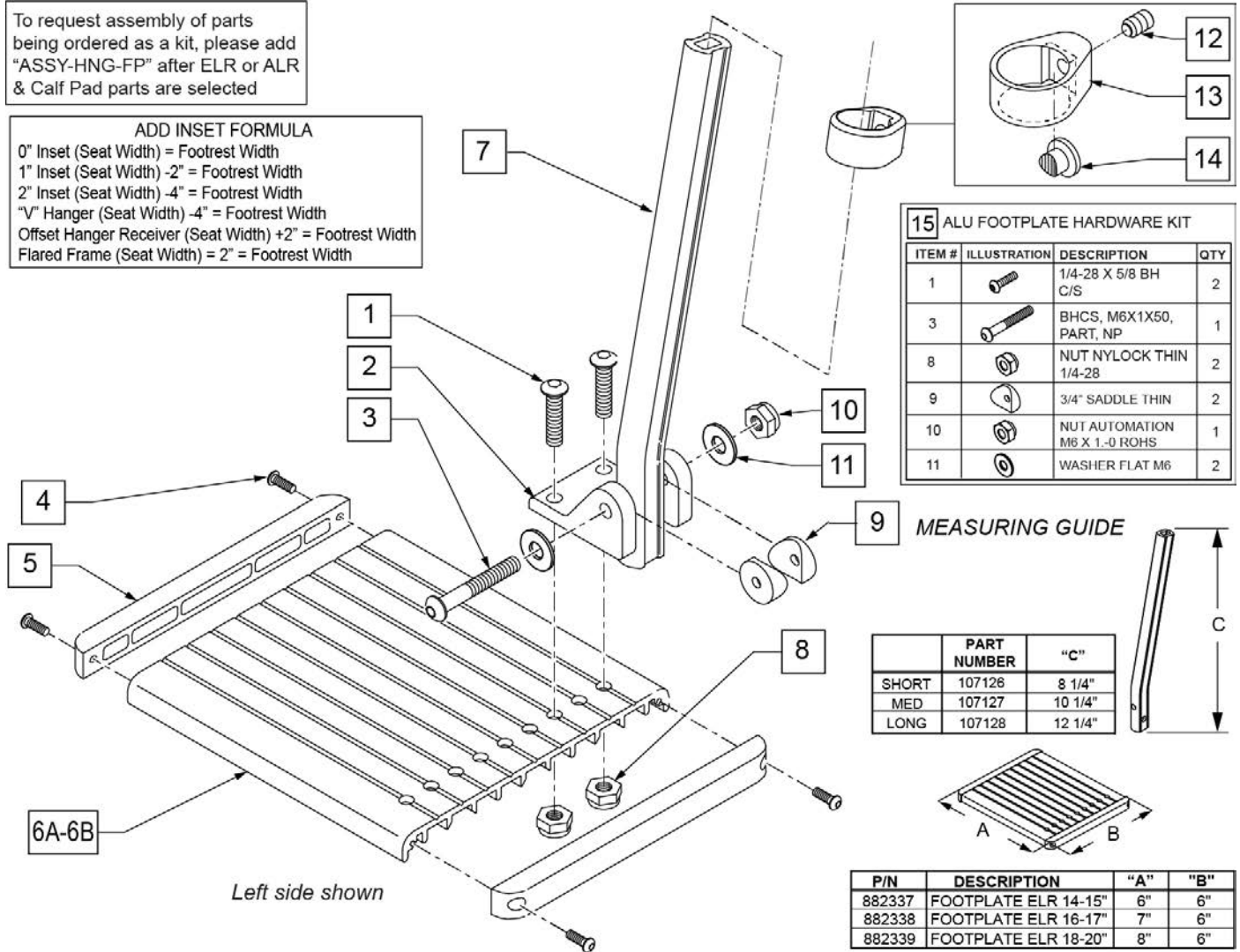
Pos.	Item Number	Description	Remarks
1	106934	NUT NYLOCK 1/4-28 ROHS	
2A	107018	HHCS 5/16-18 X 2-1/2 ROHS	16"-17" wide only
2B	107019	HHCS 5/16-18 X 3-1/2 ROHS	18"-20" wide only
3	107013	HHCS 1/4-28 X 5/8 ROHS	
4	881413	CALF PAD BRACKET ASSEMBLY	
5	560199	ELR CALF HINGE SPACER	18"-20" wide only
6	560108	CALF PAD MOLDED 16"-20"	
7	106936	NUT NYLOCK 5/16-18 ROHS	
8	751045	CALF PAD COVER	
1,2A,3,4,6-8	881416	CALF MOLDED 16"-17" ASSEMBLY	
1,2B,3-7,8	881412	CALF PAD MOLDED 18"-20" ASSEMBLY	
		Ship assembled part #	Use with multiple assemblies
	ASSY-HNG-FP	HANGER/FOOTPLATE ASSY REQUIRED	add with Hanger & Footplate kit

ELR/ALR ALUMINUM FOOTPLATE

(02/11/2020)

To request assembly of parts being ordered as a kit, please add "ASSY-HNG-FP" after ELR or ALR & Calf Pad parts are selected

ADD INSET FORMULA
 0" Inset (Seat Width) = Footrest Width
 1" Inset (Seat Width) -2" = Footrest Width
 2" Inset (Seat Width) -4" = Footrest Width
 "V" Hanger (Seat Width) -4" = Footrest Width
 Offset Hanger Receiver (Seat Width) +2" = Footrest Width
 Flared Frame (Seat Width) = 2" = Footrest Width



15 ALU FOOTPLATE HARDWARE KIT

ITEM #	ILLUSTRATION	DESCRIPTION	QTY
1		1/4-28 X 5/8 BH C/S	2
3		BHCS, M6X1X50, PART, NP	1
8		NUT NYLOCK THIN 1/4-28	2
9		3/4" SADDLE THIN	2
10		NUT AUTOMATION M6 X 1-0 ROHS	1
11		WASHER FLAT M6	2

MEASURING GUIDE

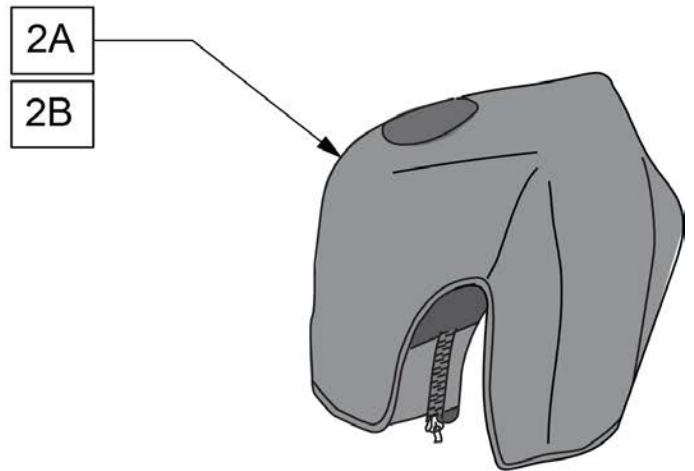
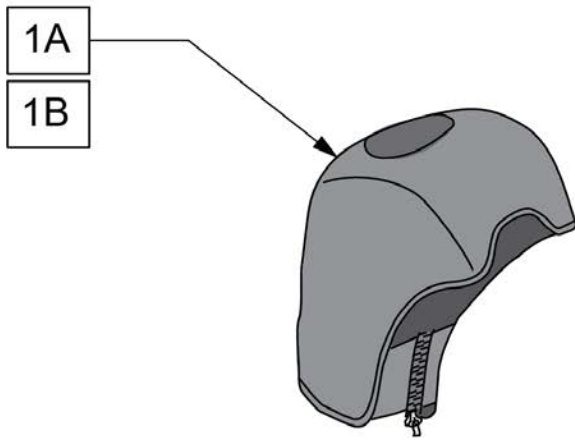
	PART NUMBER	"C"
SHORT	107126	8 1/4"
MED	107127	10 1/4"
LONG	107128	12 1/4"

P/N	DESCRIPTION	"A"	"B"
882337	FOOTPLATE ELR 14-15"	6"	6"
882338	FOOTPLATE ELR 16-17"	7"	6"
882339	FOOTPLATE ELR 18-20"	8"	6"

Pos.	Item Number	Description	Remarks
1	226090	1/4-28 x 5/8 BH C/S	
2	118093	BRACKET FOOTPLATE ALUM	
3	102262-008	BHCS M6 X 1 X 50 INORGANIC	
4	281043	#4 x 5/8 PAN PHIL S/TAP	
5	560101	END CAPS FOOTREST	
7	107126	SHORT BENT	
7	107127	MED BENT	
7	107128	LONG BENT	
7	128078	TUBE FOOTREST EXT SHT HEMI	Use for Hemi Extension option
8	106935	1/4-28 NYLOCK NUT THIN	
9	561003	3/4" SADDLE THIN	
10	132626	NUT AUTOMATION M6 X 1.0	
11	107383	WASHER FLAT M6 ROHS	
4,5,6A	882337	ELR FOOTPLATE ASSEMBLY 14 -15"	
4,5,6B	882338	ELR FOOTPLATE ASSEMBLY 16 -17"	
4,5,6C	882339	ELR FOOTPLATE ASSEMBLY 18 -20"	
12-14	119495	EXTENSION CLAMP KIT	
15	129775	ALU FOOTPLATE HDWARE KIT	Ext tube not included; bracket (118093) not included

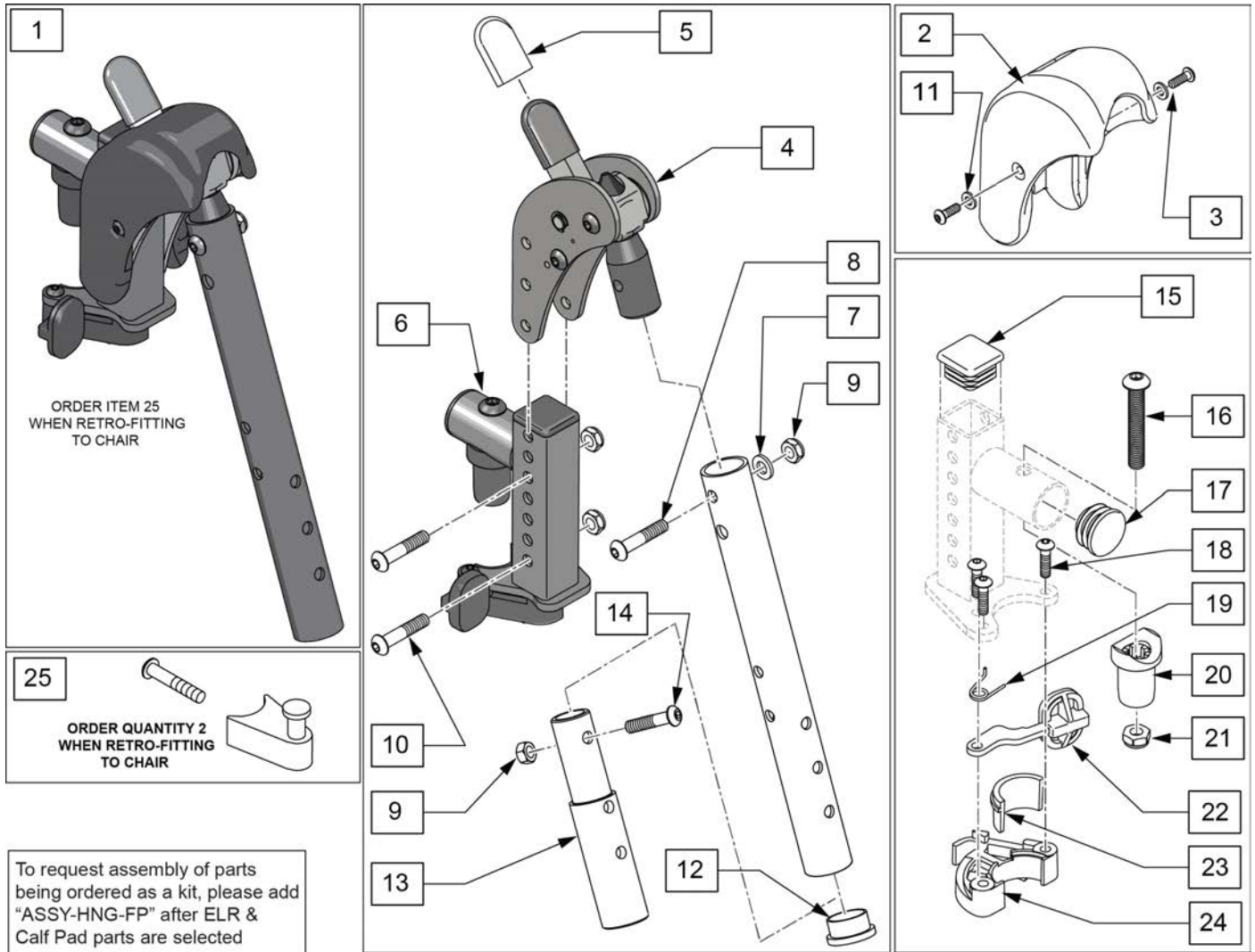
Pos.	Item Number	Description	Remarks
		Ship assembled part #	Use with multiple assemblies
	ASSY-HNG-FP	HANGER/FOOTPLATE ASSY REQUIRED	add with Hanger & Footplate kit

Note: For installation instructions please see the informations section to the right of this parts page.



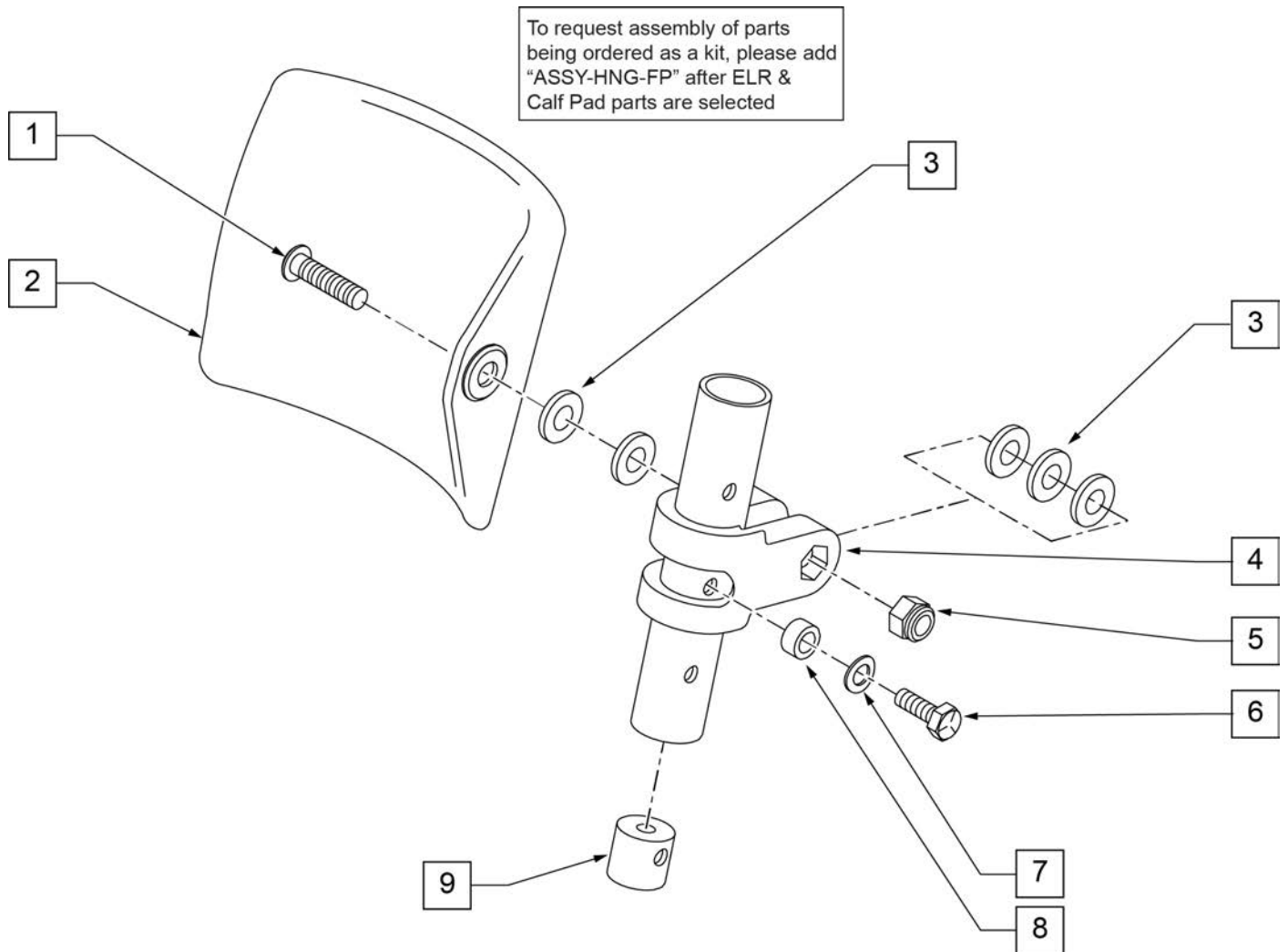
Pos.	Item Number	Description	Remarks
1A	163881	ELR NEOPRENE COVER PR	Pair
1B	163882	ELR GEL COVER PR	Pair
2A	163883	ALR NEOPRENE COVER PR	Pair
2B	163884	ALR GEL COVER PR	Pair

Note: When retrofitting ELR to a chair with S/A Hangers please order Qty 2 of p/n 107491(Item 25).



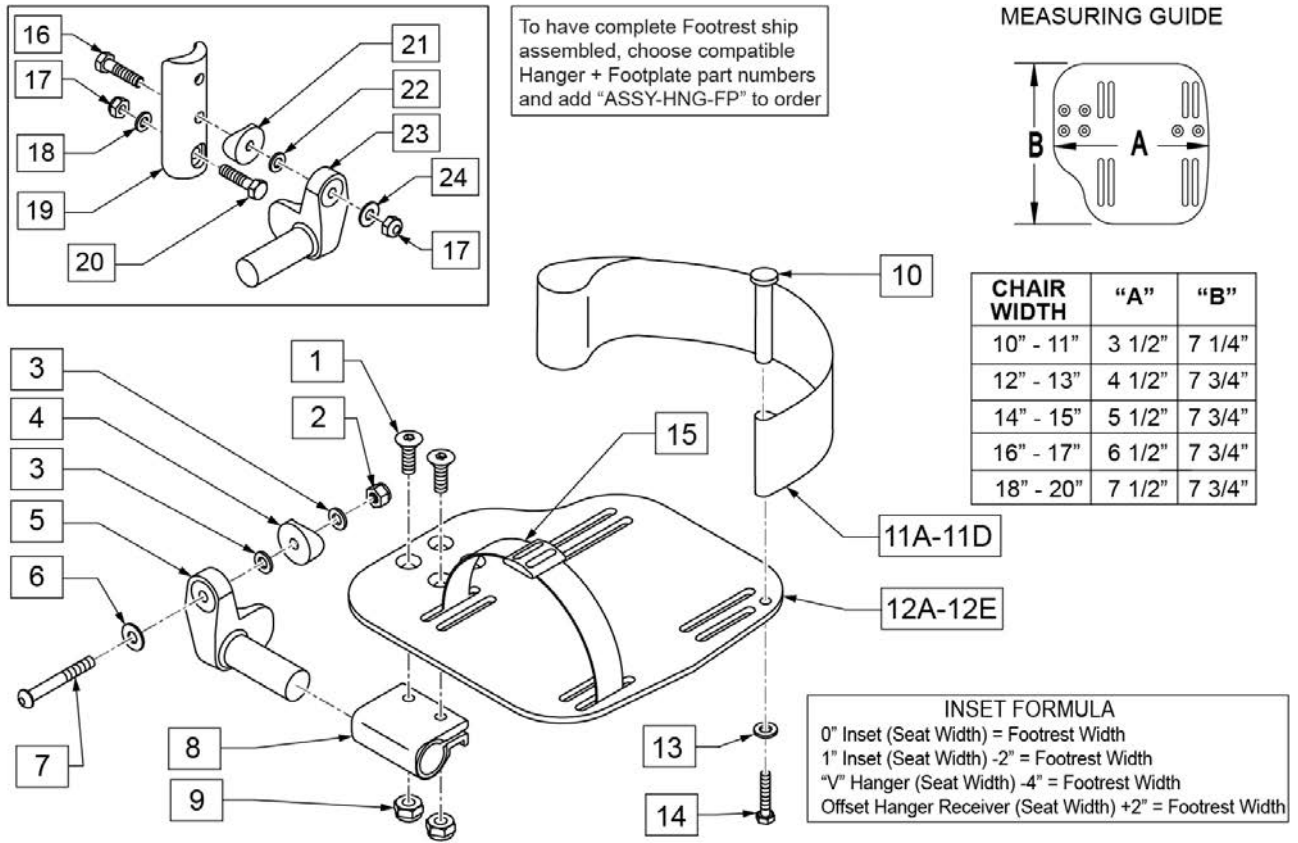
Pos.	Item Number	Description	Remarks
1	129635S	DIRECT MOUNT ELR KIT R	Right-order item 25 when retro-fitting to chair
1	129636S	DIRECT MOUNT ELR KIT L	Left-order item 25 when retro-fitting to chair
1	129634S	DIRECT MOUNT ELR PAIR KIT	Pair-order item 25 when retro-fitting to chair
2,3,25	129640	ELR SHROUD KIT	Kit w/ 2 screws
3	127135	BHCS 8-32 X 1/2 BLK	
4	126992	HEMI ELR SUB ASSM	
5	560501	ALR REL LEVER COVER	
6	127114	HEMI RECEIVER ASSM ELR ALR R	Right
6	127115	HEMI RECEIVER ASSM ELR ALR L	Left
7	104414	WAVE WASHER 6 MM	
8	106961	BHCS 1/4 -28 x 1 1/4 ROHS	
9	106935	1/4-28 NYLOCK NUT THIN BLK ZN	
10	108623	BHCS 1/4-28 x 1-1/2	
11	113282	WASHER FLAT AN #10 ROHS	

Pos.	Item Number	Description	Remarks
12	561002	1" INSERT PLUG .083	
13	500150	2" FOOTREST EXT TUBE	
14	106961	1/4-28 x 1 1/4 BH C/S	
15	010615	SQUARE END CAP CNTR LEG	
17	561062	1" INSERT PLUG .065 RIBS	
18	226057	BHCS 10-24 X .725 PL	
16,17,20,21	119518	PIVOT SADDLE KIT	
23,24	881500	LATCH BLOCK ASSM R	Right
23,24	881501	LATCH BLOCK ASSM L	Left
18,19,22-24	881521	S/A LATCH KIT CASTING RIGHT	Right
18,19,22-24	881522	S/A LATCH KIT CASTING LEFT	Left
25	107491	LATCH STUD KIT	order qty 2 when retro-fitting to chair
		Ship assembled part #	Use with multiple assemblies
	ASSY-HNG-FP	HANGER/FOOTPLATE ASSY REQUESTED	add with Hanger & Footplate kit



Pos.	Item Number	Description	Remarks
1	226217	5/16-18 x 2" BH C/S BLK	
2	755013	CALF PAD TROUGH STYLE KIDS	
3	561016	1" WASHER 5/16" HOLE	
4	561097	ELR ELEVATING TUBE CLAMP	
5	106937	5/16 -18 NYLOCK NUT THIN	
6	106958	HHCS 1/4-20 X 1 ROHS	
7	262130	6mm WASHER WAVE	
8	483027	1/4 x 1/4 ALUMINUM SPACER	
9	500151	KIDS ALR RETAINING PLUG	
1-9	880533	ELR TROUGH PAD ASSM KIDS	
		Ship assembled part #	Use with multiple assemblies
	ASSY-HNG-FP	HANGER/FOOTPLATE ASSY REQUIRED	add with Hanger & Footplate kit

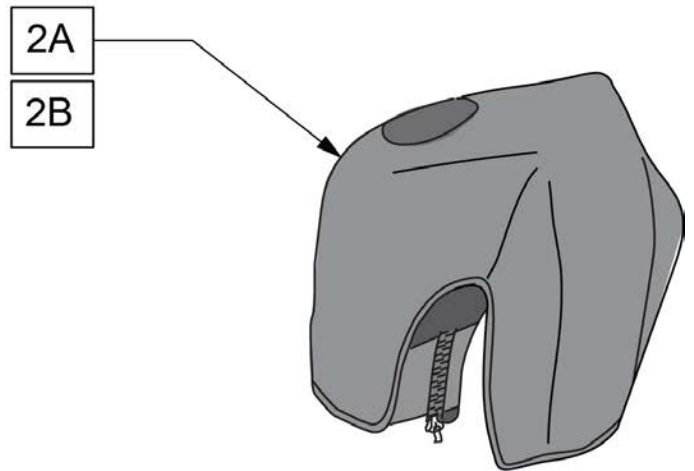
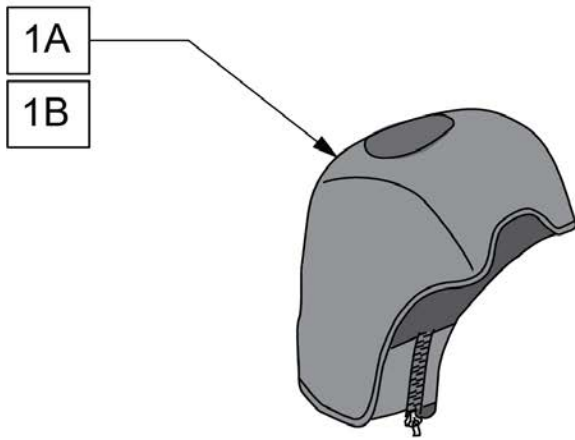
Note: for QX Series or SR45 footplate replacement parts see the ordering guide marked specifically for these two models in the informations panel.



Pos.	Item Number	Description	Remarks
1	106978	FHCS 1/4-28 X 7/8	
2	106934	NUT NYLOCK 1/4-28	
3	106944	WASHER FLAT THIN AN 1/4	
4	561004	Q2 SADDLE	
5	541000	FTRST MOUNTING BRKT 1/2" RAD R	Right
5	541001	FTRST MOUNTING BRKT 1/2" RAD L	Left
6	106945	WASHER FLAT SAE 1/4 ROHS	
7	106964	BHCS 1/4-28 X 2	
8	550350	3/4 CLMP ADJ FT PLT	
9	106935	NUT NYLOCK THIN 1/4-28 ROHS	
10	561040	HEEL LOOP PEG	
11A	104380-001	ADJ FOOTREST STRAP 14W	Used on 10"-13" wide
11B	104380-002	ADJ FOOTREST STRAP 15-16W	Used on 14"-15" wide
11C	104380-003	ADJ FOOTREST STRAP 17-18W	Used on 16"-17" wide
11D	104380-004	ADJ FOOTREST STRAP 19-20W	Used on 18"-20" wide
12A	500656	ADULT ANGL ADJ F/PLT 10/11	Right; 10"-11" wide
12A	500657	ADULT ANGL ADJ F/PLT 10/11	Left; 10"-11" wide

Pos.	Item Number	Description	Remarks
12B	500658	ADULT ANGL ADJ F/PLT 12/13	Right; 12"-13" wide
12B	500659	ADULT ANGL ADJ F/PLT 12/13	Left; 12"-13" wide
12C	500660	ADULT ANGL ADJ F/PLT 14/15	Right; 14"-15" wide
12C	500661	ADULT ANGL ADJ F/PLT 14/15	Left; 14"-15" wide
12D	500662	ADULT ANGL ADJ F/PLT 16/17	Right; 16"-17" wide
12D	500663	ADULT ANGL ADJ F/PLT 16/17	Left; 16"-17" wide
12E	500664	ADULT ANGL ADJ F/PLT 18-20	Right; 18"-22" wide
12E	500665	ADULT ANGL ADJ F/PLT 18-20	Left; 18"-22" wide
13	107383	WASHER FLAT M6 ROHS	
14	102268-001	HHCS M6 X 1 X 25	
15	740260	TOE-ANKLE STRAP ADJ ADULT FOOTPLATE	
16	102268-001	HHCS M6 X 1 X 25	
17	132626	NUT AUTOMATION M6 X 1	
18	107383	WASHER FLAT M6 ROHS	
20	118198	HHCS M6X1X40 PART NP	
21	561004	Q2 SADDLE	
22	106943	WASHER FLAT AN 1/4 ROHS	
24	106945	WASHER FLAT SAE 1/4 ROHS	
16-24	129764	AAA FRNT MNT ADAPTER KIT PR	Pair; fits both Kids & Adult Angle Adj Footplates
1,8-10,11A,12A,13,14	129765	AAA F/PLT KIT 10-11 RT	Right; used w/ 129764 on Plunger-Style Swing In/Out Hangers
1,8-10,11A,12A,13,14	129766	AAA F/PLT KIT 10-11 LFT	Left; used w/ 129764 on Plunger-Style Swing In/Out Hangers
1,8-10,11A,12B,13,14	129767	AAA F/PLT KIT 12-13 RT	Right; used w/ 129764 on Plunger-Style Swing In/Out Hangers
1,8-10,11A,12B,13,14	129768	AAA F/PLT KIT 12-13 LFT	Left; used w/ 129764 on Plunger-Style Swing In/Out Hangers
1,8-10,11B,12C,13,14	129769	AAA F/PLT KIT 14-15 RT	Right; used w/ 129764 on Plunger-Style Swing In/Out Hangers
1,8-10,11B,12C,13,14	129770	AAA F/PLT KIT 14-15 LFT	Left; used w/ 129764 on Plunger-Style Swing In/Out Hangers
1,8-10,11C,12D,13,14	129771	AAA F/PLT KIT 16-17 RT	Right; used w/ 129764 on Plunger-Style Swing In/Out Hangers
1,8-10,11C,12D,13,14	129772	AAA F/PLT KIT 16-17 LFT	Left; used w/ 129764 on Plunger-Style Swing In/Out Hangers
1,8-10,11D,12E,13,14	129773	AAA F/PLT KIT 18-20 RT	Right; used w/ 129764 on Plunger-Style Swing In/Out Hangers
1,8-10,11D,12E,13,14	129774	AAA F/PLT KIT 18-20 LFT	Left; used w/ 129764 on Plunger-Style Swing In/Out Hangers
1-10,11A,12B	111514	AAA FTPLT 90D 12/13" R	Right; used w/ Old-Style Latch Block Swing In/Out & S/A Hngrs
1-10,11A,12B	111515	AAA FTPLT 90D 12/13" L	Left; used w/ Old-Style Latch Block Swing IO & S/A Hngrs
1-10,11B,12C	111516	AAA FTPLT 90D 14/15" R	Right; used w/ Old-Style Latch Block Swing In/Out & S/A Hngrs
1-10,11B,12C	111517	AAA FTPLT 90D 14/15" L	Left; used w/ Old-Style Latch Block Swing IO & S/A Hngrs
1-10,11C,12D	111518	AAA FTPLT 90D 16/17" R	Right; used w/ Old-Style Latch Block Swing In/Out & S/A Hngrs
1-10,11C,12D	111519	AAA FTPLT 90D 16/17" L	Left; used w/ Old-Style Latch Block Swing IO & S/A Hngrs
1-10,11D,12E	111520	AAA FTPLT 90D 18/20" R	Right; used w/ Old-Style Latch Block Swing In/Out & S/A Hngrs
1-10,11D,12E	111521	AAA FTPLT 90D 18/20" L	Left; used w/ Old-Style Latch Block Swing IO & S/A Hngrs
		Ship assembled part #	Use with multiple assemblies
	ASSY-HNG-FP	HANGER/FOOTPLATE ASSY REQUIRED	add with Hanger & Footplate kit

Note: For installation instructions please see the informations section to the right of this parts page.



Pos.	Item Number	Description	Remarks
1A	163881	ELR NEOPRENE COVER PR	Pair
1B	163882	ELR GEL COVER PR	Pair
2A	163883	ALR NEOPRENE COVER PR	Pair
2B	163884	ALR GEL COVER PR	Pair

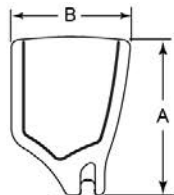
Note: Footplate Assemblies are set to footrest width; please see "Footplate Formula" table for seat width conversion.

Note: If using Short Ext Tube & Hemi Hanger with Composite Footplate use 1G (bent) .

Note: V Style Hangers are not available on Swing Away Style chairs effective 7/14/14; see the "Prior To" ordering guide for V Style footplate assemblies.

Note: see Informations Panel for appropriate ordering guide; for QX Series or SR45 footplate replacement parts see ordering guide marked specifically for these two models.

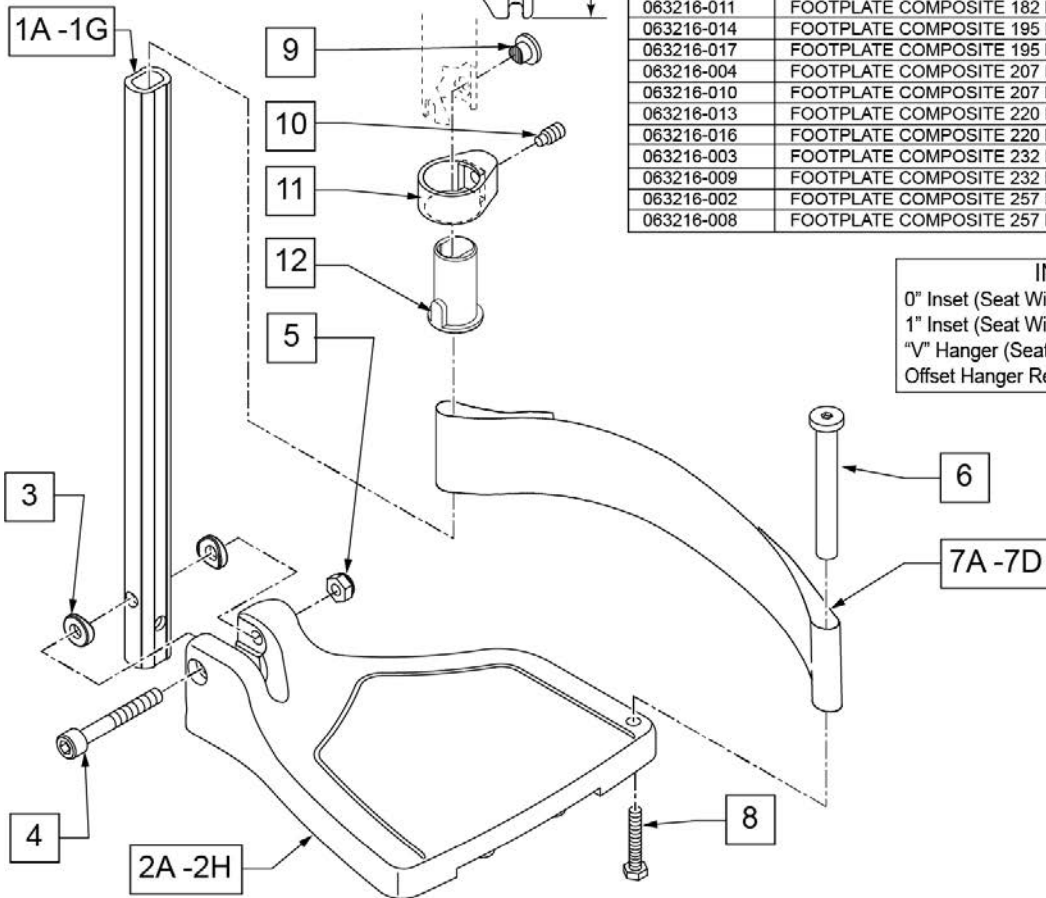
To have complete Footrest ship assembled, choose compatible Hanger + Footplate part numbers and add "ASSY-HNG-FP" to order



FOOTPLATE MEASURING GUIDE

PART NO	DESCRIPTION	"A"	"B"
063216-006	FOOTPLATE COMPOSITE 157 R (13"W)	6 1/8"	6"
063216-012	FOOTPLATE COMPOSITE 157 L (13"W)	6 1/8"	6"
063216-015	FOOTPLATE COMPOSITE 170 R (14"W)	6 5/8"	6"
063216-018	FOOTPLATE COMPOSITE 170 L (14"W)	6 5/8"	6"
063216-005	FOOTPLATE COMPOSITE 182 R (15"W)	7 1/8"	6"
063216-011	FOOTPLATE COMPOSITE 182 L (15"W)	7 1/8"	6"
063216-014	FOOTPLATE COMPOSITE 195 R (16"W)	7 5/8"	6"
063216-017	FOOTPLATE COMPOSITE 195 L (16"W)	7 5/8"	6"
063216-004	FOOTPLATE COMPOSITE 207 R (17"W)	8 1/8"	6"
063216-010	FOOTPLATE COMPOSITE 207 L (17"W)	8 1/8"	6"
063216-013	FOOTPLATE COMPOSITE 220 R (18"W)	8 5/8"	6 1/4"
063216-016	FOOTPLATE COMPOSITE 220 L (18"W)	8 5/8"	6 1/4"
063216-003	FOOTPLATE COMPOSITE 232 R (19-20"W)	9 1/8"	6 1/4"
063216-009	FOOTPLATE COMPOSITE 232 L (19-20"W)	9 1/8"	6 1/4"
063216-002	FOOTPLATE COMPOSITE 257 R (21-22"W)	10 1/8"	6 1/4"
063216-008	FOOTPLATE COMPOSITE 257 L (21-22"W)	10 1/8"	6 1/4"

INSET FORMULA
 0" Inset (Seat Width) = Footrest Width
 1" Inset (Seat Width) -2" = Footrest Width
 "V" Hanger (Seat Width) -4" = Footrest Width
 Offset Hanger Receiver (Seat Width) +2" = Footrest Width



Pos.	Item Number	Description	Remarks
1A,3-5	120660	SHT STRT EXT COMP HDWR	80 deg hangers + ELR only
1B,3-5	120661	MED STRT EXT COMP HDWR	80 deg hangers + ELR only
1C,3-5	120662	LNG STRT EXT COMP HDWR	80 deg hangers + ELR only
1D,3-5	120663	SHT BNT EXT COMP HDWR	60,70,70 Hemi Hangers
1E,3-5	120664	MED BNT EXT COMP HDWR	60,70,70 Hemi Hangers
1F,3-5	120665	LNG BNT EXT COMP HDWR	60,70,70 Hemi Hangers
1G	128078	TUBE FOOTREST EXT SHT HEMI	use for Hemi Ext Tube option
2A	063216-006	COMPOSITE FOOTPLATE RIGHT	RIGHT 13" Footrest Width
2A	063216-012	COMPOSITE FOOTPLATE LEFT	LEFT 13" Footrest Width
2B	063216-015	FOOTPLATE COMPOSITE RIGHT	RIGHT 14" Footrest Width
2B	063216-018	FOOTPLATE COMPOSITE LEFT	LEFT 14" Footrest Width
2C	063216-005	COMPOSITE FOOTPLATE RIGHT	RIGHT 15" Footrest Width
2C	063216-011	COMPOSITE FOOTPLATE LEFT	LEFT 15" Footrest Width
2D	063216-014	FOOTPLATE COMPOSITE RIGHT	RIGHT 16" Footrest Width
2D	063216-017	FOOTPLATE COMPOSITE LEFT	LEFT 16" Footrest Width
2E	063216-004	COMPOSITE FOOTPLATE RIGHT	RIGHT 17" Footrest Width
2E	063216-010	COMPOSITE FOOTPLATE LEFT	LEFT 17" Footrest Width
2F	063216-013	FOOTPLATE COMPOSITE RIGHT	RIGHT 18" Footrest Width
2F	063216-016	FOOTPLATE COMPOSITE LEFT	LEFT 18" Footrest Width
2G	063216-003	COMPOSITE FOOTPLATE RIGHT	RIGHT 19" & 20" Footrest Width
2G	063216-009	COMPOSITE FOOTPLATE LEFT	LEFT 19" & 20" Footrest Width
2H	063216-002	FOOTPLATE COMPOSITE RIGHT	RIGHT 21" & 22" Footrest Width
2H	063216-008	FOOTPLATE COMPOSITE LEFT	LEFT 21" & 22" Footrest Width
3	104377	3/4" SADDLE THIN	
4	103175	SHCS M6 X 1 X 40 INORG	
5	132626	NUT AUTOMATION M6 X 1.0	Inserted in bottom of footplate.
6	104328	HEEL LOOP PEG	
7A	104380-001	ADJUSTABLE FOOT REST STRAP	14" wide
7B	104380-002	ADJUSTABLE FOOT REST STRAP	15-16" wide
7C	104380-003	ADJUSTABLE FOOT REST STRAP	17-18" wide
7D	104380-004	ADJUSTABLE FOOT REST STRAP	19-22" wide
8	102268-001	HHCS M6 X 1 X 25	
12	104160	BUSHING FOOTREST	
9-12	107485	FOOTREST CLAMP ASSM	
>>>>		80 DEGREE HANGERS - SHORT EXT - RIGHT	
1A,2A,3-6,7A,8	107704	COMP STRT SHT EXT ASM 13"W R	Right- 80D- 13" W- SHORT
1A,2B,3-6,7A,8	107705	COMP STRT SHT EXT ASM 14"W R	Right- 80D- 14" W- SHORT
1A,2C,3-6,7B,8	107706	COMP STRT SHT EXT ASM 15"W R	Right- 80D- 15" W- SHORT
1A,2D,3-6,7B,8	107707	COMP STRT SHT EXT ASM 16"W R	Right- 80D- 16" W- SHORT
1A,2E,3-6,7C,8	107708	COMP STRT SHT EXT ASM 17"W R	Right- 80D- 17" W- SHORT
1A,2F,3-6,7C,8	107709	COMP STRT SHT EXT ASM 18"W R	Right- 80D- 18" W- SHORT
1A,2G,3-6,7D,8	107710	COMP STRT SHT EXT ASM 19 & 20"W R	Right- 80D- 19 & 20" W- SHORT
1A,2H,3-6,7D,8	111522	COMP STRT SHT EXT ASM 21 & 22"W R	Right- 80D- 21 & 22" W- SHORT
>>>>		80 DEGREE HANGERS - SHORT EXT - LEFT	
1A,2A,3-6,7A,8	107711	COMP STRT SHT EXT ASM 13"W L	LEFT- 80D- 13" W- SHORT
1A,2B,3-6,7A,8	107712	COMP STRT SHT EXT ASM 14"W L	LEFT- 80D- 14" W- SHORT
1A,2C,3-6,7B,8	107713	COMP STRT SHT EXT ASM 15"W L	LEFT- 80D- 15" W- SHORT
1A,2D,3-6,7B,8	107714	COMP STRT SHT EXT ASM 16"W L	LEFT- 80D- 16" W- SHORT
1A,2E,3-6,7C,8	107715	COMP STRT SHT EXT ASM 17"W L	LEFT- 80D- 17" W- SHORT
1A,2F,3-6,7C,8	107716	COMP STRT SHT EXT ASM 18"W L	LEFT- 80D- 18" W- SHORT
1A,2G,3-6,7D,8	107717	COMP STRT SHT EXT ASM 19 & 20"W L	LEFT- 80D- 19 & 20" W- SHORT
1A,2H,3-6,7D,8	111523	COMP STRT SHT EXT ASM 21 & 22"W L	LEFT- 80D- 21 & 22" W- SHORT
>>>>		80 DEGREE HANGERS - MED EXT - RIGHT	
1B,2A,3-6,7A,8	107718	COMP STRT MED EXT ASM 13"W R	Right- 80D- 13" W- MED
1B,2B,3-6,7A,8	107719	COMP STRT MED EXT ASM 14"W R	Right- 80D- 14" W- MED
1B,2C,3-6,7B,8	107720	COMP STRT MED EXT ASM 15"W R	Right- 80D- 15" W- MED

Pos.	Item Number	Description	Remarks
1B,2D,3-6,7B,8	107721	COMP STRT MED EXT ASM 16"W R	Right- 80D- 16" W- MED
1B,2E,3-6,7C,8	107722	COMP STRT MED EXT ASM 17"W R	Right- 80D- 17" W- MED
1B,2F,3-6,7C,8	107723	COMP STRT MED EXT ASM 18"W R	Right- 80D- 18" W- MED
1B,2G,3-6,7D,8	107724	COMP STRT MED EXT ASM 19 & 20"W R	Right- 80D- 19 & 20" W- MED
1B,2H,3-6,7D,8	111524	COMP STRT MED EXT ASM 21 & 22"W R	Right- 80D- 21 & 22" W- MED
>>>>		80 DEGREE HANGERS - MED EXT - LEFT	
1B,2A,3-6,7A,8	107725	COMP STRT MED EXT ASM 13"W L	LEFT- 80D- 13" W- MED
1B,2B,3-6,7A,8	107726	COMP STRT MED EXT ASM 14"W L	LEFT- 80D- 14" W- MED
1B,2C,3-6,7B,8	107727	COMP STRT MED EXT ASM 15"W L	LEFT- 80D- 15" W- MED
1B,2D,3-6,7B,8	107728	COMP STRT MED EXT ASM 16"W L	LEFT- 80D- 16" W- MED
1B,2E,3-6,7C,8	107729	COMP STRT MED EXT ASM 17"W L	LEFT- 80D- 17" W- MED
1B,2F,3-6,7C,8	107730	COMP STRT MED EXT ASM 18"W L	LEFT- 80D- 18" W- MED
1B,2G,3-6,7D,8	107731	COMP STRT MED EXT ASM 19 & 20"W L	LEFT- 80D- 19 & 20" W- MED
1B,2H,3-6,7D,8	111525	COMP STRT MED EXT ASM 21 & 22"W L	LEFT- 80D- 21 & 22" W- MED
>>>>		80 DEGREE HANGERS - LONG EXT - RIGHT	
1C,2A,3-6,7A,8	107732	COMP STRT LONG EXT ASM 13"W R	Right- 80D- 13" W- LONG
1C,2B,3-6,7A,8	107733	COMP STRT LONG EXT ASM 14"W R	Right- 80D- 14" W- LONG
1C,2C,3-6,7B,8	107734	COMP STRT LONG EXT ASM 15"W R	Right- 80D- 15" W- LONG
1C,2D,3-6,7B,8	107735	COMP STRT LONG EXT ASM 16"W R	Right- 80D- 16" W- LONG
1C,2E,3-6,7C,8	107736	COMP STRT LONG EXT ASM 17"W R	Right- 80D- 17" W- LONG
1C,2F,3-6,7C,8	107737	COMP STRT LONG EXT ASM 18"W R	Right- 80D- 18" W- LONG
1C,2G,3-6,7D,8	107738	COMP STRT LONG EXT ASM 19 & 20"W R	Right- 80D- 19 & 20" W- LONG
1C,2H,3-6,7D,8	111526	COMP STRT LONG EXT ASM 21 & 22"W R	Right- 80D- 21 & 22" W- LONG
>>>>		80 DEGREE HANGERS - LONG EXT - LEFT	
1C,2A,3-6,7A,8	107739	COMP STRT LONG EXT ASM 13"W L	LEFT- 80D- 13" W- LONG
1C,2B,3-6,7A,8	107740	COMP STRT LONG EXT ASM 14"W L	LEFT- 80D- 14" W- LONG
1C,2C,3-6,7B,8	107741	COMP STRT LONG EXT ASM 15"W L	LEFT- 80D- 15" W- LONG
1C,2D,3-6,7B,8	107742	COMP STRT LONG EXT ASM 16"W L	LEFT- 80D- 16" W- LONG
1C,2E,3-6,7C,8	107743	COMP STRT LONG EXT ASM 17"W L	LEFT- 80D- 17" W- LONG
1C,2F,3-6,7C,8	107744	COMP STRT LONG EXT ASM 18"W L	LEFT- 80D- 18" W- LONG
1C,2G,3-6,7D,8	107745	COMP STRT LONG EXT ASM 19 & 20"W L	LEFT- 80D- 19 & 20" W- LONG
1C,2H,3-6,7D,8	111527	COMP STRT LONG EXT ASM 21 & 22"W L	LEFT- 80D- 21 & 22" W- LONG
>>>>		60°,70° SHORT EXT - RIGHT	
1D,2A,3-6,7A,8	107746	COMP BNT SHT EXT ASM 13" W R	Right- 70D- 13" W- SHORT
1D,2B,3-6,7A,8	107747	COMP BNT SHT EXT ASM 14" W R	Right- 70D- 14" W- SHORT
1D,2C,3-6,7B,8	107748	COMP BNT SHT EXT ASM 15" W R	Right- 70D- 15" W- SHORT
1D,2D,3-6,7B,8	107749	COMP BNT SHT EXT ASM 16" W R	Right- 70D- 16" W- SHORT
1D,2E,3-6,7C,8	107750	COMP BNT SHT EXT ASM 17" W R	Right- 70D- 17" W- SHORT
1D,2F,3-6,7C,8	107751	COMP BNT SHT EXT ASM 18" W R	Right- 70D- 18" W- SHORT
1D,2G,3-6,7D,8	107752	COMP BNT SHT EXT ASM 19 & 20"W R	Right- 70D- 19 & 20" W- SHORT
1D,2H,3-6,7D,8	111528	COMP BNT SHT EXT ASM 21 & 22"W R	Right- 70D- 21 & 22" W- SHORT
>>>>		60°,70° - SHORT EXT - LEFT	
1D,2A,3-6,7A,8	107753	COMP BNT SHT EXT ASM 13" W L	Left- 70D- 13 W- SHORT
1D,2B,3-6,7A,8	107754	COMP BNT SHT EXT ASM 14" W L	Left- 70D- 14 W- SHORT
1D,2C,3-6,7B,8	107755	COMP BNT SHT EXT ASM 15" W L	Left- 70D- 15 W- SHORT
1D,2D,3-6,7B,8	107756	COMP BNT SHT EXT ASM 16" W L	Left- 70D- 16 W- SHORT
1D,2E,3-6,7C,8	107757	COMP BNT SHT EXT ASM 17" W L	Left- 70D- 17 W- SHORT
1D,2F,3-6,7C,8	107758	COMP BNT SHT EXT ASM 18" W L	Left- 70D- 18 W- SHORT
1D,2G,3-6,7D,8	107759	COMP BNT SHT EXT ASM 19 & 20"W L	Left- 70D- 19 & 20" W- SHORT
1D,2H,3-6,7D,8	111529	COMP BNT SHT EXT ASM 21 & 22"W L	Left- 70D- 21 & 22" W- SHORT
>>>>		60°,70°,60°&70° HEMI HANGERS - MED EXT - RIGHT	
1E,2A,3-6,7A,8	107760	COMP BNT MED EXT ASM 13" W R	Right- 70D- 13" W- MED
1E,2B,3-6,7A,8	107761	COMP BNT MED EXT ASM 14" W R	Right- 70D- 14" W- MED
1E,2C,3-6,7B,8	107762	COMP BNT MED EXT ASM 15" W R	Right- 70D- 15" W- MED
1E,2D,3-6,7B,8	107763	COMP BNT MED EXT ASM 16" W R	Right- 70D- 16" W- MED
1E,2E,3-6,7C,8	107764	COMP BNT MED EXT ASM 17" W R	Right- 70D- 17" W- MED

Pos.	Item Number	Description	Remarks
1E,2F,3-6,7C,8	107765	COMP BNT MED EXT ASM 18" W R	Right- 70D- 18" W- MED
1E,2G,3-6,7D,8	107766	COMP BNT MED EXT ASM 19 & 20"W R	Right- 70D- 19 & 20" W- MED
1E,2H,3-6,7D,8	111530	COMP BNT MED EXT ASM 21 & 22"W R	Right- 70D- 21 & 22" W- MED
>>>>		60°,70°,60°&70° HEMI HANGERS - MED EXT - LEFT	
1E,2A,3-6,7A,8	107767	COMP BNT MED EXT ASM 13" W L	Left- 70D- 13 W- MED
1E,2B,3-6,7A,8	107768	COMP BNT MED EXT ASM 14" W L	Left- 70D- 14 W- MED
1E,2C,3-6,7B,8	107769	COMP BNT MED EXT ASM 15" W L	Left- 70D- 15 W- MED
1E,2D,3-6,7B,8	107770	COMP BNT MED EXT ASM 16" W L	Left- 70D- 16 W- MED
1E,2E,3-6,7C,8	107771	COMP BNT MED EXT ASM 17" W L	Left- 70D- 17 W- MED
1E,2F,3-6,7C,8	107772	COMP BNT MED EXT ASM 18" W L	Left- 70D- 18 W- MED
1E,2G,3-6,7D,8	107773	COMP BNT MED EXT ASM 19 & 20"W L	Left- 70D- 19 & 20" W- MED
1E,2H,3-6,7D,8	111531	COMP BNT MED EXT ASM 21 & 22"W L	Left- 70D- 21 & 22" W- MED
>>>>		60°,70°,60°&70° HEMI HANGERS - LONG EXT - RIGHT	
1F,2A,3-6,7A,8	107774	COMP BNT LONG EXT ASM 13" W R	Right- 70D- 13" W- LONG
1F,2B,3-6,7A,8	107775	COMP BNT LONG EXT ASM 14" W R	Right- 70D- 14" W- LONG
1F,2C,3-6,7B,8	107776	COMP BNT LONG EXT ASM 15" W R	Right- 70D- 15" W- LONG
1F,2D,3-6,7B,8	107777	COMP BNT LONG EXT ASM 16" W R	Right- 70D- 16" W- LONG
1F,2E,3-6,7C,8	107778	COMP BNT LONG EXT ASM 17" W R	Right- 70D- 17" W- LONG
1F,2F,3-6,7C,8	107779	COMP BNT LONG EXT ASM 18" W R	Right- 70D- 18" W- LONG
1F,2G,3-6,7D,8	107780	COMP BNT LONG EXT ASM 19 & 20"W R	Right- 70D- 19 & 20" W- LONG
1F,2H,3-6,7D,8	111532	COMP BNT LONG EXT ASM 21 & 22"W R	Right- 70D- 21 & 22" W- LONG
>>>>		60°,70°,60°&70° HEMI HANGERS - LONG EXT - LEFT	
1F,2A,3-6,7A,8	107781	COMP BNT LONG EXT ASM 13" W L	Left- 70D- 13 W- LONG
1F,2B,3-6,7A,8	107782	COMP BNT LONG EXT ASM 14" W L	Left- 70D- 14 W- LONG
1F,2C,3-6,7B,8	107783	COMP BNT LONG EXT ASM 15" W L	Left- 70D- 15 W- LONG
1F,2D,3-6,7B,8	107784	COMP BNT LONG EXT ASM 16" W L	Left- 70D- 16 W- LONG
1F,2E,3-6,7C,8	107785	COMP BNT LONG EXT ASM 17" W L	Left- 70D- 17 W- LONG
1F,2F,3-6,7C,8	107786	COMP BNT LONG EXT ASM 18" W L	Left- 70D- 18 W- LONG
1F,2G,3-6,7D,8	107787	COMP BNT LONG EXT ASM 19 & 20"W L	Left- 70D- 19 & 20" W- LONG
1F,2H,3-6,7D,8	111533	COMP BNT LONG EXT ASM 21 & 22"W L	Left- 70D- 21 & 22" W- LONG
>>>>		60°&70° HEMI HANGER SHORT EXT- RIGHT	
1G,2A,3-6,7A,8	129724	CMP FT BNT KIT SHT HNGR 13W R	Right-Hemi-13W; add Ext behind the Hemi
1G,2B,3-6,7A,8	129726	CMP FT BNT KIT SHT HNGR 14W R	Right-Hemi-14W; add Ext behind the Hemi
1G,2C,3-6,7B,8	129728	CMP FT BNT KIT SHT HNGR 15W R	Right-Hemi-15W; add Ext behind the Hemi
1G,2D,3-6,7B,8	129730	CMP FT BNT KIT SHT HNGR 16W R	Right-Hemi-16W; add Ext behind the Hemi
1G,2E,3-6,7C,8	129732	CMP FT BNT KIT SHT HNGR 17W R	Right-Hemi-17W; add Ext behind the Hemi
1G,2F,3-6,7C,8	129734	CMP FT BNT KIT SHT HNGR 18W R	Right-Hemi-18W; add Ext behind the Hemi
1G,2G,3-6,7D,8	129736	CMP FT BNT KIT SHT HNGR 19-20W R	Right-Hemi-19-20W; add Ext behind the Hemi
1G,2H,3-6,7D,8	129738	CMP FT BNT KIT SHT HNGR 21-22W R	Right-Hemi-21-22W; add Ext behind the Hemi
>>>>		60°&70° HEMI HANGER SHORT EXT- LEFT	
1G,2A,3-6,7A,8	129725	CMP FT BNT KIT SHT HNGR 13W L	Left-Hemi-13W; add Ext behind the Hemi
1G,2B,3-6,7A,8	129727	CMP FT BNT KIT SHT HNGR 14W L	Left-Hemi-14W; add Ext behind the Hemi
1G,2C,3-6,7B,8	129729	CMP FT BNT KIT SHT HNGR 15W L	Left-Hemi-15W; add Ext behind the Hemi
1G,2D,3-6,7B,8	129731	CMP FT BNT KIT SHT HNGR 16W L	Left-Hemi-16W; add Ext behind the Hemi
1G,2E,3-6,7C,8	129733	CMP FT BNT KIT SHT HNGR 17W L	Left-Hemi-17W; add Ext behind the Hemi
1G,2F,3-6,7C,8	129735	CMP FT BNT KIT SHT HNGR 18W L	Left-Hemi-18W; add Ext behind the Hemi
1G,2G,3-6,7D,8	129737	CMP FT BNT KIT SHT HNGR 19-20W L	Left-Hemi-19-20W; add Ext behind the Hemi
1G,2H,3-6,7D,8	129739	CMP FT BNT KIT SHT HNGR 21-22W L	Left-Hemi-21-22W; add Ext behind the Hemi
		Ship assembled part #	Use with multiple assemblies
	ASSY-HNG-FP	HANGER/FOOTPLATE ASSY REQUIRED	add with Hanger & Footplate kit

Note: Footplate Assemblies are set to footrest width; please see "Footplate Formula" table for seat width conversion.

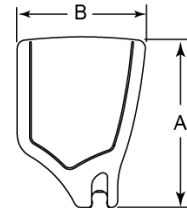
Note: If using Short Ext Tube & Hemi Hanger with Composite Angle Adjustable Footplate use 1D (straight) .

Note: V Style Hangers are not available on Swing Away Style chairs effective 7/14/14; see the "Prior To" ordering guide for V Style footplate assemblies.

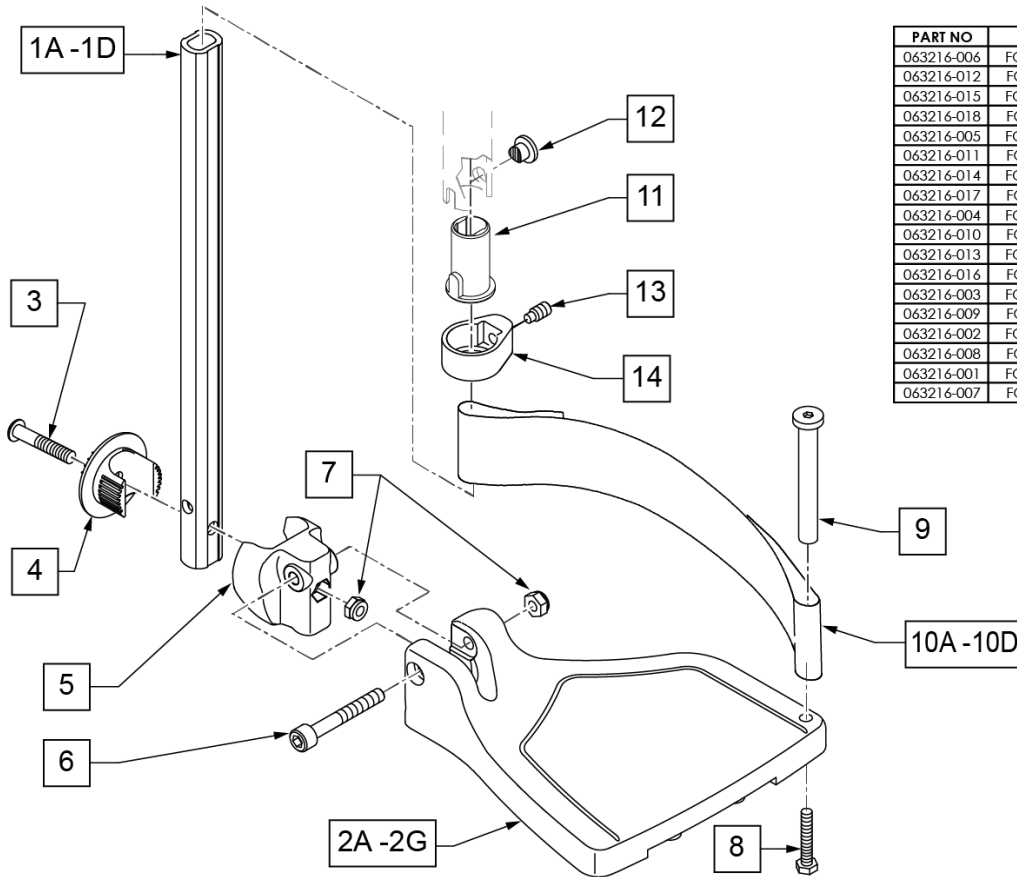
To have complete Footrest ship assembled, choose compatible Hanger + Footplate part numbers and add "ASSY-HNG-FP" to order

ADD INSET FORMULA
 0" Inset (Seat Width) = Footrest Width
 1" Inset (Seat Width) -2" = Footrest Width
 2" Inset (Seat Width) -4" = Footrest Width
 "V" Hanger (Seat Width) -4" = Footrest Width
 Offset Hanger Receiver (Seat Width) +2" = Footrest Width
 Flared Frame (Seat Width) = 2" = Footrest Width

FOOTPLATE MEASURING GUIDE



PART NO	DESCRIPTION	DIM -A-	DIM -B-
063216-006	FOOTPLATE COMPOSITE 157 R	6 1/8"	6"
063216-012	FOOTPLATE COMPOSITE 157 L	6 1/8"	6"
063216-015	FOOTPLATE COMPOSITE 170 R	6 5/8"	6"
063216-018	FOOTPLATE COMPOSITE 170 L	6 5/8"	6"
063216-005	FOOTPLATE COMPOSITE 182 R	7 1/8"	6"
063216-011	FOOTPLATE COMPOSITE 182 L	7 1/8"	6"
063216-014	FOOTPLATE COMPOSITE 195 R	7 5/8"	6"
063216-017	FOOTPLATE COMPOSITE 195 L	7 5/8"	6"
063216-004	FOOTPLATE COMPOSITE 207 R	8 1/8"	6"
063216-010	FOOTPLATE COMPOSITE 207 L	8 1/8"	6"
063216-013	FOOTPLATE COMPOSITE 220 R	8 5/8"	6 1/4"
063216-016	FOOTPLATE COMPOSITE 220 L	8 5/8"	6 1/4"
063216-003	FOOTPLATE COMPOSITE 232 R	9 1/8"	6 1/4"
063216-009	FOOTPLATE COMPOSITE 232 L	9 1/8"	6 1/4"
063216-002	FOOTPLATE COMPOSITE 257 R	10 1/8"	6 1/4"
063216-008	FOOTPLATE COMPOSITE 257 L	10 1/8"	6 1/4"
063216-001	FOOTPLATE COMPOSITE 282 R	11 1/8"	6 1/4"
063216-007	FOOTPLATE COMPOSITE 282 L	11 1/8"	6 1/4"



Pos.	Item Number	Description	Remarks
1A,6,7	120660	SHT STRT EXT COMP HDWR	
1B,6,7	120661	MED STRT EXT COMP HDWR	
1C,6,7	120662	LNG STRT EXT COMP HDWR	
1D	128079	TUBE FTRST EXT STRGHT SHT HEMI	Use for Hemi Ext Tube option
2A	063216-006	COMPOSITE FOOTPLATE RIGHT	RIGHT 15" Footrest Width

Pos.	Item Number	Description	Remarks
2A	063216-012	COMPOSITE FOOTPLATE LEFT	LEFT 15" Footrest Width
2B	063216-015	COMPOSITE FOOTPLATE RIGHT	RIGHT 16" Footrest Width
2B	063216-018	COMPOSITE FOOTPLATE LEFT	LEFT 16" Footrest Width
2C	063216-005	COMPOSITE FOOTPLATE RIGHT	RIGHT 17" Footrest Width
2C	063216-011	COMPOSITE FOOTPLATE LEFT	LEFT 17" Footrest Width
2D	063216-014	COMPOSITE FOOTPLATE RIGHT	RIGHT 18" Footrest Width
2D	063216-017	COMPOSITE FOOTPLATE LEFT	LEFT 18" Footrest Width
2E	063216-004	COMPOSITE FOOTPLATE RIGHT	RIGHT 19" Footrest Width
2E	063216-010	COMPOSITE FOOTPLATE LEFT	LEFT 19" Footrest Width
2F	063216-013	COMPOSITE FOOTPLATE RIGHT	RIGHT 20" Footrest Width
2F	063216-016	COMPOSITE FOOTPLATE LEFT	LEFT 20" Footrest Width
2G	063216-003	COMPOSITE FOOTPLATE RIGHT	RIGHT 21" & 22" Footrest Width
2G	063216-009	COMPOSITE FOOTPLATE LEFT	LEFT 21" & 22" Footrest Width
3	108233	BHCS M6 X 1 X 40	
4	054242	ANGLE COVER	
5	054241	ANGLE SEGMENT	
6	103175	SHCS M6 X 1 X 40 INORG	
7	132626	NUT AUTOMATION M6 X 1.0	
8	102268-001	HHCS M6X1X25	Inserted in bottom of footplate.
9	104328	HEEL LOOP PEG	
10A	104380-001	ADJUSTABLE FOOT REST STRAP	15" Footrest Width
10B	104380-002	ADJUSTABLE FOOT REST STRAP	16" Footrest Width
10C	104380-003	ADJUSTABLE FOOT REST STRAP	17-18" Footrest Width
10D	104380-004	ADJUSTABLE FOOT REST STRAP	19-22" Footrest Width
11	104160	BUSHING FOOTREST	
11-14	107485	FOOTREST CLAMP ASSM	
>>>>		60,70,80 HANGERS - SHORT EXT - RIGHT	
1A,2A,3-10A	107816	CAA STRT SHT EXT ASM 15W R	Right- 15 W- SHORT
1A,2B,3-10B	107817	CAA STRT SHT EXT ASM 16W R	Right- 16 W- SHORT
1A,2C,3-10B	107818	CAA STRT SHT EXT ASM 17W R	Right- 17 W- SHORT
1A,2D,3-10C	107819	CAA STRT SHT EXT ASM 18W R	Right- 18 W- SHORT
1A,2E,3-10C	107820	CAA STRT SHT EXT ASM 19W R	Right- 19 W- SHORT
1A,2F,3-10D	107821	CAA STRT SHT EXT ASM 20W R	Right- 20 W- SHORT
1A,2G,3-10D	107822	CAA STRT SHT EXT ASM 21&22W R	Right- 21&22 W- SHORT
>>>>		60,70,80 HANGERS - SHORT EXT - LEFT	
1A,2A,3-10A	107823	CAA STRT SHT EXT ASM 15W L	Left- 15 W- SHORT
1A,2B,3-10B	107824	CAA STRT SHT EXT ASM 16W L	Left- 16 W- SHORT
1A,2C,3-10B	107825	CAA STRT SHT EXT ASM 17W L	Left- 17 W- SHORT
1A,2D,3-10C	107826	CAA STRT SHT EXT ASM 18W L	Left- 18 W- SHORT
1A,2E,3-10C	107827	CAA STRT SHT EXT ASM 19W L	Left- 19 W- SHORT
1A,2F,3-10D	107828	CAA STRT SHT EXT ASM 20W L	Left- 20 W- SHORT
1A,2G,3-10D	107829	CAA STRT SHT EXT ASM 21&22W L	Left- 21&22 W- SHORT
>>>>		60,70,80& 60,70 HEMI HANGER- RIGHT	
1B,2A,3-10A	107830	CAA STRT MED EXT ASM 15W R	Right- 15 W- MED
1B,2B,3-10B	107831	CAA STRT MED EXT ASM 16W R	Right- 16 W- MED
1B,2C,3-10B	107832	CAA STRT MED EXT ASM 17W R	Right- 17 W- MED
1B,2D,3-10C	107833	CAA STRT MED EXT ASM 18W R	Right- 18 W- MED
1B,2E,3-10C	107834	CAA STRT MED EXT ASM 19W R	Right- 19 W- MED
1B,2F,3-10D	107835	CAA STRT MED EXT ASM 20W R	Right- 20 W- MED
1B,2G,3-10D	107836	CAA STRT MED EXT ASM 21&22W R	Right- 21&22 W- MED
>>>>		60,70,80& 60,70 HEMI HANGER- LEFT	
1B,2A,3-10A	107837	CAA STRT MED EXT ASM 15W L	Left- 15 W- MED
1B,2B,3-10B	107838	CAA STRT MED EXT ASM 16W L	Left- 16 W- MED
1B,2C,3-10B	107839	CAA STRT MED EXT ASM 17W L	Left- 17 W- MED
1B,2D,3-10C	107840	CAA STRT MED EXT ASM 18W L	Left- 18 W- MED
1B,2E,3-10C	107841	CAA STRT MED EXT ASM 19W L	Left- 19 W- MED

Pos.	Item Number	Description	Remarks
1B,2F,3-10D	107842	CAA STRT MED EXT ASM 20W L	Left- 20 W- MED
1B,2G,3-10D	107843	CAA STRT MED EXT ASM 21&22W L	Left- 21&22 W- MED
>>>>		60,70,80& 60,70 HEMI HANGER- RIGHT	
1C,2A,3-10A	107844	CAA STRT LNG EXT ASM 15W R	Right- 15 W- LONG
1C,2B,3-10B	107845	CAA STRT LNG EXT ASM 16W R	Right- 16 W- LONG
1C,2C,3-10B	107846	CAA STRT LNG EXT ASM 17W R	Right- 17 W- LONG
1C,2D,3-10C	107847	CAA STRT LNG EXT ASM 18W R	Right- 18 W- LONG
1C,2E,3-10C	107848	CAA STRT LNG EXT ASM 19W R	Right- 19 W- LONG
1C,2F,3-10D	107849	CAA STRT LNG EXT ASM 20W R	Right- 20 W- LONG
1C,2G,3-10D	107850	CAA STRT LNG EXT ASM 21&22W R	Right- 21&22 W- LONG
>>>>		60,70,80& 60,70 HEMI HANGER- LEFT	
1C,2A,3-10A	107851	CAA STRT LNG EXT ASM 15W L	Left- 15 W- LONG
1C,2B,3-10B	107852	CAA STRT LNG EXT ASM 16W L	Left- 16 W- LONG
1C,2C,3-10B	107853	CAA STRT LNG EXT ASM 17W L	Left- 17 W- LONG
1C,2D,3-10C	107854	CAA STRT LNG EXT ASM 18W L	Left- 18 W- LONG
1C,2E,3-10C	107855	CAA STRT LNG EXT ASM 19W L	Left- 19 W- LONG
1C,2F,3-10D	107856	CAA STRT LNG EXT ASM 20W L	Left- 20 W- LONG
1C,2G,3-10D	107857	CAA STRT LNG EXT ASM 21&22W L	Left- 21&22 W- LONG
>>>>		60&70 HEMI HANGERS- SHORT EXT- RIGHT	
1D,2A,3-10A	129710	CAA FOOT KIT SHT HNGR 15W R	Right-Hemi-15W; add Ext behind the Hemi
1D,2B,3-10B	129712	CAA FOOT KIT SHT HNGR 16W R	Right-Hemi-16W; add Ext behind the Hemi
1D,2C,3-10B	129714	CAA FOOT KIT SHT HNGR 17W R	Right-Hemi-17W; add Ext behind the Hemi
1D,2D,3-10C	129716	CAA FOOT KIT SHT HNGR 18W R	Right-Hemi-18W; add Ext behind the Hemi
1D,2E,3-10C	129718	CAA FOOT KIT SHT HNGR 19W R	Right-Hemi-19W; add Ext behind the Hemi
1D,2F,3-10D	129720	CAA FOOT KIT SHT HNGR 20W R	Right-Hemi-20W; add Ext behind the Hemi
1D,2G,3-10D	129722	CAA FOOT KIT SHT HNGR 22W R	Right-Hemi-21&22W; add Ext behind the Hemi
>>>>		60&70 HEMI HANGERS- SHORT EXT - LEFT	
1D,2A,3-10A	129711	CAA FOOT KIT SHT HNGR 15W L	Left-Hemi-15W; add Ext behind the Hemi
1D,2B,3-10B	129713	CAA FOOT KIT SHT HNGR 16W L	Left-Hemi-16W; add Ext behind the Hemi
1D,2C,3-10B	129715	CAA FOOT KIT SHT HNGR 17W L	Left-Hemi-17W; add Ext behind the Hemi
1D,2D,3-10C	129717	CAA FOOT KIT SHT HNGR 18W L	Left-Hemi-18W; add Ext behind the Hemi
1D,2E,3-10C	129719	CAA FOOT KIT SHT HNGR 19W L	Left-Hemi-19W; add Ext behind the Hemi
1D,2F,3-10D	129721	CAA FOOT KIT SHT HNGR 20W L	Left-Hemi-20W; add Ext behind the Hemi
1D,2G,3-10D	129723	CAA FOOT KIT SHT HNGR 22W L	Left-Hemi-21&22W; add Ext behind the Hemi
		Ship assembled part #	Use with multiple assemblies
	ASSY-HNG-FP	HANGER/FOOTPLATE ASSY REQUIRED	add with Hanger & Footplate kit

Note: Footplate Assemblies are set to footrest width; please see "Footplate Formula" table for seat width conversion.

Note: If using Short Ext Tube & Hemi Hanger with Adult Angle Adjustable Footplate use 1D (straight) .

Note: V Style Hangers are not available on Swing Away Style chairs effective 7/14/14; see the "Prior To" ordering guide for V Style footplate assemblies.

Note: for QX Series or SR45 footplate replacement parts see the ordering guide marked specifically for these two models in the informations panel.

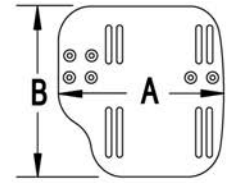
Note: if chair has High Mount Ext Tubes or if switching to High Mount Ext Tubes, see AAA Footplate w/ High Mount Extension Ordering Guide.

[02/19/2020]

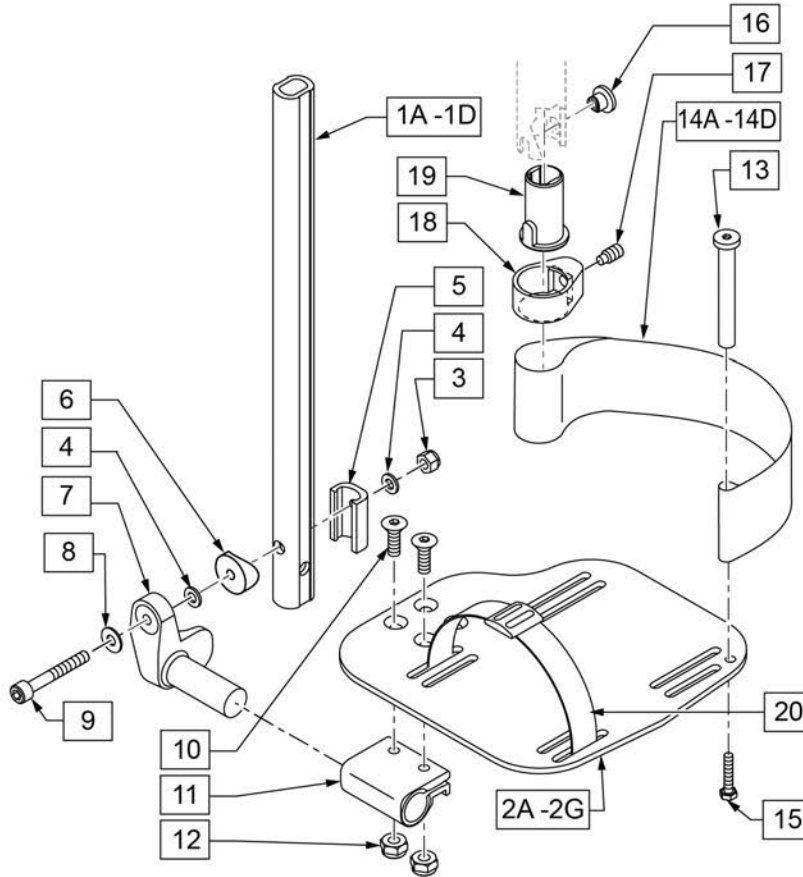
To have complete Footrest ship assembled, choose compatible Hanger + Footplate part numbers and add "ASSY-HNG-FP" to order

ADD INSET FORMULA
 0" Inset (Seat Width) = Footrest Width
 1" Inset (Seat Width) -2" = Footrest Width
 2" Inset (Seat Width) -4" = Footrest Width
 "V" Hanger (Seat Width) -4" = Footrest Width
 Offset Hanger Receiver (Seat Width) +2" = Footrest Width
 Flared Frame (Seat Width) = 2" = Footrest Width

MEASURING GUIDE



CHAIR WIDTH	"A"	"B"
10" - 11"	3 1/2"	7 1/4"
12" - 13"	4 1/2"	7 3/4"
14" - 15"	5 1/2"	7 3/4"
16" - 17"	6 1/2"	7 3/4"
18" - 20"	7 1/2"	7 3/4"



21 EXT MNT HARDWARE 1 SIDE			
ITEM #	ILLUSTRATION	DESCRIPTION	QTY
3		NUT AUTOMATION M6 X 1.0 ROHS	1
4		WASHER FLAT THIN AN 1/4	2
5		HANGER EXTENSION SADDLE	1
6		3/4" SADDLE 1" OD	1
8		WASHER FLAT SAE 1/4 ROHS	1
9		SHCS M6X1X45 12MM PART THD	1

Pos.	Item Number	Description	Remarks
1A,3-6,8,9	120670	SHT STRT EXT AAA HDWR	
1B,3-6,8,9	120671	MED STRT EXT AAA HDWR	
1C,3-6,8,9	120672	LNG STRT EXT AAA HDWR	
1D	128079	TUBE FTRST EXT STRGHT SHT HEMI	Use for Hemi Ext Tube option
2A	500656	ADULT ANGL ADJ F/PLT 10/11" R	RIGHT 10-11" Footrest Width
2A	500657	ADULT ANGL ADJ F/PLT 10/11" L	LEFT 10-11" Footrest Width
2B	500658	ADULT ANGL ADJ F/PLT 12/13" R	RIGHT 12-13" Footrest Width
2B	500659	ADULT ANGL ADJ F/PLT 12/13" L	LEFT 12-13" Footrest Width
2C	500660	ADLT ANGL ADJ F/PLT 14/15	RIGHT 14-15" Footrest Width
2C	500661	ADLT ANGL ADJ F/PLT 14/15	LEFT 14-15" Footrest Width
2D	500662	ADLT ANGL ADJ F/PLT 16/17	RIGHT 16-17" Footrest Width
2D	500663	ADLT ANGL ADJ F/PLT 16/17	LEFT 16-17" Footrest Width
2E	500664	ADLT ANGL ADJ F/PLT 18-20	RIGHT 18-22" Footrest Width
2E	500665	ADLT ANGL ADJ F/PLT 18-20	LEFT 18-22" Footrest Width
3	132626	NUT AUTOMATION M6 X 1.0	
4	106944	WASHER FLAT THIN AN 1/4 ROHS	
5	107199	HANGER EXTENSION SADDLE	
6	561055	3/4" SADDLE 1" OD	
7	541002	FTRST MOUNTING BRKT-3/8 RAD R	RIGHT

Pos.	Item Number	Description	Remarks
7	541003	FTRST MOUNTING BRKT-3/8 RAD L	LEFT
8	106945	WASHER FLAT SAE 1/4 ROHS	
9	104399	SHCS M6X1X45 12 MM PART THD	
10	106978	FHCS 1/4-28 X 7/8 ROHS	
11	550350	3/4" CLMP ADJ FT PLT	
12	106935	NUT NYLOCK THIN 1/4-28 ROHS	
13	104328	POST HEEL LOOP	
14A	104380-001	ADJUSTABLE FOOT REST STRAP	12 - 14" WIDE
14B	104380-002	ADJUSTABLE FOOT REST STRAP	15 - 16" WIDE
14C	104380-003	ADJUSTABLE FOOT REST STRAP	17 - 18" WIDE
14D	104380-004	ADJUSTABLE FOOT REST STRAP	19 - 20" WIDE
15	102268-001	HHCS M6 X 1 X 25	
16-19	107485	FOOTREST CLAMP ASSM	
20	740260	TOE-ANKLE STRAP ADJ ADULT FOOTPLATE	
21	120659	EXT MNT HARDWARE 1 SIDE	
>>>>		60,70,80 STD HANGERS - RIGHT	
1A,2B,3-14A,15	111534	AAA STRT SHT EXT ASM 12-13" W R	Right- 12-13" W- SHORT
1A,2C,3-14B,15	107928	AAA STRT SHT EXT ASM 14-15" W R	Right- 14-15" W- SHORT
1A,2D,3-14C,15	107930	AAA STRT SHT EXT ASM 16-17" W R	Right- 16-17" W- SHORT
1A,2E,3-14D,15	107932	AAA STRT SHT EXT ASM 18-22" W R	Right- 18-22" W- SHORT
>>>>		60,70,80 STD HANGERS - LEFT	
1A,2B,3-14A,15	111535	AAA STRT SHT EXT ASM 12-13" W L	Left- 12-13" W- SHORT
1A,2C,3-14B,15	107935	AAA STRT SHT EXT ASM 14" W L	Left- 14-15" W- SHORT
1A,2D,3-14C,15	107937	AAA STRT SHT EXT ASM 16" W L	Left- 16-17" W- SHORT
1A,2E,3-14D,15	107939	AAA STRT SHT EXT ASM 18" W L	Left- 18-22" W- SHORT
>>>>		60,70,80 & 60,70 HEMI HANGERS - RIGHT	
1B,2B,3-14A,15	111536	AAA STRT MED EXT ASM 12-13" W R	Right- 12-13" W- MED
1B,2C,3-14B,15	107942	AAA STRT MED EXT ASM 14-15" W R	Right- 14-15" W- MED
1B,2D,3-14C,15	107944	AAA STRT MED EXT ASM 16-17" W R	Right- 16-17" W- MED
1B,2E,3-14D,15	107946	AAA STRT MED EXT ASM 18-22" W R	Right- 18-22" W- MED
>>>>		60,70,80 & 60,70 HEMI HANGERS - LEFT	
1B,2B,3-14A,15	111537	AAA STRT MED EXT ASM 12-13" W L	Left- 12-13" W- MED
1B,2C,3-14B,15	107949	AAA STRT MED EXT ASM 14" W L	Left- 14-15" W- MED
1B,2D,3-14C,15	107951	AAA STRT MED EXT ASM 16" W L	Left- 16-17" W- MED
1B,2E,3-14D,15	107953	AAA STRT MED EXT ASM 18" W L	Left- 18-22" W- MED
>>>>		60,70,80 & 60,70 HEMI HANGERS - RIGHT	
1C,2B,3-14A,15	111538	AAA STRT LNG EXT ASM 12-13" W R	Right- 12-13" W- LONG
1C,2C,3-14B,15	107956	AAA STRT LNG EXT ASM 14 -15" W R	Right- 14-15" W- LONG
1C,2D,3-14C,15	107958	AAA STRT LNG EXT ASM 16 -17" W R	Right- 16-17" W- LONG
1C,2E,3-14D,15	107960	AAA STRT LNG EXT ASM 18 -22" W R	Right- 18-22" W- LONG
>>>>		60,70,80 & 60,70 HEMI HANGERS - LEFT	
1C,2B,3-14A,15	111539	AAA STRT LNG EXT ASM 12-13" W L	Left- 12-13" W- LONG
1C,2C,3-14B,15	107963	AAA STRT LNG EXT ASM 14W L	Left- 14-15" W- LONG
1C,2D,3-14C,15	107965	AAA STRT LNG EXT ASM 16W L	Left- 16-17" W- LONG
1C,2E,3-14D,15	107968	AAA STRT LNG EXT ASM 18W L	Left- 18-22" W- LONG
>>>>		60&70 HEMI HANGERS - SHORT EXT - RIGHT	
1D,2B,3-14A,15	129756	AAA FOOT KIT SHT HNGR 12W R	Right- 12-13" W- SHORT; add Ext behind the Hemi
1D,2C,3-14B,15	129758	AAA FOOT KIT SHT HNGR 14W R	Right- 14-15" W- SHORT; add Ext behind the Hemi
1D,2D,3-14C,15	129760	AAA FOOT KIT SHT HNGR 16W R	Right- 16-17" W- SHORT; add Ext behind the Hemi
1D,2E,3-14D,15	129762	AAA FOOT KIT SHT HNGR 18W R	Right- 18-22" W- SHORT; add Ext behind the Hemi
>>>>		60&70 HEMI HANGERS - SHORT EXT -LEFT	
1D,2B,3-14A,15	129757	AAA FOOT KIT SHT HNGR 12W L	Left- 12-13" W-SHORT; add Ext behind the Hemi
1D,2C,3-14B,15	129759	AAA FOOT KIT SHT HNGR 14W L	Left- 14-15" W- SHORT; add Ext behind the Hemi
1D,2D,3-14C,15	129761	AAA FOOT KIT SHT HNGR 16W L	Left- 16-17" W- SHORT; add Ext behind the Hemi
1D,2E,3-14D,15	129763	AAA FOOT KIT SHT HNGR 18W L	Left- 18-22" W- SHORT; add Ext behind the Hemi
		Ship assembled part #	Use with multiple assemblies

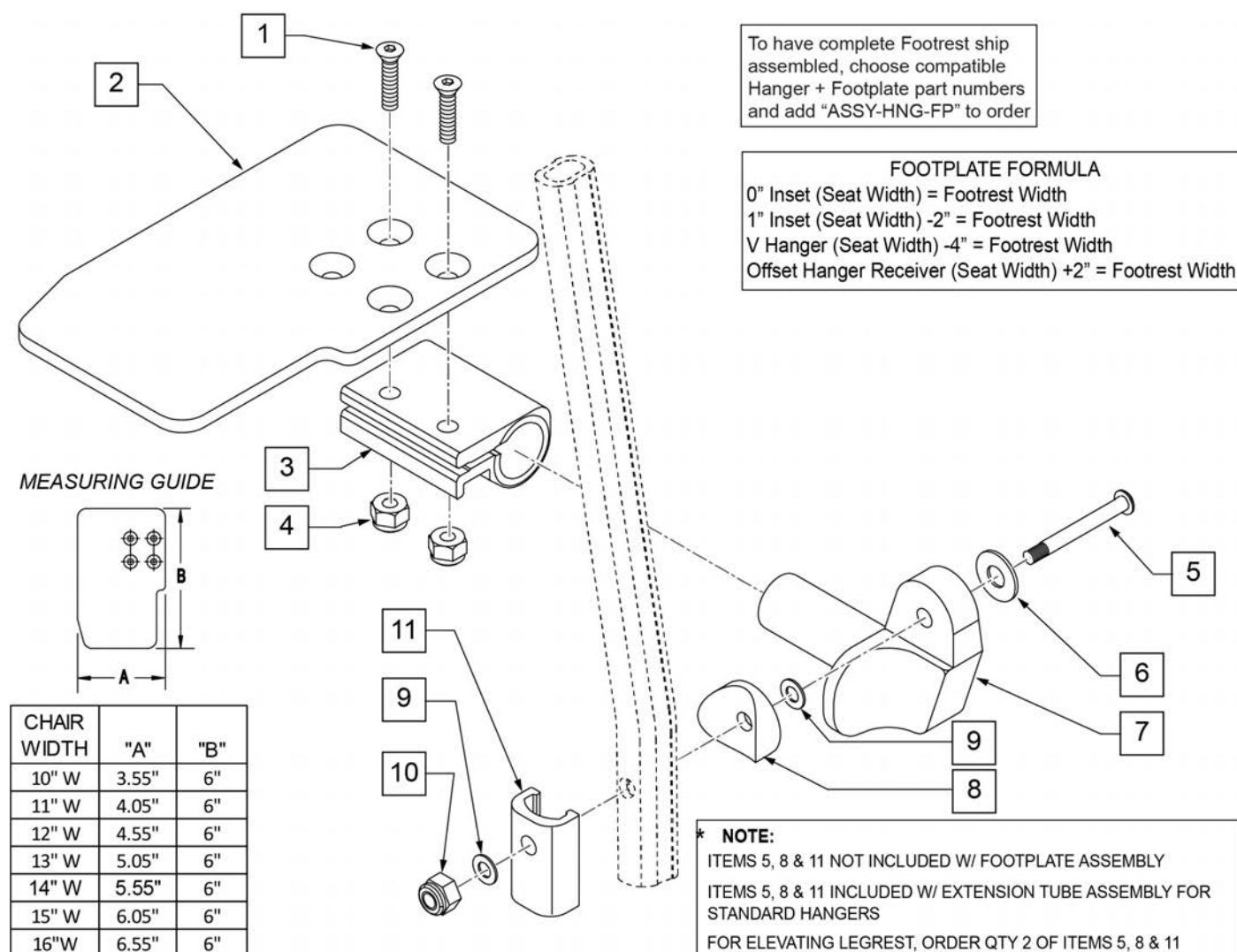
Pos.	Item Number	Description	Remarks
	ASSY-HNG-FP	HANGER/FOOTPLATE ASSY REQUIRED	add with Hanger & Footplate kit

Note: Footplate Assemblies are set to footrest width; please see "Footplate Formula" table for seat width conversion.

Note: V Style Hangers are not available on Swing Away Style chairs effective 7/14/14; see the "Prior To" ordering guide for V Style footplate assemblies.

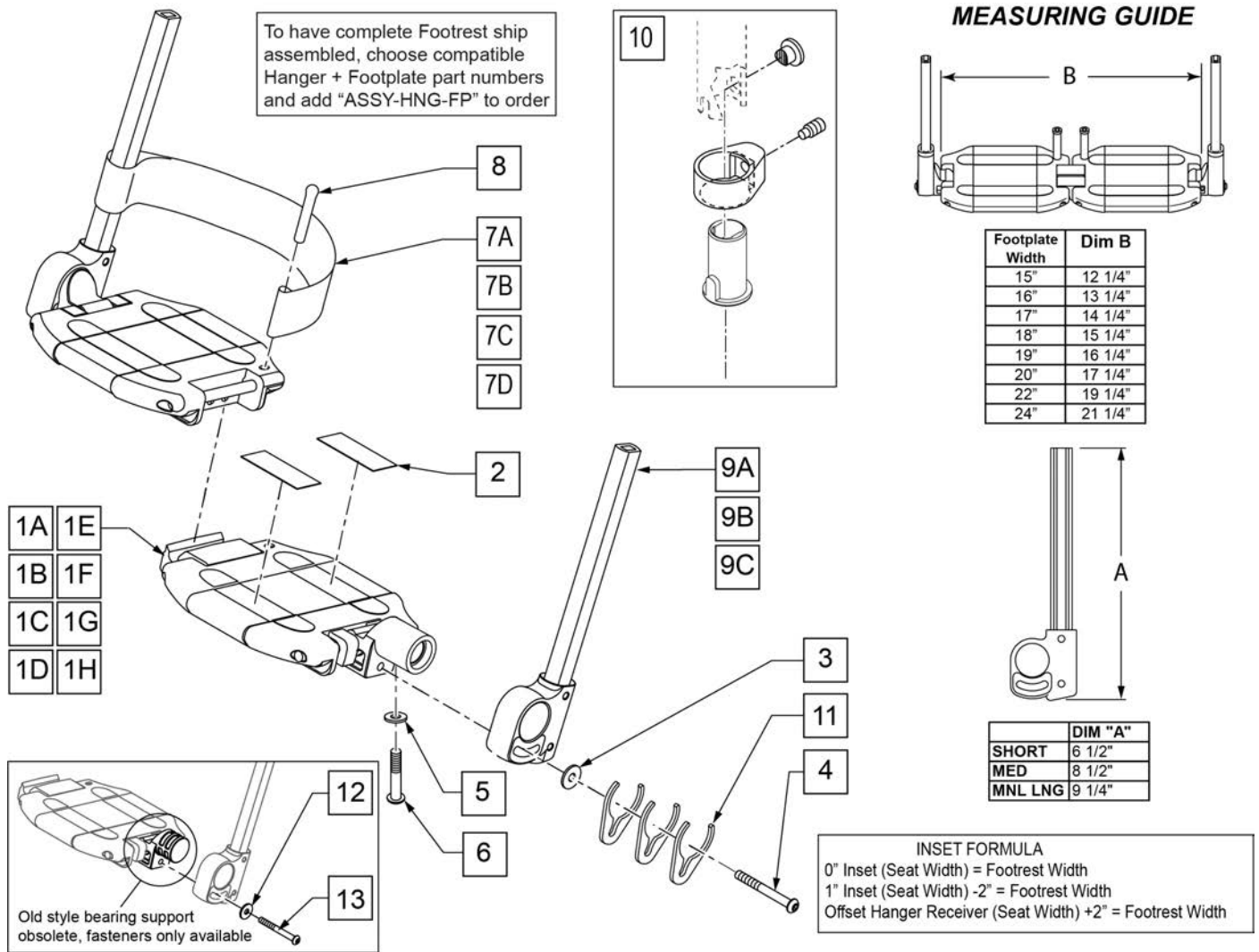
Note: Zippie Iris (ZRS&ZRSE) and Zippie TS (Z1A&Z1SE) only use Straight Extension Tube.

Note: if chair has High Mount Ext Tubes or if switching to High Mount Ext Tubes, see KAA Footplate w/ High Mount Extension Ordering Guide.



Pos.	Item Number	Description	Remarks
1	106978	FHCS 1/4 -28 x 7/8 ROHS	

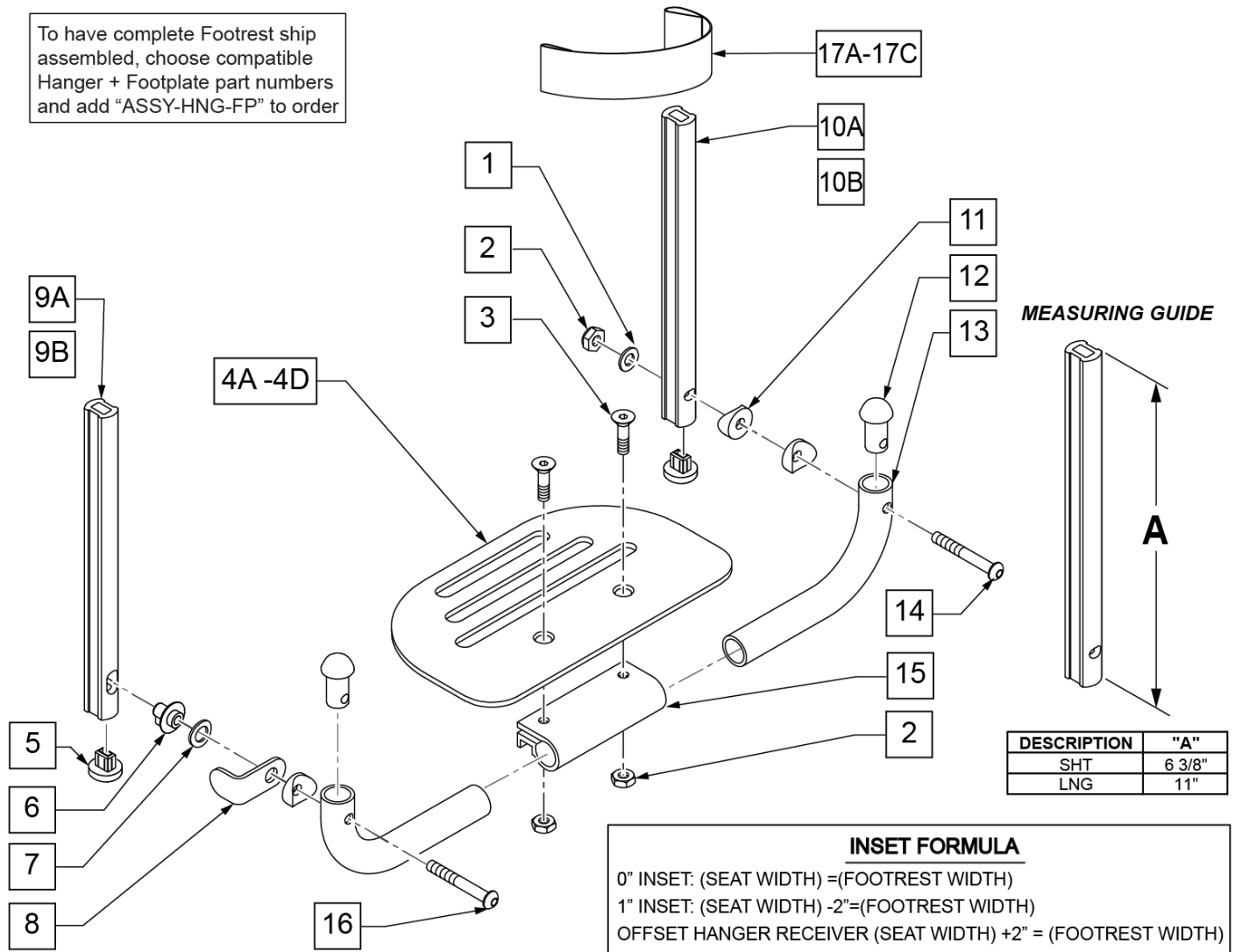
Pos.	Item Number	Description	Remarks
2	500635	KIDS ANGL ADJ F/PLT 10" R	Right
2	500636	KIDS ANGL ADJ F/PLT 10" L	Left
2	500637	KIDS ANGL ADJ F/PLT 11" R	Right
2	500638	KIDS ANGL ADJ F/PLT 11" L	Left
2	500639	KIDS ANGL ADJ F/PLT 12" R	Right
2	500640	KIDS ANGL ADJ F/PLT 12" L	Left
2	500641	KIDS ANGL ADJ F/PLT 13" R	Right
2	500642	KIDS ANGL ADJ F/PLT 13" L	Left
2	500643	KIDS ANGL ADJ F/PLT 14" R	Right
2	500644	KIDS ANGL ADJ F/PLT 14" L	Left
2	500645	KIDS ANGL ADJ F/PLT 15" R	Right
2	500646	KIDS ANGL ADJ F/PLT 15" L	Left
2	500647	KIDS ANGL ADJ F/PLT 16" R	Right
2	500648	KIDS ANGL ADJ F/PLT 16" L	Left
3	550350	3/4" CLAMP ADJ FOOTPLATE	
4	106935	NUT NYLOCK THIN 1/4 -28 ROHS	
5	106962	1/4-28 x 1 3/4 BH C/S BLK ZN (D2 EXTENSION TUBES)	
5	226167	1/4-28 x 1.625 BH C/S BLK (ROUND EXTENSION TUBES)	
6	106945	1/4 SAE WASHER	
7	541002	FTRST MOUNTING BRKT-3/8 RAD R	
7	541003	FTRST MOUNTING BRKT-3/8 RAD L	
8	561055	3/4" SADDLE 1" OD	
9	106944	WASHER FLAT THIN AN 1/4 ROHS	
10	106941	NUT AUTOMATION 1/4 -28 ROHS	
11	483720	HANGER EXTENSION SADDLE LONG	Use with Double D Ext Tube
1-4,6,7,9,10	828850	KIDS ANG ADJ F/PLT EXT-MNT 10"R	Right
1-4,6,7,9,10	828851	KIDS ANG ADJ F/PLT EXT-MNT 10"L	Left
1-4,6,7,9,10	828852	KIDS ANG ADJ F/PLT EXT-MNT 11"R	Right
1-4,6,7,9,10	828853	KIDS ANG ADJ F/PLT EXT-MNT 11"L	Left
1-4,6,7,9,10	828854	KIDS ANG ADJ F/PLT EXT-MNT 12"R	Right
1-4,6,7,9,10	828855	KIDS ANG ADJ F/PLT EXT-MNT 12"L	Left
1-4,6,7,9,10	828856	KIDS ANG ADJ F/PLT EXT-MNT 13"R	Right
1-4,6,7,9,10	828857	KIDS ANG ADJ F/PLT EXT-MNT 13"L	Left
1-4,6,7,9,10	828858	KIDS ANG ADJ F/PLT EXT-MNT 14"R	Right
1-4,6,7,9,10	828859	KIDS ANG ADJ F/PLT EXT-MNT 14"L	Left
1-4,6,7,9,10	828860	KIDS ANG ADJ F/PLT EXT-MNT 15"R	Right
1-4,6,7,9,10	828861	KIDS ANG ADJ F/PLT EXT-MNT 15"L	Left
1-4,6,7,9,10	828862	KIDS ANG ADJ F/PLT EXT-MNT 16"R	Right
1-4,6,7,9,10	828863	KIDS ANG ADJ F/PLT EXT-MNT 16"L	Left
1-4,6,7,9,10	921280	KIDS ANG ADJ F/PLT EXT-MNT 10"	Pair
1-4,6,7,9,10	921281	KIDS ANG ADJ F/PLT EXT-MNT 11"	Pair
1-4,6,7,9,10	921282	KIDS ANG ADJ F/PLT EXT-MNT 12"	Pair
1-4,6,7,9,10	921283	KIDS ANG ADJ F/PLT EXT-MNT 13"	Pair
1-4,6,7,9,10	921284	KIDS ANG ADJ F/PLT EXT-MNT 14"	Pair
1-4,6,7,9,10	921285	KIDS ANG ADJ F/PLT EXT-MNT 15"	Pair
1-4,6,7,9,10	921286	KIDS ANG ADJ F/PLT EXT-MNT 16"	Pair
		Ship assembled part #	Use with multiple assemblies
	ASSY-HNG-FP	HANGER/FOOTPLATE ASSY REQUIRED	add with Hanger & Footplate kit



Pos.	Item Number	Description	Remarks
2	360010	FOOT BOARD SKID TAPE	
3	250070	M6 WASHER	
4	210000	M6 x 55 8.8 BUTTON HD CAP SCRW	
5	106944	1/4 AN WASHER FLAT THIN	
6	106958	1/4-20 x 1 HEX C/S	
7A	741151	HEEL LOOP 14-15 CMPST EA 13.24 44	15" Footrest Width
7B	741156	HEEL LOOP 18-20 CMPST HEMI	16 -17" Footrest Width
7C	741153	HEEL LOOP 18-20 CMPST/14-15 ANG ADJ	18 -20" Footrest Width
7D	741253	HEEL LOOP ADLT ADJ F/PLT 18-20	21 & 22" Footrest Width
8	561040	HEEL LOOP PEG	
9A	109780	EXT TUBE PLTFRM SMALL ASSM	SMALL EXT
9B	109781	EXT TUBE PLTFRM MEDIUM ASSM	MEDIUM EXT
9C	109782	EXT TUBE PLTFRM LONG ASSM	LONG EXT
10	107485	FOOTREST CLAMP ASSM	
1A,2-7A,8,11	820620	LOCKING FTPLT 15" W LEFT	Left -15" Footrest Width
1A,2-7A,8,11	820621	LOCKING FTPLT 15" W RIGHT	Right -15" Footrest Width
1B,2-7B,8,11	820622	LOCKING FTPLT 16" W LEFT	Left -16" Footrest Width
1B,2-7B,8,11	820623	LOCKING FTPLT 16" W RIGHT	Right -16" Footrest Width

Pos.	Item Number	Description	Remarks
1C,2-7B,8,11	820624	LOCKING FTPLT 17" W LEFT	Left -17" Footrest Width
1C,2-7B,8,11	820625	LOCKING FTPLT 17" W RIGHT	Right -17" Footrest Width
1D,2-7C,8,11	820626	LOCKING FTPLT 18" W LEFT	Left -18" Footrest Width
1D,2-7C,8,11	820627	LOCKING FTPLT 18" W RIGHT	Right -18" Footrest Width
1E,2-7C,8,11	820628	LOCKING FTPLT 19" W LEFT	Left -19" Footrest Width
1E,2-7C,8,11	820629	LOCKING FTPLT 19" W RIGHT	Right -19" Footrest Width
1F,2-7C,8,11	820630	LOCKING FTPLT 20" W LEFT	Left -20" Footrest Width
1F,2-7C,8,11	820631	LOCKING FTPLT 20" W RIGHT	Right -20" Footrest Width
1H,2-7D,8,11	820632	LOCKING FTPLT 22" W LEFT	Left -22" Footrest Width
1H,2-7D,8,11	820633	LOCKING FTPLT 22" W RIGHT	Right -22" Footrest Width
		FOOTPLATE W/ SMALL EXT	
1A,2-7A,8,9A,11	109783	15" W LOCKING F/PLT SMALL EXT HL	Small Ext 15" Footrest Width
1B,2-7B,8,9A,11	109787	16" W LOCKING F/PLT SMALL EXT HL	Small Ext 16" Footrest Width
1C,2-7B,8,9A,11	109790	17" W LOCKING F/PLT SMALL EXT HL	Small Ext 17" Footrest Width
1D,2-7C,8,9A,11	109793	18" W LOCKING F/PLT SMALL EXT HL	Small Ext 18" Footrest Width
1E,2-7C,8,9A,11	109796	19" W LOCKING F/PLT SMALL EXT HL	Small Ext 19" Footrest Width
1F,2-7C,8,9A,11	109799	20" W LOCKING F/PLT SMALL EXT HL	Small Ext 20" Footrest Width
1G,2-7D,8,9A,11	109802	21" W LOCKING F/PLT SMALL EXT HL	Small Ext 21" Footrest Width
1H,2-7D,8,9A,11	109805	22" W LOCKING F/PLT SMALL EXT HL	Small Ext 22" Footrest Width
		FOOTPLATE W/ MED EXT	
1A,2-7A,8,9B,11	109784	15" W LOCKING F/PLT MED EXT HL	Med Ext 15" Footrest Width
1B,2-7B,8,9B,11	109788	16" W LOCKING F/PLT MED EXT HL	Med Ext 16" Footrest Width
1C,2-7B,8,9B,11	109791	17" W LOCKING F/PLT MED EXT HL	Med Ext 17" Footrest Width
1D,2-7C,8,9B,11	109794	18" W LOCKING F/PLT MED EXT HL	Med Ext 18" Footrest Width
1E,2-7C,8,9B,11	109797	19" W LOCKING F/PLT MED EXT HL	Med Ext 19" Footrest Width
1F,2-7C,8,9B,11	109800	20" W LOCKING F/PLT MED EXT HL	Med Ext 20" Footrest Width
1G,2-7D,8,9B,11	109803	21" W LOCKING F/PLT MED EXT HL	Med Ext 21" Footrest Width
1H,2-7D,8,9B,11	109806	22" W LOCKING F/PLT MED EXT HL	Med Ext 22" Footrest Width
		FOOTPLATE W/ LONG EXT	
1A,2-7A,8,9C,11	109786	15" W LOCKING F/PLT LONG EXT HL	Long Ext 15" Footrest Width
1B,2-7B,8,9C,11	109789	16" W LOCKING F/PLT LONG EXT HL	Long Ext 16" Footrest Width
1C,2-7B,8,9C,11	109792	17" W LOCKING F/PLT LONG EXT HL	Long Ext 17" Footrest Width
1D,2-7C,8,9C,11	109795	18" W LOCKING F/PLT LONG EXT HL	Long Ext 18" Footrest Width
1E,2-7C,8,9C,11	109798	19" W LOCKING F/PLT LONG EXT HL	Long Ext 19" Footrest Width
1F,2-7C,8,9C,11	109801	20" W LOCKING F/PLT LONG EXT HL	Long Ext 20" Footrest Width
1G,2-7D,8,9C,11	109804	21" W LOCKING F/PLT LONG EXT HL	Long Ext 21" Footrest Width
1H,2-7D,8,9C,11	109807	22" W LOCKING F/PLT LONG EXT HL	Long Ext 22" Footrest Width
		Ship assembled part #	Use with multiple assemblies
	ASSY-HNG-FP	HANGER/FOOTPLATE ASSY REQUIRED	add with Hanger & Footplate kit
12	250070	M6 WASHER	
13	210000	M6 x 55 8.8 BUTTON HD CAP SCRW	

To have complete Footrest ship assembled, choose compatible Hanger + Footplate part numbers and add "ASSY-HNG-FP" to order



Pos.	Item Number	Description	Remarks
1	106944	WASHER FLAT THIN AN 1/4 ROHS	
2	106941	NUT AUTOMATION 1/4-28 ROHS	
3	106978	FHCS 1/4-28 X 7/8 ROHS	
4A	500651	PLATFORM F/PLT 8 x 5 1/2"	12 -14" Footrest Width
4B	500652	PLATFORM F/PLT 10" x 5 1/2"	15 -17" Footrest Width
4C	500653	PLATFORM F/PLT 12" x 5 1/2"	18 -20" Footrest Width
4D	500654	PLATFORM F/PLT 14" x 5 1/2"	21 -22" Footrest Width
5	113221	PLUG DOUBLE D EXT TUBE	
6	540410	F/UP FOOTREST KEY STUD D2	
7	107385	WASHER CURVED 3/8 ROHS	
8	505078	FOOTREST RETAINING BRACKET	
9A	106875	EXT TBE F/UP KEY SHT	Short -Latch Side
9B	106876	EXT TBE F/UP KEY LNG	Long -Latch Side
10A	106873	EXT TBE F/UP SLT SHT	Short -Pivot Side
10B	106874	EXT TBE F/UP SLT LNG	Long -Pivot Side
11	561003	3/4" SADDLE THIN	
12	561034	SHORT DOME PLUG	

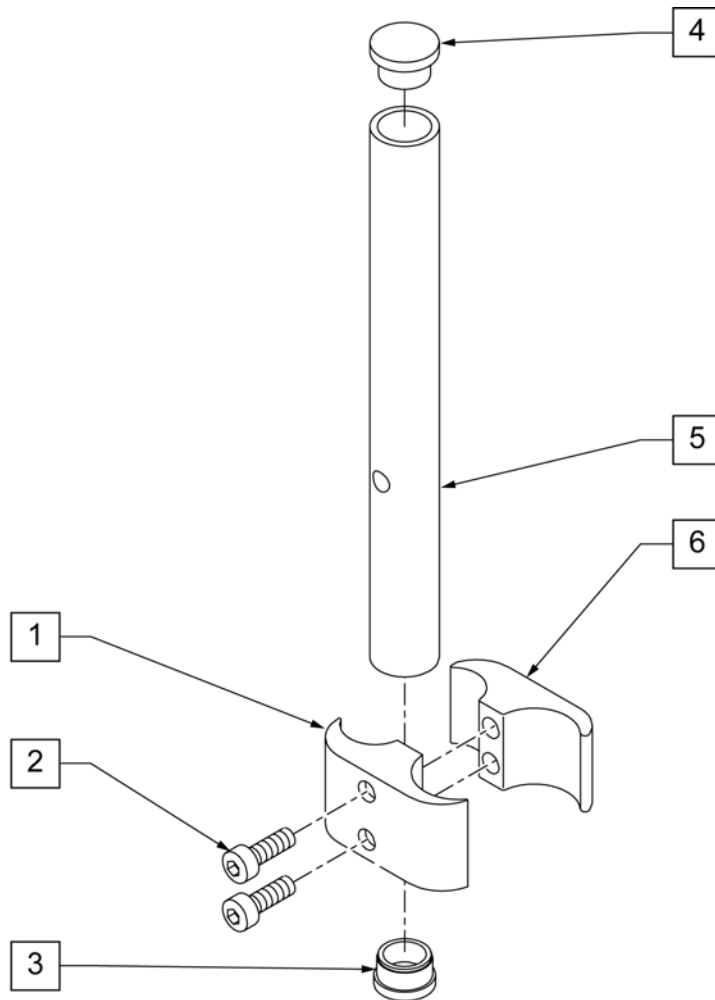
Pos.	Item Number	Description	Remarks
14	106964	BHCS 1/4-28 X 2 ROHS	
15	550351	PLATFORM FOOTPLATE CLAMP	
16	107027	BHCS 1/4-28 X 1-1/4 SHLDR ROHS	
17A	740130	LEG STRAP 10"-14" BLK	12-14" Footrest Width
17B	740131	LEG STRAP 15"-17" BLK	15-17" Footrest Width
17C	740132	LEG STRAP 18"-20" BLK	18-20" Footrest Width
1-4A,6-8,11-16	900306	PLTFM F/P PLT BLK 12" D2 W/ INSTR	12" Footrest Width
1-4A,6-8,11-16	900307	PLTFM F/P PLT BLK 13" D2 W/ INSTR	13" Footrest Width
1-4A,6-8,11-16	900308	PLTFM F/P PLT BLK 14" D2 W /INSTR	14" Footrest Width
1-4B,6-8,11-16	900309	PLTFM F/P PLT BLK 15" D2 W /INSTR	15" Footrest Width
1-4B,6-8,11-16	900310	PLTFM F/P PLT BLK 16" D2 W /INSTR	16" Footrest Width
1-4B,6-8,11-16	900311	PLTFM F/P PLT BLK 17" D2 W /INSTR	17" Footrest Width
1-4C,6-8,11-16	900312	PLTFM F/P PLT BLK 18" D2 W /INSTR	18" Footrest Width
1-4C,6-8,11-16	900313	PLTFM F/P PLT BLK 19" D2 W /INSTR	19" Footrest Width
1-4C,6-8,11-16	900314	PLTFM F/P PLT BLK 20" D2 W/ INSTR	20" Footrest Width
1-4D,6-8,11-16	900315	PLTFM F/P PLT BLK 21" D2 W/ INSTR	21" Footrest Width
1-4D,6-8,11-16	900316	PLTFM F/P PLT BLK 22" D2 W/ INSTR	22" Footrest Width
		SHORT EXT ASSEMBLIES	
1-3,4A,5-8,9A,10B,11-16,17A	108043	PLTFRM FLIP FTRST SHT 12W	12" wide (Short)
1-3,4A,5-8,9A,10B,11-16,17A	108044	PLTFRM FLIP FTRST SHT 13W	13" wide (Short)
1-3,4A,5-8,9A,10B,11-16,17A	108045	PLTFRM FLIP FTRST SHT 14W	14" wide (Short)
1-3,4B,5-8,9A,10B,11-16,17B	108046	PLTFRM FLIP FTRST SHT 15W	15" wide (Short)
1-3,4B,5-8,9A,10B,11-16,17B	108047	PLTFRM FLIP FTRST SHT 16W	16" wide (Short)
1-3,4B,5-8,9A,10B,11-16,17B	108048	PLTFRM FLIP FTRST SHT 17W	17" wide (Short)
1-3,4C,5-8,9A,10B,11-16,17C	108049	PLTFRM FLIP FTRST SHT 18W	18" wide (Short)
1-3,4C,5-8,9A,10B,11-16,17C	108051	PLTFRM FLIP FTRST SHT 19W	19" wide (Short)
1-3,4C,5-8,9A,10B,11-16,17C	108052	PLTFRM FLIP FTRST SHT 20W	20" wide (Short)
1-3,4D,5-8,9A,10B,11-16,17C	111554	PLTFRM FLIP FTRST SHT 21W	21" wide (Short)
1-3,4D,5-8,9A,10B,11-16,17C	111555	PLTFRM FLIP FTRST SHT 22W	22" wide (Short)
		LONG EXT ASSEMBLIES	
1-3,4A,5-8,9B,10A,11-16,17A	108053	PLTFRM FLIP FTRST LONG 12W	12" wide (Long)
1-3,4A,5-8,9B,10A,11-16,17A	108054	PLTFRM FLIP FTRST LONG 13W	13" wide (Long)
1-3,4A,5-8,9B,10A,11-16,17A	108055	PLTFRM FLIP FTRST LONG 14W	14" wide (Long)
1-3,4B,5-8,9B,10A,11-16,17B	108056	PLTFRM FLIP FTRST LONG 15W	15" wide (Long)
1-3,4B,5-8,9B,10A,11-16,17B	108057	PLTFRM FLIP FTRST LONG 16W	16" wide (Long)
1-3,4B,5-8,9B,10A,11-16,17B	108058	PLTFRM FLIP FTRST LONG 17W	17" wide (Long)
1-3,4C,5-8,9B,10A,11-16,17C	108059	PLTFRM FLIP FTRST LONG 18W	18" wide (Long)
1-3,4C,5-8,9B,10A,11-16,17C	108060	PLTFRM FLIP FTRST LONG 19W	19" wide (Long)
1-3,4C,5-8,9B,10A,11-16,17C	108061	PLTFRM FLIP FTRST LONG 20W	20" wide (Long)
1-3,4D,5-8,9B,10A,11-16,17C	111556	PLTFRM FLIP FTRST LONG 21W	21" wide (Long)
1-3,4D,5-8,9B,10A,11-16,17C	111557	PLTFRM FLIP FTRST LONG 22W	22" wide (Long)
		Ship assembled part #	Use with multiple assemblies
	ASSY-HNG-FP	HANGER/FOOTPLATE ASSY REQUIRED	add with Hanger & Footplate kit

NOTE: only available with Adult Angle Adjustable (AAA) or Kids Angle Adjustable (KAA) Footplates.

NOTE: if retrofitting to an existing chair with Front Mount Hangers, new Adult Angle Adjustable (AAA) or Kids Angle Adjustable (KAA) Footplates with High Mount Extension Tubes are required. See Footplate Ordering Guide.

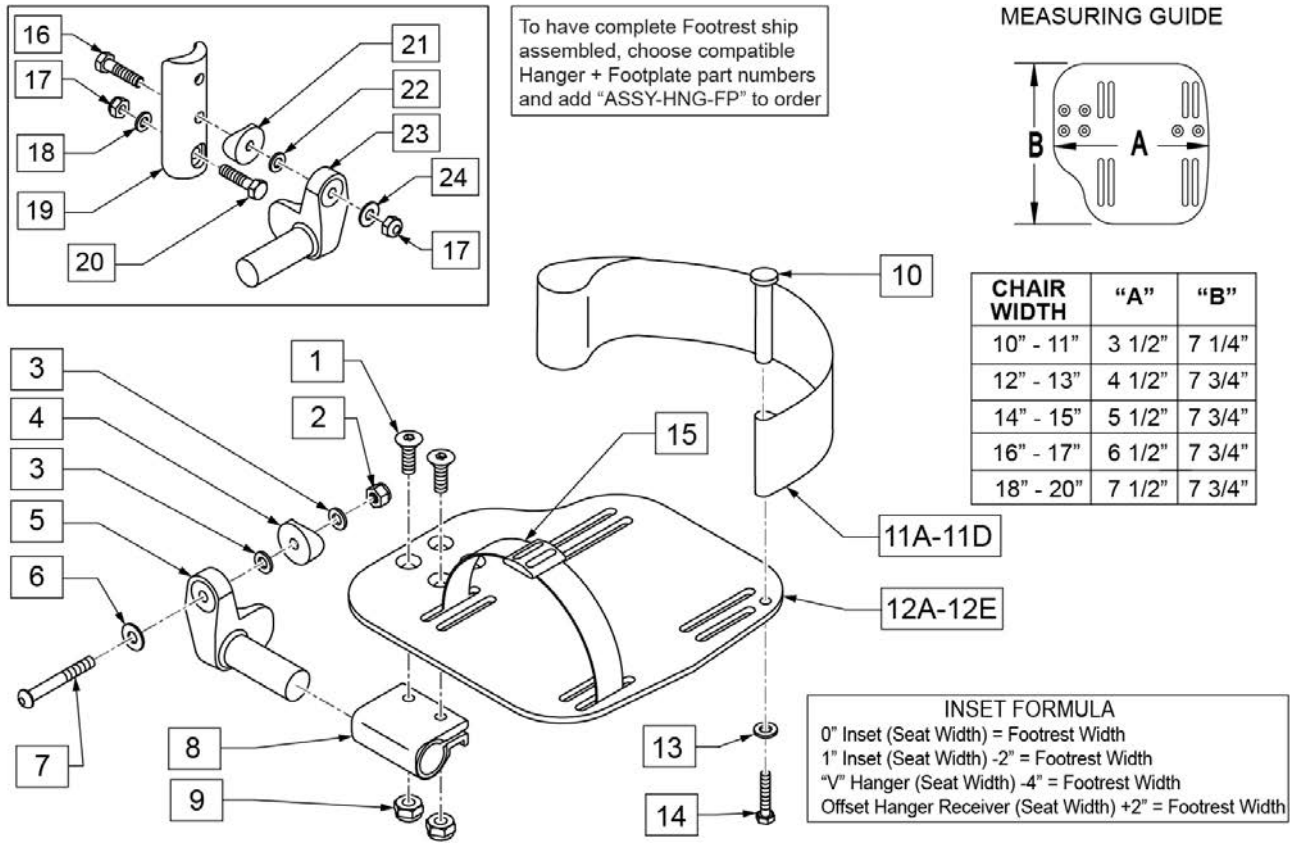
NOTE: if retrofitting to an existing chair with extension tube mounted hangers (D2 extension tubes) with Adult Angle Adjustable (AAA) or Kids Angle Adjustable (KAA) Footplates, order 2 each of 226167 and 561055 to mount the footplates onto the round high-mount extension tubes.

NOTE: if retrofitting on a chair with extension tube mounted hangers with Composite, Composite Angle Adjustable, Foam, Locking Angle Adjustable, Platform Flip-Up, or Platform Flip-Up Locking Footplates, then new Adult Angle Adjustable (AAA) or Kids Angle Adjustable (KAA) Footplates with High Mount Extension Tubes are required. See Footplate Ordering Guide.



Pos.	Item Number	Description	Remarks
1	550657	CLAMP 1 1/4" RECESS FULL BLK	
2	107032	SHCS 1/4-28 X 1 ROHS	
3	561000-QU	3/4" INSERT PLUG .083	
4	482016	HIGH-MOUNT FL FT TUBE PLUG	
5	524100	H/M FL FT EXT TUBE BLK	
6	550658	CLAMP 1 1/4" THREADED BLK	
1,2,6	880538	HI-MOUNT FR CLAMP ASSEMBLY BLK	
1-6	921550S	H/M FL FT CLAMPS AND TUBES (PR)	Pair

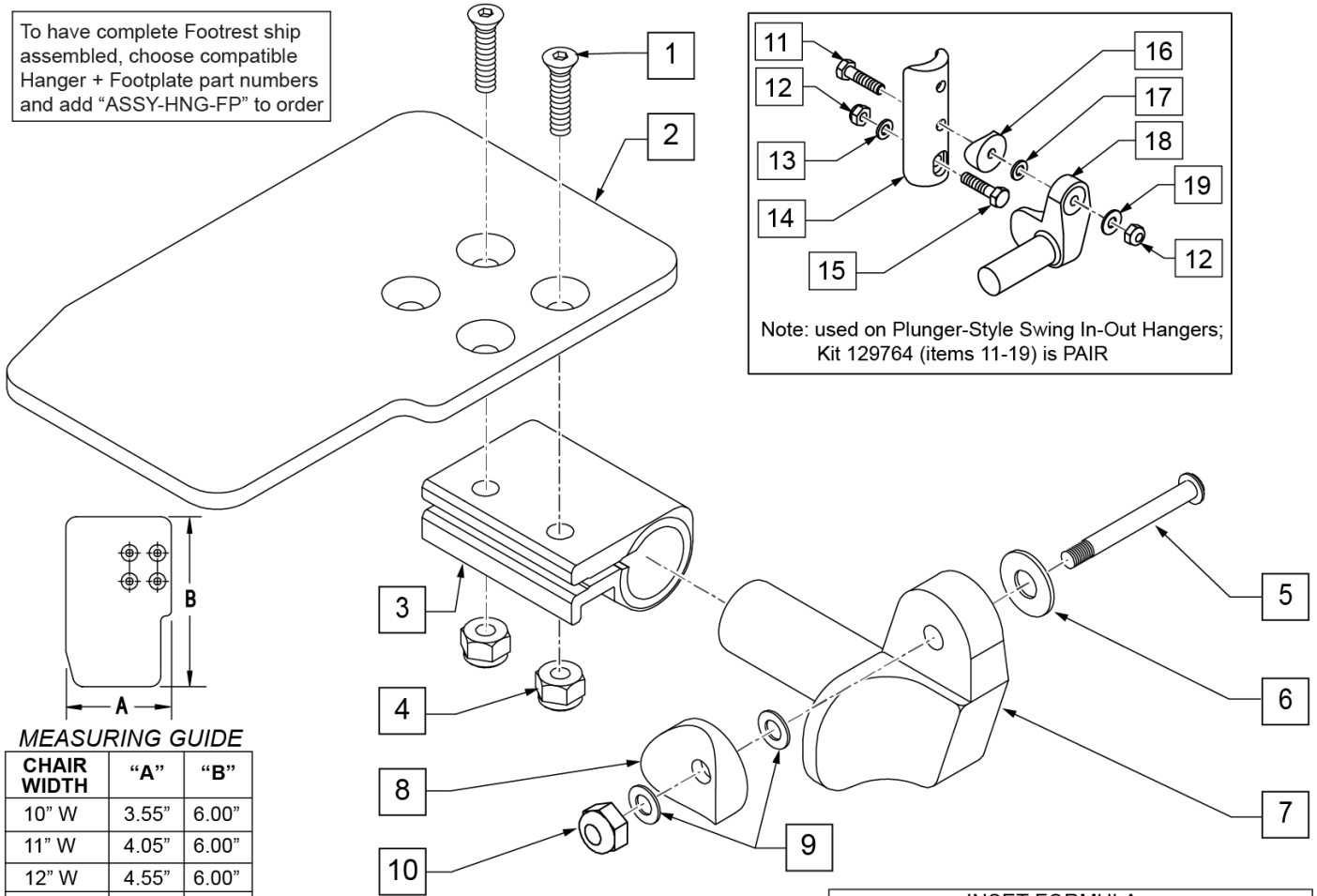
Note: for QX Series or SR45 footplate replacement parts see the ordering guide marked specifically for these two models in the informations panel.



Pos.	Item Number	Description	Remarks
1	106978	FHCS 1/4-28 X 7/8	
2	106934	NUT NYLOCK 1/4-28	
3	106944	WASHER FLAT THIN AN 1/4	
4	561004	Q2 SADDLE	
5	541000	FTRST MOUNTING BRKT 1/2" RAD R	Right
5	541001	FTRST MOUNTING BRKT 1/2" RAD L	Left
6	106945	WASHER FLAT SAE 1/4 ROHS	
7	106964	BHCS 1/4-28 X 2	
8	550350	3/4 CLMP ADJ FT PLT	
9	106935	NUT NYLOCK THIN 1/4-28 ROHS	
10	561040	HEEL LOOP PEG	
11A	104380-001	ADJ FOOTREST STRAP 14W	Used on 10"-13" wide
11B	104380-002	ADJ FOOTREST STRAP 15-16W	Used on 14"-15" wide
11C	104380-003	ADJ FOOTREST STRAP 17-18W	Used on 16"-17" wide
11D	104380-004	ADJ FOOTREST STRAP 19-20W	Used on 18"-20" wide
12A	500656	ADULT ANGL ADJ F/PLT 10/11	Right; 10"-11" wide
12A	500657	ADULT ANGL ADJ F/PLT 10/11	Left; 10"-11" wide

Pos.	Item Number	Description	Remarks
12B	500658	ADULT ANGL ADJ F/PLT 12/13	Right; 12"-13" wide
12B	500659	ADULT ANGL ADJ F/PLT 12/13	Left; 12"-13" wide
12C	500660	ADULT ANGL ADJ F/PLT 14/15	Right; 14"-15" wide
12C	500661	ADULT ANGL ADJ F/PLT 14/15	Left; 14"-15" wide
12D	500662	ADULT ANGL ADJ F/PLT 16/17	Right; 16"-17" wide
12D	500663	ADULT ANGL ADJ F/PLT 16/17	Left; 16"-17" wide
12E	500664	ADULT ANGL ADJ F/PLT 18-20	Right; 18"-22" wide
12E	500665	ADULT ANGL ADJ F/PLT 18-20	Left; 18"-22" wide
13	107383	WASHER FLAT M6 ROHS	
14	102268-001	HHCS M6 X 1 X 25	
15	740260	TOE-ANKLE STRAP ADJ ADULT FOOTPLATE	
16	102268-001	HHCS M6 X 1 X 25	
17	132626	NUT AUTOMATION M6 X 1	
18	107383	WASHER FLAT M6 ROHS	
20	118198	HHCS M6X1X40 PART NP	
21	561004	Q2 SADDLE	
22	106943	WASHER FLAT AN 1/4 ROHS	
24	106945	WASHER FLAT SAE 1/4 ROHS	
16-24	129764	AAA FRNT MNT ADAPTER KIT PR	Pair; fits both Kids & Adult Angle Adj Footplates
1,8-10,11A,12A,13,14	129765	AAA F/PLT KIT 10-11 RT	Right; used w/ 129764 on Plunger-Style Swing In/Out Hangers
1,8-10,11A,12A,13,14	129766	AAA F/PLT KIT 10-11 LFT	Left; used w/ 129764 on Plunger-Style Swing In/Out Hangers
1,8-10,11A,12B,13,14	129767	AAA F/PLT KIT 12-13 RT	Right; used w/ 129764 on Plunger-Style Swing In/Out Hangers
1,8-10,11A,12B,13,14	129768	AAA F/PLT KIT 12-13 LFT	Left; used w/ 129764 on Plunger-Style Swing In/Out Hangers
1,8-10,11B,12C,13,14	129769	AAA F/PLT KIT 14-15 RT	Right; used w/ 129764 on Plunger-Style Swing In/Out Hangers
1,8-10,11B,12C,13,14	129770	AAA F/PLT KIT 14-15 LFT	Left; used w/ 129764 on Plunger-Style Swing In/Out Hangers
1,8-10,11C,12D,13,14	129771	AAA F/PLT KIT 16-17 RT	Right; used w/ 129764 on Plunger-Style Swing In/Out Hangers
1,8-10,11C,12D,13,14	129772	AAA F/PLT KIT 16-17 LFT	Left; used w/ 129764 on Plunger-Style Swing In/Out Hangers
1,8-10,11D,12E,13,14	129773	AAA F/PLT KIT 18-20 RT	Right; used w/ 129764 on Plunger-Style Swing In/Out Hangers
1,8-10,11D,12E,13,14	129774	AAA F/PLT KIT 18-20 LFT	Left; used w/ 129764 on Plunger-Style Swing In/Out Hangers
1-10,11A,12B	111514	AAA FTPLT 90D 12/13" R	Right; used w/ Old-Style Latch Block Swing In/Out & S/A Hngrs
1-10,11A,12B	111515	AAA FTPLT 90D 12/13" L	Left; used w/ Old-Style Latch Block Swing IO & S/A Hngrs
1-10,11B,12C	111516	AAA FTPLT 90D 14/15" R	Right; used w/ Old-Style Latch Block Swing In/Out & S/A Hngrs
1-10,11B,12C	111517	AAA FTPLT 90D 14/15" L	Left; used w/ Old-Style Latch Block Swing IO & S/A Hngrs
1-10,11C,12D	111518	AAA FTPLT 90D 16/17" R	Right; used w/ Old-Style Latch Block Swing In/Out & S/A Hngrs
1-10,11C,12D	111519	AAA FTPLT 90D 16/17" L	Left; used w/ Old-Style Latch Block Swing IO & S/A Hngrs
1-10,11D,12E	111520	AAA FTPLT 90D 18/20" R	Right; used w/ Old-Style Latch Block Swing In/Out & S/A Hngrs
1-10,11D,12E	111521	AAA FTPLT 90D 18/20" L	Left; used w/ Old-Style Latch Block Swing IO & S/A Hngrs
		Ship assembled part #	Use with multiple assemblies
	ASSY-HNG-FP	HANGER/FOOTPLATE ASSY REQUIRED	add with Hanger & Footplate kit

To have complete Footrest ship assembled, choose compatible Hanger + Footplate part numbers and add "ASSY-HNG-FP" to order



MEASURING GUIDE

CHAIR WIDTH	"A"	"B"
10" W	3.55"	6.00"
11" W	4.05"	6.00"
12" W	4.55"	6.00"
13" W	5.05"	6.00"
14" W	5.55"	6.00"
15" W	6.05"	6.00"
16" W	6.55"	6.00"

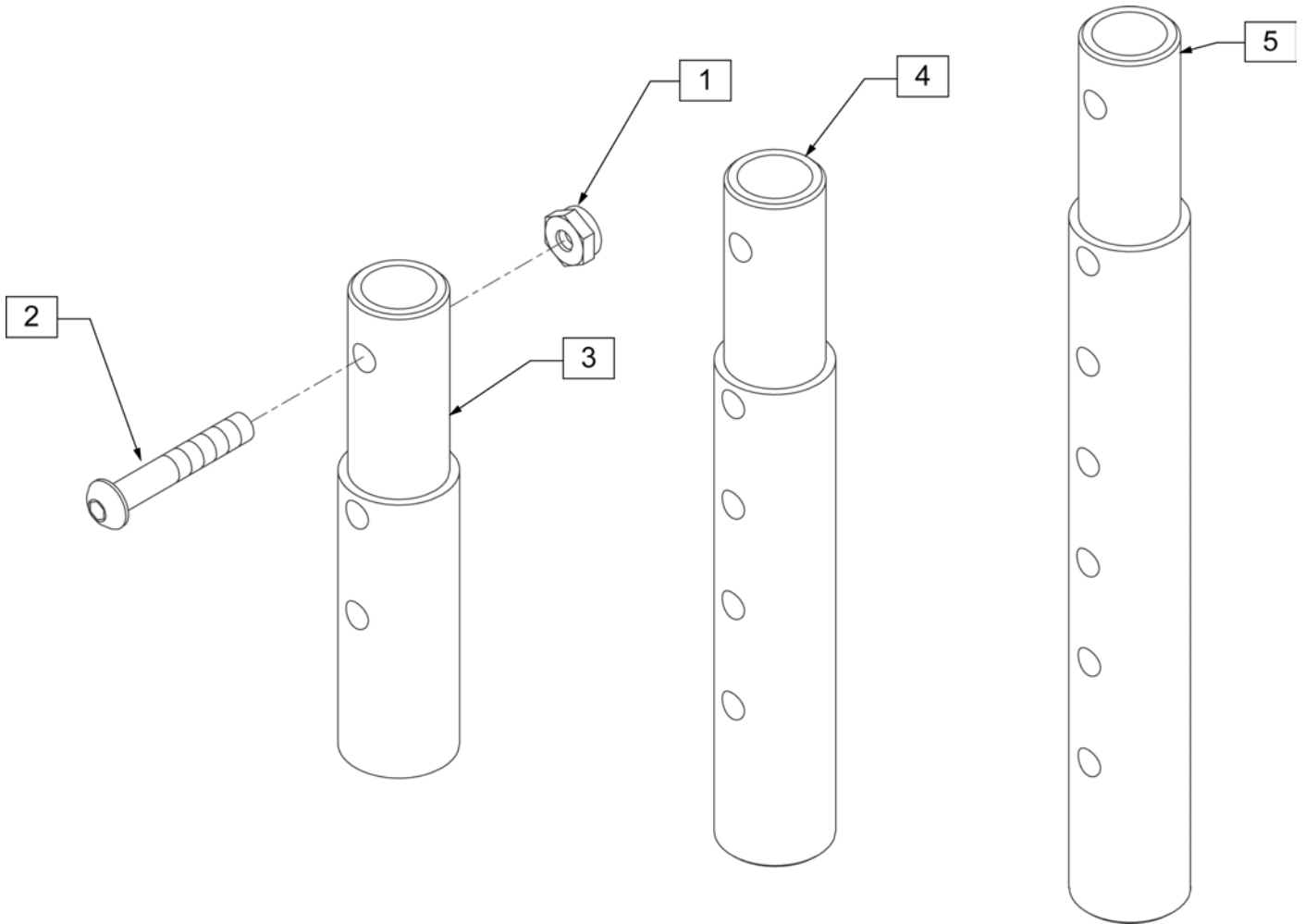
INSET FORMULA

0" Inset (Seat Width) = Footrest Width
 1" Inset (Seat Width) -2" = Footrest Width
 "V" Hanger (Seat Width) -4" = Footrest Width
 Offset Hanger Receiver (Seat Width) +2" = Footrest Width

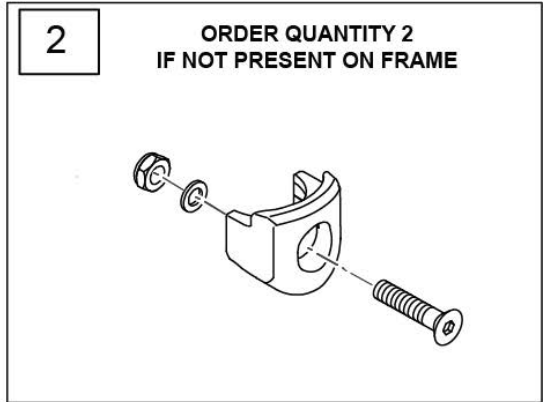
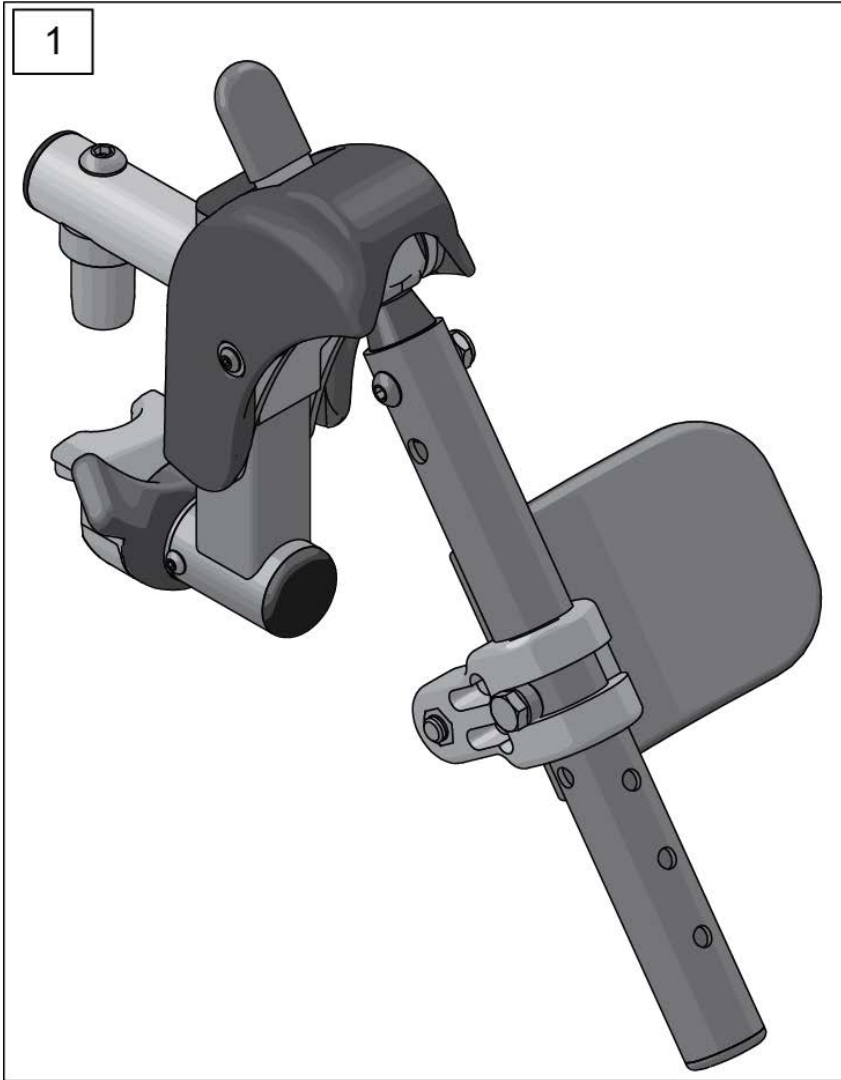
Pos.	Item Number	Description	Remarks
1	106978	FHCS 1/4-28 X 7/8 ROHS	
2	500635	KIDS ANGL ADJ F/PLT 10	RIGHT
2	500636	KIDS ANGL ADJ F/PLT 10	LEFT
2	500637	KIDS ANGL ADJ F/PLT 11	RIGHT
2	500638	KIDS ANGL ADJ F/PLT 11	LEFT
2	500639	KIDS ANGL ADJ F/PLT 12	RIGHT
2	500640	KIDS ANGL ADJ F/PLT 12	LEFT
2	500641	KIDS ANGL ADJ F/PLT 13	RIGHT
2	500642	KIDS ANGL ADJ F/PLT 13	LEFT
2	500643	KIDS ANGL ADJ F/PLT 14	RIGHT
2	500644	KIDS ANGL ADJ F/PLT 14	LEFT
2	500645	KIDS ANGL ADJ F/PLT 15	RIGHT
2	500646	KIDS ANGL ADJ F/PLT 15	LEFT
2	500647	KIDS ANGL ADJ F/PLT 16	RIGHT
2	500648	KIDS ANGL ADJ F/PLT 16	LEFT
3	550350	3/4 CLAMP ADJ FOOTPLATE	
4	106935	NUT NYLOCK THIN 1/4-28 ROHS	
5	226147	1/4-28 X 1.85 BH C/S BLK ZN	

Pos.	Item Number	Description	Remarks
6	106945	WASHER FLAT SAE 1/4 ROHS	
7	541000	FTRST MOUNTING BRKT 1/2" RAD R	RIGHT
7	541001	FTRST MOUNTING BRKT 1/2" RAD L	LEFT
8	561004	1 SADDLE 1/4 HOLE	
9	106943	WASHER FLAT THIN AN 1/4	
10	106941	NUT AUTOMATION 1/4-28 ROHS	
11	102268-001	HHCS M6 X 1 X 25	
12	132626	NUT AUTOMATION M6 X 1.0 ROHS	
13	107383	WASHER FLAT M6 ROHS	
15	118198	HHCS M6 X 1 X 40 PART NP	
16	561004	1" SADDLE 1/4" HOLE	
17	106943	WASHER FLAT AN 1/4 ROHS	
19	106945	WASHER FLAT SAE 1/4 ROHS	
1-4	158632	CAA F/PLT KIT 10 RT	RIGHT; used with Front Mount Adapter Kit on Plunger-Style Swing In/Out Hangers
1-4	158633	CAA F/PLT KIT 10 LT	LEFT; used with Front Mount Adapter Kit on Plunger-Style Swing In/Out Hangers
1-4	158634	CAA F/PLT KIT 11 RT	RIGHT; used with Front Mount Adapter Kit on Plunger-Style Swing In/Out Hangers
1-4	158635	CAA F/PLT KIT 11 LT	LEFT; used with Front Mount Adapter Kit on Plunger-Style Swing In/Out Hangers
1-4	158636	CAA F/PLT KIT 12 RT	RIGHT; used with Front Mount Adapter Kit on Plunger-Style Swing In/Out Hangers
1-4	158637	CAA F/PLT KIT 12 LT	LEFT; used with Front Mount Adapter Kit on Plunger-Style Swing In/Out Hangers
1-4	158638	CAA F/PLT KIT 13 RT	RIGHT; used with Front Mount Adapter Kit on Plunger-Style Swing In/Out Hangers
1-4	158639	CAA F/PLT KIT 13 LT	LEFT; used with Front Mount Adapter Kit on Plunger-Style Swing In/Out Hangers
1-4	158640	CAA F/PLT KIT 14 RT	RIGHT; used with Front Mount Adapter Kit on Plunger-Style Swing In/Out Hangers
1-4	158641	CAA F/PLT KIT 14 LT	LEFT; used with Front Mount Adapter Kit on Plunger-Style Swing In/Out Hangers
1-4	158642	CAA F/PLT KIT 15 RT	RIGHT; used with Front Mount Adapter Kit on Plunger-Style Swing In/Out Hangers
1-4	158643	CAA F/PLT KIT 15 LT	LEFT; used with Front Mount Adapter Kit on Plunger-Style Swing In/Out Hangers
1-4	158644	CAA F/PLT KIT 16 RT	RIGHT; used with Front Mount Adapter Kit on Plunger-Style Swing In/Out Hangers
1-4	158645	CAA F/PLT KIT 16 LT	LEFT; used with Front Mount Adapter Kit on Plunger-Style Swing In/Out Hangers
1-10	828821	KIDS ANG ADJ F/PLT ASSM 10	RIGHT; used with Old-Style Latch Block Swing In/Out & S/A Hangers
1-10	828822	KIDS ANG ADJ F/PLT ASSM 10	LEFT; used with Old-Style Latch Block Swing In/Out & S/A Hangers
1-10	828823	KIDS ANG ADJ F/PLT ASSM 11	RIGHT; used with Old-Style Latch Block Swing In/Out & S/A Hangers
1-10	828824	KIDS ANG ADJ F/PLT ASSM 11	LEFT; used with Old-Style Latch Block Swing In/Out & S/A Hangers
1-10	828825	KIDS ANG ADJ F/PLT ASSM 12	RIGHT; used with Old-Style Latch Block Swing In/Out & S/A Hangers
1-10	828826	KIDS ANG ADJ F/PLT ASSM 12	LEFT; used with Old-Style Latch Block Swing In/Out & S/A Hangers
1-10	828827	KIDS ANG ADJ F/PLT ASSM 13	RIGHT; used with Old-Style Latch Block Swing In/Out & S/A Hangers
1-10	828828	KIDS ANG ADJ F/PLT ASSM 13	LEFT; used with Old-Style Latch Block Swing In/Out & S/A Hangers
1-10	828829	KIDS ANG ADJ F/PLT ASSM 14	RIGHT; used with Old-Style Latch Block Swing In/Out & S/A Hangers
1-10	828830	KIDS ANG ADJ F/PLT ASSM 14	LEFT; used with Old-Style Latch Block Swing In/Out & S/A Hangers
1-10	828831	KIDS ANG ADJ F/PLT ASSM 15	RIGHT; used with Old-Style Latch Block Swing In/Out & S/A Hangers
1-10	828832	KIDS ANG ADJ F/PLT ASSM 15	LEFT; used with Old-Style Latch Block Swing In/Out & S/A Hangers

Pos.	Item Number	Description	Remarks
1-10	828833	KIDS ANG ADJ F/PLT ASSM 16	RIGHT; used with Old-Style Latch Block Swing In/Out & S/A Hangers
1-10	828834	KIDS ANG ADJ F/PLT ASSM 16	LEFT; used with Old-Style Latch Block Swing In/Out & S/A Hangers
1-10	921226	KIDS ANG ADJ F/PLT ASSM 10	PAIR; used with Old-Style Latch Block Swing In/Out & S/A Hangers
1-10	921227	KIDS ANG ADJ F/PLT ASSM 11	PAIR; used with Old-Style Latch Block Swing In/Out & S/A Hangers
1-10	921228	KIDS ANG ADJ F/PLT ASSM 12	PAIR; used with Old-Style Latch Block Swing In/Out & S/A Hangers
1-10	921229	KIDS ANG ADJ F/PLT ASSM 13	PAIR; used with Old-Style Latch Block Swing In/Out & S/A Hangers
1-10	921230	KIDS ANG ADJ F/PLT ASSM 14	PAIR; used with Old-Style Latch Block Swing In/Out & S/A Hangers
1-10	921231	KIDS ANG ADJ F/PLT ASSM 15	PAIR; used with Old-Style Latch Block Swing In/Out & S/A Hangers
1-10	921232	KIDS ANG ADJ F/PLT ASSM 16	PAIR; used with Old-Style Latch Block Swing In/Out & S/A Hangers
11-19	129764	AAA FRNT MNT ADAPTER KIT PR	AAA FRNT MNT fits both Kids and Adult Angle Adjustable Footplates
		Ship assembled part #	Use with multiple assemblies
	ASSY-HNG-FP	HANGER/FOOTPLATE ASSY REQUIRED	add with Hanger & Footplate kit

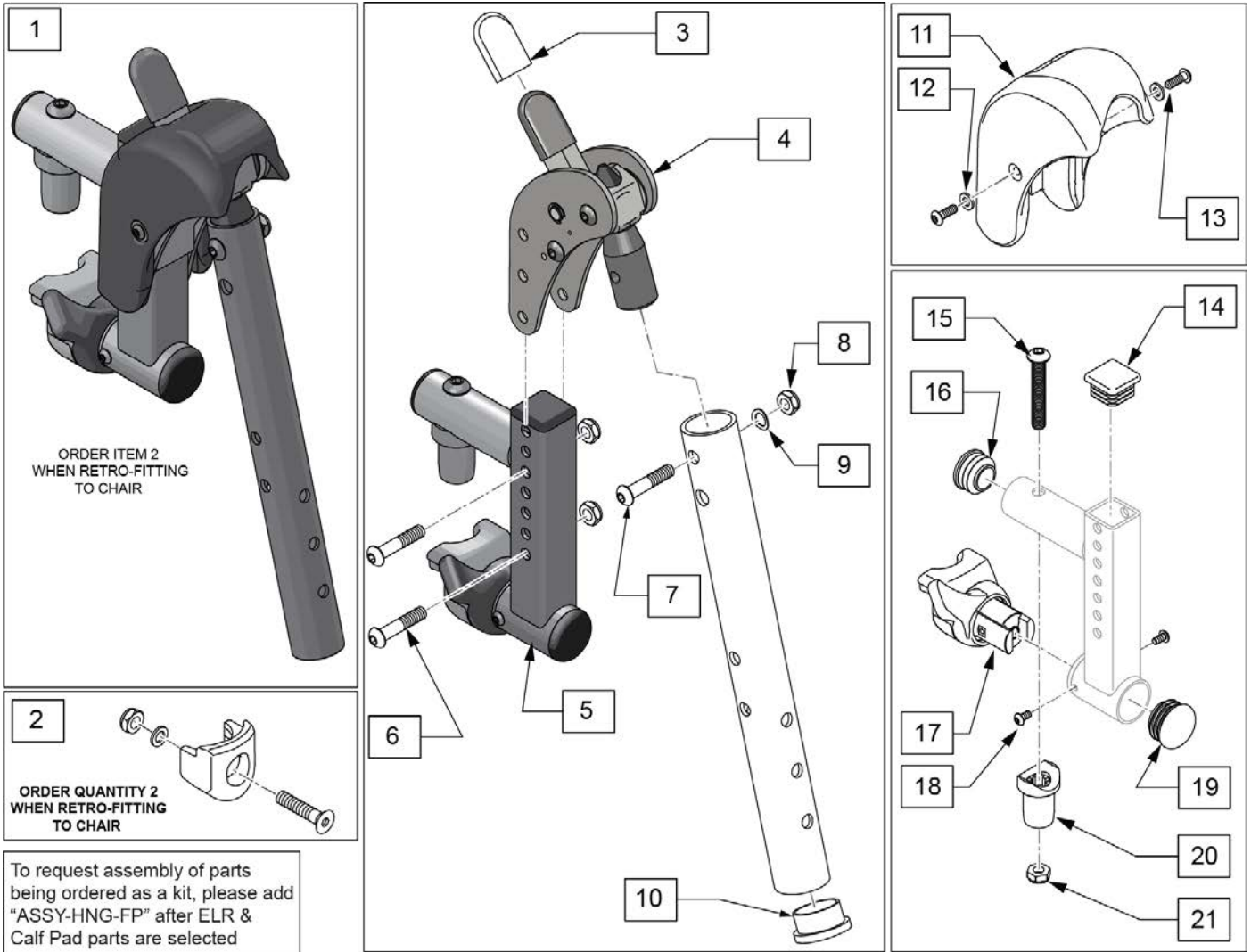


Pos.	Item Number	Description	Remarks
1	106935	NUT NYLOCK THIN 1/4 -28 ROHS	
2	106961	BHCS 1/4 -28 x 1 1/4 ROHS	
1-3	111505	2" FOOTREST EXTENSION TUBE W/ HDWR ASSM	2" EXT (PAIR)
1, 2, 4	111506	4" FOOTREST EXTENSION TUBE W/ HDWR ASSM	4" EXT (PAIR)
1, 2, 5	111507	6" FOOTREST EXTENSION TUBE W/ HDWR ASSM	6" EXT (PAIR)



Pos.	Item Number	Description	Remarks
1	162048S	SWNG I/O ELR ASSM FM W/PAD	Kit includes both right & left sides with calf pads
2	119514	LATCH RECEIVER KIT	order qty 2 when retro-fitting to chair
		Ship assembled part #	Use with multiple assemblies
	ASSY-HNG-FP	HANGER/FOOTPLATE ASSY REQUIRED	add with Hanger & Footplate kit

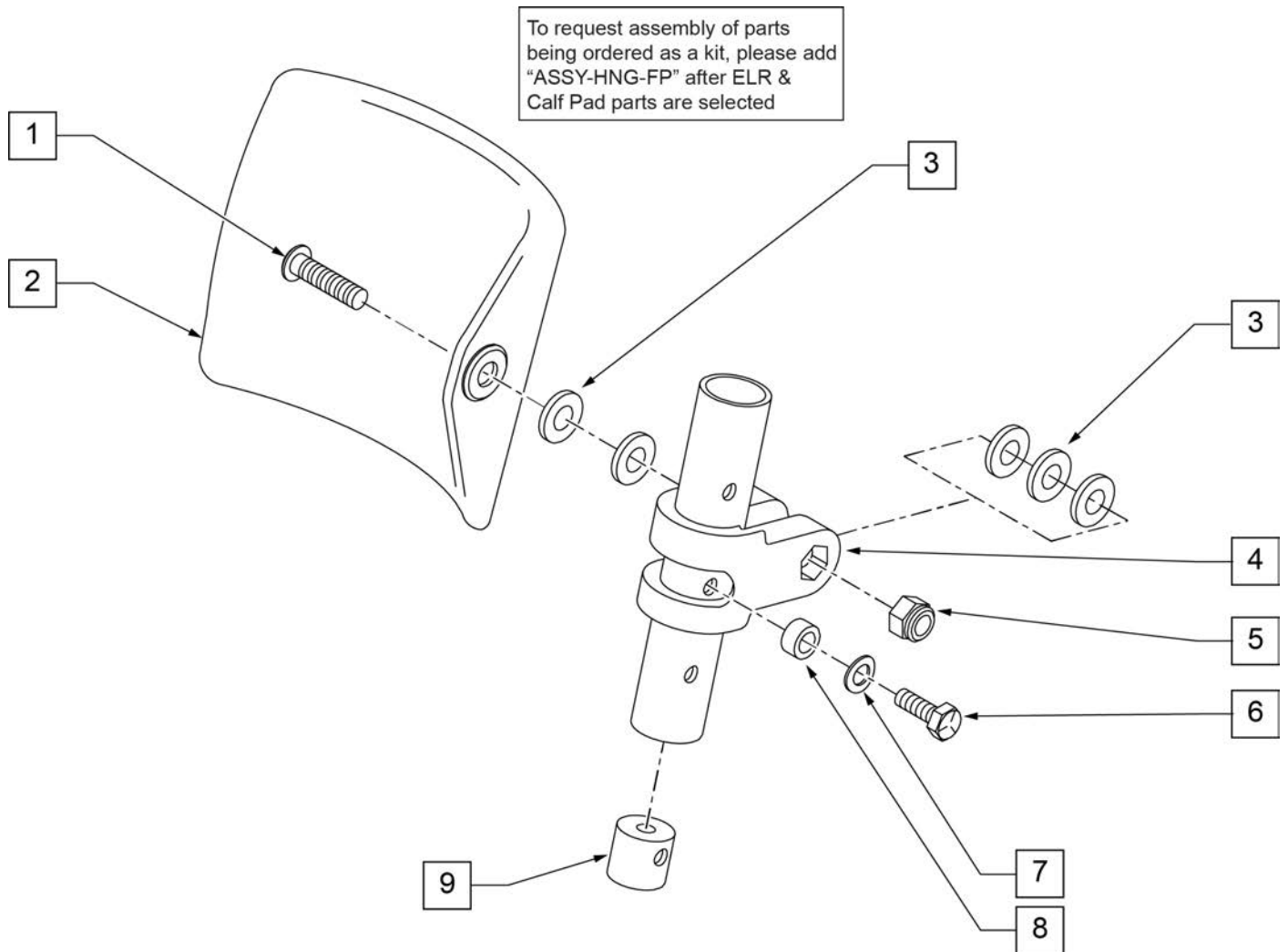
12/2018 SWING IN-OUT FRONT MOUNT ELR REPLACEMENT PARTS (PLUNGER STYLE) (EFFECTIVE 2/6/17)



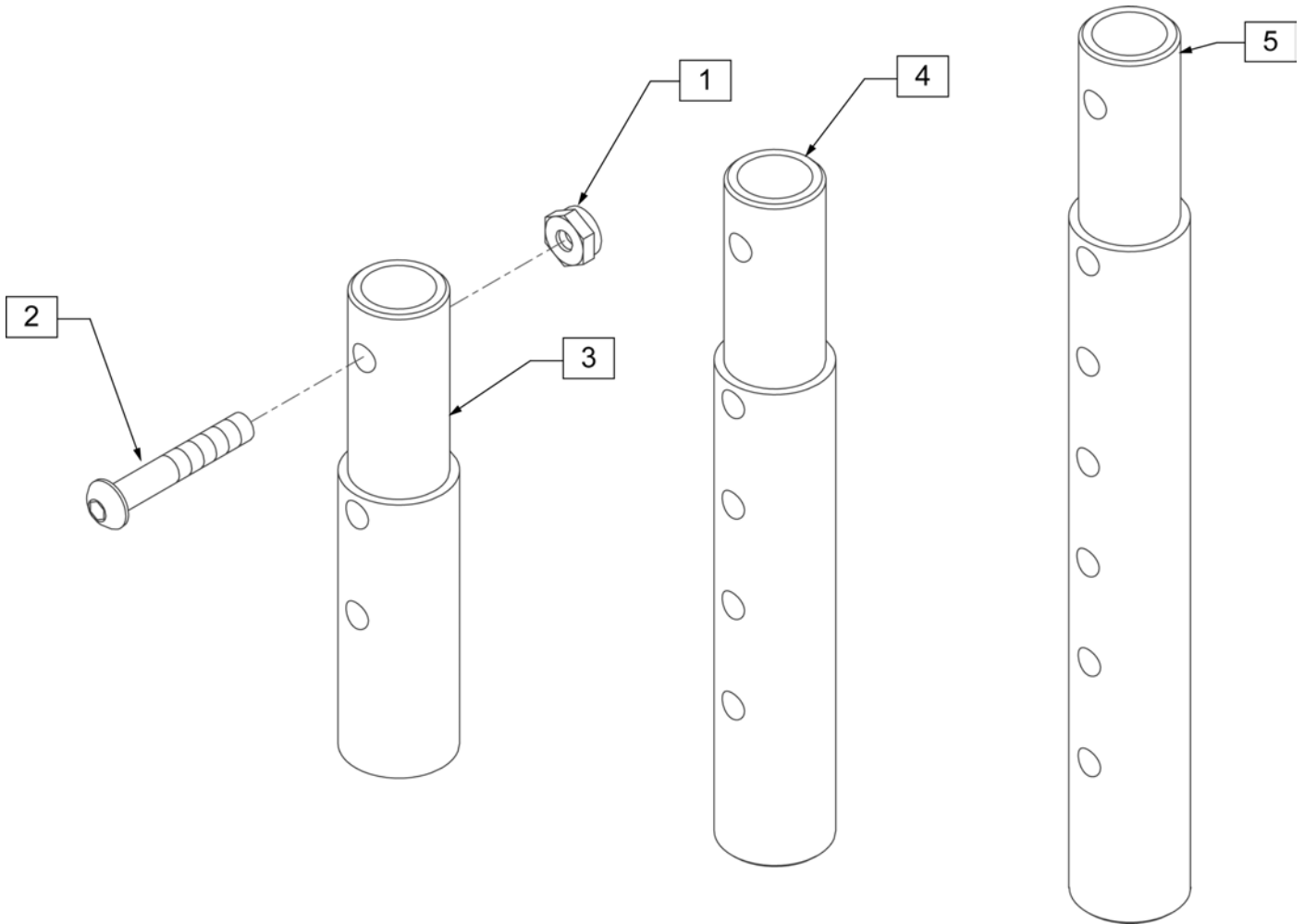
To request assembly of parts being ordered as a kit, please add "ASSY-HNG-FP" after ELR & Calf Pad parts are selected

Pos.	Item Number	Description	Remarks
1	162049S	SWNG I/O ELR ASSM FM LH	Left
1	162050S	SWNG I/O ELR ASSM FM RH	Right
2	119514	LATCH RECEIVER KIT	order qty 2 when retro-fitting to chair
3	560501	ALR REL LEVER COVER	
4	126992	HEMI ELR SUB ASSM	
5	134188	RECEIVER ASSY ELR ALR RH	
5	134186	RECEIVER ASSY ELR ALR LH	
6	108623	BHCS 1/4-28 x 1-1/2	
7	106961	BHCS 1/4 -28 x 1 1/4 ROHS	
8	106935	1/4-28 NYLOCK NUT THIN BLK ZN	
9	104414	WAVE WASHER 6 MM	
10	561002	1" INSERT PLUG .083	
12	113282	WASHER FLAT AN #10 ROHS	
13	127135	BHCS 8-32 X 1/2 BLK	
11-13	129640	ELR SHROUD KIT	Kit w/ 2 screws
14	010615	SQUARE END CAP CNTR LEG	
15	226217	5/16-18 X 2" BH C/S BLK	
16	560110	ENDPLUG BACKREST TNT	

Pos.	Item Number	Description	Remarks
17,18	161243	ELR/ALR HANGER LATCH KIT LH	Left
17,18	161242	ELR/ALR HANGER LATCH KIT RH	Right
19	561062	1" INSERT PLUG .065 RIBS	
20	561197	PLASTIC PIVOT SADDLE	
21	202102	5/16-18 NYLOCK NUT THIN	
		Ship assembled part #	Use with multiple assemblies
	ASSY-HNG-FP	HANGER/FOOTPLATE ASSY REQUIRED	add with Hanger & Footplate kit



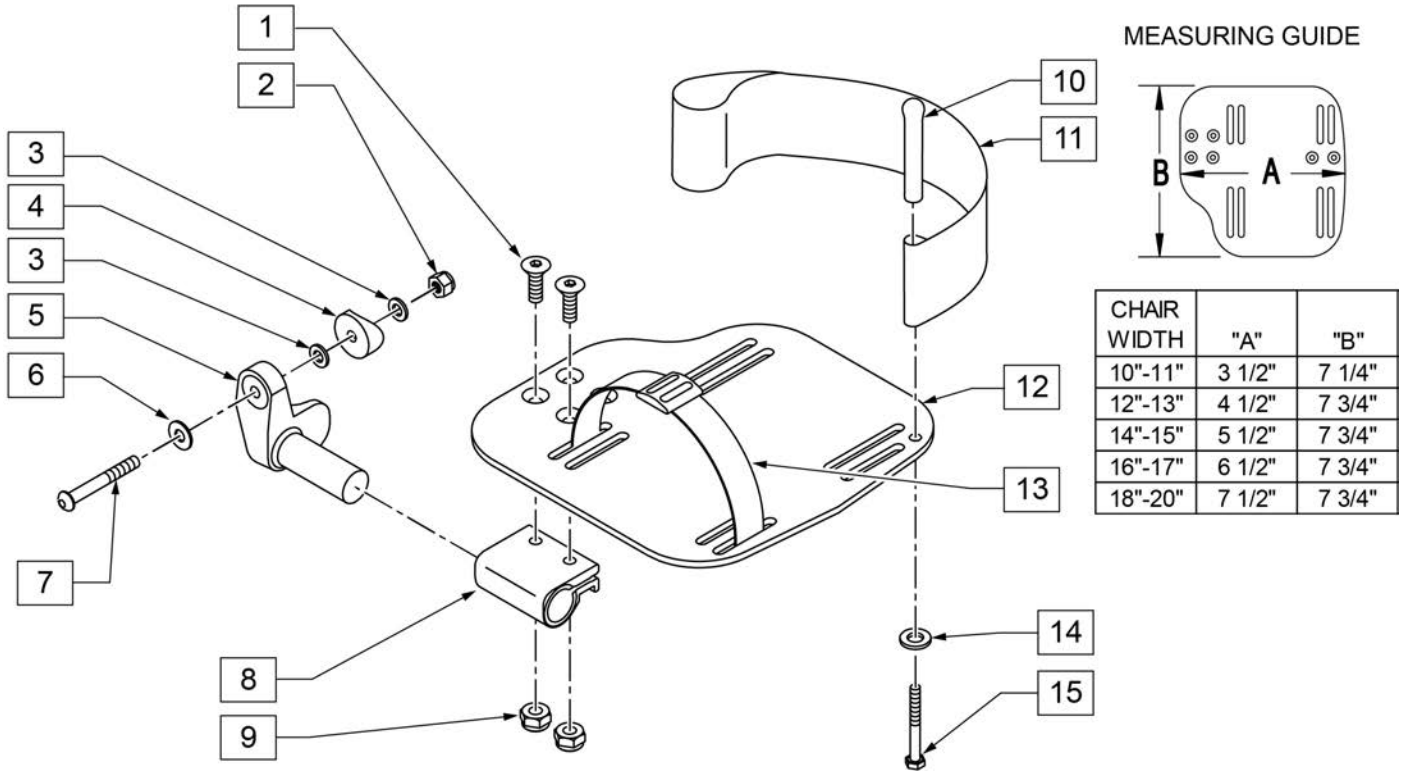
Pos.	Item Number	Description	Remarks
1	226217	5/16-18 x 2" BH C/S BLK	
2	755013	CALF PAD TROUGH STYLE KIDS	
3	561016	1" WASHER 5/16" HOLE	
4	561097	ELR ELEVATING TUBE CLAMP	
5	106937	5/16 -18 NYLOCK NUT THIN	
6	106958	HHCS 1/4-20 X 1 ROHS	
7	262130	6mm WASHER WAVE	
8	483027	1/4 x 1/4 ALUMINUM SPACER	
9	500151	KIDS ALR RETAINING PLUG	
1-9	880533	ELR TROUGH PAD ASSM KIDS	
		Ship assembled part #	Use with multiple assemblies
	ASSY-HNG-FP	HANGER/FOOTPLATE ASSY REQUIRED	add with Hanger & Footplate kit



Pos.	Item Number	Description	Remarks
1	106935	NUT NYLOCK THIN 1/4 -28 ROHS	
2	106961	BHCS 1/4 -28 x 1 1/4 ROHS	
1-3	111505	2" FOOTREST EXTENSION TUBE W/ HDWR ASSM	2" EXT (PAIR)
1, 2, 4	111506	4" FOOTREST EXTENSION TUBE W/ HDWR ASSM	4" EXT (PAIR)
1, 2, 5	111507	6" FOOTREST EXTENSION TUBE W/ HDWR ASSM	6" EXT (PAIR)

To have complete Footrest ship assembled, choose compatible Hanger + Footplate part numbers and add "ASSY-HNG-FP" to order

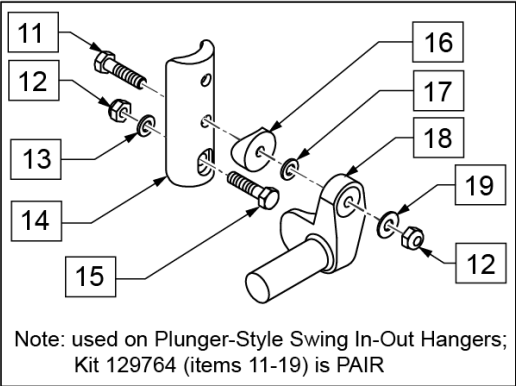
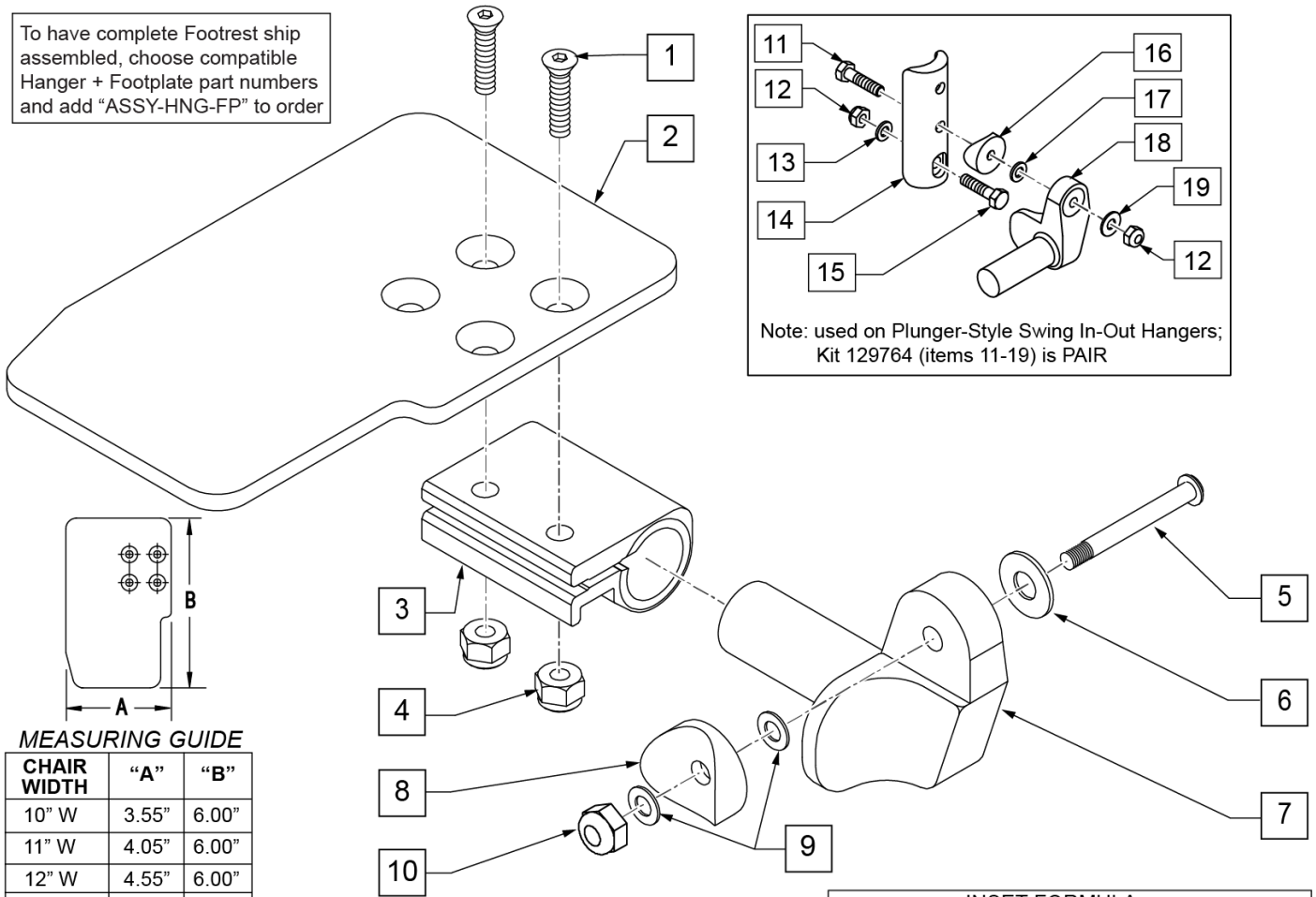
INSET FORMULA
 0" Inset (Seat Width) = Footrest Width
 1" Inset (Seat Width) - 2" = Footrest Width
 "V" Hanger (Seat Width) - 4" = Footrest Width
 Offset Hanger Receiver (Seat Width) + 2" = Footrest Width



Pos.	Item Number	Description	Remarks
1	106978	FHCS 1/4-28 X 7/8 ROHS	
2	106941	NUT AUTOMATION 1/4-28 ROHS	
3	106943	WASHER FLAT AN 1/4 ROHS	
4	561004	1" SADDLE 1/4" HOLE	
5	541000	FOOTREST MOUNTING BRKT 1/2" RAD R	RIGHT
5	541001	FOOTREST MOUNTING BRKT 1/2" RAD L	LEFT
6	106945	WASHER FLAT SAE 1/4 ROHS	
7	106964	BHCS 1/4-28 X 2	
8	550350	3/4" CLAMP ADJ FOOTPLATE	
9	106935	NUT NYLOCK THIN 1/4-28 ROHS	
10	561040	HEEL LOOP PEG	
11	741153	HEEL LOOP 18-20 CMPST/14-15 ANG ADJ	USED W/ 14-15"/16-17" ADULT ANG ADJ FTPLTS
11	741253	HEEL LOOP ADLT ADJ F/PLT 18-20	USED W/ 18 -20" ADULT ANG ADJ FTPLTS
12	500656	ADULT ANGL ADJ F/PLT 10/11	RIGHT
12	500657	ADULT ANGL ADJ F/PLT 10/11	LEFT
12	500658	ADULT ANGL ADJ F/PLT 12/13	RIGHT
12	500659	ADULT ANGL ADJ F/PLT 12/13	LEFT
12	500660	ADULT ANGL ADJ F/PLT 14/15	RIGHT
12	500661	ADULT ANGL ADJ F/PLT 14/15	LEFT
12	500662	ADULT ANGL ADJ F/PLT 16/17	RIGHT
12	500663	ADULT ANGL ADJ F/PLT 16/17	LEFT
12	500664	ADULT ANGL ADJ F/PLT 18-20	RIGHT

Pos.	Item Number	Description	Remarks
12	500665	ADULT ANGL ADJ F/PLT 18-20	LEFT
13	740260	TOE-ANKLE STRAP ADJ ADULT FOOTPLATE	
14	106943	WASHER FLAT AN 1/4 ROHS	
15	106958	HHCS 1/4-20 X 1 ROHS	
1-9,12	820544	FP ADULT ADJ 90D 10/11 R	RIGHT
1-9,12	820554	FP ADULT ADJ 90D 10/11 L	LEFT
1-9,12	820546	FP ADULT ADJ 90D 12/13 R	RIGHT
1-9,12	820556	FP ADULT ADJ 90D 12/13 L	LEFT
1-9,12	820472	FP ADULT ADJ 90D 14/15 R	RIGHT
1-9,12	820473	FP ADULT ADJ 90D 14/15 L	LEFT
1-9,12	820474	FP ADULT ADJ 90D 16/17 R	RIGHT
1-9,12	820475	FP ADULT ADJ 90D 16/17 L	LEFT
1-9,12	820476	FP ADULT ADJ 90D 18-20 R	RIGHT
1-9,12	820477	FP ADULT ADJ 90D 18-20 L	LEFT
1-9,12	921474	ADULT ANGL ADJ 90D 10/11 OMIT H/L	PAIR
1-9,12	921476	ADULT ANGL ADJ 90D 12/13 OMIT H/L	PAIR
1-9,12	921330	ADULT ANGL ADJ 90D 14/15 OMIT H/L	PAIR
1-9,12	921331	ADULT ANGL ADJ 90D 16/17 OMIT H/L	PAIR
1-9,12	921332	ADULT ANGL ADJ 90D 18-20 OMIT H/L	PAIR
1-12,14,15	820540	F/PLT ADULT ADJ 90D 10/11 R W/ HL	RIGHT
1-12,14,15	820550	F/PLT ADULT ADJ 90D 10/11 L W/ HL	LEFT
1-12,14,15	820542	F/PLT ADULT ADJ 90D 12/13 R W/ HL	RIGHT
1-12,14,15	820552	F/PLT ADULT ADJ 90D 12/13 L W/ HL	LEFT
1-12,14,15	820478	F/PLT ADULT ADJ 90D 14/15 R W/ HL	RIGHT
1-12,14,15	820479	F/PLT ADULT ADJ 90D 14/15 L W/ HL	LEFT
1-12,14,15	820480	F/PLT ADULT ADJ 90D 16/17 R W/ HL	RIGHT
1-12,14,15	820481	F/PLT ADULT ADJ 90D 16/17 L W/ HL	LEFT
1-12,14,15	820482	F/PLT ADULT ADJ 90D 18-20 R W/ HL	RIGHT
1-12,14,15	820483	F/PLT ADULT ADJ 90D 18-20 L W/ HL	LEFT
1-12,14,15	921470	F/PLT ADULT ADJ 90D 10/11 W/ HL	PAIR
1-12,14,15	921472	F/PLT ADULT ADJ 90D 12/13 W/ HL	PAIR
1-12,14,15	921333	F/PLT ADULT ADJ 90D 14/15 W/ HL	PAIR
1-12,14,15	921334	F/PLT ADULT ADJ 90D 16/17 W/ HL	PAIR
1-12,14,15	921335	F/PLT ADULT ADJ 90D 18-20 W/ HL	PAIR
		Ship assembled part #	Use with multiple assemblies
	ASSY-HNG-FP	HANGER/FOOTPLATE ASSY REQUIRED	add with Hanger & Footplate kit

To have complete Footrest ship assembled, choose compatible Hanger + Footplate part numbers and add "ASSY-HNG-FP" to order



MEASURING GUIDE

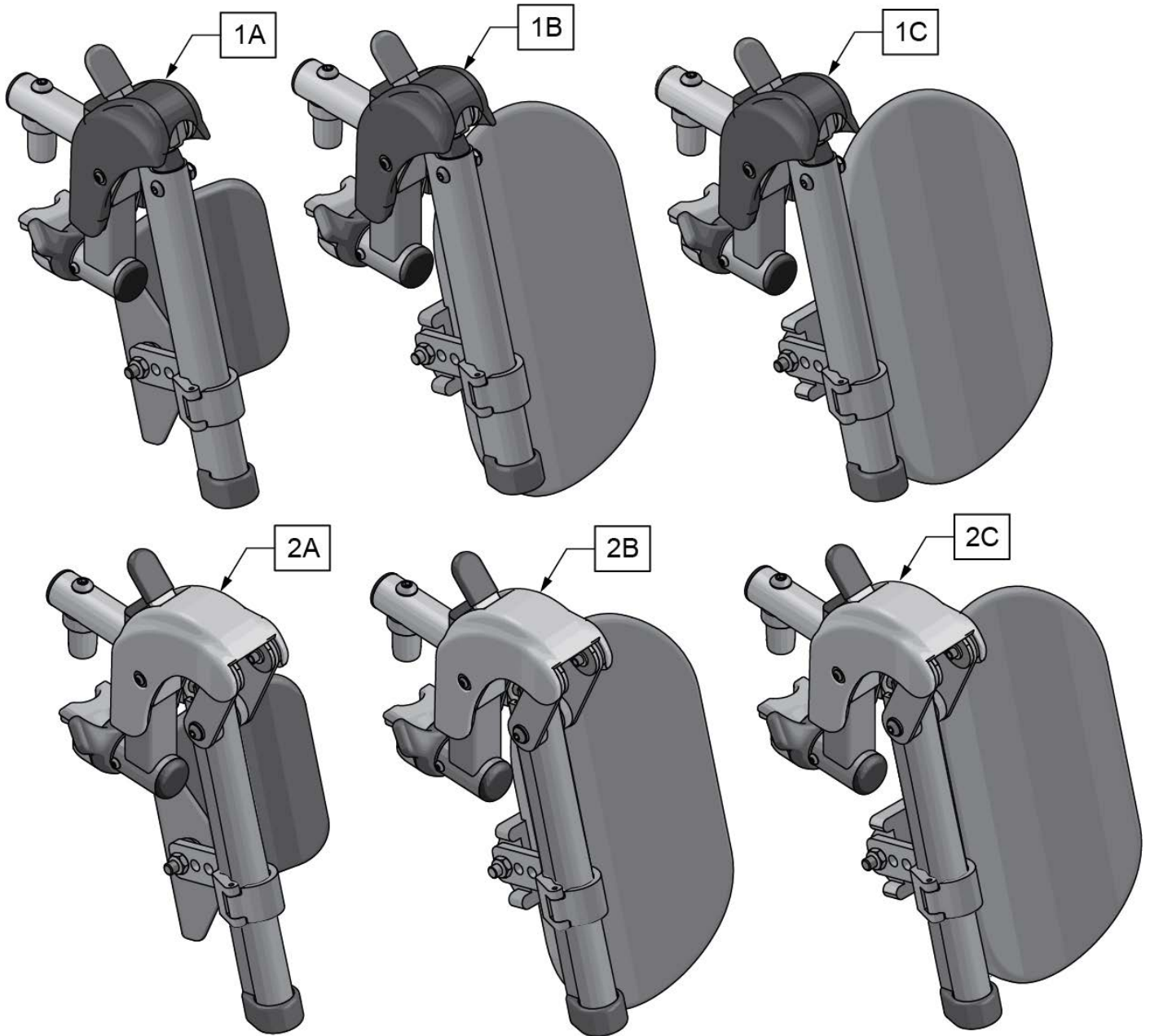
CHAIR WIDTH	"A"	"B"
10" W	3.55"	6.00"
11" W	4.05"	6.00"
12" W	4.55"	6.00"
13" W	5.05"	6.00"
14" W	5.55"	6.00"
15" W	6.05"	6.00"
16" W	6.55"	6.00"

INSET FORMULA
 0" Inset (Seat Width) = Footrest Width
 1" Inset (Seat Width) -2" = Footrest Width
 "V" Hanger (Seat Width) -4" = Footrest Width
 Offset Hanger Receiver (Seat Width) +2" = Footrest Width

Pos.	Item Number	Description	Remarks
1	106978	FHCS 1/4-28 X 7/8 ROHS	
2	500635	KIDS ANGL ADJ F/PLT 10	RIGHT
2	500636	KIDS ANGL ADJ F/PLT 10	LEFT
2	500637	KIDS ANGL ADJ F/PLT 11	RIGHT
2	500638	KIDS ANGL ADJ F/PLT 11	LEFT
2	500639	KIDS ANGL ADJ F/PLT 12	RIGHT
2	500640	KIDS ANGL ADJ F/PLT 12	LEFT
2	500641	KIDS ANGL ADJ F/PLT 13	RIGHT
2	500642	KIDS ANGL ADJ F/PLT 13	LEFT
2	500643	KIDS ANGL ADJ F/PLT 14	RIGHT
2	500644	KIDS ANGL ADJ F/PLT 14	LEFT
2	500645	KIDS ANGL ADJ F/PLT 15	RIGHT
2	500646	KIDS ANGL ADJ F/PLT 15	LEFT
2	500647	KIDS ANGL ADJ F/PLT 16	RIGHT
2	500648	KIDS ANGL ADJ F/PLT 16	LEFT
3	550350	3/4 CLAMP ADJ FOOTPLATE	
4	106935	NUT NYLOCK THIN 1/4-28 ROHS	
5	226147	1/4-28 X 1.85 BH C/S BLK ZN	

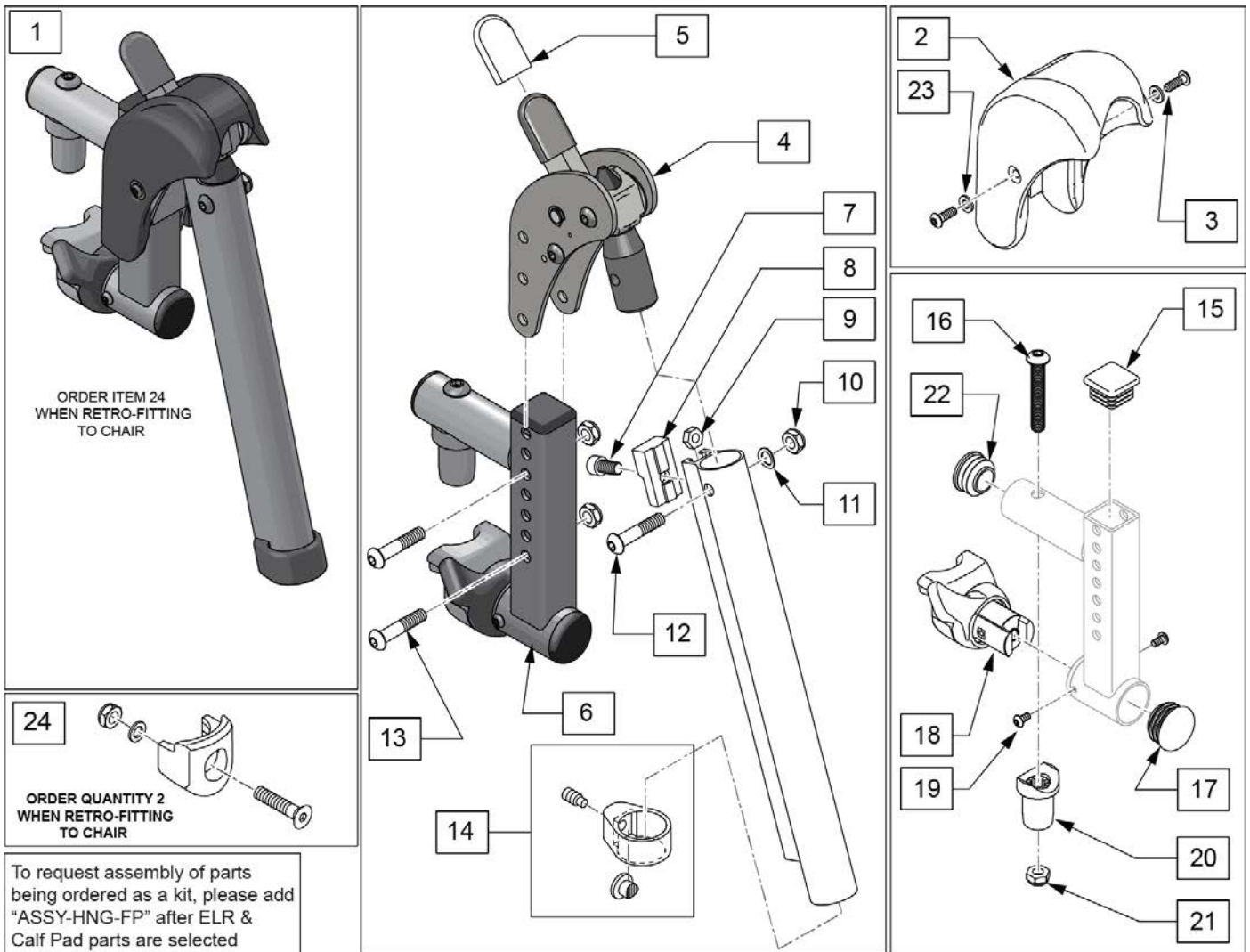
Pos.	Item Number	Description	Remarks
6	106945	WASHER FLAT SAE 1/4 ROHS	
7	541000	FTRST MOUNTING BRKT 1/2" RAD R	RIGHT
7	541001	FTRST MOUNTING BRKT 1/2" RAD L	LEFT
8	561004	1 SADDLE 1/4 HOLE	
9	106943	WASHER FLAT THIN AN 1/4	
10	106941	NUT AUTOMATION 1/4-28 ROHS	
11	102268-001	HHCS M6 X 1 X 25	
12	132626	NUT AUTOMATION M6 X 1.0 ROHS	
13	107383	WASHER FLAT M6 ROHS	
15	118198	HHCS M6 X 1 X 40 PART NP	
16	561004	1" SADDLE 1/4" HOLE	
17	106943	WASHER FLAT AN 1/4 ROHS	
19	106945	WASHER FLAT SAE 1/4 ROHS	
1-4	158632	CAA F/PLT KIT 10 RT	RIGHT; used with Front Mount Adapter Kit on Plunger-Style Swing In/Out Hangers
1-4	158633	CAA F/PLT KIT 10 LT	LEFT; used with Front Mount Adapter Kit on Plunger-Style Swing In/Out Hangers
1-4	158634	CAA F/PLT KIT 11 RT	RIGHT; used with Front Mount Adapter Kit on Plunger-Style Swing In/Out Hangers
1-4	158635	CAA F/PLT KIT 11 LT	LEFT; used with Front Mount Adapter Kit on Plunger-Style Swing In/Out Hangers
1-4	158636	CAA F/PLT KIT 12 RT	RIGHT; used with Front Mount Adapter Kit on Plunger-Style Swing In/Out Hangers
1-4	158637	CAA F/PLT KIT 12 LT	LEFT; used with Front Mount Adapter Kit on Plunger-Style Swing In/Out Hangers
1-4	158638	CAA F/PLT KIT 13 RT	RIGHT; used with Front Mount Adapter Kit on Plunger-Style Swing In/Out Hangers
1-4	158639	CAA F/PLT KIT 13 LT	LEFT; used with Front Mount Adapter Kit on Plunger-Style Swing In/Out Hangers
1-4	158640	CAA F/PLT KIT 14 RT	RIGHT; used with Front Mount Adapter Kit on Plunger-Style Swing In/Out Hangers
1-4	158641	CAA F/PLT KIT 14 LT	LEFT; used with Front Mount Adapter Kit on Plunger-Style Swing In/Out Hangers
1-4	158642	CAA F/PLT KIT 15 RT	RIGHT; used with Front Mount Adapter Kit on Plunger-Style Swing In/Out Hangers
1-4	158643	CAA F/PLT KIT 15 LT	LEFT; used with Front Mount Adapter Kit on Plunger-Style Swing In/Out Hangers
1-4	158644	CAA F/PLT KIT 16 RT	RIGHT; used with Front Mount Adapter Kit on Plunger-Style Swing In/Out Hangers
1-4	158645	CAA F/PLT KIT 16 LT	LEFT; used with Front Mount Adapter Kit on Plunger-Style Swing In/Out Hangers
1-10	828821	KIDS ANG ADJ F/PLT ASSM 10	RIGHT; used with Old-Style Latch Block Swing In/Out & S/A Hangers
1-10	828822	KIDS ANG ADJ F/PLT ASSM 10	LEFT; used with Old-Style Latch Block Swing In/Out & S/A Hangers
1-10	828823	KIDS ANG ADJ F/PLT ASSM 11	RIGHT; used with Old-Style Latch Block Swing In/Out & S/A Hangers
1-10	828824	KIDS ANG ADJ F/PLT ASSM 11	LEFT; used with Old-Style Latch Block Swing In/Out & S/A Hangers
1-10	828825	KIDS ANG ADJ F/PLT ASSM 12	RIGHT; used with Old-Style Latch Block Swing In/Out & S/A Hangers
1-10	828826	KIDS ANG ADJ F/PLT ASSM 12	LEFT; used with Old-Style Latch Block Swing In/Out & S/A Hangers
1-10	828827	KIDS ANG ADJ F/PLT ASSM 13	RIGHT; used with Old-Style Latch Block Swing In/Out & S/A Hangers
1-10	828828	KIDS ANG ADJ F/PLT ASSM 13	LEFT; used with Old-Style Latch Block Swing In/Out & S/A Hangers
1-10	828829	KIDS ANG ADJ F/PLT ASSM 14	RIGHT; used with Old-Style Latch Block Swing In/Out & S/A Hangers
1-10	828830	KIDS ANG ADJ F/PLT ASSM 14	LEFT; used with Old-Style Latch Block Swing In/Out & S/A Hangers
1-10	828831	KIDS ANG ADJ F/PLT ASSM 15	RIGHT; used with Old-Style Latch Block Swing In/Out & S/A Hangers
1-10	828832	KIDS ANG ADJ F/PLT ASSM 15	LEFT; used with Old-Style Latch Block Swing In/Out & S/A Hangers

Pos.	Item Number	Description	Remarks
1-10	828833	KIDS ANG ADJ F/PLT ASSM 16	RIGHT; used with Old-Style Latch Block Swing In/Out & S/A Hangers
1-10	828834	KIDS ANG ADJ F/PLT ASSM 16	LEFT; used with Old-Style Latch Block Swing In/Out & S/A Hangers
1-10	921226	KIDS ANG ADJ F/PLT ASSM 10	PAIR; used with Old-Style Latch Block Swing In/Out & S/A Hangers
1-10	921227	KIDS ANG ADJ F/PLT ASSM 11	PAIR; used with Old-Style Latch Block Swing In/Out & S/A Hangers
1-10	921228	KIDS ANG ADJ F/PLT ASSM 12	PAIR; used with Old-Style Latch Block Swing In/Out & S/A Hangers
1-10	921229	KIDS ANG ADJ F/PLT ASSM 13	PAIR; used with Old-Style Latch Block Swing In/Out & S/A Hangers
1-10	921230	KIDS ANG ADJ F/PLT ASSM 14	PAIR; used with Old-Style Latch Block Swing In/Out & S/A Hangers
1-10	921231	KIDS ANG ADJ F/PLT ASSM 15	PAIR; used with Old-Style Latch Block Swing In/Out & S/A Hangers
1-10	921232	KIDS ANG ADJ F/PLT ASSM 16	PAIR; used with Old-Style Latch Block Swing In/Out & S/A Hangers
11-19	129764	AAA FRNT MNT ADAPTER KIT PR	AAA FRNT MNT fits both Kids and Adult Angle Adjustable Footplates
		Ship assembled part #	Use with multiple assemblies
	ASSY-HNG-FP	HANGER/FOOTPLATE ASSY REQUIRED	add with Hanger & Footplate kit



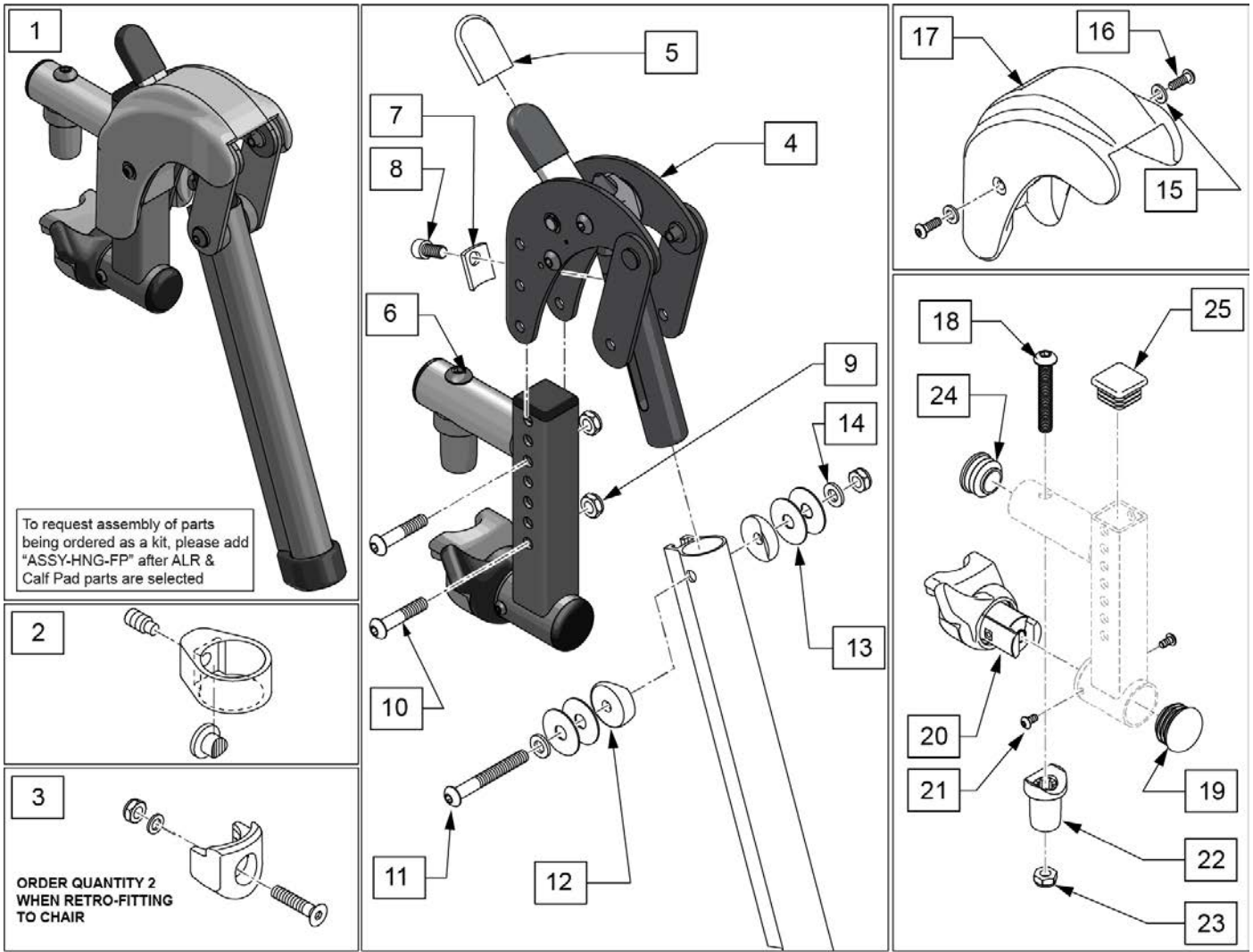
Pos.	Item Number	Description	Remarks
1A	161233S	SWNG I/O ELR ASM 14-15 W/PAD	Pair
1B	161234S	SWNG I/O ELR ASM 16-17 W/PAD	Pair
1C	161235S	SWNG I/O ELR ASM 18-20 W/PAD	Pair
2A	161236S	SWNG I/O ALR ASM 14-15 W/PAD	Pair
2B	161237S	SWNG I/O ALR ASM 16-17 W/PAD	Pair
2C	161238S	SWNG I/O ALR ASM 18-20 W/PAD	Pair
		Ship assembled part #	Use with multiple assemblies
	ASSY-HNG-FP	HANGER/FOOTPLATE ASSY REQUIRED	add with Hanger & Footplate kit

[7/2016] SWING IN-OUT EXT MOUNT ELR REPLACEMENT PARTS (PLUNGER STYLE) (EFFECTIVE 2/6/17)



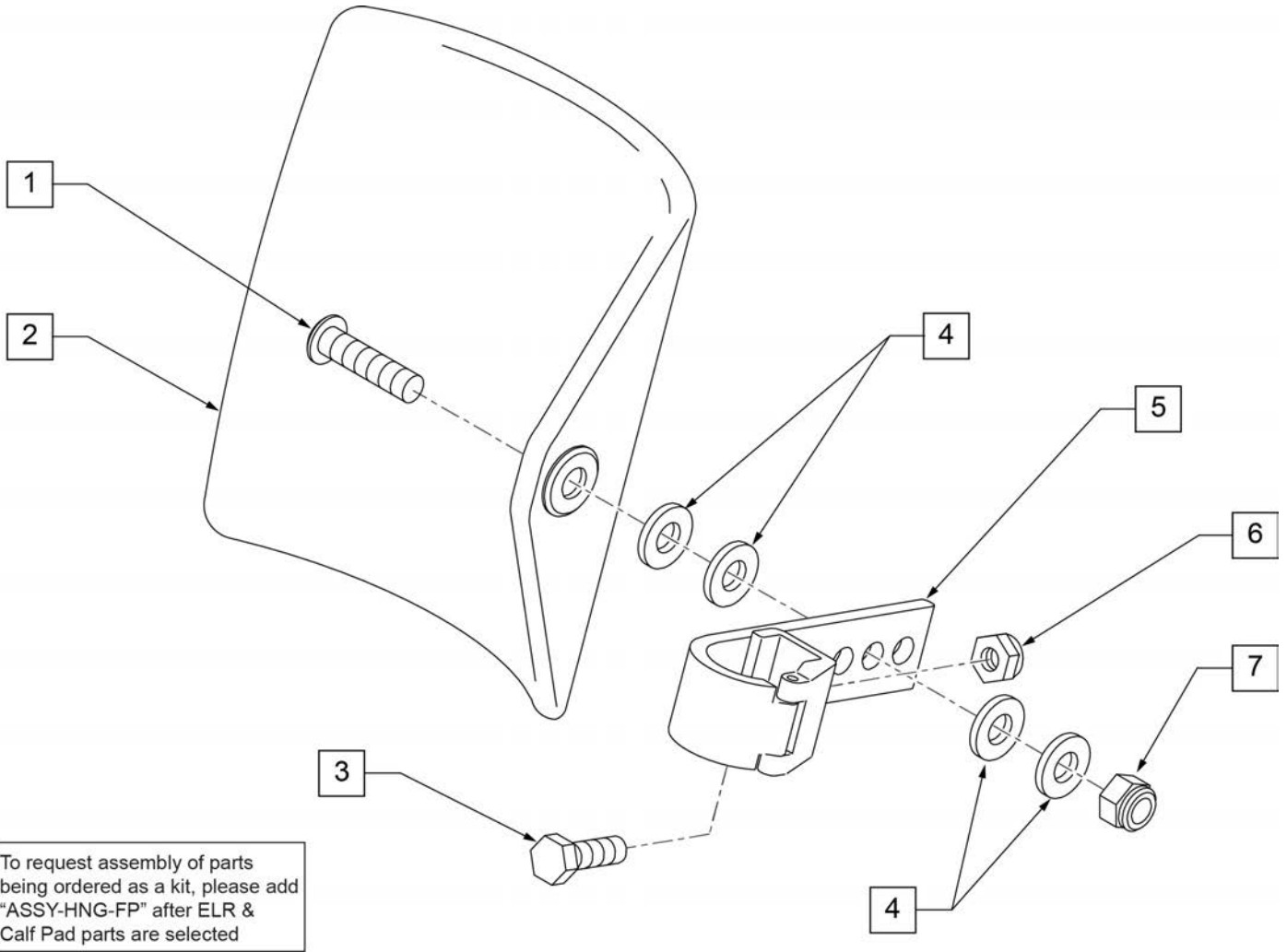
Pos.	Item Number	Description	Remarks
1	161239S	SWNG I/O ELR ASSM RH	Right
1	161240S	SWNG I/O ELR ASSM LH	Left
1	161241S	SWNG I/O ELR ASSM PR	Pair
2,3,23	129640	ELR SHROUD KIT	Kit w/ 2 screws
3	127135	BHCS 8-32 X 1/2 BLK	
4	126992	HEMI ELR SUB ASSM	
5	560501	ALR REL LEVER COVER	
6	134188	RECEIVER ASSY ELR ALR RH	
6	134186	RECEIVER ASSY ELR ALR LH	
7	107350	SHCS 1/4-28 x 1/2	
8	127129	ANGLE STOP ELR	
9	107249	NUT HEX THIN 1/4-28	
10	106935	1/4-28 NYLOCK NUT THIN BLK ZN	
11	104414	WAVE WASHER 6 MM	
12	106961	BHCS 1/4 -28 x 1 1/4 ROHS	
13	108623	BHCS 1/4-28 x 1-1/2	
14	119495	EXTENSION CLAMP KIT	
15	010615	SQUARE END CAP CNTR LEG	

Pos.	Item Number	Description	Remarks
16	226217	5/16-18 X 2" BH C/S BLK	
17	561062	1" INSERT PLUG .065 RIBS	
18,19	161242	ELR/ALR HANGER LATCH KIT RH	Right
18,19	161243	ELR/ALR HANGER LATCH KIT LH	Left
20	561197	PLASTIC PIVOT SADDLE	
21	202102	5/16-18 NYLOCK NUT THIN	
22	560110	ENDPLUG BACKREST TNT	
23	113282	WASHER FLAT AN #10 ROHS	
24	119514	LATCH RECEIVER KIT	order qty 2 when retro-fitting to chair
		Ship assembled part #	Use with multiple assemblies
	ASSY-HNG-FP	HANGER/FOOTPLATE ASSY REQUIRED	add with Hanger & Footplate kit

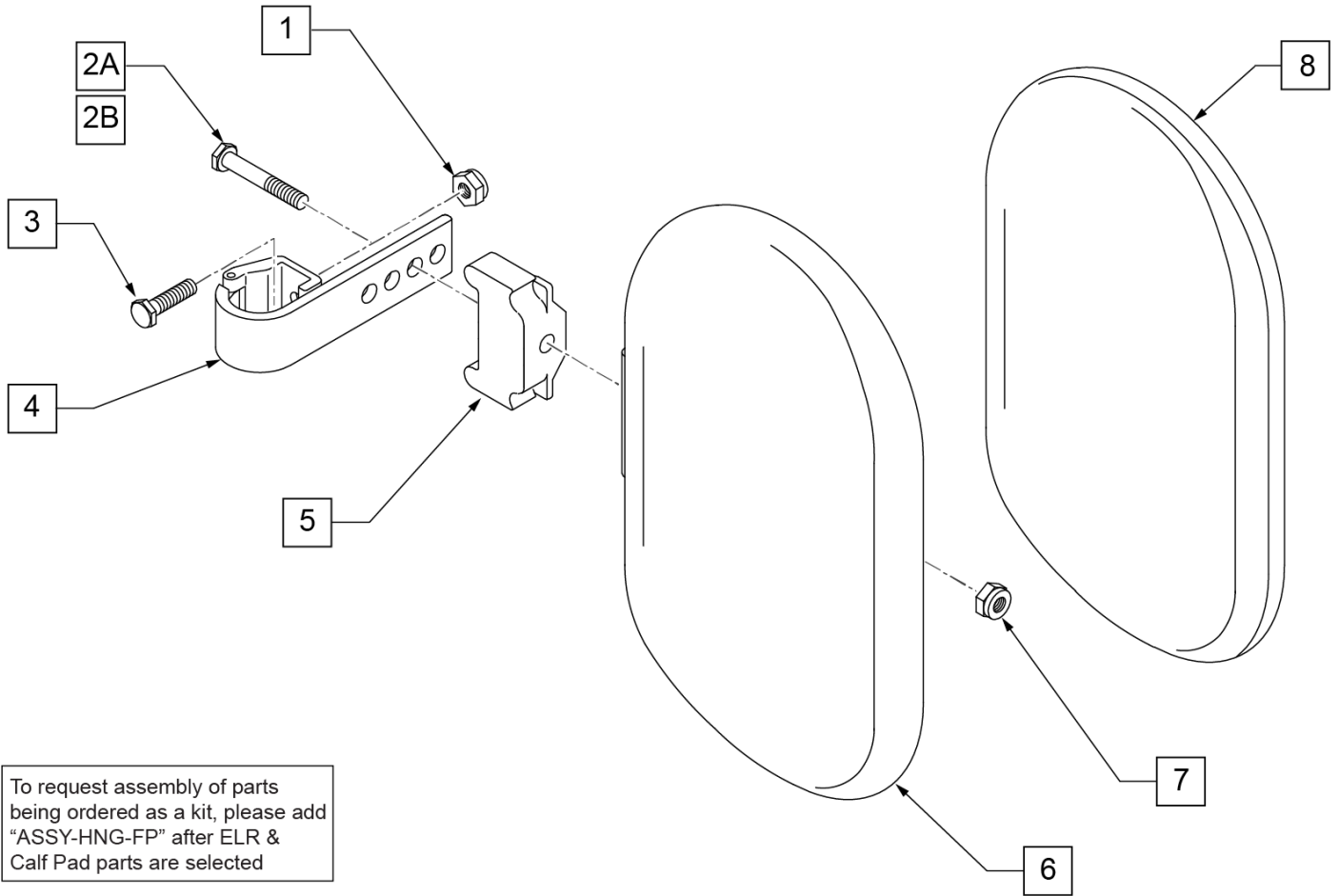


Pos.	Item Number	Description	Remarks
1	161244S	SWNG I/O ALR ASSM RH KIT	Right
1	161245S	SWNG I/O ALR ASSM LH KIT	Left
1	161246S	SWNG I/O ALR ASSM PR KIT	Pair
2	119495	EXTENSION CLAMP KIT	
3	119514	LATCH RECEIVER KIT	order qty 2 when retro-fitting to chair
4	127153	HEMI ALR SUB ASSM	
5	560501	ALR REL LEVER COVER	
6	134188	RECEIVER ASSY ELR ALR RH	
6	134186	RECEIVER ASSY ELR ALR LH	
7	127129	ANGLE STOP ELR	
8	107350	SHCS 1/4-28 x 1/2	
9	106935	1/4-28 NYLOCK NUT THIN BLK ZN	
10	108623	BHCS 1/4-28 x 1-1/2	
11	106964	BHCS 1/4-28 X 2	
12	561086	1" HALF SADDLE 1/4" HOLE	
13	113268	WASHER NYLON 1IN OD X .312 ID	
14	106943	WASHER FLAT AN 1/4 ROHS	
15	113282	WASHER FLAT AN #10 ROHS	

Pos.	Item Number	Description	Remarks
16	127135	BHCS 8-32 X 1/2 BLK	
15-17	129633	ALR SHROUD KIT	1 side
18	226217	5/16-18 X 2" BH C/S BLK	
19	560110	ENDPLUG BACKREST TNT	
20,21	161242	ELR/ALR HANGER LATCH KIT RH	Right
20,21	161243	ELR/ALR HANGER LATCH KIT LH	Left
22	561197	PLASTIC PIVOT SADDLE	
23	202102	5/16-18 NYLOCK NUT THIN	
24	561062	1" INSERT PLUG .065 RIBS	
25	010615	SQUARE END CAP CNTR LEG	
		Ship assembled part #	Use with multiple assemblies
	ASSY-HNG-FP	HANGER/FOOTPLATE ASSY REQUIRED	add with Hanger & Footplate kit



Pos.	Item Number	Description	Remarks
1	106980	BHCS 5/16-18 X 1-1/4 ROHS	
2	755014	CALF PAD TROUGH STYLE 14"/16"	
3	221097	1/4-28 X 5/8 HEX C/S BZ	
4	561016	1" WASHER 5/16" HOLE	
5	881413	CALF PAD BRACKET ASSEMBLY	
6	106934	NUT NYLOCK 1/4-28 ROHS	
7	106937	NUT NYLOCK THIN 5/16-18	
1-7	881414	CALF PAD J-HOOK 14"-15" ASSEMBLY	
		Ship assembled part #	Use with multiple assemblies
	ASSY-HNG-FP	HANGER/FOOTPLATE ASSY REQUIRED	add with Hanger & Footplate kit



To request assembly of parts being ordered as a kit, please add "ASSY-HNG-FP" after ELR & Calf Pad parts are selected

Pos.	Item Number	Description	Remarks
1	106934	NUT NYLOCK 1/4-28 ROHS	
2A	107018	HHCS 5/16-18 X 2-1/2 ROHS	16"-17" wide only
2B	107019	HHCS 5/16-18 X 3-1/2 ROHS	18"-20" wide only
3	107013	HHCS 1/4-28 X 5/8 ROHS	
4	881413	CALF PAD BRACKET ASSEMBLY	
5	560199	ELR CALF HINGE SPACER	18"-20" wide only
6	560108	CALF PAD MOLDED 16"-20"	
7	106936	NUT NYLOCK 5/16-18 ROHS	
8	751045	CALF PAD COVER	
1,2A,3,4,6-8	881416	CALF MOLDED 16"-17" ASSEMBLY	
1,2B,3-7,8	881412	CALF PAD MOLDED 18"-20" ASSEMBLY	
		Ship assembled part #	Use with multiple assemblies
	ASSY-HNG-FP	HANGER/FOOTPLATE ASSY REQUIRED	add with Hanger & Footplate kit

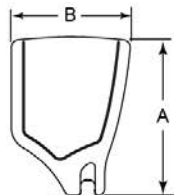
Note: Footplate Assemblies are set to footrest width; please see "Footplate Formula" table for seat width conversion.

Note: If using Short Ext Tube & Hemi Hanger with Composite Footplate use 1G (bent) .

Note: V Style Hangers are not available on Swing Away Style chairs effective 7/14/14; see the "Prior To" ordering guide for V Style footplate assemblies.

Note: see Informations Panel for appropriate ordering guide; for QX Series or SR45 footplate replacement parts see ordering guide marked specifically for these two models.

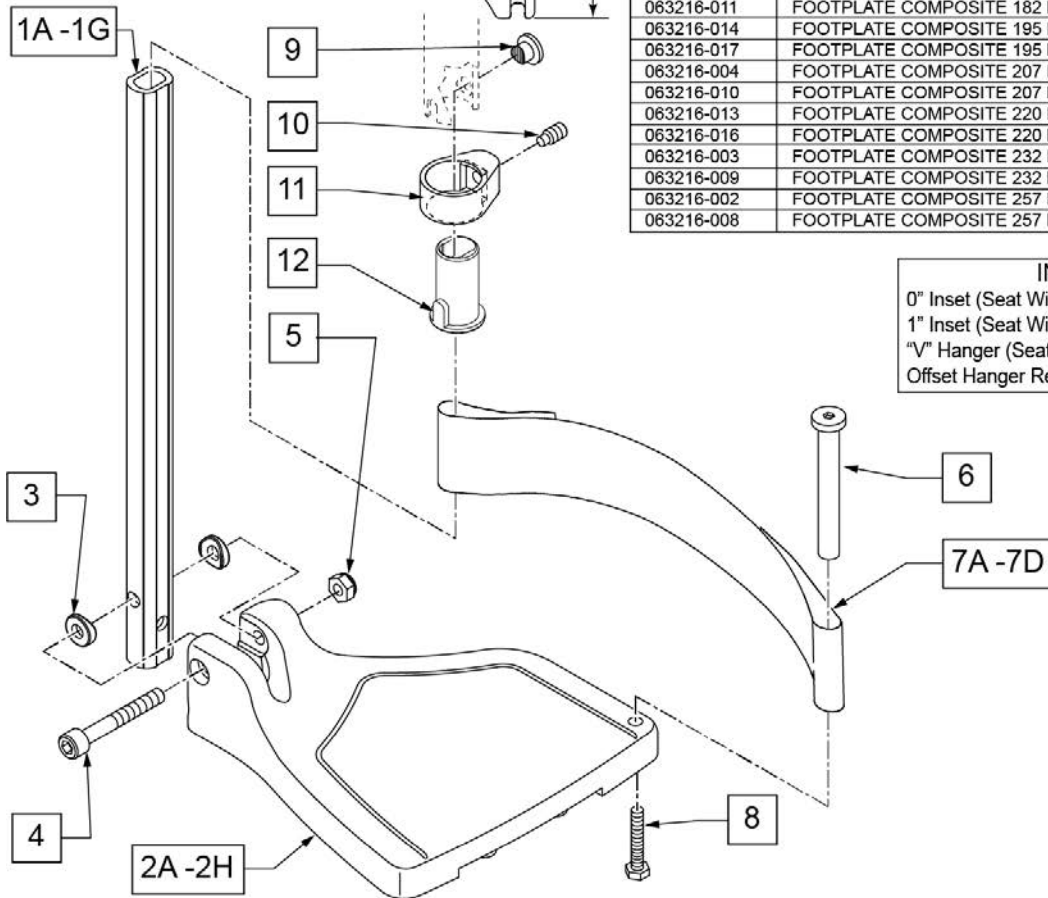
To have complete Footrest ship assembled, choose compatible Hanger + Footplate part numbers and add "ASSY-HNG-FP" to order



FOOTPLATE MEASURING GUIDE

PART NO	DESCRIPTION	"A"	"B"
063216-006	FOOTPLATE COMPOSITE 157 R (13"W)	6 1/8"	6"
063216-012	FOOTPLATE COMPOSITE 157 L (13"W)	6 1/8"	6"
063216-015	FOOTPLATE COMPOSITE 170 R (14"W)	6 5/8"	6"
063216-018	FOOTPLATE COMPOSITE 170 L (14"W)	6 5/8"	6"
063216-005	FOOTPLATE COMPOSITE 182 R (15"W)	7 1/8"	6"
063216-011	FOOTPLATE COMPOSITE 182 L (15"W)	7 1/8"	6"
063216-014	FOOTPLATE COMPOSITE 195 R (16"W)	7 5/8"	6"
063216-017	FOOTPLATE COMPOSITE 195 L (16"W)	7 5/8"	6"
063216-004	FOOTPLATE COMPOSITE 207 R (17"W)	8 1/8"	6"
063216-010	FOOTPLATE COMPOSITE 207 L (17"W)	8 1/8"	6"
063216-013	FOOTPLATE COMPOSITE 220 R (18"W)	8 5/8"	6 1/4"
063216-016	FOOTPLATE COMPOSITE 220 L (18"W)	8 5/8"	6 1/4"
063216-003	FOOTPLATE COMPOSITE 232 R (19-20"W)	9 1/8"	6 1/4"
063216-009	FOOTPLATE COMPOSITE 232 L (19-20"W)	9 1/8"	6 1/4"
063216-002	FOOTPLATE COMPOSITE 257 R (21-22"W)	10 1/8"	6 1/4"
063216-008	FOOTPLATE COMPOSITE 257 L (21-22"W)	10 1/8"	6 1/4"

INSET FORMULA
 0" Inset (Seat Width) = Footrest Width
 1" Inset (Seat Width) -2" = Footrest Width
 "V" Hanger (Seat Width) -4" = Footrest Width
 Offset Hanger Receiver (Seat Width) +2" = Footrest Width



Pos.	Item Number	Description	Remarks
1A,3-5	120660	SHT STRT EXT COMP HDWR	80 deg hangers + ELR only
1B,3-5	120661	MED STRT EXT COMP HDWR	80 deg hangers + ELR only
1C,3-5	120662	LNG STRT EXT COMP HDWR	80 deg hangers + ELR only
1D,3-5	120663	SHT BNT EXT COMP HDWR	60,70,70 Hemi Hangers
1E,3-5	120664	MED BNT EXT COMP HDWR	60,70,70 Hemi Hangers
1F,3-5	120665	LNG BNT EXT COMP HDWR	60,70,70 Hemi Hangers
1G	128078	TUBE FOOTREST EXT SHT HEMI	use for Hemi Ext Tube option
2A	063216-006	COMPOSITE FOOTPLATE RIGHT	RIGHT 13" Footrest Width
2A	063216-012	COMPOSITE FOOTPLATE LEFT	LEFT 13" Footrest Width
2B	063216-015	FOOTPLATE COMPOSITE RIGHT	RIGHT 14" Footrest Width
2B	063216-018	FOOTPLATE COMPOSITE LEFT	LEFT 14" Footrest Width
2C	063216-005	COMPOSITE FOOTPLATE RIGHT	RIGHT 15" Footrest Width
2C	063216-011	COMPOSITE FOOTPLATE LEFT	LEFT 15" Footrest Width
2D	063216-014	FOOTPLATE COMPOSITE RIGHT	RIGHT 16" Footrest Width
2D	063216-017	FOOTPLATE COMPOSITE LEFT	LEFT 16" Footrest Width
2E	063216-004	COMPOSITE FOOTPLATE RIGHT	RIGHT 17" Footrest Width
2E	063216-010	COMPOSITE FOOTPLATE LEFT	LEFT 17" Footrest Width
2F	063216-013	FOOTPLATE COMPOSITE RIGHT	RIGHT 18" Footrest Width
2F	063216-016	FOOTPLATE COMPOSITE LEFT	LEFT 18" Footrest Width
2G	063216-003	COMPOSITE FOOTPLATE RIGHT	RIGHT 19" & 20" Footrest Width
2G	063216-009	COMPOSITE FOOTPLATE LEFT	LEFT 19" & 20" Footrest Width
2H	063216-002	FOOTPLATE COMPOSITE RIGHT	RIGHT 21" & 22" Footrest Width
2H	063216-008	FOOTPLATE COMPOSITE LEFT	LEFT 21" & 22" Footrest Width
3	104377	3/4" SADDLE THIN	
4	103175	SHCS M6 X 1 X 40 INORG	
5	132626	NUT AUTOMATION M6 X 1.0	Inserted in bottom of footplate.
6	104328	HEEL LOOP PEG	
7A	104380-001	ADJUSTABLE FOOT REST STRAP	14" wide
7B	104380-002	ADJUSTABLE FOOT REST STRAP	15-16" wide
7C	104380-003	ADJUSTABLE FOOT REST STRAP	17-18" wide
7D	104380-004	ADJUSTABLE FOOT REST STRAP	19-22" wide
8	102268-001	HHCS M6 X 1 X 25	
12	104160	BUSHING FOOTREST	
9-12	107485	FOOTREST CLAMP ASSM	
>>>>		80 DEGREE HANGERS - SHORT EXT - RIGHT	
1A,2A,3-6,7A,8	107704	COMP STRT SHT EXT ASM 13"W R	Right- 80D- 13" W- SHORT
1A,2B,3-6,7A,8	107705	COMP STRT SHT EXT ASM 14"W R	Right- 80D- 14" W- SHORT
1A,2C,3-6,7B,8	107706	COMP STRT SHT EXT ASM 15"W R	Right- 80D- 15" W- SHORT
1A,2D,3-6,7B,8	107707	COMP STRT SHT EXT ASM 16"W R	Right- 80D- 16" W- SHORT
1A,2E,3-6,7C,8	107708	COMP STRT SHT EXT ASM 17"W R	Right- 80D- 17" W- SHORT
1A,2F,3-6,7C,8	107709	COMP STRT SHT EXT ASM 18"W R	Right- 80D- 18" W- SHORT
1A,2G,3-6,7D,8	107710	COMP STRT SHT EXT ASM 19 & 20"W R	Right- 80D- 19 & 20" W- SHORT
1A,2H,3-6,7D,8	111522	COMP STRT SHT EXT ASM 21 & 22"W R	Right- 80D- 21 & 22" W- SHORT
>>>>		80 DEGREE HANGERS - SHORT EXT - LEFT	
1A,2A,3-6,7A,8	107711	COMP STRT SHT EXT ASM 13"W L	LEFT- 80D- 13" W- SHORT
1A,2B,3-6,7A,8	107712	COMP STRT SHT EXT ASM 14"W L	LEFT- 80D- 14" W- SHORT
1A,2C,3-6,7B,8	107713	COMP STRT SHT EXT ASM 15"W L	LEFT- 80D- 15" W- SHORT
1A,2D,3-6,7B,8	107714	COMP STRT SHT EXT ASM 16"W L	LEFT- 80D- 16" W- SHORT
1A,2E,3-6,7C,8	107715	COMP STRT SHT EXT ASM 17"W L	LEFT- 80D- 17" W- SHORT
1A,2F,3-6,7C,8	107716	COMP STRT SHT EXT ASM 18"W L	LEFT- 80D- 18" W- SHORT
1A,2G,3-6,7D,8	107717	COMP STRT SHT EXT ASM 19 & 20"W L	LEFT- 80D- 19 & 20" W- SHORT
1A,2H,3-6,7D,8	111523	COMP STRT SHT EXT ASM 21 & 22"W L	LEFT- 80D- 21 & 22" W- SHORT
>>>>		80 DEGREE HANGERS - MED EXT - RIGHT	
1B,2A,3-6,7A,8	107718	COMP STRT MED EXT ASM 13"W R	Right- 80D- 13" W- MED
1B,2B,3-6,7A,8	107719	COMP STRT MED EXT ASM 14"W R	Right- 80D- 14" W- MED
1B,2C,3-6,7B,8	107720	COMP STRT MED EXT ASM 15"W R	Right- 80D- 15" W- MED

Pos.	Item Number	Description	Remarks
1B,2D,3-6,7B,8	107721	COMP STRT MED EXT ASM 16"W R	Right- 80D- 16" W- MED
1B,2E,3-6,7C,8	107722	COMP STRT MED EXT ASM 17"W R	Right- 80D- 17" W- MED
1B,2F,3-6,7C,8	107723	COMP STRT MED EXT ASM 18"W R	Right- 80D- 18" W- MED
1B,2G,3-6,7D,8	107724	COMP STRT MED EXT ASM 19 & 20"W R	Right- 80D- 19 & 20" W- MED
1B,2H,3-6,7D,8	111524	COMP STRT MED EXT ASM 21 & 22"W R	Right- 80D- 21 & 22" W- MED
>>>>		80 DEGREE HANGERS - MED EXT - LEFT	
1B,2A,3-6,7A,8	107725	COMP STRT MED EXT ASM 13"W L	LEFT- 80D- 13" W- MED
1B,2B,3-6,7A,8	107726	COMP STRT MED EXT ASM 14"W L	LEFT- 80D- 14" W- MED
1B,2C,3-6,7B,8	107727	COMP STRT MED EXT ASM 15"W L	LEFT- 80D- 15" W- MED
1B,2D,3-6,7B,8	107728	COMP STRT MED EXT ASM 16"W L	LEFT- 80D- 16" W- MED
1B,2E,3-6,7C,8	107729	COMP STRT MED EXT ASM 17"W L	LEFT- 80D- 17" W- MED
1B,2F,3-6,7C,8	107730	COMP STRT MED EXT ASM 18"W L	LEFT- 80D- 18" W- MED
1B,2G,3-6,7D,8	107731	COMP STRT MED EXT ASM 19 & 20"W L	LEFT- 80D- 19 & 20" W- MED
1B,2H,3-6,7D,8	111525	COMP STRT MED EXT ASM 21 & 22"W L	LEFT- 80D- 21 & 22" W- MED
>>>>		80 DEGREE HANGERS - LONG EXT - RIGHT	
1C,2A,3-6,7A,8	107732	COMP STRT LONG EXT ASM 13"W R	Right- 80D- 13" W- LONG
1C,2B,3-6,7A,8	107733	COMP STRT LONG EXT ASM 14"W R	Right- 80D- 14" W- LONG
1C,2C,3-6,7B,8	107734	COMP STRT LONG EXT ASM 15"W R	Right- 80D- 15" W- LONG
1C,2D,3-6,7B,8	107735	COMP STRT LONG EXT ASM 16"W R	Right- 80D- 16" W- LONG
1C,2E,3-6,7C,8	107736	COMP STRT LONG EXT ASM 17"W R	Right- 80D- 17" W- LONG
1C,2F,3-6,7C,8	107737	COMP STRT LONG EXT ASM 18"W R	Right- 80D- 18" W- LONG
1C,2G,3-6,7D,8	107738	COMP STRT LONG EXT ASM 19 & 20"W R	Right- 80D- 19 & 20" W- LONG
1C,2H,3-6,7D,8	111526	COMP STRT LONG EXT ASM 21 & 22"W R	Right- 80D- 21 & 22" W- LONG
>>>>		80 DEGREE HANGERS - LONG EXT - LEFT	
1C,2A,3-6,7A,8	107739	COMP STRT LONG EXT ASM 13"W L	LEFT- 80D- 13" W- LONG
1C,2B,3-6,7A,8	107740	COMP STRT LONG EXT ASM 14"W L	LEFT- 80D- 14" W- LONG
1C,2C,3-6,7B,8	107741	COMP STRT LONG EXT ASM 15"W L	LEFT- 80D- 15" W- LONG
1C,2D,3-6,7B,8	107742	COMP STRT LONG EXT ASM 16"W L	LEFT- 80D- 16" W- LONG
1C,2E,3-6,7C,8	107743	COMP STRT LONG EXT ASM 17"W L	LEFT- 80D- 17" W- LONG
1C,2F,3-6,7C,8	107744	COMP STRT LONG EXT ASM 18"W L	LEFT- 80D- 18" W- LONG
1C,2G,3-6,7D,8	107745	COMP STRT LONG EXT ASM 19 & 20"W L	LEFT- 80D- 19 & 20" W- LONG
1C,2H,3-6,7D,8	111527	COMP STRT LONG EXT ASM 21 & 22"W L	LEFT- 80D- 21 & 22" W- LONG
>>>>		60°,70° SHORT EXT - RIGHT	
1D,2A,3-6,7A,8	107746	COMP BNT SHT EXT ASM 13" W R	Right- 70D- 13" W- SHORT
1D,2B,3-6,7A,8	107747	COMP BNT SHT EXT ASM 14" W R	Right- 70D- 14" W- SHORT
1D,2C,3-6,7B,8	107748	COMP BNT SHT EXT ASM 15" W R	Right- 70D- 15" W- SHORT
1D,2D,3-6,7B,8	107749	COMP BNT SHT EXT ASM 16" W R	Right- 70D- 16" W- SHORT
1D,2E,3-6,7C,8	107750	COMP BNT SHT EXT ASM 17" W R	Right- 70D- 17" W- SHORT
1D,2F,3-6,7C,8	107751	COMP BNT SHT EXT ASM 18" W R	Right- 70D- 18" W- SHORT
1D,2G,3-6,7D,8	107752	COMP BNT SHT EXT ASM 19 & 20"W R	Right- 70D- 19 & 20" W- SHORT
1D,2H,3-6,7D,8	111528	COMP BNT SHT EXT ASM 21 & 22"W R	Right- 70D- 21 & 22" W- SHORT
>>>>		60°,70° - SHORT EXT - LEFT	
1D,2A,3-6,7A,8	107753	COMP BNT SHT EXT ASM 13" W L	Left- 70D- 13 W- SHORT
1D,2B,3-6,7A,8	107754	COMP BNT SHT EXT ASM 14" W L	Left- 70D- 14 W- SHORT
1D,2C,3-6,7B,8	107755	COMP BNT SHT EXT ASM 15" W L	Left- 70D- 15 W- SHORT
1D,2D,3-6,7B,8	107756	COMP BNT SHT EXT ASM 16" W L	Left- 70D- 16 W- SHORT
1D,2E,3-6,7C,8	107757	COMP BNT SHT EXT ASM 17" W L	Left- 70D- 17 W- SHORT
1D,2F,3-6,7C,8	107758	COMP BNT SHT EXT ASM 18" W L	Left- 70D- 18 W- SHORT
1D,2G,3-6,7D,8	107759	COMP BNT SHT EXT ASM 19 & 20"W L	Left- 70D- 19 & 20" W- SHORT
1D,2H,3-6,7D,8	111529	COMP BNT SHT EXT ASM 21 & 22"W L	Left- 70D- 21 & 22" W- SHORT
>>>>		60°,70°,60°&70° HEMI HANGERS - MED EXT - RIGHT	
1E,2A,3-6,7A,8	107760	COMP BNT MED EXT ASM 13" W R	Right- 70D- 13" W- MED
1E,2B,3-6,7A,8	107761	COMP BNT MED EXT ASM 14" W R	Right- 70D- 14" W- MED
1E,2C,3-6,7B,8	107762	COMP BNT MED EXT ASM 15" W R	Right- 70D- 15" W- MED
1E,2D,3-6,7B,8	107763	COMP BNT MED EXT ASM 16" W R	Right- 70D- 16" W- MED
1E,2E,3-6,7C,8	107764	COMP BNT MED EXT ASM 17" W R	Right- 70D- 17" W- MED

Pos.	Item Number	Description	Remarks
1E,2F,3-6,7C,8	107765	COMP BNT MED EXT ASM 18" W R	Right- 70D- 18" W- MED
1E,2G,3-6,7D,8	107766	COMP BNT MED EXT ASM 19 & 20"W R	Right- 70D- 19 & 20" W- MED
1E,2H,3-6,7D,8	111530	COMP BNT MED EXT ASM 21 & 22"W R	Right- 70D- 21 & 22" W- MED
>>>>		60°,70°,60°&70° HEMI HANGERS - MED EXT - LEFT	
1E,2A,3-6,7A,8	107767	COMP BNT MED EXT ASM 13" W L	Left- 70D- 13 W- MED
1E,2B,3-6,7A,8	107768	COMP BNT MED EXT ASM 14" W L	Left- 70D- 14 W- MED
1E,2C,3-6,7B,8	107769	COMP BNT MED EXT ASM 15" W L	Left- 70D- 15 W- MED
1E,2D,3-6,7B,8	107770	COMP BNT MED EXT ASM 16" W L	Left- 70D- 16 W- MED
1E,2E,3-6,7C,8	107771	COMP BNT MED EXT ASM 17" W L	Left- 70D- 17 W- MED
1E,2F,3-6,7C,8	107772	COMP BNT MED EXT ASM 18" W L	Left- 70D- 18 W- MED
1E,2G,3-6,7D,8	107773	COMP BNT MED EXT ASM 19 & 20"W L	Left- 70D- 19 & 20" W- MED
1E,2H,3-6,7D,8	111531	COMP BNT MED EXT ASM 21 & 22"W L	Left- 70D- 21 & 22" W- MED
>>>>		60°,70°,60°&70° HEMI HANGERS - LONG EXT - RIGHT	
1F,2A,3-6,7A,8	107774	COMP BNT LONG EXT ASM 13" W R	Right- 70D- 13" W- LONG
1F,2B,3-6,7A,8	107775	COMP BNT LONG EXT ASM 14" W R	Right- 70D- 14" W- LONG
1F,2C,3-6,7B,8	107776	COMP BNT LONG EXT ASM 15" W R	Right- 70D- 15" W- LONG
1F,2D,3-6,7B,8	107777	COMP BNT LONG EXT ASM 16" W R	Right- 70D- 16" W- LONG
1F,2E,3-6,7C,8	107778	COMP BNT LONG EXT ASM 17" W R	Right- 70D- 17" W- LONG
1F,2F,3-6,7C,8	107779	COMP BNT LONG EXT ASM 18" W R	Right- 70D- 18" W- LONG
1F,2G,3-6,7D,8	107780	COMP BNT LONG EXT ASM 19 & 20"W R	Right- 70D- 19 & 20" W- LONG
1F,2H,3-6,7D,8	111532	COMP BNT LONG EXT ASM 21 & 22"W R	Right- 70D- 21 & 22" W- LONG
>>>>		60°,70°,60°&70° HEMI HANGERS - LONG EXT - LEFT	
1F,2A,3-6,7A,8	107781	COMP BNT LONG EXT ASM 13" W L	Left- 70D- 13 W- LONG
1F,2B,3-6,7A,8	107782	COMP BNT LONG EXT ASM 14" W L	Left- 70D- 14 W- LONG
1F,2C,3-6,7B,8	107783	COMP BNT LONG EXT ASM 15" W L	Left- 70D- 15 W- LONG
1F,2D,3-6,7B,8	107784	COMP BNT LONG EXT ASM 16" W L	Left- 70D- 16 W- LONG
1F,2E,3-6,7C,8	107785	COMP BNT LONG EXT ASM 17" W L	Left- 70D- 17 W- LONG
1F,2F,3-6,7C,8	107786	COMP BNT LONG EXT ASM 18" W L	Left- 70D- 18 W- LONG
1F,2G,3-6,7D,8	107787	COMP BNT LONG EXT ASM 19 & 20"W L	Left- 70D- 19 & 20" W- LONG
1F,2H,3-6,7D,8	111533	COMP BNT LONG EXT ASM 21 & 22"W L	Left- 70D- 21 & 22" W- LONG
>>>>		60°&70° HEMI HANGER SHORT EXT- RIGHT	
1G,2A,3-6,7A,8	129724	CMP FT BNT KIT SHT HNGR 13W R	Right-Hemi-13W; add Ext behind the Hemi
1G,2B,3-6,7A,8	129726	CMP FT BNT KIT SHT HNGR 14W R	Right-Hemi-14W; add Ext behind the Hemi
1G,2C,3-6,7B,8	129728	CMP FT BNT KIT SHT HNGR 15W R	Right-Hemi-15W; add Ext behind the Hemi
1G,2D,3-6,7B,8	129730	CMP FT BNT KIT SHT HNGR 16W R	Right-Hemi-16W; add Ext behind the Hemi
1G,2E,3-6,7C,8	129732	CMP FT BNT KIT SHT HNGR 17W R	Right-Hemi-17W; add Ext behind the Hemi
1G,2F,3-6,7C,8	129734	CMP FT BNT KIT SHT HNGR 18W R	Right-Hemi-18W; add Ext behind the Hemi
1G,2G,3-6,7D,8	129736	CMP FT BNT KIT SHT HNGR 19-20W R	Right-Hemi-19-20W; add Ext behind the Hemi
1G,2H,3-6,7D,8	129738	CMP FT BNT KIT SHT HNGR 21-22W R	Right-Hemi-21-22W; add Ext behind the Hemi
>>>>		60°&70° HEMI HANGER SHORT EXT- LEFT	
1G,2A,3-6,7A,8	129725	CMP FT BNT KIT SHT HNGR 13W L	Left-Hemi-13W; add Ext behind the Hemi
1G,2B,3-6,7A,8	129727	CMP FT BNT KIT SHT HNGR 14W L	Left-Hemi-14W; add Ext behind the Hemi
1G,2C,3-6,7B,8	129729	CMP FT BNT KIT SHT HNGR 15W L	Left-Hemi-15W; add Ext behind the Hemi
1G,2D,3-6,7B,8	129731	CMP FT BNT KIT SHT HNGR 16W L	Left-Hemi-16W; add Ext behind the Hemi
1G,2E,3-6,7C,8	129733	CMP FT BNT KIT SHT HNGR 17W L	Left-Hemi-17W; add Ext behind the Hemi
1G,2F,3-6,7C,8	129735	CMP FT BNT KIT SHT HNGR 18W L	Left-Hemi-18W; add Ext behind the Hemi
1G,2G,3-6,7D,8	129737	CMP FT BNT KIT SHT HNGR 19-20W L	Left-Hemi-19-20W; add Ext behind the Hemi
1G,2H,3-6,7D,8	129739	CMP FT BNT KIT SHT HNGR 21-22W L	Left-Hemi-21-22W; add Ext behind the Hemi
		Ship assembled part #	Use with multiple assemblies
	ASSY-HNG-FP	HANGER/FOOTPLATE ASSY REQUIRED	add with Hanger & Footplate kit

Note: Footplate Assemblies are set to footrest width; please see "Footplate Formula" table for seat width conversion.

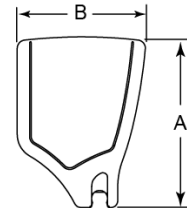
Note: If using Short Ext Tube & Hemi Hanger with Composite Angle Adjustable Footplate use 1D (straight) .

Note: V Style Hangers are not available on Swing Away Style chairs effective 7/14/14; see the "Prior To" ordering guide for V Style footplate assemblies.

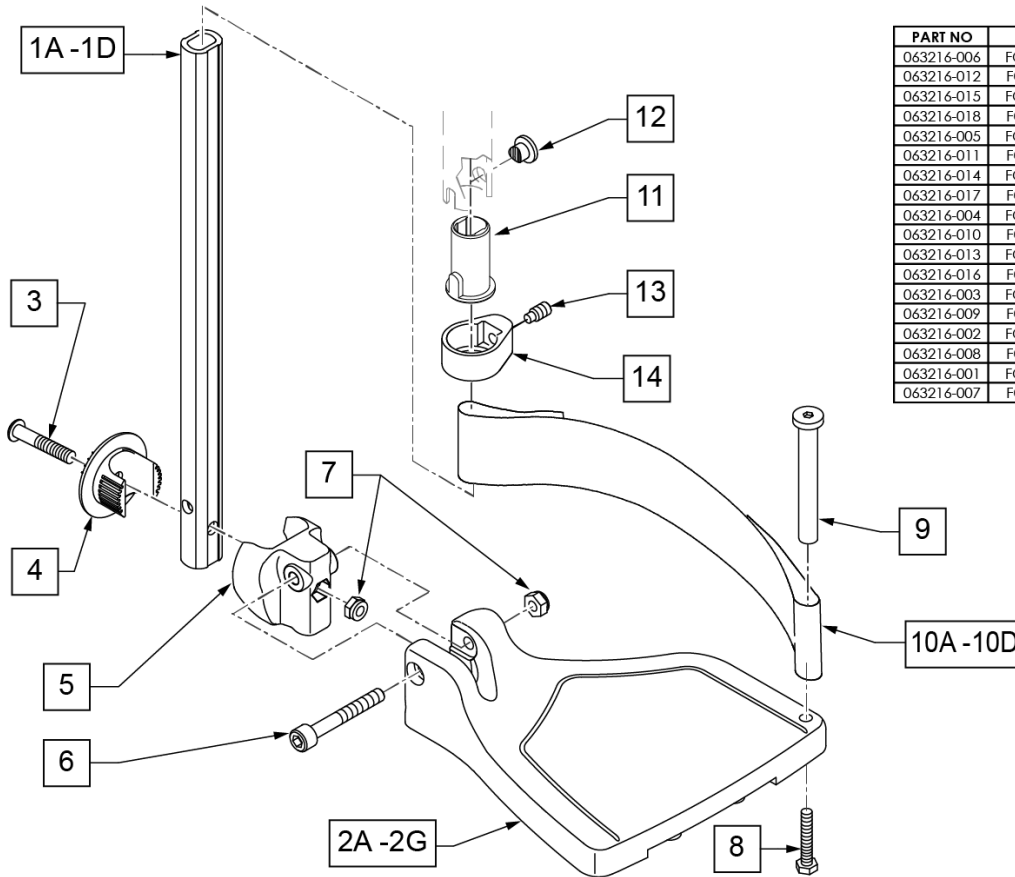
To have complete Footrest ship assembled, choose compatible Hanger + Footplate part numbers and add "ASSY-HNG-FP" to order

ADD INSET FORMULA
 0" Inset (Seat Width) = Footrest Width
 1" Inset (Seat Width) -2" = Footrest Width
 2" Inset (Seat Width) -4" = Footrest Width
 "V" Hanger (Seat Width) -4" = Footrest Width
 Offset Hanger Receiver (Seat Width) +2" = Footrest Width
 Flared Frame (Seat Width) = 2" = Footrest Width

FOOTPLATE MEASURING GUIDE



PART NO	DESCRIPTION	DIM -A-	DIM -B-
063216-006	FOOTPLATE COMPOSITE 157 R	6 1/8"	6"
063216-012	FOOTPLATE COMPOSITE 157 L	6 1/8"	6"
063216-015	FOOTPLATE COMPOSITE 170 R	6 5/8"	6"
063216-018	FOOTPLATE COMPOSITE 170 L	6 5/8"	6"
063216-005	FOOTPLATE COMPOSITE 182 R	7 1/8"	6"
063216-011	FOOTPLATE COMPOSITE 182 L	7 1/8"	6"
063216-014	FOOTPLATE COMPOSITE 195 R	7 5/8"	6"
063216-017	FOOTPLATE COMPOSITE 195 L	7 5/8"	6"
063216-004	FOOTPLATE COMPOSITE 207 R	8 1/8"	6"
063216-010	FOOTPLATE COMPOSITE 207 L	8 1/8"	6"
063216-013	FOOTPLATE COMPOSITE 220 R	8 5/8"	6 1/4"
063216-016	FOOTPLATE COMPOSITE 220 L	8 5/8"	6 1/4"
063216-003	FOOTPLATE COMPOSITE 232 R	9 1/8"	6 1/4"
063216-009	FOOTPLATE COMPOSITE 232 L	9 1/8"	6 1/4"
063216-002	FOOTPLATE COMPOSITE 257 R	10 1/8"	6 1/4"
063216-008	FOOTPLATE COMPOSITE 257 L	10 1/8"	6 1/4"
063216-001	FOOTPLATE COMPOSITE 282 R	11 1/8"	6 1/4"
063216-007	FOOTPLATE COMPOSITE 282 L	11 1/8"	6 1/4"



Pos.	Item Number	Description	Remarks
1A,6,7	120660	SHT STRT EXT COMP HDWR	
1B,6,7	120661	MED STRT EXT COMP HDWR	
1C,6,7	120662	LNG STRT EXT COMP HDWR	
1D	128079	TUBE FTRST EXT STRGHT SHT HEMI	Use for Hemi Ext Tube option
2A	063216-006	COMPOSITE FOOTPLATE RIGHT	RIGHT 15" Footrest Width

Pos.	Item Number	Description	Remarks
2A	063216-012	COMPOSITE FOOTPLATE LEFT	LEFT 15" Footrest Width
2B	063216-015	COMPOSITE FOOTPLATE RIGHT	RIGHT 16" Footrest Width
2B	063216-018	COMPOSITE FOOTPLATE LEFT	LEFT 16" Footrest Width
2C	063216-005	COMPOSITE FOOTPLATE RIGHT	RIGHT 17" Footrest Width
2C	063216-011	COMPOSITE FOOTPLATE LEFT	LEFT 17" Footrest Width
2D	063216-014	COMPOSITE FOOTPLATE RIGHT	RIGHT 18" Footrest Width
2D	063216-017	COMPOSITE FOOTPLATE LEFT	LEFT 18" Footrest Width
2E	063216-004	COMPOSITE FOOTPLATE RIGHT	RIGHT 19" Footrest Width
2E	063216-010	COMPOSITE FOOTPLATE LEFT	LEFT 19" Footrest Width
2F	063216-013	COMPOSITE FOOTPLATE RIGHT	RIGHT 20" Footrest Width
2F	063216-016	COMPOSITE FOOTPLATE LEFT	LEFT 20" Footrest Width
2G	063216-003	COMPOSITE FOOTPLATE RIGHT	RIGHT 21" & 22" Footrest Width
2G	063216-009	COMPOSITE FOOTPLATE LEFT	LEFT 21" & 22" Footrest Width
3	108233	BHCS M6 X 1 X 40	
4	054242	ANGLE COVER	
5	054241	ANGLE SEGMENT	
6	103175	SHCS M6 X 1 X 40 INORG	
7	132626	NUT AUTOMATION M6 X 1.0	
8	102268-001	HHCS M6X1X25	Inserted in bottom of footplate.
9	104328	HEEL LOOP PEG	
10A	104380-001	ADJUSTABLE FOOT REST STRAP	15" Footrest Width
10B	104380-002	ADJUSTABLE FOOT REST STRAP	16" Footrest Width
10C	104380-003	ADJUSTABLE FOOT REST STRAP	17-18" Footrest Width
10D	104380-004	ADJUSTABLE FOOT REST STRAP	19-22" Footrest Width
11	104160	BUSHING FOOTREST	
11-14	107485	FOOTREST CLAMP ASSM	
>>>>		60,70,80 HANGERS - SHORT EXT - RIGHT	
1A,2A,3-10A	107816	CAA STRT SHT EXT ASM 15W R	Right- 15 W- SHORT
1A,2B,3-10B	107817	CAA STRT SHT EXT ASM 16W R	Right- 16 W- SHORT
1A,2C,3-10B	107818	CAA STRT SHT EXT ASM 17W R	Right- 17 W- SHORT
1A,2D,3-10C	107819	CAA STRT SHT EXT ASM 18W R	Right- 18 W- SHORT
1A,2E,3-10C	107820	CAA STRT SHT EXT ASM 19W R	Right- 19 W- SHORT
1A,2F,3-10D	107821	CAA STRT SHT EXT ASM 20W R	Right- 20 W- SHORT
1A,2G,3-10D	107822	CAA STRT SHT EXT ASM 21&22W R	Right- 21&22 W- SHORT
>>>>		60,70,80 HANGERS - SHORT EXT - LEFT	
1A,2A,3-10A	107823	CAA STRT SHT EXT ASM 15W L	Left- 15 W- SHORT
1A,2B,3-10B	107824	CAA STRT SHT EXT ASM 16W L	Left- 16 W- SHORT
1A,2C,3-10B	107825	CAA STRT SHT EXT ASM 17W L	Left- 17 W- SHORT
1A,2D,3-10C	107826	CAA STRT SHT EXT ASM 18W L	Left- 18 W- SHORT
1A,2E,3-10C	107827	CAA STRT SHT EXT ASM 19W L	Left- 19 W- SHORT
1A,2F,3-10D	107828	CAA STRT SHT EXT ASM 20W L	Left- 20 W- SHORT
1A,2G,3-10D	107829	CAA STRT SHT EXT ASM 21&22W L	Left- 21&22 W- SHORT
>>>>		60,70,80& 60,70 HEMI HANGER- RIGHT	
1B,2A,3-10A	107830	CAA STRT MED EXT ASM 15W R	Right- 15 W- MED
1B,2B,3-10B	107831	CAA STRT MED EXT ASM 16W R	Right- 16 W- MED
1B,2C,3-10B	107832	CAA STRT MED EXT ASM 17W R	Right- 17 W- MED
1B,2D,3-10C	107833	CAA STRT MED EXT ASM 18W R	Right- 18 W- MED
1B,2E,3-10C	107834	CAA STRT MED EXT ASM 19W R	Right- 19 W- MED
1B,2F,3-10D	107835	CAA STRT MED EXT ASM 20W R	Right- 20 W- MED
1B,2G,3-10D	107836	CAA STRT MED EXT ASM 21&22W R	Right- 21&22 W- MED
>>>>		60,70,80& 60,70 HEMI HANGER- LEFT	
1B,2A,3-10A	107837	CAA STRT MED EXT ASM 15W L	Left- 15 W- MED
1B,2B,3-10B	107838	CAA STRT MED EXT ASM 16W L	Left- 16 W- MED
1B,2C,3-10B	107839	CAA STRT MED EXT ASM 17W L	Left- 17 W- MED
1B,2D,3-10C	107840	CAA STRT MED EXT ASM 18W L	Left- 18 W- MED
1B,2E,3-10C	107841	CAA STRT MED EXT ASM 19W L	Left- 19 W- MED

Pos.	Item Number	Description	Remarks
1B,2F,3-10D	107842	CAA STRT MED EXT ASM 20W L	Left- 20 W- MED
1B,2G,3-10D	107843	CAA STRT MED EXT ASM 21&22W L	Left- 21&22 W- MED
>>>>		60,70,80& 60,70 HEMI HANGER- RIGHT	
1C,2A,3-10A	107844	CAA STRT LNG EXT ASM 15W R	Right- 15 W- LONG
1C,2B,3-10B	107845	CAA STRT LNG EXT ASM 16W R	Right- 16 W- LONG
1C,2C,3-10B	107846	CAA STRT LNG EXT ASM 17W R	Right- 17 W- LONG
1C,2D,3-10C	107847	CAA STRT LNG EXT ASM 18W R	Right- 18 W- LONG
1C,2E,3-10C	107848	CAA STRT LNG EXT ASM 19W R	Right- 19 W- LONG
1C,2F,3-10D	107849	CAA STRT LNG EXT ASM 20W R	Right- 20 W- LONG
1C,2G,3-10D	107850	CAA STRT LNG EXT ASM 21&22W R	Right- 21&22 W- LONG
>>>>		60,70,80& 60,70 HEMI HANGER- LEFT	
1C,2A,3-10A	107851	CAA STRT LNG EXT ASM 15W L	Left- 15 W- LONG
1C,2B,3-10B	107852	CAA STRT LNG EXT ASM 16W L	Left- 16 W- LONG
1C,2C,3-10B	107853	CAA STRT LNG EXT ASM 17W L	Left- 17 W- LONG
1C,2D,3-10C	107854	CAA STRT LNG EXT ASM 18W L	Left- 18 W- LONG
1C,2E,3-10C	107855	CAA STRT LNG EXT ASM 19W L	Left- 19 W- LONG
1C,2F,3-10D	107856	CAA STRT LNG EXT ASM 20W L	Left- 20 W- LONG
1C,2G,3-10D	107857	CAA STRT LNG EXT ASM 21&22W L	Left- 21&22 W- LONG
>>>>		60&70 HEMI HANGERS- SHORT EXT- RIGHT	
1D,2A,3-10A	129710	CAA FOOT KIT SHT HNGR 15W R	Right-Hemi-15W; add Ext behind the Hemi
1D,2B,3-10B	129712	CAA FOOT KIT SHT HNGR 16W R	Right-Hemi-16W; add Ext behind the Hemi
1D,2C,3-10B	129714	CAA FOOT KIT SHT HNGR 17W R	Right-Hemi-17W; add Ext behind the Hemi
1D,2D,3-10C	129716	CAA FOOT KIT SHT HNGR 18W R	Right-Hemi-18W; add Ext behind the Hemi
1D,2E,3-10C	129718	CAA FOOT KIT SHT HNGR 19W R	Right-Hemi-19W; add Ext behind the Hemi
1D,2F,3-10D	129720	CAA FOOT KIT SHT HNGR 20W R	Right-Hemi-20W; add Ext behind the Hemi
1D,2G,3-10D	129722	CAA FOOT KIT SHT HNGR 22W R	Right-Hemi-21&22W; add Ext behind the Hemi
>>>>		60&70 HEMI HANGERS- SHORT EXT - LEFT	
1D,2A,3-10A	129711	CAA FOOT KIT SHT HNGR 15W L	Left-Hemi-15W; add Ext behind the Hemi
1D,2B,3-10B	129713	CAA FOOT KIT SHT HNGR 16W L	Left-Hemi-16W; add Ext behind the Hemi
1D,2C,3-10B	129715	CAA FOOT KIT SHT HNGR 17W L	Left-Hemi-17W; add Ext behind the Hemi
1D,2D,3-10C	129717	CAA FOOT KIT SHT HNGR 18W L	Left-Hemi-18W; add Ext behind the Hemi
1D,2E,3-10C	129719	CAA FOOT KIT SHT HNGR 19W L	Left-Hemi-19W; add Ext behind the Hemi
1D,2F,3-10D	129721	CAA FOOT KIT SHT HNGR 20W L	Left-Hemi-20W; add Ext behind the Hemi
1D,2G,3-10D	129723	CAA FOOT KIT SHT HNGR 22W L	Left-Hemi-21&22W; add Ext behind the Hemi
		Ship assembled part #	Use with multiple assemblies
	ASSY-HNG-FP	HANGER/FOOTPLATE ASSY REQUIRED	add with Hanger & Footplate kit

Note: Footplate Assemblies are set to footrest width; please see "Footplate Formula" table for seat width conversion.

Note: If using Short Ext Tube & Hemi Hanger with Adult Angle Adjustable Footplate use 1D (straight) .

Note: V Style Hangers are not available on Swing Away Style chairs effective 7/14/14; see the "Prior To" ordering guide for V Style footplate assemblies.

Note: for QX Series or SR45 footplate replacement parts see the ordering guide marked specifically for these two models in the informations panel.

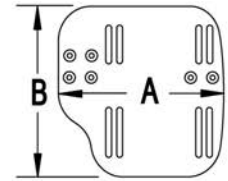
Note: if chair has High Mount Ext Tubes or if switching to High Mount Ext Tubes, see AAA Footplate w/ High Mount Extension Ordering Guide.

[02/19/2020]

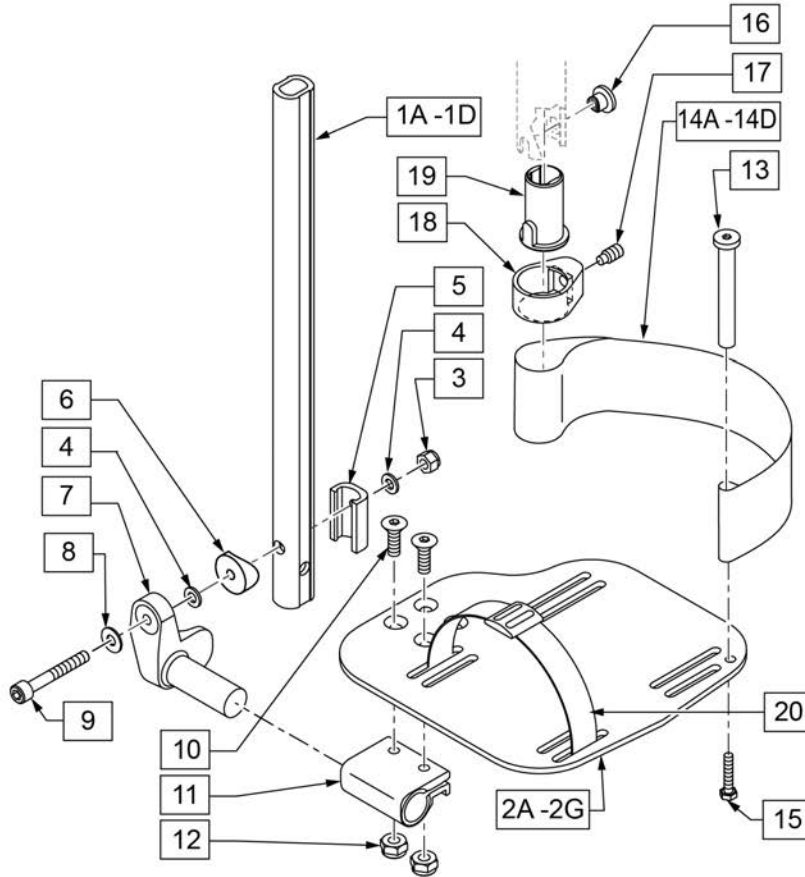
To have complete Footrest ship assembled, choose compatible Hanger + Footplate part numbers and add "ASSY-HNG-FP" to order

ADD INSET FORMULA
 0" Inset (Seat Width) = Footrest Width
 1" Inset (Seat Width) -2" = Footrest Width
 2" Inset (Seat Width) -4" = Footrest Width
 "V" Hanger (Seat Width) -4" = Footrest Width
 Offset Hanger Receiver (Seat Width) +2" = Footrest Width
 Flared Frame (Seat Width) = 2" = Footrest Width

MEASURING GUIDE



CHAIR WIDTH	"A"	"B"
10" - 11"	3 1/2"	7 1/4"
12" - 13"	4 1/2"	7 3/4"
14" - 15"	5 1/2"	7 3/4"
16" - 17"	6 1/2"	7 3/4"
18" - 20"	7 1/2"	7 3/4"



21 EXT MNT HARDWARE 1 SIDE			
ITEM #	ILLUSTRATION	DESCRIPTION	QTY
3		NUT AUTOMATION M6 X 1.0 ROHS	1
4		WASHER FLAT THIN AN 1/4	2
5		HANGER EXTENSION SADDLE	1
6		3/4" SADDLE 1" OD	1
8		WASHER FLAT SAE 1/4 ROHS	1
9		SHCS M6X1X45 12MM PART THD	1

Pos.	Item Number	Description	Remarks
1A,3-6,8,9	120670	SHT STRT EXT AAA HDWR	
1B,3-6,8,9	120671	MED STRT EXT AAA HDWR	
1C,3-6,8,9	120672	LNG STRT EXT AAA HDWR	
1D	128079	TUBE FTRST EXT STRGHT SHT HEMI	Use for Hemi Ext Tube option
2A	500656	ADULT ANGL ADJ F/PLT 10/11" R	RIGHT 10-11" Footrest Width
2A	500657	ADULT ANGL ADJ F/PLT 10/11" L	LEFT 10-11" Footrest Width
2B	500658	ADULT ANGL ADJ F/PLT 12/13" R	RIGHT 12-13" Footrest Width
2B	500659	ADULT ANGL ADJ F/PLT 12/13" L	LEFT 12-13" Footrest Width
2C	500660	ADLT ANGL ADJ F/PLT 14/15	RIGHT 14-15" Footrest Width
2C	500661	ADLT ANGL ADJ F/PLT 14/15	LEFT 14-15" Footrest Width
2D	500662	ADLT ANGL ADJ F/PLT 16/17	RIGHT 16-17" Footrest Width
2D	500663	ADLT ANGL ADJ F/PLT 16/17	LEFT 16-17" Footrest Width
2E	500664	ADLT ANGL ADJ F/PLT 18-20	RIGHT 18-22" Footrest Width
2E	500665	ADLT ANGL ADJ F/PLT 18-20	LEFT 18-22" Footrest Width
3	132626	NUT AUTOMATION M6 X 1.0	
4	106944	WASHER FLAT THIN AN 1/4 ROHS	
5	107199	HANGER EXTENSION SADDLE	
6	561055	3/4" SADDLE 1" OD	
7	541002	FTRST MOUNTING BRKT-3/8 RAD R	RIGHT

Pos.	Item Number	Description	Remarks
7	541003	FTRST MOUNTING BRKT-3/8 RAD L	LEFT
8	106945	WASHER FLAT SAE 1/4 ROHS	
9	104399	SHCS M6X1X45 12 MM PART THD	
10	106978	FHCS 1/4-28 X 7/8 ROHS	
11	550350	3/4" CLMP ADJ FT PLT	
12	106935	NUT NYLOCK THIN 1/4-28 ROHS	
13	104328	POST HEEL LOOP	
14A	104380-001	ADJUSTABLE FOOT REST STRAP	12 - 14" WIDE
14B	104380-002	ADJUSTABLE FOOT REST STRAP	15 - 16" WIDE
14C	104380-003	ADJUSTABLE FOOT REST STRAP	17 - 18" WIDE
14D	104380-004	ADJUSTABLE FOOT REST STRAP	19 - 20" WIDE
15	102268-001	HHCS M6 X 1 X 25	
16-19	107485	FOOTREST CLAMP ASSM	
20	740260	TOE-ANKLE STRAP ADJ ADULT FOOTPLATE	
21	120659	EXT MNT HARDWARE 1 SIDE	
>>>>		60,70,80 STD HANGERS - RIGHT	
1A,2B,3-14A,15	111534	AAA STRT SHT EXT ASM 12-13" W R	Right- 12-13" W- SHORT
1A,2C,3-14B,15	107928	AAA STRT SHT EXT ASM 14-15" W R	Right- 14-15" W- SHORT
1A,2D,3-14C,15	107930	AAA STRT SHT EXT ASM 16-17" W R	Right- 16-17" W- SHORT
1A,2E,3-14D,15	107932	AAA STRT SHT EXT ASM 18-22" W R	Right- 18-22" W- SHORT
>>>>		60,70,80 STD HANGERS - LEFT	
1A,2B,3-14A,15	111535	AAA STRT SHT EXT ASM 12-13" W L	Left- 12-13" W- SHORT
1A,2C,3-14B,15	107935	AAA STRT SHT EXT ASM 14" W L	Left- 14-15" W- SHORT
1A,2D,3-14C,15	107937	AAA STRT SHT EXT ASM 16" W L	Left- 16-17" W- SHORT
1A,2E,3-14D,15	107939	AAA STRT SHT EXT ASM 18" W L	Left- 18-22" W- SHORT
>>>>		60,70,80 & 60,70 HEMI HANGERS - RIGHT	
1B,2B,3-14A,15	111536	AAA STRT MED EXT ASM 12-13" W R	Right- 12-13" W- MED
1B,2C,3-14B,15	107942	AAA STRT MED EXT ASM 14-15" W R	Right- 14-15" W- MED
1B,2D,3-14C,15	107944	AAA STRT MED EXT ASM 16-17" W R	Right- 16-17" W- MED
1B,2E,3-14D,15	107946	AAA STRT MED EXT ASM 18-22" W R	Right- 18-22" W- MED
>>>>		60,70,80 & 60,70 HEMI HANGERS - LEFT	
1B,2B,3-14A,15	111537	AAA STRT MED EXT ASM 12-13" W L	Left- 12-13" W- MED
1B,2C,3-14B,15	107949	AAA STRT MED EXT ASM 14" W L	Left- 14-15" W- MED
1B,2D,3-14C,15	107951	AAA STRT MED EXT ASM 16" W L	Left- 16-17" W- MED
1B,2E,3-14D,15	107953	AAA STRT MED EXT ASM 18" W L	Left- 18-22" W- MED
>>>>		60,70,80 & 60,70 HEMI HANGERS - RIGHT	
1C,2B,3-14A,15	111538	AAA STRT LNG EXT ASM 12-13" W R	Right- 12-13" W- LONG
1C,2C,3-14B,15	107956	AAA STRT LNG EXT ASM 14 -15" W R	Right- 14-15" W- LONG
1C,2D,3-14C,15	107958	AAA STRT LNG EXT ASM 16 -17" W R	Right- 16-17" W- LONG
1C,2E,3-14D,15	107960	AAA STRT LNG EXT ASM 18 -22" W R	Right- 18-22" W- LONG
>>>>		60,70,80 & 60,70 HEMI HANGERS - LEFT	
1C,2B,3-14A,15	111539	AAA STRT LNG EXT ASM 12-13" W L	Left- 12-13" W- LONG
1C,2C,3-14B,15	107963	AAA STRT LNG EXT ASM 14W L	Left- 14-15" W- LONG
1C,2D,3-14C,15	107965	AAA STRT LNG EXT ASM 16W L	Left- 16-17" W- LONG
1C,2E,3-14D,15	107968	AAA STRT LNG EXT ASM 18W L	Left- 18-22" W- LONG
>>>>		60&70 HEMI HANGERS - SHORT EXT - RIGHT	
1D,2B,3-14A,15	129756	AAA FOOT KIT SHT HNGR 12W R	Right- 12-13" W- SHORT; add Ext behind the Hemi
1D,2C,3-14B,15	129758	AAA FOOT KIT SHT HNGR 14W R	Right- 14-15" W- SHORT; add Ext behind the Hemi
1D,2D,3-14C,15	129760	AAA FOOT KIT SHT HNGR 16W R	Right- 16-17" W- SHORT; add Ext behind the Hemi
1D,2E,3-14D,15	129762	AAA FOOT KIT SHT HNGR 18W R	Right- 18-22" W- SHORT; add Ext behind the Hemi
>>>>		60&70 HEMI HANGERS - SHORT EXT -LEFT	
1D,2B,3-14A,15	129757	AAA FOOT KIT SHT HNGR 12W L	Left- 12-13" W-SHORT; add Ext behind the Hemi
1D,2C,3-14B,15	129759	AAA FOOT KIT SHT HNGR 14W L	Left- 14-15" W- SHORT; add Ext behind the Hemi
1D,2D,3-14C,15	129761	AAA FOOT KIT SHT HNGR 16W L	Left- 16-17" W- SHORT; add Ext behind the Hemi
1D,2E,3-14D,15	129763	AAA FOOT KIT SHT HNGR 18W L	Left- 18-22" W- SHORT; add Ext behind the Hemi
		Ship assembled part #	Use with multiple assemblies

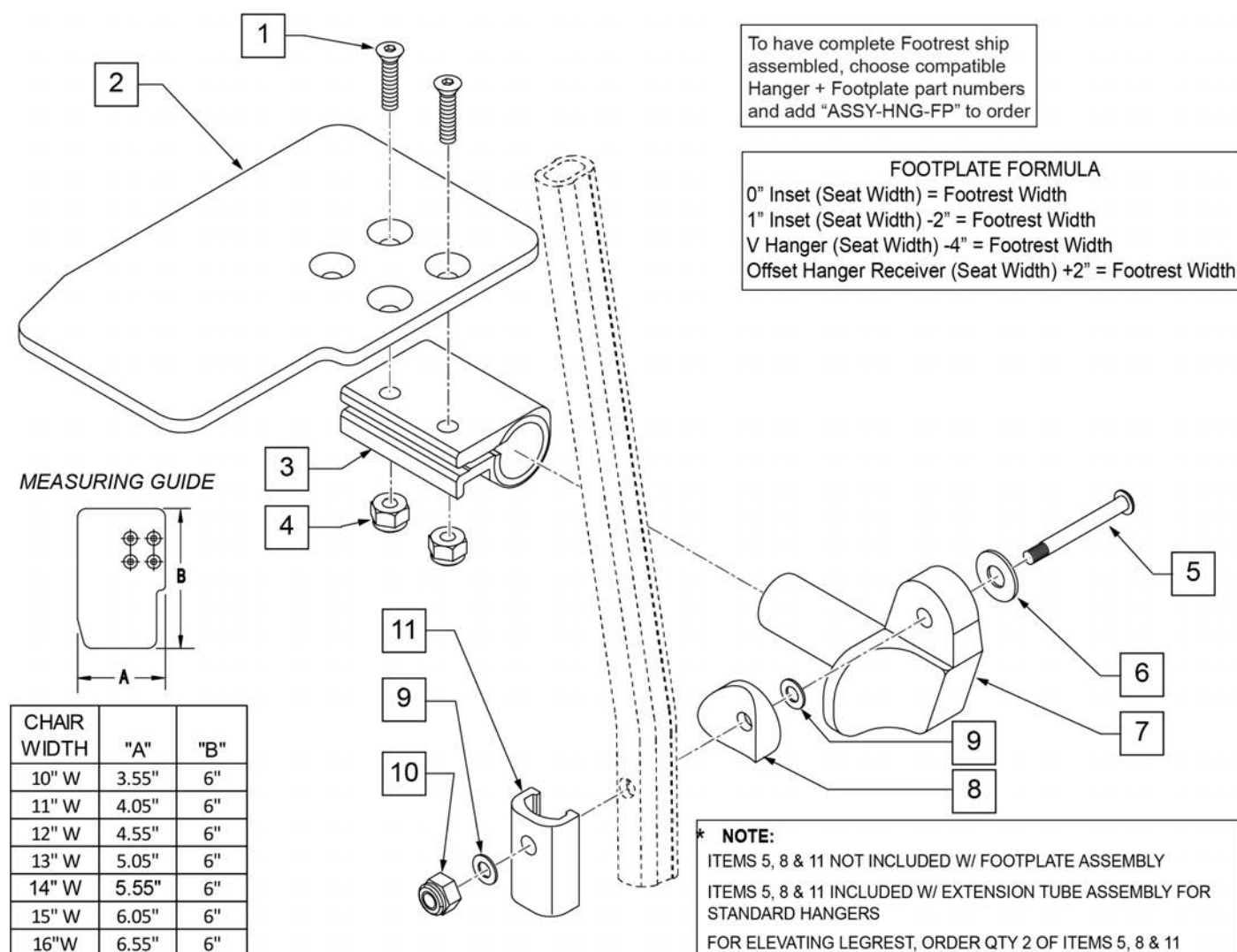
Pos.	Item Number	Description	Remarks
	ASSY-HNG-FP	HANGER/FOOTPLATE ASSY REQUIRED	add with Hanger & Footplate kit

Note: Footplate Assemblies are set to footrest width; please see "Footplate Formula" table for seat width conversion.

Note: V Style Hangers are not available on Swing Away Style chairs effective 7/14/14; see the "Prior To" ordering guide for V Style footplate assemblies.

Note: Zippie Iris (ZRS&ZRSE) and Zippie TS (Z1A&Z1SE) only use Straight Extension Tube.

Note: if chair has High Mount Ext Tubes or if switching to High Mount Ext Tubes, see KAA Footplate w/ High Mount Extension Ordering Guide.



Pos.	Item Number	Description	Remarks
1	106978	FHCS 1/4 -28 x 7/8 ROHS	

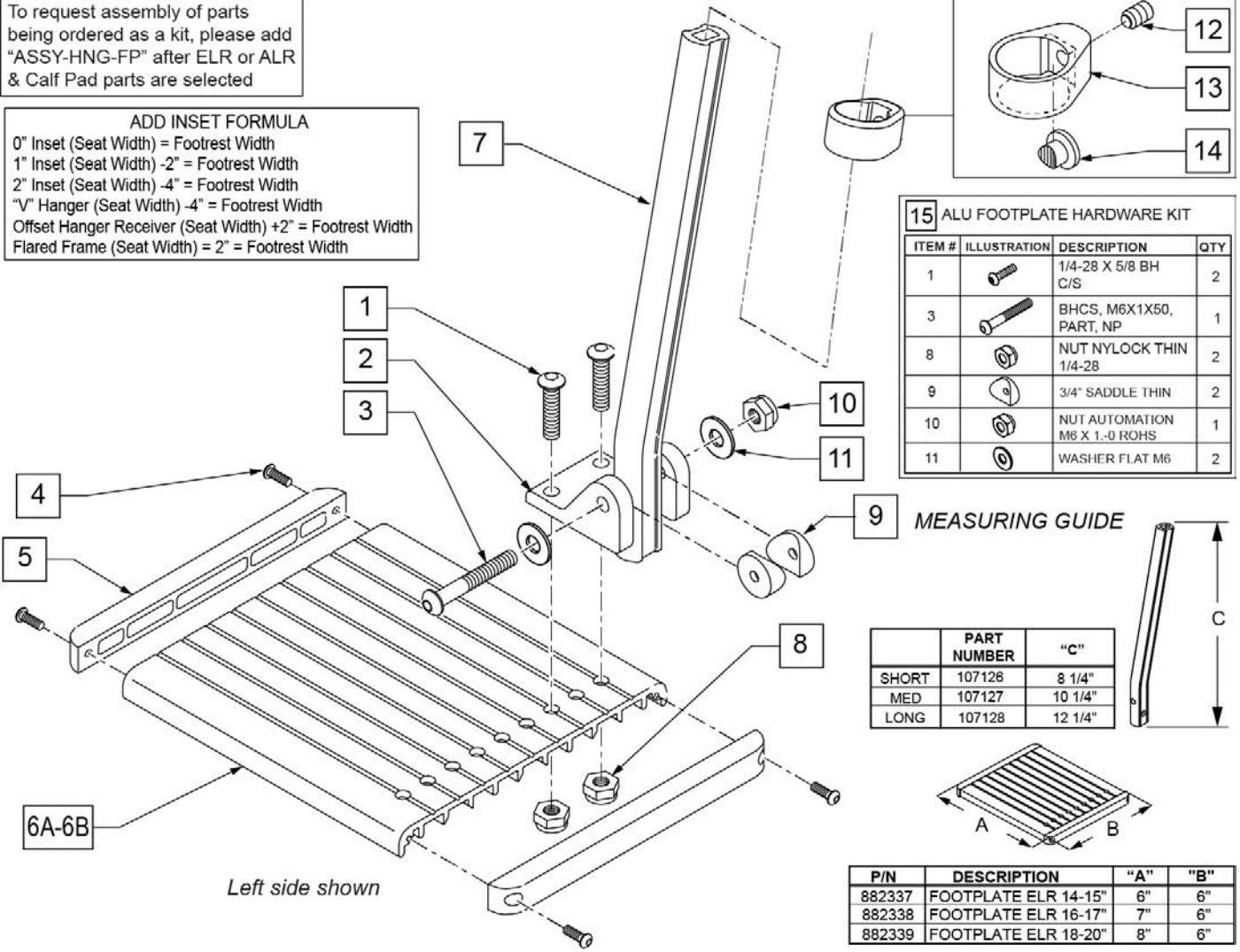
Pos.	Item Number	Description	Remarks
2	500635	KIDS ANGL ADJ F/PLT 10" R	Right
2	500636	KIDS ANGL ADJ F/PLT 10" L	Left
2	500637	KIDS ANGL ADJ F/PLT 11" R	Right
2	500638	KIDS ANGL ADJ F/PLT 11" L	Left
2	500639	KIDS ANGL ADJ F/PLT 12" R	Right
2	500640	KIDS ANGL ADJ F/PLT 12" L	Left
2	500641	KIDS ANGL ADJ F/PLT 13" R	Right
2	500642	KIDS ANGL ADJ F/PLT 13" L	Left
2	500643	KIDS ANGL ADJ F/PLT 14" R	Right
2	500644	KIDS ANGL ADJ F/PLT 14" L	Left
2	500645	KIDS ANGL ADJ F/PLT 15" R	Right
2	500646	KIDS ANGL ADJ F/PLT 15" L	Left
2	500647	KIDS ANGL ADJ F/PLT 16" R	Right
2	500648	KIDS ANGL ADJ F/PLT 16" L	Left
3	550350	3/4" CLAMP ADJ FOOTPLATE	
4	106935	NUT NYLOCK THIN 1/4 -28 ROHS	
5	106962	1/4-28 x 1 3/4 BH C/S BLK ZN (D2 EXTENSION TUBES)	
5	226167	1/4-28 x 1.625 BH C/S BLK (ROUND EXTENSION TUBES)	
6	106945	1/4 SAE WASHER	
7	541002	FTRST MOUNTING BRKT-3/8 RAD R	
7	541003	FTRST MOUNTING BRKT-3/8 RAD L	
8	561055	3/4" SADDLE 1" OD	
9	106944	WASHER FLAT THIN AN 1/4 ROHS	
10	106941	NUT AUTOMATION 1/4 -28 ROHS	
11	483720	HANGER EXTENSION SADDLE LONG	Use with Double D Ext Tube
1-4,6,7,9,10	828850	KIDS ANG ADJ F/PLT EXT-MNT 10"R	Right
1-4,6,7,9,10	828851	KIDS ANG ADJ F/PLT EXT-MNT 10"L	Left
1-4,6,7,9,10	828852	KIDS ANG ADJ F/PLT EXT-MNT 11"R	Right
1-4,6,7,9,10	828853	KIDS ANG ADJ F/PLT EXT-MNT 11"L	Left
1-4,6,7,9,10	828854	KIDS ANG ADJ F/PLT EXT-MNT 12"R	Right
1-4,6,7,9,10	828855	KIDS ANG ADJ F/PLT EXT-MNT 12"L	Left
1-4,6,7,9,10	828856	KIDS ANG ADJ F/PLT EXT-MNT 13"R	Right
1-4,6,7,9,10	828857	KIDS ANG ADJ F/PLT EXT-MNT 13"L	Left
1-4,6,7,9,10	828858	KIDS ANG ADJ F/PLT EXT-MNT 14"R	Right
1-4,6,7,9,10	828859	KIDS ANG ADJ F/PLT EXT-MNT 14"L	Left
1-4,6,7,9,10	828860	KIDS ANG ADJ F/PLT EXT-MNT 15"R	Right
1-4,6,7,9,10	828861	KIDS ANG ADJ F/PLT EXT-MNT 15"L	Left
1-4,6,7,9,10	828862	KIDS ANG ADJ F/PLT EXT-MNT 16"R	Right
1-4,6,7,9,10	828863	KIDS ANG ADJ F/PLT EXT-MNT 16"L	Left
1-4,6,7,9,10	921280	KIDS ANG ADJ F/PLT EXT-MNT 10"	Pair
1-4,6,7,9,10	921281	KIDS ANG ADJ F/PLT EXT-MNT 11"	Pair
1-4,6,7,9,10	921282	KIDS ANG ADJ F/PLT EXT-MNT 12"	Pair
1-4,6,7,9,10	921283	KIDS ANG ADJ F/PLT EXT-MNT 13"	Pair
1-4,6,7,9,10	921284	KIDS ANG ADJ F/PLT EXT-MNT 14"	Pair
1-4,6,7,9,10	921285	KIDS ANG ADJ F/PLT EXT-MNT 15"	Pair
1-4,6,7,9,10	921286	KIDS ANG ADJ F/PLT EXT-MNT 16"	Pair
		Ship assembled part #	Use with multiple assemblies
	ASSY-HNG-FP	HANGER/FOOTPLATE ASSY REQUIRED	add with Hanger & Footplate kit

ELR/ALR ALUMINUM FOOTPLATE

(02/11/2020)

To request assembly of parts being ordered as a kit, please add "ASSY-HNG-FP" after ELR or ALR & Calf Pad parts are selected

ADD INSET FORMULA
 0" Inset (Seat Width) = Footrest Width
 1" Inset (Seat Width) -2" = Footrest Width
 2" Inset (Seat Width) -4" = Footrest Width
 "V" Hanger (Seat Width) -4" = Footrest Width
 Offset Hanger Receiver (Seat Width) +2" = Footrest Width
 Flared Frame (Seat Width) = 2" = Footrest Width



15 ALU FOOTPLATE HARDWARE KIT

ITEM #	ILLUSTRATION	DESCRIPTION	QTY
1		1/4-28 X 5/8 BH C/S	2
3		BHCS, M6X1X50, PART, NP	1
8		NUT NYLOCK THIN 1/4-28	2
9		3/4" SADDLE THIN	2
10		NUT AUTOMATION M6 X 1-0 ROHS	1
11		WASHER FLAT M6	2

MEASURING GUIDE

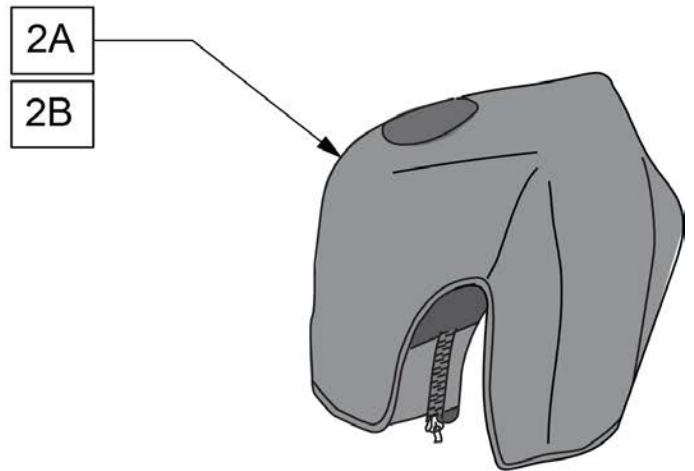
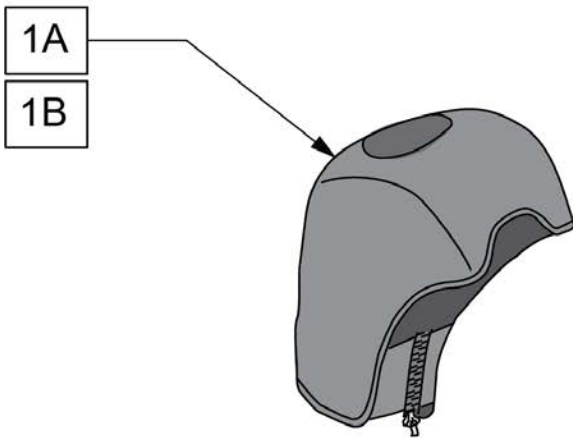
	PART NUMBER	"C"
SHORT	107126	8 1/4"
MED	107127	10 1/4"
LONG	107128	12 1/4"

P/N	DESCRIPTION	"A"	"B"
882337	FOOTPLATE ELR 14-15"	6"	6"
882338	FOOTPLATE ELR 16-17"	7"	6"
882339	FOOTPLATE ELR 18-20"	8"	6"

Pos.	Item Number	Description	Remarks
1	226090	1/4-28 x 5/8 BH C/S	
2	118093	BRACKET FOOTPLATE ALUM	
3	102262-008	BHCS M6 X 1 X 50 INORGANIC	
4	281043	#4 x 5/8 PAN PHIL S/TAP	
5	560101	END CAPS FOOTREST	
7	107126	SHORT BENT	
7	107127	MED BENT	
7	107128	LONG BENT	
7	128078	TUBE FOOTREST EXT SHT HEMI	Use for Hemi Extension option
8	106935	1/4-28 NYLOCK NUT THIN	
9	561003	3/4" SADDLE THIN	
10	132626	NUT AUTOMATION M6 X 1.0	
11	107383	WASHER FLAT M6 ROHS	
4,5,6A	882337	ELR FOOTPLATE ASSEMBLY 14 -15"	
4,5,6B	882338	ELR FOOTPLATE ASSEMBLY 16 -17"	
4,5,6C	882339	ELR FOOTPLATE ASSEMBLY 18 -20"	
12-14	119495	EXTENSION CLAMP KIT	
15	129775	ALU FOOTPLATE HDWARE KIT	Ext tube not included; bracket (118093) not included

Pos.	Item Number	Description	Remarks
		Ship assembled part #	Use with multiple assemblies
	ASSY-HNG-FP	HANGER/FOOTPLATE ASSY REQUIRED	add with Hanger & Footplate kit

Note: For installation instructions please see the informations section to the right of this parts page.



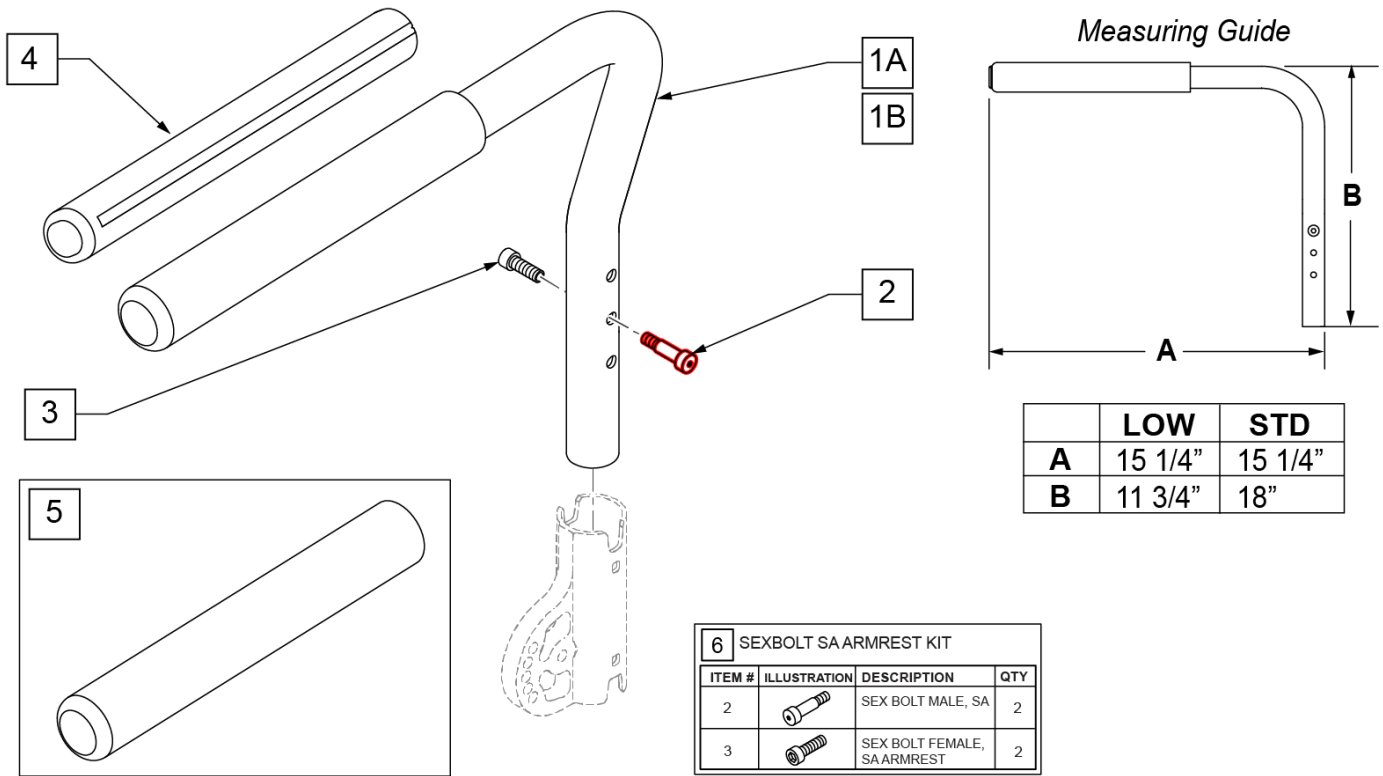
Pos.	Item Number	Description	Remarks
1A	163881	ELR NEOPRENE COVER PR	Pair
1B	163882	ELR GEL COVER PR	Pair
2A	163883	ALR NEOPRENE COVER PR	Pair
2B	163884	ALR GEL COVER PR	Pair

NOTE: Effective on GTi chairs after S/N T4-505800 & T4A-505900.

NOTE: Armrest heights that can be achieved are; 7, 8, & 9 with the RECEIVER IN THE DOWN position, and 10, 11, & 12 with RECEIVER IN THE UP position.

NOTE: GT,GTi, Q2 Lite & 5R chairs use Low Armrest only.

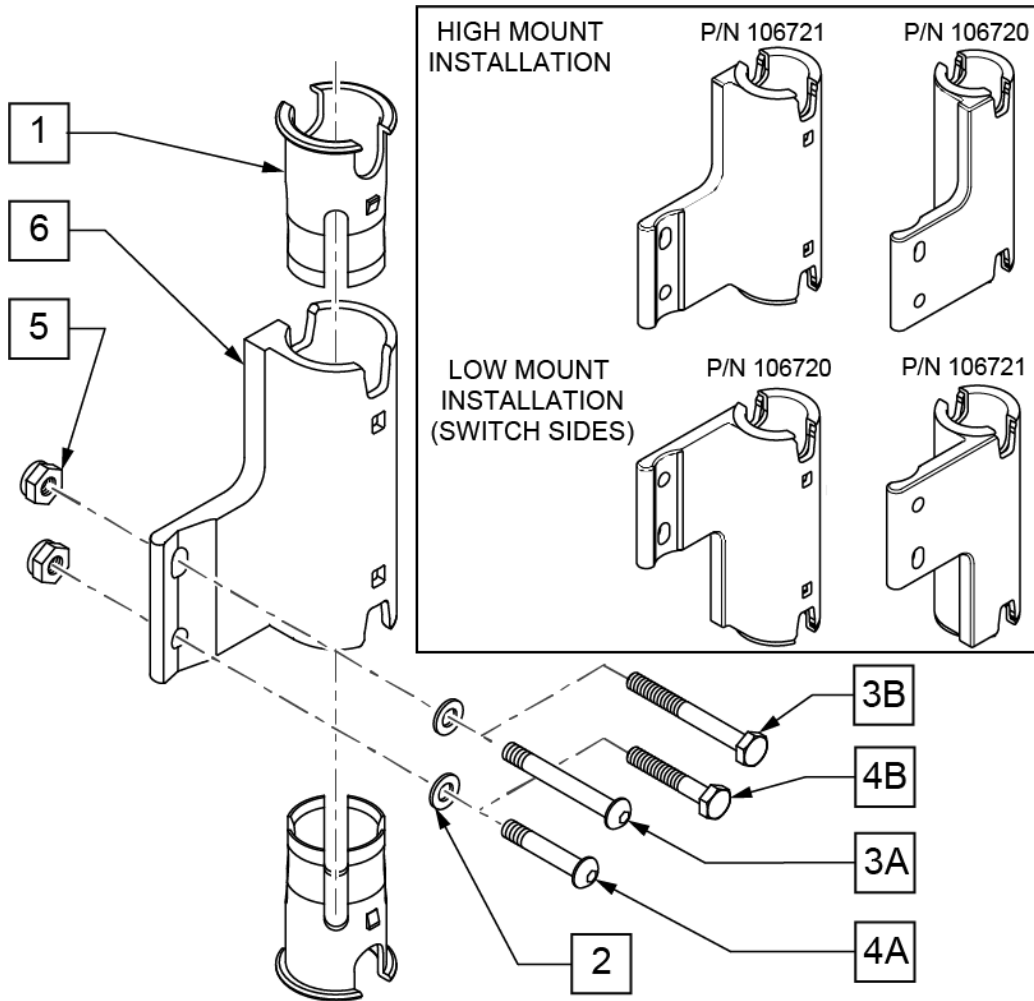
Part Changes, please see notes/remarks for important information



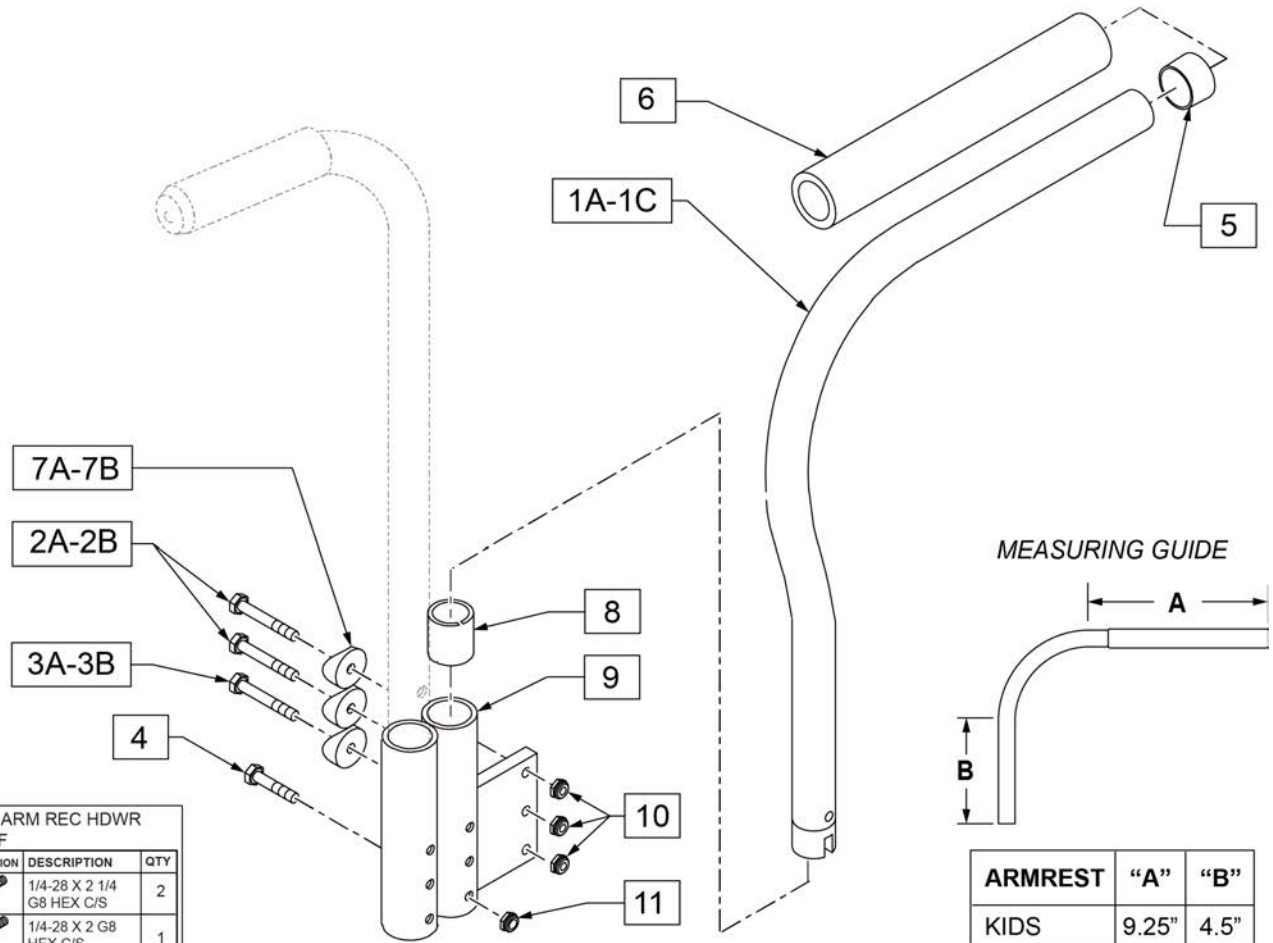
Pos.	Item Number	Description	Remarks
1A,2,3	111153	SWING-AWAY ARMREST LOW W/ BOLT R	RIGHT-LOW
1A,2,3	111154	SWING-AWAY ARMREST LOW W/ BOLT L	LEFT -LOW
1B,2,3	111155	SWING-AWAY ARMREST STD W/ BOLT R	RIGHT-STD
1B,2,3	111156	SWING-AWAY ARMREST STD W/ BOLT L	LEFT -STD
4	108315	GEL PAD S/ ARM	PAIR
5	560640	9X.93X.155 FOAM GRIP	Single replacement grip
6	108118	SEXBOLSA ARMREST KIT	

NOTE: Item 6 can be flipped for additional adjustment (see Low Mount Installation in illustration below). When flipped Left becomes Right and Right becomes Left.

Note: Armrest heights that can be achieved are: 7, 8, & 9 with RECEIVER IN THE LOW MOUNT position, and 10, 11, & 12 with RECEIVER IN THE HIGH MOUNT position.



Pos.	Item Number	Description	Remarks
1	106505	SLEEVE SWING AWAY ARMREST	
2	106943	WASHER FLAT AN 1/4 ROHS	
3A	106964	BHCS 1/4-28 X 2 ROHS	Q2 LITE ONLY
3B	107351	HHCS 1/4-28 X 2 1/4 ROHS	Q2 ONLY
4A	106962	BHCS 1/4-28 X 1-3/4 ROHS	Q2 LITE ONLY
4B	109265	HHCS 1/4-28 X 2-1/2 ROHS	Q2 ONLY
5	106935	NUT NYLOCK THIN 1/4-28 ROHS	
1,6	106720	RECEIVER, SA ASSY, RH	RIGHT
1,6	106721	RECEIVER, SA ASSY, LH	LEFT- SHOWN

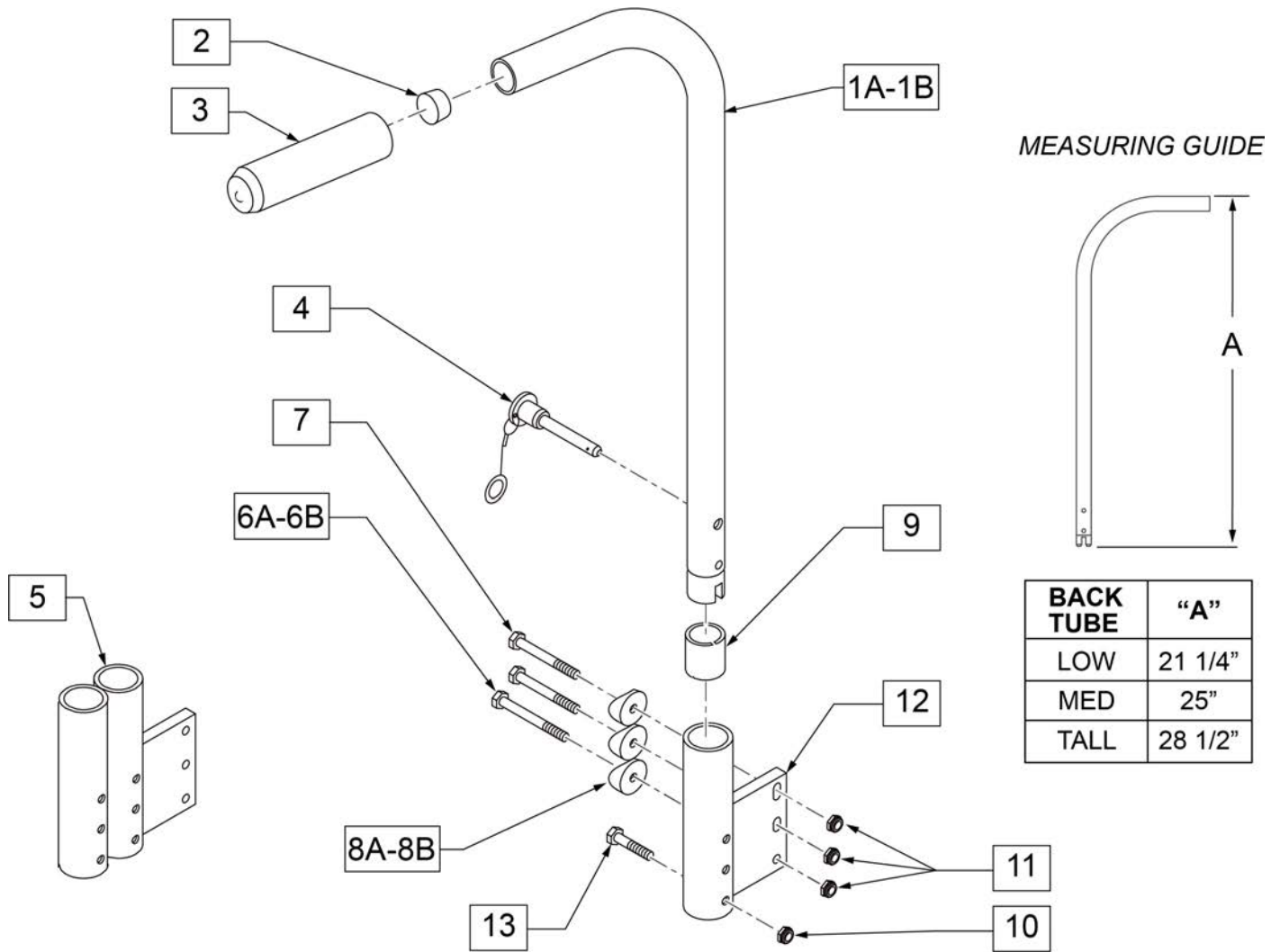


ITEM #	ILLUSTRATION	DESCRIPTION	QTY
2A		1/4-28 X 2 1/4 G8 HEX C/S	2
3B		1/4-28 X 2 G8 HEX C/S	1
7B		1-1/8" SADDLE 1/4" HOLE	3
10		1/4-28 NYLOCK NUT	3

ARMREST	"A"	"B"
KIDS	9.25"	4.5"
MED	9.25"	6.5"
ADULT	9.25"	8.75"

Pos.	Item Number	Description	Remarks
2A	107351	1/4-28 x 2 1/4 G8 HEX C/S	For chairs built AFTER 4/30/1990.
2B	106973	1/4-28 x 2 G8 HEX C/S	For chairs built BEFORE 4/30/1990.
3A	107015	1/4-28 x 1 3/4 G8 HEX C/S	For chairs built BEFORE 4/30/1990.
3B	106973	1/4-28 x 2 G8 HEX C/S	For chairs built AFTER 4/30/1990.
4	106972	1/4-28 x 1 1/2 G8 HEX C/S	
5	561002	1" INSERT PLUG .083	
6	920070	9 x .940 x .200 FOAM GRIP	
7A	561004	1" SADDLE 1/4" HOLE	For chairs built BEFORE 4/30/1990.
7B	561001	1 1/8" SADDLE 1/4" HOLE	For chairs built AFTER 4/30/1990.
8	560400	1" ID NY-LINER	
9	540130	PADDED ARM REC STRT R DBL F	RIGHT
9	540132	PADDED ARM REC STRT L DBL F	LEFT
10	106934	1/4-28 NYLOCK NUT	
11	106935	NUT NYLOCK THIN 1/4-28 ROHS	
12	920154	PADDED ARM REC HDWR KIT 1 1/8 F	
1A, 5, 6	880320	PADDED ARM KIDS	RIGHT-KIDS
1A, 5, 6	880322	PADDED ARM KIDS	LEFT-KIDS
1B, 5, 6	880324	PADDED ARM RX KIDS MEDIUM	RIGHT-MED
1B, 5, 6	880326	PADDED ARM RX KIDS MEDIUM	LEFT-MED

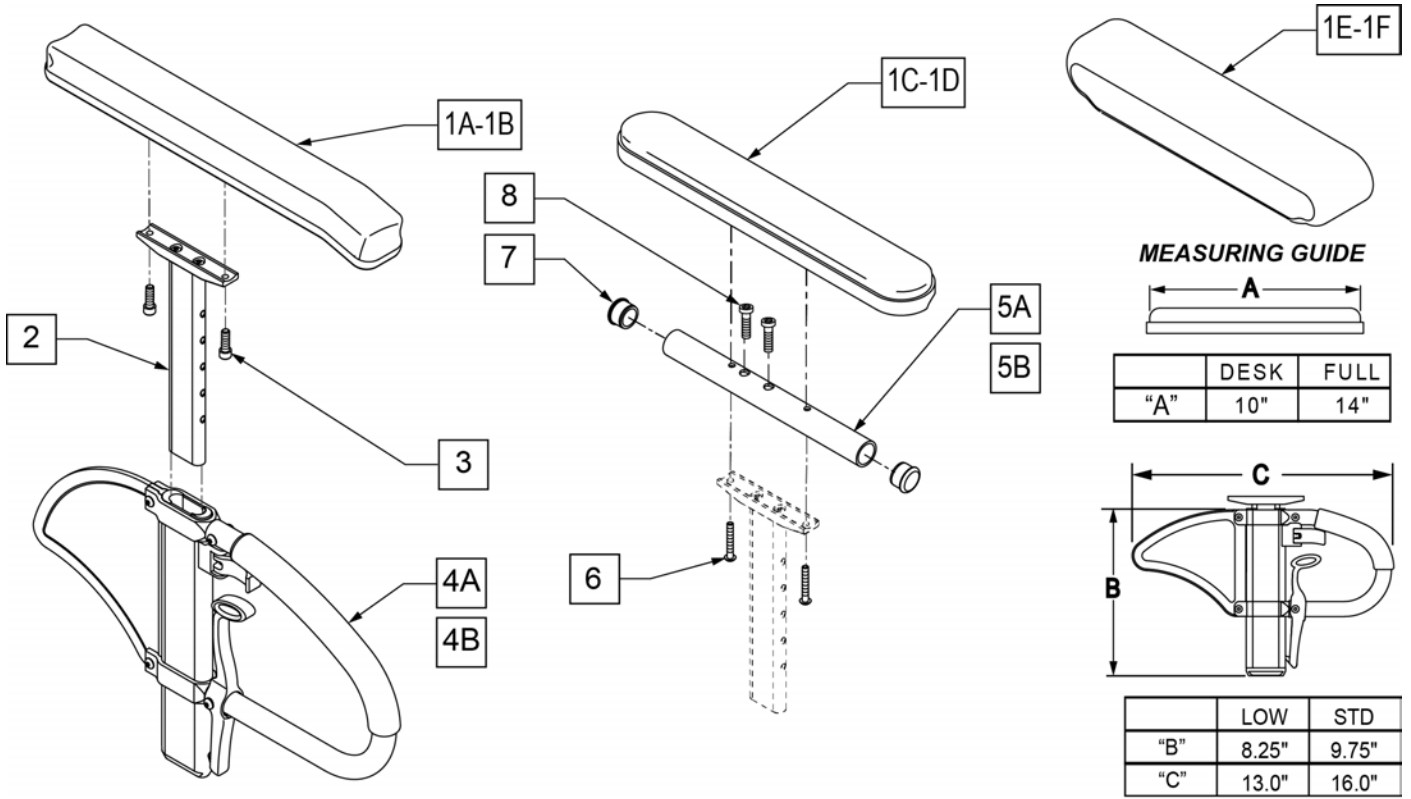
Pos.	Item Number	Description	Remarks
1C, 5, 6	880328	PADDED ARM ADULT	RIGHT-ADULT
1C, 5, 6	880330	PADDED ARM ADULT	LEFT-ADULT
1A, 5, 6	900400	PADDED ARMS Q2 KIDZ F	PAIR-KIDS
1B, 5, 6	900401	PADDED ARMS Rx KIDZ/MED F	PAIR-MED
1C, 5, 6	900402	PADDED ARMS REG F	PAIR-ADULT



Pos.	Item Number	Description	Remarks
2	561002	1" INSERT PLUG .083	
3	920070	9 x .940 x .200 FOAM GRIP	
4	349020	STROLLER HANDLE RELEASE PIN	
5	540130	PADDED ARM RECEIVER STRAIGHT DOUBLE FOLDING FRAME	RIGHT; used with Padded S/A Arms and Removable Stroller Handle Combination

Pos.	Item Number	Description	Remarks
5	540132	PADDED ARM RECEIVER STRAIGHT DOUBLE FOLDING FRAME	LEFT; used with Padded S/A Arms and Removable Stroller Handle Combination
6A	106973	1/4-28 x 1 3/4 G8 HEX C/S	
6B	107351	1/4-28 x 2 G8 HEX C/S	
7	107351	1/4-28 x 2 1/4 G8 HEX C/S	
8A	561004	1" SADDLE 1/4 HOLE	
8B	561001	1 - 1/8 SADDLE 1/4 HOLE	
9	560400	1" I.D. NY-LINER	
10	106935	NUT NYLOCK THIN 1/4 -28 ROHS	
11	106934	1/4-28 NYLOCK NUT	
12	540100	PADDED ARM RECEIVER STRAIGHT FOLDING FRAME	RIGHT
12	540102	PADDED ARM RECEIVER STRAIGHT FOLDING FRAME	LEFT
13	106972	1/4-28 x 1 1/2 G8 HEX C/S	
14	341200	1/4 x 1 ROLL PIN	
15	483029	PUSH HANDLE PLUG	
1A-3, 14, 15	880360	STROLLER HANDLE REGULAR STRAIGHT FOLDING	
1B-3, 14, 15	880362	STROLLER HANDLE TALL STRAIGHT FOLDING	
1A-3, 14, 15	900420	STROLLER HANDLES REGULAR FOLDING	PAIR
1B-3, 14, 15	900421	STROLLER HANDLES TALL FOLDING	PAIR
4, 6-13	900500	STROLLER RECEIVER SINGLE CYL F 3/4	PAIR
4, 6B, 7, 8B, 9-13	900502	STROLLER RECEIVER SINGLE CYL FOLDING FRAME 7/8	PAIR
4-11, 13	900501	ARM/STROLLER RECEIVER DOUBLE CYL F 3/4	PAIR
4, 5, 6B, 7, 8B, 9-11, 13	900503	ARM/STROLLER RECEIVER DOUBLE CYL F 7/8	PAIR

SINGLE POST HEIGHT ADJUSTABLE ARMREST



Pos.	Item Number	Description	Remarks
1A	104568-001	SPHA PAD DESK	CONTOUR DESK
1B	104568-002	SPHA PAD FULL	CONTOUR FULL
1C	561024	ARMREST PAD 10" DESK	CLASSIC DESK
1D	561031	ARMREST PAD 14" FULL	CLASSIC FULL
1E	561280	ARMREST PAD 10" LEFT W/F	Left-Waterfall Desk
1E	561281	ARMREST PAD 10" RIGHT W/F	Rightt-Waterfall Desk
1F	561284	ARMREST PAD 14" LEFT W/F	Leftt-Waterfall Full
1F	561285	ARMREST PAD 14" RIGHT W/F	Rightt-Waterfall Full
2	116312	SNGL POST UPPR ASSM LOW	LOW/SMALL
2	116313	SNGL POST UPPR ASSM STD	STANDARD
3	106956	SHCS 10-32 X 3/4 ROHS	
2,4A	104509-001	SPHA ARMREST ASSY STD	STANDARD
2,4B	104509-002	SPHA ARMREST ASSY LOW	LOW/SMALL
5A	521812	HT ADJ PD TUBE 10IN DESK POWE	Desk
5B	521813	HT ADJ PD TUBE 14IN FULL POWE	Full
6	107024	BHCS 10-32 X 1 1/2 ROHS	
7	560735	7/8" ROUND TUBE PLUG	
8	108534	SHCS 10-32 X 1-1/4 PL	Used with Full Length & Waterfall
1C,2,3,4A,5A,6,7	108599	SPHA STD CLASIC DESK PAD R	Right
1C,2,3,4A,5A,6,7	108603	SPHA STD CLASIC DESK PAD L	Left
1D,2,3,4A,5B,6-8	108601	SPHA STD CLASIC FULL PAD R	Right
1D,2,3,4A,5B,6-8	108605	SPHA STD CLASIC FULL PAD L	Left
1A,2,3,4A	108595	SPHA STD CNTUR DESK PAD	
1B,2,3,4A	108597	SPHA STD CNTUR FULL PAD	
1C,2,3,4B,5A,6,7	108600	SPHA LOW CLASIC DESK PAD R	Right
1C,2,3,4B,5A,6,7	108604	SPHA LOW CLASIC DESK PAD L	Left

Pos.	Item Number	Description	Remarks
1D,2,3,4B,5B,6-8	108602	SPHA LOW CLASIC FULL PAD R	Right
1D,2,3,4B,5B,6-8	108606	SPHA LOW CLASIC FULL PAD L	Left
1A,2,3,4B	108596	SPHA LOW CNTUR DESK PAD	
1B,2,3,4B	108598	SPHA LOW CNTUR FULL PAD	
1C,2,5A,6,7	159600	SPHA STD CLAS DESK UPPR R	Right
1C,2,5A,6,7	159601	SPHA STD CLAS DESK UPPR L	Left
1D,2,5B,6-8	159602	SPHA STD CLAS FULL UPPR R	Right
1D,2,5B,6-8	159603	SPHA STD CLAS FULL UPPR L	Left
1C,2,5A,6,7	159604	SPHA LOW CLAS DESK UPPR R	Right
1C,2,5A,6,7	159605	SPHA LOW CLAS DESK UPPR L	Left
1D,2,5B,6-8	159606	SPHA LOW CLAS FULL UPPR R	Right
1D,2,5B,6-8	159607	SPHA LOW CLAS FULL UPPR L	Left
1E,2,4B,5A,6,7	164089	SPHA LOW W/F DESK PAD R	Right
1E,2,4B,5A,6,8	164090	SPHA LOW W/F DESK PAD L	Left
1F,2,4B,5B,6,8	164091	SPHA LOW W/F FULL PAD R	Right
1F,2,4B,5B,6,8	164092	SPHA LOW W/F FULL PAD L	Left
1E,2,4A,5A,6,7	164093	SPHA STD W/F DESK PAD R	Right
1E,2,4A,5A,6,8	164094	SPHA STD W/F DESK PAD L	Left
1F,2,4A,5B,6,8	164095	SPHA STD W/F FULL PAD R	Right
1F,2,4A,5B,6,8	164096	SPHA STD W/F FULL PAD L	Left

Note: Fits most Manual Products, not all Armrest Pads are offered on all chairs, consult product order form for compatibility.

Note: available on Quickie Iris after S/N IRS-007726 & IRSE-008701 and prior to IRS-063000 & IRSE-083000, and Zippie Iris prior to ZRS-051000 & ZRSE-058000.

Note: if switching from Desk to Full Length Armrest Pad OR switching from Full Length to Desk Armrest Pad, the following items are required: 1C/1D, 5A/5B, and 6-8.

NOTE: USED ON QUICKIE 2 CHAIRS W/ S/N PREFIX Q2V.

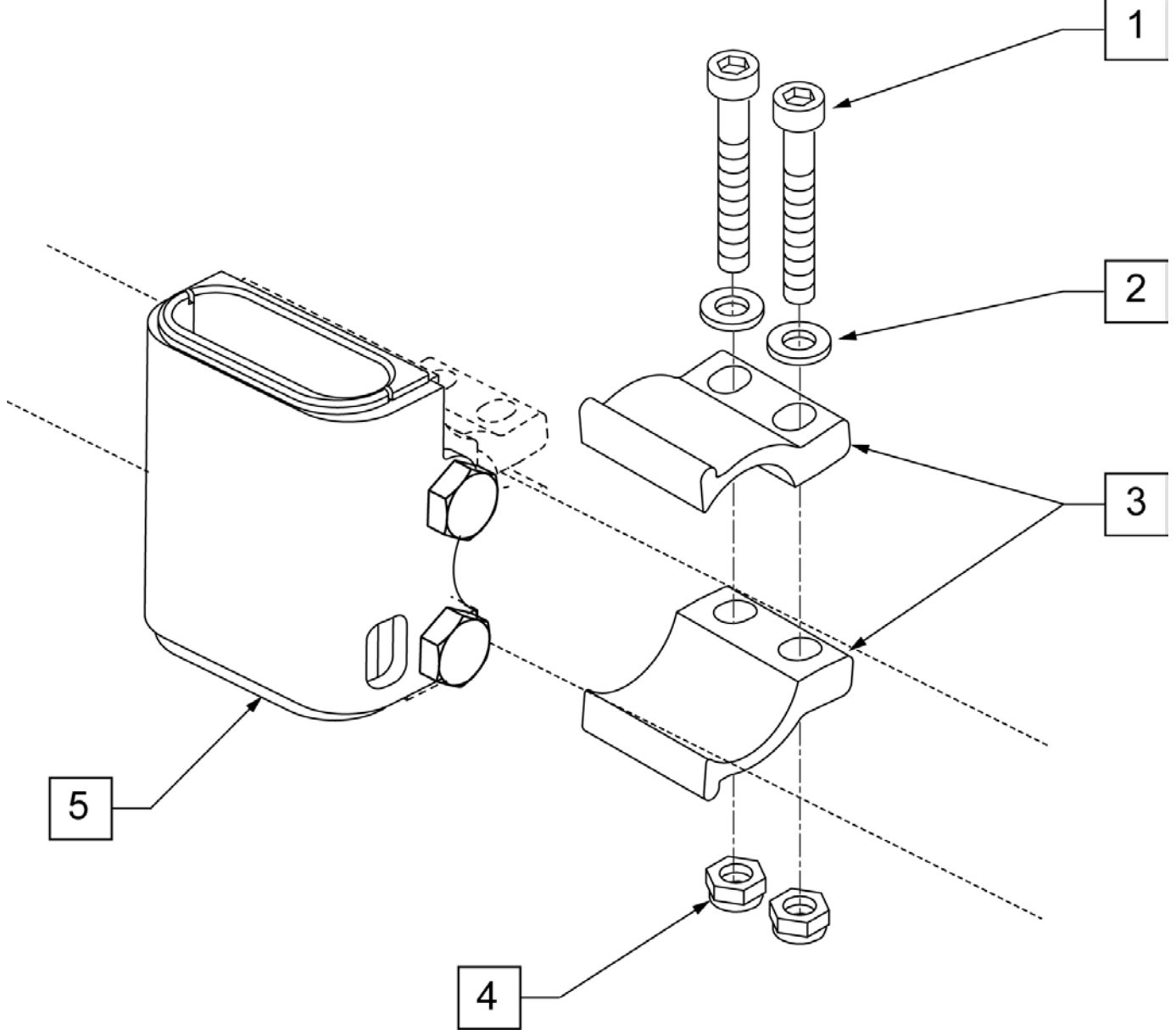
NOTE: USED ON QUICKIE 2 LITE CHAIRS.

NOTE: USED ON ZIPPIE TS CHAIRS W/ S/N PREFIX Z1A & Z1SE.

NOTE: USED ON ZIPPIE GS CHAIRS W/ S/N PREFIX ZGS & ZGSE.

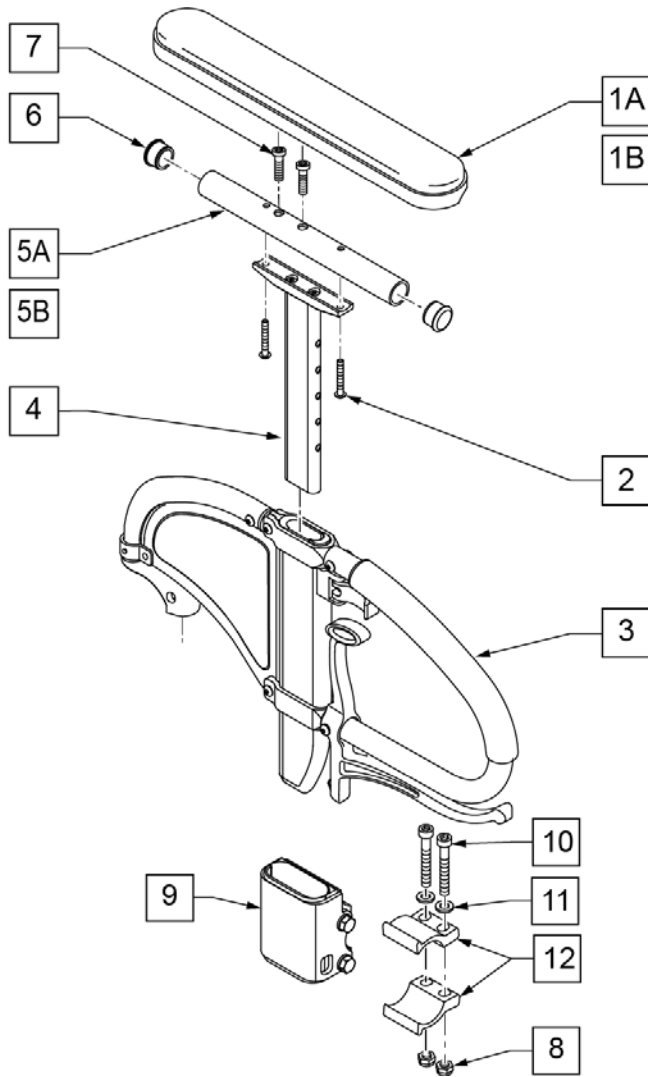
NOTE: USED ON ZIPPIE 2 CHAIRS W/ S/N PREFIX Z2A.

NOTE: CLAMP MOUNTS TO 1" TUBING.

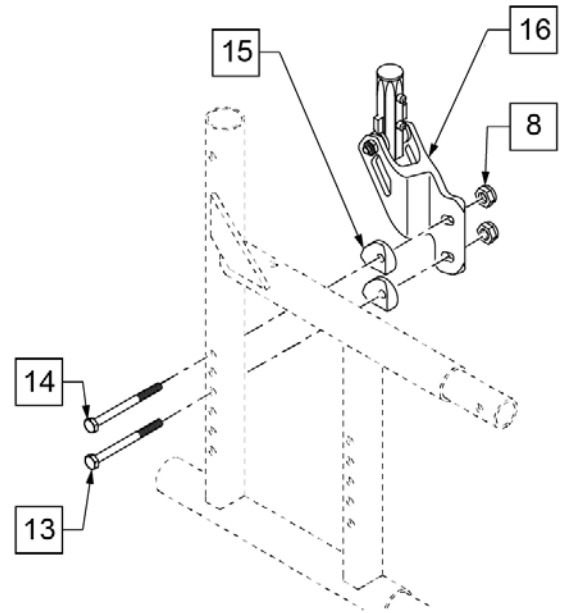
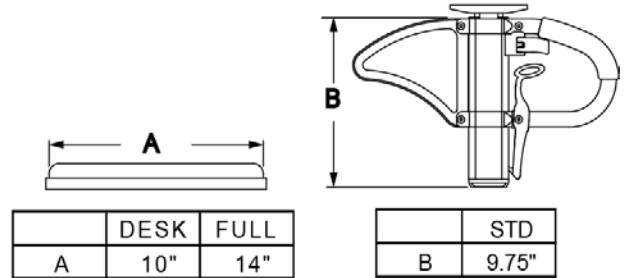


Pos.	Item Number	Description
1	106975	SHCS 1/4 -28 x 1 1/4 ROHS
2	106943	WASHER FLAT AN 1/4 ROHS
3	107123	CLAMP, RECEIVER, 1" OD
4	106935	NUT NYLOCK THIN 1/4 -28 ROHS
5	107124	RECEIVER, SPHA 1" OD
1-5	108101	SPHA RECEIVER W/ CLAMP KIT

Note: if switching from Desk to Full Length Armrest Pad OR switching from Full Length to Desk Armrest Pad, the following items are required: 1A/1B, 2, 5A/5B, 6 and 7.

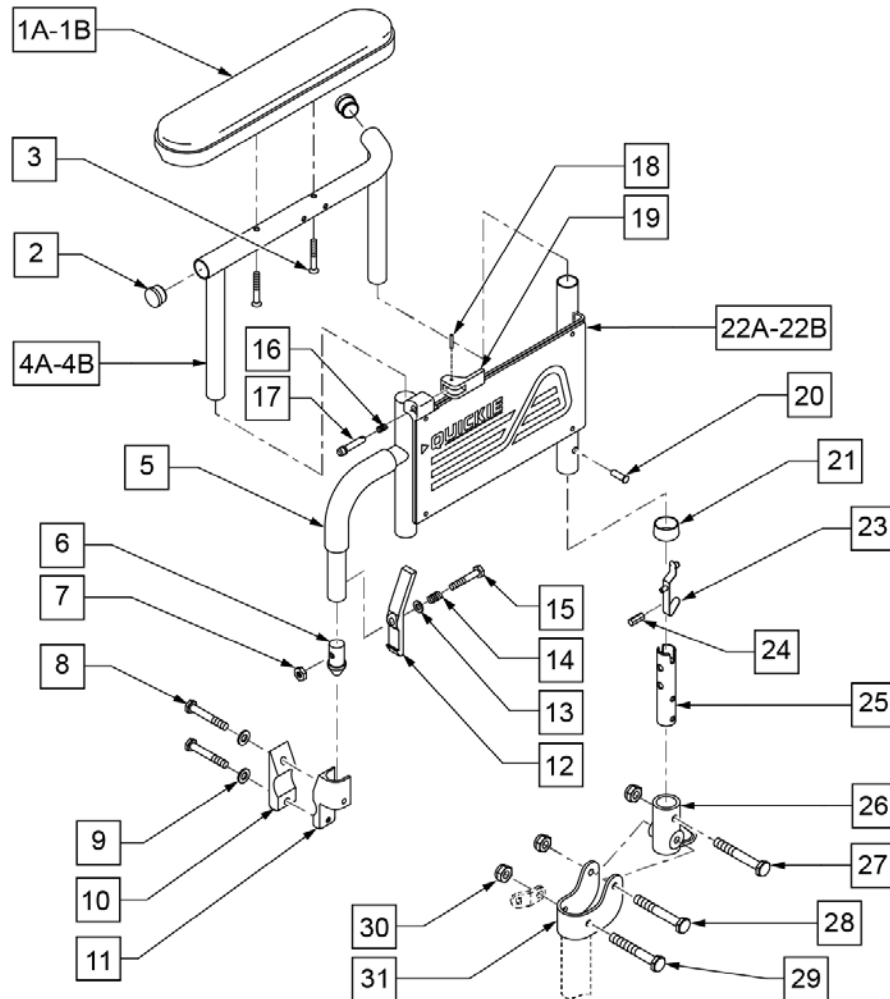


MEASURING GUIDE



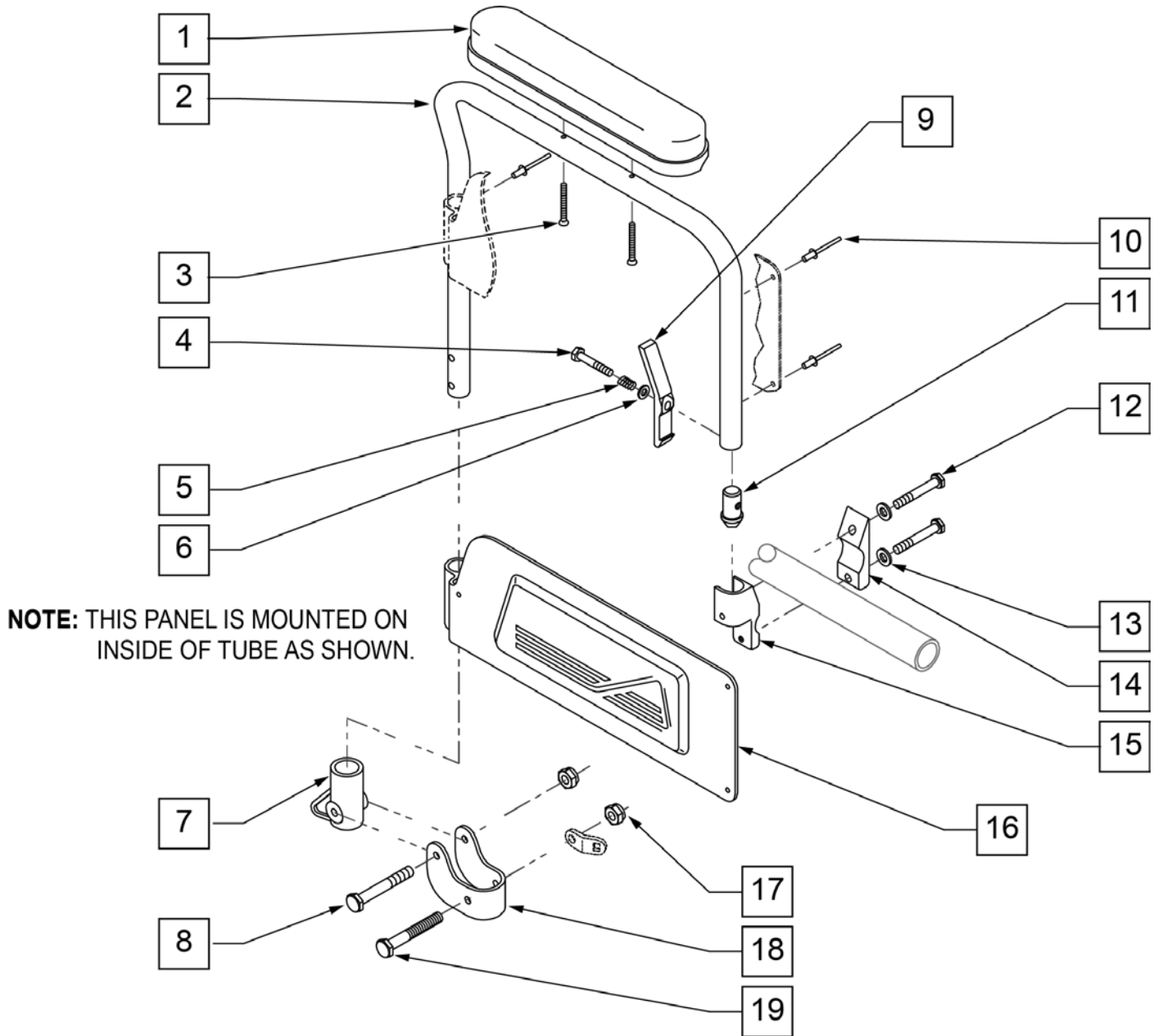
Pos.	Item Number	Description	Remarks
1A	561024	ARMREST PAD 10" DESK	CLASSIC DESK
1B	561031	ARMREST PAD 14" FULL	CLASSIC FULL
2	107024	10-32 X 1 1/2 BH C/S BLK	
3,4	109405	SPHA ARMREST ASSM RIGHT	RIGHT
3,4	109400	SPHA ARMREST ASSM LEFT	LEFT
4	116313	SPHA ARM PAD MOUNT	
5A	521812	HT ADJ PD TUBE 10IN DESK POWE	
5B	521813	HT ADJ PD TUBE 14IN FULL POWE	
6	560735	7/8" ROUND TUBE PLUG	
7	226031	10-32 x 1 1/4 SOC C/S BLK	FULL
1A,2,4,5A,6	115221	SPHA UPPER CLASSIC DESK PAD	CLASSIC DESK
1B,2,4,5B,6,7	115222	SPHA UPPER CLASSIC FULL PAD	CLASSIC FULL
1A-5A,6	117834	SPHA FLP BCK LITE ARM DESK R	RIGHT

Pos.	Item Number	Description	Remarks
1A-5A,6	117835	SPHA FLP BCK LITE ARM DESK L	LEFT
1B-5B,6,7	117836	SPHA FLP BCK LITE ARM FULL R	RIGHT
1B-5B,6,7	117837	SPHA FLP BCK LITE ARM FULL L	LEFT
8	106935	NUT NYLOCK THIN 1/4 -28 ROHS	
9	107124	SPHA RECEIVER KIT	
10	106975	SHCS 1/4 -28 x 1 1/4 ROHS	
11	106943	WASHER FLAT AN 1/4 ROHS	
12	107123	CLAMP, RECEIVER, 1" OD	
8-12	108101	SPHA RECEIVER W/ CLAMP KIT	
13	107351	HHCS 1/4 -28 x 2 1/4 ROHS	
14	106973	HHCS 1/4 -28 x 2 ROHS	
15	561001	1 -1/8" SADDLE 1/4" HOLE	
16	109438	SPHA FB RECEIVER ASSM HI R	RIGHT
16	109437	SPHA FB RECEIVER ASSM HI L	LEFT
8,13-16	120655	REAR RECEIVER ASSM - RIGHT	RIGHT
8,13-16	120656	REAR RECEIVER ASSM - LEFT	LEFT
3,8-16	159730	SPHA FB ASSM Q2V W/O PAD PR	PAIR



Pos.	Item Number	Description	Remarks
1A	561024	ARMREST PAD 10 DESK	DESK LENGTH
1B	561031	ARMREST PAD 14 FULL	FULL LENGTH
2	560735	7/8 ROUND TUBE PLUG	
3	226030-QU	10-32 x 1 1/4 BH C/S BLK	
4A	521834	FLIP-BACK HEIGHT ADJUSTABLE POWER ARM DESK	RIGHT
4A	521835	FLIP-BACK HEIGHT ADJUSTABLE POWER ARM DESK	LEFT
4B	521836	FLIP-BACK HEIGHT ADJUSTABLE POWER ARM FULL	RIGHT
4B	521837	FLIP-BACK HEIGHT ADJUSTABLE POWER ARM FULL	LEFT
5	560610	5 x .705 x .125 FOAM TUBE	
6	561065	ARMREST DOME PLUG BR	
7	106935	NUT NYLOCK THIN 1/4-28 ROHS	
8	106971	1/4-28 x 1 3/8 HEX C/S	
9	106943	1/4 AN WASHER FLAT	
10	550256	CLAMP ADJ FULL STD	
11	550102	FRONT ARM RECEIVER	RIGHT
11	550103	FRONT ARM RECEIVER	LEFT
12	561067	ARM LATCH LEVER	
13	106943	1/4 AN WASHER FLAT	
14	321141	.650L X 6 COIL SPRING	
15	221124-QU	1/4-28 x 1 1/4 G8 HEX C/S	

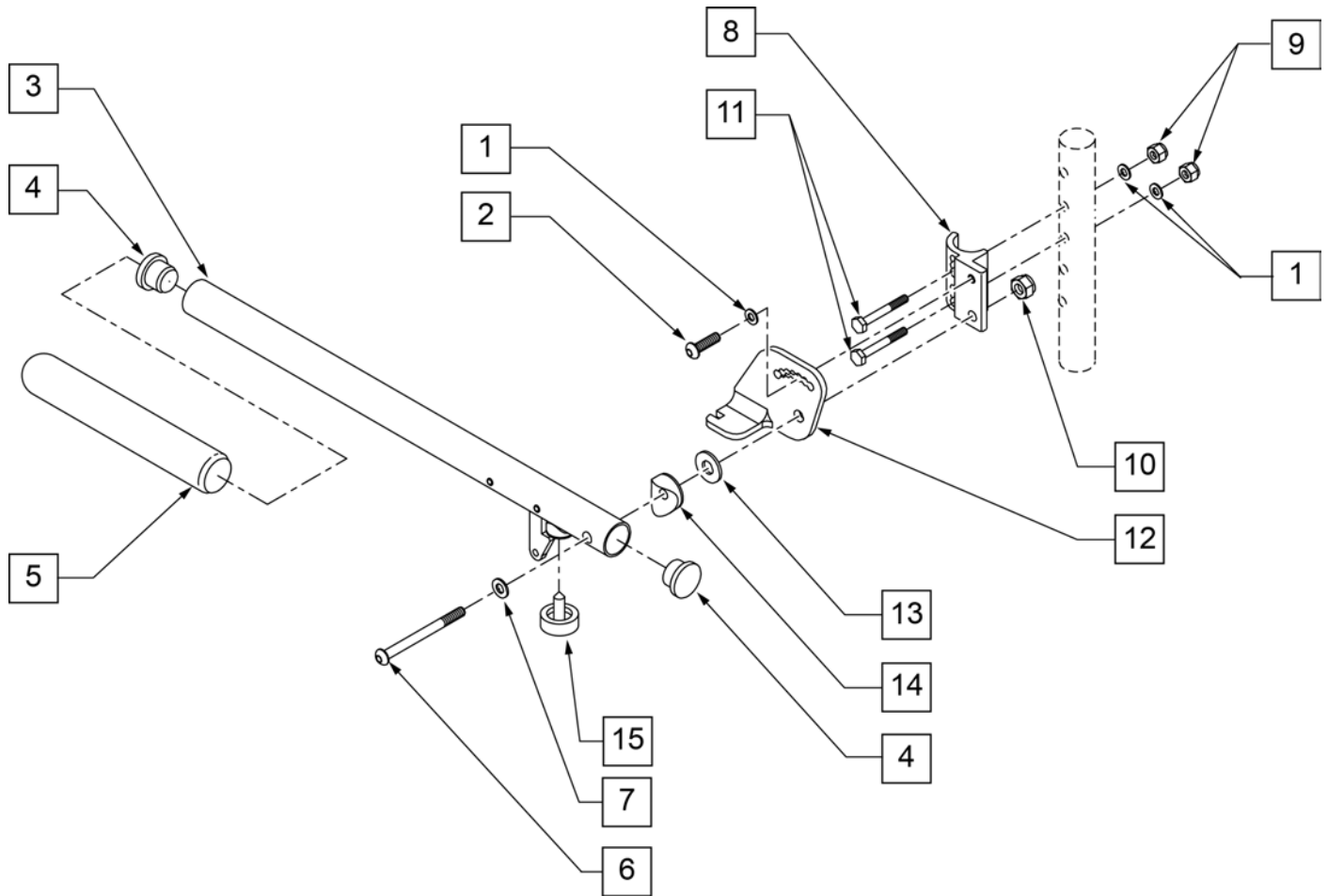
Pos.	Item Number	Description	Remarks
26	561080	ARM RECEIVER BR	
27	106972	1/4-28 X 1 1/2 G8 HEX C/S	
28	107015	1/4-28 x 1 3/4 G8 HEX C/S	
29	106973	1/4-28 x 2 G8 HEX C/S	
30	106934	1/4-28 NYLOCK NUT	
31	505352	FLIP-BACK ARM PIVOT BRACKET	
8-11	880106	FLIP-BACK FRONT RECEIVER W/CLAMP	RIGHT
8-11	880107	FLIP-BACK FRONT RECEIVER W/CLAMP	LEFT
23-25,27,30	880261	RECEIVER POST W/BUTTON	
1A,2,3,4A	880390	FLIP-BACK HEIGHT ADJUSTABLE UPPER ARM W/DESK	RIGHT - DESK LENGTH
1A,2,3,4A	880391	FLIP-BACK HEIGHT ADJUSTABLE UPPER ARM W/DESK	LEFT - DESK LENGTH
1B,2,3,4B	880392	FLIP-BACK HEIGHT ADJUSTABLE UPPER ARM ASSM FULL	RIGHT - FULL LENGTH
1B,2,3,4B	880393	FLIP-BACK HEIGHT ADJUSTABLE UPPER ARM ASSM FULL	LEFT - FULL LENGTH
5-7,12-21,22A	880288	FLIP-BACK HEIGHT ADJUSTABLE LOWER ARM ASSM	RIGHT
5-7,12-21,22B	880289	FLIP-BACK HEIGHT ADJUSTABLE LOWER ARM ASSM	LEFT
1A-4A-7,12-21,22A	880296	FLIP-BACK HEIGHT ADJUSTABLE ARM ASSM DESK	RIGHT - DESK LENGTH
1A-4A-7,12-21,22B	880297	FLIP-BACK HEIGHT ADJUSTABLE ARM ASSM DESK	LEFT - DESK LENGTH
1B-4B-7,12-21, 22A	880396	FLIP-BACK HEIGHT ADJUSTABLE ARM ASSM FULL	RIGHT - FULL LENGTH
1B-4B-7,12-21, 22B	880397	FLIP-BACK HEIGHT ADJUSTABLE ARM ASSM FULL	LEFT - FULL LENGTH
1A,2,3,4A,5-31	923220	FLIP-BACK HEIGHT ADJUSTABLE DESK ARM RETRO	PAIR - DESK LENGTH
1B,2,3,4B,5-31	923221	FLIP-BACK HEIGHT ADJUSTABLE FULL ARM RETRO	PAIR - FULL LENGTH
26, 27, 30	880009	RETRO KIT BR FLIP-BACK HEIGHT ADJUSTABLE ARM	
23-26,28-31	880109	FLIP-BACK HEIGHT ADJUSTABLE RR REC ASSM W/PST	



NOTE: THIS PANEL IS MOUNTED ON INSIDE OF TUBE AS SHOWN.

Pos.	Item Number	Description	Remarks
1	561024	ARMREST PAD 10" DESK	
3	226030-QU	10-32 x 1 1/4 BH C/S BLK	
4	221124-QU	1/4-28 x 1 1/4 G8 HEX C/S	
5	321141	.650L x 6 COIL SPRING	
6	106944	1/4 AN WASHER FLAT THIN	
7	561080	ARM RECEIVER BRACKET	
8	107015	1/4-28 x 1 3/4 G8 HEX C/S	
9	561067	ARM LATCH LEVER	
11	561075	ARM DOME PLUG BZ	
12	106971	1/4-28 x 1 3/8 HEX C/S	
13	106943	1/4 AN WASHER FLAT	
14	550256	CLAMP ADJ FL STANDARD	

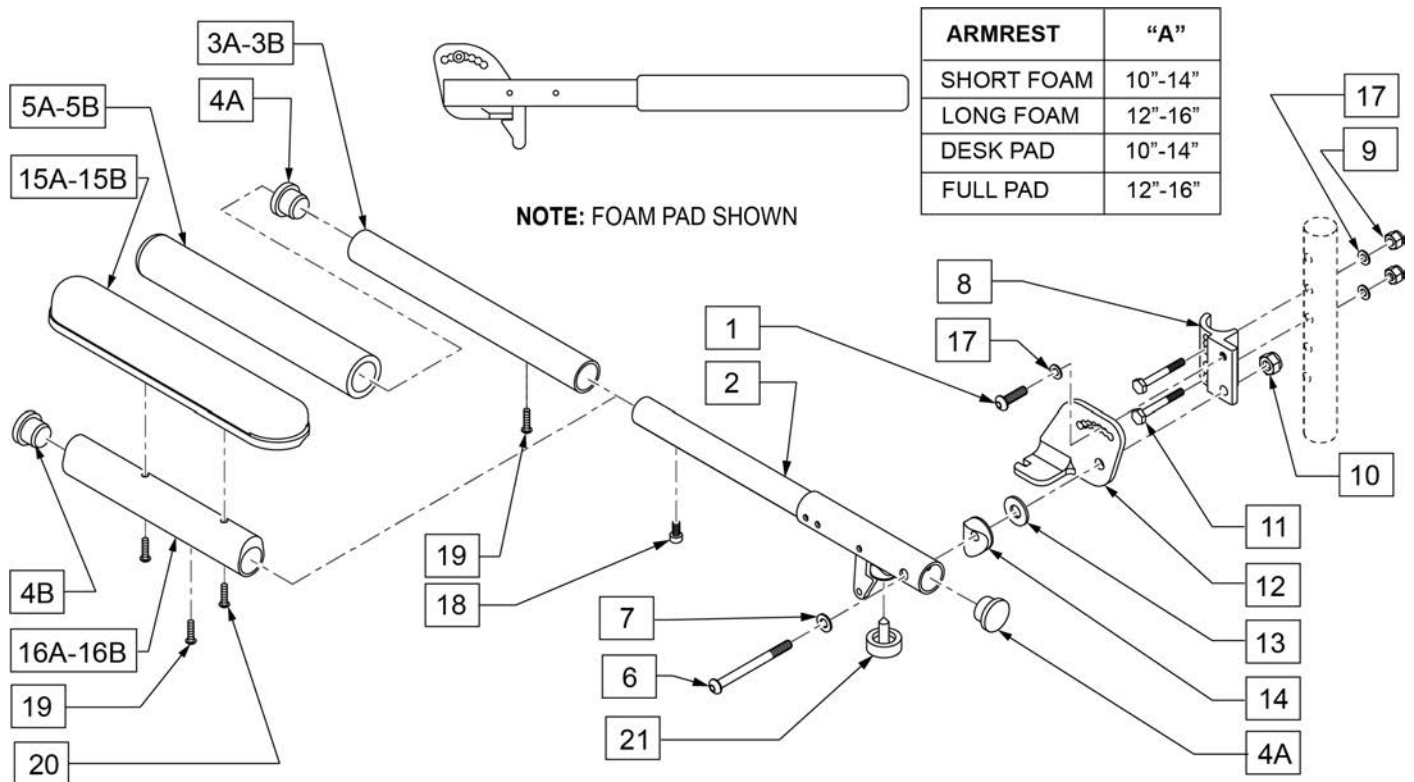
Pos.	Item Number	Description	Remarks
15	550102	FRONT ARM RECEIVER	RIGHT
15	550103	FRONT ARM RECEIVER	LEFT
17	106934	1/4-28 NYLOCK NUT	
18	505352	FLIP-BACK ARM PIVOT BRACKET	
19	106973	1/4-28 x 2 G8 HEX C/S	
12-15	880106	FLIP-BACK FRONT RECEIVER W/CLAMP	RIGHT
12-15	880107	FLIP-BACK FRONT RECEIVER W/CLAMP	LEFT
7,17-19	880108	FLIP-BACK ARM REAR RECEIVER W/ BRACKET	
1-11,16-19	880256	FLIP-BACK ARM ASSM DESK Q2	RIGHT
1-11,16-19	880257	FLIP-BACK ARM ASSM DESK Q2	LEFT
1-19	880258	FLIP-BACK ARM ASSM DESK W/RECEIVER Q2	RIGHT
1-19	880259	FLIP-BACK ARM ASSM DESK W/RECEIVER Q2	LEFT
1-19	900695	FLIP-BACK ARM ASSM DESK W/RECEIVER Q2	PAIR



Pos.	Item Number	Description	Remarks
1	106943	1/4 AN WASHER FLAT	
2	107025	1/4-28 x 1/2 BH C/S	
4	561002	1" INSERT PLUG .083	
5	560640	9 x .93 x .155 FOAM GRIP	
6	106983	5/16-18 x 2 BH C/S SHT THREAD	
7	106947	5/16 WASHER FLAT THIN	
8	550168	ADJ LOCK FLIP-UP ARM MNT R	
8	550169	ADJ LOCK FLIP-UP ARM MNT L	
9	106935	1/4-28 NYLOCK NUT THIN	
10	202117	5/16-18 NYLOCK NUT THICK BLK	
11	106972	1/4-28 x 1 1/2 G8 HEX C/S	
12	550474	ADJ FLIP-BACK ARM BRACKET R	
12	550475	ADJ FLIP BACK ARM BRACKET L	
13	561016	1" WASHER 5/16" HOLE	
14	561006	1" SADDLE 5/16" HOLE	
15	560252	1" COVED STEM BUMPER	
3-5	880274	ADJ FLIP-BACK TUBE W/LATCH	
1,2,6,8-10	881272	ADJ LOCK F-UP ARMREST RETRO R	USE FOR ARMREST PRIOR TO 7/22/96
1,2,6,8-10	881273	ADJ LOCK F-UP ARMREST RETRO L	USE FOR ARMREST PRIOR TO 7/22/96
1-15	880272	ADJ FLIP BACK ARMREST R	
1-15	880273	ADJ FLIP BACK ARMREST L	
1-15	900449	ADJ LOCK FLIP-UP ARMREST ASSM	PAIR

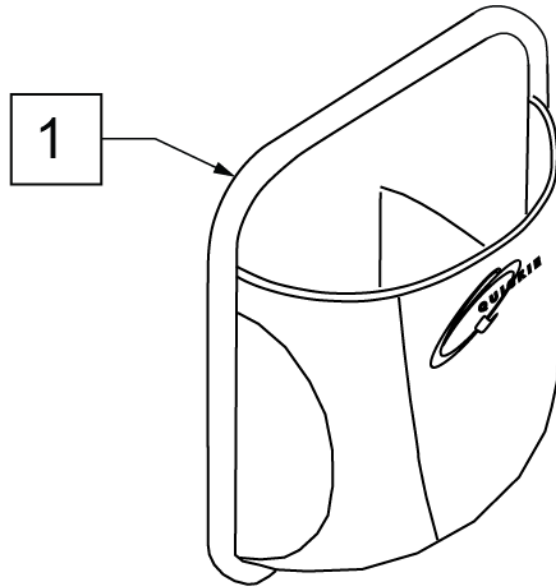
LENGTH ADJUSTABLE LOCKING FLIP-UP ARMREST (USE ON DAB FRAMES ONLY) (08/23/2019)

NOTE: FOR ARMRESTS PRIOR TO 7/22/96 USE RETRO FIT KIT TO REPLACE ADJUSTABLE FLIP-UP ARM CLAMP.

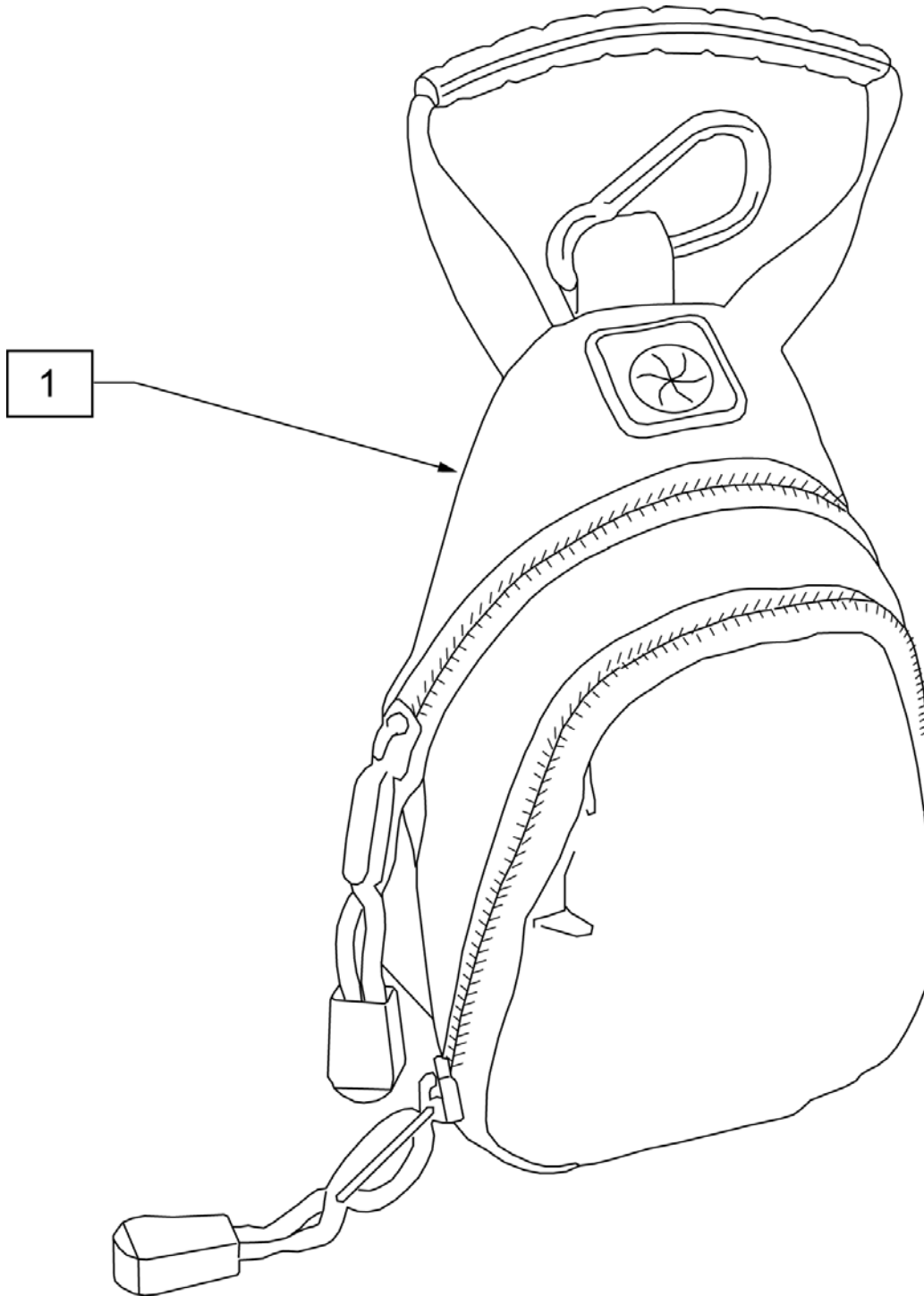


Pos.	Item Number	Description	Remarks
1	107025	BHCS 1/4-28 x 1/2 ROHS	
4A	561002	1" INSERT PLUG .083	
4B	561062	1" INSERT PLUG .065	
5A	560299	7 x .940 x .20 FOAM GRIP	SHORT PAD
5B	560640	9" X .93" X .155" FOAM GRIP	LONG PAD
6	106983	BHCS 5/16-18 x 2 SHLDR ROHS	
7	106947	WASHER FLAT THIN AN 5/16 ROHS	
8	550168	ADJUSTABLE LOCK FLIP-UP ARM MOUNT	RIGHT
8	550169	ADJUSTABLE LOCK FLIP-UP ARM MOUNT	LEFT
9	106935	NYLOCK NUT THIN 1/4 -28 ROHS	
10	202117	5/16-18 NYLOCK NUT THICK BLK	
11	106972	HHCS 1/4-28 x 1 1/2 ROHS	
12	550474	ADJUSTABLE FLIP-BACK ARM BRACKET	RIGHT
12	550475	ADJUSTABLE FLIP-BACK ARM BRACKET	LEFT
13	561016	1" WASHER 5/16" HOLE	
14	561006	1" SADDLE 5/16" HOLE	
15A	561024	ARMREST PAD 10" DESK	
15B	561031	ARMREST PAD 14" FULL	
17	106943	WASHER FLAT AN 1/4 ROHS	
18	107036	SHCS 8 -32 x 3/8 ROHS	
19	225110	10-32 X 1/2" SET SCREW	
20	107022	BHCS 10-32 X 5/8 ROHS	
21	560252	1" COVED STEM BUMPER	

Pos.	Item Number	Description	Remarks
3B, 4A, 5B, 19	882074	FOAM PAD LONG ADJUSTABLE LENGTH	LONG PAD ASSM ONLY
3A, 4A, 5A, 19	882075	FOAM PAD LONG ADJUSTABLE LENGTH	SHORT PAD ASSM ONLY
4B,15B,16B,19,20	882070	FULL PAD ADJUSTABLE LENGTH ASSM	RIGHT FULL PAD ASSM ONLY
4B,15B,16B,19,20	882071	FULL PAD ADJUSTABLE LENGTH ASSM	LEFT FULL PAD ASSM ONLY
4B,15A,16A,19,20	882072	DESK PAD ADJUSTABLE LENGTH ASSM	RIGHT DESK PAD ASSM ONLY
4B,15A,16A,19,20	882073	DESK PAD ADJUSTABLE LENGTH ASSM	LEFT DESK PAD ASSM ONLY
1,2,6-14,17,21	882088	ADJ LENGTH LOCKING FLIP-UP ASSM R	RIGHT ARM ASSM W/O PAD
1,2,6-14,17,21	882089	ADJ LENGTH LOCKING FLIP-UP ASSM R	LEFT ARM ASSM W/O PAD
1,2,3B,4A,5B,6-14,17,19 -21	900454	ADJ LENGTH LOCKING FLIP-UP FOAM LONG	PAIR - LONG FOAM ARM ASSM
1,2,3B,4A,5B,6-14,17,19 -21	881294	ADJ LENGTH LOCKING FLIP-UP FOAM LONG	RIGHT - LONG FOAM ARM ASSM
1,2,3B,4A,5B,6-14,17,19 -21	881295	ADJ LENGTH LOCKING FLIP-UP FOAM LONG	LEFT - LONG FOAM ARM ASSM
1,2,3A,4A,5A,6-14,17,19 -21	900455	ADJ LENGTH LOCKING FLIP-UP FOAM SHORT	PAIR - SHORT FOAM ARM ASSM
1,2,3A,4A,5A,6-14,17,19 -21	881296	ADJ LENGTH LOCKING FLIP-UP FOAM SHORT	RIGHT - SHORT FOAM ARM ASSM
1,2,3A,4A,5A,6-14,17,19 -21	881297	ADJ LENGTH LOCKING FLIP-UP FOAM SHORT	LEFT - SHORT FOAM ARM ASSM
1,2,4B,6-14,15B,16B,17-21	900452	ADJ LENGTH LOCKING FLIP-UP ASSM FULL	PAIR - FULL PAD ARM ASSM
1,2,4B,6-14,15B,16B,17-21	881290	ADJ LENGTH LOCKING FLIP-UP FULL PAD	RIGHT - FULL PAD ARM ASSM
1,2,4B,6-14,15B,16B,17-21	881291	ADJ LENGTH LOCKING FLIP-UP FULL PAD	LEFT - FULL PAD ARM ASSM
1,2,4B,6-14,15A,16A,17-21	900453	ADJ LENGTH LOCKING FLIP-UP ASSM DESK	PAIR - DESK PAD ARM ASSM
1,2,4B,6-14,15A,16A,17-21	881292	ADJ LENGTH LOCKING FLIP-UP DESK PAD	RIGHT - DESK PAD ARM ASSM
1,2,4B,6-14,15A,16A,17-21	881293	ADJ LENGTH LOCKING FLIP-UP DESK PAD	LEFT - DESK PAD ARM ASSM

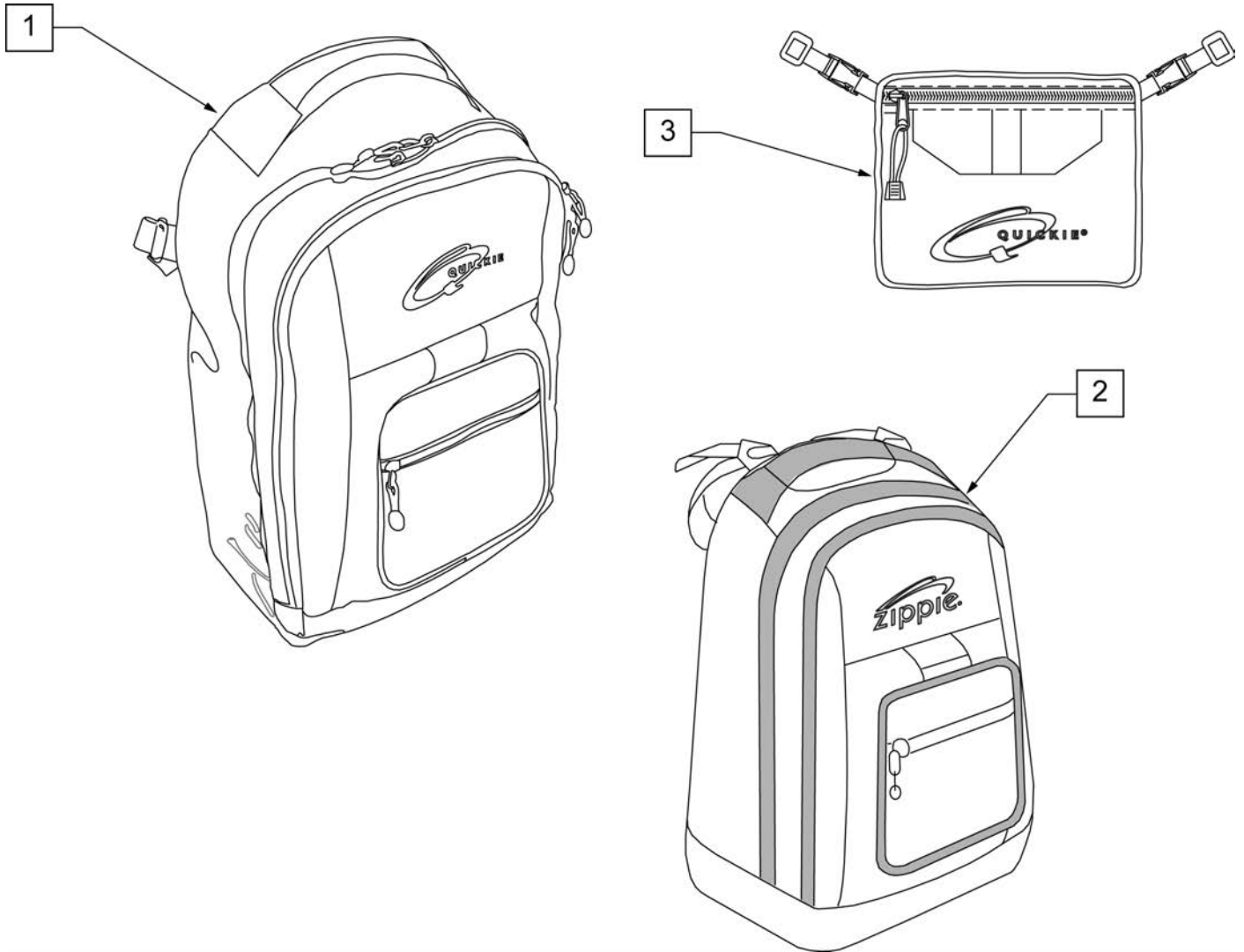


Pos.	Item Number	Description	Remarks
1	013475	QUICKIE SIDE POCKET	Size: 6.5"x 6.5"x 2"

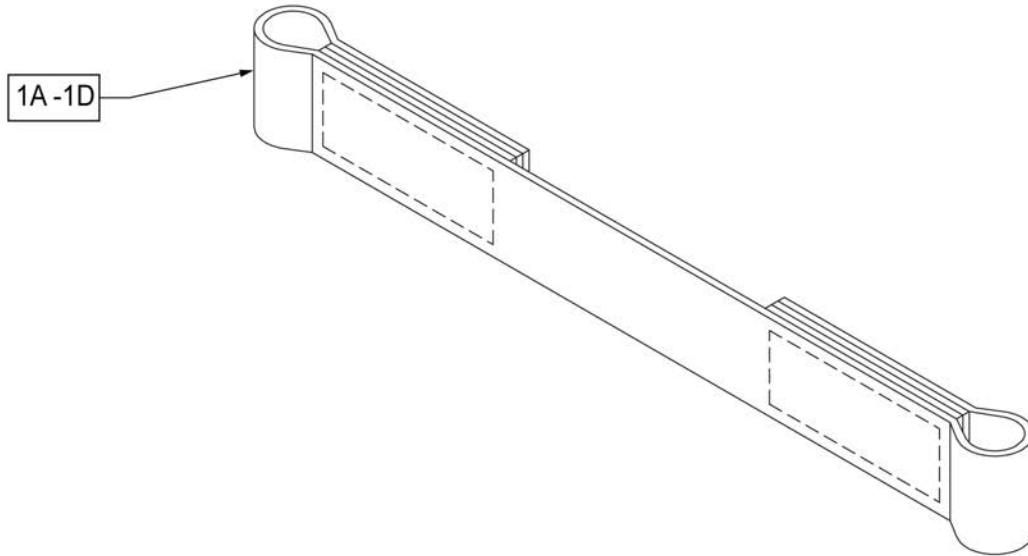


Pos.	Item Number	Description
1	109229	CELL PHONE PACK (ORANGE)

NOTE: KIDS BACKPACKS DO NOT HAVE ADJUSTABLE STRAPS W/ BUCKLES.

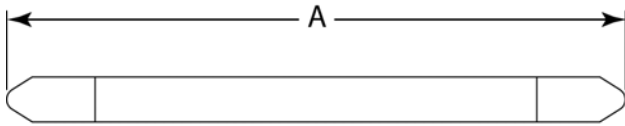


Pos.	Item Number	Description	Remarks
1	750115	BACK PACK QUICKIE	Overall dimensions:width 12.5", height 18.5", depth 6.5"
2	104572	BACKPACK ZIPPIE	Overall dimensions: width 12", height 16.5", depth 4.5"
3	750307	SEAT POUCH QUICKIE	Dimensions: width 8.5", height 6", depth top 2.5", depth bottom 3.5"

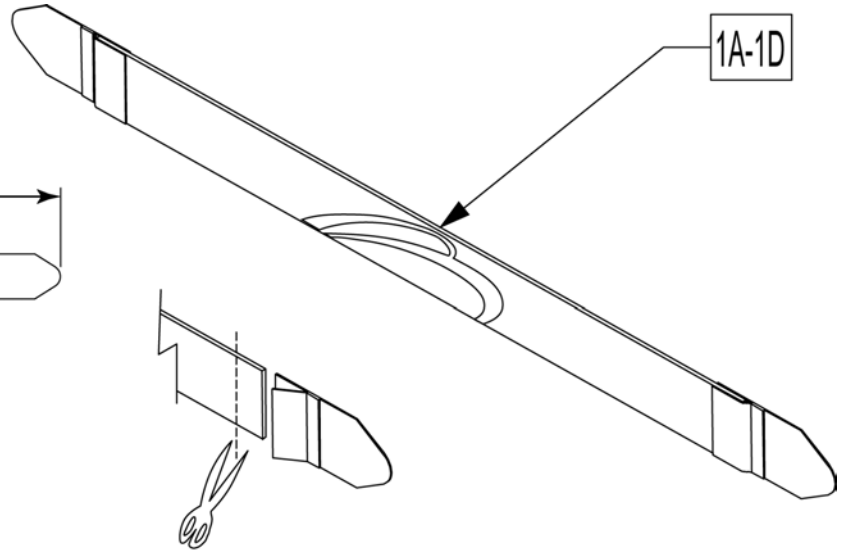


Pos.	Item Number	Description
1A	109356	LEG STRAP SOFT FEEL Q 11 -12"
1B	109357	LEG STRAP SOFT FEEL Q 13 -15"
1C	109366	LEG STRAP SOFT FEEL Q 16 -18"
1D	111487	LEG STRAP SOFT FEEL Q 19 -20"

MEASURING GUIDE



DESCRIPTION	DIM "A"
LEG STRAP 11"-12" BLK	27 1/2
LEG STRAP 13"-15" BLK	32 1/2
LEG STRAP 16"-18" BLK	39 1/2
LEG STRAP 19"-20" BLK	45 1/2

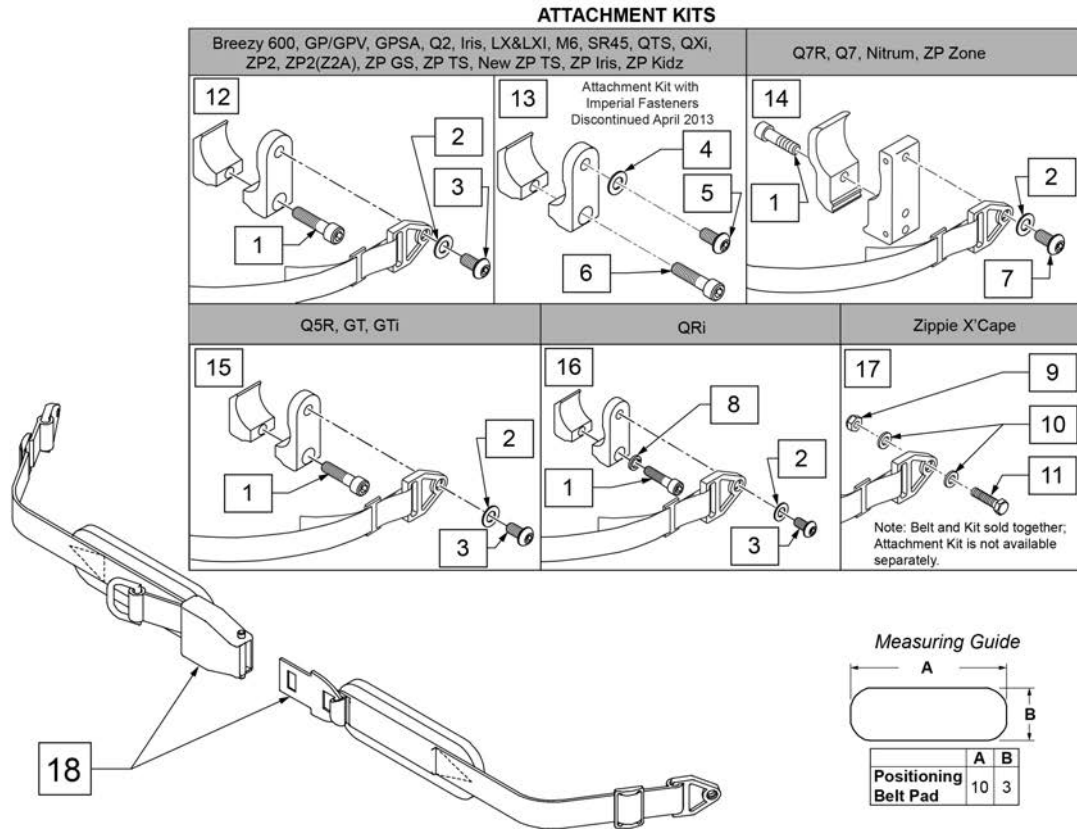


Leg Straps may be custom cut to a smaller size

Pos.	Item Number	Description
1A	113255	LEG STRAP 11"-12" BLK
1B	113256	LEG STRAP 13"-15" BLK
1C	113257	LEG STRAP 16"-18" BLK
1D	113258	LEG STRAP 19"-20" BLK

Note: some items listed may not be available with every chair model or in conjunction with another chair feature.

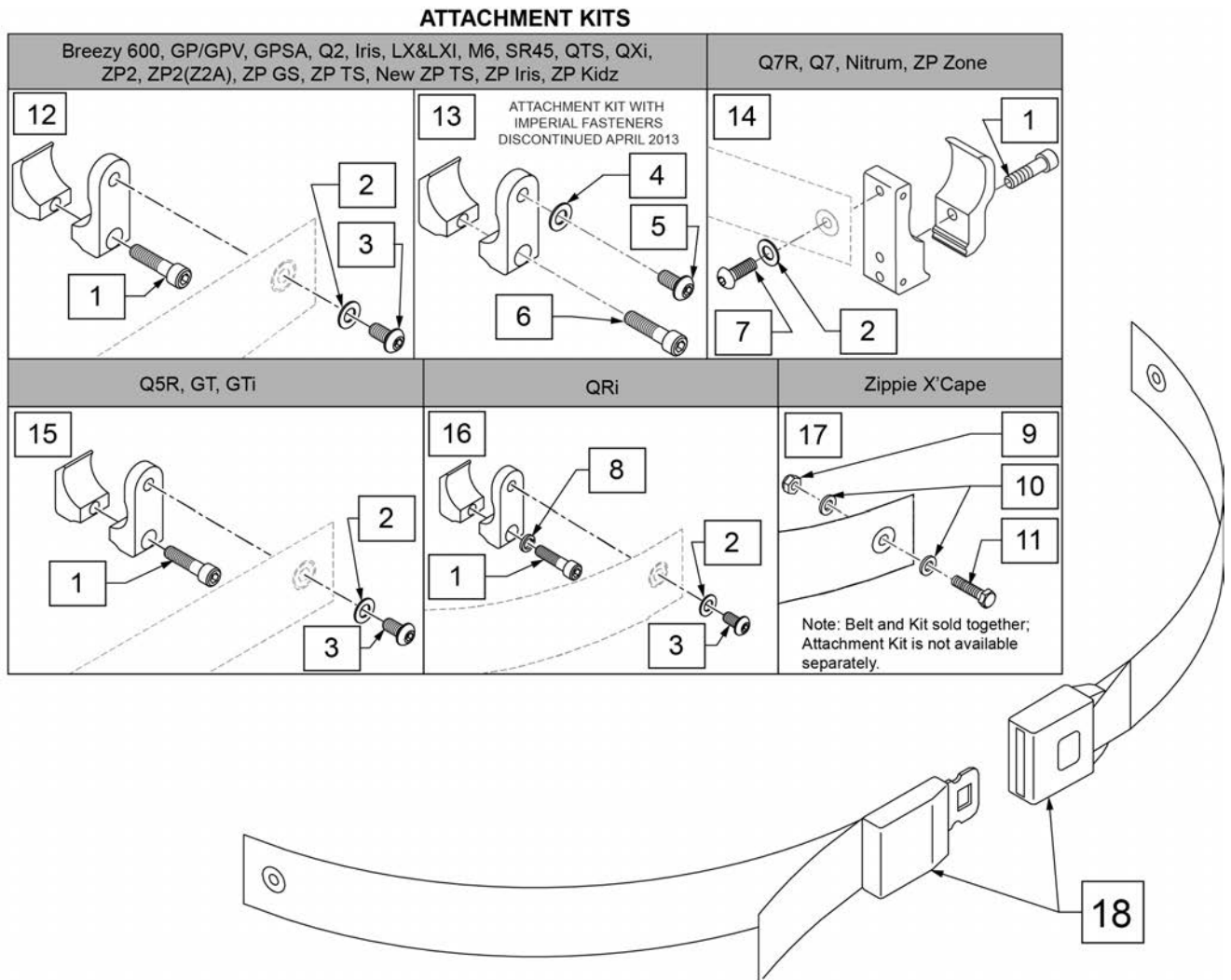
NOTE: when mounting Positioning Belts to the 5R, GT or GTi, it is recommended to attach the belt by using the Backrest Support Bracket Hardware.



Pos.	Item Number	Description	Remarks
1	102263-003	SHCS M6 X 1 X 25 W/PL INORG	Metric
2	250104	WASHER FLAT M6	Metric
3	103185-005	BHCS M6 X 1 X 12 FULL PL	Metric
4	106943	WASHER FLAT AN 1/4 ROHS	Imperial (standard)
5	226154	1/4-20 X 1/2 BH C/S W/PATCH	Imperial (standard)
6	221116	1/4-20 X 1 SOC HD BLK	Imperial (standard)
7	230113	BHCS M6 X 1 X 12	
8	050129-001	LOCKWASHER HIGH COLLAR M6	
9	104381	NUT HEX NYLOCK M6 X 1.0	
10	107383	WASHER FLAT M6	
11	102268-002	HHCS M6 X 1 X 35 BLK	
12	120750	PSTN BELT CLAMP ASSM PR	Metric; Pair
13	900116	POSITION BELT ATTACHMENT KIT	Set of 2; Imperial (standard)

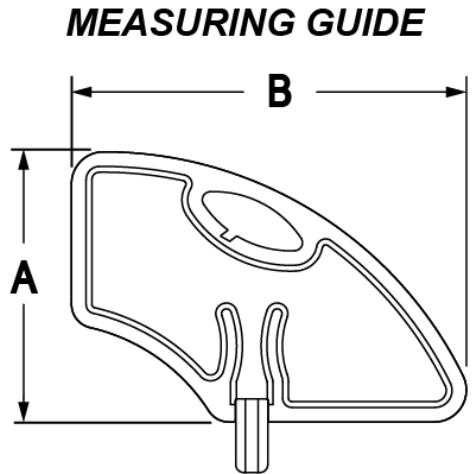
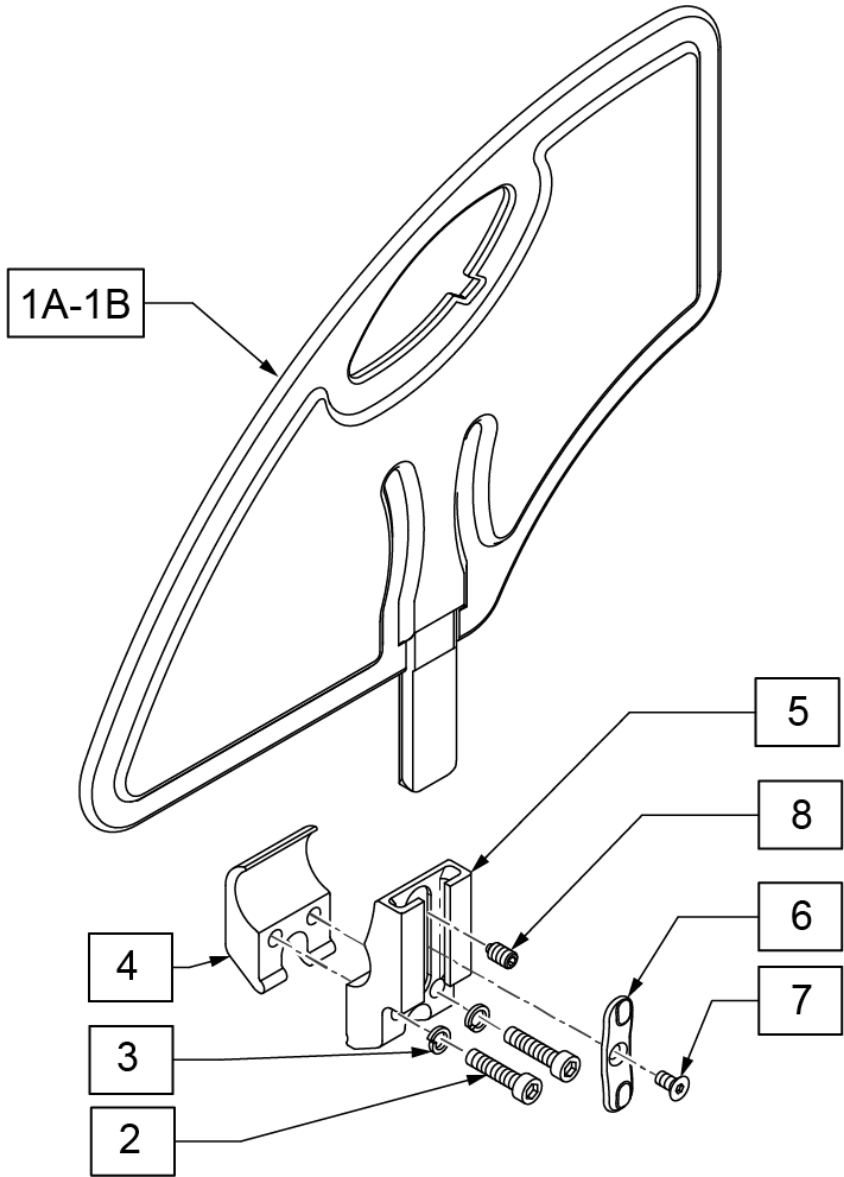
Pos.	Item Number	Description	Remarks
14	116268	OVAL CLAMP ASSM KIT	Kit contains 1 Clamp
15	159122	POSITIONING BELT CLAMPS PR	Pair
16	123534	POS BELT CLAMP KIT RPO	Set of 2
18	450418-QU	BELT 2" AIRCRAFT BUCKLE	Max length of belt 64"
18	450423-QU	BELT 2" AIRCRAFT BUCKLE W/PAD	Max length of belt 64"
18	450424	BELT 2" AIRCRAFT BKL LONG W/PAD	Max length of belt 72"
18	450425	BELT 2" AIRCRAFT BKL LONG	Max length of belt 72"
18	450419-QU	BELT 2" AIRCRAFT BKL W/QUAD LP	Max length of belt 64"
18	468419	BELT 2" AIRCRAFT BKL W/QD LPCZ	Max length of belt 64"
17,18	136464	AIRCRAFT HIP BELT 2" KIT	ZP Xcape: includes Belt & Attachment Kit
17,18	136465	AIRCRAFT HIP BELT 2" PAD KIT	ZP Xcape: includes Belt & Attachment Kit

NOTE: when mounting Positioning Belts to the 5R, GT or GTI, it is recommended to attach the belt by using the Backrest Support Bracket Hardware.



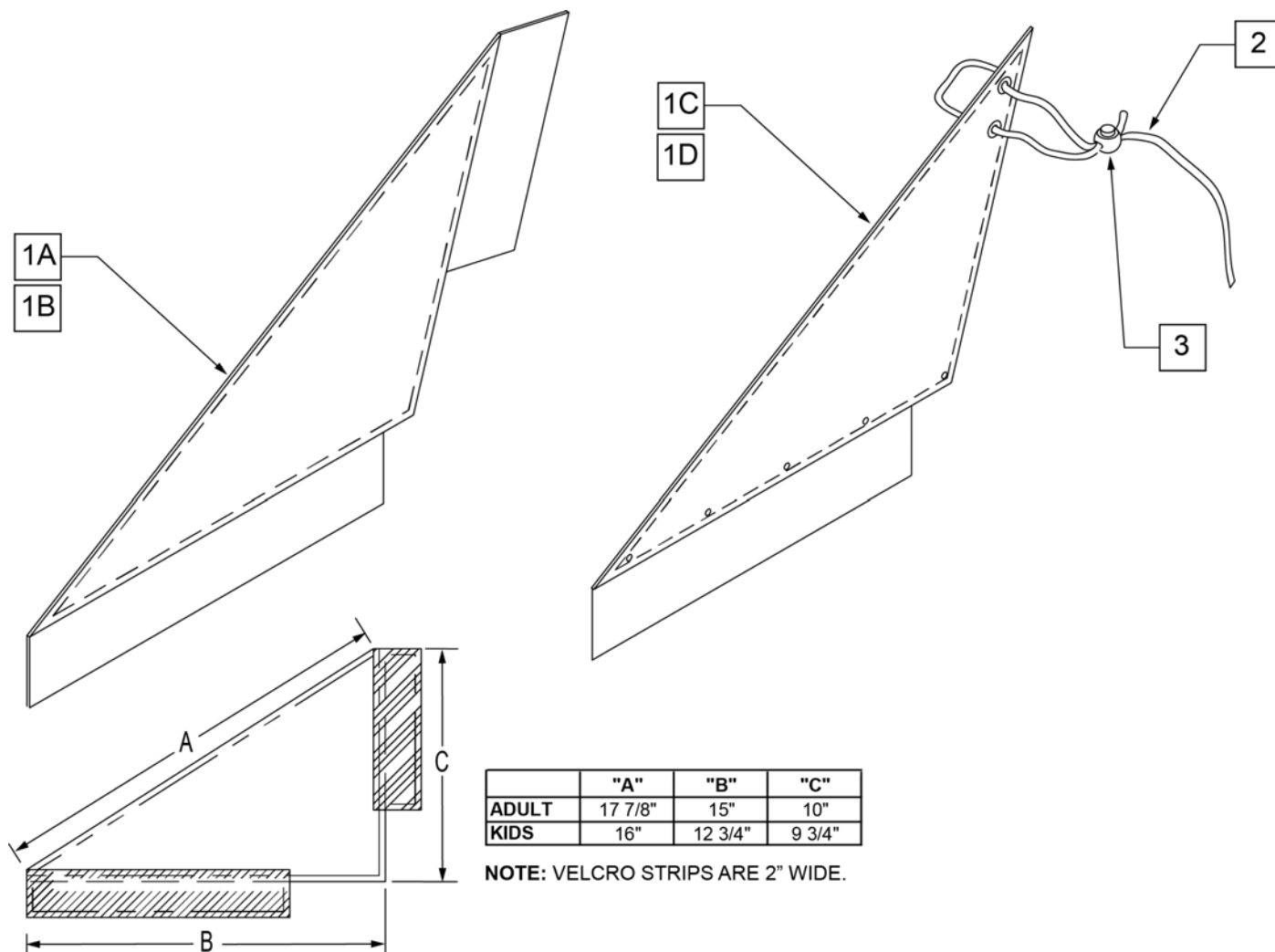
Pos.	Item Number	Description	Remarks
1	102263-003	SHCS M6 X 1 X 25 W/PL INORG	Metric
2	250104	WASHER FLAT M6	Metric
3	103185-005	BHCS M6 X 1 X 12 FULL PL	Metric
4	106943	WASHER FLAT AN 1/4 ROHS	Imperial (standard)
5	226154	1/4-20 X 1/2 BH C/S W/PATCH	Imperial (standard)
6	221116	1/4-20 X 1 SOC HD BLK	Imperial (standard)
7	230113	BHCS M6 X 1 X 12	
8	050129-001	LOCKWASHER HIGH COLLAR M6	
9	104381	NUT HEX NYLOCK M6 X 1.0	
10	107383	WASHER FLAT M6	
11	102268-002	HHCS M6 X 1 X 35 BLK	
12	120750	PSTN BELT CLAMP ASSM PR	Metric; Pair
13	900116	POSITION BELT ATTACHMENT KIT	Set of 2; Imperial (standard)
14	116268	OVAL CLAMP ASSM KIT	Kit contains 1 Clamp

Pos.	Item Number	Description	Remarks
15	159122	POSITIONING BELT CLAMPS PR	
16	123534	POS BELT CLAMP KIT RPO	Set of 2
18	750276	1 1/2" POSITION BELT	AUTOSTYLE-64" Max length of belt.
16,18	124269	AUTO POS BELT W/CLAMPS RPO	QRI: includes Belt & Attachment Kit
17,18	136463	AUTO HIP BELT 1.5" KIT	ZP Xcape: includes Belt & Attachment Kit



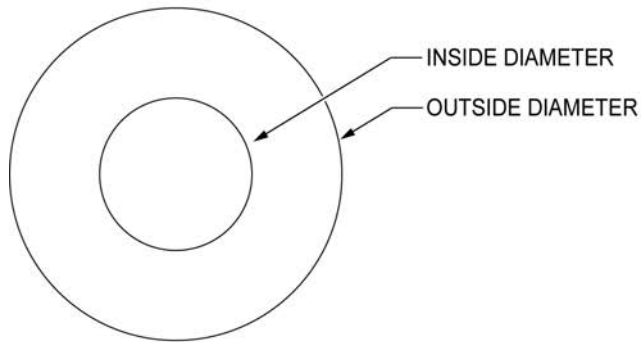
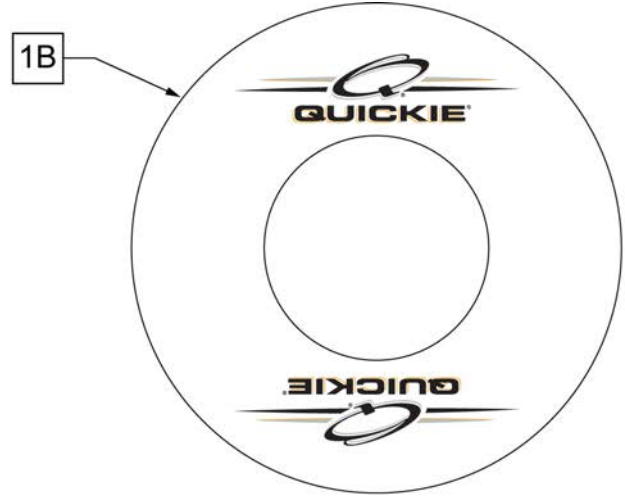
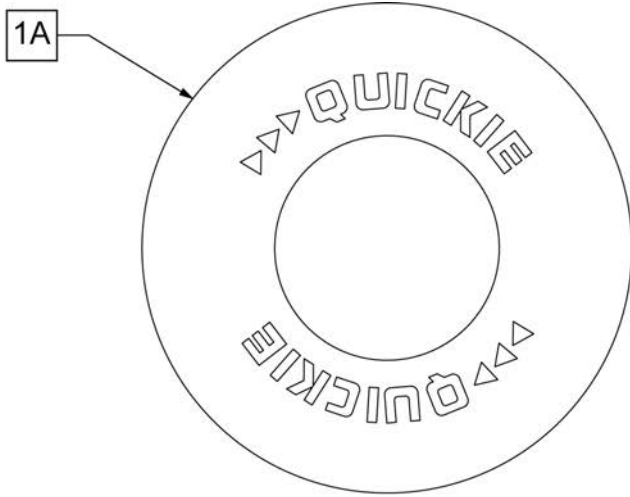
	SMALL	STD
A	6.4"	8.4"
B	11"	12.3"

Pos.	Item Number	Description
1A	104164-001	SIDE GUARD ASSY STD
1B	104164-002	SIDE GUARD ASSY SMALL
2	106961	BHCS 1/4-28 X 1-1/4 ROHS
3	107367	WASHER LOCK HI COLLAR 1/4 ROHS
4	106714	REC SIDE GUARD CLAMP THREADED
6	108780	RECEIVER SG PLASTIC INSERT
7	107135	FHCS #6-32 X 1/4 BLK
8	107136	SETSCREW 1/4-28 X 5/16 OVAL PT
5-8	108781	RECEIVER SIDE GUARD ASSY
2-8	107592	REC SIDE GUARD ASSM W/CLAMP
1A,2-8	107590	SIDE GUARD ASSY W/ CLAMP STD
1B,2-8	107591	SIDE GUARD ASSY W/ CLAMP SMALL



Pos.	Item Number	Description	Remarks
1A	750400	SIDE GUARD REG Q1 R	RIGHT-ADULT-Used w/ Straight Back
1A	750401	SIDE GUARD REG Q1 L	LEFT-ADULT-Used w/ Straight Back
1A	901102	SIDE GUARDS REG NF	PAIR-ADULT-Used w/ Straight Back
1B	901100	SIDE GUARDS KIDS NF	PAIR-KIDS-Used w/ Straight Back
1C	750240	SIDE GUARD FABRIC SHORT Q2 R	RIGHT-KIDS-Used w/ Integral Push Handle
1C	750241	SIDE GUARD FABRIC SHORT Q2 L	LEFT-KIDS-Used w/ Integral Push Handle
1D	750434	SIDE GUARD REG W/VELCRO R	RIGHT-ADULT-Used w/ Integral Push Handle
1D	750435	SIDE GUARD REG W/VELCRO L	LEFT-ADULT-Used w/ Integral Push Handle
2	750050	SIDE GUARD LACE Q2	
3	560220	B-LOCK	
1C,2,3	901121	SIDE GUARDS KIDS FABRIC Q2 NEW	PAIR-KIDS-Used w/ Integral Push Handle
1D,2,3	901109	SIDE GUARDS REG EX/RV	PAIR-ADULT-Used w/ Integral Push Handle

Note: Not available with 5 Spoke Mag or Xtender wheels. Not available with Projection style handrims.



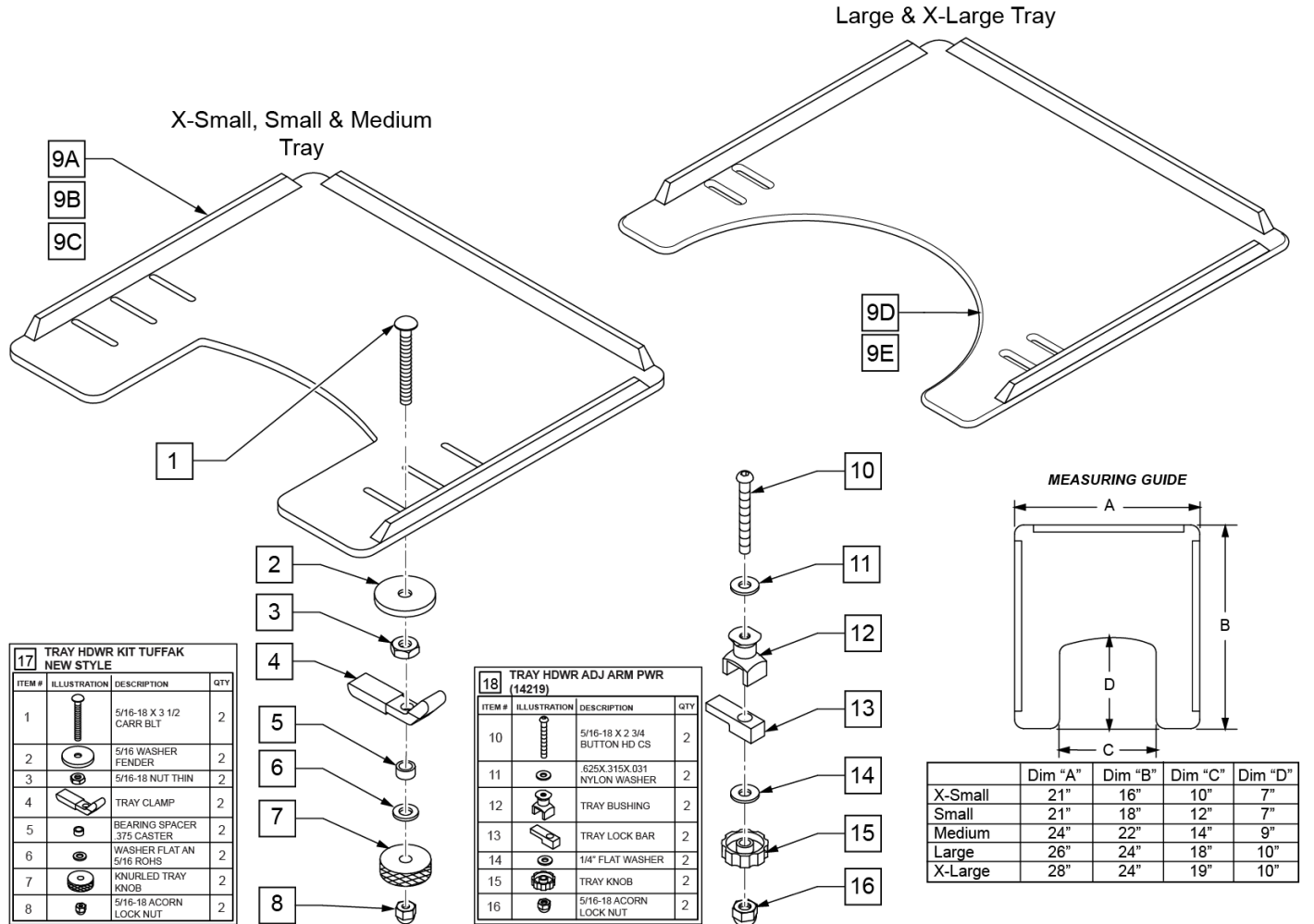
SPOKE GUARD MEASURING GUIDE

PART NUMBER	INSIDE DIAMETER	OUTSIDE DIAMETER
902001	8 1/4	15 7/8
902011	8 1/4	18 1/8
902021	10 1/4	19 5/8
902025	10 1/4	20 3/8
902037	10 1/4	21 7/8
902038	10 1/4	23 3/8
103660-001	8 1/4	16
103660-002	8 1/4	18
103663-001	10 1/4	20 1/2
103663-002	10 1/4	23 1/2
103734-001	10 1/4	19 1/4
103734-002	10 1/4	22
119336	10 1/4	19 1/4

Pos.	Item Number	Description	Remarks
>>>>		BLACK SPOKE GUARDS	
1A	902001	SPK GRDS 20" QUICKIE BLK	PR-Black-fits 20" Whls
1A	902011	SPK GRDS 22" QUICKIE BLK	PR-Black-fits 22" Whls, 24" (540) Whls w/ Proj HR, 24" Mountain Spoke Whls, M6 24" (540) Spoke Whls
1A	902021	SPK GRD 24" QUICKIE SCR MT BLK	PR-Black-fits 24" (540) Mag & Spoke Whls
1A	902025	SPK GRD 24" QUICKIE TAB MT BLK	PR-Black-fits 25" (559) Spk Whls & 26" Mountain Spoke Whls
1A	902037	SPK GRD 26" QUICKIE TAB MT BLK	PR-Black-fits 26" (590) Whls
1A	902038	SPK GRD 26" QUICKIE HT BLK	PR-Black-fits 27" (700) Whls
>>>>		CLEAR SPOKE GUARDS	
1B	103660-001	CLEAR SPOKE GUARD 20"	PR-Clear-fits 20" Whls
1B	103660-002	CLEAR SPOKE GUARD 22"	PR-Clear-fits 22" Whls, 24" (540) Whls w/ Proj HR, 24" Mountain Spoke Whls, M6 24" (540) Spoke Whls
QUICKIE 2 NEW (Chairs w S/N Prefix Q2V & Q2H) PAGE 393			
1B	103734-001	SPOKE GUARD 24" CLR	PR-Clear-fits 24" (540) Spoke Whls

Note: when adding a Tray to an existing chair with Desk or Full Length Arm Pads, add 1" to current seat width to achieve the best tray size.

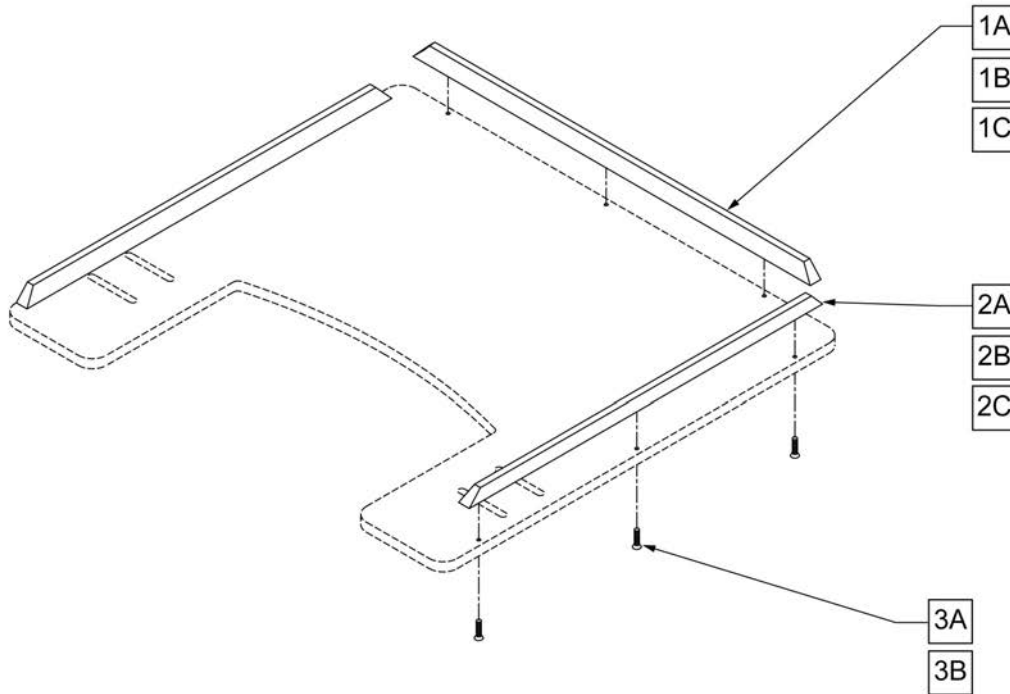
Note: Large and X-Large Trays have a round cut-out.



Pos.	Item Number	Description	Remarks
1	226199	5/16-18 x 3 1/2 CARR BOLT	
2	263112	5/16 WASHER FENDER	
3	202110	5/16-18 NUT THIN	
4	550400	TRAY CLAMP	
5	481113	SPACER 5/16 X .380	
6	263100	5/16 AN WASHER FLAT	
7	483026	KNURLED TRAY KNOB	
8	202114	5/16-18 ACORN LOCK NUT	
9A	562619	TRAY TOP EX-SM W/RAIL	
9B	562620	TRAY TOP SM W/RAIL	
9C	562621	TRAY TOP MED W/RAIL	
9D	562622	TRAY TOP LRG W/RAIL	

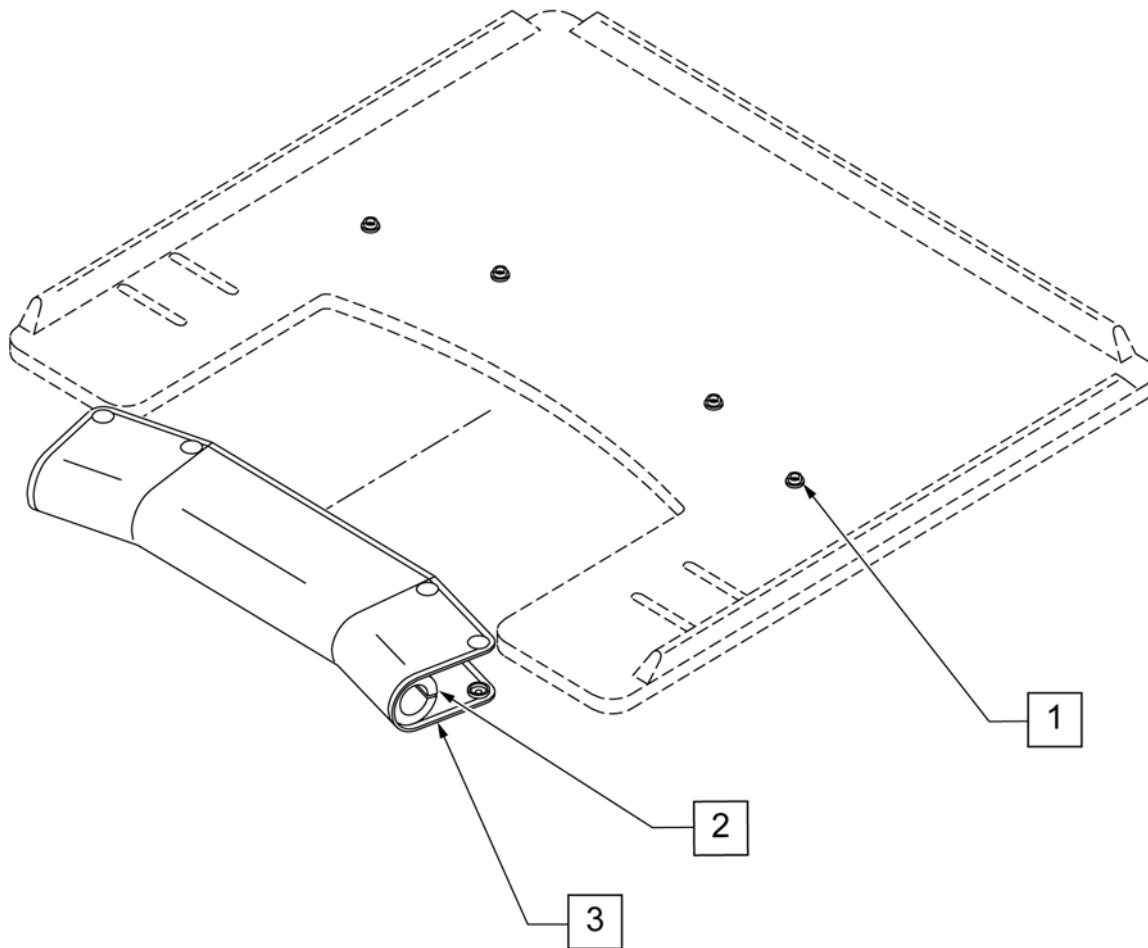
Pos.	Item Number	Description	Remarks
9E	562623	TRAY TOP X-LRG W/RAIL	
17	881051	TRAY HARDWARE KIT TUFFAK NEW STYLE	Pair
18	881053	TRAY HARDWARE ADJ ARM PWR (14219)	Pair
1-8,9A	902306	TRAY ASSEMBLY EX-SM TUFFAK (10 -12")	Fits 10"-12" wide chairs
1-8,9B	902303	TRAY ASSEMBLY SM TUFFAK (13 -14")	Fits 13"-14" wide chairs
1-8,9C	902304	TRAY ASSEMBLY MED TUFFAK (15 -17")	Fits 15"-17" wide chairs
1-8,9D	902305	TRAY ASSEMBLY LRG TUFFAK (18 -20")	Fits 18"-20" wide chairs
1-8,9E	902309	TRAY ASSEMBLY X-LRG TUFFAK (21 -22")	Fits 21"-22" wide chairs
9A,10-16	902330	TRAY ASSM X-SM TFK 10-12/CAM	Fits 10"-12" wide chairs
9B,10-16	902331	TRAY ASSM SM TUFFAK 13-14/CAM	Fits 13"-14" wide chairs
9C,10-16	902332	TRAY ASSM MED TUFFAK 15-17/CAM	Fits 15"-17" wide chairs
9D,10-16	902333	TRAY ASSM LRG TUFFAK 18-20/CAM	Fits 18"-20" wide chairs

NOTE: ONE 19" RIB AND TWO 15 1/2" RIBS FIT THE EXTRA-SMALL, SMALL, 9-0 AND 9-1 TRAY TABLES. ONE 21" RIB AND TWO 19" RIBS FIT THE MEDIUM AND 9-2 TRAY TABLES. ONE 23 1/2" RIB AND TWO 21" RIBS FIT THE LARGE, 9-2, 9-5, AND 9-6 TRAY TABLES.

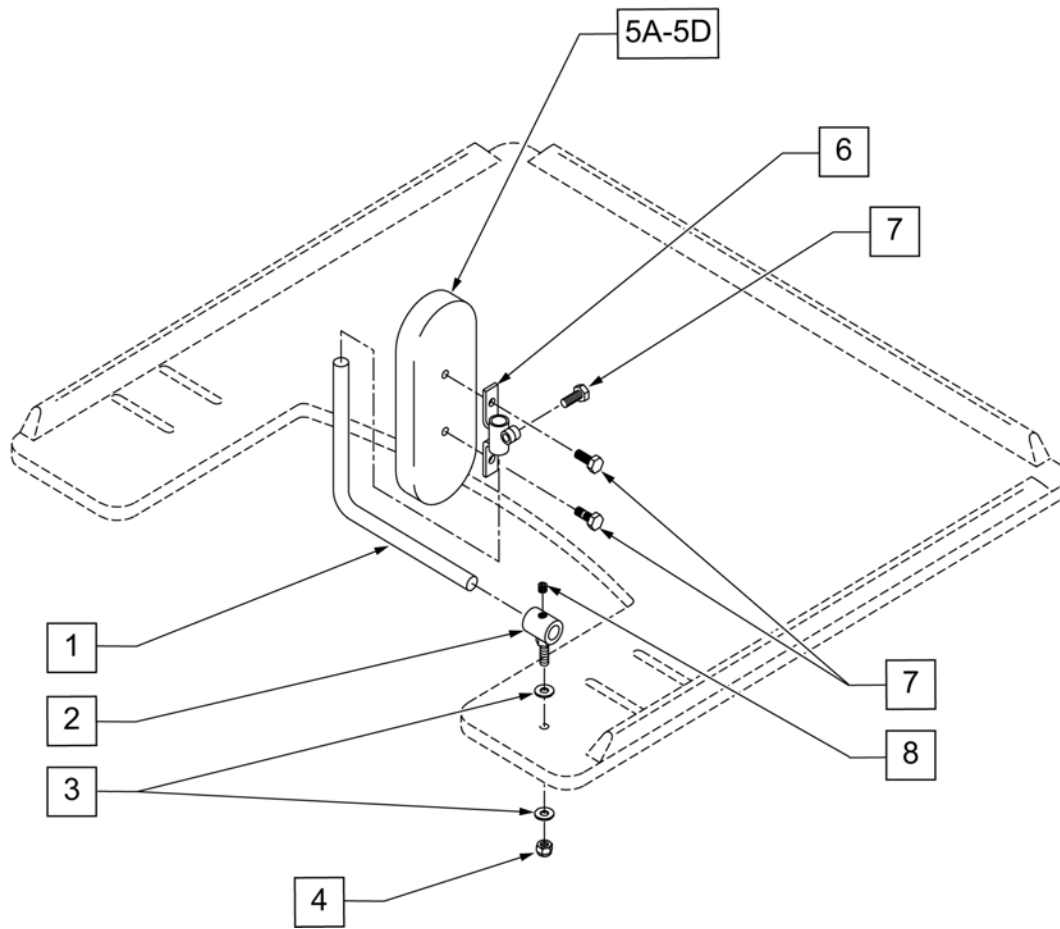


Pos.	Item Number	Description	Pos.	Item Number	Description
1A	9004	19" WOOD TRAY RIBS	2A	9004	19" WOOD TRAY RIBS
1A	9005	21" WOOD TRAY RIBS	2A	9005	21" WOOD TRAY RIBS
1A	9006-QU	23 1/2" WOOD TRAY RIBS	2B	9007-QU	15 1/2" HEAVY DUTY RIB FOR WOOD TRAY
1B	9010	19" HEAVY DUTY RIB FOR WOOD TRAY	2B	9010	19" HEAVY DUTY RIB FOR WOOD TRAY
1B	9013	21" HEAVY DUTY RIB FOR WOOD TRAY	2B	9013	21" HEAVY DUTY RIB FOR WOOD TRAY
1B	9016	23 1/2" HEAVY DUTY RIB FOR WOOD TRAY	2C	9008-QU	15 1/2" HEAVY DUTY RIB FOR 3/8" TUFFAK
1C	9011-QU	19" HEAVY DUTY RIB FOR 3/8" TUFFAK	2C	9011-QU	19" HEAVY DUTY RIB FOR 3/8" TUFFAK
1C	9014	21" HEAVY DUTY RIB FOR 3/8" TUFFAK	2C	9014	21" HEAVY DUTY RIB FOR 3/8" TUFFAK
1C	9017	23 1/2" HEAVY DUTY RIB FOR 3/8" TUFFAK	3A	2268	#6 x 5/8" OVAL PHILLIPS SCREW
2A	9003	15 1/2" WOOD TRAY RIBS	3B	230047	#6 x 3/4" FH PHIL S/M SCREW

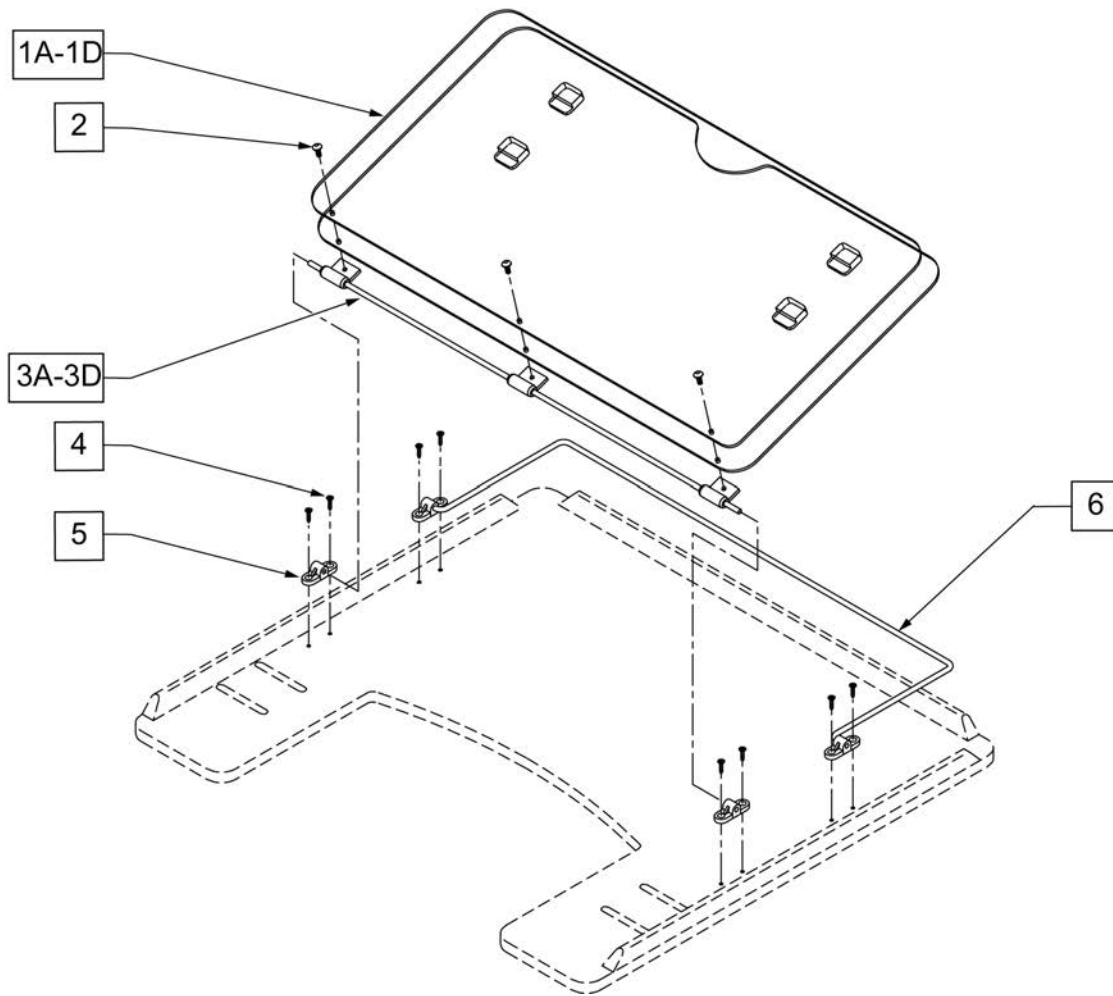
Note: Pad cannot be added to an existing tray as snaps must be installed at the factory to function correctly.



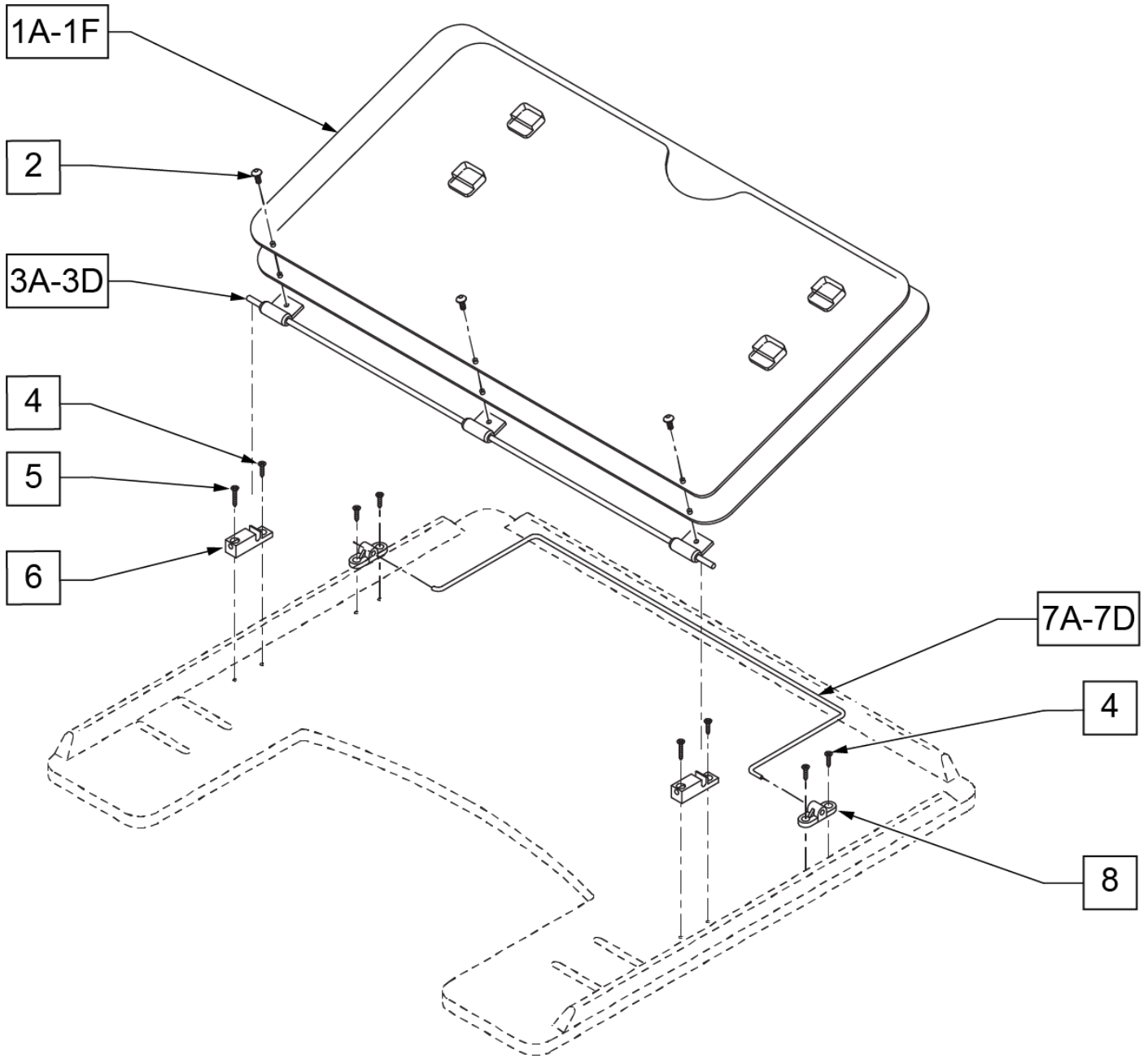
Pos.	Item Number	Description	Remarks
1-3	9PS	PADDED STOMACH CUT OUT	(SPECIFY COLOR)



Pos.	Item Number	Description	Remarks
1	450752	HEADREST ADJUSTMENT BAR	
2	450751	HEADREST PAD BUSHING	
3	2702	#10 SAE FLAT WASHER	
4	106932	1/4 -20 NYLOCK NUT HIGH	
5A	15022	4X6 RECTANGULAR PAD	
5B	15013	5 x 7 OVAL PAD	
5C	755020	4 x 5 OVAL PAD	
5D	15018	4 x 6 OVAL PAD	
6	450750	HEADREST PAD BRACKET	
7	221105-QU	1/4-20 x 3/4" HEX C/S	
8	2270	5/16-18 x 1/4" SOC SET SCREW	
1-4,5A,6-8	14980A	TRAY PROTRACTION ASSM-4X6 RECT	PAIR
1-4,5B,6-8	14980B	TRAY PROTRACTION ASSM-5X7 OVAL	PAIR
1-4,5C,6-8	14980D	TRAY PROTRACTION ASSM-4X5 OVAL	PAIR
1-4,5D,6-8	14980E	TRAY PROTRACTION ASSM-4X6 OVAL	PAIR



Pos.	Item Number	Description
1A,2	17916	9-1 STYLE 3 OVERLAY ONLY
1B,2	17917	9-2 STYLE 3 OVERLAY ONLY
1C,2	17918	9-5 STYLE 3 OVERLAY ONLY
1D,2	17939	9-6 STYLE 3 OVERLAY ONLY
2	226017	10-32 x 3/8 BH C/S BLK
3A	17922	9-1 HINGED OVERLAY PIVOT BAR
3B	17923	9-2 HINGED OVERLAY PIVOT BAR
3C	17924	9-5 HINGED OVERLAY PIVOT BAR
3D	17929	9-6 HINGED OVERLAY PIVOT BAR
4	2266	#6 x 1/2" FL DH PHL SCREW
5	4061	TRAY OVERLAY MOUNTING BRACKET
6A	17925	TRAY OVERLAY ROD
6B	17926	9-2 OVERLAY ROD
6C	17927	9-5 OVERLAY ROD
6D	17928	9-6 TRAY OVERLAY ROD
1A,2,3A,4,5,6A	17919	9-1 STYLE 3 OVERLAY ASSM
1B,2,3B,4,5,6B	17920	9-2 STYLE 3 OVERLAY ASSM
1C,2,3C,4,5,6C	17921	9-5 STYLE 3 OVERLAY ASSM
1D,2,3D,4,5,6D	17902	9-6 STYLE 3 OVERLAY ASSY

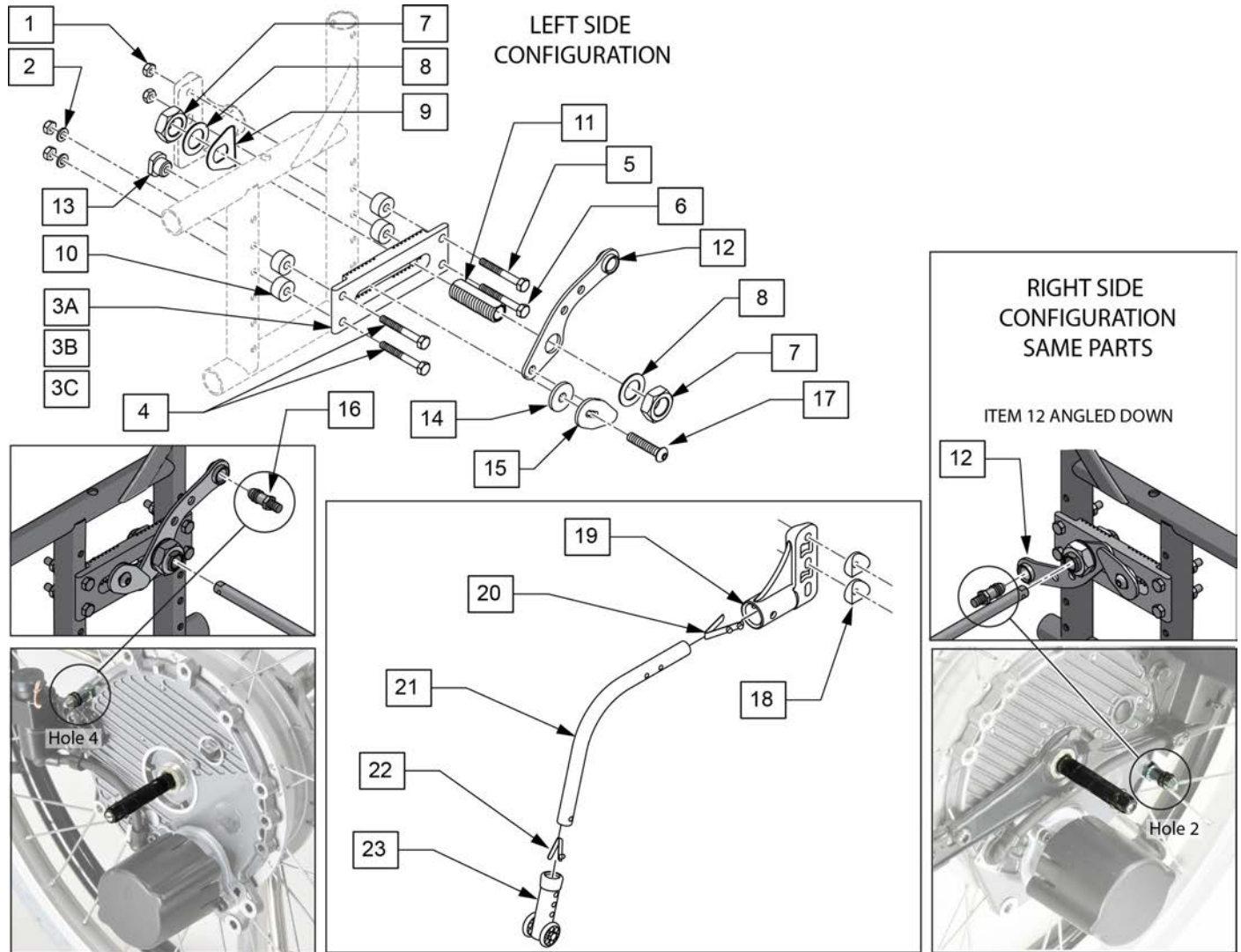


Pos.	Item Number	Description
1A	17935	9-1 STYLE 2 OVERLAY
1B	17936	9-2 STYLE 2 OVERLAY
1C	17937	9-5 STYLE 2 OVERLAY
1D	17938	9-6 STYLE 2 OVERLAY
1E	17930	STYLE #1 LEARNING BOARD
1F	17931	STYLE #1 FULL LEARNING BOARD
1A,2	17916	9-1 STYLE 3 OVERLAY ONLY
1B,2	17917	9-2 STYLE 3 OVERLAY ONLY
1C,2	17918	9-5 STYLE 3 OVERLAY ONLY
1D,2	17939	9-6 STYLE 3 OVERLAY ONLY
2	226017	10-32 x 3/8 BH C/S BLK

Pos.	Item Number	Description
3A	17922	9-1 HINGED OVERLAY PIVOT BAR
3B	17923	9-2 HINGED OVERLAY PIVOT BAR
3C	17924	9-5 HINGED OVERLAY PIVOT BAR
3D	17929	9-6 HINGED OVERLAY PIVOT BAR
4	2266	#6 x 1/2" FL DH PHL SCREW
5	230047	#6 x 3/4" FH PHIL S/M SCREW
6	14232	TRAY OVERLAY - QUICK RELEASE
7A	17925	TRAY OVERLAY ROD
7B	17926	9-2 OVERLAY ROD
7C	17927	9-5 OVERLAY ROD
7D	17928	9-6 TRAY OVERLAY ROD
8	4061	TRAY OVERLAY MOUNTING BRACKET
1A,2,3A,4-6,7A,8	17903	9-1 STYLE 3A OVERLAY ASSEMBLY
1B,2,3B,4-6,7B,8	17904	9-2 STYLE 3A OVERLAY ASSEMBLY
1,2,3C,4-6,7C,8	17905	9-5 STYLE 3A OVERLAY ASSEMBLY
1,2,3D,4-6,7D,8	17906	9-6 STYLE 3A OVERLAY ASSEMBLY

Note: When adding the Yamaha Xtender to an existing Quickie 2 chair, the rear side frames can not be curved, they must be straight as shown.

Note: The Yamaha Xtender is not transit approved and can not be added to a chair that is transit approved.

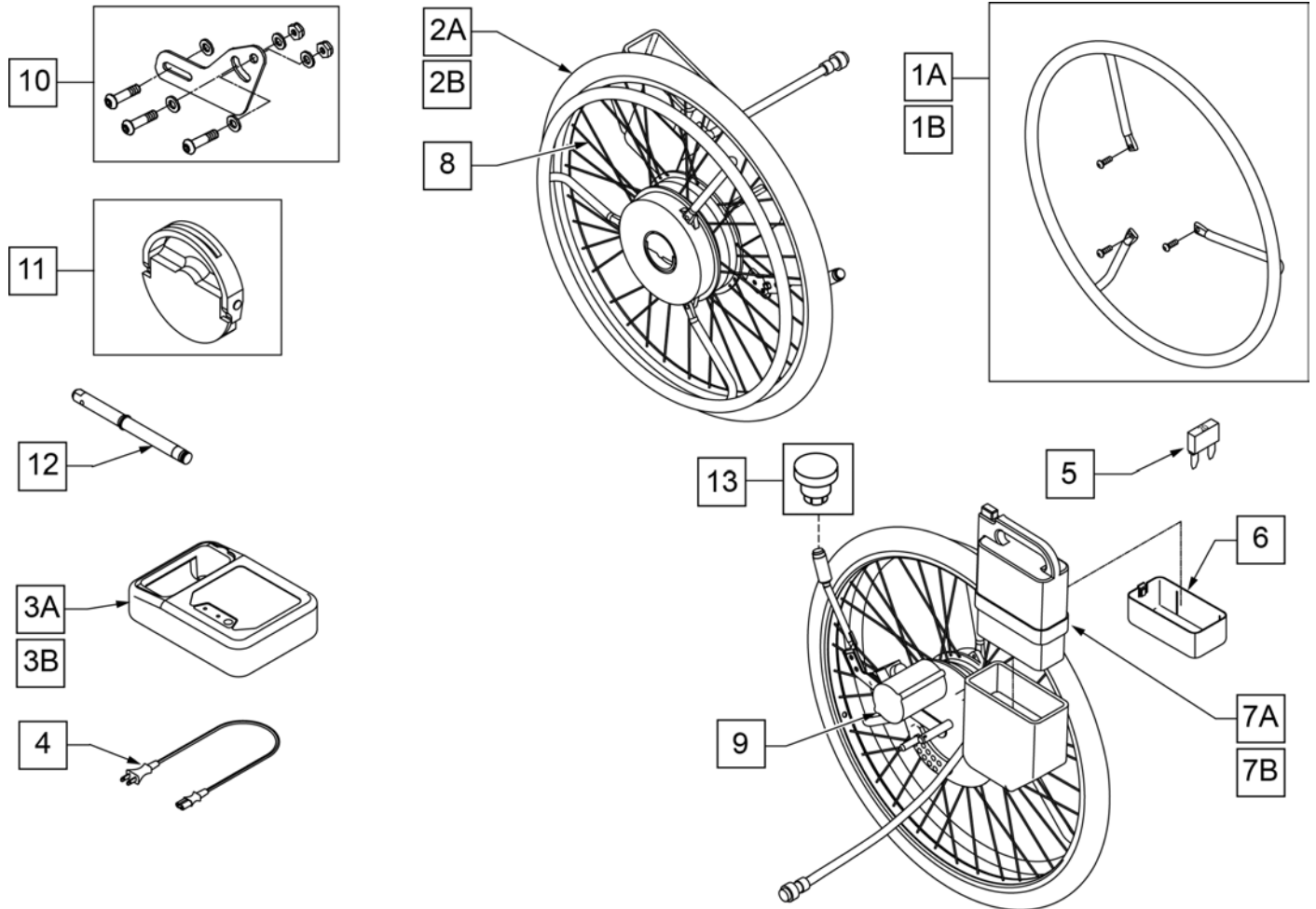


Pos.	Item Number	Description	Remarks
1	106934	1/4-28 NYLOCK NUT	
2	106943	WASHER FLAT AN 1/4 ROHS	
3A	502000	AXLE PLATE Q2/HP/ZP2 INDEX	
3B	502018	CURVED PLATE Q2/HP/ZP2 INDEX	
3C	550645	OFFSET AXLE PLATE	
4	109265	HHCS 1/4-28 X 2-1/2	
5	221201	1/4-28 X 3 G8 HEX C/S	
6	107264	HHCS 1/4-28 X 2-3/4 PL ROHS	
7	116569	NUT HEX 3/4-16 BLACK ZINC	
8	116570	WASHER FLAT 3/4 X 1.25 BLK ZNC	

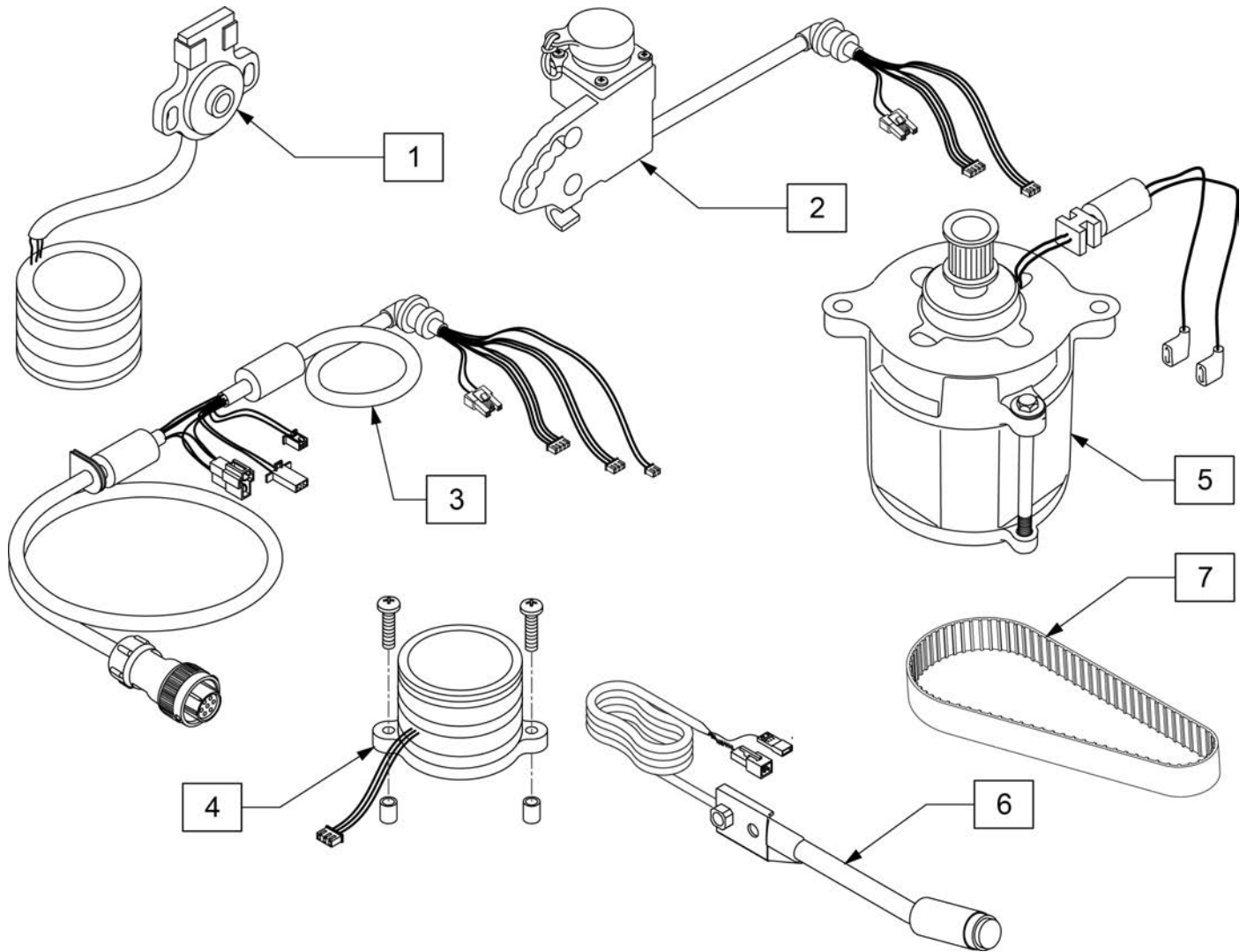
Pos.	Item Number	Description	Remarks
9	505015	INDEX AXLE WASHER	
10	330031	SUSPENSION SPACER 1/2" P3	
11-17	125331	XTENDER UNIVERSAL BRACKET KIT	
18	561001	1 1/8" SADDLE 1/4" HOLE	
19	920407	ANTI-TIP RECEIVER PR	PAIR
20	301109	SNAP BUTTON DUAL ONE SIDE	
22	301100	1/4" SNAP BTTN SINGLE	
23	881513	ANTI-TIP SLV W/WHLS BLK - 5H (EA)	
20-23	881128	MED ANTI TIP ASSM RT BLK	
20-23	881129	MED ANTI TIP ASSM LT B	
20-22	883008	MED ANTI TIP TUBE R W/ SNAP BUTTON	RIGHT
20-22	883009	MED ANTI TIP TUBE L W/ SNAP BUTTON	LEFT

Note: If replacing or retrofitting an Xtender, please contact Customer Service to ensure compatibility.

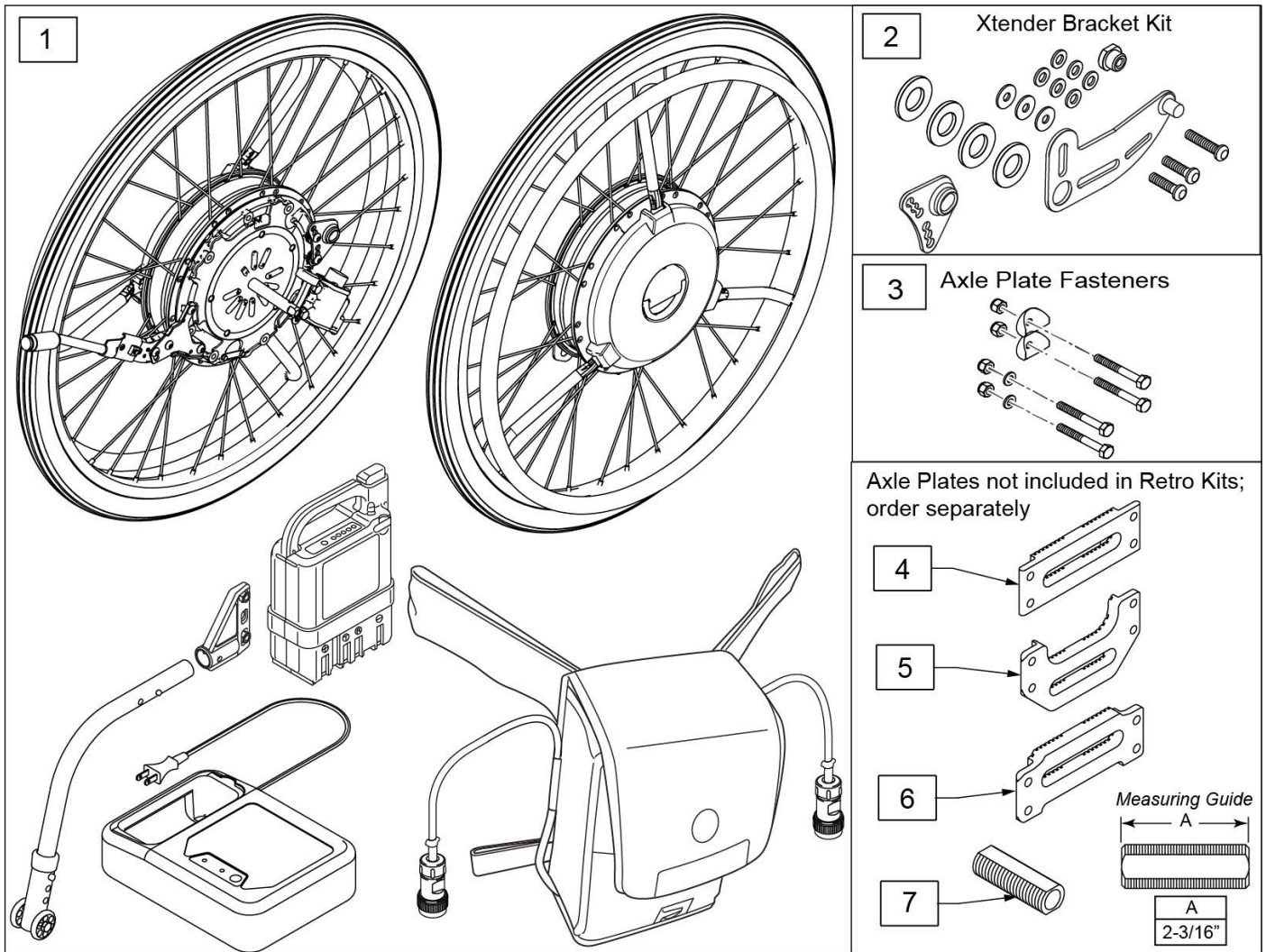
Note: Battery Type :NiMH- Nickel Metal Hydride, Capacity: 24V x 6.7Ah , Weight 2.9 [kg], Fuse: 20A.



Pos.	Item Number	Description	Remarks
1A	242232	HNDRM W/O COATING 24", 21" DIA	24" Stainless Steel Handrim w/3 fixing bolts
1B	242234	HNDRM W/COATING 24", 21" DIA	24" Plastic Coated Handrim w/3 fixing bolts
2A	385300	24" PNEUMATIC TIRE	
2B	382325	24" TUBE	
3A,4	114474	CHARGER YAMAHA W/ ADDRESS LBL	Nickel Battery Charger
3B,4	120710	BATTERY CHARGER YAMAHA	Lithium Battery Charger
4	134121	PWR CORD BATT CHARGER YAMAHA	Used on Nickel Battery Charger only
5	138219	FUSE 20A BLADE	
5,6,7A	134000	JWX-2 NICKEL BATTERY BLACK	Nickel Battery
5,6,7B	134002	JWX-2 LI-ION BATTERY BLACK	Lithium Battery
8	133108	SPOKE SET 24" YAMAHA	Includes 36 spokes
9	490013	MOTOR COVER YAMAHA	
10	921763	XTNDR ADJ BRCKT KIT (W/HDWR)	
11	107011	YAMAHA PLATE ASSM KIT	
12	541155	XTNDR QUICK RELEASE AXLE	
13	108273	PWR BUTTON SWITCH	



Pos.	Item Number	Description
1	107008	YAMAHA SENSOR KIT
2	107005	YAMAHA RECEPTICAL KIT
3	107010	YAMAHA COUPLER HRNS
4	107007	YAMAHA ROTARY TRANS KIT
5	107009	YAMAHA MOTOR REPLACEMENT KIT
6	107012	YAMAHA SWITCH KIT
7	107006	YAMAHA DRIVE BELT KIT



Pos.	Item Number	Description	Remarks
1-3	161329	24" JWX-2 PNEU SS NI KIT	24", Nickle Batt,SS Handrim
1-3	161330	24" JWX-2 PNEU SS LI KIT	24", Lith Ion Batt,SS Handrim
1-3	161331	24" JWX-2 PNEU PLS NI KIT	24", Nickle Batt, Plastic Handrim
1-3	161332	24" JWX-2 PNEU PLS LI KIT	24", Lith Ion Batt,Plastic Handrim
1-3	161333	22" JWX-2 PNEU SS NI KIT	22", Nickle Batt,SS Handrim
1-3	161334	22" JWX-2 PNEU SS LI KIT	22", Lith Ion Batt,SS Handrim
1-3	161335	22" JWX-2 PNEU PLS NI KIT	22", Nickle Batt, Plastic Handrim
1-3	161336	22" JWX-2 PNEU PLS LI KIT	22", Lith Ion Batt,Plastic Handrim
2	241916	JWX-2 BRACKET KIT LH	Left
2	241917	JWX-2 BRACKET KIT RH	Right
4	502000	AXLE PLATE Q2/HP/ZP2 INDEX	
5	502018	CURVED PLATE Q2/HP/ZP2 INDEX	
6	550645	OFFSET AXLE PLATE	
7	481065	AXLE SLEEVE SS	

Note: When adding a Yamaha Xtender to Q2 or Q2HP please contact Customer Service to ensure configuration compatibility.

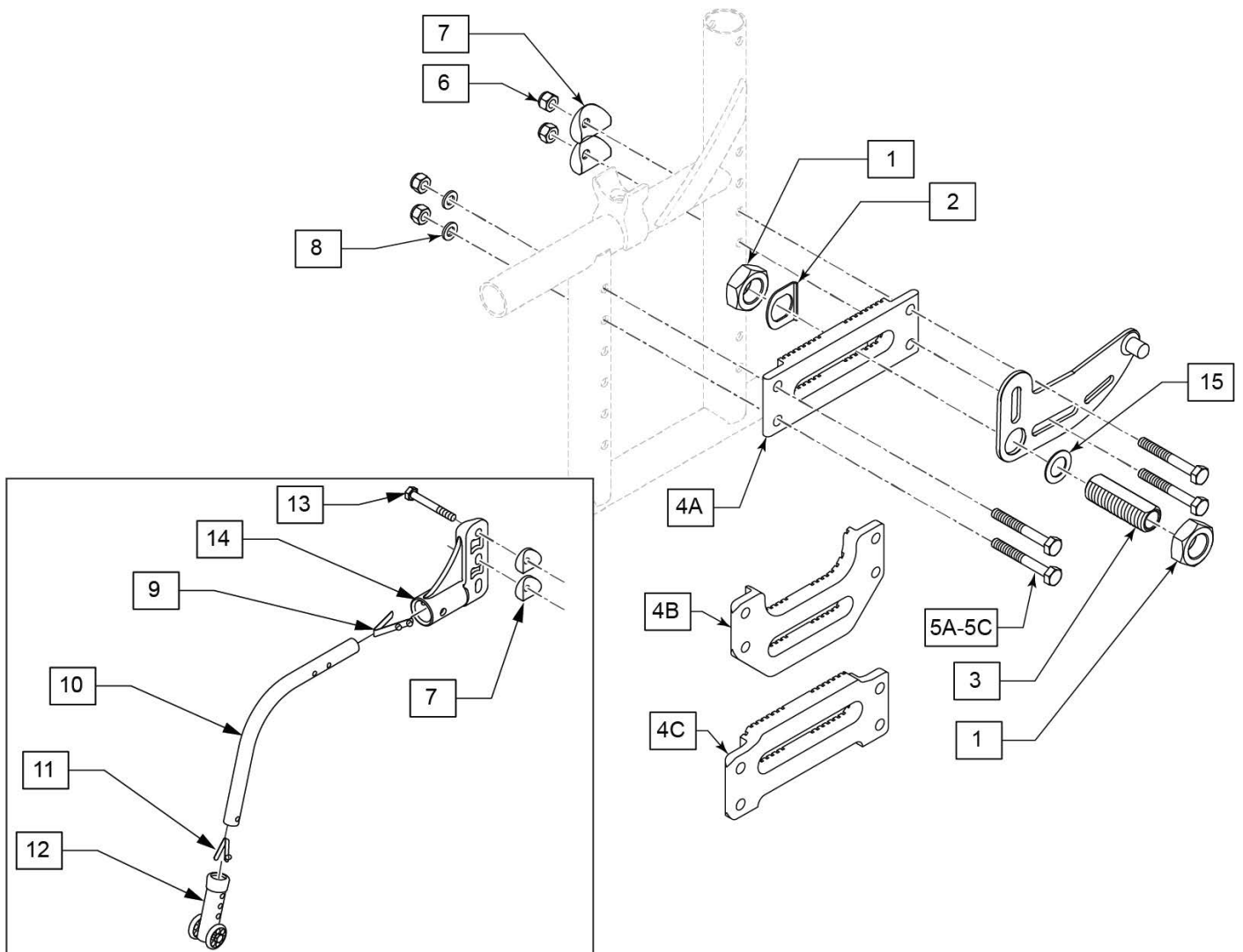
Note: The Yamaha Xtender is not transit approved and can not be added to a chair that is transit approved.

Note: Q2 Axle Plate is not included, please order appropriate axle plate when necessary.

Note: When adding the Yamaha Xtender to an existing Quickie 2 chair, the rear side frames can not be curved, they must be straight as shown.

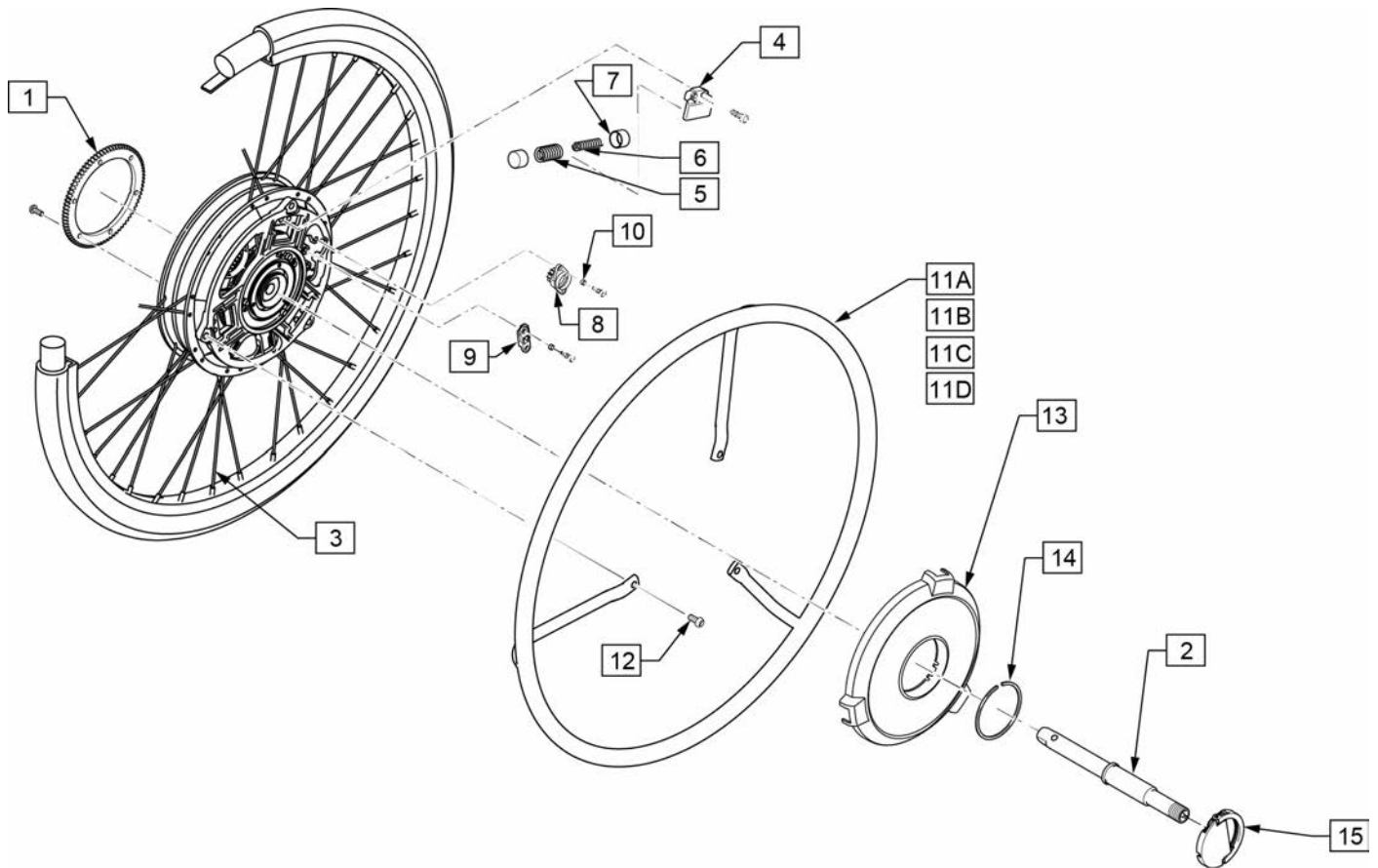
Note: The Yamaha Xtender is not transit approved and can not be added to a chair that is transit approved.

Note: see instruction sheet in Informations Panel for more information on parts location or assembly.

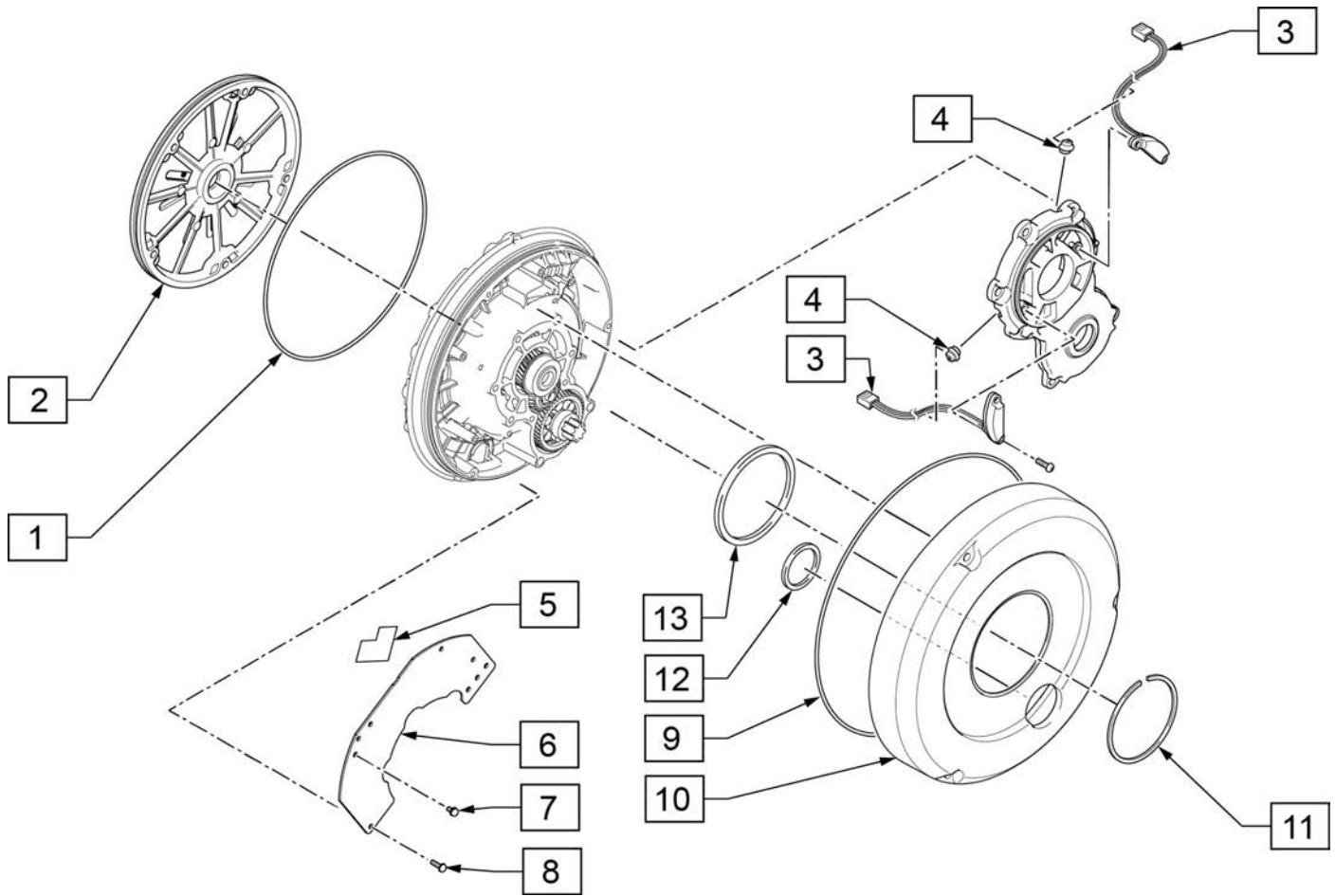


Pos.	Item Number	Description	Remarks
1	116569	NUT HEX 3/4-16 BLACK ZINC	
2	505015	INDEX AXLE WASHER	
3	481065	AXLE SLEEVE SS	
4A	502000	AXLE PLATE Q2/HP/ZP2 INDEX	
4B	502018	CURVED PLATE Q2/HP/ZP2 INDEX	
4C	550645	OFFSET AXLE PLATE	

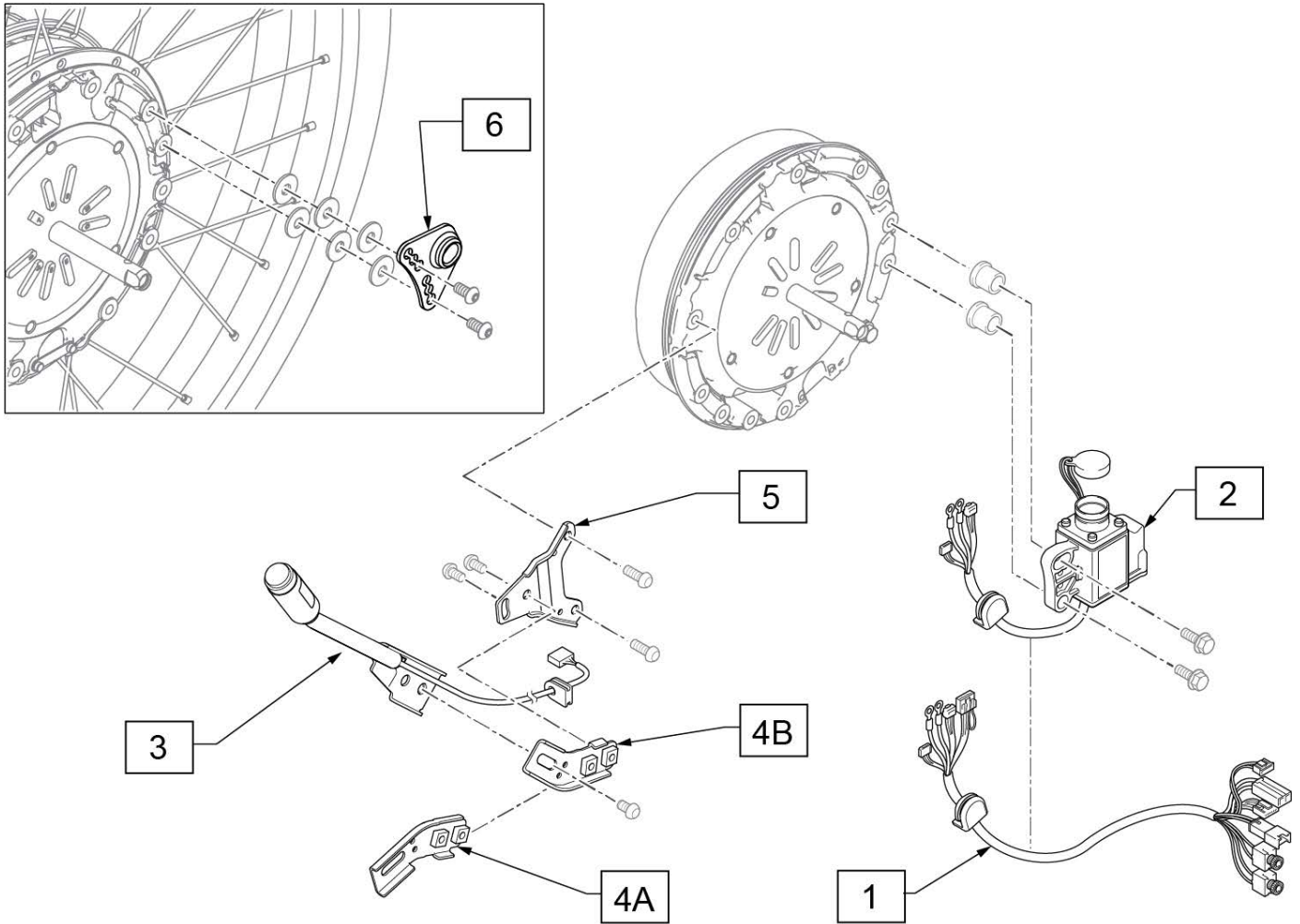
Pos.	Item Number	Description	Remarks
5A	109265	HHCS 1/4-28 X 2-1/2	
5B	221201	1/4-28 X 3 G8 HEX C/S	
5C	107264	HHCS 1/4-28 X 2-3/4 PL ROHS	
6	106934	1/4-28 NYLOCK NUT	
7	561001	1 1/8" SADDLE 1/4" HOLE	
8	106943	WASHER FLAT AN 1/4 ROHS	
9	301109	SNAP BUTTON DUAL ONE SIDE	
11	301100	1/4" SNAP BTTN SINGLE	
12	881513	ANTI-TIP SLV W/WHLS BLK - 5H (EA)	
13	221181	1/4-28 X 2 1/2 G8 HEX C/S	
14	920407	ANTI-TIP RECEIVER PR	PAIR
15	116570	WASHER FLAT 3/4 X 1.25 BLK ZNC	
9-12	881128	MED ANTI TIP ASSM RT BLK	
9-12	881129	MED ANTI TIP ASSM LT B	
9-11	883008	MED ANTI TIP TUBE R W/ SNAP BUTTON	RIGHT
9-11	883009	MED ANTI TIP TUBE L W/ SNAP BUTTON	LEFT



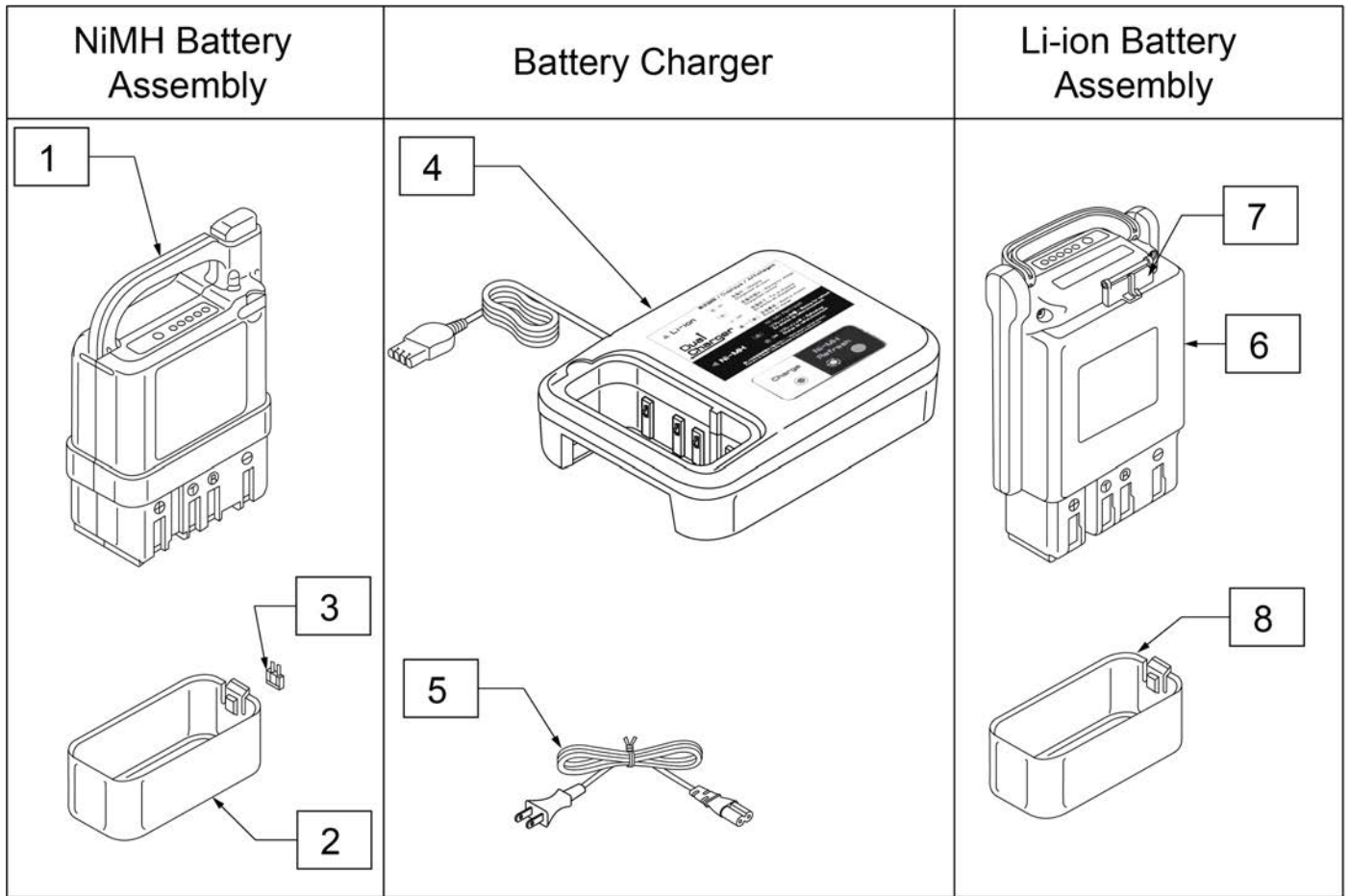
Pos.	Item Number	Description	Remarks
1	242261	GEAR, WHEEL 3	
2	242237	RR AXLE ASSY	
3	242235	RR SPOKE SET 22"	for 22" Wheel; 36 spokes & 36 nipples
3	242236	RR SPOKE SET 24"	for 24" Wheel; 36 spokes & 36 nipples
4	242255	RETAINER	
8	242252	DAMPER	
9	242270	ARM, MOVING	
10	242272	COLLAR	To fix Damper (item 8) & Arm (item 9)
11A,12	242231	HNDRM W/O COATING 22", 19" DIA	22" Stainless Steel Handrim w/3 fixing bolts
11B,12	242233	HNDRM W/ COATING 22", 19" DIA	22" Plastic Coated Handrim w/3 fixing bolts
11C,12	242232	HNDRM W/O COATING 24", 21" DIA	24" Stainless Steel Handrim w/3 fixing bolts
11D,12	242234	HNDRM W/ COATING 24", 21" DIA	24" Plastic Coated Handrim w/3 fixing bolts
13	134003	JWX-2 WHEEL CAP ASSEMBLY	Black, Hub cover w/decal
14	242256	SPRING CLIP 42MM	
15	242238	YAMAHA PLATE ASSY	Handle Plate for the unit detaching
5-9	242244	SPRING, LEVER RETURN E	



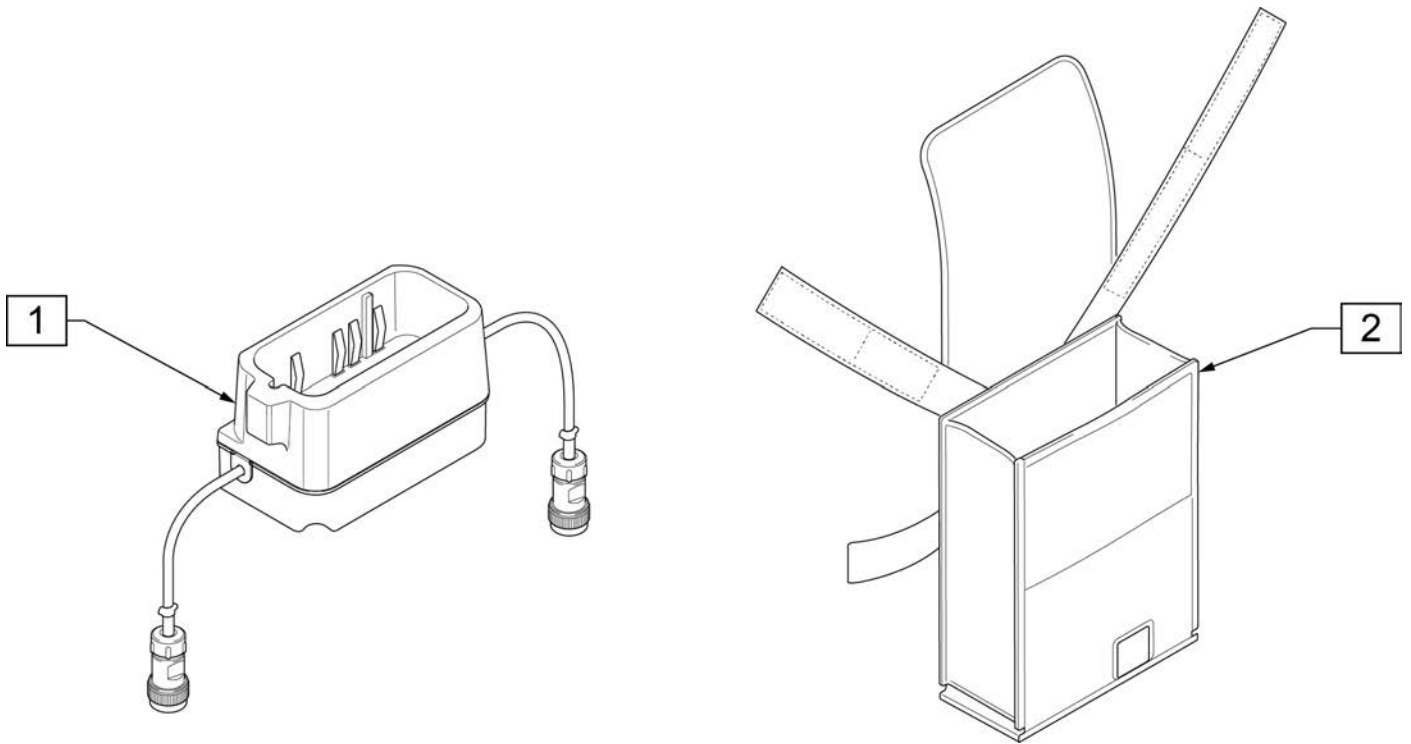
Pos.	Item Number	Description	Remarks
1	242250	JWX-2 O-RING 1	
2	242230	YAMAHA HSG ASSY	Unit Back Plate;
3,4	242242	SENSOR ASSY	
5-8	242273	PRINT BOARD ASSY 1	Pair, Main Electric Board
9	241969	JWX-2 SEAL 1	O-ring for Transparent Cover
10	242240	YAMAHA COVER, TRANSMISSION	Transparent Plastic Cover
11	242260	CLIP	C clip spring to fix Transparent Cover
12	242258	GASKET 1	urethane flat O-ring, small
13	242259	GASKET 2	urethane flat O-ring, large



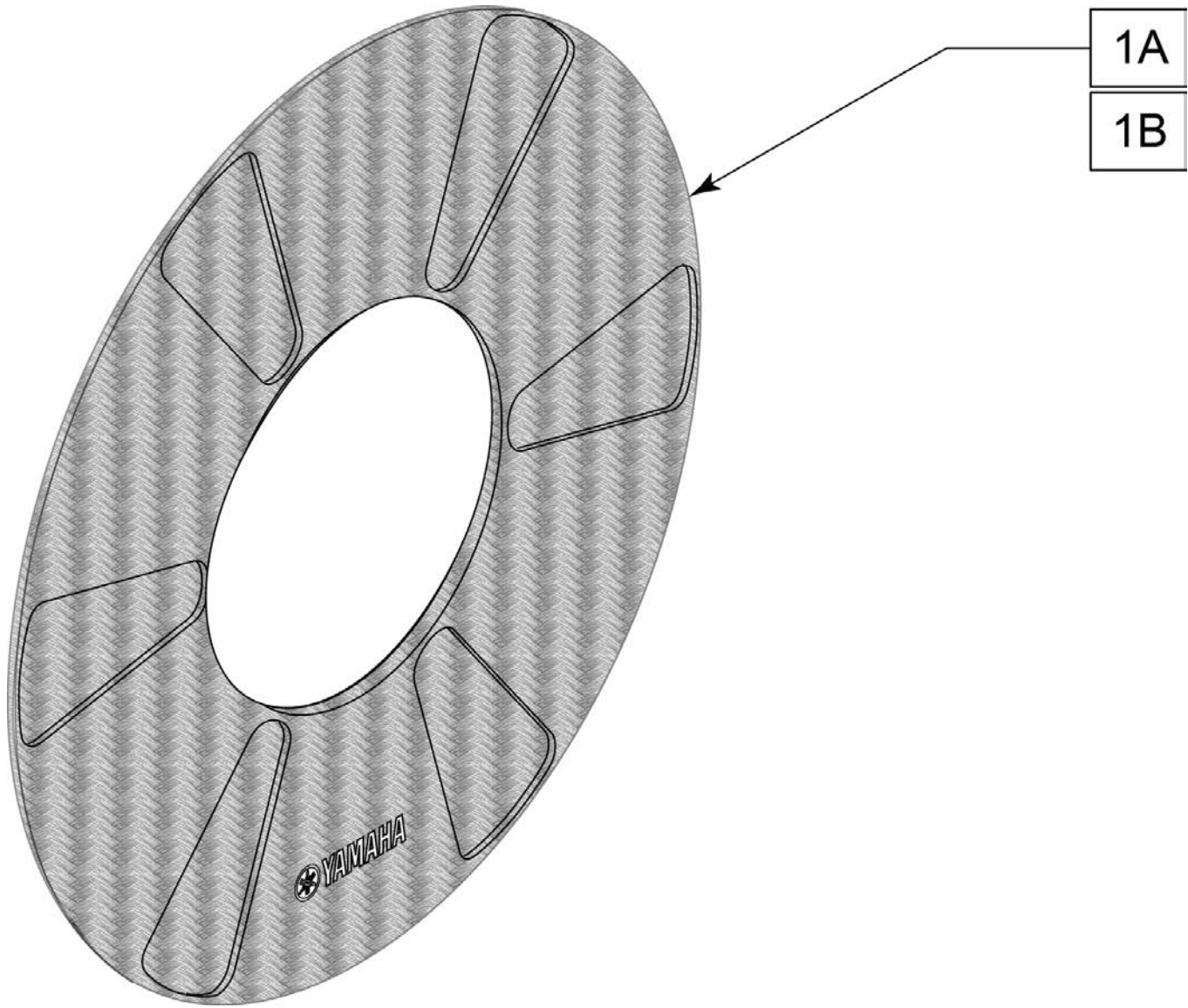
Pos.	Item Number	Description	Remarks
1	242271	WIRE 6	Connecting Wire from Battery Seat to Drive Unit
2	133999	JWX-2 WIRE HARNESS ASSY RH	Right Side Wheel
2	242245	JWX-2 WIRE HARNESS ASSY LH	Left Side Wheel
3	133995	JWX-2 MAIN SWITCH SUB ASSY	Power Switch Main Unit
4A	133993	JWX-2 POWER SWITCH ANGLE A	Angle Bracket (A)
4B	133994	JWX-2 POWER SWITCH ANGLE B	Angle Bracket (B)
5	133992	JWX-2 XTENDER "A" BRACKET	
6	241957	JWX-2 XTENDER PLATE LOCK	



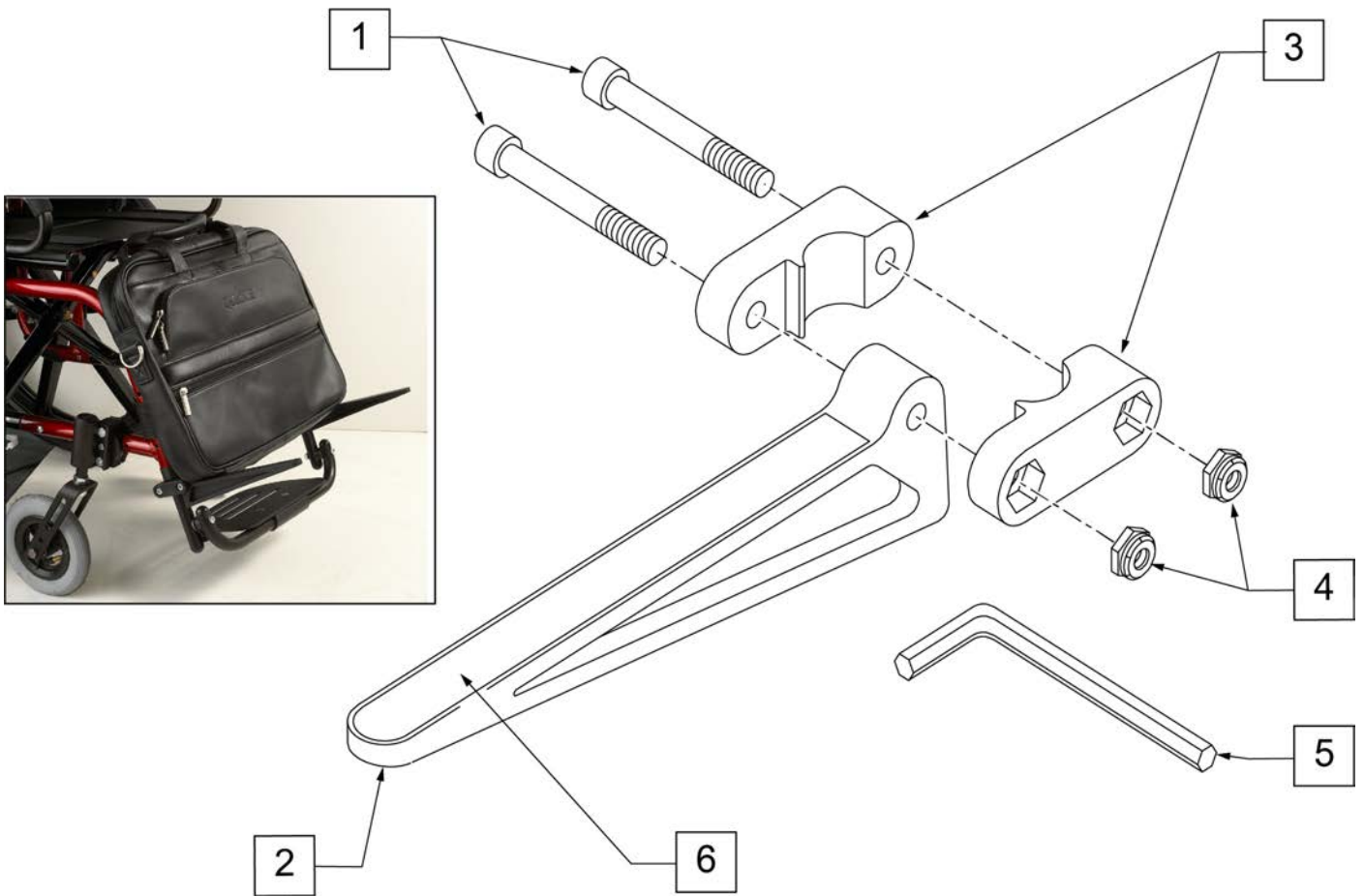
Pos.	Item Number	Description
1-3	134000	JWX-2 NICKEL BATTERY BLACK
4	134001	JWX-2 BATTERY CHARGER NI
5	134121	POWER CORD BATT CHARGER YAMAHA
6-8	134002	JWX-2 LI-ION BATTERY BLACK



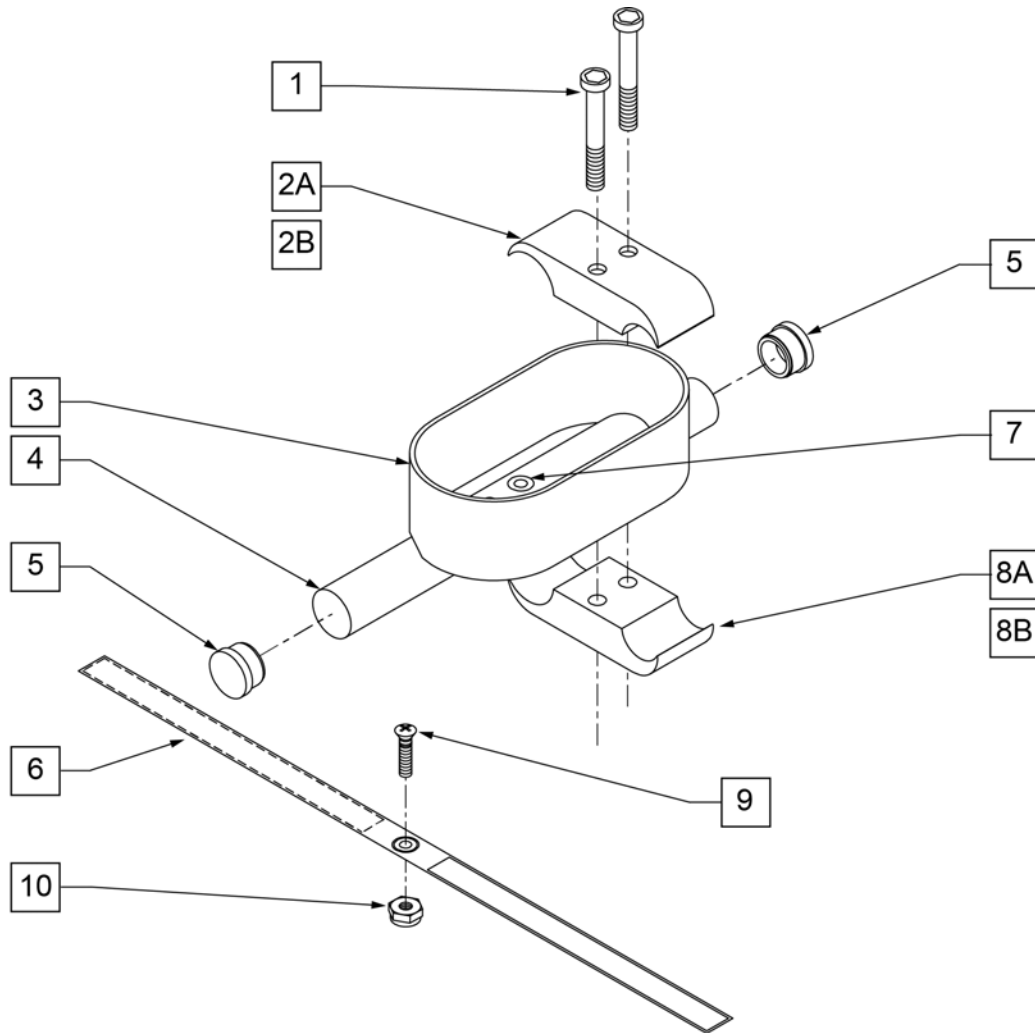
Pos.	Item Number	Description	Remarks
1	241919	JWX-2 BATTERY BOX ASSEMBLY	
2	241918	JWX-2 HANGER BAG	Battery Bag



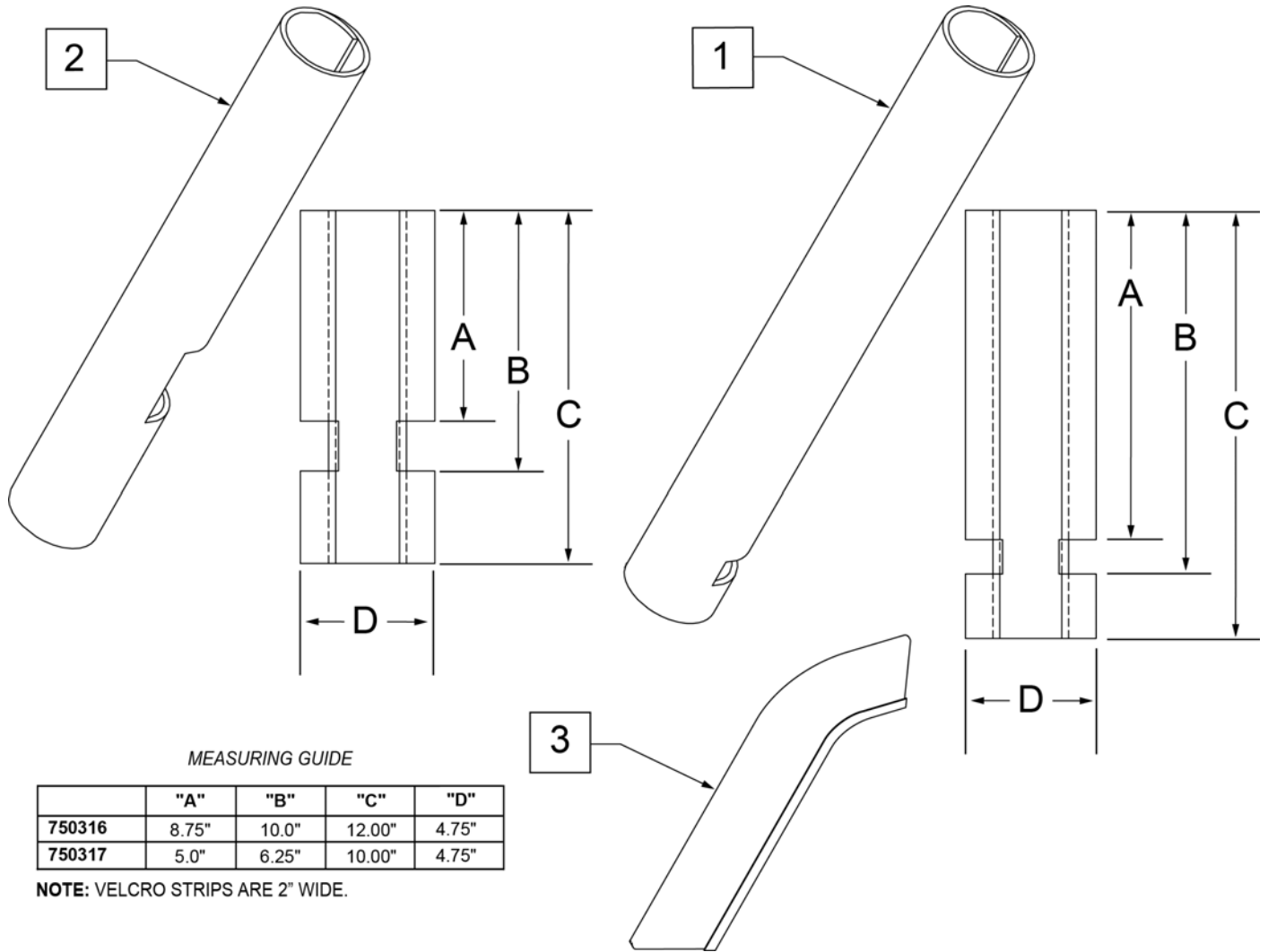
Pos.	Item Number	Description	Remarks
1A	243342	JWX-2 SPOKE GUARD 22 IN	Each; actual Outside Diameter is 18"
1B	243343	JWX-2 SPOKE GUARD 24 IN	Each; actual Outside Diameter is 20"



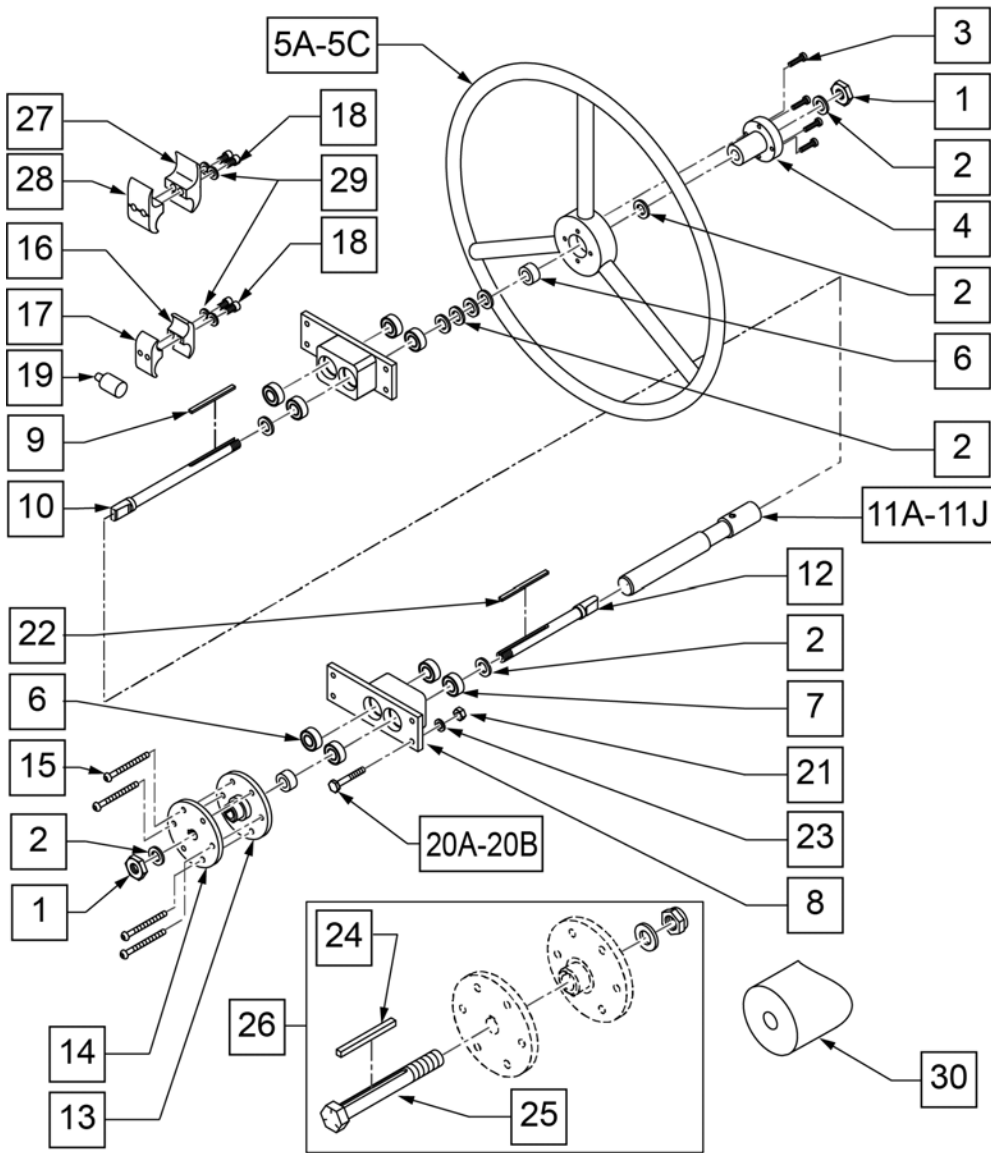
Pos.	Item Number	Description	Remarks
1	106975	1/4-28 x 1 1/4 SOC C/S	
2	561105	CADDY ARM	Clamps on to Extension Tube (3/4" round and D2); Caddy Arm length is 7 1/2"
3	561104	CADDY CLAMP	Clamps on to Extension Tube (3/4" round and D2)
4	106935	1/4-28 NYLOCK NUT THIN	
5	349998	3/16" ALLEN WRENCH	
6	580050	CADDY TAPE	
1-6	902350	QUICKIE CADDY (PR)	



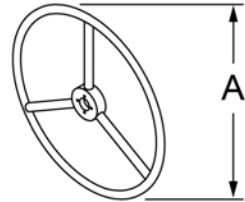
Pos.	Item Number	Description
1	107032	1/4-28 x 1 SOC C/S BLK
2B	550287	CLAMP 1 1/8" - 3/4" W/RECESS
2A	550477	CLAMP 2 1/4" RECESS BLK
6	750495	CRUTCH HOLDER STRAP F
8A	550576	CLAMP 2 1/4' THREADED BLK
8B	550288	CLAMP 1 1/8" - 3/4" THREADED
9	281110	10-32 x 1/2 PAN PHIL
10	200100-QU	10-32 NYLOCK NUT
1,2A,3-5,7,8A	880802	CRUTCH HOLDER F
1,2B,3-5,7,8B	880803	CRUTCH HOLDER CURVED REAR S/F
1,2A,3-7,8A,9,10	901002	CRUTCH HOLDER ASSEMBLY F
1,2B,3-7,8B,9,10	901004	CRUTCH HOLDER ASSEMBLY Q2 CURVED REAR



Pos.	Item Number	Description	Remarks
1	750316	IMPACT GUARDS NEOPRENE FIXED (PR)	PAIR-Fixed Front Frame
2	750317	IMPACT GUARDS NEOPRENE S/A	PAIR-S/A Footrest & Q7
3	109231	GEL VELCRO PAD HANGER/FRAME	PAIR- fits S/A & Fixed Front Frame
4	108315	GEL PAD SA ARM	Single, fits Padded SA Armrest

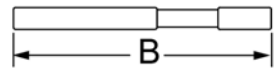


MEASURING GUIDE

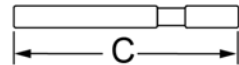


WHEEL SIZE	STD	SMALL
20"	16 1/2"	N/A
22"	18"	16 1/2"
24"	19 1/4"	18"

UNLOCKED (OPEN)



LOCKED (CLOSED)



CHAIR WIDTH	DIM B	DIM C
13"	9 3/4"	8"
14"	10 3/4"	9"
15"	11 3/4"	10"
16"	12 3/4"	11"
17"	13 3/4"	12"
18"	14 3/4"	13"
19"	15 3/4"	14"
20"	16 3/4"	15"

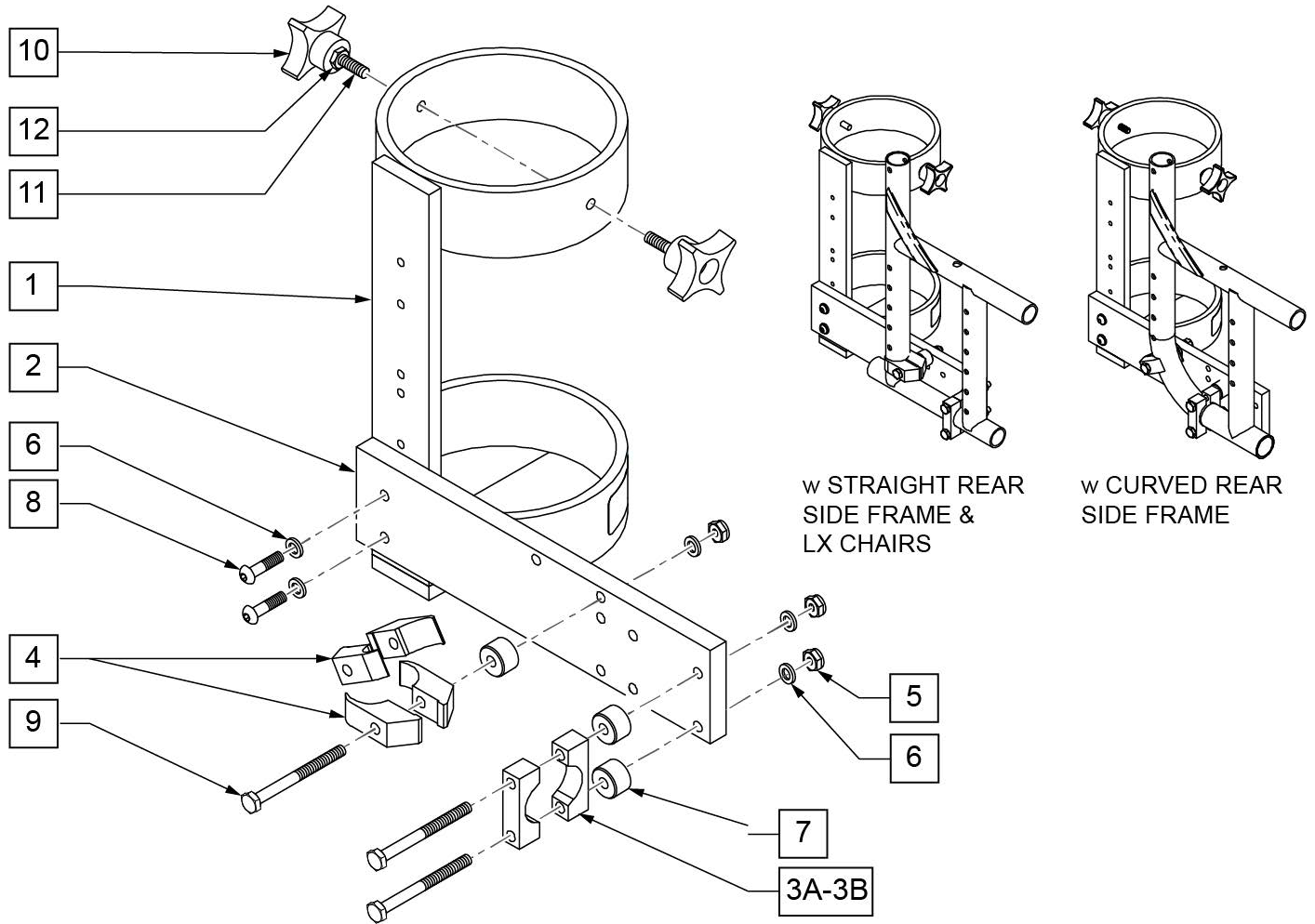
Pos.	Item Number	Description	Remarks
1	106940	NUT NYLOCK THIN 1/2 -20 ROHS	
2	106949	WASHER FLAT AN 1/2 ROHS	
3	106956	SHCS 10 -32 x 3/4 ROHS	4 required
4	106691	HAND RING HUB	
5A	529801	1 AD HR ONLY 20" STD/22" SM	
5B	529800	1 AD HR ONLY 22" STD/24" SM	
5C	529802	1 AD HR ONLY 24" STD	
6	483058	1 AD WHEEL SPACER	
7	349500	1 1/8 x 1/2 BEARING	
7,8	880820	1 AD AXLE PLATE W/BEARINGS BLK	
9	341274	3/16 SQ x 1 1/2 KEY STL	
10	481131	1 AD HANDRIM DRIVE SHAFT	
11A	101097-001	1 AD SHAFT ASSM 12"	
11B	101097-002	1 AD SHAFT ASSM 13"	
11C	101097-003	1 AD SHAFT ASSM 14"	

Pos.	Item Number	Description	Remarks
11D	101097-004	1 AD SHAFT ASSM 15"	
11E	101097-005	1 AD SHAFT ASSM 16"	
11F	101097-006	1 AD SHAFT ASSM 17"	
11G	101097-007	1 AD SHAFT ASSM 18"	
11H	101097-008	1 AD SHAFT ASSM 19"	
11J	101097-009	1 AD SHAFT ASSM 20"	
12	481132	1 AD WHEEL DRIVE SHAFT	
13	500631	WHEEL HUB 1 ARM DRIVE W/TAP	
14	500630	1 AD WHEEL HUB W/O TAP	
15	226166	1/4-28 X 2 1/2 BH C/S BLK	6 required
16	550658	CLAMP 1 1/4" THREADED BLK	
17	550659	CLAMP 1 1/4" RECESS HALF BLK	
18	107032	SHCS 1/4 -28 x 1 ROHS	
19	482030	1 AD DRIVE RECEIVER	
20A	106973	HHCS 1/4 -28 x 2 ROHS	
20B	107264	HHCS 5/16 -24 x 2 3/4 PL ROHS	Used with Anti-tips
21	106934	NUT NYLOCK 1/4 -28 ROHS	
22	341277	3/16 SQ x 2 3/8 KEY STL	
23	106944	WASHER FLAT THIN AN 1/4 ROHS	
24	341278	3/16" SQ x 2 1/4" KEY STL	
25	330014	1 AD ALIGNMENT BOLT	
26	330015	1 AD ALIGNMENT TOOL ASSEMBLY	
27	550245	1 AD CLAMP RECESSED 14"-20"	
28	550244	1 AD CLAMP THREADED 14"-20"	
29	107367	WASHER LOCK HI COLLAR 1/4 ROHS	
30	483071	SADDLE 1 1/8" ALUMINUM 1/4" HOLE	
18,19,27-29	162090	ONE ARM DRIVE CLAMP KIT Q2X	For S/N prefix Q2X ONLY
19-23,29	107639	WHL LCK CLMP ASM	For S/N prefix Q2V, Q2H & Q2X
18,27-29	880729	1 AD CLAMP ASSEMBLY 14"-20"	For S/N prefix Q2V, Q2H & Q2X
1-4,5A,6-11A,12-15,19-23	116619	1AD 12" RETRO 20"STD/22"SM HR	
1-4,5A,6-11B,12-15,19-23	923532	1 AD 13" RETRO (20" STD/22" SM HR)	
1-4,5A,6-11B,12-15,19-23	923532	1AD 13" RETRO 20"STD/22"SM HR	
1-4,5A,6-11C,12-15,19-23	923533	1AD 14" RETRO 20"STD/22"SM HR	
1-4,5A,6-11D,12-15,19-23	923534	1AD 15" RETRO 20"STD/22"SM HR	
1-4,5A,6-1ED,12-15,19-23	923535	1AD 16" RETRO 20"STD/22"SM HR	
1-4,5A,6-11F,12-15,19-23	923536	1AD 17" RETRO 20"STD/22"SM HR	
1-4,5A,6-11G,12-15,19-23	923537	1AD 18" RETRO 20"STD/22"SM HR	
1-4,5A,6-11H,12-15,19-23	923538	1AD 19" RETRO 20"STD/22"SM HR	
1-4,5A,6-11J,12-15,19-23	923539	1AD 20" RETRO 20"STD/22"SM HR	
1-4,5B,6-11A,12-15,19-23	116620	1AD 12" RETRO 22"STD/24"SM HR	
1-4,5B,6-11B,12-15,19-23	923512	1 AD 13" RETRO (22" STD/24" SM HR)	
1-4,5B,6-11C,12-15,19-23	923513	1AD 14" RETRO 22"STD/24"SM HR	
1-4,5B,6-11D,12-15,19-23	923514	1AD 15" RETRO 22"STD/24"SM HR	
1-4,5B,6-11E,12-15,19-23	923515	1AD 16" RETRO 22"STD/24"SM HR	
1-4,5B,6-11F,12-15,19-23	923516	1AD 17" RETRO 22"STD/24"SM HR	
1-4,5B,6-11G,12-15,19-23	923517	1AD 18" RETRO 22"STD/24"SM HR	
1-4,5B,6-11H,12-15,19-23	923518	1AD 19" RETRO 22"STD/24"SM HR	
1-4,5B,6-11J,12-15,19-23	923519	1AD 20" RETRO 22"STD/24"SM HR	
1-4,5C,6-11A,12-15,19-23	116621	1AD 12" RETRO 24" STD HR	
1-4,5C,6-11B,12-15,19-23	923522	1 AD 13" (24" STD HR)	
1-4,5C,6-11C,12-15,19-23	923523	1AD 14" RETRO 24" STD HR	
1-4,5C,6-11D,12-15,19-23	923524	1AD 15" RETRO 24" STD HR	
1-4,5C,6-11E,12-15,19-23	923525	1AD 16" RETRO 24" STD HR	
1-4,5C,6-11F,12-15,19-23	923526	1AD 17" RETRO 24" STD HR	
1-4,5C,6-11G,12-15,19-23	923527	1AD 18" RETRO 24" STD HR	
1-4,5C,6-11H,12-15,19-23	923528	1AD 19" RETRO 24" STD HR	

Pos.	Item Number	Description	Remarks
1-4,5C,6-11J,12-15,19-23	923529	1AD 20" RETRO 24" STD HR	

NOTE: THE O2 HOLDER WILL INHIBIT THE USE OF THE LOWER TWO MOUNTING HOLES FOR THE AXLE PLATE.

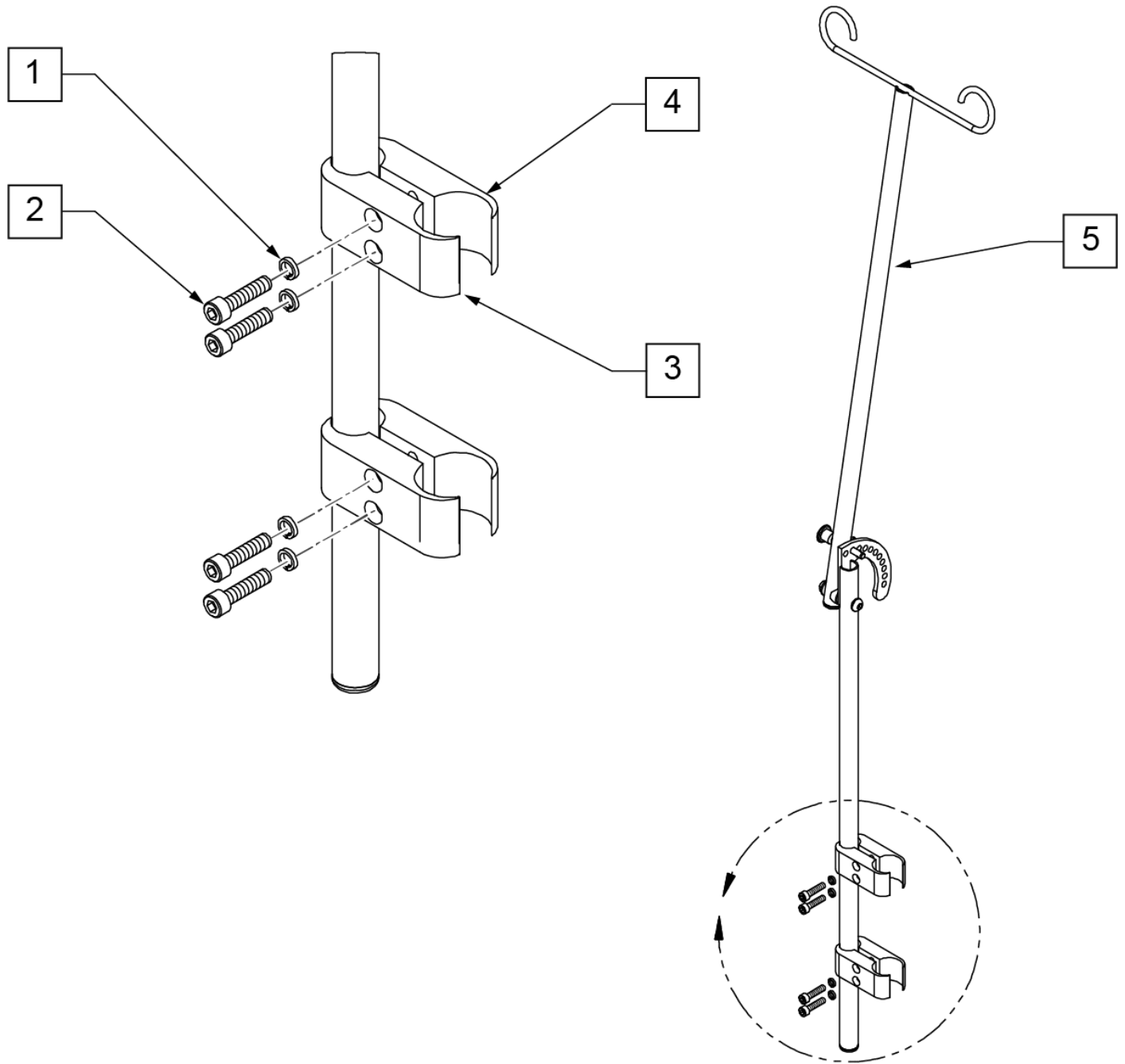
NOTE: ACCOMMODATES SIZE D & E OXYGEN TANKS.



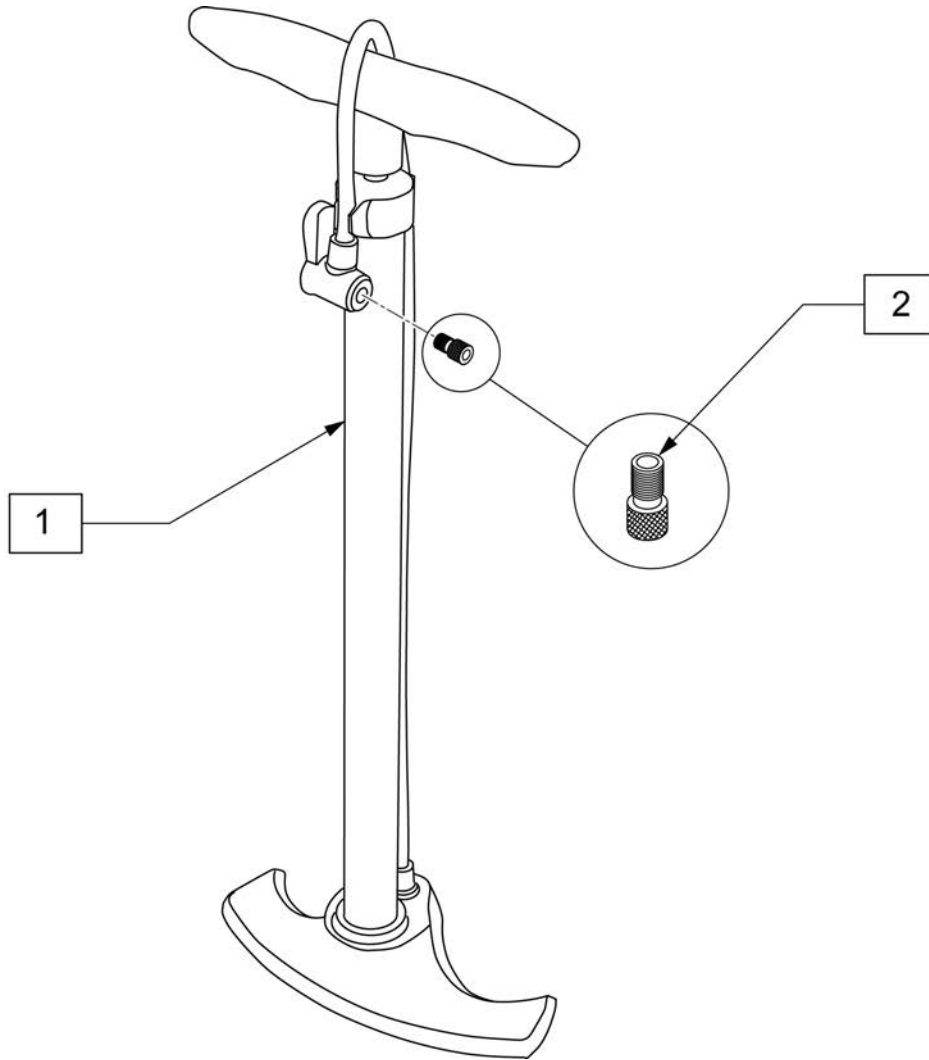
Pos.	Item Number	Description	Remarks
3A	550210	A1 LOW LOCK CLAMP BLK AN	
3B	C550210	A1 CSTM LOW LOCK CLAMP	Only available through "Built 4 Me".
4	550063	A1 PLST SIDE GURD CLAMP	
5	106934	A1 1/4-28 NYLOCK NUT	
6	106943	A1 1/4 AN WASHER FLAT	
7	330031	A1 SUSPENSION SPACER 1/2	
8	226110	A1 1/4-28 X 1 BH C/S	
9	221193	A1 1/4-28 X 2 3/4 G8 HEX	
10	349018	A1 KNOB S/A ADJ STROLLER	
11	226136	A1 1/4-20 X 1 1/2 BH C/S	
12	201121	A1 1/4-20 NUT THIN	
1-2,3A,12	112264	O2 HOLDER ASSM Q2 STRAIGHT REAR SIDE FRAME	STRAIGHT REAR SIDE FRAME
1-2,3B-12	112267	O2 HOLDER ASSM Q2 CURVED REAR SIDE FRAME	CURVED REAR SIDE FRAME

NOTE: Clamps mount to 1 1/8" tubing.

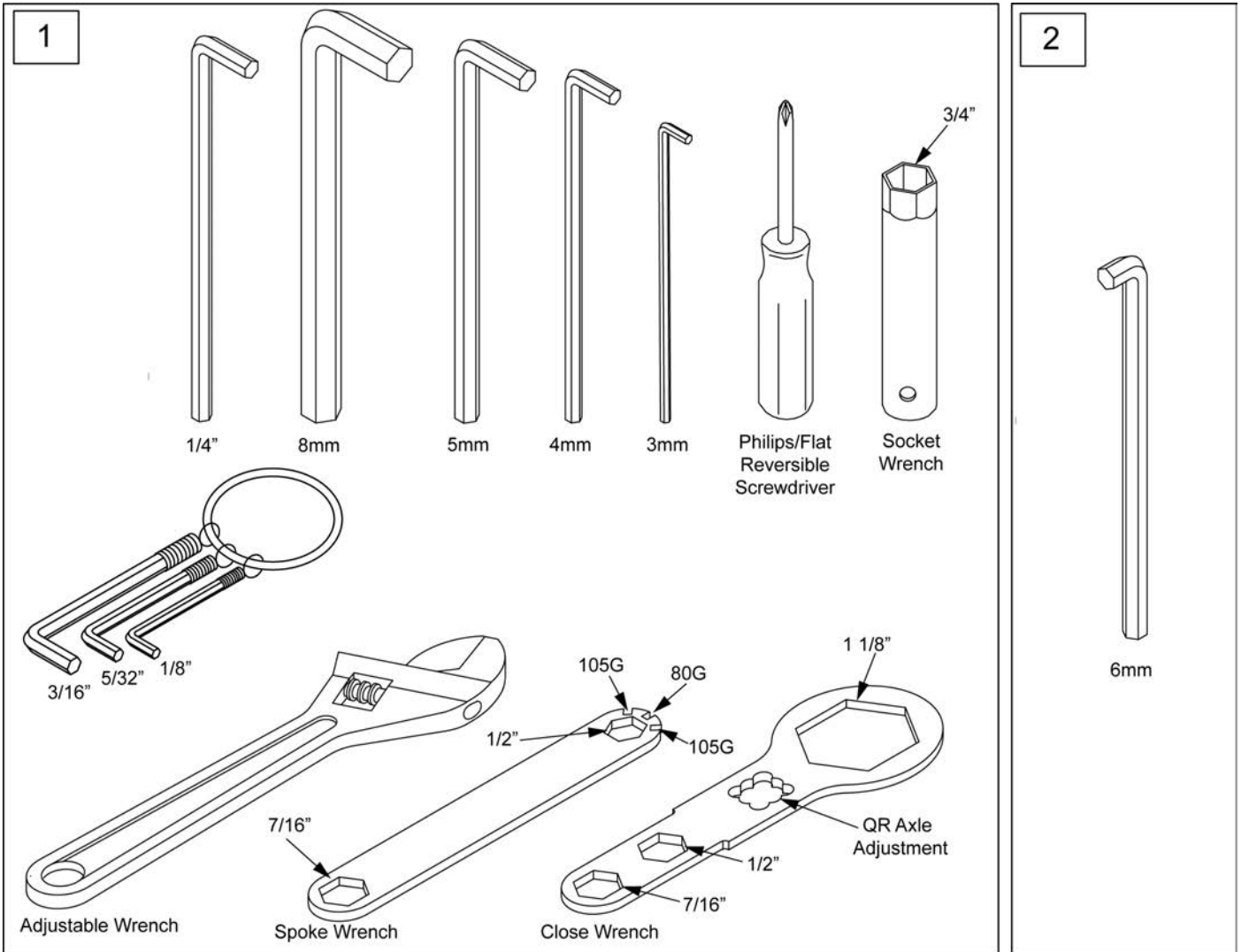
NOTE: IV Pole Assembly will mount to straight & curved rear side frame but will not work when a Depth Adjustable Back option is utilized.



Pos.	Item Number	Description	Remarks
1	107032	SHCS 1/4-28 X 1 ROHS	qty 4
2	107367	WASHER LOCK HI COLLAR 1/4 ROHS	qty 4
3	550287	A1 CLAMP 1 1/8" - 3/4" W/R EA	qty 2
4	550288	A1 CLAMP 1 1/8" - 3/4" THR EA	qty 2
5	884141	A1 ADJ IV POLE ASSM EA	qty 1
1-5	112261	ADJ IV POLE ASSM W 1 -1/8" CLAMP	

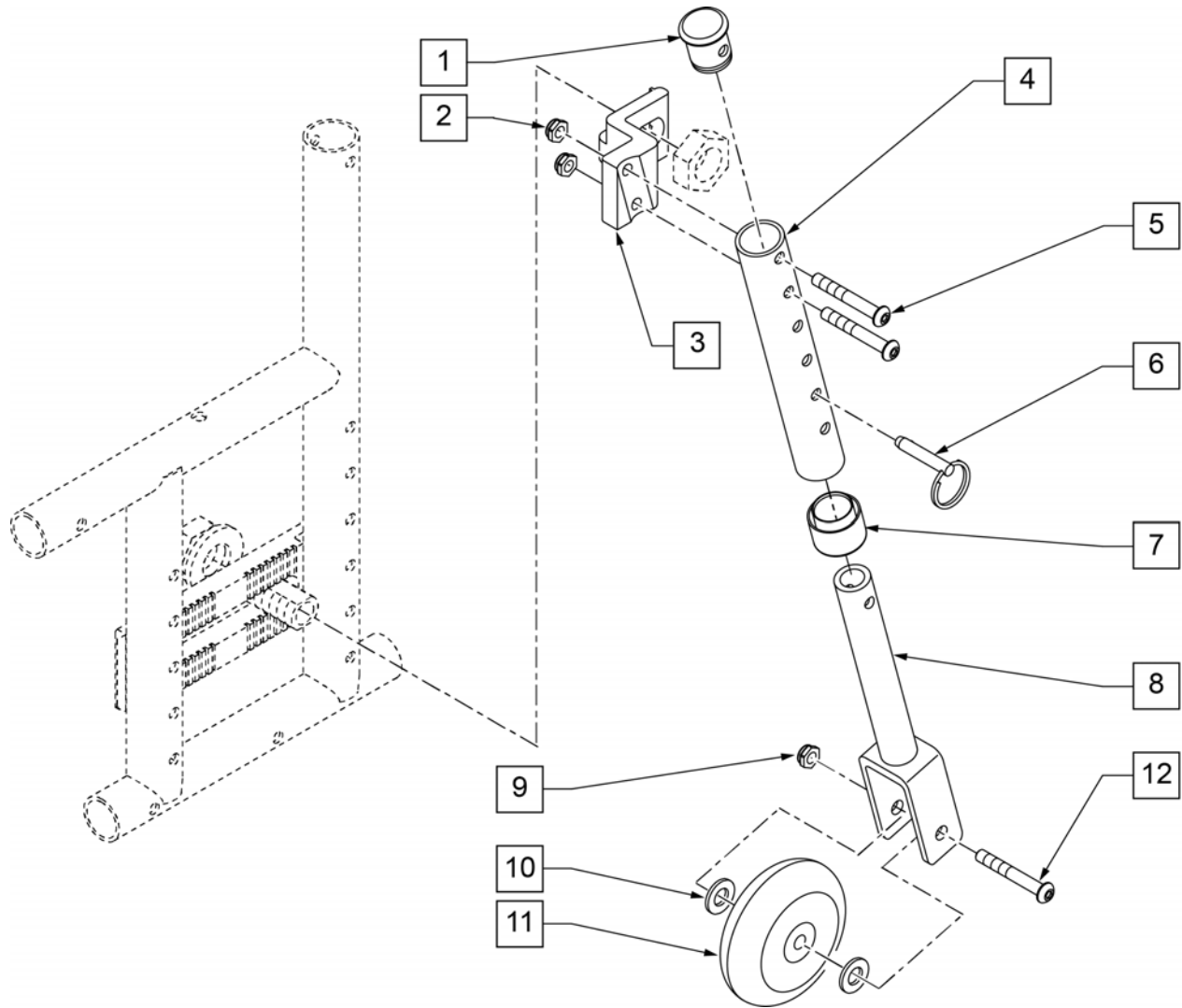


Pos.	Item Number	Description
1	389050	TIRE PUMP
2	381230	VALVE ADAPTER PRESTA



Pos.	Item Number	Description	Remarks
1	108314	QUICKIE COMBO TOOL KIT	Includes pouch
2	113403	6MM ALLEN WRENCH L, 7MM SHORT	caster spline chairs only

Note: Travel Wheel not available with the Xtender Option, Heavy Duty Options, or Low Poly (profile) Tires.



Pos.	Item Number	Description	Remarks
1	560999	1" INSERT PLUG .083 W/1/4 HOLE	
2	106935	NUT NYLOCK THIN 1/4-28 ROHS	
3	550090	BRKT TRAVEL WHL RCVR MNT R Q2	Right
3	550091	BRKT TRAVEL WHL RCVR MNT L Q2	Left
4	528031	TRAVEL WHEEL MOUNT TUBE Q2	
5	106962	1/4-28 x 1 3/4 BH C/S BLK ZN	
6	330027	QUICK RELEASE PIN 1/4"	
7	561018	1" TUBE END BUSHING THICK	
8	542160	FORK EXT WELDMENT TRVL WHL Q2	
9	106937	5/16 NYLOCK NUT THIN	
10	263100	5/16 AN WASHER FLAT	
11	920025	3" MICRO CASTER W/BRNG (PR)	
12	106982	BHCS 5/16-18 X 1-3/4 SHLD ROHS	
1-12	880082	TRAVEL WHEEL ASSY R	Right
1-12	880083	TRAVEL WHEEL ASSY L	Left
1-12	920035	TRAVEL WHL ASSM W/HDWR (PR)	Pair