

The background of the cover is a solid blue color with a faint, large-scale image of mechanical parts, including a hexagonal nut and a bolt, rendered in a lighter shade of blue.

# voyage

# PARTS MANUAL

**JANUARY 2023**

ZIPPIE VOYAGE EIZ16 .....	4
VOYAGE EI16 DISCONTINUED .....	4
GLOSSARY OF ABBREVIATIONS .....	7
BASE .....	7
BASE (S/N Prefix ZV-) EIZ14 .....	8
BASE (S/N Prefix ZV1-) EIZ16 .....	9
SLIDE-N-LOCK (S/N Prefix ZV1-) EIZ16 .....	10
TRANSIT KIT .....	10
TRANSIT KIT ADVANCED SEATING .....	11
TRANSIT KIT MODERATE SEATING .....	12
SEATING .....	12
ADVANCED SEATING (S/N Prefix ZV-) EIZ14 .....	12
SEATING SHELL (S/N Prefix ZV-) EIZ14 .....	12
RECLINE BACK SHELL .....	13
FIXED BACK SHELL .....	15
VOYAGE BASE CONVERSION KIT .....	16
FOOTREST .....	18
SHELL FABRIC .....	19
CANOPY - Discontinued .....	20
ADVANCED SEATING CANOPY .....	21
SEAT PADS .....	21
SEATING CUSHIONS .....	22
ADJUSTABLE SEATING CUSHIONS .....	23
SEAT CUSHION LATERAL KIT .....	24
BACK PADS .....	24
T BACK CUSHION .....	25
HEADRESTS .....	25
HEADREST BRACKET .....	26
HEADRESTS .....	27
DYNAMIC FOREHEAD STRAP .....	28
SUPPORT .....	28
SWING-AWAY LATERAL ASSEMBLY .....	29
FIXED LATERAL ASSEMBLY .....	30
LATERAL HIP SUPPORT .....	31
LATERAL THIGH SUPPORT .....	32
MEDIAL SUPPORT .....	33
ANTERIOR TRUNK SUPPORT .....	34
POSITIONING BELTS .....	35
ADVANCED SEATING (S/N Prefix ZV1-) EIZ16 .....	35
RECLINE BACK SHELL .....	36
FIXED BACK SHELL .....	37
SLIDE-N-LOCK FOR ADVANCED SEATING SHELL .....	38
FOOTREST .....	39
SHELL FABRIC .....	40
CANOPY - Discontinued .....	41
ADVANCED SEATING CANOPY .....	42
SEAT PADS .....	42
SEATING CUSHIONS .....	43
ADJUSTABLE SEATING CUSHIONS .....	44
SEAT CUSHION LATERAL KIT .....	45
BACK PADS .....	45
T BACK CUSHION .....	46
HEADRESTS .....	46
HEADREST BRACKET .....	47
HEADRESTS .....	48
DYNAMIC FOREHEAD STRAP .....	49
SUPPORT .....	49
SWING-AWAY LATERAL ASSEMBLY .....	50
FIXED LATERAL ASSEMBLY .....	51
LATERAL HIP SUPPORT .....	52
LATERAL THIGH SUPPORT .....	53
MEDIAL SUPPORT .....	54
ANTERIOR TRUNK SUPPORT .....	55
POSITIONING BELTS .....	56
MODERATE SEATING (S/N Prefix ZV1-) EIZ16 .....	56
SEAT BASE .....	57
SEAT BACK .....	58
MODERATE SEAT CUSHION .....	59
MODERATE BACK CUSHION .....	60
MODERATE FOOTREST .....	61

MODERATE LATERALS.....	62
MODERATE HEAD SUPPORT.....	64
MODERATE MEDIAL SUPPORTS.....	66
MODERATE HIP SUPPORTS.....	67
MODERATE ANTERIOR TRUNK SUPPORT.....	68
MODERATE PELVIC POSITIONING.....	69
MODERATE GRAB BAR.....	70
MODERATE INFANT SEAT INSERT.....	71
CANOPY MODERATE SEATING - Discontinued.....	72
MODERATE SEATING CANOPY.....	73
ACCESSORIES.....	73
VOYAGE BOOSTER BASE (S/N Prefix ZV-) EIZ14.....	74
VOYAGE BOOSTER BASE SLIDE-N-LOCK (S/N Prefix ZV1-) EIZ16.....	75
VOYAGE JCM BOOSTER BASE (S/N Prefix ZV1-) EIZ16.....	76
SHOE HOLDER ASSEMBLY.....	77
UPPER EXTREMITY SUPPORT TRAY (S/N Prefix ZV-) EIZ14.....	78
UPPER EXTREMITY SUPPORT TRAY (S/N Prefix ZV1-) EIZ16.....	79
VENT TRAYS.....	81
VENT AND BATTERY TRAY.....	81
VERTICAL MOUNT VENT TRAY.....	82
FRONT MOUNT UTILITY PLATFORM.....	83
O2 AND IV HOLDERS.....	83
O2 HOLDER.....	84
IV POLE ASSEMBLY W/BASE.....	85
O2 HOLDER AND IV ASSEMBLY.....	86
VOYAGE RAINCAPE.....	88
VOYAGE ACCESSORIES.....	89





Dear Valued Customer,

As of **12/19/2022**, the sale of **Voyage EIZ16** has been discontinued. Sales of the **Voyage EIZ18** remain open.

In compliance with Sunrise Medical's policy, replacement parts for **Voyage EIZ16** will continue to be available until **12/19/2027 or until supplies last**.

Effective **12/19/2027**, replacement parts for the **Voyage EIZ16** will be obsolete and therefore no longer available for sale.

Sincerely,  
Sunrise Medical

**Description**

DISCONTINUED PRODUCT

**GLOSSARY OF ABBREVIATIONS**

[12/10/2019]

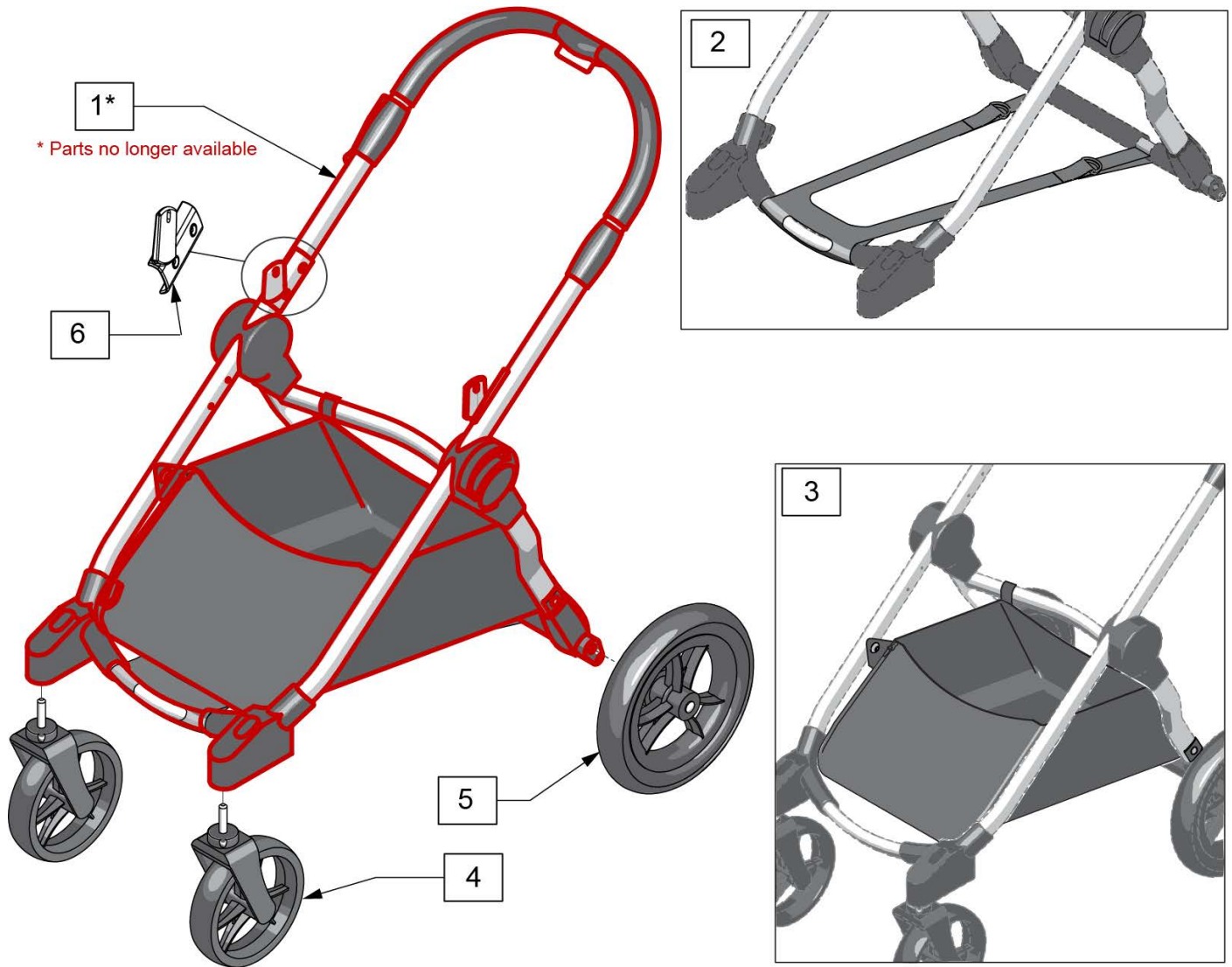
Note: see Informations Panel for file.

1AD	One Arm Drive	CZ	Cozy	INH	Inhibit	PCB	Pediatric Center of Gravity (AKA: Zippie Iris)	S/A	Swing Away
3DCR	3DX Microclimatic cover for Cryo style inserts	DAB	Depth-adjustable Back	INORG	Inorganic coating	PCM	Power Center Mount	S/F	Side Frame
AAA	Adult Angle Adjustable	DB	Dynamic Back	INSRT	Insert	PED	Pediatric	SCW	Screw
AACM	Angle Adjustable Center Mount	DBL	Double	I/O	Swing In Out	PEL	Pelvic	SDLE	Saddle
ABD	Abductor	DC	Deep Contour	IRIS	Intelligent Rotation in Space	PH	Push Handle	SG	Side Guard
AC	All Court	DL	Desk Length	ISM	Intelligent Seating Module	PHIL	Phillips	SGTG	Super Grip Thumb Guard
AD	Arm Drive	DP	Dual Post Armrest	JA	Jay Active	PL	Plated	SHCS	Socket Head Cap Screw
ADJ	Adjustable	D-Post	Dual Post Armrest	JNR	Junior	PL	Pin Lock	SHSS	Socket Head Set Screw
ADPT	Adapter	D-PST	Dual Post Armrest	KAA	Kids Angle Adjustable	PLL	Pull	SHLDR	Shoulder
AE	Air Exchange	DRP	Drop (seat)	KDS	Kids	PLT	Plate	SHT	Short
AHAB	ASAP II	DRV	Drive	KT	Kit (usually consists of all mounting hardware for one side)	PLST	Plastic	SLD	Solid
ANG	Angle	DTT	Diagnostic Test Tool	KVLR	Kovlar	PLY	Plywood	SLNG	Sling
ALR	Articulating Legrest	DY	Dynamic Back	KZ	Quickie Kidz/Zippie Kidz	PNEU	Pneumatic	SLTD	Slotted
ALUM	Aluminum	EA	Each	L	Left	PNK	Pink	SLV	Steeve
AMH	Adjustable Mounting Hardware	ELR	Elevating Legrest	LAT	Lateral	PNT	Paint	SM	Small
ANO	Anodized	EXT	Extension	LCK	Lock	PNTD	Painted	SNGL	Single
ASAP	Adjustable Seating and Positioning	EXTND	Extended	LFH	Left Front Horizontal	POLY	Polyurethane	SOC	Socket
ASL	Adaptive Switch Laboratories	F	Folding Frame	LFT	Left	POST	Posterior	SPCR	Spacer
ASM	Assembly (includes other parts)	FHCS	Flat Head Cap Screw	LFV	Left Front Vertical	PR	Pressure Relieving	SPEC CLR	Specify Color
ASSM	Assembly	FL	Full Length	LH	Left Hand	PR	Power Recline	SPIA	Single Post Height Adjustable
ASSMLY	Assembly	FLD	Folding	LH	Left Horizontal	PR	Pair	SPK	Spoke
ASSY	Assembly	FL FT	Flip-up Footrest	LK	Lock	PR	Pair (PR)	SPR	Super Grip Handrim
AT	Anti-tip	FLP	Flip	LNG	Long	PRCR	Premium Leatherette cover for Cryo style inserts	SQZ	Squeeze
ATT	Attachment	FLRD	Flared	LO	Lift Off	PRE-ISC	Pre-Ischial	SS	Stainless Steel
BB	Basketball	FM	Foam	L/O	Lift Off	PREM	Premium Leatherette cover material	ST	Seat
BC	Breezy Chrome	FM	Front Mount	LP	Loop	PROJ	Projection	S/TAP	Self Tapping
BCK	Back	FNDR	Fender	LPS	Loops	PRPL	Purple	STCR	Stretch Cover for Cryo Style inserts
BCKBRD	Backboard	FPH	Folding Push Handle	LRG	Large	PRTL	Partial	STD	Standard
BH	Bulton Head	FT	Foot	LRH	Left Rear Horizontal	PT	Point	STL	Style
BHCS	Bulton Head Cap Screw	F/REST	Footrest	LRV	Left Rear Vertical	PTRN	Pattern	STR	Stretch cover material
BKL	Buckle	FRNT	Front	LS	Low Sheer	PWR	Power	STRLR	Stroller
BKRST	Backrest	FT PLT	Footplate	LT	Long Tab	Q1	Quickie 1	STRT	Straight
B-LOCK	Back Lock	FTRST	Footrest	LT	Natural Fit Lite Handrims	Q2	Quickie 2	SUP	Support
BLD	Build Up	F/UP	Flip-up	LTRL	Lateral	Q2HP	Quickie 2 High Performance	SYS	System
BLK	Black	FWD	Front Wheel Drive	LUMB	Lumbar	QC	Quickie Carbon	T	Tab
BLU	Blue	FXT	Fixed	LV	Left Vertical	QR	Quick Release	TG	Thumb Guard (std)
BR	Breezy	G8	Grade 8 higher grade = stronger	LW	Low	QRx	Quickie RX	THRD	Thread
BRD	Board	GP	Quickie GP	LX	Quickie LX	QTI	Quickie Titanium	Ti	Titanium
BRNG	Bearing	GPS	Quickie GPS	LXI	Quickie LXi	QT/QTS	Quickie Tilt & Space	TL	Tail
BRKT	Bracket	GPV	Quickie GPV	MACH	Machine	QUAD	Quadrant Pad	TLC	Tilt Lift Comb
BSHNG	Bushing	GNRC	Generic	MECH	Mechanism	R	Right	TLT	Tilt
BT TN	Bulton	H	Hole	MED	Medium	RCLNR	Recliner	TNNS	Tennis
BT TRY	Battery	HB	High Brake	mm	Millimeter	REC	Receiver	T/S	Tilt-in-Space
BZ	Breezy	HD	Head or Heavy Duty	MNT	Mount	REG	Regular	TTS	Tilt-in-Space
CAA	Composite Angle Adjustable	H/D	Heavy Duty	MNTG	Mounting	REL	Release	UNIV	Universal
CG	Center of Gravity	HDRST	Headrest	MOD	Modify or Modification	REV	Reverse	UNTHRD	Unthreaded
CGT	Center of Gravity Tilt (AKA: IRIS)	HDWR	Hardware	M/S	Machine Screw	RH	Right Hand	UPH	Upholstery
CHRGR	Charger	HEX	Hexagon	MWD	Mid Wheel Drive	RH	Right Horizontal	VERT	Vertical
CJSM	Color Joystick Module	HH	Hem-Height or Hex Head	Nat.Fit	Natural Fit Handrim	RFH	Right Front Horizontal	W	With
CLMP	Clamp	HK	Hook	NAUG	Naugahyde	RFV	Right Front Vertical	W/	With
CLNCHR	Clincher	HL	Heel Loops	NF	Non-folding	RNUT(S)	Rivnut(s)	WD	Wide
CLR	Clear	HM	High Mount	NF	Natural Fit Handrim	RoHS	Restriction of Hazardous Substances	W/F	Water Fall
COMP	Complete	HNDL	Handle	NFLT	Natural Fit Lite Handrim	RR	Rear	W/O	Without
CMPST	Composite	HNGR	Hanger	NR	Non-recessed	RRH	Right Rear Horizontal	WHL	Wheel
CRM	Chrome	HP	High Pressure	OBLIQ	Obliquity	RRV	Right Rear Vertical	WLDMNT	Weldment
C/S	Cap Screw	HR	Handrim	OD	Outer/Outside Dimension	RT	Right	XS	Cross Spoke
C-S	Countersunk	HRDWR	Hardware	O/S	Old Style	RV	Right Vertical	YLW	Yellow
CSTR	Caster	HRNSS	Harness	OUTBRD	Outboard	RWD	Rear Wheel Drive	Z2	Zippie 2
CUSH	Cushion	HS	High Speed	P1	Quickie P100	SA	Swing Away	ZN	Zinc
CV	Conventional	HT	Height or Heat Treated	P2	Quickie P200			ZP	Zippie
CVR	Cover	ID	Inner/Inside Dimension Diameter	P3	Quickie P300			ZP2	Zippie 2
CVRS	Covers	IN	In/Out (for swing in/out hangers)	P5	Quickie/Zippie P500				
CYL	Cylinder	INBRD	Inboard						
		INC	Incontinent						

Pos.	Item Number	Description	Remarks
		GLOSSARY OF ABBREVIATIONS	see attachment in Informations Panel

**Note:** Base Frame (item 1) is no longer available; All warranty & replacement frames require replacing base and converting the seating system to a Slide-N-Lock using kit # 162456; If the original Voyage had a Folding Booster Base, a new one will be required on the replacement order; Replace using the Current Style Voyage (EIZ16 S/N Prefix ZV1-); Please contact Customer Service for assistance.

**Note:** not compatible with Slide N Lock Seating Systems.



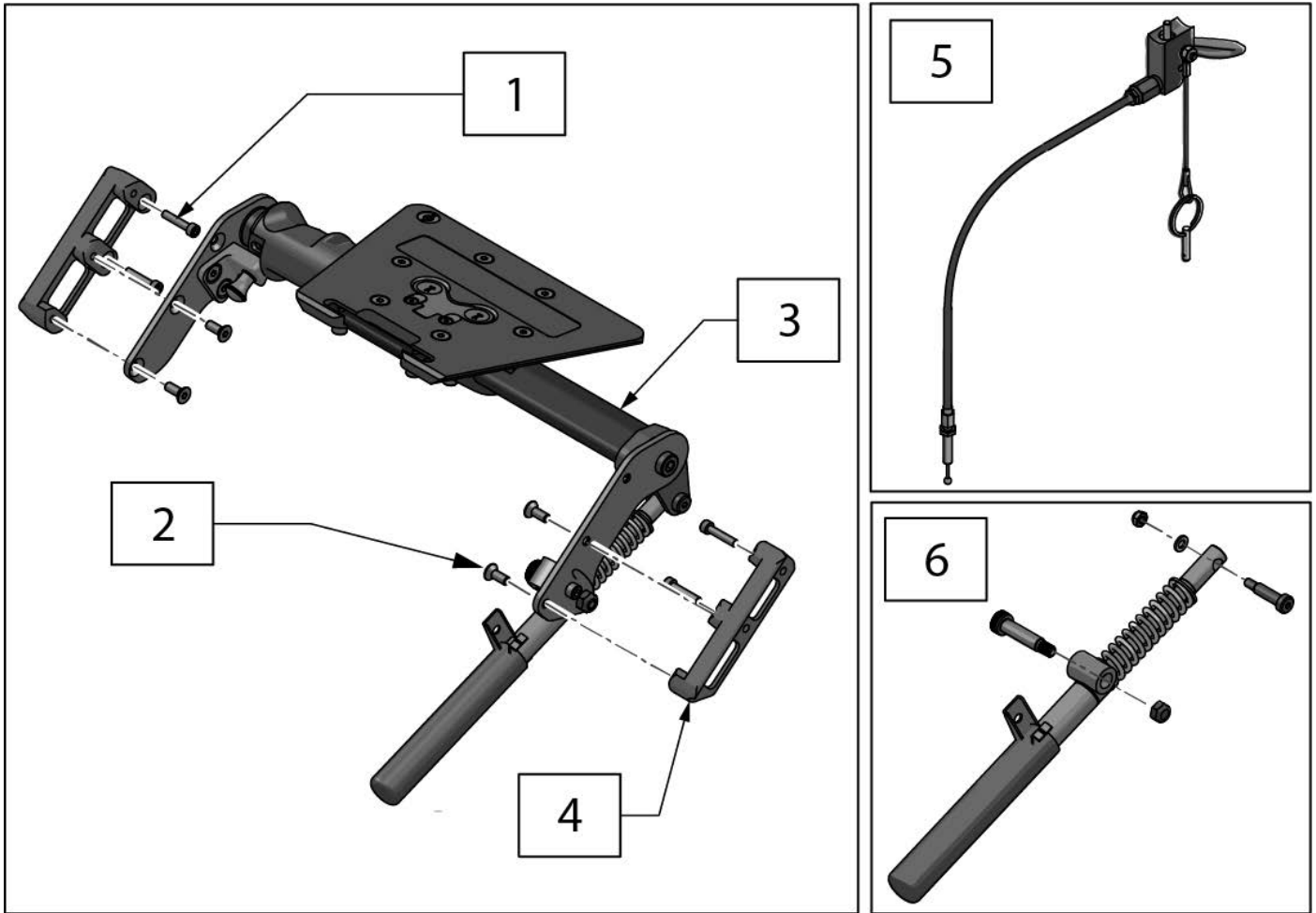
Pos.	Item Number	Description	Remarks
2	125810	BASE SUPPORT STRAP STROLLER	
3	125814	CLOTH UNDERSEAT BASKET STRLR	
4	125811	FRONT CASTER STROLLER	
5	125812	REAR WHEEL LEFT STROLLER	
5	125813	REAR WHEEL RIGHT STROLLER	
6	130303	STROLLER SEAT MOUNT PURCH RH	
6	130304	STROLLER SEAT MOUNT PURCH LH	
7	128577S	VOYAGE BRAKE ASSEMBLY	Includes release lever, pin & cable



Note: For tilt lever assembly, see Slide-N-Lock section.

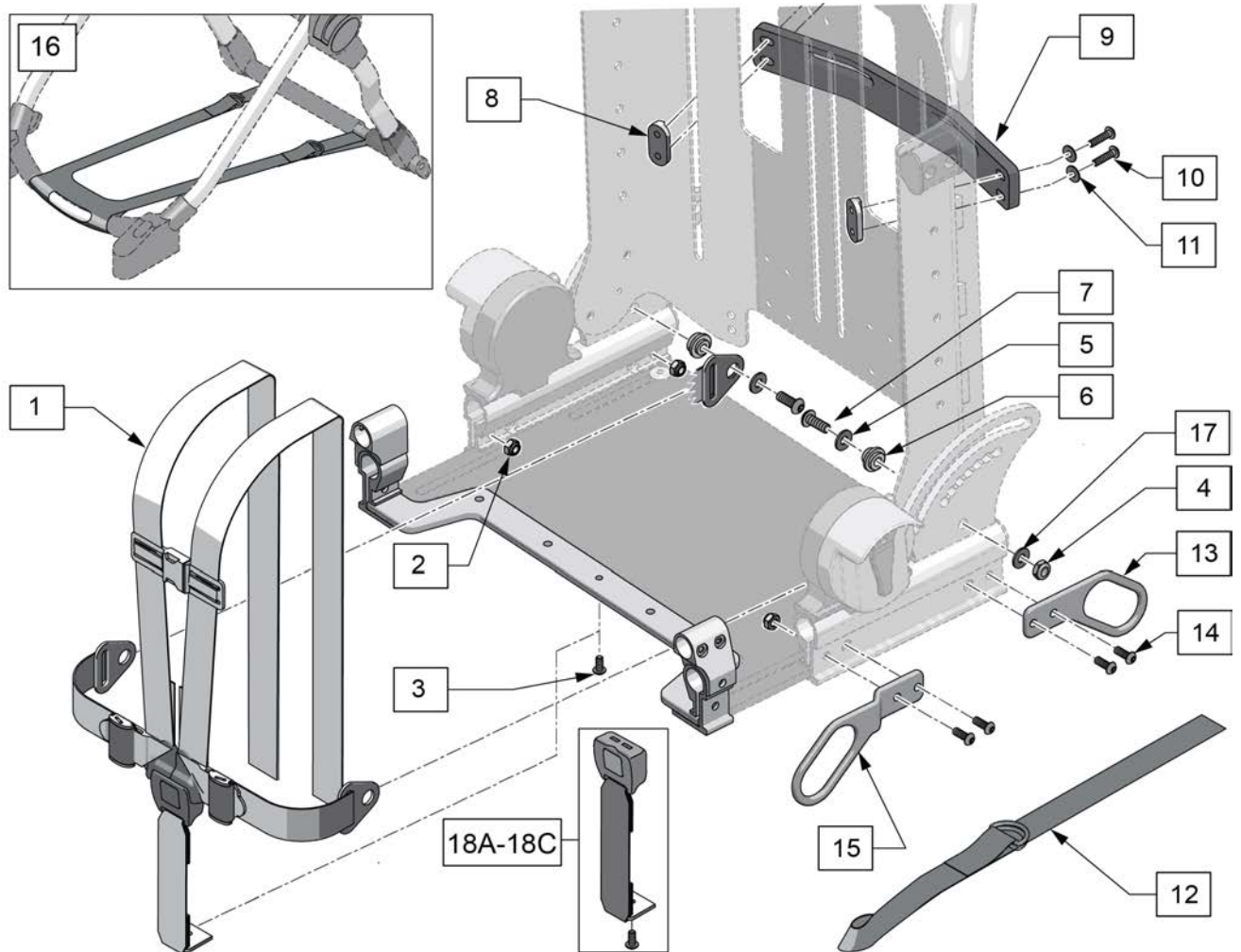


Pos.	Item Number	Description	Remarks
1,2,4,5	160704	VOYAGE BASE W/ SLIDE-N-LOCK	Complete w/ Frame, Mount, Strap & Wheels
2	125810	BASE SUPPORT STRAP STROLLER	
3	125814	CLOTH UNDERSEAT BASKET STRLR	
4	125811	FRONT CASTER STROLLER	
5	125812	REAR WHEEL LEFT STROLLER	
5	125813	REAR WHEEL RIGHT STROLLER	
6	128577S	VOYAGE BRAKE ASSEMBLY	
7	255466	TETHER VOYAGE QUICK RELEASE	

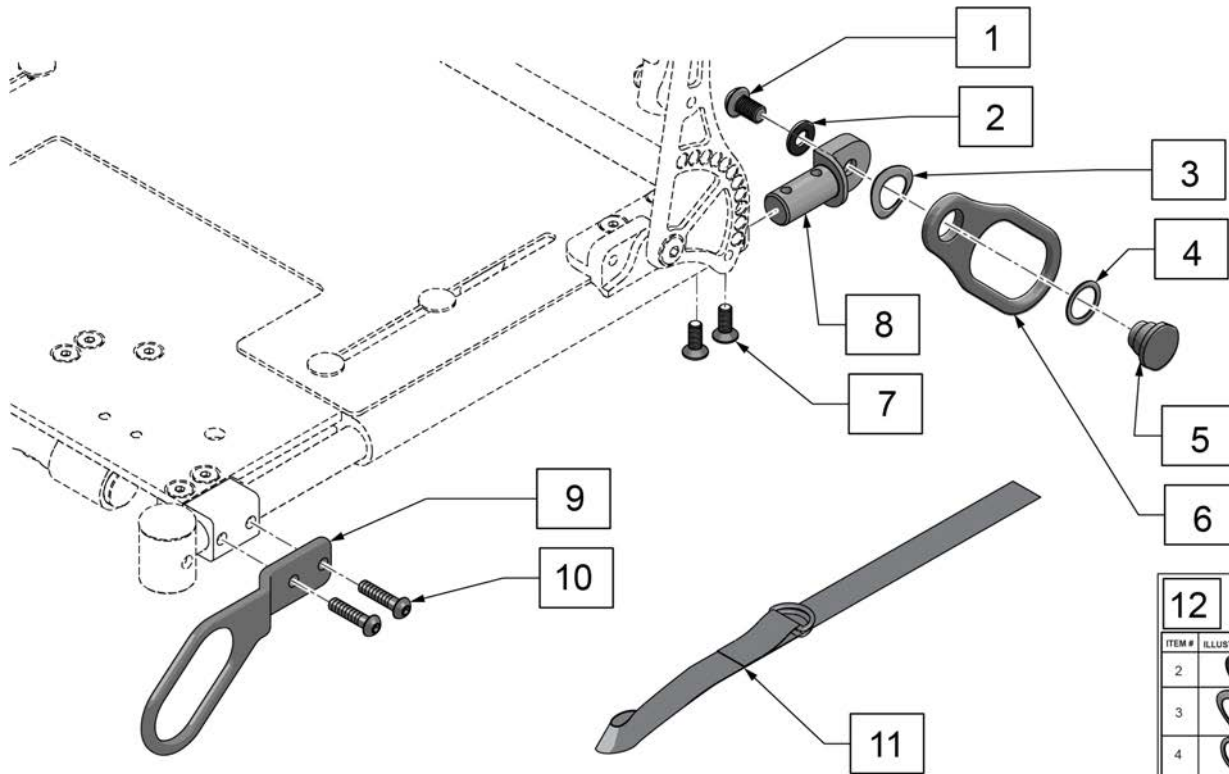


Pos.	Item Number	Description	Remarks
1,2	160712	SNL BASE FASTENERS	4 each
1-4	160705	SLIDE-N-LOCK TILT BASE ASSM	
5	160706	TILT LEVER ASSM VOYAGE BASE	
6	160710	MECH LOCK ASSM VOYAGE	

**Note:** 8" Med Center Strap included when Transit Option ordered with chair and included with Voyage Transit Kit (p/n 125829); for Small or Large Center Strap must order separately.



Pos.	Item Number	Description
1-17, 18B	125829	VOYAGE TRANSIT KIT
1, 3-7, 17	126040	5 POINT HARNESS W/HARDWARE
8-11	126041	SHOULDER STRAP ADJ BAR W/HDWR
12	123441	TRANSIT LEATHER STRAP
18A	129822	TRANSIT CENTER STRAP SM 5"
18B	129823	TRANSIT CENTER STRAP MED 8"
18C	129824	TRANSIT CENTER STRAP LNG10"



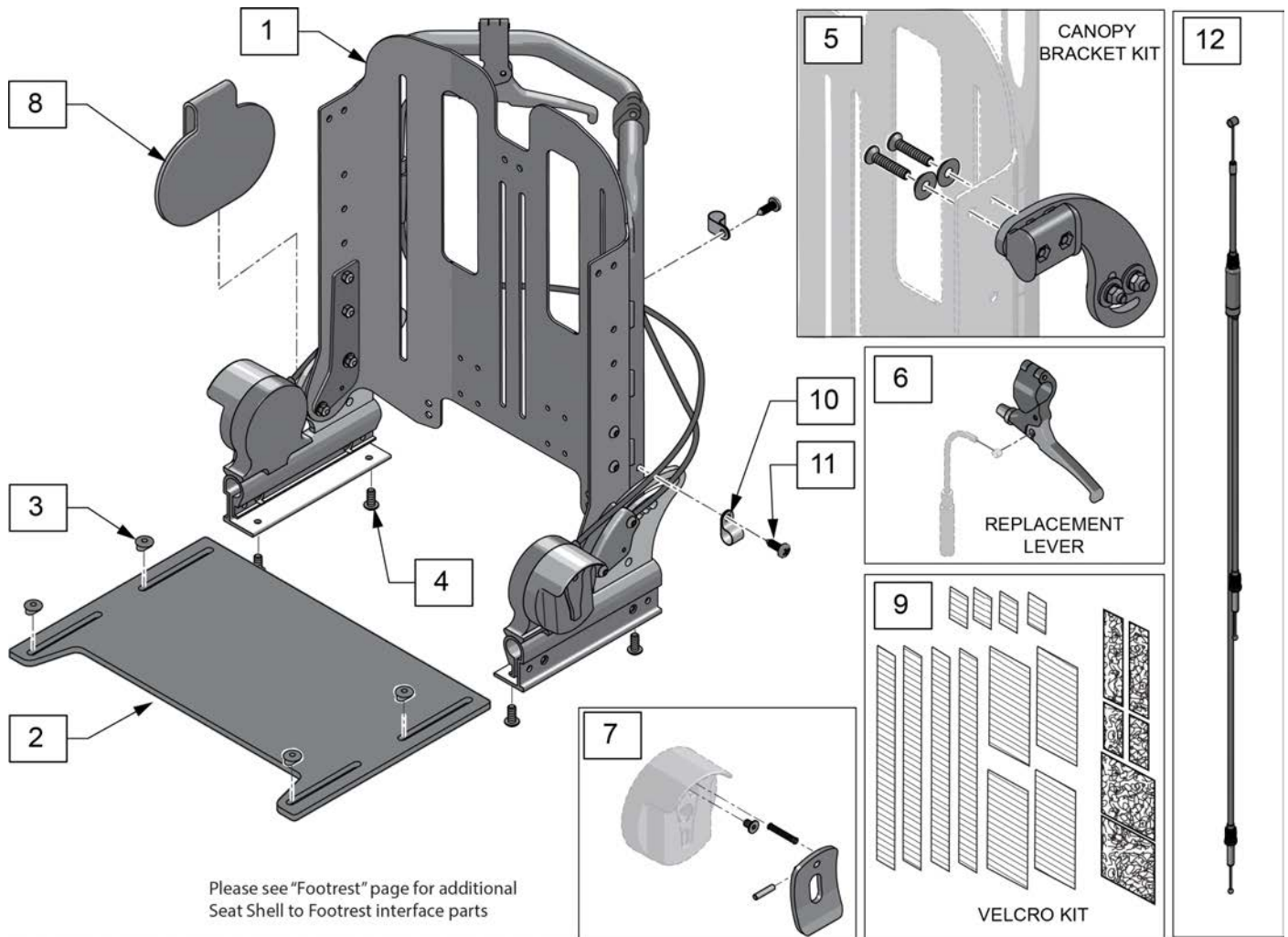
12 MODERATE SEAT TRANSIT FASTENER			
ITEM #	ILLUSTRATION	DESCRIPTION	QTY
2		WASHER FLAT M8	4
3		CURVED WASHER SPRING	4
4		WASHER NYLON BLACK	4
5		TRANSIT PIVOT SHORT	4
7		FHCS, M8x16, FULL, NP	4
10		BHCS M8 X 1.25	4

Pos.	Item Number	Description	Remarks
1-11	160717	MODERATE SEAT TRANSIT KIT	Complete Transit Kit
11	123441	TRANSIT TETHER STRAP	
12	160718	MODERATE SEAT TRANSIT FASTENERS	

Note: Beginning 08/01/2013 S/N ZV-001623 chairs shipped with Cable Clips installed.

Note: Beginning 09/13/2013 the Seat Latch Design was enhanced. If replacing Seat Latch Kit on chairs shipping prior to 09/13/2013. please replace both sides.

Note: to replace item 1 "Backrest Assembly", please contact Customer Service.

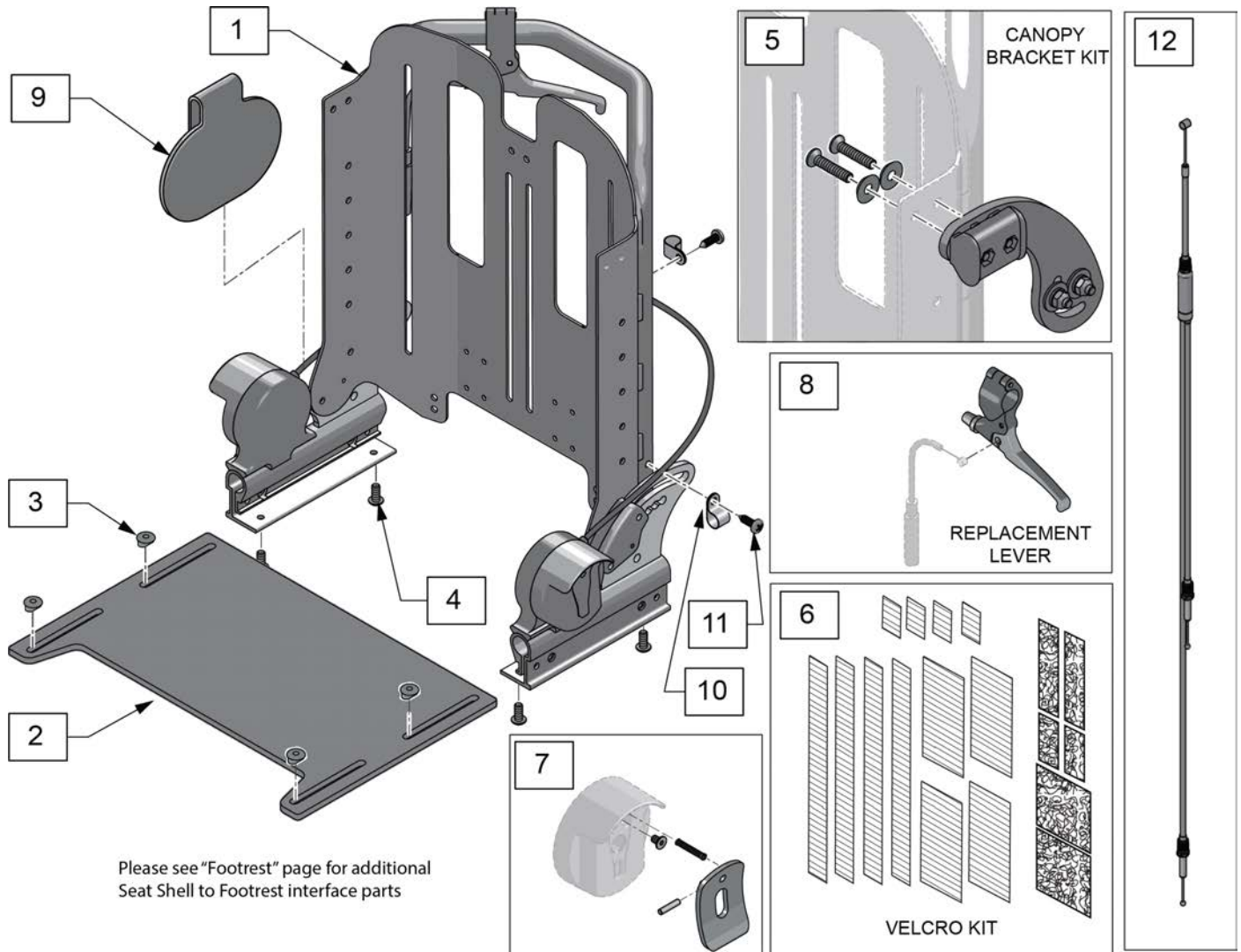


Pos.	Item Number	Description	Remarks
2-4	125819	ADJ SEAT PAN W/ HDWR	assembly includes velcro
5	127734	CANOPY BRCKT 3UP 3FD ASSY LH	
5	127735	CANOPY BRCKT 3UP 3FD ASSY RH	
6	125821	LEVER TILT OR RECLINE	
7	126193	SEAT BASE LATCH KIT	Each
8	125823	STROLLER SIDE FRAME COVER PR	Pair
9	125822	VELCRO REPLACEMENT KIT	
10,11	126401	CABLE ROUTE CLIP KIT (4)	4 P-clips, 4 screws
12	103500	TILT CABLE ASSEMBLY KIT	replacement cable for tilt only



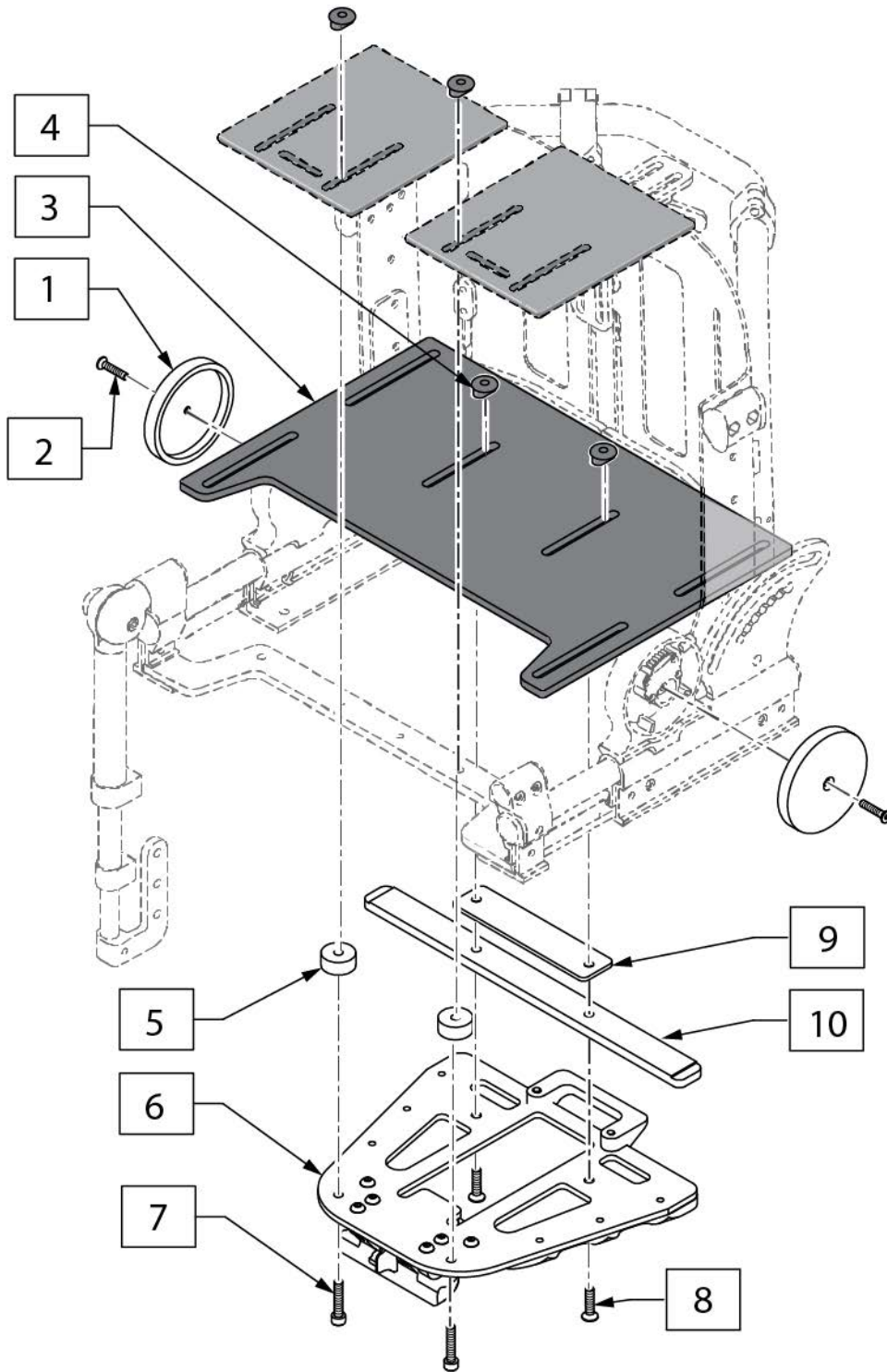
Note: Beginning 08/01/2013 S/N ZV-001623 chairs shipped with Cable Clips installed.

Note: to replace item 1 "Backrest Assembly", please contact Customer Service.



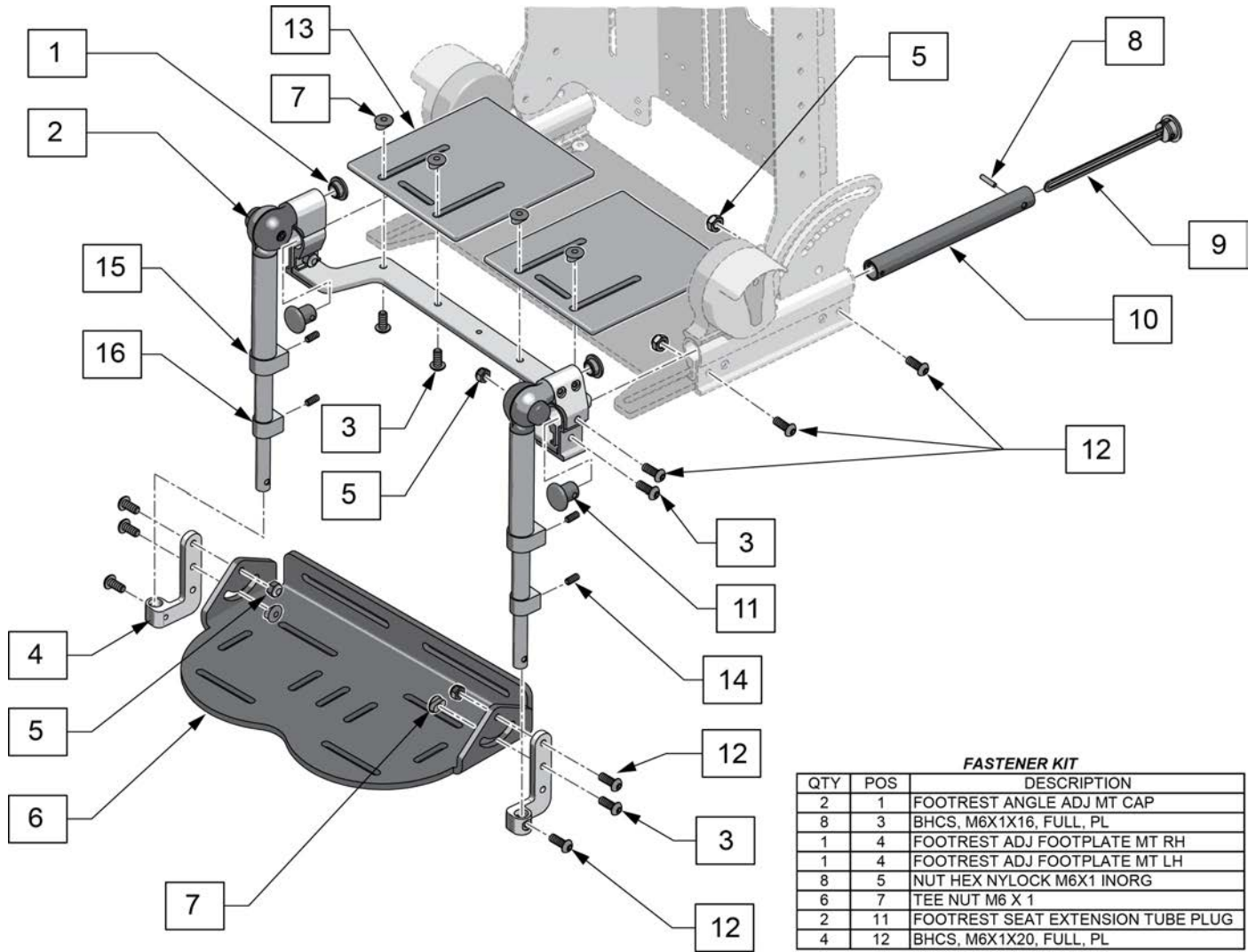
Pos.	Item Number	Description	Remarks
2-4	125819	ADJ SEAT PAN W/ HDWR	
5	127734	CANOPY BRCKT 3UP 3FD ASSY LH	
5	127735	CANOPY BRCKT 3UP 3FD ASSY RH	
6	125822	VELCRO REPLACEMENT KIT	
7	126193	SEAT BASE LATCH KIT	Each
8	125821	LEVER TILT OR RECLINE	
9	125823	STROLLER SIDE FRAME COVER PR	Pair
10,11	126401	CABLE ROUTE CLIP KIT (4)	4 P-clips, 4 screws
12	103500	TILT CABLE ASSEMBLY KIT	replacement cable for tilt only

NOTE: the below conversion kit is utilized if you are converting from an older Voyage Stroller Base with Dual Post interface (Serial numbers ZV-XXXXXX) to the new Voyage Stroller Base with Slide-n-Lock interface (serial numbers ZV1-XXXXXX).





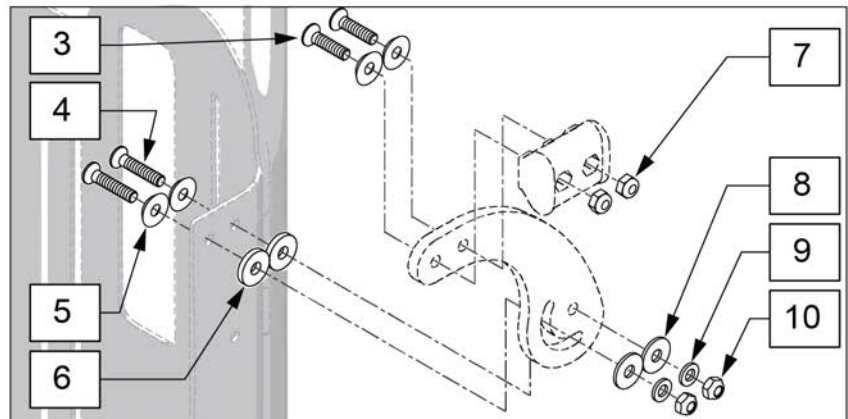
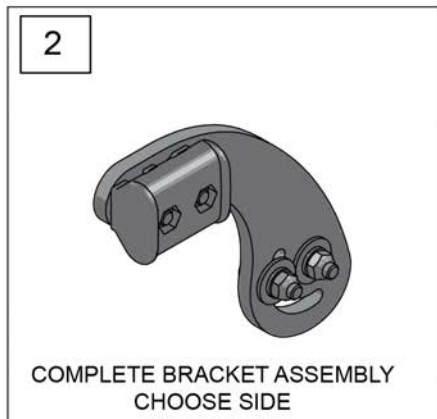
<b>Pos.</b>	<b>Item Number</b>	<b>Description</b>
4-10	160709	SLIDE-N-LOCK RECEIVER ASSM
1-10	162456	BACK SHELL MOUNTING HARDWARE



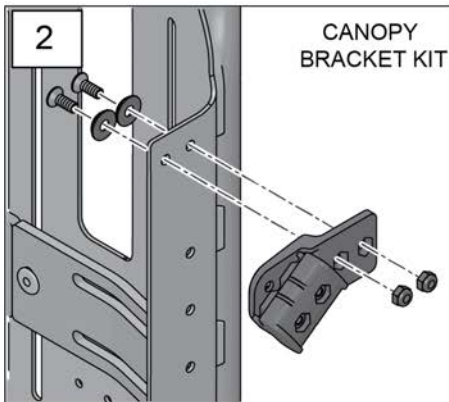
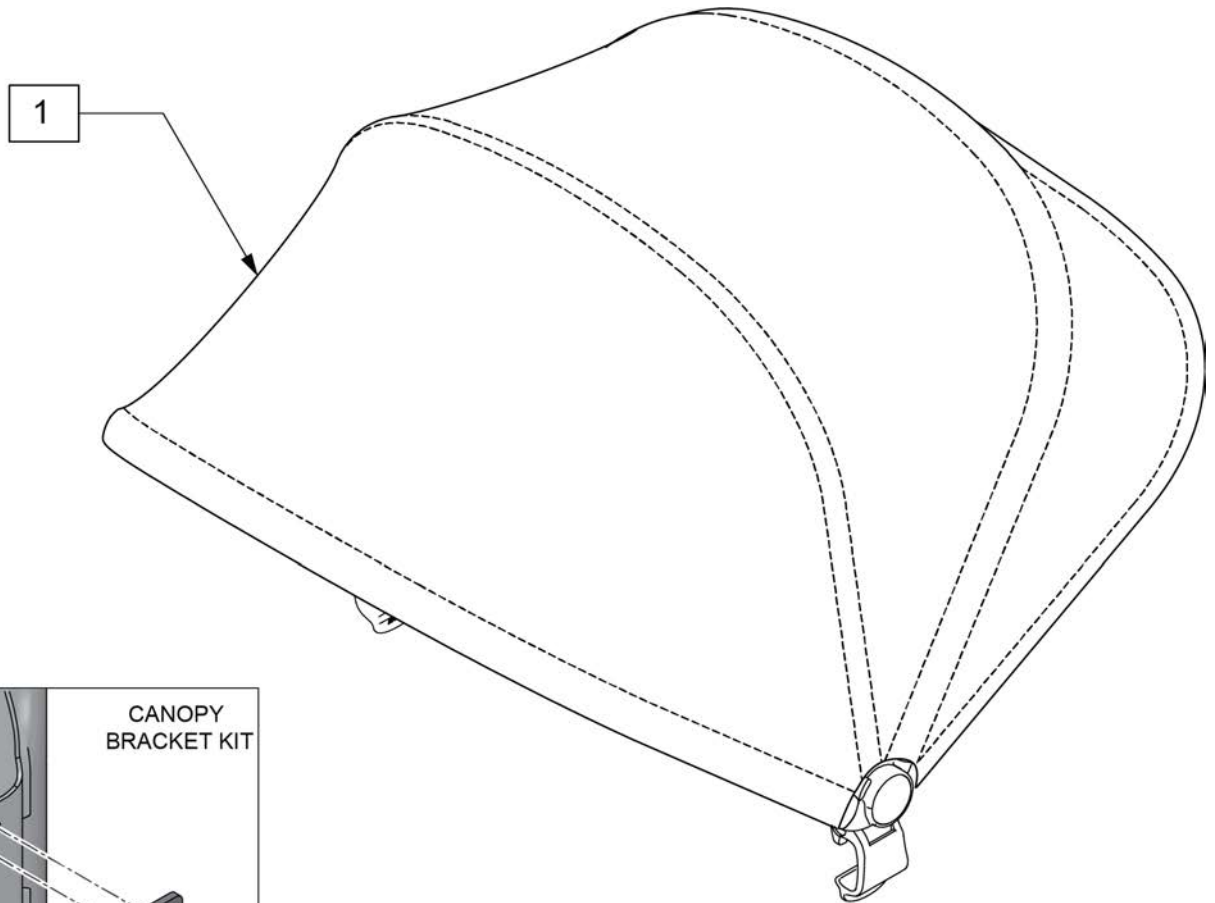
Pos.	Item Number	Description
1-3,5,11	125825	FOOTREST MAIN EXT ASSM W/ HDWR
3-7,12	125826	FOOTREST PLATE ASSM W/ HDWR
8-10	125824	FOOTREST SEAT EXT STOP ASSM
1,3,4,7,10-12	125828	FOOTREST FASTENER KIT
3,7,13	125827	FOOTREST LEG PLATES W/ HDWR PR
14	126893	FR EXT CLAMP SET SCREW (2)
14,15	126891	FR EXT UPPER CLAMP & SET SCREW
14,16	126892	FR EXT LOWER CLAMP & SET SCREW



Pos.	Item Number	Description
1	125917	SHELL FABRIC SHORT PURPLE
1	125918	SHELL FABRIC TALL PURPLE
1	125919	SHELL FABRIC SHORT PINK SORBET
1	125920	SHELL FABRIC TALL PINK SORBET
1	125921	SHELL FABRIC SHORT GREEN
1	125922	SHELL FABRIC TALL GREEN
1	125923	SHELL FABRIC SHORT NAVY BLUE
1	125924	SHELL FABRIC TALL NAVY BLUE
1	125925	SHELL FABRIC SHORT ORANGE
1	125926	SHELL FABRIC TALL ORANGE
1	125927	SHELL FABRIC SHORT RED
1	125928	SHELL FABRIC TALL RED
1	125929	SHELL FABRIC SHORT BLACK
1	125930	SHELL FABRIC TALL BLACK
1	125931	SHELL FABRIC SHORT TURQUOIS
1	125932	SHELL FABRIC TALL TURQUOIS
1	125933	SHELL FABRIC SHORT BURGUNDY
1	125934	SHELL FABRIC TALL BURGUNDY

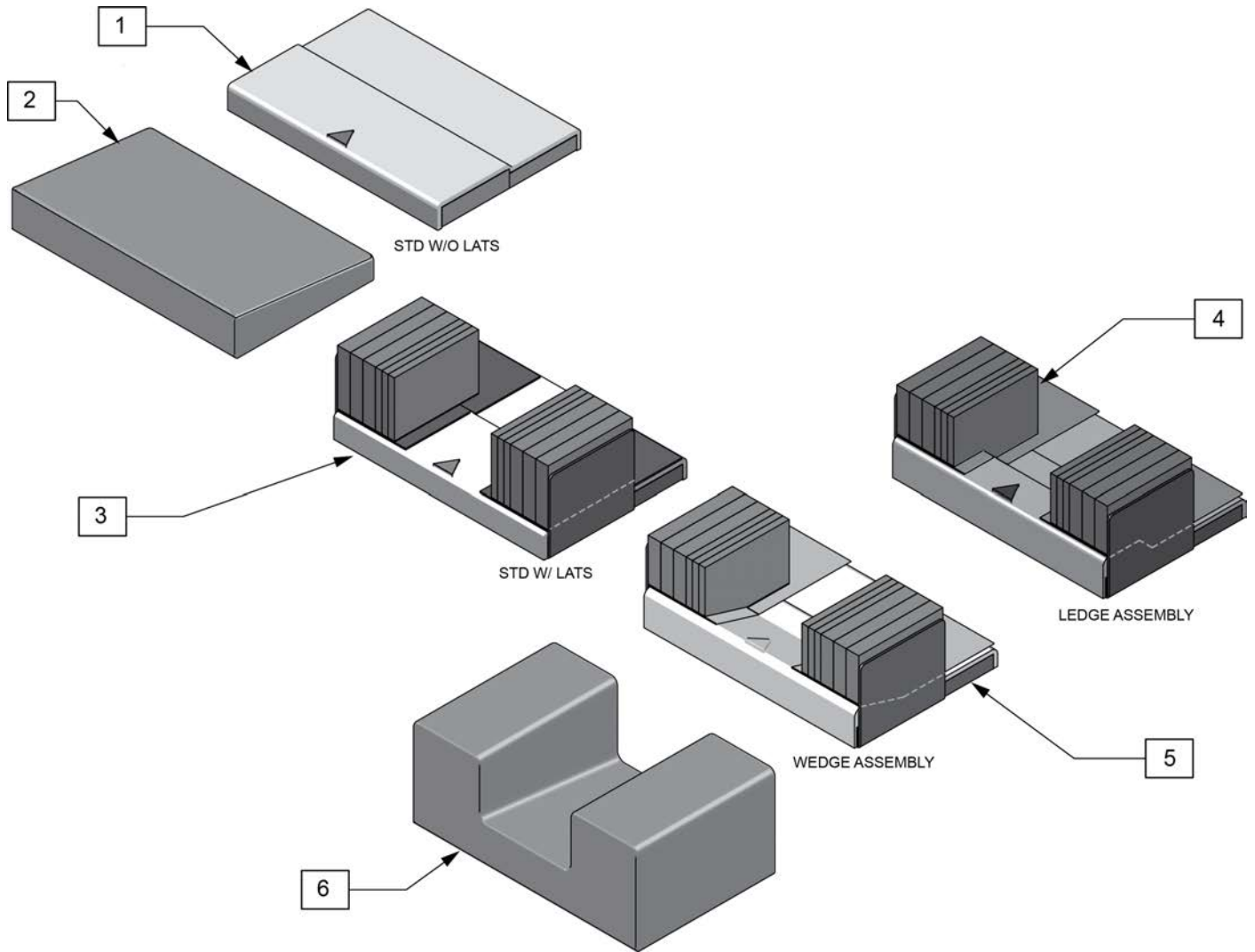


Pos.	Item Number	Description
2	127734	CANOPY BRCKT 3UP 3FD ASSY LH
2	127735	CANOPY BRCKT 3UP 3FD ASSY RH
3	103500-009	CANOPY ATTACHMENT HDWR
4	102265-003	FHCS M6X1X25 FULL NP
5	000 138 017	ROSETTE FOR M6 STEEL
6	561026	3/4" WASHER 1/4" HOLE
7	104381	NUT HEX NYLOCK M6X1.0
8	011111	WASHER M6 X 18 REGULAR BLK
9	107383	WASHER FLAT M6 ROHS
10	210084	NUT HEX NYLOCK M6 BLACK

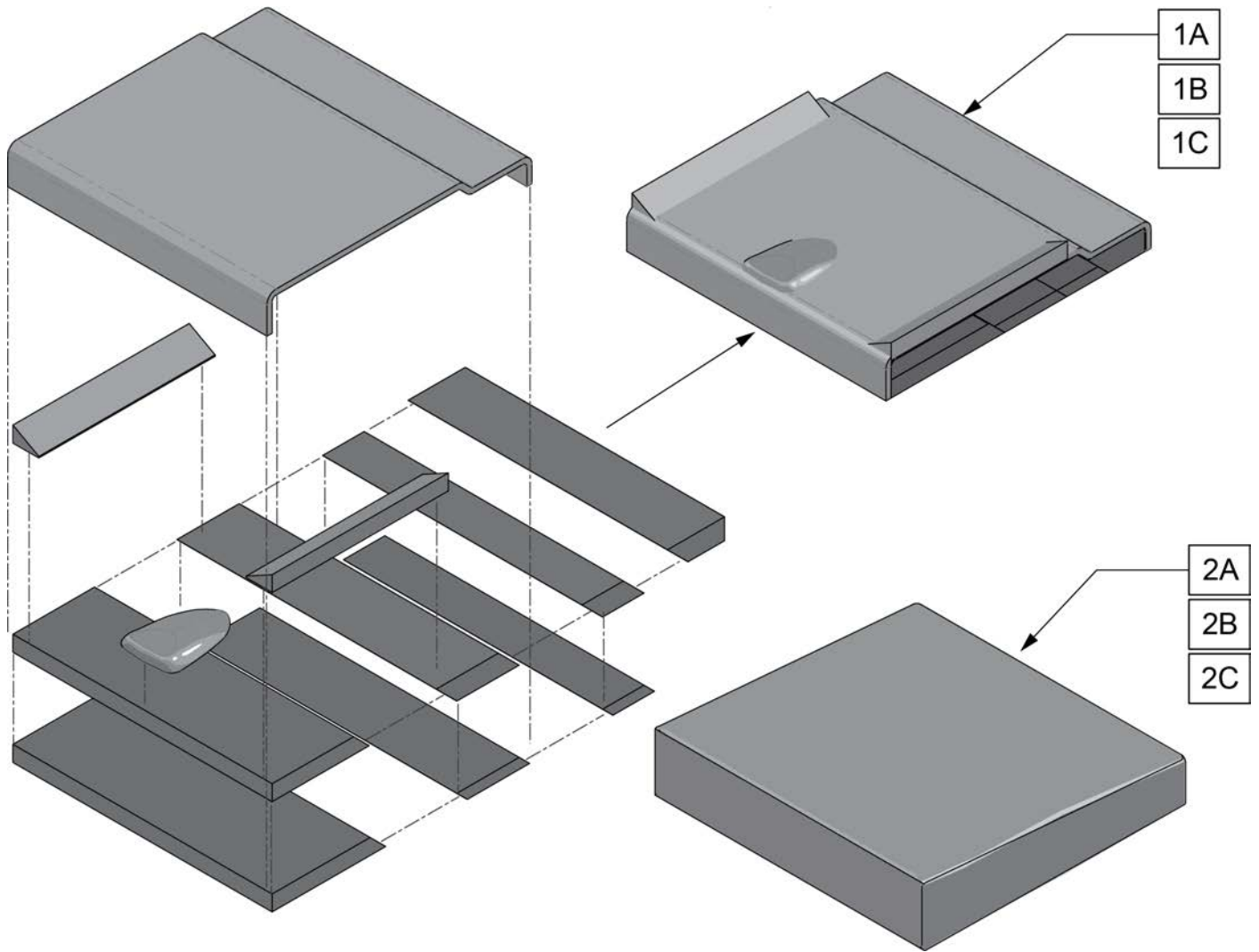


Pos.	Item Number	Description	Pos.	Item Number	Description
1	163506	CNPYKT CRSSVR PURPLE BBSTR	1	163523	CNPYKT CRSSVR RD RC/PINK BBSTR
1	163507	CNPYKT CRSSVR PINK SRBT BBSTR	1	163524	CNPYKT CRSSVR RD RC/GRN BBSTR
1	163508	CNPYKT CRSSVR GREEN BBSTR	1	163525	CNPYKT CRSSVR RD RC/NAVY BBSTR
1	163509	CNPYKT CRSSVR NAVY BLUE BBSTR	1	163526	CNPYKT CRSSVR RD RC/ORNG BBSTR
1	163510	CNPYKT CRSSVR ORANGE BBSTR	1	163527	CNPYKT CRSSVR RD RC/BLCK BBSTR
1	163511	CNPYKT CRSSVR BLACK BBSTR	1	163528	CNPYKT CRSSVR RD RC/TURQ BBSTR
1	163512	CNPYKT CRSSVR BURGUNDY BBSTR	1	163529	CNPYKT CRSSVR RD RC/BRGN BBSTR
1	163513	CNPYKT CRSSVR BTRFL/PRPL BBSTR	1	163530	CNPYKT CRSSVR LPRD/BLACK BBSTR
1	163514	CNPYKT CRSSVR BTRFL/PINK BBSTR	1	163531	CNPYKT CRSSVR LPRD/PRPLE BBSTR
1	163515	CNPYKT CRSSVR BTRFL/GRN BBSTR	1	163532	CNPYKT CRSSVR LPRD/PINK BBSTR
1	163516	CNPYKT CRSSVR BTRFL/NAVY BBSTR	1	163533	CNPYKT CRSSVR LPRD/GRN BBSTR
1	163517	CNPYKT CRSSVR BTRFL/ORNG BBSTR	1	163534	CNPYKT CRSSVR LPRD/NAVY BBSTR
1	163518	CNPYKT CRSSVR BTRFL/BLCK BBSTR	1	163535	CNPYKT CRSSVR LPRD/ORNGE BBSTR
1	163519	CNPYKT CRSSVR BTRFL/TURQ BBSTR	1	163536	CNPYKT CRSSVR LPRD/TURQ BBSTR
1	163520	CNPYKT CRSSVR BTRFL/BRGN BBSTR	1	163537	CNPYKT CRSSVR LPRD/BRGND BBSTR
1	163521	CNPYKT CRSSVR RD RC/RED BBSTR	1	163679	CNPYKT CRSSVR TURQUOISE BBSTR
1	163522	CNPYKT CRSSVR RD RC/PRPL BBSTR	2	163505	CANOPY MOUNTS ADV SEAT BBSTR



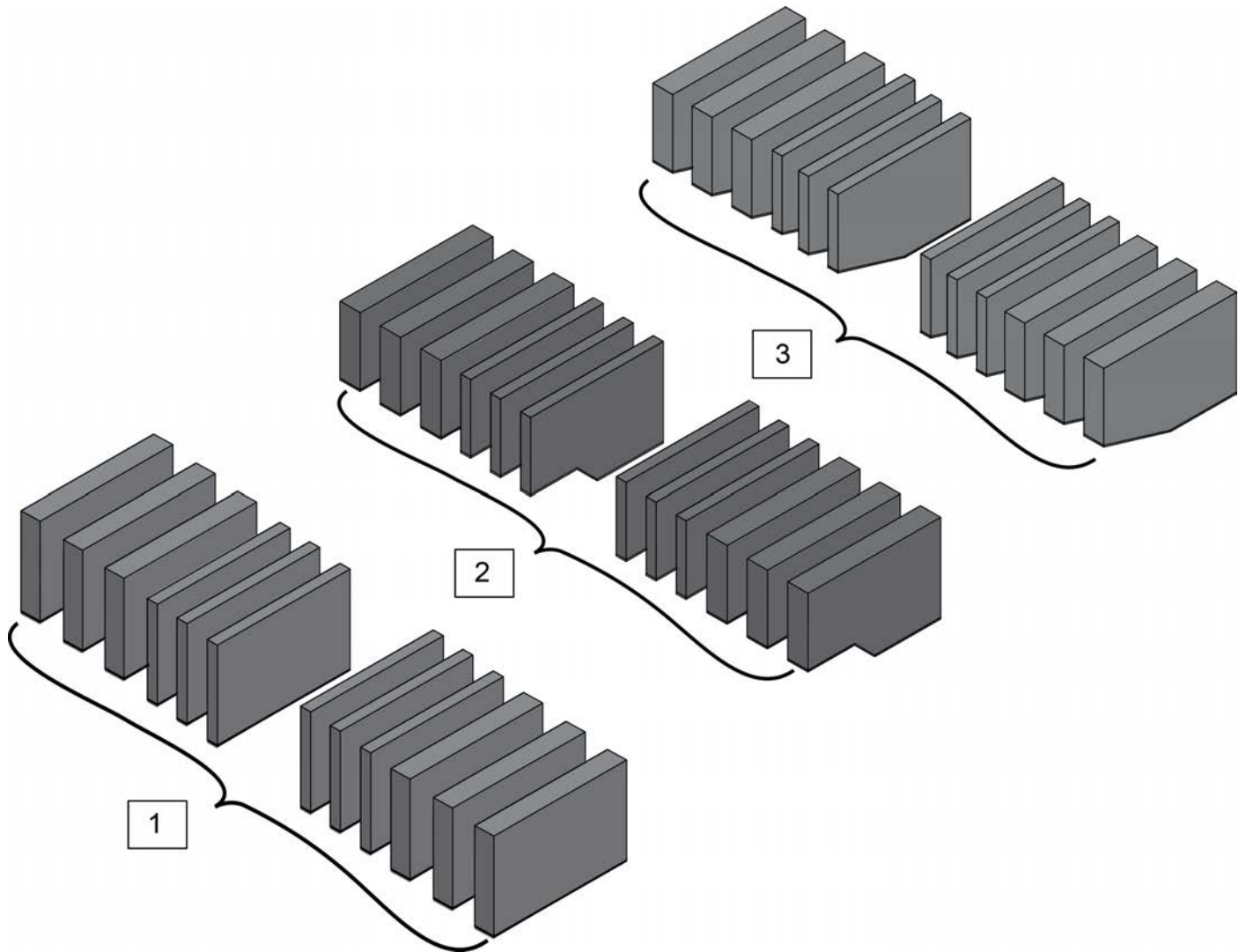


Pos.	Item Number	Description	Remarks
1,2	125546	STD W/O LATS ASSY SHORT	5"-8" Deep
1,2	125549	STD W/O LATS ASSY MEDIUM	7"-10" Deep
1,2	125551	STD W/O LATS ASSY LONG	9"-13" Deep
2	125544	COVER CUSH W/O LATS SHORT	
2	125547	COVER CUSH W/O LATS MEDIUM	
2	125548	COVER CUSH W/O LATS LONG	
3,6	125552	STD W/ LATS ASSY SHORT	
3,6	125554	STD W/ LATS ASSY MEDIUM	
3,6	125556	STD W/ LATS ASSY LONG	
5,6	125558	WEDGE ASSEMBLY SHORT	
5,6	125559	WEDGE ASSEMBLY MEDIUM	
5,6	125561	WEDGE ASSEMBLY LONG	
4,6	125536	LEDGE ASSEMBLY SHORT	
4,6	125537	LEDGE ASSEMBLY MEDIUM	
4,6	125542	LEDGE ASSEMBLY LONG	
6	125550	COVER CUSH WITH LATS SHORT	
6	125553	COVER CUSH WITH LATS MED	
6	125555	COVER CUSH WITH LATS LONG	



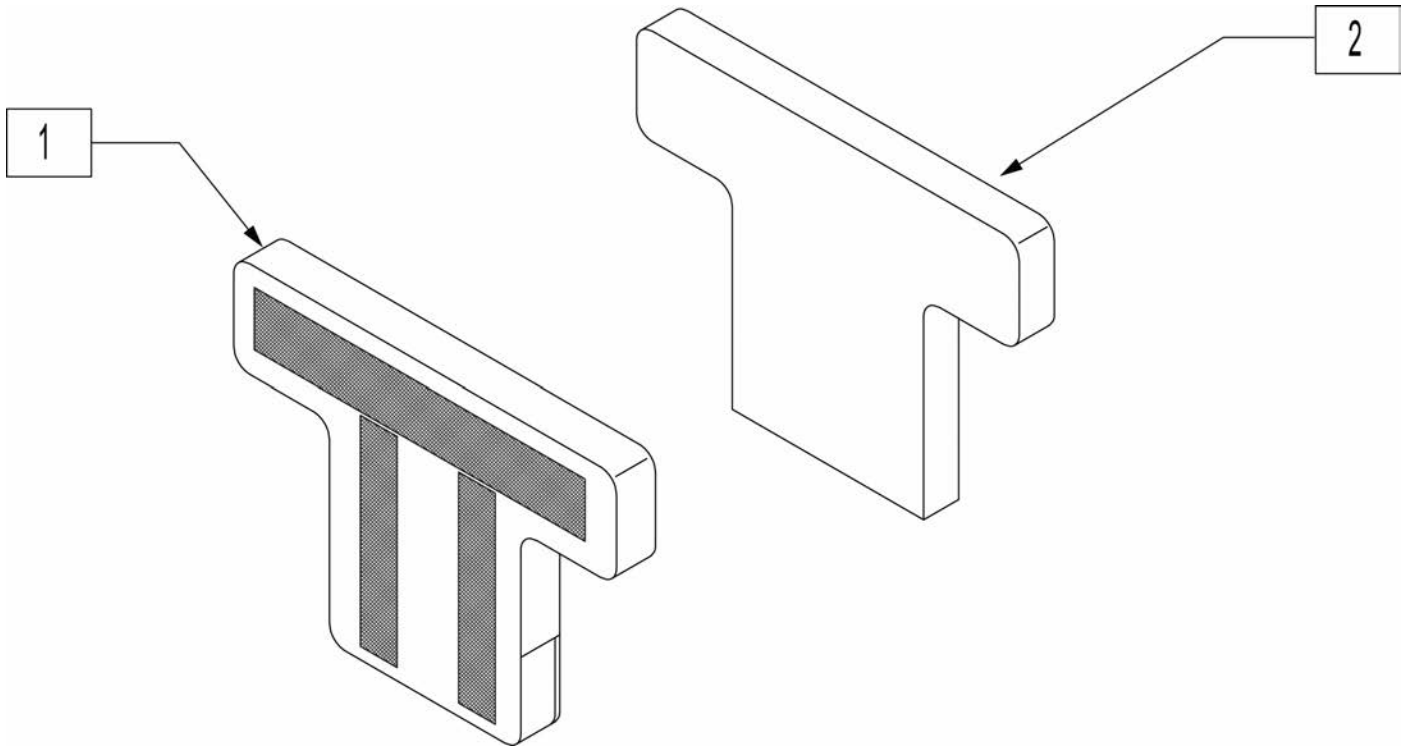
Pos.	Item Number	Description
1A,2A	125533	ADJ CONT SHRT ASSY SOFT
1A,2A	125534	ADJ CONT SHRT ASSY MED/SOFT
1A,2A	125535	ADJ CONT SHRT ASSY MED
1B,2B	125538	ADJ CONT MED ASSY SOFT
1B,2B	125539	ADJ CONT MED ASSY MED/SOFT
1B,2B	125540	ADJ CONT MED ASSY MED
1C,2C	125541	ADJ CONT LONG ASSY SOFT
1C,2C	125543	ADJ CONT LONG ASSY MED/SOFT
1C,2C	125545	ADJ CONT LONG ASSY MED
2A	125830	ADJ CONTOUR COVER SHORT
2B	125831	ADJ CONTOUR COVER MEDIUM
2C	125832	ADJ CONTOUR COVER LONG

Note: All Lateral Kits include (6) 3/4" Laterals and (6) 3/8" Laterals in long; can be cut to size.



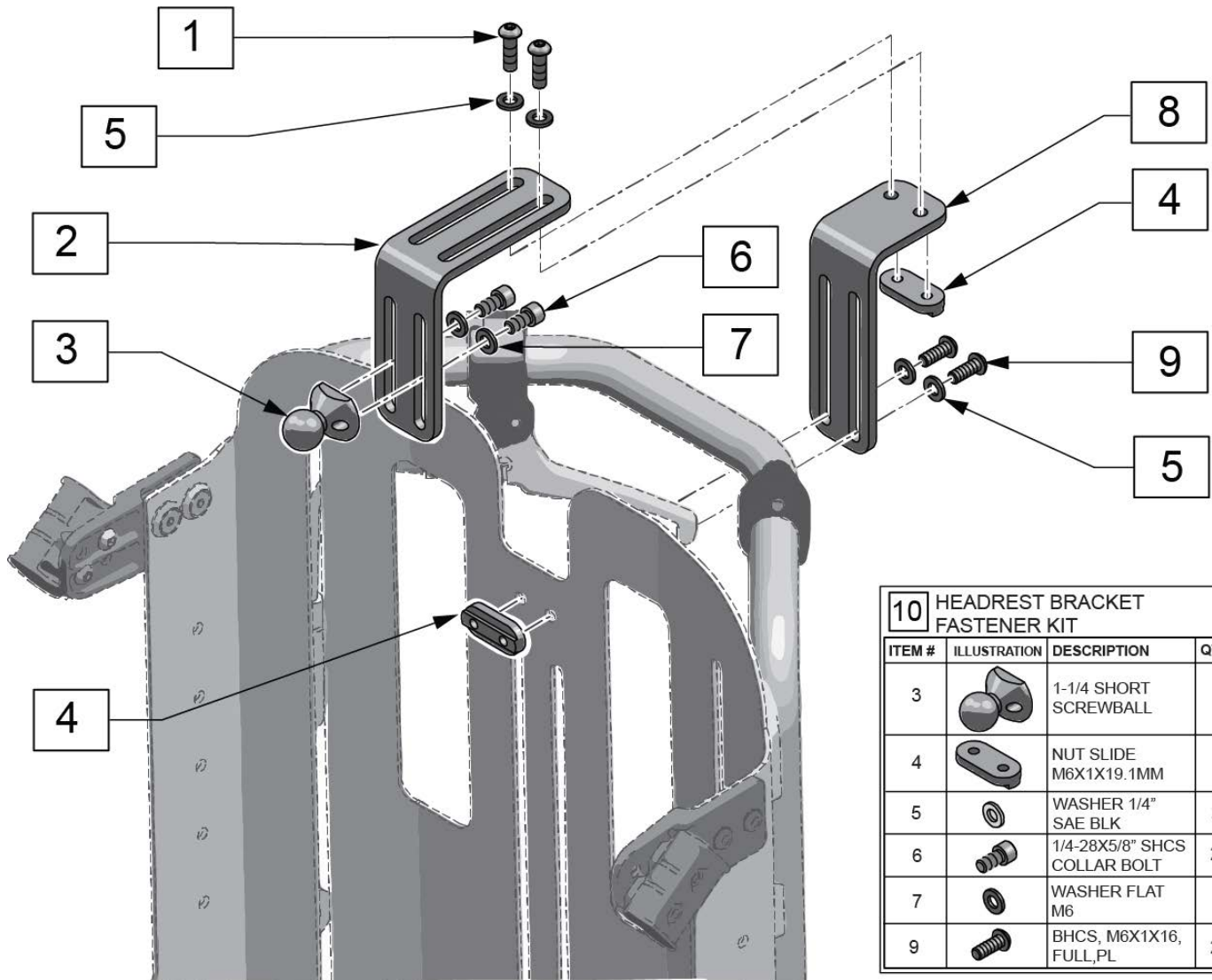
Pos.	Item Number	Description
1	125557	STD W/ LAT CUSHION LATERAL KIT
2	125562	LEDGE CUSHION LATERAL KIT
3	125560	WEDGE CUSHION LATERAL KIT





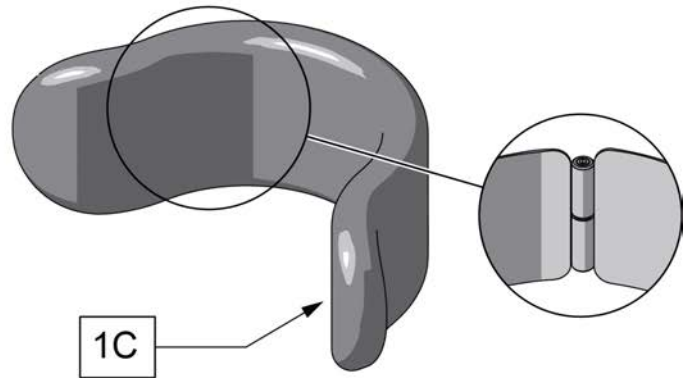
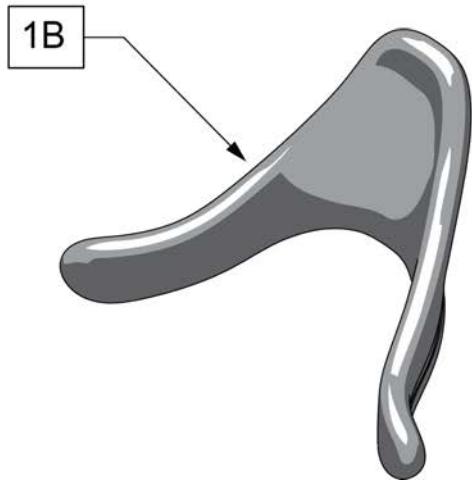
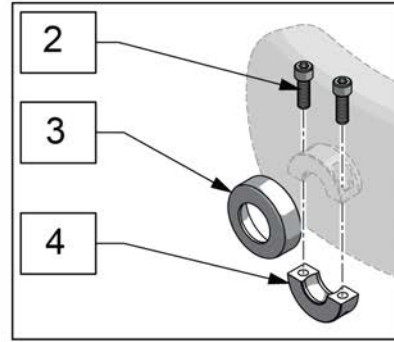
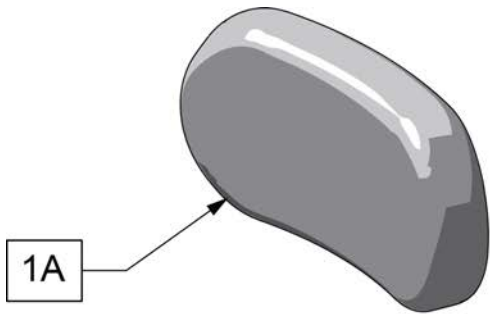
Pos.	Item Number	Description
1	125833	T BACK COVER 1 INCH SHORT
1	125834	T BACK COVER 1 INCH MEDIUM
1	125835	T BACK COVER 1 INCH TALL
1	125836	T BACK COVER 1 INCH XTALL
1	125837	T BACK COVER 2.5 INCH SHORT
1	125838	T BACK COVER 2.5 INCH MEDIUM
1	125839	T BACK COVER 2.5 INCH TALL
1	125840	T BACK COVER 2.5 INCH XTALL
1,2	125841	T BACK ASSM 1 INCH SHORT
1,2	125842	T BACK ASSM 1 INCH MEDIUM
1,2	125843	T BACK ASSM 1 INCH TALL
1,2	125844	T BACK ASSM 1 INCH XTALL
1,2	125845	T BACK ASSM 2.5 INCH SHORT
1,2	125846	T BACK ASSM 2.5 INCH MEDIUM
1,2	125847	T BACK ASSM 2.5 INCH TALL
1,2	125848	T BACK ASSM 2.5 INCH XTALL

HEADREST BRACKET



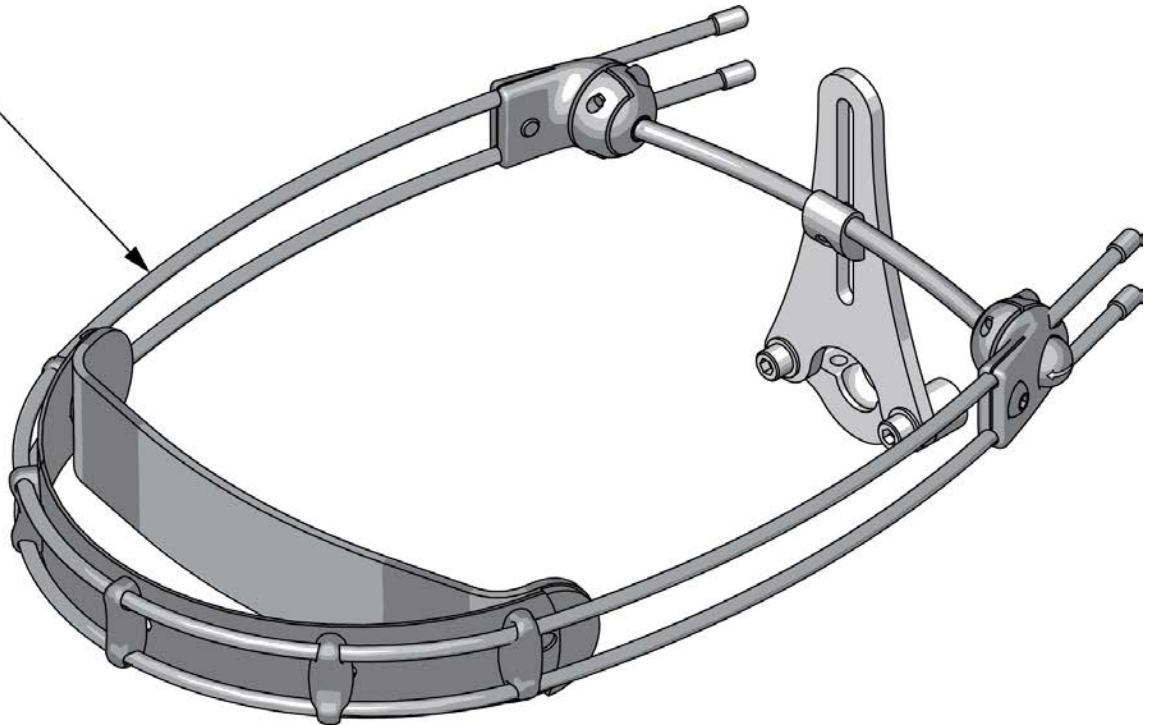
10 HEADREST BRACKET FASTENER KIT			
ITEM #	ILLUSTRATION	DESCRIPTION	QTY
3		1-1/4 SHORT SCREWBALL	1
4		NUT SLIDE M6X1X19.1MM	2
5		WASHER 1/4" SAE BLK	2
6		1/4-28X5/8" SHCS COLLAR BOLT	2
7		WASHER FLAT M6	4
9		BHCS, M6X1X16, FULL, PL	2

Pos.	Item Number	Description
1-3,5-7	125851	HEADREST BRACKET UPPER ASSM
4,5,8,9	125850	HEADREST BRACKET LOWER ASSM
1-9	125849	HEADREST BRACKET ASSM COMPLETE
10	125852	HEADREST BRKT FASTENER KIT

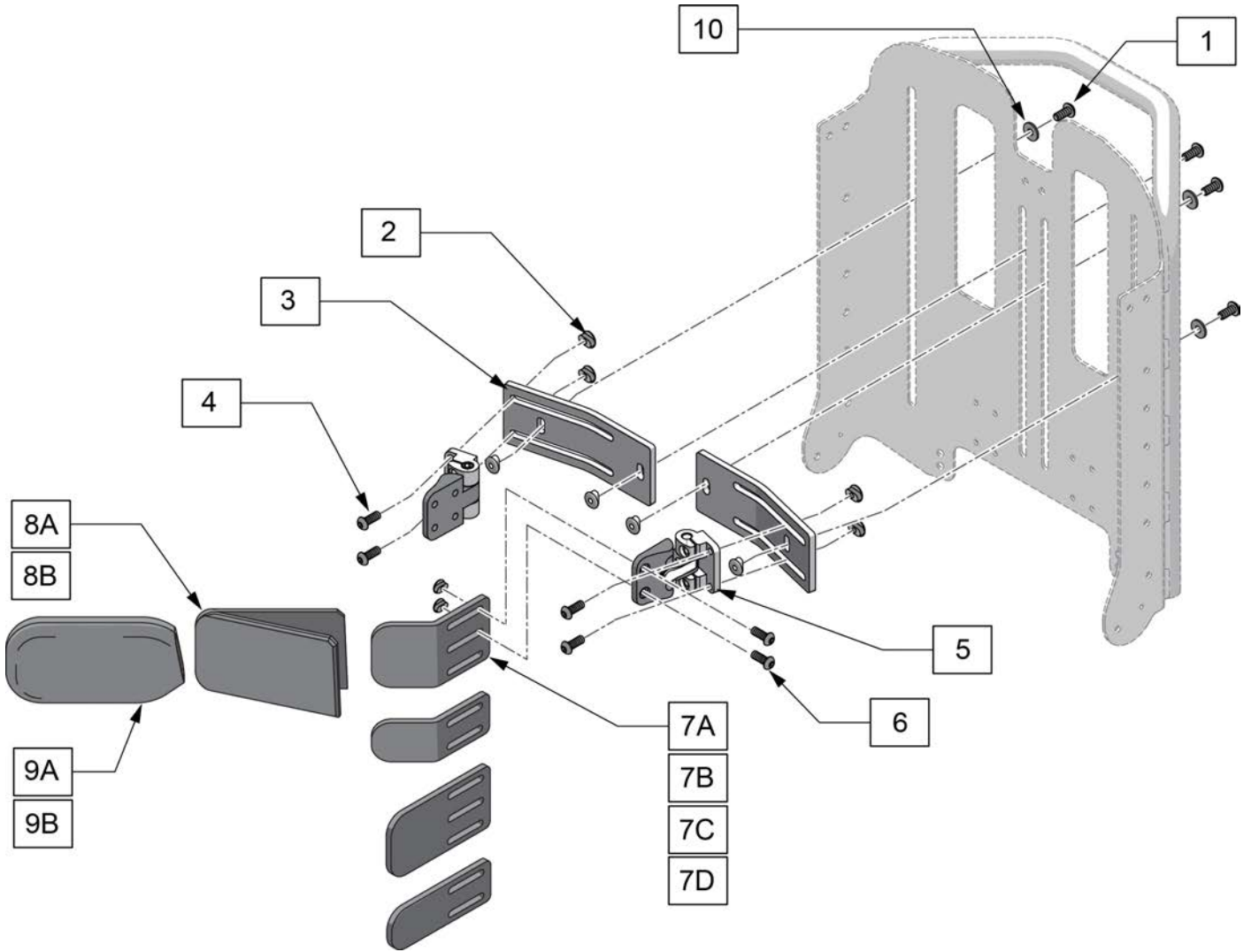


Pos.	Item Number	Description
1A-4	125853	WHITMYER 8" PLUSH W/ COLLAR
1A-4	125854	WHITMYER 10" PLUSH W/ COLLAR
1B-4	125855	SM CONTOUR CRADLE W/ COLLAR
1B-4	125856	MED CONTOUR CRADLE W/ COLLAR
1C-4	125857	SM ADJUST-A-PLUSH W/ COLLAR
2-4	125858	COLLAR W/ BOLTS AND COVER

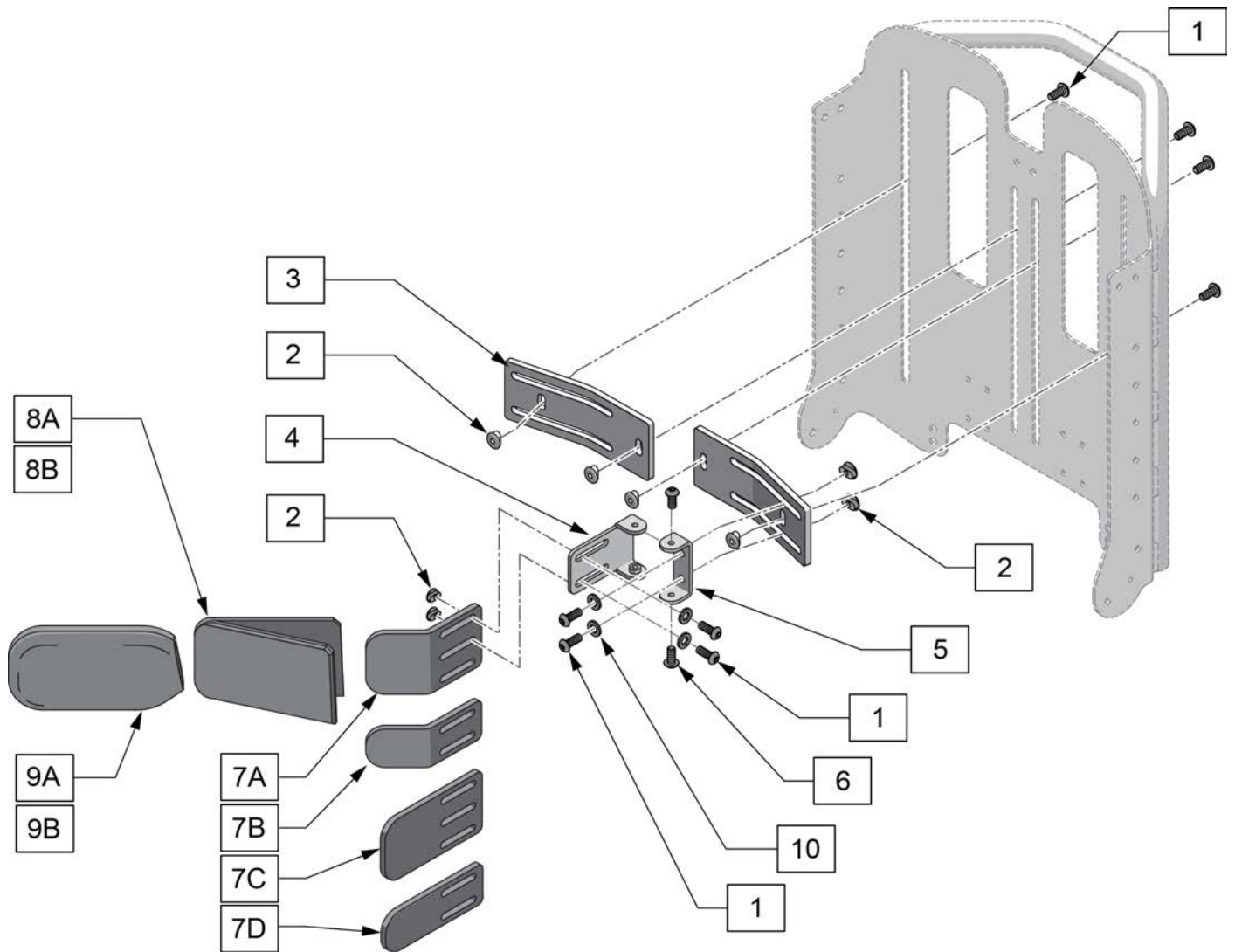
1



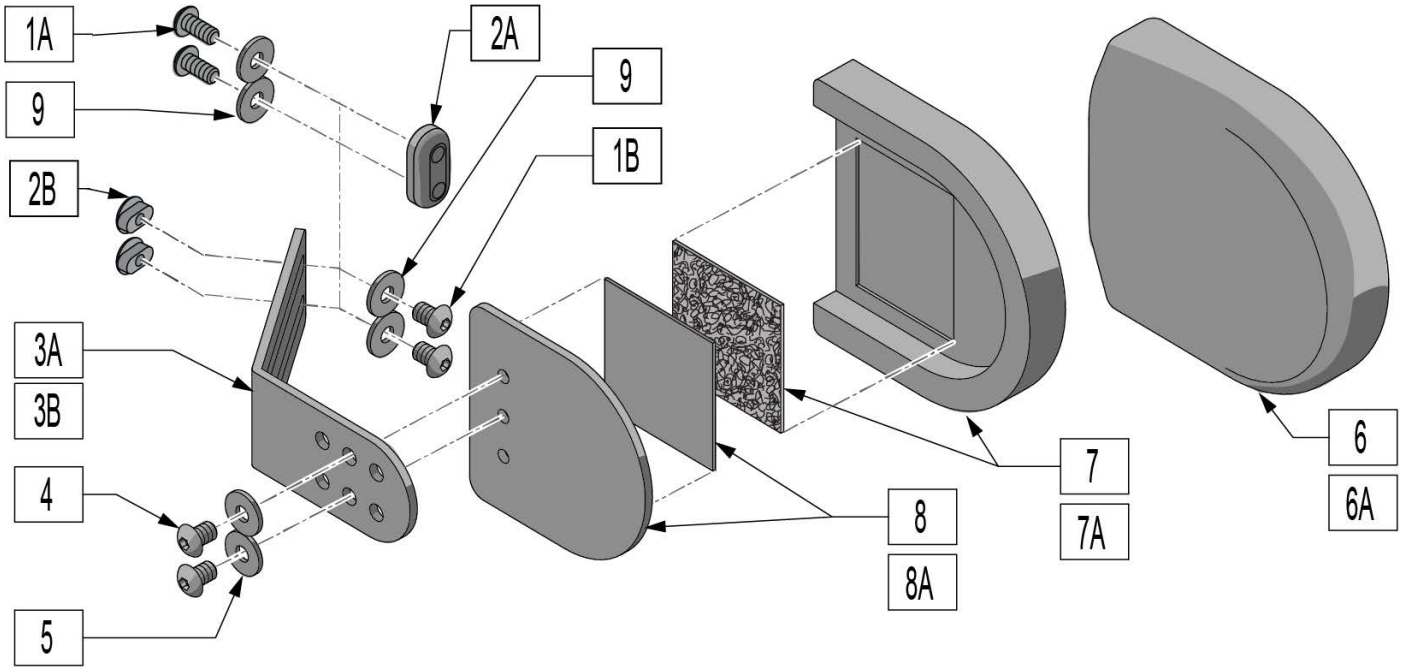
Pos.	Item Number	Description
1	WH-DFSQ30	DFS2 PED SINGLE PAD w/HARDWARE



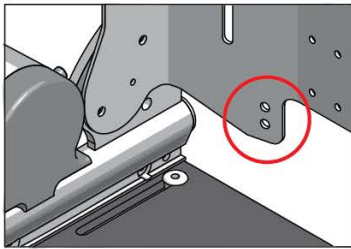
Pos.	Item Number	Description	Remarks
8A	9490502111	LATERAL FOAM 1-3/4"	
8B	9490503111	LATERAL FOAM 2-3/4"	
9A	125865	LATERAL COVER SMALL BLACK	
9B	125866	LATERAL COVER LARGE BLACK	
2,4,5	125859	SWING AWAY BRKT W/ HDWR	
2,3,6	125860	LATERAL BACK MOUNT W/ HDWR	
1,2,7D	125861	PAD BRKT SM STRAIGHT W/ HDWR	"Straight Pad"
1,2,7C	125862	PAD BRKT LG STRAIGHT W/ HDWR	"Straight Pad"
1,2,7B	125863	PAD BRKT SM CONTOUR W/ HDWR	"Curved Pad"
1,2,7A	125864	PAD BRKT LG CONTOUR W/ HDWR	"Curved Pad"



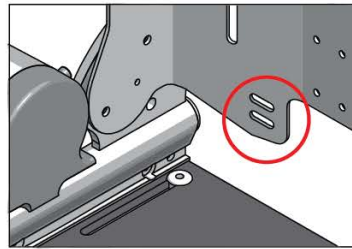
Pos.	Item Number	Description	Remarks
1-3	125860	LATERAL BACK MOUNT W/ HDWR	
1,2,4,5,10	125867	FIXED LATERAL BRKT W/ HDWR	
8A	9490502111	LATERAL FOAM 1-3/4"	
8B	9490503111	LATERAL FOAM 2-3/4"	
9A	125865	LATERAL COVER SMALL BLACK	
9B	125866	LATERAL COVER LARGE BLACK	
1,2,7D	125861	PAD BRKT SM STRAIGHT W/ HDWR	"Straight Pad"
1,2,7C	125862	PAD BRKT LG STRAIGHT W/ HDWR	"Straight Pad"
1,2,7B	125863	PAD BRKT SM CONTOUR W/ HDWR	"Curved Pad"
1,2,7A	125864	PAD BRKT LG CONTOUR W/ HDWR	"Curved Pad"



Original-Hip Guides attach to holes in shell before 8/12/14



Updated-Hip Guides attach to slots in shell after 8/12/14

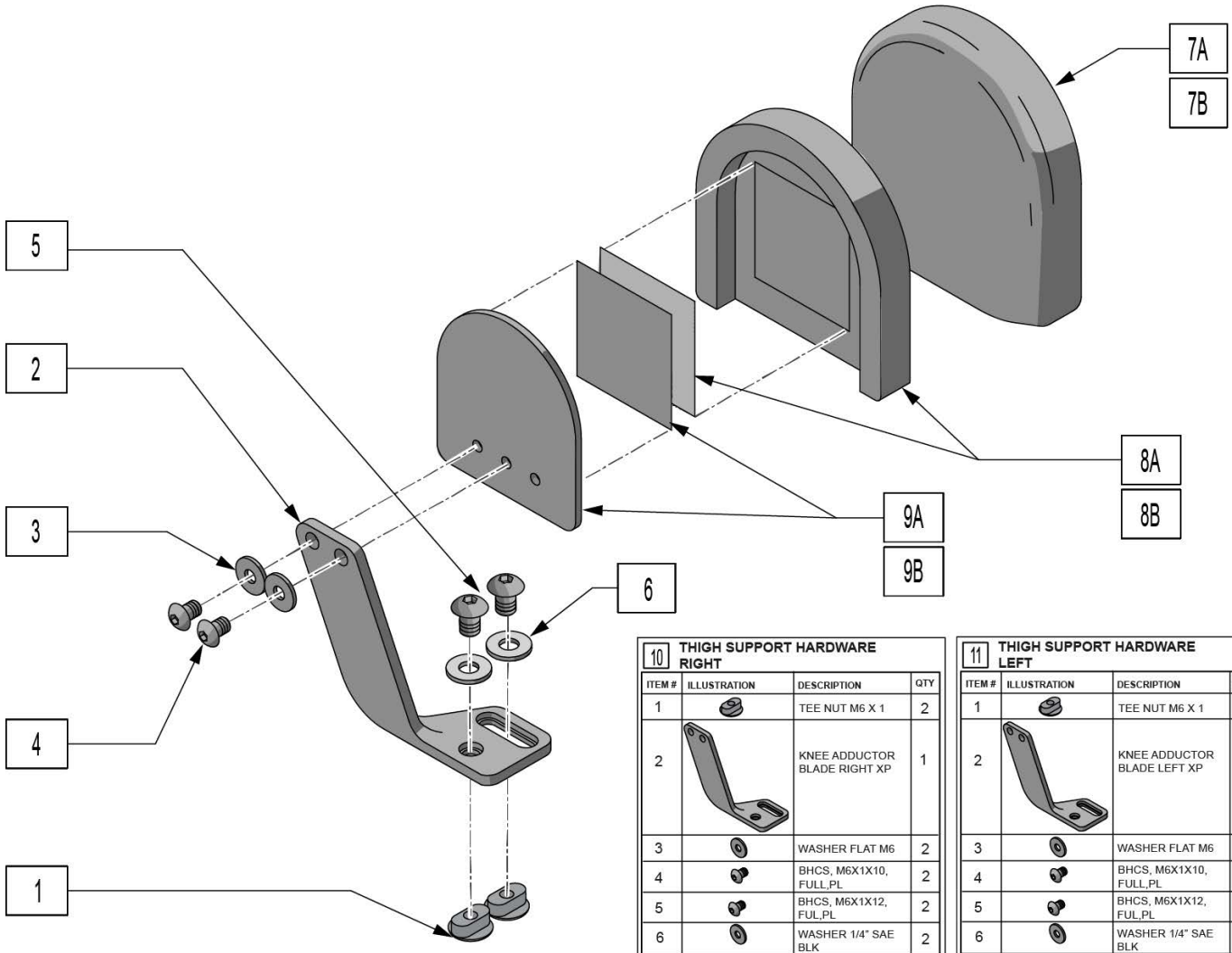


10 HIP SUPPORT BRACKET W/ HARDWARE			
ITEM #	ILLUSTRATION	DESCRIPTION	QTY
1A		BHCS, M6X1X8, FULL_PL	2
2A		PLATE NUT AXLE	1
3A		HIP ADDUCTOR BLADE	1
4		BHCS, M6X1X12, FULL_PL	2
5		WASHER FLAT M6	2

11 HIP SUPPORT HARDWARE ASSM			
ITEM #	ILLUSTRATION	DESCRIPTION	QTY
1B		BHCS, M6X1X10, FULL_PL	2
2B		TEE NUT M6 X 1	2
3B		HIP ADDUCTOR BLADE	1
4		BHCS, M6X1X12, FULL_PL	2
5		WASHER FLAT M6	2

Pos.	Item Number	Description	Remarks
6A	125881	THIGH SUPPORT PAD COVER SMALL	
6B	125882	THIGH SUPPORT PAD COVER LARGE	
6A,7A,8A	125879	THIGH SUPPORT PAD ASSM SMALL	
6B,7B,8B	125880	THIGH SUPPORT PAD ASSM LARGE	
1,2A,3A,6A,7A,8A,9	125883	HIP SUPPORT ASSEMBLY SMALL	use for holes in shell attachment
1,2A,3A,6B,7B,8B,9	125884	HIP SUPPORT ASSEMBLY LARGE	use for holes in shell attachment
1,2B,3B-5,6A,7A,8A,9	126889	HIP SUPPORT ASSEMBLY SMALL	use for slots in shell attachment
1,2B,3B-5,6A,7B,8B,9	126890	HIP SUPPORT ASSEMBLY LARGE	use for slots in shell attachment
10	125885	HIP SUPPORT BRACKET W/HDWR	use for holes in shell attachment
11	126888	HIP SUPPORT HARDWARE ASSM	use for slots in shell attachment



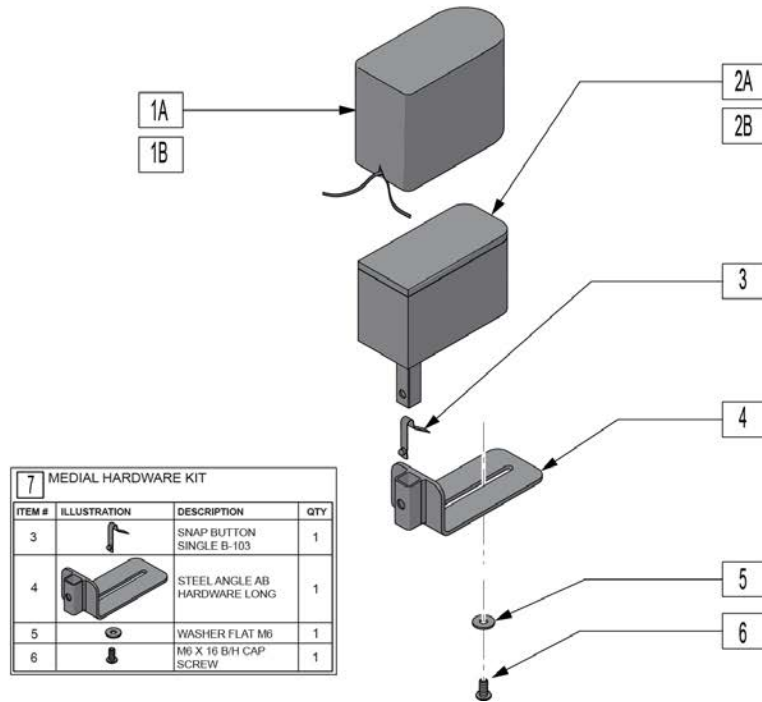


10 THIGH SUPPORT HARDWARE RIGHT			
ITEM #	ILLUSTRATION	DESCRIPTION	QTY
1		TEE NUT M6 X 1	2
2		KNEE ADDUCTOR BLADE RIGHT XP	1
3		WASHER FLAT M6	2
4		BHCS, M6X1X10, FULL_PL	2
5		BHCS, M6X1X12, FUL_PL	2
6		WASHER 1/4" SAE BLK	2

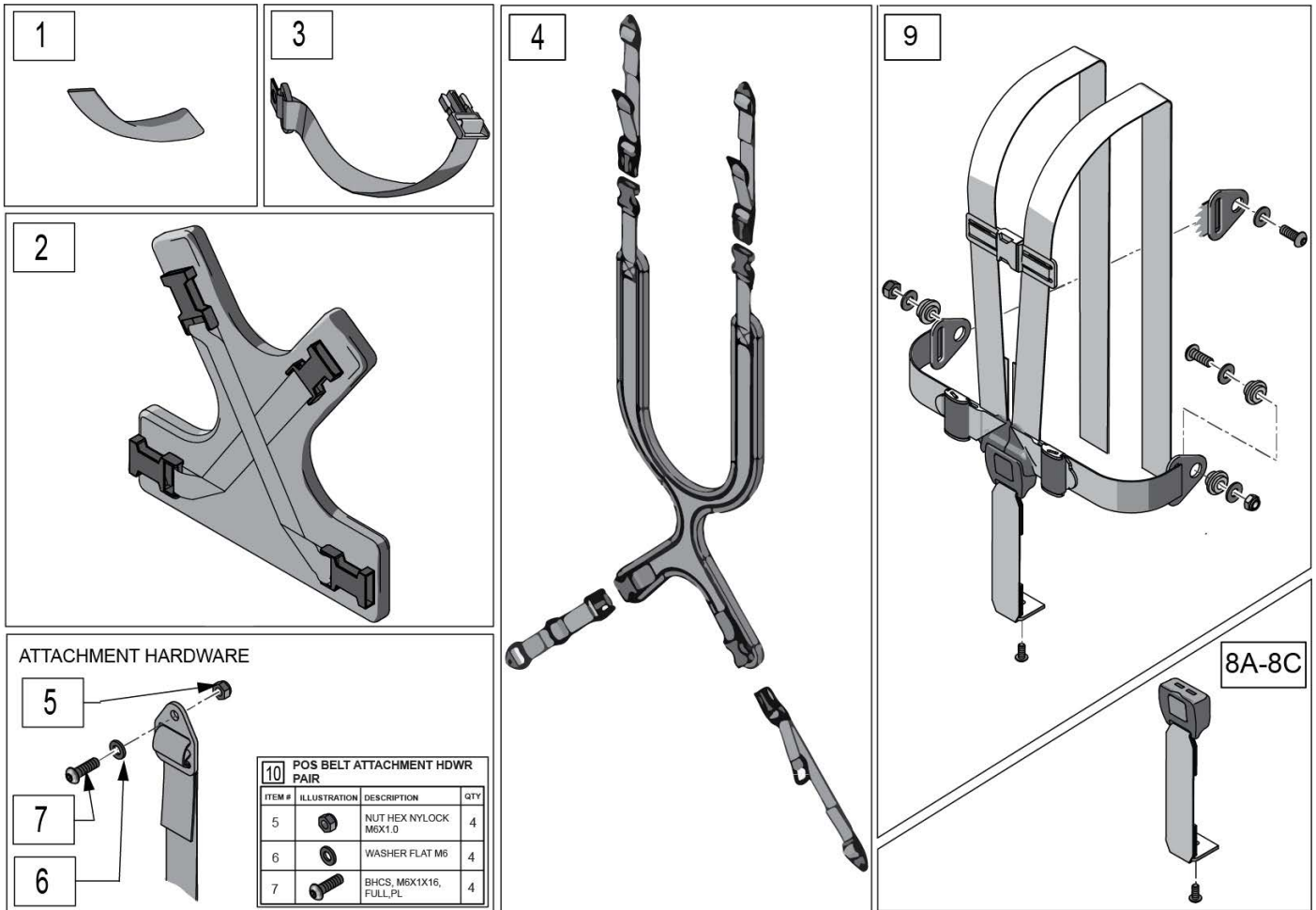
11 THIGH SUPPORT HARDWARE LEFT			
ITEM #	ILLUSTRATION	DESCRIPTION	QTY
1		TEE NUT M6 X 1	2
2		KNEE ADDUCTOR BLADE LEFT XP	1
3		WASHER FLAT M6	2
4		BHCS, M6X1X10, FULL_PL	2
5		BHCS, M6X1X12, FUL_PL	2
6		WASHER 1/4" SAE BLK	2

Pos.	Item Number	Description
7A	125881	THIGH SUPPORT PAD COVER SMALL
7B	125882	THIGH SUPPORT PAD COVER LARGE
7A,8A,9A	125879	THIGH SUPPORT PAD ASSM SMALL
7B,8B,9B	125880	THIGH SUPPORT PAD ASSM LARGE
1-6,7A,8A,9A	125874	THIGH SUPPORT ASSM SMALL RIGHT
1-6,7A,8A,9A	125873	THIGH SUPPORT ASSM SMALL LEFT
1-6,7B,8B,9B	125876	THIGH SUPPORT ASSM LARGE RIGHT
1-6,7B,8B,9B	125875	THIGH SUPPORT ASSM LARGE LEFT
10	125878	THIGH SUPPORT HARDWARE RIGHT
11	125877	THIGH SUPPORT HARDWARE LEFT



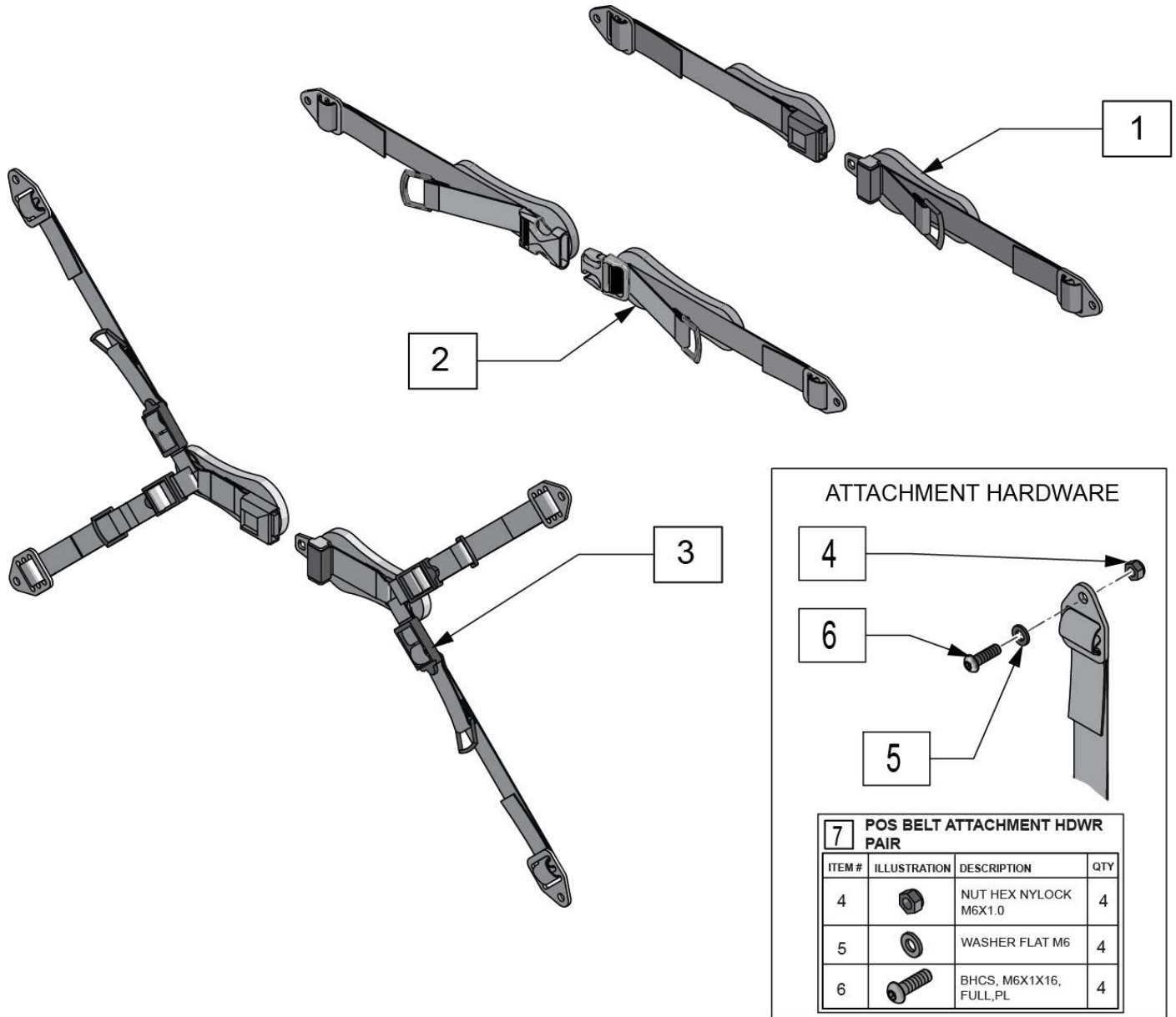


Pos.	Item Number	Description
1A	125870	MEDIAL COVER SMALL BLACK
1B	125871	MEDIAL COVER LARGE BLACK
1A, 2A-6	125868	MEDIAL SUPPORT ASSM SMALL
1B, 2B-6	125869	MEDIAL SUPPORT ASSM LARGE
7	125872	MEDIAL HARDWARE KIT

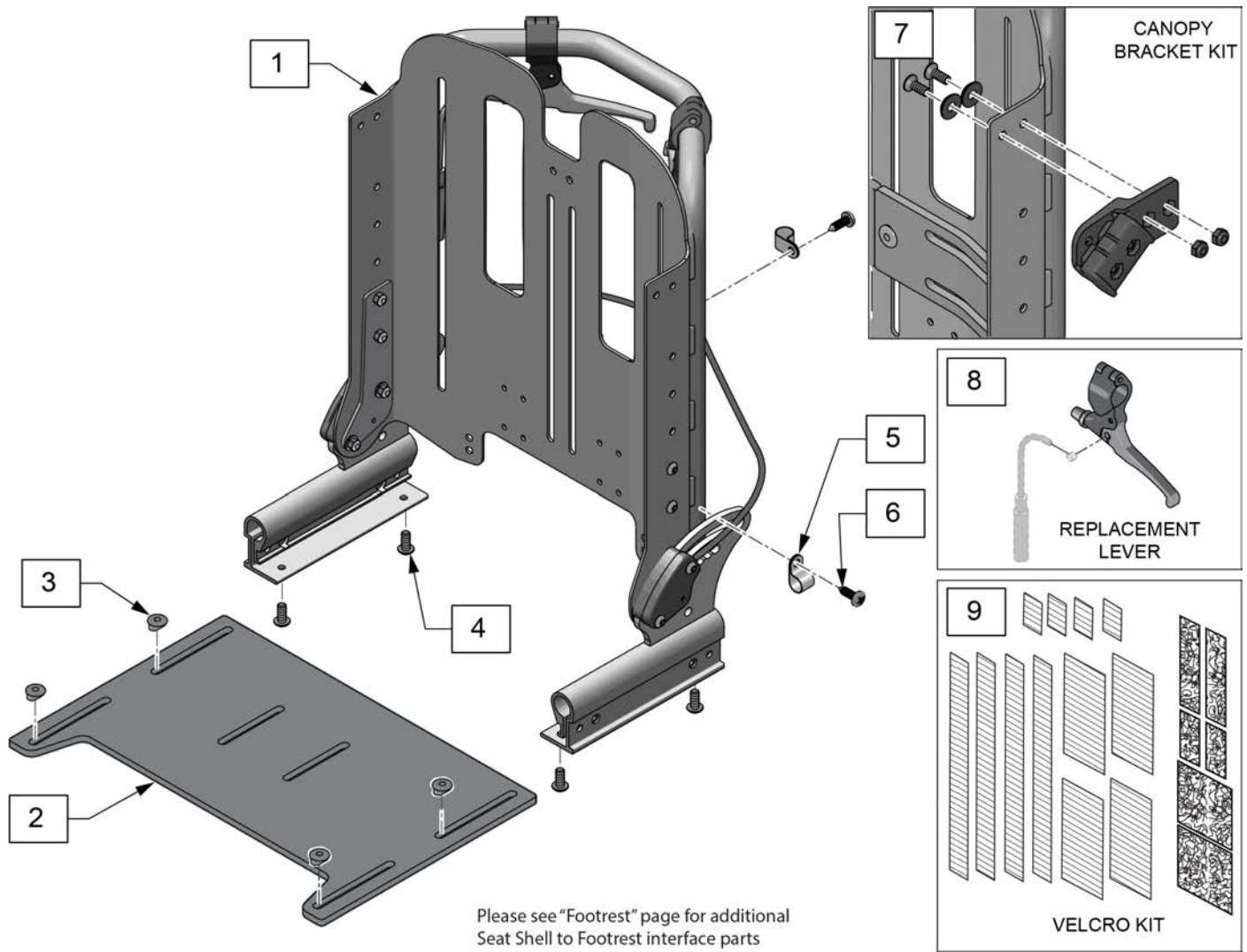


Pos.	Item Number	Description	Remarks
1	9171801101	OPTIONAL SHOULDER STRAP PADS	
2	9160150111	BUTTERFLY PAD - BLACK - XXSMALL	
2	9160150211	BUTTERFLY PAD - BLACK - XSMALL	
2	9160150311	BUTTERFLY PAD - BLACK - SMALL	
2	9160150411	BUTTERFLY PAD - BLACK - MEDIUM	
2	125893	BUTTERFLY PAD ASSM LARGE	
3	9180312301	BUTTERFLY STRAP ASSY - 23"	
4	ATS9107	COMFORFIT PULL-DOWN CONTOUR/EI	Early Intervention
4	ATS9100	COMFORFIT PULL-DOWN CONTOUR/XS	X-Small
4	ATS9101	COMFORFIT PULL-DOWN CONTOUR/SM	Small
2,3,5-7	9160150555	BUTTERFLY ASSY w/HARDWARE - XXSM	
2,3,5-7	9160150454	BUTTERFLY ASSY w/HARDWARE - XSM	
2,3,5-7	9160150353	BUTTERFLY ASSY w/HARDWARE - SM	
2,3,5-7	9160150252	BUTTERFLY ASSY w/HARDWARE - MED	
2,3,5-7	9160150151	BUTTERFLY ASSY w/HARDWARE - LRG	
8A	129822	TRANSIT CENTER STRAP SM 5"	
8B	129823	TRANSIT CENTER STRAP MED 8"	
8C	129824	TRANSIT CENTER STRAP LNG 10"	
9	126040	5 POINT HARNESS W/HARDWARE	Includes Transit Center Strap Med 8"
10	125892	POS BELT ATTACHMENT HDWR PAIR	Pair

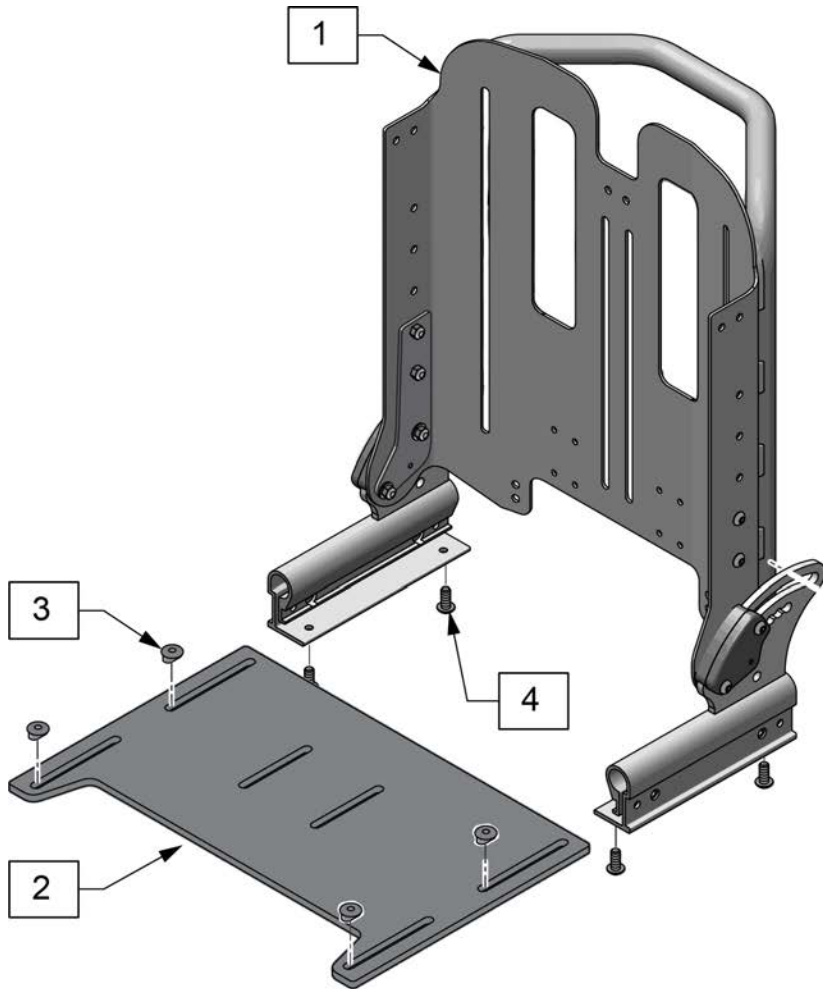
Note: for 5 Point Harness and Transit Center Strap, see ANTERIOR TRUNK SUPPORT parts page.



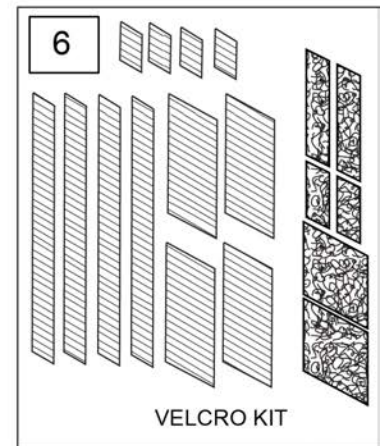
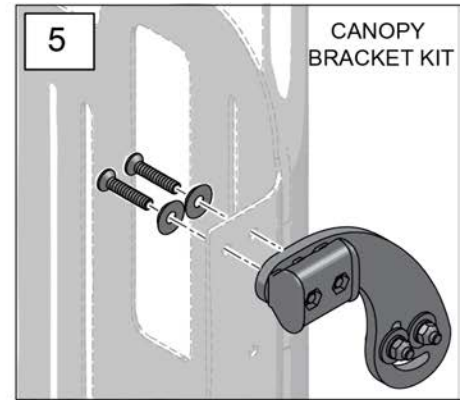
Pos.	Item Number	Description	Remarks
1,4-6	125888	1" PADDED AUTO BUCKLE ASSM	
1,4-6	125889	1.5" PADDED AUTO BUCKLE ASSM	
2,4-6	125886	1" PADDED PLASTIC BUCKLE ASSM	Dual pull
2,4-6	125887	1.5" PADDED PLASTIC BCKLE ASSM	Dual pull
3,4-6	125890	MOD SEAT BELT APB5145 XS PAD	Used for Advanced Seating only
3,4-6	125891	MOD SEAT BELT APB5146 SM PAD	Used for Advanced Seating only
7	125892	POS BELT ATTACHMENT HDWR PAIR	



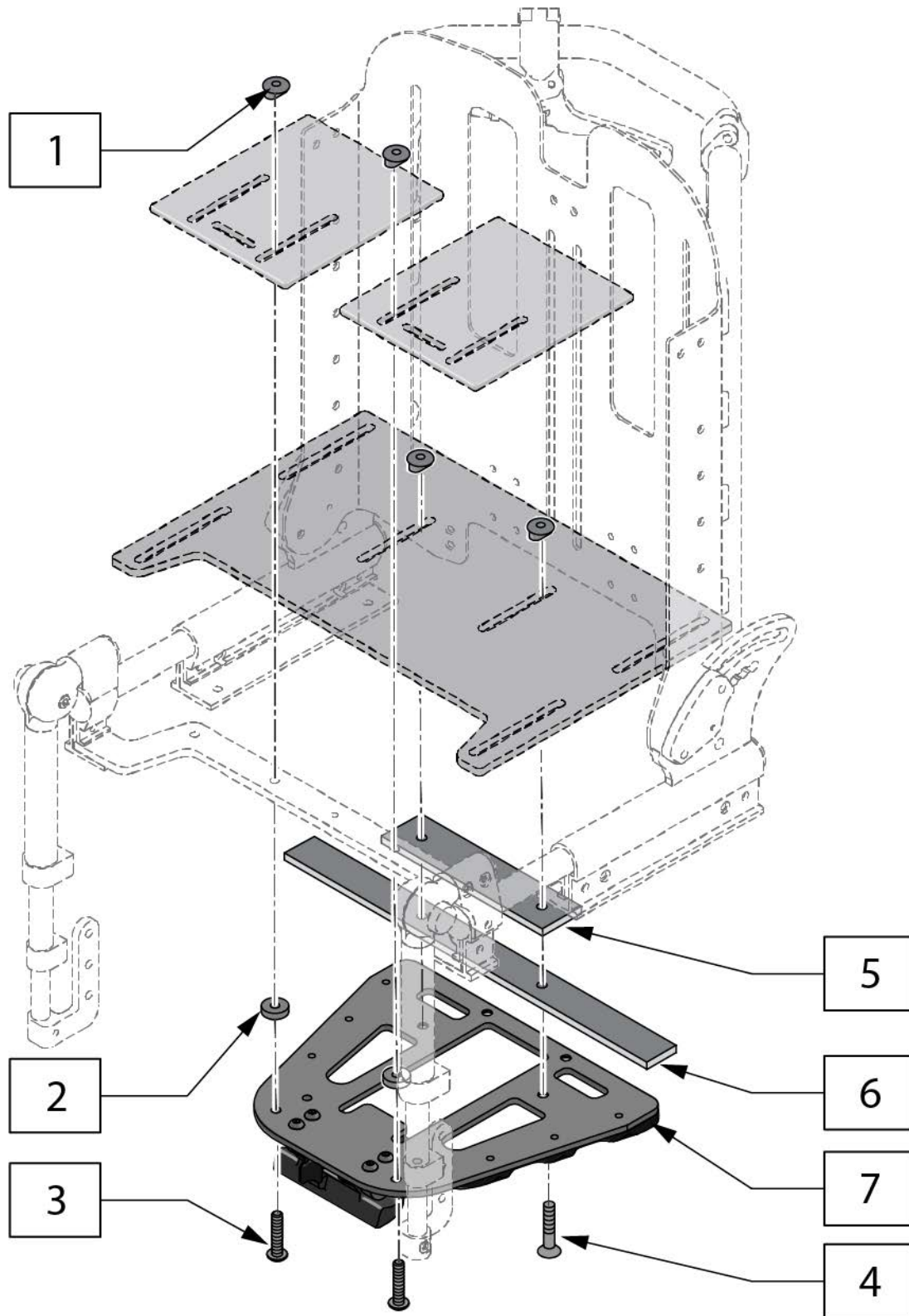
Pos.	Item Number	Description	Remarks
1	160713	SHORT BACK ASSEMBLY RECLINE	
1	160714	TALL BACK ASSEMBLY RECLINE	
2-4	125819	ADJ SEAT PAN W/ HDWR	
5,6	126401	CABLE ROUTE CLIP KIT (4)	4 P-clips, 4 screws
7	127734	CANOPY BRCKT 3UP 3FD ASSY LH	
7	127735	CANOPY BRCKT 3UP 3FD ASSY RH	
8	125821	LEVER TILT OR RECLINE	
9	125822	VELCRO REPLACEMENT KIT	



Please see "Footrest" page for additional  
Seat Shell to Footrest interface parts

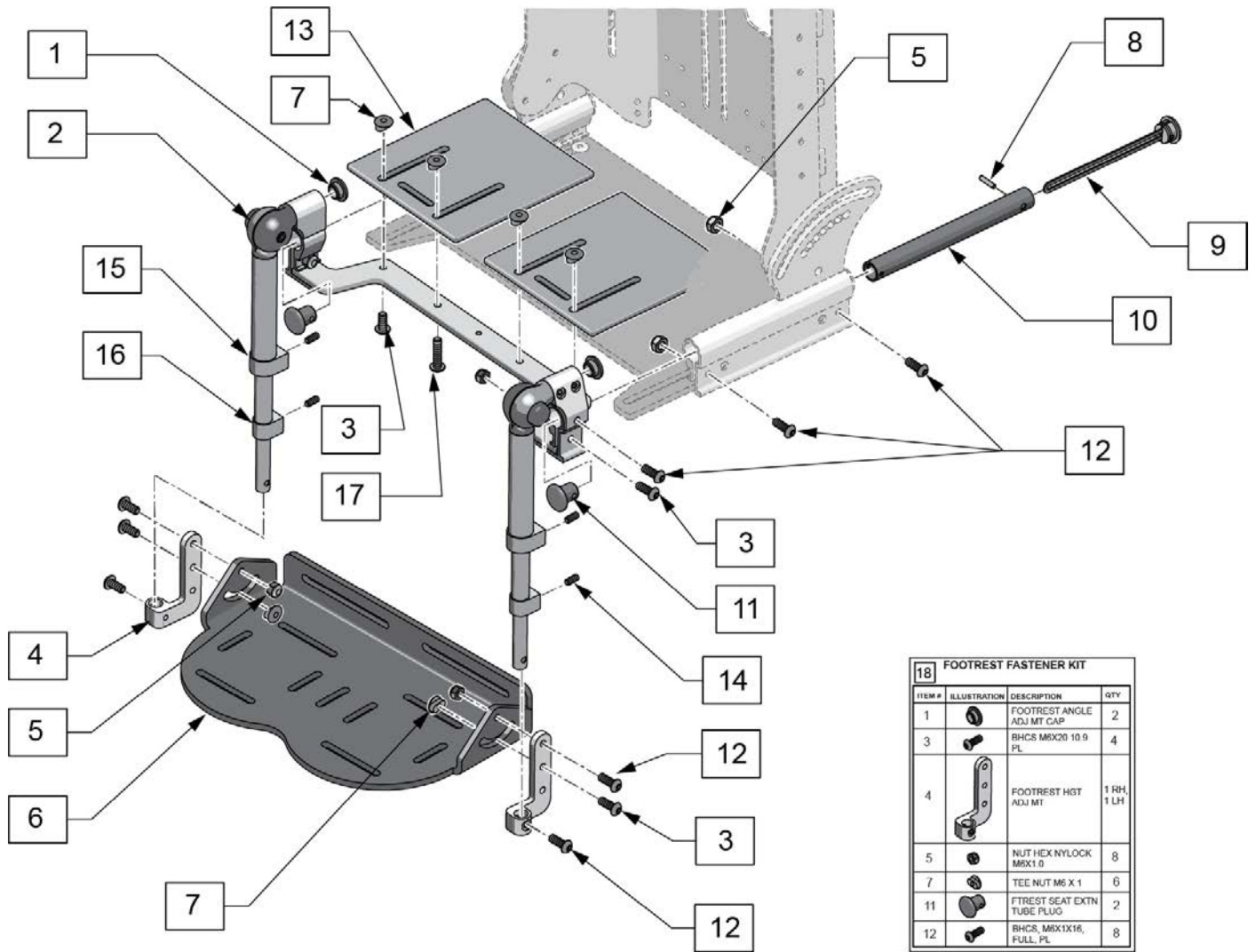


Pos.	Item Number	Description
1	160715	SHORT BACK ASSEMBLY FIXED SNL
1	160716	TALL BACK ASSEMBLY FIXED SNL
2-4	125819	ADJ SEAT PAN W/ HDWR
5	127734	CANOPY BRCKT 3UP 3FD ASSY LH
5	127735	CANOPY BRCKT 3UP 3FD ASSY RH
6	125822	VELCRO REPLACEMENT KIT



Pos.	Item Number	Description
1-4	160711	SLIDE-N-LOCK MOUNT FASTENERS
1-7	160709	SLIDE-N-LOCK RECEIVER ASSM





18 FOOTREST FASTENER KIT			
ITEM #	ILLUSTRATION	DESCRIPTION	QTY
1		FOOTREST ANGLE ADJ MT CAP	2
3		BHCS M6X20 10.9 PL	4
4		FOOTREST HGT ADJ MT	1 RH, 1 LH
5		NUT HEX NYLOCK M6X1.0	8
7		TEE NUT M6 X 1	6
11		FTREST SEAT EXTN TUBE PLUG	2
12		BHCS, M6X1X16, FULL PL	8

Pos.	Item Number	Description	Remarks
1-3,5,11,17	159698	FOOTREST EXT ASSM W/HDWR SNL	
3-7,12	125826	FOOTREST PLATE ASSM W/ HDWR	
8-10	125824	FOOTREST SEAT EXT STOP ASSM	For 1 side
3,7,13	125827	FOOTREST LEG PLATES W/ HDWR PR	
14	126893	FR EXT CLAMP SET SCREW (2)	
14,15	126891	FR EXT UPPER CLAMP & SET SCREW	
14,16	126892	FR EXT LOWER CLAMP & SET SCREW	
18	125828	FOOTREST FASTENER KIT	



Pos.	Item Number	Description
1	125917	SHELL FABRIC SHORT PURPLE
1	125918	SHELL FABRIC TALL PURPLE
1	125919	SHELL FABRIC SHORT PINK SORBET
1	125920	SHELL FABRIC TALL PINK SORBET
1	125921	SHELL FABRIC SHORT GREEN
1	125922	SHELL FABRIC TALL GREEN
1	125923	SHELL FABRIC SHORT NAVY BLUE
1	125924	SHELL FABRIC TALL NAVY BLUE
1	125925	SHELL FABRIC SHORT ORANGE
1	125926	SHELL FABRIC TALL ORANGE
1	125927	SHELL FABRIC SHORT RED
1	125928	SHELL FABRIC TALL RED
1	125929	SHELL FABRIC SHORT BLACK
1	125930	SHELL FABRIC TALL BLACK
1	125931	SHELL FABRIC SHORT TURQUOIS
1	125932	SHELL FABRIC TALL TURQUOIS
1	125933	SHELL FABRIC SHORT BURGUNDY
1	125934	SHELL FABRIC TALL BURGUNDY



1A



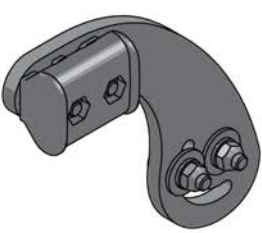
No longer available as of 12/20/21  
 Replace with new canopy and mount  
 See ADVANCED SEATING CANOPY page

1B

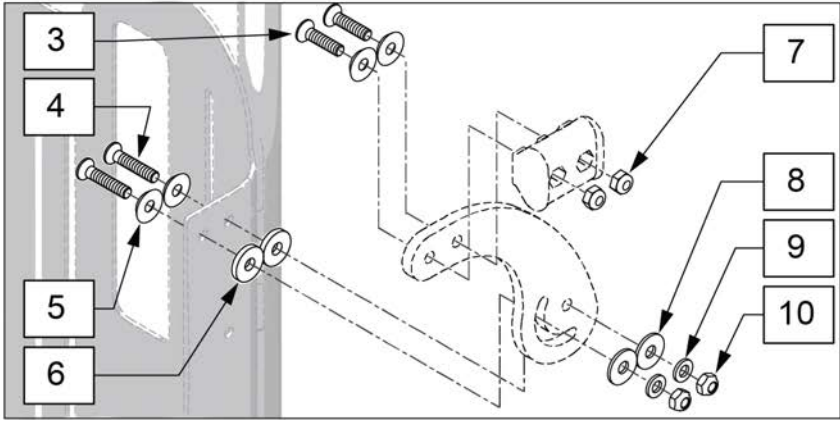


No longer available as of 12/20/21  
 Replace with new canopy and mount  
 See ADVANCED SEATING CANOPY page

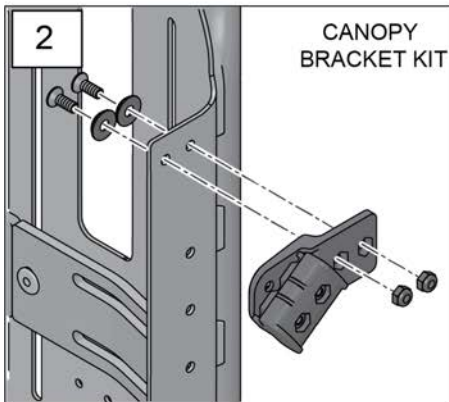
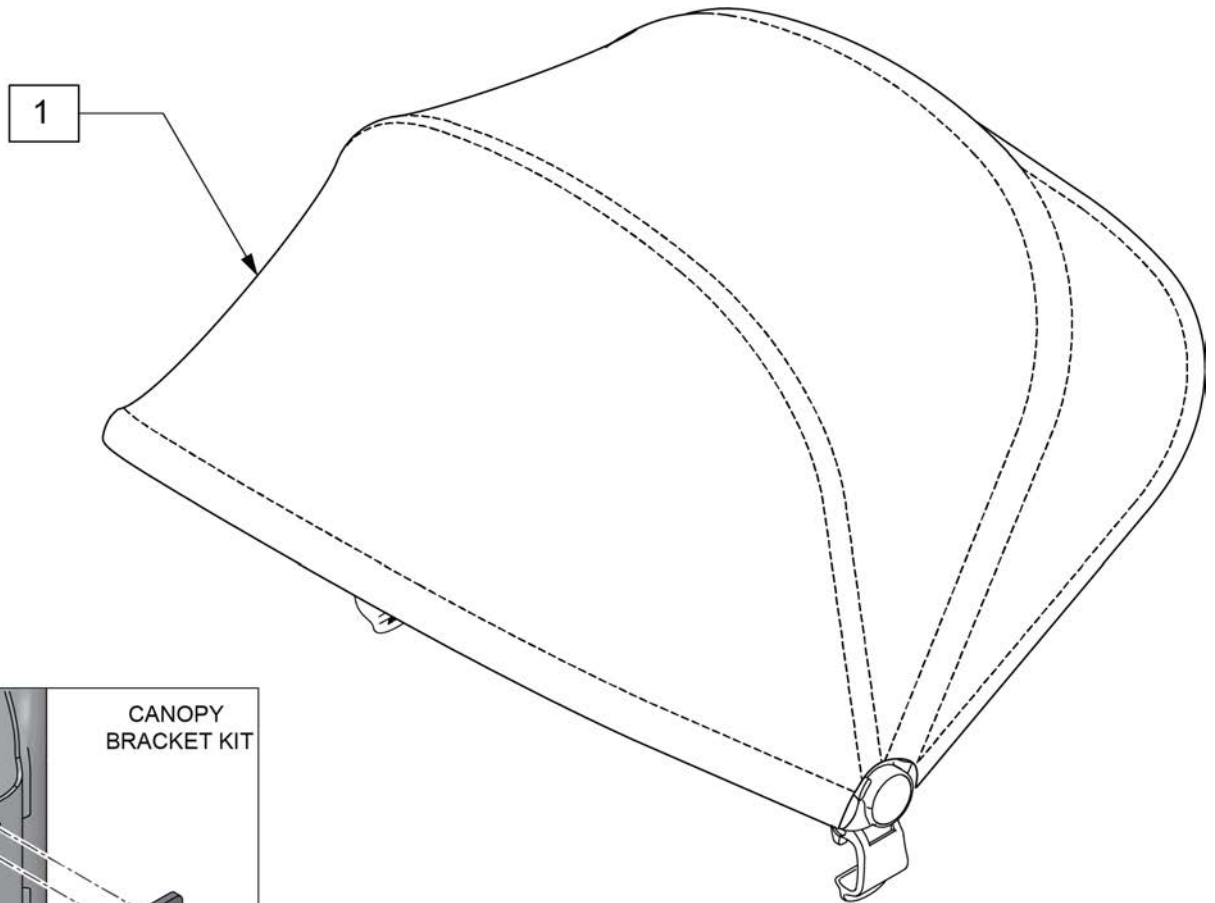
2



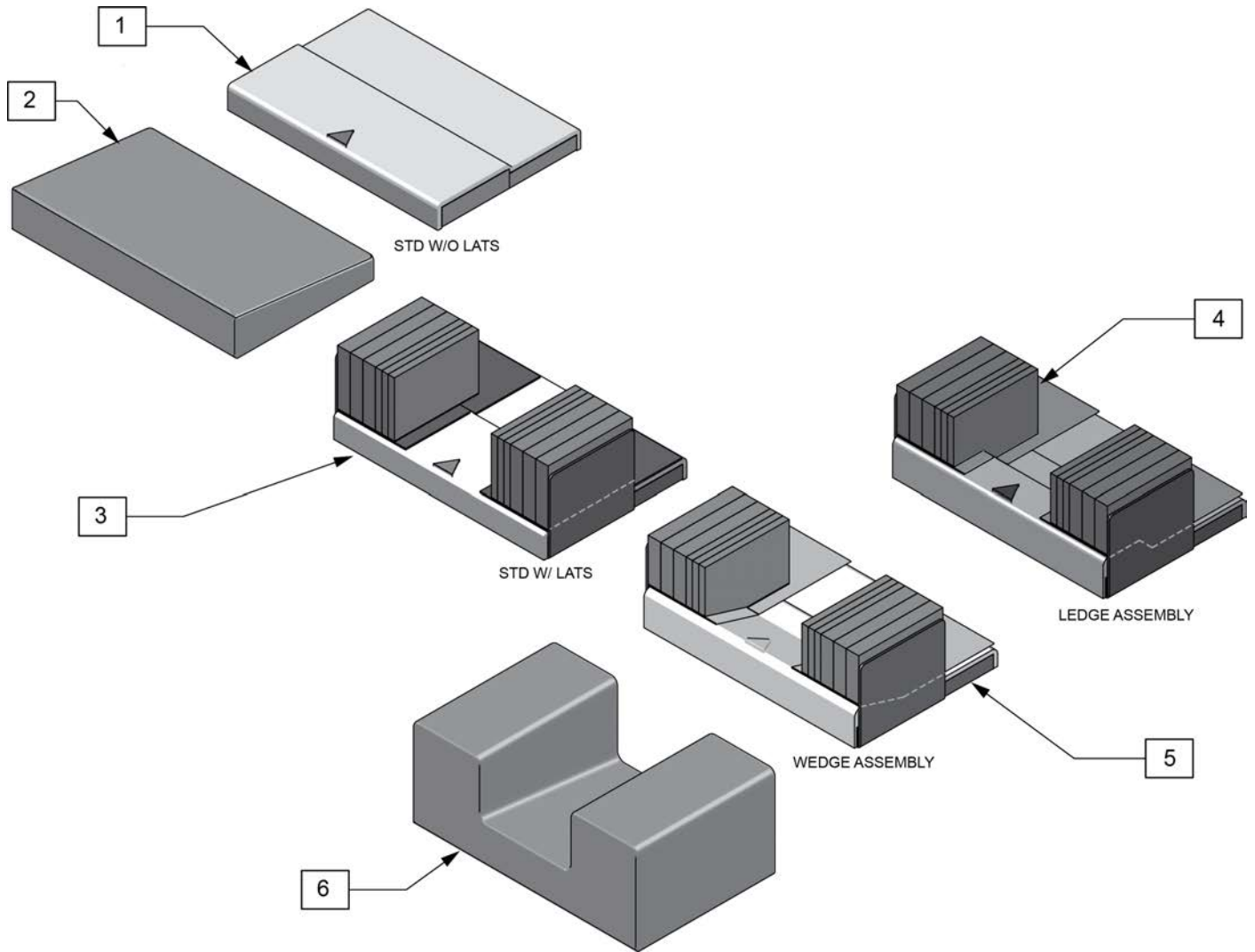
COMPLETE BRACKET ASSEMBLY  
 CHOOSE SIDE



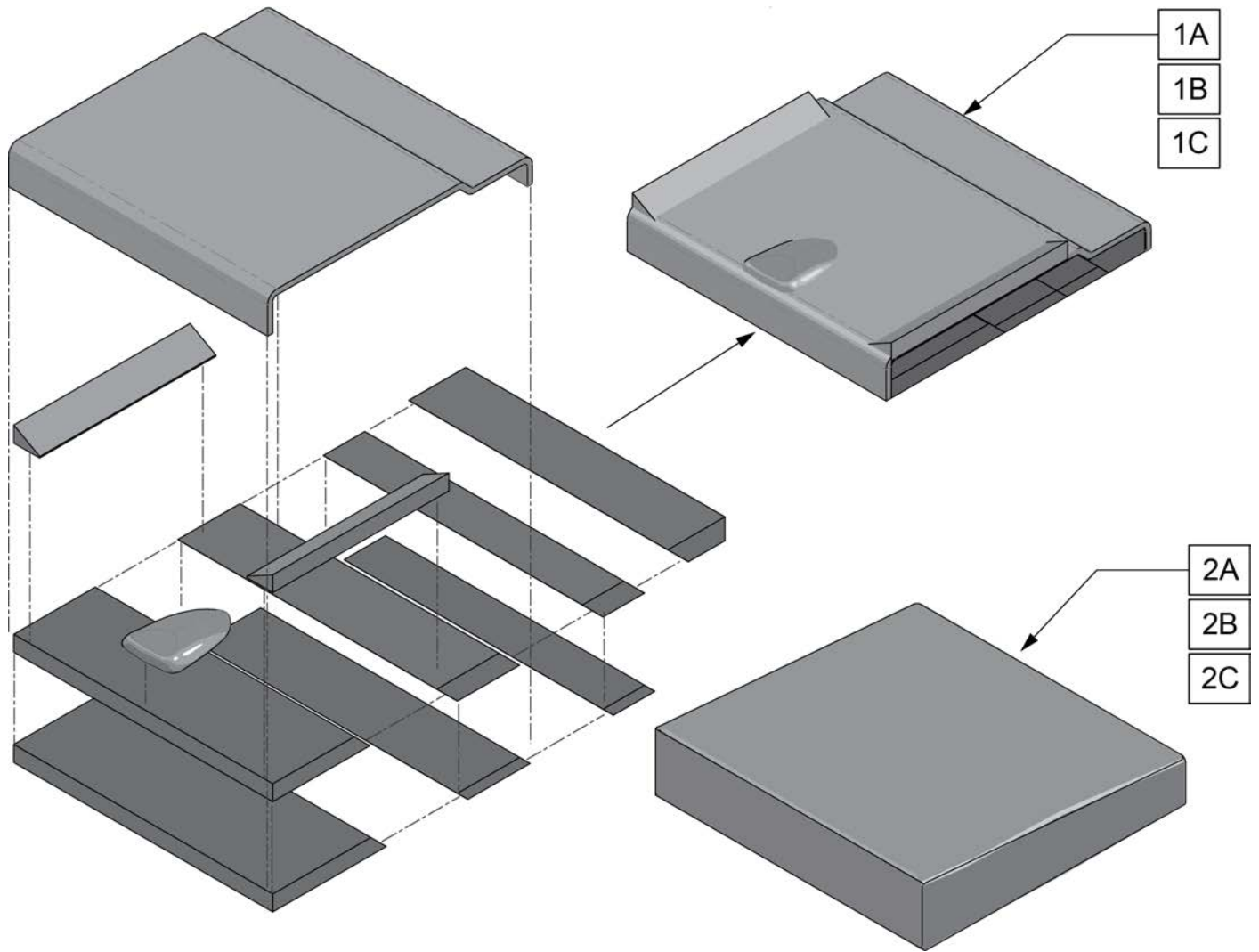
Pos.	Item Number	Description
2	127734	CANOPY BRCKT 3UP 3FD ASSY LH
2	127735	CANOPY BRCKT 3UP 3FD ASSY RH
3	103500-009	CANOPY ATTACHMENT HDWR
4	102265-003	FHCS M6X1X25 FULL NP
5	000 138 017	ROSETTE FOR M6 STEEL
6	561026	3/4" WASHER 1/4" HOLE
7	104381	NUT HEX NYLOCK M6X1.0
8	011111	WASHER M6 X 18 REGULAR BLK
9	107383	WASHER FLAT M6 ROHS
10	210084	NUT HEX NYLOCK M6 BLACK



Pos.	Item Number	Description	Pos.	Item Number	Description
1	163506	CNPYKT CRSSVR PURPLE BBSTR	1	163523	CNPYKT CRSSVR RD RC/PINK BBSTR
1	163507	CNPYKT CRSSVR PINK SRBT BBSTR	1	163524	CNPYKT CRSSVR RD RC/GRN BBSTR
1	163508	CNPYKT CRSSVR GREEN BBSTR	1	163525	CNPYKT CRSSVR RD RC/NAVY BBSTR
1	163509	CNPYKT CRSSVR NAVY BLUE BBSTR	1	163526	CNPYKT CRSSVR RD RC/ORNG BBSTR
1	163510	CNPYKT CRSSVR ORANGE BBSTR	1	163527	CNPYKT CRSSVR RD RC/BLCK BBSTR
1	163511	CNPYKT CRSSVR BLACK BBSTR	1	163528	CNPYKT CRSSVR RD RC/TURQ BBSTR
1	163512	CNPYKT CRSSVR BURGUNDY BBSTR	1	163529	CNPYKT CRSSVR RD RC/BRGN BBSTR
1	163513	CNPYKT CRSSVR BTRFL/PRPL BBSTR	1	163530	CNPYKT CRSSVR LPRD/BLACK BBSTR
1	163514	CNPYKT CRSSVR BTRFL/PINK BBSTR	1	163531	CNPYKT CRSSVR LPRD/PRPLE BBSTR
1	163515	CNPYKT CRSSVR BTRFL/GRN BBSTR	1	163532	CNPYKT CRSSVR LPRD/PINK BBSTR
1	163516	CNPYKT CRSSVR BTRFL/NAVY BBSTR	1	163533	CNPYKT CRSSVR LPRD/GRN BBSTR
1	163517	CNPYKT CRSSVR BTRFL/ORNG BBSTR	1	163534	CNPYKT CRSSVR LPRD/NAVY BBSTR
1	163518	CNPYKT CRSSVR BTRFL/BLCK BBSTR	1	163535	CNPYKT CRSSVR LPRD/ORNGE BBSTR
1	163519	CNPYKT CRSSVR BTRFL/TURQ BBSTR	1	163536	CNPYKT CRSSVR LPRD/TURQ BBSTR
1	163520	CNPYKT CRSSVR BTRFL/BRGN BBSTR	1	163537	CNPYKT CRSSVR LPRD/BRGND BBSTR
1	163521	CNPYKT CRSSVR RD RC/RED BBSTR	1	163679	CNPYKT CRSSVR TURQUOISE BBSTR
1	163522	CNPYKT CRSSVR RD RC/PRPL BBSTR	2	163505	CANOPY MOUNTS ADV SEAT BBSTR

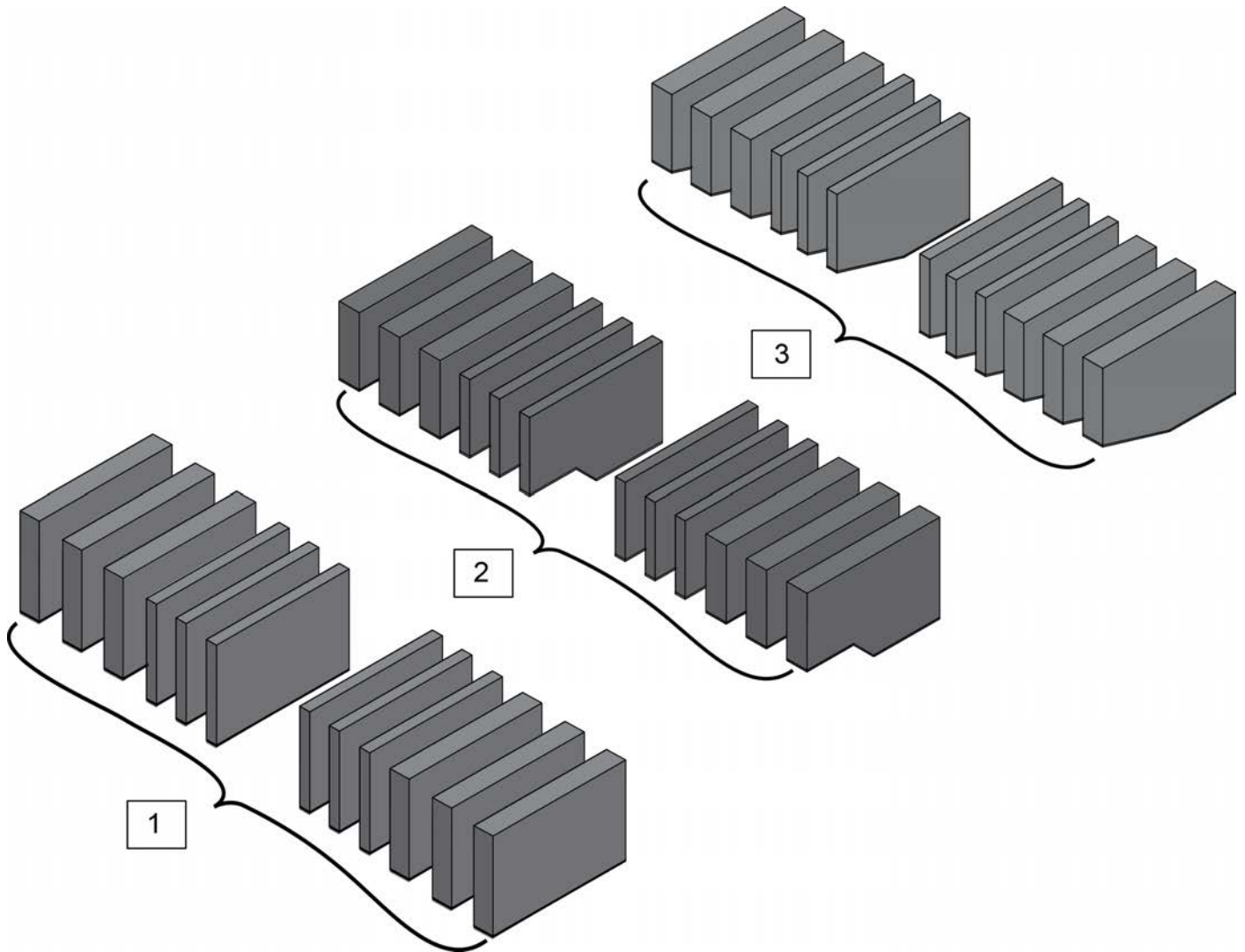


Pos.	Item Number	Description	Remarks
1,2	125546	STD W/O LATS ASSY SHORT	5"-8" Deep
1,2	125549	STD W/O LATS ASSY MEDIUM	7"-10" Deep
1,2	125551	STD W/O LATS ASSY LONG	9"-13" Deep
2	125544	COVER CUSH W/O LATS SHORT	
2	125547	COVER CUSH W/O LATS MEDIUM	
2	125548	COVER CUSH W/O LATS LONG	
3,6	125552	STD W/ LATS ASSY SHORT	
3,6	125554	STD W/ LATS ASSY MEDIUM	
3,6	125556	STD W/ LATS ASSY LONG	
5,6	125558	WEDGE ASSEMBLY SHORT	
5,6	125559	WEDGE ASSEMBLY MEDIUM	
5,6	125561	WEDGE ASSEMBLY LONG	
4,6	125536	LEDGE ASSEMBLY SHORT	
4,6	125537	LEDGE ASSEMBLY MEDIUM	
4,6	125542	LEDGE ASSEMBLY LONG	
6	125550	COVER CUSH WITH LATS SHORT	
6	125553	COVER CUSH WITH LATS MED	
6	125555	COVER CUSH WITH LATS LONG	

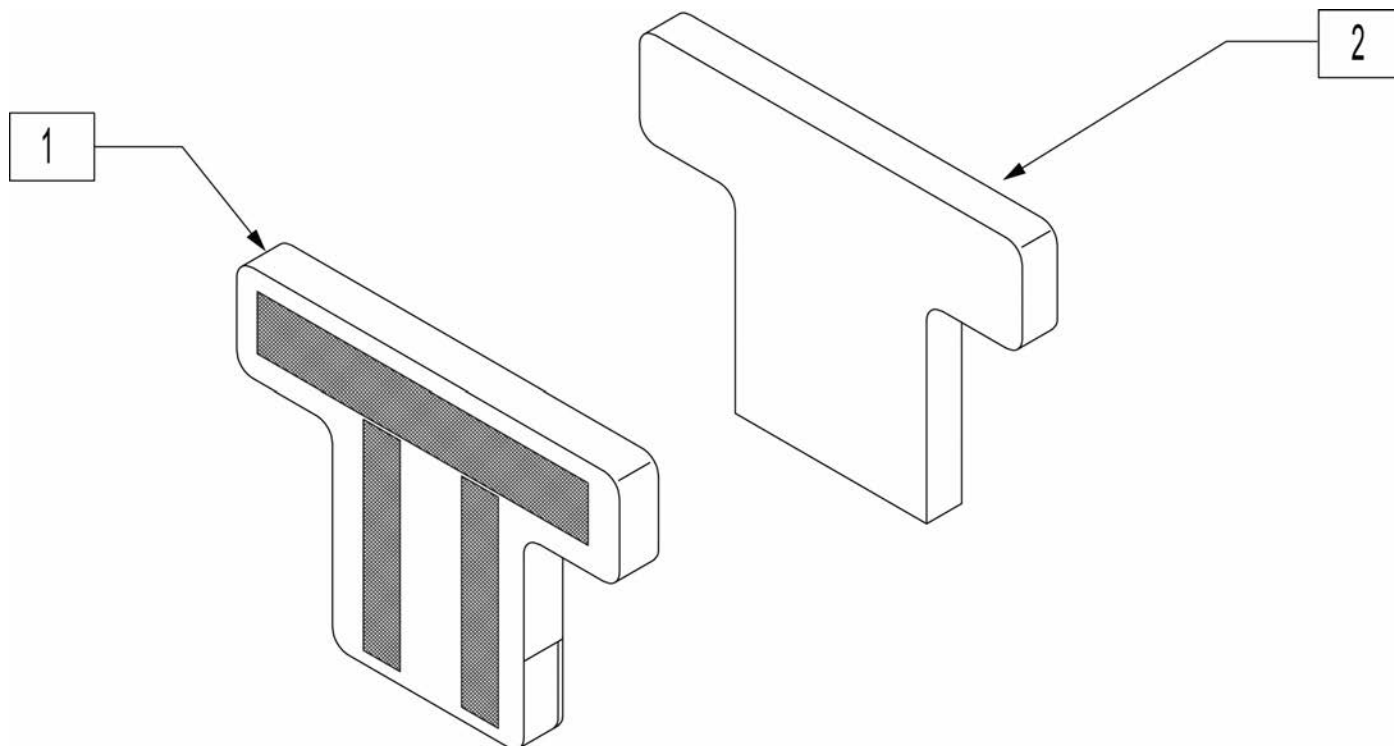


Pos.	Item Number	Description
1A,2A	125533	ADJ CONT SHRT ASSY SOFT
1A,2A	125534	ADJ CONT SHRT ASSY MED/SOFT
1A,2A	125535	ADJ CONT SHRT ASSY MED
1B,2B	125538	ADJ CONT MED ASSY SOFT
1B,2B	125539	ADJ CONT MED ASSY MED/SOFT
1B,2B	125540	ADJ CONT MED ASSY MED
1C,2C	125541	ADJ CONT LONG ASSY SOFT
1C,2C	125543	ADJ CONT LONG ASSY MED/SOFT
1C,2C	125545	ADJ CONT LONG ASSY MED
2A	125830	ADJ CONTOUR COVER SHORT
2B	125831	ADJ CONTOUR COVER MEDIUM
2C	125832	ADJ CONTOUR COVER LONG

Note: All Lateral Kits include (6) 3/4" Laterals and (6) 3/8" Laterals in long; can be cut to size.

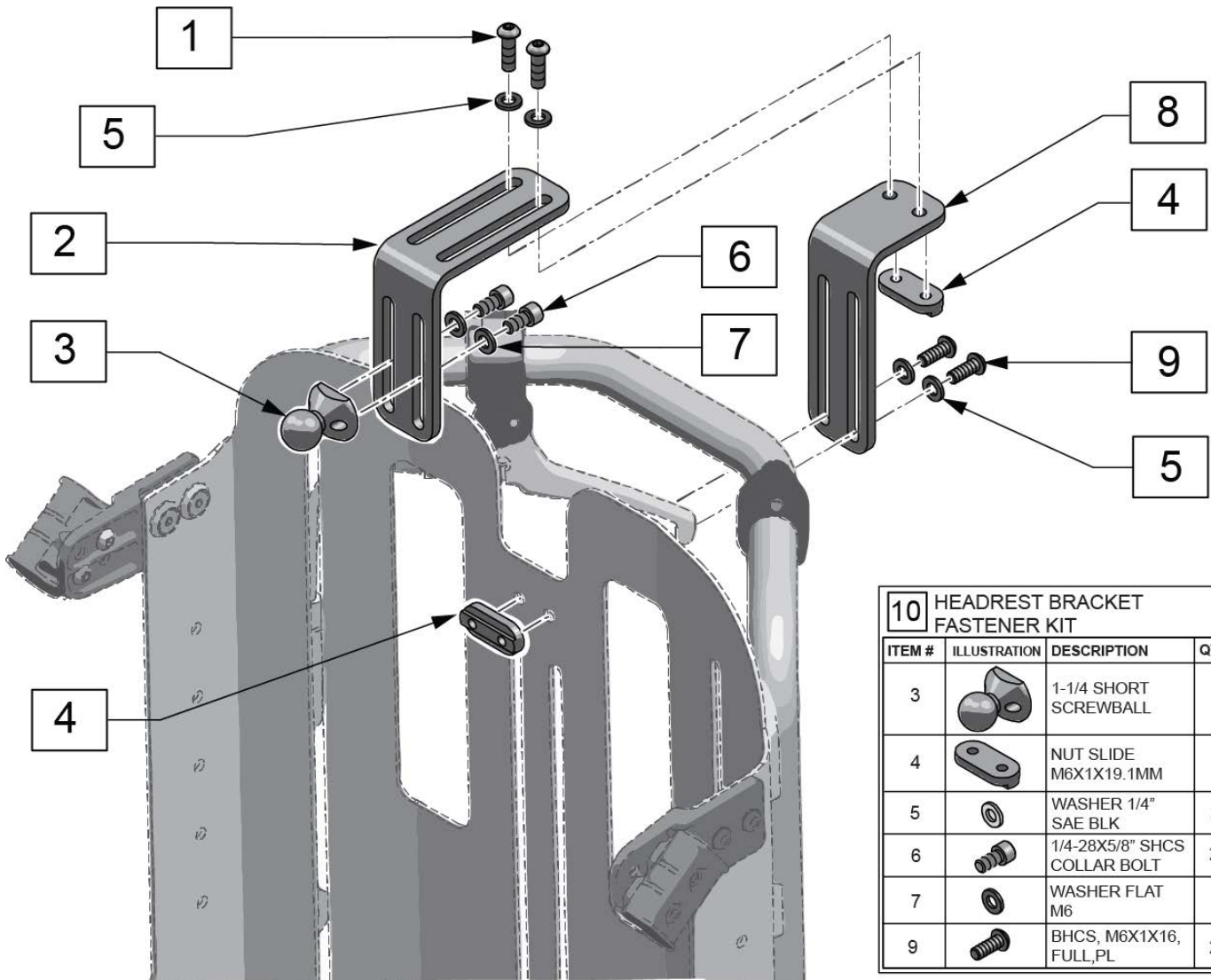


Pos.	Item Number	Description
1	125557	STD W/ LAT CUSHION LATERAL KIT
2	125562	LEDGE CUSHION LATERAL KIT
3	125560	WEDGE CUSHION LATERAL KIT



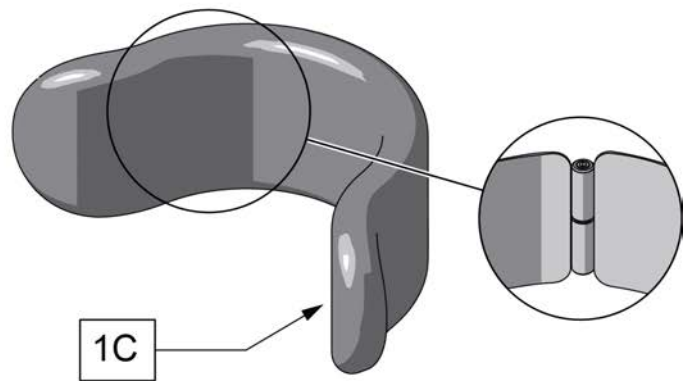
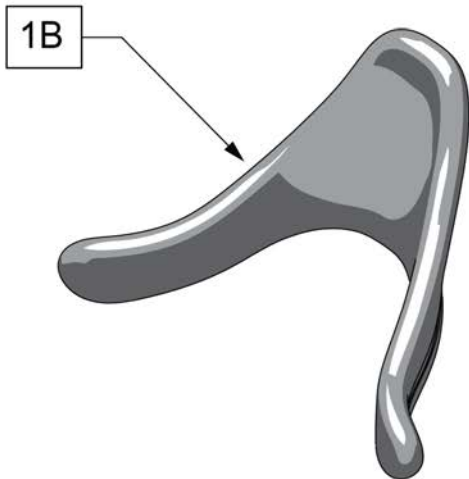
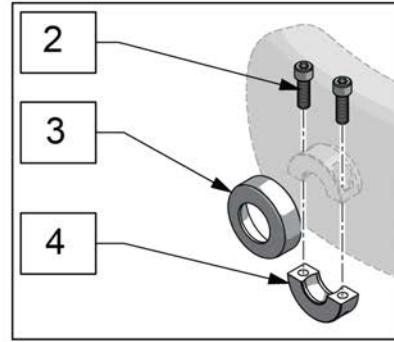
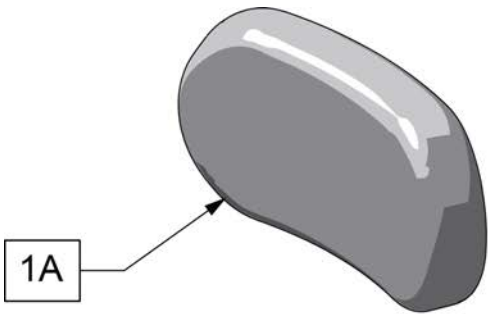
Pos.	Item Number	Description
1	125833	T BACK COVER 1 INCH SHORT
1	125834	T BACK COVER 1 INCH MEDIUM
1	125835	T BACK COVER 1 INCH TALL
1	125836	T BACK COVER 1 INCH XTALL
1	125837	T BACK COVER 2.5 INCH SHORT
1	125838	T BACK COVER 2.5 INCH MEDIUM
1	125839	T BACK COVER 2.5 INCH TALL
1	125840	T BACK COVER 2.5 INCH XTALL
1,2	125841	T BACK ASSM 1 INCH SHORT
1,2	125842	T BACK ASSM 1 INCH MEDIUM
1,2	125843	T BACK ASSM 1 INCH TALL
1,2	125844	T BACK ASSM 1 INCH XTALL
1,2	125845	T BACK ASSM 2.5 INCH SHORT
1,2	125846	T BACK ASSM 2.5 INCH MEDIUM
1,2	125847	T BACK ASSM 2.5 INCH TALL
1,2	125848	T BACK ASSM 2.5 INCH XTALL





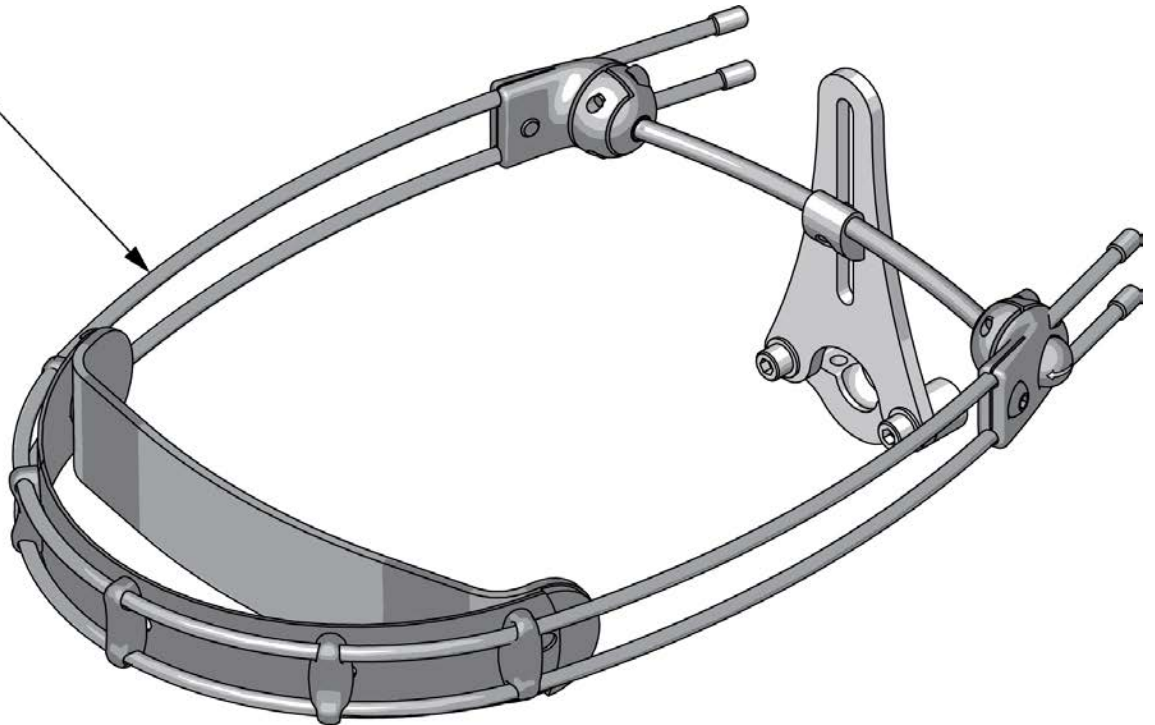
10 HEADREST BRACKET FASTENER KIT			
ITEM #	ILLUSTRATION	DESCRIPTION	QTY
3		1-1/4 SHORT SCREWBALL	1
4		NUT SLIDE M6X1X19.1MM	2
5		WASHER 1/4" SAE BLK	2
6		1/4-28X5/8" SHCS COLLAR BOLT	2
7		WASHER FLAT M6	4
9		BHCS, M6X1X16, FULL, PL	2

Pos.	Item Number	Description
1-3,5-7	125851	HEADREST BRACKET UPPER ASSM
4,5,8,9	125850	HEADREST BRACKET LOWER ASSM
1-9	125849	HEADREST BRACKET ASSM COMPLETE
10	125852	HEADREST BRKT FASTENER KIT

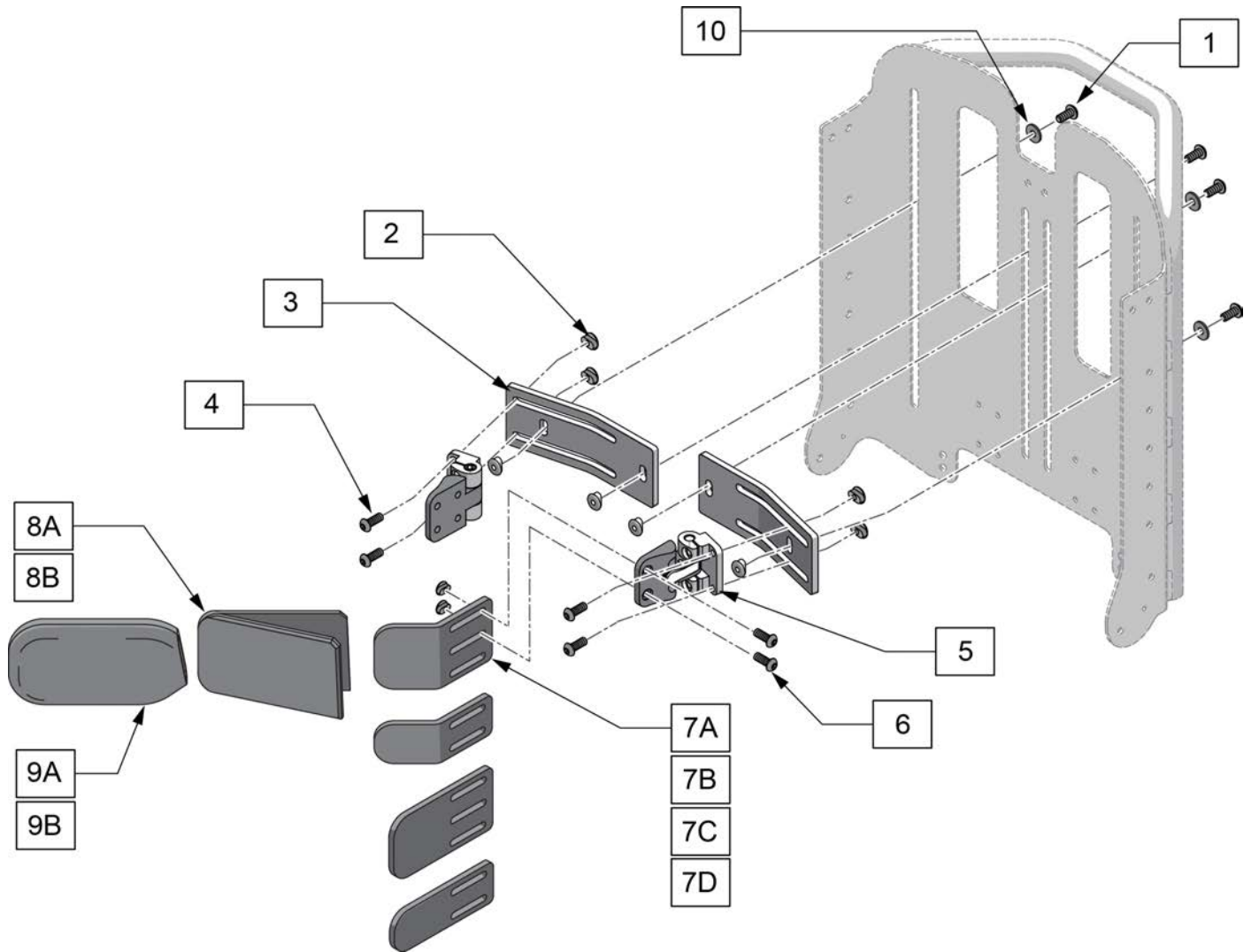


Pos.	Item Number	Description
1A-4	125853	WHITMYER 8" PLUSH W/ COLLAR
1A-4	125854	WHITMYER 10" PLUSH W/ COLLAR
1B-4	125855	SM CONTOUR CRADLE W/ COLLAR
1B-4	125856	MED CONTOUR CRADLE W/ COLLAR
1C-4	125857	SM ADJUST-A-PLUSH W/ COLLAR
2-4	125858	COLLAR W/ BOLTS AND COVER

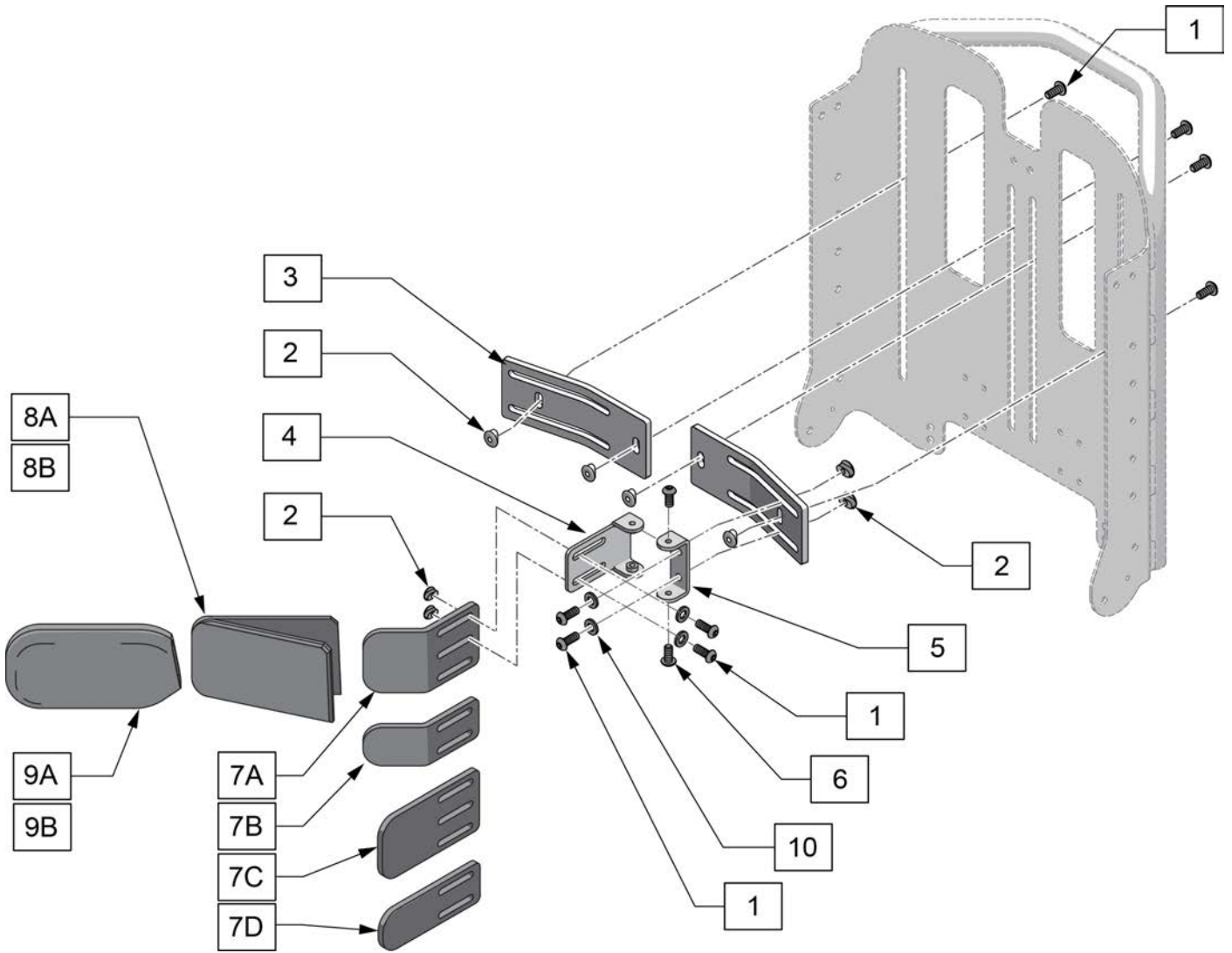
1



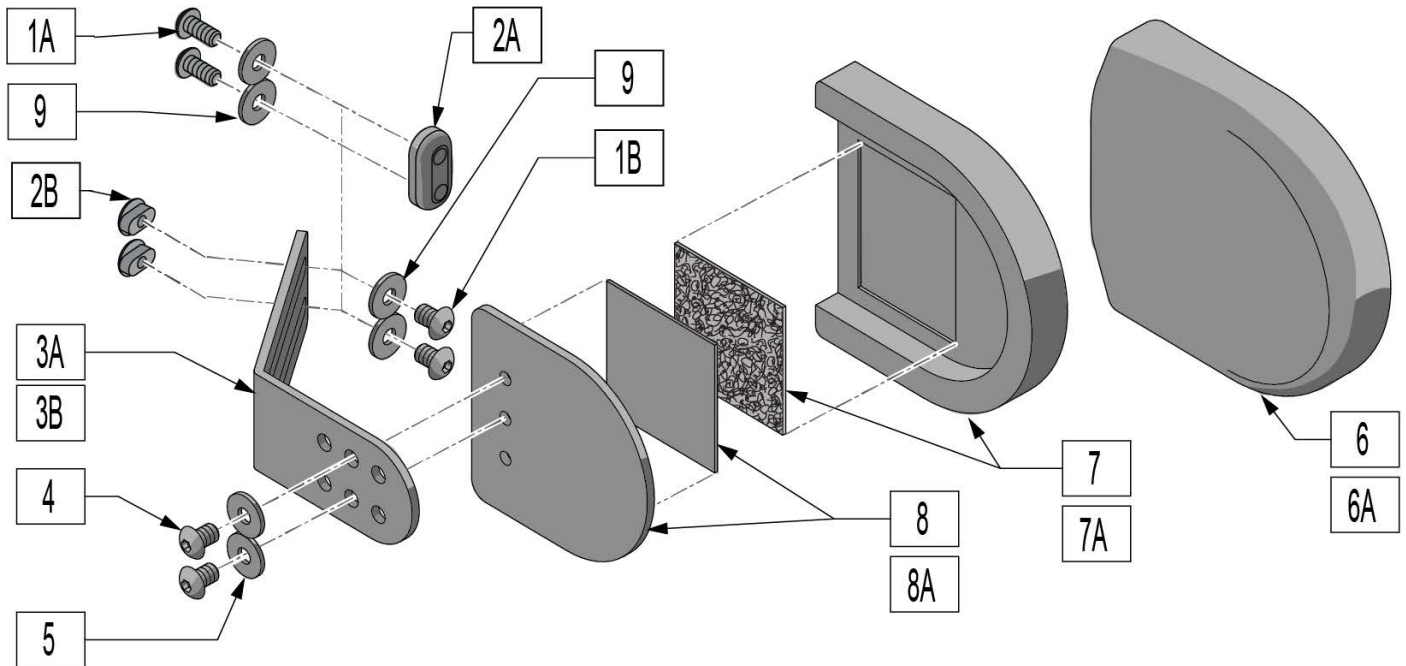
Pos.	Item Number	Description
1	WH-DFSQ30	DFS2 PED SINGLE PAD w/HARDWARE



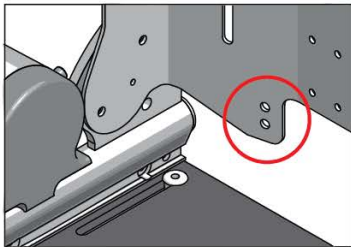
Pos.	Item Number	Description	Remarks
8A	9490502111	LATERAL FOAM 1-3/4"	
8B	9490503111	LATERAL FOAM 2-3/4"	
9A	125865	LATERAL COVER SMALL BLACK	
9B	125866	LATERAL COVER LARGE BLACK	
2,4,5	125859	SWING AWAY BRKT W/ HDWR	
2,3,6	125860	LATERAL BACK MOUNT W/ HDWR	
1,2,7D	125861	PAD BRKT SM STRAIGHT W/ HDWR	"Straight Pad"
1,2,7C	125862	PAD BRKT LG STRAIGHT W/ HDWR	"Straight Pad"
1,2,7B	125863	PAD BRKT SM CONTOUR W/ HDWR	"Curved Pad"
1,2,7A	125864	PAD BRKT LG CONTOUR W/ HDWR	"Curved Pad"



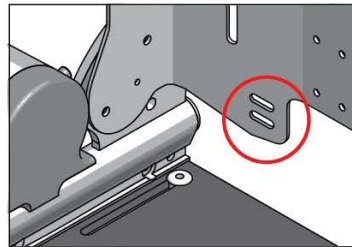
Pos.	Item Number	Description	Remarks
1-3	125860	LATERAL BACK MOUNT W/ HDWR	
1,2,4,5,10	125867	FIXED LATERAL BRKT W/ HDWR	
8A	9490502111	LATERAL FOAM 1-3/4"	
8B	9490503111	LATERAL FOAM 2-3/4"	
9A	125865	LATERAL COVER SMALL BLACK	
9B	125866	LATERAL COVER LARGE BLACK	
1,2,7D	125861	PAD BRKT SM STRAIGHT W/ HDWR	"Straight Pad"
1,2,7C	125862	PAD BRKT LG STRAIGHT W/ HDWR	"Straight Pad"
1,2,7B	125863	PAD BRKT SM CONTOUR W/ HDWR	"Curved Pad"
1,2,7A	125864	PAD BRKT LG CONTOUR W/ HDWR	"Curved Pad"



Original-Hip Guides attach to holes in shell before 8/12/14



Updated-Hip Guides attach to slots in shell after 8/12/14

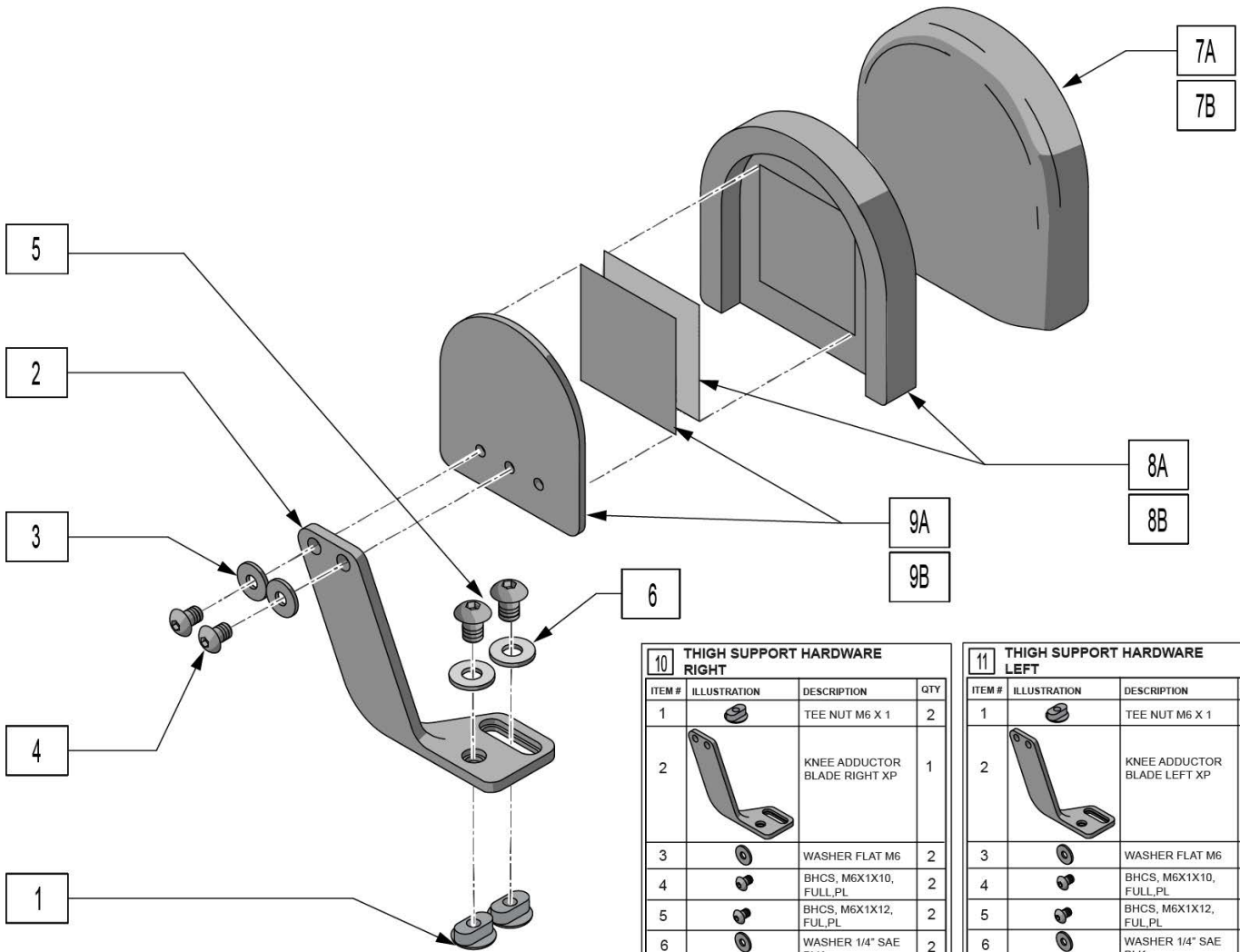


10 HIP SUPPORT BRACKET W/ HARDWARE			
ITEM #	ILLUSTRATION	DESCRIPTION	QTY
1A		BHCS, M6X1X8, FULL_PL	2
2A		PLATE NUT AXLE	1
3A		HIP ADDUCTOR BLADE	1
4		BHCS, M6X1X12, FULL_PL	2
5		WASHER FLAT M6	2

11 HIP SUPPORT HARDWARE ASSM			
ITEM #	ILLUSTRATION	DESCRIPTION	QTY
1B		BHCS, M6X1X10, FULL_PL	2
2B		TEE NUT M6 X 1	2
3B		HIP ADDUCTOR BLADE	1
4		BHCS, M6X1X12, FULL_PL	2
5		WASHER FLAT M6	2

Pos.	Item Number	Description	Remarks
6A	125881	THIGH SUPPORT PAD COVER SMALL	
6B	125882	THIGH SUPPORT PAD COVER LARGE	
6A,7A,8A	125879	THIGH SUPPORT PAD ASSM SMALL	
6B,7B,8B	125880	THIGH SUPPORT PAD ASSM LARGE	
1,2A,3A,6A,7A,8A,9	125883	HIP SUPPORT ASSEMBLY SMALL	use for holes in shell attachment
1,2A,3A,6B,7B,8B,9	125884	HIP SUPPORT ASSEMBLY LARGE	use for holes in shell attachment
1,2B,3B-5,6A,7A,8A,9	126889	HIP SUPPORT ASSEMBLY SMALL	use for slots in shell attachment
1,2B,3B-5,6A,7B,8B,9	126890	HIP SUPPORT ASSEMBLY LARGE	use for slots in shell attachment
10	125885	HIP SUPPORT BRACKET W/HDWR	use for holes in shell attachment
11	126888	HIP SUPPORT HARDWARE ASSM	use for slots in shell attachment

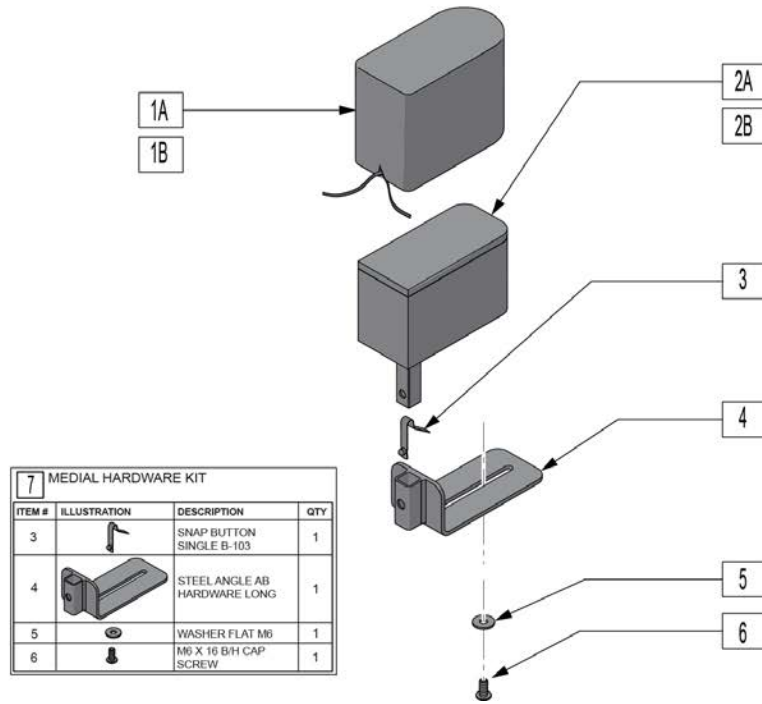




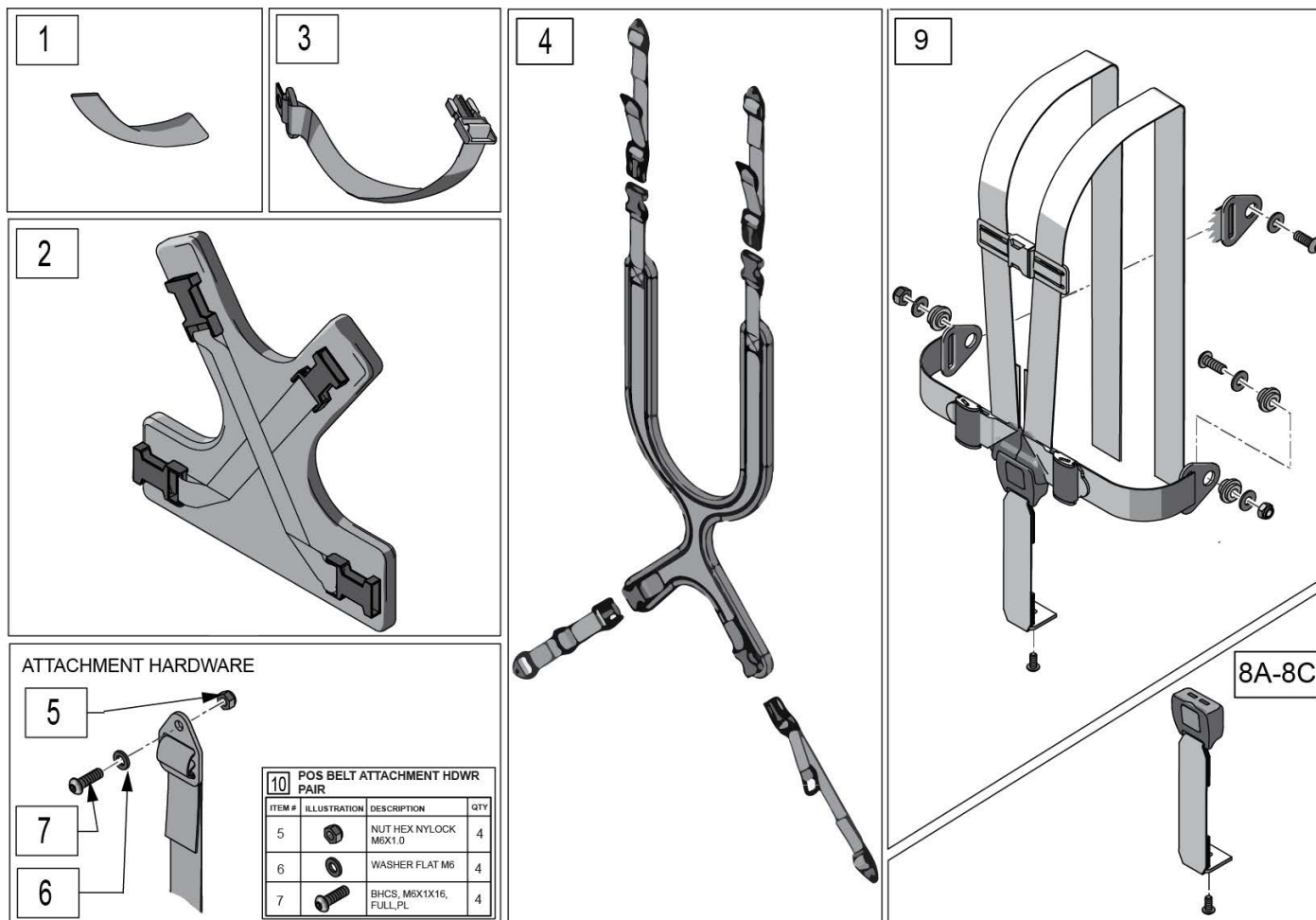
10 THIGH SUPPORT HARDWARE RIGHT			
ITEM #	ILLUSTRATION	DESCRIPTION	QTY
1		TEE NUT M6 X 1	2
2		KNEE ADDUCTOR BLADE RIGHT XP	1
3		WASHER FLAT M6	2
4		BHCS, M6X1X10, FULL_PL	2
5		BHCS, M6X1X12, FUL_PL	2
6		WASHER 1/4" SAE BLK	2

11 THIGH SUPPORT HARDWARE LEFT			
ITEM #	ILLUSTRATION	DESCRIPTION	QTY
1		TEE NUT M6 X 1	2
2		KNEE ADDUCTOR BLADE LEFT XP	1
3		WASHER FLAT M6	2
4		BHCS, M6X1X10, FULL_PL	2
5		BHCS, M6X1X12, FUL_PL	2
6		WASHER 1/4" SAE BLK	2

Pos.	Item Number	Description
7A	125881	THIGH SUPPORT PAD COVER SMALL
7B	125882	THIGH SUPPORT PAD COVER LARGE
7A,8A,9A	125879	THIGH SUPPORT PAD ASSM SMALL
7B,8B,9B	125880	THIGH SUPPORT PAD ASSM LARGE
1-6,7A,8A,9A	125874	THIGH SUPPORT ASSM SMALL RIGHT
1-6,7A,8A,9A	125873	THIGH SUPPORT ASSM SMALL LEFT
1-6,7B,8B,9B	125876	THIGH SUPPORT ASSM LARGE RIGHT
1-6,7B,8B,9B	125875	THIGH SUPPORT ASSM LARGE LEFT
10	125878	THIGH SUPPORT HARDWARE RIGHT
11	125877	THIGH SUPPORT HARDWARE LEFT

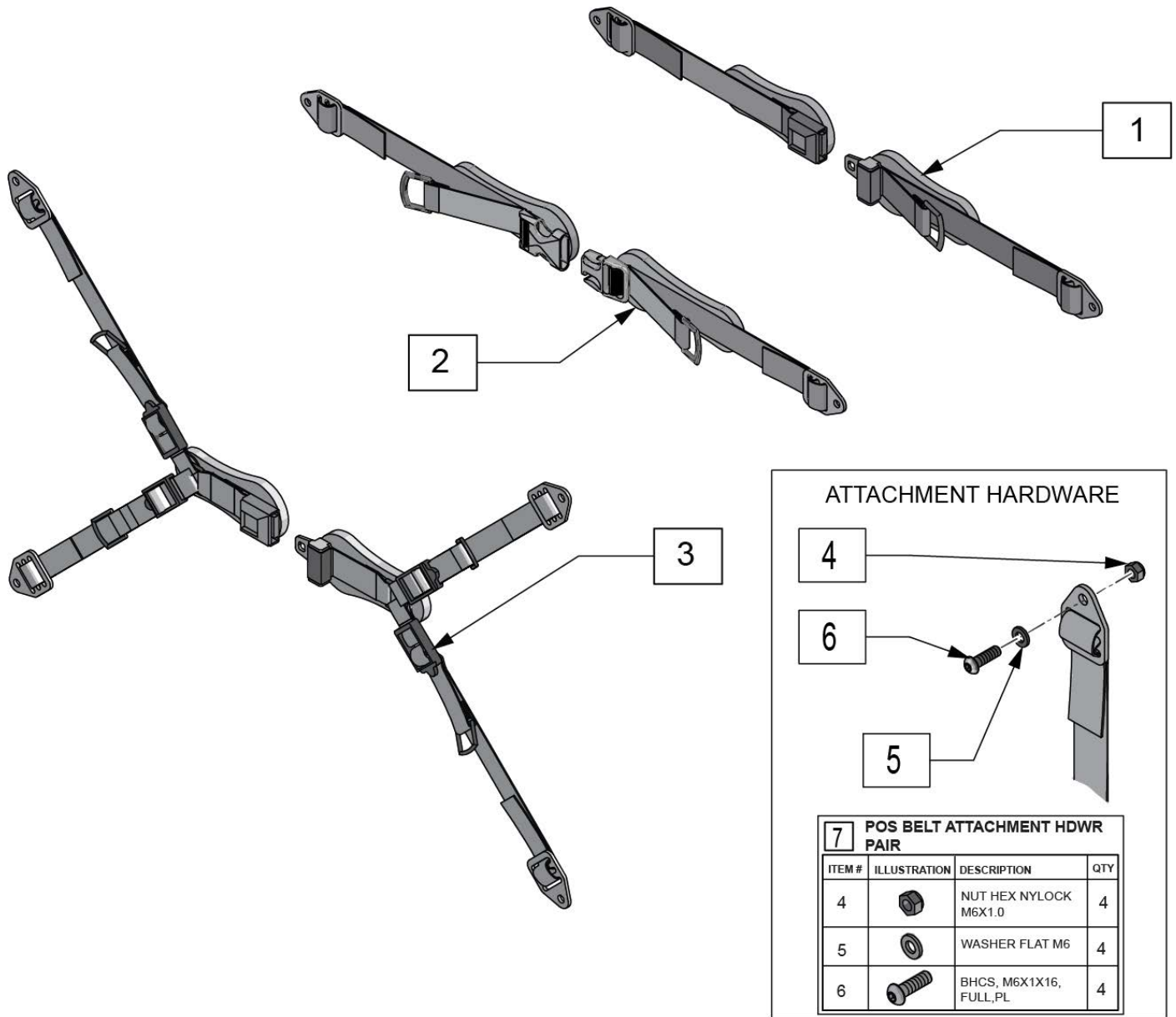


Pos.	Item Number	Description
1A	125870	MEDIAL COVER SMALL BLACK
1B	125871	MEDIAL COVER LARGE BLACK
1A, 2A-6	125868	MEDIAL SUPPORT ASSM SMALL
1B, 2B-6	125869	MEDIAL SUPPORT ASSM LARGE
7	125872	MEDIAL HARDWARE KIT

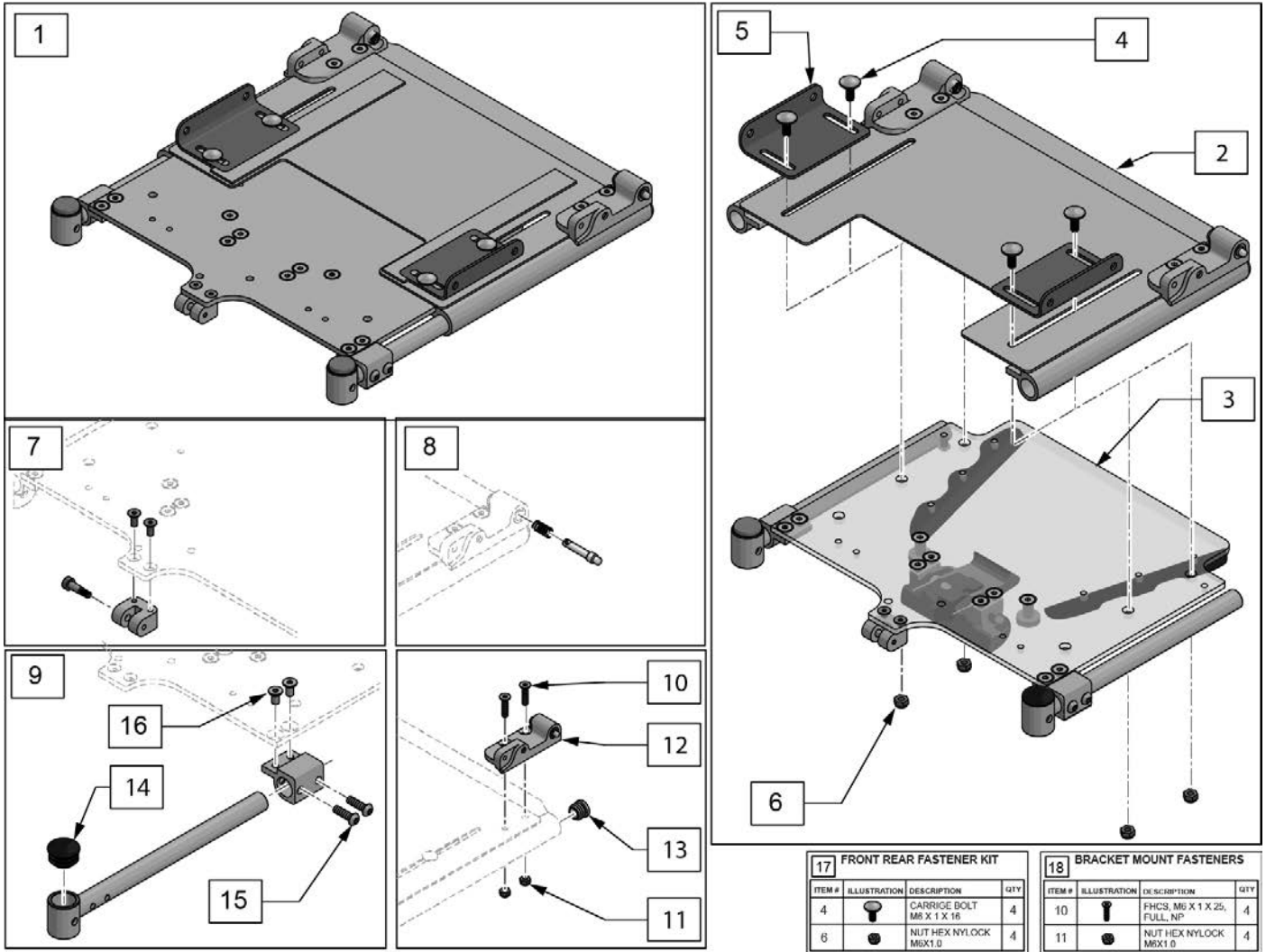


Pos.	Item Number	Description	Remarks
1	9171801101	OPTIONAL SHOULDER STRAP PADS	
2	9160150111	BUTTERFLY PAD - BLACK - XXSMALL	
2	9160150211	BUTTERFLY PAD - BLACK - XSMALL	
2	9160150311	BUTTERFLY PAD - BLACK - SMALL	
2	9160150411	BUTTERFLY PAD - BLACK - MEDIUM	
2	125893	BUTTERFLY PAD ASSM LARGE	
3	9180312301	BUTTERFLY STRAP ASSY - 23"	
4	ATS9107	COMFORFIT PULL-DOWN CONTOUR/EI	Early Intervention
4	ATS9100	COMFORFIT PULL-DOWN CONTOUR/XS	X-Small
4	ATS9101	COMFORFIT PULL-DOWN CONTOUR/SM	Small
2,3,5-7	9160150555	BUTTERFLY ASSY w/HARDWARE - XXSM	
2,3,5-7	9160150454	BUTTERFLY ASSY w/HARDWARE - XSM	
2,3,5-7	9160150353	BUTTERFLY ASSY w/HARDWARE - SM	
2,3,5-7	9160150252	BUTTERFLY ASSY w/HARDWARE - MED	
2,3,5-7	9160150151	BUTTERFLY ASSY w/HARDWARE - LRG	
8A	129822	TRANSIT CENTER STRAP SM 5"	
8B	129823	TRANSIT CENTER STRAP MED 8"	
8C	129824	TRANSIT CENTER STRAP LNG 10"	
9	126040	5 POINT HARNESS W/HARDWARE	Includes Transit Center Strap Med 8"
10	125892	POS BELT ATTACHMENT HDWR PAIR	Pair

Note: for 5 Point Harness and Transit Center Strap, see ANTERIOR TRUNK SUPPORT parts page.



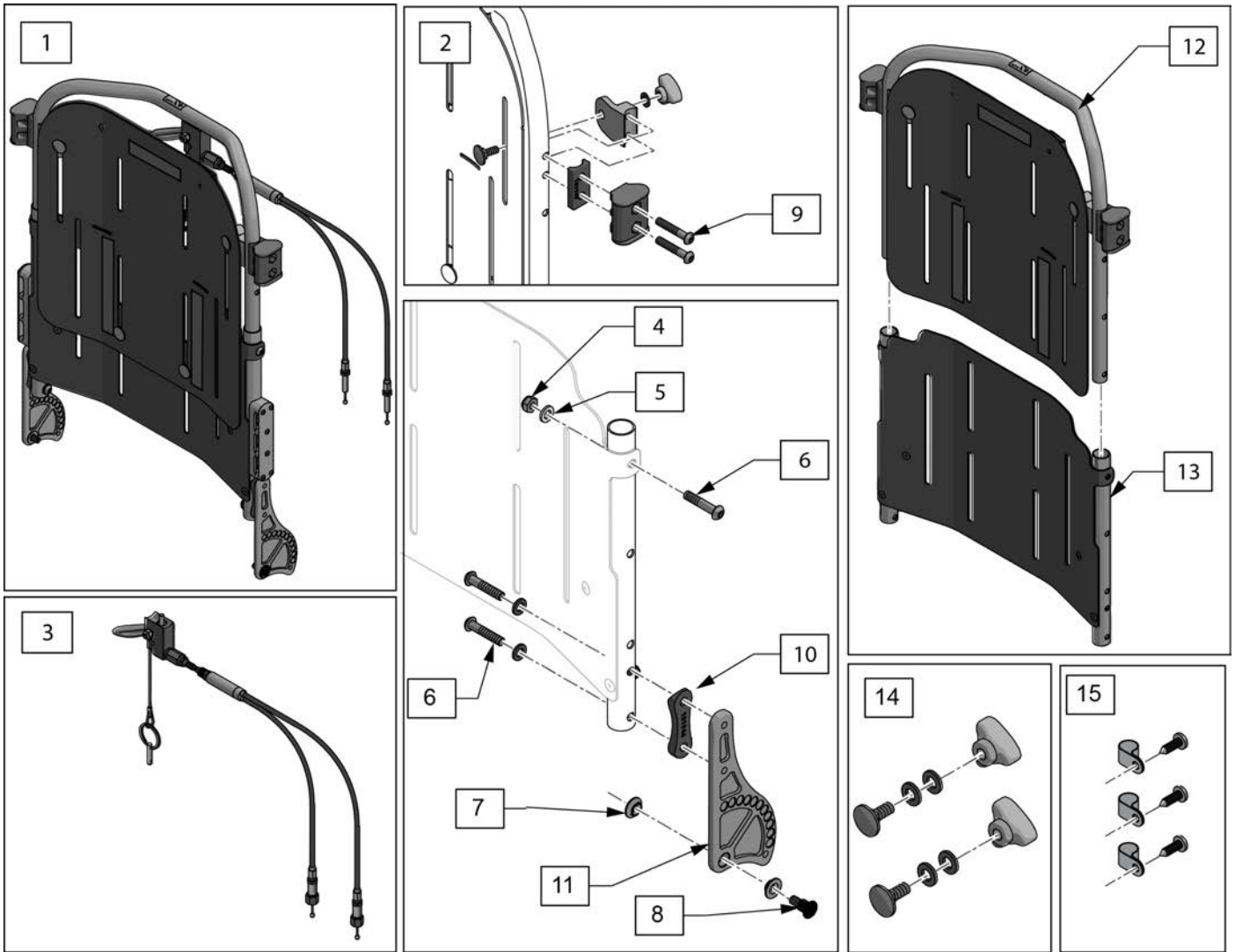
Pos.	Item Number	Description	Remarks
1,4-6	125888	1" PADDED AUTO BUCKLE ASSM	
1,4-6	125889	1.5" PADDED AUTO BUCKLE ASSM	
2,4-6	125886	1" PADDED PLASTIC BUCKLE ASSM	Dual pull
2,4-6	125887	1.5" PADDED PLASTIC BCKLE ASSM	Dual pull
3,4-6	125890	MOD SEAT BELT APB5145 XS PAD	Used for Advanced Seating only
3,4-6	125891	MOD SEAT BELT APB5146 SM PAD	Used for Advanced Seating only
7	125892	POS BELT ATTACHMENT HDWR PAIR	



17 FRONT REAR FASTENER KIT			
ITEM #	ILLUSTRATION	DESCRIPTION	QTY
4		CARRIGE BOLT M8 X 1 X 16	4
6		NUT HEX NYLOCK M8X1.0	4

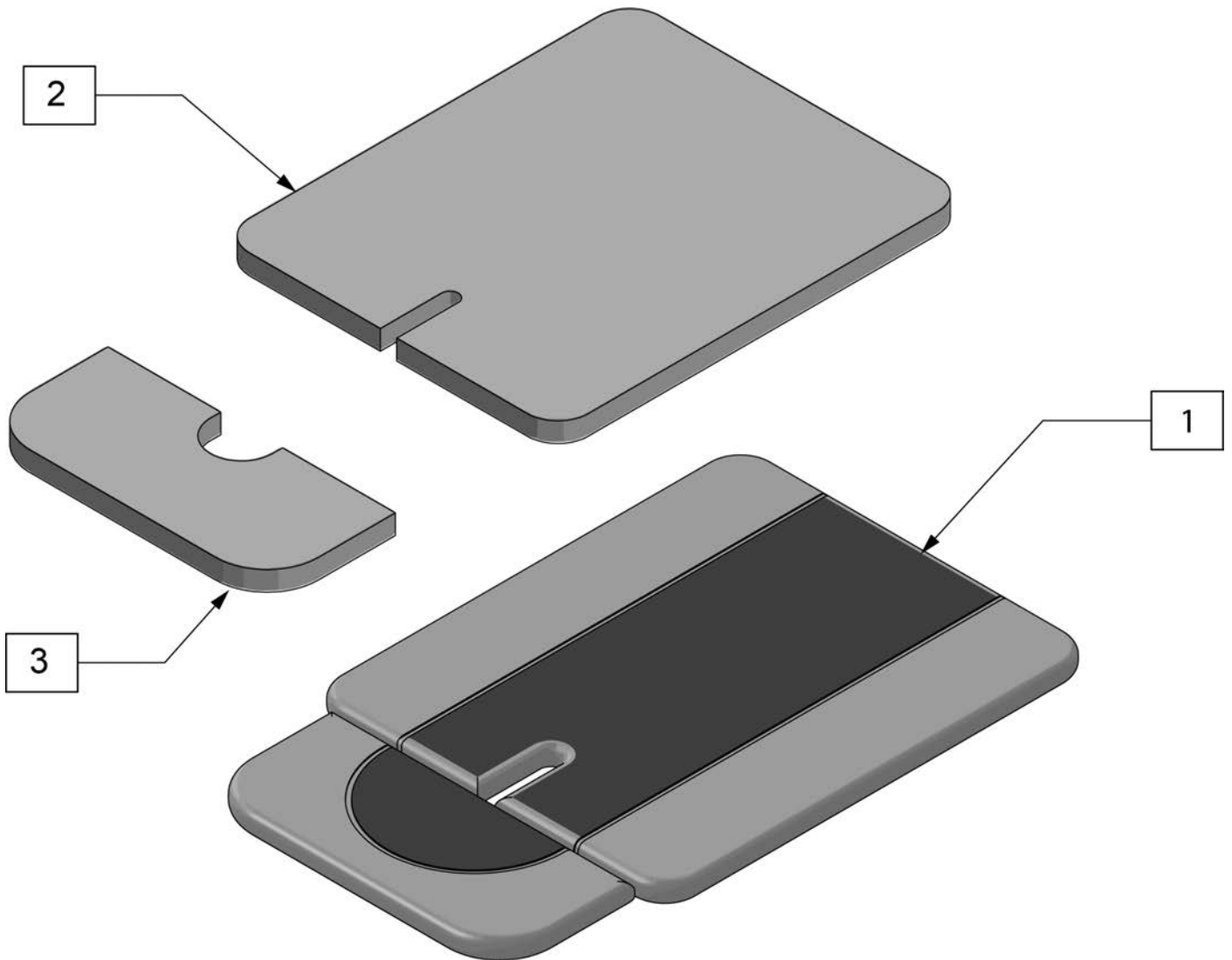
18 BRACKET MOUNT FASTENERS			
ITEM #	ILLUSTRATION	DESCRIPTION	QTY
10		FHCS, M6 X 1 X 25, FULL, NP	4
11		NUT HEX NYLOCK M6X1.0	4

Pos.	Item Number	Description	Remarks
1	160719	MODERATE SEAT BASE ASSM	
2	160720	CS TOP REAR ASSM	
3	160721	CS TOP FRONT ASSM	
5	159699	POSITIONING BELT BRACKET	
7	160730	FOOTREST CENTER MOUNT ASSM	
8	160723	TILT PIN REPLACEMENT	
9	160729	SEAT RAIL WITH MOUNT	
10-12	160724	BRACKET MOUNT RH	Right
10-12	160725	BRACKET MOUNT LH	Left
13	160727	3/4" INSERT PLUG RIBBED 4PK	
14	160728	7/8" INSERT PLUG .065 RIBS 4PK	
15	160731	SEAT RAIL MOUNT FASTENERS	
16	103500-004	FHCS,M6X1X12,FULL,NP	
17	160722	FRONT REAR FASTENER KIT	
18	160726	BRACKET MOUNT FASTENERS	

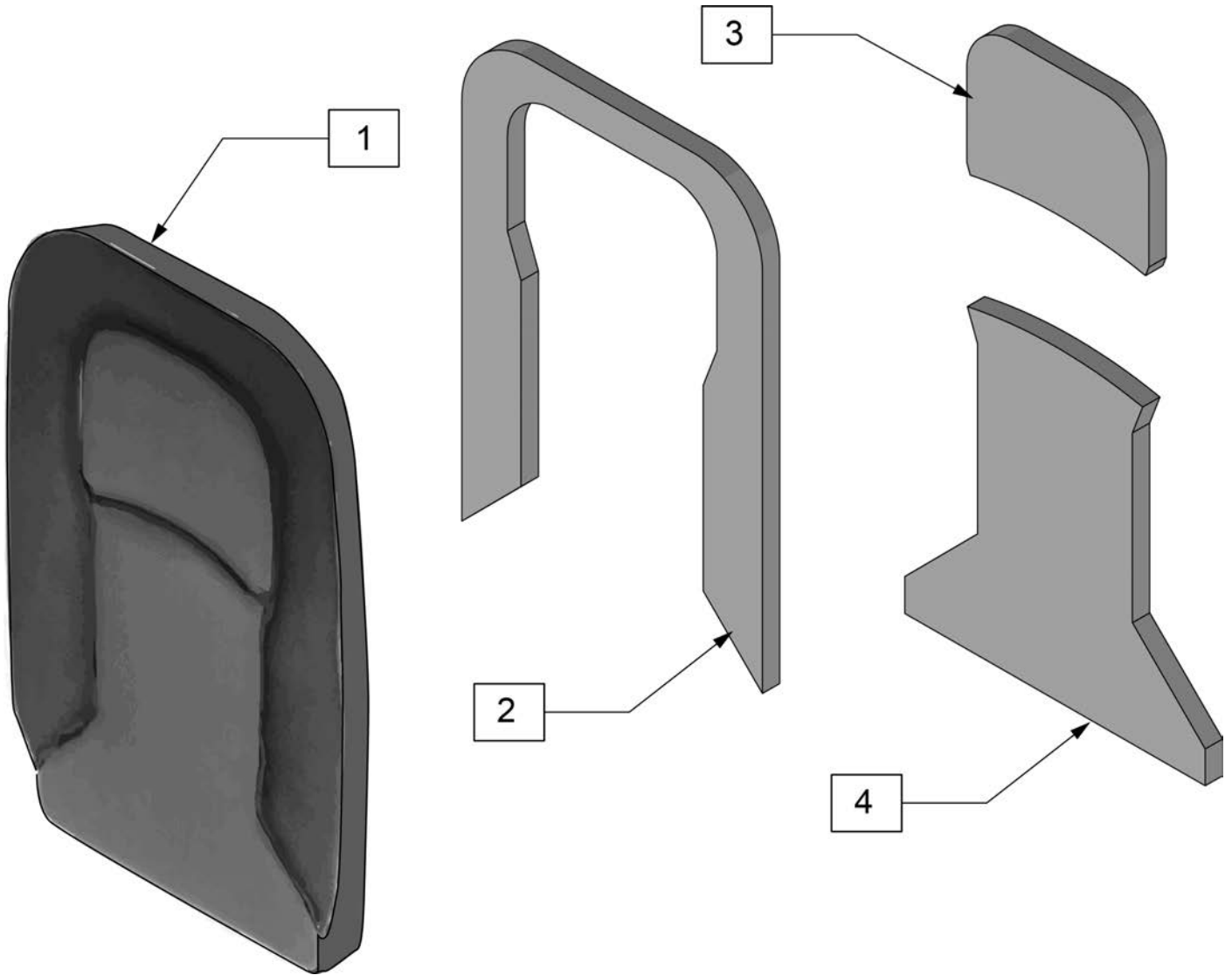


Pos.	Item Number	Description	Remarks
1	160732	MOD SEAT BACK ASSM	
2	160734	TOP BACK MOUNT W/ CANOPY MNT	
3	160739	RECLINE CABLE ASSM	
4-11	160736	BACK BRACKET ASSEMBLY	1 side
4-9	160737	BACK FASTENER KIT	
12	160733	MODERATE SEAT UPPER BACK ASSM	
13	160738	MODERATE SEAT LOWER BACK ASSM	
14	160741	BACK ADJUST KNOBS SET	
15	160740	CABLE ROUTE CLIP KIT (3)	3 P-clips, 3 screws

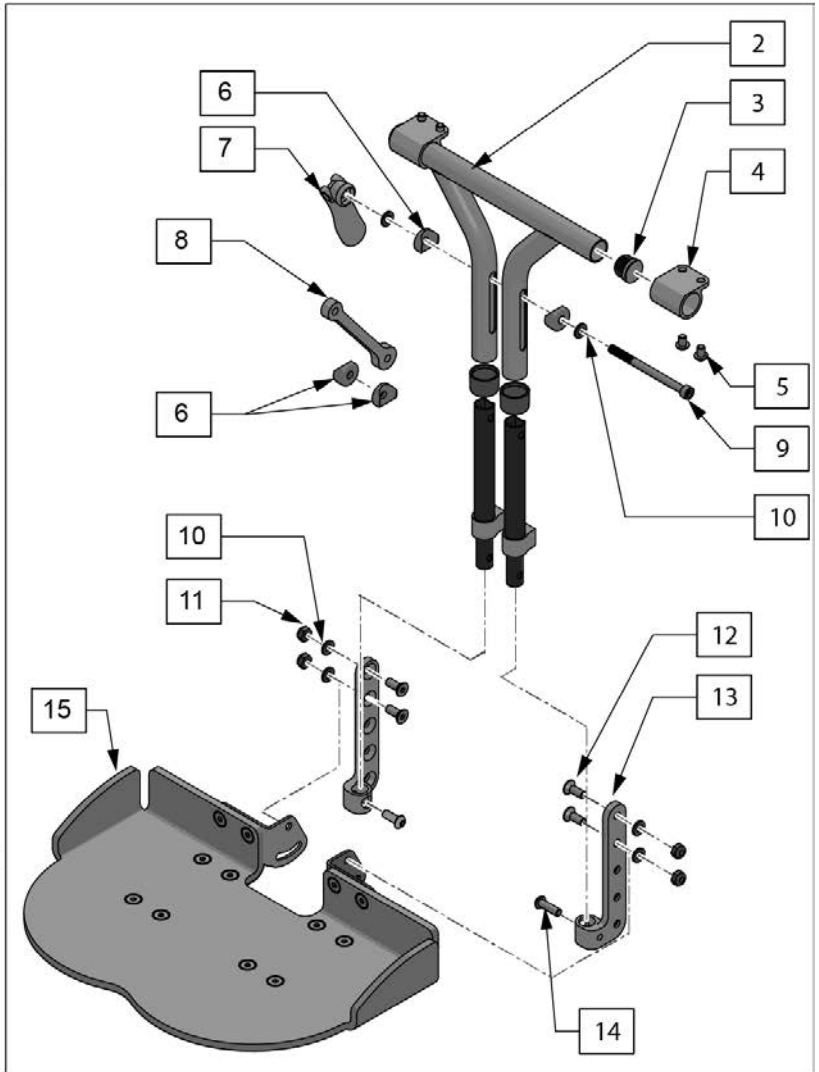
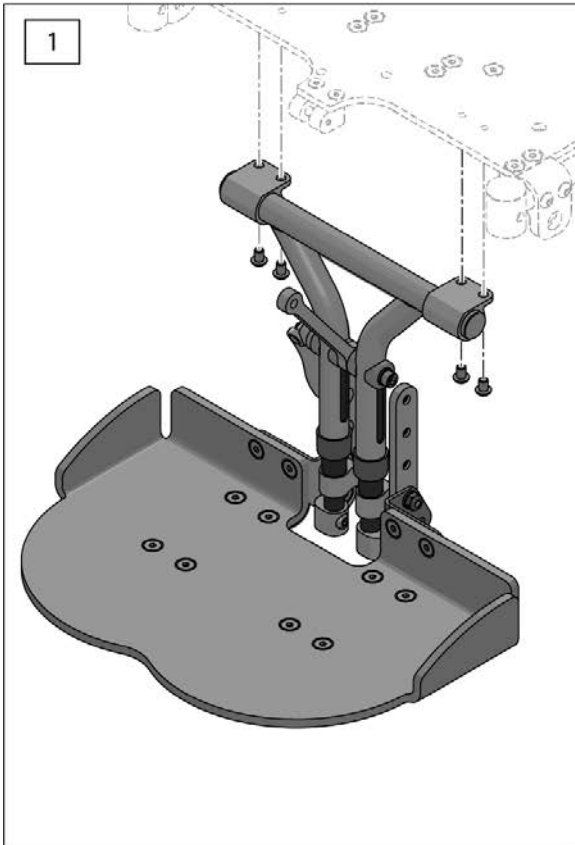




Pos.	Item Number	Description
1	160743	COVER SEAT MODERATE GRAY
1	160744	COVER SEAT MODERATE BEIGE
1	160745	COVER SEAT MODERATE BLUE
1	160746	COVER SEAT MODERATE RED
2	160747	MODERATE SEAT INNER SEAT
3	160748	MODERATE SEAT INNER CALF
1-3	160749	MODERATE SEAT PAD GRAY
1-3	160750	MODERATE SEAT PAD BEIGE
1-3	160751	MODERATE SEAT PAD BLUE
1-3	160752	MODERATE SEAT PAD RED

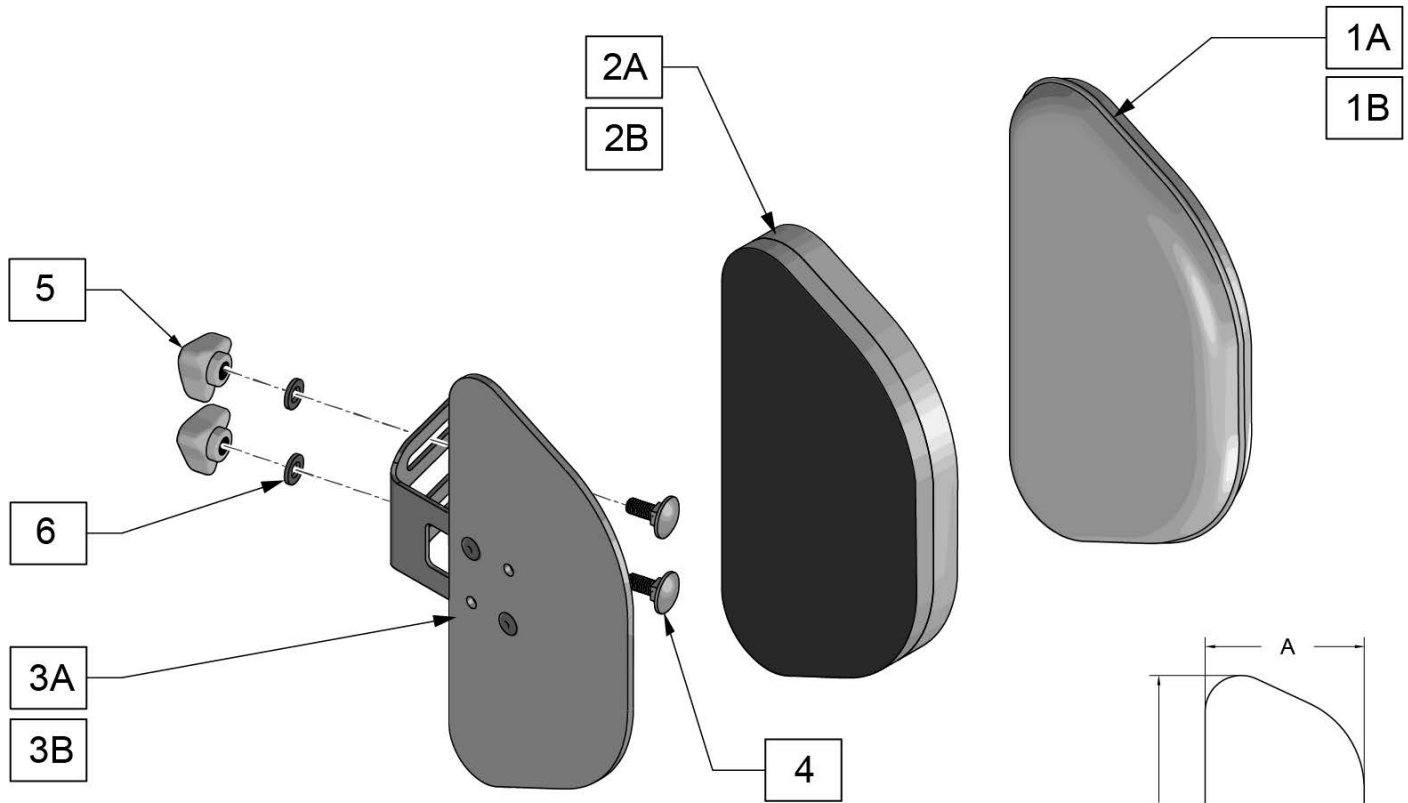


Pos.	Item Number	Description
1	160753	COVER BACK MODERATE GRAY
1	160754	COVER BACK MODERATE BEIGE
1	160755	COVER BACK MODERATE BLUE
1	160756	COVER BACK MODERATE RED
2	160759	MODERATE INNER OUTER
3	160758	MODERATE INNER HEAD
4	160757	MODERATE INNER BACK
1-4	160760	MODERATE BACK GRAY
1-4	160761	MODERATE BACK BEIGE
1-4	160762	MODERATE BACK BLUE
1-4	160763	MODERATE BACK RED



16 FOOTREST FASTENERS MODERATE							
ITEM #	ILLUSTRATION	DESCRIPTION	QTY	ITEM #	ILLUSTRATION	DESCRIPTION	QTY
5		BHCS, M6X1X8, FULL, PL	4	11		NUT HEX NYLOCK M6X1.0	4
6		3/4" SADDLE THIN	4	12		FHCS, M6X1X16, FULL, NP	4
9		SHCS M6X1.0X80 BLK	1	14		BHCS M6X1X20 W/PL	2
10		WASHER FLAT M6	6			FLT PT SS M6X 1.25X8	2

Pos.	Item Number	Description	Remarks
1	160764	MODERATE FOOTREST ASSM	Complete assembly
2-14	160767	UPPER LEG ASSM MODERATE	
15	160765	FOOTPLATE ASSM MODERATE	
16	160768	FOOTREST FASTENERS MODERATE	

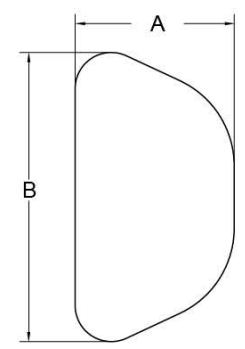


**7 LAT MOUNTING FASTENERS**

ITEM #	ILLUSTRATION	DESCRIPTION	QTY
4		CARRIGE BOLT M6 X 1 X 16	2
5		THUMB WHEEL M6 TAPPED	2
6		WASHER FLAT M6	4

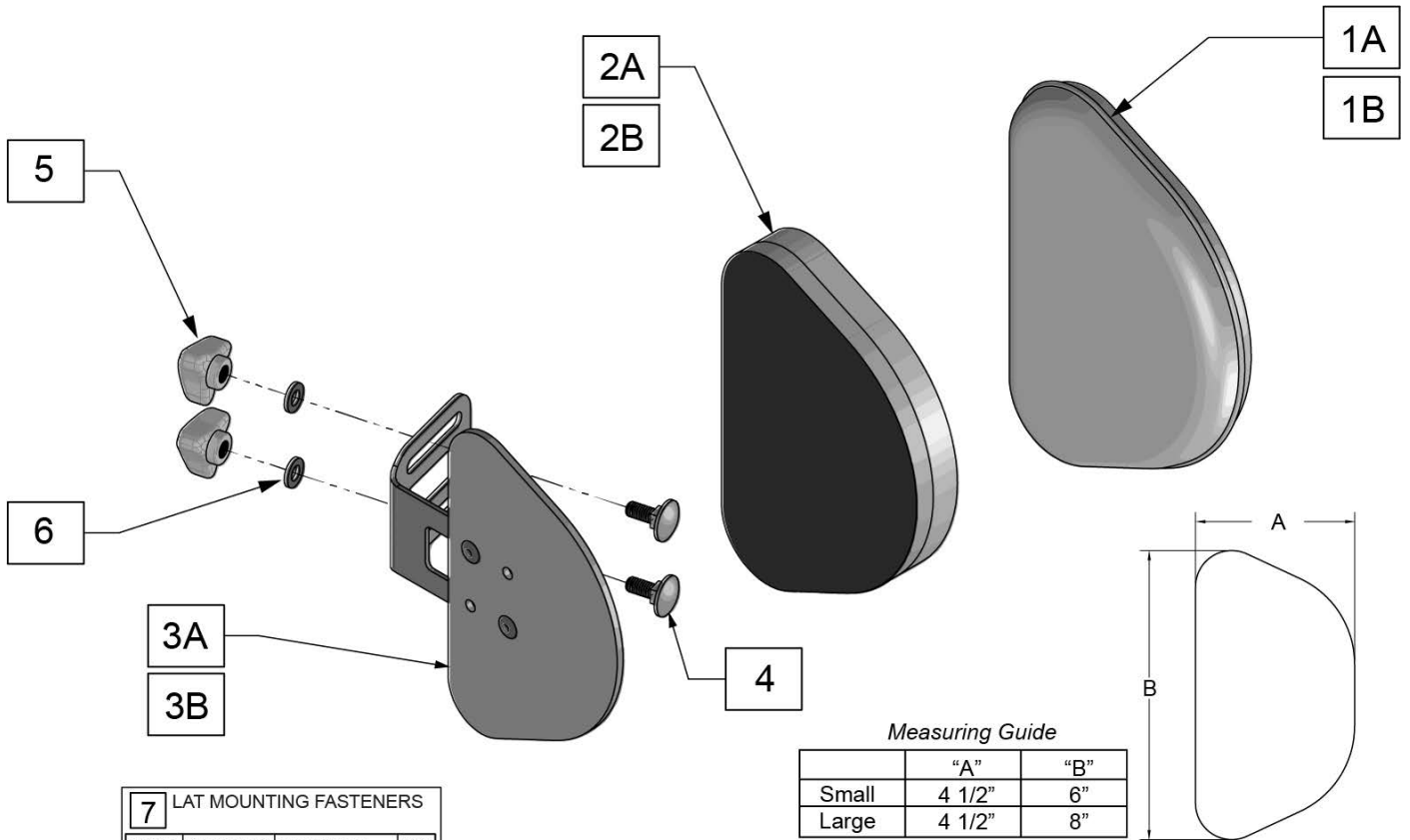
*Measuring Guide*

	"A"	"B"
Small	4 1/2"	6"
Large	4 1/2"	8"



Pos.	Item Number	Description	Remarks
1A	160769	COVER LAT LG GRAY	
1A	160771	COVER LAT LG BLUE	
1A	160772	COVER LAT LG RED	
1A	160770	COVER LAT LG BEIGE	
1B	160780	LAT SM COVER GRAY	
1B	160781	LAT SM COVER BEIGE	
1B	160782	LAT SM COVER BLUE	
1B	160783	LAT SM COVER RED	
2A	160773	LAT LG FOAM W/ VELCRO	
2B	160784	LAT SM FOAM W/VELCRO	
3A	160774	LAT BASE ASSM	
3B	160785	LAT SM BASE	
7	160775	LAT MOUNTING FASTENERS	
1A,2A,3A,4-6	160776	LAT LARGE ASSM GRAY	Complete assembly, one side
1A,2A,3A,4-6	160778	LAT LARGE ASSM BLUE	Complete assembly, one side
1A,2A,3A,4-6	160779	LAT LARGE ASSM RED	Complete assembly, one side
1A,2A,3A,4-6	160777	LAT LARGE ASSM BEIGE	Complete assembly, one side
1B,2B,3B,4-6	160786	LAT SM ASSM GRAY	Complete assembly, one side
1B,2B,3B,4-6	160787	LAT SM ASSM BEIGE	Complete assembly, one side

<b>Pos.</b>	<b>Item Number</b>	<b>Description</b>	<b>Remarks</b>
1B,2B,3B,4-6	160788	LAT SM ASSM BLUE	Complete assembly, one side
1B,2B,3B,4-6	160789	LAT SM ASSM RED	Complete assembly, one side



7 LAT MOUNTING FASTENERS			
ITEM #	ILLUSTRATION	DESCRIPTION	QTY
4		CARRIGE BOLT M6 X 1 X 16	2
5		THUMB WHEEL M6 TAPPED	2
6		WASHER FLAT M6	4

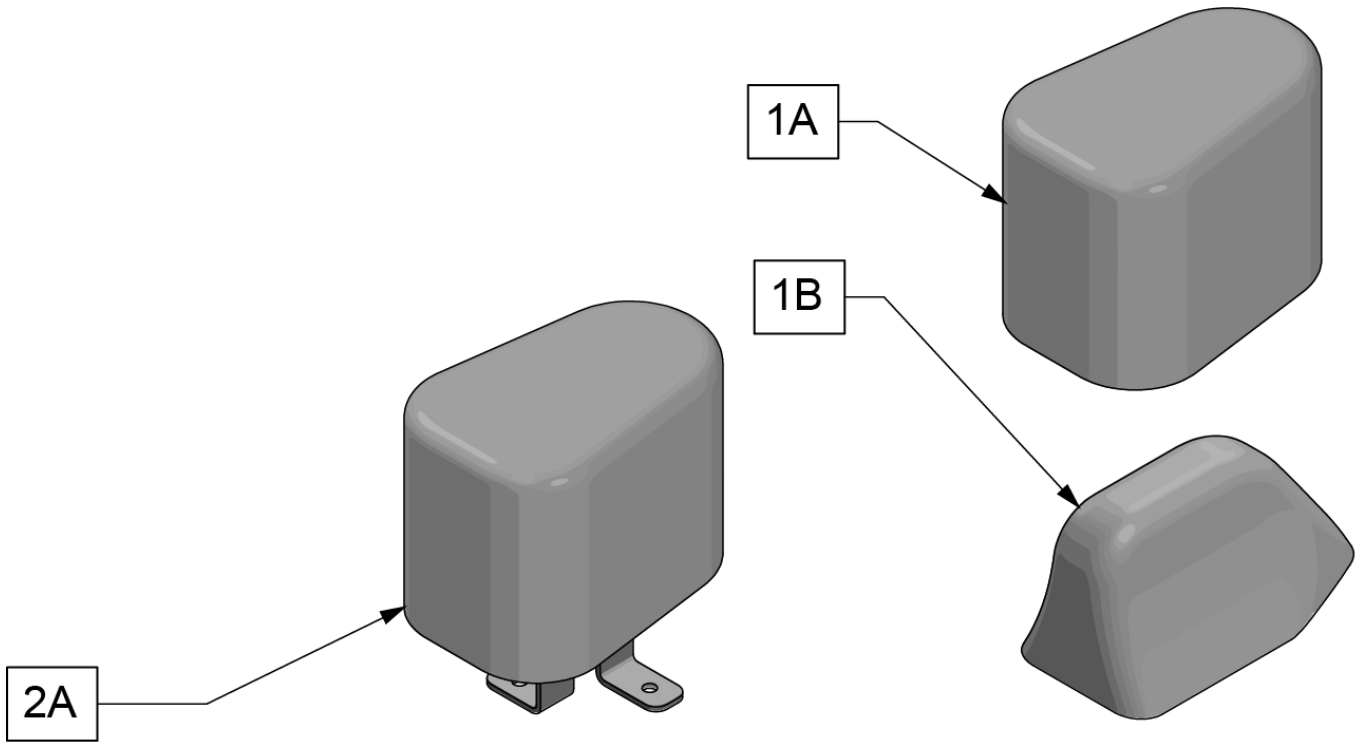
Measuring Guide

	"A"	"B"
Small	4 1/2"	6"
Large	4 1/2"	8"

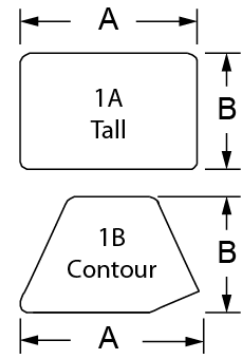
Pos.	Item Number	Description	Remarks
1A	160780	LAT SM COVER GRAY	
1A	160781	LAT SM COVER BEIGE	
1A	160782	LAT SM COVER BLUE	
1A	160783	LAT SM COVER RED	
1B	160769	COVER LAT LG GRAY	
1B	160771	COVER LAT LG BLUE	
1B	160772	COVER LAT LG RED	
1B	160770	COVER LAT LG BEIGE	
2A	160784	LAT SM FOAM W/VELCRO	
2B	160773	LAT LG FOAM W/VELCRO	
3A	160785	LAT SM BASE	
3B	160774	LAT BASE ASSM	
7	160775	LAT MOUNTING FASTENERS	see previous page
1A,2A,3A,4-6	160786	LAT SM ASSM GRAY	Complete assembly, one side
1A,2A,3A,4-6	160787	LAT SM ASSM BEIGE	Complete assembly, one side
1A,2A,3A,4-6	160788	LAT SM ASSM BLUE	Complete assembly, one side
1A,2A,3A,4-6	160789	LAT SM ASSM RED	Complete assembly, one side
1B,2B,3B,4-6	160776	LAT LARGE ASSM GRAY	Complete assembly, one side
1B,2B,3B,4-6	160778	LAT LARGE ASSM BLUE	Complete assembly, one side
1B,2B,3B,4-6	160779	LAT LARGE ASSM RED	Complete assembly, one side



<b>Pos.</b>	<b>Item Number</b>	<b>Description</b>	<b>Remarks</b>
1B,2B,3B,4-6	160777	LAT LARGE ASSM BEIGE	Complete assembly, one side

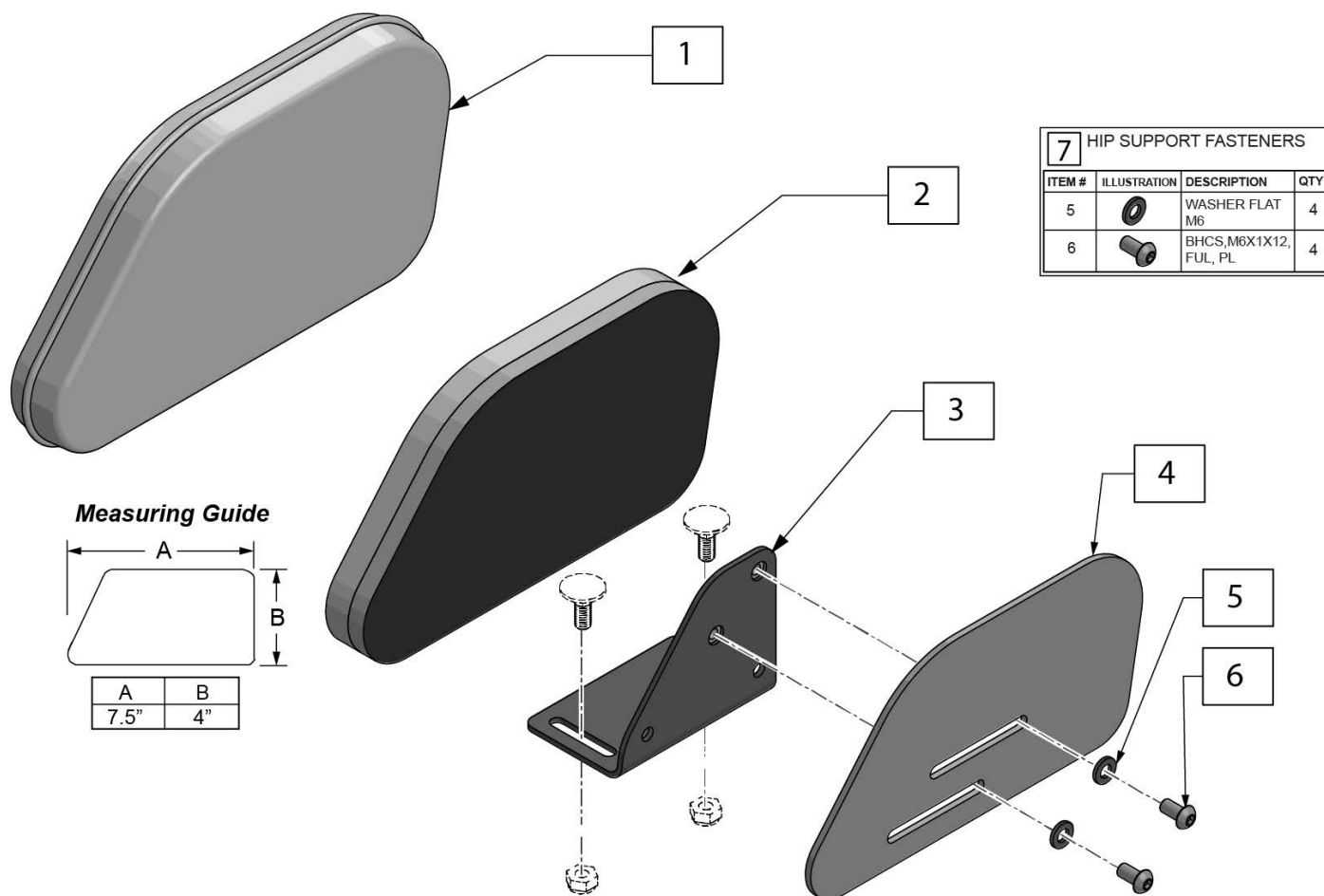


**Measuring Guide**

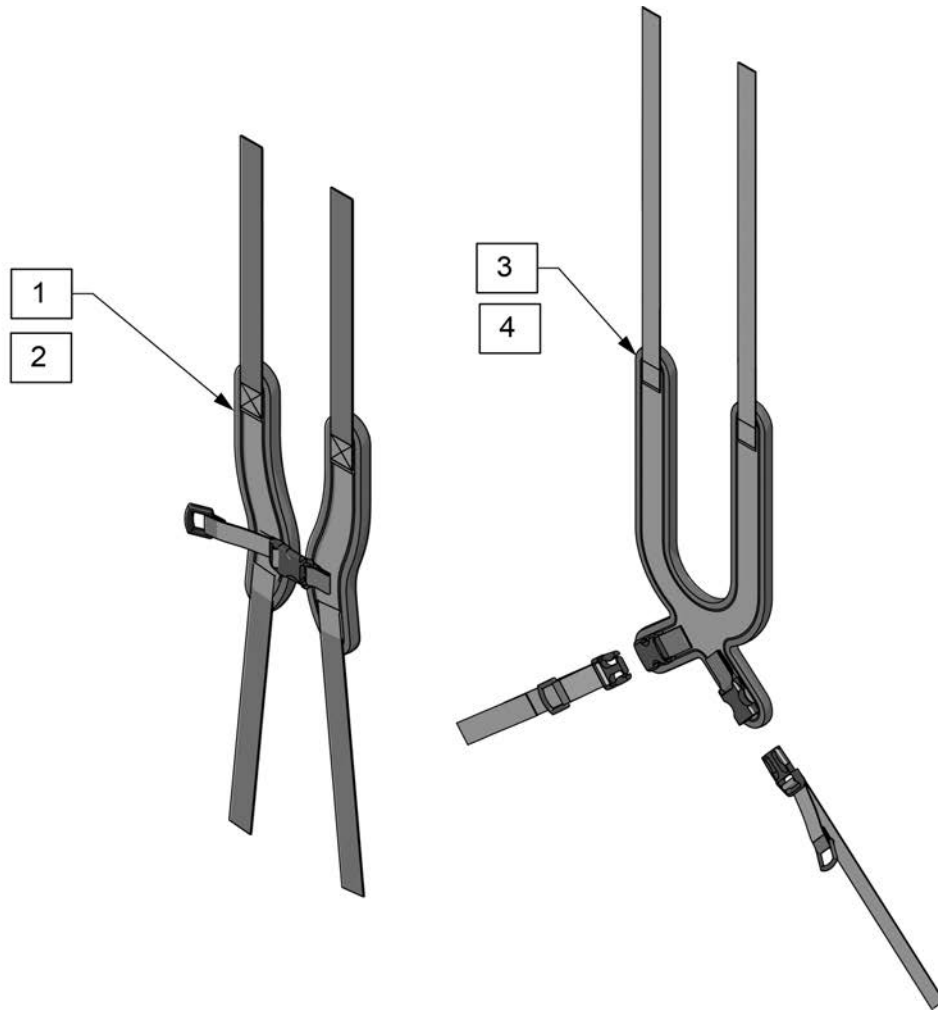


	A	B
Contour	4"	3"
Tall	4"	3"

Pos.	Item Number	Description	Remarks
1A	160790	COVER MEDIAL TALL	Tall
1B	160791	COVER MEDIAL CONTOUR	Contour
2A	160792	PAD MEDIAL SUPPORT TALL	Tall
2B	160793	PAD MEDIAL CONTOUR SUPPORT	Contour
3	102262-002	BHCS,M6X1X10,FULL,PL	
1A,2A,3	160794	MEDIAL SUPPORT TALL ASSM	Tall
1B,2B,3	160795	MEDIAL SUPPORT CONTOUR ASSM	Contour



Pos.	Item Number	Description	Remarks
1	160796	COVER LAT HIP RH GRAY	Right
1	160797	COVER LAT HIP LH GRAY	Left
1	160798	COVER LAT HIP RH BEIGE	Right
1	160799	COVER LAT HIP LH BEIGE	Left
1	160800	COVER LAT HIP RH BLUE	Right
1	160801	COVER LAT HIP LH BLUE	Left
1	160802	COVER LAT HIP RH RED	Right
1	160803	COVER LAT HIP LH RED	Left
2	160804	HIP FOAM W/ VELCRO RH	Right
2	160805	HIP FOAM W/ VELCRO LH	Left
1-6	160806	ASSM LAT HIP RH GRAY	Right
1-6	160807	ASSM LAT HIP LH GRAY	Left
1-6	160808	ASSM LAT HIP RH BEIGE	Right
1-6	160809	ASSM LAT HIP LH BEIGE	Left
1-6	160810	ASSM LAT HIP RH BLUE	Right
1-6	160811	ASSM LAT HIP LH BLUE	Left
1-6	160812	ASSM LAT HIP RH RED	Right
1-6	160813	ASSM LAT HIP LH RED	Left
3-6	160814	HIP BRACKET PLATE ASSM RH	Right
3-6	160815	HIP BRACKET PLATE ASSM LH	Left
7	160816	HIP SUPPORT FASTENERS	



Pos.	Item Number	Description	Remarks
1	160835	MODERATE ADJUST STRETCH IE CAM	ATS8807C
1	160836	MODERATE ADJUST STRETCH XS CAM	ATS8800C
1	160837	MODERATE ADJUST STRETCH SM CAM	ATS8801C
2	160838	MODERATE CENTER OPEN EI CAM	ATS9407C
2	160839	MODERATE CENTER OPEN XS CAM	ATS9400C
2	160840	MODERATE CENTER OPEN SM CAM	ATS9401C
3	160841	MODERATE PD CLASSIC/EI CAM	ATS8107C
3	160842	MODERATE PD CLASSIC/XS CAM	ATS8100C
3	160843	MODERATE PD CLASSIC/SM CAM	ATS8101C
4	159702	MODERATE STRUCT CLS PD-XS CAM	ATS8300C
4	160844	MODERATE STRUCT CLS PD-SM CAM	ATS8301C

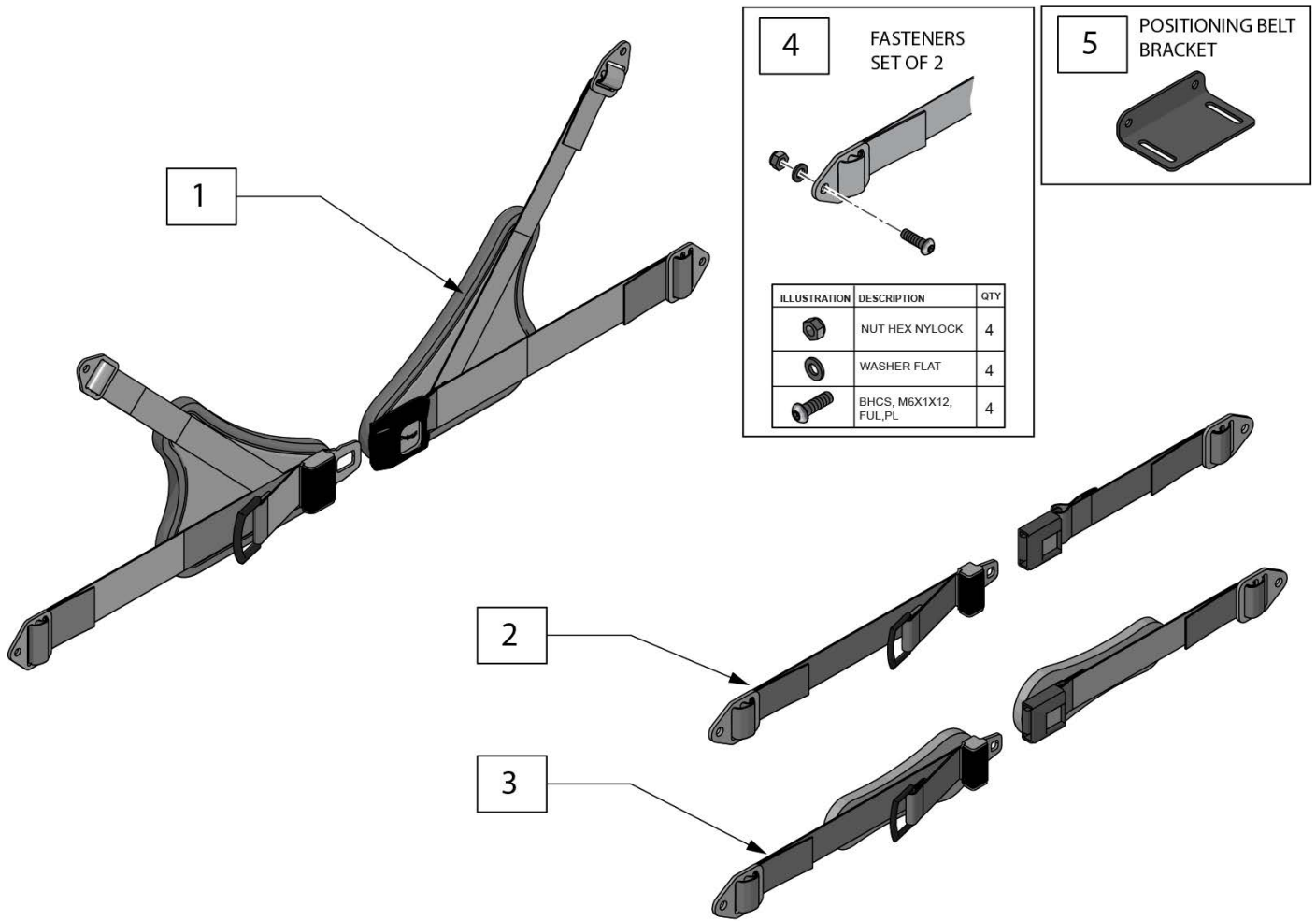
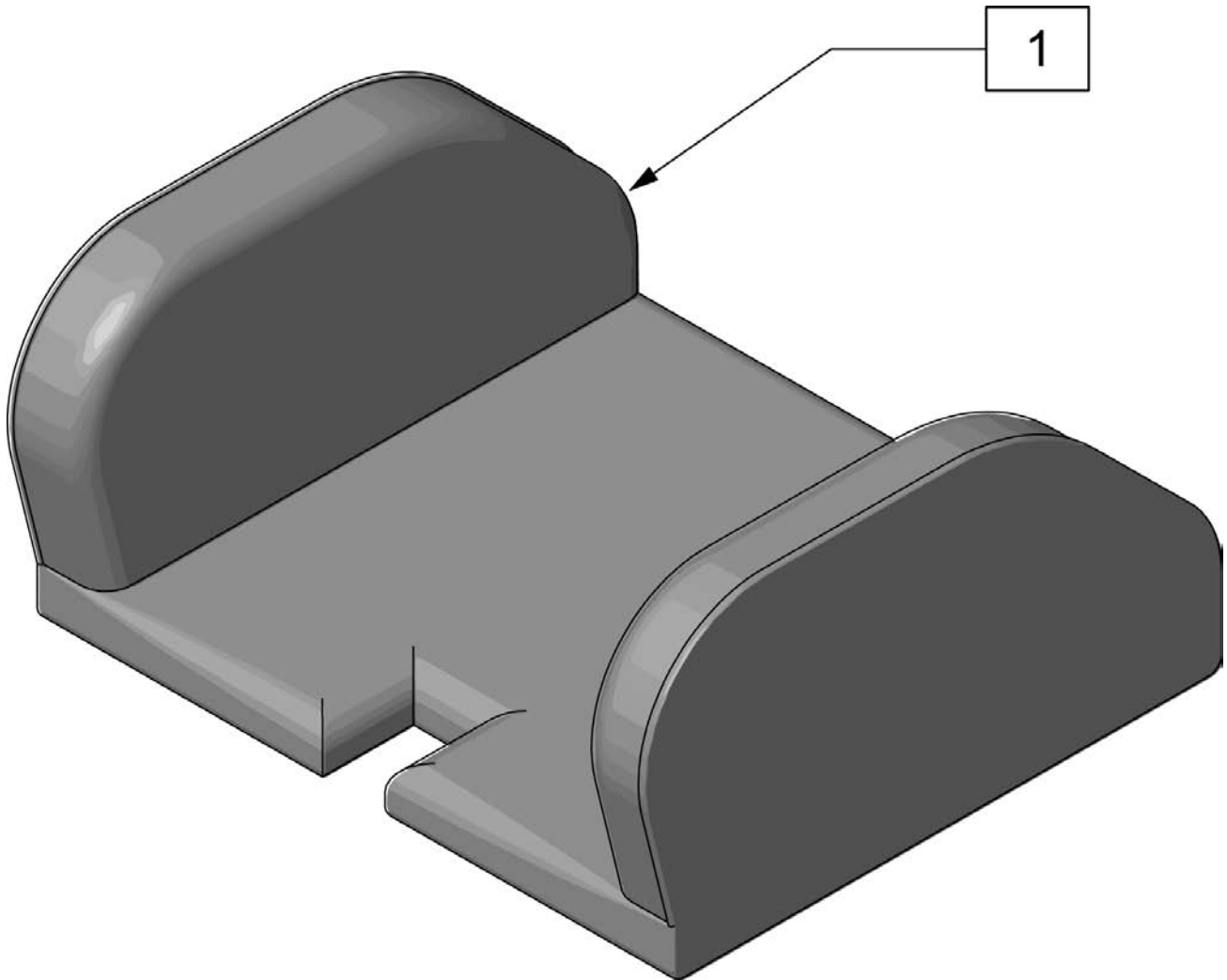


ILLUSTRATION	DESCRIPTION	QTY
	NUT HEX NYLOCK	4
	WASHER FLAT	4
	BHCS, M6X1X12, FUL, PL	4

Pos.	Item Number	Description
1	APB3716	V CONTOUR PRB, 1" PB, SM
1	APB3727	V CONTOUR PPB, 1.5" PB, MED
2	APB5110	APB, 1" PB, SINGLE, NON-PADDED
2	APB7210	APB, 1.5" PB, SINGLE, NON-PAD
3	APB5115	APB, 1" PB, SINGLE, 4.5" PAD
3	APB5116	APB, 1" PB, SINGLE, 5.5" PAD
3	APB7212	APB, 1.5" PB, SINGLE, SM PADS
4	160849	PELVIC POSITIONING FASTENERS
5	159699	POSITIONING BELT BRACKET

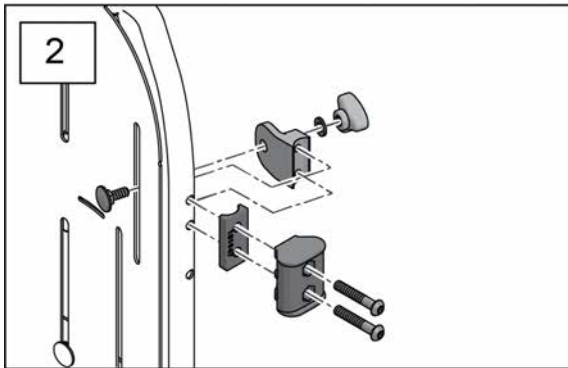
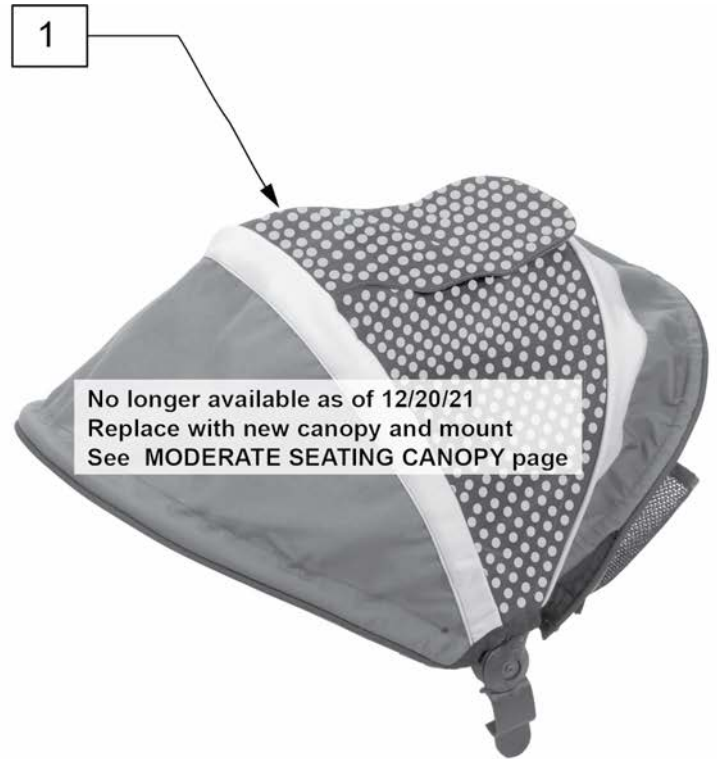


Pos.	Item Number	Description	Remarks
1	160834	PULL BAR ASSM	132985

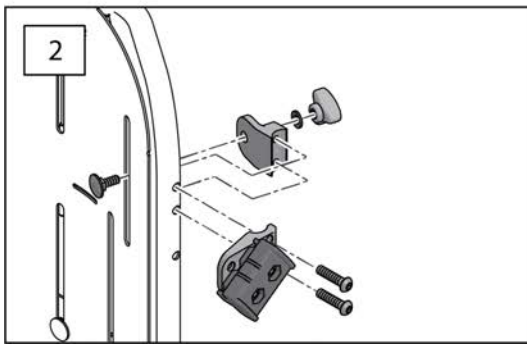
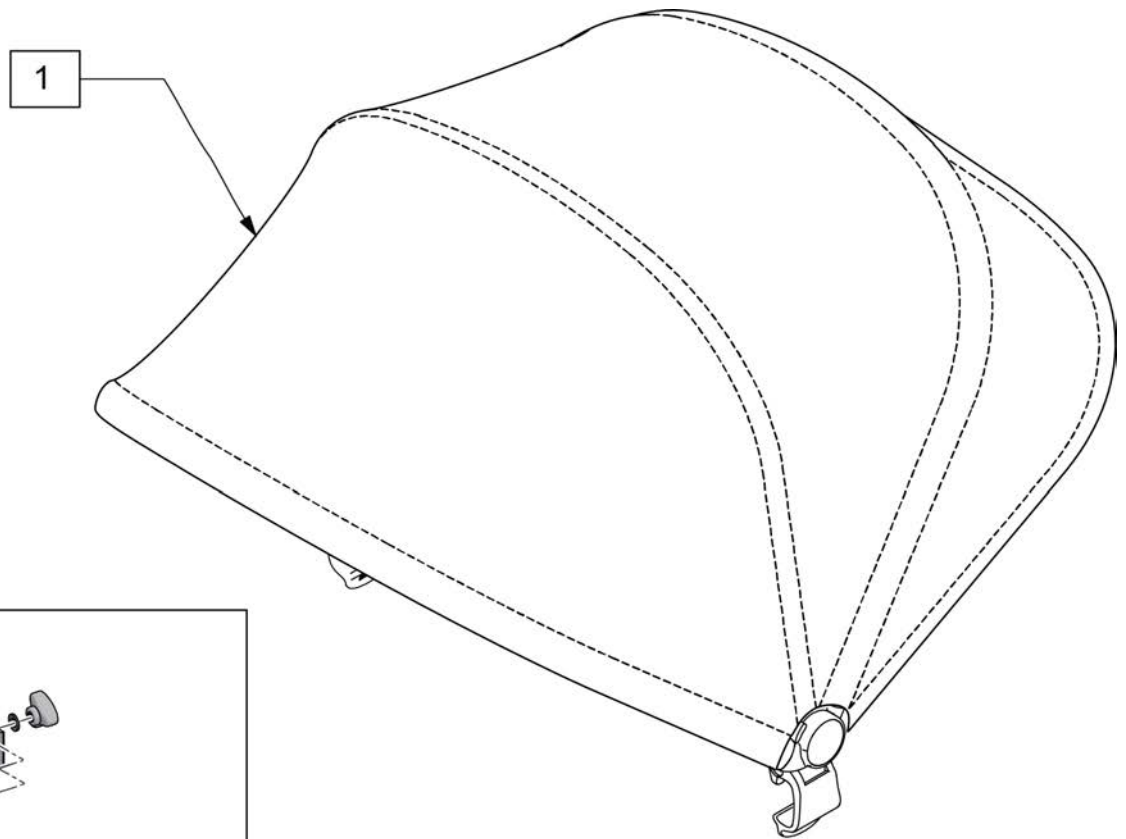


Pos.	Item Number	Description	Remarks
1	160817	COVER INFANT SEAT INSERT GRAY	Cover only
1	160818	COVER INFANT SEAT INSERT BEIGE	Cover only
1	160819	COVER INFANT SEAT INSERT BLUE	Cover only
1	160820	COVER INFANT SEAT INSERT RED	Cover only
		Complete replacement insert	
1	160821	INFANT SEAT INSERT GRAY	Complete replacement insert
1	160822	INFANT SEAT INSERT BEIGE	Complete replacement insert
1	160823	INFANT SEAT INSERT BLUE	Complete replacement insert
1	160824	INFANT SEAT INSERT RED	Complete replacement insert





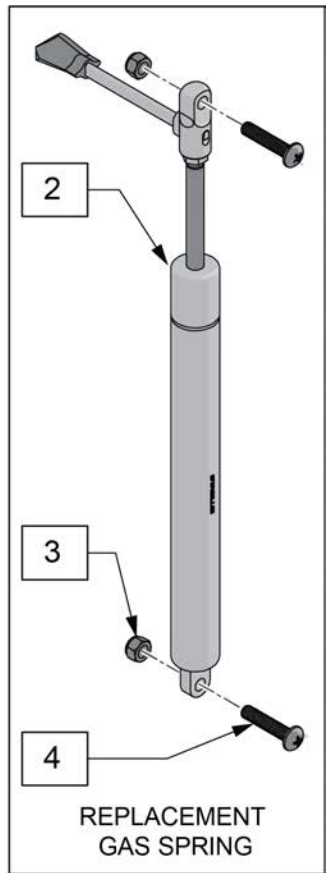
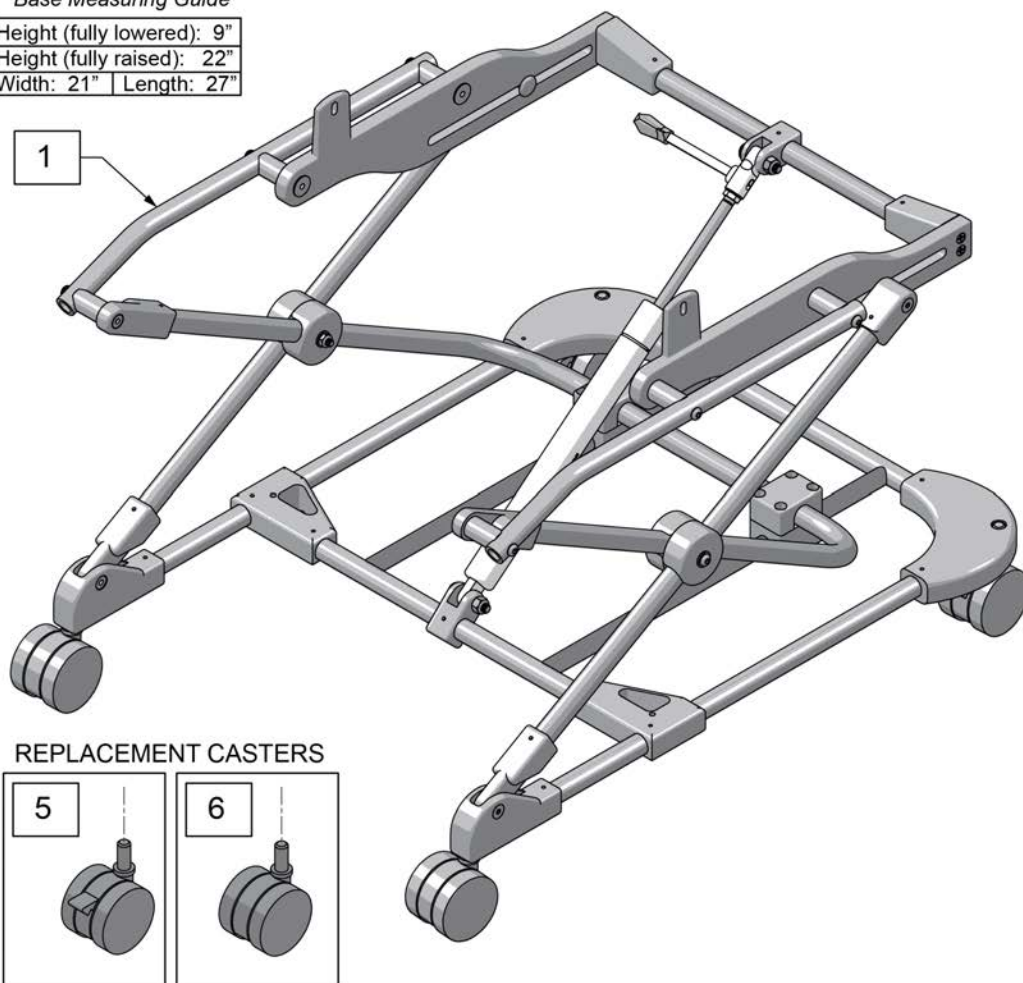
Pos.	Item Number	Description
2	160734	TOP BACK MOUNT W/ CANOPY MNT



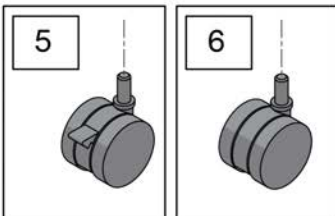
Pos.	Item Number	Description	Remarks
1	163542	CANOPY KIT CRSSVR GRAY BBSTR	For Moderate Seating
1	163543	CANOPY KIT CRSSVR BEIGE BBSTR	For Moderate Seating
1	163544	CANOPY KIT CRSSVR BLUE BBSTR	For Moderate Seating
1	163545	CANOPY KIT CRSSVR RED BBSTR	For Moderate Seating
2	163539	TOP BACK MNT W/CNPY MNT BBSTR	One side only

Base Measuring Guide

Height (fully lowered): 9"  
 Height (fully raised): 22"  
 Width: 21" | Length: 27"



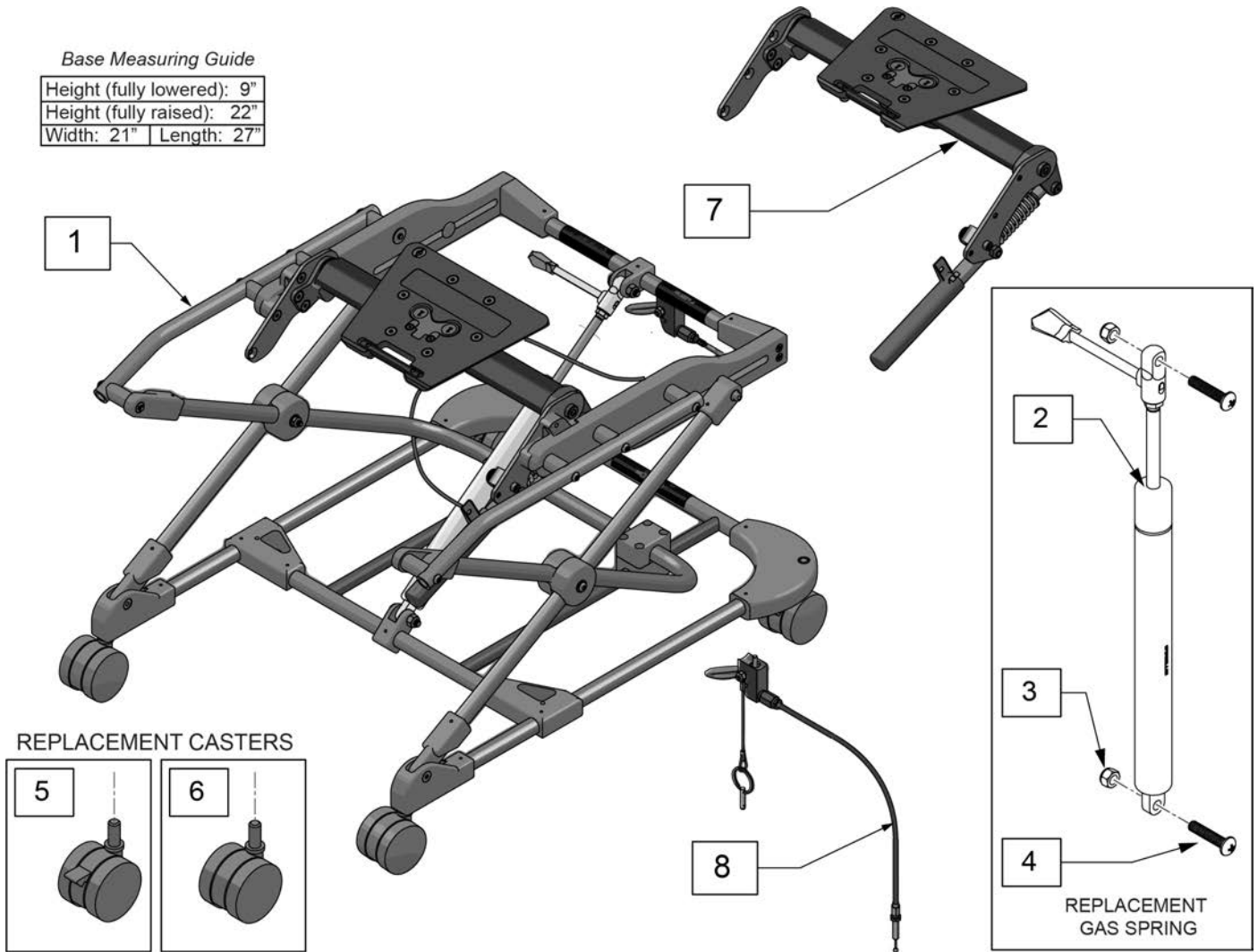
REPLACEMENT CASTERS



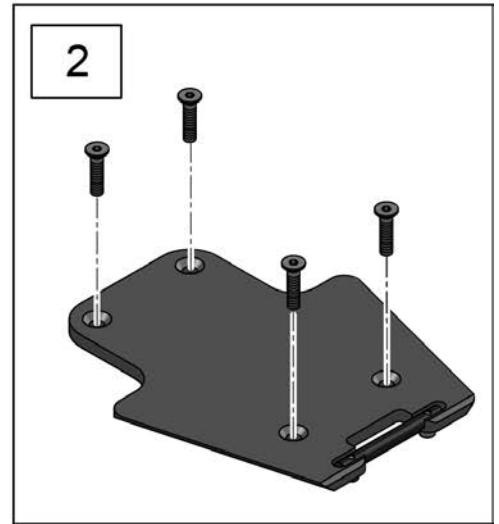
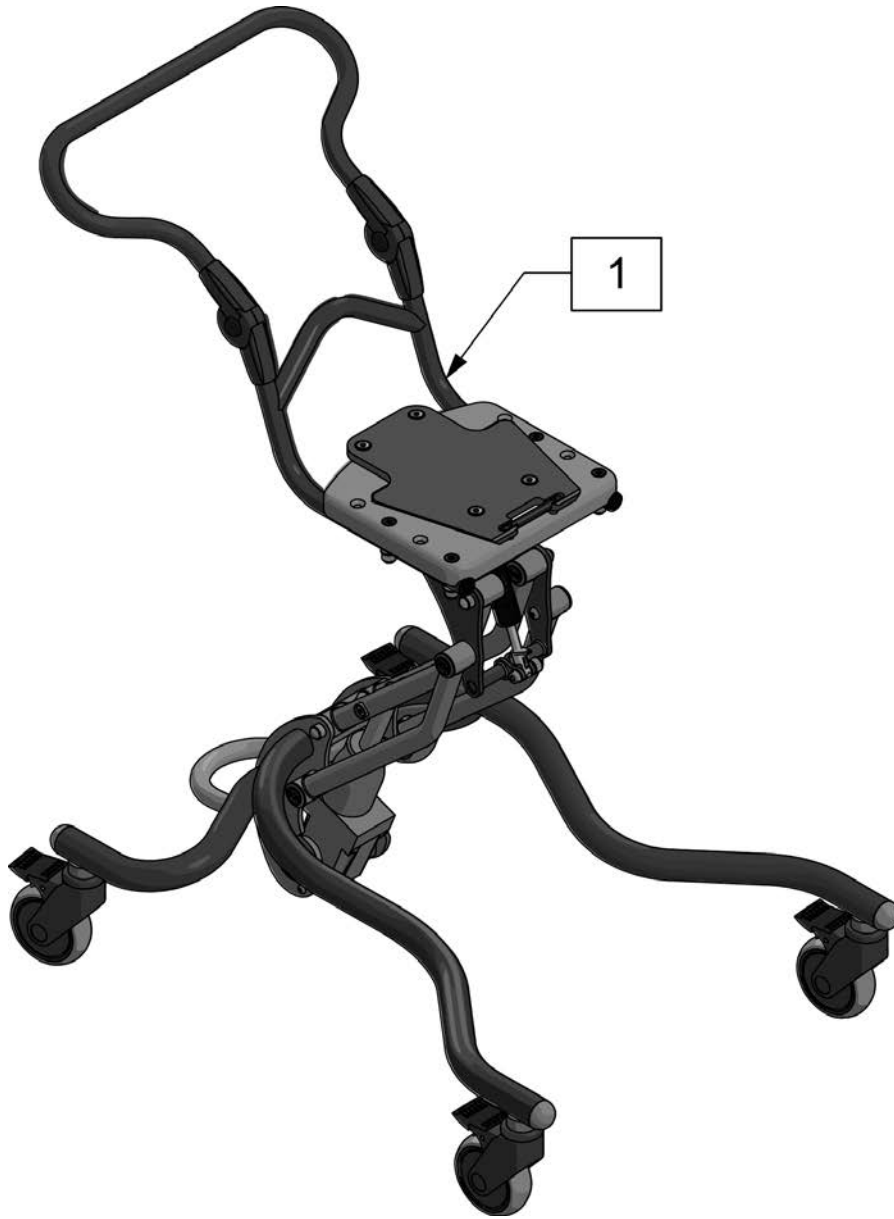
Pos.	Item Number	Description	Remarks
1	125894	BOOSTER BASE COMPLETE ASSEMBLY	
2-4	125895	GAS SPRING ASSM W/ HDWR	
3-4	125896	GAS SPRING HARDWARE KIT	Set of 2 each
5	9290212001	CASTER 2.38" PLASTIC W/BRAKE	each
6	9290202001	CASTER 2.38" PLASTIC	each

Base Measuring Guide

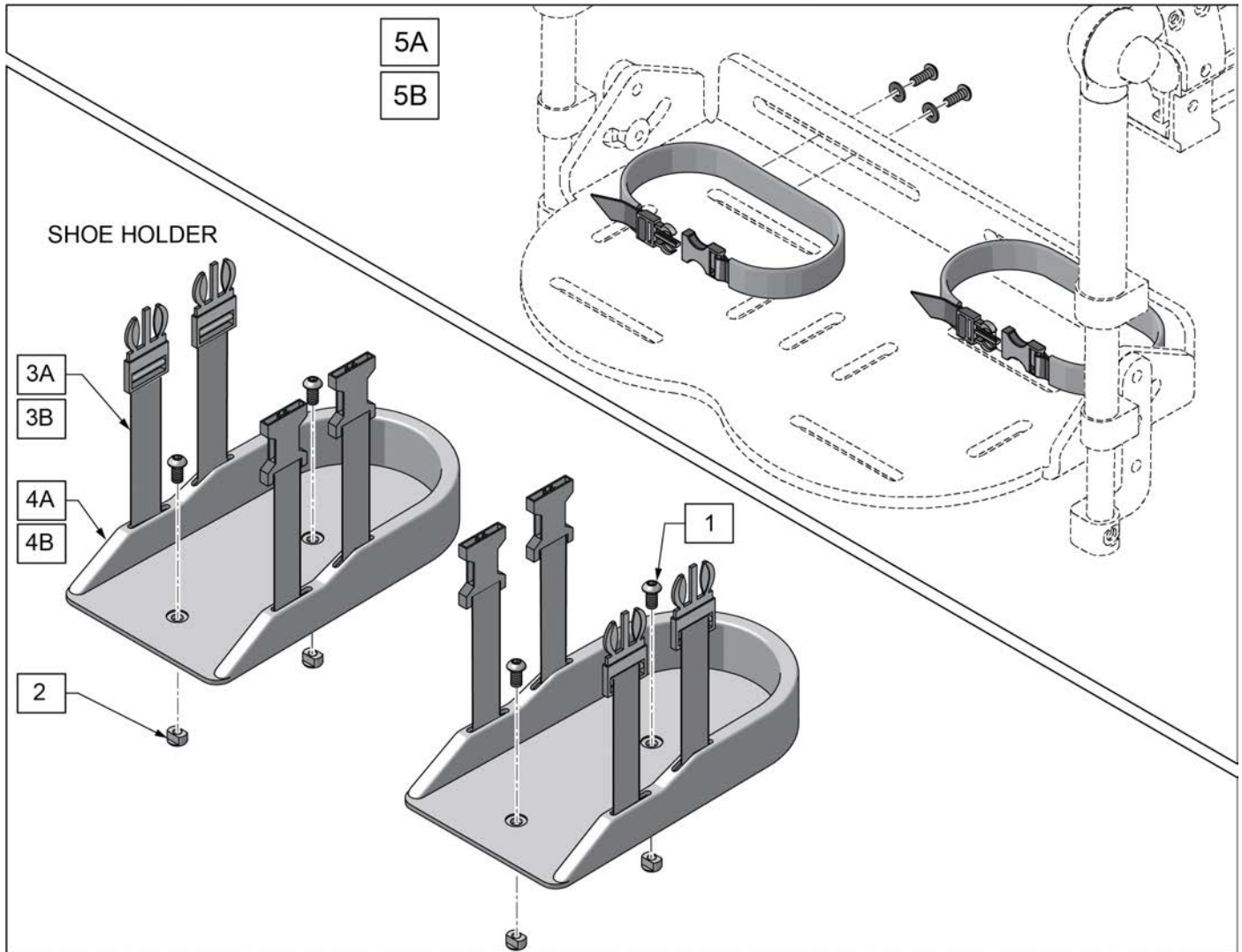
Height (fully lowered):	9"
Height (fully raised):	22"
Width:	21"
Length:	27"



Pos.	Item Number	Description	Remarks
1	160825	BOOSTER BASE COMPLETE ASSEMBLY	
2-4	125895	GAS SPRING ASSM W/ HDWR	
3,4	125896	GAS SPRING HARDWARE KIT	Set of 2 each
5	9290212001	CASTER 2.38" PLASTIC W/BRAKE	each
6	9290202001	CASTER 2.38" PLASTIC	each
7	160826	SLIDE-N-LOCK TILT BASE ASSM	
8	160827	VOYAGE BOOSTER TILT LEVER ASSM	

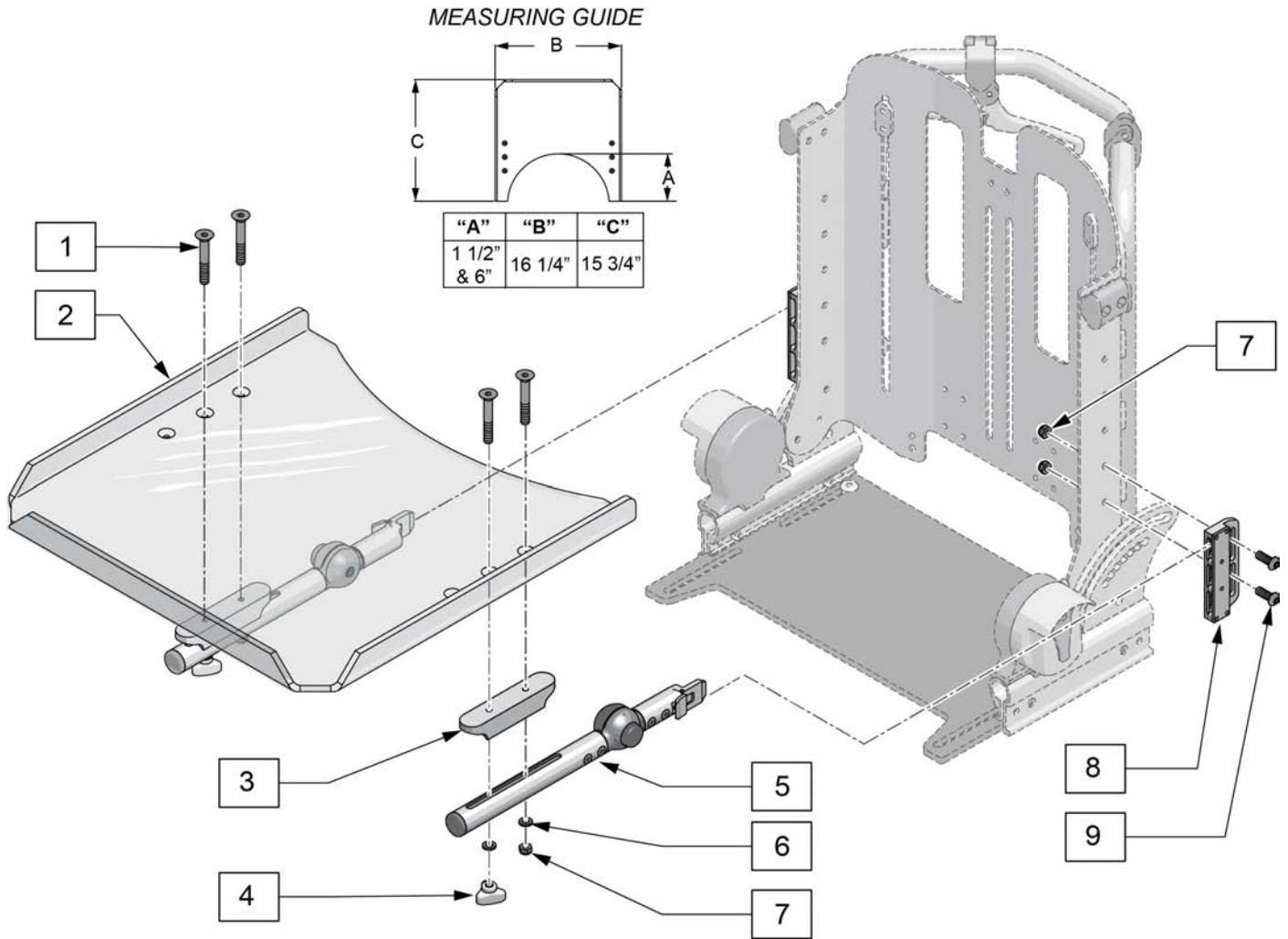


Pos.	Item Number	Description
1	160828	JCM BOOSTER BASE COMPLETE ASSM
2	160829	JCM BOOSTER BASE SNL PLATE



Pos.	Item Number	Description	Remarks
1,2	125903	SHOE HOLDER HDWR KIT	Set of 4
3A	125899	SHOE HOLDER STRAP KIT 10" (4)	
3B	125900	SHOE HOLDER STRAP KIT 13" (4)	
1-3A,4A	125897	SHOE HOLDER ASSM 6" PAIR	Pair
1-3B,4B	125898	SHOE HOLDER ASSM 8" PAIR	Pair
5A	125901	SHOE HOLDER STRAP KIT 16" (4)	Pair; Set of 4
5B	125902	SHOE HOLDER STRAP KIT 18" (4)	Pair; Set of 4

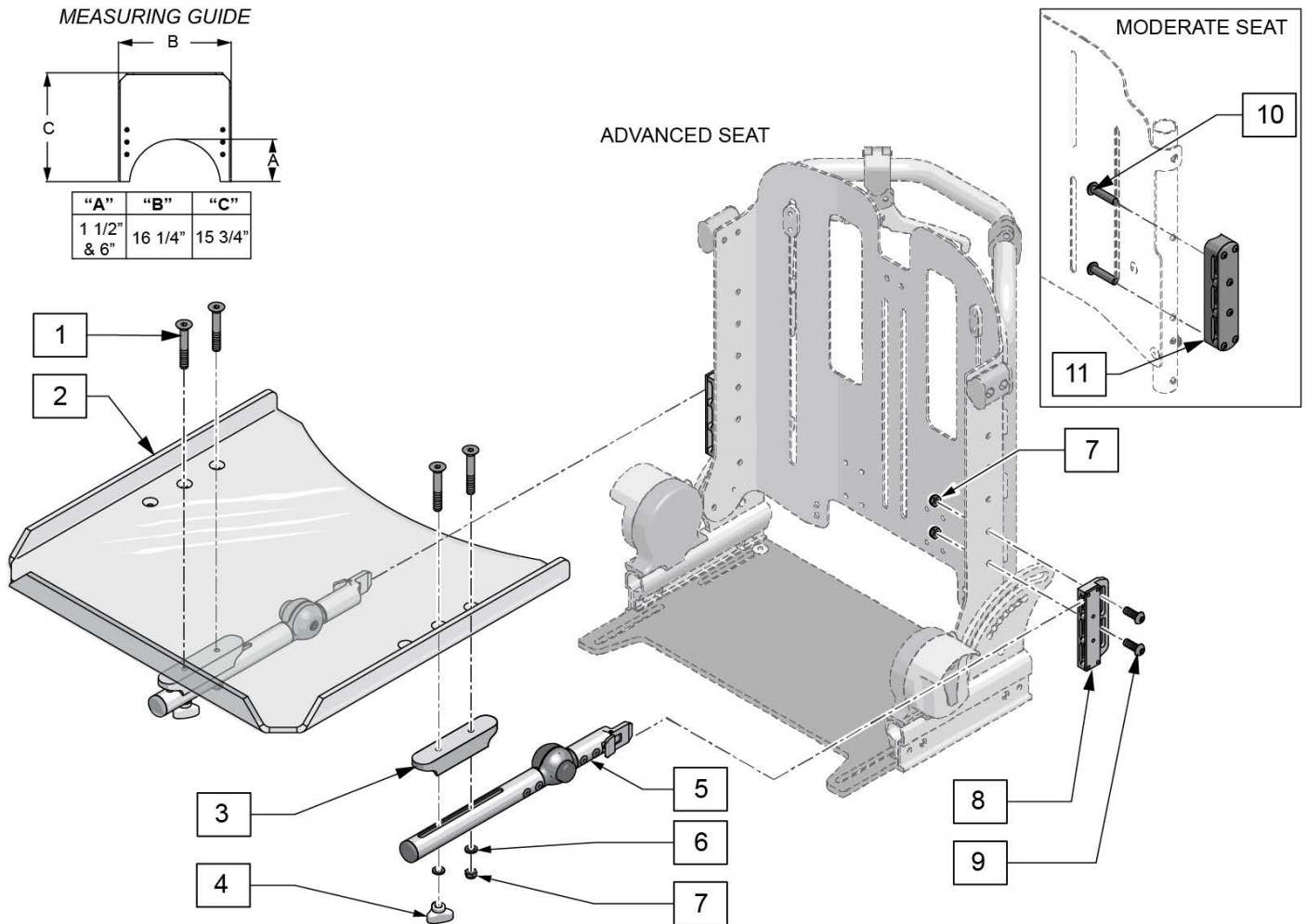
Note: Voyage prior to 9/5/2015 were sent out with 1-1/2" cutout on tray; Voyage beginning 9/5/2015 were sent out with 6" cutout on tray.



Pos.	Item Number	Description	Remarks
2	159637	TRAY CLEAR POLY DEEP CUTOUT	6 inch cutout
2	159638	TRAY LIGHT GREY DEEP CUTOUT	6 inch cutout
2	125904	TRAY CLEAR POLY	1 1/2 inch cutout
2	125905	TRAY LIGHT GREY	1 1/2 inch cutout
4	123448S	THUMB WHEEL M6 TAPPED KIT	1 replacement knob
1,3-7	125906	TRAY ADJUSTMENT TUBE W/ HDWR	each
7-9	125907	TRAY ANG ADJ MOUNT W/ HDWR	each
1-9	125908	TRAY ASSM COMPLETE CLEAR	6 inch cutout
1-9	125909	TRAY ASSM COMPLETE GREY	6 inch cutout
1-9	159639	TRAY ASSM CLEAR SHALLOW CUTOUT	1 1/2 inch cutout
1-9	159640	TRAY ASSM GREY SHALLOW CUTOUT	1 1/2 inch cutout

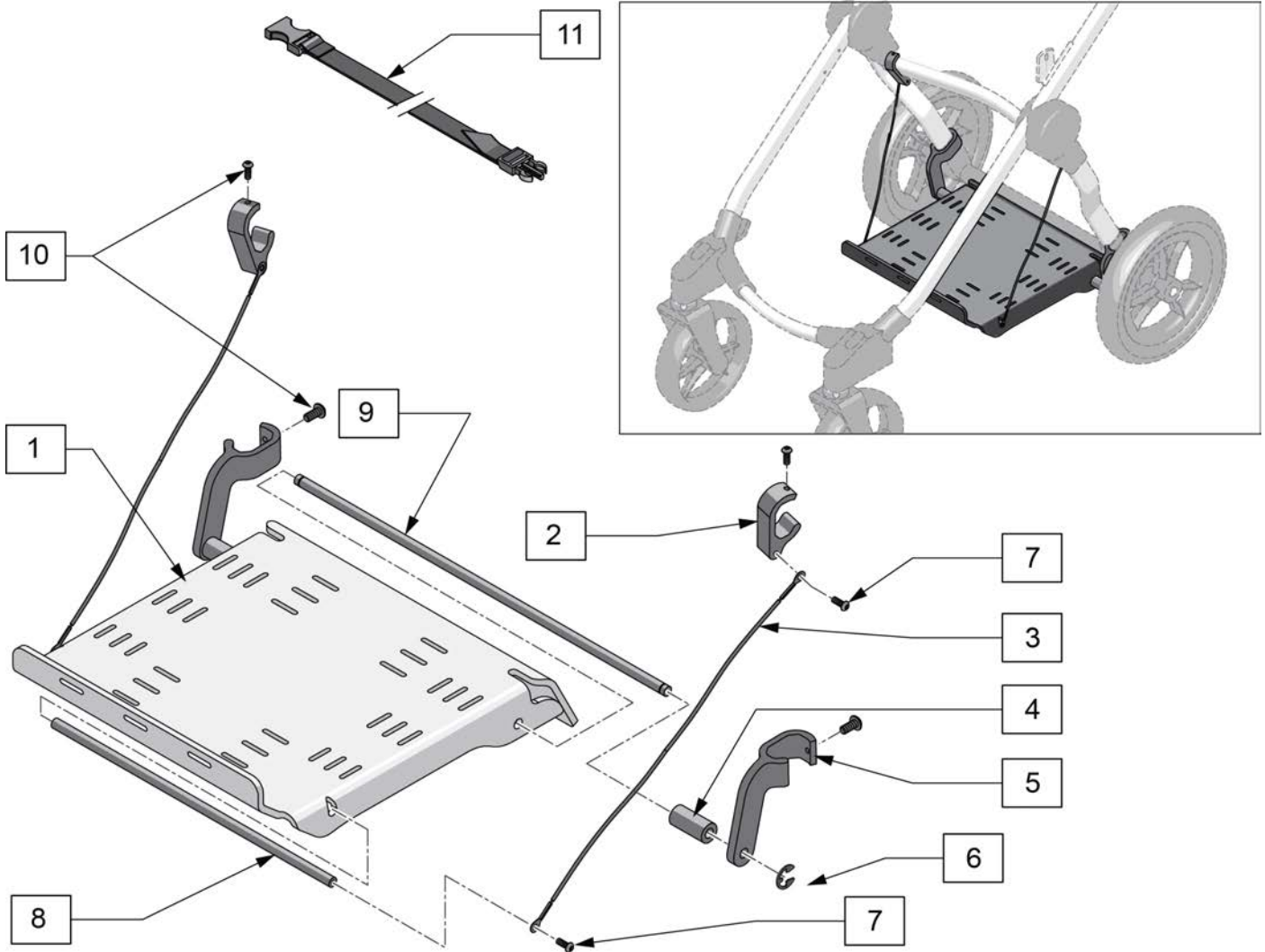


Note: Voyage prior to 9/5/2015 were sent out with 1-1/2" cutout on tray; Voyage beginning 9/5/2015 were sent out with 6" cutout on tray.



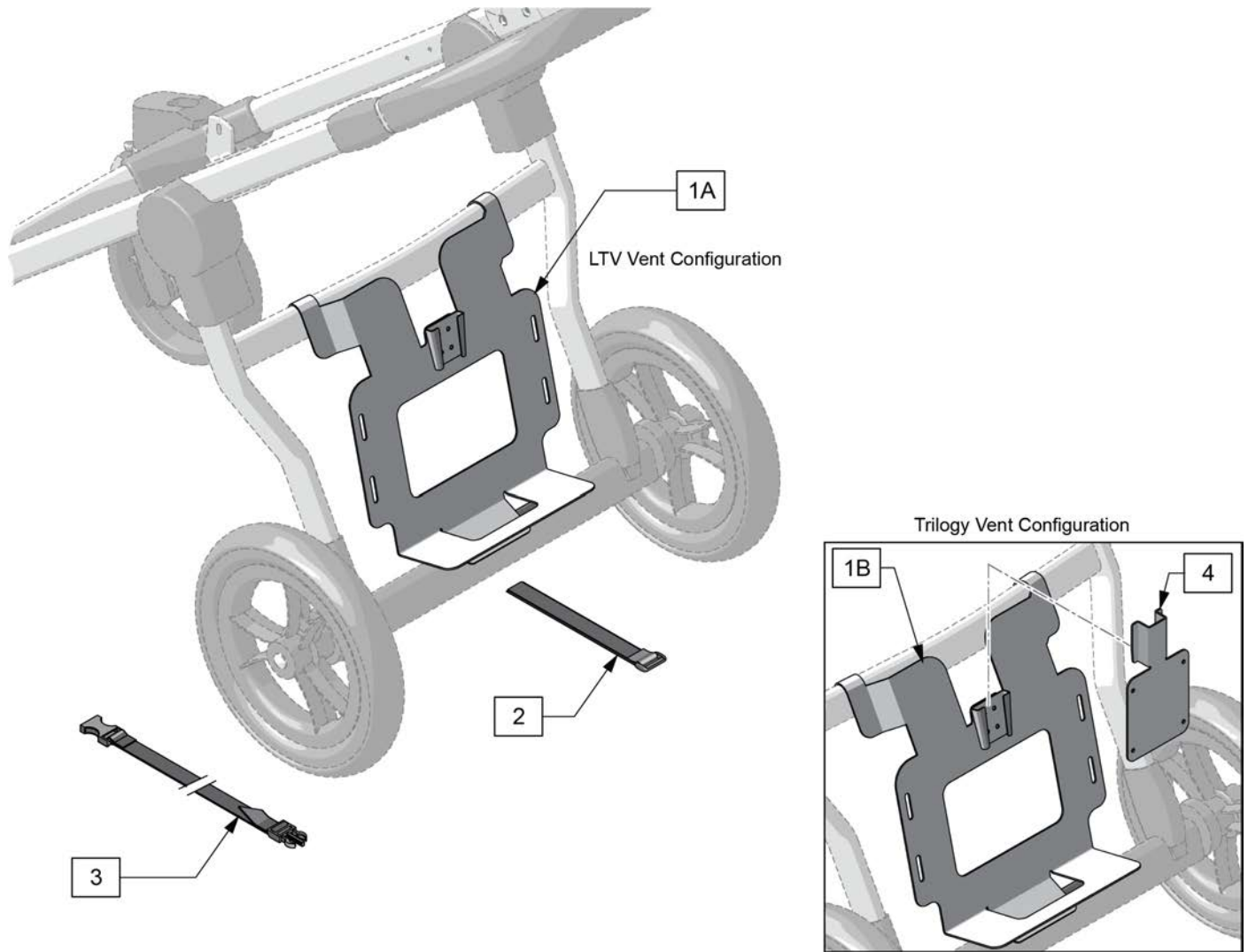
Pos.	Item Number	Description	Remarks
2	159637	TRAY CLEAR POLY DEEP CUTOUT	6 inch cutout
2	159638	TRAY LIGHT GREY DEEP CUTOUT	6 inch cutout
2	125904	TRAY CLEAR POLY	1 1/2 inch cutout
2	125905	TRAY LIGHT GREY	1 1/2 inch cutout
4	123448S	THUMB WHEEL M6 TAPPED KIT	1 replacement knob
1,3-7	125906	TRAY ADJUSTMENT TUBE W/ HDWR	each
7-9	125907	TRAY ANG ADJ MOUNT W/ HDWR	For Advanced Seating; each
1-9	125908	TRAY ASSM COMPLETE CLEAR	For Advanced Seating; 6 inch cutout
1-9	125909	TRAY ASSM COMPLETE GREY	For Advanced Seating; 6 inch cutout
1-9	159639	TRAY ASSM CLEAR SHALLOW CUTOUT	For Advanced Seating; 1 1/2 inch cutout
1-9	159640	TRAY ASSM GREY SHALLOW CUTOUT	For Advanced Seating; 1 1/2 inch cutout
10,11	160735	TRAY MOUNT ASSM	For Moderate Seating; each
1-7,10,11	160830	TRAY ASSM CLEAR CMFT ST 6"	For Moderate Seating; 6" cutout
1-7,10,11	160831	TRAY ASSM GRAY CMFT ST 6"	For Moderate Seating; 6" cutout
1-7,10,11	160832	TRAY ASSM CLEAR CMFT ST 1.5"	For Moderate Seating; 1 1/2" cutout
1-7,10,11	160833	TRAY ASSM GRAY CMFT ST 1.5"	For Moderate Seating; 1 1/2" cutout



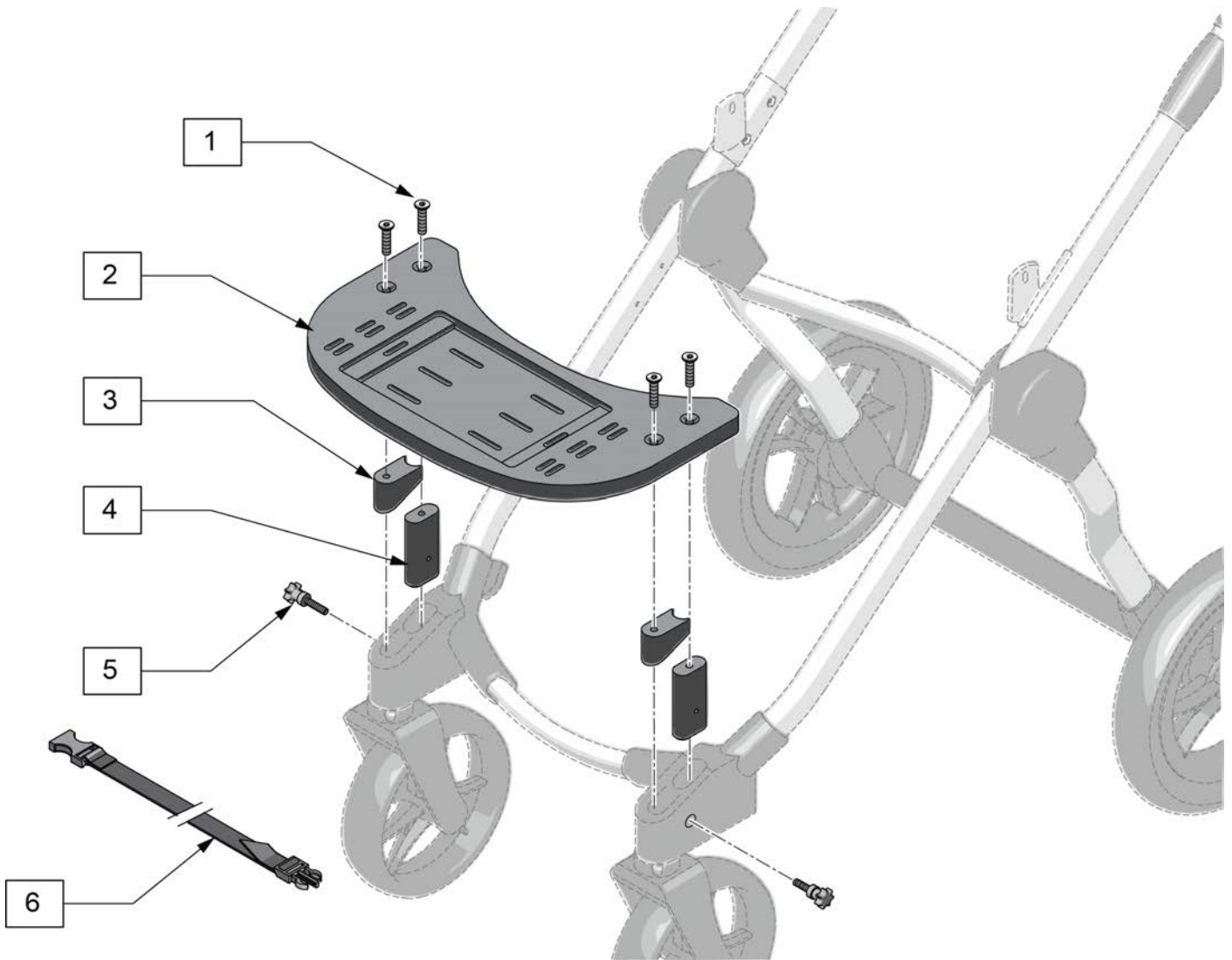


Pos.	Item Number	Description
11	125915	STRAP ASSEMBLY KIT
1-11	125910	VENT BATTERY TRAY ASSM W/ HDWR
1,6,8,9	126030	VENT/BATT TRAY W/BARS
2-7,10	126031	VENT/BATT TRAY ATTACH HDWR

**Note:** the Trilogy Mount Adapter (item 4) is used by removing the 4 mounting bolts that hold the existing mount, then placing the Adapter Plate underneath the existing bracket; this allows the client to use both the adapter mount on the Voyage stroller and their home docking station.



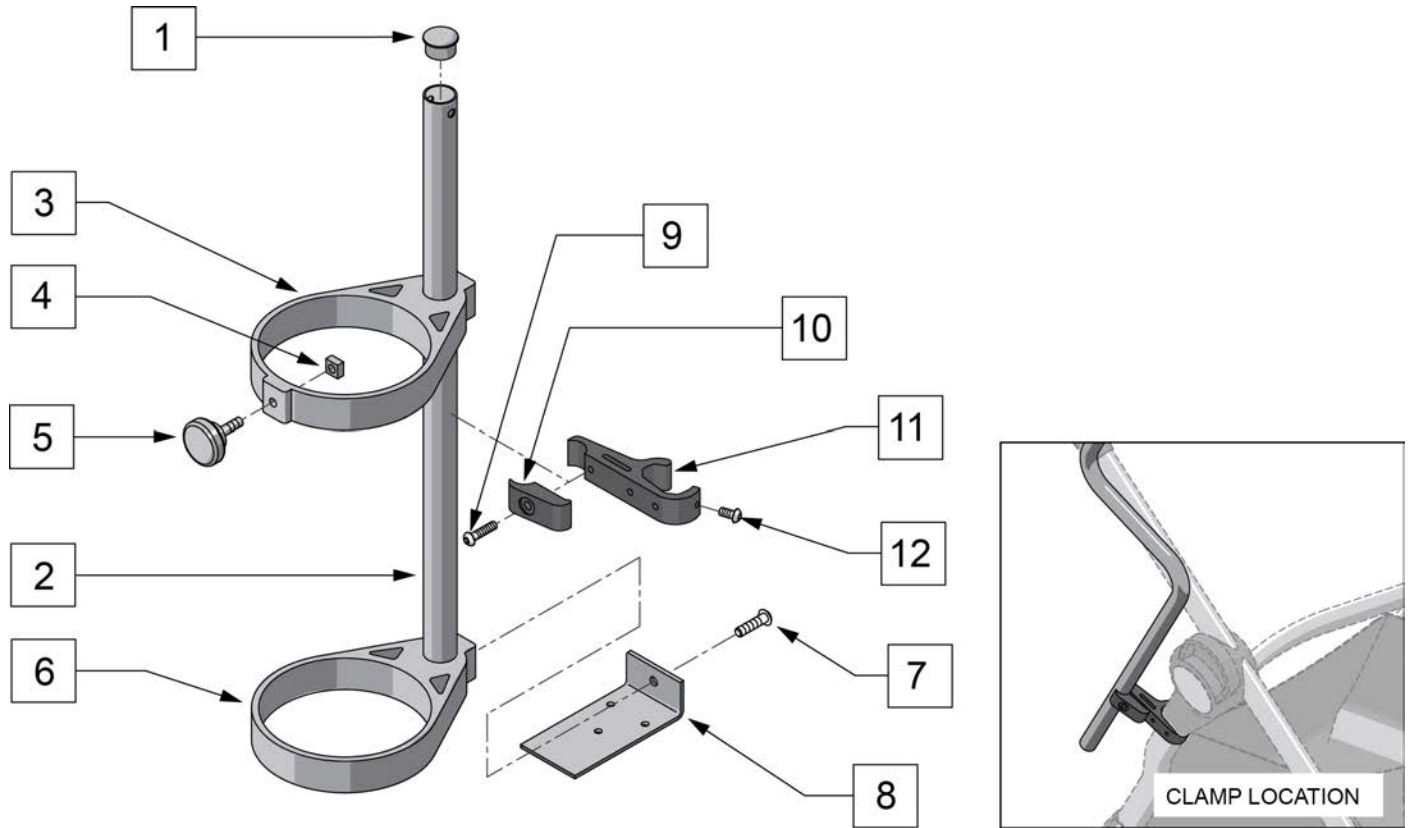
Pos.	Item Number	Description	Remarks
1A,2,3	126024	VERTICAL VENT MOUNT LTV	LTV
1B,2-4	126025	VERTICAL VENT MOUNT TRILOGY	Trilogy
2	126026	VENT HOLDER STRAP	
3	125915	STRAP ASSEMBLY KIT	
4	127211S	TRILOGY MOUNT ADAPTER	see note



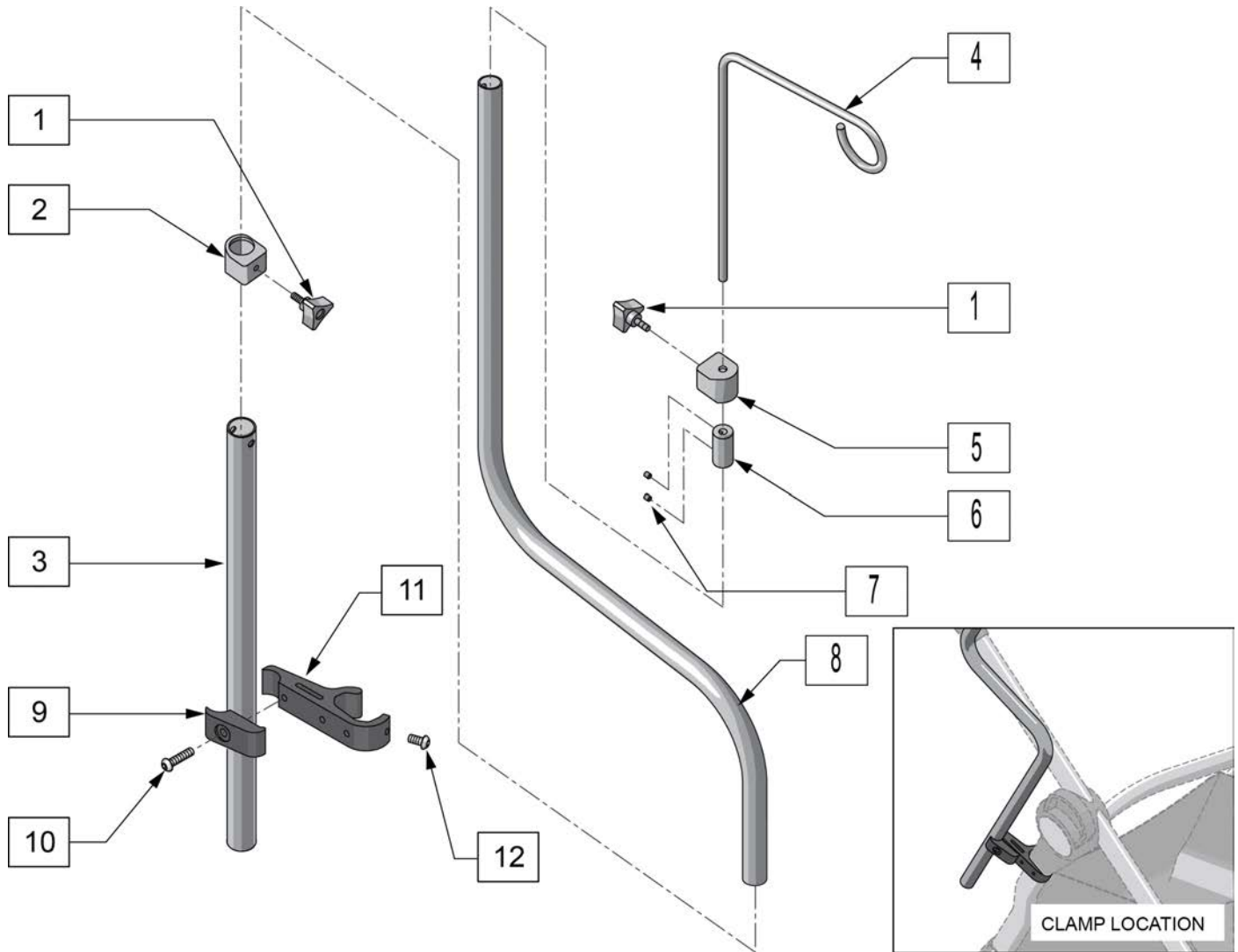
Pos.	Item Number	Description	Remarks
1,2	126029	PLATFORM TRAY W/SCREWS	
1,3,4	126028	TRAY SUPPORTS W/SCREWS PAIR	PAIR
5	126027	THUMB SCREWS PAIR	PAIR
6	125915	STRAP ASSM KIT	
1-6	125911	FRNT MNT PLTFRM ASSM COMPLETE	

Note: accommodates size D & E oxygen tanks.

Note: inside diameter of item 3 is 4 1/2" (11.5cm).



Pos.	Item Number	Description
1	561198	TUBE PLUG - 7/8" ROUND
3-6	9339000001	O2 TANK HOLDER RING SET
7	9611000920S	MA SCR W 1/4-20 x 1.25 BHSK ZN
1-8	126032	O2 HOLDER ASSMBLY STROLLER
9-12	126033	ACCESSORY CLAMP
7,8	126034	O2 HOLDER LOWER BRACKET

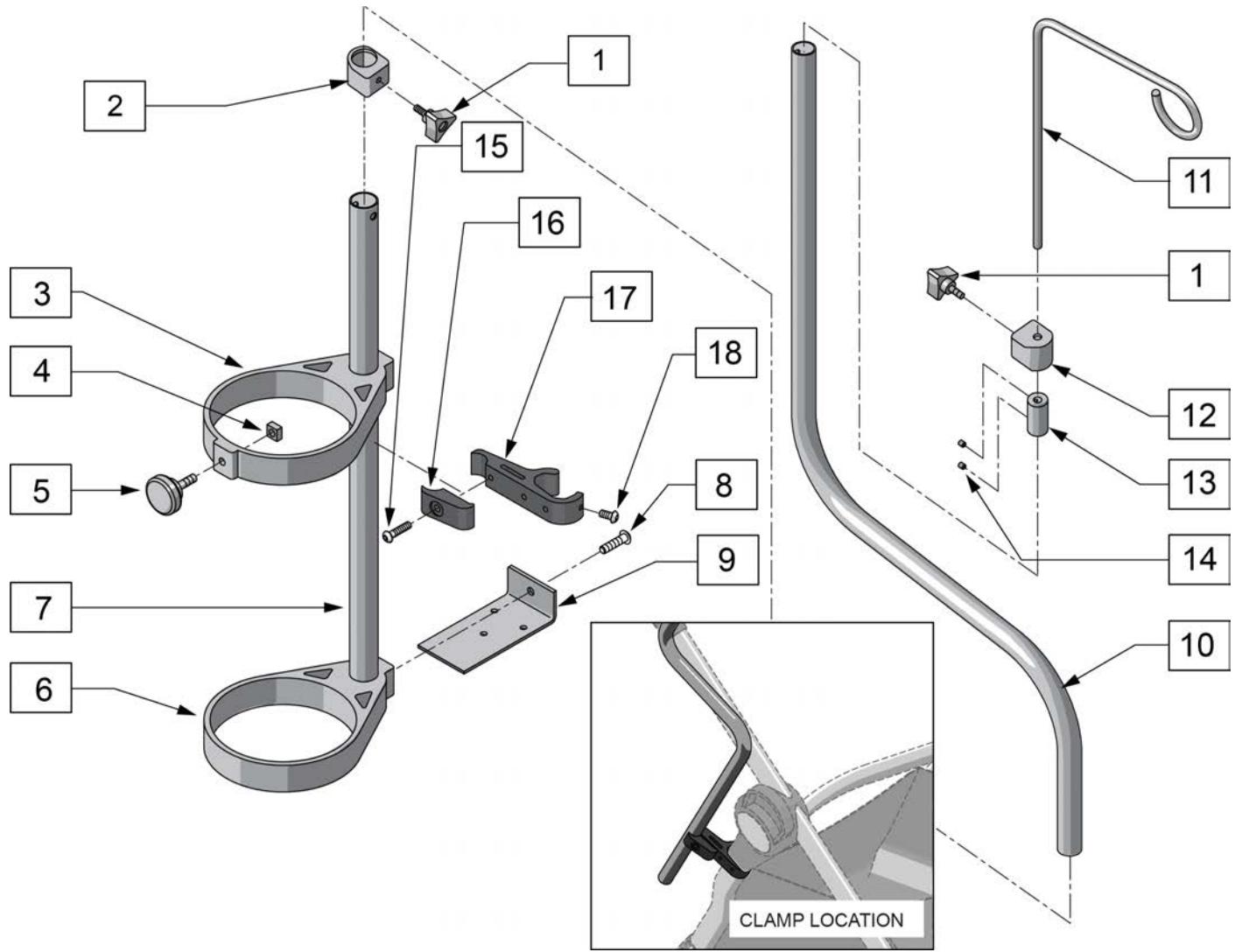


Pos.	Item Number	Description
1	9761100002S	KNOB BLACK 10-24 X 1/2
2	9530101001	IV POLE LOCK COLLAR
4	9470420701	IV HOOK
5	9530101002	IV HOOK LOCK COLLAR
6	9471020101S	IV HOOK ADJUSTMENT COLLAR
7	9627020903S	ST SCRW #8 x 3/16 CUP PT SS
8	9451550001	IV POLE
1-3	126036	IV POLE BASE W/LOCK COLLAR
1,4-8	9180105002	IV POLE ASSEMBLY w/o BASE
1,4-7	126037	IV HOOK W/ADJUSTMENT COLLAR
9-12	126033	ACCESSORY CLAMP STROLLER
1-12	126035	IV POLE W/BASE ASSM COMPLETE

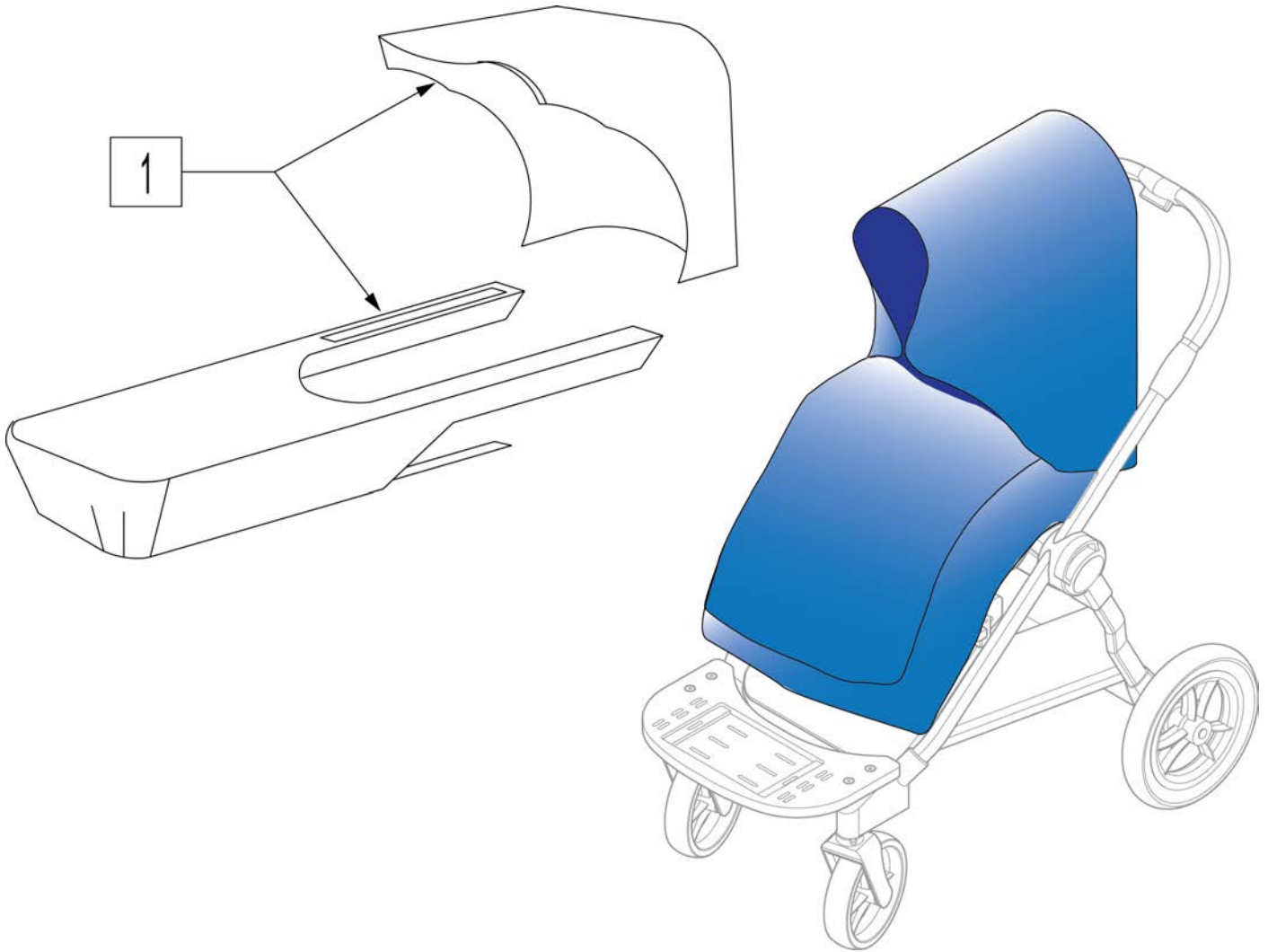


Note: accommodates size D & E oxygen tanks.

Note: inside diameter of item 3 is 4 1/2" (11.5cm).

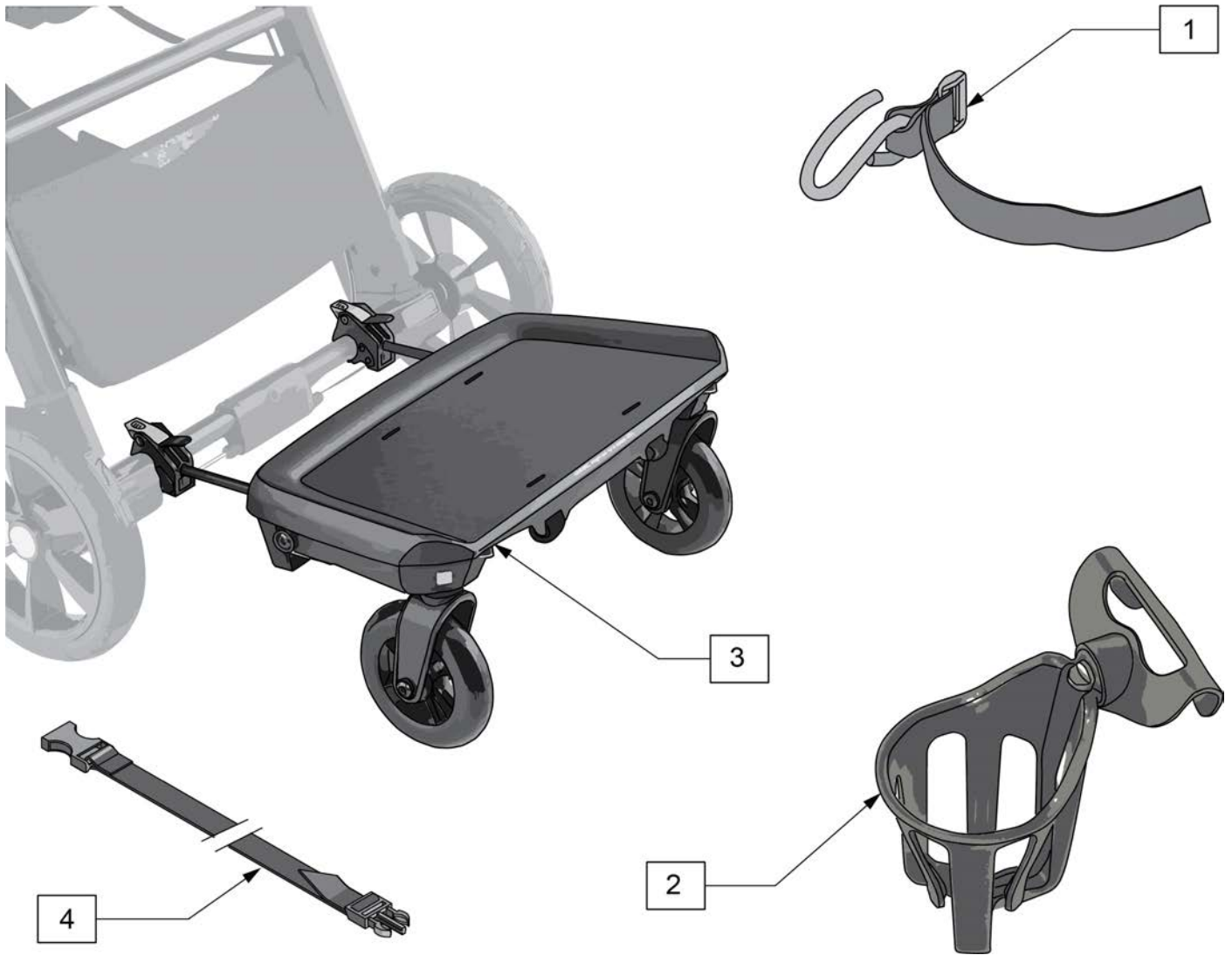


<b>Pos.</b>	<b>Item Number</b>	<b>Description</b>
2	9530101001	IV POLE LOCK COLLAR
3-6	9339000001	O2 TANK HOLDER RING SET
7	9453190001	O2 (FRAME) TUBE
10	9451550001	IV POLE - TC
11	9470420701	IV HOOK
12	9530101002	IV HOOK LOCK COLLAR
1-18	126039	O2/IV ASSMBLY COMPLETE
8-9	126034	O2 HOLDER LOWER BRACKET
15-18	126033	ACCESSORY CLAMP
1,10-14	9180105002	IV POLE ASSEMBLY w/o BASE
1,11-14	126037	IV HOOK W/ADJUSTMENT COLLAR
1-9	126038	O2 HOLDER ASSM W/IV POLE COLLAR



Pos.	Item Number	Description
1	211512	RAIN CAPE XP GREY

Note: Effective 5/14/2019 Glider Board visual design changes no change to fitment or specifications.



Pos.	Item Number	Description	Remarks
1	125912	UTILITY HOOK	
2	125913	CUP HOLDER	
3,4	125914	GLIDER BOARD STRAP GUIDES	Option code: 199LF4 REAR ADD ON ACCESSORY PLATFORM
4	125915	STRAP ASSEMBLY KIT	