



# SR45<sup>TM</sup>

# PARTS MANUAL

**JANUARY 2023**



improving people's lives

Multimedia .....	1
QUICKIE SR45.....	4
GLOSSARY OF ABBREVIATIONS.....	4
BASE FRAME .....	4
FRAME .....	4
BASE FRAME .....	5
ANGLE INDICATOR.....	7
FOOT RELEASE .....	8
TILT HANDLE & CABLE FOR STROLLER HANDLE & RECLINING BACKREST .....	10
TILT HANDLE & CABLE FOR HGT ADJ BACKREST .....	11
TRANSIT KIT.....	12
ROCKER ASSEMBLY.....	13
AXLES & AXLE PLATES .....	14
QUICK RELEASE AXLES MATRIX .....	15
THREADED AXLE.....	16
AXLE BRACKETS.....	17
CASTERS & FORKS.....	17
CASTER FORK ASSM.....	18
3 SPOKE CASTERS .....	19
8" x 2" CASTERS .....	21
ANTI TIPS .....	21
ANTI TIPS .....	22
WHEEL LOCKS .....	23
WHEEL LOCKS.....	24
FOOTLOCK SR45.....	25
WHEEL LOCK EXTENSION HANDLE.....	27
WHEELS & TIRES .....	27
TRADITIONAL 6 SPOKE MAG .....	28
16" MAG .....	29
12" MAG .....	30
PLASTIC COATED (SCREW MOUNT).....	31
ALUMINUM ANODIZED (SCREW MOUNT).....	32
PNEUMATIC & PNEU. AIRLESS TIRE.....	33
FULL POLY TIRE .....	34
TUBES AND AIRLESS INSERTS .....	35
SEATING & POSITIONING.....	35
SEAT .....	35
SEAT PAN.....	36
BACK.....	38
FOLDING STROLLER HANDLE BACKPOSTS .....	38
FIXED STROLLER HANDLE BACKPOSTS .....	40
RECLINING BACKREST.....	42
HEIGHT ADJ BACKREST W/ ADJ STROLLER HANDLE (SR45).....	44
STROLLER HANDLE EXTENSION-REMOVABLE.....	46
POWER TILT .....	46
BATTERY, CHARGER & CONTROL BOX .....	47
MOUNTING PLATE AND ACTUATOR .....	48
POWER TILT RETRO KIT .....	49
SR45 POWER TILT FIXED STRUTS.....	51
HANGERS & FOOTPLATES.....	51
EXTENSION MOUNT.....	51
70 DEG SWING IN/OUT HANGER .....	52
80 DEG SWING IN/OUT HANGER .....	53
FOOTPLATES WITH EXTENSIONS .....	53
COMPOSITE FOOTPLATE.....	54
ADULT ANGLE-ADJ FOOTPLATE EXT MOUNT .....	58
FRONT MOUNT .....	61
70 DEG FRONT MOUNT SWING IN/OUT HANGER .....	62
80 DEG FRONT MOUNT SWING IN/OUT HANGER .....	64
FRONT MOUNT HANGER EXTENSIONS SR45 .....	66
ADULT ANGLE-ADJ FOOTPLATE FRONT MOUNT.....	67
ELR ALR KNUCKLE COVERS .....	69
ELR prior to S/N QSR-023687 .....	69
ELEVATING HANGER SR45.....	70
ELR & ALR CALF PAD 14 -15" .....	72
ELR & ALR CALF PAD 16-20" .....	73
COMPOSITE FOOTPLATE.....	74
ELR/ALR ALUMINUM FOOTPLATE .....	78
ADULT ANGLE-ADJ FOOTPLATE EXT MOUNT .....	80
ELR after S/N QSR-023687 (LATCH STUD STYLE) (DISC. 2/6/17).....	83

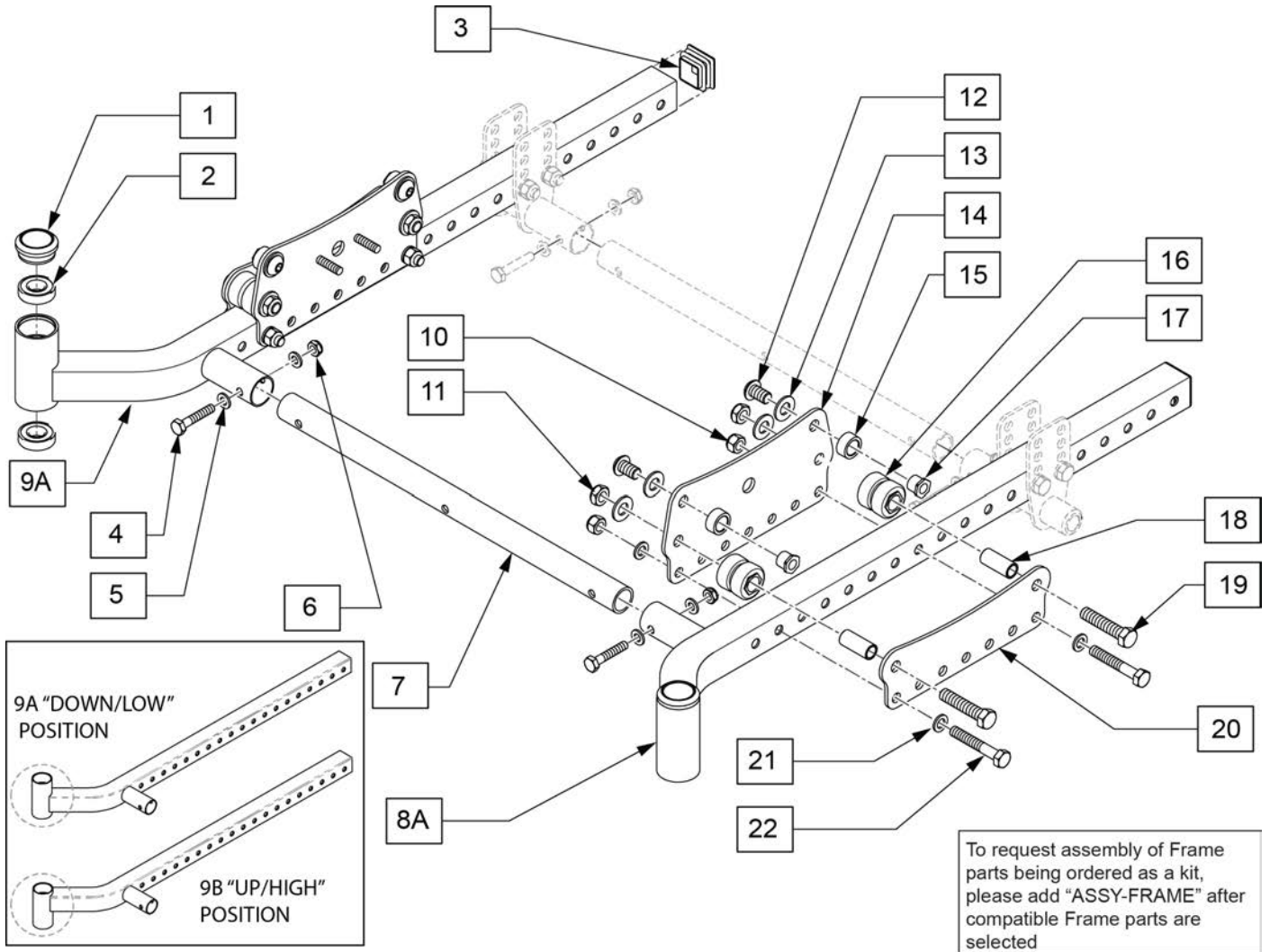
FRONT MOUNT ELR (LATCH STUD STYLE) (DISC. 2/6/17).....	83
FRONT MOUNT ELR (LATCH STUD STYLE) (DISC. 2/6/17).....	84
90 DEG ELEVATING CALF PAD.....	86
FRONT MOUNT HANGER EXTENSIONS SR45.....	87
ADULT ANGLE-ADJ FOOTPLATE FRONT MOUNT.....	88
EXTENSION MOUNT ELR (LATCH STUD STYLE) (DISC. 2/6/17).....	91
EXTENSION MOUNT ELR RETROFIT (LATCH STUD STYLE) (DISC. 2/6/17).....	91
EXTENSION MOUNT ELR REPLACEMENT PARTS (LATCH STUD STYLE) (DISC. 2/6/17).....	92
ELR & ALR CALF PAD 14 -15".....	94
ELR & ALR CALF PAD 16-20".....	95
ELR/ALR ALUMINUM FOOTPLATE.....	96
ALR after S/N QSR-023687 (LATCH STUD STYLE) (DISC. 2/6/17).....	97
ALR (LATCH STUD STYLE) (DISC. 2/6/17).....	98
ELR & ALR CALF PAD 14 -15".....	100
ELR & ALR CALF PAD 16-20".....	101
COMPOSITE ANGLE ADJUSTABLE FOOT PLATE.....	102
ADULT ALUMINUM ANGLE-ADJ FOOTPLATE EXT MOUNT.....	105
ELR/ALR ALUMINUM FOOTPLATE.....	108
SWING IN-OUT ELR & ALR (PLUNGER STYLE) (EFFECTIVE 2/6/17).....	109
FRONT MOUNT ELR (PLUNGER STYLE) (EFFECTIVE 2/6/17).....	109
SWING IN-OUT FRONT MOUNT ELR RETRO KITS (PLUNGER STYLE) (EFFECTIVE 2/6/17).....	110
SWING IN-OUT FRONT MOUNT ELR REPLACEMENT PARTS (PLUNGER STYLE) (EFFECTIVE 2/6/17).....	111
90 DEG ELEVATING CALF PAD.....	113
FRONT MOUNT HANGER EXT.....	114
ADULT ANGLE-ADJ FOOTPLATE FRONT MOUNT.....	115
KIDS ANGLE ADJ FOOTPLATE FRONT MOUNT.....	117
EXTENSION MOUNT ELR & ALR (PLUNGER STYLE) (EFFECTIVE 2/6/17).....	119
SWING IN-OUT EXT MOUNT ELR & ALR RETROFIT (PLUNGER STYLE) (EFFECTIVE 2/6/17).....	120
SWING IN-OUT EXT MOUNT ELR REPLACEMENT PARTS (PLUNGER STYLE) (EFFECTIVE 2/6/17).....	121
SWING IN-OUT ALR EXT MNT REPLACEMENT PARTS (PLUNGER STYLE)(EFFECTIVE 2/6/17).....	123
ELR & ALR CALF PAD 14 -15".....	125
ELR & ALR CALF PAD 16-20".....	126
EXTENSION MOUNT FOOTPLATES.....	126
COMPOSITE FOOTPLATE.....	127
COMPOSITE ANGLE ADJUSTABLE FOOT PLATE.....	131
ADULT ALUMINUM ANGLE-ADJ FOOTPLATE EXT MOUNT.....	134
KIDS ANGLE ADJUSTABLE FOOTPLATE EXT MOUNT.....	137
ELR/ALR ALUMINUM FOOTPLATE.....	139
ELR ALR KNUCKLE COVERS.....	141
ARMRESTS & RECEIVERS.....	141
SINGLE POST HEIGHT ADJUSTABLE ARMREST.....	142
DUAL POST ARMREST (TRANSFER).....	144
DUAL POST ARMREST (NON-TRANSFER).....	145
FLIP BACK DUAL POST TRANSFER ARMREST RECEIVER.....	146
FLIP BACK DUAL POST NON TRANSFER ARMREST RECEIVER.....	147
FIXED DUAL POST TRANSFER ARMREST RECEIVER.....	148
FIXED DUAL POST NON TRANSFER ARMREST RECEIVER.....	149
SINGLE POST ARMREST RECEIVER - STD.....	150
SINGLE POST ARMREST RECEIVER - LOW.....	151
ACCESSORIES.....	152
BACKPACKS AND SEAT POUCHES.....	153
AIRCRAFT BUCKLE POSITIONING BELTS & ATTACHMENT KITS.....	154
AUTO BUCKLE POSITIONING BELT & ATTACHMENT KITS.....	156
JAY LOWER EXTREMITY S/A SUPPORT.....	158
WATER BOTTLE AND CAGE.....	159
Back Cover.....	159
Multimedia.....	160

**GLOSSARY OF ABBREVIATIONS**

Note: see Informations Panel for file.

1AD One Arm Drive	CZ Cozy	INH Inhibit	PCB Pediatric Center of Gravity (AKA: Zippie Iris)	S/A Swing Away
3DCR 3DX Microclimatic cover for Cryo style inserts	DAB Depth-adjustable Back	INORG Inorganic coating	PCM Power Center Mount	S/F Side Frame
AAA Adult Angle Adjustable	DB Dynamic Back	INSRT Insert	PED Pediatric	SCW Screw
AACM AACM Adjustable Center Mount	DBL Double	I/O Swing In Out	PEL Pelvic	SDLE Saddle
ABD Abductor	DC Deep Contour	IRIS Intelligent Rotation in Space	PH Push Handle	SG Side Guard
AC All Court	DL Desk Length	ISM Intelligent Seating Module	PHIL Phillips	SGTG Super Grip Thumb Guard
AD Arm Drive	DP Dual Post Armrest	JA Jay Active	P/L Pin Lock	SHCS Socket Head Cap Screw
ADJ Adjustable	D-Post Dual Post Armrest	JNR Junior	PL Plated	SHLDR Shoulder
ADPT Adapter	DRP Drop (seat)	KAA Kids Angle Adjustable	PLL Pull	SHT Short
AE Air Exchange	DRV Drive	KDS Kids	PLT Plate	SLD Solid
AHAB ASAP II	DTT Diagnostic Test Tool	KT Kit (usually consists of all mounting hardware for one side)	PLST Plastic	SLNG Sling
ANG Angle	DY Dynamic Back	KVLR Kevlar	PLY Plywood	SLTD Slotted
ALR Articulating Legrest	EA Each	KZ Quickie Kidz/Zippie Kidz	PNEU Pneumatic	SLV Sleeve
ALUM Aluminum	ELR Elevating Legrest	L Left	PNK Pink	SM Small
AMH Adjustable Mounting Hardware	EXT Extension	LAT Lateral	PNT Paint	SNGL Single
ANO Anodized	EXTND Extended	LCK Lock	PNTD Painted	SOC Socket
ASAP Adjustable Seating and Positioning	F Folding Frame	LFH Left Front Horizontal	POLY Polyurethane	SPCR Spacer
ASL Adaptive Switch Laboratories	FHCS Flat Head Cap Screw	LFT Left	POST Posterior	SPEC CLR Specify Color
ASM Assembly (includes other parts)	FL Full Length	LFV Left Front Vertical	PR Pressure Relieving	SFHIA Single Post Height Adjustable
ASSM Assembly	FLD Folding	LH Left Hand	PR Power Recline	SPK Spoke
ASSMLY Assembly	FL FT Flip-up Footrest	LH Left Horizontal	PR Pair	SPR Super Grip Handrim
ASSY Assembly	FLP Flip	LK Lock	(PR) Pair	SQZ Squeeze
AT Anti-tip	FLRD Flared	LNG Long	PRCR Premium Leatherette cover for Cryo style inserts	SS Stainless Steel
ATT Attachment	FM Foam	LO Lift Off	PRE-ISC Pre-Ischial	ST Seat
BB Basketball	FM Front Mount	L/O Lift Off	PREM Premium Leatherette cover material	ST/AP Self Tapping
BC Breezy Chrome	FNDR Fender	LP Loop	PROJ Projection	STCR Stretch Cover for Cryo Style inserts
BCK Back	FPH Folding Push Handle	LPS Loops	PRPL Purple	STD Standard
BCKBRD Backboard	FT Foot	LRG Large	PTL Partial	STL Style
BH Bultion Head	F/REST Footrest	LRH Left Rear Horizontal	PSH Push	STR Stretch cover material
BHCS Bultion Head Cap Screw	FRNT Front	LRV Left Rear Vertical	PT Point	STRLR Stroller
BKL Buckle	FT PLT Footplate	LS Low Sheer	PTRN Pattern	STRT Straight
BKRST Backrest	FTRST Footrest	LT Long Tab	PWR Power	SUP Support
B-LOCK Back Lock	F/UP Flip-up	LT Natural Fit Lite Handrims	Q1 Quickie 1	SYS System
BLD Build Up	FWD Front Wheel Drive	LTRL Lateral	Q2 Quickie 2	T Tab
BLK Black	FXT Fixed	LUMB Lumbar	Q2HIP Quickie 2 High Performance	TG Thumb Guard (std)
BLU Blue	G8 Grade 8 higher grade = stronger	LV Left Vertical	QC Quickie Carbon	THRD Threaded
BR Breezy	GP Quickie GP	LW Low	QR Quick Release	Ti Titanium
BRD Board	GPS Quickie GPS	LX Quickie LX	QRx Quickie RX	TL Tall
BRNG Bearing	GPV Quickie GPV	LXI Quickie LXi	QTI Quickie Titanium	TLC Tilt Lift Comb
BRKT Bracket	GNRC Generic	MACH Machine	QT/QTs Quickie Tilt & Space	TLT Tilt
BSHNG Bushing	H Hole	MECH Mechanism	QUAD Quadrant Pad	TNNS Tennis
BTIN Bultion	HB High Brake	MED Medium	R Right	TIS Tilt-in-Space
BTTRY Battery	HD Head or Heavy Duty	mm Millimeter	RCLNR Recliner	TTS Tilt-in-Space
BZ Breezy	HVD Heavy Duty	MNT Mount	REC Receiver	UNIV Universal
CAA Composite Angle Adjustable	HDRST Headrest	MNTG Mounting	REG Regular	UNTHRD Unthreaded
CG Center of Gravity	HDWR Hardware	MOD Modify or Modification	REL Release	UPH Upholstery
CGT Center of Gravity Tilt (AKA: IRIS)	HEX Hexagon	M/S Machine Screw	REV Reverse	VERT Vertical
CHRGR Charger	HH Hemi-Height or Hex Head	MWD Mid Wheel Drive	RH Right Hand	W With
CJSM Color Joystick Module	HK Hook	Nat.Fit Natural Fit Handrim	RH Right Horizontal	W/ With
CLMP Clamp	HL Heel Loops	NAUG Naugahyde	RFH Right Front Horizontal	W/F Water Fall
CLNCHR Cincher	HM High Mount	NF Non-folding	RFV Right Front Vertical	W/O Without
CLR Clear	HNDL Handle	NF Natural Fit Handrim	RNUT(S) Rivnut(s)	WHL Wheel
COMP Complete	HNGR Hanger	NFLT Natural Fit Lite Handrim	RoHS Restriction of Hazardous Substances	WLDMNT Weldment
CMPST Composite	HP High Pressure	NR Non-recessed	RR Rear	XS Cross Spoke
CRM Chrome	HR Handrim	OBLIQ Obliquity	RRH Right Rear Horizontal	YLW Yellow
C/S Cap Screw	HRDWR Hardware	OD Oblique	RRV Right Rear Vertical	Z2 Zippie 2
C-S Countersunk	HRNSS Harness	OD Outer/Outside Dimension	RT Right	ZN Zinc
CSTR Caster	HS High Speed	O/S Old Style	RV Right Vertical	ZP Zippie
CUSH Cushion	HT Height or Heat Treated	OUTBRD Outboard	RV Quickie Revolution	ZP2 Zippie 2
CV Conventional	ID Inner/Inside Dimension Diameter	P1 Quickie P100	RWD Rear Wheel Drive	
CVR Cover	IN In/Out (for swing in/out hangers)	P2 Quickie P200	SA Swing Away	
CVRS Covers	INBRD Inboard	P3 Quickie P300		
CYL Cylinder	INC Incontinent	P5 Quickie/Zippie P500		

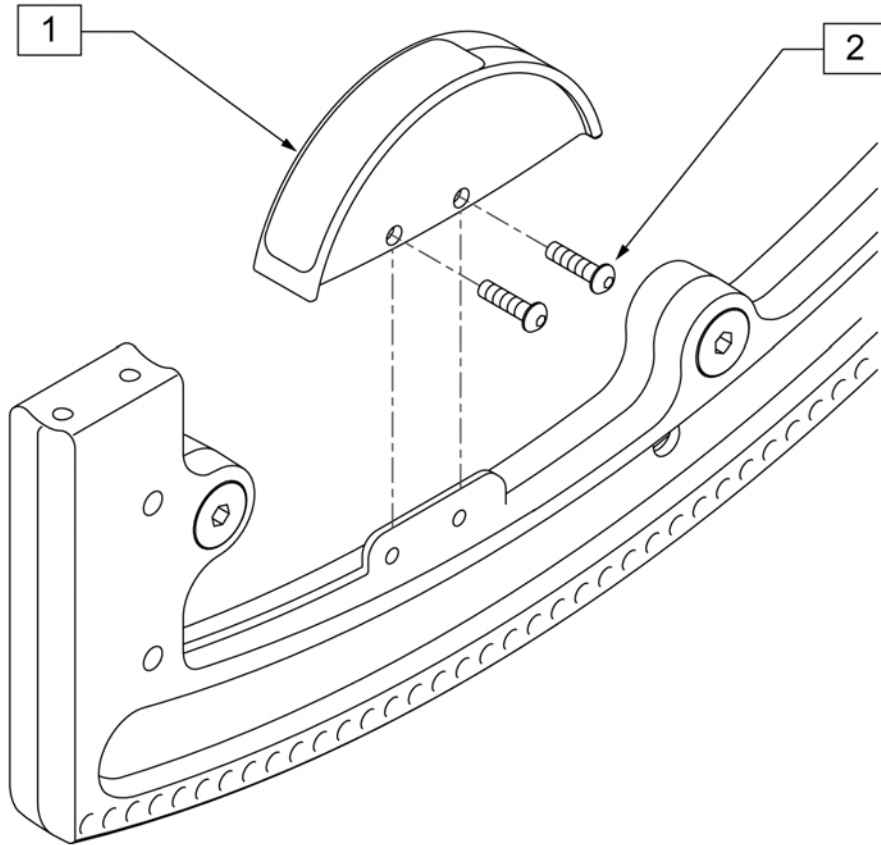
Pos.	Item Number	Description	Remarks
		GLOSSARY OF ABBREVIATIONS	see attachment in Informations Panel



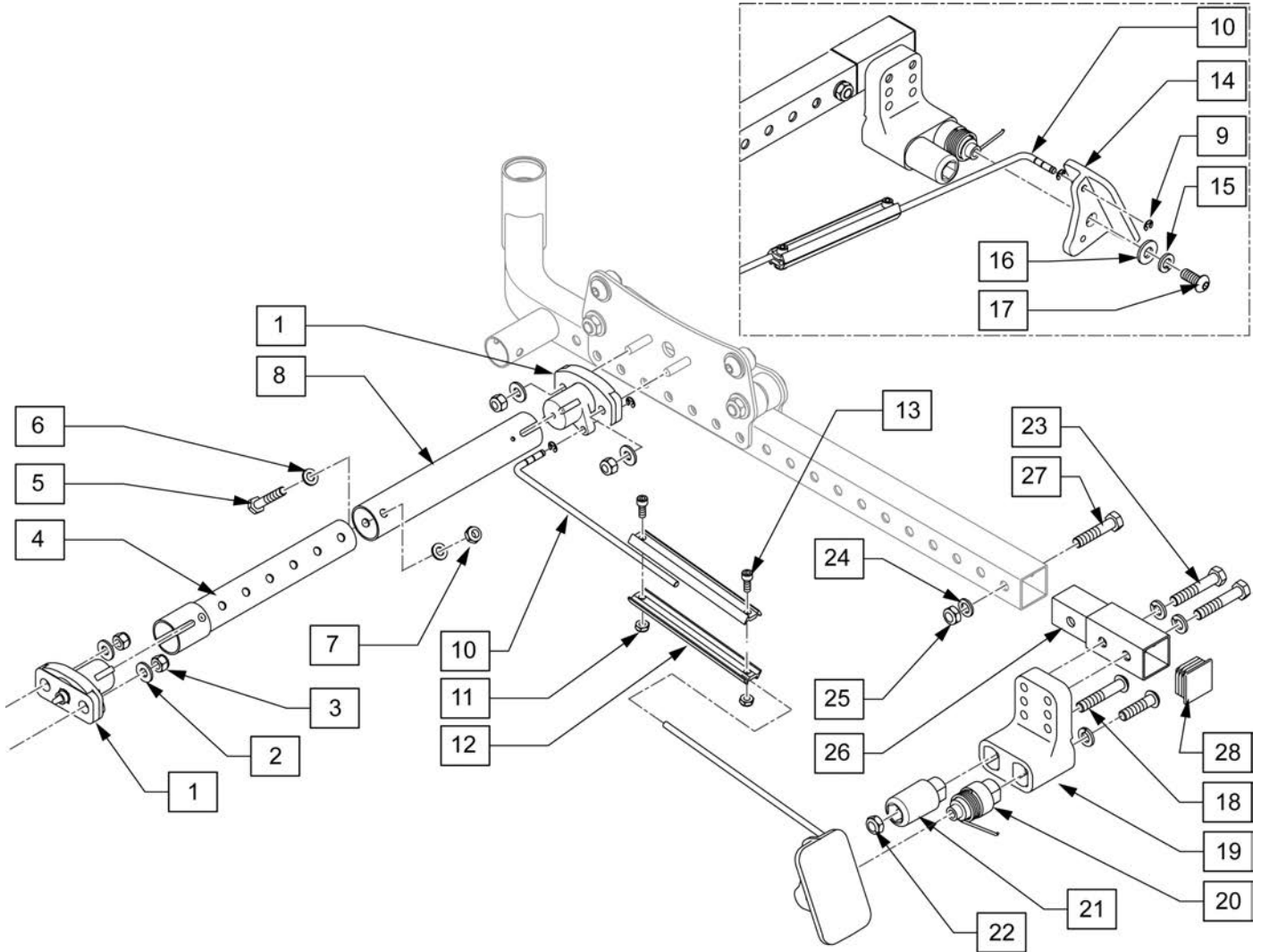
Pos.	Item Number	Description	Remarks
1	561070	CASTER CAP PLASTIC	
2	349500	BEARING 1-1/8 X 5/16ID	
3	117928	PLUG TUBE SQ 1-1/8	
4	106971	HHCS 1/4-28 X 1-3/8 ROHS	
5	106943	WASHER FLAT AN 1/4 ROHS	
6	106935	NUT NYLOCK THIN 1/4-28 ROHS	
10	106938	NUT NYLOCK 5/16-24 ROHS	
11	105889	NUT NYLOCK THIN 3/8-24 ROHS	
12	105897	BHCS 3/8-24 X 5/8 PL ROHS	
13	106948	WASHER FLAT SAE 3/8 ROHS	
19	117948	HHCS 3/8-24 X 1-3/4 ROHS	
21	106946	WASHER FLAT AN 5/16 ROHS	
22	106985	HHCS 5/16-24 X 2 ROHS	
10,12-21	117993	ROLLER SUBASSEMBLY	
1,2,3,9A	119474S	BASE FRAME ASSM DOWN L	
1,2,3,8A	119475S	BASE FRAME ASSM DOWN R	
1,2,3,8B	119476S	BASE FRAME ASSM UP L	
1,2,3,9B	119477S	BASE FRAME ASSM UP R	
4-7	119548	STRUT TUBE AND HARDWARE 14W	

Pos.	Item Number	Description	Remarks
4-7	119549	STRUT TUBE AND HARDWARE 15W	
4-7	119550	STRUT TUBE AND HARDWARE 16W	
4-7	119551	STRUT TUBE AND HARDWARE 17W	
4-7	119552	STRUT TUBE AND HARDWARE 18W	
4-7	119553	STRUT TUBE AND HARDWARE 19W	
4-7	119554	STRUT TUBE AND HARDWARE 20W	
		Ship assembled part #	Use with multiple assemblies
	ASSY-FRAME	FRAME ASSY REQUIRED	add with Frame kit

NOTE: FITS IRIS W/ SERIAL NUMBER PREFIX CGT ONLY.



Pos.	Item Number	Description
1	882346	ANGLE INDICATOR W/ STICKERS
2	226043	10-32 x 1/2 BH C/S BLK
3	920562	ANGLE INDICATOR W/ HARDWARE

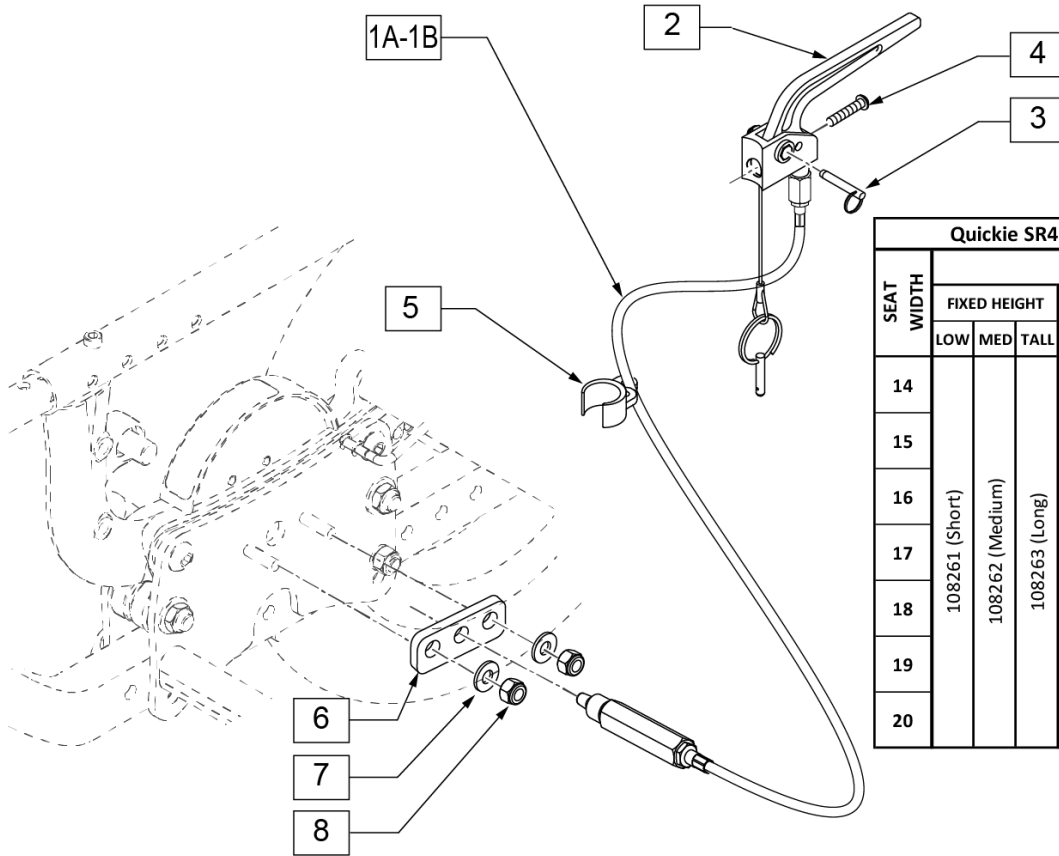


Pos.	Item Number	Description
2	106945	WASHER FLAT SAE 1/4 ROHS
3	106932	NUT NYLOCK 1/4-20 ROHS
4-8	107239	ROCKER TUBE ASSM 13 -18" 13 -18" WIDE
4-8	107240	ROCKER TUBE ASSM 15 -22" 15 -22" WIDE
9	106383	E-CLIP 3/16"
11	106931	NUT NYLOCK THIN 10-32 ROHS
13	107181	SHCS 10-32 X 1/2 ROHS
14	107165	PEDAL FOOT RELEASE
15	106951	WASHER SPLIT LOCK 5/16 ROHS
16	263109	5/16 FENDER WASHER SS 3/4" OD
17	106979	BHCS 5/16-18 X 3/4 ROHS
18	106982	BHCS 5/16-18 X 1-3/4 SHLD ROHS
20	106377	SHAFT PIVOT PEDAL
22	106937	NUT NYLOCK THIN 5/16-18 ROHS
23	118453	HHCS 5/16-24 X 1-3/4 ROHS
24	106946	WASHER FLAT AN 5/16 ROHS
25	106938	NUT NYLOCK 5/16-24 ROHS
27	106951	WASHER SPLIT LOCK 5/16 ROHS
28	117928	PLUG TUBE SQ 1-1/8"



<b>Pos.</b>	<b>Item Number</b>	<b>Description</b>
30	106980	BHCS 5/16-18 X 1-1/4 ROHS
32	106668	TORSION SPRING RH
23-26,28,29	119504	FOOT PEDAL EXT KIT
9-13	119505	FOOT RELEASE LINKAGE KIT
14-23,27,30,32	119506	FOOT RELEASE PEDAL KIT
1-3,31	119516	PIN RELEASE W/HARDWARE L
1-3,31	119517	PIN RELEASE W/HARDWARE R

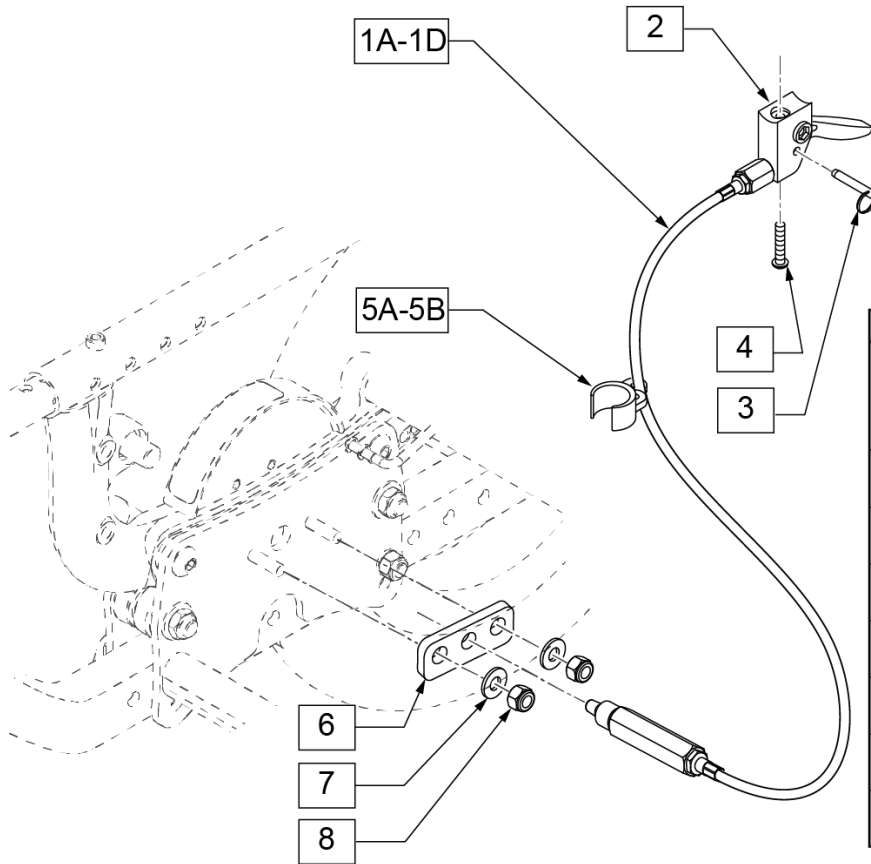
Note: see attachment in Informations Panel for cable installation instructions.



Quickie SR45 Tilt Cable Reference Guide									
SEAT WIDTH	BACKREST TYPE								
	FIXED HEIGHT			HEIGHT ADJUSTABLE				RECLINING	
	LOW	MED	TALL	STANDARD		TALL	MED	TALL	
14									
15				108269 (Long)					
16	108261 (Short)	108262 (Medium)	108263 (Long)			108270 (XL)			
17				108270 (X-Long)					
18						108271 (2XL)			108262 (Medium)
19					108271 (2XL)				
20							108272 (3XL)		108263 (Long)

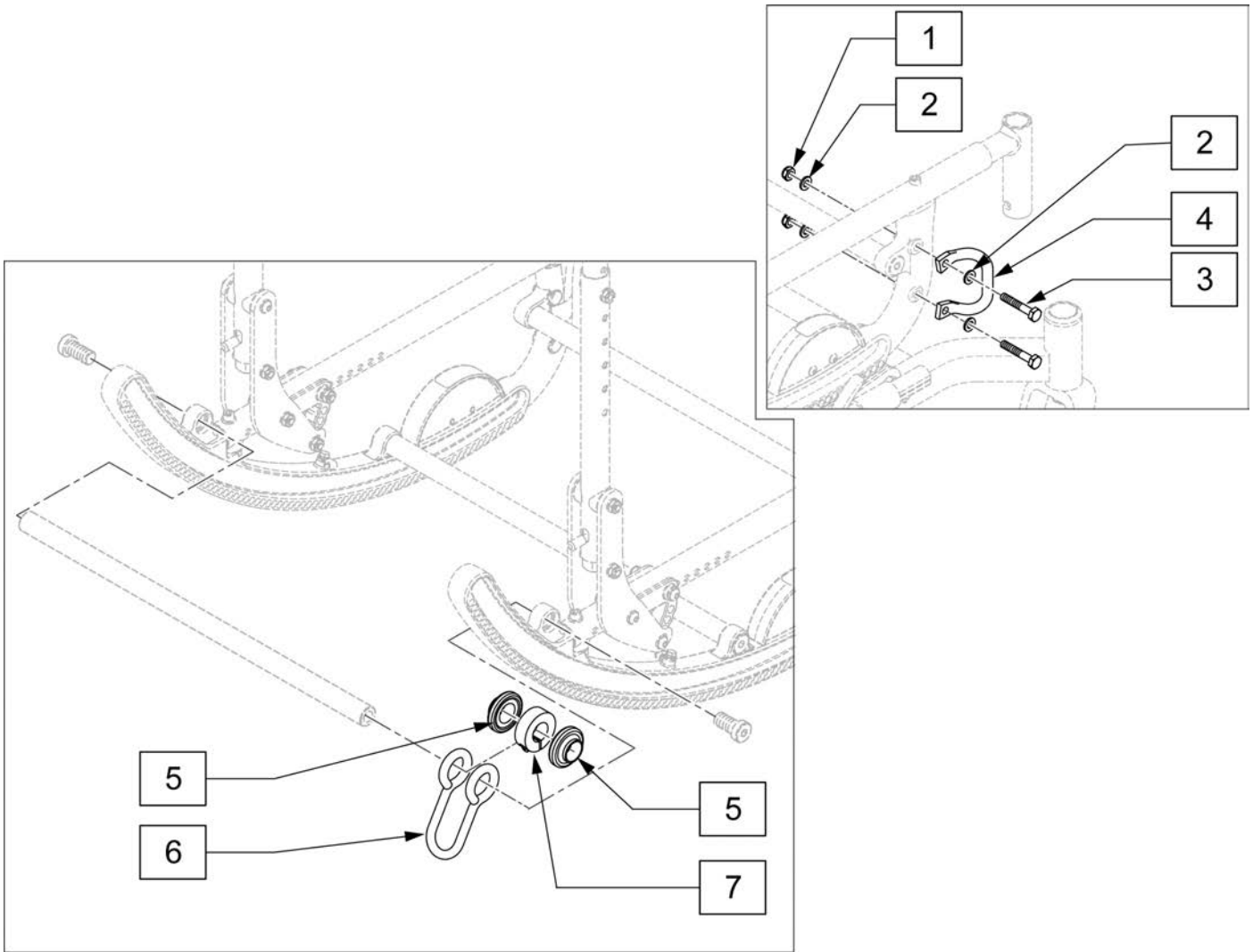
Pos.	Item Number	Description	Remarks
2,3	580110	CYL LOCK LEVER ASSM QT/QR/P5	
4	281120	10/32 x 5/8 PAN HD PHIL	
5	108134	CLIP CABLE 1" (10)	PACK OF 10
6	500698	PLATE PLUNGER ROLLER	
7	106945	WASHER FLAT SAE 1/4 ROHS	
8	106932	NUT NYLOCK 1/4 -20 ROHS	
1A,2-8	108261	PH MNT CABLE ASM SHT	51" LONG (SHORT)
1B,2-8	108262	PH MNT CABLE ASM MED	54" LONG (MEDIUM)
1C,2-8	108263	PH MNT CABLE ASM LONG	57" LONG (LONG)

Note: see attachment in Informations Panel for cable installation instructions.



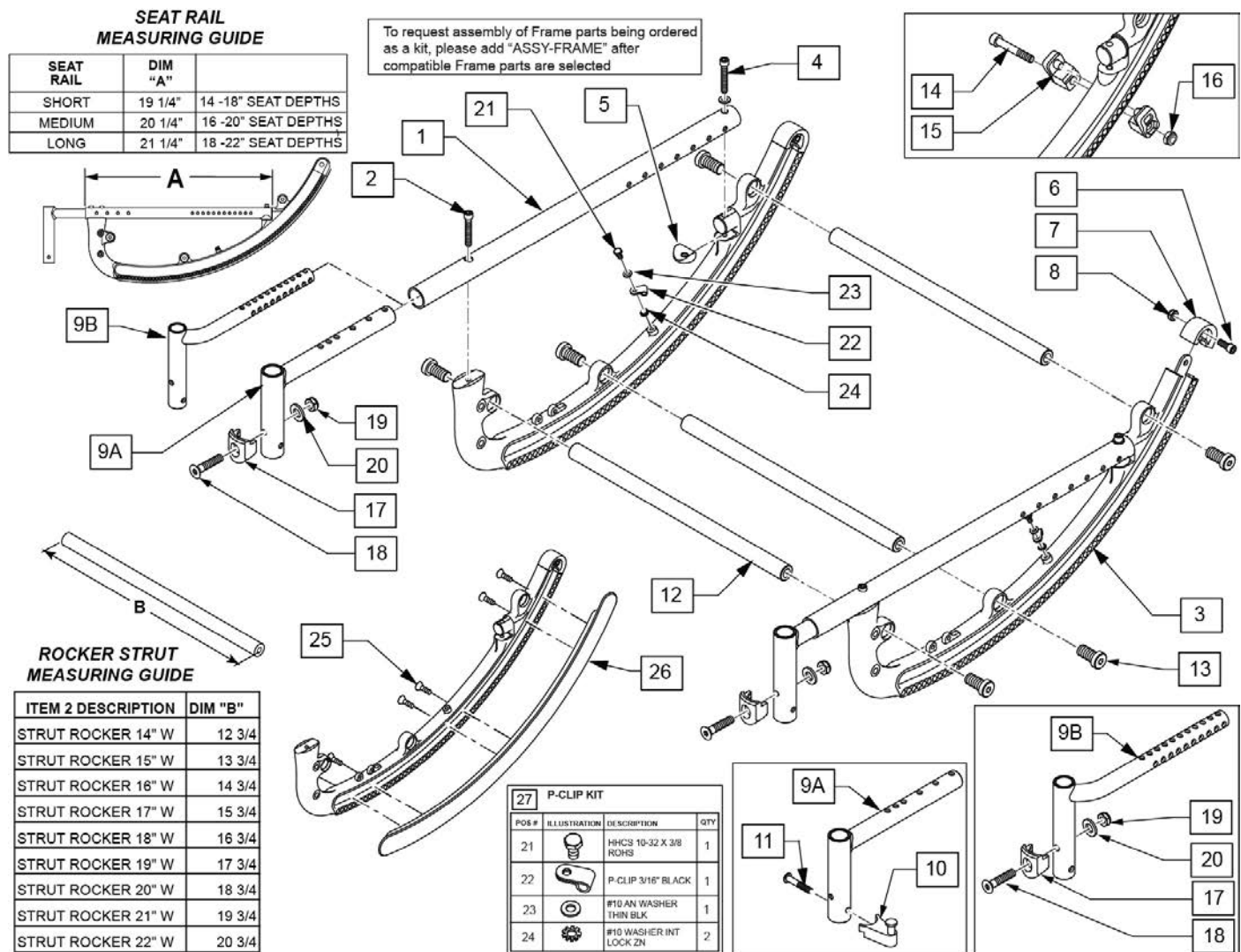
SEAT WIDTH	BACKREST TYPE						
	FIXED HEIGHT			HEIGHT ADJUSTABLE		RECLINING	
	LOW	MED	TALL	STANDARD	TALL	MED	TALL
14				108269 (Long)			
15							
16	108261 (Short)	108262 (Medium)	108263 (Long)		108270 (XL)		
17				108270 (X-Long)			
18						108271 (2XL)	
19				108271 (2XL)			
20						108272 (3XL)	
						108262 (Medium)	108263 (Long)

Pos.	Item Number	Description	Remarks
2,3	580109	PLUNGER PIN LEVER ASSM	
4	281120	10/32 x 5/8 PAN HD PHIL	
5A	108134	CLIP CABLE 1" (10)	Pack of 10 - used on lower backrest tube
5B	108135	CLIP CABLE 7/8" (10)	Pack of 10 - used on upper backrest tube
6	500698	PLATE PLUNGER ROLLER	
7	106945	WASHER FLAT SAE 1/4 ROHS	
8	106932	NUT NYLOCK 1/4 -20 ROHS	
1A,2-8	108269	HGT ADJ MNT CABLE ASM LNG	57" LONG (LONG)
1B,2-8	108270	HGT ADJ MNT CABLE ASM XL	60" LONG (X-LONG)
1C,2-8	108271	HGT ADJ MNT CABLE ASM 2XL	63" LONG (2XL-LONG)
1D,2-8	108272	HGT ADJ MNT CABLE ASM 3XL	66" LONG (3XL-LONG)
9	263120	7/16 AN WASHER	please order in addition to kit



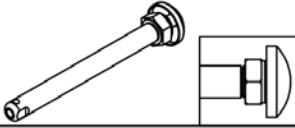
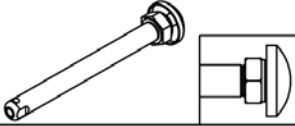

Pos.	Item Number	Description
1	106935	NUT NYLOCK THIN 1/4-28 ROHS
2	106943	WASHER FLAT AN 1/4 ROHS
3	106972	HHCS 1/4-28 X 1-1/2 ROHS
1-7	119875	SR45 TRANSIT KIT

Note: if retrofitting Flared or Offset Hanger Receivers to a chair, 2" wider Footrests are required.

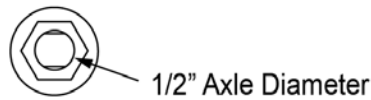
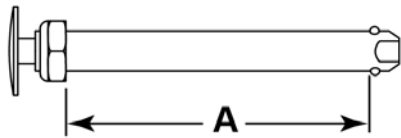


Pos.	Item Number	Description	Remarks
2	106976	SHCS 1/4-28 X 1-1/2 ROHS	
4	106943	WASHER FLAT AN 1/4 ROHS	
5	561004	1" SADDLE 1/4" HOLE	
6	118928	SHCS 1/4-28 X 5/8 ROHS	
8	106935	NUT NYLOCK THIN 1/4-28 ROHS	
9B	119846	HANGER SPprt 1IN FLARE RH	Right- for 1" Offset
9B	119847	HANGER SPprt 1IN FLARE LH	Left - for 1" Offset
9A	119572S	HANGER RECEIVER	
10,11	107491	LATCH STUD KIT	For ELR
12,13	108180	STRUT ROCKER KIT 14" W	Set of 3
12,13	108181	STRUT ROCKER KIT 15" W	Set of 3
12,13	108182	STRUT ROCKER KIT 16" W	Set of 3
12,13	108183	STRUT ROCKER KIT 17" W	Set of 3
12,13	108184	STRUT ROCKER KIT 18" W	Set of 3
12,13	108185	STRUT ROCKER KIT 19" W	Set of 3

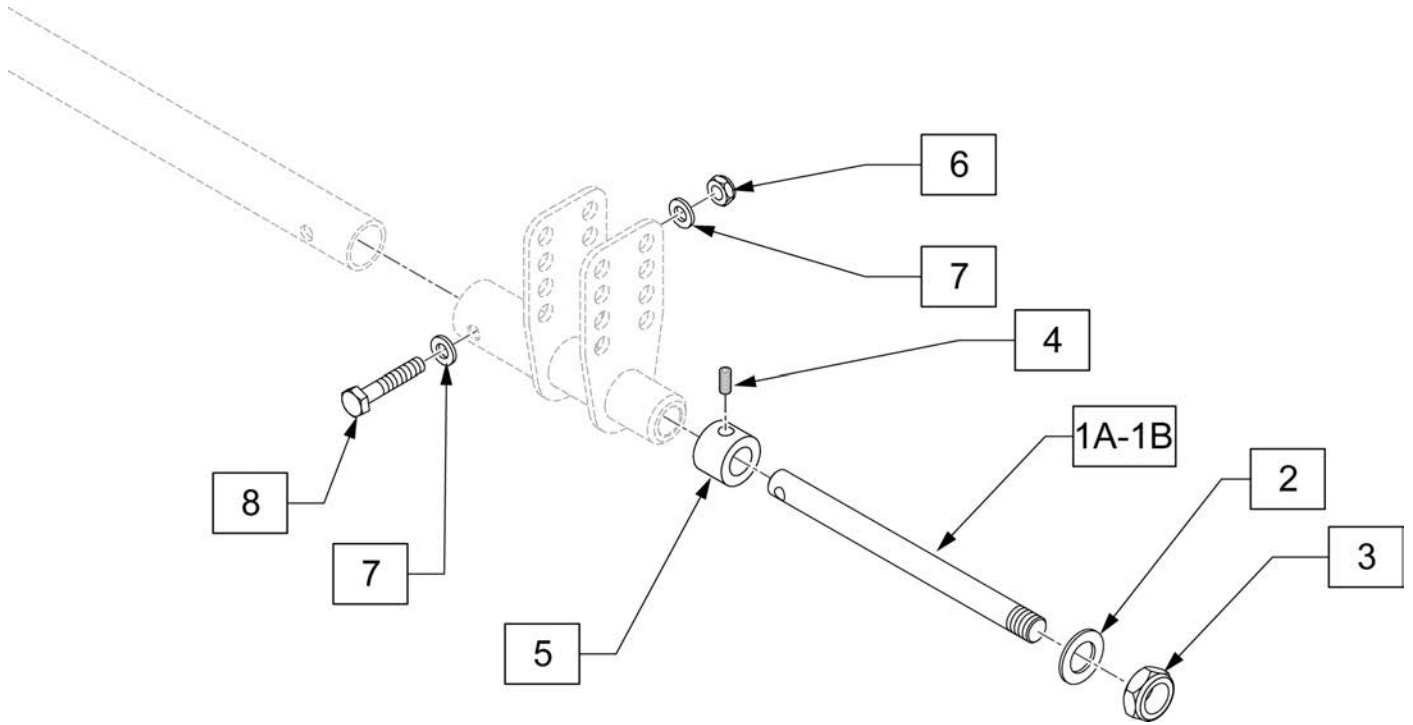
Pos.	Item Number	Description	Remarks
12,13	108186	STRUT ROCKER KIT 20" W	Set of 3
13	108179	ROCKER HDWR KIT (6)	Set of 6
14	106957	SHCS 10 -32 x 1 1/4 ROHS	
15	560349	TILT STOP ROCKER	
16	106931	NUT NYLOCK THIN 10 -32 ROHS	
17	118696	HANGER LATCH RECEIVER	
18	103500-011	FHCSM6X1X40FULLNP	
19	104381	NUT HEX NYLOCK M6X1.0	
20	104414	WAVE WASHER 6MM	
21	106953	HHCS 10-32 X 3/8 PL ROHS	
22	105799	P-CLIP 3/16" BLACK	
23	562770	.375 OD .190 ID WASHER PLST	
24	267340	#10 WASHER INT LOCK ZN	
25	129799	#6 X 1/2" FL DH PHL SCREW BLK	
26	129400	ROCKER COVER 45	
27	119515	P-CLIP KIT	
1A,2,4	119540S	SEAT TUBE SHORT W/ HARDWARE	
1B,2,4	119539S	SEAT TUBE MED W/ HARDWARE	
1C,2,4	119538S	SEAT TUBE LONG W/ HARDWARE	
6-8	119521	ROCKER CAP KIT	
3,6-8	119522	ROCKER W/ CAP	
9A,10,11	119511	HANGER REC W/LATCH STUD KIT	
9A,17-20	120861	HANGER AND LATCH REC ASSEMBLY	
9B,17-20	129601	1" FLRD REC SWING IN/OUT LATCH	OFFSET;see note; Kit includes Left & Right-For Swing-in/out Legrest
14-16	119557	TILT STOP KIT	
17-20	119514	LATCH RECEIVER KIT	For Swing In/Out Hangers
		Ship assembled part #	Use with multiple assemblies
	ASSY-FRAME	FRAME ASSY REQUIRED	add with Frame kit

Wheel Type	Axle Type		Axle P/N	Spacer P/N
12" & 16" 6 Spoke Mag Wheels	Quick Release	1A 	102063 A=4 1/8	N/A
20" - 24" Mag Wheels	Quick Release	1B 	102065 "A"= 4 3/4	2  920117

*Quick Release Measuring Guide*

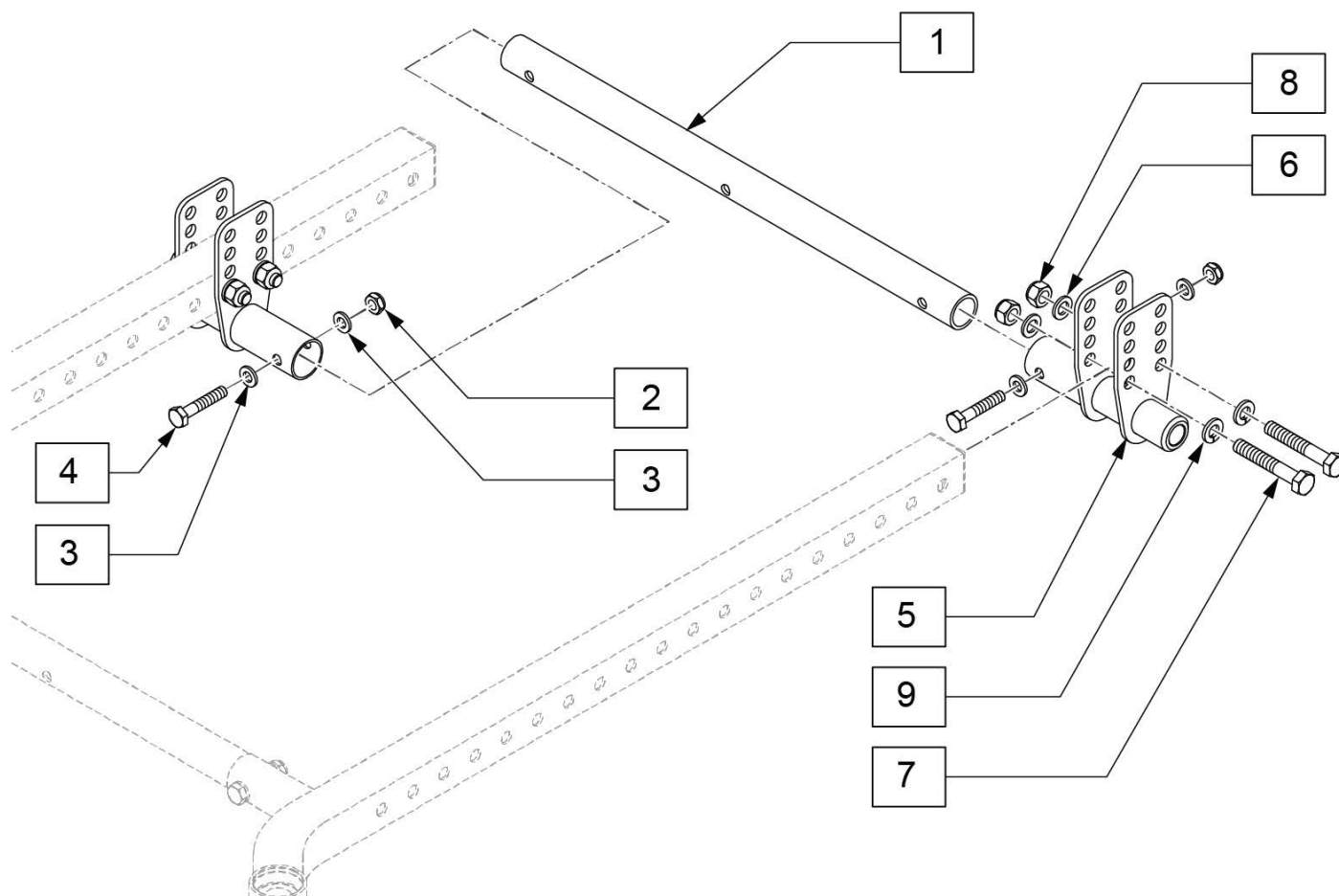


Pos.	Item Number	Description
1A	102063	QR AXLE MAG W/M-12 NUT
1B	102065	QR AXLE W/M12 NUT
2	920117	MAG SPACER 6S W/SET SCREW



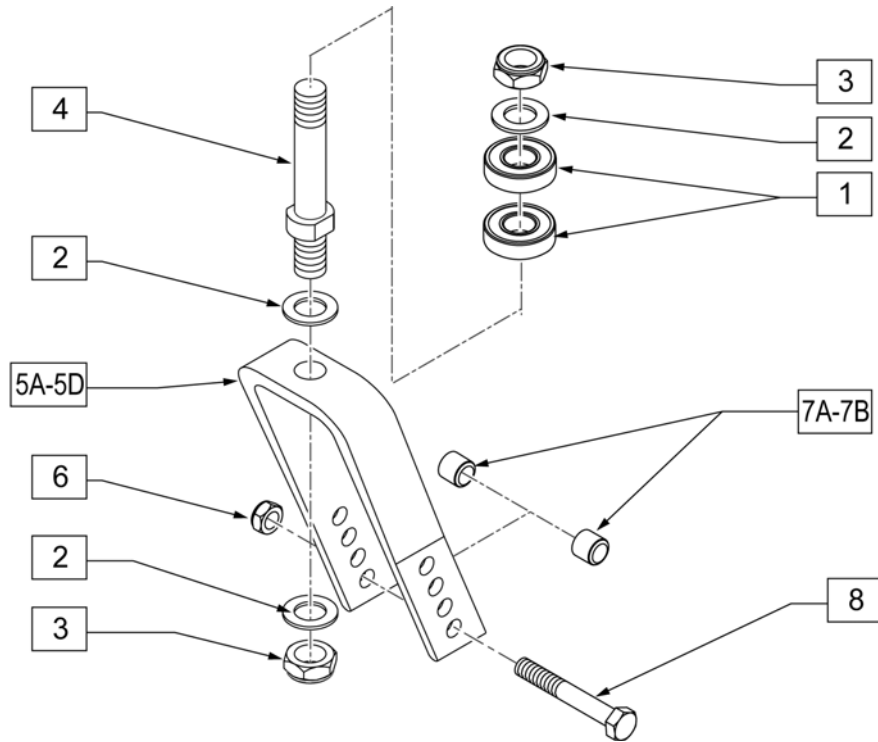
Pos.	Item Number	Description	Remarks
2	106949	WASHER FLAT AN 1/2 ROHS	
3	106940	NUT NYLOCK THIN 1/2-20 ROHS	
4,5	920117	MAG SPACER 6S W/SET SCREW	Used w/20 -24" wheels
6	106935	NUT NYLOCK THIN 1/4-28 ROHS	
7	106943	WASHER FLAT AN 1/4 ROHS	
8	106971	HHCS 1/4-28 X 1-3/8 ROHS	
1A-3,6-8	119556	THREADED AXLE KIT SHORT	Used w/12-16" wheels
1B-8	119555	THREADED AXLE KIT LONG	Used w/20-24" wheels





Pos.	Item Number	Description
2	106935	NUT NYLOCK THIN 1/4-28 ROHS
3	106943	WASHER FLAT AN 1/4 ROHS
4	106971	HHCS 1/4-28 X 1-3/8 ROHS
6	106946	WASHER FLAT AN 5/16 ROHS
7	106985	HHCS 5/16-24 X 2 ROHS
8	106938	NUT NYLOCK 5/16-24 ROHS
9	106951	WASHER SPLIT LOCK 5/16
1A-4	119548	STRUT TUBE W/HARDWARE 14W
1B-4	119549	STRUT TUBE W/HARDWARE 15W
1C-4	119550	STRUT TUBE W/HARDWARE 16W
1D-4	119551	STRUT TUBE W/HARDWARE 17W
1E-4	119552	STRUT TUBE W/HARDWARE 18W
1F-4	119553	STRUT TUBE W/HARDWARE 19W
1G-4	119554	STRUT TUBE W/HARDWARE 20W
2-9	119473	AXLE PLATE W/HARDWARE

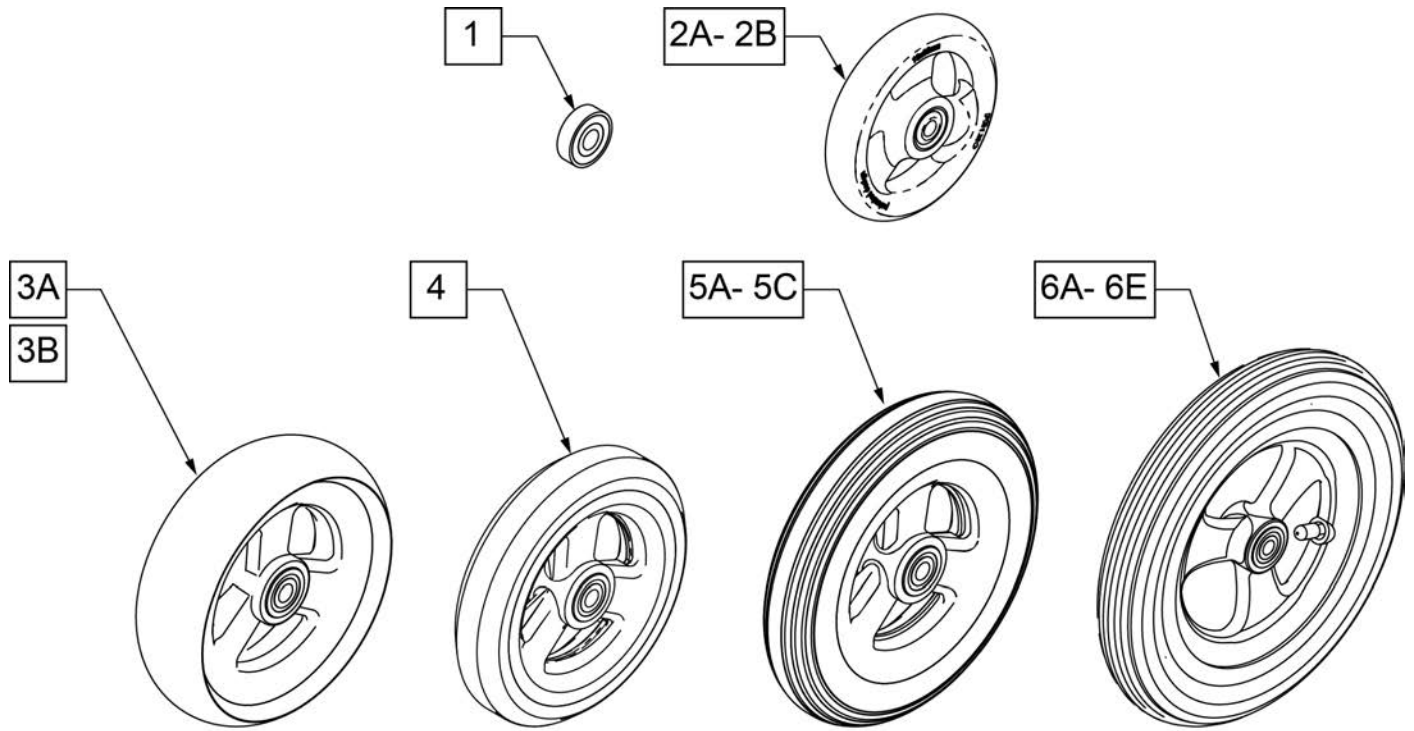
CASTER FORK ASSM



Pos.	Item Number	Description	Remarks
1	349500	1 1/8 x 1/2 BEARING	
2	106949	WASHER FLAT AN 1/2 ROHS	
3	106940	NUT NYLOCK THIN 1/2-20 ROHS	
4	481063	CASTER STEM STD	
6	106939	NUT NYLOCK THIN 5/16 -24 ROHS	
7A	481113	SPACER 5/16 x 0.380	Used w/ 3", 6" & 7" forks
7B	106946	WASHER FLAT AN 5/16 ROHS	Used w/ 8" fork
8	106987	HHCS 5/16 -24 x 2 1/2 ROHS	
2-5A,6,7A,8	119478	CASTER FORK AND STEM 3"	
2-5B,6,7A,8	119479	CASTER FORK AND STEM 6"	
2-5C,6,7A,8	119480	CASTER FORK AND STEM 7"	
2-5D,6,7B,8	119481	CASTER FORK AND STEM 8" X 2"	
2-5B,6,7A,8	109335	FORK CSTR 5 1/4" REG STEM	

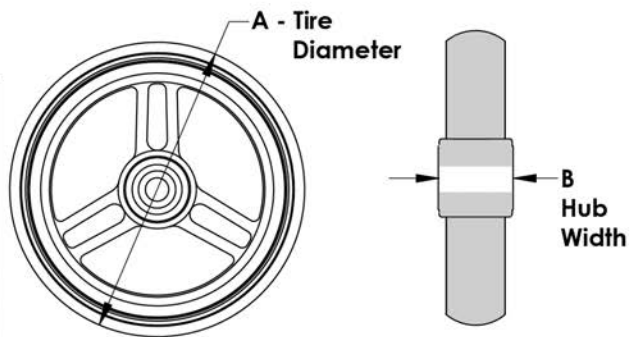
NOTE: 7" and 8" Casters are not available with Integral Bearing Forks.

Note: When 6" casters or larger casters are used, Anti Flutter Kit must be installed. See Standard Multi Position Fork page.

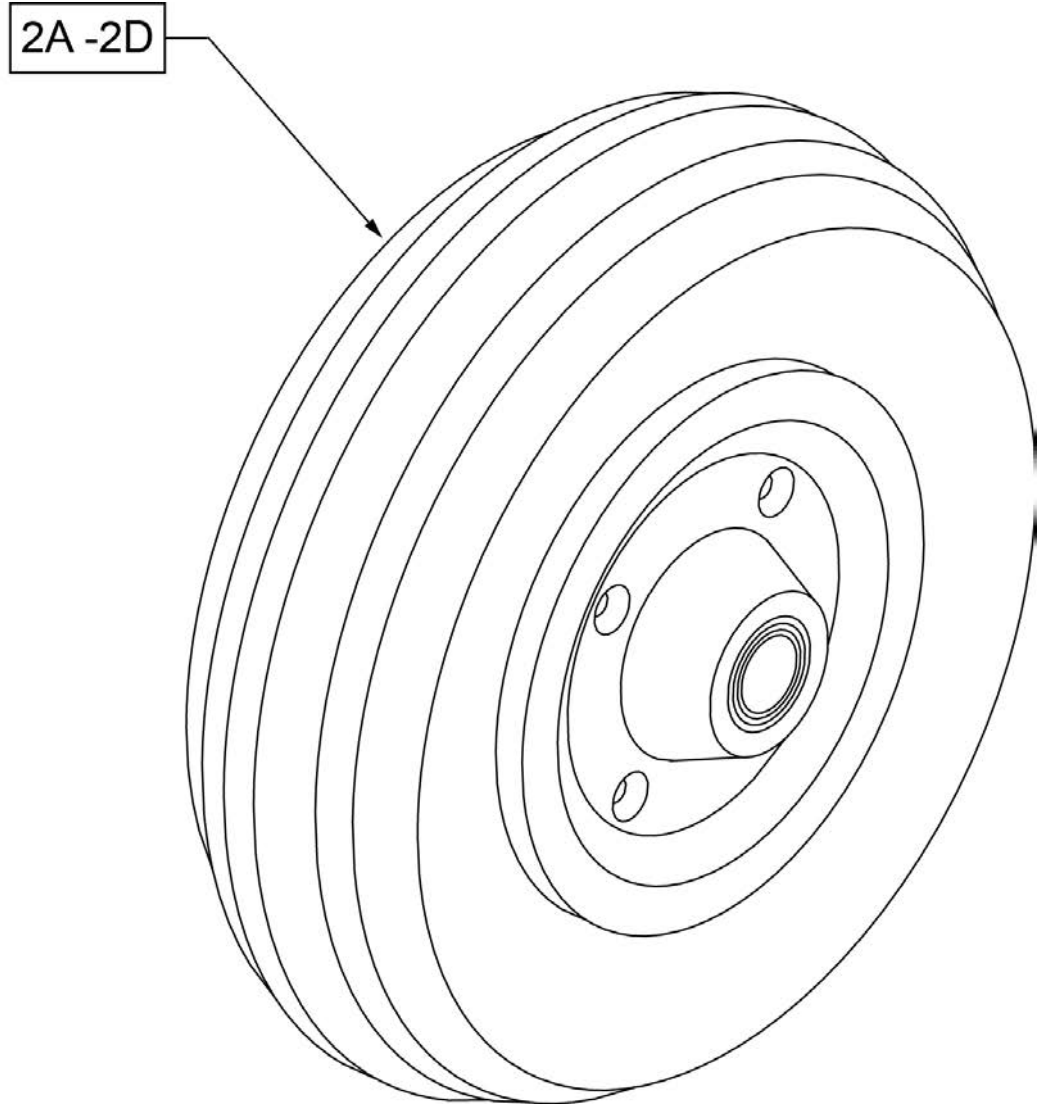
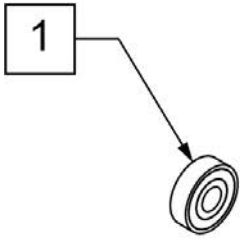


**CASTER  
MEASURING GUIDE**

PART NUMBER	"A" TIRE DIAMETER	"B" HUB WIDTH	PART NUMBER	"A" TIRE DIAMETER	"B" HUB WIDTH
101957	4.3	1.0	101256	5.75	1.0
101098	4.0	1.0	101257	5.9	1.0
101259	4.9	1.0	400212	8.0	1.0
101255	5.7	1.0	400213	7.8	1.0
101254	4.9	1.0	400214	6.9	1.0
			400215	7.25	1.0



Pos.	Item Number	Description	Remarks
1	349502	7/8"x 5/16" BEARING	
2A	101957	4"X1-1/4 POLY 3 SPOKE CSTR	4" X 1.25 SEMI-PNEUMATIC
2B	101098	CASTER 4" PLASTIC/POLY W/BRG	4" LOW PROFILE POLY
3A	101259	5"X1-1/2" POLY 3 SPOKE CSTR	5" x 1.5" SEMI-PNEUMATIC
3B	101255	6"X1-1/2" POLY 3 SPOKE CSTR	6" x 1.5" SEMI-PNEUMATIC
4	101254	5" LOW POLY 3 SPOKE CASTER	5" LOW PROFILE POLY
5A	101256	6" SEMI PNEU 3 SPOKE CASTER	6" POLY
5B	101257	6" PNEUMATIC 3 SPOKE CASTER	6" PNEUMATIC
5C	383245	6" PNEUMATIC TIRE & TUBE	
6A	400212	CASTER 8" PNEU 3 SPK ASSM	8" PNEUMATIC
6B	400213	CASTER 8" POLY 3 SPK ASSM	8" POLY
6C	400214	CASTER 7" LOW POLY 3 SPK ASSM	7" x LOW PROFILE POLY
6D	383255	8" PNEUMATIC TIRE & TUBE	
6E	400215	CASTER 8" WIDE POLY 3 SPK ASSM	8" x 1.5" LOW POLY



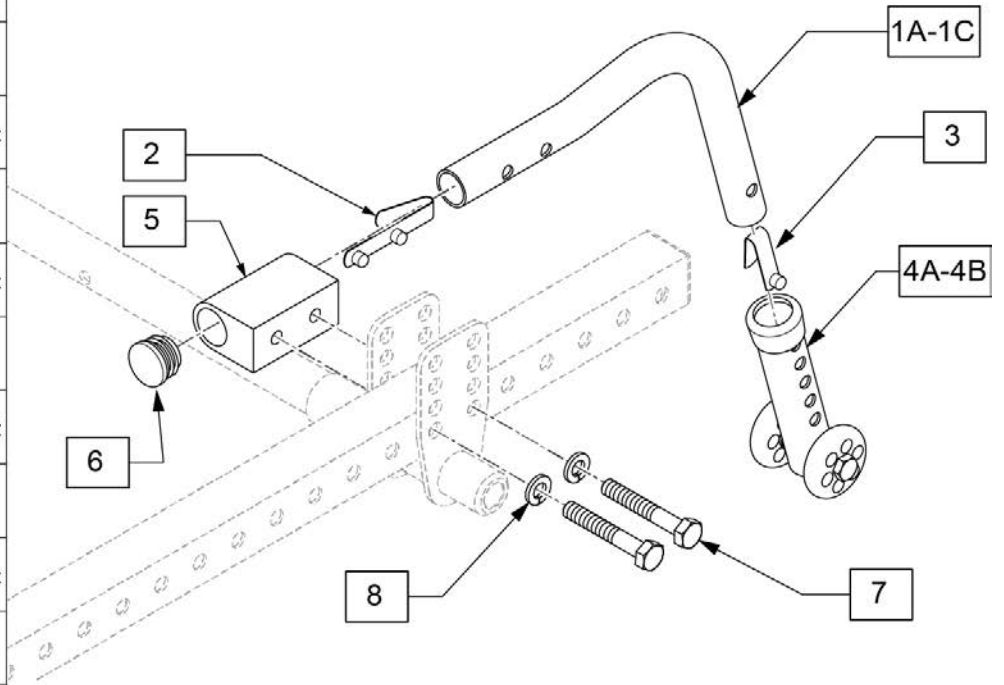
**CASTER  
MEASURING GUIDE**

TIRE DIAMETER	HUB WIDTH
8"	2.6"

Pos.	Item Number	Description	Remarks
1	349502	7/8"x 5/16" BEARING	
2A	400700	8" X 2" CMPST W/PNEU & BEARING	8" x 2" PNEUMATIC
2B	400702	8" X 2" CMPST W/PNEU INSRT&BRG	8" x 2" PNEUMATIC W/ INSERT
2C	384700	TIRE PNEUMATIC 8" x 2"	
2D	384730	INNER TUBE CASTER 8" x 2"	

Wheel Size	Axle Plate Orientation	Anti-Tip Assembly	Side
12"	Down	120061	Right
		120062	Left
16"	Up	882904	Right
		882905	Left
	Down	120063	Right
		120064	Left
20"	Up	120065	Right
		120066	Left
	Down	120067	Right
		120068	Left
22"	Up	120069	Right
	Down	120070	Left
24"	Up	120071	Right
	Down	120072	Left

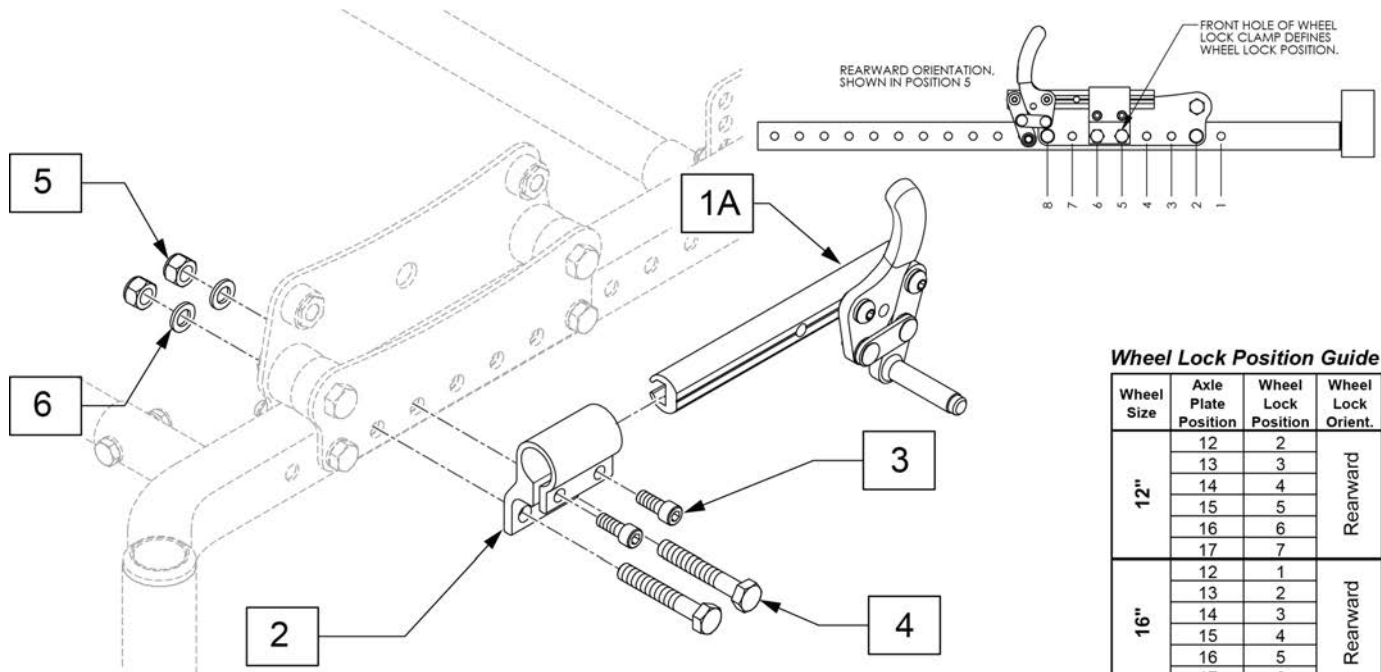
Wheel Size	Axle Plate Orientation	Wheel Size	Axle Plate Orientation
12"	Down	20"	Up
			Down
			Up
			Down
12" LP	Down	22"	Up
			Down
			Up
			Down
16"	Down	24"	Up
			Down
			Up
			Down



Pos.	Item Number	Description	Remarks
2	301109	SNAP BUTTON DUAL ONE SIDE	
3	301100	SNAP BUTTON 1/4" SINGLE	
4A	881512	ANTI-TIP SLEEVE W/ WHEELS BLK 4 H	
4B	104157	ANTI TIP ARM ADJUSTER	Short
4C	104639	ANTI TIP ARM ADJ MED	Medium
4D	104640	ANTI TIP ARM ADJ LONG	Long
6	560735	.875 ROUND TUBE PLUG	
7	106985	HHCS 5/16-24 X 2 ROHS	
8	106951	WASHER SPLIT LOCK 5/16 ROHS	
1C,2,3,4B	120061	ANTI TIP X-SML SHORT ASSM R	Right
1C,2,3,4B	120062	ANTI TIP KIDS 4H ASSM L	Left
1A,2,3,4A	882904	ANTI-TIP ASSM KIDZ R BLK	Right
1A,2,3,4A	882905	ANTI-TIP ASSM KIDZ L BLK	Left
1B,2,3,4C	120063	ANTI TIP REG MED ASSM R	Right
1B,2,3,4C	120064	ANTI TIP REG MED ASSM L	Left
1D,2,3,4C	120065	ANTI TIP SMALL MED ASSM R	Right
1D,2,3,4C	120066	ANTI TIP SMALL MED ASSM L	Left
1D,2,3,4D	120067	ANTI TIP SMALL LNG ASSM R	Right

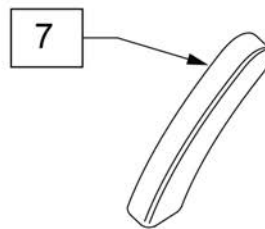
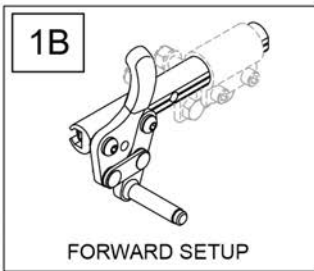
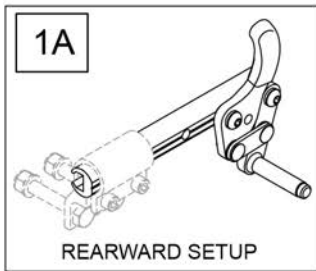
<b>Pos.</b>	<b>Item Number</b>	<b>Description</b>	<b>Remarks</b>
1E,2,3,4D	120068	ANTI TIP SMALL LNG ASSM L	Left
1E,2,3,4C	120069	ANTI TIP MED MED ASSM R	Right
1E,2,3,4C	120070	ANTI TIP MED MED ASSM L	Left
1F,2,3,4C	120071	ANTI TIP LRG MED ASSM R	Right
1F,2,3,4C	120072	ANTI TIP LRG MED ASSM L	Left
5-8	120073	ANTI TIP REC ASSEMBLY EA	

**Note:** the Wheel Locks for Chair or Replacement Part orders shipped on or after 6/27/17 have upgraded mounting hardware; please replace in pairs for chairs ordered prior to 6/27/17.



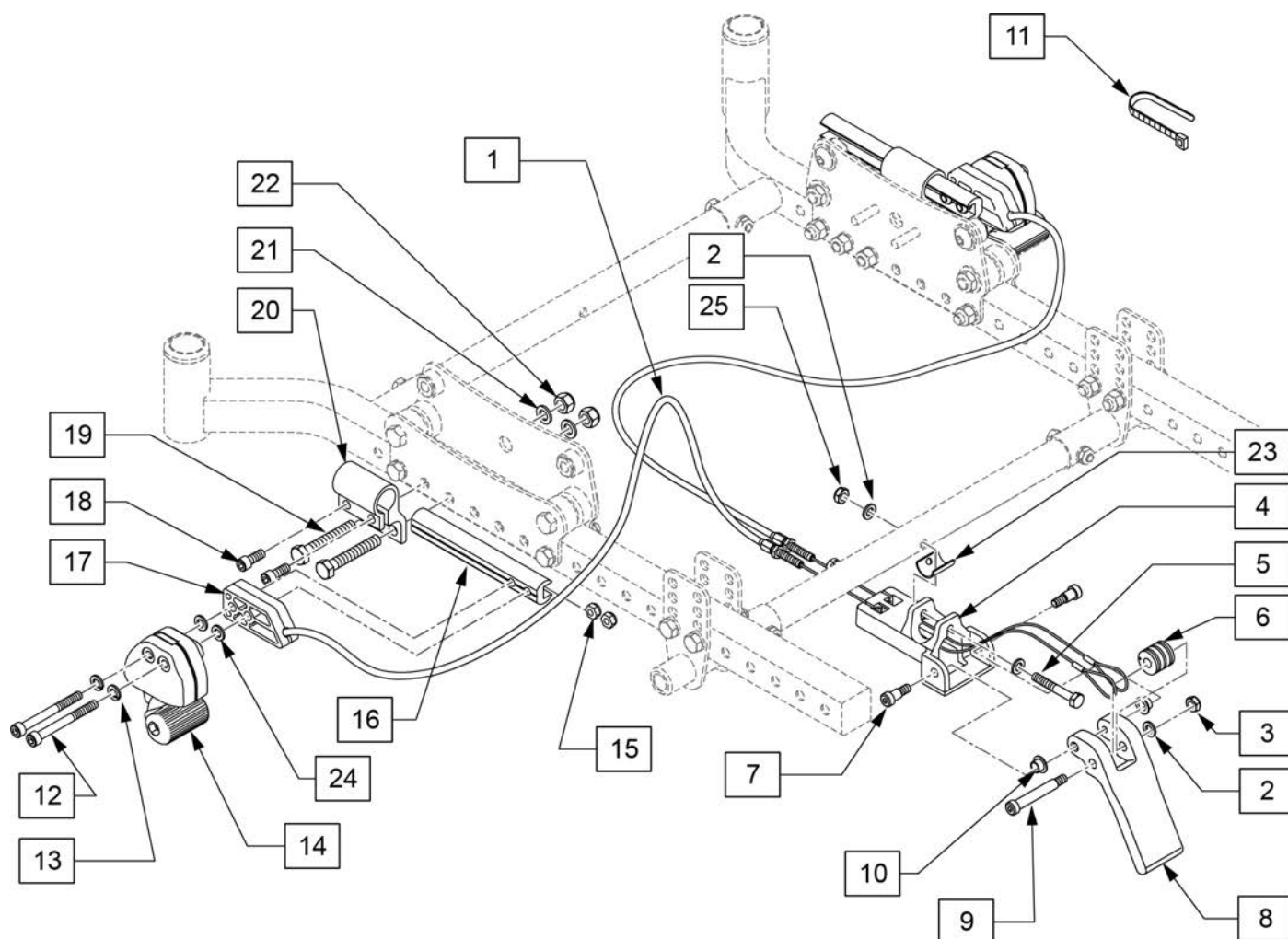
**Wheel Lock Position Guide**

Wheel Size	Axle Plate Position	Wheel Lock Position	Wheel Lock Orient.
12"	12	2	Rearward
	13	3	
	14	4	
	15	5	
	16	6	
	17	7	
16"	12	1	Rearward
	13	2	
	14	3	
	15	4	
	16	5	
	17	6	
20"	12	3	Forward
	13	4	
	14	5	
	15	6	
	16	7	
	17	8	
22"	12	2	Forward
	13	3	
	14	4	
	15	5	
	16	6	
	17	7	
24"	12	2	Forward
	13	3	
	14	4	
	15	5	
	16	6	
	17	7	



Pos.	Item Number	Description	Remarks
1A	104216-007	WHEEL LOCK PUSH R REV LNG	
1A	104216-008	WHEEL LOCK PUSH L REV LNG	
1B	104216-005	WHEEL LOCK PUSH R FWD LNG	
1B	104216-006	WHEEL LOCK PUSH L FWD LNG	
3	107348	SHCS 1/4-28 X 5/8 PL ROHS	
4	106985	HHCS 5/16-24 X 2 ROHS	
5	106938	NUT NYLOCK 5/16-24 ROHS	
6	106946	WASHER FLAT AN 5/16 ROHS	
2-6	119562	WHEEL LOCK CLAMP W/HARDWARE	TJ
7	104141	COVER CURVED WHEEL LOCK VINYL	

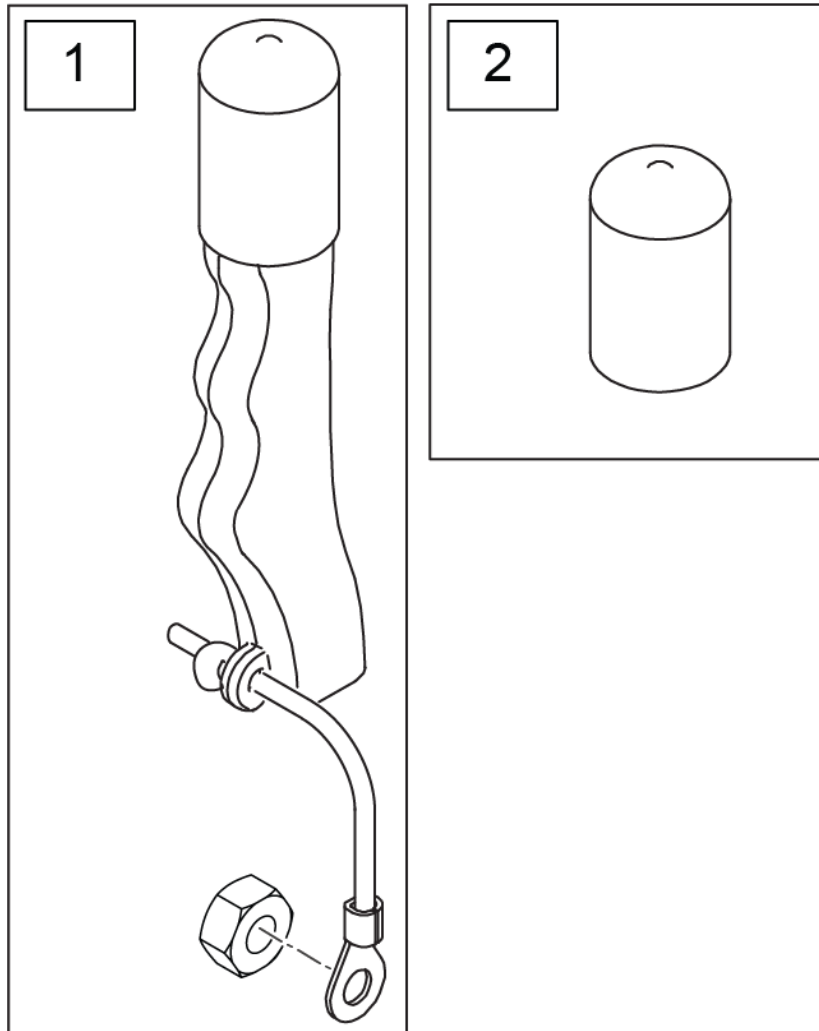




Pos.	Item Number	Description
1	342016	ATTENDANT WHEEL LOCK CABLE ASSM SHORT
2	106943	WASHER FLAT AN 1/4 ROHS
3	106932	NUT NYLOCK 1/4-20 ROHS
5	106992	HHCS 1/4 -20 x 2 HEX C/S
6	506185	BEARING ATTENDANT WHEEL LOCK CABLE
7	281048	SHOULDER SCREW .312 DIA x .375 LONG
9	281041	SHOULDER SCREW .312 DIA x 1.75 LONG
10	481353	SPACER, BEARING
11	560410	ZIP TIE BLACK
12	103190-013	SHCS M6 x 1 x 60 PART NP
13	262133	WASHER LOCK M6
16	112408	SLIDE ADJ FOOT LOCK
17	506184	SPACER ATTENDANT WHEEL LOCK
18	106974	SHCS 1/4-28 X 3/4 PL
19	106985	HHCS 5/16-24 X 2 ROHS
21	106946	WASHER FLAT AN 5/16 ROHS
22	106938	NUT NYLOCK 5/16-24 ROHS
23	050535	SPACER TUBE ATTENDANT WHLLCK
24	107383	WASHER FLAT M6 ROHS
25	106934	NUT NYLOCK 1/4-28
1-10,25	119472	ATTENDANT WHEEL LOCK PEDAL KIT

<b>Pos.</b>	<b>Item Number</b>	<b>Description</b>
12-15,24	119520	REMOTE LOCK KIT PAIR
18-22	119562	WHEEL LOCK CLAMP W/HARDWARE

**Note:** used on High Mount Push and Pull Wheel Locks only.



Pos.	Item Number	Description	Remarks
1	161930	WHEEL LOCK EXT ASSY (PAIR) KIT	Pair
2	560600	FOAM GRIP 1 1/2 X 0.705 X 0.1	

Note: this wheel utilizes Screw Mount Handrims - the handrim has a threaded hole that mounts the handrim to the wheel through a spacer and fastener.

Note: if Mag Wheel Assembly was ordered without Handrim and a Handrim is added to the wheel, qty 6 of 101932 and 281175 ARE REQUIRED to properly mount the handrim.

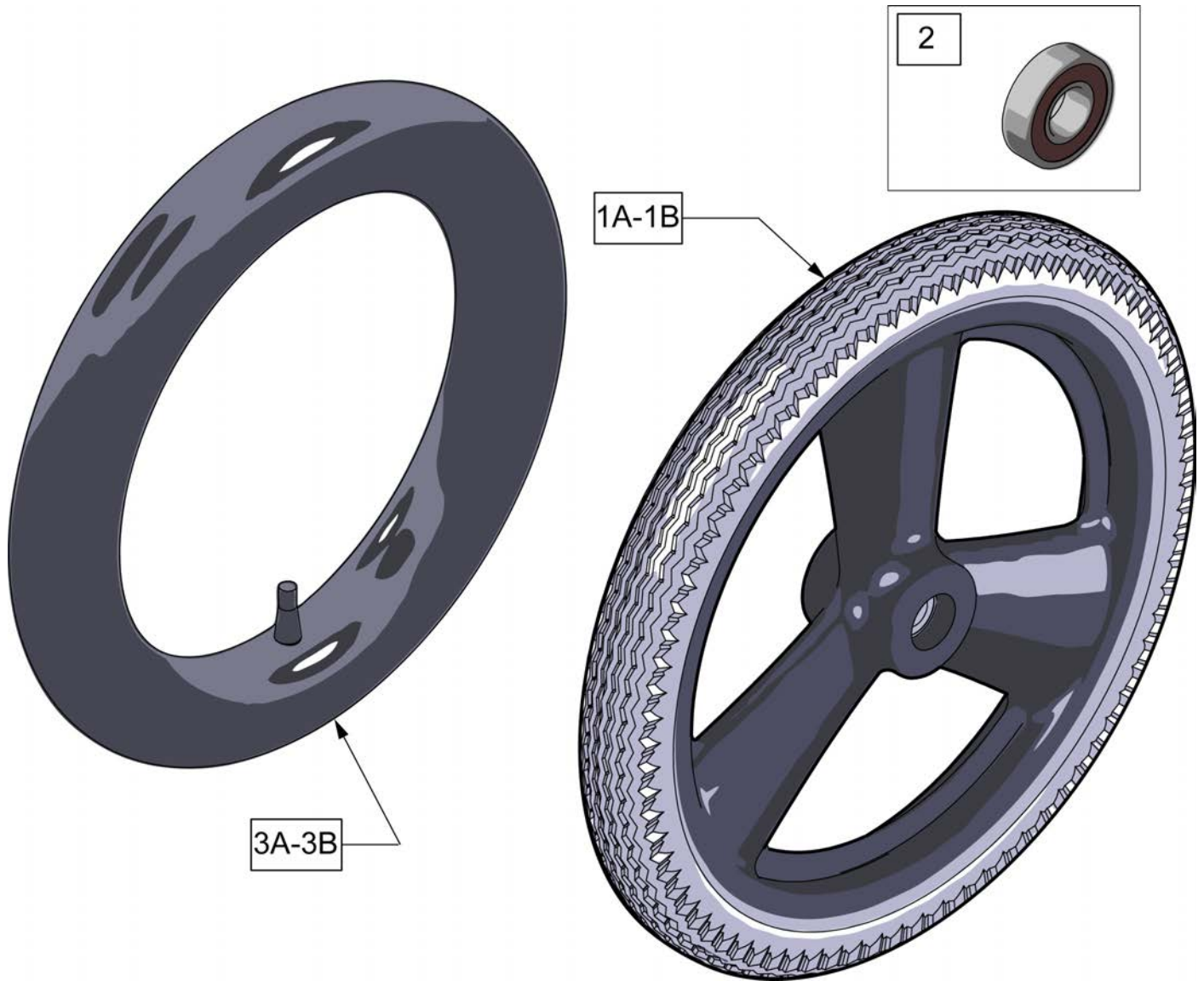
Note: if changing the Rear Wheel Size on a chair with Anti-tips, new size Anti-tip Assemblies ARE REQUIRED to accommodate the new Rear Wheel Size.

Note: for Zippie X'Cape 6 Spoke Mags are only available with the One Arm Drive.



Pos.	Item Number	Description	Remarks
1-3	401094	20" MAG W/BRNG 6 SPOKE	20"
1-3	401093	22" MAG W/BRNG 6 SPOKE	22"(501mm)
1-3	401092	24" MAG W/BRNG 6 SPOKE	24"(540mm)
2	349500	1 1/8 X 1/2 BEARING	
3	521564	MAG BEARING SPACER	
4	101932	SPCR .194ID X .375 OD X .750	Used when previously ordered with Omit handrims or Natural Fit Handrims

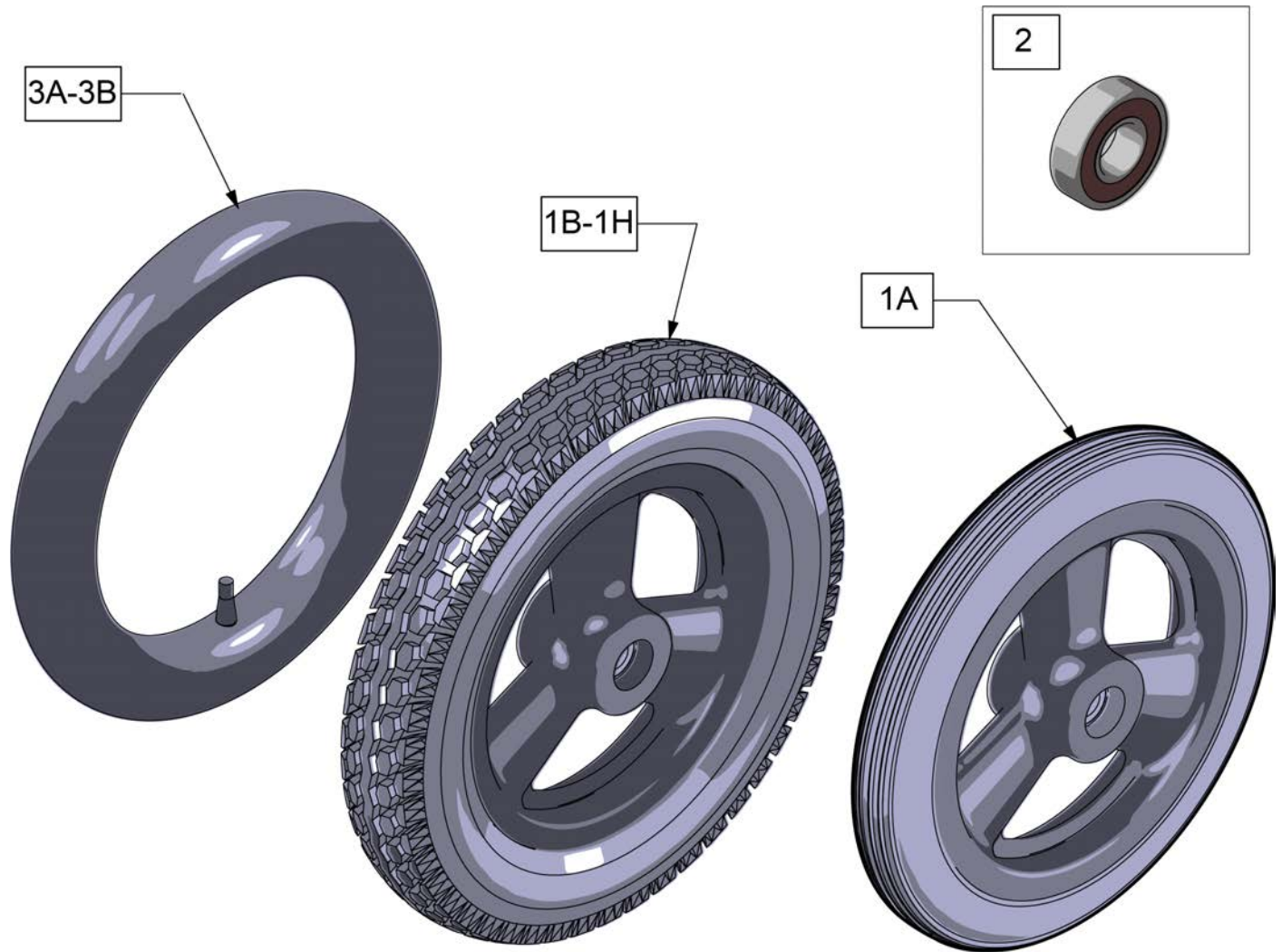
Note: if changing the Rear Wheel Size on a chair with Anti-tips, new size Anti-tip Assemblies ARE REQUIRED to accommodate the new Rear Wheel Size.



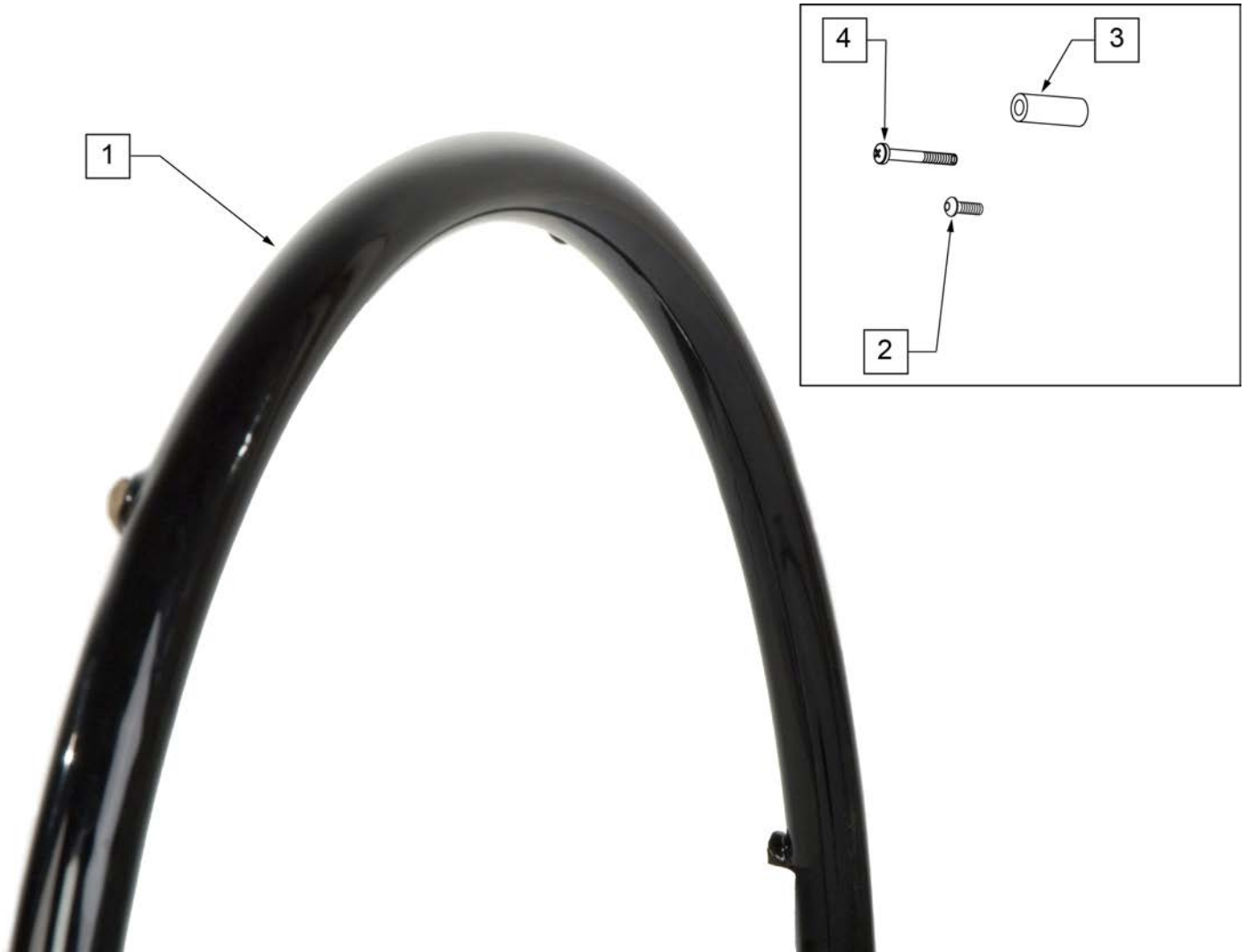
Pos.	Item Number	Description	Remarks
1A	101667	16 IN MAG PNEU 3 SPOKE	
1B	101668	16 IN MAG PNEU W/INSERT	
1C	385237	16" X 1.75" PNEU TIRE	Tire Only
2	349500	1 1/8 X 1/2 BEARING	
3A	384738	16" X 1.75" INNER TUBE	
3B	102973-001	16IN AIRLESS INSERT	

Note: Black Tires are not sold separately; please order the appropriate assembly part number.

Note: if changing the Rear Wheel Size on a chair with Anti-tips, new size Anti-tip Assemblies ARE REQUIRED to accommodate the new Rear Wheel Size.

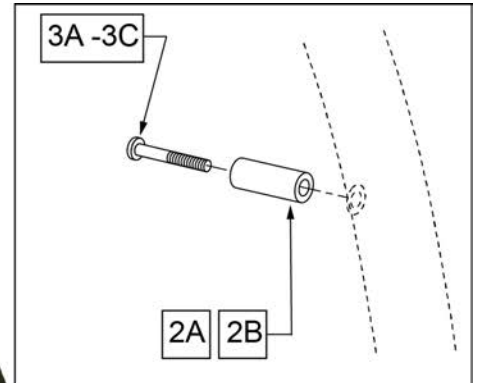


Pos.	Item Number	Description	Remarks
1A	101466	12 IN MAG POLY TIRE 3 SPOKE	Low Poly
1B	101661	12" MAG PNEU 3 SPOKE	Grey Tire; for Quickie & Zippie Iris see Black Wheel Assm p/n's below
1C	101662	12" MAG PNEU INSRT 3 SPK	Grey Tire; for Quickie & Zippie Iris see Black Wheel Assm p/n's below
1D	384706	TIRE PNEU 12-1/2" X 2-1/4"	Grey Tire only
1E	243593	12IN MAG PNEU 3 SPOKE BLK	Black tire, only available on Quickie and Zippie IRIS at this time
1F	243594	12IN MAG PNEU INSRT 3 SPK BLK	Black tire, only available on Quickie and Zippie IRIS at this time
1G	112226-004	WHEEL HUB LOCK 12IN PNEU BLK	Black tire for Hub lock, only available on Quickie and Zippie IRIS at this time
1H	112226-005	WHEEL HUB LOCK 12IN INSRT BLK	Black tire for Hub lock, only available on Quickie and Zippie IRIS at this time
2	349500	1 1/8 X 1/2 BEARING	
3A	384736	INNER TUBE 12-1/2" X 2-1/4"	
3B	102972-001	12 1/2 IN AIRLESS INSERT	



Pos.	Item Number	Description	Remarks
>>>>>	>>>>>>>>>>	SPOKE & LITE SPOKE	>>>>>
1-3	425933	20" HR 6SMT PLST W/HDWR	20" SPOKE
1-3	425943	22" HR 6SMT PLST W/HDWR	22" (501) SPOKE
1-3	426004	24" HR 6SMT PLST W/HDWR	24" (540) SPOKE
>>>>>	>>>>>>>>>>	MAG	>>>>>
1,4	425935	20" HR 6SMT 6MAG PLST W/HDWR	20" MAG
1,4	425953	22" HR 6SMT 6MAG PLST W/HDWR	22" (501) MAG
1,4	426013	24" HR 6SMT 6MAG PLST W/HDWR	24" (540) MAG
>>>>>	>>>>>>>>>>	M6 SPOKE	>>>>>
1-3	425943	22" HR 6SMT 6 MAG PLST W/ HDWR	24" (540) M6 SPOKE
2,3	159534	PLST COATED HNDRM HARDWARE	SPOKE; SET OF 6
4	281175	10 -32 x 2 1/8 PAN PHIL SS	6 SPOKE MAG





Pos.	Item Number	Description	Remarks
>>>>>	>>>>>>>>>	LITE SPOKE	>>>>>
1,2A,3A	159508	20IN LT SPK AA HNDRIM W/HDWR	20" LITE SPOKE
1,2A,3A	159509	22IN LT SPK AA HNDRIM W/HDWR	22" (501) LITE SPOKE
1,2A,3A	159510	24IN LT SPK AA HNDRIM W/HDWR	24" (540) LITE SPOKE
1,2A,3A	159511	25IN LT SPK AA HNDRIM W/HDWR	25" (559) LITE SPOKE
1,2A,3A	159512	26IN LT SPK AA HNDRIM W/HDWR	26" (590) LITE SPOKE
2A,3A	159513	LT SPK AL AN HNDRIM HDWR	LITE SPOKE, SET OF 6
>>>>>	>>>>>>>>>	SPOKE	>>>>>
1,2B,3B	425931	20" HR 6SMT W/HDWR	20" SPOKE
1,2B,3B	425941	22" HR 6SMT W/HDWR	22" (501) SPOKE
1,2B,3B	426000	24" HR 6SMT W/ HDWR	24" (540) SPOKE
2B,3B	159514	SPK AL AN HNDRIM HDWR	SPOKE, SET OF 6
>>>>>	>>>>>>>>>	MAG	>>>>>
1,3C	425934	20" HR 6SMT 6MAG W/HDWR	20" MAG
1,3C	425951	22" HR 6SMT 6MAG W/HDWR	22" (501) MAG
1,3C	426009	24" HR 6SMT 6MAG W/HDWR	24" (540) MAG
3C	281175	10-32 X 2 1/8 PAN PHIL SS	MAG
>>>>>	>>>>>>>>>	M6 SPOKE	>>>>>
1,2B,3B	425941	22" HR 6SMT W/HDWR	24" (540) SPOKE





Pos.	Item Number	Description	Remarks
1	385237	16" X 1.75" PNEU TIRE	
1	385250	20" PNEUMATIC TIRE	
1	385275	22" PNEUMATIC TIRE	22" x 1 3/8 (501mm)
1	385300	24" PNEUMATIC TIRE	24" x 1 3/8 (540mm)
1	385325	26" PNEUMATIC TIRE	26" x 1 3/8 (590mm)
1	384614	24" x 2.125 PNEUMATIC TIRE	24"x2 1/8 (540mm) used w/ M6

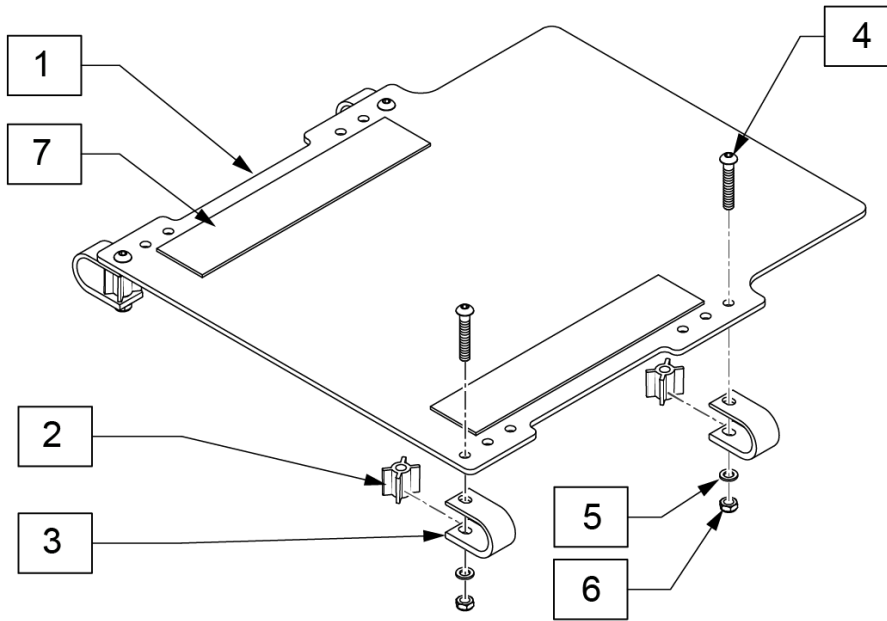


Pos.	Item Number	Description	Remarks
1	386232	20" POLY TIRE STD	20"
1	386242	22" POLY TIRE STD	22" (501mm)
1	386252	24" POLY TIRE STD	24" (540mm)

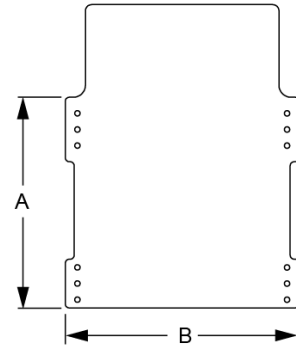


Pos.	Item Number	Description	Remarks
1A	Discontinued	Presta Valves Discontinued	
1A	384736	INNER TUBE 12-1/2" X 2-1/4"	
1A	384738	16" X 1.75" INNER TUBE	
1A	382255	TUBE 18" TIRE	18" X 1-3/4" TUBE
1A	382275	20" TUBE	20" 1-3/8" TUBE
1A	382300	22" TUBE	22" X 1-3/8" TUBE
1A	382336	TUBE PRIMO 24" 25-540 SV	24" X 1" TUBE
1A	382325	24 X 1.3/8IN TUBE REG	
1A	382334	TUBE INLINE 24 X 1.75	
1A	384551	26" X 1" TUBE SCHRADER	
1A	382350	26" TUBE	26" X 1-3/8" TUBE
1A	382361	TUBE 26 X 1.5/1.95/ S/V	
1A	382365	26 X 1.25/1.5 TUBE SHRADER	
1A	382375	24" x 2.125 TUBE	
1B	102972-001	12 1/2 IN AIRLESS INSERT	12-1/2" X 2-1/4"
1B	102973-001	16IN AIRLESS INSERT	16" X 1-3/4"
1B	102973-002	18IN AIRLESS INSERT	18" X 1-3/4"
1B	102973-003	20IN AIRLESS INSERT	20" X 1-3/8"
1B	102972-002	AIRLESS INSERT 20 X 2-1/8 P3	
1B	102973-004	22IN AIRLESS INSERT	22" X 1-3/8"
1B	102973-005	24IN AIRLESS INSERT	24" X 1-3/8"
1B	102972-003	AIRLESS INSERT 24 X 2-1/8	
1B	108259	26" AIRLESS INSERT	26" X 1-3/8"

**SEAT PAN**



**MEASURING GUIDE**



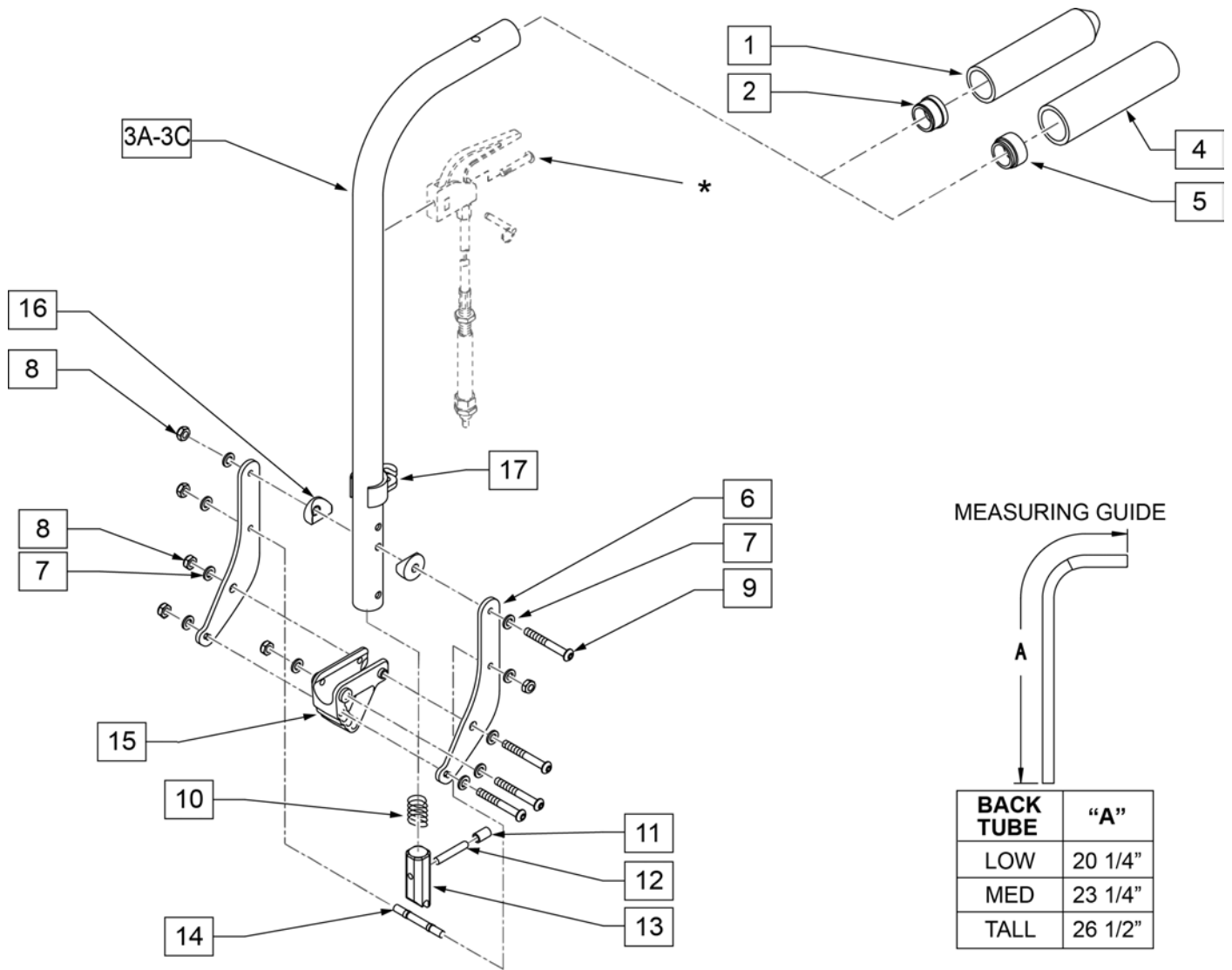
8 SEAT PAN CLAMP KIT			
POS #	ILLUSTRATION	DESCRIPTION	QTY
2		SPACER SEAT PAN	4
3		CLAMP SEAT PAN	4
4		BHCS 5/16-18 X 2	4
5		WASHER FLAT AN 5/16 ROHS	4
6		NUT NYLOCK THIN 5/16-18	4

PART NO.	DESCRIPTION	DIM A	DIM B
119531	SEAT PAN SHT 14W	13 3/4"	12 1/4"
119532	SEAT PAN SHT 15W	13 3/4"	13 1/2"
119533	SEAT PAN SHT 16W	13 3/4"	14 1/2"
119534	SEAT PAN SHT 17W	13 3/4"	15 1/2"
119535	SEAT PAN SHT 18W	13 3/4"	16 1/2"
119536	SEAT PAN SHT 19W	13 3/4"	17 1/2"
119537	SEAT PAN SHT 20W	13 3/4"	18 1/2"
119524	SEAT PAN LNG 14W	15 3/4"	12 1/2"
119525	SEAT PAN LNG 15W	15 3/4"	13 1/2"
119526	SEAT PAN LNG 16W	15 3/4"	14 1/2"
119527	SEAT PAN LNG 17W	15 3/4"	15 1/2"
119528	SEAT PAN LNG 18W	15 3/4"	16 1/2"
119529	SEAT PAN LNG 19W	15 3/4"	17 1/2"
119530	SEAT PAN LNG 20W	15 3/4"	18 1/2"

Pos.	Item Number	Description
1,7	119524	SEAT PAN W/VLCRO LNG 14W
1,7	119525	SEAT PAN W/VLCRO LNG 15W
1,7	119526	SEAT PAN W/VLCRO LNG 16W
1,7	119527	SEAT PAN W/VLCRO LNG 17W
1,7	119528	SEAT PAN W/VLCRO LNG 18W
1,7	119529	SEAT PAN W/VLCRO LNG 19W
1,7	119530	SEAT PAN W/VLCRO LNG 20W
1,7	119531	SEAT PAN W/VLCRO SHT 14W
1,7	119532	SEAT PAN W/VLCRO SHT 15W
1,7	119533	SEAT PAN W/VLCRO SHT 16W
1,7	119534	SEAT PAN W/VLCRO SHT 17W
1,7	119535	SEAT PAN W/VLCRO SHT 18W
1,7	119536	SEAT PAN W/VLCRO SHT 19W
1,7	119537	SEAT PAN W/VLCRO SHT 20W
2	560771	SPACER SEAT PAN
4	107031	BHCS 5/16-18 X 2 SHLD ROHS
5	106946	WASHER FLAT AN 5/16 ROHS
6	106937	NUT NYLOCK THIN 5/16-18 ROHS
8	119523	SEAT PAN CLAMP KIT



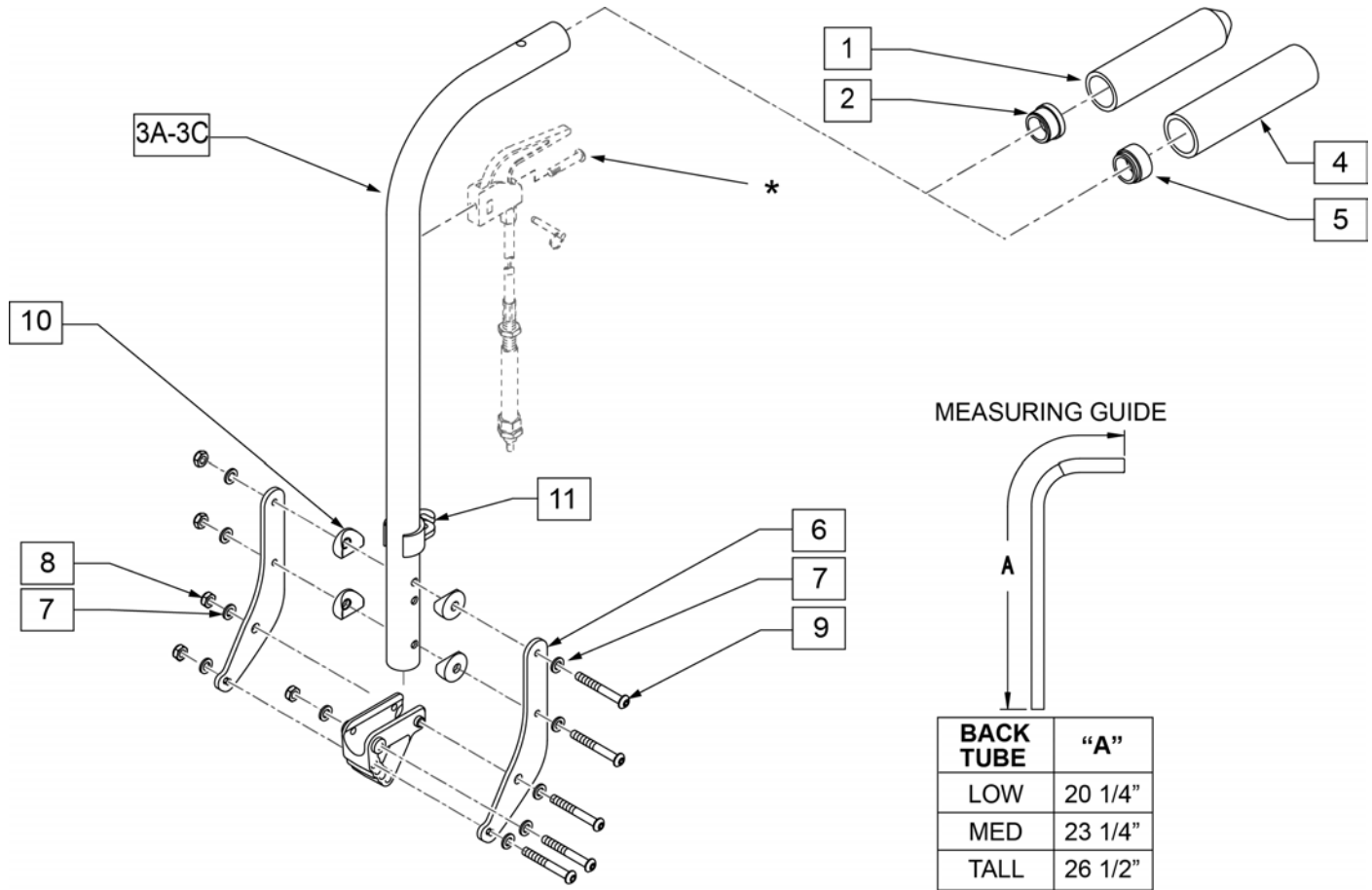
NOTE: For Tilt Cables and Triggers, please refer to "Tilt Handle & Cable.." parts manual pages.



Pos.	Item Number	Description	Remarks
1	920027	QUICKIE GRIP 1" W/INSTR SHEET	
2	561002	1" INSERT PLUG .083	
4	920023	QUICKIE GRIP 1" W/ HOLE W/ INSTRUCTIONS	USED W/ REMOVABLE STROLLER HANDLE EXT.
5	117947	BUSHING REM STROLLER	USED W/ REMOVABLE STROLLER HANDLE EXT.
6	126571	BACK PLATE PED ROUND	
7	106943	WASHER FLAT AN 1/4 ROHS	
8	106935	NUT NYLOCK THIN 1/4 -28 ROHS	
9	106965	BHCS 1/4 -28 x 2 SHLDR ROHS	
10	321110	S/A LATCH SPRING	
11	126238	PUSH ON ROUND CAP	
12	481084	BACK REL PIN Z2/QT/EX	
13	560173	S-A LATCH .885 OD	
14	481042	BACK REL STOP PIN QTS	
15	560517	BLOCK ANGLE BACKREST MOUNT	

Pos.	Item Number	Description	Remarks
16	561004	1" SADDLE 1/4 HOLE	
17	108134	CLIP CABLE 1"	PACK OF 10
3A-16	117939-001	BACK CANE ASSY STRL FLDG R LOW	
3B-16	117939-002	BACK CANE ASSY STRL FLDG R MED	
3C-16	117939-003	BACK CANE ASSY STRL FLDG R TLL	
3A-16	117940-001	BACK CANE ASSY STRL FLDG L LOW	
3B-16	117940-002	BACK CANE ASSY STRL FLDG L MED	
3C-16	117940-003	BACK CANE ASSY STRL FLDG L TLL	
1-3A,6-16	117935-001	BACK CANE ASSY FLDG R LOW	
1-3B,6-16	117935-002S	BACK CANE ASSY FLDG R MED	
1-3C,6-16	117935-003S	BACK CANE ASSY FLDG R TLL	
1-3A,6-16	117936-001	BACK CANE ASSY FLDG L LOW	
1-3B,6-16	117936-002S	BACK CANE ASSY FLDG L MED	
1-3C,6-16	117936-003S	BACK CANE ASSY FLDG L TLL	

NOTE: For Tilt Cables and Triggers, please refer to "Tilt Handle & Cable.." parts manual pages.



Pos.	Item Number	Description	Remarks
1	920027	QUICKIE GRIP 1" W/INSTR SHEET	
2	561002	1" INSERT PLUG .083	
4	920023	QUICKIE GRIP 1" W/ HOLE W/ INSTRUCTIONS	USED W/ REMOVABLE STROLLER HANDLE EXT.
5	117947	BUSHING REM STROLLER	USED W/ REMOVABLE STROLLER HANDLE EXT.
6	126571	BACK PLATE PED ROUND	
7	106943	WASHER FLAT AN 1/4 ROHS	
8	106935	NUT NYLOCK THIN 1/4 -28 ROHS	
9	106965	BHCS 1/4 -28 x 2 SHLDR ROHS	
10	561004	1" SADDLE 1/4 HOLE	
11	108134	CLIP CABLE 1"	PACK OF 10
12	560517	BLOCK ANGLE BACKREST MOUNT	
3A,4-12	117937-001	BACK CANE ASSY STRL FXD R LOW	Right; USED W/ REMOVABLE STROLLER HANDLE EXT.
3B,4-12	117937-002	BACK CANE ASSY STRL FXD R MED	Right; USED W/ REMOVABLE STROLLER HANDLE EXT.
3C,4-12	117937-003	BACK CANE ASSY STRL FXD R TLL	Right; USED W/ REMOVABLE STROLLER HANDLE EXT.
3A,4-12	117938-001	BACK CANE ASSY STRL FXD L LOW	Left; USED W/ REMOVABLE STROLLER HANDLE EXT.
3B,4-12	117938-002	BACK CANE ASSY STRL FXD L MED	Left; USED W/ REMOVABLE STROLLER HANDLE EXT.
3C,4-12	117938-003	BACK CANE ASSY STRL FXD L TLL	Left;USED W/ REMOVABLE STROLLER HANDLE EXT.
1,2,3A,6-12	117933-001	BACK CANE ASSY FXD R LOW	Right
1,2,3B,6-12	117933-002	BACK CANE ASSY FXD R MED	Right
1,2,3C,6-12	117933-003	BACK CANE ASSY FXD R TLL	Right

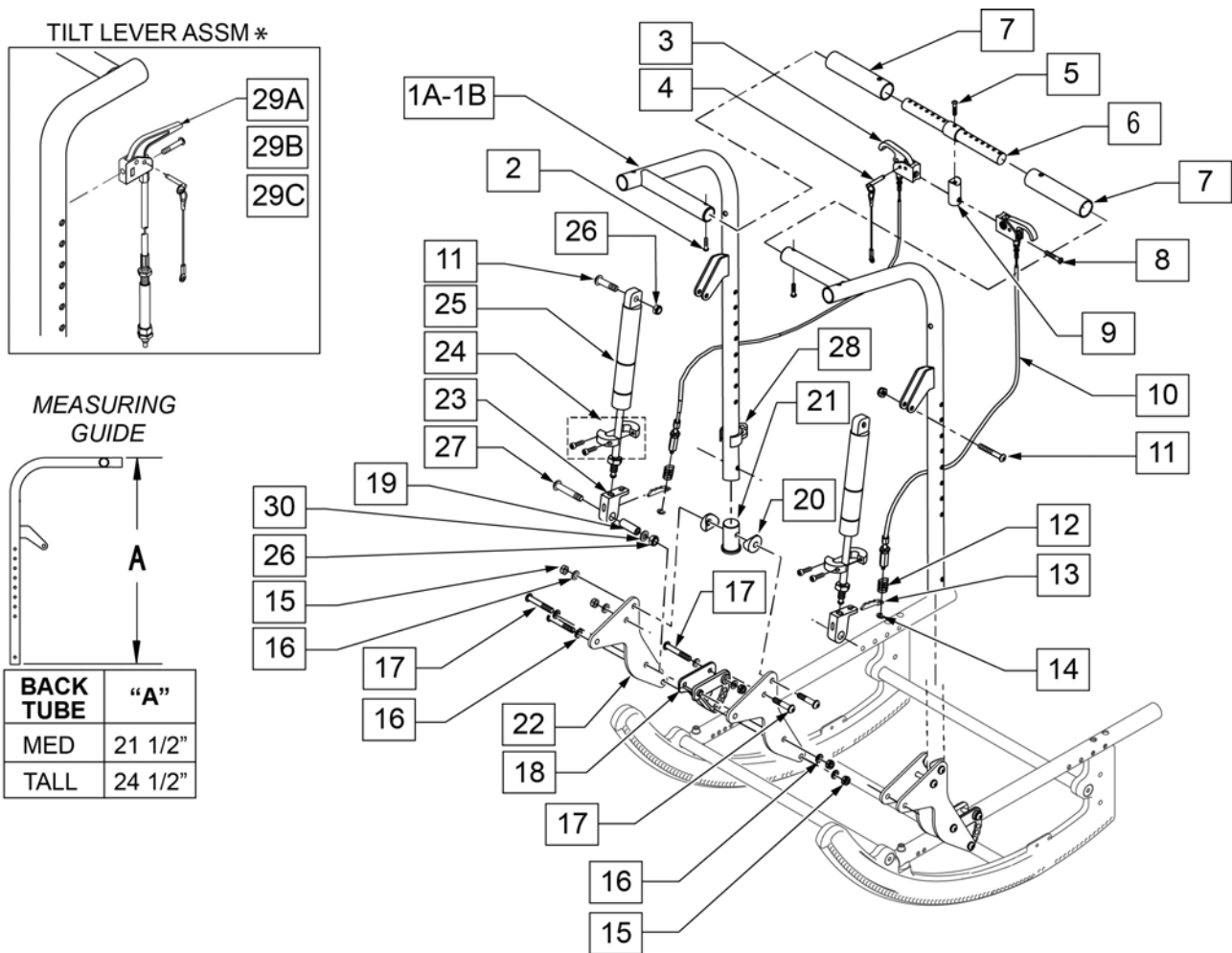


<b>Pos.</b>	<b>Item Number</b>	<b>Description</b>	<b>Remarks</b>
1,2,3A,6-12	117934-001	BACK CANE ASSY FXD L LOW	Left
1,2,3B,6-12	117934-002	BACK CANE ASSY FXD L MED	Left
1,2,3C,6-12	117934-003	BACK CANE ASSY FXD L TLL	Left

Note: only for chairs with 40 degree Tilt Range.

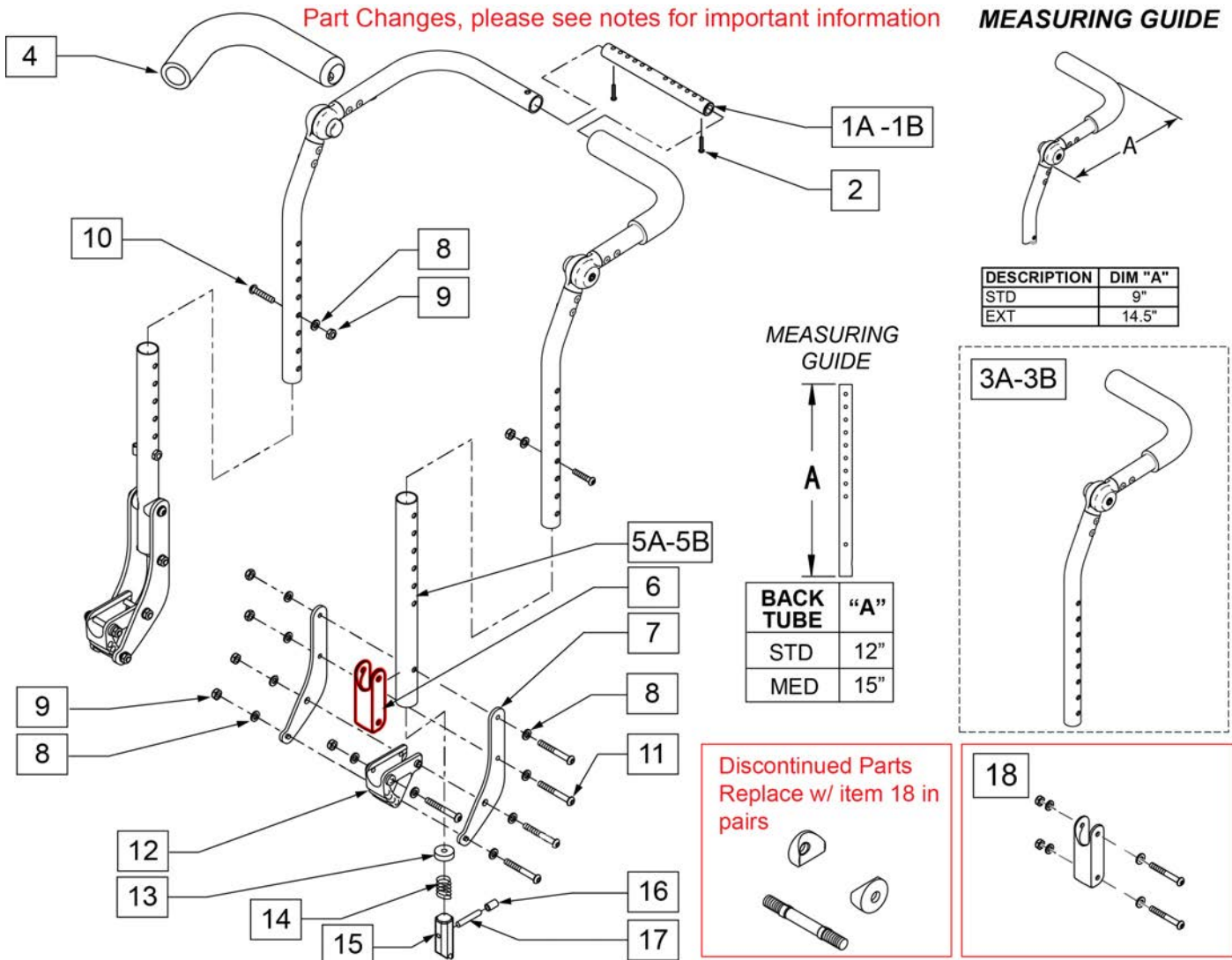
Note: for Tilt Cables and Triggers, refer to TILT HANDLE & CABLE parts pages.

Note: for Iris chairs S/N Prefix IRS & IRSE only, and SR45 chairs.



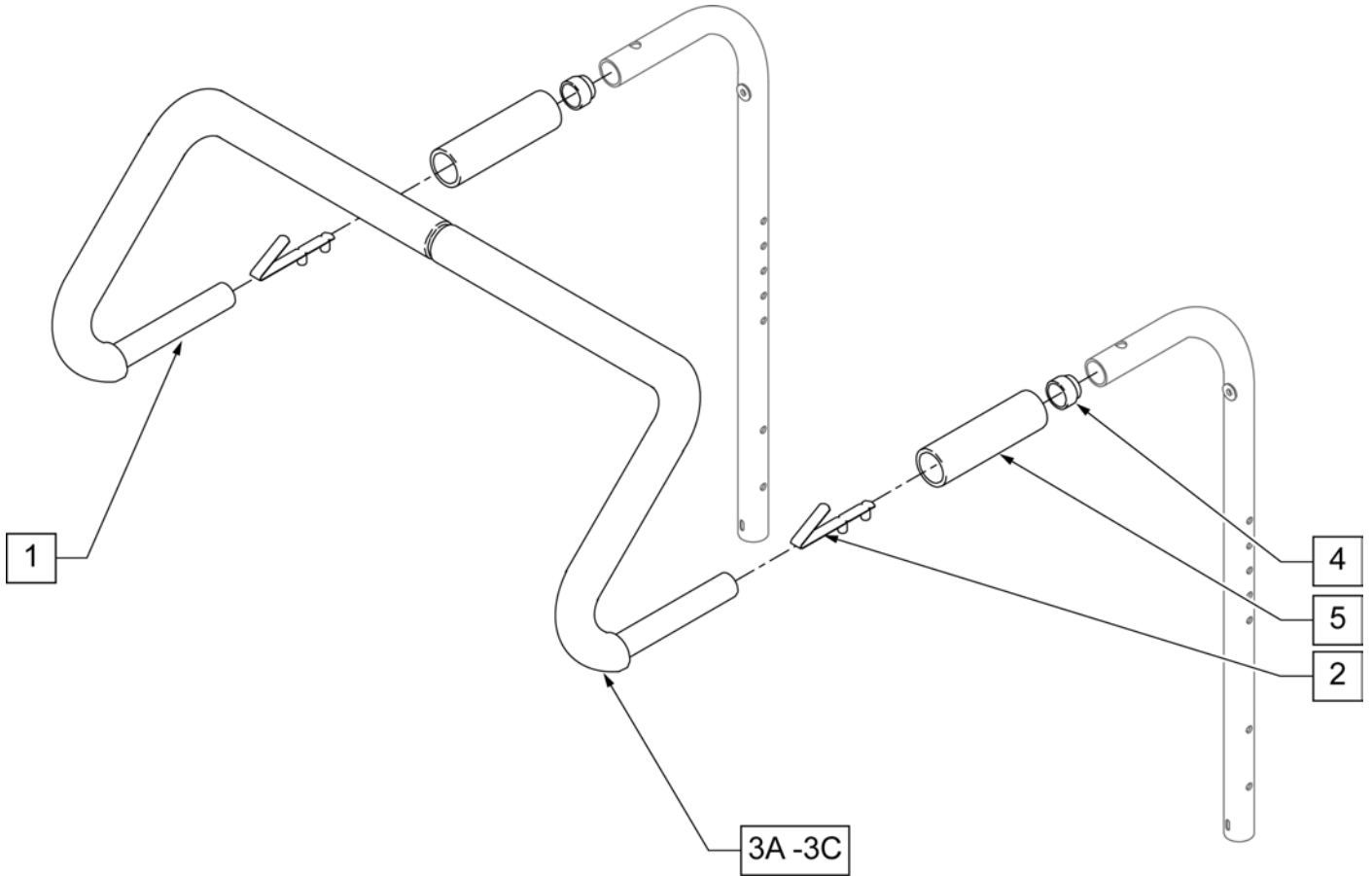
Pos.	Item Number	Description	Remarks
1A	105869-001	WELDMOUNT WIDTH ADJ RECLINING BACK -MED	Right
1A	105870-001	WELDMOUNT WIDTH ADJ RECLINING BACK -MED	Left
1B	105869-002	WELDMOUNT WIDTH ADJ RECLINING BACK -TALL	Right
1B	105870-002	WELDMOUNT WIDTH ADJ RECLINING BACK -TALL	Left
2	106960	BHCS 1/4 -28 x 7/8 ROHS	
3,4	580111	CYLINDER LOCK LEVER ASSM RECLINER	Recline Handle
4	349021	TRIGGER RELEASE PIN TS/QT/P5	
5	106981	5/16 -18 x 1 1/2 BH C/S	

Pos.	Item Number	Description	Remarks
6	507310	ADJUSTABLE BAR RELCLINING BACK	
7	560664	FOAM GRIP RECLINING BACK QTS	
8	281120	10-32 x 5/8 PAN HD PHIL	
9	483139	T45 RELEASE LEVER MOUNTING BLOCK	
10	342057	CYLINDER LOCK CABLE ASSM	Recline Cable
11	106980	5/16 -18 x 1 1/4 BH C/S	
12	321141	.650L x 6 COIL SPRING	
13	560686	GAS SPRING LEVER T45	
14	342000	1/4 E-CLIP	
15	106935	NUT NYLOCK THIN 1/4 -28 ROHS	
16	106943	WASHER FLAT AN 1/4 ROHS	See BACK PLATE REPLACEMENT BOLT KIT page
17	106965	BHCS 1/4 -28 x 2 SHLDR ROHS	See BACK PLATE REPLACEMENT BOLT KIT page
18	560517	BLOCK ANGLE BACKREST MOUNT	
19	483179	RECLINING BACK PIVOT STUD QTS	
20	561004	1 SADDLE 1/4 HOLE	
21	483169	RECLINING BACK TUBE PLUG QTS	
22	105867	PLATE BACK RECLINE	
23	483147	T45 GAS SPRING BLOCK	
24	342049	10mm ID SPLIT COLLAR	
25	342065	BLOC-O-LIFT 200N x 11.58	
26	202117	5/16-18 NYLOCK NUT THICK BLK	
27	106983	BHCS 5/16 -18 x 2 SHLDR ROHS	
28	108134	CLIP CABLE 1" (10)	Pack of 10
29A	108262	PH MNT CABLE ASM MED W/ INSTRU.	see TILT HANDLE & CABLE page for Ref. Guide
29B	108263	PH MNT CABLE ASM LNG W/ INSTRU.	see TILT HANDLE & CABLE page for Ref. Guide
29C	108264	PH MNT CABLE ASM XL W/ INSTRU.	see TILT HANDLE & CABLE page for Ref. Guide
30	106946	WASHER FLAT AN 5/16 ROHS	
1A-27	108126	RECLINING BACK RETRO KIT MED	
1B-27	108127	RECLINING BACK RETRO KIT TALL	
1A,7,11,13,15-17,19-27	107253-001	BKRST RECL ASSY R MED	Right; Med
1A,7,11,13,15-17,19-27	107254-001	BKRST RECL ASSY L MED	Left; Med
1B,7,11,13,15-17,19-27	107253-002	BKRST RECL ASSY R TALL	Right; Tall
1B,7,11,13,15-17,19-27	107254-002	BKRST RECL ASSY L TALL	Left; Tall

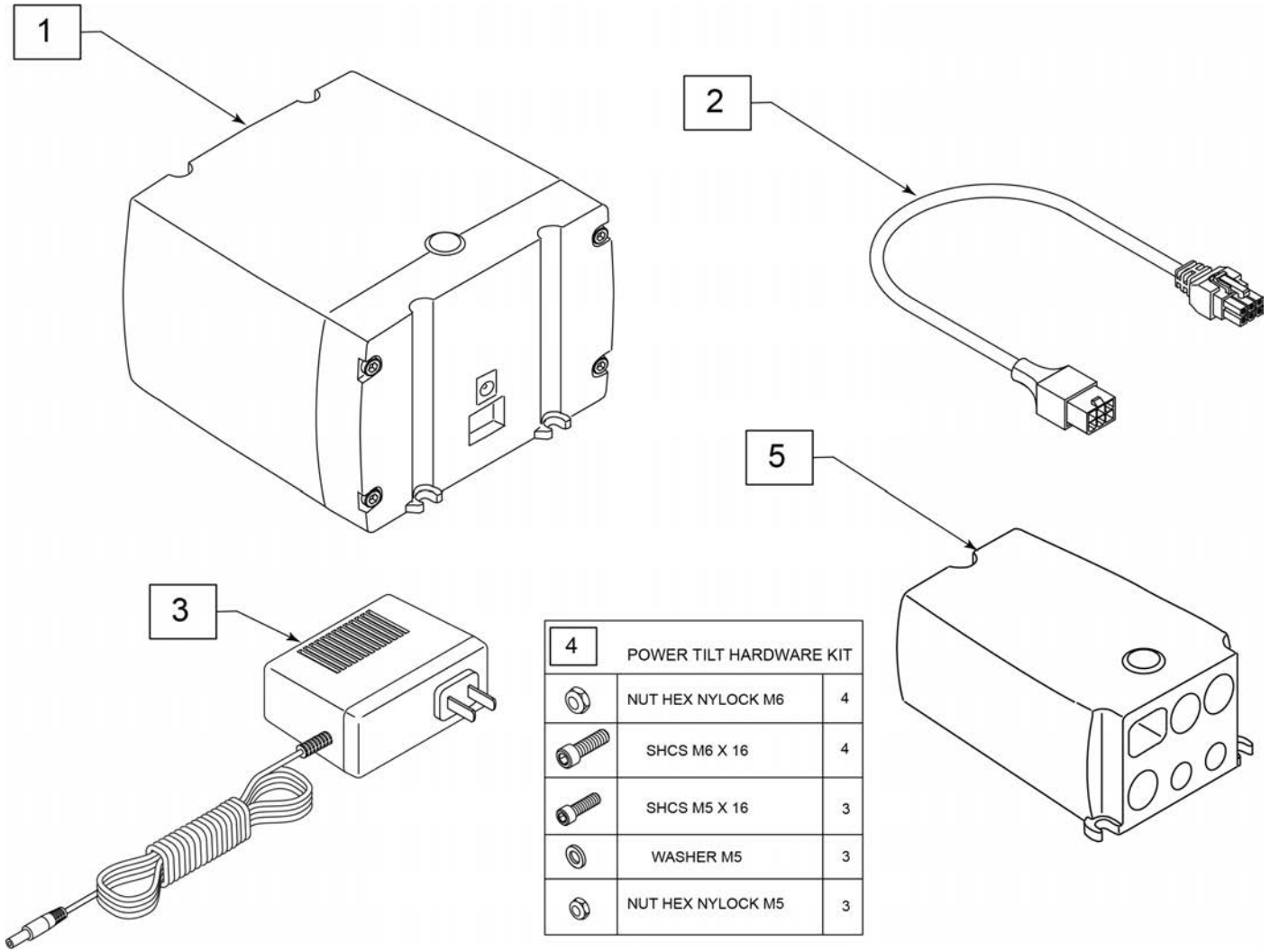


Pos.	Item Number	Description	Remarks
1A	521272	SHAFT GROWTH HANDLE SHORT	14" - 17" Wide
1B	521392	SHAFT GROWTH HANDLE LONG	18" - 20" Wide
2	106960	BHCS 1/4 -28 x 7/8 ROHS	
3A	110968-001	BACKREST UPPER HT ADJ R STD	RIGHT
3A	110969-001	BACKREST UPPER HT ADJ L STD	LEFT
3B	110968-002	BACKREST UPPER HT ADJ R EXT	RIGHT
3B	110969-002	BACKREST UPPER HT ADJ L EXT	LEFT
4	560638	FOAM GRIP .840 ID SHORT	
5A	520757	TUBE BACK FRAME LOWER	Std
5B	107171	TUBE BACK FRAME LOWER TALL	Tall
6	124612	BLOCK-LATCH STOP	
7	126571	BACK PLATE PED ROUND	
8	106943	WASHER FLAT AN 1/4 ROHS	
9	106935	NUT NYLOCK THIN 1/4 -28 ROHS	
10	107027	BHCS 1/4 -28 x 1 3/4 SHLDR ROHS	
11	106965	BHCS 1/4 -28 x 2 SHLDR ROHS	
12	560517	BLOCK ANGLE BACKREST MOUNT	
13	483020	S/A SPRING RETAINER	

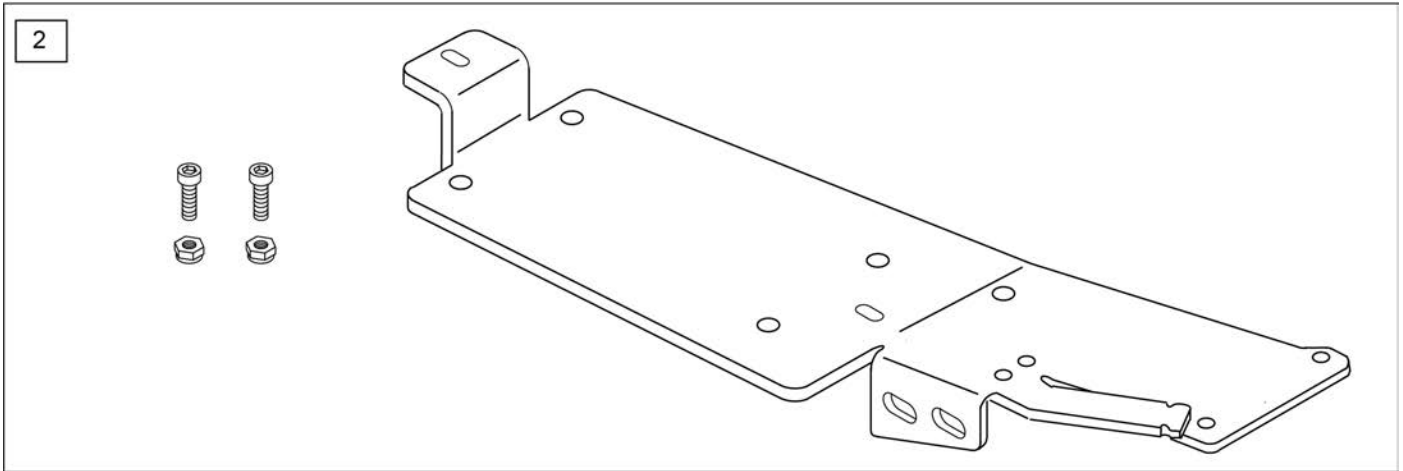
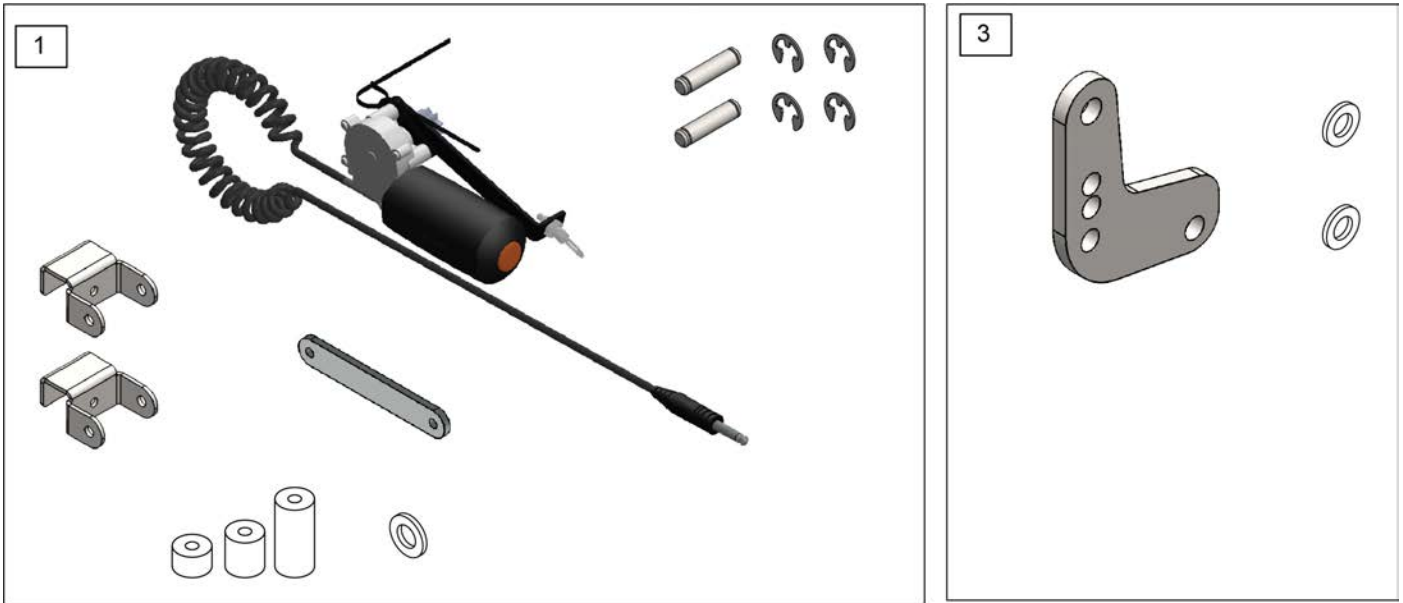
Pos.	Item Number	Description	Remarks
14	321110	S/A LATCH SPRING	
15	560173	S/A LATCH .885 OD	
16	126238	PUSH ON ROUND CAP	
17	481084	BACK RELEASE PIN Z2/QT/EX	
18	126099	BACK REST SADDLE W/ HDWR PAIR	Pair-Replacement Latch Stop Kit
18	126100	BACK REST SADDLE W/ HDWR EACH	Each-Replacement Latch Stop Kit
5A-9,11,14-18	107259	HT ADJ LWR TUBE STD ASSM R	RIGHT, 16-22" Tall
5A-9,11,14-18	107260	HT ADJ LWR TUBE STD ASSM L	LEFT, 16-22" Tall
5B-9,11,14-18	107168	HT ADJ LWRTBE TL ASM R	RIGHT,19-25" Tall
5B-9,11,14-18	107169	HT ADJ LWRTBE TL ASM L	LEFT,19-25" Tall
1A-3A,4-5A,6-22	118109	HT ADJ BCK ADULT STDSTD 14-19	
1B-3A,4-5A,6-22	118110	HT ADJ BCK ADULT STDEXT 14-19	
1A-3A,4-5B,6-22	118111	HT ADJ BCK ADULT TALSTD 14-19	
1B-3B,4-5A,6-22	118112	HT ADJ BCK ADULT TALEXT 14-19	
1A-3B,4-5A,6-22	118113	HT ADJ BCK ADULT STDSTD 17-22	
1B-3B,4-5B,6-22	118114	HT ADJ BCK ADULT STDEXT 17-22	
1A-3B,4-5B,6-22	118115	HT ADJ BCK ADULT TALSTD 17-22	
1B-3B,4-5B,6-22	118116	HT ADJ BCK ADULT TALEXT 17-22	



Pos.	Item Number	Description	Remarks
2	301108	5/16 SNAP BUTTON DUAL ONE SIDE	
3A	560615	STROLLER EXTENSION GRIP 10 -13"	10 -13" WIDE
3B	560616	STROLLER EXTENSION GRIP 14 -17"	14 -17" WIDE
3C	560617	STROLLER EXTENSION GRIP 18 -20"	18 -20" WIDE
4	117947	BUSHING REM STROLLER	
5	920023	QUICKIE GRIP 1 W/ HOLE	
1, 2, 3B	842054	STROLLER EXTENSION ASSM 14"	
1, 2, 3B	842055	STROLLER EXTENSION ASSM 15"	
1, 2, 3B	842056	STROLLER EXTENSION ASSM 16"	
1, 2, 3B	842057	STROLLER EXTENSION ASSM 17"	
1, 2, 3C	842058	STROLLER EXTENSION ASSM 18"	
1, 2, 3C	842059	STROLLER EXTENSION ASSM 19	
1, 2, 3C	842063	STROLLER EXTENSION ASSM 20	



Pos.	Item Number	Description
1	164576	POWER TILT BATTERY
2	164575	BATTERY/CONTROL BOX CABLE
3	165409	POWER TILT CHARGER
4	165408	CONTROL/BATTERY BOX HARDWARE
5	253358	CONTROL BOX



Pos.	Item Number	Description
1	165410	ACTUATOR WITH MOUNTING HARDWARE
2	165407	MOUNTING PLATE W HARDWARE
3	165406	STRUT ADAPTER



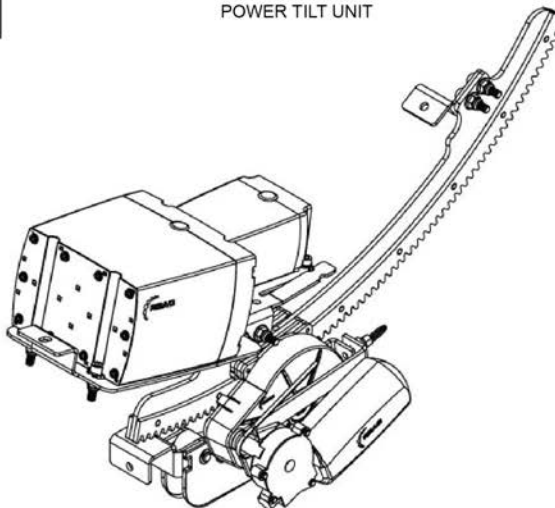
NOTE: If you are retro-fitting the Power Tilt order 164562, if the dealer needs the left side mounted user control you will need to order item number 164589. Also REQUIRED is the appropriate Strut tube kits. See the applicable Strut tube parts pages.

Note: Only available from 0 to 60 degree setting, negative tilt angle settings with this Power Tilt Module is not available. So the settings from -1 to -5 is not available.








Note: No-Gos: Vent/Battery Tray, Mono Back, Adjustable locking or Length Adjustable Locking flip-up armrests or Contour or Ergo arm pads. If any of these options are present on the chair they must be removed or replaced with an available option to retro fit the power tilt to the chair.

Note: For the SR45, Power Tilt is only available with Single Post Height Adjustable Armrests which has the mounting holes for the user control to be mounted to the armrest.

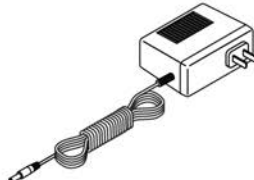
**1** POWER TILT UNIT



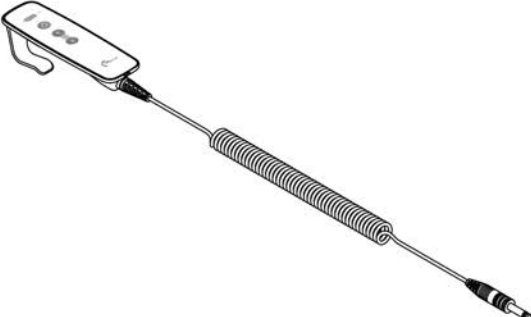
**2** POWER TILT HARDWARE KIT

	HHCS M6X1X35 PART PL	2
	HHCS M6X1X30 PART NP ROHS	3
	NUT HEX NYLOCK M6X1.0	8
	SPACER 1/2 X 1/4 ID X 3/16 THK	2
	3/4" SADDLE THIN	1
	3/4" SADDLE 1" OD	2
	SHCS 5/16-24 X 1	2

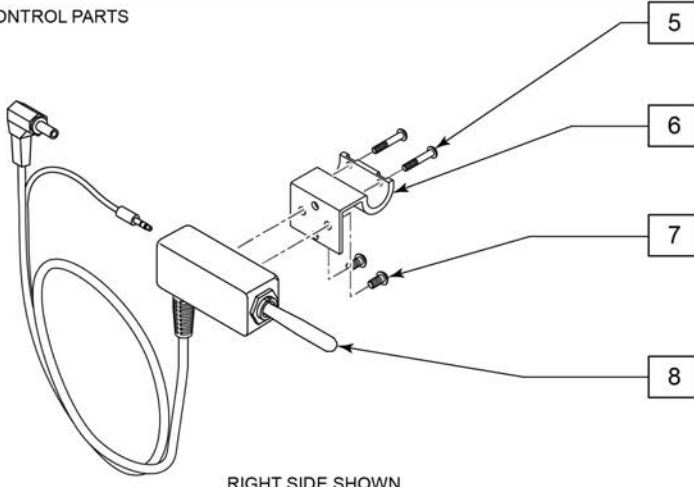
**3** CHARGER



**4** ATTENDANT CONTROL



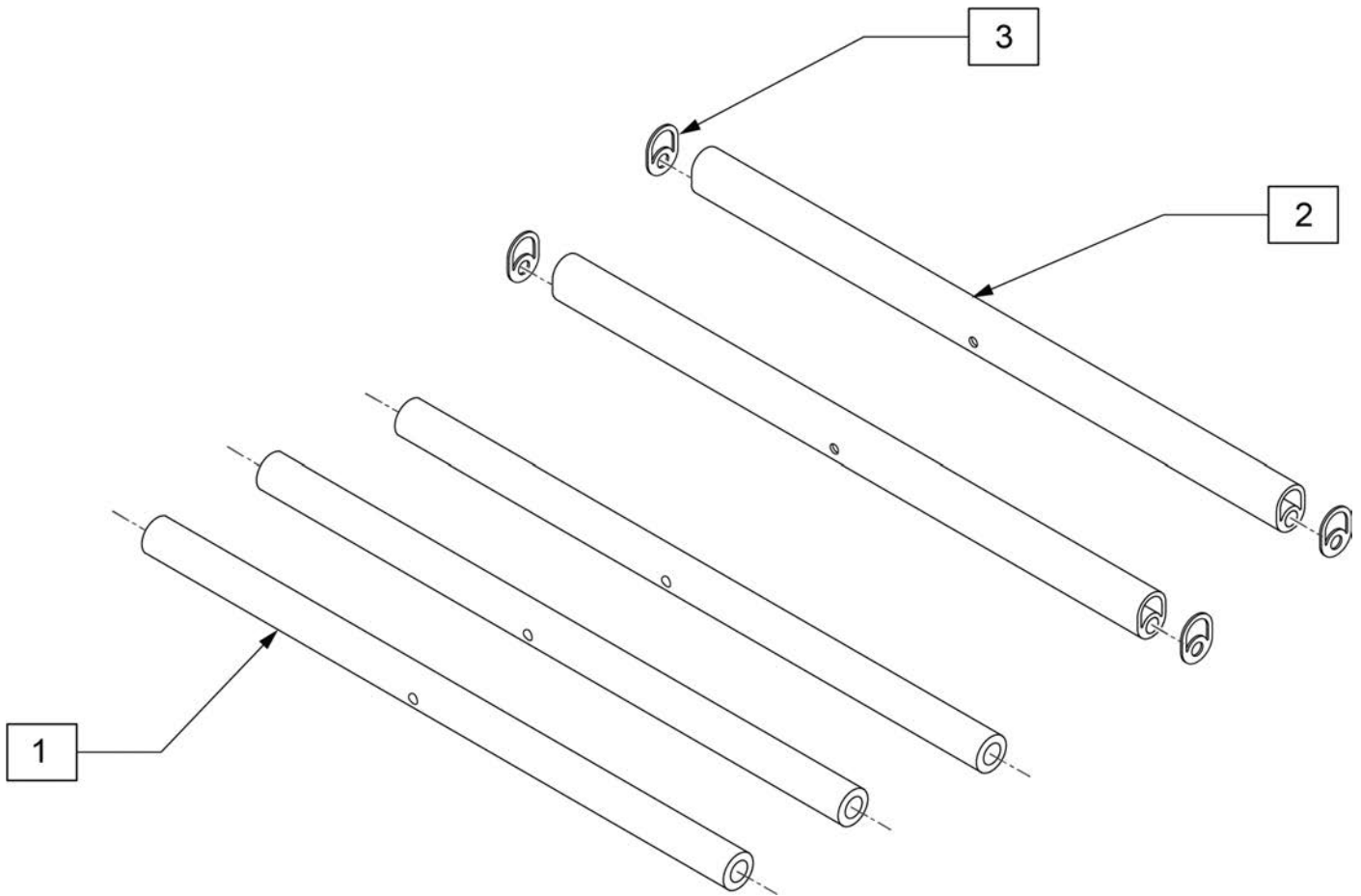
**USER CONTROL PARTS**



RIGHT SIDE SHOWN

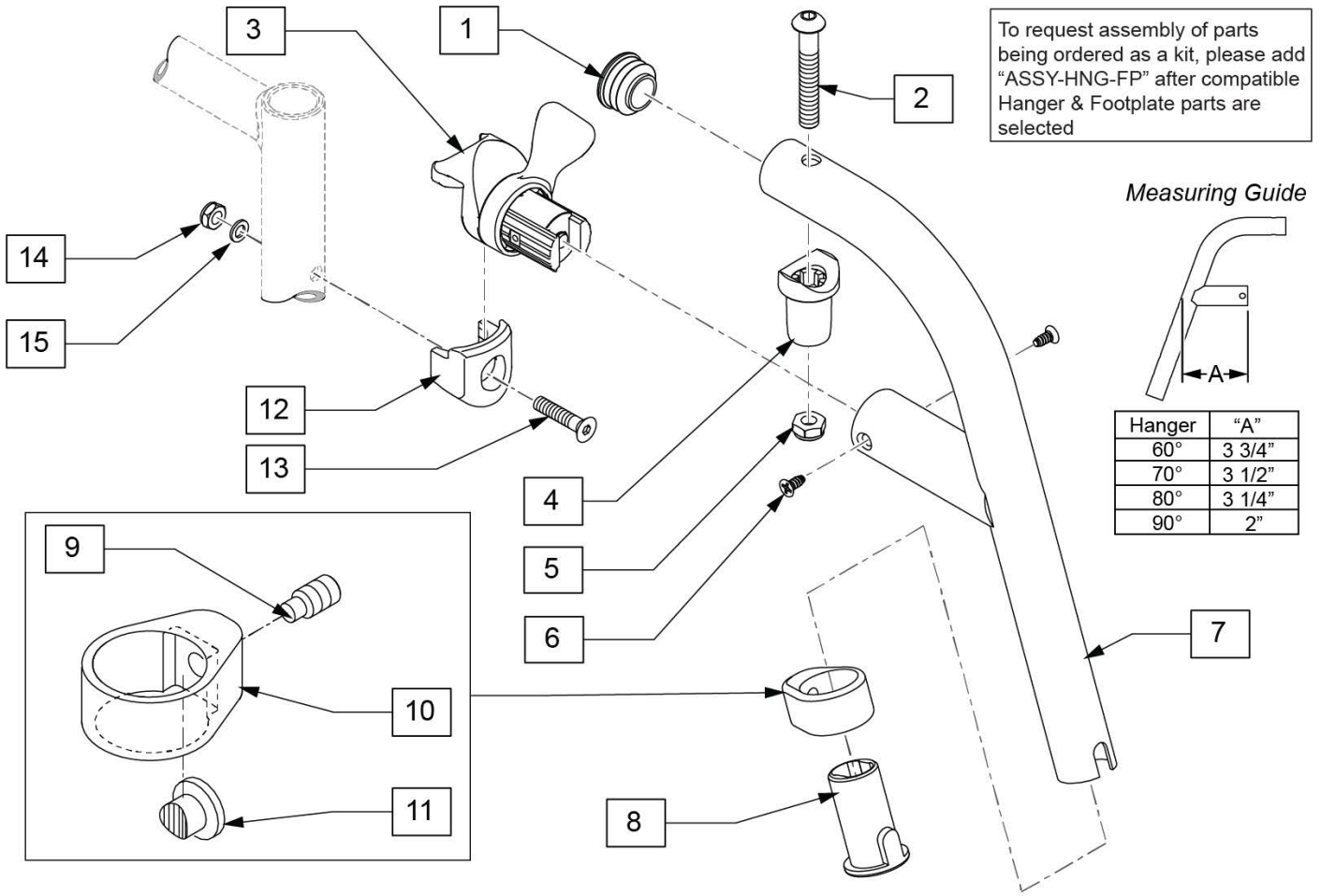
Pos.	Item Number	Description	Remarks
1-7	164562	GENERIC POWER TILT SERVICE KIT	mounting hardware and harnessing included.
2	164262	POWER TILT HARDWARE KIT	
3	165409	POWER TILT CHARGER	
4	164574	ATTENDANT CONTROL	
5-7	164263	POWER TILT USER CONTROL MOUNT	included in kit
8	164573	USER CONTROL RIGHT	Right standard sold separately
8	164589	USER CONTROL LEFT	Left side control sold separately

NOTE: REQUIRED if retrofitting the Power Tilt to SR45. Part kit 168276 required as well.

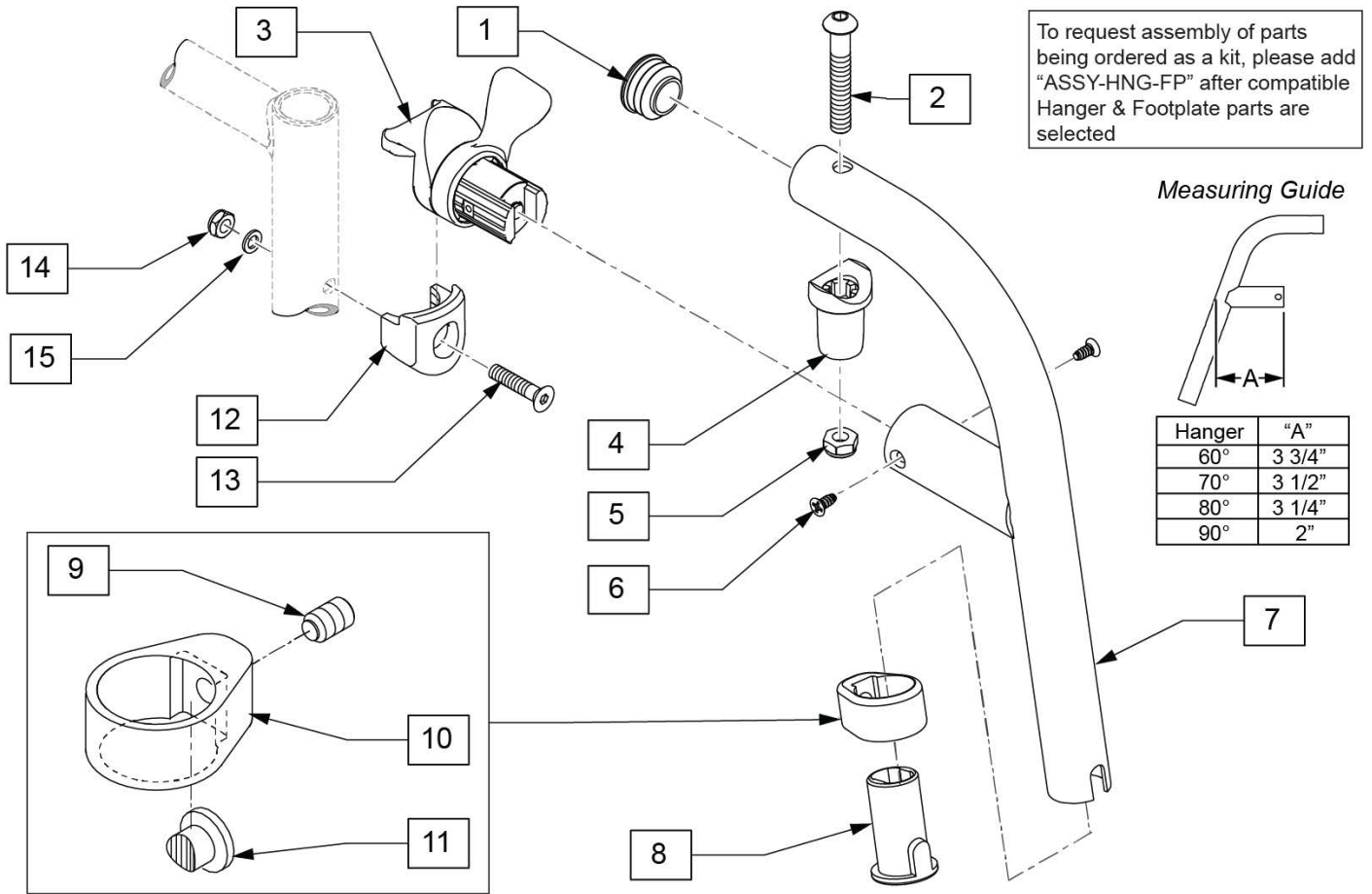


Pos.	Item Number	Description	Remarks
1-2	164564	14" FIXED STRUT RETRO KIT	
1-2	164565	15" FIXED STRUT RETRO KIT	
1-2	164566	16" FIXED STRUT RETRO KIT	
1-2	164567	17" FIXED STRUT RETRO KIT	
1-2	164568	18" FIXED STRUT RETRO KIT	
1-2	164569	19" FIXED STRUT RETRO KIT	
1-2	164570	20" FIXED STRUT RETRO KIT	
1-2	164571	21" FIXED STRUT RETRO KIT	
1-2	164572	22" FIXED STRUT RETRO KIT	
1-2	165403	23" FIXED STRUT RETRO KIT	
1-2	165404	24" FIXED STRUT RETRO KIT	
3	168276	SR45 STRUT SPACER	Qty 4

**70 DEG SWING IN/OUT HANGER**



Pos.	Item Number	Description	Remarks
1	561062	1" INSERT PLUG .065 RIBS	
8	104160	BUSHING FOOTREST	
13	103500-010	FHCSM6X1X35FULLNP	
14	104381	NUT HEX NYLOCK M6X1.0	
15	104414	WAVE WASHER 6 MM	
1,2,4,5	119518	PIVOT SADDLE KIT	
3,6	119509	HANGER LATCH ASSM W/HDWR L	Left
3,6	119510	HANGER LATCH ASSM W/HDWR R	Right
1-11	119458S	70 D SWING I/O HNGR PNTD L	Left
1-11	119459S	70 D SWING I/O HNGR PNTD R	Right
8-11	107485	FOOTREST CLAMP ASSM	
12-15	119514	LATCH RECEIVER KIT	
		Ship assembled part #	Use with multiple assemblies
	ASSY-HNG-FP	HANGER/FOOTPLATE ASSY REQUIRED	add with Hanger & Footplate kit



Pos.	Item Number	Description	Remarks
1	561062	1" INSERT PLUG .065 RIBS	
8	104160	BUSHING FOOTREST	
13	103500-010	FHCSM6X1X35FULLNP	
14	104381	NUT HEX NYLOCK M6X1.0	
15	104414	WAVE WASHER 6 MM	
1,2,4,5	119518	PIVOT SADDLE KIT	
3,6	119509	HANGER LATCH ASSM W/HDWR L	Left
3,6	119510	HANGER LATCH ASSM W/HDWR R	Right
1-11	119466S	80 D SWING I/O HNGR PNTD L	Left
1-11	119467S	80 D SWING I/O HNGR PNTD R	Right
8-11	107485	FOOTREST CLAMP ASSM	
12-15	119514	LATCH RECEIVER KIT	
		Ship assembled part #	Use with multiple assemblies
	ASSY-HNG-FP	HANGER/FOOTPLATE ASSY REQUIRED	add with Hanger & Footplate kit

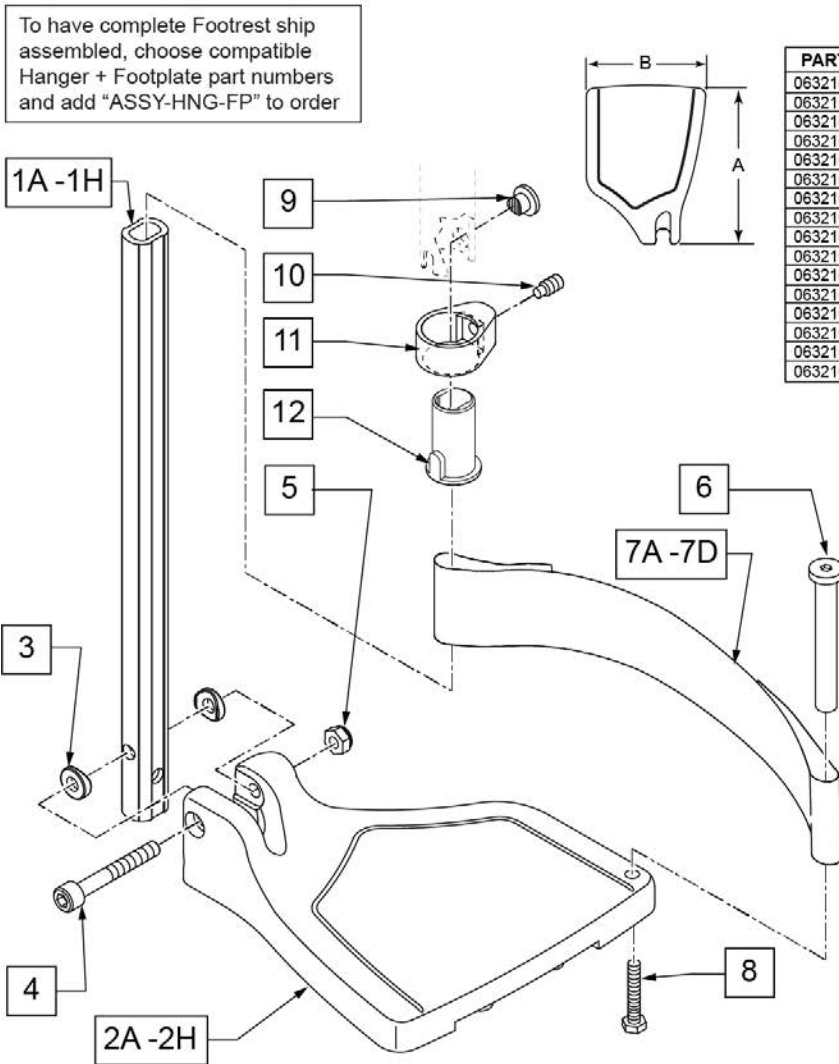
**Note:** Footplate Assemblies are set to footrest width; please see "Footplate Formula" table for seat width conversion.

Note: V Style Hangers are not available on Swing Away Style chairs effective 7/14/14; see the "Prior To" ordering guide for V Style footplate assemblies.

Note: for QX Series or SR45 footplate replacement parts see the ordering guide marked specifically for these two models in the informations panel.

**FOOTPLATE MEASURING GUIDE**

PART NO	DESCRIPTION	"A"	"B"
063216-006	FOOTPLATE COMPOSITE 157 R (13"W)	6 1/8"	6"
063216-012	FOOTPLATE COMPOSITE 157 L (13"W)	6 1/8"	6"
063216-015	FOOTPLATE COMPOSITE 170 R (14"W)	6 5/8"	6"
063216-018	FOOTPLATE COMPOSITE 170 L (14"W)	6 5/8"	6"
063216-005	FOOTPLATE COMPOSITE 182 R (15"W)	7 1/8"	6"
063216-011	FOOTPLATE COMPOSITE 182 L (15"W)	7 1/8"	6"
063216-014	FOOTPLATE COMPOSITE 195 R (16"W)	7 5/8"	6"
063216-017	FOOTPLATE COMPOSITE 195 L (16"W)	7 5/8"	6"
063216-004	FOOTPLATE COMPOSITE 207 R (17"W)	8 1/8"	6"
063216-010	FOOTPLATE COMPOSITE 207 L (17"W)	8 1/8"	6"
063216-013	FOOTPLATE COMPOSITE 220 R (18"W)	8 5/8"	6 1/4"
063216-016	FOOTPLATE COMPOSITE 220 L (18"W)	8 5/8"	6 1/4"
063216-003	FOOTPLATE COMPOSITE 232 R (19-20"W)	9 1/8"	6 1/4"
063216-009	FOOTPLATE COMPOSITE 232 L (19-20"W)	9 1/8"	6 1/4"
063216-002	FOOTPLATE COMPOSITE 257 R (21-22"W)	10 1/8"	6 1/4"
063216-008	FOOTPLATE COMPOSITE 257 L (21-22"W)	10 1/8"	6 1/4"



**INSET FORMULA**  
 0" Inset (Seat Width) = Footrest Width  
 1" Inset (Seat Width) -2" = Footrest Width  
 "V" Hanger (Seat Width) -4" = Footrest Width  
 Offset Hanger Receiver (Seat Width) +2" = Footrest Width

Pos.	Item Number	Description	Remarks
1A,3-5	120660	SHT STRT EXT COMP HDWR	80 deg hangers + ELR only
1B,3-5	120661	MED STRT EXT COMP HDWR	80 deg hangers + ELR only
1C,3-5	120662	LNG STRT EXT COMP HDWR	80 deg hangers + ELR only
1D,3-5	120663	SHT BNT EXT COMP HDWR	60,70,70 Hemi Hangers
1E,3-5	120664	MED BNT EXT COMP HDWR	60,70,70 Hemi Hangers
1F,3-5	120665	LNG BNT EXT COMP HDWR	60,70,70 Hemi Hangers

Pos.	Item Number	Description	Remarks
1G,3-5	120666	SHT V EXT R COMP HDWR	70 deg V hangers only-LEFT
1G,3-5	120667	SHT V EXT L COMP HDWR	70 deg V hangers only-RIGHT
1H,3-5	120668	LNG V EXT R COMP HDWR	70 deg V hangers only-LEFT
1H,3-5	120669	LNG V EXT L COMP HDWR	70 deg V hangers only-RIGHT
2A	063216-006	FOOTPLATE COMPOSITE 157 R	RIGHT 13" Footrest Width
2A	063216-012	FOOTPLATE COMPOSITE 157 L	LEFT 13" Footrest Width
2B	063216-015	FOOTPLATE COMPOSITE 170 R	RIGHT 14" Footrest Width
2B	063216-018	FOOTPLATE COMPOSITE 170 L	LEFT 14" Footrest Width
2C	063216-005	COMPOSITE FOOTPLATE 182 R	RIGHT 15" Footrest Width
2C	063216-011	COMPOSITE FOOTPLATE 182 L	LEFT 15" Footrest Width
2D	063216-014	FOOTPLATE COMPOSITE 195 R	RIGHT 16" Footrest Width
2D	063216-017	FOOTPLATE COMPOSITE 195 L	LEFT 16" Footrest Width
2E	063216-004	COMPOSITE FOOTPLATE 207 R	RIGHT 17" Footrest Width
2E	063216-010	COMPOSITE FOOTPLATE 207 L	LEFT 17" Footrest Width
2F	063216-013	FOOTPLATE COMPOSITE 220 R	RIGHT 18" Footrest Width
2F	063216-016	FOOTPLATE COMPOSITE 220 L	LEFT 18" Footrest Width
2G	063216-003	COMPOSITE FOOTPLATE 232 R	RIGHT 19" & 20" Footrest Width
2G	063216-009	COMPOSITE FOOTPLATE 232 L	LEFT 19" & 20" Footrest Width
2H	063216-002	FOOTPLATE COMPOSITE 257 R	RIGHT 21" & 22" Footrest Width
2H	063216-008	FOOTPLATE COMPOSITE 257 L	LEFT 21" & 22" Footrest Width
3	104377	3/4" SADDLE THIN	
4	103175	SHCS M6 X 1 X 40 INORG	
5	132626	NUT AUTOMATION M6 X 1.0	Inserted in bottom of footplate.
6	104328	HEEL LOOP PEG	
7A	104380-001	ADJUSTABLE FOOT REST STRAP	14" wide
7B	104380-002	ADJUSTABLE FOOT REST STRAP	15-16" wide
7C	104380-003	ADJUSTABLE FOOT REST STRAP	17-18" wide
7D	104380-004	ADJUSTABLE FOOT REST STRAP	19-22" wide
8	102268-001	HHCS M6 X 1 X 25	
12	104160	BUSHING FOOTREST	
9-12	107485	FOOTREST CLAMP ASSM	
		Ship assembled part #	Use with multiple assemblies
	ASSY-HNG-FP	HANGER/FOOTPLATE ASSY REQUIRED	add with Hanger & Footplate kit
>>>>		60°,70°,70° HEMI HANGERS - SHORT EXT - RIGHT	
1D,2A,3-6,7A,8	107746	COMP BNT SHT EXT ASM 13" W R	Right- 70D- 13" W- SHORT
1D,2B,3-6,7A,8	107747	COMP BNT SHT EXT ASM 14" W R	Right- 70D- 14" W- SHORT
1D,2C,3-6,7B,8	107748	COMP BNT SHT EXT ASM 15" W R	Right- 70D- 15" W- SHORT
1D,2D,3-6,7B,8	107749	COMP BNT SHT EXT ASM 16" W R	Right- 70D- 16" W- SHORT
1D,2E,3-6,7C,8	107750	COMP BNT SHT EXT ASM 17" W R	Right- 70D- 17" W- SHORT
1D,2F,3-6,7C,8	107751	COMP BNT SHT EXT ASM 18" W R	Right- 70D- 18" W- SHORT
1D,2G,3-6,7D,8	107752	COMP BNT SHT EXT ASM 19 & 20"W R	Right- 70D- 19 & 20" W- SHORT
1D,2H,3-6,7D,8	111528	COMP BNT SHT EXT ASM 21 & 22"W R	Right- 70D- 21 & 22" W- SHORT
>>>>		60°,70°,70° HEMI HANGERS - SHORT EXT - LEFT	
1D,2A,3-6,7A,8	107753	COMP BNT SHT EXT ASM 13" W L	Left- 70D- 13 W- SHORT
1D,2B,3-6,7A,8	107754	COMP BNT SHT EXT ASM 14" W L	Left- 70D- 14 W- SHORT
1D,2C,3-6,7B,8	107755	COMP BNT SHT EXT ASM 15" W L	Left- 70D- 15 W- SHORT
1D,2D,3-6,7B,8	107756	COMP BNT SHT EXT ASM 16" W L	Left- 70D- 16 W- SHORT
1D,2E,3-6,7C,8	107757	COMP BNT SHT EXT ASM 17" W L	Left- 70D- 17 W- SHORT
1D,2F,3-6,7C,8	107758	COMP BNT SHT EXT ASM 18" W L	Left- 70D- 18 W- SHORT
1D,2G,3-6,7D,8	107759	COMP BNT SHT EXT ASM 19 & 20"W L	Left- 70D- 19 & 20" W- SHORT
1D,2H,3-6,7D,8	111529	COMP BNT SHT EXT ASM 21 & 22"W L	Left- 70D- 21 & 22" W- SHORT
>>>>		60°,70°,70° HEMI HANGERS - MED EXT - RIGHT	
1E,2A,3-6,7A,8	107760	COMP BNT MED EXT ASM 13" W R	Right- 70D- 13" W- MED
1E,2B,3-6,7A,8	107761	COMP BNT MED EXT ASM 14" W R	Right- 70D- 14" W- MED
1E,2C,3-6,7B,8	107762	COMP BNT MED EXT ASM 15" W R	Right- 70D- 15" W- MED
1E,2D,3-6,7B,8	107763	COMP BNT MED EXT ASM 16" W R	Right- 70D- 16" W- MED
1E,2E,3-6,7C,8	107764	COMP BNT MED EXT ASM 17" W R	Right- 70D- 17" W- MED

Pos.	Item Number	Description	Remarks
1E,2F,3-6,7C,8	107765	COMP BNT MED EXT ASM 18" W R	Right- 70D- 18" W- MED
1E,2G,3-6,7D,8	107766	COMP BNT MED EXT ASM 19 & 20"W R	Right- 70D- 19 & 20" W- MED
1E,2H,3-6,7D,8	111530	COMP BNT MED EXT ASM 21 & 22"W R	Right- 70D- 21 & 22" W- MED
>>>>		60°,70°,70° HEMI HANGERS - MED EXT - LEFT	
1E,2A,3-6,7A,8	107767	COMP BNT MED EXT ASM 13" W L	Left- 70D- 13 W- MED
1E,2B,3-6,7A,8	107768	COMP BNT MED EXT ASM 14" W L	Left- 70D- 14 W- MED
1E,2C,3-6,7B,8	107769	COMP BNT MED EXT ASM 15" W L	Left- 70D- 15 W- MED
1E,2D,3-6,7B,8	107770	COMP BNT MED EXT ASM 16" W L	Left- 70D- 16 W- MED
1E,2E,3-6,7C,8	107771	COMP BNT MED EXT ASM 17" W L	Left- 70D- 17 W- MED
1E,2F,3-6,7C,8	107772	COMP BNT MED EXT ASM 18" W L	Left- 70D- 18 W- MED
1E,2G,3-6,7D,8	107773	COMP BNT MED EXT ASM 19 & 20"W L	Left- 70D- 19 & 20" W- MED
1E,2H,3-6,7D,8	111531	COMP BNT MED EXT ASM 21 & 22"W L	Left- 70D- 21 & 22" W- MED
>>>>		60°,70°,70° HEMI HANGERS - LONG EXT - RIGHT	
1F,2A,3-6,7A,8	107774	COMP BNT LONG EXT ASM 13" W R	Right- 70D- 13" W- LONG
1F,2B,3-6,7A,8	107775	COMP BNT LONG EXT ASM 14" W R	Right- 70D- 14" W- LONG
1F,2C,3-6,7B,8	107776	COMP BNT LONG EXT ASM 15" W R	Right- 70D- 15" W- LONG
1F,2D,3-6,7B,8	107777	COMP BNT LONG EXT ASM 16" W R	Right- 70D- 16" W- LONG
1F,2E,3-6,7C,8	107778	COMP BNT LONG EXT ASM 17" W R	Right- 70D- 17" W- LONG
1F,2F,3-6,7C,8	107779	COMP BNT LONG EXT ASM 18" W R	Right- 70D- 18" W- LONG
1F,2G,3-6,7D,8	107780	COMP BNT LONG EXT ASM 19 & 20"W R	Right- 70D- 19 & 20" W- LONG
1F,2H,3-6,7D,8	111532	COMP BNT LONG EXT ASM 21 & 22"W R	Right- 70D- 21 & 22" W- LONG
>>>>		60°,70°,70° HEMI HANGERS - LONG EXT - LEFT	
1F,2A,3-6,7A,8	107781	COMP BNT LONG EXT ASM 13" W L	Left- 70D- 13 W- LONG
1F,2B,3-6,7A,8	107782	COMP BNT LONG EXT ASM 14" W L	Left- 70D- 14 W- LONG
1F,2C,3-6,7B,8	107783	COMP BNT LONG EXT ASM 15" W L	Left- 70D- 15 W- LONG
1F,2D,3-6,7B,8	107784	COMP BNT LONG EXT ASM 16" W L	Left- 70D- 16 W- LONG
1F,2E,3-6,7C,8	107785	COMP BNT LONG EXT ASM 17" W L	Left- 70D- 17 W- LONG
1F,2F,3-6,7C,8	107786	COMP BNT LONG EXT ASM 18" W L	Left- 70D- 18 W- LONG
1F,2G,3-6,7D,8	107787	COMP BNT LONG EXT ASM 19 & 20"W L	Left- 70D- 19 & 20" W- LONG
1F,2H,3-6,7D,8	111533	COMP BNT LONG EXT ASM 21 & 22"W L	Left- 70D- 21 & 22" W- LONG
>>>>		70 DEGREE "V" HANGERS - MED EXT - RIGHT	
1G,2A,3-8	107788	COMP V MED EXT ASM 13W R	Right- 70D V hangers only 13 W- MED
1G,2B,3-8	107789	COMP V MED EXT ASM 14W R	Right- 70D V hangers only 14 W- MED
1G,2C,3-8	107790	COMP V MED EXT ASM 15W R	Right- 70D V hangers only 15 W- MED
1G,2D,3-8	107791	COMP V MED EXT ASM 16W R	Right- 70D V hangers only 16 W- MED
1G,2E,3-8	107792	COMP V MED EXT ASM 17W R	Right- 70D V hangers only 17 W- MED
1G,2F,3-8	107793	COMP V MED EXT ASM 18W R	Right- 70D V hangers only 18 W- MED
>>>>		70 DEGREE "V" HANGERS - MED EXT - LEFT	
1G,2A,3-8	107795	COMP V MED EXT ASM 13W L	Left- 70D V hangers only 13 W- MED
1G,2B,3-8	107796	COMP V MED EXT ASM 14W L	Left- 70D V hangers only 14 W- MED
1G,2C,3-8	107797	COMP V MED EXT ASM 15W L	Left- 70D V hangers only 15 W- MED
1G,2D,3-8	107798	COMP V MED EXT ASM 16W L	Left- 70D V hangers only 16 W- MED
1G,2E,3-8	107799	COMP V MED EXT ASM 17W L	Left- 70D V hangers only 17 W- MED
1G,2F,3-8	107800	COMP V MED EXT ASM 18W L	Left- 70D V hangers only 18 W- MED
>>>>		70 DEGREE "V" HANGERS - LONG EXT - RIGHT	
1H,2A,3-8	107802	COMP V LNG EXT ASM 13W R	Right- 70D V hangers only 13 W- LONG
1H,2B,3-8	107803	COMP V LNG EXT ASM 14W R	Right- 70D V hangers only 14 W- LONG
1H,2C,3-8	107804	COMP V LNG EXT ASM 15W R	Right- 70D V hangers only 15 W- LONG
1H,2D,3-8	107805	COMP V LNG EXT ASM 16W R	Right- 70D V hangers only 16 W- LONG
1H,2E,3-8	107806	COMP V LNG EXT ASM 17W R	Right- 70D V hangers only 17 W- LONG
1H,2F,3-8	107807	COMP V LNG EXT ASM 18W R	Right- 70D V hangers only 18 W- LONG
>>>>		70 DEGREE "V" HANGERS - LONG EXT - LEFT	
1H,2A,3-8	107809	COMP V LNG EXT ASM 13W L	Left- 70D V hangers only 13 W- LONG
1H,2B,3-8	107810	COMP V LNG EXT ASM 14W L	Left- 70D V hangers only 14 W- LONG
1H,2C,3-8	107811	COMP V LNG EXT ASM 15W L	Left- 70D V hangers only 15 W- LONG
1H,2D,3-8	107812	COMP V LNG EXT ASM 16W L	Left- 70D V hangers only 16 W- LONG
1H,2E,3-8	107813	COMP V LNG EXT ASM 17W L	Left- 70D V hangers only 17 W- LONG



Pos.	Item Number	Description	Remarks
1H,2F,3-8	107814	COMP V LNG EXT ASM 18W L	Left- 70D V hangers only 18 W- LONG
>>>>		80 DEGREE HANGERS - SHORT EXT - RIGHT	
1A,2A,3-6,7A,8	107704	COMP STRT SHT EXT ASM 13"W R	Right- 80D- 13" W- SHORT
1A,2B,3-6,7A,8	107705	COMP STRT SHT EXT ASM 14"W R	Right- 80D- 14" W- SHORT
1A,2C,3-6,7B,8	107706	COMP STRT SHT EXT ASM 15"W R	Right- 80D- 15" W- SHORT
1A,2D,3-6,7B,8	107707	COMP STRT SHT EXT ASM 16"W R	Right- 80D- 16" W- SHORT
1A,2E,3-6,7C,8	107708	COMP STRT SHT EXT ASM 17"W R	Right- 80D- 17" W- SHORT
1A,2F,3-6,7C,8	107709	COMP STRT SHT EXT ASM 18"W R	Right- 80D- 18" W- SHORT
1A,2G,3-6,7D,8	107710	COMP STRT SHT EXT ASM 19 & 20"W R	Right- 80D- 19 & 20" W- SHORT
1A,2H,3-6,7D,8	111522	COMP STRT SHT EXT ASM 21 & 22"W R	Right- 80D- 21 & 22" W- SHORT
>>>>		80 DEGREE HANGERS - SHORT EXT - LEFT	
1A,2A,3-6,7A,8	107711	COMP STRT SHT EXT ASM 13"W L	LEFT- 80D- 13" W- SHORT
1A,2B,3-6,7A,8	107712	COMP STRT SHT EXT ASM 14"W L	LEFT- 80D- 14" W- SHORT
1A,2C,3-6,7B,8	107713	COMP STRT SHT EXT ASM 15"W L	LEFT- 80D- 15" W- SHORT
1A,2D,3-6,7B,8	107714	COMP STRT SHT EXT ASM 16"W L	LEFT- 80D- 16" W- SHORT
1A,2E,3-6,7C,8	107715	COMP STRT SHT EXT ASM 17"W L	LEFT- 80D- 17" W- SHORT
1A,2F,3-6,7C,8	107716	COMP STRT SHT EXT ASM 18"W L	LEFT- 80D- 18" W- SHORT
1A,2G,3-6,7D,8	107717	COMP STRT SHT EXT ASM 19 & 20"W L	LEFT- 80D- 19 & 20" W- SHORT
1A,2H,3-6,7D,8	111523	COMP STRT SHT EXT ASM 21 & 22"W L	LEFT- 80D- 21 & 22" W- SHORT
>>>>		80 DEGREE HANGERS - MED EXT - RIGHT	
1B,2A,3-6,7A,8	107718	COMP STRT MED EXT ASM 13"W R	Right- 80D- 13" W- MED
1B,2B,3-6,7A,8	107719	COMP STRT MED EXT ASM 14"W R	Right- 80D- 14" W- MED
1B,2C,3-6,7B,8	107720	COMP STRT MED EXT ASM 15"W R	Right- 80D- 15" W- MED
1B,2D,3-6,7B,8	107721	COMP STRT MED EXT ASM 16"W R	Right- 80D- 16" W- MED
1B,2E,3-6,7C,8	107722	COMP STRT MED EXT ASM 17"W R	Right- 80D- 17" W- MED
1B,2F,3-6,7C,8	107723	COMP STRT MED EXT ASM 18"W R	Right- 80D- 18" W- MED
1B,2G,3-6,7D,8	107724	COMP STRT MED EXT ASM 19 & 20"W R	Right- 80D- 19 & 20" W- MED
1B,2H,3-6,7D,8	111524	COMP STRT MED EXT ASM 21 & 22"W R	Right- 80D- 21 & 22" W- MED
>>>>		80 DEGREE HANGERS - MED EXT - LEFT	
1B,2A,3-6,7A,8	107725	COMP STRT MED EXT ASM 13"W L	LEFT- 80D- 13" W- MED
1B,2B,3-6,7A,8	107726	COMP STRT MED EXT ASM 14"W L	LEFT- 80D- 14" W- MED
1B,2C,3-6,7B,8	107727	COMP STRT MED EXT ASM 15"W L	LEFT- 80D- 15" W- MED
1B,2D,3-6,7B,8	107728	COMP STRT MED EXT ASM 16"W L	LEFT- 80D- 16" W- MED
1B,2E,3-6,7C,8	107729	COMP STRT MED EXT ASM 17"W L	LEFT- 80D- 17" W- MED
1B,2F,3-6,7C,8	107730	COMP STRT MED EXT ASM 18"W L	LEFT- 80D- 18" W- MED
1B,2G,3-6,7D,8	107731	COMP STRT MED EXT ASM 19 & 20"W L	LEFT- 80D- 19 & 20" W- MED
1B,2H,3-6,7D,8	111525	COMP STRT MED EXT ASM 21 & 22"W L	LEFT- 80D- 21 & 22" W- MED
>>>>		80 DEGREE HANGERS - LONG EXT - RIGHT	
1C,2A,3-6,7A,8	107732	COMP STRT LONG EXT ASM 13"W R	Right- 80D- 13" W- LONG
1C,2B,3-6,7A,8	107733	COMP STRT LONG EXT ASM 14"W R	Right- 80D- 14" W- LONG
1C,2C,3-6,7B,8	107734	COMP STRT LONG EXT ASM 15"W R	Right- 80D- 15" W- LONG
1C,2D,3-6,7B,8	107735	COMP STRT LONG EXT ASM 16"W R	Right- 80D- 16" W- LONG
1C,2E,3-6,7C,8	107736	COMP STRT LONG EXT ASM 17"W R	Right- 80D- 17" W- LONG
1C,2F,3-6,7C,8	107737	COMP STRT LONG EXT ASM 18"W R	Right- 80D- 18" W- LONG
1C,2G,3-6,7D,8	107738	COMP STRT LONG EXT ASM 19 & 20"W R	Right- 80D- 19 & 20" W- LONG
1C,2H,3-6,7D,8	111526	COMP STRT LONG EXT ASM 21 & 22"W R	Right- 80D- 21 & 22" W- LONG
>>>>		80 DEGREE HANGERS - LONG EXT - LEFT	
1C,2A,3-6,7A,8	107739	COMP STRT LONG EXT ASM 13"W L	LEFT- 80D- 13" W- LONG
1C,2B,3-6,7A,8	107740	COMP STRT LONG EXT ASM 14"W L	LEFT- 80D- 14" W- LONG
1C,2C,3-6,7B,8	107741	COMP STRT LONG EXT ASM 15"W L	LEFT- 80D- 15" W- LONG
1C,2D,3-6,7B,8	107742	COMP STRT LONG EXT ASM 16"W L	LEFT- 80D- 16" W- LONG
1C,2E,3-6,7C,8	107743	COMP STRT LONG EXT ASM 17"W L	LEFT- 80D- 17" W- LONG
1C,2F,3-6,7C,8	107744	COMP STRT LONG EXT ASM 18"W L	LEFT- 80D- 18" W- LONG
1C,2G,3-6,7D,8	107745	COMP STRT LONG EXT ASM 19 & 20"W L	LEFT- 80D- 19 & 20" W- LONG
1C,2H,3-6,7D,8	111527	COMP STRT LONG EXT ASM 21 & 22"W L	LEFT- 80D- 21 & 22" W- LONG

**Note:** Footplate Assemblies are set to footrest width; please see "Footplate Formula" table for seat width conversion.

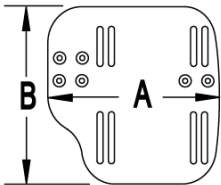
Note: V Style Hangers are not available on Swing Away Style chairs effective 7/14/14; see the "Prior To" ordering guide for V Style footplate assemblies.

Note: for QX Series or SR45 footplate replacement parts see the ordering guide marked specifically for these two models in the informations panel.

To have complete Footrest ship assembled, choose compatible Hanger + Footplate part numbers and add "ASSY-HNG-FP" to order

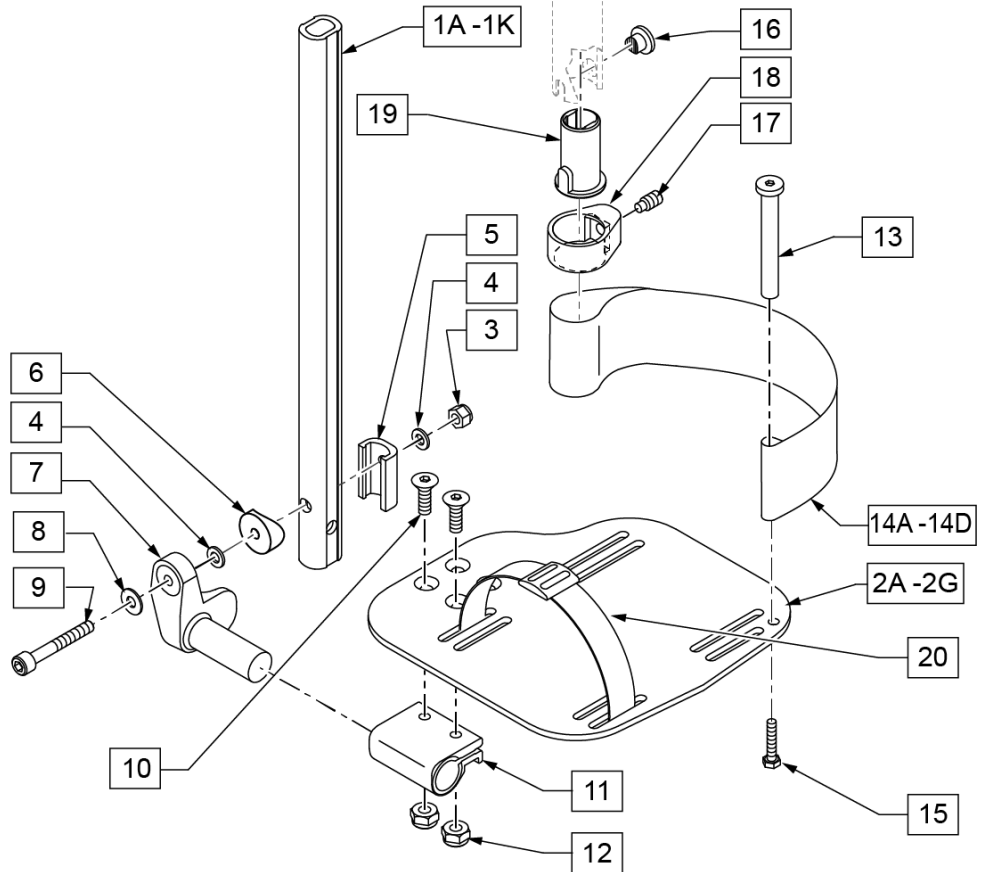
**INSET FORMULA**  
 0" Inset (Seat Width) = Footrest Width  
 1" Inset (Seat Width) -2" = Footrest Width  
 "V" Hanger (Seat Width) -4" = Footrest Width  
 Offset Hanger Receiver (Seat Width) +2" = Footrest Width

**MEASURING GUIDE**



CHAIR WIDTH	"A"	"B"
10" - 11"	3 1/2"	7 1/4"
12" - 13"	4 1/2"	7 3/4"
14" - 15"	5 1/2"	7 3/4"
16" - 17"	6 1/2"	7 3/4"
18" - 20"	7 1/2"	7 3/4"

21 EXT MNT HARDWARE 1 SIDE			
ITEM #	ILLUSTRATION	DESCRIPTION	QTY
3		NUT AUTOMATION M6 X 1.0 ROHS	1
4		WASHER FLAT THIN AN 1/4	2
5		HANGER EXTENSION SADDLE	1
6		3/4" SADDLE 1" OD	1
8		WASHER FLAT SAE 1/4 ROHS	1
9		SHCS M6 X 1 X 45 12MM PART THD	1

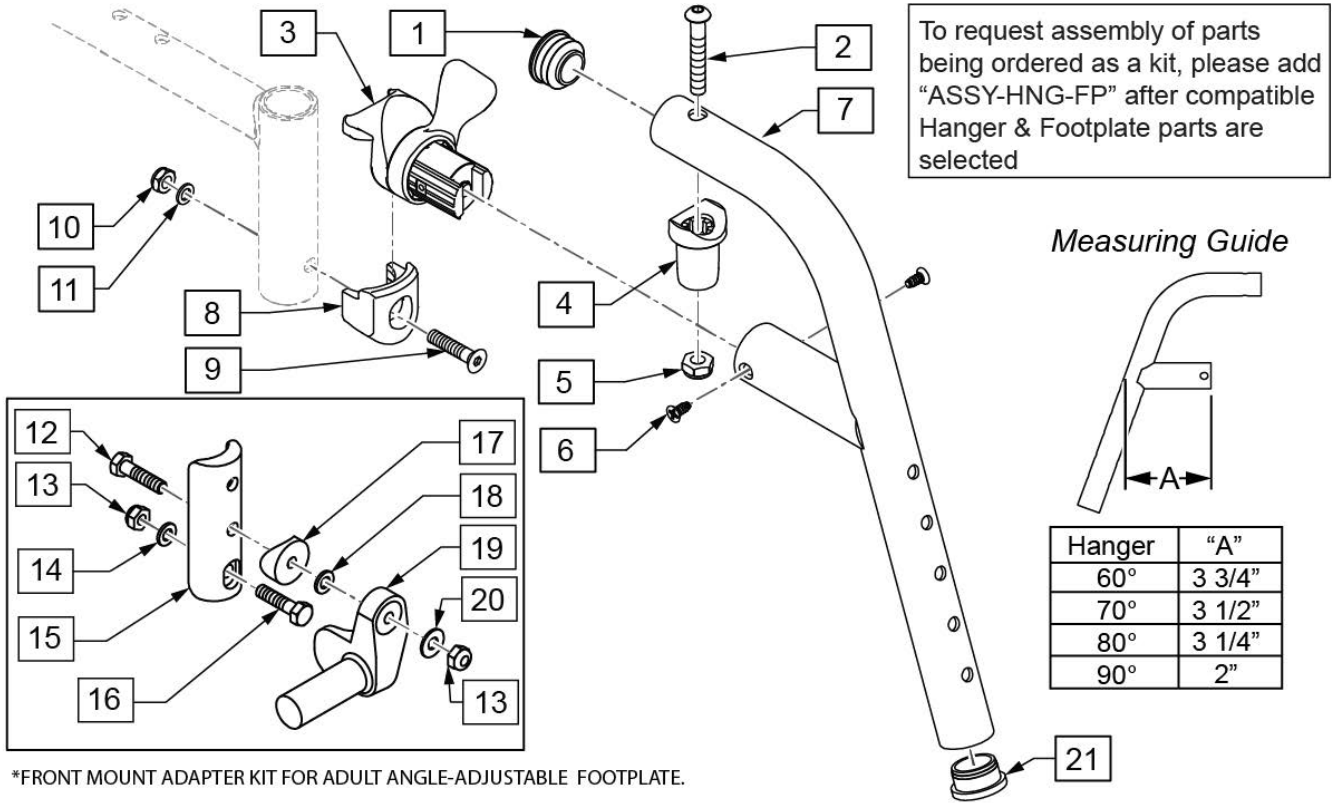


Pos.	Item Number	Description	Remarks
1A,3-6,8,9	120670	SHT STRT EXT AAA HDWR	80 deg Hangers Only
1B,3-6,8,9	120671	MED STRT EXT AAA HDWR	80 deg Hangers Only
1C,3-6,8,9	120672	LNG STRT EXT AAA HDWR	80 deg Hangers Only
1D,3-6,8,9	120673	SHT BNT EXT AAA HDWR	60,70,70 Hemi Hangers
1E,3-6,8,9	120674	MED BNT EXT AAA HDWR	60,70,70 Hemi Hangers

Pos.	Item Number	Description	Remarks
1F,3-6,8,9	120675	LNG BNT EXT AAA HDWR	60,70,70 Hemi Hangers
1G,3-6,8,9	120676	SHT V EXT R AAA HDWR	Left - 70 deg V Hangers Only
1H,3-6,8,9	120677	SHT V EXT L AAA HDWR	Right - 70 deg V Hangers Only
1I,3-6,8,9	120678	LNG V EXT R AAA HDWR	Left - 70 deg V Hangers Only
1J,3-6,8,9	120679	LNG V EXT L AAA HDWR	Right - 70 deg V Hangers Only
2A	500656	ADULT ANG ADJ F/PLT 10/11" R	RIGHT 10-11" Footrest Width
2A	500657	ADULT ANG ADJ F/PLT 10/11" L	LEFT 10-11" Footrest Width
2B	500658	ADULT ANG ADJ F/PLT 12/13" R	RIGHT 12-13" Footrest Width
2B	500659	ADULT ANG ADJ F/PLT 12/13" L	LEFT 12-13" Footrest Width
2C	500660	ADLT ANGL ADJ F/PLT 14/15	RIGHT 14-15" Footrest Width
2C	500661	ADLT ANGL ADJ F/PLT 14/15	LEFT 14-15" Footrest Width
2D	500662	ADLT ANGL ADJ F/PLT 16/17	RIGHT 16-17" Footrest Width
2D	500663	ADLT ANGL ADJ F/PLT 16/17	LEFT 16-17" Footrest Width
2E	500664	ADLT ANGL ADJ F/PLT 18-20	RIGHT 18-22" Footrest Width
2E	500665	ADLT ANGL ADJ F/PLT 18-20	LEFT 18-22" Footrest Width
3	132626	NUT AUTOMATION M6 X 1.0	
4	106944	WASHER FLAT THIN AN 1/4 ROHS	
5	107199	HANGER EXTENSION SADDLE	
6	104377	3/4" SADDLE THIN	
7	541002	FTRST MOUNTING BRKT-3/8 RAD R	RIGHT
7	541003	FTRST MOUNTING BRKT-3/8 RAD L	LEFT
8	106945	WASHER FLAT SAE 1/4 ROHS	
9	104399	SHCS M6X1X45 12 MM PART THD	
10	106978	FHCS 1/4-28 X 7/8 ROHS	
11	550350	3/4" CLMP ADJ FT PLT	
12	106935	NUT NYLOCK THIN 1/4-28 ROHS	
13	104328	POST HEEL LOOP	
14A	104380-001	ADJUSTABLE FOOT REST STRAP	12 - 14" WIDE
14B	104380-002	ADJUSTABLE FOOT REST STRAP	15 - 16" WIDE
14C	104380-003	ADJUSTABLE FOOT REST STRAP	17 - 18" WIDE
14D	104380-004	ADJUSTABLE FOOT REST STRAP	19 - 20" WIDE
15	102268-001	HHCS M6 X 1 X 25	
16-19	107485	FOOTREST CLAMP ASSM	
20	740260	TOE-ANKLE STRAP ADJ ADULT FOOTPLATE	
21	120659	EXT MNT HARDWARE 1 SIDE	
>>>>		80° HANGERS - SHORT EXT - RIGHT	
1A,2B,3-14A,15	111534	AAA STRT SHT EXT ASM 12-13" W R	Right- 80D- 12-13" W- SHORT
1A,2C,3-14B,15	107928	AAA STRT SHT EXT ASM 14-15" W R	Right- 80D- 14-15" W- SHORT
1A,2D,3-14C,15	107930	AAA STRT SHT EXT ASM 16-17" W R	Right- 80D- 16-17" W- SHORT
1A,2E,3-14D,15	107932	AAA STRT SHT EXT ASM 18-22" W R	Right- 80D- 18-22" W- SHORT
>>>>		80° HANGERS - SHORT EXT - LEFT	
1A,2B,3-14A,15	111535	AAA STRT SHT EXT ASM 12-13" W L	Left- 80D- 12-13" W- SHORT
1A,2C,3-14B,15	107935	AAA STRT SHT EXT ASM 14" W L	Left- 80D- 14-15" W- SHORT
1A,2D,3-14C,15	107937	AAA STRT SHT EXT ASM 16" W L	Left- 80D- 16-17" W- SHORT
1A,2E,3-14D,15	107939	AAA STRT SHT EXT ASM 18" W L	Left- 80D- 18-22" W- SHORT
>>>>		80° HANGERS - MED EXT - RIGHT	
1B,2B,3-14A,15	111536	AAA STRT MED EXT ASM 12-13" W R	Right- 80D- 12-13" W- MED
1B,2C,3-14B,15	107942	AAA STRT MED EXT ASM 14-15" W R	Right- 80D- 14-15" W- MED
1B,2D,3-14C,15	107944	AAA STRT MED EXT ASM 16-17" W R	Right- 80D- 16-17" W- MED
1B,2E,3-14D,15	107946	AAA STRT MED EXT ASM 18-22" W R	Right- 80D- 18-22" W- MED
>>>>		80° HANGERS - MED EXT - LEFT	
1B,2B,3-14A,15	111537	AAA STRT MED EXT ASM 12-13" W L	Left- 80D- 12-13" W- MED
1B,2C,3-14B,15	107949	AAA STRT MED EXT ASM 14" W L	Left- 80D- 14-15" W- MED
1B,2D,3-14C,15	107951	AAA STRT MED EXT ASM 16" W L	Left- 80D- 16-17" W- MED
1B,2E,3-14D,15	107953	AAA STRT MED EXT ASM 18" W L	Left- 80D- 18-22" W- MED
>>>>		80° HANGERS - LONG EXT - RIGHT	
1C,2B,3-14A,15	111538	AAA STRT LNG EXT ASM 12-13" W R	Right- 80D- 12-13" W- LONG

Pos.	Item Number	Description	Remarks
1C,2C,3-14B,15	107956	AAA STRT LNG EXT ASM 14 -15" W R	Right- 80D- 14-15" W- LONG
1C,2D,3-14C,15	107958	AAA STRT LNG EXT ASM 16 -17" W R	Right- 80D- 16-17" W- LONG
1C,2E,3-14D,15	107960	AAA STRT LNG EXT ASM 18 -22" W R	Right- 80D- 18-22" W- LONG
>>>>		80° HANGERS - LONG EXT - LEFT	
1C,2B,3-14A,15	111539	AAA STRT LNG EXT ASM 12-13" W L	Left- 80D- 12-13" W- LONG
1C,2C,3-14B,15	107963	AAA STRT LNG EXT ASM 14W L	Left- 80D- 14-15" W- LONG
1C,2D,3-14C,15	107965	AAA STRT LNG EXT ASM 16W L	Left- 80D- 16-17" W- LONG
1C,2E,3-14D,15	107968	AAA STRT LNG EXT ASM 18W L	Left- 80D- 18-22" W- LONG
>>>>		70° HANGERS - SHORT EXT - RIGHT	
1D,2B,3-14A,15	111540	AAA BNT SHT EXT ASM 12-13" W R	Right- 60D,70D,70D HEMI - 12-13" W- SHORT
1D,2C,3-14B,15	107973	AAA BNT SHT EXT ASM 14 -15" W R	Right- 60D,70D,70D HEMI - 14-15" W- SHORT
1D,2D,3-14C,15	107975	AAA BNT SHT EXT ASM 16 -17" W R	Right- 60D,70D,70D HEMI - 16-17" W- SHORT
1D,2E,3-14D,15	107977	AAA BNT SHT EXT ASM 18 -22" W R	Right- 60D,70D,70D HEMI - 18-22" W- SHORT
>>>>		70° HANGERS - SHORT EXT - LEFT	
1D,2B,3-14A,15	111541	AAA BNT SHT EXT ASM 12-13" W L	Left- 60D,70D,70D HEMI - 12-13" W- SHORT
1D,2C,3-14B,15	107980	AAA BNT SHT EXT ASM 14 -15" W L	Left- 60D,70D,70D HEMI - 14-15" W- SHORT
1D,2D,3-14C,15	107982	AAA BNT SHT EXT ASM 16 -17" W L	Left- 60D,70D,70D HEMI - 16-17" W- SHORT
1D,2E,3-14D,15	107984	AAA BNT SHT EXT ASM 18 -22" W L	Left- 60D,70D,70D HEMI - 18-22" W- SHORT
>>>>		70° HANGERS - MED EXT - RIGHT	
1E,2B,3-14A,15	111542	AAA BNT MED EXT ASM 12-13" W R	Right- 60D,70D,70D HEMI - 12-13" W- MED
1E,2C,3-14B,15	107987	AAA BNT MED EXT ASM 14 -15" W R	Right- 60D,70D,70D HEMI - 14-15" W- MED
1E,2D,3-14C,15	107989	AAA BNT MED EXT ASM 16 -17" W R	Right- 60D,70D,70D HEMI - 16-17" W- MED
1E,2E,3-14D,15	107991	AAA BNT MED EXT ASM 18 -22" W R	Right- 60D,70D,70D HEMI - 18-22" W- MED
>>>>		70° HANGERS - MED EXT - LEFT	
1E,2B,3-14A,15	111543	AAA BNT MED EXT ASM 12-13" W L	Left- 60D,70D,70D HEMI - 12-13" W- MED
1E,2C,3-14B,15	107994	AAA BNT MED EXT ASM 14 -15" W L	Left- 60D,70D,70D HEMI - 14-15" W- MED
1E,2D,3-14C,15	107996	AAA BNT MED EXT ASM 16 -17" W L	Left- 60D,70D,70D HEMI - 16-17" W- MED
1E,2E,3-14D,15	107998	AAA BNT MED EXT ASM 18 -22" W L	Left- 60D,70D,70D HEMI - 18-22" W- MED
>>>>		70° HANGERS - LONG EXT - RIGHT	
1F,2B,3-14A,15	111544	AAA BNT LONG EXT ASM 12-13" W R	Right- 60D,70D,70D HEMI - 12-13" W- LONG
1F,2C,3-14B,15	108001	AAA BNT LONG EXT ASM 14 -15" W R	Right- 60D,70D,70D HEMI - 14-15" W- LONG
1F,2D,3-14C,15	108003	AAA BNT LONG EXT ASM 16 -17" W R	Right- 60D,70D,70D HEMI - 16-17" W- LONG
1F,2E,3-14D,15	108005	AAA BNT LONG EXT ASM 18 -22" W R	Right- 60D,70D,70D HEMI - 18-22" W- LONG
>>>>		70° HANGERS - LONG EXT - LEFT	
1F,2B,3-14A,15	111545	AAA BNT LONG EXT ASM 12-13" W L	Left- 60D,70D,70D HEMI - 12-13" W- LONG
1F,2C,3-14B,15	108008	AAA BNT LONG EXT ASM 14 -15" W L	Left- 60D,70D,70D HEMI - 14-15" W- LONG
1F,2D,3-14C,15	108010	AAA BNT LONG EXT ASM 16 -17" W L	Left- 60D,70D,70D HEMI - 16-17" W- LONG
1F,2E,3-14D,15	108012	AAA BNT LONG EXT ASM 18 -22" W L	Left- 60D,70D,70D HEMI - 18-22" W- LONG
>>>>		70° "V" HANGERS - MED EXT - RIGHT	
1G,2A,3-15	111546	AAA V MED EXT ASM 10-11" W R	Right- 70D V hangers only 10-11" W- MED
1G,2B,3-15	111548	AAA V MED EXT ASM 12-13" W R	Right- 70D V hangers only 12-13" W- MED
1G,2C,3-15	108015	AAA V MED EXT ASM 14 -15" W R	Right- 70D V hangers only 14-15" W- MED
1G,2D,3-15	108017	AAA V MED EXT ASM 16 -17" W R	Right- 70D V hangers only 16-18" W- MED
1G,2E,3-15	108019	AAA V MED EXT ASM 18 -18" W R	Right- 70D V hangers only 18-22" W- MED
>>>>		70° "V" HANGERS - MED EXT - LEFT	
1G,2A,3-15	111547	AAA V MED EXT ASM 10-11" W L	Left- 70D V hangers only 10-11" W- MED
1G,2B,3-15	111549	AAA V MED EXT ASM 12-13" W L	Left- 70D V hangers only 12-13" W- MED
1G,2C,3-15	108022	AAA V MED EXT ASM 14 -15"W L	Left- 70D V hangers only 14-15" W- MED
1G,2D,3-15	108024	AAA V MED EXT ASM 16 -17" W L	Left- 70D V hangers only 16-18" W- MED
1G,2E,3-15	108026	AAA V MED EXT ASM 18 -22: W L	Left- 70D V hangers only 18-22" W- MED
>>>>		70° "V" HANGERS - LONG EXT - RIGHT	
1H,2A,3-15	111550	AAA V LONG EXT ASM 10-11" W R	Right- 70D V hangers only 10-11" W- LONG
1H,2B,3-15	111552	AAA V LONG EXT ASM 12-13" W R	Right- 70D V hangers only 12-13" W- LONG
1H,2C,3-15	108029	AAA V LONG EXT ASM 14 -15" W R	Right- 70D V hangers only 14-15" W- LONG
1H,2D,3-15	108031	AAA V LONG EXT ASM 16 -17" W R	Right- 70D V hangers only 16-18" W- LONG
1H,2E,3-15	108033	AAA V LONG EXT ASM 18 -22: W R	Right- 70D V hangers only 18-22" W- LONG
>>>>		70° "V" HANGERS - LONG EXT - LEFT	

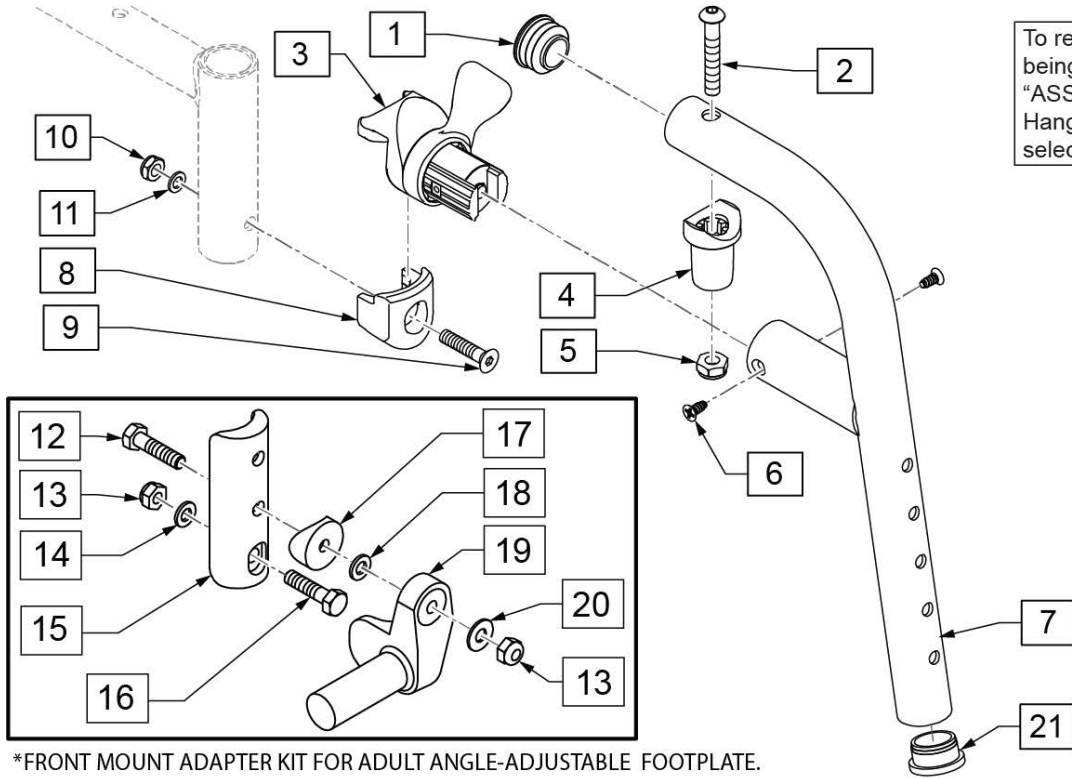
Pos.	Item Number	Description	Remarks
1H,2A,3-15	111551	AAA V LONG EXT ASM 10-11" W L	Left- 70D V hangers only 10-11" W- LONG
1H,2B,3-15	111553	AAA V LONG EXT ASM 12-13" W L	Left- 70D V hangers only 12-13" W- LONG
1H,2C,3-15	108036	AAA V LONG EXT ASM 14 -15" W L	Left- 70D V hangers only 14-15" W- LONG
1H,2D,3-15	108038	AAA V LONG EXT ASM 16 -17" W L	Left- 70D V hangers only 16-18" W- LONG
1H,2E,3-15	108040	AAA V LONG EXT ASM 18 -22" W L	Left- 70D V hangers only 18-22" W- LONG
		Ship assembled part #	Use with multiple assemblies
	ASSY-HNG-FP	HANGER/FOOTPLATE ASSY REQUIRED	add with Hanger & Footplate kit



Pos.	Item Number	Description	Remarks
1	561062	1" INSERT PLUG .065 RIBS	
2	226217	5/16-18 X 2" BH C/S BLK	
4	561197	PLASTIC PIVOT SADDLE	
5	202102	5/16-18 NYLOCK NUT THIN	
6	118695	#8 LOW FLT HD TAP SCREW	
9	103500-010	FHCSM6X1X35FULLNP	
10	104381	NUT HEX NYLOCK M6X1.0	
11	104414	WAVE WASHER 6 MM	
12	102268-001	HHCS M6 X 1 X 25	
13	104381	NUT HEX NYLOCK M6 X 1	
14	107383	WASHER FLAT M6 ROHS	
15	119240	FOOTPLATE ADAPTER FM	3" tall
16	118198	HHCS M6X1X40 PART NP	
17	561004	1" SADDLE 1/4" HOLE	
18	106943	WASHER FLAT AN 1/4 ROHS	
19	541000	FOOTREST MOUNTING BRKT 1/2" RAD R	Right
19	541001	FOOTREST MOUNTING BRKT 1/2" RAD L	Left
20	106945	WASHER FLAT SAE 1/4 ROHS	
1,2,4,5	119518	PIVOT SADDLE KIT	
1-7	119456S	70 D FRNT MNT SWING IN/OUT HANGER L	Left
1-7	119457S	70 D FRNT MNT SWING IN/OUT HANGER R	Right
8-11	119514	LATCH RECEIVER KIT	
3,6	119509	HANGER LATCH ASSM W/HDWR L	Left
3,6	119510	HANGER LATCH ASSM W/HDWR R	Right
12-20	129764	AAA FRNT MNT ADAPTER KIT PR	Pair
21	561002	1" INSERT PLUG .083	
		Ship assembled part #	Use with multiple assemblies

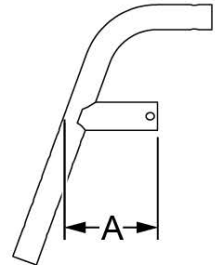
<b>Pos.</b>	<b>Item Number</b>	<b>Description</b>	<b>Remarks</b>
	ASSY-HNG-FP	HANGER/FOOTPLATE ASSY REQUIRED	add with Hanger & Footplate kit

**80 DEG FRONT MOUNT SWING IN/OUT HANGER**



To request assembly of parts being ordered as a kit, please add "ASSY-HNG-FP" after compatible Hanger & Footplate parts are selected

Measuring Guide



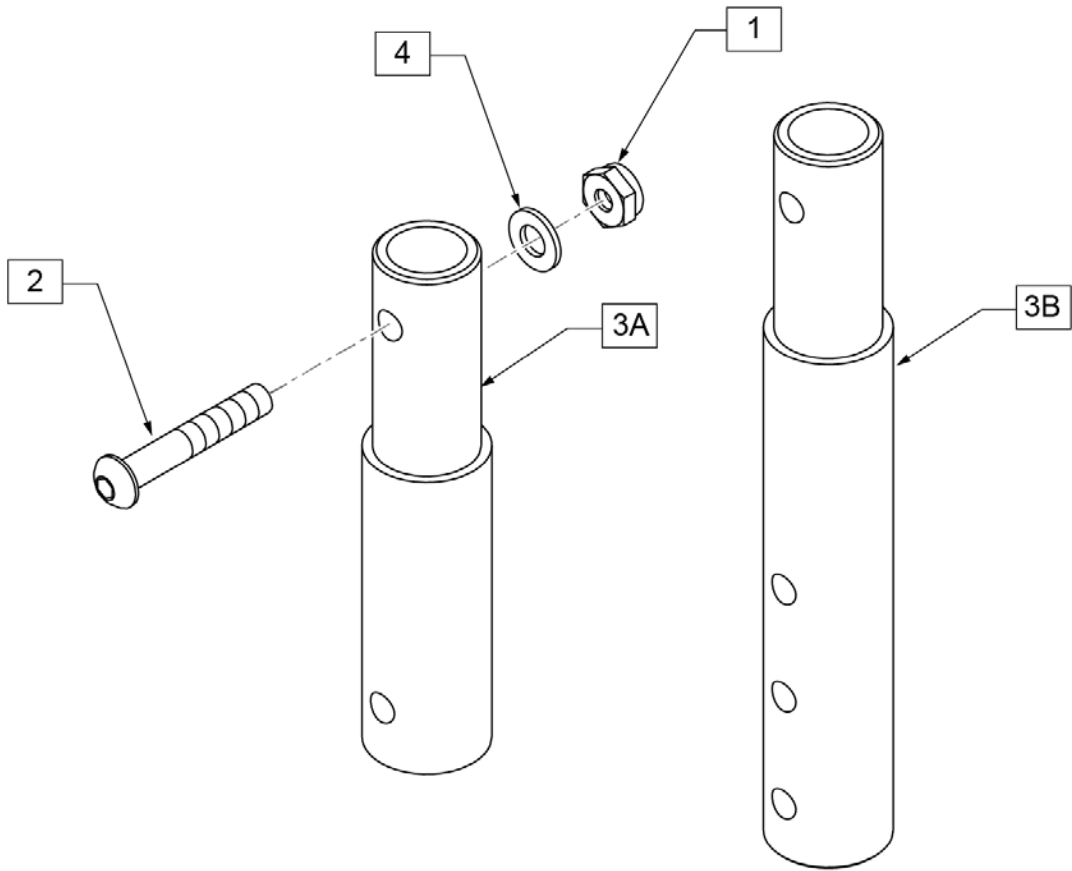
Hanger	"A"
60°	3 3/4"
70°	3 1/2"
80°	3 1/4"
90°	2"

\*FRONT MOUNT ADAPTER KIT FOR ADULT ANGLE-ADJUSTABLE FOOTPLATE.

Pos.	Item Number	Description	Remarks
1	561062	1" INSERT PLUG .065 RIBS	
2	226217	5/16-18 X 2" BH C/S BLK	
4	561197	PLASTIC PIVOT SADDLE	
5	202102	5/16-18 NYLOCK NUT THIN	
6	118695	#8 LOW FLT HD TAP SCREW	
9	103500-010	FHCSM6X1X35FULLNP	
10	104381	NUT HEX NYLOCK M6X1.0	
11	104414	WAVE WASHER 6 MM	
12	102268-001	HHCS M6 X 1 X 25	
13	104381	NUT HEX NYLOCK M6 X 1	
14	107383	WASHER FLAT M6 ROHS	
15	119240	FOOTPLATE ADAPTER FM	3" tall
16	118198	HHCS M6X1X40 PART NP	
17	561004	1" SADDLE 1/4" HOLE	
18	106944	WASHER FLAT AN 1/4 ROHS	
19	541000	FOOTREST MOUNTING BRKT 1/2" RAD R	Right
19	541001	FOOTREST MOUNTING BRKT 1/2" RAD L	Left
20	106944	WASHER FLAT SAE 1/4 ROHS	
1,2,4,5	119518	PIVOT SADDLE KIT	
1-7	119464S	80 D FRNT MNT SWING IN/OUT HANGER L	Left
1-7	119465S	80 D FRNT MNT SWING IN/OUT HANGER R	Right
8-11	119514	LATCH RECEIVER KIT	
3,6	119509	HANGER LATCH ASSM W/HDWR L	Left
3,6	119510	HANGER LATCH ASSM W/HDWR R	Right
21	561002	1" INSERT PLUG .083	
12-20	129764	AAA FRNT MNT ADAPTER KIT PR	Pair
21	561002	1" INSERT PLUG .083	
		Ship assembled part #	Use with multiple assemblies

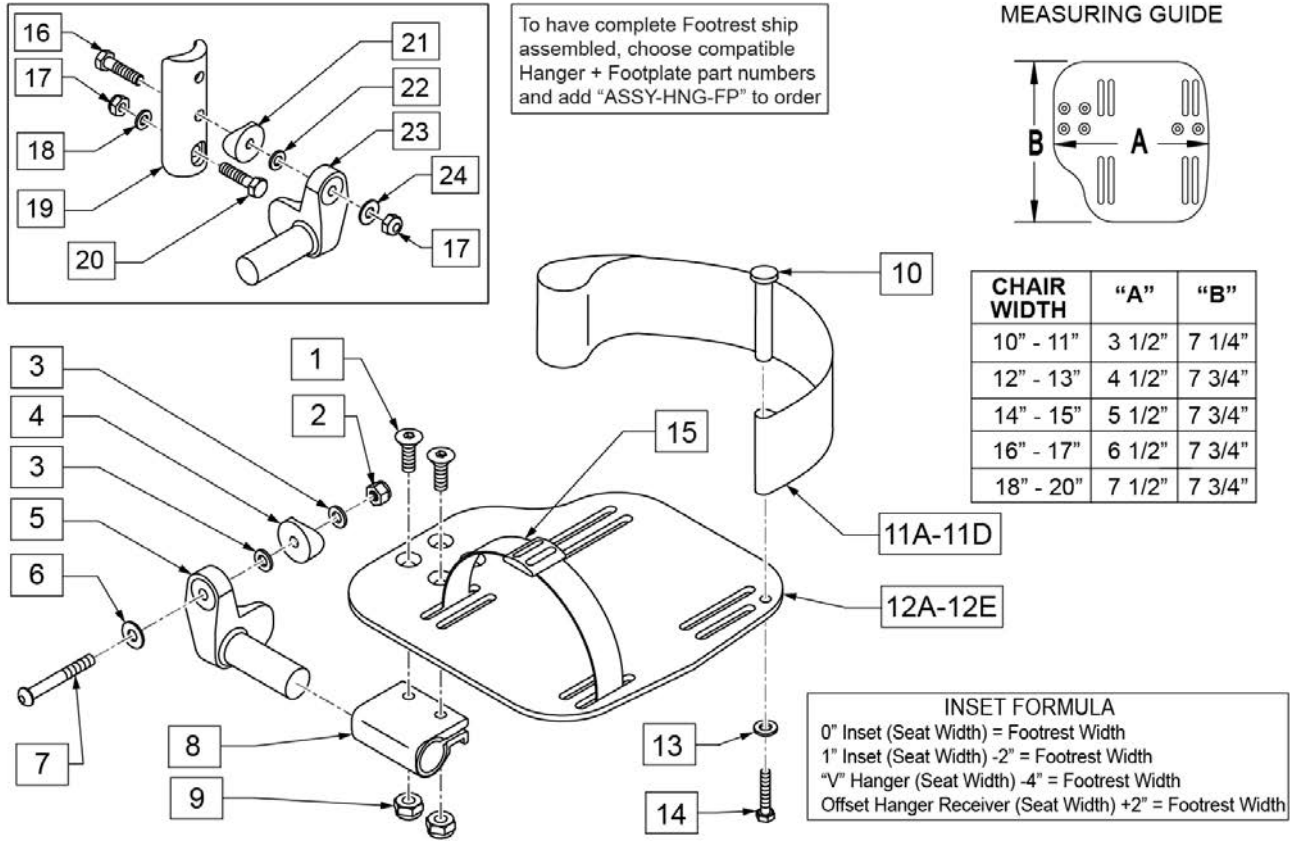


<b>Pos.</b>	<b>Item Number</b>	<b>Description</b>	<b>Remarks</b>
	ASSY-HNG-FP	HANGER/FOOTPLATE ASSY REQUIRED	add with Hanger & Footplate kit



Pos.	Item Number	Description
1	106935	NUT NYLOCK THIN 1/4 -28 ROHS
2	106961	BHCS 1/4 -28 x 1 1/4 ROHS
4	107383	WASHER FLAT M6 ROHS
1-3A,4	119507	FRONT MOUNT HANGER EXT 2"
1-3B,4	119508	FRONT MOUNT HANGER EXT 4"

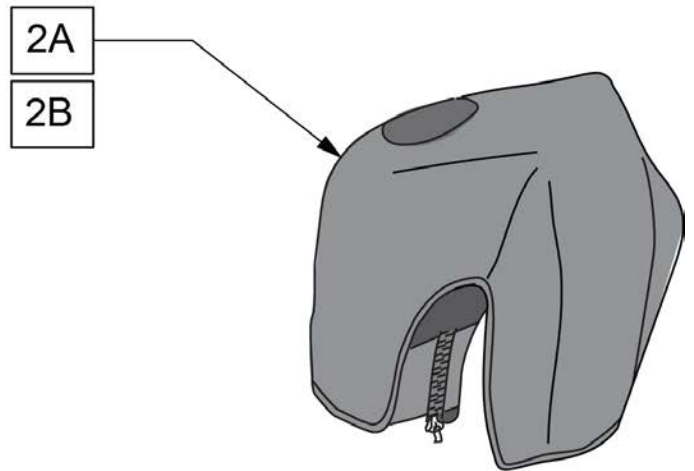
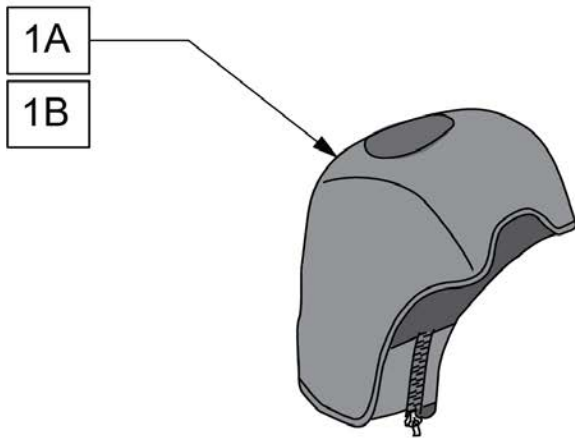
Note: for QX Series or SR45 footplate replacement parts see the ordering guide marked specifically for these two models in the informations panel.



Pos.	Item Number	Description	Remarks
1	106978	FHCS 1/4-28 X 7/8	
2	106934	NUT NYLOCK 1/4-28	
3	106944	WASHER FLAT THIN AN 1/4	
4	561004	Q2 SADDLE	
5	541000	FTRST MOUNTING BRKT 1/2" RAD R	Right
5	541001	FTRST MOUNTING BRKT 1/2" RAD L	Left
6	106945	WASHER FLAT SAE 1/4 ROHS	
7	106964	BHCS 1/4-28 X 2	
8	550350	3/4 CLMP ADJ FT PLT	
9	106935	NUT NYLOCK THIN 1/4-28 ROHS	
10	561040	HEEL LOOP PEG	
11A	104380-001	ADJ FOOTREST STRAP 14W	Used on 10"-13" wide
11B	104380-002	ADJ FOOTREST STRAP 15-16W	Used on 14"-15" wide
11C	104380-003	ADJ FOOTREST STRAP 17-18W	Used on 16"-17" wide
11D	104380-004	ADJ FOOTREST STRAP 19-20W	Used on 18"-20" wide
12A	500656	ADULT ANGL ADJ F/PLT 10/11	Right; 10"-11" wide
12A	500657	ADULT ANGL ADJ F/PLT 10/11	Left; 10"-11" wide

Pos.	Item Number	Description	Remarks
12B	500658	ADULT ANGL ADJ F/PLT 12/13	Right; 12"-13" wide
12B	500659	ADULT ANGL ADJ F/PLT 12/13	Left; 12"-13" wide
12C	500660	ADULT ANGL ADJ F/PLT 14/15	Right; 14"-15" wide
12C	500661	ADULT ANGL ADJ F/PLT 14/15	Left; 14"-15" wide
12D	500662	ADULT ANGL ADJ F/PLT 16/17	Right; 16"-17" wide
12D	500663	ADULT ANGL ADJ F/PLT 16/17	Left; 16"-17" wide
12E	500664	ADULT ANGL ADJ F/PLT 18-20	Right; 18"-22" wide
12E	500665	ADULT ANGL ADJ F/PLT 18-20	Left; 18"-22" wide
13	107383	WASHER FLAT M6 ROHS	
14	102268-001	HHCS M6 X 1 X 25	
15	740260	TOE-ANKLE STRAP ADJ ADULT FOOTPLATE	
16	102268-001	HHCS M6 X 1 X 25	
17	132626	NUT AUTOMATION M6 X 1	
18	107383	WASHER FLAT M6 ROHS	
20	118198	HHCS M6X1X40 PART NP	
21	561004	Q2 SADDLE	
22	106943	WASHER FLAT AN 1/4 ROHS	
24	106945	WASHER FLAT SAE 1/4 ROHS	
16-24	129764	AAA FRNT MNT ADAPTER KIT PR	Pair; fits both Kids & Adult Angle Adj Footplates
1,8-10,11A,12A,13,14	129765	AAA F/PLT KIT 10-11 RT	Right; used w/ 129764 on Plunger-Style Swing In/Out Hangers
1,8-10,11A,12A,13,14	129766	AAA F/PLT KIT 10-11 LFT	Left; used w/ 129764 on Plunger-Style Swing In/Out Hangers
1,8-10,11A,12B,13,14	129767	AAA F/PLT KIT 12-13 RT	Right; used w/ 129764 on Plunger-Style Swing In/Out Hangers
1,8-10,11A,12B,13,14	129768	AAA F/PLT KIT 12-13 LFT	Left; used w/ 129764 on Plunger-Style Swing In/Out Hangers
1,8-10,11B,12C,13,14	129769	AAA F/PLT KIT 14-15 RT	Right; used w/ 129764 on Plunger-Style Swing In/Out Hangers
1,8-10,11B,12C,13,14	129770	AAA F/PLT KIT 14-15 LFT	Left; used w/ 129764 on Plunger-Style Swing In/Out Hangers
1,8-10,11C,12D,13,14	129771	AAA F/PLT KIT 16-17 RT	Right; used w/ 129764 on Plunger-Style Swing In/Out Hangers
1,8-10,11C,12D,13,14	129772	AAA F/PLT KIT 16-17 LFT	Left; used w/ 129764 on Plunger-Style Swing In/Out Hangers
1,8-10,11D,12E,13,14	129773	AAA F/PLT KIT 18-20 RT	Right; used w/ 129764 on Plunger-Style Swing In/Out Hangers
1,8-10,11D,12E,13,14	129774	AAA F/PLT KIT 18-20 LFT	Left; used w/ 129764 on Plunger-Style Swing In/Out Hangers
1-10,11A,12B	111514	AAA FTPLT 90D 12/13" R	Right; used w/ Old-Style Latch Block Swing In/Out & S/A Hngrs
1-10,11A,12B	111515	AAA FTPLT 90D 12/13" L	Left; used w/ Old-Style Latch Block Swing IO & S/A Hngrs
1-10,11B,12C	111516	AAA FTPLT 90D 14/15" R	Right; used w/ Old-Style Latch Block Swing In/Out & S/A Hngrs
1-10,11B,12C	111517	AAA FTPLT 90D 14/15" L	Left; used w/ Old-Style Latch Block Swing IO & S/A Hngrs
1-10,11C,12D	111518	AAA FTPLT 90D 16/17" R	Right; used w/ Old-Style Latch Block Swing In/Out & S/A Hngrs
1-10,11C,12D	111519	AAA FTPLT 90D 16/17" L	Left; used w/ Old-Style Latch Block Swing IO & S/A Hngrs
1-10,11D,12E	111520	AAA FTPLT 90D 18/20" R	Right; used w/ Old-Style Latch Block Swing In/Out & S/A Hngrs
1-10,11D,12E	111521	AAA FTPLT 90D 18/20" L	Left; used w/ Old-Style Latch Block Swing IO & S/A Hngrs
		Ship assembled part #	Use with multiple assemblies
	ASSY-HNG-FP	HANGER/FOOTPLATE ASSY REQUIRED	add with Hanger & Footplate kit

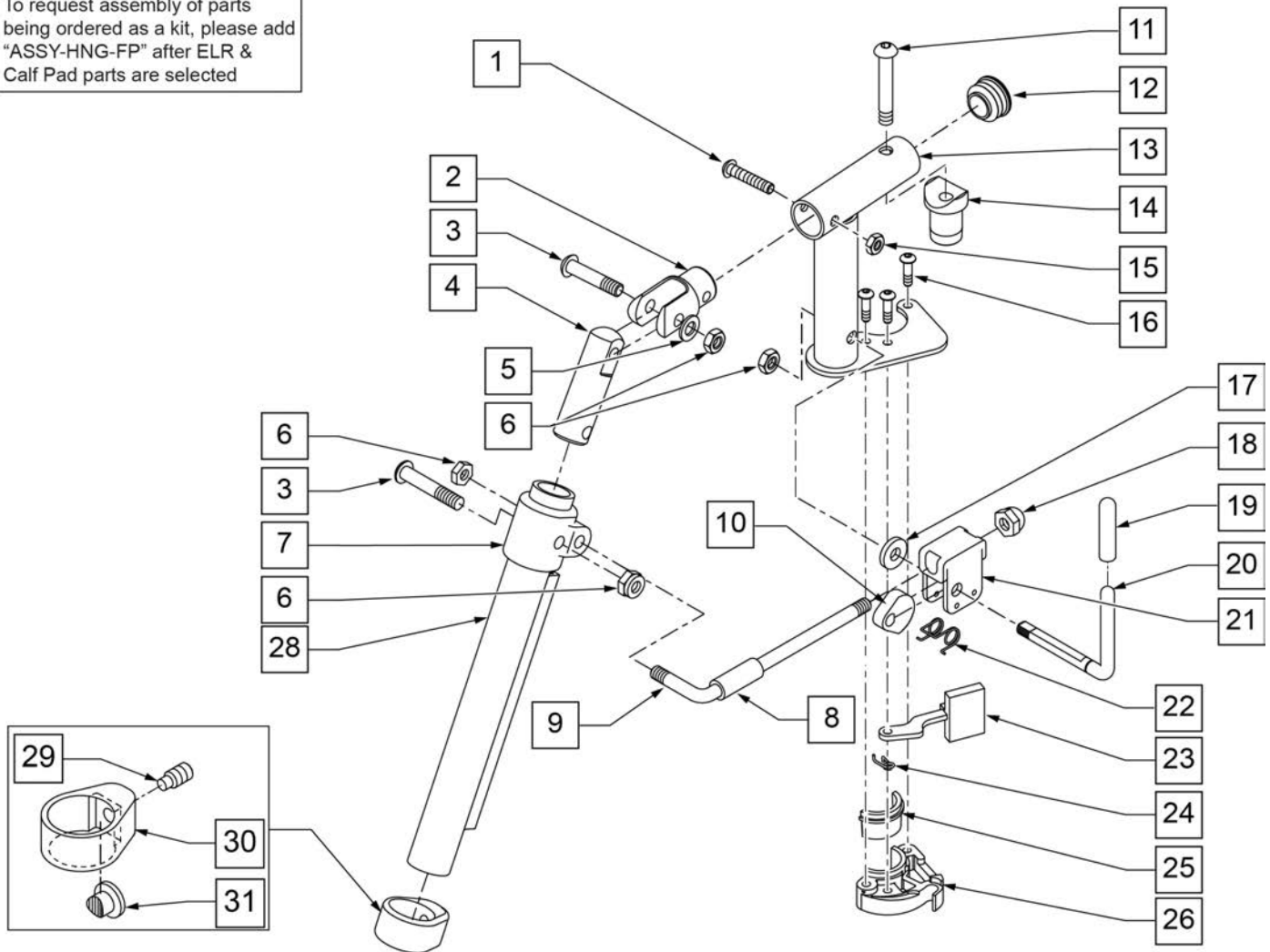
Note: For installation instructions please see the informations section to the right of this parts page.



Pos.	Item Number	Description	Remarks
1A	163881	ELR NEOPRENE COVER PR	Pair
1B	163882	ELR GEL COVER PR	Pair
2A	163883	ALR NEOPRENE COVER PR	Pair
2B	163884	ALR GEL COVER PR	Pair

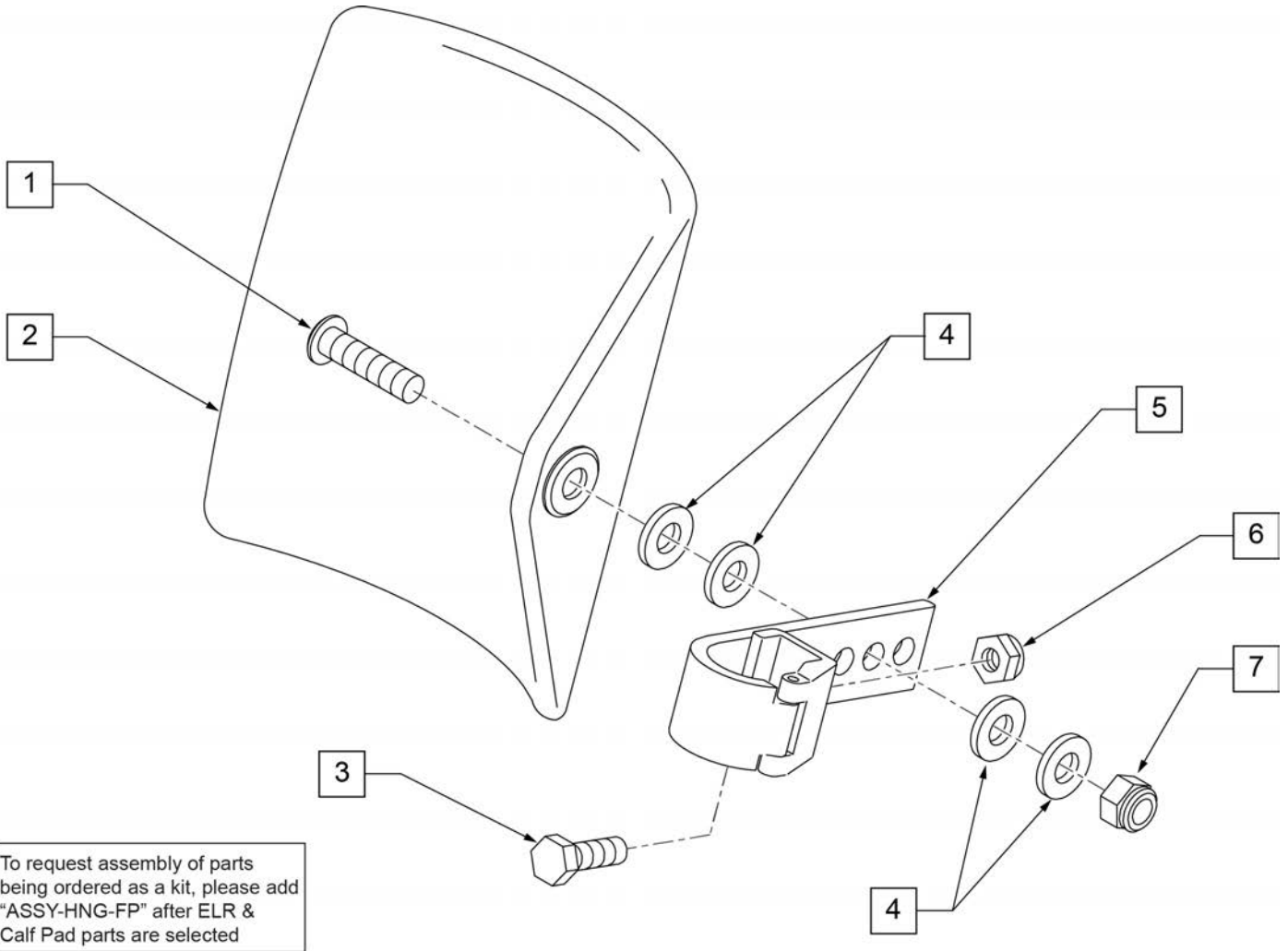
Note: For complete assembly order 881422, 881423,118060S (2 ea), 106823 (2 ea),104166 (2 ea) & 104171 (2 ea).

To request assembly of parts being ordered as a kit, please add "ASSY-HNG-FP" after ELR & Calf Pad parts are selected



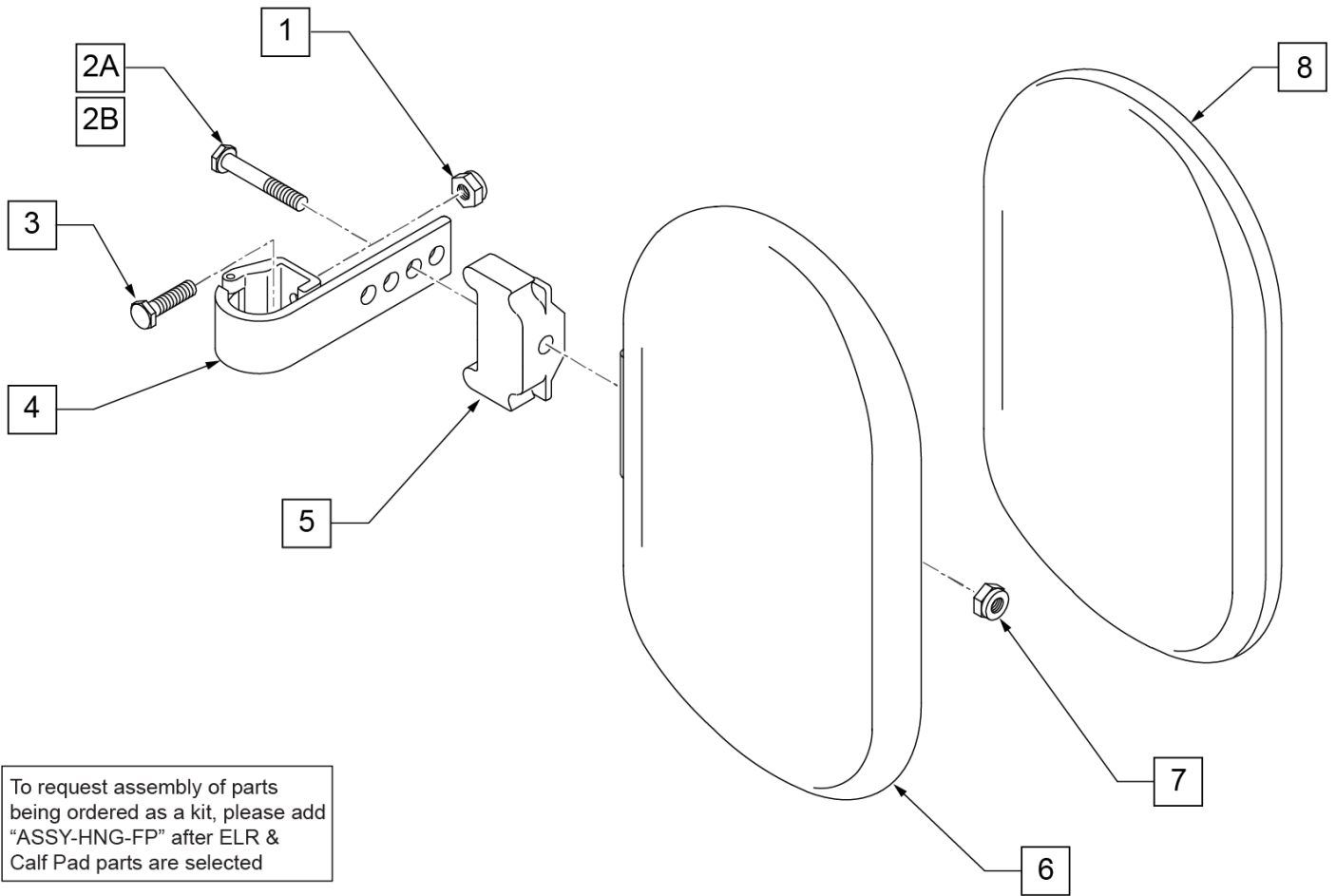
Pos.	Item Number	Description	Remarks
1	106961	1/4-28 X 1 1/4 BH C/S	
2	505281	ELR CLEVIS	
3	107037	BHCS 5/16-24 X 1-1/2 SHLD ROHS	
4	540252	ELR PIVOT PRS	
5	106946	WASHER FLAT AN 5/16 ROHS	
6	106939	NUT NYLOCK THIN 5/16-24 ROHS	
7	560420	ELR UPPER PIVOT PLST	
8	560784	ELR ADJUSTMENT STOP	
9	481117	ELR LOCK ROD	
10	481119	ELR CAM LOCKING POWDERED METAL	
11	106983	BHCS 5/16-18 X 2 SHLDR ROHS	
12	561062	1" INSERT PLUG .065 RIBS	
14	561197	PLASTIC PIVOT SADDLE	
15	106935	NUT NYLOCK THIN 1/4-28 ROHS	
16	107035	BHCS 10-24 X .725 PL ROHS	

Pos.	Item Number	Description	Remarks
17	561059	3/4 OD x .318 ID WASHER	
18	202109	5/16-24 ACORN NUT HEX	
19	561049	ELR RELEASE ROD COVER	
19,20	882410S	ELR ACTUATION ARM ASSEMBLY	
21	880990	ELR LOCK HOUSING W/PIN	
22	321106	ELR TORSION SPRING	
23	561079	S/A LATCH LEVER	
24	321136	S/A SPRING L RED	LEFT
24	321137	S/A SPRING R CLEAR	RIGHT
28	118060S	TUBE HANGER ELR	
29	106823	SET SCREW 3/8-24 X 3/8 FLT PT	
30	104166	CLAMP BODY FOOTREST	
31	104171	PAD LOCKING FOOTREST	
6,8-10,17-22	881077S	ELR LOCK ROD/ARM ASSEMBLY	
25,26	881500	LATCH BLOCK ASSM	RIGHT
25,26	881501	LATCH BLOCK ASSM	LEFT
1-6,11-16,20-24	882413	ELR PIVOT BLOCK ASSM	RIGHT
1-6,11-16,20-24	882414	ELR PIVOT BLOCK ASSM	LEFT
1-26	881422	ELR PIVOT ASSM RIGHT	RIGHT
1-26	881423	ELR PIVOT ASSM LEFT	LEFT
16,23-26	881521	S/A LATCH KIT CASTING RIGHT	RIGHT
16,23-26	881522	S/A LATCH KIT CASTING LEFT	LEFT
29-31	119495	EXTENSION CLAMP KIT	
		Ship assembled part #	Use with multiple assemblies
	ASSY-HNG-FP	HANGER/FOOTPLATE ASSY REQUIRED	add with Hanger & Footplate kit



Pos.	Item Number	Description	Remarks
1	106980	BHCS 5/16-18 X 1-1/4 ROHS	
2	755014	CALF PAD TROUGH STYLE 14"/16"	
3	221097	1/4-28 X 5/8 HEX C/S BZ	
4	561016	1" WASHER 5/16" HOLE	
5	881413	CALF PAD BRACKET ASSEMBLY	
6	106934	NUT NYLOCK 1/4-28 ROHS	
7	106937	NUT NYLOCK THIN 5/16-18	
1-7	881414	CALF PAD J-HOOK 14"-15" ASSEMBLY	
		Ship assembled part #	Use with multiple assemblies
	ASSY-HNG-FP	HANGER/FOOTPLATE ASSY REQUIRED	add with Hanger & Footplate kit





Pos.	Item Number	Description	Remarks
1	106934	NUT NYLOCK 1/4-28 ROHS	
2A	107018	HHCS 5/16-18 X 2-1/2 ROHS	16"-17" wide only
2B	107019	HHCS 5/16-18 X 3-1/2 ROHS	18"-20" wide only
3	107013	HHCS 1/4-28 X 5/8 ROHS	
4	881413	CALF PAD BRACKET ASSEMBLY	
5	560199	ELR CALF HINGE SPACER	18"-20" wide only
6	560108	CALF PAD MOLDED 16"-20"	
7	106936	NUT NYLOCK 5/16-18 ROHS	
8	751045	CALF PAD COVER	
1,2A,3,4,6-8	881416	CALF MOLDED 16"-17" ASSEMBLY	
1,2B,3-7,8	881412	CALF PAD MOLDED 18"-20" ASSEMBLY	
		Ship assembled part #	Use with multiple assemblies
	ASSY-HNG-FP	HANGER/FOOTPLATE ASSY REQUIRED	add with Hanger & Footplate kit

**Note:** Footplate Assemblies are set to footrest width; please see "Footplate Formula" table for seat width conversion.

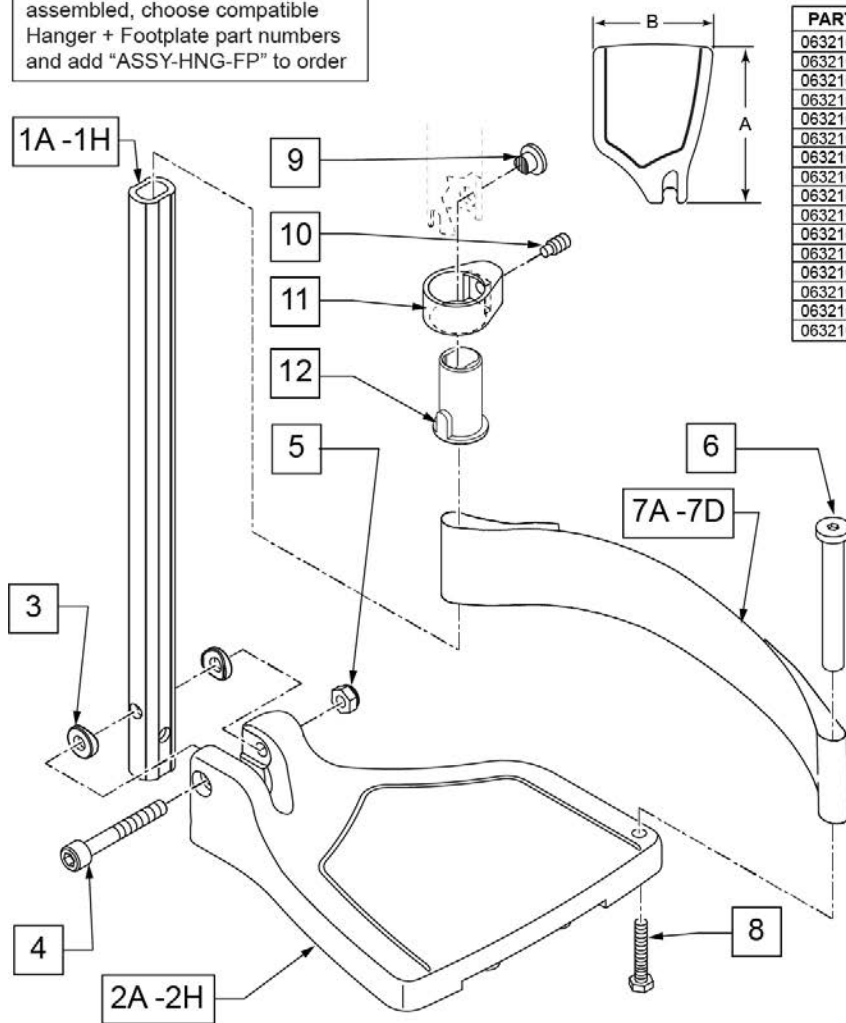
Note: V Style Hangers are not available on Swing Away Style chairs effective 7/14/14; see the "Prior To" ordering guide for V Style footplate assemblies.

Note: for QX Series or SR45 footplate replacement parts see the ordering guide marked specifically for these two models in the informations panel.

**FOOTPLATE MEASURING GUIDE**

PART NO	DESCRIPTION	"A"	"B"
063216-006	FOOTPLATE COMPOSITE 157 R (13"W)	6 1/8"	6"
063216-012	FOOTPLATE COMPOSITE 157 L (13"W)	6 1/8"	6"
063216-015	FOOTPLATE COMPOSITE 170 R (14"W)	6 5/8"	6"
063216-018	FOOTPLATE COMPOSITE 170 L (14"W)	6 5/8"	6"
063216-005	FOOTPLATE COMPOSITE 182 R (15"W)	7 1/8"	6"
063216-011	FOOTPLATE COMPOSITE 182 L (15"W)	7 1/8"	6"
063216-014	FOOTPLATE COMPOSITE 195 R (16"W)	7 5/8"	6"
063216-017	FOOTPLATE COMPOSITE 195 L (16"W)	7 5/8"	6"
063216-004	FOOTPLATE COMPOSITE 207 R (17"W)	8 1/8"	6"
063216-010	FOOTPLATE COMPOSITE 207 L (17"W)	8 1/8"	6"
063216-013	FOOTPLATE COMPOSITE 220 R (18"W)	8 5/8"	6 1/4"
063216-016	FOOTPLATE COMPOSITE 220 L (18"W)	8 5/8"	6 1/4"
063216-003	FOOTPLATE COMPOSITE 232 R (19-20"W)	9 1/8"	6 1/4"
063216-009	FOOTPLATE COMPOSITE 232 L (19-20"W)	9 1/8"	6 1/4"
063216-002	FOOTPLATE COMPOSITE 257 R (21-22"W)	10 1/8"	6 1/4"
063216-008	FOOTPLATE COMPOSITE 257 L (21-22"W)	10 1/8"	6 1/4"

To have complete Footrest ship assembled, choose compatible Hanger + Footplate part numbers and add "ASSY-HNG-FP" to order



**INSET FORMULA**  
 0" Inset (Seat Width) = Footrest Width  
 1" Inset (Seat Width) -2" = Footrest Width  
 "V" Hanger (Seat Width) -4" = Footrest Width  
 Offset Hanger Receiver (Seat Width) +2" = Footrest Width

Pos.	Item Number	Description	Remarks
1A,3-5	120660	SHT STRT EXT COMP HDWR	80 deg hangers + ELR only
1B,3-5	120661	MED STRT EXT COMP HDWR	80 deg hangers + ELR only
1C,3-5	120662	LNG STRT EXT COMP HDWR	80 deg hangers + ELR only
1D,3-5	120663	SHT BNT EXT COMP HDWR	60,70,70 Hemi Hangers
1E,3-5	120664	MED BNT EXT COMP HDWR	60,70,70 Hemi Hangers
1F,3-5	120665	LNG BNT EXT COMP HDWR	60,70,70 Hemi Hangers

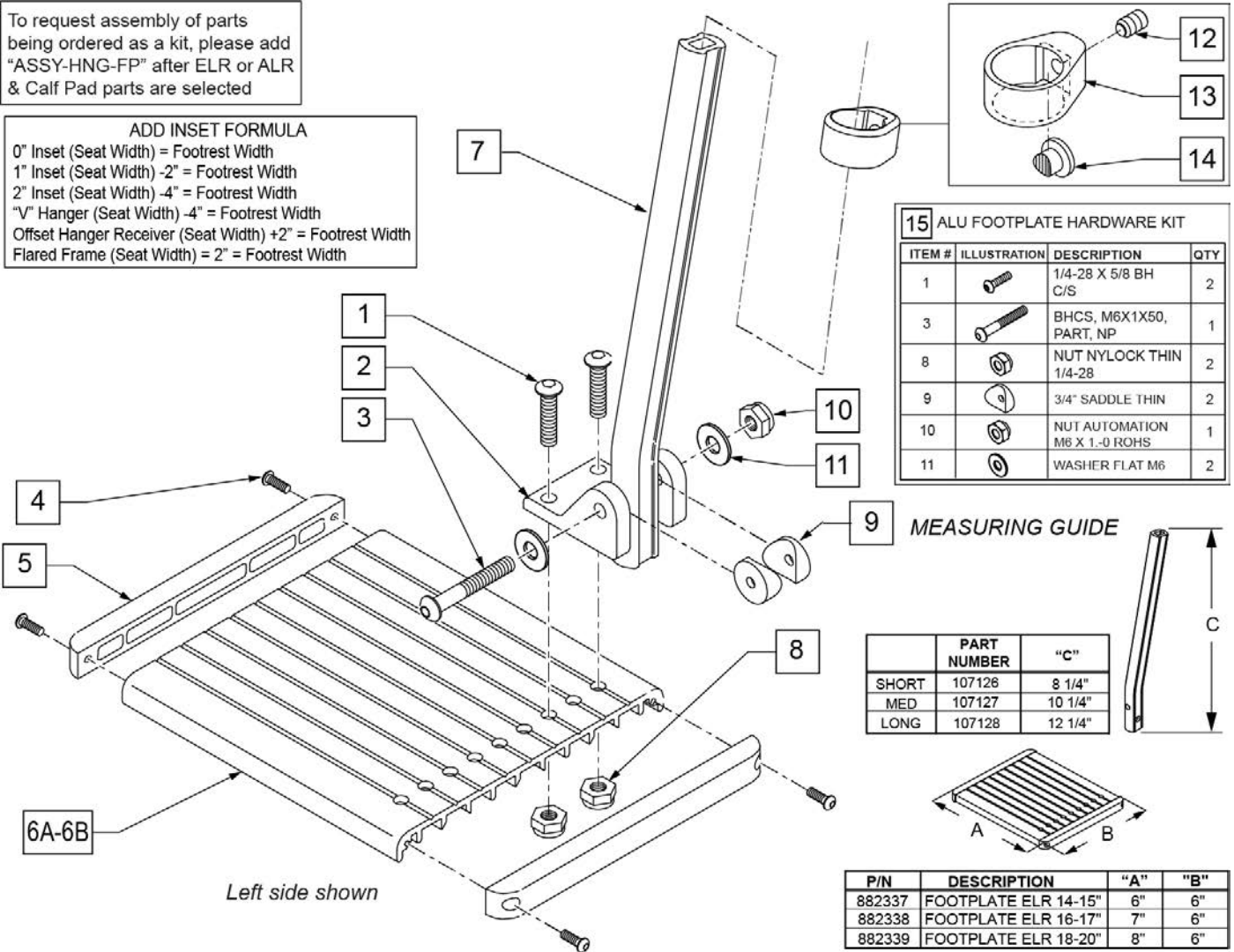
Pos.	Item Number	Description	Remarks
1G,3-5	120666	SHT V EXT R COMP HDWR	70 deg V hangers only-LEFT
1G,3-5	120667	SHT V EXT L COMP HDWR	70 deg V hangers only-RIGHT
1H,3-5	120668	LNG V EXT R COMP HDWR	70 deg V hangers only-LEFT
1H,3-5	120669	LNG V EXT L COMP HDWR	70 deg V hangers only-RIGHT
2A	063216-006	FOOTPLATE COMPOSITE 157 R	RIGHT 13" Footrest Width
2A	063216-012	FOOTPLATE COMPOSITE 157 L	LEFT 13" Footrest Width
2B	063216-015	FOOTPLATE COMPOSITE 170 R	RIGHT 14" Footrest Width
2B	063216-018	FOOTPLATE COMPOSITE 170 L	LEFT 14" Footrest Width
2C	063216-005	COMPOSITE FOOTPLATE 182 R	RIGHT 15" Footrest Width
2C	063216-011	COMPOSITE FOOTPLATE 182 L	LEFT 15" Footrest Width
2D	063216-014	FOOTPLATE COMPOSITE 195 R	RIGHT 16" Footrest Width
2D	063216-017	FOOTPLATE COMPOSITE 195 L	LEFT 16" Footrest Width
2E	063216-004	COMPOSITE FOOTPLATE 207 R	RIGHT 17" Footrest Width
2E	063216-010	COMPOSITE FOOTPLATE 207 L	LEFT 17" Footrest Width
2F	063216-013	FOOTPLATE COMPOSITE 220 R	RIGHT 18" Footrest Width
2F	063216-016	FOOTPLATE COMPOSITE 220 L	LEFT 18" Footrest Width
2G	063216-003	COMPOSITE FOOTPLATE 232 R	RIGHT 19" & 20" Footrest Width
2G	063216-009	COMPOSITE FOOTPLATE 232 L	LEFT 19" & 20" Footrest Width
2H	063216-002	FOOTPLATE COMPOSITE 257 R	RIGHT 21" & 22" Footrest Width
2H	063216-008	FOOTPLATE COMPOSITE 257 L	LEFT 21" & 22" Footrest Width
3	104377	3/4" SADDLE THIN	
4	103175	SHCS M6 X 1 X 40 INORG	
5	132626	NUT AUTOMATION M6 X 1.0	Inserted in bottom of footplate.
6	104328	HEEL LOOP PEG	
7A	104380-001	ADJUSTABLE FOOT REST STRAP	14" wide
7B	104380-002	ADJUSTABLE FOOT REST STRAP	15-16" wide
7C	104380-003	ADJUSTABLE FOOT REST STRAP	17-18" wide
7D	104380-004	ADJUSTABLE FOOT REST STRAP	19-22" wide
8	102268-001	HHCS M6 X 1 X 25	
12	104160	BUSHING FOOTREST	
9-12	107485	FOOTREST CLAMP ASSM	
		Ship assembled part #	Use with multiple assemblies
	ASSY-HNG-FP	HANGER/FOOTPLATE ASSY REQUIRED	add with Hanger & Footplate kit
>>>>		60°,70°,70° HEMI HANGERS - SHORT EXT - RIGHT	
1D,2A,3-6,7A,8	107746	COMP BNT SHT EXT ASM 13" W R	Right- 70D- 13" W- SHORT
1D,2B,3-6,7A,8	107747	COMP BNT SHT EXT ASM 14" W R	Right- 70D- 14" W- SHORT
1D,2C,3-6,7B,8	107748	COMP BNT SHT EXT ASM 15" W R	Right- 70D- 15" W- SHORT
1D,2D,3-6,7B,8	107749	COMP BNT SHT EXT ASM 16" W R	Right- 70D- 16" W- SHORT
1D,2E,3-6,7C,8	107750	COMP BNT SHT EXT ASM 17" W R	Right- 70D- 17" W- SHORT
1D,2F,3-6,7C,8	107751	COMP BNT SHT EXT ASM 18" W R	Right- 70D- 18" W- SHORT
1D,2G,3-6,7D,8	107752	COMP BNT SHT EXT ASM 19 & 20"W R	Right- 70D- 19 & 20" W- SHORT
1D,2H,3-6,7D,8	111528	COMP BNT SHT EXT ASM 21 & 22"W R	Right- 70D- 21 & 22" W- SHORT
>>>>		60°,70°,70° HEMI HANGERS - SHORT EXT - LEFT	
1D,2A,3-6,7A,8	107753	COMP BNT SHT EXT ASM 13" W L	Left- 70D- 13 W- SHORT
1D,2B,3-6,7A,8	107754	COMP BNT SHT EXT ASM 14" W L	Left- 70D- 14 W- SHORT
1D,2C,3-6,7B,8	107755	COMP BNT SHT EXT ASM 15" W L	Left- 70D- 15 W- SHORT
1D,2D,3-6,7B,8	107756	COMP BNT SHT EXT ASM 16" W L	Left- 70D- 16 W- SHORT
1D,2E,3-6,7C,8	107757	COMP BNT SHT EXT ASM 17" W L	Left- 70D- 17 W- SHORT
1D,2F,3-6,7C,8	107758	COMP BNT SHT EXT ASM 18" W L	Left- 70D- 18 W- SHORT
1D,2G,3-6,7D,8	107759	COMP BNT SHT EXT ASM 19 & 20"W L	Left- 70D- 19 & 20" W- SHORT
1D,2H,3-6,7D,8	111529	COMP BNT SHT EXT ASM 21 & 22"W L	Left- 70D- 21 & 22" W- SHORT
>>>>		60°,70°,70° HEMI HANGERS - MED EXT - RIGHT	
1E,2A,3-6,7A,8	107760	COMP BNT MED EXT ASM 13" W R	Right- 70D- 13" W- MED
1E,2B,3-6,7A,8	107761	COMP BNT MED EXT ASM 14" W R	Right- 70D- 14" W- MED
1E,2C,3-6,7B,8	107762	COMP BNT MED EXT ASM 15" W R	Right- 70D- 15" W- MED
1E,2D,3-6,7B,8	107763	COMP BNT MED EXT ASM 16" W R	Right- 70D- 16" W- MED
1E,2E,3-6,7C,8	107764	COMP BNT MED EXT ASM 17" W R	Right- 70D- 17" W- MED

Pos.	Item Number	Description	Remarks
1E,2F,3-6,7C,8	107765	COMP BNT MED EXT ASM 18" W R	Right- 70D- 18" W- MED
1E,2G,3-6,7D,8	107766	COMP BNT MED EXT ASM 19 & 20"W R	Right- 70D- 19 & 20" W- MED
1E,2H,3-6,7D,8	111530	COMP BNT MED EXT ASM 21 & 22"W R	Right- 70D- 21 & 22" W- MED
>>>>		60°,70°,70° HEMI HANGERS - MED EXT - LEFT	
1E,2A,3-6,7A,8	107767	COMP BNT MED EXT ASM 13" W L	Left- 70D- 13 W- MED
1E,2B,3-6,7A,8	107768	COMP BNT MED EXT ASM 14" W L	Left- 70D- 14 W- MED
1E,2C,3-6,7B,8	107769	COMP BNT MED EXT ASM 15" W L	Left- 70D- 15 W- MED
1E,2D,3-6,7B,8	107770	COMP BNT MED EXT ASM 16" W L	Left- 70D- 16 W- MED
1E,2E,3-6,7C,8	107771	COMP BNT MED EXT ASM 17" W L	Left- 70D- 17 W- MED
1E,2F,3-6,7C,8	107772	COMP BNT MED EXT ASM 18" W L	Left- 70D- 18 W- MED
1E,2G,3-6,7D,8	107773	COMP BNT MED EXT ASM 19 & 20"W L	Left- 70D- 19 & 20" W- MED
1E,2H,3-6,7D,8	111531	COMP BNT MED EXT ASM 21 & 22"W L	Left- 70D- 21 & 22" W- MED
>>>>		60°,70°,70° HEMI HANGERS - LONG EXT - RIGHT	
1F,2A,3-6,7A,8	107774	COMP BNT LONG EXT ASM 13" W R	Right- 70D- 13" W- LONG
1F,2B,3-6,7A,8	107775	COMP BNT LONG EXT ASM 14" W R	Right- 70D- 14" W- LONG
1F,2C,3-6,7B,8	107776	COMP BNT LONG EXT ASM 15" W R	Right- 70D- 15" W- LONG
1F,2D,3-6,7B,8	107777	COMP BNT LONG EXT ASM 16" W R	Right- 70D- 16" W- LONG
1F,2E,3-6,7C,8	107778	COMP BNT LONG EXT ASM 17" W R	Right- 70D- 17" W- LONG
1F,2F,3-6,7C,8	107779	COMP BNT LONG EXT ASM 18" W R	Right- 70D- 18" W- LONG
1F,2G,3-6,7D,8	107780	COMP BNT LONG EXT ASM 19 & 20"W R	Right- 70D- 19 & 20" W- LONG
1F,2H,3-6,7D,8	111532	COMP BNT LONG EXT ASM 21 & 22"W R	Right- 70D- 21 & 22" W- LONG
>>>>		60°,70°,70° HEMI HANGERS - LONG EXT - LEFT	
1F,2A,3-6,7A,8	107781	COMP BNT LONG EXT ASM 13" W L	Left- 70D- 13 W- LONG
1F,2B,3-6,7A,8	107782	COMP BNT LONG EXT ASM 14" W L	Left- 70D- 14 W- LONG
1F,2C,3-6,7B,8	107783	COMP BNT LONG EXT ASM 15" W L	Left- 70D- 15 W- LONG
1F,2D,3-6,7B,8	107784	COMP BNT LONG EXT ASM 16" W L	Left- 70D- 16 W- LONG
1F,2E,3-6,7C,8	107785	COMP BNT LONG EXT ASM 17" W L	Left- 70D- 17 W- LONG
1F,2F,3-6,7C,8	107786	COMP BNT LONG EXT ASM 18" W L	Left- 70D- 18 W- LONG
1F,2G,3-6,7D,8	107787	COMP BNT LONG EXT ASM 19 & 20"W L	Left- 70D- 19 & 20" W- LONG
1F,2H,3-6,7D,8	111533	COMP BNT LONG EXT ASM 21 & 22"W L	Left- 70D- 21 & 22" W- LONG
>>>>		70 DEGREE "V" HANGERS - MED EXT - RIGHT	
1G,2A,3-8	107788	COMP V MED EXT ASM 13W R	Right- 70D V hangers only 13 W- MED
1G,2B,3-8	107789	COMP V MED EXT ASM 14W R	Right- 70D V hangers only 14 W- MED
1G,2C,3-8	107790	COMP V MED EXT ASM 15W R	Right- 70D V hangers only 15 W- MED
1G,2D,3-8	107791	COMP V MED EXT ASM 16W R	Right- 70D V hangers only 16 W- MED
1G,2E,3-8	107792	COMP V MED EXT ASM 17W R	Right- 70D V hangers only 17 W- MED
1G,2F,3-8	107793	COMP V MED EXT ASM 18W R	Right- 70D V hangers only 18 W- MED
>>>>		70 DEGREE "V" HANGERS - MED EXT - LEFT	
1G,2A,3-8	107795	COMP V MED EXT ASM 13W L	Left- 70D V hangers only 13 W- MED
1G,2B,3-8	107796	COMP V MED EXT ASM 14W L	Left- 70D V hangers only 14 W- MED
1G,2C,3-8	107797	COMP V MED EXT ASM 15W L	Left- 70D V hangers only 15 W- MED
1G,2D,3-8	107798	COMP V MED EXT ASM 16W L	Left- 70D V hangers only 16 W- MED
1G,2E,3-8	107799	COMP V MED EXT ASM 17W L	Left- 70D V hangers only 17 W- MED
1G,2F,3-8	107800	COMP V MED EXT ASM 18W L	Left- 70D V hangers only 18 W- MED
>>>>		70 DEGREE "V" HANGERS - LONG EXT - RIGHT	
1H,2A,3-8	107802	COMP V LNG EXT ASM 13W R	Right- 70D V hangers only 13 W- LONG
1H,2B,3-8	107803	COMP V LNG EXT ASM 14W R	Right- 70D V hangers only 14 W- LONG
1H,2C,3-8	107804	COMP V LNG EXT ASM 15W R	Right- 70D V hangers only 15 W- LONG
1H,2D,3-8	107805	COMP V LNG EXT ASM 16W R	Right- 70D V hangers only 16 W- LONG
1H,2E,3-8	107806	COMP V LNG EXT ASM 17W R	Right- 70D V hangers only 17 W- LONG
1H,2F,3-8	107807	COMP V LNG EXT ASM 18W R	Right- 70D V hangers only 18 W- LONG
>>>>		70 DEGREE "V" HANGERS - LONG EXT - LEFT	
1H,2A,3-8	107809	COMP V LNG EXT ASM 13W L	Left- 70D V hangers only 13 W- LONG
1H,2B,3-8	107810	COMP V LNG EXT ASM 14W L	Left- 70D V hangers only 14 W- LONG
1H,2C,3-8	107811	COMP V LNG EXT ASM 15W L	Left- 70D V hangers only 15 W- LONG
1H,2D,3-8	107812	COMP V LNG EXT ASM 16W L	Left- 70D V hangers only 16 W- LONG
1H,2E,3-8	107813	COMP V LNG EXT ASM 17W L	Left- 70D V hangers only 17 W- LONG

Pos.	Item Number	Description	Remarks
1H,2F,3-8	107814	COMP V LNG EXT ASM 18W L	Left- 70D V hangers only 18 W- LONG
>>>>		80 DEGREE HANGERS - SHORT EXT - RIGHT	
1A,2A,3-6,7A,8	107704	COMP STRT SHT EXT ASM 13"W R	Right- 80D- 13" W- SHORT
1A,2B,3-6,7A,8	107705	COMP STRT SHT EXT ASM 14"W R	Right- 80D- 14" W- SHORT
1A,2C,3-6,7B,8	107706	COMP STRT SHT EXT ASM 15"W R	Right- 80D- 15" W- SHORT
1A,2D,3-6,7B,8	107707	COMP STRT SHT EXT ASM 16"W R	Right- 80D- 16" W- SHORT
1A,2E,3-6,7C,8	107708	COMP STRT SHT EXT ASM 17"W R	Right- 80D- 17" W- SHORT
1A,2F,3-6,7C,8	107709	COMP STRT SHT EXT ASM 18"W R	Right- 80D- 18" W- SHORT
1A,2G,3-6,7D,8	107710	COMP STRT SHT EXT ASM 19 & 20"W R	Right- 80D- 19 & 20" W- SHORT
1A,2H,3-6,7D,8	111522	COMP STRT SHT EXT ASM 21 & 22"W R	Right- 80D- 21 & 22" W- SHORT
>>>>		80 DEGREE HANGERS - SHORT EXT - LEFT	
1A,2A,3-6,7A,8	107711	COMP STRT SHT EXT ASM 13"W L	LEFT- 80D- 13" W- SHORT
1A,2B,3-6,7A,8	107712	COMP STRT SHT EXT ASM 14"W L	LEFT- 80D- 14" W- SHORT
1A,2C,3-6,7B,8	107713	COMP STRT SHT EXT ASM 15"W L	LEFT- 80D- 15" W- SHORT
1A,2D,3-6,7B,8	107714	COMP STRT SHT EXT ASM 16"W L	LEFT- 80D- 16" W- SHORT
1A,2E,3-6,7C,8	107715	COMP STRT SHT EXT ASM 17"W L	LEFT- 80D- 17" W- SHORT
1A,2F,3-6,7C,8	107716	COMP STRT SHT EXT ASM 18"W L	LEFT- 80D- 18" W- SHORT
1A,2G,3-6,7D,8	107717	COMP STRT SHT EXT ASM 19 & 20"W L	LEFT- 80D- 19 & 20" W- SHORT
1A,2H,3-6,7D,8	111523	COMP STRT SHT EXT ASM 21 & 22"W L	LEFT- 80D- 21 & 22" W- SHORT
>>>>		80 DEGREE HANGERS - MED EXT - RIGHT	
1B,2A,3-6,7A,8	107718	COMP STRT MED EXT ASM 13"W R	Right- 80D- 13" W- MED
1B,2B,3-6,7A,8	107719	COMP STRT MED EXT ASM 14"W R	Right- 80D- 14" W- MED
1B,2C,3-6,7B,8	107720	COMP STRT MED EXT ASM 15"W R	Right- 80D- 15" W- MED
1B,2D,3-6,7B,8	107721	COMP STRT MED EXT ASM 16"W R	Right- 80D- 16" W- MED
1B,2E,3-6,7C,8	107722	COMP STRT MED EXT ASM 17"W R	Right- 80D- 17" W- MED
1B,2F,3-6,7C,8	107723	COMP STRT MED EXT ASM 18"W R	Right- 80D- 18" W- MED
1B,2G,3-6,7D,8	107724	COMP STRT MED EXT ASM 19 & 20"W R	Right- 80D- 19 & 20" W- MED
1B,2H,3-6,7D,8	111524	COMP STRT MED EXT ASM 21 & 22"W R	Right- 80D- 21 & 22" W- MED
>>>>		80 DEGREE HANGERS - MED EXT - LEFT	
1B,2A,3-6,7A,8	107725	COMP STRT MED EXT ASM 13"W L	LEFT- 80D- 13" W- MED
1B,2B,3-6,7A,8	107726	COMP STRT MED EXT ASM 14"W L	LEFT- 80D- 14" W- MED
1B,2C,3-6,7B,8	107727	COMP STRT MED EXT ASM 15"W L	LEFT- 80D- 15" W- MED
1B,2D,3-6,7B,8	107728	COMP STRT MED EXT ASM 16"W L	LEFT- 80D- 16" W- MED
1B,2E,3-6,7C,8	107729	COMP STRT MED EXT ASM 17"W L	LEFT- 80D- 17" W- MED
1B,2F,3-6,7C,8	107730	COMP STRT MED EXT ASM 18"W L	LEFT- 80D- 18" W- MED
1B,2G,3-6,7D,8	107731	COMP STRT MED EXT ASM 19 & 20"W L	LEFT- 80D- 19 & 20" W- MED
1B,2H,3-6,7D,8	111525	COMP STRT MED EXT ASM 21 & 22"W L	LEFT- 80D- 21 & 22" W- MED
>>>>		80 DEGREE HANGERS - LONG EXT - RIGHT	
1C,2A,3-6,7A,8	107732	COMP STRT LONG EXT ASM 13"W R	Right- 80D- 13" W- LONG
1C,2B,3-6,7A,8	107733	COMP STRT LONG EXT ASM 14"W R	Right- 80D- 14" W- LONG
1C,2C,3-6,7B,8	107734	COMP STRT LONG EXT ASM 15"W R	Right- 80D- 15" W- LONG
1C,2D,3-6,7B,8	107735	COMP STRT LONG EXT ASM 16"W R	Right- 80D- 16" W- LONG
1C,2E,3-6,7C,8	107736	COMP STRT LONG EXT ASM 17"W R	Right- 80D- 17" W- LONG
1C,2F,3-6,7C,8	107737	COMP STRT LONG EXT ASM 18"W R	Right- 80D- 18" W- LONG
1C,2G,3-6,7D,8	107738	COMP STRT LONG EXT ASM 19 & 20"W R	Right- 80D- 19 & 20" W- LONG
1C,2H,3-6,7D,8	111526	COMP STRT LONG EXT ASM 21 & 22"W R	Right- 80D- 21 & 22" W- LONG
>>>>		80 DEGREE HANGERS - LONG EXT - LEFT	
1C,2A,3-6,7A,8	107739	COMP STRT LONG EXT ASM 13"W L	LEFT- 80D- 13" W- LONG
1C,2B,3-6,7A,8	107740	COMP STRT LONG EXT ASM 14"W L	LEFT- 80D- 14" W- LONG
1C,2C,3-6,7B,8	107741	COMP STRT LONG EXT ASM 15"W L	LEFT- 80D- 15" W- LONG
1C,2D,3-6,7B,8	107742	COMP STRT LONG EXT ASM 16"W L	LEFT- 80D- 16" W- LONG
1C,2E,3-6,7C,8	107743	COMP STRT LONG EXT ASM 17"W L	LEFT- 80D- 17" W- LONG
1C,2F,3-6,7C,8	107744	COMP STRT LONG EXT ASM 18"W L	LEFT- 80D- 18" W- LONG
1C,2G,3-6,7D,8	107745	COMP STRT LONG EXT ASM 19 & 20"W L	LEFT- 80D- 19 & 20" W- LONG
1C,2H,3-6,7D,8	111527	COMP STRT LONG EXT ASM 21 & 22"W L	LEFT- 80D- 21 & 22" W- LONG

To request assembly of parts being ordered as a kit, please add "ASSY-HNG-FP" after ELR or ALR & Calf Pad parts are selected

**ADD INSET FORMULA**  
 0" Inset (Seat Width) = Footrest Width  
 1" Inset (Seat Width) -2" = Footrest Width  
 2" Inset (Seat Width) -4" = Footrest Width  
 "V" Hanger (Seat Width) -4" = Footrest Width  
 Offset Hanger Receiver (Seat Width) +2" = Footrest Width  
 Flared Frame (Seat Width) = 2" = Footrest Width



**15 ALU FOOTPLATE HARDWARE KIT**

ITEM #	ILLUSTRATION	DESCRIPTION	QTY
1		1/4-28 X 5/8 BH C/S	2
3		BHCS, M6X1X50, PART, NP	1
8		NUT NYLOCK THIN 1/4-28	2
9		3/4" SADDLE THIN	2
10		NUT AUTOMATION M6 X 1-0 ROHS	1
11		WASHER FLAT M6	2

**9 MEASURING GUIDE**

	PART NUMBER	"C"
SHORT	107126	8 1/4"
MED	107127	10 1/4"
LONG	107128	12 1/4"

P/N	DESCRIPTION	"A"	"B"
882337	FOOTPLATE ELR 14-15"	6"	6"
882338	FOOTPLATE ELR 16-17"	7"	6"
882339	FOOTPLATE ELR 18-20"	8"	6"

Pos.	Item Number	Description	Remarks
1	226090	1/4-28 x 5/8 BH C/S	
2	118093	BRACKET FOOTPLATE ALUM	
3	102262-008	BHCS M6 X 1 X 50 INORGANIC	
4	281043	#4 x 5/8 PAN PHIL S/TAP	
5	560101	END CAPS FOOTREST	
7	107126	SHORT BENT	
7	107127	MED BENT	
7	107128	LONG BENT	
7	128078	TUBE FOOTREST EXT SHT HEMI	Use for Hemi Extension option
8	106935	1/4-28 NYLOCK NUT THIN	
9	561003	3/4" SADDLE THIN	
10	132626	NUT AUTOMATION M6 X 1.0	
11	107383	WASHER FLAT M6 ROHS	
4,5,6A	882337	ELR FOOTPLATE ASSEMBLY 14 -15"	
4,5,6B	882338	ELR FOOTPLATE ASSEMBLY 16 -17"	
4,5,6C	882339	ELR FOOTPLATE ASSEMBLY 18 -20"	
12-14	119495	EXTENSION CLAMP KIT	
15	129775	ALU FOOTPLATE HDWARE KIT	Ext tube not included; bracket (118093) not included

<b>Pos.</b>	<b>Item Number</b>	<b>Description</b>	<b>Remarks</b>
		Ship assembled part #	Use with multiple assemblies
	ASSY-HNG-FP	HANGER/FOOTPLATE ASSY REQUIRED	add with Hanger & Footplate kit

**Note:** Footplate Assemblies are set to footrest width; please see "Footplate Formula" table for seat width conversion.

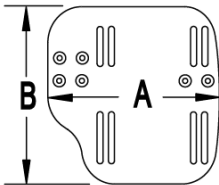
Note: V Style Hangers are not available on Swing Away Style chairs effective 7/14/14; see the "Prior To" ordering guide for V Style footplate assemblies.

Note: for QX Series or SR45 footplate replacement parts see the ordering guide marked specifically for these two models in the informations panel.

To have complete Footrest ship assembled, choose compatible Hanger + Footplate part numbers and add "ASSY-HNG-FP" to order

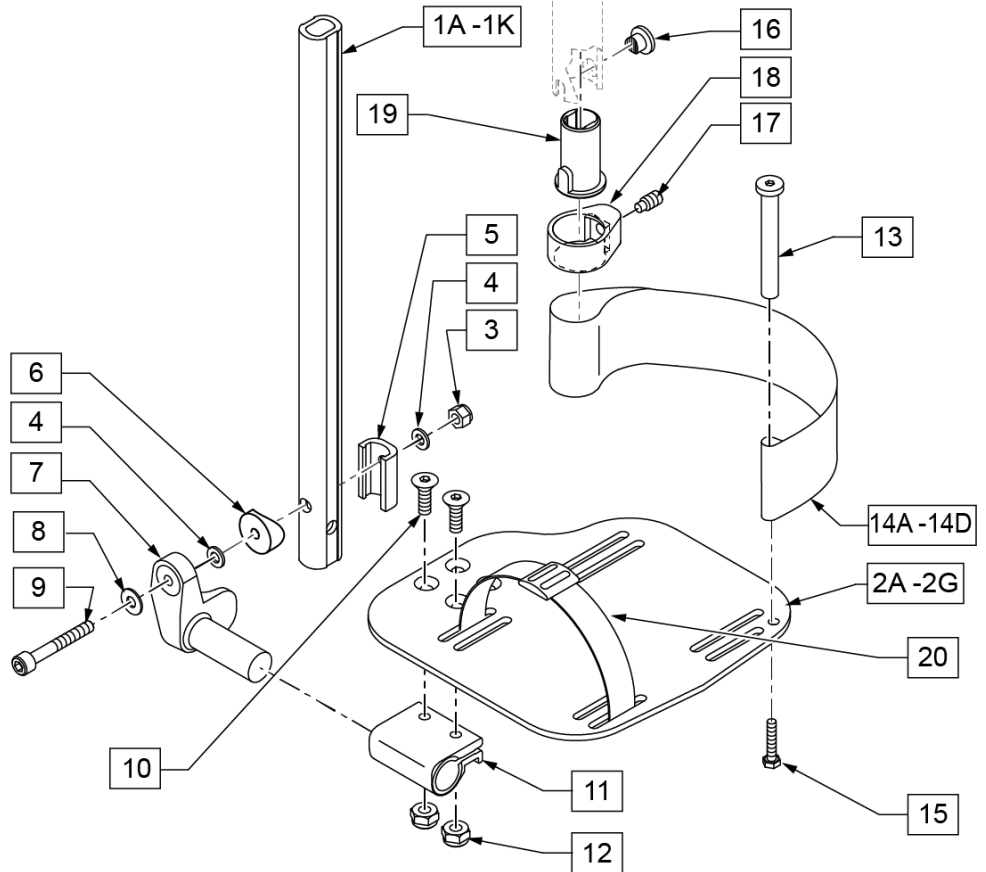
**INSET FORMULA**  
 0" Inset (Seat Width) = Footrest Width  
 1" Inset (Seat Width) -2" = Footrest Width  
 "V" Hanger (Seat Width) -4" = Footrest Width  
 Offset Hanger Receiver (Seat Width) +2" = Footrest Width

**MEASURING GUIDE**



CHAIR WIDTH	"A"	"B"
10" - 11"	3 1/2"	7 1/4"
12" - 13"	4 1/2"	7 3/4"
14" - 15"	5 1/2"	7 3/4"
16" - 17"	6 1/2"	7 3/4"
18" - 20"	7 1/2"	7 3/4"

21 EXT MNT HARDWARE 1 SIDE			
ITEM #	ILLUSTRATION	DESCRIPTION	QTY
3		NUT AUTOMATION M6 X 1.0 ROHS	1
4		WASHER FLAT THIN AN 1/4	2
5		HANGER EXTENSION SADDLE	1
6		3/4" SADDLE 1" OD	1
8		WASHER FLAT SAE 1/4 ROHS	1
9		SHCS M6 X 1 X 45 12MM PART THD	1



Pos.	Item Number	Description	Remarks
1A,3-6,8,9	120670	SHT STRT EXT AAA HDWR	80 deg Hangers Only
1B,3-6,8,9	120671	MED STRT EXT AAA HDWR	80 deg Hangers Only
1C,3-6,8,9	120672	LNG STRT EXT AAA HDWR	80 deg Hangers Only
1D,3-6,8,9	120673	SHT BNT EXT AAA HDWR	60,70,70 Hemi Hangers
1E,3-6,8,9	120674	MED BNT EXT AAA HDWR	60,70,70 Hemi Hangers

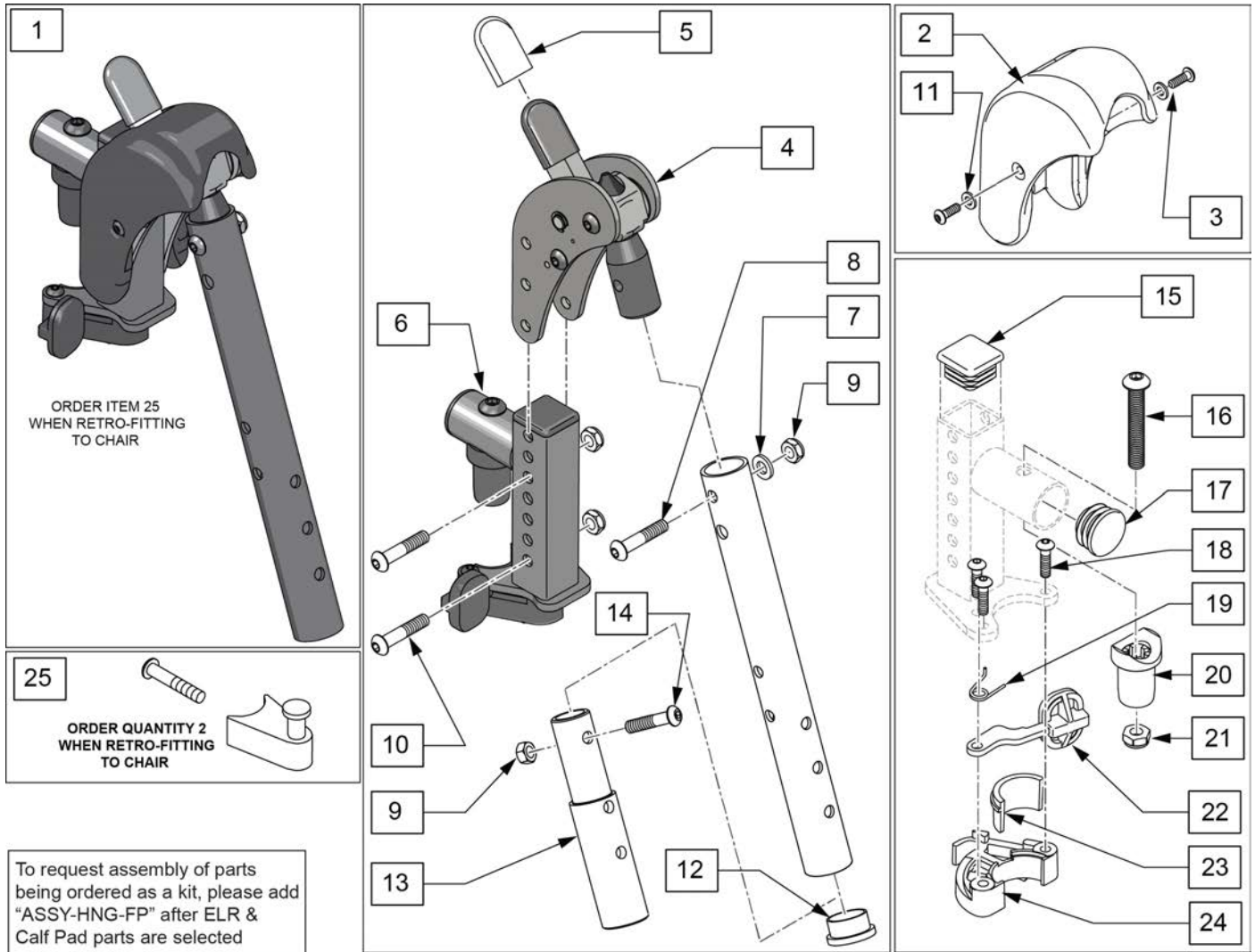


Pos.	Item Number	Description	Remarks
1F,3-6,8,9	120675	LNG BNT EXT AAA HDWR	60,70,70 Hemi Hangers
1G,3-6,8,9	120676	SHT V EXT R AAA HDWR	Left - 70 deg V Hangers Only
1H,3-6,8,9	120677	SHT V EXT L AAA HDWR	Right - 70 deg V Hangers Only
1I,3-6,8,9	120678	LNG V EXT R AAA HDWR	Left - 70 deg V Hangers Only
1J,3-6,8,9	120679	LNG V EXT L AAA HDWR	Right - 70 deg V Hangers Only
2A	500656	ADULT ANG ADJ F/PLT 10/11" R	RIGHT 10-11" Footrest Width
2A	500657	ADULT ANG ADJ F/PLT 10/11" L	LEFT 10-11" Footrest Width
2B	500658	ADULT ANG ADJ F/PLT 12/13" R	RIGHT 12-13" Footrest Width
2B	500659	ADULT ANG ADJ F/PLT 12/13" L	LEFT 12-13" Footrest Width
2C	500660	ADLT ANGL ADJ F/PLT 14/15	RIGHT 14-15" Footrest Width
2C	500661	ADLT ANGL ADJ F/PLT 14/15	LEFT 14-15" Footrest Width
2D	500662	ADLT ANGL ADJ F/PLT 16/17	RIGHT 16-17" Footrest Width
2D	500663	ADLT ANGL ADJ F/PLT 16/17	LEFT 16-17" Footrest Width
2E	500664	ADLT ANGL ADJ F/PLT 18-20	RIGHT 18-22" Footrest Width
2E	500665	ADLT ANGL ADJ F/PLT 18-20	LEFT 18-22" Footrest Width
3	132626	NUT AUTOMATION M6 X 1.0	
4	106944	WASHER FLAT THIN AN 1/4 ROHS	
5	107199	HANGER EXTENSION SADDLE	
6	104377	3/4" SADDLE THIN	
7	541002	FTRST MOUNTING BRKT-3/8 RAD R	RIGHT
7	541003	FTRST MOUNTING BRKT-3/8 RAD L	LEFT
8	106945	WASHER FLAT SAE 1/4 ROHS	
9	104399	SHCS M6X1X45 12 MM PART THD	
10	106978	FHCS 1/4-28 X 7/8 ROHS	
11	550350	3/4" CLMP ADJ FT PLT	
12	106935	NUT NYLOCK THIN 1/4-28 ROHS	
13	104328	POST HEEL LOOP	
14A	104380-001	ADJUSTABLE FOOT REST STRAP	12 - 14" WIDE
14B	104380-002	ADJUSTABLE FOOT REST STRAP	15 - 16" WIDE
14C	104380-003	ADJUSTABLE FOOT REST STRAP	17 - 18" WIDE
14D	104380-004	ADJUSTABLE FOOT REST STRAP	19 - 20" WIDE
15	102268-001	HHCS M6 X 1 X 25	
16-19	107485	FOOTREST CLAMP ASSM	
20	740260	TOE-ANKLE STRAP ADJ ADULT FOOTPLATE	
21	120659	EXT MNT HARDWARE 1 SIDE	
>>>>		80° HANGERS - SHORT EXT - RIGHT	
1A,2B,3-14A,15	111534	AAA STRT SHT EXT ASM 12-13" W R	Right- 80D- 12-13" W- SHORT
1A,2C,3-14B,15	107928	AAA STRT SHT EXT ASM 14-15" W R	Right- 80D- 14-15" W- SHORT
1A,2D,3-14C,15	107930	AAA STRT SHT EXT ASM 16-17" W R	Right- 80D- 16-17" W- SHORT
1A,2E,3-14D,15	107932	AAA STRT SHT EXT ASM 18-22" W R	Right- 80D- 18-22" W- SHORT
>>>>		80° HANGERS - SHORT EXT - LEFT	
1A,2B,3-14A,15	111535	AAA STRT SHT EXT ASM 12-13" W L	Left- 80D- 12-13" W- SHORT
1A,2C,3-14B,15	107935	AAA STRT SHT EXT ASM 14" W L	Left- 80D- 14-15" W- SHORT
1A,2D,3-14C,15	107937	AAA STRT SHT EXT ASM 16" W L	Left- 80D- 16-17" W- SHORT
1A,2E,3-14D,15	107939	AAA STRT SHT EXT ASM 18" W L	Left- 80D- 18-22" W- SHORT
>>>>		80° HANGERS - MED EXT - RIGHT	
1B,2B,3-14A,15	111536	AAA STRT MED EXT ASM 12-13" W R	Right- 80D- 12-13" W- MED
1B,2C,3-14B,15	107942	AAA STRT MED EXT ASM 14-15" W R	Right- 80D- 14-15" W- MED
1B,2D,3-14C,15	107944	AAA STRT MED EXT ASM 16-17" W R	Right- 80D- 16-17" W- MED
1B,2E,3-14D,15	107946	AAA STRT MED EXT ASM 18-22" W R	Right- 80D- 18-22" W- MED
>>>>		80° HANGERS - MED EXT - LEFT	
1B,2B,3-14A,15	111537	AAA STRT MED EXT ASM 12-13" W L	Left- 80D- 12-13" W- MED
1B,2C,3-14B,15	107949	AAA STRT MED EXT ASM 14" W L	Left- 80D- 14-15" W- MED
1B,2D,3-14C,15	107951	AAA STRT MED EXT ASM 16" W L	Left- 80D- 16-17" W- MED
1B,2E,3-14D,15	107953	AAA STRT MED EXT ASM 18" W L	Left- 80D- 18-22" W- MED
>>>>		80° HANGERS - LONG EXT - RIGHT	
1C,2B,3-14A,15	111538	AAA STRT LNG EXT ASM 12-13" W R	Right- 80D- 12-13" W- LONG

Pos.	Item Number	Description	Remarks
1C,2C,3-14B,15	107956	AAA STRT LNG EXT ASM 14 -15" W R	Right- 80D- 14-15" W- LONG
1C,2D,3-14C,15	107958	AAA STRT LNG EXT ASM 16 -17" W R	Right- 80D- 16-17" W- LONG
1C,2E,3-14D,15	107960	AAA STRT LNG EXT ASM 18 -22" W R	Right- 80D- 18-22" W- LONG
>>>>		80° HANGERS - LONG EXT - LEFT	
1C,2B,3-14A,15	111539	AAA STRT LNG EXT ASM 12-13" W L	Left- 80D- 12-13" W- LONG
1C,2C,3-14B,15	107963	AAA STRT LNG EXT ASM 14W L	Left- 80D- 14-15" W- LONG
1C,2D,3-14C,15	107965	AAA STRT LNG EXT ASM 16W L	Left- 80D- 16-17" W- LONG
1C,2E,3-14D,15	107968	AAA STRT LNG EXT ASM 18W L	Left- 80D- 18-22" W- LONG
>>>>		70° HANGERS - SHORT EXT - RIGHT	
1D,2B,3-14A,15	111540	AAA BNT SHT EXT ASM 12-13" W R	Right- 60D,70D,70D HEMI - 12-13" W- SHORT
1D,2C,3-14B,15	107973	AAA BNT SHT EXT ASM 14 -15" W R	Right- 60D,70D,70D HEMI - 14-15" W- SHORT
1D,2D,3-14C,15	107975	AAA BNT SHT EXT ASM 16 -17" W R	Right- 60D,70D,70D HEMI - 16-17" W- SHORT
1D,2E,3-14D,15	107977	AAA BNT SHT EXT ASM 18 -22" W R	Right- 60D,70D,70D HEMI - 18-22" W- SHORT
>>>>		70° HANGERS - SHORT EXT - LEFT	
1D,2B,3-14A,15	111541	AAA BNT SHT EXT ASM 12-13" W L	Left- 60D,70D,70D HEMI - 12-13" W- SHORT
1D,2C,3-14B,15	107980	AAA BNT SHT EXT ASM 14 -15" W L	Left- 60D,70D,70D HEMI - 14-15" W- SHORT
1D,2D,3-14C,15	107982	AAA BNT SHT EXT ASM 16 -17" W L	Left- 60D,70D,70D HEMI - 16-17" W- SHORT
1D,2E,3-14D,15	107984	AAA BNT SHT EXT ASM 18 -22" W L	Left- 60D,70D,70D HEMI - 18-22" W- SHORT
>>>>		70° HANGERS - MED EXT - RIGHT	
1E,2B,3-14A,15	111542	AAA BNT MED EXT ASM 12-13" W R	Right- 60D,70D,70D HEMI - 12-13" W- MED
1E,2C,3-14B,15	107987	AAA BNT MED EXT ASM 14 -15" W R	Right- 60D,70D,70D HEMI - 14-15" W- MED
1E,2D,3-14C,15	107989	AAA BNT MED EXT ASM 16 -17" W R	Right- 60D,70D,70D HEMI - 16-17" W- MED
1E,2E,3-14D,15	107991	AAA BNT MED EXT ASM 18 -22" W R	Right- 60D,70D,70D HEMI - 18-22" W- MED
>>>>		70° HANGERS - MED EXT - LEFT	
1E,2B,3-14A,15	111543	AAA BNT MED EXT ASM 12-13" W L	Left- 60D,70D,70D HEMI - 12-13" W- MED
1E,2C,3-14B,15	107994	AAA BNT MED EXT ASM 14 -15" W L	Left- 60D,70D,70D HEMI - 14-15" W- MED
1E,2D,3-14C,15	107996	AAA BNT MED EXT ASM 16 -17" W L	Left- 60D,70D,70D HEMI - 16-17" W- MED
1E,2E,3-14D,15	107998	AAA BNT MED EXT ASM 18 -22" W L	Left- 60D,70D,70D HEMI - 18-22" W- MED
>>>>		70° HANGERS - LONG EXT - RIGHT	
1F,2B,3-14A,15	111544	AAA BNT LONG EXT ASM 12-13" W R	Right- 60D,70D,70D HEMI - 12-13" W- LONG
1F,2C,3-14B,15	108001	AAA BNT LONG EXT ASM 14 -15" W R	Right- 60D,70D,70D HEMI - 14-15" W- LONG
1F,2D,3-14C,15	108003	AAA BNT LONG EXT ASM 16 -17" W R	Right- 60D,70D,70D HEMI - 16-17" W- LONG
1F,2E,3-14D,15	108005	AAA BNT LONG EXT ASM 18 -22" W R	Right- 60D,70D,70D HEMI - 18-22" W- LONG
>>>>		70° HANGERS - LONG EXT - LEFT	
1F,2B,3-14A,15	111545	AAA BNT LONG EXT ASM 12-13" W L	Left- 60D,70D,70D HEMI - 12-13" W- LONG
1F,2C,3-14B,15	108008	AAA BNT LONG EXT ASM 14 -15" W L	Left- 60D,70D,70D HEMI - 14-15" W- LONG
1F,2D,3-14C,15	108010	AAA BNT LONG EXT ASM 16 -17" W L	Left- 60D,70D,70D HEMI - 16-17" W- LONG
1F,2E,3-14D,15	108012	AAA BNT LONG EXT ASM 18 -22" W L	Left- 60D,70D,70D HEMI - 18-22" W- LONG
>>>>		70° "V" HANGERS - MED EXT - RIGHT	
1G,2A,3-15	111546	AAA V MED EXT ASM 10-11" W R	Right- 70D V hangers only 10-11" W- MED
1G,2B,3-15	111548	AAA V MED EXT ASM 12-13" W R	Right- 70D V hangers only 12-13" W- MED
1G,2C,3-15	108015	AAA V MED EXT ASM 14 -15" W R	Right- 70D V hangers only 14-15" W- MED
1G,2D,3-15	108017	AAA V MED EXT ASM 16 -17" W R	Right- 70D V hangers only 16-18" W- MED
1G,2E,3-15	108019	AAA V MED EXT ASM 18 -18" W R	Right- 70D V hangers only 18-22" W- MED
>>>>		70° "V" HANGERS - MED EXT - LEFT	
1G,2A,3-15	111547	AAA V MED EXT ASM 10-11" W L	Left- 70D V hangers only 10-11" W- MED
1G,2B,3-15	111549	AAA V MED EXT ASM 12-13" W L	Left- 70D V hangers only 12-13" W- MED
1G,2C,3-15	108022	AAA V MED EXT ASM 14 -15"W L	Left- 70D V hangers only 14-15" W- MED
1G,2D,3-15	108024	AAA V MED EXT ASM 16 -17" W L	Left- 70D V hangers only 16-18" W- MED
1G,2E,3-15	108026	AAA V MED EXT ASM 18 -22: W L	Left- 70D V hangers only 18-22" W- MED
>>>>		70° "V" HANGERS - LONG EXT - RIGHT	
1H,2A,3-15	111550	AAA V LONG EXT ASM 10-11" W R	Right- 70D V hangers only 10-11" W- LONG
1H,2B,3-15	111552	AAA V LONG EXT ASM 12-13" W R	Right- 70D V hangers only 12-13" W- LONG
1H,2C,3-15	108029	AAA V LONG EXT ASM 14 -15" W R	Right- 70D V hangers only 14-15" W- LONG
1H,2D,3-15	108031	AAA V LONG EXT ASM 16 -17" W R	Right- 70D V hangers only 16-18" W- LONG
1H,2E,3-15	108033	AAA V LONG EXT ASM 18 -22: W R	Right- 70D V hangers only 18-22" W- LONG
>>>>		70° "V" HANGERS - LONG EXT - LEFT	

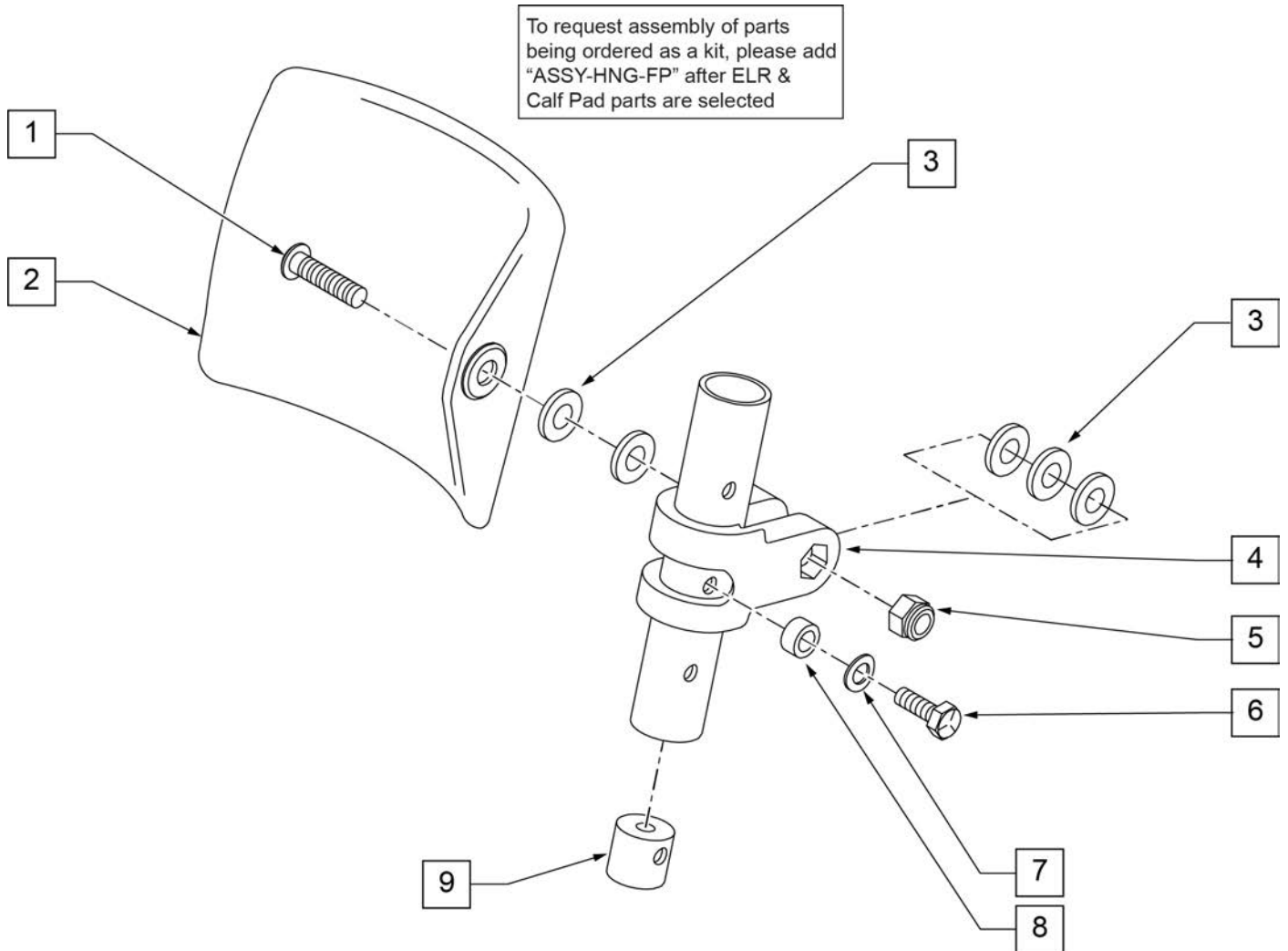
<b>Pos.</b>	<b>Item Number</b>	<b>Description</b>	<b>Remarks</b>
1H,2A,3-15	111551	AAA V LONG EXT ASM 10-11" W L	Left- 70D V hangers only 10-11" W- LONG
1H,2B,3-15	111553	AAA V LONG EXT ASM 12-13" W L	Left- 70D V hangers only 12-13" W- LONG
1H,2C,3-15	108036	AAA V LONG EXT ASM 14 -15" W L	Left- 70D V hangers only 14-15" W- LONG
1H,2D,3-15	108038	AAA V LONG EXT ASM 16 -17" W L	Left- 70D V hangers only 16-18" W- LONG
1H,2E,3-15	108040	AAA V LONG EXT ASM 18 -22" W L	Left- 70D V hangers only 18-22" W- LONG
		Ship assembled part #	Use with multiple assemblies
	ASSY-HNG-FP	HANGER/FOOTPLATE ASSY REQUIRED	add with Hanger & Footplate kit

Note: When retrofitting ELR to a chair with S/A Hangers please order Qty 2 of p/n 107491(Item 25).

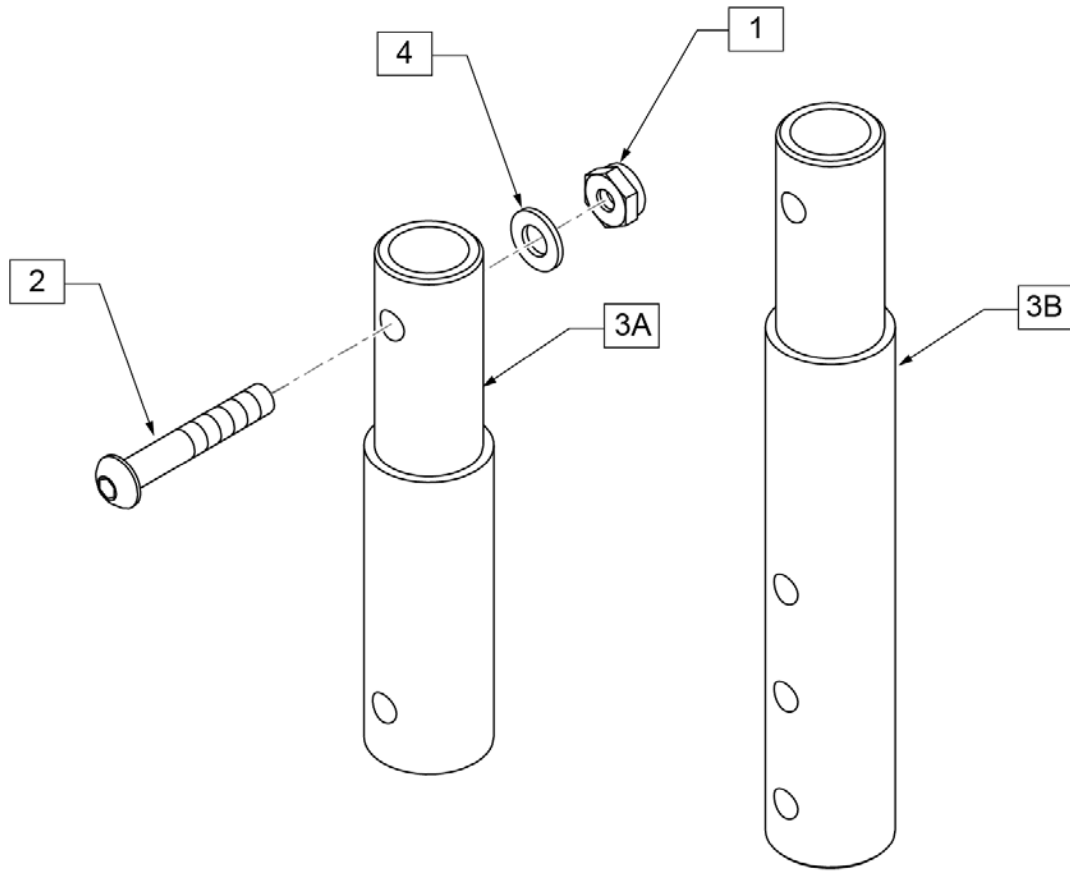


Pos.	Item Number	Description	Remarks
1	129635S	DIRECT MOUNT ELR KIT R	Right-order item 25 when retro-fitting to chair
1	129636S	DIRECT MOUNT ELR KIT L	Left-order item 25 when retro-fitting to chair
1	129634S	DIRECT MOUNT ELR PAIR KIT	Pair-order item 25 when retro-fitting to chair
2,3,25	129640	ELR SHROUD KIT	Kit w/ 2 screws
3	127135	BHCS 8-32 X 1/2 BLK	
4	126992	HEMI ELR SUB ASSM	
5	560501	ALR REL LEVER COVER	
6	127114	HEMI RECEIVER ASSM ELR ALR R	Right
6	127115	HEMI RECEIVER ASSM ELR ALR L	Left
7	104414	WAVE WASHER 6 MM	
8	106961	BHCS 1/4 -28 x 1 1/4 ROHS	
9	106935	1/4-28 NYLOCK NUT THIN BLK ZN	
10	108623	BHCS 1/4-28 x 1-1/2	
11	113282	WASHER FLAT AN #10 ROHS	
12	561002	1" INSERT PLUG .083	

Pos.	Item Number	Description	Remarks
13	500150	2" FOOTREST EXT TUBE	
14	106961	1/4-28 x 1 1/4 BH C/S	
15	010615	SQUARE END CAP CNTR LEG	
17	561062	1" INSERT PLUG .065 RIBS	
18	226057	BHCS 10-24 X .725 PL	
16,17,20,21	119518	PIVOT SADDLE KIT	
23,24	881500	LATCH BLOCK ASSM R	Right
23,24	881501	LATCH BLOCK ASSM L	Left
18,19,22-24	881521	S/A LATCH KIT CASTING RIGHT	Right
18,19,22-24	881522	S/A LATCH KIT CASTING LEFT	Left
25	107491	LATCH STUD KIT	order qty 2 when retro-fitting to chair
		Ship assembled part #	Use with multiple assemblies
	ASSY-HNG-FP	HANGER/FOOTPLATE ASSY REQUESTED	add with Hanger & Footplate kit

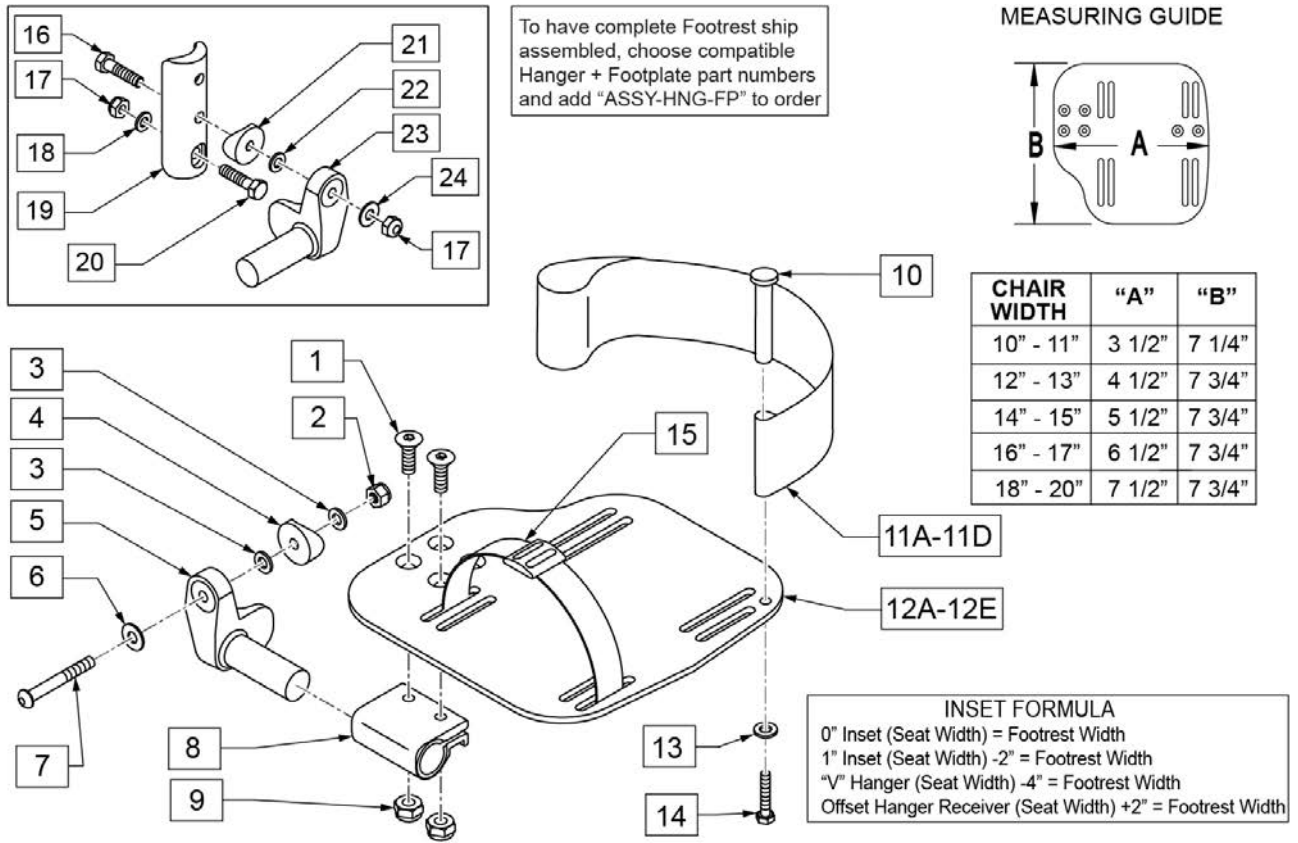


Pos.	Item Number	Description	Remarks
1	226217	5/16-18 x 2" BH C/S BLK	
2	755013	CALF PAD TROUGH STYLE KIDS	
3	561016	1" WASHER 5/16" HOLE	
4	561097	ELR ELEVATING TUBE CLAMP	
5	106937	5/16 -18 NYLOCK NUT THIN	
6	106958	HHCS 1/4-20 X 1 ROHS	
7	262130	6mm WASHER WAVE	
8	483027	1/4 x 1/4 ALUMINUM SPACER	
9	500151	KIDS ALR RETAINING PLUG	
1-9	880533	ELR TROUGH PAD ASSM KIDS	
		Ship assembled part #	Use with multiple assemblies
	ASSY-HNG-FP	HANGER/FOOTPLATE ASSY REQUIRED	add with Hanger & Footplate kit



Pos.	Item Number	Description
1	106935	NUT NYLOCK THIN 1/4 -28 ROHS
2	106961	BHCS 1/4 -28 x 1 1/4 ROHS
4	107383	WASHER FLAT M6 ROHS
1-3A,4	119507	FRONT MOUNT HANGER EXT 2"
1-3B,4	119508	FRONT MOUNT HANGER EXT 4"

Note: for QX Series or SR45 footplate replacement parts see the ordering guide marked specifically for these two models in the informations panel.

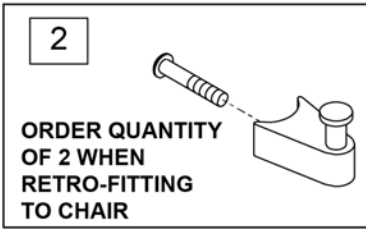
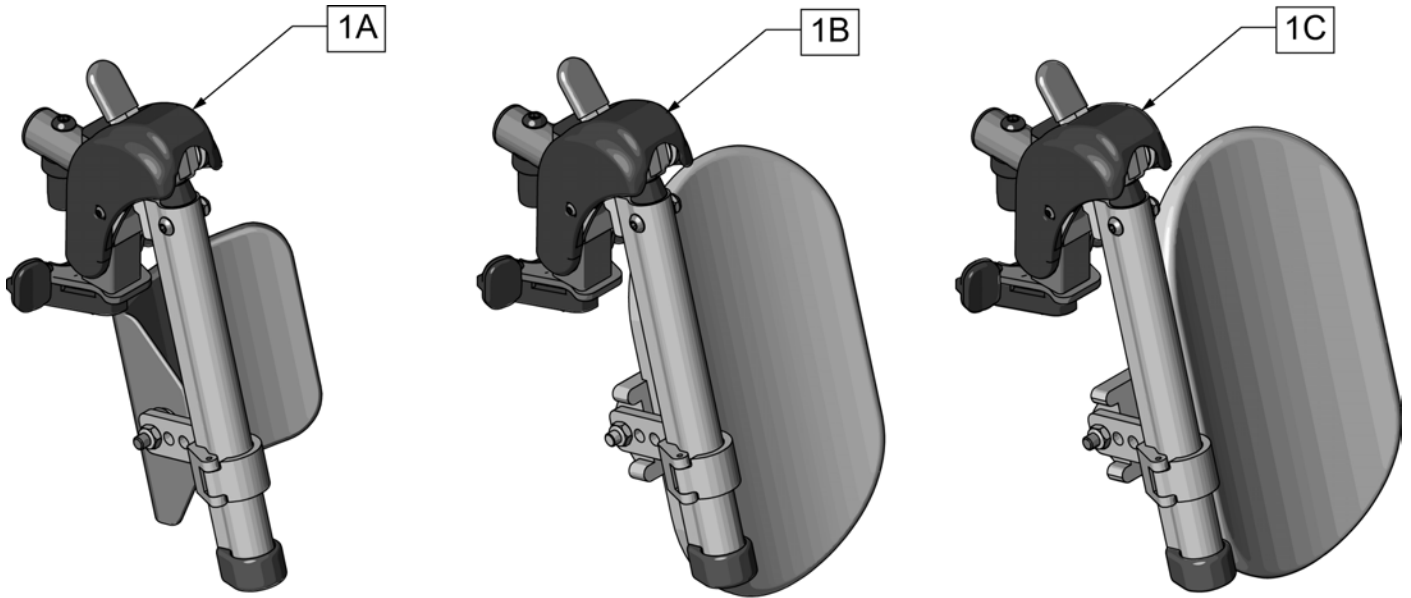


Pos.	Item Number	Description	Remarks
1	106978	FHCS 1/4-28 X 7/8	
2	106934	NUT NYLOCK 1/4-28	
3	106944	WASHER FLAT THIN AN 1/4	
4	561004	Q2 SADDLE	
5	541000	FTRST MOUNTING BRKT 1/2" RAD R	Right
5	541001	FTRST MOUNTING BRKT 1/2" RAD L	Left
6	106945	WASHER FLAT SAE 1/4 ROHS	
7	106964	BHCS 1/4-28 X 2	
8	550350	3/4 CLMP ADJ FT PLT	
9	106935	NUT NYLOCK THIN 1/4-28 ROHS	
10	561040	HEEL LOOP PEG	
11A	104380-001	ADJ FOOTREST STRAP 14W	Used on 10"-13" wide
11B	104380-002	ADJ FOOTREST STRAP 15-16W	Used on 14"-15" wide
11C	104380-003	ADJ FOOTREST STRAP 17-18W	Used on 16"-17" wide
11D	104380-004	ADJ FOOTREST STRAP 19-20W	Used on 18"-20" wide
12A	500656	ADULT ANGL ADJ F/PLT 10/11	Right; 10"-11" wide
12A	500657	ADULT ANGL ADJ F/PLT 10/11	Left; 10"-11" wide



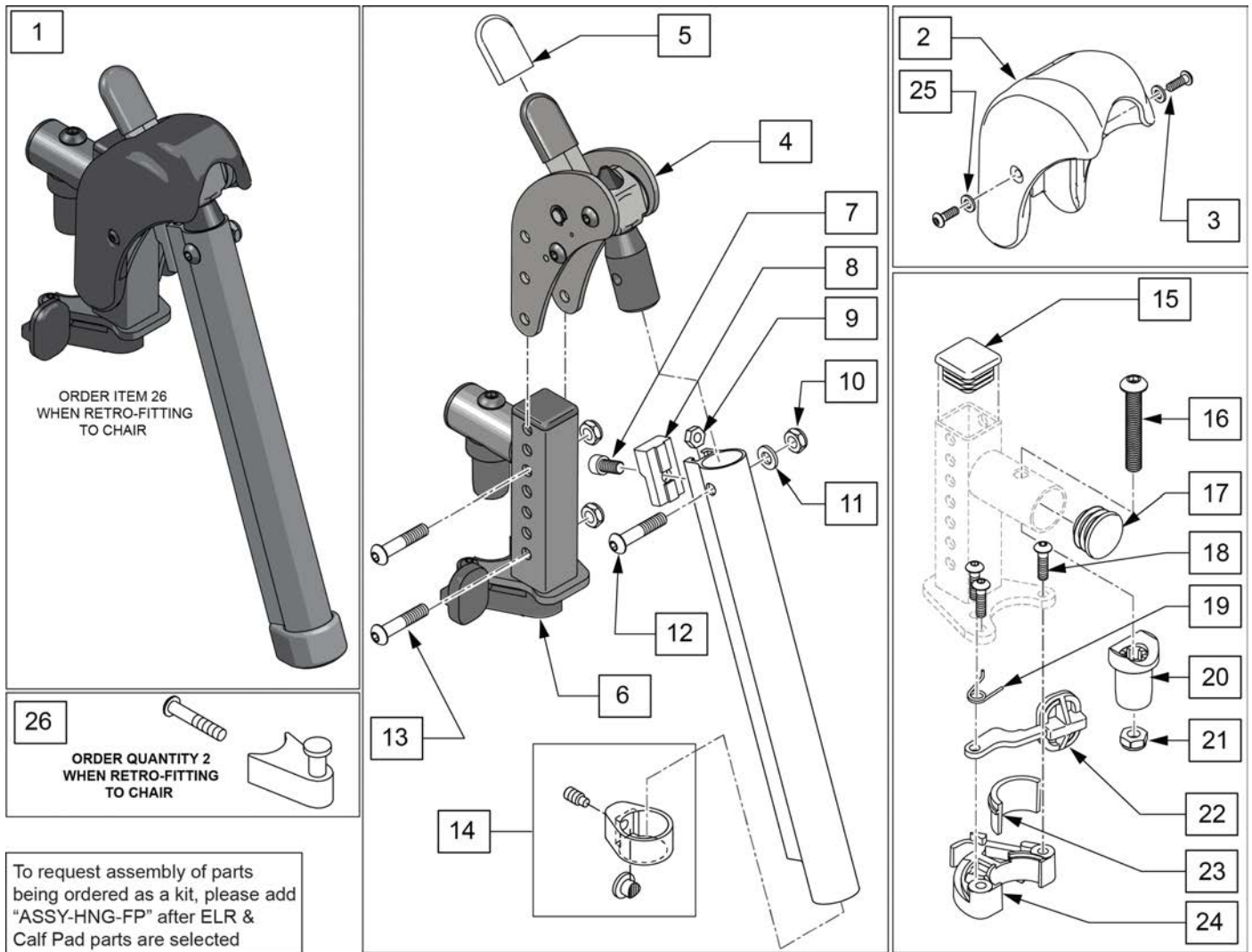
Pos.	Item Number	Description	Remarks
12B	500658	ADULT ANGL ADJ F/PLT 12/13	Right; 12"-13" wide
12B	500659	ADULT ANGL ADJ F/PLT 12/13	Left; 12"-13" wide
12C	500660	ADULT ANGL ADJ F/PLT 14/15	Right; 14"-15" wide
12C	500661	ADULT ANGL ADJ F/PLT 14/15	Left; 14"-15" wide
12D	500662	ADULT ANGL ADJ F/PLT 16/17	Right; 16"-17" wide
12D	500663	ADULT ANGL ADJ F/PLT 16/17	Left; 16"-17" wide
12E	500664	ADULT ANGL ADJ F/PLT 18-20	Right; 18"-22" wide
12E	500665	ADULT ANGL ADJ F/PLT 18-20	Left; 18"-22" wide
13	107383	WASHER FLAT M6 ROHS	
14	102268-001	HHCS M6 X 1 X 25	
15	740260	TOE-ANKLE STRAP ADJ ADULT FOOTPLATE	
16	102268-001	HHCS M6 X 1 X 25	
17	132626	NUT AUTOMATION M6 X 1	
18	107383	WASHER FLAT M6 ROHS	
20	118198	HHCS M6X1X40 PART NP	
21	561004	Q2 SADDLE	
22	106943	WASHER FLAT AN 1/4 ROHS	
24	106945	WASHER FLAT SAE 1/4 ROHS	
16-24	129764	AAA FRNT MNT ADAPTER KIT PR	Pair; fits both Kids & Adult Angle Adj Footplates
1,8-10,11A,12A,13,14	129765	AAA F/PLT KIT 10-11 RT	Right; used w/ 129764 on Plunger-Style Swing In/Out Hangers
1,8-10,11A,12A,13,14	129766	AAA F/PLT KIT 10-11 LFT	Left; used w/ 129764 on Plunger-Style Swing In/Out Hangers
1,8-10,11A,12B,13,14	129767	AAA F/PLT KIT 12-13 RT	Right; used w/ 129764 on Plunger-Style Swing In/Out Hangers
1,8-10,11A,12B,13,14	129768	AAA F/PLT KIT 12-13 LFT	Left; used w/ 129764 on Plunger-Style Swing In/Out Hangers
1,8-10,11B,12C,13,14	129769	AAA F/PLT KIT 14-15 RT	Right; used w/ 129764 on Plunger-Style Swing In/Out Hangers
1,8-10,11B,12C,13,14	129770	AAA F/PLT KIT 14-15 LFT	Left; used w/ 129764 on Plunger-Style Swing In/Out Hangers
1,8-10,11C,12D,13,14	129771	AAA F/PLT KIT 16-17 RT	Right; used w/ 129764 on Plunger-Style Swing In/Out Hangers
1,8-10,11C,12D,13,14	129772	AAA F/PLT KIT 16-17 LFT	Left; used w/ 129764 on Plunger-Style Swing In/Out Hangers
1,8-10,11D,12E,13,14	129773	AAA F/PLT KIT 18-20 RT	Right; used w/ 129764 on Plunger-Style Swing In/Out Hangers
1,8-10,11D,12E,13,14	129774	AAA F/PLT KIT 18-20 LFT	Left; used w/ 129764 on Plunger-Style Swing In/Out Hangers
1-10,11A,12B	111514	AAA FTPLT 90D 12/13" R	Right; used w/ Old-Style Latch Block Swing In/Out & S/A Hngrs
1-10,11A,12B	111515	AAA FTPLT 90D 12/13" L	Left; used w/ Old-Style Latch Block Swing IO & S/A Hngrs
1-10,11B,12C	111516	AAA FTPLT 90D 14/15" R	Right; used w/ Old-Style Latch Block Swing In/Out & S/A Hngrs
1-10,11B,12C	111517	AAA FTPLT 90D 14/15" L	Left; used w/ Old-Style Latch Block Swing IO & S/A Hngrs
1-10,11C,12D	111518	AAA FTPLT 90D 16/17" R	Right; used w/ Old-Style Latch Block Swing In/Out & S/A Hngrs
1-10,11C,12D	111519	AAA FTPLT 90D 16/17" L	Left; used w/ Old-Style Latch Block Swing IO & S/A Hngrs
1-10,11D,12E	111520	AAA FTPLT 90D 18/20" R	Right; used w/ Old-Style Latch Block Swing In/Out & S/A Hngrs
1-10,11D,12E	111521	AAA FTPLT 90D 18/20" L	Left; used w/ Old-Style Latch Block Swing IO & S/A Hngrs
		Ship assembled part #	Use with multiple assemblies
	ASSY-HNG-FP	HANGER/FOOTPLATE ASSY REQUIRED	add with Hanger & Footplate kit





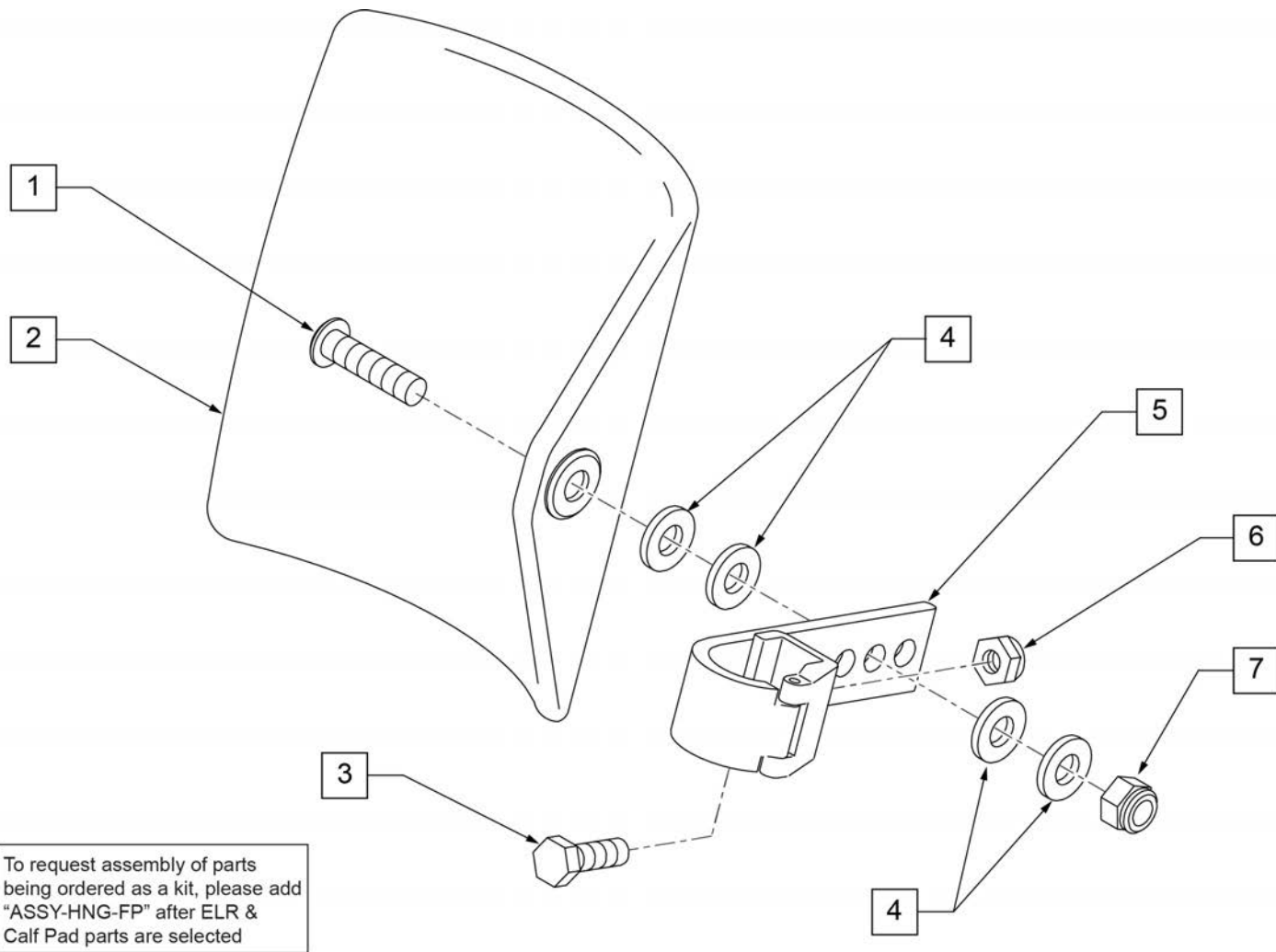
Pos.	Item Number	Description	Remarks
1A	131774S	HEMI ELR HNGR ASM 14-15 W/PAD	
1B	131775S	HEMI ELR HNGR ASM 16-17 W/PAD	
1C	131776S	HEMI ELR HNGR ASM 18-20 W/PAD	
2	107491	LATCH STUD KIT	order qty 2 when retro-fitting to chair
		Ship assembled part #	Use with multiple assemblies
	ASSY-HNG-FP	HANGER/FOOTPLATE ASSY REQUIRED	add with Hanger & Footplate kit

Note: When retrofitting existing chair with S/A Legrests please order Qty 2 of p/n 107491.(Item 26)

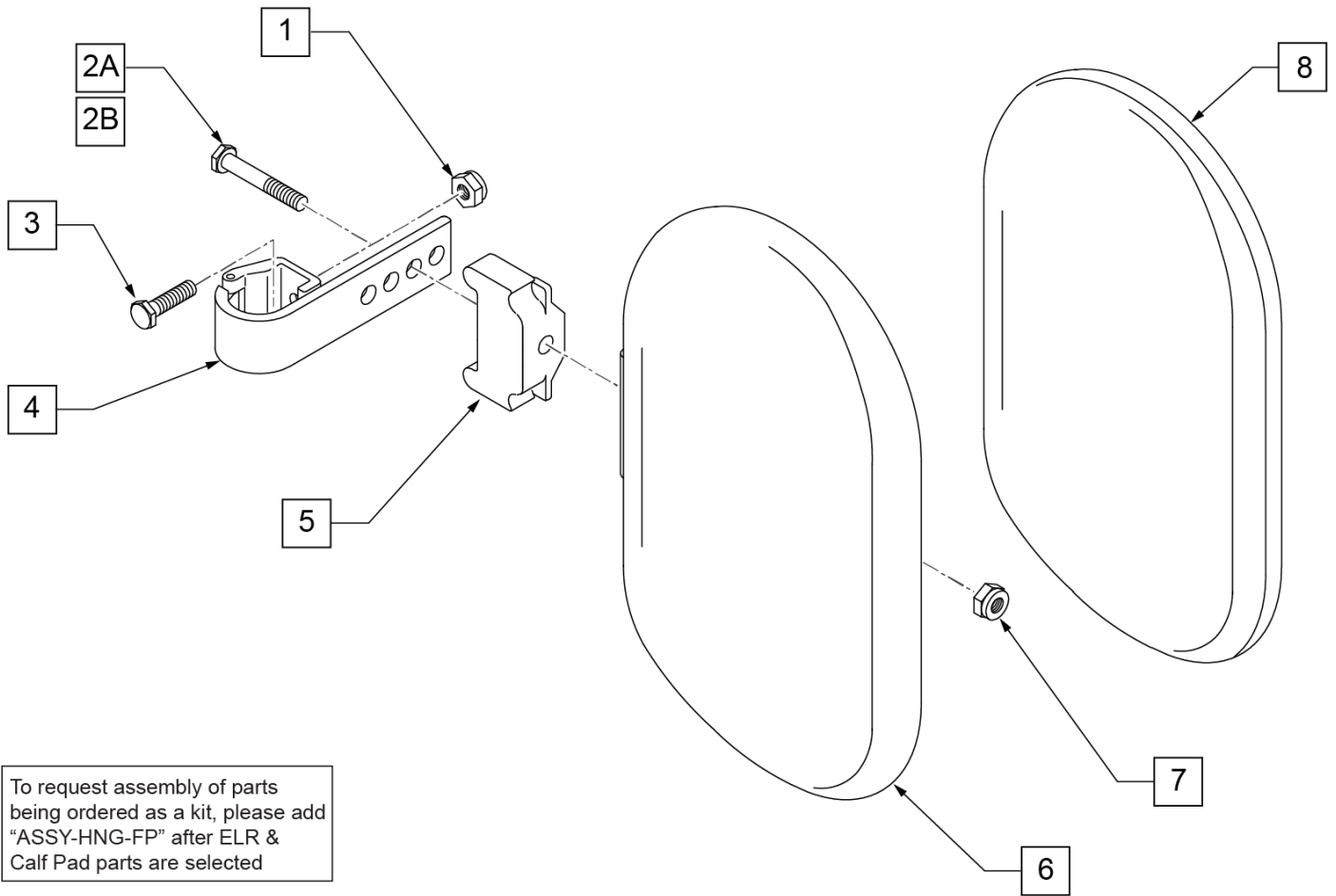


Pos.	Item Number	Description	Remarks
1	129638S	EXTENSION MOUNT ELR KIT R	Right-order item 26 when retro-fitting to chair
1	129639S	EXTENSION MOUNT ELR KIT L	Left-order item 26 when retro-fitting to chair
1	129637S	EXTENSION MOUNT ELR PAIR KIT	Pair-order item 26 when retro-fitting to chair
2,3,25	129640	ELR SHROUD KIT	Kit w/ 2 screws
3	127135	BHCS 8-32 X 1/2 BLK	
4	126992	HEMI ELR SUB ASSM	
5	560501	ALR REL LEVER COVER	
6	127114	HEMI RECEIVER ASSM ELR ALR R	Right
6	127115	HEMI RECEIVER ASSM ELR ALR L	Left
7	107350	SHCS 1/4-28 x 1/2	
8	127129	ANGLE STOP ELR	
9	107249	NUT HEX THIN 1/4-28	
10	106935	1/4-28 NYLOCK NUT THIN BLK ZN	
11	104414	WAVE WASHER 6 MM	
12	106961	BHCS 1/4 -28 x 1 1/4 ROHS	

Pos.	Item Number	Description	Remarks
13	108623	BHCS 1/4-28 x 1-1/2	
14	119495	EXTENSION CLAMP KIT	
15	010615	SQUARE END CAP CNTR LEG	
16	226217	5/16-18 X 2" BH C/S BLK	
17	561062	1" INSERT PLUG .065 RIBS	
18	226057	BHCS 10-24 X .725 PL	
20	561197	PLASTIC PIVOT SADDLE	
21	202102	5/16-18 NYLOCK NUT THIN	
23,24	881500	LATCH BLOCK ASSM R	Right
23,24	881501	LATCH BLOCK ASSM L	Left
25	113282	WASHER FLAT AN #10 ROHS	
18,19,22-24	881521	S/A LATCH KIT CASTING RIGHT	Right
18,19,22-24	881522	S/A LATCH KIT CASTING LEFT	Left
26	107491	LATCH STUD KIT	order qty 2 when retro-fitting to chair
		Ship assembled part #	Use with multiple assemblies
	ASSY-HNG-FP	HANGER/FOOTPLATE ASSY REQUIRED	add with Hanger & Footplate kit



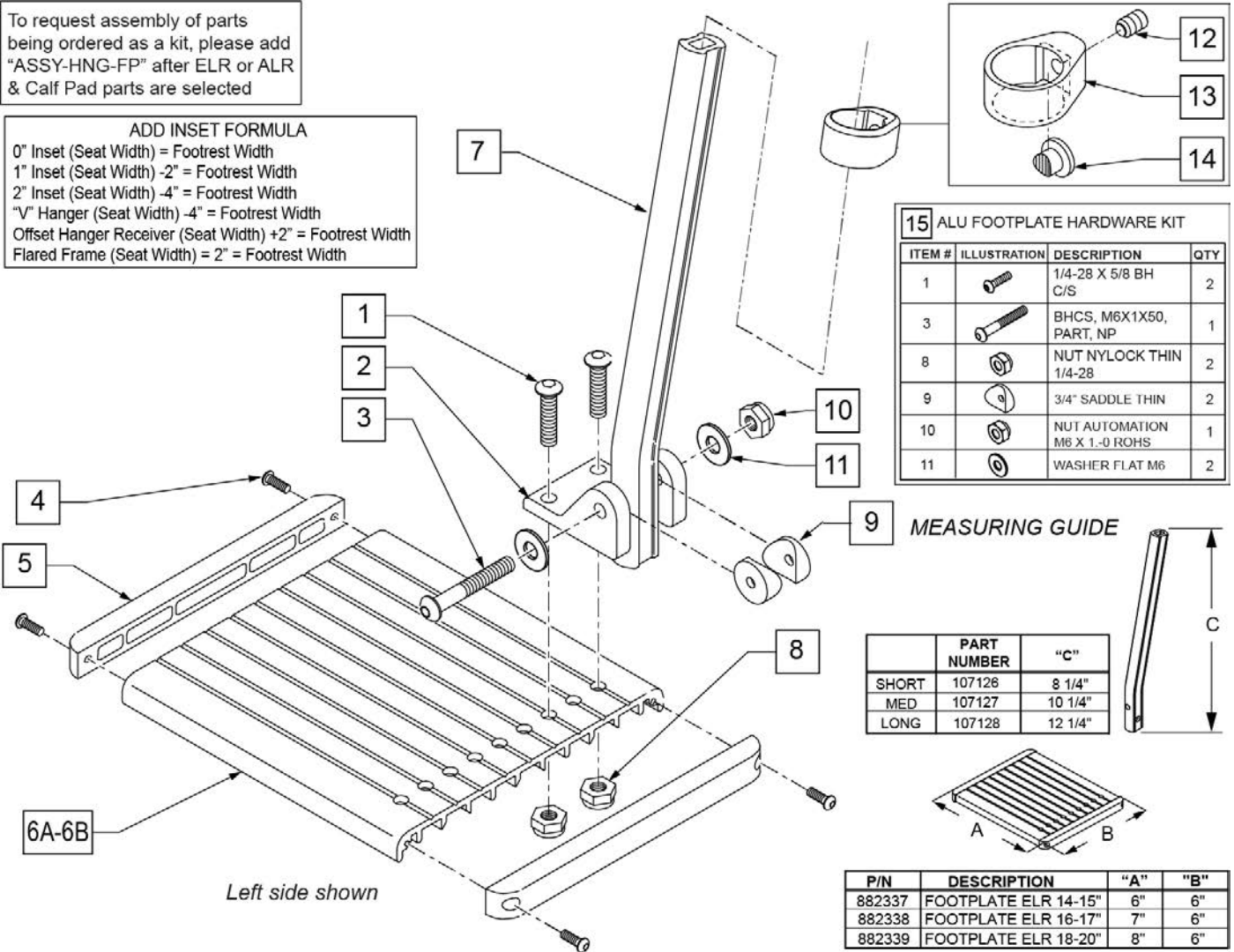
Pos.	Item Number	Description	Remarks
1	106980	BHCS 5/16-18 X 1-1/4 ROHS	
2	755014	CALF PAD TROUGH STYLE 14"/16"	
3	221097	1/4-28 X 5/8 HEX C/S BZ	
4	561016	1" WASHER 5/16" HOLE	
5	881413	CALF PAD BRACKET ASSEMBLY	
6	106934	NUT NYLOCK 1/4-28 ROHS	
7	106937	NUT NYLOCK THIN 5/16-18	
1-7	881414	CALF PAD J-HOOK 14"-15" ASSEMBLY	
		Ship assembled part #	Use with multiple assemblies
	ASSY-HNG-FP	HANGER/FOOTPLATE ASSY REQUIRED	add with Hanger & Footplate kit



Pos.	Item Number	Description	Remarks
1	106934	NUT NYLOCK 1/4-28 ROHS	
2A	107018	HHCS 5/16-18 X 2-1/2 ROHS	16"-17" wide only
2B	107019	HHCS 5/16-18 X 3-1/2 ROHS	18"-20" wide only
3	107013	HHCS 1/4-28 X 5/8 ROHS	
4	881413	CALF PAD BRACKET ASSEMBLY	
5	560199	ELR CALF HINGE SPACER	18"-20" wide only
6	560108	CALF PAD MOLDED 16"-20"	
7	106936	NUT NYLOCK 5/16-18 ROHS	
8	751045	CALF PAD COVER	
1,2A,3,4,6-8	881416	CALF MOLDED 16"-17" ASSEMBLY	
1,2B,3-7,8	881412	CALF PAD MOLDED 18"-20" ASSEMBLY	
		Ship assembled part #	Use with multiple assemblies
	ASSY-HNG-FP	HANGER/FOOTPLATE ASSY REQUIRED	add with Hanger & Footplate kit

To request assembly of parts being ordered as a kit, please add "ASSY-HNG-FP" after ELR or ALR & Calf Pad parts are selected

**ADD INSET FORMULA**  
 0" Inset (Seat Width) = Footrest Width  
 1" Inset (Seat Width) -2" = Footrest Width  
 2" Inset (Seat Width) -4" = Footrest Width  
 "V" Hanger (Seat Width) -4" = Footrest Width  
 Offset Hanger Receiver (Seat Width) +2" = Footrest Width  
 Flared Frame (Seat Width) = 2" = Footrest Width



**15 ALU FOOTPLATE HARDWARE KIT**

ITEM #	ILLUSTRATION	DESCRIPTION	QTY
1		1/4-28 X 5/8 BH C/S	2
3		BHCS, M6X1X50, PART, NP	1
8		NUT NYLOCK THIN 1/4-28	2
9		3/4" SADDLE THIN	2
10		NUT AUTOMATION M6 X 1-0 ROHS	1
11		WASHER FLAT M6	2

**MEASURING GUIDE**

	PART NUMBER	"C"
SHORT	107126	8 1/4"
MED	107127	10 1/4"
LONG	107128	12 1/4"

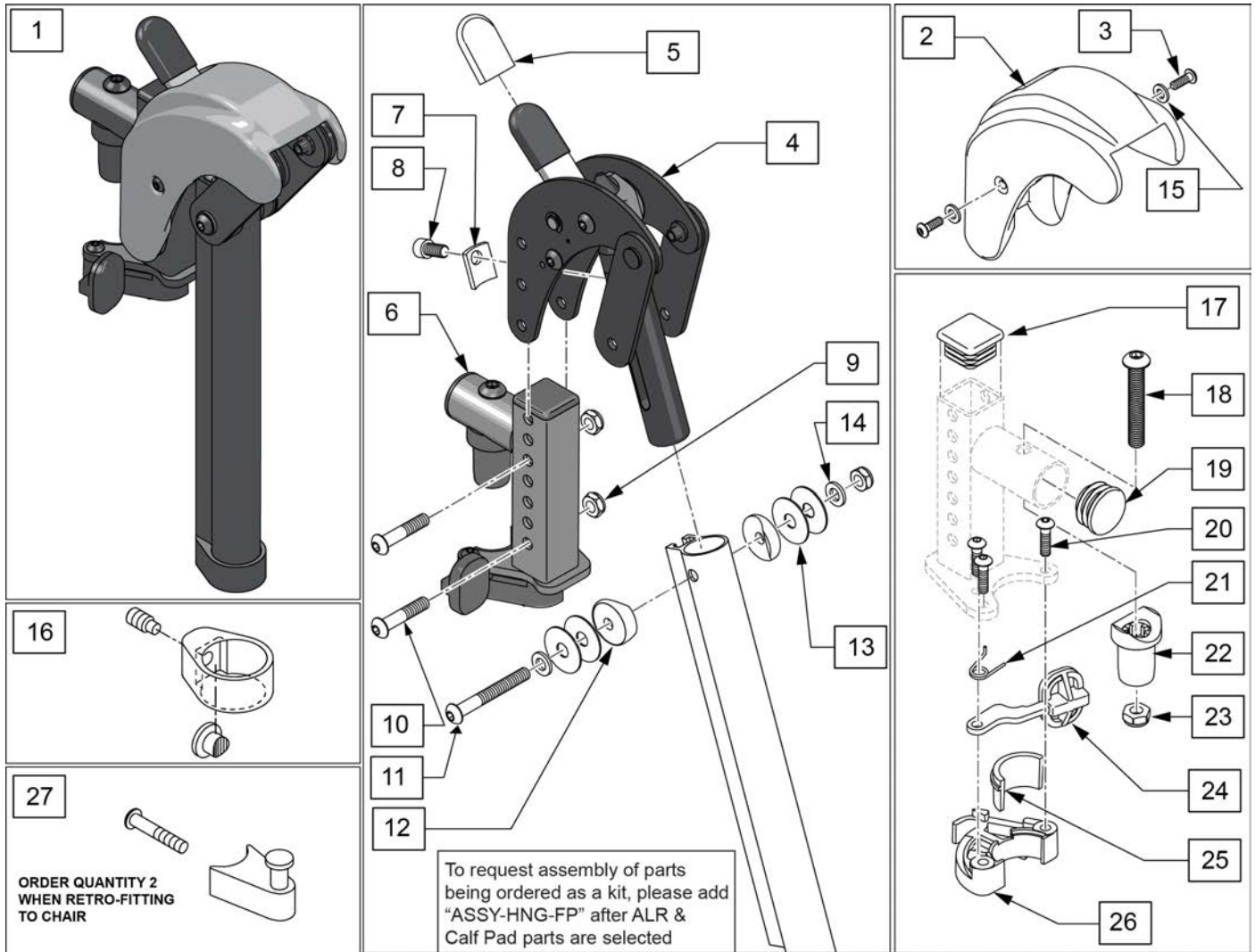
P/N	DESCRIPTION	"A"	"B"
882337	FOOTPLATE ELR 14-15"	6"	6"
882338	FOOTPLATE ELR 16-17"	7"	6"
882339	FOOTPLATE ELR 18-20"	8"	6"

Pos.	Item Number	Description	Remarks
1	226090	1/4-28 x 5/8 BH C/S	
2	118093	BRACKET FOOTPLATE ALUM	
3	102262-008	BHCS M6 X 1 X 50 INORGANIC	
4	281043	#4 x 5/8 PAN PHIL S/TAP	
5	560101	END CAPS FOOTREST	
7	107126	SHORT BENT	
7	107127	MED BENT	
7	107128	LONG BENT	
7	128078	TUBE FOOTREST EXT SHT HEMI	Use for Hemi Extension option
8	106935	1/4-28 NYLOCK NUT THIN	
9	561003	3/4" SADDLE THIN	
10	132626	NUT AUTOMATION M6 X 1.0	
11	107383	WASHER FLAT M6 ROHS	
4,5,6A	882337	ELR FOOTPLATE ASSEMBLY 14 -15"	
4,5,6B	882338	ELR FOOTPLATE ASSEMBLY 16 -17"	
4,5,6C	882339	ELR FOOTPLATE ASSEMBLY 18 -20"	
12-14	119495	EXTENSION CLAMP KIT	
15	129775	ALU FOOTPLATE HDWARE KIT	Ext tube not included; bracket (118093) not included



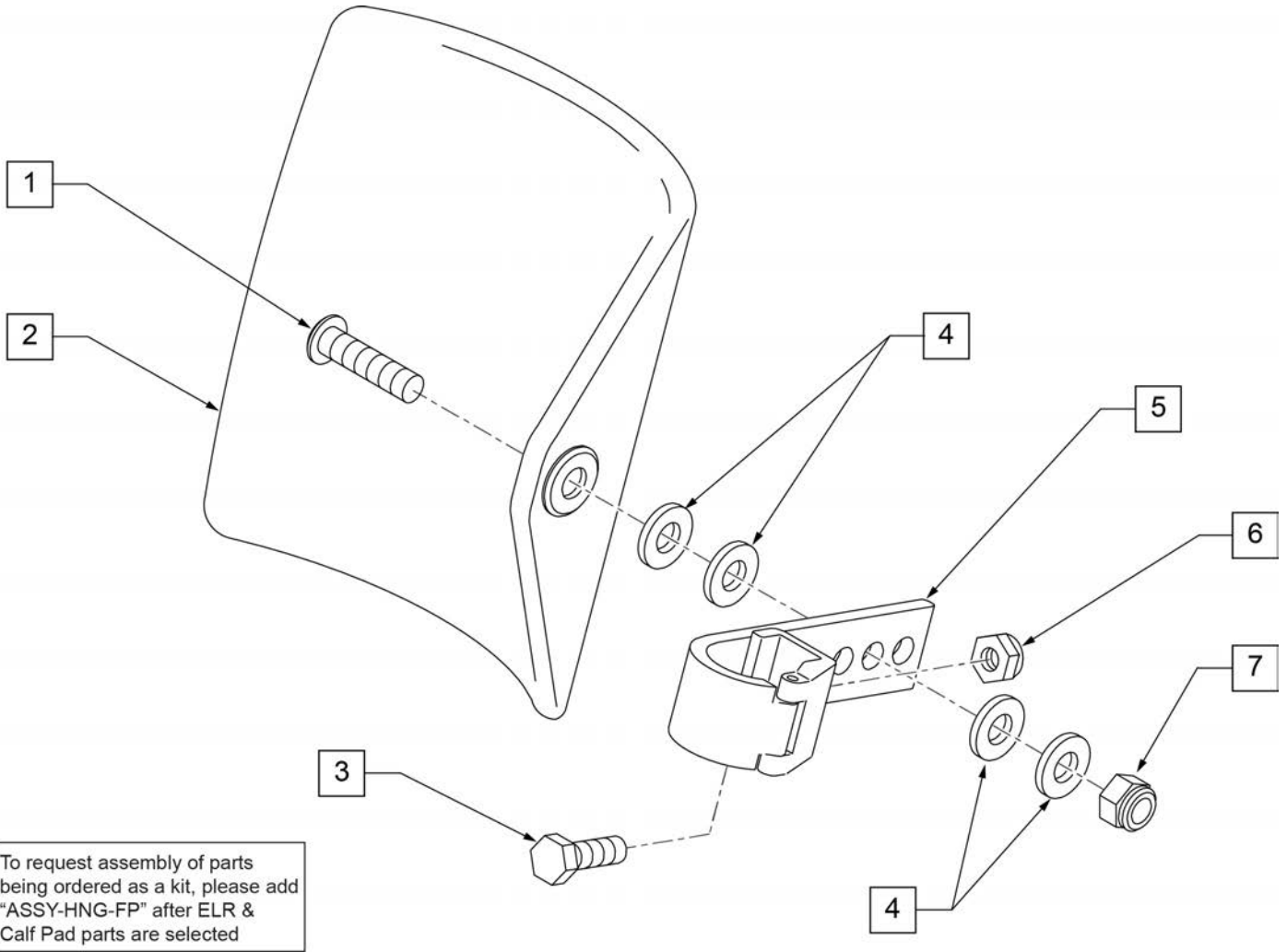
<b>Pos.</b>	<b>Item Number</b>	<b>Description</b>	<b>Remarks</b>
		Ship assembled part #	Use with multiple assemblies
	ASSY-HNG-FP	HANGER/FOOTPLATE ASSY REQUIRED	add with Hanger & Footplate kit

Note: When retrofitting ALR to a chair with S/A Hangers please order Qty 2 of p/n 107491 (Item 27).

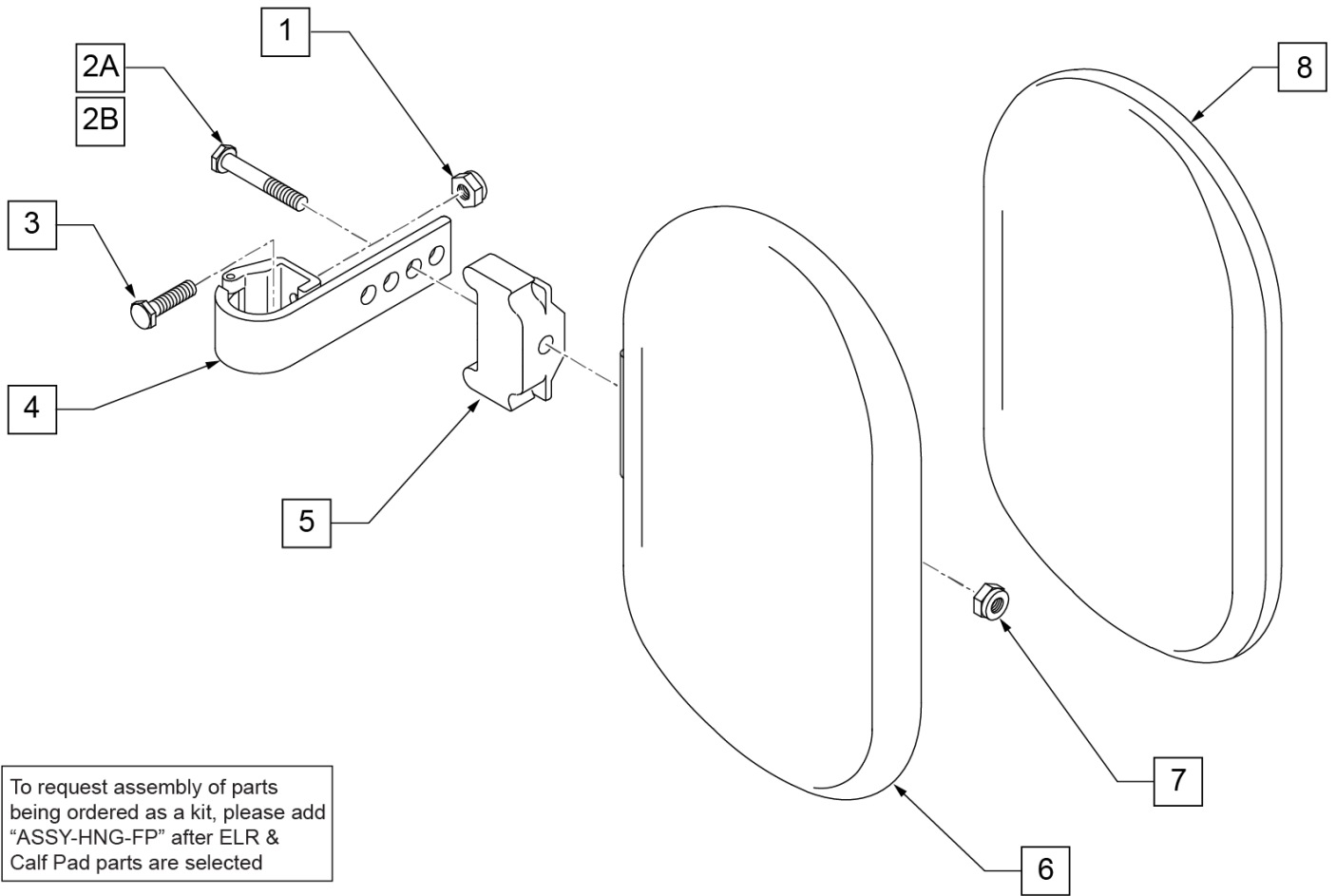


Pos.	Item Number	Description	Remarks
1	129631S	ALR KIT R	Right-order item 27 when retro-fitting to chair
1	129632S	ALR KIT L	Left-order item 27 when retro-fitting to chair
1	129630S	ALR PAIR KIT	Pair-order item 27 when retro-fitting to chair
2,3,15	129633	ALR SHROUD KIT	1 side
3	127135	BHCS 8-32 X 1/2 BLK	
4	127153	HEMI ALR SUB ASSM	
5	560501	ALR REL LEVER COVER	
6	127114	HEMI RECEIVER ASSM ELR ALR R	Right
6	127115	HEMI RECEIVER ASSM ELR ALR L	Left
7	127129	ANGLE STOP ELR	
8	107350	SHCS 1/4-28 x 1/2	
9	106935	1/4-28 NYLOCK NUT THIN BLK ZN	
10	108623	BHCS 1/4-28 x 1-1/2	
11	106964	BHCS 1/4-28 X 2	
12	561086	1" HALF SADDLE 1/4" HOLE	

Pos.	Item Number	Description	Remarks
13	113268	WASHER NYLON 1IN OD X .312 ID	
14	106943	WASHER FLAT AN 1/4 ROHS	
15	113282	WASHER FLAT AN #10 ROHS	
16	119495	EXTENSION CLAMP KIT	
17	010615	SQUARE END CAP CNTR LEG	
18	226217	5/16-18 X 2" BH C/S BLK	
19	561062	1" INSERT PLUG .065 RIBS	
20	226057	BHCS 10-24 X .725 PL	
22	561197	PLASTIC PIVOT SADDLE	
23	202102	5/16-18 NYLOCK NUT THIN	
25,26	881500	LATCH BLOCK ASSM R	Right
25,26	881501	LATCH BLOCK ASSM L	Left
20,21,24-26	881521	S/A LATCH KIT CASTING RIGHT	Right
20,21,24-26	881522	S/A LATCH KIT CASTING LEFT	Left
27	107491	LATCH STUD KIT	order qty 2 when retro-fitting to chair
		Ship assembled part #	Use with multiple assemblies
	ASSY-HNG-FP	HANGER/FOOTPLATE ASSY REQUIRED	add with Hanger & Footplate kit



Pos.	Item Number	Description	Remarks
1	106980	BHCS 5/16-18 X 1-1/4 ROHS	
2	755014	CALF PAD TROUGH STYLE 14"/16"	
3	221097	1/4-28 X 5/8 HEX C/S BZ	
4	561016	1" WASHER 5/16" HOLE	
5	881413	CALF PAD BRACKET ASSEMBLY	
6	106934	NUT NYLOCK 1/4-28 ROHS	
7	106937	NUT NYLOCK THIN 5/16-18	
1-7	881414	CALF PAD J-HOOK 14"-15" ASSEMBLY	
		Ship assembled part #	Use with multiple assemblies
	ASSY-HNG-FP	HANGER/FOOTPLATE ASSY REQUIRED	add with Hanger & Footplate kit



Pos.	Item Number	Description	Remarks
1	106934	NUT NYLOCK 1/4-28 ROHS	
2A	107018	HHCS 5/16-18 X 2-1/2 ROHS	16"-17" wide only
2B	107019	HHCS 5/16-18 X 3-1/2 ROHS	18"-20" wide only
3	107013	HHCS 1/4-28 X 5/8 ROHS	
4	881413	CALF PAD BRACKET ASSEMBLY	
5	560199	ELR CALF HINGE SPACER	18"-20" wide only
6	560108	CALF PAD MOLDED 16"-20"	
7	106936	NUT NYLOCK 5/16-18 ROHS	
8	751045	CALF PAD COVER	
1,2A,3,4,6-8	881416	CALF MOLDED 16"-17" ASSEMBLY	
1,2B,3-7,8	881412	CALF PAD MOLDED 18"-20" ASSEMBLY	
		Ship assembled part #	Use with multiple assemblies
	ASSY-HNG-FP	HANGER/FOOTPLATE ASSY REQUIRED	add with Hanger & Footplate kit

**Note:** Footplate Assemblies are set to footrest width; please see "Footplate Formula" table for seat width conversion.

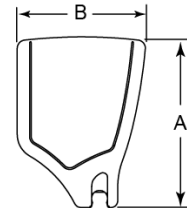
Note: If using Short Ext Tube & Hemi Hanger with Composite Angle Adjustable Footplate use 1D (straight) .

Note: V Style Hangers are not available on Swing Away Style chairs effective 7/14/14; see the "Prior To" ordering guide for V Style footplate assemblies.

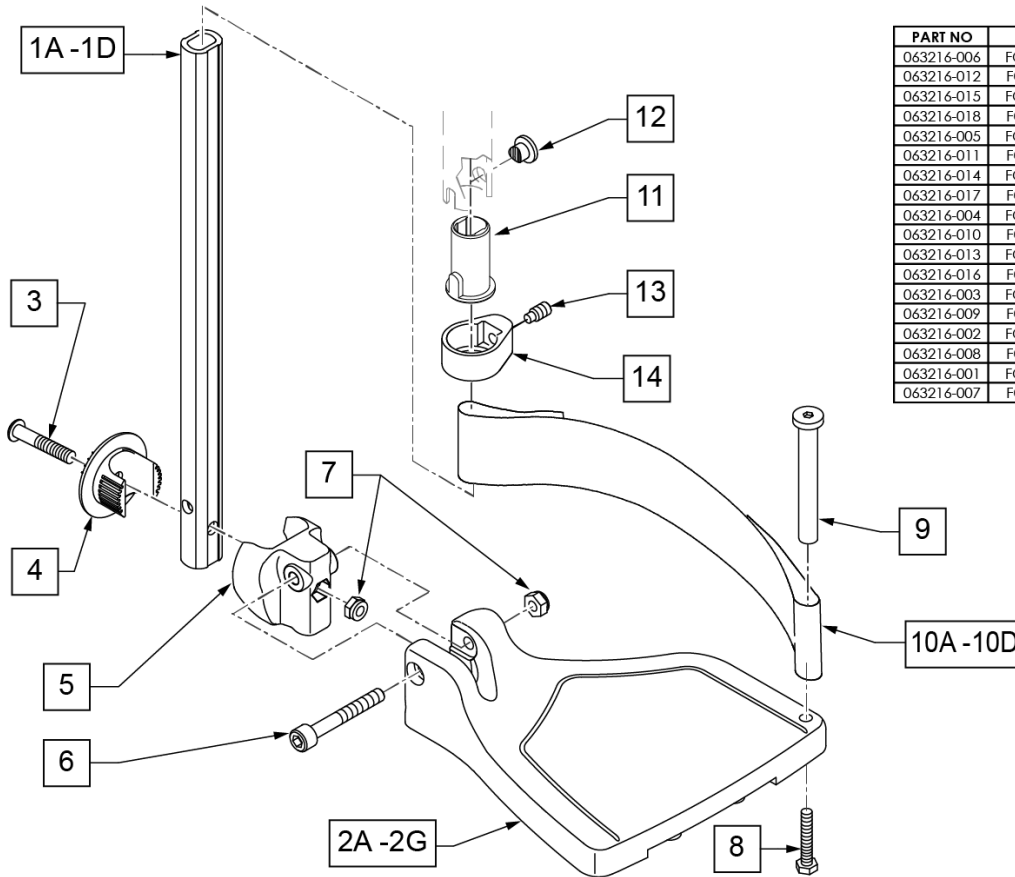
To have complete Footrest ship assembled, choose compatible Hanger + Footplate part numbers and add "ASSY-HNG-FP" to order

**ADD INSET FORMULA**  
 0" Inset (Seat Width) = Footrest Width  
 1" Inset (Seat Width) -2" = Footrest Width  
 2" Inset (Seat Width) -4" = Footrest Width  
 "V" Hanger (Seat Width) -4" = Footrest Width  
 Offset Hanger Receiver (Seat Width) +2" = Footrest Width  
 Flared Frame (Seat Width) = 2" = Footrest Width

**FOOTPLATE MEASURING GUIDE**



PART NO	DESCRIPTION	DIM -A-	DIM -B-
063216-006	FOOTPLATE COMPOSITE 157 R	6 1/8"	6"
063216-012	FOOTPLATE COMPOSITE 157 L	6 1/8"	6"
063216-015	FOOTPLATE COMPOSITE 170 R	6 5/8"	6"
063216-018	FOOTPLATE COMPOSITE 170 L	6 5/8"	6"
063216-005	FOOTPLATE COMPOSITE 182 R	7 1/8"	6"
063216-011	FOOTPLATE COMPOSITE 182 L	7 1/8"	6"
063216-014	FOOTPLATE COMPOSITE 195 R	7 5/8"	6"
063216-017	FOOTPLATE COMPOSITE 195 L	7 5/8"	6"
063216-004	FOOTPLATE COMPOSITE 207 R	8 1/8"	6"
063216-010	FOOTPLATE COMPOSITE 207 L	8 1/8"	6"
063216-013	FOOTPLATE COMPOSITE 220 R	8 5/8"	6 1/4"
063216-016	FOOTPLATE COMPOSITE 220 L	8 5/8"	6 1/4"
063216-003	FOOTPLATE COMPOSITE 232 R	9 1/8"	6 1/4"
063216-009	FOOTPLATE COMPOSITE 232 L	9 1/8"	6 1/4"
063216-002	FOOTPLATE COMPOSITE 257 R	10 1/8"	6 1/4"
063216-008	FOOTPLATE COMPOSITE 257 L	10 1/8"	6 1/4"
063216-001	FOOTPLATE COMPOSITE 282 R	11 1/8"	6 1/4"
063216-007	FOOTPLATE COMPOSITE 282 L	11 1/8"	6 1/4"



Pos.	Item Number	Description	Remarks
1A,6,7	120660	SHT STRT EXT COMP HDWR	
1B,6,7	120661	MED STRT EXT COMP HDWR	
1C,6,7	120662	LNG STRT EXT COMP HDWR	
1D	128079	TUBE FTRST EXT STRGHT SHT HEMI	Use for Hemi Ext Tube option
2A	063216-006	COMPOSITE FOOTPLATE RIGHT	RIGHT 15" Footrest Width

Pos.	Item Number	Description	Remarks
2A	063216-012	COMPOSITE FOOTPLATE LEFT	LEFT 15" Footrest Width
2B	063216-015	COMPOSITE FOOTPLATE RIGHT	RIGHT 16" Footrest Width
2B	063216-018	COMPOSITE FOOTPLATE LEFT	LEFT 16" Footrest Width
2C	063216-005	COMPOSITE FOOTPLATE RIGHT	RIGHT 17" Footrest Width
2C	063216-011	COMPOSITE FOOTPLATE LEFT	LEFT 17" Footrest Width
2D	063216-014	COMPOSITE FOOTPLATE RIGHT	RIGHT 18" Footrest Width
2D	063216-017	COMPOSITE FOOTPLATE LEFT	LEFT 18" Footrest Width
2E	063216-004	COMPOSITE FOOTPLATE RIGHT	RIGHT 19" Footrest Width
2E	063216-010	COMPOSITE FOOTPLATE LEFT	LEFT 19" Footrest Width
2F	063216-013	COMPOSITE FOOTPLATE RIGHT	RIGHT 20" Footrest Width
2F	063216-016	COMPOSITE FOOTPLATE LEFT	LEFT 20" Footrest Width
2G	063216-003	COMPOSITE FOOTPLATE RIGHT	RIGHT 21" & 22" Footrest Width
2G	063216-009	COMPOSITE FOOTPLATE LEFT	LEFT 21" & 22" Footrest Width
3	108233	BHCS M6 X 1 X 40	
4	054242	ANGLE COVER	
5	054241	ANGLE SEGMENT	
6	103175	SHCS M6 X 1 X 40 INORG	
7	132626	NUT AUTOMATION M6 X 1.0	
8	102268-001	HHCS M6X1X25	Inserted in bottom of footplate.
9	104328	HEEL LOOP PEG	
10A	104380-001	ADJUSTABLE FOOT REST STRAP	15" Footrest Width
10B	104380-002	ADJUSTABLE FOOT REST STRAP	16" Footrest Width
10C	104380-003	ADJUSTABLE FOOT REST STRAP	17-18" Footrest Width
10D	104380-004	ADJUSTABLE FOOT REST STRAP	19-22" Footrest Width
11	104160	BUSHING FOOTREST	
11-14	107485	FOOTREST CLAMP ASSM	
>>>>		60,70,80 HANGERS - SHORT EXT - RIGHT	
1A,2A,3-10A	107816	CAA STRT SHT EXT ASM 15W R	Right- 15 W- SHORT
1A,2B,3-10B	107817	CAA STRT SHT EXT ASM 16W R	Right- 16 W- SHORT
1A,2C,3-10B	107818	CAA STRT SHT EXT ASM 17W R	Right- 17 W- SHORT
1A,2D,3-10C	107819	CAA STRT SHT EXT ASM 18W R	Right- 18 W- SHORT
1A,2E,3-10C	107820	CAA STRT SHT EXT ASM 19W R	Right- 19 W- SHORT
1A,2F,3-10D	107821	CAA STRT SHT EXT ASM 20W R	Right- 20 W- SHORT
1A,2G,3-10D	107822	CAA STRT SHT EXT ASM 21&22W R	Right- 21&22 W- SHORT
>>>>		60,70,80 HANGERS - SHORT EXT - LEFT	
1A,2A,3-10A	107823	CAA STRT SHT EXT ASM 15W L	Left- 15 W- SHORT
1A,2B,3-10B	107824	CAA STRT SHT EXT ASM 16W L	Left- 16 W- SHORT
1A,2C,3-10B	107825	CAA STRT SHT EXT ASM 17W L	Left- 17 W- SHORT
1A,2D,3-10C	107826	CAA STRT SHT EXT ASM 18W L	Left- 18 W- SHORT
1A,2E,3-10C	107827	CAA STRT SHT EXT ASM 19W L	Left- 19 W- SHORT
1A,2F,3-10D	107828	CAA STRT SHT EXT ASM 20W L	Left- 20 W- SHORT
1A,2G,3-10D	107829	CAA STRT SHT EXT ASM 21&22W L	Left- 21&22 W- SHORT
>>>>		60,70,80& 60,70 HEMI HANGER- RIGHT	
1B,2A,3-10A	107830	CAA STRT MED EXT ASM 15W R	Right- 15 W- MED
1B,2B,3-10B	107831	CAA STRT MED EXT ASM 16W R	Right- 16 W- MED
1B,2C,3-10B	107832	CAA STRT MED EXT ASM 17W R	Right- 17 W- MED
1B,2D,3-10C	107833	CAA STRT MED EXT ASM 18W R	Right- 18 W- MED
1B,2E,3-10C	107834	CAA STRT MED EXT ASM 19W R	Right- 19 W- MED
1B,2F,3-10D	107835	CAA STRT MED EXT ASM 20W R	Right- 20 W- MED
1B,2G,3-10D	107836	CAA STRT MED EXT ASM 21&22W R	Right- 21&22 W- MED
>>>>		60,70,80& 60,70 HEMI HANGER- LEFT	
1B,2A,3-10A	107837	CAA STRT MED EXT ASM 15W L	Left- 15 W- MED
1B,2B,3-10B	107838	CAA STRT MED EXT ASM 16W L	Left- 16 W- MED
1B,2C,3-10B	107839	CAA STRT MED EXT ASM 17W L	Left- 17 W- MED
1B,2D,3-10C	107840	CAA STRT MED EXT ASM 18W L	Left- 18 W- MED
1B,2E,3-10C	107841	CAA STRT MED EXT ASM 19W L	Left- 19 W- MED
1B,2F,3-10D	107842	CAA STRT MED EXT ASM 20W L	Left- 20 W- MED

Pos.	Item Number	Description	Remarks
1B,2G,3-10D	107843	CAA STRT MED EXT ASM 21&22W L	Left- 21&22 W- MED
>>>>		60,70,80& 60,70 HEMI HANGER- RIGHT	
1C,2A,3-10A	107844	CAA STRT LNG EXT ASM 15W R	Right- 15 W- LONG
1C,2B,3-10B	107845	CAA STRT LNG EXT ASM 16W R	Right- 16 W- LONG
1C,2C,3-10B	107846	CAA STRT LNG EXT ASM 17W R	Right- 17 W- LONG
1C,2D,3-10C	107847	CAA STRT LNG EXT ASM 18W R	Right- 18 W- LONG
1C,2E,3-10C	107848	CAA STRT LNG EXT ASM 19W R	Right- 19 W- LONG
1C,2F,3-10D	107849	CAA STRT LNG EXT ASM 20W R	Right- 20 W- LONG
1C,2G,3-10D	107850	CAA STRT LNG EXT ASM 21&22W R	Right- 21&22 W- LONG
>>>>		60,70,80& 60,70 HEMI HANGER- LEFT	
1C,2A,3-10A	107851	CAA STRT LNG EXT ASM 15W L	Left- 15 W- LONG
1C,2B,3-10B	107852	CAA STRT LNG EXT ASM 16W L	Left- 16 W- LONG
1C,2C,3-10B	107853	CAA STRT LNG EXT ASM 17W L	Left- 17 W- LONG
1C,2D,3-10C	107854	CAA STRT LNG EXT ASM 18W L	Left- 18 W- LONG
1C,2E,3-10C	107855	CAA STRT LNG EXT ASM 19W L	Left- 19 W- LONG
1C,2F,3-10D	107856	CAA STRT LNG EXT ASM 20W L	Left- 20 W- LONG
1C,2G,3-10D	107857	CAA STRT LNG EXT ASM 21&22W L	Left- 21&22 W- LONG
>>>>		60&70 HEMI HANGERS- SHORT EXT- RIGHT	
1D,2A,3-10A	129710	CAA FOOT KIT SHT HNGR 15W R	Right-Hemi-15W; add Ext behind the Hemi
1D,2B,3-10B	129712	CAA FOOT KIT SHT HNGR 16W R	Right-Hemi-16W; add Ext behind the Hemi
1D,2C,3-10B	129714	CAA FOOT KIT SHT HNGR 17W R	Right-Hemi-17W; add Ext behind the Hemi
1D,2D,3-10C	129716	CAA FOOT KIT SHT HNGR 18W R	Right-Hemi-18W; add Ext behind the Hemi
1D,2E,3-10C	129718	CAA FOOT KIT SHT HNGR 19W R	Right-Hemi-19W; add Ext behind the Hemi
1D,2F,3-10D	129720	CAA FOOT KIT SHT HNGR 20W R	Right-Hemi-20W; add Ext behind the Hemi
1D,2G,3-10D	129722	CAA FOOT KIT SHT HNGR 22W R	Right-Hemi-21&22W; add Ext behind the Hemi
>>>>		60&70 HEMI HANGERS- SHORT EXT - LEFT	
1D,2A,3-10A	129711	CAA FOOT KIT SHT HNGR 15W L	Left-Hemi-15W; add Ext behind the Hemi
1D,2B,3-10B	129713	CAA FOOT KIT SHT HNGR 16W L	Left-Hemi-16W; add Ext behind the Hemi
1D,2C,3-10B	129715	CAA FOOT KIT SHT HNGR 17W L	Left-Hemi-17W; add Ext behind the Hemi
1D,2D,3-10C	129717	CAA FOOT KIT SHT HNGR 18W L	Left-Hemi-18W; add Ext behind the Hemi
1D,2E,3-10C	129719	CAA FOOT KIT SHT HNGR 19W L	Left-Hemi-19W; add Ext behind the Hemi
1D,2F,3-10D	129721	CAA FOOT KIT SHT HNGR 20W L	Left-Hemi-20W; add Ext behind the Hemi
1D,2G,3-10D	129723	CAA FOOT KIT SHT HNGR 22W L	Left-Hemi-21&22W; add Ext behind the Hemi
		Ship assembled part #	Use with multiple assemblies
	ASSY-HNG-FP	HANGER/FOOTPLATE ASSY REQUIRED	add with Hanger & Footplate kit



**Note:** Footplate Assemblies are set to footrest width; please see "Footplate Formula" table for seat width conversion.

Note: If using Short Ext Tube & Hemi Hanger with Adult Angle Adjustable Footplate use 1D (straight) .

Note: V Style Hangers are not available on Swing Away Style chairs effective 7/14/14; see the "Prior To" ordering guide for V Style footplate assemblies.

Note: for QX Series or SR45 footplate replacement parts see the ordering guide marked specifically for these two models in the informations panel.

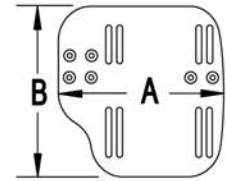
Note: if chair has High Mount Ext Tubes or if switching to High Mount Ext Tubes, see AAA Footplate w/ High Mount Extension Ordering Guide.

[02/19/2020]

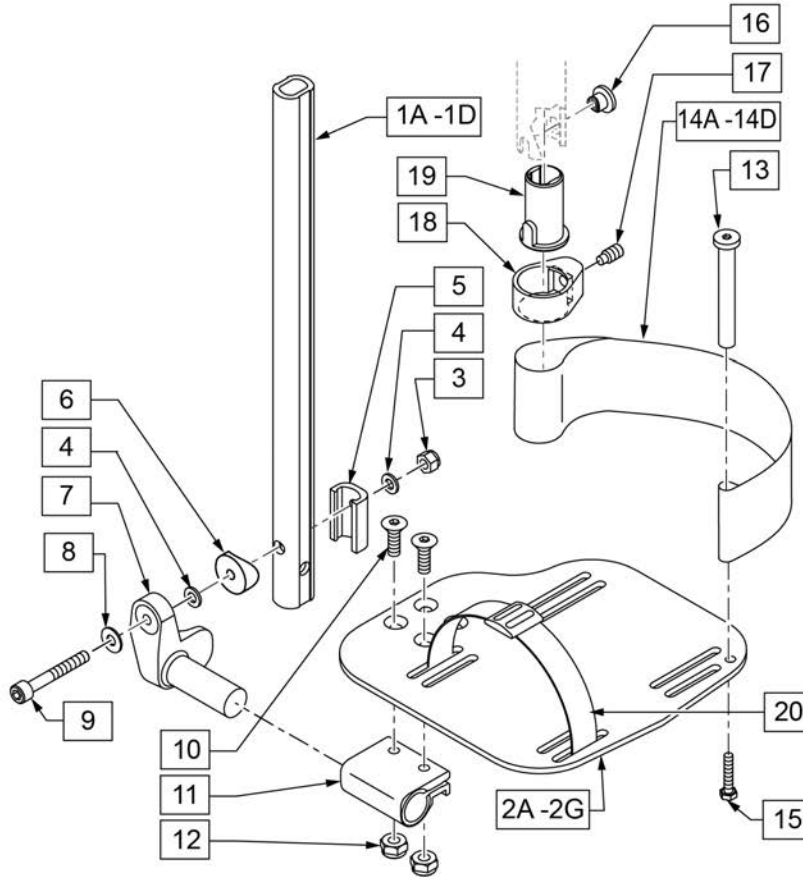
To have complete Footrest ship assembled, choose compatible Hanger + Footplate part numbers and add "ASSY-HNG-FP" to order

**ADD INSET FORMULA**  
 0" Inset (Seat Width) = Footrest Width  
 1" Inset (Seat Width) -2" = Footrest Width  
 2" Inset (Seat Width) -4" = Footrest Width  
 "V" Hanger (Seat Width) -4" = Footrest Width  
 Offset Hanger Receiver (Seat Width) +2" = Footrest Width  
 Flared Frame (Seat Width) = 2" = Footrest Width

**MEASURING GUIDE**



CHAIR WIDTH	"A"	"B"
10" - 11"	3 1/2"	7 1/4"
12" - 13"	4 1/2"	7 3/4"
14" - 15"	5 1/2"	7 3/4"
16" - 17"	6 1/2"	7 3/4"
18" - 20"	7 1/2"	7 3/4"



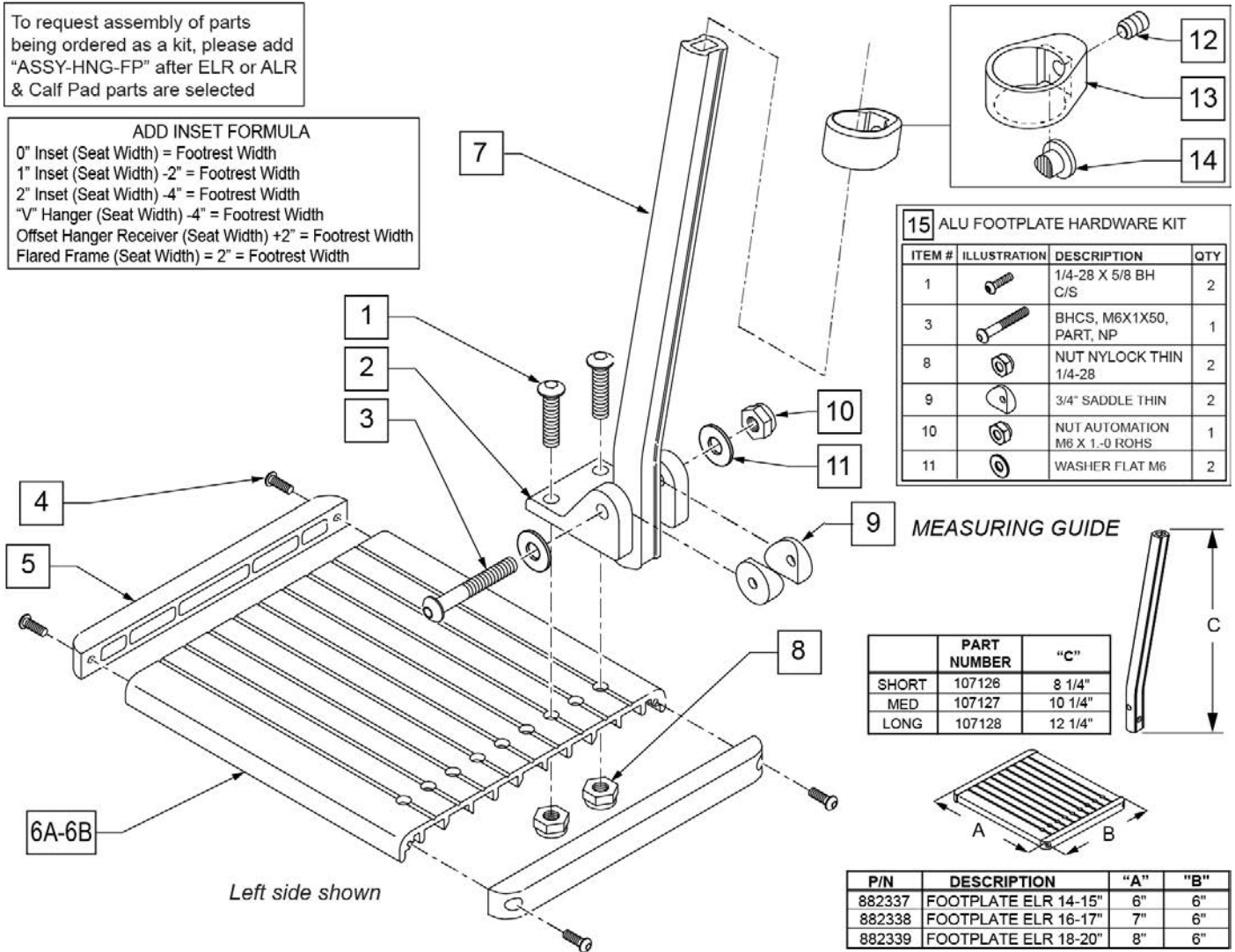
21 EXT MNT HARDWARE 1 SIDE			
ITEM #	ILLUSTRATION	DESCRIPTION	QTY
3		NUT AUTOMATION M6 X 1.0 ROHS	1
4		WASHER FLAT THIN AN 1/4	2
5		HANGER EXTENSION SADDLE	1
6		3/4" SADDLE 1" OD	1
8		WASHER FLAT SAE 1/4 ROHS	1
9		SHCS M6X1X45 12MM PART THD	1

Pos.	Item Number	Description	Remarks
1A,3-6,8,9	120670	SHT STRT EXT AAA HDWR	
1B,3-6,8,9	120671	MED STRT EXT AAA HDWR	
1C,3-6,8,9	120672	LNG STRT EXT AAA HDWR	
1D	128079	TUBE FTRST EXT STRGHT SHT HEMI	Use for Hemi Ext Tube option
2A	500656	ADULT ANG ADJ F/PLT 10/11" R	RIGHT 10-11" Footrest Width
2A	500657	ADULT ANG ADJ F/PLT 10/11" L	LEFT 10-11" Footrest Width
2B	500658	ADULT ANG ADJ F/PLT 12/13" R	RIGHT 12-13" Footrest Width
2B	500659	ADULT ANG ADJ F/PLT 12/13" L	LEFT 12-13" Footrest Width
2C	500660	ADLT ANGL ADJ F/PLT 14/15	RIGHT 14-15" Footrest Width
2C	500661	ADLT ANGL ADJ F/PLT 14/15	LEFT 14-15" Footrest Width
2D	500662	ADLT ANGL ADJ F/PLT 16/17	RIGHT 16-17" Footrest Width
2D	500663	ADLT ANGL ADJ F/PLT 16/17	LEFT 16-17" Footrest Width
2E	500664	ADLT ANGL ADJ F/PLT 18-20	RIGHT 18-22" Footrest Width
2E	500665	ADLT ANGL ADJ F/PLT 18-20	LEFT 18-22" Footrest Width
3	132626	NUT AUTOMATION M6 X 1.0	
4	106944	WASHER FLAT THIN AN 1/4 ROHS	
5	107199	HANGER EXTENSION SADDLE	
6	561055	3/4" SADDLE 1" OD	
7	541002	FTRST MOUNTING BRKT-3/8 RAD R	RIGHT
7	541003	FTRST MOUNTING BRKT-3/8 RAD L	LEFT

Pos.	Item Number	Description	Remarks
8	106945	WASHER FLAT SAE 1/4 ROHS	
9	104399	SHCS M6X1X45 12 MM PART THD	
10	106978	FHCS 1/4-28 X 7/8 ROHS	
11	550350	3/4" CLMP ADJ FT PLT	
12	106935	NUT NYLOCK THIN 1/4-28 ROHS	
13	104328	POST HEEL LOOP	
14A	104380-001	ADJUSTABLE FOOT REST STRAP	12 - 14" WIDE
14B	104380-002	ADJUSTABLE FOOT REST STRAP	15 - 16" WIDE
14C	104380-003	ADJUSTABLE FOOT REST STRAP	17 - 18" WIDE
14D	104380-004	ADJUSTABLE FOOT REST STRAP	19 - 20" WIDE
15	102268-001	HHCS M6 X 1 X 25	
16-19	107485	FOOTREST CLAMP ASSM	
20	740260	TOE-ANKLE STRAP ADJ ADULT FOOTPLATE	
21	120659	EXT MNT HARDWARE 1 SIDE	
>>>>		60,70,80 STD HANGERS - RIGHT	
1A,2B,3-14A,15	111534	AAA STRT SHT EXT ASM 12-13" W R	Right- 12-13" W- SHORT
1A,2C,3-14B,15	107928	AAA STRT SHT EXT ASM 14-15" W R	Right- 14-15" W- SHORT
1A,2D,3-14C,15	107930	AAA STRT SHT EXT ASM 16-17" W R	Right- 16-17" W- SHORT
1A,2E,3-14D,15	107932	AAA STRT SHT EXT ASM 18-22" W R	Right- 18-22" W- SHORT
>>>>		60,70,80 STD HANGERS - LEFT	
1A,2B,3-14A,15	111535	AAA STRT SHT EXT ASM 12-13" W L	Left- 12-13" W- SHORT
1A,2C,3-14B,15	107935	AAA STRT SHT EXT ASM 14" W L	Left- 14-15" W- SHORT
1A,2D,3-14C,15	107937	AAA STRT SHT EXT ASM 16" W L	Left- 16-17" W- SHORT
1A,2E,3-14D,15	107939	AAA STRT SHT EXT ASM 18" W L	Left- 18-22" W- SHORT
>>>>		60,70,80 & 60,70 HEMI HANGERS - RIGHT	
1B,2B,3-14A,15	111536	AAA STRT MED EXT ASM 12-13" W R	Right- 12-13" W- MED
1B,2C,3-14B,15	107942	AAA STRT MED EXT ASM 14-15" W R	Right- 14-15" W- MED
1B,2D,3-14C,15	107944	AAA STRT MED EXT ASM 16-17" W R	Right- 16-17" W- MED
1B,2E,3-14D,15	107946	AAA STRT MED EXT ASM 18-22" W R	Right- 18-22" W- MED
>>>>		60,70,80 & 60,70 HEMI HANGERS - LEFT	
1B,2B,3-14A,15	111537	AAA STRT MED EXT ASM 12-13" W L	Left- 12-13" W- MED
1B,2C,3-14B,15	107949	AAA STRT MED EXT ASM 14" W L	Left- 14-15" W- MED
1B,2D,3-14C,15	107951	AAA STRT MED EXT ASM 16" W L	Left- 16-17" W- MED
1B,2E,3-14D,15	107953	AAA STRT MED EXT ASM 18" W L	Left- 18-22" W- MED
>>>>		60,70,80 & 60,70 HEMI HANGERS - RIGHT	
1C,2B,3-14A,15	111538	AAA STRT LNG EXT ASM 12-13" W R	Right- 12-13" W- LONG
1C,2C,3-14B,15	107956	AAA STRT LNG EXT ASM 14 -15" W R	Right- 14-15" W- LONG
1C,2D,3-14C,15	107958	AAA STRT LNG EXT ASM 16 -17" W R	Right- 16-17" W- LONG
1C,2E,3-14D,15	107960	AAA STRT LNG EXT ASM 18 -22" W R	Right- 18-22" W- LONG
>>>>		60,70,80 & 60,70 HEMI HANGERS - LEFT	
1C,2B,3-14A,15	111539	AAA STRT LNG EXT ASM 12-13" W L	Left- 12-13" W- LONG
1C,2C,3-14B,15	107963	AAA STRT LNG EXT ASM 14W L	Left- 14-15" W- LONG
1C,2D,3-14C,15	107965	AAA STRT LNG EXT ASM 16W L	Left- 16-17" W- LONG
1C,2E,3-14D,15	107968	AAA STRT LNG EXT ASM 18W L	Left- 18-22" W- LONG
>>>>		60&70 HEMI HANGERS - SHORT EXT - RIGHT	
1D,2B,3-14A,15	129756	AAA FOOT KIT SHT HNGR 12W R	Right- 12-13" W- SHORT; add Ext behind the Hemi
1D,2C,3-14B,15	129758	AAA FOOT KIT SHT HNGR 14W R	Right- 14-15" W- SHORT; add Ext behind the Hemi
1D,2D,3-14C,15	129760	AAA FOOT KIT SHT HNGR 16W R	Right- 16-17" W- SHORT; add Ext behind the Hemi
1D,2E,3-14D,15	129762	AAA FOOT KIT SHT HNGR 18W R	Right- 18-22" W- SHORT; add Ext behind the Hemi
>>>>		60&70 HEMI HANGERS - SHORT EXT -LEFT	
1D,2B,3-14A,15	129757	AAA FOOT KIT SHT HNGR 12W L	Left- 12-13" W-SHORT; add Ext behind the Hemi
1D,2C,3-14B,15	129759	AAA FOOT KIT SHT HNGR 14W L	Left- 14-15" W- SHORT; add Ext behind the Hemi
1D,2D,3-14C,15	129761	AAA FOOT KIT SHT HNGR 16W L	Left- 16-17" W- SHORT; add Ext behind the Hemi
1D,2E,3-14D,15	129763	AAA FOOT KIT SHT HNGR 18W L	Left- 18-22" W- SHORT; add Ext behind the Hemi
		Ship assembled part #	Use with multiple assemblies
	ASSY-HNG-FP	HANGER/FOOTPLATE ASSY REQUIRED	add with Hanger & Footplate kit

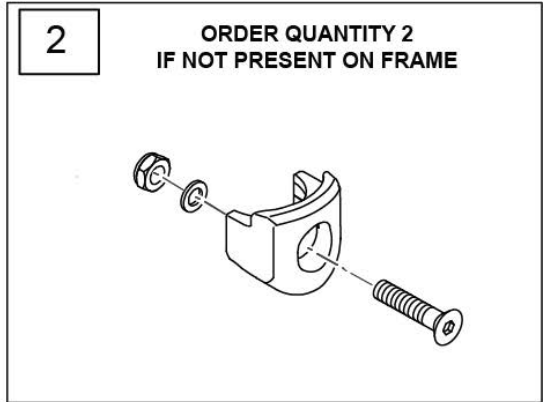
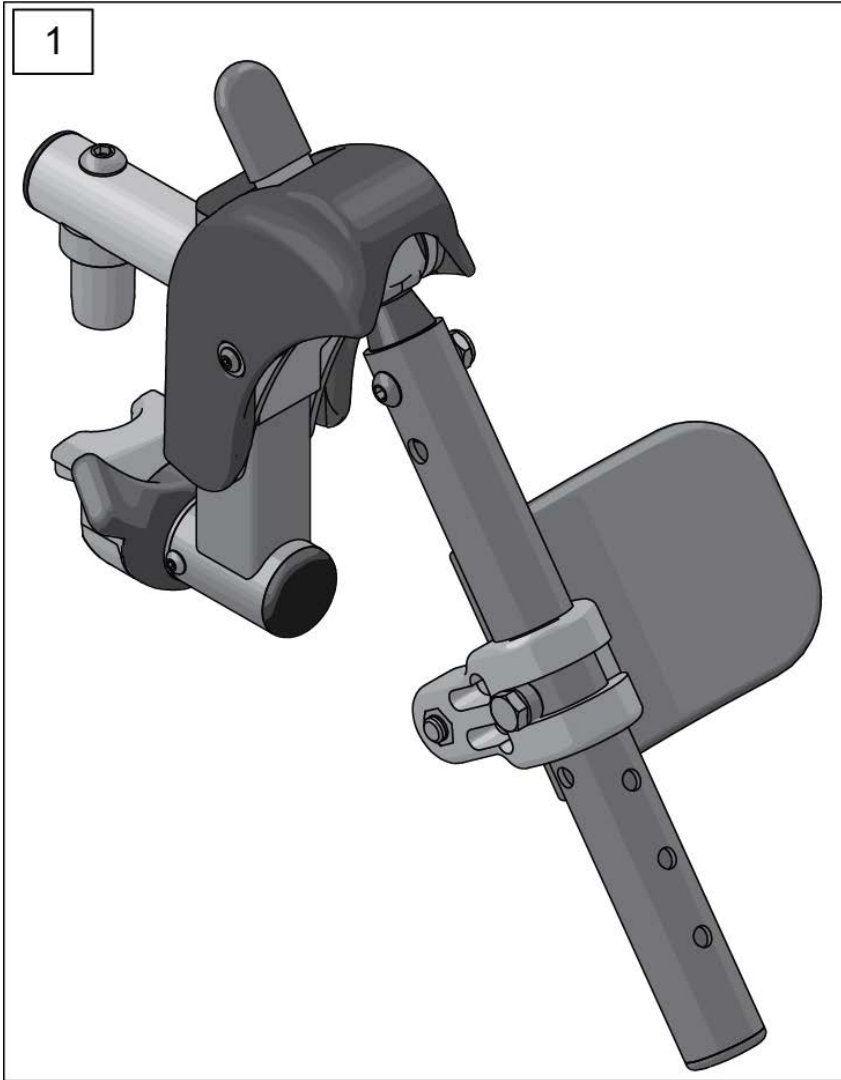
To request assembly of parts being ordered as a kit, please add "ASSY-HNG-FP" after ELR or ALR & Calf Pad parts are selected

**ADD INSET FORMULA**  
 0" Inset (Seat Width) = Footrest Width  
 1" Inset (Seat Width) -2" = Footrest Width  
 2" Inset (Seat Width) -4" = Footrest Width  
 "V" Hanger (Seat Width) -4" = Footrest Width  
 Offset Hanger Receiver (Seat Width) +2" = Footrest Width  
 Flared Frame (Seat Width) = 2" = Footrest Width



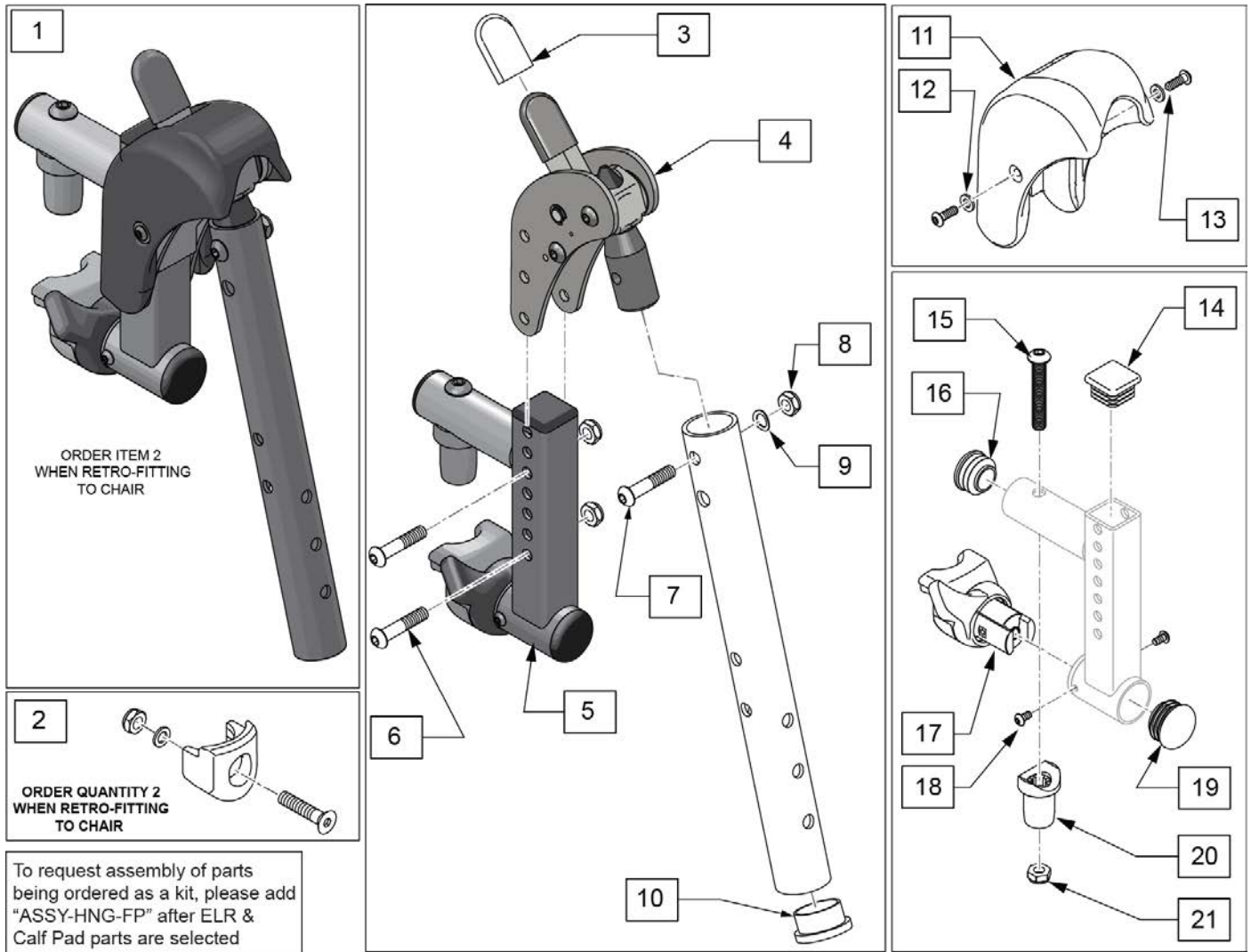
Pos.	Item Number	Description	Remarks
1	226090	1/4-28 x 5/8 BH C/S	
2	118093	BRACKET FOOTPLATE ALUM	
3	102262-008	BHCS M6 X 1 X 50 INORGANIC	
4	281043	#4 x 5/8 PAN PHIL S/TAP	
5	560101	END CAPS FOOTREST	
7	107126	SHORT BENT	
7	107127	MED BENT	
7	107128	LONG BENT	
7	128078	TUBE FOOTREST EXT SHT HEMI	Use for Hemi Extension option
8	106935	1/4-28 NYLOCK NUT THIN	
9	561003	3/4" SADDLE THIN	
10	132626	NUT AUTOMATION M6 X 1.0	
11	107383	WASHER FLAT M6 ROHS	
4,5,6A	882337	ELR FOOTPLATE ASSEMBLY 14 -15"	
4,5,6B	882338	ELR FOOTPLATE ASSEMBLY 16 -17"	
4,5,6C	882339	ELR FOOTPLATE ASSEMBLY 18 -20"	
12-14	119495	EXTENSION CLAMP KIT	
15	129775	ALU FOOTPLATE HDWARE KIT	Ext tube not included; bracket (118093) not included

<b>Pos.</b>	<b>Item Number</b>	<b>Description</b>	<b>Remarks</b>
		Ship assembled part #	Use with multiple assemblies
	ASSY-HNG-FP	HANGER/FOOTPLATE ASSY REQUIRED	add with Hanger & Footplate kit



Pos.	Item Number	Description	Remarks
1	162048S	SWNG I/O ELR ASSM FM W/PAD	Kit includes both right & left sides with calf pads
2	119514	LATCH RECEIVER KIT	order qty 2 when retro-fitting to chair
		Ship assembled part #	Use with multiple assemblies
	ASSY-HNG-FP	HANGER/FOOTPLATE ASSY REQUIRED	add with Hanger & Footplate kit

**SWING IN-OUT FRONT MOUNT ELR REPLACEMENT PARTS (PLUNGER STYLE) (EFFECTIVE 2/6/17/2017)**

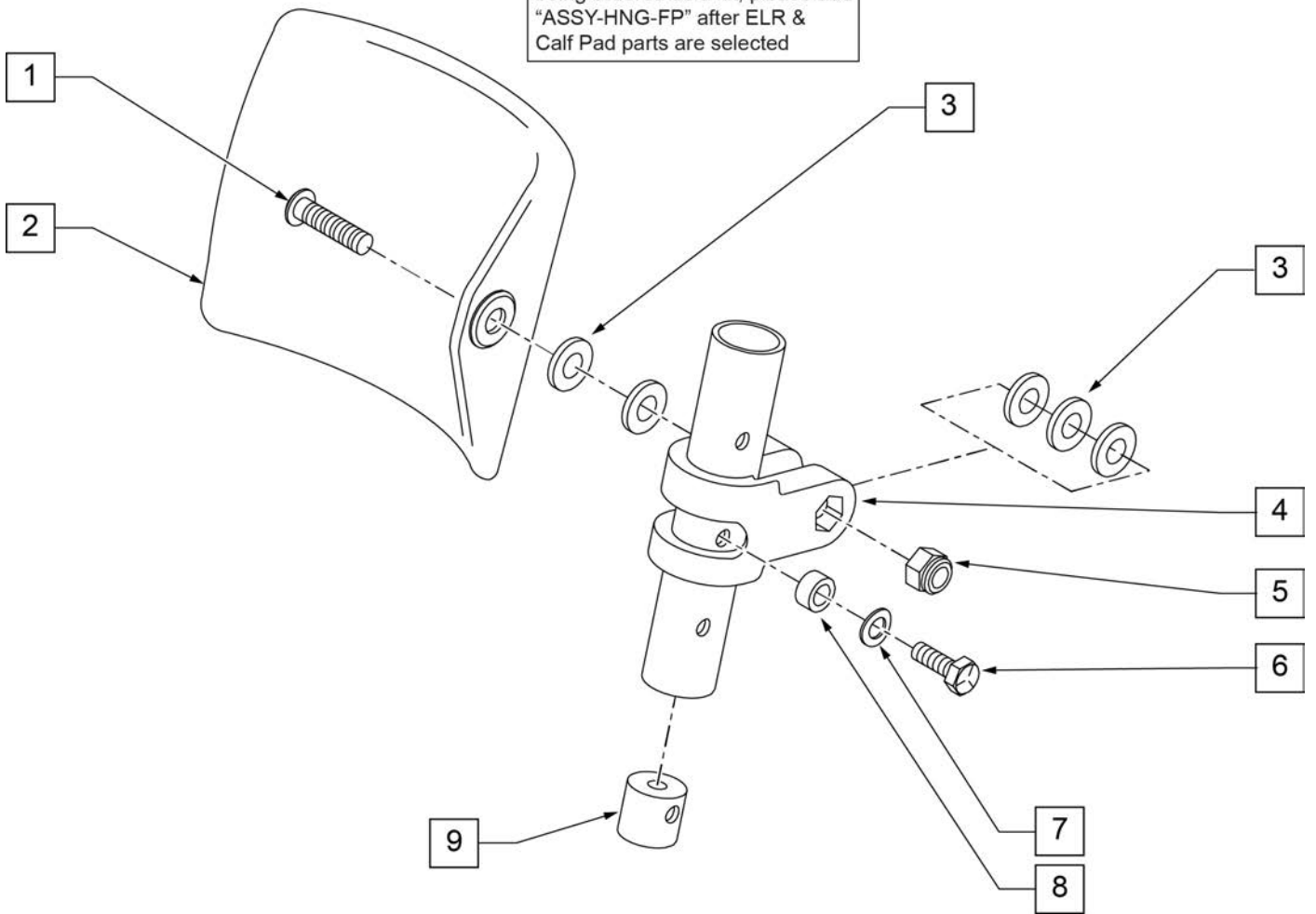


Pos.	Item Number	Description	Remarks
1	162049S	SWNG I/O ELR ASSM FM LH	Left
1	162050S	SWNG I/O ELR ASSM FM RH	Right
2	119514	LATCH RECEIVER KIT	order qty 2 when retro-fitting to chair
3	560501	ALR REL LEVER COVER	
4	126992	HEMI ELR SUB ASSM	
5	134188	RECEIVER ASSY ELR ALR RH	
5	134186	RECEIVER ASSY ELR ALR LH	
6	108623	BHCS 1/4-28 x 1-1/2	
7	106961	BHCS 1/4 -28 x 1 1/4 ROHS	
8	106935	1/4-28 NYLOCK NUT THIN BLK ZN	
9	104414	WAVE WASHER 6 MM	
10	561002	1" INSERT PLUG .083	
12	113282	WASHER FLAT AN #10 ROHS	
13	127135	BHCS 8-32 X 1/2 BLK	
11-13	129640	ELR SHROUD KIT	Kit w/ 2 screws
14	010615	SQUARE END CAP CNTR LEG	
15	226217	5/16-18 X 2" BH C/S BLK	
16	560110	ENDPLUG BACKREST TNT	
17,18	161243	ELR/ALR HANGER LATCH KIT LH	Left

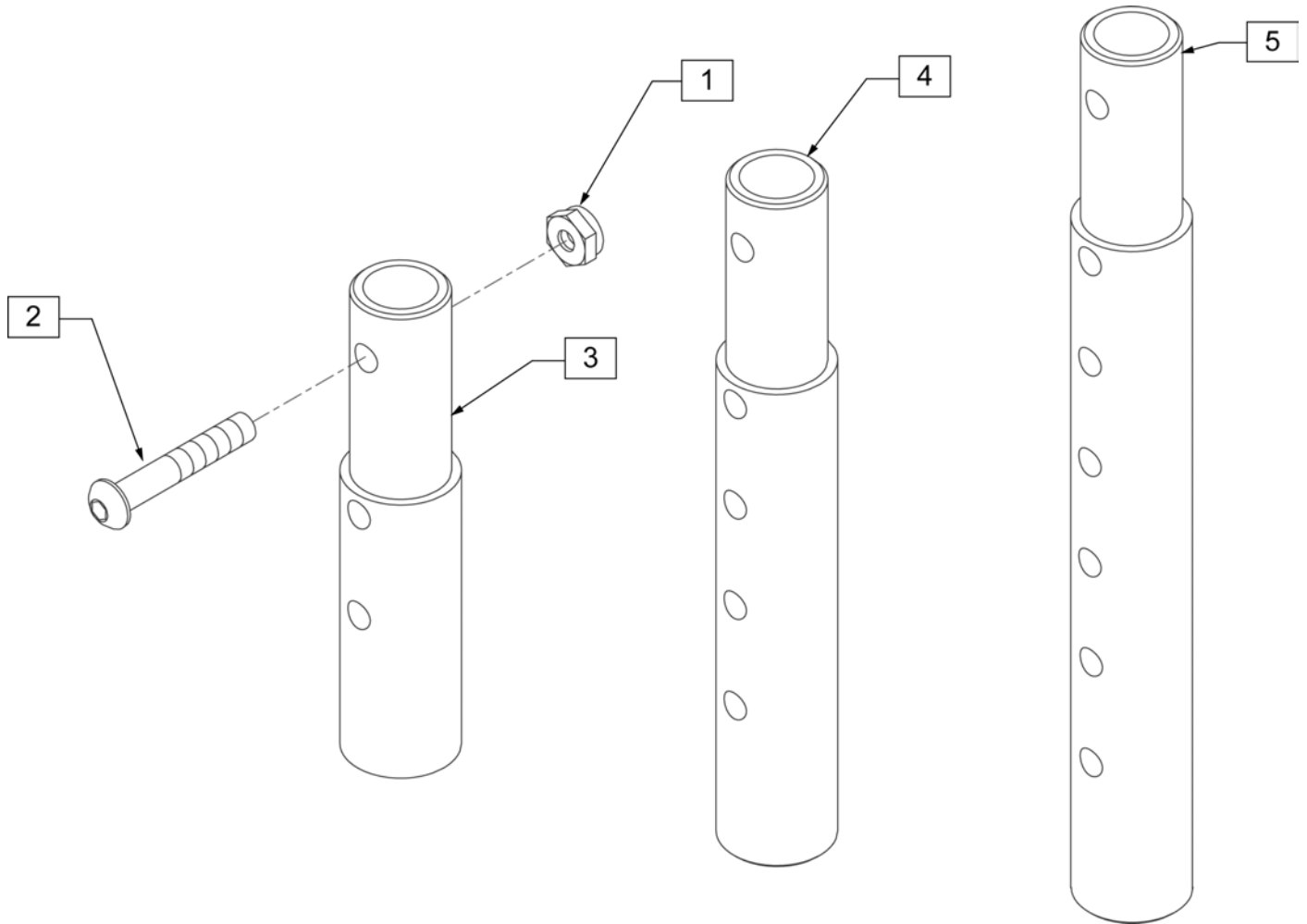
Pos.	Item Number	Description	Remarks
17,18	161242	ELR/ALR HANGER LATCH KIT RH	Right
19	561062	1" INSERT PLUG .065 RIBS	
20	561197	PLASTIC PIVOT SADDLE	
21	202102	5/16-18 NYLOCK NUT THIN	
		Ship assembled part #	Use with multiple assemblies
	ASSY-HNG-FP	HANGER/FOOTPLATE ASSY REQUIRED	add with Hanger & Footplate kit



To request assembly of parts being ordered as a kit, please add "ASSY-HNG-FP" after ELR & Calf Pad parts are selected



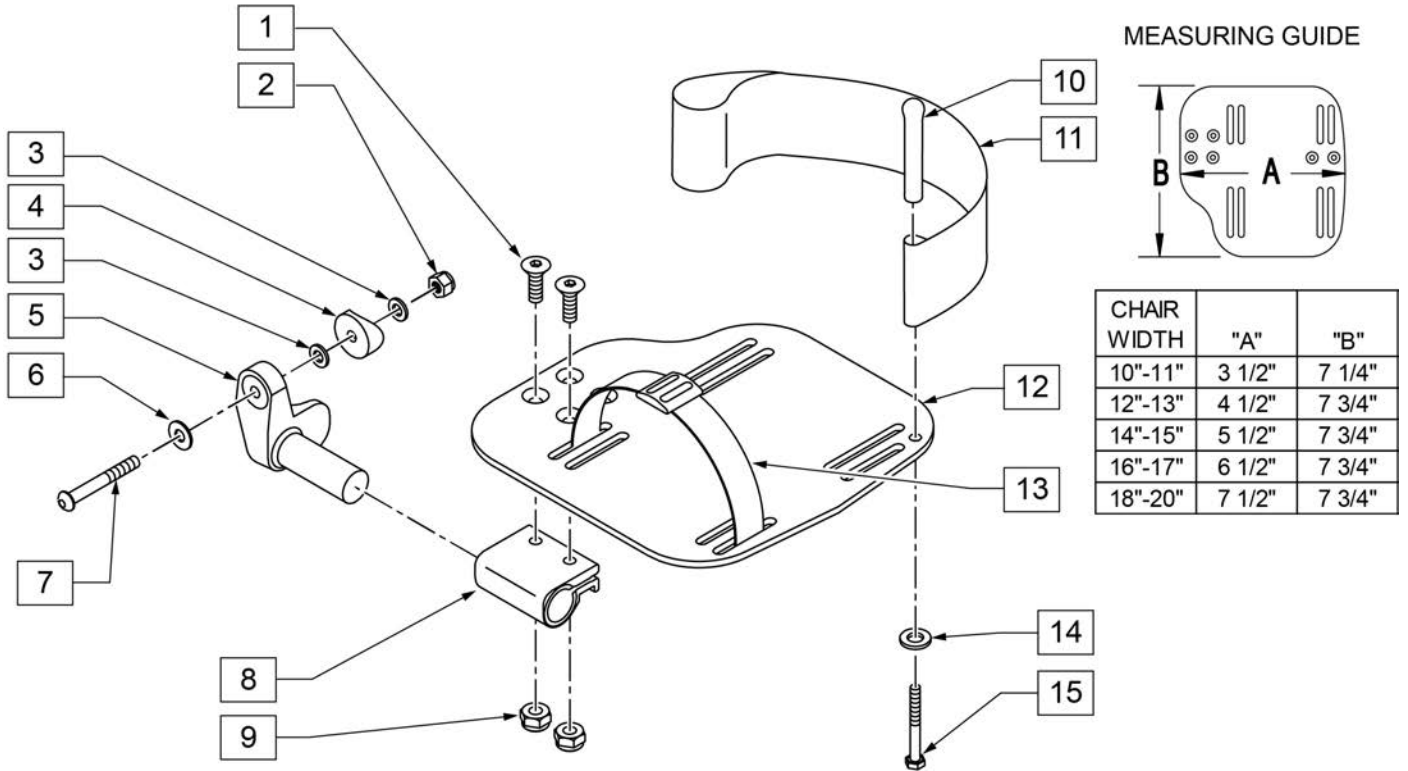
Pos.	Item Number	Description	Remarks
1	226217	5/16-18 x 2" BH C/S BLK	
2	755013	CALF PAD TROUGH STYLE KIDS	
3	561016	1" WASHER 5/16" HOLE	
4	561097	ELR ELEVATING TUBE CLAMP	
5	106937	5/16 -18 NYLOCK NUT THIN	
6	106958	HHCS 1/4-20 X 1 ROHS	
7	262130	6mm WASHER WAVE	
8	483027	1/4 x 1/4 ALUMINUM SPACER	
9	500151	KIDS ALR RETAINING PLUG	
1-9	880533	ELR TROUGH PAD ASSM KIDS	
		Ship assembled part #	Use with multiple assemblies
	ASSY-HNG-FP	HANGER/FOOTPLATE ASSY REQUIRED	add with Hanger & Footplate kit



Pos.	Item Number	Description	Remarks
1	106935	NUT NYLOCK THIN 1/4 -28 ROHS	
2	106961	BHCS 1/4 -28 x 1 1/4 ROHS	
1-3	111505	2" FOOTREST EXTENSION TUBE W/ HDWR ASSM	2" EXT (PAIR)
1, 2, 4	111506	4" FOOTREST EXTENSION TUBE W/ HDWR ASSM	4" EXT (PAIR)
1, 2, 5	111507	6" FOOTREST EXTENSION TUBE W/ HDWR ASSM	6" EXT (PAIR)

To have complete Footrest ship assembled, choose compatible Hanger + Footplate part numbers and add "ASSY-HNG-FP" to order

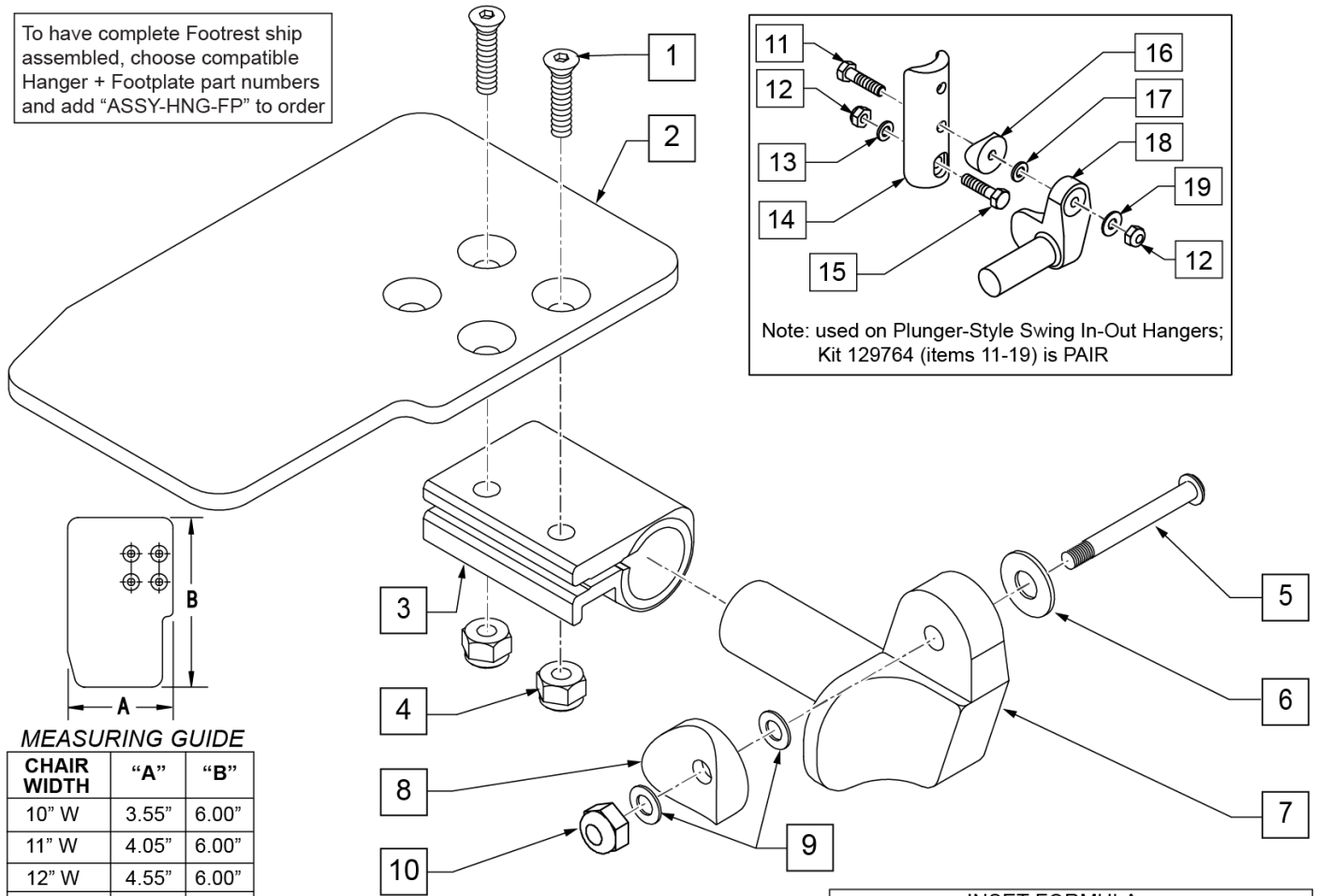
**INSET FORMULA**  
 0" Inset (Seat Width) = Footrest Width  
 1" Inset (Seat Width) - 2" = Footrest Width  
 "V" Hanger (Seat Width) - 4" = Footrest Width  
 Offset Hanger Receiver (Seat Width) + 2" = Footrest Width



Pos.	Item Number	Description	Remarks
1	106978	FHCS 1/4-28 X 7/8 ROHS	
2	106941	NUT AUTOMATION 1/4-28 ROHS	
3	106943	WASHER FLAT AN 1/4 ROHS	
4	561004	1" SADDLE 1/4" HOLE	
5	541000	FOOTREST MOUNTING BRKT 1/2" RAD R	RIGHT
5	541001	FOOTREST MOUNTING BRKT 1/2" RAD L	LEFT
6	106945	WASHER FLAT SAE 1/4 ROHS	
7	106964	BHCS 1/4-28 X 2	
8	550350	3/4" CLAMP ADJ FOOTPLATE	
9	106935	NUT NYLOCK THIN 1/4-28 ROHS	
10	561040	HEEL LOOP PEG	
11	741153	HEEL LOOP 18-20 CMPST/14-15 ANG ADJ	USED W/ 14-15"/16-17" ADULT ANG ADJ FTPLTS
11	741253	HEEL LOOP ADLT ADJ F/PLT 18-20	USED W/ 18 -20" ADULT ANG ADJ FTPLTS
12	500656	ADULT ANGL ADJ F/PLT 10/11	RIGHT
12	500657	ADULT ANGL ADJ F/PLT 10/11	LEFT
12	500658	ADULT ANGL ADJ F/PLT 12/13	RIGHT
12	500659	ADULT ANGL ADJ F/PLT 12/13	LEFT
12	500660	ADULT ANGL ADJ F/PLT 14/15	RIGHT
12	500661	ADULT ANGL ADJ F/PLT 14/15	LEFT
12	500662	ADULT ANGL ADJ F/PLT 16/17	RIGHT
12	500663	ADULT ANGL ADJ F/PLT 16/17	LEFT
12	500664	ADULT ANGL ADJ F/PLT 18-20	RIGHT
12	500665	ADULT ANGL ADJ F/PLT 18-20	LEFT

Pos.	Item Number	Description	Remarks
13	740260	TOE-ANKLE STRAP ADJ ADULT FOOTPLATE	
14	106943	WASHER FLAT AN 1/4 ROHS	
15	106958	HHCS 1/4-20 X 1 ROHS	
1-9,12	820544	FP ADULT ADJ 90D 10/11 R	RIGHT
1-9,12	820554	FP ADULT ADJ 90D 10/11 L	LEFT
1-9,12	820546	FP ADULT ADJ 90D 12/13 R	RIGHT
1-9,12	820556	FP ADULT ADJ 90D 12/13 L	LEFT
1-9,12	820472	FP ADULT ADJ 90D 14/15 R	RIGHT
1-9,12	820473	FP ADULT ADJ 90D 14/15 L	LEFT
1-9,12	820474	FP ADULT ADJ 90D 16/17 R	RIGHT
1-9,12	820475	FP ADULT ADJ 90D 16/17 L	LEFT
1-9,12	820476	FP ADULT ADJ 90D 18-20 R	RIGHT
1-9,12	820477	FP ADULT ADJ 90D 18-20 L	LEFT
1-9,12	921474	ADULT ANGL ADJ 90D 10/11 OMIT H/L	PAIR
1-9,12	921476	ADULT ANGL ADJ 90D 12/13 OMIT H/L	PAIR
1-9,12	921330	ADULT ANGL ADJ 90D 14/15 OMIT H/L	PAIR
1-9,12	921331	ADULT ANGL ADJ 90D 16/17 OMIT H/L	PAIR
1-9,12	921332	ADULT ANGL ADJ 90D 18-20 OMIT H/L	PAIR
1-12,14,15	820540	F/PLT ADULT ADJ 90D 10/11 R W/ HL	RIGHT
1-12,14,15	820550	F/PLT ADULT ADJ 90D 10/11 L W/ HL	LEFT
1-12,14,15	820542	F/PLT ADULT ADJ 90D 12/13 R W/ HL	RIGHT
1-12,14,15	820552	F/PLT ADULT ADJ 90D 12/13 L W/ HL	LEFT
1-12,14,15	820478	F/PLT ADULT ADJ 90D 14/15 R W/ HL	RIGHT
1-12,14,15	820479	F/PLT ADULT ADJ 90D 14/15 L W/ HL	LEFT
1-12,14,15	820480	F/PLT ADULT ADJ 90D 16/17 R W/ HL	RIGHT
1-12,14,15	820481	F/PLT ADULT ADJ 90D 16/17 L W/ HL	LEFT
1-12,14,15	820482	F/PLT ADULT ADJ 90D 18-20 R W/ HL	RIGHT
1-12,14,15	820483	F/PLT ADULT ADJ 90D 18-20 L W/ HL	LEFT
1-12,14,15	921470	F/PLT ADULT ADJ 90D 10/11 W/ HL	PAIR
1-12,14,15	921472	F/PLT ADULT ADJ 90D 12/13 W/ HL	PAIR
1-12,14,15	921333	F/PLT ADULT ADJ 90D 14/15 W/ HL	PAIR
1-12,14,15	921334	F/PLT ADULT ADJ 90D 16/17 W/ HL	PAIR
1-12,14,15	921335	F/PLT ADULT ADJ 90D 18-20 W/ HL	PAIR
		Ship assembled part #	Use with multiple assemblies
	ASSY-HNG-FP	HANGER/FOOTPLATE ASSY REQUIRED	add with Hanger & Footplate kit

To have complete Footrest ship assembled, choose compatible Hanger + Footplate part numbers and add "ASSY-HNG-FP" to order



Note: used on Plunger-Style Swing In-Out Hangers; Kit 129764 (items 11-19) is PAIR

MEASURING GUIDE

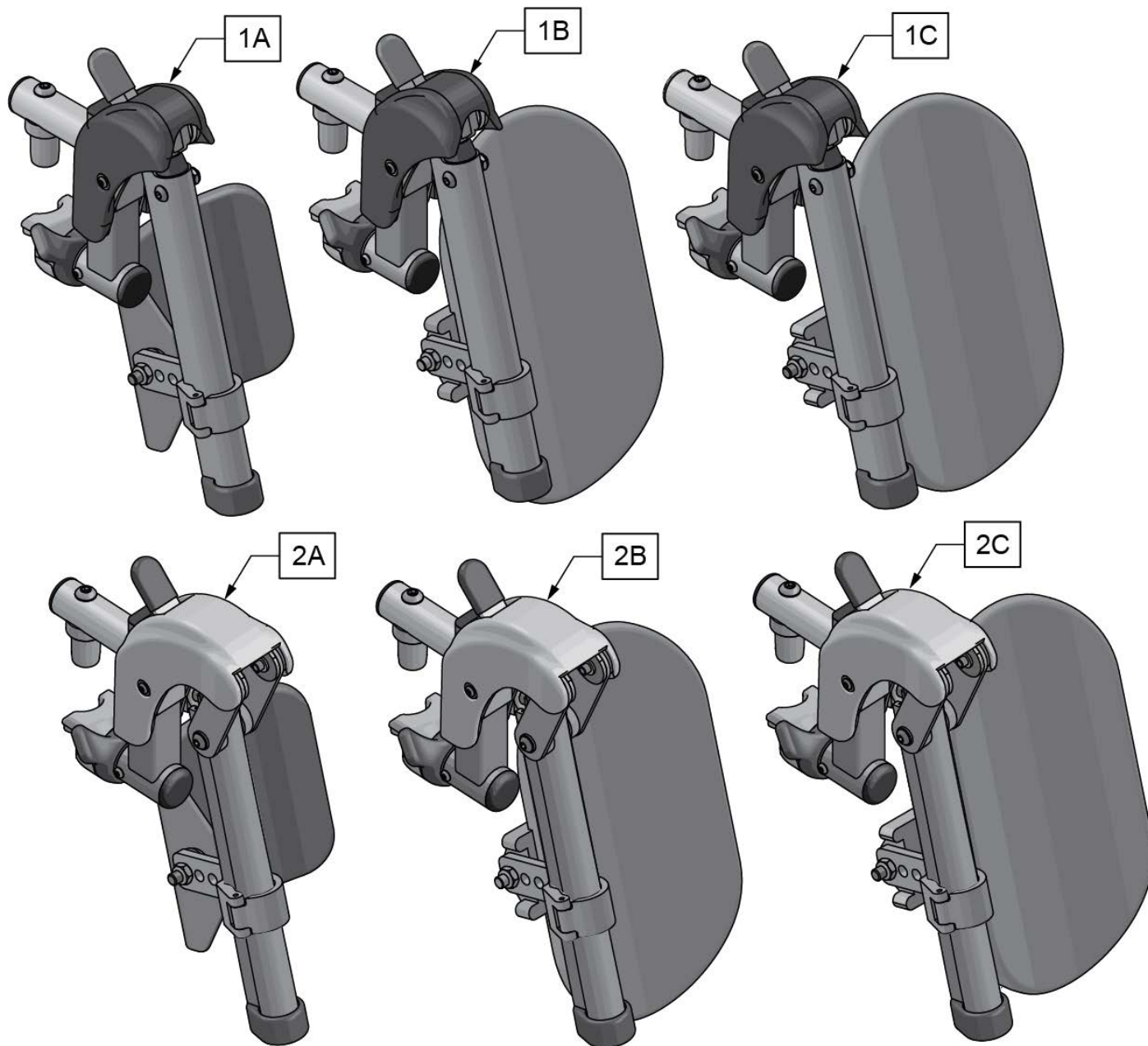
CHAIR WIDTH	"A"	"B"
10" W	3.55"	6.00"
11" W	4.05"	6.00"
12" W	4.55"	6.00"
13" W	5.05"	6.00"
14" W	5.55"	6.00"
15" W	6.05"	6.00"
16" W	6.55"	6.00"

**INSET FORMULA**  
 0" Inset (Seat Width) = Footrest Width  
 1" Inset (Seat Width) -2" = Footrest Width  
 "V" Hanger (Seat Width) -4" = Footrest Width  
 Offset Hanger Receiver (Seat Width) +2" = Footrest Width

Pos.	Item Number	Description	Remarks
1	106978	FHCS 1/4-28 X 7/8 ROHS	
2	500635	KIDS ANGL ADJ F/PLT 10	RIGHT
2	500636	KIDS ANGL ADJ F/PLT 10	LEFT
2	500637	KIDS ANGL ADJ F/PLT 11	RIGHT
2	500638	KIDS ANGL ADJ F/PLT 11	LEFT
2	500639	KIDS ANGL ADJ F/PLT 12	RIGHT
2	500640	KIDS ANGL ADJ F/PLT 12	LEFT
2	500641	KIDS ANGL ADJ F/PLT 13	RIGHT
2	500642	KIDS ANGL ADJ F/PLT 13	LEFT
2	500643	KIDS ANGL ADJ F/PLT 14	RIGHT
2	500644	KIDS ANGL ADJ F/PLT 14	LEFT
2	500645	KIDS ANGL ADJ F/PLT 15	RIGHT
2	500646	KIDS ANGL ADJ F/PLT 15	LEFT
2	500647	KIDS ANGL ADJ F/PLT 16	RIGHT
2	500648	KIDS ANGL ADJ F/PLT 16	LEFT
3	550350	3/4 CLAMP ADJ FOOTPLATE	
4	106935	NUT NYLOCK THIN 1/4-28 ROHS	
5	226147	1/4-28 X 1.85 BH C/S BLK ZN	

Pos.	Item Number	Description	Remarks
6	106945	WASHER FLAT SAE 1/4 ROHS	
7	541000	FTRST MOUNTING BRKT 1/2" RAD R	RIGHT
7	541001	FTRST MOUNTING BRKT 1/2" RAD L	LEFT
8	561004	1 SADDLE 1/4 HOLE	
9	106943	WASHER FLAT THIN AN 1/4	
10	106941	NUT AUTOMATION 1/4-28 ROHS	
11	102268-001	HHCS M6 X 1 X 25	
12	132626	NUT AUTOMATION M6 X 1.0 ROHS	
13	107383	WASHER FLAT M6 ROHS	
15	118198	HHCS M6 X 1 X 40 PART NP	
16	561004	1" SADDLE 1/4" HOLE	
17	106943	WASHER FLAT AN 1/4 ROHS	
19	106945	WASHER FLAT SAE 1/4 ROHS	
1-4	158632	CAA F/PLT KIT 10 RT	RIGHT; used with Front Mount Adapter Kit on Plunger-Style Swing In/Out Hangers
1-4	158633	CAA F/PLT KIT 10 LT	LEFT; used with Front Mount Adapter Kit on Plunger-Style Swing In/Out Hangers
1-4	158634	CAA F/PLT KIT 11 RT	RIGHT; used with Front Mount Adapter Kit on Plunger-Style Swing In/Out Hangers
1-4	158635	CAA F/PLT KIT 11 LT	LEFT; used with Front Mount Adapter Kit on Plunger-Style Swing In/Out Hangers
1-4	158636	CAA F/PLT KIT 12 RT	RIGHT; used with Front Mount Adapter Kit on Plunger-Style Swing In/Out Hangers
1-4	158637	CAA F/PLT KIT 12 LT	LEFT; used with Front Mount Adapter Kit on Plunger-Style Swing In/Out Hangers
1-4	158638	CAA F/PLT KIT 13 RT	RIGHT; used with Front Mount Adapter Kit on Plunger-Style Swing In/Out Hangers
1-4	158639	CAA F/PLT KIT 13 LT	LEFT; used with Front Mount Adapter Kit on Plunger-Style Swing In/Out Hangers
1-4	158640	CAA F/PLT KIT 14 RT	RIGHT; used with Front Mount Adapter Kit on Plunger-Style Swing In/Out Hangers
1-4	158641	CAA F/PLT KIT 14 LT	LEFT; used with Front Mount Adapter Kit on Plunger-Style Swing In/Out Hangers
1-4	158642	CAA F/PLT KIT 15 RT	RIGHT; used with Front Mount Adapter Kit on Plunger-Style Swing In/Out Hangers
1-4	158643	CAA F/PLT KIT 15 LT	LEFT; used with Front Mount Adapter Kit on Plunger-Style Swing In/Out Hangers
1-4	158644	CAA F/PLT KIT 16 RT	RIGHT; used with Front Mount Adapter Kit on Plunger-Style Swing In/Out Hangers
1-4	158645	CAA F/PLT KIT 16 LT	LEFT; used with Front Mount Adapter Kit on Plunger-Style Swing In/Out Hangers
1-10	828821	KIDS ANG ADJ F/PLT ASSM 10	RIGHT; used with Old-Style Latch Block Swing In/Out & S/A Hangers
1-10	828822	KIDS ANG ADJ F/PLT ASSM 10	LEFT; used with Old-Style Latch Block Swing In/Out & S/A Hangers
1-10	828823	KIDS ANG ADJ F/PLT ASSM 11	RIGHT; used with Old-Style Latch Block Swing In/Out & S/A Hangers
1-10	828824	KIDS ANG ADJ F/PLT ASSM 11	LEFT; used with Old-Style Latch Block Swing In/Out & S/A Hangers
1-10	828825	KIDS ANG ADJ F/PLT ASSM 12	RIGHT; used with Old-Style Latch Block Swing In/Out & S/A Hangers
1-10	828826	KIDS ANG ADJ F/PLT ASSM 12	LEFT; used with Old-Style Latch Block Swing In/Out & S/A Hangers
1-10	828827	KIDS ANG ADJ F/PLT ASSM 13	RIGHT; used with Old-Style Latch Block Swing In/Out & S/A Hangers
1-10	828828	KIDS ANG ADJ F/PLT ASSM 13	LEFT; used with Old-Style Latch Block Swing In/Out & S/A Hangers
1-10	828829	KIDS ANG ADJ F/PLT ASSM 14	RIGHT; used with Old-Style Latch Block Swing In/Out & S/A Hangers
1-10	828830	KIDS ANG ADJ F/PLT ASSM 14	LEFT; used with Old-Style Latch Block Swing In/Out & S/A Hangers
1-10	828831	KIDS ANG ADJ F/PLT ASSM 15	RIGHT; used with Old-Style Latch Block Swing In/Out & S/A Hangers
1-10	828832	KIDS ANG ADJ F/PLT ASSM 15	LEFT; used with Old-Style Latch Block Swing In/Out & S/A Hangers

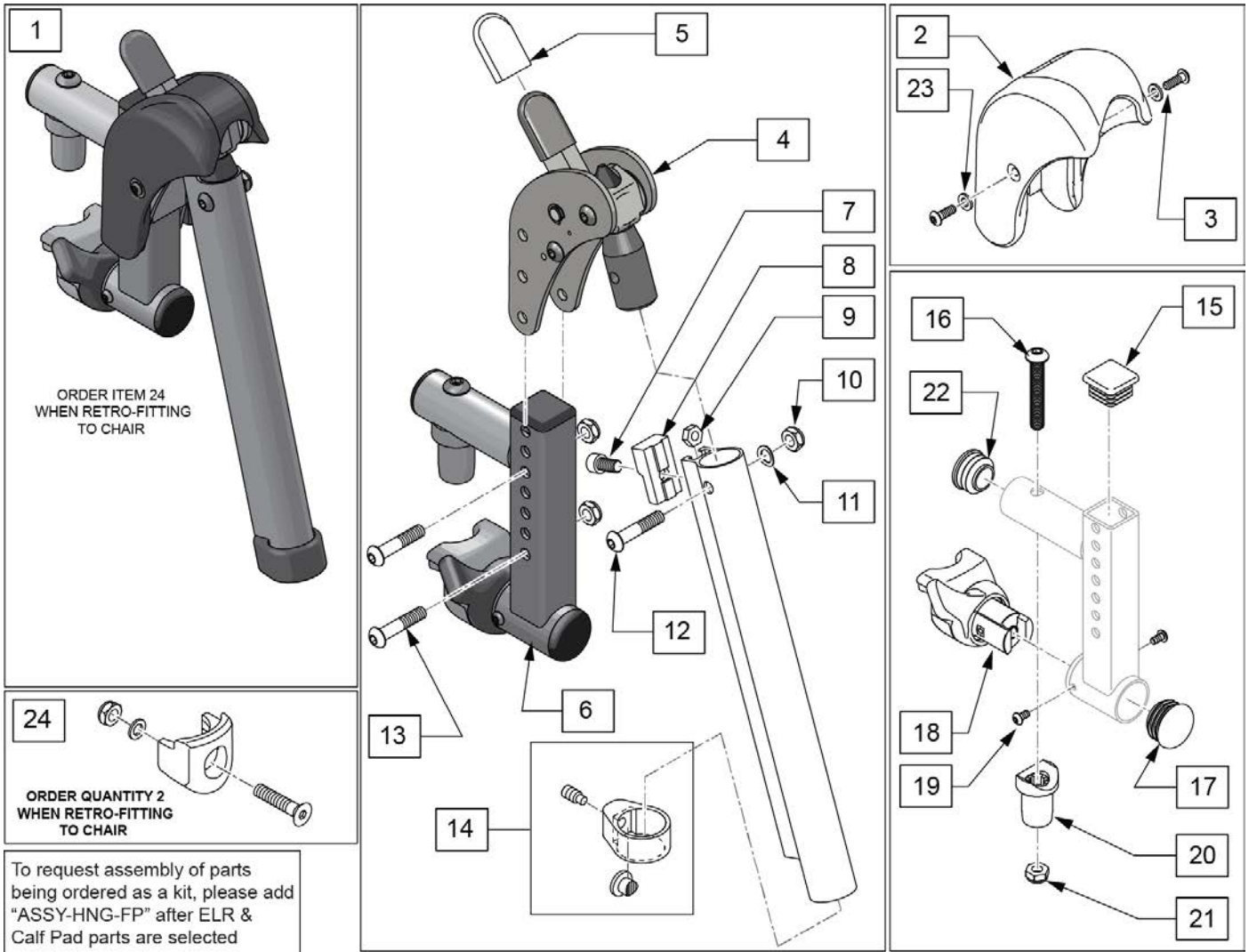
Pos.	Item Number	Description	Remarks
1-10	828833	KIDS ANG ADJ F/PLT ASSM 16	RIGHT; used with Old-Style Latch Block Swing In/Out & S/A Hangers
1-10	828834	KIDS ANG ADJ F/PLT ASSM 16	LEFT; used with Old-Style Latch Block Swing In/Out & S/A Hangers
1-10	921226	KIDS ANG ADJ F/PLT ASSM 10	PAIR; used with Old-Style Latch Block Swing In/Out & S/A Hangers
1-10	921227	KIDS ANG ADJ F/PLT ASSM 11	PAIR; used with Old-Style Latch Block Swing In/Out & S/A Hangers
1-10	921228	KIDS ANG ADJ F/PLT ASSM 12	PAIR; used with Old-Style Latch Block Swing In/Out & S/A Hangers
1-10	921229	KIDS ANG ADJ F/PLT ASSM 13	PAIR; used with Old-Style Latch Block Swing In/Out & S/A Hangers
1-10	921230	KIDS ANG ADJ F/PLT ASSM 14	PAIR; used with Old-Style Latch Block Swing In/Out & S/A Hangers
1-10	921231	KIDS ANG ADJ F/PLT ASSM 15	PAIR; used with Old-Style Latch Block Swing In/Out & S/A Hangers
1-10	921232	KIDS ANG ADJ F/PLT ASSM 16	PAIR; used with Old-Style Latch Block Swing In/Out & S/A Hangers
11-19	129764	AAA FRNT MNT ADAPTER KIT PR	AAA FRNT MNT fits both Kids and Adult Angle Adjustable Footplates
		Ship assembled part #	Use with multiple assemblies
	ASSY-HNG-FP	HANGER/FOOTPLATE ASSY REQUIRED	add with Hanger & Footplate kit



Pos.	Item Number	Description	Remarks
1A	161233S	SWNG I/O ELR ASM 14-15 W/PAD	Pair
1B	161234S	SWNG I/O ELR ASM 16-17 W/PAD	Pair
1C	161235S	SWNG I/O ELR ASM 18-20 W/PAD	Pair
2A	161236S	SWNG I/O ALR ASM 14-15 W/PAD	Pair
2B	161237S	SWNG I/O ALR ASM 16-17 W/PAD	Pair
2C	161238S	SWNG I/O ALR ASM 18-20 W/PAD	Pair
		Ship assembled part #	Use with multiple assemblies
	ASSY-HNG-FP	HANGER/FOOTPLATE ASSY REQUIRED	add with Hanger & Footplate kit



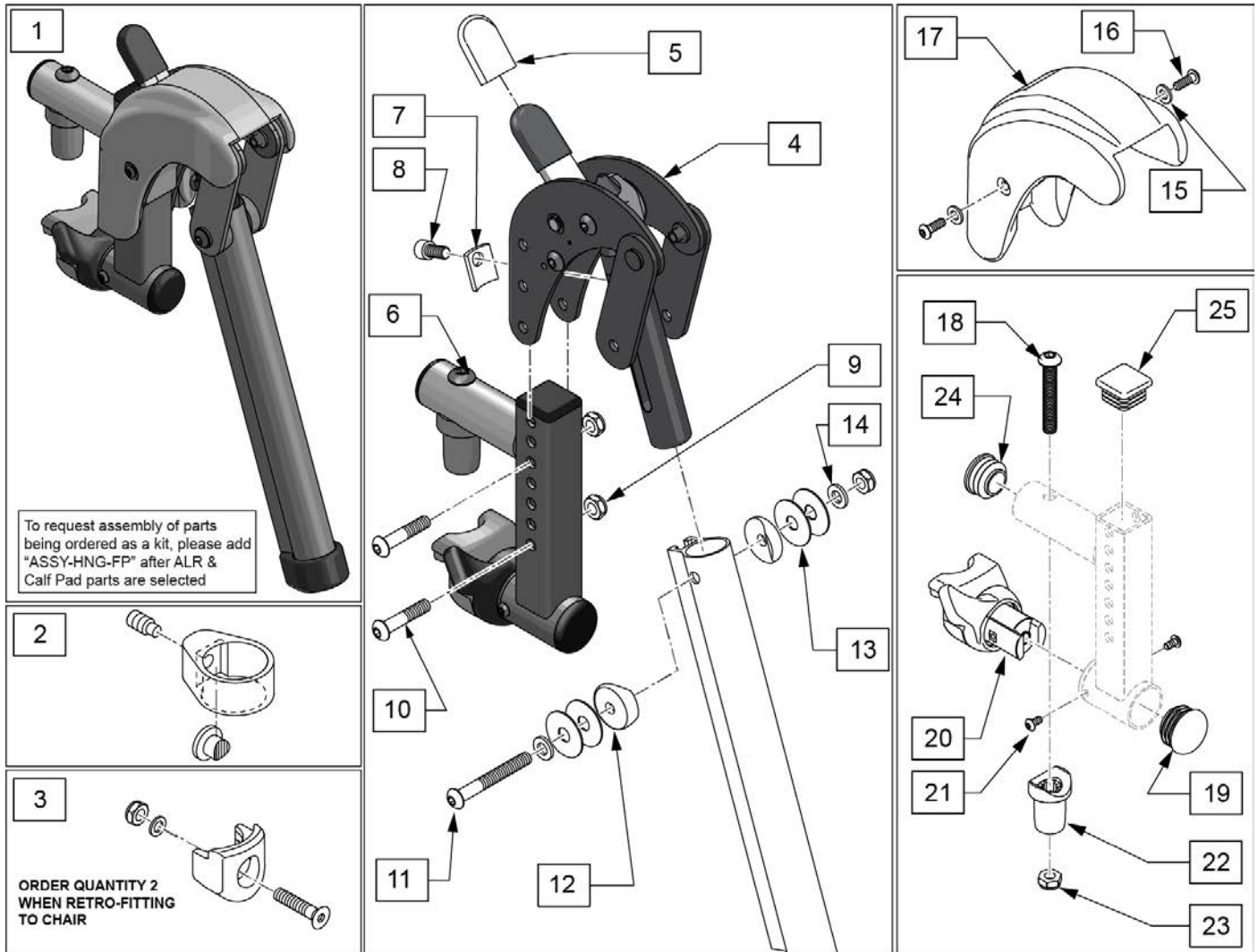
**SWING IN-OUT EXT MOUNT ELR REPLACEMENT PARTS (PLUNGER STYLE) (EFFECTIVE 2/6/17)[7/2016]**



Pos.	Item Number	Description	Remarks
1	161239S	SWNG I/O ELR ASSM RH	Right
1	161240S	SWNG I/O ELR ASSM LH	Left
1	161241S	SWNG I/O ELR ASSM PR	Pair
2,3,23	129640	ELR SHROUD KIT	Kit w/ 2 screws
3	127135	BHCS 8-32 X 1/2 BLK	
4	126992	HEMI ELR SUB ASSM	
5	560501	ALR REL LEVER COVER	
6	134188	RECEIVER ASSY ELR ALR RH	
6	134186	RECEIVER ASSY ELR ALR LH	
7	107350	SHCS 1/4-28 x 1/2	
8	127129	ANGLE STOP ELR	
9	107249	NUT HEX THIN 1/4-28	
10	106935	1/4-28 NYLOCK NUT THIN BLK ZN	
11	104414	WAVE WASHER 6 MM	
12	106961	BHCS 1/4 -28 x 1 1/4 ROHS	
13	108623	BHCS 1/4-28 x 1-1/2	
14	119495	EXTENSION CLAMP KIT	
15	010615	SQUARE END CAP CNTR LEG	
16	226217	5/16-18 X 2" BH C/S BLK	

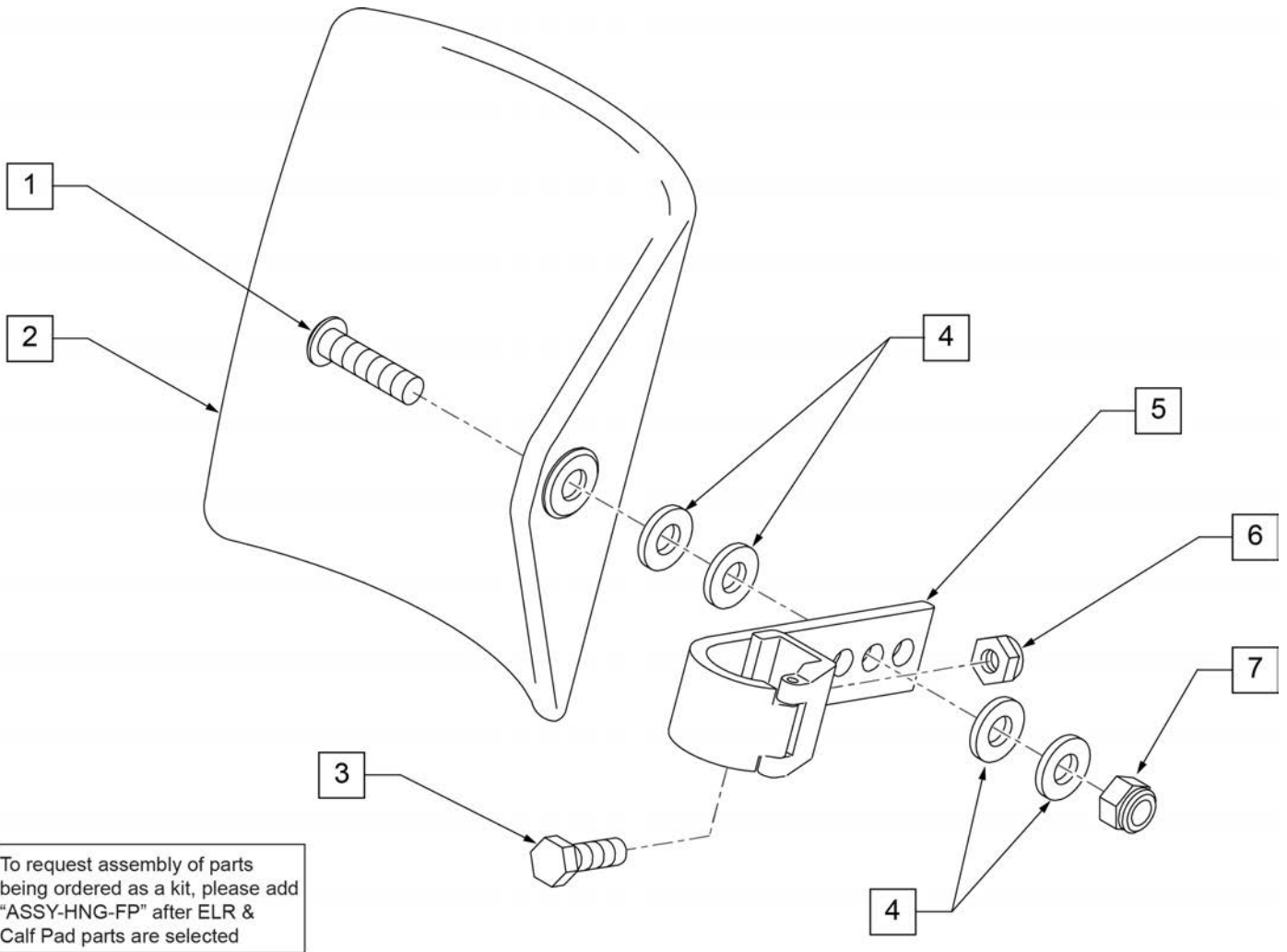
Pos.	Item Number	Description	Remarks
17	561062	1" INSERT PLUG .065 RIBS	
18,19	161242	ELR/ALR HANGER LATCH KIT RH	Right
18,19	161243	ELR/ALR HANGER LATCH KIT LH	Left
20	561197	PLASTIC PIVOT SADDLE	
21	202102	5/16-18 NYLOCK NUT THIN	
22	560110	ENDPLUG BACKREST TNT	
23	113282	WASHER FLAT AN #10 ROHS	
24	119514	LATCH RECEIVER KIT	order qty 2 when retro-fitting to chair
		Ship assembled part #	Use with multiple assemblies
	ASSY-HNG-FP	HANGER/FOOTPLATE ASSY REQUIRED	add with Hanger & Footplate kit

SWING IN-OUT ALR EXT MNT REPLACEMENT PARTS (PLUNGER STYLE)(EFFECTIVE 2/6/17)<sup>1/10/2020</sup>

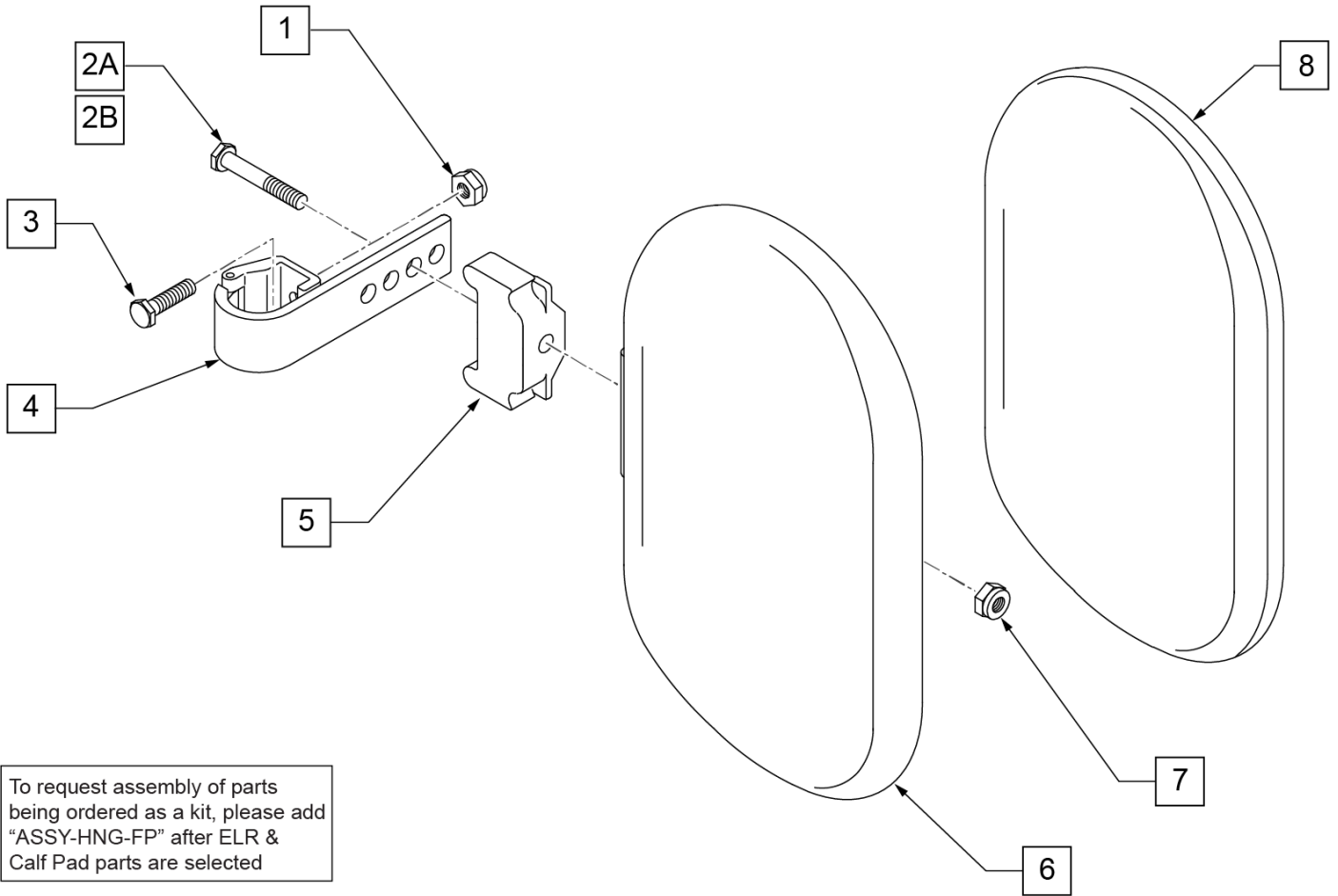


Pos.	Item Number	Description	Remarks
1	161244S	SWNG I/O ALR ASSM RH KIT	Right
1	161245S	SWNG I/O ALR ASSM LH KIT	Left
1	161246S	SWNG I/O ALR ASSM PR KIT	Pair
2	119495	EXTENSION CLAMP KIT	
3	119514	LATCH RECEIVER KIT	order qty 2 when retro-fitting to chair
4	127153	HEMI ALR SUB ASSM	
5	560501	ALR REL LEVER COVER	
6	134188	RECEIVER ASSY ELR ALR RH	
6	134186	RECEIVER ASSY ELR ALR LH	
7	127129	ANGLE STOP ELR	
8	107350	SHCS 1/4-28 x 1/2	
9	106935	1/4-28 NYLOCK NUT THIN BLK ZN	
10	108623	BHCS 1/4-28 x 1-1/2	
11	106964	BHCS 1/4-28 X 2	
12	561086	1" HALF SADDLE 1/4" HOLE	
13	113268	WASHER NYLON 1IN OD X .312 ID	
14	106943	WASHER FLAT AN 1/4 ROHS	
15	113282	WASHER FLAT AN #10 ROHS	
16	127135	BHCS 8-32 X 1/2 BLK	

Pos.	Item Number	Description	Remarks
15-17	129633	ALR SHROUD KIT	1 side
18	226217	5/16-18 X 2" BH C/S BLK	
19	560110	ENDPLUG BACKREST TNT	
20,21	161242	ELR/ALR HANGER LATCH KIT RH	Right
20,21	161243	ELR/ALR HANGER LATCH KIT LH	Left
22	561197	PLASTIC PIVOT SADDLE	
23	202102	5/16-18 NYLOCK NUT THIN	
24	561062	1" INSERT PLUG .065 RIBS	
25	010615	SQUARE END CAP CNTR LEG	
		Ship assembled part #	Use with multiple assemblies
	ASSY-HNG-FP	HANGER/FOOTPLATE ASSY REQUIRED	add with Hanger & Footplate kit



Pos.	Item Number	Description	Remarks
1	106980	BHCS 5/16-18 X 1-1/4 ROHS	
2	755014	CALF PAD TROUGH STYLE 14"/16"	
3	221097	1/4-28 X 5/8 HEX C/S BZ	
4	561016	1" WASHER 5/16" HOLE	
5	881413	CALF PAD BRACKET ASSEMBLY	
6	106934	NUT NYLOCK 1/4-28 ROHS	
7	106937	NUT NYLOCK THIN 5/16-18	
1-7	881414	CALF PAD J-HOOK 14"-15" ASSEMBLY	
		Ship assembled part #	Use with multiple assemblies
	ASSY-HNG-FP	HANGER/FOOTPLATE ASSY REQUIRED	add with Hanger & Footplate kit



To request assembly of parts being ordered as a kit, please add "ASSY-HNG-FP" after ELR & Calf Pad parts are selected

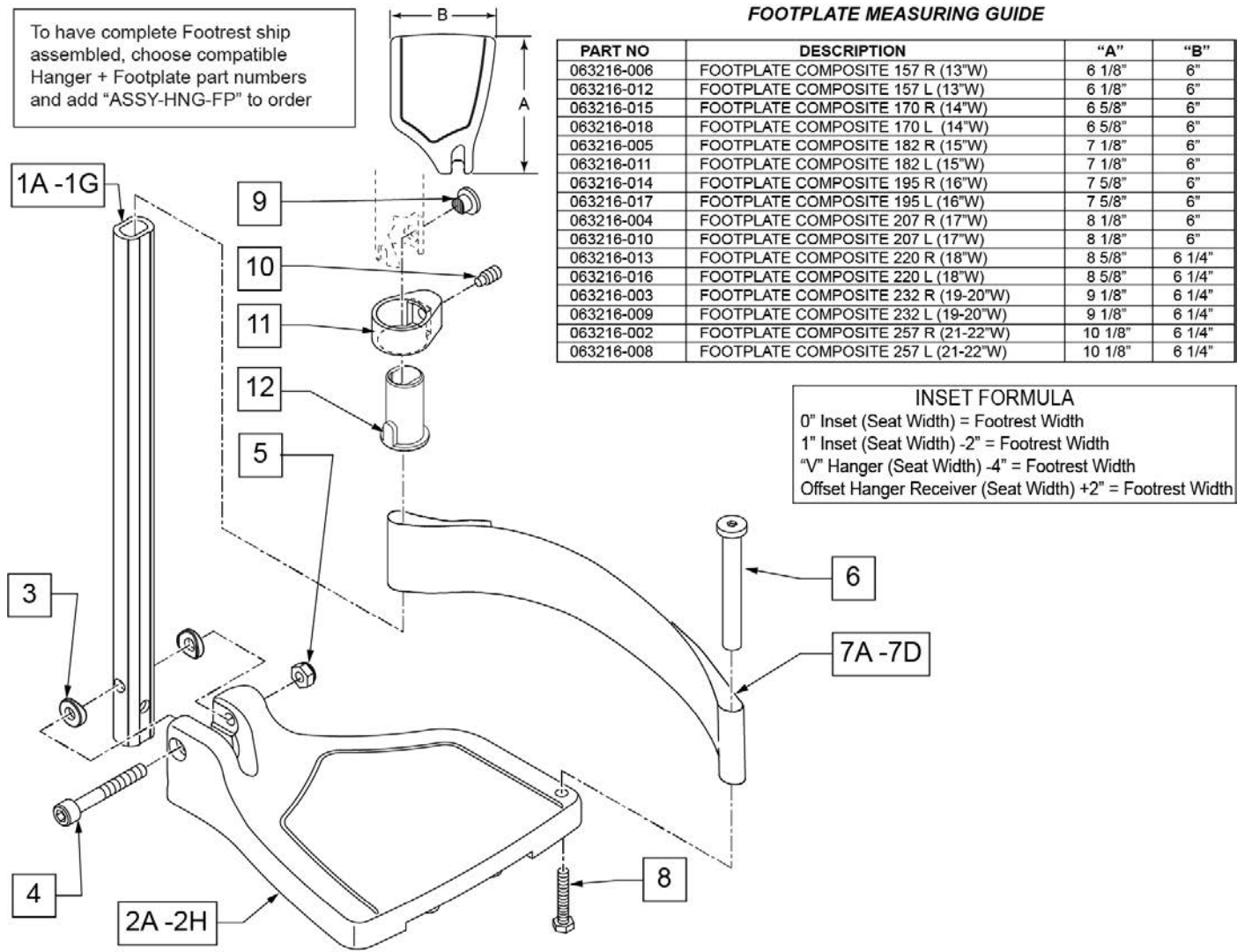
Pos.	Item Number	Description	Remarks
1	106934	NUT NYLOCK 1/4-28 ROHS	
2A	107018	HHCS 5/16-18 X 2-1/2 ROHS	16"-17" wide only
2B	107019	HHCS 5/16-18 X 3-1/2 ROHS	18"-20" wide only
3	107013	HHCS 1/4-28 X 5/8 ROHS	
4	881413	CALF PAD BRACKET ASSEMBLY	
5	560199	ELR CALF HINGE SPACER	18"-20" wide only
6	560108	CALF PAD MOLDED 16"-20"	
7	106936	NUT NYLOCK 5/16-18 ROHS	
8	751045	CALF PAD COVER	
1,2A,3,4,6-8	881416	CALF MOLDED 16"-17" ASSEMBLY	
1,2B,3-7,8	881412	CALF PAD MOLDED 18"-20" ASSEMBLY	
		Ship assembled part #	Use with multiple assemblies
	ASSY-HNG-FP	HANGER/FOOTPLATE ASSY REQUIRED	add with Hanger & Footplate kit

**Note:** Footplate Assemblies are set to footrest width; please see "Footplate Formula" table for seat width conversion.

Note: If using Short Ext Tube & Hemi Hanger with Composite Footplate use 1G (bent) .

Note: V Style Hangers are not available on Swing Away Style chairs effective 7/14/14; see the "Prior To" ordering guide for V Style footplate assemblies.

Note: see Informations Panel for appropriate ordering guide; for QX Series or SR45 footplate replacement parts see ordering guide marked specifically for these two models.



Pos.	Item Number	Description	Remarks
1A,3-5	120660	SHT STRT EXT COMP HDWR	80 deg hangers + ELR only

Pos.	Item Number	Description	Remarks
1B,3-5	120661	MED STRT EXT COMP HDWR	80 deg hangers + ELR only
1C,3-5	120662	LNG STRT EXT COMP HDWR	80 deg hangers + ELR only
1D,3-5	120663	SHT BNT EXT COMP HDWR	60,70,70 Hemi Hangers
1E,3-5	120664	MED BNT EXT COMP HDWR	60,70,70 Hemi Hangers
1F,3-5	120665	LNG BNT EXT COMP HDWR	60,70,70 Hemi Hangers
1G	128078	TUBE FOOTREST EXT SHT HEMI	use for Hemi Ext Tube option
2A	063216-006	COMPOSITE FOOTPLATE RIGHT	RIGHT 13" Footrest Width
2A	063216-012	COMPOSITE FOOTPLATE LEFT	LEFT 13" Footrest Width
2B	063216-015	FOOTPLATE COMPOSITE RIGHT	RIGHT 14" Footrest Width
2B	063216-018	FOOTPLATE COMPOSITE LEFT	LEFT 14" Footrest Width
2C	063216-005	COMPOSITE FOOTPLATE RIGHT	RIGHT 15" Footrest Width
2C	063216-011	COMPOSITE FOOTPLATE LEFT	LEFT 15" Footrest Width
2D	063216-014	FOOTPLATE COMPOSITE RIGHT	RIGHT 16" Footrest Width
2D	063216-017	FOOTPLATE COMPOSITE LEFT	LEFT 16" Footrest Width
2E	063216-004	COMPOSITE FOOTPLATE RIGHT	RIGHT 17" Footrest Width
2E	063216-010	COMPOSITE FOOTPLATE LEFT	LEFT 17" Footrest Width
2F	063216-013	FOOTPLATE COMPOSITE RIGHT	RIGHT 18" Footrest Width
2F	063216-016	FOOTPLATE COMPOSITE LEFT	LEFT 18" Footrest Width
2G	063216-003	COMPOSITE FOOTPLATE RIGHT	RIGHT 19" & 20" Footrest Width
2G	063216-009	COMPOSITE FOOTPLATE LEFT	LEFT 19" & 20" Footrest Width
2H	063216-002	FOOTPLATE COMPOSITE RIGHT	RIGHT 21" & 22" Footrest Width
2H	063216-008	FOOTPLATE COMPOSITE LEFT	LEFT 21" & 22" Footrest Width
3	104377	3/4" SADDLE THIN	
4	103175	SHCS M6 X 1 X 40 INORG	
5	132626	NUT AUTOMATION M6 X 1.0	Inserted in bottom of footplate.
6	104328	HEEL LOOP PEG	
7A	104380-001	ADJUSTABLE FOOT REST STRAP	14" wide
7B	104380-002	ADJUSTABLE FOOT REST STRAP	15-16" wide
7C	104380-003	ADJUSTABLE FOOT REST STRAP	17-18" wide
7D	104380-004	ADJUSTABLE FOOT REST STRAP	19-22" wide
8	102268-001	HHCS M6 X 1 X 25	
12	104160	BUSHING FOOTREST	
9-12	107485	FOOTREST CLAMP ASSM	
>>>>		80 DEGREE HANGERS - SHORT EXT - RIGHT	
1A,2A,3-6,7A,8	107704	COMP STRT SHT EXT ASM 13"W R	Right- 80D- 13" W- SHORT
1A,2B,3-6,7A,8	107705	COMP STRT SHT EXT ASM 14"W R	Right- 80D- 14" W- SHORT
1A,2C,3-6,7B,8	107706	COMP STRT SHT EXT ASM 15"W R	Right- 80D- 15" W- SHORT
1A,2D,3-6,7B,8	107707	COMP STRT SHT EXT ASM 16"W R	Right- 80D- 16" W- SHORT
1A,2E,3-6,7C,8	107708	COMP STRT SHT EXT ASM 17"W R	Right- 80D- 17" W- SHORT
1A,2F,3-6,7C,8	107709	COMP STRT SHT EXT ASM 18"W R	Right- 80D- 18" W- SHORT
1A,2G,3-6,7D,8	107710	COMP STRT SHT EXT ASM 19 & 20"W R	Right- 80D- 19 & 20" W- SHORT
1A,2H,3-6,7D,8	111522	COMP STRT SHT EXT ASM 21 & 22"W R	Right- 80D- 21 & 22" W- SHORT
>>>>		80 DEGREE HANGERS - SHORT EXT - LEFT	
1A,2A,3-6,7A,8	107711	COMP STRT SHT EXT ASM 13"W L	LEFT- 80D- 13" W- SHORT
1A,2B,3-6,7A,8	107712	COMP STRT SHT EXT ASM 14"W L	LEFT- 80D- 14" W- SHORT
1A,2C,3-6,7B,8	107713	COMP STRT SHT EXT ASM 15"W L	LEFT- 80D- 15" W- SHORT
1A,2D,3-6,7B,8	107714	COMP STRT SHT EXT ASM 16"W L	LEFT- 80D- 16" W- SHORT
1A,2E,3-6,7C,8	107715	COMP STRT SHT EXT ASM 17"W L	LEFT- 80D- 17" W- SHORT
1A,2F,3-6,7C,8	107716	COMP STRT SHT EXT ASM 18"W L	LEFT- 80D- 18" W- SHORT
1A,2G,3-6,7D,8	107717	COMP STRT SHT EXT ASM 19 & 20"W L	LEFT- 80D- 19 & 20" W- SHORT
1A,2H,3-6,7D,8	111523	COMP STRT SHT EXT ASM 21 & 22"W L	LEFT- 80D- 21 & 22" W- SHORT
>>>>		80 DEGREE HANGERS - MED EXT - RIGHT	
1B,2A,3-6,7A,8	107718	COMP STRT MED EXT ASM 13"W R	Right- 80D- 13" W- MED
1B,2B,3-6,7A,8	107719	COMP STRT MED EXT ASM 14"W R	Right- 80D- 14" W- MED
1B,2C,3-6,7B,8	107720	COMP STRT MED EXT ASM 15"W R	Right- 80D- 15" W- MED
1B,2D,3-6,7B,8	107721	COMP STRT MED EXT ASM 16"W R	Right- 80D- 16" W- MED
1B,2E,3-6,7C,8	107722	COMP STRT MED EXT ASM 17"W R	Right- 80D- 17" W- MED



Pos.	Item Number	Description	Remarks
1B,2F,3-6,7C,8	107723	COMP STRT MED EXT ASM 18"W R	Right- 80D- 18" W- MED
1B,2G,3-6,7D,8	107724	COMP STRT MED EXT ASM 19 & 20"W R	Right- 80D- 19 & 20" W- MED
1B,2H,3-6,7D,8	111524	COMP STRT MED EXT ASM 21 & 22"W R	Right- 80D- 21 & 22" W- MED
>>>>		80 DEGREE HANGERS - MED EXT - LEFT	
1B,2A,3-6,7A,8	107725	COMP STRT MED EXT ASM 13"W L	LEFT- 80D- 13" W- MED
1B,2B,3-6,7A,8	107726	COMP STRT MED EXT ASM 14"W L	LEFT- 80D- 14" W- MED
1B,2C,3-6,7B,8	107727	COMP STRT MED EXT ASM 15"W L	LEFT- 80D- 15" W- MED
1B,2D,3-6,7B,8	107728	COMP STRT MED EXT ASM 16"W L	LEFT- 80D- 16" W- MED
1B,2E,3-6,7C,8	107729	COMP STRT MED EXT ASM 17"W L	LEFT- 80D- 17" W- MED
1B,2F,3-6,7C,8	107730	COMP STRT MED EXT ASM 18"W L	LEFT- 80D- 18" W- MED
1B,2G,3-6,7D,8	107731	COMP STRT MED EXT ASM 19 & 20"W L	LEFT- 80D- 19 & 20" W- MED
1B,2H,3-6,7D,8	111525	COMP STRT MED EXT ASM 21 & 22"W L	LEFT- 80D- 21 & 22" W- MED
>>>>		80 DEGREE HANGERS - LONG EXT - RIGHT	
1C,2A,3-6,7A,8	107732	COMP STRT LONG EXT ASM 13"W R	Right- 80D- 13" W- LONG
1C,2B,3-6,7A,8	107733	COMP STRT LONG EXT ASM 14"W R	Right- 80D- 14" W- LONG
1C,2C,3-6,7B,8	107734	COMP STRT LONG EXT ASM 15"W R	Right- 80D- 15" W- LONG
1C,2D,3-6,7B,8	107735	COMP STRT LONG EXT ASM 16"W R	Right- 80D- 16" W- LONG
1C,2E,3-6,7C,8	107736	COMP STRT LONG EXT ASM 17"W R	Right- 80D- 17" W- LONG
1C,2F,3-6,7C,8	107737	COMP STRT LONG EXT ASM 18"W R	Right- 80D- 18" W- LONG
1C,2G,3-6,7D,8	107738	COMP STRT LONG EXT ASM 19 & 20"W R	Right- 80D- 19 & 20" W- LONG
1C,2H,3-6,7D,8	111526	COMP STRT LONG EXT ASM 21 & 22"W R	Right- 80D- 21 & 22" W- LONG
>>>>		80 DEGREE HANGERS - LONG EXT - LEFT	
1C,2A,3-6,7A,8	107739	COMP STRT LONG EXT ASM 13"W L	LEFT- 80D- 13" W- LONG
1C,2B,3-6,7A,8	107740	COMP STRT LONG EXT ASM 14"W L	LEFT- 80D- 14" W- LONG
1C,2C,3-6,7B,8	107741	COMP STRT LONG EXT ASM 15"W L	LEFT- 80D- 15" W- LONG
1C,2D,3-6,7B,8	107742	COMP STRT LONG EXT ASM 16"W L	LEFT- 80D- 16" W- LONG
1C,2E,3-6,7C,8	107743	COMP STRT LONG EXT ASM 17"W L	LEFT- 80D- 17" W- LONG
1C,2F,3-6,7C,8	107744	COMP STRT LONG EXT ASM 18"W L	LEFT- 80D- 18" W- LONG
1C,2G,3-6,7D,8	107745	COMP STRT LONG EXT ASM 19 & 20"W L	LEFT- 80D- 19 & 20" W- LONG
1C,2H,3-6,7D,8	111527	COMP STRT LONG EXT ASM 21 & 22"W L	LEFT- 80D- 21 & 22" W- LONG
>>>>		60°,70° SHORT EXT - RIGHT	
1D,2A,3-6,7A,8	107746	COMP BNT SHT EXT ASM 13" W R	Right- 70D- 13" W- SHORT
1D,2B,3-6,7A,8	107747	COMP BNT SHT EXT ASM 14" W R	Right- 70D- 14" W- SHORT
1D,2C,3-6,7B,8	107748	COMP BNT SHT EXT ASM 15" W R	Right- 70D- 15" W- SHORT
1D,2D,3-6,7B,8	107749	COMP BNT SHT EXT ASM 16" W R	Right- 70D- 16" W- SHORT
1D,2E,3-6,7C,8	107750	COMP BNT SHT EXT ASM 17" W R	Right- 70D- 17" W- SHORT
1D,2F,3-6,7C,8	107751	COMP BNT SHT EXT ASM 18" W R	Right- 70D- 18" W- SHORT
1D,2G,3-6,7D,8	107752	COMP BNT SHT EXT ASM 19 & 20"W R	Right- 70D- 19 & 20" W- SHORT
1D,2H,3-6,7D,8	111528	COMP BNT SHT EXT ASM 21 & 22"W R	Right- 70D- 21 & 22" W- SHORT
>>>>		60°,70° - SHORT EXT - LEFT	
1D,2A,3-6,7A,8	107753	COMP BNT SHT EXT ASM 13" W L	Left- 70D- 13 W- SHORT
1D,2B,3-6,7A,8	107754	COMP BNT SHT EXT ASM 14" W L	Left- 70D- 14 W- SHORT
1D,2C,3-6,7B,8	107755	COMP BNT SHT EXT ASM 15" W L	Left- 70D- 15 W- SHORT
1D,2D,3-6,7B,8	107756	COMP BNT SHT EXT ASM 16" W L	Left- 70D- 16 W- SHORT
1D,2E,3-6,7C,8	107757	COMP BNT SHT EXT ASM 17" W L	Left- 70D- 17 W- SHORT
1D,2F,3-6,7C,8	107758	COMP BNT SHT EXT ASM 18" W L	Left- 70D- 18 W- SHORT
1D,2G,3-6,7D,8	107759	COMP BNT SHT EXT ASM 19 & 20"W L	Left- 70D- 19 & 20" W- SHORT
1D,2H,3-6,7D,8	111529	COMP BNT SHT EXT ASM 21 & 22"W L	Left- 70D- 21 & 22" W- SHORT
>>>>		60°,70°,60°&70° HEMI HANGERS - MED EXT - RIGHT	
1E,2A,3-6,7A,8	107760	COMP BNT MED EXT ASM 13" W R	Right- 70D- 13" W- MED
1E,2B,3-6,7A,8	107761	COMP BNT MED EXT ASM 14" W R	Right- 70D- 14" W- MED
1E,2C,3-6,7B,8	107762	COMP BNT MED EXT ASM 15" W R	Right- 70D- 15" W- MED
1E,2D,3-6,7B,8	107763	COMP BNT MED EXT ASM 16" W R	Right- 70D- 16" W- MED
1E,2E,3-6,7C,8	107764	COMP BNT MED EXT ASM 17" W R	Right- 70D- 17" W- MED
1E,2F,3-6,7C,8	107765	COMP BNT MED EXT ASM 18" W R	Right- 70D- 18" W- MED
1E,2G,3-6,7D,8	107766	COMP BNT MED EXT ASM 19 & 20"W R	Right- 70D- 19 & 20" W- MED
1E,2H,3-6,7D,8	111530	COMP BNT MED EXT ASM 21 & 22"W R	Right- 70D- 21 & 22" W- MED

Pos.	Item Number	Description	Remarks
>>>>		60°,70°,60°&70° HEMI HANGERS - MED EXT - LEFT	
1E,2A,3-6,7A,8	107767	COMP BNT MED EXT ASM 13" W L	Left- 70D- 13 W- MED
1E,2B,3-6,7A,8	107768	COMP BNT MED EXT ASM 14" W L	Left- 70D- 14 W- MED
1E,2C,3-6,7B,8	107769	COMP BNT MED EXT ASM 15" W L	Left- 70D- 15 W- MED
1E,2D,3-6,7B,8	107770	COMP BNT MED EXT ASM 16" W L	Left- 70D- 16 W- MED
1E,2E,3-6,7C,8	107771	COMP BNT MED EXT ASM 17" W L	Left- 70D- 17 W- MED
1E,2F,3-6,7C,8	107772	COMP BNT MED EXT ASM 18" W L	Left- 70D- 18 W- MED
1E,2G,3-6,7D,8	107773	COMP BNT MED EXT ASM 19 & 20"W L	Left- 70D- 19 & 20" W- MED
1E,2H,3-6,7D,8	111531	COMP BNT MED EXT ASM 21 & 22"W L	Left- 70D- 21 & 22" W- MED
>>>>		60°,70°,60°&70° HEMI HANGERS - LONG EXT - RIGHT	
1F,2A,3-6,7A,8	107774	COMP BNT LONG EXT ASM 13" W R	Right- 70D- 13" W- LONG
1F,2B,3-6,7A,8	107775	COMP BNT LONG EXT ASM 14" W R	Right- 70D- 14" W- LONG
1F,2C,3-6,7B,8	107776	COMP BNT LONG EXT ASM 15" W R	Right- 70D- 15" W- LONG
1F,2D,3-6,7B,8	107777	COMP BNT LONG EXT ASM 16" W R	Right- 70D- 16" W- LONG
1F,2E,3-6,7C,8	107778	COMP BNT LONG EXT ASM 17" W R	Right- 70D- 17" W- LONG
1F,2F,3-6,7C,8	107779	COMP BNT LONG EXT ASM 18" W R	Right- 70D- 18" W- LONG
1F,2G,3-6,7D,8	107780	COMP BNT LONG EXT ASM 19 & 20"W R	Right- 70D- 19 & 20" W- LONG
1F,2H,3-6,7D,8	111532	COMP BNT LONG EXT ASM 21 & 22"W R	Right- 70D- 21 & 22" W- LONG
>>>>		60°,70°,60°&70° HEMI HANGERS - LONG EXT - LEFT	
1F,2A,3-6,7A,8	107781	COMP BNT LONG EXT ASM 13" W L	Left- 70D- 13 W- LONG
1F,2B,3-6,7A,8	107782	COMP BNT LONG EXT ASM 14" W L	Left- 70D- 14 W- LONG
1F,2C,3-6,7B,8	107783	COMP BNT LONG EXT ASM 15" W L	Left- 70D- 15 W- LONG
1F,2D,3-6,7B,8	107784	COMP BNT LONG EXT ASM 16" W L	Left- 70D- 16 W- LONG
1F,2E,3-6,7C,8	107785	COMP BNT LONG EXT ASM 17" W L	Left- 70D- 17 W- LONG
1F,2F,3-6,7C,8	107786	COMP BNT LONG EXT ASM 18" W L	Left- 70D- 18 W- LONG
1F,2G,3-6,7D,8	107787	COMP BNT LONG EXT ASM 19 & 20"W L	Left- 70D- 19 & 20" W- LONG
1F,2H,3-6,7D,8	111533	COMP BNT LONG EXT ASM 21 & 22"W L	Left- 70D- 21 & 22" W- LONG
>>>>		60°&70° HEMI HANGER SHORT EXT- RIGHT	
1G,2A,3-6,7A,8	129724	CMP FT BNT KIT SHT HNGR 13W R	Right-Hemi-13W; add Ext behind the Hemi
1G,2B,3-6,7A,8	129726	CMP FT BNT KIT SHT HNGR 14W R	Right-Hemi-14W; add Ext behind the Hemi
1G,2C,3-6,7B,8	129728	CMP FT BNT KIT SHT HNGR 15W R	Right-Hemi-15W; add Ext behind the Hemi
1G,2D,3-6,7B,8	129730	CMP FT BNT KIT SHT HNGR 16W R	Right-Hemi-16W; add Ext behind the Hemi
1G,2E,3-6,7C,8	129732	CMP FT BNT KIT SHT HNGR 17W R	Right-Hemi-17W; add Ext behind the Hemi
1G,2F,3-6,7C,8	129734	CMP FT BNT KIT SHT HNGR 18W R	Right-Hemi-18W; add Ext behind the Hemi
1G,2G,3-6,7D,8	129736	CMP FT BNT KIT SHT HNGR 19-20W R	Right-Hemi-19-20W; add Ext behind the Hemi
1G,2H,3-6,7D,8	129738	CMP FT BNT KIT SHT HNGR 21-22W R	Right-Hemi-21-22W; add Ext behind the Hemi
>>>>		60°&70° HEMI HANGER SHORT EXT- LEFT	
1G,2A,3-6,7A,8	129725	CMP FT BNT KIT SHT HNGR 13W L	Left-Hemi-13W; add Ext behind the Hemi
1G,2B,3-6,7A,8	129727	CMP FT BNT KIT SHT HNGR 14W L	Left-Hemi-14W; add Ext behind the Hemi
1G,2C,3-6,7B,8	129729	CMP FT BNT KIT SHT HNGR 15W L	Left-Hemi-15W; add Ext behind the Hemi
1G,2D,3-6,7B,8	129731	CMP FT BNT KIT SHT HNGR 16W L	Left-Hemi-16W; add Ext behind the Hemi
1G,2E,3-6,7C,8	129733	CMP FT BNT KIT SHT HNGR 17W L	Left-Hemi-17W; add Ext behind the Hemi
1G,2F,3-6,7C,8	129735	CMP FT BNT KIT SHT HNGR 18W L	Left-Hemi-18W; add Ext behind the Hemi
1G,2G,3-6,7D,8	129737	CMP FT BNT KIT SHT HNGR 19-20W L	Left-Hemi-19-20W; add Ext behind the Hemi
1G,2H,3-6,7D,8	129739	CMP FT BNT KIT SHT HNGR 21-22W L	Left-Hemi-21-22W; add Ext behind the Hemi
		Ship assembled part #	Use with multiple assemblies
	ASSY-HNG-FP	HANGER/FOOTPLATE ASSY REQUIRED	add with Hanger & Footplate kit

**Note:** Footplate Assemblies are set to footrest width; please see "Footplate Formula" table for seat width conversion.

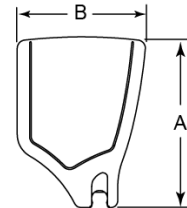
Note: If using Short Ext Tube & Hemi Hanger with Composite Angle Adjustable Footplate use 1D (straight) .

Note: V Style Hangers are not available on Swing Away Style chairs effective 7/14/14; see the "Prior To" ordering guide for V Style footplate assemblies.

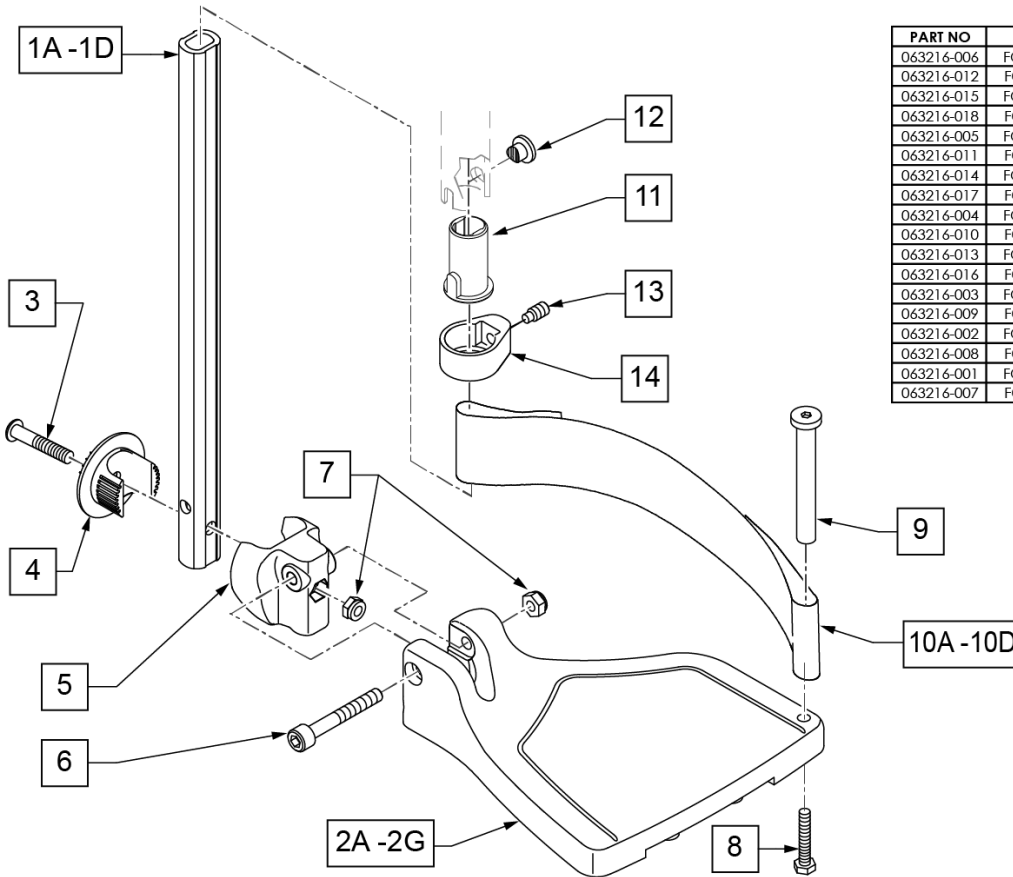
To have complete Footrest ship assembled, choose compatible Hanger + Footplate part numbers and add "ASSY-HNG-FP" to order

**ADD INSET FORMULA**  
 0" Inset (Seat Width) = Footrest Width  
 1" Inset (Seat Width) -2" = Footrest Width  
 2" Inset (Seat Width) -4" = Footrest Width  
 "V" Hanger (Seat Width) -4" = Footrest Width  
 Offset Hanger Receiver (Seat Width) +2" = Footrest Width  
 Flared Frame (Seat Width) = 2" = Footrest Width

**FOOTPLATE MEASURING GUIDE**



PART NO	DESCRIPTION	DIM -A-	DIM -B-
063216-006	FOOTPLATE COMPOSITE 157 R	6 1/8"	6"
063216-012	FOOTPLATE COMPOSITE 157 L	6 1/8"	6"
063216-015	FOOTPLATE COMPOSITE 170 R	6 5/8"	6"
063216-018	FOOTPLATE COMPOSITE 170 L	6 5/8"	6"
063216-005	FOOTPLATE COMPOSITE 182 R	7 1/8"	6"
063216-011	FOOTPLATE COMPOSITE 182 L	7 1/8"	6"
063216-014	FOOTPLATE COMPOSITE 195 R	7 5/8"	6"
063216-017	FOOTPLATE COMPOSITE 195 L	7 5/8"	6"
063216-004	FOOTPLATE COMPOSITE 207 R	8 1/8"	6"
063216-010	FOOTPLATE COMPOSITE 207 L	8 1/8"	6"
063216-013	FOOTPLATE COMPOSITE 220 R	8 5/8"	6 1/4"
063216-016	FOOTPLATE COMPOSITE 220 L	8 5/8"	6 1/4"
063216-003	FOOTPLATE COMPOSITE 232 R	9 1/8"	6 1/4"
063216-009	FOOTPLATE COMPOSITE 232 L	9 1/8"	6 1/4"
063216-002	FOOTPLATE COMPOSITE 257 R	10 1/8"	6 1/4"
063216-008	FOOTPLATE COMPOSITE 257 L	10 1/8"	6 1/4"
063216-001	FOOTPLATE COMPOSITE 282 R	11 1/8"	6 1/4"
063216-007	FOOTPLATE COMPOSITE 282 L	11 1/8"	6 1/4"



Pos.	Item Number	Description	Remarks
1A,6,7	120660	SHT STRT EXT COMP HDWR	
1B,6,7	120661	MED STRT EXT COMP HDWR	
1C,6,7	120662	LNG STRT EXT COMP HDWR	
1D	128079	TUBE FTRST EXT STRGHT SHT HEMI	Use for Hemi Ext Tube option
2A	063216-006	COMPOSITE FOOTPLATE RIGHT	RIGHT 15" Footrest Width

Pos.	Item Number	Description	Remarks
2A	063216-012	COMPOSITE FOOTPLATE LEFT	LEFT 15" Footrest Width
2B	063216-015	COMPOSITE FOOTPLATE RIGHT	RIGHT 16" Footrest Width
2B	063216-018	COMPOSITE FOOTPLATE LEFT	LEFT 16" Footrest Width
2C	063216-005	COMPOSITE FOOTPLATE RIGHT	RIGHT 17" Footrest Width
2C	063216-011	COMPOSITE FOOTPLATE LEFT	LEFT 17" Footrest Width
2D	063216-014	COMPOSITE FOOTPLATE RIGHT	RIGHT 18" Footrest Width
2D	063216-017	COMPOSITE FOOTPLATE LEFT	LEFT 18" Footrest Width
2E	063216-004	COMPOSITE FOOTPLATE RIGHT	RIGHT 19" Footrest Width
2E	063216-010	COMPOSITE FOOTPLATE LEFT	LEFT 19" Footrest Width
2F	063216-013	COMPOSITE FOOTPLATE RIGHT	RIGHT 20" Footrest Width
2F	063216-016	COMPOSITE FOOTPLATE LEFT	LEFT 20" Footrest Width
2G	063216-003	COMPOSITE FOOTPLATE RIGHT	RIGHT 21" & 22" Footrest Width
2G	063216-009	COMPOSITE FOOTPLATE LEFT	LEFT 21" & 22" Footrest Width
3	108233	BHCS M6 X 1 X 40	
4	054242	ANGLE COVER	
5	054241	ANGLE SEGMENT	
6	103175	SHCS M6 X 1 X 40 INORG	
7	132626	NUT AUTOMATION M6 X 1.0	
8	102268-001	HHCS M6X1X25	Inserted in bottom of footplate.
9	104328	HEEL LOOP PEG	
10A	104380-001	ADJUSTABLE FOOT REST STRAP	15" Footrest Width
10B	104380-002	ADJUSTABLE FOOT REST STRAP	16" Footrest Width
10C	104380-003	ADJUSTABLE FOOT REST STRAP	17-18" Footrest Width
10D	104380-004	ADJUSTABLE FOOT REST STRAP	19-22" Footrest Width
11	104160	BUSHING FOOTREST	
11-14	107485	FOOTREST CLAMP ASSM	
>>>>		60,70,80 HANGERS - SHORT EXT - RIGHT	
1A,2A,3-10A	107816	CAA STRT SHT EXT ASM 15W R	Right- 15 W- SHORT
1A,2B,3-10B	107817	CAA STRT SHT EXT ASM 16W R	Right- 16 W- SHORT
1A,2C,3-10B	107818	CAA STRT SHT EXT ASM 17W R	Right- 17 W- SHORT
1A,2D,3-10C	107819	CAA STRT SHT EXT ASM 18W R	Right- 18 W- SHORT
1A,2E,3-10C	107820	CAA STRT SHT EXT ASM 19W R	Right- 19 W- SHORT
1A,2F,3-10D	107821	CAA STRT SHT EXT ASM 20W R	Right- 20 W- SHORT
1A,2G,3-10D	107822	CAA STRT SHT EXT ASM 21&22W R	Right- 21&22 W- SHORT
>>>>		60,70,80 HANGERS - SHORT EXT - LEFT	
1A,2A,3-10A	107823	CAA STRT SHT EXT ASM 15W L	Left- 15 W- SHORT
1A,2B,3-10B	107824	CAA STRT SHT EXT ASM 16W L	Left- 16 W- SHORT
1A,2C,3-10B	107825	CAA STRT SHT EXT ASM 17W L	Left- 17 W- SHORT
1A,2D,3-10C	107826	CAA STRT SHT EXT ASM 18W L	Left- 18 W- SHORT
1A,2E,3-10C	107827	CAA STRT SHT EXT ASM 19W L	Left- 19 W- SHORT
1A,2F,3-10D	107828	CAA STRT SHT EXT ASM 20W L	Left- 20 W- SHORT
1A,2G,3-10D	107829	CAA STRT SHT EXT ASM 21&22W L	Left- 21&22 W- SHORT
>>>>		60,70,80& 60,70 HEMI HANGER- RIGHT	
1B,2A,3-10A	107830	CAA STRT MED EXT ASM 15W R	Right- 15 W- MED
1B,2B,3-10B	107831	CAA STRT MED EXT ASM 16W R	Right- 16 W- MED
1B,2C,3-10B	107832	CAA STRT MED EXT ASM 17W R	Right- 17 W- MED
1B,2D,3-10C	107833	CAA STRT MED EXT ASM 18W R	Right- 18 W- MED
1B,2E,3-10C	107834	CAA STRT MED EXT ASM 19W R	Right- 19 W- MED
1B,2F,3-10D	107835	CAA STRT MED EXT ASM 20W R	Right- 20 W- MED
1B,2G,3-10D	107836	CAA STRT MED EXT ASM 21&22W R	Right- 21&22 W- MED
>>>>		60,70,80& 60,70 HEMI HANGER- LEFT	
1B,2A,3-10A	107837	CAA STRT MED EXT ASM 15W L	Left- 15 W- MED
1B,2B,3-10B	107838	CAA STRT MED EXT ASM 16W L	Left- 16 W- MED
1B,2C,3-10B	107839	CAA STRT MED EXT ASM 17W L	Left- 17 W- MED
1B,2D,3-10C	107840	CAA STRT MED EXT ASM 18W L	Left- 18 W- MED
1B,2E,3-10C	107841	CAA STRT MED EXT ASM 19W L	Left- 19 W- MED
1B,2F,3-10D	107842	CAA STRT MED EXT ASM 20W L	Left- 20 W- MED

Pos.	Item Number	Description	Remarks
1B,2G,3-10D	107843	CAA STRT MED EXT ASM 21&22W L	Left- 21&22 W- MED
>>>>		60,70,80& 60,70 HEMI HANGER- RIGHT	
1C,2A,3-10A	107844	CAA STRT LNG EXT ASM 15W R	Right- 15 W- LONG
1C,2B,3-10B	107845	CAA STRT LNG EXT ASM 16W R	Right- 16 W- LONG
1C,2C,3-10B	107846	CAA STRT LNG EXT ASM 17W R	Right- 17 W- LONG
1C,2D,3-10C	107847	CAA STRT LNG EXT ASM 18W R	Right- 18 W- LONG
1C,2E,3-10C	107848	CAA STRT LNG EXT ASM 19W R	Right- 19 W- LONG
1C,2F,3-10D	107849	CAA STRT LNG EXT ASM 20W R	Right- 20 W- LONG
1C,2G,3-10D	107850	CAA STRT LNG EXT ASM 21&22W R	Right- 21&22 W- LONG
>>>>		60,70,80& 60,70 HEMI HANGER- LEFT	
1C,2A,3-10A	107851	CAA STRT LNG EXT ASM 15W L	Left- 15 W- LONG
1C,2B,3-10B	107852	CAA STRT LNG EXT ASM 16W L	Left- 16 W- LONG
1C,2C,3-10B	107853	CAA STRT LNG EXT ASM 17W L	Left- 17 W- LONG
1C,2D,3-10C	107854	CAA STRT LNG EXT ASM 18W L	Left- 18 W- LONG
1C,2E,3-10C	107855	CAA STRT LNG EXT ASM 19W L	Left- 19 W- LONG
1C,2F,3-10D	107856	CAA STRT LNG EXT ASM 20W L	Left- 20 W- LONG
1C,2G,3-10D	107857	CAA STRT LNG EXT ASM 21&22W L	Left- 21&22 W- LONG
>>>>		60&70 HEMI HANGERS- SHORT EXT- RIGHT	
1D,2A,3-10A	129710	CAA FOOT KIT SHT HNGR 15W R	Right-Hemi-15W; add Ext behind the Hemi
1D,2B,3-10B	129712	CAA FOOT KIT SHT HNGR 16W R	Right-Hemi-16W; add Ext behind the Hemi
1D,2C,3-10B	129714	CAA FOOT KIT SHT HNGR 17W R	Right-Hemi-17W; add Ext behind the Hemi
1D,2D,3-10C	129716	CAA FOOT KIT SHT HNGR 18W R	Right-Hemi-18W; add Ext behind the Hemi
1D,2E,3-10C	129718	CAA FOOT KIT SHT HNGR 19W R	Right-Hemi-19W; add Ext behind the Hemi
1D,2F,3-10D	129720	CAA FOOT KIT SHT HNGR 20W R	Right-Hemi-20W; add Ext behind the Hemi
1D,2G,3-10D	129722	CAA FOOT KIT SHT HNGR 22W R	Right-Hemi-21&22W; add Ext behind the Hemi
>>>>		60&70 HEMI HANGERS- SHORT EXT - LEFT	
1D,2A,3-10A	129711	CAA FOOT KIT SHT HNGR 15W L	Left-Hemi-15W; add Ext behind the Hemi
1D,2B,3-10B	129713	CAA FOOT KIT SHT HNGR 16W L	Left-Hemi-16W; add Ext behind the Hemi
1D,2C,3-10B	129715	CAA FOOT KIT SHT HNGR 17W L	Left-Hemi-17W; add Ext behind the Hemi
1D,2D,3-10C	129717	CAA FOOT KIT SHT HNGR 18W L	Left-Hemi-18W; add Ext behind the Hemi
1D,2E,3-10C	129719	CAA FOOT KIT SHT HNGR 19W L	Left-Hemi-19W; add Ext behind the Hemi
1D,2F,3-10D	129721	CAA FOOT KIT SHT HNGR 20W L	Left-Hemi-20W; add Ext behind the Hemi
1D,2G,3-10D	129723	CAA FOOT KIT SHT HNGR 22W L	Left-Hemi-21&22W; add Ext behind the Hemi
		Ship assembled part #	Use with multiple assemblies
	ASSY-HNG-FP	HANGER/FOOTPLATE ASSY REQUIRED	add with Hanger & Footplate kit

**Note:** Footplate Assemblies are set to footrest width; please see "Footplate Formula" table for seat width conversion.

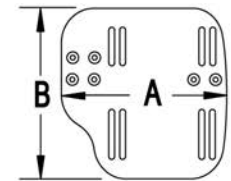
Note: If using Short Ext Tube & Hemi Hanger with Adult Angle Adjustable Footplate use 1D (straight) .

Note: V Style Hangers are not available on Swing Away Style chairs effective 7/14/14; see the "Prior To" ordering guide for V Style footplate assemblies.

Note: for QX Series or SR45 footplate replacement parts see the ordering guide marked specifically for these two models in the informations panel.

Note: if chair has High Mount Ext Tubes or if switching to High Mount Ext Tubes, see AAA Footplate w/ High Mount Extension Ordering Guide.

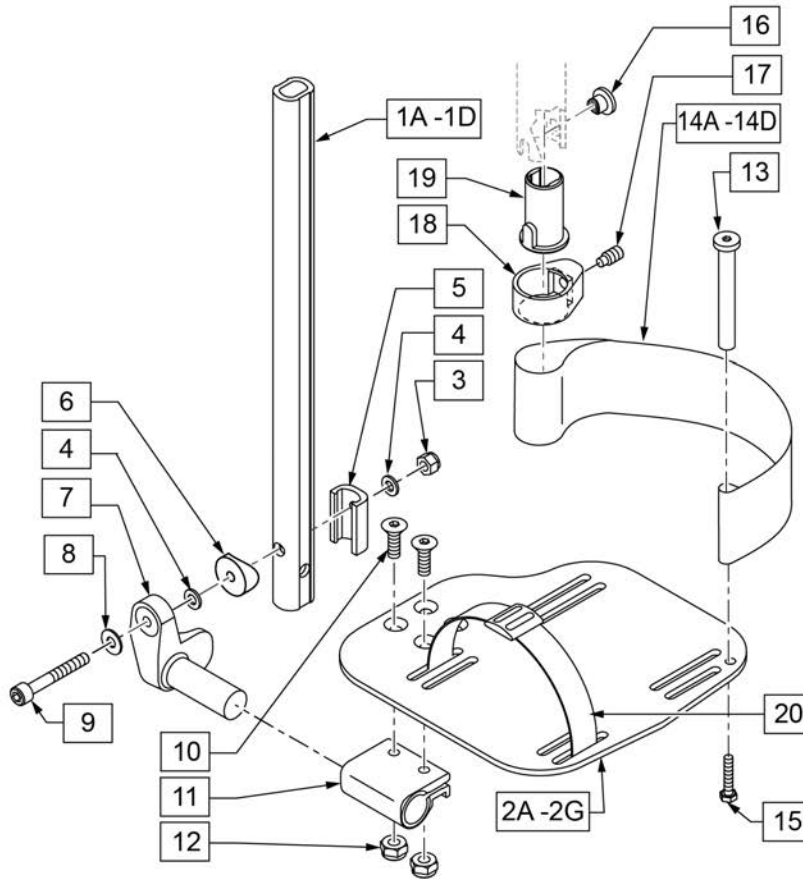
MEASURING GUIDE



CHAIR WIDTH	"A"	"B"
10" - 11"	3 1/2"	7 1/4"
12" - 13"	4 1/2"	7 3/4"
14" - 15"	5 1/2"	7 3/4"
16" - 17"	6 1/2"	7 3/4"
18" - 20"	7 1/2"	7 3/4"

To have complete Footrest ship assembled, choose compatible Hanger + Footplate part numbers and add "ASSY-HNG-FP" to order

**ADD INSET FORMULA**  
 0" Inset (Seat Width) = Footrest Width  
 1" Inset (Seat Width) -2" = Footrest Width  
 2" Inset (Seat Width) -4" = Footrest Width  
 "V" Hanger (Seat Width) -4" = Footrest Width  
 Offset Hanger Receiver (Seat Width) +2" = Footrest Width  
 Flared Frame (Seat Width) = 2" = Footrest Width



21 EXT MNT HARDWARE 1 SIDE			
ITEM #	ILLUSTRATION	DESCRIPTION	QTY
3		NUT AUTOMATION M6 X 1.0 ROHS	1
4		WASHER FLAT THIN AN 1/4	2
5		HANGER EXTENSION SADDLE	1
6		3/4" SADDLE 1" OD	1
8		WASHER FLAT SAE 1/4 ROHS	1
9		SHCS M6X1X45 12MM PART THD	1

Pos.	Item Number	Description	Remarks
1A,3-6,8,9	120670	SHT STRT EXT AAA HDWR	
1B,3-6,8,9	120671	MED STRT EXT AAA HDWR	
1C,3-6,8,9	120672	LNG STRT EXT AAA HDWR	
1D	128079	TUBE FTRST EXT STRGHT SHT HEMI	Use for Hemi Ext Tube option
2A	500656	ADULT ANGL ADJ F/PLT 10/11" R	RIGHT 10-11" Footrest Width
2A	500657	ADULT ANGL ADJ F/PLT 10/11" L	LEFT 10-11" Footrest Width
2B	500658	ADULT ANGL ADJ F/PLT 12/13" R	RIGHT 12-13" Footrest Width
2B	500659	ADULT ANGL ADJ F/PLT 12/13" L	LEFT 12-13" Footrest Width
2C	500660	ADLT ANGL ADJ F/PLT 14/15	RIGHT 14-15" Footrest Width
2C	500661	ADLT ANGL ADJ F/PLT 14/15	LEFT 14-15" Footrest Width
2D	500662	ADLT ANGL ADJ F/PLT 16/17	RIGHT 16-17" Footrest Width
2D	500663	ADLT ANGL ADJ F/PLT 16/17	LEFT 16-17" Footrest Width
2E	500664	ADLT ANGL ADJ F/PLT 18-20	RIGHT 18-22" Footrest Width
2E	500665	ADLT ANGL ADJ F/PLT 18-20	LEFT 18-22" Footrest Width
3	132626	NUT AUTOMATION M6 X 1.0	
4	106944	WASHER FLAT THIN AN 1/4 ROHS	
5	107199	HANGER EXTENSION SADDLE	
6	561055	3/4" SADDLE 1" OD	
7	541002	FTRST MOUNTING BRKT-3/8 RAD R	RIGHT
7	541003	FTRST MOUNTING BRKT-3/8 RAD L	LEFT

Pos.	Item Number	Description	Remarks
8	106945	WASHER FLAT SAE 1/4 ROHS	
9	104399	SHCS M6X1X45 12 MM PART THD	
10	106978	FHCS 1/4-28 X 7/8 ROHS	
11	550350	3/4" CLMP ADJ FT PLT	
12	106935	NUT NYLOCK THIN 1/4-28 ROHS	
13	104328	POST HEEL LOOP	
14A	104380-001	ADJUSTABLE FOOT REST STRAP	12 - 14" WIDE
14B	104380-002	ADJUSTABLE FOOT REST STRAP	15 - 16" WIDE
14C	104380-003	ADJUSTABLE FOOT REST STRAP	17 - 18" WIDE
14D	104380-004	ADJUSTABLE FOOT REST STRAP	19 - 20" WIDE
15	102268-001	HHCS M6 X 1 X 25	
16-19	107485	FOOTREST CLAMP ASSM	
20	740260	TOE-ANKLE STRAP ADJ ADULT FOOTPLATE	
21	120659	EXT MNT HARDWARE 1 SIDE	
>>>>		60,70,80 STD HANGERS - RIGHT	
1A,2B,3-14A,15	111534	AAA STRT SHT EXT ASM 12-13" W R	Right- 12-13" W- SHORT
1A,2C,3-14B,15	107928	AAA STRT SHT EXT ASM 14-15" W R	Right- 14-15" W- SHORT
1A,2D,3-14C,15	107930	AAA STRT SHT EXT ASM 16-17" W R	Right- 16-17" W- SHORT
1A,2E,3-14D,15	107932	AAA STRT SHT EXT ASM 18-22" W R	Right- 18-22" W- SHORT
>>>>		60,70,80 STD HANGERS - LEFT	
1A,2B,3-14A,15	111535	AAA STRT SHT EXT ASM 12-13" W L	Left- 12-13" W- SHORT
1A,2C,3-14B,15	107935	AAA STRT SHT EXT ASM 14" W L	Left- 14-15" W- SHORT
1A,2D,3-14C,15	107937	AAA STRT SHT EXT ASM 16" W L	Left- 16-17" W- SHORT
1A,2E,3-14D,15	107939	AAA STRT SHT EXT ASM 18" W L	Left- 18-22" W- SHORT
>>>>		60,70,80 & 60,70 HEMI HANGERS - RIGHT	
1B,2B,3-14A,15	111536	AAA STRT MED EXT ASM 12-13" W R	Right- 12-13" W- MED
1B,2C,3-14B,15	107942	AAA STRT MED EXT ASM 14-15" W R	Right- 14-15" W- MED
1B,2D,3-14C,15	107944	AAA STRT MED EXT ASM 16-17" W R	Right- 16-17" W- MED
1B,2E,3-14D,15	107946	AAA STRT MED EXT ASM 18-22" W R	Right- 18-22" W- MED
>>>>		60,70,80 & 60,70 HEMI HANGERS - LEFT	
1B,2B,3-14A,15	111537	AAA STRT MED EXT ASM 12-13" W L	Left- 12-13" W- MED
1B,2C,3-14B,15	107949	AAA STRT MED EXT ASM 14" W L	Left- 14-15" W- MED
1B,2D,3-14C,15	107951	AAA STRT MED EXT ASM 16" W L	Left- 16-17" W- MED
1B,2E,3-14D,15	107953	AAA STRT MED EXT ASM 18" W L	Left- 18-22" W- MED
>>>>		60,70,80 & 60,70 HEMI HANGERS - RIGHT	
1C,2B,3-14A,15	111538	AAA STRT LNG EXT ASM 12-13" W R	Right- 12-13" W- LONG
1C,2C,3-14B,15	107956	AAA STRT LNG EXT ASM 14 -15" W R	Right- 14-15" W- LONG
1C,2D,3-14C,15	107958	AAA STRT LNG EXT ASM 16 -17" W R	Right- 16-17" W- LONG
1C,2E,3-14D,15	107960	AAA STRT LNG EXT ASM 18 -22" W R	Right- 18-22" W- LONG
>>>>		60,70,80 & 60,70 HEMI HANGERS - LEFT	
1C,2B,3-14A,15	111539	AAA STRT LNG EXT ASM 12-13" W L	Left- 12-13" W- LONG
1C,2C,3-14B,15	107963	AAA STRT LNG EXT ASM 14W L	Left- 14-15" W- LONG
1C,2D,3-14C,15	107965	AAA STRT LNG EXT ASM 16W L	Left- 16-17" W- LONG
1C,2E,3-14D,15	107968	AAA STRT LNG EXT ASM 18W L	Left- 18-22" W- LONG
>>>>		60&70 HEMI HANGERS - SHORT EXT - RIGHT	
1D,2B,3-14A,15	129756	AAA FOOT KIT SHT HNGR 12W R	Right- 12-13" W- SHORT; add Ext behind the Hemi
1D,2C,3-14B,15	129758	AAA FOOT KIT SHT HNGR 14W R	Right- 14-15" W- SHORT; add Ext behind the Hemi
1D,2D,3-14C,15	129760	AAA FOOT KIT SHT HNGR 16W R	Right- 16-17" W- SHORT; add Ext behind the Hemi
1D,2E,3-14D,15	129762	AAA FOOT KIT SHT HNGR 18W R	Right- 18-22" W- SHORT; add Ext behind the Hemi
>>>>		60&70 HEMI HANGERS - SHORT EXT -LEFT	
1D,2B,3-14A,15	129757	AAA FOOT KIT SHT HNGR 12W L	Left- 12-13" W-SHORT; add Ext behind the Hemi
1D,2C,3-14B,15	129759	AAA FOOT KIT SHT HNGR 14W L	Left- 14-15" W- SHORT; add Ext behind the Hemi
1D,2D,3-14C,15	129761	AAA FOOT KIT SHT HNGR 16W L	Left- 16-17" W- SHORT; add Ext behind the Hemi
1D,2E,3-14D,15	129763	AAA FOOT KIT SHT HNGR 18W L	Left- 18-22" W- SHORT; add Ext behind the Hemi
		Ship assembled part #	Use with multiple assemblies
	ASSY-HNG-FP	HANGER/FOOTPLATE ASSY REQUIRED	add with Hanger & Footplate kit

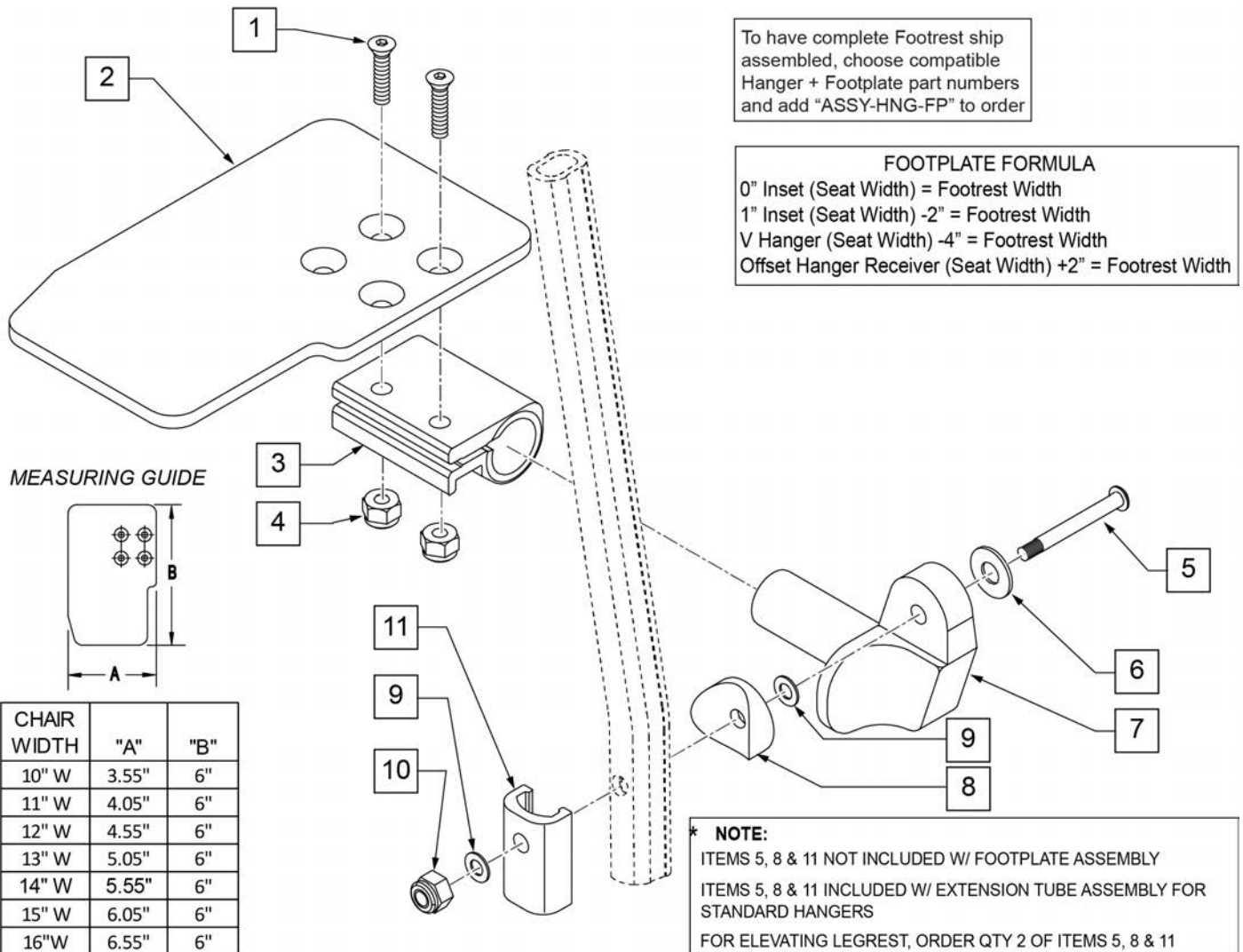


**Note:** Footplate Assemblies are set to footrest width; please see "Footplate Formula" table for seat width conversion.

Note: V Style Hangers are not available on Swing Away Style chairs effective 7/14/14; see the "Prior To" ordering guide for V Style footplate assemblies.

**Note:** Zippie Iris (ZRS&ZRSE) and Zippie TS (Z1A&Z1SE) only use Straight Extension Tube.

Note: if chair has High Mount Ext Tubes or if switching to High Mount Ext Tubes, see KAA Footplate w/ High Mount Extension Ordering Guide.

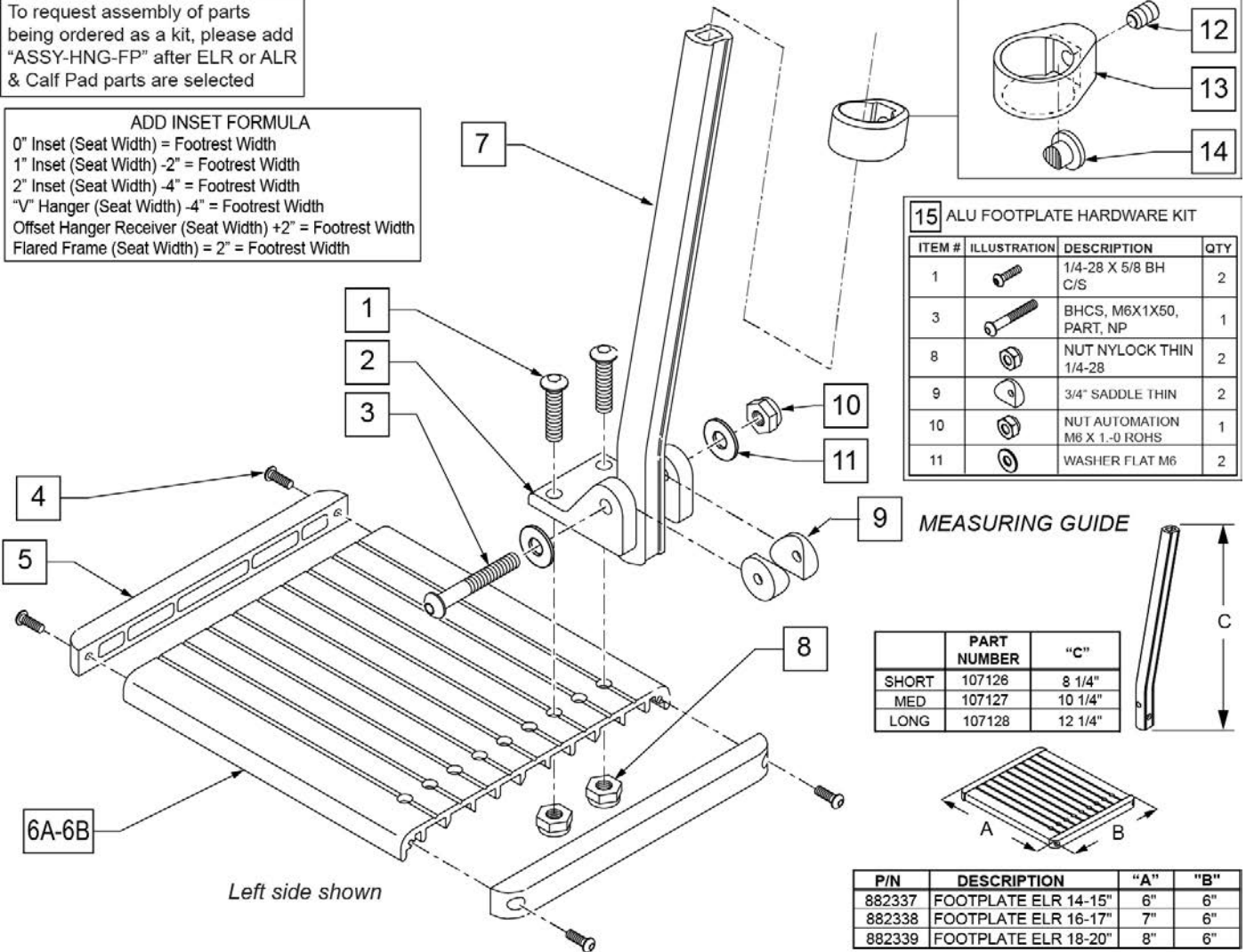


Pos.	Item Number	Description	Remarks
1	106978	FHCS 1/4 -28 x 7/8 ROHS	
2	500635	KIDS ANGL ADJ F/PLT 10" R	Right

Pos.	Item Number	Description	Remarks
2	500636	KIDS ANGL ADJ F/PLT 10" L	Left
2	500637	KIDS ANGL ADJ F/PLT 11" R	Right
2	500638	KIDS ANGL ADJ F/PLT 11" L	Left
2	500639	KIDS ANGL ADJ F/PLT 12" R	Right
2	500640	KIDS ANGL ADJ F/PLT 12" L	Left
2	500641	KIDS ANGL ADJ F/PLT 13" R	Right
2	500642	KIDS ANGL ADJ F/PLT 13" L	Left
2	500643	KIDS ANGL ADJ F/PLT 14" R	Right
2	500644	KIDS ANGL ADJ F/PLT 14" L	Left
2	500645	KIDS ANGL ADJ F/PLT 15" R	Right
2	500646	KIDS ANGL ADJ F/PLT 15" L	Left
2	500647	KIDS ANGL ADJ F/PLT 16" R	Right
2	500648	KIDS ANGL ADJ F/PLT 16" L	Left
3	550350	3/4" CLAMP ADJ FOOTPLATE	
4	106935	NUT NYLOCK THIN 1/4 -28 ROHS	
5	106962	1/4-28 x 1 3/4 BH C/S BLK ZN (D2 EXTENSION TUBES)	
5	226167	1/4-28 x 1.625 BH C/S BLK (ROUND EXTENSION TUBES)	
6	106945	1/4 SAE WASHER	
7	541002	FTRST MOUNTING BRKT-3/8 RAD R	
7	541003	FTRST MOUNTING BRKT-3/8 RAD L	
8	561055	3/4" SADDLE 1" OD	
9	106944	WASHER FLAT THIN AN 1/4 ROHS	
10	106941	NUT AUTOMATION 1/4 -28 ROHS	
11	483720	HANGER EXTENSION SADDLE LONG	Use with Double D Ext Tube
1-4,6,7,9,10	828850	KIDS ANG ADJ F/PLT EXT-MNT 10"R	Right
1-4,6,7,9,10	828851	KIDS ANG ADJ F/PLT EXT-MNT 10"L	Left
1-4,6,7,9,10	828852	KIDS ANG ADJ F/PLT EXT-MNT 11"R	Right
1-4,6,7,9,10	828853	KIDS ANG ADJ F/PLT EXT-MNT 11"L	Left
1-4,6,7,9,10	828854	KIDS ANG ADJ F/PLT EXT-MNT 12"R	Right
1-4,6,7,9,10	828855	KIDS ANG ADJ F/PLT EXT-MNT 12"L	Left
1-4,6,7,9,10	828856	KIDS ANG ADJ F/PLT EXT-MNT 13"R	Right
1-4,6,7,9,10	828857	KIDS ANG ADJ F/PLT EXT-MNT 13"L	Left
1-4,6,7,9,10	828858	KIDS ANG ADJ F/PLT EXT-MNT 14"R	Right
1-4,6,7,9,10	828859	KIDS ANG ADJ F/PLT EXT-MNT 14"L	Left
1-4,6,7,9,10	828860	KIDS ANG ADJ F/PLT EXT-MNT 15"R	Right
1-4,6,7,9,10	828861	KIDS ANG ADJ F/PLT EXT-MNT 15"L	Left
1-4,6,7,9,10	828862	KIDS ANG ADJ F/PLT EXT-MNT 16"R	Right
1-4,6,7,9,10	828863	KIDS ANG ADJ F/PLT EXT-MNT 16"L	Left
1-4,6,7,9,10	921280	KIDS ANG ADJ F/PLT EXT-MNT 10"	Pair
1-4,6,7,9,10	921281	KIDS ANG ADJ F/PLT EXT-MNT 11"	Pair
1-4,6,7,9,10	921282	KIDS ANG ADJ F/PLT EXT-MNT 12"	Pair
1-4,6,7,9,10	921283	KIDS ANG ADJ F/PLT EXT-MNT 13"	Pair
1-4,6,7,9,10	921284	KIDS ANG ADJ F/PLT EXT-MNT 14"	Pair
1-4,6,7,9,10	921285	KIDS ANG ADJ F/PLT EXT-MNT 15"	Pair
1-4,6,7,9,10	921286	KIDS ANG ADJ F/PLT EXT-MNT 16"	Pair
		Ship assembled part #	Use with multiple assemblies
	ASSY-HNG-FP	HANGER/FOOTPLATE ASSY REQUIRED	add with Hanger & Footplate kit

To request assembly of parts being ordered as a kit, please add "ASSY-HNG-FP" after ELR or ALR & Calf Pad parts are selected

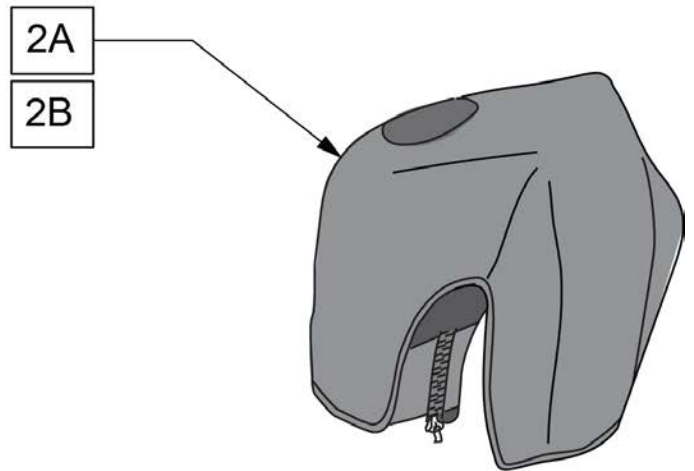
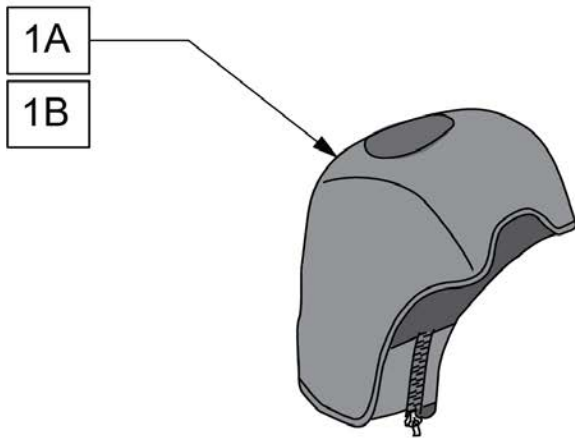
**ADD INSET FORMULA**  
 0" Inset (Seat Width) = Footrest Width  
 1" Inset (Seat Width) -2" = Footrest Width  
 2" Inset (Seat Width) -4" = Footrest Width  
 "V" Hanger (Seat Width) -4" = Footrest Width  
 Offset Hanger Receiver (Seat Width) +2" = Footrest Width  
 Flared Frame (Seat Width) = 2" = Footrest Width



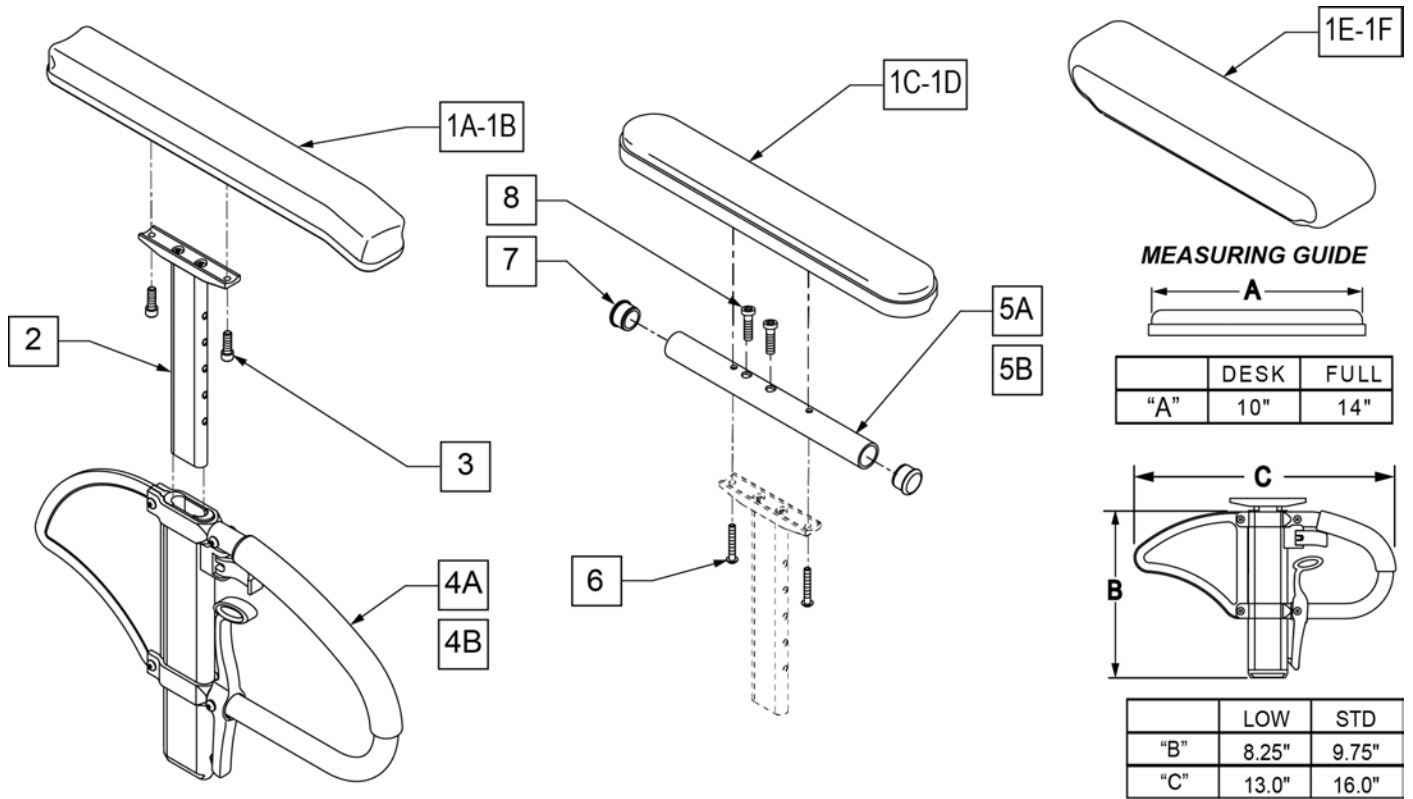
Pos.	Item Number	Description	Remarks
1	226090	1/4-28 x 5/8 BH C/S	
2	118093	BRACKET FOOTPLATE ALUM	
3	102262-008	BHCS M6 X 1 X 50 INORGANIC	
4	281043	#4 x 5/8 PAN PHIL S/TAP	
5	560101	END CAPS FOOTREST	
7	107126	SHORT BENT	
7	107127	MED BENT	
7	107128	LONG BENT	
7	128078	TUBE FOOTREST EXT SHT HEMI	Use for Hemi Extension option
8	106935	1/4-28 NYLOCK NUT THIN	
9	561003	3/4" SADDLE THIN	
10	132626	NUT AUTOMATION M6 X 1.0	
11	107383	WASHER FLAT M6 ROHS	
4,5,6A	882337	ELR FOOTPLATE ASSEMBLY 14 -15"	
4,5,6B	882338	ELR FOOTPLATE ASSEMBLY 16 -17"	
4,5,6C	882339	ELR FOOTPLATE ASSEMBLY 18 -20"	
12-14	119495	EXTENSION CLAMP KIT	
15	129775	ALU FOOTPLATE HDWARE KIT	Ext tube not included; bracket (118093) not included

<b>Pos.</b>	<b>Item Number</b>	<b>Description</b>	<b>Remarks</b>
		Ship assembled part #	Use with multiple assemblies
	ASSY-HNG-FP	HANGER/FOOTPLATE ASSY REQUIRED	add with Hanger & Footplate kit

Note: For installation instructions please see the informations section to the right of this parts page.



Pos.	Item Number	Description	Remarks
1A	163881	ELR NEOPRENE COVER PR	Pair
1B	163882	ELR GEL COVER PR	Pair
2A	163883	ALR NEOPRENE COVER PR	Pair
2B	163884	ALR GEL COVER PR	Pair



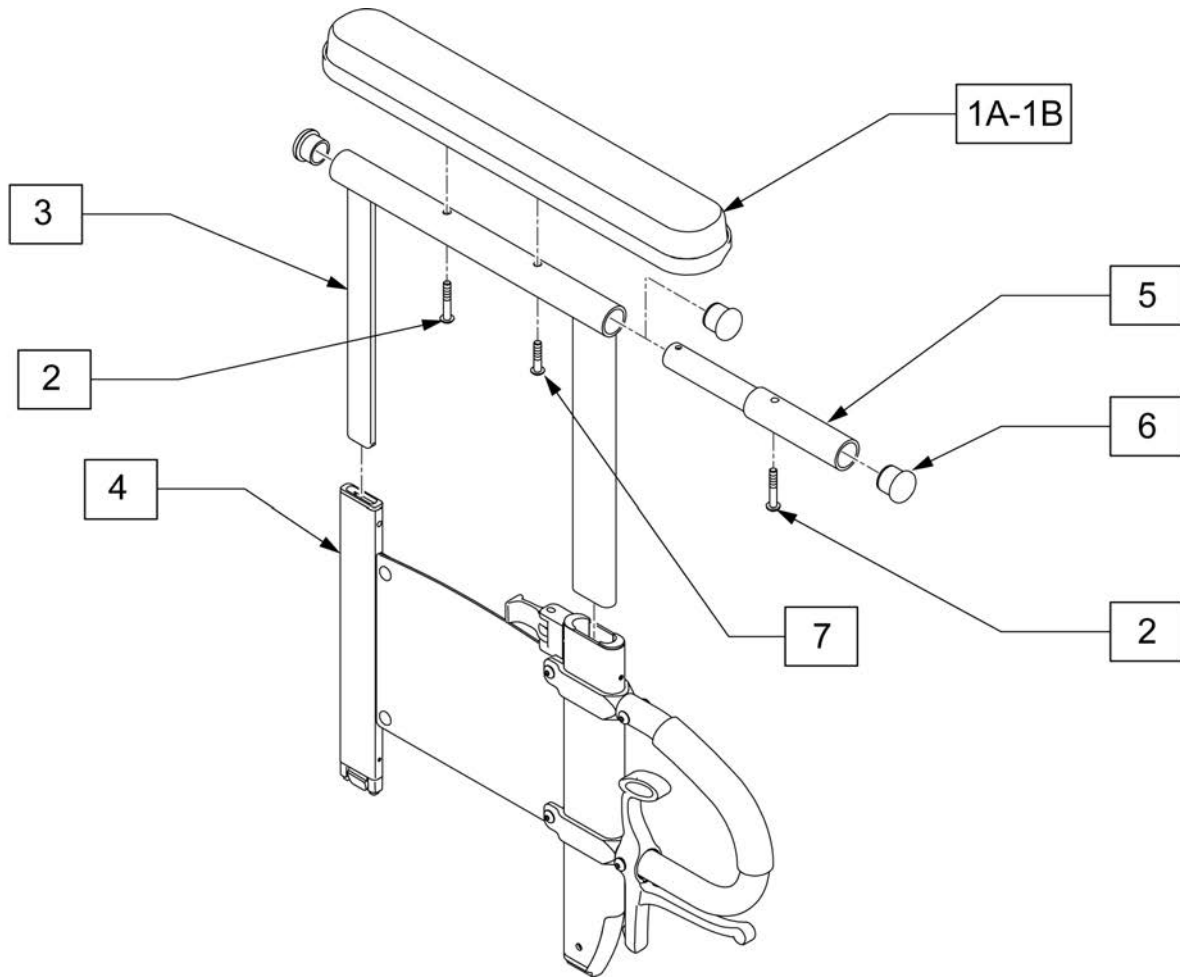
Pos.	Item Number	Description	Remarks
1A	104568-001	SPHA PAD DESK	CONTOUR DESK
1B	104568-002	SPHA PAD FULL	CONTOUR FULL
1C	561024	ARMREST PAD 10" DESK	CLASSIC DESK
1D	561031	ARMREST PAD 14" FULL	CLASSIC FULL
1E	561280	ARMREST PAD 10" LEFT W/F	Left-Waterfall Desk
1E	561281	ARMREST PAD 10" RIGHT W/F	Rightt-Waterfall Desk
1F	561284	ARMREST PAD 14" LEFT W/F	Leftt-Waterfall Full
1F	561285	ARMREST PAD 14" RIGHT W/F	Rightt-Waterfall Full
2	116312	SNGL POST UPPR ASSM LOW	LOW/SMALL
2	116313	SNGL POST UPPR ASSM STD	STANDARD
3	106956	SHCS 10-32 X 3/4 ROHS	
2,4A	104509-001	SPHA ARMREST ASSY STD	STANDARD
2,4B	104509-002	SPHA ARMREST ASSY LOW	LOW/SMALL
5A	521812	HT ADJ PD TUBE 10IN DESK POWE	Desk
5B	521813	HT ADJ PD TUBE 14IN FULL POWE	Full
6	107024	BHCS 10-32 X 1 1/2 ROHS	
7	560735	7/8" ROUND TUBE PLUG	
8	108534	SHCS 10-32 X 1-1/4 PL	Used with Full Length & Waterfall
1C,2,3,4A,5A,6,7	108599	SPHA STD CLASIC DESK PAD R	Right
1C,2,3,4A,5A,6,7	108603	SPHA STD CLASIC DESK PAD L	Left
1D,2,3,4A,5B,6-8	108601	SPHA STD CLASIC FULL PAD R	Right
1D,2,3,4A,5B,6-8	108605	SPHA STD CLASIC FULL PAD L	Left
1A,2,3,4A	108595	SPHA STD CNTUR DESK PAD	
1B,2,3,4A	108597	SPHA STD CNTUR FULL PAD	
1C,2,3,4B,5A,6,7	108600	SPHA LOW CLASIC DESK PAD R	Right
1C,2,3,4B,5A,6,7	108604	SPHA LOW CLASIC DESK PAD L	Left
1D,2,3,4B,5B,6-8	108602	SPHA LOW CLASIC FULL PAD R	Right

Pos.	Item Number	Description	Remarks
1D,2,3,4B,5B,6-8	108606	SPHA LOW CLASIC FULL PAD L	Left
1A,2,3,4B	108596	SPHA LOW CNTUR DESK PAD	
1B,2,3,4B	108598	SPHA LOW CNTUR FULL PAD	
1C,2,5A,6,7	159600	SPHA STD CLAS DESK UPPR R	Right
1C,2,5A,6,7	159601	SPHA STD CLAS DESK UPPR L	Left
1D,2,5B,6-8	159602	SPHA STD CLAS FULL UPPR R	Right
1D,2,5B,6-8	159603	SPHA STD CLAS FULL UPPR L	Left
1C,2,5A,6,7	159604	SPHA LOW CLAS DESK UPPR R	Right
1C,2,5A,6,7	159605	SPHA LOW CLAS DESK UPPR L	Left
1D,2,5B,6-8	159606	SPHA LOW CLAS FULL UPPR R	Right
1D,2,5B,6-8	159607	SPHA LOW CLAS FULL UPPR L	Left
1E,2,4B,5A,6,7	164089	SPHA LOW W/F DESK PAD R	Right
1E,2,4B,5A,6,8	164090	SPHA LOW W/F DESK PAD L	Left
1F,2,4B,5B,6,8	164091	SPHA LOW W/F FULL PAD R	Right
1F,2,4B,5B,6,8	164092	SPHA LOW W/F FULL PAD L	Left
1E,2,4A,5A,6,7	164093	SPHA STD W/F DESK PAD R	Right
1E,2,4A,5A,6,8	164094	SPHA STD W/F DESK PAD L	Left
1F,2,4A,5B,6,8	164095	SPHA STD W/F FULL PAD R	Right
1F,2,4A,5B,6,8	164096	SPHA STD W/F FULL PAD L	Left

Note: Fits most Manual Products, not all Armrest Pads are offered on all chairs, consult product order form for compatibility.

Note: available on Quickie Iris after S/N IRS-007726 & IRSE-008701 and prior to IRS-063000 & IRSE-083000, and Zippie Iris prior to ZRS-051000 & ZRSE-058000.

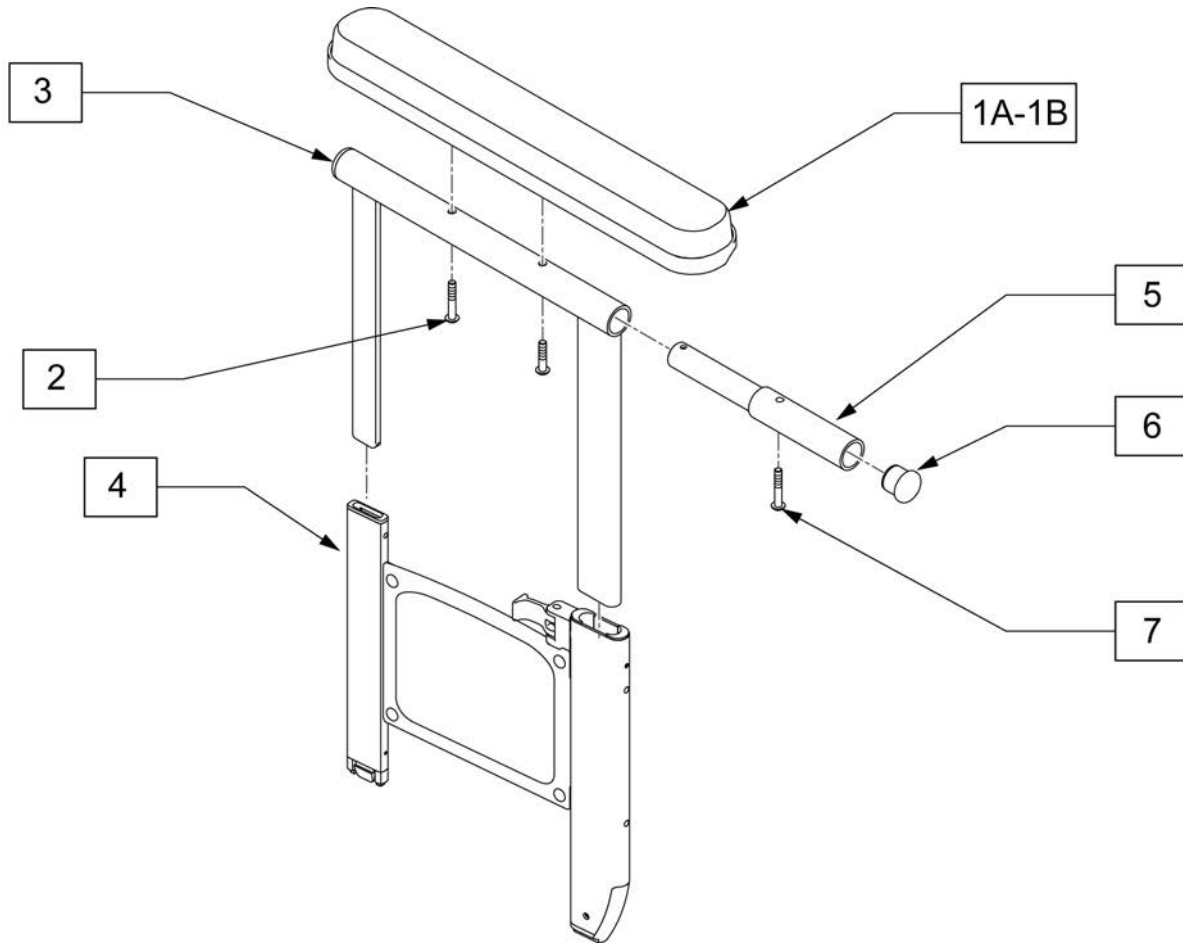
Note: if switching from Desk to Full Length Armrest Pad OR switching from Full Length to Desk Armrest Pad, the following items are required: 1C/1D, 5A/5B, and 6-8.



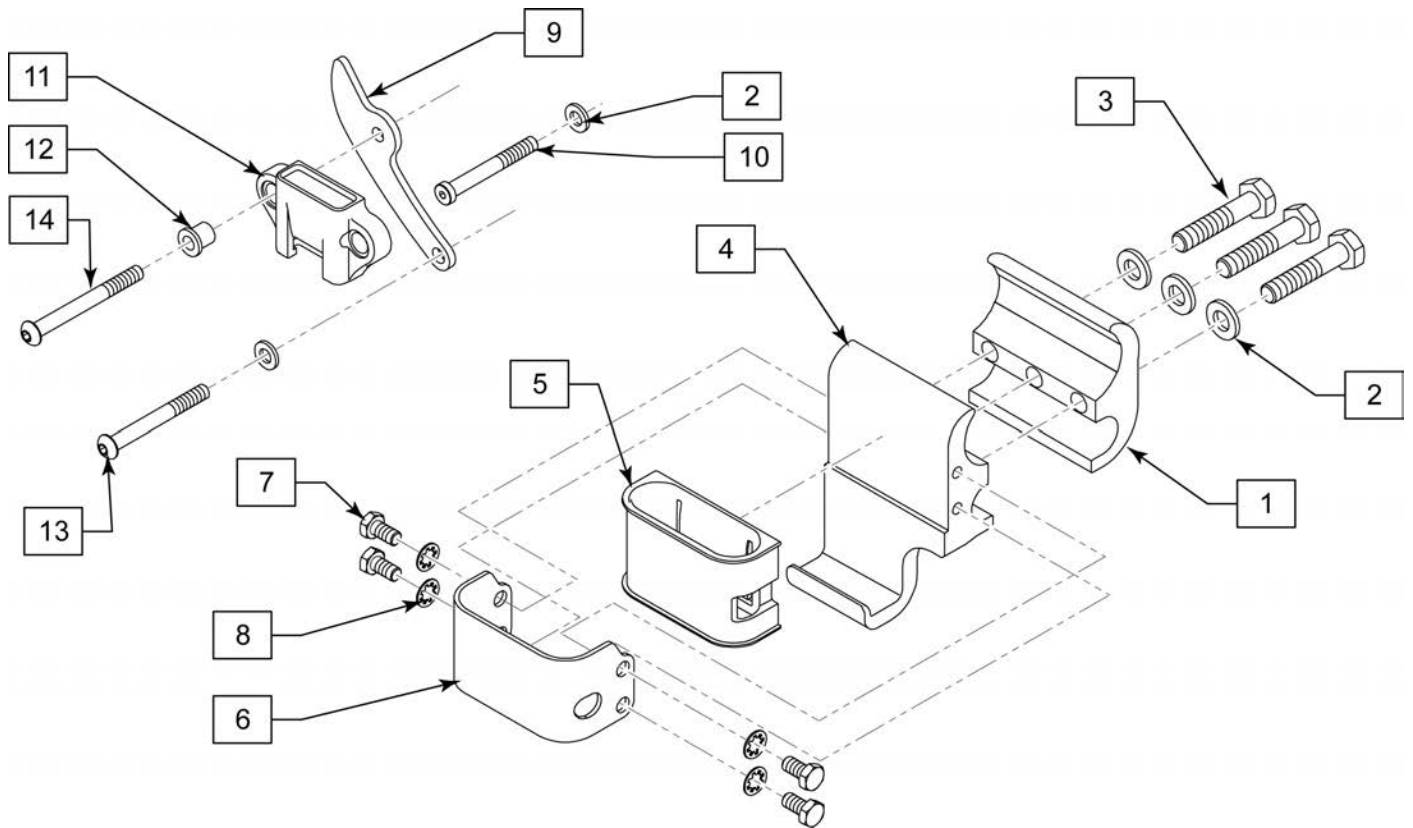
Pos.	Item Number	Description	Remarks
1A	561024	ARMREST PAD 10" DESK	
1B	561031	ARMREST PAD 14" FULL	
2	107023	BHCS 10-32 X 1-3/8 ROHS	
5	117958	EXTENSION ARMPAD FULL DPA	
6	561007	7/8" INSERT PLUG .083	
7	118182	BHCS 10-32 X 7/8 ROHS	
1A-3	119558	UPPER DP DESK L	Left
1A-3	119559	UPPER DP DESK R	Right
1B-3,5-7	119560	UPPER DP FULL L	Left
1B-3,5-7	119561	UPPER DP FULL R	Right
1A-4,6	119490	DUAL POST ARM TRANSFER DESK L	Left
1A-4,6	119491	DUAL POST ARM TRANSFER DESK R	Right
1B-7	119492	DUAL POST ARM TRANSFER FULL L	Left
1B-7	119493	DUAL POST ARM TRANSFER FULL R	Right
3,4	117980	ARMREST ASSY DPA XFER R	Right
3,4	117981	ARMREST ASSY DPA XFER L	Left



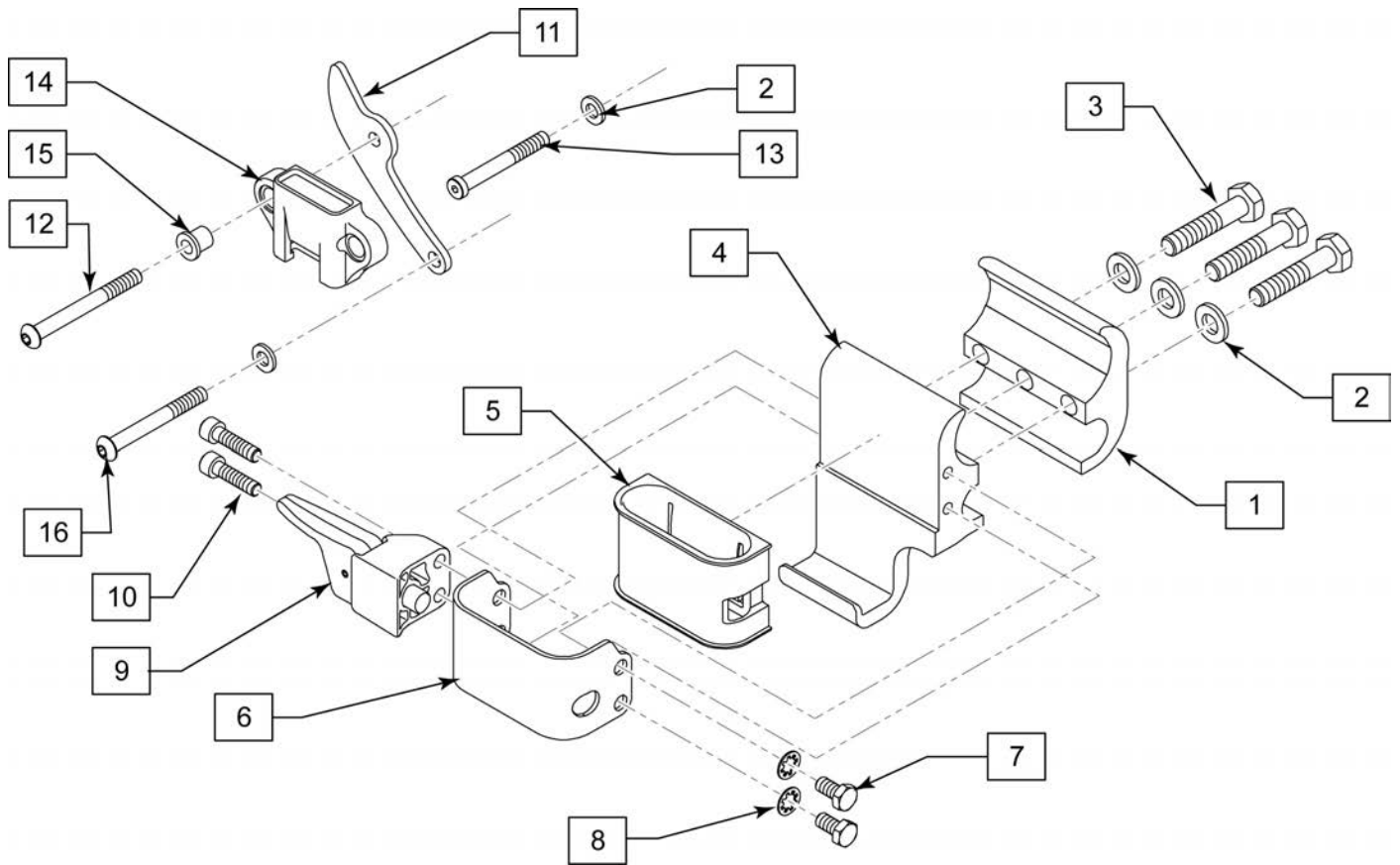
Note: if retrofitting from Desk Length to Full Length, order qty 2 each of the following item numbers: 117958, 561007 and 118182.



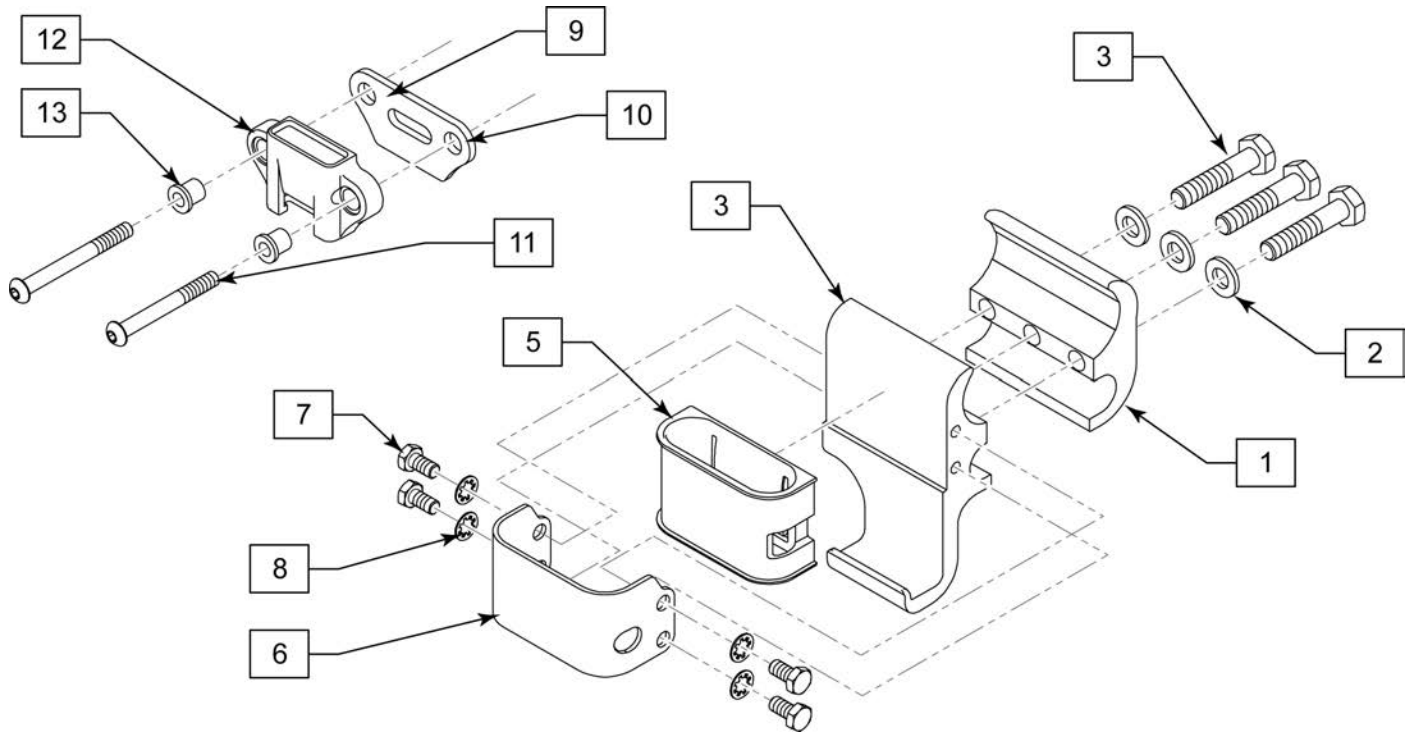
Pos.	Item Number	Description	Remarks
1A	561024	ARMREST PAD 10" DESK	
1B	561031	ARMREST PAD 14" FULL	
2	107023	BHCS 10-32 X 1-3/8 ROHS	
1A-3	119558	UPPER DP DESK L	
1A-3	119559	UPPER DP DESK R	
5	117958	EXTENSION ARMPAD FULL DPA	
6	561007	7/8" INSERT PLUG .083	
7	118182	BHCS 10-32 X 7/8 ROHS	
1B-3,5,6	119560	UPPER DP FULL L	Left
1B-3,5,6	119561	UPPER DP FULL R	Right
1A-4,6	119486	DUAL POST ARM NO-TRANS DESK L	Left
1A-4,6	119487	DUAL POST ARM NO-TRANS DESK R	Right
1B-6	119488	DUAL POST ARM NO-TRANS FULL L	Left
1B-6	119489	DUAL POST ARM NO-TRANS FULL R	Right



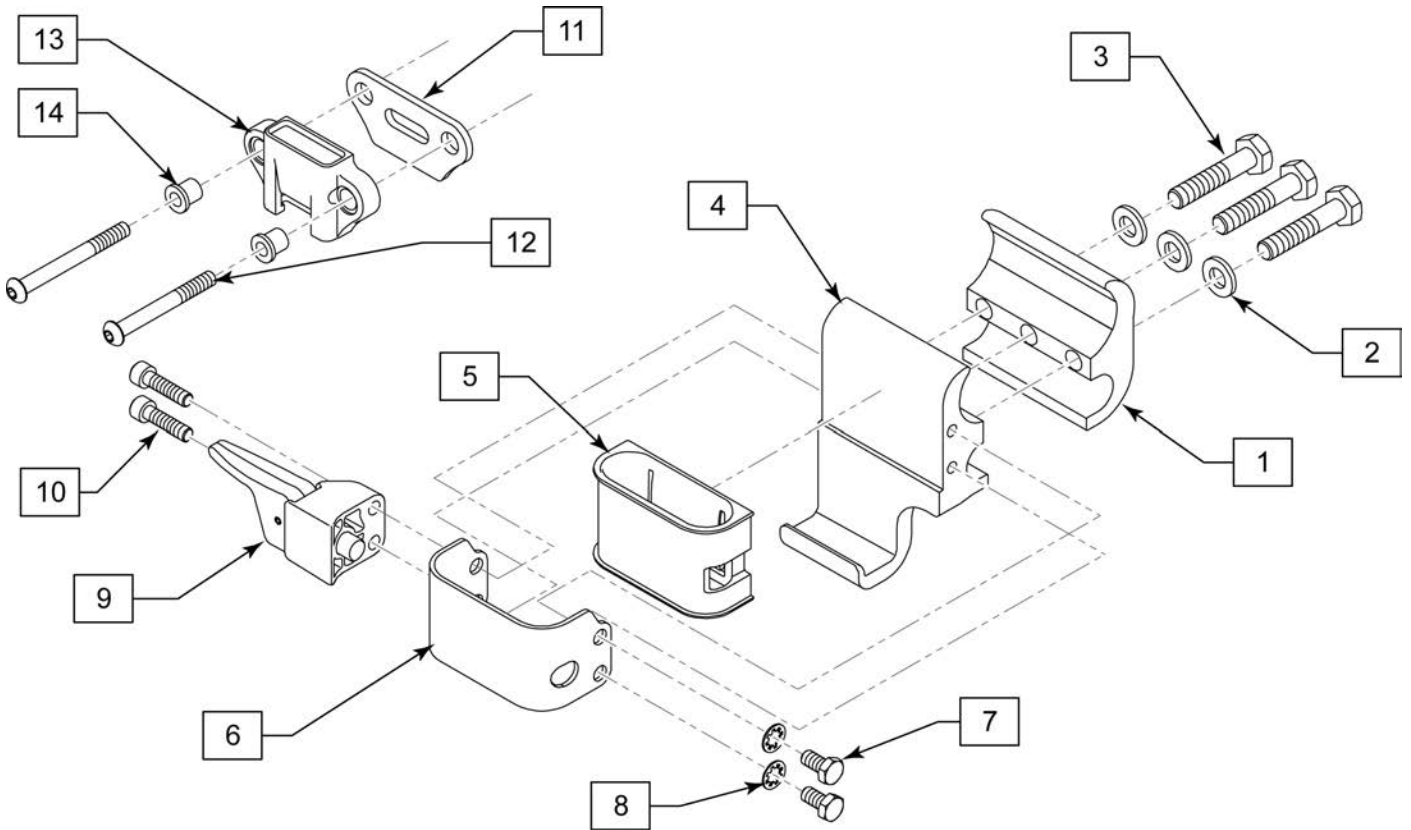
Pos.	Item Number	Description	Remarks
2	106943	WASHER FLAT AN 1/4 ROHS	
3	106970	HHCS 1/4-28 X 1-1/4 ROHS	
7	106953	HHCS #10-32 X 3/8 PL ROHS	
8	267340	#10 WAHSER INT LOCK ZN	
10	118088	SHCS LOW HD 1/4-28 X 2 ROHS	
13	106966	BHCS 1/4-28 X 2-1/4 SHLDR ROHS	
14	106967	BHCS 1/4-28 X 2-1/2 SHLDR ROHS	
1-8	119484	DP TRANS ARMREST RECVR FRNT L	Left
1-8	119485	DP TRANS ARMREST RECVR FRNT R	Right
2,9-14	119497	FLIP BACK ARM RECIVER REAR	



Pos.	Item Number	Description	Remarks
2	106943	WASHER FLAT AN 1/4 ROHS	
3	106970	HHCS 1/4-28 X 1-1/4 ROHS	
7	106953	HHCS #10-32 X 3/8 PL ROHS	
8	267340	#10 WAHSER INT LOCK ZN	
10	106956	SHCS #10-32 X 3/4 ROHS	
12	106967	BHCS 1/4-28 X 2-1/2 SHLDR ROHS	
13	118088	SHCS LOW HD 1/4-28 X 2 ROHS	
15	117975	BUSHING RECEIVER REAR DPA	
16	106966	BHCS 1/4-28 X 2-1/4 SHLDR ROHS	
1-10	119482	DP NO-TRANS ARM RECVR FRNT L	Left
1-10	119483	DP NO-TRANS ARM RECVR FRNT R	Right
2,11-16	119497	FLIP BACK ARM RECIVER REAR	
9-10	119519	PLUNGER KIT	



Pos.	Item Number	Description	Remarks
2	106943	WASHER FLAT AN 1/4 ROHS	
3	106970	HHCS 1/4-28 X 1-1/4 ROHS	
7	106953	HHCS #10-32 X 3/8 PL ROHS	
8	267340	#10 WAHSER INT LOCK ZN	
10	106967	BHCS 1/4-28 X 2-1/2 SHLDR ROHS	
12	117975	BUSHING RECEIVER REAR DPA	
1-8	119484	DP TRANS ARMREST RECVR FRNT L	Left
1-8	119485	DP TRANS ARMREST RECVR FRNT R	Right
9-12	119496	FIXED BACK ARM RECIVER REAR	

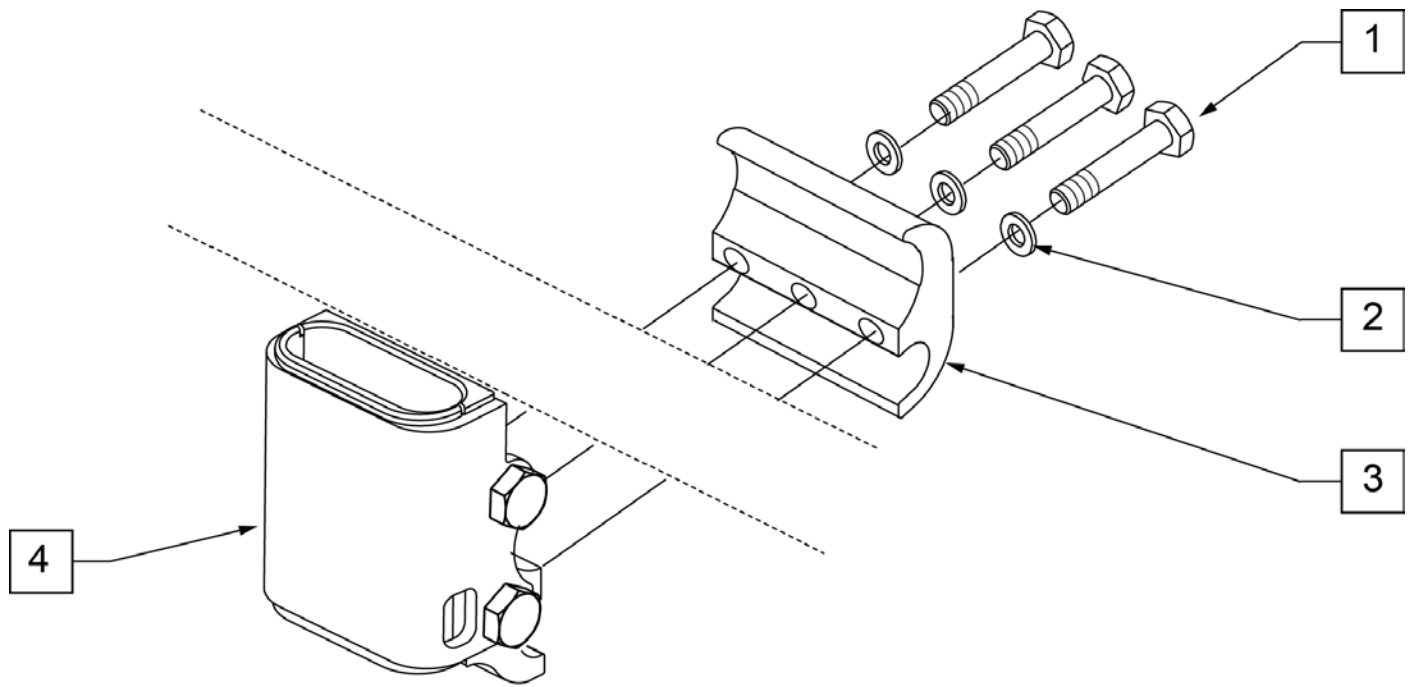


Pos.	Item Number	Description	Remarks
2	106943	WASHER FLAT AN 1/4 ROHS	
3	106970	HHCS 1/4-28 X 1-1/4 ROHS	
7	106953	HHCS #10-32 X 3/8 PL ROHS	
8	267340	#10 WAHSER INT LOCK ZN	
9	118074	PLUNGER ASSY	
10	106956	SHCS #10-32 X 3/4 ROHS	
12	106967	BHCS 1/4-28 X 2-1/2 SHLDR ROHS	
14	117975	BUSHING RECEIVER REAR DPA	
1-10	119482	DP NO-TRANS ARM RECVR FRNT L	Left
1-10	119483	DP NO-TRANS ARM RECVR FRNT R	Right
11-14	119496	FIXED BACK ARM RECIVER REAR	
9,10	119519	PLUNGER KIT	

**Note:** clamp mounts to 1" tubing.

**Note:** used on Quickie Iris chairs after S/N IRS-007726 & IRSE-008701 and prior to IRS-063000 & IRSE-083000.

**Note:** used on Zippie Iris chairs prior to S/N ZRS-051000 & ZRSE-058000.



**STANDARD  
RECEIVER**

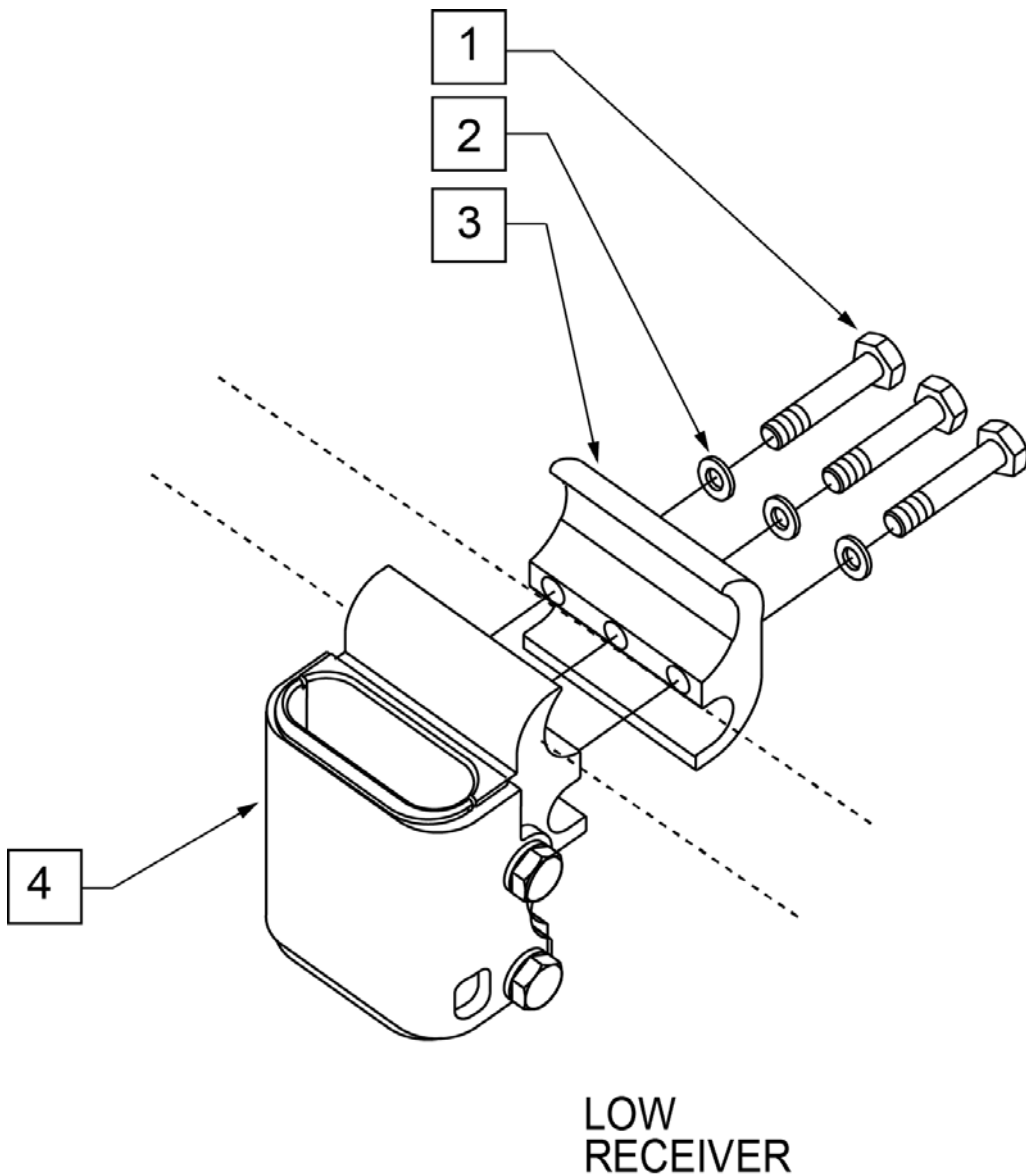
Pos.	Item Number	Description
1	106970	HHCS 1/4 -28 x 1 1/4 ROHS
2	106943	WASHER FLAT AN 1/4 ROHS
3	111405	CLAMP ARMREST INNER
4	112422	RECEIVER ARMREST STANDARD
1-4	118457	RECEIVER ARMREST STANDARD ASSM

**Note:** clamp mounts to 1" tubing.

**Note:** used on Quickie Iris chairs after S/N IRS-007726 & IRSE-008701 and prior to IRS-063000 & IRSE-083000.

**Note:** used on Zippie Iris chairs prior to S/N ZRS-051000 & ZRSE-058000.

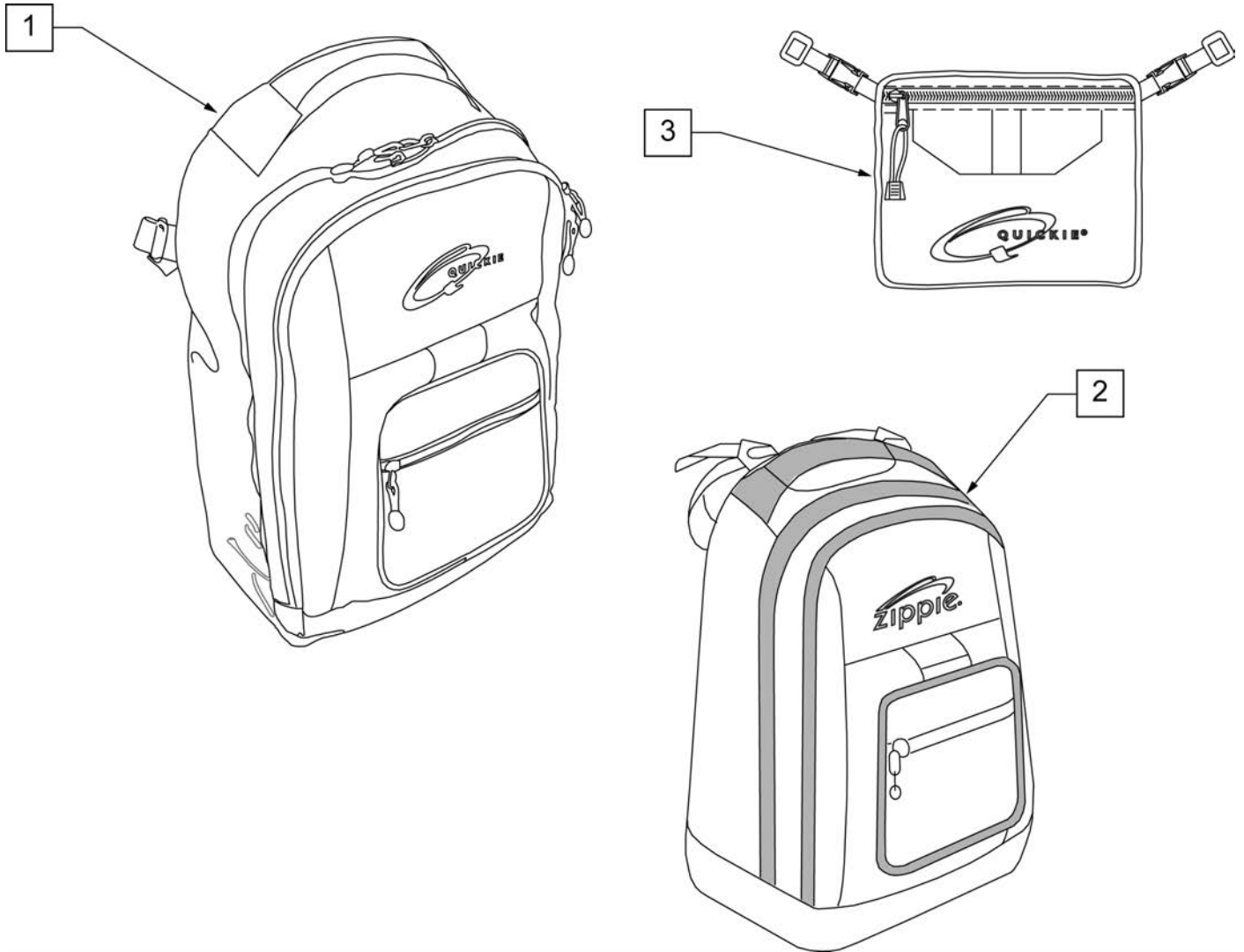
**Note:** used on Zippie 2 chairs w/ S/N Prefix Z2A.



<b>Pos.</b>	<b>Item Number</b>	<b>Description</b>
1	107360	HHCS 1/4 -28 x 1 1/4 PL ROHS
2	106943	WASHER FLAT AN 1/4 ROHS
3	111405	CLAMP ARMREST INNER
4	112423	RECEIVER ARMREST LOW
1-4	118458	REC ARMREST LOW ASSM



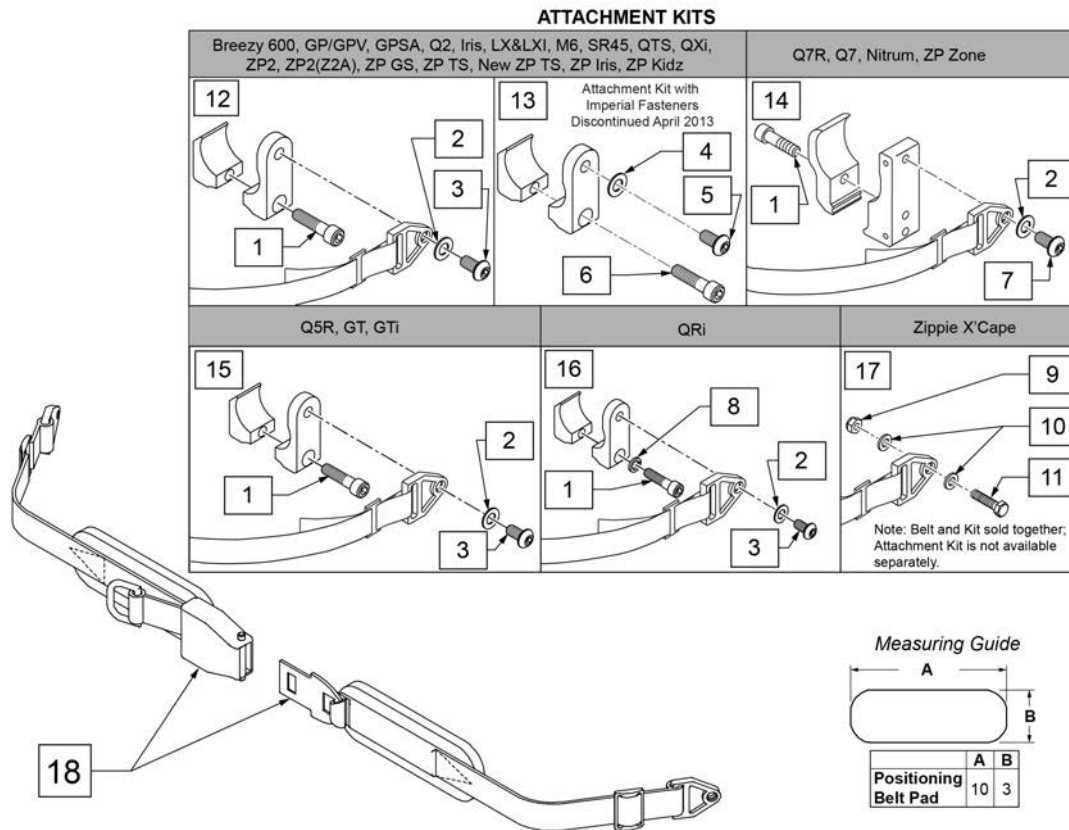
NOTE: KIDS BACKPACKS DO NOT HAVE ADJUSTABLE STRAPS W/ BUCKLES.



Pos.	Item Number	Description	Remarks
1	750115	BACK PACK QUICKIE	Overall dimensions:width 12.5", height 18.5", depth 6.5"
2	104572	BACKPACK ZIPPIE	Overall dimensions: width 12", height 16.5", depth 4.5"
3	750307	SEAT POUCH QUICKIE	Dimensions: width 8.5", height 6", depth top 2.5", depth bottom 3.5"

**Note:** some items listed may not be available with every chair model or in conjunction with another chair feature.

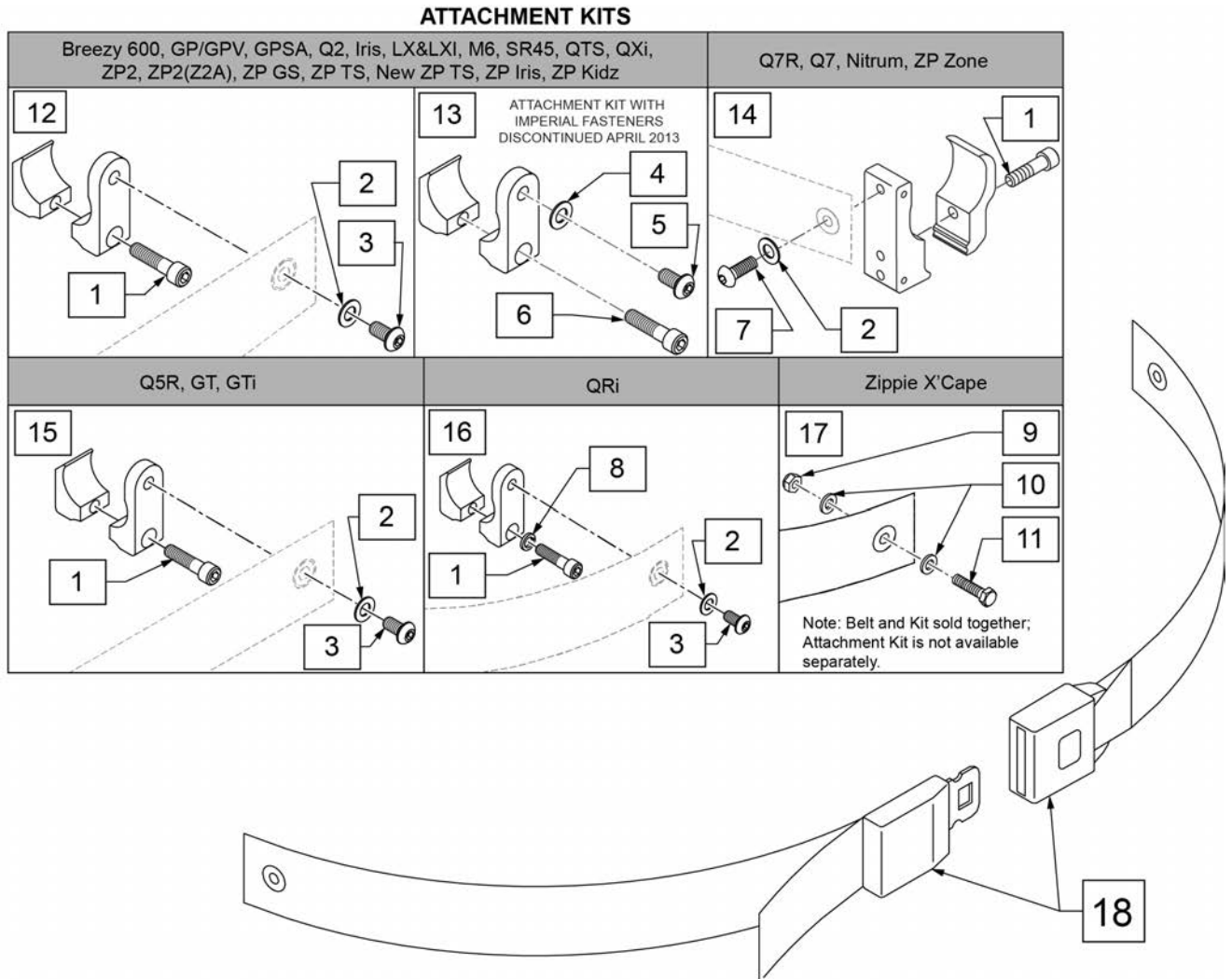
**NOTE:** when mounting Positioning Belts to the 5R, GT or GTi, it is recommended to attach the belt by using the Backrest Support Bracket Hardware.



Pos.	Item Number	Description	Remarks
1	102263-003	SHCS M6 X 1 X 25 W/PL INORG	Metric
2	250104	WASHER FLAT M6	Metric
3	103185-005	BHCS M6 X 1 X 12 FULL PL	Metric
4	106943	WASHER FLAT AN 1/4 ROHS	Imperial (standard)
5	226154	1/4-20 X 1/2 BH C/S W/PATCH	Imperial (standard)
6	221116	1/4-20 X 1 SOC HD BLK	Imperial (standard)
7	230113	BHCS M6 X 1 X 12	
8	050129-001	LOCKWASHER HIGH COLLAR M6	
9	104381	NUT HEX NYLOCK M6 X 1.0	
10	107383	WASHER FLAT M6	
11	102268-002	HHCS M6 X 1 X 35 BLK	
12	120750	PSTN BELT CLAMP ASSM PR	Metric; Pair
13	900116	POSITION BELT ATTACHMENT KIT	Set of 2; Imperial (standard)
14	116268	OVAL CLAMP ASSM KIT	Kit contains 1 Clamp

<b>Pos.</b>	<b>Item Number</b>	<b>Description</b>	<b>Remarks</b>
15	159122	POSITIONING BELT CLAMPS PR	Pair
16	123534	POS BELT CLAMP KIT RPO	Set of 2
18	450418-QU	BELT 2" AIRCRAFT BUCKLE	Max length of belt 64"
18	450423-QU	BELT 2" AIRCRAFT BUCKLE W/PAD	Max length of belt 64"
18	450424	BELT 2" AIRCRAFT BKL LONG W/PAD	Max length of belt 72"
18	450425	BELT 2" AIRCRAFT BKL LONG	Max length of belt 72"
18	450419-QU	BELT 2" AIRCRAFT BKL W/QUAD LP	Max length of belt 64"
18	468419	BELT 2" AIRCRAFT BKL W/QD LPCZ	Max length of belt 64"
17,18	136464	AIRCRAFT HIP BELT 2" KIT	ZP Xcape: includes Belt & Attachment Kit
17,18	136465	AIRCRAFT HIP BELT 2" PAD KIT	ZP Xcape: includes Belt & Attachment Kit

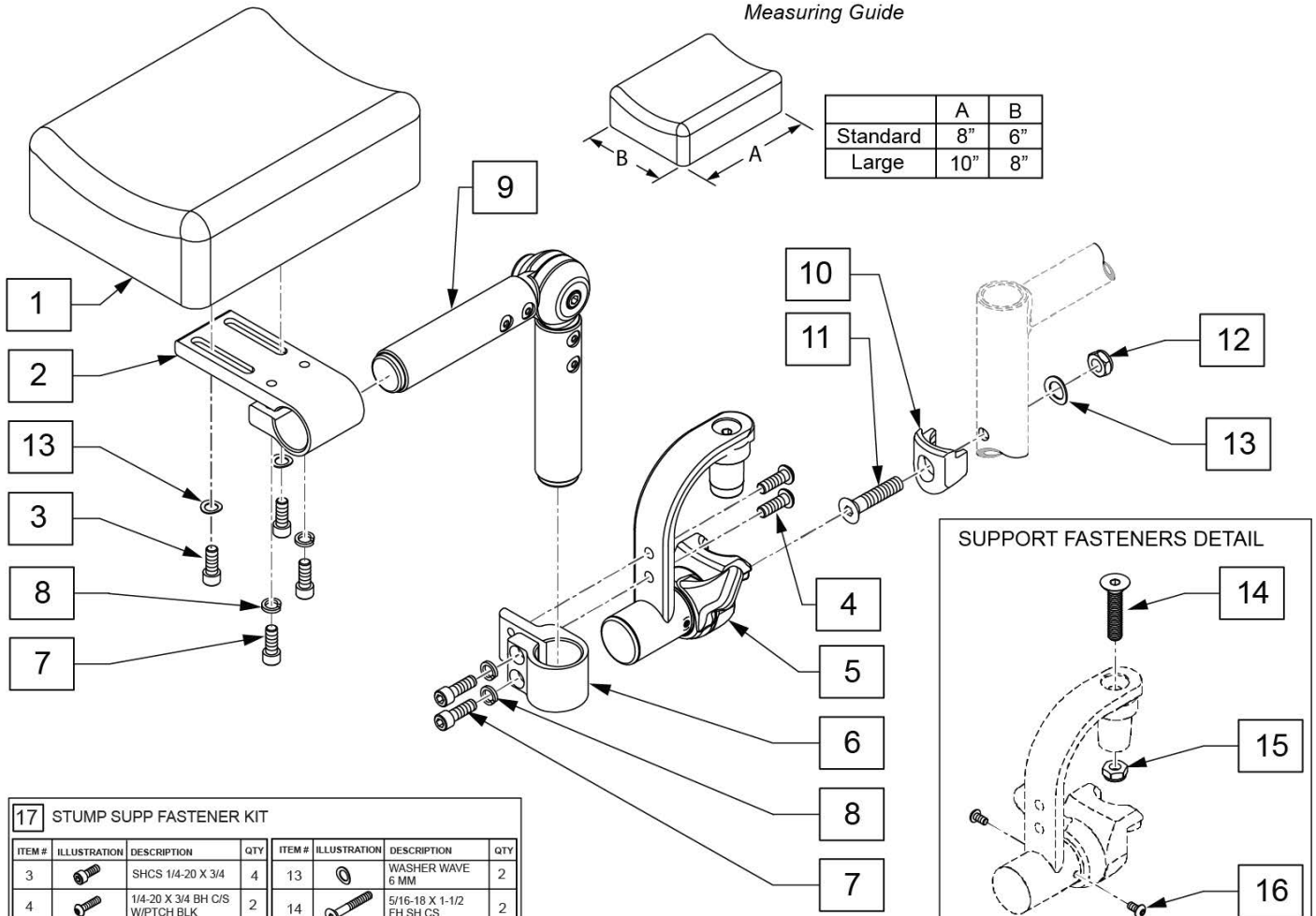
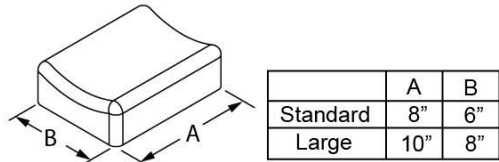
**NOTE:** when mounting Positioning Belts to the 5R, GT or GTI, it is recommended to attach the belt by using the Backrest Support Bracket Hardware.



Pos.	Item Number	Description	Remarks
1	102263-003	SHCS M6 X 1 X 25 W/PL INORG	Metric
2	250104	WASHER FLAT M6	Metric
3	103185-005	BHCS M6 X 1 X 12 FULL PL	Metric
4	106943	WASHER FLAT AN 1/4 ROHS	Imperial (standard)
5	226154	1/4-20 X 1/2 BH C/S W/PATCH	Imperial (standard)
6	221116	1/4-20 X 1 SOC HD BLK	Imperial (standard)
7	230113	BHCS M6 X 1 X 12	
8	050129-001	LOCKWASHER HIGH COLLAR M6	
9	104381	NUT HEX NYLOCK M6 X 1.0	
10	107383	WASHER FLAT M6	
11	102268-002	HHCS M6 X 1 X 35 BLK	
12	120750	PSTN BELT CLAMP ASSM PR	Metric; Pair
13	900116	POSITION BELT ATTACHMENT KIT	Set of 2; Imperial (standard)
14	116268	OVAL CLAMP ASSM KIT	Kit contains 1 Clamp
15	159122	POSITIONING BELT CLAMPS PR	

<b>Pos.</b>	<b>Item Number</b>	<b>Description</b>	<b>Remarks</b>
16	123534	POS BELT CLAMP KIT RPO	Set of 2
18	750276	1 1/2" POSITION BELT	AUTOSTYLE-64" Max length of belt.
16,18	124269	AUTO POS BELT W/CLAMPS RPO	QRI: includes Belt & Attachment Kit
17,18	136463	AUTO HIP BELT 1.5" KIT	ZP Xcape: includes Belt & Attachment Kit

Measuring Guide

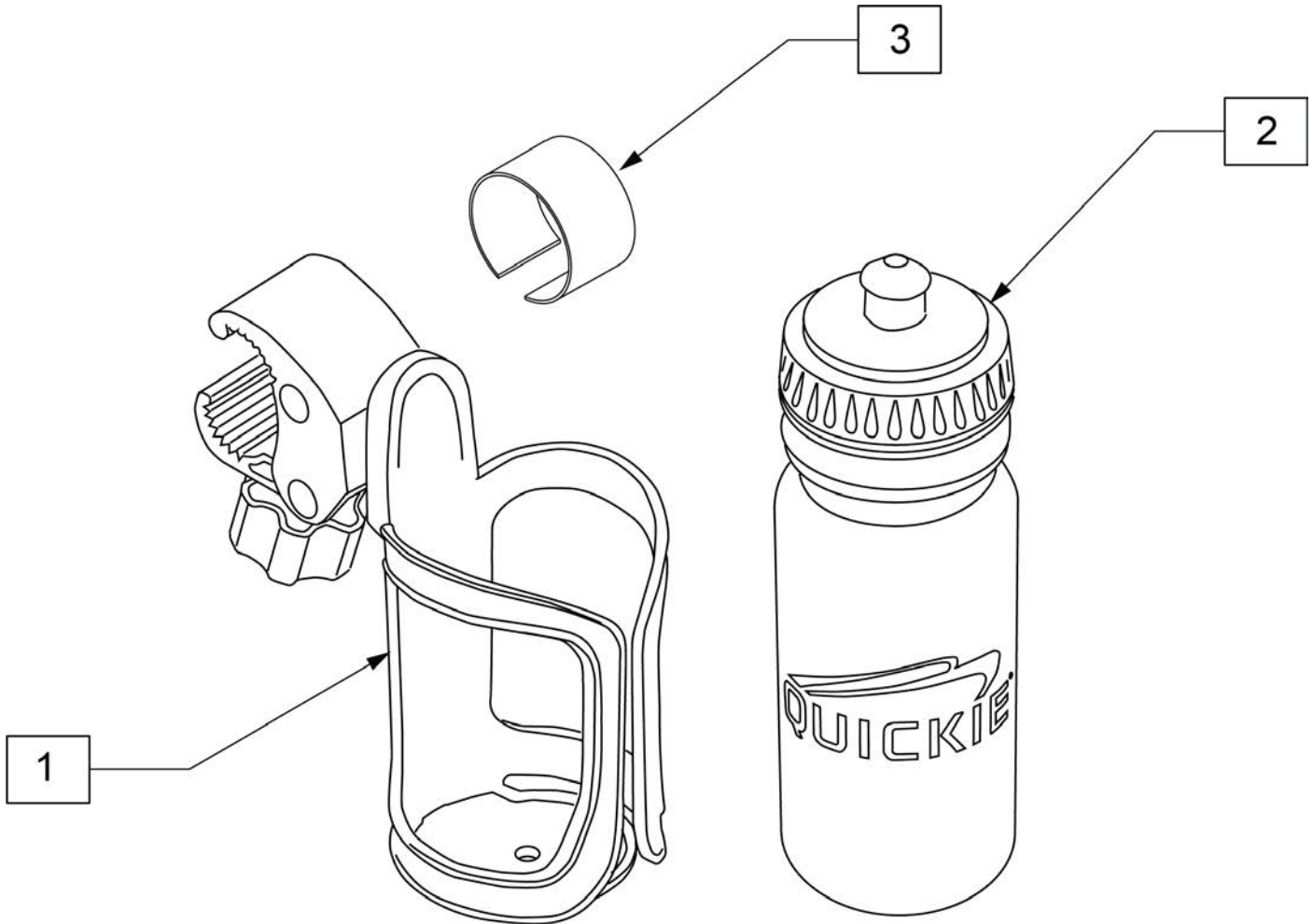


17 STUMP SUPP FASTENER KIT							
ITEM #	ILLUSTRATION	DESCRIPTION	QTY	ITEM #	ILLUSTRATION	DESCRIPTION	QTY
3		SHCS 1/4-20 X 3/4	4	13		WASHER WAVE 6 MM	2
4		1/4-20 X 3/4 BH C/S W/P TCH BLK	2	14		5/16-18 X 1-1/2 FH SH CS	2
7		BOLT 1/4-20 X 1/2\" SHCS BLK	2	15		5/16-18 NYLOCK NUT THIN	2
8		WASHER LOCK HI COLLAR 1/4	4	16		BHCS, M4X.7X8, FULL, NP	2

Pos.	Item Number	Description	Remarks
1,3,13	161563	PAD W/FASTENERS STD	Single Pad, 6X8
1,3,13	161564	PAD W/FASTENERS LRG	Single Pad, 8X10
1-9,13	161565	STUMP SUPP RETRO LRG PAD RH	Single Pad, 8X10
1-9,13	161566	STUMP SUPP RETRO LRG PAD LH	Single Pad, 8X10
1-9,13	161567	STUMP SUPP RETRO STD PAD RH	6X8
1-9,13	161568	STUMP SUPP RETRO STD PAD LH	6X8
2-9,13	162051	STUMP SUPPORT W/O PAD RH	No Pad
2-9,13	162052	STUMP SUPPORT W/O PAD LH	No Pad
10-13	119514	LATCH RECEIVER KIT	for 1 side
17	161569	STUMP SUPP FASTENER KIT	for 1 side

Note: Water Bottle Cage clamp fits 3/4" to 1 1/2" round tubing, 7R/Q7 and Xenon oval tubing as well as Double "D" tubing; Max bottle diameter is 3 3/4".

Note: Use rubbing alcohol to clean area of frame where adhesive rubber strip (item 3) is to be located prior to instalation to insure best adhesion.



Pos.	Item Number	Description	Remarks
1	252135	WATER BOTTLE CAGE W/ CLAMP	Black
2	252136	QUICKIE WATER BOTTLE	Black
3	123526	ADHESIVE RUBBER PAD	
1-3	163680	WATER BOTTLE W/ CAGE AND CLAMP	

