



AiICourt

PARTS MANUAL

OCTOBER 2020

COVER.....	1
Product.....	1
NEW-QUICKIE ALLCOURT/Ti ALLCOURT.....	3
GLOSSARY OF ABBREVIATIONS.....	3
BASE FRAME.....	3
FRAMES.....	3
ALLCOURT BASE FRAME.....	4
ALL COURT ALUMINUM SEAT FRAME.....	6
ALL COURT Ti SEAT FRAME.....	9
ALL COURT BASKETBALL WINGS.....	12
FIFTH WHEEL SUPPORT ASSEMBLY.....	14
DUAL ANTI TIP FIFTH WHEEL SUPPORT.....	16
AXLES.....	17
AXLE SLEEVES.....	18
QUICK RELEASE AXLES.....	19
FRONT CASTERS AND FORKS.....	19
FRONT FORK ASSEMBLY.....	20
CASTERS.....	21
ANTI-TIPS.....	21
ALL COURT/MATCHPOINT INTEGRAL ANTI-TIP FORK.....	22
ALL COURT QUICK RELEASE ANTI-TIP.....	23
WHEELS & TIRES.....	23
WHEELS.....	23
CROSS SPOKE.....	24
QUICKIE PERFORMANCE TENNIS.....	25
QUICKIE PERFORMANCE BASKETBALL.....	26
QUICKIE PERFORMANCE HEAT TREATED TENNIS.....	27
QUICKIE PERFORMANCE HEAT TREATED BASKETBALL.....	28
SPINERGY LX (12 SPOKE).....	29
SPINERGY SPORT LT EX (18 SPOKE).....	31
SPINERGY SPORT (24 SPOKE).....	33
SPINERGY SPOX (18 SPOKE).....	35
TIRES.....	36
HIGH PRESSURE CLINCHER TIRE.....	37
QP TUBULAR TIRE.....	38
TURBO TIRE.....	39
TUBES.....	39
TUBES AND AIRLESS INSERTS.....	40
SEATING AND POSITIONING.....	40
SEAT.....	40
SEAT AND SEAT SLING.....	41
SEAT PAN.....	43
BACKS.....	43
ALUMINUM BACK.....	44
FOLDING ALUMINUM BACK LOCK.....	46
Ti BACK.....	48
FOLDING Ti BACK LOCK.....	52
SPORT ADJUSTABLE BACKREST UPHOLSTERY.....	56
STD BACK UPH USED W/ OMIT HANDLES.....	58
FOOT PLATES.....	59
PLATFORM FOOTREST.....	60
HIGH MOUNT PLATFORM FOOTREST.....	61
ACCESSORIES.....	61
BACKPACKS & SEAT POUCHES.....	61
BACKPACKS AND SEAT POUCHES.....	62
POSITIONING BELTS.....	62
STANDARD POSITIONING BELTS.....	63
RATCHET POSITIONING BELT.....	64
SIDE GUARD.....	64
PLASTIC SIDE GUARD.....	65
ALUMINUM SIDE GUARD FOR FIXED BACK.....	66
ALUMINUM SIDE GUARD FOR FOLDING BACK.....	67
SPOKE GUARDS.....	67
SPOKE GUARDS.....	68
CHEST STRAP.....	70
IMPACT GUARD NEOPRENE & GEL VELCRO PADS.....	71
LEG STRAPS.....	72
TIRE PUMP.....	73
TOE CLIPS.....	74
WATER BOTTLE AND CAGE.....	75

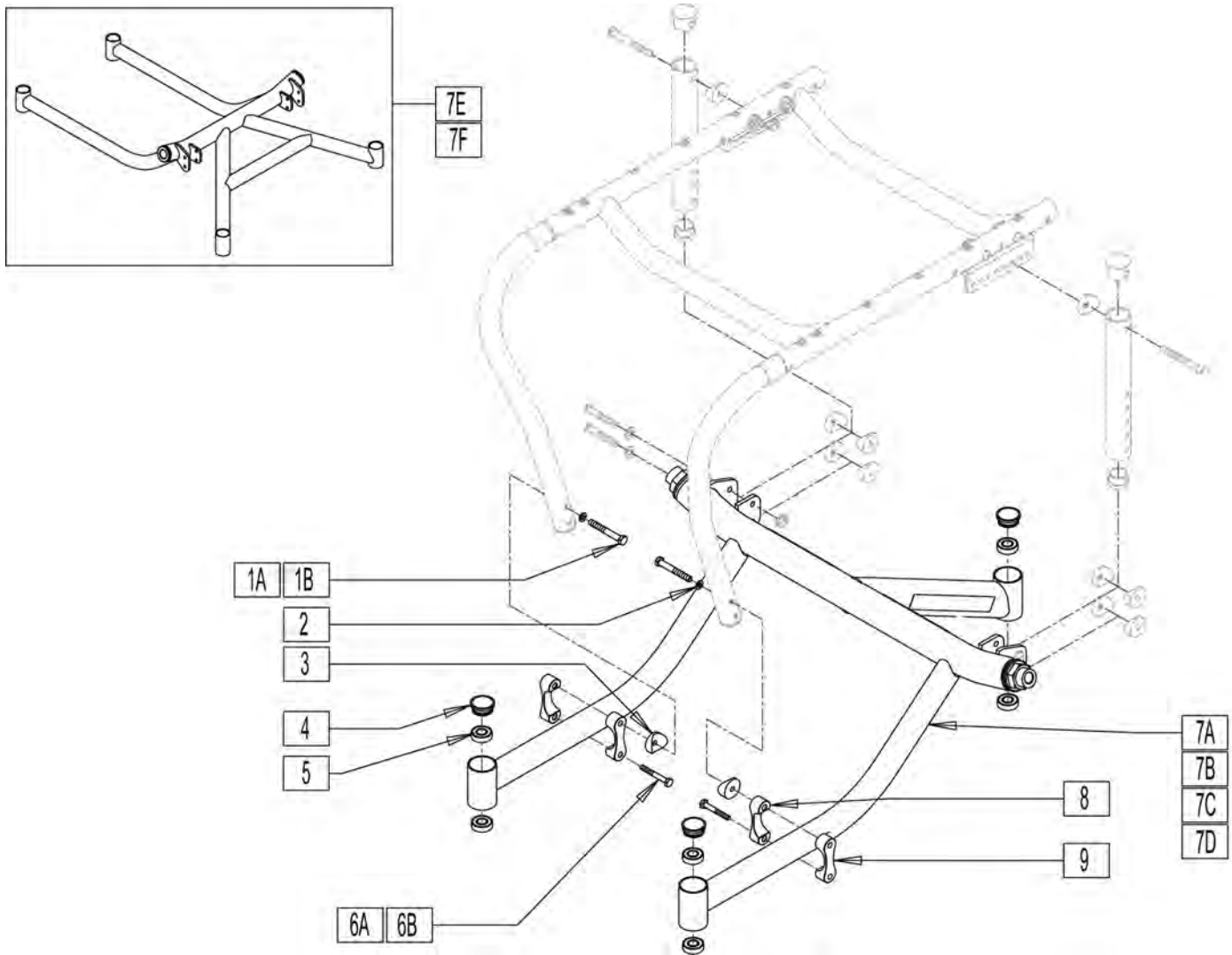
GLOSSARY OF ABBREVIATIONS

[12/10/2019]

Note: see Informations Panel for file.

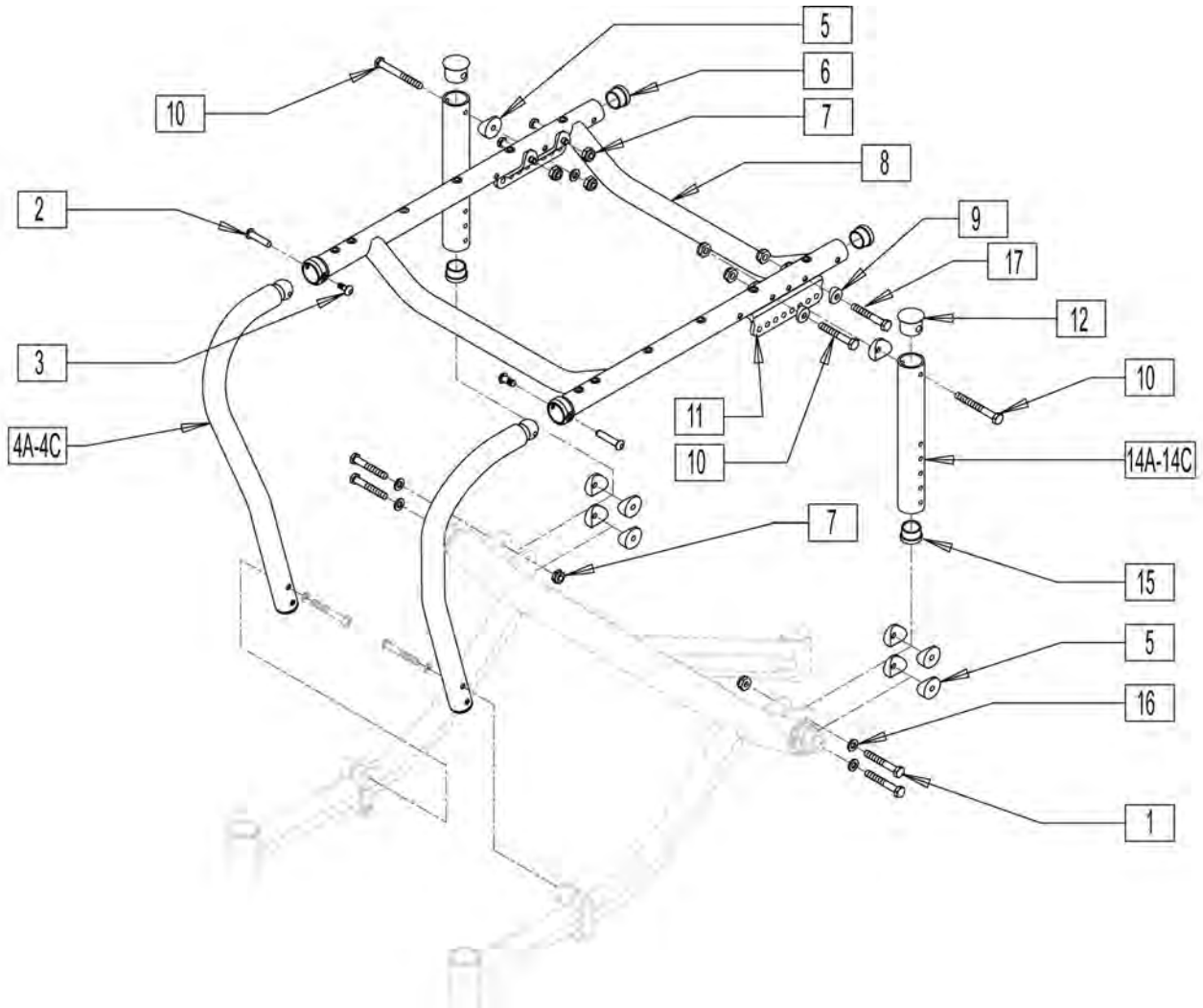
1AD One Arm Drive	CZ Cozy	INH Inhibit	PCB Pediatric Center of Gravity (AKA: Zippie Iris)	S/A Swing Away
3DCR 3DX Microclimatic cover for Cryo style inserts	DAB Depth-adjustable Back	INORG Inorganic coating	PCM Power Center Mount	S/F Side Frame
AAA Adult Angle Adjustable	DB Dynamic Back	INSRT Insert	PED Pediatric	SCW Screw
AACM Angle Adjustable Center Mount	DBL Double	I/O Swing In Out	PEL Pelvic	SDLE Saddle
ABD Abductor	DC Deep Contour	IRIS Intelligent Rotation in Space	PH Push Handle	SG Side Guard
AC All Court	DL Desk Length	ISM Intelligent Seating Module	PHIL Phillips	SGTG Super Grip Thumb Guard
AD Arm Drive	DP Dual Post Armrest	JA Jay Active	P/L Pin Lock	SHCS Socket Head Cap Screw
ADJ Adjustable	D-Post Dual Post Armrest	JNR Junior	PL Plated	SHLDR Shoulder
ADPT Adapter	D-PST Dual Post Armrest	KAA Kids Angle Adjustable	PLL Pull	SHT Short
AE Air Exchange	DRV Drive	KDS Kids	PLT Plate	SLD Solid
AHAB ASAP II	DTT Diagnostic Test Tool	KT Kit (usually consists of all mounting hardware for one side)	PLST Plastic	SLNG Sling
ANG Angle	DY Dynamic Back	KVLR Kevlar	PLY Plywood	SLTD Slotted
ALR Articulating Legrest	EA Each	KZ Quickie Kidz/Zippie Kidz	PNEU Pneumatic	SLV Sleeve
ALUM Aluminum	ELR Elevating Legrest	L Left	PNK Pink	SM Small
AMH Adjustable Mounting Hardware	EXT Extension	LAT Lateral	PNT Paint	SNGL Single
ANO Anodized	EXTND Extended	LCK Lock	PNTD Painted	SOC Socket
ASAP Adjustable Seating and Positioning	F Folding Frame	LFH Left Front Horizontal	POLY Polyurethane	SPCR Spacer
ASL Adaptive Switch Laboratories	FHCS Flat Head Cap Screw	LFT Left	POST Posterior	SPEC CLR Specify Color
ASM Assembly (includes other parts)	FL Full Length	LFV Left Front Vertical	PR Pressure Relieving	SFHA Single Post Height Adjustable
ASSM Assembly	FLD Folding	LH Left Hand	PR Power Recline	SPK Spoke
ASSMLY Assembly	FL FT Flip-up Footrest	LH Left Horizontal	PR Pair	SPR Super Grip Handrim
ASSY Assembly	FLP Flip	LK Lock	(PR) Pair	SQZ Squeeze
AT Anti-tip	FLRD Flared	LNG Long	PRCR Premium Leatherette cover for Cryo style inserts	SS Stainless Steel
ATT Attachment	FM Foam	LO Lift Off	PRE-ISC Pre-Ischial	ST Seat
BB Basketball	FM Front Mount	L/O Lift Off	PREM Premium Leatherette cover material	S/TAP Self Tapping
BC Breezy Chrome	FNDR Fender	L Loop	PROJ Projection	STCR Stretch Cover for Cryo Style inserts
BCK Back	FPH Folding Push Handle	LPS Loops	PRPL Purple	STD Standard
BCKBRD Backboard	FT Foot	LRG Large	PTL Partial	STL Style
BH Button Head	F/REST Footrest	LRH Left Rear Horizontal	PSH Push	STR Stretch cover material
BHCS Button Head Cap Screw	FRNT Front	LRV Left Rear Vertical	PT Point	STRLLR Stroller
BKL Buckle	FT PLT Footplate	LS Low Sheer	PTRN Pattern	STRT Straight
BKRST Backrest	FTRST Footrest	LT Long Tab	PWR Power	SUP Support
B-LOCK Back Lock	F/UP Flip-up	LT Natural Fit Lite Handrims	Q1 Quickie 1	SYS System
BLD Build Up	FWD Front Wheel Drive	LTRL Lateral	Q2 Quickie 2	T Tab
BLK Black	FXT Fixed	LUMB Lumbar	Q2HP Quickie 2 High Performance	TG Thumb Guard (std)
BLU Blue	G8 Grade 8 higher grade = stronger	LV Left Vertical	QC Quickie Carbon	THRD Threaded
BR Breezy	GP Quickie GP	LW Low	QR Quick Release	Ti Titanium
BRD Board	GPS Quickie GPS	LX Quickie LX	QRx Quickie RX	TL Tall
BRNG Bearing	GPV Quickie GPV	LXI Quickie LXi	QTI Quickie Titanium	TLC Tilt Lift Comb
BRKT Bracket	GNRC Generic	MACH Machine	QT/QTs Quickie Tilt & Space	TLT Tilt
BSHNG Bushing	H Hole	MECH Mechanism	QUAD Quadrant Pad	TNNS Tennis
BTTN Button	HB High Brake	MED Medium	R Right	TTS Tilt-in-Space
BTRY Battery	HD Head or Heavy Duty	mm Millimeter	RCLNR Recliner	UNIV Universal
BZ Breezy	H/D Heavy Duty	MNT Mount	REC Receiver	UNTHRD Unthreaded
CAA Composite Angle Adjustable	HDRST Headrest	MNTG Mounting	REG Regular	UPH Upholstery
CG Center of Gravity	HDWR Hardware	MOD Modify or Modification	REL Release	VERT Vertical
CGT Center of Gravity Tilt (AKA: IRIS)	HEX Hexagon	M/S Machine Screw	REV Reverse	W With
CHRGR Charger	HH Hemi-Height or Hex Head	MWD Mid Wheel Drive	RH Right Hand	W/ With
CJSM Color Joystick Module	HK Hook	Nat.Fit Natural Fit Handrim	RH Right Horizontal	WD Wide
CLMP Clamp	HL Heel Loops	NAUG Naugahyde	RFH Right Front Horizontal	W/F Water Fall
CLNCHR Clincher	HM High Mount	NF Non-folding	RFV Right Front Vertical	W/O Without
CLR Clear	HNDL Handle	NF Natural Fit Handrim	RNUT(S) Rivnut(s)	WHL Wheel
COMP Complete	HNGR Hanger	NFLT Natural Fit Lite Handrim	RoHS Restriction of Hazardous Substances	WLDMNT Weldment
CMPST Composite	HP High Pressure	NR Non-recessed	RR Rear	XS Cross Spoke
CRM Chrome	HR Handrim	OBLIQ Obliquity	RRH Right Rear Horizontal	YLW Yellow
C/S Cap Screw	HRDWR Hardware	OBLQ Oblique	RRV Right Rear Vertical	Z2 Zippie 2
C-S Countersunk	HRNSS Harness	O/S Outer/Outside Dimension	RT Right	ZN Zinc
CSTR Caster	HS High Speed	O/S Old Style	RV Right Vertical	ZP Zippie
CUSH Cushion	HT Height or Heat Treated	OUTBRD Outboard	RV Quickie Revolution	ZP2 Zippie 2
CV Conventional	ID Inner/Inside Dimension Diameter	P1 Quickie P100	RWD Rear Wheel Drive	
CVR Cover	IN In/Out (for swing in/out hangers)	P2 Quickie P200	SA Swing Away	
CVRS Covers	INBRD Inboard	P3 Quickie P300		
CYL Cylinder	INC Incontinent	P5 Quickie/Zippie P500		

Pos.	Item Number	Description	Remarks
		GLOSSARY OF ABBREVIATIONS	see attachment in Informations Panel



Pos.	Item Number	Description	Remarks
1A	221181	1/4-28 X 2 1/2 G8 HEX C/S	
1B	330105	1/4-28 X 2 1/2 HEX C/S TI	
2	106943	WASHER FLAT AN 1/4 ROHS	
3	561087	BACK REL SADDLE RIGID	
4	880903	CASTER CAP W/O-RING SPORT W/C	
5	349500	1 1/8 x 1/2 BEARING	
6A	221124-QU	1/4-28 X 1 1/4 G8 HEX C/S	
6B	204125	1/4-28 X 1.25 TITANIUM HEX CS	
8	503013	CLAMP OVAL TUBE THRU BOLT A/C	
9	503014	CLAMP OVAL TUBE THRD A/C	
5,7A	601100S	BASE FRM ASSM AC STD 16D 12W	
5,7A	601101S	BASE FRM ASSM AC STD 16D 13W	
5,7A	601102S	BASE FRM ASSM AC STD 16D 14W	
5,7A	601103S	BASE FRM ASSM AC STD 16D 15W	
5,7A	601104S	BASE FRM ASSM AC STD 16D 16W	
5,7A	601105S	BASE FRM ASSM AC STD 16D 17W	
5,7A	601106S	BASE FRM ASSM AC STD 16D 18W	
5,7A	601107S	BASE FRM ASSM AC STD 16D 19W	

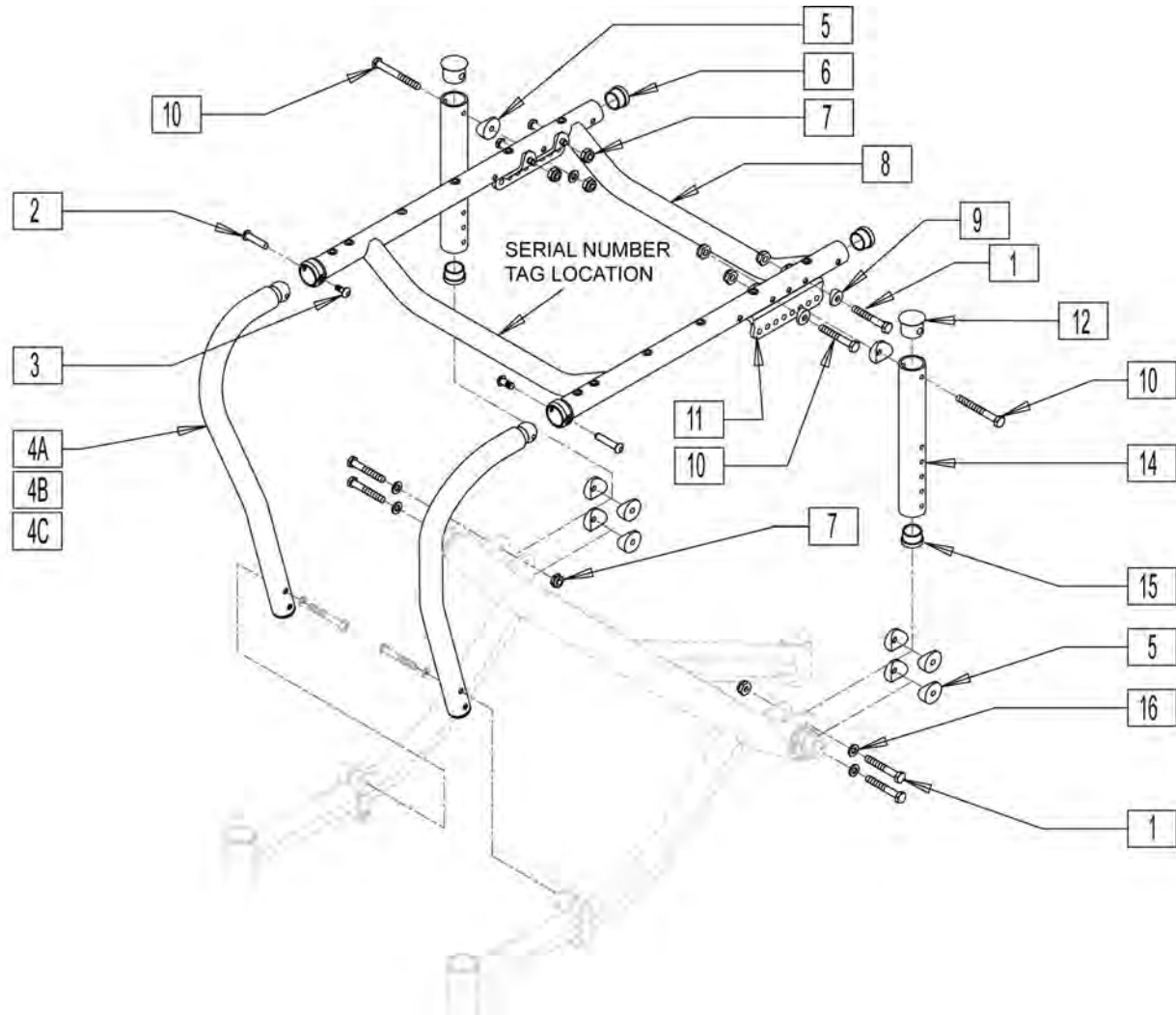
Pos.	Item Number	Description	Remarks
5,7A	601108S	BASE FRM ASSM AC STD 16D 20W	
5,7B	601180S	BASE FRM ASSM AC STD 20D 12W	
5,7B	601181S	BASE FRM ASSM AC STD 20D 13W	
5,7B	601182S	BASE FRM ASSM AC STD 20D 14W	
5,7B	601183S	BASE FRM ASSM AC STD 20D 15W	
5,7B	601184S	BASE FRM ASSM AC STD 20D 16W	
5,7B	601185S	BASE FRM ASSM AC STD 20D 17W	
5,7B	601186S	BASE FRM ASSM AC STD 20D 18W	
5,7B	601187S	BASE FRM ASSM AC STD 20D 19W	
5,7B	601188S	BASE FRM ASSM AC STD 20D 20W	
5,7C	601190S	BASE FRM ASSM AC 1AT 16D 12W	
5,7C	601191S	BASE FRM ASSM AC 1AT 16D 13W	
5,7C	601192S	BASE FRM ASSM AC 1AT 16D 14W	16D refers to 16 degree
5,7C	601193S	BASE FRM ASSM AC 1AT 16D 15W	16D refers to 16 degree
5,7C	601194S	BASE FRM ASSM AC 1AT 16D 16W	16D refers to 16 degree
5,7C	601195S	BASE FRM ASSM AC 1AT 16D 17W	16D refers to 16 degree
5,7C	601196S	BASE FRM ASSM AC 1AT 16D 18W	16D refers to 16 degree
5,7C	601197S	BASE FRM ASSM AC 1AT 16D 19W	16D refers to 16 degree
5,7D	601198S	BASE FRM ASSM AC 1AT 16D 20W	16D refers to 16 degree
5,7D	601200S	BASE FRM ASSM AC 1AT 20D 12W	20D refers to 20 degree
5,7D	601201S	BASE FRM ASSM AC 1AT 20D 13W	20D refers to 20 degree
5,7D	601202S	BASE FRM ASSM AC 1AT 20D 14W	20D refers to 20 degree
5,7D	601203S	BASE FRM ASSM AC 1AT 20D 15W	20D refers to 20 degree
5,7D	601204S	BASE FRM ASSM AC 1AT 20D 16W	20D refers to 20 degree
5,7D	601205S	BASE FRM ASSM AC 1AT 20D 17W	20D refers to 20 degree
5,7D	601206S	BASE FRM ASSM AC 1AT 20D 18W	20D refers to 20 degree
5,7D	601207S	BASE FRM ASSM AC 1AT 20D 19W	20D refers to 20 degree
5,7D	601208S	BASE FRM ASSM AC 1AT 20D 20W	20D refers to 20 degree
5,7E	601280S	BASE FRM ASSM AC 2AT 16D 12W	16D refers to 16 degree
5,7E	601281S	BASE FRM ASSM AC 2AT 16D 13W	16D refers to 16 degree
5,7E	601282S	BASE FRM ASSM AC 2AT 16D 14W	16D refers to 16 degree
5,7E	601283S	BASE FRM ASSM AC 2AT 16D 15W	16D refers to 16 degree
5,7E	601284S	BASE FRM ASSM AC 2AT 16D 16W	16D refers to 16 degree
5,7E	601285S	BASE FRM ASSM AC 2AT 16D 17W	16D refers to 16 degree
5,7E	601286S	BASE FRM ASSM AC 2AT 16D 18W	16D refers to 16 degree
5,7E	601287S	BASE FRM ASSM AC 2AT 16D 19W	16D refers to 16 degree
5,7E	601288S	BASE FRM ASSM AC 2AT 16D 20W	16D refers to 16 degree
5,7F	601290S	BASE FRM ASSM AC 2AT 20D 12W	20D refers to 20 degree
5,7F	601291S	BASE FRM ASSM AC 2AT 20D 13W	20D refers to 20 degree
5,7F	601292S	BASE FRM ASSM AC 2AT 20D 14W	20D refers to 20 degree
5,7F	601293S	BASE FRM ASSM AC 2AT 20D 15W	20D refers to 20 degree
5,7F	601294S	BASE FRM ASSM AC 2AT 20D 16W	20D refers to 20 degree
5,7F	601295S	BASE FRM ASSM AC 2AT 20D 17W	20D refers to 20 degree
5,7F	601296S	BASE FRM ASSM AC 2AT 20D 18W	20D refers to 20 degree
5,7F	601297S	BASE FRM ASSM AC 2AT 20D 19W	20D refers to 20 degree
5,7F	601298S	BASE FRM ASSM AC 2AT 20D 20W	20D refers to 20 degree



Pos.	Item Number	Description	Remarks
1	106964	1/4-28 X 2 BH C/S	
2	221205	BOLT HEX SEX 10-32 X 1.115	
3	226051	10-32 X 3/8" BH C/S	
5	561004	1" SADDLE 1/4" HOLE	
6	560286	PLUG SEAT FRAME REAR .083 WALL	
7	106934	1/4-28 NYLOCK NUT	
8	661520S	SEAT FRM ASSM AL 12 X 10	
8	661521S	SEAT FRM ASSM AL 12 X 11	
8	661522S	SEAT FRM ASSM AL 12 X 12	
8	661523S	SEAT FRM ASSM AL 12 X 13	
8	661524S	SEAT FRM ASSM AL 12 X 14	
8	661525S	SEAT FRM ASSM AL 12 X 15	
8	661526S	SEAT FRM ASSM AL 12 X 16	
8	661527S	SEAT FRM ASSM AL 13 X 11	
8	661528S	SEAT FRM ASSM AL 13 X 12	
8	661529S	SEAT FRM ASSM AL 13 X 13	
8	661530S	SEAT FRM ASSM AL 13 X 14	
8	661531S	SEAT FRM ASSM AL 13 X 15	
8	661532S	SEAT FRM ASSM AL 13 X 16	

Pos.	Item Number	Description	Remarks
8	661533S	SEAT FRM ASSM AL 13 X 17	
8	661534S	SEAT FRM ASSM AL 14 X 12	
8	661535S	SEAT FRM ASSM AL 14 X 13	
8	661536S	SEAT FRM ASSM AL 14 X 14	
8	661537S	SEAT FRM ASSM AL 14 X 15	
8	661538S	SEAT FRM ASSM AL 14 X 16	
8	661539S	SEAT FRM ASSM AL 14 X 17	
8	661540S	SEAT FRM ASSM AL 15 X 13	
8	661541S	SEAT FRM ASSM AL 15 X 14	
8	661542S	SEAT FRM ASSM AL 15 X 15	
8	661543S	SEAT FRM ASSM AL 15 X 16	
8	661544S	SEAT FRM ASSM AL 15 X 17	
8	661545S	SEAT FRM ASSM AL 15 X 18	
8	661546S	SEAT FRM ASSM AL 16 X 13	
8	661547S	SEAT FRM ASSM AL 16 X 14	
8	661548S	SEAT FRM ASSM AL 16 X 15	
8	661549S	SEAT FRM ASSM AL 16 X 16	
8	661550S	SEAT FRM ASSM AL 16 X 17	
8	661551S	SEAT FRM ASSM AL 16 X 18	
8	661552S	SEAT FRM ASSM AL 17 X 14	
8	661553S	SEAT FRM ASSM AL 17 X 15	
8	661554S	SEAT FRM ASSM AL 17 X 16	
8	661555S	SEAT FRM ASSM AL 17 X 17	
8	661556S	SEAT FRM ASSM AL 17 X 18	
8	661557S	SEAT FRM ASSM AL 17 X 19	
8	661558S	SEAT FRM ASSM AL 17 X 20	
8	661559S	SEAT FRM ASSM AL 18 X 14	
8	661560S	SEAT FRM ASSM AL 18 X 15	
8	661561S	SEAT FRM ASSM AL 18 X 16	
8	661562S	SEAT FRM ASSM AL 18 X 17	
8	661563S	SEAT FRM ASSM AL 18 X 18	
8	661564S	SEAT FRM ASSM AL 18 X 19	
8	661565S	SEAT FRM ASSM AL 18 X 20	
8	661566S	SEAT FRM ASSM AL 19 X 14	
8	661567S	SEAT FRM ASSM AL 19 X 15	
8	661568S	SEAT FRM ASSM AL 19 X 16	
8	661569S	SEAT FRM ASSM AL 19 X 17	
8	661570S	SEAT FRM ASSM AL 19 X 18	
8	661571S	SEAT FRM ASSM AL 19 X 19	
8	661572S	SEAT FRM ASSM AL 19 X 20	
8	661573S	SEAT FRM ASSM AL 20 X 14	
8	661574S	SEAT FRM ASSM AL 20 X 15	
8	661575S	SEAT FRM ASSM AL 20 X 16	
8	661576S	SEAT FRM ASSM AL 20 X 17	
8	661577S	SEAT FRM ASSM AL 20 X 18	
8	661578S	SEAT FRM ASSM AL 20 X 19	
8	661579S	SEAT FRM ASSM AL 20 X 20	
9	482000	SADDLE SMALL 1.00 TUBE.25 HOLE	
10	226140	1/4-28 X 1 3/4 BH C/S	
11	551410S	INTERFACE SEATFRAME A/C	
12	560998	1" INSRT DOME PLUG .083 W/HOLE	
14A	527455S	REAR FRAME ADJ TUBE 3D STD	
14C	520242S	ALUM REAR UPRIGHT TALL	
14B	520241S	ALUM REAR UPRIGHT 700C	
15	561002	1" INSERT PLUG	
16	106943	1/4 AN WASHER FLAT	

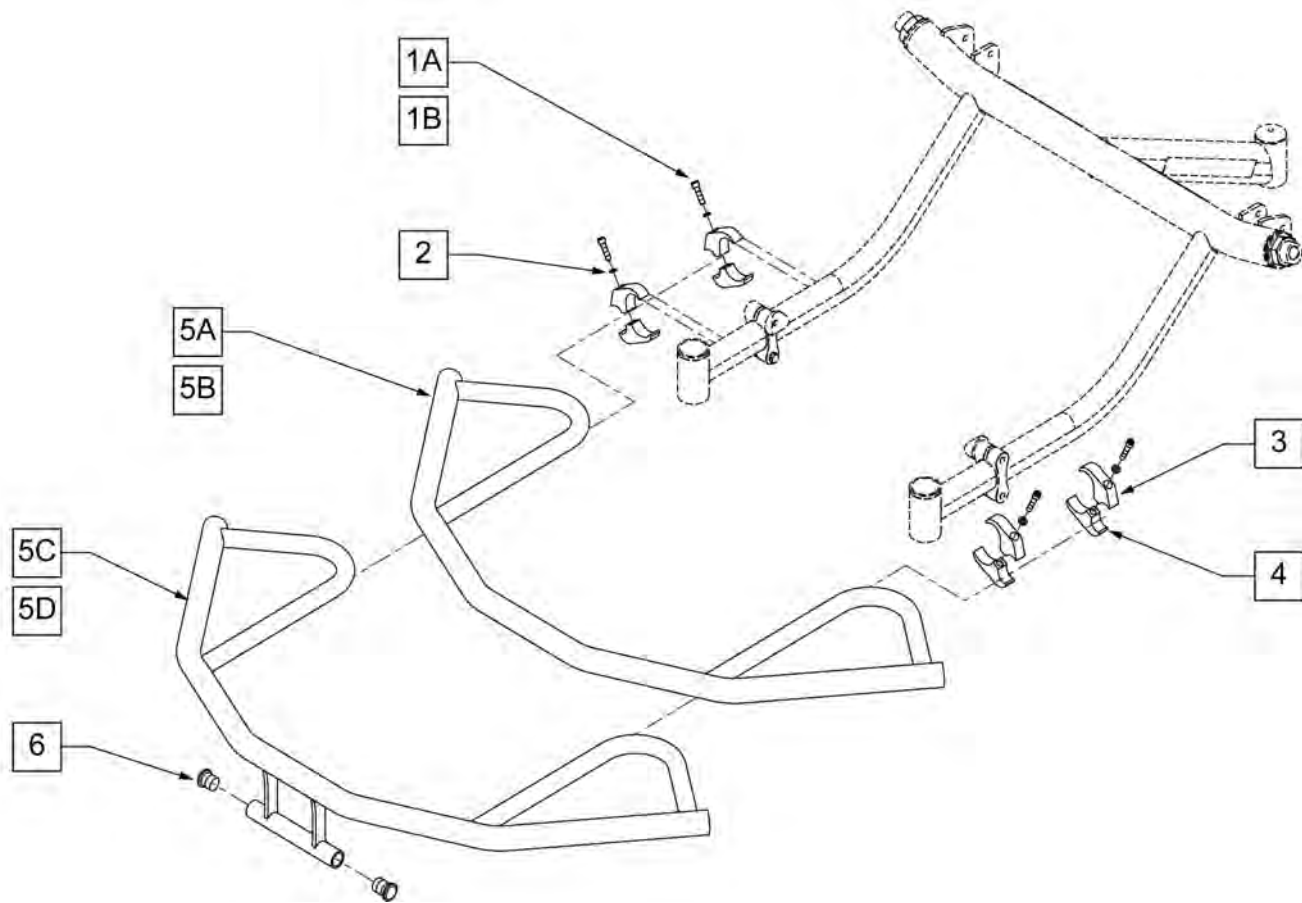
Pos.	Item Number	Description	Remarks
17	226147	1/4-28x1.85 BH C/S BLK	
2,3,4A	604415S	FRNT UPR 16-17H AL R 15-20W	2" OFFSET
2,3,4A	604416S	FRNT UPR 16-17H AL L 15-20W	2" OFFSET
2,3,4A	604417S	FRNT UPR 18-19H AL R 15-20W	2" OFFSET
2,3,4A	604418S	FRNT UPR 18-19H AL L 15-20W	2" OFFSET
2,3,4A	604419S	FRNT UPR 20-21H AL R 15-20W	2" OFFSET
2,3,4A	604420S	FRNT UPR 20-21H AL L 15-20W	2" OFFSET
2,3,4B	604427S	FRNT UPR 16-17H AL R 14W	1.5" OFFSET
2,3,4B	604428S	FRNT UPR 16-17H AL L 14W	1.5" OFFSET
2,3,4B	604429S	FRNT UPR 18-19H AL R 14W	1.5" OFFSET
2,3,4B	604430S	FRNT UPR 18-19H AL L 14W	1.5" OFFSET
2,3,4B	604431S	FRNT UPR 20-21H AL R 14W	1.5" OFFSET
2,3,4B	604432S	FRNT UPR 20-21H AL L 14W	1.5" OFFSET
2,3,4C	604439S	FRNT UPR 16-17H AL R 12-13W	1" OFFSET
2,3,4C	604440S	FRNT UPR 16-17H AL L 12-13W	1" OFFSET
2,3,4C	604441S	FRNT UPR 18-19H AL R 12-13W	1" OFFSET
2,3,4C	604442S	FRNT UPR 18-19H AL L 12-13W	1" OFFSET
2,3,4C	604443S	FRNT UPR 20-21H AL R 12-13W	1" OFFSET
2,3,4C	604444S	FRNT UPR 20-21H AL L 12-13W	1" OFFSET



Pos.	Item Number	Description	Remarks
1	330100	1/4-28 X 2 HEX C/S TI	
2	221205	BOLT HEX SEX 10-32 X 1.115	
3	226051	10-32 X 3/8" BH C/S	
5	561004	1" SADDLE 1/4" HOLE	
6	560269	PLUG SEAT FRAME REAR .036 WALL	
7	330000-QU	1/4-28 NYLOCK NUT ALUM	
8	661460S	SEAT FRM ASSM TI 12 X 10	
8	661461S	SEAT FRM ASSM TI 12 X 11	
8	661462S	SEAT FRM ASSM TI 12 X 12	
8	661463S	SEAT FRM ASSM TI 12 X 13	
8	661464S	SEAT FRM ASSM TI 12 X 14	
8	661465S	SEAT FRM ASSM TI 12 X 15	
8	661466S	SEAT FRM ASSM TI 12 X 16	
8	661467S	SEAT FRM ASSM TI 13 X 11	
8	661468S	SEAT FRM ASSM TI 13 X 12	
8	661469S	SEAT FRM ASSM TI 13 X 13	
8	661470S	SEAT FRM ASSM TI 13 X 14	
8	661471S	SEAT FRM ASSM TI 13 X 15	
8	661472S	SEAT FRM ASSM TI 13 X 16	

Pos.	Item Number	Description	Remarks
8	661473S	SEAT FRM ASSM TI 13 X 17	
8	661474S	SEAT FRM ASSM TI 14 X 12	
8	661475S	SEAT FRM ASSM TI 14 X 13	
8	661476S	SEAT FRM ASSM TI 14 X 14	
8	661477S	SEAT FRM ASSM TI 14 X 15	
8	661478S	SEAT FRM ASSM TI 14 X 16	
8	661479S	SEAT FRM ASSM TI 14 X 17	
8	661480S	SEAT FRM ASSM TI 15 X 13	
8	661481S	SEAT FRM ASSM TI 15 X 14	
8	661482S	SEAT FRM ASSM TI 15 X 15	
8	661483S	SEAT FRM ASSM TI 15 X 16	
8	661484S	SEAT FRM ASSM TI 15 X 17	
8	661485S	SEAT FRM ASSM TI 15 X 18	
8	661486S	SEAT FRM ASSM TI 16 X 13	
8	661487S	SEAT FRM ASSM TI 16 X 14	
8	661488S	SEAT FRM ASSM TI 16 X 15	
8	661489S	SEAT FRM ASSM TI 16 X 16	
8	661490S	SEAT FRM ASSM TI 16 X 17	
8	661491S	SEAT FRM ASSM TI 16 X 18	
8	661492S	SEAT FRM ASSM TI 17 X 14	
8	661493S	SEAT FRM ASSM TI 17 X 15	
8	661494S	SEAT FRM ASSM TI 17 X 16	
8	661495S	SEAT FRM ASSM TI 17 X 17	
8	661496S	SEAT FRM ASSM TI 17 X 18	
8	661497S	SEAT FRM ASSM TI 17 X 19	
8	661498S	SEAT FRM ASSM TI 17 X 20	
8	661499S	SEAT FRM ASSM TI 18 X 14	
8	661500S	SEAT FRM ASSM TI 18 X 15	
8	661501S	SEAT FRM ASSM TI 18 X 16	
8	661502S	SEAT FRM ASSM TI 18 X 17	
8	661503S	SEAT FRM ASSM TI 18 X 18	
8	661504S	SEAT FRM ASSM TI 18 X 19	
8	661505S	SEAT FRM ASSM TI 18 X 20	
8	661506S	SEAT FRM ASSM TI 19 X 14	
8	661507S	SEAT FRM ASSM TI 19 X 15	
8	661508S	SEAT FRM ASSM TI 19 X 16	
8	661509S	SEAT FRM ASSM TI 19 X 17	
8	661510S	SEAT FRM ASSM TI 19 X 18	
8	661511S	SEAT FRM ASSM TI 19 X 19	
8	661512S	SEAT FRM ASSM TI 19 X 20	
8	661513S	SEAT FRM ASSM TI 20 X 14	
8	661514S	SEAT FRM ASSM TI 20 X 15	
8	661515S	SEAT FRM ASSM TI 20 X 16	
8	661516S	SEAT FRM ASSM TI 20 X 17	
8	661517S	SEAT FRM ASSM TI 20 X 18	
8	661518S	SEAT FRM ASSM TI 20 X 19	
8	661519S	SEAT FRM ASSM TI 20 X 20	
9	482000	SADDLE SMALL 1.00 TUBE.25 HOLE	
10	330099	1/4-28 X 1 3/4 HEX C/S TI	
11	551410S	INTERFACE SEATFRAME A/C	
12	561160	1" INSRT DOME PLUG .051 W/HOLE	
14	510026S	TI REAR UPRIGHT SHORT	
14	510027S	TI REAR UPRIGHT 700C	
14	510028S	TI REAR UPRIGHT TALL	
15	561062	1" INSERT PLUG .065 RIBS	
16	106943	WASHER FLAT AN 1/4 ROHS	

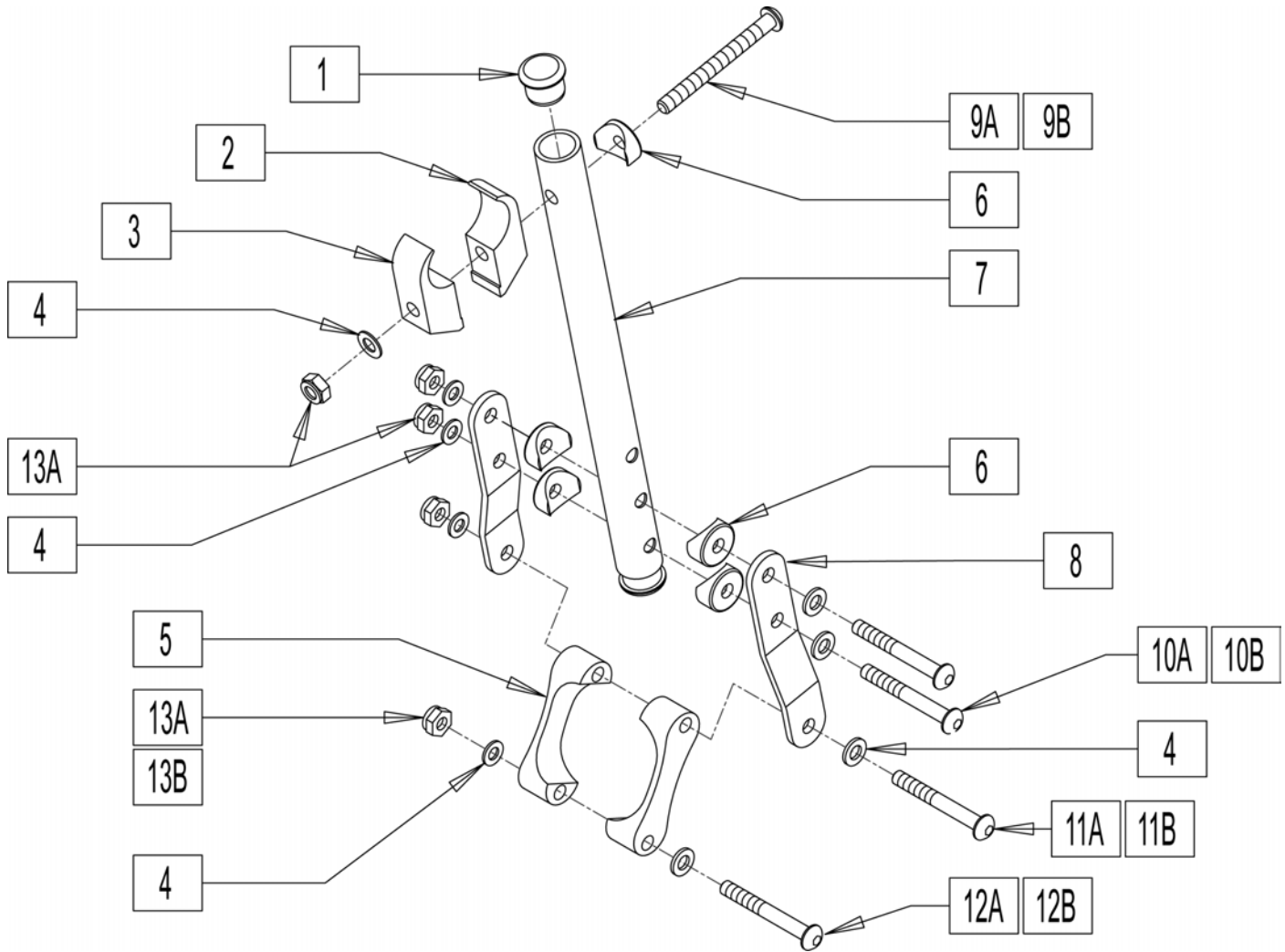
Pos.	Item Number	Description	Remarks
2,3,4A	604409S	FRNT UPR 16-17H TI R 15-20W	2" OFFSET
2,3,4A	604410S	FRNT UPR 16-17H TI L 15-20W	2" OFFSET
2,3,4A	604411S	FRNT UPR 18-19H TI R 15-20W	2" OFFSET
2,3,4A	604412S	FRNT UPR 18-19H TI L 15-20W	2" OFFSET
2,3,4A	604413S	FRNT UPR 20-21H TI R 15-20W	2" OFFSET
2,3,4A	604414S	FRNT UPR 20-21H TI L 15-20W	2" OFFSET
2,3,4B	604421S	FRNT UPR 16-17H TI R 14W	1.5" OFFSET
2,3,4B	604422S	FRNT UPR 16-17H TI L 14W	1.5" OFFSET
2,3,4B	604423S	FRNT UPR 18-19H TI R 14W	1.5" OFFSET
2,3,4B	604424S	FRNT UPR 18-19H TI L 14W	1.5" OFFSET
2,3,4B	604425S	FRNT UPR 20-21H TI R 14W	1.5" OFFSET
2,3,4B	604426S	FRNT UPR 20-21H TI L 14W	1.5" OFFSET
2,3,4C	604433S	FRNT UPR 16-17H TI R 12-13W	1" OFFSET
2,3,4C	604434S	FRNT UPR 16-17H TI L 12-13W	1" OFFSET
2,3,4C	604435S	FRNT UPR 18-19H TI R 12-13W	1" OFFSET
2,3,4C	604436S	FRNT UPR 18-19H TI L 12-13W	1" OFFSET
2,3,4C	604437S	FRNT UPR 20-21H TI R 12-13W	1" OFFSET
2,3,4C	604438S	FRNT UPR 20-21H TI L 12-13W	1" OFFSET



Pos.	Item Number	Description	Remarks
1A	107032	1/4-28 X 1 SOC C/S BLK	
1B	204126	1/4-28 X 1 TITANIUM SOC CS	
2	262114	1/4 WASHER HI COLLAR LOCK ZN	
5A	522682S	BMPR WLDMNT A/C 12W 15-17L	
5A	522683S	BMPR WLDMNT A/C 13W 15-17L	
5A	522684S	BMPR WLDMNT A/C 14W 15-17L	
5A	522685S	BMPR WLDMNT A/C 15W 15-17L	
5A	522686S	BMPR WLDMNT A/C 16W 15-17L	
5A	522687S	BMPR WLDMNT A/C 17W 15-17L	
5A	522688S	BMPR WLDMNT A/C 18W 15-17L	
5A	522689S	BMPR WLDMNT A/C 19W 15-17L	
5A	522690S	BMPR WLDMNT A/C 20W 15-17L	
5A	526682S	BMPR WLDMNT A/C 12W 19-21L	
5B	526683S	BMPR WLDMNT A/C 13W 19-21L	
5B	526684S	BMPR WLDMNT A/C 14W 19-21L	
5B	526685S	BMPR WLDMNT A/C 15W 19-21L	
5B	526687S	BMPR WLDMNT A/C 17W 19-21L	
5B	526688S	BMPR WLDMNT A/C 18W 19-21L	
5B	526689S	BMPR WLDMNT A/C 19W 19-21L	
5B	526690S	BMPR WLDMNT A/C 20W 19-21L	
5C	522692S	BMPR WLDMNT 12W 15-17L STD UP	
5C	522693S	BMPR WLDMNT 13W 15-17L STD UP	
5C	522694S	BMPR WLDMNT 14W 15-17L STD UP	

Pos.	Item Number	Description	Remarks
5C	522696S	BMPR WLDMNT 16W 15-17L STD UP	
5C	522697S	BMPR WLDMNT 17W 15-17L STD UP	
5C	522698S	BMPR WLDMNT 18W 15-17L STD UP	
5C	522699S	BMPR WLDMNT 19W 15-17L STD UP	
5C	522700S	BMPR WLDMNT 20W 15-17L STD UP	
5D	526692S	BMPR WLDMNT 12W 19-21L STD UP	
5D	526693S	BMPR WLDMNT 13W 19-21L STD UP	
5D	526694S	BMPR WLDMNT 14W 19-21L STD UP	
5D	526695S	BMPR WLDMNT 15W 19-21L STD UP	
5D	526696S	BMPR WLDMNT 16W 19-21L STD UP	
5D	526697S	BMPR WLDMNT 17W 19-21L STD UP	
5D	526698S	BMPR WLDMNT 18W 19-21L STD UP	
5D	526699S	BMPR WLDMNT 18W 19-21L STD UP	
5D	526700S	BMPR WLDMNT 20W 19-21L STD UP	
6	561000-QU	3/4" INSERT PLUG .083	
1A-4	900827	BUMPER MOUNTING HDWR KIT ALUM	Ea- 1 complete clamp
1B-4	900828	BUMPER MOUNTING HDWR KIT TI	Ea- 1 complete clamp

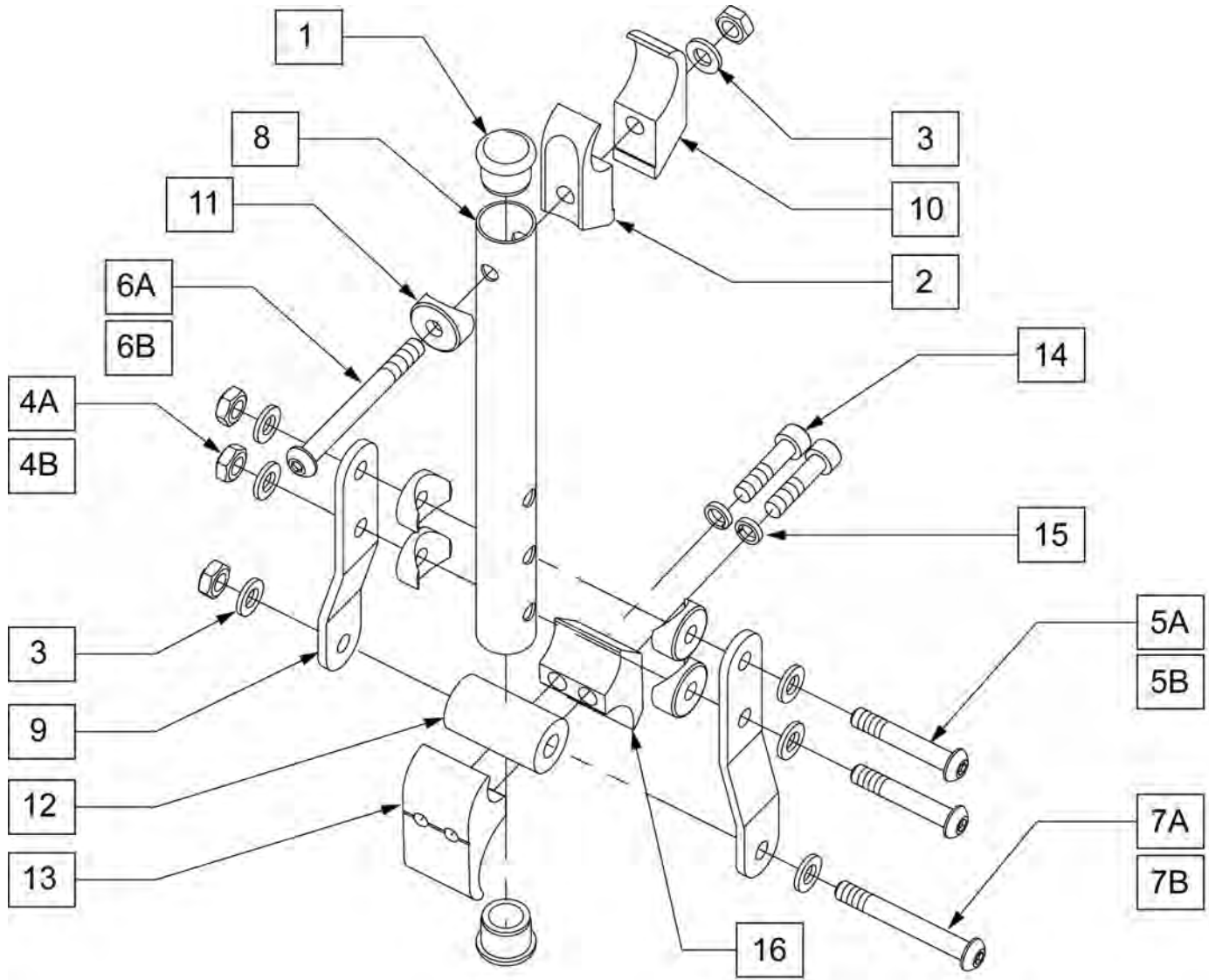
FIFTH WHEEL SUPPORT ASSEMBLY



Pos.	Item Number	Description	Remarks
1	560761	3/4" INSERT PLUG .049 (18GA)	
2	550457	ANTI TIP SUPPORT TOP MOUNT	
3	550251	CLMP P300 CHRNGG/ADJ FL KDS	
4	106943	1/4 AN WASHER FLAT	
5	540309	ANTI TIP CLAMP 1.7X1.17X.083	
6	561003	3/4" SADDLE THIN	
8	500416	STRAP SUPPORT REAR	
9A	221181	1/4-28 X 2 1/2 G8 HEX C/S	Steel Hardware
9B	330105	1/4-28 X 2 1/2 HEX C/S TI	Titanium Hardware
10A	226130	1/4-28 X 1 1/2 BH C/S	Steel Hardware
10B	330099	1/4-28 X 1 3/4 HEX C/S TI	Titanium Hardware
11A	226147	1/4-28 X 1.85 BH C/S	Steel Hardware
11B	330100	1/4-28 X 2 HEX C/S TI	Titanium Hardware
12A	226140	1/4-28 X 1 3/4 BH C/S	Steel Hardware
12B	330099	1/4-28 X 1 3/4 HEX C/S TI	Titanium Hardware
13A	106935	NUT NYLOCK THIN 1/4-28 ROHS	Steel Hardware
13B	330000-QU	1/4-28 NYLOCK NUT ALUM	Alum Hdwr: used w/ Titanium Bolts
1-8,9A,10A,11A,12A,13A	900824S	SEAT SUPPORT REAR AC SHT ALUM	Short=16"&17" rear seat height-Steel Hdwr
1-8,9A,10A,11A,12A,13A	900825S	SEAT SUPPORT REAR AC MED ALUM	Med=18"&19" rear seat height-Steel Hdwr

Pos.	Item Number	Description	Remarks
1-8,9A,10A,11A,12A,13A	900826S	SEAT SUPPORT REAR AC TLL ALUM	Tall=20"&21" rear seat height-Steel Hdwr
1-8,9B,10B,11B,12B,13B	900842S	SEAT SUPPORT REAR AC SHT TI	Short=16"&17" rear seat height-Ti Hdwr
1-8,9B,10B,11B,12B,13B	900843S	SEAT SUPPORT REAR AC MED TI	Med=18"&19" rear seat height-Ti Hdwr
1-8,9B,10B,11B,12B,13B	900844S	SEAT SUPPORT REAR AC TLL TI	Tall=20"&21" rear seat height-Ti Hdwr

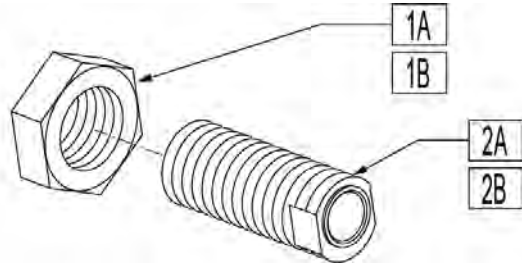
DUAL ANTI TIP FIFTH WHEEL SUPPORT



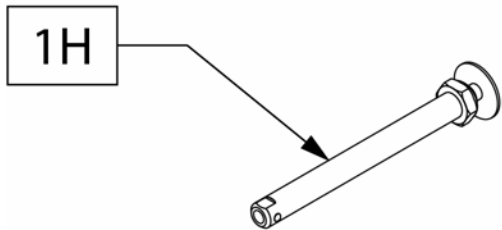
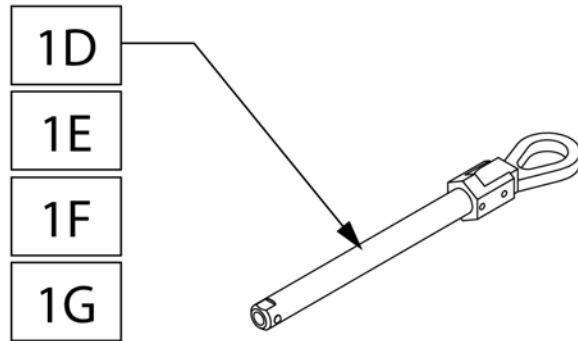
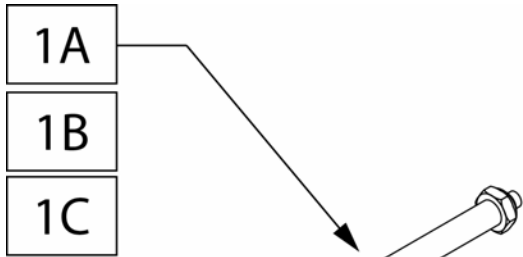
Pos.	Item Number	Description	Remarks
1	560761	3/4" INSERT PLUG .049 (18GA)	
2	550457	ANTI TIP SUPPORT TOP MOUNT	
3	106943	WASHER FLAT AN 1/4 ROHS	
4A	106935	1/4-28 NYLOCK NUT THIN	
4B	330000-QU	1/4-28 NYLOCK NUT ALUM	Alum Hdwr: used w/ Titanium Bolts
5A	227140	1/4-28 X 1 3/4 BH C/S BLK ZN	
5B	330099	1/4-28 X 1 3/4 HEX C/S TI	
6A	221061	1/4-28 x 2 1/2 BH C/S	
6B	330105	1/4-28 X 2 1/2 HEX C/S TI	
7A	226148	1/4-28 X 1.85 BH C/S	
7B	330100	1/4-28 X 2 HEX C/S TI	
8	100873	TUBE SPPRT SEAT REAR X-SHT TI	13-15 STF Ht = 3 7/8
8	522746	TUBE SUPPORT SEAT REAR SHRT TI	16-17 STF Ht = 5 3/8
8	522747	TUBE SUPPORT SEAT REAR TALL TI	18-19 STF Ht = 7 3/8
8	522753	TUBE SUPPORT SEAT REAR MED TI	20-21 STF Ht = 9 3/8
9	500416	STRAP SUPPORT REAR	

Pos.	Item Number	Description	Remarks
10	550251	CLMP P300 CHRNG/ADJ FL KDS	
11	561003	3/4" SADDLE THIN	
12	100862	DUAL ANTI TIP SUPPORT SPACER	
13	550442	WHL LCK CLAMP THREADED R2	
14	107032	SHCS 1/4-28 X 1	
15	262114	1/4 WASHER HI COLLAR LOCK ZN	
16	550443	WHL LCK CLAMP RECESS R2	
1-3, 4A-7A, 8-16	100874S	SEAT SPPRT RR DUAL AC X-S AL	
1-3, 4A-7A, 8-16	100856S	DUAL SUPPORT REAR AC SHT ALUM	
1-3, 4A-7A, 8-16	100857S	DUAL SUPPORT REAR AC MED ALUM	
1-3, 4A-7A, 8-16	100858S	DUAL SUPPORT REAR AC TL ALUM	
1-3, 4B-7B, 8-16	100875S	SEAT SPPRT RR DUAL AC X-S TI	
1-3, 4B-7B, 8-16	100859S	DUAL SUPPORT REAR AC SHT TI	
1-3, 4B-7B, 8-16	100860S	DUAL SUPPORT REAR AC MED TI	
1-3, 4B-7B, 8-16	100861S	DUAL SUPPORT REAR AC TL TI	

AXLE SLEEVES

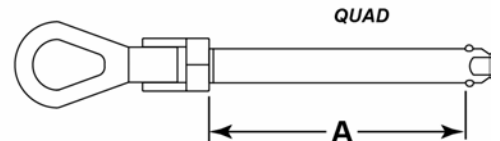
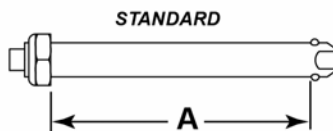


Pos.	Item Number	Description	Remarks
1A	204005	7/8-14 NUT JAM	Used on legacy AllCourt & MatchPoint (S/N prefix AC- & MP-)
1B	204006	7/8-14 JAM NUT ALUM BLACK	Used on current AllCourt & MatchPoint (S/N prefix SP1-,SP2-,SP3- & SP4-)
2A	481068	2° AXLE SLEEVE 7/8-14 ECCENTRIC	Used on legacy AllCourt & MatchPoint (S/N prefix AC- & MP-)
2B	483330	SLEEVE AXLE ALUM 2D	2 degrees; used on current AllCourt & MatchPoint (S/N prefix SP1-,SP2-,SP3- & SP4-)



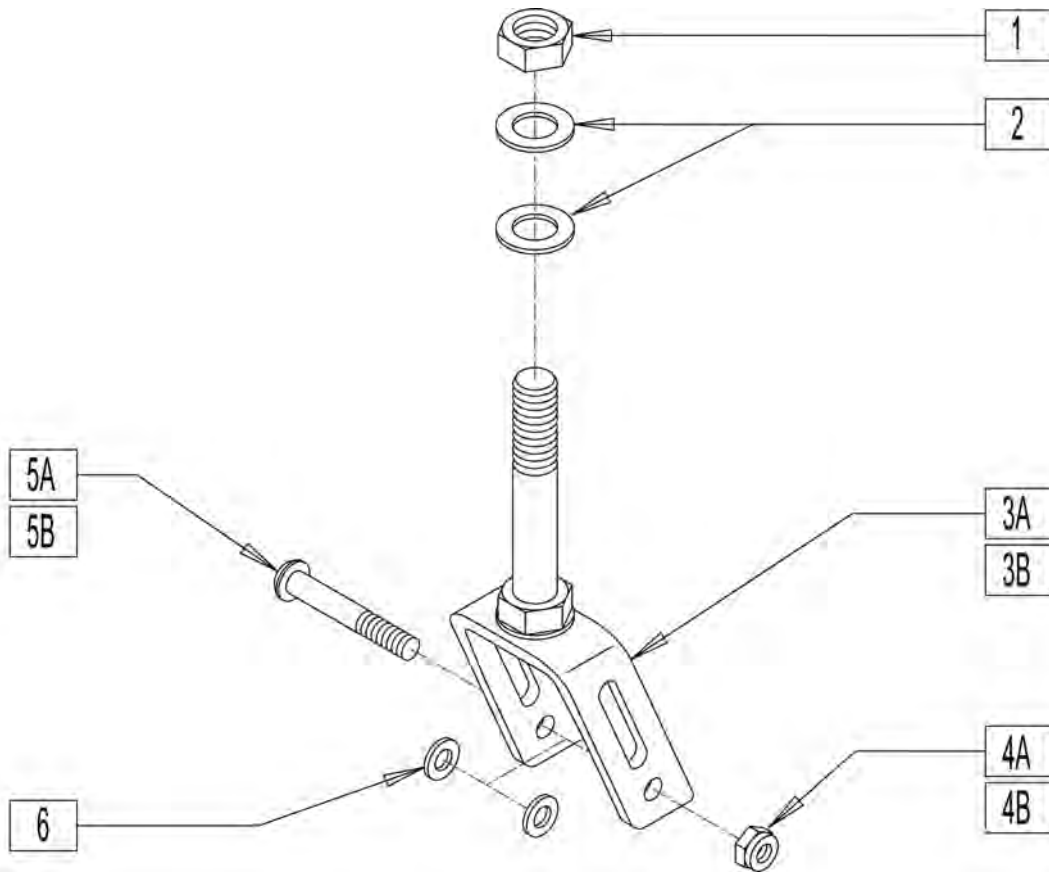
AXLE MEASURING GUIDE

PART NUMBER	DIM "A"	AXLE	NUT
920130	5 1/8	STEEL	STEEL
920137	5 1/8	TITANIUM	ALLOY
920912	4 1/2	TITANIUM	ALLOY
920174	5 1/8	STEEL	QUAD NUT
920173	5 1/8	TITANIUM	QUAD NUT
920170	4 1/2	STEEL	QUAD NUT
920913	4 1/2	TITANIUM	QUAD NUT
102064	4 1/2	STEEL	STEEL

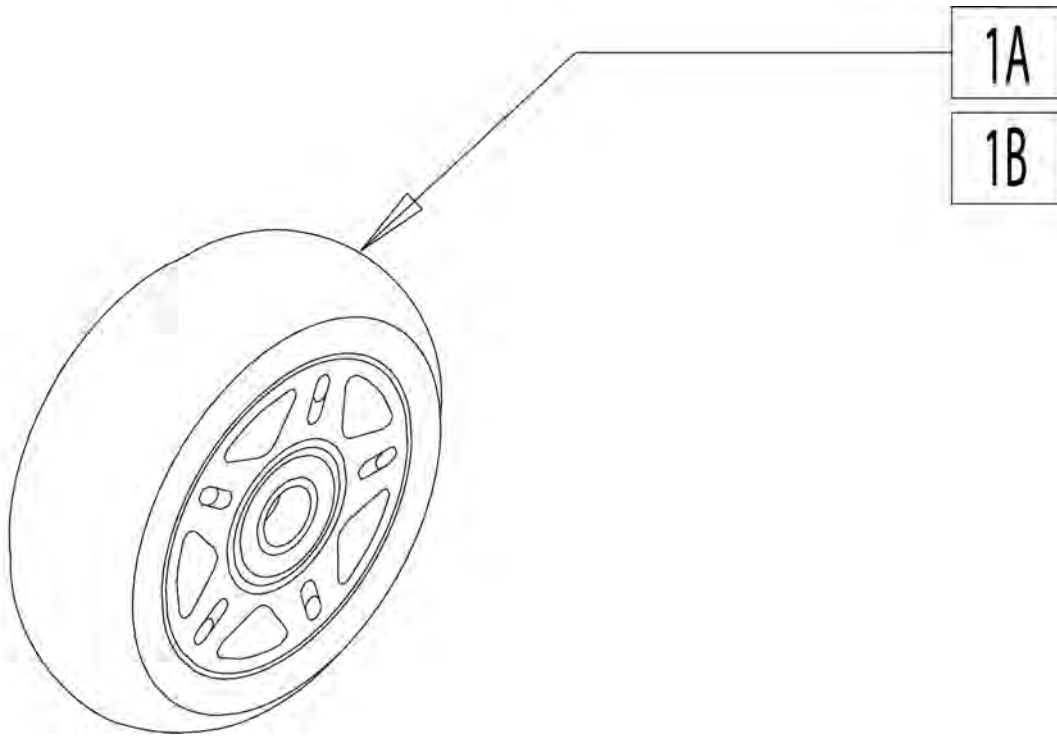


Pos.	Item Number	Description	Remarks
1A	920130	QR AXLE NON-RECESS HUB W/NUT	Standard Button, For QP wheels
1B	920137	QR AXLE W/NUT TI	Standard Button, For QP wheels
1C	920912	AXLE QR TI SHORT W/NUT	Standard Button, For Spinerge wheels
1D	920174	QR AXLE NON RECESS W/QUAD NUT	Quad Release, For QP wheels
1E	920173	QR AXLE TI W/QUAD NUT	Quad Release, For QP wheels
1F	920170	QR AXLE STD W/QUAD NUT	Quad Release, For Spinerge wheels
1G	920913	AXLE QR TI SHORT W/QUAD NUT	Quad Release, For Spinerge wheels
1H	102064	QR AXLE M12 NUT CLR BIG BTTN	Big Button, For Spinerge wheels

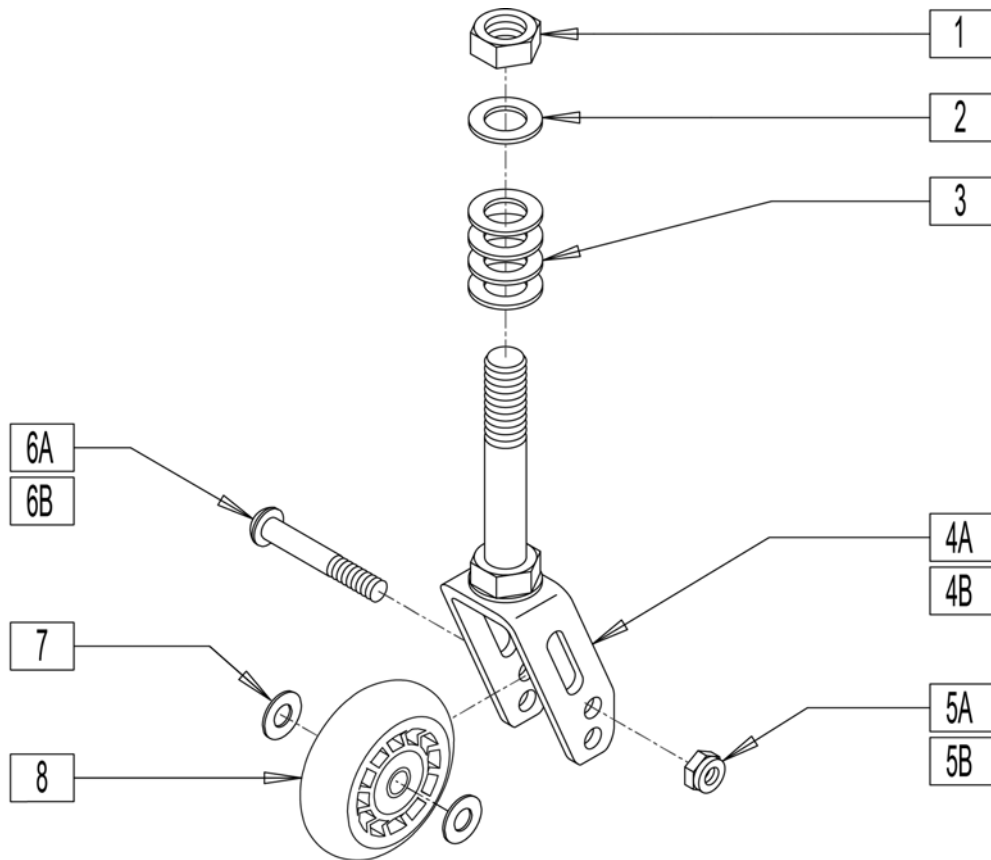
FRONT FORK ASSEMBLY



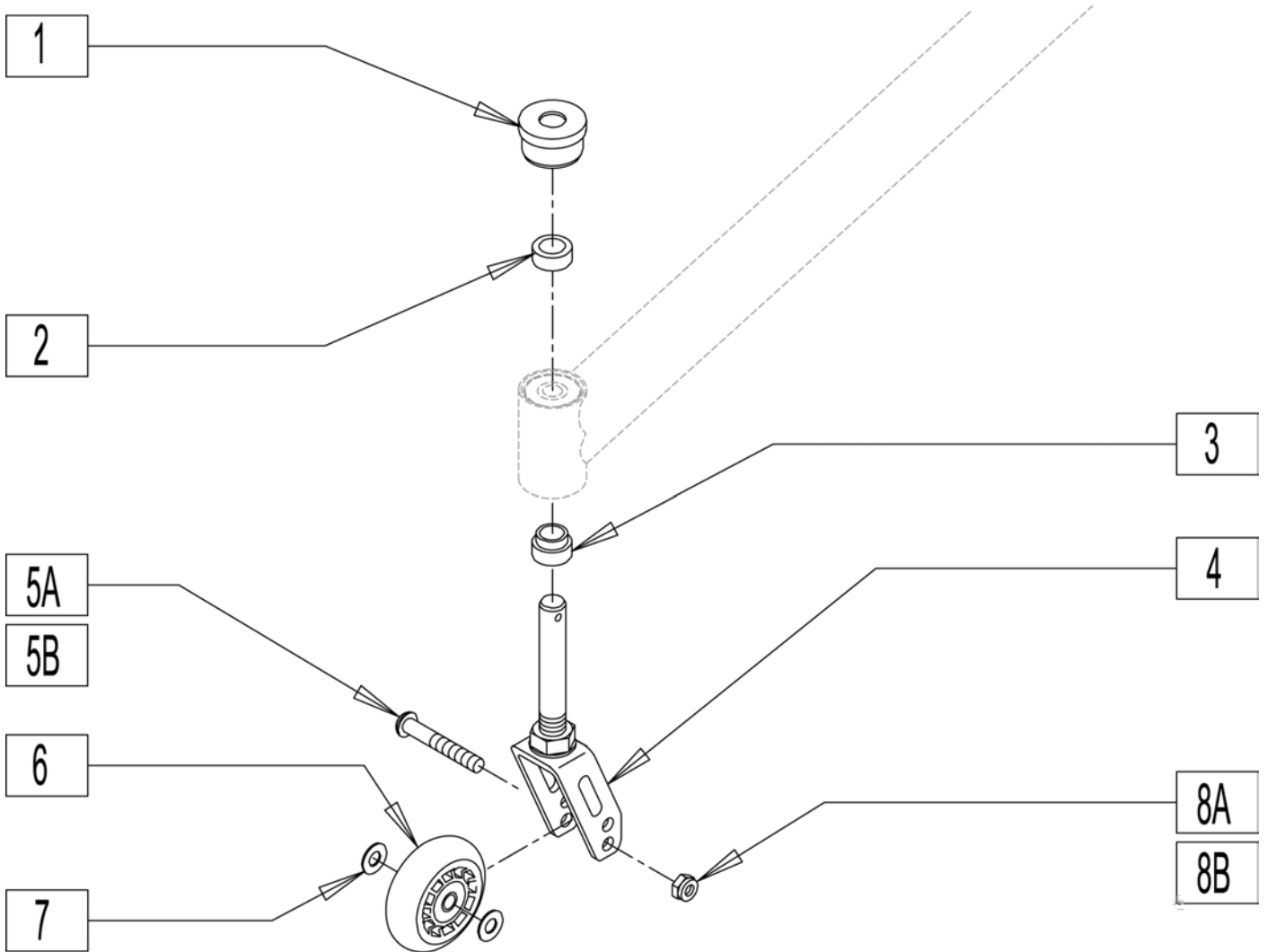
Pos.	Item Number	Description	Remarks
1	106940	NUT NYLOCK THIN 1/2-20	
2	106949	1/2 AN WASHER FLAT	
3A	780480	FRONT STEM/FORK ASSM ALUMINUM	Aluminum
3B	780481	FRONT STEM/FORK ASSM TITANIUM	Titanium
4A	106937	5/16-18 NYLOCK NUT THIN	Steel Hardware
4B	330005	5/16-24 NYLOCK NUT ALUM	Aluminum Hardware
5A	106982	BHCS 5/16-18 X 1-3/4 SHLD ROHS	Steel Hardware
5B	204127	5/16-24 X 1.75 TITANIUM HEX CS	Aluminum Hardware
6	263100	5/16 AN WASHER FLAT	



Pos.	Item Number	Description
1A	400107	3" MICRO CASTER LIGHTED
1B	400109	CASTER ASSM MICRO 80MM



Pos.	Item Number	Description	Remarks
1	106940	NUT NYLOCK THIN 1/2-20	
2	106949	1/2 AN WASHER FLAT	
3	483254	SPACER .50 ID X .88 OD X .125	
4A	780473	STEM/FORK ANTI-TIP ASSM ALUM	ALUMINUM
4B	780474	STEM/FORK ANTI-TIP ASSM TI	TITANIUM
5A	106937	5/16-18 NYLOCK NUT THIN	Steel Hardware
5B	330005	5/16-24 NYLOCK NUT ALUM	Aluminum Hardware
6A	106982	BHCS 5/16-18 X 1-3/4 SHLD ROHS	Steel Hardware
6B	204127	5/16-24 X 1.75 TITANIUM HEX CS	Aluminum Hardware
7	263100	5/16 AN WASHER FLAT	
8	400107	3" MICRO CASTER LIGHTED	
8	400109	CASTER ASSM MICRO 80mm	

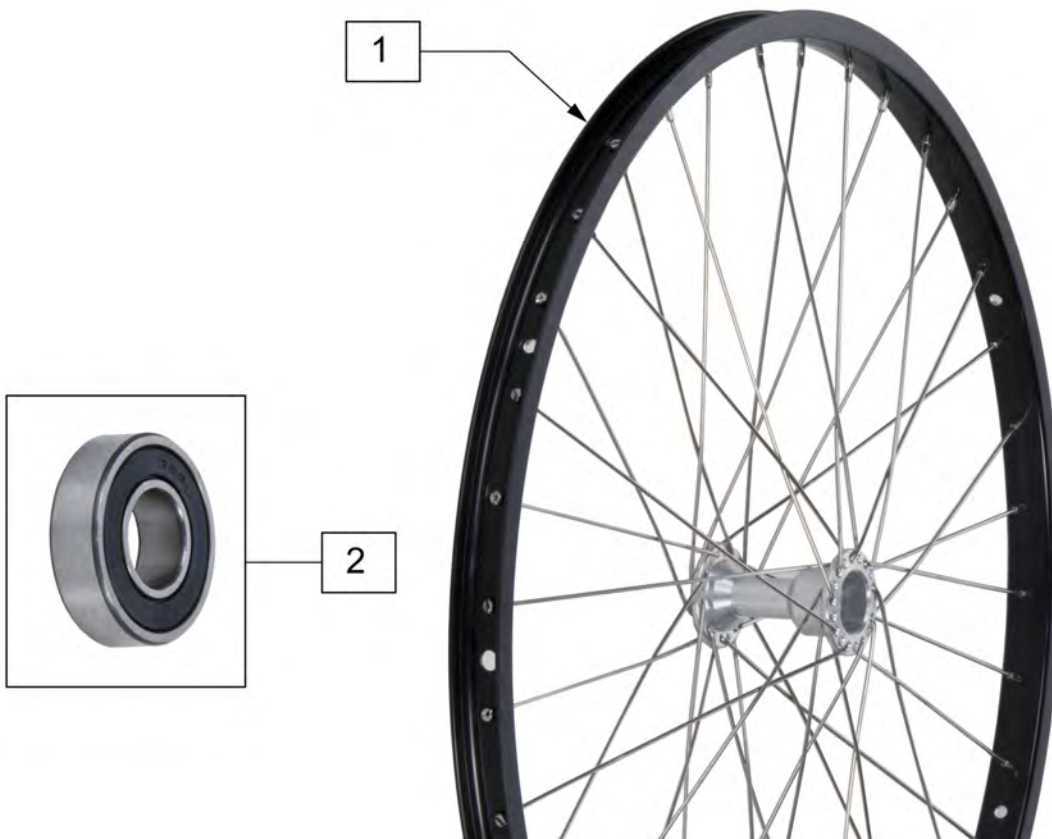


Pos.	Item Number	Description	Remarks
1	561170	CASTER CAP PLASTIC W/HOLE	
2	483206	SPACER .40 ANTI-TIP AC	
3	483205	SPACER .715 ANTI-TIP AC	
4	780475	STEM/FORK ANTI-TIP Q.R. ASSM	
5A	106982	BHCS 5/16-18 X 1-3/4 SHLD ROHS	Steel Hardware
5B	204127	5/16-24 X 1.75 TITANIUM HEX CS	Aluminum Hardware
6	400170	CASTER ASSY 59MM 82A URETHANE	Steel Hardware
7	263100	5/16 AN WASHER FLAT	
8A	106937	5/16-18 NYLOCK NUT THIN	Steel Hardware
8B	330005	5/16-24 NYLOCK NUT ALUM	Aluminum Hardware

Note: this wheel utilizes Tab Mount Handrims - the handrim has a straight tab that mounts to the wheel through the rim.

Note: if changing the Rear Wheel Size on a chair with Anti-tips, new size Anti-tip Assemblies ARE REQUIRED to accommodate the new Rear Wheel Size.

Note: Rim no longer available in dark anodized color, Rim is now polished aluminum.



Pos.	Item Number	Description	Remarks
1	401080	24" X/S RIM ASSM PUSH BUTTON	24" (540MM)
1	401081	26" X/S RIM ASSM PUSH BUTTON	26" (590MM)
2	349500	1 1/8 X 1/2 BEARING	

Note: this wheel utilizes Tab Mount Handrims - the handrim has a straight tab that mounts to the wheel through the rim.

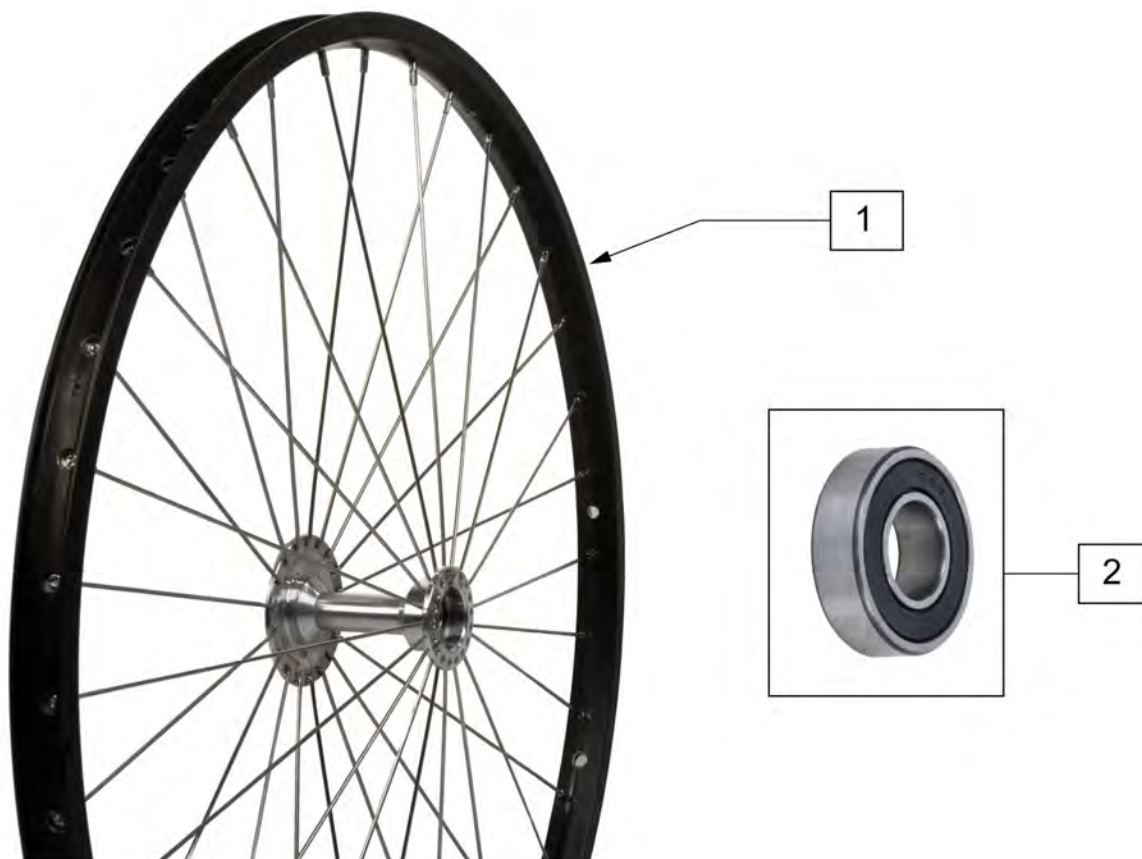
Note: if changing the Rear Wheel Size on a chair with Anti-tips, new size Anti-tip Assemblies ARE REQUIRED to accommodate the new Rear Wheel Size.



Pos.	Item Number	Description	Remarks
1	761109	QP 24" TNNS RIM ASSM	25" (559mm)
1	761157	QP 26" TNNS RIM ASSM	26" (590mm)
2	349500	1 1/8 X 1/2 BEARING	

Note: this wheel utilizes Tab Mount Handrims - the handrim has a straight tab that mounts to the wheel through the rim.

Note: if changing the Rear Wheel Size on a chair with Anti-tips, new size Anti-tip Assemblies ARE REQUIRED to accommodate the new Rear Wheel Size.



Pos.	Item Number	Description	Remarks
1	761119	QP 24" BB RIM ASSM	24" (540mm)
1	761167	QP 26" BB RIM ASSM	26" (590mm)
2	349500	1 1/8 X 1/2 BEARING	

Note: this wheel utilizes Tab Mount Handrims - the handrim has a straight tab that mounts to the wheel through the rim.

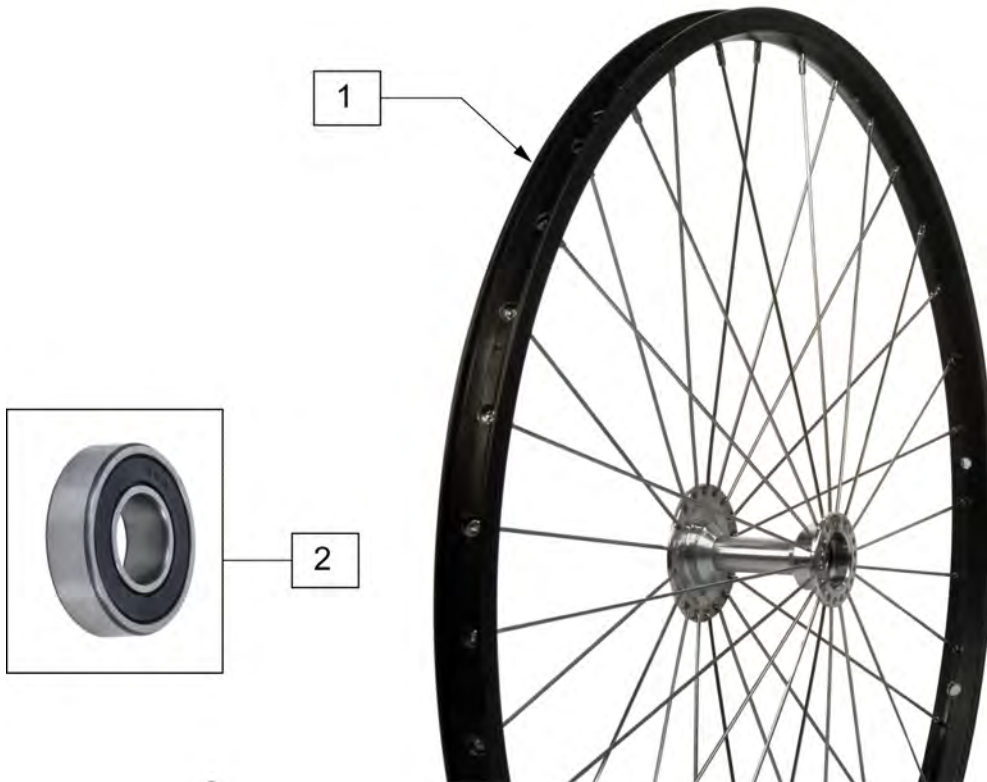
Note: if changing the Rear Wheel Size on a chair with Anti-tips, new size Anti-tip Assemblies ARE REQUIRED to accommodate the new Rear Wheel Size.



Pos.	Item Number	Description	Remarks
1	761128	QP 24" HT TNNS RIM ASSM 32H	559-32 spokes-25" (559mm)
1	761139	QP 24" HT TNNS RIM ASSM	36 spokes-25" (559mm)
1	761178	QP 26" HT TNNS RIM ASSM	36 hole spokes -26" (590mm)
2	349500	1 1/8 X 1/2 BEARING	

Note: this wheel utilizes Tab Mount Handrims - the handrim has a straight tab that mounts of the wheel through the rim.

Note: if changing the Rear Wheel Size on a chair with Anti-tips, new size Anti-tip Assemblies ARE REQUIRED to accommodate the new Rear Wheel Size.



Pos.	Item Number	Description	Remarks
1	761149	QP 24" HT BB RIM ASSM	25" (559mm)
1	761188	QP 26" HT BB RIM ASSM	26" (590mm)
2	349500	1 1/8 X 1/2 BEARING	

Note: this wheel utilizes tab mount handrims - the handrim has a straight tab that mounts to the wheel through the rim.

Note: please see the Rear Wheel Finder for the complete Wheel Assembly with the Flex Rim.

Note: if changing the Rear Wheel Size on a chair with Anti-tips, new size Anti-tip Assemblies ARE REQUIRED to accommodate the new Rear Wheel Size.



Pos.	Item Number	Description	Remarks
1	108858	SPINERGY LT EX WHL 22" BLK	22"(489mm); 12 Spoke
1	109215	SPINERGY LT EX WHL 22" BLU	22"(489mm); 12 Spoke
1	109216	SPINERGY LT EX WHL 22" RED	22"(489mm); 12 Spoke
1	109217	SPINERGY LT EX WHL 22" WHT	22"(489mm); 12 Spoke
1	109218	SPINERGY LT EX WHL 22" YLW	22"(489mm); 12 Spoke
1	101989-001	SPINERGY LT EX WHEEL 540 BLK	24"(540mm); 12 Spoke
1	101989-002	SPINERGY LT EX WHEEL 540 BLU	24"(540mm); 12 Spoke
1	101989-003	SPINERGY LT EX WHEEL 540 RED	24"(540mm); 12 Spoke
1	101989-005	SPINERGY LT EX WHEEL 540 WHT	24"(540mm); 12 Spoke
1	101989-004	SPINERGY LT EX WHEEL 540 YLW	24"(540mm); 12 Spoke
1	101991-001	SPINERGY LT EX WHEEL 559 BLK	25"(559mm); 12 Spoke
1	101991-002	SPINERGY LT EX WHEEL 559 BLU	25"(559mm); 12 Spoke
1	101991-003	SPINERGY LT EX WHEEL 559 RED	25"(559mm); 12 Spoke
1	101991-004	SPINERGY LT EX WHEEL 559 YLW	25"(559mm); 12 Spoke
1	101993-001	SPINERGY LT EX WHEEL 590 BLK	26"(590mm); 12 Spoke
1	101993-004	SPINERGY LT EX WHEEL 590 YLW	26"(590mm); 12 Spoke
2	349500	1 1/8 X 1/2 BEARING	

Note: this wheel utilizes tab mount handrims - the handrim has a straight tab that mounts to the wheel through the rim.

Note: please see the Rear Wheel Finder for the complete Wheel Assembly with the Flex Rim.

Note: if changing the Rear Wheel Size on a chair with Anti-tips, new size Anti-tip Assemblies ARE REQUIRED to accommodate the new Rear Wheel Size.



Pos.	Item Number	Description	Remarks
1	101988-001	SPINRGY SPT LT EX WHL 540 BLK	24"(540mm), 18 spoke
1	101988-002	SPINRGY SPT LT EX WHL 540 BLU	24"(540mm), 18 spoke
1	101988-003	SPINRGY SPT LT EX WHL 540 RED	24"(540mm), 18 spoke
1	101988-004	SPINRGY SPT LT EX WHL 540 YLW	24"(540mm), 18 spoke
1	101988-005	SPINRGY SPT LT EX WHL 540 WHT	24"(540mm), 18 spoke
1	101990-001	SPINRGY SPT LT EX WHL 559 BLK	25"(559mm), 18 spoke
1	101990-002	SPINRGY SPT LT EX WHL 559 BLU	25"(559mm), 18 spoke
1	101990-003	SPINRGY SPT LT EX WHL 559 RED	25"(559mm), 18 spoke
1	101990-004	SPINRGY SPT LT EX WHL 559 YLW	25"(559mm), 18 spoke
1	101990-005	SPINRGY SPT LT EX WHL 559 WHT	25"(559mm), 18 spoke
1	101992-001	SPINRGY SPT LT EX WHL 590 BLK	26"(590mm), 18 spoke
1	101992-002	SPINRGY SPT LT EX WHL 590 BLU	26"(590mm), 18 spoke
1	101992-003	SPINRGY SPT LT EX WHL 590 RED	26"(590mm), 18 spoke
1	101992-004	SPINRGY SPT LT EX WHL 590 YLW	26"(590mm), 18 spoke
1	101992-005	SPINRGY SPT LT EX WHL 590 WHT	26"(590mm), 18 spoke
2	349500	1 1/8 X 1/2 BEARING	

Note: this wheel utilizes tab mount handrims - the handrim has a straight tab that mounts to the wheel through the rim.

Note: please see the Rear Wheel Finder for the complete Wheel Assembly with the Flex Rim.

Note: if changing the Rear Wheel Size on a chair with Anti-tips, new size Anti-tip Assemblies ARE REQUIRED to accommodate the new Rear Wheel Size.



Pos.	Item Number	Description	Remarks
1	762434	SPINERGY SPORT WHEEL 540 BLK	24"(540mm)
1	762436	SPINERGY SPORT WHEEL 559 BLK	25"(559mm)
1	762435	SPINERGY SPORT WHEEL 590 BLK	26"(590mm)
1	762453	SPINERGY SPORT WHEEL 540 BLU	24"(540mm)
1	762457	SPINERGY SPORT WHEEL 559 BLU	25"(559mm)
1	762464	SPINERGY SPORT WHEEL 590 BLU	26"(590mm)
1	762454	SPINERGY SPORT WHEEL 540 RED	24"(540mm)
1	762458	SPINERGY SPORT WHEEL 559 RED	25"(559mm)
1	762465	SPINERGY SPORT WHEEL 590 RED	26"(590mm)
1	762429	SPINERGY SPORT WHEEL 540 WHT	24"(540mm)
1	762432	SPINERGY SPORT WHEEL 559 WHT	25"(559mm)
1	762430	SPINERGY SPORT WHEEL 590 WHT	26"(590mm)
1	762455	SPINERGY SPORT WHEEL 540 YLW	24"(540mm)
1	762459	SPINERGY SPORT WHEEL 559 YLW	25"(559mm)
1	762466	SPINERGY SPORT WHEEL 590 YLW	26"(590mm)
2	349500	1 1/8 X 1/2 BEARING	

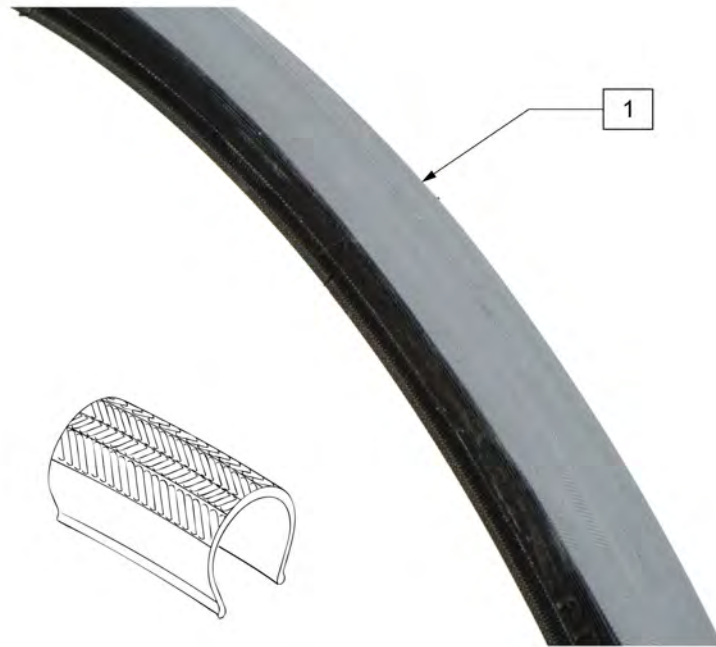
Note: this wheel utilizes tab mount handrims - the handrim has a straight tab that mounts to the wheel through the rim.

Note: please see the Rear Wheel Finder for the complete Wheel Assembly with the Flex Rim.

Note: if changing the Rear Wheel Size on a chair with Anti-tips, new size Anti-tip Assemblies ARE REQUIRED to accommodate the new Rear Wheel Size.



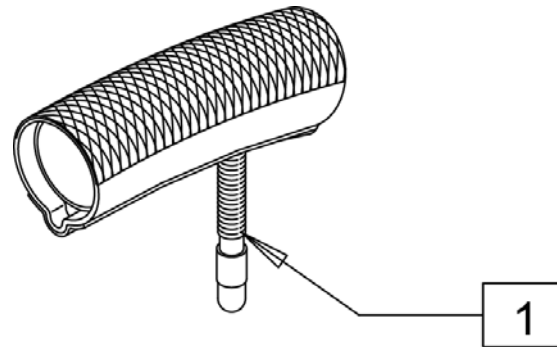
Pos.	Item Number	Description	Remarks
1	109242	SPINERGY STD WHL 22" BLK SPK	22"(489mm)
1	762438	SPINERGY STD WHEEL 540 BLK SPK	24"(540mm)
1	762441	SPINERGY STD WHL 559 BLK SPK	25"(559mm)
1	762437	SPINERGY STD WHEEL 590 BLK SPK	26"(590mm)
1	762442	SPINERGY STD WHEEL 540 BLUE	24"(540mm)
1	762444	SPINERGY STD WHEEL 559 BLU	25"(559mm)
1	762446	SPINERGY STD WHEEL 590 BLUE	26"(590mm)
1	762443	SPINERGY STD WHEEL 540 RED	24"(540mm)
1	762445	SPINERGY STD WHEEL 559 RED	25"(559mm)
1	762447	SPINERGY STD WHEEL 590 RED	26"(590mm)
1	762456	SPINERGY STD WHEEL 540 WHT	24"(540mm)
1	762433	SPINERGY STD WHEEL 540 YELLOW	24"(540mm)
1	762462	SPINERGY STD WHL 559 YLW SPK	25"(559mm)
1	762431	SPINERGY STD WHEEL 590 YELLOW	26"(590mm)
2	349500	1 1/8 X 1/2 BEARING	



Pos.	Item Number	Description	Remarks
1	385280	22" x 1" HI PRES CLINCHER	22" (501mm)
1	389020	24" x 1" HI PRES CLNCHR TIRE	24" (540mm)
1	389012	QP 24" x 1" HT TURB BLK WR/BD 559	25" (559mm)
1	389030	26" x 1" HI PRES CLNCHR TIRE	26" (590mm)
1	105919	22" x 1" HI PRESS CLNCHR ULTRALIGHT	22" (489mm)

Note: QP Tubular Tires are discontinued. Please see HIGH PRESSURE CLINCHER TIRE parts page. Order 389020 (540), 389012 (559), 389030 (590) replacement tires.

Note: when replacing QP Tubular Tire with High Pressure Clincher Tire, a replacement inner tube is required.



Pos.	Item Number	Description	Remarks
1	389004	QP 24" X 1" TUBULAR TIRE	DISCONTINUED - SEE NOTE
1	389006	QP 26" X 1" TUBULAR TIRE	DISCONTINUED - SEE NOTE

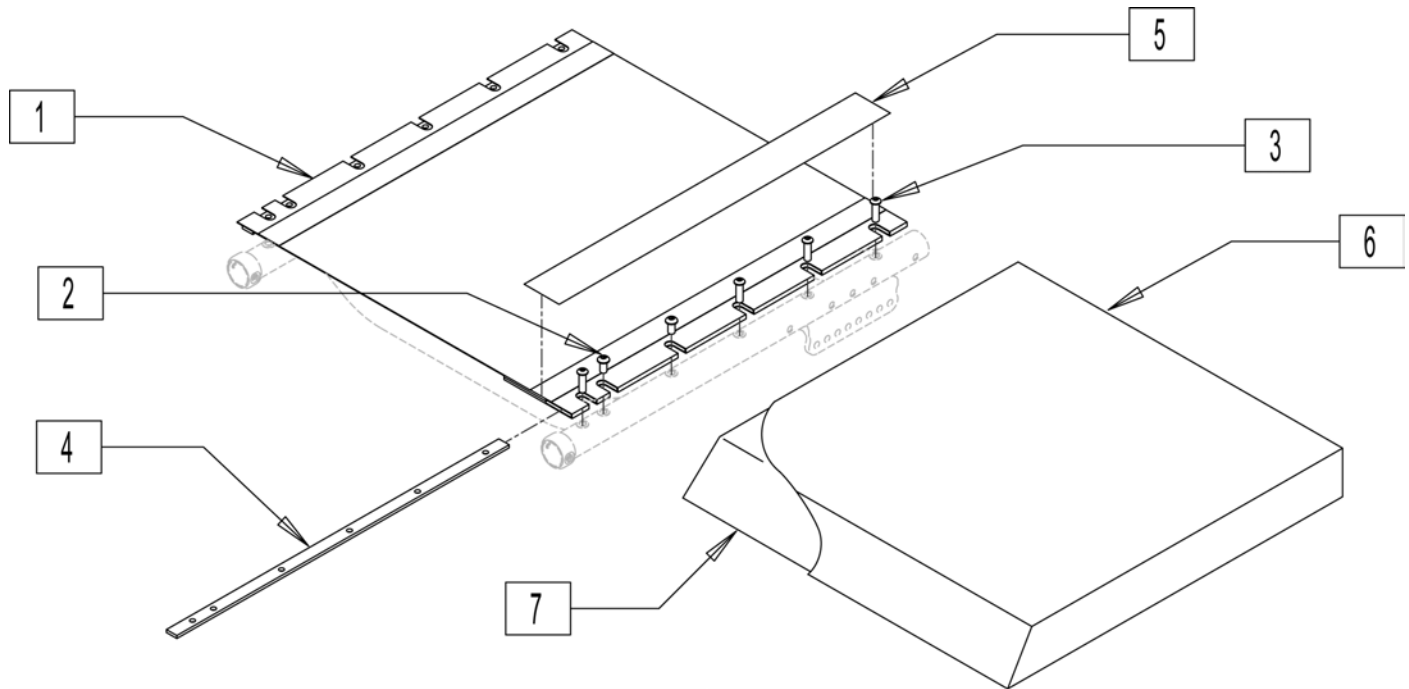


Pos.	Item Number	Description	Remarks
1	389012	QP 24"X1"HT TURB BLK WR/BD 559	25"(559mm), black sidewall
2	388999	26"X1" HT TIRE TURBO GY(700X23	27"(700mm), tan sidewall



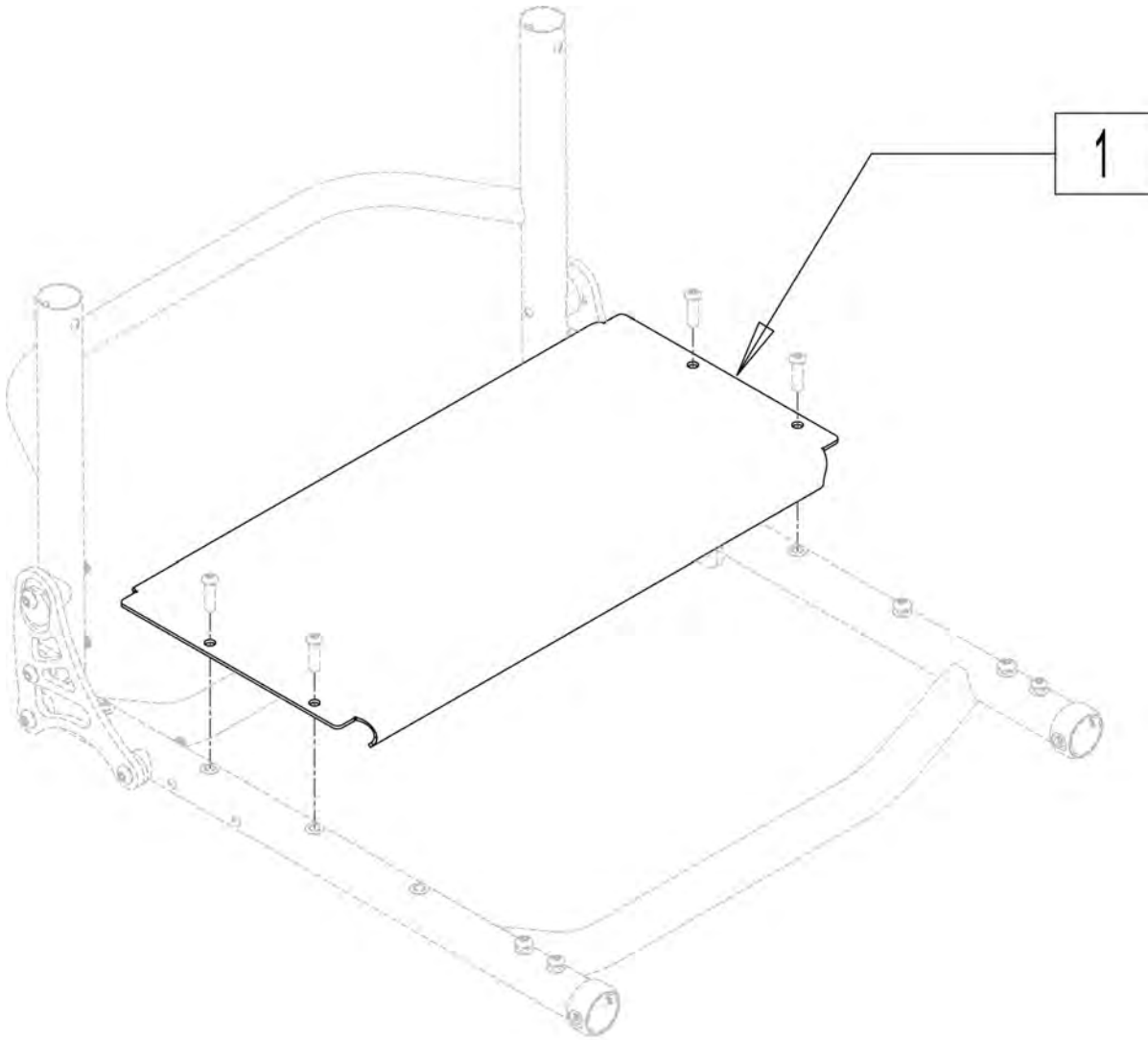
Pos.	Item Number	Description	Remarks
1A	Discontinued	Presta Valves Discontinued	
1A	384736	INNER TUBE 12-1/2" X 2-1/4"	
1A	384738	16" X 1.75" INNER TUBE	
1A	382255	TUBE 18" TIRE	18" X 1-3/4" TUBE
1A	382275	20" TUBE	20" 1-3/8" TUBE
1A	382300	22" TUBE	22" X 1-3/8" TUBE
1A	382336	TUBE PRIMO 24" 25-540 SV	24" X 1" TUBE
1A	382325	24 X 1.3/8IN TUBE REG	
1A	382334	TUBE INLINE 24 X 1.75	
1A	384551	26" X 1" TUBE SCHRADER	
1A	382350	26" TUBE	26" X 1-3/8" TUBE
1A	382361	TUBE 26 X 1.5/1.95/ S/V	
1A	382365	26 X 1.25/1.5 TUBE SHRADER	
1A	382375	24" x 2.125 TUBE	
1B	102972-001	12 1/2 IN AIRLESS INSERT	12-1/2" X 2-1/4"
1B	102973-001	16IN AIRLESS INSERT	16" X 1-3/4"
1B	102973-002	18IN AIRLESS INSERT	18" X 1-3/4"
1B	102973-003	20IN AIRLESS INSERT	20" X 1-3/8"
1B	102972-002	AIRLESS INSERT 20 X 2-1/8 P3	
1B	102973-004	22IN AIRLESS INSERT	22" X 1-3/8"
1B	102973-005	24IN AIRLESS INSERT	24" X 1-3/8"
1B	102972-003	AIRLESS INSERT 24 X 2-1/8	
1B	108259	26" AIRLESS INSERT	26" X 1-3/8"

Note: for proper fit open the velcro flap on the under side of the sling for installation; the sling may measure short, but by opening the flap it will adjust to fit the frame.

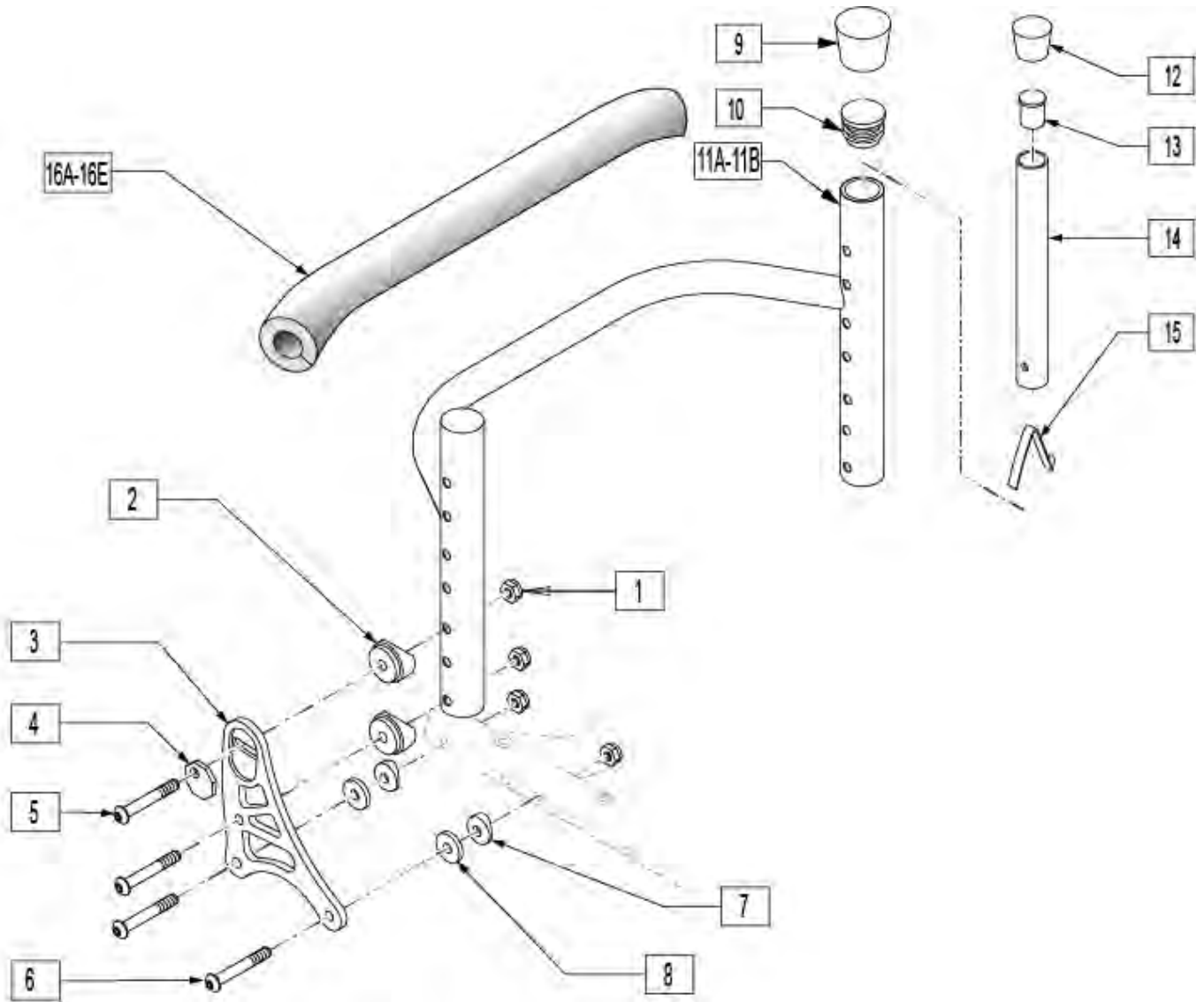


Pos.	Item Number	Description	Pos.	Item Number	Description
1	720100	SEAT SLING 12" X 10"	1	109502	SEAT SLING 16"W X 13"D
1	109466	SEAT SLING 12"W X 11"D	1	109503	SEAT SLING 16"W X 14"D
1	109467	SEAT SLING 12"W X 12"D	1	109504	SEAT SLING 16"W X 15"D
1	109468	SEAT SLING 12"W X 13"D	1	109505	SEAT SLING 16"W X 16"D
1	109469	SEAT SLING 12"W X 14"D	1	109506	SEAT SLING 16"W X 17"D
1	109471	SEAT SLING 12"W X 16"D	1	109507	SEAT SLING 16"W X 18"D
1	109474	SEAT SLING 13"W X 11"D	1	109508	SEAT SLING 16"W X 19"D
1	109475	SEAT SLING 13"W X 12"D	1	720508	SEAT SLING 16" X 20"
1	109476	SEAT SLING 13"W X 13"D	1	109510	SEAT SLING 17"W X 12"D
1	109477	SEAT SLING 13"W X 14"D	1	109511	SEAT SLING 17"W X 13"D
1	720298	SEAT SLING 14" X 10"	1	109512	SEAT SLING 17"W X 14"D
1	109483	SEAT SLING 14"W X 12"D	1	109513	SEAT SLING 17"W X 15"D
1	109484	SEAT SLING 14"W X 13"D	1	109514	SEAT SLING 17"W X 16"D
1	109485	SEAT SLING 14"W X 14"D	1	109515	SEAT SLING 17"W X 17"D
1	109486	SEAT SLING 14"W X 15"D	1	109516	SEAT SLING 17"W X 18"D
1	109487	SEAT SLING 14"W X 16"D	1	109517	SEAT SLING 17"W X 19"D
1	109488	SEAT SLING 14"W X 17"D	1	109519	SEAT SLING 18"W X 12"D
1	109489	SEAT SLING 14"W X 18"D	1	109521	SEAT SLING 18"W X 14"D
1	109492	SEAT SLING 15"W X 12"D	1	109522	SEAT SLING 18"W X 15"D
1	109493	SEAT SLING 15"W X 13"D	1	109523	SEAT SLING 18"W X 16"D
1	109494	SEAT SLING 15"W X 14"D	1	109524	SEAT SLING 18"W X 17"D
1	109495	SEAT SLING 15"W X 15"D	1	109525	SEAT SLING 18"W X 18"D
1	109496	SEAT SLING 15"W X 16"D	1	109526	SEAT SLING 18"W X 19"D
1	109497	SEAT SLING 15"W X 17"D	1	720706	SEAT SLING 18" X 20"
1	109498	SEAT SLING 15"W X 18"D	1	109530	SEAT SLING 19"W X 14"D

Pos.	Item Number	Description	Pos.	Item Number	Description
1	109531	SEAT SLING 19"W X 15"D	6,7	700412	SEAT CUSHION 15" X 13" X 2"
1	109532	SEAT SLING 19"W X 16"D	6,7	700422	SEAT CUSHION 15" X 14" X 2"
1	109533	SEAT SLING 19"W X 17"D	6,7	700432	SEAT CUSHION 15" X 15" X 2"
1	109534	SEAT SLING 19"W X 18"D	6,7	700442	SEAT CUSHION 15" X 16" X 2"
1	109535	SEAT SLING 19"W X 19"D	6,7	700452	SEAT CUSHION 15" X 17" X 2"
1	720806	SEAT SLING 19" X 20"	6,7	700462	SEAT CUSHION 15" X 18" X 2"
1	109539	SEAT SLING 20"W X 14"D	6,7	700472	SEAT CUSHION 15" X 19" X 2"
1	109540	SEAT SLING 20"W X 15"D	6,7	700482	SEAT CUSHION 15" X 20" X 2"
1	109541	SEAT SLING 20"W X 16"D	6,7	700498	SEAT CUSHION 16" X 11" X 2"
1	109542	SEAT SLING 20"W X 17"D	6,7	700502	SEAT CUSHION 16" X 12" X 2"
1	109543	SEAT SLING 20"W X 18"D	6,7	700512	SEAT CUSHION 16" X 13" X 2"
1	109544	SEAT SLING 20"W X 19"D	6,7	700522	SEAT CUSHION 16" X 14" X 2"
1	720907	SEAT SLING 20" X 20"	6,7	700532	SEAT CUSHION 16" X 15" X 2"
2	102259-001	BHCS M5 X .8 X 12 BLK W/PL	6,7	700542	SEAT CUSHION 16" X 16" X 2"
3	230497	M5-.8 X 20 MM BH C/S	6,7	700552	SEAT CUSHION 16" X 17" X 2"
4	505100	SEAT RAIL 12"	6,7	700562	SEAT CUSHION 16" X 18" X 2"
4	505101	SEAT RAIL 13"	6,7	700572	SEAT CUSHION 16" X 19" X 2"
4	505102	SEAT RAIL 14"	6,7	700592	SEAT CUSHION 16" X 21" X 2"
4	505104	SEAT RAIL 15"	6,7	700602	SEAT CUSHION 17" X 14" X 2"
4	505106	SEAT RAIL 16"	6,7	700612	SEAT CUSHION 17" X 15" X 2"
4	505108	SEAT RAIL 17"	6,7	700622	SEAT CUSHION 17" X 16" X 2"
4	505110	SEAT RAIL 18"	6,7	700632	SEAT CUSHION 17" X 17" X 2"
4	505111	SEAT RAIL 18" EX	6,7	700642	SEAT CUSHION 17" X 18" X 2"
4	505112	SEAT RAIL 10"	6,7	700652	SEAT CUSHION 17" X 19" X 2"
4	505114	SEAT RAIL 11"	6,7	700662	SEAT CUSHION 17" X 20" X 2"
4	505116	SEAT RAIL 20"	6,7	700682	SEAT CUSHION 18" X 12" X 2"
5	901169	SEAT SLING VELCRO® STRIP 2"	6,7	700702	SEAT CUSHION 18" X 14" X 2"
6,7	700102	SEAT CUSHION 12" X 10" X 2"	6,7	700712	SEAT CUSHION 18" X 15" X 2"
6,7	700112	SEAT CUSHION 12" X 11" X 2"	6,7	700722	SEAT CUSHION 18" X 16" X 2"
6,7	700122	SEAT CUSHION 12" X 12" X 2"	6,7	700732	SEAT CUSHION 18" X 17" X 2"
6,7	700132	SEAT CUSHION 12" X 13" X 2"	6,7	700742	SEAT CUSHION 18" X 18" X 2"
6,7	700142	SEAT CUSHION 12" X 14" X 2"	6,7	700752	SEAT CUSHION 18" X 19" X 2"
6,7	700162	SEAT CUSHION 12" X 16" X 2"	6,7	700762	SEAT CUSHION 18" X 20" X 2"
6,7	700208	SEAT CUSHION 13" X 9" X 2"	6,7	700772	SEAT CUSHION 18" X 21" X 2"
6,7	700212	SEAT CUSHION 13" X 11" X 2"	6,7	700812	SEAT CUSHION 19" X 15" X 2"
6,7	700222	SEAT CUSHION 13" X 12" X 2"	6,7	700822	SEAT CUSHION 19" X 16" X 2"
6,7	700232	SEAT CUSHION 13" X 13" X 2"	6,7	700832	SEAT CUSHION 19" X 17" X 2"
6,7	700242	SEAT CUSHION 13" X 14" X 2"	6,7	700842	SEAT CUSHION 19" X 18" X 2"
6,7	700252	SEAT CUSHION 13" X 15" X 2"	6,7	700852	SEAT CUSHION 19" X 19" X 2"
6,7	700262	SEAT CUSHION 13" X 16" X 2"	6,7	700862	SEAT CUSHION 19" X 20" X 2"
6,7	700282	SEAT CUSHION 14" X 10" X 2"	6,7	700872	SEAT CUSHION 19" X 21" X 2"
6,7	700292	SEAT CUSHION 14" X 11" X 2"	6,7	700892	SEAT CUSHION 20" X 13" X 2"
6,7	700302	SEAT CUSHION 14" X 12" X 2"	6,7	700912	SEAT CUSHION 20" X 15" X 2"
6,7	700312	SEAT CUSHION 14" X 13" X 2"	6,7	700922	SEAT CUSHION 20" X 16" X 2"
6,7	700322	SEAT CUSHION 14" X 14" X 2"	6,7	700932	SEAT CUSHION 20" X 17" X 2"
6,7	700332	SEAT CUSHION 14" X 15" X 2"	6,7	700942	SEAT CUSHION 20" X 18" X 2"
6,7	700342	SEAT CUSHION 14" X 16" X 2"	6,7	700952	SEAT CUSHION 20" X 19" X 2"
6,7	700352	SEAT CUSHION 14" X 17" X 2"	6,7	700962	SEAT CUSHION 20" X 20" X 2"
6,7	700362	SEAT CUSHION 14" X 18" X 2"			

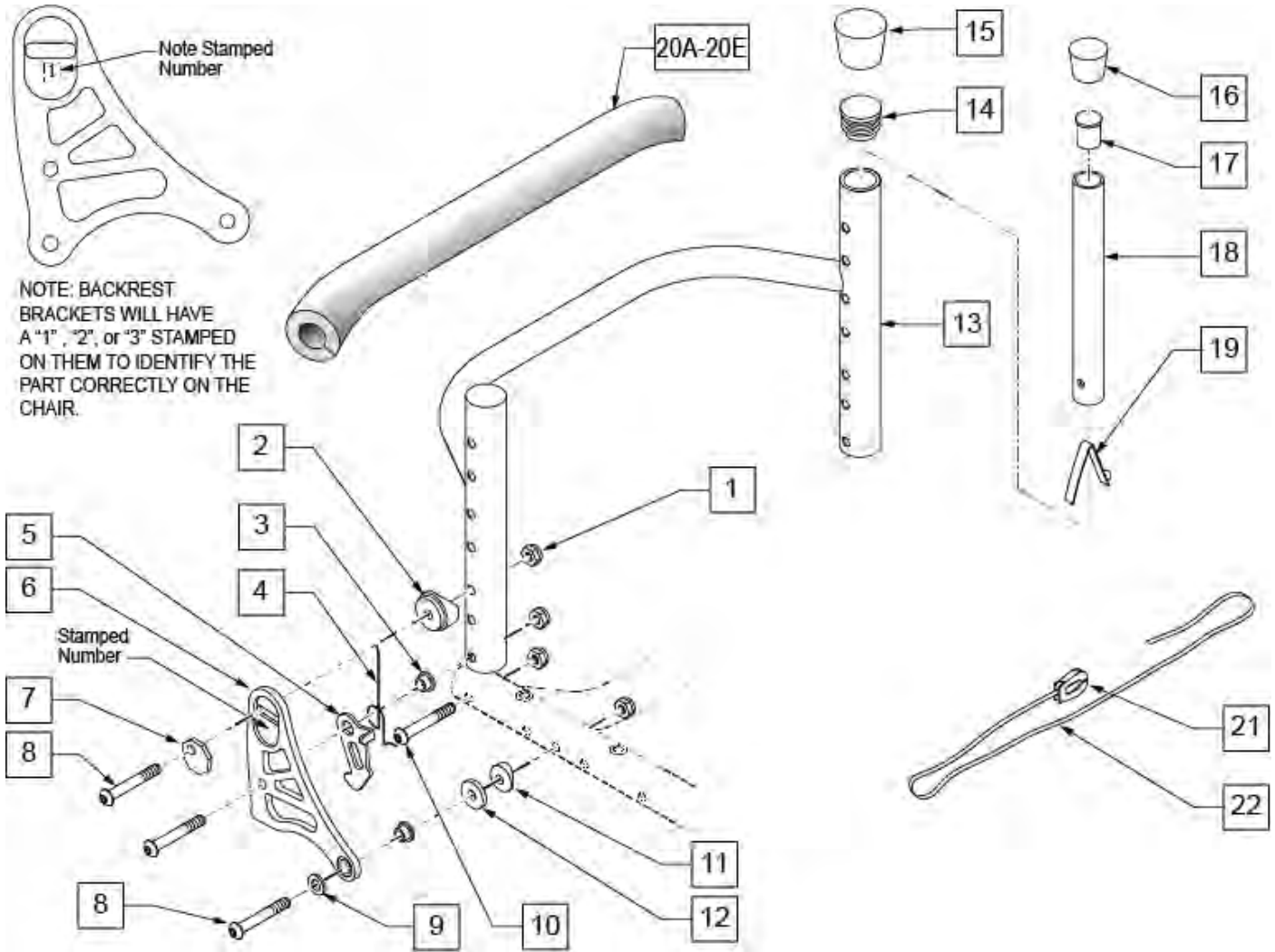


Pos.	Item Number	Description
1	688280	SEAT PAN HALF 12"W ALL COURT
1	688281	SEAT PAN HALF 13"W ALL COURT
1	688282	SEAT PAN HALF 14"W ALL COURT
1	688283	SEAT PAN HALF 15"W ALL COURT
1	688284	SEAT PAN HALF 16"W ALL COURT
1	688285	SEAT PAN HALF 17"W ALL COURT
1	688286	SEAT PAN HALF 18"W ALL COURT
1	688287	SEAT PAN HALF 19"W ALL COURT
1	688288	SEAT PAN HALF 20"W ALL COURT



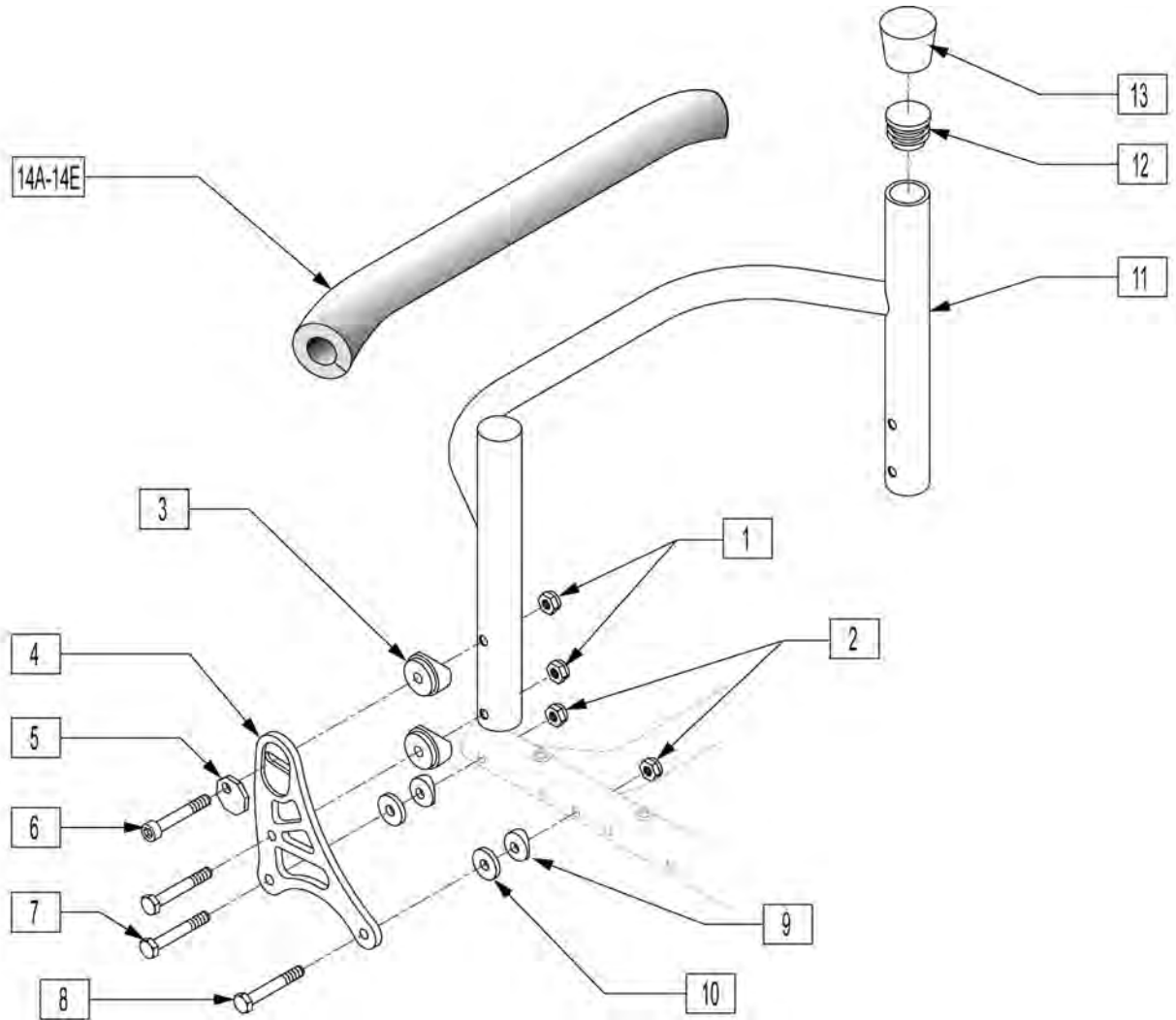
Pos.	Item Number	Description	Remarks
1	106934	1/4-28 NYLOCK NUT	
2	561087	BACK REL SADDLE RIGID	
3	500532	BRKT FXD BK 1S R SPORT	
3	500533	BRKT FXD BK 1S L SPORT	
3	500534	BRKT FXD BK 3S R SPORT	
3	500535	BRKT FXD BK 3S L SPORT	
4	341018	WASHER ECCENTRIC LARGE	
5	106962	1/4-28 x 1 3/4 BH C/S BLK ZN	
6	226147	1/4-28 X 1.85 BH C/S	
7	482000	SADDLE SMALL 1.00 TUBE.25 HOLE	
8	561026	3/4" WASHER 1/4" HOLE	
9	561014	1" MED CAP	Used in 9" back height only
10	561002	1" INSERT PLUG	Used in 9" back height only
11A	520440	BACK FRM 12" REG RGD BLK .115	12 wide 9"-16" back height
11A	520441	BACK FRM 13" REG RGD BLK .115	13 wide 9"-16" back height
11A	520442	BACK FRM 14" REG RGD BLK .115	14 wide 9"-16" back height

Pos.	Item Number	Description	Remarks
11A	520443	BACK FRM 15" REG RGD BLK .115	15 wide 9"-16" back height
11A	520444	BACK FRM 16" REG RGD BLK .115	16 wide 9"-16" back height
11A	520445	BACK FRM 17" REG RGD BLK .115	17 wide 9"-16" back height
11A	520446	BACK FRM 18" REG RGD BLK .115	18 wide 9"-16" back height
11A	520447	BACK FRM 19" REG RGD BLK .115	19 wide 9"-16" back height
11A	520448	BACK FRM 20" REG RGD BLK .115	20 wide 9"-16" back height
11B	520540	BACK FRM 12" TALL RGD BLK .115	12 wide 15"-20" back height
11B	520541	BACK FRM 13" TALL RGD BLK .115	13 wide 15"-20" back height
11B	520542	BACK FRM 14" TALL RGD BLK .115	14 wide 15"-20" back height
11B	520543	BACK FRM 15" TALL RGD BLK .115	15 wide 15"-20" back height
11B	520544	BACK FRM 16" TALL RGD BLK .115	16 wide 15"-20" back height
11B	520545	BACK FRM 17" TALL RGD BLK .115	17 wide 15"-20" back height
11B	520546	BACK FRM 18" TALL RGD BLK .115	18 wide 15"-20" back height
11B	520547	BACK FRM 19" TALL RGD BLK .115	19 wide 15"-20" back height
11B	520548	BACK FRM 20" TALL RGD BLK .115	20 wide 15"-20" back height
12	561010	3/4" CAP	
13	561000-QU	3/4" INSERT PLUG .083	
15	301100	1/4" SNAP BUTTON SINGLE	
16A	750751S	CROSSBAR PAD 12"-13"	12"-13" back widths
16B	750706	CROSSBAR PAD 14-15"	14"-15" back widths
16C	750707	CROSSBAR PAD 16-17"	16"-17" back widths
16D	750708	CROSSBAR PAD 18-19"	18"-19" back widths
16E	750709	CROSSBAR PAD 20"	20" back widths
12-15	840127	BACK ADJ TUBE W/CAP 10-13"	
12-15	840130	BACK ADJ TUBE W/CAP 12-16"	
12-15	840131	BACK ADJ TUBE W/CAP 14-18"	
12-15	840132	BACK ADJ TUBE W/CAP 16-20"	



Pos.	Item Number	Description	Remarks
1	106934	1/4-28 NYLOCK NUT	
2	561087	BACK RELEASE SADDLE RIGID	
3	481039	BACK REL BUSHING RIGID	
4	321153	BACK REL SPRING L RIGID (NEW)	
4	321154	BACK REL SPRING R RIGID (NEW)	
5	505033	Q1/GP BACK REL BRACKET R	
5	505034	Q1/GP BACK REL BRACKET L	
6	500818	BRKT FLDG POS BCK 1S R SPORT	
6	500819	BRKT FLDG POS BCK 1S L SPORT	
6	500824	BRKT FLDG POS BK 3S R SPORT	
6	500825	BRKT FLDG POS BK 3S L SPORT	
7	341018	WASHER ECCENTRIC LARGE	
8	106962	1/4-28 x 1 3/4 BH C/S BLK ZN	
9	106943	1/4 AN WASHER FLAT	
10	226147	1/4-28 X 1.85 BH C/S	
11	482000	SADDLE SMALL 1.00 TUBE.25 HOLE	
12	561026	3/4" WASHER 1/4" HOLE	
13	520440	BACK FRM 12" REG RGD BLK .115	12 wide 9"-16" back height
13	520441	BACK FRM 13" REG RGD BLK .115	13 wide 9"-16" back height

Pos.	Item Number	Description	Remarks
13	520442	BACK FRM 14" REG RGD BLK .115	14 wide 9"-16" back height
13	520443	BACK FRM 15" REG RGD BLK .115	15 wide 9"-16" back height
13	520444	BACK FRM 16" REG RGD BLK .115	16 wide 9"-16" back height
13	520445	BACK FRM 17" REG RGD BLK .115	17 wide 9"-16" back height
13	520446	BACK FRM 18" REG RGD BLK .115	18 wide 9"-16" back height
13	520447	BACK FRM 19" REG RGD BLK .115	19 wide 9"-16" back height
13	520448	BACK FRM 20" REG RGD BLK .115	20 wide 9"-16" back height
13	520540	BACK FRM 12" TALL RGD BLK .115	12 wide 15"-20" back height
13	520541	BACK FRM 13" TALL RGD BLK .115	13 wide 15"-20" back height
13	520542	BACK FRM 14" TALL RGD BLK .115	14 wide 15"-20" back height
13	520543	BACK FRM 15" TALL RGD BLK .115	15 wide 15"-20" back height
13	520544	BACK FRM 16" TALL RGD BLK .115	16 wide 15"-20" back height
13	520545	BACK FRM 17" TALL RGD BLK .115	17 wide 15"-20" back height
13	520546	BACK FRM 18" TALL RGD BLK .115	18 wide 15"-20" back height
13	520547	BACK FRM 19" TALL RGD BLK .115	19 wide 15"-20" back height
13	520548	BACK FRM 20" TALL RGD BLK .115	20 wide 15"-20" back height
14	561002	1" INSERT PLUG .083	Used in 9" back height only
15	561014	1" MED CAP	Used in 9" back height only
16	561010	3/4" CAP	
17	561000-QU	3/4" INSERT PLUG .083	
19	301100	1/4" SNAP BUTTON SINGLE	
20A	750751S	CROSSBAR PAD 12"-13"	12"-13" back widths
20B	750706	CROSSBAR PAD 14-15"	14"-15" back widths
20C	750707	CROSSBAR PAD 16-17"	16"-17" back widths
20D	750708	CROSSBAR PAD 18-19"	18"-19" back widths
20E	750709	CROSSBAR PAD 20"	20" back widths
21	560221	BACK RELEASE STRAP LOCK RIGID	
22	750060	BACK RELEASE STRAP 12"-20" RIGID	
16-19	840127	BACK ADJ TUBE W/CAP 10-13"	
16-19	840130	BACK ADJ TUBE W/CAP 12-16"	
16-19	840131	BACK ADJ TUBE W/CAP 14-18"	
16-19	840132	BACK ADJ TUBE W/CAP 16-20"	

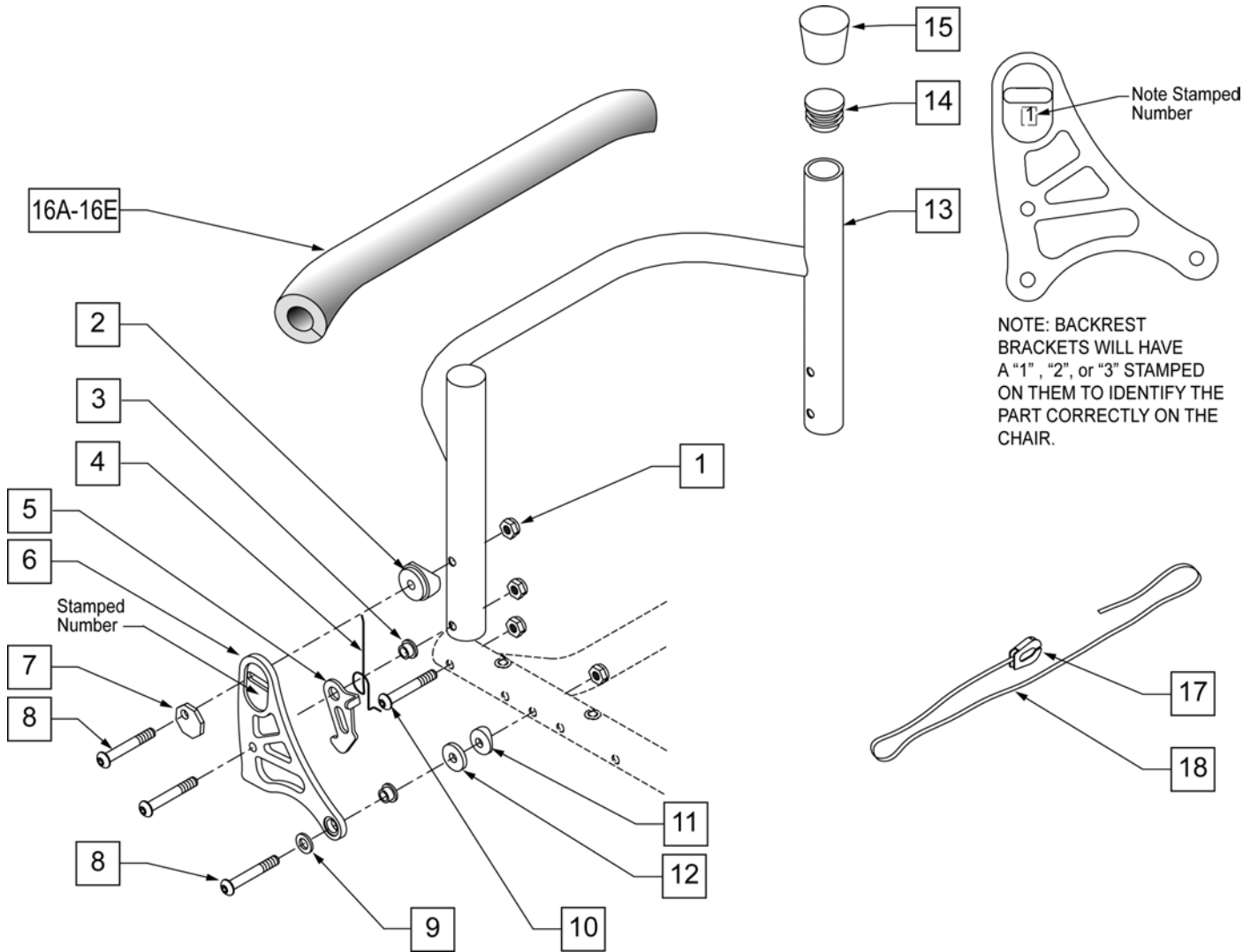


Pos.	Item Number	Description	Remarks
1	200113	NUT HEX NYLOCK M6 X 1 NUT	
2	330000-QU	1/4-28 NYLOCK NUT ALUM	
3	561087	BACK REL SADDLE RIGID	
4	500532	BRKT FXD BK 1S R SPORT	
4	500533	BRKT FXD BK 1S L SPORT	
4	500534	BRKT FXD BK 3S R SPORT	
4	500535	BRKT FXD BK 3S L SPORT	
5	341018	WASHER ECCENTRIC LARGE	
6	230118	BHCS M6 X 1 X 45MM	
7	330099	1/4-28 X 1 3/4 HEX C/S TI	
8	330100	1/4-28 X 2 HEX C/S TI	
9	482000	SADDLE SMALL 1.00 TUBE.25 HOLE	
10	561026	3/4" WASHER 1/4" HOLE	
11	545503	WLDMNT BKRST FXD 12W 9T	
11	545504	WLDMNT BKRST FXD 12W 10T	
11	545505	WLDMNT BKRST FXD 12W 11T	
11	545506	WLDMNT BKRST FXD 12W 12T	
11	545507	WLDMNT BKRST FXD 12W 13T	
11	545508	WLDMNT BKRST FXD 12W 14T	

Pos.	Item Number	Description	Remarks
11	545509	WLDMNT BKRST FXD 12W 15T	
11	545531	WLDMNT BKRST FXD 12W 16T	
11	545532	WLDMNT BKRST FXD 12W 17T	
11	545533	WLDMNT BKRST FXD 12W 18T	
11	545601	WLDMNT BKRST FXD 13W 6T	
11	545611	WLDMNT BKRST FXD 13W 7T	
11	545612	WLDMNT BKRST FXD 13W 8T	
11	545613	WLDMNT BKRST FXD 13W 9T	
11	545630	WLDMNT BKRST FXD 13W 10T	
11	545631S	WLDMNT BKRST FXD 13W 11T	
11	545632	WLDMNT BKRST FXD 13W 12T	
11	545633	WLDMNT BKRST FXD 13W 13T	
11	545634	WLDMNT BKRST FXD 13W 14T	
11	545635	WLDMNT BKRST FXD 13W 15T	
11	545534	WLDMNT BKRST FXD 13W 16T	
11	545535	WLDMNT BKRST FXD 13W 17T	
11	545536	WLDMNT BKRST FXD 13W 18T	
11	545602	WLDMNT BKRST FXD 14W 6T	
11	545614	WLDMNT BKRST FXD 14W 7T	
11	545615	WLDMNT BKRST FXD 14W 8T	
11	545616	WLDMNT BKRST FXD 14W 9T	
11	545636	WLDMNT BKRST FXD 14W 10T	
11	545637	WLDMNT BKRST FXD 14W 11T	
11	545638	WLDMNT BKRST FXD 14W 12T	
11	545639	WLDMNT BKRST FXD 14W 13T	
11	545640	WLDMNT BKRST FXD 14W 14T	
11	545641	WLDMNT BKRST FXD 14W 15T	
11	545537	WLDMNT BKRST FXD 14W 16T	
11	545538	WLDMNT BKRST FXD 14W 17T	
11	545539	WLDMNT BKRST FXD 14W 18T	
11	545603	WLDMNT BKRST FXD 15W 6T	
11	545617	WLDMNT BKRST FXD 15W 7T	
11	545618	WLDMNT BKRST FXD 15W 8T	
11	545619	WLDMNT BKRST FXD 15W 9T	
11	545642	WLDMNT BKRST FXD 15W 10T	
11	545643	WLDMNT BKRST FXD 15W 11T	
11	545644	WLDMNT BKRST FXD 15W 12T	
11	545645	WLDMNT BKRST FXD 15W 13T	
11	545646	WLDMNT BKRST FXD 15W 14T	
11	545647	WLDMNT BKRST FXD 15W 15T	
11	545540	WLDMNT BKRST FXD 15W 16T	
11	545541	WLDMNT BKRST FXD 15W 17T	
11	545542	WLDMNT BKRST FXD 15W 18T	
11	545604	WLDMNT BKRST FXD 16W 6T	
11	545620	WLDMNT BKRST FXD 16W 7T	
11	545621	WLDMNT BKRST FXD 16W 8T	
11	545622	WLDMNT BKRST FXD 16W 9T	
11	545648	WLDMNT BKRST FXD 16W 10T	
11	545649	WLDMNT BKRST FXD 16W 11T	
11	545650	WLDMNT BKRST FXD 16W 12T	
11	545651	WLDMNT BKRST FXD 16W 13T	
11	545652	WLDMNT BKRST FXD 16W 14T	
11	545653	WLDMNT BKRST FXD 16W 15T	
11	545543	WLDMNT BKRST FXD 16W 16T	
11	545544	WLDMNT BKRST FXD 16W 17T	
11	545545	WLDMNT BKRST FXD 16W 18T	

Pos.	Item Number	Description	Remarks
11	545605	WLDMNT BKRST FXD 17W 6T	
11	545623	WLDMNT BKRST FXD 17W 7T	
11	545624	WLDMNT BKRST FXD 17W 8T	
11	545625	WLDMNT BKRST FXD 17W 9T	
11	545626	WLDMNT BKRST FXD 18W 7T	
11	545654	WLDMNT BKRST FXD 17W 10T	
11	545655	WLDMNT BKRST FXD 17W 11T	
11	545656	WLDMNT BKRST FXD 17W 12T	
11	545657	WLDMNT BKRST FXD 17W 13T	
11	545658	WLDMNT BKRST FXD 17W 14T	
11	545659	WLDMNT BKRST FXD 17W 15T	
11	545546	WLDMNT BKRST FXD 17W 16T	
11	545547	WLDMNT BKRST FXD 17W 17T	
11	545548	WLDMNT BKRST FXD 17W 18T	
11	545606	WLDMNT BKRST FXD 18W 6T	
11	545626	WLDMNT BKRST FXD 18W 7T	
11	545627	WLDMNT BKRST FXD 18W 8T	
11	545628	WLDMNT BKRST FXD 18W 9T	
11	545660	WLDMNT BKRST FXD 18W 10T	
11	545661	WLDMNT BKRST FXD 18W 11T	
11	545662	WLDMNT BKRST FXD 18W 12T	
11	545663	WLDMNT BKRST FXD 18W 13T	
11	545664	WLDMNT BKRST FXD 18W 14T	
11	545665	WLDMNT BKRST FXD 18W 15T	
11	545549	WLDMNT BKRST FXD 18W 16T	
11	545550	WLDMNT BKRST FXD 18W 17T	
11	545551	WLDMNT BKRST FXD 18W 18T	
11	545510	WLDMNT BKRST FXD 19W 6T	
11	545511	WLDMNT BKRST FXD 19W 7T	
11	545512	WLDMNT BKRST FXD 19W 8T	
11	545513	WLDMNT BKRST FXD 19W 9T	
11	545514	WLDMNT BKRST FXD 19W 10T	
11	545515	WLDMNT BKRST FXD 19W 11T	
11	545516	WLDMNT BKRST FXD 19W 12T	
11	545517	WLDMNT BKRST FXD 19W 13T	
11	545518	WLDMNT BKRST FXD 19W 14T	
11	545519	WLDMNT BKRST FXD 19W 15T	
11	545552	WLDMNT BKRST FXD 19W 16T	
11	545553	WLDMNT BKRST FXD 19W 17T	
11	545554	WLDMNT BKRST FXD 19W 18T	
11	545520	WLDMNT BKRST FXD 20W 6T	
11	545521	WLDMNT BKRST FXD 20W 7T	
11	545522	WLDMNT BKRST FXD 20W 8T	
11	545523	WLDMNT BKRST FXD 20W 9T	
11	545524	WLDMNT BKRST FXD 20W 10T	
11	545525	WLDMNT BKRST FXD 20W 11T	
11	545526	WLDMNT BKRST FXD 20W 12T	
11	545527	WLDMNT BKRST FXD 20W 13T	
11	545528	WLDMNT BKRST FXD 20W 14T	
11	545529	WLDMNT BKRST FXD 20W 15T	
12	561062	1" INSERT PLUG .065 RIBS	
13	561014	1" MED CAP	
14A	750751S	CROSSBAR PAD 12"-13"	12"-13" back widths
14B	750706	CROSSBAR PAD 14-15"	14"-15" back widths
14C	750707	CROSSBAR PAD 16-17"	16"-17" back widths
14D	750708	CROSSBAR PAD 18-19"	18"-19" back widths

Pos.	Item Number	Description	Remarks
14E	750709	CROSSBAR PAD 20"	20" back widths



Pos.	Item Number	Description	Remarks
1	106934	1/4-28 NYLOCK NUT	
2	561087	BACK RELEASE SADDLE RIGID	
3	481039	BACK REL BUSHING RIGID	
4	321153	BACK REL SPRING L RIGID (NEW)	LEFT
4	321154	BACK REL SPRING R RIGID (NEW)	RIGHT
5	505033	Q1/GP BACK REL BRACKET R	RIGHT
5	505034	Q1/GP BACK REL BRACKET L	LEFT
6	500818	BRKT FLDG POS BCK 1S R SPORT	RIGHT -BRACKET SQUEEZE 1
6	500819	BRKT FLDG POS BCK 1S L SPORT	LEFT -BRACKET SQUEEZE 1
6	500824	BRKT FLDG POS BK 3S R SPORT	RIGHT -BRACKET SQUEEZE 3
6	500825	BRKT FLDG POS BK 3S L SPORT	LEFT -BRACKET SQUEEZE 3
7	341018	WASHER ECCENTRIC LARGE	
8	106962	1/4-28 x 1 3/4 BH C/S BLK ZN	
9	106943	1/4 AN WASHER FLAT	
10	226147	1/4-28 X 1.85 BH C/S	
11	482000	SADDLE SMALL 1.00 TUBE.25 HOLE	
12	561026	3/4" WASHER 1/4" HOLE	
13	545503	WLDMNT BKRST FXD 12W 9T	

Pos.	Item Number	Description	Remarks
13	545504	WLDMNT BKRST FXD 12W 10T	
13	545505	WLDMNT BKRST FXD 12W 11T	
13	545506	WLDMNT BKRST FXD 12W 12T	
13	545507	WLDMNT BKRST FXD 12W 13T	
13	545508	WLDMNT BKRST FXD 12W 14T	
13	545509	WLDMNT BKRST FXD 12W 15T	
13	545531	WLDMNT BKRST FXD 12W 16T	
13	545532	WLDMNT BKRST FXD 12W 17T	
13	545533	WLDMNT BKRST FXD 12W 18T	
13	545601	WLDMNT BKRST FXD 13W 6T	
13	545611	WLDMNT BKRST FXD 13W 7T	
13	545612	WLDMNT BKRST FXD 13W 8T	
13	545613	WLDMNT BKRST FXD 13W 9T	
13	545630	WLDMNT BKRST FXD 13W 10T	
13	545631S	WLDMNT BKRST FXD 13W 11T	
13	545632	WLDMNT BKRST FXD 13W 12T	
13	545633	WLDMNT BKRST FXD 13W 13T	
13	545634	WLDMNT BKRST FXD 13W 14T	
13	545635	WLDMNT BKRST FXD 13W 15T	
13	545534	WLDMNT BKRST FXD 13W 16T	
13	545535	WLDMNT BKRST FXD 13W 17T	
13	545536	WLDMNT BKRST FXD 13W 18T	
13	545602	WLDMNT BKRST FXD 14W 6T	
13	545614	WLDMNT BKRST FXD 14W 7T	
13	545615	WLDMNT BKRST FXD 14W 8T	
13	545616	WLDMNT BKRST FXD 14W 9T	
13	545636	WLDMNT BKRST FXD 14W 10T	
13	545637	WLDMNT BKRST FXD 14W 11T	
13	545638	WLDMNT BKRST FXD 14W 12T	
13	545639	WLDMNT BKRST FXD 14W 13T	
13	545640	WLDMNT BKRST FXD 14W 14T	
13	545641	WLDMNT BKRST FXD 14W 15T	
13	545537	WLDMNT BKRST FXD 14W 16T	
13	545538	WLDMNT BKRST FXD 14W 17T	
13	545539	WLDMNT BKRST FXD 14W 18T	
13	545603	WLDMNT BKRST FXD 15W 6T	
13	545617	WLDMNT BKRST FXD 15W 7T	
13	545618	WLDMNT BKRST FXD 15W 8T	
13	545619	WLDMNT BKRST FXD 15W 9T	
13	545642	WLDMNT BKRST FXD 15W 10T	
13	545643	WLDMNT BKRST FXD 15W 11T	
13	545644	WLDMNT BKRST FXD 15W 12T	
13	545645	WLDMNT BKRST FXD 15W 13T	
13	545646	WLDMNT BKRST FXD 15W 14T	
13	545647	WLDMNT BKRST FXD 15W 15T	
13	545540	WLDMNT BKRST FXD 15W 16T	
13	545541	WLDMNT BKRST FXD 15W 17T	
13	545542	WLDMNT BKRST FXD 15W 18T	
13	545604	WLDMNT BKRST FXD 16W 6T	
13	545620	WLDMNT BKRST FXD 16W 7T	
13	545621	WLDMNT BKRST FXD 16W 8T	
13	545622	WLDMNT BKRST FXD 16W 9T	
13	545648	WLDMNT BKRST FXD 16W 10T	
13	545649	WLDMNT BKRST FXD 16W 11T	
13	545650	WLDMNT BKRST FXD 16W 12T	
13	545651	WLDMNT BKRST FXD 16W 13T	

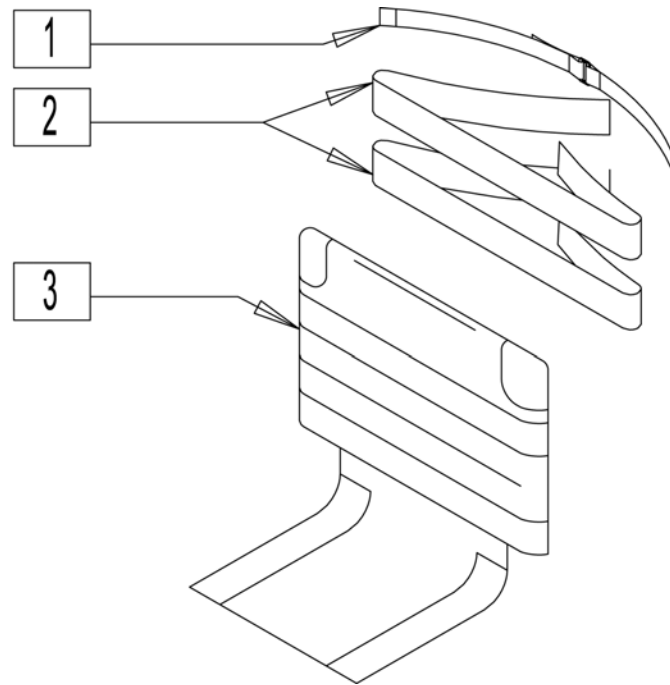
Pos.	Item Number	Description	Remarks
13	545652	WLDMNT BKRST FXD 16W 14T	
13	545653	WLDMNT BKRST FXD 16W 15T	
13	545543	WLDMNT BKRST FXD 16W 16T	
13	545544	WLDMNT BKRST FXD 16W 17T	
13	545545	WLDMNT BKRST FXD 16W 18T	
13	545605	WLDMNT BKRST FXD 17W 6T	
13	545623	WLDMNT BKRST FXD 17W 7T	
13	545624	WLDMNT BKRST FXD 17W 8T	
13	545625	WLDMNT BKRST FXD 17W 9T	
13	545626	WLDMNT BKRST FXD 18W 7T	
13	545654	WLDMNT BKRST FXD 17W 10T	
13	545655	WLDMNT BKRST FXD 17W 11T	
13	545656	WLDMNT BKRST FXD 17W 12T	
13	545657	WLDMNT BKRST FXD 17W 13T	
13	545658	WLDMNT BKRST FXD 17W 14T	
13	545659	WLDMNT BKRST FXD 17W 15T	
13	545546	WLDMNT BKRST FXD 17W 16T	
13	545547	WLDMNT BKRST FXD 17W 17T	
13	545548	WLDMNT BKRST FXD 17W 18T	
13	545606	WLDMNT BKRST FXD 18W 6T	
13	545626	WLDMNT BKRST FXD 18W 7T	
13	545627	WLDMNT BKRST FXD 18W 8T	
13	545628	WLDMNT BKRST FXD 18W 9T	
13	545660	WLDMNT BKRST FXD 18W 10T	
13	545661	WLDMNT BKRST FXD 18W 11T	
13	545662	WLDMNT BKRST FXD 18W 12T	
13	545663	WLDMNT BKRST FXD 18W 13T	
13	545664	WLDMNT BKRST FXD 18W 14T	
13	545665	WLDMNT BKRST FXD 18W 15T	
13	545549	WLDMNT BKRST FXD 18W 16T	
13	545550	WLDMNT BKRST FXD 18W 17T	
13	545551	WLDMNT BKRST FXD 18W 18T	
13	545510	WLDMNT BKRST FXD 19W 6T	
13	545511	WLDMNT BKRST FXD 19W 7T	
13	545512	WLDMNT BKRST FXD 19W 8T	
13	545513	WLDMNT BKRST FXD 19W 9T	
13	545514	WLDMNT BKRST FXD 19W 10T	
13	545515	WLDMNT BKRST FXD 19W 11T	
13	545516	WLDMNT BKRST FXD 19W 12T	
13	545517	WLDMNT BKRST FXD 19W 13T	
13	545518	WLDMNT BKRST FXD 19W 14T	
13	545519	WLDMNT BKRST FXD 19W 15T	
13	545552	WLDMNT BKRST FXD 19W 16T	
13	545553	WLDMNT BKRST FXD 19W 17T	
13	545554	WLDMNT BKRST FXD 19W 18T	
13	545520	WLDMNT BKRST FXD 20W 6T	
13	545521	WLDMNT BKRST FXD 20W 7T	
13	545522	WLDMNT BKRST FXD 20W 8T	
13	545523	WLDMNT BKRST FXD 20W 9T	
13	545524	WLDMNT BKRST FXD 20W 10T	
13	545525	WLDMNT BKRST FXD 20W 11T	
13	545526	WLDMNT BKRST FXD 20W 12T	
13	545527	WLDMNT BKRST FXD 20W 13T	
13	545528	WLDMNT BKRST FXD 20W 14T	
13	545529	WLDMNT BKRST FXD 20W 15T	
14	561002	1" INSERT PLUG .083	

Pos.	Item Number	Description	Remarks
15	561014	1" MED CAP	
16A	750751S	CROSSBAR PAD 12"-13"	12"-13" back widths
16B	750706	CROSSBAR PAD 14-15"	14"-15" back widths
16C	750707	CROSSBAR PAD 16-17"	16"-17" back widths
16D	750708	CROSSBAR PAD 18-19"	18"-19" back widths
16E	750709	CROSSBAR PAD 20"	20" back widths
17	560221	BACK RELEASE STRAP LOCK RIGID	
18	750060	BACK RELEASE STRAP 12"-20" RIGID	

Note: used with GPV Competition Wheelchair.

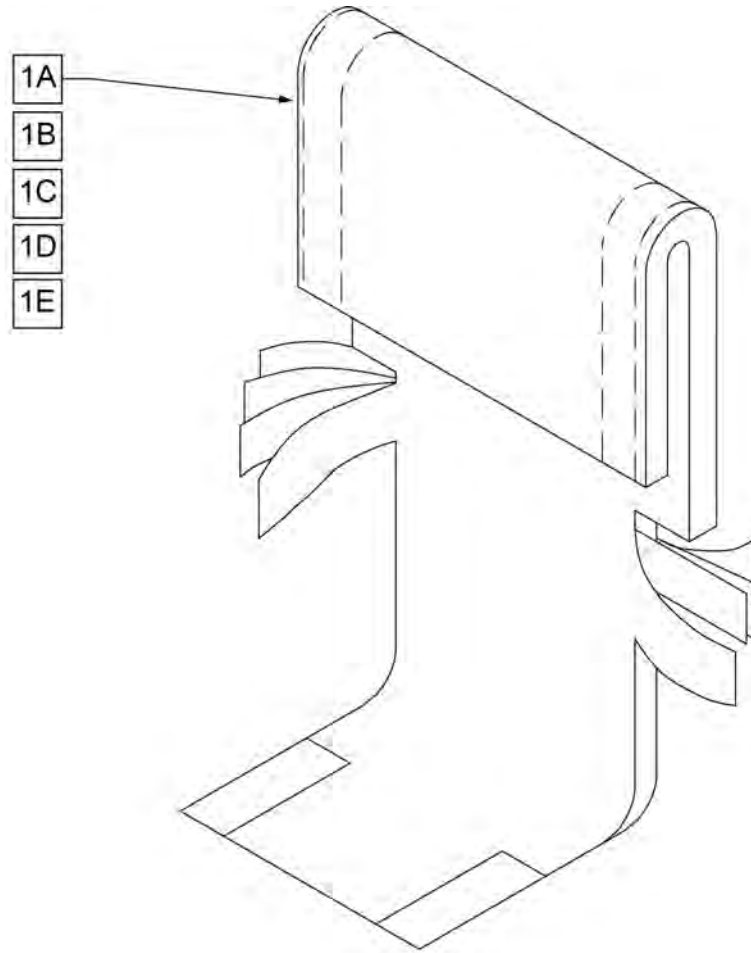
Note: for All Court & Match Point chairs the upholstery is 1" wider than the chair seat width.

Note: items 1, 2 & 3 are required for complete back upholstery replacement.



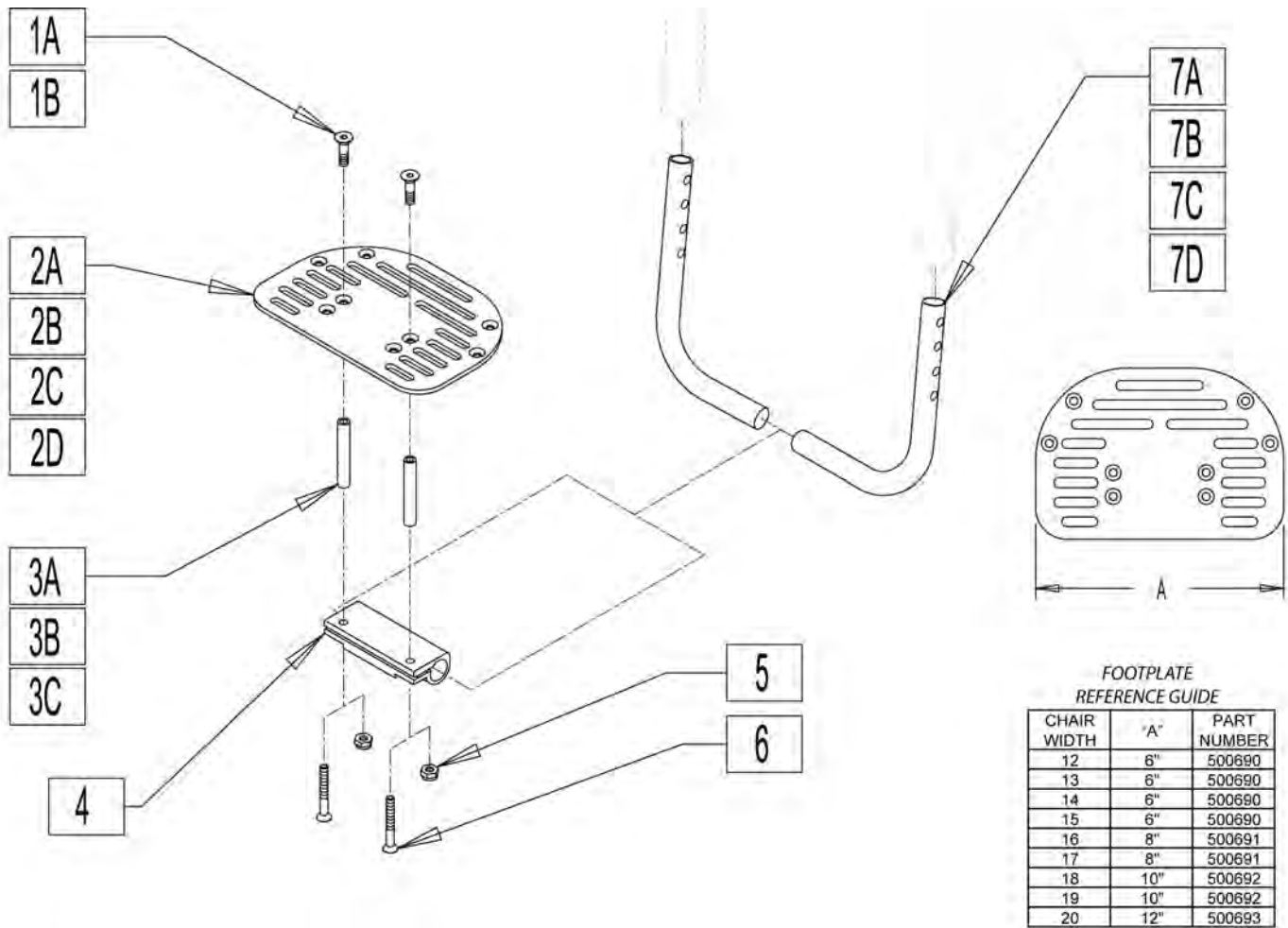
Pos.	Item Number	Description	Remarks
1	750096S	SIDE GRD STRP BACK 12-14" WIDE	
1	750116	SIDE GRD STRP BACK 15-17" WIDE	
1	750117	SIDE GRD STRP BACK 18-20" WIDE	
2	741500	ANKLE/BACK STRAP 2"W X 43"L	used for 13"-14" wide
2	741501	ANKLE/BACK STRAP 2"W X 45"L	used for 15"-17" wide
2	741502	ANKLE/BACK STRAP 2"W X 48"L	used for 18"-20" wide
2	741503	ANKLE/BACK STRAP 2" X 51"L	used for 21" wide
>>>>		SHORT ADJUSTABLE UPH	
3	685903	BACK UPH QUICKIE ADJUSTABLE 13" SA	Short Uph - 9"-13" Back Ht's; items 2&3 not included
3	685904	BACK UPH QUICKIE ADJUSTABLE 14" SA	Short Uph - 9"-13" Back Ht's; items 2&3 not included
3	685905	BACK UPH QUICKIE ADJUSTABLE 15" SA	Short Uph - 9"-13" Back Ht's; items 2&3 not included
3	685906	BACK UPH QUICKIE ADJUSTABLE 16" SA	Short Uph - 9"-13" Back Ht's; items 2&3 not included
3	685907	BACK UPH QUICKIE ADJUSTABLE 17" SA	Short Uph - 9"-13" Back Ht's; items 2&3 not included
3	685908	BACK UPH QUICKIE ADJUSTABLE 18" SA	Short Uph - 9"-13" Back Ht's; items 2&3 not included
3	685909	BACK UPH QUICKIE ADJUSTABLE 19" SA	Short Uph - 9"-13" Back Ht's; items 2&3 not included
3	685910	BACK UPH QUICKIE ADJUSTABLE 20" SA	Short Uph - 9"-13" Back Ht's; items 2&3 not included
3	685911	BACK UPH QUICKIE ADJUSTABLE 21" SA	Short Uph - 9"-13" Back Ht's; items 2&3 not included
>>>>		MEDIUM ADJUSTABLE BACK UPH	

Pos.	Item Number	Description	Remarks
3	685913	BACK UPH QUICKIE ADJUSTABLE 13" MA	Med Uph - 12"-18" Back Ht's; items 2&3 not included
3	685914	BACK UPH QUICKIE ADJUSTABLE 14" MA	Med Uph - 12"-18" Back Ht's; items 2&3 not included
3	685915	BACK UPH QUICKIE ADJUSTABLE 15" MA	Med Uph - 12"-18" Back Ht's; items 2&3 not included
3	685916	BACK UPH QUICKIE ADJUSTABLE 16" MA	Med Uph - 12"-18" Back Ht's; items 2&3 not included
3	685917	BACK UPH QUICKIE ADJUSTABLE 17" MA	Med Uph - 12"-18" Back Ht's; items 2&3 not included
3	685918	BACK UPH QUICKIE ADJUSTABLE 18" MA	Med Uph - 12"-18" Back Ht's; items 2&3 not included
3	685919	BACK UPH QUICKIE ADJUSTABLE 19" MA	Med Uph - 12"-18" Back Ht's; items 2&3 not included
3	685920	BACK UPH QUICKIE ADJUSTABLE 20" MA	Med Uph - 12"-18" Back Ht's; items 2&3 not included
3	685921	BACK UPH QUICKIE ADJUSTABLE 21" MA	Med Uph - 12"-18" Back Ht's; items 2&3 not included
>>>>		LARGE ADJUSTABLE BACK UPH	
3	685923	BACK UPH QUICKIE ADJUSTABLE 13" LA	Large Uph - 17"-20" Back Ht's; items 2&3 not included
3	685924	BACK UPH QUICKIE ADJUSTABLE 14" LA	Large Uph - 17"-20" Back Ht's; items 2&3 not included
3	685925	BACK UPH QUICKIE ADJUSTABLE 15" LA	Large Uph - 17"-20" Back Ht's; items 2&3 not included
3	685926	BACK UPH QUICKIE ADJUSTABLE 16" LA	Large Uph - 17"-20" Back Ht's; items 2&3 not included
3	685927	BACK UPH QUICKIE ADJUSTABLE 17" LA	Large Uph - 17"-20" Back Ht's; items 2&3 not included
3	685928	BACK UPH QUICKIE ADJUSTABLE 18" LA	Large Uph - 17"-20" Back Ht's; items 2&3 not included
3	685929	BACK UPH QUICKIE ADJUSTABLE 19" LA	Large Uph - 17"-20" Back Ht's; items 2&3 not included
3	685930	BACK UPH QUICKIE ADJUSTABLE 20" LA	Large Uph - 17"-20" Back Ht's; items 2&3 not included

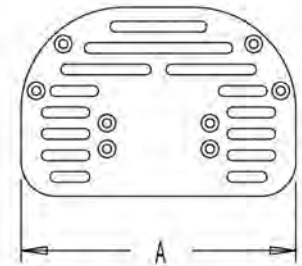
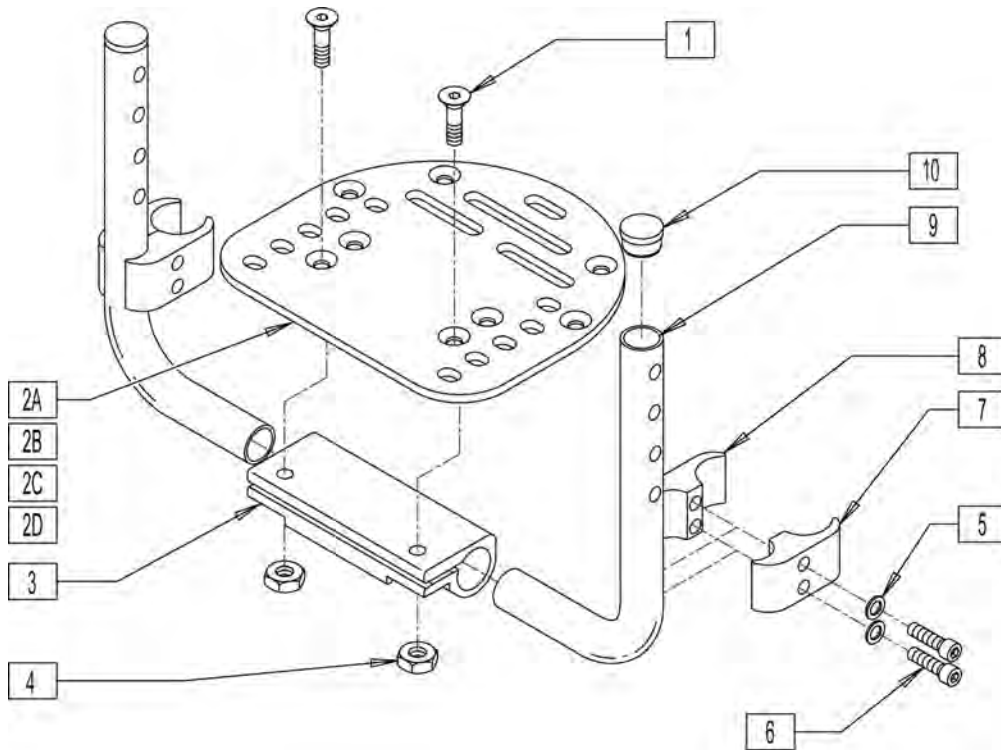


Pos.	Item Number	Description	Remarks
1A	680212	BACK UPH 12" 8-12" W/TAIL	(12" WIDE) 8-12" for Ht Adj Back & 8,9,10" for Fixed Back Hts
1A	680213	BACK UPH 13" 8-12" W/TAIL	(13" WIDE) 8-12" for Ht Adj Back & 8,9,10" for Fixed Back Hts
1A	680308	BACK UPH 14" 8-12" W/TAIL	(14" WIDE) 8-12" for Ht Adj Back & 8,9,10" for Fixed Back Hts
1A	680408	BACK UPH 15" 8-12" W/TAIL	(15" WIDE) 8-12" for Ht Adj Back & 8,9,10" for Fixed Back Hts
1A	680508	BACK UPH 16" 8-12" W/TAIL	(16" WIDE) 8-12" for Ht Adj Back & 8,9,10" for Fixed Back Hts
1A	680608	BACK UPH 17" 8-12" W/TAIL	(17" WIDE) 8-12" for Ht Adj Back & 8,9,10" for Fixed Back Hts
1A	680708	BACK UPH 18" 8-12" W/TAIL	(18" WIDE) 8-12" for Ht Adj Back & 8,9,10" for Fixed Back Hts
1A	680808	BACK UPH 19" 8-12" W/TAIL	(19" WIDE) 8-12" for Ht Adj Back & 8,9,10" for Fixed Back Hts
1B	680208	BACK UPH 12" 11-15" W/ TAIL	(12" WIDE) 10-14" for Ht Adj Back & 11" for Fixed Back Hts
1B	680201	BACK UPH 13" 11-15" W/ TAIL	(13" WIDE) 10-14" for Ht Adj Back & 11" for Fixed Back Hts
1B	680301	BACK UPH 14" 11-15" W/ TAIL	(14" WIDE) 10-14" for Ht Adj Back & 11" for Fixed Back Hts
1B	680401	BACK UPH 15" 11-15" W/ TAIL	(15" WIDE) 10-14" for Ht Adj Back & 11" for Fixed Back Hts
1B	680501	BACK UPH 16" 11-15" W/ TAIL	(16" WIDE) 10-14" for Ht Adj Back & 11" for Fixed Back Hts
1B	680601	BACK UPH 17" 11-15" W/ TAIL	(17" WIDE) 10-14" for Ht Adj Back & 11" for Fixed Back Hts
1B	680701	BACK UPH 18" 11-15" W/ TAIL	(18" WIDE) 10-14" for Ht Adj Back & 11" for Fixed Back Hts
1B	680801	BACK UPH 19" 11-15" W/ TAIL	(19" WIDE) 10-14" for Ht Adj Back & 11" for Fixed Back Hts
1B	680901	BACK UPH 20" 11-15" W/ TAIL	(20" WIDE) 10-14" for Ht Adj Back & 11" for Fixed Back Hts
1C	680209	BACK UPH 12" 12-16" W/ TAIL	(12" WIDE) 12 -16" for Ht Adj Back & 12"&13" for Fixed Back Hts
1C	680203	BACK UPH 13" 12-16" W/ TAIL	(13" WIDE) 12 -16" for Ht Adj Back & 12"&13" for Fixed Back Hts
1C	680303	BACK UPH 14" 12-16" W/ TAIL	(14" WIDE) 12 -16" for Ht Adj Back & 12"&13" for Fixed Back Hts
1C	680403	BACK UPH 15" 12-16" W/ TAIL	(15" WIDE) 12 -16" for Ht Adj Back & 12"&13" for Fixed Back Hts

Pos.	Item Number	Description	Remarks
1C	680503	BACK UPH 16" 12-16" W/ TAIL	(16" WIDE) 12 -16" for Ht Adj Back & 12"&13" for Fixed Back Hts
1C	680603	BACK UPH 17" 12-16" W/ TAIL	(17" WIDE) 12 -16" for Ht Adj Back & 12"&13" for Fixed Back Hts
1C	680703	BACK UPH 18" 12-16" W/ TAIL	(18" WIDE) 12 -16" for Ht Adj Back & 12"&13" for Fixed Back Hts
1C	680803	BACK UPH 19" 12-16" W/ TAIL	(19" WIDE) 12 -16" for Ht Adj Back & 12"&13" for Fixed Back Hts
1C	680903	BACK UPH 20" 12-16" W/ TAIL	(20" WIDE) 12 -16" for Ht Adj Back & 12"&13" for Fixed Back Hts
1D	680210	BACK UPH 12" 14-18" W/ TAIL	(12" WIDE) 14 -18" for Ht Adj Back & 14,15,16" for Fixed Back Hts
1D	680205	BACK UPH 13" 14-18" W/ TAIL	(13" WIDE) 14 -18" for Ht Adj Back & 14,15,16" for Fixed Back Hts
1D	680305	BACK UPH 14" 14-18" W/ TAIL	(14" WIDE) 14 -18" for Ht Adj Back & 14,15,16" for Fixed Back Hts
1D	680405	BACK UPH 15" 14-18" W/ TAIL	(15" WIDE) 14 -18" for Ht Adj Back & 14,15,16" for Fixed Back Hts
1D	680505	BACK UPH 16" 14-18" W/ TAIL	(16" WIDE) 14 -18" for Ht Adj Back & 14,15,16" for Fixed Back Hts
1D	680605	BACK UPH 17" 14-18" W/ TAIL	(17" WIDE) 14 -18" for Ht Adj Back & 14,15,16" for Fixed Back Hts
1D	680705	BACK UPH 18" 14-18" W/ TAIL	(18" WIDE) 14 -18" for Ht Adj Back & 14,15,16" for Fixed Back Hts
1D	680805	BACK UPH 19" 14-18" W/ TAIL	(19" WIDE) 14 -18" for Ht Adj Back & 14,15,16" for Fixed Back Hts
1D	680905	BACK UPH 20" 14-18" W/ TAIL	(20" WIDE) 14 -18" for Ht Adj Back & 14,15,16" for Fixed Back Hts
1E	680211	BACK UPH 12" 16-20" W/ TAIL	(12" WIDE) 16 -20" for Ht Adj Back & 17,18,19" for Fixed Back Hts
1E	680207	BACK UPH 13" 16-20" W/ TAIL	(13" WIDE) 16 -20" for Ht Adj Back & 17,18,19" for Fixed Back Hts
1E	680307	BACK UPH 14" 16-20" W/ TAIL	(14" WIDE) 16 -20" for Ht Adj Back & 17,18,19" for Fixed Back Hts
1E	680407	BACK UPH 15" 16-20" W/ TAIL	(15" WIDE) 16 -20" for Ht Adj Back & 17,18,19" for Fixed Back Hts
1E	680507	BACK UPH 16" 16-20" W/ TAIL	(16" WIDE) 16 -20" for Ht Adj Back & 17,18,19" for Fixed Back Hts
1E	680607	BACK UPH 17" 16-20" W/ TAIL	(17" WIDE) 16 -20" for Ht Adj Back & 17,18,19" for Fixed Back Hts
1E	680707	BACK UPH 18" 16-20" W/ TAIL	(18" WIDE) 16 -20" for Ht Adj Back & 17,18,19" for Fixed Back Hts
1E	680807	BACK UPH 19" 16-20" W/ TAIL	(19" WIDE) 16 -20" for Ht Adj Back & 17,18,19" for Fixed Back Hts
1E	680907S	BACK UPH CUSTOM Q1/GP F BCK	(20" WIDE) 16 -20" for Ht Adj Back & 17,18,19" for Fixed Back Hts



Pos.	Item Number	Description	Remarks
1A	226259	1/4-28 x 1 FH C/S	Used w/o spacer
1B	226121	1/4-20 x 1 FH C/S BLK	Used with footrest spacer
2A	500690	PLTFORM F/PLT 6" x 5 1/2"	12-15 wide
2B	500691	PLTFORM F/PLT 8" x 5 1/2"	16-17 wide
2C	500692	PLTFORM F/PLT 10" x 5 1/2"	18-19 wide
2D	500693	PLATFORM F/PLT 12" x 5 1/2"	20 wide All Court - 18-20 Match Point
3A	481306	ADAPTIVE FOOTREST SPACER 2"	
3B	481307	ADAPTIVE FOOTREST SPACER 4"	
3C	481308	ADAPTIVE FOOTREST SPACER 6"	
4	550351	PLATFORM FOOTPLATE CLAMP	
5	106941	1/4-28 AUTOMATION NUT	Used w/o spacer
6	106958	1/4-20 X 1 HEX C/S	Used with footrest spacer
7A	522247	FOOTREST TUBE 14/15" QTNT	
7B	522248	FOOTREST TUBE 16/17" QTNT	
7C	522249	FOOTREST TUBE 18" QTNT	
7D	522265	FOOTREST TUBE 18"/19" MP	
1,2A,4,5,7A	800400	FTRST ASSM PLATFORM 12"-13"	
1,2A,4,5,7A	800401	FTRST ASSM PLATFORM 14"-15"	
1,2B,4,5,7B	800402	FTRST ASSM PLATFORM 16"-17"	
1,2C,4,5,7C	800403	FTRST ASSM PLATFORM 18"-19" AC	
1,2D,4,5,7D	800404	FTRST ASSM PLATFORM 20"AC 18"-20"MP	

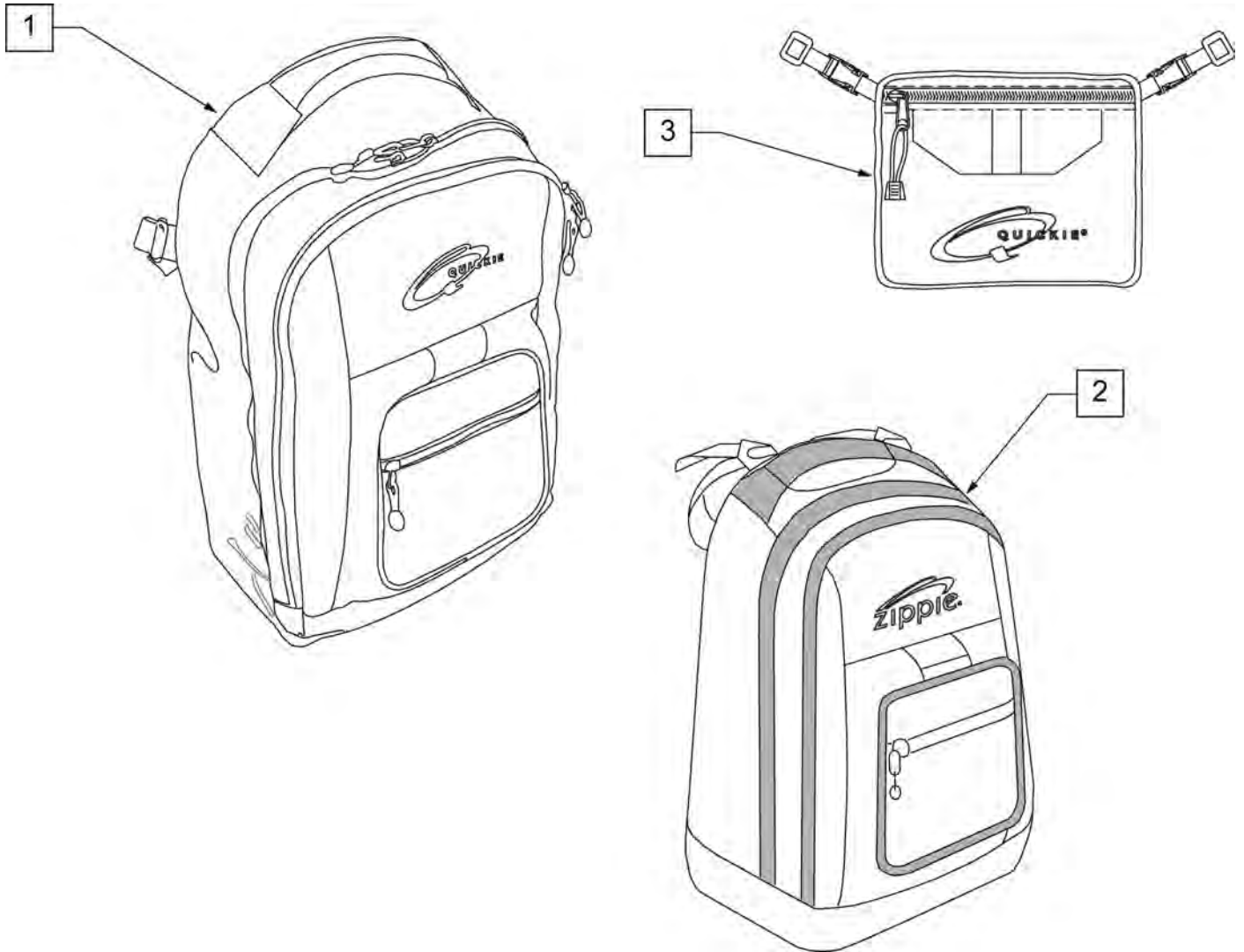


FOOTPLATE
REFERENCE GUIDE

CHAIR WIDTH	"A"	PART NUMBER
12	6"	500690
13	6"	500690
14	6"	500690
15	6"	500690
16	8"	500691
17	8"	500691
18	10"	500692
19	10"	500692
20	12"	500693

Pos.	Item Number	Description
1	226259	1/4-28 X 1 FLAT HD C/S BLK
2A	500690	PLTFRM FOOTPLATE 6" x 5 1/2" (10"-13")
2B	500691	PLTFRM FOOTPLATE 8" x 5 1/2" (14")
2C	500692	PLTFRM F/PLT 10" x 5 1/2"
2D	500693	PLATFORM F/PLT 12" x 5 1/2"
3	550351	PLTFRM FT PLT CLMP (SPECIFY BLK)
4	106941	1/4-28 AUTOMATION NUT
5	262114	1/4 WASHER HI COLLAR LOCK ZN
6	107032	1/4-28 x 1 SOC S/C BLK
7	550657	CLAMP 1 1/4" RECESS FULL BLK
8	550658	CLAMP 1 1/4" THREADED BLK
5-8	880538	HI-MOUNT FR CLAMP ASSM BLK
9	522247	FOOTREST TUBE 14/15" QTNT
9	522248	FOOTREST TUBE 16/17" QTNT
9	522249	FOOTREST TUBE 18" QTNT
9	522265	FOOTREST TUBE 18/19" MP
10	561000-QU	3/4" INSERT PLUG .083
1,2A,3-10	800410	FTRST ASSM HI-MNT 12"-13"
1,2A,3-10	800411	FTRST ASSM HI-MNT 14"-15"
1,2B,3-10	800412	FTRST ASSM HI-MNT 16"-17"
1,2C,3-10	800413	FTRST ASSM HI-MNT 18"-19" AC
1,2D,3-10	800414	FTRST ASSM HI-MNT 20"AC 18"-20"MP

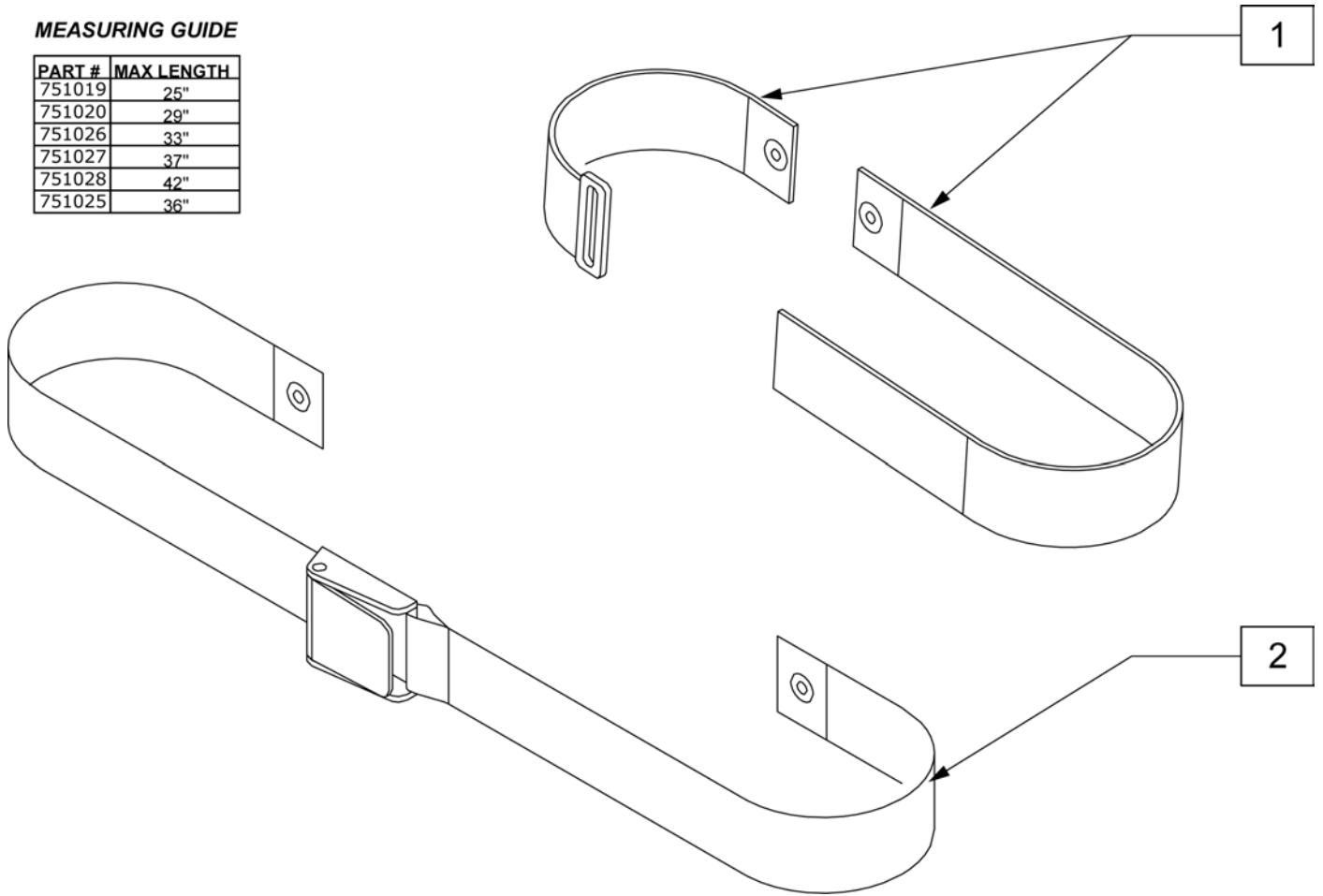
NOTE: KIDS BACKPACKS DO NOT HAVE ADJUSTABLE STRAPS W/ BUCKLES.



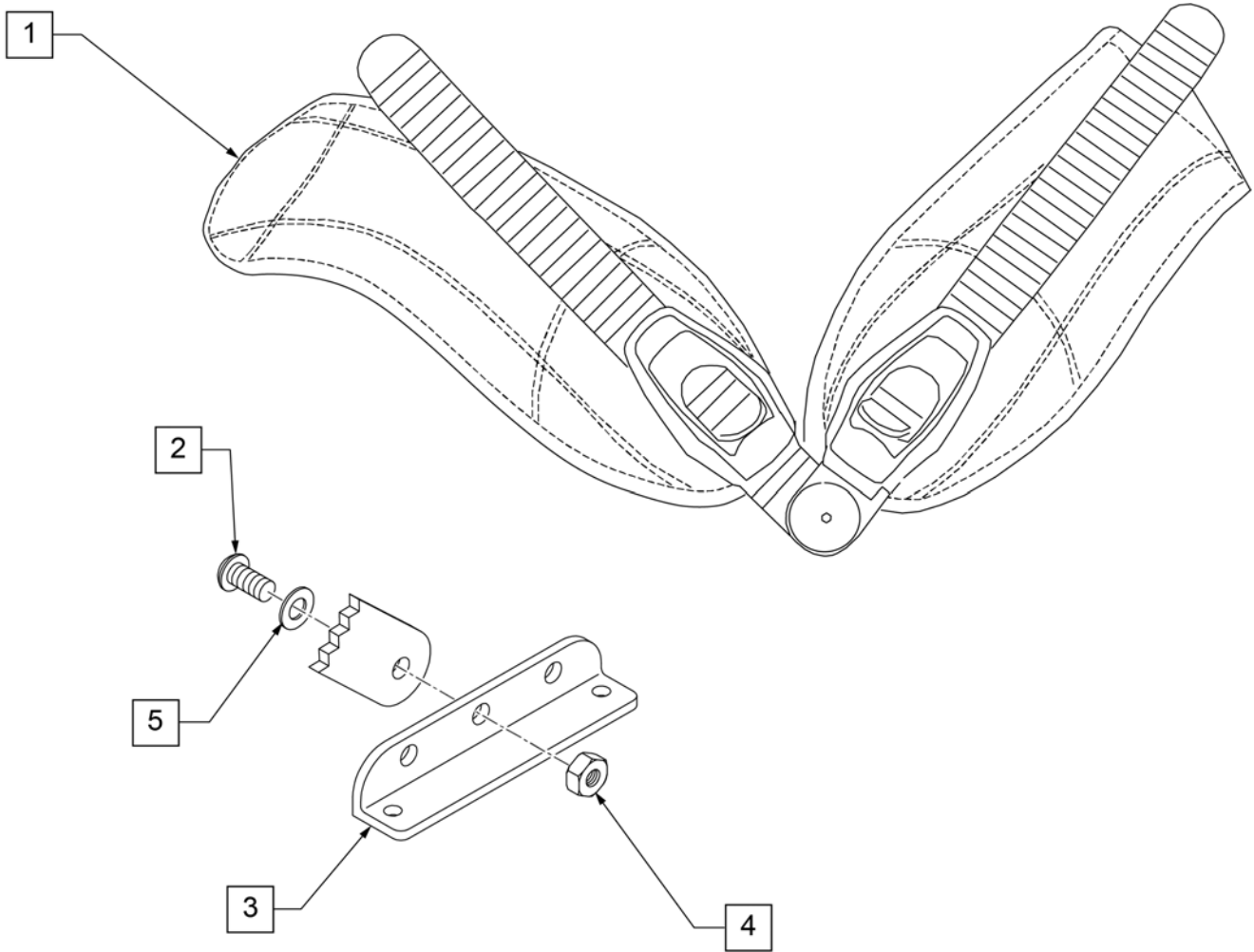
Pos.	Item Number	Description	Remarks
1	750115	BACK PACK QUICKIE	Overall dimensions:width 12.5", height 18.5", depth 6.5"
2	104572	BACKPACK ZIPPIE	Overall dimensions: width 12", height 16.5", depth 4.5"
3	750307	SEAT POUCH QUICKIE	Dimensions: width 8.5", height 6", depth top 2.5", depth bottom 3.5"

MEASURING GUIDE

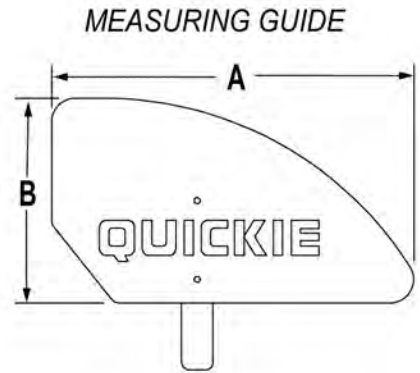
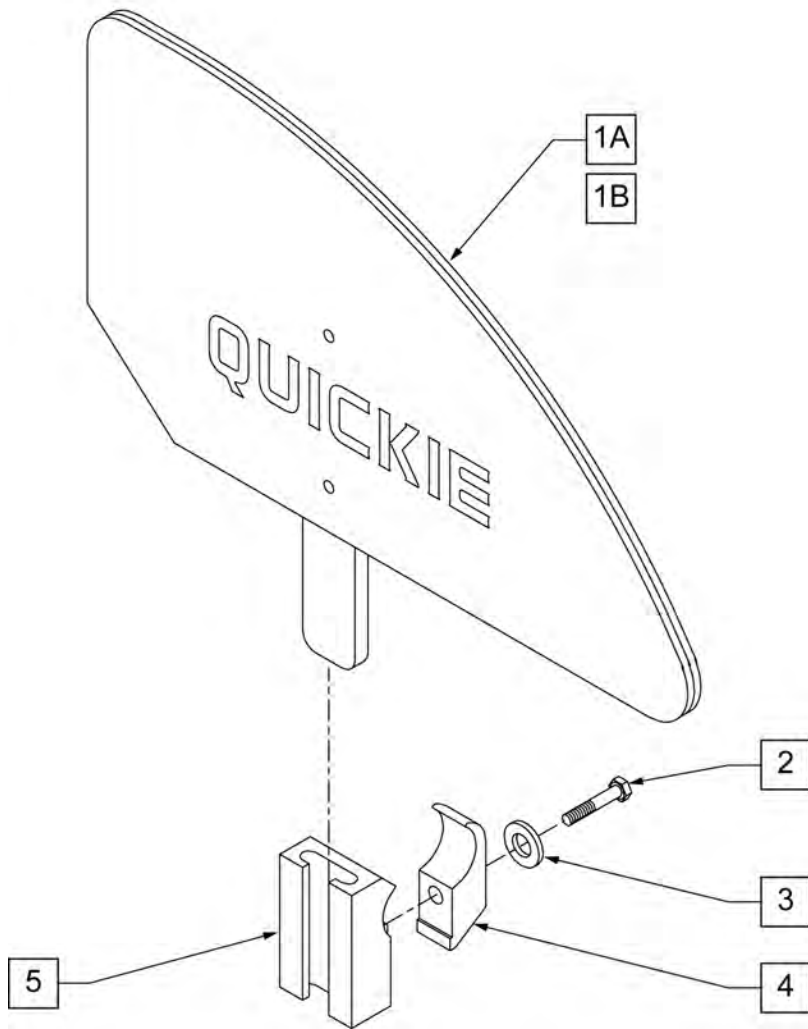
PART #	MAX LENGTH
751019	25"
751020	29"
751026	33"
751027	37"
751028	42"
751025	36"



Pos.	Item Number	Description
1	751019	POSITION BLT HK/LP CLS 11"-12"
1	751020	POSITION BLT HK/LP CLS 13"-14"
1	751026	POSITION BLT HK/LP CLS 15"-16"
1	751027	POSITION BLT HK/LP CLS 17"-18"
1	751028	POSITION BLT HK/LP CLS 19"-20"
2	751025S	POSITION BELT NYLON BKL SPC-DIM



Pos.	Item Number	Description	Remarks
2	106959	BHCS 1/4-28 X 5/8	
3	483328	BRACKET STRAP RATCHET BELT	
4	106935	NUT NYLOCK THIN 1/4-28 ROHS	
5	106944	WASHER FLAT THIN AN 1/4	
1-5	750218	RATCHET POS BELT LRG ASSM (PR)	(PR) 36" LONG
1-5	750219	RATCHET POS BELT XLG ASSM (PR)	(PR) 42" LONG

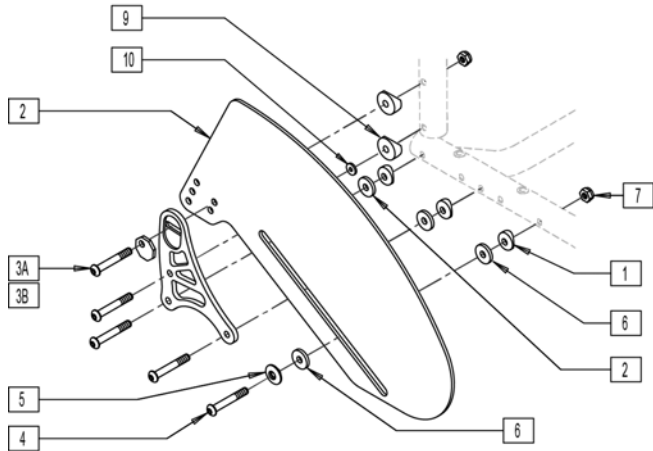


	"A"	"B"
ADULT	12 3/4"	8 5/8"
KIDS	11 1/2"	6 1/2"

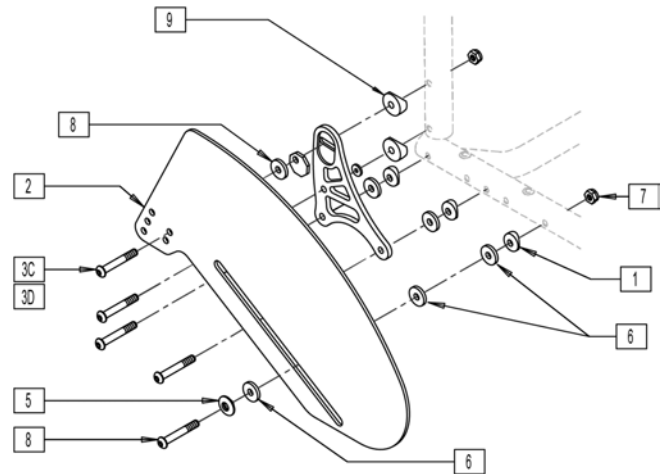
NOTE: STANDARD (ADULT) SIDE GUARD FITS 14-20" DEPTHS, KIDS SIDE GUARD FITS 10-13" DEPTHS.

Pos.	Item Number	Description	Remarks
1A	881150	PLASTIC SIDE GUARD KIDS R	
1A	881151	PLASTIC SIDE GUARD KIDS L	
1B	881152	PLASTIC SIDE GUARD STD R	
1B	881153	PLASTIC SIDE GUARD STD L	
2	106971	1/4-28 x 1 3/8 HEX C/S	
3	106944	1/4 AN WASHER FLAT THIN	
4	550251	CLAMP P300 CHARGING/ADJ FL KIDS	
5	550325	SIDE GUARD/KIDZ ARM RECEIVER	
2-5	881200	SIDE GUARD/KIDZ ARM RECEIVER W/CLAMP	
1A,2-5	901111	PLASTIC SIDE GUARD KIDS ASSM W/CLAMP	Pair
1B,2-5	901110	PLASTIC SIDE GUARD STD ASSM W/CLAMP	Pair

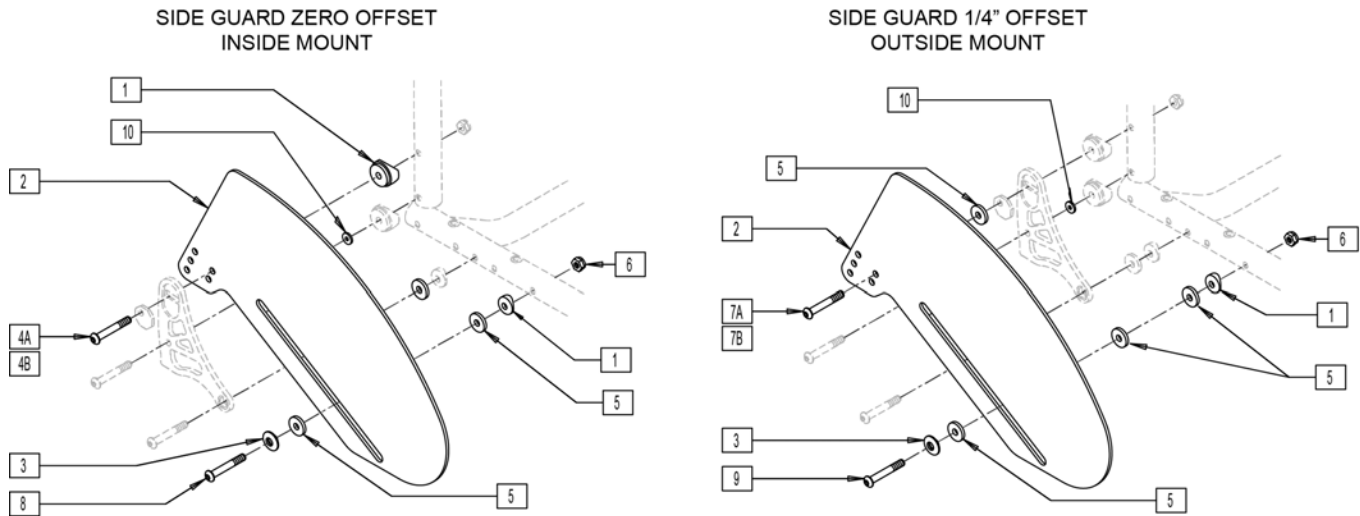
SIDE GUARD ZERO OFFSET
INSIDE MOUNT



SIDE GUARD 1/4" OFFSET
OUTSIDE MOUNT

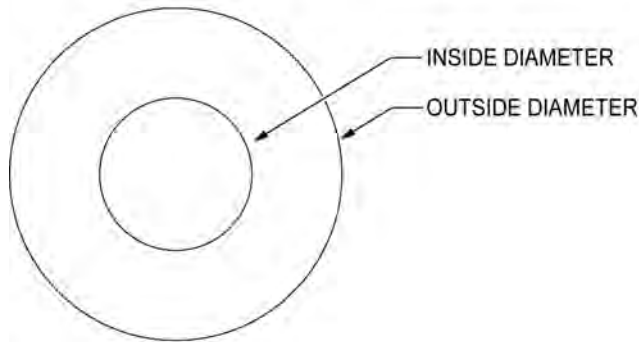
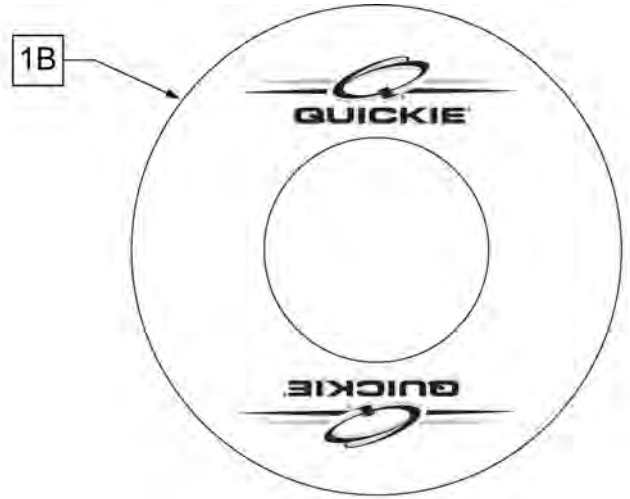
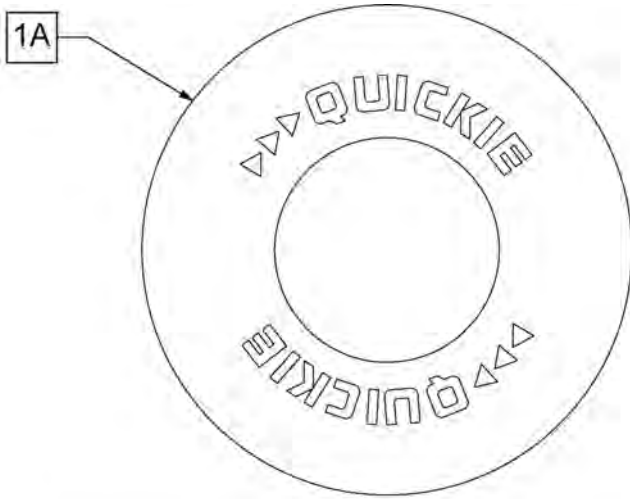


Pos.	Item Number	Description	Remarks
1	561004	1" SADDLE 1/4" HOLE	
2	500223	SIDE GUARD STD	
3A	106962	1/4-28 x 1.85 BH C/S BLK ZN	USED W/ ALUMINUM BACK FRAME
3B	230118	BHCS M6 X 1 X 45 BLK	USED W/ TITANIUM BACK FRAME
3C	106964	1/4-28 X 2 BH C/S	USED W/ ALUMINUM BACK FRAME
3D	102262-008	BHCS M6 X 1 X 50 INORGANIC	USED W/ TITANIUM BACK FRAME
4	226147	1/4-28 x 1.85 BH C/S	
5	481046	SIDE GUARD BUSHING	
6	561043	1" WASHER 3/8" HOLE	
7	106935	NUT NYLOCK THIN 1/4-28 ROHS	
8	106964	1/4-28 X 2 BH C/S	
9	561001	1-1/8" SADDLE 1/4" HOLE	
10	106943	WASHER FLAT AN 1/4	
1,3A,3C,4-10	920625	HARDWARE KIT SIDE GUARD A/C	Kit does not include Side Guard



Pos.	Item Number	Description	Remarks
1	561004	1" SADDLE 1/4" HOLE	
2	500223	SIDE GUARD AL STD AC	
3	481046	SIDEGUARD BUSHING	
4A	106962	1/4-28 x 1.85 BH C/S BLK ZN	USED W/ ALUMINUM BACK FRAME
4B	230118	BHCS M6 X 1 X 45 BLK	USED W/ TITANIUM BACK FRAME
5	561043	1" WASHER 3/8" HOLE	
6	106935	NUT NYLOCK THIN 1/4-28 ROHS	
7A	106964	1/4-28 x 2 BH C/S	USED W/ ALUMINUM BACK FRAME
7B	102262-008	BHCS M6 X 1 X 50 INORGANIC	USED W/ TITANIUM BACK FRAME
8	226147	1/4-28 x 1.85 BH C/S	
9	106964	1/4-28 X 2 BH C/S	
10	106943	WASHER FLAT AN 1/4	
1,3,4A,6,7A,8-10	920625	HARDWARE KIT SIDE GUARD A/C	KIT DOES NOT INCLUDE SIDEGUARD

Note: some wheel sizes listed may not be available on all chairs.



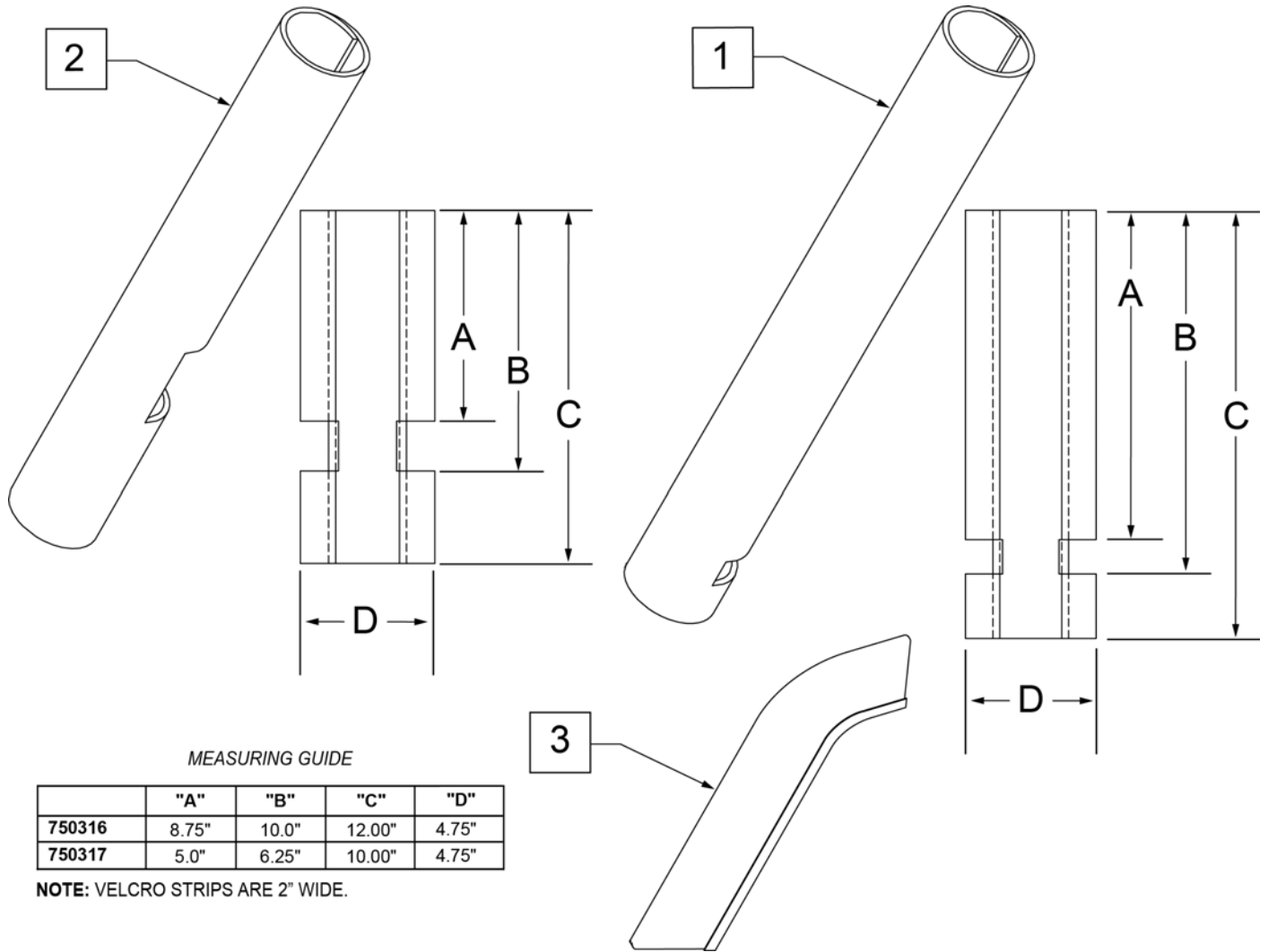
SPOKE GUARD MEASURING GUIDE

PART NUMBER	INSIDE DIAMETER	OUTSIDE DIAMETER
902001	8 1/4	15 7/8
902011	8 1/4	18 1/8
902021	10 1/4	19 5/8
902025	10 1/4	20 3/8
902037	10 1/4	21 7/8
902038	10 1/4	23 3/8
103660-001	8 1/4	16
103660-002	8 1/4	18
103663-001	10 1/4	20 1/2
103663-002	10 1/4	23 1/2
103734-001	10 1/4	19 1/4
103734-002	10 1/4	22
119336	10 1/4	19 1/4

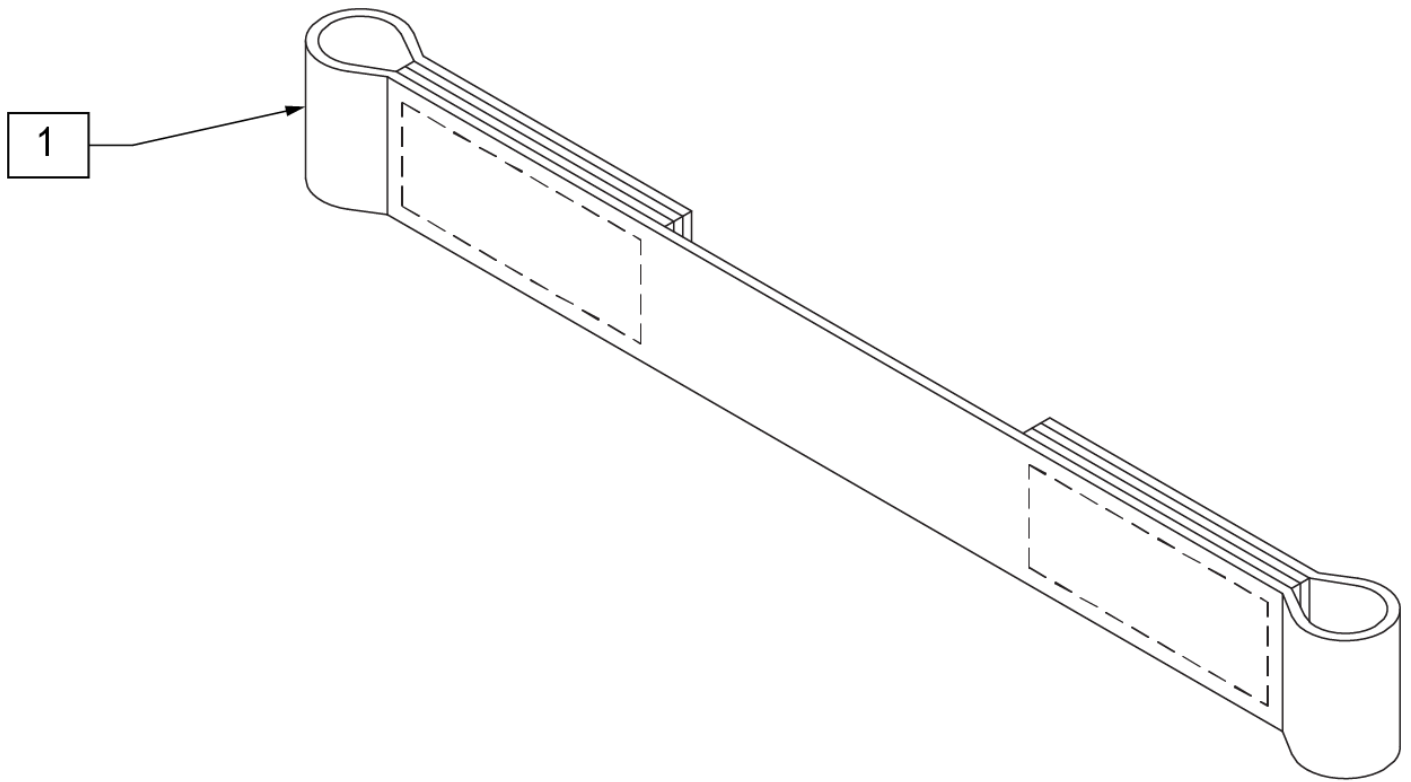
Pos.	Item Number	Description	Remarks
>>>>		BLACK SPOKE GUARDS	
1A	902001	SPK GRDS 20" QUICKIE BLK	PR-Black-fits 20" Whls
1A	902011	SPK GRDS 22" QUICKIE BLK	PR-Black-fits 22" Whls, 24" (540) Whls w/ Proj HR, 24" Mountain Spoke Whls, M6 24" (540) Spoke Whls
1A	902021	SPK GRD 24" QUICKIE SCR MT BLK	PR-Black-fits 24" (540) Mag & Spoke Whls
1A	902025	SPK GRD 24" QUICKIE TAB MT BLK	PR-Black-fits 25" (559) Spk Whls & 26" Mountain Spoke Whls
1A	902037	SPK GRD 26" QUICKIE TAB MT BLK	PR-Black-fits 26" (590) Whls
1A	902038	SPK GRD 26" QUICKIE HT BLK	PR-Black-fits 27" (700) Whls
>>>>		CLEAR SPOKE GUARDS	
1B	103660-001	CLEAR SPOKE GUARD 20"	PR-Clear-fits 20" Whls
1B	103660-002	CLEAR SPOKE GUARD 22"	PR-Clear-fits 22" Whls, 24" (540) Whls w/ Proj HR, 24" Mountain Spoke Whls, M6 24" (540) Spoke Whls
NEW QUICKIE ALLCOURT/Ti ALLCOURT PAGE 69			
1B	103734-001	SPOKE GUARD 24" CLR	PR-Clear-fits 24" (540) Spoke Whls



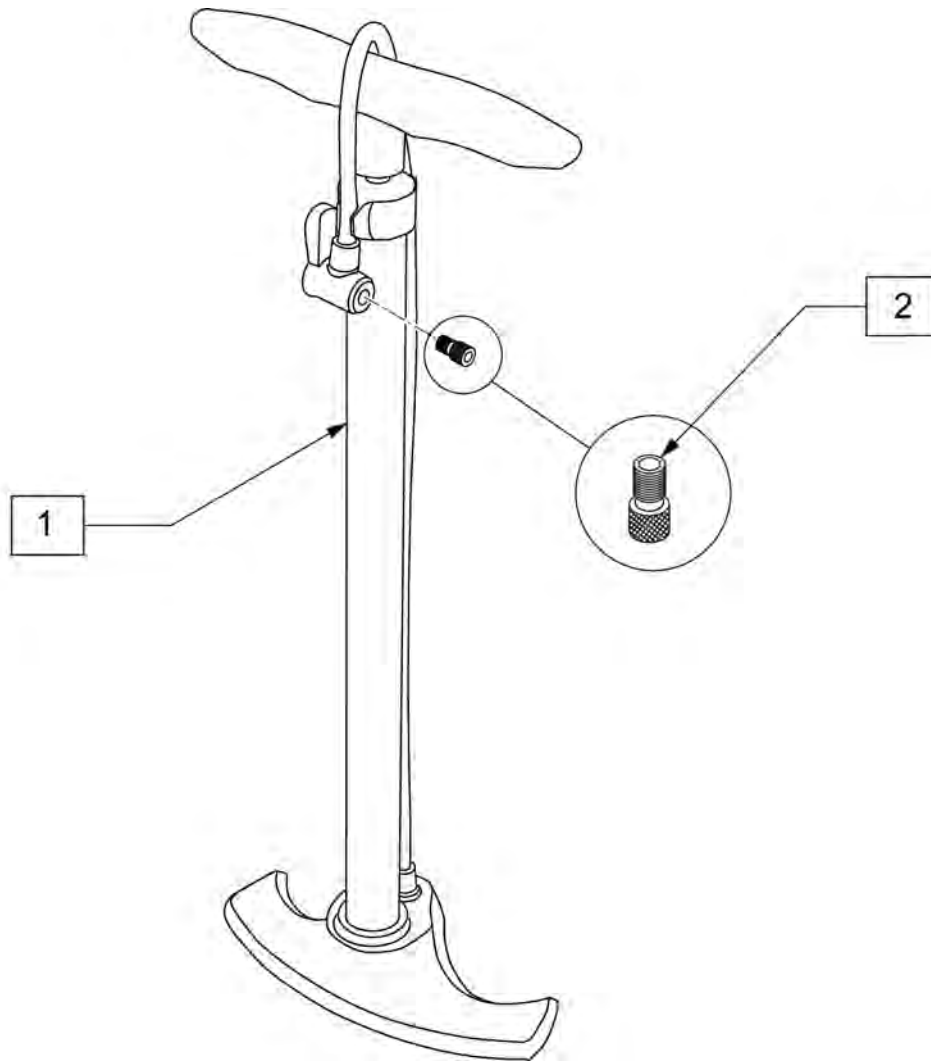
Pos.	Item Number	Description
1A	740162	CHEST STRAP 2" KIDZ REG (48")
1B	740157	CHEST STRAP 2" ADLT REG (54")
1C	740163	CHEST STRAP 2" ADLT LNG (60")
2A	740172	CHEST STRAP 4" KIDZ REG (48")
2B	740158	CHEST STRAP 4" ADLT REG (54")
2C	740173	CHEST STRAP 4" ADLT LNG (60")



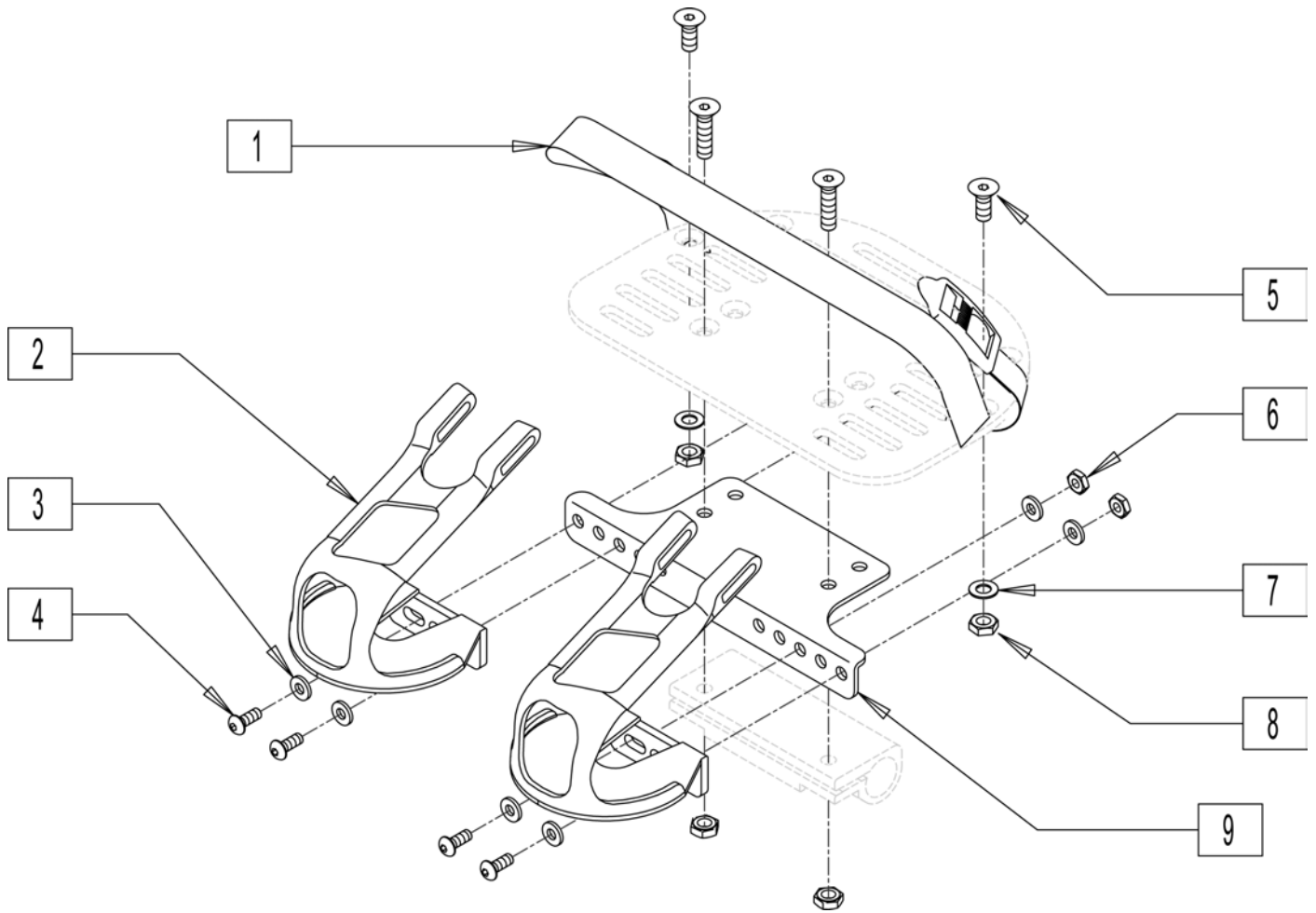
Pos.	Item Number	Description	Remarks
1	750316	IMPACT GUARDS NEOPRENE FIXED (PR)	PAIR-Fixed Front Frame
2	750317	IMPACT GUARDS NEOPRENE S/A	PAIR-S/A Footrest & Q7
3	109231	GEL VELCRO PAD HANGER/FRAME	PAIR- fits S/A & Fixed Front Frame
4	108315	GEL PAD SA ARM	Single, fits Padded SA Armrest



Pos.	Item Number	Description
1	740130	LEG STRAP 10"-14" BLK
1	740131	LEG STRAP 15"-17" BLK
1	740132	LEG STRAP 18"-20" BLK

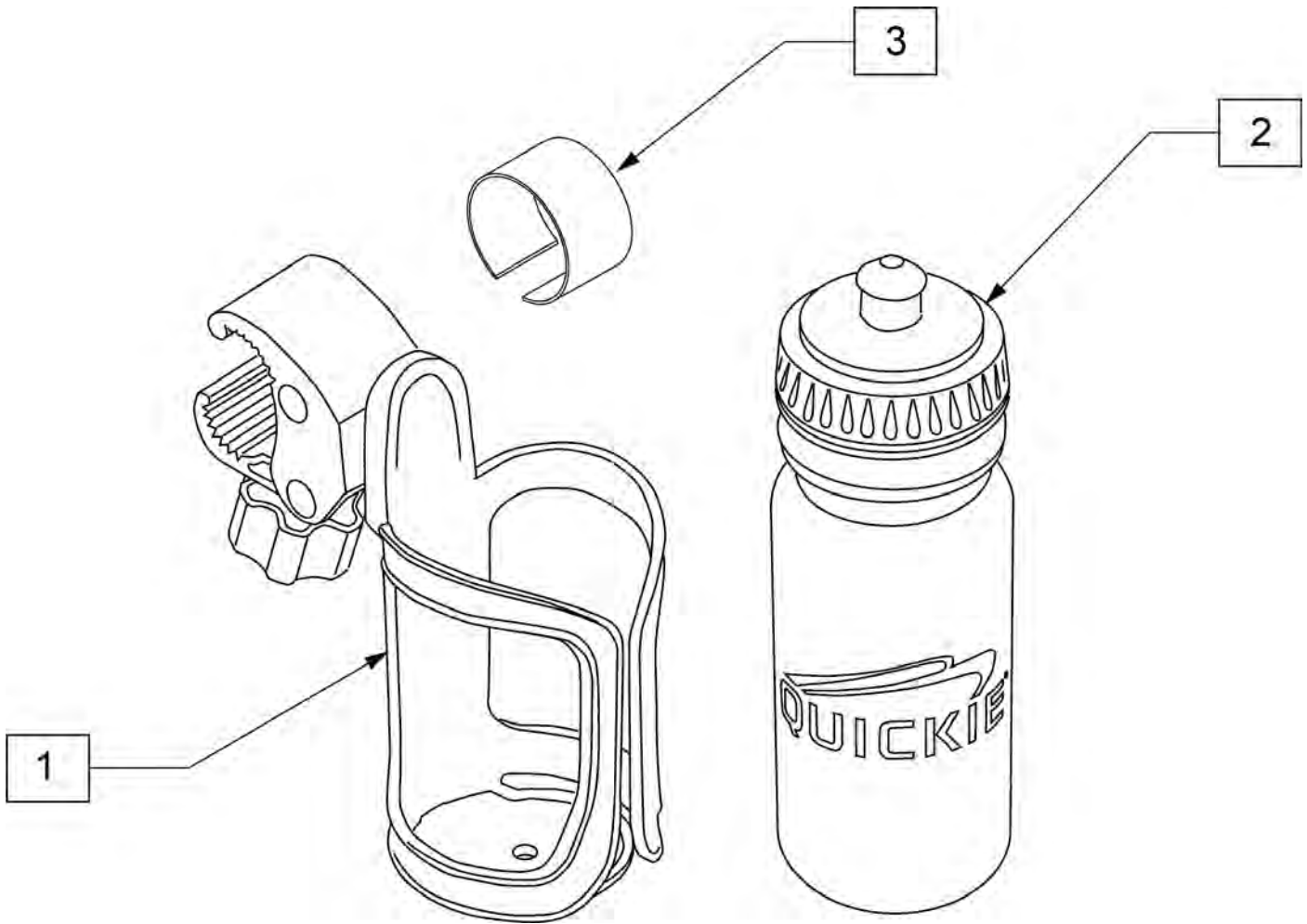


Pos.	Item Number	Description
1	389050	TIRE PUMP
2	381230	VALVE ADAPTER PRESTA



Pos.	Item Number	Description	Remarks
1	750026	STRAP TOE CLIP	
2	560065	TOE CLIP PLASTIC(PR)	
3	261204	#10 AN WASHER .063	
4	226043	10-32 X 1/2 BH C/S BLK	
5	227104	1/4-28 X 5/8 FH C/S BLK ZN	
6	200100-QU	10-32 NYLOCK NUT	
7	106944	WASHER FLAT THIN AN 1/4 ROHS	
8	106935	NUT NYLOCK THIN 1/4-28 ROHS	
9	500270	BRACKET FOOTPLATE TOE CLIP	
1-9	900829	TOE CLIP ASSM	Pair

Note: Water Bottle Cage clamp fits 3/4" to 1 1/2" round tubing, 7R/Q7 and Xenon oval tubing as well as Double "D" tubing; Max bottle diameter is 3 3/4".



Pos.	Item Number	Description	Remarks
1	252135	WATER BOTTLE CAGE W/ CLAMP	Black
2	252136	QUICKIE WATER BOTTLE	Black
3	123526	ADHESIVE RUBBER PAD	
1-3	163680	WATER BOTTLE W/ CAGE AND CLAMP	