

The background of the cover is a dark blue gradient. It features several technical graphics: a large, semi-transparent gear on the left; a grid pattern with a red line graph showing a curve that starts at the origin and levels off; and various symbols including a plus sign (+), a minus sign (-), and a circled 'r' (resistor symbol).

ZIPPIE®

i (r) i s

PARTS MANUAL

Zippie Iris (ZRS ZRSE)
JANUARY 2023



Improving People's Lives

ZIPPIE IRIS (Chairs w/ S/N Prefix ZRS & ZRSE)	7
GLOSSARY OF ABBREVIATIONS	7
BASE FRAME	7
RIGID FRAME	7
BASE FRAME & ROLLER ASSM prior to S/N ZRS-041800 & ZRSE-051100	8
BASE FRAME & ROLLER ASSM after S/N ZRS-041800 & ZRSE-051100	10
ROCKER & SEAT RAILS prior to S/N ZRS-041800 & ZRSE-051100	12
ROCKER & SEAT RAILS after S/N ZRS-041800 & ZRSE-051100	14
FOOT RELEASE ZIPPIE IRIS (S/N prefix ZRS & ZRSE)	18
TILT COMPONENTS DUAL TRIGGER CABLE W/ STROLLER HANDLE BACK (RIGID FRAME)	20
TILT COMPONENTS DUAL TRIGGER CABLE W/ ANGLE ADJ PUSH HANDLE BACK (RIGID FRAME)	22
STRUT GROWTH KITS prior to S/N ZRS-041800 & ZRSE-051100	24
ADJUSTABLE STRUT KIT after S/N ZRS-041800 & ZRSE-051100	27
TRANSIT KIT IRIS prior to S/N IRS-045100 & IRSE-057300 & S/N ZRS-041800 & ZRSE-051100	29
TRANSIT KIT WC19 after S/N IRS-045100 & IRSE-057300 & S/N ZRS-041800 & ZRSE-051100	30
FOLDING FRAME	31
FOLDING IRIS BASE FRAME & ROLLER ASSM	32
FOLDING IRIS ROCKER & SEAT RAILS	33
FOLDING IRIS CROSS FRAME	37
FOLDING IRIS TRANSIT KIT WC19	38
FOLDING IRIS FOOT RELEASE ZIPPIE IRIS	39
FOLDING IRIS FOOTLOCK	40
FOLDING IRIS AXLE BRACKETS	42
FOLDING IRIS STRUT GROWTH KITS	43
TILT COMPONENTS DUAL TRIGGER CABLE (FOLDING FRAME)	44
AXLES & AXLE PLATES	45
AXLE BRACKETS	46
QUICK RELEASE AXLES MATRIX	48
CASTERS & FORKS	48
CASTER STEM & FORK ASSM	49
CASTERS	50
MICRO CASTERS	51
3 SPOKE CASTERS	52
8" x 2" CASTERS	54
ANTI-TIPS	54
REAR ANTI-TIPS	55
WHEEL LOCKS	56
HUB LOCK	57
FOOTLOCK	59
USER WHEEL LOCK (PUSH TO LOCK)	62
WHEELS & TIRES	63
WHEELS	63
12" MAG	64
16" MAG	66
TRADITIONAL 6 SPOKE MAG	67
LITE SPOKE	69
5 SPOKE MAG	71
TIRES	72
PNEUMATIC & PNEU. AIRLESS TIRE	73
FULL POLY TIRE	74
LOW POLY TIRE	75
KEVLAR TIRE	76
SEATING & POSITIONING	76
SEAT	76
SEAT PAN GROWABLE	77
REG & DROP SEAT PAN MONO BACK	84
SEAT PAN IRIS FOLDING FRAME	86
BACK	87
RECLINING BACKREST	88
HT ADJUSTABLE W/ADJ STROLLER HANDLE RECLINING BACKREST	90
STROLLER HANDLE BACKPOSTS	94
STROLLER HANDLE EXTENSION-REMOVABLE	96
HEIGHT ADJUSTABLE BACKREST W/ ADJ STROLLER HANDLE	98
BACK PLATE REPLACEMENT BOLT KIT (SN Prefix IRS or IRSE only)	100
RIGID-IZER	101
TILT CABLES	101
TILT COMPONENTS DUAL TRIGGER CABLE W/ STROLLER HANDLE BACK (RIGID FRAME)	102
TILT COMPONENTS DUAL TRIGGER CABLE W/ ANGLE ADJ PUSH HANDLE BACK (RIGID FRAME)	104
TILT COMPONENTS DUAL TRIGGER CABLE (FOLDING FRAME)	106
DYNAMIC BACK	108

MONO BACKREST	110
REG & DROP SEAT PAN MONO BACK	111
BACK SPINE	113
DYNAMIC BACK SPINE	115
MONO BACK MOUNT	117
MONO JAY 3 BACK	118
PUSH HANDLES	123
CANTILEVER ARMREST- MONO BACK	124
MONO VENT TRAY LTV	126
MONO JAY SWING-AWAY LATERALS	127
MONO BACK LATERALS	129
HEADRESTS (FOR USE WITH MONO BACKREST)	129
AXYS HEADREST	130
COBRA HEADREST	131
ONYX HEADREST	132
UNIVERSAL HEADREST MOUNT	134
ADJUST-A-PLUSH HEADREST PAD	135
PLUSH HEADREST PAD	136
HEADS UP	138
HANGERS & FOOTPLATES	140
EXTENSION MOUNT HANGERS prior to S/N ZRS-041800 & ZRSE-051100	140
HANGERS	140
60 DEG HANGER SWING IN-OUT	141
70 DEG HANGER SWING IN-OUT	142
80 DEG HANGER SWING IN-OUT	143
FOOTPLATES W/ EXTENSIONS	145
COMPOSITE FOOTPLATE	145
ADULT ANGLE-ADJ FOOTPLATE EXT MOUNT	150
KIDS ANGLE ADJ FOOTPLATE EXTENSION MOUNT	154
PLATFORM FLIP-UP FOOTPLATE	158
FRONT MOUNT HANGERS prior to S/N ZRS-041800 & ZRSE-051100	159
HANGERS	159
70 DEG FRONT MOUNT HANGER SWING IN-OUT	160
80 DEG FRONT MOUNT HANGER SWING IN-OUT	162
90 DEG FRONT MOUNT HANGER SWING IN-OUT	164
70 DEG LIFT-OFF HANGER	166
80 DEG LIFT-OFF HANGER	168
90 DEG LIFT-OFF HANGER	170
EXTENSIONS	171
FRONT MOUNT HANGER EXT	172
FOOTPLATES	172
KIDS ANGLE ADJ FOOTPLATE FRONT MOUNT	173
ADULT ANGLE-ADJ FOOTPLATE FRONT MOUNT	176
90 DEG FOOTBOARD	178
CONTRACTURE FOOTREST	180
ELR prior to S/N ZRS-041800 & ZRSE-051100	182
FRONT MOUNT ELR	182
FRONT MOUNT ELR HANGER	182
90 DEG ELEVATING HANGER	183
ELR & ALR CALF PAD 14 -15"	185
ELR & ALR CALF PAD 16-20"	186
90 DEG ELEVATING CALF PAD	187
FRONT MOUNT ELR EXTENSION	187
FRONT MOUNT HANGER EXT	188
FRONT MOUNT ELR FOOTPLATE	188
KIDS ANGLE ADJ FOOTPLATE FRONT MOUNT	189
ADULT ANGLE-ADJ FOOTPLATE FRONT MOUNT	192
EXTENSION MOUNT ELR	193
EXTENSION MOUNT ELR HANGER	193
ELEVATING HANGER	194
ELR & ALR CALF PAD 14 -15"	196
ELR & ALR CALF PAD 16-20"	197
EXTENSION MOUNT ELR EXTENSION	197
DOUBLE D FOOTREST EXTENSION TUBE "OLD STYLE"	198
EXTENSION MOUNT ELR FOOTPLATE	199
COMPOSITE FOOTPLATE	200
KIDS ANGLE ADJUSTABLE FOOTPLATE EXT MOUNT	202
ADULT ANGLE-ADJUSTABLE FOOTPLATE EXT MOUNT	204
ELR ALUMINUM FOOTPLATE	206
ALR prior to S/N ZRS-041800 & ZRSE-051100	207

EXTENSION MOUNT ALR HANGER	207
ARTICULATING HANGER.....	208
ARTICULATING HANGER CALF PAD	210
EXTENSION MOUNT ALR EXTENSION.....	210
ROUND EXTENSION TUBE	211
EXTENSION MOUNT ALR FOOTPLATE	212
COMPOSITE FOOTPLATE.....	213
KIDS ANGLE ADJUSTABLE FOOTPLATE EXT MOUNT	215
ADULT ANGLE-ADJUSTABLE FOOTPLATE EXT MOUNT.....	217
MULTI-POSITION LATCH STUD SUPPORT	219
EXTENSION MOUNT HANGERS after S/N ZRS-041800 & ZRSE-051100	219
60 DEG SWING IN/OUT HANGER	220
70 DEG SWING IN/OUT HANGER	221
80 DEG SWING IN/OUT HANGER	222
COMPOSITE FOOTPLATE.....	223
COMPOSITE ANGLE ADJUSTABLE FOOT PLATE	227
ADULT ALUMINUM ANGLE-ADJ FOOTPLATE EXT MOUNT	230
KIDS ANGLE ADJ FOOTPLATE EXTENSION MOUNT.....	234
PLATFORM FLIP-UP FOOTPLATE.....	238
FRONT MOUNT HANGERS after S/N ZRS-041800 & ZRSE-051100	239
70 DEG FRONT MOUNT SWING IN/OUT HANGER	240
80 DEG FRONT MOUNT SWING IN/OUT HANGER	242
90 DEG FRONT MOUNT SWING IN/OUT HANGER	244
KIDS ANGLE ADJ FOOTPLATE FRONT MOUNT	246
ADULT ANGLE-ADJ FOOTPLATE FRONT MOUNT.....	249
90 DEG FOOTBOARD.....	251
FRONT MOUNT HANGER EXT.....	253
ELR after S/N ZRS-041800 & ZRSE-051100 (LATCH STUD STYLE) (DISC. 2/6/17)	253
SWING AWAY ELR EXT MOUNT (LATCH STUD STYLE) (DISC. 2/6/17)	253
EXTENSION MOUNT ELR RETROFIT (LATCH STUD STYLE) (DISC. 2/6/17)	254
EXTENSION MOUNT ELR REPLACEMENT PARTS (LATCH STUD STYLE) (DISC. 2/6/17)	255
ELR & ALR CALF PAD 14 -15"	257
ELR & ALR CALF PAD 16-20"	258
SWING AWAY ELR FRONT MOUNT (LATCH STUD STYLE) (DISC. 2/6/17).....	258
FRONT MOUNT ELR (LATCH STUD STYLE) (DISC. 2/6/17).....	259
ADULT ANGLE-ADJ FOOTPLATE FRONT MOUNT.....	261
90 DEG ELEVATING CALF PAD.....	263
FRONT MOUNT HANGER EXT.....	264
ELR ALR KNUCKLE COVERS	265
ALR after S/N ZRS-041800 & ZRSE-051100 (LATCH STUD STYLE) (DISC. 2/6/17)	265
ALR (LATCH STUD STYLE) (DISC. 2/6/17)	266
COMPOSITE FOOTPLATE.....	268
ELR ALR KNUCKLE COVERS	272
SWING IN-OUT ELR & ALR (PLUNGER STYLE) (EFFECTIVE 2/6/17)	272
FRONT MOUNT ELR (PLUNGER STYLE) (EFFECTIVE 2/6/17).....	272
SWING IN-OUT FRONT MOUNT ELR RETRO KITS (PLUNGER STYLE) (EFFECTIVE 2/6/17)	273
SWING IN-OUT FRONT MOUNT ELR REPLACEMENT PARTS (PLUNGER STYLE) (EFFECTIVE 2/6/17)	274
90 DEG ELEVATING CALF PAD.....	276
FRONT MOUNT HANGER EXT.....	277
ADULT ANGLE-ADJ FOOTPLATE FRONT MOUNT.....	278
KIDS ANGLE ADJ FOOTPLATE FRONT MOUNT	280
EXTENSION MOUNT ELR & ALR (PLUNGER STYLE) (EFFECTIVE 2/6/17).....	282
SWING IN-OUT EXT MOUNT ELR & ALR RETROFIT (PLUNGER STYLE) (EFFECTIVE 2/6/17)	283
SWING IN-OUT EXT MOUNT ELR REPLACEMENT PARTS (PLUNGER STYLE) (EFFECTIVE 2/6/17)	284
SWING IN-OUT ALR EXT MNT REPLACEMENT PARTS (PLUNGER STYLE)(EFFECTIVE 2/6/17)	286
ELR & ALR CALF PAD 14 -15"	288
ELR & ALR CALF PAD 16-20"	289
EXTENSION MOUNT FOOTPLATES.....	289
COMPOSITE FOOTPLATE.....	290
COMPOSITE ANGLE ADJUSTABLE FOOT PLATE	294
ADULT ALUMINUM ANGLE-ADJ FOOTPLATE EXT MOUNT.....	297
KIDS ANGLE ADJUSTABLE FOOTPLATE EXT MOUNT	301
ELR/ALR ALUMINUM FOOTPLATE	303
ELR ALR KNUCKLE COVERS	305
Z-FINITY	305
Z-FINITY SWING I/O EXTENSION MOUNT HANGERS	306
Z-FINITY SWING I/O DIRECT MOUNT HANGERS	307
DIVIDED FOOTREST EXTENSION MOUNT	308
DIVIDED FOOTREST DIRECT MOUNT.....	312
FLIP-UP FOOTREST EXTENSION MOUNT	314

FLIP-UP FOOTREST DIRECT MOUNT.....	317
JAY LOWER EXTREMITY S/A SUPPORT.....	319
ARMRESTS & RECEIVERS.....	319
ARMRESTS.....	319
SINGLE POST HEIGHT ADJUSTABLE ARMREST PRIOR TO S/N ZRS-051000 & ZRSE-058000.....	319
SINGLE POST HEIGHT ADJUSTABLE ARMREST.....	320
SINGLE POST HEIGHT ADJUSTABLE ARMREST AFTER S/N ZRS-051000 & ZRSE-058000.....	321
SINGLE POST HEIGHT ADJ ARMREST.....	322
T POST ARMREST.....	324
FLIP-UP ARMREST.....	326
ADJUSTABLE LOCKING FLIP-UP ARMREST (USE ON DAB FRAMES ONLY).....	327
LENGTH ADJUSTABLE LOCKING FLIP-UP ARMREST (USE ON DAB FRAMES ONLY).....	328
DUAL-POST HEIGHT ADJUSTABLE ARMREST.....	330
CANTILEVER ARMREST - MONO BACK.....	331
CANTILEVER ARMREST- MONO BACK.....	332
ARMREST RECEIVERS.....	333
DUAL POST ARMREST RECEIVERS.....	333
DUAL & DUAL POST HEIGHT ADJ ARMREST RECEIVER.....	334
DUAL & DUAL POST HEIGHT ADJ FLIP-BACK ARM. RECEIVER.....	335
DUAL POST ARMREST RECEIVER -FIXED.....	337
DUAL POST ARMREST RECEIVER -FLIP BACK.....	338
SINGLE POST ARMREST RECEIVERS.....	339
SINGLE POST ARMREST RECEIVERS PRIOR TO S/N ZRS-051000 & ZRSE-058000.....	339
SINGLE POST ARMREST RECEIVER - LOW.....	340
SINGLE POST ARMREST RECEIVER - STD.....	342
SINGLE POST ARMREST RECEIVERS AFTER S/N ZRS-051000 & ZRSE-058000.....	342
SINGLE POST ARMREST RECEIVER.....	343
POSITIONING.....	343
JAY FULL FOOT BOX WITH DIVIDER.....	344
JAY FULL FOOT BOX.....	346
JAY SINGLE FOOT BOX.....	347
JAY ARM TROUGH FIXED & ROTATIONAL.....	348
ACCESSORIES.....	348
BACKPACKS & SEAT POUCHES.....	348
BACKPACKS AND SEAT POUCHES.....	349
LEG STRAPS.....	349
ADJUSTABLE LEG STRAP.....	350
SOFT FEEL LEG STRAP.....	351
POSITIONING BELTS.....	351
AIRCRAFT BUCKLE POSITIONING BELTS & ATTACHMENT KITS.....	352
AUTO BUCKLE POSITIONING BELT & ATTACHMENT KITS.....	354
PADDED DOUBLE PULL HIP BELT.....	356
JAY 2 POINT POSITIONING BELT.....	357
SIDE GUARDS.....	358
SIDE GUARDS.....	359
SPOKE GUARDS.....	359
DESIGNER SPOKE GUARDS.....	360
SPOKE GUARDS ZIPPIE (Black & Clear).....	362
TRAYS.....	363
TUFFAK TRAY (MANUAL & PEDIATRIC CHAIRS).....	364
TRAY HARDWARE.....	366
VENT & BATTERY TRAYS.....	366
VENT TRAY LTV & TRILOGY.....	367
BATTERY TRAY.....	369
IMPACT GUARD NEOPRENE & GEL VELCRO PADS.....	370
JAY LOWER EXTREMITY S/A SUPPORT.....	371
ONE-ARM DRIVE.....	372
CANOPY.....	374
TIRE PUMP.....	375
TOOL KIT.....	376
UTILITY HOOK.....	377

GLOSSARY OF ABBREVIATIONS

[12/10/2019]

Note: see Informations Panel for file.

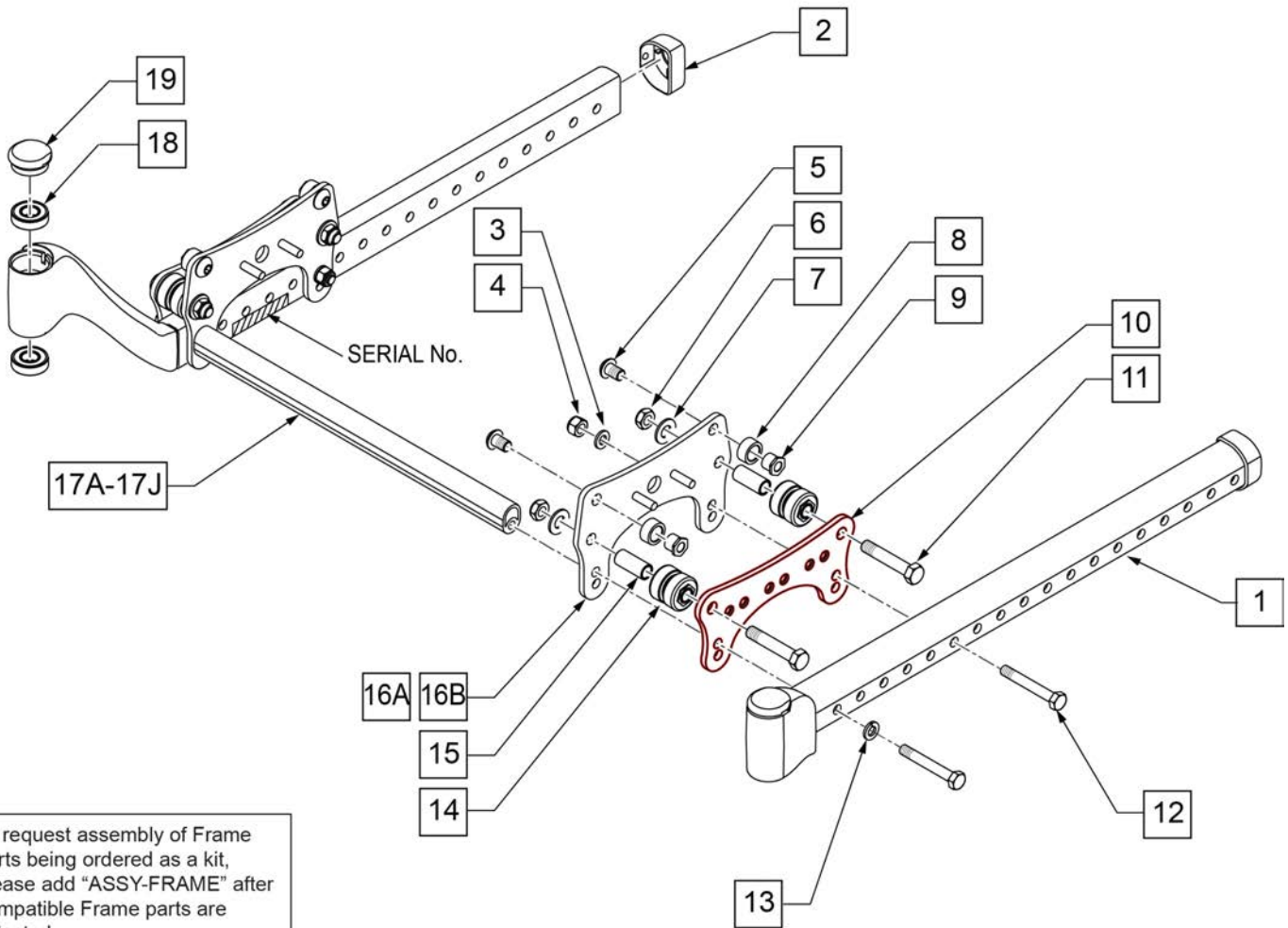
1AD One Arm Drive	CZ Cozy	INH Inhibit	PCB Pediatric Center of Gravity (AKA: Zippie Iris)	S/A Swing Away
3DCR 3DX Microclimatic cover for Cryo style inserts	DAB Depth-adjustable Back	INORG Inorganic coating	PCM Power Center Mount	S/F Side Frame
AAA Adult Angle Adjustable	DB Dynamic Back	INSRT Insert	PED Pediatric	SCW Screw
AACM Angle Adjustable Center Mount	DBL Double	I/O Swing In Out	PEL Pelvic	SDLE Saddle
ABD Abductor	DC Deep Contour	IRIS Intelligent Rotation in Space	PH Push Handle	SG Side Guard
AC All Court	DL Desk Length	ISM Intelligent Seating Module	PHIL Phillips	SGTG Super Grip Thumb Guard
AD Arm Drive	DP Dual Post Armrest	JA Jay Active	PL Pin Lock	SHCS Socket Head Cap Screw
ADJ Adjustable	D-Post Dual Post Armrest	JNR Junior	PL Plated	SHSS Socket Head Set Screw
ADPT Adapter	D-PST Dual Post Armrest	KAA Kids Angle Adjustable	PLL Pull	SHLDR Shoulder
AE Air Exchange	DRV Drive	KDS Kids	PLT Plate	SHT Short
AHAB ASAP II	DTT Diagnostic Test Tool	KT Kit (usually consists of all mounting hardware for one side)	PLST Plastic	SLD Solid
ANG Angle	DY Dynamic Back	KVLR Kevlar	PLY Plywood	SLNG Sling
ALR Articulating Legrest	EA Each	KZ Quickie Kidz/Zippie Kidz	PNEU Pneumatic	SLTD Slotted
ALUM Aluminum	ELR Elevating Legrest	L Left	PNK Pink	SLV Sleeve
AMH Adjustable Mounting Hardware	EXT Extension	LAT Lateral	PNT Paint	SM Small
ANO Anodized	EXTND Extended	LCK Lock	PNTD Painted	SNGL Single
ASAP Adjustable Seating and Positioning	F Folding Frame	LFH Left Front Horizontal	POLY Polyurethane	SOC Socket
ASL Adaptive Switch Laboratories	FHCS Flat Head Cap Screw	LFT Left	POST Posterior	SPCR Spacer
ASM Assembly (includes other parts)	FL Full Length	LFV Left Front Vertical	PR Pressure Relieving	SPEC CLR Specify Color
ASSM Assembly	FLD Folding	LH Left Hand	PR Power Recline	SPIA Single Post Height Adjustable
ASSMLY Assembly	FL FT Flip-up Footrest	LH Left Horizontal	PR Pair	SPK Spoke
ASSY Assembly	FLP Flip	LK Lock	PR (PR) Pair	SPR Super Grip Handrim
AT Anti-tip	FLRD Flared	LNG Long	PRCR Premium Leatherette cover for Cryo style inserts	SQZ Squeeze
ATT Attachment	FM Foam	LO Lift Off	PRE-ISC Pre-Ischial	SS Stainless Steel
BB Basketball	FM Front Mount	L/O Lift Off	PREM Premium Leatherette cover material	ST Seat
BC Breezy Chrome	FNDR Fender	LP Loop	PROJ Projection	ST/AP Self Tapping
BCK Back	FPH Folding Push Handle	LPS Loops	PRPL Purple	STCR Stretch Cover for Cryo Style inserts
BCKBRD Backboard	FT Foot	LRG Large	PTL Partial	STD Standard
BH Bultion Head	F/REST Footrest	LRH Left Rear Horizontal	PSH Push	STL Style
BHCS Bultion Head Cap Screw	FRNT Front	LRV Left Rear Vertical	PT Point	STR Stretch cover material
BKL Buckle	FT PLT Footplate	LS Low Sheer	PTRN Pattern	STRLR Stroller
BKRST Backrest	FTRST Footrest	LT Long Tab	PWR Power	STRT Straight
B-LOCK Back Lock	F/UP Flip-up	LT Natural Fit Lite Handrims	Q1 Quickie 1	SUP Support
BLD Build Up	FWD Front Wheel Drive	LTRL Lateral	Q2 Quickie 2	SYS System
BLK Black	FXT Fixed	LUMB Lumbar	Q2HIP Quickie 2 High Performance	T Tab
BLU Blue	GP Grade 8 higher grade = stronger	LV Left Vertical	QC Quickie Carbon	TG Thumb Guard (std)
BR Breezy	GP Quickie GP	LW Low	QR Quick Release	THRD Threaded
BRD Board	GPS Quickie GPS	LX Quickie LX	QRx Quickie RX	Ti Titanium
BRNG Bearing	GPV Quickie GPV	LXI Quickie LXi	QTI Quickie Titanium	TL Tall
BRKT Bracket	GNRC Generic	MACH Machine	QT/QTs Quickie Tilt & Space	TLC Tilt Lift Comb
BSHNG Bushing	H Hole	MECH Mechanism	QUAD Quadrant Pad	TLT Tilt
BTIN Bultion	HB High Brake	MED Medium	R Right	TNNS Tennis
BTTRY Battery	HD Head or Heavy Duty	mm Millimeter	RCLNR Recliner	TIS Tilt-in-Space
BZ Breezy	HVD Heavy Duty	MNT Mount	REC Receiver	TTS Tilt-in-Space
CAA Composite Angle Adjustable	HDRST Headrest	MNTG Mounting	REG Regular	UNIV Universal
CG Center of Gravity	HDWR Hardware	MOD Modify or Modification	REL Release	UNTHRD Unthreaded
CGT Center of Gravity Tilt (AKA: IRIS)	HEX Hexagon	M/S Machine Screw	REV Reverse	UPH Upholstery
CHRGR Charger	HH Hemi-Height or Hex Head	MWD Mid Wheel Drive	RH Right Hand	VERT Vertical
CJSM Color Joystick Module	HK Hook	Nat.Fit Natural Fit Handrim	RH Right Horizontal	W With
CLMP Clamp	HL Heel Loops	NAUG Naugahyde	RFH Right Front Horizontal	W/ With
CLNCHR Cincher	HM High Mount	NF Non-folding	RFV Right Front Vertical	WD Wide
CLR Clear	HNDL Handle	NF Natural Fit Handrim	RNUT(S) Rivnut(s)	W/F Water Fall
COMP Complete	HNGR Hanger	NFLT Natural Fit Lite Handrim	RoHS Restriction of Hazardous Substances	W/O Without
CMPST Composite	HP High Pressure	NR Non-recessed	RR Rear	WHL Wheel
CRM Chrome	HR Handrim	OBLIQ Obliquity	RRH Right Rear Horizontal	WLDMNT Weldment
C/S Cap Screw	HRDWR Hardware	OD Oblique	RRV Right Rear Vertical	XS Cross Spoke
C-S Countersunk	HRNSS Harness	OD Outer/Outside Dimension	RT Right	YLW Yellow
CSTR Caster	HS High Speed	O/S Old Style	RV Right Vertical	Z2 Zippie 2
CUSH Cushion	HT Height or Heat Treated	OUTBRD Outboard	RV Quickie Revolution	ZN Zinc
CV Conventional	ID Inner/Inside Dimension Diameter	P1 Quickie P100	RWD Rear Wheel Drive	ZP Zippie
CVR Cover	IN In/Out (for swing in/out hangers)	P2 Quickie P200	SA Swing Away	ZP2 Zippie 2
CVRS Covers	INBRD Inboard	P3 Quickie P300		
CYL Cylinder	INC Incontinent	P5 Quickie/Zippie P500		

Pos.	Item Number	Description	Remarks
		GLOSSARY OF ABBREVIATIONS	see attachment in Informations Panel

Note: Prior to ZRS-003848 & ZRSE-002008 base frames should be replaced in pairs.

NOTE: Beginning with s/n # ZRS-006475 & ZRSE-003115 Wheel Locks have been changed. New Outer Roller Plates are required if changing to new Wheel Locks..

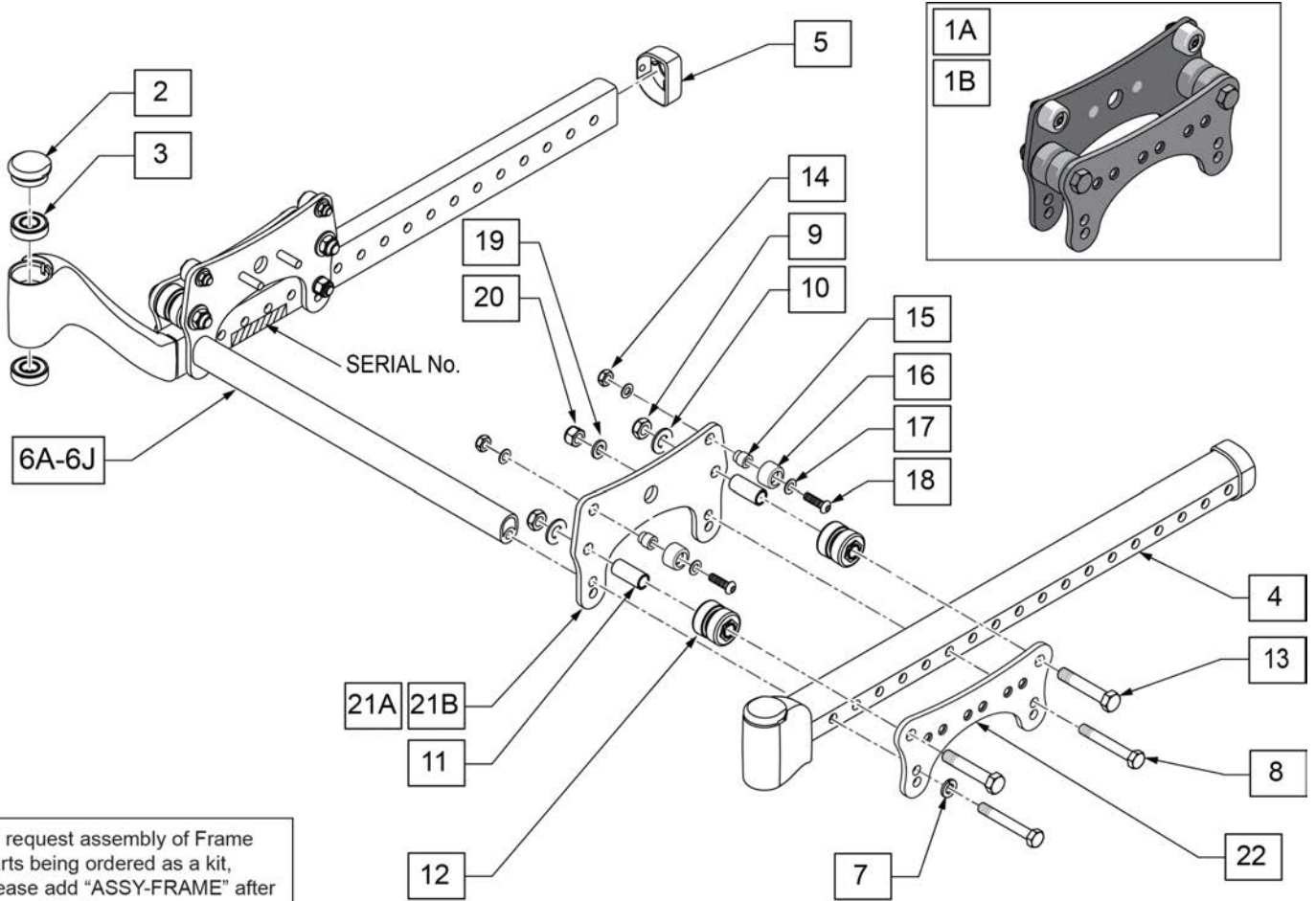
Part Changes, please see notes/remarks for important information



To request assembly of Frame parts being ordered as a kit, please add "ASSY-FRAME" after compatible Frame parts are selected

Pos.	Item Number	Description	Remarks
1, 18, 19	115790S	Z IRIS BASE FRAME ASSM R	RIGHT
1, 18, 19	115791S	Z IRIS BASE FRAME ASSM L	LEFT
2	105809	CAP TUBE BASE	
3	106946	WASHER FLAT AN 5/16 ROHS	
4	106938	NUT NYLOCK 5/16 -24 ROHS	
5	105897	BHCS 3/8 -24 x 5/8 PL ROHS	
6	105889	3/8 -24 NYLOCK NUT THIN BLK	
7	106948	WASHER FLAT SAE 3/8 ROHS	

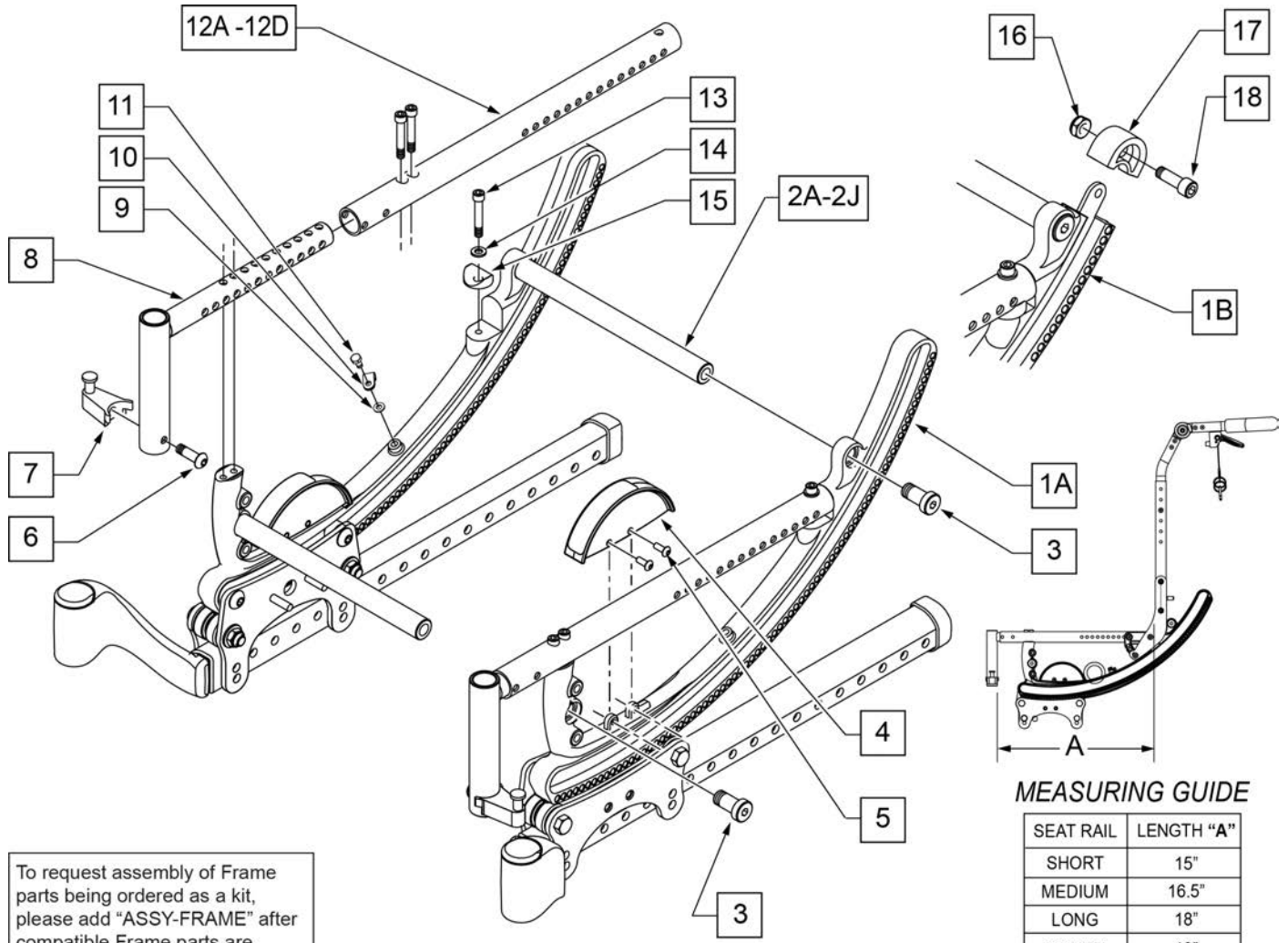
Pos.	Item Number	Description	Remarks
8	105827	ROLLER UPPER	
9	105829	SHAFT ROLLER UPPER	
10	124953	PLATE ROLLER OUTER PED	
11	105890	HHCS 3/8 -24 x 2 ROHS	
12	106986	HHCS 5/16 -24 x 2 1/4 ROHS	
13	106951	WASHER SPLIT LOCK 5/16 ROHS	
14	105828	ROLLER LOWER	
15	105830	SHAFT ROLLER LOWER	
16A	109285-001	PLATE ROLLER INNER PED CABLE	USED W/ DUAL TRIGGER CABLES
16B	109285-002	PLATE ROLLER INNER PED CABLE FT REL	USED W/ FOOT RELEASE
12, 13, 17A	115792	STRUT TUBE KIT 10" W	
12, 13, 17B	115793	STRUT TUBE KIT 11" W	
12, 13, 17C	115794	STRUT TUBE KIT 12" W	
12, 13, 17D	115795	STRUT TUBE KIT 13" W	
12, 13, 17E	108192	STRUT TUBE KIT 14" W	
12, 13, 17F	108193	STRUT TUBE KIT 15" W	
12, 13, 17G	108194	STRUT TUBE KIT 16" W	
12, 13, 17H	108195	STRUT TUBE KIT 17" W	
12, 13, 17J	108196	STRUT TUBE KIT 18" W	
18	349500	1 1/8 x 1/2 BEARING	
19	116255	CAP CASTER	
3 -16A	124981	ASSY ROLLER PED CABLE	USED W/ TRIGGER RELEASE
3 -16B	124993	ASSY ROLLER PED FT REL	USED W/ FOOT RELEASE
		Ship assembled part #	Use with multiple assemblies
	ASSY-FRAME	FRAME ASSY REQUIRED	add with Frame kit



To request assembly of Frame parts being ordered as a kit, please add "ASSY-FRAME" after compatible Frame parts are selected

Pos.	Item Number	Description	Remarks
1A	126487	ASSY ROLLER PED CABLE	USED W/ TRIGGER RELEASE
1B	126488	ASSY ROLLER PED FT REL	USED W/ FOOT RELEASE
2	116255	CAP CASTER	
3	349500	1 1/8 x 1/2 BEARING	
2-5	115790S	Z IRIS BASE FRAME ASSM R	RIGHT
2-5	115791S	Z IRIS BASE FRAME ASSM L	LEFT
5	105809	CAP TUBE BASE	
6A,7,8	115792	STRUT TUBE KIT 10" W	
6B,7,8	115793	STRUT TUBE KIT 11" W	
6C,7,8	115794	STRUT TUBE KIT 12" W	
6D,7,8	115795	STRUT TUBE KIT 13" W	
6E,7,8	108192	STRUT TUBE KIT 14" W	
6F,7,8	108193	STRUT TUBE KIT 15" W	
6G,7,8	108194	STRUT TUBE KIT 16" W	
6H,7,8	108195	STRUT TUBE KIT 17" W	
6J,7,8	108196	STRUT TUBE KIT 18" W	
7	106951	WASHER SPLIT LOCK 5/16 ROHS	
8	106986	HHCS 6/16 -24 x 2 1/4 ROHS	
9	105889	3/8 -24 NYLOCK NUT THIN BLK	
10	106948	WASHER FLAT SAE 3/8 ROHS	
11	105830	SHAFT ROLLER LOWER	

Pos.	Item Number	Description	Remarks
13	105890	HHCS 3/8 -24 x 2 ROHS	
9-13	129595	LOWER ROLLER KIT	
14	106935	NUT NYLOCK THIN 1/4-28	
17	106944	WASHER FLAT THIN AN 1/4	
18	106960	1/4-28 X 7/8 BUTTON HEAD	
14-18	129594	UPPER ROLLER KIT	
19	106946	WASHER FLAT AN 5/16 ROHS	
20	106938	NUT NYLOCK 5/16 -24 ROHS	
21A	109285-001	PLATE ROLLER INNER PED CABLE	USED W/ DUAL TRIGGER CABLES
21B	109285-002	PLATE ROLLER INNER PED CABLE FT REL	USED W/ FOOT RELEASE
22	124953	PLATE ROLLER OUTER PED	
		Ship assembled part #	Use with multiple assemblies
	ASSY-FRAME	FRAME ASSY REQUIRED	add with Frame kit



To request assembly of Frame parts being ordered as a kit, please add "ASSY-FRAME" after compatible Frame parts are selected

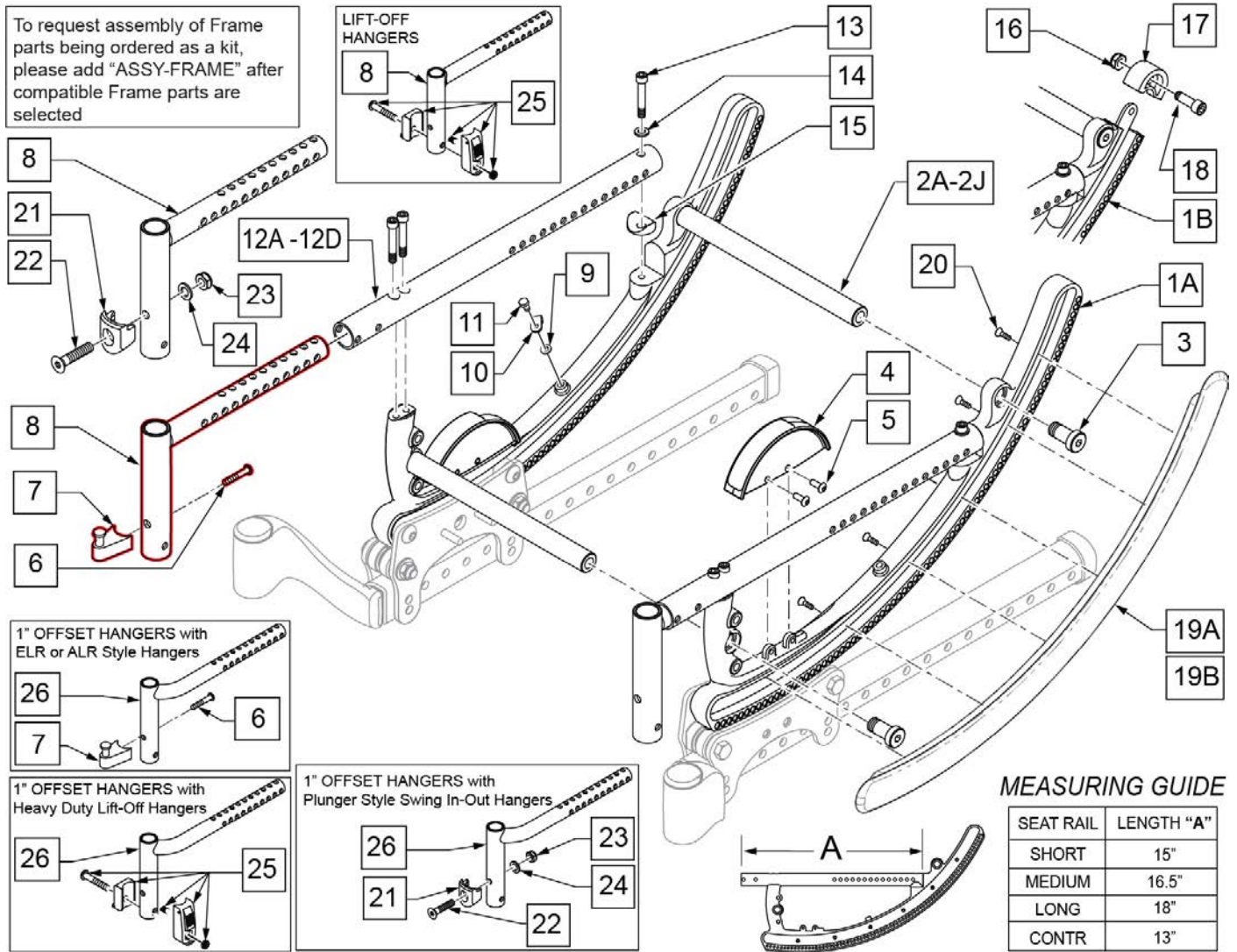
MEASURING GUIDE

SEAT RAIL	LENGTH "A"
SHORT	15"
MEDIUM	16.5"
LONG	18"
CONTR	13"

Pos.	Item Number	Description	Remarks
1A, 4,5,9 -11,13	129641	ZIPPIE ROCKER KIT 55	55 DEG OF TILT RANGE
1B, 4, 5, 9 -11, 16 -18	115801	ROCKER PED SHORT ASSM	40 DEG OF TILT RANGE
2A,3	115803	STRUT ROCKER 10" W ASSM	
2B,3	115804	STRUT ROCKER 11" W ASSM	
2C,3	115805	STRUT ROCKER 12" W ASSM	
2D,3	115806	STRUT ROCKER 13" W ASSM	
2E,3	115807	STRUT ROCKER 14" W ASSM	
2F,3	115808	STRUT ROCKER 15" W ASSM	
2G,3	115809	STRUT ROCKER 16" W ASSM	
2H,3	115810	STRUT ROCKER 17" W ASSM	
2J,3	115811	STRUT ROCKER 18" W ASSM	
3	105888	1/2 -13 x 1 LOW SHCS	
4,5	115798	Z IRIS AND INDC W/ HDWR	
5	106952	BHCS 10 -32 x 1/2 ROHS	
6	106982	BHCS 5/16 -18 x 1 3/4 SHLD ROHS	
6,7	107491	LATCH STUD KIT	
6 -8	115799	REC HANGER TUBE W/ LATCH	
9	267340	1/4 WASHER INT LOCK ZN	

Pos.	Item Number	Description	Remarks
10	105799	P-CLIP 3/16" BLACK	
11	106953	HHCS 10 -32 x 3/8 PL ROHS	
12A	050500-001S	SEAT TUBE PED SHORT	10" - 14" SEAT DEPTHS
12B	050500-002S	SEAT TUBE PED MED	12" - 16" SEAT DEPTHS
12C	050500-003S	SEAT TUBE PED LONG	14" - 18" SEAT DEPTHS
12D	050500-004S	SEAT TUBE PED CONTRACTURE	USED FOR CONTRACTURE FOOTREST ONLY
13	106976	SHCS 1/4 -28 x 1 1/2 ROHS	
14	106943	WASHER FLAT AN 1/4 ROHS	
15	561004	SADDLE PLASTIC 1" DIA	
16	106935	NUT NYLOCK THIN 1/4 -28 ROHS	
16 -18	115802	CAP ROCKER KIT	
18	106974	SHCS 1/4 -28 x 3/4 PL ROHS	
		Ship assembled part #	Use with multiple assemblies
	ASSY-FRAME	FRAME ASSY REQUIRED	add with Frame kit

Note: for Fixed Strut Option, see the ADJUSTABLE STRUT KIT after ZRS-041800 & ZRSE-051100 parts page for the correct replacement kits for the Width Adjusting Strut Option for items 115803-115811.



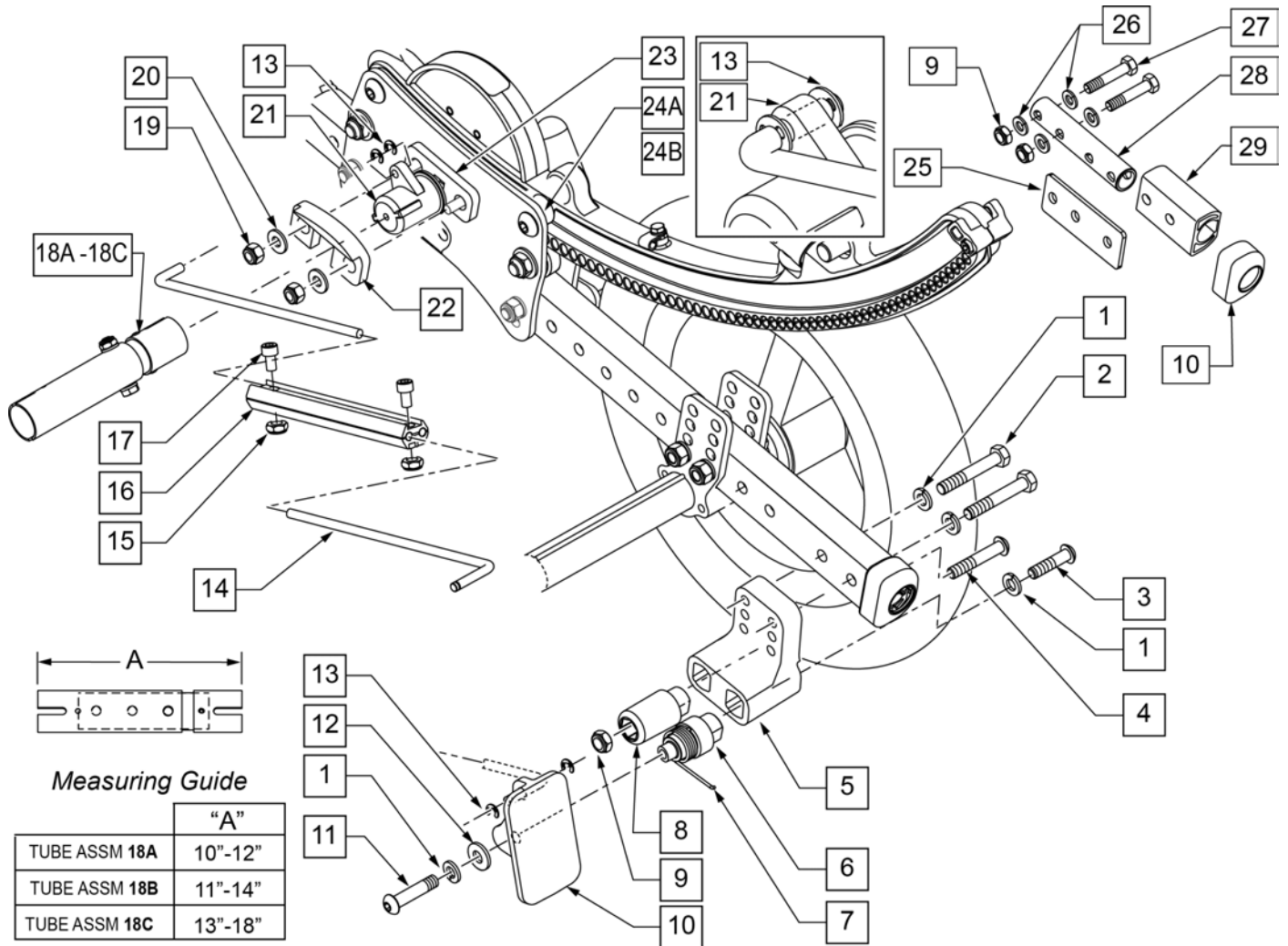
Pos.	Item Number	Description	Remarks
1A, 4,5	129641	ZIPPIE ROCKER KIT 55	55 degree of tilt range
1B, 4, 5, 16 -18	129642	ZIPPIE ROCKER KIT	40 degree of tilt range
2A,3	115803	STRUT ROCKER 10" W ASSM	See note for Fixed Strut Option

Pos.	Item Number	Description	Remarks
2B,3	115804	STRUT ROCKER 11" W ASSM	See note for Fixed Strut Option
2C,3	115805	STRUT ROCKER 12" W ASSM	See note for Fixed Strut Option
2D,3	115806	STRUT ROCKER 13" W ASSM	See note for Fixed Strut Option
2E,3	115807	STRUT ROCKER 14" W ASSM	See note for Fixed Strut Option
2F,3	115808	STRUT ROCKER 15" W ASSM	See note for Fixed Strut Option
2G,3	115809	STRUT ROCKER 16" W ASSM	See note for Fixed Strut Option
2H,3	115810	STRUT ROCKER 17" W ASSM	See note for Fixed Strut Option
2J,3	115811	STRUT ROCKER 18" W ASSM	See note for Fixed Strut Option
3	105888	1/2 -13 x 1 LOW SHCS	
4,5	115798	Z IRIS AND INDC W/ HDWR	
5	106952	BHCS 10 -32 x 1/2 ROHS	
6	106982	BHCS 5/16 -18 x 1 3/4 SHLD ROHS	
6,7	129643	REC W/LATCH	Pair-Use with ELR/ALR
6-8	115799	REC HANGER TUBE W/ LATCH	move latch to forward facing hole; used w/ ELR/ALR Hangers ONLY
8	050502	RECEIVER HANGER WELDMENT PED	
9	267340	1/4 WASHER INT LOCK ZN	
10	105799	P-CLIP 3/16" BLACK	
11	106953	HHCS 10 -32 x 3/8 PL ROHS	

Pos.	Item Number	Description	Remarks
12A	050500-001S	SEAT TUBE PED SHORT	10" - 14" SEAT DEPTHS
12B	050500-002S	SEAT TUBE PED MED	12" - 16" SEAT DEPTHS
12C	050500-003S	SEAT TUBE PED LONG	14" - 18" SEAT DEPTHS
12D	050500-004S	SEAT TUBE PED CONTRACTURE	USED FOR CONTRACTURE FOOTREST ONLY
13	106976	SHCS 1/4 -28 x 1 1/2 ROHS	
14	106943	WASHER FLAT AN 1/4 ROHS	
15	561004	SADDLE PLASTIC 1" DIA	
16	106935	NUT NYLOCK THIN 1/4 -28 ROHS	
16-18	115802	ROCKER CAP KIT	
18	106974	SHCS 1/4 -28 x 3/4 PL ROHS	
19A	126197	ROCKER COVER PED SHORT	
19B	126198	ROCKER COVER PED STD	
20	2266	#6 x 1/2" FL DH PHL SCREW	
21	118696	HANGER LATCH RECEIVER	
22	103500-011	FHCSM6X1X40FULLNP	
23	104381	NUT HEX NYLOCK M6X1.0	
24	104414	WAVE WASHER 6MM	
25	920720	FOOTREST BLOCK ASSEMBLY W/BOLT HD	Use w/ Heavy Duty Lift Off Hangers ONLY
21-24	119514	LATCH RECEIVER KIT	Use with SA Hangers
21-24,26	160892	FLARED SUPPORT RT W/ SA LATCH	Right; 1" Offset Hanger Receiver used with Plunger Style Swing in/out Hangers
21-24,26	160016	FLARED SUPPORT LT W/ SA LATCH	Left; 1" Offset Hanger Receiver used with Plunger Style Swing in/out Hangers

Pos.	Item Number	Description	Remarks
6,7,26	160893	FLARED SUPPORT RT W/ LATCH	Right; 1" Offset Hanger Receiver used with ELR or ALR Style Hangers for chairs shipped prior to 2/6/17
6,7,26	160018	FLARED SUPPORT LT W/ LATCH	Left; 1" Offset Hanger Receiver used with ELR or ALR Style Hangers for chairs shipped prior to 2/6/17
25,26	160019	FLARED SUPPORT RT W/ LIFT-OFF	Right; 1" Offset Hanger Receiver used with Heavy Duty Lift Off Hangers
25,26	160020	FLARED SUPPORT LT W/ LIFT-OFF	Left; 1" Offset Hanger Receiver used with Heavy Duty Lift Off Hangers
		Ship assembled part #	Use with multiple assemblies
	ASSY-FRAME	FRAME ASSY REQUIRED	add with Frame kit

Note: if retrofitting Foot Release onto chair, correct Roller Plate must be ordered; see BASE FRAME & ROLLER ASSM page.



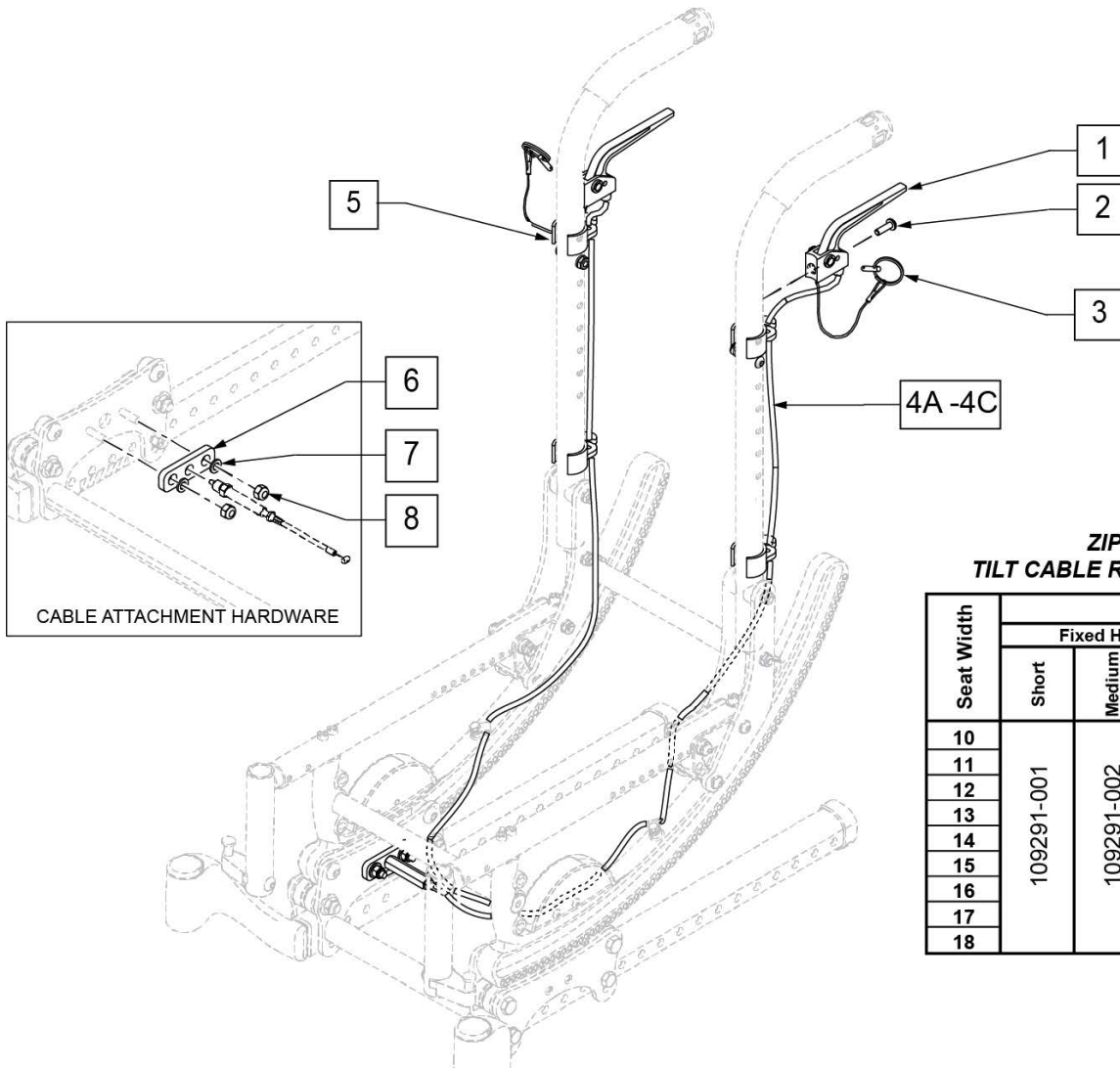
Pos.	Item Number	Description	Remarks
1	106951	WASHER SPLIT LOCK 5/16 ROHS	
2	106985	HHCS 5/16 -24 x 2 ROHS	
3	106980	BHCS 5/16 -18 x 1 1/4 ROHS	
4	106982	BHCS 5/16 -18 x 1 3/4 SHLD ROHS	
5	107242	BLOCK MOUNT FOOT RELEASE	
6	106377	SHAFT PIVOT PEDAL	
7	106668	TORSION SPRING RH	
7	106989	TORSION SPRING LH	
8	107167	POST STOP FOOT RELEASE	
9	202117	5/16-18 NYLOCK NUT THICK BLK	
10	107165	PEDAL FOOT RELEASE	
11	106979	BHCS 5/16 -18 x 3/4 ROHS	
12	263109	5/16" FENDER WASHER SS 3/4" OD	
13	106383	E-CLIP 3/16"	
14	107180	ROD LINKAGE FOOT RELEASE	

Pos.	Item Number	Description	Remarks
15	106931	NUT NYLOCK THIN 10 -32 ROHS	
16	107179	CLAMP LINKAGE FOOT RELEASE	
17	107181	SHCS 10 -32 x 1/2 ROHS	
18A	107237	ROCKER TUBE ASSM 10 -12"	FITS 10 -12" WIDE CHAIRS
18B	107238	ROCKER TUBE ASSM 11 -14"	FITS 11 -14" WIDE CHAIRS
18C	107239	ROCKER TUBE ASSM 13 -18"	FITS 13 -18" WIDE CHAIRS
19	106932	NUT NYLOCK 1/4 -20 ROHS	
20	106945	WASHER FLAT SAE 1/4 ROHS	
22	118929	RETAINER ACTUATOR HOUSING	
13,21,23	108768	PIN RELEASE REPLCMNT KIT PED	Includes Left & Right
24A	106463	PLATE ROLLER INNER PED	Fits Chairs w/ S/N Prefix PCG.
24B	109285-002	PLATE ROLLER INNER PED FT REL	Fits Chairs w/ S/N Prefix ZRS & ZRSE only.
25	108795	TUBE EXTENSION PLATE	
26	106946	WASHER FLAT AN 5/16 ROHS	
27	107358	HHCS 5/16 -18 x 1 1/2 ROHS	
28	106984	HHCS 5/16 -18 x 1 3/4 ROHS	
29	107178	TUBE EXTENSION FOOT RELEASE	Black only
30	105809	CAP TUBE BASE	
13 -17	108577	FOOT RELEASE LINKAGE ASSM	
1,3-12	112415	Z5 FOOT PEDAL ASSM RH	RIGHT
1,3-12	112416	Z5 FOOT PEDAL ASSM LH	LEFT
1-23,24A	108792	ZP FOOT RELEASE ASSM R	RIGHT Fits 10" W - 18" W Chairs & w/ S/N Prefix PCG.
1-23,24A	108794	ZP FOOT RELEASE ASSM L	LEFT Fits 10" W - 18" W Chairs & w/ S/N Prefix PCG.
1-23,24B	115816	ZP FOOT RELEASE ASSM R	RIGHT -Fits Chairs w/ S/N Prefix ZRS & ZRSE only.
1-23,24B	115817	ZP FOOT RELEASE ASSM L	LEFT - Fits Chairs w/ S/N Prefix ZRS & ZRSE only.
9,26-30	108615	FOOT RELEASE FRAME EXT.	Black only

(07/16/2019) TILT COMPONENTS DUAL TRIGGER CABLE W/ STROLLER HANDLE BACK (RIGID FRAME)

Note: if retrofitting Cable Release onto chair, correct Roller Plate must be ordered; see Base Frame and Roller Assembly page.

Note: to determine correct cable (item 4A-4C), refer to Zippie Iris Tilt Cable Reference Guide.



**ZIPPIE IRIS
TILT CABLE REFERENCE GUIDE**

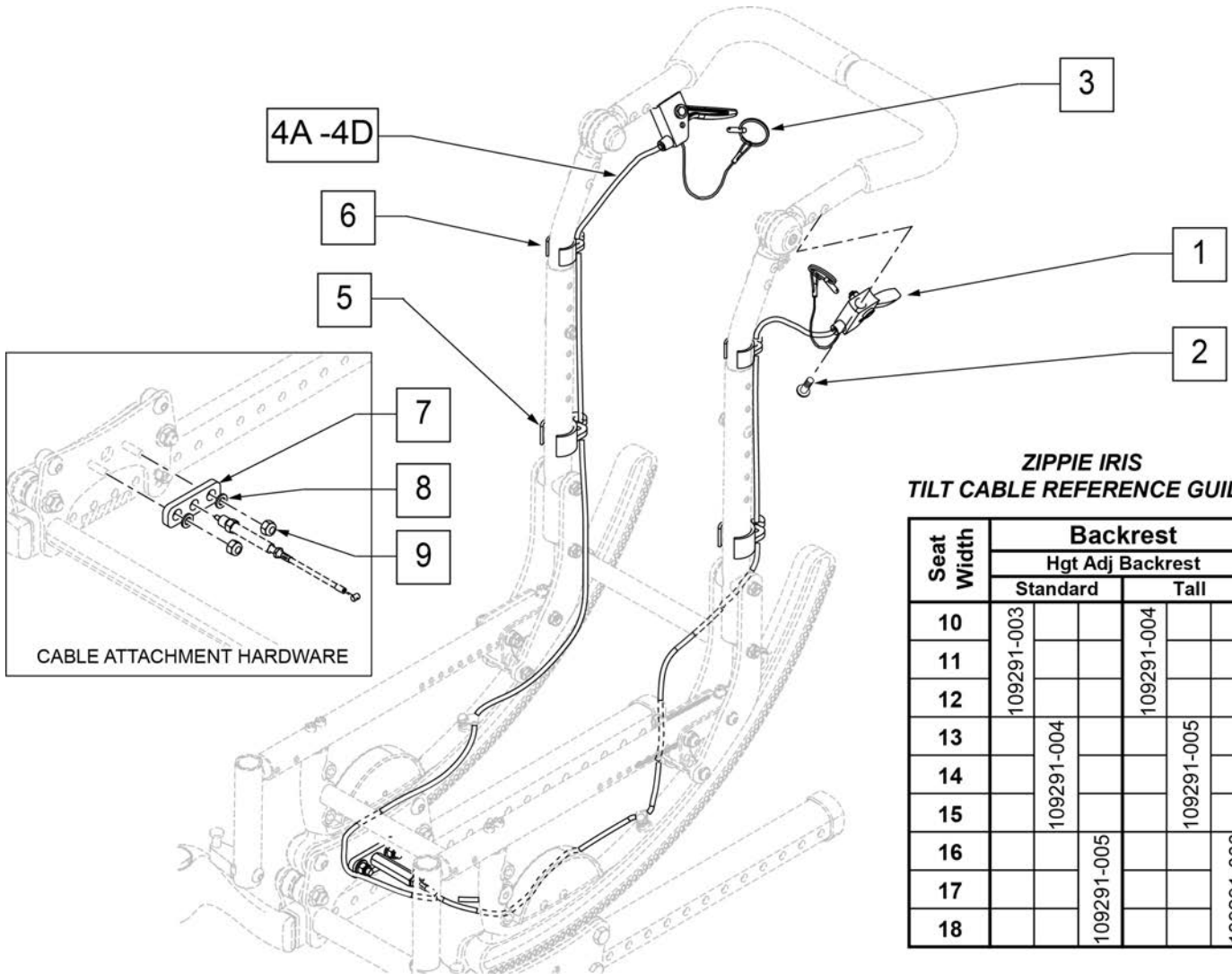
Seat Width	Backrest				
	Fixed Height			Recline	
	Short	Medium	Tall	Medium	Tall
10	109291-001	109291-002	109291-003	109291-002	109291-003
11					
12					
13					
14					
15					
16					
17					
18					

Pos.	Item Number	Description	Remarks
1, 3	580110	CYL LOCK LEVER ASSM QT/QR/P5	
2	281120	10 -32 X 5/8 PAN HD PHIL	
3	349021	TRIGGER RELEASE PIN TS/QT/P5	
4A	109291-001	CABLE TILT PED SHORT	1166.3 mm/ 45.92 inches
4B	109291-002	CABLE TILT PED MEDIUM	1241.3 mm/ 48.87 inches
4C	109291-003	CABLE TILT PED LONG	1316.3 mm/ 51.82 inches
5	108134	CABLE CLIP 1" PACK 10	PACK OF 10
6	500698	PLATE PLUNGER ROLLER	
7	106943	1/4 AN WASHER FLAT	
8	106932	1/4 -20 NYLOCK NUT HIGH	
1-3,5-8	163691	FIXED & RECLINE PH TRIGGER ASM	For One Side Only and Cable NOT included

(07/16/2019) COMPONENTS DUAL TRIGGER CABLE W/ ANGLE ADJ PUSH HANDLE BACK (RIGID FRAME)

Note: if retrofitting Cable Release onto chair, correct Roller Plate must be ordered; see Base Frame and Roller Assembly page.

Note: to determine correct cable (item 4A-4D), refer to Zippie Iris Tilt Cable Reference Guide.



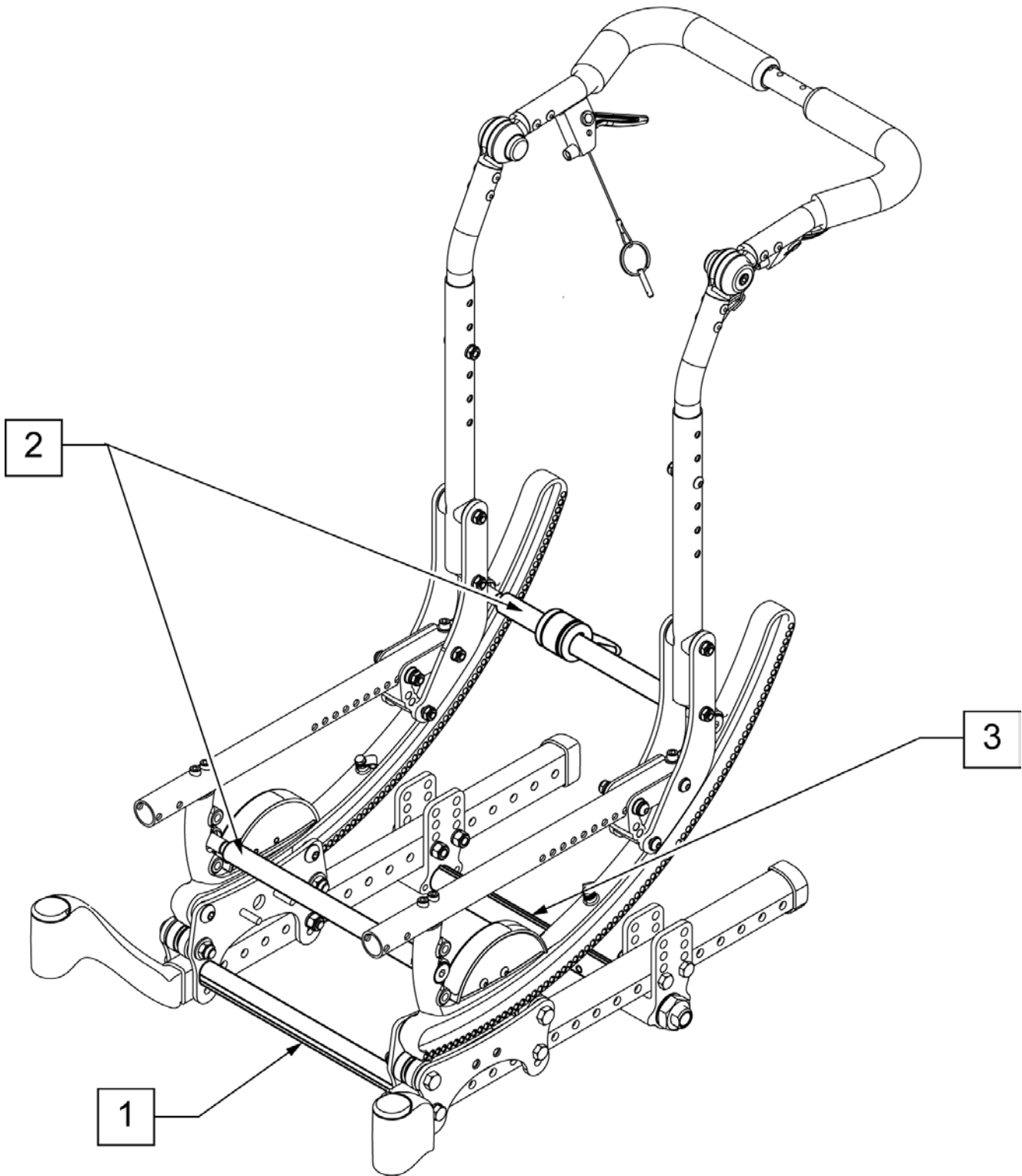
**ZIPPIE IRIS
TILT CABLE REFERENCE GUIDE**

Seat Width	Backrest			
	Hgt Adj Backrest			
	Standard		Tall	
10	109291-003		109291-004	
11				
12	109291-003		109291-004	
13		109291-004		109291-005
14				
15		109291-004		109291-005
16			109291-005	
17				109291-006
18			109291-005	109291-006

Pos.	Item Number	Description	Remarks
1,3	580109	PLUNGER PIN LEVER ASSM	
2	281120	10 -32 X 5/8 PAN HD PHIL	
3	349021	TRIGGER RELEASE PIN TS/QT/P5	
4A	109291-003	CABLE TILT PED LONG	1316.3 mm/ 51.82 inches
4B	109291-004	CABLE TILT PED X-LONG	1391.3 mm/ 54.78 inches
4C	109291-005	CABLE TILT PED 2X-LONG	1466.3 mm/ 57.73 inches
4D	109291-006	CABLE TILT PED 3X-LONG	1541.3 mm/ 60.68 inches
5	108134	CABLE CLIP 1" PACK (10)	PACK OF 10
6	108135	CABLE CLIP 7/8" PACK (10)	PACK OF 10
7	500698	PLATE PLUNGER ROLLER	
8	106943	1/4 AN WASHER FLAT	
9	106932	1/4 -20 NYLOCK NUT HIGH	
1-3,5-9	163690	ANGLE ADJ PH TRIGGER RELEASE	For One Side Only & Cable NOT included

NOTE: STRUT GROWTH KIT CONTAINS (2) STRUT TUBES (3) ROCKER STRUTS (1) AXLE STRUT.

NOTE: WHEN GROWING AN IRIS CHAIR OTHER ITEMS MAY NEED TO BE CHANGED BASED ON WIDTH. EXAMPLE: SEAT PAN, BACK, AND STROLLER HANDLE.



Pos.	Item Number	Description	Remarks
>>>>		10" WIDE	
1-3	115818	STRUT GROWTH KIT 10"	SEE NOTE
1	115792	STRUT TUBE KIT 10"	CONTAINS 1 STRUT TUBE

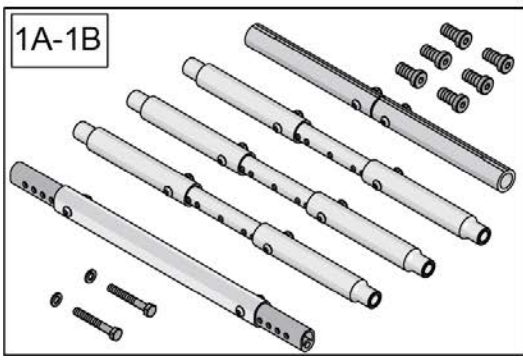
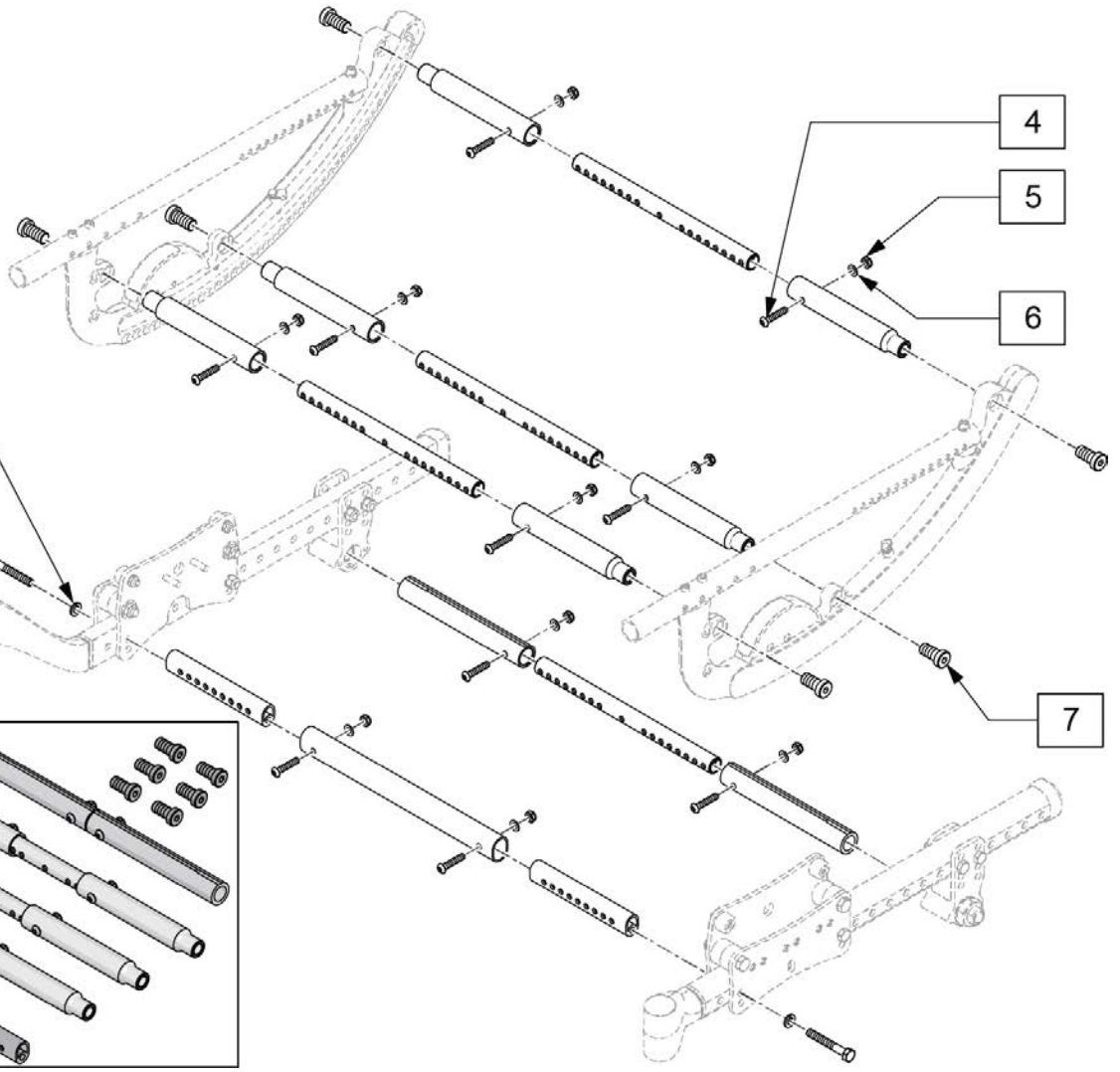
Pos.	Item Number	Description	Remarks
2	115812	STRUT ROCKER KIT 10"	This kit is for the Rocker Struts only
3	105836-010	STRUT AXLE 10"	CONTAINS 1 AXLE STRUT
>>>>		11" WIDE	
1-3	115819	STRUT GROWTH KIT 11"	SEE NOTE
1	115793	STRUT TUBE KIT 11"	CONTAINS 1 STRUT TUBE
2	115813	STRUT ROCKER KIT 11"	This kit is for the Rocker Struts only
3	105836-011	STRUT AXLE 11"	CONTAINS 1 AXLE STRUT
>>>>		12" WIDE	
1-3	115820	STRUT GROWTH KIT 12"	SEE NOTE
1	115794	STRUT TUBE KIT 12"	CONTAINS 1 STRUT TUBE
2	115814	STRUT ROCKER KIT 12"	This kit is for the Rocker Struts only
3	105836-012	STRUT AXLE 12"	CONTAINS 1 AXLE STRUT
>>>>		13" WIDE	
1-3	115821	STRUT GROWTH KIT 13"	SEE NOTE
1	115795	STRUT TUBE KIT 13"	CONTAINS 1 STRUT TUBE
2	115815	STRUT ROCKER KIT 13"	This kit is for the Rocker Struts only
3	105836-013	STRUT AXLE 13"	CONTAINS 1 AXLE STRUT
>>>>		14" WIDE	
1-3	108222	STRUT GROWTH KIT 14"	SEE NOTE
1	108192	STRUT TUBE KIT 14"	CONTAINS 1 STRUT TUBE
2	108180	STRUT ROCKER KIT 14"	This kit is for the Rocker Struts only
3	105836-001	STRUT AXLE 14"	CONTAINS 1 AXLE STRUT
>>>>		15" WIDE	
1-3	108223	STRUT GROWTH KIT 15"	SEE NOTE
1	108193	STRUT TUBE KIT 15"	CONTAINS 1 STRUT TUBE
2	108181	STRUT ROCKER KIT 15"	This kit is for the Rocker Struts only
3	105836-002	STRUT AXLE 15"	CONTAINS 1 AXLE STRUT
>>>>		16" WIDE	
1-3	108224	STRUT GROWTH KIT 16"	SEE NOTE
1	108194	STRUT TUBE KIT 16"	CONTAINS 1 STRUT TUBE
2	108182	STRUT ROCKER KIT 16"	This kit is for the Rocker Struts only
3	105836-003	STRUT AXLE 16"	CONTAINS 1 AXLE STRUT
>>>>		17" WIDE	
1-3	108225	STRUT GROWTH KIT 17"	SEE NOTE
1	108195	STRUT TUBE KIT 17"	CONTAINS 1 STRUT TUBE
2	108183	STRUT ROCKER KIT 17"	This kit is for the Rocker Struts only
3	105836-004	STRUT AXLE 17"	CONTAINS 1 AXLE STRUT
>>>>		18" WIDE	
1-3	108226	STRUT GROWTH KIT 18"	SEE NOTE
1	108196	STRUT TUBE KIT 18"	CONTAINS 1 STRUT TUBE
2	108184	STRUT ROCKER KIT 18"	This kit is for the Rocker Struts only
3	105836-005	STRUT AXLE 18"	CONTAINS 1 AXLE STRUT
>>>>		COMPLETE GROWTH PACKAGE	
1-3	115822	10 -18" GROWTH PACKAGE	CONTAINS 1 OF EACH WIDTH STRUT GROWTH KIT

Note: Chairs equipped with Footlock that were ordered originally as 14" wide will need 2 spacers (p/n 127210) when adjusting to wider configuration. See FOOTLOCK page.

Note: Adjustable Struts are not compatible with One Arm Drive.

Note: if growing/shrinking a chair that has the WC19 Transit a new Strut Rocker Transit Tube is required. See TRANSIT KIT WC19 page.

8 HDWR KIT FOR ADJ STRUTS			
ITEM #	ILLUSTRATION	DESCRIPTION	QTY
2		HHCS 5/16-24 X 2-1/4	2
3		WASHER SPLIT LOCK 5/16	2
4		BHCS 1/4-28 X 1-1/4 SHLDR	10
5		NUT NYLOCK THIN 1/4-28	10
6		WASHER FLAT THIN AN 1/4	10
7		1/2-13 X 1 LOW SHCS W/PL	6

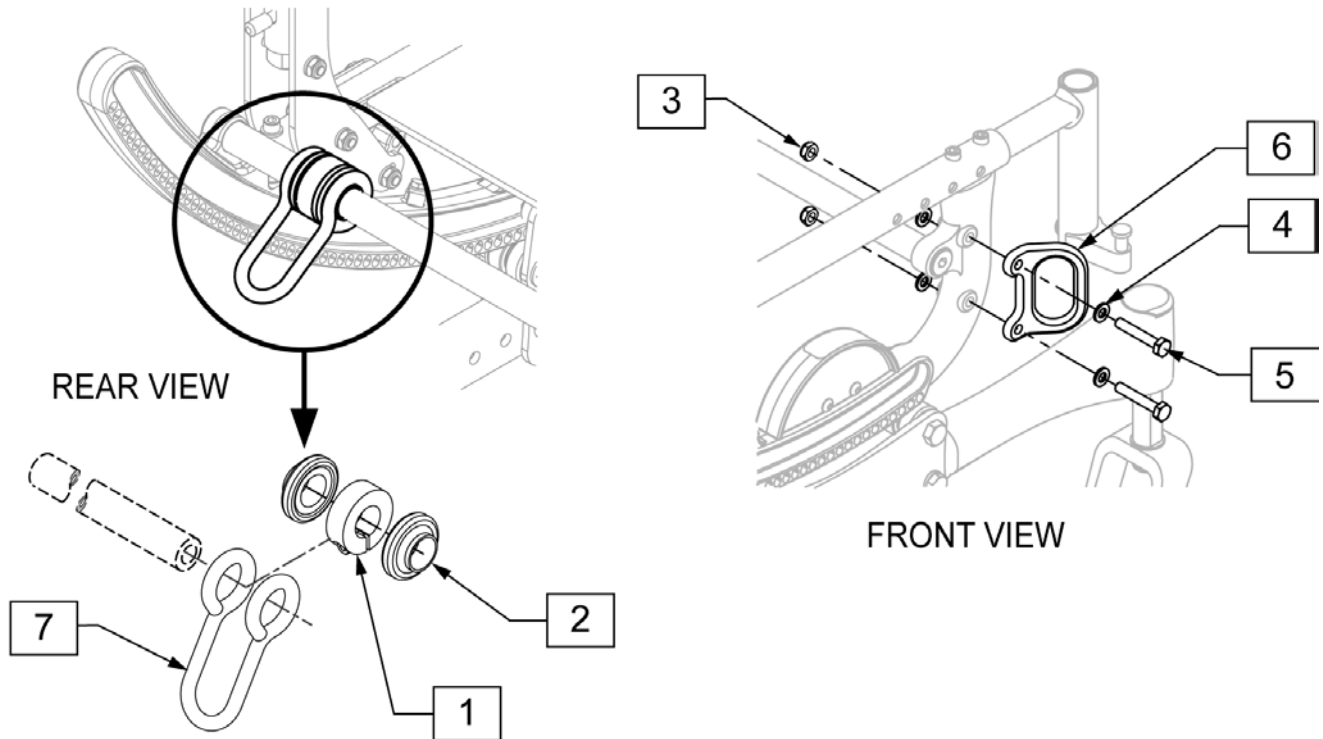


Pos.	Item Number	Description	Remarks
1A	129590	10-13 ADJ STRUT KIT W/HDWR	For Zippie IRIS 10" -13" wide
1B	129591	14-19 ADJ STRUT KIT W/HDWR	For Zippie IRIS 14" -18" wide
2	106986	HHCS 5/16-24 X 2-1/4	
3	106951	WASHER SPLIT LOCK 5/16	
4	107027	BHCS 1/4-28 X 1-1/4 SHLDR	
5	106935	NUT NYLOCK THIN 1/4-28	
6	106944	WASHER FLAT THIN AN 1/4 ROHS	
7	105888	1/2-13 X 1 LOW SHCS W/PL	
8	129593	HDWR KIT FOR ADJ STRUTS	Hardware for all 5 struts

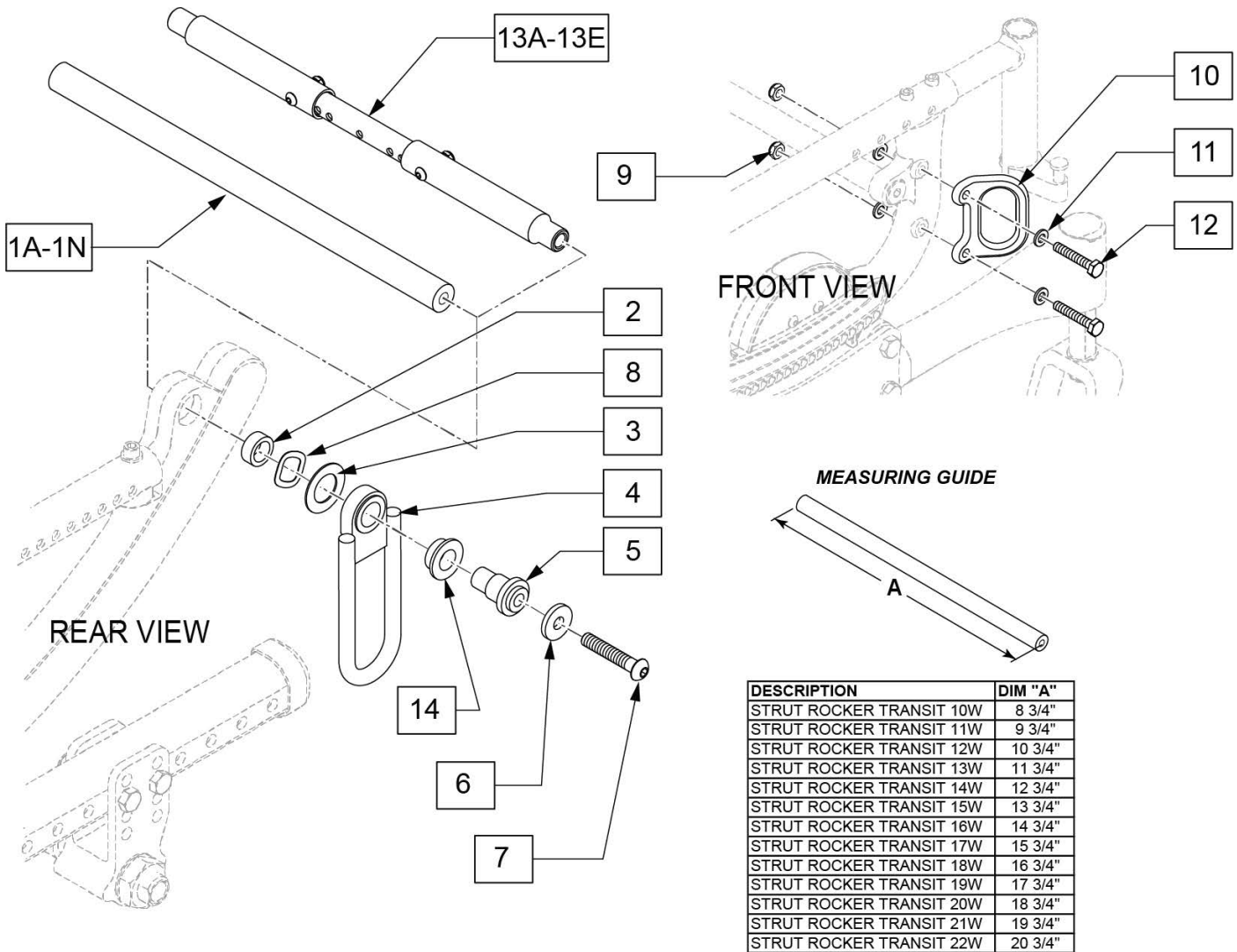
TRANSIT KIT IRIS prior to S/N IRS-045100 & IRSE-057300 & S/N ZRS-041800 & ZRSE-051100 [12/2011]

NOTE: Transit Option not available with Drop Seat, Heavy Duty option (with casters other than 8 x 2), or O2 or IV Holder.

NOTE: if retrofitting Transit Kit to an existing chair with Heavy Duty option then 8 x 2 casters and forks are required.



Pos.	Item Number	Description
1	105865	CLAMP SHAFT 3/4"
2	108765	BUSHING TRANSIT REAR
3	106935	NUT NYLOCK THIN 1/4-28 ROHS
4	106943	WASHER FLAT AN 1/4 ROHS
5	106972	HHCS 1/4-28 X 1-1/2 ROHS
1-7	109322S	TRANSIT KIT IRIS S/N PREFIX IRS



Pos.	Item Number	Description	Remarks
1A	126494	STRUT ROCKER TRANSIT 10W	For Zippie IRIS only; used for Fixed Width Strut System
1B	126495	STRUT ROCKER TRANSIT 11W	For Zippie IRIS only; used for Fixed Width Strut System
1C	126496	STRUT ROCKER TRANSIT 12W	For Zippie IRIS only; used for Fixed Width Strut System
1D	126497	STRUT ROCKER TRANSIT 13W	For Zippie IRIS only; used for Fixed Width Strut System
1E	126498	STRUT ROCKER TRANSIT 14W	used for Fixed Width Strut System
1F	126499	STRUT ROCKER TRANSIT 15W	used for Fixed Width Strut System
1G	126500	STRUT ROCKER TRANSIT 16W	used for Fixed Width Strut System
1H	126501	STRUT ROCKER TRANSIT 17W	used for Fixed Width Strut System
1I	126502	STRUT ROCKER TRANSIT 18W	used for Fixed Width Strut System
1J	126503	STRUT ROCKER TRANSIT 19W	For Quickie IRIS only; used for Fixed Width Strut System
1K	126504	STRUT ROCKER TRANSIT 20W	For Quickie IRIS only; used for Fixed Width Strut System
1L	126505	STRUT ROCKER TRANSIT 21W	For Quickie IRIS only; used for Fixed Width Strut System
1M	126506	STRUT ROCKER TRANSIT 22W	For Quickie IRIS only; used for Fixed Width Strut System
1N	245474	STRUT ROCKER TRANSIT 23W	For Quickie IRIS only; used for Fixed Width Strut System
1O	245475	STRUT ROCKER TRANSIT 24W	For Quickie IRIS only; used for Fixed Width Strut System
7	129788	BHCS 5/16-18 X 2 1/4 BLK W PL	
8	128988	WAVE WASHER 3/4"	See note
9	106935	NUT NYLOCK THIN 1/4-28 ROHS	

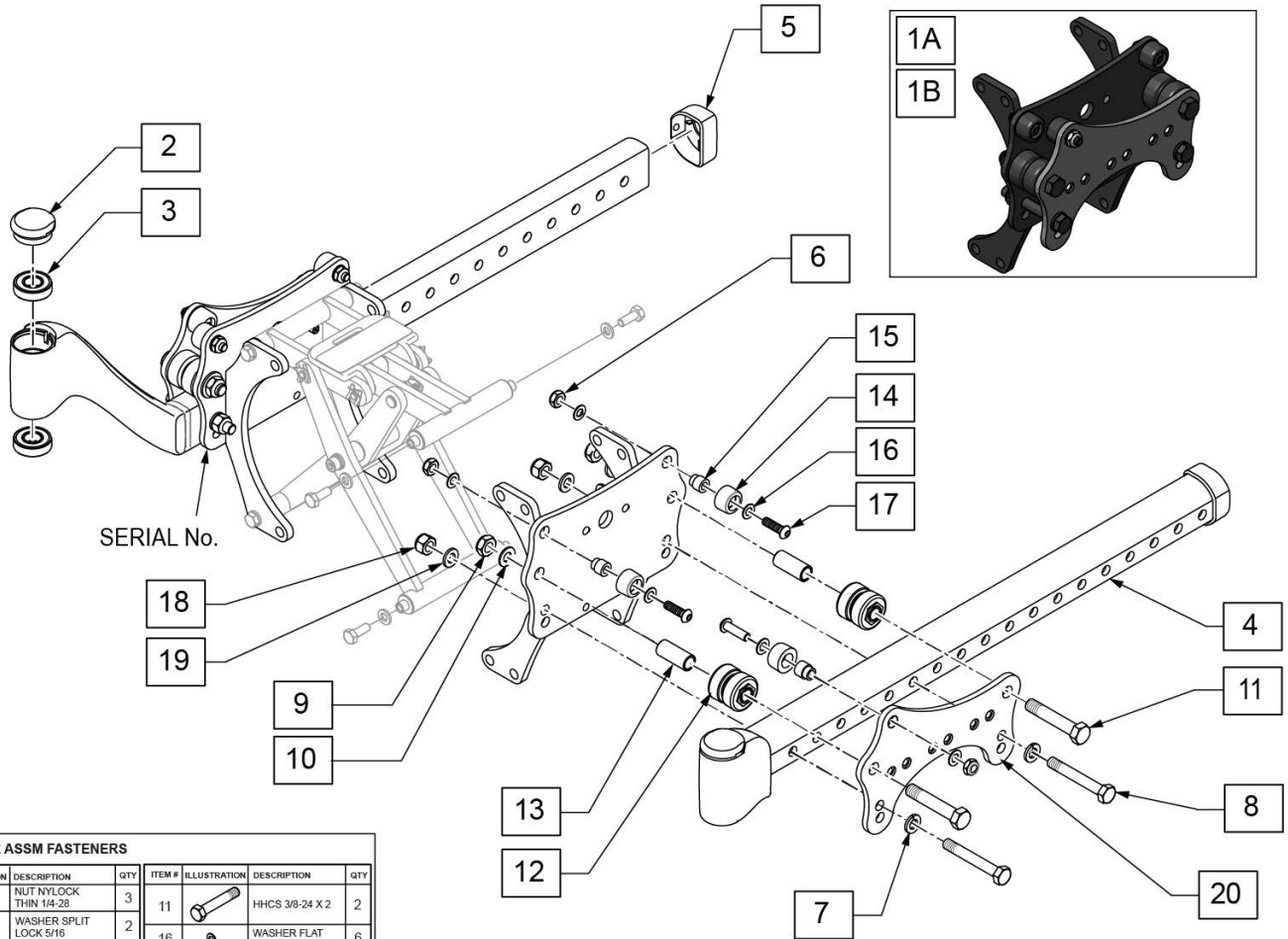
Pos.	Item Number	Description	Remarks
11	106943	WASHER FLAT AN 1/4 ROHS	
12	106972	HHCS 1/4-28 X 1-1/2 ROHS	
2-12,14	129603	TILT TRANSIT KIT W/O STRUT	order correct strut above to complete kit
13A	129604	14W TRANSIT ADJ STRUT KIT STD	Quickie IRIS, 14-19" wide; used for the Width Adjusting System
13B	129605	15-21 TRANSIT ADJ STRUT KIT STD	Quickie IRIS, 15-22" wide; used for the Width Adjusting System
13C	129606	10-13 W TRANSIT ADJ STRUT KIT PED	Zippie IRIS, 10-13" wide; used for the Width Adjusting System
13D	129607	14W TRANSIT ADJ STRUT KIT PED	Zippie IRIS, 14" wide; used for the Width Adjusting System
13E	129608	15-18 TRANSIT ADJ STRUT KIT PED	Zippie IRIS, 15-18" wide; used for the Width Adjusting System

Note: order qty 1 of correct size Transit Strut (13A-13E) and qty 1 of Transit Kit (p/n 129603).

Note: Transit Option not available with Drop Seat, O2 Holder, or IV Holder.

Note: if retrofitting Transit Kit to an existing chair with Heavy Duty option then 8 x 2 casters and forks are required.

Note: ensure Position 8 wave washer is centered when installed; see Informations Panel for instruction sheet for more detail.

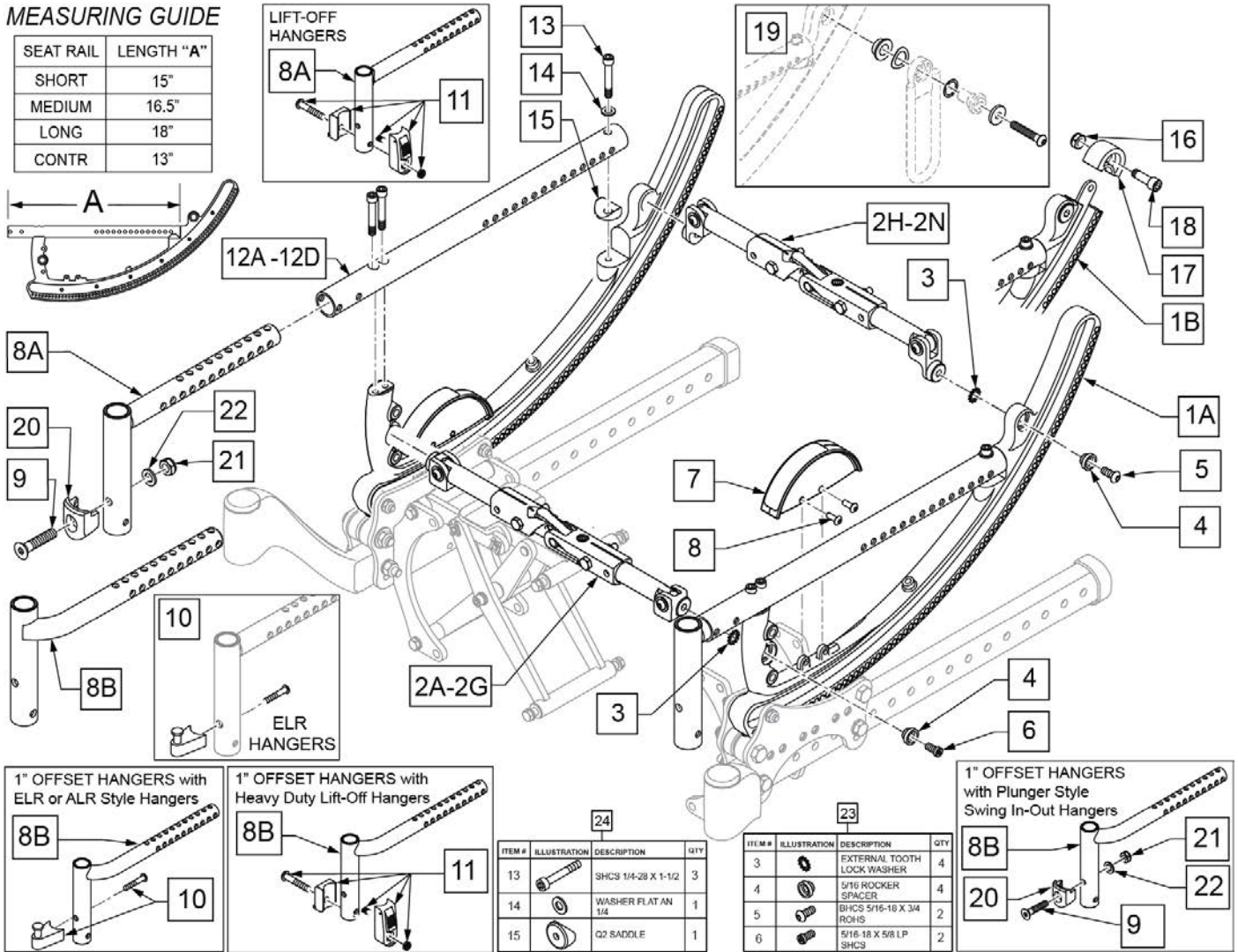


21 ROLLER ASSM FASTENERS							
ITEM #	ILLUSTRATION	DESCRIPTION	QTY	ITEM #	ILLUSTRATION	DESCRIPTION	QTY
6		NUT NYLOCK THIN 1/4-28	3	11		HHCS 3/8-24 X 2	2
7		WASHER SPLIT LOCK 5/16	2	16		WASHER FLAT THIN AN 1/4	6
8		HHCS 5/16-24 X 2-1/4	2	17		BHCS 1/4-28 X 7/8	3
9		NUT NYLOCK THIN 3/8-24	2	18		WASHER FLAT AN 5/16 ROHS	2
10		WASHER FLAT SAE 3/8 ROHS	2	19		NUT NYLOCK 5/16-24	2

Pos.	Item Number	Description	Remarks
1	130445S	PED ROLLER ASSM L	
1	242154S	PED ROLLER ASSM R	
2	116255	CAP CASTER	
3	349500	1 1/8 x 1/2 BEARING	
2-5	115790S	Z IRIS BASE FRAME ASSM R	RIGHT
2-5	115791S	Z IRIS BASE FRAME ASSM L	LEFT
5	105809	CAP TUBE BASE	
7	106951	WASHER SPLIT LOCK 5/16 ROHS	
8	106986	HHCS 6/16 -24 x 2 1/4 ROHS	
9-13	129595	LOWER ROLLER KIT	
6,14-17	129594	UPPER ROLLER KIT	Replaces inside 2 upper rollers
6,14-17	159757	OUTER ROLLER PLATE KIT	Replaces outside upper rollers
18	106946	WASHER FLAT AN 5/16 ROHS	
19	106938	NUT NYLOCK 5/16 -24 ROHS	
20	242140S	OUTER ROLLER PLATE FOLD R	RIGHT
20	242132S	OUTER ROLLER PLATE FOLD L	LEFT
21	159997	ROLLER ASSM FASTENERS	fastener kit for 1 side
		Ship assembled part #	Use with multiple assemblies
	ASSY-FRAME	FRAME ASSY REQUIRED	add with Frame kit

MEASURING GUIDE

SEAT RAIL	LENGTH "A"
SHORT	15"
MEDIUM	16.5"
LONG	18"
CONTR	13"

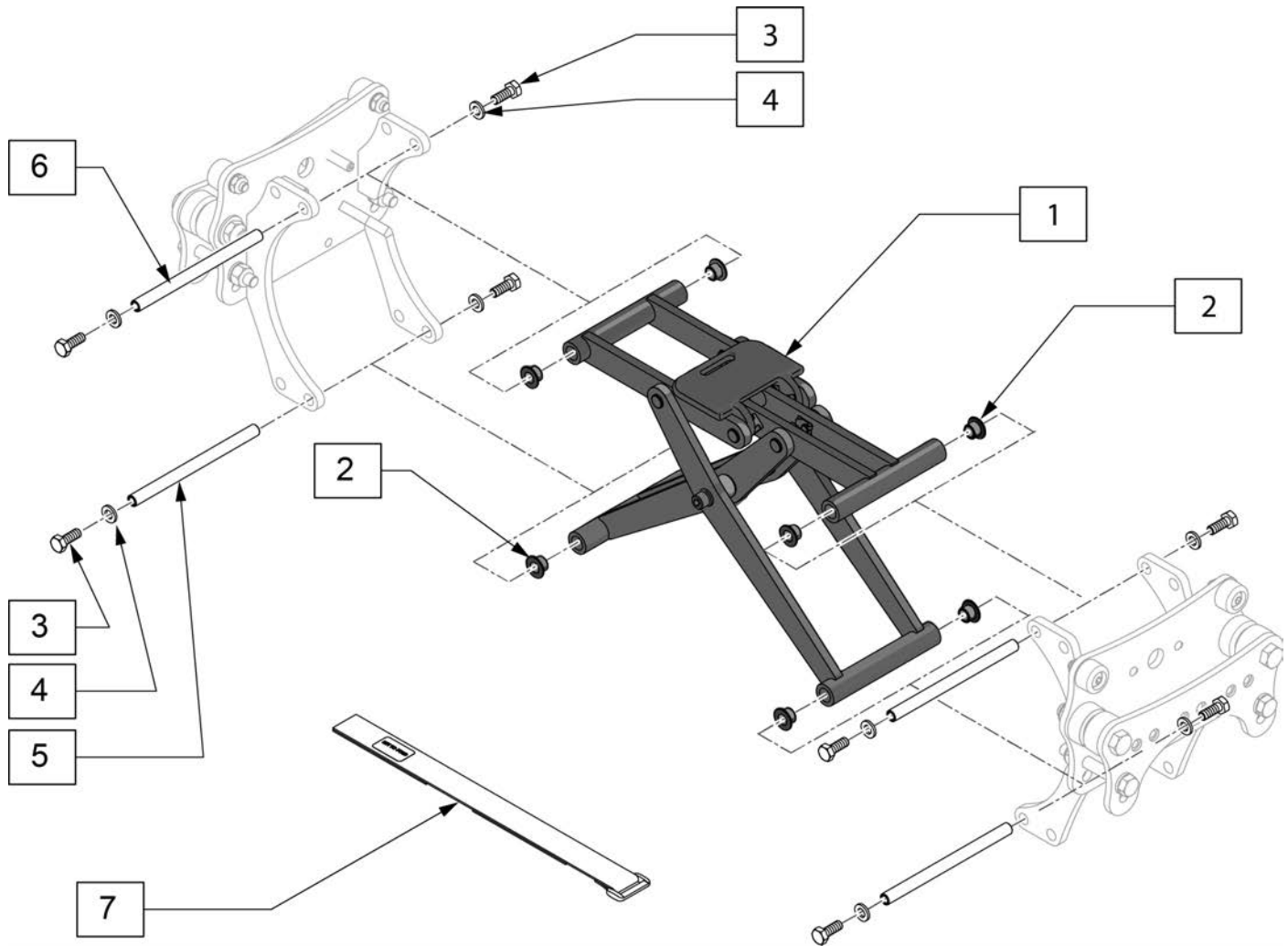


Pos.	Item Number	Description	Remarks
1A, 7,8	129641	ZIPPIE ROCKER KIT 55	55 degree of tilt range,one side only
1B, 7,8,16 -18	129642	ZIPPIE ROCKER KIT	40 degree of tilt range,one side only
2A,3-6	159998	FOLDING STRUT ASSM 10 WIDE FRNT	
2B,3-6	159999	FOLDING STRUT ASSM 11 WIDE FRNT	
2C,3-6	160887	FOLDING STRUT ASSM 12 WIDE FRNT	
2D,3-6	160001	FOLDING STRUT ASSM 13 WIDE FRNT	
2E,3-6	160002	FOLDING STRUT ASSM 14 WIDE FRNT	
2F,3-6	160003	FOLDING STRUT ASSM 15 WIDE FRNT	
2G,3-6	160004	FOLDING STRUT ASSM 16 WIDE FRNT	

Pos.	Item Number	Description	Remarks
2H,3-5	160005	FOLDING STRUT ASSM 10 WIDE REAR	add item 19 for chairs with Transit
2I,3-5	160006	FOLDING STRUT ASSM 11 WIDE REAR	add item 19 for chairs with Transit
2J,3-5	160007	FOLDING STRUT ASSM 12 WIDE REAR	add item 19 for chairs with Transit
2K,3-5	160008	FOLDING STRUT ASSM 13 WIDE REAR	add item 19 for chairs with Transit
2L,3-5	160009	FOLDING STRUT ASSM 14 WIDE REAR	add item 19 for chairs with Transit
2M,3-5	160888	FOLDING STRUT ASSM 15 WIDE REAR	add item 19 for chairs with Transit
2N,3-5	160011	FOLDING STRUT ASSM 16 WIDE REAR	add item 19 for chairs with Transit
7,8	115798	Z IRIS AND INDC W/ HDWR	
8	106952	BHCS 10 -32 x 1/2 ROHS	
6,7	129643	REC W/LATCH	Pair-Use with ELR/ALR
8A	050502	RECEIVER HANGER WELDMENT PED	
8B	244325	ZIRIS HANGER SPPRT 1IN FLARE R	
8B	244326	ZIRIS HANGER SPPRT 1IN FLARE L	
8A,10	115799	REC HANGER TUBE W/ LATCH	move latch to forward facing hole
8A,11	160891	HANGER SUPPORT W/ LIFT-OFF	

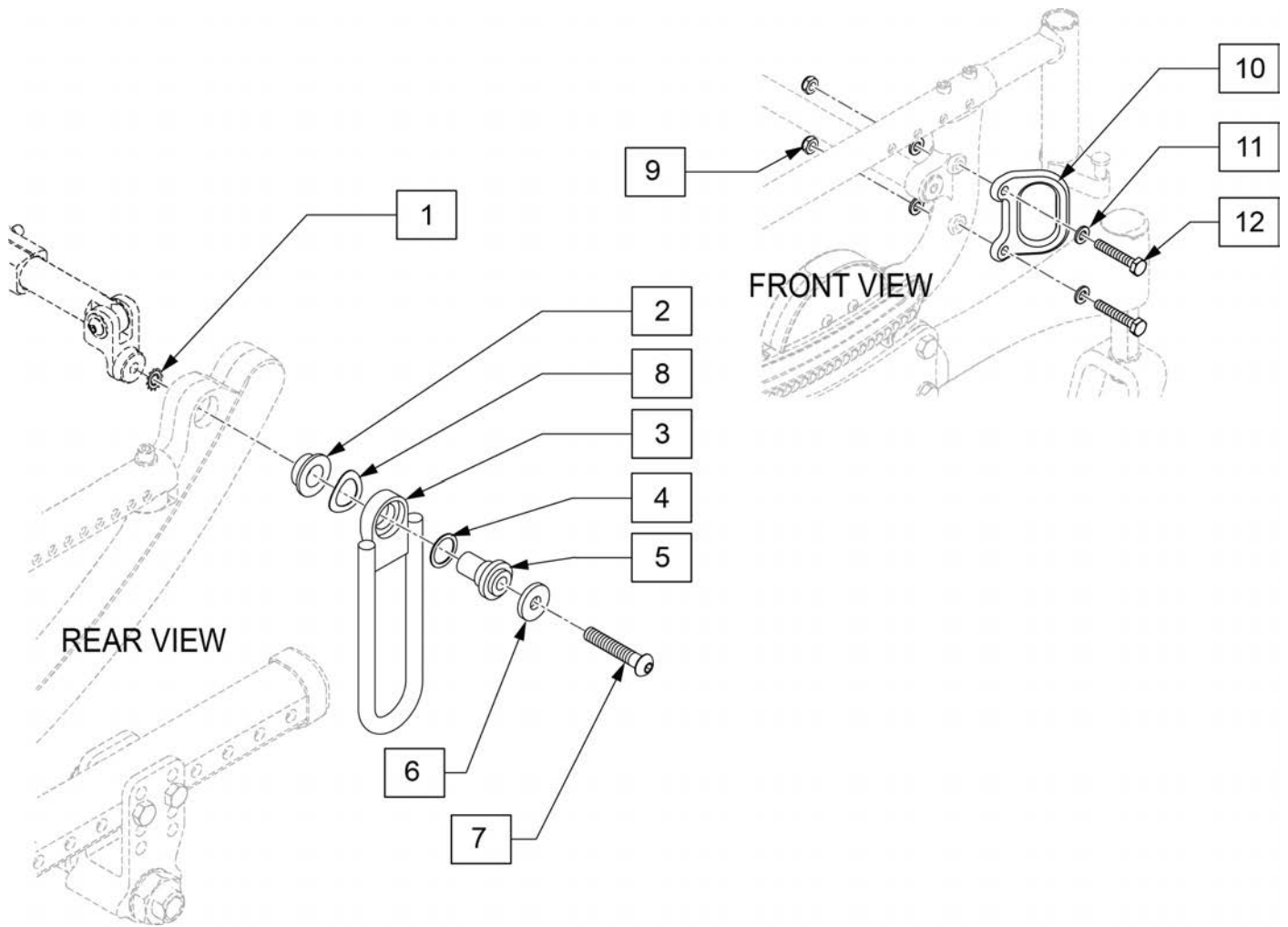
Pos.	Item Number	Description	Remarks
8B,9,20-22	160892	FLARED SUPPORT RT W/ SA LATCH	Right; 1" Offset Hanger Receiver used with Plunger Style Swing In-Out Hangers
8B,9,20-22	160016	FLARED SUPPORT LT W/ SA LATCH	Left; 1" Offset Hanger Receiver used with Plunger Style Swing In-Out Hangers
8B,10	160893	FLARED SUPPORT RT W/ LATCH	Right; 1" Offset Hanger Receiver used with ELR or ALR style hangers on chairs shipped prior to 2/6/17
8B,10	160018	FLARED SUPPORT LT W/ LATCH	Left; 1" Offset Hanger Receiver used with ELR or ALR style hangers on chairs shipped prior to 2/6/17
8B,11	160019	FLARED SUPPORT RT W/ LIFT-OFF	Right; 1" Offset Hanger Receiver used with Heavy-Duty Lift Off Hangers
8B,11	160020	FLARED SUPPORT LT W/ LIFT-OFF	Left; 1" Offset Hanger Receiver used with Heavy-Duty Lift Off Hangers
9	103500-011	FHCS M6 X 1 X 40 FULL NP	
10	107491	LATCH STUD KIT	For ELR hangers

Pos.	Item Number	Description	Remarks
11	920720	FOOTREST BLOCK ASSEMBLY W/BOLT HD	For Lift-Off hangers
12A	050500-001S	SEAT TUBE PED SHORT	10" - 14" SEAT DEPTHS
12B	050500-002S	SEAT TUBE PED MED	12" - 16" SEAT DEPTHS
12C	050500-003S	SEAT TUBE PED LONG	14" - 18" SEAT DEPTHS
12D	050500-004S	SEAT TUBE PED CONTRACTURE	USED FOR CONTRACTURE FOOTREST ONLY
16	106935	NUT NYLOCK THIN 1/4 -28 ROHS	
17	126318	ROCKER COVER PED STD	
18	118928	SHCS 1/4 -28 x 3/4 PL ROHS	
19	159760	RR FOLD STRUT FASTENERS TRANS	Folding strut fasteners for transit rear only
20	118696	HANGER LATCH RECEIVER	
21	104381	NUT HEX NYLOCK M6 X 1.0	
22	104414	WAVER WSHR 6MM	
23	160889	FOLDING STRUT FASTENERS	front and rear spacers, washers & screws
24	160021	SEAT TUBE FASTENERS	front & rear 1 side
9,20-22	119514	LATCH RECEIVER KIT	Use with SA hangers
		Ship assembled part #	Use with multiple assemblies
	ASSY-FRAME	FRAME ASSY REQUIRED	add with Frame kit

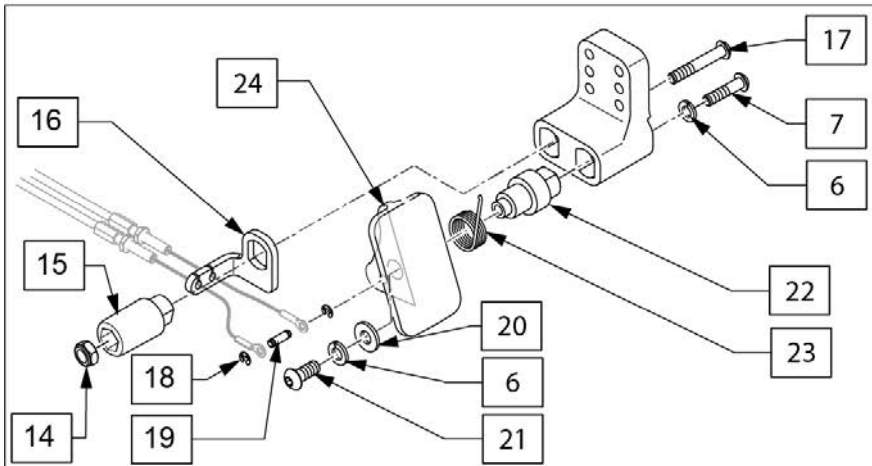
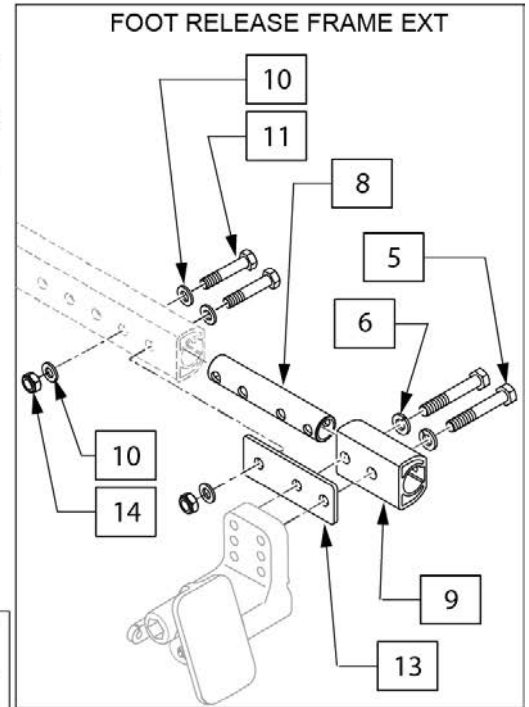
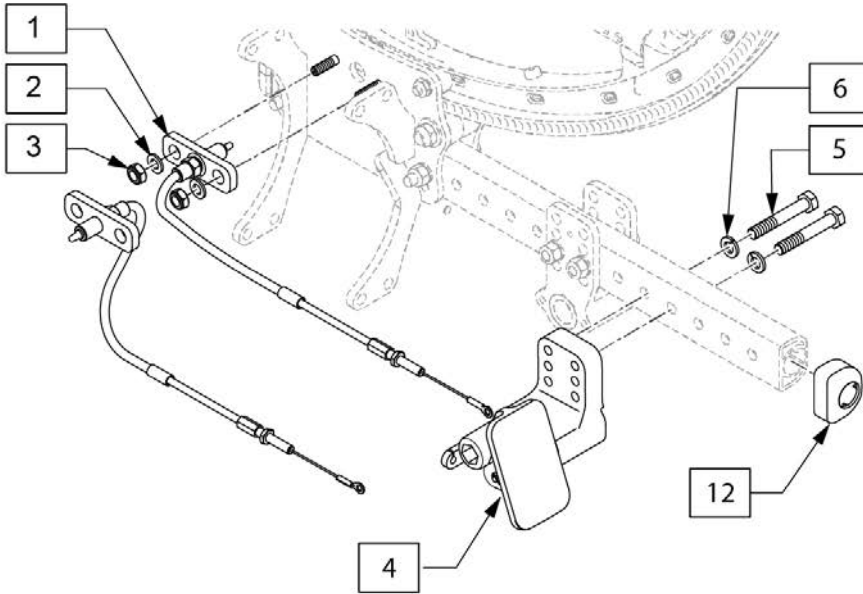


Pos.	Item Number	Description	Remarks
1-7	160022	CROSS FRAME FLDNG KIT 10"	complete kit w/ attachment hdwr & strap
1-7	160894	CROSS FRAME FLDNG KIT 11"	complete kit w/ attachment hdwr & strap
1-7	160895	CROSS FRAME FLDNG KIT 12"	complete kit w/ attachment hdwr & strap
1-7	160896	CROSS FRAME FLDNG KIT 13"	complete kit w/ attachment hdwr & strap
1-7	160026	CROSS FRAME FLDNG KIT 14"	complete kit w/ attachment hdwr & strap
1-7	160897	CROSS FRAME FLDNG KIT 15"	complete kit w/ attachment hdwr & strap
1-7	160028	CROSS FRAME FLDNG KIT 16"	complete kit w/ attachment hdwr & strap
2	050139	BEARING FLANGE 8MMIDX7.5MM LG	
3	106995	HHCS M6X1X16 PL	
4	107383	WASHER FLAT M6	
3-6	160029	CROSS FRAME ATTACHMENT KIT	4 pins, 8 washers, 8 hex screws-short pins top
7	132342	CROSSTUBE FOLD HANDLE	
		Ship assembled part #	Use with multiple assemblies
	ASSY-FRAME	FRAME ASSY REQUIRED	add with Frame kit

NOTE: Transit Option not available with O2 or IV Holder.



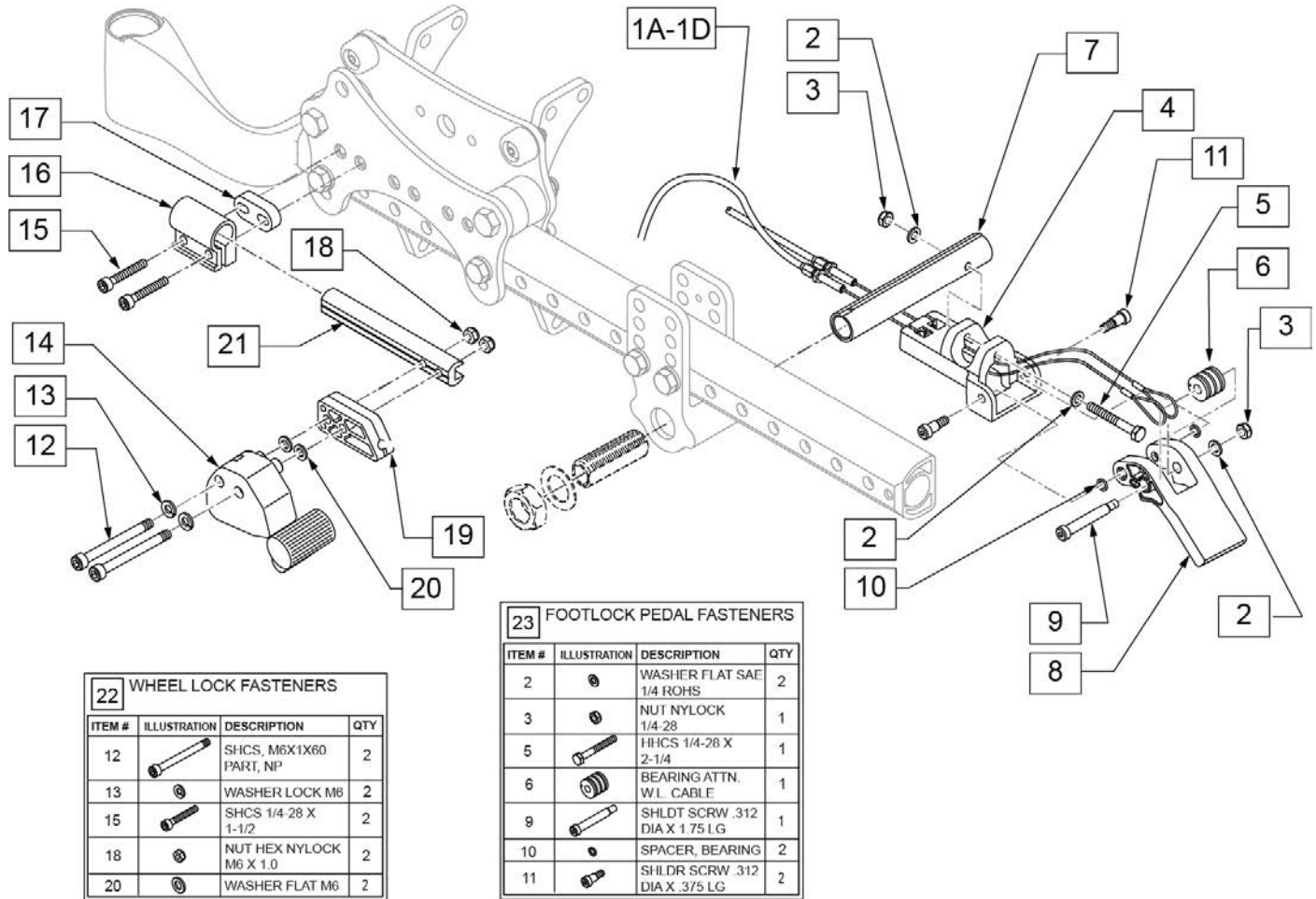
Pos.	Item Number	Description
1	132138	EXTERNAL TOOTH LOCK WASHER
7	107031	BHCS 5/16-18 X 2
8	128988	WAVE WASHER 3/4"
9	106935	NUT NYLOCK THIN 1/4-28 ROHS
11	106943	WASHER FLAT AN 1/4 ROHS
12	106972	HHCS 1/4-28 X 1-1/2 ROHS
1-13	160030	FOLDING IRIS TRANSIT KIT WC19



25 PEDAL HARDWARE			
ITEM #	ILLUSTRATION	DESCRIPTION	QTY
6		WASHER SPLIT LOCK 5/16	2
7		BHCS 5/16-18 X 1-1/4	2
18		E-CLIP 3/16"	2
20		5/16 FENDER WASHER SS 3/4" OD	1
21		BHCS 5/16-18 X 3/4 ROHS	2
22		SHAFT PIVOT PEDAL	1
23		TORSION SPRING RH	1




Pos.	Item Number	Description	Remarks
1-3	160031	FOOT REL CABLE ASSM RT SHRT	cable length: 14"
1-3	160032	FOOT REL CABLE ASSM LFT SHRT	cable length: 17"
1-3	160033	FOOT REL CABLE ASSM LFT MED	cable length: 22"
1-3	160898	FOOT REL CABLE ASSM RT LNG	cable length: 16"
1-3	160899	FOOT REL CABLE ASSM LFT LNG	cable length: 26"
2	106945	WASHER FLAT SAE 1/4 ROHS	
3	106932	NUT NYLOCK 1/4 -20 ROHS	
4-6	160036	FOOT REL PEDAL ASSM	
5	106985	HHCS 5/16 -24 x 2 ROHS	
6	106951	WASHER SPLIT LOCK 5/16 ROHS	
12	105809	CAP TUBE BASE	
13	108795	TUBE EXTENSION PLATE	
23	106668	TORSION SPRING RH	
24	107165	PEDAL FOOT RELEASE	
25	160038	PEDAL HARDWARE	
8-15	108615	FOOT RELEASE FRAME EXT.	Black only
14-17	160900	POST STOP REPLACE ASSM	
18,19,22,23	160039	FOOT LOCK PEDAL KIT	

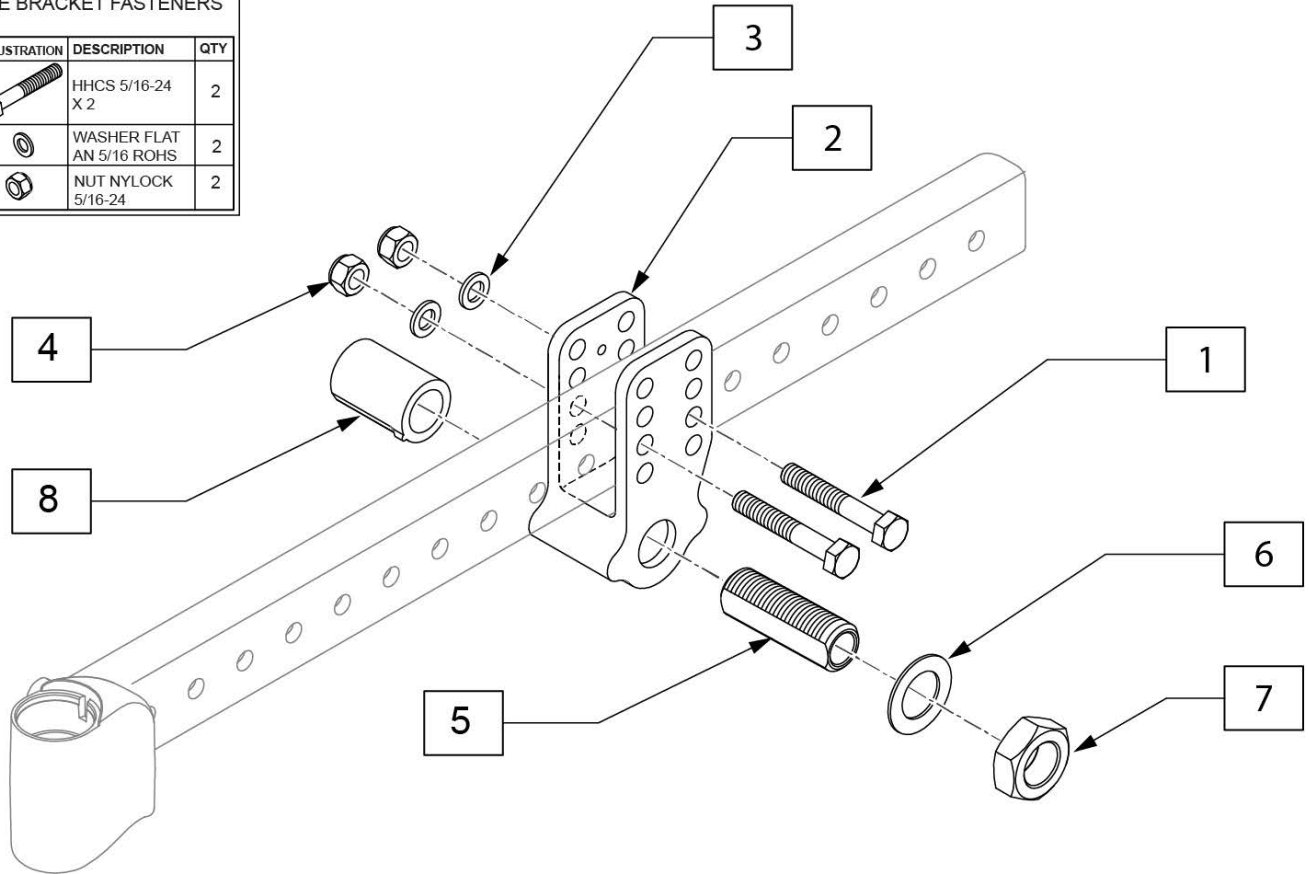
Note: See AXLE BRACKETS page for related parts.



Pos.	Item Number	Description	Remarks
1A	134012	ATTND W.L. CABLE ASSM 406MM	
1B	134013	ATTND W.L. CABLE ASSM 483MM	
1C	342016	ATTENDANT W.L. CABLE ASSM SHRT	
1D	342017	ATTENDANT WHEEL LOCK CABLE ASSM LONG	
2	106945	WASHER FLAT SAE 1/4 ROHS	
3	106934	NUT NYLOCK 1/4-28 ROHS	
4	123517	ATTENDT WHL LCK MT BRKT	
5	107351	HHCS 1/4-28 X 2 1/4 ROHS	
6	506185	BEARING ATTENDANT WHEEL LOCK CABLE	
7	132243	ATTEND WHEEL LOCK SLEEVE	
8	506182	ATTENDANT WHEEL LOCK ACTUATION PEDAL	
9	281041	SHOULDER SCREW .312 DIA x 1.75 LONG	
10	481353	SPACER, BEARING	
11	281048	SHOULDER SCREW .312 DIA x .375 LONG	
12	103190-013	SHCS M6 x 1 x 60 PART NP	
13	262133	WASHER LOCK M6	
14	119952	REMOTE LOCK RIGHT SIDE US	RIGHT

Pos.	Item Number	Description	Remarks
14	119953	REMOTE LOCK LEFT SIDE US	LEFT
15	106976	SHCS 1/4-28 X 1-1/2	
16	124954	WHEEL LOCK CLAMP	
17	126237	BLOCK MOUNT WHEEL LOCK 10MM	
18	104381	NUT HEX NYLOCK M6 X 1.0	
19	506184	SPACER ATTENDANT WHEEL LOCK	
20	107383	WASHER FLAT M6 ROHS	
21	126230	SLIDE ADJ SHRT FOOT LOCK	
22	160042	WHEEL LOCK FASTENERS	
23	160043	FOOTLOCK PEDAL FASTENERS	
12-21	160901	RIGHT FOOTLOCK ASSM	RIGHT
12-21	160041	LEFT FOOTLOCK ASSM	LEFT
15,16	126201	WHEEL LOCK CLAMP W/HARDWARE	

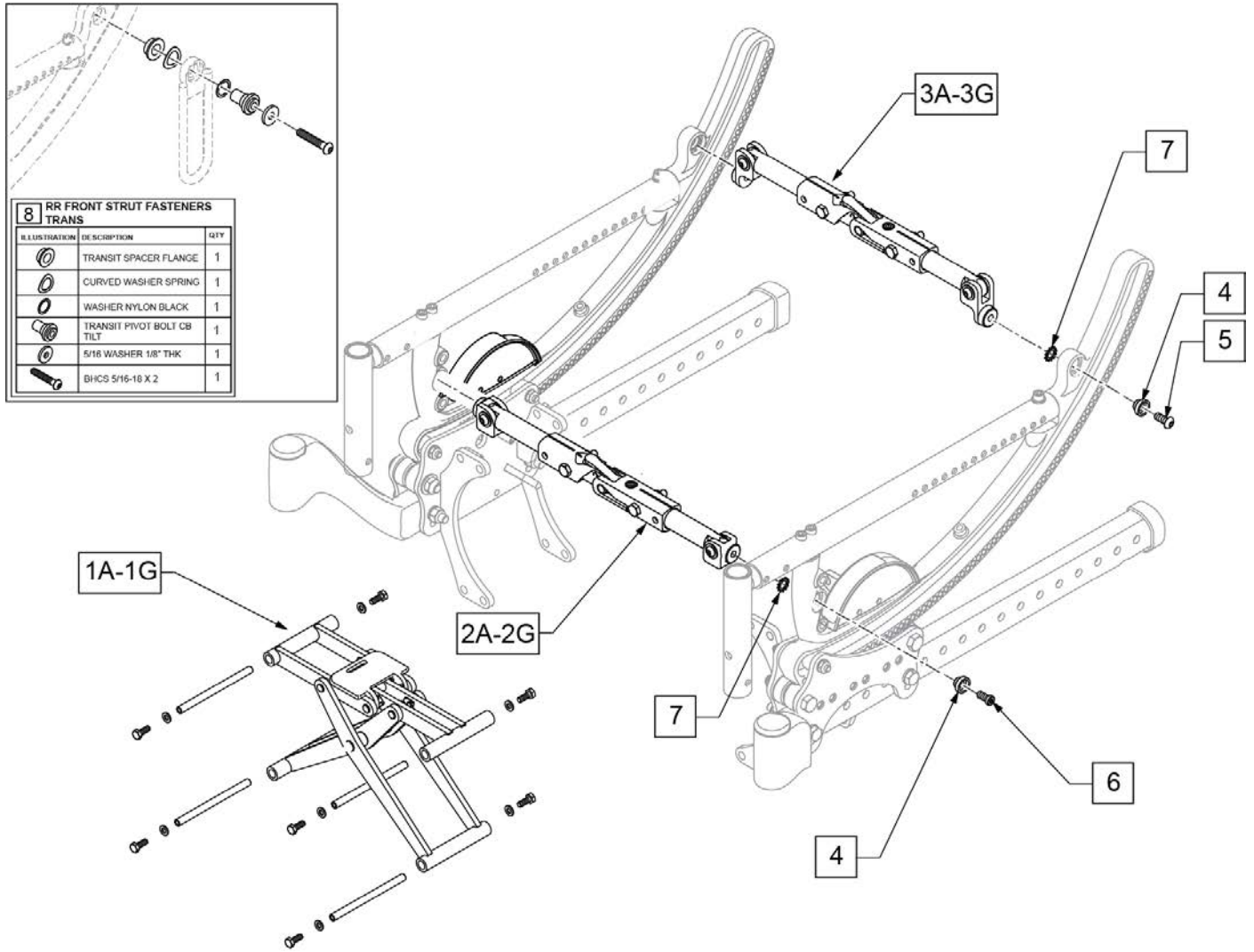
9 AXLE BRACKET FASTENERS			
ITEM #	ILLUSTRATION	DESCRIPTION	QTY
1		HHCS 5/16-24 X 2	2
3		WASHER FLAT AN 5/16 ROHS	2
4		NUT NYLOCK 5/16-24	2



Pos.	Item Number	Description
5	481065	AXLE SLEEVE S.S.
6	116570	WASHER FLAT 3/4 X 1.25 BLK ZNC
7	116569	NUT HEX 3/4-16 BLACK ZINC
9	160903	AXLE BRACKET FASTENERS
5-8	160046	FOLDING AXLE SLEEVE ASSM
1-8	160048	AXLE BRACKET ASSM RT
1-8	160049	AXLE BRACKET ASSM LFT

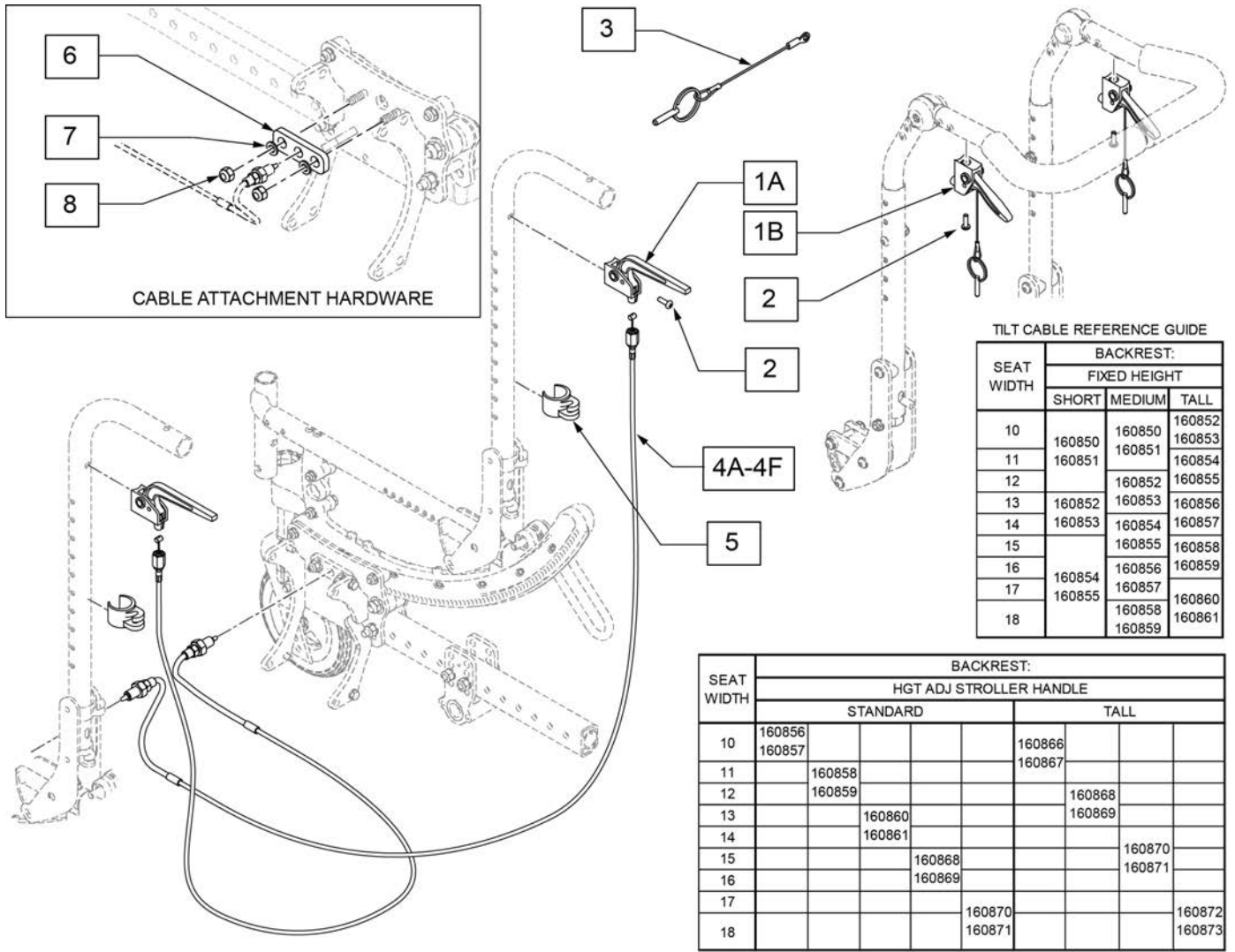
Note: Kit contains: Folding Cross Frame, 1 Front Folding Strut, 1 Rear Folding Strut and attachment hardware.

Note: when growing an IRIS chair other items may need to be changed based on width: Examples: Seat Pan, Back & Stoller Handle.



Pos.	Item Number	Description	Remarks
1A-3A,4-7	160050	FOLDING GROWTH KIT 10 WIDE	
1B-3B,4-7	160051	FOLDING GROWTH KIT 11 WIDE	
1C-3C,4-7	160904	FOLDING GROWTH KIT 12 WIDE	
1D-3D,4-7	160905	FOLDING GROWTH KIT 13 WIDE	
1E-3E,4-7	160906	FOLDING GROWTH KIT 14 WIDE	
1F-3F,4-7	160907	FOLDING GROWTH KIT 15 WIDE	
1G-3G,4-7	160908	FOLDING GROWTH KIT 16 WIDE	
8	159760	RR FOLD STRUT FASTENERS TRANS	order when equipped with Transit

TILT COMPONENTS DUAL TRIGGER CABLE (FOLDING FRAME)



TILT CABLE REFERENCE GUIDE

SEAT WIDTH	BACKREST: FIXED HEIGHT		
	SHORT	MEDIUM	TALL
10	160850	160850	160852
		160851	160853
11	160851		160854
12		160852	160855
13	160852	160853	160856
14	160853	160854	160857
15		160855	160858
16	160854	160856	160859
17	160855	160857	
		160858	160860
18		160859	160861

SEAT WIDTH	BACKREST: HGT ADJ STROLLER HANDLE							
	STANDARD				TALL			
	10	160856				160866		
	160857				160867			
11		160858						
12		160859			160868			
13			160860		160869			
14			160861					
15				160868			160870	
16				160869			160871	
17								
					160870			160872
18					160871			160873

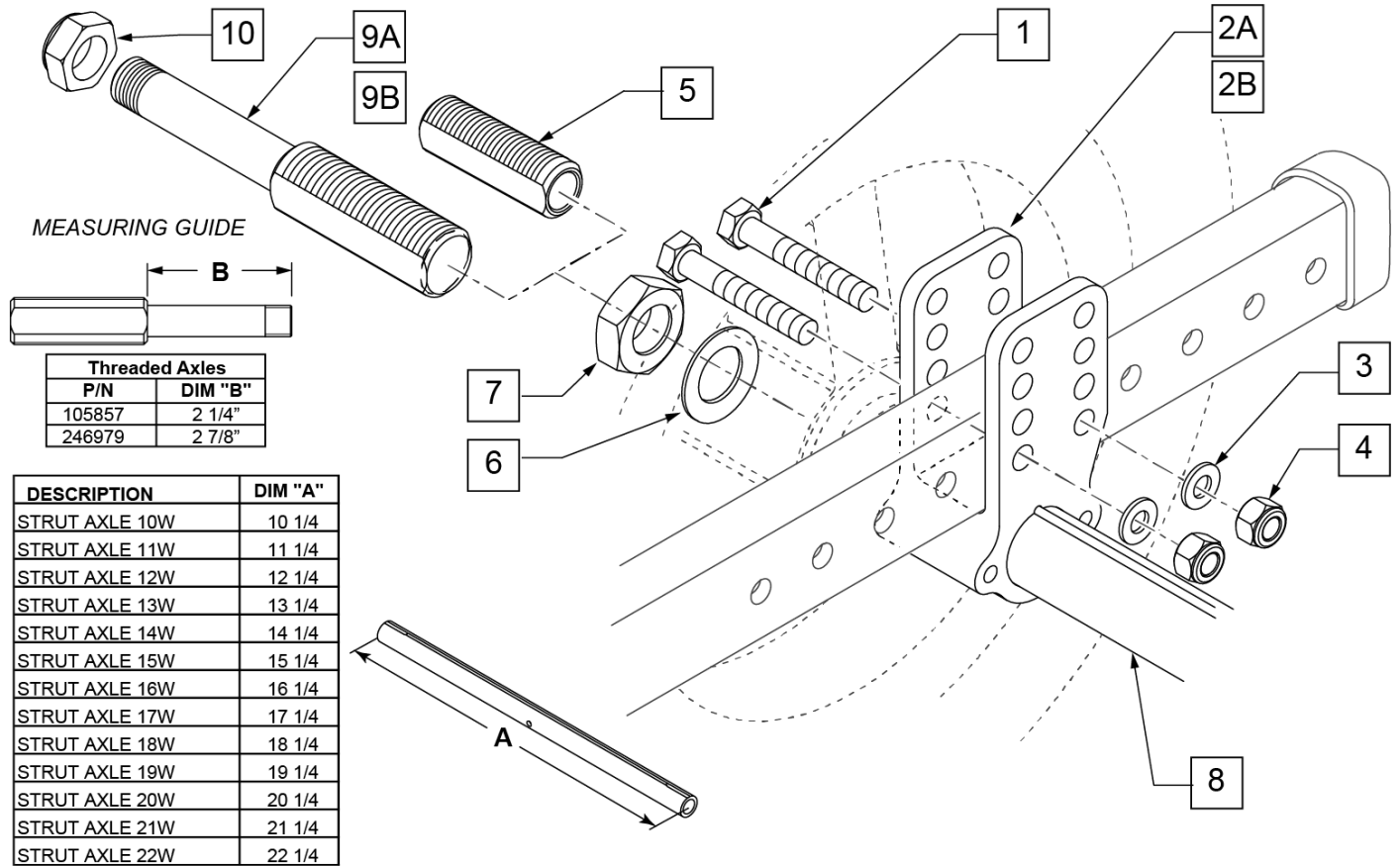
Pos.	Item Number	Description	Remarks
1A, 3	580110	CYL LOCK LEVER ASSM QT/QR/P5	
1B, 3	580109	PLUNGER PIN LEVER ASSM	
2	281120	10 -32 X 5/8 PAN HD PHIL	
3	349021	TRIGGER RELEASE PIN TS/QT/P5	
5	108134	CABLE CLIP 1" PACK 10	PACK OF 10
6	500698	PLATE PLUNGER ROLLER	
7	106943	1/4 AN WASHER FLAT	
8	106932	1/4 -20 NYLOCK NUT HIGH	
1-4A,6-8	160850	CABLE TILT PED LH STD	
1-4A,6-8	160851	CABLE TILT PED RH STD	
1-4B,6-8	160852	CABLE TILT PED LH MED STD	
1-4B,6-8	160853	CABLE TILT PED RH MED STD	
1-4C,6-8	160854	CABLE TILT PED LH LNG STD	
1-4C,6-8	160855	CABLE TILT PED RH LNG STD	
1-4D,6-8	160856	CABLE TILT PED LH XL STD	
1-4D,6-8	160857	CABLE TILT PED RH XL STD	
1-4E,6-8	160858	CABLE TILT PED LH 2XL STD	
1-4E,6-8	160859	CABLE TILT PED RH 2XL STD	

Pos.	Item Number	Description	Remarks
1-4F,6-8	160860	CABLE TILT PED LH 3XL STD	
1-4F,6-8	160861	CABLE TILT PED RH 3XL STD	
1-4D,6-8	160862	CABLE TILT PED LH XL ADJ	
1-4D,6-8	160863	CABLE TILT PED RH XL ADJ	
1-4E,6-8	160864	CABLE TILT PED LH 2XL ADJ	
1-4E,6-8	160865	CABLE TILT PED RH 2XL ADJ	
1-4F,6-8	160866	CABLE TILT PED LH 3XL ADJ	
1-4F,6-8	160867	CABLE TILT PED RH 3XL ADJ	
1-4G,6-8	160868	CABLE TILT PED LH 4XL ADJ	
1-4G,6-8	160869	CABLE TILT PED RH 4XL ADJ	
1-4H,6-8	160870	CABLE TILT PED LH 5XL ADJ	
1-4H,6-8	160871	CABLE TILT PED RH 5XL ADJ	
1-4I,6-8	160872	CABLE TILT PED LH 6XL ADJ	
1-4I,6-8	160873	CABLE TILT PED RH 6XL ADJ	

AXLE BRACKETS

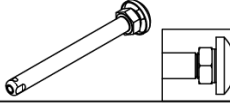
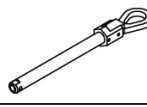
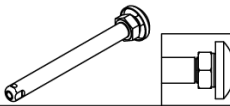
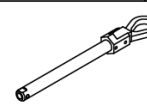
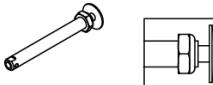


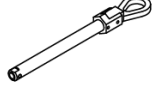
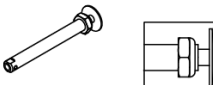
NOTE: Fits Quickie Iris chairs w/ S/N Prefix IRS & IRSE only; Fits Zippie Iris chairs w/ S/N Prefix ZRS & ZRSE only.

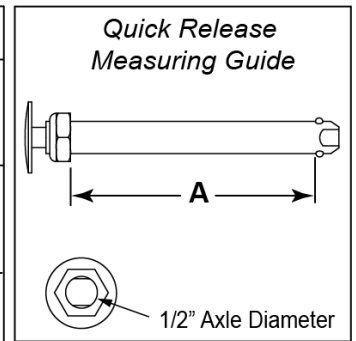
NOTE: Standard Axle Plates and Axle Plates used with the Vent/Battery Tray are different; if adding a Vent/Battery Tray or removing it, the Axle Plates must be changed and item 8 is not used with the Vent/Battery Tray.



Pos.	Item Number	Description	Remarks
1	106985	HHCS 5/16 -24 x 2 ROHS	
2A	105837	AXLE PLATE STANDARD R	RIGHT
2A	105838	AXLE PLATE STANDARD L	LEFT
2B	105879	AXLE PLATE VBT	Used with Vent and Battery Tray only
3	106946	WASHER FLAT AN 5/16 ROHS	
4	106938	NUT NYLOCK 5/16 -24 ROHS	
5	481065	AXLE SLEEVE S.S.	
6	116570	WASHER FLAT 3/4 X 1.25 BLK ZNC	
7	116569	NUT HEX 3/4-16 BLACK ZINC	
8	105836-010	STRUT AXLE 10"	Fits Zippie Iris only
8	105836-011	STRUT AXLE 11"	Fits Zippie Iris only
8	105836-012	STRUT AXLE 12"	Fits Zippie Iris only
8	105836-013	STRUT AXLE 13"	Fits Zippie Iris only
8	105836-001	STRUT AXLE 14"	
8	105836-002	STRUT AXLE 15"	

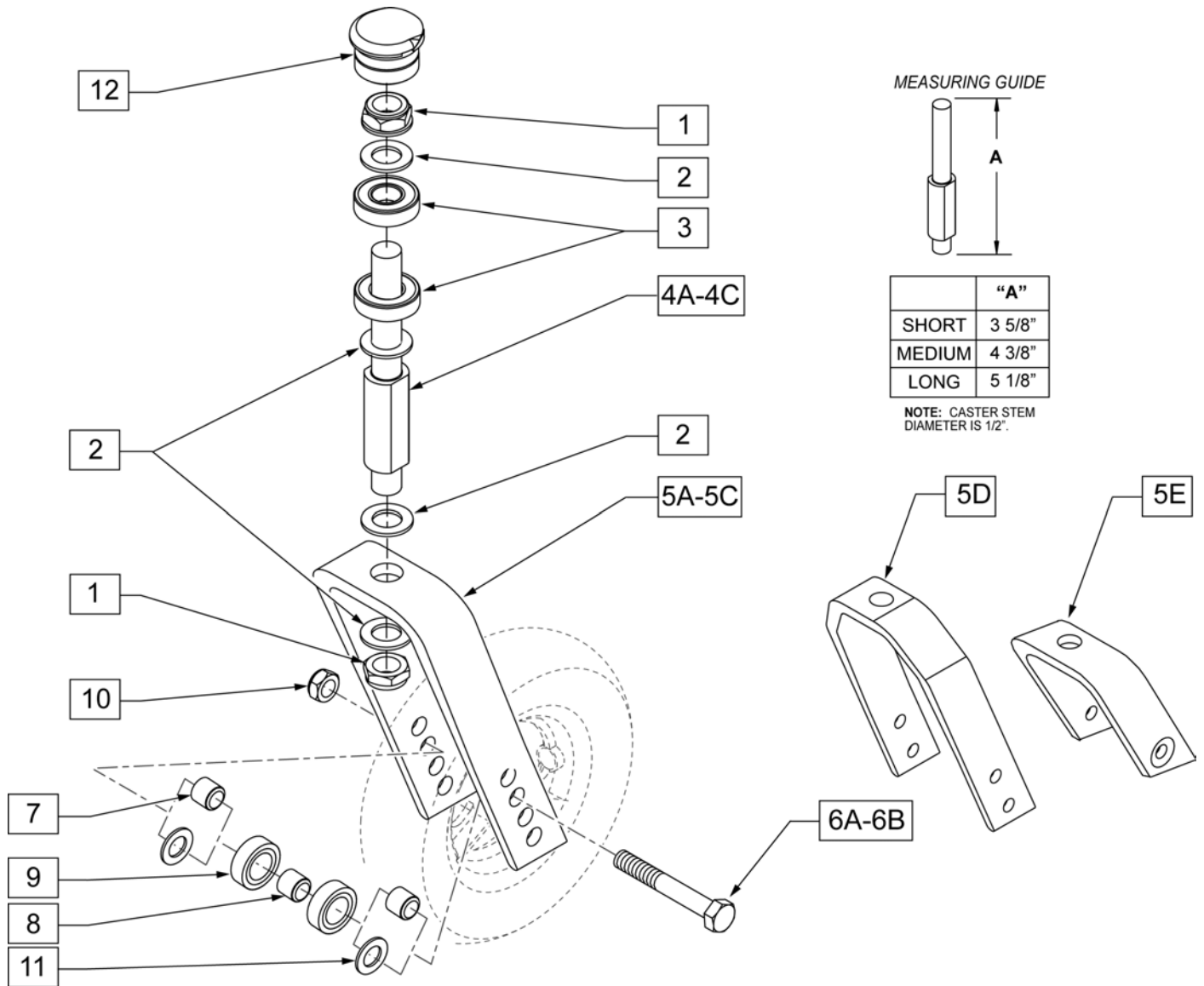
Pos.	Item Number	Description	Remarks
8	105836-003	STRUT AXLE 16"	
8	105836-004	STRUT AXLE 17"	
8	105836-005	STRUT AXLE 18"	
8	105836-006	STRUT AXLE 19"	Fits Quickie Iris only
8	105836-007	STRUT AXLE 20"	Fits Quickie Iris only
8	105836-008	STRUT AXLE 21"	Fits Quickie Iris only
8	105836-009	STRUT AXLE 22"	Fits Quickie Iris only
9A	105857	AXLE THREADED	Fits Mag Wheels: 12" & 16" (3 Spoke); 20", 22", & 24" (6 Spoke)
9B	246979	5 SPOKE MAG THREAD AXLE	
10	106940	NUT NYLOCK THIN 1/2 -20 ROHS	
1,2A,3,4,9A,10	108177	AXLE BRKT THREADED ASSM R	RIGHT-Threaded Axle
1,2A,3,4,9A,10	108178	AXLE BRKT THREADED ASSM L	LEFT-Threaded Axle
1,2A,3-7	108175	AXLE BRKT QR ASSM R	RIGHT-Quick Release Axle
1,2A,3-7	108176	AXLE BRKT QR ASSM L	LEFT-Quick Release Axle
5-7	108616	QR AXLE SLEEVE KIT	
7,9A	108617	THREADED AXLE SLEEVE KIT	
1,2B,3,4,9A,10	108292	AXLE PLATE VBT ASSM THREADED	Threaded Axle Plate for Vent/Battery Tray only
1,2B,3-7	108291	AXLE PLATE VBT ASSM QR	Quick Release Axle Plate for Vent/Battery Tray only

Wheel Type	Axle Type	Axle P/N	Spacer P/N
6 Spoke Mag Wheels	Quick Release 1A 	102063 A=4 1/8	N/A
	Quad Quick Release 1B 	922171 A=4 1/8	N/A
12" & 16" 3 Spoke Mag Wheels	Quick Release 1A 	102063 A=4 1/8	N/A
	Quad Quick Release 1B 	922171 A=4 1/8	N/A
Standard Spoke	Quick Release 1C 	102064 "A" = 4 1/2	N/A
Lite Spoke Wheels	Quick Release 1D 	107268 A=4 1/4	N/A
Mag Wheels w/ Hub Locks	Quick Release 1E 	102063 "A" = 4 1/8	N/A
	Quad Quick Release 1F 	116390 A=4 1/8	N/A
5 Spoke Mag Wheels	Quick Release 1G 	109385 A=4 1/2	N/A



Pos.	Item Number	Description
1A	102063	QR AXLE MAG W/M-12 NUT
1B	920171	QR AXLE MAG W/QUAD NUT
1C	109385	QR AXLE/NUT LONG BG BTTN
1D	107268	QR AXLE AND NUT SHORT BIG BUTTON
1E	102063	QR AXLE MAG W/M-12 NUT
1F	116390	QUAD RELEASE AXLE
1G	109385	QR AXLE/NUT LONG BT BTTN

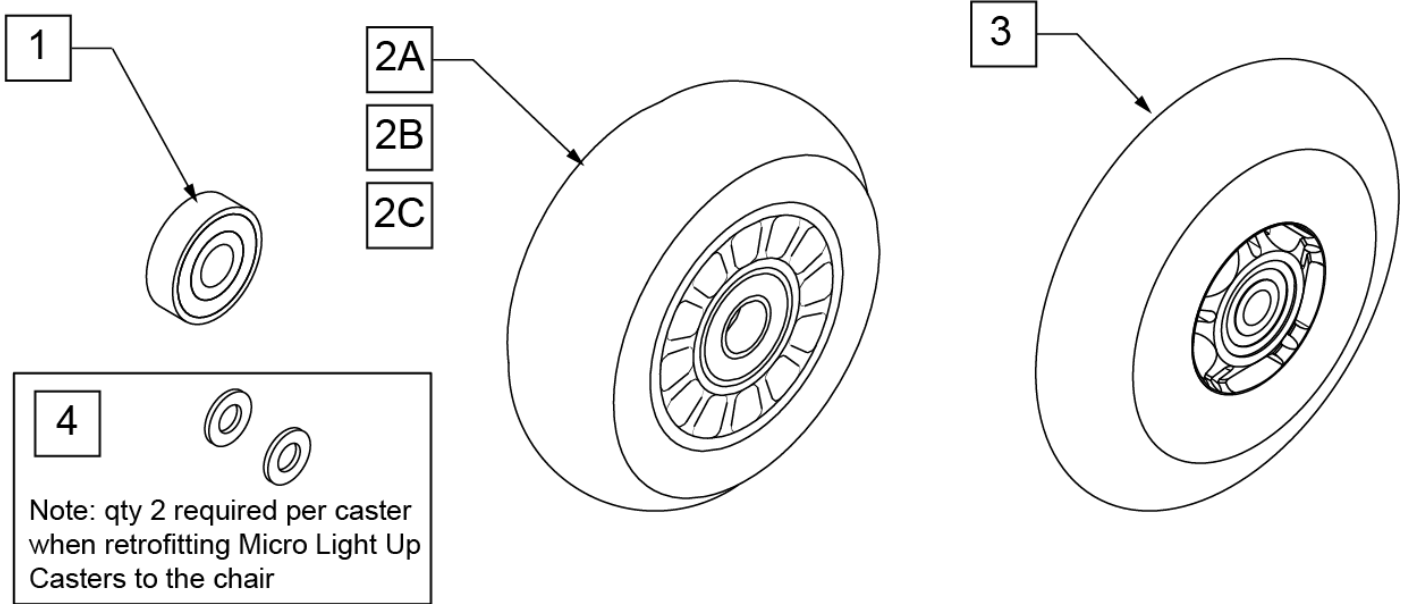
NOTE: FITS LXI CHAIRS W/ TRANSIT OPTION.



Pos.	Item Number	Description	Remarks
1	106940	NUT NYLOCK THIN 1/2 -20 ROHS	
2	106949	WASHER FLAT AN 1/2 ROHS	
3	349500	1 1/8 x 1/2 BEARING	
4A	481820	CASTER STEM SHORT CGTS	STD Caster Stem
4B	481821	CASTER STEM MEDIUM CGTS	+3/4" Caster Stem
4C	481822	CASTER STEM LONG CGTS	+1 1/2" Caster Stem
5A	105839-001	FORK CASTER 5 1/4"	WORKS W/ 4",5",6", & 8" CASTERS
5B	105839-002	FORK CASTER 6"	WORKS W/ 4",5",6", & 8" CASTERS
5C	105839-003	FORK CASTER 7"	WORKS W/ 4",5",6", & 8" CASTERS
5D	550730	8" FORK P100 ONLY	WORKS W/ 8" X 2" CASTERS ONLY
5E	106810	FORK CASTER 3"	
6A	106987	HHCS 5/16 -24 x 2 1/2 ROHS	

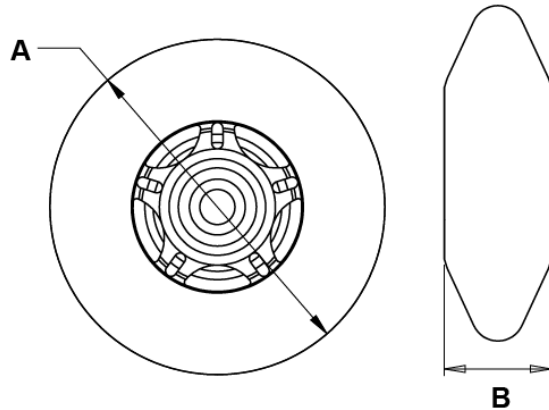
Pos.	Item Number	Description	Remarks
6B	106988	HHCS 5/16 -24 x 3 1/4 ROHS	Used w/ wide fork only
7	481113	SPACER 5/16 x 0.380	
8	481013	BEARING SPACER	INCLUDED W/ CASTER
9	349502	7/8 x 5/16 BEARING	INCLUDED W/ CASTER
10	106939	NUT NYLOCK THIN 5/16 -24 ROHS	
11	106946	WASHER FLAT AN 5/16 ROHS	
12	116255	CASTER CAP WITH O-RING IRIS	
1,2,4A	920592	CASTER STEM SHORT W/HDWR	STD Caster Stem
1,2,4B	920593	CASTER STEM MEDIUM W/HDWR	+3/4" Caster Stem
1,2,4C	920594	CASTER STEM LONG W/HDWR	+1 1/2 Caster Stem
1,2,4A,5A,6A,7,10	108163	FORK CASTER 5 1/4" SHORT ASSM	STD Caster Stem - WORKS W/ 4",5",6", & 8" CASTERS
1,2,4B,5A,6A,7,10	108164	FORK CASTER 5 1/4" MED ASSM	+3/4" Caster Stem - WORKS W/ 4",5",6", & 8" CASTERS
1,2,4C,5A,6A,7,10	108165	FORK CASTER 5 1/4" LONG ASSM	+1 1/2 Caster Stem - WORKS W/ 4",5",6", & 8" CASTERS
1,2,4A,5B,6A,7,10	108166	FORK CASTER 6" SHORT ASSM	STD Caster Stem - WORKS W/ 4",5",6", & 8" CASTERS
1,2,4B,5B,6A,7,10	108167	FORK CASTER 6" MED ASSM	+3/4" Caster Stem - WORKS W/ 4",5",6", & 8" CASTERS
1,2,4C,5B,6A,7,10	108168	FORK CASTER 6" LONG ASSM	+1 1/2 Caster Stem - WORKS W/ 4",5",6", & 8" CASTERS
1,2,4A,5C,6A,7,10	108169	FORK CASTER 7" SHORT ASSM	STD Caster Stem - WORKS W/ 4",5",6", & 8" CASTERS
1,2,4B,5C,6A,7,10	108170	FORK CASTER 7" MED ASSM	+3/4" Caster Stem - WORKS W/ 4",5",6", & 8" CASTERS
1,2,4C,5C,6A,7,10	108171	FORK CASTER 7" LONG ASSM	+1 1/2 Caster Stem - WORKS W/ 4",5",6", & 8" CASTERS
1,2,4A,5E,6A,7,10	108160	FORK CASTER 3" SHT ASSM	STD Caster Stem -WORKS W/ 4" CASTERS
1,2,4A,5D,6B,10,11	108172	FORK CASTER WD SHORT ASSM (8 x 2)	STD Caster Stem - FITS 8" X 2" CASTERS ONLY
1,2,4B,5D,6B,10,11	108173	FORK CASTER WD MED ASSM (8 x 2)	+3/4" Caster Stem - FITS 8" X 2" CASTERS ONLY
1,2,4C,5D,6B,10,11	108174	FORK CASTER WD LONG ASSM (8 x 2)	+1 1/2 Caster Stem - FITS 8" X 2" CASTERS ONLY

Note: to ensure that the lights will function in the Micro Light Up Caster, qty 2 each of p/n 106947 will be required per caster when retrofitting Micro Light Up Casters to the chair.



CASTER MEASURING GUIDE

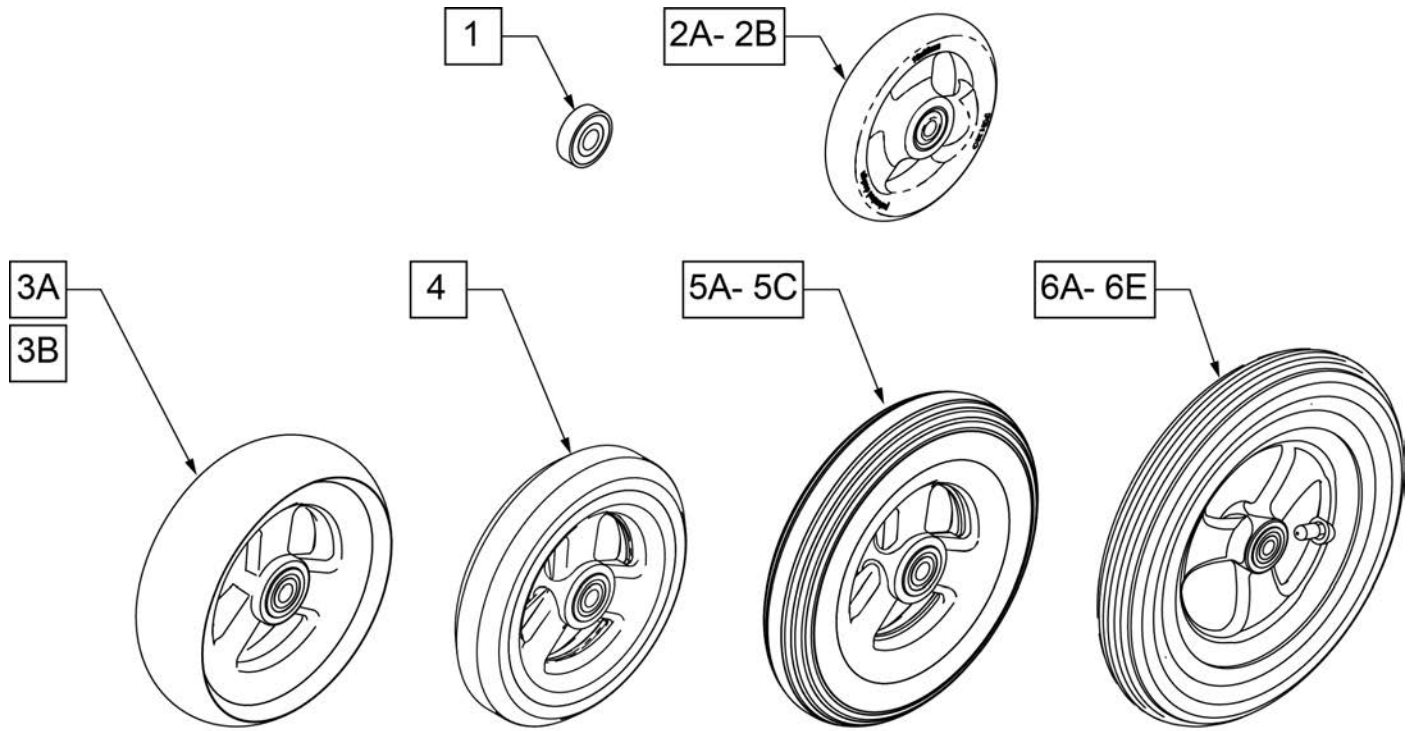
PART NUMBER	"A" TIRE DIAMETER	"B" HUB WIDTH
400108	4.0	1.0
400107	3.0	1.0
052129	4.7	1.0



Pos.	Item Number	Description	HPCP	Remarks
1	349502	7/8"x 5/16" BEARING		
2A	400108	4" MICRO CASTER LIGHTED	K0077	4" MICRO LIGHTED
2B	920025	3" MICRO CASTER W/ BEARING -PAIR	K0077	PAIR 3" MICRO
2C	400107	3" MICRO CASTER LIGHTED	K0077	3" MICRO LIGHTED
3	052129	5" MICRO CASTER LIGHTED	K0077	5" MICRO LIGHTED
4	106947	WASHER FLAT THIN AN 5/16 ROH		

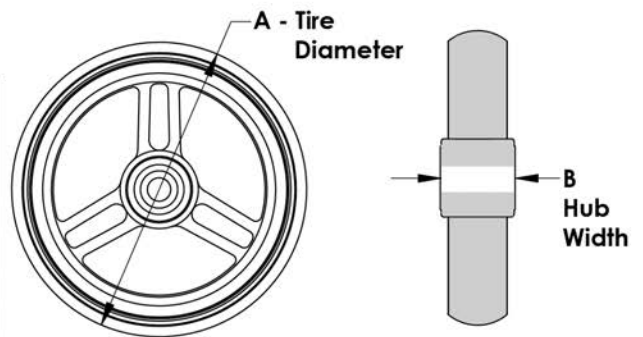
NOTE: 7" and 8" Casters are not available with Integral Bearing Forks.

Note: When 6" casters or larger casters are used, Anti Flutter Kit must be installed. See Standard Multi Position Fork page.

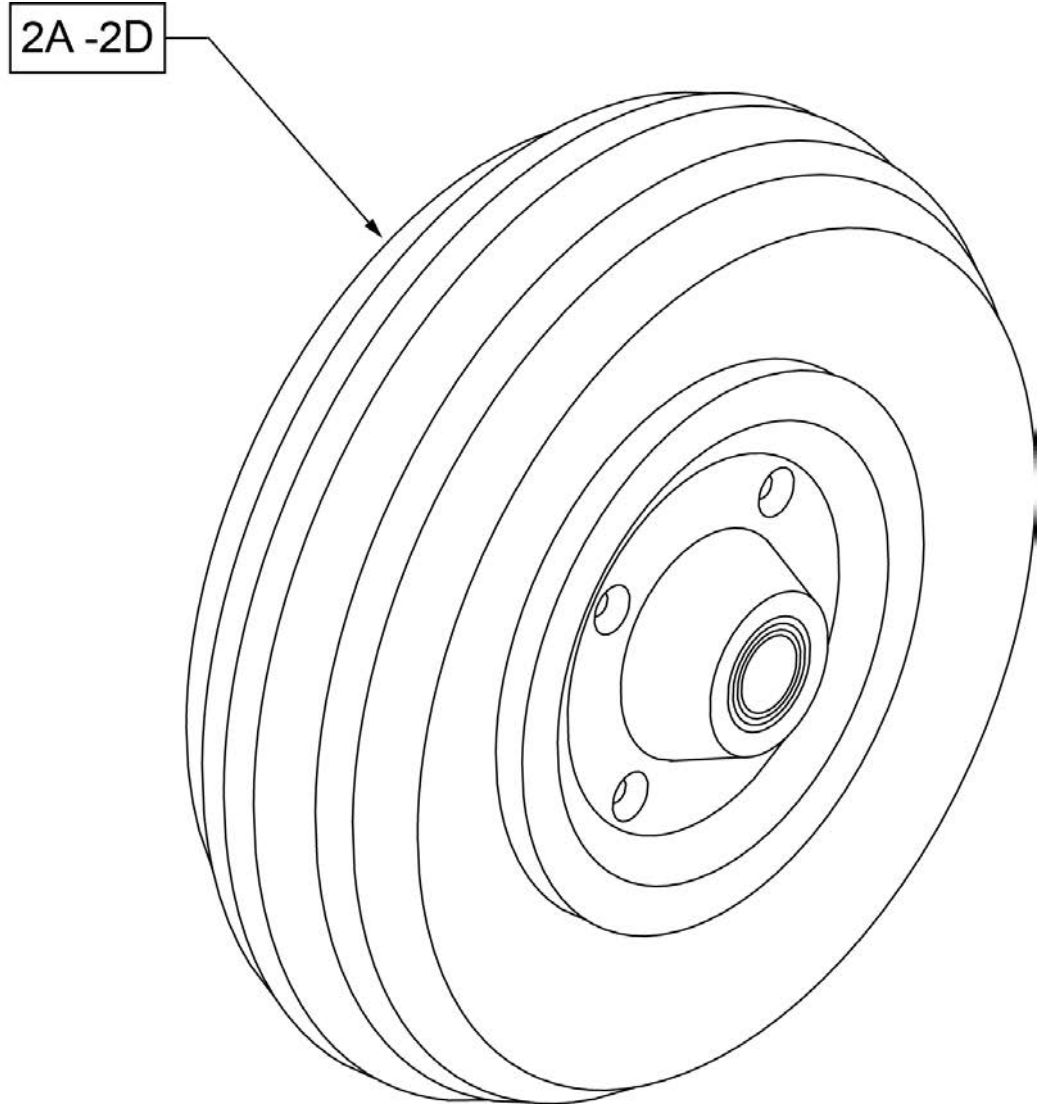
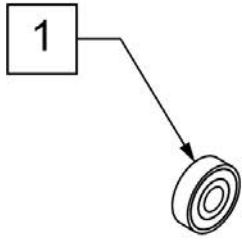


**CASTER
MEASURING GUIDE**

PART NUMBER	"A" TIRE DIAMETER	"B" HUB WIDTH	PART NUMBER	"A" TIRE DIAMETER	"B" HUB WIDTH
101957	4.3	1.0	101256	5.75	1.0
101098	4.0	1.0	101257	5.9	1.0
101259	4.9	1.0	400212	8.0	1.0
101255	5.7	1.0	400213	7.8	1.0
101254	4.9	1.0	400214	6.9	1.0
			400215	7.25	1.0



Pos.	Item Number	Description	Remarks
1	349502	7/8"x 5/16" BEARING	
2A	101957	4"X1-1/4 POLY 3 SPOKE CSTR	4" X 1.25 SEMI-PNEUMATIC
2B	101098	CASTER 4" PLASTIC/POLY W/BRG	4" LOW PROFILE POLY
3A	101259	5"X1-1/2" POLY 3 SPOKE CSTR	5" x 1.5" SEMI-PNEUMATIC
3B	101255	6"X1-1/2" POLY 3 SPOKE CSTR	6" x 1.5" SEMI-PNEUMATIC
4	101254	5" LOW POLY 3 SPOKE CASTER	5" LOW PROFILE POLY
5A	101256	6" SEMI PNEU 3 SPOKE CASTER	6" POLY
5B	101257	6" PNEUMATIC 3 SPOKE CASTER	6" PNEUMATIC
5C	383245	6" PNEUMATIC TIRE & TUBE	
6A	400212	CASTER 8" PNEU 3 SPK ASSM	8" PNEUMATIC
6B	400213	CASTER 8" POLY 3 SPK ASSM	8" POLY
6C	400214	CASTER 7" LOW POLY 3 SPK ASSM	7" x LOW PROFILE POLY
6D	383255	8" PNEUMATIC TIRE & TUBE	
6E	400215	CASTER 8" WIDE POLY 3 SPK ASSM	8" x 1.5" LOW POLY

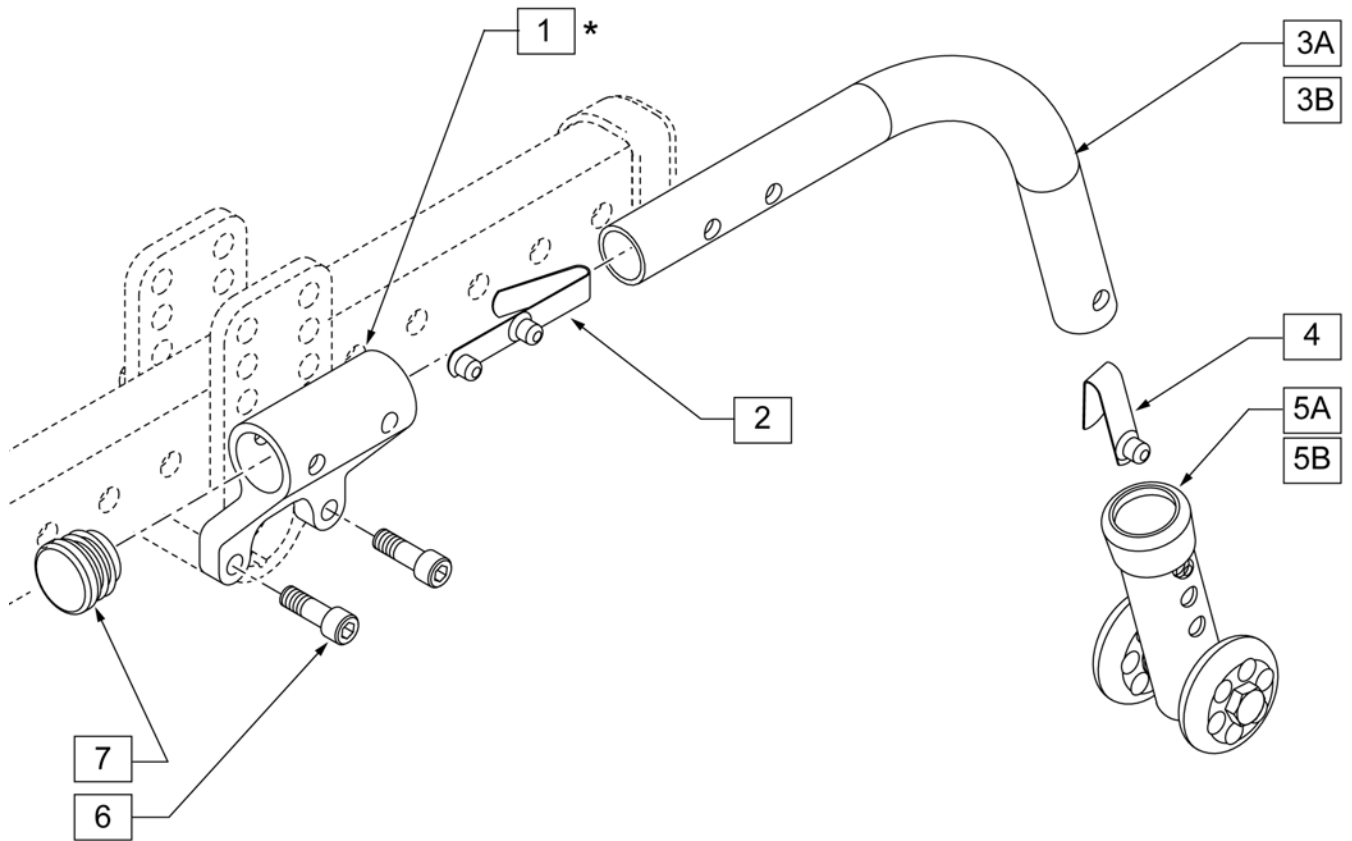


**CASTER
MEASURING GUIDE**

TIRE DIAMETER	HUB WIDTH
8"	2.6"

Pos.	Item Number	Description	Remarks
1	349502	7/8"x 5/16" BEARING	
2A	400700	8" X 2" CMPST W/PNEU & BEARING	8" x 2" PNEUMATIC
2B	400702	8" X 2" CMPST W/PNEU INSRT&BRG	8" x 2" PNEUMATIC W/ INSERT
2C	384700	TIRE PNEUMATIC 8" x 2"	
2D	384730	INNER TUBE CASTER 8" x 2"	

Note: when the chair is equipped with 12" or 16 inch Rear Wheels the orientation of the Anti-tip Receiver (Item 1) is up, as shown; when equipped with 20", 22" or 24" Rear Wheels the orientation is down.

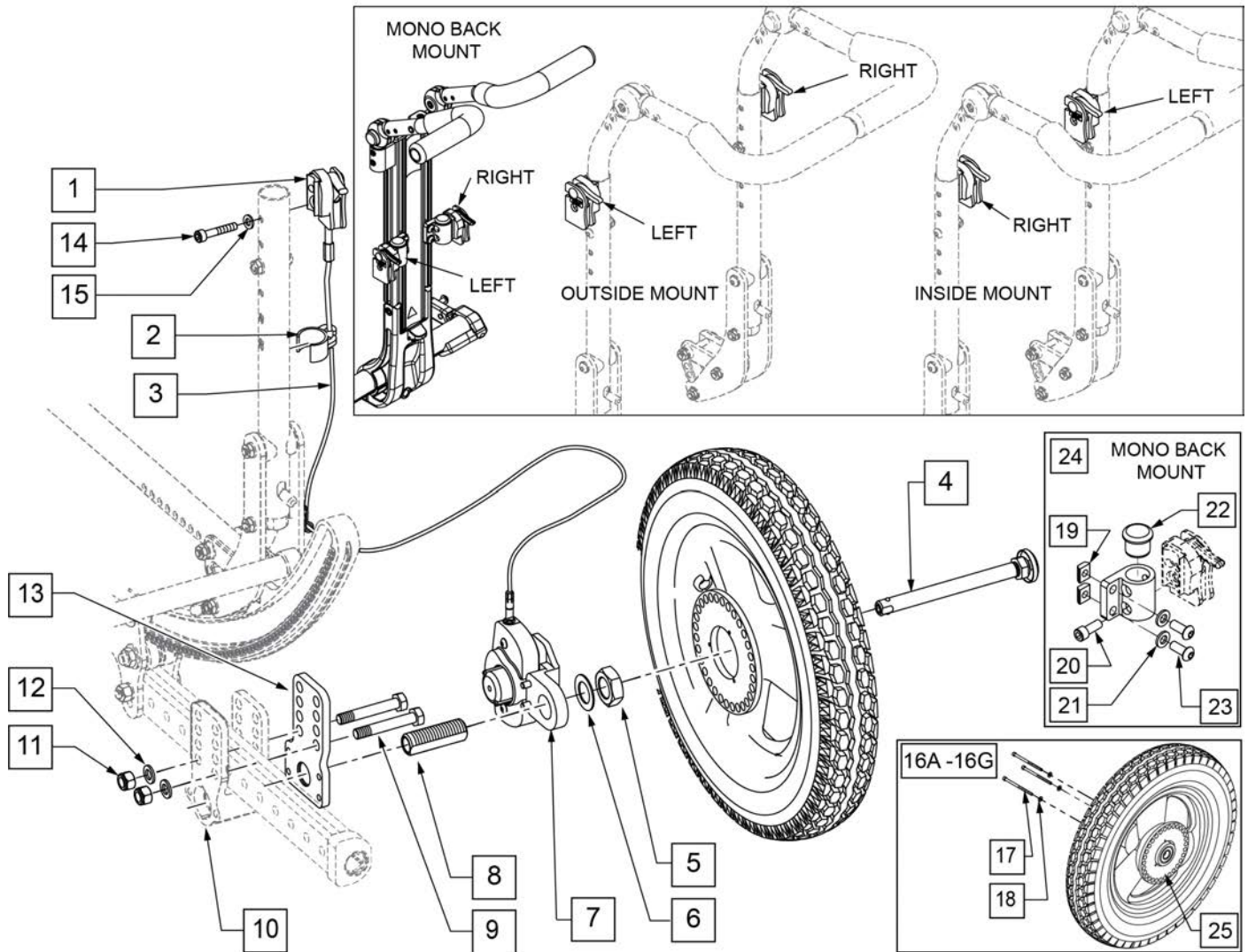


Pos.	Item Number	Description	Remarks
1	105847	RECEIVER ANTI-TIP	
2	301109	SNAP BUTTON DUAL ONE SIDE	
4	301100	SNAP BUTTON 1/4" SINGLE	
5A	881512	ANTI-TIP SLEEVE W/ WHEELS BLK 4 H	FOR USE WITH 12" REAR WHEELS
5B	104639	ANTI-TIP ARM ADJ MED	FOR USE WITH 16", 20", 22", & 24" REAR WHEELS
6	106974	SHCS 1/4 -28 x 3/4 PL ROHS	
7	560735	.875 ROUND TUBE PLUG	
2,3A,4	882964	ANTI-TIP TB SMALL R W/ SNAP BTN	RIGHT-FOR USE W/ 12" & 16" REAR WHEELS
2,3A,4	882965	ANTI-TIP TB SMALL L W/ SNAP BTN	LEFT- FOR USE W/ 12" & 16" REAR WHEELS
2,3B,4	104221-004	ANTI-TIP ARM ADJ MED RGT	RIGHT-FOR USE W/ 20 -24" REAR WHEELS
2,3B,4	104221-003	ANTI-TIP ARM ADJ MED LFT	LEFT- FOR USE W/ 20 -24" REAR WHEELS
1,6,7	108159	ANTI-TIP RECEIVER KIT	
2,3A,4,5A	882906	ANTI-TIP ASSM SMALL R BLK	RIGHT-FOR USE W/ 12" REAR WHEELS
2,3A,4,5A	882907	ANTI-TIP ASSM SMALL L BLK	LEFT- FOR USE W/ 12" REAR WHEELS
2,3A,4,5B	108282	ANTI-TIP ASSM REGULAR R BLK	RIGHT-FOR USE W/ 16" REAR WHEELS
2,3A,4,5B	108283	ANTI-TIP ASSM REGULAR L BLK	LEFT- FOR USE W/ 16" REAR WHEELS
2,3B,4,5B	050172-003	ANTI-TIP REGULAR ASSM R	RIGHT-FOR USE W/ 20", 22" & 24" REAR WHEELS
2,3B,4,5B	050173-003	ANTI-TIP REGULAR ASSM L	LEFT-FOR USE W/ 20", 22" & 24" REAR WHEELS

HUB LOCK

(03/09/2019)

NOTE: Must order wheel & axle separately.



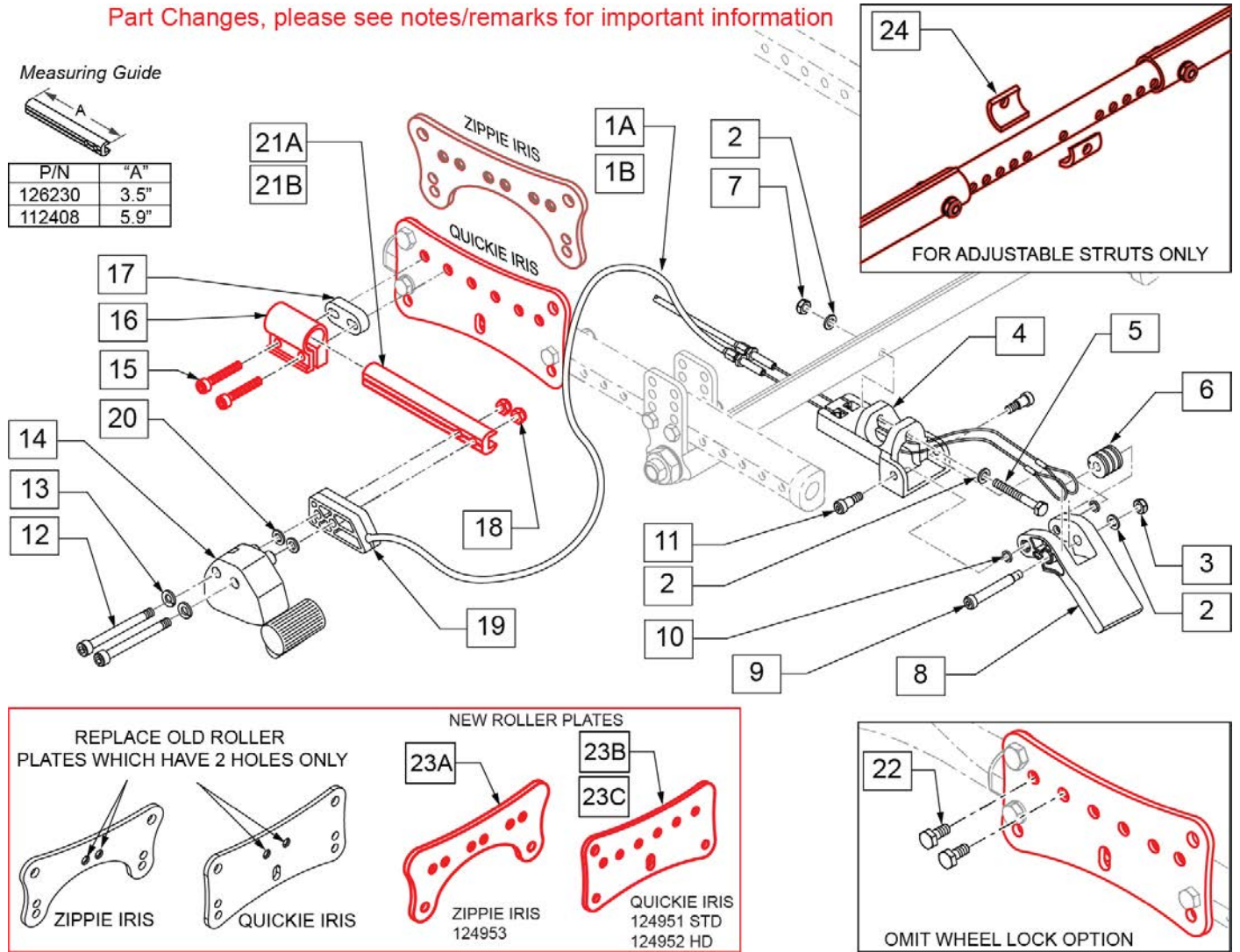
Pos.	Item Number	Description	Remarks
1	112426	HUB LOCK LEVER ASSM R	DOES NOT INCLUDE CABLE
1	112427	HUB LOCK LEVER ASSM L	DOES NOT INCLUDE CABLE
2	108134	CABLE CLIP 1" PACK (10)	PACK OF 10
4	102063	QR AXLE MAG W/ M-12 NUT	
5	116569	NUT HEX 3/4-16 BLACK ZINC	
6	116570	WASHER FLAT 3/4 X 1.25 BLK ZNC	
8	481065	AXLE SLEEVE SS	
9	106986	HHCS 5/16-24 X 2-1/4	
10	105837	AXLE PLATE STD R RIGHT	
10	105838	AXLE PLATE STD L LEFT	
11	106938	NUT NYLOCK 5/16 -24 ROHS	
12	106946	WASHER FLAT AN 5/16 ROHS	
13	111851	PLATE ADAPTER HUB LOCK IRIS	
14	106976	SHCS 1/4 -28 x 1 1/2 ROHS	

Pos.	Item Number	Description	Remarks
15	106943	WASHER FLAT AN 1/4 ROHS	
16A	112226-001	WHEEL HUB LOCK 12" PNEU	
16B	112226-002	WHEEL HUB LOCK 12" AIRLESS	
16C	112226-003	WHEEL HUB LOCK 12" LOW POLY	
16D	112227-001	WHEEL HUB LOCK 16" PNEU	
16E	112227-002	WHEEL HUB LOCK 16" AIRLESS	
16F	112226-004	WHEEL HUB LOCK 12IN PNEU BLK	Black Tire
16G	112226-005	WHEEL HUB LOCK 12IN INSRT BLK	Black Tire
17	112231	SHCS6-32 X 2-1/4 ROHS	
18	112230	WASHER FLAT #6	
19	481106-QU	1/4-28 CHANNEL NUT	
20	118928	SHCS 1/4-28 X 5/8	
21	106943	WASHER FLAT AN 1/4	
22	561007	7/8" INSERT PLUG .083	
23	106959	BHCS 1/4-28 X 5/8	
24	130661	HUB LOCK MOUNT ASSM MONO	
25	111845	INDEX WHEEL 12IN	
3,7	112813-004	LOCK ASSM HUB LOCK 'A' XL RH RIGHT	RIGHT -INCLUDES CABLE
3,7	112814-004	LOCK ASSM HUB LOCK 'B' XL LH LEFT	LEFT -INCLUDES CABLE
1 -3, 5 -15	115824	HUB LOCK Z IRIS KIT	Wheels & Axles not included; order separately

NOTE: For Zippie IRIS chairs built prior to s/n # ZRS-006475 & ZRSE-003115 and Quickie IRIS chairs prior to s/n# IRS-020876 & IRSE 028386 replace 15-18 & 21A/21B plus new Outer Roller Plate.

Note: see information panel for positioning instruction guide.

Part Changes, please see notes/remarks for important information



Pos.	Item Number	Description	Remarks
1A	342016	ATTENDANT WHEEL LOCK CABLE ASSM SHORT	SHORT (12 & 16" REAR WHEELS)
1B	342017	ATTENDANT WHEEL LOCK CABLE ASSM LONG	LONG (20 -24" REAR WHEELS)
2	106945	WASHER FLAT SAE 1/4 ROHS	

Pos.	Item Number	Description	Remarks
3	106934	NUT NYLOCK 1/4-28 ROHS	
4	123517	ATTENDT WHL LCK MT BRKT	
5	107351	HHCS 1/4-28 X 2 1/4 ROHS	
6	506185	BEARING ATTENDANT WHEEL LOCK CABLE	
7	106934	NYLOCK NUT 1/4-28	
8	506182	ATTENDANT WHEEL LOCK ACTUATION PEDAL	
9	281041	SHOULDER SCREW .312 DIA x 1.75 LONG	
10	481353	SPACER, BEARING	
11	281048	SHOULDER SCREW .312 DIA x .375 LONG	
12	103190-013	SHCS M6 x 1 x 60 PART NP	
13	262133	WASHER LOCK M6	
14	119952	REMOTE LOCK RIGHT SIDE US	RIGHT
14	119953	REMOTE LOCK LEFT SIDE US	LEFT
15	106976	SHCS 1/4-28 X 1-1/2	
16	124954	WHEEL LOCK CLAMP	
15,16	126201	WHEEL LOCK CLAMP W/HARDWARE	
17	126237	BLOCK MOUNT WHEEL LOCK 10MM	
18	104381	NUT HEX NYLOCK M6 X 1.0	
19	506184	SPACER ATTENDANT WHEEL LOCK	
20	107383	WASHER FLAT M6 ROHS	
21A	126230	SLIDE ADJ SHRT FOOT LOCK	Short Block; 3.94" length
21B	112408	SLIDE ADJ FOOT LOCK	Standard Block; 5.91" length
22	221102	1/4-28 X 3/4 HEX HEAD C/S BLK W/PTCH	
23A	124953	PLATE ROLLER OUTER PED	New Zippie Roller Plate
23B	124951	PLATE ROLLER OUTER STD	New Quickie Roller Plate
23C	124952	PLATE ROLLER OUTER HD	New Quickie Roller Plate
24	127210	SPACER ATTENDANT WHEEL LOCK	order for use with adj struts only
1A,2-11	119472	ATTENDANT WHEEL LOCK PEDAL KIT	
1A,2-20,21B	108138	ATTENDANT WHEEL LOCK ASSM SHORT MAG	See Wheel Lock Setup guide in Informations section to select correct kit

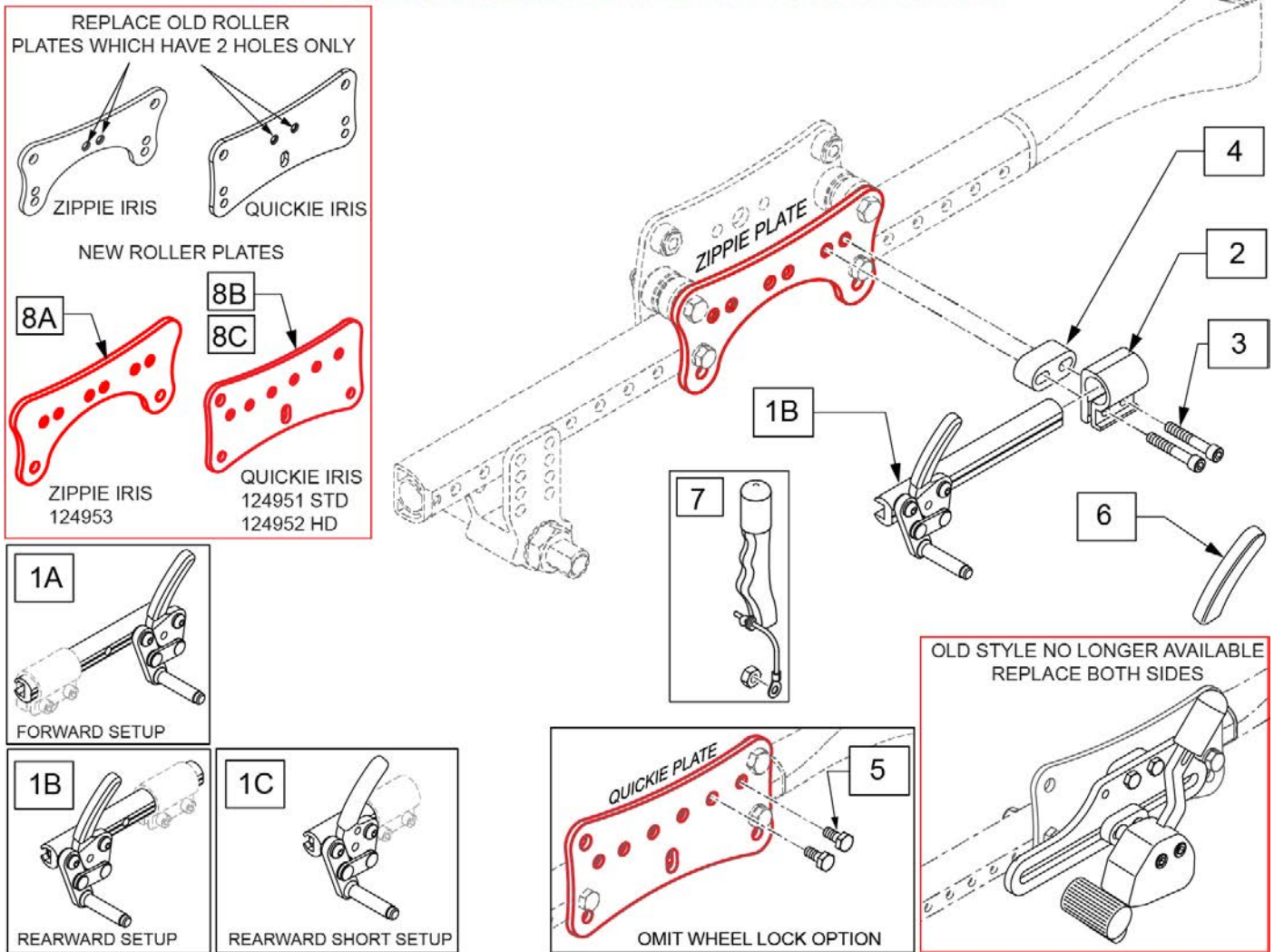
Pos.	Item Number	Description	Remarks
1B,2-20,21B	108139	ATTENDANT WHEEL LOCK ASSM LONG MAG	See Wheel Lock Setup guide in Informations section to select correct kit
1B,2-20,21B	108140	ATTENDANT WHEEL LOCK ASSM LONG SPK	See Wheel Lock Setup guide in Informations section to select correct kit
1A,2-20,21A	126252	ATTENDANT WHEEL LOCK REV SHORT	See Wheel Lock Setup guide in Informations section to select correct kit
1B,2-20,21A	126253	ATTENDANT WHEEL LOCK REV LONG	See Wheel Lock Setup guide in Informations section to select correct kit

Note: For Zippie IRIS chairs built prior to S/N ZRS-006475 & ZRSE-003115 and Quickie IRIS chairs prior to S/N IRS-020876 & IRSE 028386 replace with complete Wheel Lock Assembly & new Outer Roller Plates (item 8A, 8B, or 8C); order qty 2 each of Outer Roller Plates.

Note: if retro-fitting Push to Lock Wheel Locks to an IRIS that previously had Hub or FootLock styles, SEE information panel for User/Push to Lock Set Up Guide, to ensure you will be getting the appropriate wheel lock kit.

Note: the Wheel Locks for Chair or Replacement Part orders shipped on or after 6/27/17 have upgraded mounting hardware; please replace in pairs for chairs ordered prior to 6/27/17.

Part Changes, please see notes/remarks for important information

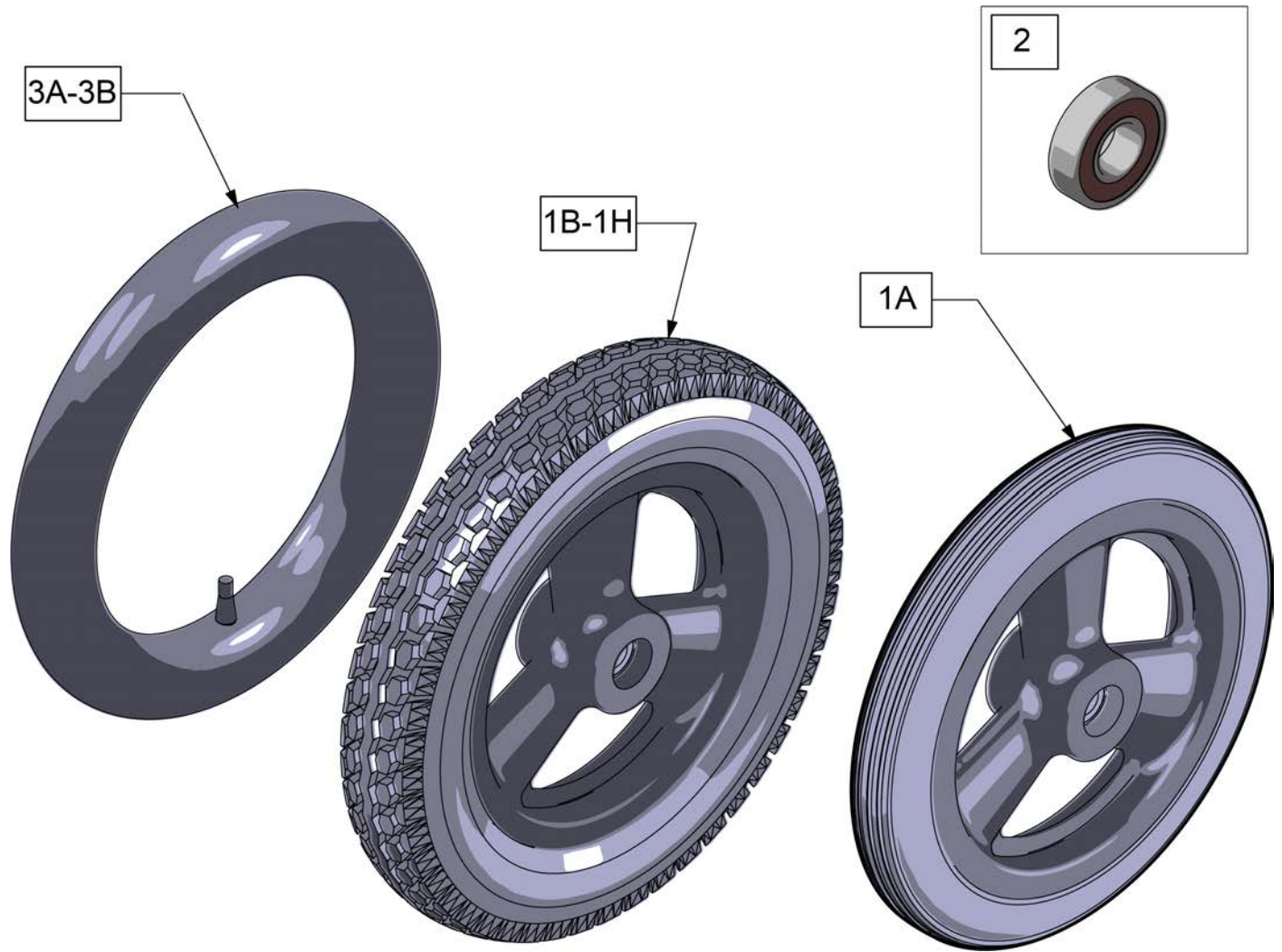


Pos.	Item Number	Description	Remarks
1A	104216-005	WHEEL LOCK PUSH R FWD LNG	Long Slide Block: 5.91"/150mm
1A	104216-006	WHEEL LOCK PUSH L FWD LNG	Long Slide Block: 5.91"/150mm
1B	104216-007	WHEEL LOCK PUSH R REV LNG	Long Slide Block: 5.91"/150mm

Pos.	Item Number	Description	Remarks
1B	104216-008	WHEEL LOCK PUSH L REV LNG	Long Slide Block: 5.91"/150mm
1C	104216-003	WHEEL LOCK PUSH R REV SHT	Short Slide Block: 3.5"/89mm
1C	104216-004	WHEEL LOCK PUSH L REV SHT	Short Slide Block: 3.5"/89mm
2	124954	WHEEL LOCK CLAMP	
3	106976	SHCS 1/4-28 X 1-1/2	
4	126237	BLOCK MOUNT WHEEL LOCK 10MM	
5	221102	1/4-28 X 3/4 HEX HEAD C/S BLK W/PTCH	
6	104141	COVER CURVED WHEEL LOCK VINYL	
7	161929	WHEEL LOCK EXTENSION ASSY KIT	Each
2,3A,3B	126201	WHEEL LOCK CLAMP W/HARDWARE	Each
1A,2-4	108136	WHEEL LOCK KIT MAG R FWD	Order option detail code: 183WL33 (Q-IRS), 188WL33 (Z-IRIS)
1A,2-4	108137	WHEEL LOCK KIT MAG L FWD	Order option detail code: 183WL33 (Q-IRS), 188WL33 (Z-IRIS)
1A,2-4	108586	WHEEL LOCK KIT SPK R FWD	Order option detail code: 183WL34 (Q-IRS), 188WL34 (Z-IRIS)
1A,2-4	108587	WHEEL LOCK KIT SPK L FWD	Order option detail code: 183WL34 (Q-IRS), 188WL34 (Z-IRIS)
1B,2-4	126202	WHEEL LOCK KIT MAG R REV	Order option detail code: 183WL58 (Q-IRS), 188WL58 (Z-IRIS)
1B,2-4	126203	WHEEL LOCK KIT MAG L REV	Order option detail code: 183WL58 (Q-IRS), 188WL58 (Z-IRIS)
1B,2-4	126204	WHEEL LOCK KIT SPK R REV	Order option detail code: 183WL57 (Q-IRS), 188WL57 (Z-IRIS)
1B,2-4	126205	WHEEL LOCK KIT SPK L REV	Order option detail code: 183WL57 (Q-IRS), 188WL57 (Z-IRIS)
1C,2-4	126250	WHEEL LOCK KIT R REV SHRT	Order option detail code: 183WL61 (Q-IRS), 188WL61 (Z-IRIS)
1C,2-4	126251	WHEEL LOCK KIT L REV SHRT	Order option detail code: 183WL61 (Q-IRS), 188WL61 (Z-IRIS)
8A	124953	PLATE ROLLER OUTER PED	New Zippie Roller Plate
8B	124951	PLATE ROLLER OUTER STD	New Quickie Roller Plate
8C	124952	PLATE ROLLER OUTER HD	New Quickie Roller Plate

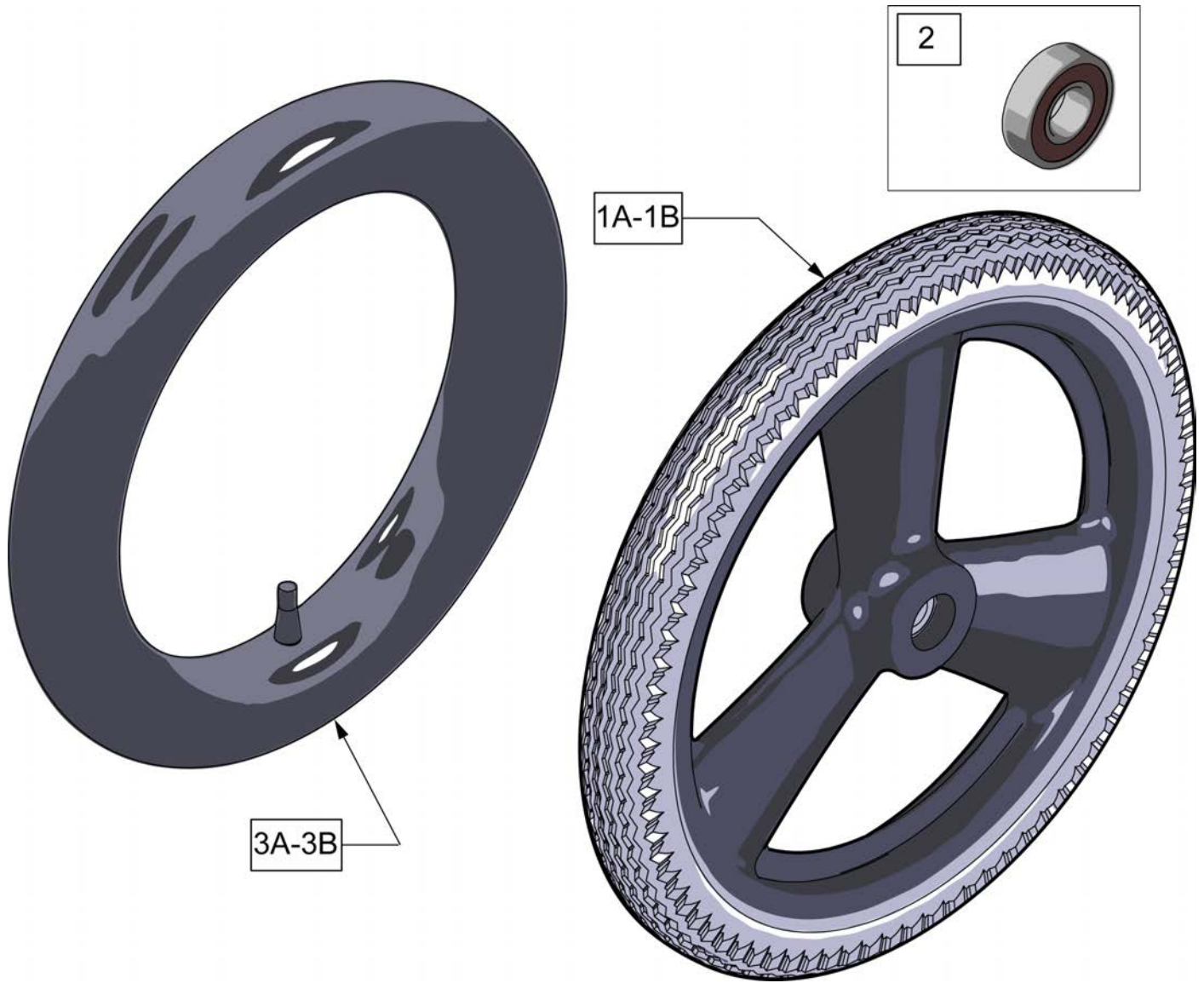
Note: Black Tires are not sold separately; please order the appropriate assembly part number.

Note: if changing the Rear Wheel Size on a chair with Anti-tips, new size Anti-tip Assemblies ARE REQUIRED to accommodate the new Rear Wheel Size.



Pos.	Item Number	Description	Remarks
1A	101466	12 IN MAG POLY TIRE 3 SPOKE	Low Poly
1B	101661	12" MAG PNEU 3 SPOKE	Grey Tire; for Quickie & Zippie Iris see Black Wheel Assm p/n's below
1C	101662	12" MAG PNEU INSRT 3 SPK	Grey Tire; for Quickie & Zippie Iris see Black Wheel Assm p/n's below
1D	384706	TIRE PNEU 12-1/2" X 2-1/4"	Grey Tire only
1E	243593	12IN MAG PNEU 3 SPOKE BLK	Black tire, only available on Quickie and Zippie IRIS at this time
1F	243594	12IN MAG PNEU INSRT 3 SPK BLK	Black tire, only available on Quickie and Zippie IRIS at this time
1G	112226-004	WHEEL HUB LOCK 12IN PNEU BLK	Black tire for Hub lock, only available on Quickie and Zippie IRIS at this time
1H	112226-005	WHEEL HUB LOCK 12IN INSRT BLK	Black tire for Hub lock, only available on Quickie and Zippie IRIS at this time
2	349500	1 1/8 X 1/2 BEARING	
3A	384736	INNER TUBE 12-1/2" X 2-1/4"	
3B	102972-001	12 1/2 IN AIRLESS INSERT	

Note: if changing the Rear Wheel Size on a chair with Anti-tips, new size Anti-tip Assemblies ARE REQUIRED to accommodate the new Rear Wheel Size.



Pos.	Item Number	Description	Remarks
1A	101667	16 IN MAG PNEU 3 SPOKE	
1B	101668	16 IN MAG PNEU W/INSERT	
1C	385237	16" X 1.75" PNEU TIRE	Tire Only
2	349500	1 1/8 X 1/2 BEARING	
3A	384738	16" X 1.75" INNER TUBE	
3B	102973-001	16IN AIRLESS INSERT	

Note: this wheel utilizes Screw Mount Handrims - the handrim has a threaded hole that mounts the handrim to the wheel through a spacer and fastener.

Note: if Mag Wheel Assembly was ordered without Handrim and a Handrim is added to the wheel, qty 6 of 101932 and 281175 ARE REQUIRED to properly mount the handrim.

Note: if changing the Rear Wheel Size on a chair with Anti-tips, new size Anti-tip Assemblies ARE REQUIRED to accommodate the new Rear Wheel Size.

Note: for Zippie X'Cape 6 Spoke Mags are only available with the One Arm Drive.



Pos.	Item Number	Description	Remarks
1-3	401094	20" MAG W/BRNG 6 SPOKE	20"
1-3	401093	22" MAG W/BRNG 6 SPOKE	22"(501mm)
1-3	401092	24" MAG W/BRNG 6 SPOKE	24"(540mm)
2	349500	1 1/8 X 1/2 BEARING	
3	521564	MAG BEARING SPACER	
4	101932	SPCR .194ID X .375 OD X .750	Used when previously ordered with Omit handrims or Natural Fit Handrims

Note: this Wheel utilizes Screw Mount Handrims; the Handrim has a threaded hole that mounts the Handrim to the Wheel through a spacer and fastener.

Note: the Lite Spoke Wheel has a total of 30 spokes.

Note: if changing the Rear Wheel Size on a chair with Anti-tips, new size Anti-tip Assemblies ARE REQUIRED to accommodate the new Rear Wheel Size.

Note: when ordering replacement bearings, if dust shield on bearing has the following markings: MBL-Z2 6001 2RS, then order P/N 114097.

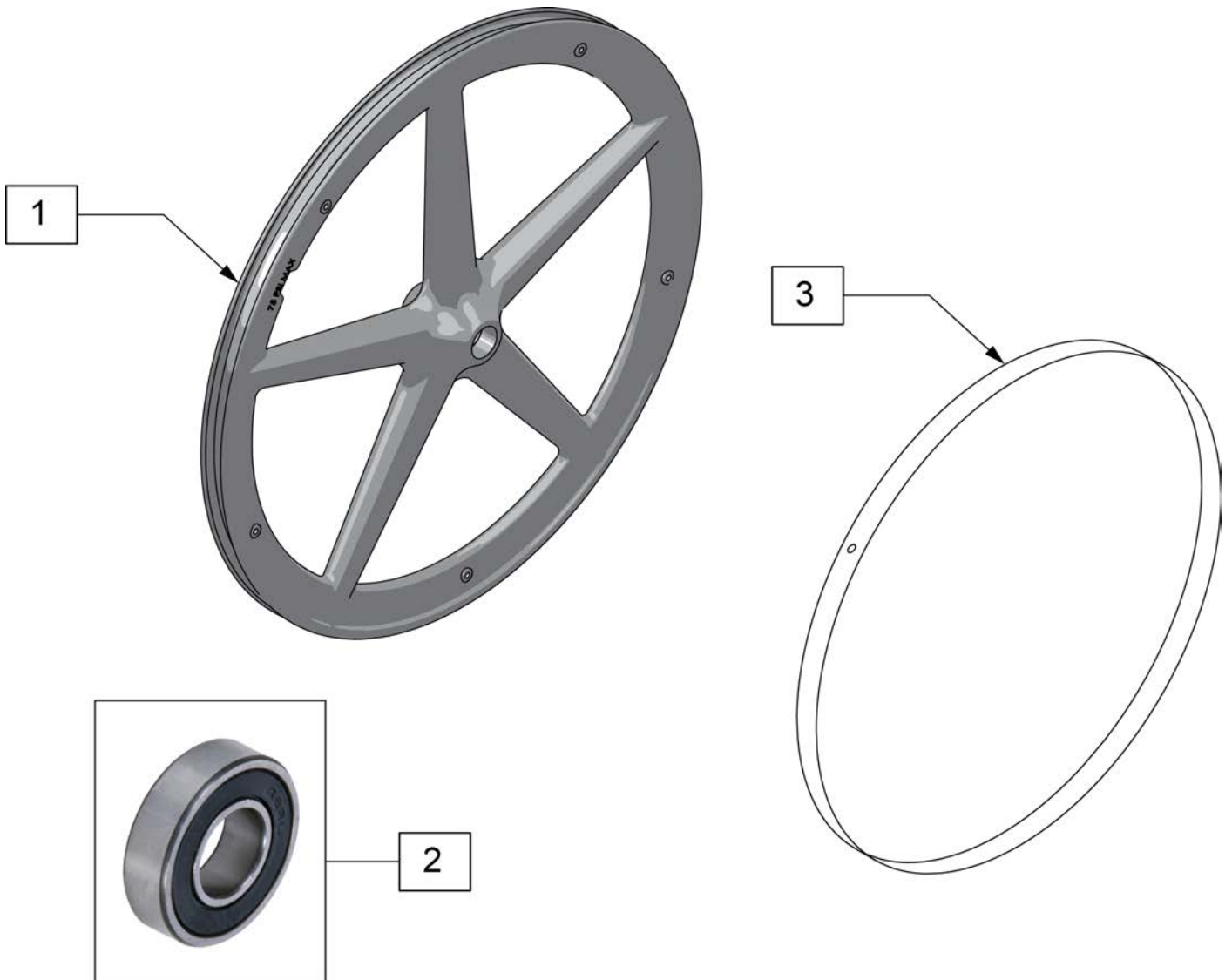


Pos.	Item Number	Description	Remarks
1A	118755	WHEEL ASSM GALLOP 20IN	20" (451)
1B	118756	WHEEL ASSM GALLOP 22IN	22" (501)
1C	107131	WHEEL RIM/SPOKE 24" ASSM	24" (540)
1D	118764	25 LT SPK W-HNDRM ANO ASSM GLP	25" (559)
1E	118760	WHEEL ASSM GALLOP 26IN	26" (590)
2A	114097	BEARING, REPLACEMENT, MBL	12.7mm i.d. - 28mm o.d. - 8mm wide; used prior to 11/29/10
2B	349500	1_125 X .5 BEARING	Beginning 11/29/10
3A	118100	MBL LT 20IN SPOKE RPLMNT KIT	Kit contains 6 inner and 6 outer spokes
3B	118101	MBL LT 22IN SPOKE RPLMNT KIT	Kit contains 6 inner and 6 outer spokes
3C	118102	MBL LT 24IN SPOKE RPLMNT KIT	Kit contains 6 inner and 6 outer spokes
3D	118103	MBL LT 25IN SPOKE RPLMNT KIT	Kit contains 6 inner and 6 outer spokes
3E	118104	MBL LT 26IN SPOKE RPLMNT KIT	Kit contains 6 inner and 6 outer spokes

Note: 5 Spoke Mag is not compatible with One Arm Drive or Projection Handrims.

Note: 5 Spoke Mag utilizes exclusive screw mounted handrims.

Note: if changing the Rear Wheel Size on a chair with Anti-tips, new size Anti-tip Assemblies ARE REQUIRED to accommodate the new Rear Wheel Size.



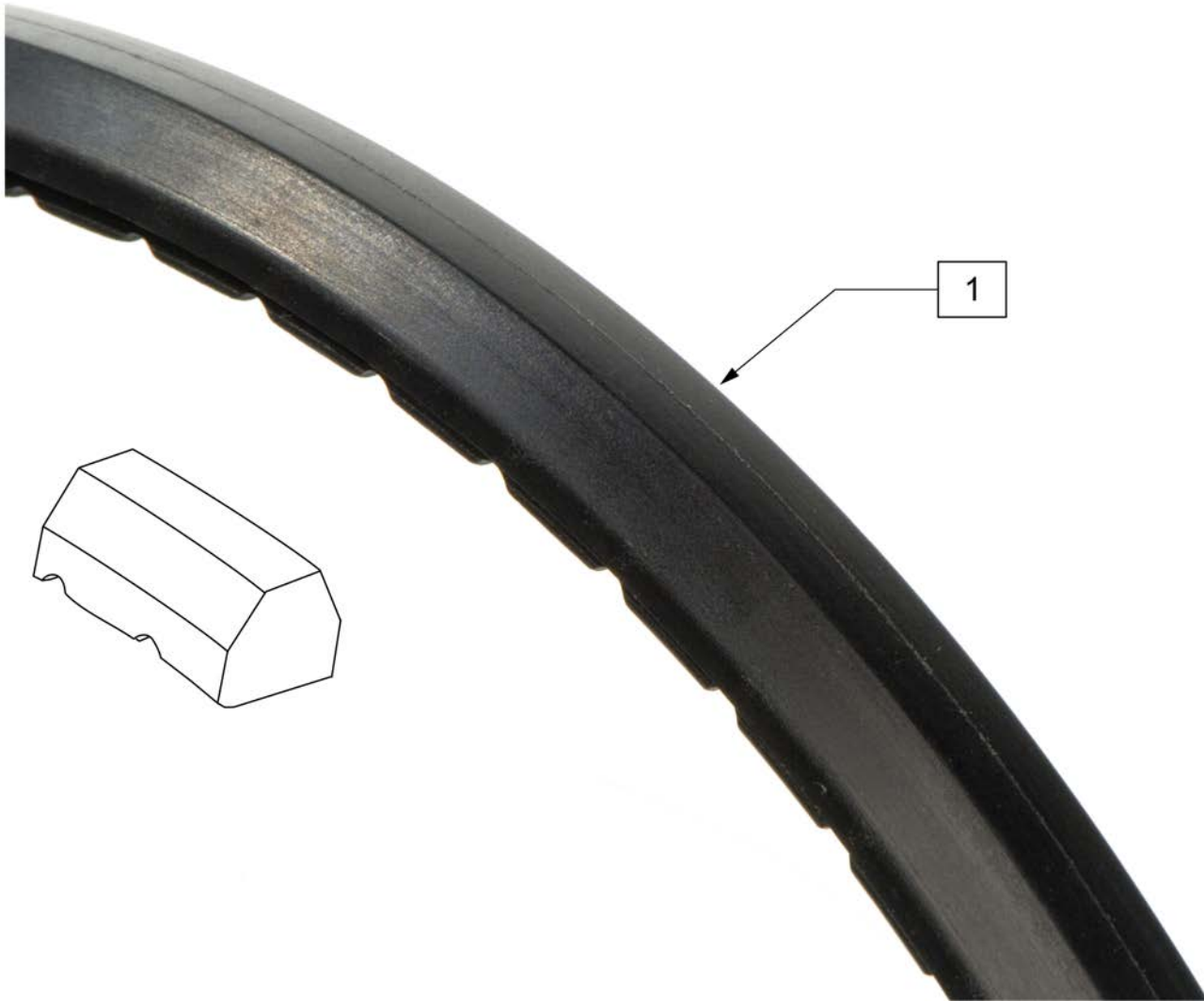
Pos.	Item Number	Description	Remarks
1,2	128985	20" 5 SPOKE MAG WHEEL	20" (451mm)
1,2	128986	22" 5 SPOKE MAG WHEEL	22" (501mm)
1,2	126405	24" MAG W/BRNG 5 SPOKE	24" (540mm)
2	349500	1 1/8 X 1/2 BEARING	
3	129325	20" MAG RIM STRIP	
3	129324	22" MAG RIM STRIP	
3	127912	24" MAG RIM STRIP	



Pos.	Item Number	Description	Remarks
1	385237	16" X 1.75" PNEU TIRE	
1	385250	20" PNEUMATIC TIRE	
1	385275	22" PNEUMATIC TIRE	22" x 1 3/8 (501mm)
1	385300	24" PNEUMATIC TIRE	24" x 1 3/8 (540mm)
1	385325	26" PNEUMATIC TIRE	26" x 1 3/8 (590mm)
1	384614	24" x 2.125 PNEUMATIC TIRE	24"x2 1/8 (540mm) used w/ M6



Pos.	Item Number	Description	Remarks
1	386232	20" POLY TIRE STD	20"
1	386242	22" POLY TIRE STD	22" (501mm)
1	386252	24" POLY TIRE STD	24" (540mm)



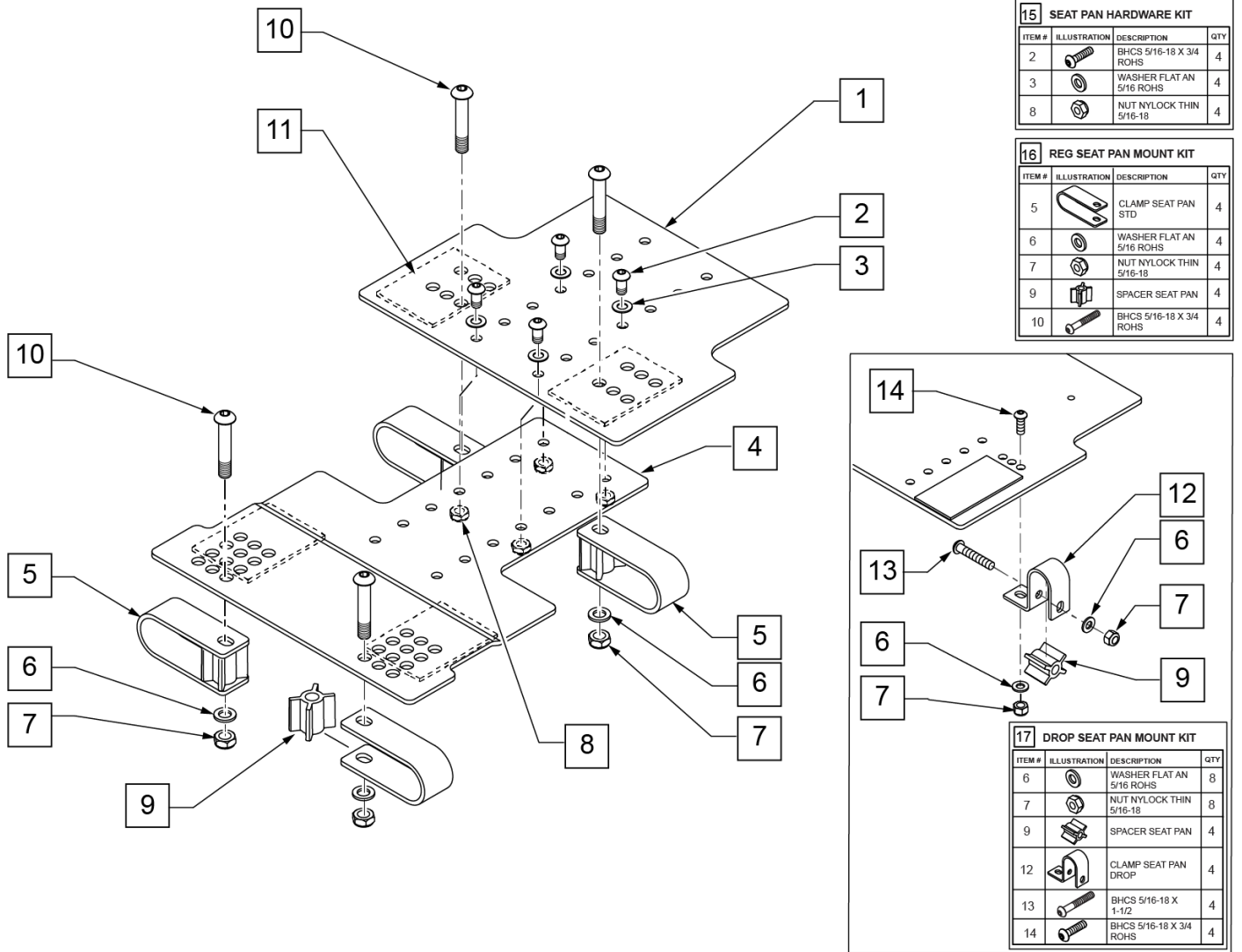
Pos.	Item Number	Description	Remarks
1	386262	20" LP POLY TIRE BR	20" =16" dia
1	386263	22" LP POLY TIRE BR	22"(501mm) = 18"dia
1	386254	24" POLY LOW PROFILE	24"(540mm)= 23" dia



Pos.	Item Number	Description
1	385350	24" KEVLAR TIRE

NOTE: "Seat Pan Assm w/ Hdwr XX" - XX"" does not include the hardware to mount the pan to the chair. The appropriate "Reg Seat Pan Mounting Kit" or "Drop Seat Pan Mounting Kit" must be ordered.

NOTE: Drop seat pan does not work with transit option or Contracture Footrest Systems.



Pos.	Item Number	Description	Remarks
>>>>		SHORT REAR SEAT PANS - FITS 10" - 16" SEAT DEPTHS	
1, 11	115826	ST PAN R 8W SHT VLRCO	FITS SEAT DEPTHS 10"-16" - FITS SEAT WIDTHS 10" DROP

Pos.	Item Number	Description	Remarks
1, 11	115827	ST PAN R 9W SHT VLRCO	FITS SEAT DEPTHS 10"-16" - FITS SEAT WIDTHS 11" DROP
1, 11	115828	ST PAN R 10-12W SHT VLRCO	FITS SEAT DEPTHS 10"-16" - FITS SEAT WIDTHS 10"-12" STD & 12"-14" DROP
1, 11	115829	ST PAN R 11-13W SHT VLRCO	FITS SEAT DEPTHS 10"-16" - FITS SEAT WIDTHS 11"-13" STD & 13"-15" DROP
1, 11	115830	ST PAN R 12-14W SHT VLRCO	FITS SEAT DEPTHS 10"-16" - FITS SEAT WIDTHS 12"-14" STD & 14"-16" DROP
1, 11	115831	ST PAN R 13-15W SHT VLRCO	FITS SEAT DEPTHS 10"-16" - FITS SEAT WIDTHS 13"-15" STD & 15"-17" DROP
1, 11	115832	ST PAN R 14-16W SHT VLRCO	FITS SEAT DEPTHS 10"-16" - FITS SEAT WIDTHS 14"-16" STD & 16"-18" DROP
1, 11	115833	ST PAN R 15-17W SHT VLRCO	FITS SEAT DEPTHS 10"-16" - FITS SEAT WIDTHS 15"-17" STD & 17"-18" DROP

Pos.	Item Number	Description	Remarks
1, 11	115834	ST PAN R 16-18W SHT VLRCO	FITS SEAT DEPTHS 10"-16" - FITS SEAT WIDTHS 16"-18" STD & 18" DROP
1, 11	115835	ST PAN R 17-19W SHT VLRCO	FITS SEAT DEPTHS 10"-16" - FITS SEAT WIDTHS 17"-18" STD
1, 11	115836	ST PAN R 18-20W SHT VLRCO	FITS SEAT DEPTHS 10"-16" - FITS SEAT WIDTHS 18" STD
>>>>		LONG REAR SEAT PANS - FITS 14" - 18" SEAT DEPTHS	
1, 11	115837	ST PAN R 10-12W LNG VLRCO	FITS SEAT DEPTHS 14"-18" - FITS SEAT WIDTHS 10"-12" STD & 12"-14" DROP
1, 11	115838	ST PAN R 11-13W LNG VLRCO	FITS SEAT DEPTHS 14"-18" - FITS SEAT WIDTHS 11"-13" STD & 13"-15" DROP
1, 11	115839	ST PAN R 12-14W LNG VLRCO	FITS SEAT DEPTHS 14"-18" - FITS SEAT WIDTHS 12"-14" STD & 14"-16" DROP
1, 11	115840	ST PAN R 13-15W LNG VLRCO	FITS SEAT DEPTHS 14"-18" - FITS SEAT WIDTHS 13"-15" STD & 15"-17" DROP

Pos.	Item Number	Description	Remarks
1, 11	115841	ST PAN R 14-16W LNG VLRCO	FITS SEAT DEPTHS 14"-18" - FITS SEAT WIDTHS 14"-16" STD & 16"-18" DROP
1, 11	115842	ST PAN R 15-17W LNG VLRCO	FITS SEAT DEPTHS 14"-18" - FITS SEAT WIDTHS 15"-17" STD & 17"-18" DROP
1, 11	115843	ST PAN R 16-18W LNG VLRCO	FITS SEAT DEPTHS 14"-18" - FITS SEAT WIDTHS 16"-18" STD & 18" DROP
1, 11	115844	ST PAN R 17-19W LNG VLRCO	FITS SEAT DEPTHS 14"-18" - FITS SEAT WIDTHS 17"-18" STD
1, 11	115845	ST PAN R 18-20W LNG VLRCO	FITS SEAT DEPTHS 14"-18" - FITS SEAT WIDTHS 18" STD
>>>>		FRONT SEAT PANS - FITS 10" - 18" SEAT DEPTHS	
4, 11	115846	ST PAN F 8W VLRCO	FITS SEAT DEPTHS 10"-18" - FITS SEAT WIDTHS 10" DROP
4, 11	115847	ST PAN F 9W SHT VLRCO	FITS SEAT DEPTHS 10"-18" - FITS SEAT WIDTHS 11" DROP

Pos.	Item Number	Description	Remarks
4, 11	115848	ST PAN F 10-12W SHT VLRCO	FITS SEAT DEPTHS 10"-18" - FITS SEAT WIDTHS 10"-12" STD & 12"-14" DROP
4, 11	115849	ST PAN F 11-13W SHT VLRCO	FITS SEAT DEPTHS 10"-18" - FITS SEAT WIDTHS 11"-13" STD & 13"-15" DROP
4, 11	115850	ST PAN F 12-14W SHT VLRCO	FITS SEAT DEPTHS 10"-18" - FITS SEAT WIDTHS 12"-14" STD & 14"-16" DROP
4, 11	115851	ST PAN F 13-15W SHT VLRCO	FITS SEAT DEPTHS 10"-18" - FITS SEAT WIDTHS 13"-15" STD & 15"-17" DROP
4, 11	115852	ST PAN F 14-16W SHT VLRCO	FITS SEAT DEPTHS 10"-18" - FITS SEAT WIDTHS 14"-16" STD & 16"-18" DROP
4, 11	115853	ST PAN F 15-17W SHT VLRCO	FITS SEAT DEPTHS 10"-18" - FITS SEAT WIDTHS 15"-17" STD & 17"-18" DROP
4, 11	115854	ST PAN F 16-18W SHT VLRCO	FITS SEAT DEPTHS 10"-18" - FITS SEAT WIDTHS 16"-18" STD & 18" DROP

Pos.	Item Number	Description	Remarks
4, 11	115855	ST PAN F 17-19W SHT VLRCO	FITS SEAT DEPTHS 10"-18" - FITS SEAT WIDTHS 17"-18" STD
4, 11	115856	ST PAN F 18-20W SHT VLRCO	FITS SEAT DEPTHS 10"-18" - FITS SEAT WIDTHS 18" STD
2	106959	BHCS 1/4 -28 x 5/8 ROHS	
3	106943	WASHER FLAT AN 1/4 ROHS	
5	107073	CLAMP SEAT PAN STD	
6	106946	WASHER FLAT AN 5/16 ROHS	
7	202117	5/16-18 NYLOCK NUT THICK BLK	
8	106935	NUT NYLOCK THIN 1/4 -28 ROHS	
9	560771	SPACER SEAT PAN	
10	106982	BHCS 5/16 -18 x 1 3/4 SHLD ROHS	
11	698057	2" x 7" HOOK BLACK VELCRO PS	
12	107074	CLAMP SEAT PAN DROP	
13	106981	BHCS 5/16 -18 x 1 1/2 ROHS	
14	106979	BHCS 5/16 -18 x 3/4 ROHS	
15	115825	SEAT PAN HARDWARE KIT (4)	
16	108157	REG SEAT PAN MNT KIT (4)	
17	108158	DROP SEAT PAN MNT KIT (4)	
1 -4, 8, 11	115857	ST PAN 8W SHT ASSM	
1 -4, 8, 11	115858	ST PAN 9W SHT ASSM	
1 -4, 8, 11	115859	ST PAN 10-12W SHT ASSM	
1 -4, 8, 11	115860	ST PAN 11-13W SHT ASSM	
1 -4, 8, 11	115861	ST PAN 12-14W SHT ASSM	
1 -4, 8, 11	115862	ST PAN 13-15W SHT ASSM	
1 -4, 8, 11	115863	ST PAN 14-16W SHT ASSM	
1 -4, 8, 11	115864	ST PAN 15-17W SHT ASSM	
1 -4, 8, 11	115865	ST PAN 16-18W SHT ASSM	
1 -4, 8, 11	115866	ST PAN 17-19W SHT ASSM	
1 -4, 8, 11	115867	ST PAN 18-20W SHT ASSM	
1 -4, 8, 11	115868	ST PAN 10-12W LNG ASSM	ASSEMBLY INCLUDES SHORT FRONT SEAT PAN AND LONG REAR SEAT PAN
1 -4, 8, 11	115869	ST PAN 11-13W LNG ASSM	ASSEMBLY INCLUDES SHORT FRONT SEAT PAN AND LONG REAR SEAT PAN
1 -4, 8, 11	115870	ST PAN 12-14W LNG ASSM	ASSEMBLY INCLUDES SHORT FRONT SEAT PAN AND LONG REAR SEAT PAN

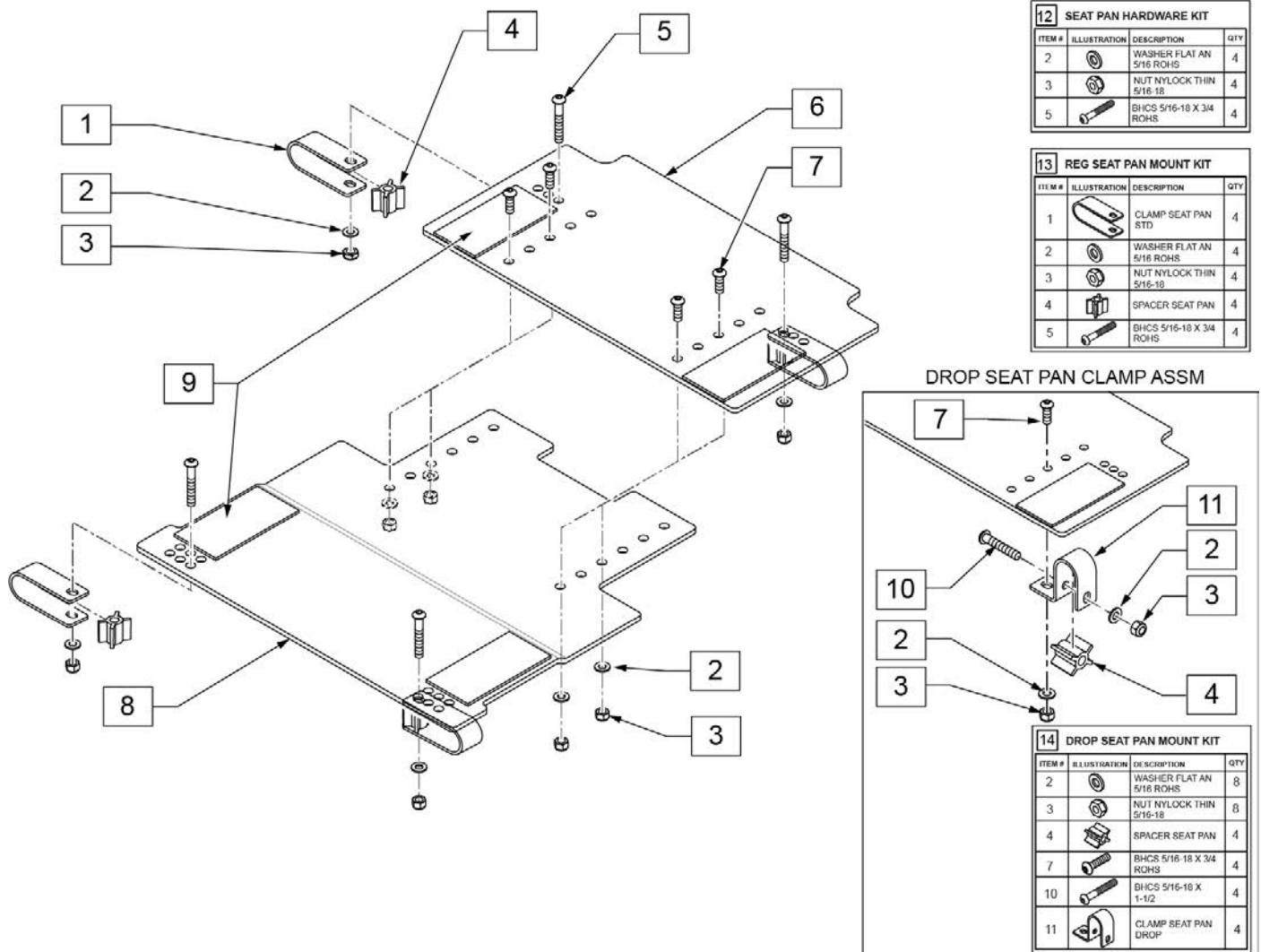
Pos.	Item Number	Description	Remarks
1 -4, 8, 11	115871	ST PAN 13-15W LNG ASSM	ASSEMBLY INCLUDES SHORT FRONT SEAT PAN AND LONG REAR SEAT PAN
1 -4, 8, 11	115872	ST PAN 14-16W LNG ASSM	ASSEMBLY INCLUDES SHORT FRONT SEAT PAN AND LONG REAR SEAT PAN
1 -4, 8, 11	115873	ST PAN 15-17W LNG ASSM	ASSEMBLY INCLUDES SHORT FRONT SEAT PAN AND LONG REAR SEAT PAN
1 -4, 8, 11	115874	ST PAN 16-18W LNG ASSM	ASSEMBLY INCLUDES SHORT FRONT SEAT PAN AND LONG REAR SEAT PAN
1 -4, 8, 11	115875	ST PAN 17-19W LNG ASSM	
1 -4, 8, 11	115876	ST PAN 18-20W LNG ASSM	ASSEMBLY INCLUDES SHORT FRONT SEAT PAN AND LONG REAR SEAT PAN

NOTE: Drop Seat Pan lowers seat 2" and does not work with Transit option, HD package or Contracture Footrest System.

NOTE: Seat Pans are adjustable 14 -22" Deep.

NOTE: If adding a seat pan to a chair with Single Post Armrest then a Kids Receiver must be utilized.

NOTE: If changing from a Drop Seat Pan to a Regular Seat Pan or Vice Versa a smaller or larger pan will be required, please refer to the remarks section for appropriate pan that will be required for desired width.



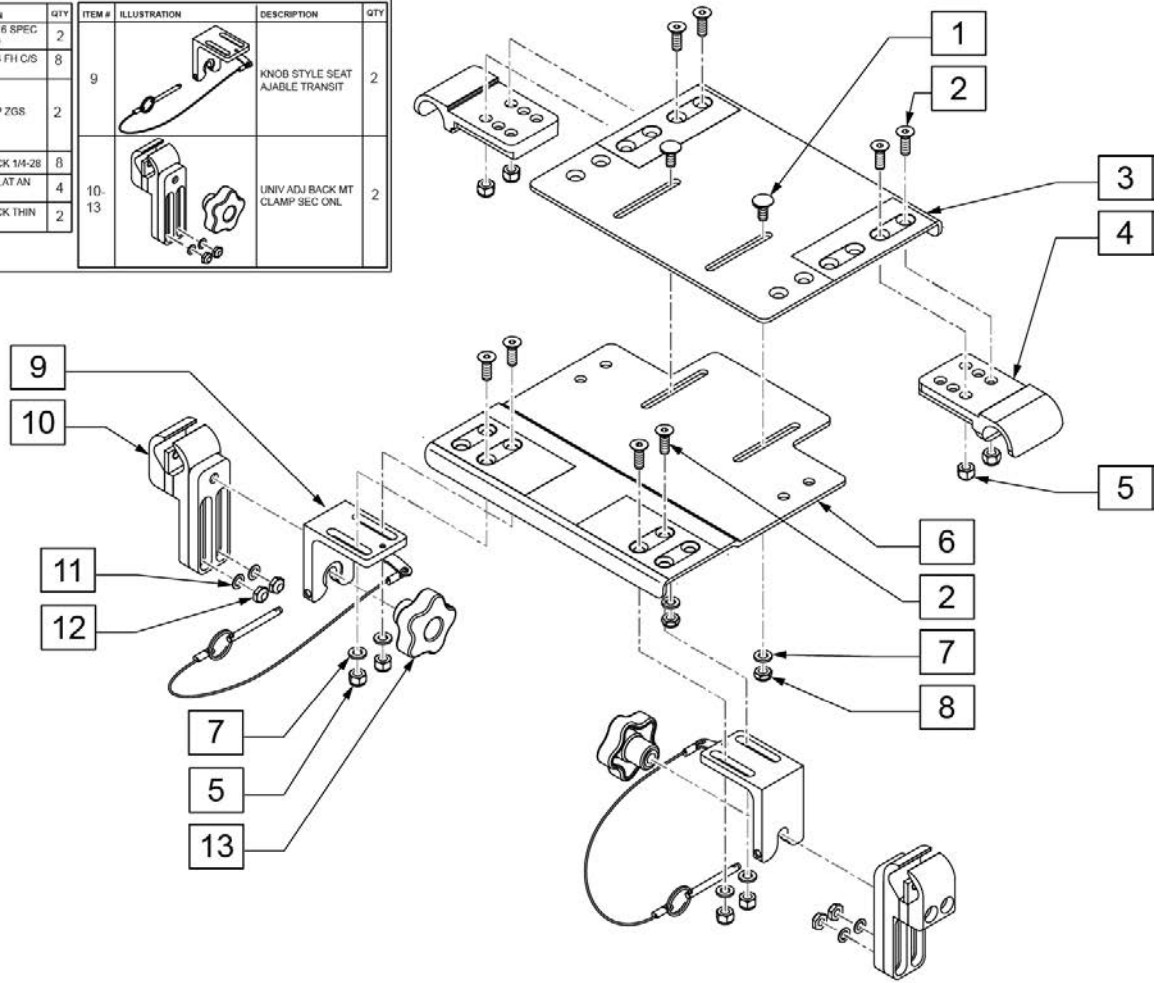
Pos.	Item Number	Description	Remarks
1	107073	CLAMP SEAT PAN STD	

Pos.	Item Number	Description	Remarks
2	106946	WASHER FLAT AN 5/16 ROHS	
3	106937	NUT NYLOCK THIN 5/16-18	
4	560771	SPACER SEAT PAN	
5	106982	BHCS 5/16 -18" x 1 3/4 SHLD ROHS	
7	106979	BHCS 5/16 -18" x 3/4 ROHS	
9	698057	2 x 4" HOOK PSA BLACK CUT	
10	106981	BHCS 5/16 -18 x 1 1/2 ROHS	
11	107074	CLAMP SEAT PAN DROP	
		FRONT SEAT PANS WITH VELCRO (No Mounting Hardware)	
8,9	108592	SEAT PAN FRONT 12-14 VELCRO	Fits 14W DROP
8,9	109625	SEAT PAN FRONT 13-15 VELCRO	Fits 15W DROP
8,9	108141	SEAT PAN FRONT 14 -16" VELCRO	Fits 14W STD or 16W DROP
8,9	109626	SEAT PAN FRONT 15-17 VELCRO	Fits 15W STD or 17W DROP
8,9	108142	SEAT PAN FRONT 16 -18" VELCRO	Fits 16W STD or 18W DROP
8,9	109627	SEAT PAN FRONT 17-19 VELCRO	Fits 17W STD or 19W DROP
8,9	108143	SEAT PAN FRONT 18 -20" VELCRO	Fits 18W STD or 20W DROP
8,9	109628	SEAT PAN FRONT 19-21 VELCRO	Fits 19W STD or 21W DROP
8,9	108144	SEAT PAN FRONT 20 -22" VELCRO	Fits 20W STD or 22W DROP
8,9	109629	SEAT PAN FRONT 21-23 VELCRO	Fits 21W STD
8,9	108145	SEAT PAN FRONT 22 -24" VELCRO	Fits 22W STD
		REAR SEAT PANS W/ VELCRO Short (No Mounting Hardware)	
6,9	135130	SEAT PAN REAR 12-14 SHRT	
6,9	135131	SEAT PAN REAR 13-15 SHRT	
6,9	135132	SEAT PAN REAR 14-16 SHRT	
6,9	135133	SEAT PAN REAR 15-17 SHRT	
6,9	135134	SEAT PAN REAR 16-18 SHRT	
6,9	135135	SEAT PAN REAR 17-19 SHRT	
6,9	135136	SEAT PAN REAR 18-20 SHRT	
6,9	135137	SEAT PAN REAR 19-21 SHRT	
6,9	135138	SEAT PAN REAR 20-22 SHRT	
6,9	135139	SEAT PAN REAR 21-23 SHRT	
6,9	135140	SEAT PAN REAR 22-24 SHRT	
		SEAT PAN ASSEMBLIES (No Mounting Hardware)	
2,3,6-9	135141	SEAT PAN SHORT ASSM ONLY 12-14	Short, Fits 14W DROP
2,3,6-9	135142	SEAT PAN SHORT ASSM ONLY 13-15	Short, Fits 15W DROP
2,3,6-9	135143	SEAT PAN SHORT ASSM ONLY 14-16	Short, Fits 14W STD or 16W DROP
2,3,6-9	135144	SEAT PAN SHORT ASSM ONLY 15-17	Short, Fits 15W STD or 17W DROP
2,3,6-9	135145	SEAT PAN SHORT ASSM ONLY 16 -18	Short, Fits 16W STD or 18W DROP
2,3,6-9	135146	SEAT PAN SHORT ASSM ONLY 17-19	Short, Fits 17W STD or 19W DROP
2,3,6-9	135147	SEAT PAN SHORT ASSM ONLY 18-20	Short, Fits 18W STD or 20W DROP
2,3,6-9	135148	SEAT PAN SHORT ASSM ONLY 19-21	Short, Fits 19W STD or 21W DROP
2,3,6-9	135149	SEAT PAN SHORT ASSM ONLY 20-22	Short, Fits 20W STD or 22W DROP
2,3,6-9	135150	SEAT PAN SHORT ASSM ONLY 21-23	Short, Fits 21W STD
2,3,6-9	135151	SEAT PAN SHORT ASSM ONLY 22-24	Short, Fits 22W STD
		HARDWARE KITS	
12	108151	SEAT PAN HDWR KIT	
13	108157	REG SEAT PAN MOUNTING KIT (4)	
14	108158	DROP SEAT PAN MOUNTING KIT (4)	

Note: For complete retro kit order desired seat pan size plus P/N 161465.

Note: please see ordering guide in informations panel and contact Customer Service to determine correct size and part number(s) for configuration desired.

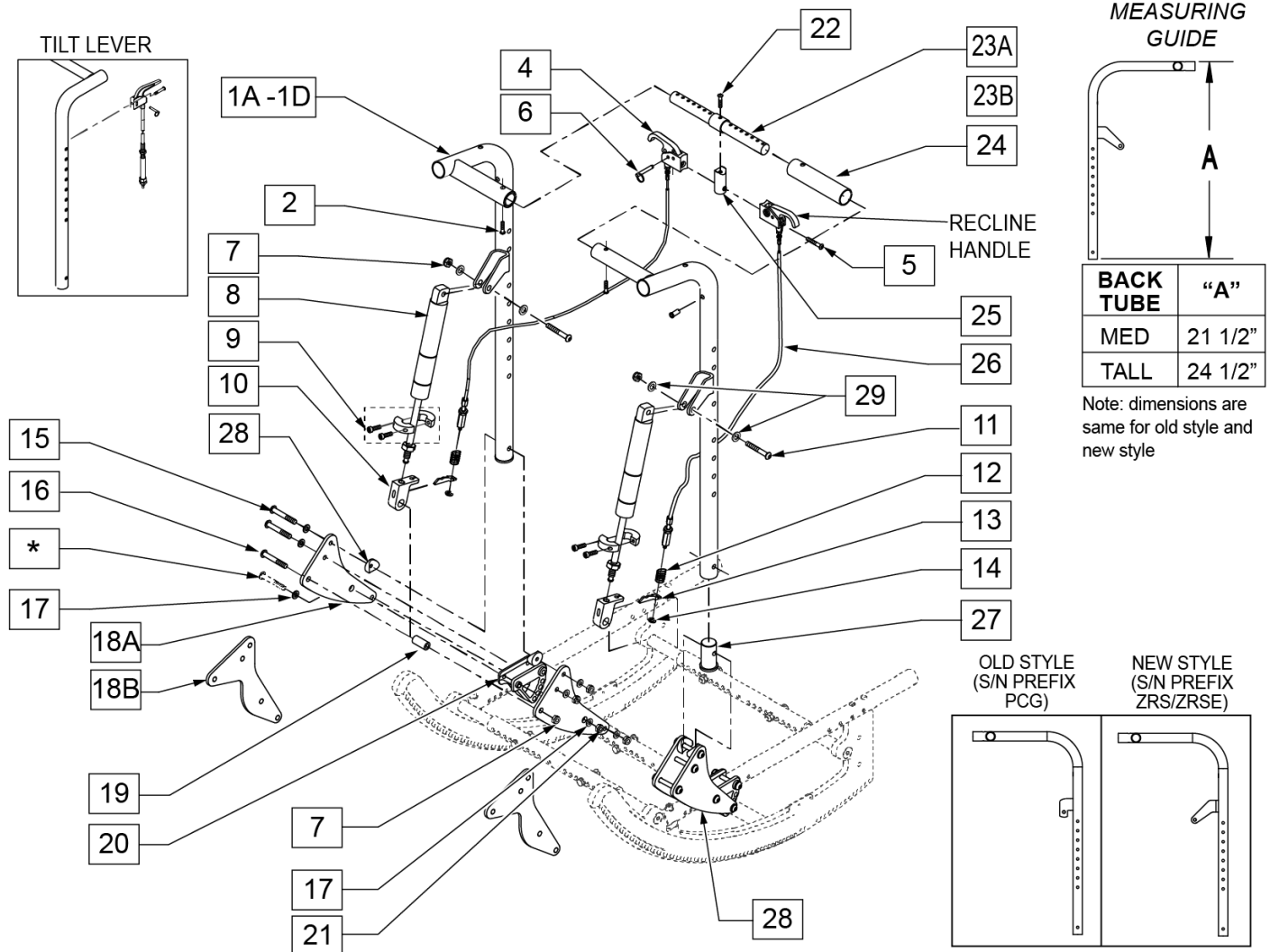
14 SOLID SEAT MOUNT HARDWARE KIT			
ITEM #	ILLUSTRATION	DESCRIPTION	QTY
1		1/4-28 X 9/16 SPEC ROUND HD	2
2		1/4-28 X 3/4 FH C/S BLK	8
4		SEAT SNAP ZGS	2
5		NUT NYLOCK 1/4-28	8
7		WASHER FLAT AN 1/4	4
8		NUT NYLOCK THIN 1/4-28	2



Pos.	Item Number	Description	Remarks
1	455036-QU	1/4-28 x 9/16 SPEC ROUND HD	
2	226105	1/4-28 X 3/4 FH C/S BLK	
4	560112	SEAT SNAP ZGS	
5	106934	NUT NYLOCK 1/4 -28 ROHS	
7	106943	WASHER FLAT AN 1/4 ROHS	
8	106935	NUT NYLOCK THIN 1/4 -28 ROHS	
9	HDW6863	KNOB STYLE SEAT AJABLE TRANSIT	
10-13	HDW6820C	UNIV ADJ BACK MT, CLAMP SEC ONL	
14	161465	SLD SEAT MOUNT HRDWRE KIT	
3,6	161466	SOLID SEAT 10 WIDE SHORT	Front & Rear pan only
3,6	161467	SOLID SEAT 10 WIDE MEDIUM	Front & Rear pan only

Pos.	Item Number	Description	Remarks
3,6	161468	SOLID SEAT 10 WIDE LONG	Front & Rear pan only
3,6	161469	SOLID SEAT 10 WIDE X-LONG	Front & Rear pan only
3,6	161470	SOLID SEAT 12 WIDE SHORT	Front & Rear pan only
3,6	161471	SOLID SEAT 12 WIDE MEDIUM	Front & Rear pan only
3,6	161472	SOLID SEAT 12 WIDE LONG	Front & Rear pan only
3,6	161473	SOLID SEAT 12 WIDE X-LONG	Front & Rear pan only
3,6	161474	SOLID SEAT 14 WIDE SHORT	Front & Rear pan only
3,6	161475	SOLID SEAT 14 WIDE MEDIUM	Front & Rear pan only
3,6	161476	SOLID SEAT 14 WIDE LONG	Front & Rear pan only
3,6	161477	SOLID SEAT 14 WIDE X-LONG	Front & Rear pan only
3,6	161478	SOLID SEAT 16 WIDE SHORT	Front & Rear pan only
3,6	161479	SOLID SEAT 16 WIDE MEDIUM	Front & Rear pan only
3,6	161480	SOLID SEAT 16 WIDE LONG	Front & Rear pan only
3,6	161481	SOLID SEAT 16 WIDE X-LONG	Front & Rear pan only
3,6	161482	SLD SEAT 10 W LNG FNT SHRT RR	Front & Rear pan only
3,6	161483	SLD SEAT 12 W LNG FNT SHRT RR	Front & Rear pan only
3,6	161484	SLD SEAT 14 W LNG FNT SHRT RR	Front & Rear pan only
3,6	161485	SLD SEAT 16 W LNG FNT HSRT RR	Front & Rear pan only

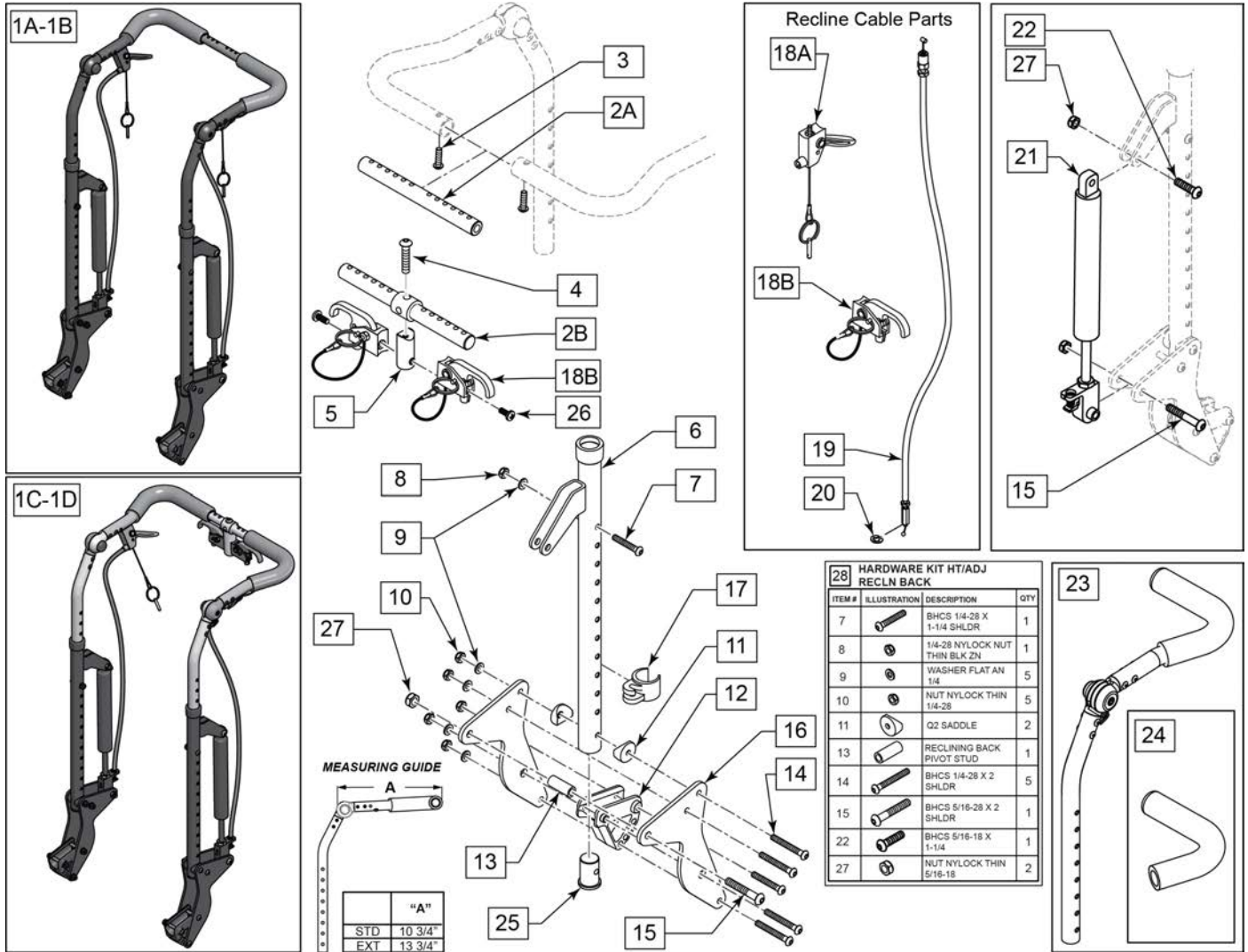
Note: order hardware for Iris Back Brackets based on BACK PLATE REPLACEMENT BOLT KIT parts page.



Pos.	Item Number	Description	Remarks
2	107355	BHCS 1/4 -28 x 1 ROHS	
4,6	580111	CYLINDER LOCK LEVER ASSM RECLINER	
5	281120	10-32 x 5/8 PAN HD PHIL	
6	349021	TRIGGER RELEASE PIN TS/QT/P5	
7	202117	5/16-18 NYLOCK NUT THICK BLK	
8	342065	BLOC-O-LIFT 200N x 11.58	
9	342049	10mm ID SPLIT COLLAR	
10	483147	T45 GAS SPRING BLOCK	
11	106980	BHCS 5/16 -18 x 1 1/4 ROHS	
12	321141	.650L x 6 COIL SPRING	
13	560686	GAS SPRING LEVER T45	
14	342000	1/4" E-CLIP	
15	106965	BHCS 1/4 -28 x 2 SHLDR ROHS	
16	106983	BHCS 5/16 -18 x 2 SHLDR ROHS	

Pos.	Item Number	Description	Remarks
17	106943	WASHER FLAT AN 1/4 ROHS	
18A	105867	PLATE BACK RECLINE	For use w/ S/N Prefix ZRS&ZRSE
18B	050529	PLATE SIDE RECLINING BACK	For use w/ S/N Prefix PCG
19	483179	RECLINING BACK PIVOT STUD QTS	
20	560517	BLOCK ANGLE BACKREST MOUNT	
21	106935	NUT NYLOCK THIN 1/4 -28 ROHS	
22	106981	BHCS 5/16 -18 x 1 1/2 ROHS	
23A	507310	ADJUSTABLE BAR RELCINING BACK	Fits 16 -18" wide chairs
23B	050528	HANDLE ADJUSTABLE RECLINING PED	Fits 10 -15" wide chairs
24	050537	FOAM GRIP RECLINING PED	
25	483139	T45 RELEASE LEVER MOUNTING BLOCK	
26	342057	CYL LOCK CABLE ASSM	Cable length: 41.22"
27	483169	RECLINING BACK TUBE PLUG QTS	
28	561004	1" SADDLE 1/4" HOLE	
29	106946	WASHER FLAT AN 5/16 ROHS	
1A, 24	040027-001	RECLINING BACK TUBE PED MED	Right; fits chairs w/ S/N Prefix PCG
1A, 24	040028-001	RECLINING BACK TUBE PED MED	Left; fits chairs w/ S/N Prefix PCG
1B, 24	040027-002	RECLINING BACK TUBE PED TALL	Right; fits chairs w/ S/N Prefix PCG
1B, 24	040028-002	RECLINING BACK TUBE PED TALL	Left; fits chairs w/ S/N Prefix PCG
1A-23A, 24 -28	040029-001	RECLINING BACK MED RETRO KIT 10-15"	Fits chairs w/ S/N Prefix PCG
1A-23B, 24-28	040029-002	RECLINING BACK MED RETRO KIT 16-18"	Fits chairs w/ S/N Prefix PCG
1B-23A, 24 -28	040029-003	RECLINING BACK TALL RETRO KIT 10-15"	Fits chairs w/ S/N Prefix PCG
1B,-23B, 24-28	040029-004	RECLINING BACK TALL RETRO KIT 16-18"	Fits chairs w/ S/N Prefix PCG
1C,7-11,13,15-18A,19,24,27,28	115390-001	RECLINE BACK SUB ASSM PED R MED	Right; fits chairs w/ S/N Prefix ZRS&ZRSE
1C,7-11,13,15-18A,19,24,27,28	115391-001	RECLINE BACK SUB ASSM PED L MED	Left; fits chairs w/ S/N Prefix ZRS&ZRSE
1D,7-11,13,15-18A,19,24,27,28	115390-002	RECLINE BACK SUB ASSM PED R TALL	Right; fits chairs w/ S/N Prefix ZRS&ZRSE
1D,7-11,13,15-18A,19,24,27,28	115391-002	RECLINE BACK SUB ASSM PED L TALL	Left; fits chairs w/ S/N Prefix ZRS&ZRSE
1C, 24	115877	RECL BACK TUBE PED MED R	Right
1C, 24	115878	RECL BACK TUBE PED MED L	Left
1D, 24	115879	RECL BACK TUBE PED TALL R	Right
1D, 24	115880	RECL BACK TUBE PED TALL L	Left
1C-18A,19-23A,24-29	116609	RECL BCK MED RETRO KIT 10-15	
1D-18A,19-23A,24-29	116610	RECL BCK MED RETRO KIT 16-18	
1C-18A,19-23B,24-29	116611	RECL BCK TALL RETRO KIT 10-15	
1D-18A,19-23B,24-29	116612	RECL BCK TAL RETRO KIT 16-18	

NOTE: FOR TILT CABLES AND TRIGGERS, PLEASE REFER TO "TILT HANDLE & CABLE" PARTS PAGES



Pos.	Item Number	Description	Remarks
		Standard Stroller Handle extension w/Foot Tilt Release	
1A	243350	HT ADJ STL HL MED STD FOOT 10	
1A	243351	HT ADJ STL HL MED STD FOOT 11	
1A	243352	HT ADJ STL HL MED STD FOOT 12	
1A	243353	HT ADJ STL HL MED STD FOOT 13	
1A	243354	HT ADJ STL HL MED STD FOOT 14	
1A	243355	HT ADJ STL HL MED STD FOOT 15	
1A	243356	HT ADJ STL HL MED STD FOOT 16	
1A	243357	HT ADJ STL HL MED STD FOOT 17	
1A	243358	HT ADJ STL HL MED STD FOOT 18	
1A	243359	HT ADJ STL HL MED STD FOOT 19	
1A	243361	HT ADJ STL HL MED STD FOOT 20	
1A	243362	HT ADJ STL HL MED STD FOOT 21	

Pos.	Item Number	Description	Remarks
1A	243364	HT ADJ STL HL MED STD FOOT 22 Long Stroller Handle extension w/Foot Tilt Release	
1B	243360	HT ADJ STL HL MED LNG FOOT 10	
1B	243363	HT ADJ STL HL MED LNG FOOT 11	
1B	243365	HT ADJ STL HL MED LNG FOOT 12	
1B	243366	HT ADJ STL HL MED LNG FOOT 13	
1B	243367	HT ADJ STL HL MED LNG FOOT 14	
1B	243368	HT ADJ STL HL MED LNG FOOT 15	
1B	243369	HT ADJ STL HL MED LNG FOOT 16	
1B	243370	HT ADJ STL HL MED LNG FOOT 17	
1B	243371	HT ADJ STL HL MED LNG FOOT 18	
1B	243372	HT ADJ STL HL MED LNG FOOT 19	
1B	243373	HT ADJ STL HL MED LNG FOOT 20	
1B	243374	HT ADJ STL HL MED LNG FOOT 21	
1B	243375	HT ADJ STL HL MED LNG FOOT 22 Standard Stroller Handle extension Dual Trigger Tilt Release	
1C	243377	HT ADJ STL HL MED STD DTRG 11	
1C	243378	HT ADJ STL HL MED STD DTRG 12	
1C	243379	HT ADJ STL HL MED STD DTRG 13	
1C	243380	HT ADJ STL HL MED STD DTRG 14	
1C	243381	HT ADJ STL HL MED STD DTRG 15	
1C	243382	HT ADJ STL HL MED STD DTRG 16	
1C	243383	HT ADJ STL HL MED STD DTRG 17	
1C	243384	HT ADJ STL HL MED STD DTRG 18	
1C	243385	HT ADJ STL HL MED STD DTRG 19	
1C	243386	HT ADJ STL HL MED STD DTRG 20	
1C	243387	HT ADJ STL HL MED STD DTRG 21	
1C	243388	HT ADJ STL HL MED STD DTRG 22 Long Stroller Handle extension Dual Trigger Tilt Release	
1D	243391	HT ADJ STL HL MED LNG DTRG 11	
1D	243392	HT ADJ STL HL MED LNG DTRG 12	
1D	243393	HT ADJ STL HL MED LNG DTRG 13	
1D	243394	HT ADJ STL HL MED LNG DTRG 14	
1D	243395	HT ADJ STL HL MED LNG DTRG 15	
1D	243396	HT ADJ STL HL MED LNG DTRG 16	
1D	243397	HT ADJ STL HL MED LNG DTRG 17	
1D	243398	HT ADJ STL HL MED LNG DTRG 18	
1D	243399	HT ADJ STL HL MED LNG DTRG 19	
1D	243400	HT ADJ STL HL MED LNG DTRG 20	
1D	243402	HT ADJ STL HL MED LNG DTRG 21	
1D	243403	HT ADJ STL HL MED LNG DTRG 22	
2A,3	161542	SHAFT GROWTH HANDLE KIT SHRT	10-18W - Use when Foot Release Tilt is used on chair
2A,3	161543	SHAFT GROWTH HANDLE KIT LNG	19-22W - Use when Foot Release Tilt is used on chair

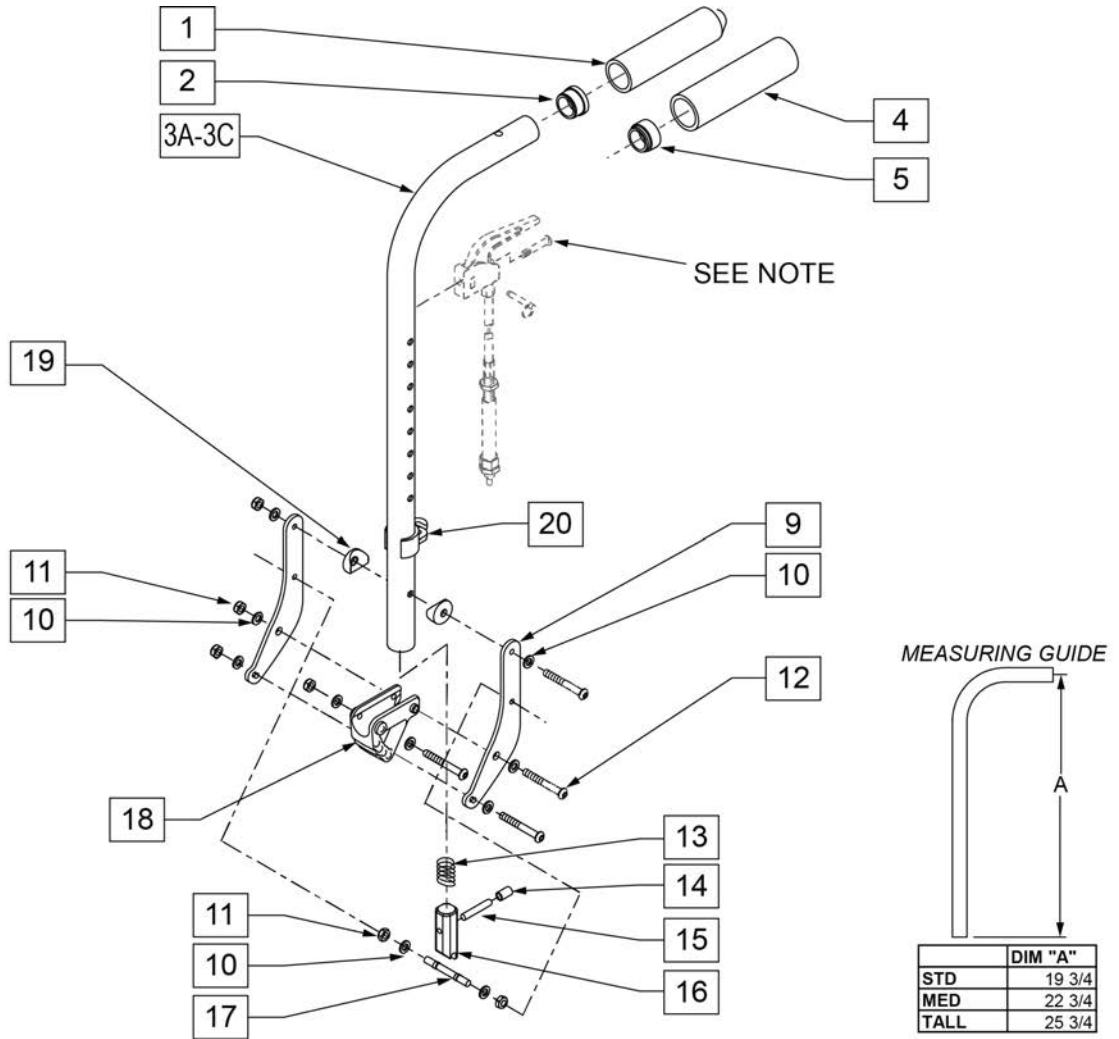
Pos.	Item Number	Description	Remarks
2A	243026	RCLN CNTR BAR ADJ STRLLR 10-18	Use when Dual Trigger Tilt release is used on chair
2B	243027	RCLN CNTR BAR ADJ STRLLR 15-23	Use when Dual Trigger Tilt release is used on chair
2B,4,5,18B,26	161547	DUAL TRIGGER ASSM 10-16 W	11-16 Use when Dual Trigger Tilt release is used on chair
2B,4,5,18B,26	163660	DUAL TRIGGER ASSM 17-22 W	17-22 Use when Dual Trigger Tilt release is used on chair
4	106981	BHCS 5/16-18 X 1 1/2	
5	483139	T45 RELEASE LEVER MNTG BLOCK	
9	106943	WASHER FLAT AN 1/4 ROHS	SEE 'BACK PLATE REPLACEMENT BOLT KIT' PAGE
10	106935	NUT NYLOCK THIN 1/4 -28 ROHS	
11	561004	1 SADDLE 1/4 HOLE	
12	560517	BLOCK ANGLE BACKREST MOUNT	
13	483179	RECLINING BACK PIVOT STUD QTS	
14	106965	BHCS 1/4 -28 x 2 SHLDR ROHS	See 'BACK PLATE REPLACEMENT BOLT KIT' pg for more options
15	106983	BHCS 5/16 -18 x 2 SHLDR ROHS	
16	105867	PLATE BACK RECLINE	
17	108134	CLIP CABLE 1" (10)	PACK OF 10
19	342057	CYLINDER LOCK CABLE ASSM	RECLINE CABLE
20	342000	1/4 E-CLIP	
22	106980	5/16 -18 x 1 1/4 BH C/S	
23	110962-001	BKRST UPPER HT ADJ PED R STD	std- 10-14 wide
23	110962-002	BKRST UPPER HT ADJ PED R EXT	long- 10-14 wide

Pos.	Item Number	Description	Remarks
23	110963-001	BKRST UPPER HT ADJ PED L STD	std- 10-14 wide
23	110963-002	BKRST UPPER HT ADJ PED L EXT	long- 10-14 wide
23	110968-001	BKRST UPPER HT ADJ R STD	std-15-22 wide
23	110968-002	BKRST UPPER HT ADJ R EXT	long-15-22 wide
23	110969-001	BKRST UPPER HT ADJ L STD	std-15-22 wide
23	110969-002	BKRST UPPER HT ADJ L EXT	long-15-22 wide
24	560664	FOAM GRIP RECLINING BACK QTS	
25	244139	HT ADJ RCLN TUBE PLUG	
26	281120	10-32 x 5/8 PAN HD PHIL	
27	106937	NUT NYLOCK THIN 5/16-18	
28	161546	HARDWARE KIT HT/ADJ RECLN BK	
15,21,22,27	161544	GAS SPRING REPLACEMENT ASSM	
18A,19	161545	RECLINE LEVER W/CABLE	Use when Foot Release Tilt is used on chair
18B,19	580111	CYL LOCK LEVER ASSM RCLNR	Use when Dual Trigger Tilt release is used on chair

STROLLER HANDLE BACKPOSTS

Note: For Tilt Cables and Triggers, please refer to "Tilt Handle & Cable.." parts manual pages.

Note: Refer to "Dynamic Backrest" parts page for replacement back plates and Dynamic Backrest replacement parts.



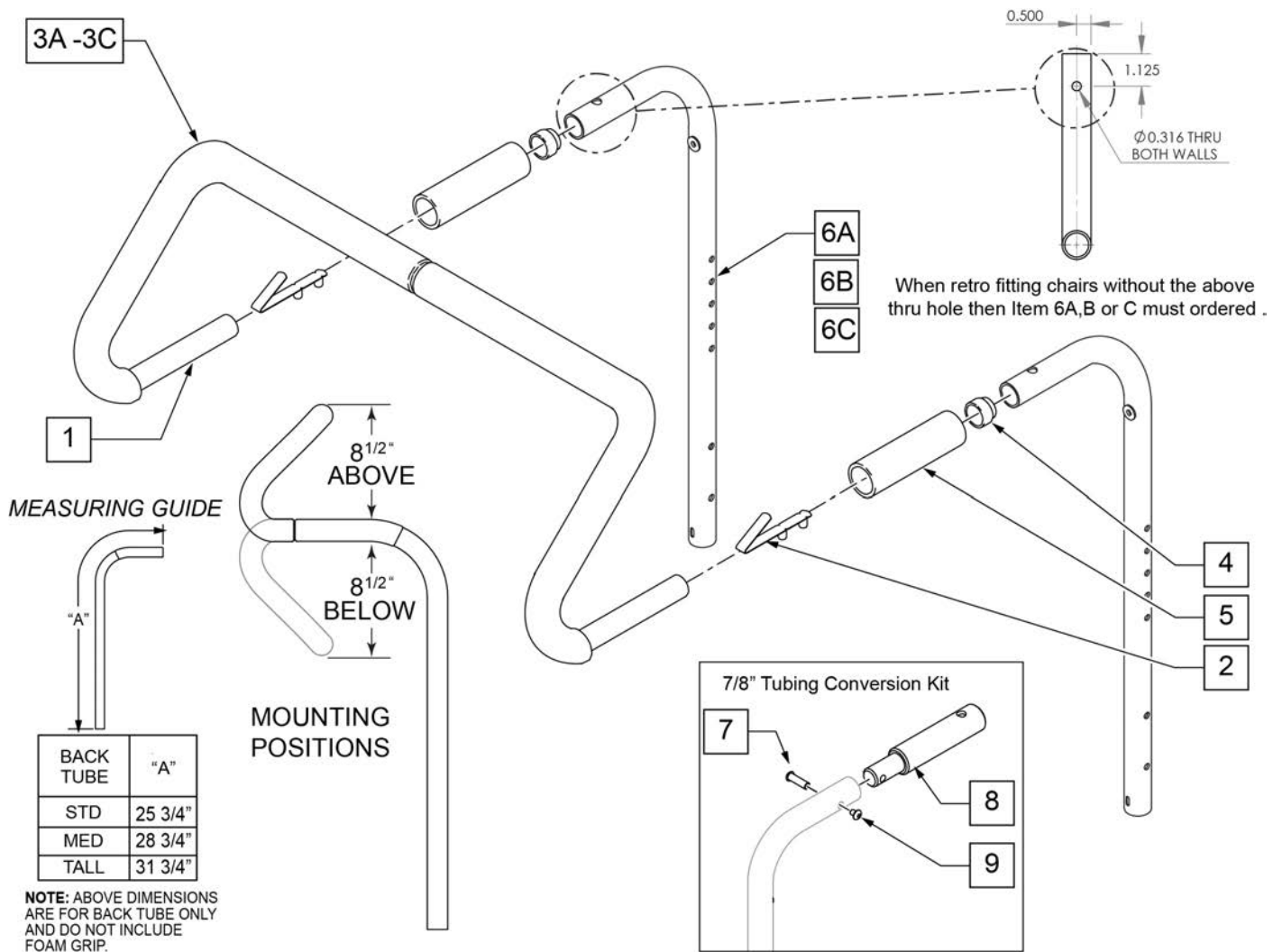
Pos.	Item Number	Description	Remarks
1	920027	QUICKIE GRIP 1" W/INSTR SHEET	
2	561002	1" INSERT PLUG .083	
1,2,3A	842080	STROLLER HANDLE W/ FOAM STANDARD ZPS/P5/QT	STD
1,2,3B	842079	STROLLER HANDLE W/ FOAM MED ZPS/QT	MED
1,2,3C	842081	STROLLER HANDLE W/ FOAM TALL ZPS/QT	TALL
4,5,3A	842067	EXT STROLLER HANDLE STANDARD	STD -USED W/ REMOVABLE STROLLER HANDLE EXT.
4,5,3B	842066	EXT STROLLER HANDLE MEDIUM	MED -USED W/ REMOVABLE STROLLER HANDLE EXT.
4,5,3C	842068	EXT STROLLER HANDLE TALL	TALL -USED W/ REMOVABLE STROLLER HANDLE EXT.
4	920023	QUICKIE GRIP 1" W/ HOLE W/ INSTRUCTIONS	USED W/ REMOVABLE STROLLER HANDLE EXT.
5	561082	1" TUBE END BUSHING THIN	USED W/ REMOVABLE STROLLER HANDLE EXT.
9	126571	BACK PLATE PED ROUND	

Pos.	Item Number	Description	Remarks
10	106943	WASHER FLAT AN 1/4 ROHS	
11	106935	NUT NYLOCK THIN 1/4 -28 ROHS	
12	106965	BHCS 1/4 -28 x 2 SHLDR ROHS	
13	321110	S/A LATCH SPRING	
14	126238	PUSH ON ROUND CAP	
15	481084	BACK REL PIN Z2/QT/EX	
16	483019	BACK RELEASE LATCH	
17	481042	BACK REL STOP PIN QTS	
18	560517	BLOCK ANGLE BACKREST MOUNT	
19	561004	1" SADDLE 1/4 HOLE	
20	108134	CLIP CABLE 1"	PACK OF 10
1,2,3A,9-20	108128	STROLLER W/ GRIP & HDWR STANDARD	STD
1,2,3B,9-20	108129	STROLLER W/ GRIP & HDWR MEDIUM	MED
1,2,3C,9-20	108130	STROLLER W/ GRIP & HDWR TALL	TALL
3A,4,5,9-20	108131	STROLLER W/ HOLE & HDWR STANDARD	USED W/ REMOVABLE STROLLER HANDLE EXT.
3B,4,5,9-20	108132	STROLLER W/ HOLE & HDWR MEDIUM	USED W/ REMOVABLE STROLLER HANDLE EXT.
SEE NOTE		Part SEE NOTE	
3C,4,5,9-20	108133	STROLLER W/ HOLE & HDWR TALL	USED W/ REMOVABLE STROLLER HANDLE EXT.

NOTE: Stroller handle extension works with 1" tubing backrest only. Example: DAB on Q2 or Standard backrest on positioning chairs.

NOTE: Not compatible with Swing-Away Adjustable Stroller Handle.

Note: For Q2X S/N chairs this is an "Off Chair" option only.



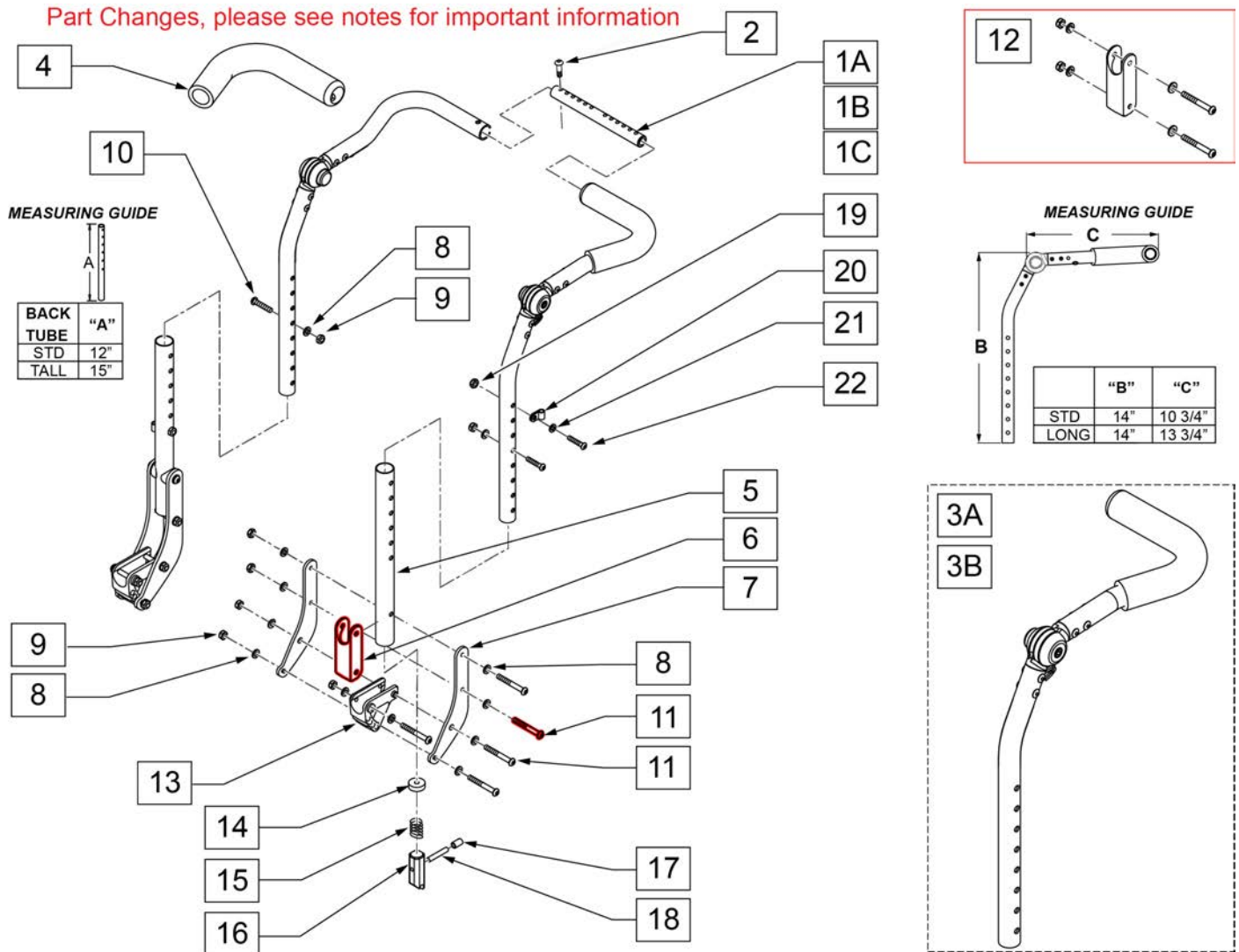
Pos.	Item Number	Description	Remarks
2	301108	5/16 SNAP BUTTON DUAL ONE SIDE	
3A	560615	STROLLER EXTENSION GRIP 10 -13"	10 -13" WIDE
3B	560616	STROLLER EXTENSION GRIP 14 -17"	14 -17" WIDE
3C	560617	STROLLER EXTENSION GRIP 18 -20"	18 -20" WIDE
4	561082	1" TUBE END BUSHING THIN	
5	920023	QUICKIE GRIP 1 W/ HOLE	
1, 2, 3A	842050	STROLLER EXTENSION ASSM 10"	

Pos.	Item Number	Description	Remarks
1, 2, 3A	842051	STROLLER EXTENSION ASSM 11"	
1, 2, 3A	842052	STROLLER EXTENSION ASSM 12"	
1, 2, 3A	842053	STROLLER EXTENSION ASSM 13"	
1, 2, 3B	842054	STROLLER EXTENSION ASSM 14"	
1, 2, 3B	842055	STROLLER EXTENSION ASSM 15"	
1, 2, 3B	842056	STROLLER EXTENSION ASSM 16"	
1, 2, 3B	842057	STROLLER EXTENSION ASSM 17"	
1, 2, 3C	842058	STROLLER EXTENSION ASSM 18"	
1, 2, 3C	842059	STROLLER EXTENSION ASSM 19	
1, 2, 3C	842063	STROLLER EXTENSION ASSM 20	
6A	842067	EXT STROLLER HANDLE STD	STANDARD/LOW
6B	842066	EXT STROLLER HANDLE MED	MEDIUM
6C	842068	EXT STROLLER HANDLE TALL	TALL
7-9	125324	STRLLR HNDL CNVERSN KIT 7/8 PH	To fit to 7/8" Push Handle; includes hardware for both sides

NOTE: ORDER CABLE ASSEMBLY SEPERATELY BASED ON "TILT HANDLE-CABLE ASSM FOR HEIGHT ADJ BACK" PAGE.




NOTE: ORDER HARDWARE FOR IRIS BACK BRACKETS BASED ON "BACK PLATE REPLACEMENT BOLT KIT" PAGE.

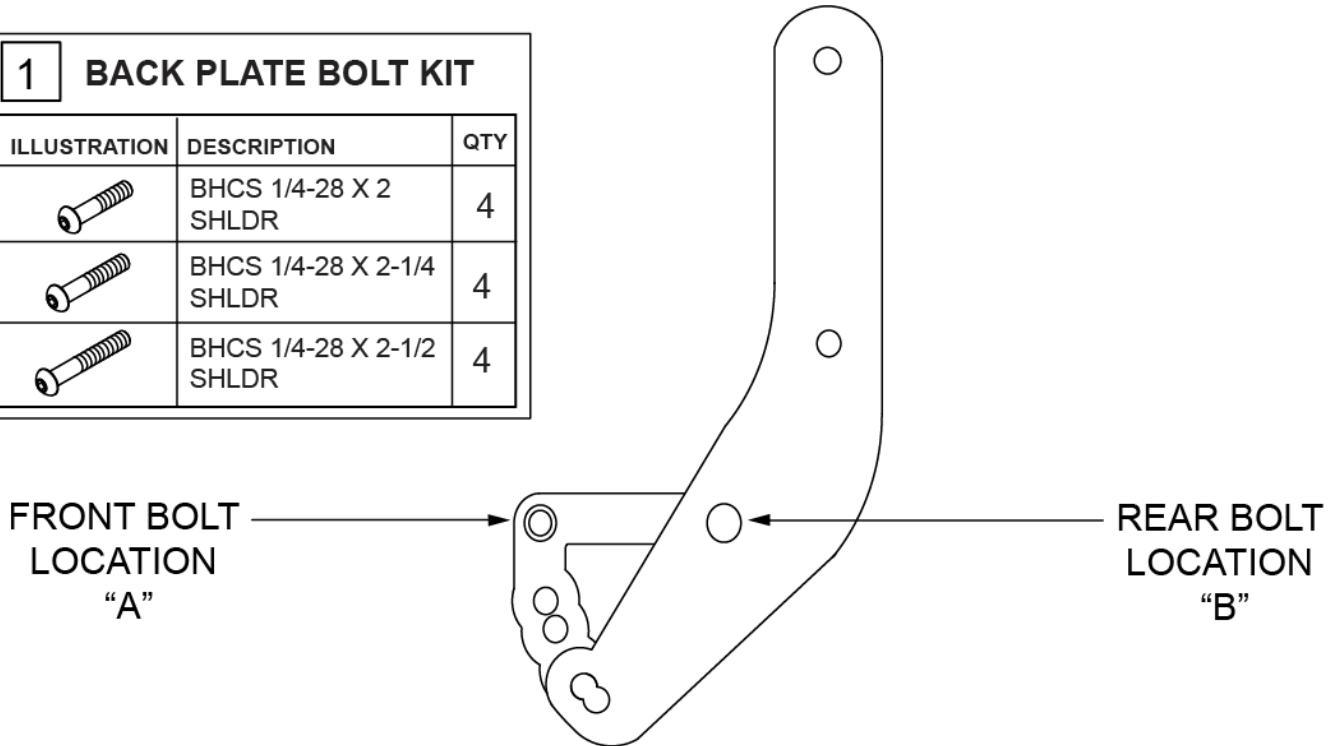
Note: Replace in Pairs after S/N ZRS-006475 &ZRSE-00311.



Pos.	Item Number	Description	Remarks
1A	050541-001	SHAFT GROWTH PED SHORT 10-14" WIDE	10-14 WIDE
1B	050541-002	SHAFT GROWTH PED MED 12-16" WIDE	12-16 WIDE
1C	521392	SHAFT GROWTH PED LONG 14-18" WIDE	14-18 WIDE
2	106960	BHCS 1/4 -28 x 7/8 ROHS	

Pos.	Item Number	Description	Remarks
3A	110962-001	BACKREST UPPER HEIGHT ADJ PED R STANDARD	RIGHT - STD EXT
3A	110963-001	BACKREST UPPER HEIGHT ADJ PED L STANDARD	LEFT - STD EXT
3B	110962-002	BACKREST UPPER HEIGHT ADJ PED R EXT	RIGHT - LONG EXT
3B	110963-002	BACKREST UPPER HEIGHT ADJ PED L EXT	LEFT - LONG EXT
4	560638	FOAM GRIP .840 ID SHORT	
5A	520757	TUBE BACK FRAME LOWER STD	STD
5B	107171	TUBE BACK FRAME LOWER TALL	TALL
6	124612	BLOCK-LATCH STOP	
7	126571	BACK PLATE PED ROUND	
8	106943	WASHER FLAT AN 1/4 ROHS	
9	106935	NUT NYLOCK THIN 1/4 -28 ROHS	
10	107027	BHCS 1/4 -28 x 1 3/4 SHLDR ROHS	
11	106965	BHCS 1/4 -28 x 2 SHLDR ROHS	
12	126099	BACK REST SADDLE W/ HDWR PAIR	Pair-Replacement Latch Stop Kit
12	126100	BACK REST SADDLE W/ HDWR EACH	Each-Replacement Latch Stop Kit
13	560517	BLOCK ANGLE BACKREST MOUNT	
14	483020	S/A SPRING RETAINER	
15	321110	S/A LATCH SPRING	
16	560173	S/A LATCH .885 OD	
17	126238	PUSH ON ROUND CAP	
18	481084	BACK RELEASE PIN Z2/QT/EX	
19	200100-QU	10-32 NYLOCK NUT	
20	349511	1/2 ID PLASTIC CLAMP BLK	
21	261204	#10 AN WASHER .063	
22	226032-QU	10-32 x 1 1/2 BH C/S BLK	
5A-9,11,12,14 -18	107259	HT ADJ LWR TUBE STD ASSM R	RIGHT - STD
5A-9,11,12,14 -18	107260	HT ADJ LWR TUBE STD ASSM L	LEFT - STD
5B-9,11,12,14-18	107168	HT ADJ LWR TUBE TALL ASSM R	RIGHT - TALL
5B-9,11,12,14-18	107169	HT ADJ LWR TUBE TALL ASSM L	LEFT - TALL
1A-3A, 4,5A-22	115881	HEIGHT ADJ BACK PED STANDARD 10-14"	STD HT - 10-14 WIDE - STD EXT
1B-3A, 4,5A-22	115882	HEIGHT ADJ BACK PED STANDARD 12-16"	STD HT - 12-16 WIDE - STD EXT
1C-3A, 4,5A-22	115883	HEIGHT ADJ BACK PED STANDARD 14-18"	STD HT - 14-18 WIDE - STD EXT
1A-3B, 4,5A-22	115884	HEIGHT ADJ BACK PED EXT 10-14"	STD HT - 10-14 WIDE - LONG EXT
1B-3B, 4,5A-22	115885	HEIGHT ADJ BACK PED EXT 12-16"	STD HT - 12-16 WIDE - LONG EXT
1C-3B, 4,5A-22	115886	HEIGHT ADJ BACK PED EXT 14-18"	STD HT - 14-18 WIDE - LONG EXT
1A-3A,4-5B,6-22	118117	HT ADJ BCK PED TALSTD 10-14	TALL HT - 10-14 WIDE - STD EXT
1B-3A,4-5B,6-22	118118	HT ADJ BCK PED TALSTD 12-16	TALL HT - 12-16 WIDE - STD EXT
1C-3A,4-5B,6-22	118119	HT ADJ BCK PED TALSTD 14-18	TALL HT - 14-18 WIDE - STD EXT
1A-3B,4-5B,6-22	118120	HT ADJ BCK PED TALEXT 10-14	TALL HT - 10-14 WIDE - LONG EXT
1B-3B,4-5B,6-22	118121	HT ADJ BCK PED TALEXT 12-16	TALL HT - 12-16 WIDE - LONG EXT
1C-3B,4-5B,6-22	118122	HT ADJ BCK PED TALEXT 14-18	TALL HT - 14-18 WIDE - LONG EXT

1 BACK PLATE BOLT KIT		
ILLUSTRATION	DESCRIPTION	QTY
	BHCS 1/4-28 X 2 SHLDR	4
	BHCS 1/4-28 X 2-1/4 SHLDR	4
	BHCS 1/4-28 X 2-1/2 SHLDR	4

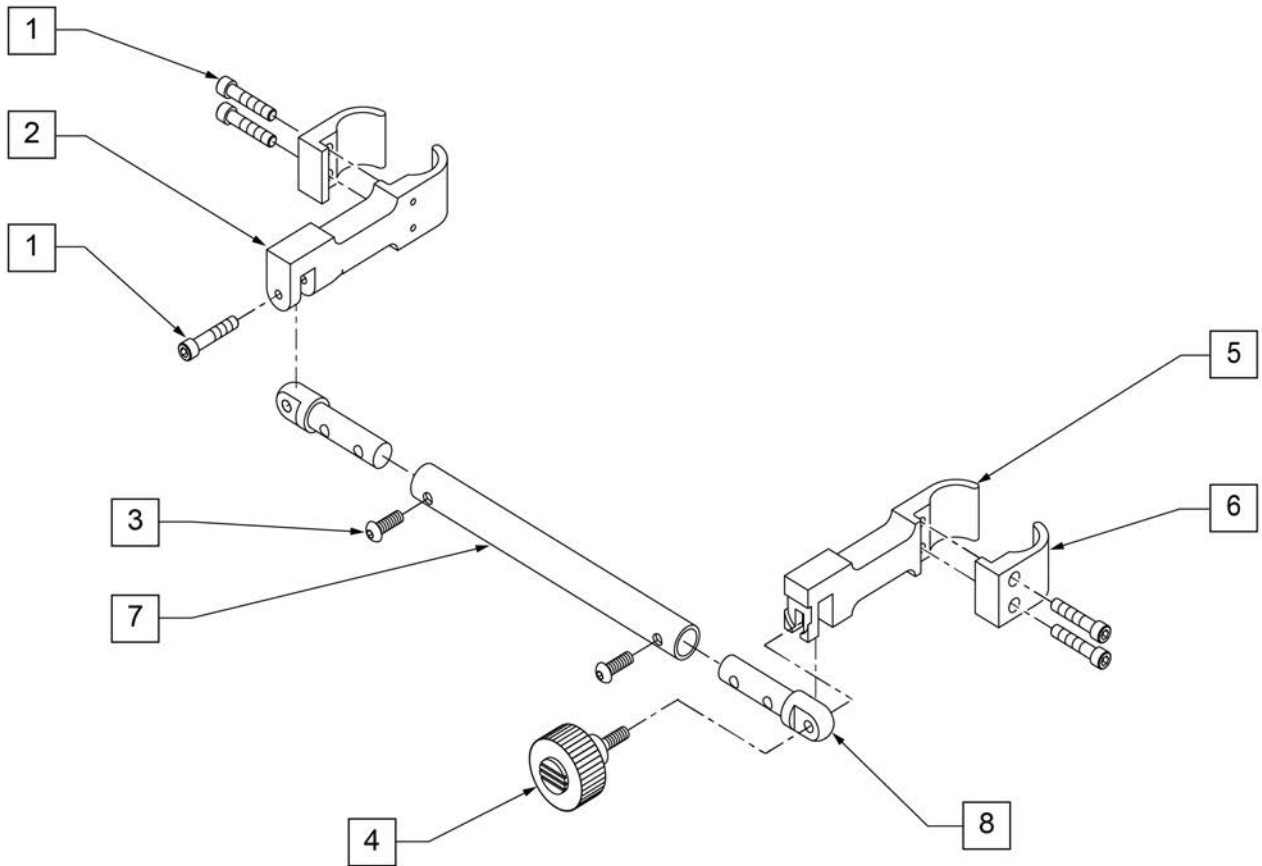


NOTE: BOLT QUANTITIES ARE 2 PER SIDE

BACK PLATE BOLT KIT REFERENCE GUIDE

ACCESSORY TYPE	BOLT LENGTH AND PART NUMBER		
	2"	2 1/4"	2 1/2"
	106965	106966	106967
DUAL POST FIXED			AB
W/O DUAL POST	AB		
DUAL POST FLIP		A	B

Pos.	Item Number	Description	Remarks
1	108125	BACK PLATE REPLACEMENT BOLT KIT	CONTAINS ALL HDWR REQUIRED REGARDLESS OF ARMREST TYPE.

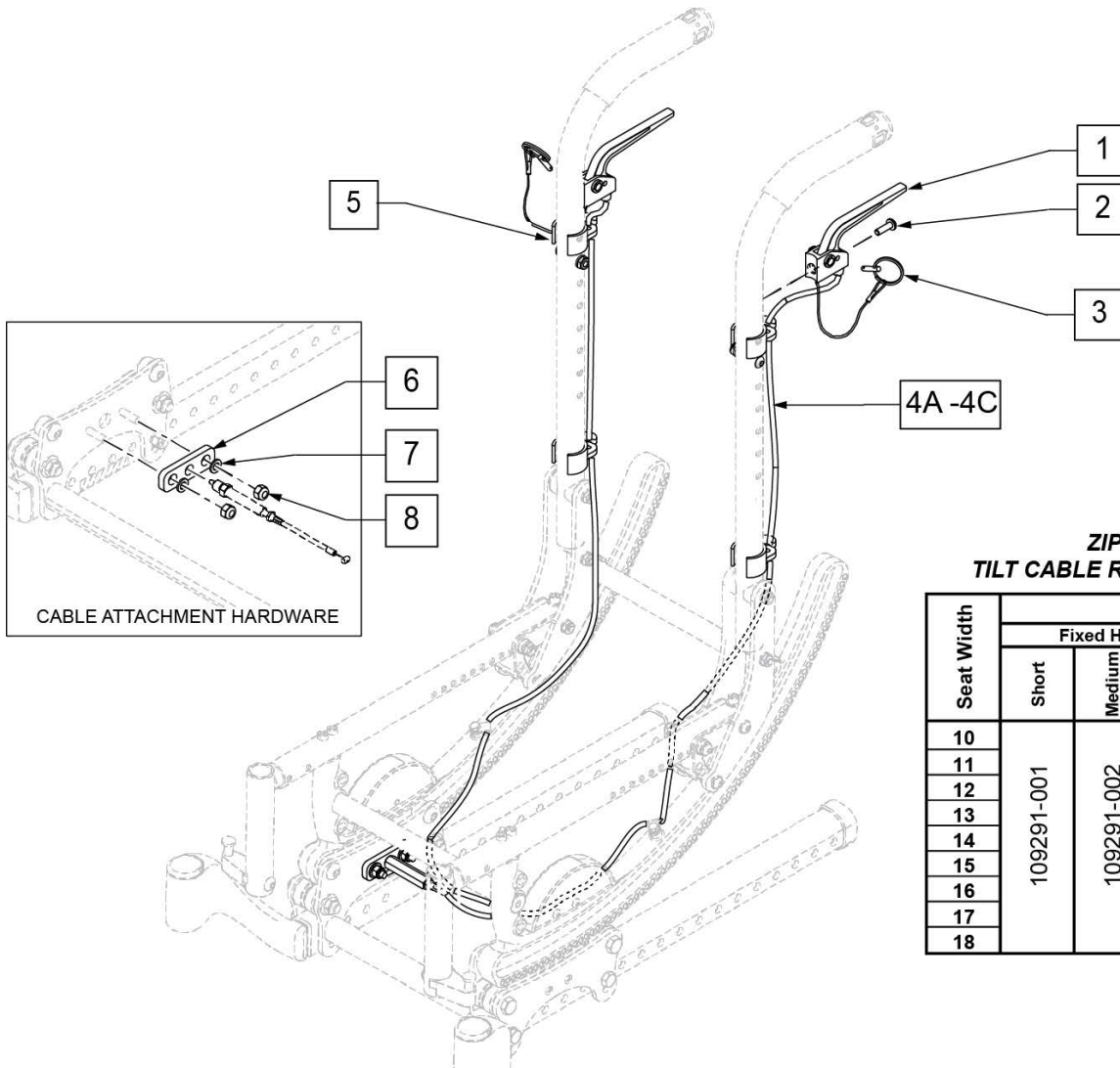


Pos.	Item Number	Description
1	107033	SHCS 1/4-20 X 1 ROHS
1-8	882056	RIGIDIZER ZTS 10 -12"
1-8	882057	RIGIDIZER ZTS 12 -14"
1-8	882058	RIGIDIZER ZTS 14 -16"
1-8	882059	RIGIDIZER ZTS 16 -18"

(07/16/2019) TILT COMPONENTS DUAL TRIGGER CABLE W/ STROLLER HANDLE BACK (RIGID FRAME)

Note: if retrofitting Cable Release onto chair, correct Roller Plate must be ordered; see Base Frame and Roller Assembly page.

Note: to determine correct cable (item 4A-4C), refer to Zippie Iris Tilt Cable Reference Guide.



**ZIPPIE IRIS
TILT CABLE REFERENCE GUIDE**

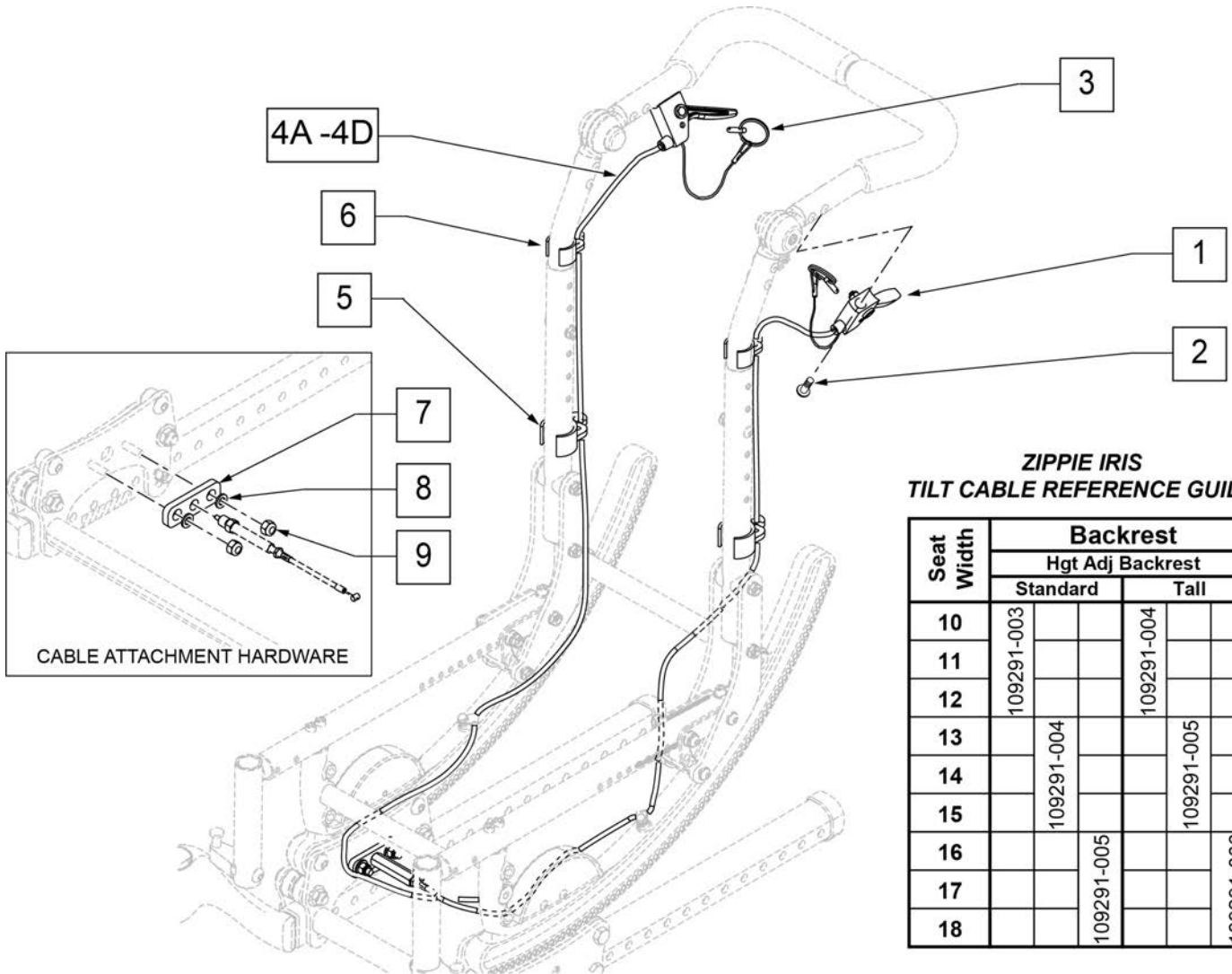
Seat Width	Backrest				
	Fixed Height			Recline	
	Short	Medium	Tall	Medium	Tall
10	109291-001	109291-002	109291-003	109291-002	109291-003
11					
12					
13					
14					
15					
16					
17					
18					

Pos.	Item Number	Description	Remarks
1, 3	580110	CYL LOCK LEVER ASSM QT/QR/P5	
2	281120	10 -32 X 5/8 PAN HD PHIL	
3	349021	TRIGGER RELEASE PIN TS/QT/P5	
4A	109291-001	CABLE TILT PED SHORT	1166.3 mm/ 45.92 inches
4B	109291-002	CABLE TILT PED MEDIUM	1241.3 mm/ 48.87 inches
4C	109291-003	CABLE TILT PED LONG	1316.3 mm/ 51.82 inches
5	108134	CABLE CLIP 1" PACK 10	PACK OF 10
6	500698	PLATE PLUNGER ROLLER	
7	106943	1/4 AN WASHER FLAT	
8	106932	1/4 -20 NYLOCK NUT HIGH	
1-3,5-8	163691	FIXED & RECLINE PH TRIGGER ASM	For One Side Only and Cable NOT included

(07/16/2019) COMPONENTS DUAL TRIGGER CABLE W/ ANGLE ADJ PUSH HANDLE BACK (RIGID FRAME)

Note: if retrofitting Cable Release onto chair, correct Roller Plate must be ordered; see Base Frame and Roller Assembly page.

Note: to determine correct cable (item 4A-4D), refer to Zippie Iris Tilt Cable Reference Guide.

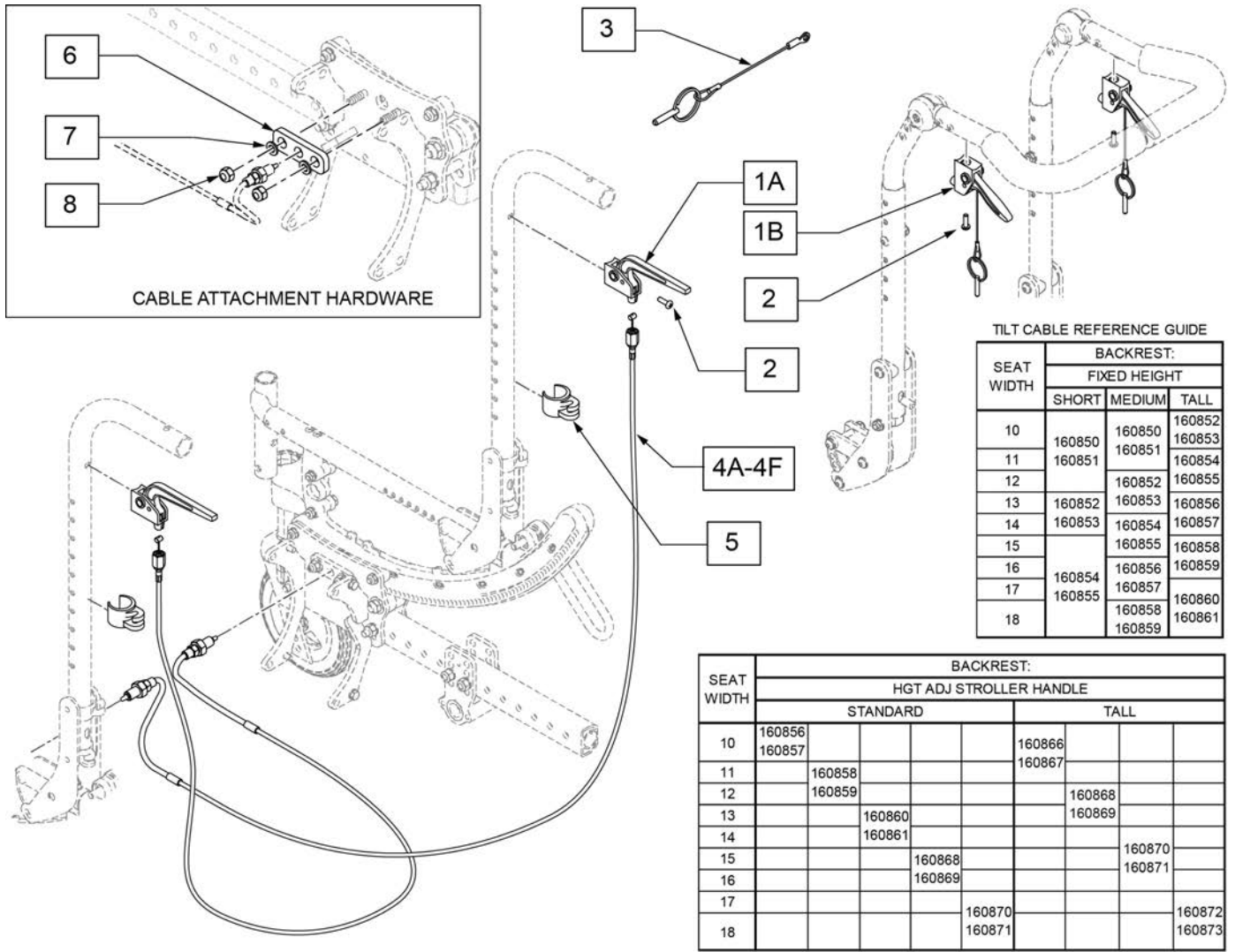


**ZIPPIE IRIS
TILT CABLE REFERENCE GUIDE**

Seat Width	Backrest			
	Hgt Adj Backrest			
	Standard		Tall	
10	109291-003		109291-004	
11				
12	109291-003		109291-004	
13		109291-004		109291-005
14				
15		109291-004		109291-005
16			109291-005	
17				109291-006
18			109291-005	109291-006

Pos.	Item Number	Description	Remarks
1,3	580109	PLUNGER PIN LEVER ASSM	
2	281120	10 -32 X 5/8 PAN HD PHIL	
3	349021	TRIGGER RELEASE PIN TS/QT/P5	
4A	109291-003	CABLE TILT PED LONG	1316.3 mm/ 51.82 inches
4B	109291-004	CABLE TILT PED X-LONG	1391.3 mm/ 54.78 inches
4C	109291-005	CABLE TILT PED 2X-LONG	1466.3 mm/ 57.73 inches
4D	109291-006	CABLE TILT PED 3X-LONG	1541.3 mm/ 60.68 inches
5	108134	CABLE CLIP 1" PACK (10)	PACK OF 10
6	108135	CABLE CLIP 7/8" PACK (10)	PACK OF 10
7	500698	PLATE PLUNGER ROLLER	
8	106943	1/4 AN WASHER FLAT	
9	106932	1/4 -20 NYLOCK NUT HIGH	
1-3,5-9	163690	ANGLE ADJ PH TRIGGER RELEASE	For One Side Only & Cable NOT included

TILT COMPONENTS DUAL TRIGGER CABLE (FOLDING FRAME)



TILT CABLE REFERENCE GUIDE

SEAT WIDTH	BACKREST: FIXED HEIGHT		
	SHORT	MEDIUM	TALL
10	160850	160850	160852
		160851	160853
11	160851		160854
12		160852	160855
13	160852	160853	160856
14	160853	160854	160857
15		160855	160858
16	160854	160856	160859
17	160855	160857	
		160858	160860
18		160859	160861

SEAT WIDTH	BACKREST: HGT ADJ STROLLER HANDLE							
	STANDARD				TALL			
	10	160856				160866		
	160857				160867			
11		160858						
12		160859			160868			
13			160860		160869			
14			160861					
15				160868			160870	
16				160869			160871	
17								
					160870			160872
18					160871			160873

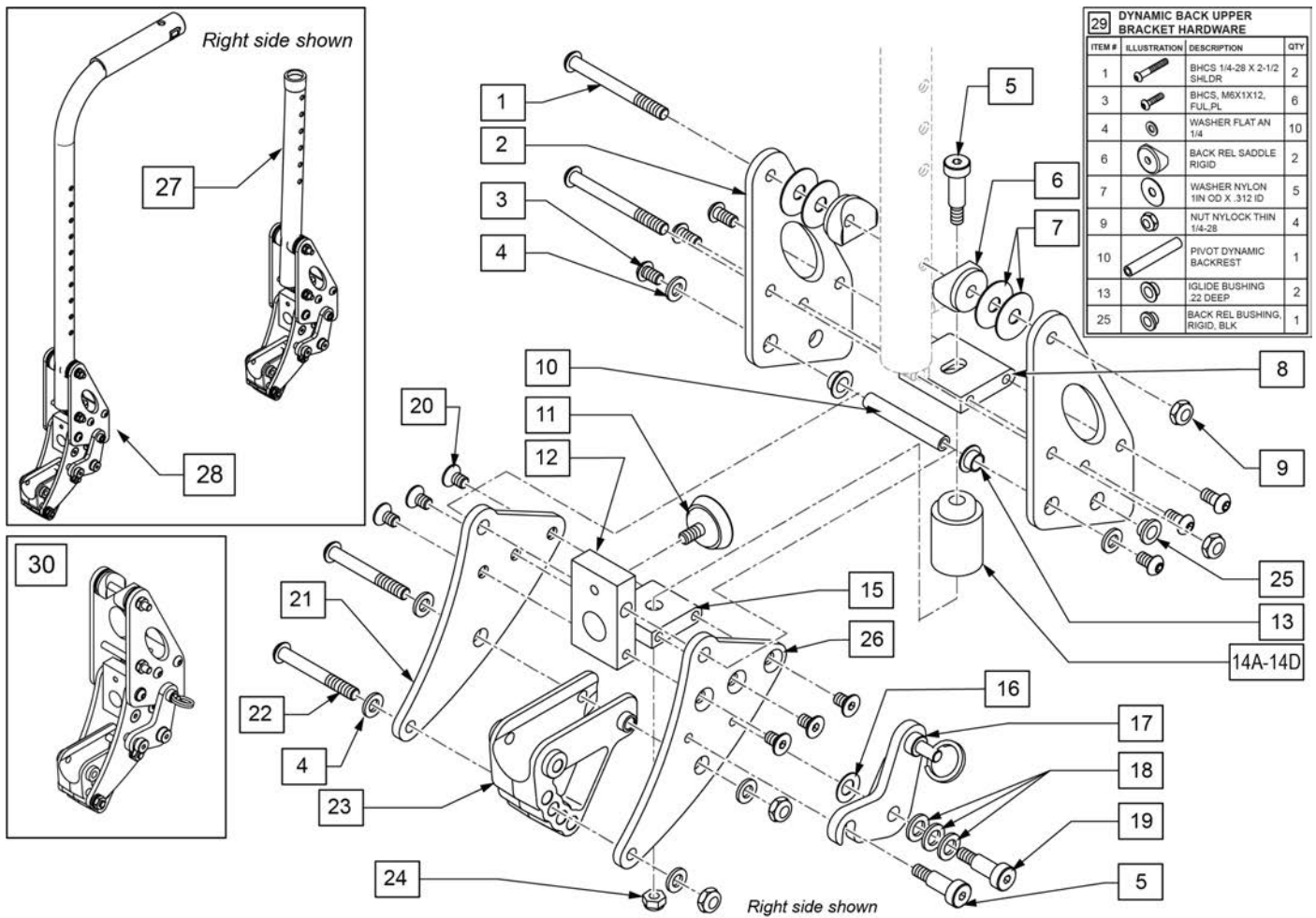
Pos.	Item Number	Description	Remarks
1A, 3	580110	CYL LOCK LEVER ASSM QT/QR/P5	
1B, 3	580109	PLUNGER PIN LEVER ASSM	
2	281120	10 -32 X 5/8 PAN HD PHIL	
3	349021	TRIGGER RELEASE PIN TS/QT/P5	
5	108134	CABLE CLIP 1" PACK 10	PACK OF 10
6	500698	PLATE PLUNGER ROLLER	
7	106943	1/4 AN WASHER FLAT	
8	106932	1/4 -20 NYLOCK NUT HIGH	
1-4A,6-8	160850	CABLE TILT PED LH STD	
1-4A,6-8	160851	CABLE TILT PED RH STD	
1-4B,6-8	160852	CABLE TILT PED LH MED STD	
1-4B,6-8	160853	CABLE TILT PED RH MED STD	
1-4C,6-8	160854	CABLE TILT PED LH LNG STD	
1-4C,6-8	160855	CABLE TILT PED RH LNG STD	
1-4D,6-8	160856	CABLE TILT PED LH XL STD	
1-4D,6-8	160857	CABLE TILT PED RH XL STD	
1-4E,6-8	160858	CABLE TILT PED LH 2XL STD	
1-4E,6-8	160859	CABLE TILT PED RH 2XL STD	

Pos.	Item Number	Description	Remarks
1-4F,6-8	160860	CABLE TILT PED LH 3XL STD	
1-4F,6-8	160861	CABLE TILT PED RH 3XL STD	
1-4D,6-8	160862	CABLE TILT PED LH XL ADJ	
1-4D,6-8	160863	CABLE TILT PED RH XL ADJ	
1-4E,6-8	160864	CABLE TILT PED LH 2XL ADJ	
1-4E,6-8	160865	CABLE TILT PED RH 2XL ADJ	
1-4F,6-8	160866	CABLE TILT PED LH 3XL ADJ	
1-4F,6-8	160867	CABLE TILT PED RH 3XL ADJ	
1-4G,6-8	160868	CABLE TILT PED LH 4XL ADJ	
1-4G,6-8	160869	CABLE TILT PED RH 4XL ADJ	
1-4H,6-8	160870	CABLE TILT PED LH 5XL ADJ	
1-4H,6-8	160871	CABLE TILT PED RH 5XL ADJ	
1-4I,6-8	160872	CABLE TILT PED LH 6XL ADJ	
1-4I,6-8	160873	CABLE TILT PED RH 6XL ADJ	

Note: If retro fitting Dynamic Backrest onto chairs built prior to August 2011, a new rear seat pan must be purchased.

Note: Dynamic Back is not available with Recline Back option or 19"-22" seat depths; contact Built for Me if chair is combined with these options.

Note: Kits 119435-119438 and 119439-119444 Blue elastomer installed; Red, Green & Black available separately.



Pos.	Item Number	Description	Remarks
1	106967	BHCS 1/4-28 X 2-1/2 SHLDR ROHS	
3	103185-005	BHCS M6 X 1 X 12 FULL PL	
4	106943	WASHER FLAT AN 1/4 ROHS	
5	011649-003	SHLDR SCREW M6 X 8MM OD X 45MM	
6	561087	BACK REL SADDLE RIGID	
7	113268	WASHER NYLON 1IN OD X .312 ID	
9	106935	NUT NYLOCK THIN 1/4-28 ROHS	
10	119410	PIVOT DYNAMIC BACKREST	

Pos.	Item Number	Description	Remarks
11	349560	ZP RUBBER STOP	
13	119418	IGLIDE BUSHING .22 DEEP	
14A	124044	SOFT RED SUSPENSION KIT	Pair, includes 2 elastomers
14B	124060	MED BLUE SUSPENSION KIT	Pair, includes 2 elastomers
14C	124064	FIRM GREEN SUSPENSION KIT	Pair, includes 2 elastomers
14D	124082	X-FIRM BLACK SUSPENSION KIT	Pair, includes 2 elastomers
16	262134	5/16 WASHER SPRING DISC	
18	106947	WASHER FLAT THIN AN 5/16 ROHS	
19	011649-001	SHLDR SCREW 8MM OD X 16MM LG	
20	013450	FHCS M6 X 1 X 10MM W/PCH	
21	119416	RH ASSM LOWER OUTER BACK PLATE	Right side assembly
21	119417	LH ASSM LOWER OUTER BACK PLATE	Left side assembly
22	106965	BHCS 1/4-28 X 2 SHLDR ROHS	
23	560517	BLOCK ANGLE BACKREST MOUNT	
24	104381	NUT HEX NYLOCK M6X1.0	
26	119414	RH ASSM LOWER INNER BACK PLATE	Right side assembly
26	119415	LH ASSM LOWER INNER BACK PLATE	Left side assembly
27	119435	DYNMC BACK ASSM STD HGT ADJ RH	See Elastomer note; Fixed Height Stroller
27	119436	DYNMC BACK ASSM STD HGT ADJ LH	See Elastomer note; Fixed Height Stroller
27	119437	DYNMC BACK ASSM TLL HGT ADJ RH	See Elastomer note; Fixed Height Stroller
27	119438	DYNMC BACK ASSM TLL HGT ADJ LH	See Elastomer note; Fixed Height Stroller
28	119439	DYNMC BACK STR EXT ASSM STD RH	See Elastomer note; Fixed Height Stroller & used w/ Removable Stroller Handle Ext

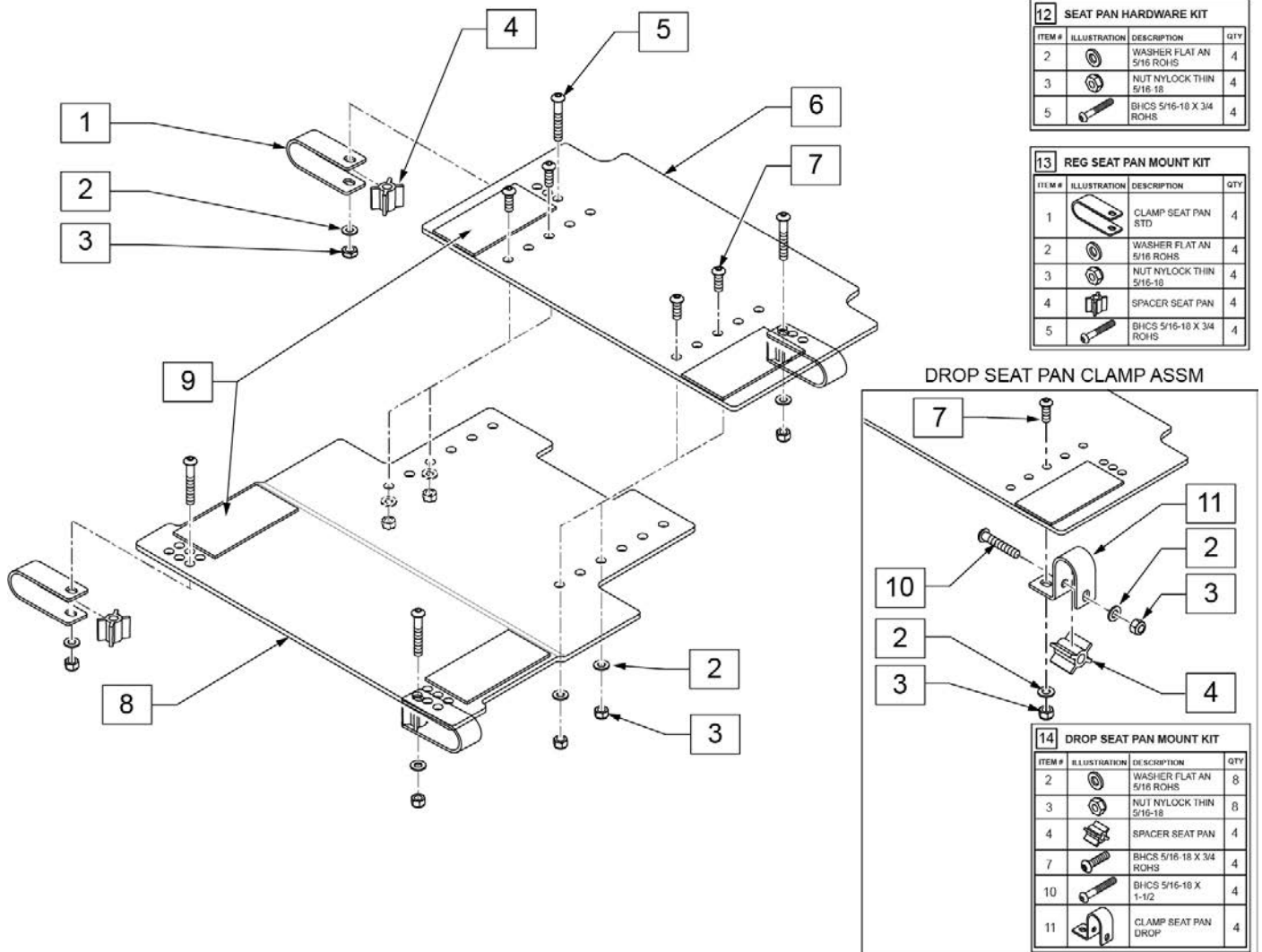
Pos.	Item Number	Description	Remarks
28	119440	DYNMC BACK STR EXT ASSM STD LH	See Elastomer note; Fixed Height Stroller & used w/ Removable Stroller Handle Ext
28	119441	DYNMC BACK STR EXT ASSM MED RH	See Elastomer note; Fixed Height Stroller & used w/ Removable Stroller Handle Ext
28	119442	DYNMC BACK STR EXT ASSM MED LH	See Elastomer note; Fixed Height Stroller & used w/ Removable Stroller Handle Ext
28	119443	DYNMC BACK STR EXT ASSM TLL RH	See Elastomer note; Fixed Height Stroller & used w/ Removable Stroller Handle Ext
28	119444	DYNMC BACK STR EXT ASSM TLL LH	See Elastomer note; Fixed Height Stroller & used w/ Removable Stroller Handle Ext
29	161928	DYNAMIC BACK UPPER BRACKET HDW	
30	126247	DYNAMIC BACKREST ASSM RH	Blue elastomer installed, Red,Green&Black included
30	126248	DYNAMIC BACKREST ASSM LH	Blue elastomer installed, Red,Green&Black included
16-19,24,25	120943	DB LATCH REPLACEMENT KIT	Left & Right

NOTE: Drop Seat Pan lowers seat 2" and does not work with Transit option, HD package or Contracture Footrest System.

NOTE: Seat Pans are adjustable 14 -22" Deep.

NOTE: If adding a seat pan to a chair with Single Post Armrest then a Kids Receiver must be utilized.

NOTE: If changing from a Drop Seat Pan to a Regular Seat Pan or Vice Versa a smaller or larger pan will be required, please refer to the remarks section for appropriate pan that will be required for desired width.

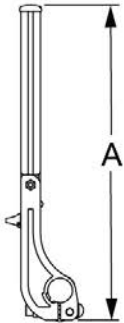


Pos.	Item Number	Description	Remarks
1	107073	CLAMP SEAT PAN STD	

Pos.	Item Number	Description	Remarks
2	106946	WASHER FLAT AN 5/16 ROHS	
3	106937	NUT NYLOCK THIN 5/16-18	
4	560771	SPACER SEAT PAN	
5	106982	BHCS 5/16 -18" x 1 3/4 SHLD ROHS	
7	106979	BHCS 5/16 -18" x 3/4 ROHS	
9	698057	2 x 4" HOOK PSA BLACK CUT	
10	106981	BHCS 5/16 -18 x 1 1/2 ROHS	
11	107074	CLAMP SEAT PAN DROP	
		FRONT SEAT PANS WITH VELCRO (No Mounting Hardware)	
8,9	108592	SEAT PAN FRONT 12-14 VELCRO	Fits 14W DROP
8,9	109625	SEAT PAN FRONT 13-15 VELCRO	Fits 15W DROP
8,9	108141	SEAT PAN FRONT 14 -16" VELCRO	Fits 14W STD or 16W DROP
8,9	109626	SEAT PAN FRONT 15-17 VELCRO	Fits 15W STD or 17W DROP
8,9	108142	SEAT PAN FRONT 16 -18" VELCRO	Fits 16W STD or 18W DROP
8,9	109627	SEAT PAN FRONT 17-19 VELCRO	Fits 17W STD or 19W DROP
8,9	108143	SEAT PAN FRONT 18 -20" VELCRO	Fits 18W STD or 20W DROP
8,9	109628	SEAT PAN FRONT 19-21 VELCRO	Fits 19W STD or 21W DROP
8,9	108144	SEAT PAN FRONT 20 -22" VELCRO	Fits 20W STD or 22W DROP
8,9	109629	SEAT PAN FRONT 21-23 VELCRO	Fits 21W STD
8,9	108145	SEAT PAN FRONT 22 -24" VELCRO	Fits 22W STD
		REAR SEAT PANS W/ VELCRO Short (No Mounting Hardware)	
6,9	135130	SEAT PAN REAR 12-14 SHRT	
6,9	135131	SEAT PAN REAR 13-15 SHRT	
6,9	135132	SEAT PAN REAR 14-16 SHRT	
6,9	135133	SEAT PAN REAR 15-17 SHRT	
6,9	135134	SEAT PAN REAR 16-18 SHRT	
6,9	135135	SEAT PAN REAR 17-19 SHRT	
6,9	135136	SEAT PAN REAR 18-20 SHRT	
6,9	135137	SEAT PAN REAR 19-21 SHRT	
6,9	135138	SEAT PAN REAR 20-22 SHRT	
6,9	135139	SEAT PAN REAR 21-23 SHRT	
6,9	135140	SEAT PAN REAR 22-24 SHRT	
		SEAT PAN ASSEMBLIES (No Mounting Hardware)	
2,3,6-9	135141	SEAT PAN SHORT ASSM ONLY 12-14	Short, Fits 14W DROP
2,3,6-9	135142	SEAT PAN SHORT ASSM ONLY 13-15	Short, Fits 15W DROP
2,3,6-9	135143	SEAT PAN SHORT ASSM ONLY 14-16	Short, Fits 14W STD or 16W DROP
2,3,6-9	135144	SEAT PAN SHORT ASSM ONLY 15-17	Short, Fits 15W STD or 17W DROP
2,3,6-9	135145	SEAT PAN SHORT ASSM ONLY 16 -18	Short, Fits 16W STD or 18W DROP
2,3,6-9	135146	SEAT PAN SHORT ASSM ONLY 17-19	Short, Fits 17W STD or 19W DROP
2,3,6-9	135147	SEAT PAN SHORT ASSM ONLY 18-20	Short, Fits 18W STD or 20W DROP
2,3,6-9	135148	SEAT PAN SHORT ASSM ONLY 19-21	Short, Fits 19W STD or 21W DROP
2,3,6-9	135149	SEAT PAN SHORT ASSM ONLY 20-22	Short, Fits 20W STD or 22W DROP
2,3,6-9	135150	SEAT PAN SHORT ASSM ONLY 21-23	Short, Fits 21W STD
2,3,6-9	135151	SEAT PAN SHORT ASSM ONLY 22-24	Short, Fits 22W STD
		HARDWARE KITS	
12	108151	SEAT PAN HDWR KIT	
13	108157	REG SEAT PAN MOUNTING KIT (4)	
14	108158	DROP SEAT PAN MOUNTING KIT (4)	

Note: Mono Backrest is only compatible with a Jay J3 Backrest or any backrest from the Jay Custom Seating line.

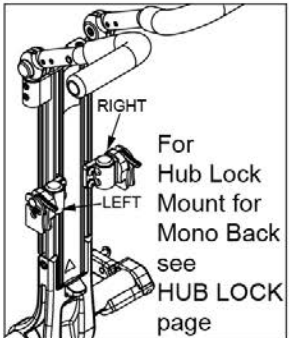
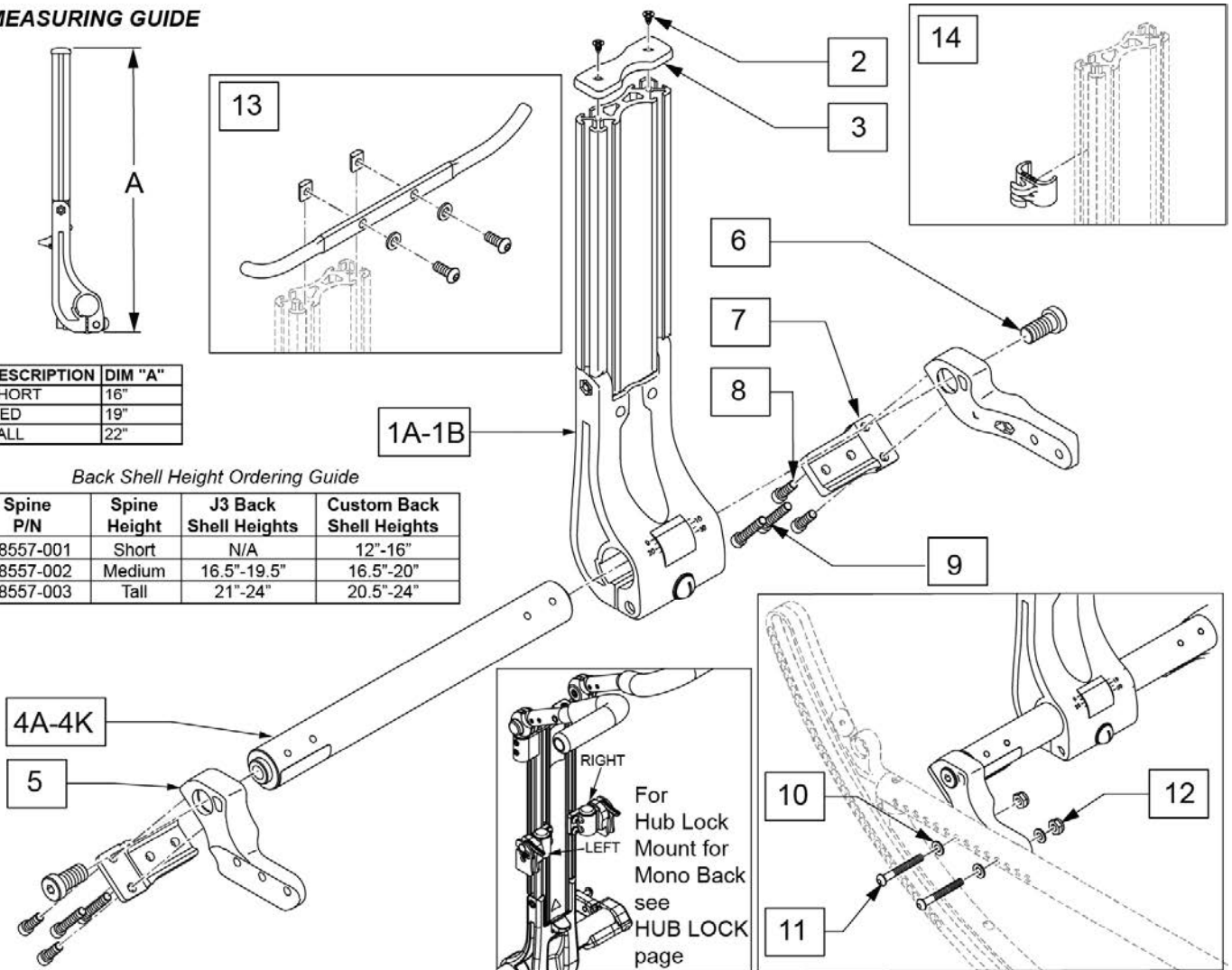
MEASURING GUIDE



DESCRIPTION	DIM "A"
SHORT	16"
MED	19"
TALL	22"

Back Shell Height Ordering Guide

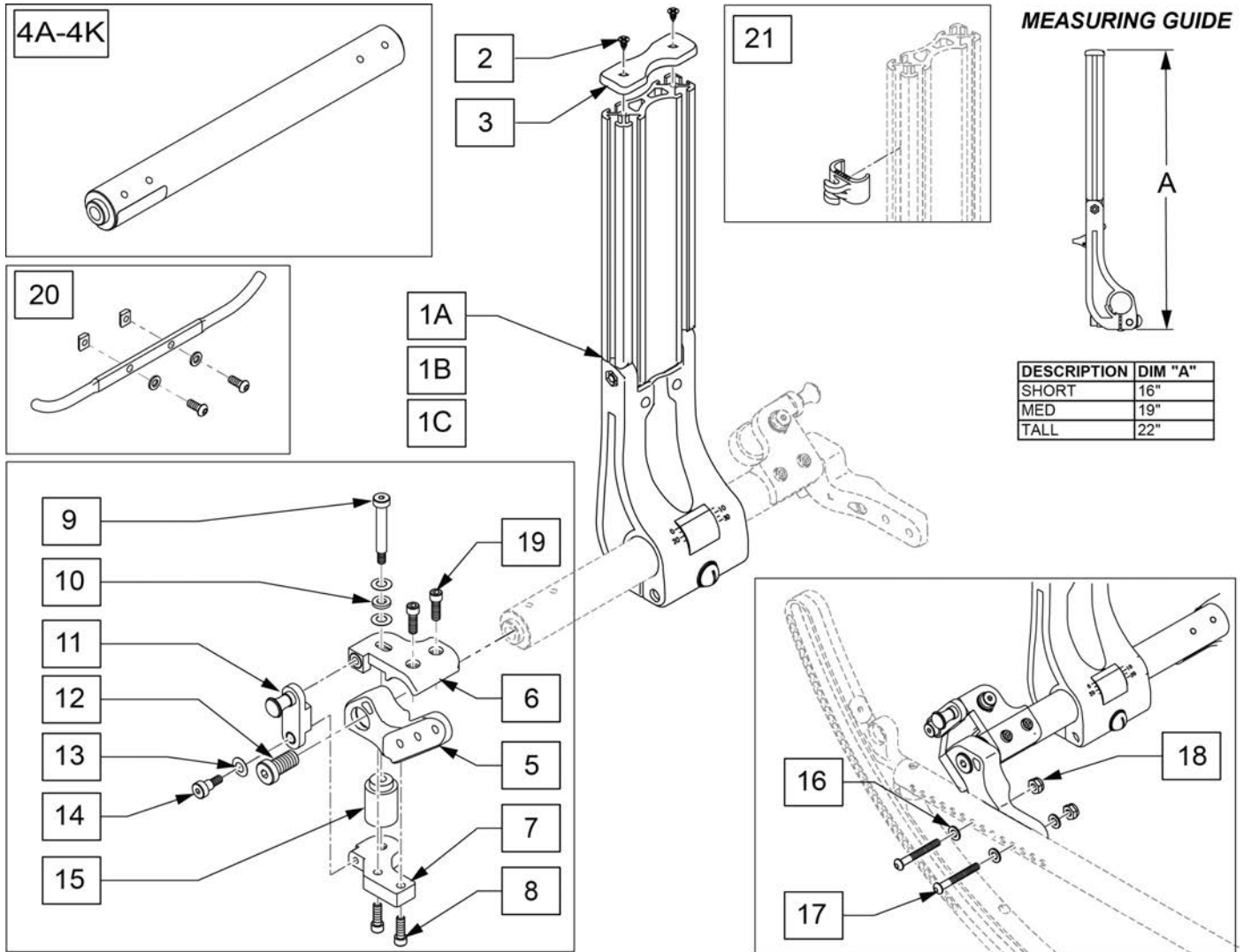
Spine P/N	Spine Height	J3 Back Shell Heights	Custom Back Shell Heights
128557-001	Short	N/A	12"-16"
128557-002	Medium	16.5"-19.5"	16.5"-20"
128557-003	Tall	21"-24"	20.5"-24"



Pos.	Item Number	Description	Remarks
1A,2,3	128557-001	SPINE ASSM MONO BACK SHORT	See Back Shell Height Ordering Guide to select appropriate Spine
1B,2,3	128557-002	SPINE ASSM MONO BACK MED	See Back Shell Height Ordering Guide to select appropriate Spine
1C,2,3	128557-003	SPINE ASSM MONO BACK TALL	See Back Shell Height Ordering Guide to select appropriate Spine
2,3	135152	MONO TOP CAP KIT	
2	128231	FH PHIL SCREW #8 X 3/8	
4A	128240-001	STRUT SPINE 12W	
4B	128240-002	STRUT SPINE 13W	
4C	128240-003	STRUT SPINE 14W	
4D	128240-004	STRUT SPINE 15W	
4E	128240-005	STRUT SPINE 16W	
4F	128240-006	STRUT SPINE ASSM 17W	
4G	128240-007	STRUT SPINE ASSM 18W	
4H	128240-008	STRUT SPINE ASSM 19W	
4I	128240-009	STRUT SPINE ASSM 20W	

Pos.	Item Number	Description	Remarks
4J	128240-010	STRUT SPINE ASSM 21W	
4K	128240-011	STRUT SPINE ASSM 22W	
5	127950	SEAT RAIL MOUNT RH	
5	127952	SEAT RAIL MOUNT LH	
6	105888	1/2-13 X 1 LOW SHCS W/PL	
7	127843	STRUT BRACKET FIXED	
8	128413	SHCS 1/4-20 X .75	
9	128347	SHCS 1/4-20 X 1.38 PL SHLDR	
10	106943	WASHER FLAT AN 1/4	
11	106962	BHCS 1/4-28 X 1-3/4	
12	106935	NUT NYLOCK THIN 1/4-28	
4A,5-12	135153	FIXED STRUT KIT 12W	
4B,5-12	135154	FIXED STRUT KIT 13W	
4C,5-12	135155	FIXED STRUT KIT 14W	
4D,5-12	135156	FIXED STRUT KIT 15W	
4E,5-12	135157	FIXED STRUT KIT 16W	
4F,5-12	135158	FIXED STRUT KIT 17W	
4G,5-12	135159	FIXED STRUT KIT 18W	
4H,5-12	135160	FIXED STRUT KIT 19W	
4I,5-12	135161	FIXED STRUT KIT 20W	
4J,5-12	135162	FIXED STRUT KIT 21W	
4K,5-12	135163	FIXED STRUT KIT 22W	
13	129377	HOOK ACCESSORY ASSM MONO BACK	
14	128192	CLIP CABLE SPINE	

Note: Mono Backrest is only compatible with a Jay J3 Backrest or any backrest from the Jay Custom Seating line.

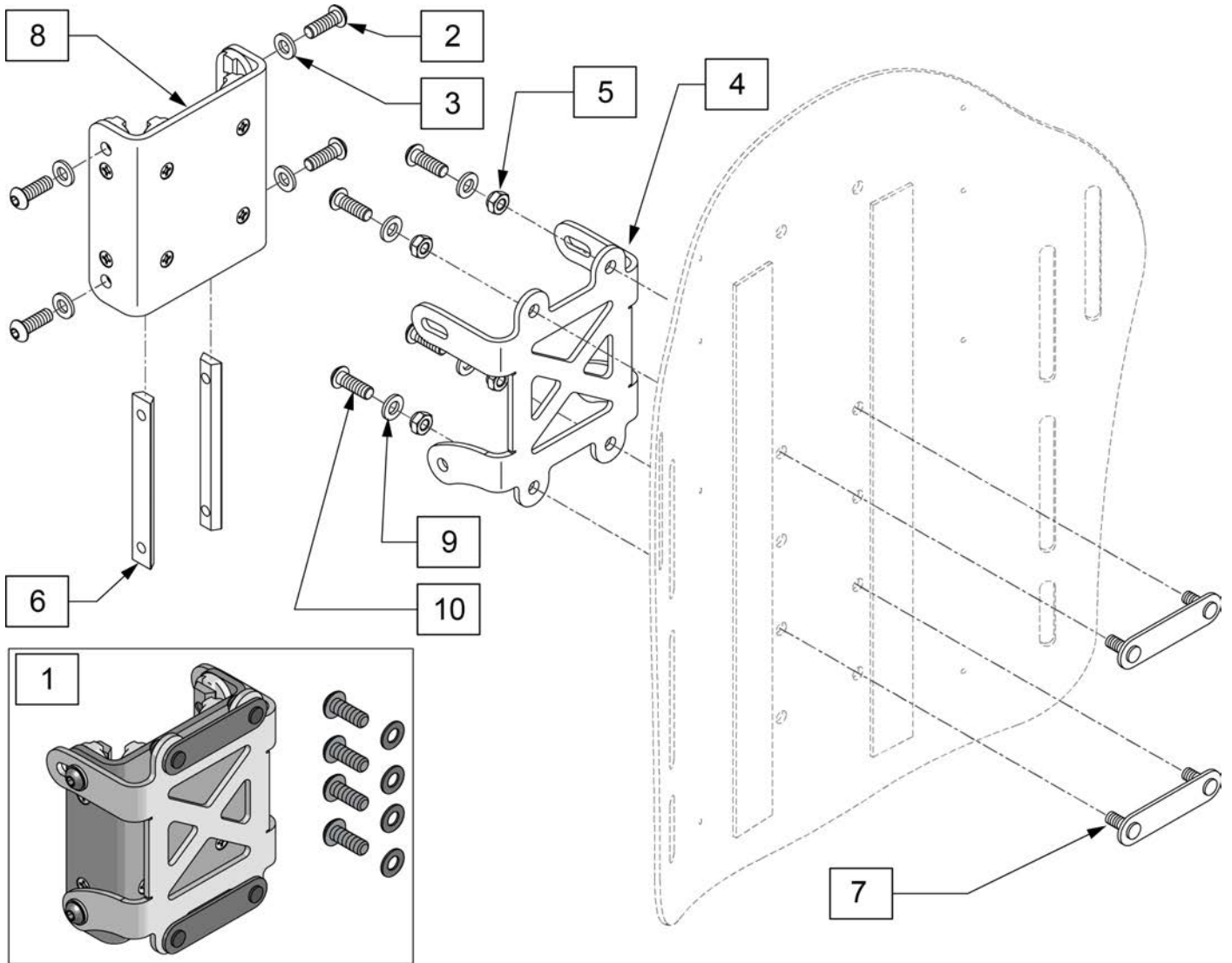


Pos.	Item Number	Description	Remarks
1A,2,3	128557-001	SPINE ASSM MONO BACK SHORT	
1B,2,3	128557-002	SPINE ASSM MONO BACK MED	
1C,2,3	128557-003	SPINE ASSM MONO BACK TALL	
2,3	135152	MONO TOP CAP KIT	
2	128231	FH PHIL SCREW #8 X 3/8	
4A	132771	STRUT SPINE DYNAMIC 12W	
4B	132772	STRUT SPINE DYNAMIC 13W	
4C	132773	STRUT SPINE DYNAMIC 14W	
4D	132774	STRUT SPINE DYNAMIC 15W	
4E	132775	STRUT SPINE DYNAMIC 16W	
4F	132776	STRUT SPINE DYNAMIC 17W	
4G	132777	STRUT SPINE DYNAMIC 18W	
4H	132778	STRUT SPINE DYNAMIC 19W	
4I	132779	STRUT SPINE DYNAMIC 20W	

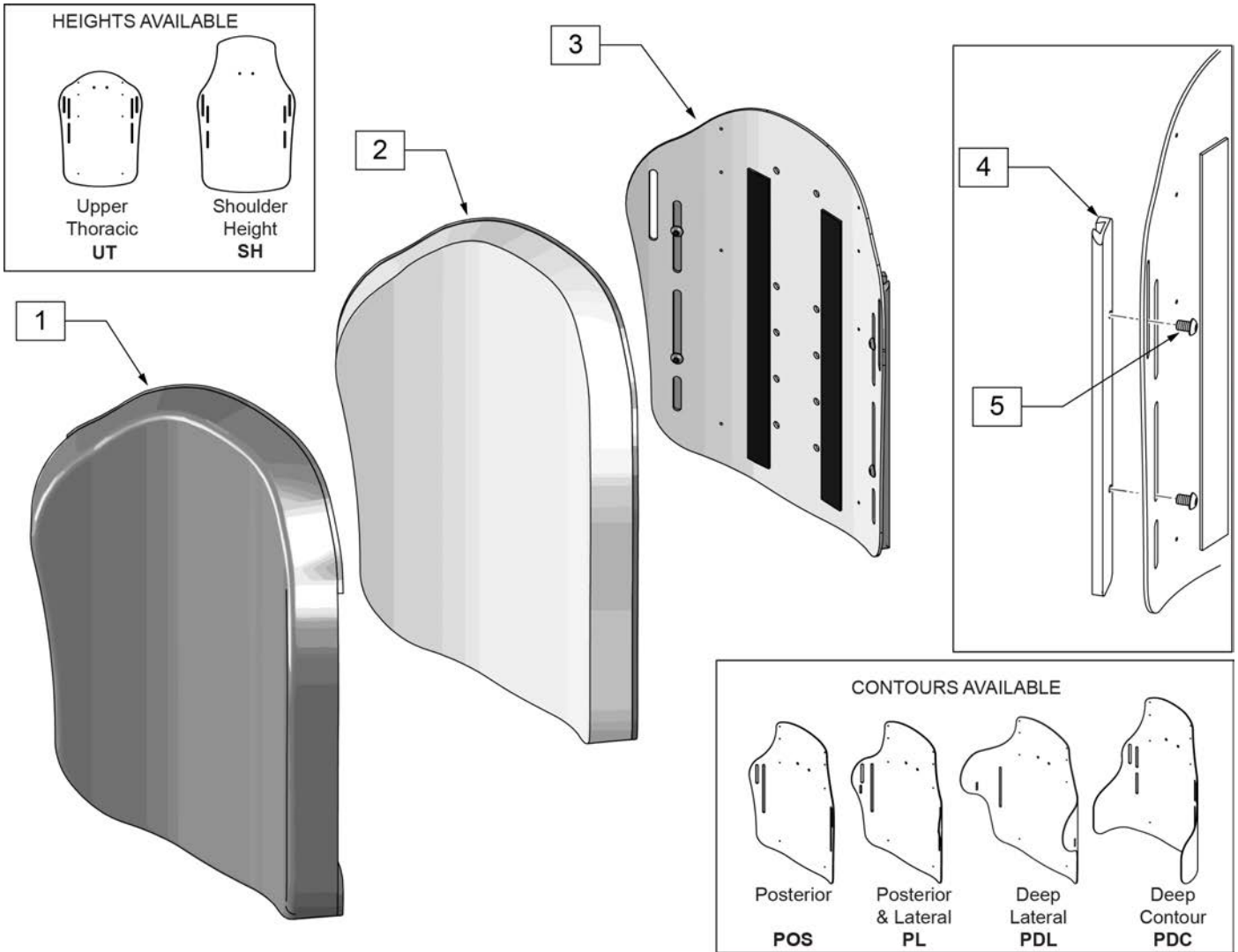
Pos.	Item Number	Description	Remarks
4J	132780	STRUT SPINE DYNAMIC 21W	
4K	132781	STRUT SPINE DYNAMIC 22W	
5	127950	SEAT RAIL MOUNT RH	
5	127952	SEAT RAIL MOUNT LH	
6	128049	BRKT ELASTOMER TOP LH	
6	128050	BRKT ELASTOMER TOP RH	
8	128413	SHCS 1/4-20 X .75	
9	011649-003	SHLDR SCREW M6 X 8MM OD X 45MM	
10	128352	WASHER EPDM RUBBER .56 OD .31 ID .09 THK	
11	128562	DYNAMIC LOCK BRKT ASSM RH	
11	128563	DYNAMIC LOCK BRKT ASSM LH	
12	011649-004	SHLDR SCREW M6 X 8MM OD X 8MM	
13	128351	DISC SPRING 16 X 8.2 X 0.4 MM	
14	105888	1/2-13 X 1 LOW SHCS W/PL	
15	119406	SOFT RED 65A DYNAMIC SUSPNSION	Soft
15	119407	MED BLUE 75A DYNAMIC SUSPNSION	Medium
15	119408	FIRM GRN 85A DYNAMIC SUSPNSION	shipped in bag with chair
15	119409	XFIRM BLK 93A DYNAMC SUSPNSION	installed standard on chair
16	106943	WASHER FLAT AN 1/4	
17	106962	BHCS 1/4-28 X 1-3/4	
18	106935	NUT NYLOCK THIN 1/4-28	
19	132820	SHCS 5/16-24 X 1.5	
20	129377	HOOK ACCESSORY ASSM MONO BACK	
21	128192	CLIP CABLE SPINE	
4A,5-19	135164	DYNAMIC STRUT KIT 12W	
4B,5-19	135165	DYNAMIC STRUT KIT 13W	
4C,5-19	135166	DYNAMIC STRUT KIT 14W	
4D,5-19	135167	DYNAMIC STRUT KIT 15W	
4E,5-19	135168	DYNAMIC STRUT KIT 16W	
4F,5-19	135182	DYNAMIC STRUT KIT 17W	
4G,5-19	135183	DYNAMIC STRUT KIT 18W	
4H,5-19	135184	DYNAMIC STRUT KIT 19W	
4I,5-19	135185	DYNAMIC STRUT KIT 20W	
4J,5-19	135186	DYNAMIC STRUT KIT 21W	
4K,5-19	135187	DYNAMIC STRUT KIT 22W	

MONO BACK MOUNT

[3/2014]



Pos.	Item Number	Description
1	135188	MONO BACK MOUNT ASSEM
2	107352	BHCS 1/4-28 X 3/4
3	106943	WASHER FLAT AN 1/4
4	128068	BRACKET BACK SHELL
5	210084	NUT HEX NYLOCK M6 BLACK
6	128232	CHANNEL NUT 2 HOLE 1/4-28
7	119995	NUT PLATE 51MM
8	128556	GLIDE ASSM MONO BACK
9	106943	WASHER FLAT AN 1/4
10	226078	BHCS 1/4-20 X 3/4



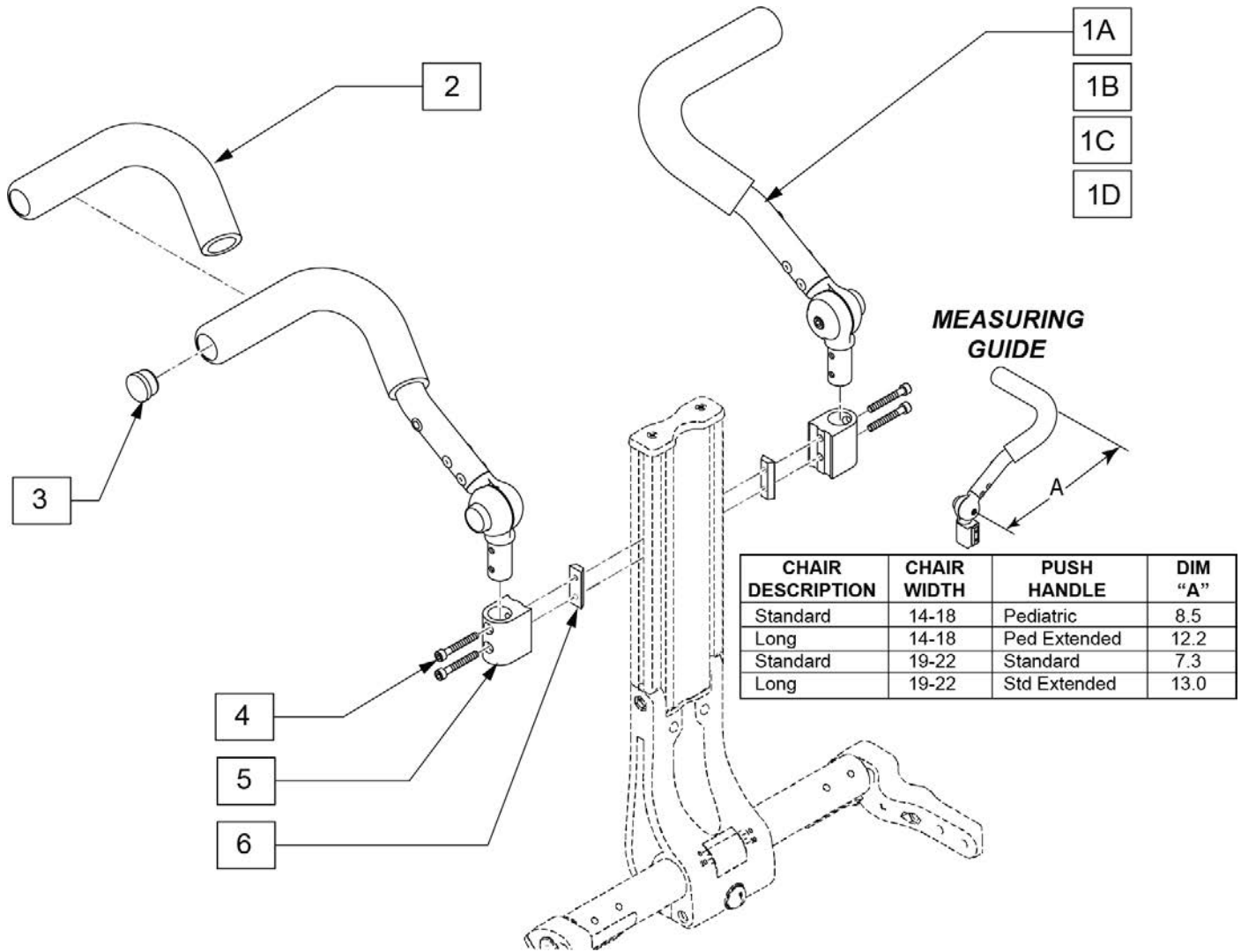
Pos.	Item Number	Description	Remarks
		COVER ONLY	
1	CJ3PAUTS12MO	J3 BK MONO POS UT 12W STD CVR	Cover only
1	CJ3PAUTS14MO	J3 BK MONO POS UT 14W STD CVR	Cover only
1	CJ3PAUTM14MO	J3 BK MONO POS UT 14W MED CVR	Cover only
1	CJ3PAUTT14MO	J3 BK MONO POS UT 14W TAL CVR	Cover only
1	CJ3PAUTS16MO	J3 BK MONO POS UT 16W STD CVR	Cover only
1	CJ3PAUTM16MO	J3 BK MONO POS UT 16W MED CVR	Cover only
1	CJ3PAUTT16MO	J3 BK MONO POS UT 16W TAL CVR	Cover only
1	CJ3PAUTS18MO	J3 BK MONO POS UT 18W STD CVR	Cover only
1	CJ3PAUTM18MO	J3 BK MONO POS UT 18W MED CVR	Cover only
1	CJ3PAUTT18MO	J3 BK MONO POS UT 18W TAL CVR	Cover only
1	CJ3PAUTS20MO	J3 BK MONO POS UT 20W STD CVR	Cover only
1	CJ3PAUTM20MO	J3 BK MONO POS UT 20W MED CVR	Cover only
1	CJ3PAUTT20MO	J3 BK MONO POS UT 20W TAL CVR	Cover only
1	CJ3PAUTM22MO	J3 BK MONO POS UT 22W MED CVR	Cover only
1	CJ3PLUTS12MO	J3 BK MONO PL UT 12W STD CVR	Cover only
1	CJ3PLUTS14MO	J3 BK MONO PL UT 14W STD CVR	Cover only
1	CJ3PLUTM14MO	J3 BK MONO PL UT 14W MED CVR	Cover only

Pos.	Item Number	Description	Remarks
1	CJ3PLUTT14MO	J3 BK MONO PL UT 14W TAL CVR	Cover only
1	CJ3PLUTS16MO	J3 BK MONO PL UT 16W STD CVR	Cover only
1	CJ3PLUTM16MO	J3 BK MONO PL UT 16W MED CVR	Cover only
1	CJ3PLUTT16MO	J3 BK MONO PL UT 16W TAL CVR	Cover only
1	CJ3PLUTS18MO	J3 BK MONO PL UT 18W STD CVR	Cover only
1	CJ3PLUTM18MO	J3 BK MONO PL UT 18W MED CVR	Cover only
1	CJ3PLUTT18MO	J3 BK MONO PL UT 18W TAL CVR	Cover only
1	CJ3PLUTS20MO	J3 BK MONO PL UT 20W STD CVR	Cover only
1	CJ3PLUTM20MO	J3 BK MONO PL UT 20W MED CVR	Cover only
1	CJ3PLUTT20MO	J3 BK MONO PL UT 20W TAL CVR	Cover only
1	CJ3PDLUTS14MO	J3 BK MONO PDL UT 14W STD CVR	Cover only
1	CJ3PDLUTM14MO	J3 BK MONO PDL UT 14W MED CVR	Cover only
1	CJ3PDLUTT14MO	J3 BK MONO PDL UT 14W TAL CVR	Cover only
1	CJ3PDLUTS16MO	J3 BK MONO PDL UT 16W STD CVR	Cover only
1	CJ3PDLUTM16MO	J3 BK MONO PDL UT 16W MED CVR	Cover only
1	CJ3PDLUTT16MO	J3 BK MONO PDL UT 16W TAL CVR	Cover only
1	CJ3PDLUTS18MO	J3 BK MONO PDL UT 18W STD CVR	Cover only
1	CJ3PDLUTM18MO	J3 BK MONO PDL UT 18W MED CVR	Cover only
1	CJ3PDLUTT18MO	J3 BK MONO PDL UT 18W TAL CVR	Cover only
1	CJ3PDLUTS20MO	J3 BK MONO PDL UT 20W STD CVR	Cover only
1	CJ3PDLUTM20MO	J3 BK MONO PDL UT 20W MED CVR	Cover only
1	CJ3PDLUTT20MO	J3 BK MONO PDL UT 20W TAL CVR	Cover only
1	CJ3PDCUTM14MO	J3 BK MONO PDC UT 14W MED CVR	Cover only
1	CJ3PDCUTM16MO	J3 BK MONO PDC UT 16W MED CVR	Cover only
1	CJ3PDCUTM18MO	J3 BK MONO PDC UT 18W MED CVR	Cover only
1	CJ3PDCUTM20MO	J3 BK MONO PDC UT 20W MED CVR	Cover only
1	CJ3PASHS14MO	J3 BK MONO POS SH 14W STD CVR	Cover only
1	CJ3PASHS16MO	J3 BK MONO POS SH 16W STD CVR	Cover only
1	CJ3PASHM16MO	J3 BK MONO POS SH 16W MED CVR	Cover only
1	CJ3PASHS18MO	J3 BK MONO POS SH 18W STD CVR	Cover only
1	CJ3PASHM18MO	J3 BK MONO POS SH 18W MED CVR	Cover only
1	CJ3PASHT18MO	J3 BK MONO POS SH 18W TAL CVR	Cover only
1	CJ3PASHS20MO	J3 BK MONO POS SH 20W STD CVR	Cover only
1	CJ3PASHM20MO	J3 BK MONO POS SH 20W MED CVR	Cover only
1	CJ3PASHT20MO	J3 BK MONO POS SH 20W TAL CVR	Cover only
1	CJ3PASHS22MO	J3 BK MONO POS SH 22W STD CVR	Cover only
1	CJ3PLSHS14MO	J3 BK MONO PL SH 14W STD CVR	Cover only
1	CJ3PLSHS16MO	J3 BK MONO PL SH 16W STD CVR	Cover only
1	CJ3PLSHM16MO	J3 BK MONO PL SH 16W MED CVR	Cover only
1	CJ3PLSHS18MO	J3 BK MONO PL SH 18W STD CVR	Cover only
1	CJ3PLSHM18MO	J3 BK MONO PL SH 18W MED CVR	Cover only
1	CJ3PLSTD18MO	J3 BK MONO PL SH 18W TAL CVR	Cover only
1	CJ3PLSHS20MO	J3 BK MONO PL SH 20W STD CVR	Cover only
1	CJ3PLSHM20MO	J3 BK MONO PL SH 20W MED CVR	Cover only
1	CJ3PLSHT20MO	J3 BK MONO PL SH 20W TAL CVR	Cover only
1	CJ3PDLSHS14MO	J3 BK MONO PDL SH 14W STD CVR	Cover only
1	CJ3PDLSHS16MO	J3 BK MONO PDL SH 16W STD CVR	Cover only
1	CJ3PDLSHM16MO	J3 BK MONO PDL SH 16W MED CVR	Cover only
1	CJ3PDLSHS18MO	J3 BK MONO PDL SH 18W STD CVR	Cover only
1	CJ3PDLSHM18MO	J3 BK MONO PDL SH 18W MED CVR	Cover only
1	CJ3PDLSHT18MO	J3 BK MONO PDL SH 18W TAL CVR	Cover only
1	CJ3PDLSHS20MO	J3 BK MONO PDL SH 20W STD CVR	Cover only
1	CJ3PDLSHM20MO	J3 BK MONO PDL SH 20W MED CVR	Cover only
1	CJ3PDLSHT20MO	J3 BK MONO PDL SH 20W TAL CVR	Cover only
1	CJ3PDCSHS16MO	J3 BK MONO PDC SH 16W STD CVR	Cover only
1	CJ3PDCSHS18MO	J3 BK MONO PDC SH 18W STD CVR	Cover only

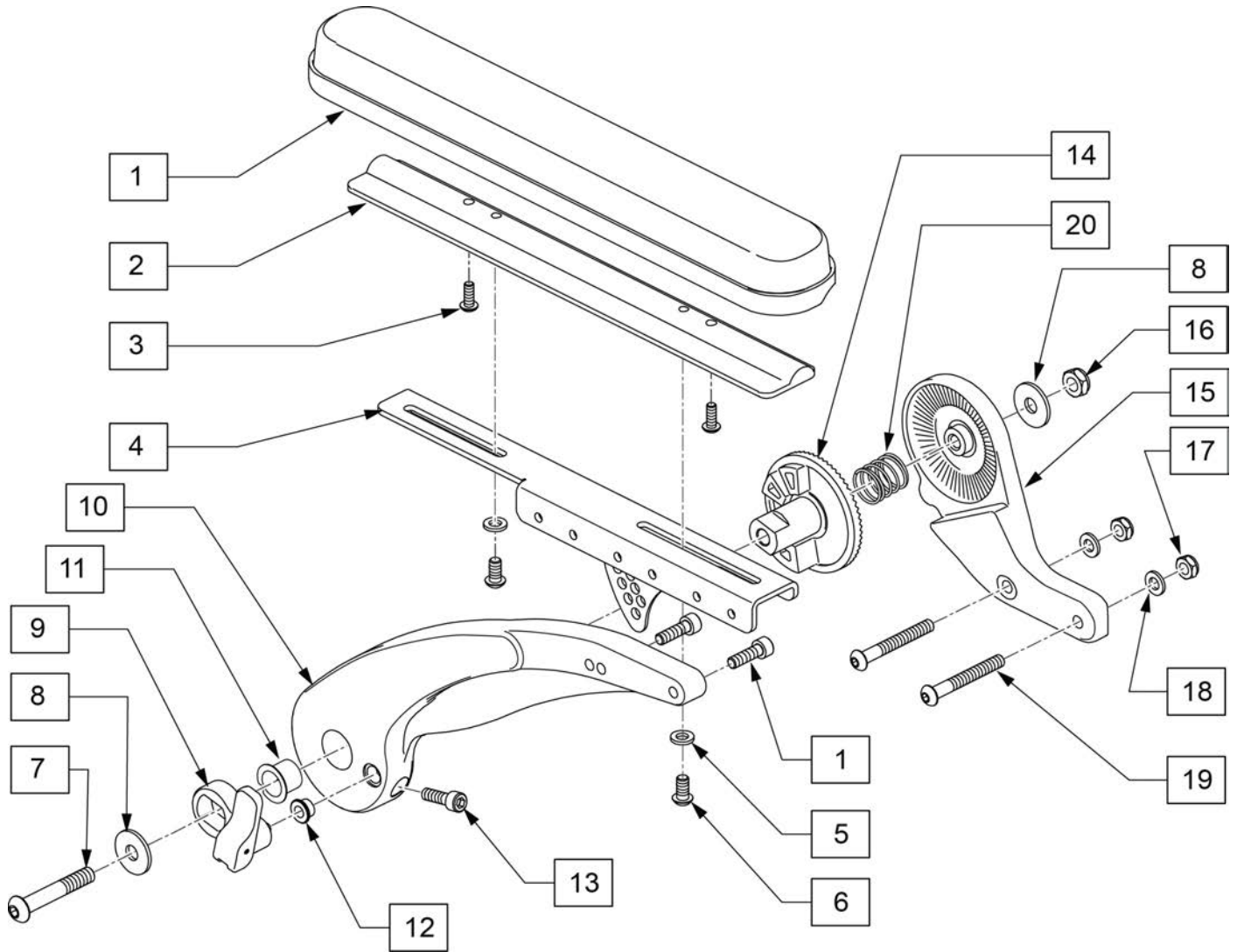
Pos.	Item Number	Description	Remarks
1	CJ3PDCSHS20MO	J3 BK MONO PDC SH 20W STD CVR FOAM	Cover only
2	BJ3PAUTS12	J3 FOAM POS UT 12W STD	
2	BJ3PAUTS14	J3 FOAM, POS UT 14W STD	
2	BJ3PAUTM14	J3 FOAM, POS UT 14W MED	
2	BJ3PAUTT14	J3 FOAM, POS UT 14W TALL	
2	BJ3PAUTS16	J3 FOAM, POS UT 16W STD	
2	BJ3PAUTM16	J3 FOAM, POS UT 16W MED	
2	BJ3PAUTT16	J3 FOAM, POS UT 16W TALL	
2	BJ3PAUTS18	J3 FOAM, POS UT 18W STD	
2	BJ3PAUTM18	J3 FOAM, POS UT 18W MED	
2	BJ3PAUTT18	J3 FOAM, POS UT 18W TALL	
2	BJ3PAUTS20	J3 FOAM, POS UT 20W STD	
2	BJ3PAUTM20	J3 FOAM, POS UT 20W MED	
2	BJ3PAUTT20	J3 FOAM, POS UT 20W TALL	
2	BJ3PAUTM22	J3HD FOAM POS UT 22W MED	
2	BJ3PLUTS12	J3 FOAM SHAL UT 12W STD	
2	BJ3PLUTS14	J3 FOAM, SHAL UT 14W STD	
2	BJ3PLUTM14	J3 FOAM, SHAL UT 14W MED	
2	BJ3PLUTT14	J3 FOAM, SHAL UT 14W TALL	
2	BJ3PLUTS16	J3 FOAM, SHAL UT 16W STD	
2	BJ3PLUTM16	J3 FOAM, SHAL UT 16W MED	
2	BJ3PLUTT16	J3 FOAM, SHAL UT 16W TALL	
2	BJ3PLUTS18	J3 FOAM, SHAL UT 18W STD	
2	BJ3PLUTM18	J3 FOAM, SHAL UT 18W MED	
2	BJ3PLUTT18	J3 FOAM, SHAL UT 18W TALL	
2	BJ3PLUTS20	J3 FOAM, SHAL UT 20W STD	
2	BJ3PLUTM20	J3 FOAM, SHAL UT 20W MED	
2	BJ3PLUTT20	J3 FOAM, SHAL UT 20W TALL	
2	BJ3PDLUTS14	J3 FOAM, DEEP UT 14W STD	
2	BJ3PDLUTM14	J3 FOAM, DEEP UT 14W MED	
2	BJ3PDLUTT14	J3 FOAM, DEEP UT 14W TALL	
2	BJ3PDLUTS16	J3 FOAM, DEEP UT 16W STD	
2	BJ3PDLUTM16	J3 FOAM, DEEP UT 16W MED	
2	BJ3PDLUTT16	J3 FOAM, DEEP UT 16W TALL	
2	BJ3PDLUTS18	J3 FOAM, DEEP UT 18W STD	
2	BJ3PDLUTM18	J3 FOAM, DEEP UT 18W MED	
2	BJ3PDLUTT18	J3 FOAM, DEEP UT 18W TALL	
2	BJ3PDLUTS20	J3 FOAM, DEEP UT 20W STD	
2	BJ3PDLUTM20	J3 FOAM, DEEP UT 20W MED	
2	BJ3PDLUTT20	J3 FOAM, DEEP UT 20W TALL	
2	BJ3PDCUTM14	J3 FOAM PDC UT 14W MED	
2	BJ3PDCUTM16	J3 FOAM PDC UT 16W MED	
2	BJ3PDCUTM18	J3 FOAM PDC UT 18W MED	
2	BJ3PDCUTM20	J3 FOAM PDC UT 20W MED	
2	BJ3PASHS14	J3 FOAM, POS SH 14W STD	
2	BJ3PASHS16	J3 FOAM, POS SH 16W STD	
2	BJ3PASHM16	J3 FOAM, POS SH 16W MED	
2	BJ3PASHS18	J3 FOAM, POS SH 18W STD	
2	BJ3PASHM18	J3 FOAM, POS SH 18W MED	
2	BJ3PASHT18	J3 FOAM, POS SH 18W TALL	
2	BJ3PASHS20	J3 FOAM, POS SH 20W STD	
2	BJ3PASHM20	J3 FOAM, POS SH 20W MED	
2	BJ3PASHT20	J3 FOAM, POS SH 20W TALL	
2	BJ3PASHS22	J3HD FOAM POS SH 22W STD	
2	BJ3PLSHS14	J3 FOAM, SHAL SH 14W STD	

Pos.	Item Number	Description	Remarks
2	BJ3PLSHS16	J3 FOAM, SHAL SH 16W STD	
2	BJ3PLSHM16	J3 FOAM, SHAL SH 16W MED	
2	BJ3PLSHS18	J3 FOAM, SHAL SH 18W STD	
2	BJ3PLSHM18	J3 FOAM, SHAL SH 18W MED	
2	BJ3PLSHT18	J3 FOAM, SHAL SH 18W TALL	
2	BJ3PLSHS20	J3 FOAM, SHAL SH 20W STD	
2	BJ3PLSHM20	J3 FOAM, SHAL SH 20W MED	
2	BJ3PLSHT20	J3 FOAM, SHAL SH 20W TALL	
2	BJ3PDLSHS14	J3 FOAM, DEEP SH 14W STD	
2	BJ3PDLSHS16	J3 FOAM, DEEP SH 16W STD	
2	BJ3PDLSHM16	J3 FOAM, DEEP SH 16W MED	
2	BJ3PDLSHS18	J3 FOAM, DEEP SH 18W STD	
2	BJ3PDLSHM18	J3 FOAM, DEEP SH 18W MED	
2	BJ3PDLSHT18	J3 FOAM, DEEP SH 18W TALL	
2	BJ3PDLSHS20	J3 FOAM, DEEP SH 20W STD	
2	BJ3PDLSHM20	J3 FOAM, DEEP SH 20W MED	
2	BJ3PDLSHT20	J3 FOAM, DEEP SH 20W TALL	
2	BJ3PDCSHS16	J3 FOAM PDC SH 16W STD	
2	BJ3PDCSHS18	J3 FOAM PDC SH 18W STD	
2	BJ3PDCSHS20	J3 FOAM PDC SH 20W STD	
		SHELL WITH TRACKS	
3-5	SJ3PAUTS12MO	J3 BK MONO POS UT 12W STD	
3-5	SJ3PAUTS14MO	J3 BK MONO POS UT 14W STD	
3-5	SJ3PAUTM14MO	J3 BK MONO POS UT 14W MED	
3-5	SJ3PAUTT14MO	J3 BK MONO POS UT 14W TAL	
3-5	SJ3PAUTS16MO	J3 BK MONO POS UT 16W STD	
3-5	SJ3PAUTM16MO	J3 BK MONO POS UT 16W MED	
3-5	SJ3PAUTT16MO	J3 BK MONO POS UT 16W TAL	
3-5	SJ3PAUTS18MO	J3 BK MONO POS UT 18W STD	
3-5	SJ3PAUTM18MO	J3 BK MONO POS UT 18W MED	
3-5	SJ3PAUTT18MO	J3 BK MONO POS UT 18W TAL	
3-5	SJ3PAUTS20MO	J3 BK MONO POS UT 20W STD	
3-5	SJ3PAUTM20MO	J3 BK MONO POS UT 20W MED	
3-5	SJ3PAUTT20MO	J3 BK MONO POS UT 20W TAL	
3-5	SJ3PAUTM22MO	J3 BK MONO POS UT 22W MED	
3-5	SJ3PLUTS12MO	J3 BK MONO PL UT 12W STD	
3-5	SJ3PLUTS14MO	J3 BK MONO PL UT 14W STD	
3-5	SJ3PLUTM14MO	J3 BK MONO PL UT 14W MED	
3-5	SJ3PLUTT14MO	J3 BK MONO PL UT 14W TAL	
3-5	SJ3PLUTS16MO	J3 BK MONO PL UT 16W STD	
3-5	SJ3PLUTM16MO	J3 BK MONO PL UT 16W MED	
3-5	SJ3PLUTT16MO	J3 BK MONO PL UT 16W TAL	
3-5	SJ3PLUTS18MO	J3 BK MONO PL UT 18W STD	
3-5	SJ3PLUTM18MO	J3 BK MONO PL UT 18W MED	
3-5	SJ3PLUTT18MO	J3 BK MONO PL UT 18W TAL	
3-5	SJ3PLUTS20MO	J3 BK MONO PL UT 20W STD	
3-5	SJ3PLUTM20MO	J3 BK MONO PL UT 20W MED	
3-5	SJ3PLUTT20MO	J3 BK MONO PL UT 20W TAL	
3-5	SJ3PDLUTS14MO	J3 BK MONO PDL UT 14W STD	
3-5	SJ3PDLUTM14MO	J3 BK MONO PDL UT 14W MED	
3-5	SJ3PDLUTT14MO	J3 BK MONO PDL UT 14W TAL	
3-5	SJ3PDLUTS16MO	J3 BK MONO PDL UT 16W STD	
3-5	SJ3PDLUTM16MO	J3 BK MONO PDL UT 16W MED	
3-5	SJ3PDLUTT16MO	J3 BK MONO PDL UT 16W TAL	
3-5	SJ3PDLUTS18MO	J3 BK MONO PDL UT 18W STD	
3-5	SJ3PDLUTM18MO	J3 BK MONO PDL UT 18W MED	

Pos.	Item Number	Description	Remarks
3-5	SJ3PDLUTT18MO	J3 BK MONO PDL UT 18W TAL	
3-5	SJ3PDLUTS20MO	J3 BK MONO PDL UT 20W STD	
3-5	SJ3PDLUTM20MO	J3 BK MONO PDL UT 20W MED	
3-5	SJ3PDLUTT20MO	J3 BK MONO PDL UT 20W TAL	
3-5	SJ3PDCUTM14MO	J3 BK MONO PDC UT 14W MED	
3-5	SJ3PDCUTM16MO	J3 BK MONO PDC UT 16W MED	
3-5	SJ3PDCUTM18MO	J3 BK MONO PDC UT 18W MED	
3-5	SJ3PDCUTM20MO	J3 BK MONO PDC UT 20W MED	
3-5	SJ3PASHS14MO	J3 BK MONO POS SH 14W STD	
3-5	SJ3PASHS16MO	J3 BK MONO POS SH 16W STD	
3-5	SJ3PASHM16MO	J3 BK MONO POS SH 16W MED	
3-5	SJ3PASHS18MO	J3 BK MONO POS SH 18W STD	
3-5	SJ3PASHM18MO	J3 BK MONO POS SH 18W MED	
3-5	SJ3PASHT18MO	J3 BK MONO POS SH 18W TAL	
3-5	SJ3PASHS20MO	J3 BK MONO POS SH 20W STD	
3-5	SJ3PASHM20MO	J3 BK MONO POS SH 20W MED	
3-5	SJ3PASHT20MO	J3 BK MONO POS SH 20W TAL	
3-5	SJ3PASHS22MO	J3 BK MONO POS SH 22W STD	
3-5	SJ3PLSHS14MO	J3 BK MONO PL SH 14W STD	
3-5	SJ3PLSHS16MO	J3 BK MONO PL SH 16W STD	
3-5	SJ3PLSHM16MO	J3 BK MONO PL SH 16W MED	
3-5	SJ3PLSHS18MO	J3 BK MONO PL SH 18W STD	
3-5	SJ3PLSHM18MO	J3 BK MONO PL SH 18W MED	
3-5	SJ3PLSHT18MO	J3 BK MONO PL SH 18W TAL	
3-5	SJ3PLSHS20MO	J3 BK MONO PL SH 20W STD	
3-5	SJ3PLSHM20MO	J3 BK MONO PL SH 20W MED	
3-5	SJ3PLSHT20MO	J3 BK MONO PL SH 20W TAL	
3-5	SJ3PDLSHS14MO	J3 BK MONO PDL SH 14W STD	
3-5	SJ3PDLSHS16MO	J3 BK MONO PDL SH 16W STD	
3-5	SJ3PDLSHM16MO	J3 BK MONO PDL SH 16W MED	
3-5	SJ3PDLSHS18MO	J3 BK MONO PDL SH 18W STD	
3-5	SJ3PDLSHM18MO	J3 BK MONO PDL SH 18W MED	
3-5	SJ3PDLSHT18MO	J3 BK MONO PDL SH 18W TAL	
3-5	SJ3PDLSHS20MO	J3 BK MONO PDL SH 20W STD	
3-5	SJ3PDLSHM20MO	J3 BK MONO PDL SH 20W MED	
3-5	SJ3PDLSHT20MO	J3 BK MONO PDL SH 20W TAL	
3-5	SJ3PDCSHS16MO	J3 BK MONO PDC SH 16W STD	
3-5	SJ3PDCSHS18MO	J3 BK MONO PDC SH 18W STD	
3-5	SJ3PDCSHS20MO	J3 BK MONO PDC SH 20W STD	
4	128354-002	TRACK LATERALS	
4	128354-001	CHANNEL LATERALS SHORT	used with 22 in wide only
5	226060	BHCS 1/4-20 X 3/8	

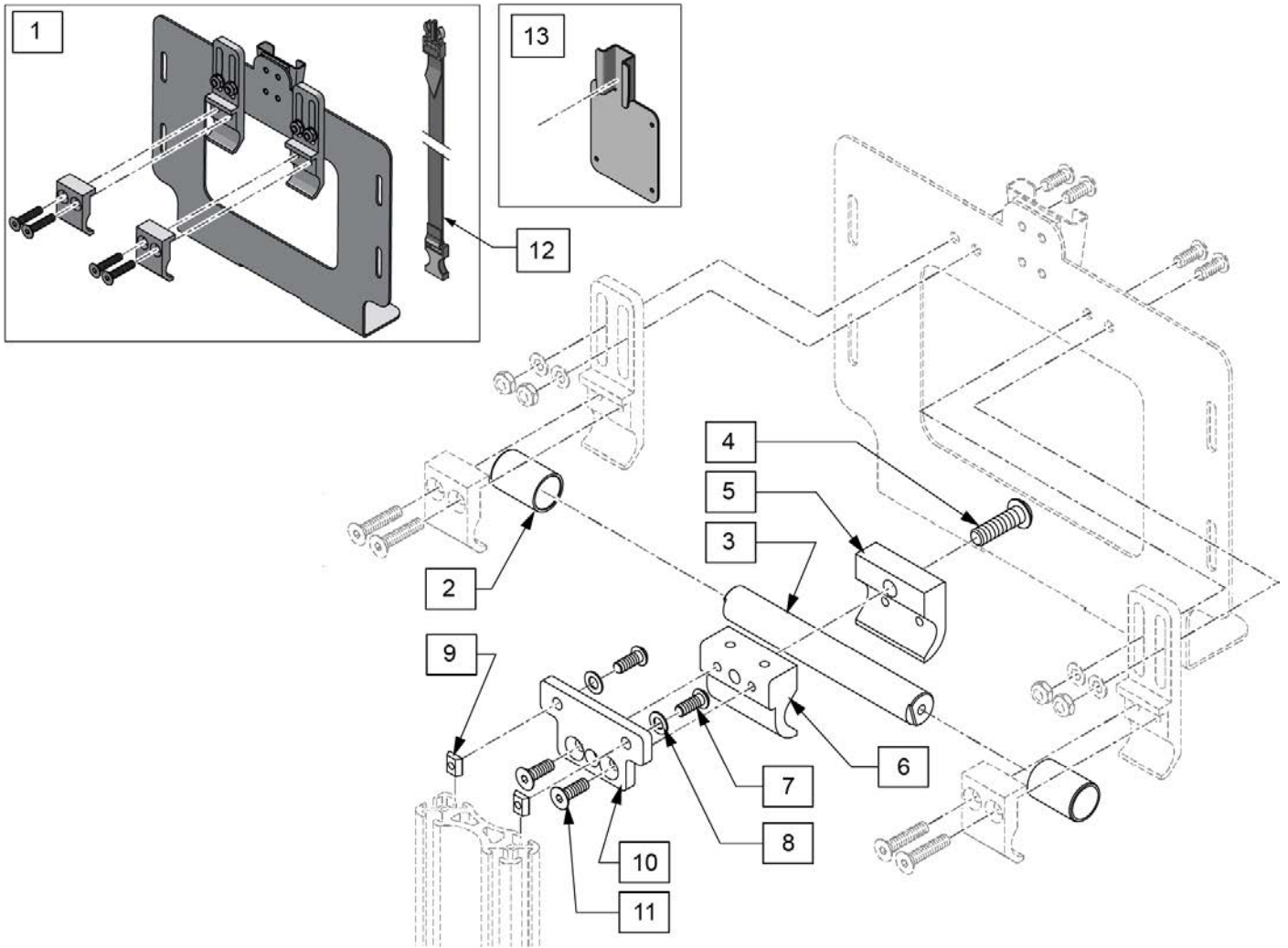


Pos.	Item Number	Description	Remarks
1A-6	128565	PUSH HNDL ASSM MONO PED STD RH	
1A-6	128567	PUSH HNDL ASSM MONO PED STD LH	
1B-6	128566	PUSH HNDL ASSM MONO PED EXT RH	
1B-6	128568	PUSH HNDL ASSM MONO PED EXT LH	
1C-6	128569	PUSH HNDL ASSM MONO STD RH	
1C-6	128571	PUSH HNDL ASSM MONO STD LH	
1D-6	128570	PUSH HNDL ASSM MONO EXT RH	
1D-6	128572	PUSH HNDL ASSM MONO EXT LH	
2	560638	FOAM GRIP .840 ID SHORT	replacement foam
3	561007	7/8" INSERT PLUG .083	
4	128238	SHCS 10-24 X 1-3/8 PL SHLDR	
5	128073	PUSH HANDLE RECIEVER	
6	128233	10-24 CHANNEL NUT 2 HOLE	



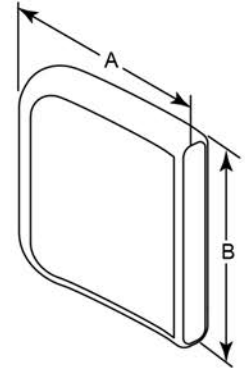
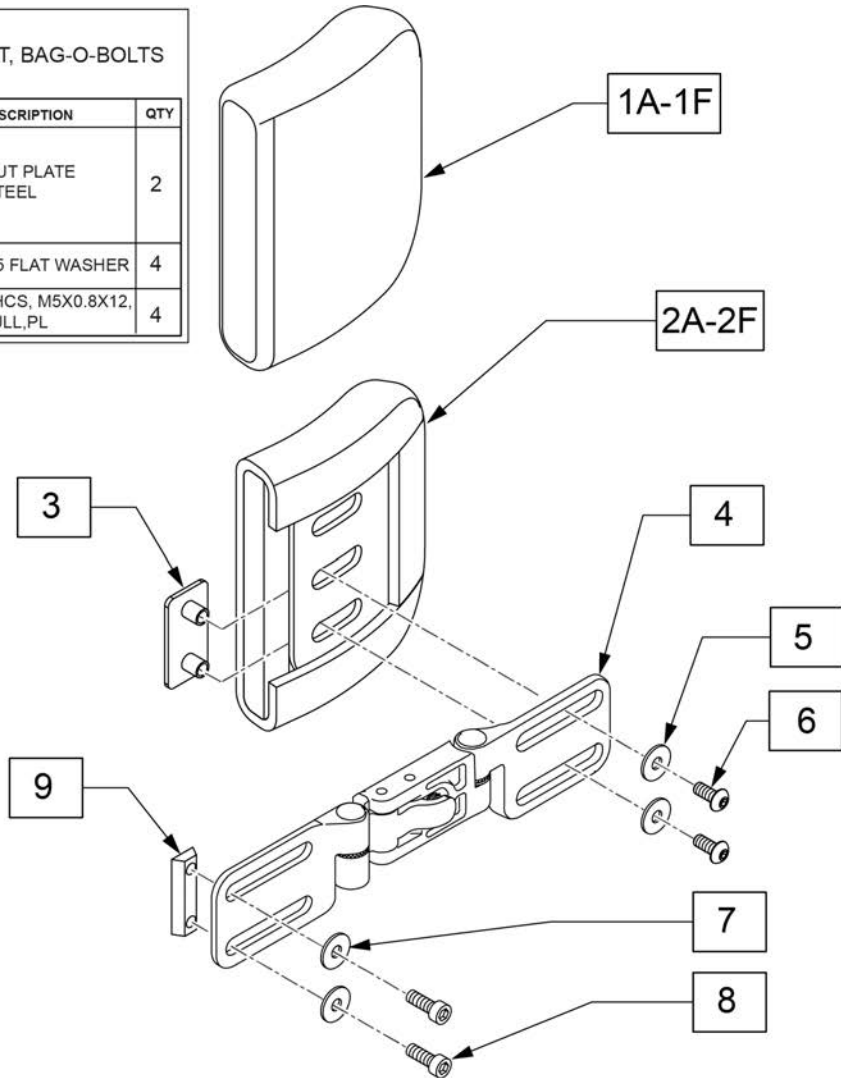
Pos.	Item Number	Description	Remarks
1-3,5,6	135189	CANTI ARMPAD KIT FULL	
3	226043	10-32 X 1/2 BH C/S BLK	
5	250104	WASHER FLAT M6	
6	230113	BHCS M6 X 1 X 12	
7	013152	BHCS M8 X 55	
8	015056	WASHER M10 X 35 X 1.5 BLK	
9	135190	FLIP UP ASSM	
11	104469	MARCINAL LUB BRNG SF-1 2020	
12	481339	BACK REL BUSHING RIGID BLK ZN	
13	013156	SHCS M6 X 1 X 20 BLK W/PL	
16	013036	M8 X 1.25 JAM NUT HEX	
17	106935	NUT NYLOCK THIN 1/4-28	
18	106943	WASHER FLAT AN 1/4	
19	106965	BHCS 1/4-28 X 2 SHLDR	
1-20	129375	CANTILEVER ARMREST ASSM RT	Right
1-20	129376	CANTILEVER ARMREST ASSM LH	Left
1,4,10-13	129115	CANTILEVER ARMREST W/LOCK RH	Right
1,4,10-13	129116	CANTILEVER ARMREST W/LOCK LH	Left

Note: Cantilever Armrest is only compatible with chairs equipped with Mono Backrest.



Pos.	Item Number	Description
1,12	129611	LTV MOUNT KIT
2	126744	BUSHING VENT TILT
3	126962	STRUT VENT TILT 10W
7	106959	BHCS 1/4-28 X 5/8
8	106944	WASHER FLAT THIN AN 1/4
9	481106-QU	1/4-28 CHANNEL NUT
4-6,10,11	129065	CLAMP ASSM MONO VENT
12	125584	STRAP ASSEMBLY KIT
1-12	129374	VENT MOUNT ASSM MONO BACKREST
13	127211	TRILOGY MOUNT ADAPTER

10 J3 S/A-LAT, BAG-O-BOLTS			
ITEM #	ILLUSTRATION	DESCRIPTION	QTY
3		NUT PLATE STEEL	2
5		M5 FLAT WASHER	4
6		BHCS, M5X0.8X12, FULL, PL	4

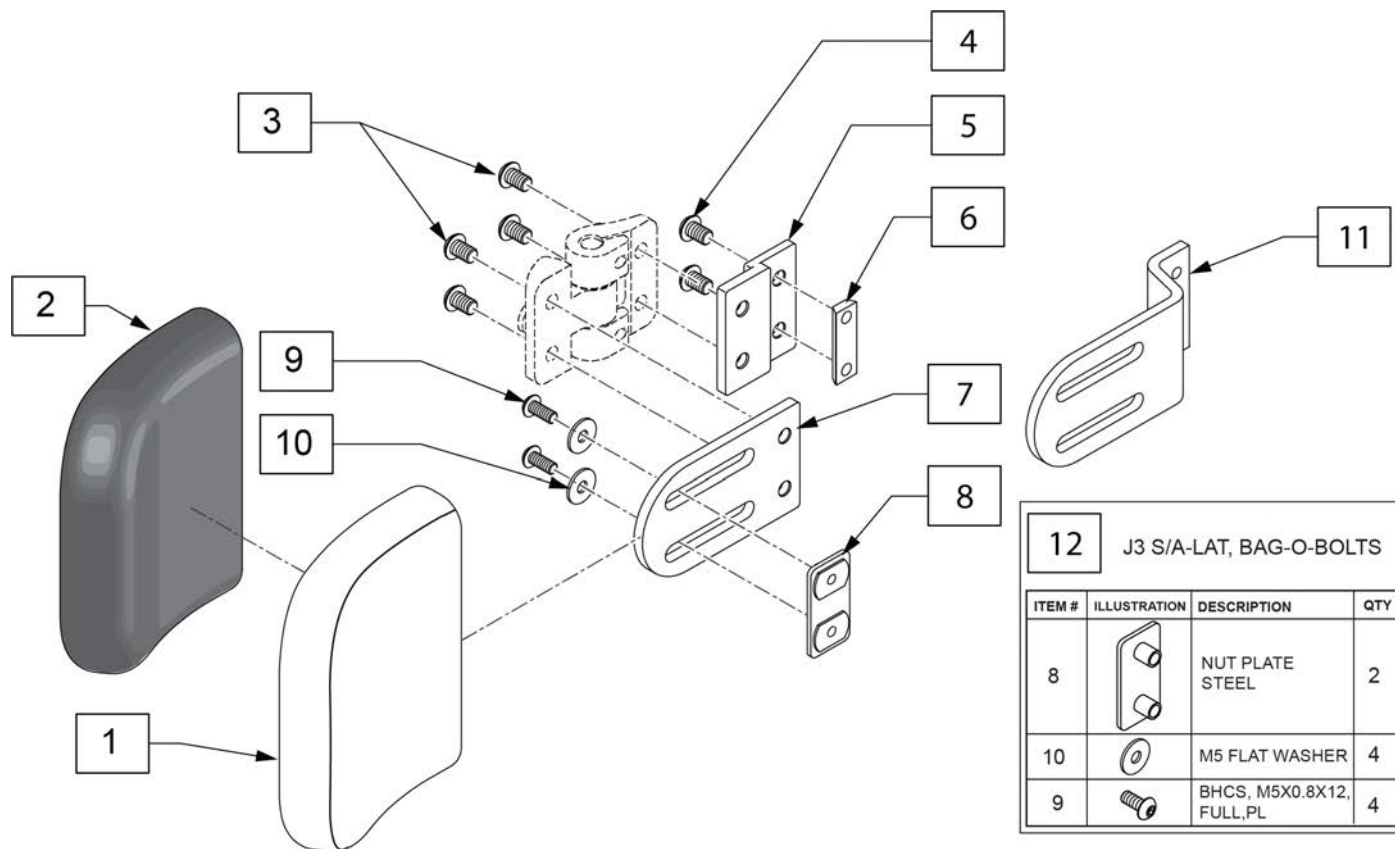


MEASURING GUIDE

DESCRIPTION	DIM A	DIM B
Lateral Cover 4x4	4"	4"
Lateral Cover 4x5	4"	5"
Lateral Cover 4x6	4"	6"
Lateral Cover 6x4	6"	4"
Lateral Cover 6x5	6"	5"
Lateral Cover 6x6	6"	6"
Lateral Base 4x4	4"	4"
Lateral Base 4x5	4"	5"
Lateral Base 4x6	4"	6"
Lateral Base 6x4	6"	4"
Lateral Base 6x5	6"	5"
Lateral Base 6x6	6"	6"

Pos.	Item Number	Description	Remarks
1A	CJ3LAT4x4P	LATERAL COVER 4x4	
1B	CJ3LAT4x5P	LATERAL COVER 4x5	
1C	CJ3LAT4x6P	LATERAL COVER 4x6	
1D	CJ3LAT6x4P	LATERAL COVER 6x4	
1E	CJ3LAT6x5P	LATERAL COVER 6x5	
1F	CJ3LAT6x6P	LATERAL COVER 6x6	
1A,2A	BJ3LAT4x4P	LATERAL BASE 4x4	Includes cover
1B,2B	BJ3LAT4x5P	LATERAL BASE 4x5	Includes cover
1C,2C	BJ3LAT4x6P	LATERAL BASE 4x6	Includes cover
1D,2D	BJ3LAT6x4P	LATERAL BASE 6x4	Includes cover
1E,2E	BJ3LAT6x5P	LATERAL BASE 6x5	Includes cover
1F,2F	BJ3LAT6x6P	LATERAL BASE 6x6	Includes cover
3-6	256184	JAY SA LAT AND HDW RIGHT	
3-6	256185	JAY SA LAT AND HDW LEFT	
7	MF014652	WASHER 1/4"- 3/4"OD BLK	
8	221090	1/4-28 X 3/8 BH C/S BLK	
9	481108-QU	(04) 1/4-28 CHANNEL NUT-2 HOLE	
10	J3LATSAP	J3 S/A-LAT. BAG-O-BOLTS	

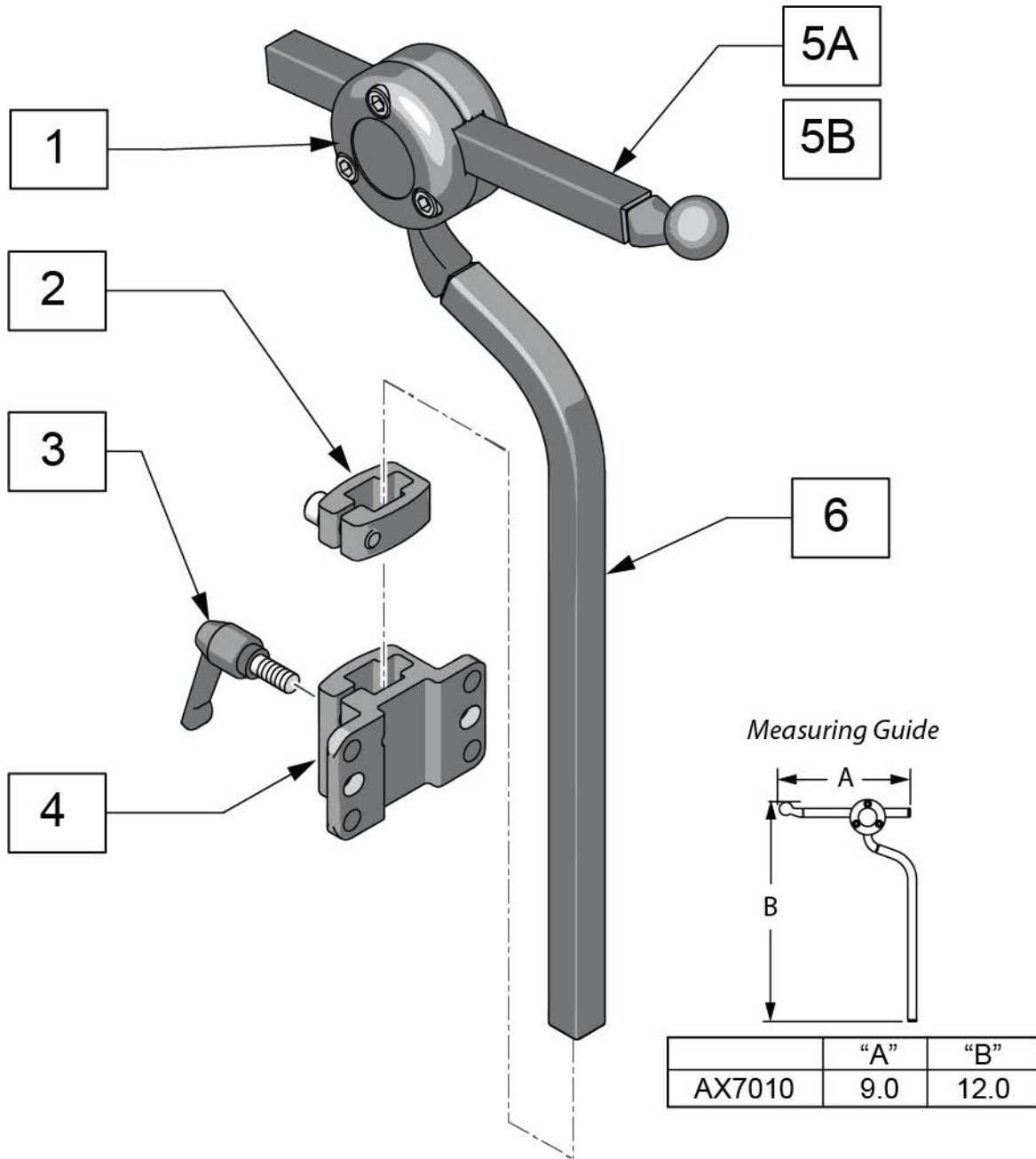
Pos.	Item Number	Description	Remarks
1A,2A,3-9	JLATSA44ML	JAY SA LAT 4X4 MONO LH	
1A,2A,3-9	JLATSA44MR	JAY SA LAT 4X4 MONO RH	
1B,2B,3-9	JLATSA45ML	JAY SA LAT 4X5 MONO LH	
1B,2B,3-9	JLATSA45MR	JAY SA LAT 4X5 MONO RH	
1C,2C,3-9	JLATSA46ML	JAY SA LAT 4X6 MONO LH	
1C,2C,3-9	JLATSA46MR	JAY SA LAT 4X6 MONO RH	
1D,2D,3-9	JLATSA64ML	JAY SA LAT 6X4 MONO LH	
1D,2D,3-9	JLATSA64MR	JAY SA LAT 6X4 MONO RH	
1E,2E,3-9	JLATSA65ML	JAY SA LAT 6X5 MONO LH	
1E,2E,3-9	JLATSA65MR	JAY SA LAT 6X5 MONO LH	
1F,2F,3-9	JLATSA66ML	JAY SA LAT 6X6 MONO LH	
1F,2F,3-9	JLATSA66MR	JAY SA LAT 6X6 MONO RH	



ITEM #	ILLUSTRATION	DESCRIPTION	QTY
8		NUT PLATE STEEL	2
10		M5 FLAT WASHER	4
9		BHCS, M5X0.8X12, FULL, PL	4

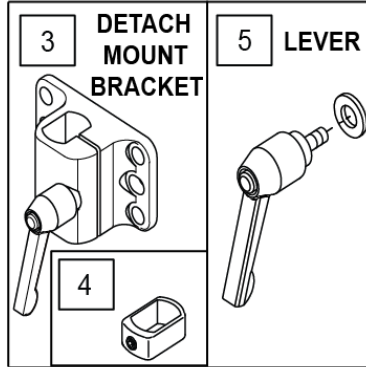
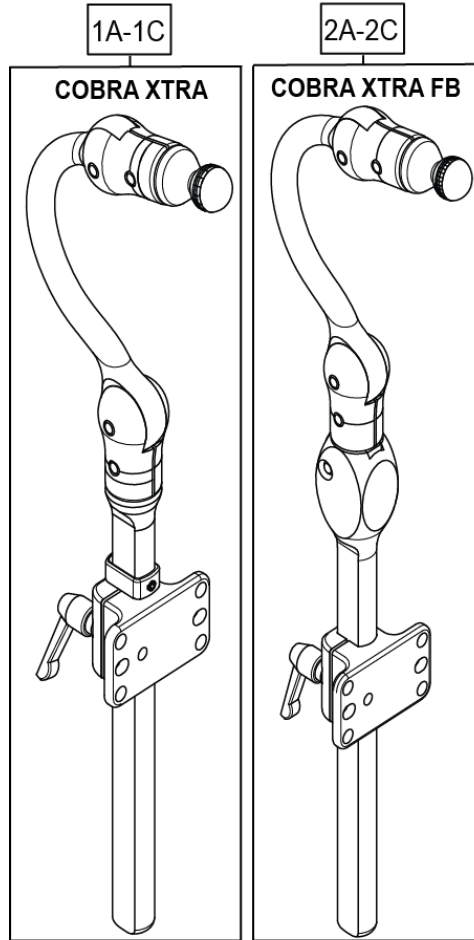
Pos.	Item Number	Description	Remarks
1,2	BJ3LAT4x4P	LATERAL BASE 4x4	Includes cover
1,2	BJ3LAT4x5P	LATERAL BASE 4x5	Includes cover
1,2	BJ3LAT4x6P	LATERAL BASE 4x6	Includes cover
1,2	BJ3LAT6x4P	LATERAL BASE 6x4	Includes cover
1,2	BJ3LAT6x5P	LATERAL BASE 6x5	Includes cover
1,2	BJ3LAT6x6P	LATERAL BASE 6x6	Includes cover
2	CJ3LAT4x4P	LATERAL COVER 4x4	
2	CJ3LAT4x5P	LATERAL COVER 4x5	
2	CJ3LAT4x6P	LATERAL COVER 4x6	
2	CJ3LAT6x4P	LATERAL COVER 6x4	
2	CJ3LAT6x5P	LATERAL COVER 6x5	
2	CJ3LAT6x6P	LATERAL COVER 6x6	
3	226060	1/4-20 X 3/8 BH C/S W/PATCH	
4	221090	1/4-28 X 3/8 BH C/S BLK	
5	HDW2521	1IN HEIGHT ADAPTER PLATE	
6	481108-QU	(04) 1/4-28 CHANNEL NUT-2 HOLE	
7	PRT2625	PAD MNTG PLATE FLUSH STD	
11	PRT2630	1" OFF/ONE PC PAD MNT STD	For 1" offset
12	J3LATSAP	J3 S/A-LAT. BAG-O-BOLTS	

Note: if using the Headrest Post on a Quicke Power Chair, please refer to the HEADREST CLAMPS page located in the appropriate power chair parts manual.

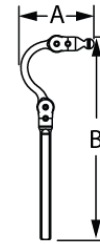


Pos.	Item Number	Description
5A	AX5080	BALLROD AXYS 6" SQUARE BLACK
5B	AX6055	AXYS 12" SQ HORIZ BAR BLK
6	MW070300	AXYS VERT ROD BLK
3,4	115215	J3 BK STD HD RST BRKT KIT
2-4	M2500	AXYS DETACH BRKT
1,5A,6	AX7010	AXYS CORE MOUNT HDWR

Note: if using the Headrest Post on a Quicke Power Chair, please refer to the HEADREST CLAMPS page located in the appropriate power chair parts manual.



Measuring Guide



SIZE	P/N	"A"	"B"
ADULT	CBRA7010	5.0	15.0
	CBRA5010	5.0	15.0
PEDIATRIC	CBRA7030	4.5	11.0
	CBRA5030	4.5	11.0
EARLY INTERVENTION	CBRA7080	4.0	10.0
	CBRA5080	4.0	10.0

6 HARDWARE MOUNT KIT

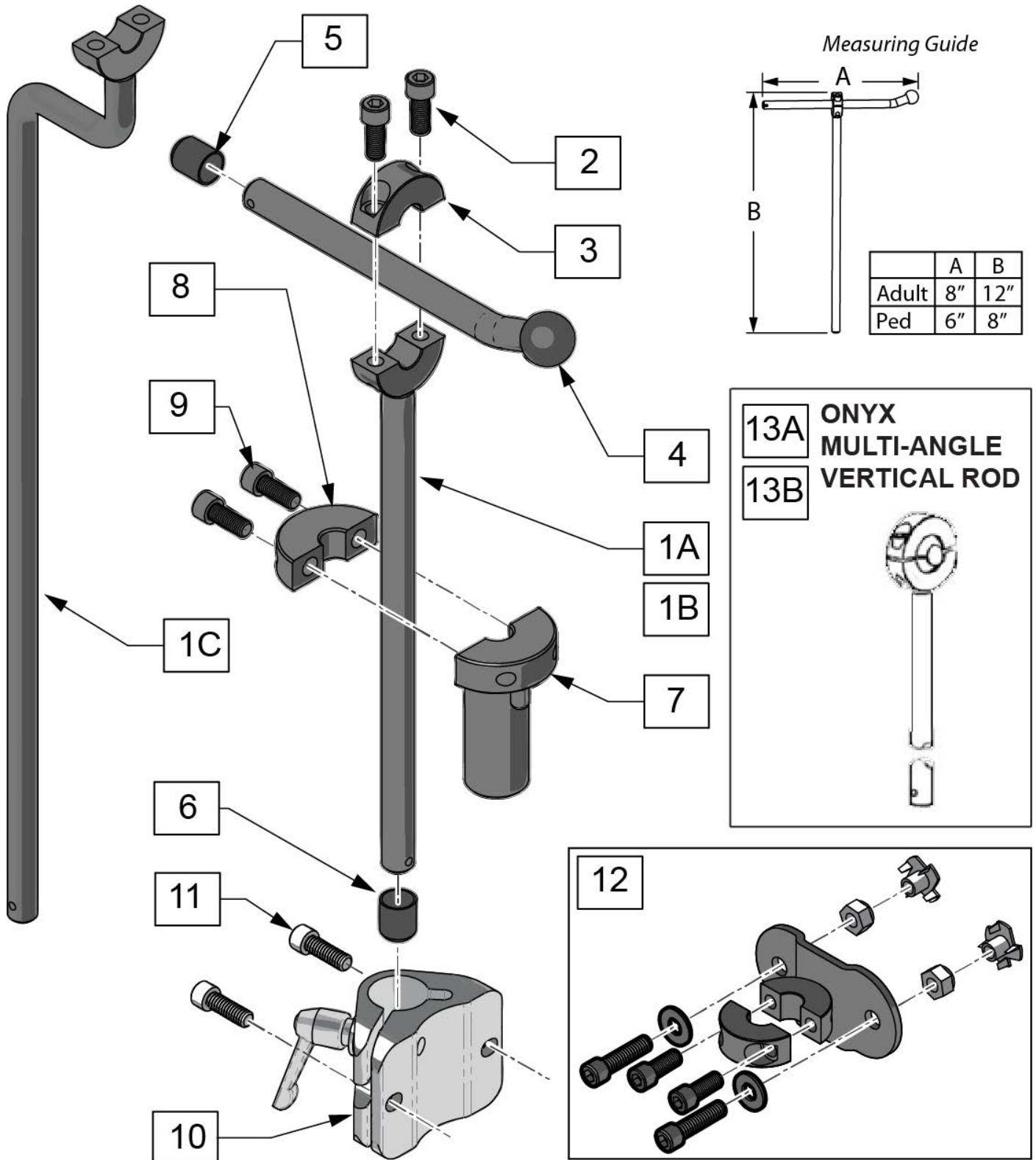
ILLUSTRATION	DESCRIPTION	QTY
	WASHER 1/4" SAE BLK	2
	BOLT 1/4-20 X 3/4" SHCS BLK NI	2
	BOLT 1/4-20 X 3/8" SHCS BLK NI	2
	1/4-20 NYLOK	2
	1/4-20 X 3/8" T-NUT THF	2

7 HARDWARE MOUNT KIT (SLIDE & SWINGAWAY)

ILLUSTRATION	DESCRIPTION	QTY
	WASHER 1/4" SAE BLK	4
	BOLT 1/4-20 X 1/2" SHCS BLK	2
	BOLT 1/4-20X1-1/4" SHCS BLK NI	4
	1/4-20 NYLOK	4
	1/4-20 X 3/8" T-NUT THF	4

Pos.	Item Number	Description	Remarks
1A	CBRA7010	COBRA XTRA MOUNT HDW, ADUL	
1B	CBRA7030	COBRA XTRA MOUNT HDW, PED	
1C	CBRA7080	COBRA XTRA MOUNT HDW, EI	
2A	CBRA5030	COBRA XTRA FB MOUNT HDW, PED	
2B	CBRA5010	COBRA XTRA FB MOUNT HDW, ADUL	
2C	CBRA5080	COBRA XTRA FB MOUNT HDW, EI	
3	M2400-WB	COBRA XTRA DETACH BRKT	INCLUDES QTY 2 1/4-20 X 1/2" SHCS & WASHERS
4	MW070152	COBRA VERT STOP BLK	
5	M0030	KNOB PLAS ADJ LVR 1/4-20 X20mm	
6	M0055	FASTENER PACK DETACH	
7	M0075	FASTENER PACK SWINGAWAY MOUNT	

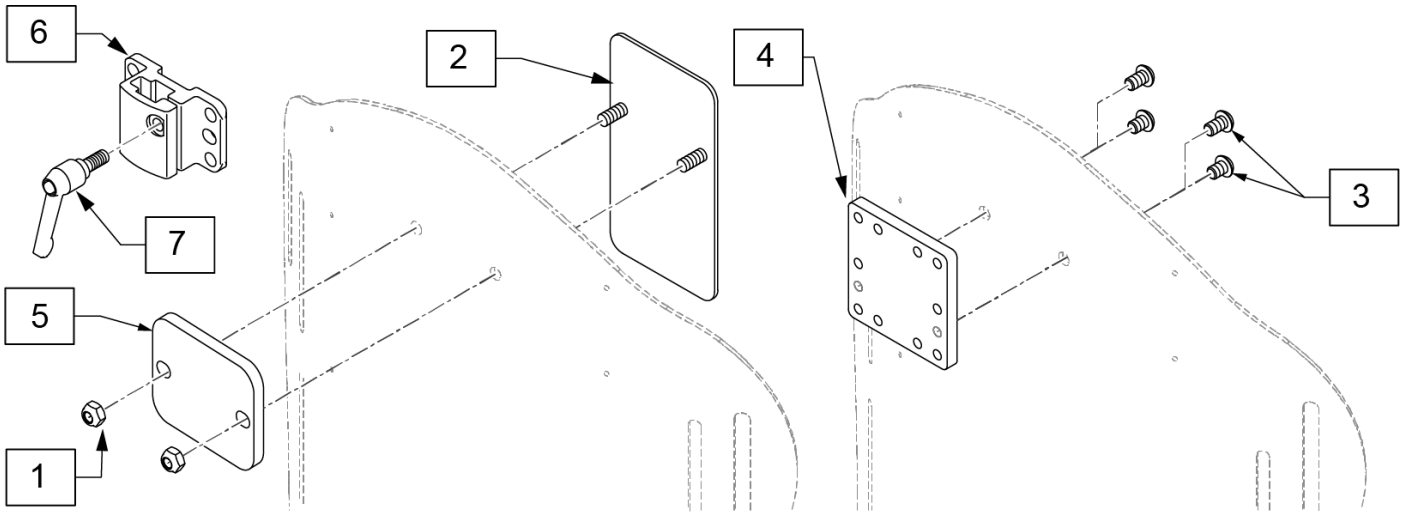
Note: Please order Mounting Bracket separately.



Pos.	Item Number	Description
1A	OX6012	VERTICAL ROD 12" ONYX
1B	OX6008	BALLROD ONYX 8" VERTICAL
1C	OX6030	VERT ROD, 17.5" ONYX W/OFF-SET
4	MW004605	BALLROD 8" FIXD 3/4 W/20DG, BLK
5	MW000800	ENDCAP 7/16 ID VINYL BLK
12	M2175	MOUNT FIXED ONYX 7/16
13A	OX6035	MULTI-ANG VERT ROD, 12" ONYX
13B	OX6050	VERTICAL ROD 12"SQUARE ONYX
1A,2-6	OX7010	ONYX CORE MOUNT HDW, ADULT
1B,2-6	OX7030	ONYX CORE MOUNT HDW, PED
1C,2-6	OX6010	ONYX CORE OFFSET BAR MNTG HDW
7-11	M2100-WB	ONYX DETACH MOUNT BRKT

UNIVERSAL HEADREST MOUNT

Note: item 5 used with Linx and Axyx headrest posts only; plate is used to space headrest mount away from back upholstery to allow for easier headrest removal.

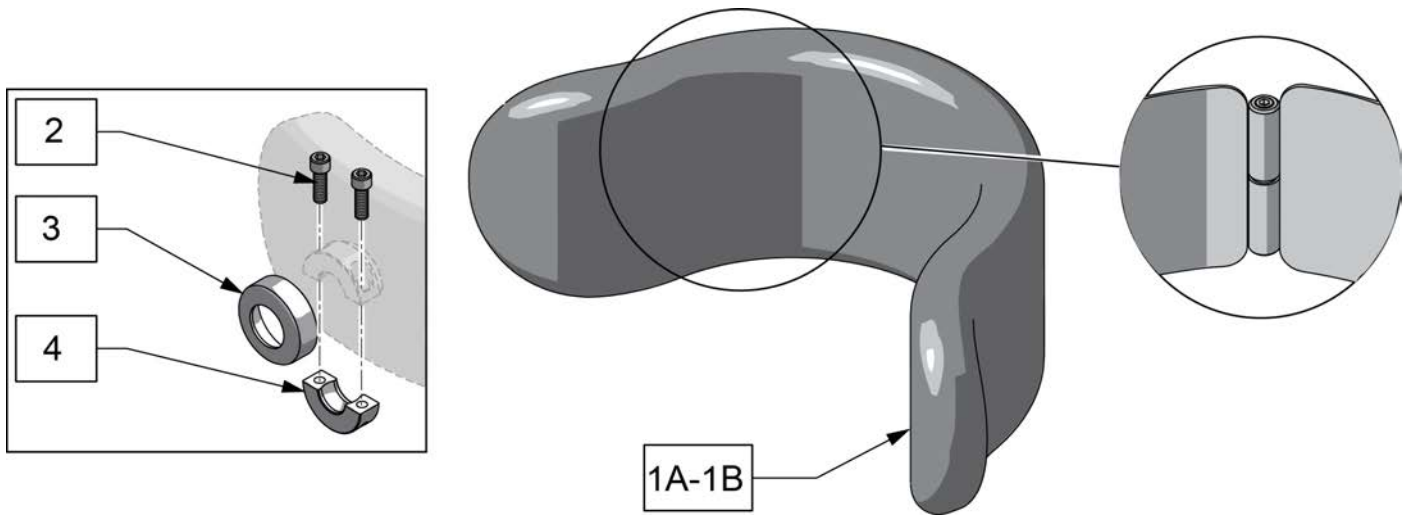


P/N	DESCRIPTION	APPLICATION
J3UHM	HEADREST PLATE ASSY	Universal Headrest Mount designed to mount most headrests in the market today, including Whitmyer
J3HDP	HEADREST BAG-O-BOLTS	Optional Mounting for Whitmyer Headrest Assemblies

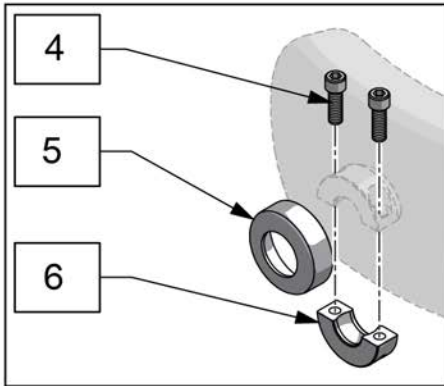
ITEM #	ILLUSTRATION	DESCRIPTION	QTY
3		BHCS, M6X1X8, FULL, PL	2
		BHCS, M6X1X10, FULL, PL	2
4		PLATE ADAPTER HDRST UNIVERSAL	1

ITEM #	ILLUSTRATION	DESCRIPTION	QTY	ITEM #	ILLUSTRATION	DESCRIPTION	QTY
1		NUT HEX NYLOCK	2	5		SPACER LINX HEADREST MNT	1
2		NUT PLATE TRANSIT HEADREST	1	6		MT 5 SQR TUBING RECEIVER BLK	1
3		BHCS, M6X1X8, FULL, PL	2	7		KNOB PLAS ADJ LVR 1/4-20X20MM	1
		BHCS, M6X1X10, FULL, PL	2				

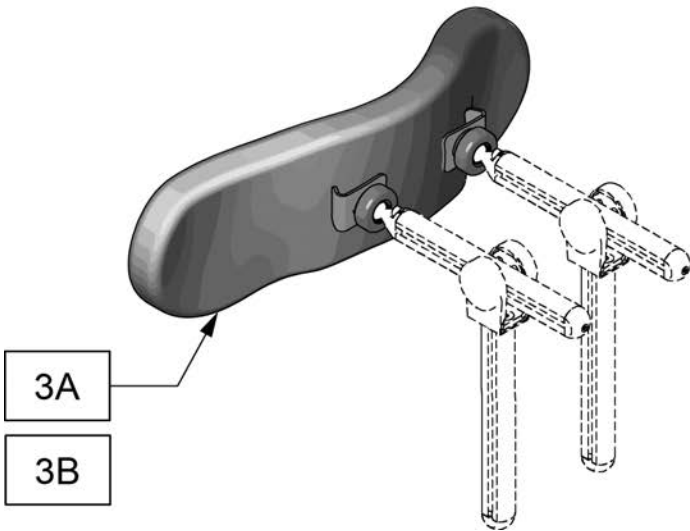
Pos.	Item Number	Description
8	J3UHM	HEADREST PLATE ASSY
9	J3HDP	HEADREST BAG-O-BOLTS



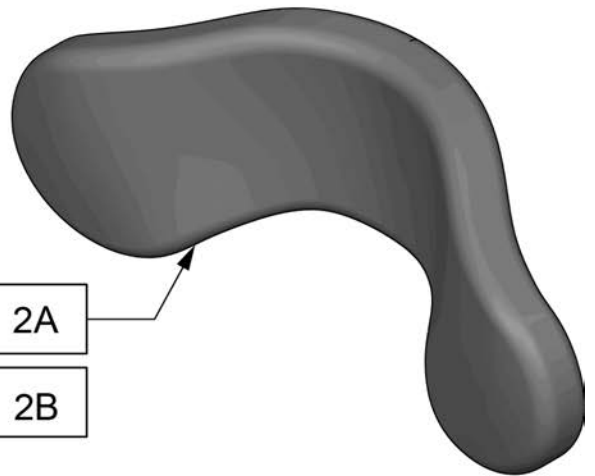
Pos.	Item Number	Description	Remarks
1A	PF8044	FOAM NARROW AJUSTAPLUSH	
1A	PC8044L	COVER, NAR ADJUST-A-PL, LY	Lycra
1A	PC8044V	COVER, NAR ADJUST-A-PL, DR	Dartex
1A	PC8044F	COVER NARROW ADJ-PLUSH/FLEECE	Fleece
1B	PF8088	FOAM STD AJUSTAPLUSH	
1B	PC8088L	COVER, STD ADJUST-A-PL, LY	Lycra
1B	PC8088V	COVER STD ADJ-PLUSH/RD	Dartex
1B	PC8088F	COVER STD AJUSTAPLUSH/FLEECE	Fleece
2	MF014600	1/4-28X5/8" SHCS- COLLAR BOLT	
3	MC100-WB	COVER 3/4"COLLAR/VINYL BLACK	
4	MW027100	COLLAR HALF RAD 3/4" THD. BLCK	
1A,2-4	P8044L	NARROW ADJ-A-PLUSH LYCRA	Lycra
1A,2-4	P8044V	NARROW ADJ-A-PLUSH DARTEX	Dartex
1B,2-4	P8088L	STANDARD ADJ-A-PLUSH LYCRA	Lycra
1B,2-4	P8088V	STANDARD ADJ-A-PLUSH DARTEX	Dartex



- 1A
- 1B
- 1C
- 1D



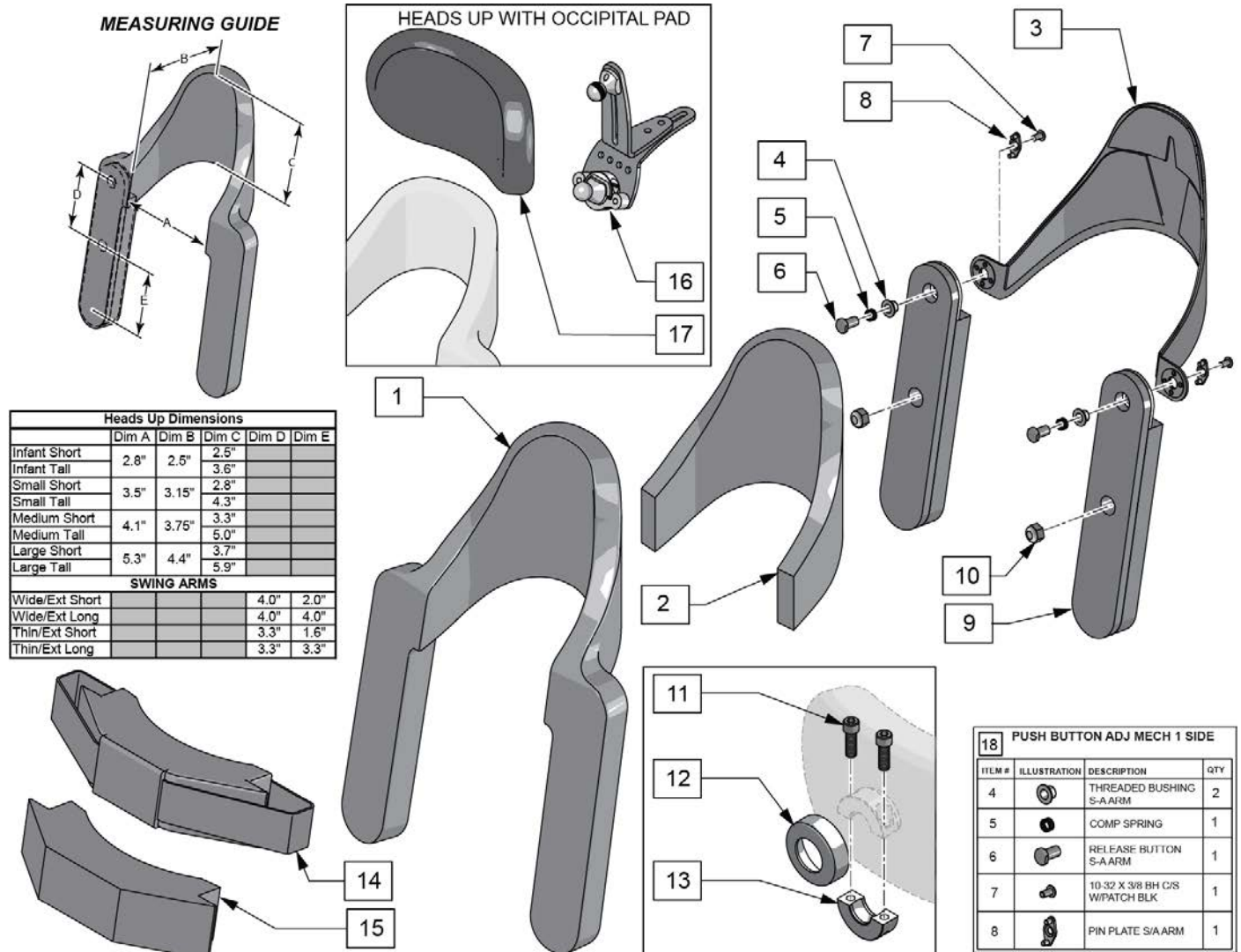
- 2A
- 2B



Pos.	Item Number	Description	Remarks
1A	PF605	REFOAM KIT 6" PLUSH	
1A	PC605L	COVER 6" PLUSH/LYCRA	Lycra
1A	PC605V	COVER 6" PLUSH/R/VSD DARTEXX	Dartex
1B	PF800	REFOAM KIT 8" PLUSH	
1B	PC800L	COVER, 8" PLUSH, LYCRA	Lycra
1B	PC800V	COVER, 8" PLUSH, DR	Dartex
1B	PC800F	COVER 8" PLUSH/FLEECE	Fleece
1B	PC800P	COVER 8" PLUSH/ALLURE NH	
1C	PF1000	REFOAM KIT 10" PLUSH	
1C	PC1000L	COVER, 10" PLUSH, LYCRA	Lycra
1C	PC1000V	COVER, 10" PLUSH, DR	Dartex
1C	PC1000F	COVER 10" PLUSH/FLEECE	Fleece
1D	PF1205	REFOAM KIT 12" NARROW PLUSH	
1D	PC1205L	COVER NARROW PLUSH/LYCRA	Lycra
1D	PC1205V	COVER NARROW PLUSH/R/VSD DARTEXX	Dartex
1D	PC1205F	COVER NARROW PLUSH/FLEECE	Fleece

Pos.	Item Number	Description	Remarks
2A	PF1400	REFOAM KIT 14"PLUSH	
2A	PC1400L	COVER, 14" PLUSH, LYCRA	Lycra
2A	PC1400V	COVER, 14" PLUSH, DR	Dartex
2A	PC1400F	COVER 14"PLUSH/FLEECE	Fleece
2B	PF1900	REFOAM KIT 19"PLUSH	
2B	PC1900L	COVER 19"PLUSH/LYCRA	Lycra
2B	PC1900V	COVER 19" PLUSH/R'VSD DARTEXX	Dartex
2B	PC1900F	COVER 19"PLUSH/FLEECE	Fleece
4	MF014600	1/4-28X5/8" SHCS- COLLAR BOLT	
5	MC100-WB	COVER 3/4"COLLAR/VINYL BLACK	
6	MW027100	COLLAR HALF RAD 3/4" THD. BLCK	
1A,4-6	P605L	PLUSH PAD, 6", LYCRA	Lycra
1A,4-6	P605V	PLUSH PAD, 6", DARTEX	Dartex
1B,4-6	P800L	PLUSH PAD, 8 IN LYCRA	Lycra
1B,4-6	P800V	PLUSH PAD, 8 IN DARTEX	Dartex
1C,4-6	P1000L	PLUSH PAD, 10 IN LYCRA	Lycra
1C,4-6	P1000V	PLUSH PAD, 10 IN DARTEX	Dartex
1D,4-6	P1205L	PLUSH PAD, 12 IN NARROW LYCRA	Lycra
1D,4-6	P1205V	PLUSH PAD, 12 IN NARROW DARTEX	Dartex
2A,4-6	P1400L	PLUSH PAD, 14 IN LYCRA	Lycra
2A,4-6	P1400V	PLUSH PAD, 14 IN DARTEX	Dartex
2B,4-6	P1900L	PLUSH PAD, 19 IN LYCRA	Lycra
2B,4-6	P1900V	PLUSH PAD, 19 IN DARTEX	Dartex
3A,4-6	P1420L	PLUSH PAD, 14 IN DUAL MOUNT LYCRA	Lycra
3A,4-6	P1420V	PLUSH PAD, 14 IN DUAL MOUNT DARTEX	Dartex
3B,4-6	P1920L	PLUSH PAD, 19 IN DUAL MOUNT LYCRA	Lycra
3B,4-6	P1920V	PLUSH PAD, 19 IN DUAL MOUNT DARTEX	Dartex

Note: Parts not compatible with Headrest ordered prior to 5/27/2013, please replace complete headrest if ordered prior to 5/27/2013.



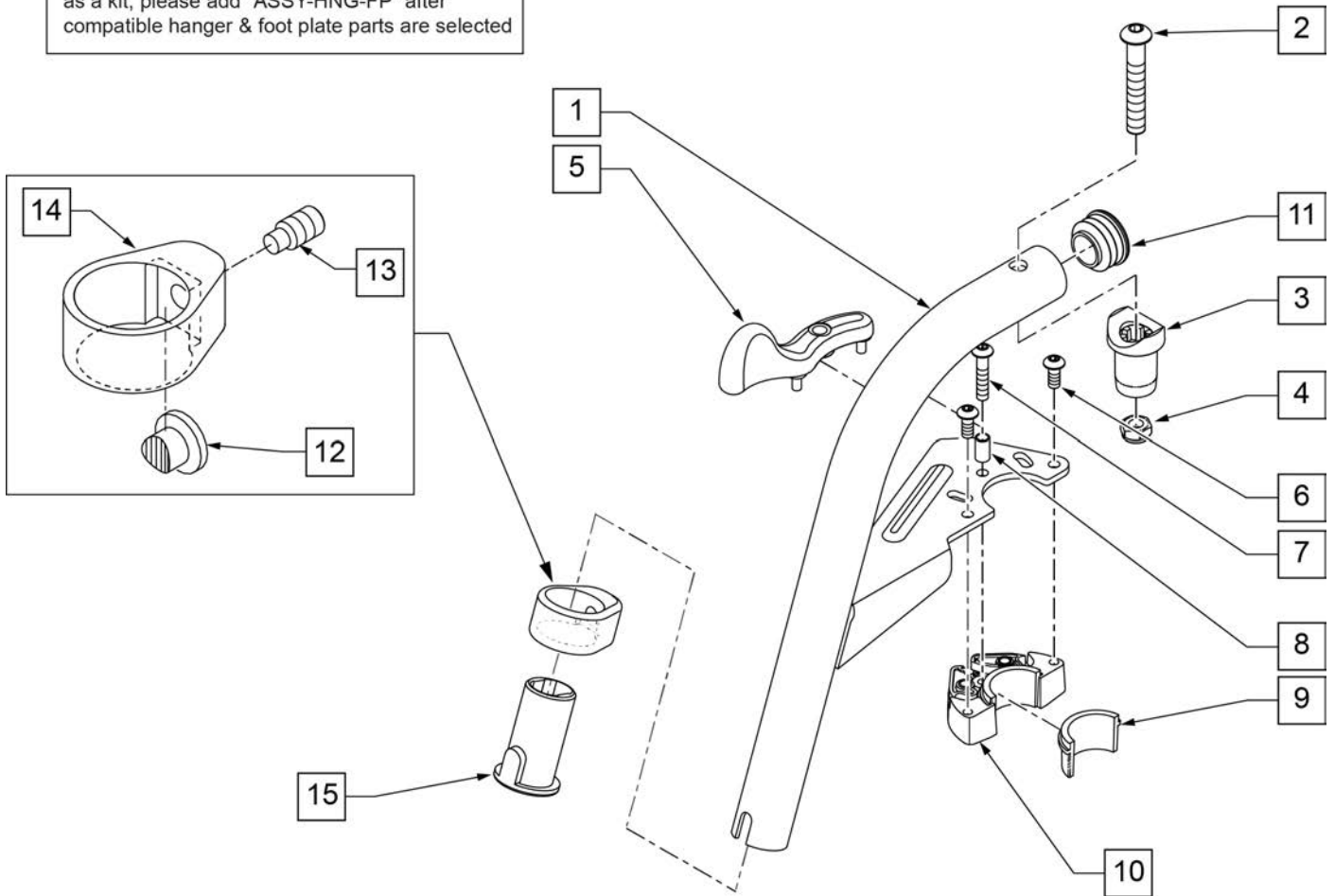
Pos.	Item Number	Description	Remarks
		DARTEX	
1	125375	COV INFANT SHT WIDE SHT DARTEX	Short Cradle, Short Arms
1	125376	COV INFANT SHT WIDE LNG DARTEX	Short Cradle, Long Arms
1	125379	COV INFANT TALL THIN SHT DARTEX	Tall Cradle, Short Arms
1	125380	COV INFANT TALL THIN LNG DARTEX	Tall Cradle, Long Arms
1	125383	COV SMALL SHT WIDE SHT DARTEX	Short Cradle, Short Arms
1	125384	COV SMALL SHT WIDE LNG DARTEX	Short Cradle, Long Arms
1	125387	COV SMALL TALL THIN SHT DARTEX	Tall Cradle, Short Arms
1	125388	COV SMALL TALL THIN LNG DARTEX	Tall Cradle, Long Arms
1	125391	COV MEDIUM SHT WIDE SHT DARTEX	Short Cradle, Short Arms
1	125392	COV MEDIUM SHT WIDE LNG DARTEX	Short Cradle, Long Arms
1	125395	COV MEDIUM TALL THIN SHT DARTEX	Tall Cradle, Short Arms
1	125396	COV MEDIUM TALL THIN LNG DARTEX	Tall Cradle, Long Arms
1	125399	COV LARGE SHT WIDE SHT DARTEX	Short Cradle, Short Arms

Pos.	Item Number	Description	Remarks
1	125400	COV LARGE SHT WIDE LNG DARTEX	Short Cradle, Long Arms
1	125403	COV LARGE TALL THIN SHT DARTEX	Tall Cradle, Short Arms
1	125404	COV LARGE TALL THIN LNG DARTEX	Tall Cradle, Long Arms
		LYCRA	
1	125377	COV INFANT SHT WIDE SHT LYCRA	Short Cradle, Short Arms
1	125378	COV INFANT SHT WIDE LNG LYCRA	Short Cradle, Long Arms
1	125381	COV INFANT TALL THIN SHT LYCRA	Tall Cradle, Short Arms
1	125382	COV INFANT TALL THIN LNG LYCRA	Tall Cradle, Long Arms
1	125385	COV SMALL SHT WIDE SHT LYCRA	Short Cradle, Short Arms
1	125386	COV SMALL SHT WIDE LNG LYCRA	Short Cradle, Long Arms
1	125389	COV SMALL TALL THIN SHT LYCRA	Tall Cradle, Short Arms
1	125390	COV SMALL TALL THIN LNG LYCRA	Tall Cradle, Long Arms
1	125393	COV MEDIUM SHT WIDE SHT LYCRA	Short Cradle, Short Arms
1	125394	COV MEDIUM SHT WIDE LNG LYCRA	Short Cradle, Long Arms
1	125397	COV MEDIUM TALL THIN SHT LYCRA	Tall Cradle, Short Arms
1	125398	COV MEDIUM TALL THIN LNG LYCRA	Tall Cradle, Long Arms
1	125401	COV LARGE SHT WIDE SHT LYCRA	Short Cradle, Short Arms
1	125402	COV LARGE SHT WIDE LNG LYCRA	Short Cradle, Long Arms
1	125405	COV LARGE TALL THIN SHT LYCRA	Tall Cradle, Short Arms
1	125406	COV LARGE TALL THIN LNG LYCRA	Tall Cradle, Long Arms
2	125351	STANDARD CRADLE PAD INF SHT	
2	125352	STANDARD CRADLE PAD INF TL	
2	125353	STANDARD CRADLE PAD SM SHT	
2	125354	STANDARD CRADLE PAD SM TL	
2	125355	STANDARD CRADLE PAD MED SHT	
2	125356	STANDARD CRADLE PAD MED TL	
2	125357	STANDARD CRADLE PAD LRG SHT	
2	125358	STANDARD CRADLE PAD LRG TL	
2	125359	COMFORT CRADLE PAD INF SHT	
2	125360	COMFORT CRADLE PAD INF TL	
2	125361	COMFORT CRADLE PAD SM SHT	
2	125362	COMFORT CRADLE PAD SM TL	
2	125363	COMFORT CRADLE PAD MED SHT	
2	125364	COMFORT CRADLE PAD MED TL	
2	125365	COMFORT CRADLE PAD LRG SHT	
2	125366	COMFORT CRADLE PAD LRG TL	
3	125343	INFANT SHORT CRADLE SHELL	
3	125345	SMALL SHORT CRADLE SHELL	
3	125347	MEDIUM SHORT CRADLE SHELL	
3	125349	LARGE SHORT CRADLE SHELL	
3	125344	INFANT TALL CRADLE SHELL	
3	125346	SMALL TALL CRADLE SHELL	
3	125348	MEDIUM TALL CRADLE SHELL	
3	125350	LARGE TALL CRADLE SHELL	
9	125367	SWING ARM WIDE EXT SHORT RT	Used w/ Med & Large Cradle
9	125368	SWING ARM WIDE EXT SHORT LT	Used w/ Med & Large Cradle
9	125369	SWING ARM WIDE EXT LONG RT	Used w/ Med & Large Cradle
9	125370	SWING ARM WIDE EXT LONG LT	Used w/ Med & Large Cradle
9	125371	SWING ARM THIN EXT SHORT RT	Used w/ Infant & Small Cradle
9	125372	SWING ARM THIN EXT SHORT LT	Used w/ Infant & Small Cradle
9	125373	SWING ARM THIN EXT LONG RT	Used w/ Infant & Small Cradle
9	125374	SWING ARM THIN EXT LONG LT	Used w/ Infant & Small Cradle
10	106933	NUT NYLOCK THIN 1/4-20 ROHS	
11	MF014600	1/4-28x5/8" SHCS-COLLAR BOLT	
12	MC100-WB	COVER 3/4" COLLAR /VINYL BLACK	
13	MW027100	COLLAR HALF RAD 3/4" THD. BLCK	

Pos.	Item Number	Description	Remarks
15	125407	FOAM PAD CHIN PROMPT INFANT	
15	125408	FOAM PAD CHIN PROMPT SMALL	
15	125409	FOAM PAD CHIN PROMPT MEDIUM	
15	125410	FOAM PAD CHIN PROMPT LARGE	
14	125411	COVER PAD CHIN PROMPT INFANT	
14	125412	COVER PAD CHIN PROMPT SMALL	
14	125413	COVER PAD CHIN PROMPT MEDIUM	
14	125414	COVER PAD CHIN PROMPT LARGE	
16	M9275	S.O.F.T. BPA, SINGLE SUB-OCC	
17	P500L-WB	OCCIP PAD, PED, LYCRA	
17	P600L	OCCIP PAD, ADULT, LYCRA	
17	P800L	PLUSH PAD, 8 IN LYCRA	
17	P1000L	PAD 10" PLUSH/LYCRA	
17	P500V	OCCIP PAD, PED, DR	
17	P600V	OCCIP PAD, ADULT, DR	
17	P800V	PLUSH PAD, 8", DR	
17	P1000V	PLUSH PAD, 10", DR	
18	125415	PUSH BUTTON ADJ MECH 1 SIDE	

Note: Effective on GP SA beginning GP-95902, Kids Q2 SE beginning QKE-003425, LX/LXI beginning LXI-060868, Quickie TS beginning QT-044951 & QTE-002092.

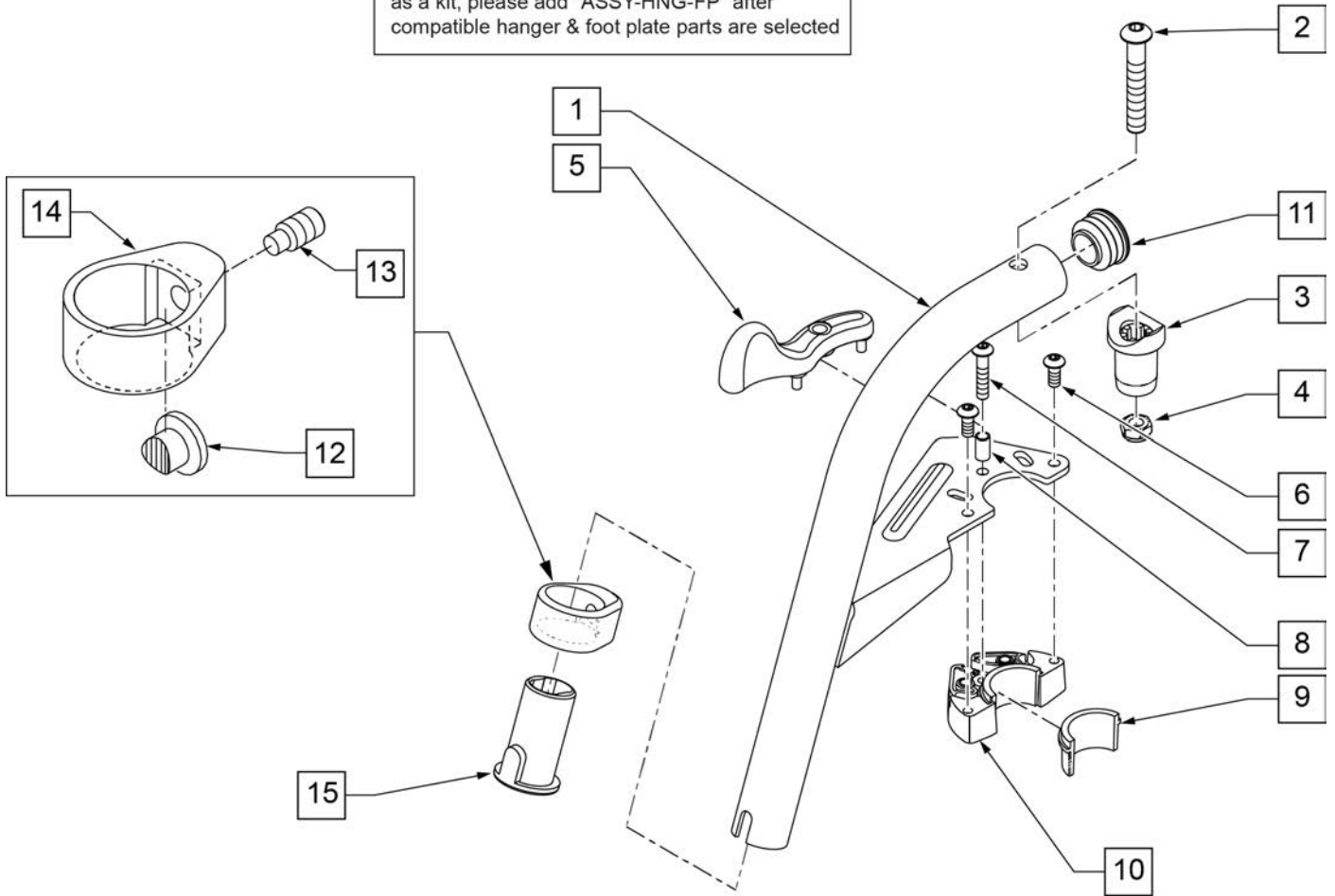
To request assembly of parts being ordered as a kit, please add "ASSY-HNG-FP" after compatible hanger & foot plate parts are selected



Pos.	Item Number	Description	Remarks
2	106983	5/16-18 X 2 BH C/S SHT THREAD	
3,4	561197	PIVOT SADDLE PLASTIC	
5	052296	SWING I/O LATCH LEVER RIGHT	Right
5	052297	SWING I/O LATCH LEVER LEFT	Left
6	102259-001	BHCS M5 X .8 X 12 W/PL INORG	
7	230494	M5-30 BTTN HD SOC C/S BLK	
8	052054	BUSHING PIVOT HANGER SWING I/O	
11	561062	1" INSERT PLUG .065 RIBS	
15	104160	BUSHING FOOTREST	
1-15	111243S	HANGER 60 Deg S/A ASSM R	SPECIFY COLOR,RIGHT
1-15	111242S	HANGER 60 Deg S/A ASSM L	SPECIFY COLOR,LEFT
12-15	107485	FOOTREST CLAMP ASSM	
6,9,10	120976	ASSY LATCH BLOCK ANTI LIFT	
		Ship assembled part #	Use with multiple assemblies
	ASSY-HNG-FP	HANGER/FOOTPLATE ASSY REQUIRED	add with Hanger & Footplate kit

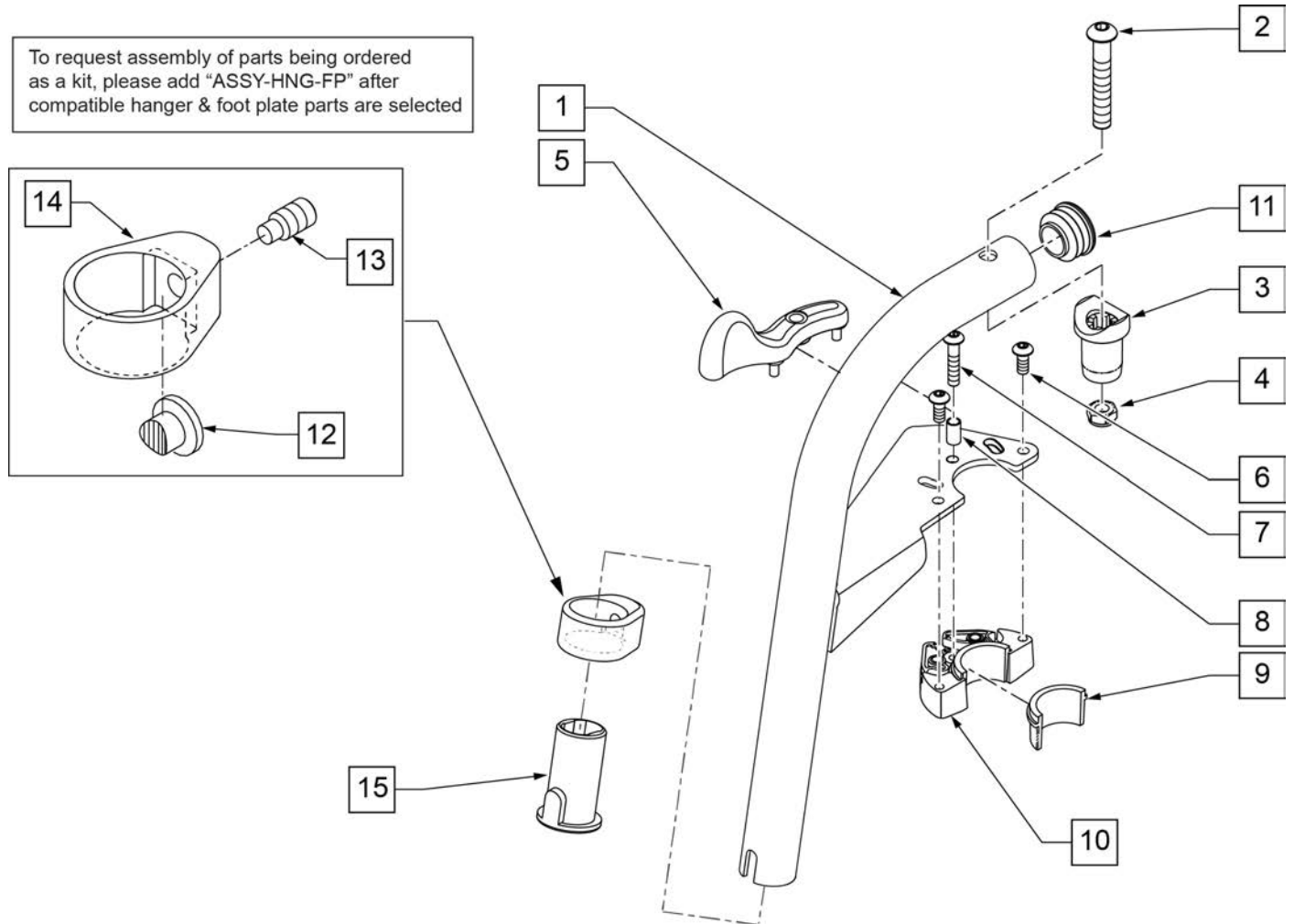
Note: Effective on GP SA beginning GP-95902, Kids Q2 SE beginning QKE-003425, LX/LXI beginning LXI-060868, Quickie TS beginning QT-044951 & QTE-002092.

To request assembly of parts being ordered as a kit, please add "ASSY-HNG-FP" after compatible hanger & foot plate parts are selected



Pos.	Item Number	Description	Remarks
2	106983	5/16-18 X 2 BH C/S SHT THREAD	
3,4	561197	PIVOT SADDLE PLASTIC	
5	052296	SWING I/O LATCH LEVER RIGHT	Right
5	052297	SWING I/O LATCH LEVER LEFT	Left
6	102259-001	BHCS M5 X .8 X 12 W/PL INORG	
7	230494	M5-30 BTTN HD SOC C/S BLK	
8	052054	BUSHING PIVOT HANGER SWING I/O	
11	561062	1" INSERT PLUG .065 RIBS	
15	104160	BUSHING FOOTREST	
1-15	107671S	70 DEG SWING IN/OUT HANGER ASSEMBLY LEFT	SPECIFY COLOR,LEFT
1-15	107670S	70 DEG SWING IN/OUT HANGER ASSEMBLY RIGHT	SPECIFY COLOR,RIGHT
12-15	107485	FOOTREST CLAMP ASSM	
6,9,10	120976	ASSY LATCH BLOCK ANTI LIFT	
		Ship assembled part #	Use with multiple assemblies
	ASSY-HNG-FP	HANGER/FOOTPLATE ASSY REQUIRED	add with Hanger & Footplate kit

Note: Effective on GP SA beginning GP-95902, Kids Q2 SE beginning QKE-003425, LX/LXI beginning LXI-060868, Quickie TS beginning QT-044951 & QTE-002092.



Pos.	Item Number	Description	Remarks
2	106983	5/16-18 X 2 BH C/S SHT THREAD	
3,4	561197	PIVOT SADDLE PLASTIC	
5	052296	SWING I/O LATCH LEVER RIGHT	Right
5	052297	SWING I/O LATCH LEVER LEFT	Left
6	102259-001	BHCS M5 X .8 X 12 W/PL INORG	
7	230494	M5-30 BTTN HD SOC C/S BLK	
8	052054	BUSHING PIVOT HANGER SWING I/O	
11	561062	1" INSERT PLUG .065 RIBS	
15	104160	BUSHING FOOTREST	
1-15	107673S	80 DEG HNGR SWING I/O L	SPECIFY COLOR,LEFT
1-15	107672S	80 DEG HNGR SWING I/O R	SPECIFY COLOR,RIGHT
12-15	107485	FOOTREST CLAMP ASSM	
6,9,10	120976	ASSY LATCH BLOCK ANTI LIFT	
		Ship assembled part #	Use with multiple assemblies
	ASSY-HNG-FP	HANGER/FOOTPLATE ASSY REQUIRED	add with Hanger & Footplate kit

Note: Footplate Assemblies are set to footrest width; please see "Footplate Formula" table for seat width conversion.

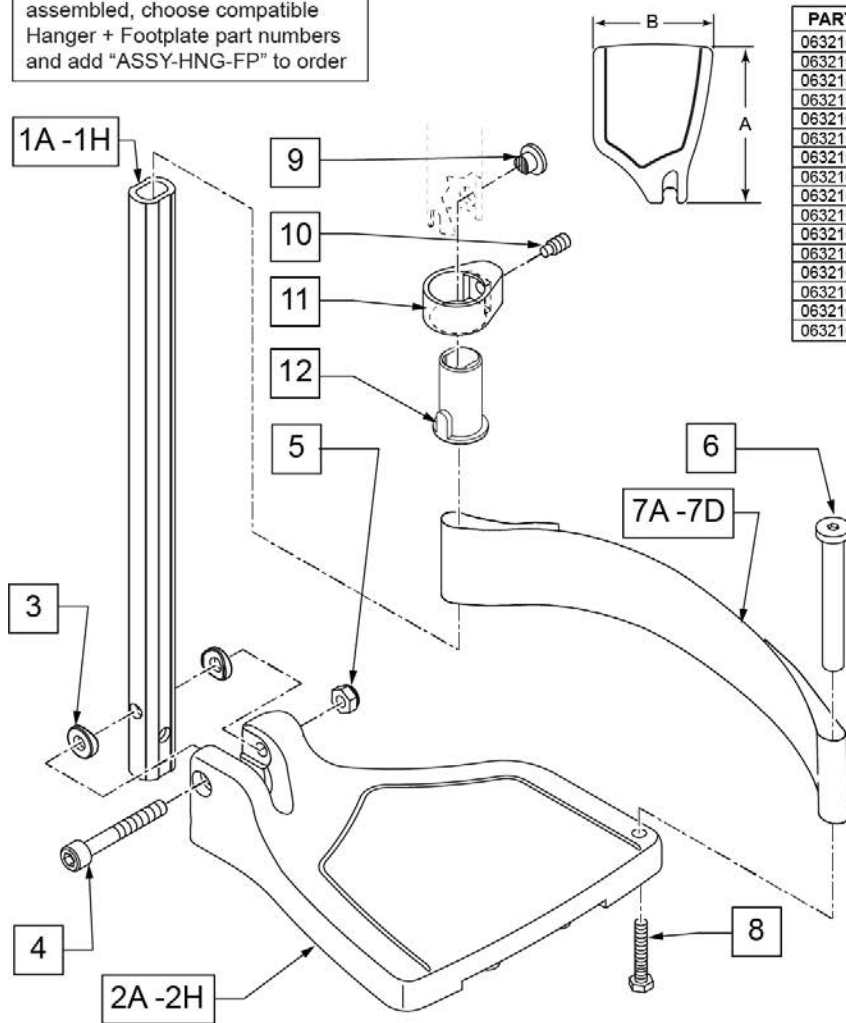
Note: V Style Hangers are not available on Swing Away Style chairs effective 7/14/14; see the "Prior To" ordering guide for V Style footplate assemblies.

Note: for QX Series or SR45 footplate replacement parts see the ordering guide marked specifically for these two models in the informations panel.

FOOTPLATE MEASURING GUIDE

PART NO	DESCRIPTION	"A"	"B"
063216-006	FOOTPLATE COMPOSITE 157 R (13"W)	6 1/8"	6"
063216-012	FOOTPLATE COMPOSITE 157 L (13"W)	6 1/8"	6"
063216-015	FOOTPLATE COMPOSITE 170 R (14"W)	6 5/8"	6"
063216-018	FOOTPLATE COMPOSITE 170 L (14"W)	6 5/8"	6"
063216-005	FOOTPLATE COMPOSITE 182 R (15"W)	7 1/8"	6"
063216-011	FOOTPLATE COMPOSITE 182 L (15"W)	7 1/8"	6"
063216-014	FOOTPLATE COMPOSITE 195 R (16"W)	7 5/8"	6"
063216-017	FOOTPLATE COMPOSITE 195 L (16"W)	7 5/8"	6"
063216-004	FOOTPLATE COMPOSITE 207 R (17"W)	8 1/8"	6"
063216-010	FOOTPLATE COMPOSITE 207 L (17"W)	8 1/8"	6"
063216-013	FOOTPLATE COMPOSITE 220 R (18"W)	8 5/8"	6 1/4"
063216-016	FOOTPLATE COMPOSITE 220 L (18"W)	8 5/8"	6 1/4"
063216-003	FOOTPLATE COMPOSITE 232 R (19-20"W)	9 1/8"	6 1/4"
063216-009	FOOTPLATE COMPOSITE 232 L (19-20"W)	9 1/8"	6 1/4"
063216-002	FOOTPLATE COMPOSITE 257 R (21-22"W)	10 1/8"	6 1/4"
063216-008	FOOTPLATE COMPOSITE 257 L (21-22"W)	10 1/8"	6 1/4"

To have complete Footrest ship assembled, choose compatible Hanger + Footplate part numbers and add "ASSY-HNG-FP" to order



INSET FORMULA
 0" Inset (Seat Width) = Footrest Width
 1" Inset (Seat Width) -2" = Footrest Width
 "V" Hanger (Seat Width) -4" = Footrest Width
 Offset Hanger Receiver (Seat Width) +2" = Footrest Width

Pos.	Item Number	Description	Remarks
1A,3-5	120660	SHT STRT EXT COMP HDWR	80 deg hangers + ELR only
1B,3-5	120661	MED STRT EXT COMP HDWR	80 deg hangers + ELR only
1C,3-5	120662	LNG STRT EXT COMP HDWR	80 deg hangers + ELR only
1D,3-5	120663	SHT BNT EXT COMP HDWR	60,70,70 Hemi Hangers
1E,3-5	120664	MED BNT EXT COMP HDWR	60,70,70 Hemi Hangers

Pos.	Item Number	Description	Remarks
1F,3-5	120665	LNG BNT EXT COMP HDWR	60,70,70 Hemi Hangers
1G,3-5	120666	SHT V EXT R COMP HDWR	70 deg V hangers only-LEFT
1G,3-5	120667	SHT V EXT L COMP HDWR	70 deg V hangers only-RIGHT
1H,3-5	120668	LNG V EXT R COMP HDWR	70 deg V hangers only-LEFT
1H,3-5	120669	LNG V EXT L COMP HDWR	70 deg V hangers only-RIGHT
2A	063216-006	FOOTPLATE COMPOSITE 157 R	RIGHT 13" Footrest Width
2A	063216-012	FOOTPLATE COMPOSITE 157 L	LEFT 13" Footrest Width
2B	063216-015	FOOTPLATE COMPOSITE 170 R	RIGHT 14" Footrest Width
2B	063216-018	FOOTPLATE COMPOSITE 170 L	LEFT 14" Footrest Width
2C	063216-005	COMPOSITE FOOTPLATE 182 R	RIGHT 15" Footrest Width
2C	063216-011	COMPOSITE FOOTPLATE 182 L	LEFT 15" Footrest Width
2D	063216-014	FOOTPLATE COMPOSITE 195 R	RIGHT 16" Footrest Width
2D	063216-017	FOOTPLATE COMPOSITE 195 L	LEFT 16" Footrest Width
2E	063216-004	COMPOSITE FOOTPLATE 207 R	RIGHT 17" Footrest Width
2E	063216-010	COMPOSITE FOOTPLATE 207 L	LEFT 17" Footrest Width
2F	063216-013	FOOTPLATE COMPOSITE 220 R	RIGHT 18" Footrest Width
2F	063216-016	FOOTPLATE COMPOSITE 220 L	LEFT 18" Footrest Width
2G	063216-003	COMPOSITE FOOTPLATE 232 R	RIGHT 19" & 20" Footrest Width
2G	063216-009	COMPOSITE FOOTPLATE 232 L	LEFT 19" & 20" Footrest Width
2H	063216-002	FOOTPLATE COMPOSITE 257 R	RIGHT 21" & 22" Footrest Width
2H	063216-008	FOOTPLATE COMPOSITE 257 L	LEFT 21" & 22" Footrest Width
3	104377	3/4" SADDLE THIN	
4	103175	SHCS M6 X 1 X 40 INORG	
5	132626	NUT AUTOMATION M6 X 1.0	Inserted in bottom of footplate.
6	104328	HEEL LOOP PEG	
7A	104380-001	ADJUSTABLE FOOT REST STRAP	14" wide
7B	104380-002	ADJUSTABLE FOOT REST STRAP	15-16" wide
7C	104380-003	ADJUSTABLE FOOT REST STRAP	17-18" wide
7D	104380-004	ADJUSTABLE FOOT REST STRAP	19-22" wide
8	102268-001	HHCS M6 X 1 X 25	
12	104160	BUSHING FOOTREST	
9-12	107485	FOOTREST CLAMP ASSM	
		Ship assembled part #	Use with multiple assemblies
	ASSY-HNG-FP	HANGER/FOOTPLATE ASSY REQUIRED	add with Hanger & Footplate kit
>>>>		60°,70°,70° HEMI HANGERS - SHORT EXT - RIGHT	
1D,2A,3-6,7A,8	107746	COMP BNT SHT EXT ASM 13" W R	Right- 70D- 13" W- SHORT
1D,2B,3-6,7A,8	107747	COMP BNT SHT EXT ASM 14" W R	Right- 70D- 14" W- SHORT
1D,2C,3-6,7B,8	107748	COMP BNT SHT EXT ASM 15" W R	Right- 70D- 15" W- SHORT
1D,2D,3-6,7B,8	107749	COMP BNT SHT EXT ASM 16" W R	Right- 70D- 16" W- SHORT
1D,2E,3-6,7C,8	107750	COMP BNT SHT EXT ASM 17" W R	Right- 70D- 17" W- SHORT
1D,2F,3-6,7C,8	107751	COMP BNT SHT EXT ASM 18" W R	Right- 70D- 18" W- SHORT
1D,2G,3-6,7D,8	107752	COMP BNT SHT EXT ASM 19 & 20"W R	Right- 70D- 19 & 20" W- SHORT
1D,2H,3-6,7D,8	111528	COMP BNT SHT EXT ASM 21 & 22"W R	Right- 70D- 21 & 22" W- SHORT
>>>>		60°,70°,70° HEMI HANGERS - SHORT EXT - LEFT	
1D,2A,3-6,7A,8	107753	COMP BNT SHT EXT ASM 13" W L	Left- 70D- 13 W- SHORT
1D,2B,3-6,7A,8	107754	COMP BNT SHT EXT ASM 14" W L	Left- 70D- 14 W- SHORT
1D,2C,3-6,7B,8	107755	COMP BNT SHT EXT ASM 15" W L	Left- 70D- 15 W- SHORT
1D,2D,3-6,7B,8	107756	COMP BNT SHT EXT ASM 16" W L	Left- 70D- 16 W- SHORT
1D,2E,3-6,7C,8	107757	COMP BNT SHT EXT ASM 17" W L	Left- 70D- 17 W- SHORT
1D,2F,3-6,7C,8	107758	COMP BNT SHT EXT ASM 18" W L	Left- 70D- 18 W- SHORT
1D,2G,3-6,7D,8	107759	COMP BNT SHT EXT ASM 19 & 20"W L	Left- 70D- 19 & 20" W- SHORT
1D,2H,3-6,7D,8	111529	COMP BNT SHT EXT ASM 21 & 22"W L	Left- 70D- 21 & 22" W- SHORT
>>>>		60°,70°,70° HEMI HANGERS - MED EXT - RIGHT	
1E,2A,3-6,7A,8	107760	COMP BNT MED EXT ASM 13" W R	Right- 70D- 13" W- MED
1E,2B,3-6,7A,8	107761	COMP BNT MED EXT ASM 14" W R	Right- 70D- 14" W- MED
1E,2C,3-6,7B,8	107762	COMP BNT MED EXT ASM 15" W R	Right- 70D- 15" W- MED

Pos.	Item Number	Description	Remarks
1E,2D,3-6,7B,8	107763	COMP BNT MED EXT ASM 16" W R	Right- 70D- 16" W- MED
1E,2E,3-6,7C,8	107764	COMP BNT MED EXT ASM 17" W R	Right- 70D- 17" W- MED
1E,2F,3-6,7C,8	107765	COMP BNT MED EXT ASM 18" W R	Right- 70D- 18" W- MED
1E,2G,3-6,7D,8	107766	COMP BNT MED EXT ASM 19 & 20"W R	Right- 70D- 19 & 20" W- MED
1E,2H,3-6,7D,8	111530	COMP BNT MED EXT ASM 21 & 22"W R	Right- 70D- 21 & 22" W- MED
>>>>		60°,70°,70° HEMI HANGERS - MED EXT - LEFT	
1E,2A,3-6,7A,8	107767	COMP BNT MED EXT ASM 13" W L	Left- 70D- 13 W- MED
1E,2B,3-6,7A,8	107768	COMP BNT MED EXT ASM 14" W L	Left- 70D- 14 W- MED
1E,2C,3-6,7B,8	107769	COMP BNT MED EXT ASM 15" W L	Left- 70D- 15 W- MED
1E,2D,3-6,7B,8	107770	COMP BNT MED EXT ASM 16" W L	Left- 70D- 16 W- MED
1E,2E,3-6,7C,8	107771	COMP BNT MED EXT ASM 17" W L	Left- 70D- 17 W- MED
1E,2F,3-6,7C,8	107772	COMP BNT MED EXT ASM 18" W L	Left- 70D- 18 W- MED
1E,2G,3-6,7D,8	107773	COMP BNT MED EXT ASM 19 & 20"W L	Left- 70D- 19 & 20" W- MED
1E,2H,3-6,7D,8	111531	COMP BNT MED EXT ASM 21 & 22"W L	Left- 70D- 21 & 22" W- MED
>>>>		60°,70°,70° HEMI HANGERS - LONG EXT - RIGHT	
1F,2A,3-6,7A,8	107774	COMP BNT LONG EXT ASM 13" W R	Right- 70D- 13" W- LONG
1F,2B,3-6,7A,8	107775	COMP BNT LONG EXT ASM 14" W R	Right- 70D- 14" W- LONG
1F,2C,3-6,7B,8	107776	COMP BNT LONG EXT ASM 15" W R	Right- 70D- 15" W- LONG
1F,2D,3-6,7B,8	107777	COMP BNT LONG EXT ASM 16" W R	Right- 70D- 16" W- LONG
1F,2E,3-6,7C,8	107778	COMP BNT LONG EXT ASM 17" W R	Right- 70D- 17" W- LONG
1F,2F,3-6,7C,8	107779	COMP BNT LONG EXT ASM 18" W R	Right- 70D- 18" W- LONG
1F,2G,3-6,7D,8	107780	COMP BNT LONG EXT ASM 19 & 20"W R	Right- 70D- 19 & 20" W- LONG
1F,2H,3-6,7D,8	111532	COMP BNT LONG EXT ASM 21 & 22"W R	Right- 70D- 21 & 22" W- LONG
>>>>		60°,70°,70° HEMI HANGERS - LONG EXT - LEFT	
1F,2A,3-6,7A,8	107781	COMP BNT LONG EXT ASM 13" W L	Left- 70D- 13 W- LONG
1F,2B,3-6,7A,8	107782	COMP BNT LONG EXT ASM 14" W L	Left- 70D- 14 W- LONG
1F,2C,3-6,7B,8	107783	COMP BNT LONG EXT ASM 15" W L	Left- 70D- 15 W- LONG
1F,2D,3-6,7B,8	107784	COMP BNT LONG EXT ASM 16" W L	Left- 70D- 16 W- LONG
1F,2E,3-6,7C,8	107785	COMP BNT LONG EXT ASM 17" W L	Left- 70D- 17 W- LONG
1F,2F,3-6,7C,8	107786	COMP BNT LONG EXT ASM 18" W L	Left- 70D- 18 W- LONG
1F,2G,3-6,7D,8	107787	COMP BNT LONG EXT ASM 19 & 20"W L	Left- 70D- 19 & 20" W- LONG
1F,2H,3-6,7D,8	111533	COMP BNT LONG EXT ASM 21 & 22"W L	Left- 70D- 21 & 22" W- LONG
>>>>		70 DEGREE "V" HANGERS - MED EXT - RIGHT	
1G,2A,3-8	107788	COMP V MED EXT ASM 13W R	Right- 70D V hangers only 13 W- MED
1G,2B,3-8	107789	COMP V MED EXT ASM 14W R	Right- 70D V hangers only 14 W- MED
1G,2C,3-8	107790	COMP V MED EXT ASM 15W R	Right- 70D V hangers only 15 W- MED
1G,2D,3-8	107791	COMP V MED EXT ASM 16W R	Right- 70D V hangers only 16 W- MED
1G,2E,3-8	107792	COMP V MED EXT ASM 17W R	Right- 70D V hangers only 17 W- MED
1G,2F,3-8	107793	COMP V MED EXT ASM 18W R	Right- 70D V hangers only 18 W- MED
>>>>		70 DEGREE "V" HANGERS - MED EXT - LEFT	
1G,2A,3-8	107795	COMP V MED EXT ASM 13W L	Left- 70D V hangers only 13 W- MED
1G,2B,3-8	107796	COMP V MED EXT ASM 14W L	Left- 70D V hangers only 14 W- MED
1G,2C,3-8	107797	COMP V MED EXT ASM 15W L	Left- 70D V hangers only 15 W- MED
1G,2D,3-8	107798	COMP V MED EXT ASM 16W L	Left- 70D V hangers only 16 W- MED
1G,2E,3-8	107799	COMP V MED EXT ASM 17W L	Left- 70D V hangers only 17 W- MED
1G,2F,3-8	107800	COMP V MED EXT ASM 18W L	Left- 70D V hangers only 18 W- MED
>>>>		70 DEGREE "V" HANGERS - LONG EXT - RIGHT	
1H,2A,3-8	107802	COMP V LNG EXT ASM 13W R	Right- 70D V hangers only 13 W- LONG
1H,2B,3-8	107803	COMP V LNG EXT ASM 14W R	Right- 70D V hangers only 14 W- LONG
1H,2C,3-8	107804	COMP V LNG EXT ASM 15W R	Right- 70D V hangers only 15 W- LONG
1H,2D,3-8	107805	COMP V LNG EXT ASM 16W R	Right- 70D V hangers only 16 W- LONG
1H,2E,3-8	107806	COMP V LNG EXT ASM 17W R	Right- 70D V hangers only 17 W- LONG
1H,2F,3-8	107807	COMP V LNG EXT ASM 18W R	Right- 70D V hangers only 18 W- LONG
>>>>		70 DEGREE "V" HANGERS - LONG EXT - LEFT	
1H,2A,3-8	107809	COMP V LNG EXT ASM 13W L	Left- 70D V hangers only 13 W- LONG
1H,2B,3-8	107810	COMP V LNG EXT ASM 14W L	Left- 70D V hangers only 14 W- LONG

Pos.	Item Number	Description	Remarks
1H,2C,3-8	107811	COMP V LNG EXT ASM 15W L	Left- 70D V hangers only 15 W- LONG
1H,2D,3-8	107812	COMP V LNG EXT ASM 16W L	Left- 70D V hangers only 16 W- LONG
1H,2E,3-8	107813	COMP V LNG EXT ASM 17W L	Left- 70D V hangers only 17 W- LONG
1H,2F,3-8	107814	COMP V LNG EXT ASM 18W L	Left- 70D V hangers only 18 W- LONG
>>>>		80 DEGREE HANGERS - SHORT EXT - RIGHT	
1A,2A,3-6,7A,8	107704	COMP STRT SHT EXT ASM 13"W R	Right- 80D- 13" W- SHORT
1A,2B,3-6,7A,8	107705	COMP STRT SHT EXT ASM 14"W R	Right- 80D- 14" W- SHORT
1A,2C,3-6,7B,8	107706	COMP STRT SHT EXT ASM 15"W R	Right- 80D- 15" W- SHORT
1A,2D,3-6,7B,8	107707	COMP STRT SHT EXT ASM 16"W R	Right- 80D- 16" W- SHORT
1A,2E,3-6,7C,8	107708	COMP STRT SHT EXT ASM 17"W R	Right- 80D- 17" W- SHORT
1A,2F,3-6,7C,8	107709	COMP STRT SHT EXT ASM 18"W R	Right- 80D- 18" W- SHORT
1A,2G,3-6,7D,8	107710	COMP STRT SHT EXT ASM 19 & 20"W R	Right- 80D- 19 & 20" W- SHORT
1A,2H,3-6,7D,8	111522	COMP STRT SHT EXT ASM 21 & 22"W R	Right- 80D- 21 & 22" W- SHORT
>>>>		80 DEGREE HANGERS - SHORT EXT - LEFT	
1A,2A,3-6,7A,8	107711	COMP STRT SHT EXT ASM 13"W L	LEFT- 80D- 13" W- SHORT
1A,2B,3-6,7A,8	107712	COMP STRT SHT EXT ASM 14"W L	LEFT- 80D- 14" W- SHORT
1A,2C,3-6,7B,8	107713	COMP STRT SHT EXT ASM 15"W L	LEFT- 80D- 15" W- SHORT
1A,2D,3-6,7B,8	107714	COMP STRT SHT EXT ASM 16"W L	LEFT- 80D- 16" W- SHORT
1A,2E,3-6,7C,8	107715	COMP STRT SHT EXT ASM 17"W L	LEFT- 80D- 17" W- SHORT
1A,2F,3-6,7C,8	107716	COMP STRT SHT EXT ASM 18"W L	LEFT- 80D- 18" W- SHORT
1A,2G,3-6,7D,8	107717	COMP STRT SHT EXT ASM 19 & 20"W L	LEFT- 80D- 19 & 20" W- SHORT
1A,2H,3-6,7D,8	111523	COMP STRT SHT EXT ASM 21 & 22"W L	LEFT- 80D- 21 & 22" W- SHORT
>>>>		80 DEGREE HANGERS - MED EXT - RIGHT	
1B,2A,3-6,7A,8	107718	COMP STRT MED EXT ASM 13"W R	Right- 80D- 13" W- MED
1B,2B,3-6,7A,8	107719	COMP STRT MED EXT ASM 14"W R	Right- 80D- 14" W- MED
1B,2C,3-6,7B,8	107720	COMP STRT MED EXT ASM 15"W R	Right- 80D- 15" W- MED
1B,2D,3-6,7B,8	107721	COMP STRT MED EXT ASM 16"W R	Right- 80D- 16" W- MED
1B,2E,3-6,7C,8	107722	COMP STRT MED EXT ASM 17"W R	Right- 80D- 17" W- MED
1B,2F,3-6,7C,8	107723	COMP STRT MED EXT ASM 18"W R	Right- 80D- 18" W- MED
1B,2G,3-6,7D,8	107724	COMP STRT MED EXT ASM 19 & 20"W R	Right- 80D- 19 & 20" W- MED
1B,2H,3-6,7D,8	111524	COMP STRT MED EXT ASM 21 & 22"W R	Right- 80D- 21 & 22" W- MED
>>>>		80 DEGREE HANGERS - MED EXT - LEFT	
1B,2A,3-6,7A,8	107725	COMP STRT MED EXT ASM 13"W L	LEFT- 80D- 13" W- MED
1B,2B,3-6,7A,8	107726	COMP STRT MED EXT ASM 14"W L	LEFT- 80D- 14" W- MED
1B,2C,3-6,7B,8	107727	COMP STRT MED EXT ASM 15"W L	LEFT- 80D- 15" W- MED
1B,2D,3-6,7B,8	107728	COMP STRT MED EXT ASM 16"W L	LEFT- 80D- 16" W- MED
1B,2E,3-6,7C,8	107729	COMP STRT MED EXT ASM 17"W L	LEFT- 80D- 17" W- MED
1B,2F,3-6,7C,8	107730	COMP STRT MED EXT ASM 18"W L	LEFT- 80D- 18" W- MED
1B,2G,3-6,7D,8	107731	COMP STRT MED EXT ASM 19 & 20"W L	LEFT- 80D- 19 & 20" W- MED
1B,2H,3-6,7D,8	111525	COMP STRT MED EXT ASM 21 & 22"W L	LEFT- 80D- 21 & 22" W- MED
>>>>		80 DEGREE HANGERS - LONG EXT - RIGHT	
1C,2A,3-6,7A,8	107732	COMP STRT LONG EXT ASM 13"W R	Right- 80D- 13" W- LONG
1C,2B,3-6,7A,8	107733	COMP STRT LONG EXT ASM 14"W R	Right- 80D- 14" W- LONG
1C,2C,3-6,7B,8	107734	COMP STRT LONG EXT ASM 15"W R	Right- 80D- 15" W- LONG
1C,2D,3-6,7B,8	107735	COMP STRT LONG EXT ASM 16"W R	Right- 80D- 16" W- LONG
1C,2E,3-6,7C,8	107736	COMP STRT LONG EXT ASM 17"W R	Right- 80D- 17" W- LONG
1C,2F,3-6,7C,8	107737	COMP STRT LONG EXT ASM 18"W R	Right- 80D- 18" W- LONG
1C,2G,3-6,7D,8	107738	COMP STRT LONG EXT ASM 19 & 20"W R	Right- 80D- 19 & 20" W- LONG
1C,2H,3-6,7D,8	111526	COMP STRT LONG EXT ASM 21 & 22"W R	Right- 80D- 21 & 22" W- LONG
>>>>		80 DEGREE HANGERS - LONG EXT - LEFT	
1C,2A,3-6,7A,8	107739	COMP STRT LONG EXT ASM 13"W L	LEFT- 80D- 13" W- LONG
1C,2B,3-6,7A,8	107740	COMP STRT LONG EXT ASM 14"W L	LEFT- 80D- 14" W- LONG
1C,2C,3-6,7B,8	107741	COMP STRT LONG EXT ASM 15"W L	LEFT- 80D- 15" W- LONG
1C,2D,3-6,7B,8	107742	COMP STRT LONG EXT ASM 16"W L	LEFT- 80D- 16" W- LONG
1C,2E,3-6,7C,8	107743	COMP STRT LONG EXT ASM 17"W L	LEFT- 80D- 17" W- LONG
1C,2F,3-6,7C,8	107744	COMP STRT LONG EXT ASM 18"W L	LEFT- 80D- 18" W- LONG

Pos.	Item Number	Description	Remarks
1C,2G,3-6,7D,8	107745	COMP STRT LONG EXT ASM 19 & 20"W L	LEFT- 80D- 19 & 20" W- LONG
1C,2H,3-6,7D,8	111527	COMP STRT LONG EXT ASM 21 & 22"W L	LEFT- 80D- 21 & 22" W- LONG

Note: Footplate Assemblies are set to footrest width; please see "Footplate Formula" table for seat width conversion.

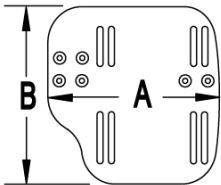
Note: V Style Hangers are not available on Swing Away Style chairs effective 7/14/14; see the "Prior To" ordering guide for V Style footplate assemblies.

Note: for QX Series or SR45 footplate replacement parts see the ordering guide marked specifically for these two models in the informations panel.

To have complete Footrest ship assembled, choose compatible Hanger + Footplate part numbers and add "ASSY-HNG-FP" to order

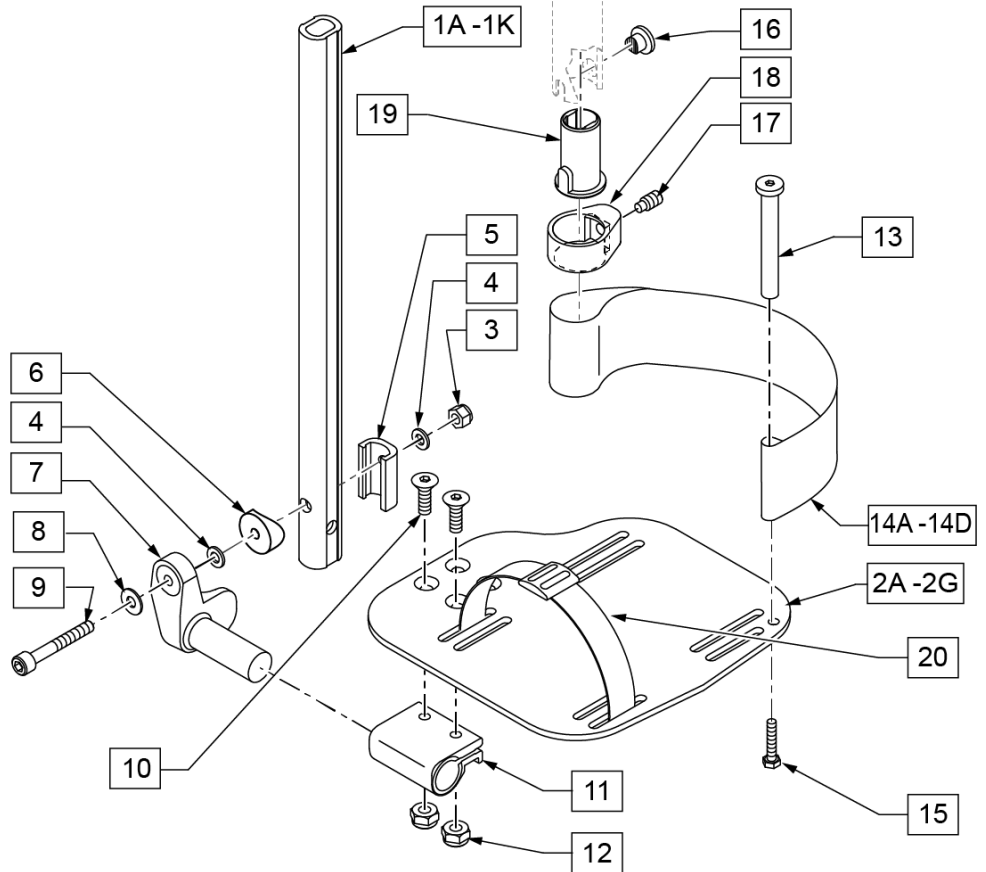
INSET FORMULA
 0" Inset (Seat Width) = Footrest Width
 1" Inset (Seat Width) -2" = Footrest Width
 "V" Hanger (Seat Width) -4" = Footrest Width
 Offset Hanger Receiver (Seat Width) +2" = Footrest Width

MEASURING GUIDE



CHAIR WIDTH	"A"	"B"
10" - 11"	3 1/2"	7 1/4"
12" - 13"	4 1/2"	7 3/4"
14" - 15"	5 1/2"	7 3/4"
16" - 17"	6 1/2"	7 3/4"
18" - 20"	7 1/2"	7 3/4"

21 EXT MNT HARDWARE 1 SIDE			
ITEM #	ILLUSTRATION	DESCRIPTION	QTY
3		NUT AUTOMATION M6 X 1.0 ROHS	1
4		WASHER FLAT THIN AN 1/4	2
5		HANGER EXTENSION SADDLE	1
6		3/4" SADDLE 1" OD	1
8		WASHER FLAT SAE 1/4 ROHS	1
9		SHCS M6 X 1 X 45 12MM PART THD	1



Pos.	Item Number	Description	Remarks
1A,3-6,8,9	120670	SHT STRT EXT AAA HDWR	80 deg Hangers Only
1B,3-6,8,9	120671	MED STRT EXT AAA HDWR	80 deg Hangers Only
1C,3-6,8,9	120672	LNG STRT EXT AAA HDWR	80 deg Hangers Only
1D,3-6,8,9	120673	SHT BNT EXT AAA HDWR	60,70,70 Hemi Hangers
1E,3-6,8,9	120674	MED BNT EXT AAA HDWR	60,70,70 Hemi Hangers

Pos.	Item Number	Description	Remarks
1F,3-6,8,9	120675	LNG BNT EXT AAA HDWR	60,70,70 Hemi Hangers
1G,3-6,8,9	120676	SHT V EXT R AAA HDWR	Left - 70 deg V Hangers Only
1H,3-6,8,9	120677	SHT V EXT L AAA HDWR	Right - 70 deg V Hangers Only
1I,3-6,8,9	120678	LNG V EXT R AAA HDWR	Left - 70 deg V Hangers Only
1J,3-6,8,9	120679	LNG V EXT L AAA HDWR	Right - 70 deg V Hangers Only
2A	500656	ADULT ANG ADJ F/PLT 10/11" R	RIGHT 10-11" Footrest Width
2A	500657	ADULT ANG ADJ F/PLT 10/11" L	LEFT 10-11" Footrest Width
2B	500658	ADULT ANG ADJ F/PLT 12/13" R	RIGHT 12-13" Footrest Width
2B	500659	ADULT ANG ADJ F/PLT 12/13" L	LEFT 12-13" Footrest Width
2C	500660	ADLT ANGL ADJ F/PLT 14/15	RIGHT 14-15" Footrest Width
2C	500661	ADLT ANGL ADJ F/PLT 14/15	LEFT 14-15" Footrest Width
2D	500662	ADLT ANGL ADJ F/PLT 16/17	RIGHT 16-17" Footrest Width
2D	500663	ADLT ANGL ADJ F/PLT 16/17	LEFT 16-17" Footrest Width
2E	500664	ADLT ANGL ADJ F/PLT 18-20	RIGHT 18-22" Footrest Width
2E	500665	ADLT ANGL ADJ F/PLT 18-20	LEFT 18-22" Footrest Width
3	132626	NUT AUTOMATION M6 X 1.0	
4	106944	WASHER FLAT THIN AN 1/4 ROHS	
5	107199	HANGER EXTENSION SADDLE	
6	104377	3/4" SADDLE THIN	
7	541002	FTRST MOUNTING BRKT-3/8 RAD R	RIGHT
7	541003	FTRST MOUNTING BRKT-3/8 RAD L	LEFT
8	106945	WASHER FLAT SAE 1/4 ROHS	
9	104399	SHCS M6X1X45 12 MM PART THD	
10	106978	FHCS 1/4-28 X 7/8 ROHS	
11	550350	3/4" CLMP ADJ FT PLT	
12	106935	NUT NYLOCK THIN 1/4-28 ROHS	
13	104328	POST HEEL LOOP	
14A	104380-001	ADJUSTABLE FOOT REST STRAP	12 - 14" WIDE
14B	104380-002	ADJUSTABLE FOOT REST STRAP	15 - 16" WIDE
14C	104380-003	ADJUSTABLE FOOT REST STRAP	17 - 18" WIDE
14D	104380-004	ADJUSTABLE FOOT REST STRAP	19 - 20" WIDE
15	102268-001	HHCS M6 X 1 X 25	
16-19	107485	FOOTREST CLAMP ASSM	
20	740260	TOE-ANKLE STRAP ADJ ADULT FOOTPLATE	
21	120659	EXT MNT HARDWARE 1 SIDE	
>>>>		80° HANGERS - SHORT EXT - RIGHT	
1A,2B,3-14A,15	111534	AAA STRT SHT EXT ASM 12-13" W R	Right- 80D- 12-13" W- SHORT
1A,2C,3-14B,15	107928	AAA STRT SHT EXT ASM 14-15" W R	Right- 80D- 14-15" W- SHORT
1A,2D,3-14C,15	107930	AAA STRT SHT EXT ASM 16-17" W R	Right- 80D- 16-17" W- SHORT
1A,2E,3-14D,15	107932	AAA STRT SHT EXT ASM 18-22" W R	Right- 80D- 18-22" W- SHORT
>>>>		80° HANGERS - SHORT EXT - LEFT	
1A,2B,3-14A,15	111535	AAA STRT SHT EXT ASM 12-13" W L	Left- 80D- 12-13" W- SHORT
1A,2C,3-14B,15	107935	AAA STRT SHT EXT ASM 14" W L	Left- 80D- 14-15" W- SHORT
1A,2D,3-14C,15	107937	AAA STRT SHT EXT ASM 16" W L	Left- 80D- 16-17" W- SHORT
1A,2E,3-14D,15	107939	AAA STRT SHT EXT ASM 18" W L	Left- 80D- 18-22" W- SHORT
>>>>		80° HANGERS - MED EXT - RIGHT	
1B,2B,3-14A,15	111536	AAA STRT MED EXT ASM 12-13" W R	Right- 80D- 12-13" W- MED
1B,2C,3-14B,15	107942	AAA STRT MED EXT ASM 14-15" W R	Right- 80D- 14-15" W- MED
1B,2D,3-14C,15	107944	AAA STRT MED EXT ASM 16-17" W R	Right- 80D- 16-17" W- MED
1B,2E,3-14D,15	107946	AAA STRT MED EXT ASM 18-22" W R	Right- 80D- 18-22" W- MED
>>>>		80° HANGERS - MED EXT - LEFT	
1B,2B,3-14A,15	111537	AAA STRT MED EXT ASM 12-13" W L	Left- 80D- 12-13" W- MED
1B,2C,3-14B,15	107949	AAA STRT MED EXT ASM 14" W L	Left- 80D- 14-15" W- MED
1B,2D,3-14C,15	107951	AAA STRT MED EXT ASM 16" W L	Left- 80D- 16-17" W- MED
1B,2E,3-14D,15	107953	AAA STRT MED EXT ASM 18" W L	Left- 80D- 18-22" W- MED
>>>>		80° HANGERS - LONG EXT - RIGHT	

Pos.	Item Number	Description	Remarks
1C,2B,3-14A,15	111538	AAA STRT LNG EXT ASM 12-13" W R	Right- 80D- 12-13" W- LONG
1C,2C,3-14B,15	107956	AAA STRT LNG EXT ASM 14 -15" W R	Right- 80D- 14-15" W- LONG
1C,2D,3-14C,15	107958	AAA STRT LNG EXT ASM 16 -17" W R	Right- 80D- 16-17" W- LONG
1C,2E,3-14D,15	107960	AAA STRT LNG EXT ASM 18 -22" W R	Right- 80D- 18-22" W- LONG
>>>>		80° HANGERS - LONG EXT - LEFT	
1C,2B,3-14A,15	111539	AAA STRT LNG EXT ASM 12-13" W L	Left- 80D- 12-13" W- LONG
1C,2C,3-14B,15	107963	AAA STRT LNG EXT ASM 14W L	Left- 80D- 14-15" W- LONG
1C,2D,3-14C,15	107965	AAA STRT LNG EXT ASM 16W L	Left- 80D- 16-17" W- LONG
1C,2E,3-14D,15	107968	AAA STRT LNG EXT ASM 18W L	Left- 80D- 18-22" W- LONG
>>>>		70° HANGERS - SHORT EXT - RIGHT	
1D,2B,3-14A,15	111540	AAA BNT SHT EXT ASM 12-13" W R	Right- 60D,70D,70D HEMI - 12-13" W- SHORT
1D,2C,3-14B,15	107973	AAA BNT SHT EXT ASM 14 -15" W R	Right- 60D,70D,70D HEMI - 14-15" W- SHORT
1D,2D,3-14C,15	107975	AAA BNT SHT EXT ASM 16 -17" W R	Right- 60D,70D,70D HEMI - 16-17" W- SHORT
1D,2E,3-14D,15	107977	AAA BNT SHT EXT ASM 18 -22" W R	Right- 60D,70D,70D HEMI - 18-22" W- SHORT
>>>>		70° HANGERS - SHORT EXT - LEFT	
1D,2B,3-14A,15	111541	AAA BNT SHT EXT ASM 12-13" W L	Left- 60D,70D,70D HEMI - 12-13" W- SHORT
1D,2C,3-14B,15	107980	AAA BNT SHT EXT ASM 14 -15" W L	Left- 60D,70D,70D HEMI - 14-15" W- SHORT
1D,2D,3-14C,15	107982	AAA BNT SHT EXT ASM 16 -17" W L	Left- 60D,70D,70D HEMI - 16-17" W- SHORT
1D,2E,3-14D,15	107984	AAA BNT SHT EXT ASM 18 -22" W L	Left- 60D,70D,70D HEMI - 18-22" W- SHORT
>>>>		70° HANGERS - MED EXT - RIGHT	
1E,2B,3-14A,15	111542	AAA BNT MED EXT ASM 12-13" W R	Right- 60D,70D,70D HEMI - 12-13" W- MED
1E,2C,3-14B,15	107987	AAA BNT MED EXT ASM 14 -15" W R	Right- 60D,70D,70D HEMI - 14-15" W- MED
1E,2D,3-14C,15	107989	AAA BNT MED EXT ASM 16 -17" W R	Right- 60D,70D,70D HEMI - 16-17" W- MED
1E,2E,3-14D,15	107991	AAA BNT MED EXT ASM 18 -22" W R	Right- 60D,70D,70D HEMI - 18-22" W- MED
>>>>		70° HANGERS - MED EXT - LEFT	
1E,2B,3-14A,15	111543	AAA BNT MED EXT ASM 12-13" W L	Left- 60D,70D,70D HEMI - 12-13" W- MED
1E,2C,3-14B,15	107994	AAA BNT MED EXT ASM 14 -15" W L	Left- 60D,70D,70D HEMI - 14-15" W- MED
1E,2D,3-14C,15	107996	AAA BNT MED EXT ASM 16 -17" W L	Left- 60D,70D,70D HEMI - 16-17" W- MED
1E,2E,3-14D,15	107998	AAA BNT MED EXT ASM 18 -22" W L	Left- 60D,70D,70D HEMI - 18-22" W- MED
>>>>		70° HANGERS - LONG EXT - RIGHT	
1F,2B,3-14A,15	111544	AAA BNT LONG EXT ASM 12-13" W R	Right- 60D,70D,70D HEMI - 12-13" W- LONG
1F,2C,3-14B,15	108001	AAA BNT LONG EXT ASM 14 -15" W R	Right- 60D,70D,70D HEMI - 14-15" W- LONG
1F,2D,3-14C,15	108003	AAA BNT LONG EXT ASM 16 -17" W R	Right- 60D,70D,70D HEMI - 16-17" W- LONG
1F,2E,3-14D,15	108005	AAA BNT LONG EXT ASM 18 -22" W R	Right- 60D,70D,70D HEMI - 18-22" W- LONG
>>>>		70° HANGERS - LONG EXT - LEFT	
1F,2B,3-14A,15	111545	AAA BNT LONG EXT ASM 12-13" W L	Left- 60D,70D,70D HEMI - 12-13" W- LONG
1F,2C,3-14B,15	108008	AAA BNT LONG EXT ASM 14 -15" W L	Left- 60D,70D,70D HEMI - 14-15" W- LONG
1F,2D,3-14C,15	108010	AAA BNT LONG EXT ASM 16 -17" W L	Left- 60D,70D,70D HEMI - 16-17" W- LONG
1F,2E,3-14D,15	108012	AAA BNT LONG EXT ASM 18 -22" W L	Left- 60D,70D,70D HEMI - 18-22" W- LONG
>>>>		70° "V" HANGERS - MED EXT - RIGHT	
1G,2A,3-15	111546	AAA V MED EXT ASM 10-11" W R	Right- 70D V hangers only 10-11" W- MED
1G,2B,3-15	111548	AAA V MED EXT ASM 12-13" W R	Right- 70D V hangers only 12-13" W- MED
1G,2C,3-15	108015	AAA V MED EXT ASM 14 -15" W R	Right- 70D V hangers only 14-15" W- MED
1G,2D,3-15	108017	AAA V MED EXT ASM 16 -17" W R	Right- 70D V hangers only 16-18" W- MED
1G,2E,3-15	108019	AAA V MED EXT ASM 18 -18" W R	Right- 70D V hangers only 18-22" W- MED
>>>>		70° "V" HANGERS - MED EXT - LEFT	
1G,2A,3-15	111547	AAA V MED EXT ASM 10-11" W L	Left- 70D V hangers only 10-11" W- MED
1G,2B,3-15	111549	AAA V MED EXT ASM 12-13" W L	Left- 70D V hangers only 12-13" W- MED
1G,2C,3-15	108022	AAA V MED EXT ASM 14 -15" W L	Left- 70D V hangers only 14-15" W- MED
1G,2D,3-15	108024	AAA V MED EXT ASM 16 -17" W L	Left- 70D V hangers only 16-18" W- MED
1G,2E,3-15	108026	AAA V MED EXT ASM 18 -22" W L	Left- 70D V hangers only 18-22" W- MED
>>>>		70° "V" HANGERS - LONG EXT - RIGHT	
1H,2A,3-15	111550	AAA V LONG EXT ASM 10-11" W R	Right- 70D V hangers only 10-11" W- LONG
1H,2B,3-15	111552	AAA V LONG EXT ASM 12-13" W R	Right- 70D V hangers only 12-13" W- LONG
1H,2C,3-15	108029	AAA V LONG EXT ASM 14 -15" W R	Right- 70D V hangers only 14-15" W- LONG
1H,2D,3-15	108031	AAA V LONG EXT ASM 16 -17" W R	Right- 70D V hangers only 16-18" W- LONG

Pos.	Item Number	Description	Remarks
1H,2E,3-15	108033	AAA V LONG EXT ASM 18 -22: W R	Right- 70D V hangers only 18-22" W- LONG
>>>>		70° "V" HANGERS - LONG EXT - LEFT	
1H,2A,3-15	111551	AAA V LONG EXT ASM 10-11" W L	Left- 70D V hangers only 10-11" W- LONG
1H,2B,3-15	111553	AAA V LONG EXT ASM 12-13" W L	Left- 70D V hangers only 12-13" W- LONG
1H,2C,3-15	108036	AAA V LONG EXT ASM 14 -15" W L	Left- 70D V hangers only 14-15" W- LONG
1H,2D,3-15	108038	AAA V LONG EXT ASM 16 -17" W L	Left- 70D V hangers only 16-18" W- LONG
1H,2E,3-15	108040	AAA V LONG EXT ASM 18 -22" W L	Left- 70D V hangers only 18-22" W- LONG
		Ship assembled part #	Use with multiple assemblies
	ASSY-HNG-FP	HANGER/FOOTPLATE ASSY REQUIRED	add with Hanger & Footplate kit

Note: Footplate Assemblies are set to footrest width; please see "Footplate Formula" table for seat width conversion.

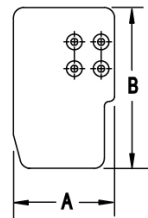
Note: Zippie Iris (ZRS&ZRSE) and Zippie TS (Z1A&Z1SE) only use Straight Extension Tube.

Note: V Style Hangers are not available on Swing Away Style chairs effective 7/14/14; see the "Prior To" ordering guide for V Style footplate assemblies.

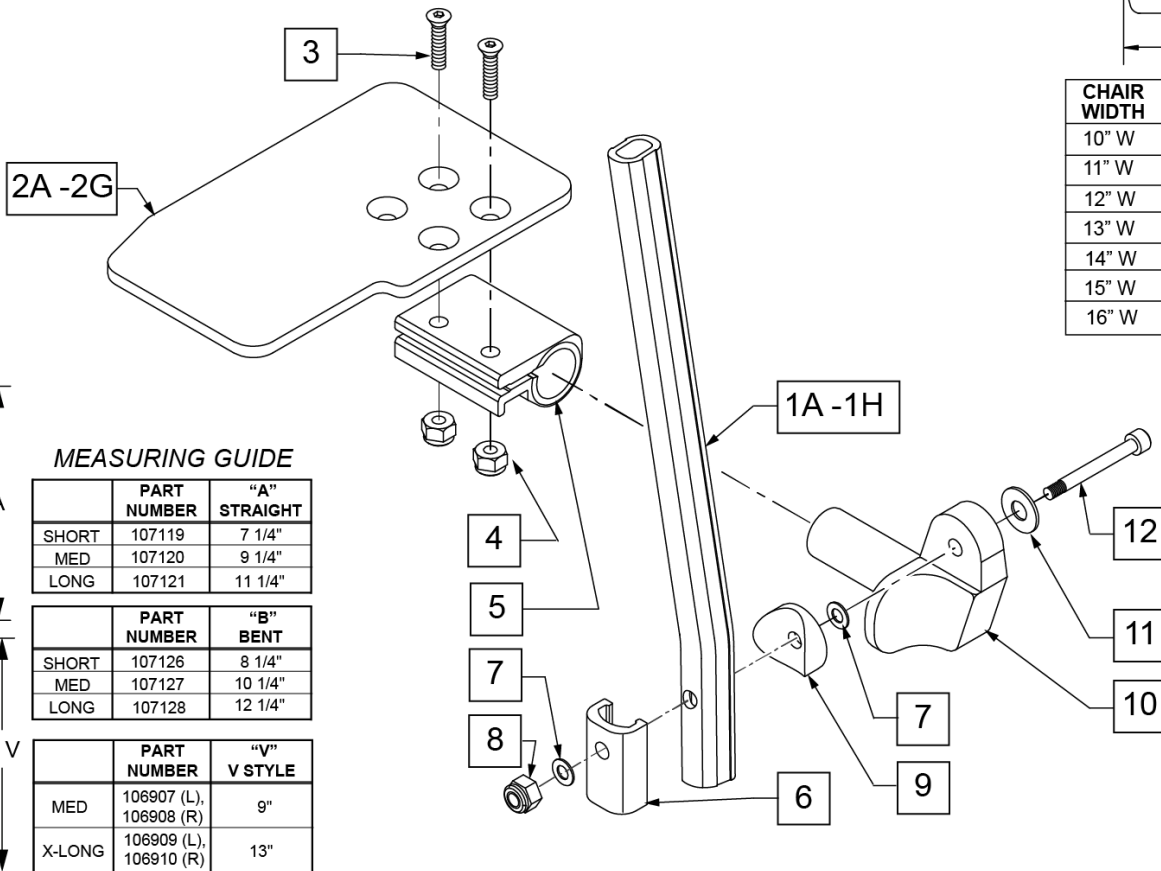
To have complete Footrest ship assembled, choose compatible Hanger + Footplate part numbers and add "ASSY-HNG-FP" to order

FOOTPLATE FORMULA
 0" Inset (Seat Width) = Footrest Width
 1" Inset (Seat Width) - 2 = Footrest Width
 V Hanger (Seat Width) - 4 = Footrest Width
 Offset Hanger Receiver (Seat Width) + 2" = Footrest Width

MEASURING GUIDE



CHAIR WIDTH	"A"	"B"
10" W	3.55"	6.00"
11" W	4.05"	6.00"
12" W	4.55"	6.00"
13" W	5.05"	6.00"
14" W	5.55"	6.00"
15" W	6.05"	6.00"
16" W	6.55"	6.00"



MEASURING GUIDE

	PART NUMBER	"A" STRAIGHT
SHORT	107119	7 1/4"
MED	107120	9 1/4"
LONG	107121	11 1/4"

	PART NUMBER	"B" BENT
SHORT	107126	8 1/4"
MED	107127	10 1/4"
LONG	107128	12 1/4"

	PART NUMBER	"V" V STYLE
MED	106907 (L), 106908 (R)	9"
X-LONG	106909 (L), 106910 (R)	13"

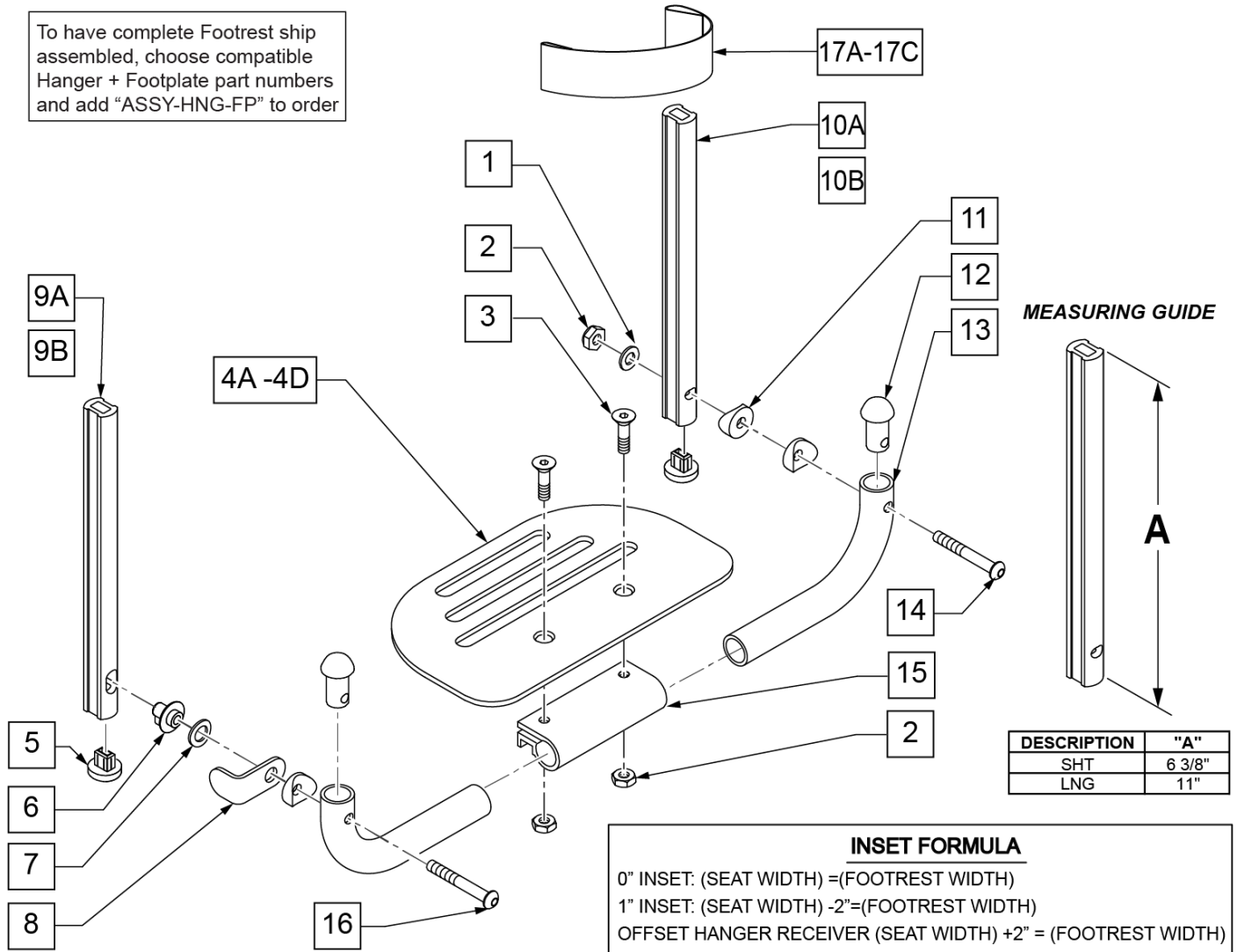
Pos.	Item Number	Description	Remarks
1A	107119	TUBE FOOTREST EXT STRAIGHT SHORT	80 deg hangers only
1B	107120	TUBE FOOTREST EXT STRAIGHT MED	80 deg hangers only
1C	107121	TUBE FOOTREST EXT STRAIGHT LONG	80 deg hangers only
1D	107126	TUBE FOOTREST EXT SHORT	60,70,70 Hemi Hangers
1E	107127	TUBE FOOTREST EXT MED	60,70,70 Hemi Hangers

Pos.	Item Number	Description	Remarks
1F	107128	TUBE FOOTREST EXT LONG	60,70,70 Hemi Hangers
1G	106907	EXT TUBE V ONLY D2 MED LEFT	70 deg V hangers only-LEFT
1G	106908	EXT TUBE V ONLY D2 MED RIGHT	70 deg V hangers only-RIGHT
1H	106909	EXT TUBE V ONLY D2 X-LONG LEFT	70 deg V hangers only-LEFT
1H	106910	EXT TUBE V ONLY D2 X-LONG RIGHT	70 deg V hangers only-RIGHT
2A	500635	KIDS ANGL ADJ F/PLT 10" R	RIGHT -10" Footrest Width
2A	500636	KIDS ANGL ADJ F/PLT 10" L	LEFT -10" Footrest Width
2B	500637	KIDS ANGL ADJ F/PLT 11" R	RIGHT -11" Footrest Width
2B	500638	KIDS ANGL ADJ F/PLT 11" L	LEFT -11" Footrest Width
2C	500639	KIDS ANGL ADJ F/PLT 12" R	RIGHT -12" Footrest Width
2C	500640	KIDS ANGL ADJ F/PLT 12" L	LEFT -12" Footrest Width
2D	500641	KIDS ANGL ADJ F/PLT 13" R	RIGHT -13" Footrest Width
2D	500642	KIDS ANGL ADJ F/PLT 13" L	LEFT -13" Footrest Width
2E	500643	KIDS ANGL ADJ F/PLT 14" R	RIGHT -14" Footrest Width
2E	500644	KIDS ANGL ADJ F/PLT 14" L	LEFT -14" Footrest Width
2F	500645	KIDS ANGL ADJ F/PLT 15" R	RIGHT -15" Footrest Width
2F	500646	KIDS ANGL ADJ F/PLT 15" L	LEFT -15" Footrest Width
2G	500647	KIDS ANGL ADJ F/PLT 16" R	RIGHT -16" Footrest Width
2G	500648	KIDS ANGL ADJ F/PLT 16" L	LEFT -16" Footrest Width
3	106978	FHCS 1/4 -28 x 7/8 ROHS	
4	106935	NUT NYLOCK THIN 1/4-28 ROHS	
5	550350	3/4" CLAMP ADJ FT PLT	
6	107199	HANGER EXTENSION SADDLE	
7	106944	WASHER FLAT THIN AN 1/4 ROHS	
8	132626	NUT AUTOMATION M6 x 1.0	
9	104377	3/4" SADDLE THIN	
10	541002	FOOTREST MOUNTING BRKT 3/8 RAD R	RIGHT
10	541003	FOOTREST MOUNTING BRKT 3/8 RAD L	LEFT
11	106945	WASHER FLAT SAE 1/4 ROHS	
12	104399	SHCS M6 x 1 x 45 12mm PART THD	
1A,2C,3-12	111310	KAA STRT SHT EXT ASM 12W R	RIGHT- 80D- 12 W- SHORT
1A,2D,3-12	111311	KAA STRT SHT EXT ASM 13W R	RIGHT- 80D- 13 W- SHORT
1A,2E,3-12	111312	KAA STRT SHT EXT ASM 14W R	RIGHT- 80D- 14 W- SHORT
1A,2F,3-12	111313	KAA STRT SHT EXT ASM 15W R	RIGHT- 80D- 15 W- SHORT
1A,2G,3-12	111314	KAA STRT SHT EXT ASM 16W R	RIGHT- 80D- 16 W- SHORT
1A,2C,3-12	111315	KAA STRT SHT EXT ASM 12W L	LEFT- 80D- 12 W- SHORT
1A,2D,3-12	111316	KAA STRT SHT EXT ASM 13W L	LEFT- 80D- 13 W- SHORT
1A,2E,3-12	111317	KAA STRT SHT EXT ASM 14W L	LEFT- 80D- 14 W- SHORT
1A,2F,3-12	111318	KAA STRT SHT EXT ASM 15W L	LEFT- 80D- 15 W- SHORT
1A,2G,3-12	111319	KAA STRT SHT EXT ASM 16W L	LEFT- 80D- 16 W- SHORT
1B,2C,3-12	111320	KAA STRT MED EXT ASM 12W R	RIGHT- 80D- 12 W- MED
1B,2D,3-12	111321	KAA STRT MED EXT ASM 13W R	RIGHT- 80D- 13 W- MED
1B,2E,3-12	111322	KAA STRT MED EXT ASM 14W R	RIGHT- 80D- 14 W- MED
1B,2F,3-12	111323	KAA STRT MED EXT ASM 15W R	RIGHT- 80D- 15 W- MED
1B,2G,3-12	111324	KAA STRT MED EXT ASM 16W R	RIGHT- 80D- 16 W- MED
1B,2C,3-12	111325	KAA STRT MED EXT ASM 12W L	LEFT- 80D- 12 W- MED
1B,2D,3-12	111326	KAA STRT MED EXT ASM 13W L	LEFT- 80D- 13 W- MED
1B,2E,3-12	111327	KAA STRT MED EXT ASM 14W L	LEFT- 80D- 14 W- MED
1B,2F,3-12	111328	KAA STRT MED EXT ASM 15W L	LEFT- 80D- 15 W- MED
1B,2G,3-12	111329	KAA STRT MED EXT ASM 16W L	LEFT- 80D- 16 W- MED
1C,2C,3-12	111330	KAA STRT LNG EXT ASM 12W R	RIGHT- 80D- 12 W- LONG
1C,2D,3-12	111331	KAA STRT LNG EXT ASM 13W R	RIGHT- 80D- 13 W- LONG
1C,2E,3-12	111332	KAA STRT LNG EXT ASM 14W R	RIGHT- 80D- 14 W- LONG
1C,2F,3-12	111333	KAA STRT LNG EXT ASM 15W R	RIGHT- 80D- 15 W- LONG
1C,2G,3-12	111334	KAA STRT LNG EXT ASM 16W R	RIGHT- 80D- 16 W- LONG
1C,2C,3-12	111335	KAA STRT LNG EXT ASM 12W L	LEFT- 80D- 12 W- LONG

Pos.	Item Number	Description	Remarks
1C,2D,3-12	111336	KAA STRT LNG EXT ASM 13W L	LEFT- 80D- 13 W- LONG
1C,2E,3-12	111337	KAA STRT LNG EXT ASM 14W L	LEFT- 80D- 14 W- LONG
1C,2F,3-12	111338	KAA STRT LNG EXT ASM 15W L	LEFT- 80D- 15 W- LONG
1C,2G,3-12	111339	KAA STRT LNG EXT ASM 16W L	LEFT- 80D- 16 W- LONG
1D,2C,3-12	111340	KAA BNT SHT EXT ASM 12W R	RIGHT- 60 & 70D- 12 W- SHORT
1D,2D,3-12	111341	KAA BNT SHT EXT ASM 13W R	RIGHT- 60 & 70D- 13 W- SHORT
1D,2E,3-12	111342	KAA BNT SHT EXT ASM 14W R	RIGHT- 60 & 70D- 14 W- SHORT
1D,2F,3-12	111343	KAA BNT SHT EXT ASM 15W R	RIGHT- 60 & 70D- 15 W- SHORT
1D,2G,3-12	111344	KAA BNT SHT EXT ASM 16W R	RIGHT- 60 & 70D- 16 W- SHORT
1D,2C,3-12	111345	KAA BNT SHT EXT ASM 12W L	LEFT- 70D- 12 W- SHORT
1D,2D,3-12	111346	KAA BNT SHT EXT ASM 13W L	LEFT- 70D- 13 W- SHORT
1D,2E,3-12	111347	KAA BNT SHT EXT ASM 14W L	LEFT- 70D- 14 W- SHORT
1D,2F,3-12	111348	KAA BNT SHT EXT ASM 15W L	LEFT- 70D- 15 W- SHORT
1D,2G,3-12	111349	KAA BNT SHT EXT ASM 16W L	LEFT- 70D- 16 W- SHORT
1E,2C,3-12	111350	KAA BNT MED EXT ASM 12W R	RIGHT- 70D- 12 W- MED
1E,2D,3-12	111351	KAA BNT MED EXT ASM 13W R	RIGHT- 70D- 13 W- MED
1E,2E,3-12	111352	KAA BNT MED EXT ASM 14W R	RIGHT- 60 & 70D- 14 W- MED
1E,2F,3-12	111353	KAA BNT MED EXT ASM 15W R	RIGHT- 60 & 70D- 15 W- MED
1E,2G,3-12	111354	KAA BNT MED EXT ASM 16W R	RIGHT- 60 & 70D- 16 W- MED
1E,2C,3-12	111355	KAA BNT MED EXT ASM 12W L	LEFT- 60 & 70D- 12 W- MED
1E,2D,3-12	111356	KAA BNT MED EXT ASM 13W L	LEFT- 60 & 70D- 13 W- MED
1E,2E,3-12	111357	KAA BNT MED EXT ASM 14W L	LEFT- 60 & 70D- 14 W- MED
1E,2F,3-12	111358	KAA BNT MED EXT ASM 15W L	LEFT- 60 & 70D- 15 W- MED
1E,2G,3-12	111359	KAA BNT MED EXT ASM 16W L	LEFT- 60 & 70D- 16 W- MED
1F,2C,3-12	111360	KAA BNT LNG EXT ASM 12W R	RIGHT- 60 & 70D- 12 W- LONG
1F,2D,3-12	111361	KAA BNT LNG EXT ASM 13W R	RIGHT- 60 & 70D- 13 W- LONG
1F,2E,3-12	111362	KAA BNT LNG EXT ASM 14W R	RIGHT- 60 & 70D- 14 W- LONG
1F,2F,3-12	111363	KAA BNT LNG EXT ASM 15W R	RIGHT- 60 & 70D- 15 W- LONG
1F,2G,3-12	111364	KAA BNT LNG EXT ASM 16W R	RIGHT- 60 & 70D- 16 W- LONG
1F,2C,3-12	111365	KAA BNT LNG EXT ASM 12W L	LEFT- 60 & 70D- 12 W- LONG
1F,2D,3-12	111366	KAA BNT LNG EXT ASM 13W L	LEFT- 60 & 70D- 13 W- LONG
1F,2E,3-12	111367	KAA BNT LNG EXT ASM 14W L	LEFT- 60 & 70D- 14 W- LONG
1F,2F,3-12	111368	KAA BNT LNG EXT ASM 15W L	LEFT- 60 & 70D- 15 W- LONG
1F,2G,3-12	111369	KAA BNT LNG EXT ASM 16W L	LEFT- 60 & 70D- 16 W- LONG
1G,2A,3-12	111370	KAA V MED EXT ASM 10W R	RIGHT- 70D V hangers only 10 W- MED
1G,2B,3-12	111371	KAA V MED EXT ASM 11W R	RIGHT- 70D V hangers only 11 W- MED
1G,2C,3-12	111372	KAA V MED EXT ASM 12W R	RIGHT- 70D V hangers only 12 W- MED
1G,2D,3-12	111373	KAA V MED EXT ASM 13W R	RIGHT- 70D V hangers only 13 W- MED
1G,2E,3-12	111374	KAA V MED EXT ASM 14W R	RIGHT- 70D V hangers only 14 W- MED
1G,2F,3-12	111375	KAA V MED EXT ASM 15W R	RIGHT- 70D V hangers only 15 W- MED
1G,2G,3-12	111376	KAA V MED EXT ASM 16W R	RIGHT- 70D V hangers only 16 W- MED
1G,2A,3-12	111377	KAA V MED EXT ASM 10W L	LEFT- 70D V hangers only 10 W- MED
1G,2B,3-12	111378	KAA V MED EXT ASM 11W L	LEFT- 70D V hangers only 11 W- MED
1G,2C,3-12	111379	KAA V MED EXT ASM 12W L	LEFT- 70D V hangers only 12 W- MED
1G,2D,3-12	111380	KAA V MED EXT ASM 13W L	LEFT- 70D V hangers only 13 W- MED
1G,2E,3-12	111381	KAA V MED EXT ASM 14W L	LEFT- 70D V hangers only 14 W- MED
1G,2F,3-12	111382	KAA V MED EXT ASM 15W L	LEFT- 70D V hangers only 15 W- MED
1G,2G,3-12	111383	KAA V MED EXT ASM 16W L	LEFT- 70D V hangers only 16 W- MED
1H,2A,3-12	111384	KAA V LNG EXT ASM 10W R	RIGHT- 70D V hangers only 10 W- LONG
1H,2B,3-12	111385	KAA V LNG EXT ASM 11W R	RIGHT- 70D V hangers only 11 W- LONG
1H,2C,3-12	111386	KAA V LNG EXT ASM 12W R	RIGHT- 70D V hangers only 12 W- LONG
1H,2D,3-12	111387	KAA V LNG EXT ASM 13W R	RIGHT- 70D V hangers only 13 W- LONG
1H,2E,3-12	111388	KAA V LNG EXT ASM 14W R	RIGHT- 70D V hangers only 14 W- LONG
1H,2F,3-12	111389	KAA V LNG EXT ASM 15W R	RIGHT- 70D V hangers only 15 W- LONG
1H,2G,3-12	111390	KAA V LNG EXT ASM 16W R	RIGHT- 70D V hangers only 16 W- LONG
1H,2A,3-12	111391	KAA V LNG EXT ASM 10W L	LEFT- 70D V hangers only 10 W- LONG

Pos.	Item Number	Description	Remarks
1H,2B,3-12	111392	KAA V LNG EXT ASM 11W L	LEFT- 70D V hangers only 11 W- LONG
1H,2C,3-12	111393	KAA V LNG EXT ASM 12W L	LEFT- 70D V hangers only 12 W- LONG
1H,2D,3-12	111394	KAA V LNG EXT ASM 13W L	LEFT- 70D V hangers only 13 W- LONG
1H,2E,3-12	111395	KAA V LNG EXT ASM 14W L	LEFT- 70D V hangers only 14 W- LONG
1H,2F,3-12	111396	KAA V LNG EXT ASM 15W L	LEFT- 70D V hangers only 15 W- LONG
1H,2G,3-12	111397	KAA V LNG EXT ASM 16W L	LEFT- 70D V hangers only 16 W- LONG
		Ship assembled part #	Use with multiple assemblies
	ASSY-HNG-FP	HANGER/FOOTPLATE ASSY REQUIRED	add with Hanger & Footplate kit

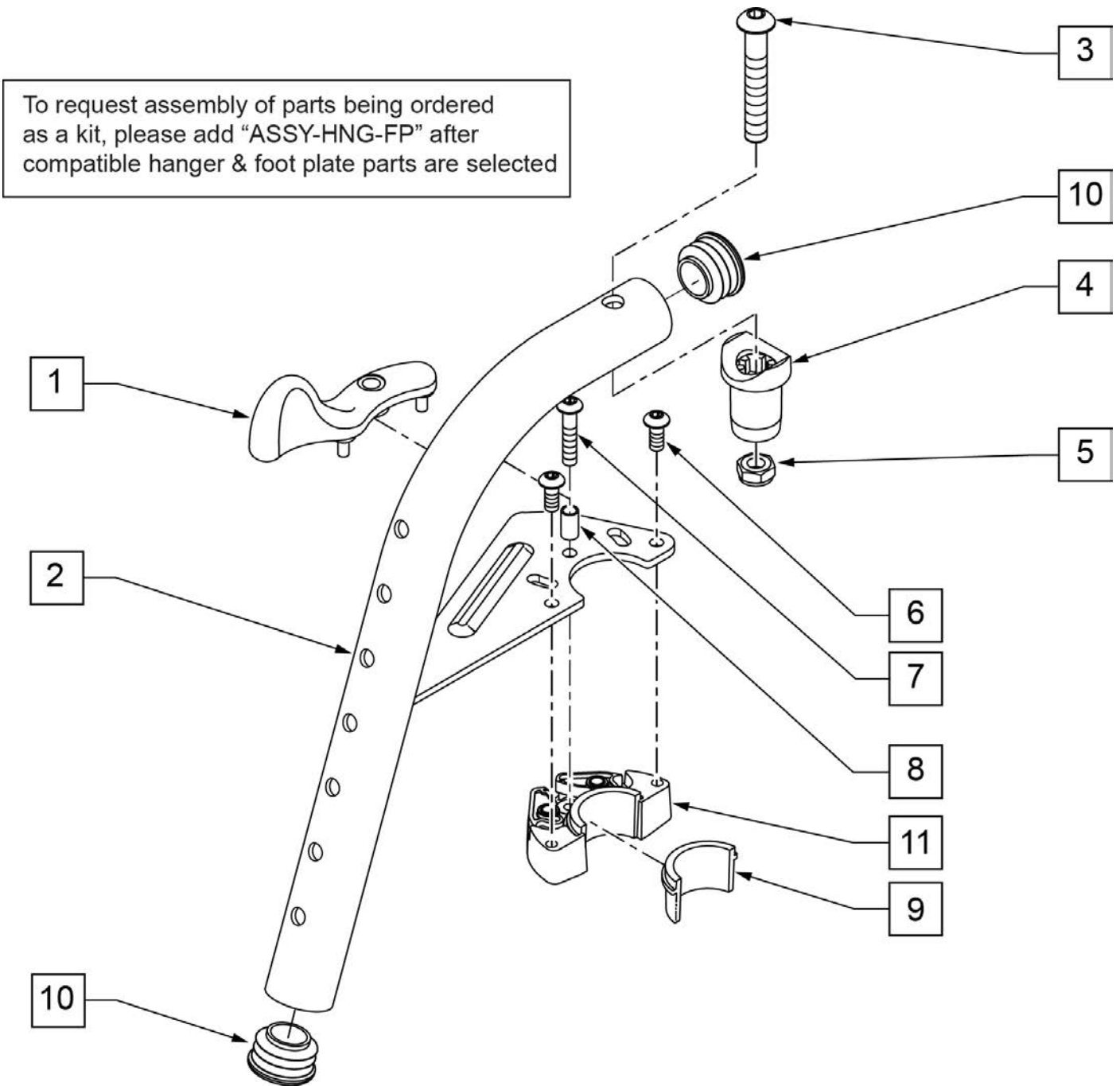
To have complete Footrest ship assembled, choose compatible Hanger + Footplate part numbers and add "ASSY-HNG-FP" to order



Pos.	Item Number	Description	Remarks
1	106944	WASHER FLAT THIN AN 1/4 ROHS	
2	106941	NUT AUTOMATION 1/4-28 ROHS	
3	106978	FHCS 1/4-28 X 7/8 ROHS	
4A	500651	PLATFORM F/PLT 8 x 5 1/2"	12 -14" Footrest Width
4B	500652	PLATFORM F/PLT 10" x 5 1/2"	15 -17" Footrest Width
4C	500653	PLATFORM F/PLT 12" x 5 1/2"	18 -20" Footrest Width
4D	500654	PLATFORM F/PLT 14" x 5 1/2"	21 -22" Footrest Width
5	113221	PLUG DOUBLE D EXT TUBE	
6	540410	F/UP FOOTREST KEY STUD D2	
7	107385	WASHER CURVED 3/8 ROHS	
8	505078	FOOTREST RETAINING BRACKET	
9A	106875	EXT TBE F/UP KEY SHT	Short -Latch Side
9B	106876	EXT TBE F/UP KEY LNG	Long -Latch Side
10A	106873	EXT TBE F/UP SLT SHT	Short -Pivot Side
10B	106874	EXT TBE F/UP SLT LNG	Long -Pivot Side
11	561003	3/4" SADDLE THIN	
12	561034	SHORT DOME PLUG	

Pos.	Item Number	Description	Remarks
14	106964	BHCS 1/4-28 X 2 ROHS	
15	550351	PLATFORM FOOTPLATE CLAMP	
16	107027	BHCS 1/4-28 X 1-1/4 SHLDR ROHS	
17A	740130	LEG STRAP 10"-14" BLK	12-14" Footrest Width
17B	740131	LEG STRAP 15"-17" BLK	15-17" Footrest Width
17C	740132	LEG STRAP 18"-20" BLK	18-20" Footrest Width
1-4A,6-8,11-16	900306	PLTFM F/P PLT BLK 12" D2 W/ INSTR	12" Footrest Width
1-4A,6-8,11-16	900307	PLTFM F/P PLT BLK 13" D2 W/ INSTR	13" Footrest Width
1-4A,6-8,11-16	900308	PLTFM F/P PLT BLK 14" D2 W /INSTR	14" Footrest Width
1-4B,6-8,11-16	900309	PLTFM F/P PLT BLK 15" D2 W /INSTR	15" Footrest Width
1-4B,6-8,11-16	900310	PLTFM F/P PLT BLK 16" D2 W /INSTR	16" Footrest Width
1-4B,6-8,11-16	900311	PLTFM F/P PLT BLK 17" D2 W /INSTR	17" Footrest Width
1-4C,6-8,11-16	900312	PLTFM F/P PLT BLK 18" D2 W /INSTR	18" Footrest Width
1-4C,6-8,11-16	900313	PLTFM F/P PLT BLK 19" D2 W /INSTR	19" Footrest Width
1-4C,6-8,11-16	900314	PLTFM F/P PLT BLK 20" D2 W/ INSTR	20" Footrest Width
1-4D,6-8,11-16	900315	PLTFM F/P PLT BLK 21" D2 W/ INSTR	21" Footrest Width
1-4D,6-8,11-16	900316	PLTFM F/P PLT BLK 22" D2 W/ INSTR	22" Footrest Width
		SHORT EXT ASSEMBLIES	
1-3,4A,5-8,9A,10B,11-16,17A	108043	PLTFRM FLIP FTRST SHT 12W	12" wide (Short)
1-3,4A,5-8,9A,10B,11-16,17A	108044	PLTFRM FLIP FTRST SHT 13W	13" wide (Short)
1-3,4A,5-8,9A,10B,11-16,17A	108045	PLTFRM FLIP FTRST SHT 14W	14" wide (Short)
1-3,4B,5-8,9A,10B,11-16,17B	108046	PLTFRM FLIP FTRST SHT 15W	15" wide (Short)
1-3,4B,5-8,9A,10B,11-16,17B	108047	PLTFRM FLIP FTRST SHT 16W	16" wide (Short)
1-3,4B,5-8,9A,10B,11-16,17B	108048	PLTFRM FLIP FTRST SHT 17W	17" wide (Short)
1-3,4C,5-8,9A,10B,11-16,17C	108049	PLTFRM FLIP FTRST SHT 18W	18" wide (Short)
1-3,4C,5-8,9A,10B,11-16,17C	108051	PLTFRM FLIP FTRST SHT 19W	19" wide (Short)
1-3,4C,5-8,9A,10B,11-16,17C	108052	PLTFRM FLIP FTRST SHT 20W	20" wide (Short)
1-3,4D,5-8,9A,10B,11-16,17C	111554	PLTFRM FLIP FTRST SHT 21W	21" wide (Short)
1-3,4D,5-8,9A,10B,11-16,17C	111555	PLTFRM FLIP FTRST SHT 22W	22" wide (Short)
		LONG EXT ASSEMBLIES	
1-3,4A,5-8,9B,10A,11-16,17A	108053	PLTFRM FLIP FTRST LONG 12W	12" wide (Long)
1-3,4A,5-8,9B,10A,11-16,17A	108054	PLTFRM FLIP FTRST LONG 13W	13" wide (Long)
1-3,4A,5-8,9B,10A,11-16,17A	108055	PLTFRM FLIP FTRST LONG 14W	14" wide (Long)
1-3,4B,5-8,9B,10A,11-16,17B	108056	PLTFRM FLIP FTRST LONG 15W	15" wide (Long)
1-3,4B,5-8,9B,10A,11-16,17B	108057	PLTFRM FLIP FTRST LONG 16W	16" wide (Long)
1-3,4B,5-8,9B,10A,11-16,17B	108058	PLTFRM FLIP FTRST LONG 17W	17" wide (Long)
1-3,4C,5-8,9B,10A,11-16,17C	108059	PLTFRM FLIP FTRST LONG 18W	18" wide (Long)
1-3,4C,5-8,9B,10A,11-16,17C	108060	PLTFRM FLIP FTRST LONG 19W	19" wide (Long)
1-3,4C,5-8,9B,10A,11-16,17C	108061	PLTFRM FLIP FTRST LONG 20W	20" wide (Long)
1-3,4D,5-8,9B,10A,11-16,17C	111556	PLTFRM FLIP FTRST LONG 21W	21" wide (Long)
1-3,4D,5-8,9B,10A,11-16,17C	111557	PLTFRM FLIP FTRST LONG 22W	22" wide (Long)
		Ship assembled part #	Use with multiple assemblies
	ASSY-HNG-FP	HANGER/FOOTPLATE ASSY REQUIRED	add with Hanger & Footplate kit

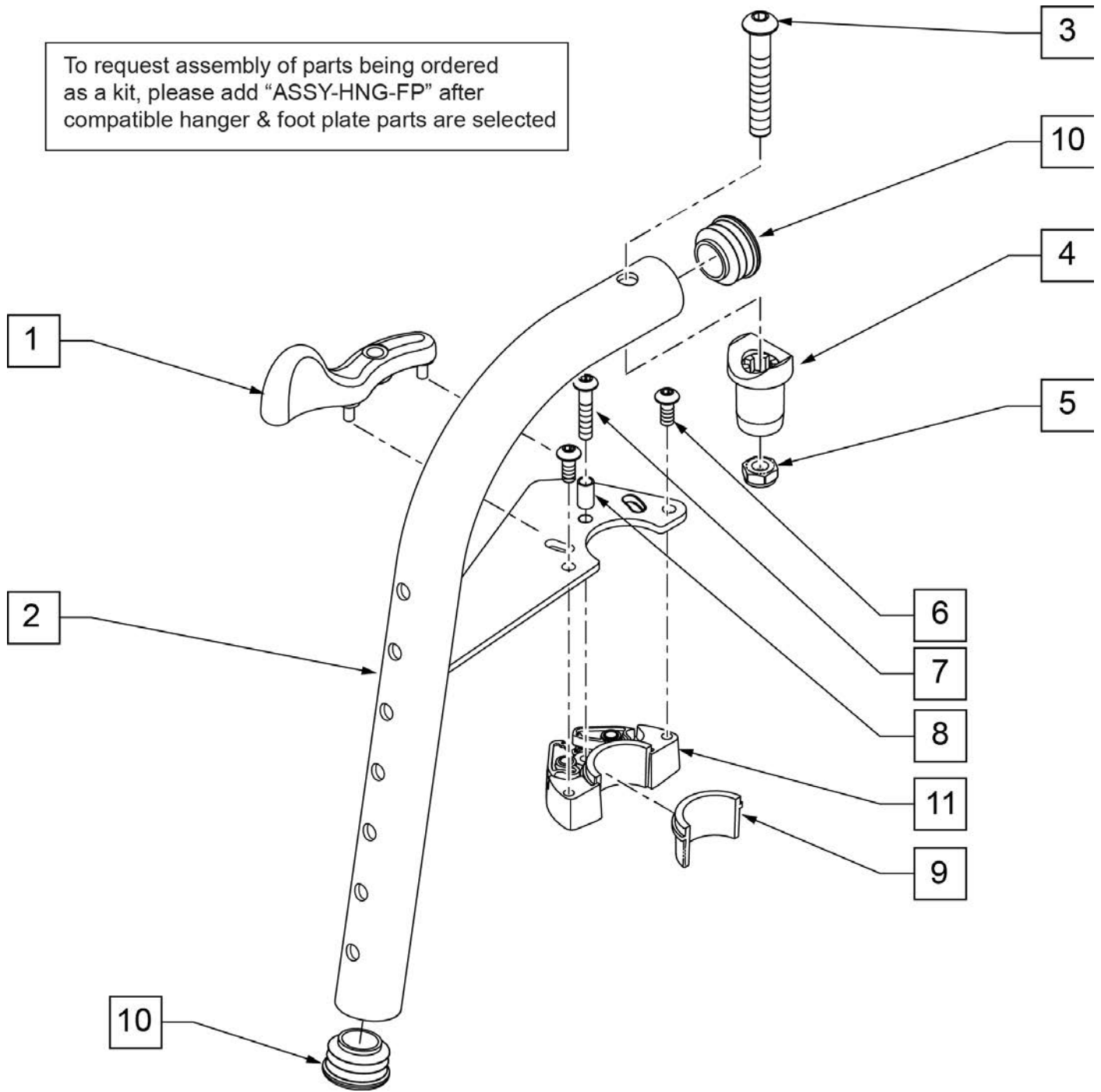
Note: Effective on GP SA beginning GP-95902, Kids Q2 SE beginning QKE-003425, LX/LXI beginning LXI-060868, Quickie TS beginning QT-044951 & GTE-002092.



Pos.	Item Number	Description	Remarks
1	052296	SWING I/O LATCH LEVER R W/ PINS	RIGHT
1	052297	SWING I/O LATCH LEVER L W/ PINS	LEFT
3	106983	BHCS 5/16 -18 x 2 SHLDR ROHS	
4	561197	PLASTIC PIVOT SADDLE	Includes nylock nut
5	202117	5/16-18 NYLOCK NUT THICK BLK	
6	102259-001	BHCS M5 X .8 X 12 BLK W/ PL	
7	230494	M5-30 BTTN HD SOC C/S BLK	
8	052054	BUSHING PIVOT HANGER SWING I/O	
10	561062	1" INSERT PLUG .065 RIBS	
6,9,11	120976	ASSY LATCH BLOCK ANTI LIFT	
1-11	101153S	70D FM SWING I/O HNGR ASSY R	RIGHT
1-11	101154S	70D FM SWING I/O HNGR ASSY L	LEFT
		Ship assembled part #	Use with multiple assemblies
	ASSY-HNG-FP	HANGER/FOOTPLATE ASSY REQUIRED	add with Hanger & Footplate kit

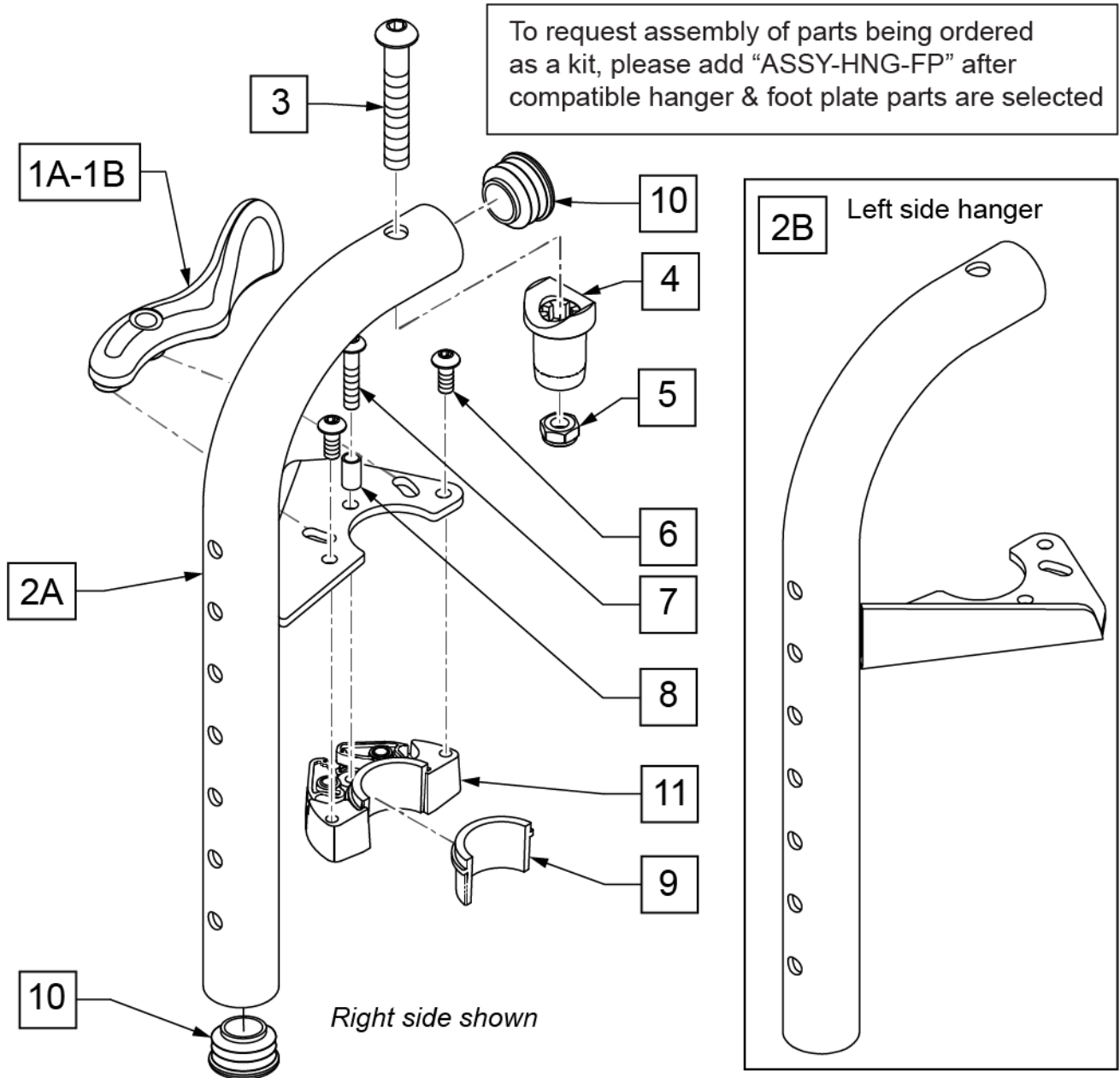
Note: Effective on GP SA beginning GP-95902, Kids Q2 SE beginning QKE-003425, LX/LXI beginning LXI-060868, Quickie TS beginning QT-044951 & GTE-002092.

To request assembly of parts being ordered as a kit, please add "ASSY-HNG-FP" after compatible hanger & foot plate parts are selected



Pos.	Item Number	Description	Remarks
1	052296	SWING I/O LATCH LEVER R w/ PINS	RIGHT
1	052297	SWING I/O LATCH LEVER L w/ PINS	LEFT
3	106983	BHCS 5/16 -18 x 2 SHLDR ROHS	
4	561197	PLASTIC PIVOT SADDLE	Includes nylock nut
5	202117	5/16-18 NYLOCK NUT THICK BLK	
6	102259-001	BHCS M5 X .8 X 12 BLK W/PL	
7	230494	M5-30 BTTN HD SOC C/S BLK	
8	052054	BUSHING PIVOT HANGER SWING I/O	
10	561062	1" INSERT PLUG .065 RIBS	
6,9,11	120976	ASSY LATCH BLOCK ANTI LIFT	
1A,2A,3-11	101155S	80D FM SWNG I/O HNGR ASSY R	RIGHT
1B,2B,3-11	101156S	80D FM SWNG I/O HNGR ASSY L	LEFT
		Ship assembled part #	Use with multiple assemblies
	ASSY-HNG-FP	HANGER/FOOTPLATE ASSY REQUIRED	add with Hanger & Footplate kit

NOTE: Effective on LX/LXI as of 10/24/2008.

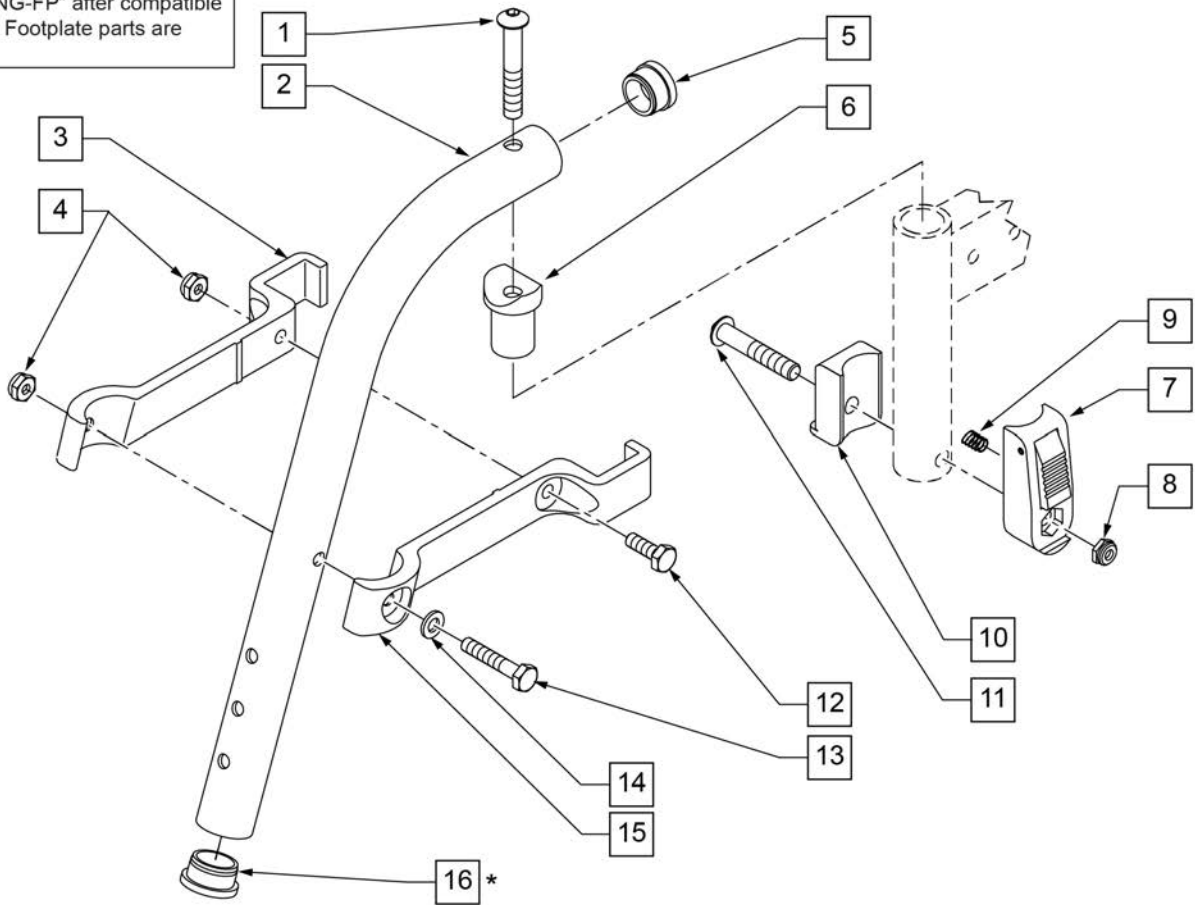


Pos.	Item Number	Description	Remarks
1A	052297	SWING I/O LATCH LEVER L w/ PINS	Used on Right Side 90D Swing I/O Hanger only
1B	052296	SWING I/O LATCH LEVER R w/ PINS	Used on Left Side 90D Swing I/O Hanger only
3	106983	BHCS 5/16 -18 x 2 SHLDR ROHS	
4	561197	PLASTIC PIVOT SADDLE	
5	202117	5/16-18 NYLOCK NUT THICK BLK	
6	102259-001	BHCS M5 x .8 x 12 W /PL INORG	
7	230494	M5-30 BTTN HD SOC C/S BLK	
8	052054	BUSHING PIVOT HANGER SWING I/O	
10	561062	1" INSERT PLUG .065 RIBS	
6,9,11	120976	ASSY LATCH BLOCK ANTI LIFT	
1A,2A,3-11	101157S	90D FM SWNG I/O HNGR ASSY R	RIGHT
1B,2B,3-11	101158S	90D FM SWNG I/O HNGR ASSY L	LEFT
		Ship assembled part #	Use with multiple assemblies
	ASSY-HNG-FP	HANGER/FOOTPLATE ASSY REQUIRED	add with Hanger & Footplate kit

NOTE: * ORDER ITEM 16 WHEN NOT USING FOOTREST EXTENSION.

NOTE: IF RETROFITTING LIFT OFF HANGERS TO A CURRENT STYLE Q2, S/A Q2 LITE, LX/LXI, OR ZIPPIE TS, THE OLD-STYLE FRAME COMPONENTS WILL BE REQUIRED. REFER TO PARTS PAGES FOR FRONT SIDE FRAMES FOR Q2 (PRIOR TO Q2V-091821 & Q2H-009882), Q2 LITE (PRIOR TO Q2L-152965), LX/LXI (PRIOR TO LX-061888), AND ZIPPIE TS (PRIOR TO Z1A-038633 & Z1SE-013380).

To request assembly of parts being ordered as a kit, please add "ASSY-HNG-FP" after compatible Hanger & Footplate parts are selected

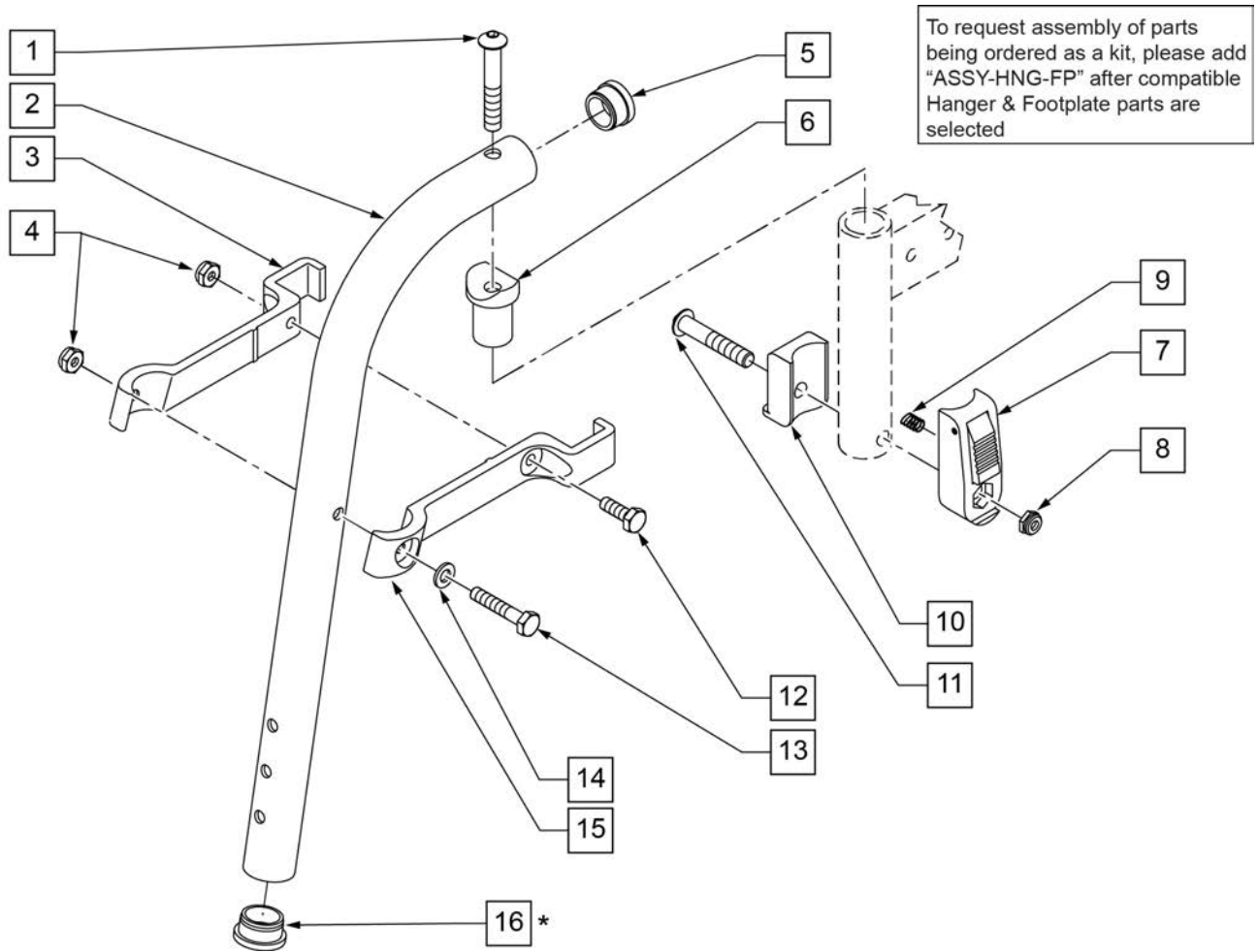


Pos.	Item Number	Description	Remarks
1	106983	BHCS 5/16 -18 x 2 SHLDR ROHS	
3	550152	T45 HANGER BRACKET 70° R	length of bracket: 6 3/4"
4	106935	NUT NYLOCK THIN 1/4 -28 ROHS	
5	561002	1" INSERT PLUG .083	
6	561197	PLASTIC PIVOT SADDLE	
7	880053	FOOTREST BLOCK T45	
8	202117	5/16-18 NYLOCK NUT THICK BLK	
9	321141	.650 x 6 COIL SPRING	
10	560684	T45 FOOTREST BLOCK RECESSED	
11	107029	BHCS 5/16 -18 x 1 5/8 SHLD ROHS	
12	107014	HHCS 1/4 -28 x 3/4 ROHS	

Pos.	Item Number	Description	Remarks
13	106971	HHCS 1/4 -28 x 1 3/8 ROHS	
14	106943	WASHER FLAT AN 1/4 ROHS	
15	550153	T45 HANGER BRACKET 70ø L	length of bracket: 6 3/4"
16	561002	1" INSERT PLUG .083	ORDER WHEN NOT USING FOOTREST EXTENSION
7-11	920720	FOOTREST BLOCK ASSEMBLY W/BOLT HD	required when retrofitting HD Lift Off Hangers to chair
1-6,12-15	641210S	HANGER 70D PNTD R HD	
1-6,12-15	641211S	HANGER 70D PNTD L HD	
		Ship assembled part #	Use with multiple assemblies
	ASSY-HNG-FP	HANGER/FOOTPLATE ASSY REQUIRED	add with Hanger & Footplate kit

NOTE: * ORDER ITEM 16 WHEN NOT USING FOOTREST EXTENSION.

NOTE: IF RETROFITTING LIFT OFF HANGERS TO A CURRENT STYLE Q2, S/A Q2 LITE, LX/LXI, OR ZIPPIE TS, THE OLD-STYLE FRAME COMPONENTS WILL BE REQUIRED. REFER TO PARTS PAGES FOR FRONT SIDE FRAMES FOR Q2 (PRIOR TO Q2V-091821 & Q2H-009882), Q2 LITE (PRIOR TO Q2L-152965), LX/LXI (PRIOR TO LX-061888), AND ZIPPIE TS (PRIOR TO Z1A-038633 & Z1SE-013380).

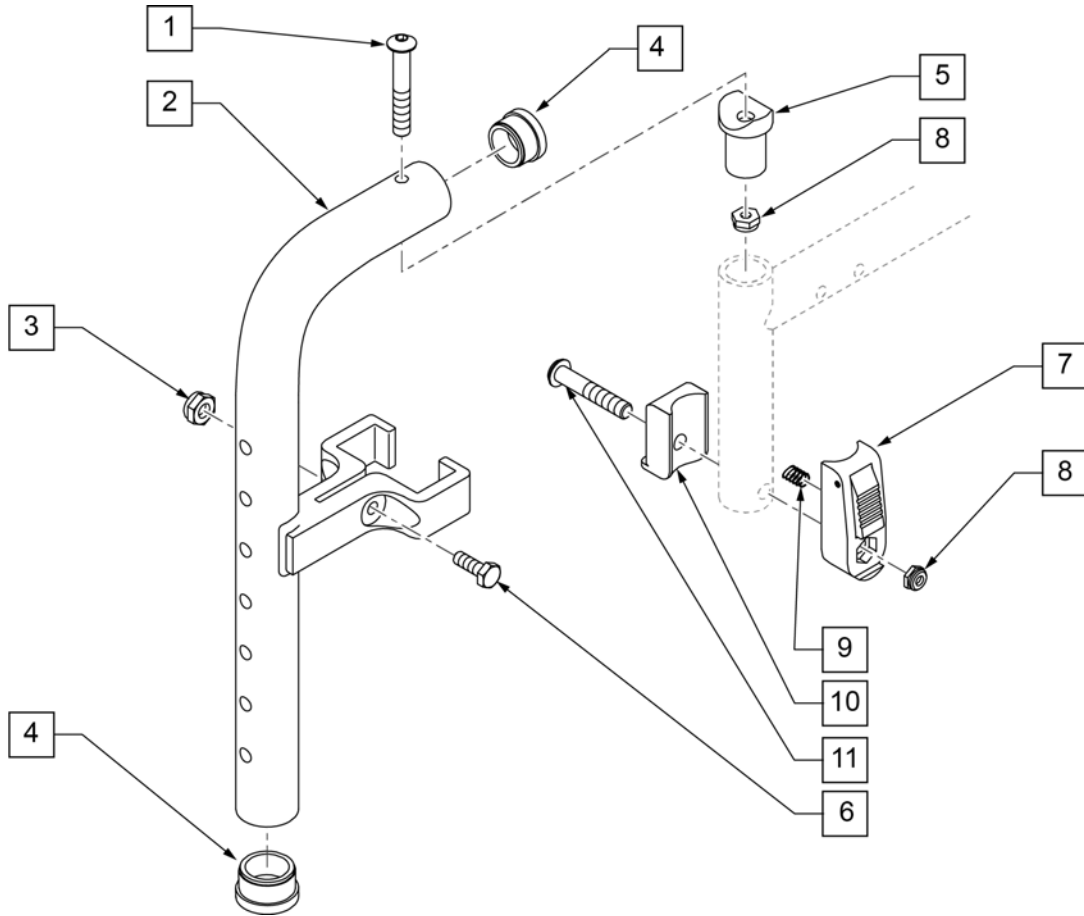


Pos.	Item Number	Description	Remarks
1	106983	BHCS 5/16 -18 x 2 SHLDR ROHS	
3	550154	T45 HANGER BRACKET 80ø R	length of bracket: 6"
4	106935	NUT NYLOCK THIN 1/4 -28 ROHS	
5	561002	1" INSERT PLUG .083	
6	561197	PLASTIC PIVOT SADDLE	
7	880053	FOOTREST BLOCK T45	
8	202117	5/16-18 NYLOCK NUT THICK BLK	
9	321141	.650L x 6 COIL SPRING	
10	560684	T45 FOOTREST BLOCK RECESSED	
11	107029	BHCS 5/16 -18 x 1 5/8 SHLD ROHS	
12	107014	HHCS 1/4 -28 x 3/4 ROHS	

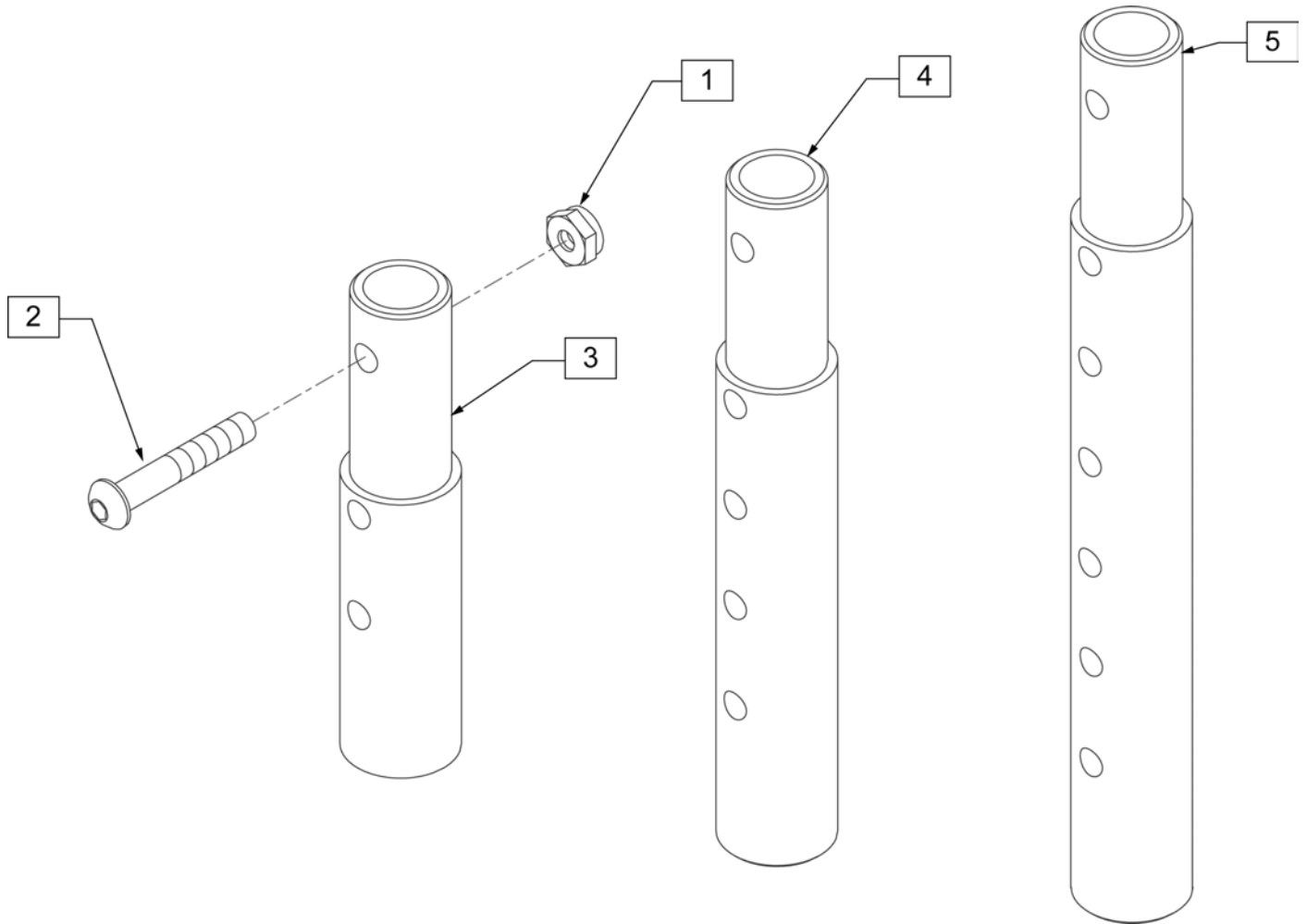
Pos.	Item Number	Description	Remarks
13	106971	HHCS 1/4 -28 x 1 3/8 ROHS	
14	106943	WASHER FLAT AN 1/4 ROHS	
15	550155	T45 HANGER BRACKET 80ø L	length of bracket: 6"
16	561002	1" INSERT PLUG .083	ORDER WHEN NOT USING FOOTREST EXTENSION
7-11	920720	FOOTREST BLOCK ASSEMBLY W/BOLT HD	required when retrofitting HD Lift Off Hangers to chair
1-6,12-15	641200S	HANGER 80D PNTD R HD	
1-6,12-15	641201S	HANGER 80D PNTD L HD	
		Ship assembled part #	Use with multiple assemblies
	ASSY-HNG-FP	HANGER/FOOTPLATE ASSY REQUIRED	add with Hanger & Footplate kit

NOTE: THIS HANGER HAS BEEN TESTED AND APPROVED FOR OCCUPANTS THAT WEIGH LESS THAN 150 POUNDS.

NOTE: IF RETROFITTING LIFT OFF HANGERS TO A CURRENT STYLE Q2, S/A Q2 LITE, LX/LXI, OR ZIPPIE TS, THE OLD-STYLE FRAME COMPONENTS WILL BE REQUIRED. REFER TO PARTS PAGES FOR FRONT SIDE FRAMES FOR Q2 (PRIOR TO Q2V-091821 & Q2H-009882), Q2 LITE (PRIOR TO Q2L-152965), LX/LXI (PRIOR TO LX-061888), AND ZIPPIE TS (PRIOR TO Z1A-038633 & Z1SE-013380).

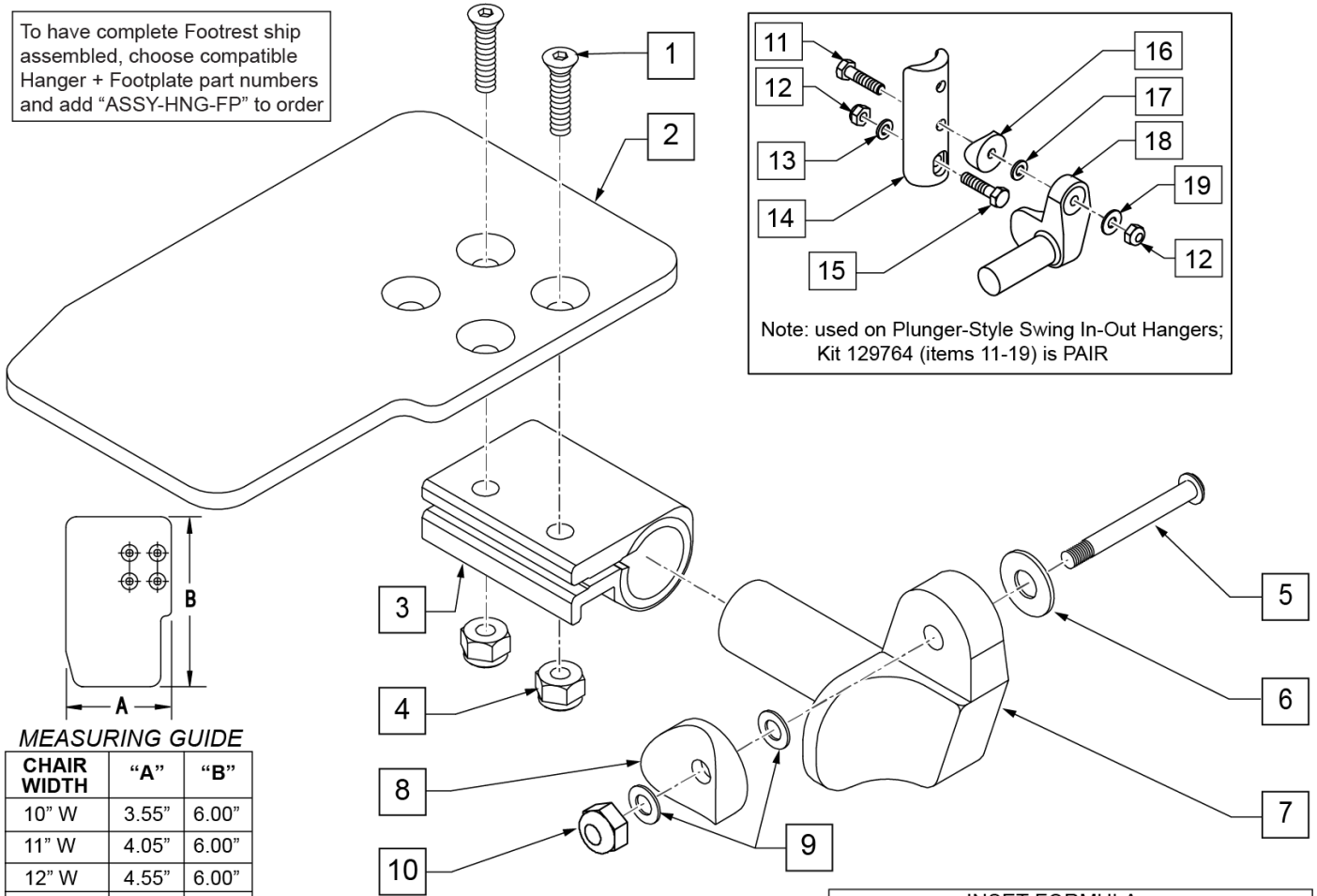


Pos.	Item Number	Description	Remarks
1	106983	BHCS 5/16 -18 x 2 SHLDR ROHS	
3	106935	NUT NYLOCK THIN 1/4 -28 ROHS	
4	561002	1" INSERT PLUG .083	
5	561197	PLASTIC PIVOT SADDLE	Includes nylock nut
6	107013	HHCS 1/4 -28 x 5/8 ROHS	
7	880053	FOOTREST BLOCK T45	
8	202117	5/16-18 NYLOCK NUT THICK BLK	
9	321141	.650L x 6 COIL SPRING	
10	560684	T45 FOOTREST BLOCK RECESSED	
11	107029	BHCS 5/16 -18 x 1 5/8 SHLD ROHS	
7-11	920720	FOOTREST BLOCK ASSM W/BOLT HD	
1-7	885005S	90 DEG F/D H/D L/O HNGR ASSM PNTD	
		Ship assembled part #	Use with multiple assemblies
	ASSY-HNG-FP	HANGER/FOOTPLATE ASSY REQUIRED	add with Hanger & Footplate kit

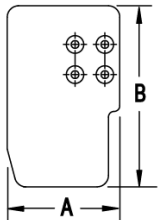


Pos.	Item Number	Description	Remarks
1	106935	NUT NYLOCK THIN 1/4 -28 ROHS	
2	106961	BHCS 1/4 -28 x 1 1/4 ROHS	
1-3	111505	2" FOOTREST EXTENSION TUBE W/ HDWR ASSM	2" EXT (PAIR)
1, 2, 4	111506	4" FOOTREST EXTENSION TUBE W/ HDWR ASSM	4" EXT (PAIR)
1, 2, 5	111507	6" FOOTREST EXTENSION TUBE W/ HDWR ASSM	6" EXT (PAIR)

To have complete Footrest ship assembled, choose compatible Hanger + Footplate part numbers and add "ASSY-HNG-FP" to order



Note: used on Plunger-Style Swing In-Out Hangers; Kit 129764 (items 11-19) is PAIR



MEASURING GUIDE

CHAIR WIDTH	"A"	"B"
10" W	3.55"	6.00"
11" W	4.05"	6.00"
12" W	4.55"	6.00"
13" W	5.05"	6.00"
14" W	5.55"	6.00"
15" W	6.05"	6.00"
16" W	6.55"	6.00"

INSET FORMULA

0" Inset (Seat Width) = Footrest Width
 1" Inset (Seat Width) -2" = Footrest Width
 "V" Hanger (Seat Width) -4" = Footrest Width
 Offset Hanger Receiver (Seat Width) +2" = Footrest Width

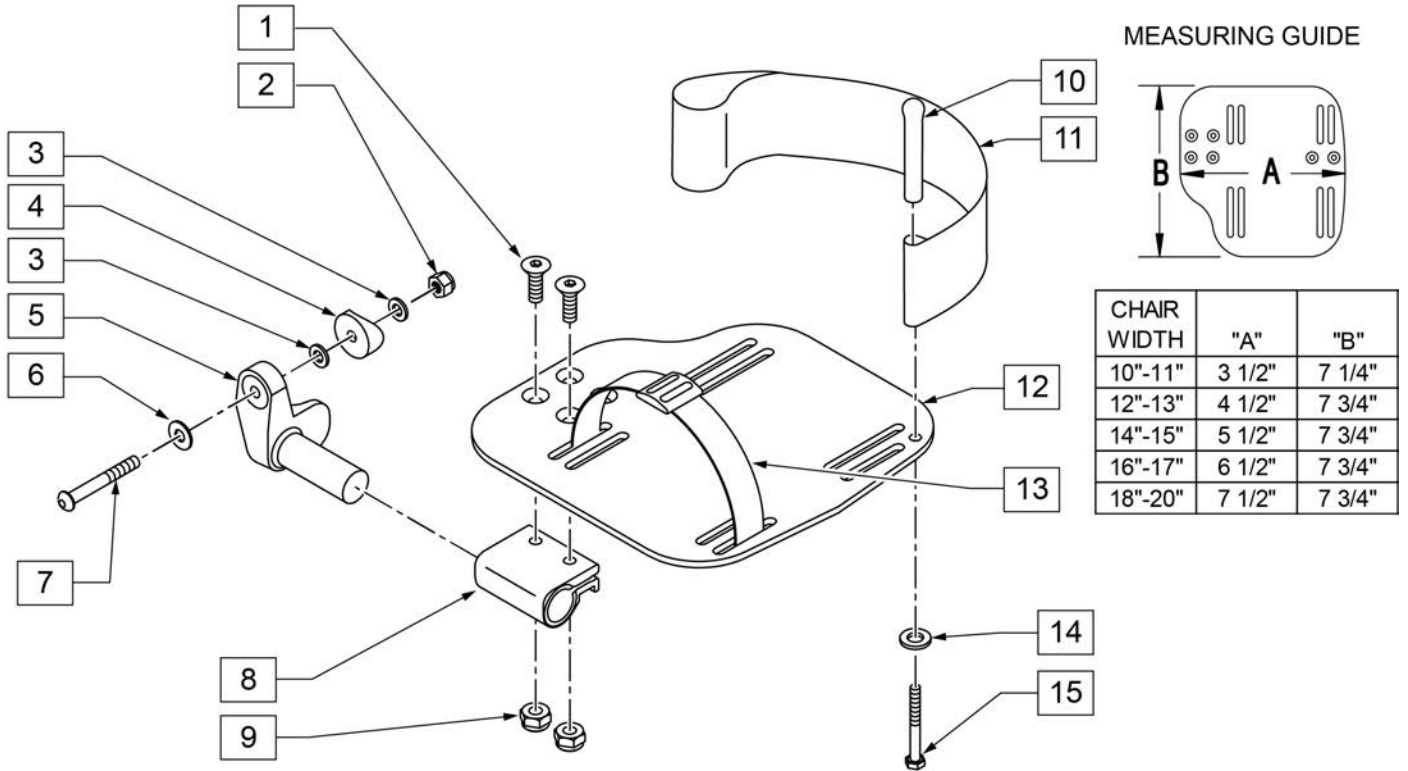
Pos.	Item Number	Description	Remarks
1	106978	FHCS 1/4-28 X 7/8 ROHS	
2	500635	KIDS ANGL ADJ F/PLT 10	RIGHT
2	500636	KIDS ANGL ADJ F/PLT 10	LEFT
2	500637	KIDS ANGL ADJ F/PLT 11	RIGHT
2	500638	KIDS ANGL ADJ F/PLT 11	LEFT
2	500639	KIDS ANGL ADJ F/PLT 12	RIGHT
2	500640	KIDS ANGL ADJ F/PLT 12	LEFT
2	500641	KIDS ANGL ADJ F/PLT 13	RIGHT
2	500642	KIDS ANGL ADJ F/PLT 13	LEFT
2	500643	KIDS ANGL ADJ F/PLT 14	RIGHT
2	500644	KIDS ANGL ADJ F/PLT 14	LEFT
2	500645	KIDS ANGL ADJ F/PLT 15	RIGHT
2	500646	KIDS ANGL ADJ F/PLT 15	LEFT
2	500647	KIDS ANGL ADJ F/PLT 16	RIGHT
2	500648	KIDS ANGL ADJ F/PLT 16	LEFT
3	550350	3/4 CLAMP ADJ FOOTPLATE	
4	106935	NUT NYLOCK THIN 1/4-28 ROHS	
5	226147	1/4-28 X 1.85 BH C/S BLK ZN	

Pos.	Item Number	Description	Remarks
6	106945	WASHER FLAT SAE 1/4 ROHS	
7	541000	FTRST MOUNTING BRKT 1/2" RAD R	RIGHT
7	541001	FTRST MOUNTING BRKT 1/2" RAD L	LEFT
8	561004	1 SADDLE 1/4 HOLE	
9	106943	WASHER FLAT THIN AN 1/4	
10	106941	NUT AUTOMATION 1/4-28 ROHS	
11	102268-001	HHCS M6 X 1 X 25	
12	132626	NUT AUTOMATION M6 X 1.0 ROHS	
13	107383	WASHER FLAT M6 ROHS	
15	118198	HHCS M6 X 1 X 40 PART NP	
16	561004	1" SADDLE 1/4" HOLE	
17	106943	WASHER FLAT AN 1/4 ROHS	
19	106945	WASHER FLAT SAE 1/4 ROHS	
1-4	158632	CAA F/PLT KIT 10 RT	RIGHT; used with Front Mount Adapter Kit on Plunger-Style Swing In/Out Hangers
1-4	158633	CAA F/PLT KIT 10 LT	LEFT; used with Front Mount Adapter Kit on Plunger-Style Swing In/Out Hangers
1-4	158634	CAA F/PLT KIT 11 RT	RIGHT; used with Front Mount Adapter Kit on Plunger-Style Swing In/Out Hangers
1-4	158635	CAA F/PLT KIT 11 LT	LEFT; used with Front Mount Adapter Kit on Plunger-Style Swing In/Out Hangers
1-4	158636	CAA F/PLT KIT 12 RT	RIGHT; used with Front Mount Adapter Kit on Plunger-Style Swing In/Out Hangers
1-4	158637	CAA F/PLT KIT 12 LT	LEFT; used with Front Mount Adapter Kit on Plunger-Style Swing In/Out Hangers
1-4	158638	CAA F/PLT KIT 13 RT	RIGHT; used with Front Mount Adapter Kit on Plunger-Style Swing In/Out Hangers
1-4	158639	CAA F/PLT KIT 13 LT	LEFT; used with Front Mount Adapter Kit on Plunger-Style Swing In/Out Hangers
1-4	158640	CAA F/PLT KIT 14 RT	RIGHT; used with Front Mount Adapter Kit on Plunger-Style Swing In/Out Hangers
1-4	158641	CAA F/PLT KIT 14 LT	LEFT; used with Front Mount Adapter Kit on Plunger-Style Swing In/Out Hangers
1-4	158642	CAA F/PLT KIT 15 RT	RIGHT; used with Front Mount Adapter Kit on Plunger-Style Swing In/Out Hangers
1-4	158643	CAA F/PLT KIT 15 LT	LEFT; used with Front Mount Adapter Kit on Plunger-Style Swing In/Out Hangers
1-4	158644	CAA F/PLT KIT 16 RT	RIGHT; used with Front Mount Adapter Kit on Plunger-Style Swing In/Out Hangers
1-4	158645	CAA F/PLT KIT 16 LT	LEFT; used with Front Mount Adapter Kit on Plunger-Style Swing In/Out Hangers
1-10	828821	KIDS ANG ADJ F/PLT ASSM 10	RIGHT; used with Old-Style Latch Block Swing In/Out & S/A Hangers
1-10	828822	KIDS ANG ADJ F/PLT ASSM 10	LEFT; used with Old-Style Latch Block Swing In/Out & S/A Hangers
1-10	828823	KIDS ANG ADJ F/PLT ASSM 11	RIGHT; used with Old-Style Latch Block Swing In/Out & S/A Hangers
1-10	828824	KIDS ANG ADJ F/PLT ASSM 11	LEFT; used with Old-Style Latch Block Swing In/Out & S/A Hangers
1-10	828825	KIDS ANG ADJ F/PLT ASSM 12	RIGHT; used with Old-Style Latch Block Swing In/Out & S/A Hangers
1-10	828826	KIDS ANG ADJ F/PLT ASSM 12	LEFT; used with Old-Style Latch Block Swing In/Out & S/A Hangers
1-10	828827	KIDS ANG ADJ F/PLT ASSM 13	RIGHT; used with Old-Style Latch Block Swing In/Out & S/A Hangers
1-10	828828	KIDS ANG ADJ F/PLT ASSM 13	LEFT; used with Old-Style Latch Block Swing In/Out & S/A Hangers
1-10	828829	KIDS ANG ADJ F/PLT ASSM 14	RIGHT; used with Old-Style Latch Block Swing In/Out & S/A Hangers
1-10	828830	KIDS ANG ADJ F/PLT ASSM 14	LEFT; used with Old-Style Latch Block Swing In/Out & S/A Hangers
1-10	828831	KIDS ANG ADJ F/PLT ASSM 15	RIGHT; used with Old-Style Latch Block Swing In/Out & S/A Hangers
1-10	828832	KIDS ANG ADJ F/PLT ASSM 15	LEFT; used with Old-Style Latch Block Swing In/Out & S/A Hangers

Pos.	Item Number	Description	Remarks
1-10	828833	KIDS ANG ADJ F/PLT ASSM 16	RIGHT; used with Old-Style Latch Block Swing In/Out & S/A Hangers
1-10	828834	KIDS ANG ADJ F/PLT ASSM 16	LEFT; used with Old-Style Latch Block Swing In/Out & S/A Hangers
1-10	921226	KIDS ANG ADJ F/PLT ASSM 10	PAIR; used with Old-Style Latch Block Swing In/Out & S/A Hangers
1-10	921227	KIDS ANG ADJ F/PLT ASSM 11	PAIR; used with Old-Style Latch Block Swing In/Out & S/A Hangers
1-10	921228	KIDS ANG ADJ F/PLT ASSM 12	PAIR; used with Old-Style Latch Block Swing In/Out & S/A Hangers
1-10	921229	KIDS ANG ADJ F/PLT ASSM 13	PAIR; used with Old-Style Latch Block Swing In/Out & S/A Hangers
1-10	921230	KIDS ANG ADJ F/PLT ASSM 14	PAIR; used with Old-Style Latch Block Swing In/Out & S/A Hangers
1-10	921231	KIDS ANG ADJ F/PLT ASSM 15	PAIR; used with Old-Style Latch Block Swing In/Out & S/A Hangers
1-10	921232	KIDS ANG ADJ F/PLT ASSM 16	PAIR; used with Old-Style Latch Block Swing In/Out & S/A Hangers
11-19	129764	AAA FRNT MNT ADAPTER KIT PR	AAA FRNT MNT fits both Kids and Adult Angle Adjustable Footplates
		Ship assembled part #	Use with multiple assemblies
	ASSY-HNG-FP	HANGER/FOOTPLATE ASSY REQUIRED	add with Hanger & Footplate kit

To have complete Footrest ship assembled, choose compatible Hanger + Footplate part numbers and add "ASSY-HNG-FP" to order

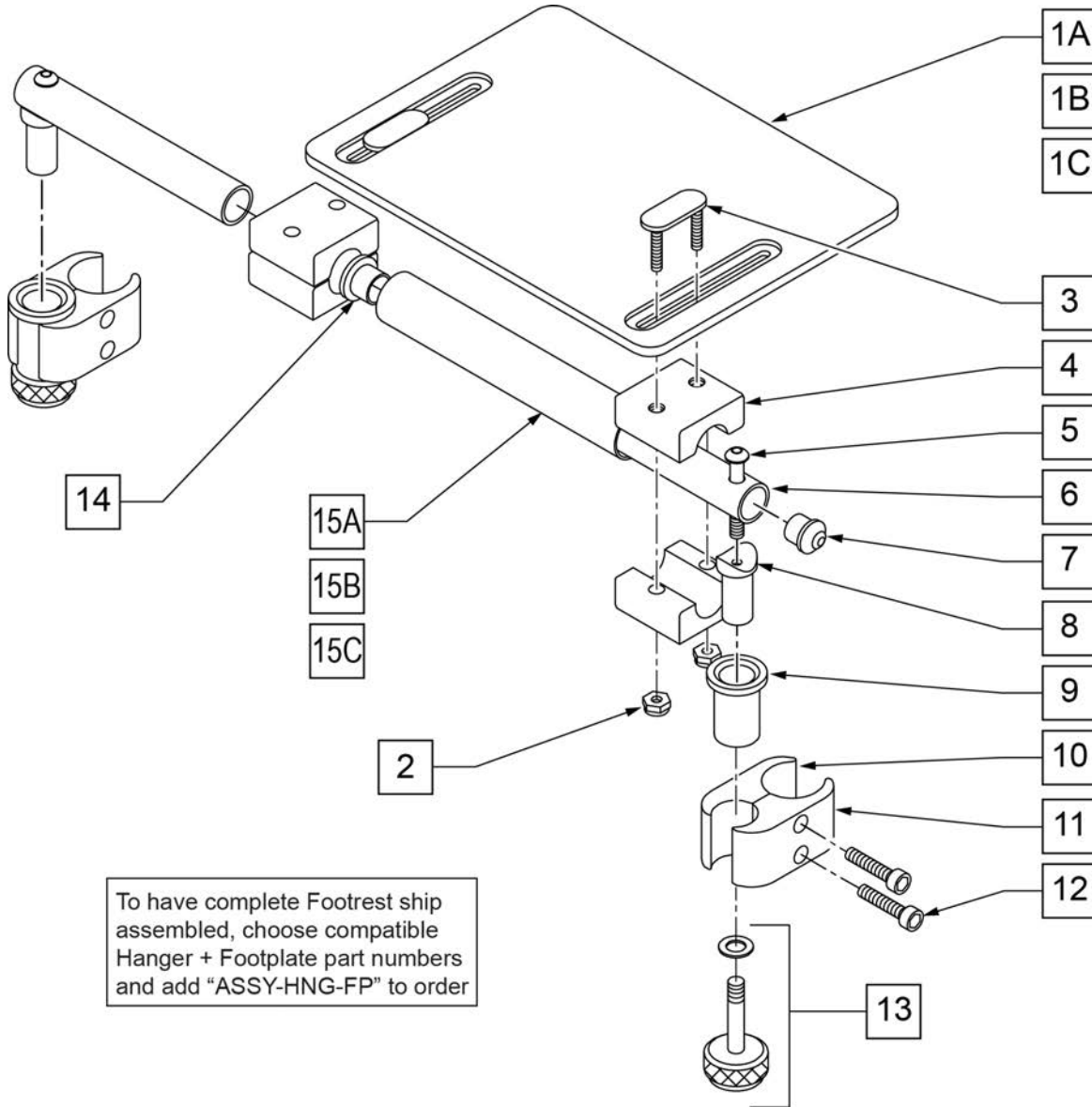
INSET FORMULA
 0" Inset (Seat Width) = Footrest Width
 1" Inset (Seat Width) - 2" = Footrest Width
 "V" Hanger (Seat Width) - 4" = Footrest Width
 Offset Hanger Receiver (Seat Width) + 2" = Footrest Width



CHAIR WIDTH	"A"	"B"
10"-11"	3 1/2"	7 1/4"
12"-13"	4 1/2"	7 3/4"
14"-15"	5 1/2"	7 3/4"
16"-17"	6 1/2"	7 3/4"
18"-20"	7 1/2"	7 3/4"

Pos.	Item Number	Description	Remarks
1	106978	FHCS 1/4-28 X 7/8 ROHS	
2	106941	NUT AUTOMATION 1/4-28 ROHS	
3	106943	WASHER FLAT AN 1/4 ROHS	
4	561004	1" SADDLE 1/4" HOLE	
5	541000	FOOTREST MOUNTING BRKT 1/2" RAD R	RIGHT
5	541001	FOOTREST MOUNTING BRKT 1/2" RAD L	LEFT
6	106945	WASHER FLAT SAE 1/4 ROHS	
7	106964	BHCS 1/4-28 X 2	
8	550350	3/4" CLAMP ADJ FOOTPLATE	
9	106935	NUT NYLOCK THIN 1/4-28 ROHS	
10	561040	HEEL LOOP PEG	
11	741153	HEEL LOOP 18-20 CMPST/14-15 ANG ADJ	USED W/ 14-15"/16-17" ADULT ANG ADJ FTPLTS
11	741253	HEEL LOOP ADLT ADJ F/PLT 18-20	USED W/ 18 -20" ADULT ANG ADJ FTPLTS
12	500656	ADULT ANGL ADJ F/PLT 10/11	RIGHT
12	500657	ADULT ANGL ADJ F/PLT 10/11	LEFT
12	500658	ADULT ANGL ADJ F/PLT 12/13	RIGHT
12	500659	ADULT ANGL ADJ F/PLT 12/13	LEFT
12	500660	ADULT ANGL ADJ F/PLT 14/15	RIGHT
12	500661	ADULT ANGL ADJ F/PLT 14/15	LEFT
12	500662	ADULT ANGL ADJ F/PLT 16/17	RIGHT
12	500663	ADULT ANGL ADJ F/PLT 16/17	LEFT
12	500664	ADULT ANGL ADJ F/PLT 18-20	RIGHT

Pos.	Item Number	Description	Remarks
12	500665	ADULT ANGL ADJ F/PLT 18-20	LEFT
13	740260	TOE-ANKLE STRAP ADJ ADULT FOOTPLATE	
14	106943	WASHER FLAT AN 1/4 ROHS	
15	106958	HHCS 1/4-20 X 1 ROHS	
1-9,12	820544	FP ADULT ADJ 90D 10/11 R	RIGHT
1-9,12	820554	FP ADULT ADJ 90D 10/11 L	LEFT
1-9,12	820546	FP ADULT ADJ 90D 12/13 R	RIGHT
1-9,12	820556	FP ADULT ADJ 90D 12/13 L	LEFT
1-9,12	820472	FP ADULT ADJ 90D 14/15 R	RIGHT
1-9,12	820473	FP ADULT ADJ 90D 14/15 L	LEFT
1-9,12	820474	FP ADULT ADJ 90D 16/17 R	RIGHT
1-9,12	820475	FP ADULT ADJ 90D 16/17 L	LEFT
1-9,12	820476	FP ADULT ADJ 90D 18-20 R	RIGHT
1-9,12	820477	FP ADULT ADJ 90D 18-20 L	LEFT
1-9,12	921474	ADULT ANGL ADJ 90D 10/11 OMIT H/L	PAIR
1-9,12	921476	ADULT ANGL ADJ 90D 12/13 OMIT H/L	PAIR
1-9,12	921330	ADULT ANGL ADJ 90D 14/15 OMIT H/L	PAIR
1-9,12	921331	ADULT ANGL ADJ 90D 16/17 OMIT H/L	PAIR
1-9,12	921332	ADULT ANGL ADJ 90D 18-20 OMIT H/L	PAIR
1-12,14,15	820540	F/PLT ADULT ADJ 90D 10/11 R W/ HL	RIGHT
1-12,14,15	820550	F/PLT ADULT ADJ 90D 10/11 L W/ HL	LEFT
1-12,14,15	820542	F/PLT ADULT ADJ 90D 12/13 R W/ HL	RIGHT
1-12,14,15	820552	F/PLT ADULT ADJ 90D 12/13 L W/ HL	LEFT
1-12,14,15	820478	F/PLT ADULT ADJ 90D 14/15 R W/ HL	RIGHT
1-12,14,15	820479	F/PLT ADULT ADJ 90D 14/15 L W/ HL	LEFT
1-12,14,15	820480	F/PLT ADULT ADJ 90D 16/17 R W/ HL	RIGHT
1-12,14,15	820481	F/PLT ADULT ADJ 90D 16/17 L W/ HL	LEFT
1-12,14,15	820482	F/PLT ADULT ADJ 90D 18-20 R W/ HL	RIGHT
1-12,14,15	820483	F/PLT ADULT ADJ 90D 18-20 L W/ HL	LEFT
1-12,14,15	921470	F/PLT ADULT ADJ 90D 10/11 W/ HL	PAIR
1-12,14,15	921472	F/PLT ADULT ADJ 90D 12/13 W/ HL	PAIR
1-12,14,15	921333	F/PLT ADULT ADJ 90D 14/15 W/ HL	PAIR
1-12,14,15	921334	F/PLT ADULT ADJ 90D 16/17 W/ HL	PAIR
1-12,14,15	921335	F/PLT ADULT ADJ 90D 18-20 W/ HL	PAIR
		Ship assembled part #	Use with multiple assemblies
	ASSY-HNG-FP	HANGER/FOOTPLATE ASSY REQUIRED	add with Hanger & Footplate kit



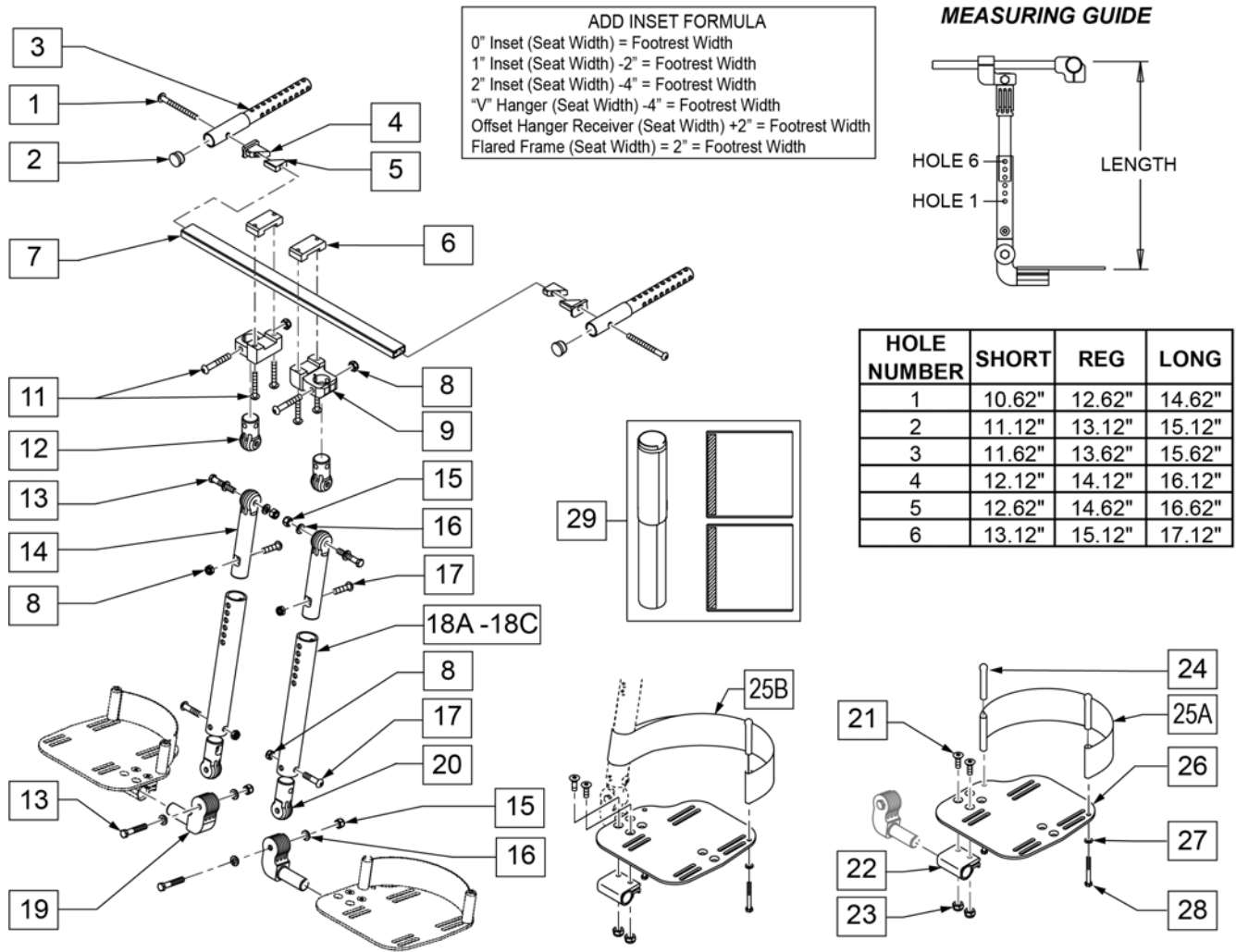
To have complete Footrest ship assembled, choose compatible Hanger + Footplate part numbers and add "ASSY-HNG-FP" to order

Pos.	Item Number	Description	Remarks
1A	562610	SLD FOOTPLATE ONLY 8" x 8" (10"-12" W)	10 -12" WIDE
1B	562612	SLD FOOTPLATE ONLY 10" x 8" (13"-14" W)	13 -14" WIDE
1C	500709	SLD FT PLT ALUM ONLY 12" x 8" (15"-16" W)	15 -16" WIDE
2	106933	NUT NYLOCK THIN 1/4-20 ROHS	
3	330120	SLD FT/ANGLE ADJ DOUBLE T BOLT	
4	550444	SOLID FOOT/ANG ADJ CLAMP BLK	
5	107028	BHCS 1/4-28 X 1-1/2 ROHS	
7	561034	SHORT DOME PLUG	
8	483236	SOLID FOOT INSERT SADDLE BLK	
10	550658	CLAMP 1 1/4" THREADED BLK	
11	550657	CLAMP 1 1/4" RECESS FULL BLK	
12	107032	SHCS 1/4-28 X 1 ROHS	
9,13	880559	SOLID FOOT LOCK KNOB ASSEMBLY	
14	560402	3/4" ID NY-LINER	
15A	521621	SLD FOOT SUPPORT TUBE BLK 10"-12"	10 -12" WIDE

Pos.	Item Number	Description	Remarks
15B	521622	SLD FOOT SUPPORT TUBE BLK 13"-14"	13 -14" WIDE
15C	521624	SLD FOOT SUPPORT TUBE BLK 15"-16"	15 -16" WIDE
5-8	880183	SLD FT PLT PIVOT TUBE SUB-ASSM	
1A,2-14, 15A	921801	SLD FT PLT ASSEMBLY 8" x 8" (10"-12" W)	10 -12" WIDE
1B,2-14, 15B	921803	SOLID FOOTPLATE ASSEMBLY 10" x 8" (13"-14" W)	13 -14" WIDE
1C,2-14, 15C	921805	SOLID FOOTPLATE ASSEMBLY 12" x 8" (15"-16" W)	15 -16" WIDE
		Ship assembled part #	Use with multiple assemblies
	ASSY-HNG-FP	HANGER/FOOTPLATE ASSY REQUIRED	add with Hanger & Footplate kit

NOTE: 20" WIDE FOOTPLATE AND COMPONENTS ARE ALSO USED FOR THE 21" AND 22" WIDTHS.

NOTE: WHEN RETRO-FITTING CONTRACTURE FOOTREST TO AN EXISTING CHAIR, NEW SEAT RAILS ARE REQUIRED. ITEM 050500-004 QUANTITY 2.



Pos.	Item Number	Description	Remarks
1	106967	BHCS 1/4 -28 x 2 1/2 SHLDR ROHS	
2	561002	1" INSERT PLUG .083	
3	540597	WELDMENT CONTRACTURE FOOTREST	
4	500792	CONTRACTURE FOOTREST TAB BODY	
5	500791	CONTRACTURE FOOTREST TAB SLIDE	
6	550465	CLAMP TOP QTS	
7	521411	CONTRACTURE FOOTREST RAIL 10"	
7	521412	CONTRACTURE FOOTREST RAIL 11"	
7	521413	CONTRACTURE FOOTREST RAIL 12"	
7	521414	CONTRACTURE FOOTREST RAIL 13"	
7	521460	CONTRACTURE FOOTREST RAIL 14"	

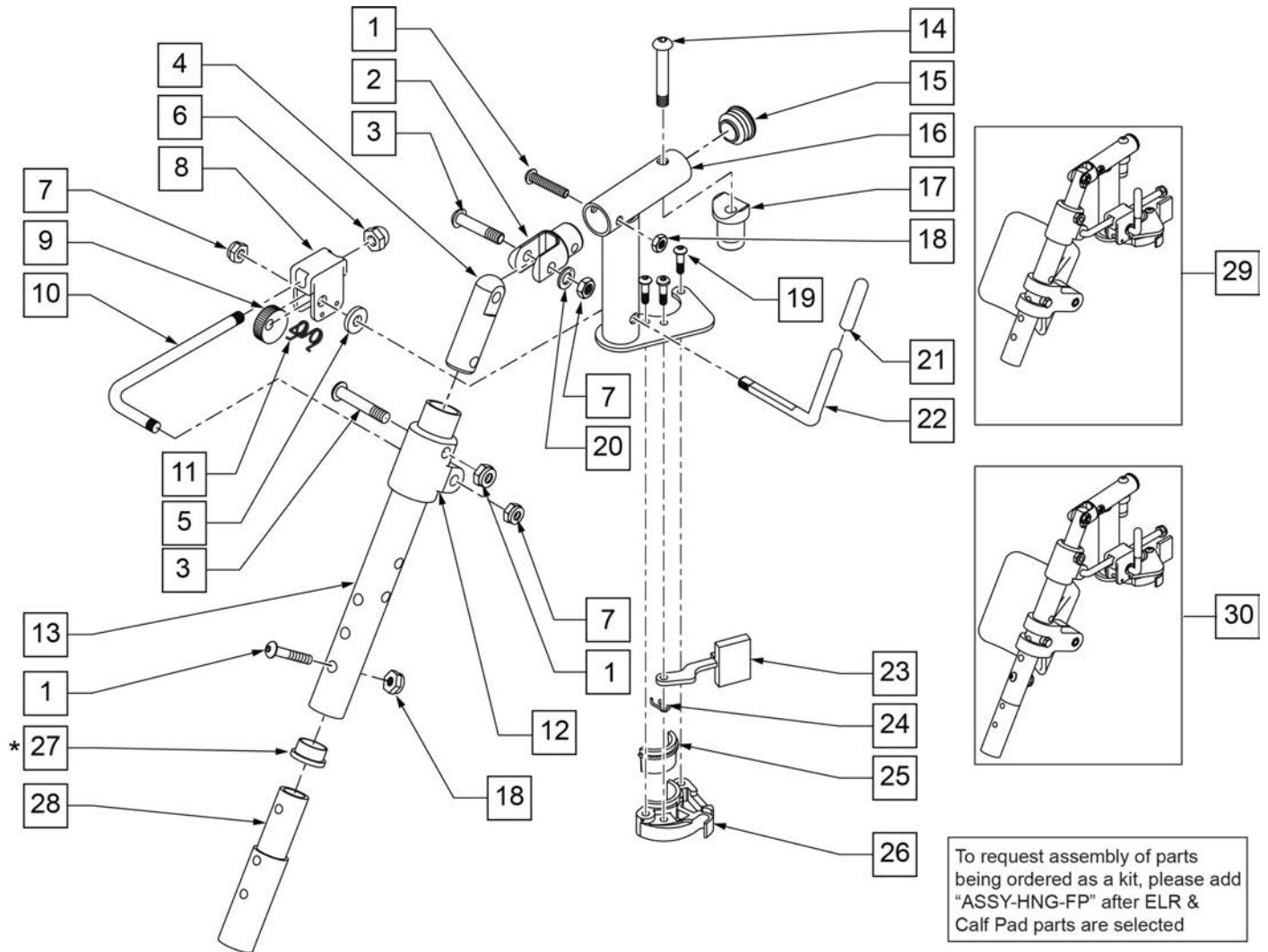
Pos.	Item Number	Description	Remarks
7	521461	CONTRACTURE FOOTREST RAIL 15"	
7	521462	CONTRACTURE FOOTREST RAIL 16"	
7	521463	CONTRACTURE FOOTREST RAIL 17"	
7	521464	CONTRACTURE FOOTREST RAIL 18"	
8	106937	NUT NYLOCK THIN 5/16 -18 ROHS	
9	483180	OFFSET CLAMP BODY QTS	
11	106962	BHCS 1/4 -28 x 1 3/4 ROHS	
12	483191	EXTERIOR LOCKING JOINT QTS	
13	106984	HHCS 5/16-18 x 1 3/4 ROHS	
14	503005	ADJUSTMENT LOCKING JOINT	
15	106937	NUT NYLOCK THIN 5/16 -18 ROHS	
16	106951	WASHER SPLIT LOCK 5/16 ROHS	
17	106980	BHCS 5/16-18 x 1 1/4 ROHS	
18A	524041	CONTRACTURE FOOTREST MOUNT TUBE-SHORT	10.5" - 13" FOOTREST LENGTH
18B	524044	CONTRACTURE FOOTREST MOUNT TUBE-MEDIUM	12.5" - 15" FOOTREST LENGTH
19	483189	FOOTREST JOINT QTS	
20	483181	INTERIOR LOCKING JOINT QTS	
21	106978	FHCS 1/4 -28 x 7/8 ROHS	
22	550350	3/4 CLAMP ADJUSTABLE FOOT PLATE	
23	106935	NUT NYLOCK THIN 1/4 -28 ROHS	
24	561040	HEEL LOOP PEG	
25A	741130	HEEL LOOP MULTI-POSITION 14-15"	
25A	741131	HEEL LOOP MULTI-POSITION 16-17"	
25A	741132	HEEL LOOP MULTI-POSITION 18-20"	
25B	741154	HEEL LOOP COMPOSITE HEMI 14-15"	
25B	741155	HEEL LOOP COMPOSITE HEMI 16-17"	
26	500656	ADULT ANGLE ADJUSTABLE FOOT PLATE 10-11"	RIGHT
26	500657	ADULT ANGLE ADJUSTABLE FOOT PLATE 10-11"	LEFT
26	500658	ADULT ANGLE ADJUSTABLE FOOT PLATE 12-13"	RIGHT
26	500659	ADULT ANGLE ADJUSTABLE FOOT PLATE 12-13"	LEFT
26	500660	ADULT ANGLE ADJUSTABLE FOOT PLATE 14-15"	RIGHT
26	500661	ADULT ANGLE ADJUSTABLE FOOT PLATE 14-15"	LEFT
26	500662	ADULT ANGLE ADJUSTABLE FOOT PLATE 16-17"	RIGHT
26	500663	ADULT ANGLE ADJUSTABLE FOOT PLATE 16-17"	LEFT
26	500664	ADULT ANGLE ADJUSTABLE FOOT PLATE 18-20"	RIGHT
26	500665	ADULT ANGLE ADJUSTABLE FOOT PLATE 18-20"	LEFT
27	106944	WASHER FLAT THIN AN 1/4 ROHS	
28	106958	HHCS 1/4 -20 x 1 ROHS	
29	731101	COVER PAD CONTRACTURE FOOT REST	
8, 12-20	888810	CONTRACTURE FOOT REST MOUNT TUBE ASSM-SHORT	SHORT
8, 12-20	888811	CONTRACTURE FOOT REST MOUNT TUBE ASSM-MED	MED
8, 12-20	888812	CONTRACTURE FOOT REST MOUNT TUBE ASSM-LONG	LONG
1-18A-29	040034-001	CONTRACTURE FOOT REST KIT IRIS 10" W-SHORT	FITS ZIPPIE IRIS ONLY - SHORT
1-18B-29	040035-001	CONTRACTURE FOOT REST KIT IRIS 10" W-MED	FITS ZIPPIE IRIS ONLY - MED
1-18A-29	040034-002	CONTRACTURE FOOT REST KIT IRIS 11" W-SHORT	FITS ZIPPIE IRIS ONLY - SHORT
1-18B-29	040035-002	CONTRACTURE FOOT REST KIT IRIS 11" W-MED	FITS ZIPPIE IRIS ONLY - MED
1-18A-29	040034-003	CONTRACTURE FOOT REST KIT IRIS 12" W-SHORT	FITS ZIPPIE IRIS ONLY - SHORT
1-18B-29	040035-003	CONTRACTURE FOOT REST KIT IRIS 12" W-MED	FITS ZIPPIE IRIS ONLY - MED
1-18A-29	040034-004	CONTRACTURE FOOT REST KIT IRIS 13" W-SHORT	FITS ZIPPIE IRIS ONLY - SHORT
1-18B-29	040035-004	CONTRACTURE FOOT REST KIT IRIS 13" W-MED	FITS ZIPPIE IRIS ONLY - MED
1-18A-29	921958	CNTRCTR FTRST KIT 14" W-SHT IRIS	SHORT
1-18B-29	921959	CNTRCTR FTRST KIT 14" W-MED IRIS	MED
1-18C-29	921960	CNTRCTR FTRST KIT 14" W-LNG IRIS	LONG
1-18A-29	921961	CNTRCTR FTRST KIT 15" W-SHT IRIS	SHORT
1-18B-29	921962	CNTRCTR FTRST KIT 15" W-MED IRIS	MED
1-18C-29	921963	CNTRCTR FTRST KIT 15" W-LNG IRIS	LONG

Pos.	Item Number	Description	Remarks
1-18A-29	921964	CNTRCTR FTRST KIT 16" W-SHT IRIS	SHORT
1-18B-29	921965	CNTRCTR FTRST KIT 16" W-MED IRIS	MED
1-18C-29	921966	CNTRCTR FTRST KIT 16" W-LNG IRIS	LONG
1-18A-29	921967	CNTRCTR FTRST KIT 17" W-SHT IRIS	SHORT
1-18B-29	921968	CNTRCTR FTRST KIT 17" W-MED IRIS	MED
1-18C-29	921969	CNTRCTR FTRST KIT 17" W-LNG IRIS	LONG
1-18A-29	921970	CNTRCTR FTRST KIT 18" W-SHT IRIS	SHORT
1-18B-29	921971	CNTRCTR FTRST KIT 18" W-MED IRIS	MED
1-18C-29	921972	CNTRCTR FTRST KIT 18" W-LNG IRIS	LONG
1-18A-29	921973	CNTRCTR FTRST KIT 19" W-SHT IRIS	FITS QUICKIE IRIS ONLY - SHORT
1-18B-29	921974	CNTRCTR FTRST KIT 19" W-MED IRIS	FITS QUICKIE IRIS ONLY - MED
1-18C-29	921975	CNTRCTR FTRST KIT 19" W-LNG IRIS	FITS QUICKIE IRIS ONLY - LONG
1-18A-29	921976	CNTRCTR FTRST KIT 20" W-SHT IRIS	FITS QUICKIE IRIS ONLY - SHORT
1-18B-29	921977	CNTRCTR FTRST KIT 20" W-MED IRIS	FITS QUICKIE IRIS ONLY - MED
1-18C-29	921978	CNTRCTR FTRST KIT 20" W-LNG IRIS	FITS QUICKIE IRIS ONLY - LONG
1-18A-29	921979	CNTRCTR FTRST KIT 21" W-SHT IRIS	FITS QUICKIE IRIS ONLY - SHORT
1-18B-29	921984	CNTRCTR FTRST KIT 21" W-MED IRIS	FITS QUICKIE IRIS ONLY - MED
1-18C-29	921985	CNTRCTR FTRST KIT 21" W-LNG IRIS	FITS QUICKIE IRIS ONLY - LONG
1-18A-29	921986	CNTRCTR FTRST KIT 22" W-SHT IRIS	FITS QUICKIE IRIS ONLY - SHORT
1-18B-29	921987	CNTRCTR FTRST KIT 22" W-MED IRIS	FITS QUICKIE IRIS ONLY - MED
1-18C-29	921988	CNTRCTR FTRST KIT 22" W-LNG IRIS	FITS QUICKIE IRIS ONLY - LONG

90 DEG ELEVATING HANGER

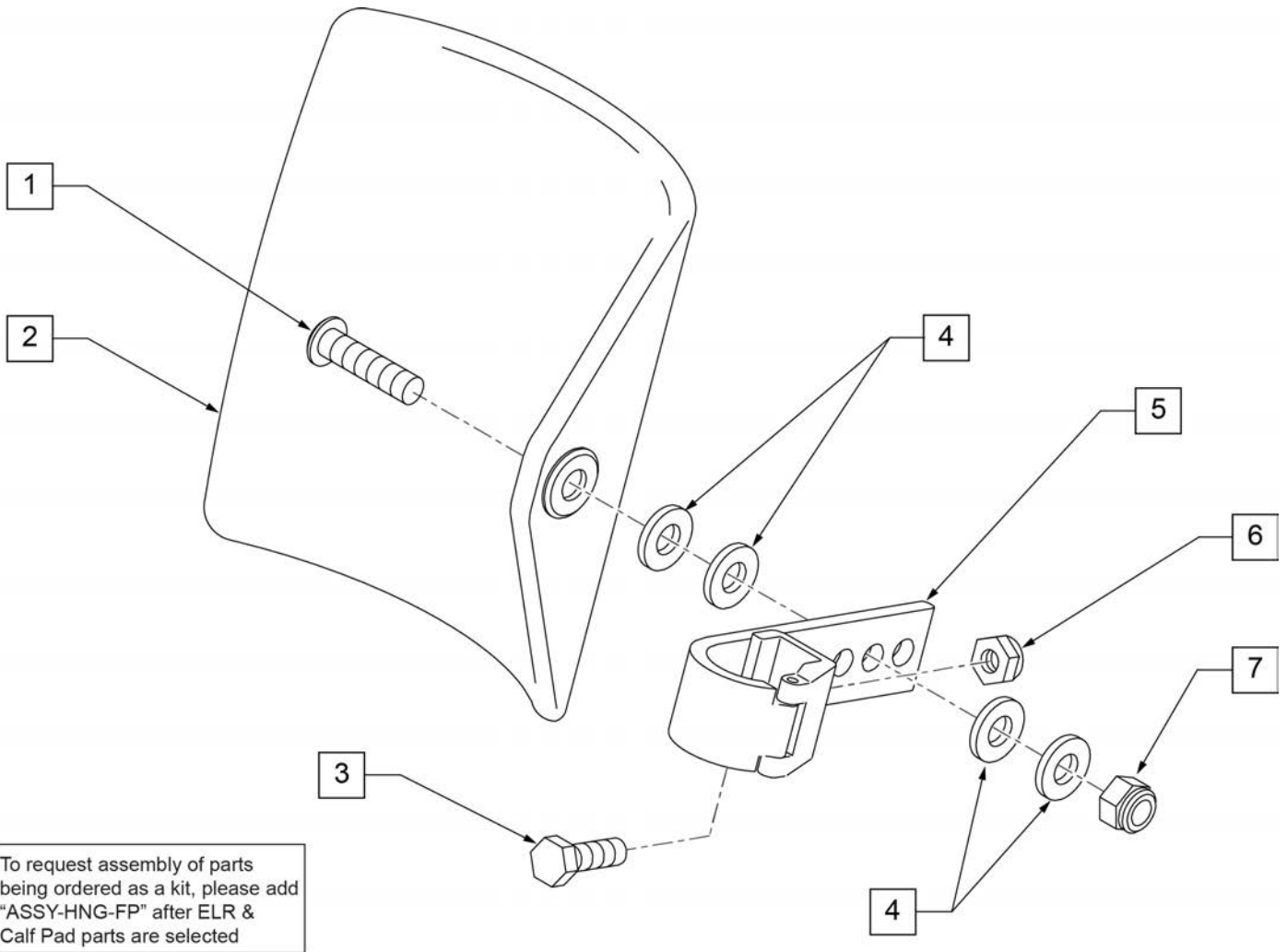
[11/2009]

NOTE: Order Item 27 (561002) when NOT using Footrest Extension.

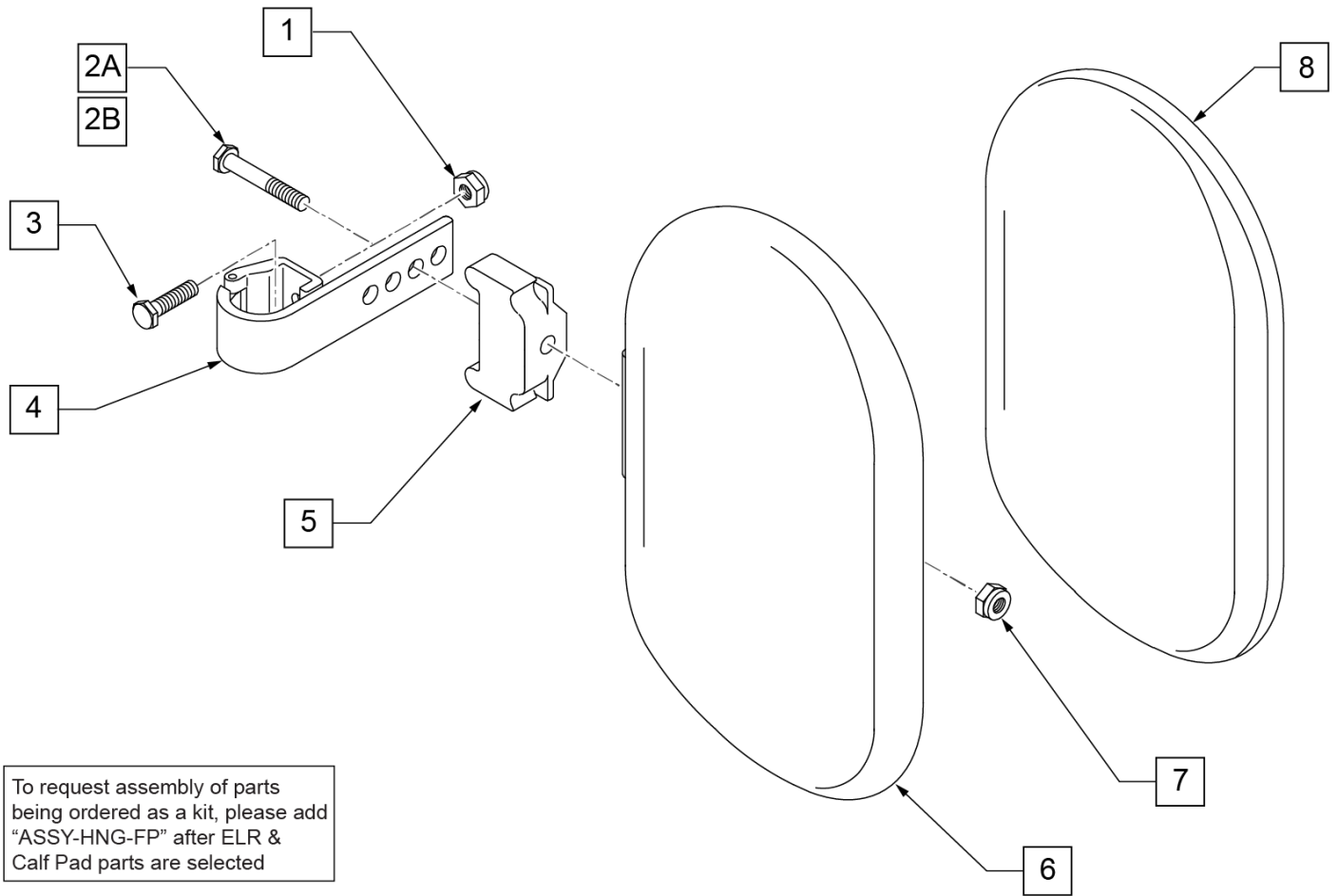


Pos.	Item Number	Description	Remarks
1	107027	BHCS 1/4-28 X 1-1/4 SHLDR ROHS	
2	505281	ELR CLEVIS	
3	107037	BHCS 5/16-24 X 1-1/2 SHLD ROHS	
4	540252	ELR PIVOT PRS	
5	561059	3/4 OD x .318 ID WASHER	
6	202109	5/16-24 ACORN NUT HEX	
7	106939	NUT NYLOCK THIN 5/16-24 ROHS	
8	880990	ELR LOCK HOUSING W/PIN	
9	481119	ELR CAM LOCKING POWDERED METAL	
10	481505	ELR LOCK ROD 90D	
11	321106	ELR TORSION SPRING	
12	560430	ELR ROD UPPER PIVOT	
13	505097S	ELR KIDS TUBE	SPECIFY COLOR
14	106983	BHCS 5/16-18 X 2 SHLDR ROHS	
15	561062	1" INSERT PLUG .065 RIBS	

Pos.	Item Number	Description	Remarks
17	561197	PLASTIC PIVOT SADDLE	
18	106935	NUT NYLOCK THIN 1/4-28 ROHS	
19	107035	BHCS 10-24 X .725 PL ROHS	
20	263100	5/16 AN WASHER FLAT	
21	561049	ELR RELEASE ROD COVER	
23	561079	S/A LATCH LEVER	
24	321136	S/A SPRING L RED	
24	321137	S/A SPRING R CLEAR	
27	561002	1" INSERT PLUG .083	
29	923067S	ELR HNGR ASSM 90D W/PAD	PAIR
30	923068S	ELR HNGR ASSM 90D W/PAD 2" EXT	PAIR
1,18,28	111505	2" FTREST EXT W/ HDWR	
25,26	881500	LATCH BLOCK ASSM R	RIGHT
25,26	881501	LATCH BLOCK ASSM L	LEFT
21,22	882411	ELR 90D ACTUATION ARM ASSM	
1-4,7,14-20,23-28	882413	ELR PIVOT BLOCK ASSM R	RIGHT
1-4,7,14-20,23-28	882414	ELR PIVOT BLOCK ASSM L	LEFT
1-26	641458S	ELR HNGR 90D W/O PAD PNTD R	RIGHT
1-26	641459S	ELR HNGR 90D W/O PAD PNTD L	LEFT
1-26,28	641468S	HANGER ELR 90 W/O PAD R 2" EXT	RIGHT
1-26,28	641469S	HANGER ELR 90 W/O PAD L 2" EXT	LEFT
19,23-26	881521	S/A LATCH KIT CASTING RIGHT	RIGHT
19,23-26	881522	S/A LATCH KIT CASTING LEFT	LEFT
		Ship assembled part #	Use with multiple assemblies
	ASSY-HNG-FP	HANGER/FOOTPLATE ASSY REQUIRED	add with Hanger & Footplate kit

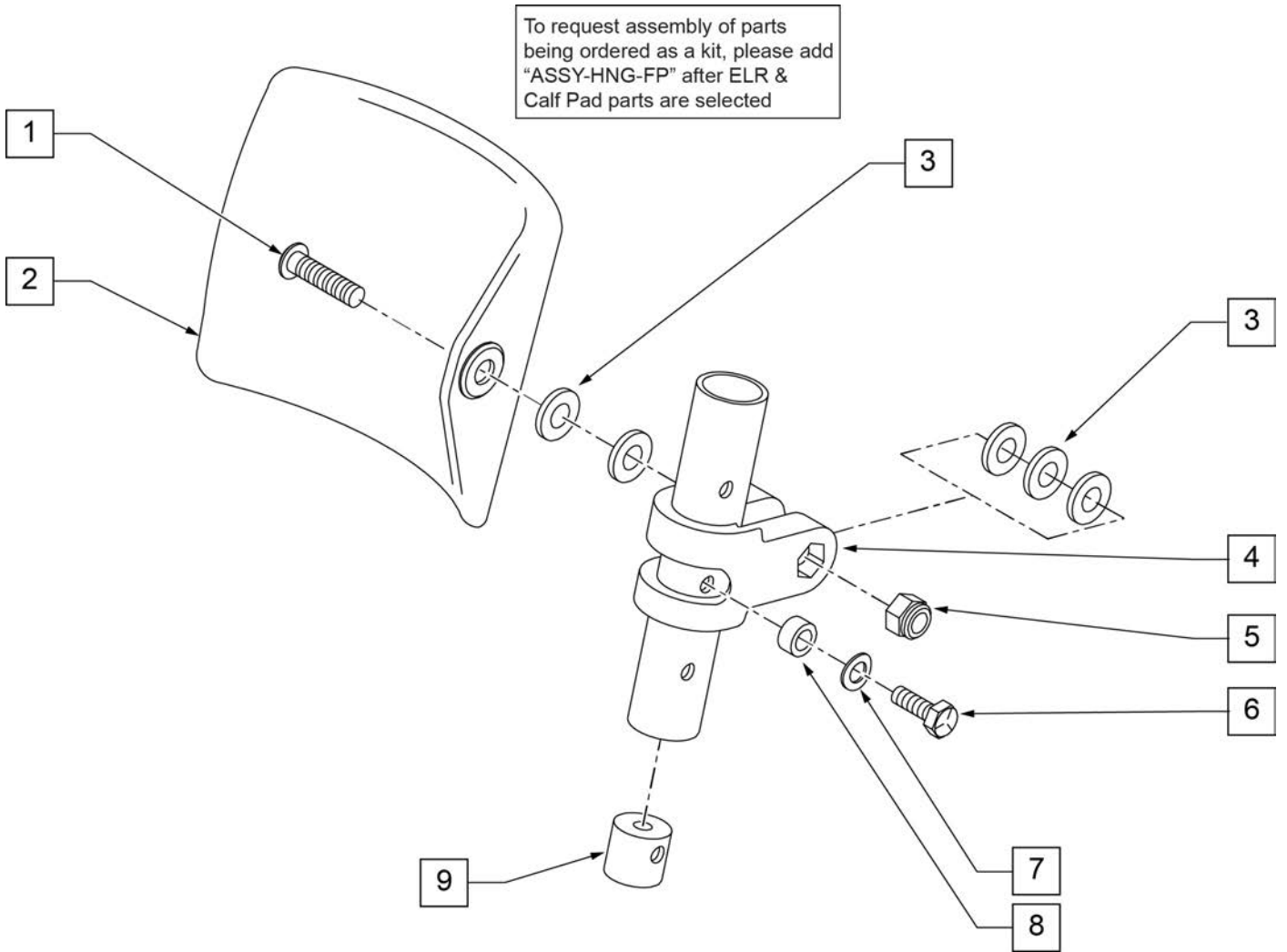


Pos.	Item Number	Description	Remarks
1	106980	BHCS 5/16-18 X 1-1/4 ROHS	
2	755014	CALF PAD TROUGH STYLE 14"/16"	
3	221097	1/4-28 X 5/8 HEX C/S BZ	
4	561016	1" WASHER 5/16" HOLE	
5	881413	CALF PAD BRACKET ASSEMBLY	
6	106934	NUT NYLOCK 1/4-28 ROHS	
7	106937	NUT NYLOCK THIN 5/16-18	
1-7	881414	CALF PAD J-HOOK 14"-15" ASSEMBLY	
		Ship assembled part #	Use with multiple assemblies
	ASSY-HNG-FP	HANGER/FOOTPLATE ASSY REQUIRED	add with Hanger & Footplate kit

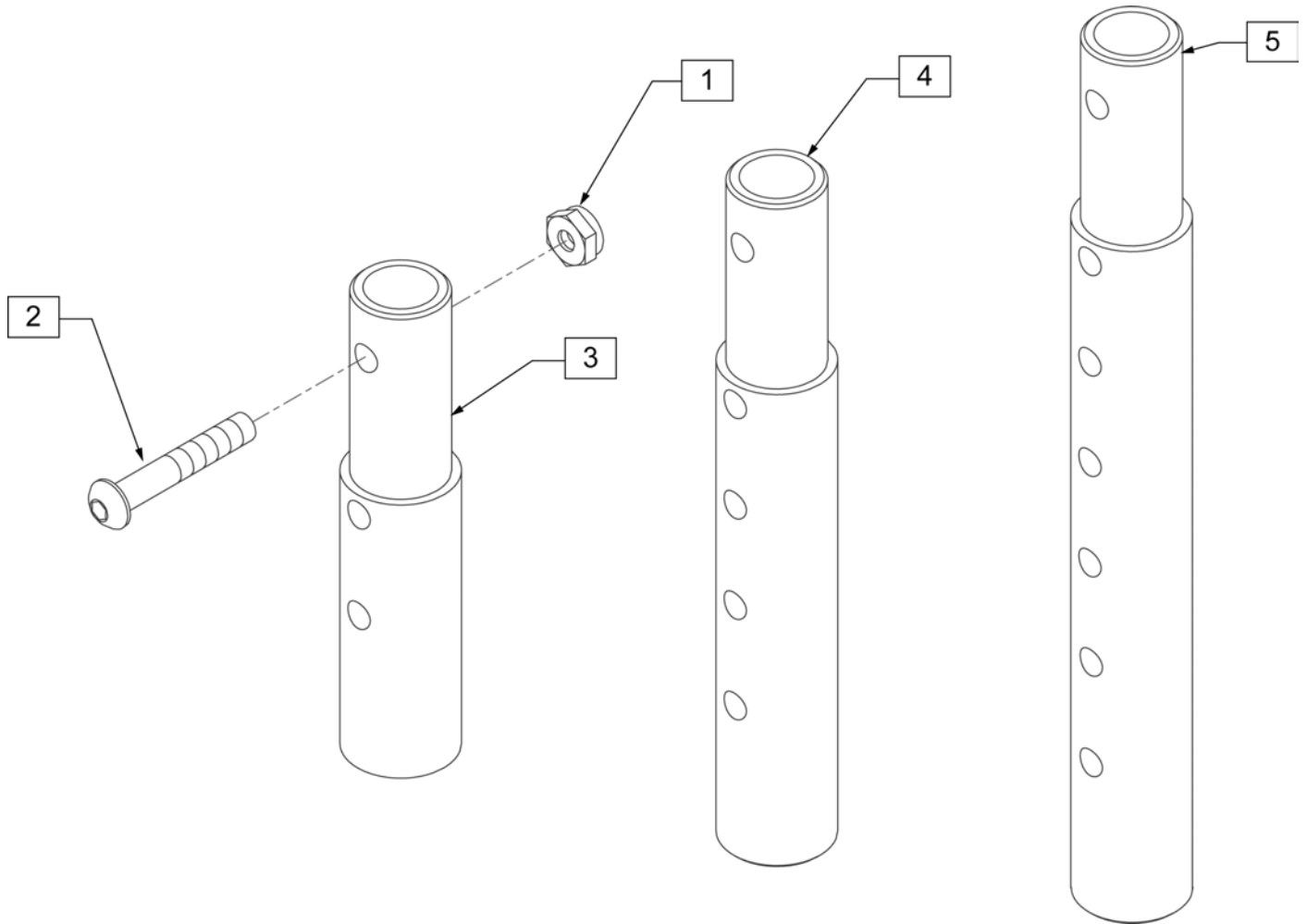


Pos.	Item Number	Description	Remarks
1	106934	NUT NYLOCK 1/4-28 ROHS	
2A	107018	HHCS 5/16-18 X 2-1/2 ROHS	16"-17" wide only
2B	107019	HHCS 5/16-18 X 3-1/2 ROHS	18"-20" wide only
3	107013	HHCS 1/4-28 X 5/8 ROHS	
4	881413	CALF PAD BRACKET ASSEMBLY	
5	560199	ELR CALF HINGE SPACER	18"-20" wide only
6	560108	CALF PAD MOLDED 16"-20"	
7	106936	NUT NYLOCK 5/16-18 ROHS	
8	751045	CALF PAD COVER	
1,2A,3,4,6-8	881416	CALF MOLDED 16"-17" ASSEMBLY	
1,2B,3-7,8	881412	CALF PAD MOLDED 18"-20" ASSEMBLY	
		Ship assembled part #	Use with multiple assemblies
	ASSY-HNG-FP	HANGER/FOOTPLATE ASSY REQUIRED	add with Hanger & Footplate kit

To request assembly of parts being ordered as a kit, please add "ASSY-HNG-FP" after ELR & Calf Pad parts are selected

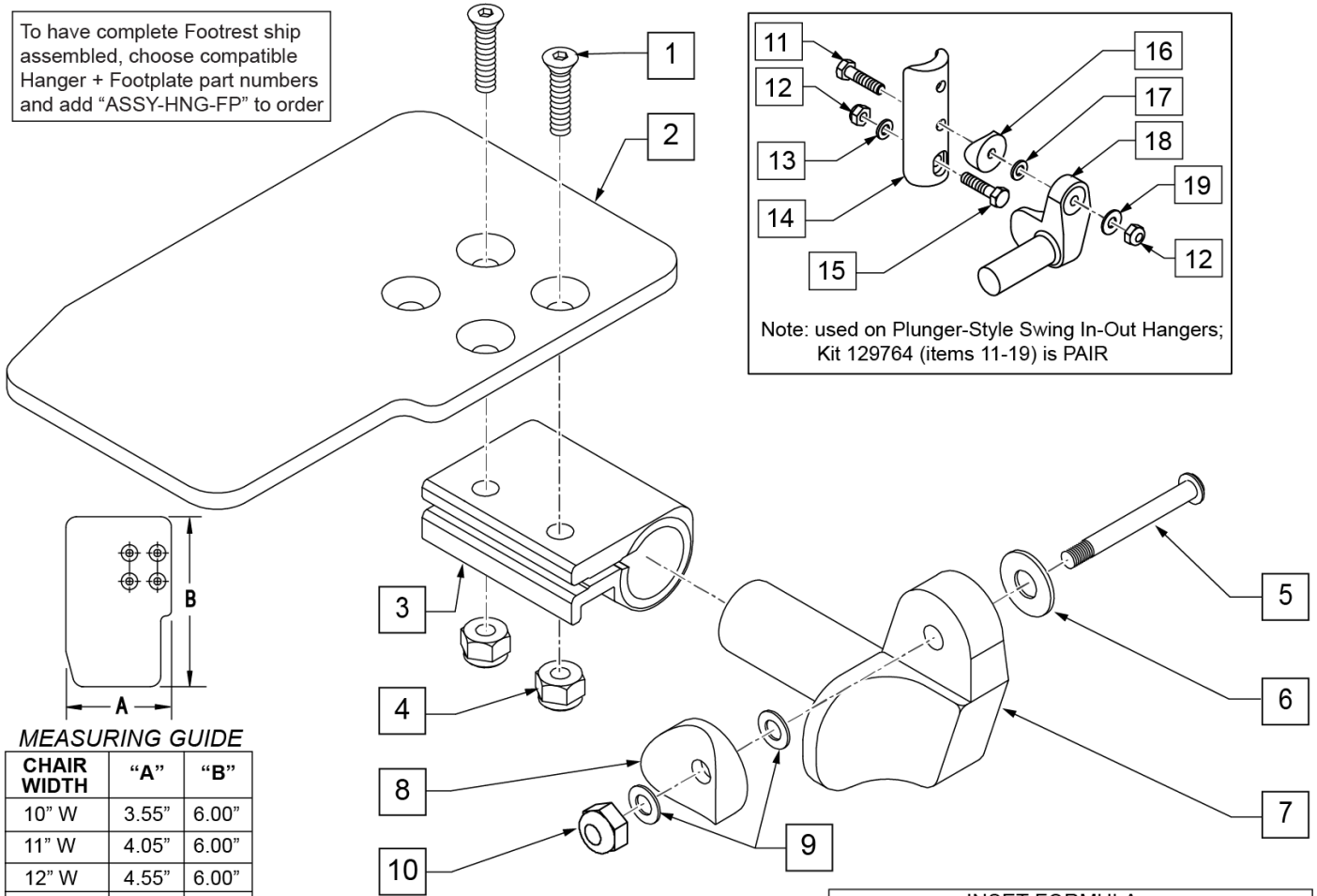


Pos.	Item Number	Description	Remarks
1	226217	5/16-18 x 2" BH C/S BLK	
2	755013	CALF PAD TROUGH STYLE KIDS	
3	561016	1" WASHER 5/16" HOLE	
4	561097	ELR ELEVATING TUBE CLAMP	
5	106937	5/16 -18 NYLOCK NUT THIN	
6	106958	HHCS 1/4-20 X 1 ROHS	
7	262130	6mm WASHER WAVE	
8	483027	1/4 x 1/4 ALUMINUM SPACER	
9	500151	KIDS ALR RETAINING PLUG	
1-9	880533	ELR TROUGH PAD ASSM KIDS	
		Ship assembled part #	Use with multiple assemblies
	ASSY-HNG-FP	HANGER/FOOTPLATE ASSY REQUIRED	add with Hanger & Footplate kit

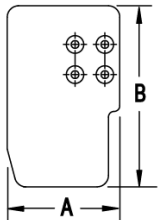


Pos.	Item Number	Description	Remarks
1	106935	NUT NYLOCK THIN 1/4 -28 ROHS	
2	106961	BHCS 1/4 -28 x 1 1/4 ROHS	
1-3	111505	2" FOOTREST EXTENSION TUBE W/ HDWR ASSM	2" EXT (PAIR)
1, 2, 4	111506	4" FOOTREST EXTENSION TUBE W/ HDWR ASSM	4" EXT (PAIR)
1, 2, 5	111507	6" FOOTREST EXTENSION TUBE W/ HDWR ASSM	6" EXT (PAIR)

To have complete Footrest ship assembled, choose compatible Hanger + Footplate part numbers and add "ASSY-HNG-FP" to order



Note: used on Plunger-Style Swing In-Out Hangers; Kit 129764 (items 11-19) is PAIR



MEASURING GUIDE

CHAIR WIDTH	"A"	"B"
10" W	3.55"	6.00"
11" W	4.05"	6.00"
12" W	4.55"	6.00"
13" W	5.05"	6.00"
14" W	5.55"	6.00"
15" W	6.05"	6.00"
16" W	6.55"	6.00"

INSET FORMULA

0" Inset (Seat Width) = Footrest Width
 1" Inset (Seat Width) -2" = Footrest Width
 "V" Hanger (Seat Width) -4" = Footrest Width
 Offset Hanger Receiver (Seat Width) +2" = Footrest Width

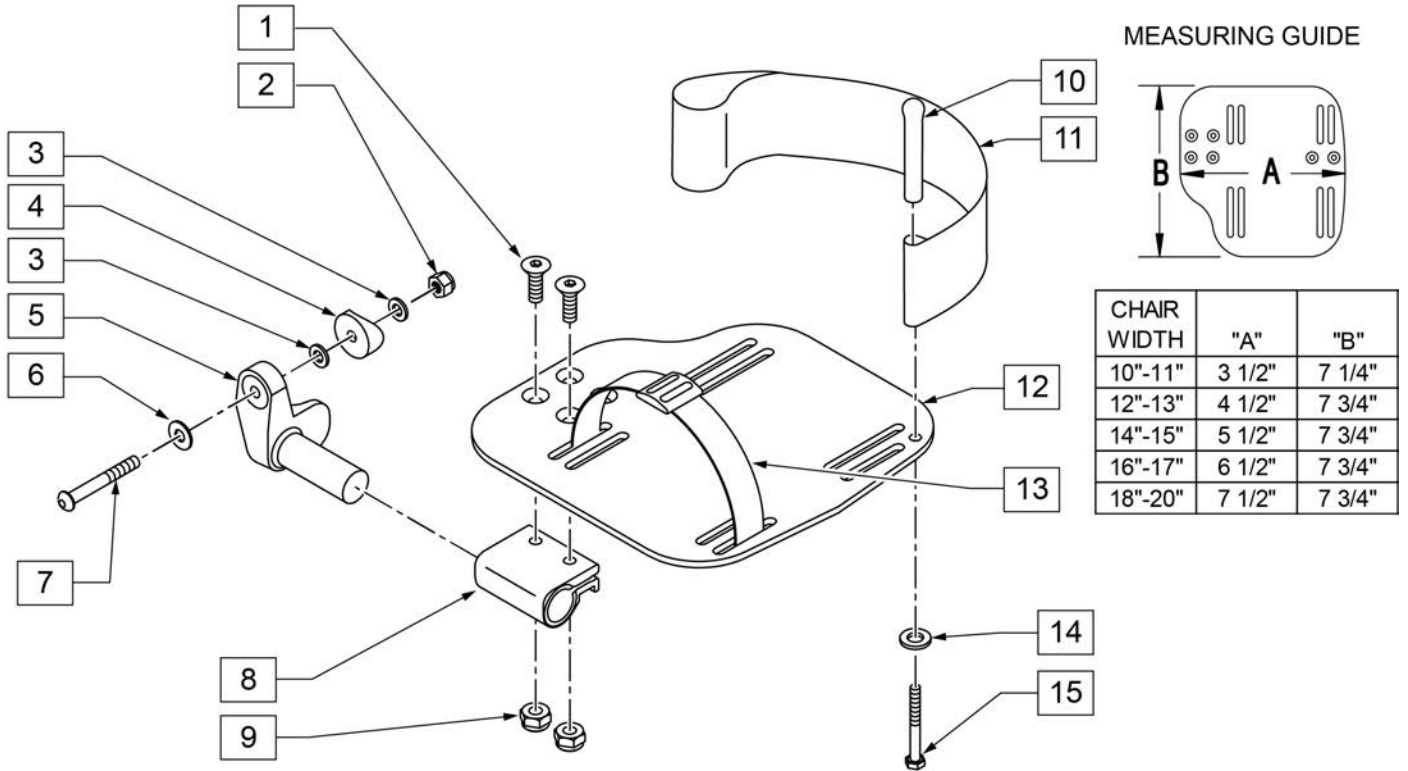
Pos.	Item Number	Description	Remarks
1	106978	FHCS 1/4-28 X 7/8 ROHS	
2	500635	KIDS ANGL ADJ F/PLT 10	RIGHT
2	500636	KIDS ANGL ADJ F/PLT 10	LEFT
2	500637	KIDS ANGL ADJ F/PLT 11	RIGHT
2	500638	KIDS ANGL ADJ F/PLT 11	LEFT
2	500639	KIDS ANGL ADJ F/PLT 12	RIGHT
2	500640	KIDS ANGL ADJ F/PLT 12	LEFT
2	500641	KIDS ANGL ADJ F/PLT 13	RIGHT
2	500642	KIDS ANGL ADJ F/PLT 13	LEFT
2	500643	KIDS ANGL ADJ F/PLT 14	RIGHT
2	500644	KIDS ANGL ADJ F/PLT 14	LEFT
2	500645	KIDS ANGL ADJ F/PLT 15	RIGHT
2	500646	KIDS ANGL ADJ F/PLT 15	LEFT
2	500647	KIDS ANGL ADJ F/PLT 16	RIGHT
2	500648	KIDS ANGL ADJ F/PLT 16	LEFT
3	550350	3/4 CLAMP ADJ FOOTPLATE	
4	106935	NUT NYLOCK THIN 1/4-28 ROHS	
5	226147	1/4-28 X 1.85 BH C/S BLK ZN	

Pos.	Item Number	Description	Remarks
6	106945	WASHER FLAT SAE 1/4 ROHS	
7	541000	FTRST MOUNTING BRKT 1/2" RAD R	RIGHT
7	541001	FTRST MOUNTING BRKT 1/2" RAD L	LEFT
8	561004	1 SADDLE 1/4 HOLE	
9	106943	WASHER FLAT THIN AN 1/4	
10	106941	NUT AUTOMATION 1/4-28 ROHS	
11	102268-001	HHCS M6 X 1 X 25	
12	132626	NUT AUTOMATION M6 X 1.0 ROHS	
13	107383	WASHER FLAT M6 ROHS	
15	118198	HHCS M6 X 1 X 40 PART NP	
16	561004	1" SADDLE 1/4" HOLE	
17	106943	WASHER FLAT AN 1/4 ROHS	
19	106945	WASHER FLAT SAE 1/4 ROHS	
1-4	158632	CAA F/PLT KIT 10 RT	RIGHT; used with Front Mount Adapter Kit on Plunger-Style Swing In/Out Hangers
1-4	158633	CAA F/PLT KIT 10 LT	LEFT; used with Front Mount Adapter Kit on Plunger-Style Swing In/Out Hangers
1-4	158634	CAA F/PLT KIT 11 RT	RIGHT; used with Front Mount Adapter Kit on Plunger-Style Swing In/Out Hangers
1-4	158635	CAA F/PLT KIT 11 LT	LEFT; used with Front Mount Adapter Kit on Plunger-Style Swing In/Out Hangers
1-4	158636	CAA F/PLT KIT 12 RT	RIGHT; used with Front Mount Adapter Kit on Plunger-Style Swing In/Out Hangers
1-4	158637	CAA F/PLT KIT 12 LT	LEFT; used with Front Mount Adapter Kit on Plunger-Style Swing In/Out Hangers
1-4	158638	CAA F/PLT KIT 13 RT	RIGHT; used with Front Mount Adapter Kit on Plunger-Style Swing In/Out Hangers
1-4	158639	CAA F/PLT KIT 13 LT	LEFT; used with Front Mount Adapter Kit on Plunger-Style Swing In/Out Hangers
1-4	158640	CAA F/PLT KIT 14 RT	RIGHT; used with Front Mount Adapter Kit on Plunger-Style Swing In/Out Hangers
1-4	158641	CAA F/PLT KIT 14 LT	LEFT; used with Front Mount Adapter Kit on Plunger-Style Swing In/Out Hangers
1-4	158642	CAA F/PLT KIT 15 RT	RIGHT; used with Front Mount Adapter Kit on Plunger-Style Swing In/Out Hangers
1-4	158643	CAA F/PLT KIT 15 LT	LEFT; used with Front Mount Adapter Kit on Plunger-Style Swing In/Out Hangers
1-4	158644	CAA F/PLT KIT 16 RT	RIGHT; used with Front Mount Adapter Kit on Plunger-Style Swing In/Out Hangers
1-4	158645	CAA F/PLT KIT 16 LT	LEFT; used with Front Mount Adapter Kit on Plunger-Style Swing In/Out Hangers
1-10	828821	KIDS ANG ADJ F/PLT ASSM 10	RIGHT; used with Old-Style Latch Block Swing In/Out & S/A Hangers
1-10	828822	KIDS ANG ADJ F/PLT ASSM 10	LEFT; used with Old-Style Latch Block Swing In/Out & S/A Hangers
1-10	828823	KIDS ANG ADJ F/PLT ASSM 11	RIGHT; used with Old-Style Latch Block Swing In/Out & S/A Hangers
1-10	828824	KIDS ANG ADJ F/PLT ASSM 11	LEFT; used with Old-Style Latch Block Swing In/Out & S/A Hangers
1-10	828825	KIDS ANG ADJ F/PLT ASSM 12	RIGHT; used with Old-Style Latch Block Swing In/Out & S/A Hangers
1-10	828826	KIDS ANG ADJ F/PLT ASSM 12	LEFT; used with Old-Style Latch Block Swing In/Out & S/A Hangers
1-10	828827	KIDS ANG ADJ F/PLT ASSM 13	RIGHT; used with Old-Style Latch Block Swing In/Out & S/A Hangers
1-10	828828	KIDS ANG ADJ F/PLT ASSM 13	LEFT; used with Old-Style Latch Block Swing In/Out & S/A Hangers
1-10	828829	KIDS ANG ADJ F/PLT ASSM 14	RIGHT; used with Old-Style Latch Block Swing In/Out & S/A Hangers
1-10	828830	KIDS ANG ADJ F/PLT ASSM 14	LEFT; used with Old-Style Latch Block Swing In/Out & S/A Hangers
1-10	828831	KIDS ANG ADJ F/PLT ASSM 15	RIGHT; used with Old-Style Latch Block Swing In/Out & S/A Hangers
1-10	828832	KIDS ANG ADJ F/PLT ASSM 15	LEFT; used with Old-Style Latch Block Swing In/Out & S/A Hangers

Pos.	Item Number	Description	Remarks
1-10	828833	KIDS ANG ADJ F/PLT ASSM 16	RIGHT; used with Old-Style Latch Block Swing In/Out & S/A Hangers
1-10	828834	KIDS ANG ADJ F/PLT ASSM 16	LEFT; used with Old-Style Latch Block Swing In/Out & S/A Hangers
1-10	921226	KIDS ANG ADJ F/PLT ASSM 10	PAIR; used with Old-Style Latch Block Swing In/Out & S/A Hangers
1-10	921227	KIDS ANG ADJ F/PLT ASSM 11	PAIR; used with Old-Style Latch Block Swing In/Out & S/A Hangers
1-10	921228	KIDS ANG ADJ F/PLT ASSM 12	PAIR; used with Old-Style Latch Block Swing In/Out & S/A Hangers
1-10	921229	KIDS ANG ADJ F/PLT ASSM 13	PAIR; used with Old-Style Latch Block Swing In/Out & S/A Hangers
1-10	921230	KIDS ANG ADJ F/PLT ASSM 14	PAIR; used with Old-Style Latch Block Swing In/Out & S/A Hangers
1-10	921231	KIDS ANG ADJ F/PLT ASSM 15	PAIR; used with Old-Style Latch Block Swing In/Out & S/A Hangers
1-10	921232	KIDS ANG ADJ F/PLT ASSM 16	PAIR; used with Old-Style Latch Block Swing In/Out & S/A Hangers
11-19	129764	AAA FRNT MNT ADAPTER KIT PR	AAA FRNT MNT fits both Kids and Adult Angle Adjustable Footplates
		Ship assembled part #	Use with multiple assemblies
	ASSY-HNG-FP	HANGER/FOOTPLATE ASSY REQUIRED	add with Hanger & Footplate kit

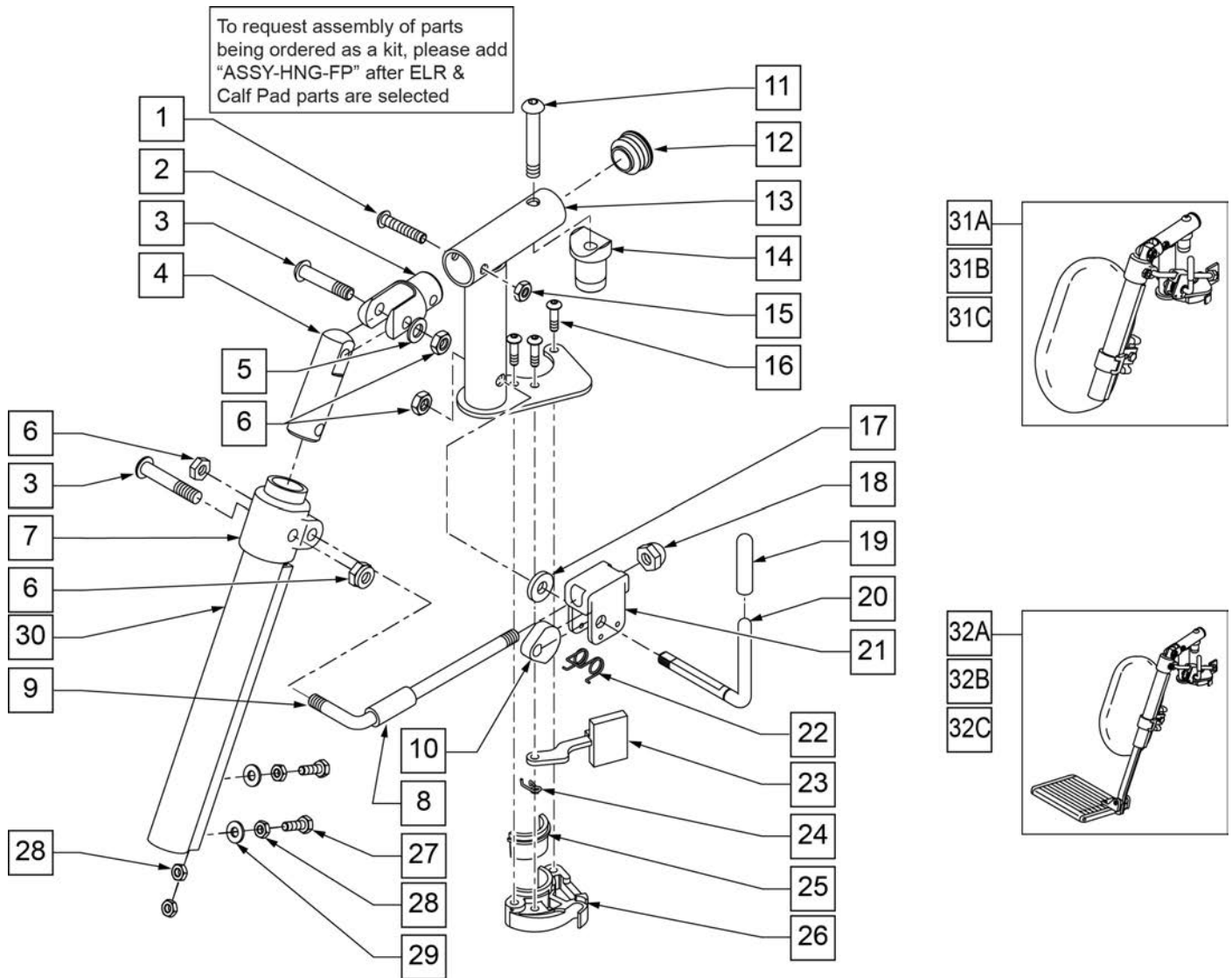
To have complete Footrest ship assembled, choose compatible Hanger + Footplate part numbers and add "ASSY-HNG-FP" to order

INSET FORMULA
 0" Inset (Seat Width) = Footrest Width
 1" Inset (Seat Width) - 2" = Footrest Width
 "V" Hanger (Seat Width) - 4" = Footrest Width
 Offset Hanger Receiver (Seat Width) + 2" = Footrest Width



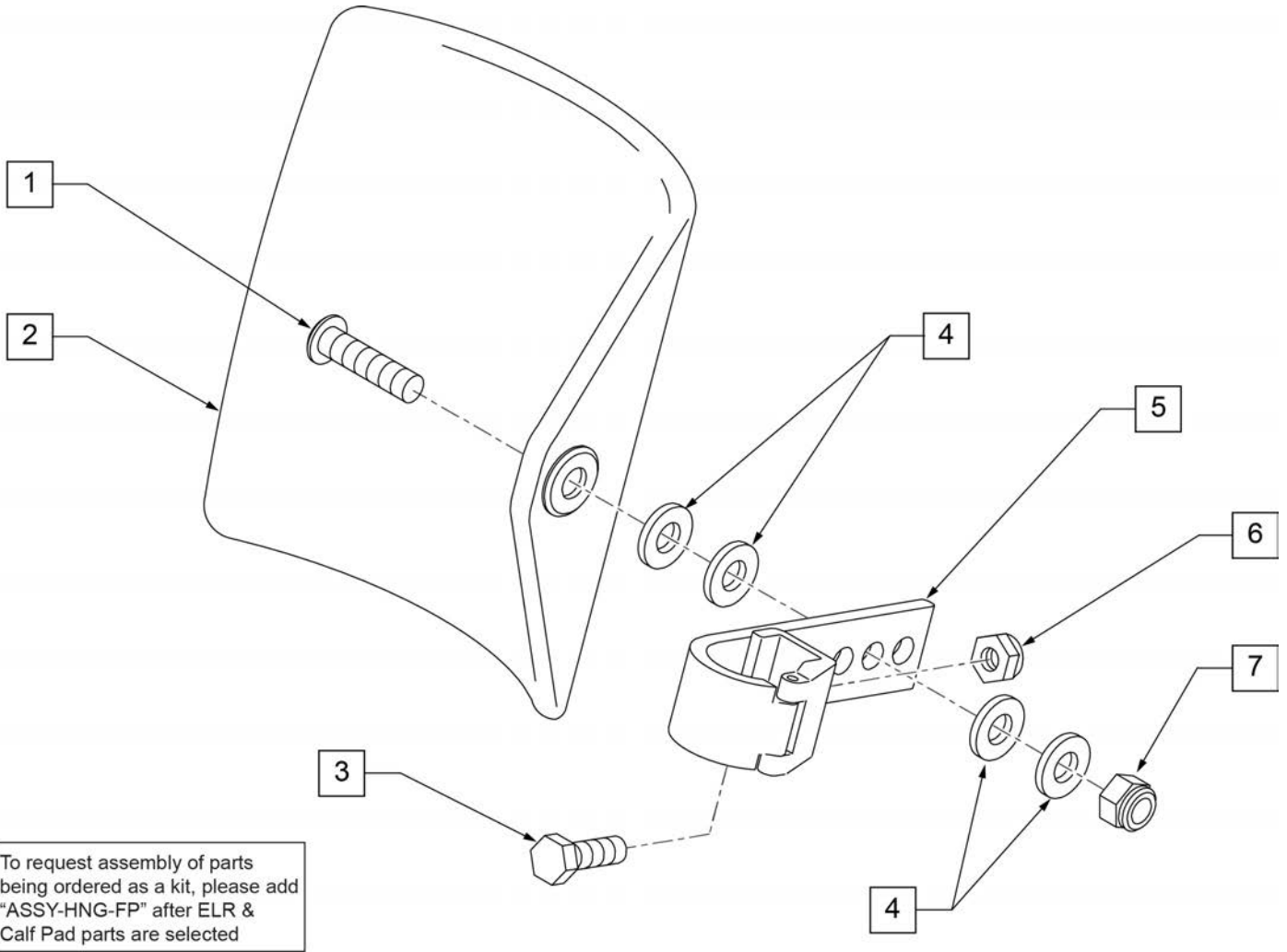
Pos.	Item Number	Description	Remarks
1	106978	FHCS 1/4-28 X 7/8 ROHS	
2	106941	NUT AUTOMATION 1/4-28 ROHS	
3	106943	WASHER FLAT AN 1/4 ROHS	
4	561004	1" SADDLE 1/4" HOLE	
5	541000	FOOTREST MOUNTING BRKT 1/2" RAD R	RIGHT
5	541001	FOOTREST MOUNTING BRKT 1/2" RAD L	LEFT
6	106945	WASHER FLAT SAE 1/4 ROHS	
7	106964	BHCS 1/4-28 X 2	
8	550350	3/4" CLAMP ADJ FOOTPLATE	
9	106935	NUT NYLOCK THIN 1/4-28 ROHS	
10	561040	HEEL LOOP PEG	
11	741153	HEEL LOOP 18-20 CMPST/14-15 ANG ADJ	USED W/ 14-15"/16-17" ADULT ANG ADJ FTPLTS
11	741253	HEEL LOOP ADLT ADJ F/PLT 18-20	USED W/ 18 -20" ADULT ANG ADJ FTPLTS
12	500656	ADULT ANGL ADJ F/PLT 10/11	RIGHT
12	500657	ADULT ANGL ADJ F/PLT 10/11	LEFT
12	500658	ADULT ANGL ADJ F/PLT 12/13	RIGHT
12	500659	ADULT ANGL ADJ F/PLT 12/13	LEFT
12	500660	ADULT ANGL ADJ F/PLT 14/15	RIGHT
12	500661	ADULT ANGL ADJ F/PLT 14/15	LEFT
12	500662	ADULT ANGL ADJ F/PLT 16/17	RIGHT
12	500663	ADULT ANGL ADJ F/PLT 16/17	LEFT
12	500664	ADULT ANGL ADJ F/PLT 18-20	RIGHT

Pos.	Item Number	Description	Remarks
12	500665	ADULT ANGL ADJ F/PLT 18-20	LEFT
13	740260	TOE-ANKLE STRAP ADJ ADULT FOOTPLATE	
14	106943	WASHER FLAT AN 1/4 ROHS	
15	106958	HHCS 1/4-20 X 1 ROHS	
1-9,12	820544	FP ADULT ADJ 90D 10/11 R	RIGHT
1-9,12	820554	FP ADULT ADJ 90D 10/11 L	LEFT
1-9,12	820546	FP ADULT ADJ 90D 12/13 R	RIGHT
1-9,12	820556	FP ADULT ADJ 90D 12/13 L	LEFT
1-9,12	820472	FP ADULT ADJ 90D 14/15 R	RIGHT
1-9,12	820473	FP ADULT ADJ 90D 14/15 L	LEFT
1-9,12	820474	FP ADULT ADJ 90D 16/17 R	RIGHT
1-9,12	820475	FP ADULT ADJ 90D 16/17 L	LEFT
1-9,12	820476	FP ADULT ADJ 90D 18-20 R	RIGHT
1-9,12	820477	FP ADULT ADJ 90D 18-20 L	LEFT
1-9,12	921474	ADULT ANGL ADJ 90D 10/11 OMIT H/L	PAIR
1-9,12	921476	ADULT ANGL ADJ 90D 12/13 OMIT H/L	PAIR
1-9,12	921330	ADULT ANGL ADJ 90D 14/15 OMIT H/L	PAIR
1-9,12	921331	ADULT ANGL ADJ 90D 16/17 OMIT H/L	PAIR
1-9,12	921332	ADULT ANGL ADJ 90D 18-20 OMIT H/L	PAIR
1-12,14,15	820540	F/PLT ADULT ADJ 90D 10/11 R W/ HL	RIGHT
1-12,14,15	820550	F/PLT ADULT ADJ 90D 10/11 L W/ HL	LEFT
1-12,14,15	820542	F/PLT ADULT ADJ 90D 12/13 R W/ HL	RIGHT
1-12,14,15	820552	F/PLT ADULT ADJ 90D 12/13 L W/ HL	LEFT
1-12,14,15	820478	F/PLT ADULT ADJ 90D 14/15 R W/ HL	RIGHT
1-12,14,15	820479	F/PLT ADULT ADJ 90D 14/15 L W/ HL	LEFT
1-12,14,15	820480	F/PLT ADULT ADJ 90D 16/17 R W/ HL	RIGHT
1-12,14,15	820481	F/PLT ADULT ADJ 90D 16/17 L W/ HL	LEFT
1-12,14,15	820482	F/PLT ADULT ADJ 90D 18-20 R W/ HL	RIGHT
1-12,14,15	820483	F/PLT ADULT ADJ 90D 18-20 L W/ HL	LEFT
1-12,14,15	921470	F/PLT ADULT ADJ 90D 10/11 W/ HL	PAIR
1-12,14,15	921472	F/PLT ADULT ADJ 90D 12/13 W/ HL	PAIR
1-12,14,15	921333	F/PLT ADULT ADJ 90D 14/15 W/ HL	PAIR
1-12,14,15	921334	F/PLT ADULT ADJ 90D 16/17 W/ HL	PAIR
1-12,14,15	921335	F/PLT ADULT ADJ 90D 18-20 W/ HL	PAIR
		Ship assembled part #	Use with multiple assemblies
	ASSY-HNG-FP	HANGER/FOOTPLATE ASSY REQUIRED	add with Hanger & Footplate kit

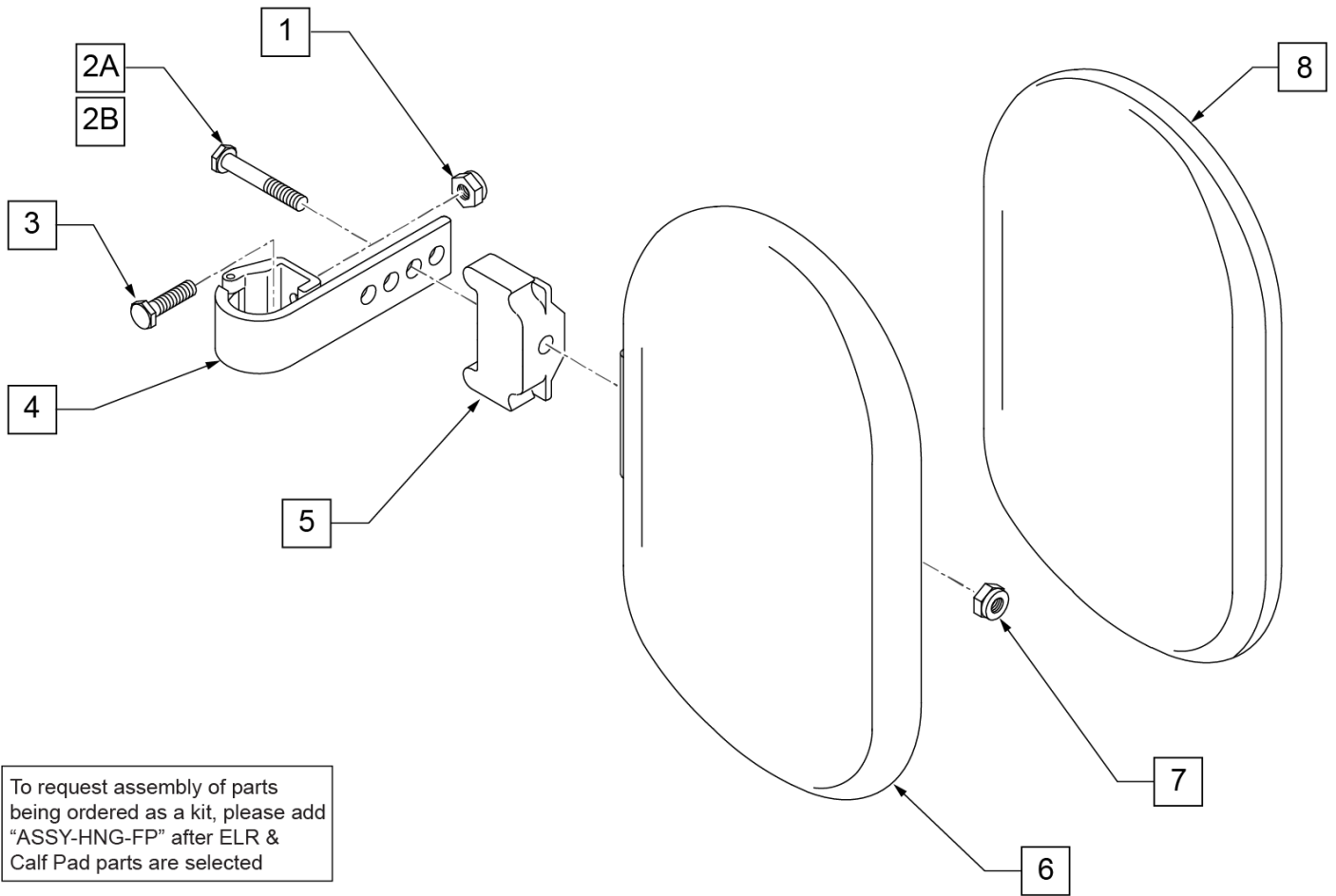


Pos.	Item Number	Description	Remarks
1	106961	1/4-28 X 1 1/4 BH C/S	
2	505281	ELR CLEVIS	
3	107037	BHCS 5/16-24 X 1-1/2 SHLD ROHS	
4	540252	ELR PIVOT PRS	
5	106946	WASHER FLAT AN 5/16 ROHS	
6	106939	NUT NYLOCK THIN 5/16-24 ROHS	
7	560420	ELR UPPER PIVOT PLST	
8	560784	ELR ADJUSTMENT STOP	
9	481117	ELR LOCK ROD	
10	481119	ELR CAM LOCKING POWDERED METAL	
11	106982	BHCS 5/16 -18 x 1 3/4 SHLD ROHS	
12	561062	1" INSERT PLUG .065 RIBS	
14	122729	ELR ALUM PIVOT SADDLE	
15	106935	NUT NYLOCK THIN 1/4-28 ROHS	
16	107035	BHCS 10-24 X .725 PL ROHS	
17	561059	3/4 OD x .318 ID WASHER	
18	202109	5/16-24 ACORN NUT HEX	

Pos.	Item Number	Description	Remarks
19	561049	ELR RELEASE ROD COVER	
19,20	882410S	ELR ACTUATION ARM ASSEMBLY	
21	880990	ELR LOCK HOUSING W/PIN	
22	321106	ELR TORSION SPRING	
23	561079	S/A LATCH LEVER	
24	321136	S/A SPRING L RED	LEFT
24	321137	S/A SPRING R CLEAR	RIGHT
27	107014	1/4-28 x 3/4 HEX C/S	
28	107249	NUT HEX THIN 1/4-28 ROHS	
29	106944	WASHER FLAT THIN AN 1/4 ROHS	
30	550722S	ELR ADJUSTMENT TUBE	
6,8-10,17-22	881077S	ELR LOCK ROD/ARM ASSEMBLY	
25,26	881500	LATCH BLOCK ASSM	RIGHT
25,26	881501	LATCH BLOCK ASSM	LEFT
1-6,11-16,20-24	882413	ELR PIVOT BLOCK ASSM	RIGHT
1-6,11-16,20-24	882414	ELR PIVOT BLOCK ASSM	LEFT
1-26	881422	ELR PIVOT ASSM RIGHT	RIGHT
1-26	881423	ELR PIVOT ASSM LEFT	LEFT
1-30	641452S	ELR HNGR W/O PAD PNTD MNL	RIGHT
1-30	641453S	ELR HNGR W/O PAD PNTD MNL	LEFT
31A	923082S	ELR HNGR ASSM 14-15 W /PAD (PR)	PAIR
31B	923041S	ELR HNGR ASSM W/PAD 16-17"	PAIR
31C	923061S	ELR HNGR ASSM W/PAD 18-20"	PAIR
32A	923088S	ELR HNGR REG EXT 14 15" F/PLT	Pair-includes short extensions, 11.5" - 15.5"
32B	923084S	ELR HNGR REG EXT 16 17" F/PLT	Pair-includes short extensions, 11.5" - 15.5"
32C	923085S	ELR HNGR REG EXT 18-20" F/PLT	Pair-includes short extensions, 11.5" - 15.5"
16,23-26	881521	S/A LATCH KIT CASTING RIGHT	RIGHT
16,23-26	881522	S/A LATCH KIT CASTING LEFT	LEFT
		Ship assembled part #	Use with multiple assemblies
	ASSY-HNG-FP	HANGER/FOOTPLATE ASSY REQUIRED	add with Hanger & Footplate kit



Pos.	Item Number	Description	Remarks
1	106980	BHCS 5/16-18 X 1-1/4 ROHS	
2	755014	CALF PAD TROUGH STYLE 14"/16"	
3	221097	1/4-28 X 5/8 HEX C/S BZ	
4	561016	1" WASHER 5/16" HOLE	
5	881413	CALF PAD BRACKET ASSEMBLY	
6	106934	NUT NYLOCK 1/4-28 ROHS	
7	106937	NUT NYLOCK THIN 5/16-18	
1-7	881414	CALF PAD J-HOOK 14"-15" ASSEMBLY	
		Ship assembled part #	Use with multiple assemblies
	ASSY-HNG-FP	HANGER/FOOTPLATE ASSY REQUIRED	add with Hanger & Footplate kit

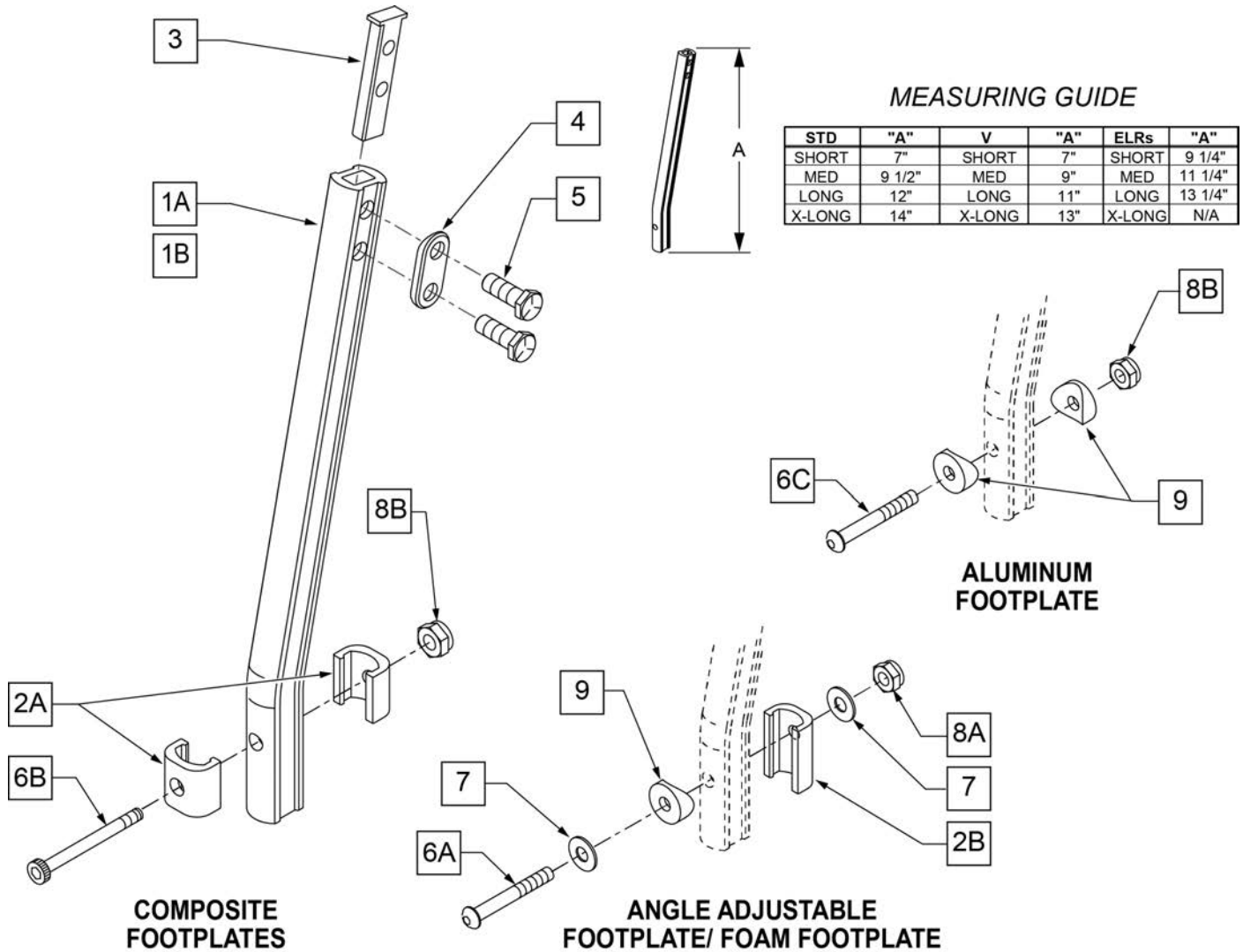


Pos.	Item Number	Description	Remarks
1	106934	NUT NYLOCK 1/4-28 ROHS	
2A	107018	HHCS 5/16-18 X 2-1/2 ROHS	16"-17" wide only
2B	107019	HHCS 5/16-18 X 3-1/2 ROHS	18"-20" wide only
3	107013	HHCS 1/4-28 X 5/8 ROHS	
4	881413	CALF PAD BRACKET ASSEMBLY	
5	560199	ELR CALF HINGE SPACER	18"-20" wide only
6	560108	CALF PAD MOLDED 16"-20"	
7	106936	NUT NYLOCK 5/16-18 ROHS	
8	751045	CALF PAD COVER	
1,2A,3,4,6-8	881416	CALF MOLDED 16"-17" ASSEMBLY	
1,2B,3-7,8	881412	CALF PAD MOLDED 18"-20" ASSEMBLY	
		Ship assembled part #	Use with multiple assemblies
	ASSY-HNG-FP	HANGER/FOOTPLATE ASSY REQUIRED	add with Hanger & Footplate kit

NOTE: DISCONTINUED - PARTS ONLY ON GP SWNG-AWAY BEGINNING 4/4/15 & S/N GP-95902, KIDS Q2 SE BEGINNING 4/16/15 & S/N QKE-003425, LX BEGINNING 10/24/2008 & S/N LX-034330, LXI BEGINNING 4/25/15 & S/N LXI-060868, QTS BEGINNING 5/15/15 & S/N QT-044951, QTS SE BEGINNING 5/15/15 & S/N QTE-002092

NOTE: IF REPLACING AN EXTENSION TUBE ON AN MANUAL ALR PLEASE REFER TO THE ROUND EXT TUBE PARTS MANUAL PAGE.

NOTE: WHEN ORDERING REPLACEMENT EXTENSION TUBES PLEASE VERIFY IF YOU HAVE THE OLD STYLE DOUBLE D EXTENSION TUBE OR THE NEW STYLE DOUBLE D EXTENSION TUBE. THIS CAN BE DONE BY REVIEWING THE HANGER THE EXTENSION TUBE IS USED ON. IF THE HANGER UTILIZES A SINGLE SET SCREW AT THE BOTTOM OF THE HANGER TUBE TO ATTACH THE EXTENSION TUBE TO THE HANGER, THEN THIS UTILIZES THE NEW STYLE DOUBLE D EXT TUBE. ALL OTHER HANGERS REQUIRING A DOUBLE D EXTENSION TUBE UTILIZE THE OLD STYLE.

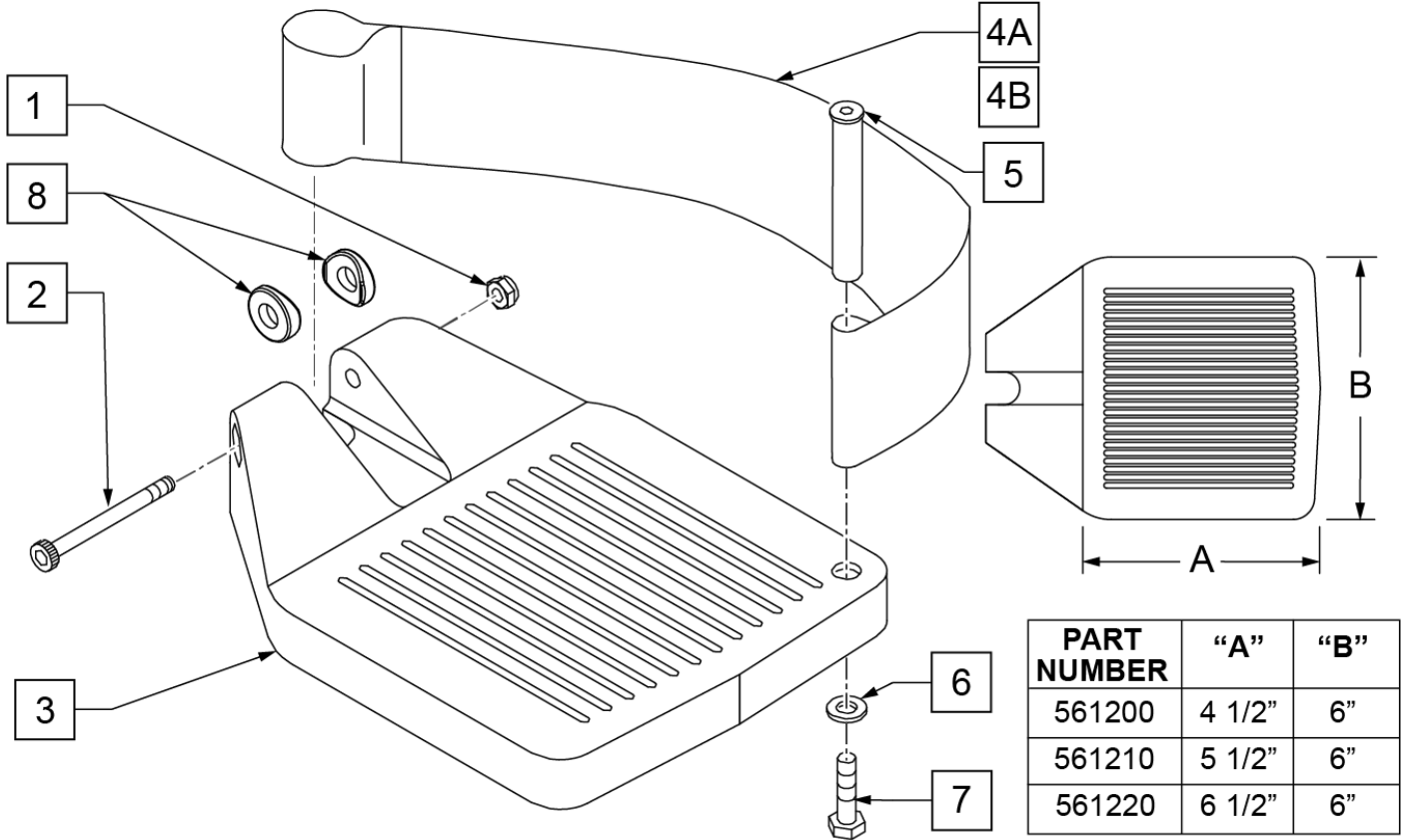


Pos.	Item Number	Description	Remarks
1A	550819	EXT TUBE S/A ONLY SHT	Short Ext-Swing Away Hanger

Pos.	Item Number	Description	Remarks
1A	550820	EXT TUBE S/A ONLY MED	Med Ext-Swing Away Hanger
1A	550821	EXT TUBE S/A ONLY LONG	Long Ext-Swing Away Hanger
1A	550822	EXT TUBE S/A ONLY X-LONG	X-Long Ext-Swing Away Hanger
1B	550834	EXT TUBE V IN ONLY D2 SHT R	Right Short Ext-Swing Away Hanger
1B	550835	EXT TUBE V IN ONLY D2 SHT L	Left Short Ext-Swing Away Hanger
1B	550836	EXT TUBE V IN ONLY D2 MED R	Right Med Ext-Swing Away Hanger
1B	550837	EXT TUBE V IN ONLY D2 MED L	Left Med Ext-Swing Away Hanger
1B	550838	EXT TUBE V IN ONLY D2 LONG R	Right Long Ext-Swing Away Hanger
1B	550839	EXT TUBE V IN ONLY D2 LONG L	Left Long Ext-Swing Away Hanger
1B	550840	EXT TUBE V IN ONLY D2 X-LONG R	Right X-Long Ext-Swing Away Hanger
1B	550841	EXT TUBE V IN ONLY D2 X-LONG L	Left X-Long Ext-Swing Away Hanger
2A	483718	HANGER EXTENSION SADDLE	USE W/ COMPOSITE FTPLT
2B	483720	HANGER EXTENSION SADDLE LONG	USE W/ ANGLE ADJ FTPLT
3	500078	INSERT D2 EXT TUBE	
4	483717	HANGER SADDLE	
5	221102	1/4-28 x 3/4 HEX HEAD C/S BLK W/PTCH	
6A	106962	1/4-28 x 1 3/4 BH C/S BLK ZN	USE W/ ANGLE ADJ FTPLT
6B	226165	1/4 -28 x 2 1/2 SOC C/S	USE W/ COMPOSITE FTPLT
6C	226147	1/4 -28 X 1.85 BH C/S	
7	106945	1/4" SAE WASHER	
8A	106941	1/4 -28 AUTOMATION NUT	USE W/ ANGLE ADJ FTPLT
8B	106935	1/4 -28 NYLOCK NUT THIN	USE W/ COMPOSITE FTPLT
9	561055	3/4 SADDLE 1" OD	USE W/ ANGLE ADJ FTPLT
1A,2A-5	921759	EXT TUBE S/A SHT ASSM PCKT	USE W/ COMPOSITE FTPLT
1A,2A-5	921760	EXT TUBE S/A MED ASSM PCKT	USE W/ COMPOSITE FTPLT
1A,2A-5	921761	EXT TUBE S/A LONG ASSM PCKT	USE W/ COMPOSITE FTPLT
1A,2A-5	921762	EXT TUBE S/A X-LONG ASSM PCKT	USE W/ COMPOSITE FTPLT
1B,2A-5	921751	EXT TUBE "V" D2 SHT R ASSM PCKT	RIGHT - USE W/ COMPOSITE FTPLT V HANGER
1B,2A-5	921752	EXT TUBE "V" D2 SHT L ASSM PCKT	LEFT - USE W/ COMPOSITE FTPLT V HANGER
1B,2A-5	921753	EXT TUBE "V" D2 MED R ASSM PCKT	RIGHT - USE W/ COMPOSITE FTPLT V HANGER
1B,2A-5	921754	EXT TUBE "V" D2 MED L ASSM PCKT	LEFT - USE W/ COMPOSITE FTPLT V HANGER
1B,2A-5	921755	EXT TUBE "V" D2 LONG R ASSM PCKT	RIGHT - USE W/ COMPOSITE FTPLT V HANGER
1B,2A-5	921756	EXT TUBE "V" D2 LONG L ASSM PCKT	LEFT - USE W/ COMPOSITE FTPLT V HANGER
1B,2A-5	921757	EXT TUBE "V" D2 X-LONG R ASSM PCKT	RIGHT - USE W/ COMPOSITE FTPLT V HANGER
1B,2A-5	921758	EXT TUBE "V" D2 X-LONG L ASSM PCKT	LEFT - USE W/ COMPOSITE FTPLT V HANGER
1A,2A-7,9	921772	EXT TUBE S/A SHT ANG ADJ PCKT	USE W/ ANGLE ADJ FTPLT
1A,2A-7,9	921773	EXT TUBE S/A MED ANG ADJ PCKT	USE W/ ANGLE ADJ FTPLT
1A,2A-7,9	921774	EXT TUBE S/A LONG ANG ADJ PCKT	USE W/ ANGLE ADJ FTPLT
1A,2A-7,9	921775	EXT TUBE S/A X-LONG ANG ADJ PCKT	USE W/ ANGLE ADJ FTPLT
1B,2A-7,9	921764	EXT TUBE "V" D2 SHT R ANG ADJ PCKT	RIGHT - USE W/ ANGLE ADJ FTPLT V HANGER
1B,2A-7,9	921765	EXT TUBE "V" D2 SHT L ANG ADJ PCKT	LEFT - USE W/ ANGLE ADJ FTPLT V HANGER
1B,2A-7,9	921766	EXT TUBE "V" D2 MED R ANG ADJ PCKT	RIGHT - USE W/ ANGLE ADJ FTPLT V HANGER
1B,2A-7,9	921767	EXT TUBE "V" D2 MED L ANG ADJ PCKT	LEFT - USE W/ ANGLE ADJ FTPLT V HANGER
1B,2A-7,9	921768	EXT TUBE "V" D2 LONG R ANG ADJ PCKT	RIGHT - USE W/ ANGLE ADJ FTPLT V HANGER
1B,2A-7,9	921769	EXT TUBE "V" D2 LONG L ANG ADJ PCKT	LEFT - USE W/ ANGLE ADJ FTPLT V HANGER
1B,2A-7,9	921770	EXT TUBE "V" D2 X-LONG R ANG AD PCKT	RIGHT - USE W/ ANGLE ADJ FTPLT V HANGER
1B,2A-7,9	921771	EXT TUBE "V" D2 X-LONG L ANG AD PCKT	LEFT - USE W/ ANGLE ADJ FTPLT V HANGER

To have complete Footrest ship assembled, choose compatible Hanger + Footplate part numbers and add "ASSY-HNG-FP" to order

INSET FORMULA
 0" Inset (Seat Width) = Footrest Width
 1" Inset (Seat Width) -2" = Footrest Width
 "V" Hanger (Seat Width) -4" = Footrest Width
 Offset Hanger Receiver (Seat Width) +2" = Footrest Width



Pos.	Item Number	Description	Remarks
1	106935	1/4 - 28 NYLOCK NUT	
2	226165	1/4 - 28 x 2 1/2 SOC C/S	
3	561200	COMPOSITE FOOTPLATE 14 -15 (16 -18 V)	14 -15 OR 16 -18V
3	561210	COMPOSITE FOOTPLATE 16 -17 (19 -20 V)	16 -17 OR 19 -20V
3	561220	COMPOSITE FOOTPLATE 18 -20	18 -20
4A	741151	HEEL LOOP 14-15 COMPOSITE (14 -15 or 16 -18V)	14 -15 OR 16 -18V
4A	741156	HEEL LOOP 16 -17 or 19 -20V	16 -17 OR 19 -20V
4A	741153	HEEL LOOP 18 -20 COMPOSITE/14-15 ANG ADJ	18 -20
4A	902270	HEEL LOOP COMPOSITE FT 14-15	PAIR 14 -15 OR 16 -18V
4A	902271	HEEL LOOP COMPOSITE FT 16-17	PAIR 16 -17 OR 19 -20V
4A	902272	HEEL LOOP COMPOSITE FT 18-20	PAIR 18 -20
4B	741154	HEEL LOOP 14-15 COMPOSITE HEMI	14 -15 HEMI
4B	741155	HEEL LOOP 16-17 COMPOSITE HEMI	16 -17 HEMI
4B	741153	HEEL LOOP 18-20 COMPOSITE HEMI	18 -10 HEMI
4B	902260	HEEL LOOPS HEMI COMPOSITE 14-15	PAIR 14 -15 HEMI
4B	902261	HEEL LOOPS HEMI COMPOSITE 16-17	PAIR 16 -17 HEMI
4B	902262	HEEL LOOPS HEMI COMPOSITE 18-20	PAIR 18 -20 HEMI
5	561040	HEEL LOOP PEG	
6	106944	1/4 AN WASHER FLAT THIN	

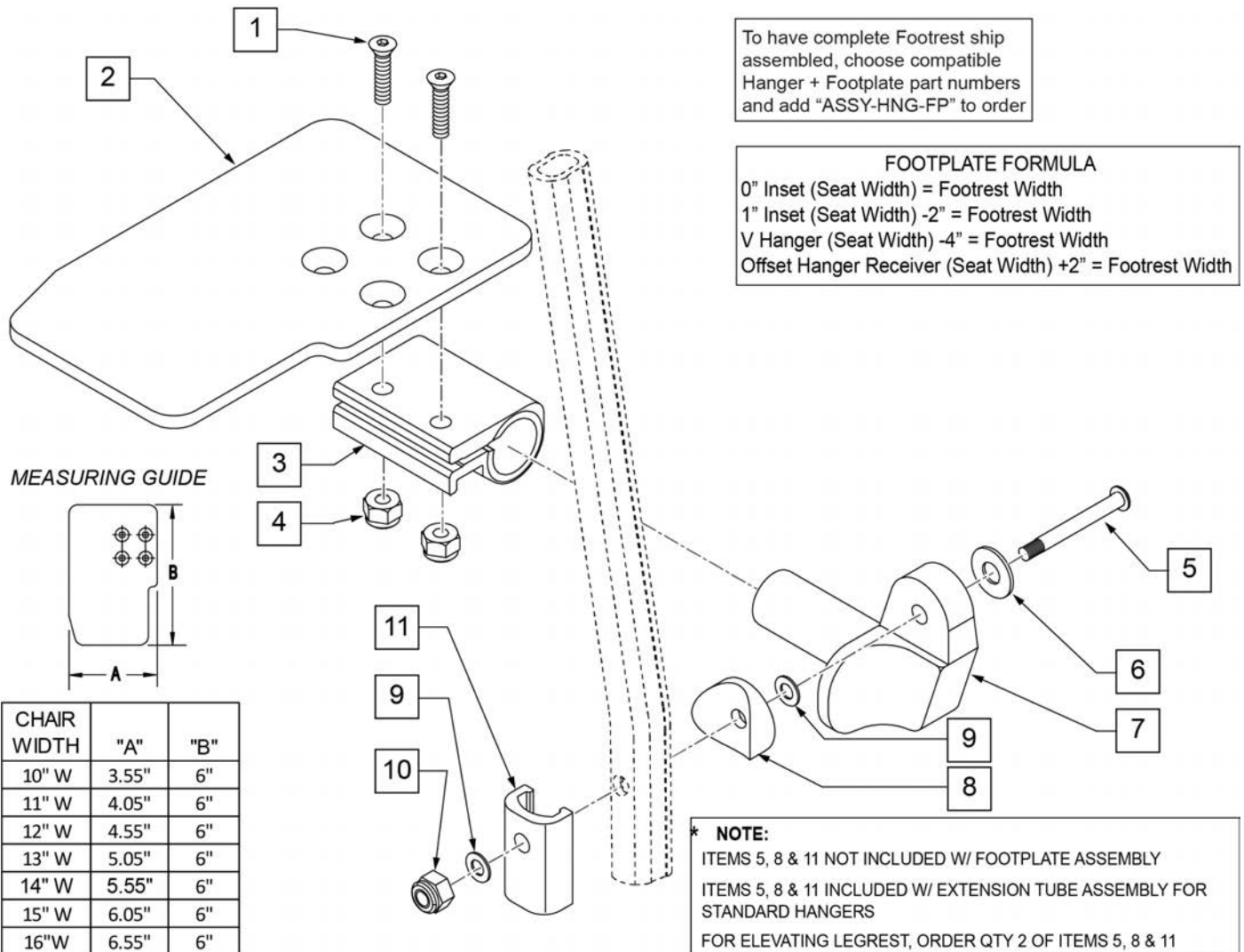
Pos.	Item Number	Description	Remarks
7	106958	HHCS 1/4-20 X 1 ROHS	
8	561003	3/4" SADDLE THIN	USED W/ ROUND EXT TUBES ONLY
1-3	921180	COMPOSITE FOOTPLATE ASSM 14-15	RIGHT (14 -15 OR 16 -18V) W/O HEEL LOOP
1-3	921181	COMPOSITE FOOTPLATE ASSM 14-15	LEFT (14 -15 OR 16 -18V) W/O HEEL LOOP
1-3	921182	COMPOSITE FOOTPLATE ASSM 16-17	RIGHT (16 -17 OR 19 -20V) W/O HEEL LOOP
1-3	921183	COMPOSITE FOOTPLATE ASSM 16-17	LEFT (16 -17 OR 19 -20V) W/O HEEL LOOP
1-3	921184	COMPOSITE FOOTPLATE ASSM 18-20	RIGHT (18 -20) W/O HEEL LOOP
1-3	921185	COMPOSITE FOOTPLATE ASSM 18-20	LEFT (18 -20) W/O HEEL LOOP
1-3	921151	COMPOSITE FOOTPLATE ASSM 14-15/16-18V	PAIR (14 -15 OR 16 -18V) W/O HEEL LOOP
1-3	921152	COMPOSITE FOOTPLATE ASSM 16-17/19-20V	PAIR (16 -17 OR 19 -20V) W/O HEEL LOOP
1-3	921153	COMPOSITE FOOTPLATE ASSM 18-20	PAIR (18 -20) W/O HEEL LOOP
1,2,3A,4-7	921190	COMPOSITE FOOTPLATE ASSM HL LP 14-15	RIGHT (14 -15 OR 16 -18V) W/ HEEL LOOP
1,2,3A,4-7	921191	COMPOSITE FOOTPLATE ASSM HL LP 14-15	LEFT (14 -15 OR 16 -18V) W/ HEEL LOOP
1,2,3A,4-7	921192	COMPOSITE FOOTPLATE ASSM HL LP 16-17	RIGHT (16 -17 OR 19 -20V) W/ HEEL LOOP
1,2,3A,4-7	921193	COMPOSITE FOOTPLATE ASSM HL LP 16-17	LEFT (16 -17 OR 19 -20V) W/ HEEL LOOP
1,2,3A,4-7	921194	COMPOSITE FOOTPLATE ASSM HL LP 18-20	RIGHT (18 -20) W/ HEEL LOOP
1,2,3A,4-7	921195	COMPOSITE FOOTPLATE ASSM HL LP 18-20	LEFT (18 -20) W/ HEEL LOOP
1,2,3A,4-7	921161	COMPOSITE FOOTPLATE ASSM HL 14-15/16-18V	PAIR (14 -15 OR 16 -18V) W/ HEEL LOOP
1,2,3A,4-7	921162	COMPOSITE FOOTPLATE ASSM HL 16-17/19-20V	PAIR (16 -17 OR 19 -20V) W/ HEEL LOOP
1,2,3A,4-7	921163	COMPOSITE FOOTPLATE ASSM HL 18-20	PAIR (18 -20) W/ HEEL LOOP
1,2,3B,4-7	921140	COMPOSITE FOOTPLATE ASSM HEMI HL LP 14-15	RIGHT (14 -15) W/ HEEL LOOP
1,2,3B,4-7	921141	COMPOSITE FOOTPLATE ASSM HEMI HL LP 14-15	LEFT (14 -15) W/ HEEL LOOP
1,2,3B,4-7	921142	COMPOSITE FOOTPLATE ASSM HEMI HL LP 16-17	RIGHT (16 -17) W/ HEEL LOOP
1,2,3B,4-7	921143	COMPOSITE FOOTPLATE ASSM HEMI HL LP 16-17	LEFT (16 -17) W/ HEEL LOOP
1,2,3B,4-7	921144	COMPOSITE FOOTPLATE ASSM HEMI HL LP 18-20	RIGHT (18 -20) W/ HEEL LOOP
1,2,3B,4-7	921145	COMPOSITE FOOTPLATE ASSM HEMI HL LP 18-20	LEFT (18 -20) W/ HEEL LOOP
1,2,3B,4-7	921167	COMPOSITE FOOTPLATE ASSM HEMI HL LPS 14-15	PAIR (14 -15) W/ HEEL LOOP
1,2,3B,4-7	921168	COMPOSITE FOOTPLATE ASSM HEMI HL LPS 16-17	PAIR (16 -17) W/ HEEL LOOP
1,2,3B,4-7	921169	COMPOSITE FOOTPLATE ASSM HEMI HL LPS 18-20	PAIR (18 -20) W/ HEEL LOOP
		Ship assembled part #	Use with multiple assemblies
	ASSY-HNG-FP	HANGER/FOOTPLATE ASSY REQUIRED	add with Hanger & Footplate kit

Note: Footplate Assemblies are set to footrest width; please see "Footplate Formula" table for seat width conversion.

Note: V Style Hangers are not available on Swing Away Style chairs effective 7/14/14; see the "Prior To" ordering guide for V Style footplate assemblies.

Note: Zippie Iris (ZRS&ZRSE) and Zippie TS (Z1A&Z1SE) only use Straight Extension Tube.

Note: if chair has High Mount Ext Tubes or if switching to High Mount Ext Tubes, see KAA Footplate w/ High Mount Extension Ordering Guide.



Pos.	Item Number	Description	Remarks
1	106978	FHCS 1/4 -28 x 7/8 ROHS	

Pos.	Item Number	Description	Remarks
2	500635	KIDS ANGL ADJ F/PLT 10" R	Right
2	500636	KIDS ANGL ADJ F/PLT 10" L	Left
2	500637	KIDS ANGL ADJ F/PLT 11" R	Right
2	500638	KIDS ANGL ADJ F/PLT 11" L	Left
2	500639	KIDS ANGL ADJ F/PLT 12" R	Right
2	500640	KIDS ANGL ADJ F/PLT 12" L	Left
2	500641	KIDS ANGL ADJ F/PLT 13" R	Right
2	500642	KIDS ANGL ADJ F/PLT 13" L	Left
2	500643	KIDS ANGL ADJ F/PLT 14" R	Right
2	500644	KIDS ANGL ADJ F/PLT 14" L	Left
2	500645	KIDS ANGL ADJ F/PLT 15" R	Right
2	500646	KIDS ANGL ADJ F/PLT 15" L	Left
2	500647	KIDS ANGL ADJ F/PLT 16" R	Right
2	500648	KIDS ANGL ADJ F/PLT 16" L	Left
3	550350	3/4" CLAMP ADJ FOOTPLATE	
4	106935	NUT NYLOCK THIN 1/4 -28 ROHS	
5	106962	1/4-28 x 1 3/4 BH C/S BLK ZN (D2 EXTENSION TUBES)	
5	226167	1/4-28 x 1.625 BH C/S BLK (ROUND EXTENSION TUBES)	
6	106945	1/4 SAE WASHER	
7	541002	FTRST MOUNTING BRKT-3/8 RAD R	
7	541003	FTRST MOUNTING BRKT-3/8 RAD L	
8	561055	3/4" SADDLE 1" OD	
9	106944	WASHER FLAT THIN AN 1/4 ROHS	
10	106941	NUT AUTOMATION 1/4 -28 ROHS	
11	483720	HANGER EXTENSION SADDLE LONG	Use with Double D Ext Tube
1-4,6,7,9,10	828850	KIDS ANG ADJ F/PLT EXT-MNT 10"R	Right
1-4,6,7,9,10	828851	KIDS ANG ADJ F/PLT EXT-MNT 10"L	Left
1-4,6,7,9,10	828852	KIDS ANG ADJ F/PLT EXT-MNT 11"R	Right
1-4,6,7,9,10	828853	KIDS ANG ADJ F/PLT EXT-MNT 11"L	Left
1-4,6,7,9,10	828854	KIDS ANG ADJ F/PLT EXT-MNT 12"R	Right
1-4,6,7,9,10	828855	KIDS ANG ADJ F/PLT EXT-MNT 12"L	Left
1-4,6,7,9,10	828856	KIDS ANG ADJ F/PLT EXT-MNT 13"R	Right
1-4,6,7,9,10	828857	KIDS ANG ADJ F/PLT EXT-MNT 13"L	Left
1-4,6,7,9,10	828858	KIDS ANG ADJ F/PLT EXT-MNT 14"R	Right
1-4,6,7,9,10	828859	KIDS ANG ADJ F/PLT EXT-MNT 14"L	Left
1-4,6,7,9,10	828860	KIDS ANG ADJ F/PLT EXT-MNT 15"R	Right
1-4,6,7,9,10	828861	KIDS ANG ADJ F/PLT EXT-MNT 15"L	Left
1-4,6,7,9,10	828862	KIDS ANG ADJ F/PLT EXT-MNT 16"R	Right
1-4,6,7,9,10	828863	KIDS ANG ADJ F/PLT EXT-MNT 16"L	Left
1-4,6,7,9,10	921280	KIDS ANG ADJ F/PLT EXT-MNT 10"	Pair
1-4,6,7,9,10	921281	KIDS ANG ADJ F/PLT EXT-MNT 11"	Pair
1-4,6,7,9,10	921282	KIDS ANG ADJ F/PLT EXT-MNT 12"	Pair
1-4,6,7,9,10	921283	KIDS ANG ADJ F/PLT EXT-MNT 13"	Pair
1-4,6,7,9,10	921284	KIDS ANG ADJ F/PLT EXT-MNT 14"	Pair
1-4,6,7,9,10	921285	KIDS ANG ADJ F/PLT EXT-MNT 15"	Pair
1-4,6,7,9,10	921286	KIDS ANG ADJ F/PLT EXT-MNT 16"	Pair
		Ship assembled part #	Use with multiple assemblies
	ASSY-HNG-FP	HANGER/FOOTPLATE ASSY REQUIRED	add with Hanger & Footplate kit

NOTE: FOR HIGH-MOUNT ADULT ANGLE-ADJUSTABLE FOOTPLATE, SEE "HIGH-MOUNT EXTENSION TUBE" PAGE.

NOTE: ORDER ITEMS 4B AND 7B FOR CHAIRS PRIOR TO 8/13/01.

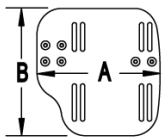
NOTE: ONLY 1 WASHER PRIOR TO 8/13/01.

NOTE: See attached REFERENCE GUIDE.

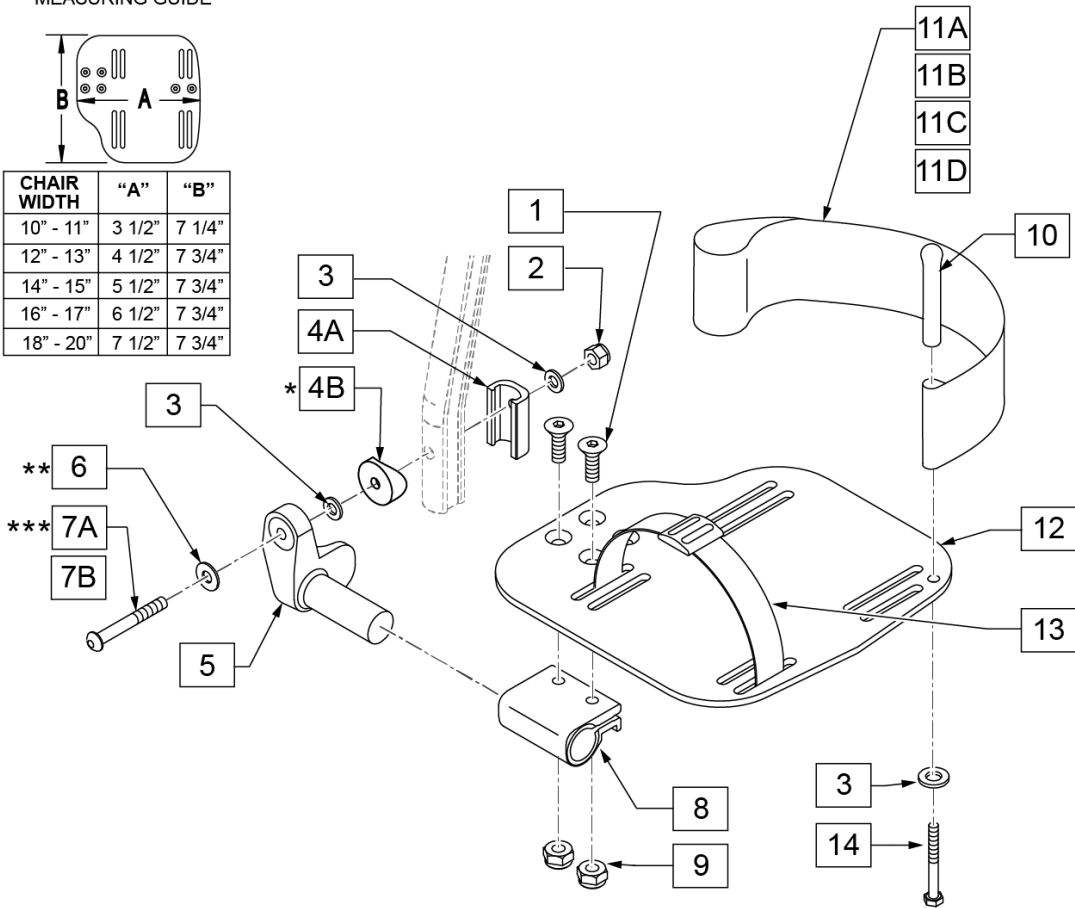
To have complete Footrest ship assembled, choose compatible Hanger + Footplate part numbers and add "ASSY-HNG-FP" to order

INSET FORMULA
 0" Inset (Seat Width) = Footrest Width
 1" Inset (Seat Width) -2" = Footrest Width
 "V" Hanger (Seat Width) -4" = Footrest Width
 Offset Hanger Receiver (Seat Width) +2" = Footrest Width

MEASURING GUIDE



CHAIR WIDTH	"A"	"B"
10" - 11"	3 1/2"	7 1/4"
12" - 13"	4 1/2"	7 3/4"
14" - 15"	5 1/2"	7 3/4"
16" - 17"	6 1/2"	7 3/4"
18" - 20"	7 1/2"	7 3/4"



15 ADLT ANG ADJ FP D2 HDWR KIT			
ITEM #	ILLUSTRATION	DESCRIPTION	QTY
1		1/4-28 X 7/8 FH C/S	2
2		1/4-28 AUTOMATION NUT	1
3		WASHER FLAT THIN AN 1/4	3
6		1/4" SAE WASHER	1
7A		BHCS 1/4-28 X 1-3/4	1
9		NUT NYLOCK THIN 1/4-28	2
10		HEEL LOOP PEG	1
14		1/4-20 X 1 HEX C/S	1

16 ADLT ANG ADJ FP RND HDWR KIT			
ITEM #	ILLUSTRATION	DESCRIPTION	QTY
1		1/4-28 X 7/8 FH C/S	2
2		1/4-28 AUTOMATION NUT	1
3		WASHER FLAT THIN AN 1/4	3
4B		3/4" SADDLE 1" OD	1
6		1/4" SAE WASHER	1
7B		1/4-28 X 1.625 BH C/S BLK	1
9		NUT NYLOCK THIN 1/4-28	2
10		HEEL LOOP PEG	1
14		1/4-20 X 1 HEX C/S	1

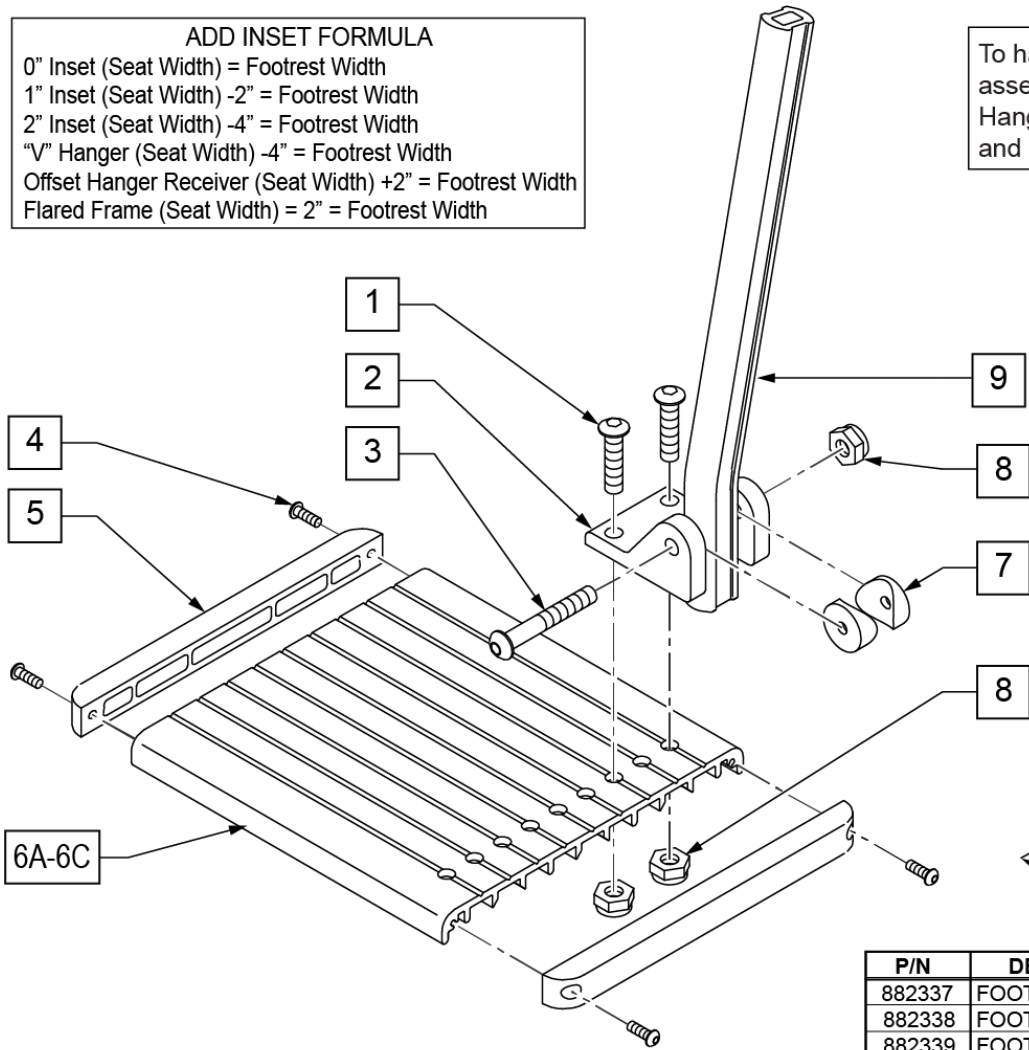
Pos.	Item Number	Description	Remarks
1	106978	1/4-28 x 7/8 FH C/S	
2	106941	1/4-28 AUTOMATION NUT	

Pos.	Item Number	Description	Remarks
3	106944	WASHER FLAT THIN AN 1/4	
4A	483720	HANGER EXTENSION SADDLE LONG	USE W/ DOUBLE D EXT TUBE
4B	561055	3/4" SADDLE 1" OD	USE W/ ROUND EXT TUBE
5	541002	FTRST MOUNTING BRKT-3/8 RAD R	RIGHT
5	541003	FTRST MOUNTING BRKT-3/8 RAD L	LEFT
6	106945	WASHER FLAT SAE 1/4 ROHS	
7A	106962	BHCS 1/4-28 X 1-3/4 ROHS	use w/ Double D Ext Tube
7B	226167	1/4-28 x 1.625 BH C/S BLK	use w/ Round Ext Tube
8	550350	3/4" CLMP ADJ FT PLT	
9	106935	NUT NYLOCK THIN 1/4-28 ROHS	
10	561040	HEEL LOOP PEG	
11A	741154	HEEL LOOP 14-15 CMPST HEMI	used w/ 10-11" Adult Ang Adj Ftplts
11B	741155	HEEL LOOP 16-17 CMPST HEMI	used w/ 12 -13" Adult Ang Adj Ftplts
11C	741153	H/L 18-20 CMPST/14-15 ANG ADJ	used w/ 14-15"/16-17" Adult Ang Adj Ftplts
11D	741253	HEEL LOOP ADLT ADJ F/PLT 18-20	used w/ 18 -20" Adult Ang Adj Ftplts
12	500656	ADLT ANGL ADJ F/PLT 10/11" R	RIGHT
12	500657	ADLT ANGL ADJ F/PLT 10/11" L	LEFT
12	500658	ADLT ANGL ADJ F/PLT 12/13" R	RIGHT
12	500659	ADLT ANGL ADJ F/PLT 12/13" L	LEFT
12	500660	ADLT ANGL ADJ F/PLT 14/15	RIGHT
12	500661	ADLT ANGL ADJ F/PLT 14/15	LEFT
12	500662	ADLT ANGL ADJ F/PLT 16/17	RIGHT
12	500663	ADLT ANGL ADJ F/PLT 16/17	LEFT
12	500664	ADLT ANGL ADJ F/PLT 18-20	RIGHT
12	500665	ADLT ANGL ADJ F/PLT 18-20	LEFT
13	740260	TOE/ANKLE STRAP ADJ ADLT F/PLT	
14	106958	1/4-20 x 1 HEX C/S	
15	101533	ADLT ANG ADJ FP D2 HDWR KIT	for Double D Ext Tubes; Kit for one side
16	101534	ADLT ANG ADJ FP RND HDWR KIT	for Round Ext Tubes (Q2 HP only); Kit for one side
1-3,5,6,8,9,12	820526	AD ANG ADJ F/PLT R 12"/13" OMIT HL	RIGHT
1-3,5,6,8,9,12	820536	AD ANG ADJ F/PLT L 12"/13" OMT HL	LEFT
1-3,5,6,8,9,12	820460	FP ADLT ADJ 14/15 OMIT HL	RIGHT
1-3,5,6,8,9,12	820462	FP ADLT ADJ 14/15 OMIT HL	LEFT
1-3,5,6,8,9,12	820464	FP ADLT ADJ 16/17 OMIT HL	RIGHT
1-3,5,6,8,9,12	820466	FP ADLT ADJ 16/17 OMIT HL	LEFT
1-3,5,6,8,9,12	820468	FP ADLT ADJ 18-20 OMIT HL	RIGHT
1-3,5,6,8,9,12	820470	FP ADLT ADJ 18-20 OMIT HL	LEFT
1-3,5,6,8,9,12	921466	ADLT ANGL ADJ F/PLT 12"/13" OMIT HL	PAIR
1-3,5,6,8,9,12	921320	FP ADLT ADJ 14/15 OMIT HL	PAIR
1-3,5,6,8,9,12	921322	FP ADLT ADJ 16/17 OMIT HL	PAIR
1-3,5,6,8,9,12	921324	FP ADLT ADJ 18-20 OMIT HL	PAIR
1-3,5,6,8,9,11B,12	820522	AD ANGL ADJ F/PLT R 12/13" H/L	RIGHT
1-3,5,6,8,9,11B,12	820532	AD ANGL ADJ F/PLT L 12/13" H/L	LEFT
1-3,5,6,8-10,11C, 12,14	820461	FP ADLT ADJ 14/15 HL	RIGHT
1-3,5,6,8-10,11C, 12,14	820463	FP ADLT ADJ 14/15 HL	LEFT
1-3,5,6,8-10,11C, 12,14	820465	FP ADLT ADJ 16/17 HL	RIGHT
1-3,5,6,8-10,11C, 12,14	820467	FP ADLT ADJ 16/17 HL	LEFT
1-3,5,6,8-10,11D, 12,14	820469	FP ADLT ADJ 18-20 HL	RIGHT
1-3,5,6,8-10,11D, 12,14	820471	FP ADLT ADJ 18-20 HL	LEFT
1-3,5,6,8-10,11B, 12,14	921462	ADLT ANGL ADJ F/PLATE 12"/13" HL	PAIR
1-3,5,6,8-10,11C, 12,14	921321	FP ADLT ADJ 14/15 HL	PAIR
1-3,5,6,8-10,11C, 12,14	921323	FP ADLT ADJ 16/17 HL	PAIR
1-3,5,6,8-10,11D, 12,14	921325	FP ADLT ADJ 18-20 HL	PAIR
		Ship assembled part #	Use with multiple assemblies
	ASSY-HNG-FP	HANGER/FOOTPLATE ASSY REQUIRED	add with Hanger & Footplate kit

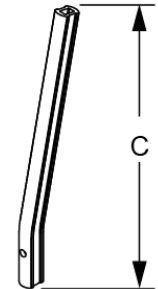
NOTE: Left Side Shown

ADD INSET FORMULA
 0" Inset (Seat Width) = Footrest Width
 1" Inset (Seat Width) - 2" = Footrest Width
 2" Inset (Seat Width) - 4" = Footrest Width
 "V" Hanger (Seat Width) - 4" = Footrest Width
 Offset Hanger Receiver (Seat Width) + 2" = Footrest Width
 Flared Frame (Seat Width) = 2" = Footrest Width

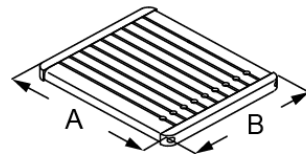
To have complete Footrest ship assembled, choose compatible Hanger + Footplate part numbers and add "ASSY-HNG-FP" to order



MEASURING GUIDE



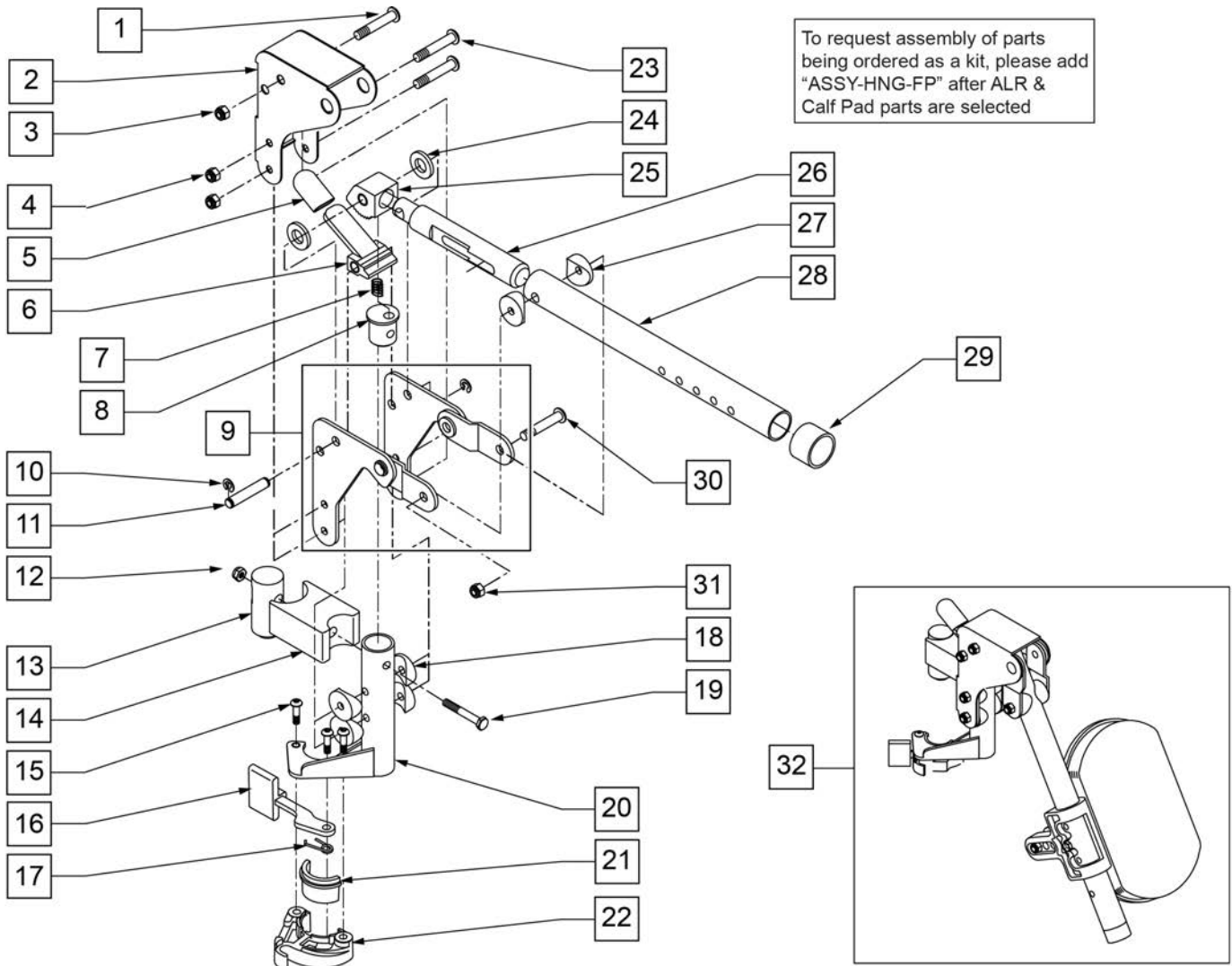
	"C"
SHORT	9 1/4"
MED	11 1/4"
LONG	13 1/4"



P/N	DESCRIPTION	"A"	"B"
882337	FOOTPLATE ELR 14-15"	6"	6"
882338	FOOTPLATE ELR 16-17"	7"	6"
882339	FOOTPLATE ELR 18-20"	8"	6"

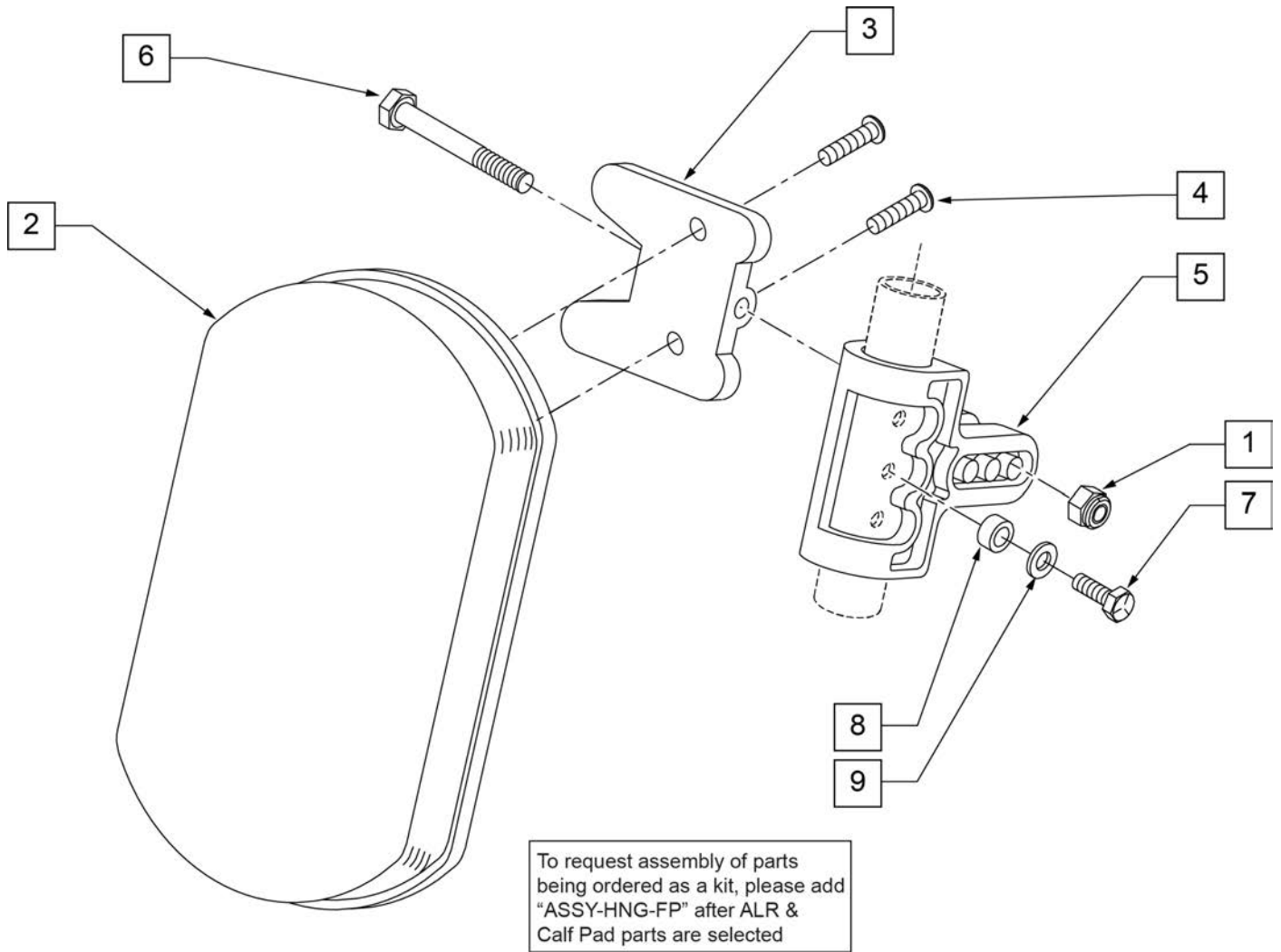
Pos.	Item Number	Description	Remarks
1	106959	1/4-28 x 5/8 BH C/S	
2	550739	FOOTPLATE MOUNTING BRACKET	
3	226147	1/4-28 x 1.85 BH C/S	
4	281043	#4 x 5/8 PAN PHIL S/TAP	
5	560101	END CAPS FOOTREST	
7	561003	3/4" SADDLE THIN	
8	106935	1/4-28 NYLOCK NUT THIN	
9	550764	S/A HANGER EXT D2 SHORT BLACK	
9	550765	S/A HANGER EXT D2 MED BLK	
9	550766	S/A HANGER EXT D2 LONG BLACK	
4,5,6A	882337	ELR FOOTPLATE ASSEMBLY 14 -15"	
4,5,6B	882338	ELR FOOTPLATE ASSEMBLY 16 -17"	
4,5,6C	882339	ELR FOOTPLATE ASSEMBLY 18 -20"	
1-5,6A-8	921400S	ELR FOOTPLATE KIT 14 -15"	Does not include Extension
1-5,6B-8	921401S	ELR FOOTPLATE KIT 16 -17"	Does not include Extension
1-5,6C-8	921402S	ELR FOOTPLATE KIT 18 -20"	Does not include Extension
		Ship assembled part #	Use with multiple assemblies
	ASSY-HNG-FP	HANGER/FOOTPLATE ASSY REQUIRED	add with Hanger & Footplate kit

NOTE: WHEN USING AN ARTICULATING LEGREST ASSEMBLY, THE PULL-TO-LOCK WHEEL LOCK MUST BE USED.



Pos.	Item Number	Description	Remarks
1	106983	5/16-18 x 2 BH C/S SHT THREAD	
2	562720	ALR COVER STD	
3	106937	5/16-18 NYLOCK NUT THIN	
4	106935	1/4-28 NYLOCK NUT THIN	
5	560501	ALR RELEASE LEVER COVER	
6	505902	ALR RELEASE LEVER	
7	321141	650L x 6 COIL SPRING	
8	483060	ALR SPRING PLUG	
9	880526	ALR BRACKET W/LINK R	RIGHT
9	880527	ALR BRACKET W/LINK L	LEFT
10	342000	1/4" E-CLIP	
11	481052	ALR RETAINING STUD	
12	106934	1/4-28 NYLOCK NUT	
13	122991	ALR PIVOT SADDLE WITH LEDGE	

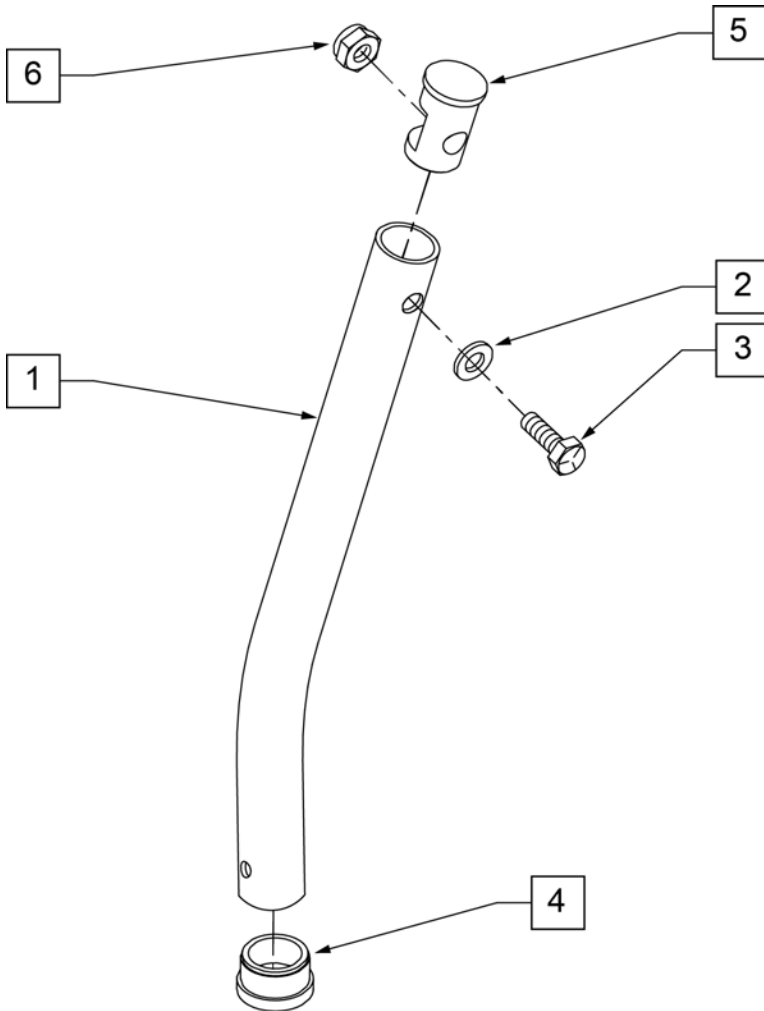
Pos.	Item Number	Description	Remarks
14	122992	ALR PIVOT SADDLE BLOCK W/NOTCH	
15	226057	10/24 x .725 BTTN HD SOC BZ	
16	561079	S/A LATCH LEVER	
17	321136	S/A SPRING L RED	
17	321137	S/A SPRING R CLEAR	
18	561004	1" SADDLE 1/4" HOLE	
19	107016	1/4-28 x 3 G8 HEX C/S	
20	882466	ALR S/A TUBE ASSM L	LEFT
20	882467	ALR S/A TUBE ASSM R	RIGHT
23	106964	1/4-28 x 2 BH C/S	
24	561016	1" WASHER 5/16" HOLE	
25	505900	ALR RATCHET BLOCK	
26	483062	ALR RATCHET ROD	
27	561006	1" SADDLE 5/16" HOLE	
28	505026S	ALR TUBE ONLY	
29	561082	1" TUBE END BUSHING THIN	
30	226195	5/16-18 x 1.82 BH C/S	
31	106937	NUT NYLOCK THIN 5/16-18 ROHS	
21,22	881500	LATCH BLOCK ASSM R	RIGHT
21,22	881501	LATCH BLOCK ASSM L	LEFT
1-26	880092	HANGER ALR SUB ASSM R	RIGHT
1-26	880093	HANGER ALR SUB ASSM L	LEFT
1-31	641464S	HANGER ALR W/O PAD PNTD R	RIGHT
1-31	641465S	HANGER ALR W/O PAD PNTD L	LEFT
32	923051S	ALR HANGER ASSM W/PAD ALUM LB	PAIR
15-17,21,22	881521	S/A LATCH KIT CASTING RIGHT	
15-17,21,22	881522	S/A LATCH KIT CASTING LEFT	
		Ship assembled part #	Use with multiple assemblies
	ASSY-HNG-FP	HANGER/FOOTPLATE ASSY REQUIRED	add with Hanger & Footplate kit



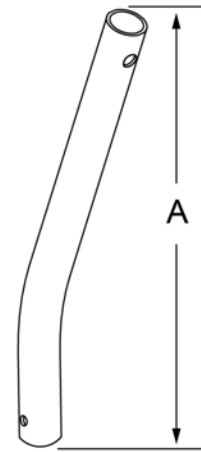
Pos.	Item Number	Description	Remarks
1	106936	5/16-18 NYLOCK NUT THICK	
2	755010	ALR/ELR PAD	
3	561096	ALR/ELR CALF PAD BRACKET	
4	281182	1/4-20 x 5/8 PAN PHIL	
5	561099	CALF CLAMP ALR	
6	107019	HHCS 5/16-18 X 3-1/2 ROHS	
7	107017	1/4-20 x 1 1/4 G8 HEX C/S	
8	483027	1/4 x 1/4 ALUMINUM SPACER BLK	
9	104414	WAVE WASHER 6 MM	
1-6	881399	ALR CALF PAD W/BRACKET	
1,3-9	881398	ALR CALF CLAMP ASSM W/O PAD	
1-9	881400	ALR CALF PAD ASSEMBLY (EA)	
		Ship assembled part #	Use with multiple assemblies
	ASSY-HNG-FP	HANGER/FOOTPLATE ASSY REQUIRED	add with Hanger & Footplate kit

NOTE: (Discontinued on Quickie 2 for 60° and 70° Hangers 10/23/99- Parts only).

NOTE: Used on Articulating Hanger Assemblies.



MEASURING GUIDE



	"A"
SHORT	6 5/8"
MED	9"
LONG	11 5/8"
X-LONG	13 1/2"

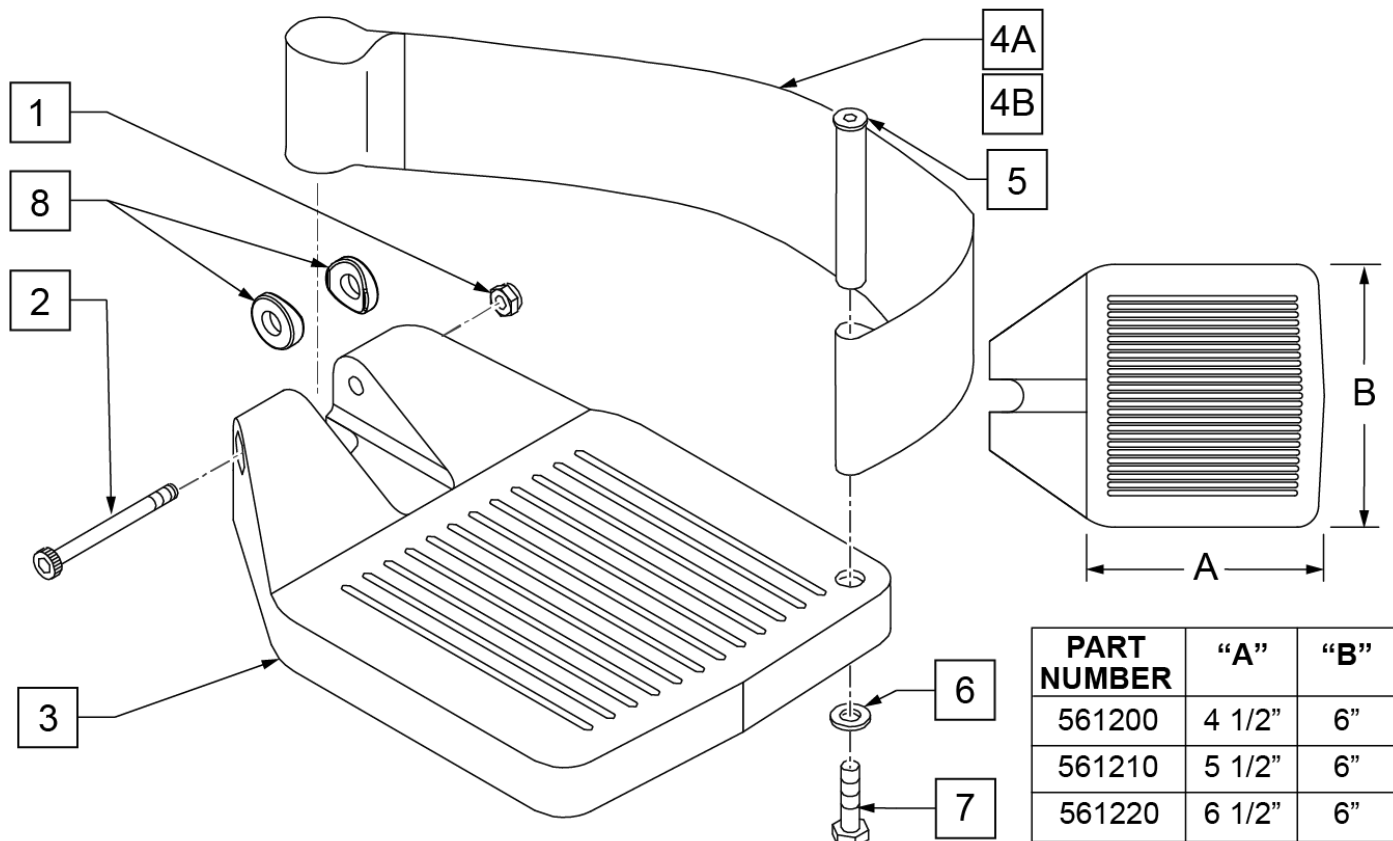
Pos.	Item Number	Description
1	521010	FOOTREST EXT TUBE ONLY SHT BLK
1	521011	FOOTREST EXT TUBE ONLY MED BLK
1	521012	FOOTREST EXT TUBE ONLY LNG BLK
1	521013	FOOTREST EXT TUBE ONLY X-LNG BLK
2	104414	WAVE WASHER 6 MM
3	106958	HHCS 1/4-20 X 1 ROHS
4	561000-QU	3/4" INSERT PLUG .083
5	483553	FOOTREST INSERT PLUG Q2
6	106932	NUT NYLOCK 1/4-20 ROHS
1-6	921221	FOOTREST EXT TUBE SHT ASSM BLK (EA)
1-6	921222	FOOTREST EXT TUBE MED ASSM BLK (EA)
1-6	921223	FOOTREST EXT TUBE LNG ASSM BLK (EA)
1-6	921224	FOOTREST EXT TUBE X-LNG ASSM BLK (EA)

COMPOSITE FOOTPLATE

[12/2017]

To have complete Footrest ship assembled, choose compatible Hanger + Footplate part numbers and add "ASSY-HNG-FP" to order

INSET FORMULA
 0" Inset (Seat Width) = Footrest Width
 1" Inset (Seat Width) -2" = Footrest Width
 "V" Hanger (Seat Width) -4" = Footrest Width
 Offset Hanger Receiver (Seat Width) +2" = Footrest Width



Pos.	Item Number	Description	Remarks
1	106935	1/4 - 28 NYLOCK NUT	
2	226165	1/4 - 28 x 2 1/2 SOC C/S	
3	561200	COMPOSITE FOOTPLATE 14 -15 (16 -18 V)	14 -15 OR 16 -18V
3	561210	COMPOSITE FOOTPLATE 16 -17 (19 -20 V)	16 -17 OR 19 -20V
3	561220	COMPOSITE FOOTPLATE 18 -20	18 -20
4A	741151	HEEL LOOP 14-15 COMPOSITE (14 -15 or 16 -18V)	14 -15 OR 16 -18V
4A	741156	HEEL LOOP 16 -17 or 19 -20V	16 -17 OR 19 -20V
4A	741153	HEEL LOOP 18 -20 COMPOSITE/14-15 ANG ADJ	18 -20
4A	902270	HEEL LOOP COMPOSITE FT 14-15	PAIR 14 -15 OR 16 -18V
4A	902271	HEEL LOOP COMPOSITE FT 16-17	PAIR 16 -17 OR 19 -20V
4A	902272	HEEL LOOP COMPOSITE FT 18-20	PAIR 18 -20
4B	741154	HEEL LOOP 14-15 COMPOSITE HEMI	14 -15 HEMI
4B	741155	HEEL LOOP 16-17 COMPOSITE HEMI	16 -17 HEMI
4B	741153	HEEL LOOP 18-20 COMPOSITE HEMI	18 -10 HEMI
4B	902260	HEEL LOOPS HEMI COMPOSITE 14-15	PAIR 14 -15 HEMI
4B	902261	HEEL LOOPS HEMI COMPOSITE 16-17	PAIR 16 -17 HEMI
4B	902262	HEEL LOOPS HEMI COMPOSITE 18-20	PAIR 18 -20 HEMI
5	561040	HEEL LOOP PEG	
6	106944	1/4 AN WASHER FLAT THIN	

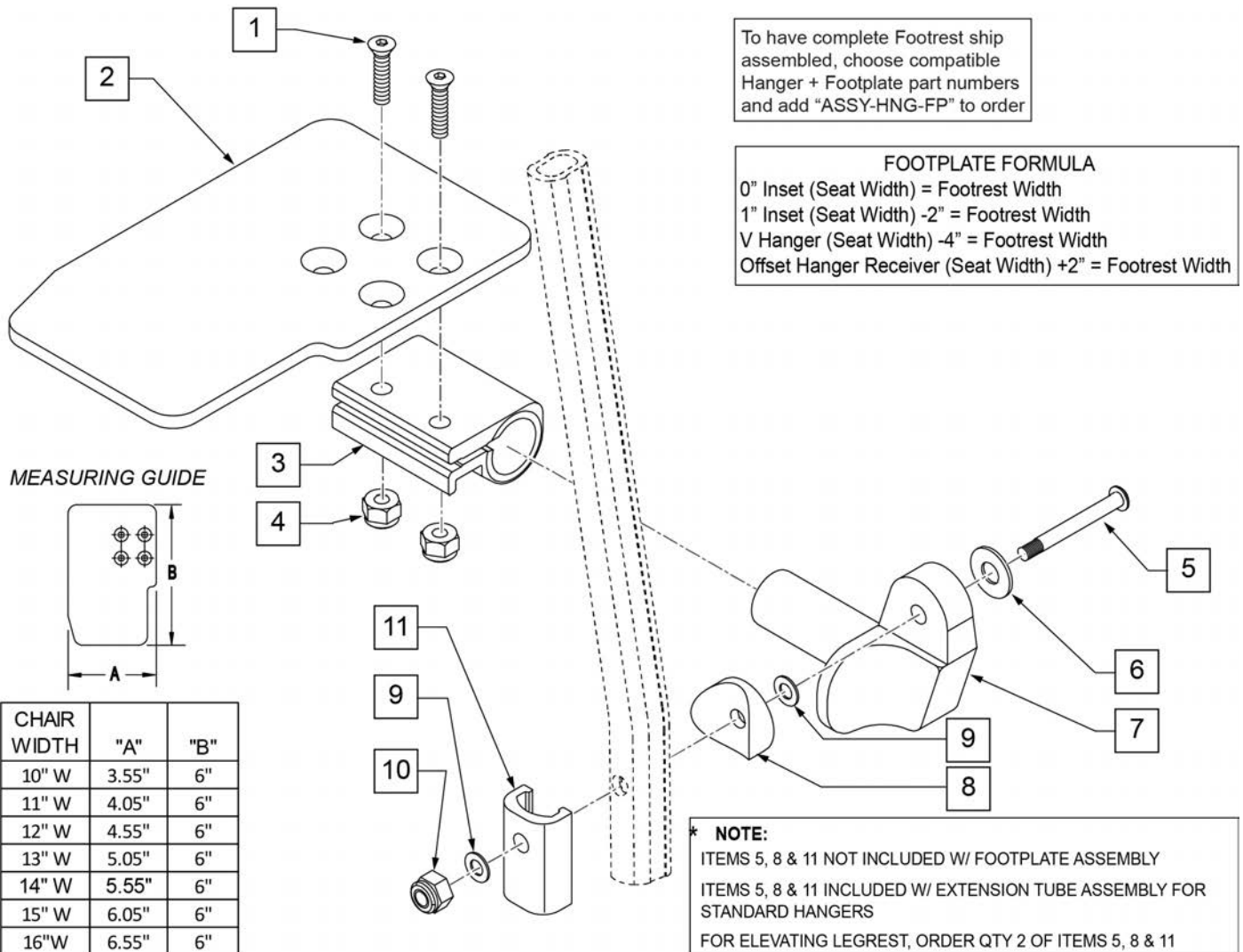
Pos.	Item Number	Description	Remarks
7	106958	HHCS 1/4-20 X 1 ROHS	
8	561003	3/4" SADDLE THIN	USED W/ ROUND EXT TUBES ONLY
1-3	921180	COMPOSITE FOOTPLATE ASSM 14-15	RIGHT (14 -15 OR 16 -18V) W/O HEEL LOOP
1-3	921181	COMPOSITE FOOTPLATE ASSM 14-15	LEFT (14 -15 OR 16 -18V) W/O HEEL LOOP
1-3	921182	COMPOSITE FOOTPLATE ASSM 16-17	RIGHT (16 -17 OR 19 -20V) W/O HEEL LOOP
1-3	921183	COMPOSITE FOOTPLATE ASSM 16-17	LEFT (16 -17 OR 19 -20V) W/O HEEL LOOP
1-3	921184	COMPOSITE FOOTPLATE ASSM 18-20	RIGHT (18 -20) W/O HEEL LOOP
1-3	921185	COMPOSITE FOOTPLATE ASSM 18-20	LEFT (18 -20) W/O HEEL LOOP
1-3	921151	COMPOSITE FOOTPLATE ASSM 14-15/16-18V	PAIR (14 -15 OR 16 -18V) W/O HEEL LOOP
1-3	921152	COMPOSITE FOOTPLATE ASSM 16-17/19-20V	PAIR (16 -17 OR 19 -20V) W/O HEEL LOOP
1-3	921153	COMPOSITE FOOTPLATE ASSM 18-20	PAIR (18 -20) W/O HEEL LOOP
1,2,3A,4-7	921190	COMPOSITE FOOTPLATE ASSM HL LP 14-15	RIGHT (14 -15 OR 16 -18V) W/ HEEL LOOP
1,2,3A,4-7	921191	COMPOSITE FOOTPLATE ASSM HL LP 14-15	LEFT (14 -15 OR 16 -18V) W/ HEEL LOOP
1,2,3A,4-7	921192	COMPOSITE FOOTPLATE ASSM HL LP 16-17	RIGHT (16 -17 OR 19 -20V) W/ HEEL LOOP
1,2,3A,4-7	921193	COMPOSITE FOOTPLATE ASSM HL LP 16-17	LEFT (16 -17 OR 19 -20V) W/ HEEL LOOP
1,2,3A,4-7	921194	COMPOSITE FOOTPLATE ASSM HL LP 18-20	RIGHT (18 -20) W/ HEEL LOOP
1,2,3A,4-7	921195	COMPOSITE FOOTPLATE ASSM HL LP 18-20	LEFT (18 -20) W/ HEEL LOOP
1,2,3A,4-7	921161	COMPOSITE FOOTPLATE ASSM HL 14-15/16-18V	PAIR (14 -15 OR 16 -18V) W/ HEEL LOOP
1,2,3A,4-7	921162	COMPOSITE FOOTPLATE ASSM HL 16-17/19-20V	PAIR (16 -17 OR 19 -20V) W/ HEEL LOOP
1,2,3A,4-7	921163	COMPOSITE FOOTPLATE ASSM HL 18-20	PAIR (18 -20) W/ HEEL LOOP
1,2,3B,4-7	921140	COMPOSITE FOOTPLATE ASSM HEMI HL LP 14-15	RIGHT (14 -15) W/ HEEL LOOP
1,2,3B,4-7	921141	COMPOSITE FOOTPLATE ASSM HEMI HL LP 14-15	LEFT (14 -15) W/ HEEL LOOP
1,2,3B,4-7	921142	COMPOSITE FOOTPLATE ASSM HEMI HL LP 16-17	RIGHT (16 -17) W/ HEEL LOOP
1,2,3B,4-7	921143	COMPOSITE FOOTPLATE ASSM HEMI HL LP 16-17	LEFT (16 -17) W/ HEEL LOOP
1,2,3B,4-7	921144	COMPOSITE FOOTPLATE ASSM HEMI HL LP 18-20	RIGHT (18 -20) W/ HEEL LOOP
1,2,3B,4-7	921145	COMPOSITE FOOTPLATE ASSM HEMI HL LP 18-20	LEFT (18 -20) W/ HEEL LOOP
1,2,3B,4-7	921167	COMPOSITE FOOTPLATE ASSM HEMI HL LPS 14-15	PAIR (14 -15) W/ HEEL LOOP
1,2,3B,4-7	921168	COMPOSITE FOOTPLATE ASSM HEMI HL LPS 16-17	PAIR (16 -17) W/ HEEL LOOP
1,2,3B,4-7	921169	COMPOSITE FOOTPLATE ASSM HEMI HL LPS 18-20	PAIR (18 -20) W/ HEEL LOOP
		Ship assembled part #	Use with multiple assemblies
	ASSY-HNG-FP	HANGER/FOOTPLATE ASSY REQUIRED	add with Hanger & Footplate kit

Note: Footplate Assemblies are set to footrest width; please see "Footplate Formula" table for seat width conversion.

Note: V Style Hangers are not available on Swing Away Style chairs effective 7/14/14; see the "Prior To" ordering guide for V Style footplate assemblies.

Note: Zippie Iris (ZRS&ZRSE) and Zippie TS (Z1A&Z1SE) only use Straight Extension Tube.

Note: if chair has High Mount Ext Tubes or if switching to High Mount Ext Tubes, see KAA Footplate w/ High Mount Extension Ordering Guide.



Pos.	Item Number	Description	Remarks
1	106978	FHCS 1/4 -28 x 7/8 ROHS	

Pos.	Item Number	Description	Remarks
2	500635	KIDS ANGL ADJ F/PLT 10" R	Right
2	500636	KIDS ANGL ADJ F/PLT 10" L	Left
2	500637	KIDS ANGL ADJ F/PLT 11" R	Right
2	500638	KIDS ANGL ADJ F/PLT 11" L	Left
2	500639	KIDS ANGL ADJ F/PLT 12" R	Right
2	500640	KIDS ANGL ADJ F/PLT 12" L	Left
2	500641	KIDS ANGL ADJ F/PLT 13" R	Right
2	500642	KIDS ANGL ADJ F/PLT 13" L	Left
2	500643	KIDS ANGL ADJ F/PLT 14" R	Right
2	500644	KIDS ANGL ADJ F/PLT 14" L	Left
2	500645	KIDS ANGL ADJ F/PLT 15" R	Right
2	500646	KIDS ANGL ADJ F/PLT 15" L	Left
2	500647	KIDS ANGL ADJ F/PLT 16" R	Right
2	500648	KIDS ANGL ADJ F/PLT 16" L	Left
3	550350	3/4" CLAMP ADJ FOOTPLATE	
4	106935	NUT NYLOCK THIN 1/4 -28 ROHS	
5	106962	1/4-28 x 1 3/4 BH C/S BLK ZN (D2 EXTENSION TUBES)	
5	226167	1/4-28 x 1.625 BH C/S BLK (ROUND EXTENSION TUBES)	
6	106945	1/4 SAE WASHER	
7	541002	FTRST MOUNTING BRKT-3/8 RAD R	
7	541003	FTRST MOUNTING BRKT-3/8 RAD L	
8	561055	3/4" SADDLE 1" OD	
9	106944	WASHER FLAT THIN AN 1/4 ROHS	
10	106941	NUT AUTOMATION 1/4 -28 ROHS	
11	483720	HANGER EXTENSION SADDLE LONG	Use with Double D Ext Tube
1-4,6,7,9,10	828850	KIDS ANG ADJ F/PLT EXT-MNT 10"R	Right
1-4,6,7,9,10	828851	KIDS ANG ADJ F/PLT EXT-MNT 10"L	Left
1-4,6,7,9,10	828852	KIDS ANG ADJ F/PLT EXT-MNT 11"R	Right
1-4,6,7,9,10	828853	KIDS ANG ADJ F/PLT EXT-MNT 11"L	Left
1-4,6,7,9,10	828854	KIDS ANG ADJ F/PLT EXT-MNT 12"R	Right
1-4,6,7,9,10	828855	KIDS ANG ADJ F/PLT EXT-MNT 12"L	Left
1-4,6,7,9,10	828856	KIDS ANG ADJ F/PLT EXT-MNT 13"R	Right
1-4,6,7,9,10	828857	KIDS ANG ADJ F/PLT EXT-MNT 13"L	Left
1-4,6,7,9,10	828858	KIDS ANG ADJ F/PLT EXT-MNT 14"R	Right
1-4,6,7,9,10	828859	KIDS ANG ADJ F/PLT EXT-MNT 14"L	Left
1-4,6,7,9,10	828860	KIDS ANG ADJ F/PLT EXT-MNT 15"R	Right
1-4,6,7,9,10	828861	KIDS ANG ADJ F/PLT EXT-MNT 15"L	Left
1-4,6,7,9,10	828862	KIDS ANG ADJ F/PLT EXT-MNT 16"R	Right
1-4,6,7,9,10	828863	KIDS ANG ADJ F/PLT EXT-MNT 16"L	Left
1-4,6,7,9,10	921280	KIDS ANG ADJ F/PLT EXT-MNT 10"	Pair
1-4,6,7,9,10	921281	KIDS ANG ADJ F/PLT EXT-MNT 11"	Pair
1-4,6,7,9,10	921282	KIDS ANG ADJ F/PLT EXT-MNT 12"	Pair
1-4,6,7,9,10	921283	KIDS ANG ADJ F/PLT EXT-MNT 13"	Pair
1-4,6,7,9,10	921284	KIDS ANG ADJ F/PLT EXT-MNT 14"	Pair
1-4,6,7,9,10	921285	KIDS ANG ADJ F/PLT EXT-MNT 15"	Pair
1-4,6,7,9,10	921286	KIDS ANG ADJ F/PLT EXT-MNT 16"	Pair
		Ship assembled part #	Use with multiple assemblies
	ASSY-HNG-FP	HANGER/FOOTPLATE ASSY REQUIRED	add with Hanger & Footplate kit

NOTE: FOR HIGH-MOUNT ADULT ANGLE-ADJUSTABLE FOOTPLATE, SEE "HIGH-MOUNT EXTENSION TUBE" PAGE.

NOTE: ORDER ITEMS 4B AND 7B FOR CHAIRS PRIOR TO 8/13/01.

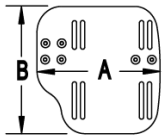
NOTE: ONLY 1 WASHER PRIOR TO 8/13/01.

NOTE: See attached REFERENCE GUIDE.

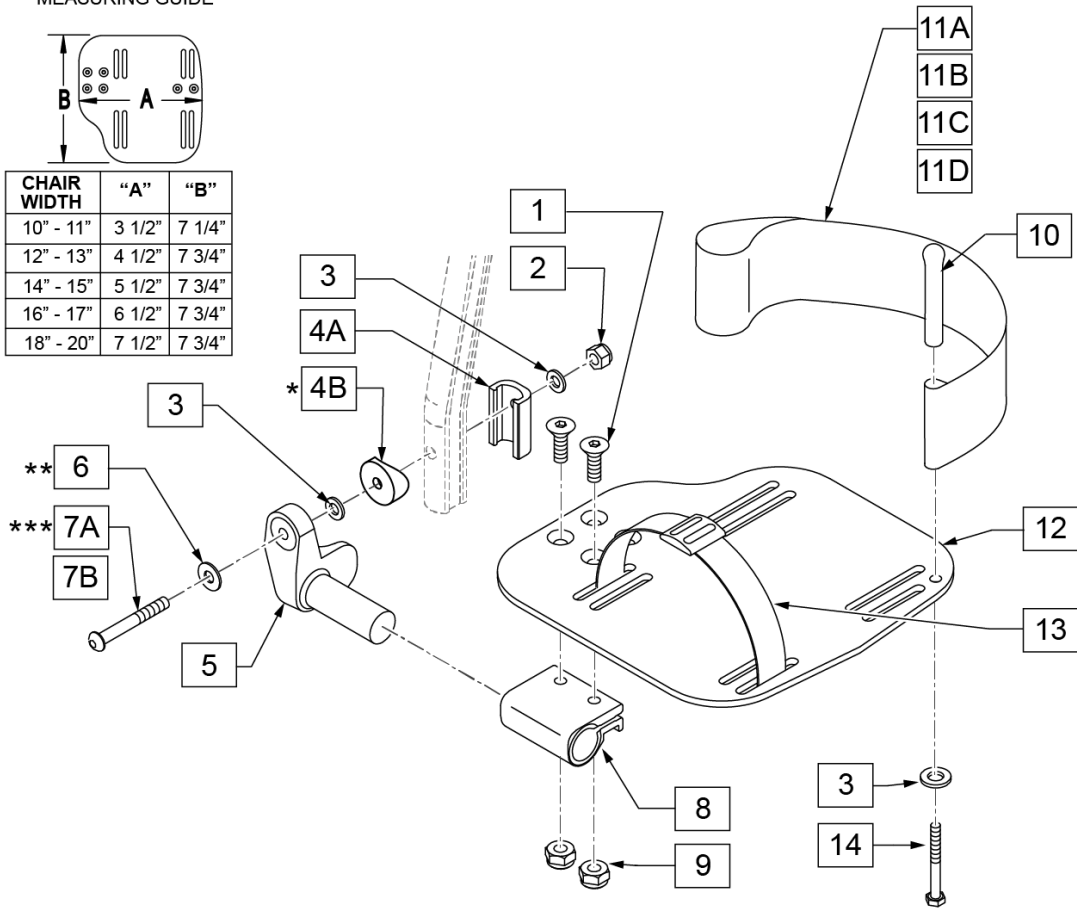
To have complete Footrest ship assembled, choose compatible Hanger + Footplate part numbers and add "ASSY-HNG-FP" to order

INSET FORMULA
 0" Inset (Seat Width) = Footrest Width
 1" Inset (Seat Width) -2" = Footrest Width
 "V" Hanger (Seat Width) -4" = Footrest Width
 Offset Hanger Receiver (Seat Width) +2" = Footrest Width

MEASURING GUIDE



CHAIR WIDTH	"A"	"B"
10" - 11"	3 1/2"	7 1/4"
12" - 13"	4 1/2"	7 3/4"
14" - 15"	5 1/2"	7 3/4"
16" - 17"	6 1/2"	7 3/4"
18" - 20"	7 1/2"	7 3/4"

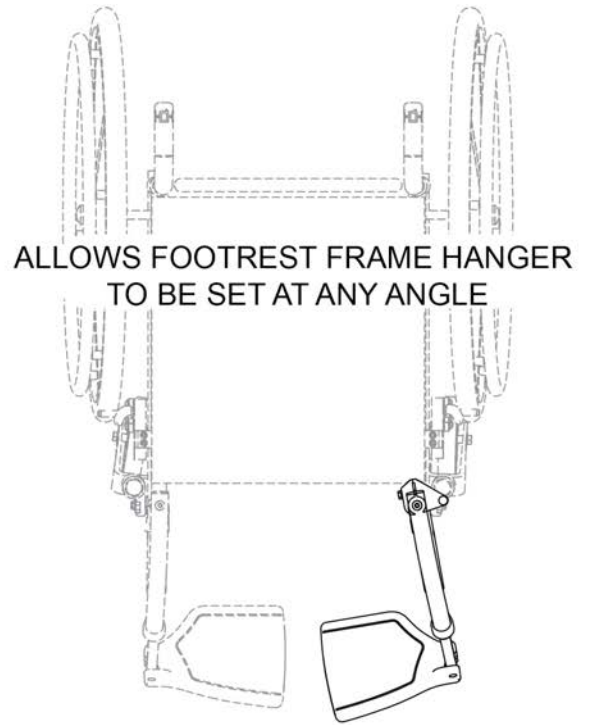
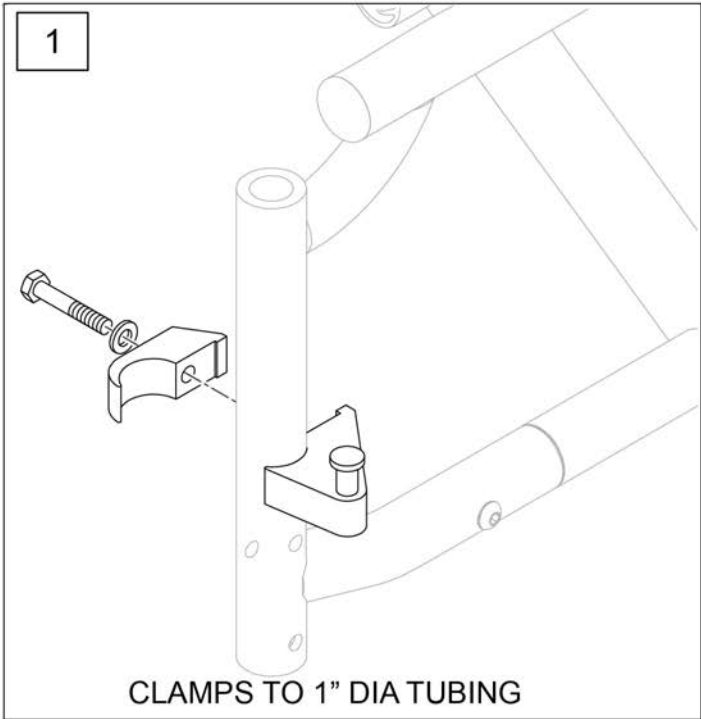


15 ADLT ANG ADJ FP D2 HDWR KIT			
ITEM #	ILLUSTRATION	DESCRIPTION	QTY
1		1/4-28 X 7/8 FH C/S	2
2		1/4-28 AUTOMATION NUT	1
3		WASHER FLAT THIN AN 1/4	3
6		1/4" SAE WASHER	1
7A		BHCS 1/4-28 X 1-3/4	1
9		NUT NYLOCK THIN 1/4-28	2
10		HEEL LOOP PEG	1
14		1/4-20 X 1 HEX C/S	1

16 ADLT ANG ADJ FP RND HDWR KIT			
ITEM #	ILLUSTRATION	DESCRIPTION	QTY
1		1/4-28 X 7/8 FH C/S	2
2		1/4-28 AUTOMATION NUT	1
3		WASHER FLAT THIN AN 1/4	3
4B		3/4" SADDLE 1" OD	1
6		1/4" SAE WASHER	1
7B		1/4-28 X 1.625 BH C/S BLK	1
9		NUT NYLOCK THIN 1/4-28	2
10		HEEL LOOP PEG	1
14		1/4-20 X 1 HEX C/S	1

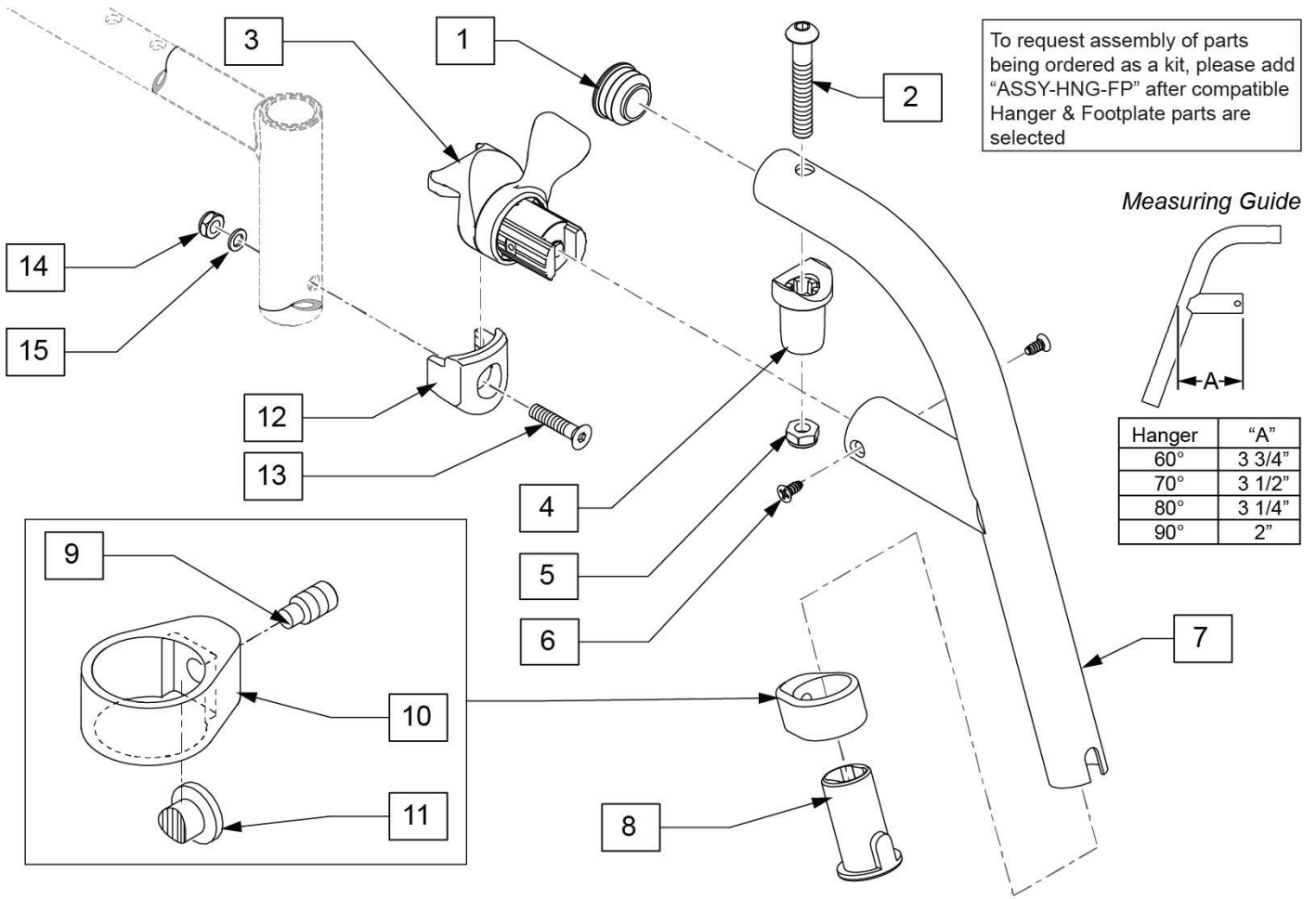
Pos.	Item Number	Description	Remarks
1	106978	1/4-28 x 7/8 FH C/S	
2	106941	1/4-28 AUTOMATION NUT	

Pos.	Item Number	Description	Remarks
3	106944	WASHER FLAT THIN AN 1/4	
4A	483720	HANGER EXTENSION SADDLE LONG	USE W/ DOUBLE D EXT TUBE
4B	561055	3/4" SADDLE 1" OD	USE W/ ROUND EXT TUBE
5	541002	FTRST MOUNTING BRKT-3/8 RAD R	RIGHT
5	541003	FTRST MOUNTING BRKT-3/8 RAD L	LEFT
6	106945	WASHER FLAT SAE 1/4 ROHS	
7A	106962	BHCS 1/4-28 X 1-3/4 ROHS	use w/ Double D Ext Tube
7B	226167	1/4-28 x 1.625 BH C/S BLK	use w/ Round Ext Tube
8	550350	3/4" CLMP ADJ FT PLT	
9	106935	NUT NYLOCK THIN 1/4-28 ROHS	
10	561040	HEEL LOOP PEG	
11A	741154	HEEL LOOP 14-15 CMPST HEMI	used w/ 10-11" Adult Ang Adj Ftplts
11B	741155	HEEL LOOP 16-17 CMPST HEMI	used w/ 12 -13" Adult Ang Adj Ftplts
11C	741153	H/L 18-20 CMPST/14-15 ANG ADJ	used w/ 14-15"/16-17" Adult Ang Adj Ftplts
11D	741253	HEEL LOOP ADLT ADJ F/PLT 18-20	used w/ 18 -20" Adult Ang Adj Ftplts
12	500656	ADLT ANGL ADJ F/PLT 10/11" R	RIGHT
12	500657	ADLT ANGL ADJ F/PLT 10/11" L	LEFT
12	500658	ADLT ANGL ADJ F/PLT 12/13" R	RIGHT
12	500659	ADLT ANGL ADJ F/PLT 12/13" L	LEFT
12	500660	ADLT ANGL ADJ F/PLT 14/15	RIGHT
12	500661	ADLT ANGL ADJ F/PLT 14/15	LEFT
12	500662	ADLT ANGL ADJ F/PLT 16/17	RIGHT
12	500663	ADLT ANGL ADJ F/PLT 16/17	LEFT
12	500664	ADLT ANGL ADJ F/PLT 18-20	RIGHT
12	500665	ADLT ANGL ADJ F/PLT 18-20	LEFT
13	740260	TOE/ANKLE STRAP ADJ ADLT F/PLT	
14	106958	1/4-20 x 1 HEX C/S	
15	101533	ADLT ANG ADJ FP D2 HDWR KIT	for Double D Ext Tubes; Kit for one side
16	101534	ADLT ANG ADJ FP RND HDWR KIT	for Round Ext Tubes (Q2 HP only); Kit for one side
1-3,5,6,8,9,12	820526	AD ANG ADJ F/PLT R 12"/13" OMIT HL	RIGHT
1-3,5,6,8,9,12	820536	AD ANG ADJ F/PLT L 12"/13" OMT HL	LEFT
1-3,5,6,8,9,12	820460	FP ADLT ADJ 14/15 OMIT HL	RIGHT
1-3,5,6,8,9,12	820462	FP ADLT ADJ 14/15 OMIT HL	LEFT
1-3,5,6,8,9,12	820464	FP ADLT ADJ 16/17 OMIT HL	RIGHT
1-3,5,6,8,9,12	820466	FP ADLT ADJ 16/17 OMIT HL	LEFT
1-3,5,6,8,9,12	820468	FP ADLT ADJ 18-20 OMIT HL	RIGHT
1-3,5,6,8,9,12	820470	FP ADLT ADJ 18-20 OMIT HL	LEFT
1-3,5,6,8,9,12	921466	ADLT ANGL ADJ F/PLT 12"/13" OMIT HL	PAIR
1-3,5,6,8,9,12	921320	FP ADLT ADJ 14/15 OMIT HL	PAIR
1-3,5,6,8,9,12	921322	FP ADLT ADJ 16/17 OMIT HL	PAIR
1-3,5,6,8,9,12	921324	FP ADLT ADJ 18-20 OMIT HL	PAIR
1-3,5,6,8,9,11B,12	820522	AD ANGL ADJ F/PLT R 12/13" H/L	RIGHT
1-3,5,6,8,9,11B,12	820532	AD ANGL ADJ F/PLT L 12/13" H/L	LEFT
1-3,5,6,8-10,11C, 12,14	820461	FP ADLT ADJ 14/15 HL	RIGHT
1-3,5,6,8-10,11C, 12,14	820463	FP ADLT ADJ 14/15 HL	LEFT
1-3,5,6,8-10,11C, 12,14	820465	FP ADLT ADJ 16/17 HL	RIGHT
1-3,5,6,8-10,11C, 12,14	820467	FP ADLT ADJ 16/17 HL	LEFT
1-3,5,6,8-10,11D, 12,14	820469	FP ADLT ADJ 18-20 HL	RIGHT
1-3,5,6,8-10,11D, 12,14	820471	FP ADLT ADJ 18-20 HL	LEFT
1-3,5,6,8-10,11B, 12,14	921462	ADLT ANGL ADJ F/PLATE 12"/13" HL	PAIR
1-3,5,6,8-10,11C, 12,14	921321	FP ADLT ADJ 14/15 HL	PAIR
1-3,5,6,8-10,11C, 12,14	921323	FP ADLT ADJ 16/17 HL	PAIR
1-3,5,6,8-10,11D, 12,14	921325	FP ADLT ADJ 18-20 HL	PAIR
		Ship assembled part #	Use with multiple assemblies
	ASSY-HNG-FP	HANGER/FOOTPLATE ASSY REQUIRED	add with Hanger & Footplate kit



Pos.	Item Number	Description	Remarks
1	112807	LATCH STUD SUPPORT R MULTIPOS	Single
1	112808	LATCH STUD SUPPORT L MULTIPOS	Single
1	112809	LATCH STUD SUPPORT PR MULTIPOS	Pair

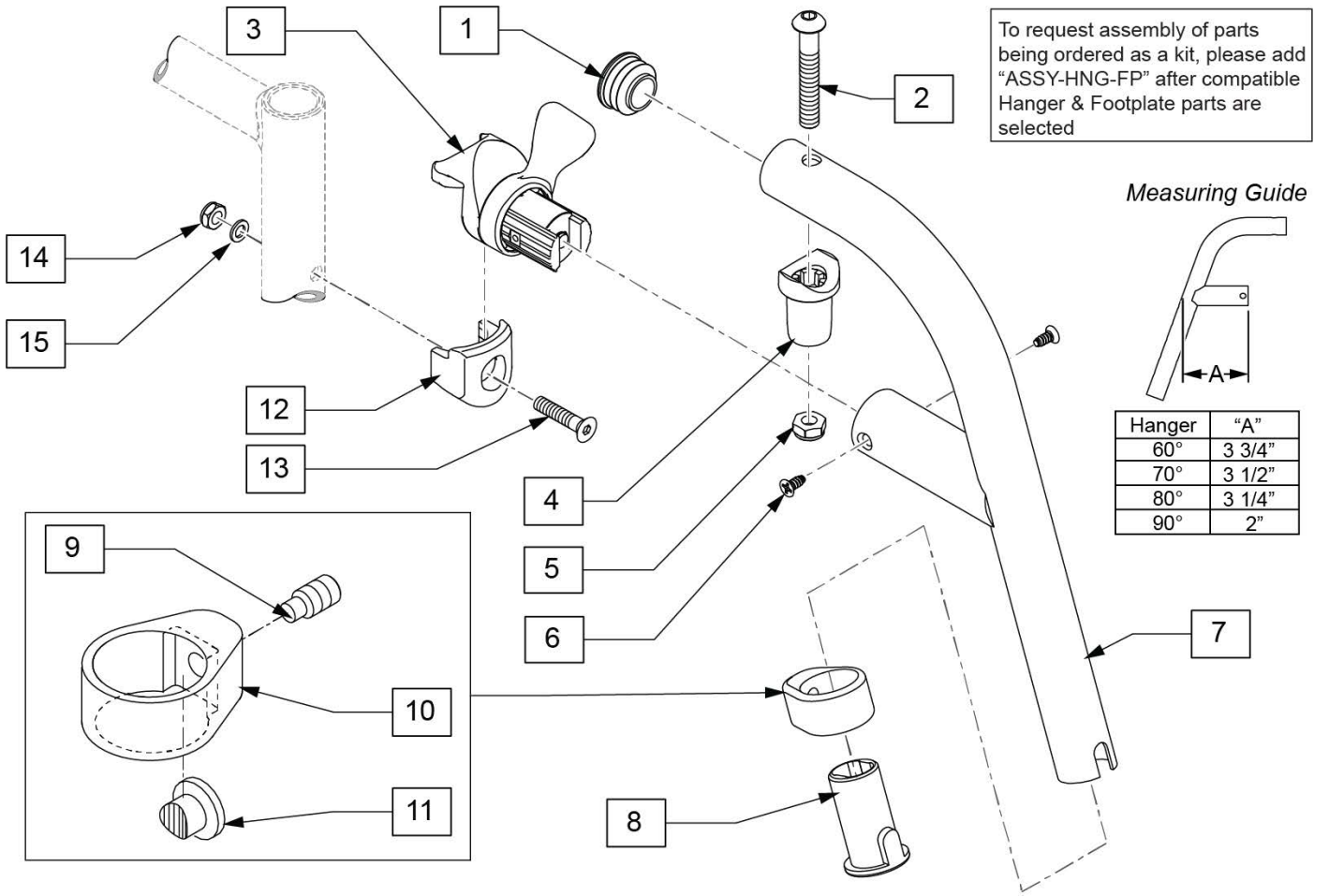
60 DEG SWING IN/OUT HANGER



Pos.	Item Number	Description	Remarks
1	561062	1" INSERT PLUG .065 RIBS	
8	104160	BUSHING FOOTREST	
13	103500-010	FHCSM6X1X35FULLNP	
14	104381	NUT HEX NYLOCK M6X1.0	
15	104414	WAVE WASHER 6 MM	
1,2,4,5	119518	PIVOT SADDLE KIT	
3,6	119509	HANGER LATCH ASSM W/HDWR L	Left
3,6	119510	HANGER LATCH ASSM W/HDWR R	Right
1-11	122699S	60 D SWING I/O HNGR PNTD L	
1-11	122700S	60 D SWING I/O HNGR PNTD R	
8-11	107485	FOOTREST CLAMP ASSM	
12-15	119514	LATCH RECEIVER KIT	
		Ship assembled part #	Use with multiple assemblies
	ASSY-HNG-FP	HANGER/FOOTPLATE ASSY REQUIRED	add with Hanger & Footplate kit

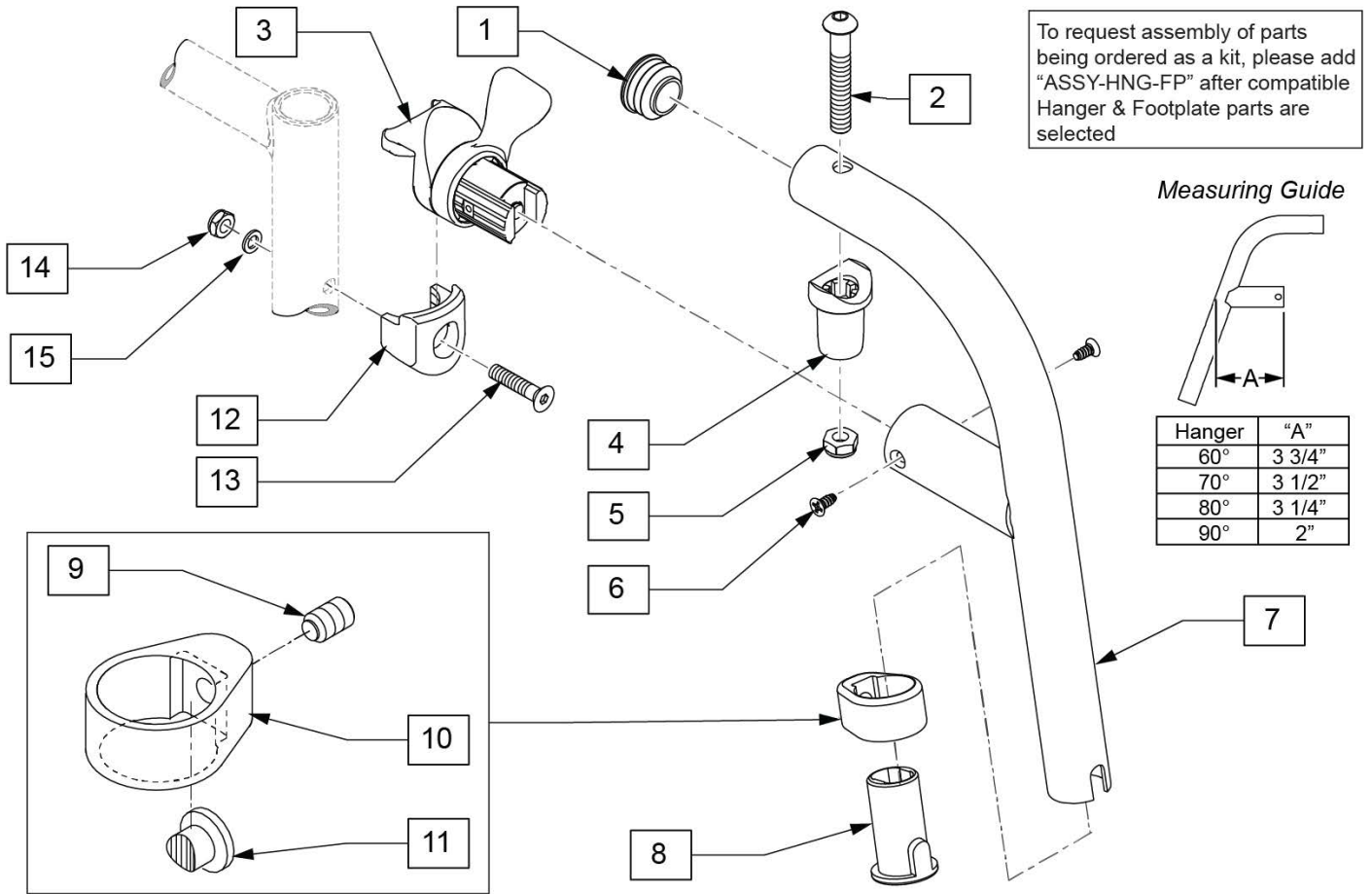
70 DEG SWING IN/OUT HANGER

[08/20/2019]



Pos.	Item Number	Description	Remarks
1	561062	1" INSERT PLUG .065 RIBS	
8	104160	BUSHING FOOTREST	
13	103500-010	FHCSM6X1X35FULLNP	
14	104381	NUT HEX NYLOCK M6X1.0	
15	104414	WAVE WASHER 6 MM	
1,2,4,5	119518	PIVOT SADDLE KIT	
3,6	119509	HANGER LATCH ASSM W/HDWR L	Left
3,6	119510	HANGER LATCH ASSM W/HDWR R	Right
1-11	119458S	70 D SWING I/O HNGR PNTD L	Left
1-11	119459S	70 D SWING I/O HNGR PNTD R	Right
8-11	107485	FOOTREST CLAMP ASSM	
12-15	119514	LATCH RECEIVER KIT	
		Ship assembled part #	Use with multiple assemblies
	ASSY-HNG-FP	HANGER/FOOTPLATE ASSY REQUIRED	add with Hanger & Footplate kit

80 DEG SWING IN/OUT HANGER



Pos.	Item Number	Description	Remarks
1	561062	1" INSERT PLUG .065 RIBS	
8	104160	BUSHING FOOTREST	
13	103500-010	FHCSM6X1X35FULLNP	
14	104381	NUT HEX NYLOCK M6X1.0	
15	104414	WAVE WASHER 6 MM	
1,2,4,5	119518	PIVOT SADDLE KIT	
3,6	119509	HANGER LATCH ASSM W/HDWR L	Left
3,6	119510	HANGER LATCH ASSM W/HDWR R	Right
1-11	119466S	80 D SWING I/O HNGR PNTD L	Left
1-11	119467S	80 D SWING I/O HNGR PNTD R	Right
8-11	107485	FOOTREST CLAMP ASSM	
12-15	119514	LATCH RECEIVER KIT	
		Ship assembled part #	Use with multiple assemblies
	ASSY-HNG-FP	HANGER/FOOTPLATE ASSY REQUIRED	add with Hanger & Footplate kit

Note: Footplate Assemblies are set to footrest width; please see "Footplate Formula" table for seat width conversion.

Note: If using Short Ext Tube & Hemi Hanger with Composite Footplate use 1G (bent) .

Note: V Style Hangers are not available on Swing Away Style chairs effective 7/14/14; see the "Prior To" ordering guide for V Style footplate assemblies.

Note: see Informations Panel for appropriate ordering guide; for QX Series or SR45 footplate replacement parts see ordering guide marked specifically for these two models.

To have complete Footrest ship assembled, choose compatible Hanger + Footplate part numbers and add "ASSY-HNG-FP" to order

FOOTPLATE MEASURING GUIDE

PART NO	DESCRIPTION	"A"	"B"
063216-006	FOOTPLATE COMPOSITE 157 R (13"W)	6 1/8"	6"
063216-012	FOOTPLATE COMPOSITE 157 L (13"W)	6 1/8"	6"
063216-015	FOOTPLATE COMPOSITE 170 R (14"W)	6 5/8"	6"
063216-018	FOOTPLATE COMPOSITE 170 L (14"W)	6 5/8"	6"
063216-005	FOOTPLATE COMPOSITE 182 R (15"W)	7 1/8"	6"
063216-011	FOOTPLATE COMPOSITE 182 L (15"W)	7 1/8"	6"
063216-014	FOOTPLATE COMPOSITE 195 R (16"W)	7 5/8"	6"
063216-017	FOOTPLATE COMPOSITE 195 L (16"W)	7 5/8"	6"
063216-004	FOOTPLATE COMPOSITE 207 R (17"W)	8 1/8"	6"
063216-010	FOOTPLATE COMPOSITE 207 L (17"W)	8 1/8"	6"
063216-013	FOOTPLATE COMPOSITE 220 R (18"W)	8 5/8"	6 1/4"
063216-016	FOOTPLATE COMPOSITE 220 L (18"W)	8 5/8"	6 1/4"
063216-003	FOOTPLATE COMPOSITE 232 R (19-20"W)	9 1/8"	6 1/4"
063216-009	FOOTPLATE COMPOSITE 232 L (19-20"W)	9 1/8"	6 1/4"
063216-002	FOOTPLATE COMPOSITE 257 R (21-22"W)	10 1/8"	6 1/4"
063216-008	FOOTPLATE COMPOSITE 257 L (21-22"W)	10 1/8"	6 1/4"

INSET FORMULA
 0" Inset (Seat Width) = Footrest Width
 1" Inset (Seat Width) -2" = Footrest Width
 "V" Hanger (Seat Width) -4" = Footrest Width
 Offset Hanger Receiver (Seat Width) +2" = Footrest Width

Pos.	Item Number	Description	Remarks
1A,3-5	120660	SHT STRT EXT COMP HDWR	80 deg hangers + ELR only
1B,3-5	120661	MED STRT EXT COMP HDWR	80 deg hangers + ELR only
1C,3-5	120662	LNG STRT EXT COMP HDWR	80 deg hangers + ELR only
1D,3-5	120663	SHT BNT EXT COMP HDWR	60,70,70 Hemi Hangers
1E,3-5	120664	MED BNT EXT COMP HDWR	60,70,70 Hemi Hangers
1F,3-5	120665	LNG BNT EXT COMP HDWR	60,70,70 Hemi Hangers
1G	128078	TUBE FOOTREST EXT SHT HEMI	use for Hemi Ext Tube option
2A	063216-006	COMPOSITE FOOTPLATE RIGHT	RIGHT 13" Footrest Width
2A	063216-012	COMPOSITE FOOTPLATE LEFT	LEFT 13" Footrest Width
2B	063216-015	FOOTPLATE COMPOSITE RIGHT	RIGHT 14" Footrest Width
2B	063216-018	FOOTPLATE COMPOSITE LEFT	LEFT 14" Footrest Width
2C	063216-005	COMPOSITE FOOTPLATE RIGHT	RIGHT 15" Footrest Width
2C	063216-011	COMPOSITE FOOTPLATE LEFT	LEFT 15" Footrest Width
2D	063216-014	FOOTPLATE COMPOSITE RIGHT	RIGHT 16" Footrest Width
2D	063216-017	FOOTPLATE COMPOSITE LEFT	LEFT 16" Footrest Width
2E	063216-004	COMPOSITE FOOTPLATE RIGHT	RIGHT 17" Footrest Width
2E	063216-010	COMPOSITE FOOTPLATE LEFT	LEFT 17" Footrest Width
2F	063216-013	FOOTPLATE COMPOSITE RIGHT	RIGHT 18" Footrest Width
2F	063216-016	FOOTPLATE COMPOSITE LEFT	LEFT 18" Footrest Width
2G	063216-003	COMPOSITE FOOTPLATE RIGHT	RIGHT 19" & 20" Footrest Width
2G	063216-009	COMPOSITE FOOTPLATE LEFT	LEFT 19" & 20" Footrest Width
2H	063216-002	FOOTPLATE COMPOSITE RIGHT	RIGHT 21" & 22" Footrest Width
2H	063216-008	FOOTPLATE COMPOSITE LEFT	LEFT 21" & 22" Footrest Width
3	104377	3/4" SADDLE THIN	
4	103175	SHCS M6 X 1 X 40 INORG	
5	132626	NUT AUTOMATION M6 X 1.0	Inserted in bottom of footplate.
6	104328	HEEL LOOP PEG	
7A	104380-001	ADJUSTABLE FOOT REST STRAP	14" wide
7B	104380-002	ADJUSTABLE FOOT REST STRAP	15-16" wide
7C	104380-003	ADJUSTABLE FOOT REST STRAP	17-18" wide
7D	104380-004	ADJUSTABLE FOOT REST STRAP	19-22" wide
8	102268-001	HHCS M6 X 1 X 25	
12	104160	BUSHING FOOTREST	
9-12	107485	FOOTREST CLAMP ASSM	
>>>>		80 DEGREE HANGERS - SHORT EXT - RIGHT	
1A,2A,3-6,7A,8	107704	COMP STRT SHT EXT ASM 13"W R	Right- 80D- 13" W- SHORT
1A,2B,3-6,7A,8	107705	COMP STRT SHT EXT ASM 14"W R	Right- 80D- 14" W- SHORT
1A,2C,3-6,7B,8	107706	COMP STRT SHT EXT ASM 15"W R	Right- 80D- 15" W- SHORT
1A,2D,3-6,7B,8	107707	COMP STRT SHT EXT ASM 16"W R	Right- 80D- 16" W- SHORT
1A,2E,3-6,7C,8	107708	COMP STRT SHT EXT ASM 17"W R	Right- 80D- 17" W- SHORT
1A,2F,3-6,7C,8	107709	COMP STRT SHT EXT ASM 18"W R	Right- 80D- 18" W- SHORT
1A,2G,3-6,7D,8	107710	COMP STRT SHT EXT ASM 19 & 20"W R	Right- 80D- 19 & 20" W- SHORT
1A,2H,3-6,7D,8	111522	COMP STRT SHT EXT ASM 21 & 22"W R	Right- 80D- 21 & 22" W- SHORT
>>>>		80 DEGREE HANGERS - SHORT EXT - LEFT	
1A,2A,3-6,7A,8	107711	COMP STRT SHT EXT ASM 13"W L	LEFT- 80D- 13" W- SHORT
1A,2B,3-6,7A,8	107712	COMP STRT SHT EXT ASM 14"W L	LEFT- 80D- 14" W- SHORT
1A,2C,3-6,7B,8	107713	COMP STRT SHT EXT ASM 15"W L	LEFT- 80D- 15" W- SHORT
1A,2D,3-6,7B,8	107714	COMP STRT SHT EXT ASM 16"W L	LEFT- 80D- 16" W- SHORT
1A,2E,3-6,7C,8	107715	COMP STRT SHT EXT ASM 17"W L	LEFT- 80D- 17" W- SHORT
1A,2F,3-6,7C,8	107716	COMP STRT SHT EXT ASM 18"W L	LEFT- 80D- 18" W- SHORT
1A,2G,3-6,7D,8	107717	COMP STRT SHT EXT ASM 19 & 20"W L	LEFT- 80D- 19 & 20" W- SHORT
1A,2H,3-6,7D,8	111523	COMP STRT SHT EXT ASM 21 & 22"W L	LEFT- 80D- 21 & 22" W- SHORT
>>>>		80 DEGREE HANGERS - MED EXT - RIGHT	
1B,2A,3-6,7A,8	107718	COMP STRT MED EXT ASM 13"W R	Right- 80D- 13" W- MED
1B,2B,3-6,7A,8	107719	COMP STRT MED EXT ASM 14"W R	Right- 80D- 14" W- MED
1B,2C,3-6,7B,8	107720	COMP STRT MED EXT ASM 15"W R	Right- 80D- 15" W- MED

Pos.	Item Number	Description	Remarks
1B,2D,3-6,7B,8	107721	COMP STRT MED EXT ASM 16"W R	Right- 80D- 16" W- MED
1B,2E,3-6,7C,8	107722	COMP STRT MED EXT ASM 17"W R	Right- 80D- 17" W- MED
1B,2F,3-6,7C,8	107723	COMP STRT MED EXT ASM 18"W R	Right- 80D- 18" W- MED
1B,2G,3-6,7D,8	107724	COMP STRT MED EXT ASM 19 & 20"W R	Right- 80D- 19 & 20" W- MED
1B,2H,3-6,7D,8	111524	COMP STRT MED EXT ASM 21 & 22"W R	Right- 80D- 21 & 22" W- MED
>>>>		80 DEGREE HANGERS - MED EXT - LEFT	
1B,2A,3-6,7A,8	107725	COMP STRT MED EXT ASM 13"W L	LEFT- 80D- 13" W- MED
1B,2B,3-6,7A,8	107726	COMP STRT MED EXT ASM 14"W L	LEFT- 80D- 14" W- MED
1B,2C,3-6,7B,8	107727	COMP STRT MED EXT ASM 15"W L	LEFT- 80D- 15" W- MED
1B,2D,3-6,7B,8	107728	COMP STRT MED EXT ASM 16"W L	LEFT- 80D- 16" W- MED
1B,2E,3-6,7C,8	107729	COMP STRT MED EXT ASM 17"W L	LEFT- 80D- 17" W- MED
1B,2F,3-6,7C,8	107730	COMP STRT MED EXT ASM 18"W L	LEFT- 80D- 18" W- MED
1B,2G,3-6,7D,8	107731	COMP STRT MED EXT ASM 19 & 20"W L	LEFT- 80D- 19 & 20" W- MED
1B,2H,3-6,7D,8	111525	COMP STRT MED EXT ASM 21 & 22"W L	LEFT- 80D- 21 & 22" W- MED
>>>>		80 DEGREE HANGERS - LONG EXT - RIGHT	
1C,2A,3-6,7A,8	107732	COMP STRT LONG EXT ASM 13"W R	Right- 80D- 13" W- LONG
1C,2B,3-6,7A,8	107733	COMP STRT LONG EXT ASM 14"W R	Right- 80D- 14" W- LONG
1C,2C,3-6,7B,8	107734	COMP STRT LONG EXT ASM 15"W R	Right- 80D- 15" W- LONG
1C,2D,3-6,7B,8	107735	COMP STRT LONG EXT ASM 16"W R	Right- 80D- 16" W- LONG
1C,2E,3-6,7C,8	107736	COMP STRT LONG EXT ASM 17"W R	Right- 80D- 17" W- LONG
1C,2F,3-6,7C,8	107737	COMP STRT LONG EXT ASM 18"W R	Right- 80D- 18" W- LONG
1C,2G,3-6,7D,8	107738	COMP STRT LONG EXT ASM 19 & 20"W R	Right- 80D- 19 & 20" W- LONG
1C,2H,3-6,7D,8	111526	COMP STRT LONG EXT ASM 21 & 22"W R	Right- 80D- 21 & 22" W- LONG
>>>>		80 DEGREE HANGERS - LONG EXT - LEFT	
1C,2A,3-6,7A,8	107739	COMP STRT LONG EXT ASM 13"W L	LEFT- 80D- 13" W- LONG
1C,2B,3-6,7A,8	107740	COMP STRT LONG EXT ASM 14"W L	LEFT- 80D- 14" W- LONG
1C,2C,3-6,7B,8	107741	COMP STRT LONG EXT ASM 15"W L	LEFT- 80D- 15" W- LONG
1C,2D,3-6,7B,8	107742	COMP STRT LONG EXT ASM 16"W L	LEFT- 80D- 16" W- LONG
1C,2E,3-6,7C,8	107743	COMP STRT LONG EXT ASM 17"W L	LEFT- 80D- 17" W- LONG
1C,2F,3-6,7C,8	107744	COMP STRT LONG EXT ASM 18"W L	LEFT- 80D- 18" W- LONG
1C,2G,3-6,7D,8	107745	COMP STRT LONG EXT ASM 19 & 20"W L	LEFT- 80D- 19 & 20" W- LONG
1C,2H,3-6,7D,8	111527	COMP STRT LONG EXT ASM 21 & 22"W L	LEFT- 80D- 21 & 22" W- LONG
>>>>		60°,70° SHORT EXT - RIGHT	
1D,2A,3-6,7A,8	107746	COMP BNT SHT EXT ASM 13" W R	Right- 70D- 13" W- SHORT
1D,2B,3-6,7A,8	107747	COMP BNT SHT EXT ASM 14" W R	Right- 70D- 14" W- SHORT
1D,2C,3-6,7B,8	107748	COMP BNT SHT EXT ASM 15" W R	Right- 70D- 15" W- SHORT
1D,2D,3-6,7B,8	107749	COMP BNT SHT EXT ASM 16" W R	Right- 70D- 16" W- SHORT
1D,2E,3-6,7C,8	107750	COMP BNT SHT EXT ASM 17" W R	Right- 70D- 17" W- SHORT
1D,2F,3-6,7C,8	107751	COMP BNT SHT EXT ASM 18" W R	Right- 70D- 18" W- SHORT
1D,2G,3-6,7D,8	107752	COMP BNT SHT EXT ASM 19 & 20"W R	Right- 70D- 19 & 20" W- SHORT
1D,2H,3-6,7D,8	111528	COMP BNT SHT EXT ASM 21 & 22"W R	Right- 70D- 21 & 22" W- SHORT
>>>>		60°,70° - SHORT EXT - LEFT	
1D,2A,3-6,7A,8	107753	COMP BNT SHT EXT ASM 13" W L	Left- 70D- 13 W- SHORT
1D,2B,3-6,7A,8	107754	COMP BNT SHT EXT ASM 14" W L	Left- 70D- 14 W- SHORT
1D,2C,3-6,7B,8	107755	COMP BNT SHT EXT ASM 15" W L	Left- 70D- 15 W- SHORT
1D,2D,3-6,7B,8	107756	COMP BNT SHT EXT ASM 16" W L	Left- 70D- 16 W- SHORT
1D,2E,3-6,7C,8	107757	COMP BNT SHT EXT ASM 17" W L	Left- 70D- 17 W- SHORT
1D,2F,3-6,7C,8	107758	COMP BNT SHT EXT ASM 18" W L	Left- 70D- 18 W- SHORT
1D,2G,3-6,7D,8	107759	COMP BNT SHT EXT ASM 19 & 20"W L	Left- 70D- 19 & 20" W- SHORT
1D,2H,3-6,7D,8	111529	COMP BNT SHT EXT ASM 21 & 22"W L	Left- 70D- 21 & 22" W- SHORT
>>>>		60°,70°,60°&70° HEMI HANGERS - MED EXT - RIGHT	
1E,2A,3-6,7A,8	107760	COMP BNT MED EXT ASM 13" W R	Right- 70D- 13" W- MED
1E,2B,3-6,7A,8	107761	COMP BNT MED EXT ASM 14" W R	Right- 70D- 14" W- MED
1E,2C,3-6,7B,8	107762	COMP BNT MED EXT ASM 15" W R	Right- 70D- 15" W- MED
1E,2D,3-6,7B,8	107763	COMP BNT MED EXT ASM 16" W R	Right- 70D- 16" W- MED
1E,2E,3-6,7C,8	107764	COMP BNT MED EXT ASM 17" W R	Right- 70D- 17" W- MED

Pos.	Item Number	Description	Remarks
1E,2F,3-6,7C,8	107765	COMP BNT MED EXT ASM 18" W R	Right- 70D- 18" W- MED
1E,2G,3-6,7D,8	107766	COMP BNT MED EXT ASM 19 & 20"W R	Right- 70D- 19 & 20" W- MED
1E,2H,3-6,7D,8	111530	COMP BNT MED EXT ASM 21 & 22"W R	Right- 70D- 21 & 22" W- MED
>>>>		60°,70°,60°&70° HEMI HANGERS - MED EXT - LEFT	
1E,2A,3-6,7A,8	107767	COMP BNT MED EXT ASM 13" W L	Left- 70D- 13 W- MED
1E,2B,3-6,7A,8	107768	COMP BNT MED EXT ASM 14" W L	Left- 70D- 14 W- MED
1E,2C,3-6,7B,8	107769	COMP BNT MED EXT ASM 15" W L	Left- 70D- 15 W- MED
1E,2D,3-6,7B,8	107770	COMP BNT MED EXT ASM 16" W L	Left- 70D- 16 W- MED
1E,2E,3-6,7C,8	107771	COMP BNT MED EXT ASM 17" W L	Left- 70D- 17 W- MED
1E,2F,3-6,7C,8	107772	COMP BNT MED EXT ASM 18" W L	Left- 70D- 18 W- MED
1E,2G,3-6,7D,8	107773	COMP BNT MED EXT ASM 19 & 20"W L	Left- 70D- 19 & 20" W- MED
1E,2H,3-6,7D,8	111531	COMP BNT MED EXT ASM 21 & 22"W L	Left- 70D- 21 & 22" W- MED
>>>>		60°,70°,60°&70° HEMI HANGERS - LONG EXT - RIGHT	
1F,2A,3-6,7A,8	107774	COMP BNT LONG EXT ASM 13" W R	Right- 70D- 13" W- LONG
1F,2B,3-6,7A,8	107775	COMP BNT LONG EXT ASM 14" W R	Right- 70D- 14" W- LONG
1F,2C,3-6,7B,8	107776	COMP BNT LONG EXT ASM 15" W R	Right- 70D- 15" W- LONG
1F,2D,3-6,7B,8	107777	COMP BNT LONG EXT ASM 16" W R	Right- 70D- 16" W- LONG
1F,2E,3-6,7C,8	107778	COMP BNT LONG EXT ASM 17" W R	Right- 70D- 17" W- LONG
1F,2F,3-6,7C,8	107779	COMP BNT LONG EXT ASM 18" W R	Right- 70D- 18" W- LONG
1F,2G,3-6,7D,8	107780	COMP BNT LONG EXT ASM 19 & 20"W R	Right- 70D- 19 & 20" W- LONG
1F,2H,3-6,7D,8	111532	COMP BNT LONG EXT ASM 21 & 22"W R	Right- 70D- 21 & 22" W- LONG
>>>>		60°,70°,60°&70° HEMI HANGERS - LONG EXT - LEFT	
1F,2A,3-6,7A,8	107781	COMP BNT LONG EXT ASM 13" W L	Left- 70D- 13 W- LONG
1F,2B,3-6,7A,8	107782	COMP BNT LONG EXT ASM 14" W L	Left- 70D- 14 W- LONG
1F,2C,3-6,7B,8	107783	COMP BNT LONG EXT ASM 15" W L	Left- 70D- 15 W- LONG
1F,2D,3-6,7B,8	107784	COMP BNT LONG EXT ASM 16" W L	Left- 70D- 16 W- LONG
1F,2E,3-6,7C,8	107785	COMP BNT LONG EXT ASM 17" W L	Left- 70D- 17 W- LONG
1F,2F,3-6,7C,8	107786	COMP BNT LONG EXT ASM 18" W L	Left- 70D- 18 W- LONG
1F,2G,3-6,7D,8	107787	COMP BNT LONG EXT ASM 19 & 20"W L	Left- 70D- 19 & 20" W- LONG
1F,2H,3-6,7D,8	111533	COMP BNT LONG EXT ASM 21 & 22"W L	Left- 70D- 21 & 22" W- LONG
>>>>		60°&70° HEMI HANGER SHORT EXT- RIGHT	
1G,2A,3-6,7A,8	129724	CMP FT BNT KIT SHT HNGR 13W R	Right-Hemi-13W; add Ext behind the Hemi
1G,2B,3-6,7A,8	129726	CMP FT BNT KIT SHT HNGR 14W R	Right-Hemi-14W; add Ext behind the Hemi
1G,2C,3-6,7B,8	129728	CMP FT BNT KIT SHT HNGR 15W R	Right-Hemi-15W; add Ext behind the Hemi
1G,2D,3-6,7B,8	129730	CMP FT BNT KIT SHT HNGR 16W R	Right-Hemi-16W; add Ext behind the Hemi
1G,2E,3-6,7C,8	129732	CMP FT BNT KIT SHT HNGR 17W R	Right-Hemi-17W; add Ext behind the Hemi
1G,2F,3-6,7C,8	129734	CMP FT BNT KIT SHT HNGR 18W R	Right-Hemi-18W; add Ext behind the Hemi
1G,2G,3-6,7D,8	129736	CMP FT BNT KIT SHT HNGR 19-20W R	Right-Hemi-19-20W; add Ext behind the Hemi
1G,2H,3-6,7D,8	129738	CMP FT BNT KIT SHT HNGR 21-22W R	Right-Hemi-21-22W; add Ext behind the Hemi
>>>>		60°&70° HEMI HANGER SHORT EXT- LEFT	
1G,2A,3-6,7A,8	129725	CMP FT BNT KIT SHT HNGR 13W L	Left-Hemi-13W; add Ext behind the Hemi
1G,2B,3-6,7A,8	129727	CMP FT BNT KIT SHT HNGR 14W L	Left-Hemi-14W; add Ext behind the Hemi
1G,2C,3-6,7B,8	129729	CMP FT BNT KIT SHT HNGR 15W L	Left-Hemi-15W; add Ext behind the Hemi
1G,2D,3-6,7B,8	129731	CMP FT BNT KIT SHT HNGR 16W L	Left-Hemi-16W; add Ext behind the Hemi
1G,2E,3-6,7C,8	129733	CMP FT BNT KIT SHT HNGR 17W L	Left-Hemi-17W; add Ext behind the Hemi
1G,2F,3-6,7C,8	129735	CMP FT BNT KIT SHT HNGR 18W L	Left-Hemi-18W; add Ext behind the Hemi
1G,2G,3-6,7D,8	129737	CMP FT BNT KIT SHT HNGR 19-20W L	Left-Hemi-19-20W; add Ext behind the Hemi
1G,2H,3-6,7D,8	129739	CMP FT BNT KIT SHT HNGR 21-22W L	Left-Hemi-21-22W; add Ext behind the Hemi
		Ship assembled part #	Use with multiple assemblies
	ASSY-HNG-FP	HANGER/FOOTPLATE ASSY REQUIRED	add with Hanger & Footplate kit

Note: Footplate Assemblies are set to footrest width; please see "Footplate Formula" table for seat width conversion.

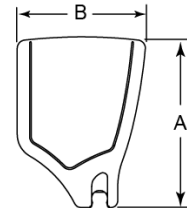
Note: If using Short Ext Tube & Hemi Hanger with Composite Angle Adjustable Footplate use 1D (straight) .

Note: V Style Hangers are not available on Swing Away Style chairs effective 7/14/14; see the "Prior To" ordering guide for V Style footplate assemblies.

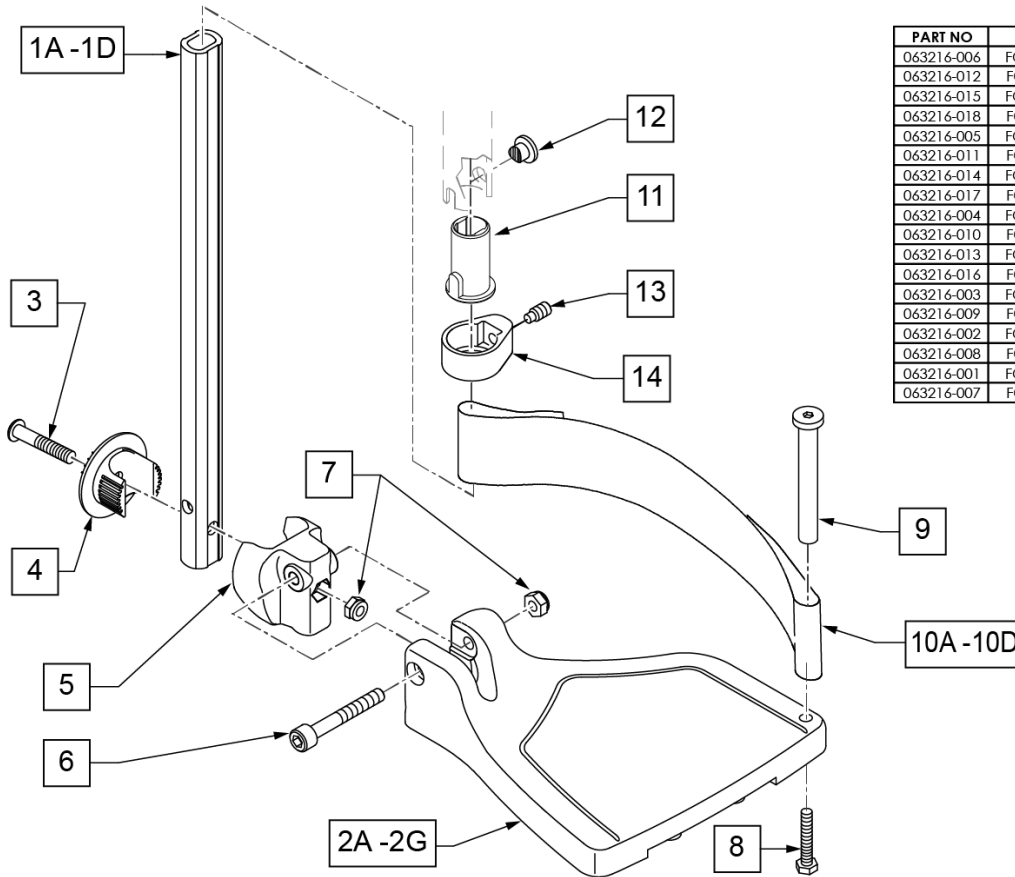
To have complete Footrest ship assembled, choose compatible Hanger + Footplate part numbers and add "ASSY-HNG-FP" to order

ADD INSET FORMULA
 0" Inset (Seat Width) = Footrest Width
 1" Inset (Seat Width) -2" = Footrest Width
 2" Inset (Seat Width) -4" = Footrest Width
 "V" Hanger (Seat Width) -4" = Footrest Width
 Offset Hanger Receiver (Seat Width) +2" = Footrest Width
 Flared Frame (Seat Width) = 2" = Footrest Width

FOOTPLATE MEASURING GUIDE



PART NO	DESCRIPTION	DIM -A-	DIM -B-
063216-006	FOOTPLATE COMPOSITE 157 R	6 1/8"	6"
063216-012	FOOTPLATE COMPOSITE 157 L	6 1/8"	6"
063216-015	FOOTPLATE COMPOSITE 170 R	6 5/8"	6"
063216-018	FOOTPLATE COMPOSITE 170 L	6 5/8"	6"
063216-005	FOOTPLATE COMPOSITE 182 R	7 1/8"	6"
063216-011	FOOTPLATE COMPOSITE 182 L	7 1/8"	6"
063216-014	FOOTPLATE COMPOSITE 195 R	7 5/8"	6"
063216-017	FOOTPLATE COMPOSITE 195 L	7 5/8"	6"
063216-004	FOOTPLATE COMPOSITE 207 R	8 1/8"	6"
063216-010	FOOTPLATE COMPOSITE 207 L	8 1/8"	6"
063216-013	FOOTPLATE COMPOSITE 220 R	8 5/8"	6 1/4"
063216-016	FOOTPLATE COMPOSITE 220 L	8 5/8"	6 1/4"
063216-003	FOOTPLATE COMPOSITE 232 R	9 1/8"	6 1/4"
063216-009	FOOTPLATE COMPOSITE 232 L	9 1/8"	6 1/4"
063216-002	FOOTPLATE COMPOSITE 257 R	10 1/8"	6 1/4"
063216-008	FOOTPLATE COMPOSITE 257 L	10 1/8"	6 1/4"
063216-001	FOOTPLATE COMPOSITE 282 R	11 1/8"	6 1/4"
063216-007	FOOTPLATE COMPOSITE 282 L	11 1/8"	6 1/4"



Pos.	Item Number	Description	Remarks
1A,6,7	120660	SHT STRT EXT COMP HDWR	
1B,6,7	120661	MED STRT EXT COMP HDWR	
1C,6,7	120662	LNG STRT EXT COMP HDWR	
1D	128079	TUBE FTRST EXT STRGHT SHT HEMI	Use for Hemi Ext Tube option
2A	063216-006	COMPOSITE FOOTPLATE RIGHT	RIGHT 15" Footrest Width

Pos.	Item Number	Description	Remarks
2A	063216-012	COMPOSITE FOOTPLATE LEFT	LEFT 15" Footrest Width
2B	063216-015	COMPOSITE FOOTPLATE RIGHT	RIGHT 16" Footrest Width
2B	063216-018	COMPOSITE FOOTPLATE LEFT	LEFT 16" Footrest Width
2C	063216-005	COMPOSITE FOOTPLATE RIGHT	RIGHT 17" Footrest Width
2C	063216-011	COMPOSITE FOOTPLATE LEFT	LEFT 17" Footrest Width
2D	063216-014	COMPOSITE FOOTPLATE RIGHT	RIGHT 18" Footrest Width
2D	063216-017	COMPOSITE FOOTPLATE LEFT	LEFT 18" Footrest Width
2E	063216-004	COMPOSITE FOOTPLATE RIGHT	RIGHT 19" Footrest Width
2E	063216-010	COMPOSITE FOOTPLATE LEFT	LEFT 19" Footrest Width
2F	063216-013	COMPOSITE FOOTPLATE RIGHT	RIGHT 20" Footrest Width
2F	063216-016	COMPOSITE FOOTPLATE LEFT	LEFT 20" Footrest Width
2G	063216-003	COMPOSITE FOOTPLATE RIGHT	RIGHT 21" & 22" Footrest Width
2G	063216-009	COMPOSITE FOOTPLATE LEFT	LEFT 21" & 22" Footrest Width
3	108233	BHCS M6 X 1 X 40	
4	054242	ANGLE COVER	
5	054241	ANGLE SEGMENT	
6	103175	SHCS M6 X 1 X 40 INORG	
7	132626	NUT AUTOMATION M6 X 1.0	
8	102268-001	HHCS M6X1X25	Inserted in bottom of footplate.
9	104328	HEEL LOOP PEG	
10A	104380-001	ADJUSTABLE FOOT REST STRAP	15" Footrest Width
10B	104380-002	ADJUSTABLE FOOT REST STRAP	16" Footrest Width
10C	104380-003	ADJUSTABLE FOOT REST STRAP	17-18" Footrest Width
10D	104380-004	ADJUSTABLE FOOT REST STRAP	19-22" Footrest Width
11	104160	BUSHING FOOTREST	
11-14	107485	FOOTREST CLAMP ASSM	
>>>>		60,70,80 HANGERS - SHORT EXT - RIGHT	
1A,2A,3-10A	107816	CAA STRT SHT EXT ASM 15W R	Right- 15 W- SHORT
1A,2B,3-10B	107817	CAA STRT SHT EXT ASM 16W R	Right- 16 W- SHORT
1A,2C,3-10B	107818	CAA STRT SHT EXT ASM 17W R	Right- 17 W- SHORT
1A,2D,3-10C	107819	CAA STRT SHT EXT ASM 18W R	Right- 18 W- SHORT
1A,2E,3-10C	107820	CAA STRT SHT EXT ASM 19W R	Right- 19 W- SHORT
1A,2F,3-10D	107821	CAA STRT SHT EXT ASM 20W R	Right- 20 W- SHORT
1A,2G,3-10D	107822	CAA STRT SHT EXT ASM 21&22W R	Right- 21&22 W- SHORT
>>>>		60,70,80 HANGERS - SHORT EXT - LEFT	
1A,2A,3-10A	107823	CAA STRT SHT EXT ASM 15W L	Left- 15 W- SHORT
1A,2B,3-10B	107824	CAA STRT SHT EXT ASM 16W L	Left- 16 W- SHORT
1A,2C,3-10B	107825	CAA STRT SHT EXT ASM 17W L	Left- 17 W- SHORT
1A,2D,3-10C	107826	CAA STRT SHT EXT ASM 18W L	Left- 18 W- SHORT
1A,2E,3-10C	107827	CAA STRT SHT EXT ASM 19W L	Left- 19 W- SHORT
1A,2F,3-10D	107828	CAA STRT SHT EXT ASM 20W L	Left- 20 W- SHORT
1A,2G,3-10D	107829	CAA STRT SHT EXT ASM 21&22W L	Left- 21&22 W- SHORT
>>>>		60,70,80& 60,70 HEMI HANGER- RIGHT	
1B,2A,3-10A	107830	CAA STRT MED EXT ASM 15W R	Right- 15 W- MED
1B,2B,3-10B	107831	CAA STRT MED EXT ASM 16W R	Right- 16 W- MED
1B,2C,3-10B	107832	CAA STRT MED EXT ASM 17W R	Right- 17 W- MED
1B,2D,3-10C	107833	CAA STRT MED EXT ASM 18W R	Right- 18 W- MED
1B,2E,3-10C	107834	CAA STRT MED EXT ASM 19W R	Right- 19 W- MED
1B,2F,3-10D	107835	CAA STRT MED EXT ASM 20W R	Right- 20 W- MED
1B,2G,3-10D	107836	CAA STRT MED EXT ASM 21&22W R	Right- 21&22 W- MED
>>>>		60,70,80& 60,70 HEMI HANGER- LEFT	
1B,2A,3-10A	107837	CAA STRT MED EXT ASM 15W L	Left- 15 W- MED
1B,2B,3-10B	107838	CAA STRT MED EXT ASM 16W L	Left- 16 W- MED
1B,2C,3-10B	107839	CAA STRT MED EXT ASM 17W L	Left- 17 W- MED
1B,2D,3-10C	107840	CAA STRT MED EXT ASM 18W L	Left- 18 W- MED
1B,2E,3-10C	107841	CAA STRT MED EXT ASM 19W L	Left- 19 W- MED

Pos.	Item Number	Description	Remarks
1B,2F,3-10D	107842	CAA STRT MED EXT ASM 20W L	Left- 20 W- MED
1B,2G,3-10D	107843	CAA STRT MED EXT ASM 21&22W L	Left- 21&22 W- MED
>>>>		60,70,80& 60,70 HEMI HANGER- RIGHT	
1C,2A,3-10A	107844	CAA STRT LNG EXT ASM 15W R	Right- 15 W- LONG
1C,2B,3-10B	107845	CAA STRT LNG EXT ASM 16W R	Right- 16 W- LONG
1C,2C,3-10B	107846	CAA STRT LNG EXT ASM 17W R	Right- 17 W- LONG
1C,2D,3-10C	107847	CAA STRT LNG EXT ASM 18W R	Right- 18 W- LONG
1C,2E,3-10C	107848	CAA STRT LNG EXT ASM 19W R	Right- 19 W- LONG
1C,2F,3-10D	107849	CAA STRT LNG EXT ASM 20W R	Right- 20 W- LONG
1C,2G,3-10D	107850	CAA STRT LNG EXT ASM 21&22W R	Right- 21&22 W- LONG
>>>>		60,70,80& 60,70 HEMI HANGER- LEFT	
1C,2A,3-10A	107851	CAA STRT LNG EXT ASM 15W L	Left- 15 W- LONG
1C,2B,3-10B	107852	CAA STRT LNG EXT ASM 16W L	Left- 16 W- LONG
1C,2C,3-10B	107853	CAA STRT LNG EXT ASM 17W L	Left- 17 W- LONG
1C,2D,3-10C	107854	CAA STRT LNG EXT ASM 18W L	Left- 18 W- LONG
1C,2E,3-10C	107855	CAA STRT LNG EXT ASM 19W L	Left- 19 W- LONG
1C,2F,3-10D	107856	CAA STRT LNG EXT ASM 20W L	Left- 20 W- LONG
1C,2G,3-10D	107857	CAA STRT LNG EXT ASM 21&22W L	Left- 21&22 W- LONG
>>>>		60&70 HEMI HANGERS- SHORT EXT- RIGHT	
1D,2A,3-10A	129710	CAA FOOT KIT SHT HNGR 15W R	Right-Hemi-15W; add Ext behind the Hemi
1D,2B,3-10B	129712	CAA FOOT KIT SHT HNGR 16W R	Right-Hemi-16W; add Ext behind the Hemi
1D,2C,3-10B	129714	CAA FOOT KIT SHT HNGR 17W R	Right-Hemi-17W; add Ext behind the Hemi
1D,2D,3-10C	129716	CAA FOOT KIT SHT HNGR 18W R	Right-Hemi-18W; add Ext behind the Hemi
1D,2E,3-10C	129718	CAA FOOT KIT SHT HNGR 19W R	Right-Hemi-19W; add Ext behind the Hemi
1D,2F,3-10D	129720	CAA FOOT KIT SHT HNGR 20W R	Right-Hemi-20W; add Ext behind the Hemi
1D,2G,3-10D	129722	CAA FOOT KIT SHT HNGR 22W R	Right-Hemi-21&22W; add Ext behind the Hemi
>>>>		60&70 HEMI HANGERS- SHORT EXT - LEFT	
1D,2A,3-10A	129711	CAA FOOT KIT SHT HNGR 15W L	Left-Hemi-15W; add Ext behind the Hemi
1D,2B,3-10B	129713	CAA FOOT KIT SHT HNGR 16W L	Left-Hemi-16W; add Ext behind the Hemi
1D,2C,3-10B	129715	CAA FOOT KIT SHT HNGR 17W L	Left-Hemi-17W; add Ext behind the Hemi
1D,2D,3-10C	129717	CAA FOOT KIT SHT HNGR 18W L	Left-Hemi-18W; add Ext behind the Hemi
1D,2E,3-10C	129719	CAA FOOT KIT SHT HNGR 19W L	Left-Hemi-19W; add Ext behind the Hemi
1D,2F,3-10D	129721	CAA FOOT KIT SHT HNGR 20W L	Left-Hemi-20W; add Ext behind the Hemi
1D,2G,3-10D	129723	CAA FOOT KIT SHT HNGR 22W L	Left-Hemi-21&22W; add Ext behind the Hemi
		Ship assembled part #	Use with multiple assemblies
	ASSY-HNG-FP	HANGER/FOOTPLATE ASSY REQUIRED	add with Hanger & Footplate kit

Note: Footplate Assemblies are set to footrest width; please see "Footplate Formula" table for seat width conversion.

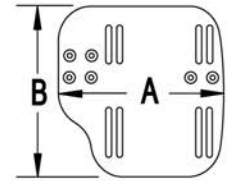
Note: If using Short Ext Tube & Hemi Hanger with Adult Angle Adjustable Footplate use 1D (straight) .

Note: V Style Hangers are not available on Swing Away Style chairs effective 7/14/14; see the "Prior To" ordering guide for V Style footplate assemblies.

Note: for QX Series or SR45 footplate replacement parts see the ordering guide marked specifically for these two models in the informations panel.

Note: if chair has High Mount Ext Tubes or if switching to High Mount Ext Tubes, see AAA Footplate w/ High Mount Extension Ordering Guide.

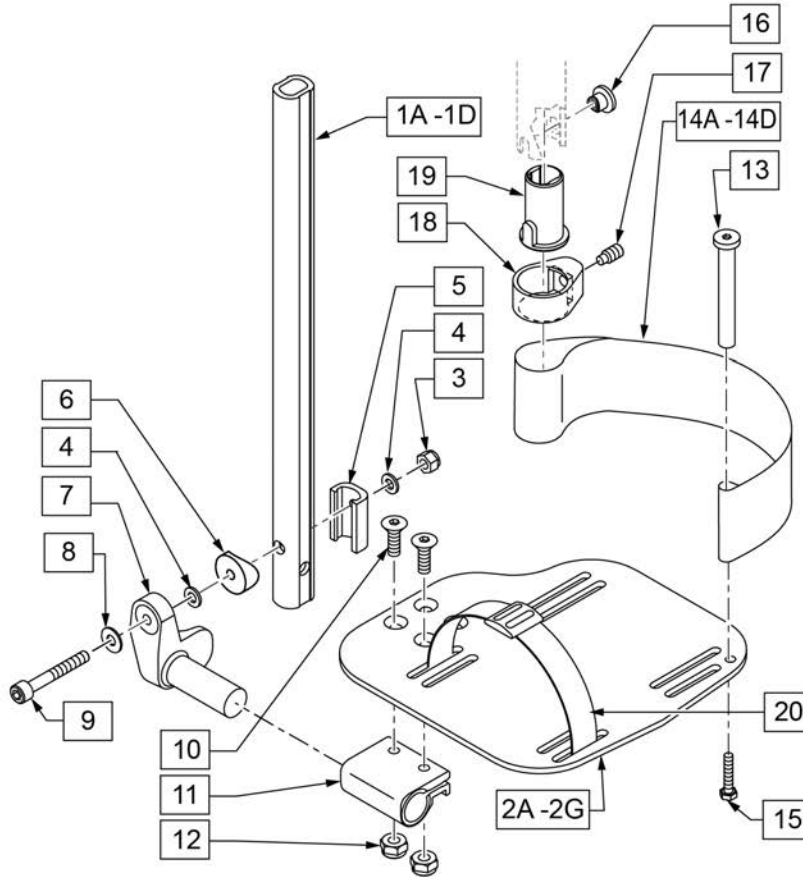
MEASURING GUIDE



CHAIR WIDTH	"A"	"B"
10" - 11"	3 1/2"	7 1/4"
12" - 13"	4 1/2"	7 3/4"
14" - 15"	5 1/2"	7 3/4"
16" - 17"	6 1/2"	7 3/4"
18" - 20"	7 1/2"	7 3/4"

To have complete Footrest ship assembled, choose compatible Hanger + Footplate part numbers and add "ASSY-HNG-FP" to order

ADD INSET FORMULA
 0" Inset (Seat Width) = Footrest Width
 1" Inset (Seat Width) -2" = Footrest Width
 2" Inset (Seat Width) -4" = Footrest Width
 "V" Hanger (Seat Width) -4" = Footrest Width
 Offset Hanger Receiver (Seat Width) +2" = Footrest Width
 Flared Frame (Seat Width) = 2" = Footrest Width



21 EXT MNT HARDWARE 1 SIDE			
ITEM #	ILLUSTRATION	DESCRIPTION	QTY
3		NUT AUTOMATION M6 X 1.0 ROHS	1
4		WASHER FLAT THIN AN 1/4	2
5		HANGER EXTENSION SADDLE	1
6		3/4" SADDLE 1" OD	1
8		WASHER FLAT SAE 1/4 ROHS	1
9		SHCS M6X1X45 12MM PART THD	1

Pos.	Item Number	Description	Remarks
1A,3-6,8,9	120670	SHT STRT EXT AAA HDWR	
1B,3-6,8,9	120671	MED STRT EXT AAA HDWR	
1C,3-6,8,9	120672	LNG STRT EXT AAA HDWR	
1D	128079	TUBE FTRST EXT STRGHT SHT HEMI	Use for Hemi Ext Tube option
2A	500656	ADULT ANG ADJ F/PLT 10/11" R	RIGHT 10-11" Footrest Width
2A	500657	ADULT ANG ADJ F/PLT 10/11" L	LEFT 10-11" Footrest Width
2B	500658	ADULT ANG ADJ F/PLT 12/13" R	RIGHT 12-13" Footrest Width
2B	500659	ADULT ANG ADJ F/PLT 12/13" L	LEFT 12-13" Footrest Width
2C	500660	ADLT ANGL ADJ F/PLT 14/15	RIGHT 14-15" Footrest Width
2C	500661	ADLT ANGL ADJ F/PLT 14/15	LEFT 14-15" Footrest Width
2D	500662	ADLT ANGL ADJ F/PLT 16/17	RIGHT 16-17" Footrest Width
2D	500663	ADLT ANGL ADJ F/PLT 16/17	LEFT 16-17" Footrest Width
2E	500664	ADLT ANGL ADJ F/PLT 18-20	RIGHT 18-22" Footrest Width
2E	500665	ADLT ANGL ADJ F/PLT 18-20	LEFT 18-22" Footrest Width
3	132626	NUT AUTOMATION M6 X 1.0	
4	106944	WASHER FLAT THIN AN 1/4 ROHS	
5	107199	HANGER EXTENSION SADDLE	
6	561055	3/4" SADDLE 1" OD	
7	541002	FTRST MOUNTING BRKT-3/8 RAD R	RIGHT

Pos.	Item Number	Description	Remarks
7	541003	FTRST MOUNTING BRKT-3/8 RAD L	LEFT
8	106945	WASHER FLAT SAE 1/4 ROHS	
9	104399	SHCS M6X1X45 12 MM PART THD	
10	106978	FHCS 1/4-28 X 7/8 ROHS	
11	550350	3/4" CLMP ADJ FT PLT	
12	106935	NUT NYLOCK THIN 1/4-28 ROHS	
13	104328	POST HEEL LOOP	
14A	104380-001	ADJUSTABLE FOOT REST STRAP	12 - 14" WIDE
14B	104380-002	ADJUSTABLE FOOT REST STRAP	15 - 16" WIDE
14C	104380-003	ADJUSTABLE FOOT REST STRAP	17 - 18" WIDE
14D	104380-004	ADJUSTABLE FOOT REST STRAP	19 - 20" WIDE
15	102268-001	HHCS M6 X 1 X 25	
16-19	107485	FOOTREST CLAMP ASSM	
20	740260	TOE-ANKLE STRAP ADJ ADULT FOOTPLATE	
21	120659	EXT MNT HARDWARE 1 SIDE	
>>>>		60,70,80 STD HANGERS - RIGHT	
1A,2B,3-14A,15	111534	AAA STRT SHT EXT ASM 12-13" W R	Right- 12-13" W- SHORT
1A,2C,3-14B,15	107928	AAA STRT SHT EXT ASM 14-15" W R	Right- 14-15" W- SHORT
1A,2D,3-14C,15	107930	AAA STRT SHT EXT ASM 16-17" W R	Right- 16-17" W- SHORT
1A,2E,3-14D,15	107932	AAA STRT SHT EXT ASM 18-22" W R	Right- 18-22" W- SHORT
>>>>		60,70,80 STD HANGERS - LEFT	
1A,2B,3-14A,15	111535	AAA STRT SHT EXT ASM 12-13" W L	Left- 12-13" W- SHORT
1A,2C,3-14B,15	107935	AAA STRT SHT EXT ASM 14" W L	Left- 14-15" W- SHORT
1A,2D,3-14C,15	107937	AAA STRT SHT EXT ASM 16" W L	Left- 16-17" W- SHORT
1A,2E,3-14D,15	107939	AAA STRT SHT EXT ASM 18" W L	Left- 18-22" W- SHORT
>>>>		60,70,80 & 60,70 HEMI HANGERS - RIGHT	
1B,2B,3-14A,15	111536	AAA STRT MED EXT ASM 12-13" W R	Right- 12-13" W- MED
1B,2C,3-14B,15	107942	AAA STRT MED EXT ASM 14-15" W R	Right- 14-15" W- MED
1B,2D,3-14C,15	107944	AAA STRT MED EXT ASM 16-17" W R	Right- 16-17" W- MED
1B,2E,3-14D,15	107946	AAA STRT MED EXT ASM 18-22" W R	Right- 18-22" W- MED
>>>>		60,70,80 & 60,70 HEMI HANGERS - LEFT	
1B,2B,3-14A,15	111537	AAA STRT MED EXT ASM 12-13" W L	Left- 12-13" W- MED
1B,2C,3-14B,15	107949	AAA STRT MED EXT ASM 14" W L	Left- 14-15" W- MED
1B,2D,3-14C,15	107951	AAA STRT MED EXT ASM 16" W L	Left- 16-17" W- MED
1B,2E,3-14D,15	107953	AAA STRT MED EXT ASM 18" W L	Left- 18-22" W- MED
>>>>		60,70,80 & 60,70 HEMI HANGERS - RIGHT	
1C,2B,3-14A,15	111538	AAA STRT LNG EXT ASM 12-13" W R	Right- 12-13" W- LONG
1C,2C,3-14B,15	107956	AAA STRT LNG EXT ASM 14 -15" W R	Right- 14-15" W- LONG
1C,2D,3-14C,15	107958	AAA STRT LNG EXT ASM 16 -17" W R	Right- 16-17" W- LONG
1C,2E,3-14D,15	107960	AAA STRT LNG EXT ASM 18 -22" W R	Right- 18-22" W- LONG
>>>>		60,70,80 & 60,70 HEMI HANGERS - LEFT	
1C,2B,3-14A,15	111539	AAA STRT LNG EXT ASM 12-13" W L	Left- 12-13" W- LONG
1C,2C,3-14B,15	107963	AAA STRT LNG EXT ASM 14W L	Left- 14-15" W- LONG
1C,2D,3-14C,15	107965	AAA STRT LNG EXT ASM 16W L	Left- 16-17" W- LONG
1C,2E,3-14D,15	107968	AAA STRT LNG EXT ASM 18W L	Left- 18-22" W- LONG
>>>>		60&70 HEMI HANGERS - SHORT EXT - RIGHT	
1D,2B,3-14A,15	129756	AAA FOOT KIT SHT HNGR 12W R	Right- 12-13" W- SHORT; add Ext behind the Hemi
1D,2C,3-14B,15	129758	AAA FOOT KIT SHT HNGR 14W R	Right- 14-15" W- SHORT; add Ext behind the Hemi
1D,2D,3-14C,15	129760	AAA FOOT KIT SHT HNGR 16W R	Right- 16-17" W- SHORT; add Ext behind the Hemi
1D,2E,3-14D,15	129762	AAA FOOT KIT SHT HNGR 18W R	Right- 18-22" W- SHORT; add Ext behind the Hemi
>>>>		60&70 HEMI HANGERS - SHORT EXT -LEFT	
1D,2B,3-14A,15	129757	AAA FOOT KIT SHT HNGR 12W L	Left- 12-13" W-SHORT; add Ext behind the Hemi
1D,2C,3-14B,15	129759	AAA FOOT KIT SHT HNGR 14W L	Left- 14-15" W- SHORT; add Ext behind the Hemi
1D,2D,3-14C,15	129761	AAA FOOT KIT SHT HNGR 16W L	Left- 16-17" W- SHORT; add Ext behind the Hemi
1D,2E,3-14D,15	129763	AAA FOOT KIT SHT HNGR 18W L	Left- 18-22" W- SHORT; add Ext behind the Hemi
		Ship assembled part #	Use with multiple assemblies

Pos.	Item Number	Description	Remarks
	ASSY-HNG-FP	HANGER/FOOTPLATE ASSY REQUIRED	add with Hanger & Footplate kit

Note: Footplate Assemblies are set to footrest width; please see "Footplate Formula" table for seat width conversion.

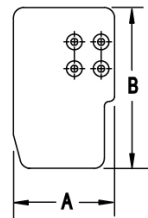
Note: Zippie Iris (ZRS&ZRSE) and Zippie TS (Z1A&Z1SE) only use Straight Extension Tube.

Note: V Style Hangers are not available on Swing Away Style chairs effective 7/14/14; see the "Prior To" ordering guide for V Style footplate assemblies.

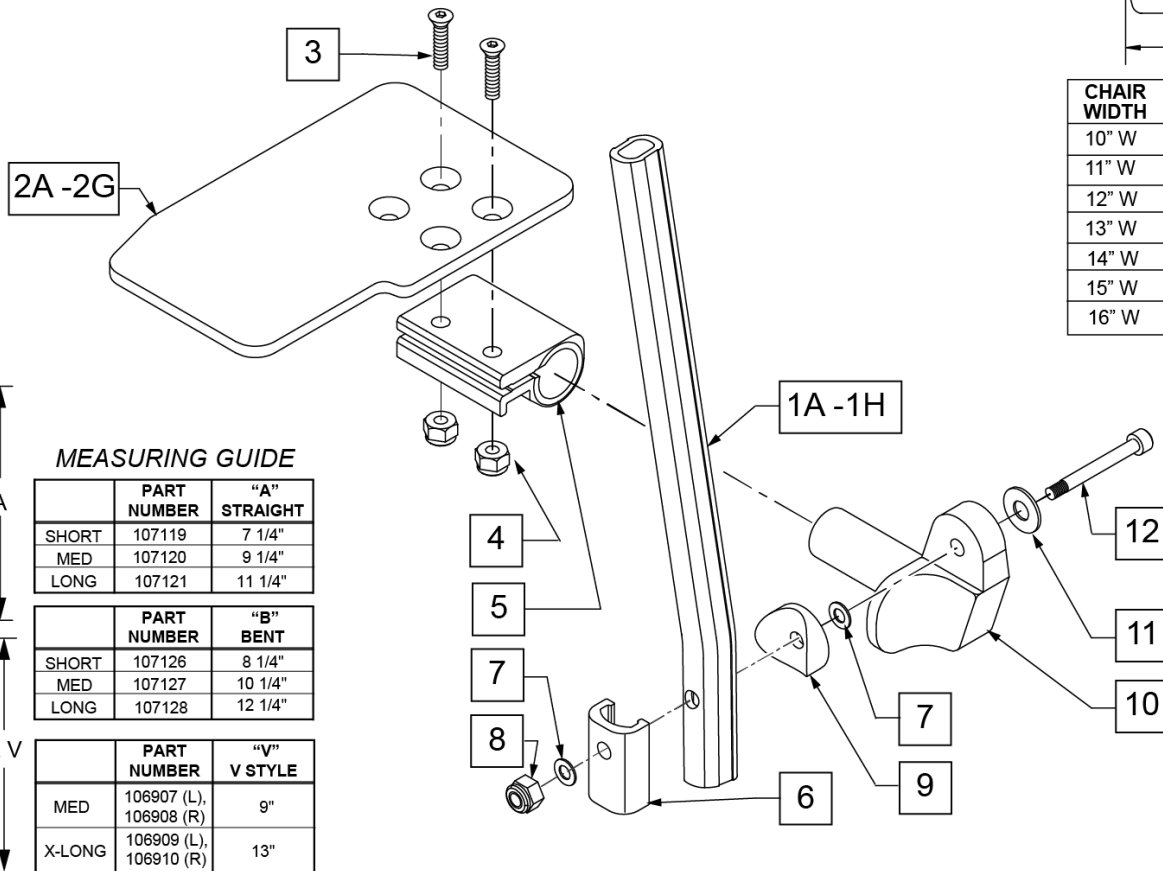
To have complete Footrest ship assembled, choose compatible Hanger + Footplate part numbers and add "ASSY-HNG-FP" to order

FOOTPLATE FORMULA
 0" Inset (Seat Width) = Footrest Width
 1" Inset (Seat Width) - 2 = Footrest Width
 V Hanger (Seat Width) - 4 = Footrest Width
 Offset Hanger Receiver (Seat Width) + 2" = Footrest Width

MEASURING GUIDE



CHAIR WIDTH	"A"	"B"
10" W	3.55"	6.00"
11" W	4.05"	6.00"
12" W	4.55"	6.00"
13" W	5.05"	6.00"
14" W	5.55"	6.00"
15" W	6.05"	6.00"
16" W	6.55"	6.00"



MEASURING GUIDE

	PART NUMBER	"A" STRAIGHT
SHORT	107119	7 1/4"
MED	107120	9 1/4"
LONG	107121	11 1/4"

	PART NUMBER	"B" BENT
SHORT	107126	8 1/4"
MED	107127	10 1/4"
LONG	107128	12 1/4"

	PART NUMBER	"V" V STYLE
MED	106907 (L), 106908 (R)	9"
X-LONG	106909 (L), 106910 (R)	13"

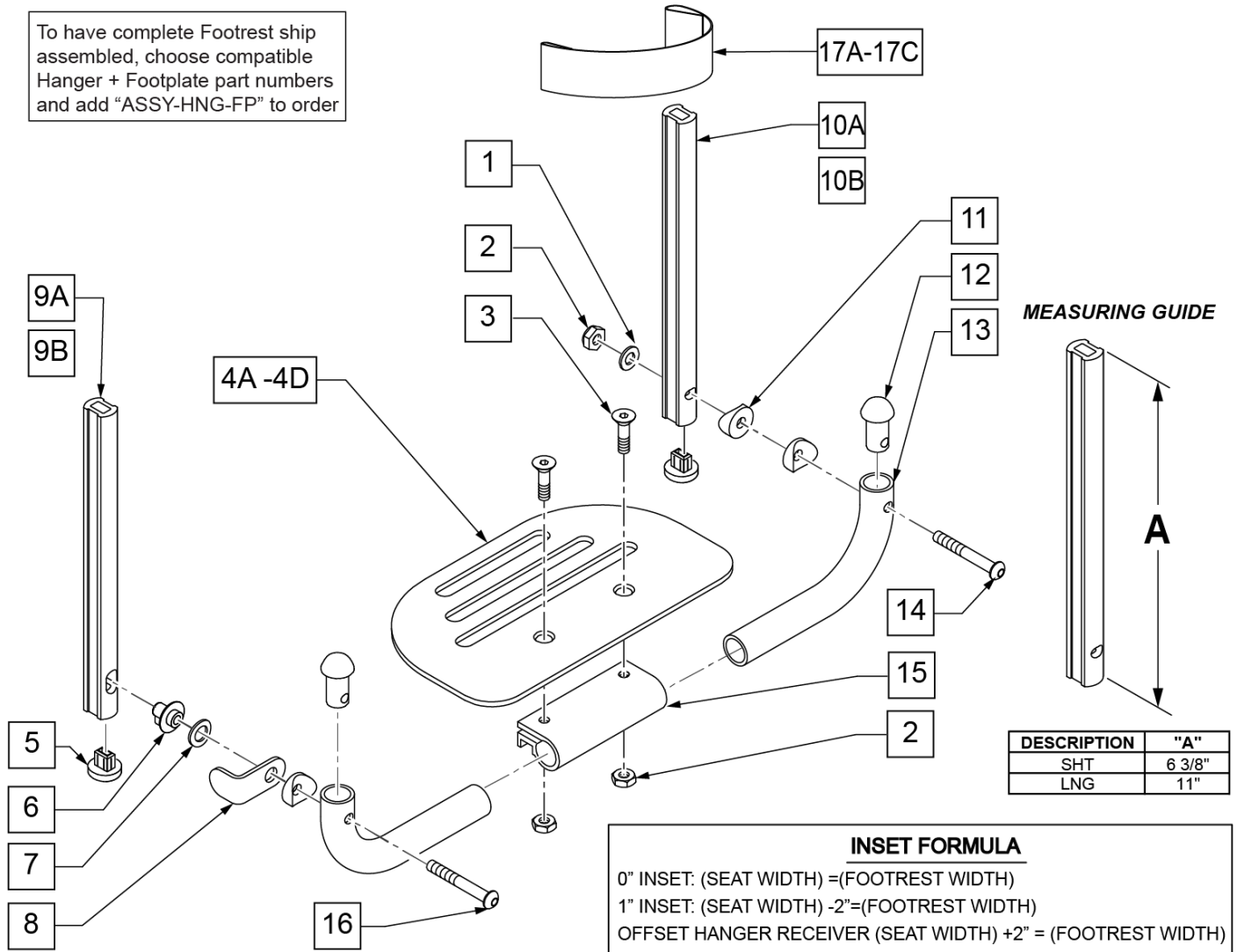
Pos.	Item Number	Description	Remarks
1A	107119	TUBE FOOTREST EXT STRAIGHT SHORT	80 deg hangers only
1B	107120	TUBE FOOTREST EXT STRAIGHT MED	80 deg hangers only
1C	107121	TUBE FOOTREST EXT STRAIGHT LONG	80 deg hangers only
1D	107126	TUBE FOOTREST EXT SHORT	60,70,70 Hemi Hangers
1E	107127	TUBE FOOTREST EXT MED	60,70,70 Hemi Hangers

Pos.	Item Number	Description	Remarks
1F	107128	TUBE FOOTREST EXT LONG	60,70,70 Hemi Hangers
1G	106907	EXT TUBE V ONLY D2 MED LEFT	70 deg V hangers only-LEFT
1G	106908	EXT TUBE V ONLY D2 MED RIGHT	70 deg V hangers only-RIGHT
1H	106909	EXT TUBE V ONLY D2 X-LONG LEFT	70 deg V hangers only-LEFT
1H	106910	EXT TUBE V ONLY D2 X-LONG RIGHT	70 deg V hangers only-RIGHT
2A	500635	KIDS ANGL ADJ F/PLT 10" R	RIGHT -10" Footrest Width
2A	500636	KIDS ANGL ADJ F/PLT 10" L	LEFT -10" Footrest Width
2B	500637	KIDS ANGL ADJ F/PLT 11" R	RIGHT -11" Footrest Width
2B	500638	KIDS ANGL ADJ F/PLT 11" L	LEFT -11" Footrest Width
2C	500639	KIDS ANGL ADJ F/PLT 12" R	RIGHT -12" Footrest Width
2C	500640	KIDS ANGL ADJ F/PLT 12" L	LEFT -12" Footrest Width
2D	500641	KIDS ANGL ADJ F/PLT 13" R	RIGHT -13" Footrest Width
2D	500642	KIDS ANGL ADJ F/PLT 13" L	LEFT -13" Footrest Width
2E	500643	KIDS ANGL ADJ F/PLT 14" R	RIGHT -14" Footrest Width
2E	500644	KIDS ANGL ADJ F/PLT 14" L	LEFT -14" Footrest Width
2F	500645	KIDS ANGL ADJ F/PLT 15" R	RIGHT -15" Footrest Width
2F	500646	KIDS ANGL ADJ F/PLT 15" L	LEFT -15" Footrest Width
2G	500647	KIDS ANGL ADJ F/PLT 16" R	RIGHT -16" Footrest Width
2G	500648	KIDS ANGL ADJ F/PLT 16" L	LEFT -16" Footrest Width
3	106978	FHCS 1/4 -28 x 7/8 ROHS	
4	106935	NUT NYLOCK THIN 1/4-28 ROHS	
5	550350	3/4" CLAMP ADJ FT PLT	
6	107199	HANGER EXTENSION SADDLE	
7	106944	WASHER FLAT THIN AN 1/4 ROHS	
8	132626	NUT AUTOMATION M6 x 1.0	
9	104377	3/4" SADDLE THIN	
10	541002	FOOTREST MOUNTING BRKT 3/8 RAD R	RIGHT
10	541003	FOOTREST MOUNTING BRKT 3/8 RAD L	LEFT
11	106945	WASHER FLAT SAE 1/4 ROHS	
12	104399	SHCS M6 x 1 x 45 12mm PART THD	
1A,2C,3-12	111310	KAA STRT SHT EXT ASM 12W R	RIGHT- 80D- 12 W- SHORT
1A,2D,3-12	111311	KAA STRT SHT EXT ASM 13W R	RIGHT- 80D- 13 W- SHORT
1A,2E,3-12	111312	KAA STRT SHT EXT ASM 14W R	RIGHT- 80D- 14 W- SHORT
1A,2F,3-12	111313	KAA STRT SHT EXT ASM 15W R	RIGHT- 80D- 15 W- SHORT
1A,2G,3-12	111314	KAA STRT SHT EXT ASM 16W R	RIGHT- 80D- 16 W- SHORT
1A,2C,3-12	111315	KAA STRT SHT EXT ASM 12W L	LEFT- 80D- 12 W- SHORT
1A,2D,3-12	111316	KAA STRT SHT EXT ASM 13W L	LEFT- 80D- 13 W- SHORT
1A,2E,3-12	111317	KAA STRT SHT EXT ASM 14W L	LEFT- 80D- 14 W- SHORT
1A,2F,3-12	111318	KAA STRT SHT EXT ASM 15W L	LEFT- 80D- 15 W- SHORT
1A,2G,3-12	111319	KAA STRT SHT EXT ASM 16W L	LEFT- 80D- 16 W- SHORT
1B,2C,3-12	111320	KAA STRT MED EXT ASM 12W R	RIGHT- 80D- 12 W- MED
1B,2D,3-12	111321	KAA STRT MED EXT ASM 13W R	RIGHT- 80D- 13 W- MED
1B,2E,3-12	111322	KAA STRT MED EXT ASM 14W R	RIGHT- 80D- 14 W- MED
1B,2F,3-12	111323	KAA STRT MED EXT ASM 15W R	RIGHT- 80D- 15 W- MED
1B,2G,3-12	111324	KAA STRT MED EXT ASM 16W R	RIGHT- 80D- 16 W- MED
1B,2C,3-12	111325	KAA STRT MED EXT ASM 12W L	LEFT- 80D- 12 W- MED
1B,2D,3-12	111326	KAA STRT MED EXT ASM 13W L	LEFT- 80D- 13 W- MED
1B,2E,3-12	111327	KAA STRT MED EXT ASM 14W L	LEFT- 80D- 14 W- MED
1B,2F,3-12	111328	KAA STRT MED EXT ASM 15W L	LEFT- 80D- 15 W- MED
1B,2G,3-12	111329	KAA STRT MED EXT ASM 16W L	LEFT- 80D- 16 W- MED
1C,2C,3-12	111330	KAA STRT LNG EXT ASM 12W R	RIGHT- 80D- 12 W- LONG
1C,2D,3-12	111331	KAA STRT LNG EXT ASM 13W R	RIGHT- 80D- 13 W- LONG
1C,2E,3-12	111332	KAA STRT LNG EXT ASM 14W R	RIGHT- 80D- 14 W- LONG
1C,2F,3-12	111333	KAA STRT LNG EXT ASM 15W R	RIGHT- 80D- 15 W- LONG
1C,2G,3-12	111334	KAA STRT LNG EXT ASM 16W R	RIGHT- 80D- 16 W- LONG
1C,2C,3-12	111335	KAA STRT LNG EXT ASM 12W L	LEFT- 80D- 12 W- LONG

Pos.	Item Number	Description	Remarks
1C,2D,3-12	111336	KAA STRT LNG EXT ASM 13W L	LEFT- 80D- 13 W- LONG
1C,2E,3-12	111337	KAA STRT LNG EXT ASM 14W L	LEFT- 80D- 14 W- LONG
1C,2F,3-12	111338	KAA STRT LNG EXT ASM 15W L	LEFT- 80D- 15 W- LONG
1C,2G,3-12	111339	KAA STRT LNG EXT ASM 16W L	LEFT- 80D- 16 W- LONG
1D,2C,3-12	111340	KAA BNT SHT EXT ASM 12W R	RIGHT- 60 & 70D- 12 W- SHORT
1D,2D,3-12	111341	KAA BNT SHT EXT ASM 13W R	RIGHT- 60 & 70D- 13 W- SHORT
1D,2E,3-12	111342	KAA BNT SHT EXT ASM 14W R	RIGHT- 60 & 70D- 14 W- SHORT
1D,2F,3-12	111343	KAA BNT SHT EXT ASM 15W R	RIGHT- 60 & 70D- 15 W- SHORT
1D,2G,3-12	111344	KAA BNT SHT EXT ASM 16W R	RIGHT- 60 & 70D- 16 W- SHORT
1D,2C,3-12	111345	KAA BNT SHT EXT ASM 12W L	LEFT- 70D- 12 W- SHORT
1D,2D,3-12	111346	KAA BNT SHT EXT ASM 13W L	LEFT- 70D- 13 W- SHORT
1D,2E,3-12	111347	KAA BNT SHT EXT ASM 14W L	LEFT- 70D- 14 W- SHORT
1D,2F,3-12	111348	KAA BNT SHT EXT ASM 15W L	LEFT- 70D- 15 W- SHORT
1D,2G,3-12	111349	KAA BNT SHT EXT ASM 16W L	LEFT- 70D- 16 W- SHORT
1E,2C,3-12	111350	KAA BNT MED EXT ASM 12W R	RIGHT- 70D- 12 W- MED
1E,2D,3-12	111351	KAA BNT MED EXT ASM 13W R	RIGHT- 70D- 13 W- MED
1E,2E,3-12	111352	KAA BNT MED EXT ASM 14W R	RIGHT- 60 & 70D- 14 W- MED
1E,2F,3-12	111353	KAA BNT MED EXT ASM 15W R	RIGHT- 60 & 70D- 15 W- MED
1E,2G,3-12	111354	KAA BNT MED EXT ASM 16W R	RIGHT- 60 & 70D- 16 W- MED
1E,2C,3-12	111355	KAA BNT MED EXT ASM 12W L	LEFT- 60 & 70D- 12 W- MED
1E,2D,3-12	111356	KAA BNT MED EXT ASM 13W L	LEFT- 60 & 70D- 13 W- MED
1E,2E,3-12	111357	KAA BNT MED EXT ASM 14W L	LEFT- 60 & 70D- 14 W- MED
1E,2F,3-12	111358	KAA BNT MED EXT ASM 15W L	LEFT- 60 & 70D- 15 W- MED
1E,2G,3-12	111359	KAA BNT MED EXT ASM 16W L	LEFT- 60 & 70D- 16 W- MED
1F,2C,3-12	111360	KAA BNT LNG EXT ASM 12W R	RIGHT- 60 & 70D- 12 W- LONG
1F,2D,3-12	111361	KAA BNT LNG EXT ASM 13W R	RIGHT- 60 & 70D- 13 W- LONG
1F,2E,3-12	111362	KAA BNT LNG EXT ASM 14W R	RIGHT- 60 & 70D- 14 W- LONG
1F,2F,3-12	111363	KAA BNT LNG EXT ASM 15W R	RIGHT- 60 & 70D- 15 W- LONG
1F,2G,3-12	111364	KAA BNT LNG EXT ASM 16W R	RIGHT- 60 & 70D- 16 W- LONG
1F,2C,3-12	111365	KAA BNT LNG EXT ASM 12W L	LEFT- 60 & 70D- 12 W- LONG
1F,2D,3-12	111366	KAA BNT LNG EXT ASM 13W L	LEFT- 60 & 70D- 13 W- LONG
1F,2E,3-12	111367	KAA BNT LNG EXT ASM 14W L	LEFT- 60 & 70D- 14 W- LONG
1F,2F,3-12	111368	KAA BNT LNG EXT ASM 15W L	LEFT- 60 & 70D- 15 W- LONG
1F,2G,3-12	111369	KAA BNT LNG EXT ASM 16W L	LEFT- 60 & 70D- 16 W- LONG
1G,2A,3-12	111370	KAA V MED EXT ASM 10W R	RIGHT- 70D V hangers only 10 W- MED
1G,2B,3-12	111371	KAA V MED EXT ASM 11W R	RIGHT- 70D V hangers only 11 W- MED
1G,2C,3-12	111372	KAA V MED EXT ASM 12W R	RIGHT- 70D V hangers only 12 W- MED
1G,2D,3-12	111373	KAA V MED EXT ASM 13W R	RIGHT- 70D V hangers only 13 W- MED
1G,2E,3-12	111374	KAA V MED EXT ASM 14W R	RIGHT- 70D V hangers only 14 W- MED
1G,2F,3-12	111375	KAA V MED EXT ASM 15W R	RIGHT- 70D V hangers only 15 W- MED
1G,2G,3-12	111376	KAA V MED EXT ASM 16W R	RIGHT- 70D V hangers only 16 W- MED
1G,2A,3-12	111377	KAA V MED EXT ASM 10W L	LEFT- 70D V hangers only 10 W- MED
1G,2B,3-12	111378	KAA V MED EXT ASM 11W L	LEFT- 70D V hangers only 11 W- MED
1G,2C,3-12	111379	KAA V MED EXT ASM 12W L	LEFT- 70D V hangers only 12 W- MED
1G,2D,3-12	111380	KAA V MED EXT ASM 13W L	LEFT- 70D V hangers only 13 W- MED
1G,2E,3-12	111381	KAA V MED EXT ASM 14W L	LEFT- 70D V hangers only 14 W- MED
1G,2F,3-12	111382	KAA V MED EXT ASM 15W L	LEFT- 70D V hangers only 15 W- MED
1G,2G,3-12	111383	KAA V MED EXT ASM 16W L	LEFT- 70D V hangers only 16 W- MED
1H,2A,3-12	111384	KAA V LNG EXT ASM 10W R	RIGHT- 70D V hangers only 10 W- LONG
1H,2B,3-12	111385	KAA V LNG EXT ASM 11W R	RIGHT- 70D V hangers only 11 W- LONG
1H,2C,3-12	111386	KAA V LNG EXT ASM 12W R	RIGHT- 70D V hangers only 12 W- LONG
1H,2D,3-12	111387	KAA V LNG EXT ASM 13W R	RIGHT- 70D V hangers only 13 W- LONG
1H,2E,3-12	111388	KAA V LNG EXT ASM 14W R	RIGHT- 70D V hangers only 14 W- LONG
1H,2F,3-12	111389	KAA V LNG EXT ASM 15W R	RIGHT- 70D V hangers only 15 W- LONG
1H,2G,3-12	111390	KAA V LNG EXT ASM 16W R	RIGHT- 70D V hangers only 16 W- LONG
1H,2A,3-12	111391	KAA V LNG EXT ASM 10W L	LEFT- 70D V hangers only 10 W- LONG

Pos.	Item Number	Description	Remarks
1H,2B,3-12	111392	KAA V LNG EXT ASM 11W L	LEFT- 70D V hangers only 11 W- LONG
1H,2C,3-12	111393	KAA V LNG EXT ASM 12W L	LEFT- 70D V hangers only 12 W- LONG
1H,2D,3-12	111394	KAA V LNG EXT ASM 13W L	LEFT- 70D V hangers only 13 W- LONG
1H,2E,3-12	111395	KAA V LNG EXT ASM 14W L	LEFT- 70D V hangers only 14 W- LONG
1H,2F,3-12	111396	KAA V LNG EXT ASM 15W L	LEFT- 70D V hangers only 15 W- LONG
1H,2G,3-12	111397	KAA V LNG EXT ASM 16W L	LEFT- 70D V hangers only 16 W- LONG
		Ship assembled part #	Use with multiple assemblies
	ASSY-HNG-FP	HANGER/FOOTPLATE ASSY REQUIRED	add with Hanger & Footplate kit

To have complete Footrest ship assembled, choose compatible Hanger + Footplate part numbers and add "ASSY-HNG-FP" to order



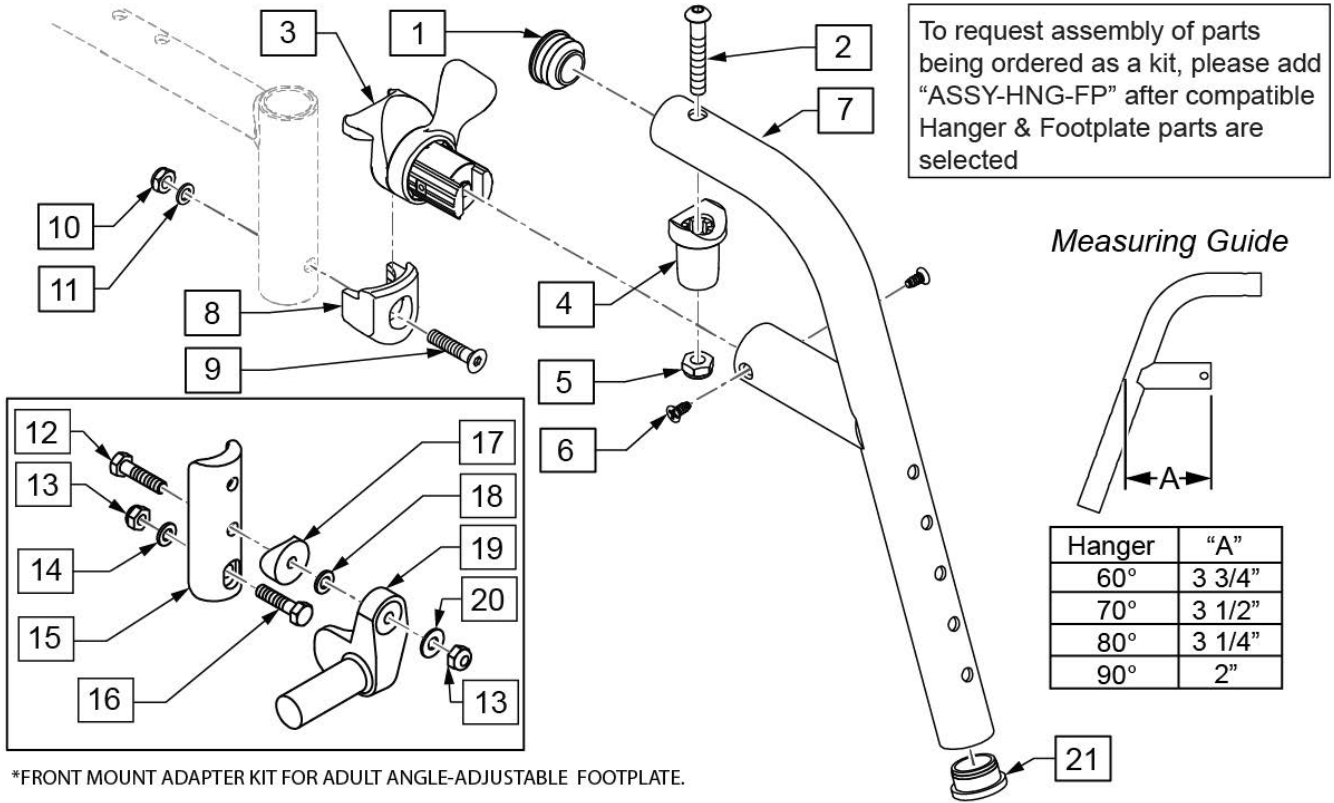
DESCRIPTION	"A"
SHT	6 3/8"
LNG	11"

INSET FORMULA
 0" INSET: (SEAT WIDTH) =(FOOTREST WIDTH)
 1" INSET: (SEAT WIDTH) -2"=(FOOTREST WIDTH)
 OFFSET HANGER RECEIVER (SEAT WIDTH) +2" = (FOOTREST WIDTH)

Pos.	Item Number	Description	Remarks
1	106944	WASHER FLAT THIN AN 1/4 ROHS	
2	106941	NUT AUTOMATION 1/4-28 ROHS	
3	106978	FHCS 1/4-28 X 7/8 ROHS	
4A	500651	PLATFORM F/PLT 8 x 5 1/2"	12 -14" Footrest Width
4B	500652	PLATFORM F/PLT 10" x 5 1/2"	15 -17" Footrest Width
4C	500653	PLATFORM F/PLT 12" x 5 1/2"	18 -20" Footrest Width
4D	500654	PLATFORM F/PLT 14" x 5 1/2"	21 -22" Footrest Width
5	113221	PLUG DOUBLE D EXT TUBE	
6	540410	F/UP FOOTREST KEY STUD D2	
7	107385	WASHER CURVED 3/8 ROHS	
8	505078	FOOTREST RETAINING BRACKET	
9A	106875	EXT TBE F/UP KEY SHT	Short -Latch Side
9B	106876	EXT TBE F/UP KEY LNG	Long -Latch Side
10A	106873	EXT TBE F/UP SLT SHT	Short -Pivot Side
10B	106874	EXT TBE F/UP SLT LNG	Long -Pivot Side
11	561003	3/4" SADDLE THIN	
12	561034	SHORT DOME PLUG	

Pos.	Item Number	Description	Remarks
14	106964	BHCS 1/4-28 X 2 ROHS	
15	550351	PLATFORM FOOTPLATE CLAMP	
16	107027	BHCS 1/4-28 X 1-1/4 SHLDR ROHS	
17A	740130	LEG STRAP 10"-14" BLK	12-14" Footrest Width
17B	740131	LEG STRAP 15"-17" BLK	15-17" Footrest Width
17C	740132	LEG STRAP 18"-20" BLK	18-20" Footrest Width
1-4A,6-8,11-16	900306	PLTFM F/P PLT BLK 12" D2 W/ INSTR	12" Footrest Width
1-4A,6-8,11-16	900307	PLTFM F/P PLT BLK 13" D2 W/ INSTR	13" Footrest Width
1-4A,6-8,11-16	900308	PLTFM F/P PLT BLK 14" D2 W /INSTR	14" Footrest Width
1-4B,6-8,11-16	900309	PLTFM F/P PLT BLK 15" D2 W /INSTR	15" Footrest Width
1-4B,6-8,11-16	900310	PLTFM F/P PLT BLK 16" D2 W /INSTR	16" Footrest Width
1-4B,6-8,11-16	900311	PLTFM F/P PLT BLK 17" D2 W /INSTR	17" Footrest Width
1-4C,6-8,11-16	900312	PLTFM F/P PLT BLK 18" D2 W /INSTR	18" Footrest Width
1-4C,6-8,11-16	900313	PLTFM F/P PLT BLK 19" D2 W /INSTR	19" Footrest Width
1-4C,6-8,11-16	900314	PLTFM F/P PLT BLK 20" D2 W/ INSTR	20" Footrest Width
1-4D,6-8,11-16	900315	PLTFM F/P PLT BLK 21" D2 W/ INSTR	21" Footrest Width
1-4D,6-8,11-16	900316	PLTFM F/P PLT BLK 22" D2 W/ INSTR	22" Footrest Width
		SHORT EXT ASSEMBLIES	
1-3,4A,5-8,9A,10B,11-16,17A	108043	PLTFRM FLIP FTRST SHT 12W	12" wide (Short)
1-3,4A,5-8,9A,10B,11-16,17A	108044	PLTFRM FLIP FTRST SHT 13W	13" wide (Short)
1-3,4A,5-8,9A,10B,11-16,17A	108045	PLTFRM FLIP FTRST SHT 14W	14" wide (Short)
1-3,4B,5-8,9A,10B,11-16,17B	108046	PLTFRM FLIP FTRST SHT 15W	15" wide (Short)
1-3,4B,5-8,9A,10B,11-16,17B	108047	PLTFRM FLIP FTRST SHT 16W	16" wide (Short)
1-3,4B,5-8,9A,10B,11-16,17B	108048	PLTFRM FLIP FTRST SHT 17W	17" wide (Short)
1-3,4C,5-8,9A,10B,11-16,17C	108049	PLTFRM FLIP FTRST SHT 18W	18" wide (Short)
1-3,4C,5-8,9A,10B,11-16,17C	108051	PLTFRM FLIP FTRST SHT 19W	19" wide (Short)
1-3,4C,5-8,9A,10B,11-16,17C	108052	PLTFRM FLIP FTRST SHT 20W	20" wide (Short)
1-3,4D,5-8,9A,10B,11-16,17C	111554	PLTFRM FLIP FTRST SHT 21W	21" wide (Short)
1-3,4D,5-8,9A,10B,11-16,17C	111555	PLTFRM FLIP FTRST SHT 22W	22" wide (Short)
		LONG EXT ASSEMBLIES	
1-3,4A,5-8,9B,10A,11-16,17A	108053	PLTFRM FLIP FTRST LONG 12W	12" wide (Long)
1-3,4A,5-8,9B,10A,11-16,17A	108054	PLTFRM FLIP FTRST LONG 13W	13" wide (Long)
1-3,4A,5-8,9B,10A,11-16,17A	108055	PLTFRM FLIP FTRST LONG 14W	14" wide (Long)
1-3,4B,5-8,9B,10A,11-16,17B	108056	PLTFRM FLIP FTRST LONG 15W	15" wide (Long)
1-3,4B,5-8,9B,10A,11-16,17B	108057	PLTFRM FLIP FTRST LONG 16W	16" wide (Long)
1-3,4B,5-8,9B,10A,11-16,17B	108058	PLTFRM FLIP FTRST LONG 17W	17" wide (Long)
1-3,4C,5-8,9B,10A,11-16,17C	108059	PLTFRM FLIP FTRST LONG 18W	18" wide (Long)
1-3,4C,5-8,9B,10A,11-16,17C	108060	PLTFRM FLIP FTRST LONG 19W	19" wide (Long)
1-3,4C,5-8,9B,10A,11-16,17C	108061	PLTFRM FLIP FTRST LONG 20W	20" wide (Long)
1-3,4D,5-8,9B,10A,11-16,17C	111556	PLTFRM FLIP FTRST LONG 21W	21" wide (Long)
1-3,4D,5-8,9B,10A,11-16,17C	111557	PLTFRM FLIP FTRST LONG 22W	22" wide (Long)
		Ship assembled part #	Use with multiple assemblies
	ASSY-HNG-FP	HANGER/FOOTPLATE ASSY REQUIRED	add with Hanger & Footplate kit

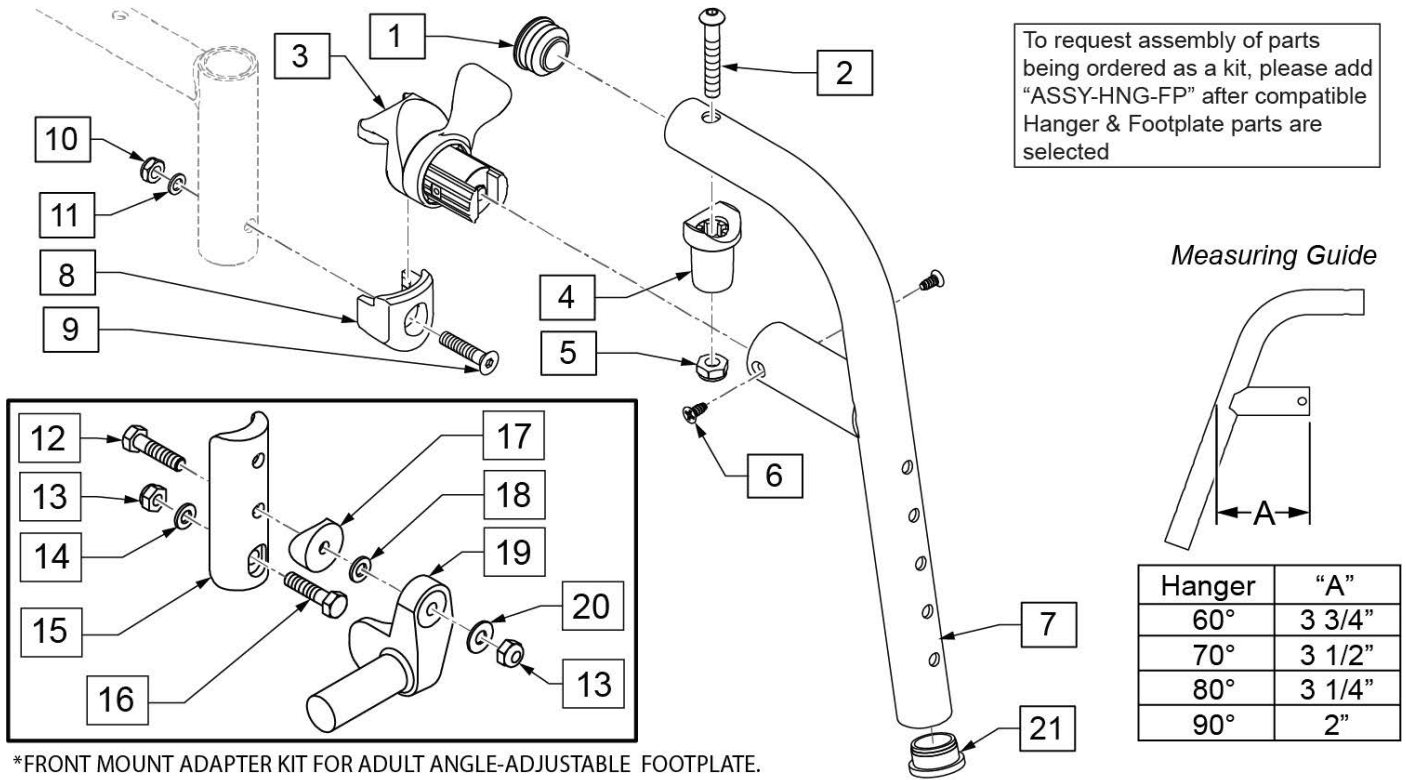
70 DEG FRONT MOUNT SWING IN/OUT HANGER



Pos.	Item Number	Description	Remarks
1	561062	1" INSERT PLUG .065 RIBS	
2	226217	5/16-18 X 2" BH C/S BLK	
4	561197	PLASTIC PIVOT SADDLE	
5	202102	5/16-18 NYLOCK NUT THIN	
6	118695	#8 LOW FLT HD TAP SCREW	
9	103500-010	FHCSM6X1X35FULLNP	
10	104381	NUT HEX NYLOCK M6X1.0	
11	104414	WAVE WASHER 6 MM	
12	102268-001	HHCS M6 X 1 X 25	
13	104381	NUT HEX NYLOCK M6 X 1	
14	107383	WASHER FLAT M6 ROHS	
15	119240	FOOTPLATE ADAPTER FM	3" tall
16	118198	HHCS M6X1X40 PART NP	
17	561004	1" SADDLE 1/4" HOLE	
18	106943	WASHER FLAT AN 1/4 ROHS	
19	541000	FOOTREST MOUNTING BRKT 1/2" RAD R	Right
19	541001	FOOTREST MOUNTING BRKT 1/2" RAD L	Left
20	106945	WASHER FLAT SAE 1/4 ROHS	
1,2,4,5	119518	PIVOT SADDLE KIT	
1-7	119456S	70 D FRNT MNT SWING IN/OUT HANGER L	Left
1-7	119457S	70 D FRNT MNT SWING IN/OUT HANGER R	Right
8-11	119514	LATCH RECEIVER KIT	
3,6	119509	HANGER LATCH ASSM W/HDWR L	Left
3,6	119510	HANGER LATCH ASSM W/HDWR R	Right
12-20	129764	AAA FRNT MNT ADAPTER KIT PR	Pair
21	561002	1" INSERT PLUG .083	

Pos.	Item Number	Description	Remarks
		Ship assembled part #	Use with multiple assemblies
	ASSY-HNG-FP	HANGER/FOOTPLATE ASSY REQUIRED	add with Hanger & Footplate kit

80 DEG FRONT MOUNT SWING IN/OUT HANGER

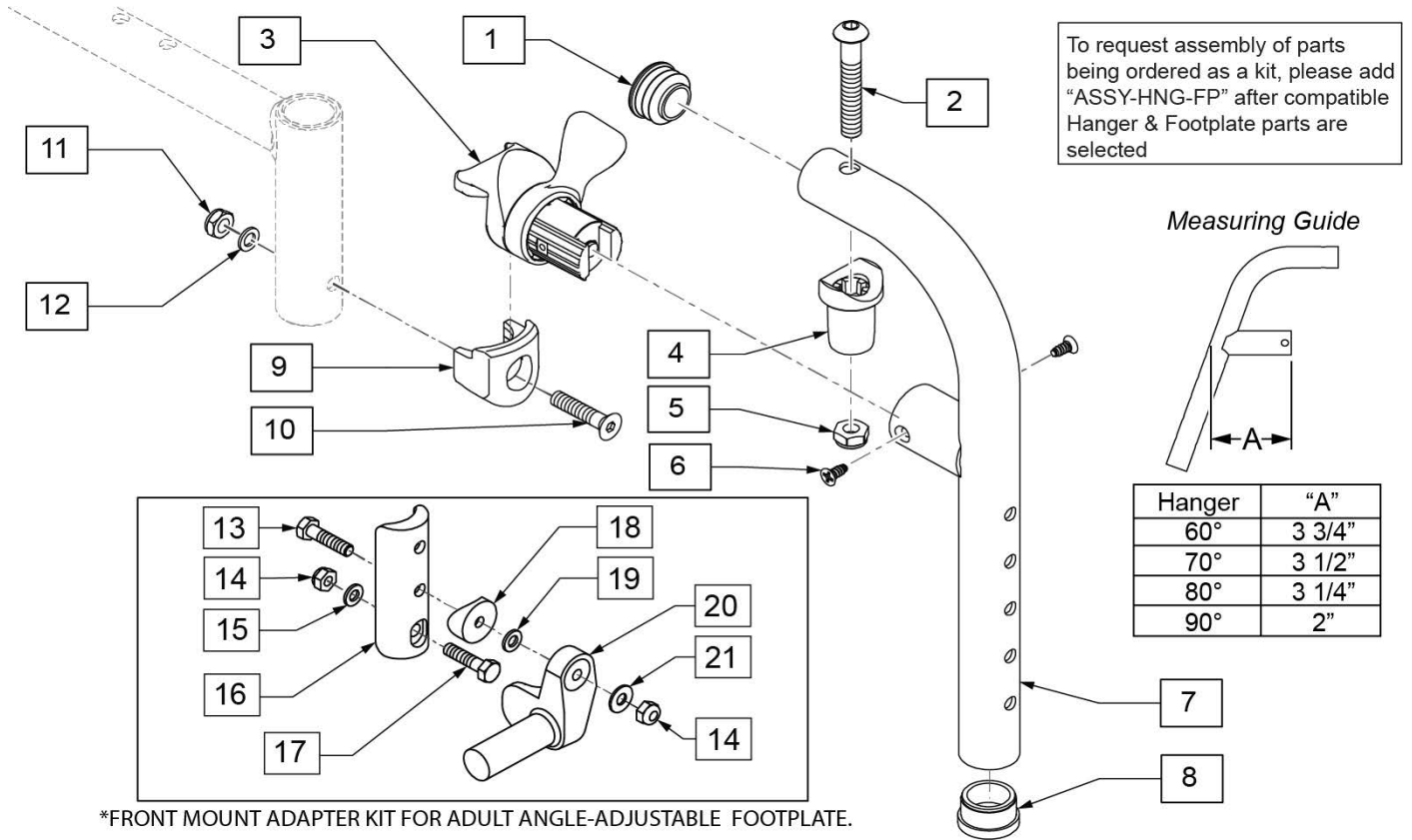


*FRONT MOUNT ADAPTER KIT FOR ADULT ANGLE-ADJUSTABLE FOOTPLATE.

Pos.	Item Number	Description	Remarks
1	561062	1" INSERT PLUG .065 RIBS	
2	226217	5/16-18 X 2" BH C/S BLK	
4	561197	PLASTIC PIVOT SADDLE	
5	202102	5/16-18 NYLOCK NUT THIN	
6	118695	#8 LOW FLT HD TAP SCREW	
9	103500-010	FHCSM6X1X35FULLNP	
10	104381	NUT HEX NYLOCK M6X1.0	
11	104414	WAVE WASHER 6 MM	
12	102268-001	HHCS M6 X 1 X 25	
13	104381	NUT HEX NYLOCK M6 X 1	
14	107383	WASHER FLAT M6 ROHS	
15	119240	FOOTPLATE ADAPTER FM	3" tall
16	118198	HHCS M6X1X40 PART NP	
17	561004	1" SADDLE 1/4" HOLE	
18	106944	WASHER FLAT AN 1/4 ROHS	
19	541000	FOOTREST MOUNTING BRKT 1/2" RAD R	Right
19	541001	FOOTREST MOUNTING BRKT 1/2" RAD L	Left
20	106944	WASHER FLAT SAE 1/4 ROHS	
1,2,4,5	119518	PIVOT SADDLE KIT	
1-7	119464S	80 D FRNT MNT SWING IN/OUT HANGER L	Left
1-7	119465S	80 D FRNT MNT SWING IN/OUT HANGER R	Right
8-11	119514	LATCH RECEIVER KIT	
3,6	119509	HANGER LATCH ASSM W/HDWR L	Left
3,6	119510	HANGER LATCH ASSM W/HDWR R	Right
21	561002	1" INSERT PLUG .083	
12-20	129764	AAA FRNT MNT ADAPTER KIT PR	Pair
21	561002	1" INSERT PLUG .083	

Pos.	Item Number	Description	Remarks
		Ship assembled part #	Use with multiple assemblies
	ASSY-HNG-FP	HANGER/FOOTPLATE ASSY REQUIRED	add with Hanger & Footplate kit

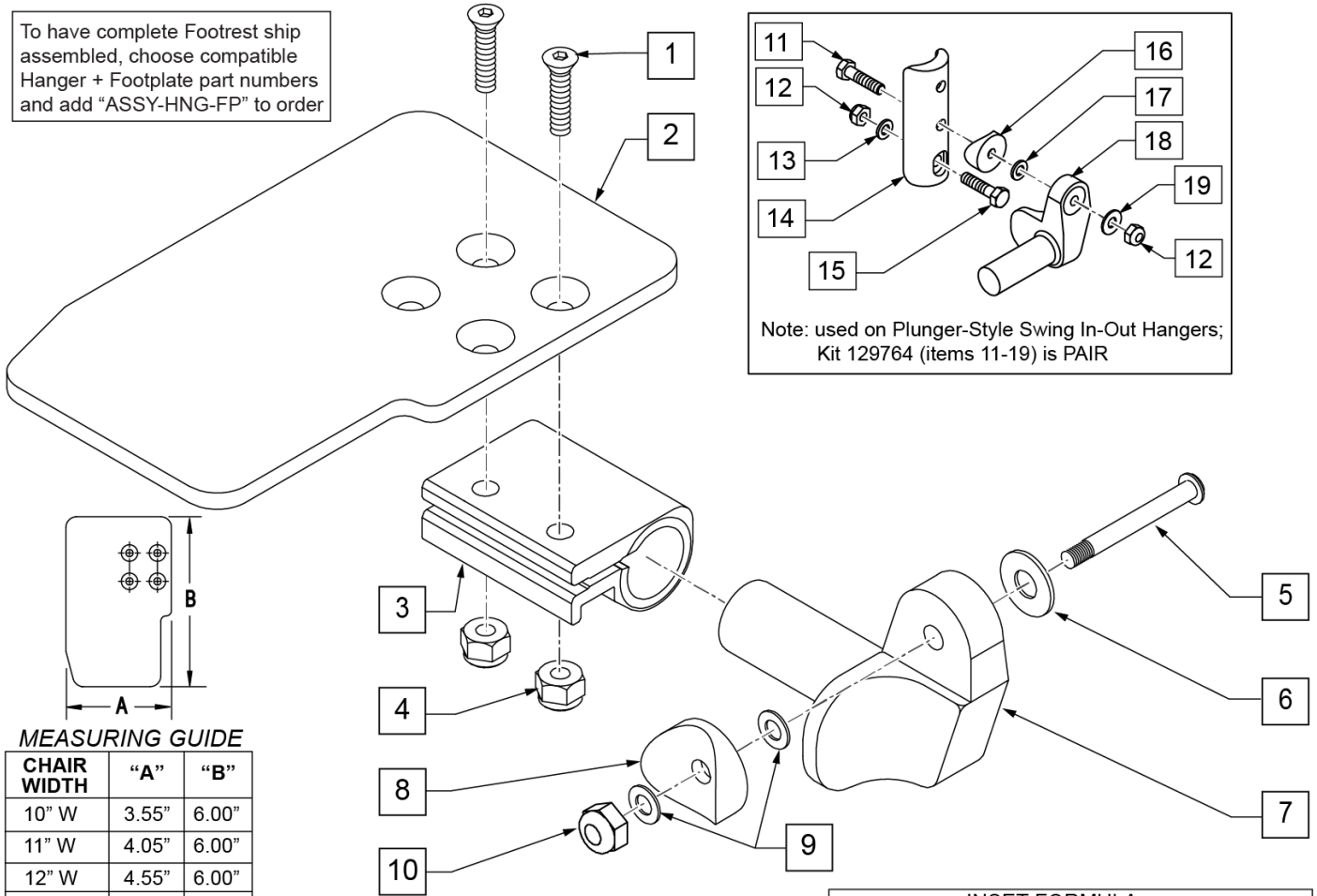
90 DEG FRONT MOUNT SWING IN/OUT HANGER



Pos.	Item Number	Description	Remarks
1	561062	1" INSERT PLUG .065 RIBS	
2	226217	5/16-18 X 2" BH C/S BLK	
4	561197	PLASTIC PIVOT SADDLE	
5	202102	5/16-18 NYLOCK NUT THIN	
6	118695	#8 LOW FLT HD TAP SCREW	
8	561002	1" INSERT PLUG .083	
10	103500-010	FHCSM6X1X35FULLNP	
11	104381	NUT HEX NYLOCK M6X1.0	
12	104414	WAVE WASHER 6 MM	
13	102268-001	HHCS M6 X 1 X 25	
14	104381	NUT HEX NYLOCK M6 X 1	
15	107383	WASHER FLAT M6 ROHS	
16	119240	FOOTPLATE ADAPTER FM	3" tall
17	118198	HHCS M6X1X40 PART NP	
18	561004	1" SADDLE 1/4" HOLE	
19	106943	WASHER FLAT AN 1/4 ROHS	
20	541000	FOOTREST MOUNTING BRKT 1/2" RAD R	Right
20	541001	FOOTREST MOUNTING BRKT 1/2" RAD L	Left
21	106945	WASHER FLAT SAE 1/4 ROHS	
1,2,4,5	119518	PIVOT SADDLE KIT	
1-7	129644S	90 D FRNT MNT SWING IN/OUT HANGER R	Right
1-7	129645S	90 D FRNT MNT SWING IN/OUT HANGER L	Left
9-12	119514	LATCH RECEIVER KIT	
3,6	119509	HANGER LATCH ASSM W/HDWR L	Left
3,6	119510	HANGER LATCH ASSM W/HDWR R	Right

Pos.	Item Number	Description	Remarks
13-21	129764	AAA FRNT MNT ADAPTER KIT PR	Pair
		Ship assembled part #	Use with multiple assemblies
	ASSY-HNG-FP	HANGER/FOOTPLATE ASSY REQUIRED	add with Hanger & Footplate kit

To have complete Footrest ship assembled, choose compatible Hanger + Footplate part numbers and add "ASSY-HNG-FP" to order



Note: used on Plunger-Style Swing In-Out Hangers; Kit 129764 (items 11-19) is PAIR

MEASURING GUIDE

CHAIR WIDTH	"A"	"B"
10" W	3.55"	6.00"
11" W	4.05"	6.00"
12" W	4.55"	6.00"
13" W	5.05"	6.00"
14" W	5.55"	6.00"
15" W	6.05"	6.00"
16" W	6.55"	6.00"

INSET FORMULA

0" Inset (Seat Width) = Footrest Width
 1" Inset (Seat Width) -2" = Footrest Width
 "V" Hanger (Seat Width) -4" = Footrest Width
 Offset Hanger Receiver (Seat Width) +2" = Footrest Width

Pos.	Item Number	Description	Remarks
1	106978	FHCS 1/4-28 X 7/8 ROHS	
2	500635	KIDS ANGL ADJ F/PLT 10	RIGHT
2	500636	KIDS ANGL ADJ F/PLT 10	LEFT
2	500637	KIDS ANGL ADJ F/PLT 11	RIGHT
2	500638	KIDS ANGL ADJ F/PLT 11	LEFT
2	500639	KIDS ANGL ADJ F/PLT 12	RIGHT
2	500640	KIDS ANGL ADJ F/PLT 12	LEFT
2	500641	KIDS ANGL ADJ F/PLT 13	RIGHT
2	500642	KIDS ANGL ADJ F/PLT 13	LEFT
2	500643	KIDS ANGL ADJ F/PLT 14	RIGHT
2	500644	KIDS ANGL ADJ F/PLT 14	LEFT
2	500645	KIDS ANGL ADJ F/PLT 15	RIGHT
2	500646	KIDS ANGL ADJ F/PLT 15	LEFT
2	500647	KIDS ANGL ADJ F/PLT 16	RIGHT
2	500648	KIDS ANGL ADJ F/PLT 16	LEFT
3	550350	3/4 CLAMP ADJ FOOTPLATE	
4	106935	NUT NYLOCK THIN 1/4-28 ROHS	
5	226147	1/4-28 X 1.85 BH C/S BLK ZN	

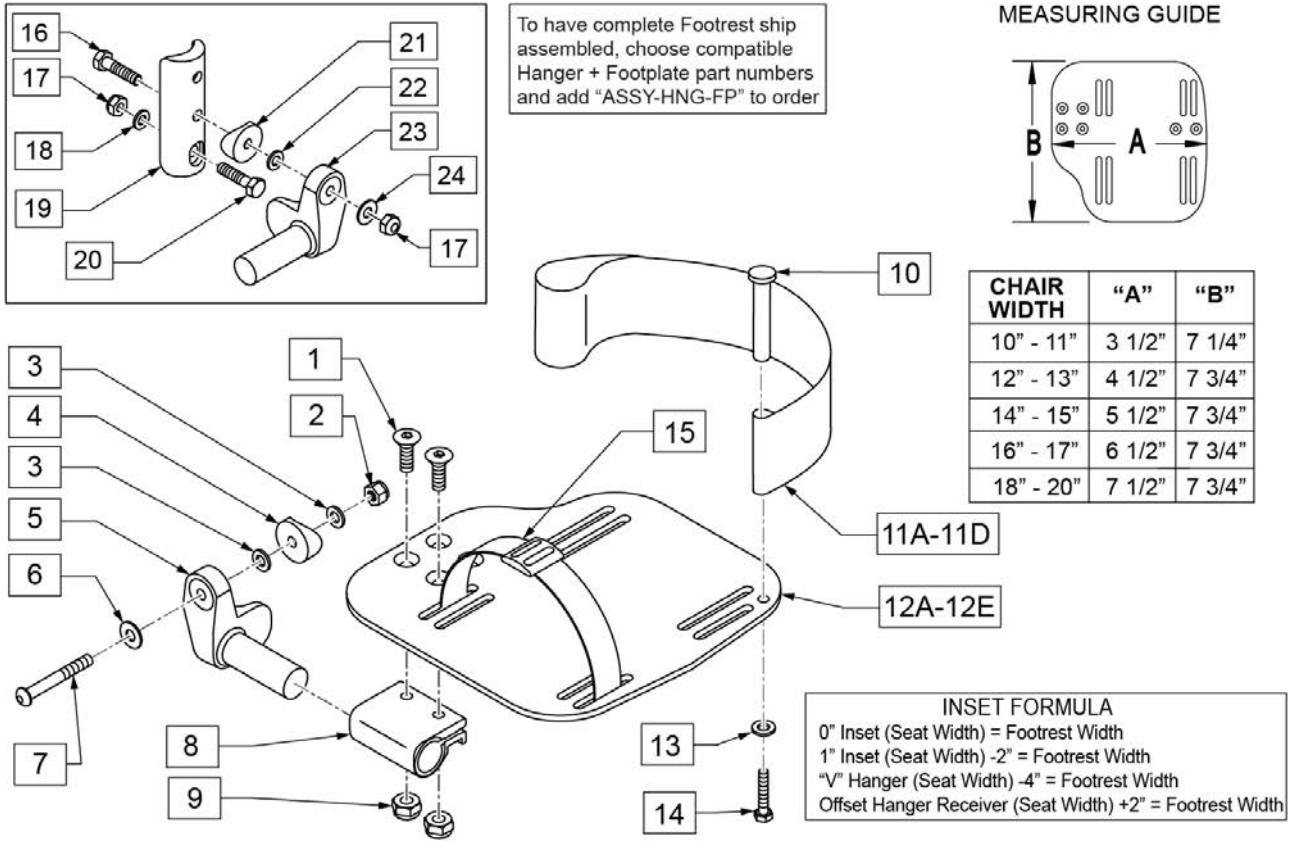
Pos.	Item Number	Description	Remarks
6	106945	WASHER FLAT SAE 1/4 ROHS	
7	541000	FTRST MOUNTING BRKT 1/2" RAD R	RIGHT
7	541001	FTRST MOUNTING BRKT 1/2" RAD L	LEFT
8	561004	1 SADDLE 1/4 HOLE	
9	106943	WASHER FLAT THIN AN 1/4	
10	106941	NUT AUTOMATION 1/4-28 ROHS	
11	102268-001	HHCS M6 X 1 X 25	
12	132626	NUT AUTOMATION M6 X 1.0 ROHS	
13	107383	WASHER FLAT M6 ROHS	
15	118198	HHCS M6 X 1 X 40 PART NP	
16	561004	1" SADDLE 1/4" HOLE	
17	106943	WASHER FLAT AN 1/4 ROHS	
19	106945	WASHER FLAT SAE 1/4 ROHS	
1-4	158632	CAA F/PLT KIT 10 RT	RIGHT; used with Front Mount Adapter Kit on Plunger-Style Swing In/Out Hangers
1-4	158633	CAA F/PLT KIT 10 LT	LEFT; used with Front Mount Adapter Kit on Plunger-Style Swing In/Out Hangers
1-4	158634	CAA F/PLT KIT 11 RT	RIGHT; used with Front Mount Adapter Kit on Plunger-Style Swing In/Out Hangers
1-4	158635	CAA F/PLT KIT 11 LT	LEFT; used with Front Mount Adapter Kit on Plunger-Style Swing In/Out Hangers
1-4	158636	CAA F/PLT KIT 12 RT	RIGHT; used with Front Mount Adapter Kit on Plunger-Style Swing In/Out Hangers
1-4	158637	CAA F/PLT KIT 12 LT	LEFT; used with Front Mount Adapter Kit on Plunger-Style Swing In/Out Hangers
1-4	158638	CAA F/PLT KIT 13 RT	RIGHT; used with Front Mount Adapter Kit on Plunger-Style Swing In/Out Hangers
1-4	158639	CAA F/PLT KIT 13 LT	LEFT; used with Front Mount Adapter Kit on Plunger-Style Swing In/Out Hangers
1-4	158640	CAA F/PLT KIT 14 RT	RIGHT; used with Front Mount Adapter Kit on Plunger-Style Swing In/Out Hangers
1-4	158641	CAA F/PLT KIT 14 LT	LEFT; used with Front Mount Adapter Kit on Plunger-Style Swing In/Out Hangers
1-4	158642	CAA F/PLT KIT 15 RT	RIGHT; used with Front Mount Adapter Kit on Plunger-Style Swing In/Out Hangers
1-4	158643	CAA F/PLT KIT 15 LT	LEFT; used with Front Mount Adapter Kit on Plunger-Style Swing In/Out Hangers
1-4	158644	CAA F/PLT KIT 16 RT	RIGHT; used with Front Mount Adapter Kit on Plunger-Style Swing In/Out Hangers
1-4	158645	CAA F/PLT KIT 16 LT	LEFT; used with Front Mount Adapter Kit on Plunger-Style Swing In/Out Hangers
1-10	828821	KIDS ANG ADJ F/PLT ASSM 10	RIGHT; used with Old-Style Latch Block Swing In/Out & S/A Hangers
1-10	828822	KIDS ANG ADJ F/PLT ASSM 10	LEFT; used with Old-Style Latch Block Swing In/Out & S/A Hangers
1-10	828823	KIDS ANG ADJ F/PLT ASSM 11	RIGHT; used with Old-Style Latch Block Swing In/Out & S/A Hangers
1-10	828824	KIDS ANG ADJ F/PLT ASSM 11	LEFT; used with Old-Style Latch Block Swing In/Out & S/A Hangers
1-10	828825	KIDS ANG ADJ F/PLT ASSM 12	RIGHT; used with Old-Style Latch Block Swing In/Out & S/A Hangers
1-10	828826	KIDS ANG ADJ F/PLT ASSM 12	LEFT; used with Old-Style Latch Block Swing In/Out & S/A Hangers
1-10	828827	KIDS ANG ADJ F/PLT ASSM 13	RIGHT; used with Old-Style Latch Block Swing In/Out & S/A Hangers
1-10	828828	KIDS ANG ADJ F/PLT ASSM 13	LEFT; used with Old-Style Latch Block Swing In/Out & S/A Hangers
1-10	828829	KIDS ANG ADJ F/PLT ASSM 14	RIGHT; used with Old-Style Latch Block Swing In/Out & S/A Hangers
1-10	828830	KIDS ANG ADJ F/PLT ASSM 14	LEFT; used with Old-Style Latch Block Swing In/Out & S/A Hangers
1-10	828831	KIDS ANG ADJ F/PLT ASSM 15	RIGHT; used with Old-Style Latch Block Swing In/Out & S/A Hangers
1-10	828832	KIDS ANG ADJ F/PLT ASSM 15	LEFT; used with Old-Style Latch Block Swing In/Out & S/A Hangers

Pos.	Item Number	Description	Remarks
1-10	828833	KIDS ANG ADJ F/PLT ASSM 16	RIGHT; used with Old-Style Latch Block Swing In/Out & S/A Hangers
1-10	828834	KIDS ANG ADJ F/PLT ASSM 16	LEFT; used with Old-Style Latch Block Swing In/Out & S/A Hangers
1-10	921226	KIDS ANG ADJ F/PLT ASSM 10	PAIR; used with Old-Style Latch Block Swing In/Out & S/A Hangers
1-10	921227	KIDS ANG ADJ F/PLT ASSM 11	PAIR; used with Old-Style Latch Block Swing In/Out & S/A Hangers
1-10	921228	KIDS ANG ADJ F/PLT ASSM 12	PAIR; used with Old-Style Latch Block Swing In/Out & S/A Hangers
1-10	921229	KIDS ANG ADJ F/PLT ASSM 13	PAIR; used with Old-Style Latch Block Swing In/Out & S/A Hangers
1-10	921230	KIDS ANG ADJ F/PLT ASSM 14	PAIR; used with Old-Style Latch Block Swing In/Out & S/A Hangers
1-10	921231	KIDS ANG ADJ F/PLT ASSM 15	PAIR; used with Old-Style Latch Block Swing In/Out & S/A Hangers
1-10	921232	KIDS ANG ADJ F/PLT ASSM 16	PAIR; used with Old-Style Latch Block Swing In/Out & S/A Hangers
11-19	129764	AAA FRNT MNT ADAPTER KIT PR	AAA FRNT MNT fits both Kids and Adult Angle Adjustable Footplates
		Ship assembled part #	Use with multiple assemblies
	ASSY-HNG-FP	HANGER/FOOTPLATE ASSY REQUIRED	add with Hanger & Footplate kit

ADULT ANGLE-ADJ FOOTPLATE FRONT MOUNT

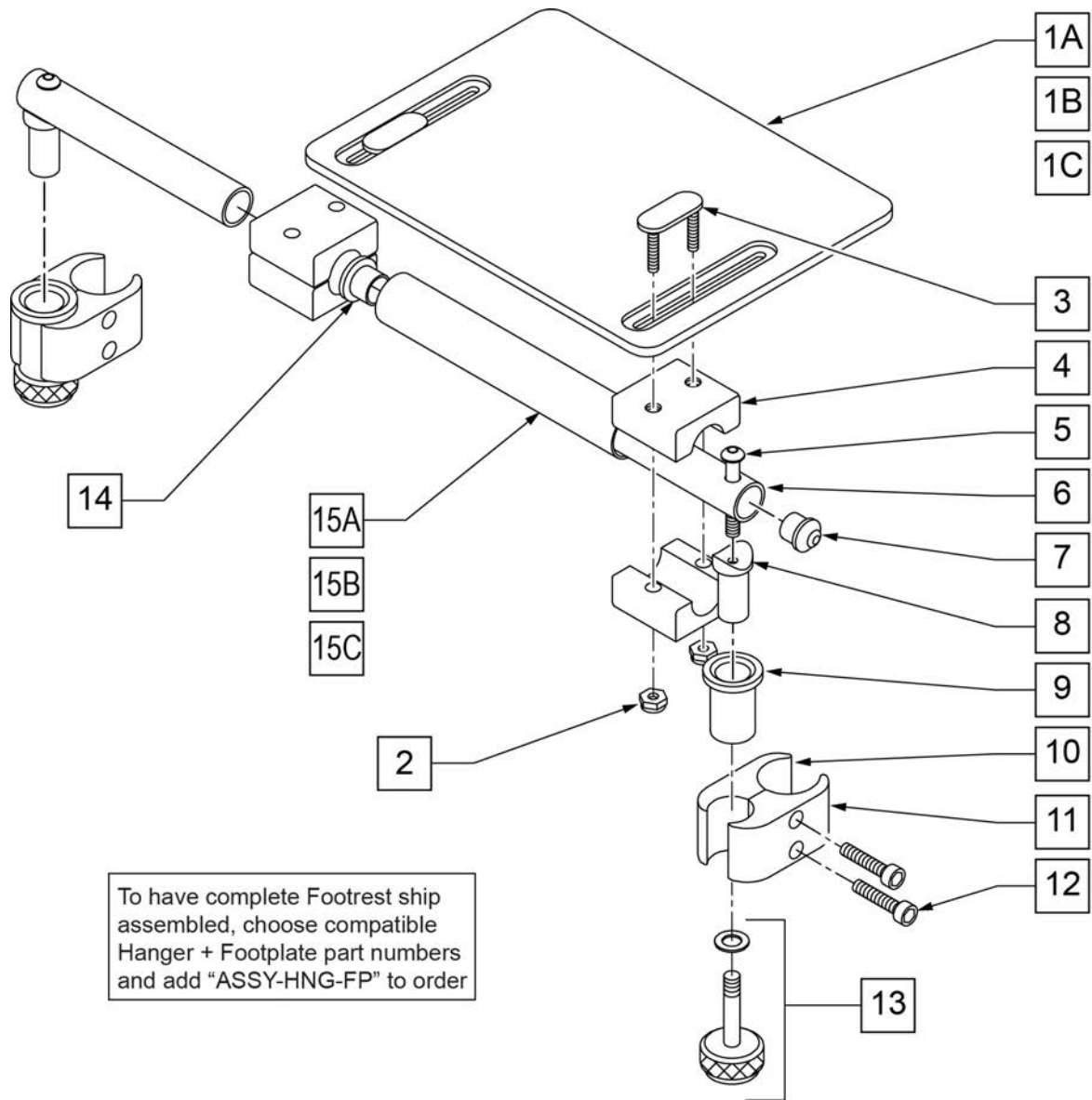
[10/26/2018]

Note: for QX Series or SR45 footplate replacement parts see the ordering guide marked specifically for these two models in the informations panel.



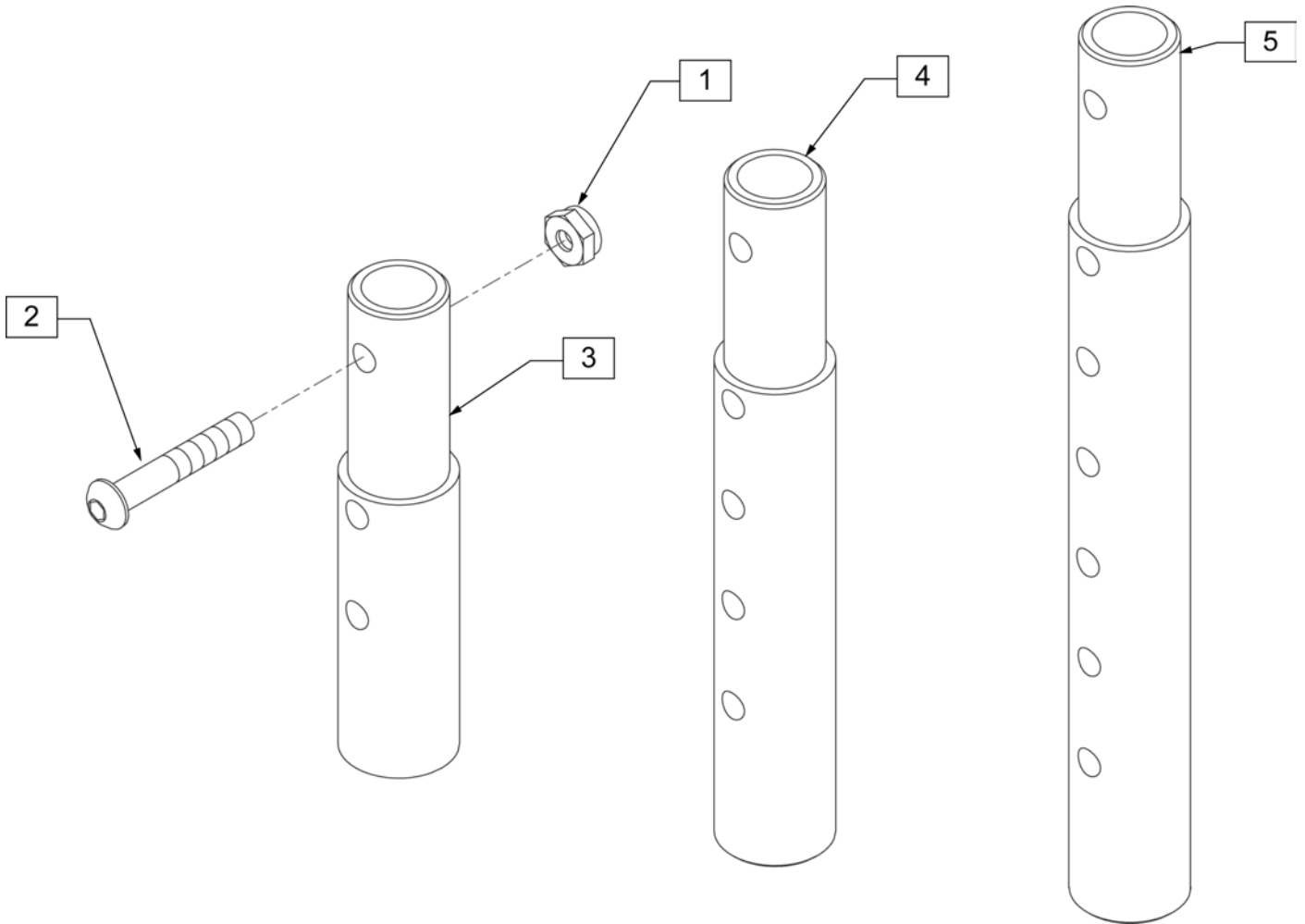
Pos.	Item Number	Description	Remarks
1	106978	FHCS 1/4-28 X 7/8	
2	106934	NUT NYLOCK 1/4-28	
3	106944	WASHER FLAT THIN AN 1/4	
4	561004	Q2 SADDLE	
5	541000	FTRST MOUNTING BRKT 1/2" RAD R	Right
5	541001	FTRST MOUNTING BRKT 1/2" RAD L	Left
6	106945	WASHER FLAT SAE 1/4 ROHS	
7	106964	BHCS 1/4-28 X 2	
8	550350	3/4 CLMP ADJ FT PLT	
9	106935	NUT NYLOCK THIN 1/4-28 ROHS	
10	561040	HEEL LOOP PEG	
11A	104380-001	ADJ FOOTREST STRAP 14W	Used on 10"-13" wide
11B	104380-002	ADJ FOOTREST STRAP 15-16W	Used on 14"-15" wide
11C	104380-003	ADJ FOOTREST STRAP 17-18W	Used on 16"-17" wide
11D	104380-004	ADJ FOOTREST STRAP 19-20W	Used on 18"-20" wide
12A	500656	ADULT ANGL ADJ F/PLT 10/11	Right; 10"-11" wide
12A	500657	ADULT ANGL ADJ F/PLT 10/11	Left; 10"-11" wide

Pos.	Item Number	Description	Remarks
12B	500658	ADULT ANGL ADJ F/PLT 12/13	Right; 12"-13" wide
12B	500659	ADULT ANGL ADJ F/PLT 12/13	Left; 12"-13" wide
12C	500660	ADULT ANGL ADJ F/PLT 14/15	Right; 14"-15" wide
12C	500661	ADULT ANGL ADJ F/PLT 14/15	Left; 14"-15" wide
12D	500662	ADULT ANGL ADJ F/PLT 16/17	Right; 16"-17" wide
12D	500663	ADULT ANGL ADJ F/PLT 16/17	Left; 16"-17" wide
12E	500664	ADULT ANGL ADJ F/PLT 18-20	Right; 18"-22" wide
12E	500665	ADULT ANGL ADJ F/PLT 18-20	Left; 18"-22" wide
13	107383	WASHER FLAT M6 ROHS	
14	102268-001	HHCS M6 X 1 X 25	
15	740260	TOE-ANKLE STRAP ADJ ADULT FOOTPLATE	
16	102268-001	HHCS M6 X 1 X 25	
17	132626	NUT AUTOMATION M6 X 1	
18	107383	WASHER FLAT M6 ROHS	
20	118198	HHCS M6X1X40 PART NP	
21	561004	Q2 SADDLE	
22	106943	WASHER FLAT AN 1/4 ROHS	
24	106945	WASHER FLAT SAE 1/4 ROHS	
16-24	129764	AAA FRNT MNT ADAPTER KIT PR	Pair; fits both Kids & Adult Angle Adj Footplates
1,8-10,11A,12A,13,14	129765	AAA F/PLT KIT 10-11 RT	Right; used w/ 129764 on Plunger-Style Swing In/Out Hangers
1,8-10,11A,12A,13,14	129766	AAA F/PLT KIT 10-11 LFT	Left; used w/ 129764 on Plunger-Style Swing In/Out Hangers
1,8-10,11A,12B,13,14	129767	AAA F/PLT KIT 12-13 RT	Right; used w/ 129764 on Plunger-Style Swing In/Out Hangers
1,8-10,11A,12B,13,14	129768	AAA F/PLT KIT 12-13 LFT	Left; used w/ 129764 on Plunger-Style Swing In/Out Hangers
1,8-10,11B,12C,13,14	129769	AAA F/PLT KIT 14-15 RT	Right; used w/ 129764 on Plunger-Style Swing In/Out Hangers
1,8-10,11B,12C,13,14	129770	AAA F/PLT KIT 14-15 LFT	Left; used w/ 129764 on Plunger-Style Swing In/Out Hangers
1,8-10,11C,12D,13,14	129771	AAA F/PLT KIT 16-17 RT	Right; used w/ 129764 on Plunger-Style Swing In/Out Hangers
1,8-10,11C,12D,13,14	129772	AAA F/PLT KIT 16-17 LFT	Left; used w/ 129764 on Plunger-Style Swing In/Out Hangers
1,8-10,11D,12E,13,14	129773	AAA F/PLT KIT 18-20 RT	Right; used w/ 129764 on Plunger-Style Swing In/Out Hangers
1,8-10,11D,12E,13,14	129774	AAA F/PLT KIT 18-20 LFT	Left; used w/ 129764 on Plunger-Style Swing In/Out Hangers
1-10,11A,12B	111514	AAA FTPLT 90D 12/13" R	Right; used w/ Old-Style Latch Block Swing In/Out & S/A Hngrs
1-10,11A,12B	111515	AAA FTPLT 90D 12/13" L	Left; used w/ Old-Style Latch Block Swing IO & S/A Hngrs
1-10,11B,12C	111516	AAA FTPLT 90D 14/15" R	Right; used w/ Old-Style Latch Block Swing In/Out & S/A Hngrs
1-10,11B,12C	111517	AAA FTPLT 90D 14/15" L	Left; used w/ Old-Style Latch Block Swing IO & S/A Hngrs
1-10,11C,12D	111518	AAA FTPLT 90D 16/17" R	Right; used w/ Old-Style Latch Block Swing In/Out & S/A Hngrs
1-10,11C,12D	111519	AAA FTPLT 90D 16/17" L	Left; used w/ Old-Style Latch Block Swing IO & S/A Hngrs
1-10,11D,12E	111520	AAA FTPLT 90D 18/20" R	Right; used w/ Old-Style Latch Block Swing In/Out & S/A Hngrs
1-10,11D,12E	111521	AAA FTPLT 90D 18/20" L	Left; used w/ Old-Style Latch Block Swing IO & S/A Hngrs
		Ship assembled part #	Use with multiple assemblies
	ASSY-HNG-FP	HANGER/FOOTPLATE ASSY REQUIRED	add with Hanger & Footplate kit

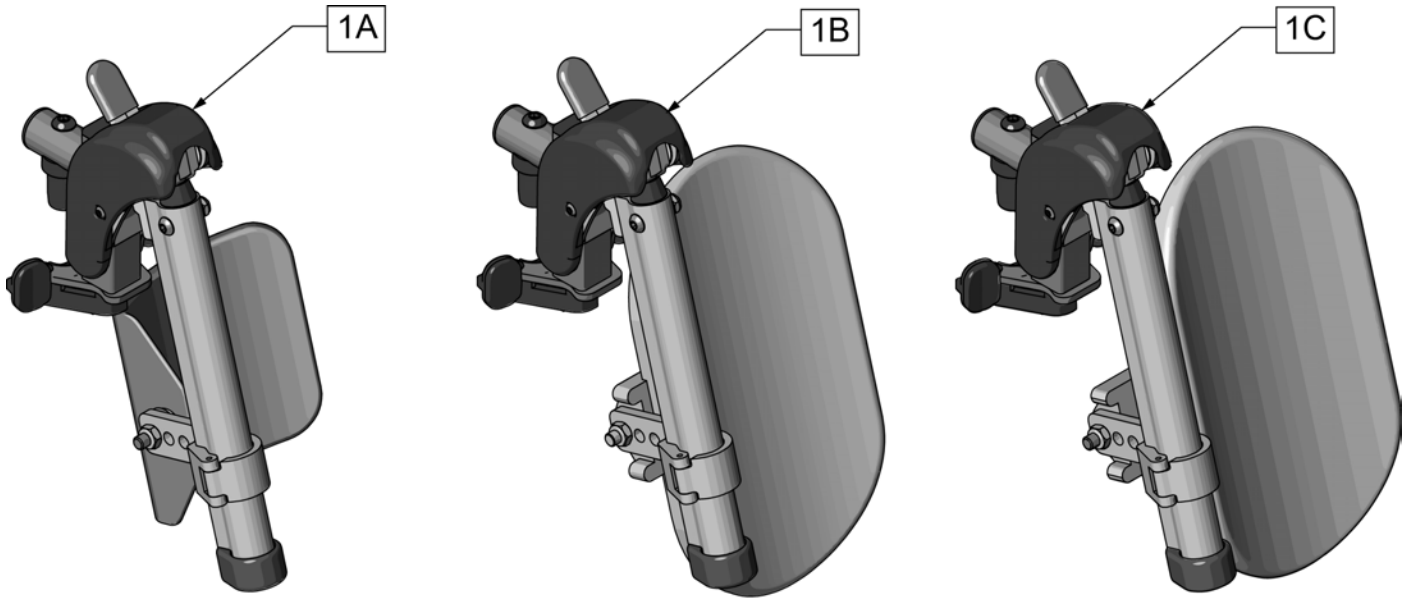


Pos.	Item Number	Description	Remarks
1A	562610	SLD FOOTPLATE ONLY 8" x 8" (10"-12" W)	10 -12" WIDE
1B	562612	SLD FOOTPLATE ONLY 10" x 8" (13"-14" W)	13 -14" WIDE
1C	500709	SLD FT PLT ALUM ONLY 12" x 8" (15"-16" W)	15 -16" WIDE
2	106933	NUT NYLOCK THIN 1/4-20 ROHS	
3	330120	SLD FT/ANGLE ADJ DOUBLE T BOLT	
4	550444	SOLID FOOT/ANG ADJ CLAMP BLK	
5	107028	BHCS 1/4-28 X 1-1/2 ROHS	
7	561034	SHORT DOME PLUG	
8	483236	SOLID FOOT INSERT SADDLE BLK	
10	550658	CLAMP 1 1/4" THREADED BLK	
11	550657	CLAMP 1 1/4" RECESS FULL BLK	
12	107032	SHCS 1/4-28 X 1 ROHS	
9,13	880559	SOLID FOOT LOCK KNOB ASSEMBLY	
14	560402	3/4" ID NY-LINER	
15A	521621	SLD FOOT SUPPORT TUBE BLK 10"-12"	10 -12" WIDE

Pos.	Item Number	Description	Remarks
15B	521622	SLD FOOT SUPPORT TUBE BLK 13"-14"	13 -14" WIDE
15C	521624	SLD FOOT SUPPORT TUBE BLK 15"-16"	15 -16" WIDE
5-8	880183	SLD FT PLT PIVOT TUBE SUB-ASSM	
1A,2-14, 15A	921801	SLD FT PLT ASSEMBLY 8" x 8" (10"-12" W)	10 -12" WIDE
1B,2-14, 15B	921803	SOLID FOOTPLATE ASSEMBLY 10" x 8" (13"-14" W)	13 -14" WIDE
1C,2-14, 15C	921805	SOLID FOOTPLATE ASSEMBLY 12" x 8" (15"-16" W)	15 -16" WIDE
		Ship assembled part #	Use with multiple assemblies
	ASSY-HNG-FP	HANGER/FOOTPLATE ASSY REQUIRED	add with Hanger & Footplate kit

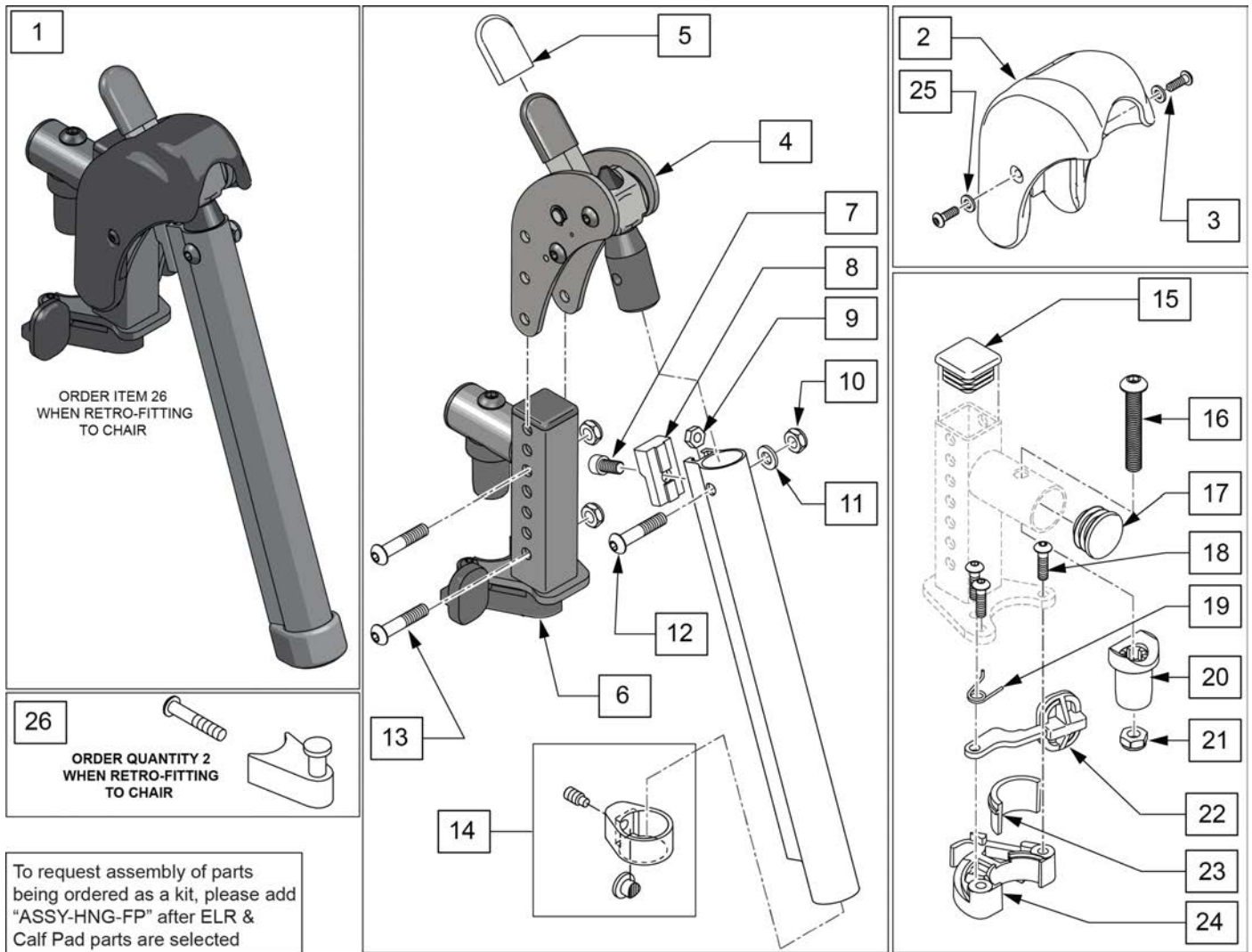


Pos.	Item Number	Description	Remarks
1	106935	NUT NYLOCK THIN 1/4 -28 ROHS	
2	106961	BHCS 1/4 -28 x 1 1/4 ROHS	
1-3	111505	2" FOOTREST EXTENSION TUBE W/ HDWR ASSM	2" EXT (PAIR)
1, 2, 4	111506	4" FOOTREST EXTENSION TUBE W/ HDWR ASSM	4" EXT (PAIR)
1, 2, 5	111507	6" FOOTREST EXTENSION TUBE W/ HDWR ASSM	6" EXT (PAIR)



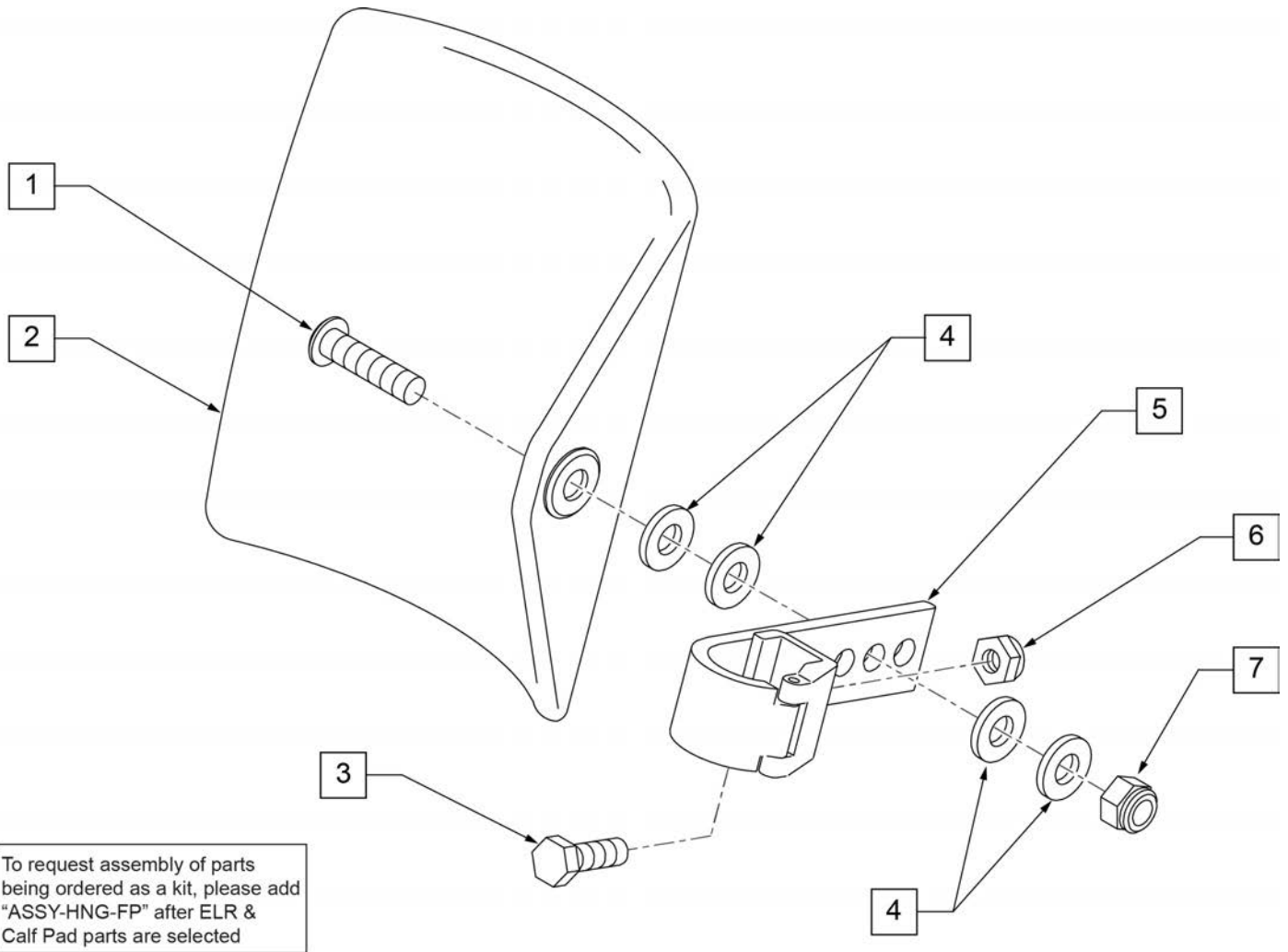
Pos.	Item Number	Description	Remarks
1A	131774S	HEMI ELR HNGR ASM 14-15 W/PAD	
1B	131775S	HEMI ELR HNGR ASM 16-17 W/PAD	
1C	131776S	HEMI ELR HNGR ASM 18-20 W/PAD	
2	107491	LATCH STUD KIT	order qty 2 when retro-fitting to chair
		Ship assembled part #	Use with multiple assemblies
	ASSY-HNG-FP	HANGER/FOOTPLATE ASSY REQUIRED	add with Hanger & Footplate kit

Note: When retrofitting existing chair with S/A Legrests please order Qty 2 of p/n 107491.(Item 26)

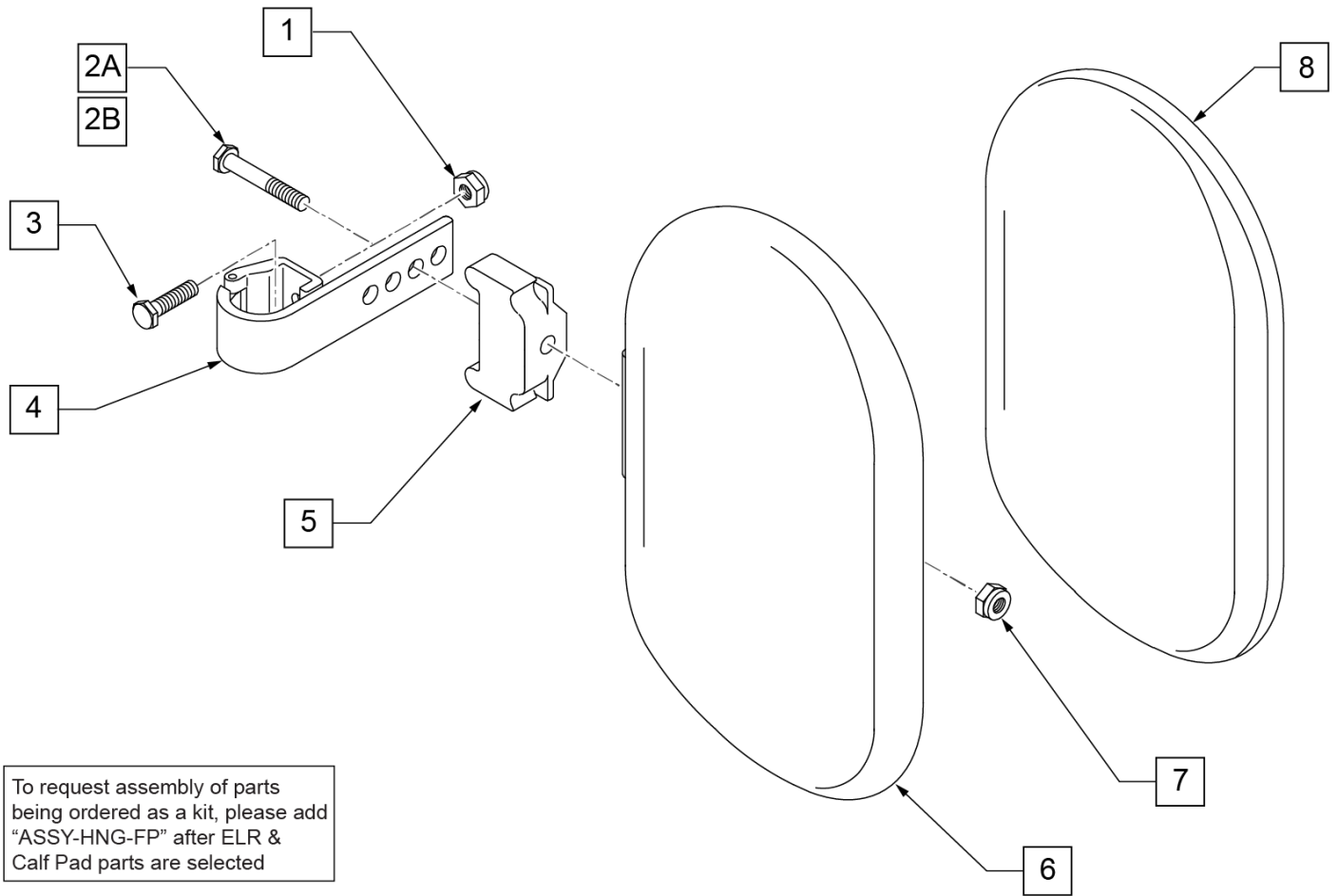


Pos.	Item Number	Description	Remarks
1	129638S	EXTENSION MOUNT ELR KIT R	Right-order item 26 when retro-fitting to chair
1	129639S	EXTENSION MOUNT ELR KIT L	Left-order item 26 when retro-fitting to chair
1	129637S	EXTENSION MOUNT ELR PAIR KIT	Pair-order item 26 when retro-fitting to chair
2,3,25	129640	ELR SHROUD KIT	Kit w/ 2 screws
3	127135	BHCS 8-32 X 1/2 BLK	
4	126992	HEMI ELR SUB ASSM	
5	560501	ALR REL LEVER COVER	
6	127114	HEMI RECEIVER ASSM ELR ALR R	Right
6	127115	HEMI RECEIVER ASSM ELR ALR L	Left
7	107350	SHCS 1/4-28 x 1/2	
8	127129	ANGLE STOP ELR	
9	107249	NUT HEX THIN 1/4-28	
10	106935	1/4-28 NYLOCK NUT THIN BLK ZN	
11	104414	WAVE WASHER 6 MM	

Pos.	Item Number	Description	Remarks
12	106961	BHCS 1/4 -28 x 1 1/4 ROHS	
13	108623	BHCS 1/4-28 x 1-1/2	
14	119495	EXTENSION CLAMP KIT	
15	010615	SQUARE END CAP CNTR LEG	
16	226217	5/16-18 X 2" BH C/S BLK	
17	561062	1" INSERT PLUG .065 RIBS	
18	226057	BHCS 10-24 X .725 PL	
20	561197	PLASTIC PIVOT SADDLE	
21	202102	5/16-18 NYLOCK NUT THIN	
23,24	881500	LATCH BLOCK ASSM R	Right
23,24	881501	LATCH BLOCK ASSM L	Left
25	113282	WASHER FLAT AN #10 ROHS	
18,19,22-24	881521	S/A LATCH KIT CASTING RIGHT	Right
18,19,22-24	881522	S/A LATCH KIT CASTING LEFT	Left
26	107491	LATCH STUD KIT	order qty 2 when retro-fitting to chair
		Ship assembled part #	Use with multiple assemblies
	ASSY-HNG-FP	HANGER/FOOTPLATE ASSY REQUIRED	add with Hanger & Footplate kit



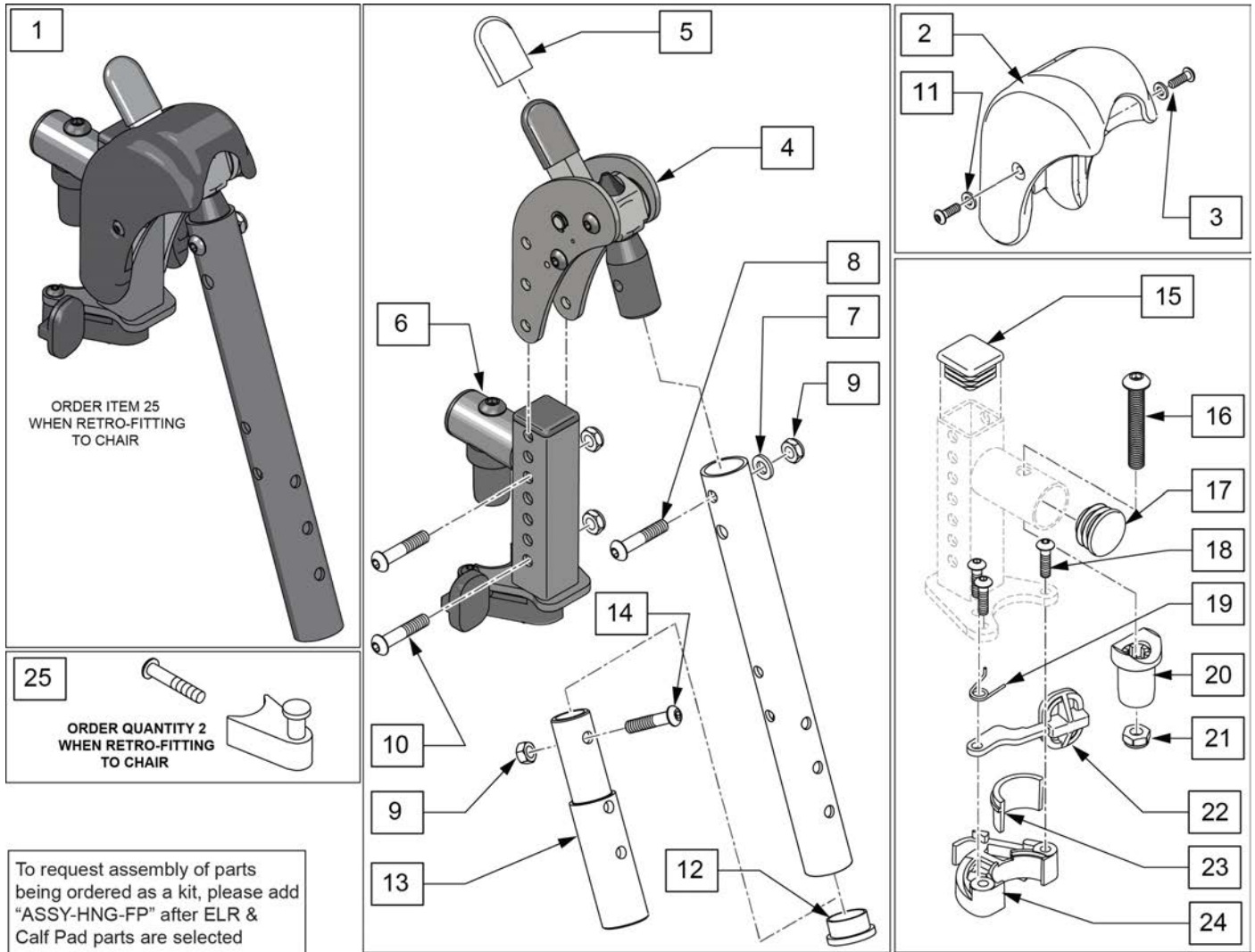
Pos.	Item Number	Description	Remarks
1	106980	BHCS 5/16-18 X 1-1/4 ROHS	
2	755014	CALF PAD TROUGH STYLE 14"/16"	
3	221097	1/4-28 X 5/8 HEX C/S BZ	
4	561016	1" WASHER 5/16" HOLE	
5	881413	CALF PAD BRACKET ASSEMBLY	
6	106934	NUT NYLOCK 1/4-28 ROHS	
7	106937	NUT NYLOCK THIN 5/16-18	
1-7	881414	CALF PAD J-HOOK 14"-15" ASSEMBLY	
		Ship assembled part #	Use with multiple assemblies
	ASSY-HNG-FP	HANGER/FOOTPLATE ASSY REQUIRED	add with Hanger & Footplate kit



To request assembly of parts being ordered as a kit, please add "ASSY-HNG-FP" after ELR & Calf Pad parts are selected

Pos.	Item Number	Description	Remarks
1	106934	NUT NYLOCK 1/4-28 ROHS	
2A	107018	HHCS 5/16-18 X 2-1/2 ROHS	16"-17" wide only
2B	107019	HHCS 5/16-18 X 3-1/2 ROHS	18"-20" wide only
3	107013	HHCS 1/4-28 X 5/8 ROHS	
4	881413	CALF PAD BRACKET ASSEMBLY	
5	560199	ELR CALF HINGE SPACER	18"-20" wide only
6	560108	CALF PAD MOLDED 16"-20"	
7	106936	NUT NYLOCK 5/16-18 ROHS	
8	751045	CALF PAD COVER	
1,2A,3,4,6-8	881416	CALF MOLDED 16"-17" ASSEMBLY	
1,2B,3-7,8	881412	CALF PAD MOLDED 18"-20" ASSEMBLY	
		Ship assembled part #	Use with multiple assemblies
	ASSY-HNG-FP	HANGER/FOOTPLATE ASSY REQUIRED	add with Hanger & Footplate kit

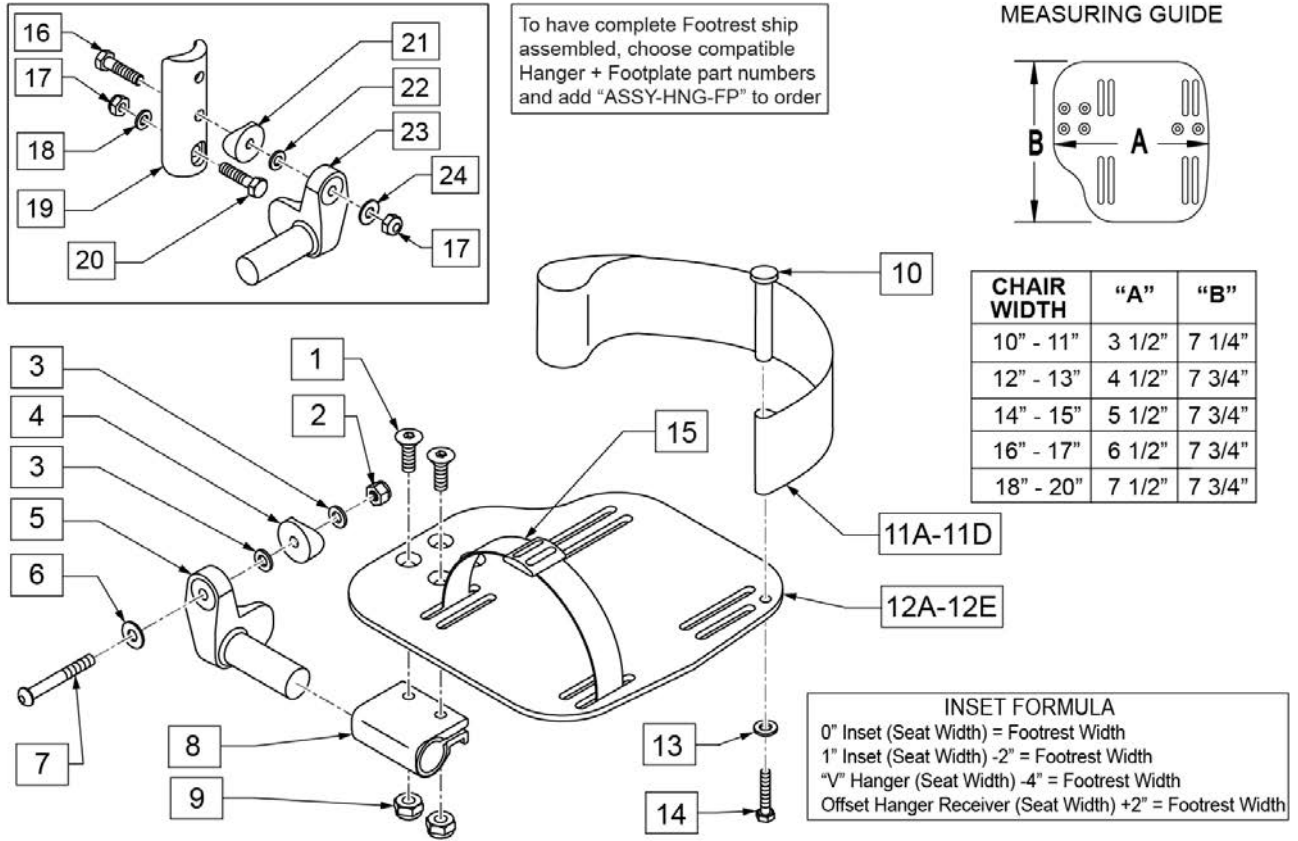
Note: When retrofitting ELR to a chair with S/A Hangers please order Qty 2 of p/n 107491(Item 25).



Pos.	Item Number	Description	Remarks
1	129635S	DIRECT MOUNT ELR KIT R	Right-order item 25 when retro-fitting to chair
1	129636S	DIRECT MOUNT ELR KIT L	Left-order item 25 when retro-fitting to chair
1	129634S	DIRECT MOUNT ELR PAIR KIT	Pair-order item 25 when retro-fitting to chair
2,3,25	129640	ELR SHROUD KIT	Kit w/ 2 screws
3	127135	BHCS 8-32 X 1/2 BLK	
4	126992	HEMI ELR SUB ASSM	
5	560501	ALR REL LEVER COVER	
6	127114	HEMI RECEIVER ASSM ELR ALR R	Right
6	127115	HEMI RECEIVER ASSM ELR ALR L	Left
7	104414	WAVE WASHER 6 MM	
8	106961	BHCS 1/4 -28 x 1 1/4 ROHS	
9	106935	1/4-28 NYLOCK NUT THIN BLK ZN	
10	108623	BHCS 1/4-28 x 1-1/2	
11	113282	WASHER FLAT AN #10 ROHS	

Pos.	Item Number	Description	Remarks
12	561002	1" INSERT PLUG .083	
13	500150	2" FOOTREST EXT TUBE	
14	106961	1/4-28 x 1 1/4 BH C/S	
15	010615	SQUARE END CAP CNTR LEG	
17	561062	1" INSERT PLUG .065 RIBS	
18	226057	BHCS 10-24 X .725 PL	
16,17,20,21	119518	PIVOT SADDLE KIT	
23,24	881500	LATCH BLOCK ASSM R	Right
23,24	881501	LATCH BLOCK ASSM L	Left
18,19,22-24	881521	S/A LATCH KIT CASTING RIGHT	Right
18,19,22-24	881522	S/A LATCH KIT CASTING LEFT	Left
25	107491	LATCH STUD KIT	order qty 2 when retro-fitting to chair
		Ship assembled part #	Use with multiple assemblies
	ASSY-HNG-FP	HANGER/FOOTPLATE ASSY REQUESTED	add with Hanger & Footplate kit

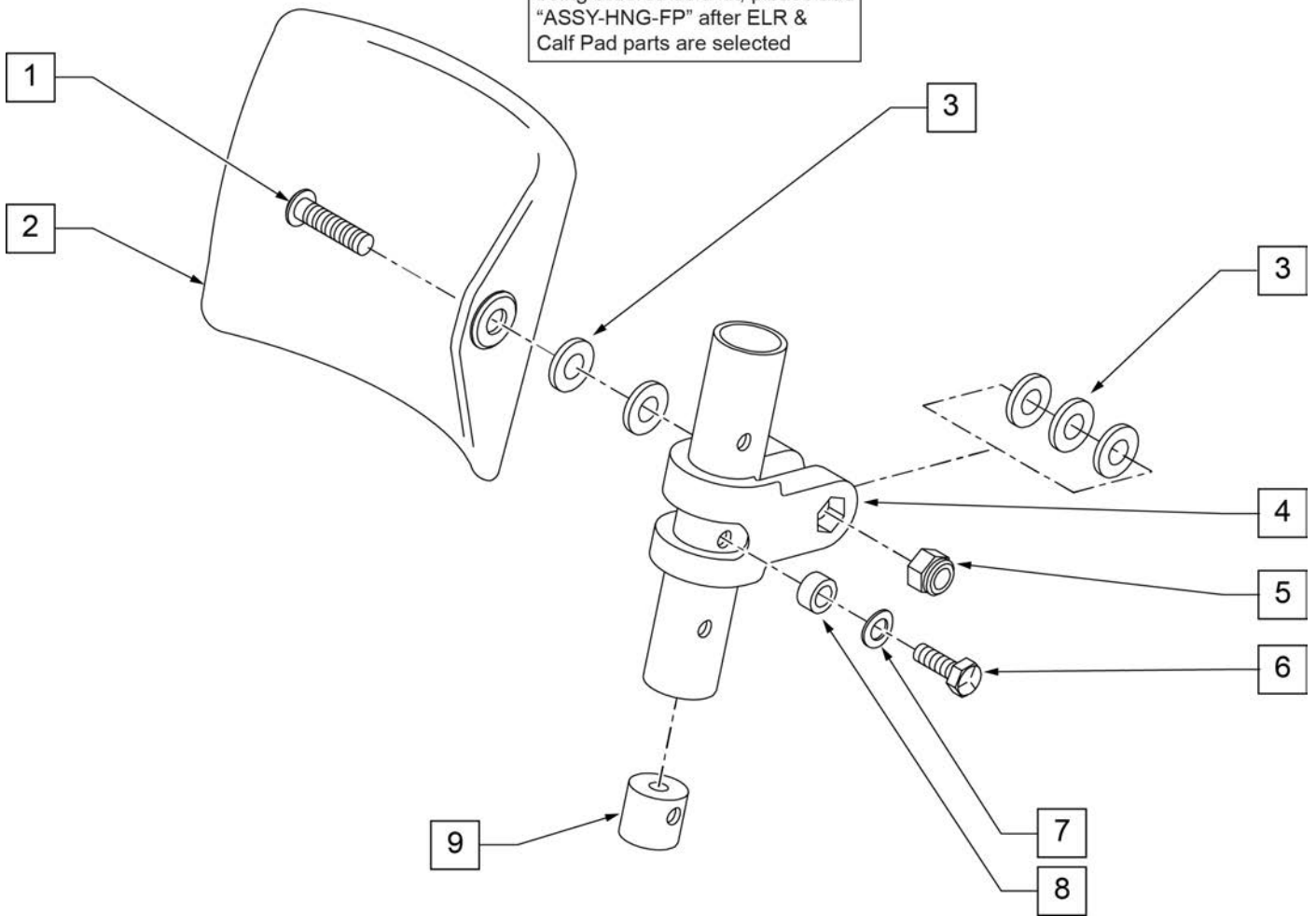
Note: for QX Series or SR45 footplate replacement parts see the ordering guide marked specifically for these two models in the informations panel.



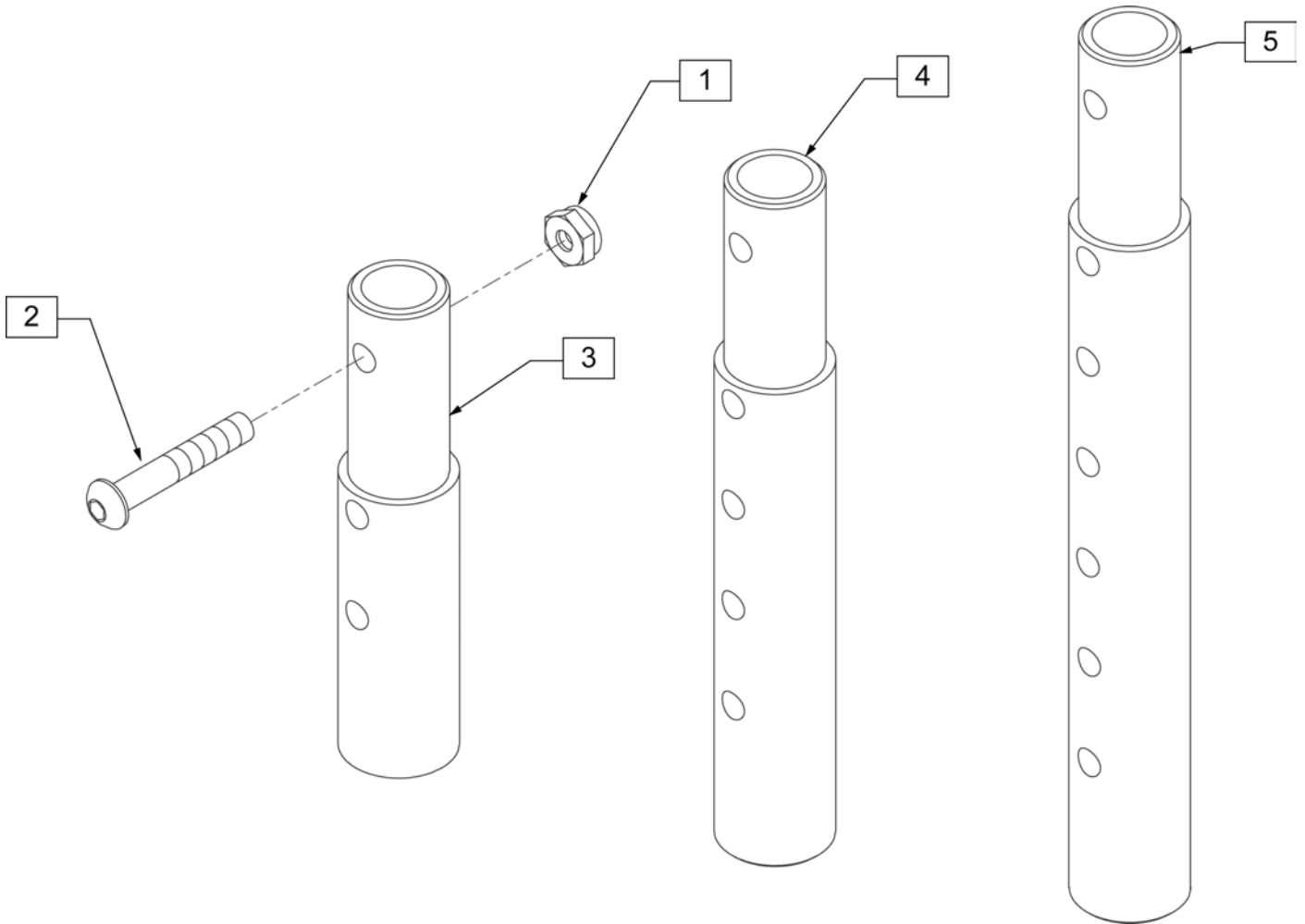
Pos.	Item Number	Description	Remarks
1	106978	FHCS 1/4-28 X 7/8	
2	106934	NUT NYLOCK 1/4-28	
3	106944	WASHER FLAT THIN AN 1/4	
4	561004	Q2 SADDLE	
5	541000	FTRST MOUNTING BRKT 1/2" RAD R	Right
5	541001	FTRST MOUNTING BRKT 1/2" RAD L	Left
6	106945	WASHER FLAT SAE 1/4 ROHS	
7	106964	BHCS 1/4-28 X 2	
8	550350	3/4 CLMP ADJ FT PLT	
9	106935	NUT NYLOCK THIN 1/4-28 ROHS	
10	561040	HEEL LOOP PEG	
11A	104380-001	ADJ FOOTREST STRAP 14W	Used on 10"-13" wide
11B	104380-002	ADJ FOOTREST STRAP 15-16W	Used on 14"-15" wide
11C	104380-003	ADJ FOOTREST STRAP 17-18W	Used on 16"-17" wide
11D	104380-004	ADJ FOOTREST STRAP 19-20W	Used on 18"-20" wide
12A	500656	ADULT ANGL ADJ F/PLT 10/11	Right; 10"-11" wide
12A	500657	ADULT ANGL ADJ F/PLT 10/11	Left; 10"-11" wide

Pos.	Item Number	Description	Remarks
12B	500658	ADULT ANGL ADJ F/PLT 12/13	Right; 12"-13" wide
12B	500659	ADULT ANGL ADJ F/PLT 12/13	Left; 12"-13" wide
12C	500660	ADULT ANGL ADJ F/PLT 14/15	Right; 14"-15" wide
12C	500661	ADULT ANGL ADJ F/PLT 14/15	Left; 14"-15" wide
12D	500662	ADULT ANGL ADJ F/PLT 16/17	Right; 16"-17" wide
12D	500663	ADULT ANGL ADJ F/PLT 16/17	Left; 16"-17" wide
12E	500664	ADULT ANGL ADJ F/PLT 18-20	Right; 18"-22" wide
12E	500665	ADULT ANGL ADJ F/PLT 18-20	Left; 18"-22" wide
13	107383	WASHER FLAT M6 ROHS	
14	102268-001	HHCS M6 X 1 X 25	
15	740260	TOE-ANKLE STRAP ADJ ADULT FOOTPLATE	
16	102268-001	HHCS M6 X 1 X 25	
17	132626	NUT AUTOMATION M6 X 1	
18	107383	WASHER FLAT M6 ROHS	
20	118198	HHCS M6X1X40 PART NP	
21	561004	Q2 SADDLE	
22	106943	WASHER FLAT AN 1/4 ROHS	
24	106945	WASHER FLAT SAE 1/4 ROHS	
16-24	129764	AAA FRNT MNT ADAPTER KIT PR	Pair; fits both Kids & Adult Angle Adj Footplates
1,8-10,11A,12A,13,14	129765	AAA F/PLT KIT 10-11 RT	Right; used w/ 129764 on Plunger-Style Swing In/Out Hangers
1,8-10,11A,12A,13,14	129766	AAA F/PLT KIT 10-11 LFT	Left; used w/ 129764 on Plunger-Style Swing In/Out Hangers
1,8-10,11A,12B,13,14	129767	AAA F/PLT KIT 12-13 RT	Right; used w/ 129764 on Plunger-Style Swing In/Out Hangers
1,8-10,11A,12B,13,14	129768	AAA F/PLT KIT 12-13 LFT	Left; used w/ 129764 on Plunger-Style Swing In/Out Hangers
1,8-10,11B,12C,13,14	129769	AAA F/PLT KIT 14-15 RT	Right; used w/ 129764 on Plunger-Style Swing In/Out Hangers
1,8-10,11B,12C,13,14	129770	AAA F/PLT KIT 14-15 LFT	Left; used w/ 129764 on Plunger-Style Swing In/Out Hangers
1,8-10,11C,12D,13,14	129771	AAA F/PLT KIT 16-17 RT	Right; used w/ 129764 on Plunger-Style Swing In/Out Hangers
1,8-10,11C,12D,13,14	129772	AAA F/PLT KIT 16-17 LFT	Left; used w/ 129764 on Plunger-Style Swing In/Out Hangers
1,8-10,11D,12E,13,14	129773	AAA F/PLT KIT 18-20 RT	Right; used w/ 129764 on Plunger-Style Swing In/Out Hangers
1,8-10,11D,12E,13,14	129774	AAA F/PLT KIT 18-20 LFT	Left; used w/ 129764 on Plunger-Style Swing In/Out Hangers
1-10,11A,12B	111514	AAA FTPLT 90D 12/13" R	Right; used w/ Old-Style Latch Block Swing In/Out & S/A Hngrs
1-10,11A,12B	111515	AAA FTPLT 90D 12/13" L	Left; used w/ Old-Style Latch Block Swing IO & S/A Hngrs
1-10,11B,12C	111516	AAA FTPLT 90D 14/15" R	Right; used w/ Old-Style Latch Block Swing In/Out & S/A Hngrs
1-10,11B,12C	111517	AAA FTPLT 90D 14/15" L	Left; used w/ Old-Style Latch Block Swing IO & S/A Hngrs
1-10,11C,12D	111518	AAA FTPLT 90D 16/17" R	Right; used w/ Old-Style Latch Block Swing In/Out & S/A Hngrs
1-10,11C,12D	111519	AAA FTPLT 90D 16/17" L	Left; used w/ Old-Style Latch Block Swing IO & S/A Hngrs
1-10,11D,12E	111520	AAA FTPLT 90D 18/20" R	Right; used w/ Old-Style Latch Block Swing In/Out & S/A Hngrs
1-10,11D,12E	111521	AAA FTPLT 90D 18/20" L	Left; used w/ Old-Style Latch Block Swing IO & S/A Hngrs
		Ship assembled part #	Use with multiple assemblies
	ASSY-HNG-FP	HANGER/FOOTPLATE ASSY REQUIRED	add with Hanger & Footplate kit

To request assembly of parts being ordered as a kit, please add "ASSY-HNG-FP" after ELR & Calf Pad parts are selected

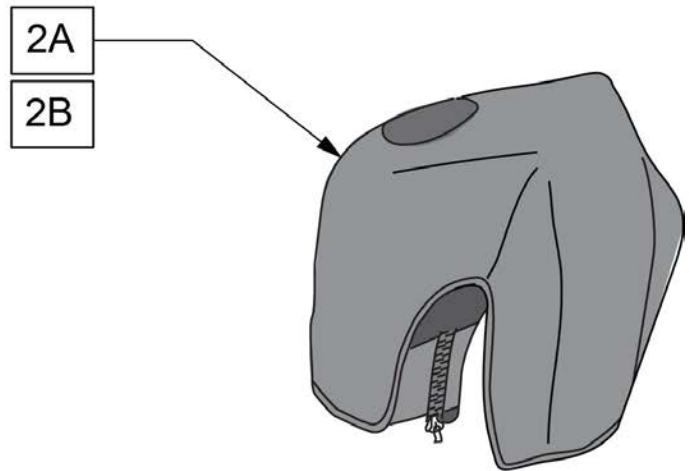
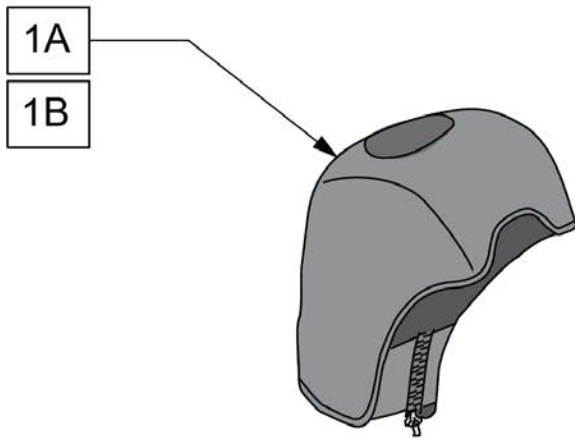


Pos.	Item Number	Description	Remarks
1	226217	5/16-18 x 2" BH C/S BLK	
2	755013	CALF PAD TROUGH STYLE KIDS	
3	561016	1" WASHER 5/16" HOLE	
4	561097	ELR ELEVATING TUBE CLAMP	
5	106937	5/16 -18 NYLOCK NUT THIN	
6	106958	HHCS 1/4-20 X 1 ROHS	
7	262130	6mm WASHER WAVE	
8	483027	1/4 x 1/4 ALUMINUM SPACER	
9	500151	KIDS ALR RETAINING PLUG	
1-9	880533	ELR TROUGH PAD ASSM KIDS	
		Ship assembled part #	Use with multiple assemblies
	ASSY-HNG-FP	HANGER/FOOTPLATE ASSY REQUIRED	add with Hanger & Footplate kit



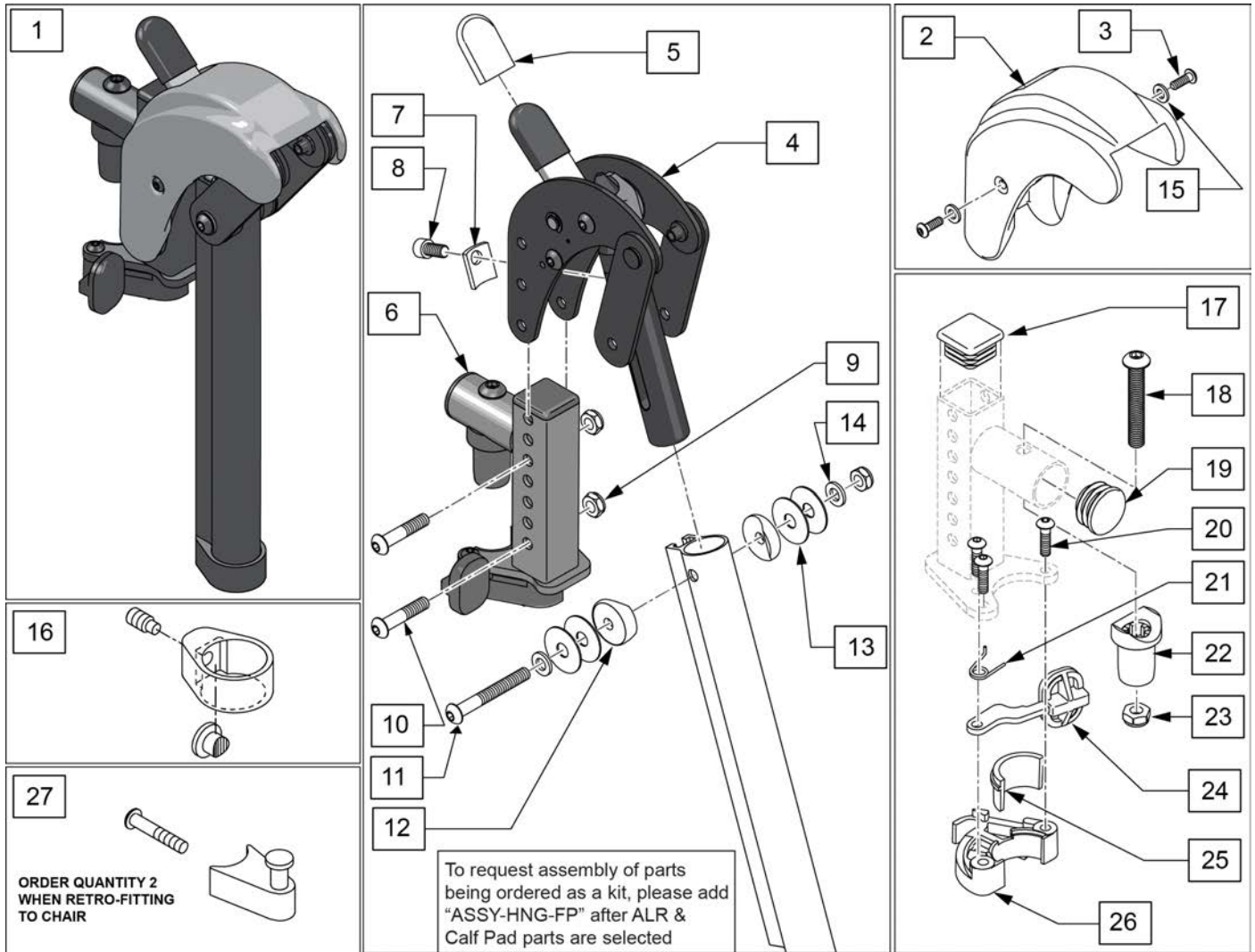
Pos.	Item Number	Description	Remarks
1	106935	NUT NYLOCK THIN 1/4 -28 ROHS	
2	106961	BHCS 1/4 -28 x 1 1/4 ROHS	
1-3	111505	2" FOOTREST EXTENSION TUBE W/ HDWR ASSM	2" EXT (PAIR)
1, 2, 4	111506	4" FOOTREST EXTENSION TUBE W/ HDWR ASSM	4" EXT (PAIR)
1, 2, 5	111507	6" FOOTREST EXTENSION TUBE W/ HDWR ASSM	6" EXT (PAIR)

Note: For installation instructions please see the informations section to the right of this parts page.



Pos.	Item Number	Description	Remarks
1A	163881	ELR NEOPRENE COVER PR	Pair
1B	163882	ELR GEL COVER PR	Pair
2A	163883	ALR NEOPRENE COVER PR	Pair
2B	163884	ALR GEL COVER PR	Pair

Note: When retrofitting ALR to a chair with S/A Hangers please order Qty 2 of p/n 107491 (Item 27).



Pos.	Item Number	Description	Remarks
1	129631S	ALR KIT R	Right-order item 27 when retro-fitting to chair
1	129632S	ALR KIT L	Left-order item 27 when retro-fitting to chair
1	129630S	ALR PAIR KIT	Pair-order item 27 when retro-fitting to chair
2,3,15	129633	ALR SHROUD KIT	1 side
3	127135	BHCS 8-32 X 1/2 BLK	
4	127153	HEMI ALR SUB ASSM	
5	560501	ALR REL LEVER COVER	
6	127114	HEMI RECEIVER ASSM ELR ALR R	Right
6	127115	HEMI RECEIVER ASSM ELR ALR L	Left
7	127129	ANGLE STOP ELR	
8	107350	SHCS 1/4-28 x 1/2	
9	106935	1/4-28 NYLOCK NUT THIN BLK ZN	
10	108623	BHCS 1/4-28 x 1-1/2	
11	106964	BHCS 1/4-28 X 2	

Pos.	Item Number	Description	Remarks
12	561086	1" HALF SADDLE 1/4" HOLE	
13	113268	WASHER NYLON 1IN OD X .312 ID	
14	106943	WASHER FLAT AN 1/4 ROHS	
15	113282	WASHER FLAT AN #10 ROHS	
16	119495	EXTENSION CLAMP KIT	
17	010615	SQUARE END CAP CNTR LEG	
18	226217	5/16-18 X 2" BH C/S BLK	
19	561062	1" INSERT PLUG .065 RIBS	
20	226057	BHCS 10-24 X .725 PL	
22	561197	PLASTIC PIVOT SADDLE	
23	202102	5/16-18 NYLOCK NUT THIN	
25,26	881500	LATCH BLOCK ASSM R	Right
25,26	881501	LATCH BLOCK ASSM L	Left
20,21,24-26	881521	S/A LATCH KIT CASTING RIGHT	Right
20,21,24-26	881522	S/A LATCH KIT CASTING LEFT	Left
27	107491	LATCH STUD KIT	order qty 2 when retro-fitting to chair
		Ship assembled part #	Use with multiple assemblies
	ASSY-HNG-FP	HANGER/FOOTPLATE ASSY REQUIRED	add with Hanger & Footplate kit

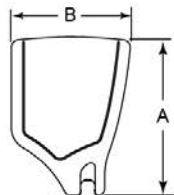
Note: Footplate Assemblies are set to footrest width; please see "Footplate Formula" table for seat width conversion.

Note: If using Short Ext Tube & Hemi Hanger with Composite Footplate use 1G (bent) .

Note: V Style Hangers are not available on Swing Away Style chairs effective 7/14/14; see the "Prior To" ordering guide for V Style footplate assemblies.

Note: see Informations Panel for appropriate ordering guide; for QX Series or SR45 footplate replacement parts see ordering guide marked specifically for these two models.

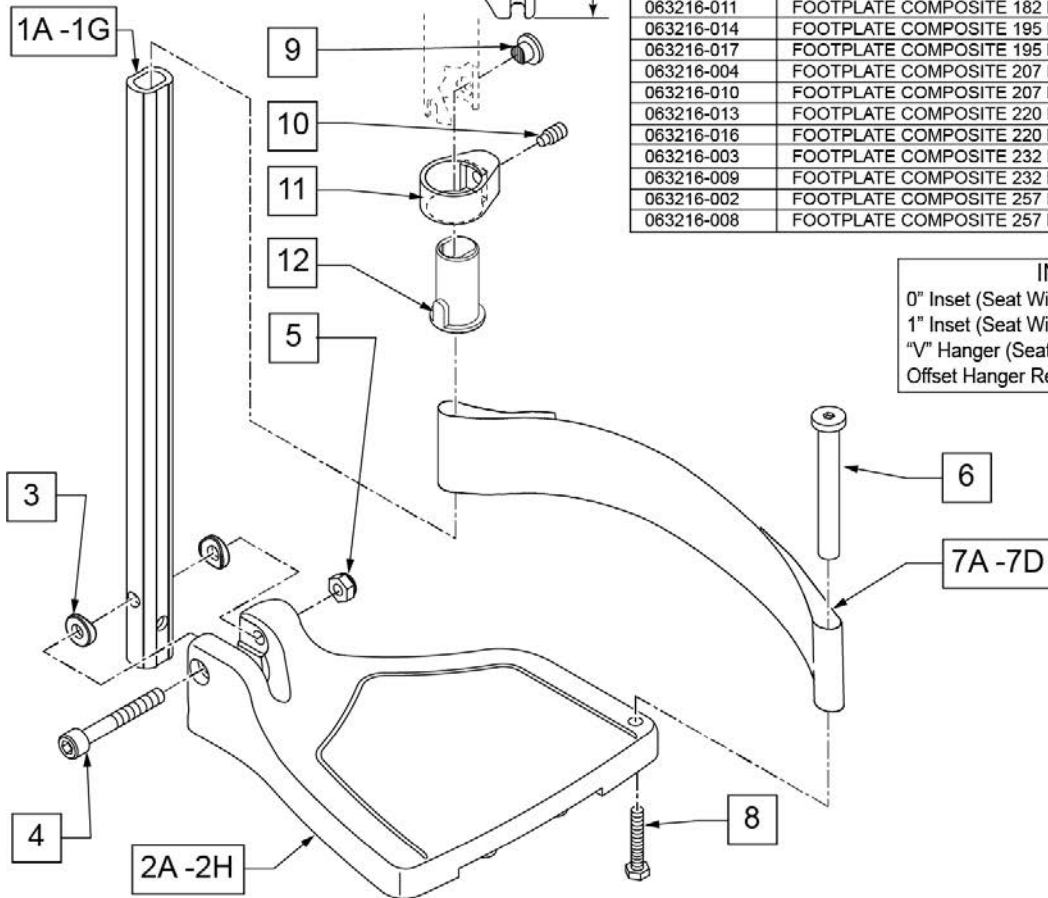
To have complete Footrest ship assembled, choose compatible Hanger + Footplate part numbers and add "ASSY-HNG-FP" to order



FOOTPLATE MEASURING GUIDE

PART NO	DESCRIPTION	"A"	"B"
063216-006	FOOTPLATE COMPOSITE 157 R (13"W)	6 1/8"	6"
063216-012	FOOTPLATE COMPOSITE 157 L (13"W)	6 1/8"	6"
063216-015	FOOTPLATE COMPOSITE 170 R (14"W)	6 5/8"	6"
063216-018	FOOTPLATE COMPOSITE 170 L (14"W)	6 5/8"	6"
063216-005	FOOTPLATE COMPOSITE 182 R (15"W)	7 1/8"	6"
063216-011	FOOTPLATE COMPOSITE 182 L (15"W)	7 1/8"	6"
063216-014	FOOTPLATE COMPOSITE 195 R (16"W)	7 5/8"	6"
063216-017	FOOTPLATE COMPOSITE 195 L (16"W)	7 5/8"	6"
063216-004	FOOTPLATE COMPOSITE 207 R (17"W)	8 1/8"	6"
063216-010	FOOTPLATE COMPOSITE 207 L (17"W)	8 1/8"	6"
063216-013	FOOTPLATE COMPOSITE 220 R (18"W)	8 5/8"	6 1/4"
063216-016	FOOTPLATE COMPOSITE 220 L (18"W)	8 5/8"	6 1/4"
063216-003	FOOTPLATE COMPOSITE 232 R (19-20"W)	9 1/8"	6 1/4"
063216-009	FOOTPLATE COMPOSITE 232 L (19-20"W)	9 1/8"	6 1/4"
063216-002	FOOTPLATE COMPOSITE 257 R (21-22"W)	10 1/8"	6 1/4"
063216-008	FOOTPLATE COMPOSITE 257 L (21-22"W)	10 1/8"	6 1/4"

INSET FORMULA
 0" Inset (Seat Width) = Footrest Width
 1" Inset (Seat Width) -2" = Footrest Width
 "V" Hanger (Seat Width) -4" = Footrest Width
 Offset Hanger Receiver (Seat Width) +2" = Footrest Width

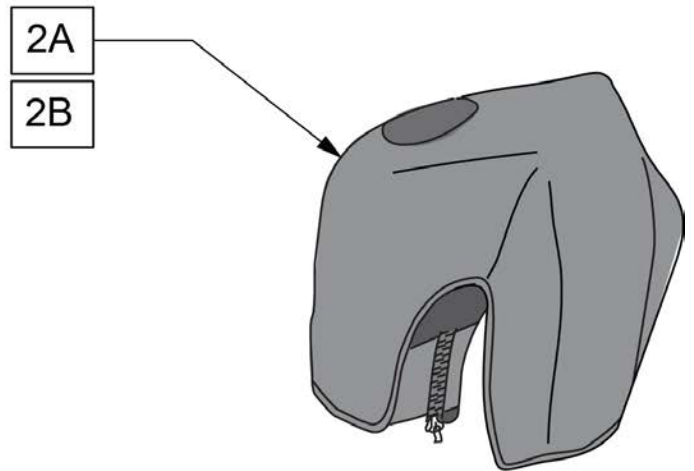
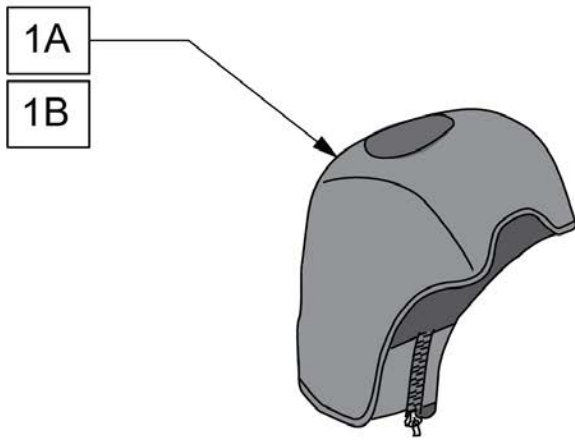


Pos.	Item Number	Description	Remarks
1A,3-5	120660	SHT STRT EXT COMP HDWR	80 deg hangers + ELR only
1B,3-5	120661	MED STRT EXT COMP HDWR	80 deg hangers + ELR only
1C,3-5	120662	LNG STRT EXT COMP HDWR	80 deg hangers + ELR only
1D,3-5	120663	SHT BNT EXT COMP HDWR	60,70,70 Hemi Hangers
1E,3-5	120664	MED BNT EXT COMP HDWR	60,70,70 Hemi Hangers
1F,3-5	120665	LNG BNT EXT COMP HDWR	60,70,70 Hemi Hangers
1G	128078	TUBE FOOTREST EXT SHT HEMI	use for Hemi Ext Tube option
2A	063216-006	COMPOSITE FOOTPLATE RIGHT	RIGHT 13" Footrest Width
2A	063216-012	COMPOSITE FOOTPLATE LEFT	LEFT 13" Footrest Width
2B	063216-015	FOOTPLATE COMPOSITE RIGHT	RIGHT 14" Footrest Width
2B	063216-018	FOOTPLATE COMPOSITE LEFT	LEFT 14" Footrest Width
2C	063216-005	COMPOSITE FOOTPLATE RIGHT	RIGHT 15" Footrest Width
2C	063216-011	COMPOSITE FOOTPLATE LEFT	LEFT 15" Footrest Width
2D	063216-014	FOOTPLATE COMPOSITE RIGHT	RIGHT 16" Footrest Width
2D	063216-017	FOOTPLATE COMPOSITE LEFT	LEFT 16" Footrest Width
2E	063216-004	COMPOSITE FOOTPLATE RIGHT	RIGHT 17" Footrest Width
2E	063216-010	COMPOSITE FOOTPLATE LEFT	LEFT 17" Footrest Width
2F	063216-013	FOOTPLATE COMPOSITE RIGHT	RIGHT 18" Footrest Width
2F	063216-016	FOOTPLATE COMPOSITE LEFT	LEFT 18" Footrest Width
2G	063216-003	COMPOSITE FOOTPLATE RIGHT	RIGHT 19" & 20" Footrest Width
2G	063216-009	COMPOSITE FOOTPLATE LEFT	LEFT 19" & 20" Footrest Width
2H	063216-002	FOOTPLATE COMPOSITE RIGHT	RIGHT 21" & 22" Footrest Width
2H	063216-008	FOOTPLATE COMPOSITE LEFT	LEFT 21" & 22" Footrest Width
3	104377	3/4" SADDLE THIN	
4	103175	SHCS M6 X 1 X 40 INORG	
5	132626	NUT AUTOMATION M6 X 1.0	Inserted in bottom of footplate.
6	104328	HEEL LOOP PEG	
7A	104380-001	ADJUSTABLE FOOT REST STRAP	14" wide
7B	104380-002	ADJUSTABLE FOOT REST STRAP	15-16" wide
7C	104380-003	ADJUSTABLE FOOT REST STRAP	17-18" wide
7D	104380-004	ADJUSTABLE FOOT REST STRAP	19-22" wide
8	102268-001	HHCS M6 X 1 X 25	
12	104160	BUSHING FOOTREST	
9-12	107485	FOOTREST CLAMP ASSM	
>>>>		80 DEGREE HANGERS - SHORT EXT - RIGHT	
1A,2A,3-6,7A,8	107704	COMP STRT SHT EXT ASM 13"W R	Right- 80D- 13" W- SHORT
1A,2B,3-6,7A,8	107705	COMP STRT SHT EXT ASM 14"W R	Right- 80D- 14" W- SHORT
1A,2C,3-6,7B,8	107706	COMP STRT SHT EXT ASM 15"W R	Right- 80D- 15" W- SHORT
1A,2D,3-6,7B,8	107707	COMP STRT SHT EXT ASM 16"W R	Right- 80D- 16" W- SHORT
1A,2E,3-6,7C,8	107708	COMP STRT SHT EXT ASM 17"W R	Right- 80D- 17" W- SHORT
1A,2F,3-6,7C,8	107709	COMP STRT SHT EXT ASM 18"W R	Right- 80D- 18" W- SHORT
1A,2G,3-6,7D,8	107710	COMP STRT SHT EXT ASM 19 & 20"W R	Right- 80D- 19 & 20" W- SHORT
1A,2H,3-6,7D,8	111522	COMP STRT SHT EXT ASM 21 & 22"W R	Right- 80D- 21 & 22" W- SHORT
>>>>		80 DEGREE HANGERS - SHORT EXT - LEFT	
1A,2A,3-6,7A,8	107711	COMP STRT SHT EXT ASM 13"W L	LEFT- 80D- 13" W- SHORT
1A,2B,3-6,7A,8	107712	COMP STRT SHT EXT ASM 14"W L	LEFT- 80D- 14" W- SHORT
1A,2C,3-6,7B,8	107713	COMP STRT SHT EXT ASM 15"W L	LEFT- 80D- 15" W- SHORT
1A,2D,3-6,7B,8	107714	COMP STRT SHT EXT ASM 16"W L	LEFT- 80D- 16" W- SHORT
1A,2E,3-6,7C,8	107715	COMP STRT SHT EXT ASM 17"W L	LEFT- 80D- 17" W- SHORT
1A,2F,3-6,7C,8	107716	COMP STRT SHT EXT ASM 18"W L	LEFT- 80D- 18" W- SHORT
1A,2G,3-6,7D,8	107717	COMP STRT SHT EXT ASM 19 & 20"W L	LEFT- 80D- 19 & 20" W- SHORT
1A,2H,3-6,7D,8	111523	COMP STRT SHT EXT ASM 21 & 22"W L	LEFT- 80D- 21 & 22" W- SHORT
>>>>		80 DEGREE HANGERS - MED EXT - RIGHT	
1B,2A,3-6,7A,8	107718	COMP STRT MED EXT ASM 13"W R	Right- 80D- 13" W- MED
1B,2B,3-6,7A,8	107719	COMP STRT MED EXT ASM 14"W R	Right- 80D- 14" W- MED
1B,2C,3-6,7B,8	107720	COMP STRT MED EXT ASM 15"W R	Right- 80D- 15" W- MED

Pos.	Item Number	Description	Remarks
1B,2D,3-6,7B,8	107721	COMP STRT MED EXT ASM 16"W R	Right- 80D- 16" W- MED
1B,2E,3-6,7C,8	107722	COMP STRT MED EXT ASM 17"W R	Right- 80D- 17" W- MED
1B,2F,3-6,7C,8	107723	COMP STRT MED EXT ASM 18"W R	Right- 80D- 18" W- MED
1B,2G,3-6,7D,8	107724	COMP STRT MED EXT ASM 19 & 20"W R	Right- 80D- 19 & 20" W- MED
1B,2H,3-6,7D,8	111524	COMP STRT MED EXT ASM 21 & 22"W R	Right- 80D- 21 & 22" W- MED
>>>>		80 DEGREE HANGERS - MED EXT - LEFT	
1B,2A,3-6,7A,8	107725	COMP STRT MED EXT ASM 13"W L	LEFT- 80D- 13" W- MED
1B,2B,3-6,7A,8	107726	COMP STRT MED EXT ASM 14"W L	LEFT- 80D- 14" W- MED
1B,2C,3-6,7B,8	107727	COMP STRT MED EXT ASM 15"W L	LEFT- 80D- 15" W- MED
1B,2D,3-6,7B,8	107728	COMP STRT MED EXT ASM 16"W L	LEFT- 80D- 16" W- MED
1B,2E,3-6,7C,8	107729	COMP STRT MED EXT ASM 17"W L	LEFT- 80D- 17" W- MED
1B,2F,3-6,7C,8	107730	COMP STRT MED EXT ASM 18"W L	LEFT- 80D- 18" W- MED
1B,2G,3-6,7D,8	107731	COMP STRT MED EXT ASM 19 & 20"W L	LEFT- 80D- 19 & 20" W- MED
1B,2H,3-6,7D,8	111525	COMP STRT MED EXT ASM 21 & 22"W L	LEFT- 80D- 21 & 22" W- MED
>>>>		80 DEGREE HANGERS - LONG EXT - RIGHT	
1C,2A,3-6,7A,8	107732	COMP STRT LONG EXT ASM 13"W R	Right- 80D- 13" W- LONG
1C,2B,3-6,7A,8	107733	COMP STRT LONG EXT ASM 14"W R	Right- 80D- 14" W- LONG
1C,2C,3-6,7B,8	107734	COMP STRT LONG EXT ASM 15"W R	Right- 80D- 15" W- LONG
1C,2D,3-6,7B,8	107735	COMP STRT LONG EXT ASM 16"W R	Right- 80D- 16" W- LONG
1C,2E,3-6,7C,8	107736	COMP STRT LONG EXT ASM 17"W R	Right- 80D- 17" W- LONG
1C,2F,3-6,7C,8	107737	COMP STRT LONG EXT ASM 18"W R	Right- 80D- 18" W- LONG
1C,2G,3-6,7D,8	107738	COMP STRT LONG EXT ASM 19 & 20"W R	Right- 80D- 19 & 20" W- LONG
1C,2H,3-6,7D,8	111526	COMP STRT LONG EXT ASM 21 & 22"W R	Right- 80D- 21 & 22" W- LONG
>>>>		80 DEGREE HANGERS - LONG EXT - LEFT	
1C,2A,3-6,7A,8	107739	COMP STRT LONG EXT ASM 13"W L	LEFT- 80D- 13" W- LONG
1C,2B,3-6,7A,8	107740	COMP STRT LONG EXT ASM 14"W L	LEFT- 80D- 14" W- LONG
1C,2C,3-6,7B,8	107741	COMP STRT LONG EXT ASM 15"W L	LEFT- 80D- 15" W- LONG
1C,2D,3-6,7B,8	107742	COMP STRT LONG EXT ASM 16"W L	LEFT- 80D- 16" W- LONG
1C,2E,3-6,7C,8	107743	COMP STRT LONG EXT ASM 17"W L	LEFT- 80D- 17" W- LONG
1C,2F,3-6,7C,8	107744	COMP STRT LONG EXT ASM 18"W L	LEFT- 80D- 18" W- LONG
1C,2G,3-6,7D,8	107745	COMP STRT LONG EXT ASM 19 & 20"W L	LEFT- 80D- 19 & 20" W- LONG
1C,2H,3-6,7D,8	111527	COMP STRT LONG EXT ASM 21 & 22"W L	LEFT- 80D- 21 & 22" W- LONG
>>>>		60°,70° SHORT EXT - RIGHT	
1D,2A,3-6,7A,8	107746	COMP BNT SHT EXT ASM 13" W R	Right- 70D- 13" W- SHORT
1D,2B,3-6,7A,8	107747	COMP BNT SHT EXT ASM 14" W R	Right- 70D- 14" W- SHORT
1D,2C,3-6,7B,8	107748	COMP BNT SHT EXT ASM 15" W R	Right- 70D- 15" W- SHORT
1D,2D,3-6,7B,8	107749	COMP BNT SHT EXT ASM 16" W R	Right- 70D- 16" W- SHORT
1D,2E,3-6,7C,8	107750	COMP BNT SHT EXT ASM 17" W R	Right- 70D- 17" W- SHORT
1D,2F,3-6,7C,8	107751	COMP BNT SHT EXT ASM 18" W R	Right- 70D- 18" W- SHORT
1D,2G,3-6,7D,8	107752	COMP BNT SHT EXT ASM 19 & 20"W R	Right- 70D- 19 & 20" W- SHORT
1D,2H,3-6,7D,8	111528	COMP BNT SHT EXT ASM 21 & 22"W R	Right- 70D- 21 & 22" W- SHORT
>>>>		60°,70° - SHORT EXT - LEFT	
1D,2A,3-6,7A,8	107753	COMP BNT SHT EXT ASM 13" W L	Left- 70D- 13 W- SHORT
1D,2B,3-6,7A,8	107754	COMP BNT SHT EXT ASM 14" W L	Left- 70D- 14 W- SHORT
1D,2C,3-6,7B,8	107755	COMP BNT SHT EXT ASM 15" W L	Left- 70D- 15 W- SHORT
1D,2D,3-6,7B,8	107756	COMP BNT SHT EXT ASM 16" W L	Left- 70D- 16 W- SHORT
1D,2E,3-6,7C,8	107757	COMP BNT SHT EXT ASM 17" W L	Left- 70D- 17 W- SHORT
1D,2F,3-6,7C,8	107758	COMP BNT SHT EXT ASM 18" W L	Left- 70D- 18 W- SHORT
1D,2G,3-6,7D,8	107759	COMP BNT SHT EXT ASM 19 & 20"W L	Left- 70D- 19 & 20" W- SHORT
1D,2H,3-6,7D,8	111529	COMP BNT SHT EXT ASM 21 & 22"W L	Left- 70D- 21 & 22" W- SHORT
>>>>		60°,70°,60°&70° HEMI HANGERS - MED EXT - RIGHT	
1E,2A,3-6,7A,8	107760	COMP BNT MED EXT ASM 13" W R	Right- 70D- 13" W- MED
1E,2B,3-6,7A,8	107761	COMP BNT MED EXT ASM 14" W R	Right- 70D- 14" W- MED
1E,2C,3-6,7B,8	107762	COMP BNT MED EXT ASM 15" W R	Right- 70D- 15" W- MED
1E,2D,3-6,7B,8	107763	COMP BNT MED EXT ASM 16" W R	Right- 70D- 16" W- MED
1E,2E,3-6,7C,8	107764	COMP BNT MED EXT ASM 17" W R	Right- 70D- 17" W- MED

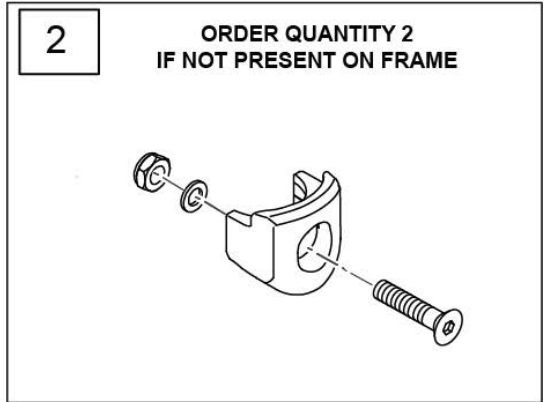
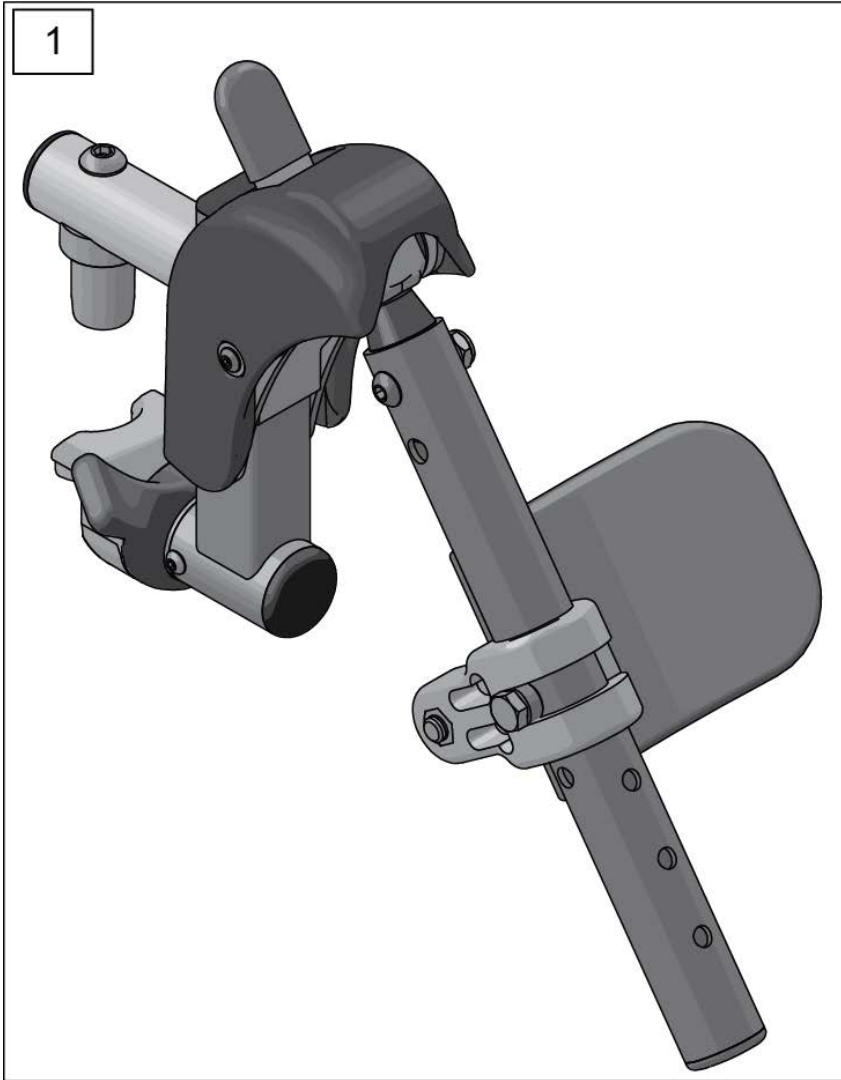
Pos.	Item Number	Description	Remarks
1E,2F,3-6,7C,8	107765	COMP BNT MED EXT ASM 18" W R	Right- 70D- 18" W- MED
1E,2G,3-6,7D,8	107766	COMP BNT MED EXT ASM 19 & 20"W R	Right- 70D- 19 & 20" W- MED
1E,2H,3-6,7D,8	111530	COMP BNT MED EXT ASM 21 & 22"W R	Right- 70D- 21 & 22" W- MED
>>>>		60°,70°,60°&70° HEMI HANGERS - MED EXT - LEFT	
1E,2A,3-6,7A,8	107767	COMP BNT MED EXT ASM 13" W L	Left- 70D- 13 W- MED
1E,2B,3-6,7A,8	107768	COMP BNT MED EXT ASM 14" W L	Left- 70D- 14 W- MED
1E,2C,3-6,7B,8	107769	COMP BNT MED EXT ASM 15" W L	Left- 70D- 15 W- MED
1E,2D,3-6,7B,8	107770	COMP BNT MED EXT ASM 16" W L	Left- 70D- 16 W- MED
1E,2E,3-6,7C,8	107771	COMP BNT MED EXT ASM 17" W L	Left- 70D- 17 W- MED
1E,2F,3-6,7C,8	107772	COMP BNT MED EXT ASM 18" W L	Left- 70D- 18 W- MED
1E,2G,3-6,7D,8	107773	COMP BNT MED EXT ASM 19 & 20"W L	Left- 70D- 19 & 20" W- MED
1E,2H,3-6,7D,8	111531	COMP BNT MED EXT ASM 21 & 22"W L	Left- 70D- 21 & 22" W- MED
>>>>		60°,70°,60°&70° HEMI HANGERS - LONG EXT - RIGHT	
1F,2A,3-6,7A,8	107774	COMP BNT LONG EXT ASM 13" W R	Right- 70D- 13" W- LONG
1F,2B,3-6,7A,8	107775	COMP BNT LONG EXT ASM 14" W R	Right- 70D- 14" W- LONG
1F,2C,3-6,7B,8	107776	COMP BNT LONG EXT ASM 15" W R	Right- 70D- 15" W- LONG
1F,2D,3-6,7B,8	107777	COMP BNT LONG EXT ASM 16" W R	Right- 70D- 16" W- LONG
1F,2E,3-6,7C,8	107778	COMP BNT LONG EXT ASM 17" W R	Right- 70D- 17" W- LONG
1F,2F,3-6,7C,8	107779	COMP BNT LONG EXT ASM 18" W R	Right- 70D- 18" W- LONG
1F,2G,3-6,7D,8	107780	COMP BNT LONG EXT ASM 19 & 20"W R	Right- 70D- 19 & 20" W- LONG
1F,2H,3-6,7D,8	111532	COMP BNT LONG EXT ASM 21 & 22"W R	Right- 70D- 21 & 22" W- LONG
>>>>		60°,70°,60°&70° HEMI HANGERS - LONG EXT - LEFT	
1F,2A,3-6,7A,8	107781	COMP BNT LONG EXT ASM 13" W L	Left- 70D- 13 W- LONG
1F,2B,3-6,7A,8	107782	COMP BNT LONG EXT ASM 14" W L	Left- 70D- 14 W- LONG
1F,2C,3-6,7B,8	107783	COMP BNT LONG EXT ASM 15" W L	Left- 70D- 15 W- LONG
1F,2D,3-6,7B,8	107784	COMP BNT LONG EXT ASM 16" W L	Left- 70D- 16 W- LONG
1F,2E,3-6,7C,8	107785	COMP BNT LONG EXT ASM 17" W L	Left- 70D- 17 W- LONG
1F,2F,3-6,7C,8	107786	COMP BNT LONG EXT ASM 18" W L	Left- 70D- 18 W- LONG
1F,2G,3-6,7D,8	107787	COMP BNT LONG EXT ASM 19 & 20"W L	Left- 70D- 19 & 20" W- LONG
1F,2H,3-6,7D,8	111533	COMP BNT LONG EXT ASM 21 & 22"W L	Left- 70D- 21 & 22" W- LONG
>>>>		60°&70° HEMI HANGER SHORT EXT- RIGHT	
1G,2A,3-6,7A,8	129724	CMP FT BNT KIT SHT HNGR 13W R	Right-Hemi-13W; add Ext behind the Hemi
1G,2B,3-6,7A,8	129726	CMP FT BNT KIT SHT HNGR 14W R	Right-Hemi-14W; add Ext behind the Hemi
1G,2C,3-6,7B,8	129728	CMP FT BNT KIT SHT HNGR 15W R	Right-Hemi-15W; add Ext behind the Hemi
1G,2D,3-6,7B,8	129730	CMP FT BNT KIT SHT HNGR 16W R	Right-Hemi-16W; add Ext behind the Hemi
1G,2E,3-6,7C,8	129732	CMP FT BNT KIT SHT HNGR 17W R	Right-Hemi-17W; add Ext behind the Hemi
1G,2F,3-6,7C,8	129734	CMP FT BNT KIT SHT HNGR 18W R	Right-Hemi-18W; add Ext behind the Hemi
1G,2G,3-6,7D,8	129736	CMP FT BNT KIT SHT HNGR 19-20W R	Right-Hemi-19-20W; add Ext behind the Hemi
1G,2H,3-6,7D,8	129738	CMP FT BNT KIT SHT HNGR 21-22W R	Right-Hemi-21-22W; add Ext behind the Hemi
>>>>		60°&70° HEMI HANGER SHORT EXT- LEFT	
1G,2A,3-6,7A,8	129725	CMP FT BNT KIT SHT HNGR 13W L	Left-Hemi-13W; add Ext behind the Hemi
1G,2B,3-6,7A,8	129727	CMP FT BNT KIT SHT HNGR 14W L	Left-Hemi-14W; add Ext behind the Hemi
1G,2C,3-6,7B,8	129729	CMP FT BNT KIT SHT HNGR 15W L	Left-Hemi-15W; add Ext behind the Hemi
1G,2D,3-6,7B,8	129731	CMP FT BNT KIT SHT HNGR 16W L	Left-Hemi-16W; add Ext behind the Hemi
1G,2E,3-6,7C,8	129733	CMP FT BNT KIT SHT HNGR 17W L	Left-Hemi-17W; add Ext behind the Hemi
1G,2F,3-6,7C,8	129735	CMP FT BNT KIT SHT HNGR 18W L	Left-Hemi-18W; add Ext behind the Hemi
1G,2G,3-6,7D,8	129737	CMP FT BNT KIT SHT HNGR 19-20W L	Left-Hemi-19-20W; add Ext behind the Hemi
1G,2H,3-6,7D,8	129739	CMP FT BNT KIT SHT HNGR 21-22W L	Left-Hemi-21-22W; add Ext behind the Hemi
		Ship assembled part #	Use with multiple assemblies
	ASSY-HNG-FP	HANGER/FOOTPLATE ASSY REQUIRED	add with Hanger & Footplate kit

Note: For installation instructions please see the informations section to the right of this parts page.



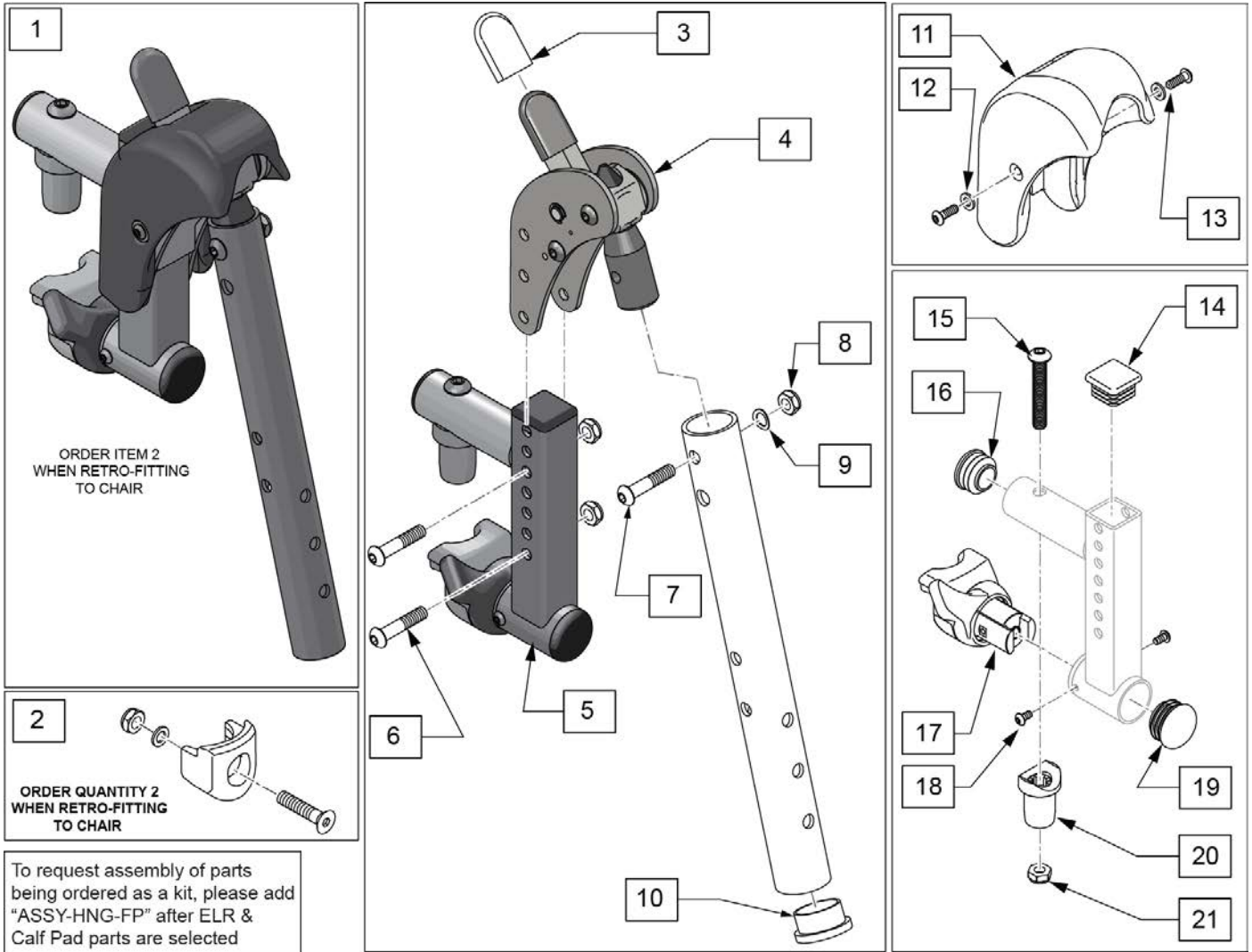
Pos.	Item Number	Description	Remarks
1A	163881	ELR NEOPRENE COVER PR	Pair
1B	163882	ELR GEL COVER PR	Pair
2A	163883	ALR NEOPRENE COVER PR	Pair
2B	163884	ALR GEL COVER PR	Pair

SWING IN-OUT FRONT MOUNT ELR RETRO KITS (PLUNGER STYLE) (EFFECTIVE 2/6/17) [1/17/2019]



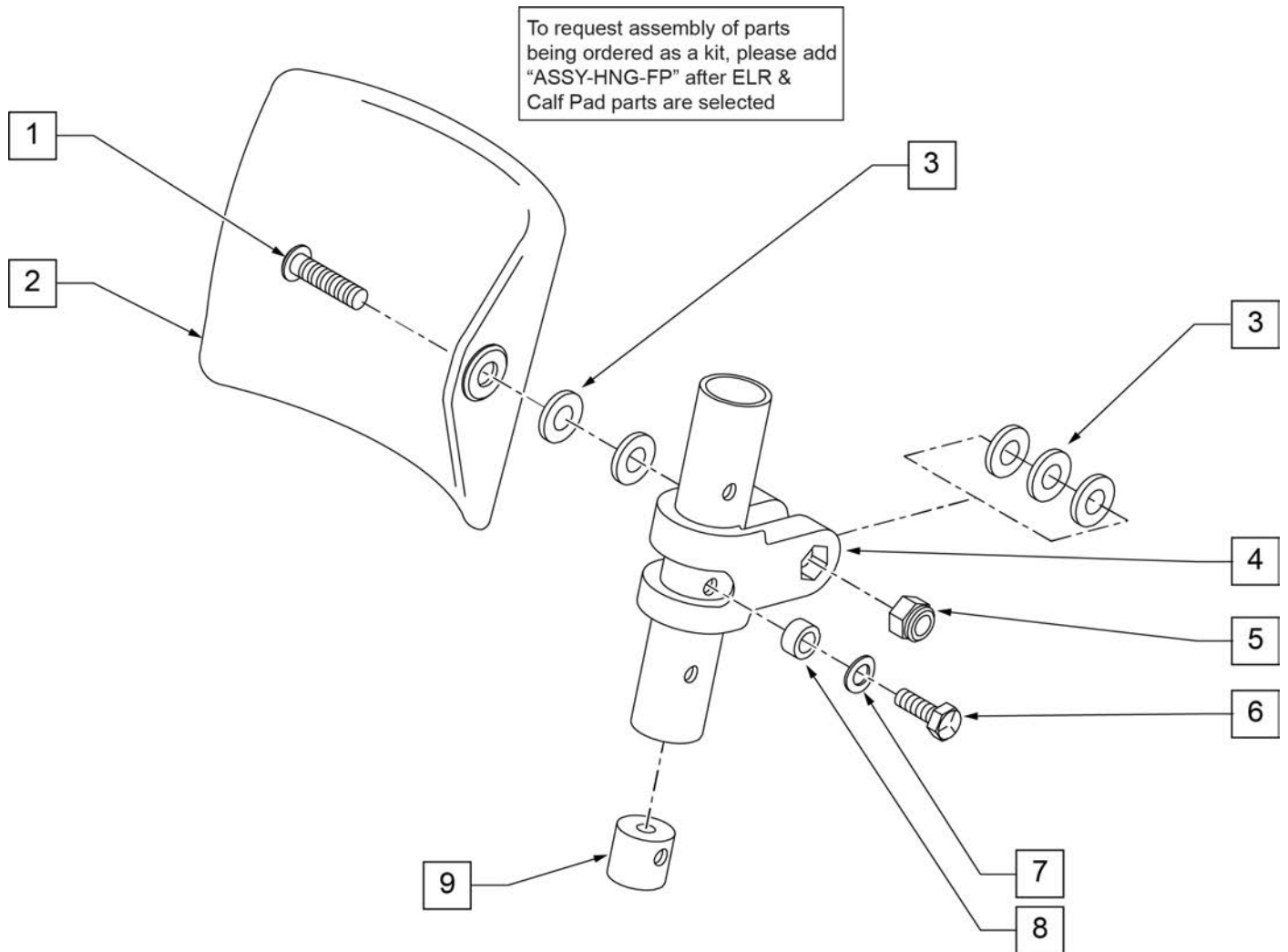
Pos.	Item Number	Description	Remarks
1	162048S	SWNG I/O ELR ASSM FM W/PAD	Kit includes both right & left sides with calf pads
2	119514	LATCH RECEIVER KIT	order qty 2 when retro-fitting to chair
		Ship assembled part #	Use with multiple assemblies
	ASSY-HNG-FP	HANGER/FOOTPLATE ASSY REQUIRED	add with Hanger & Footplate kit

2/2018 SWING IN-OUT FRONT MOUNT ELR REPLACEMENT PARTS (PLUNGER STYLE) (EFFECTIVE 2/6/17)

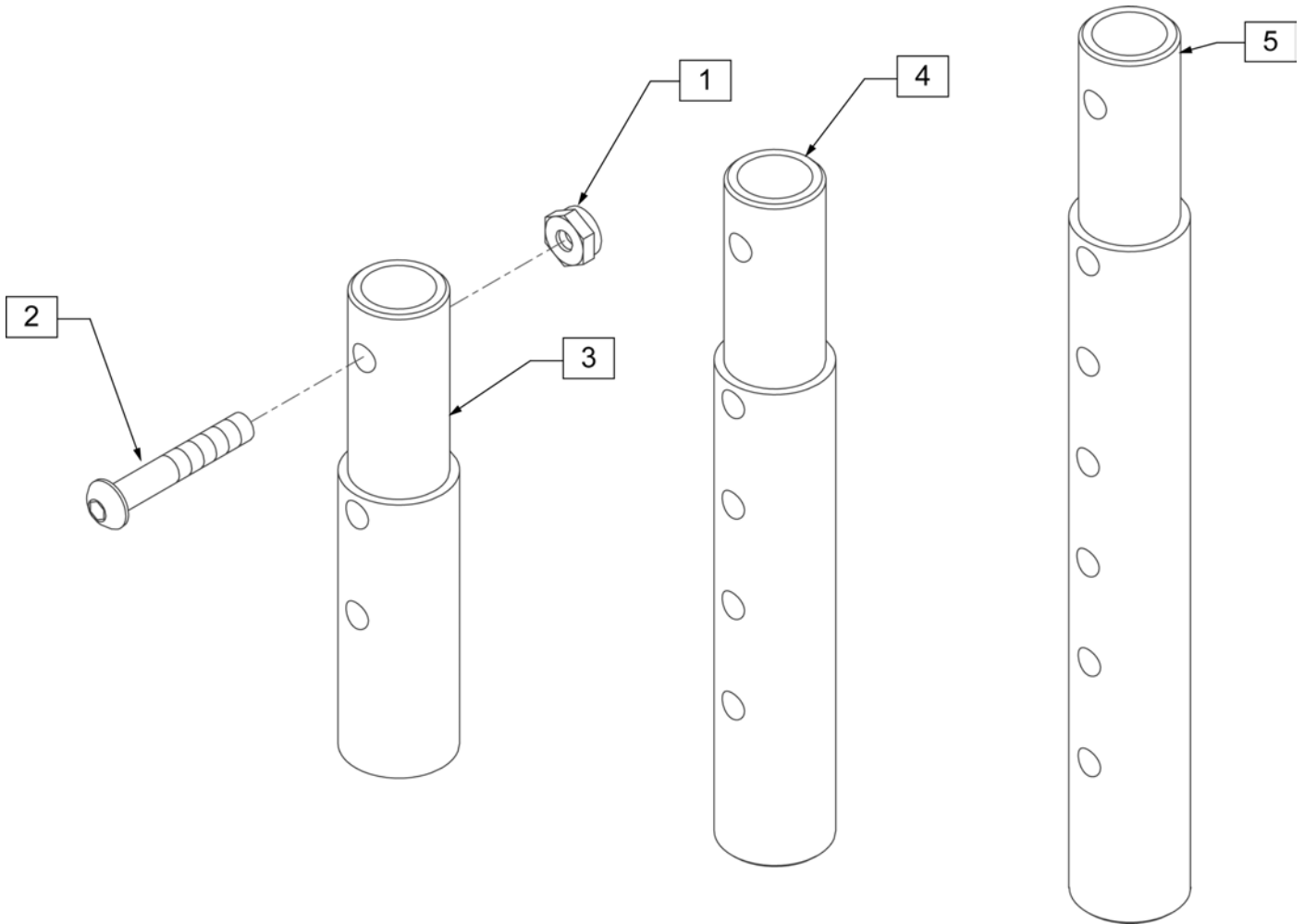


Pos.	Item Number	Description	Remarks
1	162049S	SWNG I/O ELR ASSM FM LH	Left
1	162050S	SWNG I/O ELR ASSM FM RH	Right
2	119514	LATCH RECEIVER KIT	order qty 2 when retro-fitting to chair
3	560501	ALR REL LEVER COVER	
4	126992	HEMI ELR SUB ASSM	
5	134188	RECEIVER ASSY ELR ALR RH	
5	134186	RECEIVER ASSY ELR ALR LH	
6	108623	BHCS 1/4-28 x 1-1/2	
7	106961	BHCS 1/4 -28 x 1 1/4 ROHS	
8	106935	1/4-28 NYLOCK NUT THIN BLK ZN	
9	104414	WAVE WASHER 6 MM	
10	561002	1" INSERT PLUG .083	
12	113282	WASHER FLAT AN #10 ROHS	
13	127135	BHCS 8-32 X 1/2 BLK	
11-13	129640	ELR SHROUD KIT	Kit w/ 2 screws
14	010615	SQUARE END CAP CNTR LEG	
15	226217	5/16-18 X 2" BH C/S BLK	
16	560110	ENDPLUG BACKREST TNT	

Pos.	Item Number	Description	Remarks
17,18	161243	ELR/ALR HANGER LATCH KIT LH	Left
17,18	161242	ELR/ALR HANGER LATCH KIT RH	Right
19	561062	1" INSERT PLUG .065 RIBS	
20	561197	PLASTIC PIVOT SADDLE	
21	202102	5/16-18 NYLOCK NUT THIN	
		Ship assembled part #	Use with multiple assemblies
	ASSY-HNG-FP	HANGER/FOOTPLATE ASSY REQUIRED	add with Hanger & Footplate kit



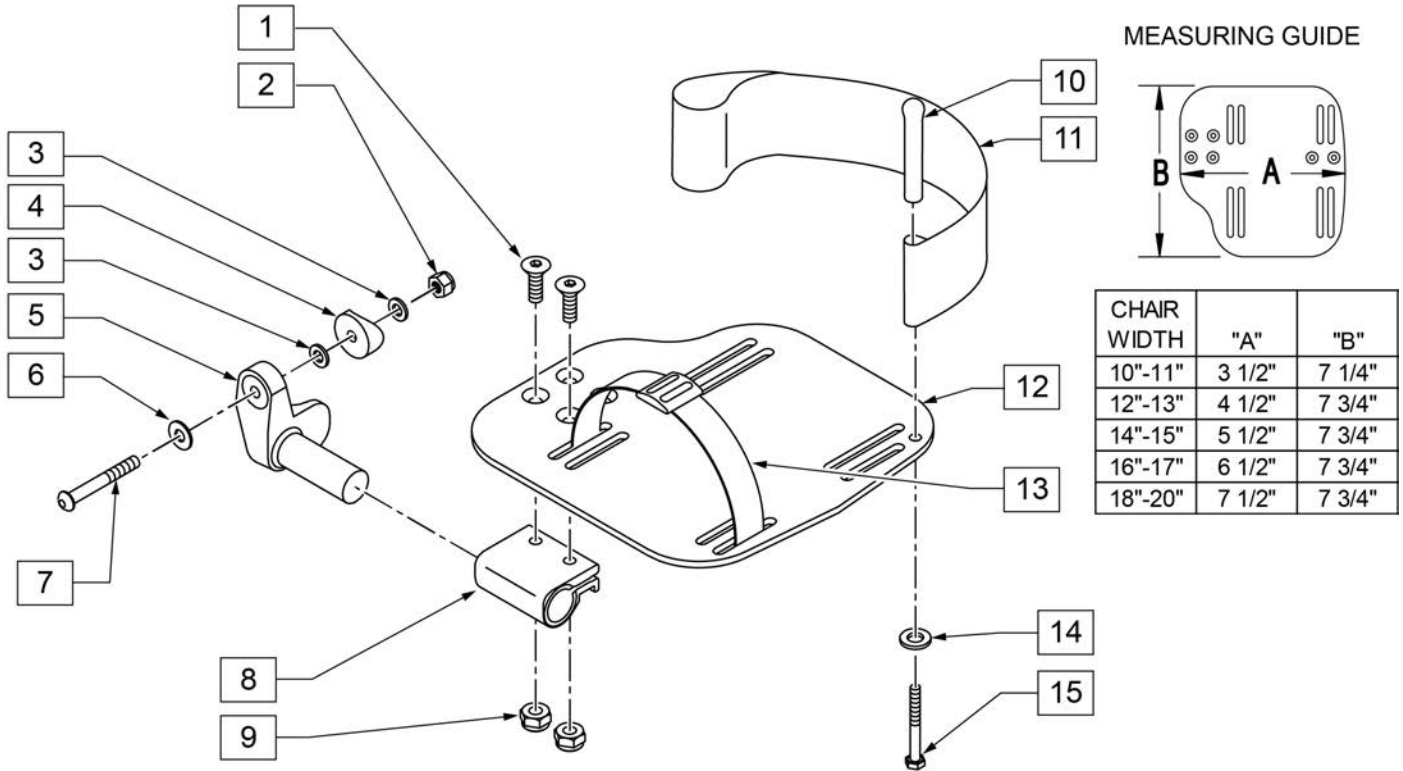
Pos.	Item Number	Description	Remarks
1	226217	5/16-18 x 2" BH C/S BLK	
2	755013	CALF PAD TROUGH STYLE KIDS	
3	561016	1" WASHER 5/16" HOLE	
4	561097	ELR ELEVATING TUBE CLAMP	
5	106937	5/16 -18 NYLOCK NUT THIN	
6	106958	HHCS 1/4-20 X 1 ROHS	
7	262130	6mm WASHER WAVE	
8	483027	1/4 x 1/4 ALUMINUM SPACER	
9	500151	KIDS ALR RETAINING PLUG	
1-9	880533	ELR TROUGH PAD ASSM KIDS	
		Ship assembled part #	Use with multiple assemblies
	ASSY-HNG-FP	HANGER/FOOTPLATE ASSY REQUIRED	add with Hanger & Footplate kit



Pos.	Item Number	Description	Remarks
1	106935	NUT NYLOCK THIN 1/4 -28 ROHS	
2	106961	BHCS 1/4 -28 x 1 1/4 ROHS	
1-3	111505	2" FOOTREST EXTENSION TUBE W/ HDWR ASSM	2" EXT (PAIR)
1, 2, 4	111506	4" FOOTREST EXTENSION TUBE W/ HDWR ASSM	4" EXT (PAIR)
1, 2, 5	111507	6" FOOTREST EXTENSION TUBE W/ HDWR ASSM	6" EXT (PAIR)

To have complete Footrest ship assembled, choose compatible Hanger + Footplate part numbers and add "ASSY-HNG-FP" to order

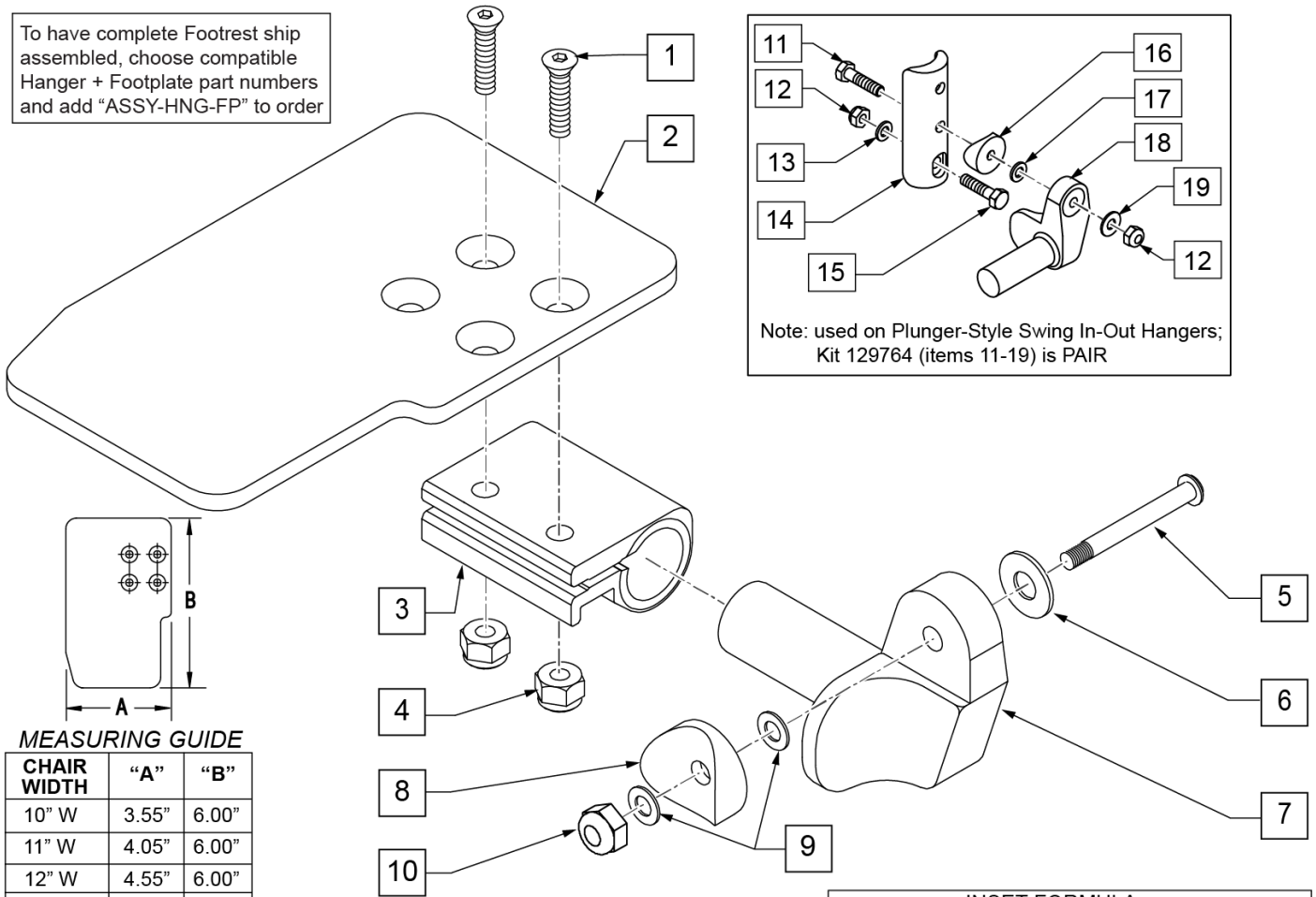
INSET FORMULA
 0" Inset (Seat Width) = Footrest Width
 1" Inset (Seat Width) - 2" = Footrest Width
 "V" Hanger (Seat Width) - 4" = Footrest Width
 Offset Hanger Receiver (Seat Width) + 2" = Footrest Width



Pos.	Item Number	Description	Remarks
1	106978	FHCS 1/4-28 X 7/8 ROHS	
2	106941	NUT AUTOMATION 1/4-28 ROHS	
3	106943	WASHER FLAT AN 1/4 ROHS	
4	561004	1" SADDLE 1/4" HOLE	
5	541000	FOOTREST MOUNTING BRKT 1/2" RAD R	RIGHT
5	541001	FOOTREST MOUNTING BRKT 1/2" RAD L	LEFT
6	106945	WASHER FLAT SAE 1/4 ROHS	
7	106964	BHCS 1/4-28 X 2	
8	550350	3/4" CLAMP ADJ FOOTPLATE	
9	106935	NUT NYLOCK THIN 1/4-28 ROHS	
10	561040	HEEL LOOP PEG	
11	741153	HEEL LOOP 18-20 CMPST/14-15 ANG ADJ	USED W/ 14-15"/16-17" ADULT ANG ADJ FTPLTS
11	741253	HEEL LOOP ADLT ADJ F/PLT 18-20	USED W/ 18 -20" ADULT ANG ADJ FTPLTS
12	500656	ADULT ANGL ADJ F/PLT 10/11	RIGHT
12	500657	ADULT ANGL ADJ F/PLT 10/11	LEFT
12	500658	ADULT ANGL ADJ F/PLT 12/13	RIGHT
12	500659	ADULT ANGL ADJ F/PLT 12/13	LEFT
12	500660	ADULT ANGL ADJ F/PLT 14/15	RIGHT
12	500661	ADULT ANGL ADJ F/PLT 14/15	LEFT
12	500662	ADULT ANGL ADJ F/PLT 16/17	RIGHT
12	500663	ADULT ANGL ADJ F/PLT 16/17	LEFT
12	500664	ADULT ANGL ADJ F/PLT 18-20	RIGHT

Pos.	Item Number	Description	Remarks
12	500665	ADULT ANGL ADJ F/PLT 18-20	LEFT
13	740260	TOE-ANKLE STRAP ADJ ADULT FOOTPLATE	
14	106943	WASHER FLAT AN 1/4 ROHS	
15	106958	HHCS 1/4-20 X 1 ROHS	
1-9,12	820544	FP ADULT ADJ 90D 10/11 R	RIGHT
1-9,12	820554	FP ADULT ADJ 90D 10/11 L	LEFT
1-9,12	820546	FP ADULT ADJ 90D 12/13 R	RIGHT
1-9,12	820556	FP ADULT ADJ 90D 12/13 L	LEFT
1-9,12	820472	FP ADULT ADJ 90D 14/15 R	RIGHT
1-9,12	820473	FP ADULT ADJ 90D 14/15 L	LEFT
1-9,12	820474	FP ADULT ADJ 90D 16/17 R	RIGHT
1-9,12	820475	FP ADULT ADJ 90D 16/17 L	LEFT
1-9,12	820476	FP ADULT ADJ 90D 18-20 R	RIGHT
1-9,12	820477	FP ADULT ADJ 90D 18-20 L	LEFT
1-9,12	921474	ADULT ANGL ADJ 90D 10/11 OMIT H/L	PAIR
1-9,12	921476	ADULT ANGL ADJ 90D 12/13 OMIT H/L	PAIR
1-9,12	921330	ADULT ANGL ADJ 90D 14/15 OMIT H/L	PAIR
1-9,12	921331	ADULT ANGL ADJ 90D 16/17 OMIT H/L	PAIR
1-9,12	921332	ADULT ANGL ADJ 90D 18-20 OMIT H/L	PAIR
1-12,14,15	820540	F/PLT ADULT ADJ 90D 10/11 R W/ HL	RIGHT
1-12,14,15	820550	F/PLT ADULT ADJ 90D 10/11 L W/ HL	LEFT
1-12,14,15	820542	F/PLT ADULT ADJ 90D 12/13 R W/ HL	RIGHT
1-12,14,15	820552	F/PLT ADULT ADJ 90D 12/13 L W/ HL	LEFT
1-12,14,15	820478	F/PLT ADULT ADJ 90D 14/15 R W/ HL	RIGHT
1-12,14,15	820479	F/PLT ADULT ADJ 90D 14/15 L W/ HL	LEFT
1-12,14,15	820480	F/PLT ADULT ADJ 90D 16/17 R W/ HL	RIGHT
1-12,14,15	820481	F/PLT ADULT ADJ 90D 16/17 L W/ HL	LEFT
1-12,14,15	820482	F/PLT ADULT ADJ 90D 18-20 R W/ HL	RIGHT
1-12,14,15	820483	F/PLT ADULT ADJ 90D 18-20 L W/ HL	LEFT
1-12,14,15	921470	F/PLT ADULT ADJ 90D 10/11 W/ HL	PAIR
1-12,14,15	921472	F/PLT ADULT ADJ 90D 12/13 W/ HL	PAIR
1-12,14,15	921333	F/PLT ADULT ADJ 90D 14/15 W/ HL	PAIR
1-12,14,15	921334	F/PLT ADULT ADJ 90D 16/17 W/ HL	PAIR
1-12,14,15	921335	F/PLT ADULT ADJ 90D 18-20 W/ HL	PAIR
		Ship assembled part #	Use with multiple assemblies
	ASSY-HNG-FP	HANGER/FOOTPLATE ASSY REQUIRED	add with Hanger & Footplate kit

To have complete Footrest ship assembled, choose compatible Hanger + Footplate part numbers and add "ASSY-HNG-FP" to order



Note: used on Plunger-Style Swing In-Out Hangers; Kit 129764 (items 11-19) is PAIR

MEASURING GUIDE

CHAIR WIDTH	"A"	"B"
10" W	3.55"	6.00"
11" W	4.05"	6.00"
12" W	4.55"	6.00"
13" W	5.05"	6.00"
14" W	5.55"	6.00"
15" W	6.05"	6.00"
16" W	6.55"	6.00"

INSET FORMULA

0" Inset (Seat Width) = Footrest Width
 1" Inset (Seat Width) -2" = Footrest Width
 "V" Hanger (Seat Width) -4" = Footrest Width
 Offset Hanger Receiver (Seat Width) +2" = Footrest Width

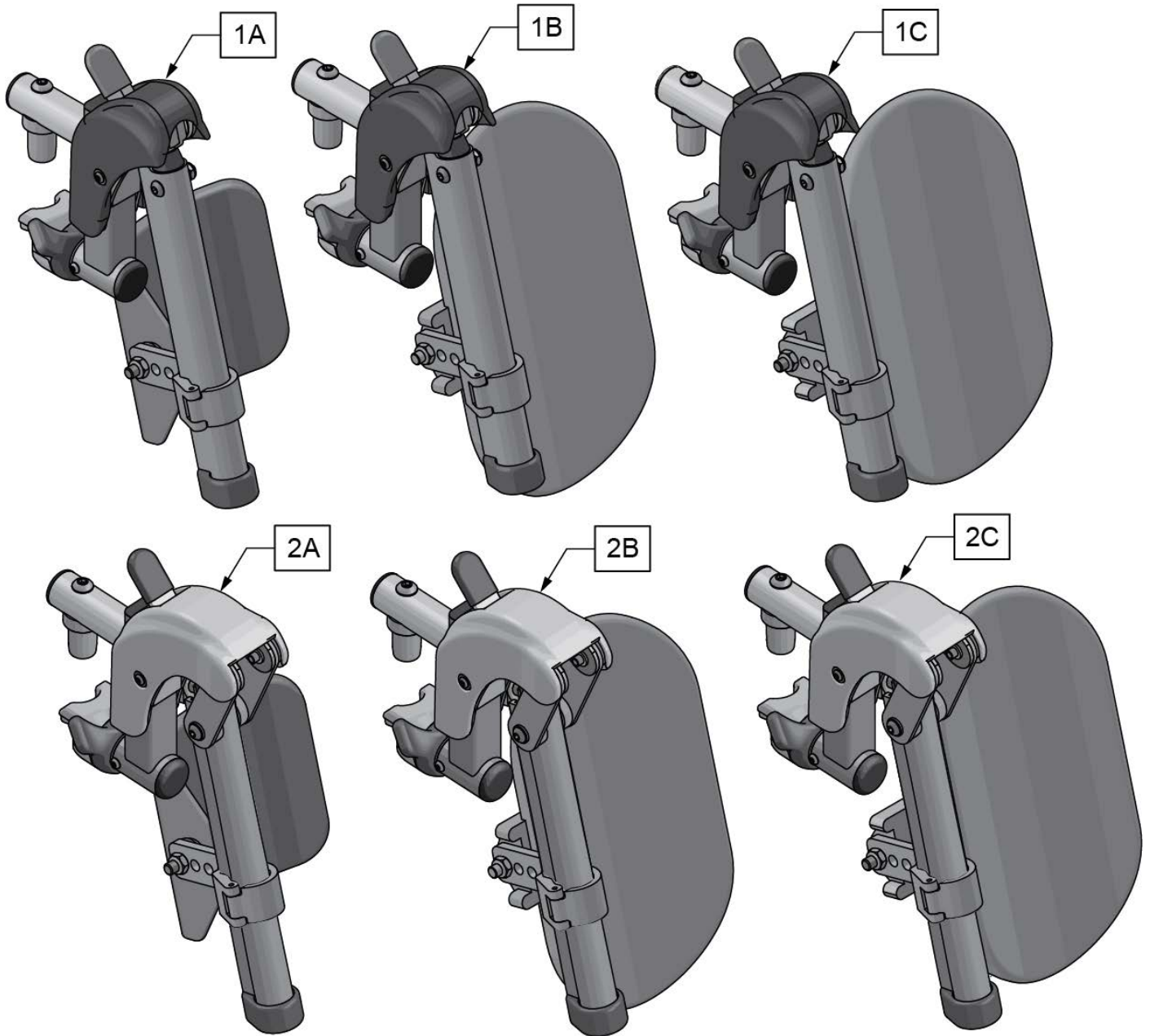
Pos.	Item Number	Description	Remarks
1	106978	FHCS 1/4-28 X 7/8 ROHS	
2	500635	KIDS ANGL ADJ F/PLT 10	RIGHT
2	500636	KIDS ANGL ADJ F/PLT 10	LEFT
2	500637	KIDS ANGL ADJ F/PLT 11	RIGHT
2	500638	KIDS ANGL ADJ F/PLT 11	LEFT
2	500639	KIDS ANGL ADJ F/PLT 12	RIGHT
2	500640	KIDS ANGL ADJ F/PLT 12	LEFT
2	500641	KIDS ANGL ADJ F/PLT 13	RIGHT
2	500642	KIDS ANGL ADJ F/PLT 13	LEFT
2	500643	KIDS ANGL ADJ F/PLT 14	RIGHT
2	500644	KIDS ANGL ADJ F/PLT 14	LEFT
2	500645	KIDS ANGL ADJ F/PLT 15	RIGHT
2	500646	KIDS ANGL ADJ F/PLT 15	LEFT
2	500647	KIDS ANGL ADJ F/PLT 16	RIGHT
2	500648	KIDS ANGL ADJ F/PLT 16	LEFT
3	550350	3/4 CLAMP ADJ FOOTPLATE	
4	106935	NUT NYLOCK THIN 1/4-28 ROHS	
5	226147	1/4-28 X 1.85 BH C/S BLK ZN	

Pos.	Item Number	Description	Remarks
6	106945	WASHER FLAT SAE 1/4 ROHS	
7	541000	FTRST MOUNTING BRKT 1/2" RAD R	RIGHT
7	541001	FTRST MOUNTING BRKT 1/2" RAD L	LEFT
8	561004	1 SADDLE 1/4 HOLE	
9	106943	WASHER FLAT THIN AN 1/4	
10	106941	NUT AUTOMATION 1/4-28 ROHS	
11	102268-001	HHCS M6 X 1 X 25	
12	132626	NUT AUTOMATION M6 X 1.0 ROHS	
13	107383	WASHER FLAT M6 ROHS	
15	118198	HHCS M6 X 1 X 40 PART NP	
16	561004	1" SADDLE 1/4" HOLE	
17	106943	WASHER FLAT AN 1/4 ROHS	
19	106945	WASHER FLAT SAE 1/4 ROHS	
1-4	158632	CAA F/PLT KIT 10 RT	RIGHT; used with Front Mount Adapter Kit on Plunger-Style Swing In/Out Hangers
1-4	158633	CAA F/PLT KIT 10 LT	LEFT; used with Front Mount Adapter Kit on Plunger-Style Swing In/Out Hangers
1-4	158634	CAA F/PLT KIT 11 RT	RIGHT; used with Front Mount Adapter Kit on Plunger-Style Swing In/Out Hangers
1-4	158635	CAA F/PLT KIT 11 LT	LEFT; used with Front Mount Adapter Kit on Plunger-Style Swing In/Out Hangers
1-4	158636	CAA F/PLT KIT 12 RT	RIGHT; used with Front Mount Adapter Kit on Plunger-Style Swing In/Out Hangers
1-4	158637	CAA F/PLT KIT 12 LT	LEFT; used with Front Mount Adapter Kit on Plunger-Style Swing In/Out Hangers
1-4	158638	CAA F/PLT KIT 13 RT	RIGHT; used with Front Mount Adapter Kit on Plunger-Style Swing In/Out Hangers
1-4	158639	CAA F/PLT KIT 13 LT	LEFT; used with Front Mount Adapter Kit on Plunger-Style Swing In/Out Hangers
1-4	158640	CAA F/PLT KIT 14 RT	RIGHT; used with Front Mount Adapter Kit on Plunger-Style Swing In/Out Hangers
1-4	158641	CAA F/PLT KIT 14 LT	LEFT; used with Front Mount Adapter Kit on Plunger-Style Swing In/Out Hangers
1-4	158642	CAA F/PLT KIT 15 RT	RIGHT; used with Front Mount Adapter Kit on Plunger-Style Swing In/Out Hangers
1-4	158643	CAA F/PLT KIT 15 LT	LEFT; used with Front Mount Adapter Kit on Plunger-Style Swing In/Out Hangers
1-4	158644	CAA F/PLT KIT 16 RT	RIGHT; used with Front Mount Adapter Kit on Plunger-Style Swing In/Out Hangers
1-4	158645	CAA F/PLT KIT 16 LT	LEFT; used with Front Mount Adapter Kit on Plunger-Style Swing In/Out Hangers
1-10	828821	KIDS ANG ADJ F/PLT ASSM 10	RIGHT; used with Old-Style Latch Block Swing In/Out & S/A Hangers
1-10	828822	KIDS ANG ADJ F/PLT ASSM 10	LEFT; used with Old-Style Latch Block Swing In/Out & S/A Hangers
1-10	828823	KIDS ANG ADJ F/PLT ASSM 11	RIGHT; used with Old-Style Latch Block Swing In/Out & S/A Hangers
1-10	828824	KIDS ANG ADJ F/PLT ASSM 11	LEFT; used with Old-Style Latch Block Swing In/Out & S/A Hangers
1-10	828825	KIDS ANG ADJ F/PLT ASSM 12	RIGHT; used with Old-Style Latch Block Swing In/Out & S/A Hangers
1-10	828826	KIDS ANG ADJ F/PLT ASSM 12	LEFT; used with Old-Style Latch Block Swing In/Out & S/A Hangers
1-10	828827	KIDS ANG ADJ F/PLT ASSM 13	RIGHT; used with Old-Style Latch Block Swing In/Out & S/A Hangers
1-10	828828	KIDS ANG ADJ F/PLT ASSM 13	LEFT; used with Old-Style Latch Block Swing In/Out & S/A Hangers
1-10	828829	KIDS ANG ADJ F/PLT ASSM 14	RIGHT; used with Old-Style Latch Block Swing In/Out & S/A Hangers
1-10	828830	KIDS ANG ADJ F/PLT ASSM 14	LEFT; used with Old-Style Latch Block Swing In/Out & S/A Hangers
1-10	828831	KIDS ANG ADJ F/PLT ASSM 15	RIGHT; used with Old-Style Latch Block Swing In/Out & S/A Hangers
1-10	828832	KIDS ANG ADJ F/PLT ASSM 15	LEFT; used with Old-Style Latch Block Swing In/Out & S/A Hangers

Pos.	Item Number	Description	Remarks
1-10	828833	KIDS ANG ADJ F/PLT ASSM 16	RIGHT; used with Old-Style Latch Block Swing In/Out & S/A Hangers
1-10	828834	KIDS ANG ADJ F/PLT ASSM 16	LEFT; used with Old-Style Latch Block Swing In/Out & S/A Hangers
1-10	921226	KIDS ANG ADJ F/PLT ASSM 10	PAIR; used with Old-Style Latch Block Swing In/Out & S/A Hangers
1-10	921227	KIDS ANG ADJ F/PLT ASSM 11	PAIR; used with Old-Style Latch Block Swing In/Out & S/A Hangers
1-10	921228	KIDS ANG ADJ F/PLT ASSM 12	PAIR; used with Old-Style Latch Block Swing In/Out & S/A Hangers
1-10	921229	KIDS ANG ADJ F/PLT ASSM 13	PAIR; used with Old-Style Latch Block Swing In/Out & S/A Hangers
1-10	921230	KIDS ANG ADJ F/PLT ASSM 14	PAIR; used with Old-Style Latch Block Swing In/Out & S/A Hangers
1-10	921231	KIDS ANG ADJ F/PLT ASSM 15	PAIR; used with Old-Style Latch Block Swing In/Out & S/A Hangers
1-10	921232	KIDS ANG ADJ F/PLT ASSM 16	PAIR; used with Old-Style Latch Block Swing In/Out & S/A Hangers
11-19	129764	AAA FRNT MNT ADAPTER KIT PR	AAA FRNT MNT fits both Kids and Adult Angle Adjustable Footplates
		Ship assembled part #	Use with multiple assemblies
	ASSY-HNG-FP	HANGER/FOOTPLATE ASSY REQUIRED	add with Hanger & Footplate kit

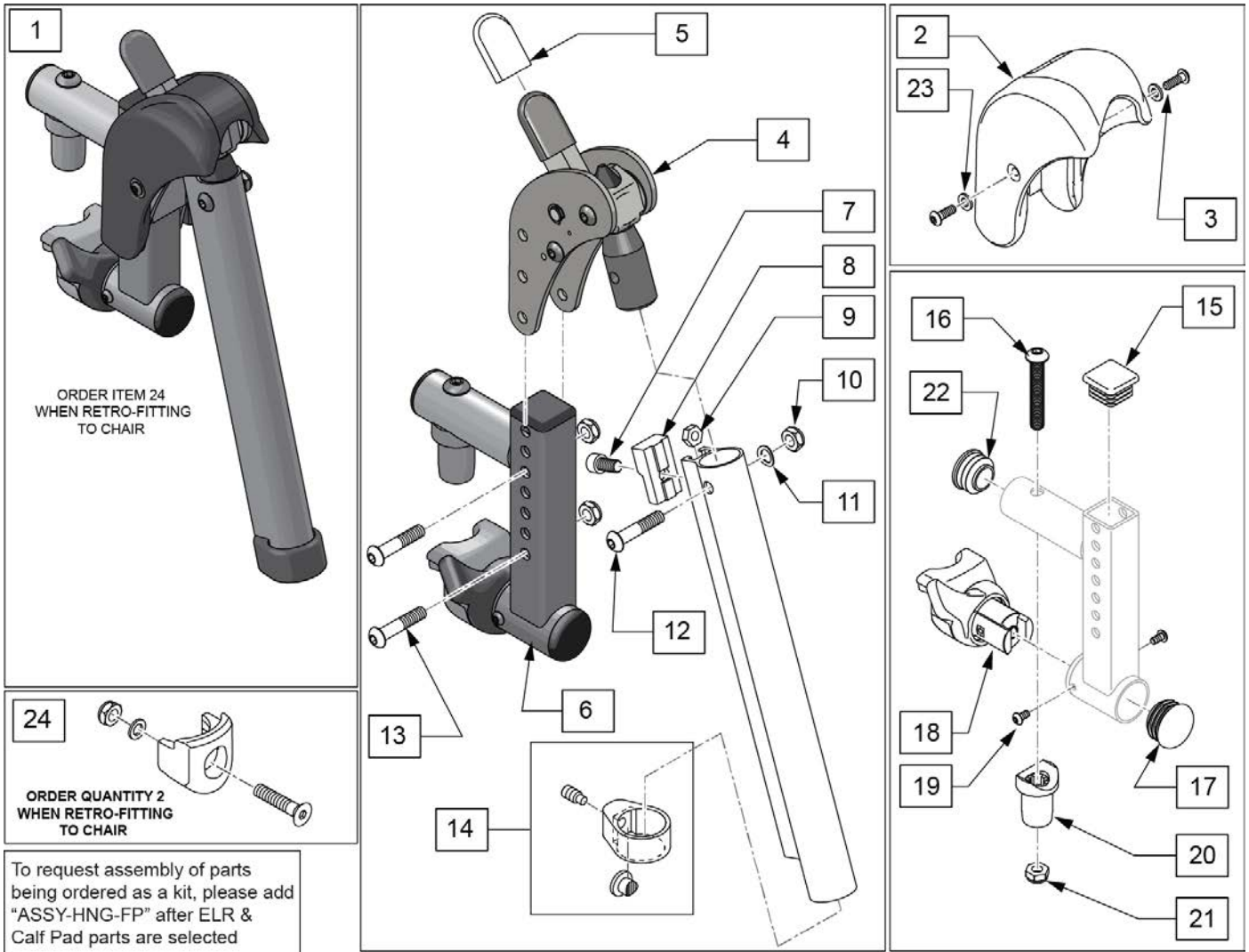
SWING IN-OUT EXT MOUNT ELR & ALR RETROFIT (PLUNGER STYLE) (EFFECTIVE 2/6/17)

[5/2017]



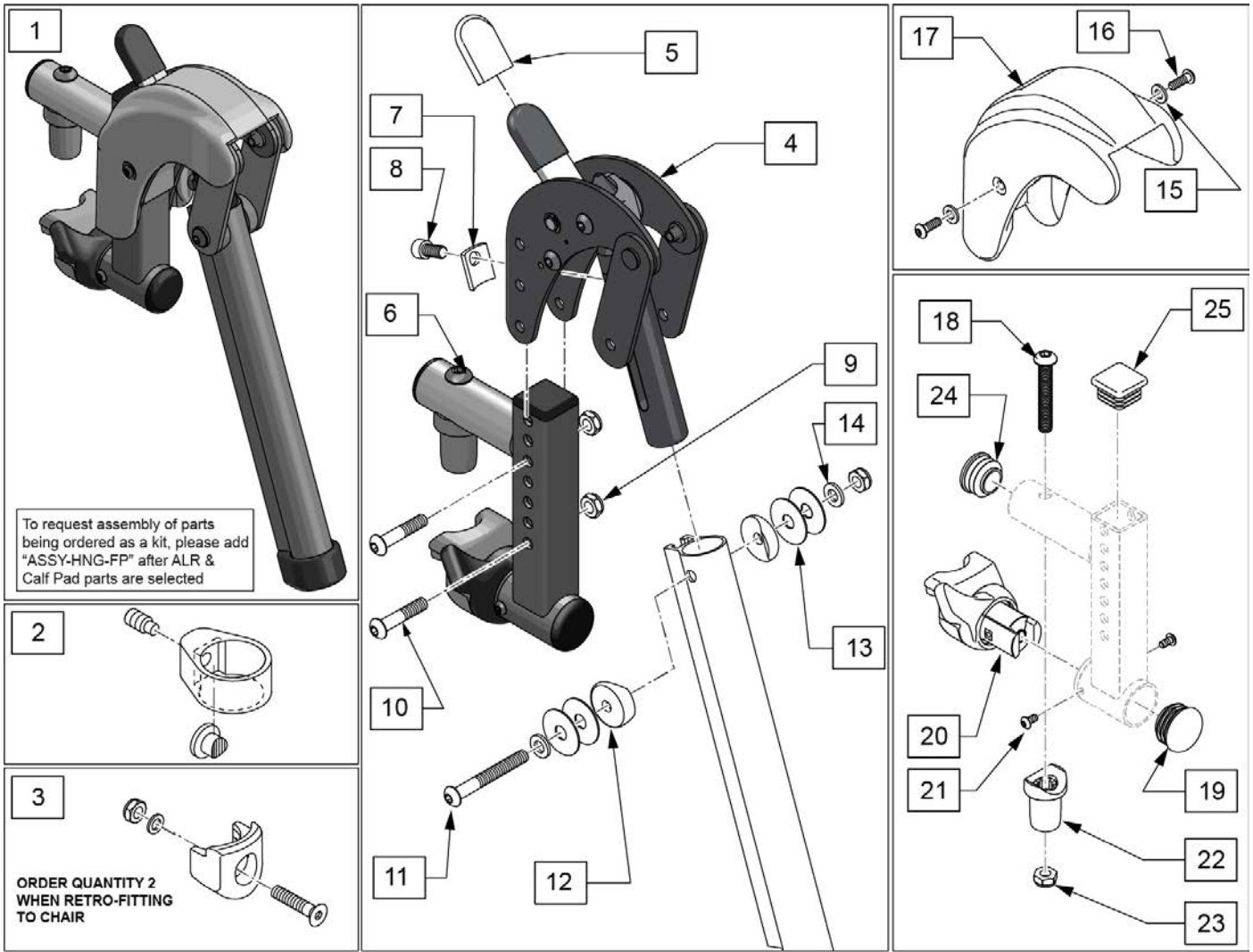
Pos.	Item Number	Description	Remarks
1A	161233S	SWNG I/O ELR ASM 14-15 W/PAD	Pair
1B	161234S	SWNG I/O ELR ASM 16-17 W/PAD	Pair
1C	161235S	SWNG I/O ELR ASM 18-20 W/PAD	Pair
2A	161236S	SWNG I/O ALR ASM 14-15 W/PAD	Pair
2B	161237S	SWNG I/O ALR ASM 16-17 W/PAD	Pair
2C	161238S	SWNG I/O ALR ASM 18-20 W/PAD	Pair
		Ship assembled part #	Use with multiple assemblies
	ASSY-HNG-FP	HANGER/FOOTPLATE ASSY REQUIRED	add with Hanger & Footplate kit

[7/2016] SWING IN-OUT EXT MOUNT ELR REPLACEMENT PARTS (PLUNGER STYLE) (EFFECTIVE 2/6/17)



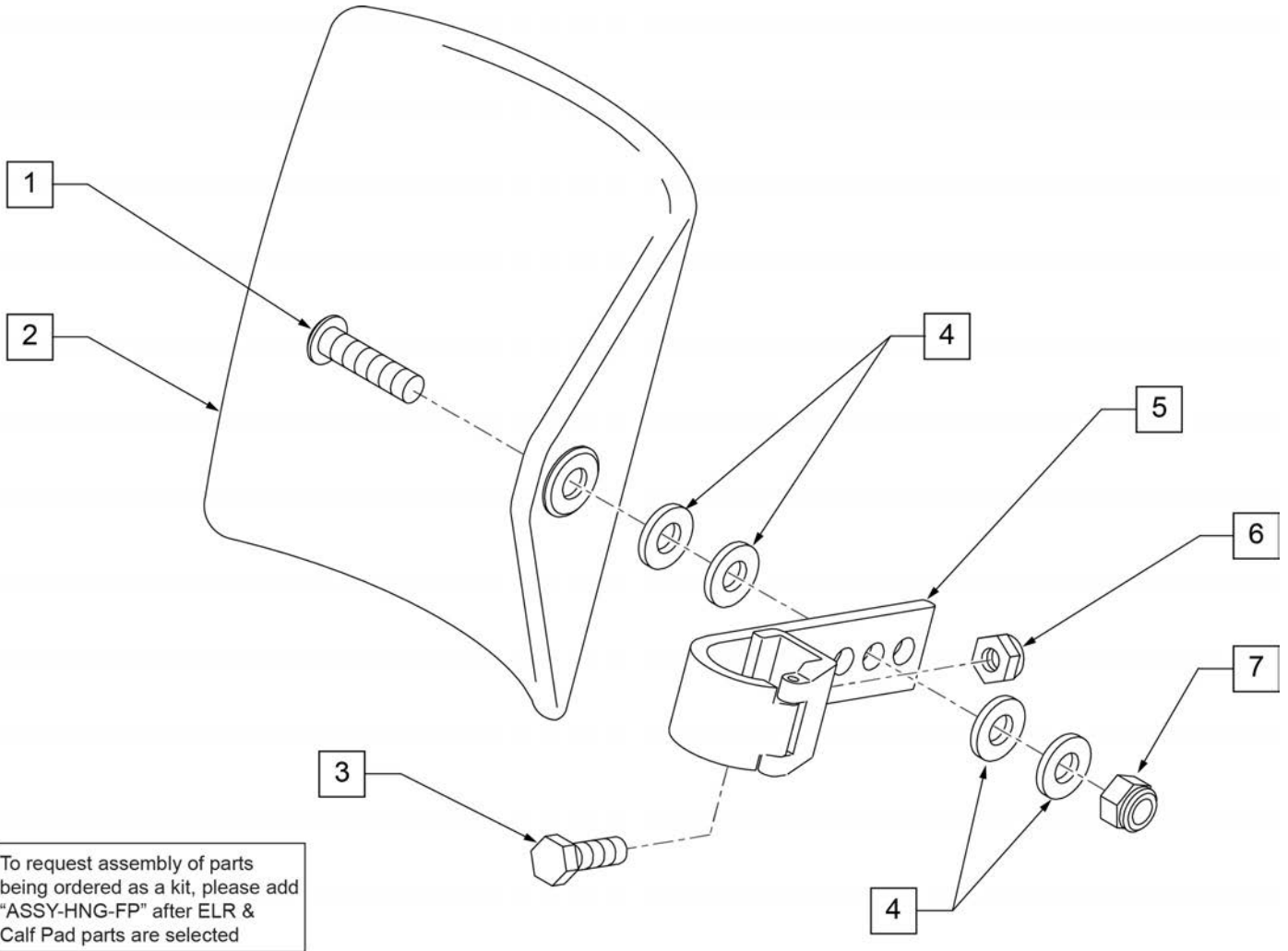
Pos.	Item Number	Description	Remarks
1	161239S	SWNG I/O ELR ASSM RH	Right
1	161240S	SWNG I/O ELR ASSM LH	Left
1	161241S	SWNG I/O ELR ASSM PR	Pair
2,3,23	129640	ELR SHROUD KIT	Kit w/ 2 screws
3	127135	BHCS 8-32 X 1/2 BLK	
4	126992	HEMI ELR SUB ASSM	
5	560501	ALR REL LEVER COVER	
6	134188	RECEIVER ASSY ELR ALR RH	
6	134186	RECEIVER ASSY ELR ALR LH	
7	107350	SHCS 1/4-28 x 1/2	
8	127129	ANGLE STOP ELR	
9	107249	NUT HEX THIN 1/4-28	
10	106935	1/4-28 NYLOCK NUT THIN BLK ZN	
11	104414	WAVE WASHER 6 MM	
12	106961	BHCS 1/4 -28 x 1 1/4 ROHS	
13	108623	BHCS 1/4-28 x 1-1/2	
14	119495	EXTENSION CLAMP KIT	
15	010615	SQUARE END CAP CNTR LEG	

Pos.	Item Number	Description	Remarks
16	226217	5/16-18 X 2" BH C/S BLK	
17	561062	1" INSERT PLUG .065 RIBS	
18,19	161242	ELR/ALR HANGER LATCH KIT RH	Right
18,19	161243	ELR/ALR HANGER LATCH KIT LH	Left
20	561197	PLASTIC PIVOT SADDLE	
21	202102	5/16-18 NYLOCK NUT THIN	
22	560110	ENDPLUG BACKREST TNT	
23	113282	WASHER FLAT AN #10 ROHS	
24	119514	LATCH RECEIVER KIT	order qty 2 when retro-fitting to chair
		Ship assembled part #	Use with multiple assemblies
	ASSY-HNG-FP	HANGER/FOOTPLATE ASSY REQUIRED	add with Hanger & Footplate kit

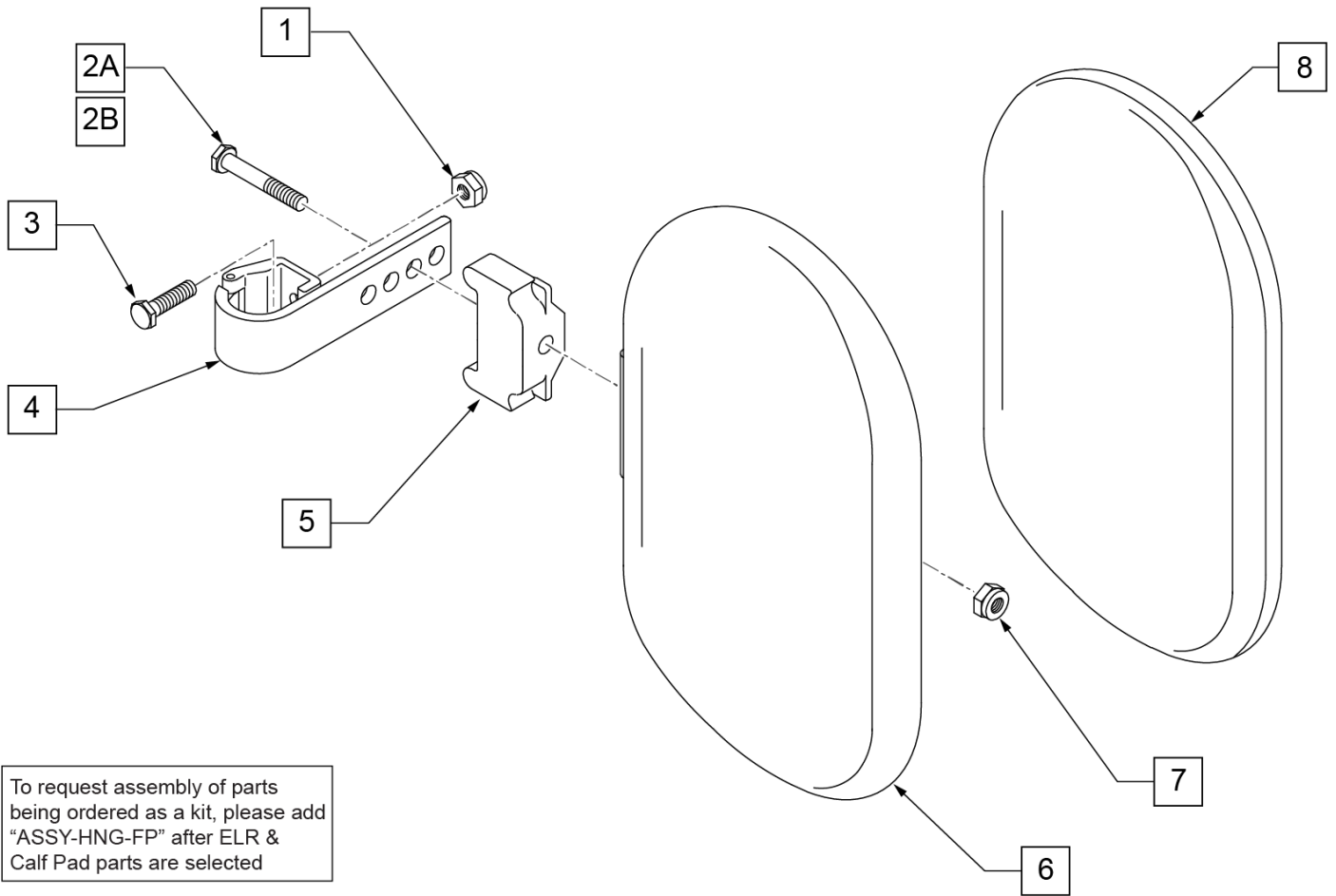


Pos.	Item Number	Description	Remarks
1	161244S	SWNG I/O ALR ASSM RH KIT	Right
1	161245S	SWNG I/O ALR ASSM LH KIT	Left
1	161246S	SWNG I/O ALR ASSM PR KIT	Pair
2	119495	EXTENSION CLAMP KIT	
3	119514	LATCH RECEIVER KIT	order qty 2 when retro-fitting to chair
4	127153	HEMI ALR SUB ASSM	
5	560501	ALR REL LEVER COVER	
6	134188	RECEIVER ASSY ELR ALR RH	
6	134186	RECEIVER ASSY ELR ALR LH	
7	127129	ANGLE STOP ELR	
8	107350	SHCS 1/4-28 x 1/2	
9	106935	1/4-28 NYLOCK NUT THIN BLK ZN	
10	108623	BHCS 1/4-28 x 1-1/2	
11	106964	BHCS 1/4-28 X 2	
12	561086	1" HALF SADDLE 1/4" HOLE	
13	113268	WASHER NYLON 1IN OD X .312 ID	
14	106943	WASHER FLAT AN 1/4 ROHS	
15	113282	WASHER FLAT AN #10 ROHS	

Pos.	Item Number	Description	Remarks
16	127135	BHCS 8-32 X 1/2 BLK	
15-17	129633	ALR SHROUD KIT	1 side
18	226217	5/16-18 X 2" BH C/S BLK	
19	560110	ENDPLUG BACKREST TNT	
20,21	161242	ELR/ALR HANGER LATCH KIT RH	Right
20,21	161243	ELR/ALR HANGER LATCH KIT LH	Left
22	561197	PLASTIC PIVOT SADDLE	
23	202102	5/16-18 NYLOCK NUT THIN	
24	561062	1" INSERT PLUG .065 RIBS	
25	010615	SQUARE END CAP CNTR LEG	
		Ship assembled part #	Use with multiple assemblies
	ASSY-HNG-FP	HANGER/FOOTPLATE ASSY REQUIRED	add with Hanger & Footplate kit



Pos.	Item Number	Description	Remarks
1	106980	BHCS 5/16-18 X 1-1/4 ROHS	
2	755014	CALF PAD TROUGH STYLE 14"/16"	
3	221097	1/4-28 X 5/8 HEX C/S BZ	
4	561016	1" WASHER 5/16" HOLE	
5	881413	CALF PAD BRACKET ASSEMBLY	
6	106934	NUT NYLOCK 1/4-28 ROHS	
7	106937	NUT NYLOCK THIN 5/16-18	
1-7	881414	CALF PAD J-HOOK 14"-15" ASSEMBLY	
		Ship assembled part #	Use with multiple assemblies
	ASSY-HNG-FP	HANGER/FOOTPLATE ASSY REQUIRED	add with Hanger & Footplate kit



Pos.	Item Number	Description	Remarks
1	106934	NUT NYLOCK 1/4-28 ROHS	
2A	107018	HHCS 5/16-18 X 2-1/2 ROHS	16"-17" wide only
2B	107019	HHCS 5/16-18 X 3-1/2 ROHS	18"-20" wide only
3	107013	HHCS 1/4-28 X 5/8 ROHS	
4	881413	CALF PAD BRACKET ASSEMBLY	
5	560199	ELR CALF HINGE SPACER	18"-20" wide only
6	560108	CALF PAD MOLDED 16"-20"	
7	106936	NUT NYLOCK 5/16-18 ROHS	
8	751045	CALF PAD COVER	
1,2A,3,4,6-8	881416	CALF MOLDED 16"-17" ASSEMBLY	
1,2B,3-7,8	881412	CALF PAD MOLDED 18"-20" ASSEMBLY	
		Ship assembled part #	Use with multiple assemblies
	ASSY-HNG-FP	HANGER/FOOTPLATE ASSY REQUIRED	add with Hanger & Footplate kit

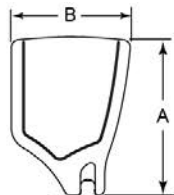
Note: Footplate Assemblies are set to footrest width; please see "Footplate Formula" table for seat width conversion.

Note: If using Short Ext Tube & Hemi Hanger with Composite Footplate use 1G (bent) .

Note: V Style Hangers are not available on Swing Away Style chairs effective 7/14/14; see the "Prior To" ordering guide for V Style footplate assemblies.

Note: see Informations Panel for appropriate ordering guide; for QX Series or SR45 footplate replacement parts see ordering guide marked specifically for these two models.

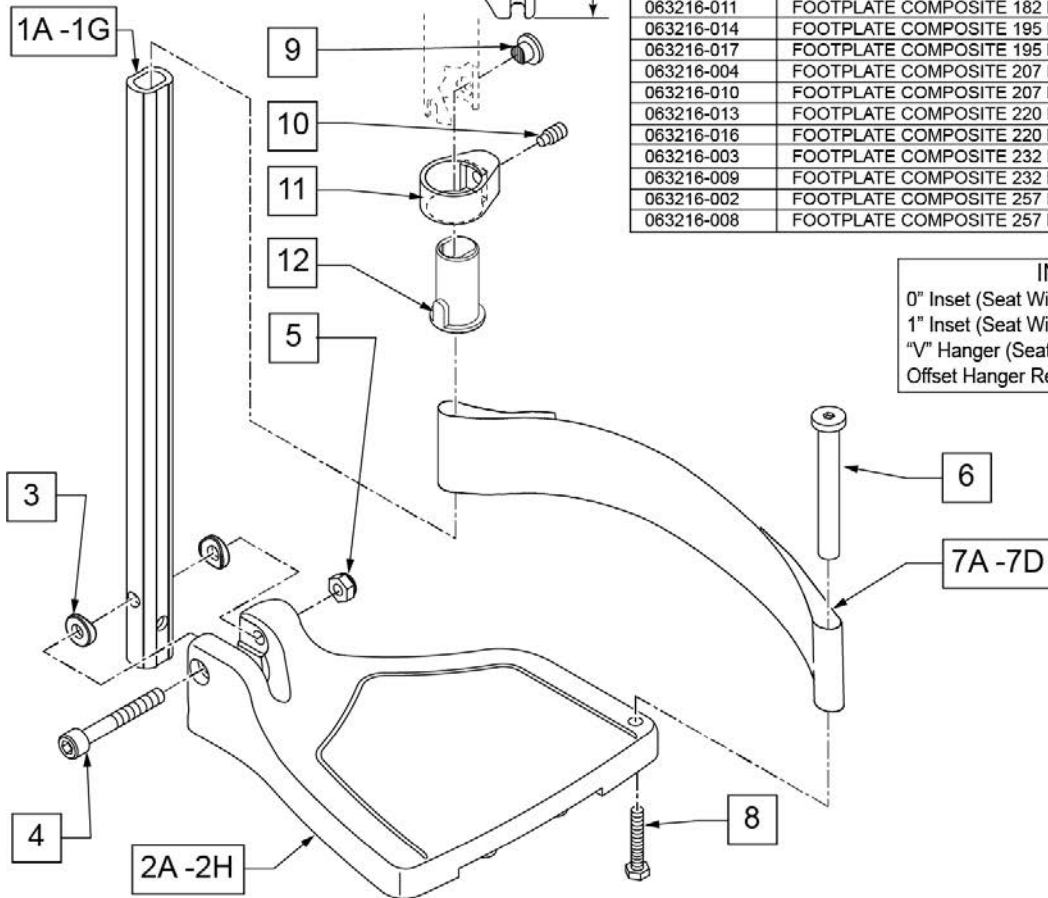
To have complete Footrest ship assembled, choose compatible Hanger + Footplate part numbers and add "ASSY-HNG-FP" to order



FOOTPLATE MEASURING GUIDE

PART NO	DESCRIPTION	"A"	"B"
063216-006	FOOTPLATE COMPOSITE 157 R (13"W)	6 1/8"	6"
063216-012	FOOTPLATE COMPOSITE 157 L (13"W)	6 1/8"	6"
063216-015	FOOTPLATE COMPOSITE 170 R (14"W)	6 5/8"	6"
063216-018	FOOTPLATE COMPOSITE 170 L (14"W)	6 5/8"	6"
063216-005	FOOTPLATE COMPOSITE 182 R (15"W)	7 1/8"	6"
063216-011	FOOTPLATE COMPOSITE 182 L (15"W)	7 1/8"	6"
063216-014	FOOTPLATE COMPOSITE 195 R (16"W)	7 5/8"	6"
063216-017	FOOTPLATE COMPOSITE 195 L (16"W)	7 5/8"	6"
063216-004	FOOTPLATE COMPOSITE 207 R (17"W)	8 1/8"	6"
063216-010	FOOTPLATE COMPOSITE 207 L (17"W)	8 1/8"	6"
063216-013	FOOTPLATE COMPOSITE 220 R (18"W)	8 5/8"	6 1/4"
063216-016	FOOTPLATE COMPOSITE 220 L (18"W)	8 5/8"	6 1/4"
063216-003	FOOTPLATE COMPOSITE 232 R (19-20"W)	9 1/8"	6 1/4"
063216-009	FOOTPLATE COMPOSITE 232 L (19-20"W)	9 1/8"	6 1/4"
063216-002	FOOTPLATE COMPOSITE 257 R (21-22"W)	10 1/8"	6 1/4"
063216-008	FOOTPLATE COMPOSITE 257 L (21-22"W)	10 1/8"	6 1/4"

INSET FORMULA
 0" Inset (Seat Width) = Footrest Width
 1" Inset (Seat Width) -2" = Footrest Width
 "V" Hanger (Seat Width) -4" = Footrest Width
 Offset Hanger Receiver (Seat Width) +2" = Footrest Width



Pos.	Item Number	Description	Remarks
1A,3-5	120660	SHT STRT EXT COMP HDWR	80 deg hangers + ELR only
1B,3-5	120661	MED STRT EXT COMP HDWR	80 deg hangers + ELR only
1C,3-5	120662	LNG STRT EXT COMP HDWR	80 deg hangers + ELR only
1D,3-5	120663	SHT BNT EXT COMP HDWR	60,70,70 Hemi Hangers
1E,3-5	120664	MED BNT EXT COMP HDWR	60,70,70 Hemi Hangers
1F,3-5	120665	LNG BNT EXT COMP HDWR	60,70,70 Hemi Hangers
1G	128078	TUBE FOOTREST EXT SHT HEMI	use for Hemi Ext Tube option
2A	063216-006	COMPOSITE FOOTPLATE RIGHT	RIGHT 13" Footrest Width
2A	063216-012	COMPOSITE FOOTPLATE LEFT	LEFT 13" Footrest Width
2B	063216-015	FOOTPLATE COMPOSITE RIGHT	RIGHT 14" Footrest Width
2B	063216-018	FOOTPLATE COMPOSITE LEFT	LEFT 14" Footrest Width
2C	063216-005	COMPOSITE FOOTPLATE RIGHT	RIGHT 15" Footrest Width
2C	063216-011	COMPOSITE FOOTPLATE LEFT	LEFT 15" Footrest Width
2D	063216-014	FOOTPLATE COMPOSITE RIGHT	RIGHT 16" Footrest Width
2D	063216-017	FOOTPLATE COMPOSITE LEFT	LEFT 16" Footrest Width
2E	063216-004	COMPOSITE FOOTPLATE RIGHT	RIGHT 17" Footrest Width
2E	063216-010	COMPOSITE FOOTPLATE LEFT	LEFT 17" Footrest Width
2F	063216-013	FOOTPLATE COMPOSITE RIGHT	RIGHT 18" Footrest Width
2F	063216-016	FOOTPLATE COMPOSITE LEFT	LEFT 18" Footrest Width
2G	063216-003	COMPOSITE FOOTPLATE RIGHT	RIGHT 19" & 20" Footrest Width
2G	063216-009	COMPOSITE FOOTPLATE LEFT	LEFT 19" & 20" Footrest Width
2H	063216-002	FOOTPLATE COMPOSITE RIGHT	RIGHT 21" & 22" Footrest Width
2H	063216-008	FOOTPLATE COMPOSITE LEFT	LEFT 21" & 22" Footrest Width
3	104377	3/4" SADDLE THIN	
4	103175	SHCS M6 X 1 X 40 INORG	
5	132626	NUT AUTOMATION M6 X 1.0	Inserted in bottom of footplate.
6	104328	HEEL LOOP PEG	
7A	104380-001	ADJUSTABLE FOOT REST STRAP	14" wide
7B	104380-002	ADJUSTABLE FOOT REST STRAP	15-16" wide
7C	104380-003	ADJUSTABLE FOOT REST STRAP	17-18" wide
7D	104380-004	ADJUSTABLE FOOT REST STRAP	19-22" wide
8	102268-001	HHCS M6 X 1 X 25	
12	104160	BUSHING FOOTREST	
9-12	107485	FOOTREST CLAMP ASSM	
>>>>		80 DEGREE HANGERS - SHORT EXT - RIGHT	
1A,2A,3-6,7A,8	107704	COMP STRT SHT EXT ASM 13"W R	Right- 80D- 13" W- SHORT
1A,2B,3-6,7A,8	107705	COMP STRT SHT EXT ASM 14"W R	Right- 80D- 14" W- SHORT
1A,2C,3-6,7B,8	107706	COMP STRT SHT EXT ASM 15"W R	Right- 80D- 15" W- SHORT
1A,2D,3-6,7B,8	107707	COMP STRT SHT EXT ASM 16"W R	Right- 80D- 16" W- SHORT
1A,2E,3-6,7C,8	107708	COMP STRT SHT EXT ASM 17"W R	Right- 80D- 17" W- SHORT
1A,2F,3-6,7C,8	107709	COMP STRT SHT EXT ASM 18"W R	Right- 80D- 18" W- SHORT
1A,2G,3-6,7D,8	107710	COMP STRT SHT EXT ASM 19 & 20"W R	Right- 80D- 19 & 20" W- SHORT
1A,2H,3-6,7D,8	111522	COMP STRT SHT EXT ASM 21 & 22"W R	Right- 80D- 21 & 22" W- SHORT
>>>>		80 DEGREE HANGERS - SHORT EXT - LEFT	
1A,2A,3-6,7A,8	107711	COMP STRT SHT EXT ASM 13"W L	LEFT- 80D- 13" W- SHORT
1A,2B,3-6,7A,8	107712	COMP STRT SHT EXT ASM 14"W L	LEFT- 80D- 14" W- SHORT
1A,2C,3-6,7B,8	107713	COMP STRT SHT EXT ASM 15"W L	LEFT- 80D- 15" W- SHORT
1A,2D,3-6,7B,8	107714	COMP STRT SHT EXT ASM 16"W L	LEFT- 80D- 16" W- SHORT
1A,2E,3-6,7C,8	107715	COMP STRT SHT EXT ASM 17"W L	LEFT- 80D- 17" W- SHORT
1A,2F,3-6,7C,8	107716	COMP STRT SHT EXT ASM 18"W L	LEFT- 80D- 18" W- SHORT
1A,2G,3-6,7D,8	107717	COMP STRT SHT EXT ASM 19 & 20"W L	LEFT- 80D- 19 & 20" W- SHORT
1A,2H,3-6,7D,8	111523	COMP STRT SHT EXT ASM 21 & 22"W L	LEFT- 80D- 21 & 22" W- SHORT
>>>>		80 DEGREE HANGERS - MED EXT - RIGHT	
1B,2A,3-6,7A,8	107718	COMP STRT MED EXT ASM 13"W R	Right- 80D- 13" W- MED
1B,2B,3-6,7A,8	107719	COMP STRT MED EXT ASM 14"W R	Right- 80D- 14" W- MED
1B,2C,3-6,7B,8	107720	COMP STRT MED EXT ASM 15"W R	Right- 80D- 15" W- MED

Pos.	Item Number	Description	Remarks
1B,2D,3-6,7B,8	107721	COMP STRT MED EXT ASM 16"W R	Right- 80D- 16" W- MED
1B,2E,3-6,7C,8	107722	COMP STRT MED EXT ASM 17"W R	Right- 80D- 17" W- MED
1B,2F,3-6,7C,8	107723	COMP STRT MED EXT ASM 18"W R	Right- 80D- 18" W- MED
1B,2G,3-6,7D,8	107724	COMP STRT MED EXT ASM 19 & 20"W R	Right- 80D- 19 & 20" W- MED
1B,2H,3-6,7D,8	111524	COMP STRT MED EXT ASM 21 & 22"W R	Right- 80D- 21 & 22" W- MED
>>>>		80 DEGREE HANGERS - MED EXT - LEFT	
1B,2A,3-6,7A,8	107725	COMP STRT MED EXT ASM 13"W L	LEFT- 80D- 13" W- MED
1B,2B,3-6,7A,8	107726	COMP STRT MED EXT ASM 14"W L	LEFT- 80D- 14" W- MED
1B,2C,3-6,7B,8	107727	COMP STRT MED EXT ASM 15"W L	LEFT- 80D- 15" W- MED
1B,2D,3-6,7B,8	107728	COMP STRT MED EXT ASM 16"W L	LEFT- 80D- 16" W- MED
1B,2E,3-6,7C,8	107729	COMP STRT MED EXT ASM 17"W L	LEFT- 80D- 17" W- MED
1B,2F,3-6,7C,8	107730	COMP STRT MED EXT ASM 18"W L	LEFT- 80D- 18" W- MED
1B,2G,3-6,7D,8	107731	COMP STRT MED EXT ASM 19 & 20"W L	LEFT- 80D- 19 & 20" W- MED
1B,2H,3-6,7D,8	111525	COMP STRT MED EXT ASM 21 & 22"W L	LEFT- 80D- 21 & 22" W- MED
>>>>		80 DEGREE HANGERS - LONG EXT - RIGHT	
1C,2A,3-6,7A,8	107732	COMP STRT LONG EXT ASM 13"W R	Right- 80D- 13" W- LONG
1C,2B,3-6,7A,8	107733	COMP STRT LONG EXT ASM 14"W R	Right- 80D- 14" W- LONG
1C,2C,3-6,7B,8	107734	COMP STRT LONG EXT ASM 15"W R	Right- 80D- 15" W- LONG
1C,2D,3-6,7B,8	107735	COMP STRT LONG EXT ASM 16"W R	Right- 80D- 16" W- LONG
1C,2E,3-6,7C,8	107736	COMP STRT LONG EXT ASM 17"W R	Right- 80D- 17" W- LONG
1C,2F,3-6,7C,8	107737	COMP STRT LONG EXT ASM 18"W R	Right- 80D- 18" W- LONG
1C,2G,3-6,7D,8	107738	COMP STRT LONG EXT ASM 19 & 20"W R	Right- 80D- 19 & 20" W- LONG
1C,2H,3-6,7D,8	111526	COMP STRT LONG EXT ASM 21 & 22"W R	Right- 80D- 21 & 22" W- LONG
>>>>		80 DEGREE HANGERS - LONG EXT - LEFT	
1C,2A,3-6,7A,8	107739	COMP STRT LONG EXT ASM 13"W L	LEFT- 80D- 13" W- LONG
1C,2B,3-6,7A,8	107740	COMP STRT LONG EXT ASM 14"W L	LEFT- 80D- 14" W- LONG
1C,2C,3-6,7B,8	107741	COMP STRT LONG EXT ASM 15"W L	LEFT- 80D- 15" W- LONG
1C,2D,3-6,7B,8	107742	COMP STRT LONG EXT ASM 16"W L	LEFT- 80D- 16" W- LONG
1C,2E,3-6,7C,8	107743	COMP STRT LONG EXT ASM 17"W L	LEFT- 80D- 17" W- LONG
1C,2F,3-6,7C,8	107744	COMP STRT LONG EXT ASM 18"W L	LEFT- 80D- 18" W- LONG
1C,2G,3-6,7D,8	107745	COMP STRT LONG EXT ASM 19 & 20"W L	LEFT- 80D- 19 & 20" W- LONG
1C,2H,3-6,7D,8	111527	COMP STRT LONG EXT ASM 21 & 22"W L	LEFT- 80D- 21 & 22" W- LONG
>>>>		60°,70° SHORT EXT - RIGHT	
1D,2A,3-6,7A,8	107746	COMP BNT SHT EXT ASM 13" W R	Right- 70D- 13" W- SHORT
1D,2B,3-6,7A,8	107747	COMP BNT SHT EXT ASM 14" W R	Right- 70D- 14" W- SHORT
1D,2C,3-6,7B,8	107748	COMP BNT SHT EXT ASM 15" W R	Right- 70D- 15" W- SHORT
1D,2D,3-6,7B,8	107749	COMP BNT SHT EXT ASM 16" W R	Right- 70D- 16" W- SHORT
1D,2E,3-6,7C,8	107750	COMP BNT SHT EXT ASM 17" W R	Right- 70D- 17" W- SHORT
1D,2F,3-6,7C,8	107751	COMP BNT SHT EXT ASM 18" W R	Right- 70D- 18" W- SHORT
1D,2G,3-6,7D,8	107752	COMP BNT SHT EXT ASM 19 & 20"W R	Right- 70D- 19 & 20" W- SHORT
1D,2H,3-6,7D,8	111528	COMP BNT SHT EXT ASM 21 & 22"W R	Right- 70D- 21 & 22" W- SHORT
>>>>		60°,70° - SHORT EXT - LEFT	
1D,2A,3-6,7A,8	107753	COMP BNT SHT EXT ASM 13" W L	Left- 70D- 13 W- SHORT
1D,2B,3-6,7A,8	107754	COMP BNT SHT EXT ASM 14" W L	Left- 70D- 14 W- SHORT
1D,2C,3-6,7B,8	107755	COMP BNT SHT EXT ASM 15" W L	Left- 70D- 15 W- SHORT
1D,2D,3-6,7B,8	107756	COMP BNT SHT EXT ASM 16" W L	Left- 70D- 16 W- SHORT
1D,2E,3-6,7C,8	107757	COMP BNT SHT EXT ASM 17" W L	Left- 70D- 17 W- SHORT
1D,2F,3-6,7C,8	107758	COMP BNT SHT EXT ASM 18" W L	Left- 70D- 18 W- SHORT
1D,2G,3-6,7D,8	107759	COMP BNT SHT EXT ASM 19 & 20"W L	Left- 70D- 19 & 20" W- SHORT
1D,2H,3-6,7D,8	111529	COMP BNT SHT EXT ASM 21 & 22"W L	Left- 70D- 21 & 22" W- SHORT
>>>>		60°,70°,60°&70° HEMI HANGERS - MED EXT - RIGHT	
1E,2A,3-6,7A,8	107760	COMP BNT MED EXT ASM 13" W R	Right- 70D- 13" W- MED
1E,2B,3-6,7A,8	107761	COMP BNT MED EXT ASM 14" W R	Right- 70D- 14" W- MED
1E,2C,3-6,7B,8	107762	COMP BNT MED EXT ASM 15" W R	Right- 70D- 15" W- MED
1E,2D,3-6,7B,8	107763	COMP BNT MED EXT ASM 16" W R	Right- 70D- 16" W- MED
1E,2E,3-6,7C,8	107764	COMP BNT MED EXT ASM 17" W R	Right- 70D- 17" W- MED

Pos.	Item Number	Description	Remarks
1E,2F,3-6,7C,8	107765	COMP BNT MED EXT ASM 18" W R	Right- 70D- 18" W- MED
1E,2G,3-6,7D,8	107766	COMP BNT MED EXT ASM 19 & 20"W R	Right- 70D- 19 & 20" W- MED
1E,2H,3-6,7D,8	111530	COMP BNT MED EXT ASM 21 & 22"W R	Right- 70D- 21 & 22" W- MED
>>>>		60°,70°,60°&70° HEMI HANGERS - MED EXT - LEFT	
1E,2A,3-6,7A,8	107767	COMP BNT MED EXT ASM 13" W L	Left- 70D- 13 W- MED
1E,2B,3-6,7A,8	107768	COMP BNT MED EXT ASM 14" W L	Left- 70D- 14 W- MED
1E,2C,3-6,7B,8	107769	COMP BNT MED EXT ASM 15" W L	Left- 70D- 15 W- MED
1E,2D,3-6,7B,8	107770	COMP BNT MED EXT ASM 16" W L	Left- 70D- 16 W- MED
1E,2E,3-6,7C,8	107771	COMP BNT MED EXT ASM 17" W L	Left- 70D- 17 W- MED
1E,2F,3-6,7C,8	107772	COMP BNT MED EXT ASM 18" W L	Left- 70D- 18 W- MED
1E,2G,3-6,7D,8	107773	COMP BNT MED EXT ASM 19 & 20"W L	Left- 70D- 19 & 20" W- MED
1E,2H,3-6,7D,8	111531	COMP BNT MED EXT ASM 21 & 22"W L	Left- 70D- 21 & 22" W- MED
>>>>		60°,70°,60°&70° HEMI HANGERS - LONG EXT - RIGHT	
1F,2A,3-6,7A,8	107774	COMP BNT LONG EXT ASM 13" W R	Right- 70D- 13" W- LONG
1F,2B,3-6,7A,8	107775	COMP BNT LONG EXT ASM 14" W R	Right- 70D- 14" W- LONG
1F,2C,3-6,7B,8	107776	COMP BNT LONG EXT ASM 15" W R	Right- 70D- 15" W- LONG
1F,2D,3-6,7B,8	107777	COMP BNT LONG EXT ASM 16" W R	Right- 70D- 16" W- LONG
1F,2E,3-6,7C,8	107778	COMP BNT LONG EXT ASM 17" W R	Right- 70D- 17" W- LONG
1F,2F,3-6,7C,8	107779	COMP BNT LONG EXT ASM 18" W R	Right- 70D- 18" W- LONG
1F,2G,3-6,7D,8	107780	COMP BNT LONG EXT ASM 19 & 20"W R	Right- 70D- 19 & 20" W- LONG
1F,2H,3-6,7D,8	111532	COMP BNT LONG EXT ASM 21 & 22"W R	Right- 70D- 21 & 22" W- LONG
>>>>		60°,70°,60°&70° HEMI HANGERS - LONG EXT - LEFT	
1F,2A,3-6,7A,8	107781	COMP BNT LONG EXT ASM 13" W L	Left- 70D- 13 W- LONG
1F,2B,3-6,7A,8	107782	COMP BNT LONG EXT ASM 14" W L	Left- 70D- 14 W- LONG
1F,2C,3-6,7B,8	107783	COMP BNT LONG EXT ASM 15" W L	Left- 70D- 15 W- LONG
1F,2D,3-6,7B,8	107784	COMP BNT LONG EXT ASM 16" W L	Left- 70D- 16 W- LONG
1F,2E,3-6,7C,8	107785	COMP BNT LONG EXT ASM 17" W L	Left- 70D- 17 W- LONG
1F,2F,3-6,7C,8	107786	COMP BNT LONG EXT ASM 18" W L	Left- 70D- 18 W- LONG
1F,2G,3-6,7D,8	107787	COMP BNT LONG EXT ASM 19 & 20"W L	Left- 70D- 19 & 20" W- LONG
1F,2H,3-6,7D,8	111533	COMP BNT LONG EXT ASM 21 & 22"W L	Left- 70D- 21 & 22" W- LONG
>>>>		60°&70° HEMI HANGER SHORT EXT- RIGHT	
1G,2A,3-6,7A,8	129724	CMP FT BNT KIT SHT HNGR 13W R	Right-Hemi-13W; add Ext behind the Hemi
1G,2B,3-6,7A,8	129726	CMP FT BNT KIT SHT HNGR 14W R	Right-Hemi-14W; add Ext behind the Hemi
1G,2C,3-6,7B,8	129728	CMP FT BNT KIT SHT HNGR 15W R	Right-Hemi-15W; add Ext behind the Hemi
1G,2D,3-6,7B,8	129730	CMP FT BNT KIT SHT HNGR 16W R	Right-Hemi-16W; add Ext behind the Hemi
1G,2E,3-6,7C,8	129732	CMP FT BNT KIT SHT HNGR 17W R	Right-Hemi-17W; add Ext behind the Hemi
1G,2F,3-6,7C,8	129734	CMP FT BNT KIT SHT HNGR 18W R	Right-Hemi-18W; add Ext behind the Hemi
1G,2G,3-6,7D,8	129736	CMP FT BNT KIT SHT HNGR 19-20W R	Right-Hemi-19-20W; add Ext behind the Hemi
1G,2H,3-6,7D,8	129738	CMP FT BNT KIT SHT HNGR 21-22W R	Right-Hemi-21-22W; add Ext behind the Hemi
>>>>		60°&70° HEMI HANGER SHORT EXT- LEFT	
1G,2A,3-6,7A,8	129725	CMP FT BNT KIT SHT HNGR 13W L	Left-Hemi-13W; add Ext behind the Hemi
1G,2B,3-6,7A,8	129727	CMP FT BNT KIT SHT HNGR 14W L	Left-Hemi-14W; add Ext behind the Hemi
1G,2C,3-6,7B,8	129729	CMP FT BNT KIT SHT HNGR 15W L	Left-Hemi-15W; add Ext behind the Hemi
1G,2D,3-6,7B,8	129731	CMP FT BNT KIT SHT HNGR 16W L	Left-Hemi-16W; add Ext behind the Hemi
1G,2E,3-6,7C,8	129733	CMP FT BNT KIT SHT HNGR 17W L	Left-Hemi-17W; add Ext behind the Hemi
1G,2F,3-6,7C,8	129735	CMP FT BNT KIT SHT HNGR 18W L	Left-Hemi-18W; add Ext behind the Hemi
1G,2G,3-6,7D,8	129737	CMP FT BNT KIT SHT HNGR 19-20W L	Left-Hemi-19-20W; add Ext behind the Hemi
1G,2H,3-6,7D,8	129739	CMP FT BNT KIT SHT HNGR 21-22W L	Left-Hemi-21-22W; add Ext behind the Hemi
		Ship assembled part #	Use with multiple assemblies
	ASSY-HNG-FP	HANGER/FOOTPLATE ASSY REQUIRED	add with Hanger & Footplate kit

Note: Footplate Assemblies are set to footrest width; please see "Footplate Formula" table for seat width conversion.

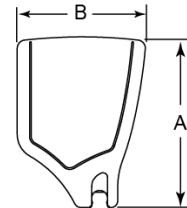
Note: If using Short Ext Tube & Hemi Hanger with Composite Angle Adjustable Footplate use 1D (straight) .

Note: V Style Hangers are not available on Swing Away Style chairs effective 7/14/14; see the "Prior To" ordering guide for V Style footplate assemblies.

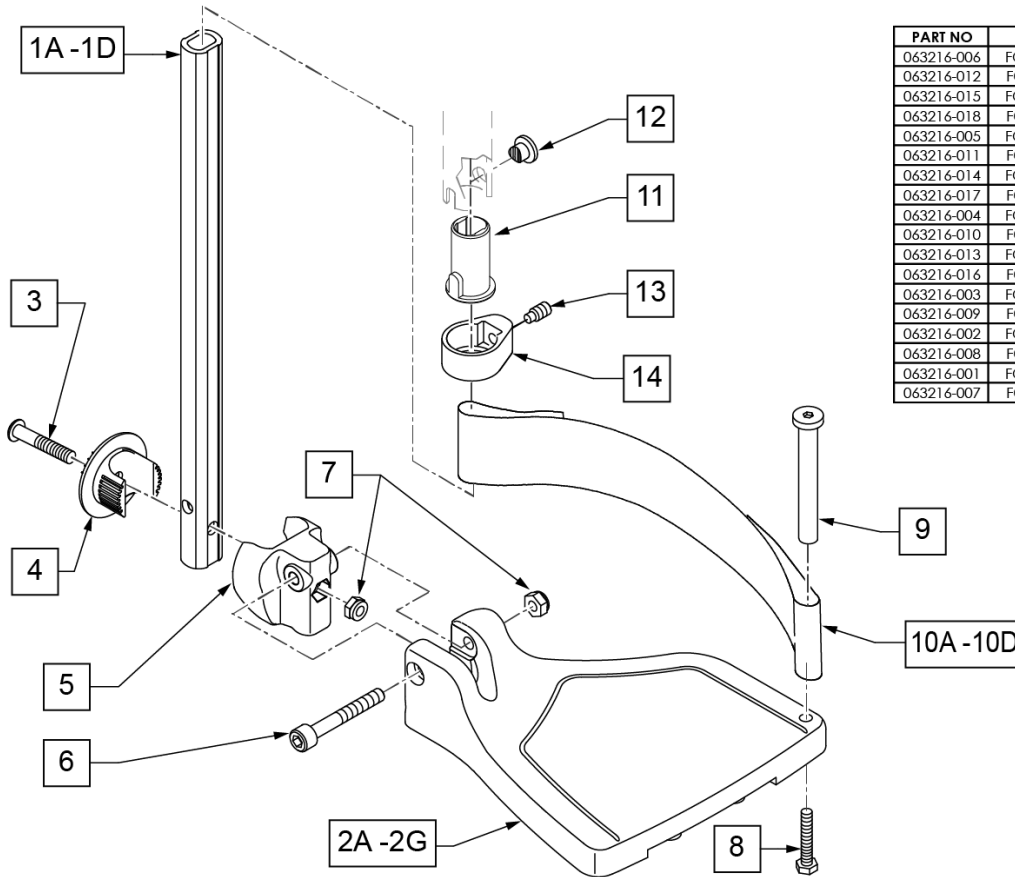
To have complete Footrest ship assembled, choose compatible Hanger + Footplate part numbers and add "ASSY-HNG-FP" to order

ADD INSET FORMULA
 0" Inset (Seat Width) = Footrest Width
 1" Inset (Seat Width) -2" = Footrest Width
 2" Inset (Seat Width) -4" = Footrest Width
 "V" Hanger (Seat Width) -4" = Footrest Width
 Offset Hanger Receiver (Seat Width) +2" = Footrest Width
 Flared Frame (Seat Width) = 2" = Footrest Width

FOOTPLATE MEASURING GUIDE



PART NO	DESCRIPTION	DIM -A-	DIM -B-
063216-006	FOOTPLATE COMPOSITE 157 R	6 1/8"	6"
063216-012	FOOTPLATE COMPOSITE 157 L	6 1/8"	6"
063216-015	FOOTPLATE COMPOSITE 170 R	6 5/8"	6"
063216-018	FOOTPLATE COMPOSITE 170 L	6 5/8"	6"
063216-005	FOOTPLATE COMPOSITE 182 R	7 1/8"	6"
063216-011	FOOTPLATE COMPOSITE 182 L	7 1/8"	6"
063216-014	FOOTPLATE COMPOSITE 195 R	7 5/8"	6"
063216-017	FOOTPLATE COMPOSITE 195 L	7 5/8"	6"
063216-004	FOOTPLATE COMPOSITE 207 R	8 1/8"	6"
063216-010	FOOTPLATE COMPOSITE 207 L	8 1/8"	6"
063216-013	FOOTPLATE COMPOSITE 220 R	8 5/8"	6 1/4"
063216-016	FOOTPLATE COMPOSITE 220 L	8 5/8"	6 1/4"
063216-003	FOOTPLATE COMPOSITE 232 R	9 1/8"	6 1/4"
063216-009	FOOTPLATE COMPOSITE 232 L	9 1/8"	6 1/4"
063216-002	FOOTPLATE COMPOSITE 257 R	10 1/8"	6 1/4"
063216-008	FOOTPLATE COMPOSITE 257 L	10 1/8"	6 1/4"
063216-001	FOOTPLATE COMPOSITE 282 R	11 1/8"	6 1/4"
063216-007	FOOTPLATE COMPOSITE 282 L	11 1/8"	6 1/4"



Pos.	Item Number	Description	Remarks
1A,6,7	120660	SHT STRT EXT COMP HDWR	
1B,6,7	120661	MED STRT EXT COMP HDWR	
1C,6,7	120662	LNG STRT EXT COMP HDWR	
1D	128079	TUBE FTRST EXT STRGHT SHT HEMI	Use for Hemi Ext Tube option
2A	063216-006	COMPOSITE FOOTPLATE RIGHT	RIGHT 15" Footrest Width

Pos.	Item Number	Description	Remarks
2A	063216-012	COMPOSITE FOOTPLATE LEFT	LEFT 15" Footrest Width
2B	063216-015	COMPOSITE FOOTPLATE RIGHT	RIGHT 16" Footrest Width
2B	063216-018	COMPOSITE FOOTPLATE LEFT	LEFT 16" Footrest Width
2C	063216-005	COMPOSITE FOOTPLATE RIGHT	RIGHT 17" Footrest Width
2C	063216-011	COMPOSITE FOOTPLATE LEFT	LEFT 17" Footrest Width
2D	063216-014	COMPOSITE FOOTPLATE RIGHT	RIGHT 18" Footrest Width
2D	063216-017	COMPOSITE FOOTPLATE LEFT	LEFT 18" Footrest Width
2E	063216-004	COMPOSITE FOOTPLATE RIGHT	RIGHT 19" Footrest Width
2E	063216-010	COMPOSITE FOOTPLATE LEFT	LEFT 19" Footrest Width
2F	063216-013	COMPOSITE FOOTPLATE RIGHT	RIGHT 20" Footrest Width
2F	063216-016	COMPOSITE FOOTPLATE LEFT	LEFT 20" Footrest Width
2G	063216-003	COMPOSITE FOOTPLATE RIGHT	RIGHT 21" & 22" Footrest Width
2G	063216-009	COMPOSITE FOOTPLATE LEFT	LEFT 21" & 22" Footrest Width
3	108233	BHCS M6 X 1 X 40	
4	054242	ANGLE COVER	
5	054241	ANGLE SEGMENT	
6	103175	SHCS M6 X 1 X 40 INORG	
7	132626	NUT AUTOMATION M6 X 1.0	
8	102268-001	HHCS M6X1X25	Inserted in bottom of footplate.
9	104328	HEEL LOOP PEG	
10A	104380-001	ADJUSTABLE FOOT REST STRAP	15" Footrest Width
10B	104380-002	ADJUSTABLE FOOT REST STRAP	16" Footrest Width
10C	104380-003	ADJUSTABLE FOOT REST STRAP	17-18" Footrest Width
10D	104380-004	ADJUSTABLE FOOT REST STRAP	19-22" Footrest Width
11	104160	BUSHING FOOTREST	
11-14	107485	FOOTREST CLAMP ASSM	
>>>>		60,70,80 HANGERS - SHORT EXT - RIGHT	
1A,2A,3-10A	107816	CAA STRT SHT EXT ASM 15W R	Right- 15 W- SHORT
1A,2B,3-10B	107817	CAA STRT SHT EXT ASM 16W R	Right- 16 W- SHORT
1A,2C,3-10B	107818	CAA STRT SHT EXT ASM 17W R	Right- 17 W- SHORT
1A,2D,3-10C	107819	CAA STRT SHT EXT ASM 18W R	Right- 18 W- SHORT
1A,2E,3-10C	107820	CAA STRT SHT EXT ASM 19W R	Right- 19 W- SHORT
1A,2F,3-10D	107821	CAA STRT SHT EXT ASM 20W R	Right- 20 W- SHORT
1A,2G,3-10D	107822	CAA STRT SHT EXT ASM 21&22W R	Right- 21&22 W- SHORT
>>>>		60,70,80 HANGERS - SHORT EXT - LEFT	
1A,2A,3-10A	107823	CAA STRT SHT EXT ASM 15W L	Left- 15 W- SHORT
1A,2B,3-10B	107824	CAA STRT SHT EXT ASM 16W L	Left- 16 W- SHORT
1A,2C,3-10B	107825	CAA STRT SHT EXT ASM 17W L	Left- 17 W- SHORT
1A,2D,3-10C	107826	CAA STRT SHT EXT ASM 18W L	Left- 18 W- SHORT
1A,2E,3-10C	107827	CAA STRT SHT EXT ASM 19W L	Left- 19 W- SHORT
1A,2F,3-10D	107828	CAA STRT SHT EXT ASM 20W L	Left- 20 W- SHORT
1A,2G,3-10D	107829	CAA STRT SHT EXT ASM 21&22W L	Left- 21&22 W- SHORT
>>>>		60,70,80& 60,70 HEMI HANGER- RIGHT	
1B,2A,3-10A	107830	CAA STRT MED EXT ASM 15W R	Right- 15 W- MED
1B,2B,3-10B	107831	CAA STRT MED EXT ASM 16W R	Right- 16 W- MED
1B,2C,3-10B	107832	CAA STRT MED EXT ASM 17W R	Right- 17 W- MED
1B,2D,3-10C	107833	CAA STRT MED EXT ASM 18W R	Right- 18 W- MED
1B,2E,3-10C	107834	CAA STRT MED EXT ASM 19W R	Right- 19 W- MED
1B,2F,3-10D	107835	CAA STRT MED EXT ASM 20W R	Right- 20 W- MED
1B,2G,3-10D	107836	CAA STRT MED EXT ASM 21&22W R	Right- 21&22 W- MED
>>>>		60,70,80& 60,70 HEMI HANGER- LEFT	
1B,2A,3-10A	107837	CAA STRT MED EXT ASM 15W L	Left- 15 W- MED
1B,2B,3-10B	107838	CAA STRT MED EXT ASM 16W L	Left- 16 W- MED
1B,2C,3-10B	107839	CAA STRT MED EXT ASM 17W L	Left- 17 W- MED
1B,2D,3-10C	107840	CAA STRT MED EXT ASM 18W L	Left- 18 W- MED
1B,2E,3-10C	107841	CAA STRT MED EXT ASM 19W L	Left- 19 W- MED

Pos.	Item Number	Description	Remarks
1B,2F,3-10D	107842	CAA STRT MED EXT ASM 20W L	Left- 20 W- MED
1B,2G,3-10D	107843	CAA STRT MED EXT ASM 21&22W L	Left- 21&22 W- MED
>>>>		60,70,80& 60,70 HEMI HANGER- RIGHT	
1C,2A,3-10A	107844	CAA STRT LNG EXT ASM 15W R	Right- 15 W- LONG
1C,2B,3-10B	107845	CAA STRT LNG EXT ASM 16W R	Right- 16 W- LONG
1C,2C,3-10B	107846	CAA STRT LNG EXT ASM 17W R	Right- 17 W- LONG
1C,2D,3-10C	107847	CAA STRT LNG EXT ASM 18W R	Right- 18 W- LONG
1C,2E,3-10C	107848	CAA STRT LNG EXT ASM 19W R	Right- 19 W- LONG
1C,2F,3-10D	107849	CAA STRT LNG EXT ASM 20W R	Right- 20 W- LONG
1C,2G,3-10D	107850	CAA STRT LNG EXT ASM 21&22W R	Right- 21&22 W- LONG
>>>>		60,70,80& 60,70 HEMI HANGER- LEFT	
1C,2A,3-10A	107851	CAA STRT LNG EXT ASM 15W L	Left- 15 W- LONG
1C,2B,3-10B	107852	CAA STRT LNG EXT ASM 16W L	Left- 16 W- LONG
1C,2C,3-10B	107853	CAA STRT LNG EXT ASM 17W L	Left- 17 W- LONG
1C,2D,3-10C	107854	CAA STRT LNG EXT ASM 18W L	Left- 18 W- LONG
1C,2E,3-10C	107855	CAA STRT LNG EXT ASM 19W L	Left- 19 W- LONG
1C,2F,3-10D	107856	CAA STRT LNG EXT ASM 20W L	Left- 20 W- LONG
1C,2G,3-10D	107857	CAA STRT LNG EXT ASM 21&22W L	Left- 21&22 W- LONG
>>>>		60&70 HEMI HANGERS- SHORT EXT- RIGHT	
1D,2A,3-10A	129710	CAA FOOT KIT SHT HNGR 15W R	Right-Hemi-15W; add Ext behind the Hemi
1D,2B,3-10B	129712	CAA FOOT KIT SHT HNGR 16W R	Right-Hemi-16W; add Ext behind the Hemi
1D,2C,3-10B	129714	CAA FOOT KIT SHT HNGR 17W R	Right-Hemi-17W; add Ext behind the Hemi
1D,2D,3-10C	129716	CAA FOOT KIT SHT HNGR 18W R	Right-Hemi-18W; add Ext behind the Hemi
1D,2E,3-10C	129718	CAA FOOT KIT SHT HNGR 19W R	Right-Hemi-19W; add Ext behind the Hemi
1D,2F,3-10D	129720	CAA FOOT KIT SHT HNGR 20W R	Right-Hemi-20W; add Ext behind the Hemi
1D,2G,3-10D	129722	CAA FOOT KIT SHT HNGR 22W R	Right-Hemi-21&22W; add Ext behind the Hemi
>>>>		60&70 HEMI HANGERS- SHORT EXT - LEFT	
1D,2A,3-10A	129711	CAA FOOT KIT SHT HNGR 15W L	Left-Hemi-15W; add Ext behind the Hemi
1D,2B,3-10B	129713	CAA FOOT KIT SHT HNGR 16W L	Left-Hemi-16W; add Ext behind the Hemi
1D,2C,3-10B	129715	CAA FOOT KIT SHT HNGR 17W L	Left-Hemi-17W; add Ext behind the Hemi
1D,2D,3-10C	129717	CAA FOOT KIT SHT HNGR 18W L	Left-Hemi-18W; add Ext behind the Hemi
1D,2E,3-10C	129719	CAA FOOT KIT SHT HNGR 19W L	Left-Hemi-19W; add Ext behind the Hemi
1D,2F,3-10D	129721	CAA FOOT KIT SHT HNGR 20W L	Left-Hemi-20W; add Ext behind the Hemi
1D,2G,3-10D	129723	CAA FOOT KIT SHT HNGR 22W L	Left-Hemi-21&22W; add Ext behind the Hemi
		Ship assembled part #	Use with multiple assemblies
	ASSY-HNG-FP	HANGER/FOOTPLATE ASSY REQUIRED	add with Hanger & Footplate kit

Note: Footplate Assemblies are set to footrest width; please see "Footplate Formula" table for seat width conversion.

Note: If using Short Ext Tube & Hemi Hanger with Adult Angle Adjustable Footplate use 1D (straight) .

Note: V Style Hangers are not available on Swing Away Style chairs effective 7/14/14; see the "Prior To" ordering guide for V Style footplate assemblies.

Note: for QX Series or SR45 footplate replacement parts see the ordering guide marked specifically for these two models in the informations panel.

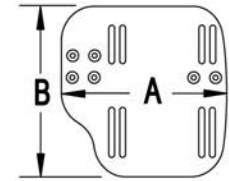
Note: if chair has High Mount Ext Tubes or if switching to High Mount Ext Tubes, see AAA Footplate w/ High Mount Extension Ordering Guide.

[02/19/2020]

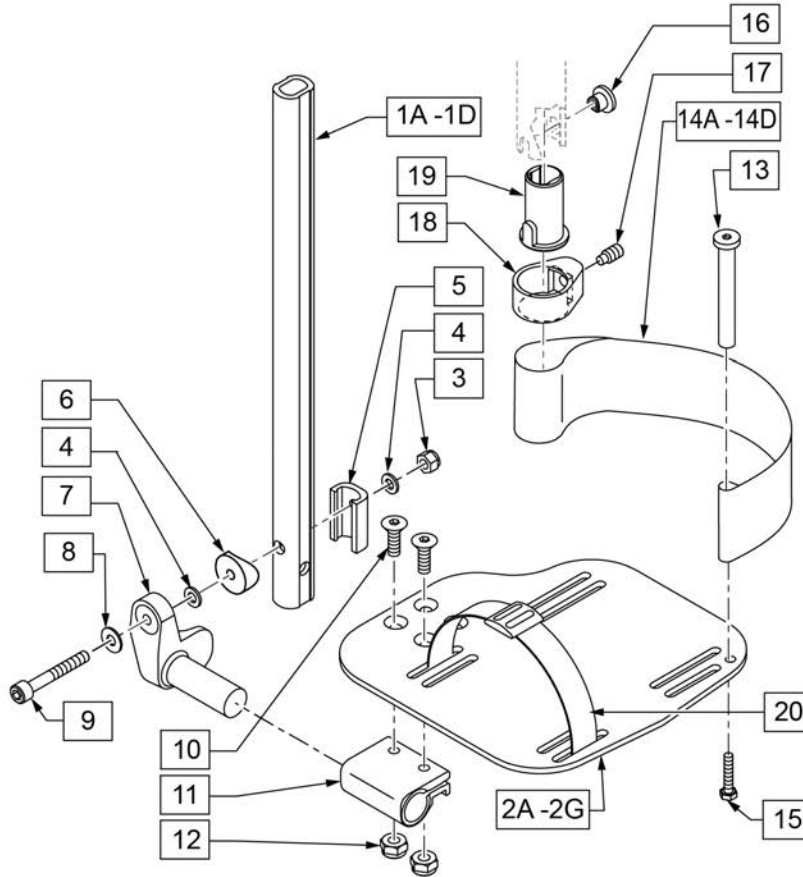
To have complete Footrest ship assembled, choose compatible Hanger + Footplate part numbers and add "ASSY-HNG-FP" to order

ADD INSET FORMULA
 0" Inset (Seat Width) = Footrest Width
 1" Inset (Seat Width) -2" = Footrest Width
 2" Inset (Seat Width) -4" = Footrest Width
 "V" Hanger (Seat Width) -4" = Footrest Width
 Offset Hanger Receiver (Seat Width) +2" = Footrest Width
 Flared Frame (Seat Width) = 2" = Footrest Width

MEASURING GUIDE



CHAIR WIDTH	"A"	"B"
10" - 11"	3 1/2"	7 1/4"
12" - 13"	4 1/2"	7 3/4"
14" - 15"	5 1/2"	7 3/4"
16" - 17"	6 1/2"	7 3/4"
18" - 20"	7 1/2"	7 3/4"



21 EXT MNT HARDWARE 1 SIDE			
ITEM #	ILLUSTRATION	DESCRIPTION	QTY
3		NUT AUTOMATION M6 X 1.0 ROHS	1
4		WASHER FLAT THIN AN 1/4	2
5		HANGER EXTENSION SADDLE	1
6		3/4" SADDLE 1" OD	1
8		WASHER FLAT SAE 1/4 ROHS	1
9		SHCS M6X1X45 12MM PART THD	1

Pos.	Item Number	Description	Remarks
1A,3-6,8,9	120670	SHT STRT EXT AAA HDWR	
1B,3-6,8,9	120671	MED STRT EXT AAA HDWR	
1C,3-6,8,9	120672	LNG STRT EXT AAA HDWR	
1D	128079	TUBE FTRST EXT STRGHT SHT HEMI	Use for Hemi Ext Tube option
2A	500656	ADULT ANGL ADJ F/PLT 10/11" R	RIGHT 10-11" Footrest Width
2A	500657	ADULT ANGL ADJ F/PLT 10/11" L	LEFT 10-11" Footrest Width
2B	500658	ADULT ANGL ADJ F/PLT 12/13" R	RIGHT 12-13" Footrest Width
2B	500659	ADULT ANGL ADJ F/PLT 12/13" L	LEFT 12-13" Footrest Width
2C	500660	ADLT ANGL ADJ F/PLT 14/15	RIGHT 14-15" Footrest Width
2C	500661	ADLT ANGL ADJ F/PLT 14/15	LEFT 14-15" Footrest Width
2D	500662	ADLT ANGL ADJ F/PLT 16/17	RIGHT 16-17" Footrest Width
2D	500663	ADLT ANGL ADJ F/PLT 16/17	LEFT 16-17" Footrest Width
2E	500664	ADLT ANGL ADJ F/PLT 18-20	RIGHT 18-22" Footrest Width
2E	500665	ADLT ANGL ADJ F/PLT 18-20	LEFT 18-22" Footrest Width
3	132626	NUT AUTOMATION M6 X 1.0	
4	106944	WASHER FLAT THIN AN 1/4 ROHS	
5	107199	HANGER EXTENSION SADDLE	
6	561055	3/4" SADDLE 1" OD	
7	541002	FTRST MOUNTING BRKT-3/8 RAD R	RIGHT

Pos.	Item Number	Description	Remarks
7	541003	FTRST MOUNTING BRKT-3/8 RAD L	LEFT
8	106945	WASHER FLAT SAE 1/4 ROHS	
9	104399	SHCS M6X1X45 12 MM PART THD	
10	106978	FHCS 1/4-28 X 7/8 ROHS	
11	550350	3/4" CLMP ADJ FT PLT	
12	106935	NUT NYLOCK THIN 1/4-28 ROHS	
13	104328	POST HEEL LOOP	
14A	104380-001	ADJUSTABLE FOOT REST STRAP	12 - 14" WIDE
14B	104380-002	ADJUSTABLE FOOT REST STRAP	15 - 16" WIDE
14C	104380-003	ADJUSTABLE FOOT REST STRAP	17 - 18" WIDE
14D	104380-004	ADJUSTABLE FOOT REST STRAP	19 - 20" WIDE
15	102268-001	HHCS M6 X 1 X 25	
16-19	107485	FOOTREST CLAMP ASSM	
20	740260	TOE-ANKLE STRAP ADJ ADULT FOOTPLATE	
21	120659	EXT MNT HARDWARE 1 SIDE	
>>>>		60,70,80 STD HANGERS - RIGHT	
1A,2B,3-14A,15	111534	AAA STRT SHT EXT ASM 12-13" W R	Right- 12-13" W- SHORT
1A,2C,3-14B,15	107928	AAA STRT SHT EXT ASM 14-15" W R	Right- 14-15" W- SHORT
1A,2D,3-14C,15	107930	AAA STRT SHT EXT ASM 16-17" W R	Right- 16-17" W- SHORT
1A,2E,3-14D,15	107932	AAA STRT SHT EXT ASM 18-22" W R	Right- 18-22" W- SHORT
>>>>		60,70,80 STD HANGERS - LEFT	
1A,2B,3-14A,15	111535	AAA STRT SHT EXT ASM 12-13" W L	Left- 12-13" W- SHORT
1A,2C,3-14B,15	107935	AAA STRT SHT EXT ASM 14" W L	Left- 14-15" W- SHORT
1A,2D,3-14C,15	107937	AAA STRT SHT EXT ASM 16" W L	Left- 16-17" W- SHORT
1A,2E,3-14D,15	107939	AAA STRT SHT EXT ASM 18" W L	Left- 18-22" W- SHORT
>>>>		60,70,80 & 60,70 HEMI HANGERS - RIGHT	
1B,2B,3-14A,15	111536	AAA STRT MED EXT ASM 12-13" W R	Right- 12-13" W- MED
1B,2C,3-14B,15	107942	AAA STRT MED EXT ASM 14-15" W R	Right- 14-15" W- MED
1B,2D,3-14C,15	107944	AAA STRT MED EXT ASM 16-17" W R	Right- 16-17" W- MED
1B,2E,3-14D,15	107946	AAA STRT MED EXT ASM 18-22" W R	Right- 18-22" W- MED
>>>>		60,70,80 & 60,70 HEMI HANGERS - LEFT	
1B,2B,3-14A,15	111537	AAA STRT MED EXT ASM 12-13" W L	Left- 12-13" W- MED
1B,2C,3-14B,15	107949	AAA STRT MED EXT ASM 14" W L	Left- 14-15" W- MED
1B,2D,3-14C,15	107951	AAA STRT MED EXT ASM 16" W L	Left- 16-17" W- MED
1B,2E,3-14D,15	107953	AAA STRT MED EXT ASM 18" W L	Left- 18-22" W- MED
>>>>		60,70,80 & 60,70 HEMI HANGERS - RIGHT	
1C,2B,3-14A,15	111538	AAA STRT LNG EXT ASM 12-13" W R	Right- 12-13" W- LONG
1C,2C,3-14B,15	107956	AAA STRT LNG EXT ASM 14 -15" W R	Right- 14-15" W- LONG
1C,2D,3-14C,15	107958	AAA STRT LNG EXT ASM 16 -17" W R	Right- 16-17" W- LONG
1C,2E,3-14D,15	107960	AAA STRT LNG EXT ASM 18 -22" W R	Right- 18-22" W- LONG
>>>>		60,70,80 & 60,70 HEMI HANGERS - LEFT	
1C,2B,3-14A,15	111539	AAA STRT LNG EXT ASM 12-13" W L	Left- 12-13" W- LONG
1C,2C,3-14B,15	107963	AAA STRT LNG EXT ASM 14W L	Left- 14-15" W- LONG
1C,2D,3-14C,15	107965	AAA STRT LNG EXT ASM 16W L	Left- 16-17" W- LONG
1C,2E,3-14D,15	107968	AAA STRT LNG EXT ASM 18W L	Left- 18-22" W- LONG
>>>>		60&70 HEMI HANGERS - SHORT EXT - RIGHT	
1D,2B,3-14A,15	129756	AAA FOOT KIT SHT HNGR 12W R	Right- 12-13" W- SHORT; add Ext behind the Hemi
1D,2C,3-14B,15	129758	AAA FOOT KIT SHT HNGR 14W R	Right- 14-15" W- SHORT; add Ext behind the Hemi
1D,2D,3-14C,15	129760	AAA FOOT KIT SHT HNGR 16W R	Right- 16-17" W- SHORT; add Ext behind the Hemi
1D,2E,3-14D,15	129762	AAA FOOT KIT SHT HNGR 18W R	Right- 18-22" W- SHORT; add Ext behind the Hemi
>>>>		60&70 HEMI HANGERS - SHORT EXT -LEFT	
1D,2B,3-14A,15	129757	AAA FOOT KIT SHT HNGR 12W L	Left- 12-13" W-SHORT; add Ext behind the Hemi
1D,2C,3-14B,15	129759	AAA FOOT KIT SHT HNGR 14W L	Left- 14-15" W- SHORT; add Ext behind the Hemi
1D,2D,3-14C,15	129761	AAA FOOT KIT SHT HNGR 16W L	Left- 16-17" W- SHORT; add Ext behind the Hemi
1D,2E,3-14D,15	129763	AAA FOOT KIT SHT HNGR 18W L	Left- 18-22" W- SHORT; add Ext behind the Hemi
		Ship assembled part #	Use with multiple assemblies

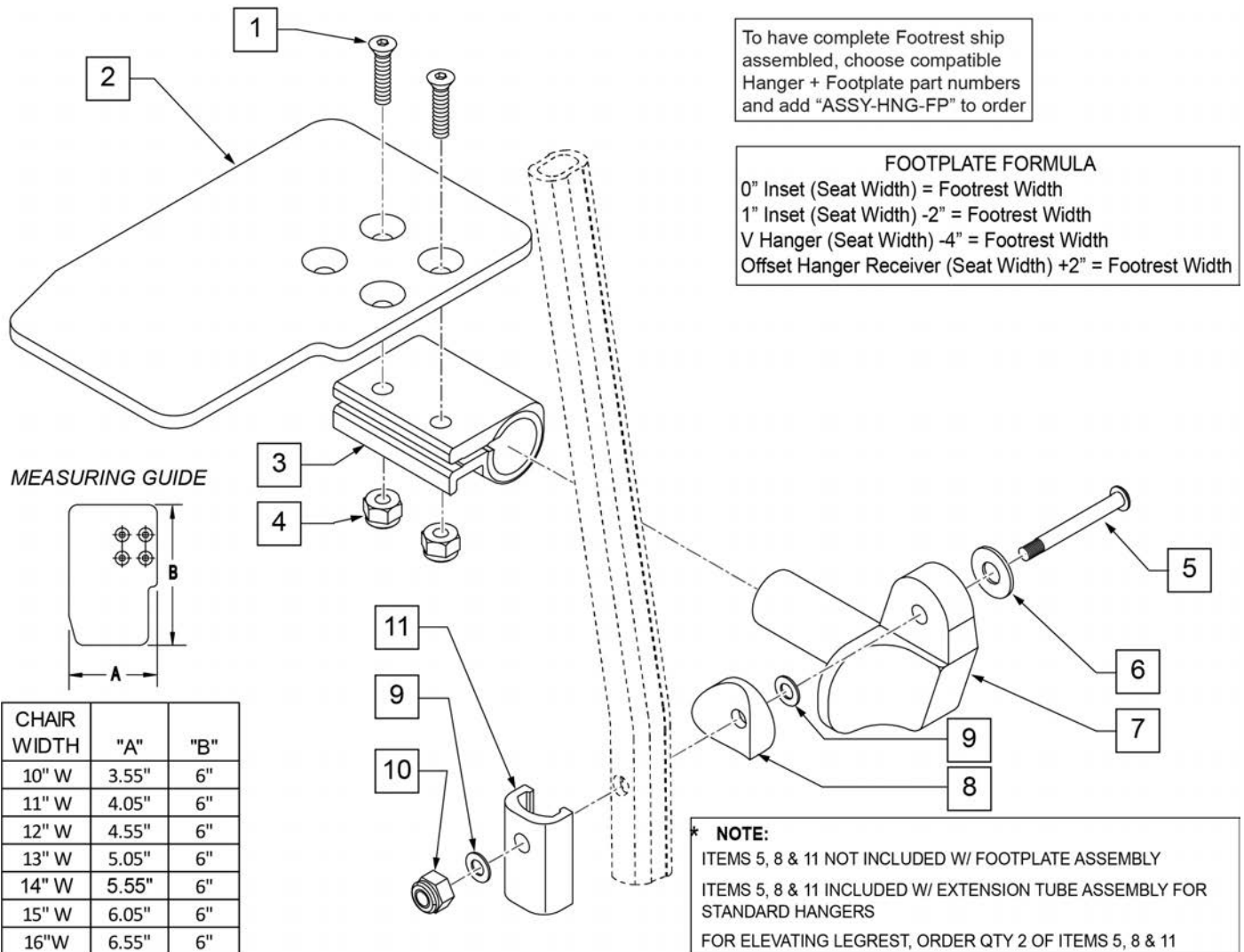
Pos.	Item Number	Description	Remarks
	ASSY-HNG-FP	HANGER/FOOTPLATE ASSY REQUIRED	add with Hanger & Footplate kit

Note: Footplate Assemblies are set to footrest width; please see "Footplate Formula" table for seat width conversion.

Note: V Style Hangers are not available on Swing Away Style chairs effective 7/14/14; see the "Prior To" ordering guide for V Style footplate assemblies.

Note: Zippie Iris (ZRS&ZRSE) and Zippie TS (Z1A&Z1SE) only use Straight Extension Tube.

Note: if chair has High Mount Ext Tubes or if switching to High Mount Ext Tubes, see KAA Footplate w/ High Mount Extension Ordering Guide.



Pos.	Item Number	Description	Remarks
1	106978	FHCS 1/4 -28 x 7/8 ROHS	

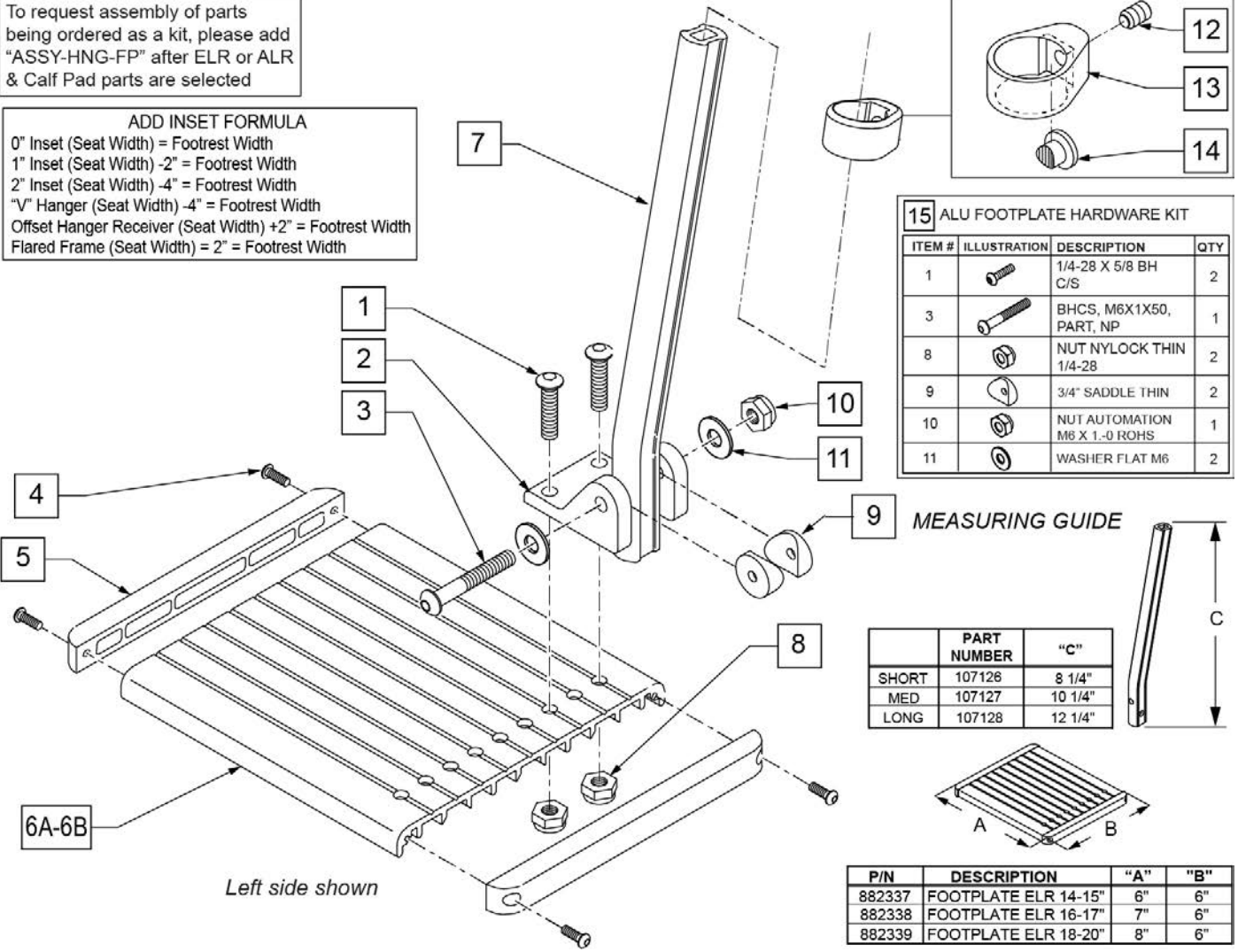
Pos.	Item Number	Description	Remarks
2	500635	KIDS ANGL ADJ F/PLT 10" R	Right
2	500636	KIDS ANGL ADJ F/PLT 10" L	Left
2	500637	KIDS ANGL ADJ F/PLT 11" R	Right
2	500638	KIDS ANGL ADJ F/PLT 11" L	Left
2	500639	KIDS ANGL ADJ F/PLT 12" R	Right
2	500640	KIDS ANGL ADJ F/PLT 12" L	Left
2	500641	KIDS ANGL ADJ F/PLT 13" R	Right
2	500642	KIDS ANGL ADJ F/PLT 13" L	Left
2	500643	KIDS ANGL ADJ F/PLT 14" R	Right
2	500644	KIDS ANGL ADJ F/PLT 14" L	Left
2	500645	KIDS ANGL ADJ F/PLT 15" R	Right
2	500646	KIDS ANGL ADJ F/PLT 15" L	Left
2	500647	KIDS ANGL ADJ F/PLT 16" R	Right
2	500648	KIDS ANGL ADJ F/PLT 16" L	Left
3	550350	3/4" CLAMP ADJ FOOTPLATE	
4	106935	NUT NYLOCK THIN 1/4 -28 ROHS	
5	106962	1/4-28 x 1 3/4 BH C/S BLK ZN (D2 EXTENSION TUBES)	
5	226167	1/4-28 x 1.625 BH C/S BLK (ROUND EXTENSION TUBES)	
6	106945	1/4 SAE WASHER	
7	541002	FTRST MOUNTING BRKT-3/8 RAD R	
7	541003	FTRST MOUNTING BRKT-3/8 RAD L	
8	561055	3/4" SADDLE 1" OD	
9	106944	WASHER FLAT THIN AN 1/4 ROHS	
10	106941	NUT AUTOMATION 1/4 -28 ROHS	
11	483720	HANGER EXTENSION SADDLE LONG	Use with Double D Ext Tube
1-4,6,7,9,10	828850	KIDS ANG ADJ F/PLT EXT-MNT 10"R	Right
1-4,6,7,9,10	828851	KIDS ANG ADJ F/PLT EXT-MNT 10"L	Left
1-4,6,7,9,10	828852	KIDS ANG ADJ F/PLT EXT-MNT 11"R	Right
1-4,6,7,9,10	828853	KIDS ANG ADJ F/PLT EXT-MNT 11"L	Left
1-4,6,7,9,10	828854	KIDS ANG ADJ F/PLT EXT-MNT 12"R	Right
1-4,6,7,9,10	828855	KIDS ANG ADJ F/PLT EXT-MNT 12"L	Left
1-4,6,7,9,10	828856	KIDS ANG ADJ F/PLT EXT-MNT 13"R	Right
1-4,6,7,9,10	828857	KIDS ANG ADJ F/PLT EXT-MNT 13"L	Left
1-4,6,7,9,10	828858	KIDS ANG ADJ F/PLT EXT-MNT 14"R	Right
1-4,6,7,9,10	828859	KIDS ANG ADJ F/PLT EXT-MNT 14"L	Left
1-4,6,7,9,10	828860	KIDS ANG ADJ F/PLT EXT-MNT 15"R	Right
1-4,6,7,9,10	828861	KIDS ANG ADJ F/PLT EXT-MNT 15"L	Left
1-4,6,7,9,10	828862	KIDS ANG ADJ F/PLT EXT-MNT 16"R	Right
1-4,6,7,9,10	828863	KIDS ANG ADJ F/PLT EXT-MNT 16"L	Left
1-4,6,7,9,10	921280	KIDS ANG ADJ F/PLT EXT-MNT 10"	Pair
1-4,6,7,9,10	921281	KIDS ANG ADJ F/PLT EXT-MNT 11"	Pair
1-4,6,7,9,10	921282	KIDS ANG ADJ F/PLT EXT-MNT 12"	Pair
1-4,6,7,9,10	921283	KIDS ANG ADJ F/PLT EXT-MNT 13"	Pair
1-4,6,7,9,10	921284	KIDS ANG ADJ F/PLT EXT-MNT 14"	Pair
1-4,6,7,9,10	921285	KIDS ANG ADJ F/PLT EXT-MNT 15"	Pair
1-4,6,7,9,10	921286	KIDS ANG ADJ F/PLT EXT-MNT 16"	Pair
		Ship assembled part #	Use with multiple assemblies
	ASSY-HNG-FP	HANGER/FOOTPLATE ASSY REQUIRED	add with Hanger & Footplate kit

ELR/ALR ALUMINUM FOOTPLATE

(02/11/2020)

To request assembly of parts being ordered as a kit, please add "ASSY-HNG-FP" after ELR or ALR & Calf Pad parts are selected

ADD INSET FORMULA
 0" Inset (Seat Width) = Footrest Width
 1" Inset (Seat Width) -2" = Footrest Width
 2" Inset (Seat Width) -4" = Footrest Width
 "V" Hanger (Seat Width) -4" = Footrest Width
 Offset Hanger Receiver (Seat Width) +2" = Footrest Width
 Flared Frame (Seat Width) = 2" = Footrest Width



15 ALU FOOTPLATE HARDWARE KIT

ITEM #	ILLUSTRATION	DESCRIPTION	QTY
1		1/4-28 X 5/8 BH C/S	2
3		BHCS, M6X1X50, PART, NP	1
8		NUT NYLOCK THIN 1/4-28	2
9		3/4" SADDLE THIN	2
10		NUT AUTOMATION M6 X 1-0 ROHS	1
11		WASHER FLAT M6	2

MEASURING GUIDE

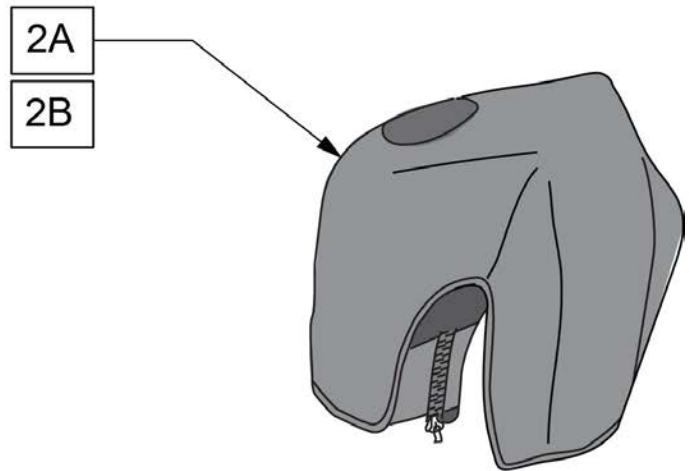
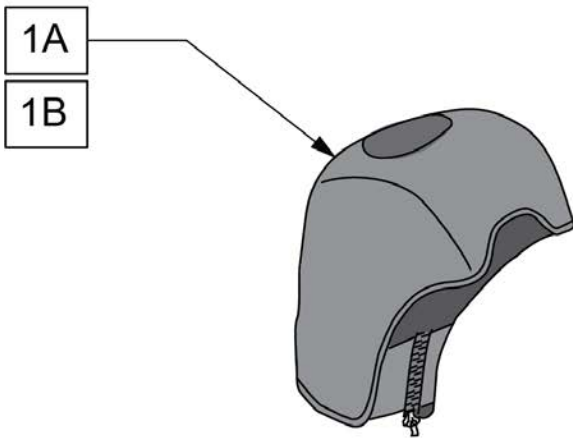
	PART NUMBER	"C"
SHORT	107126	8 1/4"
MED	107127	10 1/4"
LONG	107128	12 1/4"

P/N	DESCRIPTION	"A"	"B"
882337	FOOTPLATE ELR 14-15"	6"	6"
882338	FOOTPLATE ELR 16-17"	7"	6"
882339	FOOTPLATE ELR 18-20"	8"	6"

Pos.	Item Number	Description	Remarks
1	226090	1/4-28 x 5/8 BH C/S	
2	118093	BRACKET FOOTPLATE ALUM	
3	102262-008	BHCS M6 X 1 X 50 INORGANIC	
4	281043	#4 x 5/8 PAN PHIL S/TAP	
5	560101	END CAPS FOOTREST	
7	107126	SHORT BENT	
7	107127	MED BENT	
7	107128	LONG BENT	
7	128078	TUBE FOOTREST EXT SHT HEMI	Use for Hemi Extension option
8	106935	1/4-28 NYLOCK NUT THIN	
9	561003	3/4" SADDLE THIN	
10	132626	NUT AUTOMATION M6 X 1.0	
11	107383	WASHER FLAT M6 ROHS	
4,5,6A	882337	ELR FOOTPLATE ASSEMBLY 14 -15"	
4,5,6B	882338	ELR FOOTPLATE ASSEMBLY 16 -17"	
4,5,6C	882339	ELR FOOTPLATE ASSEMBLY 18 -20"	
12-14	119495	EXTENSION CLAMP KIT	
15	129775	ALU FOOTPLATE HDWARE KIT	Ext tube not included; bracket (118093) not included

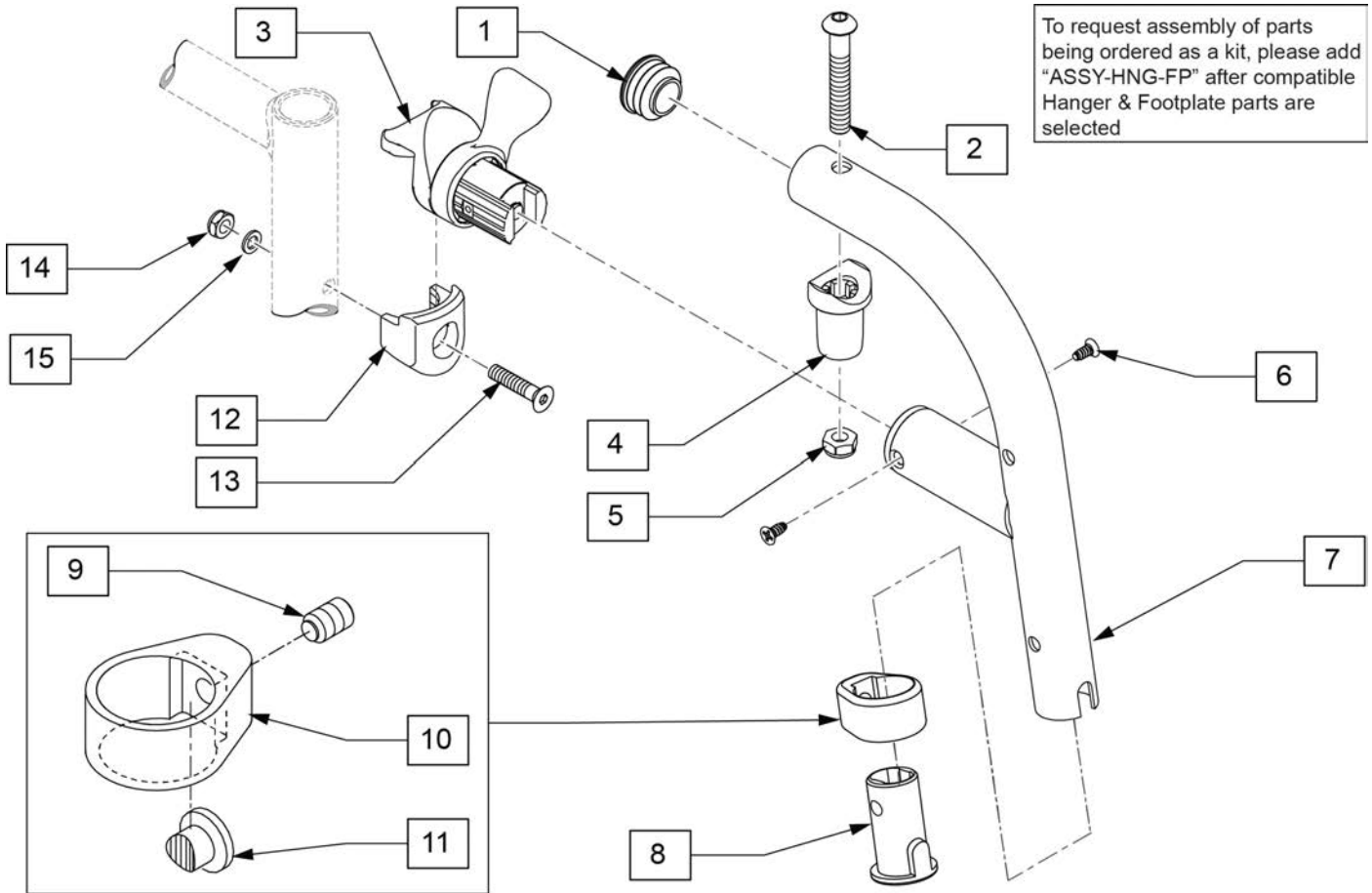
Pos.	Item Number	Description	Remarks
		Ship assembled part #	Use with multiple assemblies
	ASSY-HNG-FP	HANGER/FOOTPLATE ASSY REQUIRED	add with Hanger & Footplate kit

Note: For installation instructions please see the informations section to the right of this parts page.

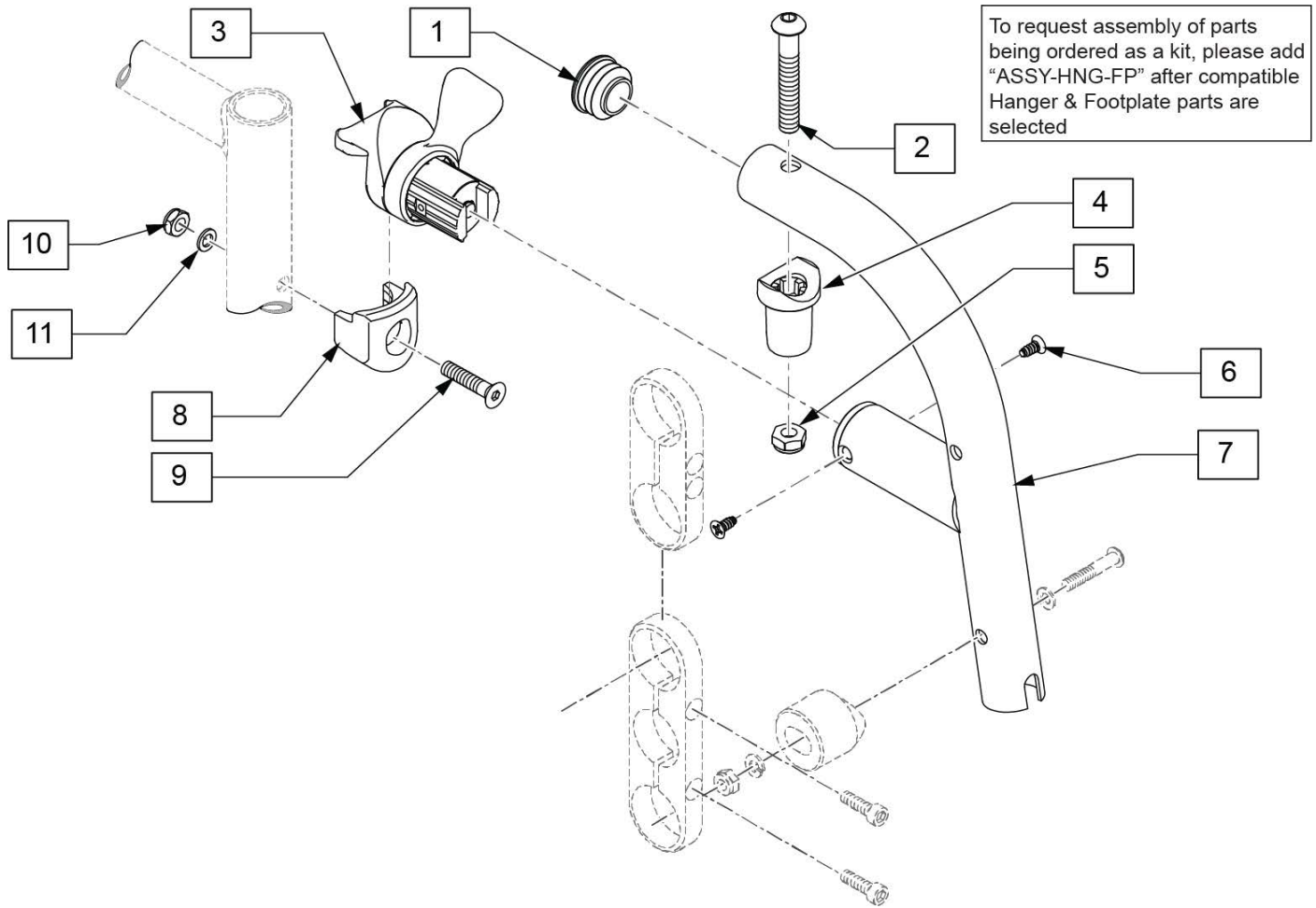


Pos.	Item Number	Description	Remarks
1A	163881	ELR NEOPRENE COVER PR	Pair
1B	163882	ELR GEL COVER PR	Pair
2A	163883	ALR NEOPRENE COVER PR	Pair
2B	163884	ALR GEL COVER PR	Pair

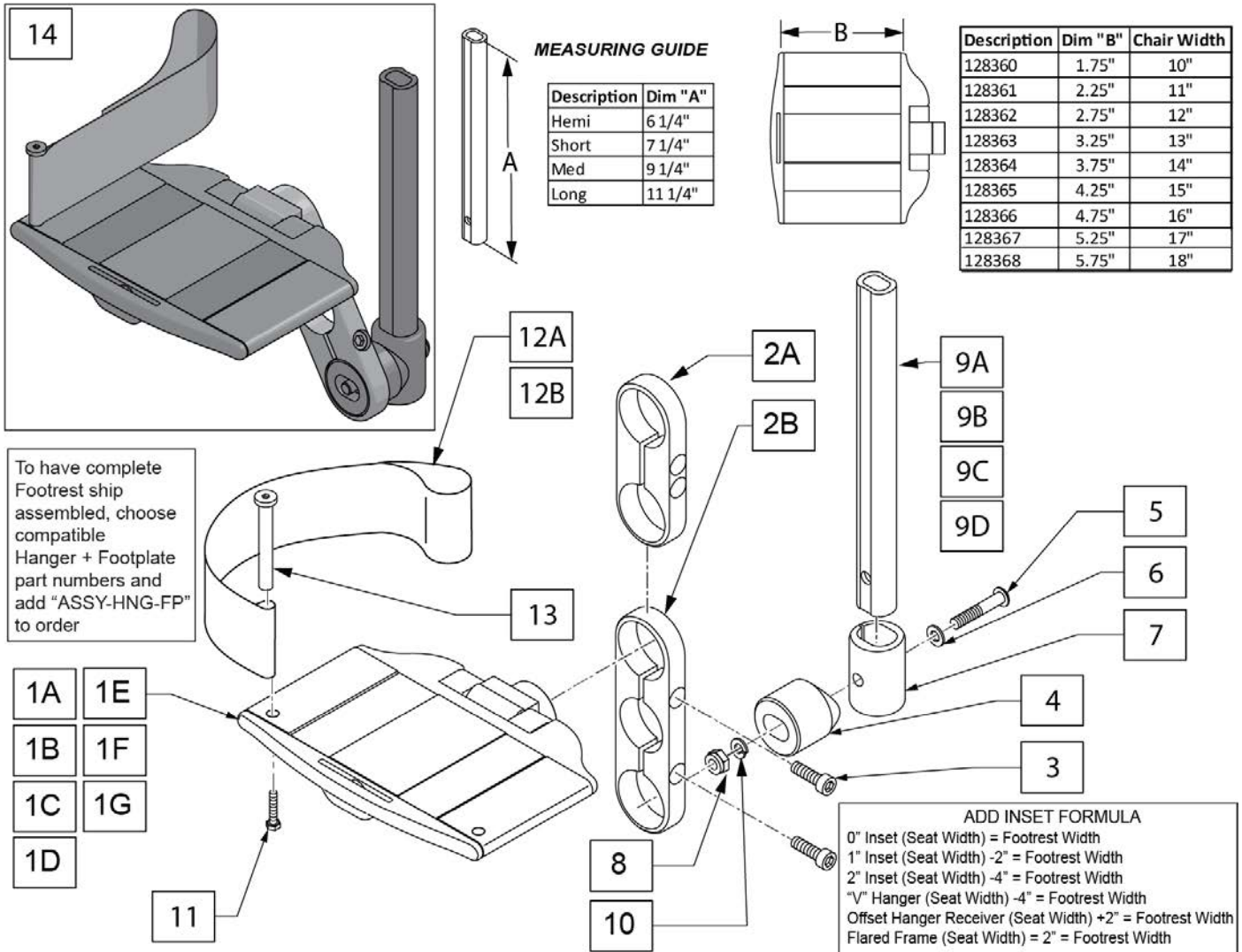
Z-FINITY SWING I/O EXTENSION MOUNT HANGERS



Pos.	Item Number	Description	Remarks
1	561062	1" INSERT PLUG .065 RIBS	
8	128357	BUSHING, FOOTREST, DIRECT	
13	103500-010	FHCSM6X1X35FULLNP	
14	104381	NUT HEX NYLOCK M6X1.0	
15	104414	WAVE WASHER 6 MM	
1,2,4,5	119518	PIVOT SADDLE KIT	
3,6	119509	HANGER LATCH ASSM W/HDWR L	Left
3,6	119510	HANGER LATCH ASSM W/HDWR R	Right
1-11	136186S	80D HANGER R EXT	Right-hangers that use extension
1-11	136187S	80D HANGER L EXT	Left-hangers that use extension
8-11	136188	FOOTREST CLAMP KIT	
12-15	119514	LATCH RECEIVER KIT	
		Ship assembled part #	Use with multiple assemblies
	ASSY-HNG-FP	HANGER/FOOTPLATE ASSY REQUIRED	add with Hanger & Footplate kit



Pos.	Item Number	Description	Remarks
1	561062	1" INSERT PLUG .065 RIBS	
9	103500-010	FHCSM6X1X35FULLNP	
10	104381	NUT HEX NYLOCK M6X1.0	
11	104414	WAVE WASHER 6 MM	
1,2,4,5	119518	PIVOT SADDLE KIT	
3,6	119509	HANGER LATCH ASSM W/HDWR L	Left
3,6	119510	HANGER LATCH ASSM W/HDWR R	Right
1-7	136184	80D HANGER R DIRECT	Right
1-7	136185	80D HANGER L DIRECT	Left
8-11	119514	LATCH RECEIVER KIT	
		Ship assembled part #	Use with multiple assemblies
	ASSY-HNG-FP	HANGER/FOOTPLATE ASSY REQUIRED	add with Hanger & Footplate kit

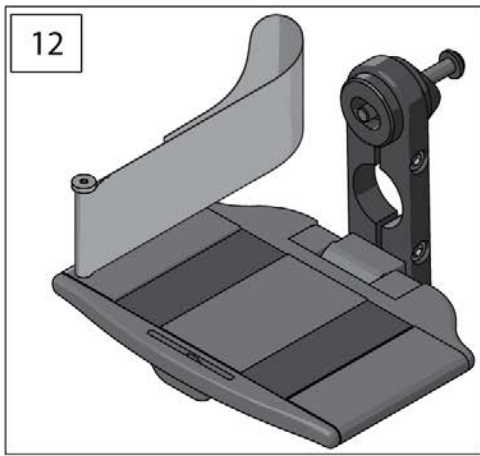


Pos.	Item Number	Description	Remarks
1A	128360	10" ALUM DIVIDED FTRST	
1B	128361	11" ALUM DIVIDED FTRST	
1C	128362	12" ALUM DIVIDED FTRST	
1D	128363	13" ALUM DIVIDED FTRST	
1E	128364	14" ALUM DIVIDED FTRST	
1F	128365	15" ALUM DIVIDED FTRST	
1G	128366	16" ALUM DIVIDED FTRST	
1H	128367	17" ALUM DIVIDED FTRST	
1I	128368	18" ALUM DIVIDED FTRST	
2A	128402	SHORT FOOTPLATE CLAMP	
2B	128403	LONG FOOTPLATE CLAMP	
3	102263-003	SHCS, M6X1X25, FULL, PL	
4	129058	HALF EXTEN TUBE ADAPTOR	
5	106964	BHCS 1/4-28 X 2	
6	107383	WASHER FLAT M6	
7	128229	EXTEN MOUNT LOWER ADAPTOR	
8	106934	NUT NYLOCK 1/4-28	
9A	129054	EXT TUBE FTREST SRT HEMI	

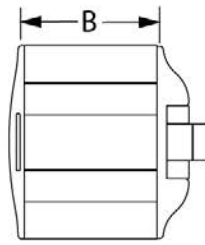
Pos.	Item Number	Description	Remarks
9B	129055	EXT TUBE FTREST SRT SHT	
9C	129056	EXT TUBE FTREST SRT MED	
9D	129057	COMBO EXT TUBE LNG	
10	107367	WASHER LOCK HI COLLAR 1/4 ROHS	
11	102268-001	HHCS M6 X 1 X 25	
12A	104380-001	ADJ FOOTREST STRAP 14W	10" to 14" wide
12B	104380-002	ADJ FOOTREST STRAP 15-16W	15' to 18" wide
13	104328	HEEL LOOP PEG	
		HEMI EXTENSION / 2 HOLE CLAMP	
14	136189	10" FTPLT HEMI SHORT RT	Right
14	136190	10" FTPLT HEMI SHORT LFT	Left
14	136191	11" FTPLT HEMI SHORT RT	Right
14	136192	11" FTPLT HEMI SHORT LFT	Left
14	136193	12" FTPLT HEMI SHORT RT	Right
14	136194	12" FTPLT HEMI SHORT LFT	Left
14	136195	13" FTPLT HEMI SHORT RT	Right
14	136196	13" FTPLT HEMI SHORT LFT	Left
14	136197	14" FTPLT HEMI SHORT RT	Right
14	136198	14" FTPLT HEMI SHORT LFT	Left
14	136199	15" FTPLT HEMI SHORT RT	Right
14	136200	15" FTPLT HEMI SHORT LFT	Left
14	136201	16" FTPLT HEMI SHORT RT	Right
14	136202	16" FTPLT HEMI SHORT LFT	Left
14	136203	17" FTPLT HEMI SHORT RT	Right
14	136204	17" FTPLT HEMI SHORT LFT	Left
14	136205	18" FTPLT HEMI SHORT RT	Right
14	136206	18" FTPLT HEMI SHORT LFT	Left
		SHORT EXTENSION / 2 HOLE CLAMP	
14	136207	10" FTPLT SHORT SHORT RT	Right
14	136208	10" FTPLT SHORT SHORT LFT	Left
14	136209	11" FTPLT SHORT SHORT RT	Right
14	136210	11" FTPLT SHORT SHORT LFT	Left
14	136211	12" FTPLT SHORT SHORT RT	Right
14	136212	12" FTPLT SHORT SHORT LFT	Left
14	136213	13" FTPLT SHORT SHORT RT	Right
14	136214	13" FTPLT SHORT SHORT LFT	Left
14	136215	14" FTPLT SHORT SHORT RT	Right
14	136216	14" FTPLT SHORT SHORT LFT	Left
14	136217	15" FTPLT SHORT SHORT RT	Right
14	136218	15" FTPLT SHORT SHORT LFT	Left
14	136219	16" FTPLT SHORT SHORT RT	Right
14	136220	16" FTPLT SHORT SHORT LFT	Left
14	136221	17" FTPLT SHORT SHORT RT	Right
14	136222	17" FTPLT SHORT SHORT LFT	Left
14	136223	18" FTPLT SHORT SHORT RT	Right
14	136224	18" FTPLT SHORT SHORT LFT	Left
		MED EXTENSION / 2 HOLE CLAMP	
14	136225	10" FTPLT MED SHORT RT	Right
14	136226	10" FTPLT MED SHORT LFT	Left
14	136227	11" FTPLT MED SHORT RT	Right
14	136228	11" FTPLT MED SHORT LFT	Left
14	136229	12" FTPLT MED SHORT RT	Right
14	136230	12" FTPLT MED SHORT LFT	Left
14	136231	13" FTPLT MED SHORT RT	Right
14	136232	13" FTPLT MED SHORT LFT	Left
14	136233	14" FTPLT MED SHORT RT	Right

Pos.	Item Number	Description	Remarks
14	136234	14" FTPLT MED SHORT LFT	Left
14	136235	15" FTPLT MED SHORT RT	Right
14	136236	15" FTPLT MED SHORT LFT	Left
14	136237	16" FTPLT MED SHORT RT	Right
14	136238	16" FTPLT MED SHORT LFT	Left
14	136239	17" FTPLT MED SHORT RT	Right
14	136240	17" FTPLT MED SHORT LFT	Left
14	136241	18" FTPLT MED SHORT RT	Right
14	136242	18" FTPLT MED SHORT LFT	Left
		LONG EXTENSION / 2 HOLE CLAMP	
14	136243	10" FTPLT LONG SHORT RT	Right
14	136244	10" FTPLT LONG SHORT LFT	Left
14	136245	11" FTPLT LONG SHORT RT	Right
14	136246	11" FTPLT LONG SHORT LFT	Left
14	136247	12" FTPLT LONG SHORT RT	Right
14	136248	12" FTPLT LONG SHORT LFT	Left
14	136249	13" FTPLT LONG SHORT RT	Right
14	136250	13" FTPLT LONG SHORT LFT	Left
14	136251	14" FTPLT LONG SHORT RT	Right
14	136252	14" FTPLT LONG SHORT LFT	Left
14	136253	15" FTPLT LONG SHORT RT	Right
14	136254	15" FTPLT LONG SHORT LFT	Left
14	136255	16" FTPLT LONG SHORT RT	Right
14	136256	16" FTPLT LONG SHORT LFT	Left
14	136257	17" FTPLT LONG SHORT RT	Right
14	136258	17" FTPLT LONG SHORT LFT	Left
14	136259	18" FTPLT LONG SHORT RT	Right
14	136260	18" FTPLT LONG SHORT LFT	Left
		HEMI EXTENSION / 3 HOLE CLAMP	
14	136261	10" FTPLT HEMI LONG RT	Right
14	136262	10" FTPLT HEMI LONG LFT	Left
14	136263	11" FTPLT HEMI LONG RT	Right
14	136264	11" FTPLT HEMI LONG LFT	Left
14	136265	12" FTPLT HEMI LONG RT	Right
14	136266	12" FTPLT HEMI LONG LFT	Left
14	136267	13" FTPLT HEMI LONG RT	Right
14	136268	13" FTPLT HEMI LONG LFT	Left
14	136269	14" FTPLT HEMI LONG RT	Right
14	136270	14" FTPLT HEMI LONG LFT	Left
14	136271	15" FTPLT HEMI LONG RT	Right
14	136272	15" FTPLT HEMI LONG LFT	Left
14	136273	16" FTPLT HEMI LONG RT	Right
14	136274	16" FTPLT HEMI LONG LFT	Left
14	136275	17" FTPLT HEMI LONG RT	Right
14	136276	17" FTPLT HEMI LONG LFT	Left
14	136277	18" FTPLT HEMI LONG RT	Right
14	136278	18" FTPLT HEMI LONG LFT	Left
		SHORT EXTENSION / 3 HOLE CLAMP	
14	136279	10" FTPLT SHORT LONG RT	Right
14	136280	10" FTPLT SHORT LONG LFT	Left
14	136281	11" FTPLT SHORT LONG RT	Right
14	136282	11" FTPLT SHORT LONG LFT	Left
14	136283	12" FTPLT SHORT LONG RT	Right
14	163269	12" FTPLT SHORT LONG LFT	Left
14	136284	13" FTPLT SHORT LONG RT	Right
14	136285	13" FTPLT SHORT LONG LFT	Left

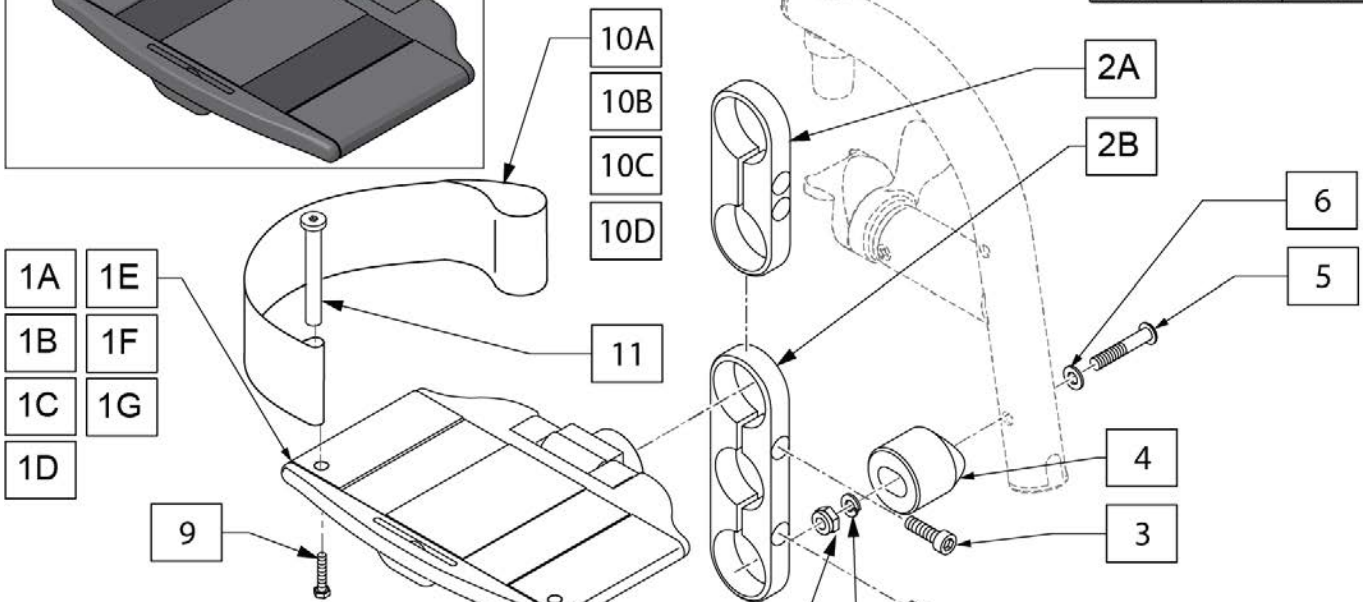
Pos.	Item Number	Description	Remarks
14	136286	14" FTPLT SHORT LONG RT	Right
14	136287	14" FTPLT SHORT LONG LFT	Left
14	136288	15" FTPLT SHORT LONG RT	Right
14	136289	15" FTPLT SHORT LONG LFT	Left
14	136290	16" FTPLT SHORT LONG RT	Right
14	136291	16" FTPLT SHORT LONG LFT	Left
14	136292	17" FTPLT SHORT LONG RT	Right
14	136293	17" FTPLT SHORT LONG LFT	Left
14	136294	18" FTPLT SHORT LONG RT	Right
14	136295	18" FTPLT SHORT LONG LFT	Left
		MED EXTENSION / 3 HOLE CLAMP	
14	136296	10" FTPLT MED LONG RT	Right
14	136297	10" FTPLT MED LONG LFT	Left
14	136298	11" FTPLT MED LONG RT	Right
14	136299	11" FTPLT MED LONG LFT	Left
14	136300	12" FTPLT MED LONG RT	Right
14	136301	12" FTPLT MED LONG LFT	Left
14	136302	13" FTPLT MED LONG RT	Right
14	136303	13" FTPLT MED LONG LFT	Left
14	136304	14" FTPLT MED LONG RT	Right
14	136305	14" FTPLT MED LONG LFT	Left
14	136306	15" FTPLT MED LONG RT	Right
14	136307	15" FTPLT MED LONG LFT	Left
14	136308	16" FTPLT MED LONG RT	Right
14	136309	16" FTPLT MED LONG LFT	Left
14	136310	17" FTPLT MED LONG RT	Right
14	136311	17" FTPLT MED LONG LFT	Left
14	136312	18" FTPLT MED LONG RT	Right
14	136313	18" FTPLT MED LONG LFT	Left
		LONG EXTENSION / 3 HOLE CLAMP	
14	136314	10" FTPLT LONG LONG RT	Right
14	136315	10" FTPLT LONG LONG LFT	Left
14	136316	11" FTPLT LONG LONG RT	Right
14	136317	11" FTPLT LONG LONG LFT	Left
14	136318	12" FTPLT LONG LONG RT	Right
14	136319	12" FTPLT LONG LONG LFT	Left
14	136320	13" FTPLT LONG LONG RT	Right
14	136321	13" FTPLT LONG LONG LFT	Left
14	136322	14" FTPLT LONG LONG RT	Right
14	136323	14" FTPLT LONG LONG LFT	Left
14	136324	15" FTPLT LONG LONG RT	Right
14	136325	15" FTPLT LONG LONG LFT	Left
14	136326	16" FTPLT LONG LONG RT	Right
14	136327	16" FTPLT LONG LONG LFT	Left
14	136328	17" FTPLT LONG LONG RT	Right
14	136329	17" FTPLT LONG LONG LFT	Left
14	136330	18" FTPLT LONG LONG RT	Right
14	136331	18" FTPLT LONG LONG LFT	Left
		Ship assembled part #	Use with multiple assemblies
	ASSY-HNG-FP	HANGER/FOOTPLATE ASSY REQUIRED	add with Hanger & Footplate kit



Description	Dim "A"
Hemi	6 1/4"
Short	7 1/4"
Med	9 1/4"
Long	11 1/4"



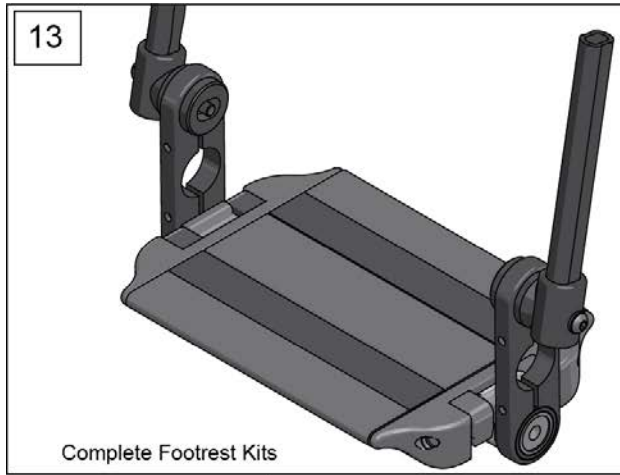
Description	Dim "B"	Chair Width
128360	1.75"	10"
128361	2.25"	11"
128362	2.75"	12"
128363	3.25"	13"
128364	3.75"	14"
128365	4.25"	15"
128366	4.75"	16"
128367	5.25"	17"
128368	5.75"	18"



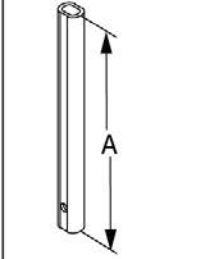
ADD INSET FORMULA
 0" Inset (Seat Width) = Footrest Width
 1" Inset (Seat Width) -2" = Footrest Width
 2" Inset (Seat Width) -4" = Footrest Width
 "V" Hanger (Seat Width) -4" = Footrest Width
 Offset Hanger Receiver (Seat Width) +2" = Footrest Width
 Flared Frame (Seat Width) = 2" = Footrest Width

Pos.	Item Number	Description	Remarks
1A	128360	10" ALUM DIVIDED FTRST	
1B	128361	11" ALUM DIVIDED FTRST	
1C	128362	12" ALUM DIVIDED FTRST	
1D	128363	13" ALUM DIVIDED FTRST	
1E	128364	14" ALUM DIVIDED FTRST	
1F	128365	15" ALUM DIVIDED FTRST	
1G	128366	16" ALUM DIVIDED FTRST	
1H	128367	17" ALUM DIVIDED FTRST	
1I	128368	18" ALUM DIVIDED FTRST	
2A	128402	SHORT FOOTPLATE CLAMP	
2B	128403	LONG FOOTPLATE CLAMP	
3	102263-003	SHCS, M6X1X25, FULL, PL	
4	129058	HALF EXTEN TUBE ADAPTOR	
5	106964	BHCS 1/4-28 X 2	
6	107383	WASHER FLAT M6	
7	106934	NUT NYLOCK 1/4-28	
8	107367	WASHER LOCK HI COLLAR 1/4 ROHS	
9	102268-001	HHCS M6 X 1 X 25	

Pos.	Item Number	Description	Remarks
10A	104380-001	ADJ FOOTREST STRAP 14W	10" to 14" wide
10B	104380-002	ADJ FOOTREST STRAP 15-16W	15' to 18" wide
11	104328	HEEL LOOP PEG	
		2 HOLE CLAMP NO EXT	
12	136332	10" FTPLT SHORT RT	Right
12	136333	10" FTPLT SHORT LFT	Left
12	136334	11" FTPLT SHORT RT	Right
12	136335	11" FTPLT SHORT LFT	Left
12	136336	12" FTPLT SHORT RT	Right
12	136337	12" FTPLT SHORT LFT	Left
12	136338	13" FTPLT SHORT RT	Right
12	136339	13" FTPLT SHORT LFT	Left
12	136340	14" FTPLT SHORT RT	Right
12	136341	14" FTPLT SHORT LFT	Left
12	136342	15" FTPLT SHORT RT	Right
12	136343	15" FTPLT SHORT LFT	Left
12	136344	16" FTPLT SHORT RT	Right
12	136345	16" FTPLT SHORT LFT	Left
12	136346	17" FTPLT SHORT RT	Right
12	136347	17" FTPLT SHORT LFT	Left
12	136348	18" FTPLT SHORT RT	Right
12	136349	18" FTPLT SHORT LFT	Left
		3 HOLE CLAMP NO EXT	
12	136350	10" FTPLT LONG RT	Right
12	136351	10" FTPLT LONG LFT	Left
12	136352	11" FTPLT LONG RT	Right
12	136353	11" FTPLT LONG LFT	Left
12	136354	12" FTPLT LONG RT	Right
12	136355	12" FTPLT LONG LFT	Left
12	136356	13" FTPLT LONG RT	Right
12	136357	13" FTPLT LONG LFT	Left
12	136358	14" FTPLT LONG RT	Right
12	136359	14" FTPLT LONG LFT	Left
12	136360	15" FTPLT LONG RT	Right
12	136361	15" FTPLT LONG LFT	Left
12	136362	16" FTPLT LONG RT	Right
12	136363	16" FTPLT LONG LFT	Left
12	136364	17" FTPLT LONG RT	Right
12	136365	17" FTPLT LONG LFT	Left
12	136366	18" FTPLT LONG RT	Right
12	136367	18" FTPLT LONG LFT	Left
		Ship assembled part #	Use with multiple assemblies
	ASSY-HNG-FP	HANGER/FOOTPLATE ASSY REQUIRED	add with Hanger & Footplate kit

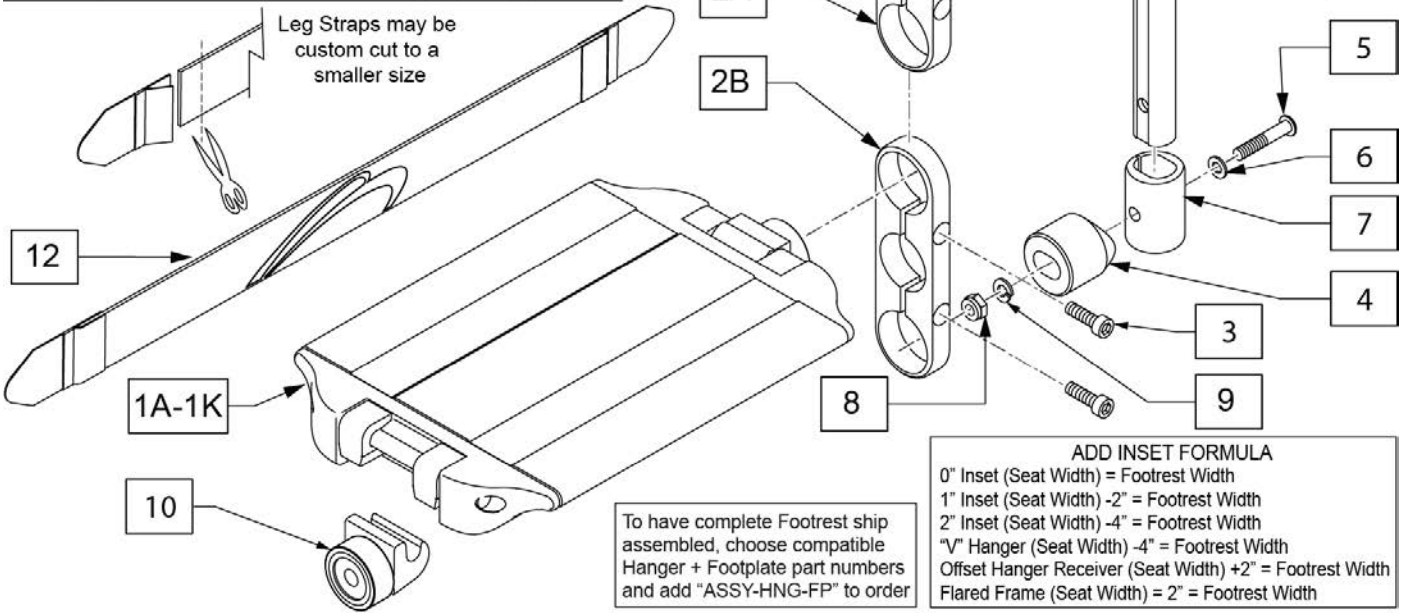
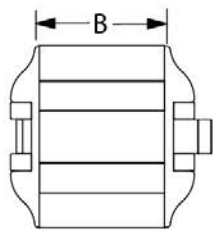


MEASURING GUIDE



Description	Dim "B"	Chair Width
128380	3.25"	8"
128381	4.25"	9"
128382	5.25"	10"
128383	6.25"	11"
128384	7.25"	12"
128385	8.25"	13"
128386	9.25"	14"
128387	10.25"	15"
128388	11.25"	16"
128389	12.25"	17"
128390	13.25"	18"

Description	Dim "A"
Hemi	6 1/4"
Short	7 1/4"
Med	9 1/4"
Long	11 1/4"



To have complete Footrest ship assembled, choose compatible Hanger + Footplate part numbers and add "ASSY-HNG-FP" to order

ADD INSET FORMULA

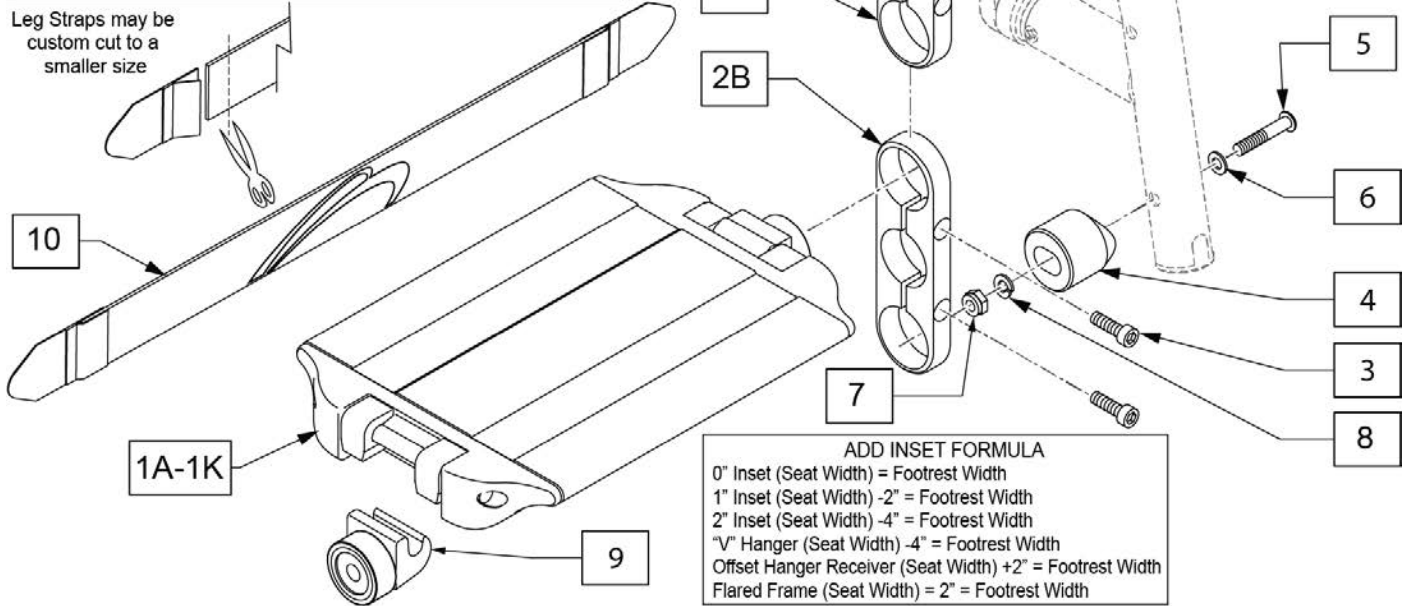
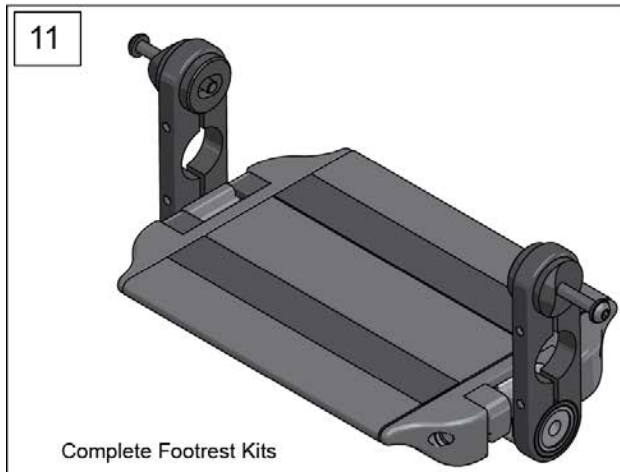
0" Inset (Seat Width) = Footrest Width
 1" Inset (Seat Width) -2" = Footrest Width
 2" Inset (Seat Width) -4" = Footrest Width
 "V" Hanger (Seat Width) -4" = Footrest Width
 Offset Hanger Receiver (Seat Width) +2" = Footrest Width
 Flared Frame (Seat Width) = 2" = Footrest Width

Pos.	Item Number	Description	Remarks
1A	128380	8" ALUM CONT FTRST	
1B	128381	9" ALUM CONT FTRST	
1C	128382	10" ALUM CONT FTRST	
1D	128383	11" ALUM CONT FTRST	
1E	128384	12" ALUM CONT FTRST	
1F	128385	13" ALUM CONT FTRST	
1G	128386	14" ALUM CONT FTRST	
1H	128387	15" ALUM CONT FTRST	
1I	128388	16" ALUM CONT FTRST	
1J	128389	17" ALUM CONT FTRST	
1K	128390	18" ALUM CONT FTRST	
2A	128402	SHORT FOOTPLATE CLAMP	
2B	128403	LONG FOOTPLATE CLAMP	
3	102263-003	SHCS, M6X1X25, FULL, PL	
4	129058	HALF EXTEN TUBE ADAPTOR	
5	106964	BHCS 1/4-28 X 2	
6	107383	WASHER FLAT M6	
7	128229	EXTEN MOUNT LOWER ADAPTOR	

Pos.	Item Number	Description	Remarks
8	106935	NUT NYLOCK THIN 1/4-28	
9	107367	WASHER LOCK HI COLLAR 1/4	
10	128410	ALUM CONT FTRST CATCH	
11A	129054	EXT TUBE FTREST SRT HEMI	
11B	129055	EXT TUBE FTREST SRT SHT	
11C	129056	EXT TUBE FTREST SRT MED	
11D	129057	COMBO EXT TUBE LNG	
12	113255	LEG STRAP 11"-12" BLK	
12	113256	LEG STRAP 13"-15" BLK	
12	113257	LEG STRAP 16"-18" BLK	
		HEMI EXTENSION / 2 HOLE CLAMP	
13	136368	10" FLIP-UP FTPLT HEMI SHORT	
13	136369	11" FLIP-UP FTPLT HEMI SHORT	
13	136370	12" FLIP-UP FTPLT HEMI SHORT	
13	136371	13" FLIP-UP FTPLT HEMI SHORT	
13	136372	14" FLIP-UP FTPLT HEMI SHORT	
13	136373	15" FLIP-UP FTPLT HEMI SHORT	
13	136374	16" FLIP-UP FTPLT HEMI SHORT	
13	136375	17" FLIP-UP FTPLT HEMI SHORT	
13	136376	18" FLIP-UP FTPLT HEMI SHORT	
		SHORT EXTENSION / 2 HOLE CLAMP	
13	136377	10" FLIP-UP FTPLT SHORT SHORT	
13	136378	11" FLIP-UP FTPLT SHORT SHORT	
13	136379	12" FLIP-UP FTPLT SHORT SHORT	
13	136380	13" FLIP-UP FTPLT SHORT SHORT	
13	136381	14" FLIP-UP FTPLT SHORT SHORT	
13	136382	15" FLIP-UP FTPLT SHORT SHORT	
13	136383	16" FLIP-UP FTPLT SHORT SHORT	
13	136384	17" FLIP-UP FTPLT SHORT SHORT	
13	136385	18" FLIP-UP FTPLT SHORT SHORT	
		MED EXTENSION / 2 HOLE CLAMP	
13	136386	10" FLIP-UP FTPLT MED SHORT	
13	136387	11" FLIP-UP FTPLT MED SHORT	
13	136388	12" FLIP-UP FTPLT MED SHORT	
13	136389	13" FLIP-UP FTPLT MED SHORT	
13	136390	14" FLIP-UP FTPLT MED SHORT	
13	136391	15" FLIP-UP FTPLT MED SHORT	
13	136392	16" FLIP-UP FTPLT MED SHORT	
13	136393	17" FLIP-UP FTPLT MED SHORT	
13	136394	18" FLIP-UP FTPLT MED SHORT	
		LONG EXTENSION / 2 HOLE CLAMP	
13	136395	10" FLIP-UP FTPLT LONG SHORT	
13	136396	11" FLIP-UP FTPLT LONG SHORT	
13	136397	12" FLIP-UP FTPLT LONG SHORT	
13	136398	13" FLIP-UP FTPLT LONG SHORT	
13	136399	14" FLIP-UP FTPLT LONG SHORT	
13	136400	15" FLIP-UP FTPLT LONG SHORT	
13	136401	16" FLIP-UP FTPLT LONG SHORT	
13	136402	17" FLIP-UP FTPLT LONG SHORT	
13	136403	18" FLIP-UP FTPLT LONG SHORT	
		HEMI EXTENSION / 3 HOLE CLAMP	
13	136404	10" FLIP-UP FTPLT HEMI LONG	
13	136405	11" FLIP-UP FTPLT HEMI LONG	
13	136406	12" FLIP-UP FTPLT HEMI LONG	
13	136407	13" FLIP-UP FTPLT HEMI LONG	
13	136408	14" FLIP-UP FTPLT HEMI LONG	

Pos.	Item Number	Description	Remarks
13	136409	15" FLIP-UP FTPLT HEMI LONG	
13	136410	16" FLIP-UP FTPLT HEMI LONG	
13	136411	17" FLIP-UP FTPLT HEMI LONG	
13	136412	18" FLIP-UP FTPLT HEMI LONG	
		SHORT EXTENSION / 3 HOLE CLAMP	
13	136413	10" FLIP-UP FTPLT SHORT LONG	
13	136414	11" FLIP-UP FTPLT SHORT LONG	
13	136415	12" FLIP-UP FTPLT SHORT LONG	
13	136416	13" FLIP-UP FTPLT SHORT LONG	
13	136417	14" FLIP-UP FTPLT SHORT LONG	
13	136418	15" FLIP-UP FTPLT SHORT LONG	
13	136419	16" FLIP-UP FTPLT SHORT LONG	
13	136420	17" FLIP-UP FTPLT SHORT LONG	
13	136421	18" FLIP-UP FTPLT SHORT LONG	
		MED EXTENSION / 3 HOLE CLAMP	
13	136422	10" FLIP-UP FTPLT MED LONG	
13	136423	11" FLIP-UP FTPLT MED LONG	
13	136424	12" FLIP-UP FTPLT MED LONG	
13	136425	13" FLIP-UP FTPLT MED LONG	
13	136426	14" FLIP-UP FTPLT MED LONG	
13	136427	15" FLIP-UP FTPLT MED LONG	
13	136428	16" FLIP-UP FTPLT MED LONG	
13	136429	17" FLIP-UP FTPLT MED LONG	
13	136430	18" FLIP-UP FTPLT MED LONG	
		LONG EXTENSION / 3 HOLE CLAMP	
13	136431	10" FLIP-UP FTPLT LONG LONG	
13	136432	11" FLIP-UP FTPLT LONG LONG	
13	136433	12" FLIP-UP FTPLT LONG LONG	
13	136434	13" FLIP-UP FTPLT LONG LONG	
13	136435	14" FLIP-UP FTPLT LONG LONG	
13	136436	15" FLIP-UP FTPLT LONG LONG	
13	136437	16" FLIP-UP FTPLT LONG LONG	
13	136438	17" FLIP-UP FTPLT LONG LONG	
13	136439	18" FLIP-UP FTPLT LONG LONG	
		Ship assembled part #	Use with multiple assemblies
	ASSY-HNG-FP	HANGER/FOOTPLATE ASSY REQUIRED	add with Hanger & Footplate kit

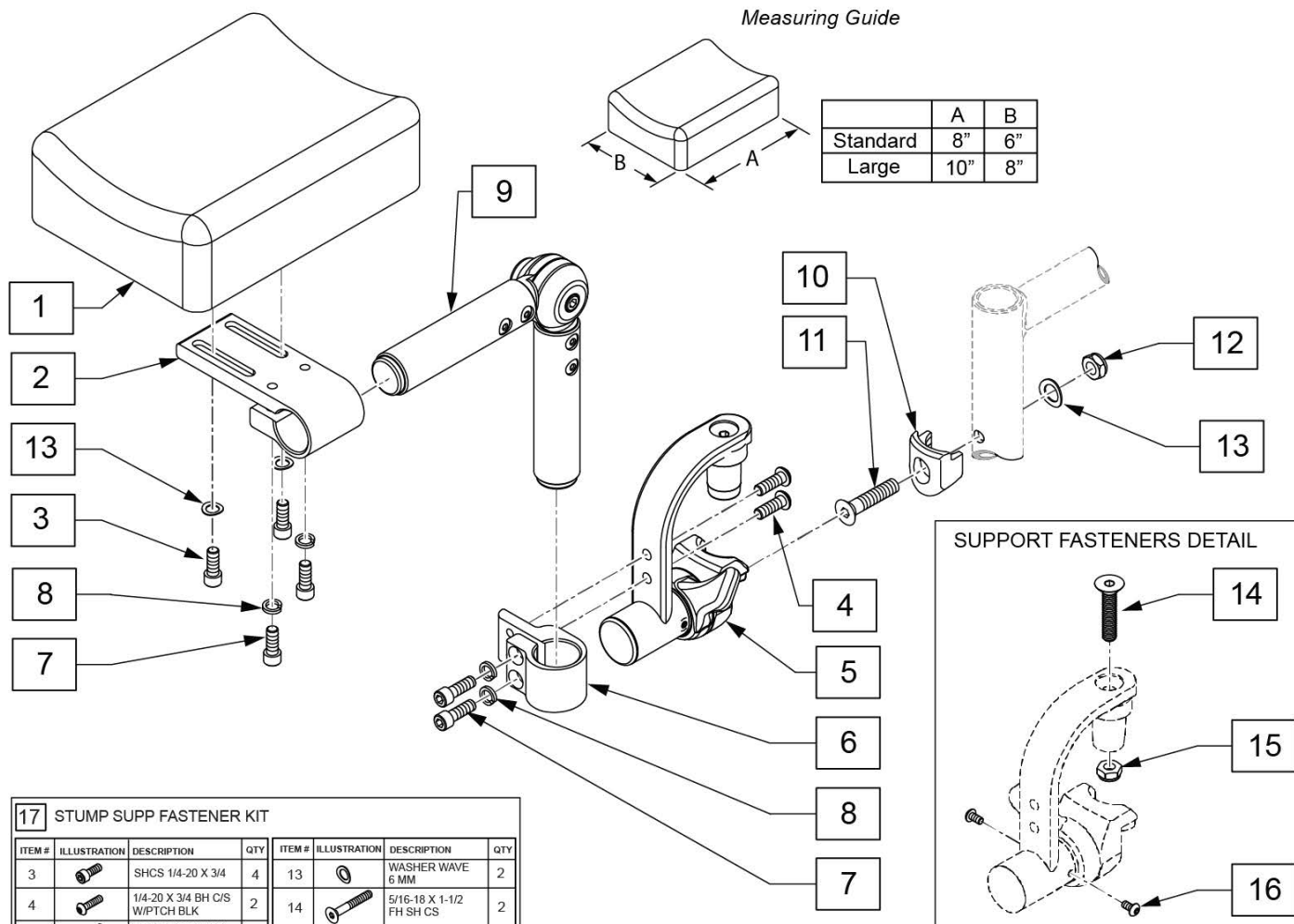
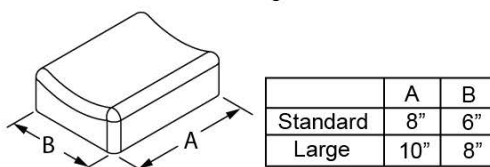
Description	Dim "A"	Chair Width
128380	3.25"	8"
128381	4.25"	9"
128382	5.25"	10"
128383	6.25"	11"
128384	7.25"	12"
128385	8.25"	13"
128386	9.25"	14"
128387	10.25"	15"
128388	11.25"	16"
128389	12.25"	17"
128390	13.25"	18"



Pos.	Item Number	Description	Remarks
1A	128380	8" ALUM CONT FTRST	
1B	128381	9" ALUM CONT FTREST	
1C	128382	10" ALUM CONT FTRST	
1D	128383	11" ALUM CONT FTRST	
1E	128384	12" ALUM CONT FTRST	
1F	128385	13" ALUM CONT FTRST	
1G	128386	14" ALUM CONT FTRST	
1H	128387	15" ALUM CONT FTRST	
1I	128388	16" ALUM CONT FTRST	
1J	128389	17" ALUM CONT FTRST	
1K	128390	18" ALUM CONT FTRST	
2A	128402	SHORT FOOTPLATE CLAMP	
2B	128403	LONG FOOTPLATE CLAMP	
3	102263-003	SHCS, M6X1X25, FULL, PL	
4	129058	HALF EXTEN TUBE ADAPTOR	
5	106964	BHCS 1/4-28 X 2	
6	107383	WASHER FLAT M6	
7	106935	NUT NYLOCK THIN 1/4-28	

Pos.	Item Number	Description	Remarks
8	107367	WASHER LOCK HI COLLAR 1/4	
9	128410	ALUM CONT FTRST CATCH	
10	113255	LEG STRAP 11"-12" BLK	
10	113256	LEG STRAP 13"-15" BLK	
10	113257	LEG STRAP 16"-18" BLK	
		2 HOLE CLAMP NO EXT	
11	136440	10" FLIP-UP FTPLT SHORT	
11	136441	11" FLIP-UP FTPLT SHORT	
11	136442	12" FLIP-UP FTPLT SHORT	
11	136443	13" FLIP-UP FTPLT SHORT	
11	136444	14" FLIP-UP FTPLT SHORT	
11	136445	15" FLIP-UP FTPLT SHORT	
11	136446	16" FLIP-UP FTPLT SHORT	
11	136447	17" FLIP-UP FTPLT SHORT	
11	136448	18" FLIP-UP FTPLT SHORT	
		3 HOLE CLAMP NO EXT	
11	136449	10" FLIP-UP FTPLT LONG	
11	136450	11" FLIP-UP FTPLT LONG	
11	136451	12" FLIP-UP FTPLT LONG	
11	136452	13" FLIP-UP FTPLT LONG	
11	136453	14" FLIP-UP FTPLT LONG	
11	136454	15" FLIP-UP FTPLT LONG	
11	136455	16" FLIP-UP FTPLT LONG	
11	136456	17" FLIP-UP FTPLT LONG	
11	136457	18" FLIP-UP FTPLT LONG	
		Ship assembled part #	Use with multiple assemblies
	ASSY-HNG-FP	HANGER/FOOTPLATE ASSY REQUIRED	add with Hanger & Footplate kit

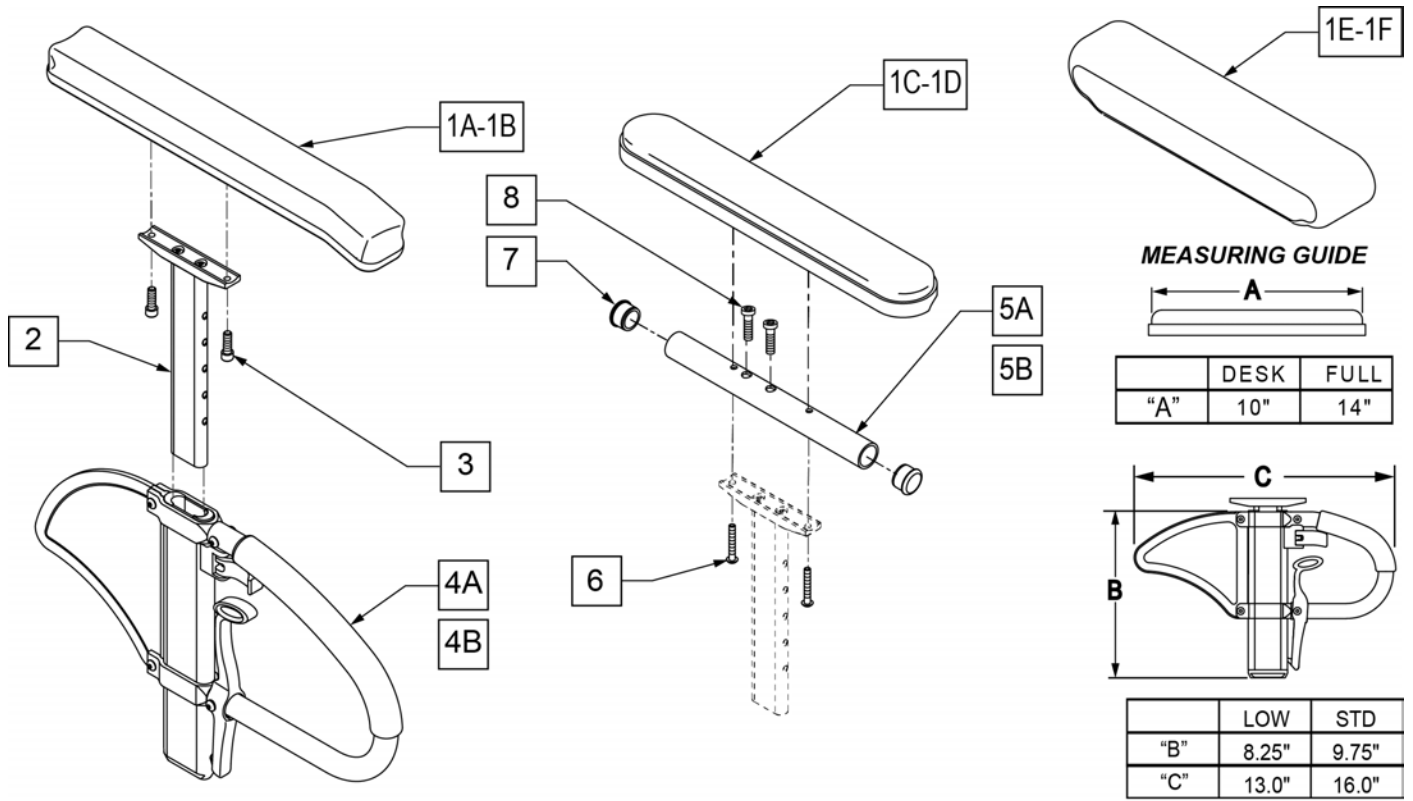
Measuring Guide



17 STUMP SUPP FASTENER KIT							
ITEM #	ILLUSTRATION	DESCRIPTION	QTY	ITEM #	ILLUSTRATION	DESCRIPTION	QTY
3		SHCS 1/4-20 X 3/4	4	13		WASHER WAVE 6 MM	2
4		1/4-20 X 3/4 BH C/S W/P TCH BLK	2	14		5/16-18 X 1-1/2 FH SH CS	2
7		BOLT 1/4-20 X 1/2 SHCS BLK	2	15		5/16-18 NYLOCK NUT THIN	2
8		WASHER LOCK HI COLLAR 1/4	4	16		BHCS, M4X.7X8, FULL, NP	2

Pos.	Item Number	Description	Remarks
1,3,13	161563	PAD W/FASTENERS STD	Single Pad, 6X8
1,3,13	161564	PAD W/FASTENERS LRG	Single Pad, 8X10
1-9,13	161565	STUMP SUPP RETRO LRG PAD RH	Single Pad, 8X10
1-9,13	161566	STUMP SUPP RETRO LRG PAD LH	Single Pad, 8X10
1-9,13	161567	STUMP SUPP RETRO STD PAD RH	6X8
1-9,13	161568	STUMP SUPP RETRO STD PAD LH	6X8
2-9,13	162051	STUMP SUPPORT W/O PAD RH	No Pad
2-9,13	162052	STUMP SUPPORT W/O PAD LH	No Pad
10-13	119514	LATCH RECEIVER KIT	for 1 side
17	161569	STUMP SUPP FASTENER KIT	for 1 side

SINGLE POST HEIGHT ADJUSTABLE ARMREST



Pos.	Item Number	Description	Remarks
1A	104568-001	SPHA PAD DESK	CONTOUR DESK
1B	104568-002	SPHA PAD FULL	CONTOUR FULL
1C	561024	ARMREST PAD 10" DESK	CLASSIC DESK
1D	561031	ARMREST PAD 14" FULL	CLASSIC FULL
1E	561280	ARMREST PAD 10" LEFT W/F	Left-Waterfall Desk
1E	561281	ARMREST PAD 10" RIGHT W/F	Rightt-Waterfall Desk
1F	561284	ARMREST PAD 14" LEFT W/F	Leftt-Waterfall Full
1F	561285	ARMREST PAD 14" RIGHT W/F	Rightt-Waterfall Full
2	116312	SNGL POST UPPR ASSM LOW	LOW/SMALL
2	116313	SNGL POST UPPR ASSM STD	STANDARD
3	106956	SHCS 10-32 X 3/4 ROHS	
2,4A	104509-001	SPHA ARMREST ASSY STD	STANDARD
2,4B	104509-002	SPHA ARMREST ASSY LOW	LOW/SMALL
5A	521812	HT ADJ PD TUBE 10IN DESK POWE	Desk
5B	521813	HT ADJ PD TUBE 14IN FULL POWE	Full
6	107024	BHCS 10-32 X 1 1/2 ROHS	
7	560735	7/8" ROUND TUBE PLUG	
8	108534	SHCS 10-32 X 1-1/4 PL	Used with Full Length & Waterfall
1C,2,3,4A,5A,6,7	108599	SPHA STD CLASIC DESK PAD R	Right
1C,2,3,4A,5A,6,7	108603	SPHA STD CLASIC DESK PAD L	Left
1D,2,3,4A,5B,6-8	108601	SPHA STD CLASIC FULL PAD R	Right
1D,2,3,4A,5B,6-8	108605	SPHA STD CLASIC FULL PAD L	Left
1A,2,3,4A	108595	SPHA STD CNTUR DESK PAD	
1B,2,3,4A	108597	SPHA STD CNTUR FULL PAD	
1C,2,3,4B,5A,6,7	108600	SPHA LOW CLASIC DESK PAD R	Right
1C,2,3,4B,5A,6,7	108604	SPHA LOW CLASIC DESK PAD L	Left

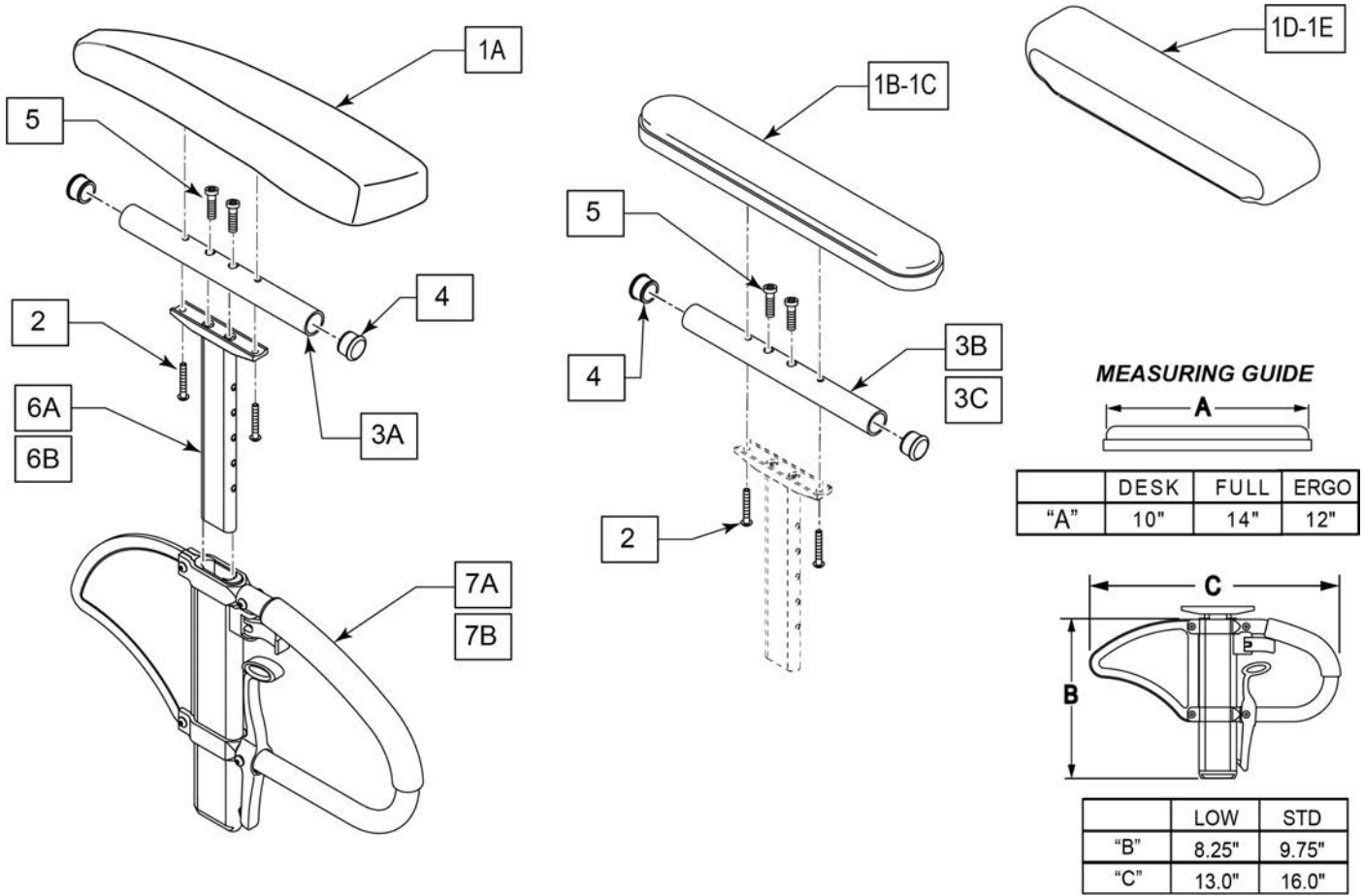
Pos.	Item Number	Description	Remarks
1D,2,3,4B,5B,6-8	108602	SPHA LOW CLASIC FULL PAD R	Right
1D,2,3,4B,5B,6-8	108606	SPHA LOW CLASIC FULL PAD L	Left
1A,2,3,4B	108596	SPHA LOW CNTUR DESK PAD	
1B,2,3,4B	108598	SPHA LOW CNTUR FULL PAD	
1C,2,5A,6,7	159600	SPHA STD CLAS DESK UPPR R	Right
1C,2,5A,6,7	159601	SPHA STD CLAS DESK UPPR L	Left
1D,2,5B,6-8	159602	SPHA STD CLAS FULL UPPR R	Right
1D,2,5B,6-8	159603	SPHA STD CLAS FULL UPPR L	Left
1C,2,5A,6,7	159604	SPHA LOW CLAS DESK UPPR R	Right
1C,2,5A,6,7	159605	SPHA LOW CLAS DESK UPPR L	Left
1D,2,5B,6-8	159606	SPHA LOW CLAS FULL UPPR R	Right
1D,2,5B,6-8	159607	SPHA LOW CLAS FULL UPPR L	Left
1E,2,4B,5A,6,7	164089	SPHA LOW W/F DESK PAD R	Right
1E,2,4B,5A,6,8	164090	SPHA LOW W/F DESK PAD L	Left
1F,2,4B,5B,6,8	164091	SPHA LOW W/F FULL PAD R	Right
1F,2,4B,5B,6,8	164092	SPHA LOW W/F FULL PAD L	Left
1E,2,4A,5A,6,7	164093	SPHA STD W/F DESK PAD R	Right
1E,2,4A,5A,6,8	164094	SPHA STD W/F DESK PAD L	Left
1F,2,4A,5B,6,8	164095	SPHA STD W/F FULL PAD R	Right
1F,2,4A,5B,6,8	164096	SPHA STD W/F FULL PAD L	Left

Note: Fits most Manual Products, not all Armrest Pads are offered on all chairs, consult product order form for compatibility.

Note: available on Quickie Iris after S/N IRS-007726 & IRSE-008701 and prior to IRS-063000 & IRSE-083000, and Zippie Iris prior to ZRS-051000 & ZRSE-058000.

Note: if switching from Desk to Full Length Armrest Pad OR switching from Full Length to Desk Armrest Pad, the following items are required: 1C/1D, 5A/5B, and 6-8.

SINGLE POST HEIGHT ADJ ARMREST



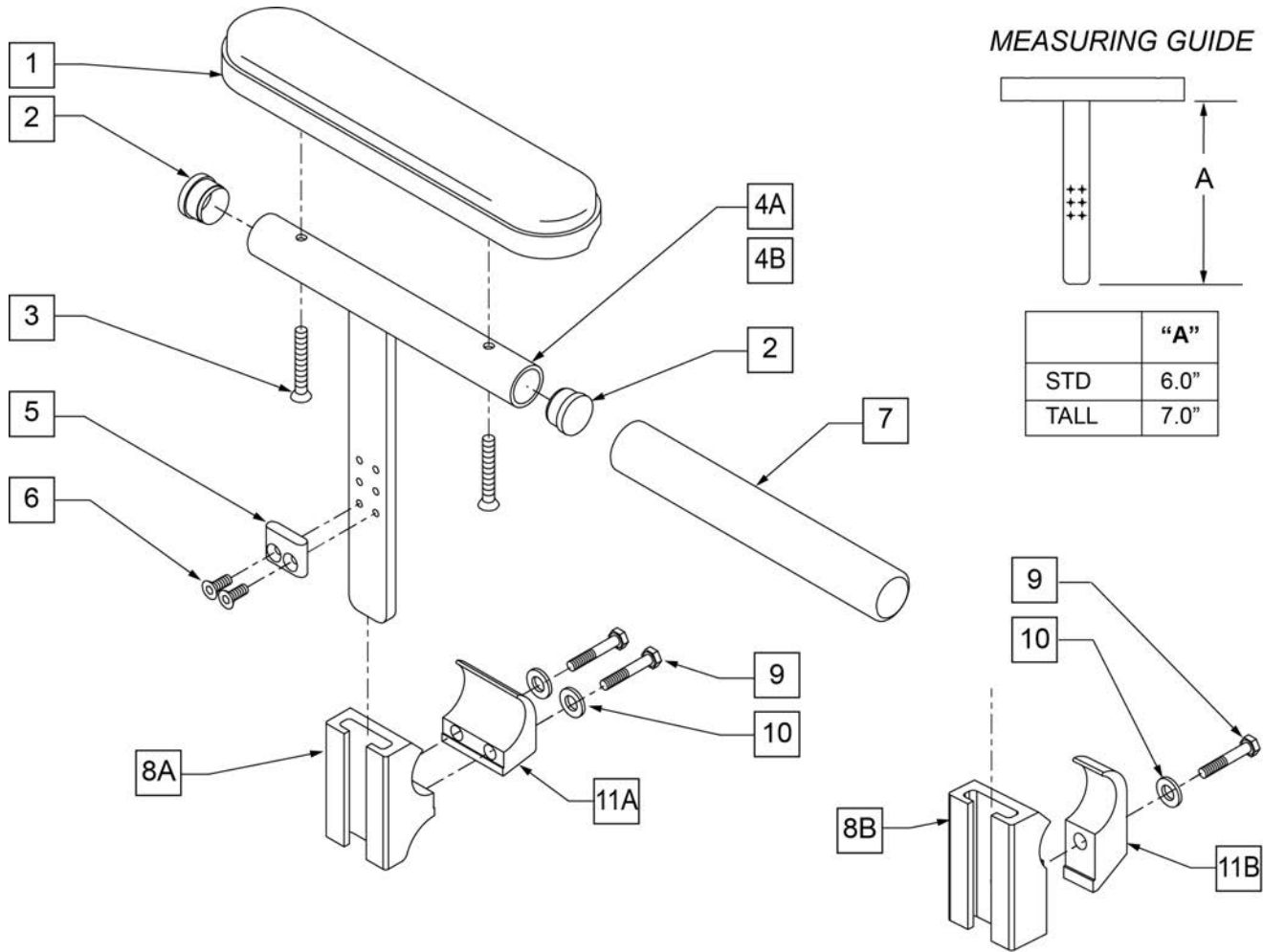
Pos.	Item Number	Description	Remarks
1A,2	161631	ERGO PAD RIGHT	With Fasteners
1A,2	161632	ERGO PAD LEFT	With Fasteners
1B	161634	CLASSIC PAD FULL	With Fasteners
1C	161633	CLASSIC PAD DESK	With Fasteners
1D	561280	ARMREST PAD 10" LEFT W/F	
1D	561281	ARMREST PAD 10" RIGHT W/F	
1E	561284	ARMREST PAD 14" LEFT W/F	
1E	561285	ARMREST PAD 14" RIGHT W/F	
2	107024	BHCS 10-32 X 1-1/2 ROHS	
3B	521812	HT ADJ PD TUBE 10IN DESK POWE	Desk
3C	521813	HT ADJ PD TUBE 14IN FULL POWE	Full
4	560735	7/8" ROUND TUBE PLUG	
5	108534	SHCS 10-32 X 1-1/4 PL	Used with Full Length & Waterfall
6A	116313	SNGL POST UPPR ASSM STD	STANDARD
6B	116312	SNGL POST UPPR ASSM LOW	LOW/SMALL
6A,7A	104509-001	SPHA ARMREST ASSY STD	STANDARD
6B,7B	104509-002	SPHA ARMREST ASSY LOW	LOW/SMALL
		COMPLETE ARMREST W/O RECEIVERS	
1A,2,3A,4,5,6B,7B	161561	SPHA LOW ERGO PAD FULL RH	Right
1A,2,3A,4,5,6B,7B	161562	SPHA LOW ERGO PAD FULL LH	Left
1B,2,3B,4,5,6B,7B	161553	SPHA LOW CLASSIC PAD FULL RH	Right
1B,2,3B,4,5,6B,7B	161554	SPHA LOW CLASSIC PAD FULL LH	Left
1B,2,3B,4,5,6A,7A	161555	SPHA STD CLASSIC PAD FULL RH	Right

Pos.	Item Number	Description	Remarks
1B,2,3B,4,5,6A,7A	161556	SPHA STD CLASSIC PAD FULL LH	Left
1C,2,3C,4,5,6B,7B	161557	SPHA LOW CLASSIC PAD DESK RH	Right
1C,2,3C,4,5,6B,7B	161558	SPHA LOW CLASSIC PAD DESK LH	Left
1C,2,3C,4,5,6A,7A	161559	SPHA STD CLASSIC PAD DESK RH	Right
1C,2,3C,4,5,6A,7A	161560	SPHA STD CLASSIC PAD DESK LH	Left
1D,2,3B,4,6B,7B	164089	SPHA LOW W/F DESK PAD R	Right
1D,2,3B,4,6B,7B	164090	SPHA LOW W/F DESK PAD L	Left
1E,2,3C,4,6B,7B	164091	SPHA LOW W/F FULL PAD R	Right
1E,2,3C,4,6B,7B	164092	SPHA LOW W/F FULL PAD L	Left
1D,2,3B,4,6A,7A	164093	SPHA STD W/F DESK PAD R	Right
1D,2,3B,4,6A,7A	164094	SPHA STD W/F DESK PAD L	Left
1E,2,3C,4,6A,7A	164095	SPHA STD W/F FULL PAD R	Right
1E,2,3C,4,6A,7A	164096	SPHA STD W/F FULL PAD L	Left

Note: Available on chairs after S/N IRS-063000 & IRSE-083000, and ZRS-051000 & ZRSE-058000.

Note: if switching from Desk to Full Length Armrest Pad OR switching from Full Length to Desk Armrest Pad, the following items are required: 1B/1C, 2, 3B/3C, 4 and 5.

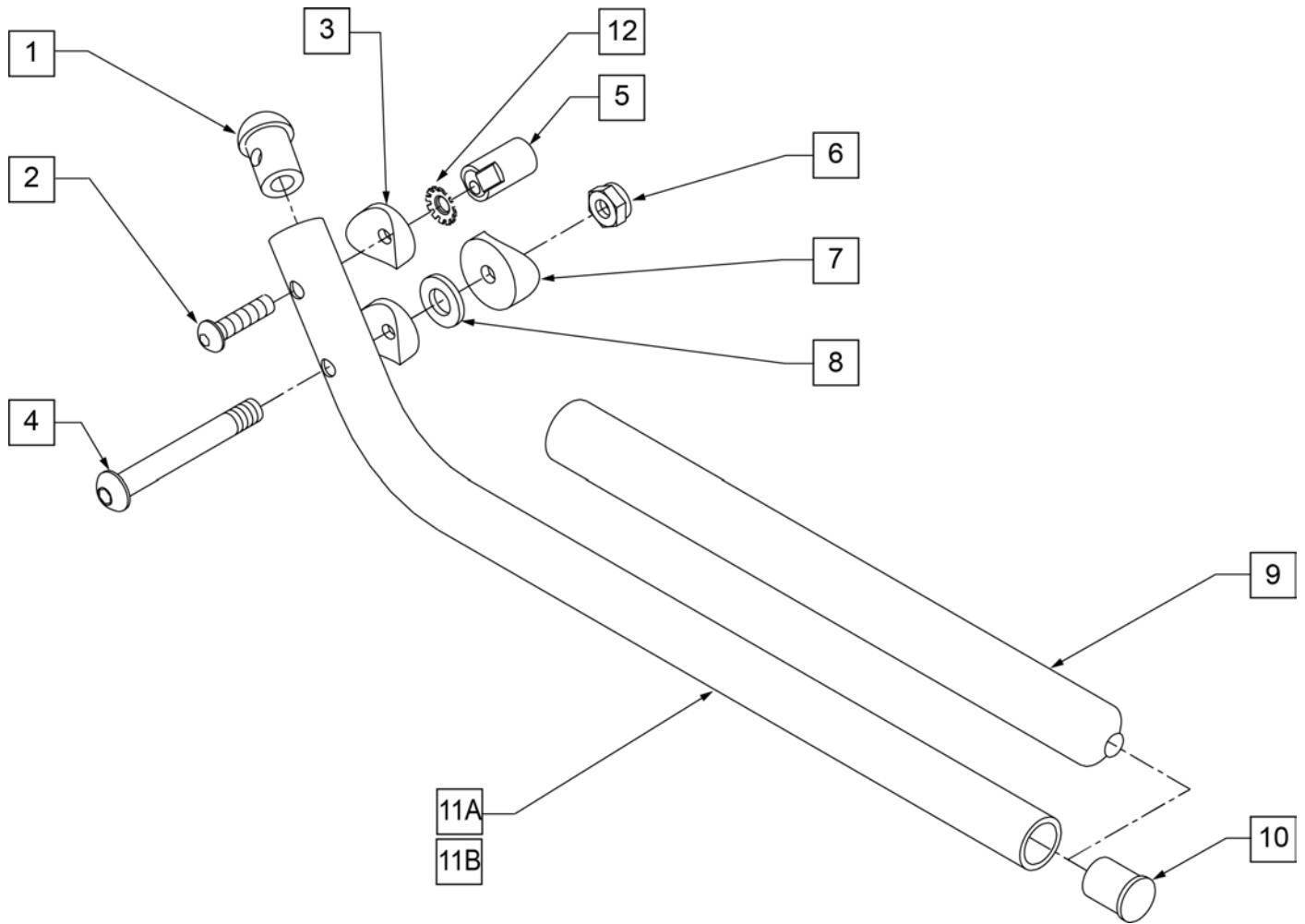
NOTE: If ordering for pediatric chairs with 20" or 22" wheels, you must order left armrest pad for right side, and right armrest pad for left side.



Pos.	Item Number	Description	Remarks
1	561024	ARMREST PAD SMALL 9"	
2	561007	7/8" INSERT PLUG .083	
3	107023	10-32 x 1 3/8 BH C/S BLK	
5	550105-QU	KIDZ ARM STOP	
6	113279	10-32 x 1/2 FH C/S BLK	
7	560309	ARMREST FOAM KIDZ	
8A	502037	TPHHA & SG CLAMP 1"	Used w/ Zippie TS & GS & Kidz
8B	550325	SIDE GUARD/KIDZ ARM REC	Used w/ Zippie Iris & 2
9	106971	1/4-28 x 1 3/8 HEX C/S	
10	106944	1/4 AN WASHER FLAT THIN	
11A	502038	TPHAR & SGR CLAMP 1"	Used w/ Zippie TS & GS & Kidz
11B	550251	CLAMP P300 CHRNGNG/ADJ FL KDS	Used w/ Zippie Iris & 2
1-3,4A,5,6	880162	KIDS ARM STANDARD R	Right
1-3,4A,5,6	880163	KIDS ARM STANDARD L	Left
1-3,4B,5,6	880164	KIDZ ARM TALL R	Right

Pos.	Item Number	Description	Remarks
1-3,4B,5,6	880165	KIDZ ARM TALL L	Left
8A,9,10,11A	882681	T-PST/SDE GUARD REC W/CLMP ZTS	Includes 1 Receiver -fits Zippie TS & GS
8B,9,10,11B	881200	SIDE GUARD/KIDZ ARM REC W/ CLAMP	Includes 1 Receiver -fits Zippie Iris & 2
2,4A,5-7	885010	KIDZ ARM STD W/FOAM R	Right
2,4A,5-7	885011	KIDZ ARM STD W/FOAM L	Left
2,4B,5-7	885012	KIDZ ARM TALL W/FOAM R	Right
2,4B,5-7	885013	KIDZ ARM TALL W/FOAM L	Left
1-3,4A,5,6,8A,9,10,11A	900795	KIDZ ARM ASSM STD W/REC ZTS	Pair; fits Zippie TS & GS & Kidz
1-3,4B,5,6,8A,9,10,11A	900796	KIDZ ARM ASSM TALL W/REC ZTS	Pair; fits Zippie TS & GS & Kidz
2,4A,5-7,8A,9,10,11A	900797	KDZ ARM ASSM STD W/FM W/RC ZTS	Pair; fits Zippie TS & GS & Kidz
2,4B,5-7,8A,9,10,11A	900798	KDZ ARM ASSM TLL W/FM W/RC ZTS	Pair; fits Zippie TS & GS & Kidz
1-3,4A,5,6,8B,9,10,11B	900693	KIDZ ARM ASSM STD W/REC	Pair; fits Zippie Iris & 2
1-3,4B,5,6,8B,9,10,11B	900694	KIDZ ARM ASSM TALL W/REC	Pair; fits Zippie Iris & 2
2,4A,5-7,8B,9,10,11B	900755	KIDZ ARM ASSM STD W/FOAM W/REC	Pair; fits Zippie Iris & 2
2,4B,5-7,8B,9,10,11B	900756	KIDZ ARM ASSM TALL W/FOAM W/REC	Pair; fits Zippie Iris & 2

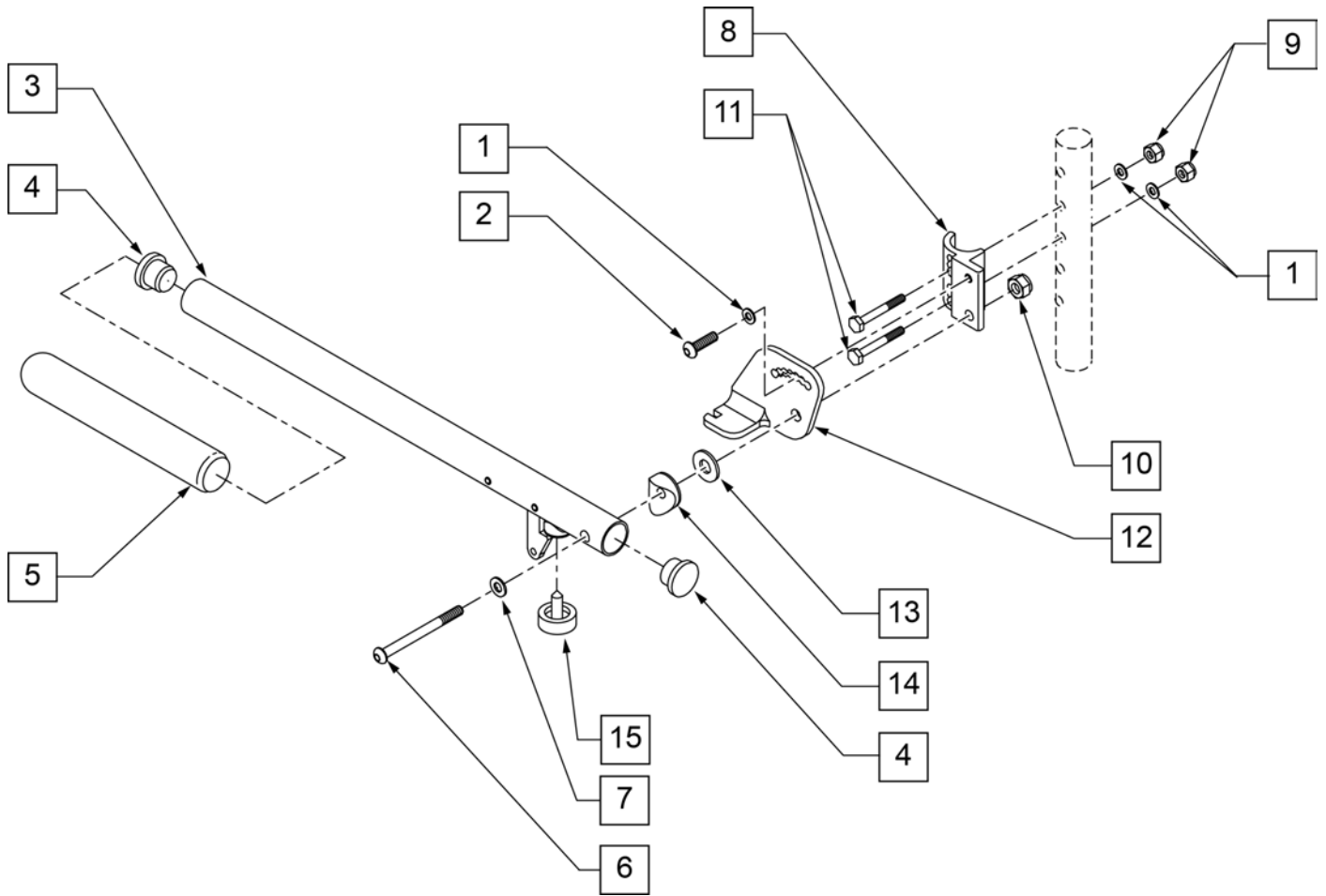
Note: only available on Kids Quickie 2 w/o seating (Depth Adjustable Back only).



Pos.	Item Number	Description	Remarks
1	561034	SHORT DOME PLUG	
2	107028	1/4-28 x 1 1/2 BH C/S	
3	561003	3/4" SADDLE THIN	
4	106966	1/4-28 x 2 1/4 BH C/S	
5	483041	FLIP-UP ARM CAM ZP/P5	
6	106935	1/4-28 NYLOCK NUT THIN	
7	561004	1" SADDLE 1/4" HOLE	
8	106944	1/4 AN WASHER FLAT THIN	
9	560599	8 x .705 x .200 FOAM GRIP	
10	561000-QU	3/4" INSERT PLUG .083	
12	267350	1/4" WASHER INT LOCK ZN	
1-11A,12	880268	ZP FLIP-UP ARM ASSEMBLY SEAT DEPTH 10"-13"	RIGHT
1-11A,12	880269	ZP FLIP-UP ARM ASSEMBLY SEAT DEPTH 10"-13"	LEFT
1-11A,12	900446	FLIP-UP ARM ASSEMBLY 10"-13" ZP	PAIR
1-11B,12	880270	FLIP-UP ARM ASSEMBLY SEAT DEPTH 14"-16" ZP/P5	RIGHT
1-11B,12	880271	FLIP-UP ARM ASSEMBLY SEAT DEPTH 14"-16" ZP/P5	LEFT
1-11B,12	900448	FLIP-UP ARM ASSEMBLY	PAIR

ADJUSTABLE LOCKING FLIP-UP ARMREST (USE ON DAB FRAMES ONLY)

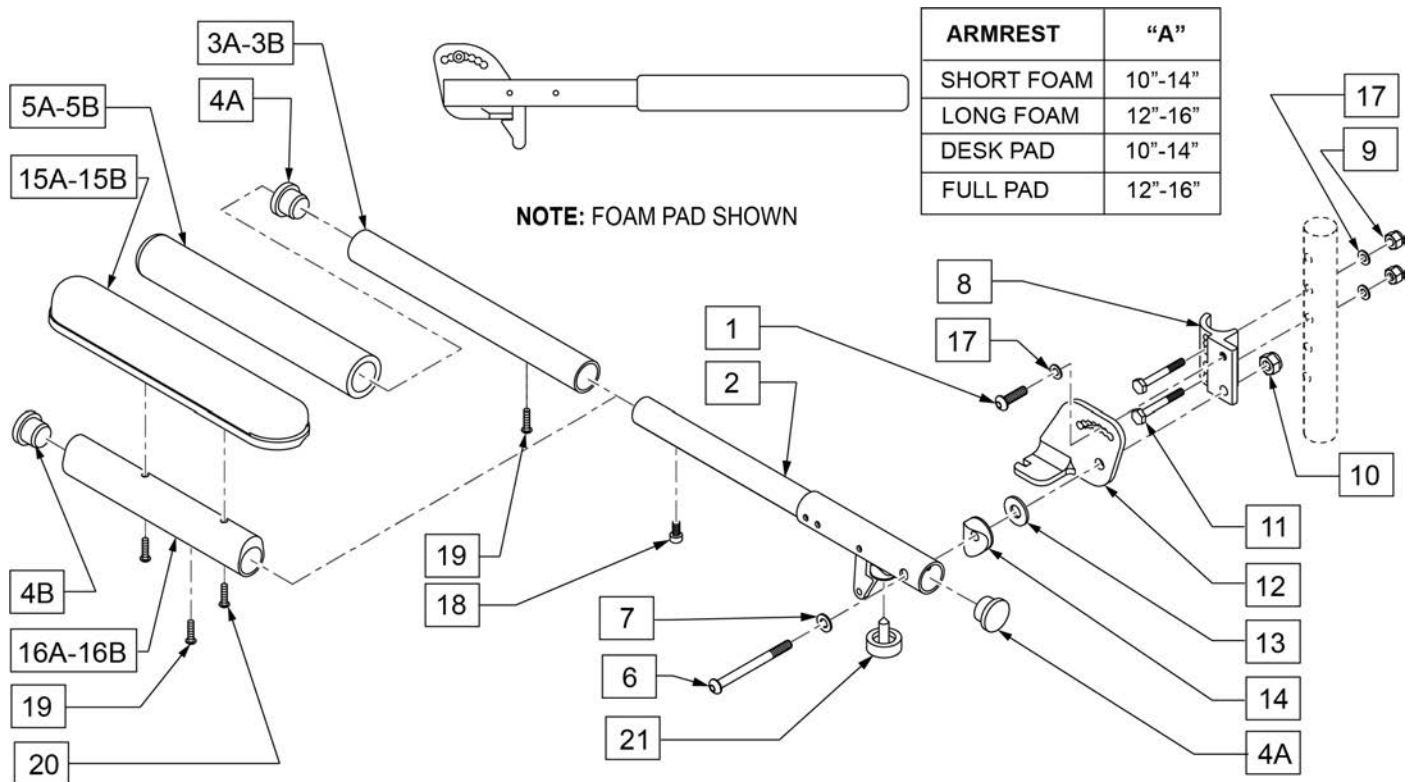
(03/12/2018)



Pos.	Item Number	Description	Remarks
1	106943	1/4 AN WASHER FLAT	
2	107025	1/4-28 x 1/2 BH C/S	
4	561002	1" INSERT PLUG .083	
5	560640	9 x .93 x .155 FOAM GRIP	
6	106983	5/16-18 x 2 BH C/S SHT THREAD	
7	106947	5/16 WASHER FLAT THIN	
8	550168	ADJ LOCK FLIP-UP ARM MNT R	
8	550169	ADJ LOCK FLIP-UP ARM MNT L	
9	106935	1/4-28 NYLOCK NUT THIN	
10	202117	5/16-18 NYLOCK NUT THICK BLK	
11	106972	1/4-28 x 1 1/2 G8 HEX C/S	
12	550474	ADJ FLIP-BACK ARM BRACKET R	
12	550475	ADJ FLIP BACK ARM BRACKET L	
13	561016	1" WASHER 5/16" HOLE	
14	561006	1" SADDLE 5/16" HOLE	
15	560252	1" COVED STEM BUMPER	
3-5	880274	ADJ FLIP-BACK TUBE W/LATCH	
1,2,6,8-10	881272	ADJ LOCK F-UP ARMREST RETRO R	USE FOR ARMREST PRIOR TO 7/22/96
1,2,6,8-10	881273	ADJ LOCK F-UP ARMREST RETRO L	USE FOR ARMREST PRIOR TO 7/22/96
1-15	880272	ADJ FLIP BACK ARMREST R	
1-15	880273	ADJ FLIP BACK ARMREST L	
1-15	900449	ADJ LOCK FLIP-UP ARMREST ASSM	PAIR

(08/23/2019) LENGTH ADJUSTABLE LOCKING FLIP-UP ARMREST (USE ON DAB FRAMES ONLY)

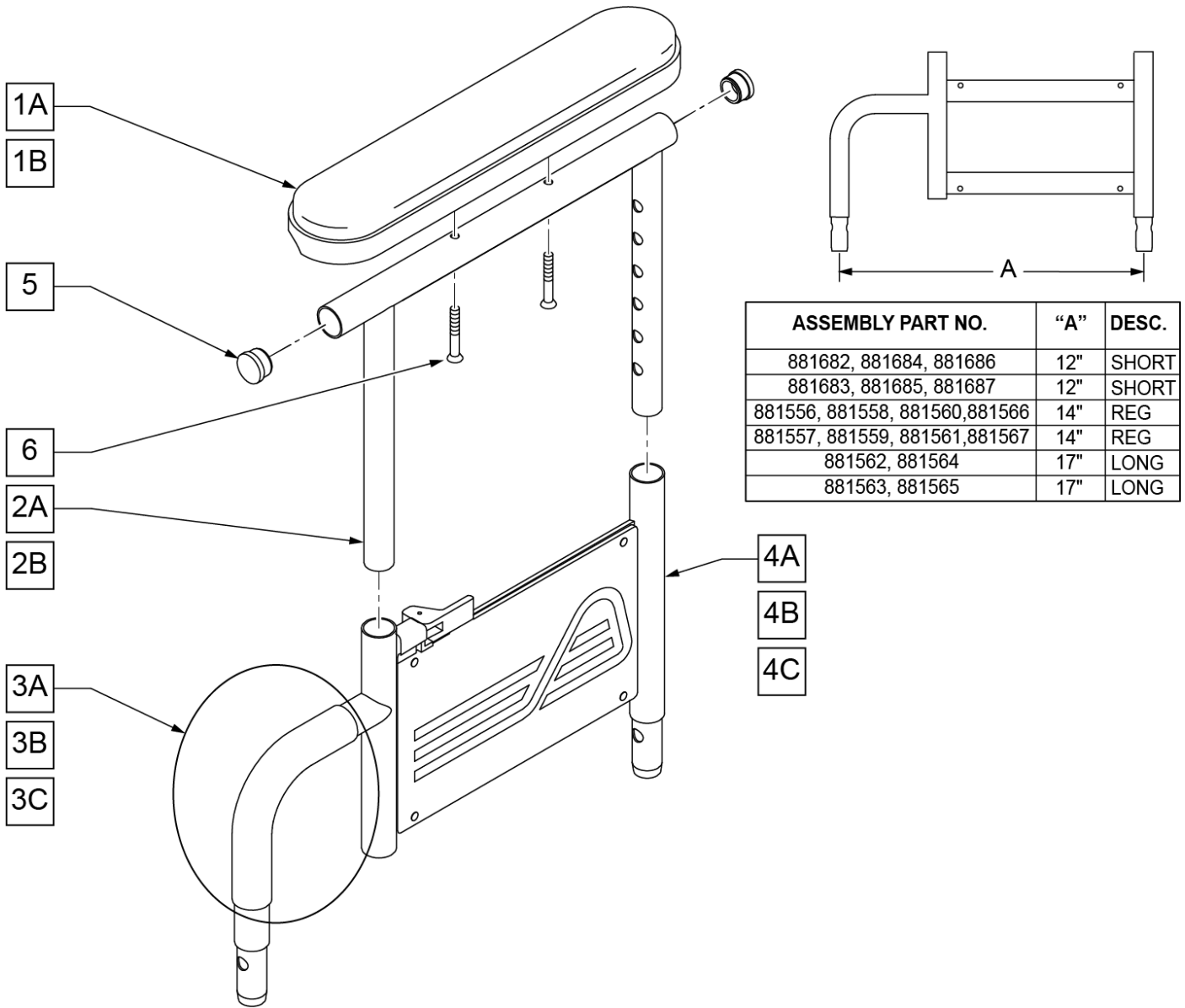
NOTE: FOR ARMRESTS PRIOR TO 7/22/96 USE RETRO FIT KIT TO REPLACE ADJUSTABLE FLIP-UP ARM CLAMP.



Pos.	Item Number	Description	Remarks
1	107025	BHCS 1/4-28 x 1/2 ROHS	
4A	561002	1" INSERT PLUG .083	
4B	561062	1" INSERT PLUG .065	
5A	560299	7 x .940 x .20 FOAM GRIP	SHORT PAD
5B	560640	9" X .93" X .155" FOAM GRIP	LONG PAD
6	106983	BHCS 5/16-18 x 2 SHLDR ROHS	
7	106947	WASHER FLAT THIN AN 5/16 ROHS	
8	550168	ADJUSTABLE LOCK FLIP-UP ARM MOUNT	RIGHT
8	550169	ADJUSTABLE LOCK FLIP-UP ARM MOUNT	LEFT
9	106935	NYLOCK NUT THIN 1/4 -28 ROHS	
10	202117	5/16-18 NYLOCK NUT THICK BLK	
11	106972	HHCS 1/4-28 x 1 1/2 ROHS	
12	550474	ADJUSTABLE FLIP-BACK ARM BRACKET	RIGHT
12	550475	ADJUSTABLE FLIP-BACK ARM BRACKET	LEFT
13	561016	1" WASHER 5/16" HOLE	
14	561006	1" SADDLE 5/16" HOLE	
15A	561024	ARMREST PAD 10" DESK	
15B	561031	ARMREST PAD 14" FULL	
17	106943	WASHER FLAT AN 1/4 ROHS	
18	107036	SHCS 8 -32 x 3/8 ROHS	
19	225110	10-32 X 1/2" SET SCREW	
20	107022	BHCS 10-32 X 5/8 ROHS	
21	560252	1" COVED STEM BUMPER	

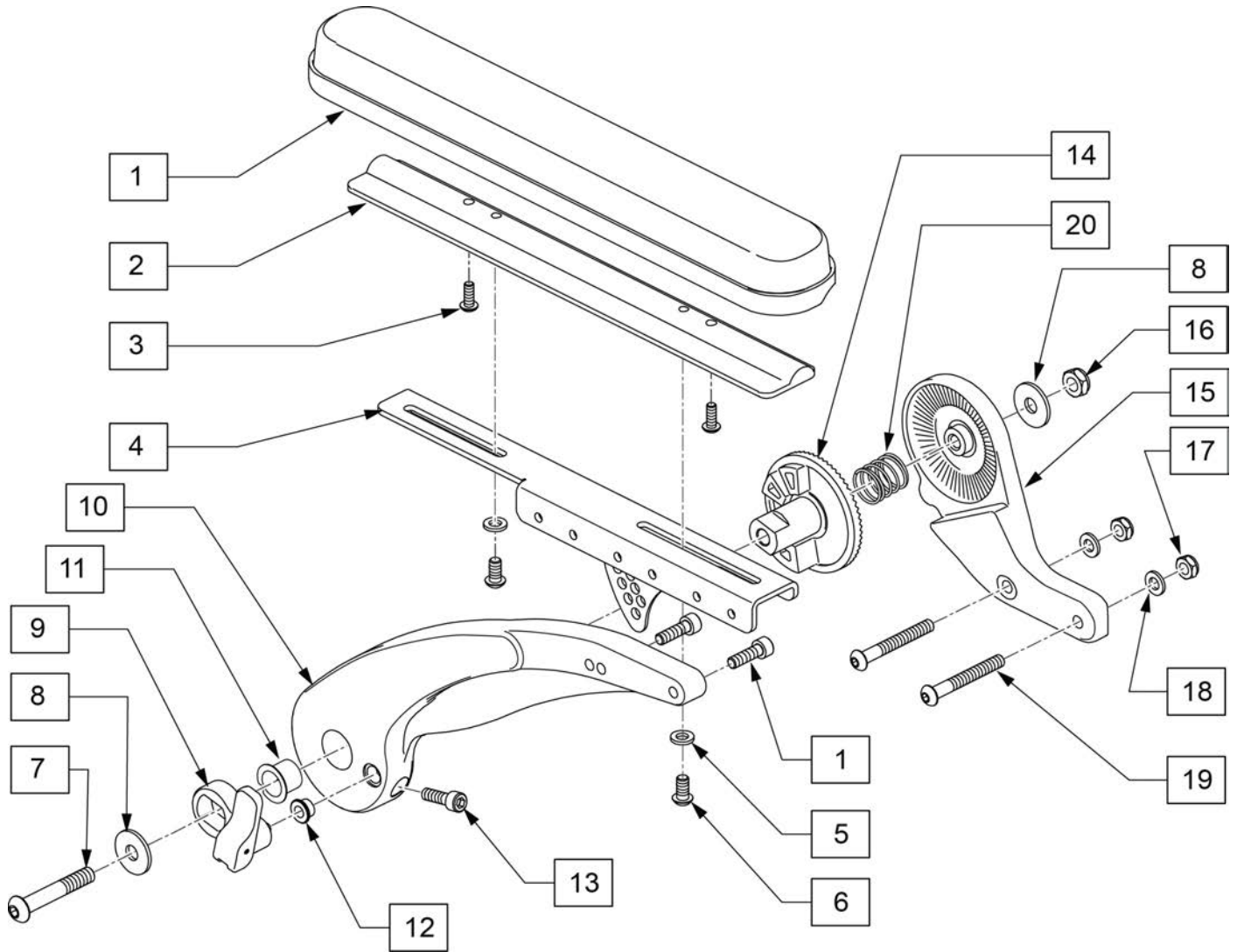
Pos.	Item Number	Description	Remarks
3B, 4A, 5B, 19	882074	FOAM PAD LONG ADJUSTABLE LENGTH	LONG PAD ASSM ONLY
3A, 4A, 5A, 19	882075	FOAM PAD LONG ADJUSTABLE LENGTH	SHORT PAD ASSM ONLY
4B,15B,16B,19,20	882070	FULL PAD ADJUSTABLE LENGTH ASSM	RIGHT FULL PAD ASSM ONLY
4B,15B,16B,19,20	882071	FULL PAD ADJUSTABLE LENGTH ASSM	LEFT FULL PAD ASSM ONLY
4B,15A,16A,19,20	882072	DESK PAD ADJUSTABLE LENGTH ASSM	RIGHT DESK PAD ASSM ONLY
4B,15A,16A,19,20	882073	DESK PAD ADJUSTABLE LENGTH ASSM	LEFT DESK PAD ASSM ONLY
1,2,6-14,17,21	882088	ADJ LENGTH LOCKING FLIP-UP ASSM R	RIGHT ARM ASSM W/O PAD
1,2,6-14,17,21	882089	ADJ LENGTH LOCKING FLIP-UP ASSM R	LEFT ARM ASSM W/O PAD
1,2,3B,4A,5B,6-14,17,19 -21	900454	ADJ LENGTH LOCKING FLIP-UP FOAM LONG	PAIR - LONG FOAM ARM ASSM
1,2,3B,4A,5B,6-14,17,19 -21	881294	ADJ LENGTH LOCKING FLIP-UP FOAM LONG	RIGHT - LONG FOAM ARM ASSM
1,2,3B,4A,5B,6-14,17,19 -21	881295	ADJ LENGTH LOCKING FLIP-UP FOAM LONG	LEFT - LONG FOAM ARM ASSM
1,2,3A,4A,5A,6-14,17,19 -21	900455	ADJ LENGTH LOCKING FLIP-UP FOAM SHORT	PAIR - SHORT FOAM ARM ASSM
1,2,3A,4A,5A,6-14,17,19 -21	881296	ADJ LENGTH LOCKING FLIP-UP FOAM SHORT	RIGHT - SHORT FOAM ARM ASSM
1,2,3A,4A,5A,6-14,17,19 -21	881297	ADJ LENGTH LOCKING FLIP-UP FOAM SHORT	LEFT - SHORT FOAM ARM ASSM
1,2,4B,6-14,15B,16B,17-21	900452	ADJ LENGTH LOCKING FLIP-UP ASSM FULL	PAIR - FULL PAD ARM ASSM
1,2,4B,6-14,15B,16B,17-21	881290	ADJ LENGTH LOCKING FLIP-UP FULL PAD	RIGHT - FULL PAD ARM ASSM
1,2,4B,6-14,15B,16B,17-21	881291	ADJ LENGTH LOCKING FLIP-UP FULL PAD	LEFT - FULL PAD ARM ASSM
1,2,4B,6-14,15A,16A,17-21	900453	ADJ LENGTH LOCKING FLIP-UP ASSM DESK	PAIR - DESK PAD ARM ASSM
1,2,4B,6-14,15A,16A,17-21	881292	ADJ LENGTH LOCKING FLIP-UP DESK PAD	RIGHT - DESK PAD ARM ASSM
1,2,4B,6-14,15A,16A,17-21	881293	ADJ LENGTH LOCKING FLIP-UP DESK PAD	LEFT - DESK PAD ARM ASSM

DUAL-POST HEIGHT ADJUSTABLE ARMREST



Pos.	Item Number	Description	Remarks
1A	561024	ARMREST PAD 10" DESK	Desk
1B	561031	ARMREST PAD 14" FULL	Full
2A	521841	DUAL POST ADJ UPPER ARM DESK	Desk
2B	521843	DUAL POST ADJ UPPER ARM FULL	Full
3A	560514	FOAM 8" x .840 TUBE	Reg/med length
3B	560614	11" x .840 FOAM TUBE	Long length
3C	560515	FOAM 6" x .840 TUBE	Short length
3A,4A	881556	ARM ASSM LOWER HT ADJ REG R	Reg/med right; includes Armrest Frame, Foam & Panel Assm
3A,4A	881557	ARM ASSM LOWER HT ADJ REG L	Reg/med left; includes Armrest Frame, Foam & Panel Assm
3B,4A	881558	DUAL POST ADJ LOWER ARM LNG R	Long right; includes Armrest Frame, Foam & Panel Assm
3B,4A	881559	DUAL POST ADJ LOWER ARM LNG L	Long left; includes Armrest Frame, Foam & Panel Assm
3C,4C	881686	DUAL POST ADJ LOWER ARM R	Short right; includes Armrest Frame, Foam & Panel Assm
3C,4C	881687	DUAL POST ADJ LOWER ARM L	Short left; includes Armrest Frame, Foam & Panel Assm
5	560735	7/8" ROUND TUBE PLUG	

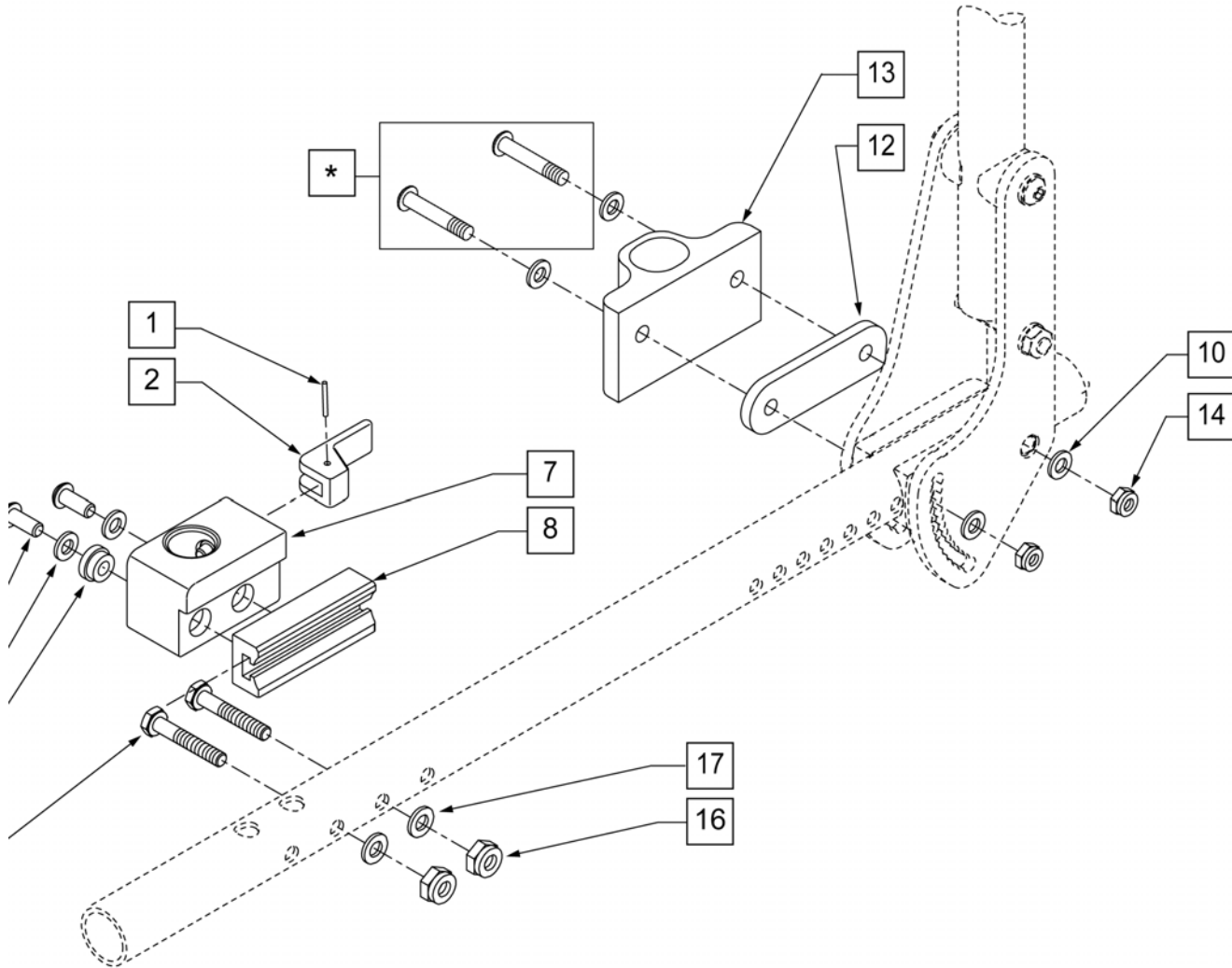
Pos.	Item Number	Description	Remarks
6	107023	BHCS 10 -32 x 1 3/8 ROHS	
1A,2A,3A,4A,5,6	881560	DUAL POST ADJ ARM SHT W/DESK R	Right-desk length pad-reg/med arm length
1A,2A,3A,4A,5,6	881561	DUAL POST ADJ ARM SHT W/DESK L	Left-desk length pad-reg/med arm length
1B,2B,3A,4A,5,6	881566	DUAL POST ADJ ARM SHT W/FULL R	Right-full length pad-reg/med arm length
1B,2B,3A,4A,5,6	881567	DUAL POST ADJ ARM SHT W/FULL L	Left-full length pad-reg/med arm length
1A,2A,3B,4B,5,6	881564	DUAL POST ADJ ARM LNG W/DESK R	Right-desk length pad-long arm length
1A,2A,3B,4B,5,6	881565	DUAL POST ADJ ARM LNG W/DESK L	Left-desk length pard-long arm length
1B,2A,3B,4B,5,6	881562	DUAL POST ADJ ARM LNG W/FULL R	Right-full length pad-long arm length
1B,2A,3B,4B,5,6	881563	DUAL POST ADJ ARM LNG W/FULL L	Left-full length pad-long arm length
1A,2A,5,6	881446	DUALPOST UHA AREST RH INC DESK	Desk right
1A,2A,5,6	881447	DUALPOST UHA AREST LH INC DESK	Desk left
1B,2B,5,6	881448	DUALPOST UHA AREST RH INC FULL	Full right
1B,2B,5,6	881449	DUALPOST UHA AREST LH INC FULL	Full left
1A,2A,3C,4C,5,6	881682	DUAL POST ADJ ARM W/DESK QTS R	Right - desk length pad-short arm length
1A,2A,3C,4C,5,6	881683	DUAL POST ADJ ARM W/DESK QTS L	Left-desk length pad-short arm length
1B,2A,3C,4C,5,6	881684	DUAL POST ADJ ARM W/FULL QTS R	Right-ful length pad-short arm length
1B,2A,3C,4C,5,6	881685	DUAL POST ADJ ARM W/FULL QTS L	Left-full length pad-short arm length



Pos.	Item Number	Description	Remarks
1-3,5,6	135189	CANTI ARMPAD KIT FULL	
3	226043	10-32 X 1/2 BH C/S BLK	
5	250104	WASHER FLAT M6	
6	230113	BHCS M6 X 1 X 12	
7	013152	BHCS M8 X 55	
8	015056	WASHER M10 X 35 X 1.5 BLK	
9	135190	FLIP UP ASSM	
11	104469	MARCINAL LUB BRNG SF-1 2020	
12	481339	BACK REL BUSHING RIGID BLK ZN	
13	013156	SHCS M6 X 1 X 20 BLK W/PL	
16	013036	M8 X 1.25 JAM NUT HEX	
17	106935	NUT NYLOCK THIN 1/4-28	
18	106943	WASHER FLAT AN 1/4	
19	106965	BHCS 1/4-28 X 2 SHLDR	
1-20	129375	CANTILEVER ARMREST ASSM RT	Right
1-20	129376	CANTILEVER ARMREST ASSM LH	Left
1,4,10-13	129115	CANTILEVER ARMREST W/LOCK RH	Right
1,4,10-13	129116	CANTILEVER ARMREST W/LOCK LH	Left

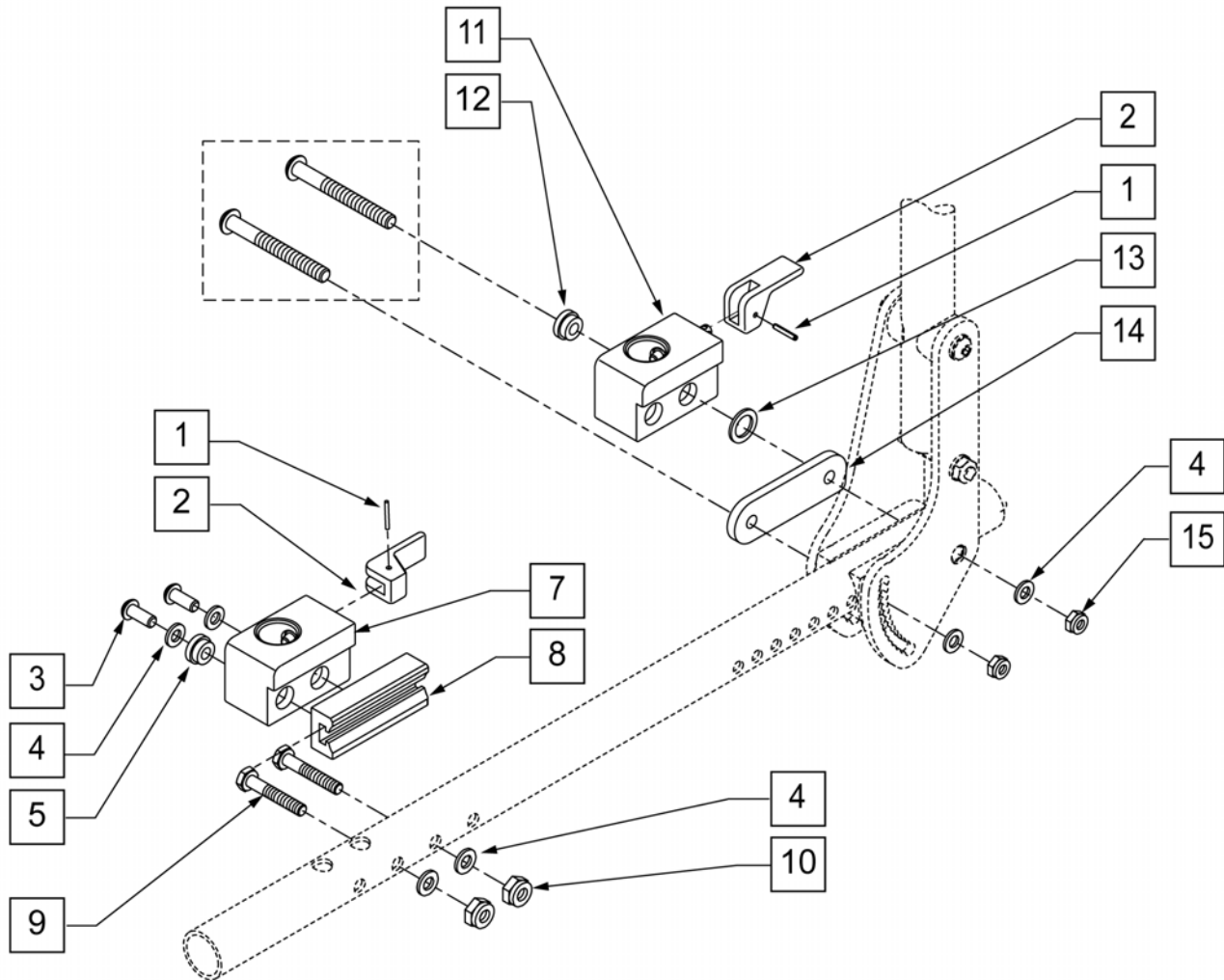
Note: Cantilever Armrest is only compatible with chairs equipped with Mono Backrest.

NOTE: MOUNTING HARDWARE (*) VARIES-PLEASE REFER TO "BACK PLATE REPLACEMENT BOLT KIT" PAGE.



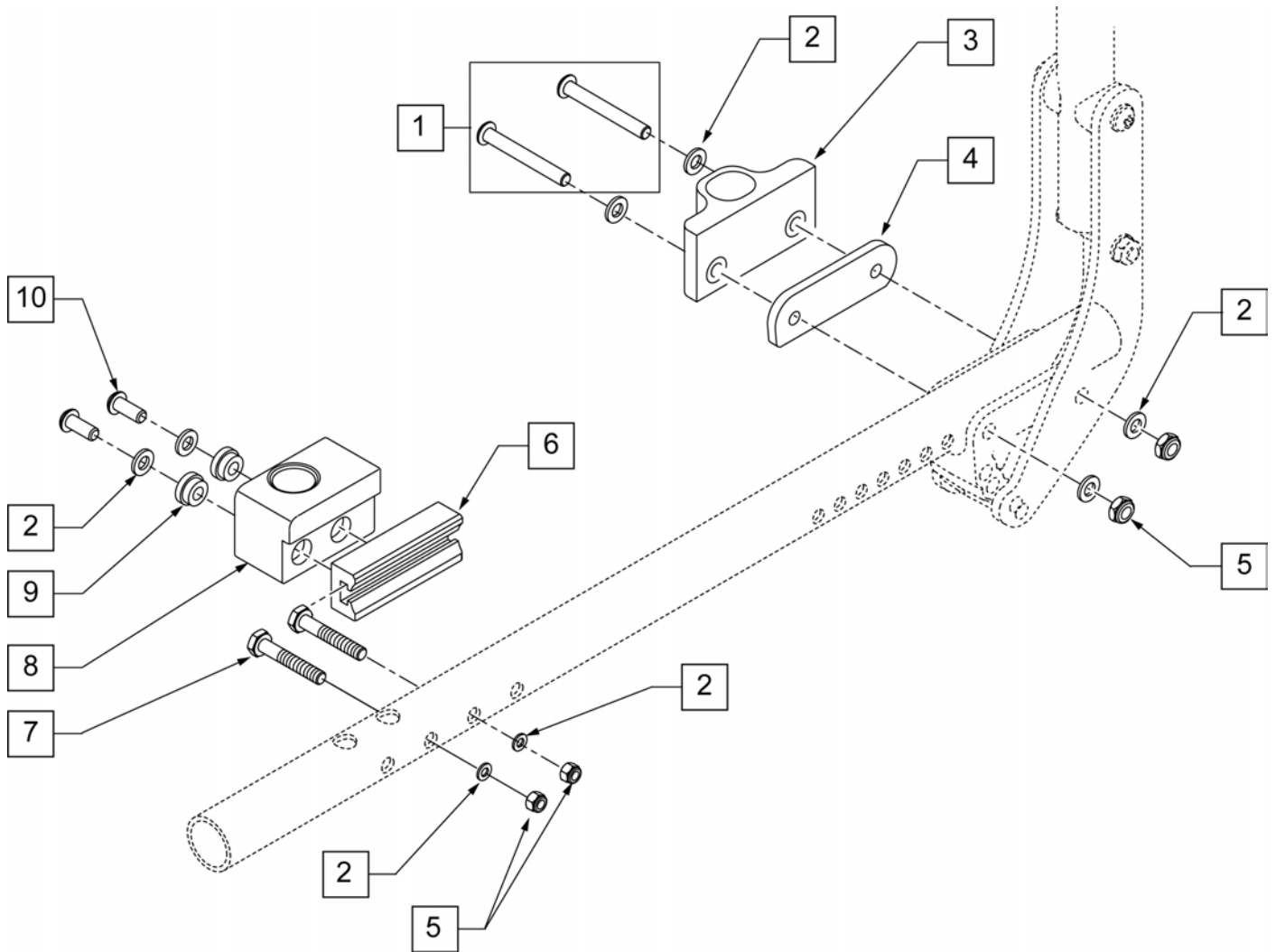
Pos.	Item Number	Description	Remarks
1	341088	3/32 x 5/8 ROLL PIN	
2	561730	RELEASE HANDLE DUAL POST PLASTIC	
8	106973	HHCS 1/4 -28 x 2 ROHS	
9	506137	DUAL POST ARM SPACER QTS	
10	106943	WASHER FLAT AN 1/4 ROHS	
11	106934	NUT NYLOCK 1/4 -28 ROHS	
12	506140	BACKREST PIVOT ARMREST RECEIVER	
13	552190	RECEIVER ARMREST DUAL PST REAR FIXED	
14	106935	NUT NYLOCK THIN 1/4 -28 ROHS	
1,2,7	506366	ADJ QUAD REC FRONT SUB ASSM P3	RIGHT
1,2,7	506367	ADJ QUAD REC FRONT SUB ASSM P3	LEFT
1-11	506408	UNI DP ARM RCV ASSM RFH QTS/IR	RIGHT
1-11	506409	UNI DP ARM RCV ASSM LFH QTS/IR	LEFT
1-11	921392	FLIP-BACK ARMREST RECEIVER W/ HDWR FRONT QTS	PAIR

NOTE: MOUNTING HARDWARE VARIES-PLEASE REFER TO "BACK PLATE REPLACEMENT BOLT KIT" PAGE.

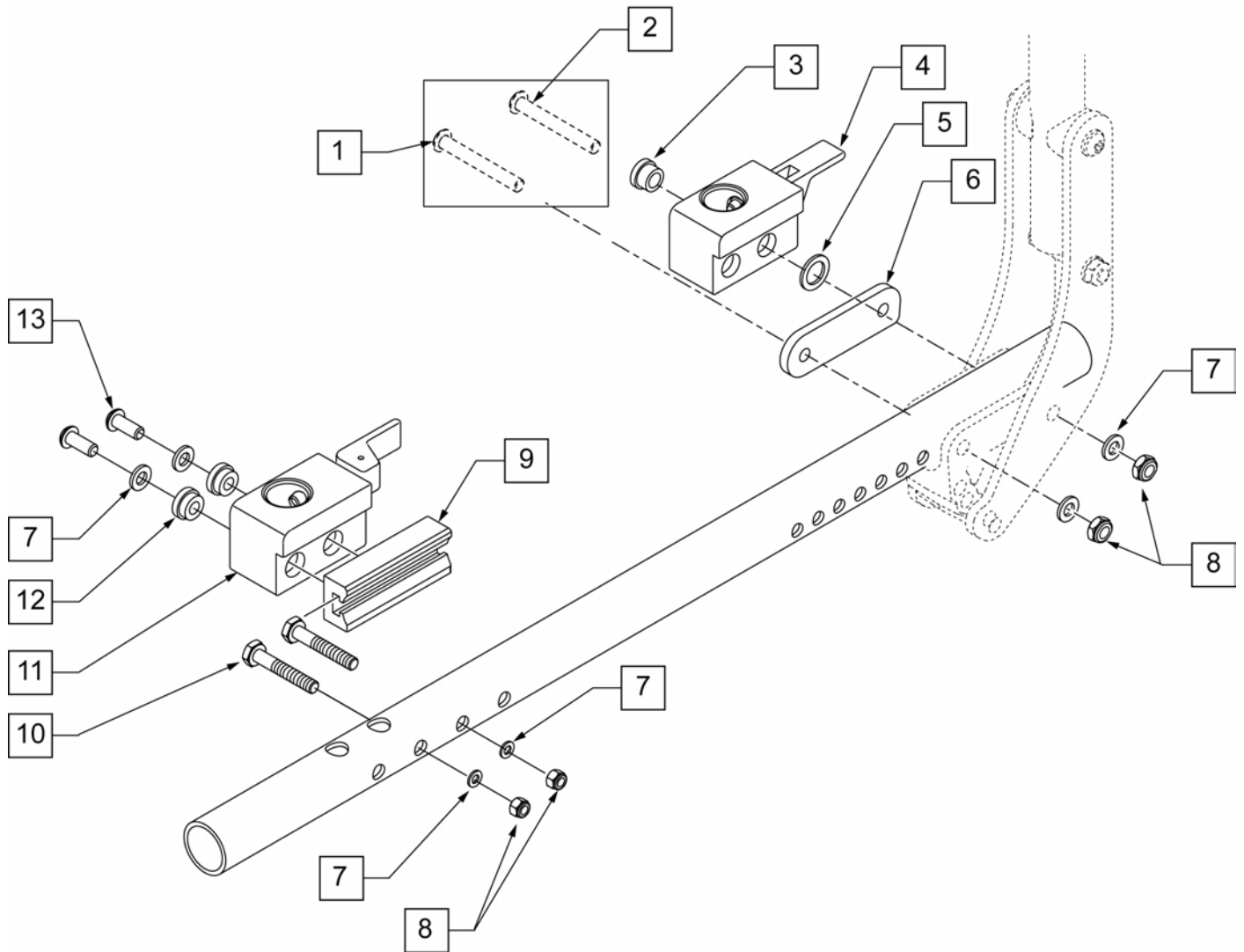


Pos.	Item Number	Description	Remarks
1	341088	3/32 x 5/8 ROLL PIN	
2	561730	RELEASE HANDLE DUAL POST PLASTIC	
3	226313	1/4-28 X .63 BH C/S W/PATCH	
4	106943	WASHER FLAT AN 1/4" ROHS	
5	340143	BUSHING .257ID x .25 LG SST	
1,2,7	506366	UNIVERSAL ARMREST RECEIVER ASSM RH	RIGHT
1,2,7	506367	UNIVERSAL ARMREST RECEIVER ASSM LH	LEFT
8	506137	ADAPTER FR UNIV RECEIVER 1.0 OFFSET	
9	106973	HHCS 1/4 -28 x 2 ROHS	
10	106934	NUT NYLOCK 1/4 -28 ROHS	
1,2,11	506368	UNIV ARMREST RECEIVER ASSM RV	RIGHT

Pos.	Item Number	Description	Remarks
1,2,11	506369	UNIV ARMREST RECEIVER ASSM LV	LEFT
12	340144	BUSHING STEEL .257 ID x .346 LG SST	
13	561273	1/2 x 3/4 x .060 NYLON WASHER	
14	506140	BACKREST PIVOT ARMREST RECEIVER	
15	106935	NUT NYLOCK THIN 1/4 -28 ROHS	
1-10	506408	UNI DP ARM RCV ASSM RFH QTS/IR	RIGHT
1-10	506409	UNI DP ARM RCV ASSM LFH QTS/IR	LEFT
1-10	921392	FLIP-BACK ARMREST RECEIVER W/ HDWR FRONT QTS	PAIR
1,2,4,11-15	506410	UNI DP ARM RCVR ASSM RRV IRIS	RIGHT
1,2,4,11-15	506411	UNI DP ARM RCVR ASSM LRV IRIS	LEFT
1-16	920599	DUAL POST/DUAL POST HEIGHT ADJ ARM RECEIVER KIT	KIT



Pos.	Item Number	Description	Remarks
1	106967	BHCS 1/4 -28 x 2 1/2 SHLDR ROHS	
2	106943	WASHER FIAT AM 1/4 ROHS	
3	552190	RECEIVER ARMREST DUAL POST REAR FIXED	
4	506140	ADAPTER PVT DP UNIV ARMREST IRIS	
5	106935	NUT NYLOCK THIN 1/4 -28 ROHS	
6	506137	ADAPTER FR UNI RECEIVER 1.0 OFFSET	
7	106972	HHCS 1/4 -28 x 1 1/2 ROHS	
8	506366	UNIVERSAL ARMREST RECEIVER ASSM RH	RIGHT
8	506367	UNIVERSAL ARMREST RECEIVER ASSM LH	LEFT
9	340143	BUSHING .257 ID x .25 LG SST	
10	226313	BHCS 1/4 -28 x 5/8 SHLDR ROHS	
2,6-10	506408	UNI DP ARM RCV ASSM RFH QTS/IR	RIGHT
2,6-10	506409	UNI DP ARM RCV ASSM LFH QTS/IR	LEFT
2,4-10	920598	DPST/DPST H/A ARM RCVR KIT	KIT



Pos.	Item Number	Description	Remarks
1	106966	BHCS 1/4 -28 x 2 1/4 SHLDR ROHS	
2	106967	BHCS 1/4 -28 x 2 1/2 SHLDR ROHS	
3	340144	BUSHING STEEL .257 ID x .346 LG SST	
4	506368	UNIVERSAL ARMREST RECEIVER ASSM RV	RIGHT - REAR
4	506369	UNIVERSAL ARMREST RECEIVER ASSM LV	LEFT -REAR
5	561273	1/2 x 3/4 x .060 NYLON WASHER	
6	506140	BACKREST PIVOT ARMREST RECEIVER	
7	106943	WASHER FIAT AM 1/4 ROHS	
8	106935	NUT NYLOCK THIN 1/4 -28 ROHS	
9	506137	ADAPTER FR UNI RECEIVER 1.0 OFFSET	
10	106972	HHCS 1/4 -28 x 1 1/2 ROHS	
11	506366	UNIVERSAL ARMREST RECEIVER ASSM RH	RIGHT
11	506367	UNIVERSAL ARMREST RECEIVER ASSM LH	LEFT
12	340143	BUSHING .257 ID x .25 LG SST	
13	226313	BHCS 1/4 -28 x 5/8 SHLDR ROHS	
7-13	506408	UNI DP ARM RCV ASSM RFH QTS/IR	RIGHT
7-13	506409	UNI DP ARM RCV ASSM LFH QTS/IR	LEFT
1-8	506410	UNI DP ARM RCV ASSM RRV IRIS	RIGHT

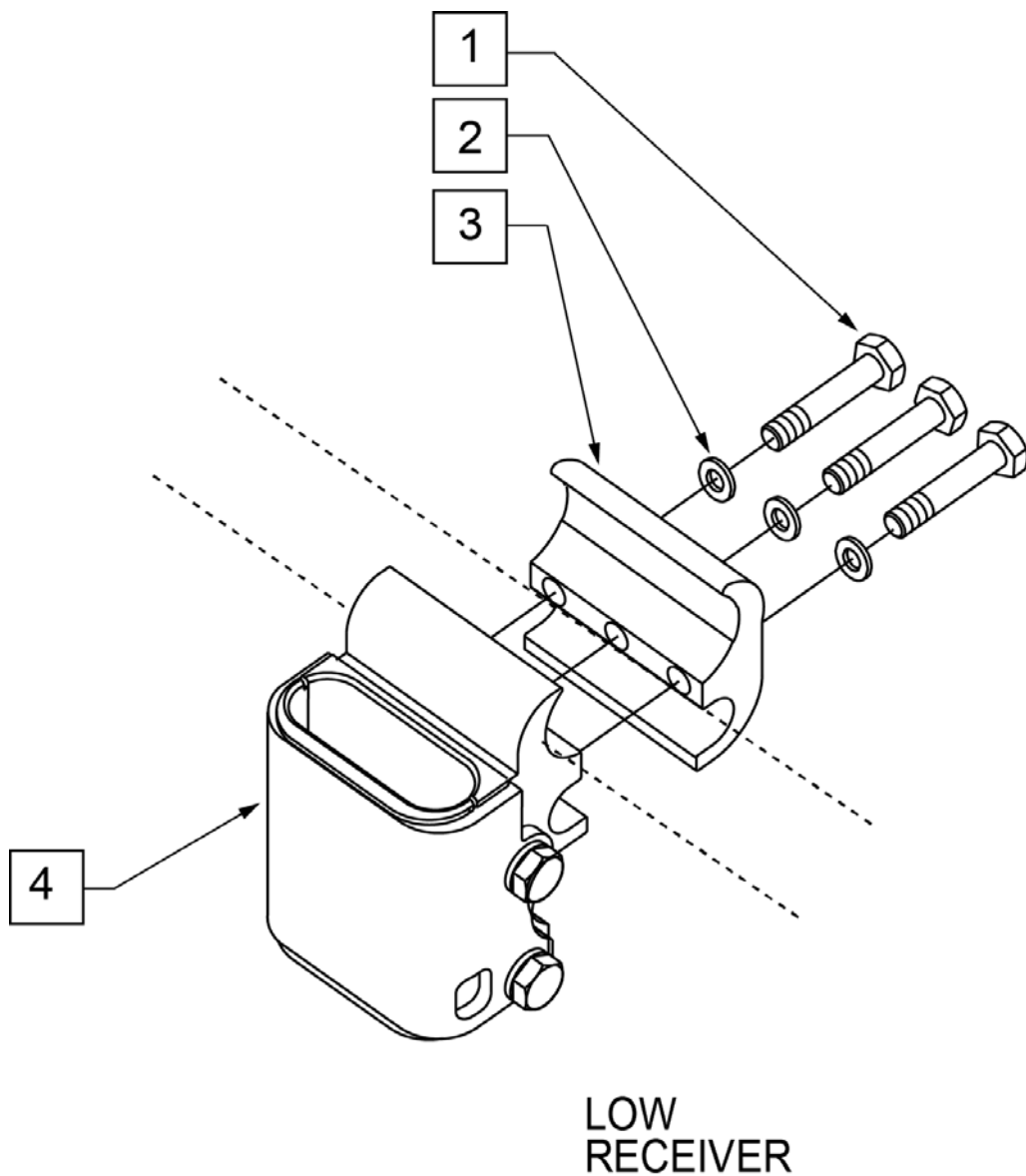
Pos.	Item Number	Description	Remarks
1-8	506411	UNI DP ARM RCVR ASSM LRV IRIS	LEFT
1-13	920599	DPST FB/DPST FB HA ARM RCVR KIT	KIT

Note: clamp mounts to 1" tubing.

Note: used on Quickie Iris chairs after S/N IRS-007726 & IRSE-008701 and prior to IRS-063000 & IRSE-083000.

Note: used on Zippie Iris chairs prior to S/N ZRS-051000 & ZRSE-058000.

Note: used on Zippie 2 chairs w/ S/N Prefix Z2A.

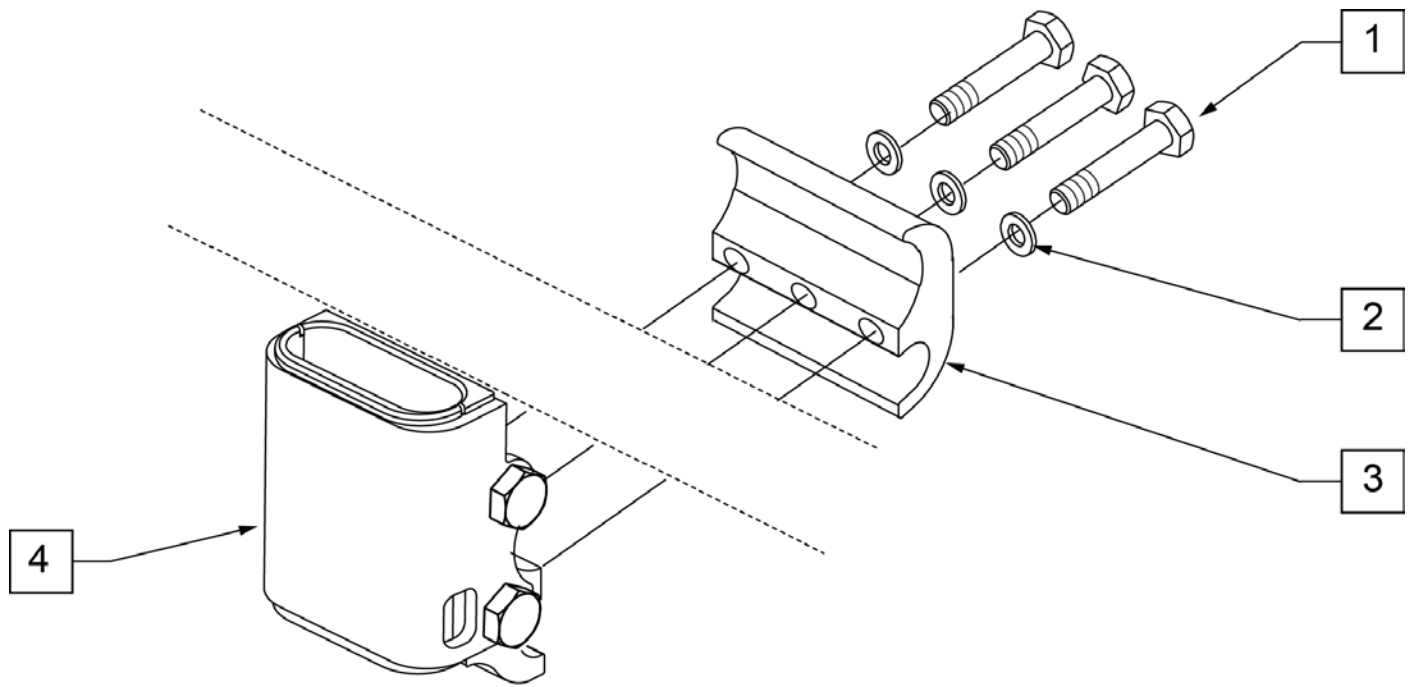


Pos.	Item Number	Description
1	107360	HHCS 1/4 -28 x 1 1/4 PL ROHS
2	106943	WASHER FLAT AN 1/4 ROHS
3	111405	CLAMP ARMREST INNER
4	112423	RECEIVER ARMREST LOW
1-4	118458	REC ARMREST LOW ASSM

Note: clamp mounts to 1" tubing.

Note: used on Quickie Iris chairs after S/N IRS-007726 & IRSE-008701 and prior to IRS-063000 & IRSE-083000.

Note: used on Zippie Iris chairs prior to S/N ZRS-051000 & ZRSE-058000.



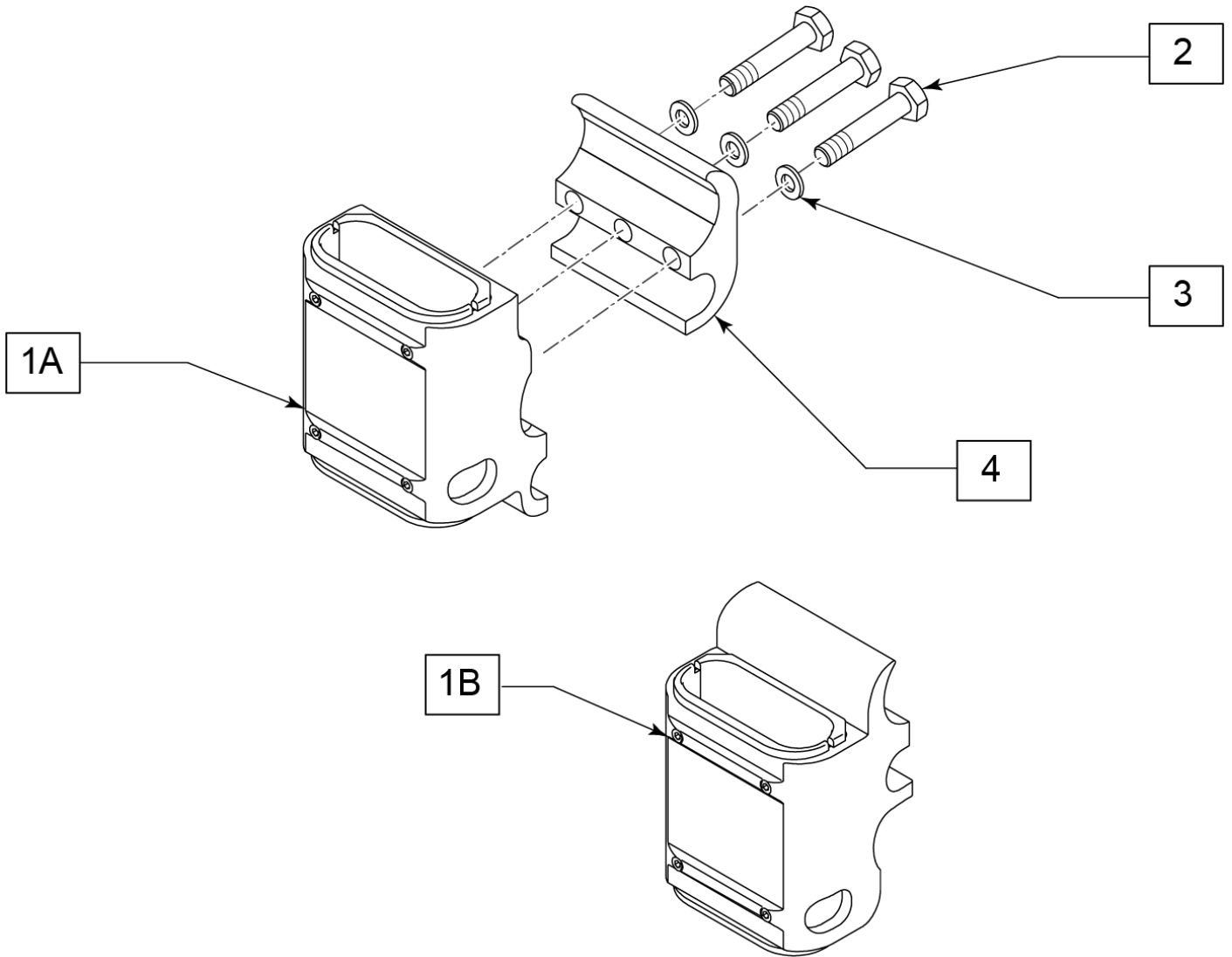
**STANDARD
RECEIVER**

Pos.	Item Number	Description
1	106970	HHCS 1/4 -28 x 1 1/4 ROHS
2	106943	WASHER FLAT AN 1/4 ROHS
3	111405	CLAMP ARMREST INNER
4	112422	RECEIVER ARMREST STANDARD
1-4	118457	RECEIVER ARMREST STANDARD ASSM

SINGLE POST ARMREST RECEIVER

[12/23/2019]

Note: available on chairs after S/N IRS-063000 & IRSE-083000 and ZRS-051000 & ZRSE-058000.



Pos.	Item Number	Description
1A,2-4	161570	STANDARD SPHA RECEIVER
1B,2-4	161571	LOW SPHA RECEIVER



6 DUAL FOOTBOX HARDWARE KIT			
ITEM #	ILLUSTRATION	DESCRIPTION	QTY
3		BHCS 1/4-20 X 3/4	4
4		9/32ID 1OD .11-.14IN THK WASHER	4

FOOT BOX WIDTH MATRIX	
Flared Frame Formula: (Seat Width) +2" = Foot Box Width	
Offset Hanger Receiver Formula: (Seat Width) +2" = Foot Box Width	
Inset Formulas:	
0" Inset (Seat Width)	= Foot Box Width
1" Inset (Seat Width) -2"	= Foot Box Width
2" Inset (Seat Width) -4"	= Foot Box Width

Pos.	Item Number	Description	Remarks
1	CCFOOTS22	FUL FOOTBX 22W SEP CALF CVR SD	Cover only
1	CCFOOTS20	FUL FOOTBX 20W SEP CALF CVR SD	Cover only
1	CCFOOTS18	FUL FOOTBX 18W SEP CALF CVR SD	Cover only
1	CCFOOTS16	FUL FOOTBX 16W SEP CALF CVR SD	Cover only
1	CCFOOTS22	FUL FOOTBX 22W SEP CALF CVR TL	Cover only
1	CCFOOTS20	FUL FOOTBX 20W SEP CALF CVR TL	Cover only
1	CCFOOTS18	FUL FOOTBX 18W SEP CALF CVR TL	Cover only
1	CCFOOTS16	FUL FOOTBX 16W SEP CALF CVR TL	Cover only
2	CCFOOTS22	FULL FOOTBOX 22W FOOT COVER	Cover only
2	CCFOOTS20	FULL FOOTBOX 20W FOOT COVER	Cover only
2	CCFOOTS18	FULL FOOTBOX 18W FOOT COVER	Cover only
2	CCFOOTS16	FULL FOOTBOX 16W FOOT COVER	Cover only
5	132826	JAY FOOTBOARD ASM 12W KIT	Cover, foam & board
5	132827	JAY FOOTBOARD ASM 14W KIT	Cover, foam & board
5	132828	JAY FOOTBOARD ASM 16W KIT	Cover, foam & board
5	132829	JAY FOOTBOARD ASM 18W KIT	Cover, foam & board
5	132830	JAY FOOTBOARD ASM 20W KIT	Cover, foam & board

Pos.	Item Number	Description	Remarks
5	132831	JAY FOOTBOARD ASM 22W KIT	Cover, foam & board
6	HDWFOOT	DUAL FOOTBOX HRDWR KIT	4 screws and washers



5 DUAL FOOTBOX HARDWARE KIT			
ITEM #	ILLUSTRATION	DESCRIPTION	QTY
3		BHCS 1/4-20 X 3/4	4
4		9/32ID 1OD .11-14INTHK WASHER	4

FOOT BOX WIDTH MATRIX	
Flared Frame Formula: (Seat Width) +2" = Foot Box Width	
Offset Hanger Receiver Formula: (Seat Width) +2" = Foot Box Width	
Inset Formulas:	
0" Inset (Seat Width)	= Foot Box Width
1" Inset (Seat Width) -2"	= Foot Box Width
2" Inset (Seat Width) -4"	= Foot Box Width

Pos.	Item Number	Description	Remarks
1	CCFOOT22	FUL FOOTBX 22W CALF CVR STD	Cover only - no pads included
1	CCFOOT20	FUL FOOTBX 20W CALF CVR STD	Cover only - no pads included
1	CCFOOT18	FUL FOOTBX 18W CALF CVR STD	Cover only - no pads included
1	CCFOOT16	FUL FOOTBX 16W CALF CVR STD	Cover only - no pads included
1	CCFOOT14	FUL FOOTBX 14W CALF CVR STD	Cover only - no pads included
1	CCFOOT12	FUL FOOTBX 12W CALF CVR STD	Cover only - no pads included
1	CCFOOTT22	FUL FOOTBX 22W CALF CVR TAL	Cover only - no pads included
1	CCFOOTT20	FUL FOOTBX 20W CALF CVR TAL	Cover only - no pads included
1	CCFOOTT18	FUL FOOTBX 18W CALF CVR TAL	Cover only - no pads included
1	CCFOOTT16	FUL FOOTBX 16W CALF CVR TAL	Cover only - no pads included
2	CCFOOTS22	FULL FOOTBOX 22W FOOT COVER	Cover only - no pads included
2	CCFOOTS20	FULL FOOTBOX 20W FOOT COVER	Cover only - no pads included
2	CCFOOTS18	FULL FOOTBOX 18W FOOT COVER	Cover only - no pads included
2	CCFOOTS16	FULL FOOTBOX 16W FOOT COVER	Cover only - no pads included
2	CCFOOTS14	FULL FOOTBOX 14W FOOT COVER	Cover only - no pads included
2	CCFOOTS12	FULL FOOTBOX 12W FOOT COVER	Cover only - no pads included
5	HDWFOOT	DUAL FOOTBOX HRDWR KIT	4 screws and washers

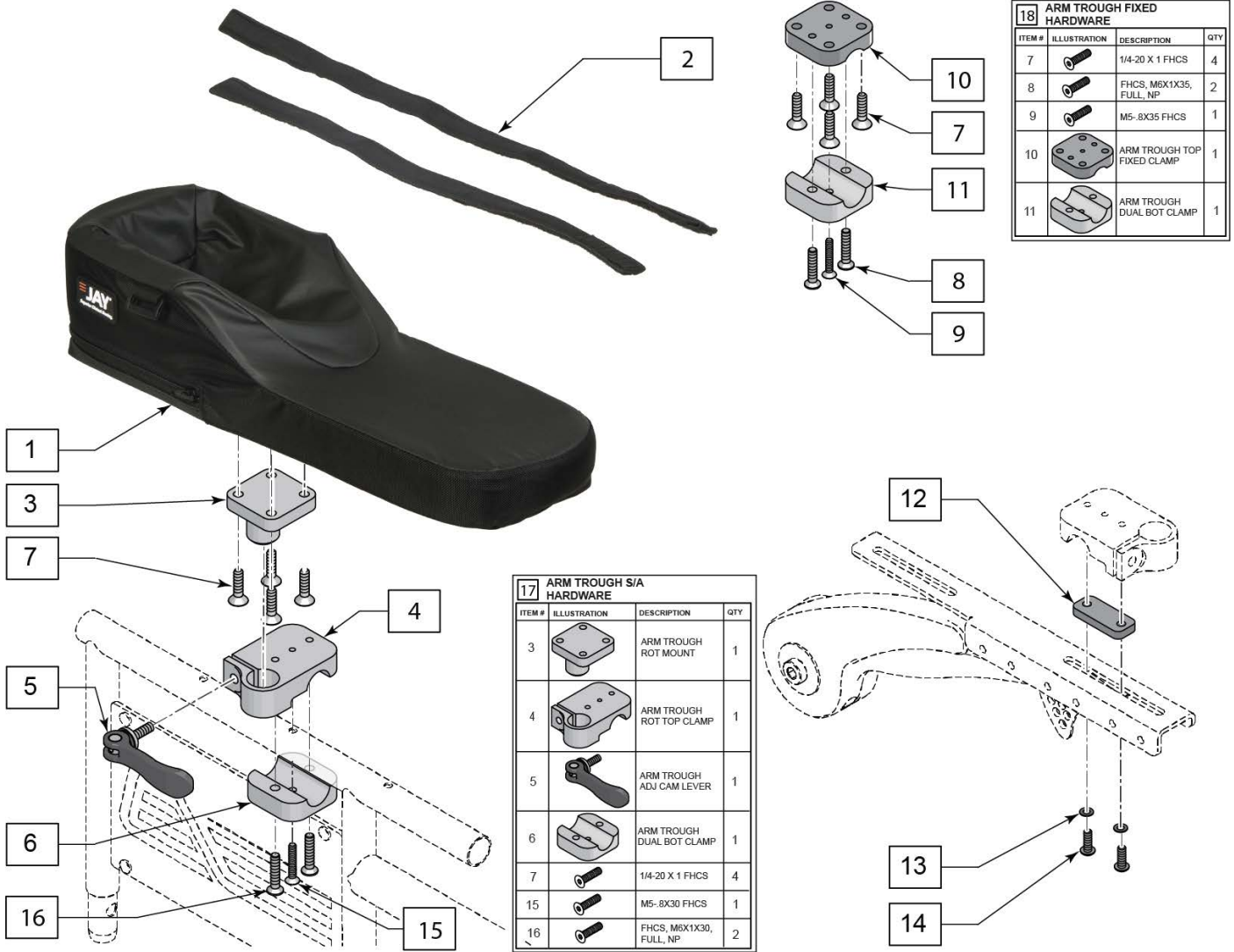


6 SINGLE FOOTBOX HARDWARE KIT			
ITEM #	ILLUSTRATION	DESCRIPTION	QTY
3		BHCS 1/4-20 X 3/4	2
4		9/32ID 1OD .11-.14INTHK WASHER	2

FOOT BOX WIDTH MATRIX	
Flared Frame Formula: (Seat Width) +2" = Foot Box Width	
Offset Hanger Receiver Formula: (Seat Width) +2" = Foot Box Width	
Inset Formulas:	
0" Inset (Seat Width)	= Foot Box Width
1" Inset (Seat Width) -2"	= Foot Box Width
2" Inset (Seat Width) -4"	= Foot Box Width

Pos.	Item Number	Description	Remarks
1	CCFOOTSS	SINGLE FOOTBOX CALF CVR STD	Cover only
1	CCFOOTST	SINGLE FOOTBOX CALF CVR TAL	Cover only
2	FCFOOTS	SINGLE FOOTBOX FOOT COVER	Cover only
5	132824	JAY FOOTBOARD ASM SINGLE STD	Cover, foam & board
6	HDWSFOOT	SINGLE FOOTBOX HRDWR KIT	2 screws and 2 washers

JAY ARM TROUGH FIXED & ROTATIONAL

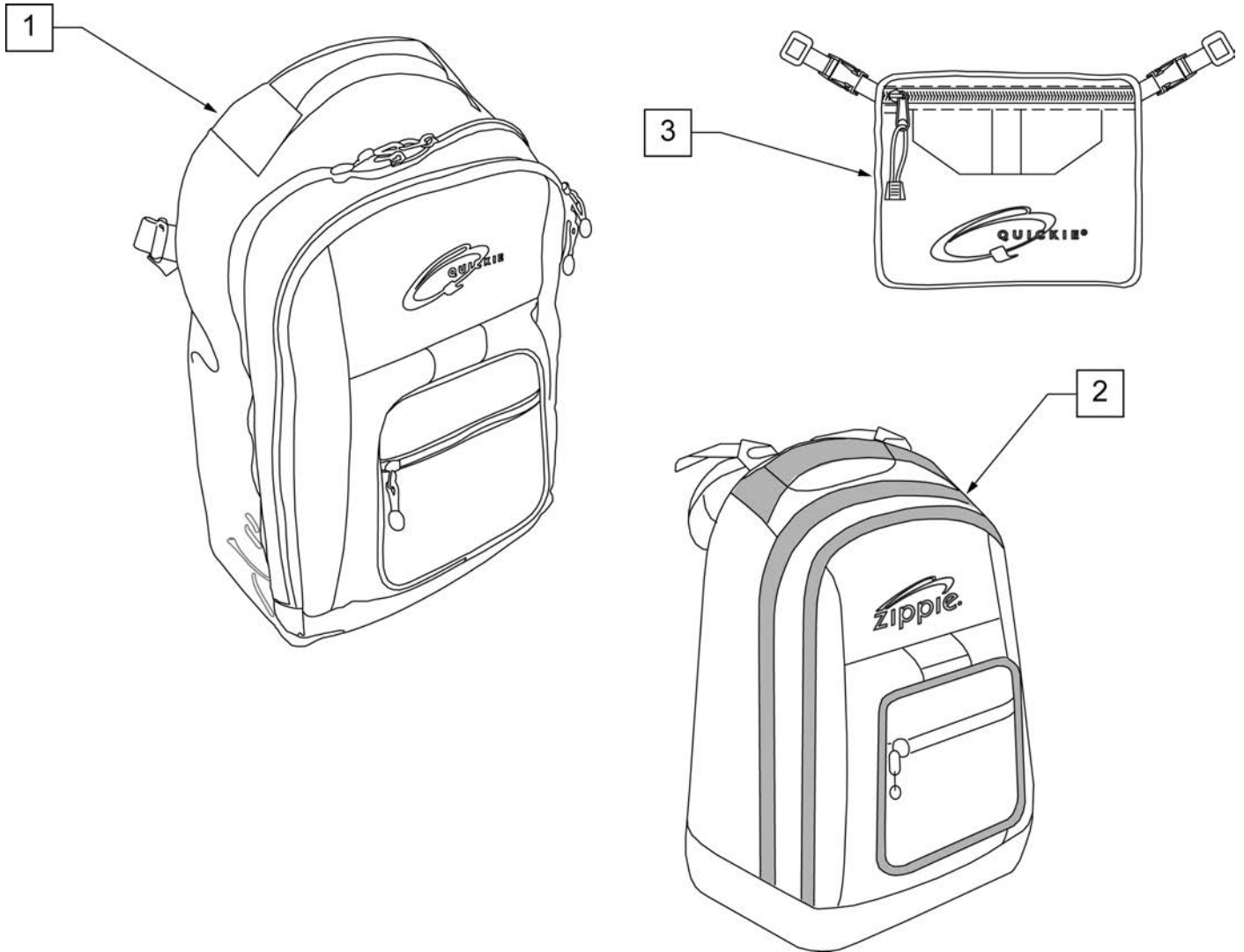


17 ARM TROUGH S/A HARDWARE			
ITEM #	ILLUSTRATION	DESCRIPTION	QTY
3		ARM TROUGH ROT MOUNT	1
4		ARM TROUGH ROT TOP CLAMP	1
5		ARM TROUGH ADJ CAM LEVER	1
6		ARM TROUGH DUAL BOT CLAMP	1
7		1/4-20 X 1 FHCS	4
15		M5-8X30 FHCS	1
16		FHCS, M6X1X30, FULL, NP	2

18 ARM TROUGH FIXED HARDWARE			
ITEM #	ILLUSTRATION	DESCRIPTION	QTY
7		1/4-20 X 1 FHCS	4
8		FHCS, M6X1X35, FULL, NP	2
9		M5-8X35 FHCS	1
10		ARM TROUGH TOP FIXED CLAMP	1
11		ARM TROUGH DUAL BOT CLAMP	1

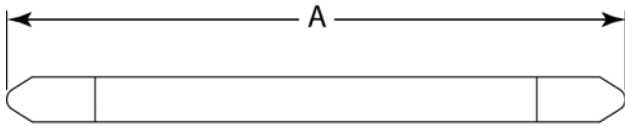
Pos.	Item Number	Description	Remarks
1	CJARM14	ARM TROUGH 14" COVER	
1	CJARM18	ARM TROUGH 18" COVER	
1	CJARM22	ARM TROUGH 22" COVER	
2	JARMSTRAP14	JAY ARMTROUGH 14IN CVR STRAP	
2	JARMSTRAP1822	JAY ARMTRGH 1822IN CVR STRAP	
5	JARMLEVER	ARM TROUGH ADJ CAM LEVER	
12	129821S	JAY ARMREST ADAPTER BRACKET	Used for Cantilever Armrests
17	SAARMHRDW	ARM TROUGH S/A HARDWARE	Dual Post Armrest, mounts to 3/4" round tubing
18	FXARMHRDW	ARM TROUGH FIXED HARDWARE	Dual Post Armrest, mounts to 3/4" round tubing
12-14	JARMADAP	ADAPTER JAY ARM TROUGH CANTI	Required to mount the S/A or Fixed Hardware to Cantilever Armrests

NOTE: KIDS BACKPACKS DO NOT HAVE ADJUSTABLE STRAPS W/ BUCKLES.

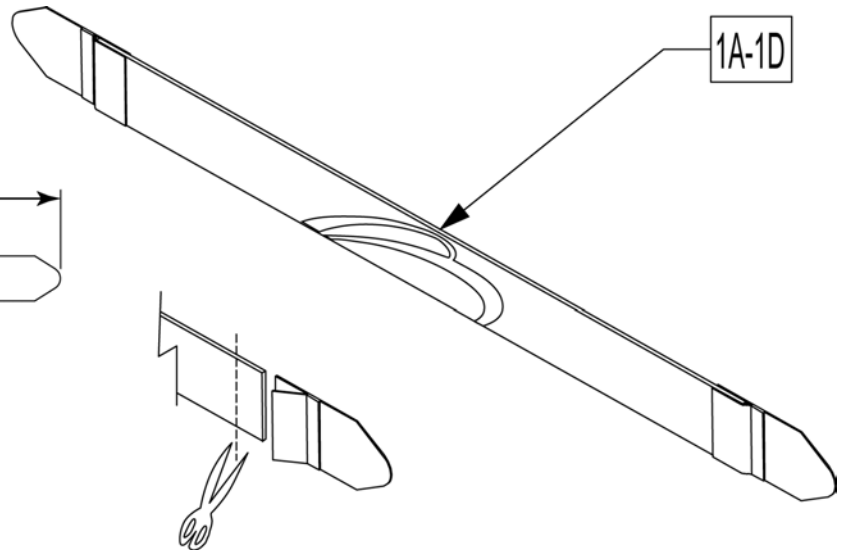


Pos.	Item Number	Description	Remarks
1	750115	BACK PACK QUICKIE	Overall dimensions:width 12.5", height 18.5", depth 6.5"
2	104572	BACKPACK ZIPPIE	Overall dimensions: width 12", height 16.5", depth 4.5"
3	750307	SEAT POUCH QUICKIE	Dimensions: width 8.5", height 6", depth top 2.5", depth bottom 3.5"

MEASURING GUIDE

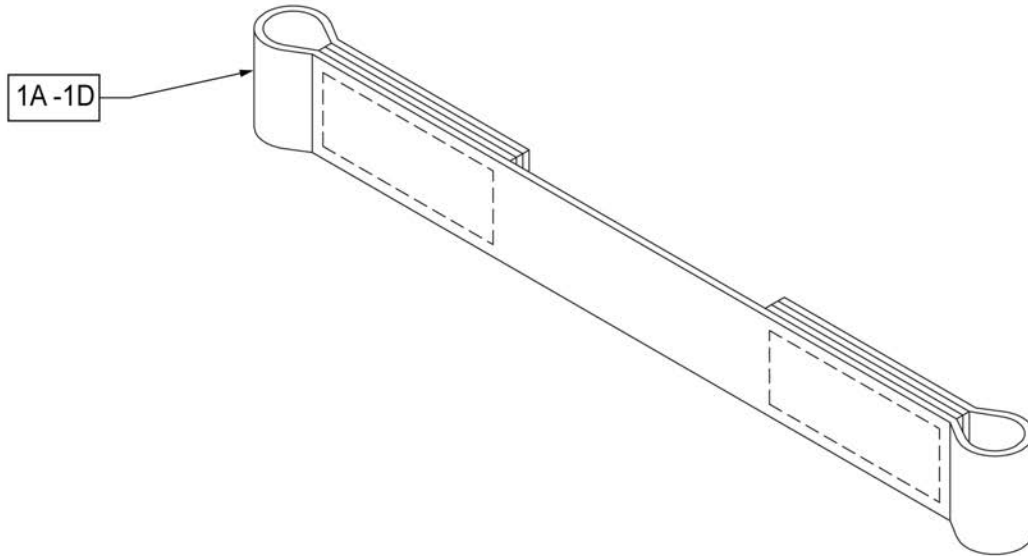


DESCRIPTION	DIM "A"
LEG STRAP 11"-12" BLK	27 1/2
LEG STRAP 13"-15" BLK	32 1/2
LEG STRAP 16"-18" BLK	39 1/2
LEG STRAP 19"-20" BLK	45 1/2



Leg Straps may be custom cut to a smaller size

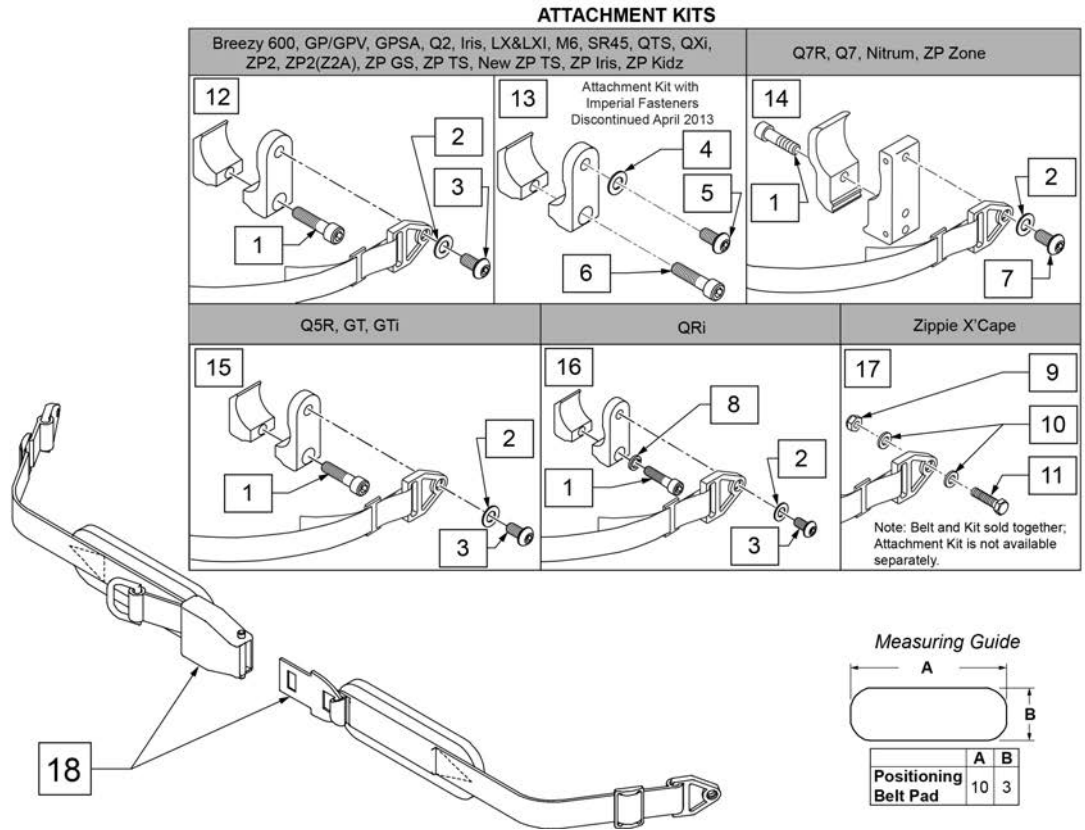
Pos.	Item Number	Description
1A	113255	LEG STRAP 11"-12" BLK
1B	113256	LEG STRAP 13"-15" BLK
1C	113257	LEG STRAP 16"-18" BLK
1D	113258	LEG STRAP 19"-20" BLK



Pos.	Item Number	Description
1A	109356	LEG STRAP SOFT FEEL Q 11 -12"
1B	109357	LEG STRAP SOFT FEEL Q 13 -15"
1C	109366	LEG STRAP SOFT FEEL Q 16 -18"
1D	111487	LEG STRAP SOFT FEEL Q 19 -20"

Note: some items listed may not be available with every chair model or in conjunction with another chair feature.

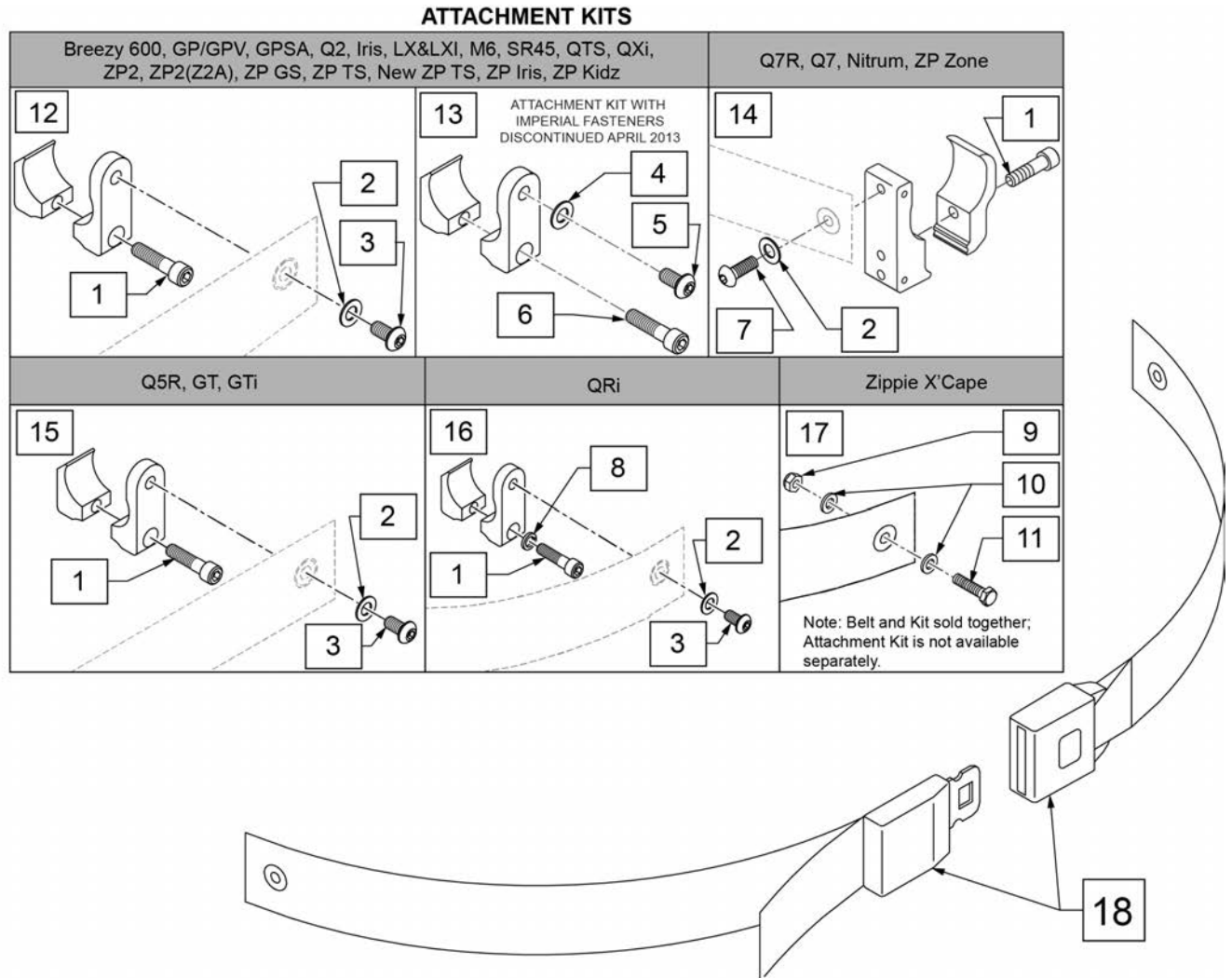
NOTE: when mounting Positioning Belts to the 5R, GT or GTi, it is recommended to attach the belt by using the Backrest Support Bracket Hardware.



Pos.	Item Number	Description	Remarks
1	102263-003	SHCS M6 X 1 X 25 W/PL INORG	Metric
2	250104	WASHER FLAT M6	Metric
3	103185-005	BHCS M6 X 1 X 12 FULL PL	Metric
4	106943	WASHER FLAT AN 1/4 ROHS	Imperial (standard)
5	226154	1/4-20 X 1/2 BH C/S W/PATCH	Imperial (standard)
6	221116	1/4-20 X 1 SOC HD BLK	Imperial (standard)
7	230113	BHCS M6 X 1 X 12	
8	050129-001	LOCKWASHER HIGH COLLAR M6	
9	104381	NUT HEX NYLOCK M6 X 1.0	
10	107383	WASHER FLAT M6	
11	102268-002	HHCS M6 X 1 X 35 BLK	
12	120750	PSTN BELT CLAMP ASSM PR	Metric; Pair
13	900116	POSITION BELT ATTACHMENT KIT	Set of 2; Imperial (standard)

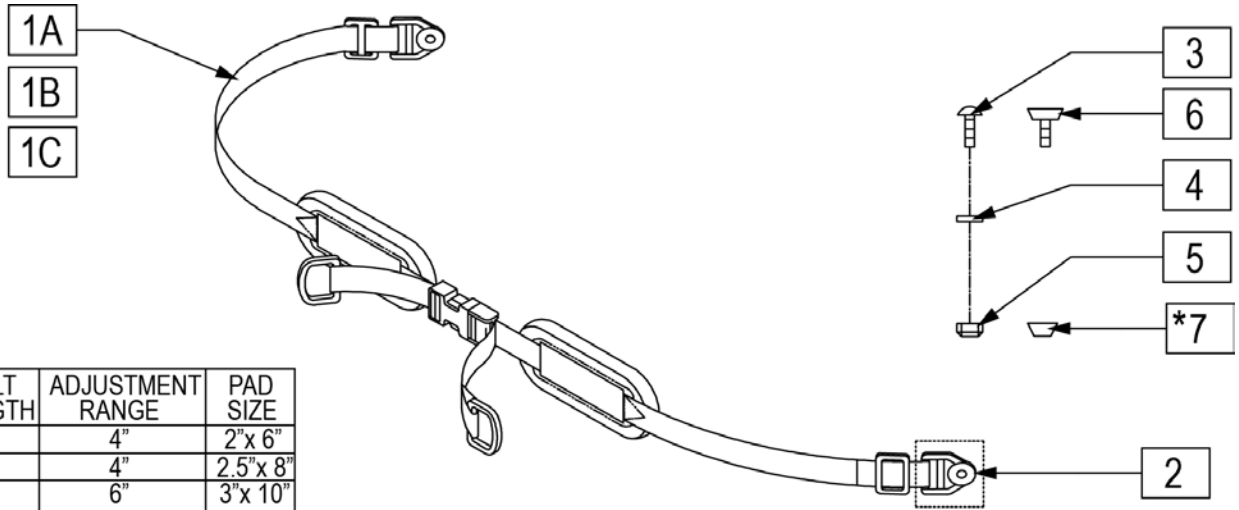
Pos.	Item Number	Description	Remarks
14	116268	OVAL CLAMP ASSM KIT	Kit contains 1 Clamp
15	159122	POSITIONING BELT CLAMPS PR	Pair
16	123534	POS BELT CLAMP KIT RPO	Set of 2
18	450418-QU	BELT 2" AIRCRAFT BUCKLE	Max length of belt 64"
18	450423-QU	BELT 2" AIRCRAFT BUCKLE W/PAD	Max length of belt 64"
18	450424	BELT 2" AIRCRAFT BKL LONG W/PAD	Max length of belt 72"
18	450425	BELT 2" AIRCRAFT BKL LONG	Max length of belt 72"
18	450419-QU	BELT 2" AIRCRAFT BKL W/QUAD LP	Max length of belt 64"
18	468419	BELT 2" AIRCRAFT BKL W/QD LPCZ	Max length of belt 64"
17,18	136464	AIRCRAFT HIP BELT 2" KIT	ZP Xcape: includes Belt & Attachment Kit
17,18	136465	AIRCRAFT HIP BELT 2" PAD KIT	ZP Xcape: includes Belt & Attachment Kit

NOTE: when mounting Positioning Belts to the 5R, GT or GTI, it is recommended to attach the belt by using the Backrest Support Bracket Hardware.



Pos.	Item Number	Description	Remarks
1	102263-003	SHCS M6 X 1 X 25 W/PL INORG	Metric
2	250104	WASHER FLAT M6	Metric
3	103185-005	BHCS M6 X 1 X 12 FULL PL	Metric
4	106943	WASHER FLAT AN 1/4 ROHS	Imperial (standard)
5	226154	1/4-20 X 1/2 BH C/S W/PATCH	Imperial (standard)
6	221116	1/4-20 X 1 SOC HD BLK	Imperial (standard)
7	230113	BHCS M6 X 1 X 12	
8	050129-001	LOCKWASHER HIGH COLLAR M6	
9	104381	NUT HEX NYLOCK M6 X 1.0	
10	107383	WASHER FLAT M6	
11	102268-002	HHCS M6 X 1 X 35 BLK	
12	120750	PSTN BELT CLAMP ASSM PR	Metric; Pair
13	900116	POSITION BELT ATTACHMENT KIT	Set of 2; Imperial (standard)
14	116268	OVAL CLAMP ASSM KIT	Kit contains 1 Clamp

Pos.	Item Number	Description	Remarks
15	159122	POSITIONING BELT CLAMPS PR	
16	123534	POS BELT CLAMP KIT RPO	Set of 2
18	750276	1 1/2" POSITION BELT	AUTOSTYLE-64" Max length of belt.
16,18	124269	AUTO POS BELT W/CLAMPS RPO	QRI: includes Belt & Attachment Kit
17,18	136463	AUTO HIP BELT 1.5" KIT	ZP Xcape: includes Belt & Attachment Kit

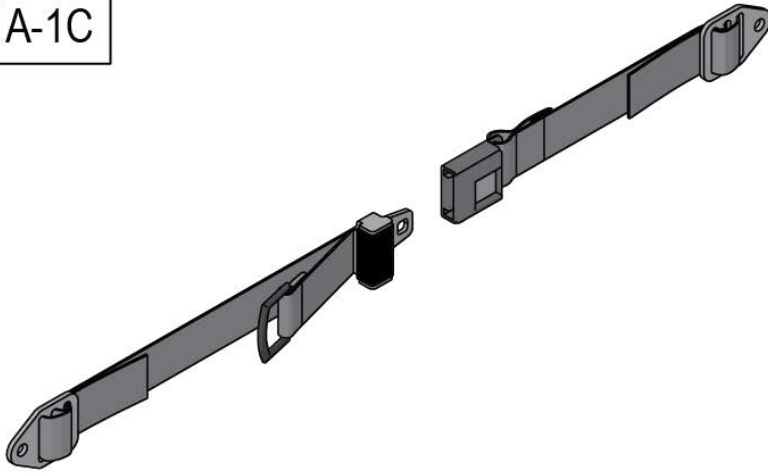


BELT WIDTH	BELT LENGTH	ADJUSTMENT RANGE	PAD SIZE
1"	52"	4"	2"x 6"
1.5"	54"	4"	2.5"x 8"
2"	56"	6"	3"x 10"

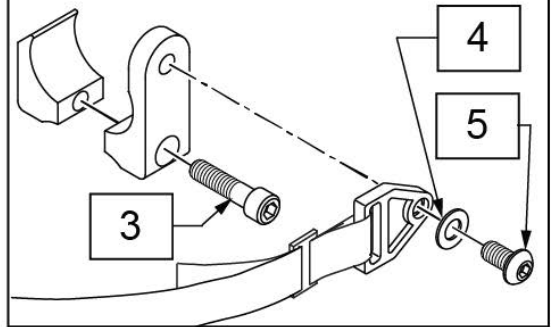
NOTE : ITEM 7 CHANNEL NUT IS USED WHEN ORDERING IN CONJUNCTION WITH CUSTOM CONVENTIONAL SEATING

Pos.	Item Number	Description
1A	450420-QU	BELT 1" DUAL ADJ. SQZ BKL PAD
1B	450421-QU	BELT 1.5" DUAL ADJ. SQZ BKL PAD
1C	450422-QU	BELT 2" DUAL ADJ. SQZ BKL PAD
2	451116-QU	PLASTIC WEBBING GROMMET
3	455036-QU	1/4-28 x 9/16 SPEC ROUND HD
4	106943	WASHER FLAT AN 1/4 ROHS
5	479020	CHAN.UNF NUT 1/4-28 W/SETSCRW
6	106935	NUT NYLOCK THIN 1/4-28 ROHS
7	481106-QU	1/4-28 CHANNELNUT
1A,2,4-6	476520	BELT 1" DUAL ADJ SQZ BKLPAD AC
1B,2,4-6	476521	BELT 1.5" DUAL ADJ SQZ BKLPAD AC
1C,2,4-6	476522	BELT 2" DUAL ADJ SQZ BKLPAD AC
1A-5	468420	BELT 1" DUAL ADJ.SQZ BKLPAD CZ
1B-5	468421	BELT 1.5" DUAL ADJ.SQZ BKLPAD CZ
1C-5	468422	BELT 2" DUAL ADJ.SQZ BKLPAD CZ

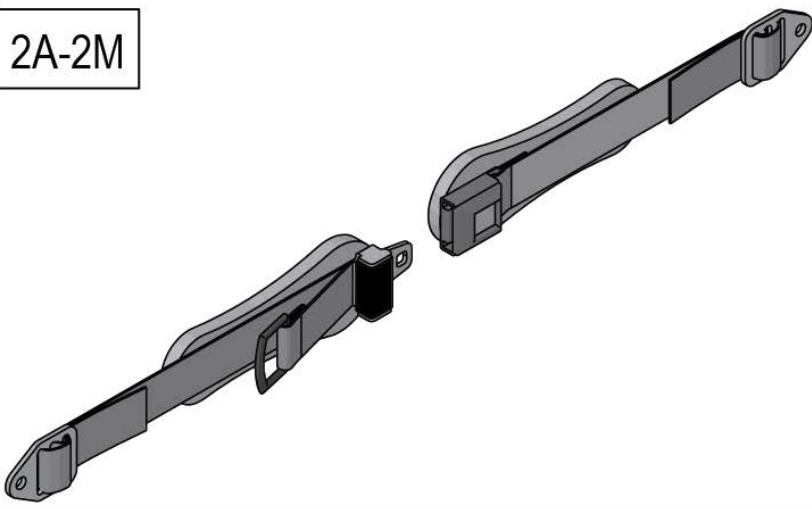
1A-1C



6

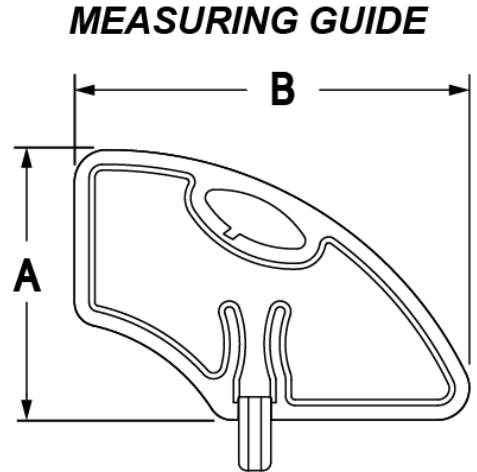
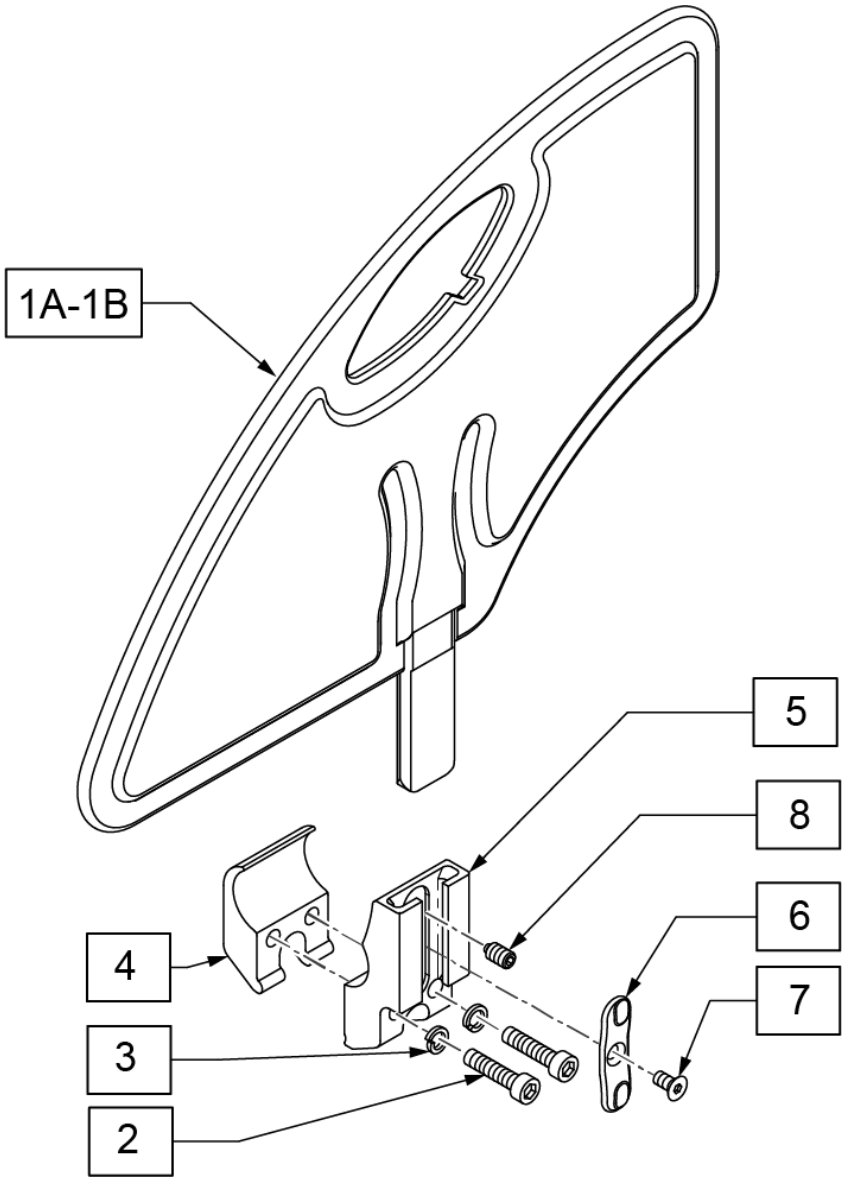


2A-2M



Pos.	Item Number	Description	Remarks
1A	APB5110	APB, 1" PB, SINGLE, NON PADDED	Off-chair option; Non-Padded
1B	APB7210	APB, 1.5" PB, SINGLE, NON-PAD	Non-Padded
1C	APB7310	APD, 2" PB, SINGLE, NON-PADDED	Non-Padded
2A	APB5115	APB 1" PB, SINGLE, 4.5" PAD	Zippie Iris only (4.5")
2B	APB7212	APB, 1.5" PB, SINGLE, SM PADS	Small Pad (7.5")
2C	APB7313	APB, 2" PB, SINGLE, MED PADS	Medium Pad (9.5")
2D	APB5116	APB, 1" PB, SINGLE, 5.5" PAD	Off-chair option; 5.5" Pad
2E	APB5117	APB, 1' PB, SINGLE, 7.5" PAD	Off-chair option; Small Pad (7.5")
2F	APB5125	APB, 1" PB, DUAL, 4.5" PAD	Off-chair option; 4.5" Pad
2G	APB5126	APB, 1" PB, DUAL, 5.5" PAD	Off-chair option; 5.5" Pad
2H	APB5127	APB, 1" PB, DUAL PULL, 7.5" PAD	Off-chair option; Small Pad (7.5")
2J	APB7213	APB, 1.5" PB, SINGLE, MED PADS	Off-chair option; Med Pad
2K	APB7222	APB, 1.5" PB, DUAL, SM PADS	Off-chair option; Small Pad
2L	APB7223	APB, 1.5" PB, DUAL, MED PADS	Off-chair option; Med Pad
2M	APB7314	APB, 2" PB, SINGLE, LG PADS	Off-chair option; Large Pad
3	102263-003	SHCS M6 X 1 X 25 W/PL INORG	
4	250104	WASHER FLAT M6	
5	103185-005	BHCS M6 X 1 X 12 FULL PL	

Pos.	Item Number	Description	Remarks
6	120750	PSTN BELT CLAMP ASSM PR	

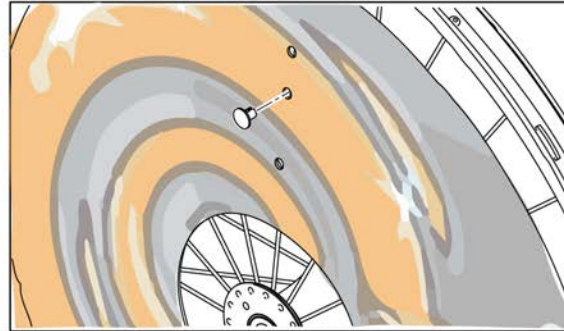
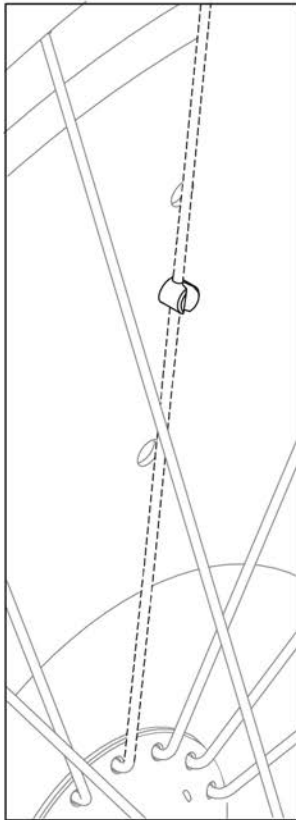












	SMALL	STD
A	6.4"	8.4"
B	11"	12.3"

Pos.	Item Number	Description
1A	104164-001	SIDE GUARD ASSY STD
1B	104164-002	SIDE GUARD ASSY SMALL
2	106961	BHCS 1/4-28 X 1-1/4 ROHS
3	107367	WASHER LOCK HI COLLAR 1/4 ROHS
4	106714	REC SIDE GUARD CLAMP THREADED
6	108780	RECEIVER SG PLASTIC INSERT
7	107135	FHCS #6-32 X 1/4 BLK
8	107136	SETSCREW 1/4-28 X 5/16 OVAL PT
5-8	108781	RECEIVER SIDE GUARD ASSY
2-8	107592	REC SIDE GUARD ASSM W/CLAMP
1A,2-8	107590	SIDE GUARD ASSY W/ CLAMP STD
1B,2-8	107591	SIDE GUARD ASSY W/ CLAMP SMALL

Note Not available with Mag or Spinergy wheels. Not available with Projection style handrims.

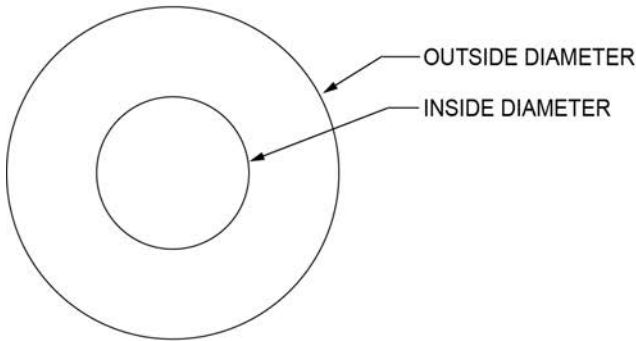
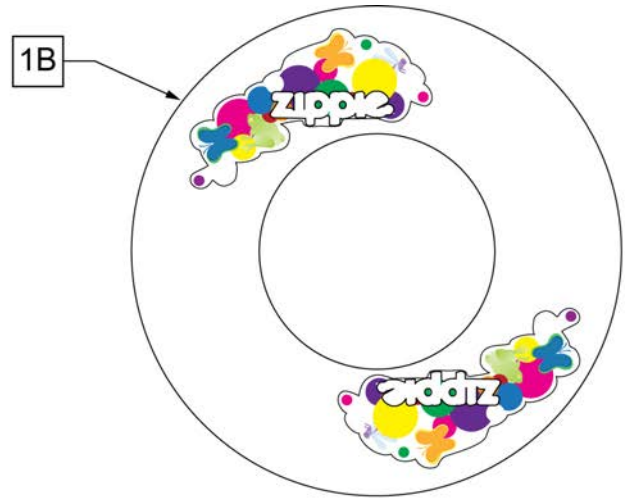
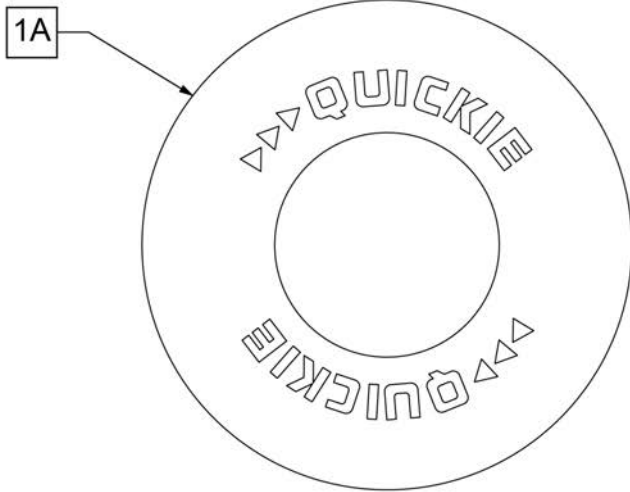
SPOKE GUARDS INCLUDE 3 CLIPS FOR ATTACHMENT



	5A	SPOKE GUARD 22 IN CHROME WHEELS		6A	SPOKE GUARD 22IN PRINCESS
	5B	SPOKE GUARD 24IN CHROME WHEELS		6B	SPOKE GUARD 24IN PRINCESS
	1A	SPOKE GUARD 22IN BASKETBALL		7A	SPOKE GUARD 22IN HAPPY LION
	1B	SPOKE GUARD 24IN BASKETBALL		7B	SPOKE GUARD 24IN HAPPY LION
	2A	SPOKE GUARD 22IN GRAFFITI		8A	SPOKE GUARD 22IN GALACTICA
	2B	SPOKE GUARD 24IN GRAFFITI		8B	SPOKE GUARD 24IN GALACTICA
	3A	SPOKE GUARD 22IN SUPERHERO		9A	SPOKE GUARD 22IN CHEESE
	3B	SPOKE GUARD 24IN SUPERHERO		9B	SPOKE GUARD 24IN CHEESE
	4A	SPOKE GUARDS 22IN HOT WHEELS		10A	SPOKE GUARD 22IN ZEBRA
	4B	SPOKE GUARDS 24IN HOT WHEELS		10B	SPOKE GUARD 24IN ZEBRA

Pos.	Item Number	Description	Remarks
1A	129250	SPOKE GUARD 22IN BASKETBALL 2	Each
1B	129251	SPOKE GUARD 24IN BASKETBALL 2	Each
2A	129252	SPOKE GUARD 22IN GRAFFITI	Each
4B	129253	SPOKE GUARD 24IN GRAFFITI	Each
3A	129254	SPOKE GUARD 22IN SUPERHERO	Each
3B	129255	SPOKE GUARD 24IN SUPERHERO	Each
4A	129256	SPOKE GUARDS 22IN HOT WHEELS	Each
4B	129257	SPOKE GUARDS 24IN HOT WHEELS	Each
5A	129258	SPOKE GUARDS 22IN CHROME WHEELS	Each
5B	129259	SPOKE GUARDS 24IN CHROME WHEELS	Each
6A	129328	SPOKE GUARD 22IN PRINCESS	Each
6B	129329	SPOKE GUARD 24IN PRINCESS	Each
7A	129330	SPOKE GUARD 22IN HAPPY LION	Each

Pos.	Item Number	Description	Remarks
7B	129331	SPOKE GUARD 24IN HAPPY LION	Each
8A	129332	SPOKE GUARD 22IN GALACTICA	Each
8B	129333	SPOKE GUARD 24IN GALACTICA	Each
9A	129334	SPOKE GUARD 22IN CHEESE	Each
9B	129335	SPOKE GUARD 24IN CHEESE	Each
10A	129336	SPOKE GUARD 22IN ZEBRA	Each
10B	129337	SPOKE GUARD 24IN ZEBRA	Each



SPOKE GUARD MEASURING GUIDE

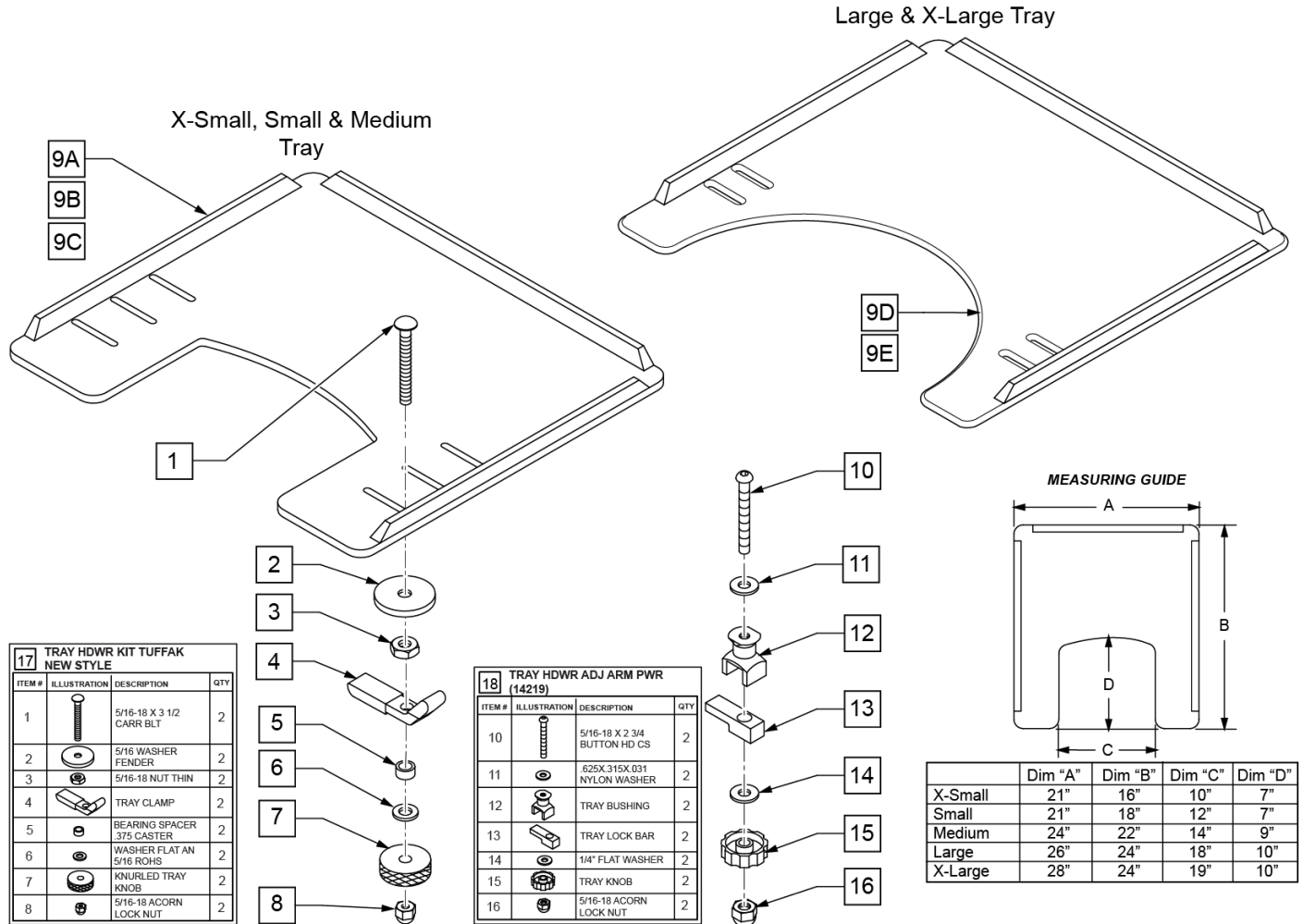
PART NUMBER	INSIDE DIAMETER	OUTSIDE DIAMETER
902001	8 1/4	15 7/8
902011	8 1/4	18 1/8
902021	10 1/4	19 5/8
902025	10 1/4	20 3/8
103660-001	8 1/4	16
103660-002	8 1/4	18
103663-001	10 1/4	20 1/2
103663-002	10 1/4	23 1/2

Pos.	Item Number	Description	Remarks
>>>>		BLACK SPOKE GUARDS	
1A	902001	SPK GRDS 20" QUICKIE BLK	Pair-BLACK-FITS 20" WHEELS
1A	902011	SPK GRDS 22" QUICKIE BLK	Pair-BLACK-FITS 22" WHEELS & 24" MOUNTAIN SPOKE WHEELS
1A	902021	SPK GRD 24" QUICKIE SCR MT BLK	Pair-BLACK-FITS 24" (540) MAG & SPOKE WHEELS
1A	902025	SPK GRD 24" QUICKIE TAB MT BLK	Pair-BLACK-FITS 25" (559) SPOKE WHEELS & 26" MOUNTAIN SPOKE WHEELS
>>>>		CLEAR SPOKE GUARDS	
1B	112644-001	SPOKE GUARD ZIPPIE 20"	Pair-CLEAR-FITS 20" WHEELS
1B	112644-002	SPOKE GUARD ZIPPIE 22"	Pair-CLEAR-FITS 22" WHEELS & 24" MOUNTAIN SPOKE WHEELS
1B	112644-003	SPOKE GUARD ZIPPIE 24" MAG	Pair-CLEAR-FITS 24" (540) MAG WHEELS
1B	112644-004	SPOKE GUARD ZIPPIE 24" SPOKE	Pair-CLEAR-FITS 24" (540) SPOKE WHEELS

Note: Not available with 5 Spoke Mag or Xtender wheels. Not available with Projection style handrims.

Note: when adding a Tray to an existing chair with Desk or Full Length Arm Pads, add 1" to current seat width to achieve the best tray size.

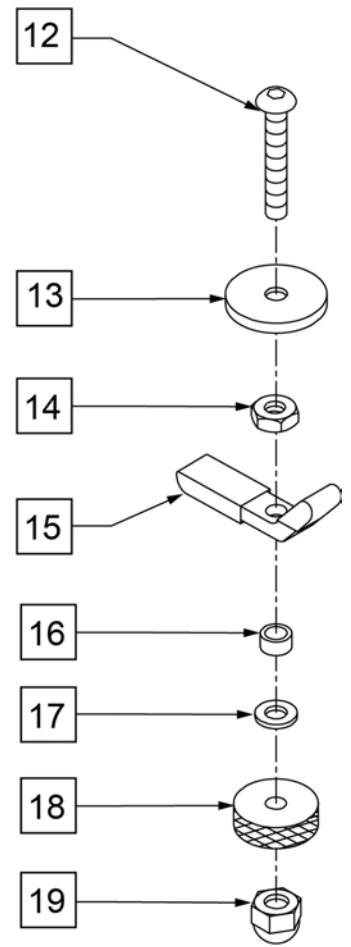
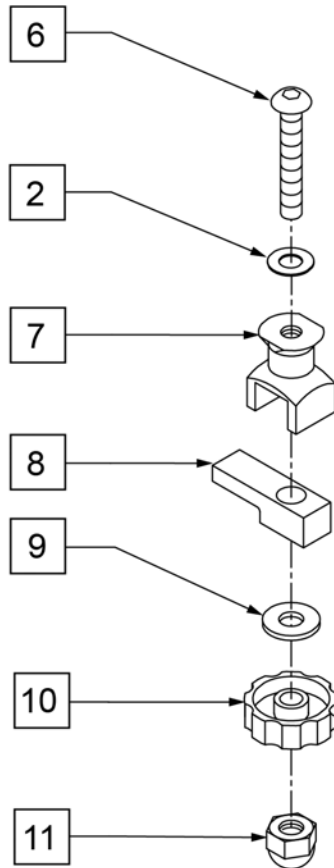
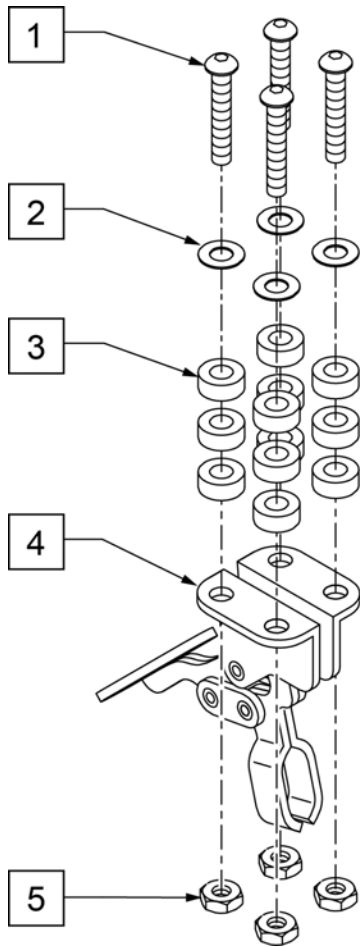
Note: Large and X-Large Trays have a round cut-out.



Pos.	Item Number	Description	Remarks
1	226199	5/16-18 x 3 1/2 CARR BOLT	
2	263112	5/16 WASHER FENDER	
3	202110	5/16-18 NUT THIN	
4	550400	TRAY CLAMP	
5	481113	SPACER 5/16 X .380	
6	263100	5/16 AN WASHER FLAT	
7	483026	KNURLED TRAY KNOB	
8	202114	5/16-18 ACORN LOCK NUT	
9A	562619	TRAY TOP EX-SM W/RAIL	
9B	562620	TRAY TOP SM W/RAIL	
9C	562621	TRAY TOP MED W/RAIL	
9D	562622	TRAY TOP LRG W/RAIL	

Pos.	Item Number	Description	Remarks
9E	562623	TRAY TOP X-LRG W/RAIL	
17	881051	TRAY HARDWARE KIT TUFFAK NEW STYLE	Pair
18	881053	TRAY HARDWARE ADJ ARM PWR (14219)	Pair
1-8,9A	902306	TRAY ASSEMBLY EX-SM TUFFAK (10 -12")	Fits 10"-12" wide chairs
1-8,9B	902303	TRAY ASSEMBLY SM TUFFAK (13 -14")	Fits 13"-14" wide chairs
1-8,9C	902304	TRAY ASSEMBLY MED TUFFAK (15 -17")	Fits 15"-17" wide chairs
1-8,9D	902305	TRAY ASSEMBLY LRG TUFFAK (18 -20")	Fits 18"-20" wide chairs
1-8,9E	902309	TRAY ASSEMBLY X-LRG TUFFAK (21 -22")	Fits 21"-22" wide chairs
9A,10-16	902330	TRAY ASSM X-SM TFK 10-12/CAM	Fits 10"-12" wide chairs
9B,10-16	902331	TRAY ASSM SM TUFFAK 13-14/CAM	Fits 13"-14" wide chairs
9C,10-16	902332	TRAY ASSM MED TUFFAK 15-17/CAM	Fits 15"-17" wide chairs
9D,10-16	902333	TRAY ASSM LRG TUFFAK 18-20/CAM	Fits 18"-20" wide chairs

TRAY HARDWARE

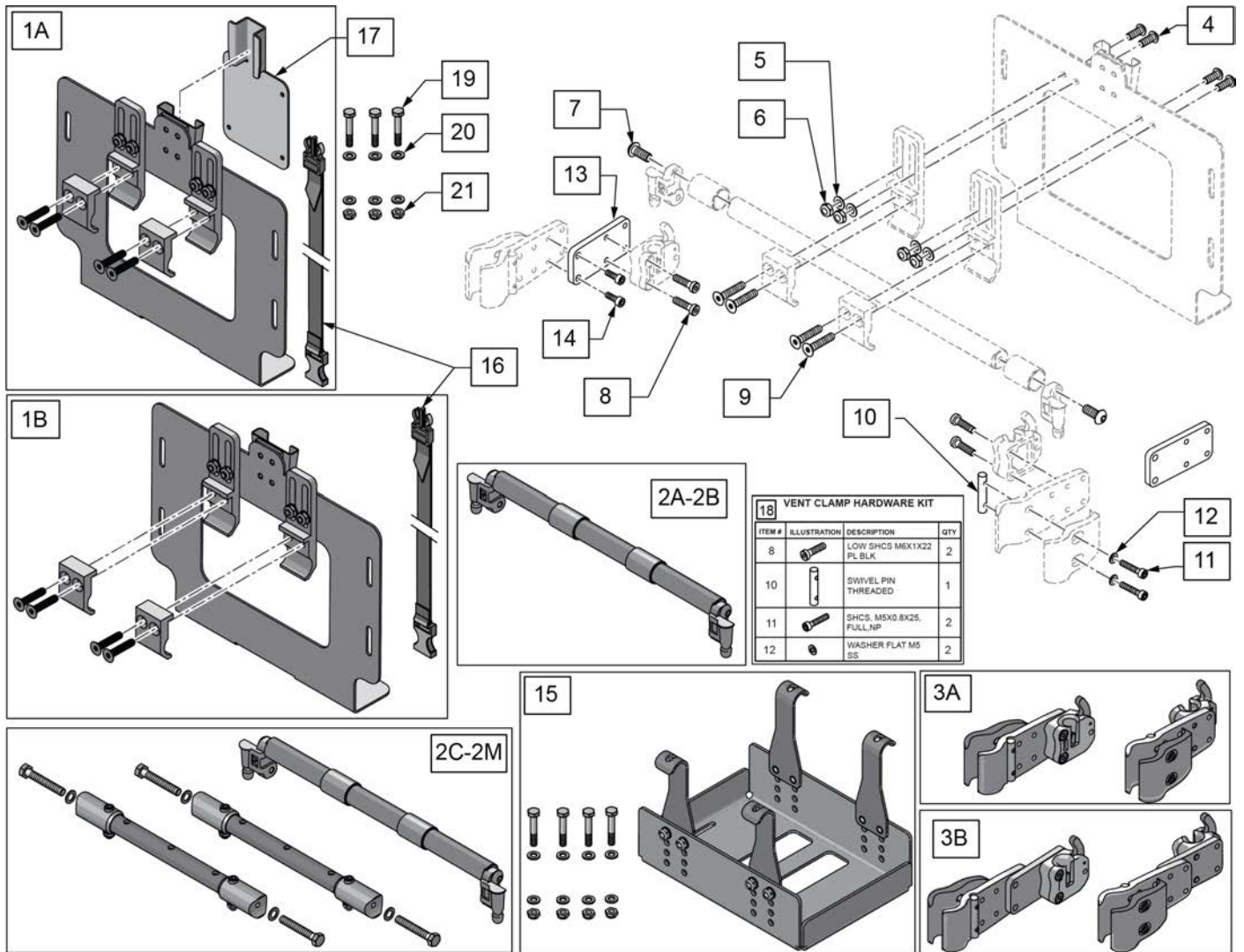


Pos.	Item Number	Description	Remarks
1	2249	5/16-18 x 1 1/2 BH C/S BLK	
2	2709	.625 x .135 x .031 NYLON WASHER	
3	2710	.609 x .250 x .250 NYLON SPACER	
5	202110	5/16-18" NUT THIN	
6	2021	5/16-18" x 2 3/4" BUTTON HD C/S	
7	14240	TRAY BUSHING	
8	14230	TRAY LOCK BAR	
9	2705	1/4" FLAT WASHER	
10	14220	TRAY KNOB	
11	202114	5/16-18" ACORN LOCK NUT	
12	226199	5/16-18" x 3 1/2" CARR BOLT	
13	263112	5/16 WASHER FENDER	
14	202110	5/16-18" NUT THIN	
15	550400	TRAY CLAMP	
16	481013	BEARING SPACER	
17	263100	5/16" AN WASHER FLAT	
18	483026	KNURLED TRAY KNOB	
19	202114	5/16-18" ACORN LOCK NUT	
1-5	4099	TOGGLE CLAMP - HIDEAWAY	
2,6-11	881053	TRAY HARDWARE ADJ ARM PWR (14219)	
12-19	881051	TRAY HDWR KIT TUFFAK NEW STYLE (9QH)	Pair

Note: order qty 1each of desired vent tray type, correct width vent strut kit and clamp kit.

Note: see MONO VENT TRAY LTV parts page for Vent Tray replacement or to retrofit the tray to a chair with a Mono Back.

Note: Mounting the Trilogy EVO vent requires the use of a wheelchair mounting kit (Philips Respironics P/N 1134633) which can be purchased directly from Philips Respironics.

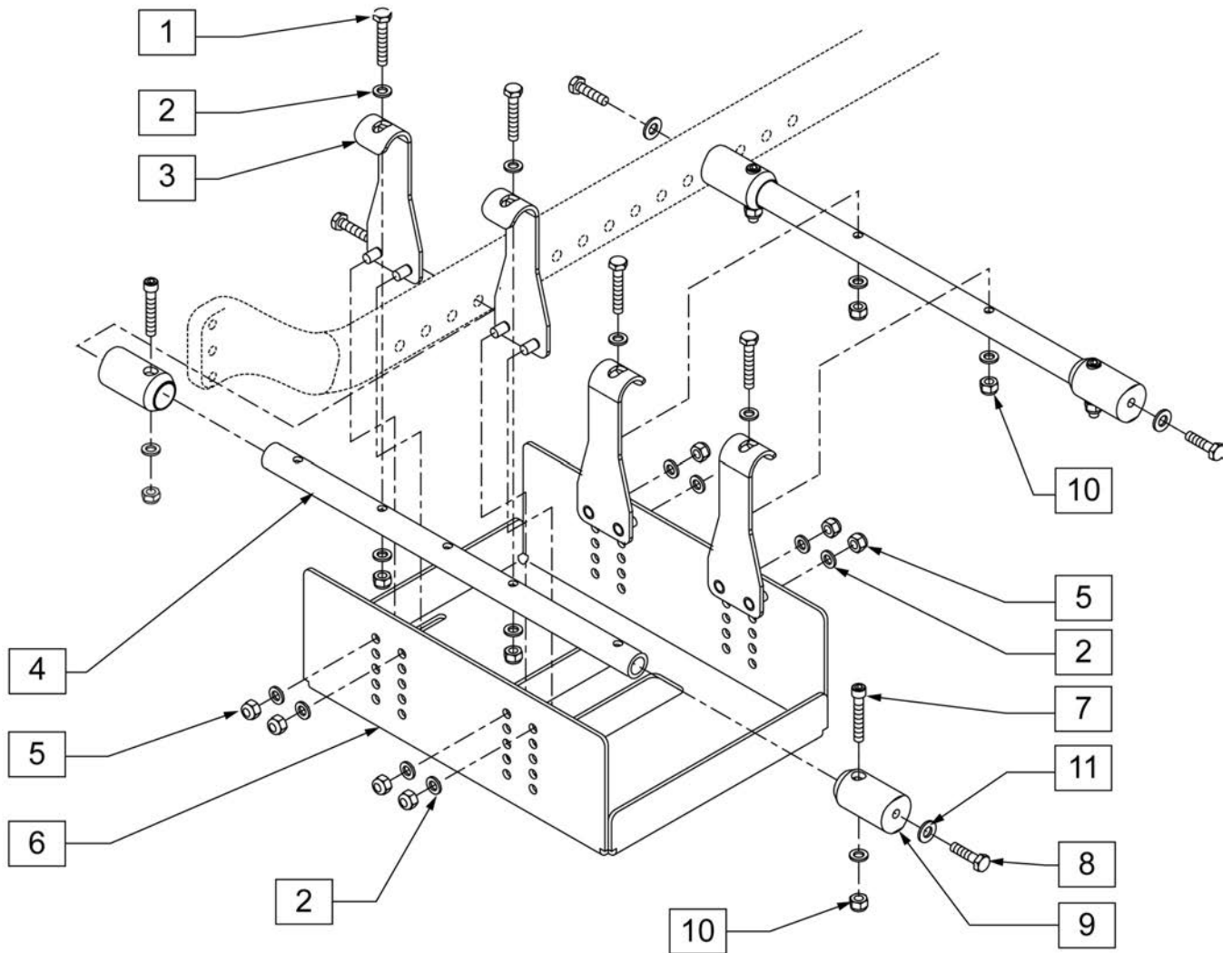


Pos.	Item Number	Description	Remarks
1A,16,17	129609	TRILOGY MOUNT KIT	
1B,16	129611	LTV MOUNT KIT	
2A	129612	VENT STRU KIT 10	For Zippie IRIS only
2B	129613	VENT STRU KIT 11	For Zippie IRIS only
2C	129614	VENT STRU KIT 12	For Zippie IRIS only

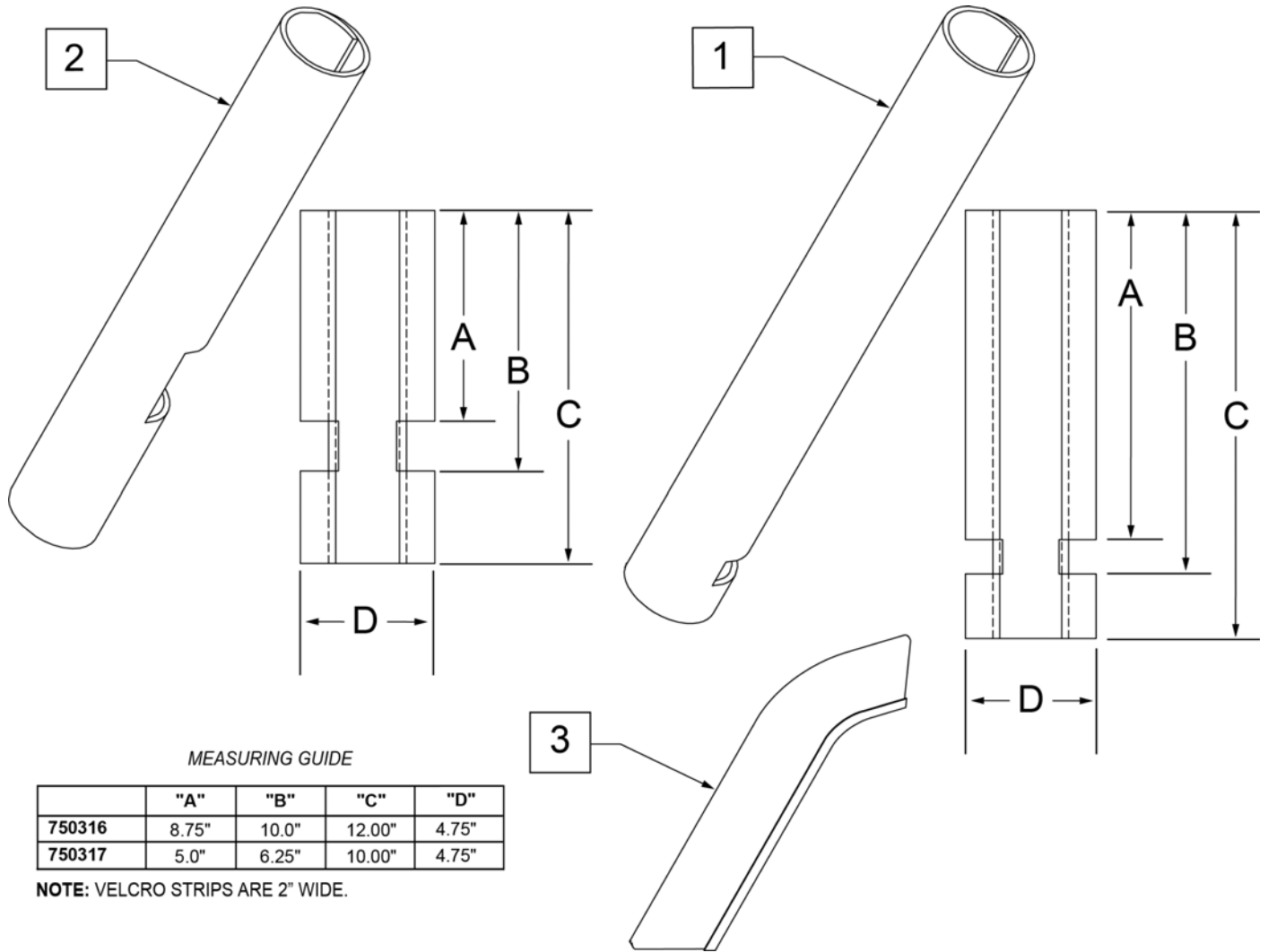
Pos.	Item Number	Description	Remarks
2D	129615	VENT STRU KIT 13	For Zippie IRIS only
2E	129616	VENT STRU KIT 14	
2F	129617	VENT STRU KIT 15	Kit includes 2 vent battery tray struts and 1 vent tray back strut
2G	129618	VENT STRU KIT 16	Kit includes 2 vent battery tray struts and 1 vent tray back strut
2H	129619	VENT STRU KIT 17	Kit includes 2 vent battery tray struts and 1 vent tray back strut
2I	129620	VENT STRU KIT 18	Kit includes 2 vent battery tray struts and 1 vent tray back strut
2J	129621	VENT STRU KIT 19	For Quickie IRIS only
2K	129622	VENT STRU KIT 20	For Quickie IRIS only
2L	129623	VENT STRU KIT 21	For Quickie IRIS only
2M	129624	VENT STRU KIT 22	For Quickie IRIS only
3A	129625	CLAMP STANDARD	
3B	129626	CLAMP EXTENDED	
4	106959	BHCS 1/4-28 X 5/8	
5	106944	WASHER FLAT THIN AN 1/4 ROHS	
6	106935	NUT NYLOCK THIN 1/4-28	
7	106979	BHCS 5/16-18 X 3/4	
9	BOLT010	1/4-20X1-1/4" FHSCS	
11	102260-002	SHCS M5X0.8X25 FULL NP	
13,14	129627	EXTENSION KIT	
14	114497	SHCS, M5X0.8X14, FULL PL	
15	129628	BATTERY TRAY STD	For Quickie IRIS
15	129629	BATTERY TRAY PED	For Zippie IRIS
16	125584	STRAP ASSEMBLY KIT	
17	127211	TRILOGY MOUNT ADAPTER	
18	129610	VENT CLAMP HARDWARE KIT	
19	013923	HHCS M8 X 1.25 X 25 W PTCH	3 Required
20	011691	WASHER HIGH STRENGTH 8MM	6 Required
21	210085	NUT HEX NYLOCK	3 Required

BATTERY TRAY

[12/2010]



Pos.	Item Number	Description	Pos.	Item Number	Description
1	106971	HHCS 1/4-28 X 1-3/8 ROHS	11	106951	WASHER SPLIT LOCK 5/16 ROHS
2	106943	WASHER FLAT AN 1/4 ROHS	1-11	118133	BATTERY TRAY ASSM ZP IRIS 12W
3	050538	HOOK BATTERY TRAY U1	1-11	118134	BATTERY TRAY ASSM ZP IRIS 13W
4	522919	TUBE STRUT V-B TRAY 12W	1-11	118135	BATTERY TRAY ASSM ZP IRIS 14W
4	522920	TUBE STRUT V-B TRAY 13W	1-11	118136	BATTERY TRAY ASSM ZP IRIS 15W
4	522921	TUBE STRUT V-B TRAY 14W	1-11	118137	BATTERY TRAY ASSM ZP IRIS 16W
4	522922	TUBE STRUT V-B TRAY 15W	1-11	118138	BATTERY TRAY ASSM ZP IRIS 17W
4	522923	TUBE STRUT V-B TRAY 16W	1-11	118139	BATTERY TRAY ASSM ZP IRIS 18W
4	522924	TUBE STRUT V-B TRAY 17W	2,4,7-11	116606	12W STRUT ASSEMBLY
4	522925	TUBE STRUT V-B TRAY 18W	2,4,7-11	116607	13W STRUT ASSEMBLY
5	106933	NUT NYLOCK THIN 1/4-20 ROHS	2,4,7-11	115976	VENT STRUT ASSM 14 W
6	050539	BATTERY TRAY U1	2,4,7-11	115977	VENT STRUT ASSM 15 W
7	106975	SHCS 1/4-28 X 1-1/4 ROHS	2,4,7-11	108579	VENT STRUT ASSM 16 W
8	106986	HHCS 5/16 -24" x 2 1/4 ROHS	2,4,7-11	108580	VENT STRUT ASSM 17 W
9	105880	MOUNT STRUT VBT	2,4,7-11	108581	VENT STRUT ASSM 18 W
10	106935	NUT NYLOCK THIN 1/4-28 ROHS			



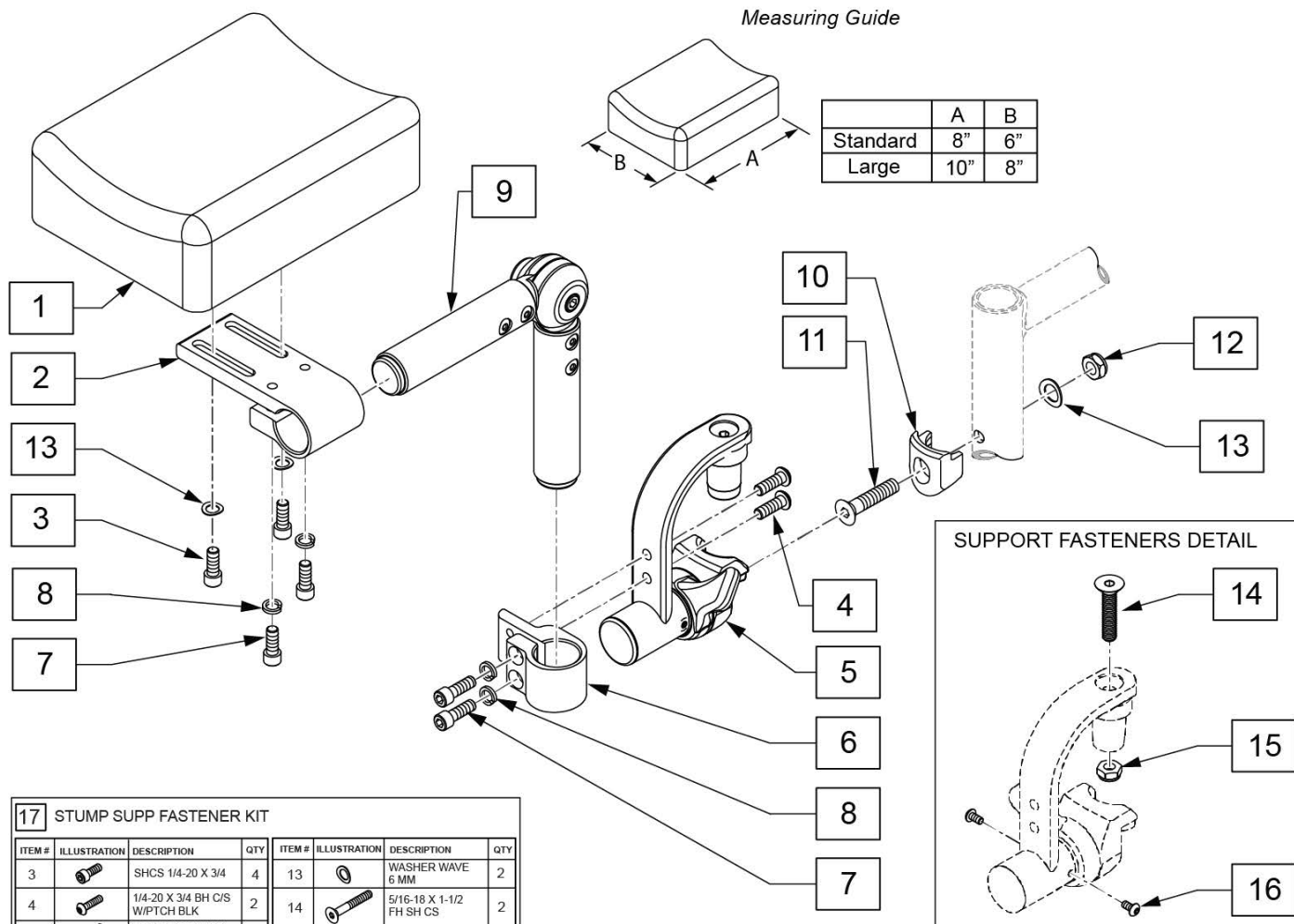
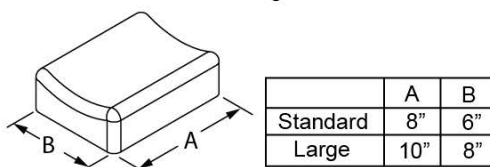
MEASURING GUIDE

	"A"	"B"	"C"	"D"
750316	8.75"	10.0"	12.00"	4.75"
750317	5.0"	6.25"	10.00"	4.75"

NOTE: VELCRO STRIPS ARE 2" WIDE.

Pos.	Item Number	Description	Remarks
1	750316	IMPACT GUARDS NEOPRENE FIXED (PR)	PAIR-Fixed Front Frame
2	750317	IMPACT GUARDS NEOPRENE S/A	PAIR-S/A Footrest & Q7
3	109231	GEL VELCRO PAD HANGER/FRAME	PAIR- fits S/A & Fixed Front Frame
4	108315	GEL PAD SA ARM	Single, fits Padded SA Armrest

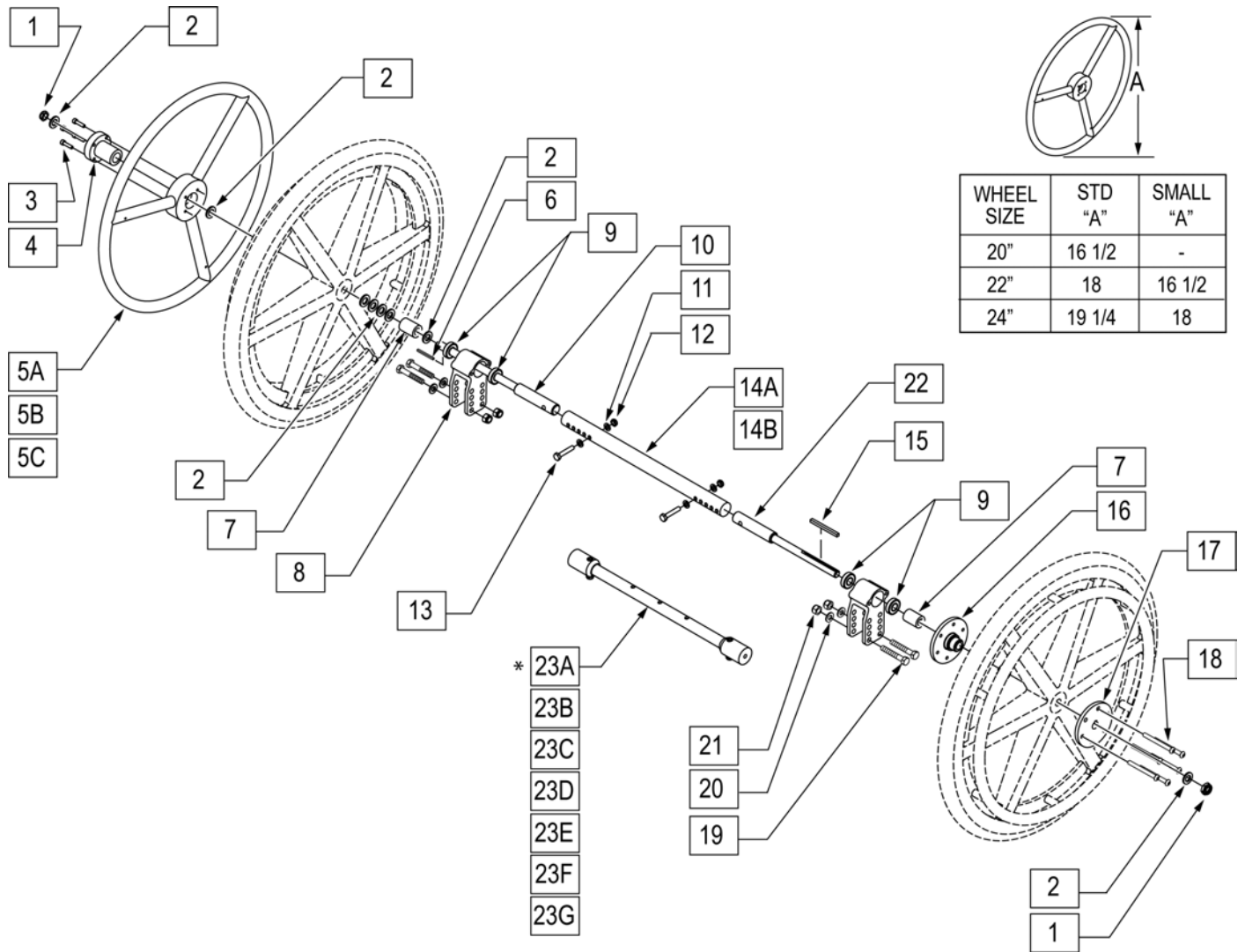
Measuring Guide



17 STUMP SUPP FASTENER KIT							
ITEM #	ILLUSTRATION	DESCRIPTION	QTY	ITEM #	ILLUSTRATION	DESCRIPTION	QTY
3		SHCS 1/4-20 X 3/4	4	13		WASHER WAVE 6 MM	2
4		1/4-20 X 3/4 BH C/S W/P TCH BLK	2	14		5/16-18 X 1-1/2 FH SH CS	2
7		BOLT 1/4-20 X 1/2 SHCS BLK	2	15		5/16-18 NYLOCK NUT THIN	2
8		WASHER LOCK HI COLLAR 1/4	4	16		BHCS, M4X.7X8, FULL, NP	2

Pos.	Item Number	Description	Remarks
1,3,13	161563	PAD W/FASTENERS STD	Single Pad, 6X8
1,3,13	161564	PAD W/FASTENERS LRG	Single Pad, 8X10
1-9,13	161565	STUMP SUPP RETRO LRG PAD RH	Single Pad, 8X10
1-9,13	161566	STUMP SUPP RETRO LRG PAD LH	Single Pad, 8X10
1-9,13	161567	STUMP SUPP RETRO STD PAD RH	6X8
1-9,13	161568	STUMP SUPP RETRO STD PAD LH	6X8
2-9,13	162051	STUMP SUPPORT W/O PAD RH	No Pad
2-9,13	162052	STUMP SUPPORT W/O PAD LH	No Pad
10-13	119514	LATCH RECEIVER KIT	for 1 side
17	161569	STUMP SUPP FASTENER KIT	for 1 side

NOTE: REFER TO REAR WHEEL SECTION FOR REPLACEMENT MAG WHEELS.

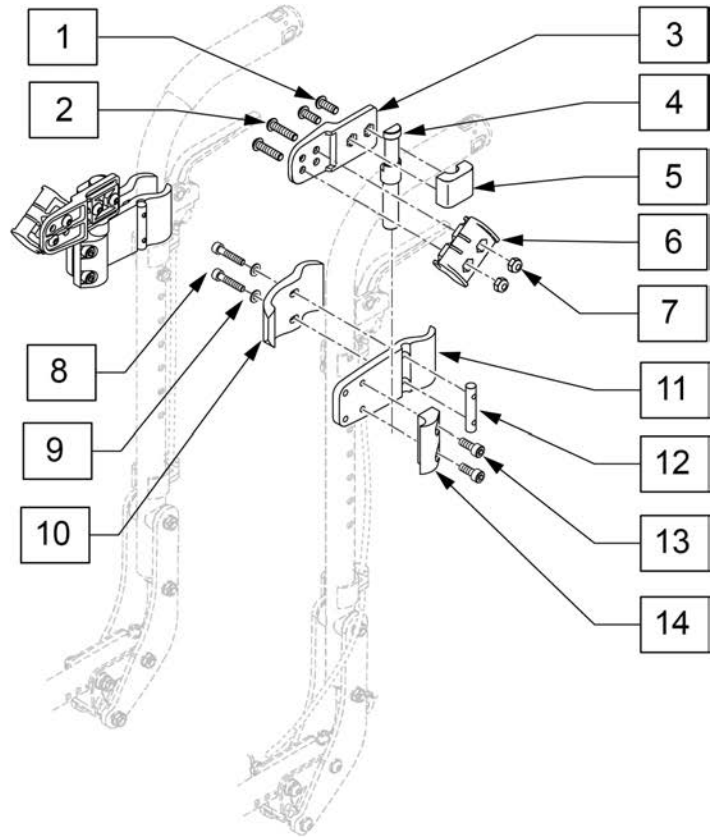
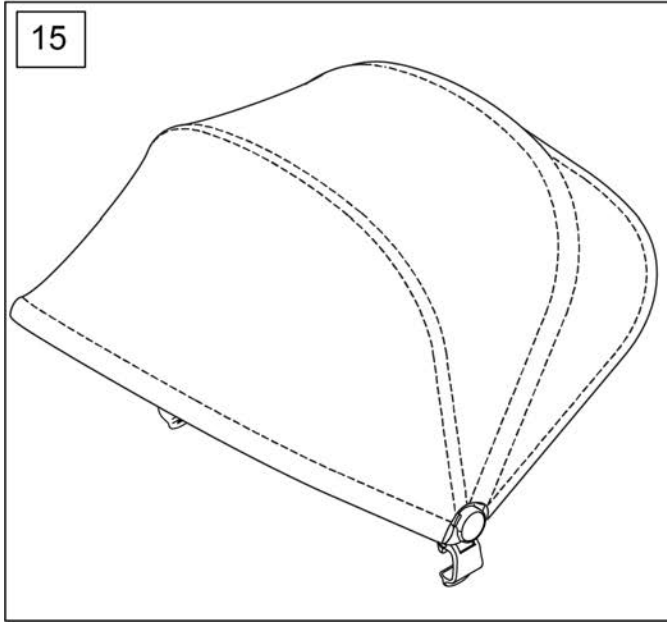


Pos.	Item Number	Description	Pos.	Item Number	Description
1	106940	NUT NYLOCK THIN 1/2 -20 ROHS	12	106935	NUT NYLOCK THIN 1/4 -28 ROHS
2	106949	WASHER FLAT AN 1/2 ROHS	13	106971	HHCS 1/4 -28 x 1 3/8 ROHS
3	106956	SHCS 10 -32 x 3/4 ROHS	14A	105856-001	TUBE STRUT 1 AD 14 -18"
4	106691	HAND RING HUB	14B	105856-003	TUBE STRUT 1 AD 10 -14"
5A	529801	1 AD HR ONLY 20INSTD/22INSM	15	341277	3/16" SQ x 2 3/8 KEY STL
5B	529800	1 AD HR ONLY 22IN STD/24IN SM	16	500631	WHEEL HUB 1 ARM DRIVE W/ TAP
5C	529802	1 AD HANDRIM ONLY 24IN STD	17	500630	1 AD WHEEL HUB W/O TAP
6	341274	3/16 SQ x 1 1/2 KEY STL	18	106967	BHCS 1/4 -28 x 2 1/2 SHLDR ROHS
7	483320	WHEEL SPACER CGTS	19	106985	HHCS 5/16 -24 x 2 ROHS
8	105855	AXLE PLATE 1 AD	20	106946	WASHER FLAT AN 5/16 ROHS
9	349500	1 1/8 x 1/2 BEARING	21	106938	NUT NYLOCK 5/16 -24 ROHS
8,9	108576	AXLE PLATE ASSM 1AD	22	050534-001	SHAFT DRIVE HANDRIM 1AD
10	050534-002	SHAFT DRIVE WHEEL 1AD	23A	522919	TUBE STRUT VB 12" W
11	106943	WASHER FLAT AN 1/4 ROHS	23B	522920	TUBE STRUT VB 13" W

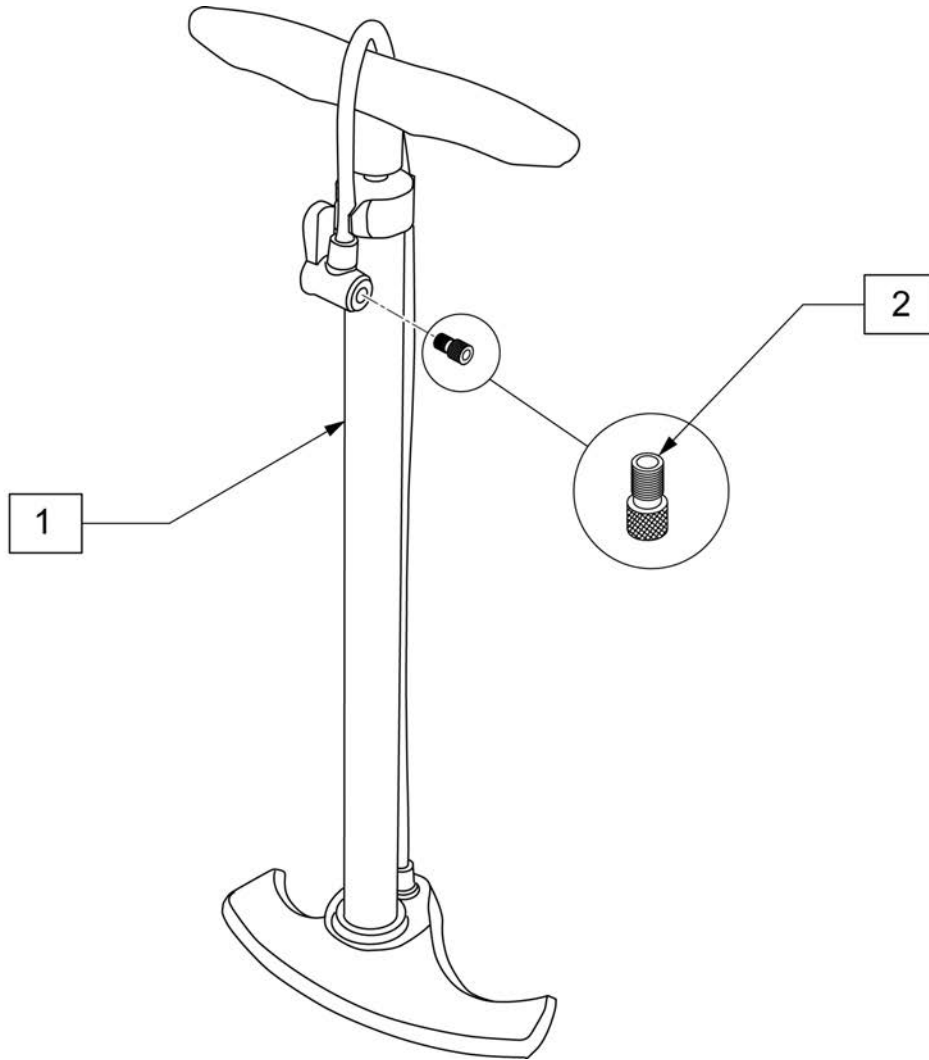
Pos.	Item Number	Description	Pos.	Item Number	Description
23C	522921	TUBE STRUT VB 14" W	23F	522924	TUBE STRUT VB 17" W
23D	522922	TUBE STRUT VB 15" W	23G	522925	TUBE STRUT VB 18" W
23E	522923	TUBE STRUT VB 16" W			

Note: New Canopy design cut over date 12/20/21. Chairs prior to 12/20/21 Canopy is not compatible and must be replace with complete assembly.

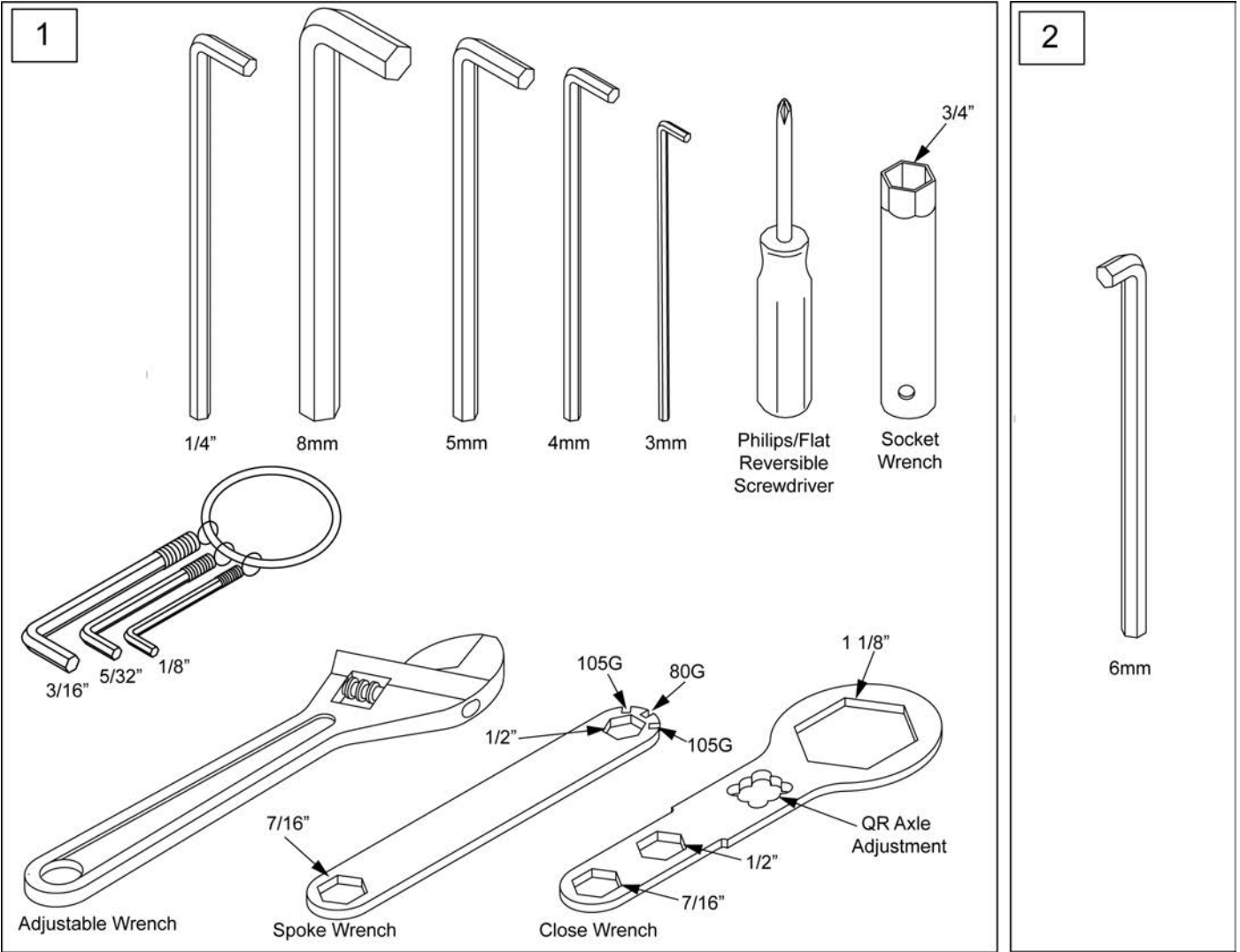
New Canopy design. replace with complete assembly for chairs prior to 12/20/21. Old parts no longer available



Pos.	Item Number	Description	Remarks
1-14	125761	CNPY MNT ASSM, IRIS/ZP IRIS,PR	Pair
15	126053	CANOPY IRIS/ZP IRIS & X'CAPE	Canopy w/ internal frame only
1-15	125320	CNPY KIT ASSM,IRIS/ZP IRIS,BLK	Complete retro kit



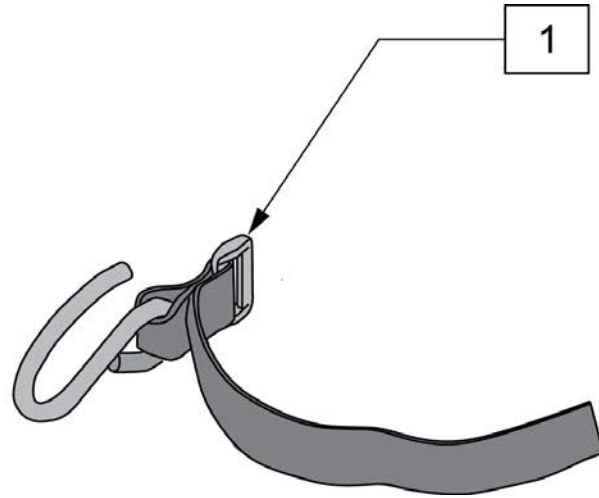
Pos.	Item Number	Description
1	389050	TIRE PUMP
2	381230	VALVE ADAPTER PRESTA



Pos.	Item Number	Description	Remarks
1	108314	QUICKIE COMBO TOOL KIT	Includes pouch
2	113403	6MM ALLEN WRENCH L, 7MM SHORT	caster spline chairs only

UTILITY HOOK

(01/2017)



Pos.	Item Number	Description
1	125912	UTILITY HOOK

