



ZIPPIE[®]

i (r) i s

PARTS MANUAL

(PCG)
OCTOBER 2020

Multimedia	1
ZIPPIE IRIS (Chairs w/ S/N Prefix PCG)	6
GLOSSARY OF ABBREVIATIONS	6
BASE FRAME	6
FRAME	6
BASE FRAME	7
ROLLER ASSM	9
FOOT RELEASE ZIPPIE IRIS (S/N prefix PCG)	11
ROCKER ASSM	13
FOOT RELEASE ZIPPIE IRIS (S/N prefix ZRS & ZRSE)	15
ANGLE INDICATOR	17
TILT HANDLE & CABLE (PED) FOR HEIGHT ADJ BACKREST	18
TILT HANDLE & CABLE (PED) STROLLER HANDLE & RECLINING BACKREST	19
TRANSIT KIT ZIPPIE IRIS	20
AXLE PLATES & AXLES	20
AXLE BRACKET	21
THREADED AXLES (MAG & SPOKE)	22
QUICK RELEASE AXLES MATRIX	23
CASTERS & FORKS	23
FORK STEM & CASTER ASSM QUICKIE IRIS ONLY (S/N Prefix CGT)	24
CASTERS	25
MICRO CASTERS	26
3 SPOKE CASTERS	27
8" x 2" CASTERS	29
ANTI-TIPS	29
FRONT ANTI-TIPS	30
REAR ANTI-TIPS	31
WHEEL LOCKS	32
WHEEL LOCK ASSEMBLY	33
WHEEL LOCK EXTENSION	34
ATTENDANT WHEEL LOCK	35
HUB LOCK	37
WHEELS & TIRES	38
WHEELS	38
12" MAG	39
16" MAG	41
TRADITIONAL 6 SPOKE MAG	42
LITE SPOKE	44
TIRES	45
PNEUMATIC & PNEU. AIRLESS TIRE	46
FULL POLY TIRE	47
LOW POLY TIRE	48
KEVLAR TIRE	49
SEATING & POSITIONING	49
SEAT	49
SEAT SLING/PAN	49
SEAT PAN	50
DROP SEAT PAN	52
BACK	53
TILT CABLES	53
TILT HANDLE & CABLE (PED) FOR HEIGHT ADJ BACKREST	54
TILT HANDLE & CABLE (PED) STROLLER HANDLE & RECLINING BACKREST	55
HEIGHT ADJUSTABLE BACKREST W/ ADJ STROLLER HANDLE	56
RECLINING BACKREST	58
STROLLER HANDLE BACKPOSTS	60
STROLLER HANDLE EXTENSION-REMOVABLE	62
BACK REPLACEMENT BOLT KIT	64
RIGID-IZER	65
HANGERS & FOOTPLATES	65
SWING AWAY EXT MOUNT HANGERS	65
HANGERS (DISCONTINUED)	65
HANGERS	65
60 DEG S/A HANGER (DISC 4-21-15)	66
70 DEG S/A HANGER (DISC 4-21-15)	68
70 DEG V S/A HANGER (DISC 4-21-15)	69
FOOTPLATES & EXTENSIONS (D2 "OLD STYLE")	70
COMPOSITE FOOTPLATE	71
KIDS ANGLE ADJUSTABLE FOOTPLATE EXT MOUNT	73
PLATFORM FLIP-UP FOOTPLATE	75
DOUBLE D FOOTREST EXTENSION TUBE "OLD STYLE"	77

CLAMP STYLE SWING IN-OUT HANGERS	78
HANGERS.....	78
60 DEG HANGER SWING IN-OUT.....	79
70 DEG HANGER SWING IN-OUT.....	80
70 DEG HANGER V SWING IN-OUT	81
FOOTPLATES & EXTENSIONS	81
COMPOSITE FOOTPLATE.....	82
KIDS ANGLE ADJ FOOTPLATE EXTENSION MOUNT.....	87
PLATFORM FLIP-UP FOOTPLATE.....	91
HIGH MOUNT EXTENSION TUBE.....	93
FRONT MOUNT HANGERS.....	95
FRONT MOUNT HANGERS.....	95
SWING AWAY FRONT MOUNT HANGERS	95
70 DEG FRONT MOUNT HANGER SWING IN-OUT	96
70 DEG S/A FRONT MOUNT HANGER.....	98
80 DEG FRONT MOUNT HANGER SWING IN-OUT.....	99
80 DEG S/A FRONT MOUNT HANGER.....	101
90 DEG FRONT MOUNT HANGER SWING IN-OUT.....	103
90 DEG S/A FRONT MOUNT HANGER.....	105
LIFT OFF FRONT MOUNT HANGERS.....	106
70 DEG LIFT-OFF HANGER.....	107
80 DEG LIFT-OFF HANGER.....	109
90 DEG LIFT-OFF HANGER.....	111
EXTENSIONS.....	112
FRONT MOUNT HANGER EXT.....	113
FOOTPLATES.....	113
KIDS ANGLE ADJ FOOTPLATE FRONT MOUNT	114
ADULT ANGLE-ADJ FOOTPLATE FRONT MOUNT.....	117
90 DEG FOOTBOARD.....	119
ELRS.....	120
EXT MOUNT ELRS.....	120
EXT MOUNT ELR HANGERS.....	120
ELEVATING HANGER.....	121
ELR & ALR CALF PAD 14 -15".....	123
ELR & ALR CALF PAD 16-20".....	124
EXTENSION TUBES.....	124
DOUBLE D FOOTREST EXTENSION TUBE "OLD STYLE".....	125
FOOTPLATES.....	126
ELR ALUMINUM FOOTPLATE.....	127
COMPOSITE FOOTPLATE.....	129
KIDS ANGLE ADJUSTABLE FOOTPLATE EXT MOUNT	131
ADULT ANGLE-ADJUSTABLE FOOTPLATE EXT MOUNT.....	133
FRONT MOUNT ELRS.....	136
FRONT MOUNT ELR HANGERS.....	136
90 DEG ELEVATING HANGER	136
90 DEG ELEVATING CALF PAD.....	138
FOOTPLATES.....	138
KIDS ANGLE ADJ FOOTPLATE FRONT MOUNT	139
ADULT ANGLE-ADJ FOOTPLATE FRONT MOUNT.....	142
ALRS.....	143
EXT MOUNT ALRS.....	143
EXT MOUNT ALR HANGERS.....	143
ARTICULATING HANGER.....	144
ARTICULATING HANGER CALF PAD	146
EXTENSION TUBES.....	146
ROUND EXTENSION TUBE.....	147
FOOTPLATES.....	148
COMPOSITE FOOTPLATE.....	149
KIDS ANGLE ADJUSTABLE FOOTPLATE EXT MOUNT	151
ADULT ANGLE-ADJUSTABLE FOOTPLATE EXT MOUNT.....	153
FRONT MOUNT ALRS.....	156
FRONT MOUNT ALR HANGERS.....	156
90 DEG ARTICULATING HANGER.....	156
90 DEG ARTICULATING HANGER CALF PAD	158
FOOTPLATES.....	158
KIDS ANGLE ADJ FOOTPLATE FRONT MOUNT	159
ADULT ANGLE-ADJ FOOTPLATE FRONT MOUNT.....	162
CONTRACTURE FOOTREST	163
CONTRACTURE FOOTREST	164
MULTI-POSITION LATCH STUD SUPPORT	167

ARMREST & RECEIVERS.....	167
ARMRESTS.....	167
ADJUSTABLE LOCKING FLIP-UP ARMREST (USE ON DAB FRAMES ONLY)	168
LENGTH ADJUSTABLE LOCKING FLIP-UP ARMREST (USE ON DAB FRAMES ONLY).....	169
FLIP-UP ARMREST	171
DUAL-POST HEIGHT ADJUSTABLE ARMREST.....	172
SINGLE POST HEIGHT ADJUSTABLE ARMREST (MANUAL PRODUCTS).....	174
ARMREST RECEIVERS	176
DUAL & DUAL POST HEIGHT ADJ ARMREST RECEIVER.....	177
DUAL & DUAL POST HEIGHT ADJ FLIP-BACK ARM. RECEIVER.....	178
KIDS SINGLE POST ARMREST RECEIVER	180
ACCESSORIES	180
BACKPACKS AND POUCHES.....	180
BACKPACKS AND SEAT POUCHES.....	181
QUICKIE SIDE POCKET.....	182
CELL PHONE PACK.....	183
LEG STRAPS.....	183
ADJUSTABLE LEG STRAP	184
SOFT FEEL LEG STRAP.....	185
POSITIONING BELTS	185
AIRCRAFT BUCKLE POSITIONING BELTS & ATTACHMENT KITS	186
AUTO BUCKLE POSITIONING BELT & ATTACHMENT KITS.....	188
PADDED DOUBLE PULL HIP BELT.....	190
SPOKE GUARDS.....	190
SPOKE GUARDS ZIPPIE	191
TRAYS	192
TUFFAK TRAY (MANUAL & PEDIATRIC CHAIRS)	193
TRAY HARDWARE	195
BATTERY TRAY	196
IMPACT GUARD NEOPRENE & GEL VELCRO PADS.....	197
ONE-ARM DRIVE.....	198
TILT STOPS.....	200
TIRE PUMP	201
Multimedia	202

GLOSSARY OF ABBREVIATIONS

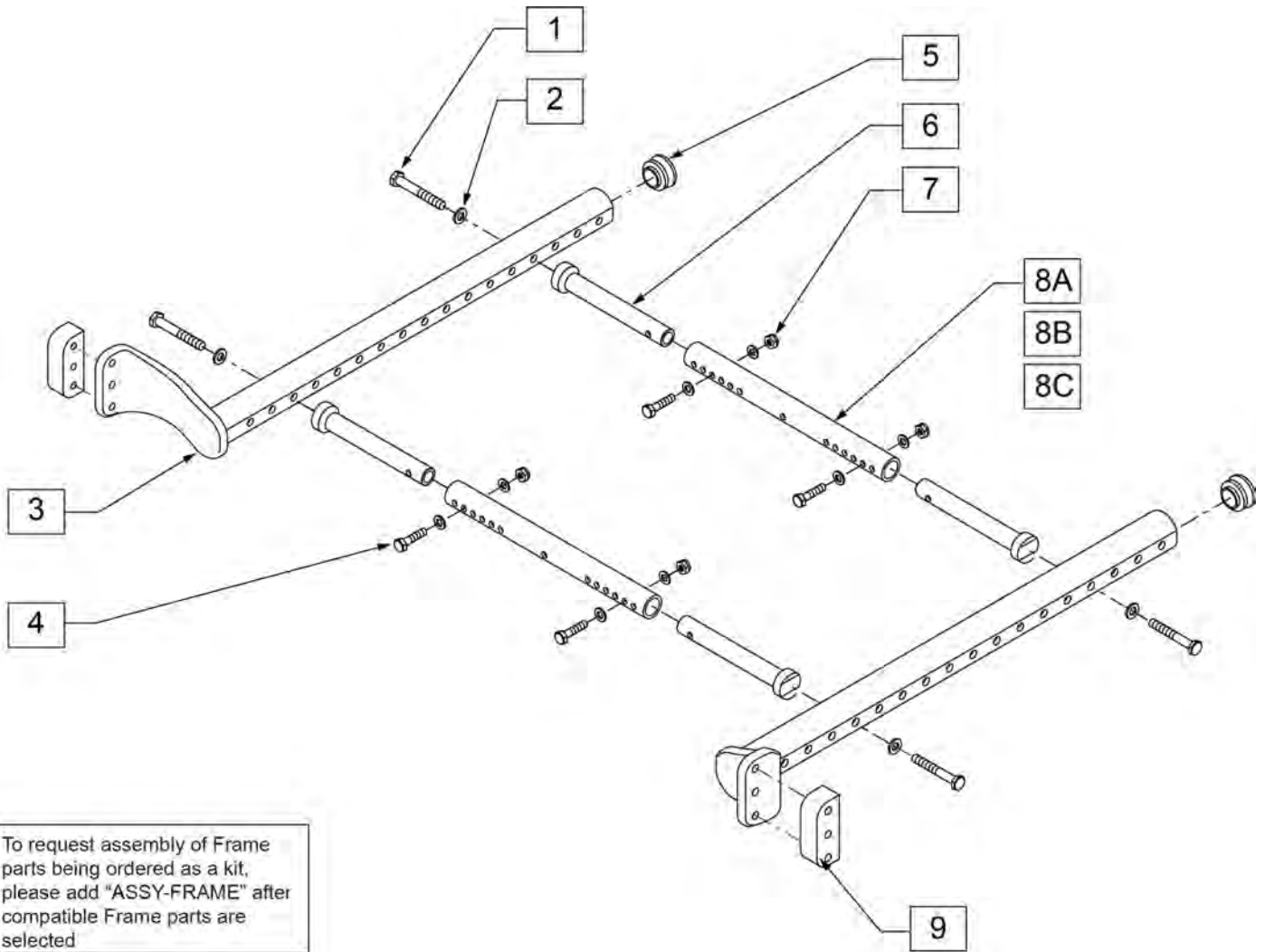
Note: see Informations Panel for file.

1AD One Arm Drive	CZ Cozy	INH Inhibit	PCB Pediatric Center of Gravity (AKA: Zippie Iris)	S/A Swing Away
3DCR 3DX Microclimatic cover for Cryo style inserts	DAB Depth-adjustable Back	INORG Inorganic coating	PCM Power Center Mount	S/F Side Frame
AAA Adult Angle Adjustable	DB Dynamic Back	INSRT Insert	PED Pediatric	SCW Screw
AACM Angle Adjustable Center Mount	DBL Double	I/O Swing In Out	PEL Pelvic	SDLE Saddle
ABD Abductor	DC Deep Contour	IRIS Intelligent Rotation in Space	PH Push Handle	SG Side Guard
AC All Court	DL Desk Length	ISM Intelligent Seating Module	PHIL Phillips	SGTG Super Grip Thumb Guard
AD Arm Drive	DP Dual Post Armrest	JA Jay Active	P/L Pin Lock	SHCS Socket Head Cap Screw
ADJ Adjustable	D-Post Dual Post Armrest	JNR Junior	PL Plated	SHSS Socket Head Set Screw
ADPT Adapter	D-PST Dual Post Armrest	KAA Kids Angle Adjustable	PLL Pull	SHLDR Shoulder
AE Air Exchange	DRV Drive	KDS Kids	PLT Plate	SHT Short
AHAB ASAP II	DTT Diagnostic Test Tool	KT Kit (usually consists of all mounting hardware for one side)	PLST Plastic	SLD Solid
ANG Angle	DY Dynamic Back	KVLR Kevlar	PLY Plywood	SLNG Sling
ALR Articulating Legrest	EA Each	KZ Quickie Kidz/Zippie Kidz	PNEU Pneumatic	SLTD Slotted
ALUM Aluminum	ELR Elevating Legrest	L Left	PNK Pink	SLV Steeve
AMH Adjustable Mounting Hardware	EXT Extension	LAT Lateral	PNT Paint	SM Small
ANO Anodized	EXTND Extended	LCK Lock	PNTD Painted	SNGL Single
ASAP Adjustable Seating and Positioning	F Folding Frame	LFH Left Front Horizontal	POLY Polyurethane	SOC Socket
ASL Adaptive Switch Laboratories	FHCS Flat Head Cap Screw	LFT Left	POST Posterior	SPCR Spacer
ASM Assembly (includes other parts)	FL Full Length	LFV Left Front Vertical	PR Pressure Relieving	SPEC CLR Specify Color
ASSM Assembly	FLD Folding	LH Left Hand	PR Power Recline	SPK Spoke
ASSMLY Assembly	FL FT Flip-up Footrest	LH Left Horizontal	PR Pair	SPR Super Grip Handrim
ASSY Assembly	FLP Flip	LK Lock	(PR) Pair	SQZ Squeeze
AT Anti-tip	FLRD Flared	LNG Long	PRCR Premium Leatherette cover for Cryo style inserts	SS Stainless Steel
ATT Attachment	FM Foam	LO Lift Off	PRE-ISC Pre-Ischial	ST Seat
BB Basketball	FM Front Mount	L/O Lift Off	PREM Premium Leatherette cover material	S/TAP Self Tapping
BC Breezy Chrome	FNDR Fender	L Loop	PROJ Projection	STCR Stretch Cover for Cryo Style inserts
BCK Back	FPH Folding Push Handle	LPS Loops	PRPL Purple	STD Standard
BCKBRD Backboard	FT Foot	LRG Large	PTL Partial	STL Style
BH Button Head	F/REST Footrest	LRH Left Rear Horizontal	PSH Push	STR Stretch cover material
BHCS Button Head Cap Screw	FRNT Front	LRV Left Rear Vertical	PT Point	STRLLR Stroller
BKL Buckle	FT PLT Footplate	LS Low Sheer	PTRN Pattern	STRT Straight
BKRST Backrest	FTRST Footrest	LT Long Tab	PWR Power	SUP Support
B-LOCK Back Lock	F/UP Flip-up	LT Natural Fit Lite Handrims	Q1 Quickie 1	SYS System
BLD Build Up	FWD Front Wheel Drive	LTRL Lateral	Q2 Quickie 2	T Tab
BLK Black	FXT Fixed	LUMB Lumbar	Q2HP Quickie 2 High Performance	TG Thumb Guard (std)
BLU Blue	G8 Grade 8 higher grade = stronger	LV Left Vertical	QC Quickie Carbon	THRD Threaded
BR Breezy	GP Quickie GP	LW Low	QR Quick Release	Ti Titanium
BRD Board	GPS Quickie GPS	LX Quickie LX	QRx Quickie RX	TL Tall
BRNG Bearing	GPV Quickie GPV	LXI Quickie LXi	QTI Quickie Titanium	TLC Tilt Lift Comb
BRKT Bracket	GNRC Generic	MACH Machine	QT/QTs Quickie Tilt & Space	TLT Tilt
BSHNG Bushing	H Hole	MECH Mechanism	QUAD Quadrant Pad	TNNS Tennis
BTTN Button	HB High Brake	MED Medium	R Right	TTS Tilt-in-Space
BTRY Battery	HD Head or Heavy Duty	mm Millimeter	RCLNR Recliner	UNIV Universal
BZ Breezy	H/D Heavy Duty	MNT Mount	REC Receiver	UNTHRD Unthreaded
CAA Composite Angle Adjustable	HDRST Headrest	MNTG Mounting	REG Regular	UPH Upholstery
CG Center of Gravity	HDWR Hardware	MOD Modify or Modification	REL Release	VERT Vertical
CGT Center of Gravity Tilt (AKA: IRIS)	HEX Hexagon	M/S Machine Screw	REV Reverse	W With
CHRGR Charger	HH Hemi-Height or Hex Head	MWD Mid Wheel Drive	RH Right Hand	W/ With
CJSM Color Joystick Module	HK Hook	Nat.Fit Natural Fit Handrim	RH Right Horizontal	WD Wide
CLMP Clamp	HL Heel Loops	NAUG Naugahyde	RFH Right Front Horizontal	W/F Water Fall
CLNCHR Clincher	HM High Mount	NF Non-folding	RFV Right Front Vertical	W/O Without
CLR Clear	HNDL Handle	NF Natural Fit Handrim	RNUT(S) Rivnut(s)	WHL Wheel
COMP Complete	HNGR Hanger	NFLT Natural Fit Handrim	RoHS Restriction of Hazardous Substances	WLDMNT Weldment
CMPST Composite	HP High Pressure	NR Non-recessed	RR Rear	XS Cross Spoke
CRM Chrome	HR Handrim	OBLIQ Obliquity	RRH Right Rear Horizontal	YLW Yellow
C/S Cap Screw	HRDWR Hardware	OBLQ Oblique	RRV Right Rear Vertical	Z2 Zippie 2
C-S Countersunk	HRNSS Harness	O/S Outer/Outside Dimension	RT Right	ZN Zinc
CSTR Caster	HS High Speed	O/S Old Style	RV Right Vertical	ZP Zippie
CUSH Cushion	HT Height or Heat Treated	OUTBRD Outboard	RV Quickie Revolution	ZP2 Zippie 2
CV Conventional	ID Inner/Inside Dimension Diameter	P1 Quickie P100	RWD Rear Wheel Drive	
CVR Cover	IN In/Out (for swing in/out hangers)	P2 Quickie P200	SA Swing Away	
CVRS Covers	INBRD Inboard	P3 Quickie P300		
CYL Cylinder	INC Incontinent	P5 Quickie/Zippie P500		

Pos.	Item Number	Description	Remarks
		GLOSSARY OF ABBREVIATIONS	see attachment in Informations Panel

BASE FRAME

[10/2011]



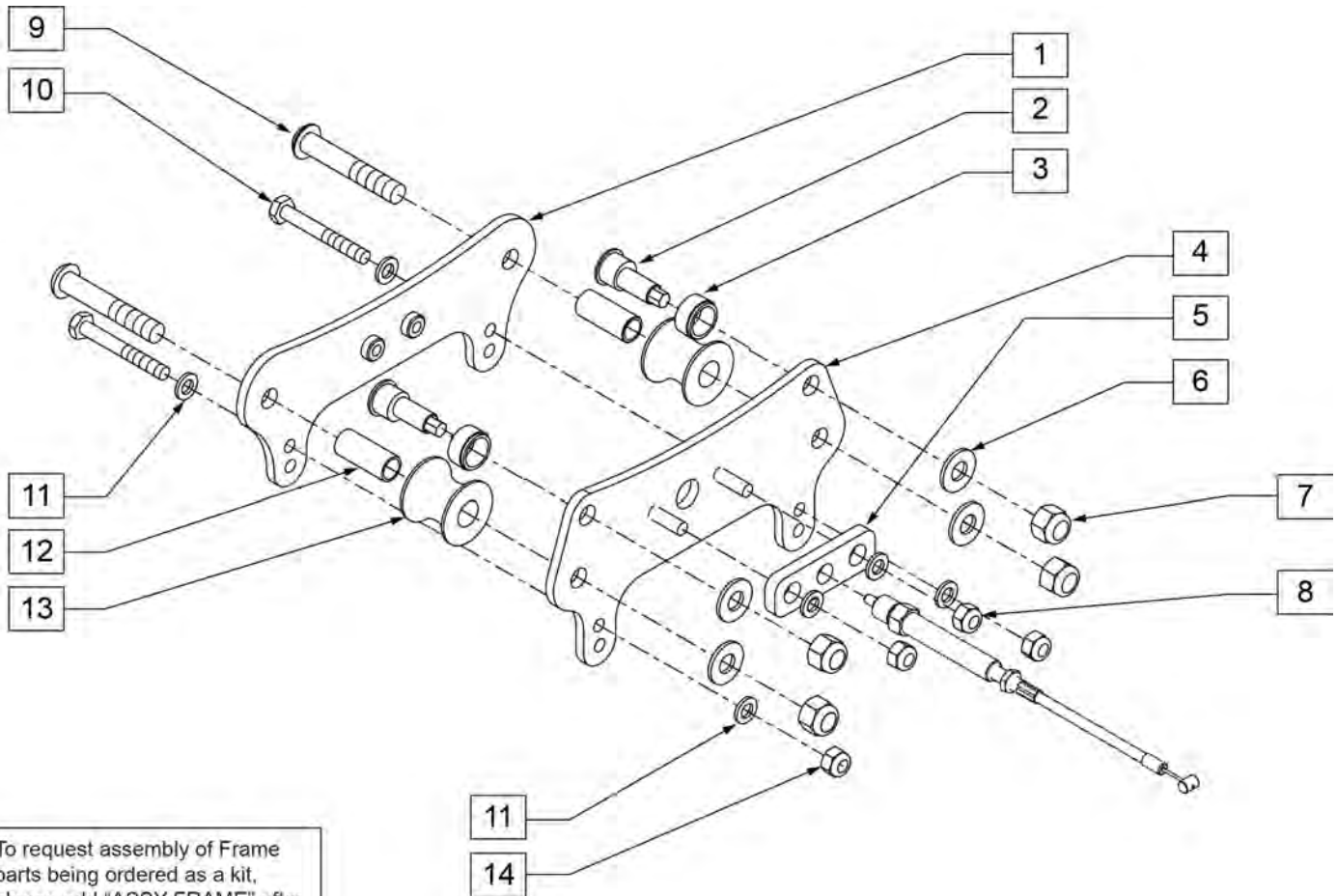
To request assembly of Frame parts being ordered as a kit, please add "ASSY-FRAME" after compatible Frame parts are selected

Pos.	Item Number	Description	Remarks
1	106943	1/4" AN WASHER FLAT	
2	107015	HHCS 1/4-28 X 1-3/4 ROHS	
3	050507S	FRAME BASE WELDMENT PED	RIGHT
3	050508S	FRAME BASE WELDMENT PED	LEFT
4	221124-QU	1/4 -28 x 1 1/4 G8 HEX C/S	
5	561062	1" INSERT PLUG .065 RIBS	
6	050512	INSERT STRUT BASE PED	
7	106935	NUT NYLOCK THIN 1/4 -28 ROHS	
8A	050510-001	TUBE STRUT 10-14"	
8B	050510-002	TUBE STRUT 12-16"	
8C	050510-003	TUBE STRUT 14-18"	
9	050526	BLOCK SPACER CASTER	ABDUCTION BLOCKS
1, 2, 4, 6-8A	040001-001	STRUT BASE FRAME W/ HDWR 10-14"	
1, 2, 4, 6-8B	040001-002	STRUT BASE FRAME W/ HDWR 12-16"	
1, 2, 4, 6-8C	040001-003	STRUT BASE FRAME W/ HDWR 14-18"	
1-8A	040002-001S	BASE FRAME ASSM 10-14"	
1-8B	040002-002S	BASE FRAME ASSM 12-16"	
1-8C	040002-003S	BASE FRAME ASSM 14-18"	
		Ship assembled part #	Use with multiple assemblies

Pos.	Item Number	Description	Remarks
	ASSY-FRAME	FRAME ASSY REQUIRED	add with Frame kit

ROLLER ASSM

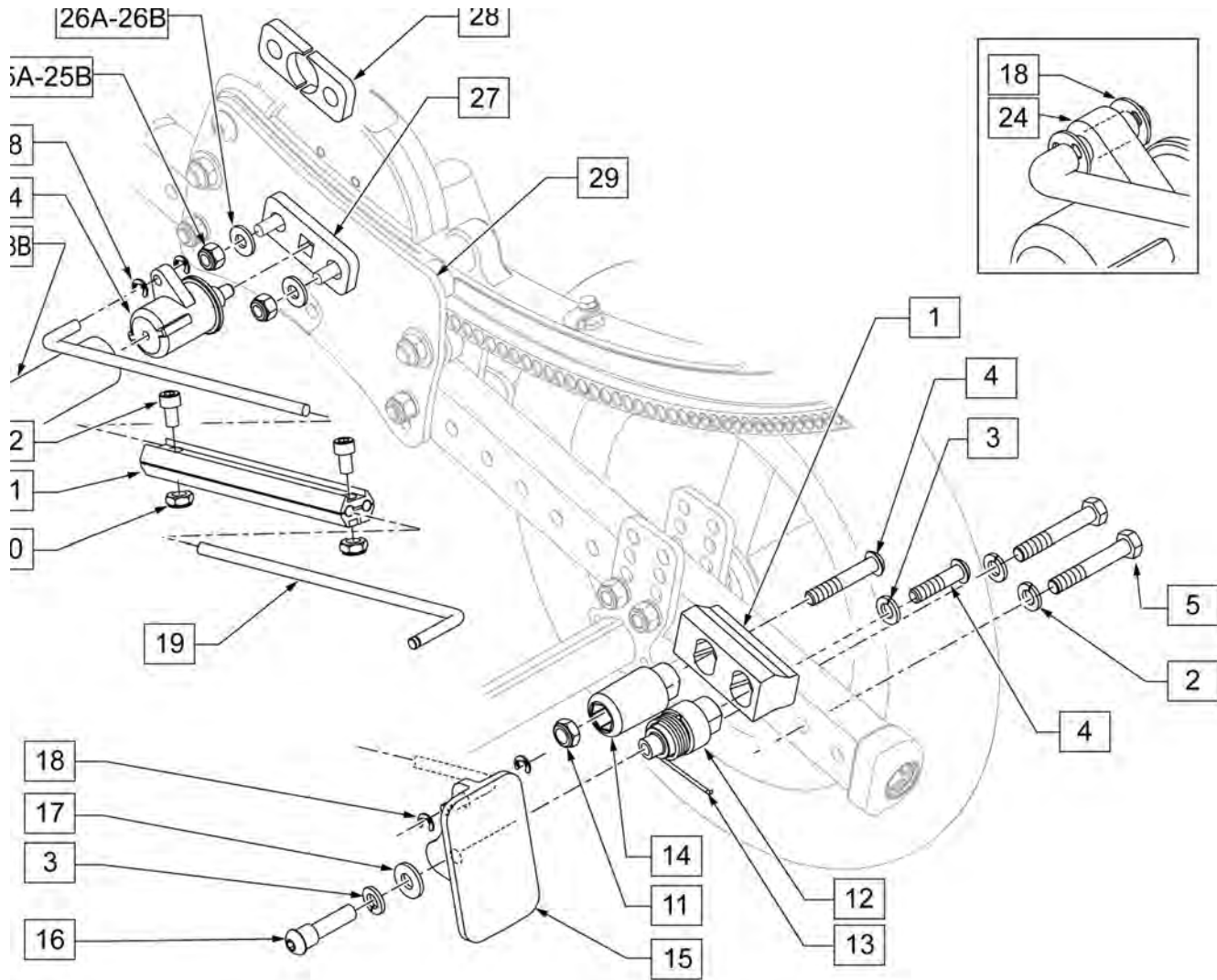
[09/2011]



To request assembly of Frame parts being ordered as a kit, please add "ASSY-FRAME" after compatible Frame parts are selected

Pos.	Item Number	Description	Remarks
1	050514	PLATE ROLLER OUTER PED	
2	481567	SHAFT ECCENTRIC CAM FOLLOWER	
3	050516	ROLLER CAM FOLLOWER MACH	
4A	050515	PLATE ROLLER INNER PED	USED W/ TRIGGER RELEASE MECH.
4B	106463	PLATE ROLLER INNER PED	USED W/ FOOT RELEASE MECH.
5	500698	PLATE PLUNGER ROLLER	
6	261509	3/8 SAE WASHER	
7	203004	3/8 -24 NYLOCK NUT	
8	106932	1/4 -20 NYLOCK NUT HIGH	
9	220088	3/8 -24 x 2 1/4 BH C/S BLK ZN	
10	106973	1/4 -28 x 2 GB HEX C/S	
11	106943	1/4 AN WASHER FLAT	
12	520708	BUSHING ROLLER ASSM LOWER	
13	560567	ROCKER ROLLER	
14	106935	NUT NYLOCK THIN 1/4-28 ROHS	
2, 3, 6, 7	040004	UPPEER ROLLER W/ HDWR	PAIR
6, 7, 9, 12, 13	040005	LOWER ROLLER W/ HDWR	PAIR
2, 3, 6, 7, 9, 12, 13	040006	ROLLER REPL KIT COMPL ZIPPIE IRIS	
1-4A-14	040007	ROLLER ASSM	
		Ship assembled part #	Use with multiple assemblies

Pos.	Item Number	Description	Remarks
	ASSY-FRAME	FRAME ASSY REQUIRED	add with Frame kit



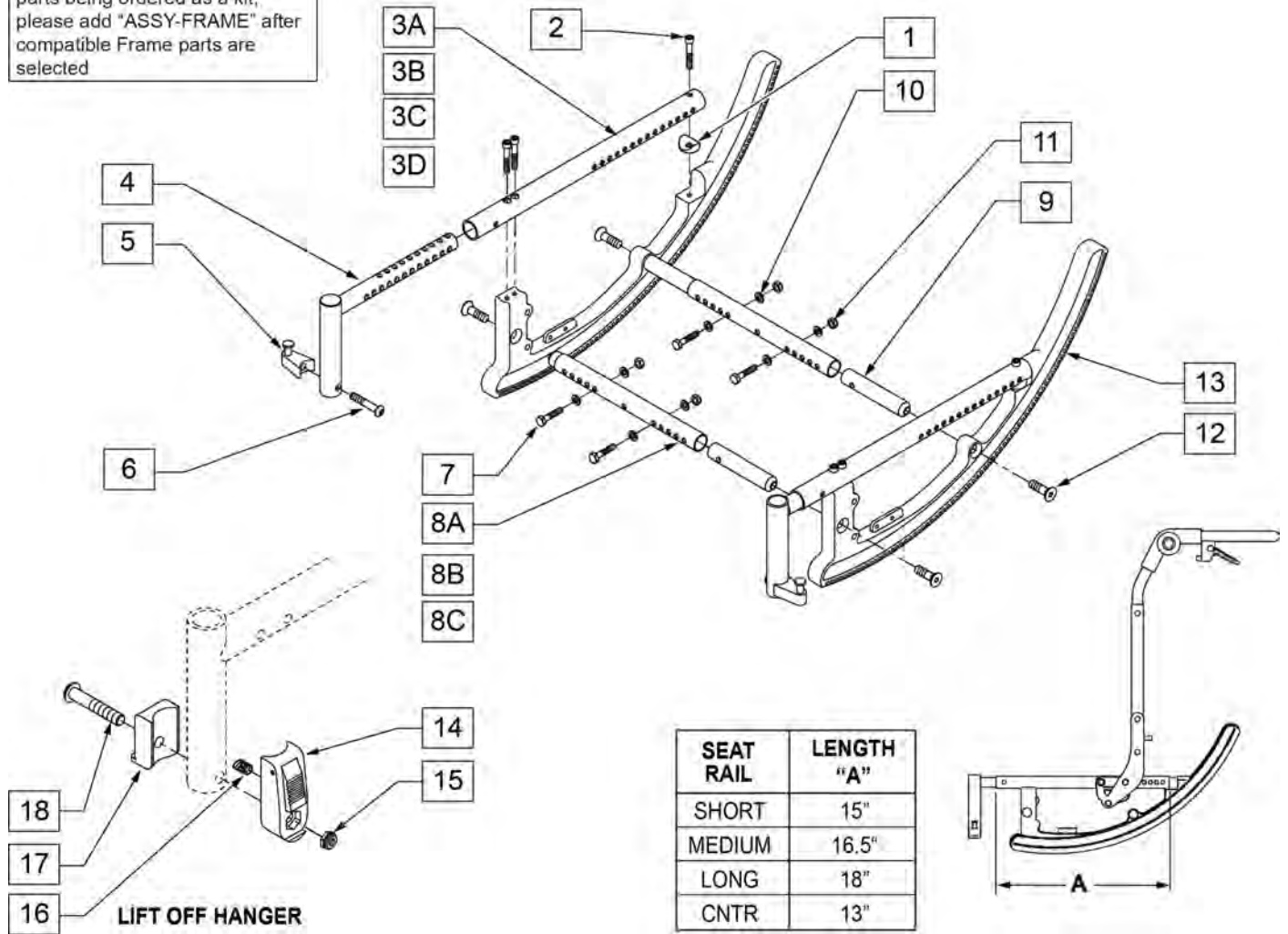
Pos.	Item Number	Description	Remarks
1	107220	MOUNT BLOCK PEDAL PED	
2	106943	WASHER FLAT AN 1/4 ROHS	
3	106951	WASHER SPLIT LOCK 5/16 ROHS	
4	107225	BHCS 5/16-18 X 1 ROHS	
12	106377	SHAFT PIVOT PEDAL	
13	106668	TORSION SPRING RH	
13	106989	TORSION SPRING LH	
14	107167	POST STOP FOOT RELEASE	
15	107165	PEDAL FOOT RELEASE	
16	106979	BHCS 5/16-18 X 3/4 ROHS	
17	263109	5/16" FENDER WASHER SS 3/4" OD	
18	106383	E-CLIP 3/16"	
19	107180	ROD LINKAGE FOOT RELEASE	
20	106931	NUT NYLOCK THIN 10 -32 ROHS	
21	107179	CLAMP LINKAGE FOOT RELEASE	
22	107181	SHCS 10 -32 x 1/2 ROHS	

Pos.	Item Number	Description	Remarks
23A	107237	ROCKER TUBE ASSM 10 -12"	FITS 10 -12" WIDE CHAIRS
23B	107238	ROCKER TUBE ASSM 11 -14"	FITS 11 -14" WIDE CHAIRS
23C	107239	ROCKER TUBE ASSM 13 -18"	FITS 13 -18" WIDE CHAIRS
18,24,27	108768	PIN RELEASE REPLCMNT KIT PED	Includes Left & Right
25	106932	NUT NYLOCK 1/4 -20 ROHS	
26	106945	WASHER FLAT SAE 1/4 ROHS	
28	106318	HOUSING RETAINER	
29	106463	PLATE ROLLER INNER PED	Fits Chairs w/ S/N Prefix PCG.
18-22	108577	FOOT RELEASE LINKAGE ASSM	
1-5,11-18	106744	PEDAL ASSY RH	
1-5,11-18	106745	PEDAL ASSY LH	
1-23,24A	108792	ZP FOOT RELEASE ASSM R	RIGHT Fits 10" W - 18" W Chairs & w/ S/N Prefix PCG.
1-23,24A	108794	ZP FOOT RELEASE ASSM L	LEFT Fits 10" W -18" W Chairs & w/ S/N Prefix PCG.

NOTE: TO DETERMINE CORRECT SEAT RAIL LENGTH WHEN ALTERING CHAIR DIMENSIONS, PLEASE CONTACT CUSTOMER SERVICE.

NOTE: * WHEN SWITCHING FROM CONTRACTURE FOOTREST TO OTHER FOOTREST, OR IF RETRO-FITTING CONTRACTURE FOOTREST TO EXISTING CHAIR, APPROPRIATE NEW SEAT RAILS (AS LISTED BELOW) MUST BE ORDERED.

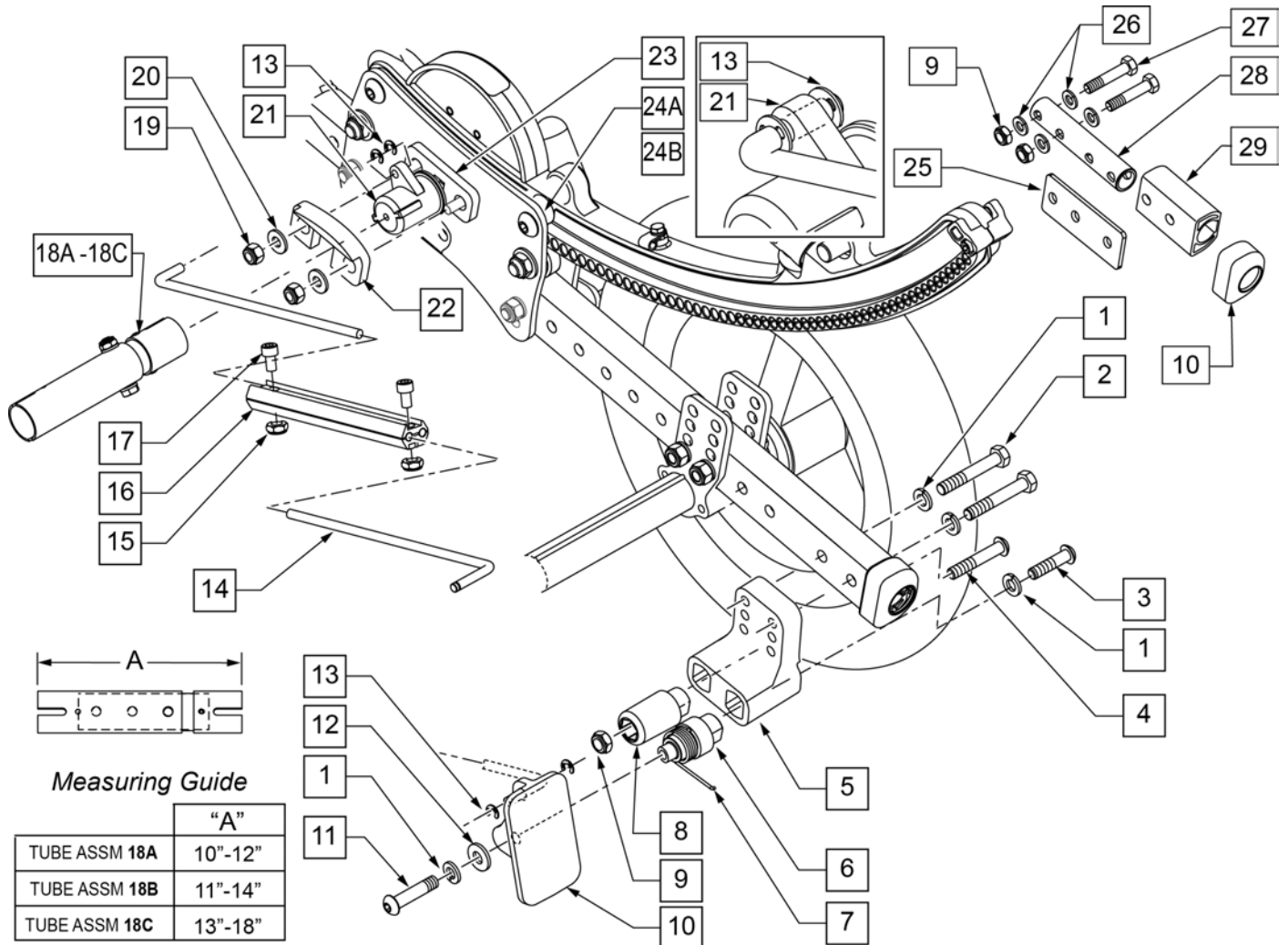
To request assembly of Frame parts being ordered as a kit, please add "ASSY-FRAME" after compatible Frame parts are selected



Pos.	Item Number	Description	Remarks
1	561004	1" SADDLE 1/4 HOLE	
2	226114	1/4 -28 x 1 1/2 SOC C/S BLK	
3A*	050500-001S	SEAT TUBE PED SHORT	
3B*	050500-002S	SEAT TUBE PED MED	
3C*	050500-003S	SEAT TUBE PED LONG	
3D*	050500-004S	SEAT TUBE PED CONTR	
4	050502	RECEIVER HANGER WELDMENT PED	
6	106982	BHCS 5/16-18 X 1-3/4 SHLD ROHS	

Pos.	Item Number	Description	Remarks
7	221124-QU	1/4 -28 x 1 1/4 G8 HEX C/S	
8A	050510-001	TUBE STRUT 10-14"	
8B	050510-002	TUBE STRUT 12-16"	
8C	050510-003	TUBE STRUT 14-18"	
9	050511	INSERT STRUT ROCKER PED	
10	106943	1/4" AN WASHER FLAT	
11	106935	NUT NYLOCK THIN 1/4-28 ROHS	
12	220087	3/8 -24 x 1 1/2 FH C/S BLK ZN	
13	500724	ROCKER PED	
14	880053	FOOTREST BLOCK T45	
15	106937	5/16 -18 NYLOCK NUT THIN	
16	321141	.650I x 6 COIL SPRING	
17	560684	T45 FOOTREST BLOCK RECESSED	
18	226194	5/16 -18 x 1.63 BH C/S	
5, 6	107491	LATCH STUD KIT	
7,8A,9-12	040009-001	STRUT ROCKER W/ HDWR 10-14"	
7,8B,9-12	040009-002	STRUT ROCKER W/ HDWR 12-16"	
7,8C,9-12	040009-003	STRUT ROCKER W/ HDWR 14-18"	
1-3,7,8A,9-13	040010-001S	ROCKER ASSM SHORT 10-14"	Includes Qty 2 rockers ,struts & seat tubes
1-3,7,8B, 9-13	040010-002S	ROCKER ASSM SHORT 12-16"	Includes Qty 2 rockers ,struts & seat tubes
1-3,7,8C,9-13	040010-003S	ROCKER ASSM SHORT 14-18"	Includes Qty 2 rockers ,struts & seat tubes
1-3B,7,8A,9-13	040011-001S	ROCKER ASSM MED 10-14"	Includes Qty 2 rockers ,struts & seat tubes
1-3B,7,8B,9-13	040011-002S	ROCKER ASSM MED 12-16"	Includes Qty 2 rockers ,struts & seat tubes
1-3B,7,8C,9-13	040011-003S	ROCKER ASSM MED 14-18"	Includes Qty 2 rockers ,struts & seat tubes
1-3C,7,8A,9-13	040012-001S	ROCKER ASSM LONG 10-14"	Includes Qty 2 rockers ,struts & seat tubes
1-3C,7,8A,9-13	040013-001S	ROCKER ASSM CNTR 10-14"	Includes Qty 2 rockers ,struts & seat tubes
1-3C,7,8B, 9-13	040012-002S	ROCKER ASSM LONG 12-16"	Includes Qty 2 rockers ,struts & seat tubes
1-3C,7,8B, 9-13	040012-003S	ROCKER ASSM LONG 14-18"	Includes Qty 2 rockers ,struts & seat tubes
1-3D,7,8B, 9-13	040013-002S	ROCKER ASSM CNTR 12-16"	Includes Qty 2 rockers ,struts & seat tubes
1-3D,7,8C, 9-13	040013-003S	ROCKER ASSM CNTR 14-18"	Includes Qty 2 rockers ,struts & seat tubes
14-18	920720	FOOTREST BLOCK ASSM W/ BOLT HD	
		Ship assembled part #	Use with multiple assemblies
	ASSY-FRAME	FRAME ASSY REQUIRED	add with Frame kit

Note: if retrofitting Foot Release onto chair, correct Roller Plate must be ordered; see BASE FRAME & ROLLER ASSM page.

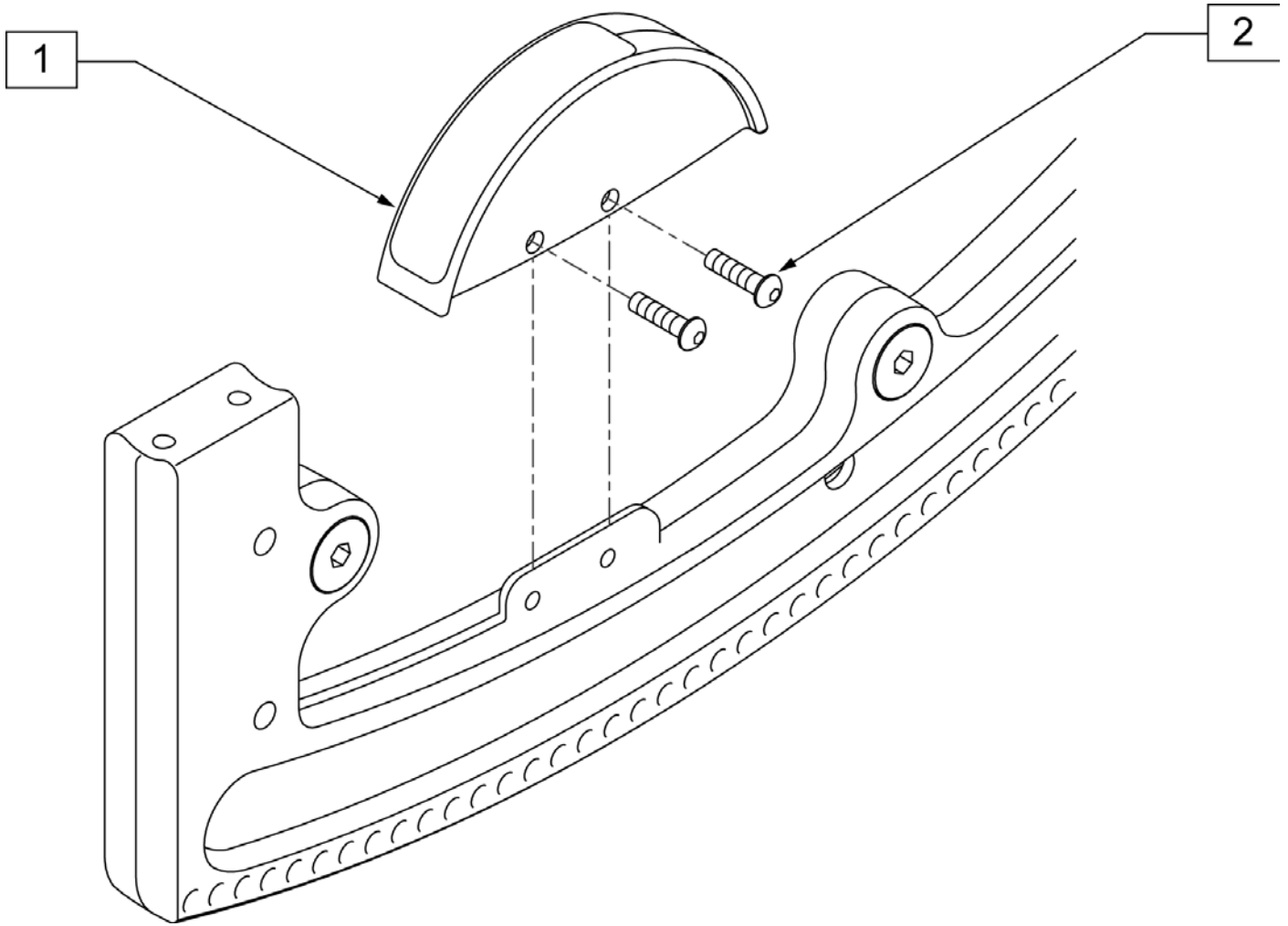


Pos.	Item Number	Description	Remarks
1	106951	WASHER SPLIT LOCK 5/16 ROHS	
2	106985	HHCS 5/16 -24 x 2 ROHS	
3	106980	BHCS 5/16 -18 x 1 1/4 ROHS	
4	106982	BHCS 5/16 -18 x 1 3/4 SHLD ROHS	
5	107242	BLOCK MOUNT FOOT RELEASE	
6	106377	SHAFT PIVOT PEDAL	
7	106668	TORSION SPRING RH	
7	106989	TORSION SPRING LH	
8	107167	POST STOP FOOT RELEASE	
9	202117	5/16-18 NYLOCK NUT THICK BLK	
10	107165	PEDAL FOOT RELEASE	
11	106979	BHCS 5/16 -18 x 3/4 ROHS	
12	263109	5/16" FENDER WASHER SS 3/4" OD	
13	106383	E-CLIP 3/16"	
14	107180	ROD LINKAGE FOOT RELEASE	

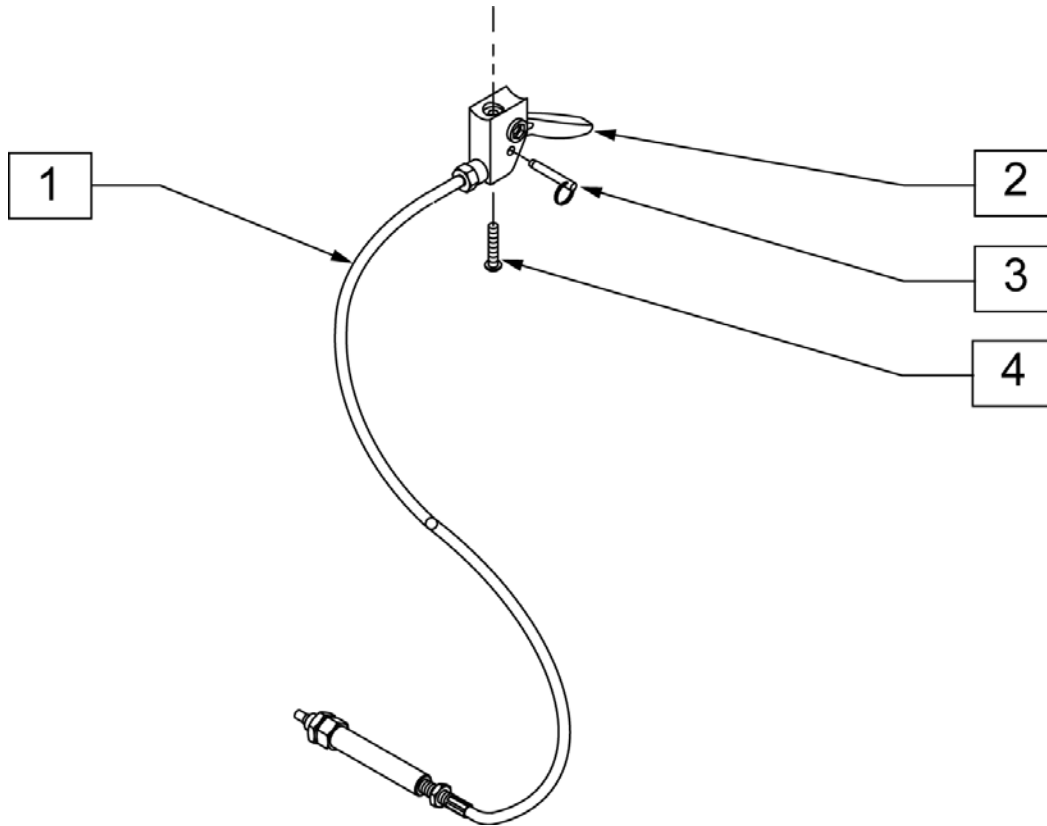
Pos.	Item Number	Description	Remarks
15	106931	NUT NYLOCK THIN 10 -32 ROHS	
16	107179	CLAMP LINKAGE FOOT RELEASE	
17	107181	SHCS 10 -32 x 1/2 ROHS	
18A	107237	ROCKER TUBE ASSM 10 -12"	FITS 10 -12" WIDE CHAIRS
18B	107238	ROCKER TUBE ASSM 11 -14"	FITS 11 -14" WIDE CHAIRS
18C	107239	ROCKER TUBE ASSM 13 -18"	FITS 13 -18" WIDE CHAIRS
19	106932	NUT NYLOCK 1/4 -20 ROHS	
20	106945	WASHER FLAT SAE 1/4 ROHS	
22	118929	RETAINER ACTUATOR HOUSING	
13,21,23	108768	PIN RELEASE REPLCMNT KIT PED	Includes Left & Right
24A	106463	PLATE ROLLER INNER PED	Fits Chairs w/ S/N Prefix PCG.
24B	109285-002	PLATE ROLLER INNER PED FT REL	Fits Chairs w/ S/N Prefix ZRS & ZRSE only.
25	108795	TUBE EXTENSION PLATE	
26	106946	WASHER FLAT AN 5/16 ROHS	
27	107358	HHCS 5/16 -18 x 1 1/2 ROHS	
28	106984	HHCS 5/16 -18 x 1 3/4 ROHS	
29	107178	TUBE EXTENSION FOOT RELEASE	Black only
30	105809	CAP TUBE BASE	
13 -17	108577	FOOT RELEASE LINKAGE ASSM	
1,3-12	112415	Z5 FOOT PEDAL ASSM RH	RIGHT
1,3-12	112416	Z5 FOOT PEDAL ASSM LH	LEFT
1-23,24A	108792	ZP FOOT RELEASE ASSM R	RIGHT Fits 10" W - 18" W Chairs & w/ S/N Prefix PCG.
1-23,24A	108794	ZP FOOT RELEASE ASSM L	LEFT Fits 10" W - 18" W Chairs & w/ S/N Prefix PCG.
1-23,24B	115816	ZP FOOT RELEASE ASSM R	RIGHT -Fits Chairs w/ S/N Prefix ZRS & ZRSE only.
1-23,24B	115817	ZP FOOT RELEASE ASSM L	LEFT - Fits Chairs w/ S/N Prefix ZRS & ZRSE only.
9,26-30	108615	FOOT RELEASE FRAME EXT.	Black only

ANGLE INDICATOR

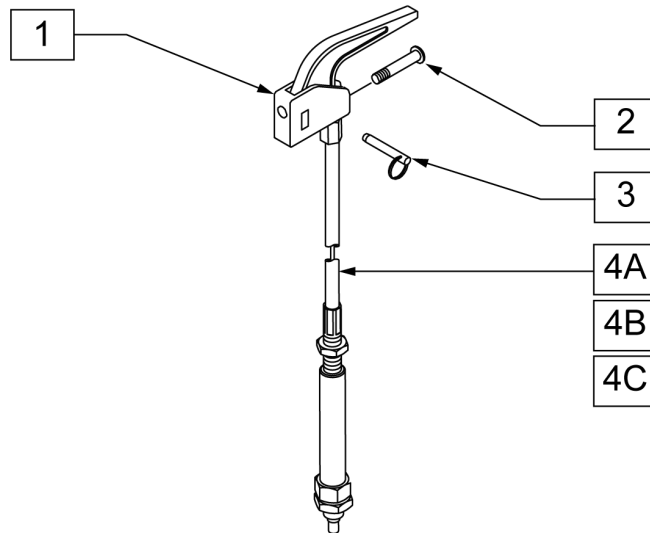
[06/2007]



Pos.	Item Number	Description
1	882358	ANGLE INDICATOR W DCL ZIPPPIE IRIS
2	226043	10-32 x 1/2 BH C/S BLK



Pos.	Item Number	Description	Remarks
1	101319-004	CABLE ASSEMBLY PED XL	47" LONG (X-LONG)
2, 3	580109	PLUNGER PIN LEVER ASSM	
4	281120	10/32 x 5/8 PAN HD PHIL	



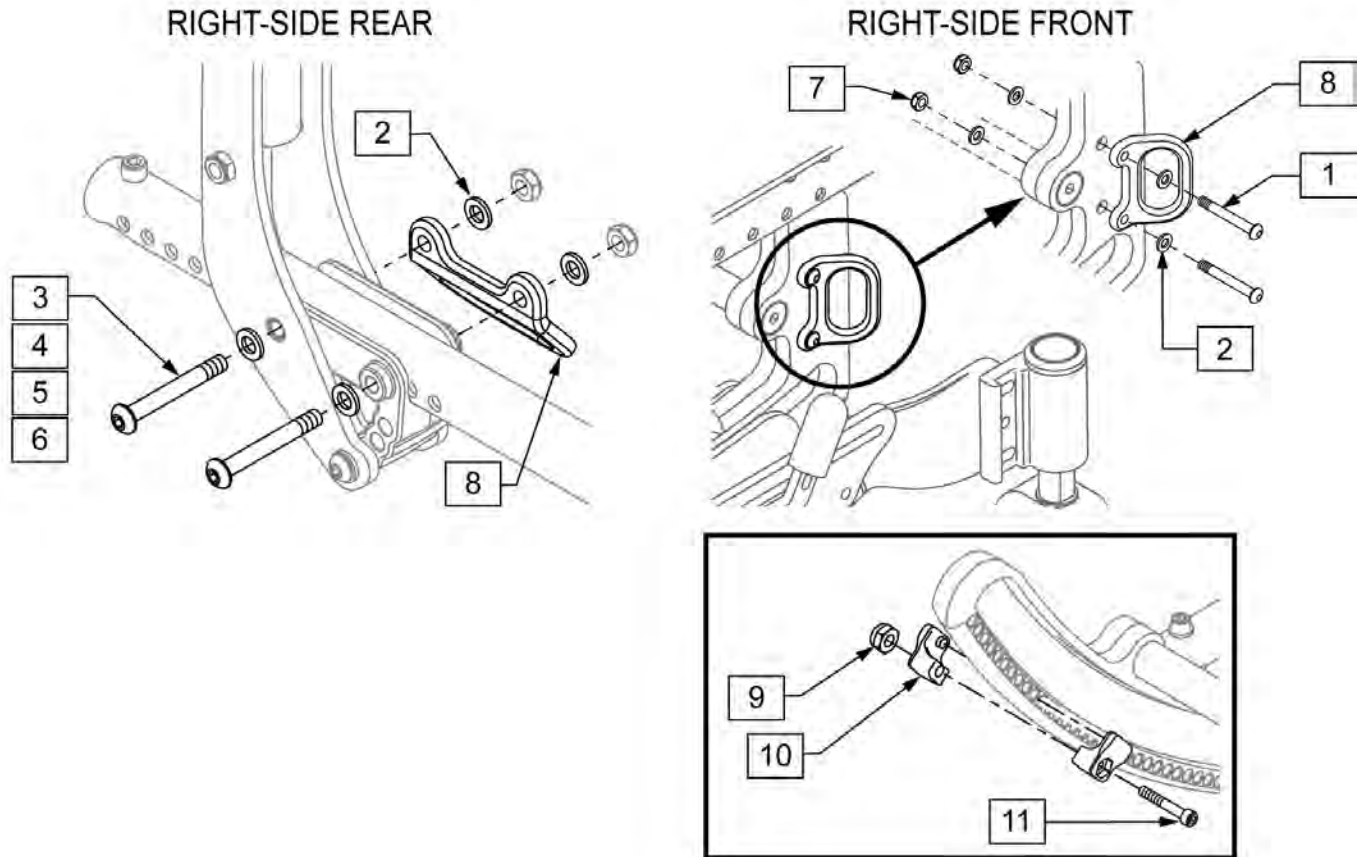
TILT CABLE REFERENCE GUIDE

BACK TYPE	CABLE LENGTH AND PART NUMBER				
	SHORT	MEDIUM	LONG	X-LONG	XX-LONG
STROLLER HANDLE BACKPOST (LOW/STD)	101319-001				
STROLLER HANDLE BACKPOST (MEDIUM)		101319-002			
STROLLER HANDLE BACKPOST (TALL)			101319-003		
MEDIUM RECLINING BACKS		101319-002			
TALL RECLINING BACKS			101319-003		

Pos.	Item Number	Description	Remarks
1, 3	580110	CYLINDER LOCK LEVER ASSM QT/QR/P5	
2	281120	10/32 x 5/8 PAN HD PHIL	
4A	101319-001	CABLE ASSEMBLY PED - SHORT	38" Long
4B	101319-002	CABLE ASSEMBLY PED - MEDIUM	41" Long
4C	101319-003	CABLE ASSEMBLY PED - LONG	44" Long

NOTE: Fits Zippie IRIS chairs with serial number prefix PCG

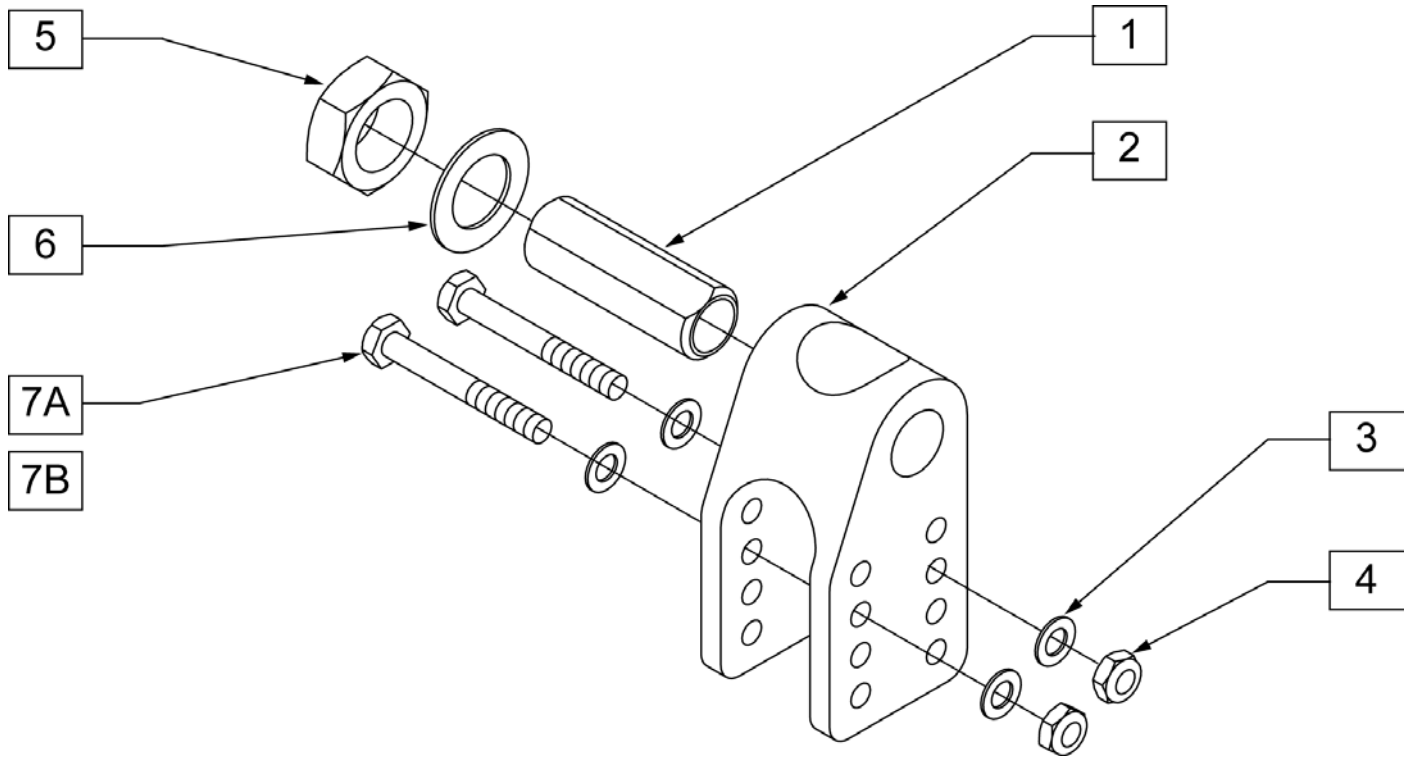
NOTE: Transit Kit not available with Reverse Configuration.



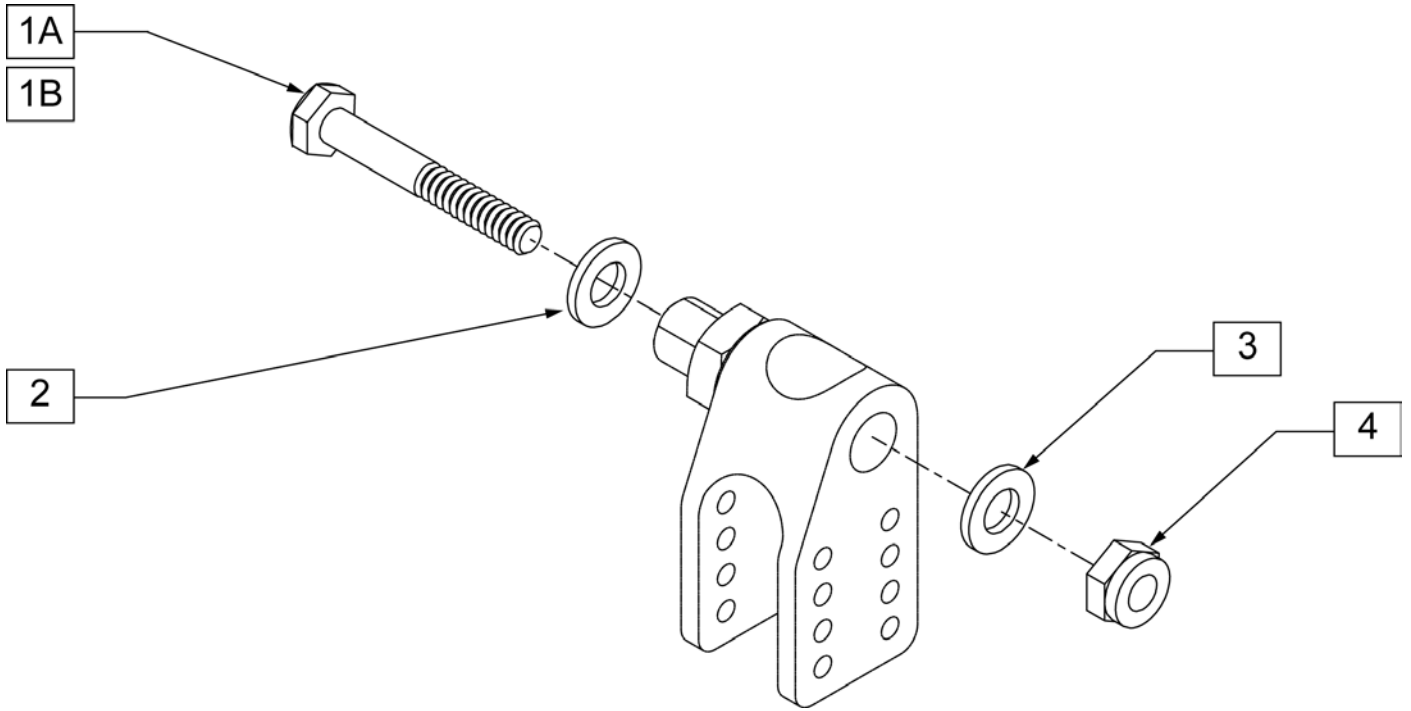
Pos.	Item Number	Description
1	226130	1/4-28 X 1 1/2 BH C/S
2	106943	1/4 AN WASHER FLAT
3	226155	1/4-28 X 2 1/4 BH C/S
4	221062	1/4-28 X 2 3/4 BH C/S
5	221061	1/4-28 X 2 1/2 BH C/S
6	221063	1/4-28 X 3 BH C/S
7	106934	1/4-28 NYLOCK NUT
9	106931	10-32 NYLOCK NUT THIN
10	050527	TILT STOP ROCKER .188
11	108534	10-32 X 1 1/4 SOC C/S BLK
1-11	920639S	TRANSIT KIT ZIPPIE IRIS
9-11	040049	TILT STOP W/HDWR ZP IRIS

AXLE BRACKET

[09/2011]



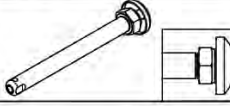
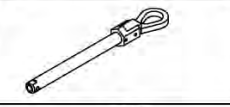
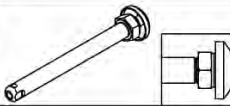
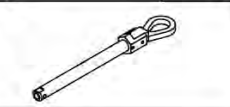
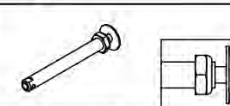
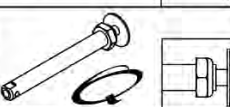
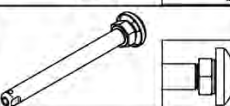
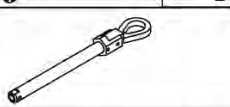
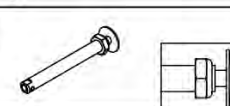
Pos.	Item Number	Description	Remarks
1	481065	AXLE SLEEVE S.S.	STAINLESS
2	050513	PLATE AXLE PED	
3	106944	1/4 AN WASHER FLAT THIN	
4	106935	NUT NYLOCK THIN 1/4-28 ROHS	
5	116569	NUT HEX 3/4-16 BLACK ZINC	
6	116570	WASHER FLAT 3/4 X 1.25 BLK ZNC	
7A	106973	1/4 -28 x 2 G8 HEX C/S	
*7B	221181	1/4 -28 x 2 1/2 G8 HEX C/S	USE 2 1/2" BOLTS IF ANTI-TIPS ARE TO BE INSTALLED.
1-7A	040021-001	AXLE PLATE ASSM	
1-7B	040021-002	AXLE PLATE ASSM AT	

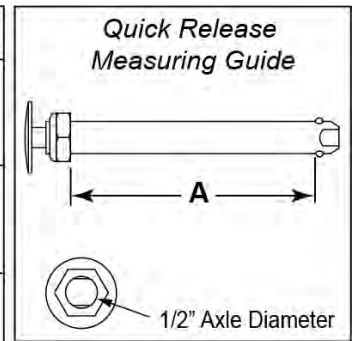


Pos.	Item Number	Description
1A	221182	1/2 -20 x 5 3/4 G8 HEX C/S
1B	221183	1/2 -20 x 6 1/8 G8 HEX C/S
2	106949	1/2" AN WASHER FLAT
3	500418	SPACER THREADED AXLE CGTS
4	106940	1/2 -20 NYLOCK NUT
1A-4	040022-001	THREADED AXLE ASSM MAG
1B-4	040022-002	THREADED AXLE ASSM SPOKE

QUICK RELEASE AXLES MATRIX

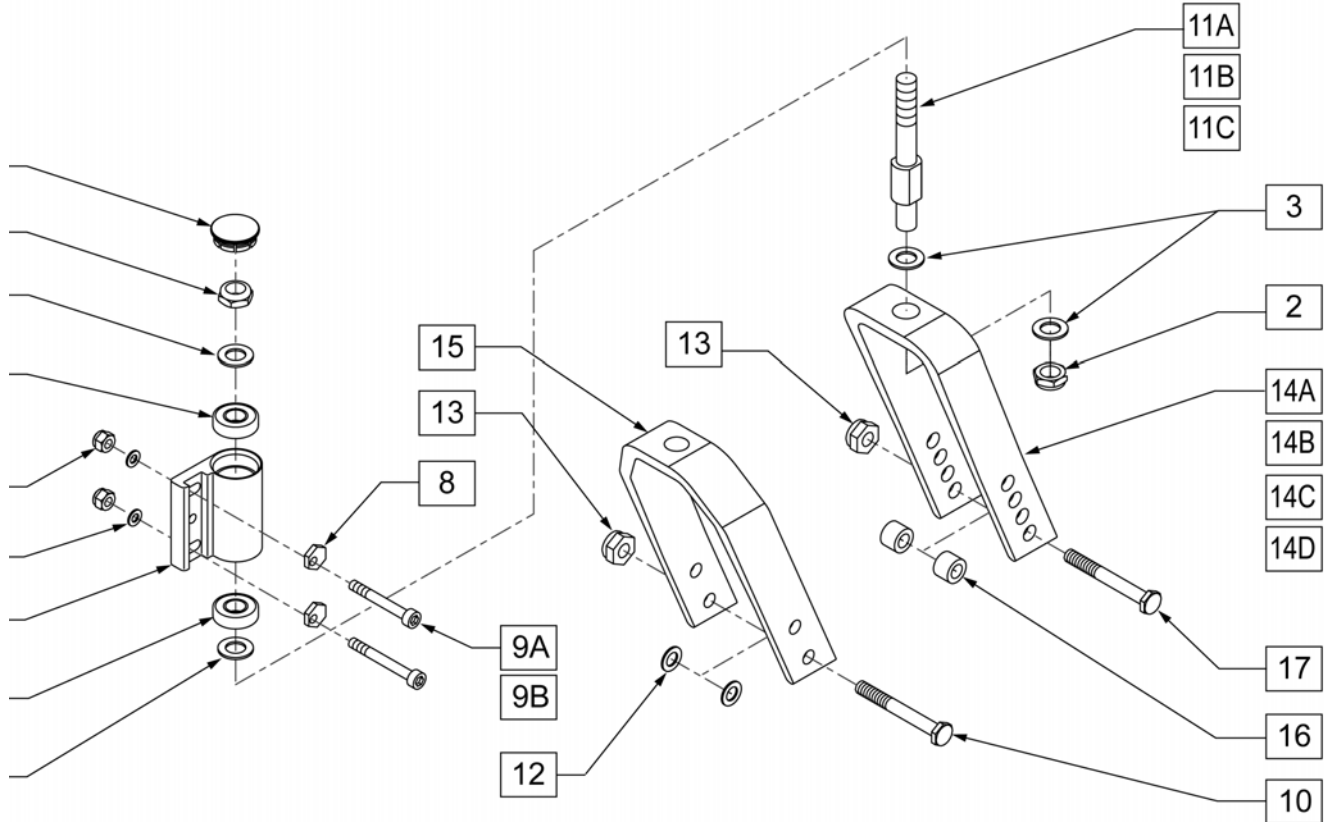
(03/09/2019)

Wheel Type	Axle Type		Axle P/N	Spacer P/N
6 Spoke Mag Wheels	Quick Release	1A 	102063 A=4 1/8	N/A
	Quad Quick Release	1B 	922171 A=4 1/8	N/A
12" & 16" 3 Spoke Mag Wheels	Quick Release	1A 	102063 A=4 1/8	N/A
	Quad Quick Release	1B 	922171 A=4 1/8	N/A
Standard Spoke	Quick Release	1C 	102064 "A" = 4 1/2	N/A
Lite Spoke Wheels	Quick Release	1D 	107268 A=4 1/4	N/A
Mag Wheels w/ Hub Locks	Quick Release	1E 	102063 "A" = 4 1/8	N/A
	Quad Quick Release	1F 	116390 A=4 1/8	N/A
5 Spoke Mag Wheels	Quick Release	1G 	109385 A=4 1/2	N/A



Pos.	Item Number	Description
1A	102063	QR AXLE MAG W/M-12 NUT
1B	920171	QR AXLE MAG W/QUAD NUT
1C	102064	QR AXLE M12 NUT CLR BIG BTTN
1D	107268	QR AXLE AND NUT SHORT BIG BUTTON
1E	102063	QR AXLE MAG W/M-12 NUT
1F	116390	QUAD RELEASE AXLE
1G	109385	QR AXLE/NUT LONG BT BTTN

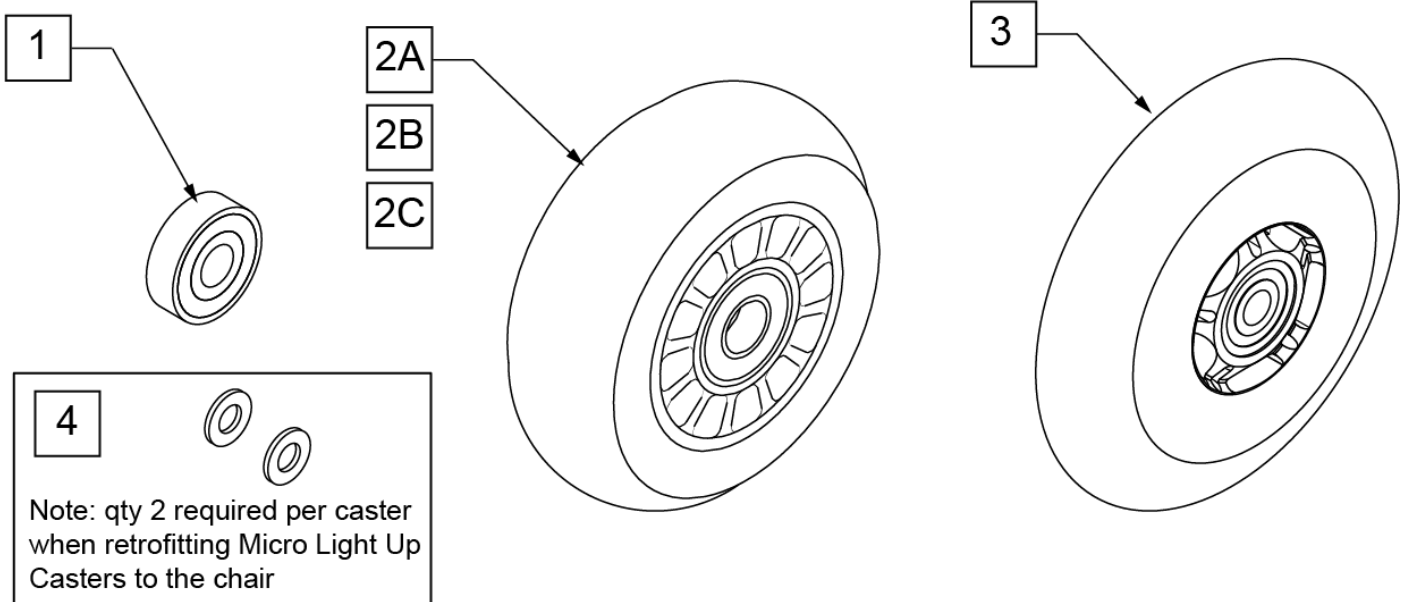
NOTE: FITS QUICKIE IRIS CHAIRS W/ SERIAL NUMBER PREFIX CGT ONLY.



Pos.	Item Number	Description	Remarks
1	561070	CASTER CAP PLASTIC	
1	920028	CASTER CAP PLASTIC	PAIR
2	106940	1/2 -20 NYLOCK NUT	
3	106949	1/2 AN WASHER FLAT	
4	349500	1 1/8 x 1/2 BEARING	
5	106934	1/4 -28 NYLOCK NUT	
6	106943	1/4 AN WASHER FLAT	
8	262128	WASHER ECCENTRIC HD 1/4 HOLE	
9A	226114	1/4 -28 x 1 1/2 SOC C/S BLK	W/O TRANSIT
9B	226163	1/4 -28 x 2 SOC C/S BLK	W/ TRANSIT or ABDUCTION BLOCKS
10	222253	5/16" -24 x 3 1/4 HEX C/S	
11A	481820	CASTER STEM SHORT CGTS	
11B	481821	CASTER STEM MED CGTS	
11C	481822	CASTER STEM LONG CGTS	
12	106947	5/16 AN WASHER FLAT	
13	106939	5/16 -24 NYLOCK NUT THIN	
14A	550685	FORK 5 1/4 1.5 WIDE	

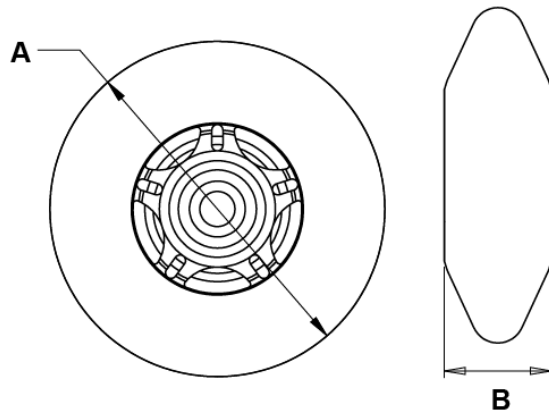
Pos.	Item Number	Description	Remarks
14B	550686	FORK 6 1.5 WIDE	
14C	550687	FORK 7 1.5 WIDE	
14D	550386	4 3/4 FORK #26 BLACK	
15	550730	FORK 8 x 2	
16	481113	SPACER 5/16 x .380	
17	106987	5/16 -24 x 2 1/2 HEX C/S	
4, 7	780204	CASTER PLATE HI ANGLE DOUBLE BEARING	RIGHT
4, 7	780205	CASTER PLATE HI ANGLE DOUBLE BEARING	LEFT
1, 5, 6, 8,9A	040032-001	CASTER PLATE HARDWARE KIT PED	
1, 5, 6, 8,9B	040032-002	CASTER PLATE HARDWARE KIT EXT PED	
2, 3, 11A	920592	CASTER STEM STANDARD W/ HDWR	
2, 3, 11B	920593	CASTER STEM 3/4 W/ HDWR	
2, 3, 11C	920594	CASTER STEM 1 1/2 W/ HDWR	
2, 3, 11A,13,14D,16,17	040033-001	FORK 4 3/4 STEM STANDARD W/ HDWR	
2, 3, 11A,13,14A,16,17	781125	FORK 5 1/4 STEM STANDARD W/ HDWR	
2, 3, 11A,13,14B,16,17	781126	FORK 6 STEM STANDARD W/ HDWR	
2, 3, 11A,13,14C,16,17	781127	FORK 7 STEM STANDARD W/ HDWR	
2, 3,10,11A,12,13,15	781128	FORK 8 x 2 STEM STANDARD W/ HDWR	
2, 3, 11B,13,14D,16,17	040033-002	FORK 4 3/4 STEM 3/4 W/ HDWR	
2, 3, 11B,13,14A,16,17	781135	FORK 5 1/4 STEM 3/4 W/ HDWR	
2, 3, 11B,13,14B,16,17	781136	FORK 6 STEM 3/4 W/ HDWR	
2, 3, 11B,13,14C,16,17	781137	FORK 7 STEM 3/4 W/ HDWR	
2, 3,10,11B,12,13,15	781138	FORK 8 x 2 STEM 3/4 W/ HDWR	
2, 3, 11C,13,14A,16,17	040033-003	FORK 4 3/4 STEM 1 1/2 W/ HDWR	
2, 3, 11C,13,14A,16,17	781145	FORK 5 1/4 STEM 1 1/2 W/ HDWR	
2, 3, 11C,13,14B,16,17	781146	FORK 6 STEM 1 1/2 W/ HDWR	
2, 3, 11C,13,14C,16,17	781147	FORK 7 STEM 1 1/2 W/ HDWR	
2, 3, 10,11C,12,13,15	781148	FORK 8 x 2 STEM 1 1/2 W/ HDWR	

Note: to ensure that the lights will function in the Micro Light Up Caster, qty 2 each of p/n 106947 will be required per caster when retrofitting Micro Light Up Casters to the chair.



CASTER MEASURING GUIDE

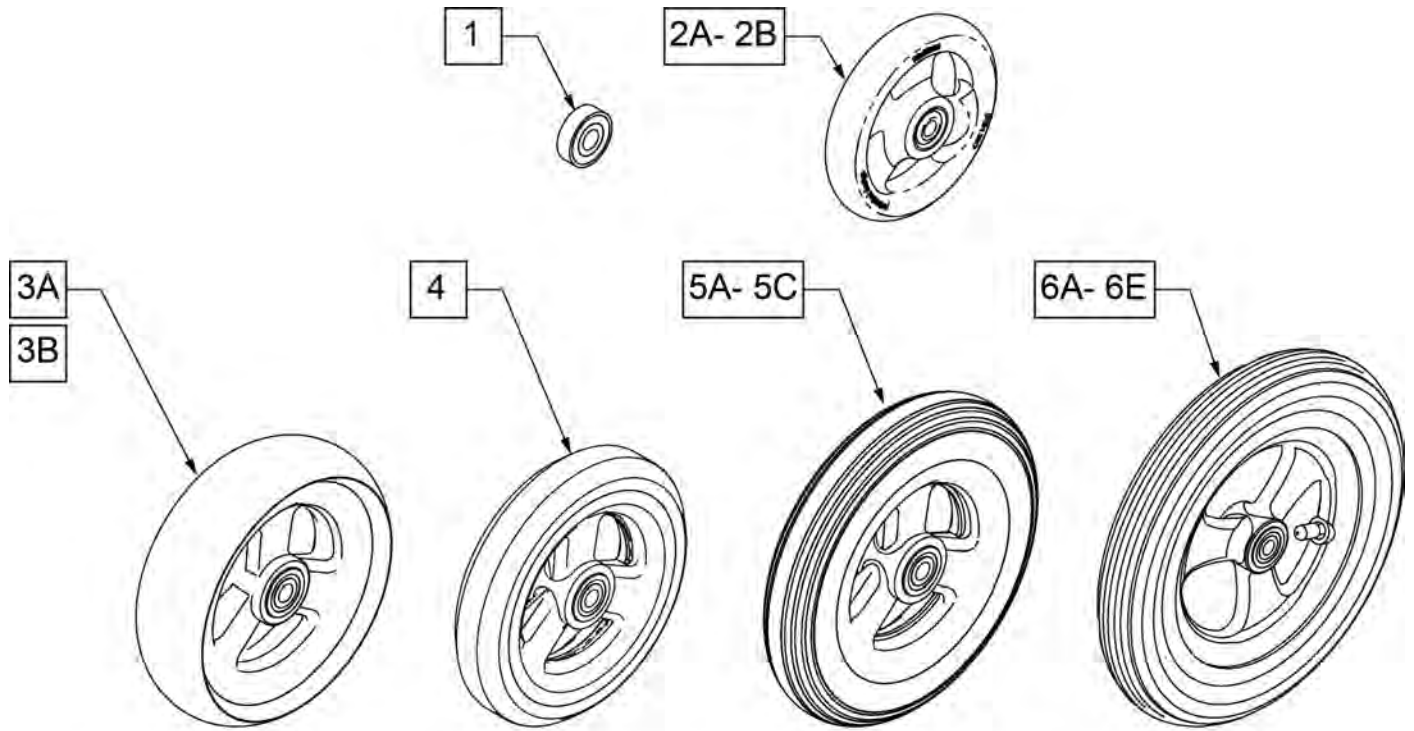
PART NUMBER	"A" TIRE DIAMETER	"B" HUB WIDTH
400108	4.0	1.0
400107	3.0	1.0
052129	4.7	1.0



Pos.	Item Number	Description	HPCP	Remarks
1	349502	7/8"x 5/16" BEARING		
2A	400108	4" MICRO CASTER LIGHTED	K0077	4" MICRO LIGHTED
2B	920025	3" MICRO CASTER W/ BEARING -PAIR	K0077	PAIR 3" MICRO
2C	400107	3" MICRO CASTER LIGHTED	K0077	3" MICRO LIGHTED
3	052129	5" MICRO CASTER LIGHTED	K0077	5" MICRO LIGHTED
4	106947	WASHER FLAT THIN AN 5/16 ROH		

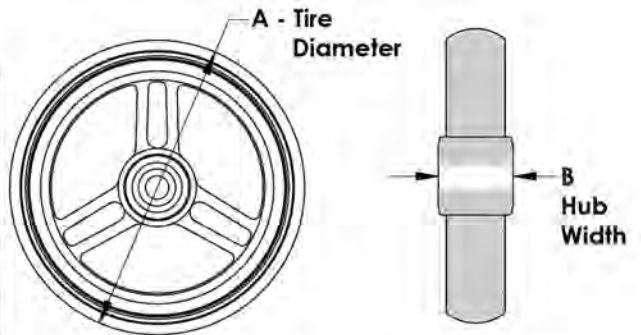
NOTE: 7" and 8" Casters are not available with Integral Bearing Forks.

Note: When 6" casters or larger casters are used, Anti Flutter Kit must be installed. See Standard Multi Position Fork page.

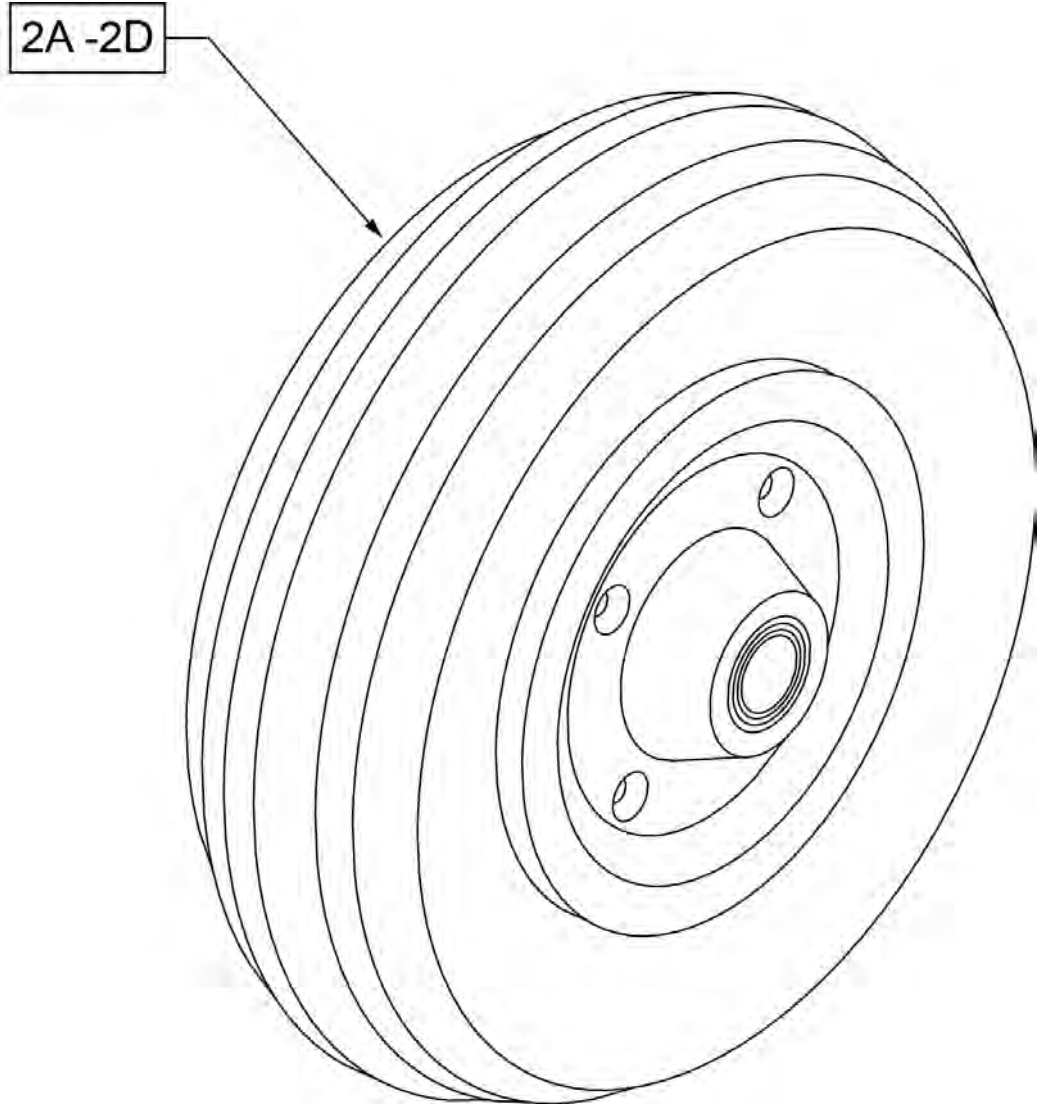
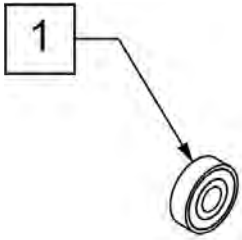


**CASTER
MEASURING GUIDE**

PART NUMBER	"A" TIRE DIAMETER	"B" HUB WIDTH	PART NUMBER	"A" TIRE DIAMETER	"B" HUB WIDTH
101957	4.3	1.0	101256	5.75	1.0
101098	4.0	1.0	101257	5.9	1.0
101259	4.9	1.0	400212	8.0	1.0
101255	5.7	1.0	400213	7.8	1.0
101254	4.9	1.0	400214	6.9	1.0
			400215	7.25	1.0



Pos.	Item Number	Description	Remarks
1	349502	7/8"x 5/16" BEARING	
2A	101957	4"X1-1/4 POLY 3 SPOKE CSTR	4" X 1.25 SEMI-PNEUMATIC
2B	101098	CASTER 4" PLASTIC/POLY W/BRG	4" LOW PROFILE POLY
3A	101259	5"X1-1/2" POLY 3 SPOKE CSTR	5" x 1.5" SEMI-PNEUMATIC
3B	101255	6"X1-1/2" POLY 3 SPOKE CSTR	6" x 1.5" SEMI-PNEUMATIC
4	101254	5" LOW POLY 3 SPOKE CASTER	5" LOW PROFILE POLY
5A	101256	6" SEMI PNEU 3 SPOKE CASTER	6" POLY
5B	101257	6" PNEUMATIC 3 SPOKE CASTER	6" PNEUMATIC
5C	383245	6" PNEUMATIC TIRE & TUBE	
6A	400212	CASTER 8" PNEU 3 SPK ASSM	8" PNEUMATIC
6B	400213	CASTER 8" POLY 3 SPK ASSM	8" POLY
6C	400214	CASTER 7" LOW POLY 3 SPK ASSM	7" x LOW PROFILE POLY
6D	383255	8" PNEUMATIC TIRE & TUBE	
6E	400215	CASTER 8" WIDE POLY 3 SPK ASSM	8" x 1.5" LOW POLY

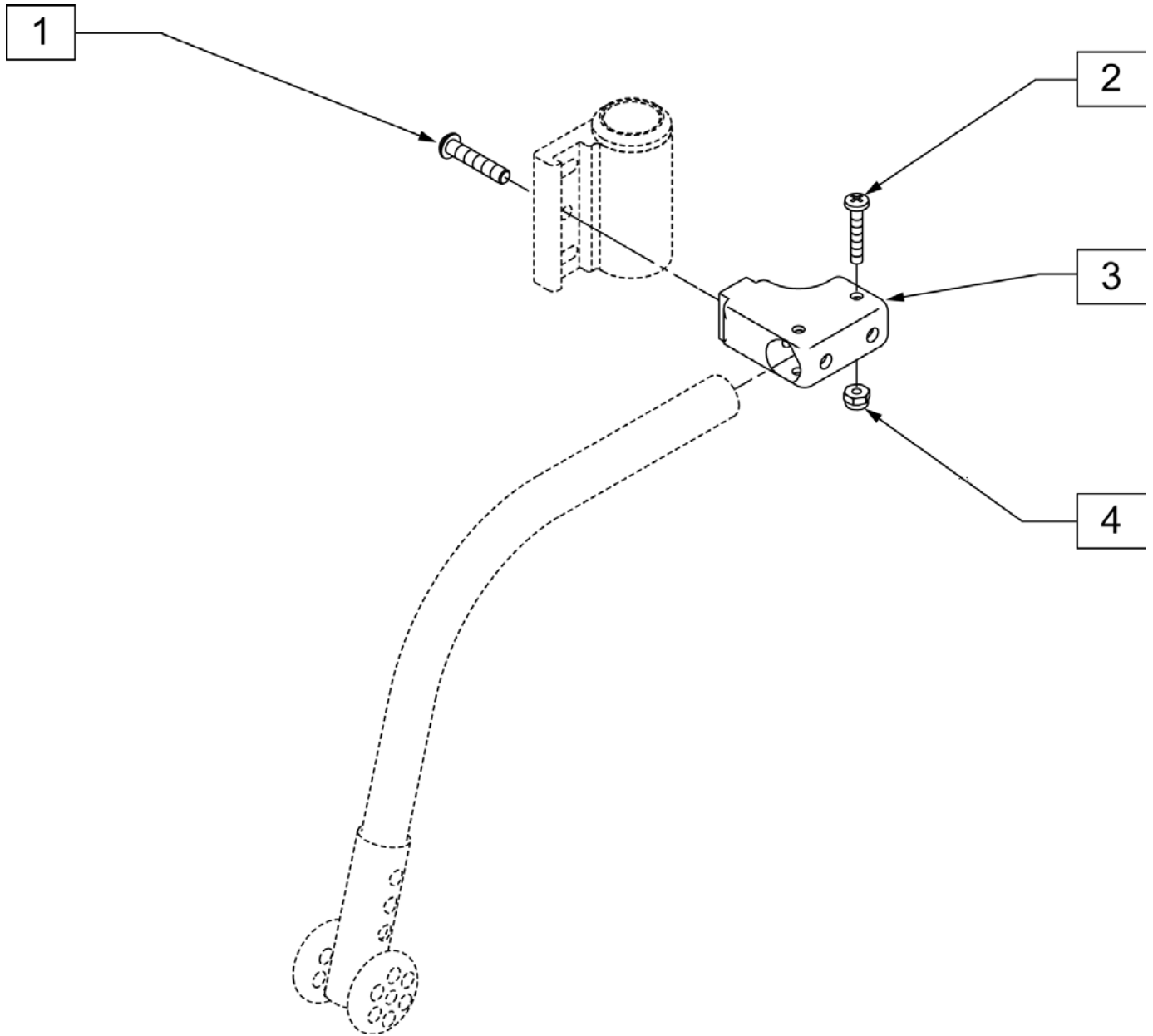


**CASTER
MEASURING GUIDE**

TIRE DIAMETER	HUB WIDTH
8"	2.6"

Pos.	Item Number	Description	Remarks
1	349502	7/8"x 5/16" BEARING	
2A	400700	8" X 2" CMPST W/PNEU & BEARING	8" x 2" PNEUMATIC
2B	400702	8" X 2" CMPST W/PNEU INSRT&BRG	8" x 2" PNEUMATIC W/ INSERT
2C	384700	TIRE PNEUMATIC 8" x 2"	
2D	384730	INNER TUBE CASTER 8" x 2"	

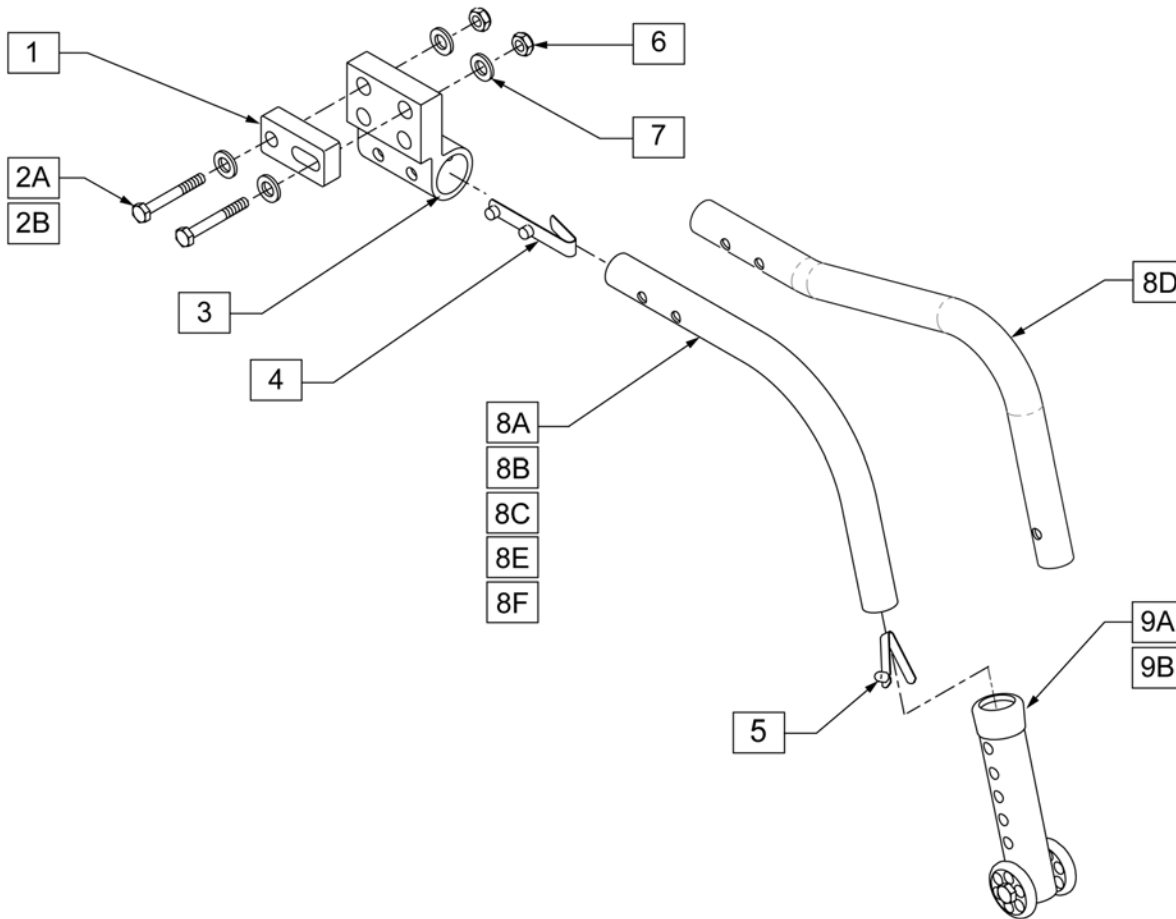
NOTE: USE KIDZ FOR 13" - 13.5" SEAT HEIGHT - USE SMALL FOR 14" - 15.5" SEAT HEIGHT - USE REGULAR FOR 16" - 18" SEAT HEIGHT - FRONT ANTI-TIPS ARE NO-GO FOR SEAT HEIGHTS 18.5" AND ABOVE.



Pos.	Item Number	Description
1A	106961	1/4 -28 x 1 1/4 BH C/S
1B	226163	1/4 -28 x 2 SOC C/S BLK
2	226029-QU	10-32 x 1 1/8 BH C/S BLK
3	505341	FRONT ANTI-TIP H/D CASTER
4	200100-QU	10-32 NYLOCK NUT
1-4	922050	FRONT ANTI-TIP REC H/A CASTER Q2

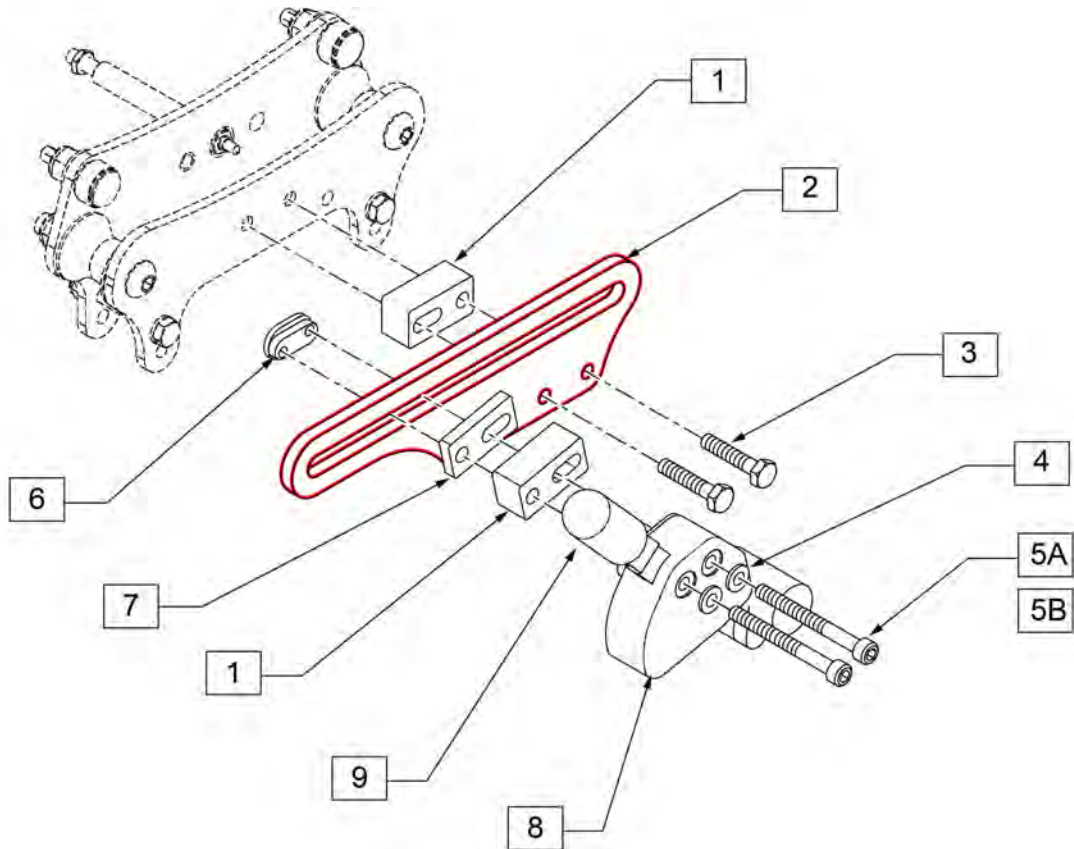
Note: See "REAR ANTI-TIP GUIDE" in information panel for Anti-tip selections.

Note: In some configurations using the threaded axle, Item 1 Block Spacer may be required to prevent interference between the axle nut and the anti-tip.

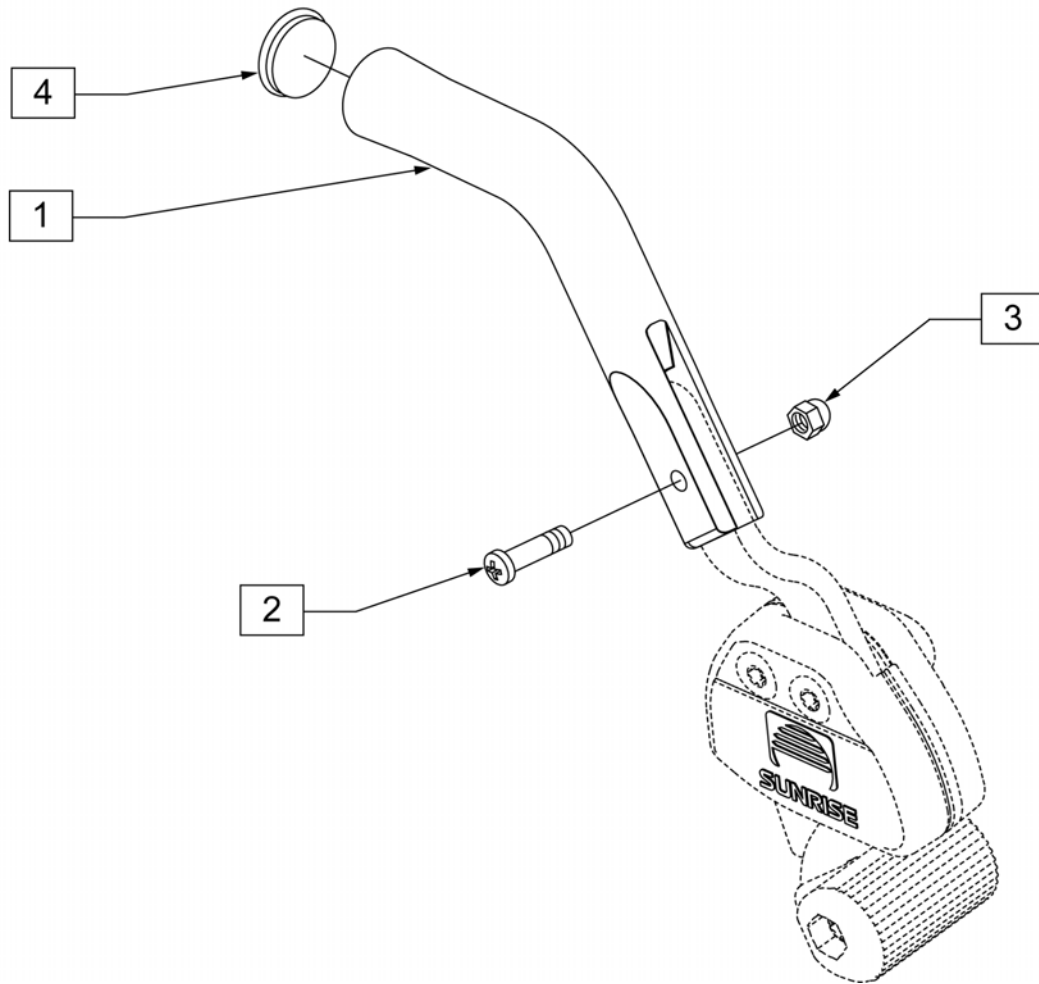


Pos.	Item Number	Description	Remarks
1	501711	BLOCK SPACER WHEEL LOCK	
2A	221181	1/4 -28 x 2 1/2 G8 HEX C/S	
2B	107016	1/4 -28 x 3 G8 HEX C/S	
4	301109	SNAP BUTTON DUAL ONE SIDE	
5	301100	1/4" SNAP BUTTON SINGLE B-130	
6	106935	NUT NYLOCK THIN 1/4-28 ROHS	
7	106935	1/4" AN WASHER FLAT THIN	
9A	104157	ANTI TIP ARM ADJUSTER	
9B	104639	ANTI TIP ARM ADJ. MED	
2A, 3, 6, 7	040017-001	ANTI-TIP RECEIVER STD W/ HDWR	
1,2B,3, 6, 7	040017-002	ANTI-TIP RECIEVER EXT W/ HDWR	
4, 5, 8A	882898	ANTI-TIP TUBE KIDZ BLACK W/ SNAPS	RIGHT

Pos.	Item Number	Description	Remarks
4, 5, 8A	882899	ANTI-TIP TUBE KIDZ BLACK W/ SNAPS	LEFT
4, 5, 8B	882964	ANTI-TIP TUBE SMALL BLACK W/ SNAPS	RIGHT
4, 5, 8B	882965	ANTI-TIP TUBE SMALL BLACK W/ SNAPS	LEFT
4, 5, 8C	882896	ANTI-TIP TUBE REG BLACK W/ SNAPS	RIGHT
4, 5, 8C	882897	ANTI-TIP TUBE REG BLACK W/ SNAPS	LEFT
4, 5, 8D	104219-002	ANTI TIP TUBE ASSY CRVD RH	RIGHT
4, 5, 8D	104219-001	ANTI TIP TUBE ASSY CRVD LH	LEFT
4, 5, 8E	104221-002	ANTI TIP ARM SML RGT	RIGHT
4, 5, 8E	104221-001	ANTI TIP ARM SML LFT	LEFT
4, 5, 8F	104221-004	ANTI TIP ARM MED RGT	RIGHT
4, 5, 8F	104221-003	ANTI TIP ARM MED LFT	LEFT
4,5,8A,9A	040014-001	REAR ANTI-TIP ASSM KIDS 5P	RIGHT
4,5,8A,9A	040015-001	REAR ANTI-TIP ASSM KIDS 5P	LEFT
4,5,8A,9A	040016-001	REAR ANTI-TIP ASSM KIDS 5P	PAIR
4,5,8A,9B	040014-002	REAR ANTI-TIP ASSM KIDS 6P	RIGHT
4,5,8A,9B	040015-002	REAR ANTI-TIP ASSM KIDS 6P	LEFT
4,5,8A,9B	040016-002	REAR ANTI-TIP ASSM KIDS 6P	PAIR
4,5,8B,9A	040014-003	REAR ANTI-TIP ASSM SMALL 5P	RIGHT
4,5,8B,9A	040015-003	REAR ANTI-TIP ASSM SMALL 5P	LEFT
4,5,8B,9A	040016-003	REAR ANTI-TIP ASSM SMALL 5P	PAIR
4,5,8C,9B	040014-004	REAR ANTI-TIP ASSM REG 6P	RIGHT
4,5,8C,9B	040015-004	REAR ANTI-TIP ASSM REG 6P	LEFT
4,5,8C	040016-004	REAR ANTI-TIP ASSM REG	PAIR
4,5,8D,9A	050172-001	REAR ANTI-TIP ASSM 20"	RIGHT
4,5,8D,9A	050173-001	REAR ANTI-TIP ASSM 20"	LEFT
4,5,8D,9A	040016-005	REAR ANTI-TIP ASSM 20"	PAIR
4,5,8E,9A	050172-002	REAR ANTI-TIP ASSM 22"	RIGHT
4,5,8E,9A	050173-002	REAR ANTI-TIP ASSM 22"	LEFT
4,5,8E,9A	040016-006	REAR ANTI-TIP ASSM 22"	PAIR
4,5,8F,9B	050172-003	REAR ANTI-TIP ASSM 24"	RIGHT
4,5,8F,9B	050173-003	REAR ANTI-TIP ASSM 24"	LEFT
4,5,8F,9B	040016-007	REAR ANTI-TIP ASSM 24"	PAIR

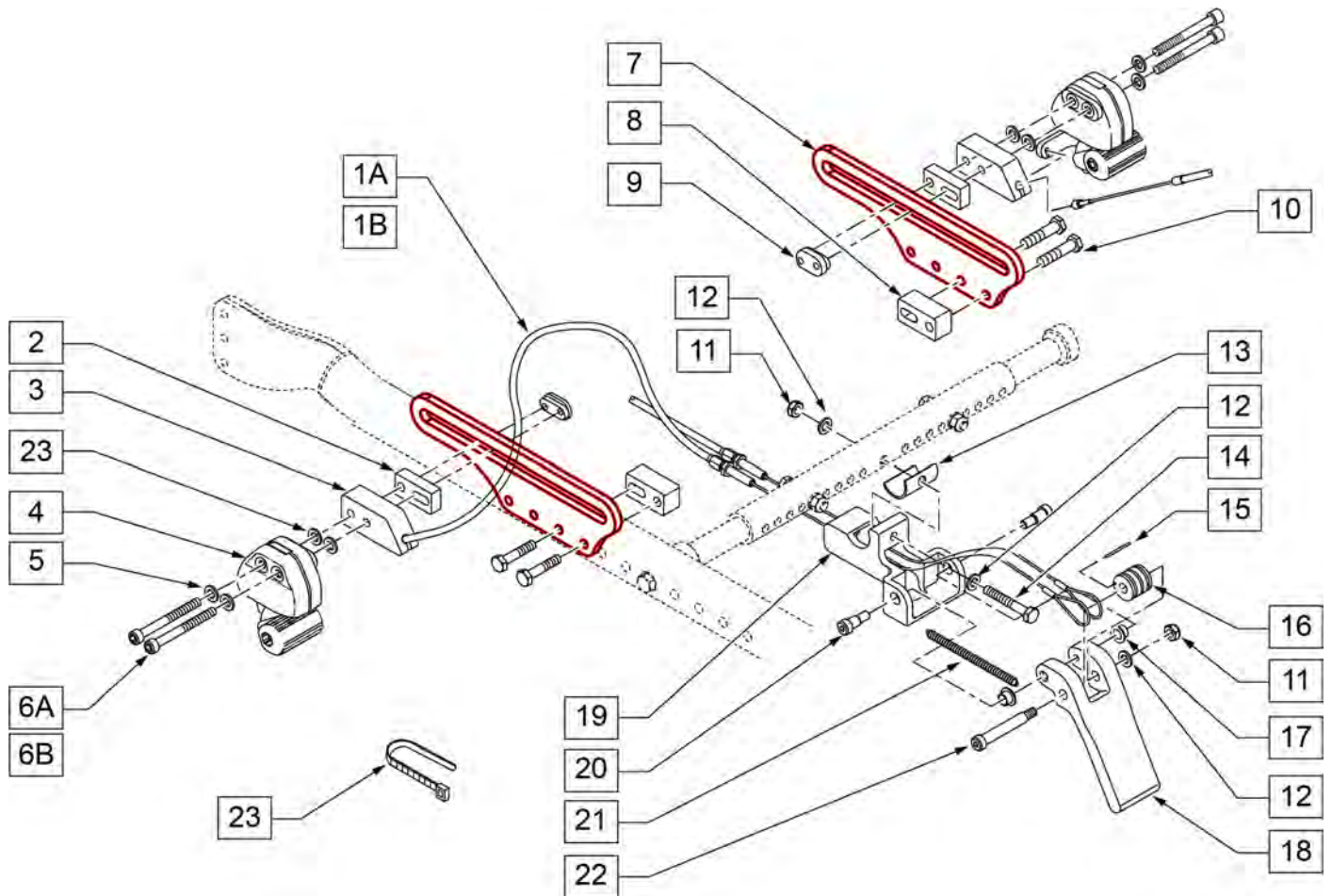


Pos.	Item Number	Description	Remarks
1	500675	WHEEL LOCK MOUNTING BLOCK CGTS	
2		Part	No longer available
3	221124-QU	1/4 -28 x 1 1/4 GB HEX C/S	
4	262133	WASHER LOCK M6	
5A	234900	M6-60 SOC C/S BLK	
5B	201344	M6 x 70 SOC C/S SS	FOR SPOKE WHEELS
6	050544	NUT ADJUSTABLE WHEEL LOCK	RIGHT
6	050545	NUT ADJUSTABLE WHEEL LOCK	LEFT
7	501711	BLOCK SPACER WHEEL LOCK	FOR SPOKE WHEELS
8	883130	PUSH TO LOCK WHEEL LOCK	RIGHT
8	883131	PUSH TO LOCK WHEEL LOCK	LEFT
9	000 861 156-ET	B4 WHEEL LOCK GRIPS QTY 5 EA	PACK OF 5



Pos.	Item Number	Description	Remarks
1-4	000 861 263	CRANKED EXTENSION KIT	KIT

NOTE: USE 'EXTENSION' IF YOU HAVE DUAL POST ARMRESTS.



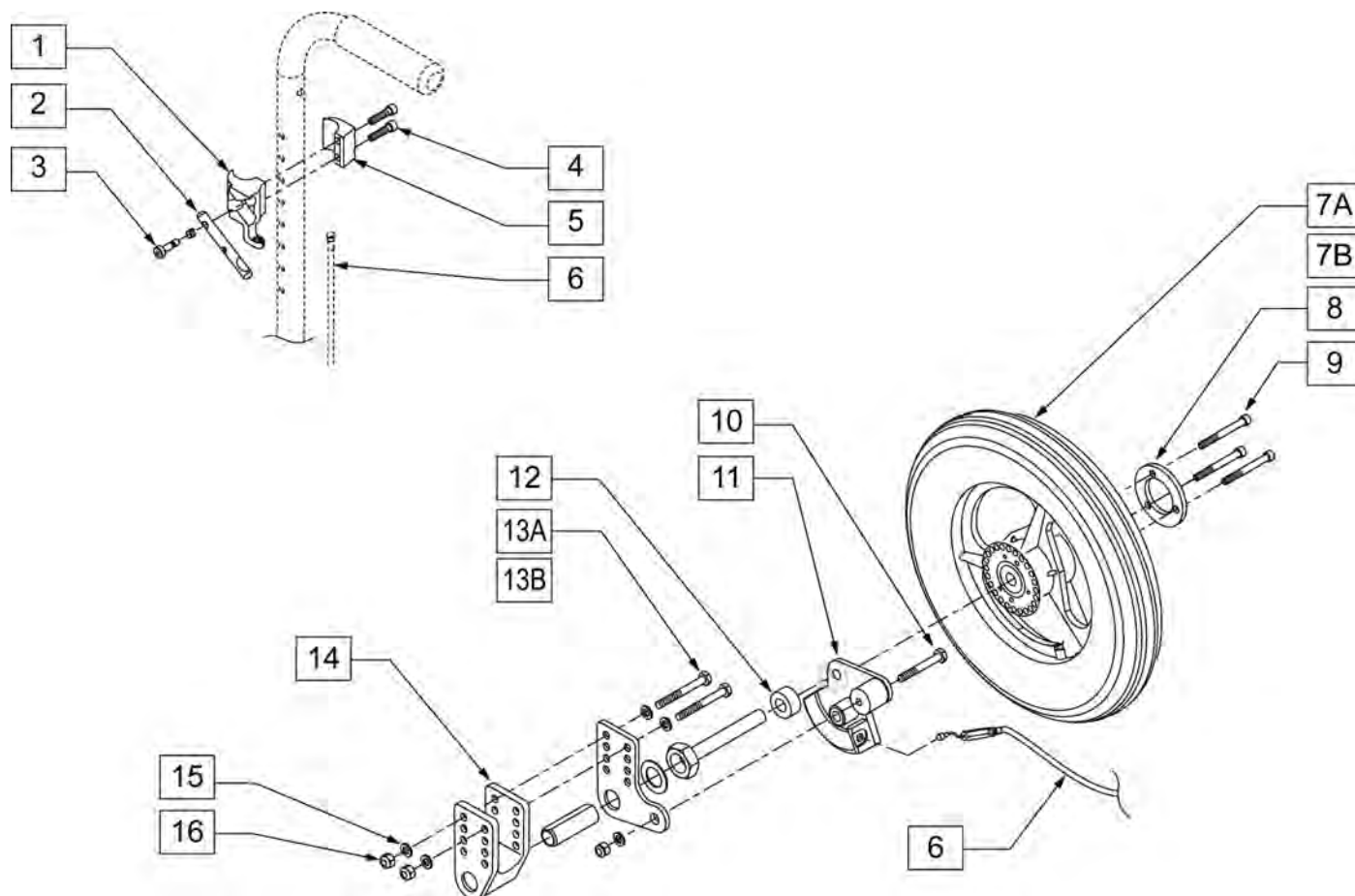
Pos.	Item Number	Description	Remarks
1A	342016	ATTENDANT WHEEL LOCK CABLE ASSM -SHORT	
1B	342017	ATTENDANT WHEEL LOCK CABLE ASSM -LONG	
2	501711	BLOCK SPACER WHEEL LOCK	
3	506118	ATTENDANT WHEEL LOCK SPACER BLOCK	
4	119952	REMOTE LOCK RIGHT SIDE US	RIGHT
4	119953	REMOTE LOCK LEFT SIDE US	LEFT
5	262133	WASHER LOCK M6	
6A	234900	M6-60 SOC C/S BLK	
6B	201344	M6 x 70 SOC C/S SS	STAINLESS
7		Part	No longer available
8	500675	BLOCK MOUNTING WHEEL LOCK	
9	050544	NUT ADJUSTABLE WHEEL LOCK	RIGHT
9	050545	NUT ADJUSTABLE WHEEL LOCK	LEFT
10	221124-QU	1/4 -28 x 1 1/4 G8 HEX C/S	
11	201105	1/4 -20 NYLOCK NUT THIN	
12	106943	WASHER FLAT AN 1/4 ROHS	
13	050535	SPACER TUBE ATTENDANT WHEEL LOCK	
14	221140	1/4 -20 x 1 3/4 HEX C/S	

Pos.	Item Number	Description	Remarks
15	341127	ROLL PIN .063 DIA x .75 LG	
16	521119	BEARING CABLE ATTENDANT WHEEL LOCK	
17	481561	BEARING SLEEVE FLANGE .312 ID x .25L	
18	506113	PEDAL ATTENDANT WHEEL LOCK	
19	123517	ATTENDANT WHL MOUNT BRACKET	
20	281048	SHOULDER SCREW .312 DIA x .375 LG	
21	321146	SPRING EXT .25D 2.75L .032W SS	STAINLESS
22	281041	SHOULDER SCREW .312 DIA x 1.75 LG	
23	560410	ZIP TIE BLACK	
24	107383	WASHER FLAT M6 ROHS	

HUB LOCK

[10-2011]

Note: When retro fitting Hub Lock to existing chairs new QR Axle may need to be ordered.

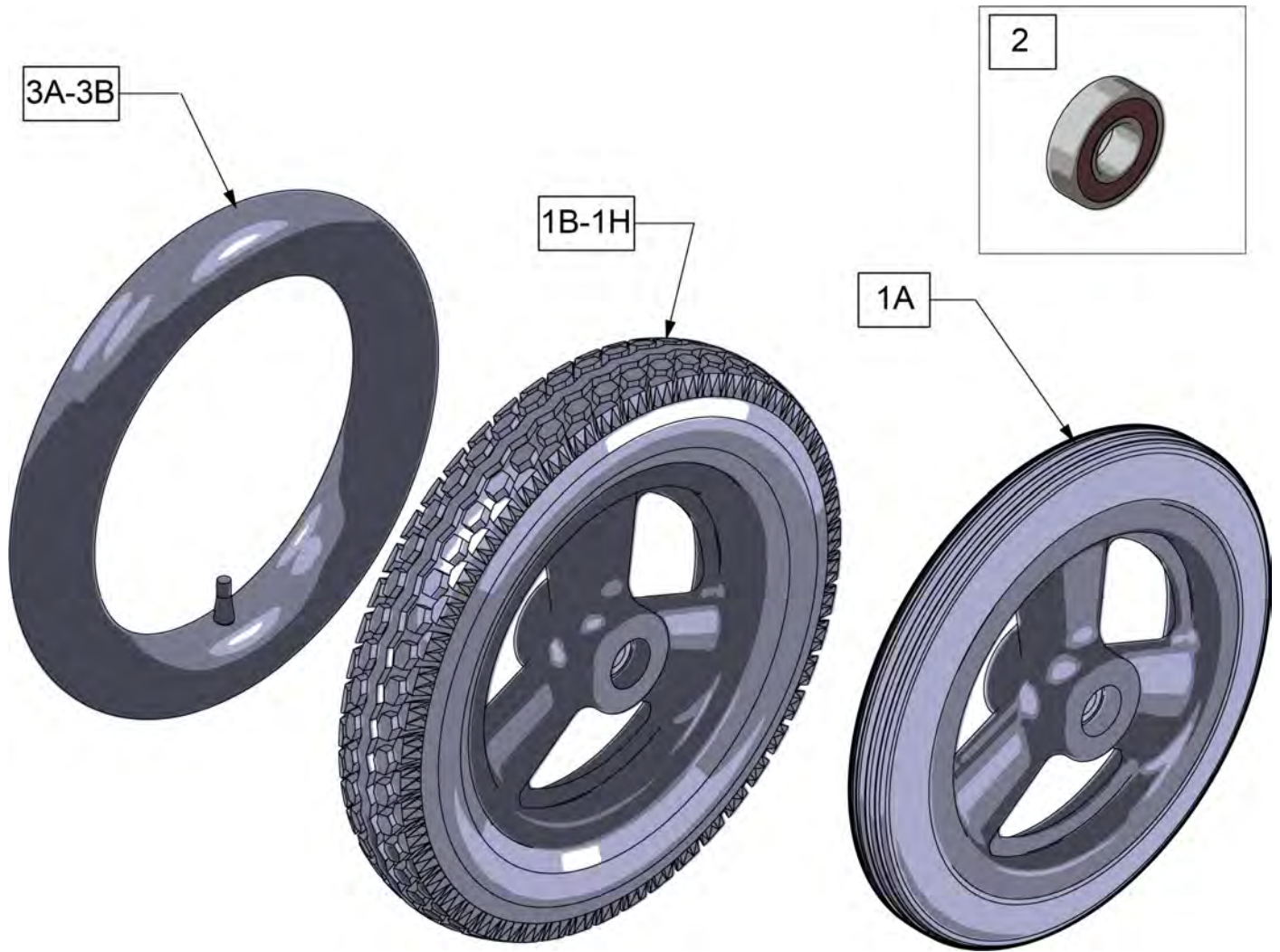


Pos.	Item Number	Description	Remarks
1-5	922331	HUB LOCK CLAMP ASSM	RIGHT
1-5	922332	HUB LOCK CLAMP ASSM	LEFT
2	506430	ALUMINUM Z-LOCK TRIGGER RIGHT	RIGHT
2	506431	ALUMINUM Z-LOCK TRIGGER LEFT	LEFT
6	922333	HUB LOCK CABLE ASSM	
7A-9	922334	12 PNEU W/ LOCKING HUB	
7B-9	922335	12 PNEU INSERT W/ LOCKING HUB	
10	107015	HHCS 1/4-28 X 1-3/4 ROHS	
11	922329	LOWER HUB LOCK ASSM	RIGHT
11	922330	LOWER HUB LOCK ASSM	LEFT
12	101313	Z IRIS SPACER AXLE HUB	
13A	107351	1/4 -28 x 2 1/4 G8 HEX C/S	
13B	221193	1/4 -28 x 2 3/4 G8 HEX C/S	USES 2 3/4" BOLTS IF ANTI-TIPS ARE TO BE INSTALLED
14	050542	ADAPTER AXLE PLATE HUB LOCK	
15	106943	1/4" AN WASHER FLAT	
16	106935	NUT NYLOCK THIN 1/4-28 ROHS	
10,13A,14-16	040018-001	LOWER HUB LOCK ASSM W/ HDWR	RIGHT
10,13A,14-16	040019-001	LOWER HUB LOCK ASSM W/ HDWR	LEFT
10-13B, 14-16	040018-002	LOWER HUB LOCK ASSM AT W/ HDWR	RIGHT

Pos.	Item Number	Description	Remarks
10-13B, 14-16	040019-002	LOWER HUB LOCK ASSM AT W/ HDWR	LEFT
1-7A,8-13A,14-16	040020-001	HUB LOCK ASSM 12 PNEU	INCLUDES RIGHT & LEFT ASSMS
1-7B,8-13A,14-16	040020-002	HUB LOCK ASSM 12 PNEU INSERT	INCLUDES RIGHT & LEFT ASSMS
1-7A,8-13B, 14-16	040020-003	HUB LOCK ASSM 12 PNEU AT	INCLUDES RIGHT & LEFT ASSMS-USE W/ANTI-TIPS
1-7B,8-13B, 14-16	040020-004	HUB LOCK ASSM 12" PNEU INSRT A	INCLUDES RIGHT & LEFT ASSMS-USE W/ANTI-TIPS

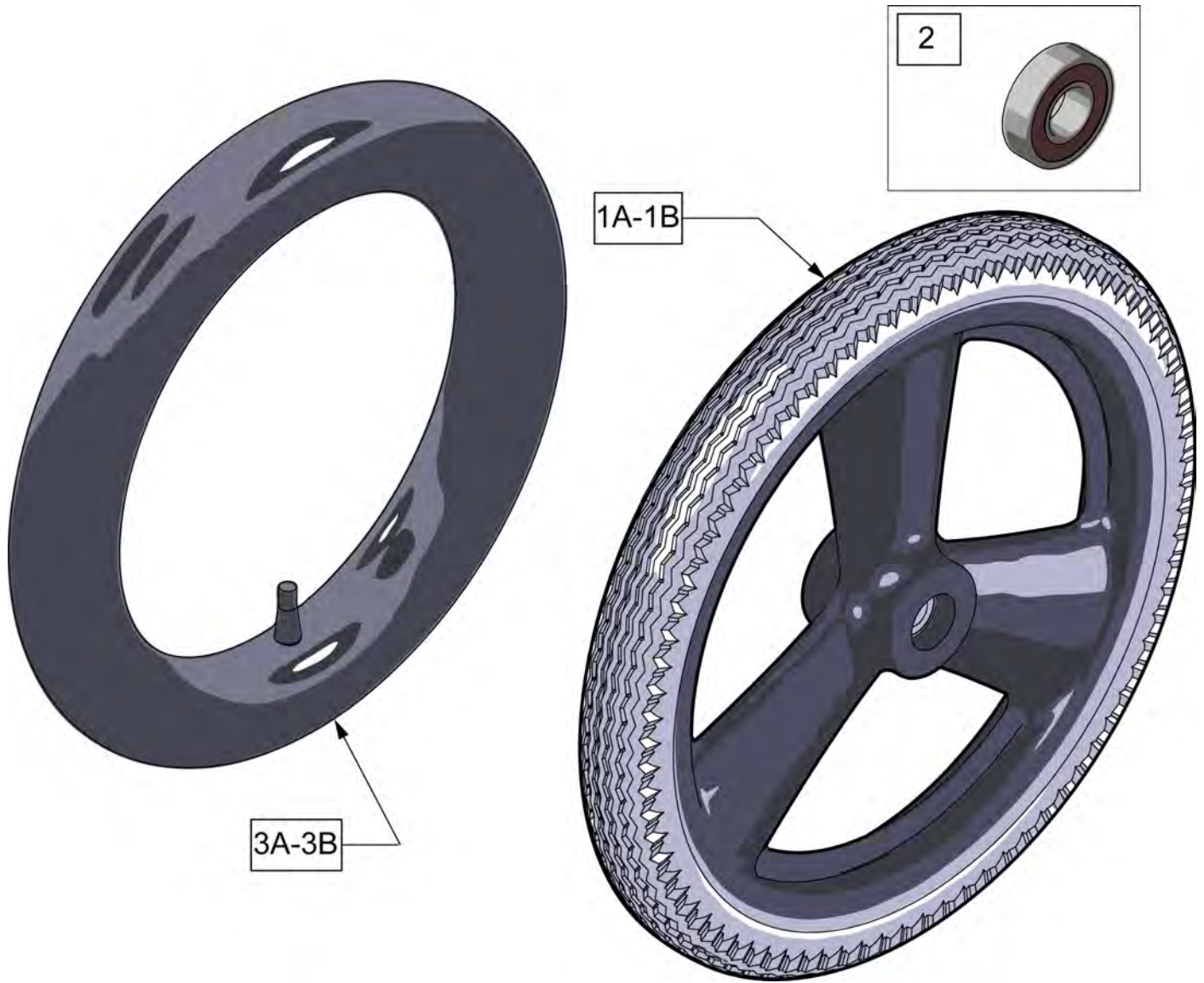
Note: Black Tires are not sold separately; please order the appropriate assembly part number.

Note: if changing the Rear Wheel Size on a chair with Anti-tips, new size Anti-tip Assemblies ARE REQUIRED to accommodate the new Rear Wheel Size.



Pos.	Item Number	Description	Remarks
1A	101466	12 IN MAG POLY TIRE 3 SPOKE	Low Poly
1B	101661	12" MAG PNEU 3 SPOKE	Grey Tire; for Quickie & Zippie Iris see Black Wheel Assm p/n's below
1C	101662	12" MAG PNEU INSRT 3 SPK	Grey Tire; for Quickie & Zippie Iris see Black Wheel Assm p/n's below
1D	384706	TIRE PNEU 12-1/2" X 2-1/4"	Grey Tire only
1E	243593	12IN MAG PNEU 3 SPOKE BLK	Black tire, only available on Quickie and Zippie IRIS at this time
1F	243594	12IN MAG PNEU INSRT 3 SPK BLK	Black tire, only available on Quickie and Zippie IRIS at this time
1G	112226-004	WHEEL HUB LOCK 12IN PNEU BLK	Black tire for Hub lock, only available on Quickie and Zippie IRIS at this time
1H	112226-005	WHEEL HUB LOCK 12IN INSRT BLK	Black tire for Hub lock, only available on Quickie and Zippie IRIS at this time
2	349500	1 1/8 X 1/2 BEARING	
3A	384736	INNER TUBE 12-1/2" X 2-1/4"	
3B	102972-001	12 1/2 IN AIRLESS INSERT	

Note: if changing the Rear Wheel Size on a chair with Anti-tips, new size Anti-tip Assemblies ARE REQUIRED to accommodate the new Rear Wheel Size.



Pos.	Item Number	Description	Remarks
1A	101667	16 IN MAG PNEU 3 SPOKE	
1B	101668	16 IN MAG PNEU W/INSERT	
1C	385237	16" X 1.75" PNEU TIRE	Tire Only
2	349500	1 1/8 X 1/2 BEARING	
3A	384738	16" X 1.75" INNER TUBE	
3B	102973-001	16IN AIRLESS INSERT	

Note: this wheel utilizes Screw Mount Handrims - the handrim has a threaded hole that mounts the handrim to the wheel through a spacer and fastener.

Note: if Mag Wheel Assembly was ordered without Handrim and a Handrim is added to the wheel, qty 6 of 101932 and 281175 ARE REQUIRED to properly mount the handrim.

Note: if changing the Rear Wheel Size on a chair with Anti-tips, new size Anti-tip Assemblies ARE REQUIRED to accommodate the new Rear Wheel Size.

Note: for Zippie X'Cape 6 Spoke Mags are only available with the One Arm Drive.



Pos.	Item Number	Description	Remarks
1-3	401094	20" MAG W/BRNG 6 SPOKE	20"
1-3	401093	22" MAG W/BRNG 6 SPOKE	22"(501mm)
1-3	401092	24" MAG W/BRNG 6 SPOKE	24"(540mm)
2	349500	1 1/8 X 1/2 BEARING	
3	521564	MAG BEARING SPACER	
4	101932	SPCR .194ID X .375 OD X .750	Used when previously ordered with Omit handrims or Natural Fit Handrims

Note: this Wheel utilizes Screw Mount Handrims; the Handrim has a threaded hole that mounts the Handrim to the Wheel through a spacer and fastener.

Note: the Lite Spoke Wheel has a total of 30 spokes.

Note: if changing the Rear Wheel Size on a chair with Anti-tips, new size Anti-tip Assemblies ARE REQUIRED to accommodate the new Rear Wheel Size.

Note: when ordering replacement bearings, if dust shield on bearing has the following markings: MBL-Z2 6001 2RS, then order P/N 114097.



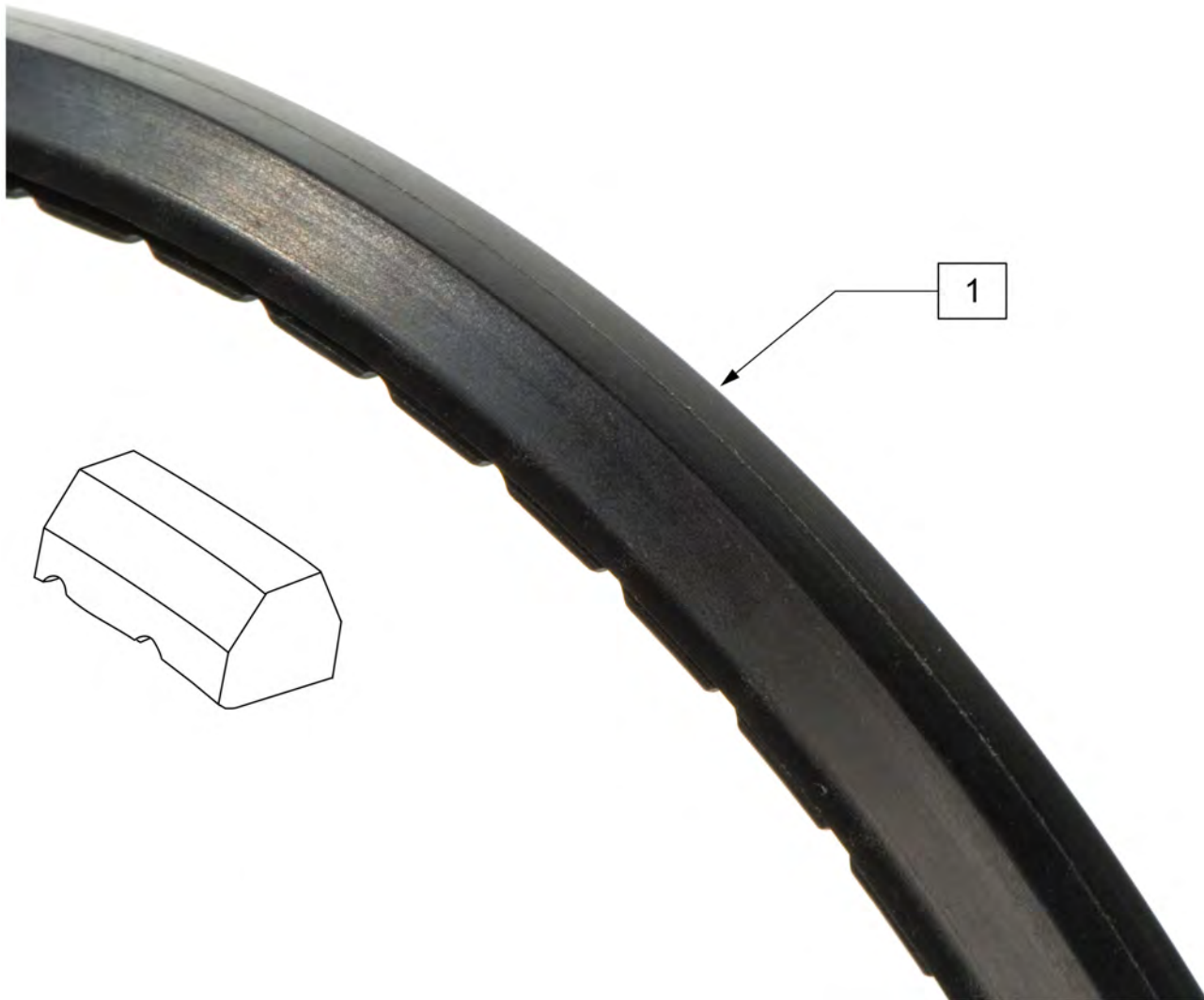
Pos.	Item Number	Description	Remarks
1A	118755	WHEEL ASSM GALLOP 20IN	20" (451)
1B	118756	WHEEL ASSM GALLOP 22IN	22" (501)
1C	107131	WHEEL RIM/SPOKE 24" ASSM	24" (540)
1D	118764	25 LT SPK W-HNDRM ANO ASSM GLP	25" (559)
1E	118760	WHEEL ASSM GALLOP 26IN	26" (590)
2A	114097	BEARING, REPLACEMENT, MBL	12.7mm i.d. - 28mm o.d. - 8mm wide; used prior to 11/29/10
2B	349500	1_125 X .5 BEARING	Beginning 11/29/10
3A	118100	MBL LT 20IN SPOKE RPLMNT KIT	Kit contains 6 inner and 6 outer spokes
3B	118101	MBL LT 22IN SPOKE RPLMNT KIT	Kit contains 6 inner and 6 outer spokes
3C	118102	MBL LT 24IN SPOKE RPLMNT KIT	Kit contains 6 inner and 6 outer spokes
3D	118103	MBL LT 25IN SPOKE RPLMNT KIT	Kit contains 6 inner and 6 outer spokes
3E	118104	MBL LT 26IN SPOKE RPLMNT KIT	Kit contains 6 inner and 6 outer spokes



Pos.	Item Number	Description	Remarks
1	385237	16" X 1.75" PNEU TIRE	
1	385250	20" PNEUMATIC TIRE	
1	385275	22" PNEUMATIC TIRE	22" x 1 3/8 (501mm)
1	385300	24" PNEUMATIC TIRE	24" x 1 3/8 (540mm)
1	385325	26" PNEUMATIC TIRE	26" x 1 3/8 (590mm)
1	384614	24" x 2.125 PNEUMATIC TIRE	24"x2 1/8 (540mm) used w/ M6



Pos.	Item Number	Description	Remarks
1	386232	20" POLY TIRE STD	20"
1	386242	22" POLY TIRE STD	22" (501mm)
1	386252	24" POLY TIRE STD	24" (540mm)

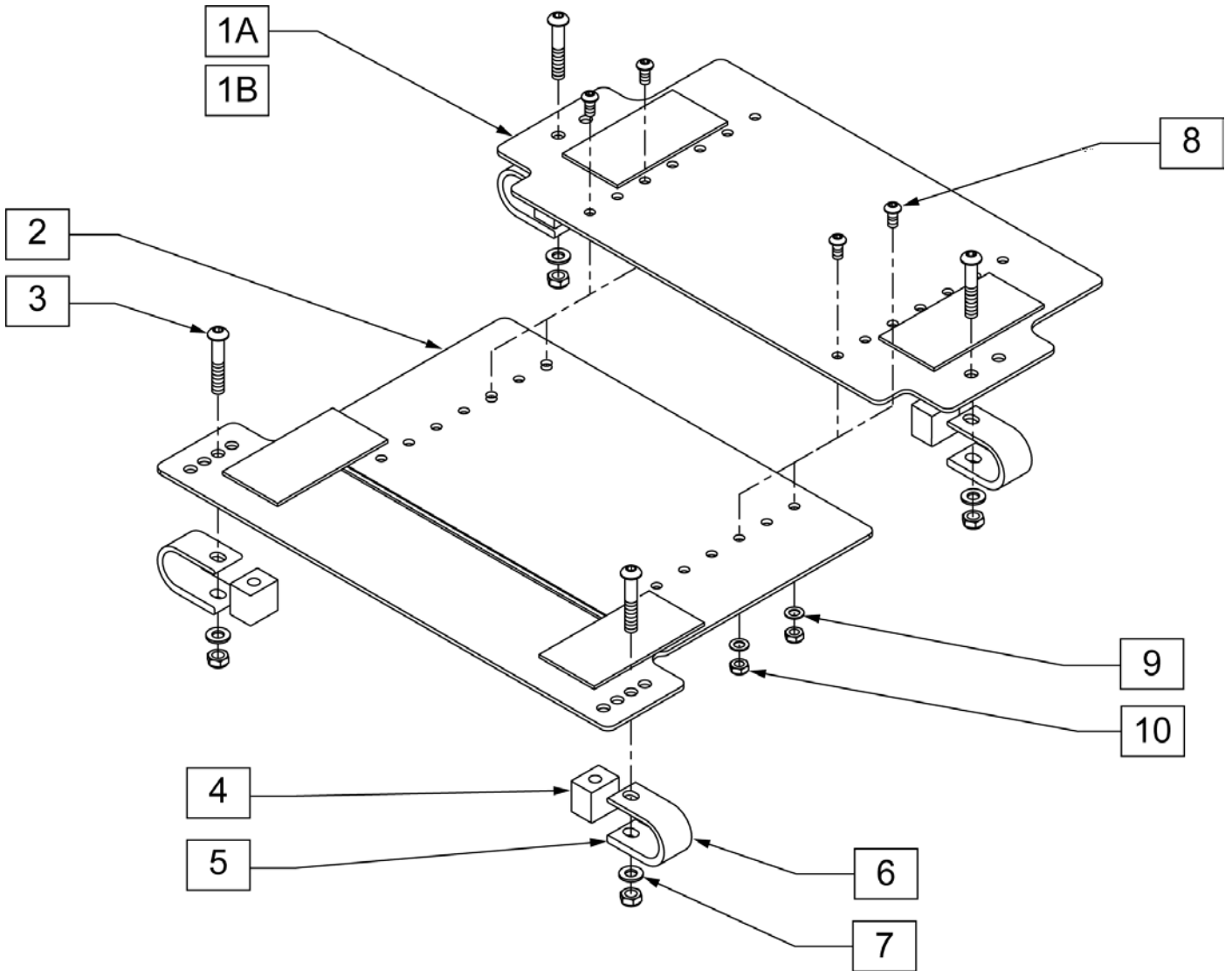


Pos.	Item Number	Description	Remarks
1	386262	20" LP POLY TIRE BR	20" =16" dia
1	386263	22" LP POLY TIRE BR	22"(501mm) = 18"dia
1	386254	24" POLY LOW PROFILE	24"(540mm)= 23" dia



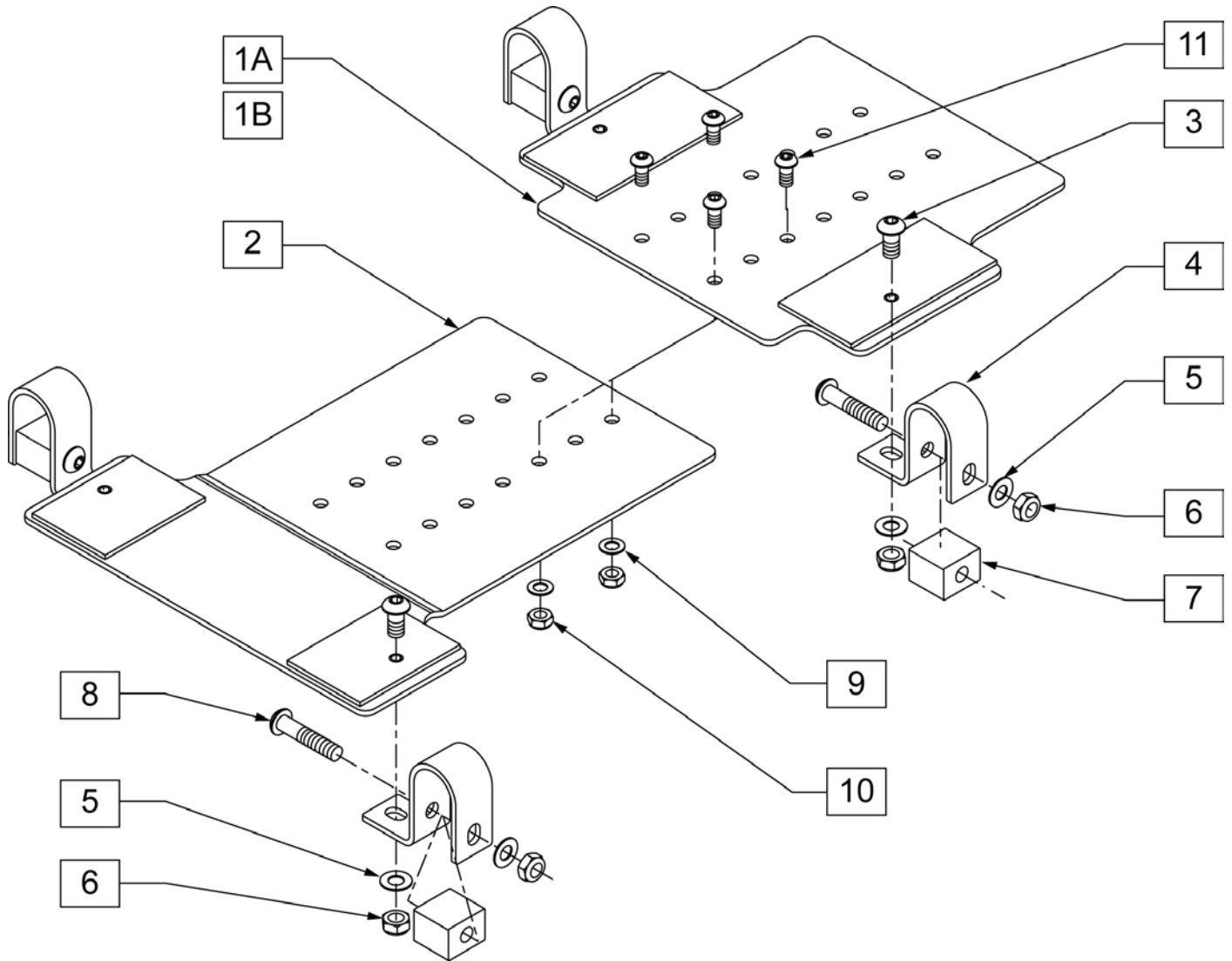
Pos.	Item Number	Description
1	385350	24" KEVLAR TIRE

SEAT PAN



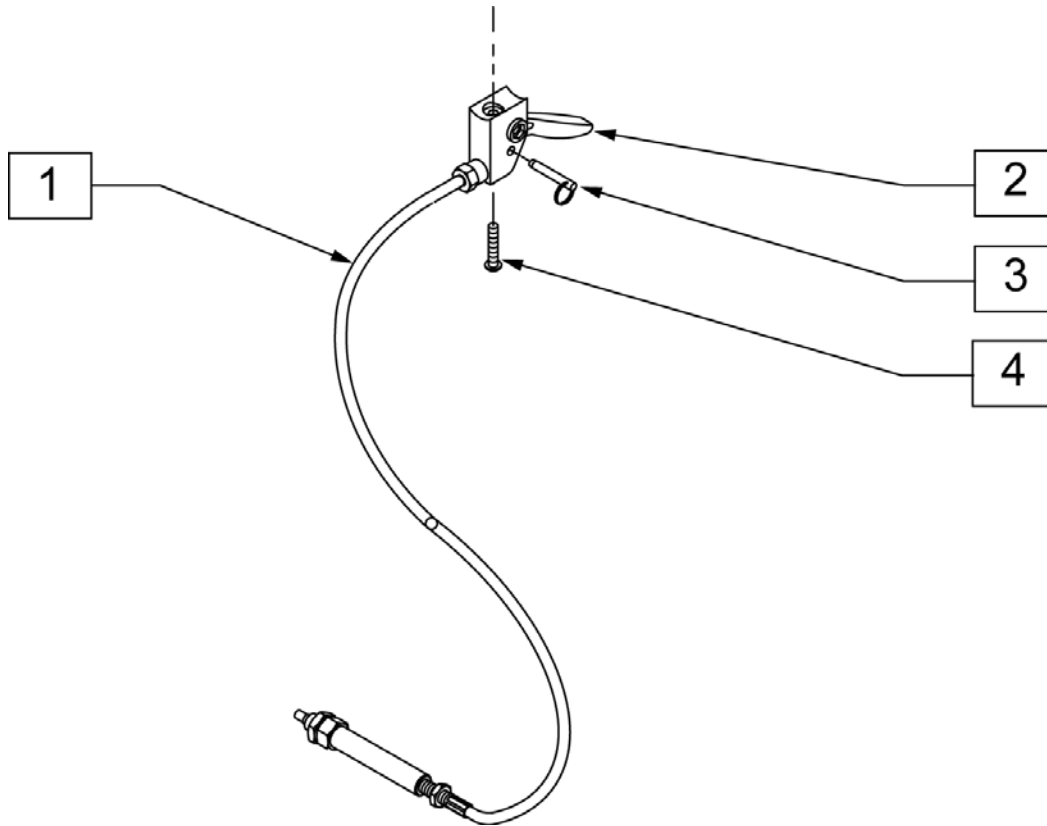
Pos.	Item Number	Description	Pos.	Item Number	Description
1A	040036-002	SEAT PAN REAR VELCRO 10W 10-16"	1B	040037-010	SEAT PAN REAR VELCRO 18W 14-18"
1A	040036-003	SEAT PAN REAR VELCRO 11W 10-16"	2	040038-002	SEAT PAN FRONT VELCRO 10W
1A	040036-004	SEAT PAN REAR VELCRO 12W 10-16"	2	040038-003	SEAT PAN FRONT VELCRO 11W
1A	040036-005	SEAT PAN REAR VELCRO 13W 10-16"	2	040038-004	SEAT PAN FRONT VELCRO 12W
1A	040036-006	SEAT PAN REAR VELCRO 14W 10-16"	2	040038-005	SEAT PAN FRONT VELCRO 13W
1A	040036-007	SEAT PAN REAR VELCRO 15W 10-16"	2	040038-006	SEAT PAN FRONT VELCRO 14W
1A	040036-008	SEAT PAN REAR VELCRO 16W 10-16"	2	040038-007	SEAT PAN FRONT VELCRO 15W
1A	040036-009	SEAT PAN REAR VELCRO 17W 10-16"	2	040038-008	SEAT PAN FRONT VELCRO 16W
1A	040036-010	SEAT PAN REAR VELCRO 18W 10-16"	2	040038-009	SEAT PAN FRONT VELCRO 17W
1B	040037-002	SEAT PAN REAR VELCRO 10W 14-18"	2	040038-010	SEAT PAN FRONT VELCRO 18W
1B	040037-003	SEAT PAN REAR VELCRO 11W 14-18"	3	106982	BHCS 5/16-18 X 1-3/4 SHLD ROHS
1B	040037-004	SEAT PAN REAR VELCRO 12W 14-18"	4	550846	SPACER SEAT PAN
1B	040037-005	SEAT PAN REAR VELCRO 13W 14-18"	5	263100	5/16" AN WASHER FLAT
1B	040037-006	SEAT PAN REAR VELCRO 14W 14-18"	6	550684	CLAMP SEAT PAN
1B	040037-007	SEAT PAN REAR VELCRO 15W 14-18"	7	106937	5/16 -18 NYLOCK NUT THIN
1B	040037-008	SEAT PAN REAR VELCRO 16W 14-18"	8	106959	BHCS 1/4 -28 x 5/8 ROHS
1B	040037-009	SEAT PAN REAR VELCRO 17W 14-18"	9	106943	1/4" AN WASHER FLAT

Pos.	Item Number	Description	Pos.	Item Number	Description
10	200100-QU	1/4 -28 NYLOCK NUT THIN	1-10	040039-009	SEAT PAN ASSM 18W 10-16"
3-7	881537	SEAT PAN BRACKET W/ HARDWARE	1-10	040039-010	SEAT PAN ASSM 10W 10-18"
1-10	040039-001	SEAT PAN ASSM 10W 10-16"	1-10	040039-011	SEAT PAN ASSM 11W 14-18"
1-10	040039-002	SEAT PAN ASSM 11W 10-16"	1-10	040039-012	SEAT PAN ASSM 12W 14-18"
1-10	040039-003	SEAT PAN ASSM 12W 10-16"	1-10	040039-013	SEAT PAN ASSM 13W 14-18"
1-10	040039-004	SEAT PAN ASSM 13W 10-16"	1-10	040039-014	SEAT PAN ASSM 14W 14-18"
1-10	040039-005	SEAT PAN ASSM 14W 10-16"	1-10	040039-015	SEAT PAN ASSM 15W 14-18"
1-10	040039-006	SEAT PAN ASSM 15W 10-16"	1-10	040039-016	SEAT PAN ASSM 16W 14-18"
1-10	040039-007	SEAT PAN ASSM 16W 10-16"	1-10	040039-017	SEAT PAN ASSM 17W 14-18"
1-10	040039-008	SEAT PAN ASSM 17W 10-16"	1-10	040039-018	SEAT PAN ASSM 18W 14-18"

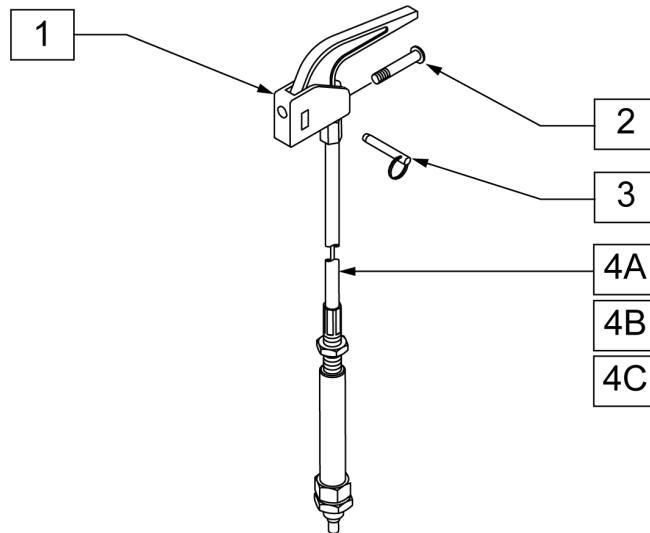


Pos.	Item Number	Description	Pos.	Item Number	Description
1A	040036-001	SEAT PAN REAR VELCRO 9W 10-16"	1B	040037-010	SEAT PAN REAR VELCRO 18W 14-18"
1A	040036-002	SEAT PAN REAR VELCRO 10W 10-16"	2	040038-001	SEAT PAN FRONT VELCRO 9W
1A	040036-003	SEAT PAN REAR VELCRO 11W 10-16"	2	040038-002	SEAT PAN FRONT VELCRO 10W
1A	040036-004	SEAT PAN REAR VELCRO 12W 10-16"	2	040038-003	SEAT PAN FRONT VELCRO 11W
1A	040036-005	SEAT PAN REAR VELCRO 13W 10-16"	2	040038-004	SEAT PAN FRONT VELCRO 12W
1A	040036-006	SEAT PAN REAR VELCRO 14W 10-16"	2	040038-005	SEAT PAN FRONT VELCRO 13W
1A	040036-007	SEAT PAN REAR VELCRO 15W 10-16"	2	040038-006	SEAT PAN FRONT VELCRO 14W
1A	040036-008	SEAT PAN REAR VELCRO 16W 10-16"	2	040038-007	SEAT PAN FRONT VELCRO 15W
1A	040036-009	SEAT PAN REAR VELCRO 17W 10-16"	2	040038-008	SEAT PAN FRONT VELCRO 16W
1B	040037-002	SEAT PAN REAR VELCRO 10W 14-18"	2	040038-009	SEAT PAN FRONT VELCRO 17W
1B	040037-003	SEAT PAN REAR VELCRO 11W 14-18"	3	222231	5/16 -18 x 5/8 BH C/S BLK W/ PATCH
1B	040037-004	SEAT PAN REAR VELCRO 12W 14-18"	4	506289	CLAMP SEAT PAN 2 DROP SEAT
1B	040037-005	SEAT PAN REAR VELCRO 13W 14-18"	5	263100	5/16" AN WASHER FLAT
1B	040037-006	SEAT PAN REAR VELCRO 14W 14-18"	6	106937	5/16 -18 NYLOCK NUT THIN
1B	040037-007	SEAT PAN REAR VELCRO 15W 14-18"	7	550846	SPACER SEAT PAN
1B	040037-008	SEAT PAN REAR VELCRO 16W 14-18"	8	226176	5/16 -18 x 1 1/2 BH C/S BLK
1B	040037-009	SEAT PAN REAR VELCRO 17W 14-18"	9	106943	1/4" AN WASHER FLAT

Pos.	Item Number	Description	Pos.	Item Number	Description
10	200100-QU	1/4 -28 NYLOCK NUT THIN	1-11	040040-009	SEAT PAN ASSM 18W 10-16"
11	226071	1/4 -28 x 1/2 BH C/S BLK	1-11	040040-010	SEAT PAN ASSM 10W 14-18"
3-8	881538	DROP SEAT PAN BRACKET W/ HDWR	1-11	040040-011	SEAT PAN ASSM 11W 14-18"
1-11	040040-001	SEAT PAN ASSM 10W 10-16"	1-11	040040-012	SEAT PAN ASSM 12W 14-18"
1-11	040040-002	SEAT PAN ASSM 11W 10-16"	1-11	040040-013	SEAT PAN ASSM 13W 14-18"
1-11	040040-003	SEAT PAN ASSM 12W 10-16"	1-11	040040-014	SEAT PAN ASSM 14W 14-18"
1-11	040040-004	SEAT PAN ASSM 13W 10-16"	1-11	040040-015	SEAT PAN ASSM 15W 14-18"
1-11	040040-005	SEAT PAN ASSM 14W 10-16"	1-11	040040-016	SEAT PAN ASSM 16W 14-18"
1-11	040040-006	SEAT PAN ASSM 15W 10-16"	1-11	040040-017	SEAT PAN ASSM 17W 14-18"
1-11	040040-007	SEAT PAN ASSM 16W 10-16"	1-11	040040-018	SEAT PAN ASSM 18W 14-18"
1-11	040040-008	SEAT PAN ASSM 17W 10-16"			



Pos.	Item Number	Description	Remarks
1	101319-004	CABLE ASSEMBLY PED XL	47" LONG (X-LONG)
2, 3	580109	PLUNGER PIN LEVER ASSM	
4	281120	10/32 x 5/8 PAN HD PHIL	



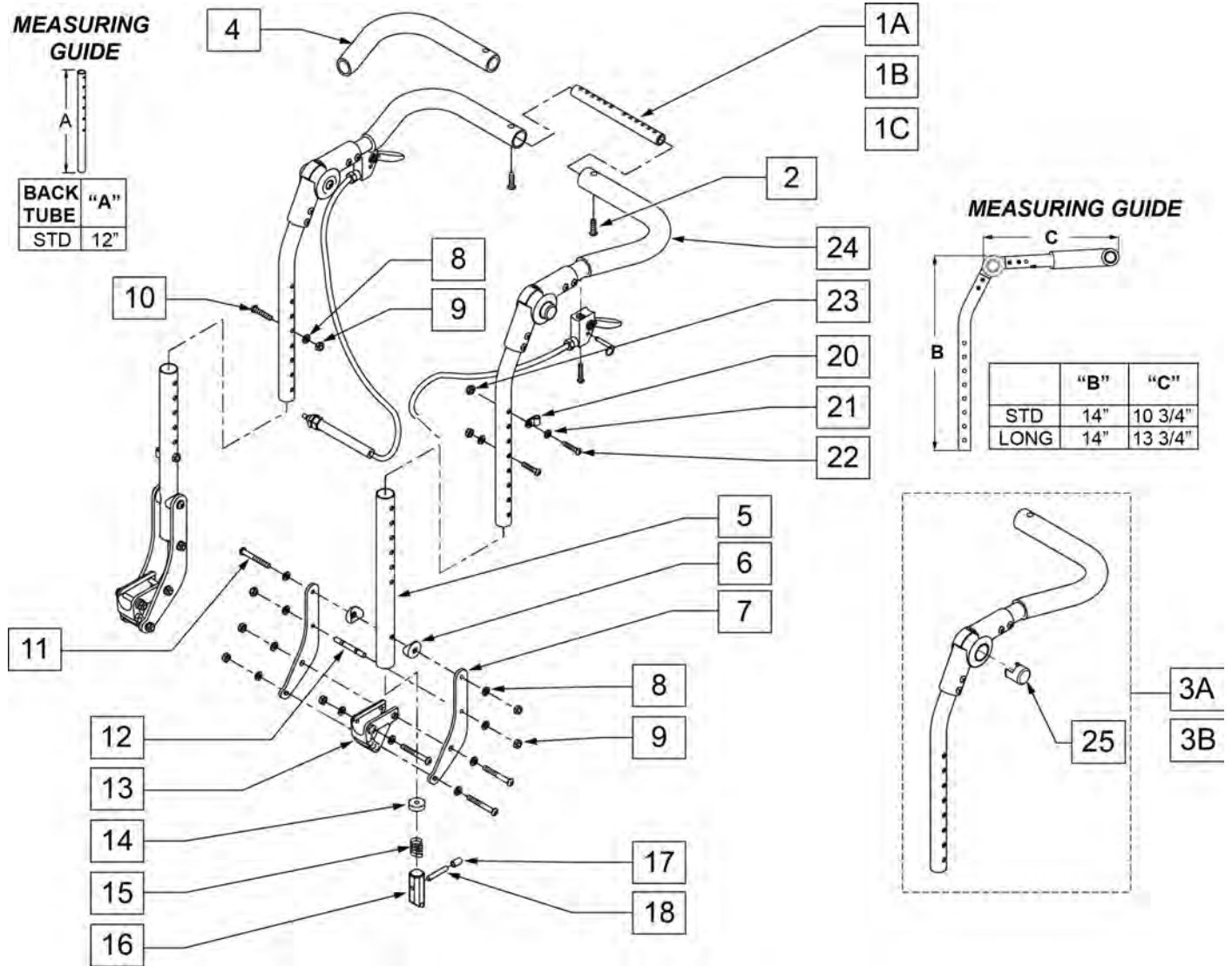
TILT CABLE REFERENCE GUIDE

BACK TYPE	CABLE LENGTH AND PART NUMBER				
	SHORT	MEDIUM	LONG	X-LONG	XX-LONG
STROLLER HANDLE BACKPOST (LOW/STD)	101319-001				
STROLLER HANDLE BACKPOST (MEDIUM)		101319-002			
STROLLER HANDLE BACKPOST (TALL)			101319-003		
MEDIUM RECLINING BACKS		101319-002			
TALL RECLINING BACKS			101319-003		

Pos.	Item Number	Description	Remarks
1, 3	580110	CYLINDER LOCK LEVER ASSM QT/QR/P5	
2	281120	10/32 x 5/8 PAN HD PHIL	
4A	101319-001	CABLE ASSEMBLY PED - SHORT	38" Long
4B	101319-002	CABLE ASSEMBLY PED - MEDIUM	41" Long
4C	101319-003	CABLE ASSEMBLY PED - LONG	44" Long

NOTE: ORDER HARDWARE FOR IRIS BACK BRACKETS BASED ON "BACK PLATE REPLACEMENT BOLT KIT" PAGE.

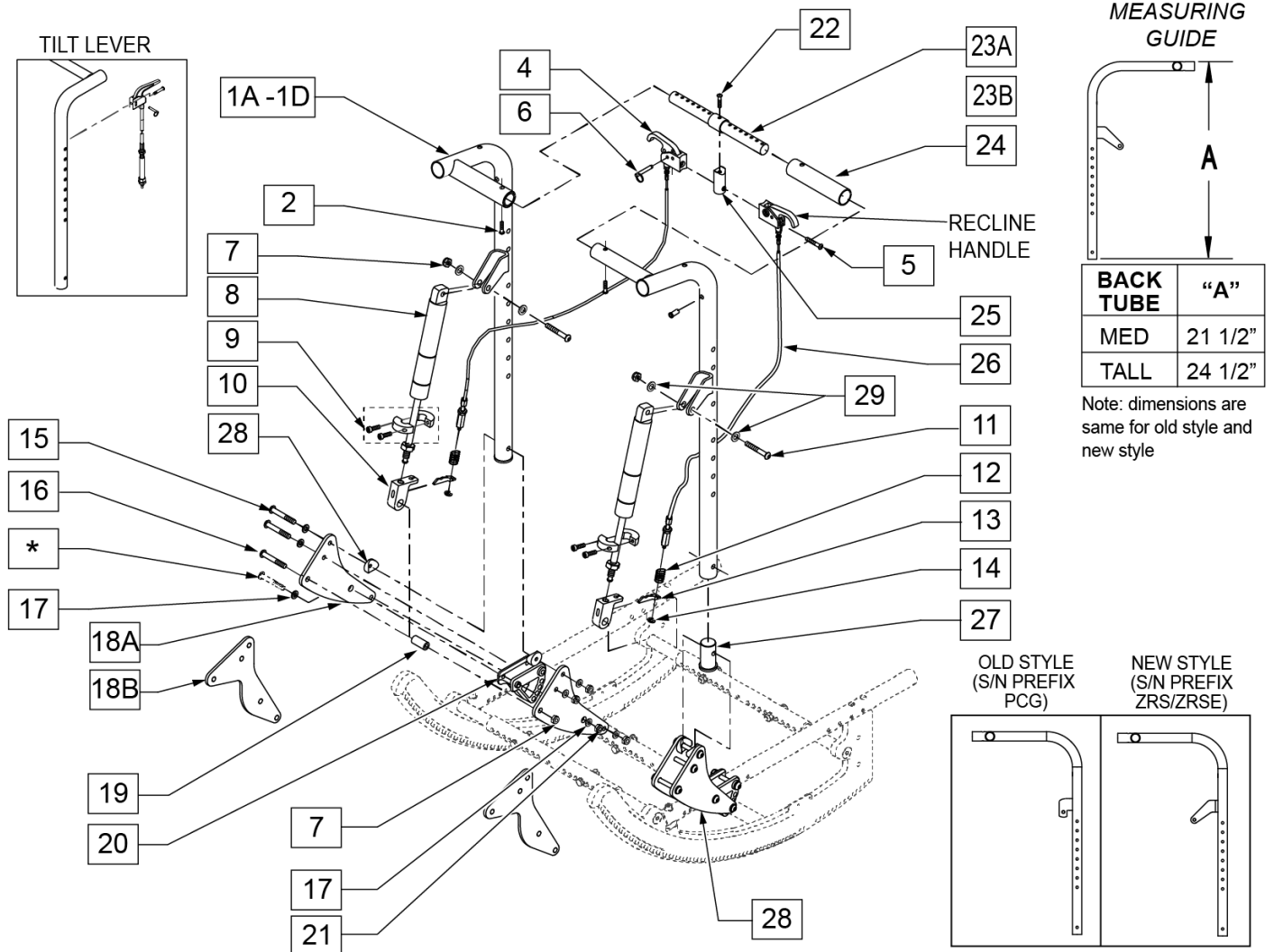
NOTE: ORDER CABLE ASSEMBLY SEPERATELY BASED ON "TILT HANDLE-CABLE ASSM FOR HEIGHT ADJ BACK" PAGE.



Pos.	Item Number	Description	Remarks
1A	050541-001	SHAFT GROWTH PED SHORT 10-14" WIDE	
1B	050541-002	SHAFT GROWTH PED MED 12-16" WIDE	
1C	521392	SHAFT GROWTH PED LONG 14-18" WIDE	
2	226168	1/4 -28 x .875 BH C/S	
3A	040023-001	HEIGHT ADJ PH PED -STANDARD	RIGHT
3A	040024-001	HEIGHT ADJ PH PED -STANDARD	LEFT
3B	040023-002	HEIGHT ADJ PH PED -LONG	RIGHT
3B	040024-002	HEIGHT ADJ PH PED -LONG	LEFT
4	560638	FOAM GRIP .840 ID SHORT	

Pos.	Item Number	Description	Remarks
5	520757	TUBE BACK FRAME LOWER	
6	561004	1 SADDLE 1/4 HOLE	
7	050519	PLATE BACK PED	
8	106943	WASHER FLAT AN 1/4 ROHS	
9	106935	NUT NYLOCK THIN 1/4-28 ROHS	
10	226223	1/4 -28 x 1 1/4 BH C/S BLK	
11	221066	1/4 -28 x 2 BHCS 1.70 SHOULDER	
12	481042	BACK RELEASE STOP PIN QTS	
13	560517	BLOCK ANGLE BACKREST MOUNT	
14	483020	S/A SPRING RETAINER	
15	321110	S/A LATCH SPRING	
16	560173	S/A LATCH .885 OD	
17	126238	PUSH ON ROUND CAP	
18	481084	BACK RELEASE PIN Z2/QT/EX	
20	349511	1/2 ID PLASTIC CLAMP BLK	
21	261204	#10 AN WASHER .063	
22	226032-QU	10-32 x 1 1/2 BH C/S BLK	
23	200100-QU	10-32 NYLOCK NUT	
24	560638	FOAM GRIP .840 ID SHORT	
25	483317	PUSH BUTTON MULTI POSITN HNGE	
5, 15-19	681111	HEIGHT ADJ PH LOWER TUBE W/ LATCH	
1A-3A, 8-10	040025-001	STROLLER HANDLE PED STANDARD 10-14"	
1B-3A, 8-10	040025-002	STROLLER HANDLE PED STANDARD 12-16"	
1C-3A, 8-10	040025-003	STROLLER HANDLE PED STANDARD 14-18"	
1A-3B, 8-10	040025-004	STROLLER HANDLE PED LONG 10-14"	
1B-3B, 8-10	040025-005	STROLLER HANDLE PED LONG 12-16"	
1C-3B, 8-10	040025-006	STROLLER HANDLE PED LONG 14-18"	
1A-3A, 5-18, 20-25	040026-001	HEIGHT ADJ BACK PED STANDARD 10-14"	
1B-3A, 5-18, 20-25	040026-002	HEIGHT ADJ BACK PED STANDARD 12-16"	
1C-3A, 5-18, 20-25	040026-003	HEIGHT ADJ BACK PED STANDARD 14-18"	
1A-3B, 5-18, 20-25	040026-004	HEIGHT ADJ BACK PED LONG 10-14"	
1B-3B, 5-18, 20-25	040026-005	HEIGHT ADJ BACK PED LONG 12-16"	
1C-3B, 5-18, 20-25	040026-006	HEIGHT ADJ BACK PED LONG 14-18"	

Note: order hardware for Iris Back Brackets based on BACK PLATE REPLACEMENT BOLT KIT parts page.



Pos.	Item Number	Description	Remarks
2	107355	BHCS 1/4 -28 x 1 ROHS	
4,6	580111	CYLINDER LOCK LEVER ASSM RECLINER	
5	281120	10-32 x 5/8 PAN HD PHIL	
6	349021	TRIGGER RELEASE PIN TS/QT/P5	
7	202117	5/16-18 NYLOCK NUT THICK BLK	
8	342065	BLOC-O-LIFT 200N x 11.58	
9	342049	10mm ID SPLIT COLLAR	
10	483147	T45 GAS SPRING BLOCK	
11	106980	BHCS 5/16 -18 x 1 1/4 ROHS	
12	321141	.650L x 6 COIL SPRING	
13	560686	GAS SPRING LEVER T45	
14	342000	1/4" E-CLIP	
15	106965	BHCS 1/4 -28 x 2 SHLDR ROHS	
16	106983	BHCS 5/16 -18 x 2 SHLDR ROHS	

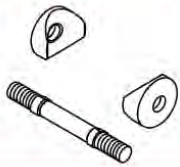
Pos.	Item Number	Description	Remarks
17	106943	WASHER FLAT AN 1/4 ROHS	
18A	105867	PLATE BACK RECLINE	For use w/ S/N Prefix ZRS&ZRSE
18B	050529	PLATE SIDE RECLINING BACK	For use w/ S/N Prefix PCG
19	483179	RECLINING BACK PIVOT STUD QTS	
20	560517	BLOCK ANGLE BACKREST MOUNT	
21	106935	NUT NYLOCK THIN 1/4 -28 ROHS	
22	106981	BHCS 5/16 -18 x 1 1/2 ROHS	
23A	507310	ADJUSTABLE BAR RELCINING BACK	Fits 16 -18" wide chairs
23B	050528	HANDLE ADJUSTABLE RECLINING PED	Fits 10 -15" wide chairs
24	050537	FOAM GRIP RECLINING PED	
25	483139	T45 RELEASE LEVER MOUNTING BLOCK	
26	342057	CYL LOCK CABLE ASSM	Cable length: 41.22"
27	483169	RECLINING BACK TUBE PLUG QTS	
28	561004	1" SADDLE 1/4" HOLE	
29	106946	WASHER FLAT AN 5/16 ROHS	
1A, 24	040027-001	RECLINING BACK TUBE PED MED	Right; fits chairs w/ S/N Prefix PCG
1A, 24	040028-001	RECLINING BACK TUBE PED MED	Left; fits chairs w/ S/N Prefix PCG
1B, 24	040027-002	RECLINING BACK TUBE PED TALL	Right; fits chairs w/ S/N Prefix PCG
1B, 24	040028-002	RECLINING BACK TUBE PED TALL	Left; fits chairs w/ S/N Prefix PCG
1A-23A, 24 -28	040029-001	RECLINING BACK MED RETRO KIT 10-15"	Fits chairs w/ S/N Prefix PCG
1A-23B, 24-28	040029-002	RECLINING BACK MED RETRO KIT 16-18"	Fits chairs w/ S/N Prefix PCG
1B-23A, 24 -28	040029-003	RECLINING BACK TALL RETRO KIT 10-15"	Fits chairs w/ S/N Prefix PCG
1B,-23B, 24-28	040029-004	RECLINING BACK TALL RETRO KIT 16-18"	Fits chairs w/ S/N Prefix PCG
1C,7-11,13,15-18A,19,24,27,28	115390-001	RECLINE BACK SUB ASSM PED R MED	Right; fits chairs w/ S/N Prefix ZRS&ZRSE
1C,7-11,13,15-18A,19,24,27,28	115391-001	RECLINE BACK SUB ASSM PED L MED	Left; fits chairs w/ S/N Prefix ZRS&ZRSE
1D,7-11,13,15-18A,19,24,27,28	115390-002	RECLINE BACK SUB ASSM PED R TALL	Right; fits chairs w/ S/N Prefix ZRS&ZRSE
1D,7-11,13,15-18A,19,24,27,28	115391-002	RECLINE BACK SUB ASSM PED L TALL	Left; fits chairs w/ S/N Prefix ZRS&ZRSE
1C, 24	115877	RECL BACK TUBE PED MED R	Right
1C, 24	115878	RECL BACK TUBE PED MED L	Left
1D, 24	115879	RECL BACK TUBE PED TALL R	Right
1D, 24	115880	RECL BACK TUBE PED TALL L	Left
1C-18A,19-23A,24-29	116609	RECL BCK MED RETRO KIT 10-15	
1D-18A,19-23A,24-29	116610	RECL BCK MED RETRO KIT 16-18	
1C-18A,19-23B,24-29	116611	RECL BCK TALL RETRO KIT 10-15	
1D-18A,19-23B,24-29	116612	RECL BCK TAL RETRO KIT 16-18	

Note: order hardware for Iris Back Brackets based on BACK PLATE REPLACEMENT BOLT KIT parts page.

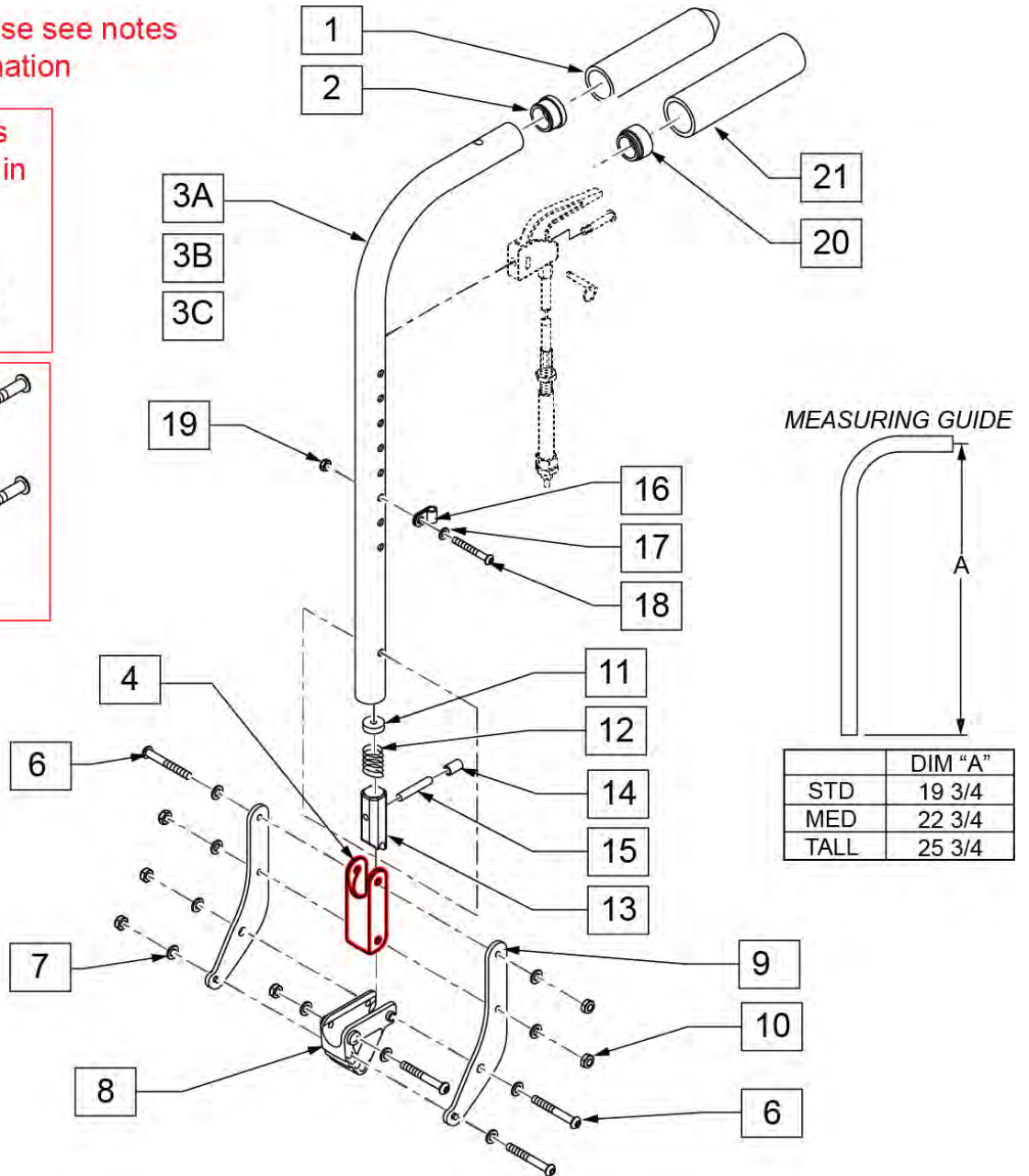
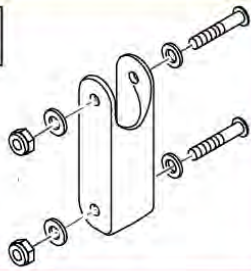
Note: hole on top of Stroller Handle is for use with STROLLER HANDLE EXTENSION-REMOVABLE parts page.

Part Changes, please see notes for important information

Discontinued Parts
Replace w/ item 5 in pairs



5



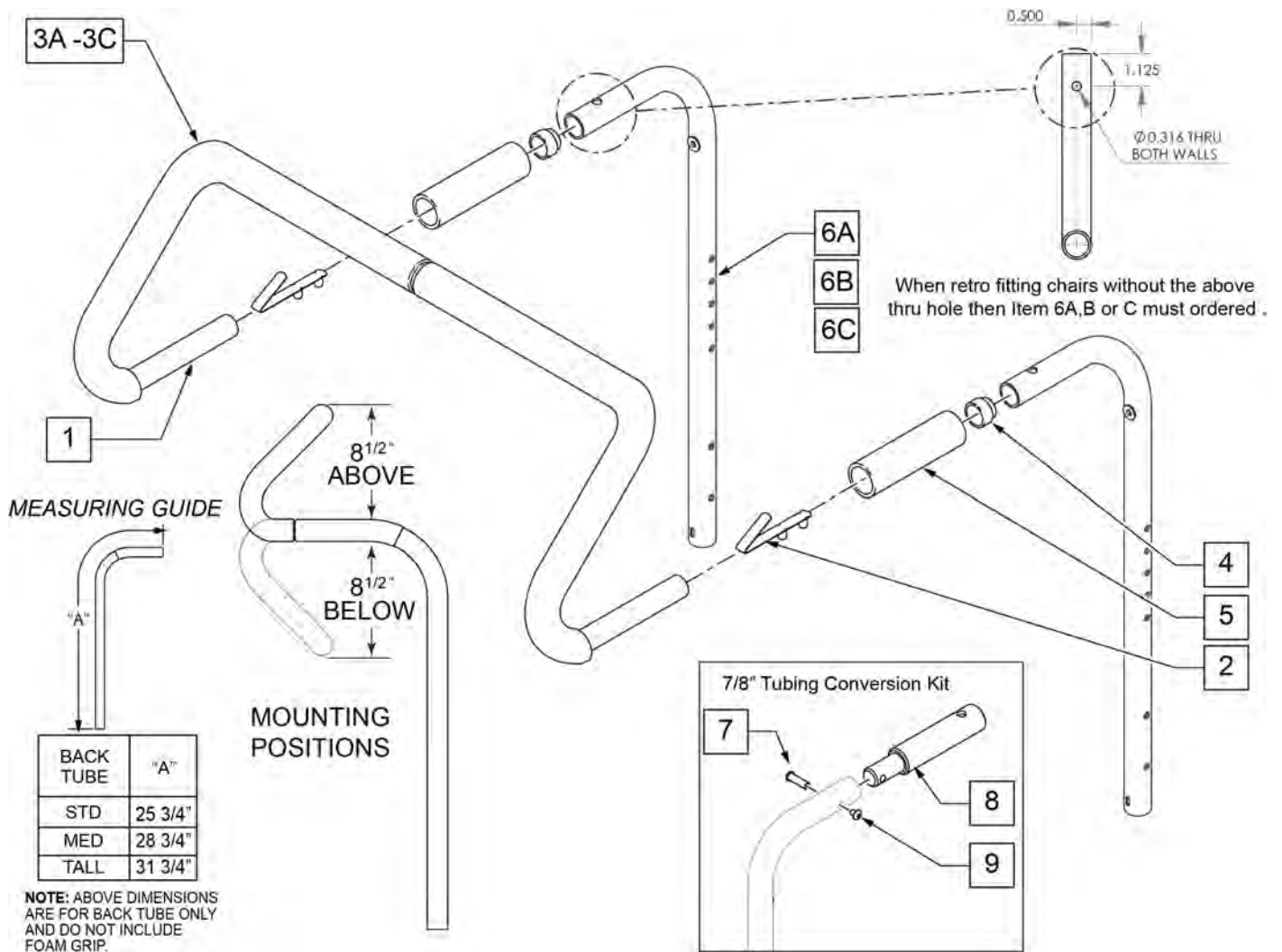
Pos.	Item Number	Description	Remarks
1	560663	QUICKIE GRIP 1"	
2	561002	1" INSERT PLUG .083	
4	124612	BLOCK-LATCH STOP	
5	126099	BACK REST SADDLE W/ HDWR PAIR	Pair-Replacement Latch Stop Kit

Pos.	Item Number	Description	Remarks
5	126100	BACK REST SADDLE W/ HDWR EACH	Each-Replacement Latch Stop Kit
6	221066	1/4 -28 x 2 BHCS 1.70 SHOULDER	
7	106943	WASHER FLAT AN 1/4 ROHS	
8	560517	BLOCK ANGLE BACKREST MOUNT	
9	050519	PLATE BACK PED	
10	106935	NUT NYLOCK THIN 1/4-28 ROHS	
11	483020	S/A SPRING RETAINER	
12	321110	S/A LATCH SPRING	
13	483019	BACK RELEASE LATCH	
14	126238	PUSH ON ROUND CAP	
15	481084	BACK RELEASE PIN Z2/QT/EX	
16	349511	1/2 ID PLST CLAMP BLK	
17	261204	#10 AN WASHER .063	
18	226032-QU	10-32 x 1 1/2 BH C/S BLK	
19	200100-QU	10-32 NYLOCK NUT	
20	561082	1" TUBE END BUSHING THIN	
21	920023	QUICKIE GRIP 1" W/ HOLE W/ INSTRUCTIONS	
1-3A	842080	STROLLER HANDLE W/ FOAM STANDARD ZPS/P5/QT	Low
1-3B	842079	STROLLER HANDLE W/ FOAM MED ZPS/QT	Medium
1-3C	842081	STROLLER HANDLE W/ FOAM TALL ZPS/QT	Tall
11-15	920484	SLIDE LATCH KIT IRIS	
16-19	920485	CABLE GUIDE W/ HDWR	
1,2,3A,4,5,7,9-15	040030-001	STROLLER ASSM STD PED R	RIGHT
1,2,3A,4,5,7,9-15	104656	STROLLER ASSM STD PED L	LEFT
1,2,3B,4,5,7,9-15	040030-002	STROLLER ASSM MEDIUM PED R	RIGHT
1,2,3B,4,5,7,9-15	104657	STROLLER ASSM MEDIUM PED L	LEFT
1,2,3C,4,5,7,9-15	040030-003	STROLLER ASSM TALL PED R	RIGHT
1,2,3C,4,5,7,9-15	104658	STROLLER ASSM TALL PED L	LEFT
3A,4,5,7,9-15,20,21	104718	STROLLER ASSM STD PED R W/ EXT	RIGHT
3A,4,5,7,9-15,20,21	104719	STROLLER ASSM STD PED L W/ EXT	LEFT
3B,4,5,7,9-15,20,21	104720	STROLLER ASSM MEDIUM PED R W/ EXT	RIGHT
3B,4,5,7,9-15,20,21	104721	STROLLER ASSM MEDIUM PED L W/ EXT	LEFT
3C,4,5,7,9-15,20,21	104723	STROLLER ASSM TALL PED R W/ EXT	RIGHT
3C,4,5,7,9-15,20,21	104724	STROLLER ASSM TALL PED L W/ EXT	LEFT
3A,20,21	842067	EXT STROLLER HANDLE STD	
3B,20,21	842066	EXT STROLLER HANDLE MEDIUM	
3C,20,21	842068	EXT STROLLER HANDLE TALL	

NOTE: Stroller handle extension works with 1" tubing backrest only. Example: DAB on Q2 or Standard backrest on positioning chairs.

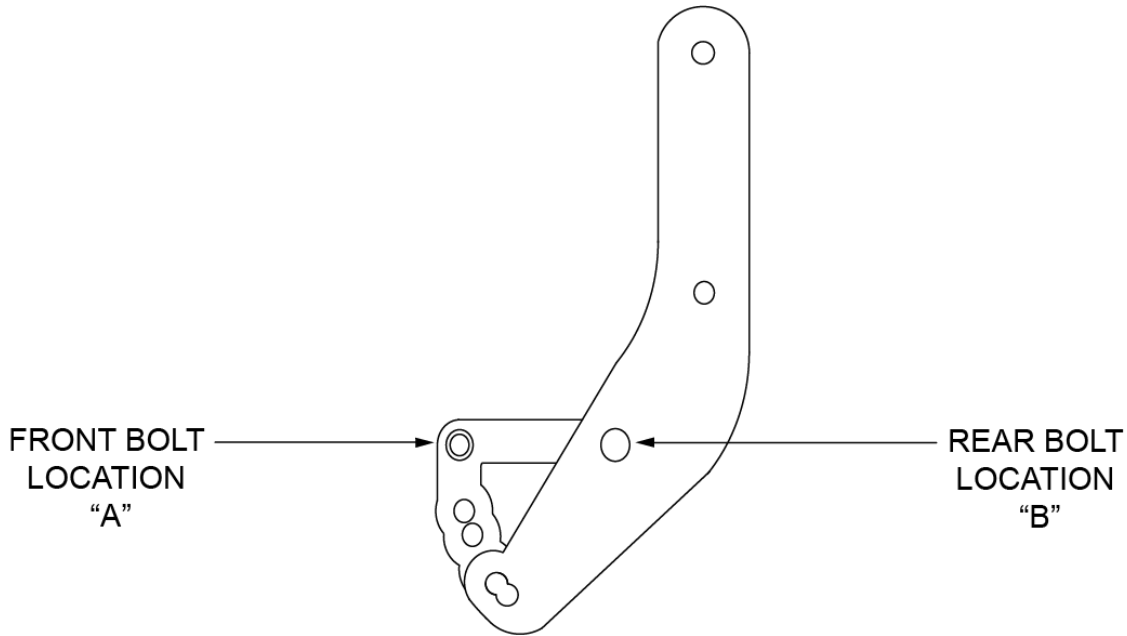
NOTE: Not compatible with Swing-Away Adjustable Stroller Handle.

Note: For Q2X S/N chairs this is an "Off Chair" option only.



Pos.	Item Number	Description	Remarks
2	301108	5/16 SNAP BUTTON DUAL ONE SIDE	
3A	560615	STROLLER EXTENSION GRIP 10 -13"	10 -13" WIDE
3B	560616	STROLLER EXTENSION GRIP 14 -17"	14 -17" WIDE
3C	560617	STROLLER EXTENSION GRIP 18 -20"	18 -20" WIDE
4	561082	1" TUBE END BUSHING THIN	
5	920023	QUICKIE GRIP 1 W/ HOLE	
1, 2, 3A	842050	STROLLER EXTENSION ASSM 10"	

Pos.	Item Number	Description	Remarks
1, 2, 3A	842051	STROLLER EXTENSION ASSM 11"	
1, 2, 3A	842052	STROLLER EXTENSION ASSM 12"	
1, 2, 3A	842053	STROLLER EXTENSION ASSM 13"	
1, 2, 3B	842054	STROLLER EXTENSION ASSM 14"	
1, 2, 3B	842055	STROLLER EXTENSION ASSM 15"	
1, 2, 3B	842056	STROLLER EXTENSION ASSM 16"	
1, 2, 3B	842057	STROLLER EXTENSION ASSM 17"	
1, 2, 3C	842058	STROLLER EXTENSION ASSM 18"	
1, 2, 3C	842059	STROLLER EXTENSION ASSM 19	
1, 2, 3C	842063	STROLLER EXTENSION ASSM 20	
6A	842067	EXT STROLLER HANDLE STD	STANDARD/LOW
6B	842066	EXT STROLLER HANDLE MED	MEDIUM
6C	842068	EXT STROLLER HANDLE TALL	TALL
7-9	125324	STRLLR HNDL CNVERSN KIT 7/8 PH	To fit to 7/8" Push Handle; includes hardware for both sides

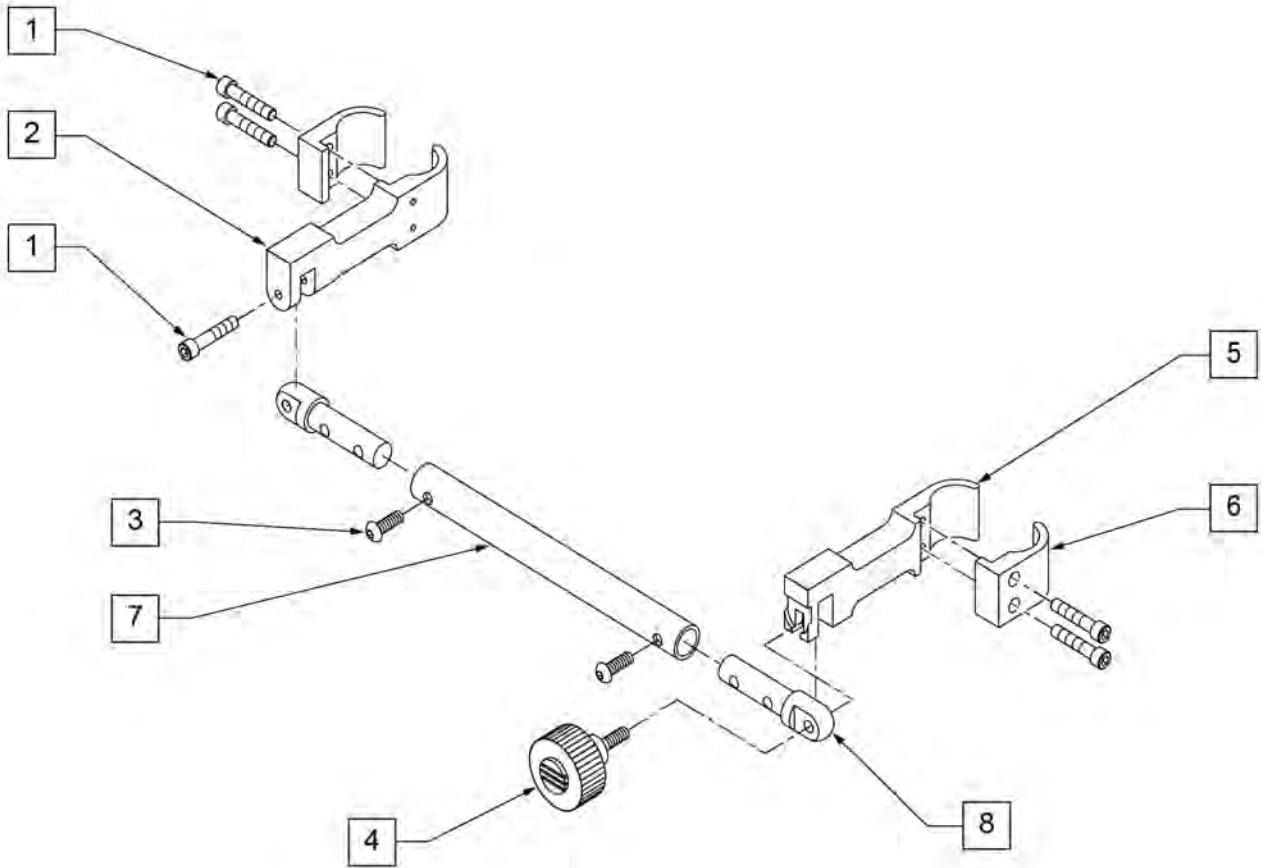


SHOWN: LEFT SIDE OFFSET OUTER PLATE
 NOTE: BOLT QUANTITIES ARE 2 PER SIDE

BACK PLATE BOLT KIT REFERENCE GUIDE

ACCESSORY TYPE	BOLT LENGTH AND PART NUMBER				
	2"	2 1/4"	2 1/2"	2 3/4"	3"
	221066	221067	221061	221062	221063
DUAL POST ARMREST				AB	
DUAL POST WITH TRANSIT		A		B	
DUAL POST FLIP-BACK WITH TRANSIT			A		B
OTHER	AB				
OTHER WITH TRANSIT		AB			

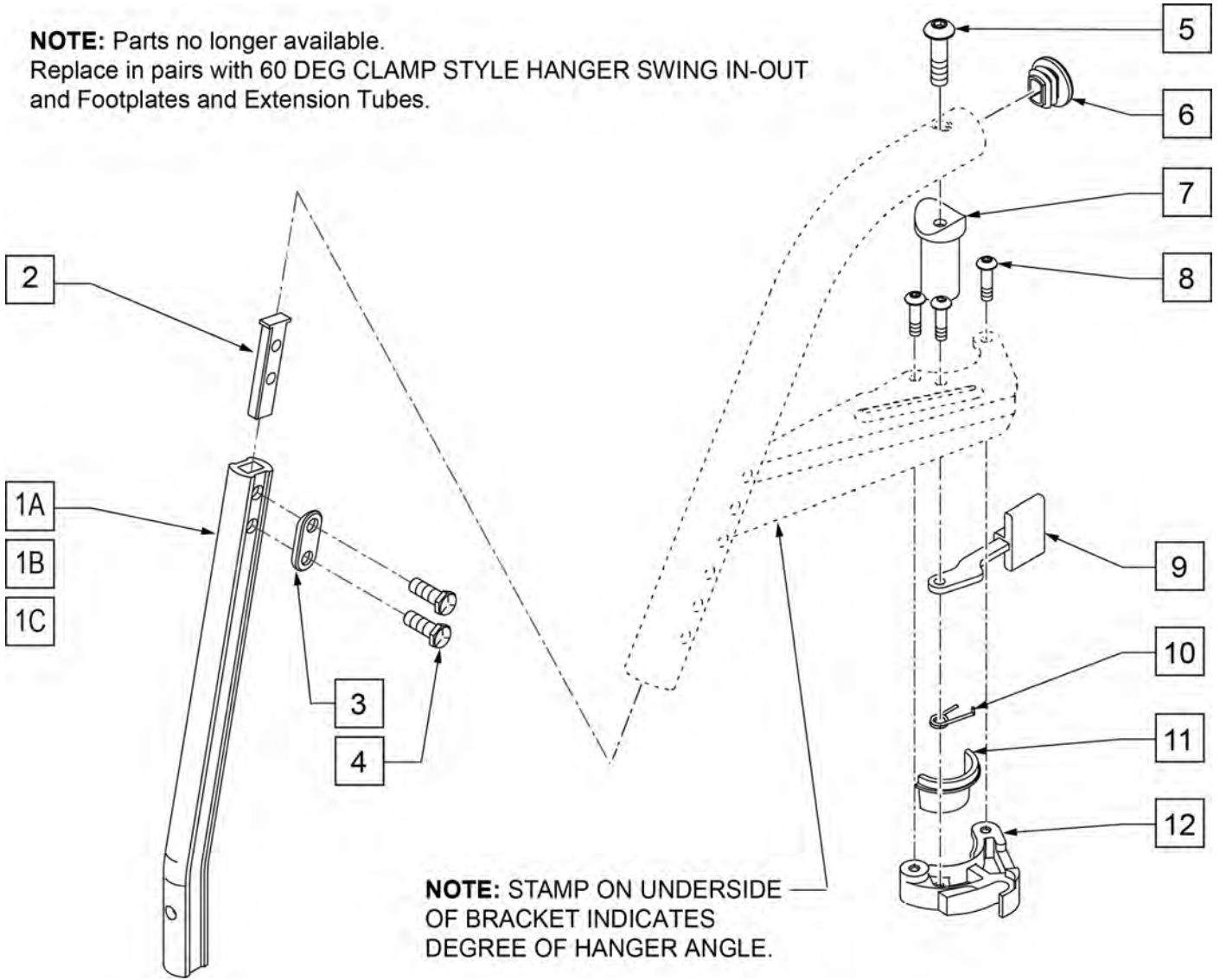
Pos.	Item Number	Description
1	221066	1/4-28 X 2 BHCS 1.70 SHLDR
1	221067	1/4-28 X 2-1/4 BHCS 1.90 SHLDR
1	221061	1/4-28 x 2 1/2 BH C/S
1	221062	1/4-28 x 2 3/4 BH C/S
1	221063	1/4-28 x 3 BH C/S



Pos.	Item Number	Description
1	107033	SHCS 1/4-20 X 1 ROHS
1-8	882056	RIGIDIZER ZTS 10 -12"
1-8	882057	RIGIDIZER ZTS 12 -14"
1-8	882058	RIGIDIZER ZTS 14 -16"
1-8	882059	RIGIDIZER ZTS 16 -18"

NOTE: DISCONTINUED - PARTS ONLY ON GP SWNG-AWAY BEGINNING 4/4/15 & S/N GP-95902, KIDS Q2 SE BEGINNING 4/16/15 & S/N QKE-003425, LX BEGINNING 10/24/2008 & S/N LX-034330, LXI BEGINNING 4/25/15 & S/N LXI-060868, QTS BEGINNING 5/15/15 & S/N QT-044951, QTS SE BEGINNING 5/15/15 & S/N QTE-002092

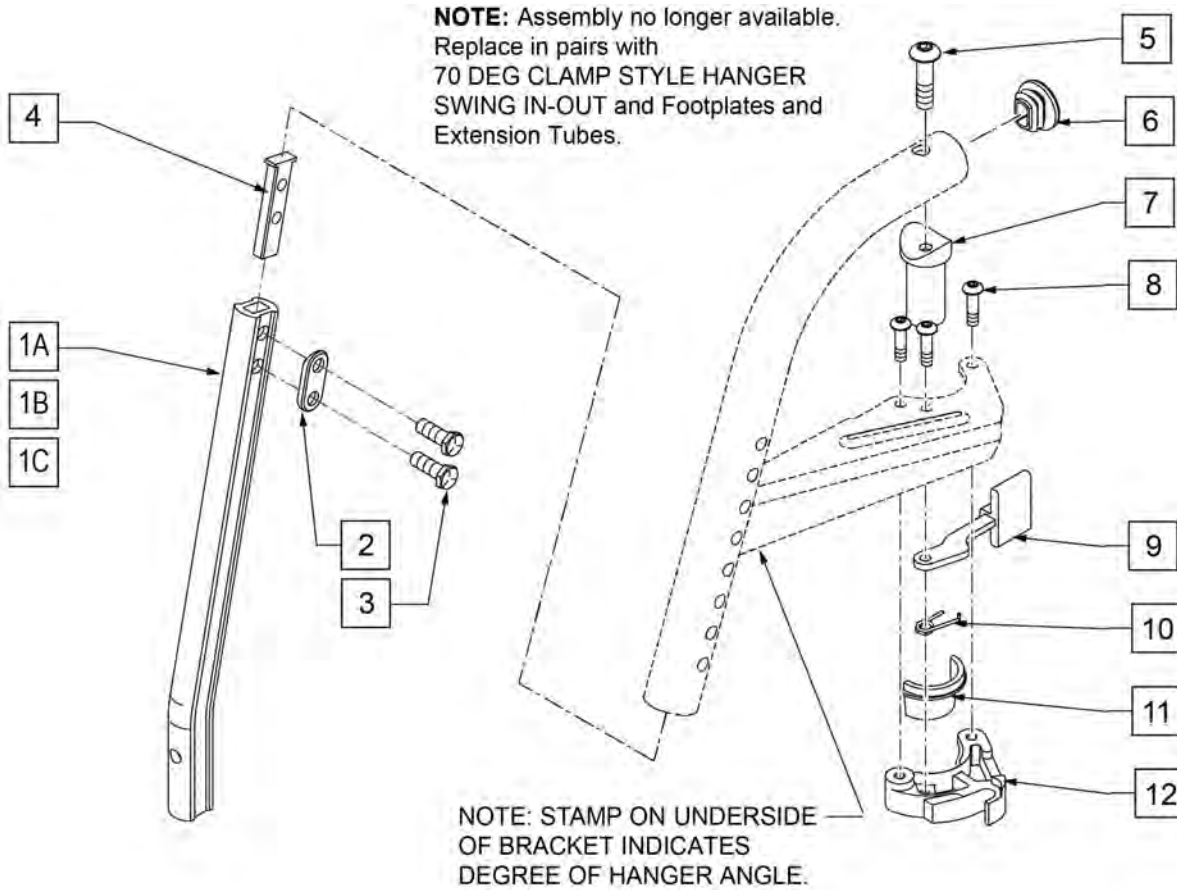
NOTE: Parts no longer available.
Replace in pairs with 60 DEG CLAMP STYLE HANGER SWING IN-OUT
and Footplates and Extension Tubes.



NOTE: STAMP ON UNDERSIDE
OF BRACKET INDICATES
DEGREE OF HANGER ANGLE.

Pos.	Item Number	Description	Remarks
1A	550819	EXT TBE S/A ONLY SHT	SHORT
1B	550820	EXT TBE S/A ONLY MED	MEDIUM
1C	550821	EXT TBE S/A ONLY LONG	LONG
2	500078	INSERT D2 EXT TUBE	
3	483717	HANGER SADDLE	
4	221102	1/4-28 x 3/4 HEX HEAD C/S BLK W/PTCH	
5	226217	5/16-18 X 2" BH C/S BLK	
6	561378	END PLUG DBL "D" S525	
7	561197	PLASTIC PIVOT SADDLE	
8	226057	10/24 X .725 BTTN HD SOC BZ	
9	561079	S/A LATCH LEVER	
10	321136	S/A SPRING L RED	
10	321137	S/A SPRING R CLEAR	
11,12	881500	LATCH BLOCK ASSM R	
11,12	881501	LATCH BLOCK ASSM L	
8-12	881521	S/A LATCH KIT CASTING RIGHT	
8-12	881522	S/A LATCH KIT CASTING LEFT	

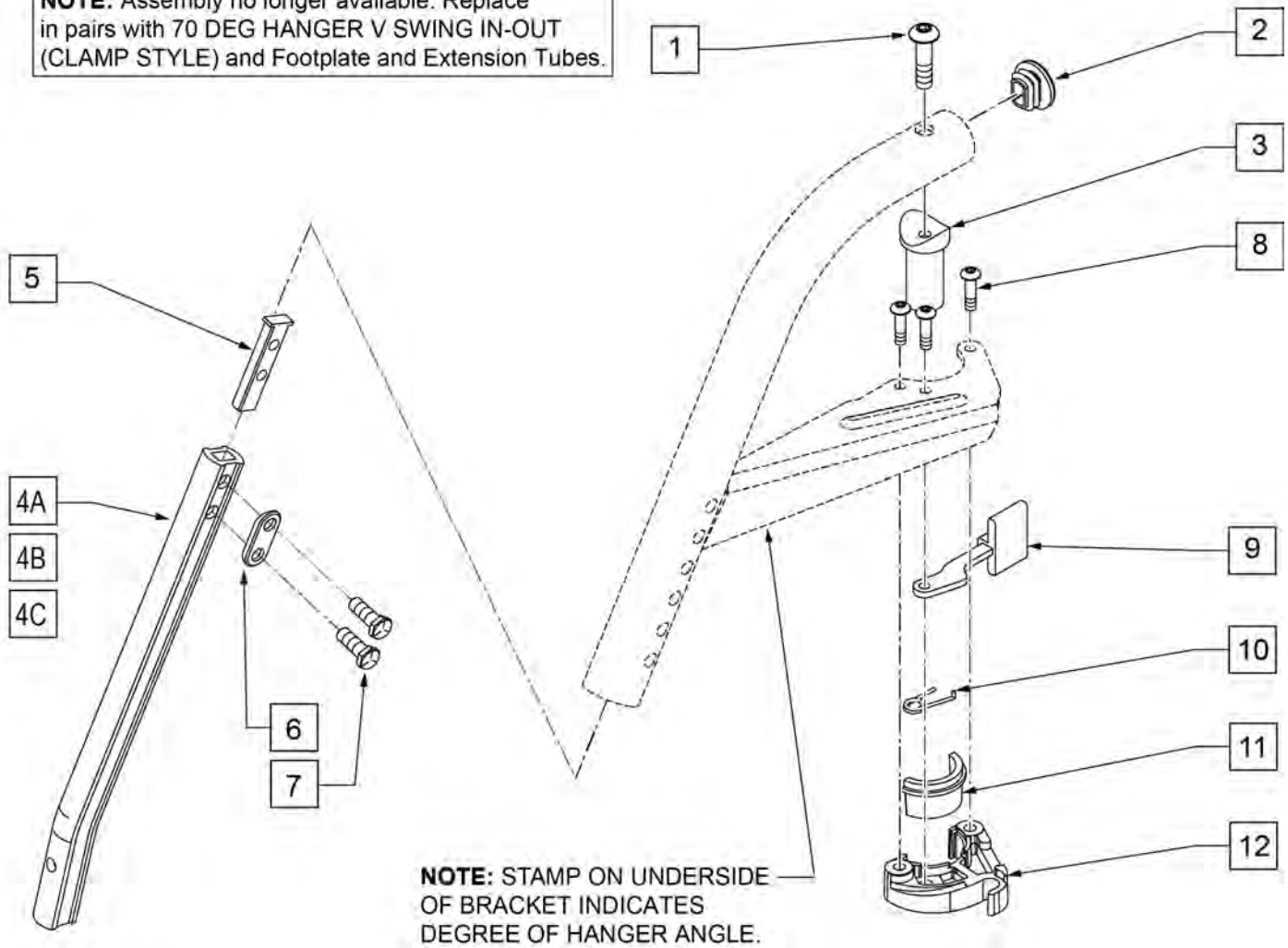
NOTE: DISCONTINUED - PARTS ONLY ON GP SWNG-AWAY BEGINNING 4/4/15 & S/N GP-95902, KIDS Q2 SE BEGINNING 4/16/15 & S/N QKE-003425, LX BEGINNING 10/24/2008 & S/N LX-034330, LXI BEGINNING 4/25/15 & S/N LXI-060868, QTS BEGINNING 5/15/15 & S/N QT-044951, QTS SE BEGINNING 5/15/15 & S/N QTE-002092



Pos.	Item Number	Description	Remarks
1A	550819	EXT TBE S/A ONLY SHT	SHORT
1B	550820	EXT TBE S/A ONLY MED	MEDIUM
1C	550821	EXT TBE S/A ONLY LONG	LONG
2	483717	HANGER SADDLE	
3	221102	1/4-28 x 3/4 HEX HEAD C/S BLK W/PTCH	
4	500078	INSERT D2 EXT TUBE	
5	226217	5/16-18 X 2" BH C/S BLK	
6	561378	END PLUG DBL "D" S525	
7	561197	PLASTIC PIVOT SADDLE	
8	226057	10/24 X .725 BTTN HD SOC BZ	
9	561079	S/A LATCH LEVER	
10	321136	S/A SPRING L RED	
10	321137	S/A SPRING R CLEAR	
11,12	881500	LATCH BLOCK ASSM R	
11,12	881501	LATCH BLOCK ASSM L	
8-12	881521	S/A LATCH KIT CASTING RIGHT	
8-12	881522	S/A LATCH KIT CASTING LEFT	

NOTE: DISCONTINUED - PARTS ONLY ON GP SWNG-AWAY BEGINNING 4/4/15 & S/N GP-95902, KIDS Q2 SE BEGINNING 4/16/15 & S/N QKE-003425, LX BEGINNING 10/24/2008 & S/N LX-034330, LXI BEGINNING 4/25/15 & S/N LXI-060868, QTS BEGINNING 5/15/15 & S/N QT-044951, QTS SE BEGINNING 5/15/15 & S/N QTE-002092

NOTE: Assembly no longer available. Replace in pairs with 70 DEG HANGER V SWING IN-OUT (CLAMP STYLE) and Footplate and Extension Tubes.



Pos.	Item Number	Description	Remarks
1	226217	5/16-18 x 2 BH C/S BLK	
2	561378	END PLUG DBL-D S525	
3	561197	PLASTIC PIVOT SADDLE	
4A	550834	EXT TBE INVIN ONLY D2 SHT R	RIGHT
4A	550835	EXT TBE INVIN ONLY D2 SHT L	LEFT
4B	550836	EXT TBE INVIN ONLY D2 MED R	RIGHT
4B	550837	EXT TBE INVIN ONLY D2 MED L	LEFT
4C	550838	EXT TBE INVIN ONLY D2 LNG R	RIGHT
4C	550839	EXT TBE INVIN ONLY D2 LNG L	LEFT
5	500078	INSERT D2 EXT TUBE	
6	483717	HANGER SADDLE	
7	221102	1/4-28 x 3/4 HEX HEAD C/S BLK W/PTCH	
8	226057	10/24 X .725 BTTN HD SOC BZ	

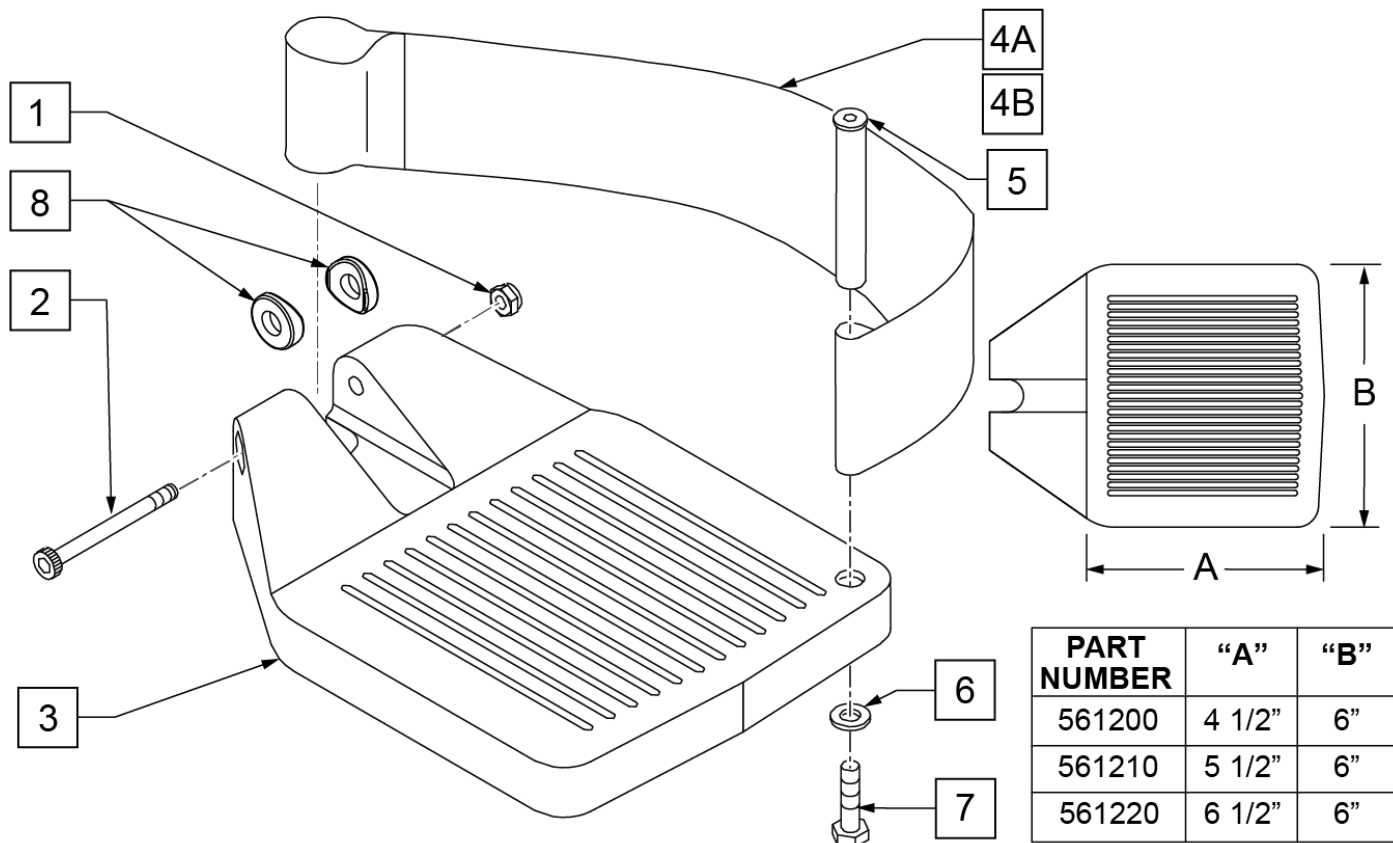
Pos.	Item Number	Description	Remarks
9	561079	S/A LATCH LEVER	
10	321136	S/A SPRING L RED	
10	321137	S/A SPRING R CLEAR	
11,12	881500	LATCH BLOCK ASSM R	
11,12	881501	LATCH BLOCK ASSM L	
8-12	881521	S/A LATCH KIT CASTING RIGHT	
8-12	881522	S/A LATCH KIT CASTING LEFT	

COMPOSITE FOOTPLATE

[12/2017]

To have complete Footrest ship assembled, choose compatible Hanger + Footplate part numbers and add "ASSY-HNG-FP" to order

INSET FORMULA
 0" Inset (Seat Width) = Footrest Width
 1" Inset (Seat Width) -2" = Footrest Width
 "V" Hanger (Seat Width) -4" = Footrest Width
 Offset Hanger Receiver (Seat Width) +2" = Footrest Width



Pos.	Item Number	Description	Remarks
1	106935	1/4 - 28 NYLOCK NUT	
2	226165	1/4 - 28 x 2 1/2 SOC C/S	
3	561200	COMPOSITE FOOTPLATE 14 -15 (16 -18 V)	14 -15 OR 16 -18V
3	561210	COMPOSITE FOOTPLATE 16 -17 (19 -20 V)	16 -17 OR 19 -20V
3	561220	COMPOSITE FOOTPLATE 18 -20	18 -20
4A	741151	HEEL LOOP 14-15 COMPOSITE (14 -15 or 16 -18V)	14 -15 OR 16 -18V
4A	741156	HEEL LOOP 16 -17 or 19 -20V	16 -17 OR 19 -20V
4A	741153	HEEL LOOP 18 -20 COMPOSITE/14-15 ANG ADJ	18 -20
4A	902270	HEEL LOOP COMPOSITE FT 14-15	PAIR 14 -15 OR 16 -18V
4A	902271	HEEL LOOP COMPOSITE FT 16-17	PAIR 16 -17 OR 19 -20V
4A	902272	HEEL LOOP COMPOSITE FT 18-20	PAIR 18 -20
4B	741154	HEEL LOOP 14-15 COMPOSITE HEMI	14 -15 HEMI
4B	741155	HEEL LOOP 16-17 COMPOSITE HEMI	16 -17 HEMI
4B	741153	HEEL LOOP 18-20 COMPOSITE HEMI	18 -10 HEMI
4B	902260	HEEL LOOPS HEMI COMPOSITE 14-15	PAIR 14 -15 HEMI
4B	902261	HEEL LOOPS HEMI COMPOSITE 16-17	PAIR 16 -17 HEMI
4B	902262	HEEL LOOPS HEMI COMPOSITE 18-20	PAIR 18 -20 HEMI
5	561040	HEEL LOOP PEG	
6	106944	1/4 AN WASHER FLAT THIN	

Pos.	Item Number	Description	Remarks
7	106958	HHCS 1/4-20 X 1 ROHS	
8	561003	3/4" SADDLE THIN	USED W/ ROUND EXT TUBES ONLY
1-3	921180	COMPOSITE FOOTPLATE ASSM 14-15	RIGHT (14 -15 OR 16 -18V) W/O HEEL LOOP
1-3	921181	COMPOSITE FOOTPLATE ASSM 14-15	LEFT (14 -15 OR 16 -18V) W/O HEEL LOOP
1-3	921182	COMPOSITE FOOTPLATE ASSM 16-17	RIGHT (16 -17 OR 19 -20V) W/O HEEL LOOP
1-3	921183	COMPOSITE FOOTPLATE ASSM 16-17	LEFT (16 -17 OR 19 -20V) W/O HEEL LOOP
1-3	921184	COMPOSITE FOOTPLATE ASSM 18-20	RIGHT (18 -20) W/O HEEL LOOP
1-3	921185	COMPOSITE FOOTPLATE ASSM 18-20	LEFT (18 -20) W/O HEEL LOOP
1-3	921151	COMPOSITE FOOTPLATE ASSM 14-15/16-18V	PAIR (14 -15 OR 16 -18V) W/O HEEL LOOP
1-3	921152	COMPOSITE FOOTPLATE ASSM 16-17/19-20V	PAIR (16 -17 OR 19 -20V) W/O HEEL LOOP
1-3	921153	COMPOSITE FOOTPLATE ASSM 18-20	PAIR (18 -20) W/O HEEL LOOP
1,2,3A,4-7	921190	COMPOSITE FOOTPLATE ASSM HL LP 14-15	RIGHT (14 -15 OR 16 -18V) W/ HEEL LOOP
1,2,3A,4-7	921191	COMPOSITE FOOTPLATE ASSM HL LP 14-15	LEFT (14 -15 OR 16 -18V) W/ HEEL LOOP
1,2,3A,4-7	921192	COMPOSITE FOOTPLATE ASSM HL LP 16-17	RIGHT (16 -17 OR 19 -20V) W/ HEEL LOOP
1,2,3A,4-7	921193	COMPOSITE FOOTPLATE ASSM HL LP 16-17	LEFT (16 -17 OR 19 -20V) W/ HEEL LOOP
1,2,3A,4-7	921194	COMPOSITE FOOTPLATE ASSM HL LP 18-20	RIGHT (18 -20) W/ HEEL LOOP
1,2,3A,4-7	921195	COMPOSITE FOOTPLATE ASSM HL LP 18-20	LEFT (18 -20) W/ HEEL LOOP
1,2,3A,4-7	921161	COMPOSITE FOOTPLATE ASSM HL 14-15/16-18V	PAIR (14 -15 OR 16 -18V) W/ HEEL LOOP
1,2,3A,4-7	921162	COMPOSITE FOOTPLATE ASSM HL 16-17/19-20V	PAIR (16 -17 OR 19 -20V) W/ HEEL LOOP
1,2,3A,4-7	921163	COMPOSITE FOOTPLATE ASSM HL 18-20	PAIR (18 -20) W/ HEEL LOOP
1,2,3B,4-7	921140	COMPOSITE FOOTPLATE ASSM HEMI HL LP 14-15	RIGHT (14 -15) W/ HEEL LOOP
1,2,3B,4-7	921141	COMPOSITE FOOTPLATE ASSM HEMI HL LP 14-15	LEFT (14 -15) W/ HEEL LOOP
1,2,3B,4-7	921142	COMPOSITE FOOTPLATE ASSM HEMI HL LP 16-17	RIGHT (16 -17) W/ HEEL LOOP
1,2,3B,4-7	921143	COMPOSITE FOOTPLATE ASSM HEMI HL LP 16-17	LEFT (16 -17) W/ HEEL LOOP
1,2,3B,4-7	921144	COMPOSITE FOOTPLATE ASSM HEMI HL LP 18-20	RIGHT (18 -20) W/ HEEL LOOP
1,2,3B,4-7	921145	COMPOSITE FOOTPLATE ASSM HEMI HL LP 18-20	LEFT (18 -20) W/ HEEL LOOP
1,2,3B,4-7	921167	COMPOSITE FOOTPLATE ASSM HEMI HL LPS 14-15	PAIR (14 -15) W/ HEEL LOOP
1,2,3B,4-7	921168	COMPOSITE FOOTPLATE ASSM HEMI HL LPS 16-17	PAIR (16 -17) W/ HEEL LOOP
1,2,3B,4-7	921169	COMPOSITE FOOTPLATE ASSM HEMI HL LPS 18-20	PAIR (18 -20) W/ HEEL LOOP
		Ship assembled part #	Use with multiple assemblies
	ASSY-HNG-FP	HANGER/FOOTPLATE ASSY REQUIRED	add with Hanger & Footplate kit

Note: Footplate Assemblies are set to footrest width; please see "Footplate Formula" table for seat width conversion.

Note: V Style Hangers are not available on Swing Away Style chairs effective 7/14/14; see the "Prior To" ordering guide for V Style footplate assemblies.

Note: Zippie Iris (ZRS&ZRSE) and Zippie TS (Z1A&Z1SE) only use Straight Extension Tube.

Note: if chair has High Mount Ext Tubes or if switching to High Mount Ext Tubes, see KAA Footplate w/ High Mount Extension Ordering Guide.

To have complete Footrest ship assembled, choose compatible Hanger + Footplate part numbers and add "ASSY-HNG-FP" to order

FOOTPLATE FORMULA

0" Inset (Seat Width) = Footrest Width
 1" Inset (Seat Width) -2" = Footrest Width
 V Hanger (Seat Width) -4" = Footrest Width
 Offset Hanger Receiver (Seat Width) +2" = Footrest Width

MEASURING GUIDE

CHAIR WIDTH	"A"	"B"
10" W	3.55"	6.00"
11" W	4.05"	6.00"
12" W	4.55"	6.00"
13" W	5.05"	6.00"
14" W	5.55"	6.00"
15" W	6.05"	6.00"
16" W	6.55"	6.00"

*** NOTE:**
 ITEMS 5, 8 & 11 NOT INCLUDED W/ FOOTPLATE ASSEMBLY
 ITEMS 5, 8 & 11 INCLUDED W/ EXTENSION TUBE ASSEMBLY FOR STANDARD HANGERS
 FOR ELEVATING LEGREST, ORDER QTY 2 OF ITEMS 5, 8 & 11

Pos.	Item Number	Description	Remarks
1	106978	FHCS 1/4 -28 x 7/8 ROHS	

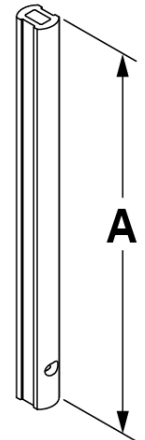
Pos.	Item Number	Description	Remarks
2	500635	KIDS ANGL ADJ F/PLT 10" R	Right
2	500636	KIDS ANGL ADJ F/PLT 10" L	Left
2	500637	KIDS ANGL ADJ F/PLT 11" R	Right
2	500638	KIDS ANGL ADJ F/PLT 11" L	Left
2	500639	KIDS ANGL ADJ F/PLT 12" R	Right
2	500640	KIDS ANGL ADJ F/PLT 12" L	Left
2	500641	KIDS ANGL ADJ F/PLT 13" R	Right
2	500642	KIDS ANGL ADJ F/PLT 13" L	Left
2	500643	KIDS ANGL ADJ F/PLT 14" R	Right
2	500644	KIDS ANGL ADJ F/PLT 14" L	Left
2	500645	KIDS ANGL ADJ F/PLT 15" R	Right
2	500646	KIDS ANGL ADJ F/PLT 15" L	Left
2	500647	KIDS ANGL ADJ F/PLT 16" R	Right
2	500648	KIDS ANGL ADJ F/PLT 16" L	Left
3	550350	3/4" CLAMP ADJ FOOTPLATE	
4	106935	NUT NYLOCK THIN 1/4 -28 ROHS	
5	106962	1/4-28 x 1 3/4 BH C/S BLK ZN (D2 EXTENSION TUBES)	
5	226167	1/4-28 x 1.625 BH C/S BLK (ROUND EXTENSION TUBES)	
6	106945	1/4 SAE WASHER	
7	541002	FTRST MOUNTING BRKT-3/8 RAD R	
7	541003	FTRST MOUNTING BRKT-3/8 RAD L	
8	561055	3/4" SADDLE 1" OD	
9	106944	WASHER FLAT THIN AN 1/4 ROHS	
10	106941	NUT AUTOMATION 1/4 -28 ROHS	
11	483720	HANGER EXTENSION SADDLE LONG	Use with Double D Ext Tube
1-4,6,7,9,10	828850	KIDS ANG ADJ F/PLT EXT-MNT 10"R	Right
1-4,6,7,9,10	828851	KIDS ANG ADJ F/PLT EXT-MNT 10"L	Left
1-4,6,7,9,10	828852	KIDS ANG ADJ F/PLT EXT-MNT 11"R	Right
1-4,6,7,9,10	828853	KIDS ANG ADJ F/PLT EXT-MNT 11"L	Left
1-4,6,7,9,10	828854	KIDS ANG ADJ F/PLT EXT-MNT 12"R	Right
1-4,6,7,9,10	828855	KIDS ANG ADJ F/PLT EXT-MNT 12"L	Left
1-4,6,7,9,10	828856	KIDS ANG ADJ F/PLT EXT-MNT 13"R	Right
1-4,6,7,9,10	828857	KIDS ANG ADJ F/PLT EXT-MNT 13"L	Left
1-4,6,7,9,10	828858	KIDS ANG ADJ F/PLT EXT-MNT 14"R	Right
1-4,6,7,9,10	828859	KIDS ANG ADJ F/PLT EXT-MNT 14"L	Left
1-4,6,7,9,10	828860	KIDS ANG ADJ F/PLT EXT-MNT 15"R	Right
1-4,6,7,9,10	828861	KIDS ANG ADJ F/PLT EXT-MNT 15"L	Left
1-4,6,7,9,10	828862	KIDS ANG ADJ F/PLT EXT-MNT 16"R	Right
1-4,6,7,9,10	828863	KIDS ANG ADJ F/PLT EXT-MNT 16"L	Left
1-4,6,7,9,10	921280	KIDS ANG ADJ F/PLT EXT-MNT 10"	Pair
1-4,6,7,9,10	921281	KIDS ANG ADJ F/PLT EXT-MNT 11"	Pair
1-4,6,7,9,10	921282	KIDS ANG ADJ F/PLT EXT-MNT 12"	Pair
1-4,6,7,9,10	921283	KIDS ANG ADJ F/PLT EXT-MNT 13"	Pair
1-4,6,7,9,10	921284	KIDS ANG ADJ F/PLT EXT-MNT 14"	Pair
1-4,6,7,9,10	921285	KIDS ANG ADJ F/PLT EXT-MNT 15"	Pair
1-4,6,7,9,10	921286	KIDS ANG ADJ F/PLT EXT-MNT 16"	Pair
		Ship assembled part #	Use with multiple assemblies
	ASSY-HNG-FP	HANGER/FOOTPLATE ASSY REQUIRED	add with Hanger & Footplate kit

NOTE: * FOR ORDERING INFORMATION, PLEASE SEE "PLATFORM FLIP-UP FOOTREST REFERENCE GUIDE" ATTACHED.

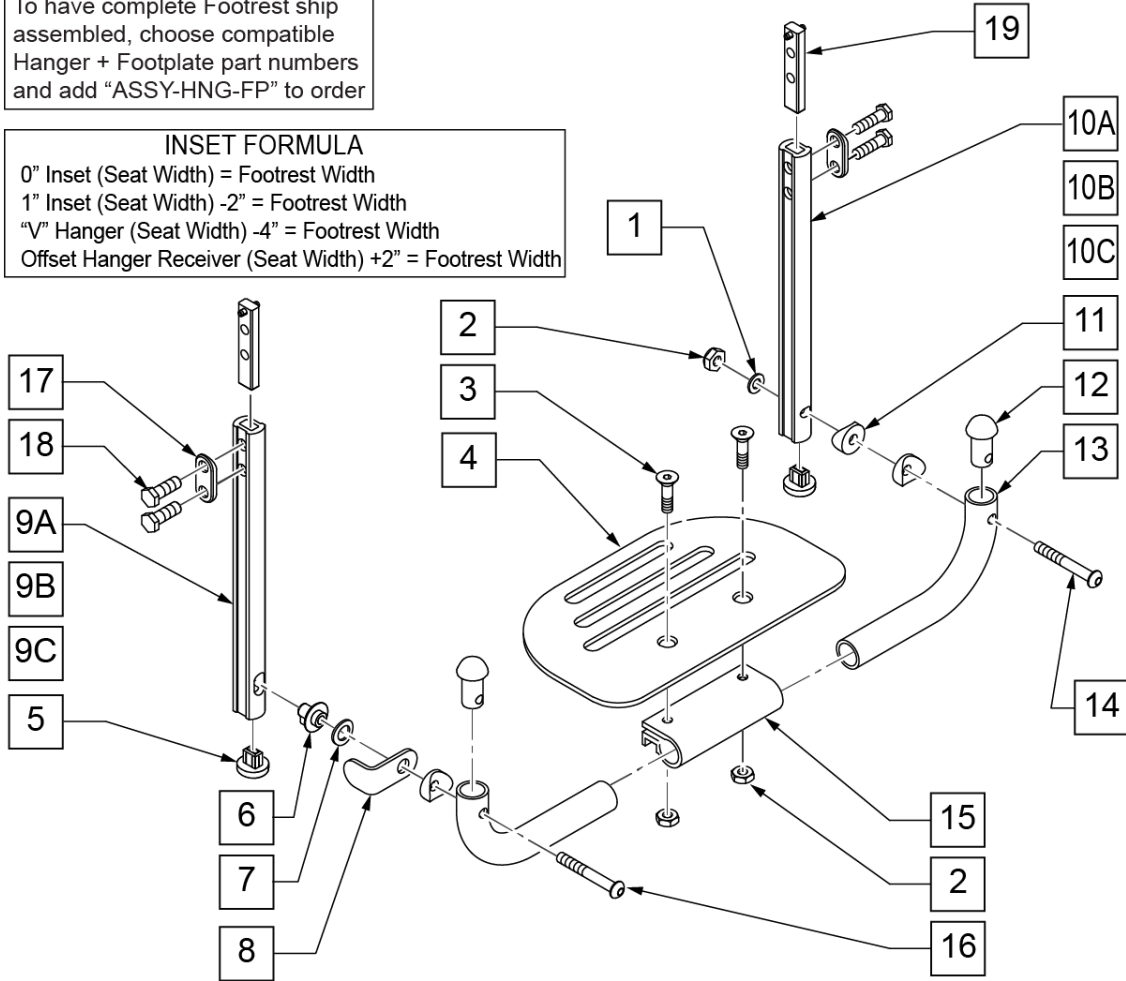
To have complete Footrest ship assembled, choose compatible Hanger + Footplate part numbers and add "ASSY-HNG-FP" to order

INSET FORMULA
 0" Inset (Seat Width) = Footrest Width
 1" Inset (Seat Width) -2" = Footrest Width
 "V" Hanger (Seat Width) -4" = Footrest Width
 Offset Hanger Receiver (Seat Width) +2" = Footrest Width

MEASURING GUIDE



DESCRIPTION	"A"
SHT	6 3/8"
MED	8 1/2"
LNG	11"



Pos.	Item Number	Description	Remarks
1	106944	1/4 AN WASHER FLAT THIN	
2	106941	1/4-28 AUTOMATION NUT	
3	106978	FHCS 1/4-28 X 7/8 ROHS	
4	500650	PLATFORM F/PLT 6" x 5 1/2"	
4	500651	PLATFORM F/PLT 8" x 5 1/2"	
4	500652	PLATFORM F/PLT 10" x 5 1/2"	
4	500653	PLATFORM F/PLT 12" x 5 1/2"	
4	500654	PLATFORM F/PLT 14" x 5 1/2"	
5	113221	PLUD DOUBLE D EXT TUBE	
6	540410	F/UP FOOTREST KEY STUD D2	
7	262137	3/8 WASHER CURVED	
8	505078	FOOTREST RETAINING BRACKET	
9C	550830	EXT TUBE F/UP KEY ONLY LONG	
9A	550828	EXT TUBE F/UP KEY ONLY SHORT	
9B	550829	EXT TUBE F/UP KEY ONLY MED	
10C	550827	EXT TUBE F/UP SLT ONLY LONG	

Pos.	Item Number	Description	Remarks
10A	550825	EXT TUBE F/UP SLT ONLY SHORT	
10B	550826	EXT TUBE F/UP SLT ONLY MED	
11	561003	3/4" SADDLE THIN	
12	561034	SHORT DOME PLUG	
14	106964	1/4-28 x 2 BH C/S	
15	550351	PLATFORM FOOTPLATE CLAMP	
16	226131	1/4-28 x 1 1/4 BH C/S SHLDR	
17	483717	HANGER SADDLE	
18	221102	1/4-28 x 3/4 HEX C/S	
19	500078	INSERT D2 EXT TUBE	
5,10A, 17-19	921742	EXT TBE F/UP SLT SHT ASSM PCKT	Pivot side
5,10B, 17-19	921743	EXT TBE F/UP SLT MED ASSM PCKT	Pivot side
5,10C, 17-19	921744	EXT TBE F/UP SLT LNG ASSM PCKT	Pivot side
5,9A, 17-19	921745	EXT TBE F/UP KEY SHT ASSM PCKT	Release side
5,9B, 17-19	921746	EXT TBE F/UP KEY MED ASSM PCKT	Release side
5,9C, 17-19	921747	EXT TBE F/UP KEY LNG ASSM PCKT	Release side
5,9A,10A, 17-19	921269	S/A EXT TUBE D2 SHT PLTFRM BLK	Pivot and Release Ext Assm
5,9B,10B, 17-19	921267	S/A EXT TUBE D2 MED PLTFRM BLK	Pivot and Release Ext Assm
5,9C,10C, 17-19	921268	S/A EXT TUBE D2 LNG PLTFRM BLK	Pivot and Release Ext Assm
1-4,6-8, 11-16	900304	PLATFM F/P F/PLT BLK 10" ASSM D2	
1-4,6-8, 11-16	900305	PLATFM F/P F/PLT BLK 11" ASSM D2	
1-4,6-8, 11-16	900306	PLATFM F/P F/PLT BLK 12" ASSM D2	
1-4,6-8, 11-16	900307	PLATFM F/P F/PLT BLK 13" ASSM D2	
1-4,6-8, 11-16	900308	PLATFM F/P F/PLT BLK 14" ASSM D2	
1-4,6-8, 11-16	900309	PLATFM F/P F/PLT BLK 15" ASSM D2	
1-4,6-8, 11-16	900310	PLATFM F/P F/PLT BLK 16" ASSM D2	
1-4,6-8, 11-16	900311	PLATFM F/P F/PLT BLK 17" ASSM D2	
1-4,6-8, 11-16	900312	PLATFM F/P F/PLT BLK 18" ASSM D2	
1-4,6-8, 11-16	900313	PLATFM F/P F/PLT BLK 19" ASSM D2	
1-4,6-8, 11-16	900314	PLATFM F/P F/PLT BLK 20" ASSM D2	
1-4,6-8, 11-16	900315	PLATFM F/P F/PLT BLK 21" ASSM D2	
1-4,6-8, 11-16	900316	PLATFM F/P F/PLT BLK 22" ASSM D2	
		Ship assembled part #	Use with multiple assemblies
	ASSY-HNG-FP	HANGER/FOOTPLATE ASSY REQUIRED	add with Hanger & Footplate kit

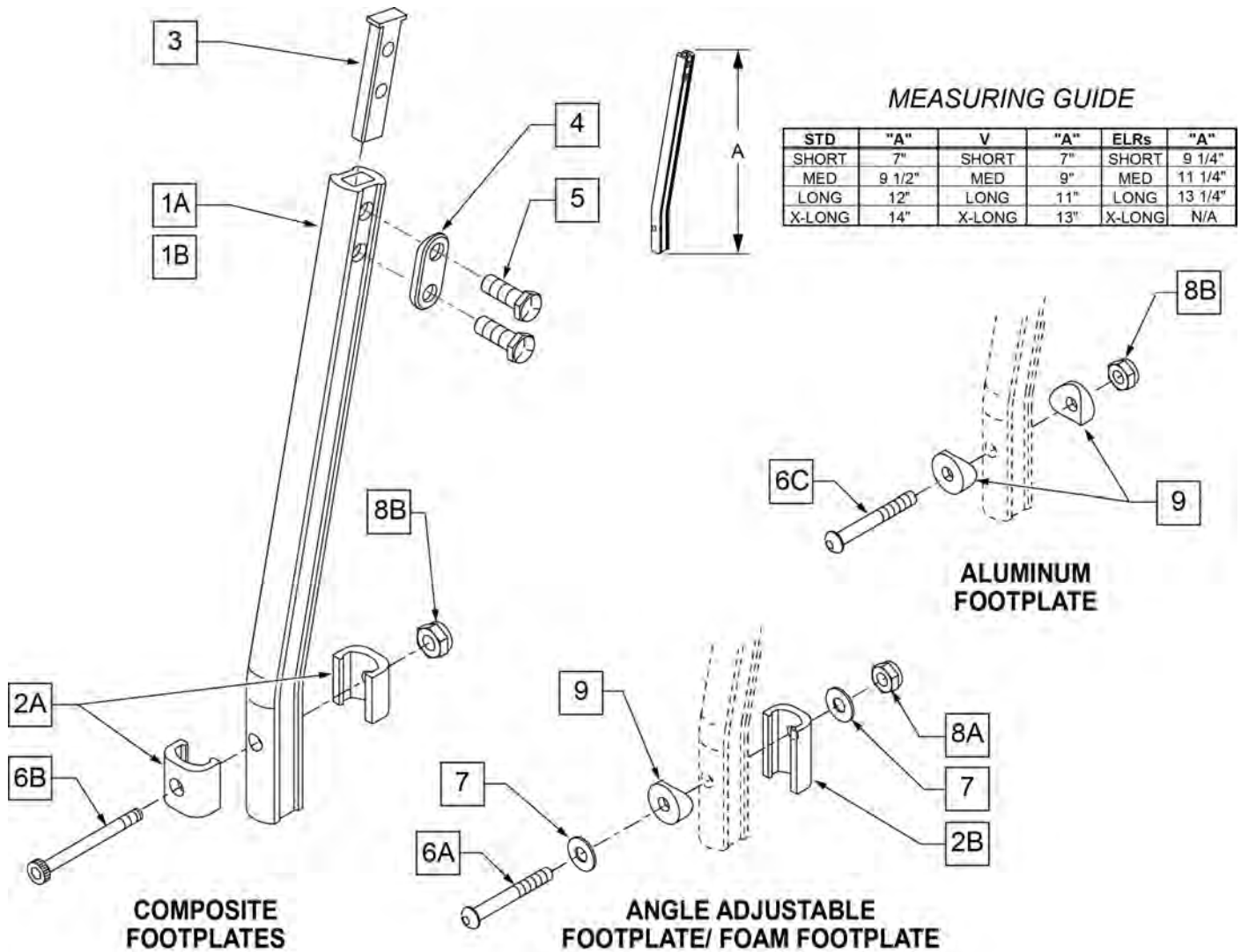
DOUBLE D FOOTREST EXTENSION TUBE "OLD STYLE"

[03/2017]

NOTE: DISCONTINUED - PARTS ONLY ON GP SWNG-AWAY BEGINNING 4/4/15 & S/N GP-95902, KIDS Q2 SE BEGINNING 4/16/15 & S/N QKE-003425, LX BEGINNING 10/24/2008 & S/N LX-034330, LXI BEGINNING 4/25/15 & S/N LXI-060868, QTS BEGINNING 5/15/15 & S/N QT-044951, QTS SE BEGINNING 5/15/15 & S/N QTE-002092

NOTE: IF REPLACING AN EXTENSION TUBE ON AN MANUAL ALR PLEASE REFER TO THE ROUND EXT TUBE PARTS MANUAL PAGE.

NOTE: WHEN ORDERING REPLACEMENT EXTENSION TUBES PLEASE VERIFY IF YOU HAVE THE OLD STYLE DOUBLE D EXTENSION TUBE OR THE NEW STYLE DOUBLE D EXTENSION TUBE. THIS CAN BE DONE BY REVIEWING THE HANGER THE EXTENSION TUBE IS USED ON. IF THE HANGER UTILIZES A SINGLE SET SCREW AT THE BOTTOM OF THE HANGER TUBE TO ATTACH THE EXTENSION TUBE TO THE HANGER, THEN THIS UTILIZES THE NEW STYLE DOUBLE D EXT TUBE. ALL OTHER HANGERS REQUIRING A DOUBLE D EXTENSION TUBE UTILIZE THE OLD STYLE.

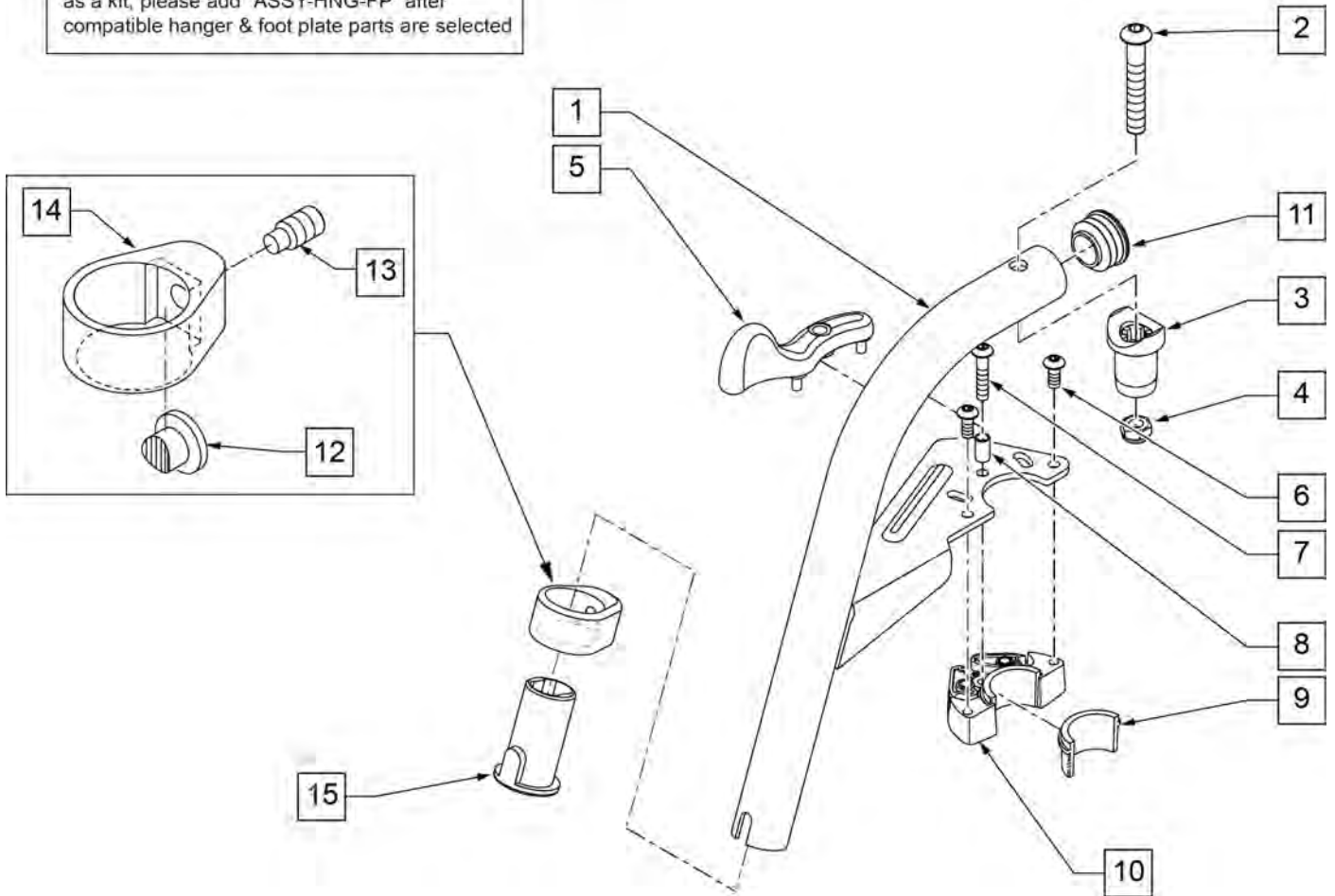


Pos.	Item Number	Description	Remarks
1A	550819	EXT TUBE S/A ONLY SHT	Short Ext-Swing Away Hanger

Pos.	Item Number	Description	Remarks
1A	550820	EXT TUBE S/A ONLY MED	Med Ext-Swing Away Hanger
1A	550821	EXT TUBE S/A ONLY LONG	Long Ext-Swing Away Hanger
1A	550822	EXT TUBE S/A ONLY X-LONG	X-Long Ext-Swing Away Hanger
1B	550834	EXT TUBE V IN ONLY D2 SHT R	Right Short Ext-Swing Away Hanger
1B	550835	EXT TUBE V IN ONLY D2 SHT L	Left Short Ext-Swing Away Hanger
1B	550836	EXT TUBE V IN ONLY D2 MED R	Right Med Ext-Swing Away Hanger
1B	550837	EXT TUBE V IN ONLY D2 MED L	Left Med Ext-Swing Away Hanger
1B	550838	EXT TUBE V IN ONLY D2 LONG R	Right Long Ext-Swing Away Hanger
1B	550839	EXT TUBE V IN ONLY D2 LONG L	Left Long Ext-Swing Away Hanger
1B	550840	EXT TUBE V IN ONLY D2 X-LONG R	Right X-Long Ext-Swing Away Hanger
1B	550841	EXT TUBE V IN ONLY D2 X-LONG L	Left X-Long Ext-Swing Away Hanger
2A	483718	HANGER EXTENSION SADDLE	USE W/ COMPOSITE FTPLT
2B	483720	HANGER EXTENSION SADDLE LONG	USE W/ ANGLE ADJ FTPLT
3	500078	INSERT D2 EXT TUBE	
4	483717	HANGER SADDLE	
5	221102	1/4-28 x 3/4 HEX HEAD C/S BLK W/PTCH	
6A	106962	1/4-28 x 1 3/4 BH C/S BLK ZN	USE W/ ANGLE ADJ FTPLT
6B	226165	1/4 -28 x 2 1/2 SOC C/S	USE W/ COMPOSITE FTPLT
6C	226147	1/4 -28 X 1.85 BH C/S	
7	106945	1/4" SAE WASHER	
8A	106941	1/4 -28 AUTOMATION NUT	USE W/ ANGLE ADJ FTPLT
8B	106935	1/4 -28 NYLOCK NUT THIN	USE W/ COMPOSITE FTPLT
9	561055	3/4 SADDLE 1" OD	USE W/ ANGLE ADJ FTPLT
1A,2A-5	921759	EXT TUBE S/A SHT ASSM PCKT	USE W/ COMPOSITE FTPLT
1A,2A-5	921760	EXT TUBE S/A MED ASSM PCKT	USE W/ COMPOSITE FTPLT
1A,2A-5	921761	EXT TUBE S/A LONG ASSM PCKT	USE W/ COMPOSITE FTPLT
1A,2A-5	921762	EXT TUBE S/A X-LONG ASSM PCKT	USE W/ COMPOSITE FTPLT
1B,2A-5	921751	EXT TUBE "V" D2 SHT R ASSM PCKT	RIGHT - USE W/ COMPOSITE FTPLT V HANGER
1B,2A-5	921752	EXT TUBE "V" D2 SHT L ASSM PCKT	LEFT - USE W/ COMPOSITE FTPLT V HANGER
1B,2A-5	921753	EXT TUBE "V" D2 MED R ASSM PCKT	RIGHT - USE W/ COMPOSITE FTPLT V HANGER
1B,2A-5	921754	EXT TUBE "V" D2 MED L ASSM PCKT	LEFT - USE W/ COMPOSITE FTPLT V HANGER
1B,2A-5	921755	EXT TUBE "V" D2 LONG R ASSM PCKT	RIGHT - USE W/ COMPOSITE FTPLT V HANGER
1B,2A-5	921756	EXT TUBE "V" D2 LONG L ASSM PCKT	LEFT - USE W/ COMPOSITE FTPLT V HANGER
1B,2A-5	921757	EXT TUBE "V" D2 X-LONG R ASSM PCKT	RIGHT - USE W/ COMPOSITE FTPLT V HANGER
1B,2A-5	921758	EXT TUBE "V" D2 X-LONG L ASSM PCKT	LEFT - USE W/ COMPOSITE FTPLT V HANGER
1A,2A-7,9	921772	EXT TUBE S/A SHT ANG ADJ PCKT	USE W/ ANGLE ADJ FTPLT
1A,2A-7,9	921773	EXT TUBE S/A MED ANG ADJ PCKT	USE W/ ANGLE ADJ FTPLT
1A,2A-7,9	921774	EXT TUBE S/A LONG ANG ADJ PCKT	USE W/ ANGLE ADJ FTPLT
1A,2A-7,9	921775	EXT TUBE S/A X-LONG ANG ADJ PCKT	USE W/ ANGLE ADJ FTPLT
1B,2A-7,9	921764	EXT TUBE "V" D2 SHT R ANG ADJ PCKT	RIGHT - USE W/ ANGLE ADJ FTPLT V HANGER
1B,2A-7,9	921765	EXT TUBE "V" D2 SHT L ANG ADJ PCKT	LEFT - USE W/ ANGLE ADJ FTPLT V HANGER
1B,2A-7,9	921766	EXT TUBE "V" D2 MED R ANG ADJ PCKT	RIGHT - USE W/ ANGLE ADJ FTPLT V HANGER
1B,2A-7,9	921767	EXT TUBE "V" D2 MED L ANG ADJ PCKT	LEFT - USE W/ ANGLE ADJ FTPLT V HANGER
1B,2A-7,9	921768	EXT TUBE "V" D2 LONG R ANG ADJ PCKT	RIGHT - USE W/ ANGLE ADJ FTPLT V HANGER
1B,2A-7,9	921769	EXT TUBE "V" D2 LONG L ANG ADJ PCKT	LEFT - USE W/ ANGLE ADJ FTPLT V HANGER
1B,2A-7,9	921770	EXT TUBE "V" D2 X-LONG R ANG AD PCKT	RIGHT - USE W/ ANGLE ADJ FTPLT V HANGER
1B,2A-7,9	921771	EXT TUBE "V" D2 X-LONG L ANG AD PCKT	LEFT - USE W/ ANGLE ADJ FTPLT V HANGER

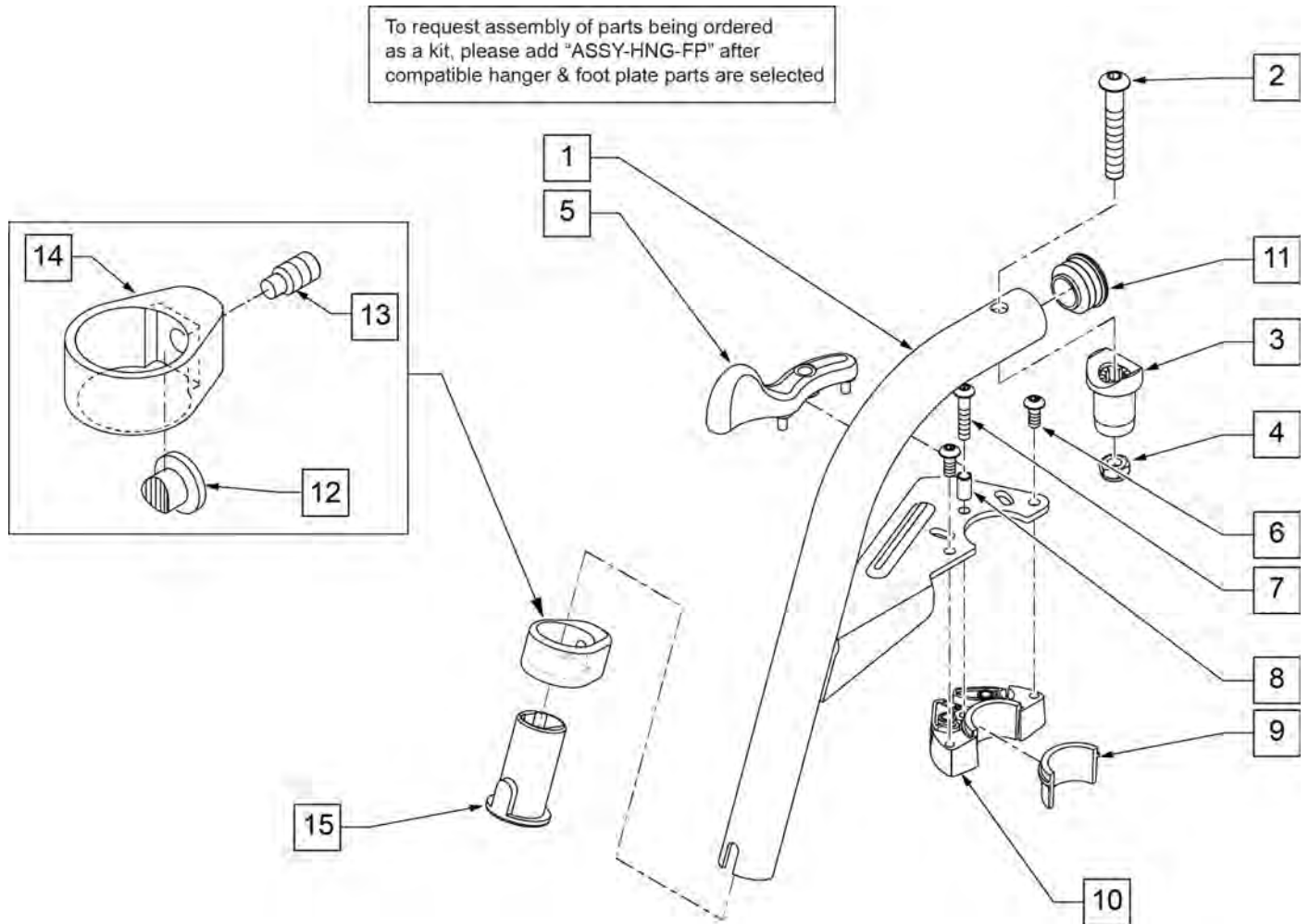
Note: Effective on GP SA beginning GP-95902, Kids Q2 SE beginning QKE-003425, LX/LXI beginning LXI-060868, Quickie TS beginning QT-044951 & QTE-002092.

To request assembly of parts being ordered as a kit, please add "ASSY-HNG-FP" after compatible hanger & foot plate parts are selected



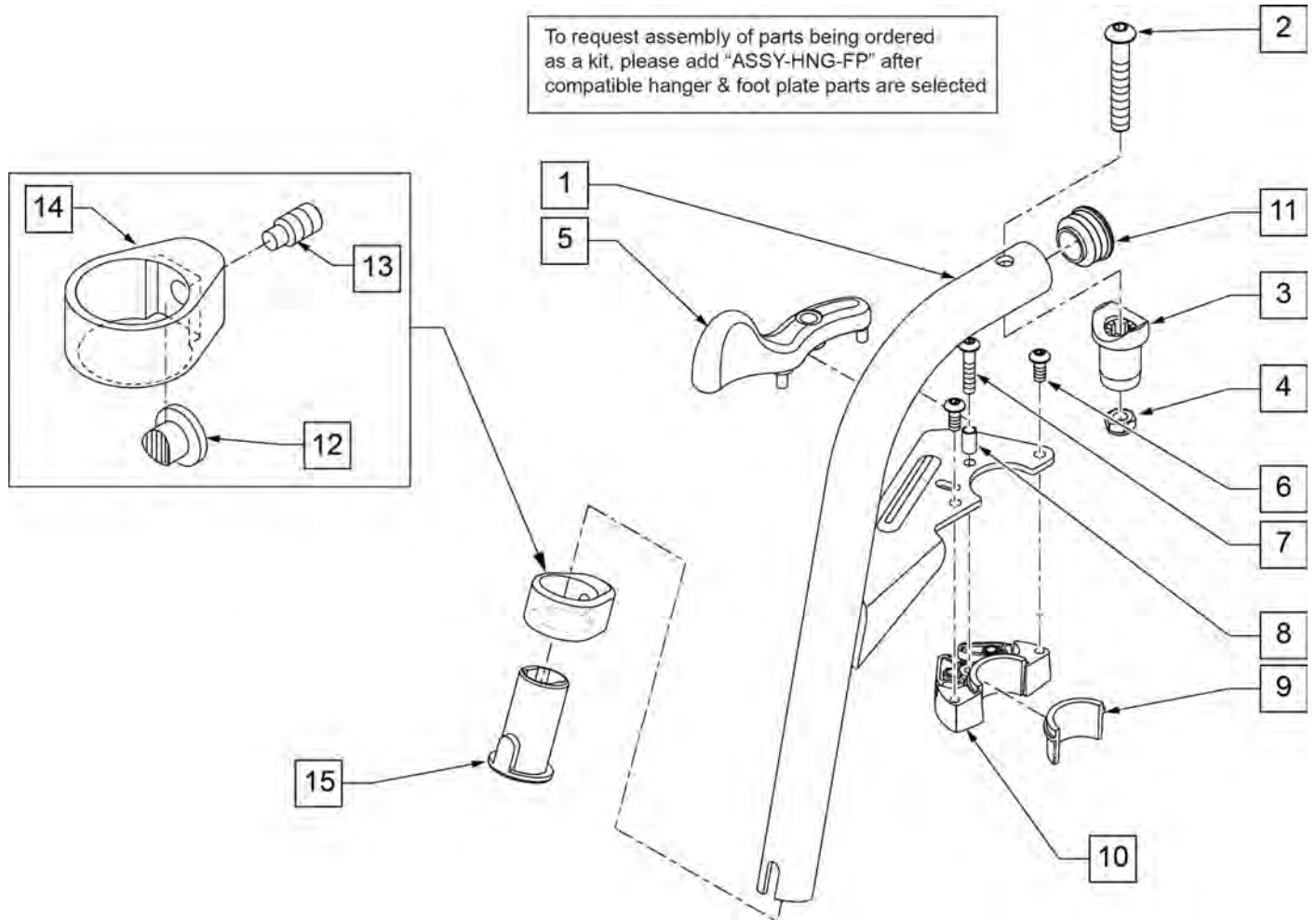
Pos.	Item Number	Description	Remarks
2	106983	5/16-18 X 2 BH C/S SHT THREAD	
3,4	561197	PIVOT SADDLE PLASTIC	
5	052296	SWING I/O LATCH LEVER RIGHT	Right
5	052297	SWING I/O LATCH LEVER LEFT	Left
6	102259-001	BHCS M5 X .8 X 12 W/PL INORG	
7	230494	M5-30 BTTN HD SOC C/S BLK	
8	052054	BUSHING PIVOT HANGER SWING I/O	
11	561062	1" INSERT PLUG .065 RIBS	
15	104160	BUSHING FOOTREST	
1-15	111243S	HANGER 60 Deg S/A ASSM R	SPECIFY COLOR,RIGHT
1-15	111242S	HANGER 60 Deg S/A ASSM L	SPECIFY COLOR,LEFT
12-15	107485	FOOTREST CLAMP ASSM	
6,9,10	120976	ASSY LATCH BLOCK ANTI LIFT	
		Ship assembled part #	Use with multiple assemblies
	ASSY-HNG-FP	HANGER/FOOTPLATE ASSY REQUIRED	add with Hanger & Footplate kit

Note: Effective on GP SA beginning GP-95902, Kids Q2 SE beginning QKE-003425, LX/LXI beginning LXI-060868, Quickie TS beginning QT-044951 & QTE-002092.



Pos.	Item Number	Description	Remarks
2	106983	5/16-18 X 2 BH C/S SHT THREAD	
3,4	561197	PIVOT SADDLE PLASTIC	
5	052296	SWING I/O LATCH LEVER RIGHT	Right
5	052297	SWING I/O LATCH LEVER LEFT	Left
6	102259-001	BHCS M5 X .8 X 12 W/PL INORG	
7	230494	M5-30 BTTN HD SOC C/S BLK	
8	052054	BUSHING PIVOT HANGER SWING I/O	
11	561062	1" INSERT PLUG .065 RIBS	
15	104160	BUSHING FOOTREST	
1-15	107671S	70 DEG SWING IN/OUT HANGER ASSEMBLY LEFT	SPECIFY COLOR,LEFT
1-15	107670S	70 DEG SWING IN/OUT HANGER ASSEMBLY RIGHT	SPECIFY COLOR,RIGHT
12-15	107485	FOOTREST CLAMP ASSM	
6,9,10	120976	ASSY LATCH BLOCK ANTI LIFT	
		Ship assembled part #	Use with multiple assemblies
	ASSY-HNG-FP	HANGER/FOOTPLATE ASSY REQUIRED	add with Hanger & Footplate kit

Note: Effective on GP SA beginning GP-95902, Kids Q2 SE beginning QKE-003425, LX/LXI beginning LXI-060868, Quickie TS beginning QT-044951 & QTE-002092.



Pos.	Item Number	Description	Remarks
2	106983	5/16-18 X 2 BH C/S SHT THREAD	
3	561197	PIVOT SADDLE PLASTIC	Includes nylock nut
5	052296	SWING I/O LATCH LEVER RIGHT	Right
5	052297	SWING I/O LATCH LEVER LEFT	Left
7	230494	M5-30 BTTN HD SOC C/S BLK	
8	052054	BUSHING PIVOT HANGER SWING I/O	
11	561062	1" INSERT PLUG .065 RIBS	
15	104160	BUSHING FOOTREST	
1-15	107675S	70D V HNGR SWNG I/O ASSM L	SPECIFY COLOR,LEFT
1-15	107674S	70D V HNGR SWNG I/O ASSM R	SPECIFY COLOR,RIGHT
12-15	107485	FOOTREST CLAMP ASSM	
6,9,10	120976	ASSY LATCH BLOCK ANTI LIFT	
		Ship assembled part #	Use with multiple assemblies
	ASSY-HNG-FP	HANGER/FOOTPLATE ASSY REQUIRED	add with Hanger & Footplate kit

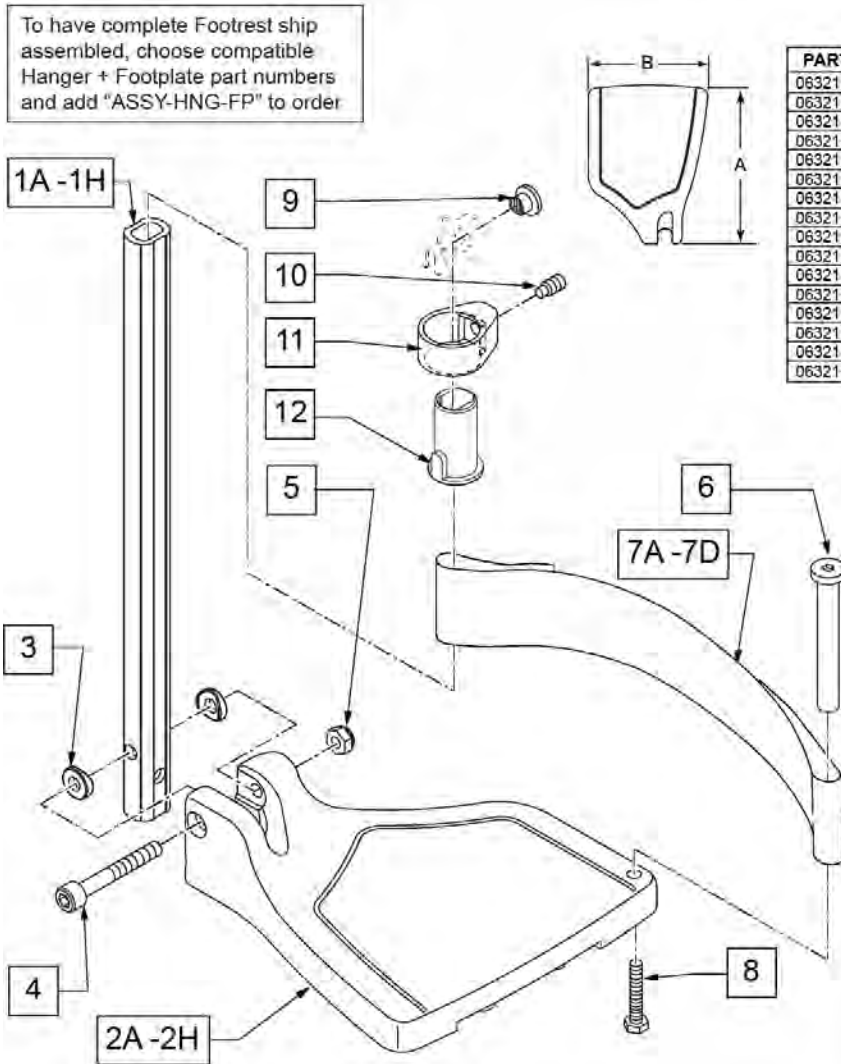
Note: Footplate Assemblies are set to footrest width; please see "Footplate Formula" table for seat width conversion.

Note: V Style Hangers are not available on Swing Away Style chairs effective 7/14/14; see the "Prior To" ordering guide for V Style footplate assemblies.

Note: for QX Series or SR45 footplate replacement parts see the ordering guide marked specifically for these two models in the informations panel.

FOOTPLATE MEASURING GUIDE

PART NO	DESCRIPTION	"A"	"B"
063216-006	FOOTPLATE COMPOSITE 157 R (13"W)	6 1/8"	8"
063216-012	FOOTPLATE COMPOSITE 157 L (13"W)	6 1/8"	8"
063216-015	FOOTPLATE COMPOSITE 170 R (14"W)	6 5/8"	8"
063216-018	FOOTPLATE COMPOSITE 170 L (14"W)	6 5/8"	6"
063216-005	FOOTPLATE COMPOSITE 182 R (15"W)	7 1/8"	8"
063216-011	FOOTPLATE COMPOSITE 182 L (15"W)	7 1/8"	6"
063216-014	FOOTPLATE COMPOSITE 195 R (16"W)	7 5/8"	8"
063216-017	FOOTPLATE COMPOSITE 195 L (16"W)	7 5/8"	6"
063216-004	FOOTPLATE COMPOSITE 207 R (17"W)	8 1/8"	6"
063216-010	FOOTPLATE COMPOSITE 207 L (17"W)	8 1/8"	8"
063216-013	FOOTPLATE COMPOSITE 220 R (18"W)	8 5/8"	6 1/4"
063216-016	FOOTPLATE COMPOSITE 220 L (18"W)	8 5/8"	6 1/4"
063216-003	FOOTPLATE COMPOSITE 232 R (19-20"W)	9 1/8"	8 1/4"
063216-009	FOOTPLATE COMPOSITE 232 L (19-20"W)	9 1/8"	6 1/4"
063216-002	FOOTPLATE COMPOSITE 257 R (21-22"W)	10 1/8"	8 1/4"
063216-008	FOOTPLATE COMPOSITE 257 L (21-22"W)	10 1/8"	6 1/4"



To have complete Footrest ship assembled, choose compatible Hanger + Footplate part numbers and add "ASSY-HNG-FP" to order

INSET FORMULA
 0" Inset (Seat Width) = Footrest Width
 1" Inset (Seat Width) -2" = Footrest Width
 "V" Hanger (Seat Width) -4" = Footrest Width
 Offset Hanger Receiver (Seat Width) +2" = Footrest Width

Pos.	Item Number	Description	Remarks
1A,3-5	120660	SHT STRT EXT COMP HDWR	80 deg hangers + ELR only
1B,3-5	120661	MED STRT EXT COMP HDWR	80 deg hangers + ELR only
1C,3-5	120662	LNG STRT EXT COMP HDWR	80 deg hangers + ELR only
1D,3-5	120663	SHT BNT EXT COMP HDWR	60,70,70 Hemi Hangers
1E,3-5	120664	MED BNT EXT COMP HDWR	60,70,70 Hemi Hangers

Pos.	Item Number	Description	Remarks
1F,3-5	120665	LNG BNT EXT COMP HDWR	60,70,70 Hemi Hangers
1G,3-5	120666	SHT V EXT R COMP HDWR	70 deg V hangers only-LEFT
1G,3-5	120667	SHT V EXT L COMP HDWR	70 deg V hangers only-RIGHT
1H,3-5	120668	LNG V EXT R COMP HDWR	70 deg V hangers only-LEFT
1H,3-5	120669	LNG V EXT L COMP HDWR	70 deg V hangers only-RIGHT
2A	063216-006	FOOTPLATE COMPOSITE 157 R	RIGHT 13" Footrest Width
2A	063216-012	FOOTPLATE COMPOSITE 157 L	LEFT 13" Footrest Width
2B	063216-015	FOOTPLATE COMPOSITE 170 R	RIGHT 14" Footrest Width
2B	063216-018	FOOTPLATE COMPOSITE 170 L	LEFT 14" Footrest Width
2C	063216-005	COMPOSITE FOOTPLATE 182 R	RIGHT 15" Footrest Width
2C	063216-011	COMPOSITE FOOTPLATE 182 L	LEFT 15" Footrest Width
2D	063216-014	FOOTPLATE COMPOSITE 195 R	RIGHT 16" Footrest Width
2D	063216-017	FOOTPLATE COMPOSITE 195 L	LEFT 16" Footrest Width
2E	063216-004	COMPOSITE FOOTPLATE 207 R	RIGHT 17" Footrest Width
2E	063216-010	COMPOSITE FOOTPLATE 207 L	LEFT 17" Footrest Width
2F	063216-013	FOOTPLATE COMPOSITE 220 R	RIGHT 18" Footrest Width
2F	063216-016	FOOTPLATE COMPOSITE 220 L	LEFT 18" Footrest Width
2G	063216-003	COMPOSITE FOOTPLATE 232 R	RIGHT 19" & 20" Footrest Width
2G	063216-009	COMPOSITE FOOTPLATE 232 L	LEFT 19" & 20" Footrest Width
2H	063216-002	FOOTPLATE COMPOSITE 257 R	RIGHT 21" & 22" Footrest Width
2H	063216-008	FOOTPLATE COMPOSITE 257 L	LEFT 21" & 22" Footrest Width
3	104377	3/4" SADDLE THIN	
4	103175	SHCS M6 X 1 X 40 INORG	
5	132626	NUT AUTOMATION M6 X 1.0	Inserted in bottom of footplate.
6	104328	HEEL LOOP PEG	
7A	104380-001	ADJUSTABLE FOOT REST STRAP	14" wide
7B	104380-002	ADJUSTABLE FOOT REST STRAP	15-16" wide
7C	104380-003	ADJUSTABLE FOOT REST STRAP	17-18" wide
7D	104380-004	ADJUSTABLE FOOT REST STRAP	19-22" wide
8	102268-001	HHCS M6 X 1 X 25	
12	104160	BUSHING FOOTREST	
9-12	107485	FOOTREST CLAMP ASSM	
		Ship assembled part #	Use with multiple assemblies
	ASSY-HNG-FP	HANGER/FOOTPLATE ASSY REQUIRED	add with Hanger & Footplate kit
>>>>		60°,70°,70° HEMI HANGERS - SHORT EXT - RIGHT	
1D,2A,3-6,7A,8	107746	COMP BNT SHT EXT ASM 13" W R	Right- 70D- 13" W- SHORT
1D,2B,3-6,7A,8	107747	COMP BNT SHT EXT ASM 14" W R	Right- 70D- 14" W- SHORT
1D,2C,3-6,7B,8	107748	COMP BNT SHT EXT ASM 15" W R	Right- 70D- 15" W- SHORT
1D,2D,3-6,7B,8	107749	COMP BNT SHT EXT ASM 16" W R	Right- 70D- 16" W- SHORT
1D,2E,3-6,7C,8	107750	COMP BNT SHT EXT ASM 17" W R	Right- 70D- 17" W- SHORT
1D,2F,3-6,7C,8	107751	COMP BNT SHT EXT ASM 18" W R	Right- 70D- 18" W- SHORT
1D,2G,3-6,7D,8	107752	COMP BNT SHT EXT ASM 19 & 20"W R	Right- 70D- 19 & 20" W- SHORT
1D,2H,3-6,7D,8	111528	COMP BNT SHT EXT ASM 21 & 22"W R	Right- 70D- 21 & 22" W- SHORT
>>>>		60°,70°,70° HEMI HANGERS - SHORT EXT - LEFT	
1D,2A,3-6,7A,8	107753	COMP BNT SHT EXT ASM 13" W L	Left- 70D- 13 W- SHORT
1D,2B,3-6,7A,8	107754	COMP BNT SHT EXT ASM 14" W L	Left- 70D- 14 W- SHORT
1D,2C,3-6,7B,8	107755	COMP BNT SHT EXT ASM 15" W L	Left- 70D- 15 W- SHORT
1D,2D,3-6,7B,8	107756	COMP BNT SHT EXT ASM 16" W L	Left- 70D- 16 W- SHORT
1D,2E,3-6,7C,8	107757	COMP BNT SHT EXT ASM 17" W L	Left- 70D- 17 W- SHORT
1D,2F,3-6,7C,8	107758	COMP BNT SHT EXT ASM 18" W L	Left- 70D- 18 W- SHORT
1D,2G,3-6,7D,8	107759	COMP BNT SHT EXT ASM 19 & 20"W L	Left- 70D- 19 & 20" W- SHORT
1D,2H,3-6,7D,8	111529	COMP BNT SHT EXT ASM 21 & 22"W L	Left- 70D- 21 & 22" W- SHORT
>>>>		60°,70°,70° HEMI HANGERS - MED EXT - RIGHT	
1E,2A,3-6,7A,8	107760	COMP BNT MED EXT ASM 13" W R	Right- 70D- 13" W- MED
1E,2B,3-6,7A,8	107761	COMP BNT MED EXT ASM 14" W R	Right- 70D- 14" W- MED
1E,2C,3-6,7B,8	107762	COMP BNT MED EXT ASM 15" W R	Right- 70D- 15" W- MED

Pos.	Item Number	Description	Remarks
1E,2D,3-6,7B,8	107763	COMP BNT MED EXT ASM 16" W R	Right- 70D- 16" W- MED
1E,2E,3-6,7C,8	107764	COMP BNT MED EXT ASM 17" W R	Right- 70D- 17" W- MED
1E,2F,3-6,7C,8	107765	COMP BNT MED EXT ASM 18" W R	Right- 70D- 18" W- MED
1E,2G,3-6,7D,8	107766	COMP BNT MED EXT ASM 19 & 20"W R	Right- 70D- 19 & 20" W- MED
1E,2H,3-6,7D,8	111530	COMP BNT MED EXT ASM 21 & 22"W R	Right- 70D- 21 & 22" W- MED
>>>>		60°,70°,70° HEMI HANGERS - MED EXT - LEFT	
1E,2A,3-6,7A,8	107767	COMP BNT MED EXT ASM 13" W L	Left- 70D- 13 W- MED
1E,2B,3-6,7A,8	107768	COMP BNT MED EXT ASM 14" W L	Left- 70D- 14 W- MED
1E,2C,3-6,7B,8	107769	COMP BNT MED EXT ASM 15" W L	Left- 70D- 15 W- MED
1E,2D,3-6,7B,8	107770	COMP BNT MED EXT ASM 16" W L	Left- 70D- 16 W- MED
1E,2E,3-6,7C,8	107771	COMP BNT MED EXT ASM 17" W L	Left- 70D- 17 W- MED
1E,2F,3-6,7C,8	107772	COMP BNT MED EXT ASM 18" W L	Left- 70D- 18 W- MED
1E,2G,3-6,7D,8	107773	COMP BNT MED EXT ASM 19 & 20"W L	Left- 70D- 19 & 20" W- MED
1E,2H,3-6,7D,8	111531	COMP BNT MED EXT ASM 21 & 22"W L	Left- 70D- 21 & 22" W- MED
>>>>		60°,70°,70° HEMI HANGERS - LONG EXT - RIGHT	
1F,2A,3-6,7A,8	107774	COMP BNT LONG EXT ASM 13" W R	Right- 70D- 13" W- LONG
1F,2B,3-6,7A,8	107775	COMP BNT LONG EXT ASM 14" W R	Right- 70D- 14" W- LONG
1F,2C,3-6,7B,8	107776	COMP BNT LONG EXT ASM 15" W R	Right- 70D- 15" W- LONG
1F,2D,3-6,7B,8	107777	COMP BNT LONG EXT ASM 16" W R	Right- 70D- 16" W- LONG
1F,2E,3-6,7C,8	107778	COMP BNT LONG EXT ASM 17" W R	Right- 70D- 17" W- LONG
1F,2F,3-6,7C,8	107779	COMP BNT LONG EXT ASM 18" W R	Right- 70D- 18" W- LONG
1F,2G,3-6,7D,8	107780	COMP BNT LONG EXT ASM 19 & 20"W R	Right- 70D- 19 & 20" W- LONG
1F,2H,3-6,7D,8	111532	COMP BNT LONG EXT ASM 21 & 22"W R	Right- 70D- 21 & 22" W- LONG
>>>>		60°,70°,70° HEMI HANGERS - LONG EXT - LEFT	
1F,2A,3-6,7A,8	107781	COMP BNT LONG EXT ASM 13" W L	Left- 70D- 13 W- LONG
1F,2B,3-6,7A,8	107782	COMP BNT LONG EXT ASM 14" W L	Left- 70D- 14 W- LONG
1F,2C,3-6,7B,8	107783	COMP BNT LONG EXT ASM 15" W L	Left- 70D- 15 W- LONG
1F,2D,3-6,7B,8	107784	COMP BNT LONG EXT ASM 16" W L	Left- 70D- 16 W- LONG
1F,2E,3-6,7C,8	107785	COMP BNT LONG EXT ASM 17" W L	Left- 70D- 17 W- LONG
1F,2F,3-6,7C,8	107786	COMP BNT LONG EXT ASM 18" W L	Left- 70D- 18 W- LONG
1F,2G,3-6,7D,8	107787	COMP BNT LONG EXT ASM 19 & 20"W L	Left- 70D- 19 & 20" W- LONG
1F,2H,3-6,7D,8	111533	COMP BNT LONG EXT ASM 21 & 22"W L	Left- 70D- 21 & 22" W- LONG
>>>>		70 DEGREE "V" HANGERS - MED EXT - RIGHT	
1G,2A,3-8	107788	COMP V MED EXT ASM 13W R	Right- 70D V hangers only 13 W- MED
1G,2B,3-8	107789	COMP V MED EXT ASM 14W R	Right- 70D V hangers only 14 W- MED
1G,2C,3-8	107790	COMP V MED EXT ASM 15W R	Right- 70D V hangers only 15 W- MED
1G,2D,3-8	107791	COMP V MED EXT ASM 16W R	Right- 70D V hangers only 16 W- MED
1G,2E,3-8	107792	COMP V MED EXT ASM 17W R	Right- 70D V hangers only 17 W- MED
1G,2F,3-8	107793	COMP V MED EXT ASM 18W R	Right- 70D V hangers only 18 W- MED
>>>>		70 DEGREE "V" HANGERS - MED EXT - LEFT	
1G,2A,3-8	107795	COMP V MED EXT ASM 13W L	Left- 70D V hangers only 13 W- MED
1G,2B,3-8	107796	COMP V MED EXT ASM 14W L	Left- 70D V hangers only 14 W- MED
1G,2C,3-8	107797	COMP V MED EXT ASM 15W L	Left- 70D V hangers only 15 W- MED
1G,2D,3-8	107798	COMP V MED EXT ASM 16W L	Left- 70D V hangers only 16 W- MED
1G,2E,3-8	107799	COMP V MED EXT ASM 17W L	Left- 70D V hangers only 17 W- MED
1G,2F,3-8	107800	COMP V MED EXT ASM 18W L	Left- 70D V hangers only 18 W- MED
>>>>		70 DEGREE "V" HANGERS - LONG EXT - RIGHT	
1H,2A,3-8	107802	COMP V LNG EXT ASM 13W R	Right- 70D V hangers only 13 W- LONG
1H,2B,3-8	107803	COMP V LNG EXT ASM 14W R	Right- 70D V hangers only 14 W- LONG
1H,2C,3-8	107804	COMP V LNG EXT ASM 15W R	Right- 70D V hangers only 15 W- LONG
1H,2D,3-8	107805	COMP V LNG EXT ASM 16W R	Right- 70D V hangers only 16 W- LONG
1H,2E,3-8	107806	COMP V LNG EXT ASM 17W R	Right- 70D V hangers only 17 W- LONG
1H,2F,3-8	107807	COMP V LNG EXT ASM 18W R	Right- 70D V hangers only 18 W- LONG
>>>>		70 DEGREE "V" HANGERS - LONG EXT - LEFT	
1H,2A,3-8	107809	COMP V LNG EXT ASM 13W L	Left- 70D V hangers only 13 W- LONG
1H,2B,3-8	107810	COMP V LNG EXT ASM 14W L	Left- 70D V hangers only 14 W- LONG

Pos.	Item Number	Description	Remarks
1H,2C,3-8	107811	COMP V LNG EXT ASM 15W L	Left- 70D V hangers only 15 W- LONG
1H,2D,3-8	107812	COMP V LNG EXT ASM 16W L	Left- 70D V hangers only 16 W- LONG
1H,2E,3-8	107813	COMP V LNG EXT ASM 17W L	Left- 70D V hangers only 17 W- LONG
1H,2F,3-8	107814	COMP V LNG EXT ASM 18W L	Left- 70D V hangers only 18 W- LONG
>>>>		80 DEGREE HANGERS - SHORT EXT - RIGHT	
1A,2A,3-6,7A,8	107704	COMP STRT SHT EXT ASM 13"W R	Right- 80D- 13" W- SHORT
1A,2B,3-6,7A,8	107705	COMP STRT SHT EXT ASM 14"W R	Right- 80D- 14" W- SHORT
1A,2C,3-6,7B,8	107706	COMP STRT SHT EXT ASM 15"W R	Right- 80D- 15" W- SHORT
1A,2D,3-6,7B,8	107707	COMP STRT SHT EXT ASM 16"W R	Right- 80D- 16" W- SHORT
1A,2E,3-6,7C,8	107708	COMP STRT SHT EXT ASM 17"W R	Right- 80D- 17" W- SHORT
1A,2F,3-6,7C,8	107709	COMP STRT SHT EXT ASM 18"W R	Right- 80D- 18" W- SHORT
1A,2G,3-6,7D,8	107710	COMP STRT SHT EXT ASM 19 & 20"W R	Right- 80D- 19 & 20" W- SHORT
1A,2H,3-6,7D,8	111522	COMP STRT SHT EXT ASM 21 & 22"W R	Right- 80D- 21 & 22" W- SHORT
>>>>		80 DEGREE HANGERS - SHORT EXT - LEFT	
1A,2A,3-6,7A,8	107711	COMP STRT SHT EXT ASM 13"W L	LEFT- 80D- 13" W- SHORT
1A,2B,3-6,7A,8	107712	COMP STRT SHT EXT ASM 14"W L	LEFT- 80D- 14" W- SHORT
1A,2C,3-6,7B,8	107713	COMP STRT SHT EXT ASM 15"W L	LEFT- 80D- 15" W- SHORT
1A,2D,3-6,7B,8	107714	COMP STRT SHT EXT ASM 16"W L	LEFT- 80D- 16" W- SHORT
1A,2E,3-6,7C,8	107715	COMP STRT SHT EXT ASM 17"W L	LEFT- 80D- 17" W- SHORT
1A,2F,3-6,7C,8	107716	COMP STRT SHT EXT ASM 18"W L	LEFT- 80D- 18" W- SHORT
1A,2G,3-6,7D,8	107717	COMP STRT SHT EXT ASM 19 & 20"W L	LEFT- 80D- 19 & 20" W- SHORT
1A,2H,3-6,7D,8	111523	COMP STRT SHT EXT ASM 21 & 22"W L	LEFT- 80D- 21 & 22" W- SHORT
>>>>		80 DEGREE HANGERS - MED EXT - RIGHT	
1B,2A,3-6,7A,8	107718	COMP STRT MED EXT ASM 13"W R	Right- 80D- 13" W- MED
1B,2B,3-6,7A,8	107719	COMP STRT MED EXT ASM 14"W R	Right- 80D- 14" W- MED
1B,2C,3-6,7B,8	107720	COMP STRT MED EXT ASM 15"W R	Right- 80D- 15" W- MED
1B,2D,3-6,7B,8	107721	COMP STRT MED EXT ASM 16"W R	Right- 80D- 16" W- MED
1B,2E,3-6,7C,8	107722	COMP STRT MED EXT ASM 17"W R	Right- 80D- 17" W- MED
1B,2F,3-6,7C,8	107723	COMP STRT MED EXT ASM 18"W R	Right- 80D- 18" W- MED
1B,2G,3-6,7D,8	107724	COMP STRT MED EXT ASM 19 & 20"W R	Right- 80D- 19 & 20" W- MED
1B,2H,3-6,7D,8	111524	COMP STRT MED EXT ASM 21 & 22"W R	Right- 80D- 21 & 22" W- MED
>>>>		80 DEGREE HANGERS - MED EXT - LEFT	
1B,2A,3-6,7A,8	107725	COMP STRT MED EXT ASM 13"W L	LEFT- 80D- 13" W- MED
1B,2B,3-6,7A,8	107726	COMP STRT MED EXT ASM 14"W L	LEFT- 80D- 14" W- MED
1B,2C,3-6,7B,8	107727	COMP STRT MED EXT ASM 15"W L	LEFT- 80D- 15" W- MED
1B,2D,3-6,7B,8	107728	COMP STRT MED EXT ASM 16"W L	LEFT- 80D- 16" W- MED
1B,2E,3-6,7C,8	107729	COMP STRT MED EXT ASM 17"W L	LEFT- 80D- 17" W- MED
1B,2F,3-6,7C,8	107730	COMP STRT MED EXT ASM 18"W L	LEFT- 80D- 18" W- MED
1B,2G,3-6,7D,8	107731	COMP STRT MED EXT ASM 19 & 20"W L	LEFT- 80D- 19 & 20" W- MED
1B,2H,3-6,7D,8	111525	COMP STRT MED EXT ASM 21 & 22"W L	LEFT- 80D- 21 & 22" W- MED
>>>>		80 DEGREE HANGERS - LONG EXT - RIGHT	
1C,2A,3-6,7A,8	107732	COMP STRT LONG EXT ASM 13"W R	Right- 80D- 13" W- LONG
1C,2B,3-6,7A,8	107733	COMP STRT LONG EXT ASM 14"W R	Right- 80D- 14" W- LONG
1C,2C,3-6,7B,8	107734	COMP STRT LONG EXT ASM 15"W R	Right- 80D- 15" W- LONG
1C,2D,3-6,7B,8	107735	COMP STRT LONG EXT ASM 16"W R	Right- 80D- 16" W- LONG
1C,2E,3-6,7C,8	107736	COMP STRT LONG EXT ASM 17"W R	Right- 80D- 17" W- LONG
1C,2F,3-6,7C,8	107737	COMP STRT LONG EXT ASM 18"W R	Right- 80D- 18" W- LONG
1C,2G,3-6,7D,8	107738	COMP STRT LONG EXT ASM 19 & 20"W R	Right- 80D- 19 & 20" W- LONG
1C,2H,3-6,7D,8	111526	COMP STRT LONG EXT ASM 21 & 22"W R	Right- 80D- 21 & 22" W- LONG
>>>>		80 DEGREE HANGERS - LONG EXT - LEFT	
1C,2A,3-6,7A,8	107739	COMP STRT LONG EXT ASM 13"W L	LEFT- 80D- 13" W- LONG
1C,2B,3-6,7A,8	107740	COMP STRT LONG EXT ASM 14"W L	LEFT- 80D- 14" W- LONG
1C,2C,3-6,7B,8	107741	COMP STRT LONG EXT ASM 15"W L	LEFT- 80D- 15" W- LONG
1C,2D,3-6,7B,8	107742	COMP STRT LONG EXT ASM 16"W L	LEFT- 80D- 16" W- LONG
1C,2E,3-6,7C,8	107743	COMP STRT LONG EXT ASM 17"W L	LEFT- 80D- 17" W- LONG
1C,2F,3-6,7C,8	107744	COMP STRT LONG EXT ASM 18"W L	LEFT- 80D- 18" W- LONG

Pos.	Item Number	Description	Remarks
1C,2G,3-6,7D,8	107745	COMP STRT LONG EXT ASM 19 & 20"W L	LEFT- 80D- 19 & 20" W- LONG
1C,2H,3-6,7D,8	111527	COMP STRT LONG EXT ASM 21 & 22"W L	LEFT- 80D- 21 & 22" W- LONG

Note: Footplate Assemblies are set to footrest width; please see "Footplate Formula" table for seat width conversion.

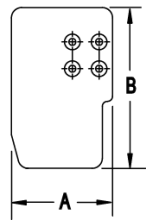
Note: Zippie Iris (ZRS&ZRSE) and Zippie TS (Z1A&Z1SE) only use Straight Extension Tube.

Note: V Style Hangers are not available on Swing Away Style chairs effective 7/14/14; see the "Prior To" ordering guide for V Style footplate assemblies.

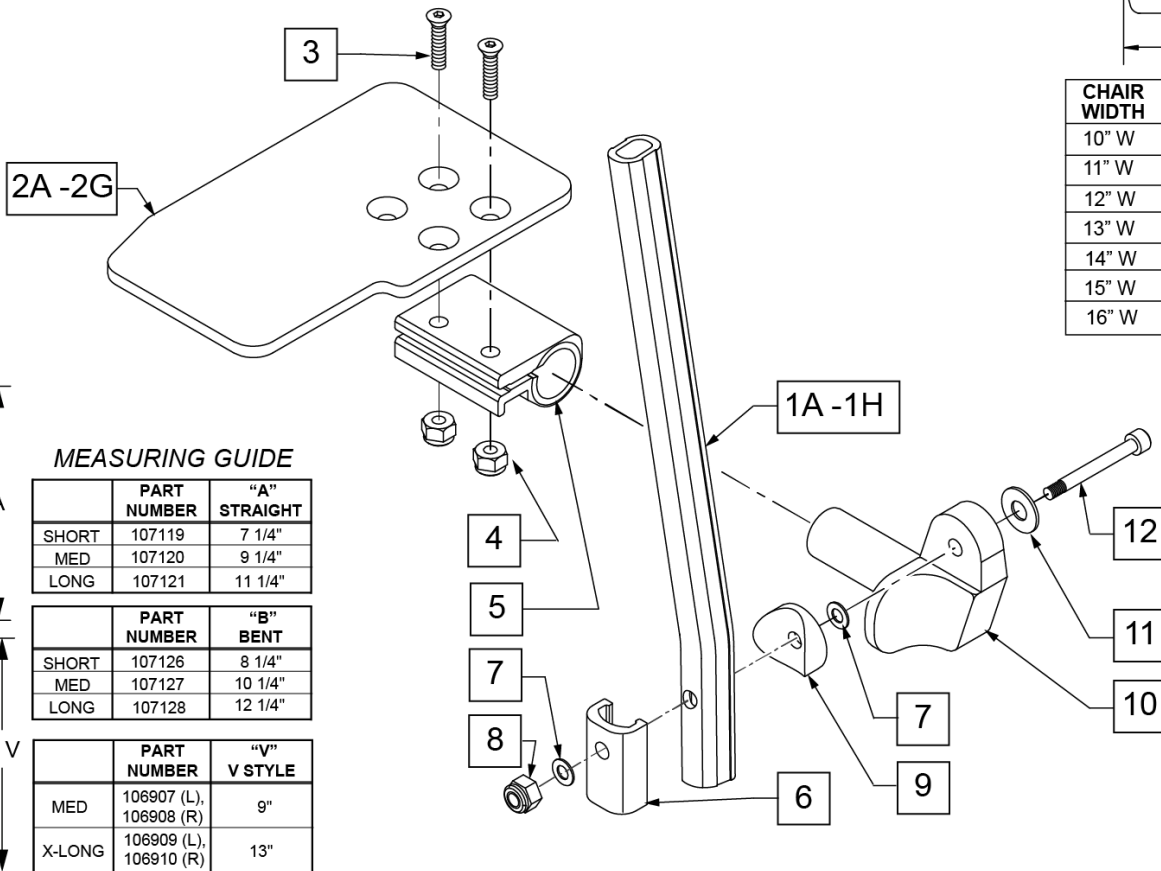
To have complete Footrest ship assembled, choose compatible Hanger + Footplate part numbers and add "ASSY-HNG-FP" to order

FOOTPLATE FORMULA
 0" Inset (Seat Width) = Footrest Width
 1" Inset (Seat Width) - 2 = Footrest Width
 V Hanger (Seat Width) - 4 = Footrest Width
 Offset Hanger Receiver (Seat Width) + 2" = Footrest Width

MEASURING GUIDE



CHAIR WIDTH	"A"	"B"
10" W	3.55"	6.00"
11" W	4.05"	6.00"
12" W	4.55"	6.00"
13" W	5.05"	6.00"
14" W	5.55"	6.00"
15" W	6.05"	6.00"
16" W	6.55"	6.00"



MEASURING GUIDE

	PART NUMBER	"A" STRAIGHT
SHORT	107119	7 1/4"
MED	107120	9 1/4"
LONG	107121	11 1/4"

	PART NUMBER	"B" BENT
SHORT	107126	8 1/4"
MED	107127	10 1/4"
LONG	107128	12 1/4"

	PART NUMBER	"V" V STYLE
MED	106907 (L), 106908 (R)	9"
X-LONG	106909 (L), 106910 (R)	13"

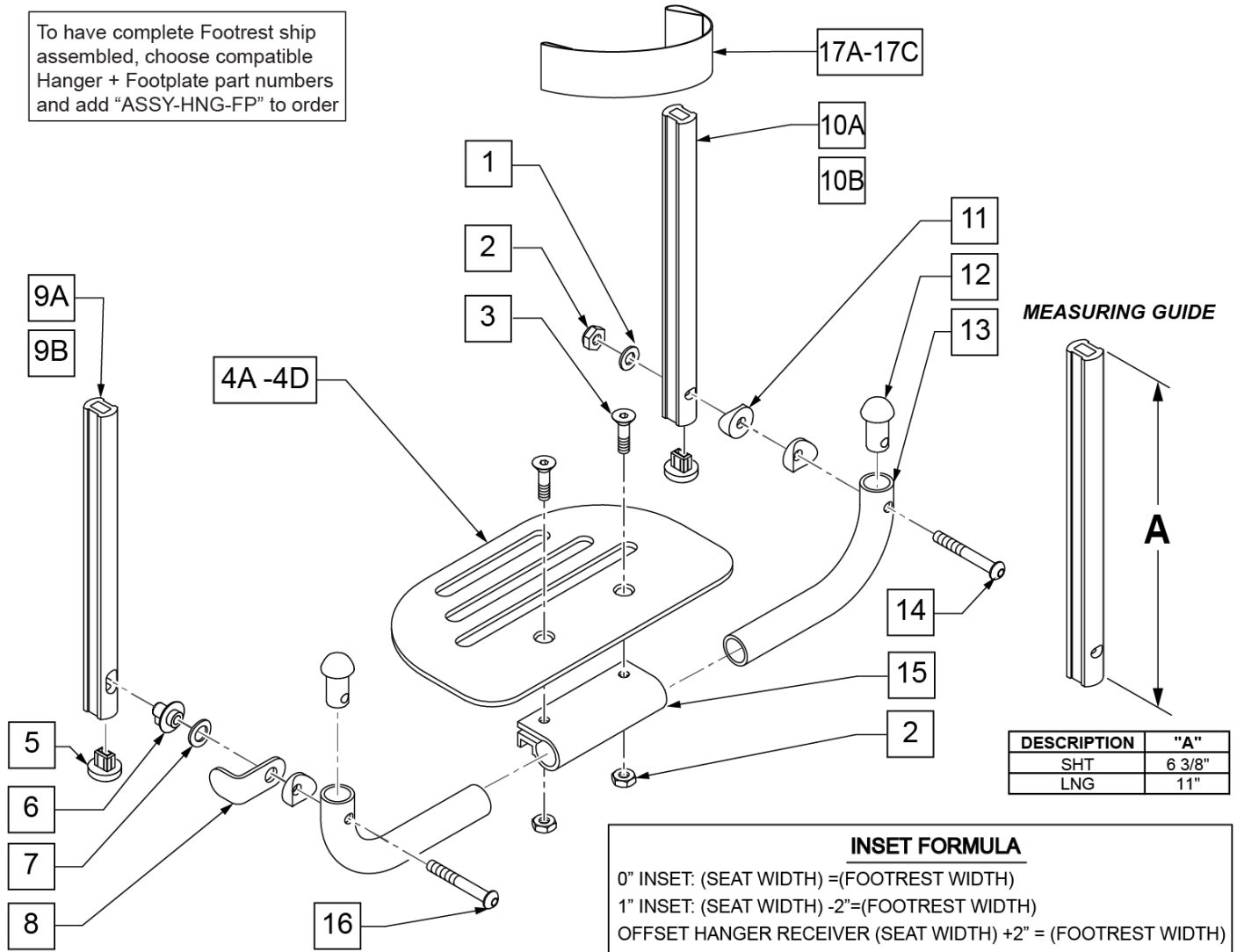
Pos.	Item Number	Description	Remarks
1A	107119	TUBE FOOTREST EXT STRAIGHT SHORT	80 deg hangers only
1B	107120	TUBE FOOTREST EXT STRAIGHT MED	80 deg hangers only
1C	107121	TUBE FOOTREST EXT STRAIGHT LONG	80 deg hangers only
1D	107126	TUBE FOOTREST EXT SHORT	60,70,70 Hemi Hangers
1E	107127	TUBE FOOTREST EXT MED	60,70,70 Hemi Hangers

Pos.	Item Number	Description	Remarks
1F	107128	TUBE FOOTREST EXT LONG	60,70,70 Hemi Hangers
1G	106907	EXT TUBE V ONLY D2 MED LEFT	70 deg V hangers only-LEFT
1G	106908	EXT TUBE V ONLY D2 MED RIGHT	70 deg V hangers only-RIGHT
1H	106909	EXT TUBE V ONLY D2 X-LONG LEFT	70 deg V hangers only-LEFT
1H	106910	EXT TUBE V ONLY D2 X-LONG RIGHT	70 deg V hangers only-RIGHT
2A	500635	KIDS ANGL ADJ F/PLT 10" R	RIGHT -10" Footrest Width
2A	500636	KIDS ANGL ADJ F/PLT 10" L	LEFT -10" Footrest Width
2B	500637	KIDS ANGL ADJ F/PLT 11" R	RIGHT -11" Footrest Width
2B	500638	KIDS ANGL ADJ F/PLT 11" L	LEFT -11" Footrest Width
2C	500639	KIDS ANGL ADJ F/PLT 12" R	RIGHT -12" Footrest Width
2C	500640	KIDS ANGL ADJ F/PLT 12" L	LEFT -12" Footrest Width
2D	500641	KIDS ANGL ADJ F/PLT 13" R	RIGHT -13" Footrest Width
2D	500642	KIDS ANGL ADJ F/PLT 13" L	LEFT -13" Footrest Width
2E	500643	KIDS ANGL ADJ F/PLT 14" R	RIGHT -14" Footrest Width
2E	500644	KIDS ANGL ADJ F/PLT 14" L	LEFT -14" Footrest Width
2F	500645	KIDS ANGL ADJ F/PLT 15" R	RIGHT -15" Footrest Width
2F	500646	KIDS ANGL ADJ F/PLT 15" L	LEFT -15" Footrest Width
2G	500647	KIDS ANGL ADJ F/PLT 16" R	RIGHT -16" Footrest Width
2G	500648	KIDS ANGL ADJ F/PLT 16" L	LEFT -16" Footrest Width
3	106978	FHCS 1/4 -28 x 7/8 ROHS	
4	106935	NUT NYLOCK THIN 1/4-28 ROHS	
5	550350	3/4" CLAMP ADJ FT PLT	
6	107199	HANGER EXTENSION SADDLE	
7	106944	WASHER FLAT THIN AN 1/4 ROHS	
8	132626	NUT AUTOMATION M6 x 1.0	
9	104377	3/4" SADDLE THIN	
10	541002	FOOTREST MOUNTING BRKT 3/8 RAD R	RIGHT
10	541003	FOOTREST MOUNTING BRKT 3/8 RAD L	LEFT
11	106945	WASHER FLAT SAE 1/4 ROHS	
12	104399	SHCS M6 x 1 x 45 12mm PART THD	
1A,2C,3-12	111310	KAA STRT SHT EXT ASM 12W R	RIGHT- 80D- 12 W- SHORT
1A,2D,3-12	111311	KAA STRT SHT EXT ASM 13W R	RIGHT- 80D- 13 W- SHORT
1A,2E,3-12	111312	KAA STRT SHT EXT ASM 14W R	RIGHT- 80D- 14 W- SHORT
1A,2F,3-12	111313	KAA STRT SHT EXT ASM 15W R	RIGHT- 80D- 15 W- SHORT
1A,2G,3-12	111314	KAA STRT SHT EXT ASM 16W R	RIGHT- 80D- 16 W- SHORT
1A,2C,3-12	111315	KAA STRT SHT EXT ASM 12W L	LEFT- 80D- 12 W- SHORT
1A,2D,3-12	111316	KAA STRT SHT EXT ASM 13W L	LEFT- 80D- 13 W- SHORT
1A,2E,3-12	111317	KAA STRT SHT EXT ASM 14W L	LEFT- 80D- 14 W- SHORT
1A,2F,3-12	111318	KAA STRT SHT EXT ASM 15W L	LEFT- 80D- 15 W- SHORT
1A,2G,3-12	111319	KAA STRT SHT EXT ASM 16W L	LEFT- 80D- 16 W- SHORT
1B,2C,3-12	111320	KAA STRT MED EXT ASM 12W R	RIGHT- 80D- 12 W- MED
1B,2D,3-12	111321	KAA STRT MED EXT ASM 13W R	RIGHT- 80D- 13 W- MED
1B,2E,3-12	111322	KAA STRT MED EXT ASM 14W R	RIGHT- 80D- 14 W- MED
1B,2F,3-12	111323	KAA STRT MED EXT ASM 15W R	RIGHT- 80D- 15 W- MED
1B,2G,3-12	111324	KAA STRT MED EXT ASM 16W R	RIGHT- 80D- 16 W- MED
1B,2C,3-12	111325	KAA STRT MED EXT ASM 12W L	LEFT- 80D- 12 W- MED
1B,2D,3-12	111326	KAA STRT MED EXT ASM 13W L	LEFT- 80D- 13 W- MED
1B,2E,3-12	111327	KAA STRT MED EXT ASM 14W L	LEFT- 80D- 14 W- MED
1B,2F,3-12	111328	KAA STRT MED EXT ASM 15W L	LEFT- 80D- 15 W- MED
1B,2G,3-12	111329	KAA STRT MED EXT ASM 16W L	LEFT- 80D- 16 W- MED
1C,2C,3-12	111330	KAA STRT LNG EXT ASM 12W R	RIGHT- 80D- 12 W- LONG
1C,2D,3-12	111331	KAA STRT LNG EXT ASM 13W R	RIGHT- 80D- 13 W- LONG
1C,2E,3-12	111332	KAA STRT LNG EXT ASM 14W R	RIGHT- 80D- 14 W- LONG
1C,2F,3-12	111333	KAA STRT LNG EXT ASM 15W R	RIGHT- 80D- 15 W- LONG
1C,2G,3-12	111334	KAA STRT LNG EXT ASM 16W R	RIGHT- 80D- 16 W- LONG
1C,2C,3-12	111335	KAA STRT LNG EXT ASM 12W L	LEFT- 80D- 12 W- LONG

Pos.	Item Number	Description	Remarks
1C,2D,3-12	111336	KAA STRT LNG EXT ASM 13W L	LEFT- 80D- 13 W- LONG
1C,2E,3-12	111337	KAA STRT LNG EXT ASM 14W L	LEFT- 80D- 14 W- LONG
1C,2F,3-12	111338	KAA STRT LNG EXT ASM 15W L	LEFT- 80D- 15 W- LONG
1C,2G,3-12	111339	KAA STRT LNG EXT ASM 16W L	LEFT- 80D- 16 W- LONG
1D,2C,3-12	111340	KAA BNT SHT EXT ASM 12W R	RIGHT- 60 & 70D- 12 W- SHORT
1D,2D,3-12	111341	KAA BNT SHT EXT ASM 13W R	RIGHT- 60 & 70D- 13 W- SHORT
1D,2E,3-12	111342	KAA BNT SHT EXT ASM 14W R	RIGHT- 60 & 70D- 14 W- SHORT
1D,2F,3-12	111343	KAA BNT SHT EXT ASM 15W R	RIGHT- 60 & 70D- 15 W- SHORT
1D,2G,3-12	111344	KAA BNT SHT EXT ASM 16W R	RIGHT- 60 & 70D- 16 W- SHORT
1D,2C,3-12	111345	KAA BNT SHT EXT ASM 12W L	LEFT- 70D- 12 W- SHORT
1D,2D,3-12	111346	KAA BNT SHT EXT ASM 13W L	LEFT- 70D- 13 W- SHORT
1D,2E,3-12	111347	KAA BNT SHT EXT ASM 14W L	LEFT- 70D- 14 W- SHORT
1D,2F,3-12	111348	KAA BNT SHT EXT ASM 15W L	LEFT- 70D- 15 W- SHORT
1D,2G,3-12	111349	KAA BNT SHT EXT ASM 16W L	LEFT- 70D- 16 W- SHORT
1E,2C,3-12	111350	KAA BNT MED EXT ASM 12W R	RIGHT- 70D- 12 W- MED
1E,2D,3-12	111351	KAA BNT MED EXT ASM 13W R	RIGHT- 70D- 13 W- MED
1E,2E,3-12	111352	KAA BNT MED EXT ASM 14W R	RIGHT- 60 & 70D- 14 W- MED
1E,2F,3-12	111353	KAA BNT MED EXT ASM 15W R	RIGHT- 60 & 70D- 15 W- MED
1E,2G,3-12	111354	KAA BNT MED EXT ASM 16W R	RIGHT- 60 & 70D- 16 W- MED
1E,2C,3-12	111355	KAA BNT MED EXT ASM 12W L	LEFT- 60 & 70D- 12 W- MED
1E,2D,3-12	111356	KAA BNT MED EXT ASM 13W L	LEFT- 60 & 70D- 13 W- MED
1E,2E,3-12	111357	KAA BNT MED EXT ASM 14W L	LEFT- 60 & 70D- 14 W- MED
1E,2F,3-12	111358	KAA BNT MED EXT ASM 15W L	LEFT- 60 & 70D- 15 W- MED
1E,2G,3-12	111359	KAA BNT MED EXT ASM 16W L	LEFT- 60 & 70D- 16 W- MED
1F,2C,3-12	111360	KAA BNT LNG EXT ASM 12W R	RIGHT- 60 & 70D- 12 W- LONG
1F,2D,3-12	111361	KAA BNT LNG EXT ASM 13W R	RIGHT- 60 & 70D- 13 W- LONG
1F,2E,3-12	111362	KAA BNT LNG EXT ASM 14W R	RIGHT- 60 & 70D- 14 W- LONG
1F,2F,3-12	111363	KAA BNT LNG EXT ASM 15W R	RIGHT- 60 & 70D- 15 W- LONG
1F,2G,3-12	111364	KAA BNT LNG EXT ASM 16W R	RIGHT- 60 & 70D- 16 W- LONG
1F,2C,3-12	111365	KAA BNT LNG EXT ASM 12W L	LEFT- 60 & 70D- 12 W- LONG
1F,2D,3-12	111366	KAA BNT LNG EXT ASM 13W L	LEFT- 60 & 70D- 13 W- LONG
1F,2E,3-12	111367	KAA BNT LNG EXT ASM 14W L	LEFT- 60 & 70D- 14 W- LONG
1F,2F,3-12	111368	KAA BNT LNG EXT ASM 15W L	LEFT- 60 & 70D- 15 W- LONG
1F,2G,3-12	111369	KAA BNT LNG EXT ASM 16W L	LEFT- 60 & 70D- 16 W- LONG
1G,2A,3-12	111370	KAA V MED EXT ASM 10W R	RIGHT- 70D V hangers only 10 W- MED
1G,2B,3-12	111371	KAA V MED EXT ASM 11W R	RIGHT- 70D V hangers only 11 W- MED
1G,2C,3-12	111372	KAA V MED EXT ASM 12W R	RIGHT- 70D V hangers only 12 W- MED
1G,2D,3-12	111373	KAA V MED EXT ASM 13W R	RIGHT- 70D V hangers only 13 W- MED
1G,2E,3-12	111374	KAA V MED EXT ASM 14W R	RIGHT- 70D V hangers only 14 W- MED
1G,2F,3-12	111375	KAA V MED EXT ASM 15W R	RIGHT- 70D V hangers only 15 W- MED
1G,2G,3-12	111376	KAA V MED EXT ASM 16W R	RIGHT- 70D V hangers only 16 W- MED
1G,2A,3-12	111377	KAA V MED EXT ASM 10W L	LEFT- 70D V hangers only 10 W- MED
1G,2B,3-12	111378	KAA V MED EXT ASM 11W L	LEFT- 70D V hangers only 11 W- MED
1G,2C,3-12	111379	KAA V MED EXT ASM 12W L	LEFT- 70D V hangers only 12 W- MED
1G,2D,3-12	111380	KAA V MED EXT ASM 13W L	LEFT- 70D V hangers only 13 W- MED
1G,2E,3-12	111381	KAA V MED EXT ASM 14W L	LEFT- 70D V hangers only 14 W- MED
1G,2F,3-12	111382	KAA V MED EXT ASM 15W L	LEFT- 70D V hangers only 15 W- MED
1G,2G,3-12	111383	KAA V MED EXT ASM 16W L	LEFT- 70D V hangers only 16 W- MED
1H,2A,3-12	111384	KAA V LNG EXT ASM 10W R	RIGHT- 70D V hangers only 10 W- LONG
1H,2B,3-12	111385	KAA V LNG EXT ASM 11W R	RIGHT- 70D V hangers only 11 W- LONG
1H,2C,3-12	111386	KAA V LNG EXT ASM 12W R	RIGHT- 70D V hangers only 12 W- LONG
1H,2D,3-12	111387	KAA V LNG EXT ASM 13W R	RIGHT- 70D V hangers only 13 W- LONG
1H,2E,3-12	111388	KAA V LNG EXT ASM 14W R	RIGHT- 70D V hangers only 14 W- LONG
1H,2F,3-12	111389	KAA V LNG EXT ASM 15W R	RIGHT- 70D V hangers only 15 W- LONG
1H,2G,3-12	111390	KAA V LNG EXT ASM 16W R	RIGHT- 70D V hangers only 16 W- LONG
1H,2A,3-12	111391	KAA V LNG EXT ASM 10W L	LEFT- 70D V hangers only 10 W- LONG

Pos.	Item Number	Description	Remarks
1H,2B,3-12	111392	KAA V LNG EXT ASM 11W L	LEFT- 70D V hangers only 11 W- LONG
1H,2C,3-12	111393	KAA V LNG EXT ASM 12W L	LEFT- 70D V hangers only 12 W- LONG
1H,2D,3-12	111394	KAA V LNG EXT ASM 13W L	LEFT- 70D V hangers only 13 W- LONG
1H,2E,3-12	111395	KAA V LNG EXT ASM 14W L	LEFT- 70D V hangers only 14 W- LONG
1H,2F,3-12	111396	KAA V LNG EXT ASM 15W L	LEFT- 70D V hangers only 15 W- LONG
1H,2G,3-12	111397	KAA V LNG EXT ASM 16W L	LEFT- 70D V hangers only 16 W- LONG
		Ship assembled part #	Use with multiple assemblies
	ASSY-HNG-FP	HANGER/FOOTPLATE ASSY REQUIRED	add with Hanger & Footplate kit

To have complete Footrest ship assembled, choose compatible Hanger + Footplate part numbers and add "ASSY-HNG-FP" to order



INSET FORMULA

0" INSET: (SEAT WIDTH) =(FOOTREST WIDTH)
 1" INSET: (SEAT WIDTH) -2"=(FOOTREST WIDTH)
 OFFSET HANGER RECEIVER (SEAT WIDTH) +2" = (FOOTREST WIDTH)

Pos.	Item Number	Description	Remarks
1	106944	WASHER FLAT THIN AN 1/4 ROHS	
2	106941	NUT AUTOMATION 1/4-28 ROHS	
3	106978	FHCS 1/4-28 X 7/8 ROHS	
4A	500651	PLATFORM F/PLT 8 x 5 1/2"	12 -14" Footrest Width
4B	500652	PLATFORM F/PLT 10" x 5 1/2"	15 -17" Footrest Width
4C	500653	PLATFORM F/PLT 12" x 5 1/2"	18 -20" Footrest Width
4D	500654	PLATFORM F/PLT 14" x 5 1/2"	21 -22" Footrest Width
5	113221	PLUG DOUBLE D EXT TUBE	
6	540410	F/UP FOOTREST KEY STUD D2	
7	107385	WASHER CURVED 3/8 ROHS	
8	505078	FOOTREST RETAINING BRACKET	
9A	106875	EXT TBE F/UP KEY SHT	Short -Latch Side
9B	106876	EXT TBE F/UP KEY LNG	Long -Latch Side
10A	106873	EXT TBE F/UP SLT SHT	Short -Pivot Side
10B	106874	EXT TBE F/UP SLT LNG	Long -Pivot Side
11	561003	3/4" SADDLE THIN	
12	561034	SHORT DOME PLUG	

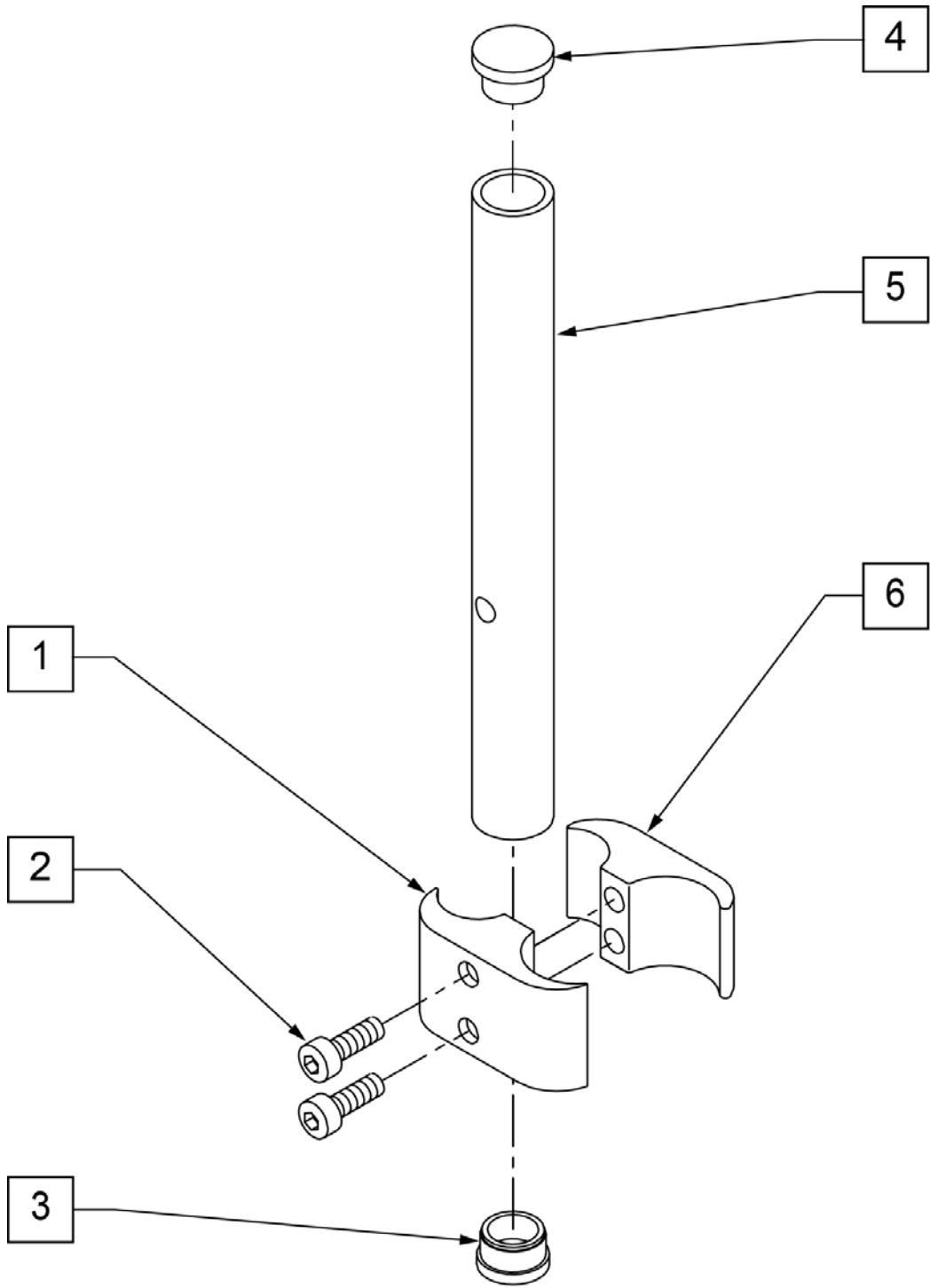
Pos.	Item Number	Description	Remarks
14	106964	BHCS 1/4-28 X 2 ROHS	
15	550351	PLATFORM FOOTPLATE CLAMP	
16	107027	BHCS 1/4-28 X 1-1/4 SHLDR ROHS	
17A	740130	LEG STRAP 10"-14" BLK	12-14" Footrest Width
17B	740131	LEG STRAP 15"-17" BLK	15-17" Footrest Width
17C	740132	LEG STRAP 18"-20" BLK	18-20" Footrest Width
1-4A,6-8,11-16	900306	PLTFM F/P PLT BLK 12" D2 W/ INSTR	12" Footrest Width
1-4A,6-8,11-16	900307	PLTFM F/P PLT BLK 13" D2 W/ INSTR	13" Footrest Width
1-4A,6-8,11-16	900308	PLTFM F/P PLT BLK 14" D2 W /INSTR	14" Footrest Width
1-4B,6-8,11-16	900309	PLTFM F/P PLT BLK 15" D2 W /INSTR	15" Footrest Width
1-4B,6-8,11-16	900310	PLTFM F/P PLT BLK 16" D2 W /INSTR	16" Footrest Width
1-4B,6-8,11-16	900311	PLTFM F/P PLT BLK 17" D2 W /INSTR	17" Footrest Width
1-4C,6-8,11-16	900312	PLTFM F/P PLT BLK 18" D2 W /INSTR	18" Footrest Width
1-4C,6-8,11-16	900313	PLTFM F/P PLT BLK 19" D2 W /INSTR	19" Footrest Width
1-4C,6-8,11-16	900314	PLTFM F/P PLT BLK 20" D2 W/ INSTR	20" Footrest Width
1-4D,6-8,11-16	900315	PLTFM F/P PLT BLK 21" D2 W/ INSTR	21" Footrest Width
1-4D,6-8,11-16	900316	PLTFM F/P PLT BLK 22" D2 W/ INSTR	22" Footrest Width
		SHORT EXT ASSEMBLIES	
1-3,4A,5-8,9A,10B,11-16,17A	108043	PLTFRM FLIP FTRST SHT 12W	12" wide (Short)
1-3,4A,5-8,9A,10B,11-16,17A	108044	PLTFRM FLIP FTRST SHT 13W	13" wide (Short)
1-3,4A,5-8,9A,10B,11-16,17A	108045	PLTFRM FLIP FTRST SHT 14W	14" wide (Short)
1-3,4B,5-8,9A,10B,11-16,17B	108046	PLTFRM FLIP FTRST SHT 15W	15" wide (Short)
1-3,4B,5-8,9A,10B,11-16,17B	108047	PLTFRM FLIP FTRST SHT 16W	16" wide (Short)
1-3,4B,5-8,9A,10B,11-16,17B	108048	PLTFRM FLIP FTRST SHT 17W	17" wide (Short)
1-3,4C,5-8,9A,10B,11-16,17C	108049	PLTFRM FLIP FTRST SHT 18W	18" wide (Short)
1-3,4C,5-8,9A,10B,11-16,17C	108051	PLTFRM FLIP FTRST SHT 19W	19" wide (Short)
1-3,4C,5-8,9A,10B,11-16,17C	108052	PLTFRM FLIP FTRST SHT 20W	20" wide (Short)
1-3,4D,5-8,9A,10B,11-16,17C	111554	PLTFRM FLIP FTRST SHT 21W	21" wide (Short)
1-3,4D,5-8,9A,10B,11-16,17C	111555	PLTFRM FLIP FTRST SHT 22W	22" wide (Short)
		LONG EXT ASSEMBLIES	
1-3,4A,5-8,9B,10A,11-16,17A	108053	PLTFRM FLIP FTRST LONG 12W	12" wide (Long)
1-3,4A,5-8,9B,10A,11-16,17A	108054	PLTFRM FLIP FTRST LONG 13W	13" wide (Long)
1-3,4A,5-8,9B,10A,11-16,17A	108055	PLTFRM FLIP FTRST LONG 14W	14" wide (Long)
1-3,4B,5-8,9B,10A,11-16,17B	108056	PLTFRM FLIP FTRST LONG 15W	15" wide (Long)
1-3,4B,5-8,9B,10A,11-16,17B	108057	PLTFRM FLIP FTRST LONG 16W	16" wide (Long)
1-3,4B,5-8,9B,10A,11-16,17B	108058	PLTFRM FLIP FTRST LONG 17W	17" wide (Long)
1-3,4C,5-8,9B,10A,11-16,17C	108059	PLTFRM FLIP FTRST LONG 18W	18" wide (Long)
1-3,4C,5-8,9B,10A,11-16,17C	108060	PLTFRM FLIP FTRST LONG 19W	19" wide (Long)
1-3,4C,5-8,9B,10A,11-16,17C	108061	PLTFRM FLIP FTRST LONG 20W	20" wide (Long)
1-3,4D,5-8,9B,10A,11-16,17C	111556	PLTFRM FLIP FTRST LONG 21W	21" wide (Long)
1-3,4D,5-8,9B,10A,11-16,17C	111557	PLTFRM FLIP FTRST LONG 22W	22" wide (Long)
		Ship assembled part #	Use with multiple assemblies
	ASSY-HNG-FP	HANGER/FOOTPLATE ASSY REQUIRED	add with Hanger & Footplate kit

NOTE: only available with Adult Angle Adjustable (AAA) or Kids Angle Adjustable (KAA) Footplates.

NOTE: if retrofitting to an existing chair with Front Mount Hangers, new Adult Angle Adjustable (AAA) or Kids Angle Adjustable (KAA) Footplates with High Mount Extension Tubes are required. See Footplate Ordering Guide.

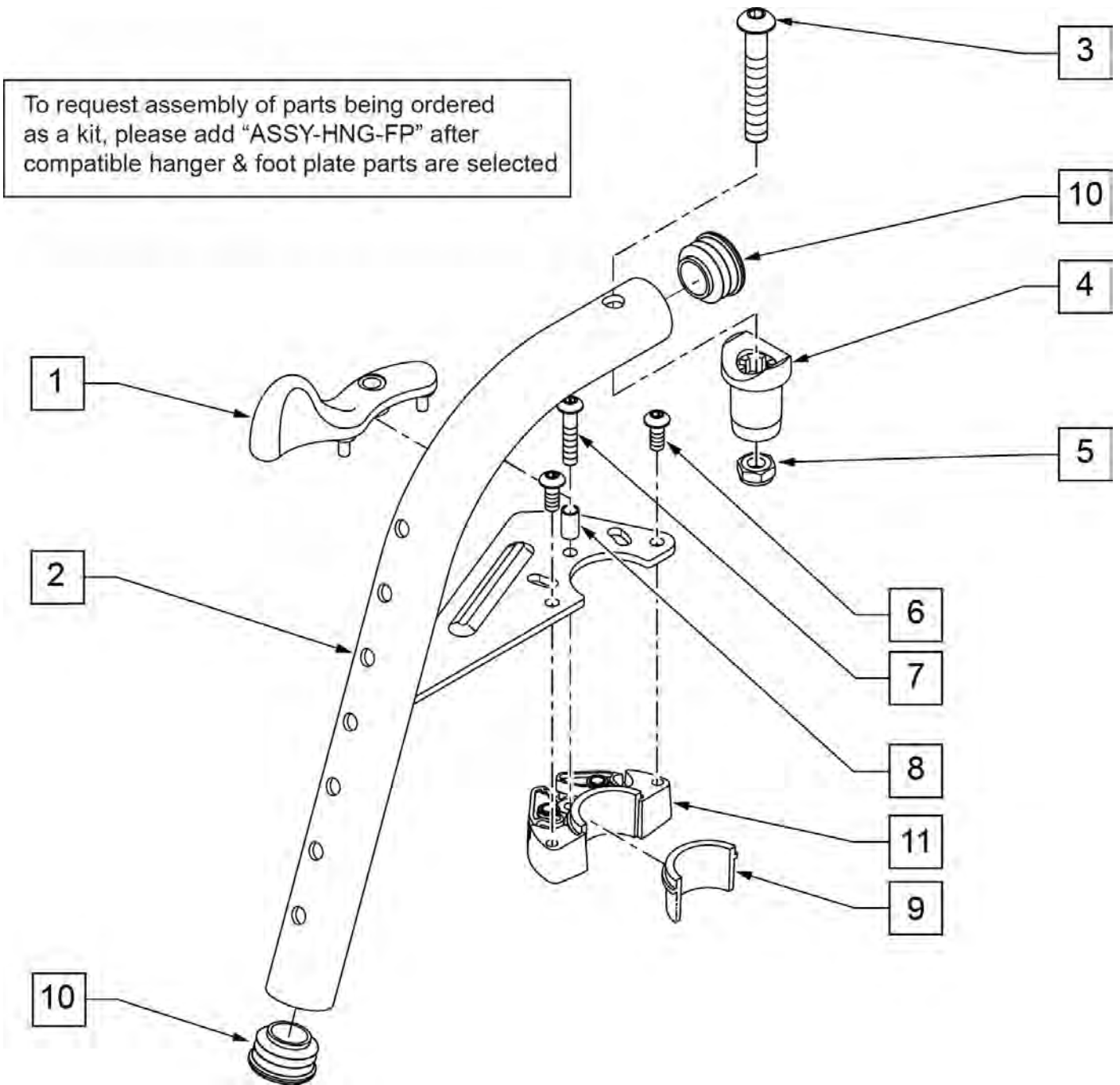
NOTE: if retrofitting to an existing chair with extension tube mounted hangers (D2 extension tubes) with Adult Angle Adjustable (AAA) or Kids Angle Adjustable (KAA) Footplates, order 2 each of 226167 and 561055 to mount the footplates onto the round high-mount extension tubes.

NOTE: if retrofitting on a chair with extension tube mounted hangers with Composite, Composite Angle Adjustable, Foam, Locking Angle Adjustable, Platform Flip-Up, or Platform Flip-Up Locking Footplates, then new Adult Angle Adjustable (AAA) or Kids Angle Adjustable (KAA) Footplates with High Mount Extension Tubes are required. See Footplate Ordering Guide.



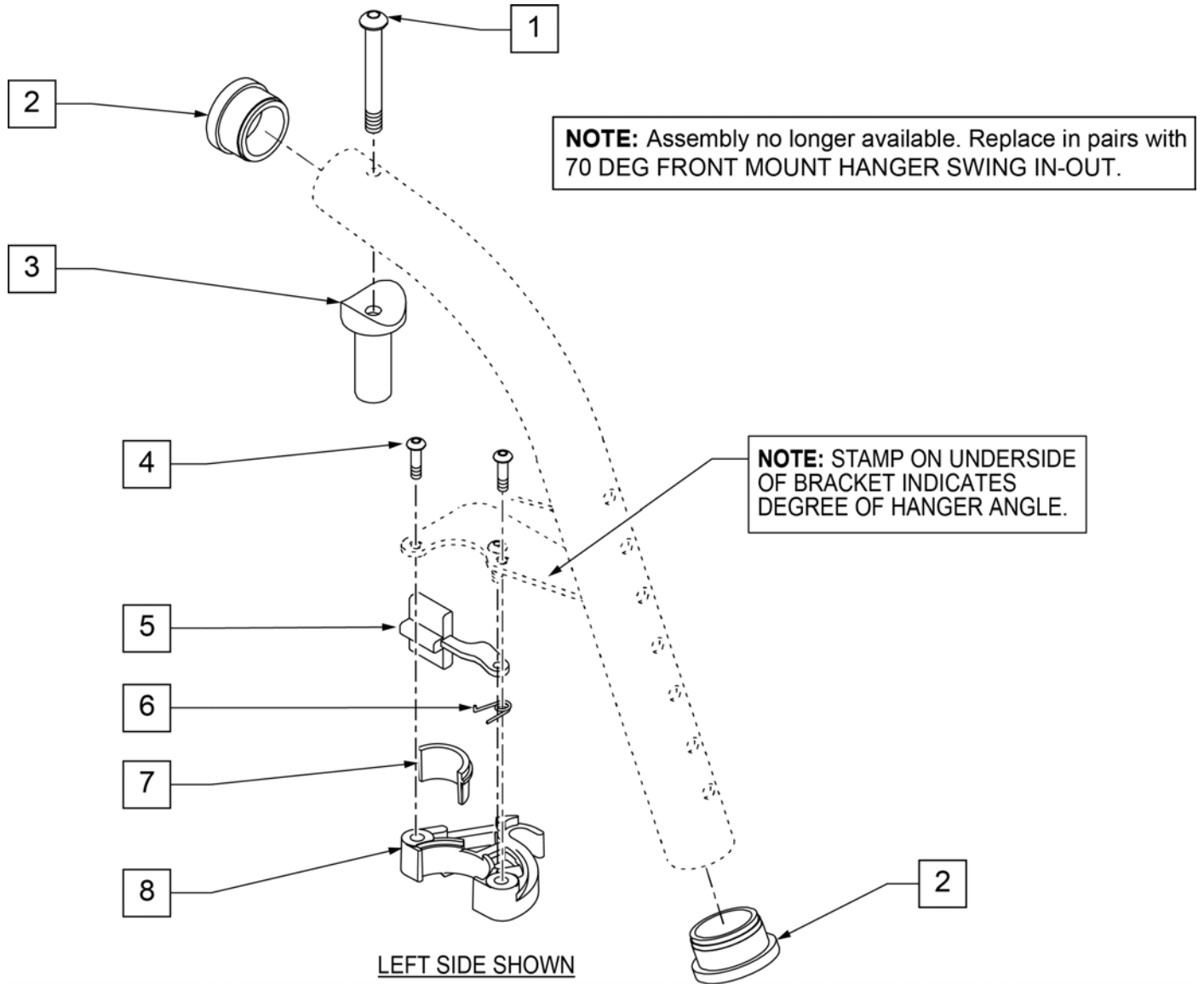
Pos.	Item Number	Description	Remarks
1	550657	CLAMP 1 1/4" RECESS FULL BLK	
2	107032	1/4-28 x 1 SOC C/S BLK	
3	561000-QU	3/4" INSERT PLUG .083	
4	482016	H/M FL FOOT TUBE PLUG	
5	521100	H/M FL FOOT EXTENSION TUBE	
6	550658	CLAMP 1 1/4" THREADED BLK	
1,2,6	880538	HIGH MOUNT FR CLAMP ASSEMBLY CLEAR	
1-6	921550S	HIGH MOUNT FL FOOT CLAMPS & TUBES	PAIR

Note: Effective on GP SA beginning GP-95902, Kids Q2 SE beginning QKE-003425, LX/LXI beginning LXI-060868, Quickie TS beginning QT-044951 & GTE-002092.



Pos.	Item Number	Description	Remarks
1	052296	SWING I/O LATCH LEVER R W/ PINS	RIGHT
1	052297	SWING I/O LATCH LEVER L W/ PINS	LEFT
3	106983	BHCS 5/16 -18 x 2 SHLDR ROHS	
4	561197	PLASTIC PIVOT SADDLE	Includes nylock nut
5	202117	5/16-18 NYLOCK NUT THICK BLK	
6	102259-001	BHCS M5 X .8 X 12 BLK W/ PL	
7	230494	M5-30 BTTN HD SOC C/S BLK	
8	052054	BUSHING PIVOT HANGER SWING I/O	
10	561062	1" INSERT PLUG .065 RIBS	
6,9,11	120976	ASSY LATCH BLOCK ANTI LIFT	
1-11	101153S	70D FM SWING I/O HNGR ASSY R	RIGHT
1-11	101154S	70D FM SWING I/O HNGR ASSY L	LEFT
		Ship assembled part #	Use with multiple assemblies
	ASSY-HNG-FP	HANGER/FOOTPLATE ASSY REQUIRED	add with Hanger & Footplate kit

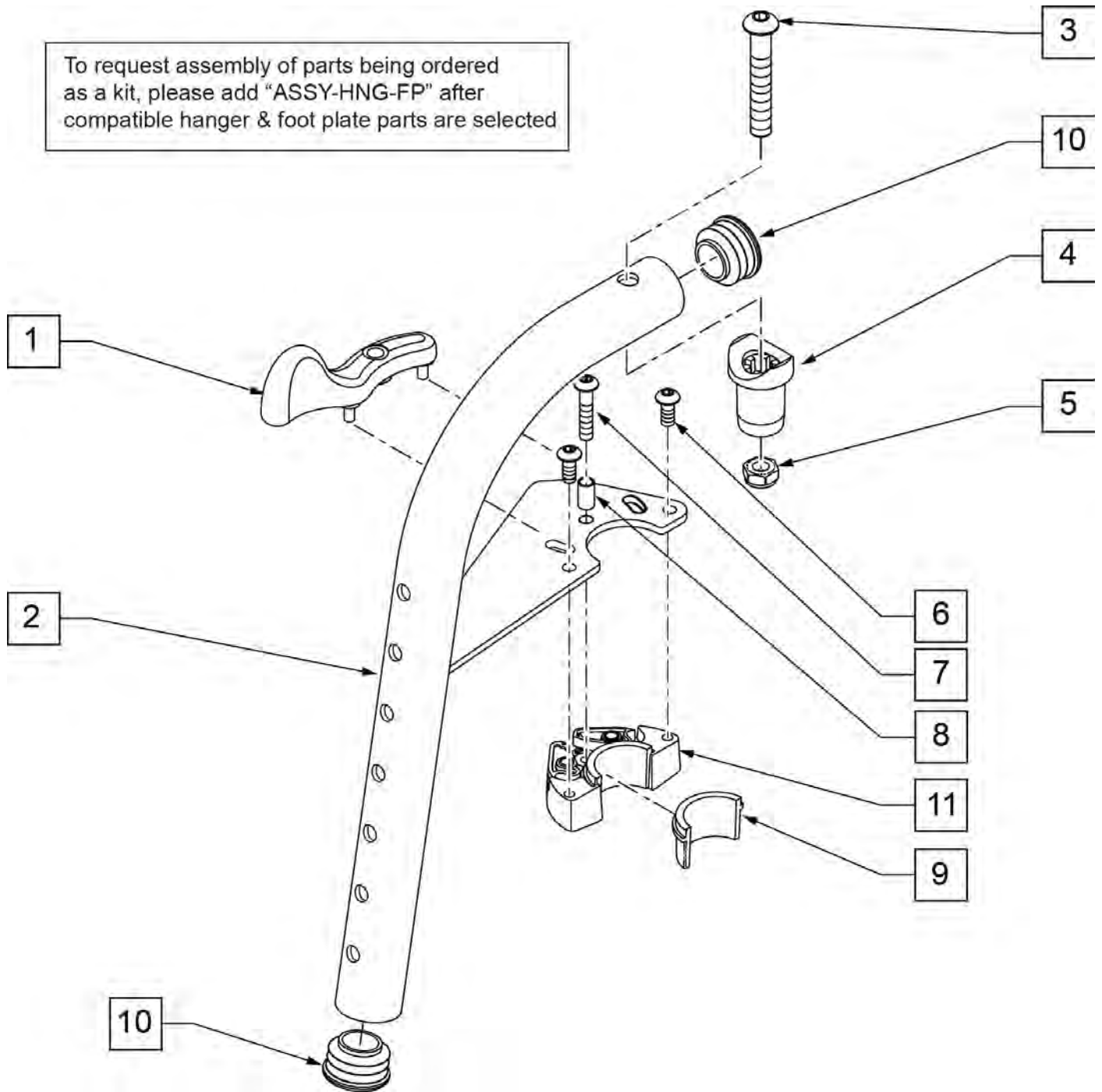
Note: Discontinued on LX/LXI prior to LXI-060868, Kids Q2 SE prior to QKE-003425, Quickie TS prior to QT-044951 & QTE-002092, GP S/A prior to GP-95902



Pos.	Item Number	Description	Remarks
1	226217	5/16-18 x 2 BH C/S BLK	
2	561002	1" INSERT PLUG .083	
3	561197	PLASTIC PIVOT SADDLE	
4	226057	10/24 x .725 BTTN HD SOC BZ	
5	561079	S/A LATCH LEVER	
6	321136	S/A SPRING L RED	LEFT
6	321137	S/A SPRING R CLEAR	RIGHT
7,8	881500	LATCH BLOCK ASSM R	RIGHT
7,8	881501	LATCH BLOCK ASSM L	LEFT
4-8	881521	S/A LATCH KIT CASTING	RIGHT
4-8	881522	S/A LATCH KIT CASTING	LEFT

Note: Effective on GP SA beginning GP-95902, Kids Q2 SE beginning QKE-003425, LX/LXI beginning LXI-060868, Quickie TS beginning QT-044951 & GTE-002092.

To request assembly of parts being ordered as a kit, please add "ASSY-HNG-FP" after compatible hanger & foot plate parts are selected

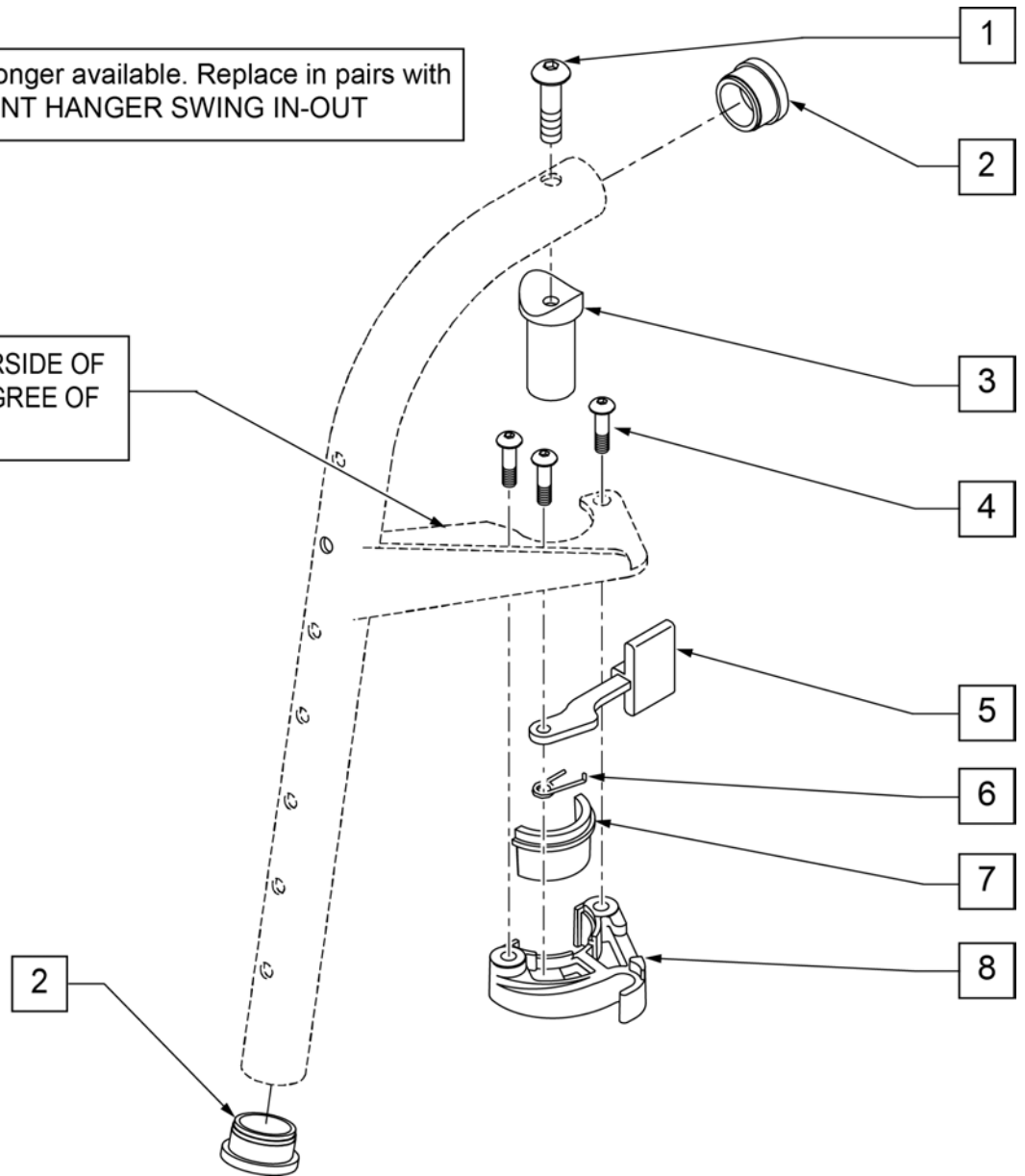


Pos.	Item Number	Description	Remarks
1	052296	SWING I/O LATCH LEVER R w/ PINS	RIGHT
1	052297	SWING I/O LATCH LEVER L w/ PINS	LEFT
3	106983	BHCS 5/16 -18 x 2 SHLDR ROHS	
4	561197	PLASTIC PIVOT SADDLE	Includes nylock nut
5	202117	5/16-18 NYLOCK NUT THICK BLK	
6	102259-001	BHCS M5 X .8 X 12 BLK W/PL	
7	230494	M5-30 BTTN HD SOC C/S BLK	
8	052054	BUSHING PIVOT HANGER SWING I/O	
10	561062	1" INSERT PLUG .065 RIBS	
6,9,11	120976	ASSY LATCH BLOCK ANTI LIFT	
1A,2A,3-11	101155S	80D FM SWNG I/O HNGR ASSY R	RIGHT
1B,2B,3-11	101156S	80D FM SWNG I/O HNGR ASSY L	LEFT
		Ship assembled part #	Use with multiple assemblies
	ASSY-HNG-FP	HANGER/FOOTPLATE ASSY REQUIRED	add with Hanger & Footplate kit

Note: Discontinued on LX/LXI prior to LXI-060868, Kids Q2 SE prior to QKE-003425, Quickie TS prior to QT-044951 & QTE-002092, GP S/A prior to GP-95902

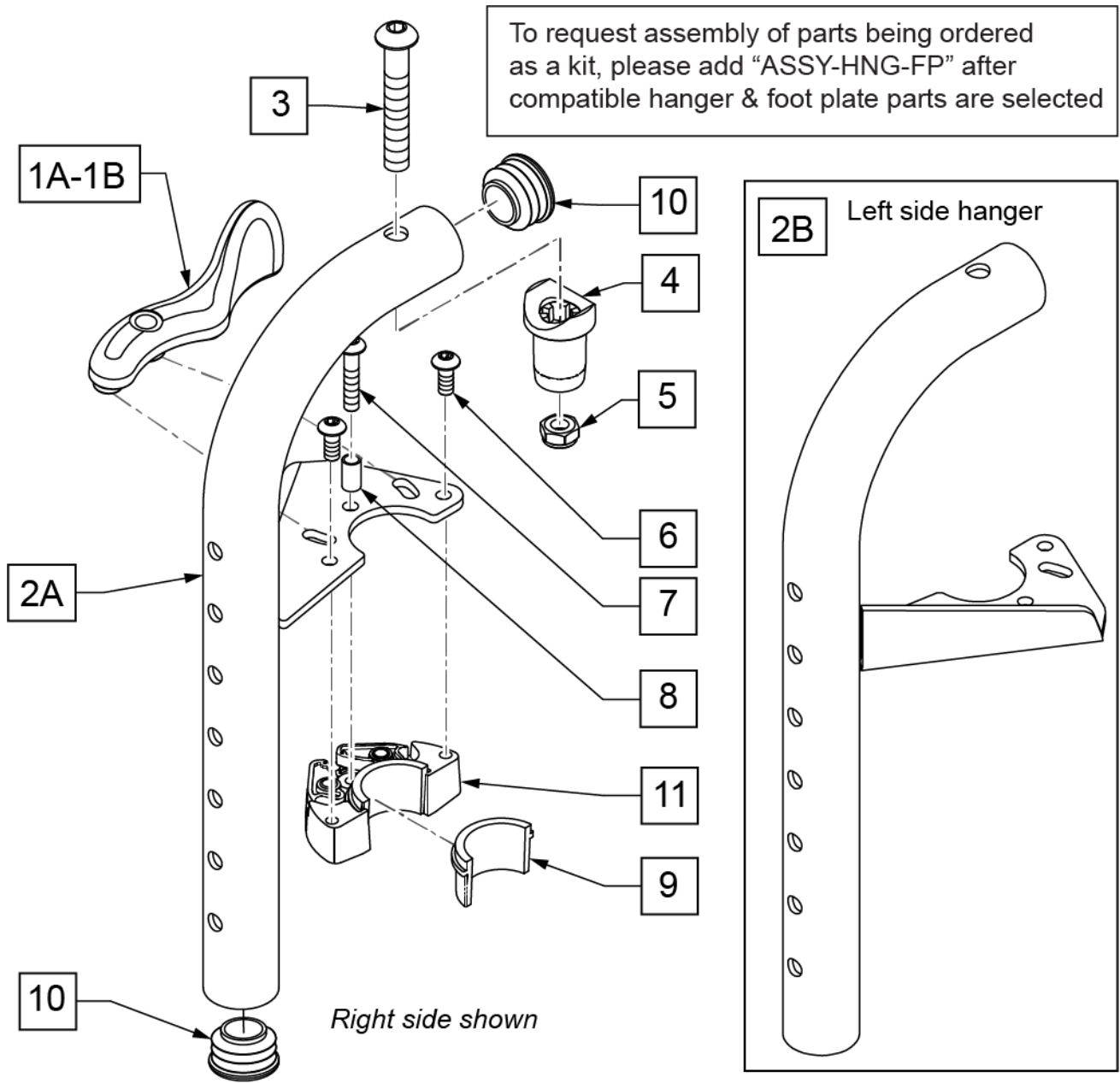
NOTE: Assembly no longer available. Replace in pairs with 80 DEG FRONT MOUNT HANGER SWING IN-OUT

NOTE: STAMP ON UNDERSIDE OF BRACKET INDICATES DEGREE OF HANGER ANGLE.



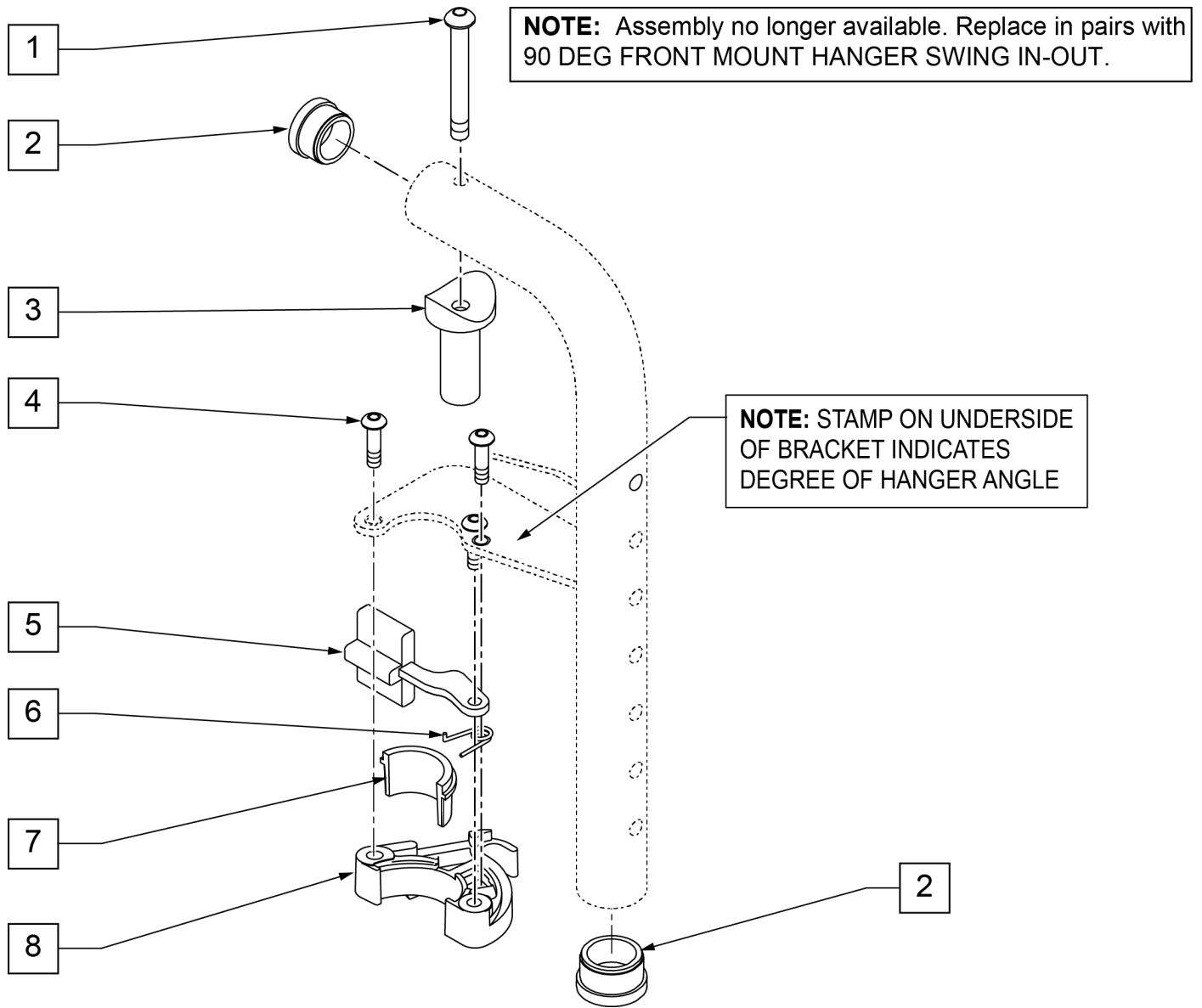
Pos.	Item Number	Description	Remarks
1	226217	5/16-18 x 2 BH C/S BLK	
2	561002	1" INSERT PLUG .083	
3	561197	PLASTIC PIVOT SADDLE	
4	226057	10/24 x .725 BTTN HD SOC BZ	
5	561079	S/A LATCH LEVER	
6	321136	S/A SPRING L RED	LEFT
6	321137	S/A SPRING R CLEAR	RIGHT
7,8	881500	LATCH BLOCK ASSM R	RIGHT
7,8	881501	LATCH BLOCK ASSM L	LEFT
4-8	881521	S/A LATCH KIT CASTING	RIGHT
4-8	881522	S/A LATCH KIT CASTING	LEFT

NOTE: Effective on LX/LXI as of 10/24/2008.



Pos.	Item Number	Description	Remarks
1A	052297	SWING I/O LATCH LEVER L w/ PINS	Used on Right Side 90D Swing I/O Hanger only
1B	052296	SWING I/O LATCH LEVER R w/ PINS	Used on Left Side 90D Swing I/O Hanger only
3	106983	BHCS 5/16 -18 x 2 SHLDR ROHS	
4	561197	PLASTIC PIVOT SADDLE	
5	202117	5/16-18 NYLOCK NUT THICK BLK	
6	102259-001	BHCS M5 x .8 x 12 W /PL INORG	
7	230494	M5-30 BTTN HD SOC C/S BLK	
8	052054	BUSHING PIVOT HANGER SWING I/O	
10	561062	1" INSERT PLUG .065 RIBS	
6,9,11	120976	ASSY LATCH BLOCK ANTI LIFT	
1A,2A,3-11	101157S	90D FM SWNG I/O HNGR ASSY R	RIGHT
1B,2B,3-11	101158S	90D FM SWNG I/O HNGR ASSY L	LEFT
		Ship assembled part #	Use with multiple assemblies
	ASSY-HNG-FP	HANGER/FOOTPLATE ASSY REQUIRED	add with Hanger & Footplate kit

Note: Discontinued on LX/LXI prior to LXI-060868, Kids Q2 SE prior to QKE-003425, Quickie TS prior to QT-044951 & QTE-002092, GP S/A prior to GP-95902

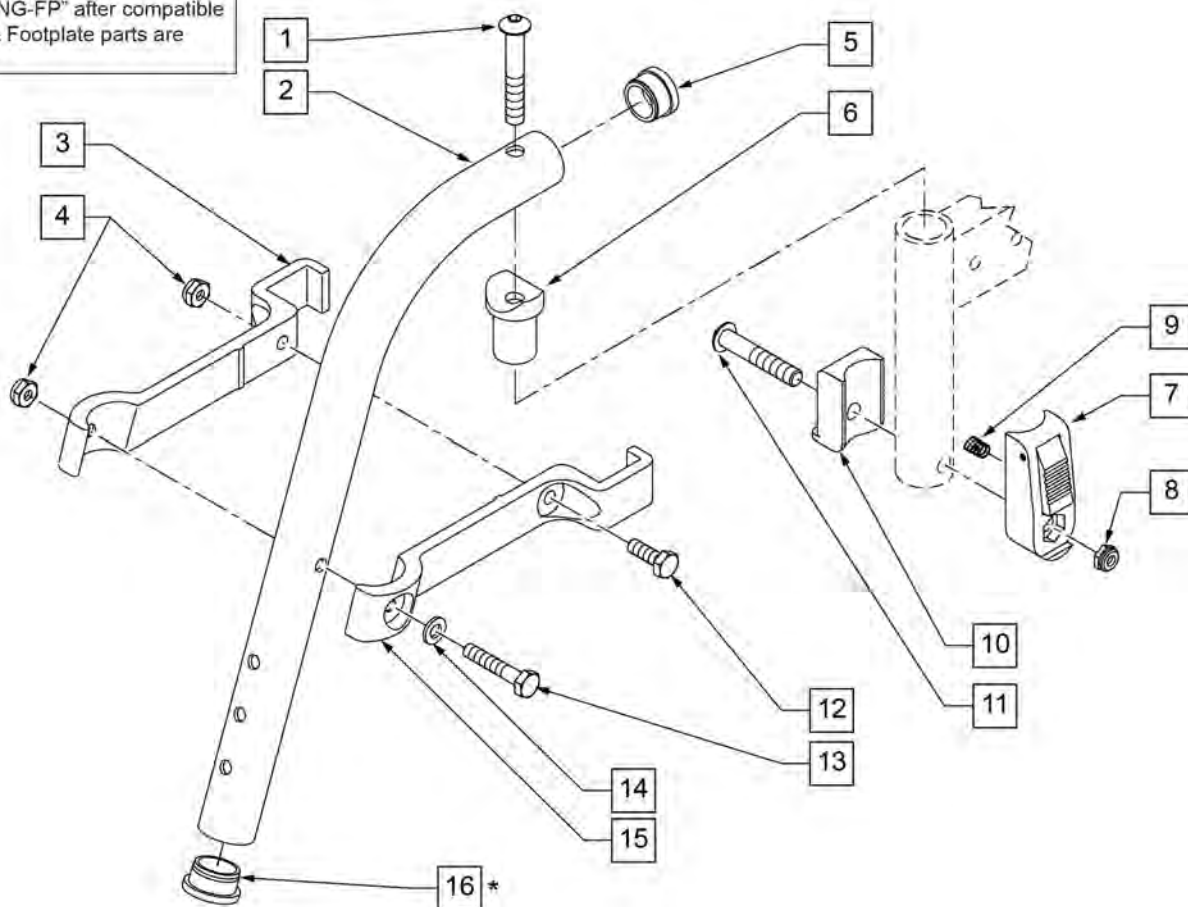


Pos.	Item Number	Description	Remarks
1	226217	5/16-18 x 2 BH C/S BLK	
2	561002	1" INSERT PLUG .083	
3	561197	PLASTIC PIVOT SADDLE	
4	226057	10/24 x .725 BTTN HD SOC BZ	
5	561079	S/A LATCH LEVER	
6	321136	S/A SPRING L RED	LEFT
6	321137	S/A SPRING R CLEAR	RIGHT
1,3	880545	PIVOT SADDLE .125 W/SCREW	
7,8	881500	LATCH BLOCK ASSM R	RIGHT
7,8	881501	LATCH BLOCK ASSM L	LEFT
5-8	881521	S/A LATCH KIT CASTING	RIGHT
5-8	881522	S/A LATCH KIT CASTING	LEFT

NOTE: * ORDER ITEM 16 WHEN NOT USING FOOTREST EXTENSION.

NOTE: IF RETROFITTING LIFT OFF HANGERS TO A CURRENT STYLE Q2, S/A Q2 LITE, LX/LXI, OR ZIPPIE TS, THE OLD-STYLE FRAME COMPONENTS WILL BE REQUIRED. REFER TO PARTS PAGES FOR FRONT SIDE FRAMES FOR Q2 (PRIOR TO Q2V-091821 & Q2H-009882), Q2 LITE (PRIOR TO Q2L-152965), LX/LXI (PRIOR TO LX-061888), AND ZIPPIE TS (PRIOR TO Z1A-038633 & Z1SE-013380).

To request assembly of parts being ordered as a kit, please add "ASSY-HNG-FP" after compatible Hanger & Footplate parts are selected

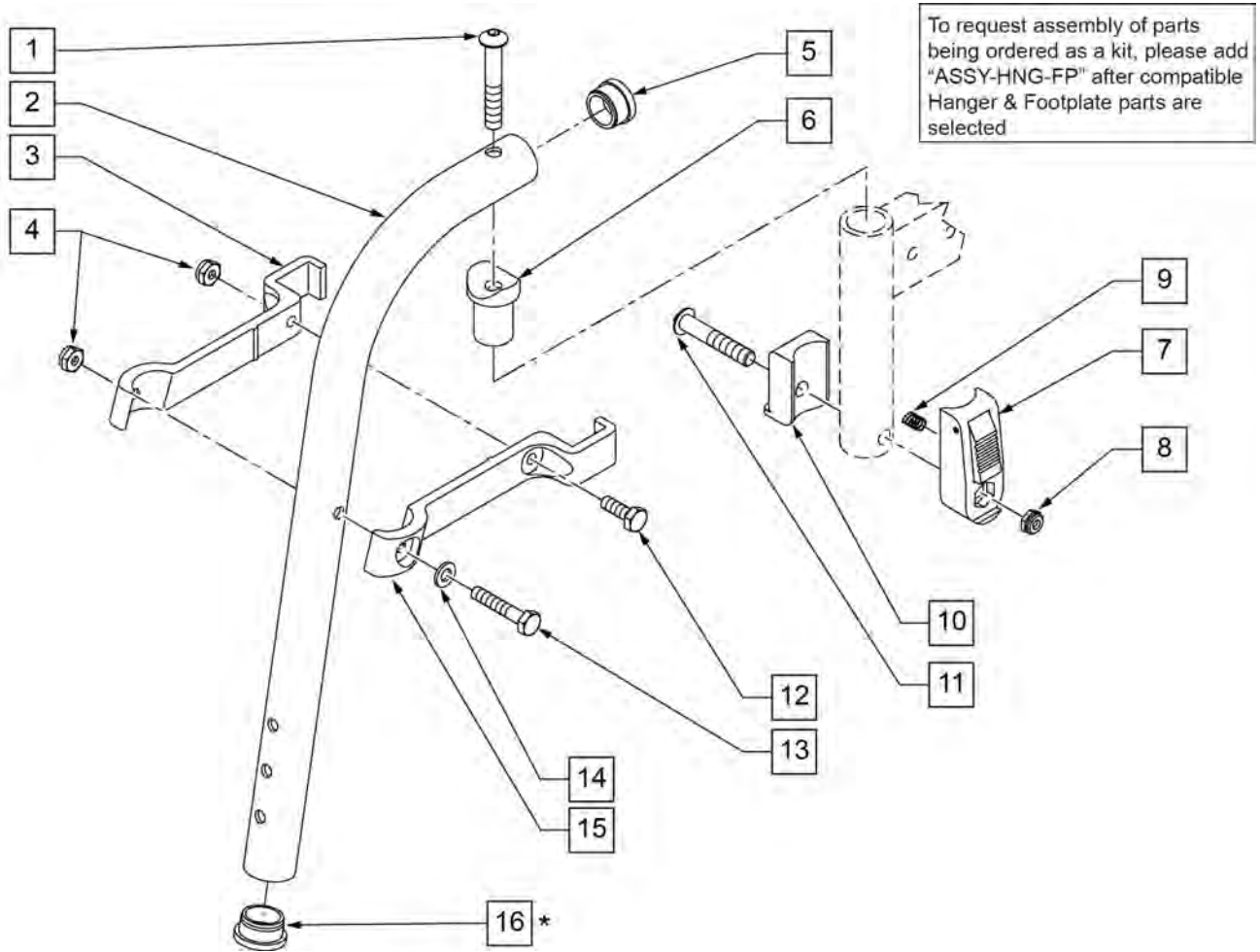


Pos.	Item Number	Description	Remarks
1	106983	BHCS 5/16 -18 x 2 SHLDR ROHS	
3	550152	T45 HANGER BRACKET 70° R	length of bracket: 6 3/4"
4	106935	NUT NYLOCK THIN 1/4 -28 ROHS	
5	561002	1" INSERT PLUG .083	
6	561197	PLASTIC PIVOT SADDLE	
7	880053	FOOTREST BLOCK T45	
8	202117	5/16-18 NYLOCK NUT THICK BLK	
9	321141	.650 x 6 COIL SPRING	
10	560684	T45 FOOTREST BLOCK RECESSED	
11	107029	BHCS 5/16 -18 x 1 5/8 SHLD ROHS	
12	107014	HHCS 1/4 -28 x 3/4 ROHS	

Pos.	Item Number	Description	Remarks
13	106971	HHCS 1/4 -28 x 1 3/8 ROHS	
14	106943	WASHER FLAT AN 1/4 ROHS	
15	550153	T45 HANGER BRACKET 70ø L	length of bracket: 6 3/4"
16	561002	1" INSERT PLUG .083	ORDER WHEN NOT USING FOOTREST EXTENSION
7-11	920720	FOOTREST BLOCK ASSEMBLY W/BOLT HD	required when retrofitting HD Lift Off Hangers to chair
1-6,12-15	641210S	HANGER 70D PNTD R HD	
1-6,12-15	641211S	HANGER 70D PNTD L HD	
		Ship assembled part #	Use with multiple assemblies
	ASSY-HNG-FP	HANGER/FOOTPLATE ASSY REQUIRED	add with Hanger & Footplate kit

NOTE: * ORDER ITEM 16 WHEN NOT USING FOOTREST EXTENSION.

NOTE: IF RETROFITTING LIFT OFF HANGERS TO A CURRENT STYLE Q2, S/A Q2 LITE, LX/LXI, OR ZIPPIE TS, THE OLD-STYLE FRAME COMPONENTS WILL BE REQUIRED. REFER TO PARTS PAGES FOR FRONT SIDE FRAMES FOR Q2 (PRIOR TO Q2V-091821 & Q2H-009882), Q2 LITE (PRIOR TO Q2L-152965), LX/LXI (PRIOR TO LX-061888), AND ZIPPIE TS (PRIOR TO Z1A-038633 & Z1SE-013380).

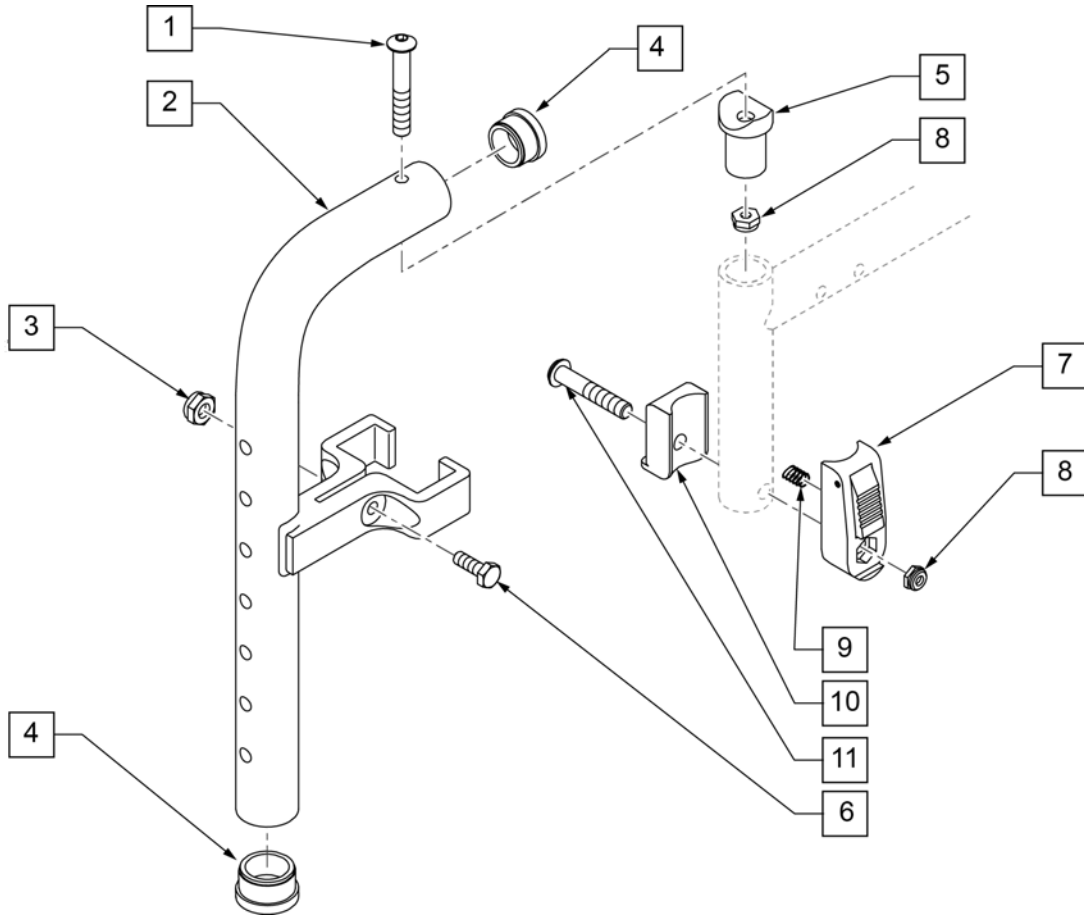


Pos.	Item Number	Description	Remarks
1	106983	BHCS 5/16 -18 x 2 SHLDR ROHS	
3	550154	T45 HANGER BRACKET 80ø R	length of bracket: 6"
4	106935	NUT NYLOCK THIN 1/4 -28 ROHS	
5	561002	1" INSERT PLUG .083	
6	561197	PLASTIC PIVOT SADDLE	
7	880053	FOOTREST BLOCK T45	
8	202117	5/16-18 NYLOCK NUT THICK BLK	
9	321141	.650L x 6 COIL SPRING	
10	560684	T45 FOOTREST BLOCK RECESSED	
11	107029	BHCS 5/16 -18 x 1 5/8 SHLD ROHS	
12	107014	HHCS 1/4 -28 x 3/4 ROHS	

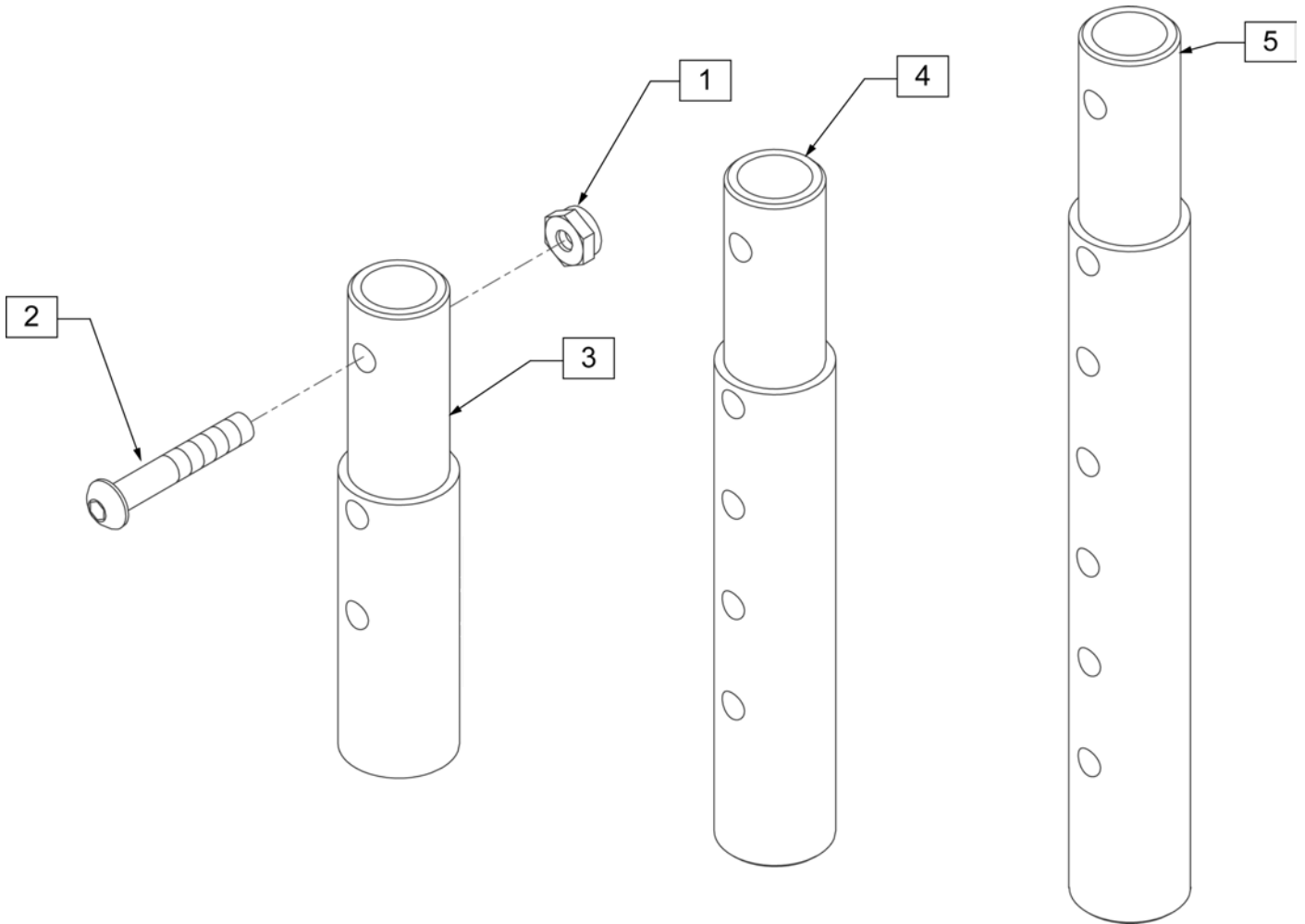
Pos.	Item Number	Description	Remarks
13	106971	HHCS 1/4 -28 x 1 3/8 ROHS	
14	106943	WASHER FLAT AN 1/4 ROHS	
15	550155	T45 HANGER BRACKET 80ø L	length of bracket: 6"
16	561002	1" INSERT PLUG .083	ORDER WHEN NOT USING FOOTREST EXTENSION
7-11	920720	FOOTREST BLOCK ASSEMBLY W/BOLT HD	required when retrofitting HD Lift Off Hangers to chair
1-6,12-15	641200S	HANGER 80D PNTD R HD	
1-6,12-15	641201S	HANGER 80D PNTD L HD	
		Ship assembled part #	Use with multiple assemblies
	ASSY-HNG-FP	HANGER/FOOTPLATE ASSY REQUIRED	add with Hanger & Footplate kit

NOTE: THIS HANGER HAS BEEN TESTED AND APPROVED FOR OCCUPANTS THAT WEIGH LESS THAN 150 POUNDS.

NOTE: IF RETROFITTING LIFT OFF HANGERS TO A CURRENT STYLE Q2, S/A Q2 LITE, LX/LXI, OR ZIPPIE TS, THE OLD-STYLE FRAME COMPONENTS WILL BE REQUIRED. REFER TO PARTS PAGES FOR FRONT SIDE FRAMES FOR Q2 (PRIOR TO Q2V-091821 & Q2H-009882), Q2 LITE (PRIOR TO Q2L-152965), LX/LXI (PRIOR TO LX-061888), AND ZIPPIE TS (PRIOR TO Z1A-038633 & Z1SE-013380).

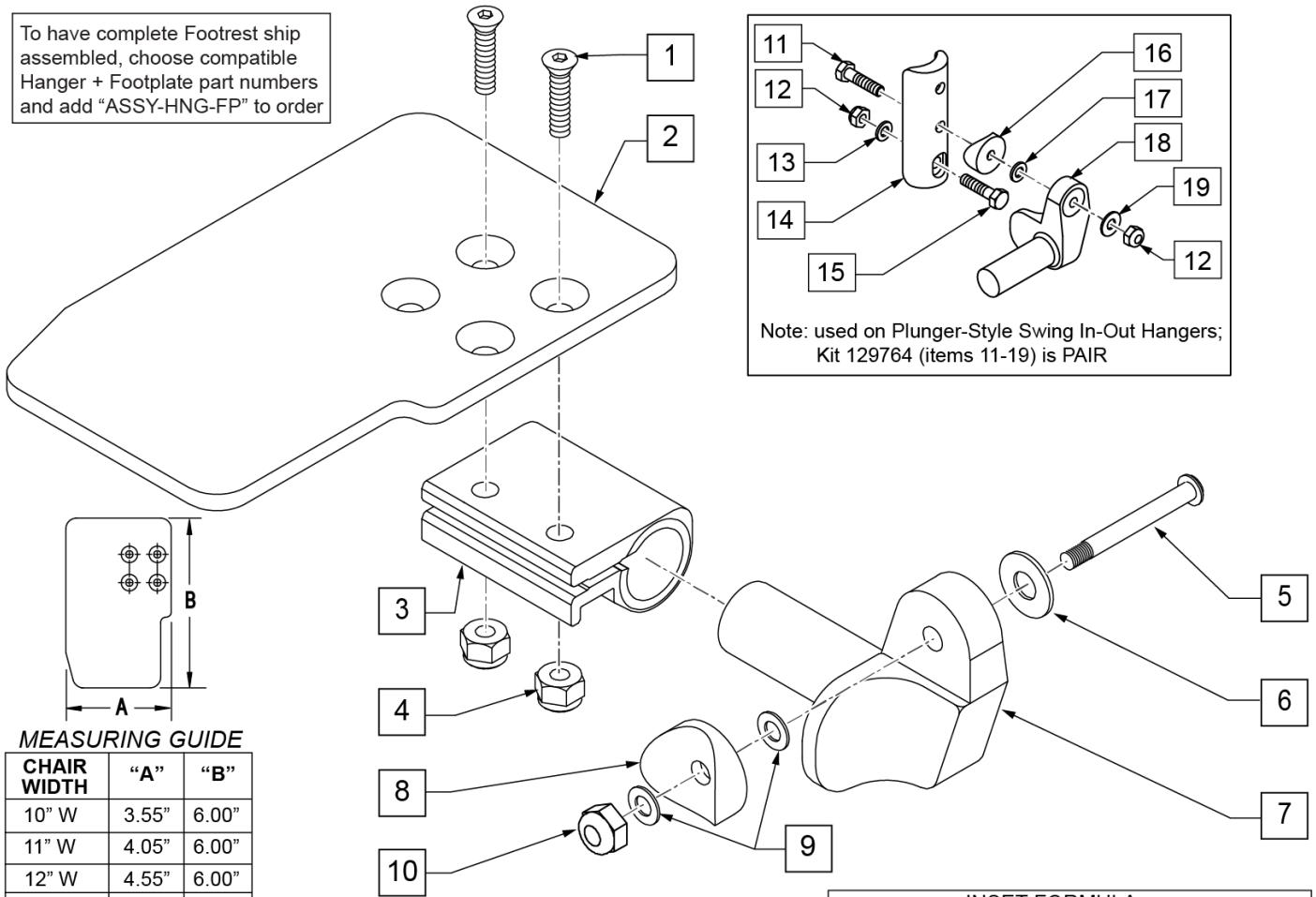


Pos.	Item Number	Description	Remarks
1	106983	BHCS 5/16 -18 x 2 SHLDR ROHS	
3	106935	NUT NYLOCK THIN 1/4 -28 ROHS	
4	561002	1" INSERT PLUG .083	
5	561197	PLASTIC PIVOT SADDLE	Includes nylock nut
6	107013	HHCS 1/4 -28 x 5/8 ROHS	
7	880053	FOOTREST BLOCK T45	
8	202117	5/16-18 NYLOCK NUT THICK BLK	
9	321141	.650L x 6 COIL SPRING	
10	560684	T45 FOOTREST BLOCK RECESSED	
11	107029	BHCS 5/16 -18 x 1 5/8 SHLD ROHS	
7-11	920720	FOOTREST BLOCK ASSM W/BOLT HD	
1-7	885005S	90 DEG F/D H/D L/O HNGR ASSM PNTD	
		Ship assembled part #	Use with multiple assemblies
	ASSY-HNG-FP	HANGER/FOOTPLATE ASSY REQUIRED	add with Hanger & Footplate kit



Pos.	Item Number	Description	Remarks
1	106935	NUT NYLOCK THIN 1/4 -28 ROHS	
2	106961	BHCS 1/4 -28 x 1 1/4 ROHS	
1-3	111505	2" FOOTREST EXTENSION TUBE W/ HDWR ASSM	2" EXT (PAIR)
1, 2, 4	111506	4" FOOTREST EXTENSION TUBE W/ HDWR ASSM	4" EXT (PAIR)
1, 2, 5	111507	6" FOOTREST EXTENSION TUBE W/ HDWR ASSM	6" EXT (PAIR)

To have complete Footrest ship assembled, choose compatible Hanger + Footplate part numbers and add "ASSY-HNG-FP" to order



Note: used on Plunger-Style Swing In-Out Hangers; Kit 129764 (items 11-19) is PAIR

MEASURING GUIDE

CHAIR WIDTH	"A"	"B"
10" W	3.55"	6.00"
11" W	4.05"	6.00"
12" W	4.55"	6.00"
13" W	5.05"	6.00"
14" W	5.55"	6.00"
15" W	6.05"	6.00"
16" W	6.55"	6.00"

INSET FORMULA

0" Inset (Seat Width) = Footrest Width
 1" Inset (Seat Width) -2" = Footrest Width
 "V" Hanger (Seat Width) -4" = Footrest Width
 Offset Hanger Receiver (Seat Width) +2" = Footrest Width

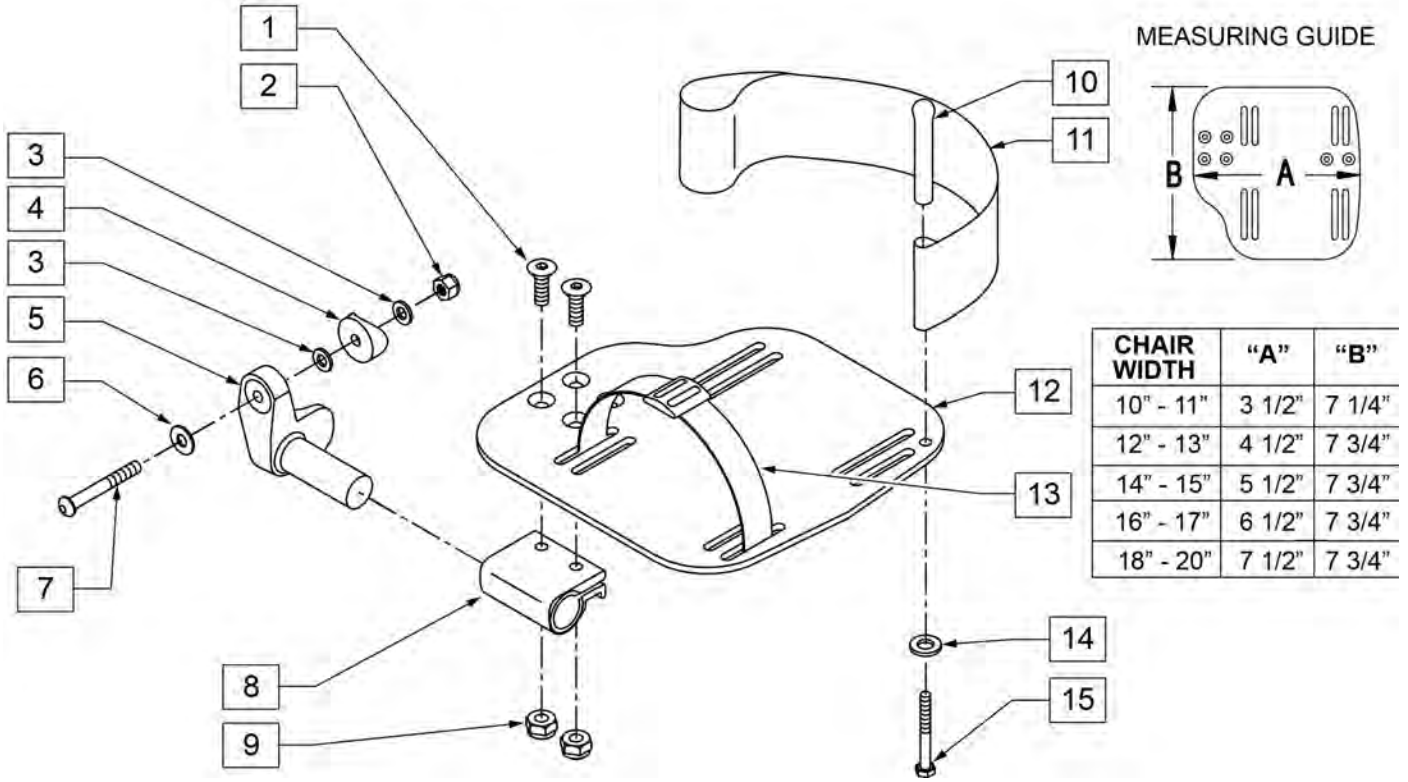
Pos.	Item Number	Description	Remarks
1	106978	FHCS 1/4-28 X 7/8 ROHS	
2	500635	KIDS ANGL ADJ F/PLT 10	RIGHT
2	500636	KIDS ANGL ADJ F/PLT 10	LEFT
2	500637	KIDS ANGL ADJ F/PLT 11	RIGHT
2	500638	KIDS ANGL ADJ F/PLT 11	LEFT
2	500639	KIDS ANGL ADJ F/PLT 12	RIGHT
2	500640	KIDS ANGL ADJ F/PLT 12	LEFT
2	500641	KIDS ANGL ADJ F/PLT 13	RIGHT
2	500642	KIDS ANGL ADJ F/PLT 13	LEFT
2	500643	KIDS ANGL ADJ F/PLT 14	RIGHT
2	500644	KIDS ANGL ADJ F/PLT 14	LEFT
2	500645	KIDS ANGL ADJ F/PLT 15	RIGHT
2	500646	KIDS ANGL ADJ F/PLT 15	LEFT
2	500647	KIDS ANGL ADJ F/PLT 16	RIGHT
2	500648	KIDS ANGL ADJ F/PLT 16	LEFT
3	550350	3/4 CLAMP ADJ FOOTPLATE	
4	106935	NUT NYLOCK THIN 1/4-28 ROHS	
5	226147	1/4-28 X 1.85 BH C/S BLK ZN	

Pos.	Item Number	Description	Remarks
6	106945	WASHER FLAT SAE 1/4 ROHS	
7	541000	FTRST MOUNTING BRKT 1/2" RAD R	RIGHT
7	541001	FTRST MOUNTING BRKT 1/2" RAD L	LEFT
8	561004	1 SADDLE 1/4 HOLE	
9	106943	WASHER FLAT THIN AN 1/4	
10	106941	NUT AUTOMATION 1/4-28 ROHS	
11	102268-001	HHCS M6 X 1 X 25	
12	132626	NUT AUTOMATION M6 X 1.0 ROHS	
13	107383	WASHER FLAT M6 ROHS	
15	118198	HHCS M6 X 1 X 40 PART NP	
16	561004	1" SADDLE 1/4" HOLE	
17	106943	WASHER FLAT AN 1/4 ROHS	
19	106945	WASHER FLAT SAE 1/4 ROHS	
1-4	158632	CAA F/PLT KIT 10 RT	RIGHT; used with Front Mount Adapter Kit on Plunger-Style Swing In/Out Hangers
1-4	158633	CAA F/PLT KIT 10 LT	LEFT; used with Front Mount Adapter Kit on Plunger-Style Swing In/Out Hangers
1-4	158634	CAA F/PLT KIT 11 RT	RIGHT; used with Front Mount Adapter Kit on Plunger-Style Swing In/Out Hangers
1-4	158635	CAA F/PLT KIT 11 LT	LEFT; used with Front Mount Adapter Kit on Plunger-Style Swing In/Out Hangers
1-4	158636	CAA F/PLT KIT 12 RT	RIGHT; used with Front Mount Adapter Kit on Plunger-Style Swing In/Out Hangers
1-4	158637	CAA F/PLT KIT 12 LT	LEFT; used with Front Mount Adapter Kit on Plunger-Style Swing In/Out Hangers
1-4	158638	CAA F/PLT KIT 13 RT	RIGHT; used with Front Mount Adapter Kit on Plunger-Style Swing In/Out Hangers
1-4	158639	CAA F/PLT KIT 13 LT	LEFT; used with Front Mount Adapter Kit on Plunger-Style Swing In/Out Hangers
1-4	158640	CAA F/PLT KIT 14 RT	RIGHT; used with Front Mount Adapter Kit on Plunger-Style Swing In/Out Hangers
1-4	158641	CAA F/PLT KIT 14 LT	LEFT; used with Front Mount Adapter Kit on Plunger-Style Swing In/Out Hangers
1-4	158642	CAA F/PLT KIT 15 RT	RIGHT; used with Front Mount Adapter Kit on Plunger-Style Swing In/Out Hangers
1-4	158643	CAA F/PLT KIT 15 LT	LEFT; used with Front Mount Adapter Kit on Plunger-Style Swing In/Out Hangers
1-4	158644	CAA F/PLT KIT 16 RT	RIGHT; used with Front Mount Adapter Kit on Plunger-Style Swing In/Out Hangers
1-4	158645	CAA F/PLT KIT 16 LT	LEFT; used with Front Mount Adapter Kit on Plunger-Style Swing In/Out Hangers
1-10	828821	KIDS ANG ADJ F/PLT ASSM 10	RIGHT; used with Old-Style Latch Block Swing In/Out & S/A Hangers
1-10	828822	KIDS ANG ADJ F/PLT ASSM 10	LEFT; used with Old-Style Latch Block Swing In/Out & S/A Hangers
1-10	828823	KIDS ANG ADJ F/PLT ASSM 11	RIGHT; used with Old-Style Latch Block Swing In/Out & S/A Hangers
1-10	828824	KIDS ANG ADJ F/PLT ASSM 11	LEFT; used with Old-Style Latch Block Swing In/Out & S/A Hangers
1-10	828825	KIDS ANG ADJ F/PLT ASSM 12	RIGHT; used with Old-Style Latch Block Swing In/Out & S/A Hangers
1-10	828826	KIDS ANG ADJ F/PLT ASSM 12	LEFT; used with Old-Style Latch Block Swing In/Out & S/A Hangers
1-10	828827	KIDS ANG ADJ F/PLT ASSM 13	RIGHT; used with Old-Style Latch Block Swing In/Out & S/A Hangers
1-10	828828	KIDS ANG ADJ F/PLT ASSM 13	LEFT; used with Old-Style Latch Block Swing In/Out & S/A Hangers
1-10	828829	KIDS ANG ADJ F/PLT ASSM 14	RIGHT; used with Old-Style Latch Block Swing In/Out & S/A Hangers
1-10	828830	KIDS ANG ADJ F/PLT ASSM 14	LEFT; used with Old-Style Latch Block Swing In/Out & S/A Hangers
1-10	828831	KIDS ANG ADJ F/PLT ASSM 15	RIGHT; used with Old-Style Latch Block Swing In/Out & S/A Hangers
1-10	828832	KIDS ANG ADJ F/PLT ASSM 15	LEFT; used with Old-Style Latch Block Swing In/Out & S/A Hangers

Pos.	Item Number	Description	Remarks
1-10	828833	KIDS ANG ADJ F/PLT ASSM 16	RIGHT; used with Old-Style Latch Block Swing In/Out & S/A Hangers
1-10	828834	KIDS ANG ADJ F/PLT ASSM 16	LEFT; used with Old-Style Latch Block Swing In/Out & S/A Hangers
1-10	921226	KIDS ANG ADJ F/PLT ASSM 10	PAIR; used with Old-Style Latch Block Swing In/Out & S/A Hangers
1-10	921227	KIDS ANG ADJ F/PLT ASSM 11	PAIR; used with Old-Style Latch Block Swing In/Out & S/A Hangers
1-10	921228	KIDS ANG ADJ F/PLT ASSM 12	PAIR; used with Old-Style Latch Block Swing In/Out & S/A Hangers
1-10	921229	KIDS ANG ADJ F/PLT ASSM 13	PAIR; used with Old-Style Latch Block Swing In/Out & S/A Hangers
1-10	921230	KIDS ANG ADJ F/PLT ASSM 14	PAIR; used with Old-Style Latch Block Swing In/Out & S/A Hangers
1-10	921231	KIDS ANG ADJ F/PLT ASSM 15	PAIR; used with Old-Style Latch Block Swing In/Out & S/A Hangers
1-10	921232	KIDS ANG ADJ F/PLT ASSM 16	PAIR; used with Old-Style Latch Block Swing In/Out & S/A Hangers
11-19	129764	AAA FRNT MNT ADAPTER KIT PR	AAA FRNT MNT fits both Kids and Adult Angle Adjustable Footplates
		Ship assembled part #	Use with multiple assemblies
	ASSY-HNG-FP	HANGER/FOOTPLATE ASSY REQUIRED	add with Hanger & Footplate kit

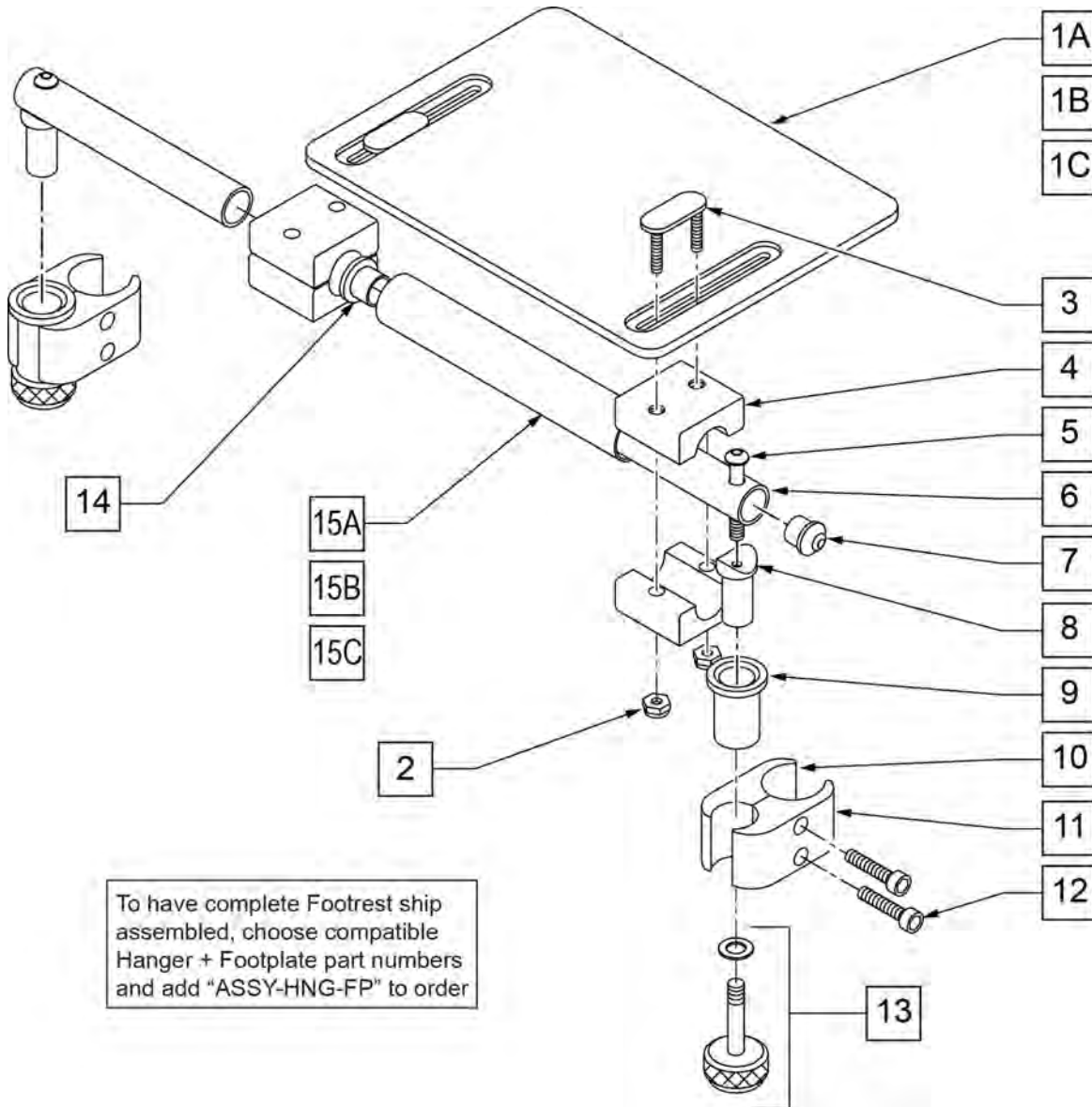
To have complete Footrest ship assembled, choose compatible Hanger + Footplate part numbers and add "ASSY-HNG-FP" to order

INSET FORMULA
 0" Inset (Seat Width) = Footrest Width
 1" Inset (Seat Width) - 2" = Footrest Width
 "V" Hanger (Seat Width) - 4" = Footrest Width
 Offset Hanger Receiver (Seat Width) + 2" = Footrest Width



Pos.	Item Number	Description	Remarks
1	106978	FHCS 1/4-28 X 7/8 ROHS	
2	106941	NUT AUTOMATION 1/4-28 ROHS	
3	106943	WASHER FLAT AN 1/4 ROHS	
4	561004	1" SADDLE 1/4" HOLE	
5	541000	FOOTREST MOUNTING BRKT 1/2" RAD R	RIGHT
5	541001	FOOTREST MOUNTING BRKT 1/2" RAD L	LEFT
6	106945	WASHER FLAT SAE 1/4 ROHS	
7	106964	BHCS 1/4-28 X 2	
8	550350	3/4" CLAMP ADJ FOOTPLATE	
9	106935	NUT NYLOCK THIN 1/4-28 ROHS	
10	561040	HEEL LOOP PEG	
11	741153	HEEL LOOP 18-20 CMPST/14-15 ANG ADJ	USED W/ 14-15"/16-17" ADULT ANG ADJ FTPLTS
11	741253	HEEL LOOP ADLT ADJ F/PLT 18-20	USED W/ 18-20" ADULT ANG ADJ FTPLTS
12	500656	ADULT ANGL ADJ F/PLT 10/11	RIGHT
12	500657	ADULT ANGL ADJ F/PLT 10/11	LEFT
12	500658	ADULT ANGL ADJ F/PLT 12/13	RIGHT
12	500659	ADULT ANGL ADJ F/PLT 12/13	LEFT
12	500660	ADULT ANGL ADJ F/PLT 14/15	RIGHT
12	500661	ADULT ANGL ADJ F/PLT 14/15	LEFT
12	500662	ADULT ANGL ADJ F/PLT 16/17	RIGHT
12	500663	ADULT ANGL ADJ F/PLT 16/17	LEFT
12	500664	ADULT ANGL ADJ F/PLT 18-20	RIGHT

Pos.	Item Number	Description	Remarks
12	500665	ADULT ANGL ADJ F/PLT 18-20	LEFT
13	740260	TOE-ANKLE STRAP ADJ ADULT FOOTPLATE	
14	106943	WASHER FLAT AN 1/4 ROHS	
15	106958	HHCS 1/4-20 X 1 ROHS	
1-9,12	820544	FP ADULT ADJ 90D 10/11 R	RIGHT
1-9,12	820554	FP ADULT ADJ 90D 10/11 L	LEFT
1-9,12	820546	FP ADULT ADJ 90D 12/13 R	RIGHT
1-9,12	820556	FP ADULT ADJ 90D 12/13 L	LEFT
1-9,12	820472	FP ADULT ADJ 90D 14/15 R	RIGHT
1-9,12	820473	FP ADULT ADJ 90D 14/15 L	LEFT
1-9,12	820474	FP ADULT ADJ 90D 16/17 R	RIGHT
1-9,12	820475	FP ADULT ADJ 90D 16/17 L	LEFT
1-9,12	820476	FP ADULT ADJ 90D 18-20 R	RIGHT
1-9,12	820477	FP ADULT ADJ 90D 18-20 L	LEFT
1-9,12	921474	ADULT ANGL ADJ 90D 10/11 OMIT H/L	PAIR
1-9,12	921476	ADULT ANGL ADJ 90D 12/13 OMIT H/L	PAIR
1-9,12	921330	ADULT ANGL ADJ 90D 14/15 OMIT H/L	PAIR
1-9,12	921331	ADULT ANGL ADJ 90D 16/17 OMIT H/L	PAIR
1-9,12	921332	ADULT ANGL ADJ 90D 18-20 OMIT H/L	PAIR
1-12,14,15	820540	F/PLT ADULT ADJ 90D 10/11 R W/ HL	RIGHT
1-12,14,15	820550	F/PLT ADULT ADJ 90D 10/11 L W/ HL	LEFT
1-12,14,15	820542	F/PLT ADULT ADJ 90D 12/13 R W/ HL	RIGHT
1-12,14,15	820552	F/PLT ADULT ADJ 90D 12/13 L W/ HL	LEFT
1-12,14,15	820478	F/PLT ADULT ADJ 90D 14/15 R W/ HL	RIGHT
1-12,14,15	820479	F/PLT ADULT ADJ 90D 14/15 L W/ HL	LEFT
1-12,14,15	820480	F/PLT ADULT ADJ 90D 16/17 R W/ HL	RIGHT
1-12,14,15	820481	F/PLT ADULT ADJ 90D 16/17 L W/ HL	LEFT
1-12,14,15	820482	F/PLT ADULT ADJ 90D 18-20 R W/ HL	RIGHT
1-12,14,15	820483	F/PLT ADULT ADJ 90D 18-20 L W/ HL	LEFT
1-12,14,15	921470	F/PLT ADULT ADJ 90D 10/11 W/ HL	PAIR
1-12,14,15	921472	F/PLT ADULT ADJ 90D 12/13 W/ HL	PAIR
1-12,14,15	921333	F/PLT ADULT ADJ 90D 14/15 W/ HL	PAIR
1-12,14,15	921334	F/PLT ADULT ADJ 90D 16/17 W/ HL	PAIR
1-12,14,15	921335	F/PLT ADULT ADJ 90D 18-20 W/ HL	PAIR
		Ship assembled part #	Use with multiple assemblies
	ASSY-HNG-FP	HANGER/FOOTPLATE ASSY REQUIRED	add with Hanger & Footplate kit



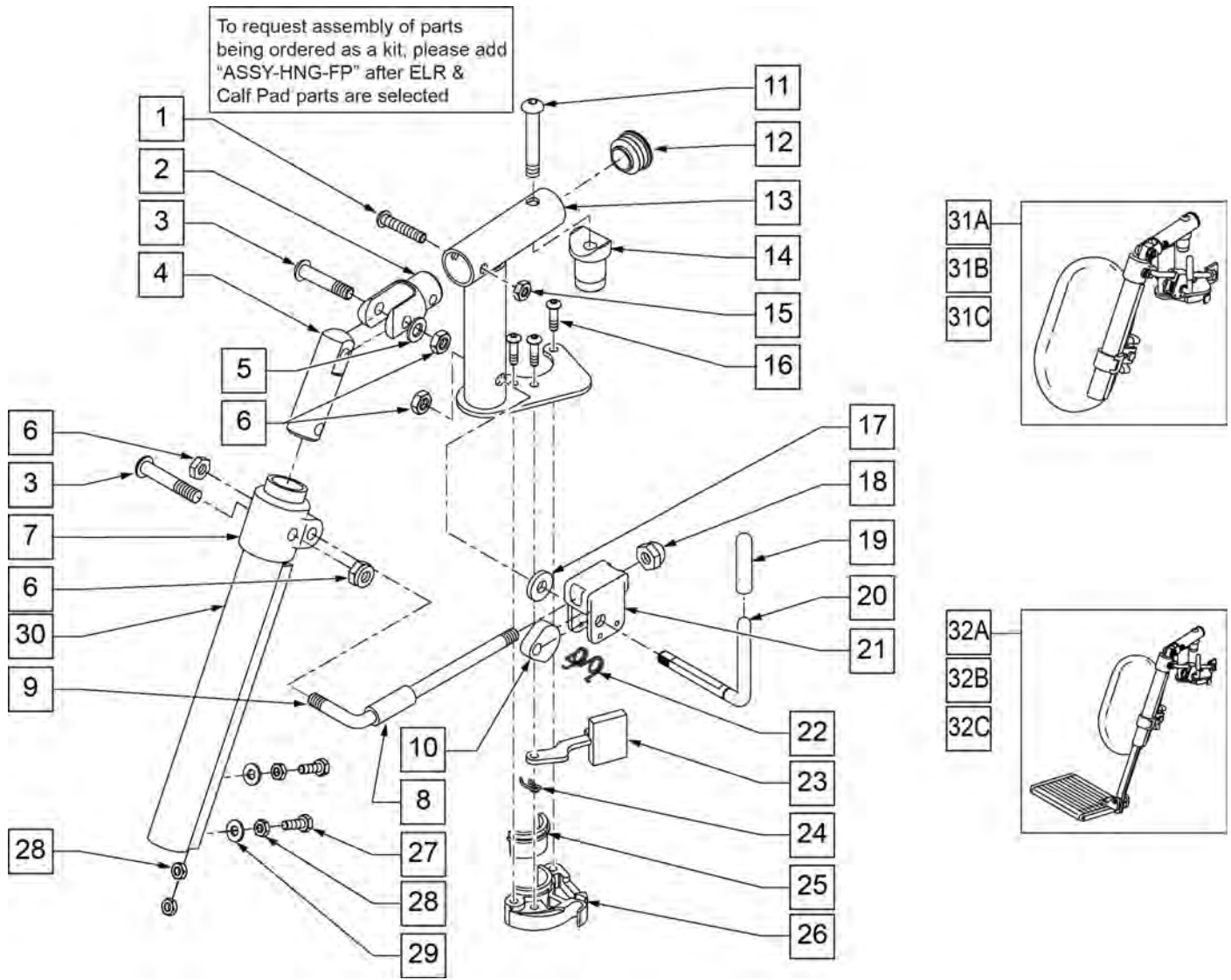
To have complete Footrest ship assembled, choose compatible Hanger + Footplate part numbers and add "ASSY-HNG-FP" to order

Pos.	Item Number	Description	Remarks
1A	562610	SLD FOOTPLATE ONLY 8" x 8" (10"-12" W)	10 -12" WIDE
1B	562612	SLD FOOTPLATE ONLY 10" x 8" (13"-14" W)	13 -14" WIDE
1C	500709	SLD FT PLT ALUM ONLY 12" x 8" (15"-16" W)	15 -16" WIDE
2	106933	NUT NYLOCK THIN 1/4-20 ROHS	
3	330120	SLD FT/ANGLE ADJ DOUBLE T BOLT	
4	550444	SOLID FOOT/ANG ADJ CLAMP BLK	
5	107028	BHCS 1/4-28 X 1-1/2 ROHS	
7	561034	SHORT DOME PLUG	
8	483236	SOLID FOOT INSERT SADDLE BLK	
10	550658	CLAMP 1 1/4" THREADED BLK	
11	550657	CLAMP 1 1/4" RECESS FULL BLK	
12	107032	SHCS 1/4-28 X 1 ROHS	
9,13	880559	SOLID FOOT LOCK KNOB ASSEMBLY	
14	560402	3/4" ID NY-LINER	
15A	521621	SLD FOOT SUPPORT TUBE BLK 10"-12"	10 -12" WIDE

Pos.	Item Number	Description	Remarks
15B	521622	SLD FOOT SUPPORT TUBE BLK 13"-14"	13 -14" WIDE
15C	521624	SLD FOOT SUPPORT TUBE BLK 15"-16"	15 -16" WIDE
5-8	880183	SLD FT PLT PIVOT TUBE SUB-ASSM	
1A,2-14, 15A	921801	SLD FT PLT ASSEMBLY 8" x 8" (10"-12" W)	10 -12" WIDE
1B,2-14, 15B	921803	SOLID FOOTPLATE ASSEMBLY 10" x 8" (13"-14" W)	13 -14" WIDE
1C,2-14, 15C	921805	SOLID FOOTPLATE ASSEMBLY 12" x 8" (15"-16" W)	15 -16" WIDE
		Ship assembled part #	Use with multiple assemblies
	ASSY-HNG-FP	HANGER/FOOTPLATE ASSY REQUIRED	add with Hanger & Footplate kit

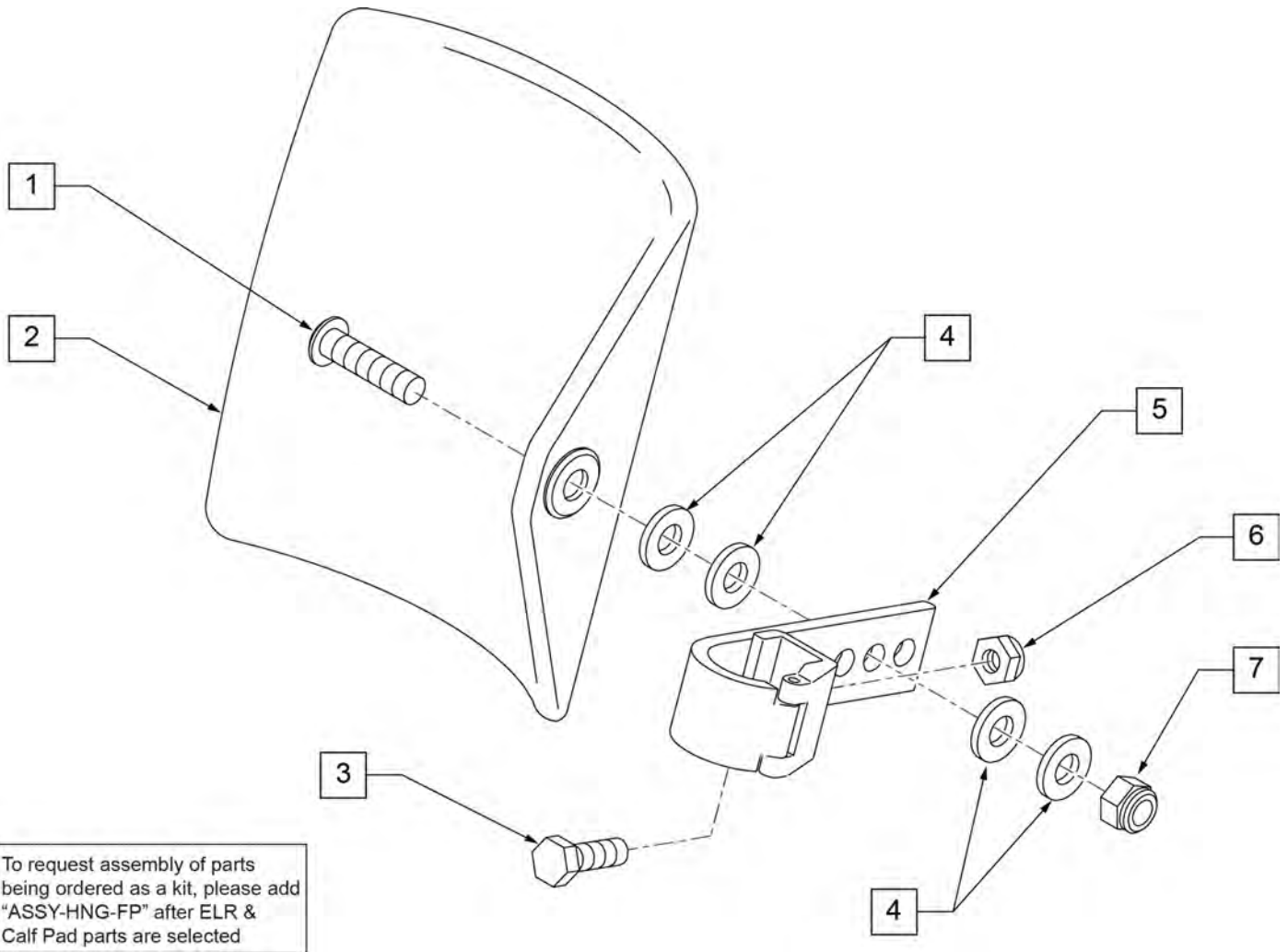
ELEVATING HANGER

(09/2011)

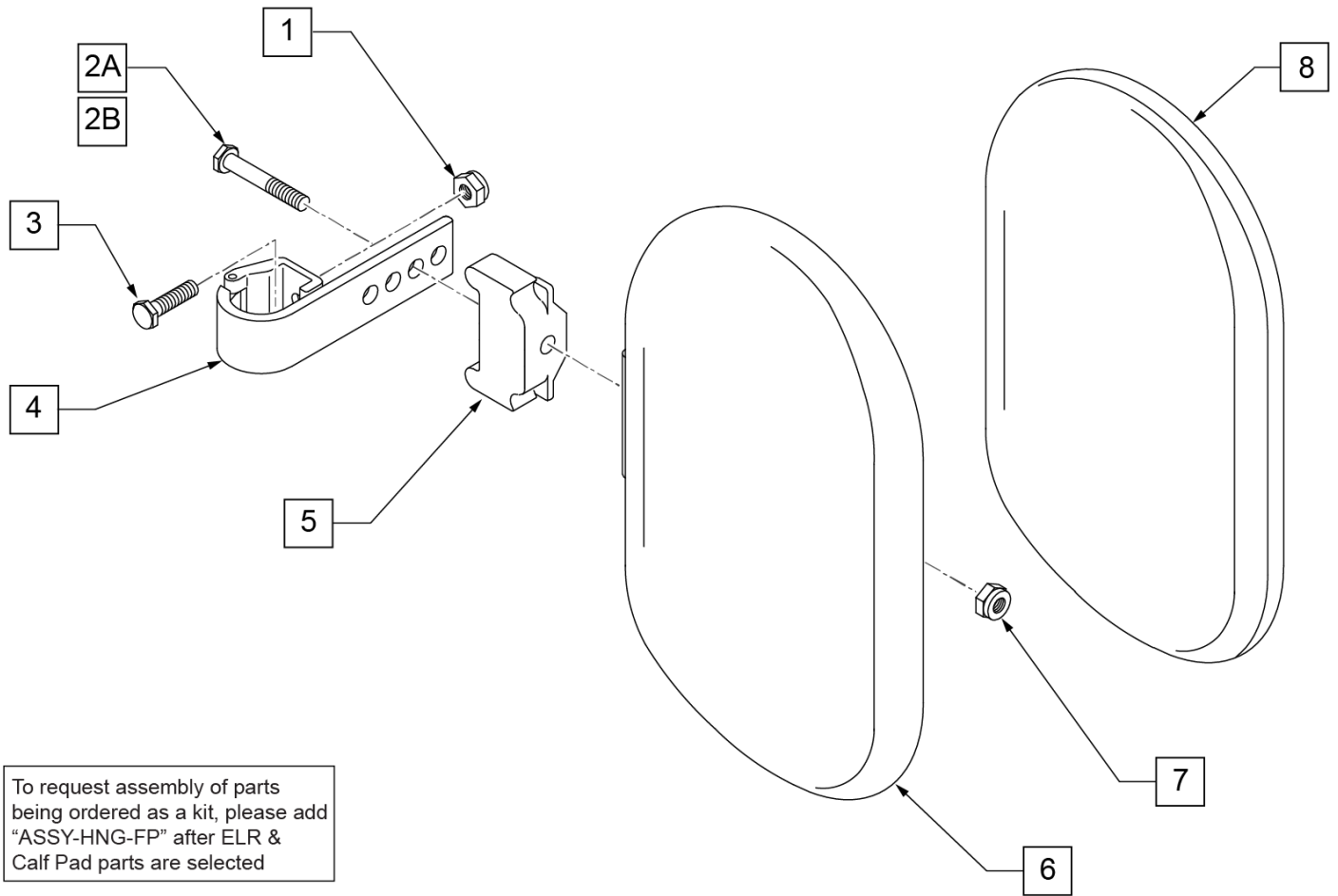


Pos.	Item Number	Description	Remarks
1	106961	1/4-28 X 1 1/4 BH C/S	
2	505281	ELR CLEVIS	
3	107037	BHCS 5/16-24 X 1-1/2 SHLD ROHS	
4	540252	ELR PIVOT PRS	
5	106946	WASHER FLAT AN 5/16 ROHS	
6	106939	NUT NYLOCK THIN 5/16-24 ROHS	
7	560420	ELR UPPER PIVOT PLST	
8	560784	ELR ADJUSTMENT STOP	
9	481117	ELR LOCK ROD	
10	481119	ELR CAM LOCKING POWDERED METAL	
11	106982	BHCS 5/16 -18 x 1 3/4 SHLD ROHS	
12	561062	1" INSERT PLUG .065 RIBS	
14	122729	ELR ALUM PIVOT SADDLE	
15	106935	NUT NYLOCK THIN 1/4-28 ROHS	
16	107035	BHCS 10-24 X .725 PL ROHS	
17	561059	3/4 OD x .318 ID WASHER	
18	202109	5/16-24 ACORN NUT HEX	

Pos.	Item Number	Description	Remarks
19	561049	ELR RELEASE ROD COVER	
19,20	882410S	ELR ACTUATION ARM ASSEMBLY	
21	880990	ELR LOCK HOUSING W/PIN	
22	321106	ELR TORSION SPRING	
23	561079	S/A LATCH LEVER	
24	321136	S/A SPRING L RED	LEFT
24	321137	S/A SPRING R CLEAR	RIGHT
27	107014	1/4-28 x 3/4 HEX C/S	
28	107249	NUT HEX THIN 1/4-28 ROHS	
29	106944	WASHER FLAT THIN AN 1/4 ROHS	
30	550722S	ELR ADJUSTMENT TUBE	
6,8-10,17-22	881077S	ELR LOCK ROD/ARM ASSEMBLY	
25,26	881500	LATCH BLOCK ASSM	RIGHT
25,26	881501	LATCH BLOCK ASSM	LEFT
1-6,11-16,20-24	882413	ELR PIVOT BLOCK ASSM	RIGHT
1-6,11-16,20-24	882414	ELR PIVOT BLOCK ASSM	LEFT
1-26	881422	ELR PIVOT ASSM RIGHT	RIGHT
1-26	881423	ELR PIVOT ASSM LEFT	LEFT
1-30	641452S	ELR HNGR W/O PAD PNTD MNL	RIGHT
1-30	641453S	ELR HNGR W/O PAD PNTD MNL	LEFT
31A	923082S	ELR HNGR ASSM 14-15 W /PAD (PR)	PAIR
31B	923041S	ELR HNGR ASSM W/PAD 16-17"	PAIR
31C	923061S	ELR HNGR ASSM W/PAD 18-20"	PAIR
32A	923088S	ELR HNGR REG EXT 14 15" F/PLT	Pair-includes short extensions, 11.5" - 15.5"
32B	923084S	ELR HNGR REG EXT 16 17" F/PLT	Pair-includes short extensions, 11.5" - 15.5"
32C	923085S	ELR HNGR REG EXT 18-20" F/PLT	Pair-includes short extensions, 11.5" - 15.5"
16,23-26	881521	S/A LATCH KIT CASTING RIGHT	RIGHT
16,23-26	881522	S/A LATCH KIT CASTING LEFT	LEFT
		Ship assembled part #	Use with multiple assemblies
	ASSY-HNG-FP	HANGER/FOOTPLATE ASSY REQUIRED	add with Hanger & Footplate kit



Pos.	Item Number	Description	Remarks
1	106980	BHCS 5/16-18 X 1-1/4 ROHS	
2	755014	CALF PAD TROUGH STYLE 14"/16"	
3	221097	1/4-28 X 5/8 HEX C/S BZ	
4	561016	1" WASHER 5/16" HOLE	
5	881413	CALF PAD BRACKET ASSEMBLY	
6	106934	NUT NYLOCK 1/4-28 ROHS	
7	106937	NUT NYLOCK THIN 5/16-18	
1-7	881414	CALF PAD J-HOOK 14"-15" ASSEMBLY	
		Ship assembled part #	Use with multiple assemblies
	ASSY-HNG-FP	HANGER/FOOTPLATE ASSY REQUIRED	add with Hanger & Footplate kit



Pos.	Item Number	Description	Remarks
1	106934	NUT NYLOCK 1/4-28 ROHS	
2A	107018	HHCS 5/16-18 X 2-1/2 ROHS	16"-17" wide only
2B	107019	HHCS 5/16-18 X 3-1/2 ROHS	18"-20" wide only
3	107013	HHCS 1/4-28 X 5/8 ROHS	
4	881413	CALF PAD BRACKET ASSEMBLY	
5	560199	ELR CALF HINGE SPACER	18"-20" wide only
6	560108	CALF PAD MOLDED 16"-20"	
7	106936	NUT NYLOCK 5/16-18 ROHS	
8	751045	CALF PAD COVER	
1,2A,3,4,6-8	881416	CALF MOLDED 16"-17" ASSEMBLY	
1,2B,3-7,8	881412	CALF PAD MOLDED 18"-20" ASSEMBLY	
		Ship assembled part #	Use with multiple assemblies
	ASSY-HNG-FP	HANGER/FOOTPLATE ASSY REQUIRED	add with Hanger & Footplate kit

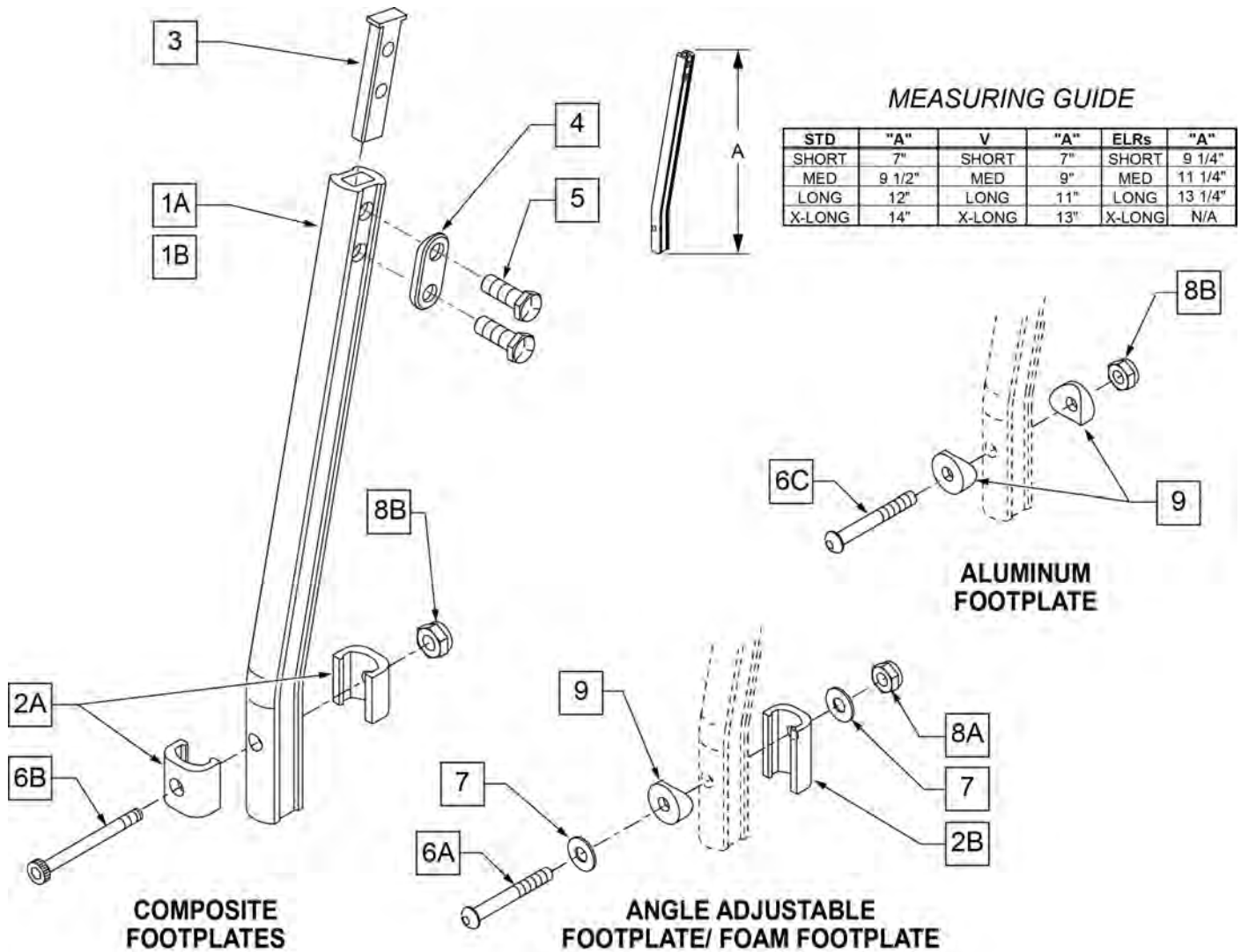
DOUBLE D FOOTREST EXTENSION TUBE "OLD STYLE"

[03/2017]

NOTE: DISCONTINUED - PARTS ONLY ON GP SWNG-AWAY BEGINNING 4/4/15 & S/N GP-95902, KIDS Q2 SE BEGINNING 4/16/15 & S/N QKE-003425, LX BEGINNING 10/24/2008 & S/N LX-034330, LXI BEGINNING 4/25/15 & S/N LXI-060868, QTS BEGINNING 5/15/15 & S/N QT-044951, QTS SE BEGINNING 5/15/15 & S/N QTE-002092

NOTE: IF REPLACING AN EXTENSION TUBE ON AN MANUAL ALR PLEASE REFER TO THE ROUND EXT TUBE PARTS MANUAL PAGE.

NOTE: WHEN ORDERING REPLACEMENT EXTENSION TUBES PLEASE VERIFY IF YOU HAVE THE OLD STYLE DOUBLE D EXTENSION TUBE OR THE NEW STYLE DOUBLE D EXTENSION TUBE. THIS CAN BE DONE BY REVIEWING THE HANGER THE EXTENSION TUBE IS USED ON. IF THE HANGER UTILIZES A SINGLE SET SCREW AT THE BOTTOM OF THE HANGER TUBE TO ATTACH THE EXTENSION TUBE TO THE HANGER, THEN THIS UTILIZES THE NEW STYLE DOUBLE D EXT TUBE. ALL OTHER HANGERS REQUIRING A DOUBLE D EXTENSION TUBE UTILIZE THE OLD STYLE.



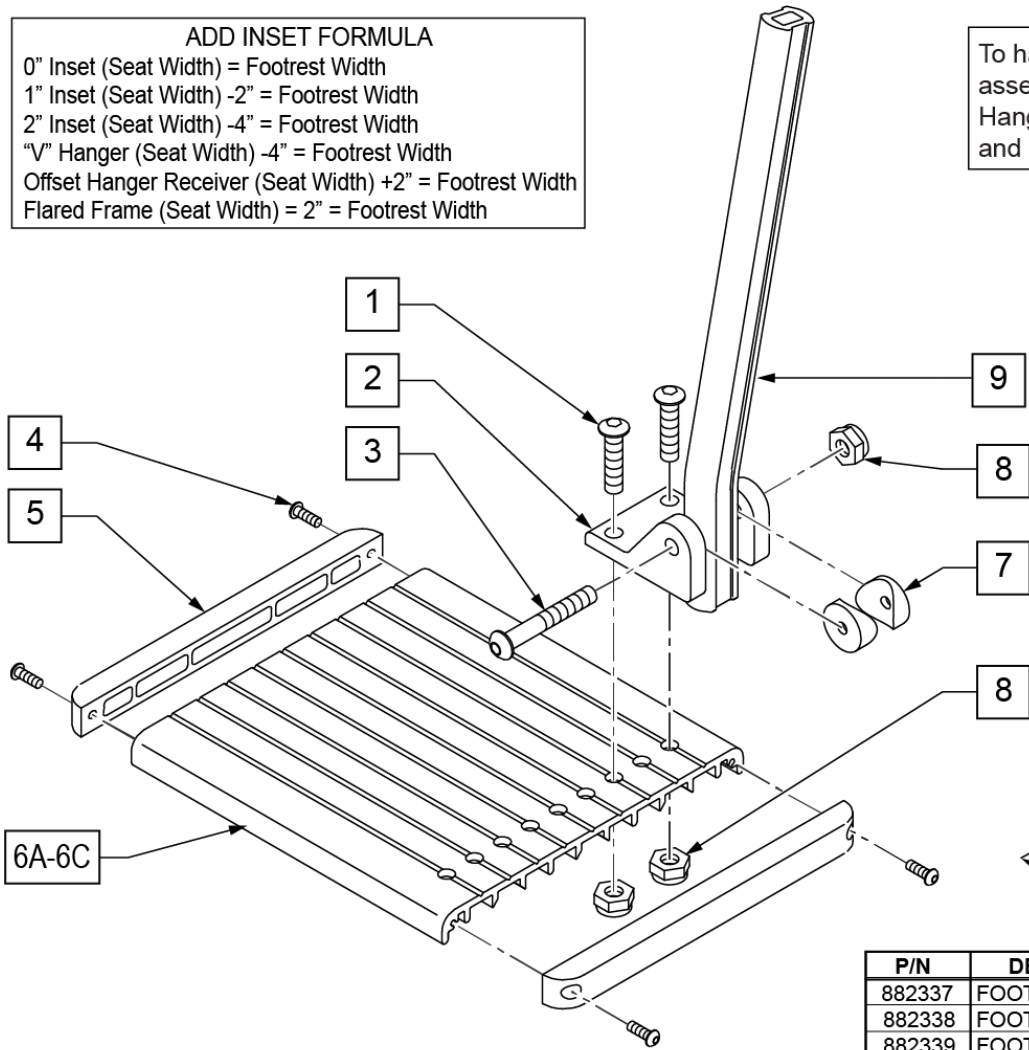
Pos.	Item Number	Description	Remarks
1A	550819	EXT TUBE S/A ONLY SHT	Short Ext-Swing Away Hanger

Pos.	Item Number	Description	Remarks
1A	550820	EXT TUBE S/A ONLY MED	Med Ext-Swing Away Hanger
1A	550821	EXT TUBE S/A ONLY LONG	Long Ext-Swing Away Hanger
1A	550822	EXT TUBE S/A ONLY X-LONG	X-Long Ext-Swing Away Hanger
1B	550834	EXT TUBE V IN ONLY D2 SHT R	Right Short Ext-Swing Away Hanger
1B	550835	EXT TUBE V IN ONLY D2 SHT L	Left Short Ext-Swing Away Hanger
1B	550836	EXT TUBE V IN ONLY D2 MED R	Right Med Ext-Swing Away Hanger
1B	550837	EXT TUBE V IN ONLY D2 MED L	Left Med Ext-Swing Away Hanger
1B	550838	EXT TUBE V IN ONLY D2 LONG R	Right Long Ext-Swing Away Hanger
1B	550839	EXT TUBE V IN ONLY D2 LONG L	Left Long Ext-Swing Away Hanger
1B	550840	EXT TUBE V IN ONLY D2 X-LONG R	Right X-Long Ext-Swing Away Hanger
1B	550841	EXT TUBE V IN ONLY D2 X-LONG L	Left X-Long Ext-Swing Away Hanger
2A	483718	HANGER EXTENSION SADDLE	USE W/ COMPOSITE FTPLT
2B	483720	HANGER EXTENSION SADDLE LONG	USE W/ ANGLE ADJ FTPLT
3	500078	INSERT D2 EXT TUBE	
4	483717	HANGER SADDLE	
5	221102	1/4-28 x 3/4 HEX HEAD C/S BLK W/PTCH	
6A	106962	1/4-28 x 1 3/4 BH C/S BLK ZN	USE W/ ANGLE ADJ FTPLT
6B	226165	1/4 -28 x 2 1/2 SOC C/S	USE W/ COMPOSITE FTPLT
6C	226147	1/4 -28 X 1.85 BH C/S	
7	106945	1/4" SAE WASHER	
8A	106941	1/4 -28 AUTOMATION NUT	USE W/ ANGLE ADJ FTPLT
8B	106935	1/4 -28 NYLOCK NUT THIN	USE W/ COMPOSITE FTPLT
9	561055	3/4 SADDLE 1" OD	USE W/ ANGLE ADJ FTPLT
1A,2A-5	921759	EXT TUBE S/A SHT ASSM PCKT	USE W/ COMPOSITE FTPLT
1A,2A-5	921760	EXT TUBE S/A MED ASSM PCKT	USE W/ COMPOSITE FTPLT
1A,2A-5	921761	EXT TUBE S/A LONG ASSM PCKT	USE W/ COMPOSITE FTPLT
1A,2A-5	921762	EXT TUBE S/A X-LONG ASSM PCKT	USE W/ COMPOSITE FTPLT
1B,2A-5	921751	EXT TUBE "V" D2 SHT R ASSM PCKT	RIGHT - USE W/ COMPOSITE FTPLT V HANGER
1B,2A-5	921752	EXT TUBE "V" D2 SHT L ASSM PCKT	LEFT - USE W/ COMPOSITE FTPLT V HANGER
1B,2A-5	921753	EXT TUBE "V" D2 MED R ASSM PCKT	RIGHT - USE W/ COMPOSITE FTPLT V HANGER
1B,2A-5	921754	EXT TUBE "V" D2 MED L ASSM PCKT	LEFT - USE W/ COMPOSITE FTPLT V HANGER
1B,2A-5	921755	EXT TUBE "V" D2 LONG R ASSM PCKT	RIGHT - USE W/ COMPOSITE FTPLT V HANGER
1B,2A-5	921756	EXT TUBE "V" D2 LONG L ASSM PCKT	LEFT - USE W/ COMPOSITE FTPLT V HANGER
1B,2A-5	921757	EXT TUBE "V" D2 X-LONG R ASSM PCKT	RIGHT - USE W/ COMPOSITE FTPLT V HANGER
1B,2A-5	921758	EXT TUBE "V" D2 X-LONG L ASSM PCKT	LEFT - USE W/ COMPOSITE FTPLT V HANGER
1A,2A-7,9	921772	EXT TUBE S/A SHT ANG ADJ PCKT	USE W/ ANGLE ADJ FTPLT
1A,2A-7,9	921773	EXT TUBE S/A MED ANG ADJ PCKT	USE W/ ANGLE ADJ FTPLT
1A,2A-7,9	921774	EXT TUBE S/A LONG ANG ADJ PCKT	USE W/ ANGLE ADJ FTPLT
1A,2A-7,9	921775	EXT TUBE S/A X-LONG ANG ADJ PCKT	USE W/ ANGLE ADJ FTPLT
1B,2A-7,9	921764	EXT TUBE "V" D2 SHT R ANG ADJ PCKT	RIGHT - USE W/ ANGLE ADJ FTPLT V HANGER
1B,2A-7,9	921765	EXT TUBE "V" D2 SHT L ANG ADJ PCKT	LEFT - USE W/ ANGLE ADJ FTPLT V HANGER
1B,2A-7,9	921766	EXT TUBE "V" D2 MED R ANG ADJ PCKT	RIGHT - USE W/ ANGLE ADJ FTPLT V HANGER
1B,2A-7,9	921767	EXT TUBE "V" D2 MED L ANG ADJ PCKT	LEFT - USE W/ ANGLE ADJ FTPLT V HANGER
1B,2A-7,9	921768	EXT TUBE "V" D2 LONG R ANG ADJ PCKT	RIGHT - USE W/ ANGLE ADJ FTPLT V HANGER
1B,2A-7,9	921769	EXT TUBE "V" D2 LONG L ANG ADJ PCKT	LEFT - USE W/ ANGLE ADJ FTPLT V HANGER
1B,2A-7,9	921770	EXT TUBE "V" D2 X-LONG R ANG AD PCKT	RIGHT - USE W/ ANGLE ADJ FTPLT V HANGER
1B,2A-7,9	921771	EXT TUBE "V" D2 X-LONG L ANG AD PCKT	LEFT - USE W/ ANGLE ADJ FTPLT V HANGER

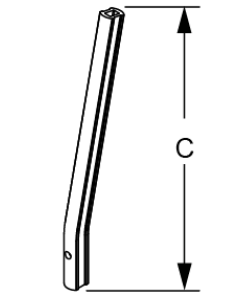
NOTE: Left Side Shown

ADD INSET FORMULA
 0" Inset (Seat Width) = Footrest Width
 1" Inset (Seat Width) -2" = Footrest Width
 2" Inset (Seat Width) -4" = Footrest Width
 "V" Hanger (Seat Width) -4" = Footrest Width
 Offset Hanger Receiver (Seat Width) +2" = Footrest Width
 Flared Frame (Seat Width) = 2" = Footrest Width

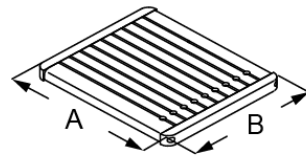
To have complete Footrest ship assembled, choose compatible Hanger + Footplate part numbers and add "ASSY-HNG-FP" to order



MEASURING GUIDE



	"C"
SHORT	9 1/4"
MED	11 1/4"
LONG	13 1/4"



P/N	DESCRIPTION	"A"	"B"
882337	FOOTPLATE ELR 14-15"	6"	6"
882338	FOOTPLATE ELR 16-17"	7"	6"
882339	FOOTPLATE ELR 18-20"	8"	6"

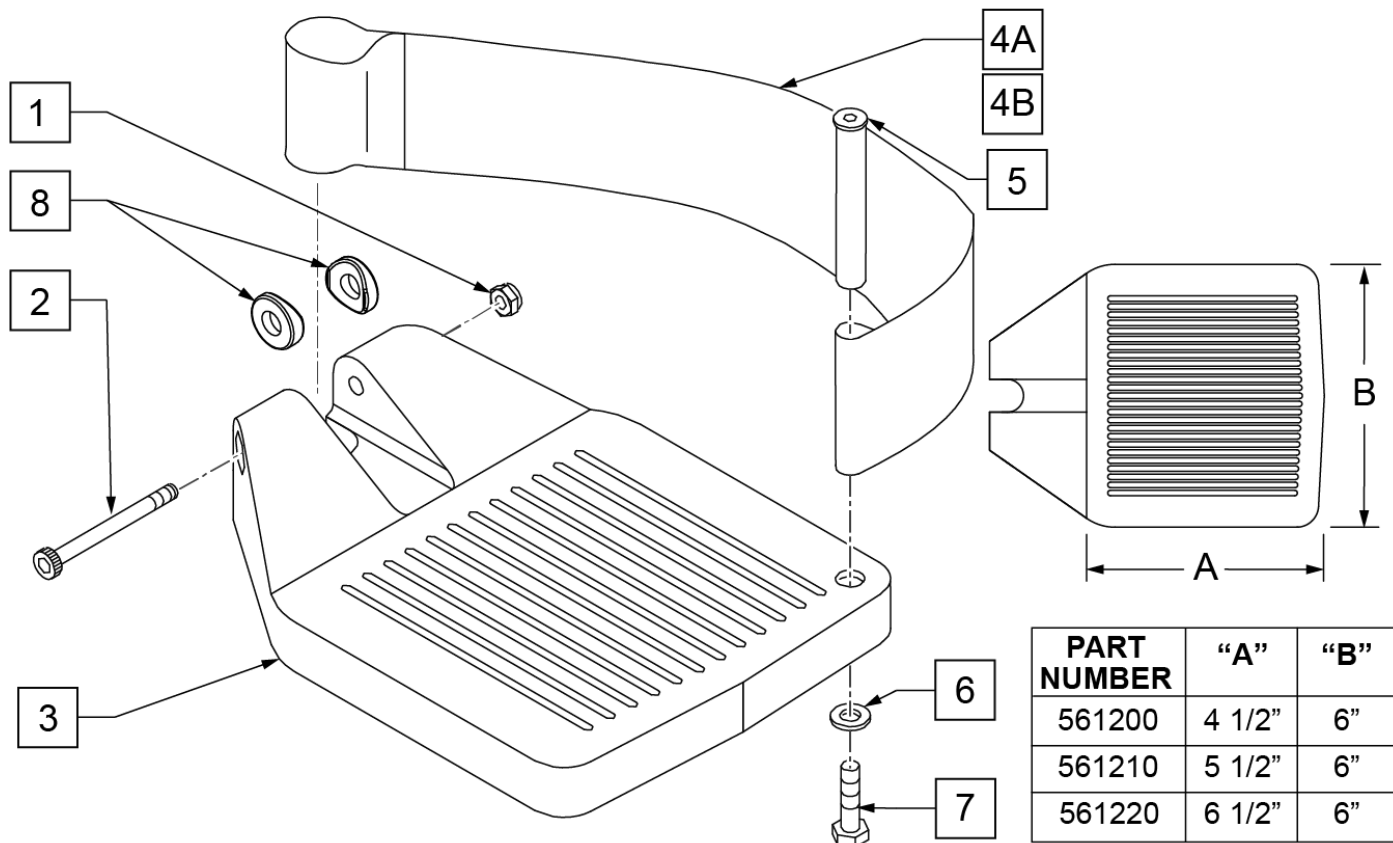
Pos.	Item Number	Description	Remarks
1	106959	1/4-28 x 5/8 BH C/S	
2	550739	FOOTPLATE MOUNTING BRACKET	
3	226147	1/4-28 x 1.85 BH C/S	
4	281043	#4 x 5/8 PAN PHIL S/TAP	
5	560101	END CAPS FOOTREST	
7	561003	3/4" SADDLE THIN	
8	106935	1/4-28 NYLOCK NUT THIN	
9	550764	S/A HANGER EXT D2 SHORT BLACK	
9	550765	S/A HANGER EXT D2 MED BLK	
9	550766	S/A HANGER EXT D2 LONG BLACK	
4,5,6A	882337	ELR FOOTPLATE ASSEMBLY 14 -15"	
4,5,6B	882338	ELR FOOTPLATE ASSEMBLY 16 -17"	
4,5,6C	882339	ELR FOOTPLATE ASSEMBLY 18 -20"	
1-5,6A-8	921400S	ELR FOOTPLATE KIT 14 -15"	Does not include Extension
1-5,6B-8	921401S	ELR FOOTPLATE KIT 16 -17"	Does not include Extension
1-5,6C-8	921402S	ELR FOOTPLATE KIT 18 -20"	Does not include Extension
		Ship assembled part #	Use with multiple assemblies
	ASSY-HNG-FP	HANGER/FOOTPLATE ASSY REQUIRED	add with Hanger & Footplate kit

COMPOSITE FOOTPLATE

[12/2017]

To have complete Footrest ship assembled, choose compatible Hanger + Footplate part numbers and add "ASSY-HNG-FP" to order

INSET FORMULA
 0" Inset (Seat Width) = Footrest Width
 1" Inset (Seat Width) -2" = Footrest Width
 "V" Hanger (Seat Width) -4" = Footrest Width
 Offset Hanger Receiver (Seat Width) +2" = Footrest Width



Pos.	Item Number	Description	Remarks
1	106935	1/4 - 28 NYLOCK NUT	
2	226165	1/4 - 28 x 2 1/2 SOC C/S	
3	561200	COMPOSITE FOOTPLATE 14 -15 (16 -18 V)	14 -15 OR 16 -18V
3	561210	COMPOSITE FOOTPLATE 16 -17 (19 -20 V)	16 -17 OR 19 -20V
3	561220	COMPOSITE FOOTPLATE 18 -20	18 -20
4A	741151	HEEL LOOP 14-15 COMPOSITE (14 -15 or 16 -18V)	14 -15 OR 16 -18V
4A	741156	HEEL LOOP 16 -17 or 19 -20V	16 -17 OR 19 -20V
4A	741153	HEEL LOOP 18 -20 COMPOSITE/14-15 ANG ADJ	18 -20
4A	902270	HEEL LOOP COMPOSITE FT 14-15	PAIR 14 -15 OR 16 -18V
4A	902271	HEEL LOOP COMPOSITE FT 16-17	PAIR 16 -17 OR 19 -20V
4A	902272	HEEL LOOP COMPOSITE FT 18-20	PAIR 18 -20
4B	741154	HEEL LOOP 14-15 COMPOSITE HEMI	14 -15 HEMI
4B	741155	HEEL LOOP 16-17 COMPOSITE HEMI	16 -17 HEMI
4B	741153	HEEL LOOP 18-20 COMPOSITE HEMI	18 -10 HEMI
4B	902260	HEEL LOOPS HEMI COMPOSITE 14-15	PAIR 14 -15 HEMI
4B	902261	HEEL LOOPS HEMI COMPOSITE 16-17	PAIR 16 -17 HEMI
4B	902262	HEEL LOOPS HEMI COMPOSITE 18-20	PAIR 18 -20 HEMI
5	561040	HEEL LOOP PEG	
6	106944	1/4 AN WASHER FLAT THIN	

Pos.	Item Number	Description	Remarks
7	106958	HHCS 1/4-20 X 1 ROHS	
8	561003	3/4" SADDLE THIN	USED W/ ROUND EXT TUBES ONLY
1-3	921180	COMPOSITE FOOTPLATE ASSM 14-15	RIGHT (14 -15 OR 16 -18V) W/O HEEL LOOP
1-3	921181	COMPOSITE FOOTPLATE ASSM 14-15	LEFT (14 -15 OR 16 -18V) W/O HEEL LOOP
1-3	921182	COMPOSITE FOOTPLATE ASSM 16-17	RIGHT (16 -17 OR 19 -20V) W/O HEEL LOOP
1-3	921183	COMPOSITE FOOTPLATE ASSM 16-17	LEFT (16 -17 OR 19 -20V) W/O HEEL LOOP
1-3	921184	COMPOSITE FOOTPLATE ASSM 18-20	RIGHT (18 -20) W/O HEEL LOOP
1-3	921185	COMPOSITE FOOTPLATE ASSM 18-20	LEFT (18 -20) W/O HEEL LOOP
1-3	921151	COMPOSITE FOOTPLATE ASSM 14-15/16-18V	PAIR (14 -15 OR 16 -18V) W/O HEEL LOOP
1-3	921152	COMPOSITE FOOTPLATE ASSM 16-17/19-20V	PAIR (16 -17 OR 19 -20V) W/O HEEL LOOP
1-3	921153	COMPOSITE FOOTPLATE ASSM 18-20	PAIR (18 -20) W/O HEEL LOOP
1,2,3A,4-7	921190	COMPOSITE FOOTPLATE ASSM HL LP 14-15	RIGHT (14 -15 OR 16 -18V) W/ HEEL LOOP
1,2,3A,4-7	921191	COMPOSITE FOOTPLATE ASSM HL LP 14-15	LEFT (14 -15 OR 16 -18V) W/ HEEL LOOP
1,2,3A,4-7	921192	COMPOSITE FOOTPLATE ASSM HL LP 16-17	RIGHT (16 -17 OR 19 -20V) W/ HEEL LOOP
1,2,3A,4-7	921193	COMPOSITE FOOTPLATE ASSM HL LP 16-17	LEFT (16 -17 OR 19 -20V) W/ HEEL LOOP
1,2,3A,4-7	921194	COMPOSITE FOOTPLATE ASSM HL LP 18-20	RIGHT (18 -20) W/ HEEL LOOP
1,2,3A,4-7	921195	COMPOSITE FOOTPLATE ASSM HL LP 18-20	LEFT (18 -20) W/ HEEL LOOP
1,2,3A,4-7	921161	COMPOSITE FOOTPLATE ASSM HL 14-15/16-18V	PAIR (14 -15 OR 16 -18V) W/ HEEL LOOP
1,2,3A,4-7	921162	COMPOSITE FOOTPLATE ASSM HL 16-17/19-20V	PAIR (16 -17 OR 19 -20V) W/ HEEL LOOP
1,2,3A,4-7	921163	COMPOSITE FOOTPLATE ASSM HL 18-20	PAIR (18 -20) W/ HEEL LOOP
1,2,3B,4-7	921140	COMPOSITE FOOTPLATE ASSM HEMI HL LP 14-15	RIGHT (14 -15) W/ HEEL LOOP
1,2,3B,4-7	921141	COMPOSITE FOOTPLATE ASSM HEMI HL LP 14-15	LEFT (14 -15) W/ HEEL LOOP
1,2,3B,4-7	921142	COMPOSITE FOOTPLATE ASSM HEMI HL LP 16-17	RIGHT (16 -17) W/ HEEL LOOP
1,2,3B,4-7	921143	COMPOSITE FOOTPLATE ASSM HEMI HL LP 16-17	LEFT (16 -17) W/ HEEL LOOP
1,2,3B,4-7	921144	COMPOSITE FOOTPLATE ASSM HEMI HL LP 18-20	RIGHT (18 -20) W/ HEEL LOOP
1,2,3B,4-7	921145	COMPOSITE FOOTPLATE ASSM HEMI HL LP 18-20	LEFT (18 -20) W/ HEEL LOOP
1,2,3B,4-7	921167	COMPOSITE FOOTPLATE ASSM HEMI HL LPS 14-15	PAIR (14 -15) W/ HEEL LOOP
1,2,3B,4-7	921168	COMPOSITE FOOTPLATE ASSM HEMI HL LPS 16-17	PAIR (16 -17) W/ HEEL LOOP
1,2,3B,4-7	921169	COMPOSITE FOOTPLATE ASSM HEMI HL LPS 18-20	PAIR (18 -20) W/ HEEL LOOP
		Ship assembled part #	Use with multiple assemblies
	ASSY-HNG-FP	HANGER/FOOTPLATE ASSY REQUIRED	add with Hanger & Footplate kit

Note: Footplate Assemblies are set to footrest width; please see "Footplate Formula" table for seat width conversion.

Note: V Style Hangers are not available on Swing Away Style chairs effective 7/14/14; see the "Prior To" ordering guide for V Style footplate assemblies.

Note: Zippie Iris (ZRS&ZRSE) and Zippie TS (Z1A&Z1SE) only use Straight Extension Tube.

Note: if chair has High Mount Ext Tubes or if switching to High Mount Ext Tubes, see KAA Footplate w/ High Mount Extension Ordering Guide.

To have complete Footrest ship assembled, choose compatible Hanger + Footplate part numbers and add "ASSY-HNG-FP" to order

FOOTPLATE FORMULA

0" Inset (Seat Width) = Footrest Width
 1" Inset (Seat Width) -2" = Footrest Width
 V Hanger (Seat Width) -4" = Footrest Width
 Offset Hanger Receiver (Seat Width) +2" = Footrest Width

MEASURING GUIDE

CHAIR WIDTH	"A"	"B"
10" W	3.55"	6.00"
11" W	4.05"	6.00"
12" W	4.55"	6.00"
13" W	5.05"	6.00"
14" W	5.55"	6.00"
15" W	6.05"	6.00"
16" W	6.55"	6.00"

*** NOTE:**
 ITEMS 5, 8 & 11 NOT INCLUDED W/ FOOTPLATE ASSEMBLY
 ITEMS 5, 8 & 11 INCLUDED W/ EXTENSION TUBE ASSEMBLY FOR STANDARD HANGERS
 FOR ELEVATING LEGREST, ORDER QTY 2 OF ITEMS 5, 8 & 11

Pos.	Item Number	Description	Remarks
1	106978	FHCS 1/4 -28 x 7/8 ROHS	

Pos.	Item Number	Description	Remarks
2	500635	KIDS ANGL ADJ F/PLT 10" R	Right
2	500636	KIDS ANGL ADJ F/PLT 10" L	Left
2	500637	KIDS ANGL ADJ F/PLT 11" R	Right
2	500638	KIDS ANGL ADJ F/PLT 11" L	Left
2	500639	KIDS ANGL ADJ F/PLT 12" R	Right
2	500640	KIDS ANGL ADJ F/PLT 12" L	Left
2	500641	KIDS ANGL ADJ F/PLT 13" R	Right
2	500642	KIDS ANGL ADJ F/PLT 13" L	Left
2	500643	KIDS ANGL ADJ F/PLT 14" R	Right
2	500644	KIDS ANGL ADJ F/PLT 14" L	Left
2	500645	KIDS ANGL ADJ F/PLT 15" R	Right
2	500646	KIDS ANGL ADJ F/PLT 15" L	Left
2	500647	KIDS ANGL ADJ F/PLT 16" R	Right
2	500648	KIDS ANGL ADJ F/PLT 16" L	Left
3	550350	3/4" CLAMP ADJ FOOTPLATE	
4	106935	NUT NYLOCK THIN 1/4 -28 ROHS	
5	106962	1/4-28 x 1 3/4 BH C/S BLK ZN (D2 EXTENSION TUBES)	
5	226167	1/4-28 x 1.625 BH C/S BLK (ROUND EXTENSION TUBES)	
6	106945	1/4 SAE WASHER	
7	541002	FTRST MOUNTING BRKT-3/8 RAD R	
7	541003	FTRST MOUNTING BRKT-3/8 RAD L	
8	561055	3/4" SADDLE 1" OD	
9	106944	WASHER FLAT THIN AN 1/4 ROHS	
10	106941	NUT AUTOMATION 1/4 -28 ROHS	
11	483720	HANGER EXTENSION SADDLE LONG	Use with Double D Ext Tube
1-4,6,7,9,10	828850	KIDS ANG ADJ F/PLT EXT-MNT 10"R	Right
1-4,6,7,9,10	828851	KIDS ANG ADJ F/PLT EXT-MNT 10"L	Left
1-4,6,7,9,10	828852	KIDS ANG ADJ F/PLT EXT-MNT 11"R	Right
1-4,6,7,9,10	828853	KIDS ANG ADJ F/PLT EXT-MNT 11"L	Left
1-4,6,7,9,10	828854	KIDS ANG ADJ F/PLT EXT-MNT 12"R	Right
1-4,6,7,9,10	828855	KIDS ANG ADJ F/PLT EXT-MNT 12"L	Left
1-4,6,7,9,10	828856	KIDS ANG ADJ F/PLT EXT-MNT 13"R	Right
1-4,6,7,9,10	828857	KIDS ANG ADJ F/PLT EXT-MNT 13"L	Left
1-4,6,7,9,10	828858	KIDS ANG ADJ F/PLT EXT-MNT 14"R	Right
1-4,6,7,9,10	828859	KIDS ANG ADJ F/PLT EXT-MNT 14"L	Left
1-4,6,7,9,10	828860	KIDS ANG ADJ F/PLT EXT-MNT 15"R	Right
1-4,6,7,9,10	828861	KIDS ANG ADJ F/PLT EXT-MNT 15"L	Left
1-4,6,7,9,10	828862	KIDS ANG ADJ F/PLT EXT-MNT 16"R	Right
1-4,6,7,9,10	828863	KIDS ANG ADJ F/PLT EXT-MNT 16"L	Left
1-4,6,7,9,10	921280	KIDS ANG ADJ F/PLT EXT-MNT 10"	Pair
1-4,6,7,9,10	921281	KIDS ANG ADJ F/PLT EXT-MNT 11"	Pair
1-4,6,7,9,10	921282	KIDS ANG ADJ F/PLT EXT-MNT 12"	Pair
1-4,6,7,9,10	921283	KIDS ANG ADJ F/PLT EXT-MNT 13"	Pair
1-4,6,7,9,10	921284	KIDS ANG ADJ F/PLT EXT-MNT 14"	Pair
1-4,6,7,9,10	921285	KIDS ANG ADJ F/PLT EXT-MNT 15"	Pair
1-4,6,7,9,10	921286	KIDS ANG ADJ F/PLT EXT-MNT 16"	Pair
		Ship assembled part #	Use with multiple assemblies
	ASSY-HNG-FP	HANGER/FOOTPLATE ASSY REQUIRED	add with Hanger & Footplate kit

NOTE: FOR HIGH-MOUNT ADULT ANGLE-ADJUSTABLE FOOTPLATE, SEE "HIGH-MOUNT EXTENSION TUBE" PAGE.

NOTE: ORDER ITEMS 4B AND 7B FOR CHAIRS PRIOR TO 8/13/01.

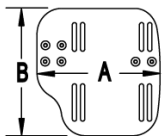
NOTE: ONLY 1 WASHER PRIOR TO 8/13/01.

NOTE: See attached REFERENCE GUIDE.

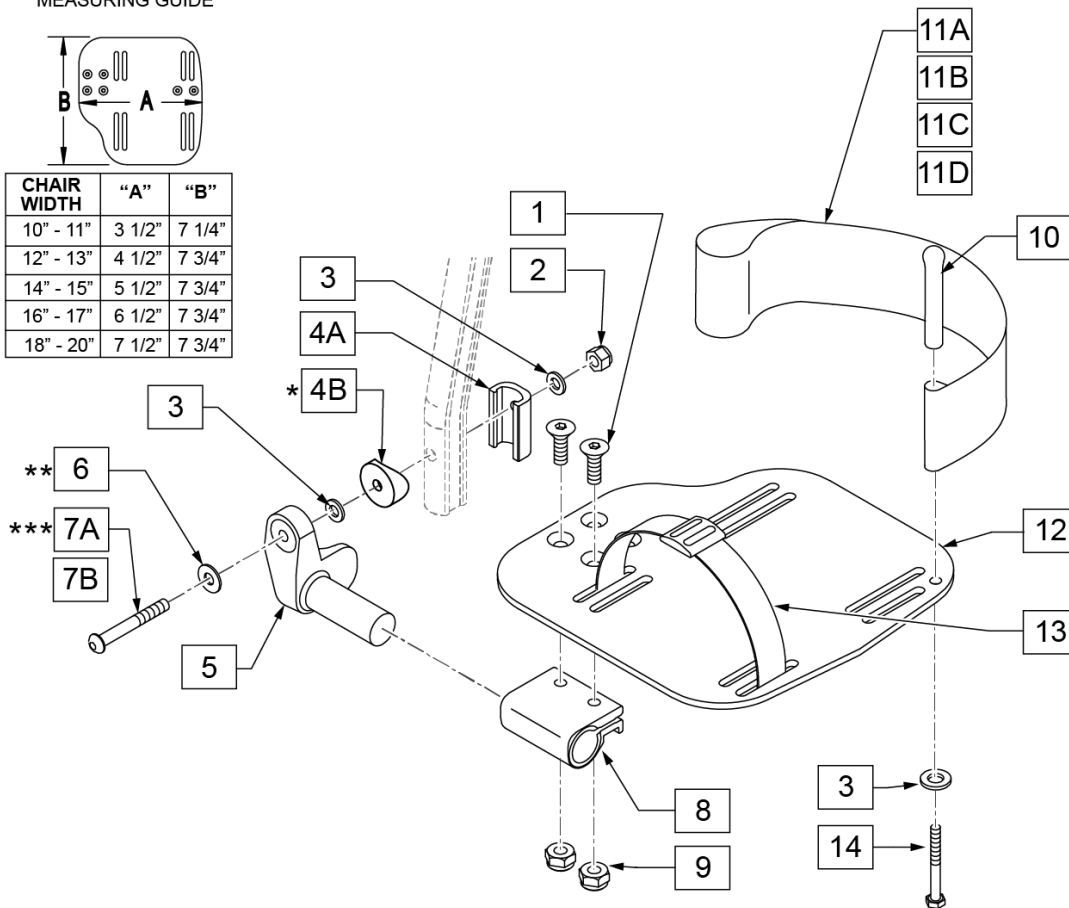
To have complete Footrest ship assembled, choose compatible Hanger + Footplate part numbers and add "ASSY-HNG-FP" to order

INSET FORMULA
 0" Inset (Seat Width) = Footrest Width
 1" Inset (Seat Width) -2" = Footrest Width
 "V" Hanger (Seat Width) -4" = Footrest Width
 Offset Hanger Receiver (Seat Width) +2" = Footrest Width

MEASURING GUIDE



CHAIR WIDTH	"A"	"B"
10" - 11"	3 1/2"	7 1/4"
12" - 13"	4 1/2"	7 3/4"
14" - 15"	5 1/2"	7 3/4"
16" - 17"	6 1/2"	7 3/4"
18" - 20"	7 1/2"	7 3/4"



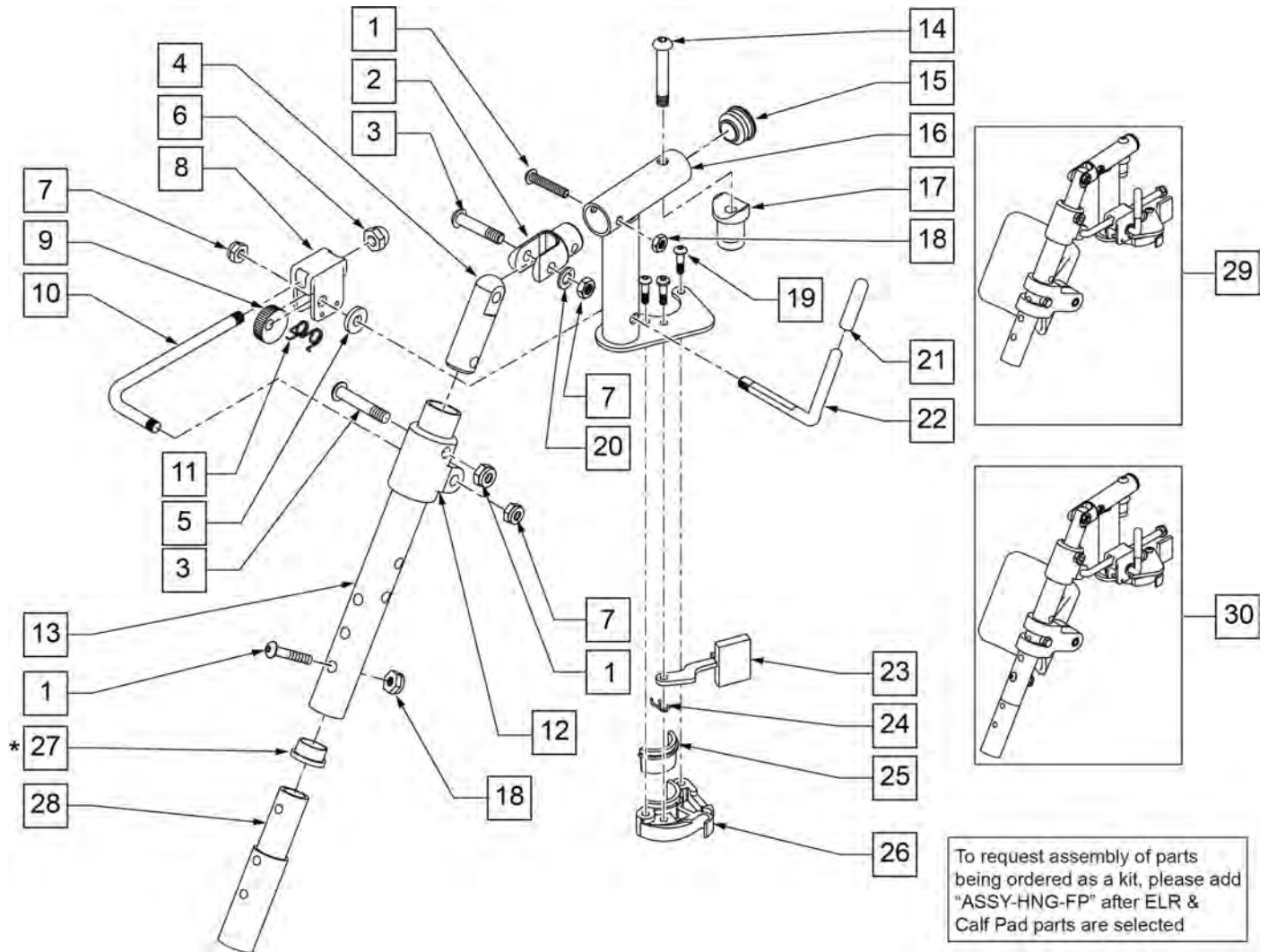
15 ADLT ANG ADJ FP D2 HDWR KIT			
ITEM #	ILLUSTRATION	DESCRIPTION	QTY
1		1/4-28 X 7/8 FH C/S	2
2		1/4-28 AUTOMATION NUT	1
3		WASHER FLAT THIN AN 1/4	3
6		1/4" SAE WASHER	1
7A		BHCS 1/4-28 X 1-3/4	1
9		NUT NYLOCK THIN 1/4-28	2
10		HEEL LOOP PEG	1
14		1/4-20 X 1 HEX C/S	1

16 ADLT ANG ADJ FP RND HDWR KIT			
ITEM #	ILLUSTRATION	DESCRIPTION	QTY
1		1/4-28 X 7/8 FH C/S	2
2		1/4-28 AUTOMATION NUT	1
3		WASHER FLAT THIN AN 1/4	3
4B		3/4" SADDLE 1" OD	1
6		1/4" SAE WASHER	1
7B		1/4-28 X 1.625 BH C/S BLK	1
9		NUT NYLOCK THIN 1/4-28	2
10		HEEL LOOP PEG	1
14		1/4-20 X 1 HEX C/S	1

Pos.	Item Number	Description	Remarks
1	106978	1/4-28 x 7/8 FH C/S	
2	106941	1/4-28 AUTOMATION NUT	

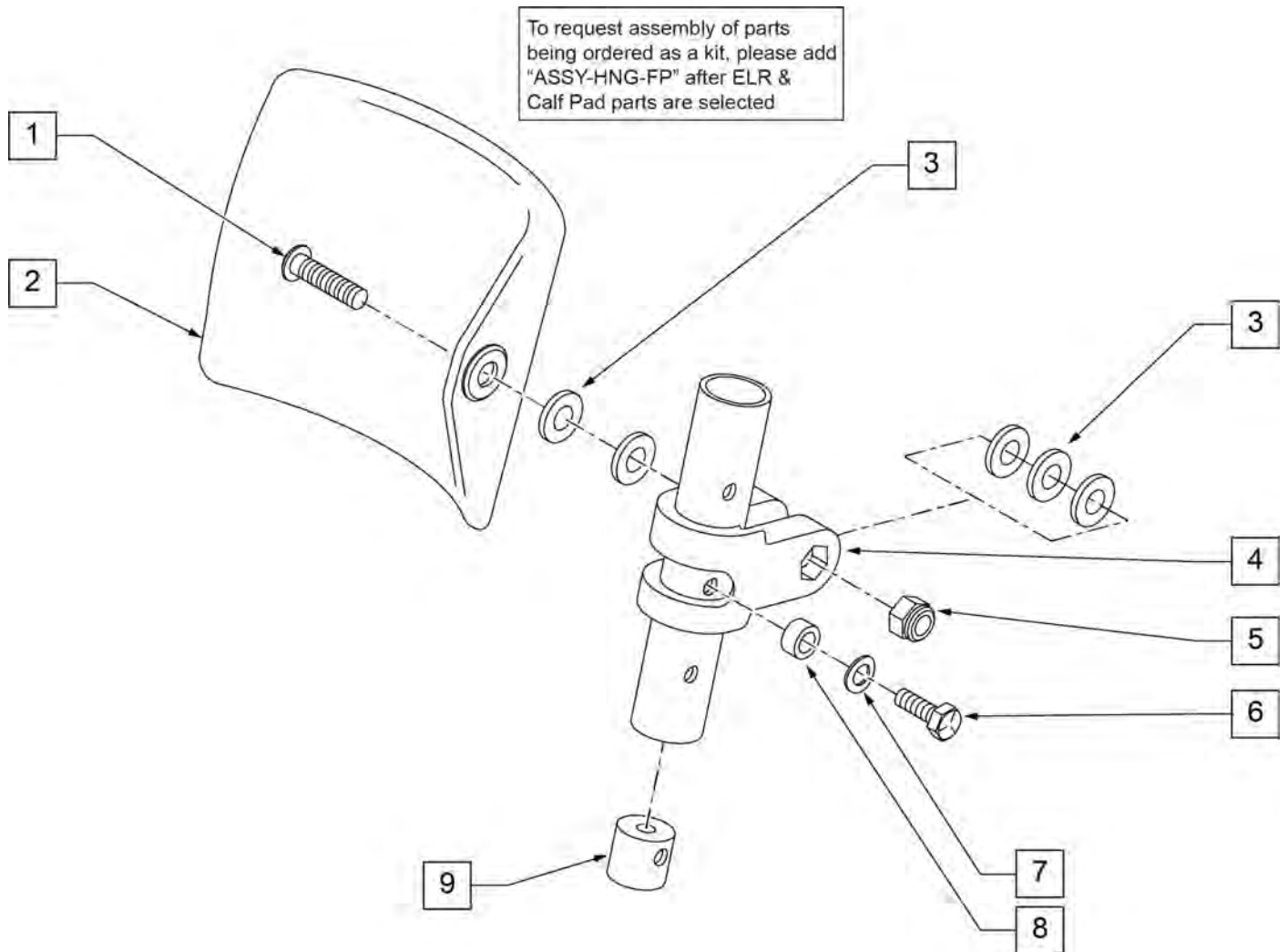
Pos.	Item Number	Description	Remarks
3	106944	WASHER FLAT THIN AN 1/4	
4A	483720	HANGER EXTENSION SADDLE LONG	USE W/ DOUBLE D EXT TUBE
4B	561055	3/4" SADDLE 1" OD	USE W/ ROUND EXT TUBE
5	541002	FTRST MOUNTING BRKT-3/8 RAD R	RIGHT
5	541003	FTRST MOUNTING BRKT-3/8 RAD L	LEFT
6	106945	WASHER FLAT SAE 1/4 ROHS	
7A	106962	BHCS 1/4-28 X 1-3/4 ROHS	use w/ Double D Ext Tube
7B	226167	1/4-28 x 1.625 BH C/S BLK	use w/ Round Ext Tube
8	550350	3/4" CLMP ADJ FT PLT	
9	106935	NUT NYLOCK THIN 1/4-28 ROHS	
10	561040	HEEL LOOP PEG	
11A	741154	HEEL LOOP 14-15 CMPST HEMI	used w/ 10-11" Adult Ang Adj Ftplts
11B	741155	HEEL LOOP 16-17 CMPST HEMI	used w/ 12 -13" Adult Ang Adj Ftplts
11C	741153	H/L 18-20 CMPST/14-15 ANG ADJ	used w/ 14-15"/16-17" Adult Ang Adj Ftplts
11D	741253	HEEL LOOP ADLT ADJ F/PLT 18-20	used w/ 18 -20" Adult Ang Adj Ftplts
12	500656	ADLT ANGL ADJ F/PLT 10/11" R	RIGHT
12	500657	ADLT ANGL ADJ F/PLT 10/11" L	LEFT
12	500658	ADLT ANGL ADJ F/PLT 12/13" R	RIGHT
12	500659	ADLT ANGL ADJ F/PLT 12/13" L	LEFT
12	500660	ADLT ANGL ADJ F/PLT 14/15	RIGHT
12	500661	ADLT ANGL ADJ F/PLT 14/15	LEFT
12	500662	ADLT ANGL ADJ F/PLT 16/17	RIGHT
12	500663	ADLT ANGL ADJ F/PLT 16/17	LEFT
12	500664	ADLT ANGL ADJ F/PLT 18-20	RIGHT
12	500665	ADLT ANGL ADJ F/PLT 18-20	LEFT
13	740260	TOE/ANKLE STRAP ADJ ADLT F/PLT	
14	106958	1/4-20 x 1 HEX C/S	
15	101533	ADLT ANG ADJ FP D2 HDWR KIT	for Double D Ext Tubes; Kit for one side
16	101534	ADLT ANG ADJ FP RND HDWR KIT	for Round Ext Tubes (Q2 HP only); Kit for one side
1-3,5,6,8,9,12	820526	AD ANG ADJ F/PLT R 12"/13" OMIT HL	RIGHT
1-3,5,6,8,9,12	820536	AD ANG ADJ F/PLT L 12"/13" OMT HL	LEFT
1-3,5,6,8,9,12	820460	FP ADLT ADJ 14/15 OMIT HL	RIGHT
1-3,5,6,8,9,12	820462	FP ADLT ADJ 14/15 OMIT HL	LEFT
1-3,5,6,8,9,12	820464	FP ADLT ADJ 16/17 OMIT HL	RIGHT
1-3,5,6,8,9,12	820466	FP ADLT ADJ 16/17 OMIT HL	LEFT
1-3,5,6,8,9,12	820468	FP ADLT ADJ 18-20 OMIT HL	RIGHT
1-3,5,6,8,9,12	820470	FP ADLT ADJ 18-20 OMIT HL	LEFT
1-3,5,6,8,9,12	921466	ADLT ANGL ADJ F/PLT 12"/13" OMIT HL	PAIR
1-3,5,6,8,9,12	921320	FP ADLT ADJ 14/15 OMIT HL	PAIR
1-3,5,6,8,9,12	921322	FP ADLT ADJ 16/17 OMIT HL	PAIR
1-3,5,6,8,9,12	921324	FP ADLT ADJ 18-20 OMIT HL	PAIR
1-3,5,6,8,9,11B,12	820522	AD ANGL ADJ F/PLT R 12/13" H/L	RIGHT
1-3,5,6,8,9,11B,12	820532	AD ANGL ADJ F/PLT L 12/13" H/L	LEFT
1-3,5,6,8-10,11C, 12,14	820461	FP ADLT ADJ 14/15 HL	RIGHT
1-3,5,6,8-10,11C, 12,14	820463	FP ADLT ADJ 14/15 HL	LEFT
1-3,5,6,8-10,11C, 12,14	820465	FP ADLT ADJ 16/17 HL	RIGHT
1-3,5,6,8-10,11C, 12,14	820467	FP ADLT ADJ 16/17 HL	LEFT
1-3,5,6,8-10,11D, 12,14	820469	FP ADLT ADJ 18-20 HL	RIGHT
1-3,5,6,8-10,11D, 12,14	820471	FP ADLT ADJ 18-20 HL	LEFT
1-3,5,6,8-10,11B, 12,14	921462	ADLT ANGL ADJ F/PLATE 12"/13" HL	PAIR
1-3,5,6,8-10,11C, 12,14	921321	FP ADLT ADJ 14/15 HL	PAIR
1-3,5,6,8-10,11C, 12,14	921323	FP ADLT ADJ 16/17 HL	PAIR
1-3,5,6,8-10,11D, 12,14	921325	FP ADLT ADJ 18-20 HL	PAIR
		Ship assembled part #	Use with multiple assemblies
	ASSY-HNG-FP	HANGER/FOOTPLATE ASSY REQUIRED	add with Hanger & Footplate kit

NOTE: Order Item 27 (561002) when NOT using Footrest Extension.



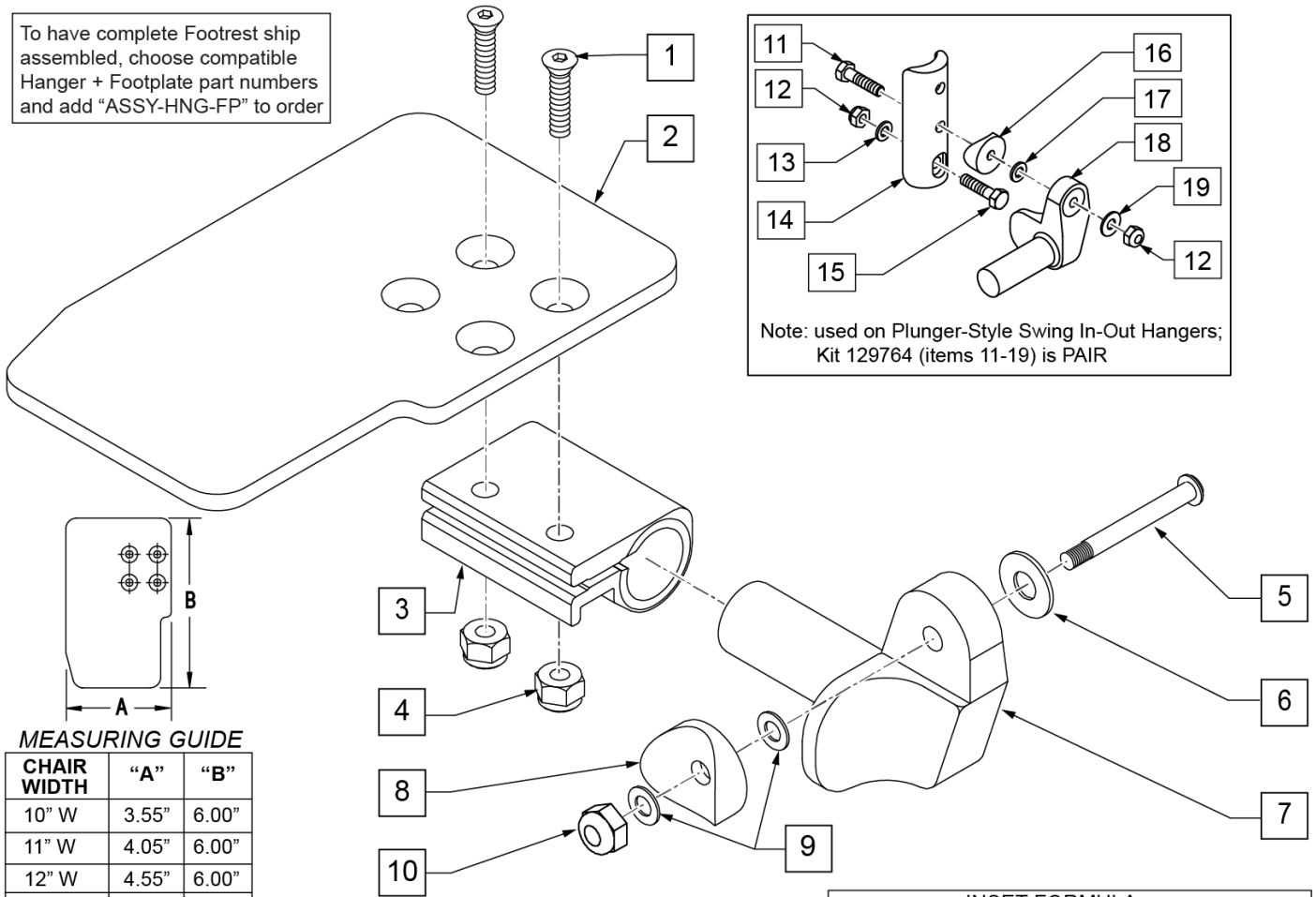
Pos.	Item Number	Description	Remarks
1	107027	BHCS 1/4-28 X 1-1/4 SHLDR ROHS	
2	505281	ELR CLEVIS	
3	107037	BHCS 5/16-24 X 1-1/2 SHLD ROHS	
4	540252	ELR PIVOT PRS	
5	561059	3/4 OD x .318 ID WASHER	
6	202109	5/16-24 ACORN NUT HEX	
7	106939	NUT NYLOCK THIN 5/16-24 ROHS	
8	880990	ELR LOCK HOUSING W/PIN	
9	481119	ELR CAM LOCKING POWDERED METAL	
10	481505	ELR LOCK ROD 90D	
11	321106	ELR TORSION SPRING	
12	560430	ELR ROD UPPER PIVOT	
13	505097S	ELR KIDS TUBE	SPECIFY COLOR
14	106983	BHCS 5/16-18 X 2 SHLDR ROHS	
15	561062	1" INSERT PLUG .065 RIBS	

Pos.	Item Number	Description	Remarks
17	561197	PLASTIC PIVOT SADDLE	
18	106935	NUT NYLOCK THIN 1/4-28 ROHS	
19	107035	BHCS 10-24 X .725 PL ROHS	
20	263100	5/16 AN WASHER FLAT	
21	561049	ELR RELEASE ROD COVER	
23	561079	S/A LATCH LEVER	
24	321136	S/A SPRING L RED	
24	321137	S/A SPRING R CLEAR	
27	561002	1" INSERT PLUG .083	
29	923067S	ELR HNGR ASSM 90D W/PAD	PAIR
30	923068S	ELR HNGR ASSM 90D W/PAD 2" EXT	PAIR
1,18,28	111505	2" FTREST EXT W/ HDWR	
25,26	881500	LATCH BLOCK ASSM R	RIGHT
25,26	881501	LATCH BLOCK ASSM L	LEFT
21,22	882411	ELR 90D ACTUATION ARM ASSM	
1-4,7,14-20,23-28	882413	ELR PIVOT BLOCK ASSM R	RIGHT
1-4,7,14-20,23-28	882414	ELR PIVOT BLOCK ASSM L	LEFT
1-26	641458S	ELR HNGR 90D W/O PAD PNTD R	RIGHT
1-26	641459S	ELR HNGR 90D W/O PAD PNTD L	LEFT
1-26,28	641468S	HANGER ELR 90 W/O PAD R 2" EXT	RIGHT
1-26,28	641469S	HANGER ELR 90 W/O PAD L 2" EXT	LEFT
19,23-26	881521	S/A LATCH KIT CASTING RIGHT	RIGHT
19,23-26	881522	S/A LATCH KIT CASTING LEFT	LEFT
		Ship assembled part #	Use with multiple assemblies
	ASSY-HNG-FP	HANGER/FOOTPLATE ASSY REQUIRED	add with Hanger & Footplate kit



Pos.	Item Number	Description	Remarks
1	226217	5/16-18 x 2" BH C/S BLK	
2	755013	CALF PAD TROUGH STYLE KIDS	
3	561016	1" WASHER 5/16" HOLE	
4	561097	ELR ELEVATING TUBE CLAMP	
5	106937	5/16 -18 NYLOCK NUT THIN	
6	106958	HHCS 1/4-20 X 1 ROHS	
7	262130	6mm WASHER WAVE	
8	483027	1/4 x 1/4 ALUMINUM SPACER	
9	500151	KIDS ALR RETAINING PLUG	
1-9	880533	ELR TROUGH PAD ASSM KIDS	
		Ship assembled part #	Use with multiple assemblies
	ASSY-HNG-FP	HANGER/FOOTPLATE ASSY REQUIRED	add with Hanger & Footplate kit

To have complete Footrest ship assembled, choose compatible Hanger + Footplate part numbers and add "ASSY-HNG-FP" to order



Note: used on Plunger-Style Swing In-Out Hangers; Kit 129764 (items 11-19) is PAIR

MEASURING GUIDE

CHAIR WIDTH	"A"	"B"
10" W	3.55"	6.00"
11" W	4.05"	6.00"
12" W	4.55"	6.00"
13" W	5.05"	6.00"
14" W	5.55"	6.00"
15" W	6.05"	6.00"
16" W	6.55"	6.00"

INSET FORMULA

0" Inset (Seat Width) = Footrest Width
 1" Inset (Seat Width) -2" = Footrest Width
 "V" Hanger (Seat Width) -4" = Footrest Width
 Offset Hanger Receiver (Seat Width) +2" = Footrest Width

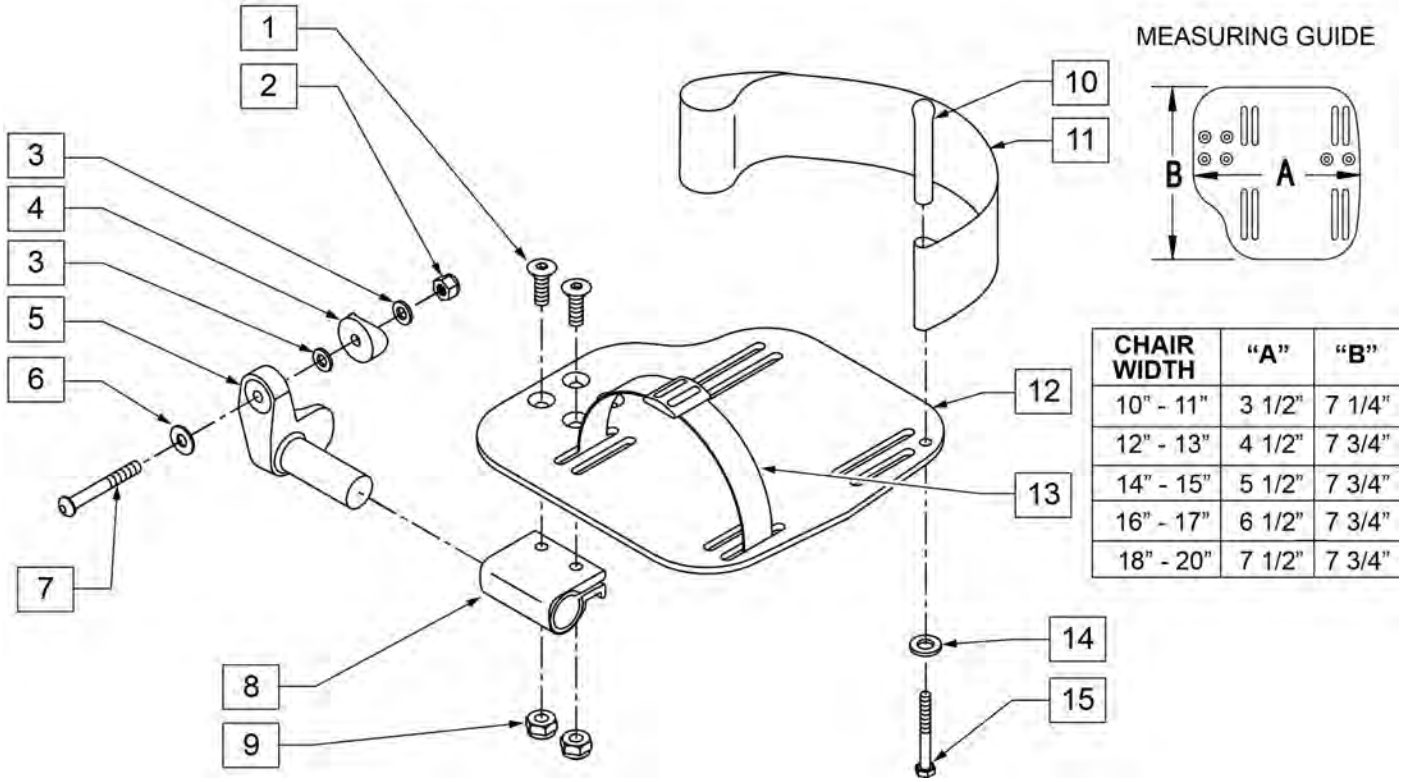
Pos.	Item Number	Description	Remarks
1	106978	FHCS 1/4-28 X 7/8 ROHS	
2	500635	KIDS ANGL ADJ F/PLT 10	RIGHT
2	500636	KIDS ANGL ADJ F/PLT 10	LEFT
2	500637	KIDS ANGL ADJ F/PLT 11	RIGHT
2	500638	KIDS ANGL ADJ F/PLT 11	LEFT
2	500639	KIDS ANGL ADJ F/PLT 12	RIGHT
2	500640	KIDS ANGL ADJ F/PLT 12	LEFT
2	500641	KIDS ANGL ADJ F/PLT 13	RIGHT
2	500642	KIDS ANGL ADJ F/PLT 13	LEFT
2	500643	KIDS ANGL ADJ F/PLT 14	RIGHT
2	500644	KIDS ANGL ADJ F/PLT 14	LEFT
2	500645	KIDS ANGL ADJ F/PLT 15	RIGHT
2	500646	KIDS ANGL ADJ F/PLT 15	LEFT
2	500647	KIDS ANGL ADJ F/PLT 16	RIGHT
2	500648	KIDS ANGL ADJ F/PLT 16	LEFT
3	550350	3/4 CLAMP ADJ FOOTPLATE	
4	106935	NUT NYLOCK THIN 1/4-28 ROHS	
5	226147	1/4-28 X 1.85 BH C/S BLK ZN	

Pos.	Item Number	Description	Remarks
6	106945	WASHER FLAT SAE 1/4 ROHS	
7	541000	FTRST MOUNTING BRKT 1/2" RAD R	RIGHT
7	541001	FTRST MOUNTING BRKT 1/2" RAD L	LEFT
8	561004	1 SADDLE 1/4 HOLE	
9	106943	WASHER FLAT THIN AN 1/4	
10	106941	NUT AUTOMATION 1/4-28 ROHS	
11	102268-001	HHCS M6 X 1 X 25	
12	132626	NUT AUTOMATION M6 X 1.0 ROHS	
13	107383	WASHER FLAT M6 ROHS	
15	118198	HHCS M6 X 1 X 40 PART NP	
16	561004	1" SADDLE 1/4" HOLE	
17	106943	WASHER FLAT AN 1/4 ROHS	
19	106945	WASHER FLAT SAE 1/4 ROHS	
1-4	158632	CAA F/PLT KIT 10 RT	RIGHT; used with Front Mount Adapter Kit on Plunger-Style Swing In/Out Hangers
1-4	158633	CAA F/PLT KIT 10 LT	LEFT; used with Front Mount Adapter Kit on Plunger-Style Swing In/Out Hangers
1-4	158634	CAA F/PLT KIT 11 RT	RIGHT; used with Front Mount Adapter Kit on Plunger-Style Swing In/Out Hangers
1-4	158635	CAA F/PLT KIT 11 LT	LEFT; used with Front Mount Adapter Kit on Plunger-Style Swing In/Out Hangers
1-4	158636	CAA F/PLT KIT 12 RT	RIGHT; used with Front Mount Adapter Kit on Plunger-Style Swing In/Out Hangers
1-4	158637	CAA F/PLT KIT 12 LT	LEFT; used with Front Mount Adapter Kit on Plunger-Style Swing In/Out Hangers
1-4	158638	CAA F/PLT KIT 13 RT	RIGHT; used with Front Mount Adapter Kit on Plunger-Style Swing In/Out Hangers
1-4	158639	CAA F/PLT KIT 13 LT	LEFT; used with Front Mount Adapter Kit on Plunger-Style Swing In/Out Hangers
1-4	158640	CAA F/PLT KIT 14 RT	RIGHT; used with Front Mount Adapter Kit on Plunger-Style Swing In/Out Hangers
1-4	158641	CAA F/PLT KIT 14 LT	LEFT; used with Front Mount Adapter Kit on Plunger-Style Swing In/Out Hangers
1-4	158642	CAA F/PLT KIT 15 RT	RIGHT; used with Front Mount Adapter Kit on Plunger-Style Swing In/Out Hangers
1-4	158643	CAA F/PLT KIT 15 LT	LEFT; used with Front Mount Adapter Kit on Plunger-Style Swing In/Out Hangers
1-4	158644	CAA F/PLT KIT 16 RT	RIGHT; used with Front Mount Adapter Kit on Plunger-Style Swing In/Out Hangers
1-4	158645	CAA F/PLT KIT 16 LT	LEFT; used with Front Mount Adapter Kit on Plunger-Style Swing In/Out Hangers
1-10	828821	KIDS ANG ADJ F/PLT ASSM 10	RIGHT; used with Old-Style Latch Block Swing In/Out & S/A Hangers
1-10	828822	KIDS ANG ADJ F/PLT ASSM 10	LEFT; used with Old-Style Latch Block Swing In/Out & S/A Hangers
1-10	828823	KIDS ANG ADJ F/PLT ASSM 11	RIGHT; used with Old-Style Latch Block Swing In/Out & S/A Hangers
1-10	828824	KIDS ANG ADJ F/PLT ASSM 11	LEFT; used with Old-Style Latch Block Swing In/Out & S/A Hangers
1-10	828825	KIDS ANG ADJ F/PLT ASSM 12	RIGHT; used with Old-Style Latch Block Swing In/Out & S/A Hangers
1-10	828826	KIDS ANG ADJ F/PLT ASSM 12	LEFT; used with Old-Style Latch Block Swing In/Out & S/A Hangers
1-10	828827	KIDS ANG ADJ F/PLT ASSM 13	RIGHT; used with Old-Style Latch Block Swing In/Out & S/A Hangers
1-10	828828	KIDS ANG ADJ F/PLT ASSM 13	LEFT; used with Old-Style Latch Block Swing In/Out & S/A Hangers
1-10	828829	KIDS ANG ADJ F/PLT ASSM 14	RIGHT; used with Old-Style Latch Block Swing In/Out & S/A Hangers
1-10	828830	KIDS ANG ADJ F/PLT ASSM 14	LEFT; used with Old-Style Latch Block Swing In/Out & S/A Hangers
1-10	828831	KIDS ANG ADJ F/PLT ASSM 15	RIGHT; used with Old-Style Latch Block Swing In/Out & S/A Hangers
1-10	828832	KIDS ANG ADJ F/PLT ASSM 15	LEFT; used with Old-Style Latch Block Swing In/Out & S/A Hangers

Pos.	Item Number	Description	Remarks
1-10	828833	KIDS ANG ADJ F/PLT ASSM 16	RIGHT; used with Old-Style Latch Block Swing In/Out & S/A Hangers
1-10	828834	KIDS ANG ADJ F/PLT ASSM 16	LEFT; used with Old-Style Latch Block Swing In/Out & S/A Hangers
1-10	921226	KIDS ANG ADJ F/PLT ASSM 10	PAIR; used with Old-Style Latch Block Swing In/Out & S/A Hangers
1-10	921227	KIDS ANG ADJ F/PLT ASSM 11	PAIR; used with Old-Style Latch Block Swing In/Out & S/A Hangers
1-10	921228	KIDS ANG ADJ F/PLT ASSM 12	PAIR; used with Old-Style Latch Block Swing In/Out & S/A Hangers
1-10	921229	KIDS ANG ADJ F/PLT ASSM 13	PAIR; used with Old-Style Latch Block Swing In/Out & S/A Hangers
1-10	921230	KIDS ANG ADJ F/PLT ASSM 14	PAIR; used with Old-Style Latch Block Swing In/Out & S/A Hangers
1-10	921231	KIDS ANG ADJ F/PLT ASSM 15	PAIR; used with Old-Style Latch Block Swing In/Out & S/A Hangers
1-10	921232	KIDS ANG ADJ F/PLT ASSM 16	PAIR; used with Old-Style Latch Block Swing In/Out & S/A Hangers
11-19	129764	AAA FRNT MNT ADAPTER KIT PR	AAA FRNT MNT fits both Kids and Adult Angle Adjustable Footplates
		Ship assembled part #	Use with multiple assemblies
	ASSY-HNG-FP	HANGER/FOOTPLATE ASSY REQUIRED	add with Hanger & Footplate kit

To have complete Footrest ship assembled, choose compatible Hanger + Footplate part numbers and add "ASSY-HNG-FP" to order

INSET FORMULA
 0" Inset (Seat Width) = Footrest Width
 1" Inset (Seat Width) - 2" = Footrest Width
 "V" Hanger (Seat Width) - 4" = Footrest Width
 Offset Hanger Receiver (Seat Width) + 2" = Footrest Width

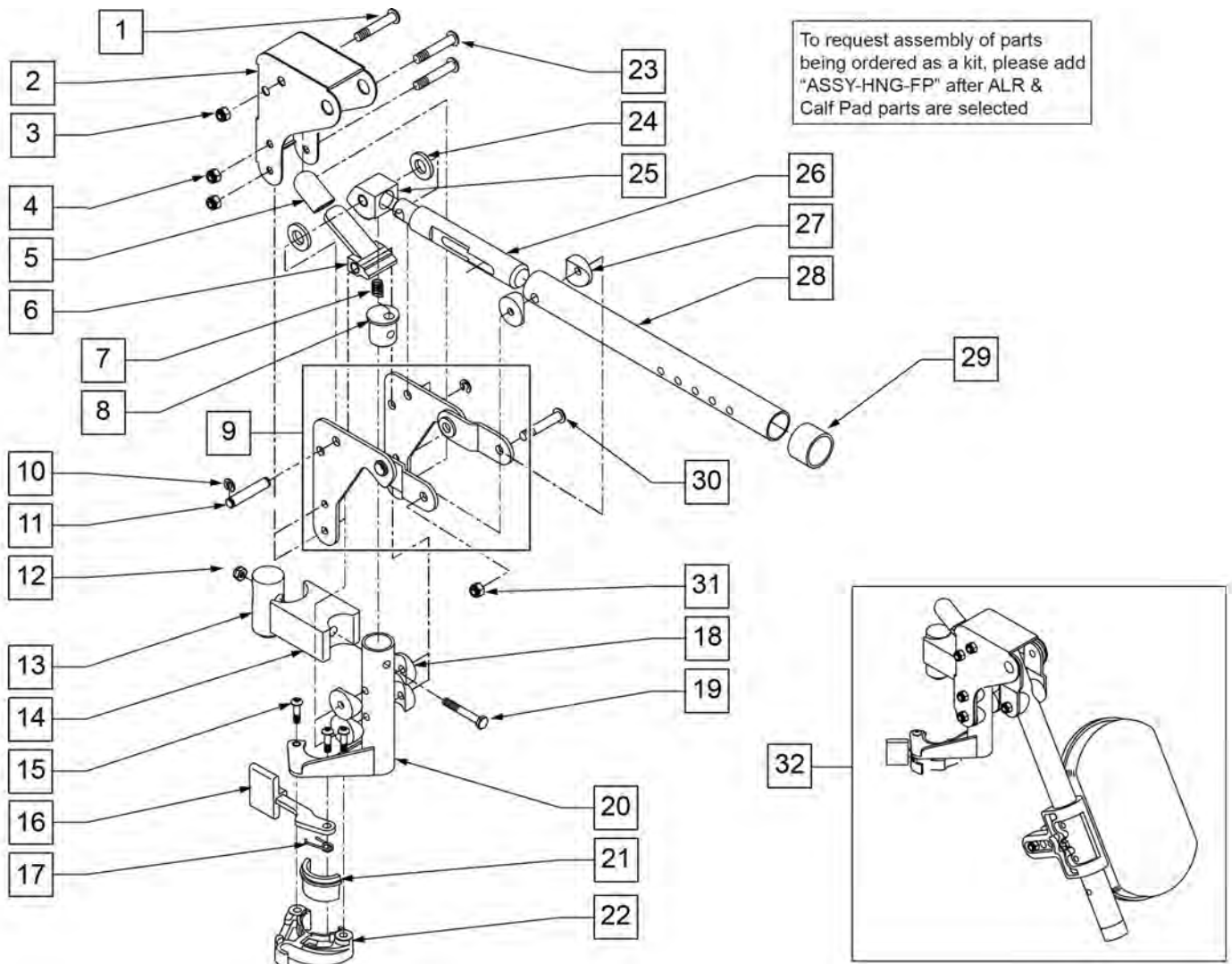


Pos.	Item Number	Description	Remarks
1	106978	FHCS 1/4-28 X 7/8 ROHS	
2	106941	NUT AUTOMATION 1/4-28 ROHS	
3	106943	WASHER FLAT AN 1/4 ROHS	
4	561004	1" SADDLE 1/4" HOLE	
5	541000	FOOTREST MOUNTING BRKT 1/2" RAD R	RIGHT
5	541001	FOOTREST MOUNTING BRKT 1/2" RAD L	LEFT
6	106945	WASHER FLAT SAE 1/4 ROHS	
7	106964	BHCS 1/4-28 X 2	
8	550350	3/4" CLAMP ADJ FOOTPLATE	
9	106935	NUT NYLOCK THIN 1/4-28 ROHS	
10	561040	HEEL LOOP PEG	
11	741153	HEEL LOOP 18-20 CMPST/14-15 ANG ADJ	USED W/ 14-15"/16-17" ADULT ANG ADJ FTPLTS
11	741253	HEEL LOOP ADLT ADJ F/PLT 18-20	USED W/ 18 - 20" ADULT ANG ADJ FTPLTS
12	500656	ADULT ANGL ADJ F/PLT 10/11	RIGHT
12	500657	ADULT ANGL ADJ F/PLT 10/11	LEFT
12	500658	ADULT ANGL ADJ F/PLT 12/13	RIGHT
12	500659	ADULT ANGL ADJ F/PLT 12/13	LEFT
12	500660	ADULT ANGL ADJ F/PLT 14/15	RIGHT
12	500661	ADULT ANGL ADJ F/PLT 14/15	LEFT
12	500662	ADULT ANGL ADJ F/PLT 16/17	RIGHT
12	500663	ADULT ANGL ADJ F/PLT 16/17	LEFT
12	500664	ADULT ANGL ADJ F/PLT 18-20	RIGHT

Pos.	Item Number	Description	Remarks
12	500665	ADULT ANGL ADJ F/PLT 18-20	LEFT
13	740260	TOE-ANKLE STRAP ADJ ADULT FOOTPLATE	
14	106943	WASHER FLAT AN 1/4 ROHS	
15	106958	HHCS 1/4-20 X 1 ROHS	
1-9,12	820544	FP ADULT ADJ 90D 10/11 R	RIGHT
1-9,12	820554	FP ADULT ADJ 90D 10/11 L	LEFT
1-9,12	820546	FP ADULT ADJ 90D 12/13 R	RIGHT
1-9,12	820556	FP ADULT ADJ 90D 12/13 L	LEFT
1-9,12	820472	FP ADULT ADJ 90D 14/15 R	RIGHT
1-9,12	820473	FP ADULT ADJ 90D 14/15 L	LEFT
1-9,12	820474	FP ADULT ADJ 90D 16/17 R	RIGHT
1-9,12	820475	FP ADULT ADJ 90D 16/17 L	LEFT
1-9,12	820476	FP ADULT ADJ 90D 18-20 R	RIGHT
1-9,12	820477	FP ADULT ADJ 90D 18-20 L	LEFT
1-9,12	921474	ADULT ANGL ADJ 90D 10/11 OMIT H/L	PAIR
1-9,12	921476	ADULT ANGL ADJ 90D 12/13 OMIT H/L	PAIR
1-9,12	921330	ADULT ANGL ADJ 90D 14/15 OMIT H/L	PAIR
1-9,12	921331	ADULT ANGL ADJ 90D 16/17 OMIT H/L	PAIR
1-9,12	921332	ADULT ANGL ADJ 90D 18-20 OMIT H/L	PAIR
1-12,14,15	820540	F/PLT ADULT ADJ 90D 10/11 R W/ HL	RIGHT
1-12,14,15	820550	F/PLT ADULT ADJ 90D 10/11 L W/ HL	LEFT
1-12,14,15	820542	F/PLT ADULT ADJ 90D 12/13 R W/ HL	RIGHT
1-12,14,15	820552	F/PLT ADULT ADJ 90D 12/13 L W/ HL	LEFT
1-12,14,15	820478	F/PLT ADULT ADJ 90D 14/15 R W/ HL	RIGHT
1-12,14,15	820479	F/PLT ADULT ADJ 90D 14/15 L W/ HL	LEFT
1-12,14,15	820480	F/PLT ADULT ADJ 90D 16/17 R W/ HL	RIGHT
1-12,14,15	820481	F/PLT ADULT ADJ 90D 16/17 L W/ HL	LEFT
1-12,14,15	820482	F/PLT ADULT ADJ 90D 18-20 R W/ HL	RIGHT
1-12,14,15	820483	F/PLT ADULT ADJ 90D 18-20 L W/ HL	LEFT
1-12,14,15	921470	F/PLT ADULT ADJ 90D 10/11 W/ HL	PAIR
1-12,14,15	921472	F/PLT ADULT ADJ 90D 12/13 W/ HL	PAIR
1-12,14,15	921333	F/PLT ADULT ADJ 90D 14/15 W/ HL	PAIR
1-12,14,15	921334	F/PLT ADULT ADJ 90D 16/17 W/ HL	PAIR
1-12,14,15	921335	F/PLT ADULT ADJ 90D 18-20 W/ HL	PAIR
		Ship assembled part #	Use with multiple assemblies
	ASSY-HNG-FP	HANGER/FOOTPLATE ASSY REQUIRED	add with Hanger & Footplate kit

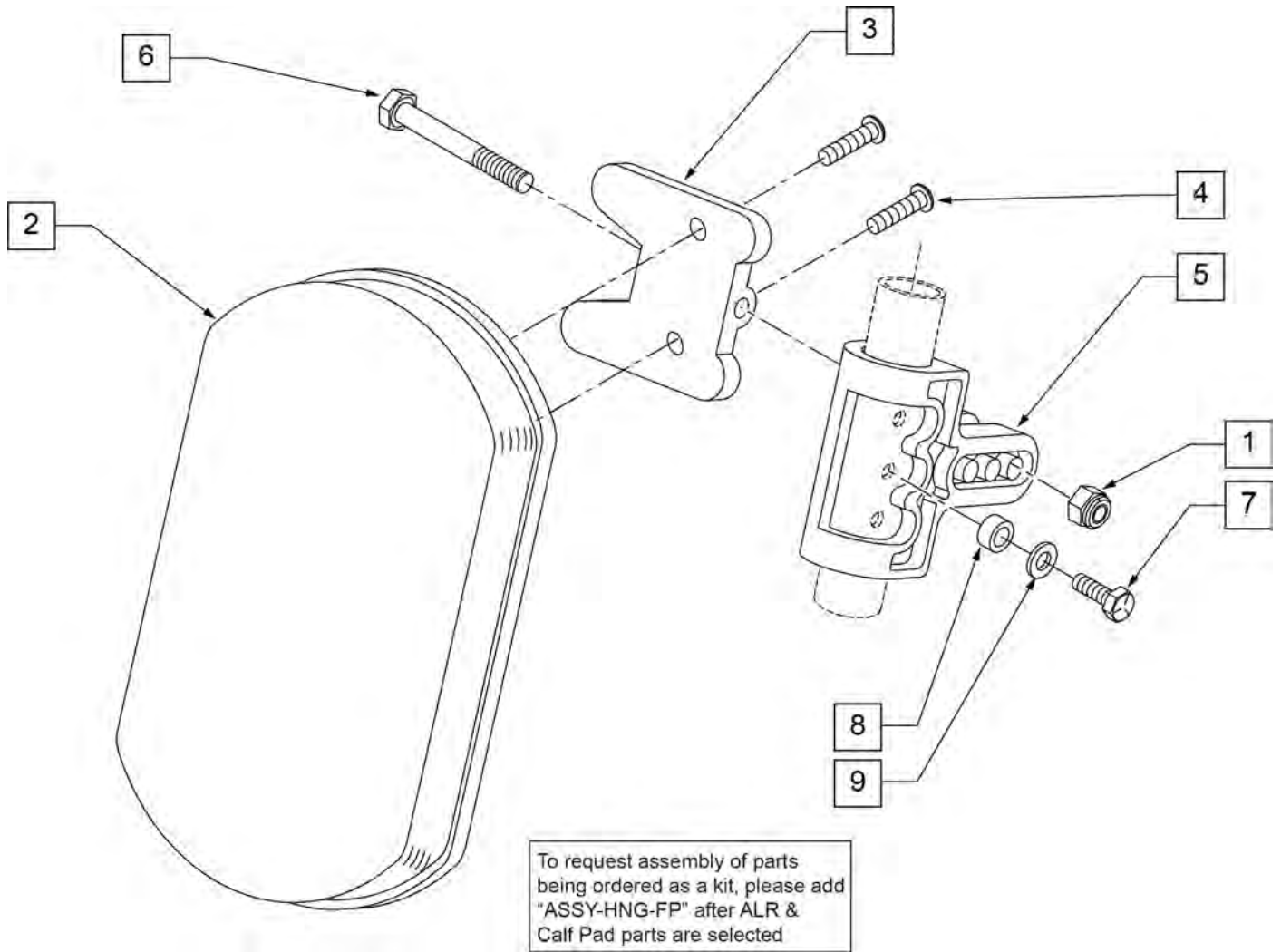
ARTICULATING HANGER

NOTE: WHEN USING AN ARTICULATING LEGREST ASSEMBLY, THE PULL-TO-LOCK WHEEL LOCK MUST BE USED.



Pos.	Item Number	Description	Remarks
1	106983	5/16-18 x 2 BH C/S SHT THREAD	
2	562720	ALR COVER STD	
3	106937	5/16-18 NYLOCK NUT THIN	
4	106935	1/4-28 NYLOCK NUT THIN	
5	560501	ALR RELEASE LEVER COVER	
6	505902	ALR RELEASE LEVER	
7	321141	650L x 6 COIL SPRING	
8	483060	ALR SPRING PLUG	
9	880526	ALR BRACKET W/LINK R	RIGHT
9	880527	ALR BRACKET W/LINK L	LEFT
10	342000	1/4" E-CLIP	
11	481052	ALR RETAINING STUD	
12	106934	1/4-28 NYLOCK NUT	
13	122991	ALR PIVOT SADDLE WITH LEDGE	

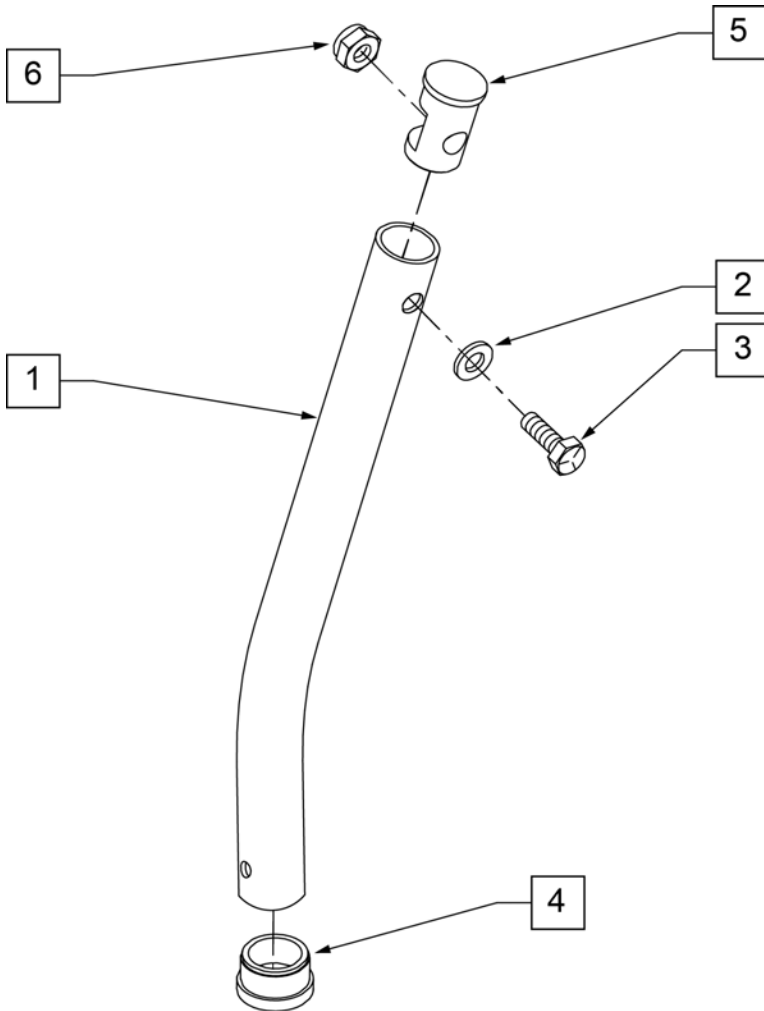
Pos.	Item Number	Description	Remarks
14	122992	ALR PIVOT SADDLE BLOCK W/NOTCH	
15	226057	10/24 x .725 BTTN HD SOC BZ	
16	561079	S/A LATCH LEVER	
17	321136	S/A SPRING L RED	
17	321137	S/A SPRING R CLEAR	
18	561004	1" SADDLE 1/4" HOLE	
19	107016	1/4-28 x 3 G8 HEX C/S	
20	882466	ALR S/A TUBE ASSM L	LEFT
20	882467	ALR S/A TUBE ASSM R	RIGHT
23	106964	1/4-28 x 2 BH C/S	
24	561016	1" WASHER 5/16" HOLE	
25	505900	ALR RATCHET BLOCK	
26	483062	ALR RATCHET ROD	
27	561006	1" SADDLE 5/16" HOLE	
28	505026S	ALR TUBE ONLY	
29	561082	1" TUBE END BUSHING THIN	
30	226195	5/16-18 x 1.82 BH C/S	
31	106937	NUT NYLOCK THIN 5/16-18 ROHS	
21,22	881500	LATCH BLOCK ASSM R	RIGHT
21,22	881501	LATCH BLOCK ASSM L	LEFT
1-26	880092	HANGER ALR SUB ASSM R	RIGHT
1-26	880093	HANGER ALR SUB ASSM L	LEFT
1-31	641464S	HANGER ALR W/O PAD PNTD R	RIGHT
1-31	641465S	HANGER ALR W/O PAD PNTD L	LEFT
32	923051S	ALR HANGER ASSM W/PAD ALUM LB	PAIR
15-17,21,22	881521	S/A LATCH KIT CASTING RIGHT	
15-17,21,22	881522	S/A LATCH KIT CASTING LEFT	
		Ship assembled part #	Use with multiple assemblies
	ASSY-HNG-FP	HANGER/FOOTPLATE ASSY REQUIRED	add with Hanger & Footplate kit



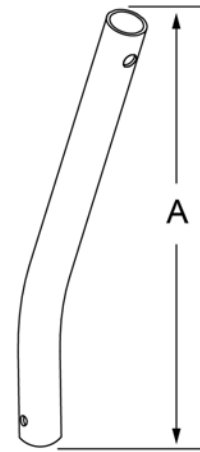
Pos.	Item Number	Description	Remarks
1	106936	5/16-18 NYLOCK NUT THICK	
2	755010	ALR/ELR PAD	
3	561096	ALR/ELR CALF PAD BRACKET	
4	281182	1/4-20 x 5/8 PAN PHIL	
5	561099	CALF CLAMP ALR	
6	107019	HHCS 5/16-18 X 3-1/2 ROHS	
7	107017	1/4-20 x 1 1/4 G8 HEX C/S	
8	483027	1/4 x 1/4 ALUMINUM SPACER BLK	
9	104414	WAVE WASHER 6 MM	
1-6	881399	ALR CALF PAD W/BRACKET	
1,3-9	881398	ALR CALF CLAMP ASSM W/O PAD	
1-9	881400	ALR CALF PAD ASSEMBLY (EA)	
		Ship assembled part #	Use with multiple assemblies
	ASSY-HNG-FP	HANGER/FOOTPLATE ASSY REQUIRED	add with Hanger & Footplate kit

NOTE: (Discontinued on Quickie 2 for 60° and 70° Hangers 10/23/99- Parts only).

NOTE: Used on Articulating Hanger Assemblies.



MEASURING GUIDE



	"A"
SHORT	6 5/8"
MED	9"
LONG	11 5/8"
X-LONG	13 1/2"

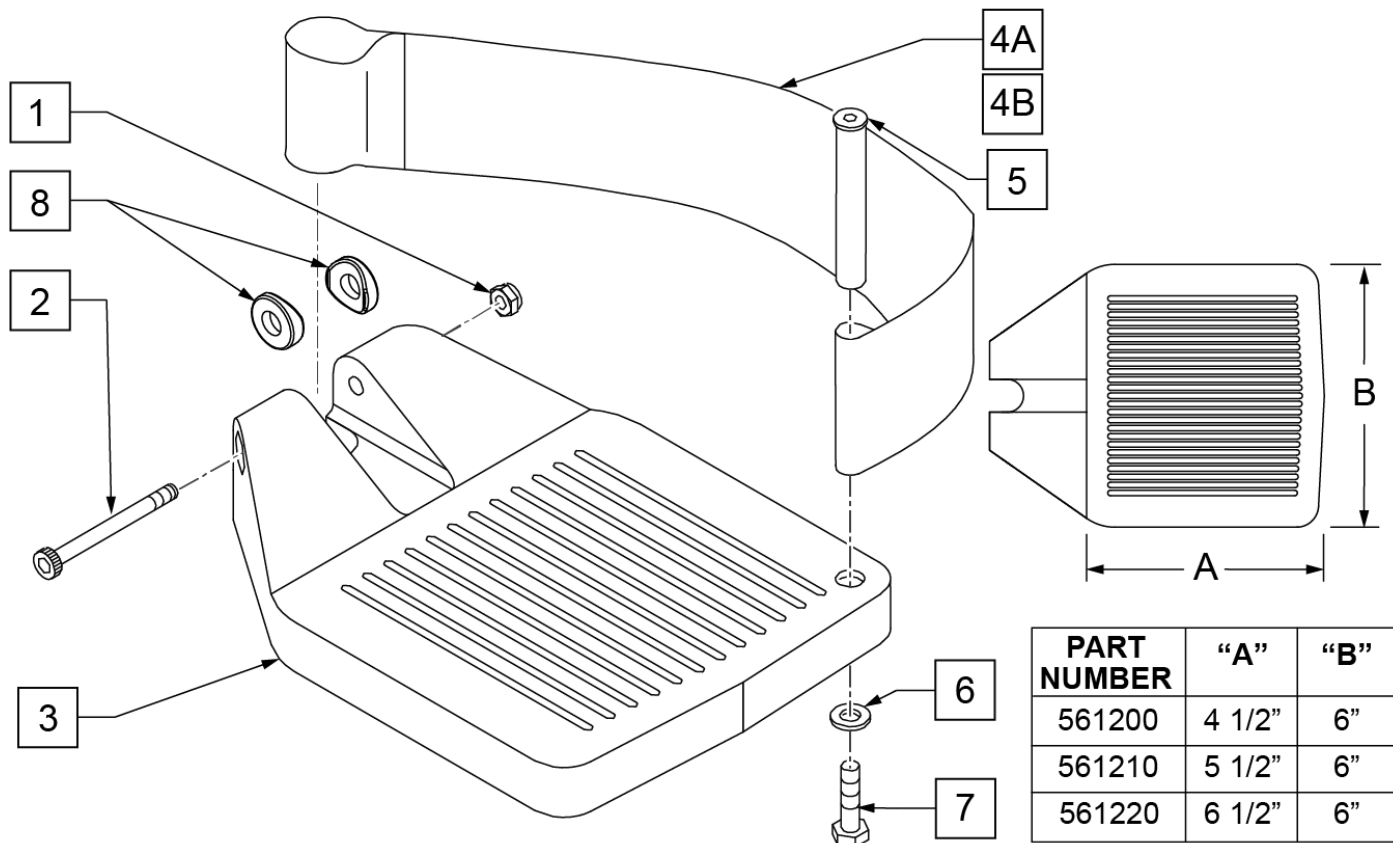
Pos.	Item Number	Description
1	521010	FOOTREST EXT TUBE ONLY SHT BLK
1	521011	FOOTREST EXT TUBE ONLY MED BLK
1	521012	FOOTREST EXT TUBE ONLY LNG BLK
1	521013	FOOTREST EXT TUBE ONLY X-LNG BLK
2	104414	WAVE WASHER 6 MM
3	106958	HHCS 1/4-20 X 1 ROHS
4	561000-QU	3/4" INSERT PLUG .083
5	483553	FOOTREST INSERT PLUG Q2
6	106932	NUT NYLOCK 1/4-20 ROHS
1-6	921221	FOOTREST EXT TUBE SHT ASSM BLK (EA)
1-6	921222	FOOTREST EXT TUBE MED ASSM BLK (EA)
1-6	921223	FOOTREST EXT TUBE LNG ASSM BLK (EA)
1-6	921224	FOOTREST EXT TUBE X-LNG ASSM BLK (EA)

COMPOSITE FOOTPLATE

[12/2017]

To have complete Footrest ship assembled, choose compatible Hanger + Footplate part numbers and add "ASSY-HNG-FP" to order

INSET FORMULA
 0" Inset (Seat Width) = Footrest Width
 1" Inset (Seat Width) -2" = Footrest Width
 "V" Hanger (Seat Width) -4" = Footrest Width
 Offset Hanger Receiver (Seat Width) +2" = Footrest Width



Pos.	Item Number	Description	Remarks
1	106935	1/4 - 28 NYLOCK NUT	
2	226165	1/4 - 28 x 2 1/2 SOC C/S	
3	561200	COMPOSITE FOOTPLATE 14 -15 (16 -18 V)	14 -15 OR 16 -18V
3	561210	COMPOSITE FOOTPLATE 16 -17 (19 -20 V)	16 -17 OR 19 -20V
3	561220	COMPOSITE FOOTPLATE 18 -20	18 -20
4A	741151	HEEL LOOP 14-15 COMPOSITE (14 -15 or 16 -18V)	14 -15 OR 16 -18V
4A	741156	HEEL LOOP 16 -17 or 19 -20V	16 -17 OR 19 -20V
4A	741153	HEEL LOOP 18 -20 COMPOSITE/14-15 ANG ADJ	18 -20
4A	902270	HEEL LOOP COMPOSITE FT 14-15	PAIR 14 -15 OR 16 -18V
4A	902271	HEEL LOOP COMPOSITE FT 16-17	PAIR 16 -17 OR 19 -20V
4A	902272	HEEL LOOP COMPOSITE FT 18-20	PAIR 18 -20
4B	741154	HEEL LOOP 14-15 COMPOSITE HEMI	14 -15 HEMI
4B	741155	HEEL LOOP 16-17 COMPOSITE HEMI	16 -17 HEMI
4B	741153	HEEL LOOP 18-20 COMPOSITE HEMI	18 -10 HEMI
4B	902260	HEEL LOOPS HEMI COMPOSITE 14-15	PAIR 14 -15 HEMI
4B	902261	HEEL LOOPS HEMI COMPOSITE 16-17	PAIR 16 -17 HEMI
4B	902262	HEEL LOOPS HEMI COMPOSITE 18-20	PAIR 18 -20 HEMI
5	561040	HEEL LOOP PEG	
6	106944	1/4 AN WASHER FLAT THIN	

Pos.	Item Number	Description	Remarks
7	106958	HHCS 1/4-20 X 1 ROHS	
8	561003	3/4" SADDLE THIN	USED W/ ROUND EXT TUBES ONLY
1-3	921180	COMPOSITE FOOTPLATE ASSM 14-15	RIGHT (14 -15 OR 16 -18V) W/O HEEL LOOP
1-3	921181	COMPOSITE FOOTPLATE ASSM 14-15	LEFT (14 -15 OR 16 -18V) W/O HEEL LOOP
1-3	921182	COMPOSITE FOOTPLATE ASSM 16-17	RIGHT (16 -17 OR 19 -20V) W/O HEEL LOOP
1-3	921183	COMPOSITE FOOTPLATE ASSM 16-17	LEFT (16 -17 OR 19 -20V) W/O HEEL LOOP
1-3	921184	COMPOSITE FOOTPLATE ASSM 18-20	RIGHT (18 -20) W/O HEEL LOOP
1-3	921185	COMPOSITE FOOTPLATE ASSM 18-20	LEFT (18 -20) W/O HEEL LOOP
1-3	921151	COMPOSITE FOOTPLATE ASSM 14-15/16-18V	PAIR (14 -15 OR 16 -18V) W/O HEEL LOOP
1-3	921152	COMPOSITE FOOTPLATE ASSM 16-17/19-20V	PAIR (16 -17 OR 19 -20V) W/O HEEL LOOP
1-3	921153	COMPOSITE FOOTPLATE ASSM 18-20	PAIR (18 -20) W/O HEEL LOOP
1,2,3A,4-7	921190	COMPOSITE FOOTPLATE ASSM HL LP 14-15	RIGHT (14 -15 OR 16 -18V) W/ HEEL LOOP
1,2,3A,4-7	921191	COMPOSITE FOOTPLATE ASSM HL LP 14-15	LEFT (14 -15 OR 16 -18V) W/ HEEL LOOP
1,2,3A,4-7	921192	COMPOSITE FOOTPLATE ASSM HL LP 16-17	RIGHT (16 -17 OR 19 -20V) W/ HEEL LOOP
1,2,3A,4-7	921193	COMPOSITE FOOTPLATE ASSM HL LP 16-17	LEFT (16 -17 OR 19 -20V) W/ HEEL LOOP
1,2,3A,4-7	921194	COMPOSITE FOOTPLATE ASSM HL LP 18-20	RIGHT (18 -20) W/ HEEL LOOP
1,2,3A,4-7	921195	COMPOSITE FOOTPLATE ASSM HL LP 18-20	LEFT (18 -20) W/ HEEL LOOP
1,2,3A,4-7	921161	COMPOSITE FOOTPLATE ASSM HL 14-15/16-18V	PAIR (14 -15 OR 16 -18V) W/ HEEL LOOP
1,2,3A,4-7	921162	COMPOSITE FOOTPLATE ASSM HL 16-17/19-20V	PAIR (16 -17 OR 19 -20V) W/ HEEL LOOP
1,2,3A,4-7	921163	COMPOSITE FOOTPLATE ASSM HL 18-20	PAIR (18 -20) W/ HEEL LOOP
1,2,3B,4-7	921140	COMPOSITE FOOTPLATE ASSM HEMI HL LP 14-15	RIGHT (14 -15) W/ HEEL LOOP
1,2,3B,4-7	921141	COMPOSITE FOOTPLATE ASSM HEMI HL LP 14-15	LEFT (14 -15) W/ HEEL LOOP
1,2,3B,4-7	921142	COMPOSITE FOOTPLATE ASSM HEMI HL LP 16-17	RIGHT (16 -17) W/ HEEL LOOP
1,2,3B,4-7	921143	COMPOSITE FOOTPLATE ASSM HEMI HL LP 16-17	LEFT (16 -17) W/ HEEL LOOP
1,2,3B,4-7	921144	COMPOSITE FOOTPLATE ASSM HEMI HL LP 18-20	RIGHT (18 -20) W/ HEEL LOOP
1,2,3B,4-7	921145	COMPOSITE FOOTPLATE ASSM HEMI HL LP 18-20	LEFT (18 -20) W/ HEEL LOOP
1,2,3B,4-7	921167	COMPOSITE FOOTPLATE ASSM HEMI HL LPS 14-15	PAIR (14 -15) W/ HEEL LOOP
1,2,3B,4-7	921168	COMPOSITE FOOTPLATE ASSM HEMI HL LPS 16-17	PAIR (16 -17) W/ HEEL LOOP
1,2,3B,4-7	921169	COMPOSITE FOOTPLATE ASSM HEMI HL LPS 18-20	PAIR (18 -20) W/ HEEL LOOP
		Ship assembled part #	Use with multiple assemblies
	ASSY-HNG-FP	HANGER/FOOTPLATE ASSY REQUIRED	add with Hanger & Footplate kit

Note: Footplate Assemblies are set to footrest width; please see "Footplate Formula" table for seat width conversion.

Note: V Style Hangers are not available on Swing Away Style chairs effective 7/14/14; see the "Prior To" ordering guide for V Style footplate assemblies.

Note: Zippie Iris (ZRS&ZRSE) and Zippie TS (Z1A&Z1SE) only use Straight Extension Tube.

Note: if chair has High Mount Ext Tubes or if switching to High Mount Ext Tubes, see KAA Footplate w/ High Mount Extension Ordering Guide.

To have complete Footrest ship assembled, choose compatible Hanger + Footplate part numbers and add "ASSY-HNG-FP" to order

FOOTPLATE FORMULA

0" Inset (Seat Width) = Footrest Width
 1" Inset (Seat Width) -2" = Footrest Width
 V Hanger (Seat Width) -4" = Footrest Width
 Offset Hanger Receiver (Seat Width) +2" = Footrest Width

MEASURING GUIDE

CHAIR WIDTH	"A"	"B"
10" W	3.55"	6.00"
11" W	4.05"	6.00"
12" W	4.55"	6.00"
13" W	5.05"	6.00"
14" W	5.55"	6.00"
15" W	6.05"	6.00"
16" W	6.55"	6.00"

*** NOTE:**
 ITEMS 5, 8 & 11 NOT INCLUDED W/ FOOTPLATE ASSEMBLY
 ITEMS 5, 8 & 11 INCLUDED W/ EXTENSION TUBE ASSEMBLY FOR STANDARD HANGERS
 FOR ELEVATING LEGREST, ORDER QTY 2 OF ITEMS 5, 8 & 11

Pos.	Item Number	Description	Remarks
1	106978	FHCS 1/4 -28 x 7/8 ROHS	

Pos.	Item Number	Description	Remarks
2	500635	KIDS ANGL ADJ F/PLT 10" R	Right
2	500636	KIDS ANGL ADJ F/PLT 10" L	Left
2	500637	KIDS ANGL ADJ F/PLT 11" R	Right
2	500638	KIDS ANGL ADJ F/PLT 11" L	Left
2	500639	KIDS ANGL ADJ F/PLT 12" R	Right
2	500640	KIDS ANGL ADJ F/PLT 12" L	Left
2	500641	KIDS ANGL ADJ F/PLT 13" R	Right
2	500642	KIDS ANGL ADJ F/PLT 13" L	Left
2	500643	KIDS ANGL ADJ F/PLT 14" R	Right
2	500644	KIDS ANGL ADJ F/PLT 14" L	Left
2	500645	KIDS ANGL ADJ F/PLT 15" R	Right
2	500646	KIDS ANGL ADJ F/PLT 15" L	Left
2	500647	KIDS ANGL ADJ F/PLT 16" R	Right
2	500648	KIDS ANGL ADJ F/PLT 16" L	Left
3	550350	3/4" CLAMP ADJ FOOTPLATE	
4	106935	NUT NYLOCK THIN 1/4 -28 ROHS	
5	106962	1/4-28 x 1 3/4 BH C/S BLK ZN (D2 EXTENSION TUBES)	
5	226167	1/4-28 x 1.625 BH C/S BLK (ROUND EXTENSION TUBES)	
6	106945	1/4 SAE WASHER	
7	541002	FTRST MOUNTING BRKT-3/8 RAD R	
7	541003	FTRST MOUNTING BRKT-3/8 RAD L	
8	561055	3/4" SADDLE 1" OD	
9	106944	WASHER FLAT THIN AN 1/4 ROHS	
10	106941	NUT AUTOMATION 1/4 -28 ROHS	
11	483720	HANGER EXTENSION SADDLE LONG	Use with Double D Ext Tube
1-4,6,7,9,10	828850	KIDS ANG ADJ F/PLT EXT-MNT 10"R	Right
1-4,6,7,9,10	828851	KIDS ANG ADJ F/PLT EXT-MNT 10"L	Left
1-4,6,7,9,10	828852	KIDS ANG ADJ F/PLT EXT-MNT 11"R	Right
1-4,6,7,9,10	828853	KIDS ANG ADJ F/PLT EXT-MNT 11"L	Left
1-4,6,7,9,10	828854	KIDS ANG ADJ F/PLT EXT-MNT 12"R	Right
1-4,6,7,9,10	828855	KIDS ANG ADJ F/PLT EXT-MNT 12"L	Left
1-4,6,7,9,10	828856	KIDS ANG ADJ F/PLT EXT-MNT 13"R	Right
1-4,6,7,9,10	828857	KIDS ANG ADJ F/PLT EXT-MNT 13"L	Left
1-4,6,7,9,10	828858	KIDS ANG ADJ F/PLT EXT-MNT 14"R	Right
1-4,6,7,9,10	828859	KIDS ANG ADJ F/PLT EXT-MNT 14"L	Left
1-4,6,7,9,10	828860	KIDS ANG ADJ F/PLT EXT-MNT 15"R	Right
1-4,6,7,9,10	828861	KIDS ANG ADJ F/PLT EXT-MNT 15"L	Left
1-4,6,7,9,10	828862	KIDS ANG ADJ F/PLT EXT-MNT 16"R	Right
1-4,6,7,9,10	828863	KIDS ANG ADJ F/PLT EXT-MNT 16"L	Left
1-4,6,7,9,10	921280	KIDS ANG ADJ F/PLT EXT-MNT 10"	Pair
1-4,6,7,9,10	921281	KIDS ANG ADJ F/PLT EXT-MNT 11"	Pair
1-4,6,7,9,10	921282	KIDS ANG ADJ F/PLT EXT-MNT 12"	Pair
1-4,6,7,9,10	921283	KIDS ANG ADJ F/PLT EXT-MNT 13"	Pair
1-4,6,7,9,10	921284	KIDS ANG ADJ F/PLT EXT-MNT 14"	Pair
1-4,6,7,9,10	921285	KIDS ANG ADJ F/PLT EXT-MNT 15"	Pair
1-4,6,7,9,10	921286	KIDS ANG ADJ F/PLT EXT-MNT 16"	Pair
		Ship assembled part #	Use with multiple assemblies
	ASSY-HNG-FP	HANGER/FOOTPLATE ASSY REQUIRED	add with Hanger & Footplate kit

NOTE: FOR HIGH-MOUNT ADULT ANGLE-ADJUSTABLE FOOTPLATE, SEE "HIGH-MOUNT EXTENSION TUBE" PAGE.

NOTE: ORDER ITEMS 4B AND 7B FOR CHAIRS PRIOR TO 8/13/01.

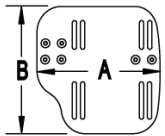
NOTE: ONLY 1 WASHER PRIOR TO 8/13/01.

NOTE: See attached REFERENCE GUIDE.

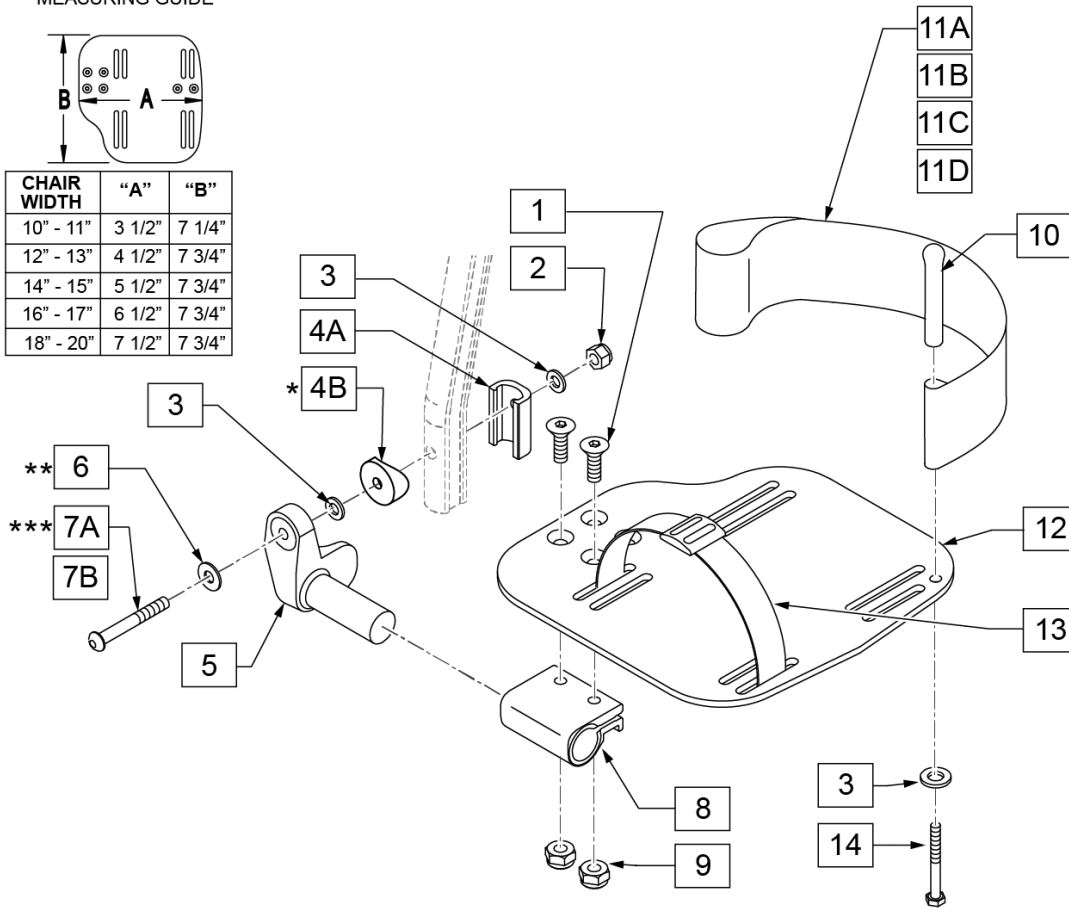
To have complete Footrest ship assembled, choose compatible Hanger + Footplate part numbers and add "ASSY-HNG-FP" to order

INSET FORMULA
 0" Inset (Seat Width) = Footrest Width
 1" Inset (Seat Width) -2" = Footrest Width
 "V" Hanger (Seat Width) -4" = Footrest Width
 Offset Hanger Receiver (Seat Width) +2" = Footrest Width

MEASURING GUIDE



CHAIR WIDTH	"A"	"B"
10" - 11"	3 1/2"	7 1/4"
12" - 13"	4 1/2"	7 3/4"
14" - 15"	5 1/2"	7 3/4"
16" - 17"	6 1/2"	7 3/4"
18" - 20"	7 1/2"	7 3/4"



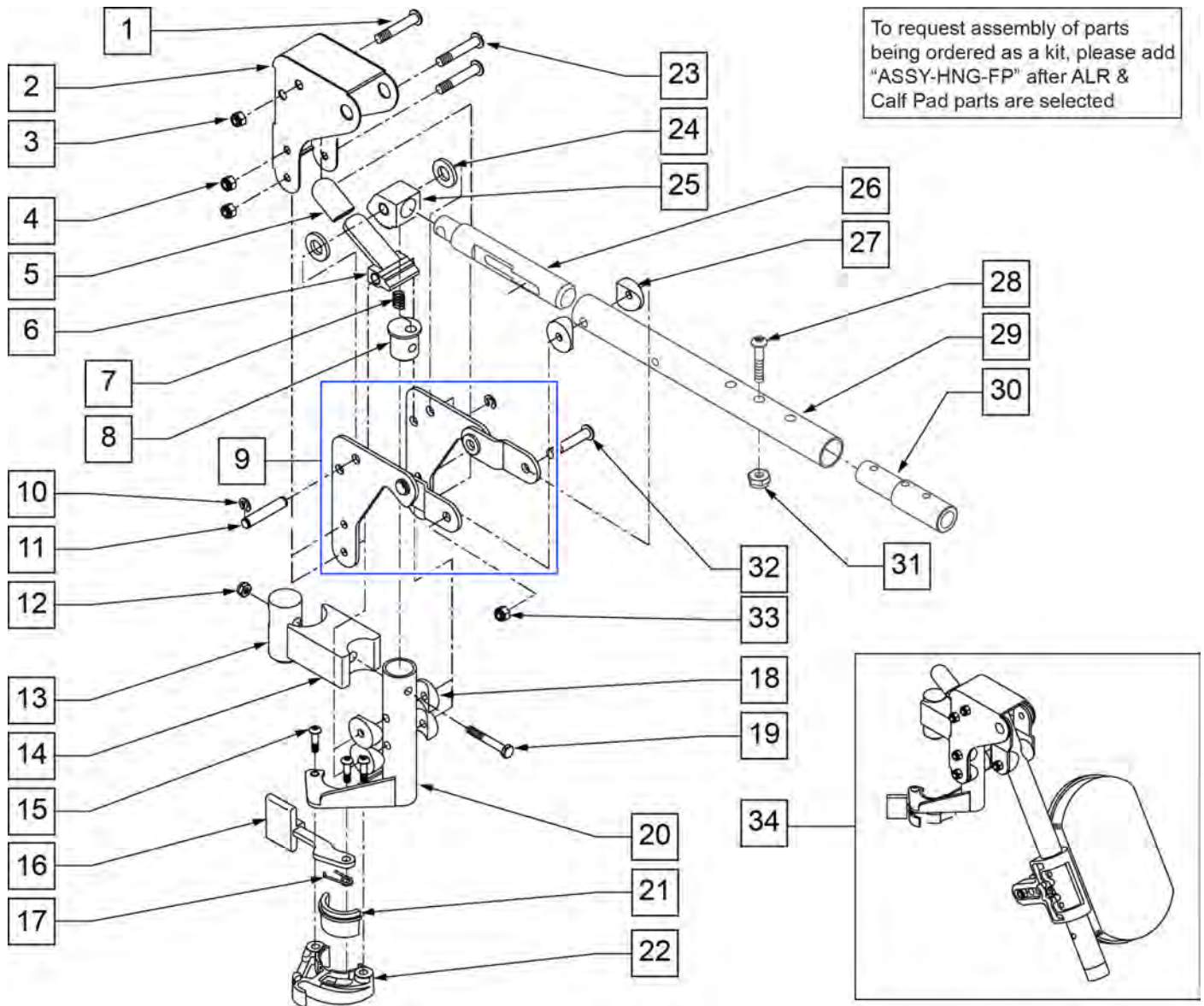
15 ADLT ANG ADJ FP D2 HDWR KIT			
ITEM #	ILLUSTRATION	DESCRIPTION	QTY
1		1/4-28 X 7/8 FH C/S	2
2		1/4-28 AUTOMATION NUT	1
3		WASHER FLAT THIN AN 1/4	3
6		1/4" SAE WASHER	1
7A		BHCS 1/4-28 X 1-3/4	1
9		NUT NYLOCK THIN 1/4-28	2
10		HEEL LOOP PEG	1
14		1/4-20 X 1 HEX C/S	1

16 ADLT ANG ADJ FP RND HDWR KIT			
ITEM #	ILLUSTRATION	DESCRIPTION	QTY
1		1/4-28 X 7/8 FH C/S	2
2		1/4-28 AUTOMATION NUT	1
3		WASHER FLAT THIN AN 1/4	3
4B		3/4" SADDLE 1" OD	1
6		1/4" SAE WASHER	1
7B		1/4-28 X 1.625 BH C/S BLK	1
9		NUT NYLOCK THIN 1/4-28	2
10		HEEL LOOP PEG	1
14		1/4-20 X 1 HEX C/S	1

Pos.	Item Number	Description	Remarks
1	106978	1/4-28 x 7/8 FH C/S	
2	106941	1/4-28 AUTOMATION NUT	

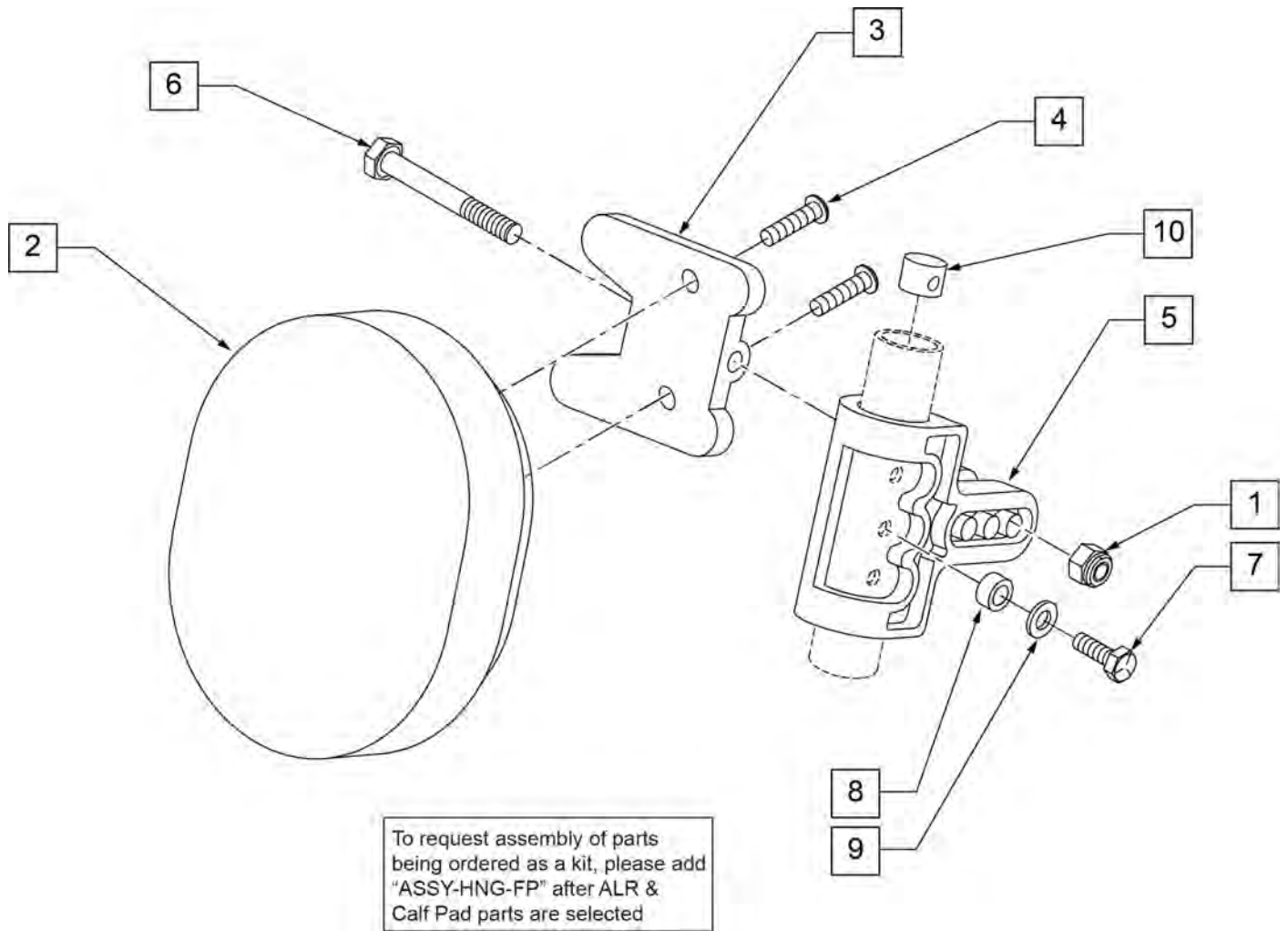
Pos.	Item Number	Description	Remarks
3	106944	WASHER FLAT THIN AN 1/4	
4A	483720	HANGER EXTENSION SADDLE LONG	USE W/ DOUBLE D EXT TUBE
4B	561055	3/4" SADDLE 1" OD	USE W/ ROUND EXT TUBE
5	541002	FTRST MOUNTING BRKT-3/8 RAD R	RIGHT
5	541003	FTRST MOUNTING BRKT-3/8 RAD L	LEFT
6	106945	WASHER FLAT SAE 1/4 ROHS	
7A	106962	BHCS 1/4-28 X 1-3/4 ROHS	use w/ Double D Ext Tube
7B	226167	1/4-28 x 1.625 BH C/S BLK	use w/ Round Ext Tube
8	550350	3/4" CLMP ADJ FT PLT	
9	106935	NUT NYLOCK THIN 1/4-28 ROHS	
10	561040	HEEL LOOP PEG	
11A	741154	HEEL LOOP 14-15 CMPST HEMI	used w/ 10-11" Adult Ang Adj Ftplts
11B	741155	HEEL LOOP 16-17 CMPST HEMI	used w/ 12 -13" Adult Ang Adj Ftplts
11C	741153	H/L 18-20 CMPST/14-15 ANG ADJ	used w/ 14-15"/16-17" Adult Ang Adj Ftplts
11D	741253	HEEL LOOP ADLT ADJ F/PLT 18-20	used w/ 18 -20" Adult Ang Adj Ftplts
12	500656	ADLT ANGL ADJ F/PLT 10/11" R	RIGHT
12	500657	ADLT ANGL ADJ F/PLT 10/11" L	LEFT
12	500658	ADLT ANGL ADJ F/PLT 12/13" R	RIGHT
12	500659	ADLT ANGL ADJ F/PLT 12/13" L	LEFT
12	500660	ADLT ANGL ADJ F/PLT 14/15	RIGHT
12	500661	ADLT ANGL ADJ F/PLT 14/15	LEFT
12	500662	ADLT ANGL ADJ F/PLT 16/17	RIGHT
12	500663	ADLT ANGL ADJ F/PLT 16/17	LEFT
12	500664	ADLT ANGL ADJ F/PLT 18-20	RIGHT
12	500665	ADLT ANGL ADJ F/PLT 18-20	LEFT
13	740260	TOE/ANKLE STRAP ADJ ADLT F/PLT	
14	106958	1/4-20 x 1 HEX C/S	
15	101533	ADLT ANG ADJ FP D2 HDWR KIT	for Double D Ext Tubes; Kit for one side
16	101534	ADLT ANG ADJ FP RND HDWR KIT	for Round Ext Tubes (Q2 HP only); Kit for one side
1-3,5,6,8,9,12	820526	AD ANG ADJ F/PLT R 12"/13" OMIT HL	RIGHT
1-3,5,6,8,9,12	820536	AD ANG ADJ F/PLT L 12"/13" OMT HL	LEFT
1-3,5,6,8,9,12	820460	FP ADLT ADJ 14/15 OMIT HL	RIGHT
1-3,5,6,8,9,12	820462	FP ADLT ADJ 14/15 OMIT HL	LEFT
1-3,5,6,8,9,12	820464	FP ADLT ADJ 16/17 OMIT HL	RIGHT
1-3,5,6,8,9,12	820466	FP ADLT ADJ 16/17 OMIT HL	LEFT
1-3,5,6,8,9,12	820468	FP ADLT ADJ 18-20 OMIT HL	RIGHT
1-3,5,6,8,9,12	820470	FP ADLT ADJ 18-20 OMIT HL	LEFT
1-3,5,6,8,9,12	921466	ADLT ANGL ADJ F/PLT 12"/13" OMIT HL	PAIR
1-3,5,6,8,9,12	921320	FP ADLT ADJ 14/15 OMIT HL	PAIR
1-3,5,6,8,9,12	921322	FP ADLT ADJ 16/17 OMIT HL	PAIR
1-3,5,6,8,9,12	921324	FP ADLT ADJ 18-20 OMIT HL	PAIR
1-3,5,6,8,9,11B,12	820522	AD ANGL ADJ F/PLT R 12/13" H/L	RIGHT
1-3,5,6,8,9,11B,12	820532	AD ANGL ADJ F/PLT L 12/13" H/L	LEFT
1-3,5,6,8-10,11C, 12,14	820461	FP ADLT ADJ 14/15 HL	RIGHT
1-3,5,6,8-10,11C, 12,14	820463	FP ADLT ADJ 14/15 HL	LEFT
1-3,5,6,8-10,11C, 12,14	820465	FP ADLT ADJ 16/17 HL	RIGHT
1-3,5,6,8-10,11C, 12,14	820467	FP ADLT ADJ 16/17 HL	LEFT
1-3,5,6,8-10,11D, 12,14	820469	FP ADLT ADJ 18-20 HL	RIGHT
1-3,5,6,8-10,11D, 12,14	820471	FP ADLT ADJ 18-20 HL	LEFT
1-3,5,6,8-10,11B, 12,14	921462	ADLT ANGL ADJ F/PLATE 12"/13" HL	PAIR
1-3,5,6,8-10,11C, 12,14	921321	FP ADLT ADJ 14/15 HL	PAIR
1-3,5,6,8-10,11C, 12,14	921323	FP ADLT ADJ 16/17 HL	PAIR
1-3,5,6,8-10,11D, 12,14	921325	FP ADLT ADJ 18-20 HL	PAIR
		Ship assembled part #	Use with multiple assemblies
	ASSY-HNG-FP	HANGER/FOOTPLATE ASSY REQUIRED	add with Hanger & Footplate kit

NOTE: WHEN USING AN ARTICULATING LEGREST ASSEMBLY, THE PULL-TO-LOCK WHEEL LOCK MUST BE USED.



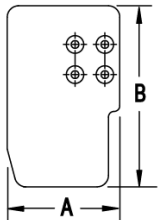
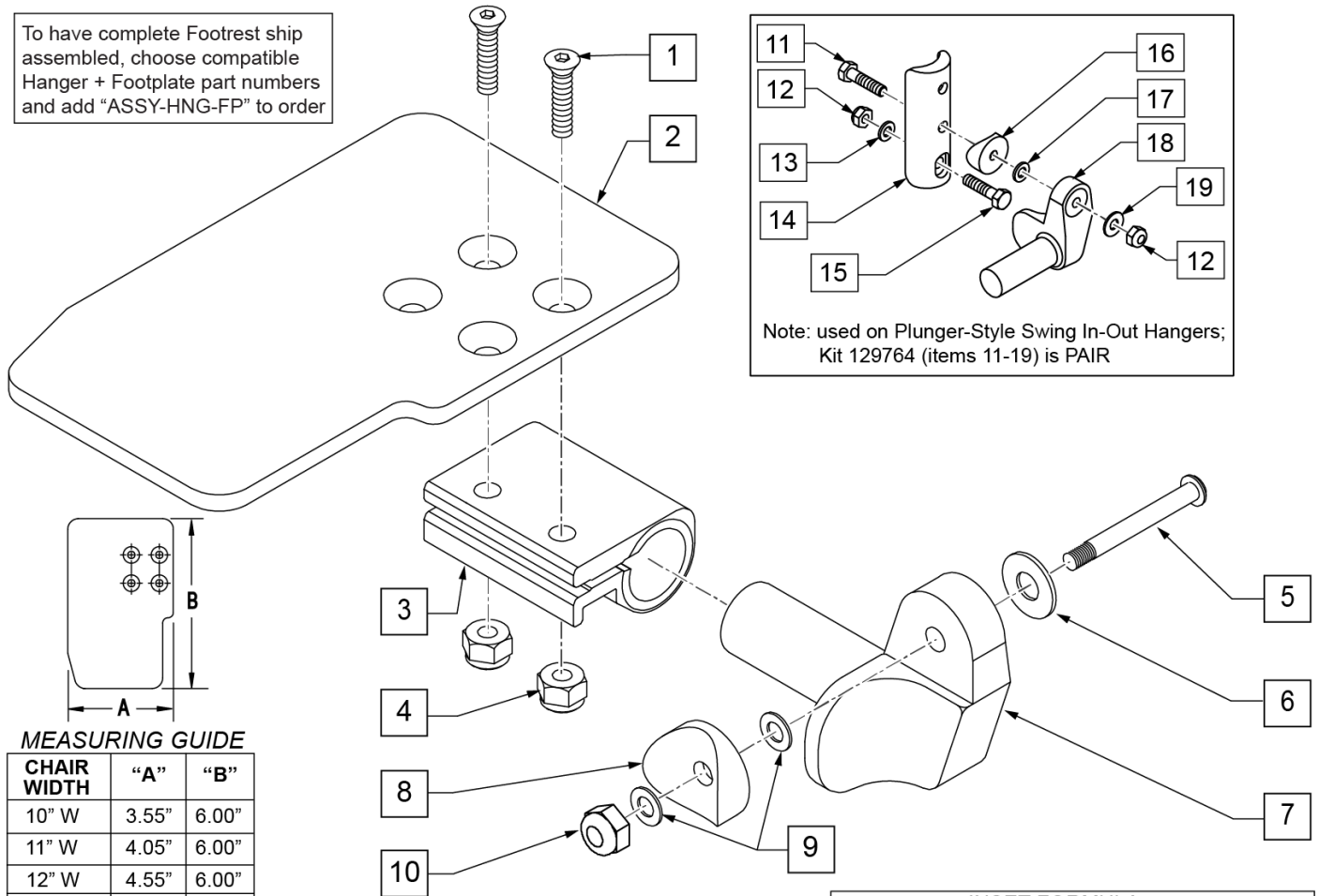
Pos.	Item Number	Description	Remarks
1	106983	5/16-18 x 2 BH C/S SHT THREAD	
2	562720	ALR COVER STD	
3	106937	5/16-18 NYLOCK NUT THIN	
4	106935	NUT NYLOCK THIN 1/4-28 ROHS	
5	560501	ALR RELEASE LEVER COVER	
6	505902	ALR RELEASE LEVER	
7	321141	650L x 6 COIL SPRING	
8	483060	ALR SPRING PLUG	
9	880526	ALR BRACKET W/LINK R	
9	880527	ALR BRACKET W/LINK L	
10	342000	1/4" E-CLIP	

Pos.	Item Number	Description	Remarks
11	481052	ALR RETAINING STUD	
12	106934	1/4-28 NYLOCK NUT	
13	500177	ALR PIVOT SADDLE .125	
14	500178	ALR PIVOT SADDLE BLOCK	
15	226057	10/24 x .725 BTTN HD SOC BZ	
16	561079	S/A LATCH LEVER	
17	321136	S/A SPRING R CLEAR	
17	321137	S/A SPRING R	
18	561004	1" SADDLE 1/4 HOLE	
19	107016	1/4-28 x 3 G8 HEX C/S	
20	882466	ALR S/A TUBE ASSM L	
20	882467	ALR S/A TUBE ASSM R	
23	106964	1/4-28 x 2 BH C/S	
24	561016	1" WASHER 5/16 HOLE	
25	505900	ALR RATCHET BLOCK	
26	483062	ALR RATCHET ROD	
27	561006	1" SADDLE 5/16" HOLE	
28	106961	1/4-28 x 1 1/4 BH C/S	
29	505025S	KIDS ALR LEGREST TUBE 11-13"	
30	500150	2" FOOTREST EXT TUBE	
31	106935	NUT NYLOCK THIN 1/4-28 ROHS	
32	226195	5/16-18 x 1.82 BH C/S	
33	106937	5/16-18 NYLOCK NUT THIN	
34	923053S	KIDS ALR HANGER ASSEM W/PAD	(PR) (SPECIFY COLOR)
28,30,31	111505	2" FTREST EXT W/ HDWR	
21,22	881500	LATCH BLOCK ASSM R	
21,22	881501	LATCH BLOCK ASSM L	
1-31	641432S	KIDS ALR HNGR W/O PAD R 2" EXT	
1-31	641433S	KIDS ALR HNGR W/O PAD L 2" EXT	
		Ship assembled part #	Use with multiple assemblies
	ASSY-HNG-FP	HANGER/FOOTPLATE ASSY REQUIRED	add with Hanger & Footplate kit



Pos.	Item Number	Description	Remarks
1	106936	5/16-18 NYLOCK NUT THICK	
2	755020	4 x 5 OVAL PAD	
3	561096	ALR/ELR CALF PAD BRACKET	
4	281181	1/4-20 x 3/4 PAN PHIL	
5	561099	CALF CLAMP ALR	
6	107019	HHCS 5/16-18 X 3-1/2 ROHS	
7	107017	1/4-20 x 1 1/4 G8 HEX C/S	
8	483027	1/4 x 1/4 ALUMINUM SPACER	
9	262130	6mm WASHER WAVE	
10	500151	KIDS ALR RETAINING PLUG	
1-6	881401	KIDS ALR OVAL PAD W/BRACKET	
1-10	881402	KIDS ALR OVAL PAD ASSEMBLY (EA)	
		Ship assembled part #	Use with multiple assemblies
	ASSY-HNG-FP	HANGER/FOOTPLATE ASSY REQUIRED	add with Hanger & Footplate kit

To have complete Footrest ship assembled, choose compatible Hanger + Footplate part numbers and add "ASSY-HNG-FP" to order



MEASURING GUIDE

CHAIR WIDTH	"A"	"B"
10" W	3.55"	6.00"
11" W	4.05"	6.00"
12" W	4.55"	6.00"
13" W	5.05"	6.00"
14" W	5.55"	6.00"
15" W	6.05"	6.00"
16" W	6.55"	6.00"

INSET FORMULA

0" Inset (Seat Width) = Footrest Width
 1" Inset (Seat Width) -2" = Footrest Width
 "V" Hanger (Seat Width) -4" = Footrest Width
 Offset Hanger Receiver (Seat Width) +2" = Footrest Width

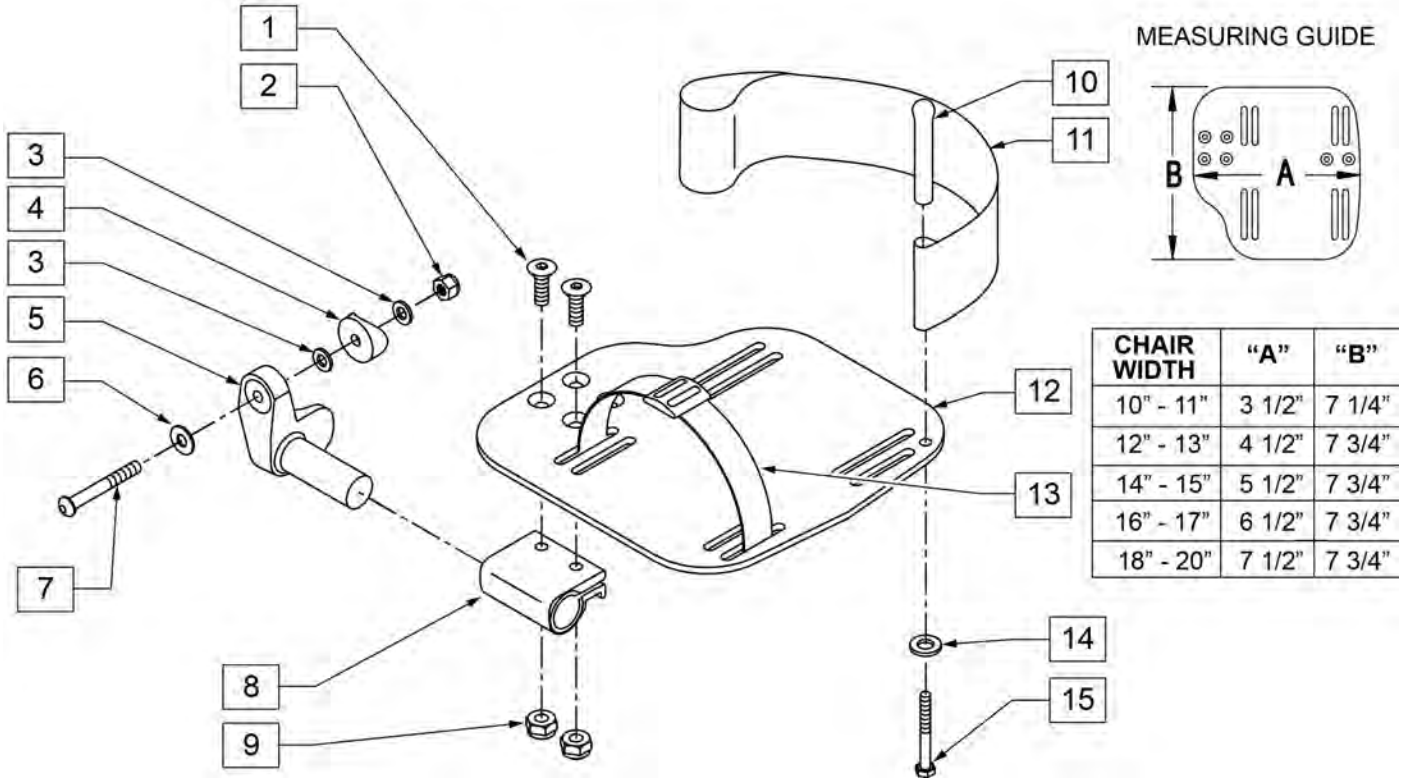
Pos.	Item Number	Description	Remarks
1	106978	FHCS 1/4-28 X 7/8 ROHS	
2	500635	KIDS ANGL ADJ F/PLT 10	RIGHT
2	500636	KIDS ANGL ADJ F/PLT 10	LEFT
2	500637	KIDS ANGL ADJ F/PLT 11	RIGHT
2	500638	KIDS ANGL ADJ F/PLT 11	LEFT
2	500639	KIDS ANGL ADJ F/PLT 12	RIGHT
2	500640	KIDS ANGL ADJ F/PLT 12	LEFT
2	500641	KIDS ANGL ADJ F/PLT 13	RIGHT
2	500642	KIDS ANGL ADJ F/PLT 13	LEFT
2	500643	KIDS ANGL ADJ F/PLT 14	RIGHT
2	500644	KIDS ANGL ADJ F/PLT 14	LEFT
2	500645	KIDS ANGL ADJ F/PLT 15	RIGHT
2	500646	KIDS ANGL ADJ F/PLT 15	LEFT
2	500647	KIDS ANGL ADJ F/PLT 16	RIGHT
2	500648	KIDS ANGL ADJ F/PLT 16	LEFT
3	550350	3/4 CLAMP ADJ FOOTPLATE	
4	106935	NUT NYLOCK THIN 1/4-28 ROHS	
5	226147	1/4-28 X 1.85 BH C/S BLK ZN	

Pos.	Item Number	Description	Remarks
6	106945	WASHER FLAT SAE 1/4 ROHS	
7	541000	FTRST MOUNTING BRKT 1/2" RAD R	RIGHT
7	541001	FTRST MOUNTING BRKT 1/2" RAD L	LEFT
8	561004	1 SADDLE 1/4 HOLE	
9	106943	WASHER FLAT THIN AN 1/4	
10	106941	NUT AUTOMATION 1/4-28 ROHS	
11	102268-001	HHCS M6 X 1 X 25	
12	132626	NUT AUTOMATION M6 X 1.0 ROHS	
13	107383	WASHER FLAT M6 ROHS	
15	118198	HHCS M6 X 1 X 40 PART NP	
16	561004	1" SADDLE 1/4" HOLE	
17	106943	WASHER FLAT AN 1/4 ROHS	
19	106945	WASHER FLAT SAE 1/4 ROHS	
1-4	158632	CAA F/PLT KIT 10 RT	RIGHT; used with Front Mount Adapter Kit on Plunger-Style Swing In/Out Hangers
1-4	158633	CAA F/PLT KIT 10 LT	LEFT; used with Front Mount Adapter Kit on Plunger-Style Swing In/Out Hangers
1-4	158634	CAA F/PLT KIT 11 RT	RIGHT; used with Front Mount Adapter Kit on Plunger-Style Swing In/Out Hangers
1-4	158635	CAA F/PLT KIT 11 LT	LEFT; used with Front Mount Adapter Kit on Plunger-Style Swing In/Out Hangers
1-4	158636	CAA F/PLT KIT 12 RT	RIGHT; used with Front Mount Adapter Kit on Plunger-Style Swing In/Out Hangers
1-4	158637	CAA F/PLT KIT 12 LT	LEFT; used with Front Mount Adapter Kit on Plunger-Style Swing In/Out Hangers
1-4	158638	CAA F/PLT KIT 13 RT	RIGHT; used with Front Mount Adapter Kit on Plunger-Style Swing In/Out Hangers
1-4	158639	CAA F/PLT KIT 13 LT	LEFT; used with Front Mount Adapter Kit on Plunger-Style Swing In/Out Hangers
1-4	158640	CAA F/PLT KIT 14 RT	RIGHT; used with Front Mount Adapter Kit on Plunger-Style Swing In/Out Hangers
1-4	158641	CAA F/PLT KIT 14 LT	LEFT; used with Front Mount Adapter Kit on Plunger-Style Swing In/Out Hangers
1-4	158642	CAA F/PLT KIT 15 RT	RIGHT; used with Front Mount Adapter Kit on Plunger-Style Swing In/Out Hangers
1-4	158643	CAA F/PLT KIT 15 LT	LEFT; used with Front Mount Adapter Kit on Plunger-Style Swing In/Out Hangers
1-4	158644	CAA F/PLT KIT 16 RT	RIGHT; used with Front Mount Adapter Kit on Plunger-Style Swing In/Out Hangers
1-4	158645	CAA F/PLT KIT 16 LT	LEFT; used with Front Mount Adapter Kit on Plunger-Style Swing In/Out Hangers
1-10	828821	KIDS ANG ADJ F/PLT ASSM 10	RIGHT; used with Old-Style Latch Block Swing In/Out & S/A Hangers
1-10	828822	KIDS ANG ADJ F/PLT ASSM 10	LEFT; used with Old-Style Latch Block Swing In/Out & S/A Hangers
1-10	828823	KIDS ANG ADJ F/PLT ASSM 11	RIGHT; used with Old-Style Latch Block Swing In/Out & S/A Hangers
1-10	828824	KIDS ANG ADJ F/PLT ASSM 11	LEFT; used with Old-Style Latch Block Swing In/Out & S/A Hangers
1-10	828825	KIDS ANG ADJ F/PLT ASSM 12	RIGHT; used with Old-Style Latch Block Swing In/Out & S/A Hangers
1-10	828826	KIDS ANG ADJ F/PLT ASSM 12	LEFT; used with Old-Style Latch Block Swing In/Out & S/A Hangers
1-10	828827	KIDS ANG ADJ F/PLT ASSM 13	RIGHT; used with Old-Style Latch Block Swing In/Out & S/A Hangers
1-10	828828	KIDS ANG ADJ F/PLT ASSM 13	LEFT; used with Old-Style Latch Block Swing In/Out & S/A Hangers
1-10	828829	KIDS ANG ADJ F/PLT ASSM 14	RIGHT; used with Old-Style Latch Block Swing In/Out & S/A Hangers
1-10	828830	KIDS ANG ADJ F/PLT ASSM 14	LEFT; used with Old-Style Latch Block Swing In/Out & S/A Hangers
1-10	828831	KIDS ANG ADJ F/PLT ASSM 15	RIGHT; used with Old-Style Latch Block Swing In/Out & S/A Hangers
1-10	828832	KIDS ANG ADJ F/PLT ASSM 15	LEFT; used with Old-Style Latch Block Swing In/Out & S/A Hangers

Pos.	Item Number	Description	Remarks
1-10	828833	KIDS ANG ADJ F/PLT ASSM 16	RIGHT; used with Old-Style Latch Block Swing In/Out & S/A Hangers
1-10	828834	KIDS ANG ADJ F/PLT ASSM 16	LEFT; used with Old-Style Latch Block Swing In/Out & S/A Hangers
1-10	921226	KIDS ANG ADJ F/PLT ASSM 10	PAIR; used with Old-Style Latch Block Swing In/Out & S/A Hangers
1-10	921227	KIDS ANG ADJ F/PLT ASSM 11	PAIR; used with Old-Style Latch Block Swing In/Out & S/A Hangers
1-10	921228	KIDS ANG ADJ F/PLT ASSM 12	PAIR; used with Old-Style Latch Block Swing In/Out & S/A Hangers
1-10	921229	KIDS ANG ADJ F/PLT ASSM 13	PAIR; used with Old-Style Latch Block Swing In/Out & S/A Hangers
1-10	921230	KIDS ANG ADJ F/PLT ASSM 14	PAIR; used with Old-Style Latch Block Swing In/Out & S/A Hangers
1-10	921231	KIDS ANG ADJ F/PLT ASSM 15	PAIR; used with Old-Style Latch Block Swing In/Out & S/A Hangers
1-10	921232	KIDS ANG ADJ F/PLT ASSM 16	PAIR; used with Old-Style Latch Block Swing In/Out & S/A Hangers
11-19	129764	AAA FRNT MNT ADAPTER KIT PR	AAA FRNT MNT fits both Kids and Adult Angle Adjustable Footplates
		Ship assembled part #	Use with multiple assemblies
	ASSY-HNG-FP	HANGER/FOOTPLATE ASSY REQUIRED	add with Hanger & Footplate kit

To have complete Footrest ship assembled, choose compatible Hanger + Footplate part numbers and add "ASSY-HNG-FP" to order

INSET FORMULA
 0" Inset (Seat Width) = Footrest Width
 1" Inset (Seat Width) - 2" = Footrest Width
 "V" Hanger (Seat Width) - 4" = Footrest Width
 Offset Hanger Receiver (Seat Width) + 2" = Footrest Width

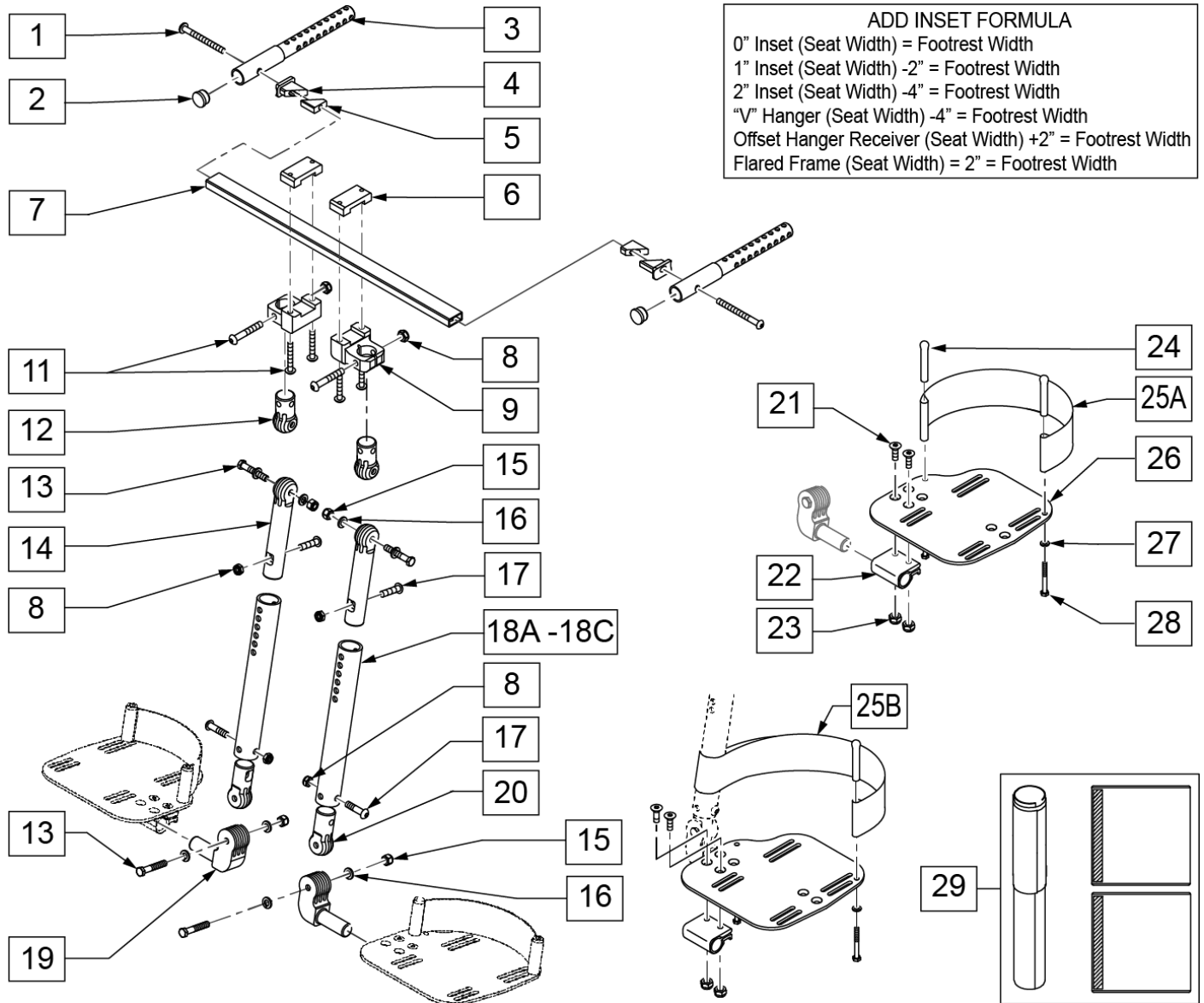


Pos.	Item Number	Description	Remarks
1	106978	FHCS 1/4-28 X 7/8 ROHS	
2	106941	NUT AUTOMATION 1/4-28 ROHS	
3	106943	WASHER FLAT AN 1/4 ROHS	
4	561004	1" SADDLE 1/4" HOLE	
5	541000	FOOTREST MOUNTING BRKT 1/2" RAD R	RIGHT
5	541001	FOOTREST MOUNTING BRKT 1/2" RAD L	LEFT
6	106945	WASHER FLAT SAE 1/4 ROHS	
7	106964	BHCS 1/4-28 X 2	
8	550350	3/4" CLAMP ADJ FOOTPLATE	
9	106935	NUT NYLOCK THIN 1/4-28 ROHS	
10	561040	HEEL LOOP PEG	
11	741153	HEEL LOOP 18-20 CMPST/14-15 ANG ADJ	USED W/ 14-15"/16-17" ADULT ANG ADJ FTPLTS
11	741253	HEEL LOOP ADLT ADJ F/PLT 18-20	USED W/ 18 - 20" ADULT ANG ADJ FTPLTS
12	500656	ADULT ANGL ADJ F/PLT 10/11	RIGHT
12	500657	ADULT ANGL ADJ F/PLT 10/11	LEFT
12	500658	ADULT ANGL ADJ F/PLT 12/13	RIGHT
12	500659	ADULT ANGL ADJ F/PLT 12/13	LEFT
12	500660	ADULT ANGL ADJ F/PLT 14/15	RIGHT
12	500661	ADULT ANGL ADJ F/PLT 14/15	LEFT
12	500662	ADULT ANGL ADJ F/PLT 16/17	RIGHT
12	500663	ADULT ANGL ADJ F/PLT 16/17	LEFT
12	500664	ADULT ANGL ADJ F/PLT 18-20	RIGHT

Pos.	Item Number	Description	Remarks
12	500665	ADULT ANGL ADJ F/PLT 18-20	LEFT
13	740260	TOE-ANKLE STRAP ADJ ADULT FOOTPLATE	
14	106943	WASHER FLAT AN 1/4 ROHS	
15	106958	HHCS 1/4-20 X 1 ROHS	
1-9,12	820544	FP ADULT ADJ 90D 10/11 R	RIGHT
1-9,12	820554	FP ADULT ADJ 90D 10/11 L	LEFT
1-9,12	820546	FP ADULT ADJ 90D 12/13 R	RIGHT
1-9,12	820556	FP ADULT ADJ 90D 12/13 L	LEFT
1-9,12	820472	FP ADULT ADJ 90D 14/15 R	RIGHT
1-9,12	820473	FP ADULT ADJ 90D 14/15 L	LEFT
1-9,12	820474	FP ADULT ADJ 90D 16/17 R	RIGHT
1-9,12	820475	FP ADULT ADJ 90D 16/17 L	LEFT
1-9,12	820476	FP ADULT ADJ 90D 18-20 R	RIGHT
1-9,12	820477	FP ADULT ADJ 90D 18-20 L	LEFT
1-9,12	921474	ADULT ANGL ADJ 90D 10/11 OMIT H/L	PAIR
1-9,12	921476	ADULT ANGL ADJ 90D 12/13 OMIT H/L	PAIR
1-9,12	921330	ADULT ANGL ADJ 90D 14/15 OMIT H/L	PAIR
1-9,12	921331	ADULT ANGL ADJ 90D 16/17 OMIT H/L	PAIR
1-9,12	921332	ADULT ANGL ADJ 90D 18-20 OMIT H/L	PAIR
1-12,14,15	820540	F/PLT ADULT ADJ 90D 10/11 R W/ HL	RIGHT
1-12,14,15	820550	F/PLT ADULT ADJ 90D 10/11 L W/ HL	LEFT
1-12,14,15	820542	F/PLT ADULT ADJ 90D 12/13 R W/ HL	RIGHT
1-12,14,15	820552	F/PLT ADULT ADJ 90D 12/13 L W/ HL	LEFT
1-12,14,15	820478	F/PLT ADULT ADJ 90D 14/15 R W/ HL	RIGHT
1-12,14,15	820479	F/PLT ADULT ADJ 90D 14/15 L W/ HL	LEFT
1-12,14,15	820480	F/PLT ADULT ADJ 90D 16/17 R W/ HL	RIGHT
1-12,14,15	820481	F/PLT ADULT ADJ 90D 16/17 L W/ HL	LEFT
1-12,14,15	820482	F/PLT ADULT ADJ 90D 18-20 R W/ HL	RIGHT
1-12,14,15	820483	F/PLT ADULT ADJ 90D 18-20 L W/ HL	LEFT
1-12,14,15	921470	F/PLT ADULT ADJ 90D 10/11 W/ HL	PAIR
1-12,14,15	921472	F/PLT ADULT ADJ 90D 12/13 W/ HL	PAIR
1-12,14,15	921333	F/PLT ADULT ADJ 90D 14/15 W/ HL	PAIR
1-12,14,15	921334	F/PLT ADULT ADJ 90D 16/17 W/ HL	PAIR
1-12,14,15	921335	F/PLT ADULT ADJ 90D 18-20 W/ HL	PAIR
		Ship assembled part #	Use with multiple assemblies
	ASSY-HNG-FP	HANGER/FOOTPLATE ASSY REQUIRED	add with Hanger & Footplate kit

NOTE: 20" WIDE FOOTPLATE AND COMPONENTS ARE ALSO USED FOR THE 21" AND 22" WIDTHS.

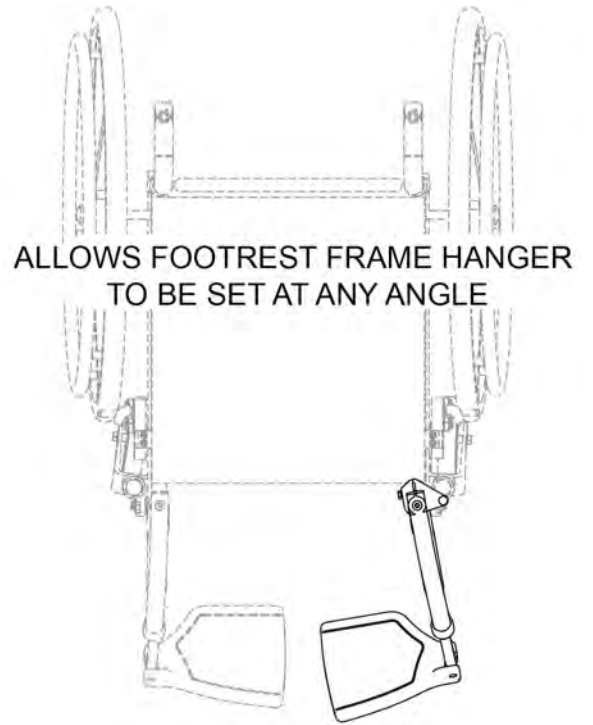
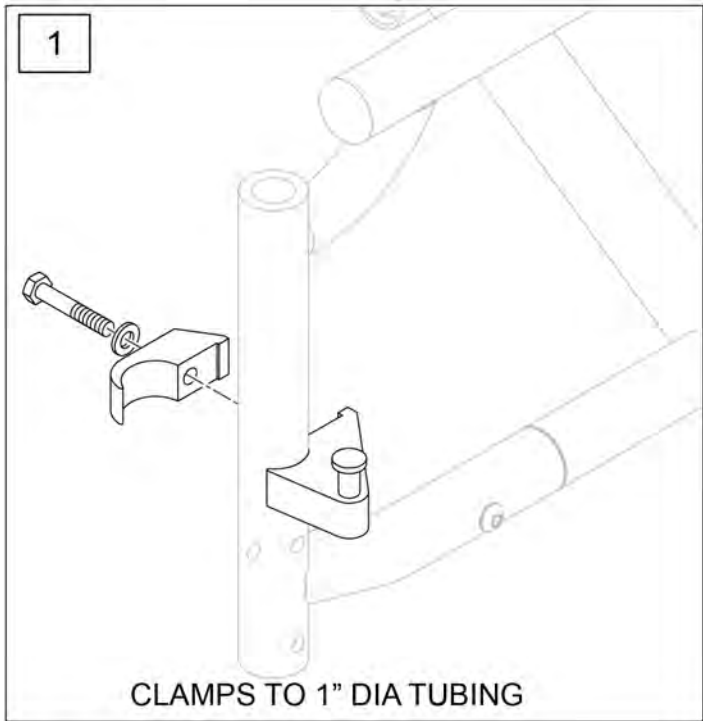
NOTE: WHEN RETRO-FITTING CONTRACTURE FOOTREST TO AN EXISTING CHAIR, NEW SEAT RAILS ARE REQUIRED. ITEM 050500-004 QUANTITY 2.



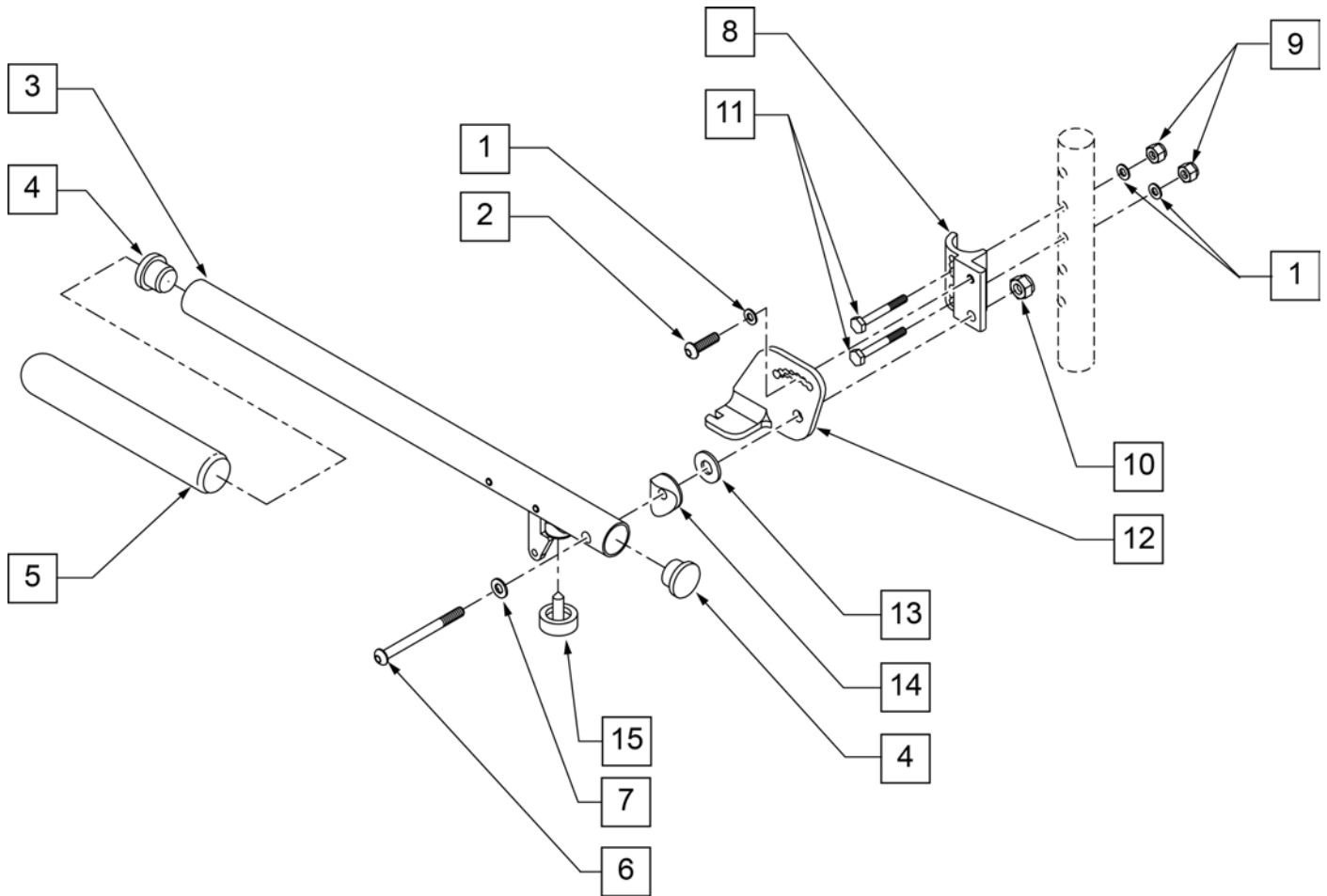
Pos.	Item Number	Description	Remarks
1	106967	BHCS 1/4 -28 x 2 1/2 SHLDR ROHS	
2	561002	1" INSERT PLUG .083	
3	540597	WELDMENT CONTRACTURE FOOTREST	
4	500792	CONTRACTURE FOOTREST TAB BODY	
5	500791	CONTRACTURE FOOTREST TAB SLIDE	
6	550465	CLAMP TOP QTS	

Pos.	Item Number	Description	Remarks
7	521411	CONTRACTURE FOOTREST RAIL 10"	
7	521412	CONTRACTURE FOOTREST RAIL 11"	
7	521413	CONTRACTURE FOOTREST RAIL 12"	
7	521414	CONTRACTURE FOOTREST RAIL 13"	
7	521460	CONTRACTURE FOOTREST RAIL 14"	
7	521461	CONTRACTURE FOOTREST RAIL 15"	
7	521462	CONTRACTURE FOOTREST RAIL 16"	
7	521463	CONTRACTURE FOOTREST RAIL 17"	
7	521464	CONTRACTURE FOOTREST RAIL 18"	
8	106937	NUT NYLOCK THIN 5/16 -18 ROHS	
9	483180	OFFSET CLAMP BODY QTS	
11	106962	BHCS 1/4 -28 x 1 3/4 ROHS	
12	483191	EXTERIOR LOCKING JOINT QTS	
13	106984	HHCS 5/16-18 x 1 3/4 ROHS	
14	503005	ADJUSTMENT LOCKING JOINT	
15	106937	NUT NYLOCK THIN 5/16 -18 ROHS	
16	106951	WASHER SPLIT LOCK 5/16 ROHS	
17	106980	BHCS 5/16-18 x 1 1/4 ROHS	
18A	524041	CONTRACTURE FOOTREST MOUNT TUBE-SHORT	10.5" - 13" FOOTREST LENGTH
18B	524044	CONTRACTURE FOOTREST MOUNT TUBE-MEDIUM	12.5" - 15" FOOTREST LENGTH
19	483189	FOOTREST JOINT QTS	
20	483181	INTERIOR LOCKING JOINT QTS	
21	106978	FHCS 1/4 -28 x 7/8 ROHS	
22	550350	3/4 CLAMP ADJUSTABLE FOOT PLATE	
23	106935	NUT NYLOCK THIN 1/4 -28 ROHS	
24	561040	HEEL LOOP PEG	
25A	741130	HEEL LOOP MULTI-POSITION 14-15"	
25A	741131	HEEL LOOP MULTI-POSITION 16-17"	
25A	741132	HEEL LOOP MULTI-POSITION 18-20"	
25B	741154	HEEL LOOP COMPOSITE HEMI 14-15"	
25B	741155	HEEL LOOP COMPOSITE HEMI 16-17"	
26	500656	ADULT ANGLE ADJUSTABLE FOOT PLATE 10-11"	RIGHT
26	500657	ADULT ANGLE ADJUSTABLE FOOT PLATE 10-11"	LEFT
26	500658	ADULT ANGLE ADJUSTABLE FOOT PLATE 12-13"	RIGHT
26	500659	ADULT ANGLE ADJUSTABLE FOOT PLATE 12-13"	LEFT
26	500660	ADULT ANGLE ADJUSTABLE FOOT PLATE 14-15"	RIGHT
26	500661	ADULT ANGLE ADJUSTABLE FOOT PLATE 14-15"	LEFT
26	500662	ADULT ANGLE ADJUSTABLE FOOT PLATE 16-17"	RIGHT
26	500663	ADULT ANGLE ADJUSTABLE FOOT PLATE 16-17"	LEFT
26	500664	ADULT ANGLE ADJUSTABLE FOOT PLATE 18-20"	RIGHT
26	500665	ADULT ANGLE ADJUSTABLE FOOT PLATE 18-20"	LEFT
27	106944	WASHER FLAT THIN AN 1/4 ROHS	
28	106958	HHCS 1/4 -20 x 1 ROHS	
29	731101	COVER PAD CONTRACTURE FOOT REST	
8, 12-20	888810	CONTRACTURE FOOT REST MOUNT TUBE ASSM-SHORT	SHORT
8, 12-20	888811	CONTRACTURE FOOT REST MOUNT TUBE ASSM-MED	MED
8, 12-20	888812	CONTRACTURE FOOT REST MOUNT TUBE ASSM-LONG	LONG
1-18A-29	040034-001	CONTRACTURE FOOT REST KIT IRIS 10" W-SHORT	FITS ZIPPIE IRIS ONLY - SHORT
1-18B-29	040035-001	CONTRACTURE FOOT REST KIT IRIS 10" W-MED	FITS ZIPPIE IRIS ONLY - MED
1-18A-29	040034-002	CONTRACTURE FOOT REST KIT IRIS 11" W-SHORT	FITS ZIPPIE IRIS ONLY - SHORT
1-18B-29	040035-002	CONTRACTURE FOOT REST KIT IRIS 11" W-MED	FITS ZIPPIE IRIS ONLY - MED
1-18A-29	040034-003	CONTRACTURE FOOT REST KIT IRIS 12" W-SHORT	FITS ZIPPIE IRIS ONLY - SHORT
1-18B-29	040035-003	CONTRACTURE FOOT REST KIT IRIS 12" W-MED	FITS ZIPPIE IRIS ONLY - MED
1-18A-29	040034-004	CONTRACTURE FOOT REST KIT IRIS 13" W-SHORT	FITS ZIPPIE IRIS ONLY - SHORT
1-18B-29	040035-004	CONTRACTURE FOOT REST KIT IRIS 13" W-MED	FITS ZIPPIE IRIS ONLY - MED
1-18A-29	921958	CNTRCTR FTRST KIT 14" W-SHT IRIS	SHORT

Pos.	Item Number	Description	Remarks
1-18B-29	921959	CNTRCTR FTRST KIT 14" W-MED IRIS	MED
1-18C-29	921960	CNTRCTR FTRST KIT 14" W-LNG IRIS	LONG
1-18A-29	921961	CNTRCTR FTRST KIT 15" W-SHT IRIS	SHORT
1-18B-29	921962	CNTRCTR FTRST KIT 15" W-MED IRIS	MED
1-18C-29	921963	CNTRCTR FTRST KIT 15" W-LNG IRIS	LONG
1-18A-29	921964	CNTRCTR FTRST KIT 16" W-SHT IRIS	SHORT
1-18B-29	921965	CNTRCTR FTRST KIT 16" W-MED IRIS	MED
1-18C-29	921966	CNTRCTR FTRST KIT 16" W-LNG IRIS	LONG
1-18A-29	921967	CNTRCTR FTRST KIT 17" W-SHT IRIS	SHORT
1-18B-29	921968	CNTRCTR FTRST KIT 17" W-MED IRIS	MED
1-18C-29	921969	CNTRCTR FTRST KIT 17" W-LNG IRIS	LONG
1-18A-29	921970	CNTRCTR FTRST KIT 18" W-SHT IRIS	SHORT
1-18B-29	921971	CNTRCTR FTRST KIT 18" W-MED IRIS	MED
1-18C-29	921972	CNTRCTR FTRST KIT 18" W-LNG IRIS	LONG
1-18A-29	921973	CNTRCTR FTRST KIT 19" W-SHT IRIS	FITS QUICKIE IRIS ONLY - SHORT
1-18B-29	921974	CNTRCTR FTRST KIT 19" W-MED IRIS	FITS QUICKIE IRIS ONLY - MED
1-18C-29	921975	CNTRCTR FTRST KIT 19" W-LNG IRIS	FITS QUICKIE IRIS ONLY - LONG
1-18A-29	921976	CNTRCTR FTRST KIT 20" W-SHT IRIS	FITS QUICKIE IRIS ONLY - SHORT
1-18B-29	921977	CNTRCTR FTRST KIT 20" W-MED IRIS	FITS QUICKIE IRIS ONLY - MED
1-18C-29	921978	CNTRCTR FTRST KIT 20" W-LNG IRIS	FITS QUICKIE IRIS ONLY - LONG
1-18A-29	921979	CNTRCTR FTRST KIT 21" W-SHT IRIS	FITS QUICKIE IRIS ONLY - SHORT
1-18B-29	921984	CNTRCTR FTRST KIT 21" W-MED IRIS	FITS QUICKIE IRIS ONLY - MED
1-18C-29	921985	CNTRCTR FTRST KIT 21" W-LNG IRIS	FITS QUICKIE IRIS ONLY - LONG
1-18A-29	921986	CNTRCTR FTRST KIT 22" W-SHT IRIS	FITS QUICKIE IRIS ONLY - SHORT
1-18B-29	921987	CNTRCTR FTRST KIT 22" W-MED IRIS	FITS QUICKIE IRIS ONLY - MED
1-18C-29	921988	CNTRCTR FTRST KIT 22" W-LNG IRIS	FITS QUICKIE IRIS ONLY - LONG



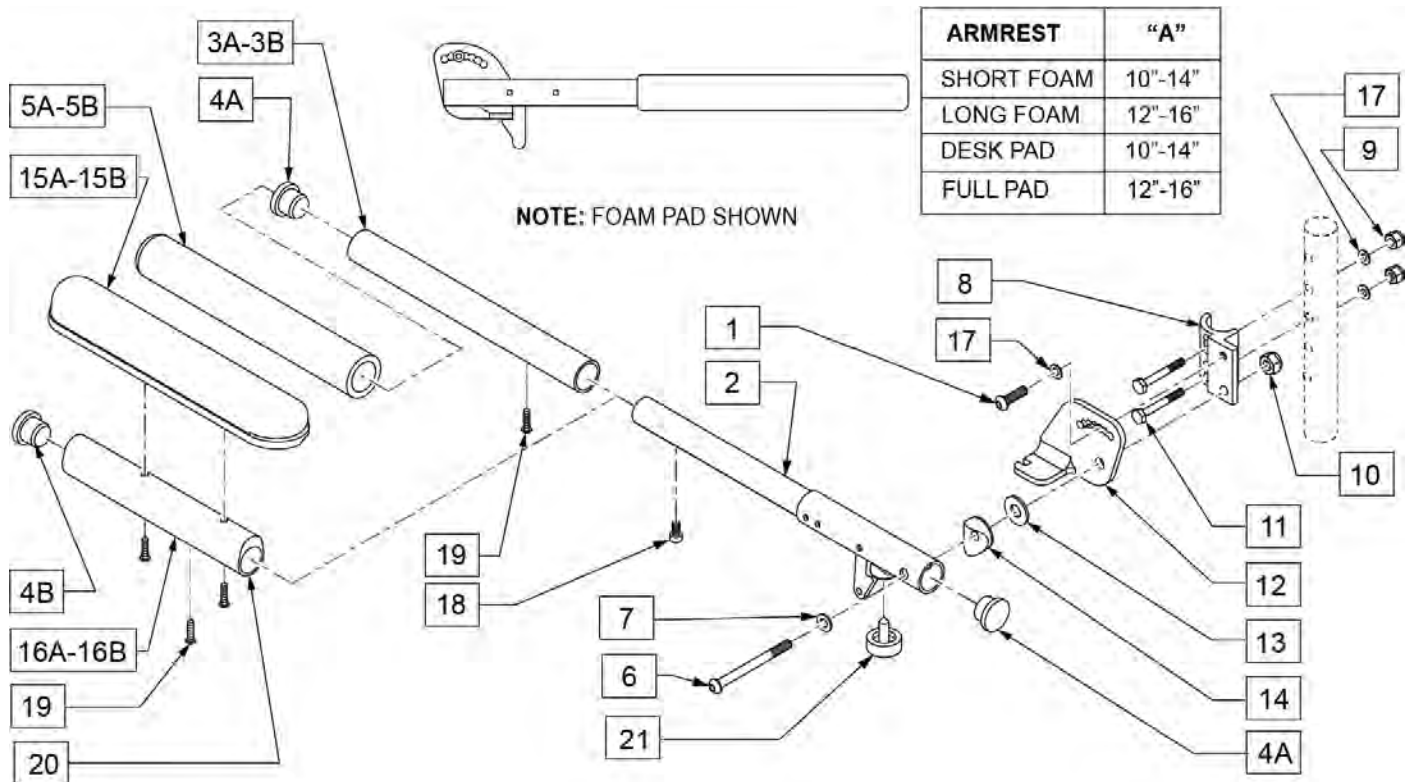
Pos.	Item Number	Description	Remarks
1	112807	LATCH STUD SUPPORT R MULTIPOS	Single
1	112808	LATCH STUD SUPPORT L MULTIPOS	Single
1	112809	LATCH STUD SUPPORT PR MULTIPOS	Pair



Pos.	Item Number	Description	Remarks
1	106943	1/4 AN WASHER FLAT	
2	107025	1/4-28 x 1/2 BH C/S	
4	561002	1" INSERT PLUG .083	
5	560640	9 x .93 x .155 FOAM GRIP	
6	106983	5/16-18 x 2 BH C/S SHT THREAD	
7	106947	5/16 WASHER FLAT THIN	
8	550168	ADJ LOCK FLIP-UP ARM MNT R	
8	550169	ADJ LOCK FLIP-UP ARM MNT L	
9	106935	1/4-28 NYLOCK NUT THIN	
10	202117	5/16-18 NYLOCK NUT THICK BLK	
11	106972	1/4-28 x 1 1/2 G8 HEX C/S	
12	550474	ADJ FLIP-BACK ARM BRACKET R	
12	550475	ADJ FLIP BACK ARM BRACKET L	
13	561016	1" WASHER 5/16" HOLE	
14	561006	1" SADDLE 5/16" HOLE	
15	560252	1" COVED STEM BUMPER	
3-5	880274	ADJ FLIP-BACK TUBE W/LATCH	
1,2,6,8-10	881272	ADJ LOCK F-UP ARMREST RETRO R	USE FOR ARMREST PRIOR TO 7/22/96
1,2,6,8-10	881273	ADJ LOCK F-UP ARMREST RETRO L	USE FOR ARMREST PRIOR TO 7/22/96
1-15	880272	ADJ FLIP BACK ARMREST R	
1-15	880273	ADJ FLIP BACK ARMREST L	
1-15	900449	ADJ LOCK FLIP-UP ARMREST ASSM	PAIR

LENGTH ADJUSTABLE LOCKING FLIP-UP ARMREST (USE ON DAB FRAMES ONLY) (08/23/2019)

NOTE: FOR ARMRESTS PRIOR TO 7/22/96 USE RETRO FIT KIT TO REPLACE ADJUSTABLE FLIP-UP ARM CLAMP.



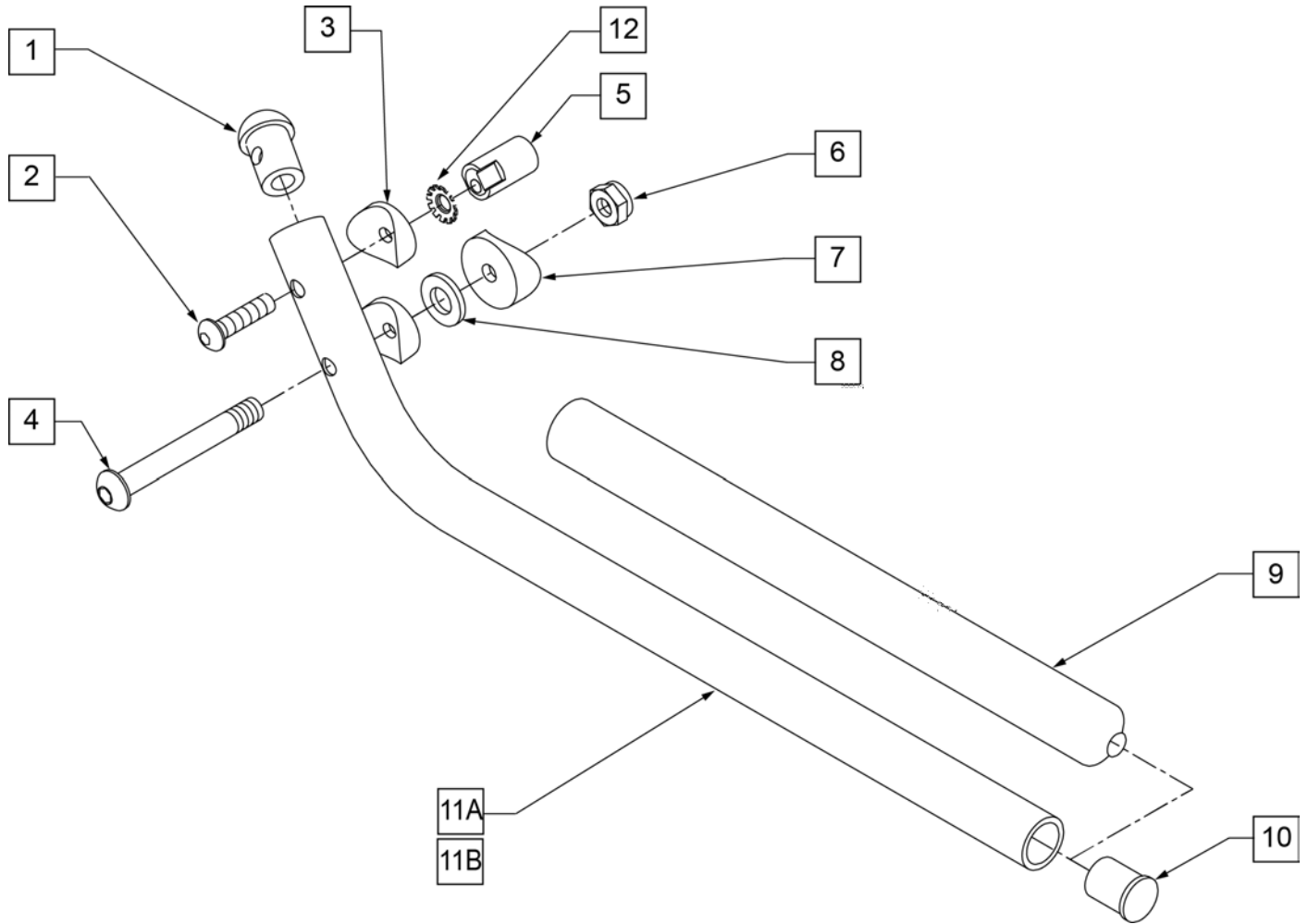
Pos.	Item Number	Description	Remarks
1	107025	BHCS 1/4-28 x 1/2 ROHS	
4A	561002	1" INSERT PLUG .083	
4B	561062	1" INSERT PLUG .065	
5A	560299	7 x .940 x .20 FOAM GRIP	SHORT PAD
5B	560640	9" X .93" X .155" FOAM GRIP	LONG PAD
6	106983	BHCS 5/16-18 x 2 SHLDR ROHS	
7	106947	WASHER FLAT THIN AN 5/16 ROHS	
8	550168	ADJUSTABLE LOCK FLIP-UP ARM MOUNT	RIGHT
8	550169	ADJUSTABLE LOCK FLIP-UP ARM MOUNT	LEFT
9	106935	NYLOCK NUT THIN 1/4 -28 ROHS	
10	202117	5/16-18 NYLOCK NUT THICK BLK	
11	106972	HHCS 1/4-28 x 1 1/2 ROHS	
12	550474	ADJUSTABLE FLIP-BACK ARM BRACKET	RIGHT
12	550475	ADJUSTABLE FLIP-BACK ARM BRACKET	LEFT
13	561016	1" WASHER 5/16" HOLE	
14	561006	1" SADDLE 5/16" HOLE	
15A	561024	ARMREST PAD 10" DESK	
15B	561031	ARMREST PAD 14" FULL	
17	106943	WASHER FLAT AN 1/4 ROHS	
18	107036	SHCS 8 -32 x 3/8 ROHS	
19	225110	10-32 X 1/2" SET SCREW	
20	107022	BHCS 10-32 X 5/8 ROHS	
21	560252	1" COVED STEM BUMPER	

Pos.	Item Number	Description	Remarks
3B, 4A, 5B, 19	882074	FOAM PAD LONG ADJUSTABLE LENGTH	LONG PAD ASSM ONLY
3A, 4A, 5A, 19	882075	FOAM PAD LONG ADJUSTABLE LENGTH	SHORT PAD ASSM ONLY
4B,15B,16B,19,20	882070	FULL PAD ADJUSTABLE LENGTH ASSM	RIGHT FULL PAD ASSM ONLY
4B,15B,16B,19,20	882071	FULL PAD ADJUSTABLE LENGTH ASSM	LEFT FULL PAD ASSM ONLY
4B,15A,16A,19,20	882072	DESK PAD ADJUSTABLE LENGTH ASSM	RIGHT DESK PAD ASSM ONLY
4B,15A,16A,19,20	882073	DESK PAD ADJUSTABLE LENGTH ASSM	LEFT DESK PAD ASSM ONLY
1,2,6-14,17,21	882088	ADJ LENGTH LOCKING FLIP-UP ASSM R	RIGHT ARM ASSM W/O PAD
1,2,6-14,17,21	882089	ADJ LENGTH LOCKING FLIP-UP ASSM R	LEFT ARM ASSM W/O PAD
1,2,3B,4A,5B,6-14,17,19 -21	900454	ADJ LENGTH LOCKING FLIP-UP FOAM LONG	PAIR - LONG FOAM ARM ASSM
1,2,3B,4A,5B,6-14,17,19 -21	881294	ADJ LENGTH LOCKING FLIP-UP FOAM LONG	RIGHT - LONG FOAM ARM ASSM
1,2,3B,4A,5B,6-14,17,19 -21	881295	ADJ LENGTH LOCKING FLIP-UP FOAM LONG	LEFT - LONG FOAM ARM ASSM
1,2,3A,4A,5A,6-14,17,19 -21	900455	ADJ LENGTH LOCKING FLIP-UP FOAM SHORT	PAIR - SHORT FOAM ARM ASSM
1,2,3A,4A,5A,6-14,17,19 -21	881296	ADJ LENGTH LOCKING FLIP-UP FOAM SHORT	RIGHT - SHORT FOAM ARM ASSM
1,2,3A,4A,5A,6-14,17,19 -21	881297	ADJ LENGTH LOCKING FLIP-UP FOAM SHORT	LEFT - SHORT FOAM ARM ASSM
1,2,4B,6-14,15B,16B,17-21	900452	ADJ LENGTH LOCKING FLIP-UP ASSM FULL	PAIR - FULL PAD ARM ASSM
1,2,4B,6-14,15B,16B,17-21	881290	ADJ LENGTH LOCKING FLIP-UP FULL PAD	RIGHT - FULL PAD ARM ASSM
1,2,4B,6-14,15B,16B,17-21	881291	ADJ LENGTH LOCKING FLIP-UP FULL PAD	LEFT - FULL PAD ARM ASSM
1,2,4B,6-14,15A,16A,17-21	900453	ADJ LENGTH LOCKING FLIP-UP ASSM DESK	PAIR - DESK PAD ARM ASSM
1,2,4B,6-14,15A,16A,17-21	881292	ADJ LENGTH LOCKING FLIP-UP DESK PAD	RIGHT - DESK PAD ARM ASSM
1,2,4B,6-14,15A,16A,17-21	881293	ADJ LENGTH LOCKING FLIP-UP DESK PAD	LEFT - DESK PAD ARM ASSM

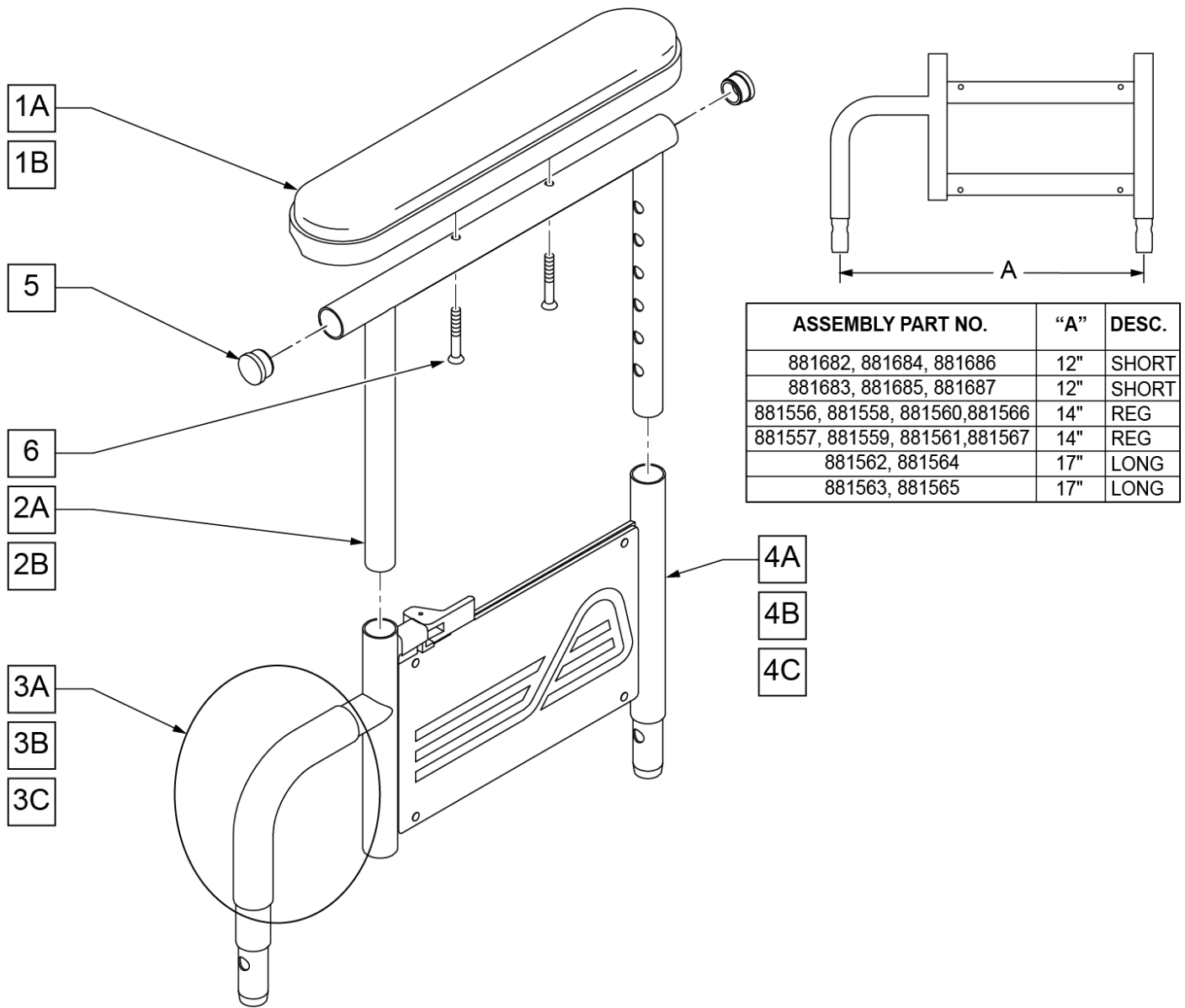
FLIP-UP ARMREST

[11/2009]

Note: only available on Kids Quickie 2 w/o seating (Depth Adjustable Back only).



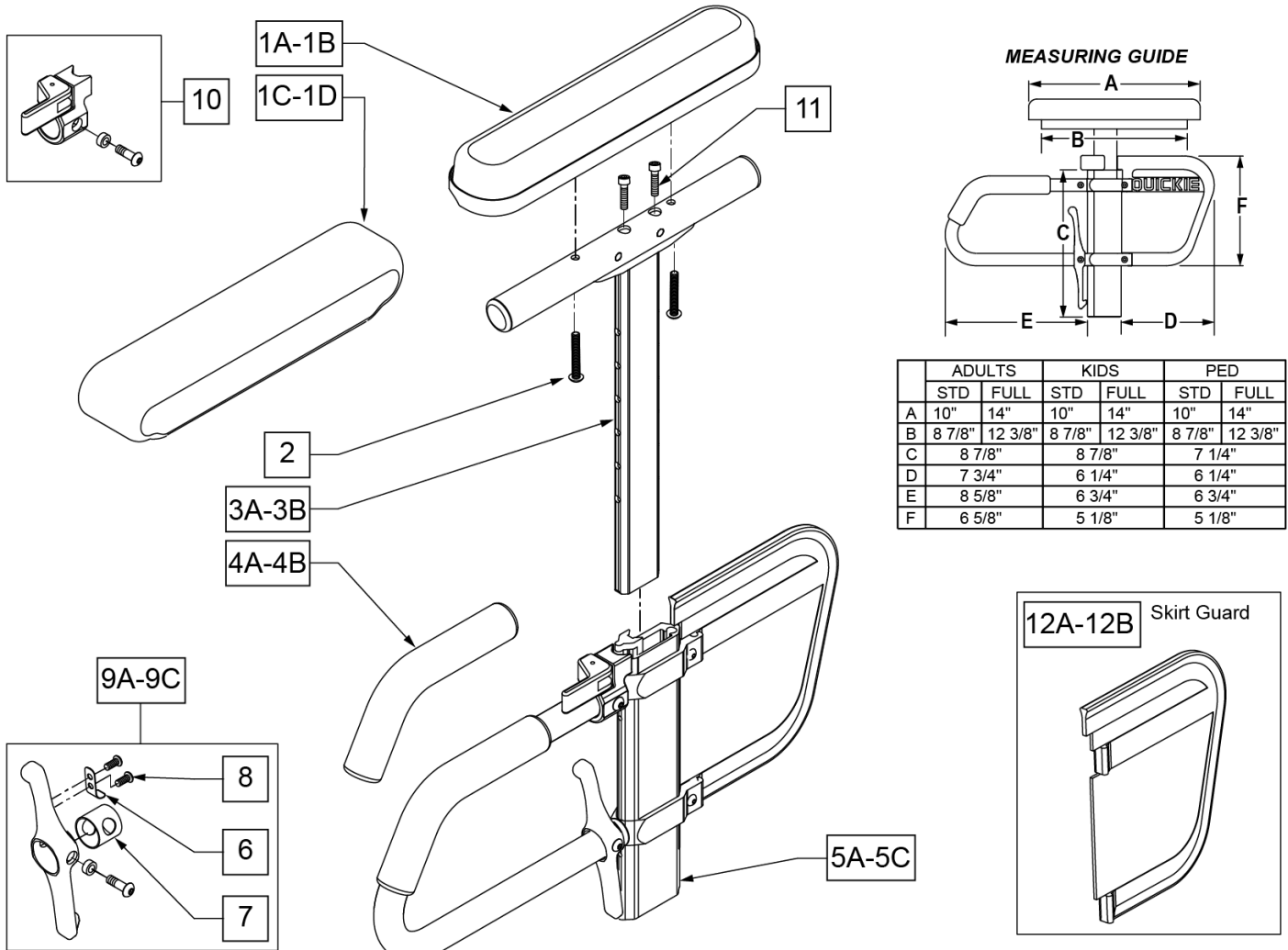
Pos.	Item Number	Description	Remarks
1	561034	SHORT DOME PLUG	
2	107028	1/4-28 x 1 1/2 BH C/S	
3	561003	3/4" SADDLE THIN	
4	106966	1/4-28 x 2 1/4 BH C/S	
5	483041	FLIP-UP ARM CAM ZP/P5	
6	106935	1/4-28 NYLOCK NUT THIN	
7	561004	1" SADDLE 1/4" HOLE	
8	106944	1/4 AN WASHER FLAT THIN	
9	560599	8 x .705 x .200 FOAM GRIP	
10	561000-QU	3/4" INSERT PLUG .083	
12	267350	1/4" WASHER INT LOCK ZN	
1-11A,12	880268	ZP FLIP-UP ARM ASSEMBLY SEAT DEPTH 10"-13"	RIGHT
1-11A,12	880269	ZP FLIP-UP ARM ASSEMBLY SEAT DEPTH 10"-13"	LEFT
1-11A,12	900446	FLIP-UP ARM ASSEMBLY 10"-13" ZP	PAIR
1-11B,12	880270	FLIP-UP ARM ASSEMBLY SEAT DEPTH 14"-16" ZP/P5	RIGHT
1-11B,12	880271	FLIP-UP ARM ASSEMBLY SEAT DEPTH 14"-16" ZP/P5	LEFT
1-11B,12	900448	FLIP-UP ARM ASSEMBLY	PAIR



Pos.	Item Number	Description	Remarks
1A	561024	ARMREST PAD 10" DESK	Desk
1B	561031	ARMREST PAD 14" FULL	Full
2A	521841	DUAL POST ADJ UPPER ARM DESK	Desk
2B	521843	DUAL POST ADJ UPPER ARM FULL	Full
3A	560514	FOAM 8" x .840 TUBE	Reg/med length
3B	560614	11" x .840 FOAM TUBE	Long length
3C	560515	FOAM 6" x .840 TUBE	Short length
3A,4A	881556	ARM ASSM LOWER HT ADJ REG R	Reg/med right; includes Armrest Frame, Foam & Panel Assm
3A,4A	881557	ARM ASSM LOWER HT ADJ REG L	Reg/med left; includes Armrest Frame, Foam & Panel Assm
3B,4A	881558	DUAL POST ADJ LOWER ARM LNG R	Long right; includes Armrest Frame, Foam & Panel Assm
3B,4A	881559	DUAL POST ADJ LOWER ARM LNG L	Long left; includes Armrest Frame, Foam & Panel Assm
3C,4C	881686	DUAL POST ADJ LOWER ARM R	Short right; includes Armrest Frame, Foam & Panel Assm
3C,4C	881687	DUAL POST ADJ LOWER ARM L	Short left; includes Armrest Frame, Foam & Panel Assm
5	560735	7/8" ROUND TUBE PLUG	

Pos.	Item Number	Description	Remarks
6	107023	BHCS 10 -32 x 1 3/8 ROHS	
1A,2A,3A,4A,5,6	881560	DUAL POST ADJ ARM SHT W/DESK R	Right-desk length pad-reg/med arm length
1A,2A,3A,4A,5,6	881561	DUAL POST ADJ ARM SHT W/DESK L	Left-desk length pad-reg/med arm length
1B,2B,3A,4A,5,6	881566	DUAL POST ADJ ARM SHT W/FULL R	Right-full length pad-reg/med arm length
1B,2B,3A,4A,5,6	881567	DUAL POST ADJ ARM SHT W/FULL L	Left-full length pad-reg/med arm length
1A,2A,3B,4B,5,6	881564	DUAL POST ADJ ARM LNG W/DESK R	Right-desk length pad-long arm length
1A,2A,3B,4B,5,6	881565	DUAL POST ADJ ARM LNG W/DESK L	Left-desk length pard-long arm length
1B,2A,3B,4B,5,6	881562	DUAL POST ADJ ARM LNG W/FULL R	Right-full length pad-long arm length
1B,2A,3B,4B,5,6	881563	DUAL POST ADJ ARM LNG W/FULL L	Left-full length pad-long arm length
1A,2A,5,6	881446	DUALPOST UHA AREST RH INC DESK	Desk right
1A,2A,5,6	881447	DUALPOST UHA AREST LH INC DESK	Desk left
1B,2B,5,6	881448	DUALPOST UHA AREST RH INC FULL	Full right
1B,2B,5,6	881449	DUALPOST UHA AREST LH INC FULL	Full left
1A,2A,3C,4C,5,6	881682	DUAL POST ADJ ARM W/DESK QTS R	Right - desk length pad-short arm length
1A,2A,3C,4C,5,6	881683	DUAL POST ADJ ARM W/DESK QTS L	Left-desk length pad-short arm length
1B,2A,3C,4C,5,6	881684	DUAL POST ADJ ARM W/FULL QTS R	Right-ful length pad-short arm length
1B,2A,3C,4C,5,6	881685	DUAL POST ADJ ARM W/FULL QTS L	Left-full length pad-short arm length

Note: available on Quickie Iris chairs S/N prefix CGT and prior to IRS-007726 & IRSE-008701.

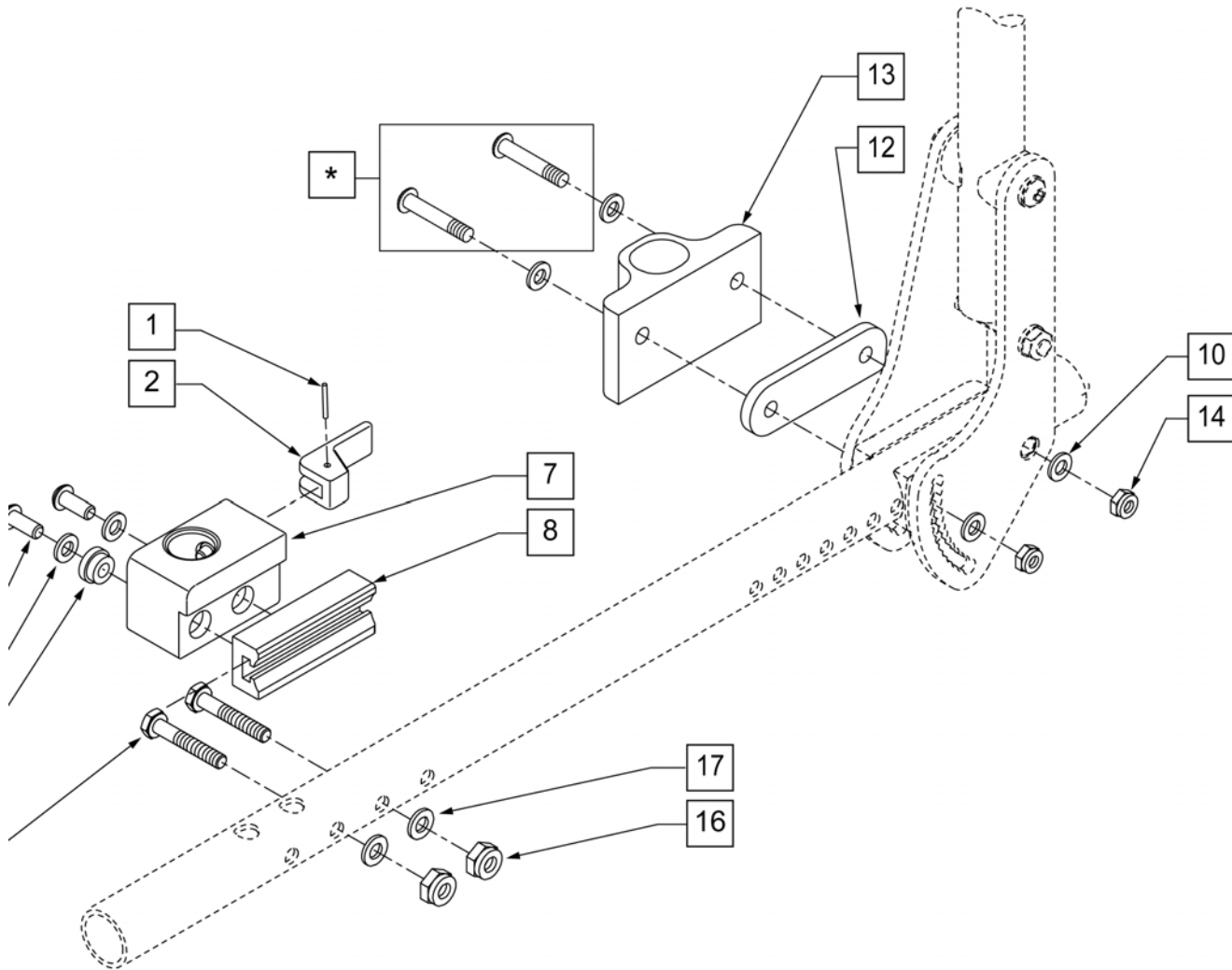


Pos.	Item Number	Description	Remarks
1A	561024	ARMREST PAD 10" DESK	DESK PAD
1B	561031	ARMREST PAD 14" FULL	FULL PAD
1C	561280	ARMREST PAD 10" L W/F	LEFT - DESK WATERFALL PAD
1C	561281	ARMREST PAD 10" R W/F	RIGHT - DESK WATERFALL PAD
1D	561284	ARMREST PAD 14" L W/F	LEFT - FULL WATERFALL PAD
1D	561285	ARMREST PAD 14" R W/F	RIGHT - FULL WATERFALL PAD
2	226038	10-32 x 1 3/8 BH C/S BLK	
4A	560610	5" x .705 x .125 FOAM TUBE	ADULT
4B	560627	7-1/2" x .705 x .125 FOAM TUBE	PEDS/KIDS
5A	882084	HT ADJ LOWER DC ARM ASSM STD R	RIGHT - STANDARD/ADULT
5A	882085	HT ADJ LOWER DC ARM ASSM STD L	LEFT - STANDARD/ADULT
5B	882082	HT ADJ LOWER DC ARM ASM KIDS R	RIGHT - KIDS
5B	882083	HT ADJ LOWER DC ARM ASM KIDS L	LEFT - KIDS
5C	882080	HT ADJ LOWER ARM ASSM PE D R	RIGHT - PEDIATRIC
5C	882081	HT ADJ LOWER ARM ASSM PE D L	LEFT - PEDIATRIC

Pos.	Item Number	Description	Remarks
6	321721	LEVER RETURN SPRING	
7	562825	RELEASE LEVER INNER SLEEVE	
8	281045	#6 x 1/4 PAN PHIL S/M/S	
9A	888000	HT ADJ REC REL LEVER ASSM STD	ADULT
9B	888001	HT ADJ REC REL LEVER ASSM KIDS	KIDS
9C	888002	HT ADJ REC REL LEVER ASSM PEDS	PEDS
10	888003	HT ADJ UPPER ARM REL ASSM R	RIGHT
10	888004	HT ADJ UPPER ARM REL ASSM L	LEFT
11	108534	SHCS 10-32 X 1-1/4 PL	Used with Classic Full only
12A	561140	HT ADJ SKIRT GUARD STD	Standard
12B	561141	HT ADJ SKIRT GUARD KDS	Kids
>>>>		ADULT UPPER ASSEMBLIES	
1A-3A	880192	HT ADJ UPPER ARM ASSM DESK R	RIGHT - ADULT DESK PAD
1A-3A	880198	HT ADJ UPPER ARM ASSM DESK L	LEFT - ADULT DESK PAD
1B-3A,11	880193	HT ADJ UPPER ARM ASSM FL R	RIGHT - ADULT FULL PAD
1B-3A,11	880199	HT ADJ UPPER ARM ASSM FL L	LEFT - ADULT FULL PAD
>>>>		ADULT UPPER ASSEMBLIES	
1C-3A	881230	HT ADJ UPPER L ARM ASSM DESK W/F	RIGHT - ADULT DESK WATER FALL PAD
1C-3A	881231	HT ADJ UPPER R ARM ASSM DESK W/F	LEFT - ADULT DESK WATER FALL PAD
1D-3A	881232	HT ADJ UPPER L ARM ASSM FL W/F	RIGHT - ADULT FULL WATER FALL PAD
1D-3A	881233	HT ADJ UPPER R ARM ASSM FL W/F	LEFT - ADULT FULL WATER FALL PAD
>>>>		PEDIATRIC AND KIDS UPPER ASSEMBLIES	
1A-3B	880174	HT ADJ UPPER ARM PED PWR DESK R	RIGHT - PED/KIDS DESK PAD
1A-3B	880175	HT ADJ UPPER ARM PED PWR DESK L	LEFT - PED/KIDS DESK PAD
1B-3B,11	880176	HT ADJ UPPER ARM PED PWR FULL R	RIGHT - PED/KIDS FULL PAD
1B-3B,11	880177	HT ADJ UPPER ARM PED PWR FULL L	LEFT - PED/KIDS FULL PAD
>>>>		PEDIATRIC AND KIDS UPPER ASSEMBLIES	
1C-3B	888341	HT ADJ PED UPPER R ARM ASSM D WF	RIGHT - PED/KIDS DESK WATER FALL PAD
1C-3B	888342	HT ADJ PED UPPER L ARM ASSM D WF	LEFT - PED/KIDS DESK WATER FALL PAD
1D-3B	888343	HT ADJ PED UPPER R ARM ASSM F WF	RIGHT - PED/KIDS FULL WATER FALL PAD
1D-3B	888344	HT ADJ PED UPPER L ARM ASSM F WF	LEFT - PED/KIDS FULL WATER FALL PAD
>>>>		COMPLETE ADULT ARMREST ASSEMBLY	
1A-3A-5A	880210	HT ADJ STD R W/DESK ARM PAD	RIGHT - ADULT - DESK PAD
1A-3A-5A	880211	HT ADJ STD L W/DESK ARM PAD	LEFT - ADULT - DESK PAD
1B-3A-5A,11	880212	HT ADJ STD R W/FULL ARM PAD	RIGHT - ADULT - FULL PAD
1B-3A-5A,11	880213	HT ADJ STD L W/FULL ARM PAD	LEFT - ADULT - FULL PAD
1C-3A-5A	881301	HT ADJ STD R W/DESK W/F PAD	RIGHT - ADULT - WATERFALL DESK PAD
1C-3A-5A	881300	HT ADJ STD L W/DESK W/F PAD	LEFT - ADULT - WATERFALL DESK PAD
1D-3A-5A	881305	HT ADJ STD R W/FULL W/F PAD	RIGHT - ADULT - WATERFALL FULL PAD
1D-3A-5A	881304	HT ADJ STD L W/FULL W/F PAD	LEFT - ADULT - WATERFALL FULL PAD
>>>>		COMPLETE KIDS ARMREST ASSEMBLY	
1A-3B-5B	880214	HT ADJ KIDS R W/DESK ARM PAD	RIGHT - KIDS - DESK PAD
1A-3B-5B	880215	HT ADJ KIDS L W/DESK ARM PAD	LEFT - KIDS - DESK PAD
1B-3B-5B,11	880216	HT ADJ KIDS R W/FULL ARM PAD	RIGHT - KIDS - FULL PAD
1B-3B-5B,11	880217	HT ADJ KIDS L W/FULL ARM PAD	LEFT - KIDS - FULL PAD
1C-3B-5B	881303	HT ADJ KIDS R W/DESK W/F PAD	RIGHT - KIDS - WATERFALL DESK PAD
1C-3B-5B	881302	HT ADJ KIDS L W/DESK W/F PAD	LEFT - KIDS - WATERFALL DESK PAD
1D-3B-5B	881307	HT ADJ KIDS R W/FULL W/F PAD	RIGHT - KIDS - WATERFALL FULL PAD
1D-3B-5B	881306	HT ADJ KIDS L W/FULL W/F PAD	LEFT - KIDS - WATERFALL FULL PAD
>>>>		COMPLETE PEDIATRIC ARMREST ASSEMBLY	
1A-3B-5C	880226	HT ADJ PED R W/DESK ARM PAD	RIGHT - PEDS - DESK PAD
1A-3B-5C	880227	HT ADJ PED L W/DESK ARM PAD	LEFT - PEDS - DESK PAD
1B-3B-5C,11	880228	HT ADJ PED R W/FULL ARM PAD	RIGHT - PEDS - FULL PAD
1B-3B-5C,11	880229	HT ADJ PED L W/FULL ARM PAD	LEFT - PEDS - FULL PAD
1C-3B-5C	888345	HT ADJ PED R W/DESK W/F PAD	RIGHT - PEDS - WATERFALL DESK PAD
1C-3B-5C	888346	HT ADJ PED L W/DESK W/F PAD	LEFT - PEDS - WATERFALL DESK PAD

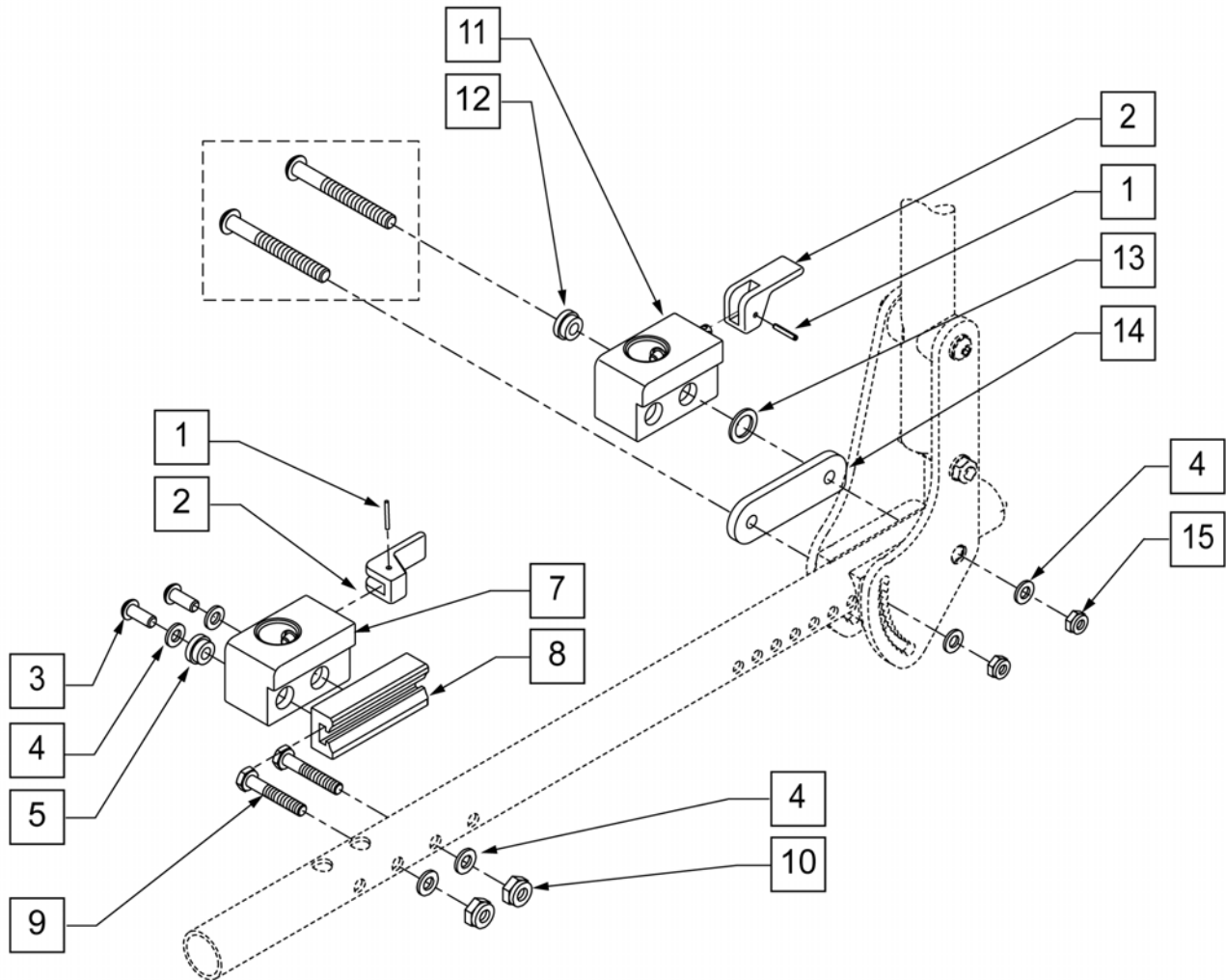
Pos.	Item Number	Description	Remarks
1D-3B-5C	888347	HT ADJ PED R W/FULL W/F PAD	RIGHT - PEDS - WATERFALL FULL PAD
1D-3B-5C	888348	HT ADJ PED L W/FULL W/F PAD	LEFT - PEDS - WATERFALL FULL PAD

NOTE: MOUNTING HARDWARE (*) VARIES-PLEASE REFER TO "BACK PLATE REPLACEMENT BOLT KIT" PAGE.



Pos.	Item Number	Description	Remarks
1	341088	3/32 x 5/8 ROLL PIN	
2	561730	RELEASE HANDLE DUAL POST PLASTIC	
8	106973	HHCS 1/4 -28 x 2 ROHS	
9	506137	DUAL POST ARM SPACER QTS	
10	106943	WASHER FLAT AN 1/4 ROHS	
11	106934	NUT NYLOCK 1/4 -28 ROHS	
12	506140	BACKREST PIVOT ARMREST RECEIVER	
13	552190	RECEIVER ARMREST DUAL PST REAR FIXED	
14	106935	NUT NYLOCK THIN 1/4 -28 ROHS	
1,2,7	506366	ADJ QUAD REC FRONT SUB ASSM P3	RIGHT
1,2,7	506367	ADJ QUAD REC FRONT SUB ASSM P3	LEFT
1-11	506408	UNI DP ARM RCV ASSM RFH QTS/IR	RIGHT
1-11	506409	UNI DP ARM RCV ASSM LFH QTS/IR	LEFT
1-11	921392	FLIP-BACK ARMREST RECEIVER W/ HDWR FRONT QTS	PAIR

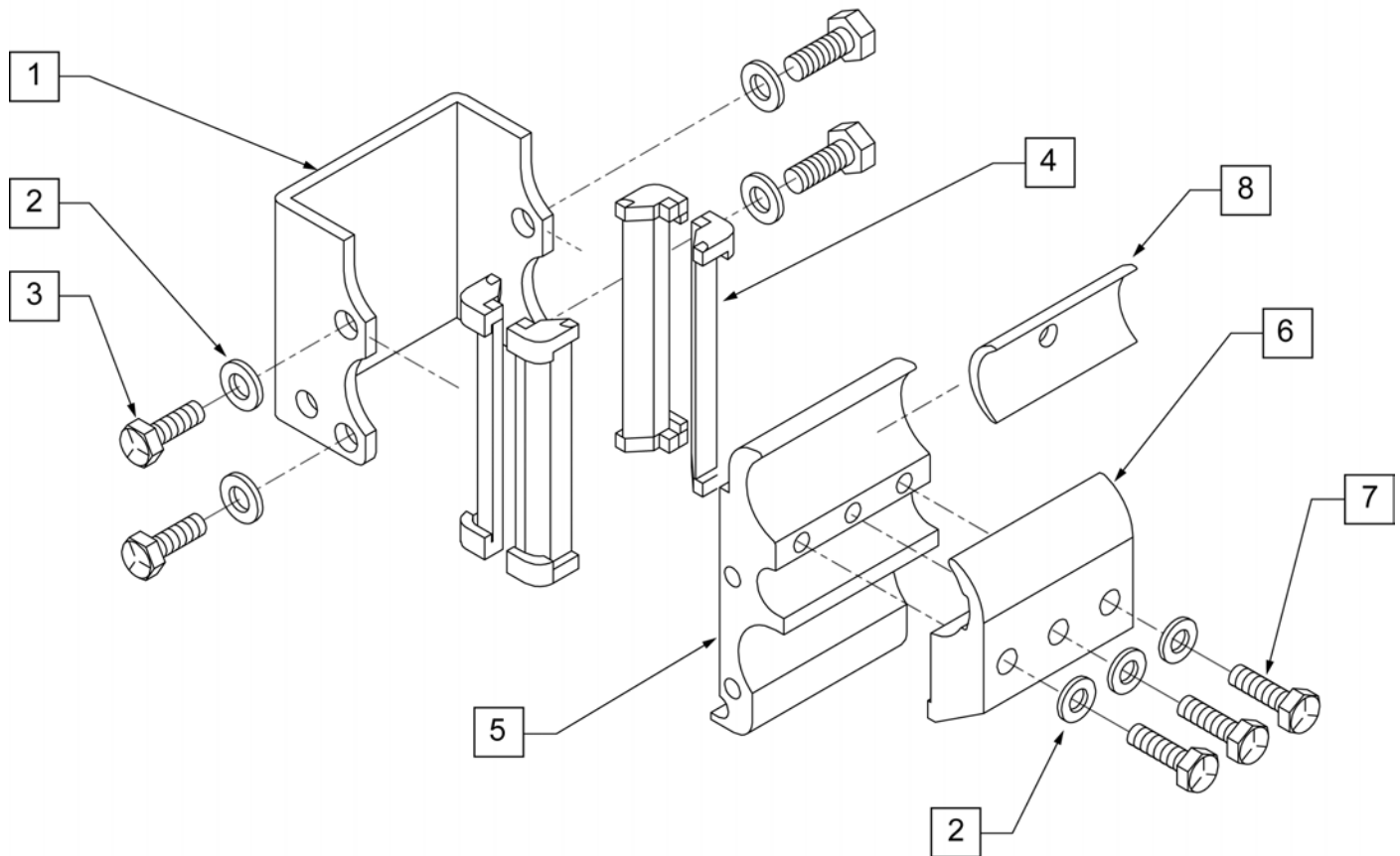
NOTE: MOUNTING HARDWARE VARIES-PLEASE REFER TO "BACK PLATE REPLACEMENT BOLT KIT" PAGE.



Pos.	Item Number	Description	Remarks
1	341088	3/32 x 5/8 ROLL PIN	
2	561730	RELEASE HANDLE DUAL POST PLASTIC	
3	226313	1/4-28 X .63 BH C/S W/PATCH	
4	106943	WASHER FLAT AN 1/4" ROHS	
5	340143	BUSHING .257ID x .25 LG SST	
1,2,7	506366	UNIVERSAL ARMREST RECEIVER ASSM RH	RIGHT
1,2,7	506367	UNIVERSAL ARMREST RECEIVER ASSM LH	LEFT
8	506137	ADAPTER FR UNIV RECEIVER 1.0 OFFSET	
9	106973	HHCS 1/4 -28 x 2 ROHS	
10	106934	NUT NYLOCK 1/4 -28 ROHS	
1,2,11	506368	UNIV ARMREST RECEIVER ASSM RV	RIGHT

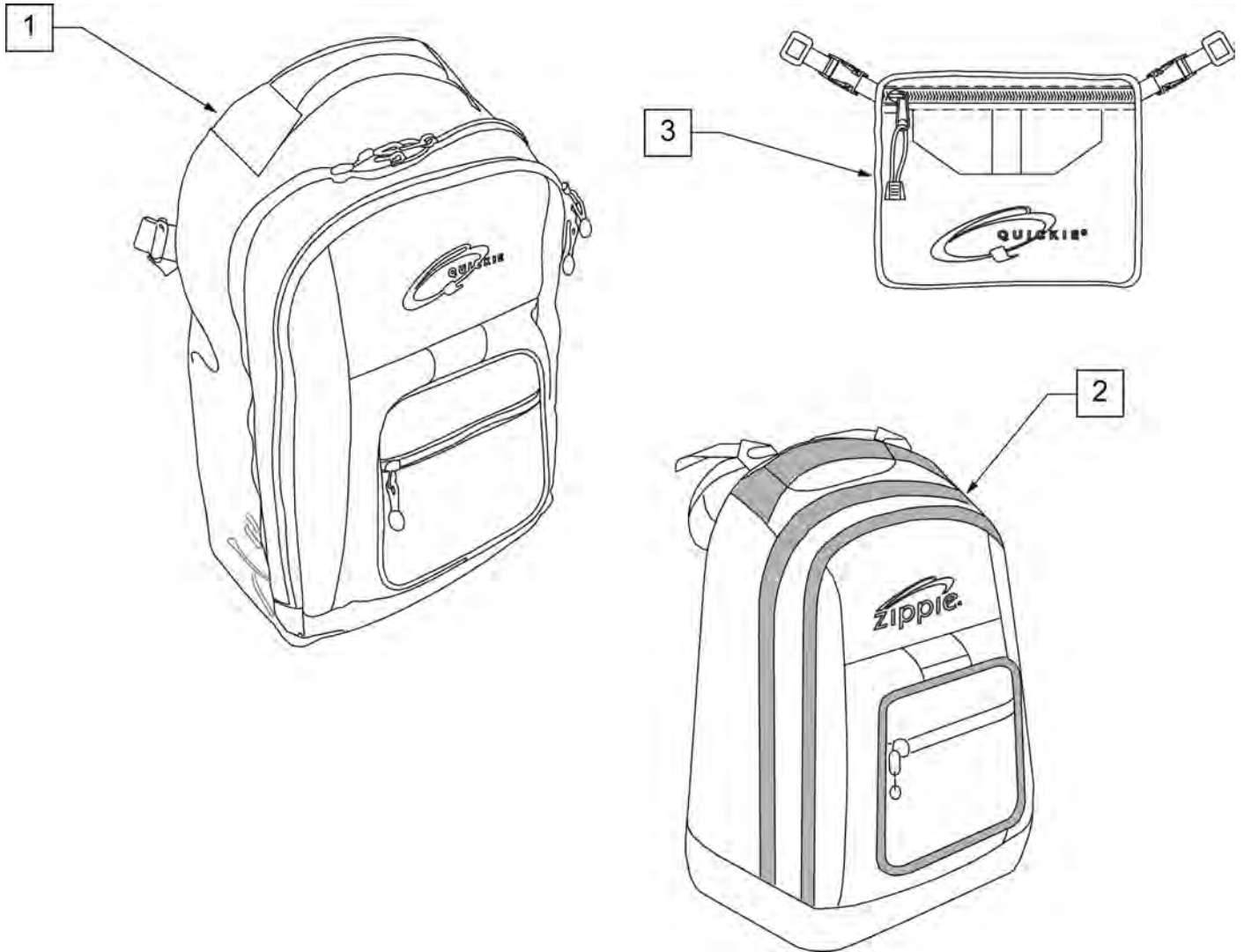
Pos.	Item Number	Description	Remarks
1,2,11	506369	UNIV ARMREST RECEIVER ASSM LV	LEFT
12	340144	BUSHING STEEL .257 ID x .346 LG SST	
13	561273	1/2 x 3/4 x .060 NYLON WASHER	
14	506140	BACKREST PIVOT ARMREST RECEIVER	
15	106935	NUT NYLOCK THIN 1/4 -28 ROHS	
1-10	506408	UNI DP ARM RCV ASSM RFH QTS/IR	RIGHT
1-10	506409	UNI DP ARM RCV ASSM LFH QTS/IR	LEFT
1-10	921392	FLIP-BACK ARMREST RECEIVER W/ HDWR FRONT QTS	PAIR
1,2,4,11-15	506410	UNI DP ARM RCVR ASSM RRV IRIS	RIGHT
1,2,4,11-15	506411	UNI DP ARM RCVR ASSM LRV IRIS	LEFT
1-16	920599	DUAL POST/DUAL POST HEIGHT ADJ ARM RECEIVER KIT	KIT

Note: available on Quickie Iris S/N Prefix CGT & prior to IRS-007726 & IRSE-008701.

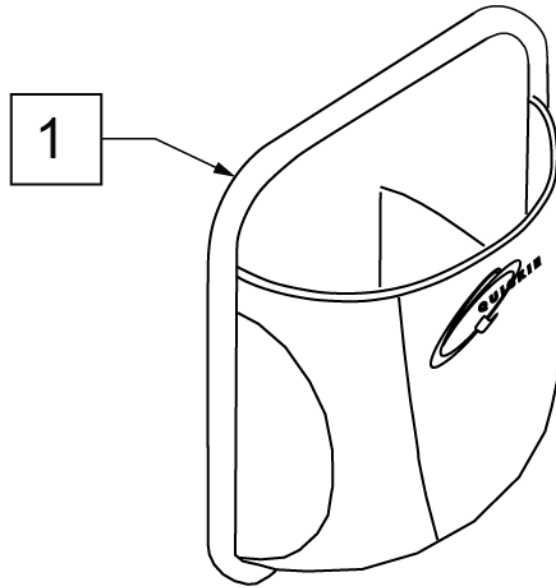


Pos.	Item Number	Description	Remarks
1	550485	HEIGHT ADJUSTABLE RECEIVER CHANNEL	
2	106943	WASHER FLAT AN 1/4 ROHS	
3	221096	1/4-28 x 5/8 HEX C/S	
4	561134	HEIGHT ADJUSTABLE RECEIVER LINER	
5	550484	HEIGHT ADJUSTABLE RECEIVER LOW	
6	550491	HEIGHT ADJUSTABLE RECEIVER CLAMP LOW	
7	221133	1/4-28 x 1 1/2 G8 HEX C/S	
8	550486	HEIGHT ADJUSTABLE RECEIVER SPACER	Used to space Armrest 1/8" from frame on each side
1-5	880231	HEIGHT ADJUSTABLE RECEIVER KIDS W/O CLAMP	
1-7	880241	HEIGHT ADJUSTABLE RECEIVER KIDS W/ CLAMP	
1-8	880249	HEIGHT ADJUSTABLE RECEIVER KIDS W/ CLAMP AND SPACER	

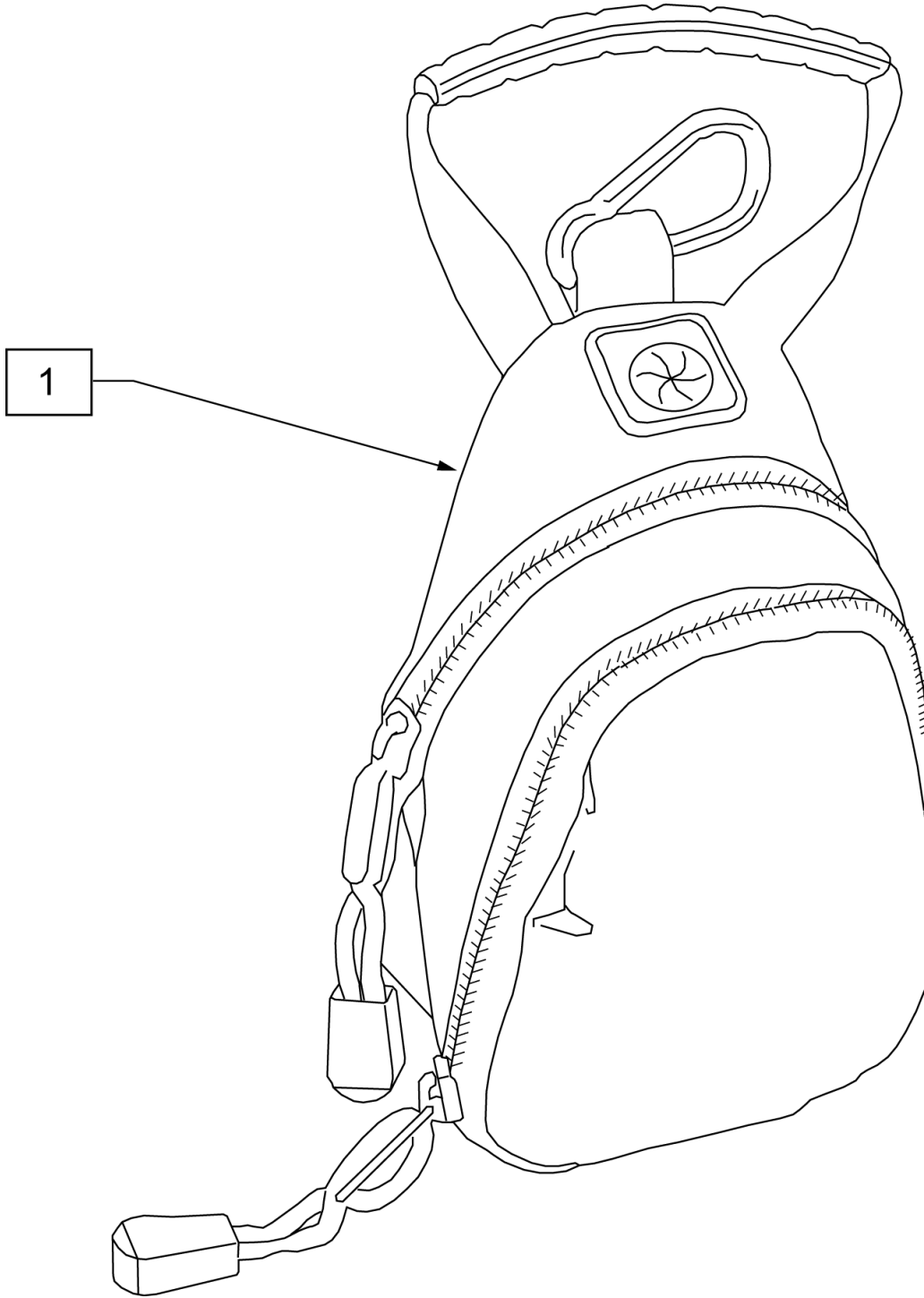
NOTE: KIDS BACKPACKS DO NOT HAVE ADJUSTABLE STRAPS W/ BUCKLES.



Pos.	Item Number	Description	Remarks
1	750115	BACK PACK QUICKIE	Overall dimensions:width 12.5", height 18.5", depth 6.5"
2	104572	BACKPACK ZIPPIE	Overall dimensions: width 12", height 16.5", depth 4.5"
3	750307	SEAT POUCH QUICKIE	Dimensions: width 8.5", height 6", depth top 2.5", depth bottom 3.5"

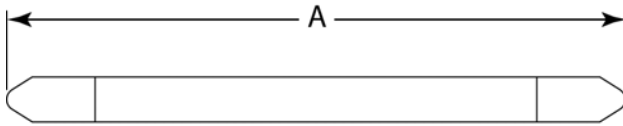


Pos.	Item Number	Description	Remarks
1	013475	QUICKIE SIDE POCKET	Size: 6.5"x 6.5"x 2"

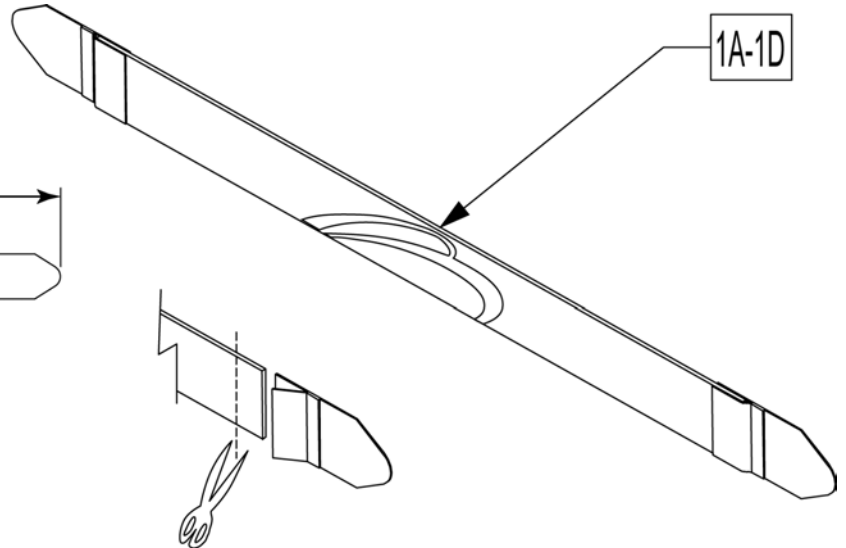


Pos.	Item Number	Description
1	109229	CELL PHONE PACK (ORANGE)

MEASURING GUIDE

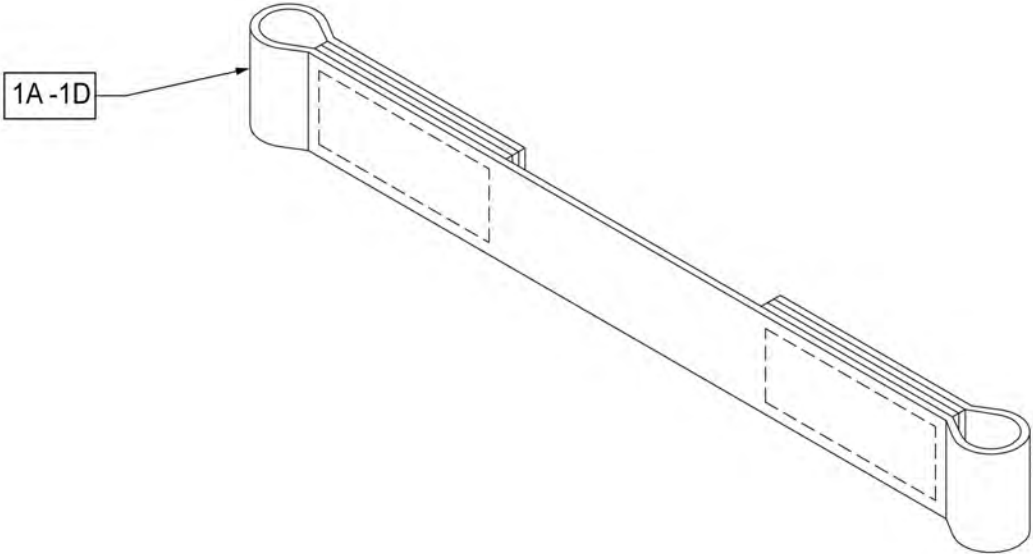


DESCRIPTION	DIM "A"
LEG STRAP 11"-12" BLK	27 1/2
LEG STRAP 13"-15" BLK	32 1/2
LEG STRAP 16"-18" BLK	39 1/2
LEG STRAP 19"-20" BLK	45 1/2



Leg Straps may be custom cut to a smaller size

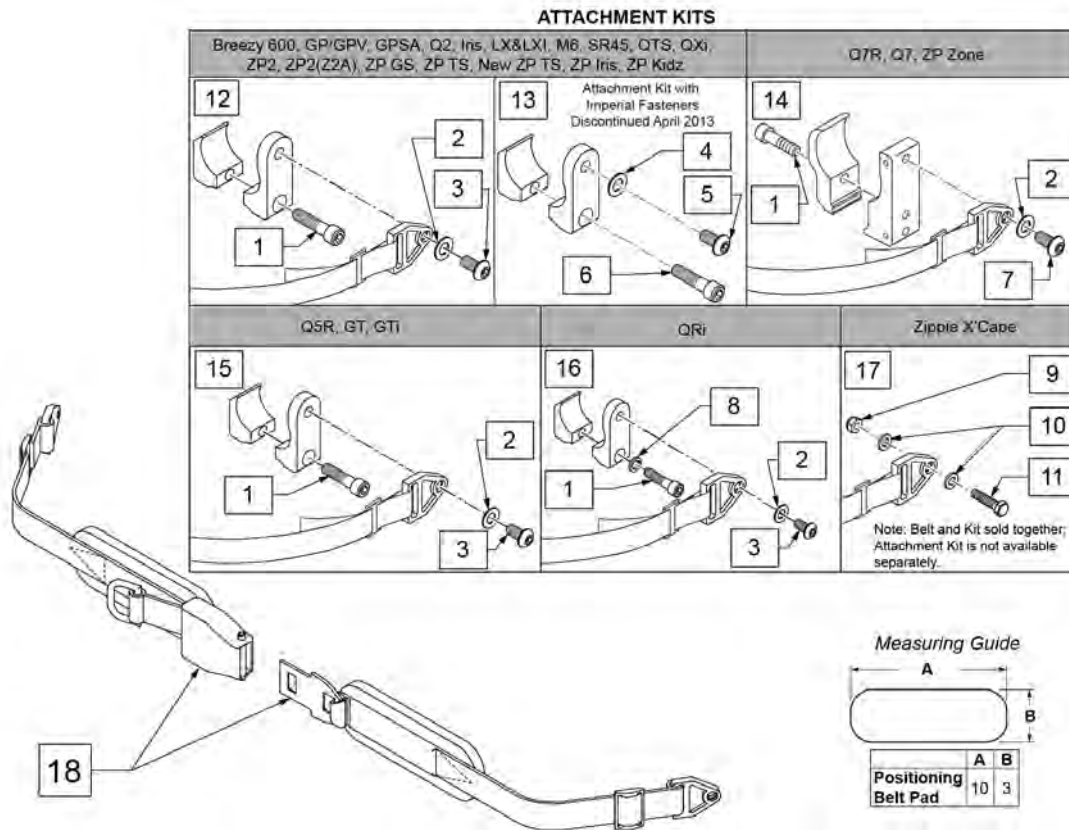
Pos.	Item Number	Description
1A	113255	LEG STRAP 11"-12" BLK
1B	113256	LEG STRAP 13"-15" BLK
1C	113257	LEG STRAP 16"-18" BLK
1D	113258	LEG STRAP 19"-20" BLK



Pos.	Item Number	Description
1A	109356	LEG STRAP SOFT FEEL Q 11 -12"
1B	109357	LEG STRAP SOFT FEEL Q 13 -15"
1C	109366	LEG STRAP SOFT FEEL Q 16 -18"
1D	111487	LEG STRAP SOFT FEEL Q 19 -20"

Note: some items listed may not be available with every chair model or in conjunction with another chair feature.

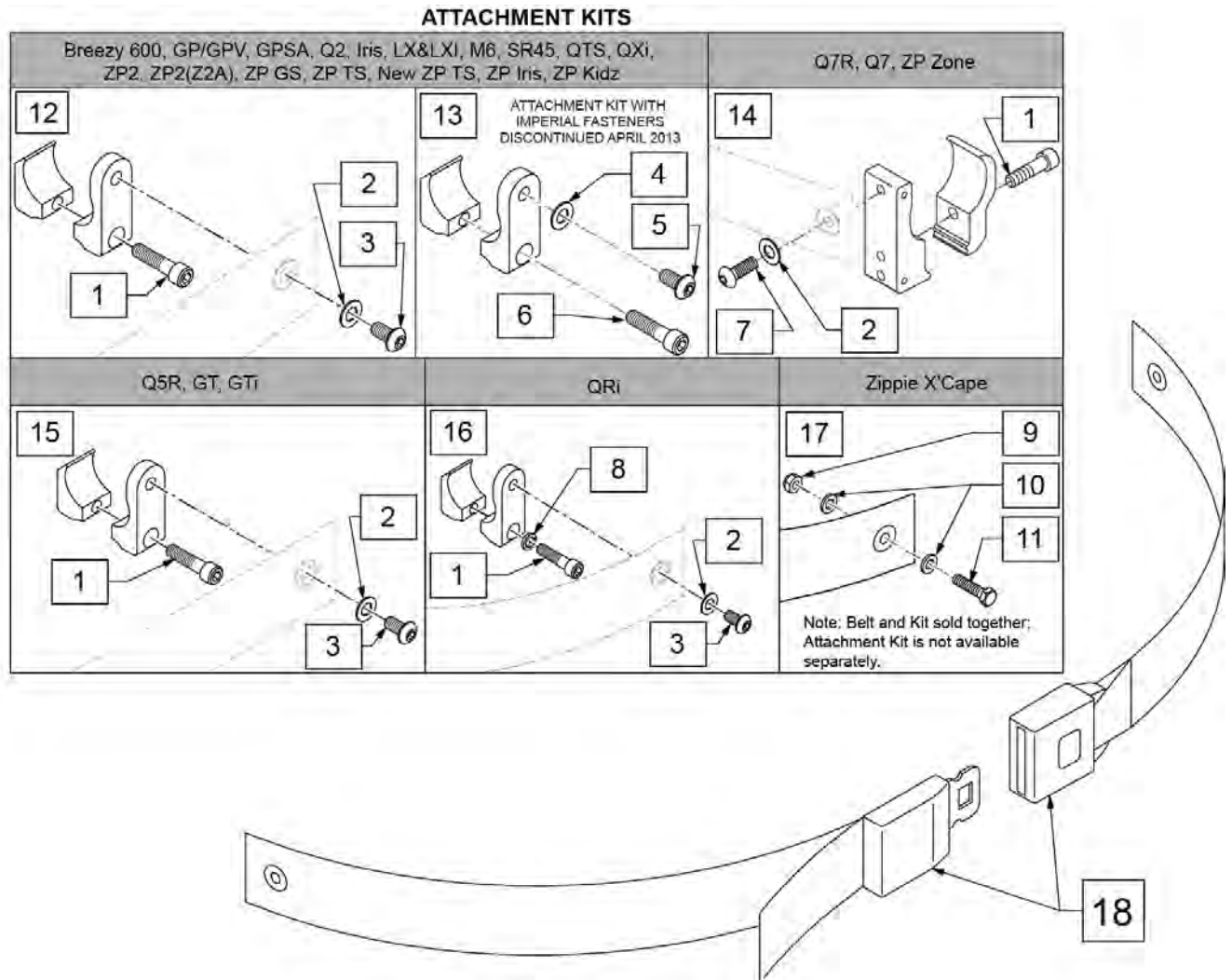
NOTE: when mounting Positioning Belts to the 5R, GT or GTI, it is recommended to attach the belt by using the Backrest Support Bracket Hardware.



Pos.	Item Number	Description	Remarks
1	102263-003	SHCS M6 X 1 X 25 W/PL INORG	Metric
2	250104	WASHER FLAT M6	Metric
3	103185-005	BHCS M6 X 1 X 12 FULL PL	Metric
4	106943	WASHER FLAT AN 1/4 ROHS	Imperial (standard)
5	226154	1/4-20 X 1/2 BH C/S W/PATCH	Imperial (standard)
6	221116	1/4-20 X 1 SOC HD BLK	Imperial (standard)
7	230113	BHCS M6 X 1 X 12	
8	050129-001	LOCKWASHER HIGH COLLAR M6	
9	104381	NUT HEX NYLOCK M6 X 1.0	
10	107383	WASHER FLAT M6	
11	102268-002	HHCS M6 X 1 X 35 BLK	
12	120750	PSTN BELT CLAMP ASSM PR	Metric; Pair
13	900116	POSITION BELT ATTACHMENT KIT	Set of 2; Imperial (standard)

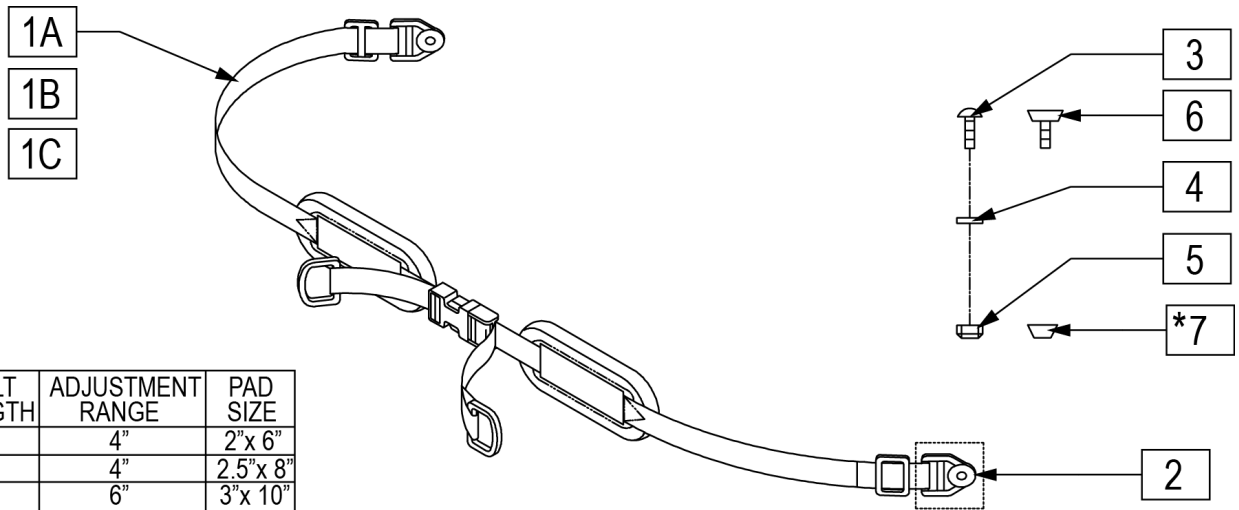
Pos.	Item Number	Description	Remarks
14	116268	OVAL CLAMP ASSM KIT	Kit contains 1 Clamp
15	159122	POSITIONING BELT CLAMPS PR	Pair
16	123534	POS BELT CLAMP KIT RPO	Set of 2
18	450418-QU	BELT 2" AIRCRAFT BUCKLE	Max length of belt 64"
18	450423-QU	BELT 2" AIRCRAFT BUCKLE W/PAD	Max length of belt 64"
18	450424	BELT 2" AIRCRAFT BKL LONG W/PAD	Max length of belt 72"
18	450425	BELT 2" AIRCRAFT BKL LONG	Max length of belt 72"
18	450419-QU	BELT 2" AIRCRAFT BKL W/QUAD LP	Max length of belt 64"
18	468419	BELT 2" AIRCRAFT BKL W/QD LPCZ	Max length of belt 64"
17,18	136464	AIRCRAFT HIP BELT 2" KIT	ZP Xcape: includes Belt & Attachment Kit
17,18	136465	AIRCRAFT HIP BELT 2" PAD KIT	ZP Xcape: includes Belt & Attachment Kit

NOTE: when mounting Positioning Belts to the 5R, GT or GTI, it is recommended to attach the belt by using the Backrest Support Bracket Hardware.



Pos.	Item Number	Description	Remarks
1	102263-003	SHCS M6 X 1 X 25 W/PL INORG	Metric
2	250104	WASHER FLAT M6	Metric
3	103185-005	BHCS M6 X 1 X 12 FULL PL	Metric
4	106943	WASHER FLAT AN 1/4 ROHS	Imperial (standard)
5	226154	1/4-20 X 1/2 BH C/S W/PATCH	Imperial (standard)
6	221116	1/4-20 X 1 SOC HD BLK	Imperial (standard)
7	230113	BHCS M6 X 1 X 12	
8	050129-001	LOCKWASHER HIGH COLLAR M6	
9	104381	NUT HEX NYLOCK M6 X 1.0	
10	107383	WASHER FLAT M6	
11	102268-002	HHCS M6 X 1 X 35 BLK	
12	120750	PSTN BELT CLAMP ASSM PR	Metric; Pair
13	900116	POSITION BELT ATTACHMENT KIT	Set of 2; Imperial (standard)
14	116268	OVAL CLAMP ASSM KIT	Kit contains 1 Clamp

Pos.	Item Number	Description	Remarks
15	159122	POSITIONING BELT CLAMPS PR	
16	123534	POS BELT CLAMP KIT RPO	Set of 2
18	750276	1 1/2" POSITION BELT	AUTOSTYLE-64" Max length of belt.
16,18	124269	AUTO POS BELT W/CLAMPS RPO	QRI: includes Belt & Attachment Kit
17,18	136463	AUTO HIP BELT 1.5" KIT	ZP Xcape: includes Belt & Attachment Kit



BELT WIDTH	BELT LENGTH	ADJUSTMENT RANGE	PAD SIZE
1"	52"	4"	2"x 6"
1.5"	54"	4"	2.5"x 8"
2"	56"	6"	3"x 10"

NOTE : ITEM 7 CHANNEL NUT IS USED WHEN ORDERING IN CONJUNCTION WITH CUSTOM CONVENTIONAL SEATING

Pos.	Item Number	Description
1A	450420-QU	BELT 1" DUAL ADJ. SQZ BKL PAD
1B	450421-QU	BELT 1.5" DUAL ADJ. SQZ BKL PAD
1C	450422-QU	BELT 2" DUAL ADJ. SQZ BKL PAD
2	451116-QU	PLASTIC WEBBING GROMMET
3	455036-QU	1/4-28 x 9/16 SPEC ROUND HD
4	106943	WASHER FLAT AN 1/4 ROHS
5	479020	CHAN.UNF NUT 1/4-28 W/SETSCRW
6	106935	NUT NYLOCK THIN 1/4-28 ROHS
7	481106-QU	1/4-28 CHANNELNUT
1A,2,4-6	476520	BELT 1" DUAL ADJ SQZ BKLPAD AC
1B,2,4-6	476521	BELT 1.5" DUAL ADJ SQZ BKLPAD AC
1C,2,4-6	476522	BELT 2" DUAL ADJ SQZ BKLPAD AC
1A-5	468420	BELT 1" DUAL ADJ.SQZ BKLPAD CZ
1B-5	468421	BELT 1.5" DUAL ADJ.SQZ BKLPAD CZ
1C-5	468422	BELT 2" DUAL ADJ.SQZ BKLPAD CZ

SPOKE GUARDS ZIPPIE

[04/20/2018]

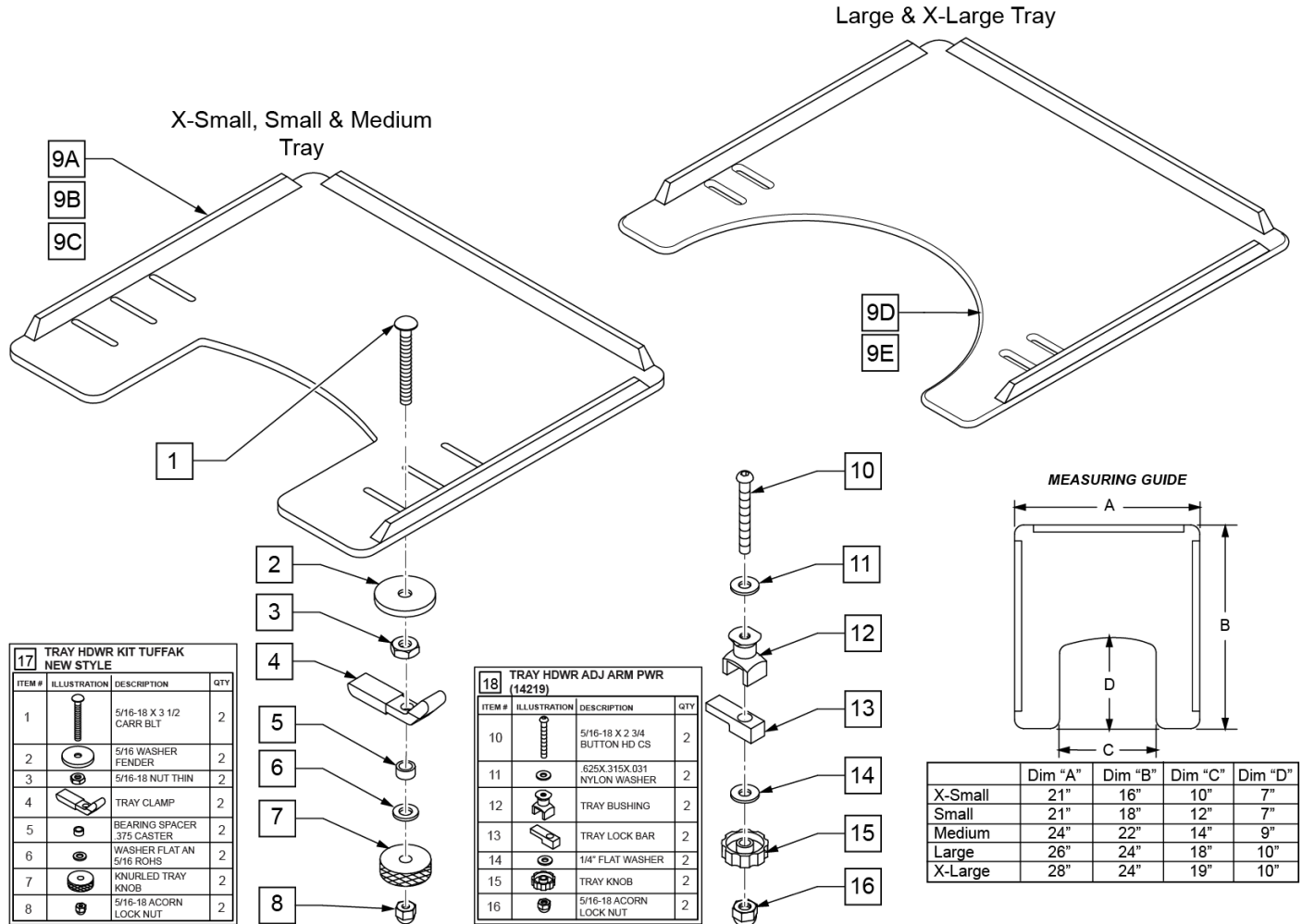
	1A	902001	SPK GRDS 20" QUICKIE BLK		7A	SPOKE GUARD 22IN CHROME WHEELS
	1B	902011	SPK GRDS 22" QUICKIE BLK		7B	SPOKE GUARD 24IN CHROME WHEELS
	1C	902021	SPK GRD 24" QUICKIE SCR MT BLK			
	1D	902025	SPK GRD 24" QUICKIE TAB MT BLK			
	2A	112644-001	SPOKE GUARD ZIPPIE 20"		8A	SPOKE GUARD 22IN PRINCESS
	2B	112644-002	SPOKE GUARD ZIPPIE 22"		8B	SPOKE GUARD 24IN PRINCESS
	2A	112644-003	SPOKE GUARDZIPPIE 24" MAG			
	2B	112644-004	SPOKE GUARD ZIPPIE 24" SPOKE			
	3A		SPOKE GUARD 22IN BASKETBALL		9A	SPOKE GUARD 22IN HAPPY LION
	3B		SPOKE GUARD 24IN BASKETBAL		9B	SPOKE GUARD 24IN HAPPY LION
	4A		SPOKE GUARD 22IN GRAFFITI		10A	SPOKE GUARD 22IN GALACTICA
	4B		SPOKE GUARD 24IN GRAFFITI		10B	SPOKE GUARD 24IN GALACTICA
	5A		SPOKE GUARD 22IN SUPERHERO		11A	SPOKE GUARD 22IN CHEESE
	5B		SPOKE GUARD 24IN SUPERHERO		11B	SPOKE GUARD 24IN CHEESE
	6A		SPOKE GUARD 22IN HOT WHEELS		12A	SPOKE GUARD 22IN ZEBRA
	6B		SPOKE GUARD 24IN HOT WHEELS		12B	SPOKE GUARD 24IN ZEBRA

Pos.	Item Number	Description	Remarks
>>>>		BLACK SPOKE GUARDS	
1A	902001	SPK GRDS 20" QUICKIE BLK	Pair-BLACK-FITS 20" WHEELS
1A	902011	SPK GRDS 22" QUICKIE BLK	Pair-BLACK-FITS 22" WHEELS
1A	902021	SPK GRD 24" QUICKIE SCR MT BLK	Pair-BLACK-FITS 24" (540) MAG & SPOKE WHEELS
1A	902025	SPK GRD 24" QUICKIE TAB MT BLK	Pair-BLACK-FITS 25" (559) SPOKE WHEELS
>>>>		CLEAR SPOKE GUARDS	
1B	112644-001	SPOKE GUARD ZIPPIE 20"	Pair-CLEAR-FITS 20" WHEELS
1B	112644-002	SPOKE GUARD ZIPPIE 22"	Pair-CLEAR-FITS 22" WHEELS
1B	112644-003	SPOKE GUARDZIPPIE 24" MAG	Pair-CLEAR-FITS 24" (540) MAG WHEELS
1B	112644-004	SPOKE GUARD ZIPPIE 24" SPOKE	Pair-CLEAR-FITS 24" (540) SPOKE WHEELS
3A	129250	SPOKE GUARD 22IN BASKETBALL 2	Each
3B	129251	SPOKE GUARD 24IN BASKETBALL 2	Each
4A	129252	SPOKE GUARD 22IN GRAFFITI	Each
4B	129253	SPOKE GUARD 24IN GRAFFITI	Each
5A	129254	SPOKE GUARD 22IN SUPERHERO	Each
5B	129255	SPOKE GUARD 24IN SUPERHERO	Each
6A	129256	SPOKE GUARDS 22IN HOT WHEELS	Each
6B	129257	SPOKE GUARDS 24IN HOT WHEELS	Each

Pos.	Item Number	Description	Remarks
7A	129258	SPOKE GUARDS 22IN CHROME WHEELS	Each
7B	129259	SPOKE GUARDS 24IN CHROME WHEELS	Each
8A	129328	SPOKE GUARD 22IN PRINCESS	Each
8B	129329	SPOKE GUARD 24IN PRINCESS	Each
9A	129330	SPOKE GUARD 22IN HAPPY LION	Each
9B	129331	SPOKE GUARD 24IN HAPPY LION	Each
10A	129332	SPOKE GUARD 22IN GALACTICA	Each
10B	129333	SPOKE GUARD 24IN GALACTICA	Each
11A	129334	SPOKE GUARD 22IN CHEESE	Each
11B	129335	SPOKE GUARD 24IN CHEESE	Each
12A	129336	SPOKE GUARD 22IN ZEBRA	Each
12B	129337	SPOKE GUARD 24IN ZEBRA	Each

Note: when adding a Tray to an existing chair with Desk or Full Length Arm Pads, add 1" to current seat width to achieve the best tray size.

Note: Large and X-Large Trays have a round cut-out.

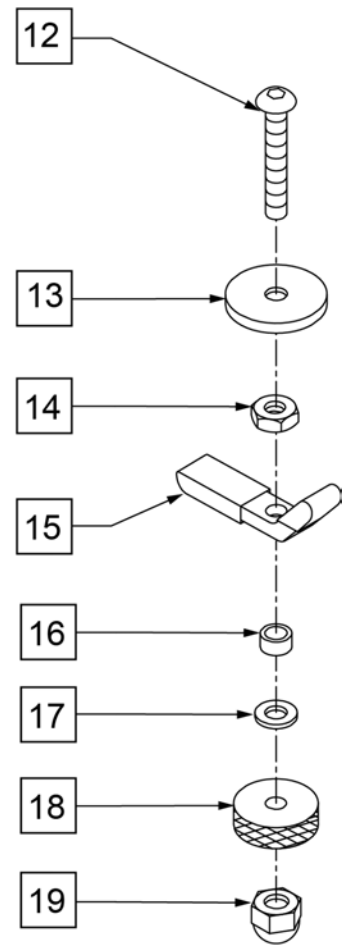
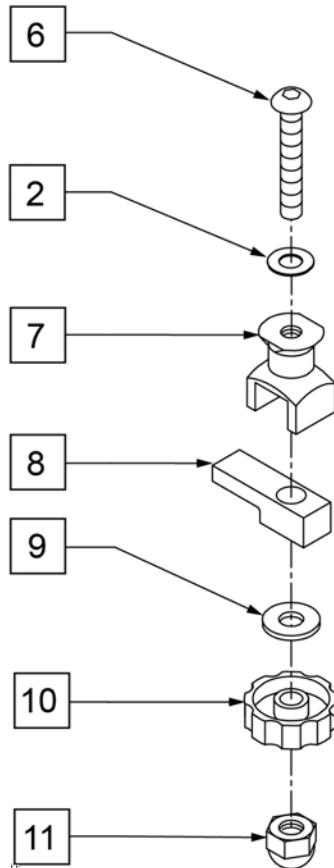
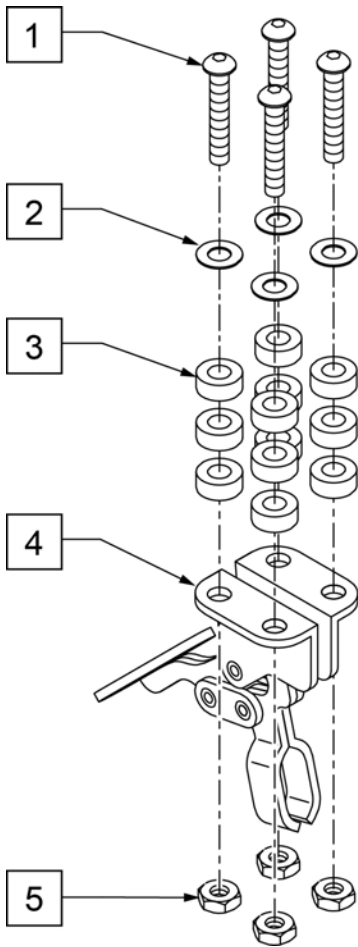


Pos.	Item Number	Description	Remarks
1	226199	5/16-18 x 3 1/2 CARR BOLT	
2	263112	5/16 WASHER FENDER	
3	202110	5/16-18 NUT THIN	
4	550400	TRAY CLAMP	
5	481113	SPACER 5/16 X .380	
6	263100	5/16 AN WASHER FLAT	
7	483026	KNURLED TRAY KNOB	
8	202114	5/16-18 ACORN LOCK NUT	
9A	562619	TRAY TOP EX-SM W/RAIL	
9B	562620	TRAY TOP SM W/RAIL	
9C	562621	TRAY TOP MED W/RAIL	
9D	562622	TRAY TOP LRG W/RAIL	

Pos.	Item Number	Description	Remarks
9E	562623	TRAY TOP X-LRG W/RAIL	
17	881051	TRAY HARDWARE KIT TUFFAK NEW STYLE	Pair
18	881053	TRAY HARDWARE ADJ ARM PWR (14219)	Pair
1-8,9A	902306	TRAY ASSEMBLY EX-SM TUFFAK (10 -12")	Fits 10"-12" wide chairs
1-8,9B	902303	TRAY ASSEMBLY SM TUFFAK (13 -14")	Fits 13"-14" wide chairs
1-8,9C	902304	TRAY ASSEMBLY MED TUFFAK (15 -17")	Fits 15"-17" wide chairs
1-8,9D	902305	TRAY ASSEMBLY LRG TUFFAK (18 -20")	Fits 18"-20" wide chairs
1-8,9E	902309	TRAY ASSEMBLY X-LRG TUFFAK (21 -22")	Fits 21"-22" wide chairs
9A,10-16	902330	TRAY ASSM X-SM TFK 10-12/CAM	Fits 10"-12" wide chairs
9B,10-16	902331	TRAY ASSM SM TUFFAK 13-14/CAM	Fits 13"-14" wide chairs
9C,10-16	902332	TRAY ASSM MED TUFFAK 15-17/CAM	Fits 15"-17" wide chairs
9D,10-16	902333	TRAY ASSM LRG TUFFAK 18-20/CAM	Fits 18"-20" wide chairs

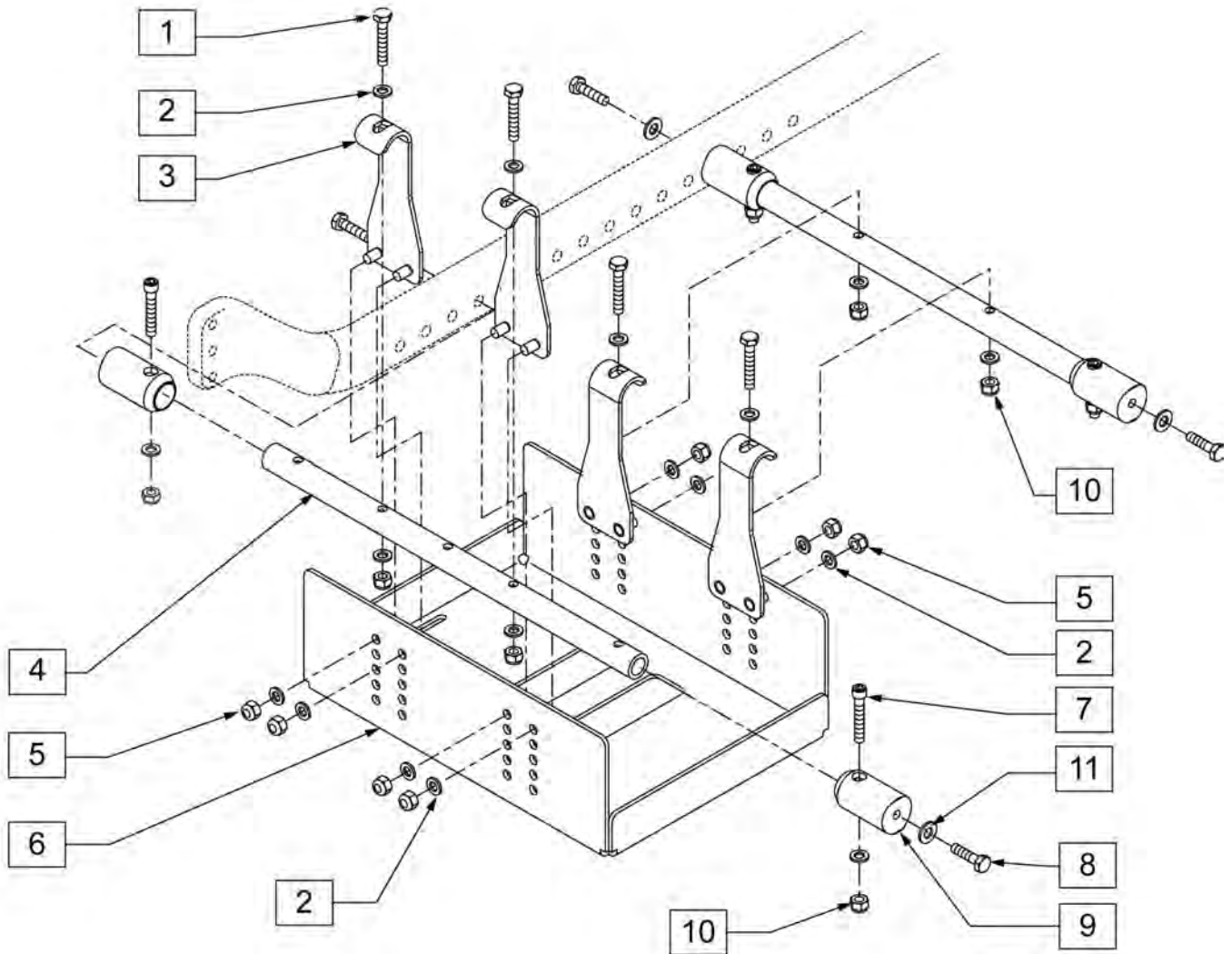
TRAY HARDWARE

(03/25/2019)

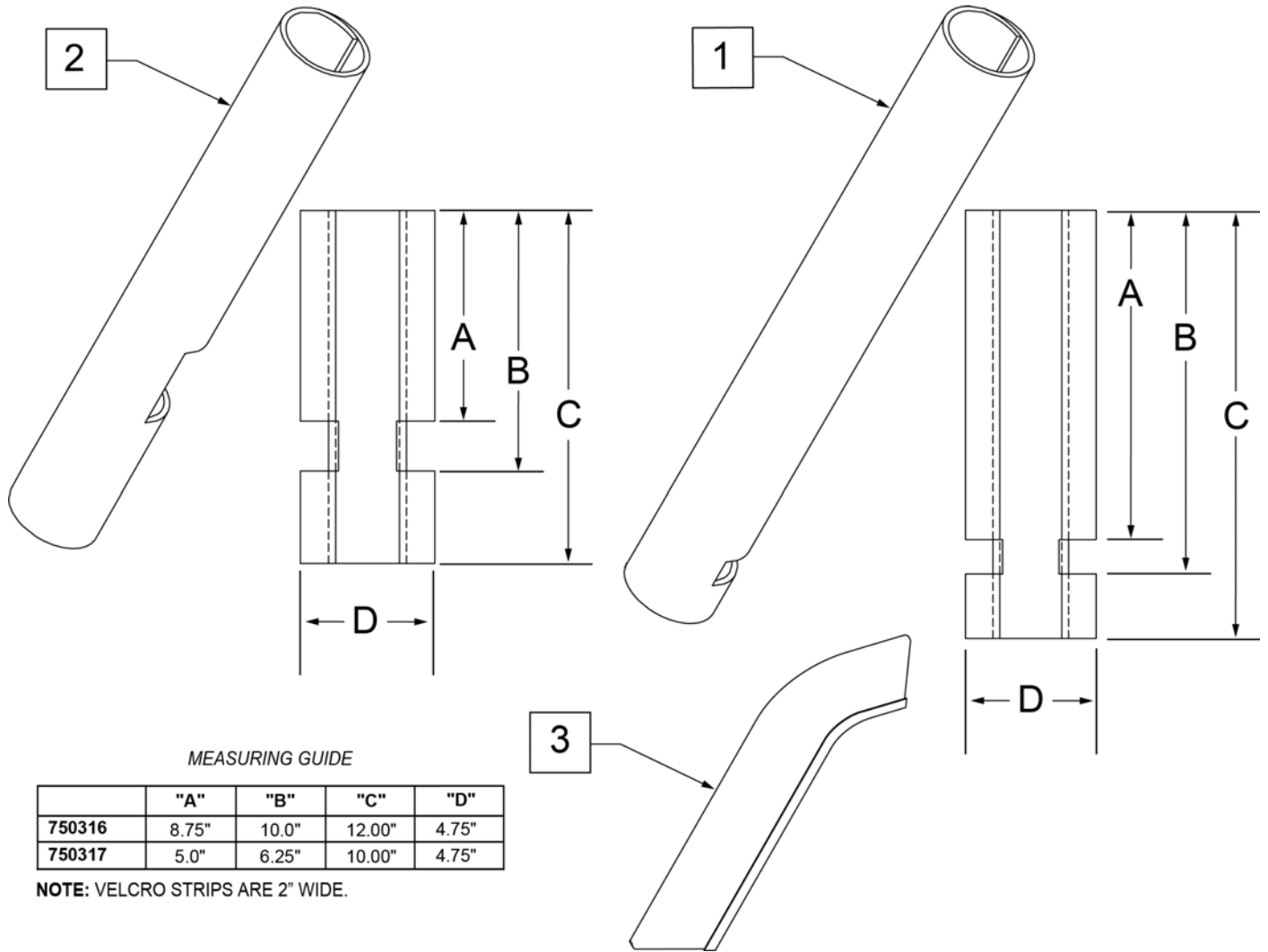


Pos.	Item Number	Description	Remarks
1	2249	5/16-18 x 1 1/2 BH C/S BLK	
2	2709	.625 x .135 x .031 NYLON WASHER	
3	2710	.609 x .250 x .250 NYLON SPACER	
5	202110	5/16-18" NUT THIN	
6	2021	5/16-18" x 2 3/4" BUTTON HD C/S	
7	14240	TRAY BUSHING	
8	14230	TRAY LOCK BAR	
9	2705	1/4" FLAT WASHER	
10	14220	TRAY KNOB	
11	202114	5/16-18" ACORN LOCK NUT	
12	226199	5/16-18" x 3 1/2" CARR BOLT	
13	263112	5/16 WASHER FENDER	
14	202110	5/16-18" NUT THIN	
15	550400	TRAY CLAMP	
16	481013	BEARING SPACER	
17	263100	5/16" AN WASHER FLAT	
18	483026	KNURLED TRAY KNOB	
19	202114	5/16-18" ACORN LOCK NUT	
1-5	4099	TOGGLE CLAMP - HIDEAWAY	
2,6-11	881053	TRAY HARDWARE ADJ ARM PWR (14219)	
12-19	881051	TRAY HDWR KIT TUFFAK NEW STYLE (9QH)	Pair

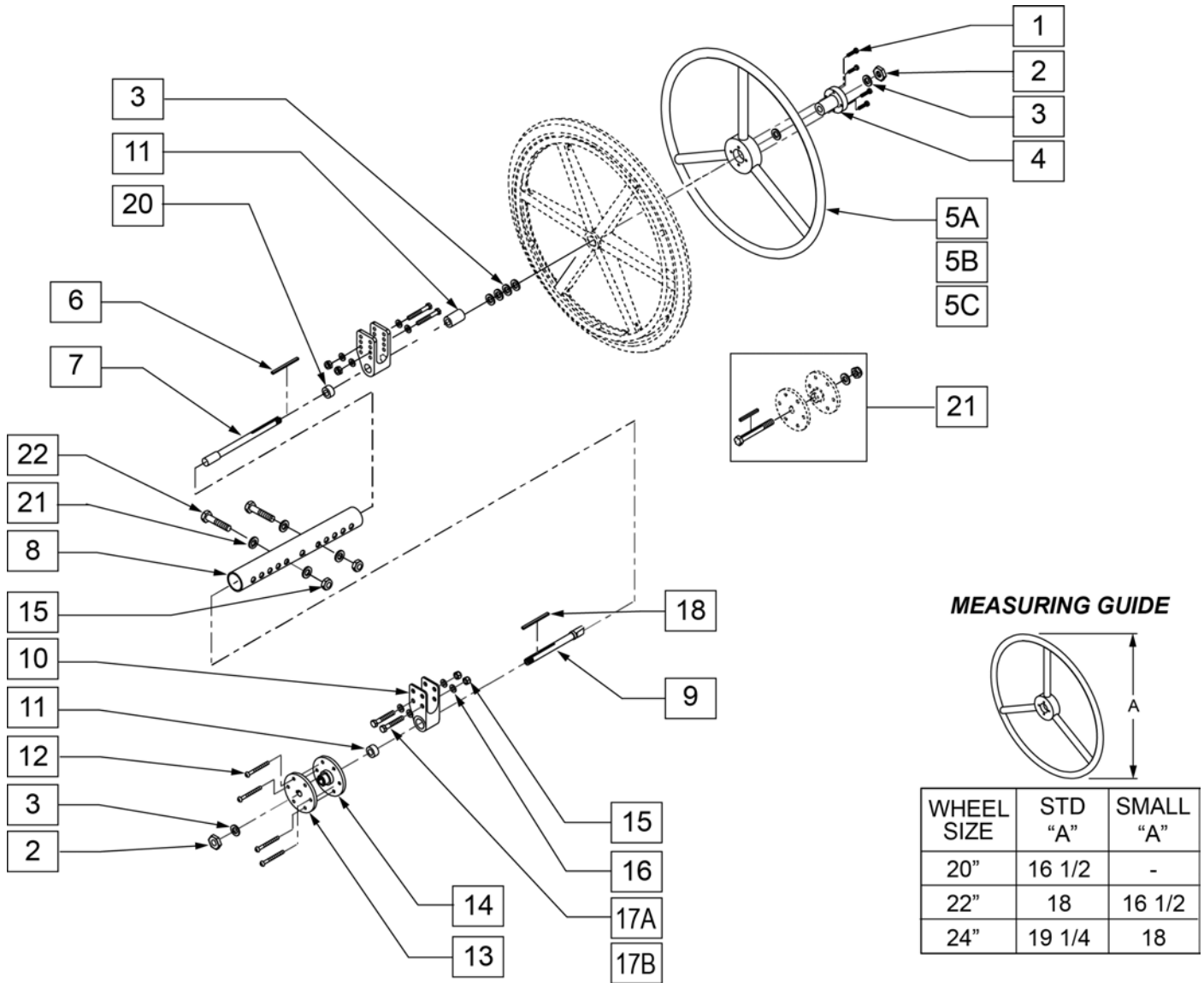
BATTERY TRAY



Pos.	Item Number	Description	Pos.	Item Number	Description
1	106971	HHCS 1/4-28 X 1-3/8 ROHS	11	106951	WASHER SPLIT LOCK 5/16 ROHS
2	106943	WASHER FLAT AN 1/4 ROHS	1-11	040050-001	BATTERY TRAY ASSM ZIPPIE IRIS 12W
3	050538	HOOK BATTERY TRAY U1	1-11	040050-002	BATTERY TRAY ASSM ZIPPIE IRIS 13W
4	522919	TUBE STRUT V-B TRAY 12W	1-11	040050-003	BATTERY TRAY ASSM ZIPPIE IRIS 14W
4	522920	TUBE STRUT V-B TRAY 13W	1-11	040050-004	BATTERY TRAY ASSM ZIPPIE IRIS 15W
4	522921	TUBE STRUT V-B TRAY 14W	1-11	040050-005	BATTERY TRAY ASSM ZIPPIE IRIS 16W
4	522922	TUBE STRUT V-B TRAY 15W	1-11	040050-006	BATTERY TRAY ASSM ZIPPIE IRIS 17W
4	522923	TUBE STRUT V-B TRAY 16W	1-11	040050-007	BATTERY TRAY ASSM ZIPPIE IRIS 18W
4	522924	TUBE STRUT V-B TRAY 17W	2,4,7-11	118126	12W STRUT ASSEMBLY
4	522925	TUBE STRUT V-B TRAY 18W	2,4,7-11	118127	13W STRUT ASSEMBLY
5	106933	NUT NYLOCK THIN 1/4-20 ROHS	2,4,7-11	118128	14W STRUT ASSEMBLY
6	050539	BATTERY TRAY U1	2,4,7-11	118129	15W STRUT ASSEMBLY
7	106975	SHCS 1/4-28 X 1-1/4 ROHS	2,4,7-11	118130	16W STRUT ASSEMBLY
8	106986	HHCS 5/16 -24" x 2 1/4 ROHS	2,4,7-11	118131	17W STRUT ASSEMBLY
9	050540	MOUNT STRUT BATTERY TRAY U1	2,4,7-11	118132	18W STRUT ASSEMBLY
10	106935	NUT NYLOCK THIN 1/4-28 ROHS			

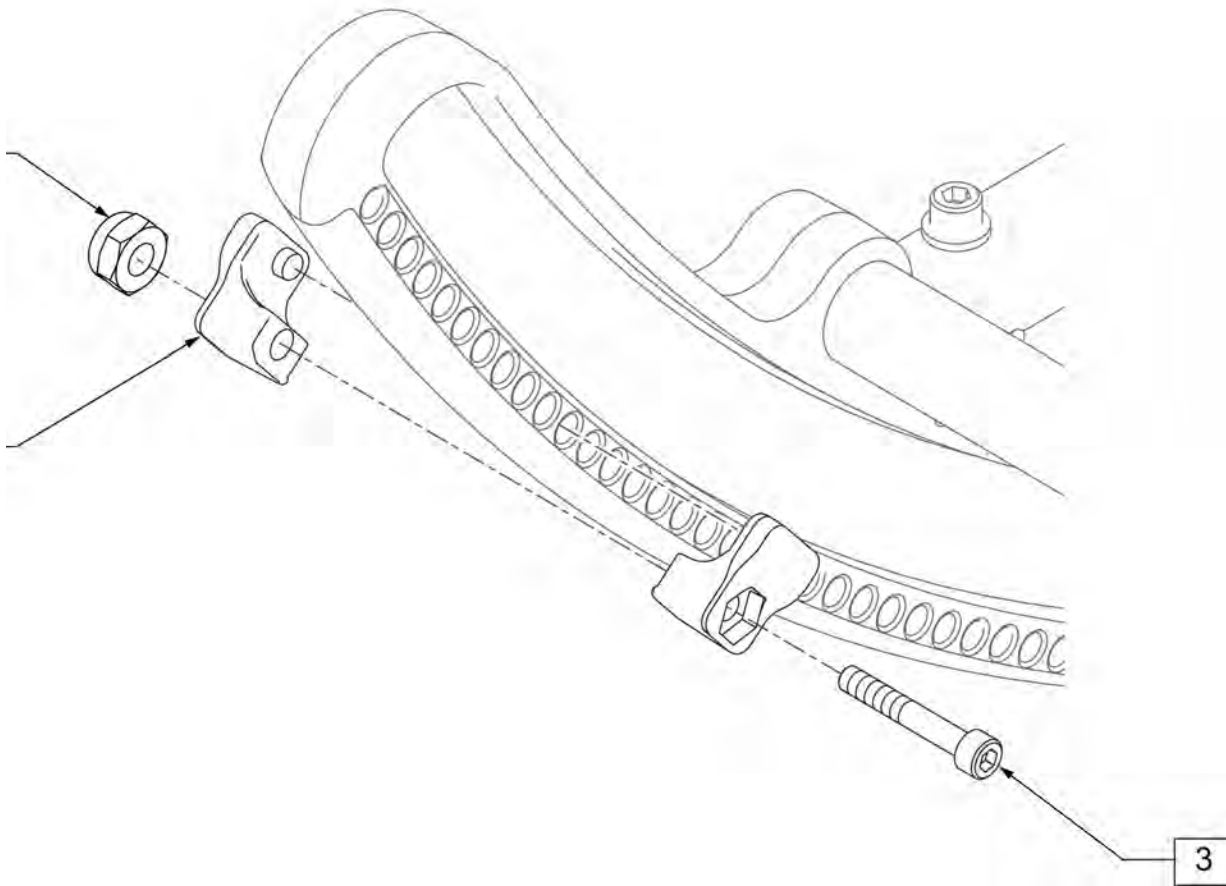


Pos.	Item Number	Description	Remarks
1	750316	IMPACT GUARDS NEOPRENE FIXED (PR)	PAIR-Fixed Front Frame
2	750317	IMPACT GUARDS NEOPRENE S/A	PAIR-S/A Footrest & Q7
3	109231	GEL VELCRO PAD HANGER/FRAME	PAIR- fits S/A & Fixed Front Frame
4	108315	GEL PAD SA ARM	Single, fits Padded SA Armrest

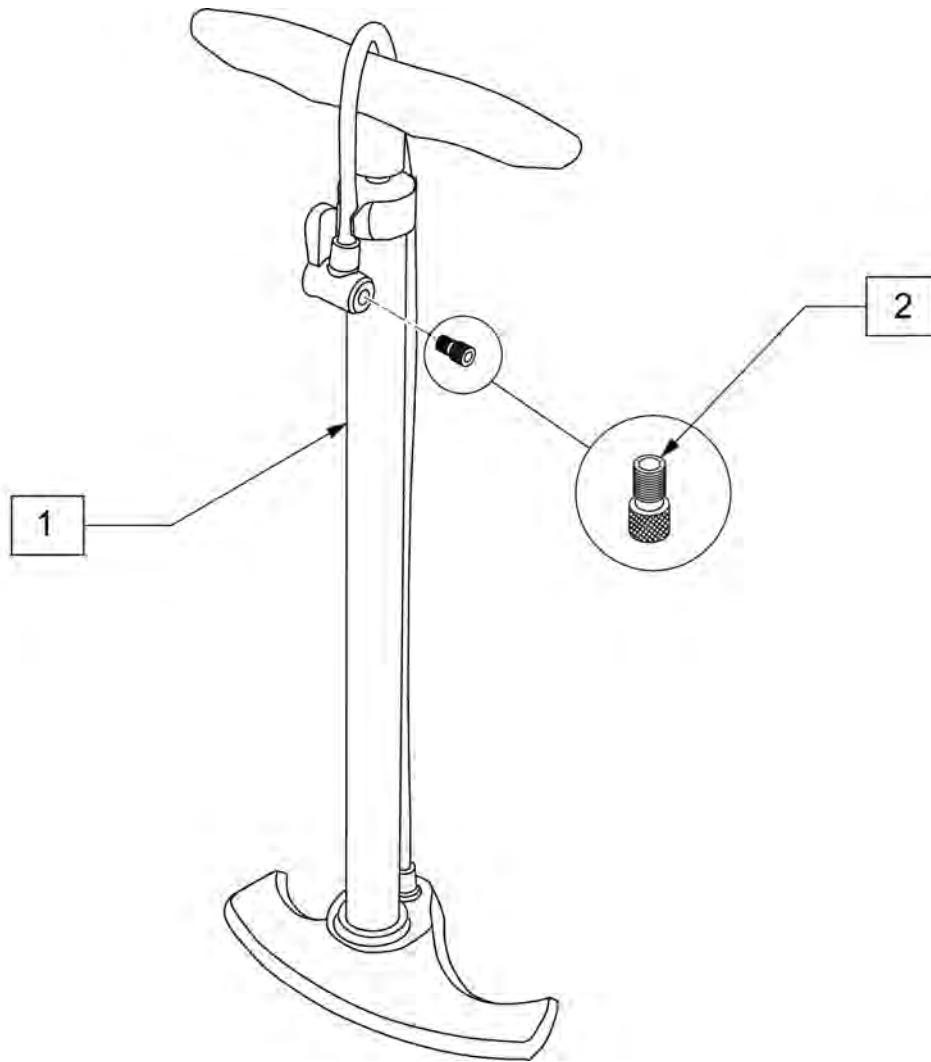


Pos.	Item Number	Description	Remarks
1	226015	10-32 x 3/4 SOC C/S BLK	
2	106940	1/2 -20 NYLOCK NUT	
3	106949	1/2" AN WASHER FLAT	
4	106691	HAND RING HUB	
5A	529801	1 AD HR ONLY 20 STANDARD/ 22 SMALL	
5B	529800	1 AD HR ONLY 22 STANDARD/ 24 SMALL	
5C	529802	1 AD HR ONLY 24 STANDARD	
6	341274	3/16 SQ x 1 1/2 KEY STL	
7	050534-001	1 AD HR ONLY 20" STANDARD/22" SMALL	
8	050510-001	TUBE STRUT 10 -14"	
8	050510-002	TUBE STRUT 12 -16"	
8	050510-003	TUBE STRUT 14 -18"	
9	050534-002	SHAFT DRIVE WHEEL 1 AD	
11	483320	WHEEL SPACER CGTS	
12	226166	1/4 -28 x 2 1/2 BH C/S BLK	
13	500630	1 AD WHEEL HUB W/O TAP	

Pos.	Item Number	Description	Remarks
14	500631	WHEEL HUB 1 ARM DRIVE W/ TAP	
15	106935	NUT NYLOCK THIN 1/4 -28 ROHS	
16	106944	1/4" AN WASHER FLAT THIN	
17A	106973	1/4 -28 x 2 GB HEX C/S	
17B	221181	1/4 -28 x 2 1/2 GB HEX C/S	
18	341277	3/16 SQ x 2-3/8 KEY	
19	330015	1 AD ALIGNMENT TOOL ASSM	
20	349500	1 1/8 x 1/2 BEARING	
21	106943	1/4" AN WASHER FLAT	
22	221124-QU	1/4 -28 x 1 1/4 GB HEX C/S	
10,20	040048	1 AD AXLE BLOCK W/ BEARINGS ZIPPPIE IRIS	
1 -22	040045-004	1AD 10-14 20STD/22SM HR	Smalll Handrim
1 -22	040045-005	1AD 12-16 20STD/22SM HR	Smalll Handrim
1 -22	040045-006	1AD 14-18 20STD/22SM HR	Smalll Handrim
1-4, 5B,6-22	040046-004	1AD 10-14 22STD/24SM HR	Smalll Handrim
1-4, 5B,6-22	040046-005	1AD 12-16 22STD/24SM HR	Smalll Handrim
1-4, 5B,6-22	040046-006	1AD 14-18 22STD/24SM HR	Smalll Handrim
1-4, 5C,6-22	040047-004	1AD 10-14 24 STD HR	Standard Handrim
1-4, 5C,6-22	040047-005	1AD 12-16 24 STD HR	Standard Handrim
1-4, 5C,6-22	040047-006	1AD 14-18 24 STD HR	Standard Handrim
1-17B,18-22	040045-001	1AD 10-14 20STD/22SM HR AT	Smalll Handrim
1-17B,18-22	040045-002	1AD 12-16 20STD/22SM HR AT	Smalll Handrim
1-17B,18-22	040045-003	1AD 14-18 20STD/22SM HR AT	Smalll Handrim
1-4,5B,6-17B,18-22	040046-001	1AD 10-14 22STD/24SM HR AT	Smalll Handrim
1-4,5B,6-17B,18-22	040046-002	1AD 12-16 22STD/24SM HR AT	Smalll Handrim
1-4,5B,6-17B,18-22	040046-003	1AD 14-18 22STD/24SM HR AT	Smalll Handrim
1-4,5C,6-17B,18-22	040047-001	1AD 10-14 24 STD HR AT	Standard Handrim
1-4,5C,6-17B,18-22	040047-002	1AD 12-16 24 STD HR AT	Standard Handrim
1-4,5C,6-17B,18-22	040047-003	1AD 14-18 24 STD HR AT	Standard Handrim



Pos.	Item Number	Description
1	200101-QU	10-32 NYLOCK NUT THIN
2	050527	TILT STOP ROCKER .188
3	226031	10-31 x 1 1/4 SOC CS BLK
1-3	040049	TILT STOP W/ HDWR ZIPPIE IRIS



Pos.	Item Number	Description
1	389050	TIRE PUMP
2	381230	VALVE ADAPTER PRESTA

