



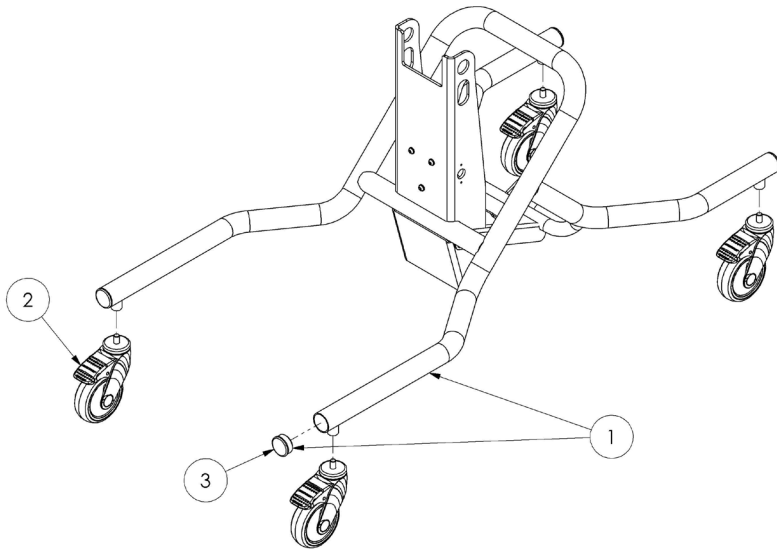
Horizon

Spare Parts Catalogue



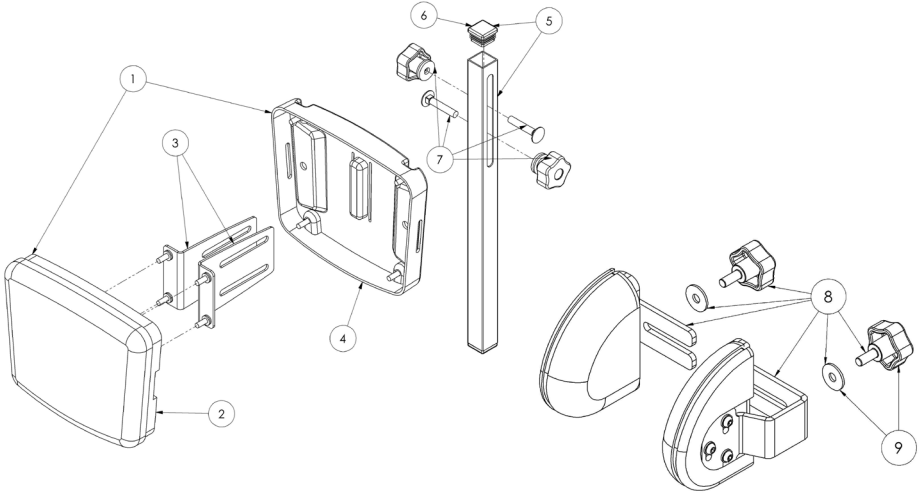
Supporting
Children

Horizon Spare Parts - Main Frame Assembly



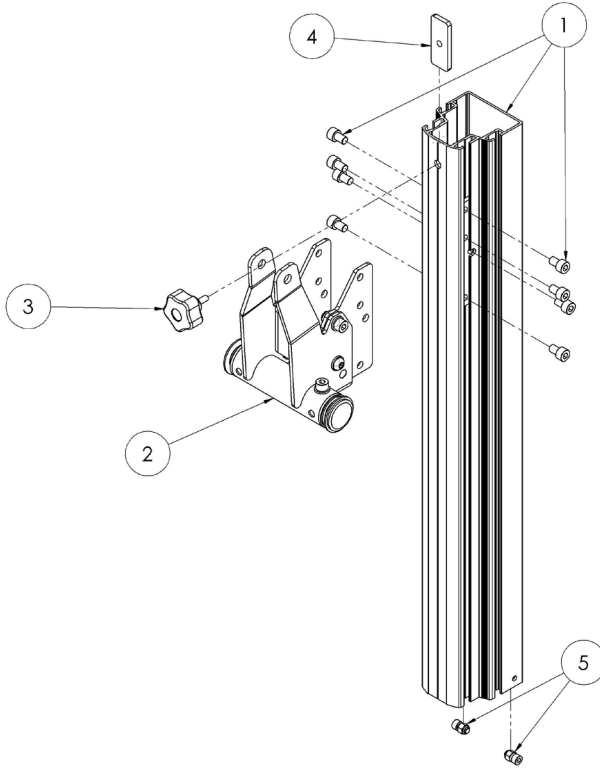
Pos.	Leckey Sales Code	Description	Min. Order Qty	Compatible with		
				Size 1	Size 2	Size 3
0	101-1635	Main Frame - Complete [Size 1]	1	●		
0	101-3635	Main Frame - Complete [Size 2/3]	1		●	●
1	101-1956	Chassis	1	●		
1	101-2956	Chassis	1		●	●
2	IA13	Tente Castor (4") [Single]	1	●		
2	IA31	Tente Castor (5") [Single]	1		●	●
3	SF56	1-1/2" Ribbed Tube Inserts [4 Pack]	1	●	●	●

Horizon Spare Parts - Head Support Assembly



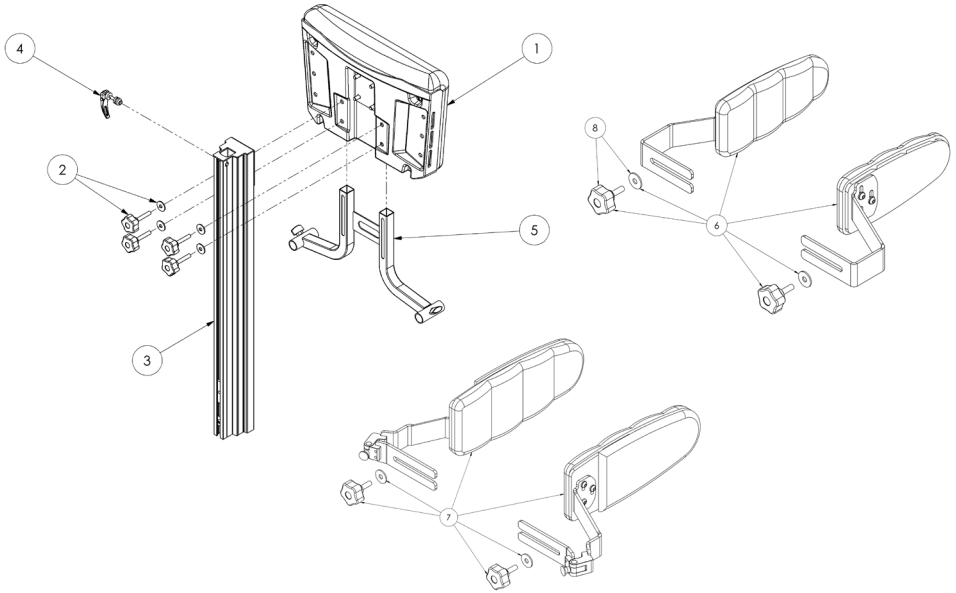
Pos.	Lecley Sales Code	Description	Min. Order Qty	Colour Options				Compatible with		
				Blue	Green	Grey	Pink	Size 1	Size 2	Size 3
[Replace XX with colour]										
0	LHZ/1/169-XX	Head Support Complete (Size 1)	1	-BB	-GB	-GRB	-PB	●	●	●
0	LHZ/2/169-XX	Head Support Complete (Size 2)	1	-BB	-GB	-GRB	-PB	●	●	●
0	LHZ/3/169-XX	Head Support Complete (Size 3)	1	-BB	-GB	-GRB	-PB	●	●	●
1	101-1957-XX	Supine Head Support Pad (Size 1)	1	-BB	-GB	-GRB	-PB	●		●
1	101-2957-XX	Supine Head Support Pad (Size 2/3)	1	-BB	-GB	-GRB	-PB		●	●
2	101-1654-XX	Head Support (Size 1)	1	-BB	-GB	-GRB	-PB	●		
2	101-2654-XX	Head Support (Size 2/3)	1	-BB	-GB	-GRB	-PB		●	●
3	101-1958	Head Support Standard Bracket [Pair]	1					●	●	●
3	101-1959	Head Support Bracket Extension 4" [Pair]	1					●	●	●
4	101-1100	Head Support Cladding (Size 1)	1					●		
4	101-2100	Head Support Cladding (Size 2/3)	1						●	●
5	101-1960	Head Support and Tube Insert	1					●	●	●
6	SF61	1" x 1" Sq Ribbed Insert [Single]	2					●	●	●
7	101-1961	Head Support Attachment Kit	1					●	●	●
8	101-1912-XX	Head Support Laterals [Pair]	1	-BB	-GB	-GRB	-PB	●	●	●
9	101-1962	Head Support Laterals Fittings	1					●	●	

Horizon Spare Parts - Outer Spine Assembly



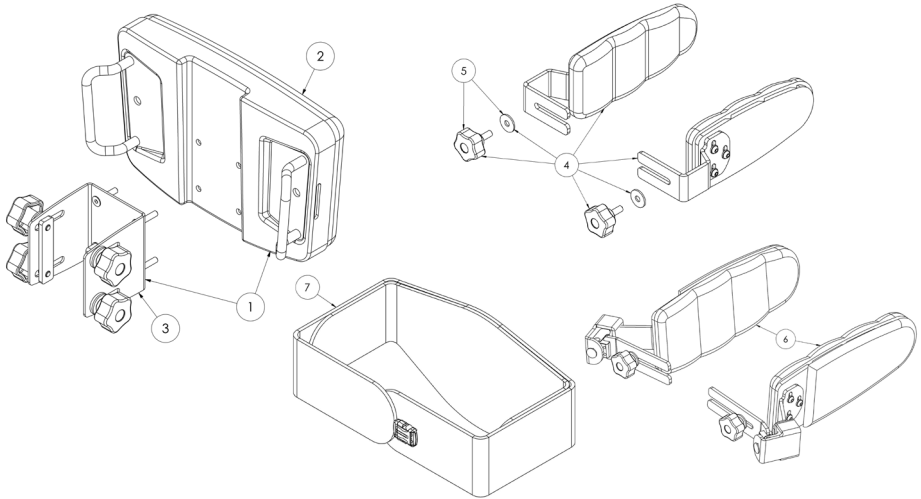
Pos.	Leckey Sales Code	Description	Min. Order Qty	Compatible with		
				Size 1	Size 2	Size 3
1	101-1676	Outer Extrusion [Size 1]	1	●		
1	101-2676	Outer Extrusion [Size 2]	1		●	
1	101-3676	Outer Extrusion [Size 3]	1			●
2	101-1630	Actuator Attachment	1	●	●	●
3	101-1963	Outer Spine Fittings	1	●	●	●
4	101-2149	Inner Locking Plate	1	●	●	●
5	101-1978	Outer Spine Bottom Fixings	1	●	●	●

Horizon Spare Parts - Chest Pad Assembly



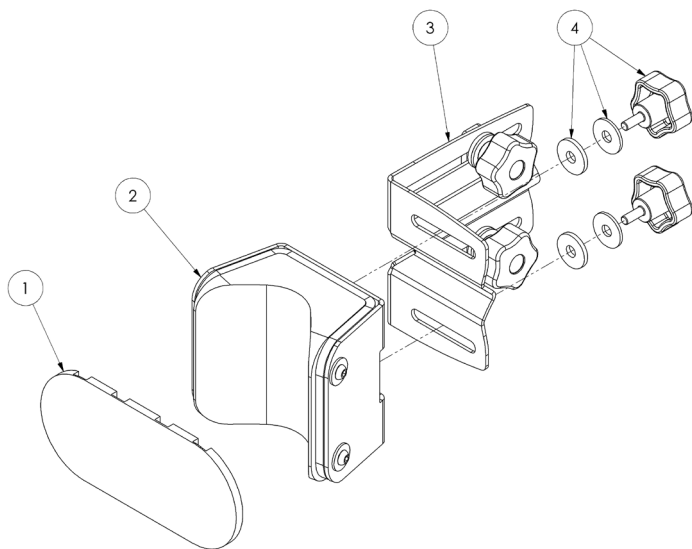
Pos.	Leckey Sales Code	Description	Min. Order Qty	Colour Options				Compatible with		
				Blue	Green	Grey	Pink	Size 1	Size 2	Size 3
[Replace XX with colour]				Blue	Green	Grey	Pink	Size 1	Size 2	Size 3
1	101-1964-XX	Chest Pad Complete (Size 1)	1	-BB	-GB	-GRB	-PB	●		
1	101-2964-XX	Chest Pad Complete (Size 2)	1	-BB	-GB	-GRB	-PB		●	●
2	101-1965	Chest Pad Fitting	1					●	●	●
3	101-1966	Inner spine with attachments (Size 1)	1					●		
3	101-2966	Inner spine with attachments (Size 2)	1						●	●
4	SF97	M6 Cam [Single]	1					●	●	●
5	101-1967	Tray Height Adjustment Bracket (Size 1)	1					●		
5	101-2967	Tray Height Adjustment Bracket (Size 2/3)	1						●	●
6	LHZ/1/168-XX	Flexible Chest Laterals (Size 1) [Pair]	1	-BB	-GB	-GRB	-PB	●	●	●
6	LHZ/2/168-XX	Flexible Chest Laterals (Size 2) [Pair]	1	-BB	-GB	-GRB	-PB	●	●	●
6	LHZ/3/168-XX	Flexible Chest Laterals (Size 3) [Pair]	1	-BB	-GB	-GRB	-PB	●	●	●
7	LHZ/3/154-XX	Flipaway Chest Laterals (Size 3 only) [Pair]	1	-BB	-GB	-GRB	-PB			●
8	101-1968	Chest Laterals Fixings [Single Side]	1					●	●	●

Horizon Spare Parts - Hip Pad Assembly



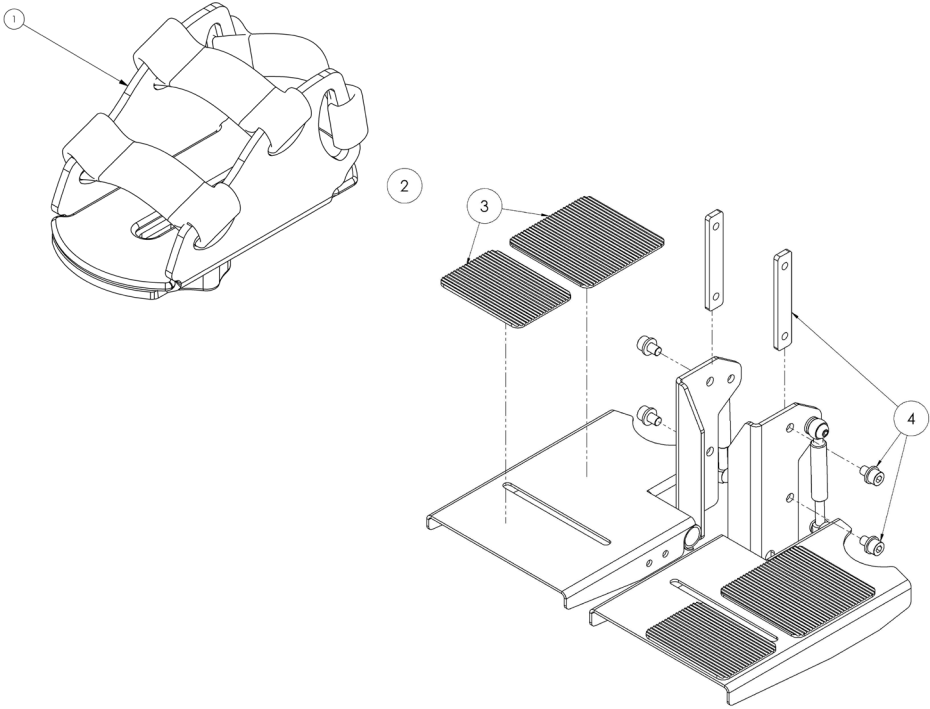
Pos.	Leckey Sales Code	Description	Min. Order Qty	Colour Options				Compatible with		
				Blue	Green	Grey	Pink	Size 1	Size 2	Size 3
[Replace XX with colour]										
1	101-1662-XX	Hip Pad Complete (Size 1)	1	-BB	-GB	-GRB	-PB	●	●	●
1	101-2662-XX	Hip Pad Complete (Size 2)	1	-BB	-GB	-GRB	-PB	●	●	●
1	101-3662-XX	Hip Pad Complete (Size 3)	1	-BB	-GB	-GRB	-PB	●	●	●
2	101-1969-XX	Hip Pad Front Section only (Size 1)	1	-BB	-GB	-GRB	-PB	●		
2	101-2969-XX	Hip Pad Front Section only (Size 2)	1	-BB	-GB	-GRB	-PB		●	
2	101-3969-XX	Hip Pad Front Section only (Size 3)	1	-BB	-GB	-GRB	-PB			●
3	101-1970	Hip Pad Attachment Assembly	1					●	●	●
4	LHZ/1/164-XX	Hip Laterals (Size 1) [Pair]	1	-BB	-GB	-GRB	-PB	●	●	●
4	LHZ/2/164-XX	Hip Laterals (Size 2) [Pair]	1	-BB	-GB	-GRB	-PB	●	●	●
4	LHZ/3/164-XX	Hip Laterals (Size 3) [Pair]	1	-BB	-GB	-GRB	-PB			●
4	101-3927-XX	Hip Laterals (S2 Bracket, S3 Lat) [Pair]	1	-BB	-GB	-GRB	-PB	●	●	●
5	101-1971	Hip Lateral Fitting (Size 1/2)	1					●	●	
5	101-3971	Hip Lateral Fitting (Size 3)	1							●
6	LHZ/3/153	Flip Away Hip Laterals (Size 3 Only) [Pair]	1	-BB	-GB	-GRB	-PB			●
7	LHZ/1/181-XX	Supine Stander Pelvic Belt (Size 1)	1	-BB	-GB	-GRB	-PB	●	●	●
7	LHZ/2/181-XX	Supine Pelvic Belt - LHZ/1 Std. (Size 2)	1	-BB	-GB	-GRB	-PB	●	●	●
7	LHZ/3/181-XX	Supine Pelvic Belt - LHZ/2 Std. (Size 3)	1	-BB	-GB	-GRB	-PB	●	●	●
7	LHZ/1/182-XX	Prone Pelvic Belt (Size 1)	1	-BB	-GB	-GRB	-PB	●	●	●
7	LHZ/2/182-XX	Prone Pelvic Belt - LHZ/1 Std. (Size 2)	1	-BB	-GB	-GRB	-PB	●	●	●
7	LHZ/3/182-XX	Prone Pelvic Belt - LHZ/2 Std. (Size 3)	1	-BB	-GB	-GRB	-PB	●	●	●

Horizon Spare Parts - Knee Support Assembly



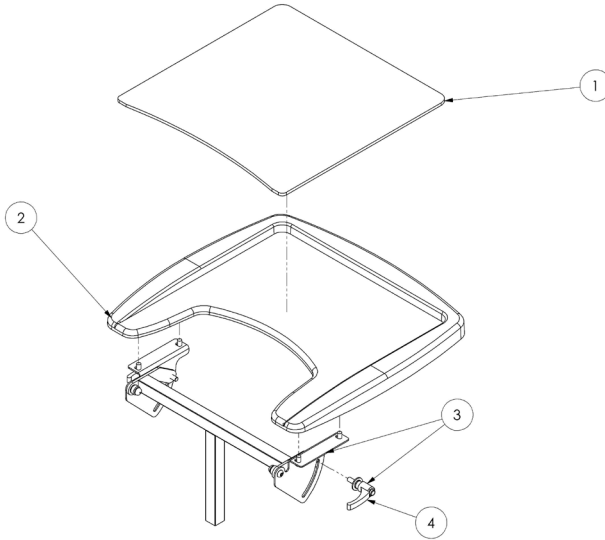
Pos.	Leckey Sales Code	Description	Min. Order Qty	Colour Options				Compatible with		
				Blue	Green	Grey	Pink	Size 1	Size 2	Size 3
		(Replace XX with colour)								
0	LHZ/1/167-XX	Knee Support - Standard (Size 1) [Pair]	1	-BB	-GB	-GRB	-PB	●	●	●
0	LHZ/2/167-XX	Knee Support - Standard (Size 2) [Pair]	1	-BB	-GB	-GRB	-PB	●	●	●
0	LHZ/1/183-XX	Knee Support - Medium (Size 1) [Pair]	1	-BB	-GB	-GRB	-PB	●	●	●
0	LHZ/2/183-XX	Knee Support - Medium (Size 2) [Pair]	1	-BB	-GB	-GRB	-PB	●	●	●
0	LHZ/1/184-XX	Knee Support - Long (Size 1) [Pair]	1	-BB	-GB	-GRB	-PB	●	●	●
0	LHZ/2/184-XX	Knee Support - Long (Size 2) [Pair]	1	-BB	-GB	-GRB	-PB	●	●	●
1	101-1640-XX	Front knee supports (Size 1)	1	-BB	-GB	-GRB	-PB	●	●	●
1	101-2640-XX	Front knee supports (Size 2/3 & 4)	1	-BB	-GB	-GRB	-PB	●	●	●
2	101-1972-XX	Knee bracket (Size 1)	1	-BB	-GB	-GRB	-PB	●	●	●
2	101-2972-XX	Knee bracket (Size 2/3)	1	-BB	-GB	-GRB	-PB	●	●	●
2	101-4972-XX	Knee bracket (Size 4)	1	-BB	-GB	-GRB	-PB	●	●	●
3	101-2226	Knee adjustment bracket (Standard)	1					●	●	●
3	101-2227	Knee adjustment bracket (Medium)	1					●	●	●
3	101-2228	Knee adjustment bracket (Long)	1					●	●	●
4	101-1973	Knee Bracket Fitting [Single]	1					●	●	●

Horizon Spare Parts - Footplates and Sandal



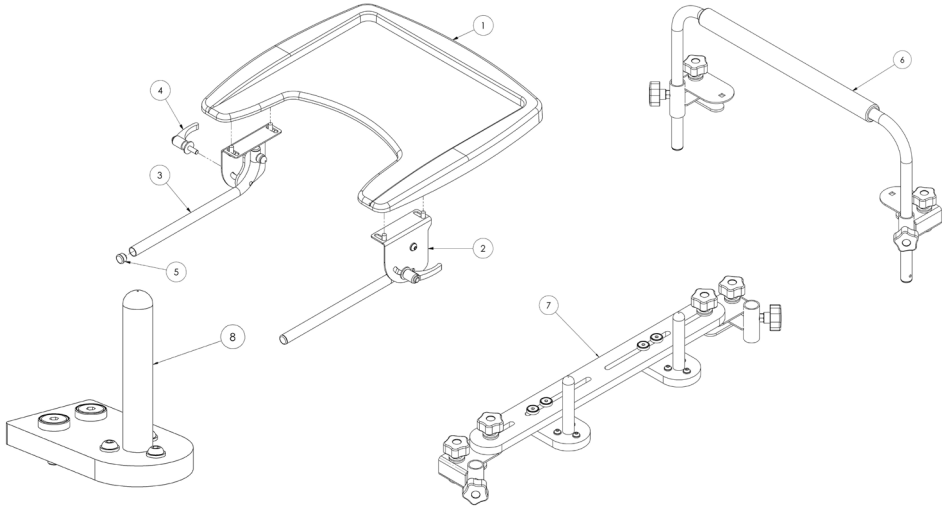
Pos.	Leckey Sales Code	Description	Min. Order Qty	Compatible with		
				Size 1	Size 2	Size 3
1	LHZ/0/100	Sandals with Straps (Size 0) [Pair]	1	●	●	●
1	LHZ/1/100	Sandals with Straps (Size 1) [Pair]	1	●	●	●
1	LHZ/2/100	Sandals with Straps (Size 2) [Pair]	1	●	●	●
1	LHZ/3/100	Sandals with Straps (Size 3) [Pair]	1	●	●	●
1	LHZ/4/100	Sandals with Straps (Size 4) [Pair]	1	●	●	●
2	101-1675	Standard Footplate Complete (Size 1) [Pair]	1	●	●	●
2	101-2675	Standard Footplate Complete (Size 2/3) [Pair]	1		●	●
2	LHZ/1/161	Flip up Footplate Complete (Size 1) [Pair]	1	●	●	●
2	LHZ/2/161	Flip up Footplate Complete (Size 2/3) [Pair]	1	●	●	●
3	101-1925	Footplate Rubber Mat (Size 1/2) [Pair]	1	●	●	●
4	101-1979	Slider Fixings [Pair]	1	●	●	●

Horizon Spare Parts - Prone Tray Assembly



Pos.	Lecky Sales Code	Description	Min. Order Qty	Compatible with		
				Size 1	Size 2	Size 3
0	LHZ/1/158	Prone Tray Full Assembly (Size 1)	1	●		
0	LHZ/2/158	Prone Tray Full Assembly (Size 2)	1		●	●
1	101-1140	Prone Tray Insert (Size 1)	1	●		
1	101-2140	Prone Tray Insert (Size 2/3)	1		●	●
2	102-2744	Plastic Tray (Size 1)	1	●		
2	102-3744	Plastic Tray (Size 2/3)	1		●	●
3	101-1974	Prone Tray Attachment Assembly (Size 1)	1	●		
3	101-2974	Prone Tray Attachment Assembly (Size 2/3)	1		●	●
4	101-1980	Tray Handle [Single]	1	●	●	●

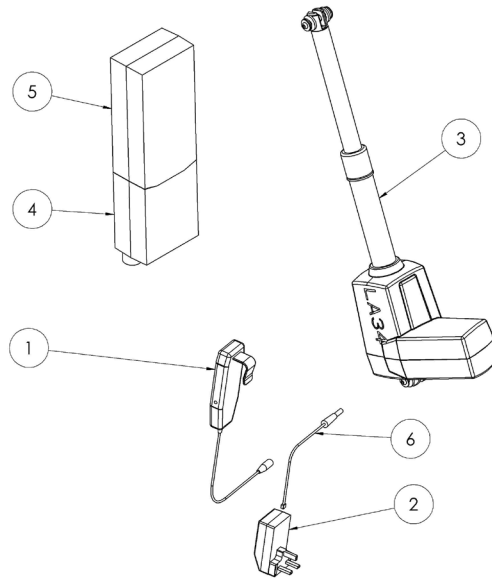
Horizon Spare Parts - Supine Tray Assembly



Pos.	Leckey Sales Code	Description	Min. Order Qty	Compatible with		
				Size 1	Size 2	Size 3
0	LHZ/1/143	Supine Tray Full Assembly - Plastic (Size 1)	1	●		
0	LHZ/2/143	Supine Tray Full Assembly - Plastic (Size 2)	1		●	●
0	LHZ/3/143	Supine Tray Full Assembly - Wooden (Size 3)	1		●	●
1	102-2744	Plastic Tray (Size 1)	1	●		
1	102-3744	Plastic Tray (Size 2/3)	1		●	●
1	101-3105	Wooden Supine Tray (Size 3)	1			●
2	101-1975	Supine Tray Attachment Assembly (LHS) (Size 1)	1	●		
2	101-2975	Supine Tray Attachment Assembly (LHS) (Size 2)	1		●	●
3	101-1976	Supine Tray Attachment Assembly (RHS) (Size 1)	1	●		
3	101-2976	Supine Tray Attachment Assembly (RHS) (Size 2)	1		●	●
4	101-1980	Tray Handle [Single]	1	●	●	●
5	SF52	3/4" Dia Ribbed Tube Insert [Single]	2	●	●	●
6	LHZ/1/192	Grab Rail (Size 1)	1	●		
6	LHZ/2/192	Grab Rail (Size 2)	1		●	●*
7	LHZ/1/193	Grab Posts Assembly (Size 1)	1	●		
7	LHZ/2/193	Grab Posts Assembly (Size 2)	1		●	●*
8	101-1977	Grab Post	1	●	●	●*

*COMPATIBLE WITH SIZE 3 PLASTIC TRAY ONLY

Horizon Spare Parts - Actuator & Batteries



Pos.	Leckey Sales Code	Description	Min. Order Qty	Compatible with		
				Size 1	Size 2	Size 3
1	SI154	HD80 Hand Set	1	●	●	●
2	SI118	LED Charger	1	●	●	●
2	SI119	Adapter for LED Charger (UK)	1	●	●	●
2	SI120	Adapter for LED Charger (EU)	1	●	●	●
2	SI121	Adapter for LED Charger (USA/JAPAN)	1	●	●	●
2	SI122	Adapter for LED Charger (AUS)	1	●	●	●
2	SI124	Charging Pack (UK)	1	●	●	●
2	SI125	Charging Pack (EU)	1	●	●	●
2	SI126	Charging Pack (USA/JAPAN)	1	●	●	●
2	SI127	Charging Pack (AUS)	1	●	●	●
3	SI152	LA34 Actuator	1	●	●	●
4	SI153	CBJ Care Control Box	1	●	●	●
5	SI123	LHZ Battery Cell	1	●	●	●
5	SI155	BAJ Battery	1	●	●	●
6	SI157	Charging Cable	1	●	●	●



James Leckey Design Limited
19 Ballinderry Road
Lisburn, BT28 2SA
Northern Ireland

leckey.com

[+44] 28 9260 0750
hello@leckey.com

