

**GEMINO 30 CARBON/ 30 M CARBON**  
**GEMINO 30 CARBON COMFORT/ 30 M CARBON COMFORT**



Rev:01/2026

Valid:12/2026



Pictures shown may deviate from the actual product.

**ORDER FORM**

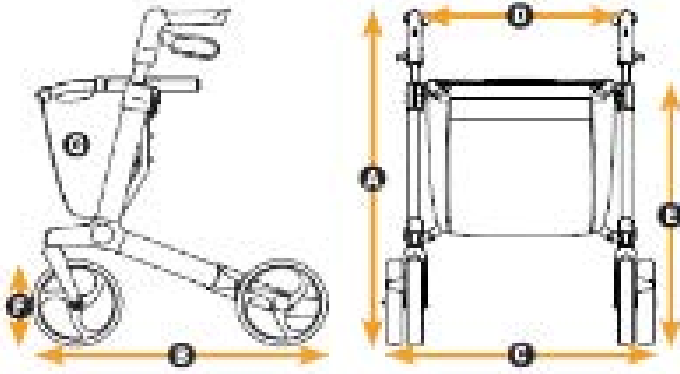
Errors and omissions excepted.

Billing Address Or Customer-ID		Shipping Address	Identical To Billing Address
C.-ID:		C.-ID:	
Name:		Name:	
Street:		Street:	
Town/PC:		Town/PC:	
E-Mail:		E-Mail:	
Phone:		Phone:	

Order Information		
Order	Calculation	Purchase:
<b>Gemino 30 Carbon</b>	Reimbursement Code.: XXX	valid from
<b>Gemino 30 M Carbon</b>	Reimbursement Code.: XXX	
<b>Gemino 30 Carbon Comfort</b>	Reimbursement Code.: XXX	
<b>Gemino 30 M Carbon Comfort</b>	Reimbursement Code.: XXX	

Base Price **€ XXX,-**

## DIMENSIONS



	<b>Gemino 30 Carbon</b>	<b>Gemino 30 M Carbon</b>	<b>Gemino 30 Carbon Comfort</b>	<b>Gemino 30 M Carbon Comfort</b>
<b>A</b> Total height	780 - 1000 mm	730 - 880 mm	780 - 1000 mm	730 - 880 mm
<b>B</b> Total length	650 mm	650 mm	650 mm	650 mm
<b>C</b> Total width	600 mm	600 mm	600 mm	600 mm
<b>D</b> Width between push handles	470 mm	470 mm	470 mm	470 mm
<b>E</b> Seat height	620 mm	550 mm	620 mm	550 mm
Height folded	800 mm	760 mm	800 mm	760 mm
Length folded	650 mm	650 mm	650 mm	650 mm
Width folded	230 mm	230 mm	230 mm	230 mm
Turning circle	840 mm	840 mm	840 mm	840 mm
<b>F</b> Front wheels/ rear wheels	200 x 36 mm	200 x 36 mm	200 x 36 mm	200 x 36 mm
Total weight without basket	5,6 kg	5,4 kg	5,6 kg	5,4 kg
<b>G</b> Weight basket, standard	0,3 kg	0,3 kg	0,3 kg	0,3 kg
<b>Max. user weight</b>	<b>150 kg</b>	<b>130 kg</b>	<b>150 kg</b>	<b>130 kg</b>
Max. weight in basket	5 kg	5 kg	5 kg	5 kg
Recommended user height	1500 - 2000 mm	1350 - 1700 mm	1500 - 2000 mm	1350 - 1700 mm

**SIZES AND COLOURS** € Quantity

<b>Gemino 30 Carbon</b>		
71000900	Gemino 30 Carbon	XXX,-
<b>Gemino 30 Carbon Comfort</b>		
71000910	Gemino 30 M Carbon	XXX,-
<b>Gemino 30 M</b>		
71000950	Gemino 30 Carbon	XXX,-
<b>Gemino 30 M Carbon Comfort</b>		
71000960	Gemino 30 M Carbon	XXX,-

**ACCESSORIES** € Quantity

<b>Bags for Gemino 30/30 M Carbon &amp; Gemino 30/30 M Carbon Comfort</b>		
9012314	Bag, advanced cpl. Black	XXX,-
9012315	Bag, advanced cpl. Alcantara Black	XXX,-
9012316	Bag, advanced cpl. Graphite grey	XXX,-
9012317	Bag, advanced cpl. Mint green	XXX,-
9012318	Bag, advanced cpl. Red	XXX,-
9012319	Bag, advanced cpl. Blue	XXX,-
9012320	Bag, advanced cpl. Green	XXX,-
9012321	Bag, advanced cpl. Pink	XXX,-
<b>Other accessories</b>		
7109011	Crutch holder	XXX,-
7109140	Table tray	XXX,-
9012220	Back support - Gemino 30, Gemino 30 M	XXX,-
9012222	Adjustable comfort back support	XXX,-
<input type="checkbox"/> 9012049	One-hand brake kit (left/right usable) (1)	XXX,-
7109090	Universal bracket	XXX,-
7109095	Light	XXX,-
9012281	Longer Push handle kit (2) (3)	XXX,-
9011971	Reverse brake (4)	XXX,-

(1) Not with reverse brake  
 (2) Only in silver grey  
 (3) Not for M  
 (4) Not with one hand brake

# GEMINO ACCESSORIES

## BAGS, ADVANCED



// 9012314  
Bag, advanced, black/black



// 9012315  
Bag, advanced, alcantara/black



// 9012316  
Bag, advanced, grey/black



// 9012317  
Bag, advanced, mint/black



// 9012318  
Bag, advanced, red/black



// 9012319  
Bag, advanced, blue/black



// 9012320  
Bag, advanced, green/black



// 9012321  
Bag, advanced, pink/black



// 7109011  
Crutch holder



// 7109140  
Table tray



// 9012220  
Back support



// 9012222  
Adjustable comfort back support



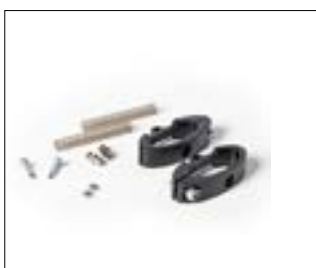
// 9012049  
One-hand brake for both sides



// 7109090  
Universal bracket



// 7109095  
Light



// 9011971  
Reverse brake kit



// 9012281  
Longer Push handle kit with scale

**GEMINO 30/30 M CARBON & GEMINO 30/30 M CARBON COMFORT** €

<b>Base price</b>	
Total Of Additional Equipment	
Packaging And Transport	
Exclusive Vat	
<b>Total price including VAT</b>	
VAT	
<b>Total Price</b>	

<b>Date</b>	<b>Signature</b>
-------------	------------------

Day      Month      Year



**Sunrise Medical GmbH**

Kahlbachring 2-4  
 D-69254 Malsch/HD  
 Tel.: +49 (0) 72 53 / 9 80-0  
 Fax: +49 (0) 72 53 / 9 80-222  
 E-Mail: [export@sunrisemedical.de](mailto:export@sunrisemedical.de)  
[www.SunriseMedical.eu](http://www.SunriseMedical.eu)