



JAY FIT 2U Back



*The new JAY FIT 2U Back
Try it, Change it, Rearrange it.*

PRODUCT FEATURES



Whitmyer Headrest



Dual Covers



JAY Rotational Swing
away Laterals



Shell Assembly &
Positioning Inserts



4 Point Hardware



PRODUCT FEATURES

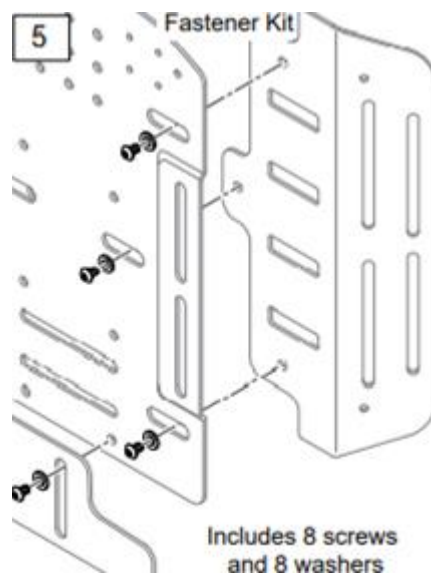
SHELL ASSEMBLY



4 pieces shell assembly

Only 4 screws per side

Velcro on inside shell to attach the inner cover



PRODUCT FEATURES

INTERLOCKING POSITIONING INSERTS



3-layer very soft foam* (part of the inner cover, always in standard)

Positioning inserts in the wing pocket

Positioning inserts in the center part



Orange zippers indicates the sections that can be adjusted with foam.

8 *Foam layers are not separately available as spare part. They are shipped with the inner cover.

PRODUCT FEATURES

DESIGN OF INTERLOCKING POSITIONING INSERTS



- Interlocking JAY dovetail inserts make it easy to create a personalized contour and provide postural support
- Foam inserts with a unique Dovetail design interlock keeps the inserts in place
- A joinery technique most commonly used in woodworking joinery – noted for its resistance to being pulled apart



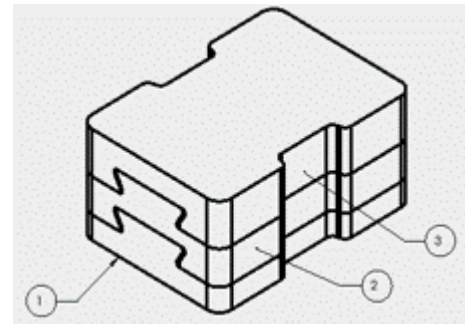
- The bottom insert is attached with Velcro to the rear wall of the inner cover
- Foam density of the cap and middle inserts is 2lb, bottom insert 4lb
- Inserts are simple, quick to change by sliding apart and more supportive than a typical soft foam.

PRODUCT FEATURES

INTERLOCKING POSITIONING INSERTS STANDARD CONFIGURATION

All backrest sizes have a 5x5 grid
in the center part.

Standard configuration of 3 inter-
locking dovetail inserts per unit in the
center part.



1. Bottom with
Velcro
2. Middle insert
3. Cap

➔ Each backrest size
has a different sized
center positioning
inserts (20 in total).

Note: the standard configuration doesn't include the width expansion inserts!

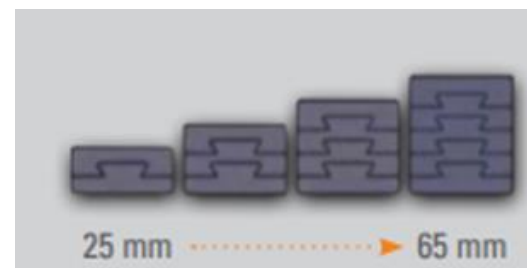
PRODUCT FEATURES

INTERLOCKING POSITIONING INSERTS

ADJUSTABILITY



Inserts can stack from 2 to 5 layers this or 25 mm (1") to 65 mm (2,5")



Add and remove additional inserts as needed to create the desired contour – select Extra Positioning Foam Kit (incl. 25 middle inserts).

Reminder: Since each back size has its individual foam insert size, there are 20 different Kits.

Extra Positioning Foam Kit
(all middle - 25 total)

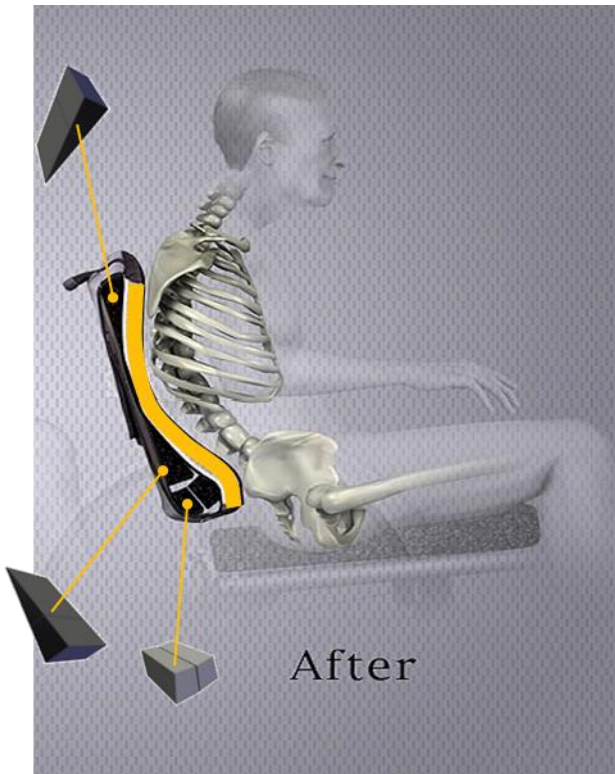


PRODUCT FEATURES

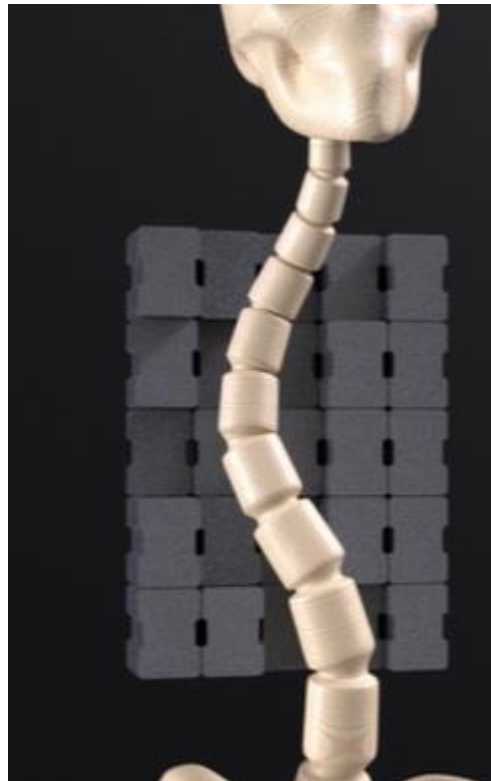
INTERLOCKING POSITIONING INSERTS



Spine alignment components on current JAY Fit Back



Interlocking positioning inserts on new JAY FIT 2U Back ...



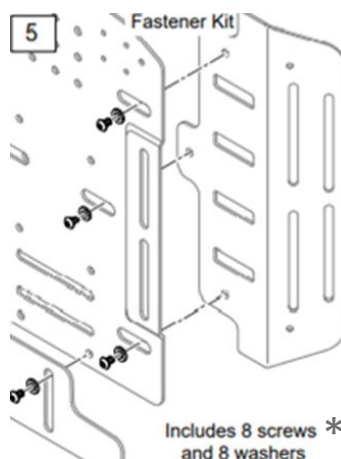
- ➔ Provides a deeper contouring which allows desired postural support in the sagittal plane (kyphosis, rip humps)
- ➔ Reduces the use of many different positioning components.

PRODUCT FEATURES

HEIGHT & WIDTH ADJUSTABILITY – SHELL



25 mm per side of independent height and width adjustment to handle changing postures with growth.



3 screws per side to achieve the width adjustment

2 screws to achieve the height adjustment

PRODUCT FEATURES

HEIGHT & WIDTH ADJUSTABILITY – SHELL



Size matrix current JAY Fit Back



Size matrix NEW JAY FIT 2U Back

		Backrest width in cm				
		25	30	35	40	45
Backrest height	25	◊ JFB2525EU				
	30	○ JFB2530EU	○ JFB3030EU			
	35	○ JFB2535EU	○ JFB3035EU	○ JFB3535EU	○ JFB4035EU	○ JFB4535EU
	40		○ JFB3040EU	○ JFB3540EU	○ JFB4040EU	○ JFB4540EU
	45		○ JFB3045EU	○ JFB3545EU	○ JFB4045EU	○ JFB4545EU
	50			○ JFB3550EU	○ JFB4050EU	○ JFB4550EU
	55				○ JFB4055EU	○ JFB4555EU

		Backrest width in cm					
		25	30	35	40	45	50
Backrest height	Backrest width						
	Back cane width adjustability (Up to 50 mm in total)	25-30	30-35	35-40	40-45	45-50	50-55
	30						
	30-35	○	○				
	35	○	○	○			
	35-40						
	40						
	40-45		○	○	○		
45							
45-50		◆	○	○	○	◆	
50							
50-55			○	○	◆	◆	
55							
55-60				○	◆	◆	

21 sizes / SKUs (stock keeping units) without width & height adjustability

20 sizes / SKUs (stock keeping units) With independent width & height adjustability

PRODUCT FEATURES

HEIGHT AND WIDTH ADJUSTABILITY – FOAM



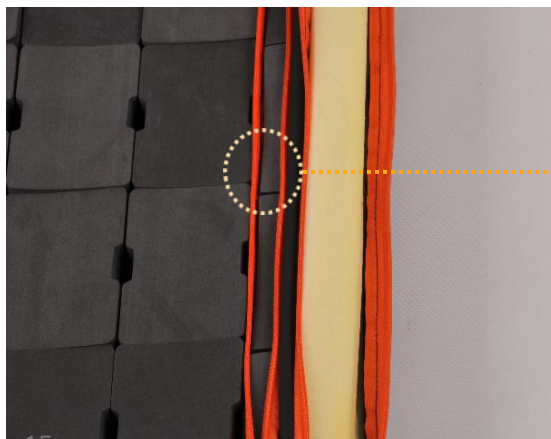
The cover design allows the height and width adjustment up to 50 mm.



Image shows a 40x45 FIT 2U Back

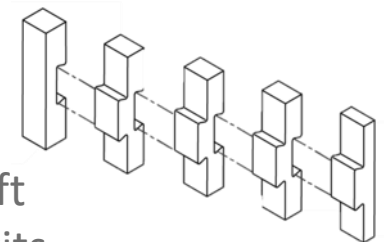
Height Growth Kit

Add the height growth foam inserts into the separate sewn pocket at the bottom of the inner cover. The kit includes 5 stacked foam inserts. The grid depends on back width.



Width Expansion Kit

Add a 1x5 grid row between the lateral pockets (including the 3 soft foam layers) and the center. The kits includes 5 stacked foam inserts (50 pieces in total).



PRODUCT FEATURES

PATENTED J3 HARDWARE

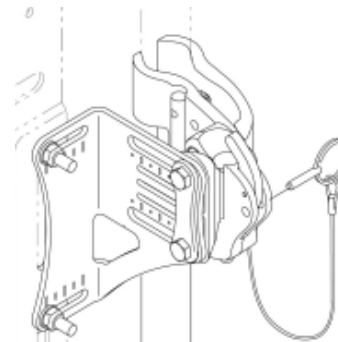


**Easy to mount
Easy to adjust**

- The upper back tube bracket is the same we use with J3 LT & MT high backs; all other parts are based on J3 hardware design, adapted to the FIT 2U shell
- Brackets come pre-mounted to the shell to facilitate mounting and reduce mounting time
- 30 cm high backs only have the upper part of the 4-point hardware (No Go with 2 Point hardware)
- 2 Point (Heavy Duty Compact) hardware available as spare



Same J3 back tube bracket



Max user capacity

75 kg up to 350 mm width

136 kg above 350 mm width

PRODUCT FEATURES

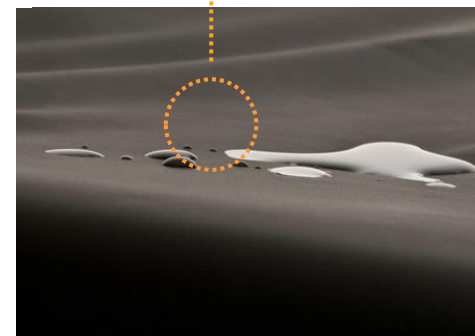
DUAL COVER SYSTEM



Outer Stretch cover with a 2-layer comfort foam



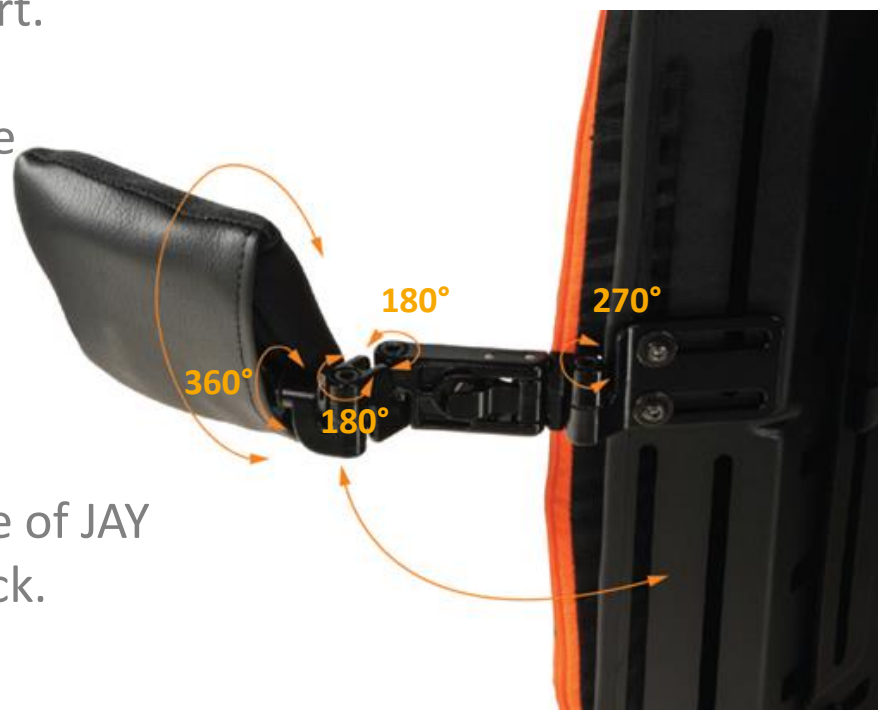
Reverse Dartex inner cover keeps inserts in place and protected from water



PRODUCT FEATURES

ROTATIONAL SWING AWAY LATERALS

- New JAY Swing-Away Rotational Lateral offers three planes of adjustment for maximum positioning and support.
- Capitalizes on the new low profile design of the JAY SA Laterals (Launched April 2021)
- Easy three bolt adjustment.
- Compatible with a board of range of JAY backs including J3 and Syncra Back.

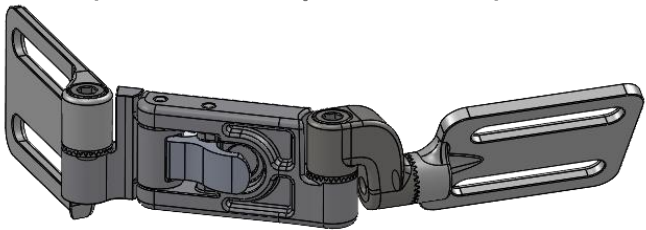


PRODUCT FEATURES

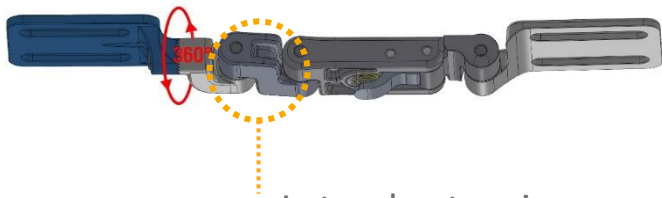
ROTATIONAL SWING AWAY LATERALS



JAY SA Lateral
(Launch April 2021)

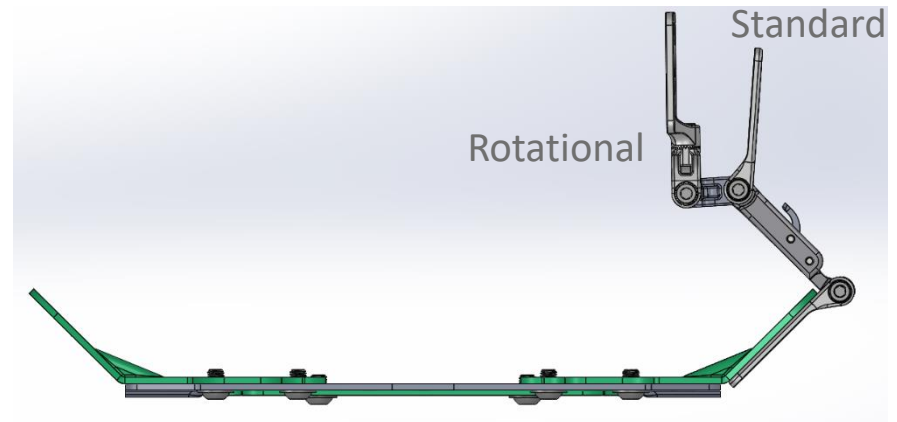


JAY Rotational SA Lateral
with additional extension to
increase the adjustability



Lateral extension

The new rotational lateral can go 42 mm further toward the centerline of the user than the standard JAY SA Lateral



2.1 PRODUCT FEATURES

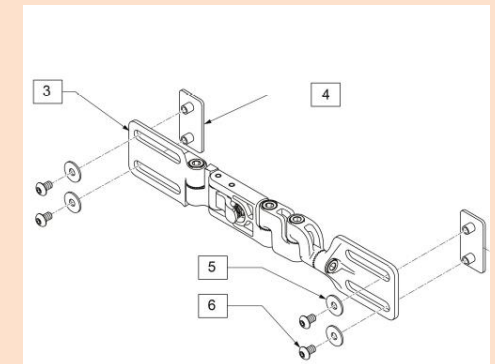
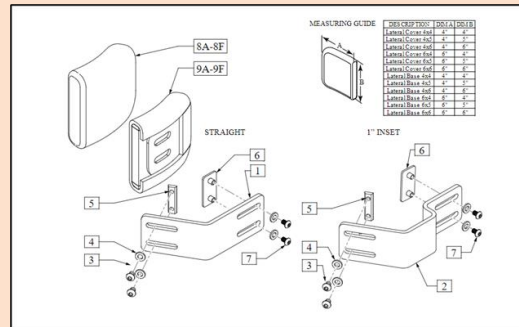
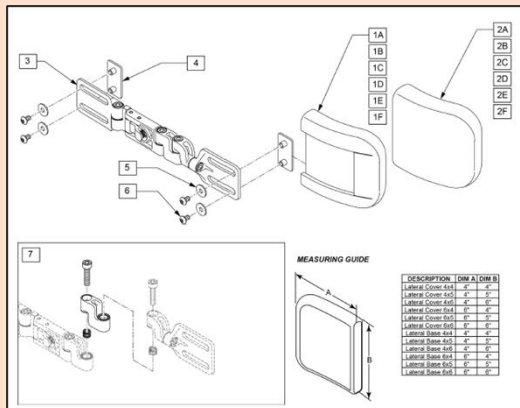
LATERALS ON NEW FIT 2U BACK



New JAY 3 Swing Away Lateral Support with curved pad (launch April 2021)

JAY 3 Fixed Lateral Support with curved pad

New Rotational Swing Away Lateral Support with curved pad



More pad sizes

10x10 15x10
 10x12 15x12
 10x15 15x15

More pad sizes

10x10 15x10
 10x12 15x12
 10x15 15x15

More pad sizes

10x10 15x10
 10x12 15x12
 10x15 15x15

The old curved pads (without cover) are available as spares

PRODUCT FEATURES

HEADREST POST AND WHITMYER



Universal
hole pattern
on shell



Whitmyer® headrests provide support of the head and neck for users of tilt-in-space wheelchairs or those who need additional support to hold head upright.

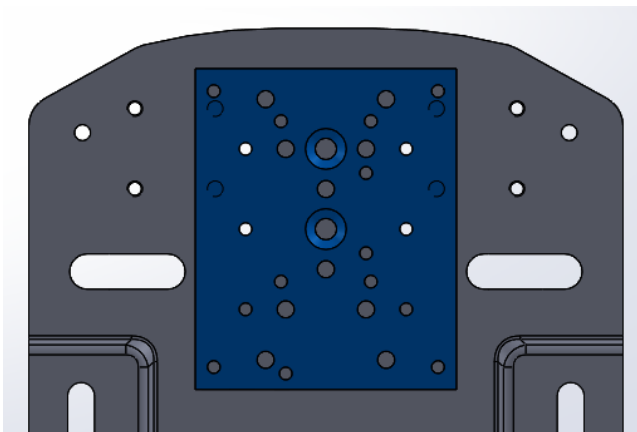
Numerous options for

- headrest shapes,
- sizes,
- mounting hardware,
- cover materials.

The **universal headrest mounting plate isn't required anymore** thank to the pegboard matrix design on the new FIT 2U shell that allows to mount various headrests to the shell.

PRODUCT FEATURES

HEADREST POST AND WHITMYER



However, if the headrest plate is required, it can still be attached to the FIT 2U shell.

Universal headrest plate is available as spare part.

Note: On smallest FIT 2U Back you have to order the small headrest plate J3UHM (see EU order form on spare part page)

PRODUCT FEATURES

WHITMYER HEADREST



With Power we already offer the LINX 2 headrest mount.

Now, it's also available to order the LINX 2 mount for manual backs.

Kit version isn't available yet, but the headrest post can be ordered through the EDC – for instance if a customer request a Whitmer Heads Up you can offer the LINX 2 as new mounting system.



PRODUCT FEATURES

JAY POSITIONING SUPPORTS



A selected range of harnesses and chest straps are offered together with the JAY FIT 2U back to address any additional positioning need. These includes strap guides & mounting hardware.

Different options available

- Contour/design
- Sizes
- Materials

It complements ideally the range of accessories offered in the JAY FIT 2U Back.



MODIFICATIONS

SHELL COLORS



Personalize the back shell to match your wheelchair or express your creativity.

NEW: Color visualizer on website

Ordering via JYW

Find available colors on the website, in the brochure and order form.



3. PRODUCT PLACEMENT

