

**E**mpulse  
***StreetJet***



# OVERVIEW – CUSTOMERS CHOICE



**QUICK TO CONNECT.  
EASY TO USE.  
POWERFUL TO DRIVE.**



**Highly Personalizable**

- Individual colours
- Acceleration adjustable by the user (display menu)
- Wide range of options & accessories



**The patented One Touch Clamps enable easy, fast and effortless docking to the wheelchair**

- Clamping by a push
- Nothing remaining's on the wheelchair



**Excellent Driving Performance**

- High battery capacity for rides up to 50km
- High torque brushless motor (12" 630W / 16" 750W)
- Comfortable operation – cruise control, e-brake & parking brake



- Quick & Easy to connect**  
No need for lifting by while docking
- One Touch Docking Clamps (USP)
  - Upright standing position
  - Release lever on the handlebar
  - Reverse gear

**IMPROVING PEOPLE'S LIVES**



# DOCKING PROCESS



1



2



3



# GO!

# COMPATIBILITY

## 1. Compatible fixed front tubes with Inset or V shape:

- Round tube small: 19mm - 24mm
- Round tube large: 25mm - 35mm
- Quickie oval tube
- Kuschall hydroformed tube (CA ip)
- Progeo oval tube (CA ip)

## 2. Compatible minimum mounting height (ground to the lower edge of the clamp):

- 340mm

## 3. Compatible straight tube section (above min. mounting height)

- 45mm min

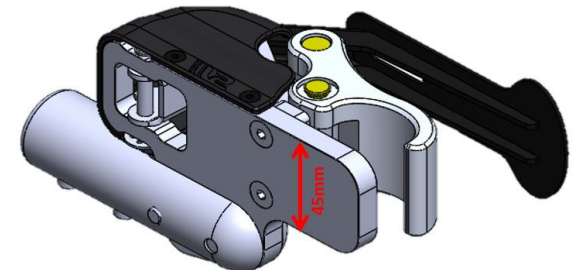
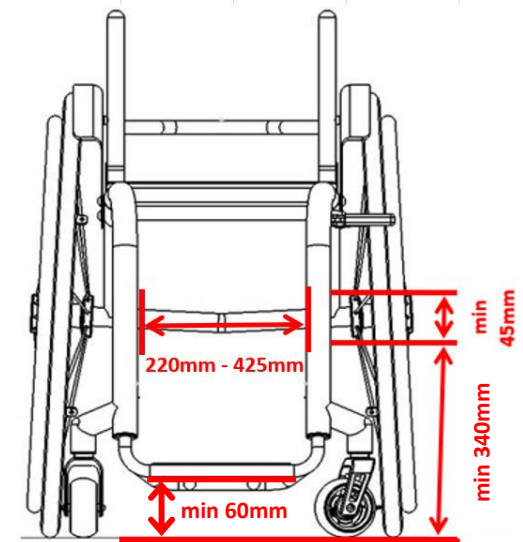
## 4. Compatible front frame width (inside to inside frame tubes):

- 220-275mm
- 275-330mm
- 330-425mm

## 5. Compatible footrest height (ground to the underside of the footrest):

- 60 mm

Combination agreements in process



Not compatible to Swing Away wheelchairs

→ **Compatibility Guide**

# TECHNICAL DATA

- **Operating tension:** 36V-System
- **Motor:** 12"/16" brushless **630W/750W** motor with pneumatic-tyre
- **Battery:** Lithium-Ion **14Ah** battery with USB charging port, intelligent Battery- Management-System
- **Range:** up to **50km**
- **Max speed:** **6 /10/15kp/h** max. speed
- **Max user weight:** **120Kg**
- **Weight:** **15,5Kg** (incl. battery, clamps & stand)
- **Transport weight:** **12,9Kg** (W/O battery)
- **Gear:** Forward-, reverse gear, cruise control as standard
- **Brake:**
  - **Twin braking system:** mechanical disc-brake and proportional electrical motor brake or optional
  - **Triple braking system:** double mechanical disc-brake and proportional electrical motor brake
- **Display:** speed, speed-mode, trip-distance, total distance, battery-condition, power-consumption, **acceleration adjustment**
- **Charger** **2A** charging current
- **Warranty** **24month** for the whole device **including battery**
- **Certifications:** **certified to MDR / EN12184, TÜV ip**



# COCKPIT

**Forward/ Reverse switch**

**On-/Off switch,  
Front-light  
on/off, drive-  
mode selection**

**Display:** speed, trip-distance,  
total distance, battery-  
condition, power- consumption,  
acceleration adjustment

**Release lever**  
To detach the  
Street Jet

**Brake-lever for  
mechanical disc-brake  
and parking-brake**



**Proportional  
E-brake lever**

**Cruise-Control  
button**

**Throttle lever**

# OPTIONS & ACCESSOIRES

## Frame Colour (Fork and main frame)

- RGK colour range
- RAL through b4me

## Colour Kit anodized (stand, central section, One-Touch-Clamps)

- 5 anodized colours

## Cable colour (brake cable, docking release cable)

- 3 colours

## Mechanical Brake

- Left / right hand mount (NC)
- Mechanical double braking system

## Proportional Electrical Brake lever

- Left / right hand mount (NC)

## Throttle lever

- Left / right hand mount (NC)

## Handlebar

- Wide / Narrow (NC)

## Speed

- 6kp/h / 10kp/h / 15kp/h max.

NC= No Cost Option





# OPTIONS & ACCESSOIRES

## Standard Accessories and Features

- Stand
- Carbon fender
- LED light
- Parking brake
- Cruise control
- Adjustable Acceleration
- Proportional electrical brake



## Upcharge Accessories

- Luggage Rack
- Frame Protectors
  - Round tubes - 19,25,30,32mm
  - Oval tube – Quickie
- Additional Battery
- Additional Charger



# STREETJET OR F55

**StreetJet**



**E | F55**

- Quad optimized (Docking/ One-touch docking clamps)
- No weight remaining on the wheelchair
- Very high motor power (+35% torque)
- High range (up to 50km)
- User weight up to 120 Kg (+10Kg)
- Shimano braking system
- Fork made from Aluminium (AL7020)
- Bigger 16" wheel
- Huge amount of colours
- Higher personalization possibility's (adjustable acceleration, options & accessories)
- **User:** Outdoor activity's, weaker hand function, weaker trunk stability, focused on premium and stand out from the crowd

- Highly compatible / adjustable (height, distance, handlebar, angle & height combined)
- Swing Away option
- Lightweight (13Kg, 11Kg transport weight)
- Very small packing size (8,5": 81x47x29cm /14": 87x47x37)
- Passenger aircraft approved (IATA below 300Wh)
- Bundling option / StVZO approval
- On the flight handlebar adjustments (angle & height)
- Color highlights and different square tubes as standard
- Short delivery time (EDC 5 days)
- Small solid wheel (8,5")
- **User:** Urban sometimes outdoor activity's, travelling, semiactive to active, price conscious, focused on good price value ratio.

# STREETJET ADJUSTABILITY

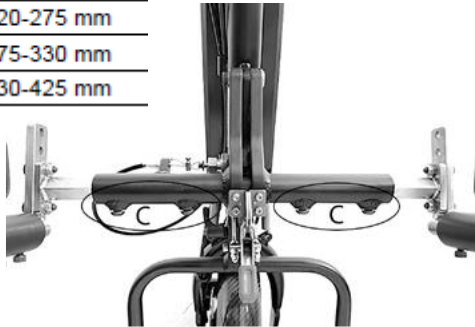
Width adjustable subframe

**Measured width**

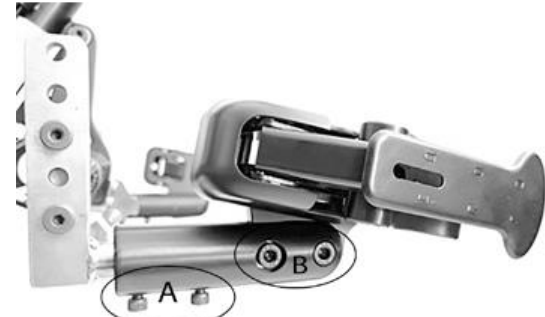
220-275 mm

275-330 mm

330-425 mm



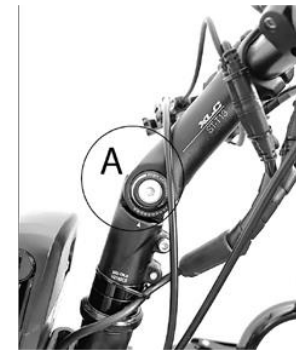
Angle adjustable and rotatable clamp (30°)



Height adjustable arm (+/- 70mm)



Angle adjustable Stem



# STREETJET ADJUSTABILITY

Adjustability One Touch Docking Clamps:  
Frame tube diameter / Clamping force

