

QUICKIE Q700 M HD

Launch presentation

INTRODUCTION

- Product Overview & Key Features
 - Drive Base
 - Seating
 - Options
- Summary



QUICKIE POWER RANGE



Q700 M - Series Family

- **Q700 M Sedeo Pro:** Compact for Indoors – No Compromise on outdoor performance
- **Q700 M Sedeo Ergo:** Exceptional seating system with Memory seating function for users with high clinical needs
- **Q700 M HD:** Highly performing MWD base paired with powered options for clients up to 205 kg user weight versus 160 kg for regular Sedeo Pro seat. Upgrade to 250 kg user weight planned for September 22.

QUICKIE POWER RANGE



Q-Series Family Range Benefits

- **One modular power chair family**
- **Simple to prescribe and match product to clinical need**
- **The most efficient power chair fleet on the market**

Goal

Complete the adult Q-Series Family

by offering the Q700 M HD



Goal

- Integrate the Bariatric power product line into the seating range of adult power
- Integrate Q-Series Options & Accessories where appropriate (Project related, fleet compatibility)
- Introduce seat sized based on the existent Sedeo Pro seating structure, strengthened to match bariatric clients
- **Complete Q-Series power chair family**



Q700 M HD DRIVE BASE

Application for Bariatric users

Standard Q700 MWD base:

- One of the best performing MWD bases in the market
- Fitted with new High-Efficient 4-pole performance Motors
- Due to the high efficiency motors only a 90A controller is required to provide best performance

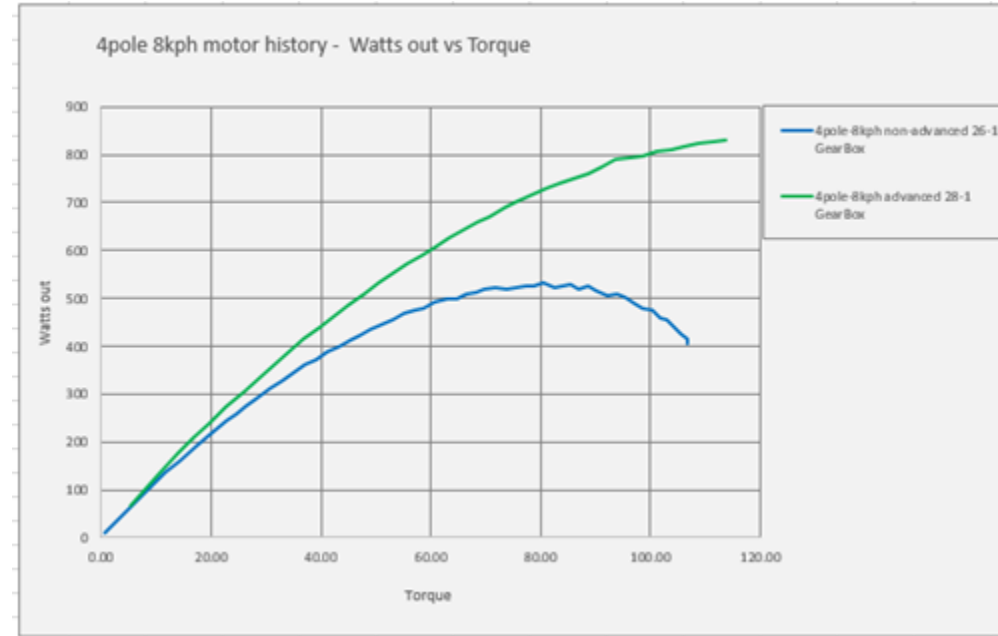


Q700 M HD DRIVE BASE

Application for Bariatric users

New Q700 MWD 4-pole performance motors:

- 4-pole Peak Power went from 530W to 830W.
- Gear box now 28:1 versus 26:1
- Stall torque stayed at 115Nm
- Requires only a 90A controller due to increased efficiency
- Improved range



Q700 M HD DRIVE BASE

Application for Bariatric users

MWD for most intuitive for 1st time driving

- Client positioned in the centre of the chassis
- Turns where you point the joystick
- Most intuitive driving for 1st time users
- Highly efficient driving, requires less energy to manoeuvre the chair around



Q700 M HD Seating System



Application for Bariatric users

Sedeo Pro based Strengthened seating system:

- One of the most versatile seating systems in the market
- Powered options do not limit max. user weight
- Appropriate seat size and cushion options
- Optional flip down backrest with quick release mechanism
- Jay3 backrest offering



Q700 M HD DRIVE BASE

Application for Bariatric Users

Confidence for outdoor use

- Proven drive stability through caster arm link technology
- MWD drive positioning provides the best traction
- 70 mm (3") kerb climbing
- Optimized transition capability
- Optimized Outdoor Comfort and performance
- 10A Charger as standard offer



SEATING - TECHNICAL IMPROVEMENTS

- **Seat Sizes**
- **Powered Seating Options**
- **Arm Rests adjustments**
- **Armrest stabilization**
- **Backrest**
- **Legrest**



Q700 M HD SEATING



Proven Sedeo Pro Seating Systems

Tried & Tested: Sedeo Pro Seating System

Adaptable: Grows with the user

Modular: Identical Base with Q700 M

Customizable: Special controls integration

Powered Seating Options: No weight limitation

Q700 M HD SEATING

Multi Adjustable Seating System

Same Technology as new Sedeo Pro

- Multi Adjustable
- 2 overlapping HD strengthened Steel Seat Pans with strengthening bar
- Infinitesimal width and depth Adjustment



Q700 M HD SEATING

Multi Adjustable Seating System

HD Seat Size Range:

- Seat Width: 500 mm (20") – 660 mm (26")
- Seat Depth: 460 mm (18") – 560 mm (24")



Full range of powered seat functions except lift

HD powered options:

- Posterior Tilt, Powered, 0° - 30°
- Posterior Tilt, Powered, -5° - 25°
- Posterior Tilt, Powered, 0° - 50°
- Posterior Tilt, Powered, -5° - 45°

- Backrest, HD Powered Recline, 90° - 130°



Full range of powered seat functions except lift

HD centre mount legrest options:

Fixed Centre Mount Legrest

- Centre Mount Legrest, Powered, 90° - 180° , 175 mm Extension
- Centre Mount Legrest, Powered, 90° - 180° , 175 mm Extension, Footplate To Floor

Footplate Options:

- Footplate, Dual, Height- And Angle-Adjustable, 260 x 150 mm
- Footplate, Dual, Height- And Angle-Adjustable, Large, 310 x 170 mm

Calf Pad Option:

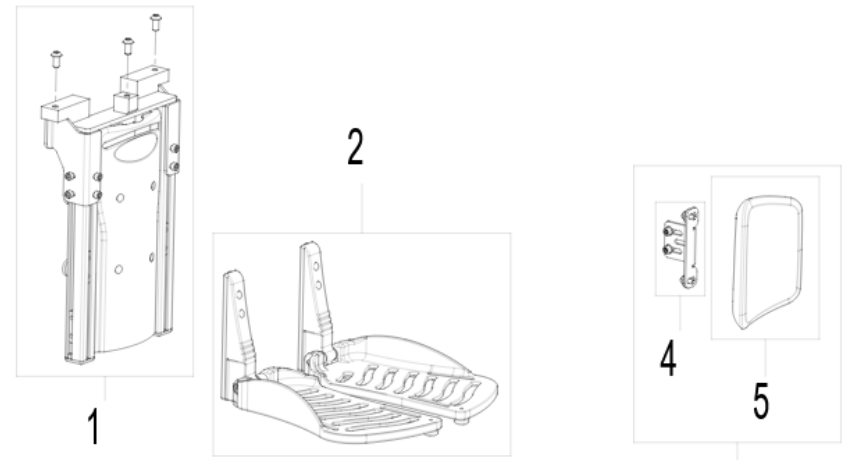
- Calf Pad, Integral Foam, Pair



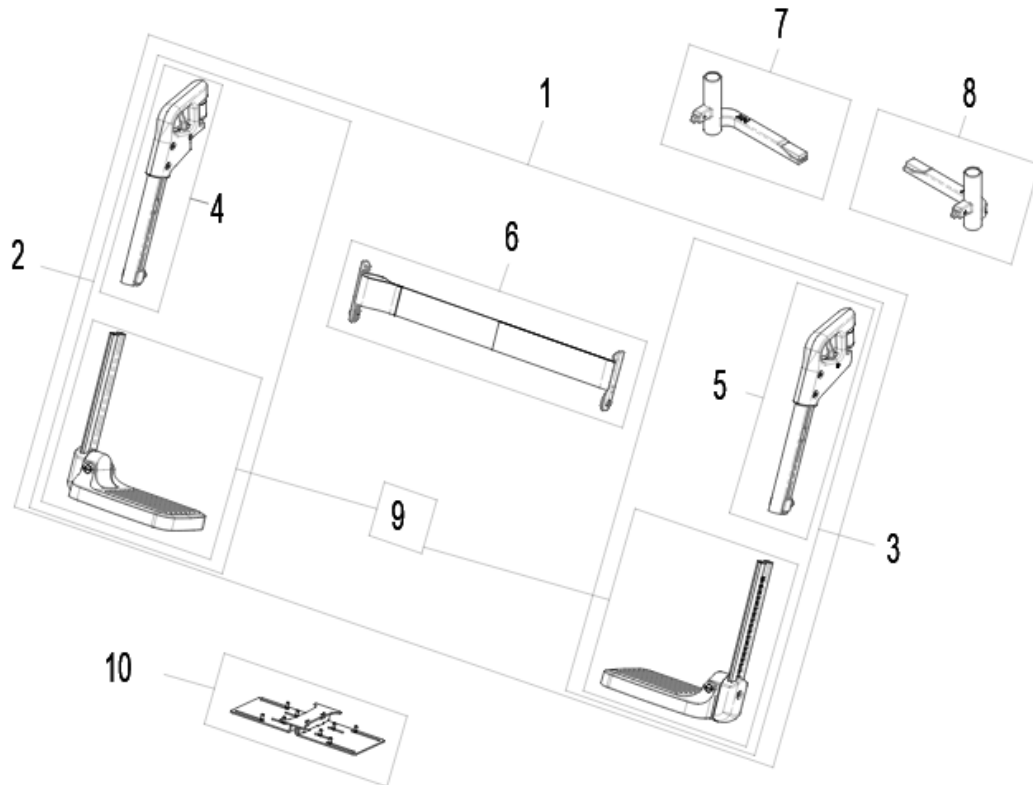
Legrest Options

Center mount legrest features (identical to Sedeo Pro offering)

- Easy to adjust
- Separated footplates in 2 sizes, multi-adjustable
- Durable and robust
- Flip up
- Height adjustable calf pads



Swing Away HD Legrest Options



- s/a legrest receivers in 2 heights to match different cushion types

- SEDEO PRO, Legrest HD, 70° , Swing Away
- SEDEO PRO, Legrest HD, Manual Elevating, Swing Away
- SEDEO PRO, Legrest HD, Power Elevating, Swing Away

Choice of 4 armrest types

Armrest Types

<input checked="" type="checkbox"/> SHP040019	Armrest, Single Post, Flip Back (3) (4)
<input type="checkbox"/> SHP040021	Armrest, Single Post, Removable (3) (4)
<input type="checkbox"/> SHP040070	Armrest, Reclining, Multi-Adjustable, Flip Back
<input type="checkbox"/> SHP040065	Armrest, Reclining, Multi-Adjustable, Flip Back with extra support bracket

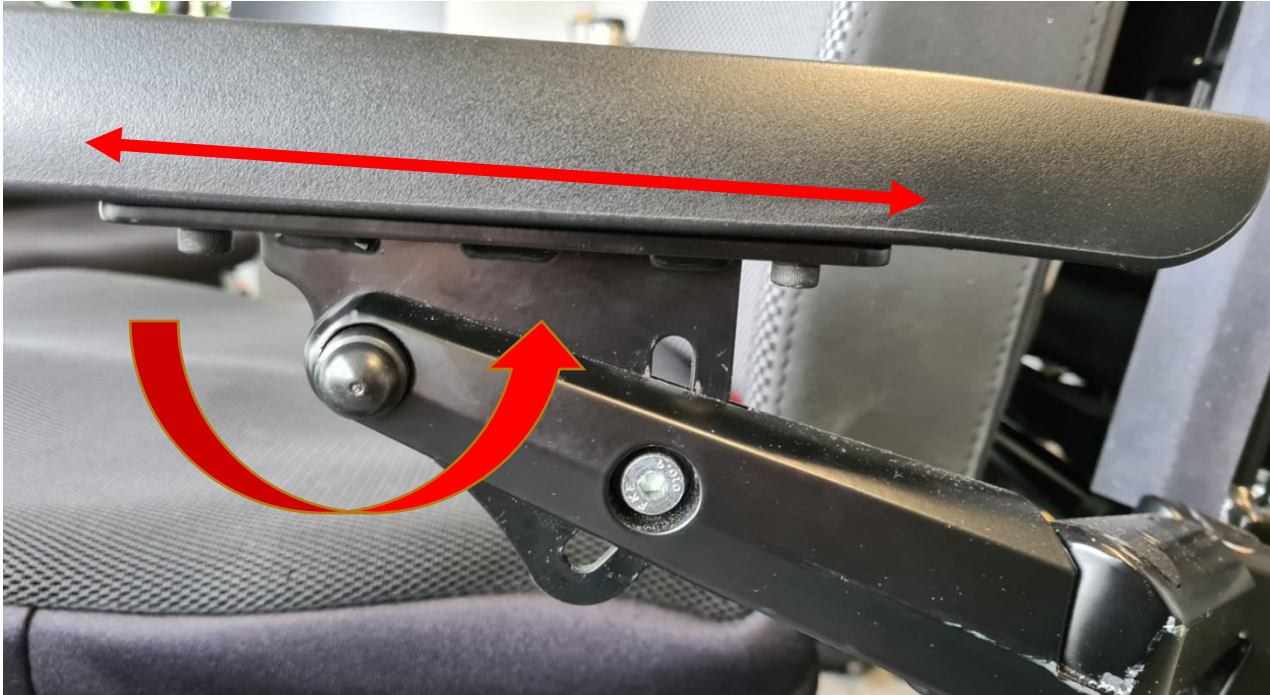
SEATING - TECHNICAL IMPROVEMENTS

New multi-adjustable Armrest



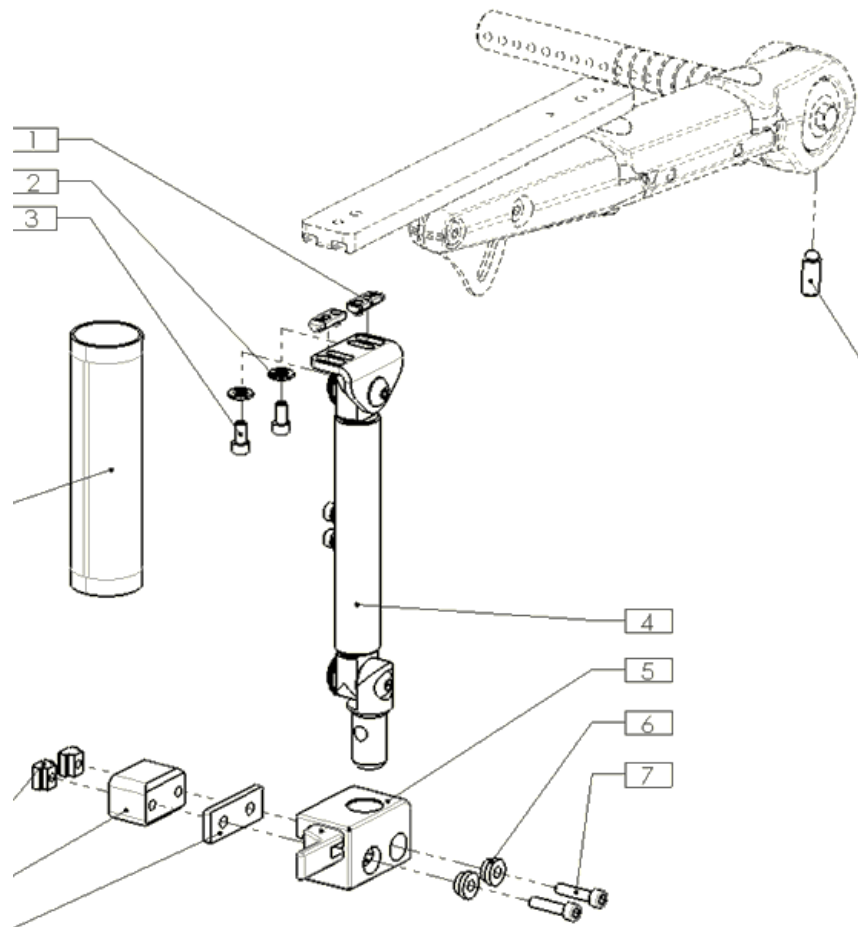
- Adjustable hinges for optimized user arm positioning
- Armrest width setting

New multi-adjustable Armrest



- Arm pad infinitesimal angle and fore-/aft-adjustment

New multi-adjustable Armrest with optional stabilizer bar



- Armrest stabilizing option. Prevents the downward flexing at high loads on armrest (e.g. transfer in and out of the chair)

Arm pad Options

Arm Pads

<input type="checkbox"/>	SHP040023	Arm Pad, Integral Foam, 300 mm, Right
<input type="checkbox"/>	SHP040024	Arm Pad, Integral Foam, 300 mm, Left
<input checked="" type="checkbox"/>	SHP040025	Arm Pad, Integral Foam, 400 mm, Right
<input checked="" type="checkbox"/>	SHP040026	Arm Pad, Integral Foam, 400 mm, Left
<input type="checkbox"/>	SHP040027	Arm Pad, Integral Foam, 450 mm, Right (5)
<input type="checkbox"/>	SHP040028	Arm Pad, Integral Foam, 450 mm, Left (5)
<input type="checkbox"/>	SHP040029	Omit Arm Pad, Right
<input type="checkbox"/>	SHP040030	Omit Arm Pad, Left

Comfort Arm Pads

<input type="checkbox"/>	SHP040204	Arm Pad, Comfort, Padded, PU Coated, 400 mm, Right
<input type="checkbox"/>	SHP040203	Arm Pad, Comfort, Padded, PU Coated, 400 mm, Left

Hemiplegia Arm Pads

<input type="checkbox"/>	SHP040031	Arm Pad, Hemiplegia, Integral Foam, Right (6)
<input type="checkbox"/>	SHP040032	Arm Pad, Hemiplegia, Integral Foam, Left (7)

- Wide range of distinct arm pads for best user match and comfort

SEATING - TECHNICAL IMPROVEMENTS



Backrest Cushion types

Back Cushion Type

SEDEO PRO (See Section A)

SHP030104 SEDEO PRO, Back Cushion

JAY J3 (See Section B)

SHP030054 JAY J3, Back Cushion

Interfaces

SHP030106 SEDEO PRO, Interface Only

SHP030107 SEDEO PRO, Interface Only For Back Cushion, Flexible

SHP030055 JAY J3, Interface Only

SHP030209 Omit Back Cushion

Headrest Options

- SEDEO Headrest – greater client support & positioning
- WHITMYER Headrest – size appropriate for more precise positioning & support



SEATING - TECHNICAL IMPROVEMENTS



Options – Choice of full range of special controls

- Q-Series fleet compatibility
- OMNI2
- Link-It
- CTRL+5
- All Special Control Input devices available



DRIVE BASE COLOURS

Options

- 8 Colour insert options
- Proven colouring systematic

Colour Accents	
<input type="radio"/> SHP140005	Apple Green (RAL 110 70 77)
<input type="radio"/> SHP140004	Black (RAL 9005)
<input type="radio"/> SHP140003	Blue (RAL 260 40 45)
<input type="radio"/> SHP140006	Orange (RAL 060 60 80)
<input type="radio"/> SHP140002	Red (RAL 040 40 67)
<input checked="" type="radio"/> SHP140007	Silver (RAL 9006)
<input type="radio"/> SHP140001	White (RAL 9010)

DRIVE BASE Lights

Options

- New **Q-LED** fender light option (no indicator lights)
- Simple and effective design

LED Lights & Indicators

<input checked="" type="radio"/> SHP110209	Omit Light And Indicator
<input type="radio"/> SHP110201	LED Light And Indicator (1)
<input type="radio"/> SHP110202	Fender Lights (1)



// SHP110201

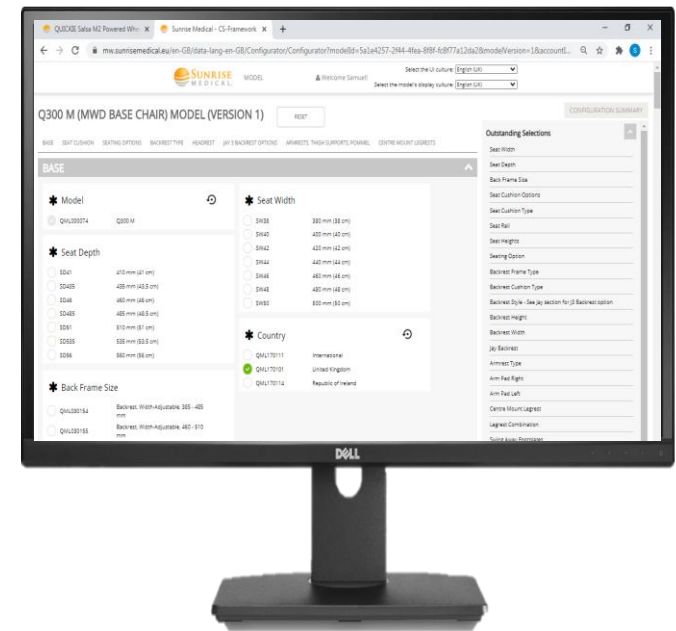


// SHP110201

Q700 M HD

Online Configurator

- HD Seating available to configure online
- Check all no go's before processing
- Quicker processing vs. manual order form



SUMMARY

Design Objective

Complete the Q-Series Family by **Integrating the Sedeo Pro HD seat onto the Q700 M base**

Product Summary

- **Improved** Q700 M User weight capacity up to 205 kg versus 160 kg from today
- **Further improvement** on user weight to 250 kg (engineering tests have been successful completed, production quantities on order for a September 22 introduction)

