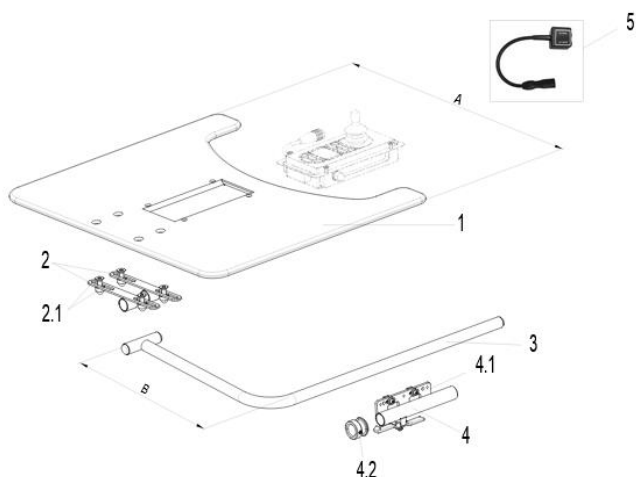


BULLETIN DETAILS

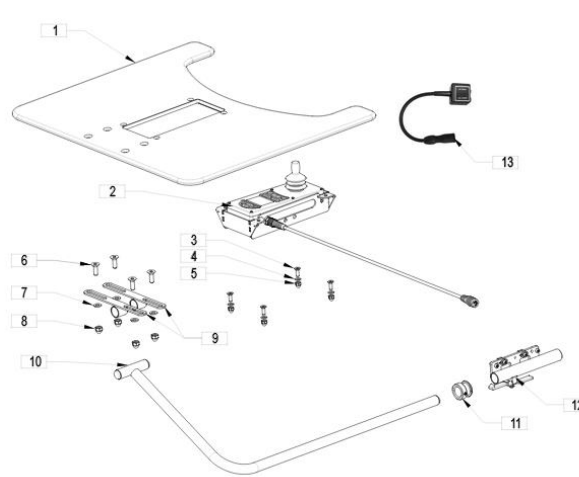
Product Group:	QUICKIE		
Model Affected:	Q700 Sedeo Ergo, Q700 UP, Legacy Fleet		
Effective Date: See Below	Serial No. Effective From:	N/A	
Bulletin Subject:	TB 0726 - New Centre Mount Tray Control		

Due to our previous supplier being unable to supply moving forward, we are introducing a new Centre Mount Tray Control assembly for the Q700 UP & Q700 Sedeo Ego, as well as the following legacy products: Jive, Jive M2, Jive UP, Salsa M2, Salsa R2, Salsa M2 Mini, Puma 40.

Old version (Pre 2022)



New Version (2022 Onwards)



All other power chairs either in the field, or newly ordered with Sedeo Lite and Sedeo Pro seating systems remain unchanged. Please note however, that the new JSM required is not compatible with the old tray assembly.

All changes are reflected and updated in the spare parts catalogues.

This change allows us to keep production running for orders requiring tray controls, meaning less delays and reduced lead times. It also allows for greater compatibility across the entire Q-Series range; Sedeo Lite, Sedeo Pro, Sedeo Ergo, UP as well as the upcoming Advanced Pro Models.

For any queries on any of these updates please contact your local Area Sales Manager.

Customer Services	Customer Support	Technical Service Centre	E-mail
Telephone:	+44 (0)845 605 66 88 Option 1-1	+44 (0)845 605 66 88 Option 1-2	enquiries@sunmed.co.uk
Fax:	+44 (0)845 605 66 89	+44 (0)845 605 66 89	help.technical@sunmed.co.uk