



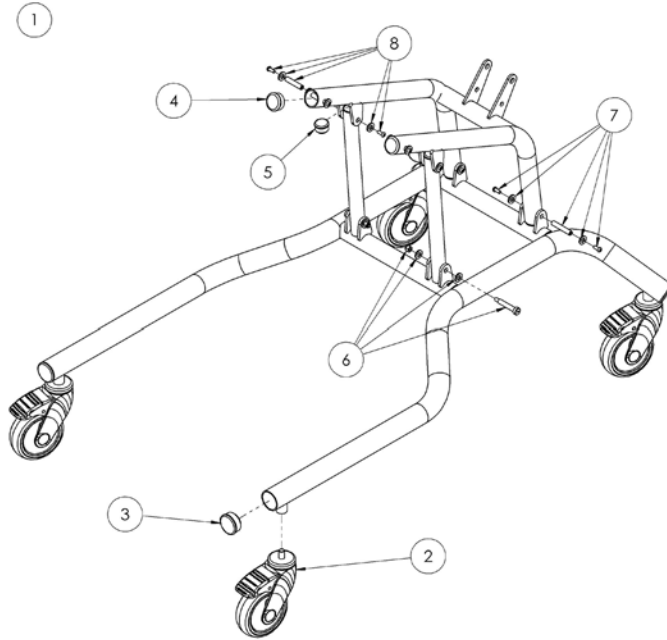
# Mygo Stander

Spare Parts Catalogue



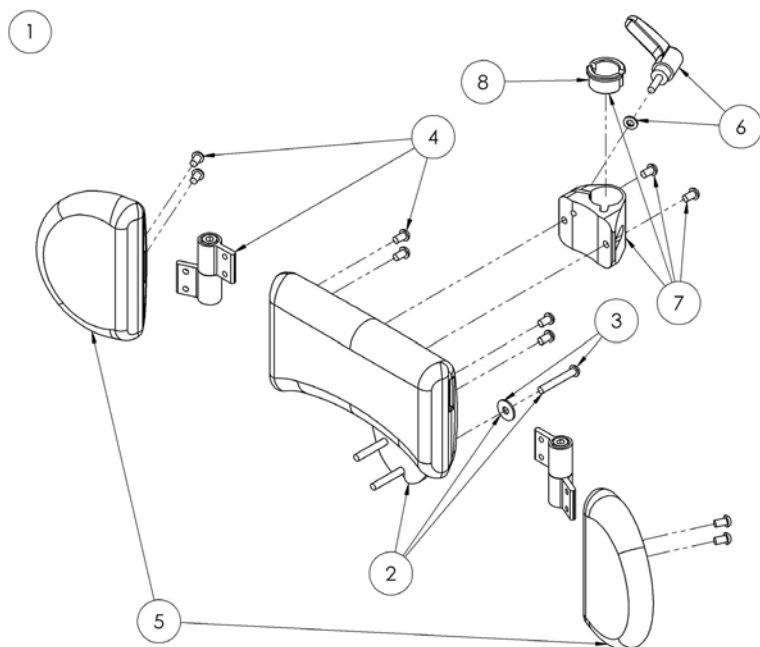
Supporting  
Children

# Mygo Stander Spare Parts - Chassis



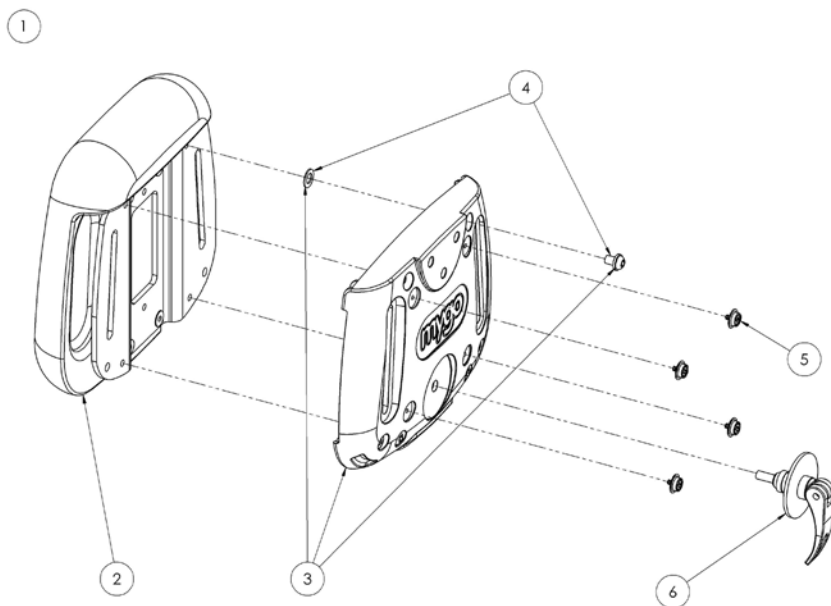
Pos.	Leckey Sales Code	Description
1	143-1627	Chassis - Size 1
	143-2627	Chassis - Size 2
2	IA13	Black Castor
3	SF56	1-1/2" Ribbed Tube Inserts (Pack of 4)
4	SH62	1 1/4" Round Black Insert (Pack of 4)
5	SF68	1" Round Ribbed Tube Insert (Pack of 2)
6	143-9001	Support Arm Fixing Kit
7	143-9075	Base/Welded Arm Fixing Kit
8	143-9076	Support/Welded Arm Fixing Kit

# Mygo Stander Spare Parts - **Shoulder**



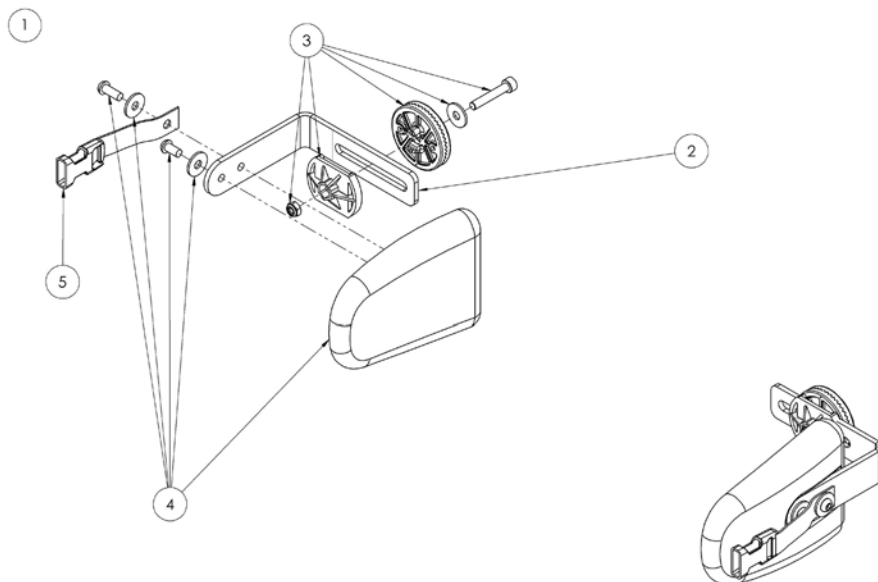
Pos.	Leckey Sales Code	Description
1	143-1638	Shoulder Assembly
2	143-9035	Shoulder PU Assembly
3	143-9077	Shoulder PU Kit
4	143-9036	Lateral Attachment Kit
5	143-1637	Shoulder Lateral PU
6	143-9039	Handle Assembly
7	143-9040	Head Support Attachment Assembly
8	118-166	Head Support Collar

# Mygo Stander Spare Parts - Chest Pad



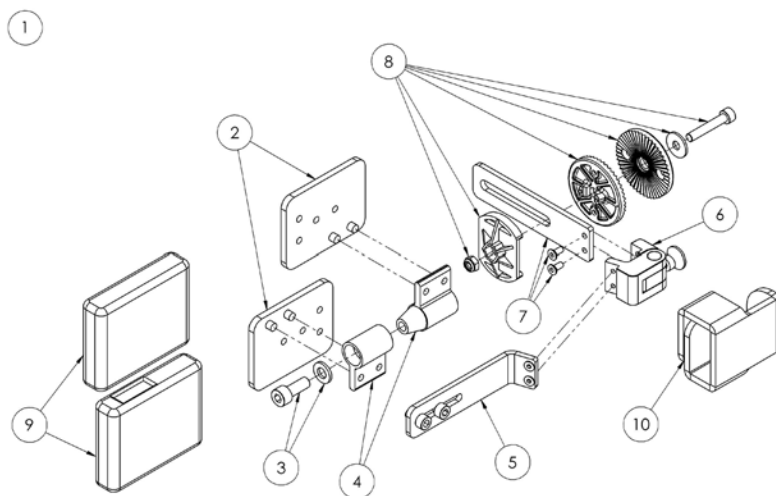
Pos.	Leckey Sales Code	Description
1	143-1626	Chest Pad Assembly - Size 1
	143-2626	Chest Pad Assembly - Size 2
2	143-9031	Chest Pad Assembly - Size 1
	143-9033	Chest Pad Assembly - Size 2
3	143-9030	Chest Shroud Assembly - Size 1
	143-9032	Chest Shroud Assembly - Size 2
4	143-9078	Chest Shroud Fixing Kit
5	143-9029	Upholstery Fixing Stud Kit
6	143-9028	Chest Height Adjust Fixing Kit

# Mygo Stander Spare Parts - Chest Lateral



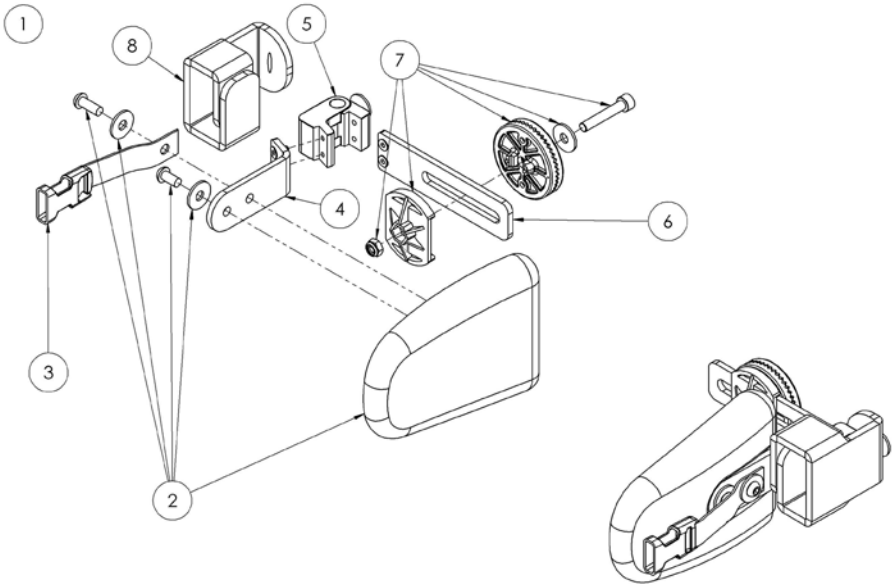
Pos.	Leckey Sales Code	Description
1	143-1619	Chest Lateral (Pair) - Size 1
	143-2619	Chest Lateral (Pair) - Size 2
2	143-1144	Chest Lateral Brackets (Pair) - Size 1
	143-1270	Chest Lateral Brackets (Pair) - Size 2
3	143-9041	Angle Adjust Fixing Kit (Pair)
4	143-9042	Lateral Assembly Kit (Pair)
5	143-1800	25mm Buckle Assembly (Pair)

# Mygo Stander Spare Parts - Complex Chest Lateral



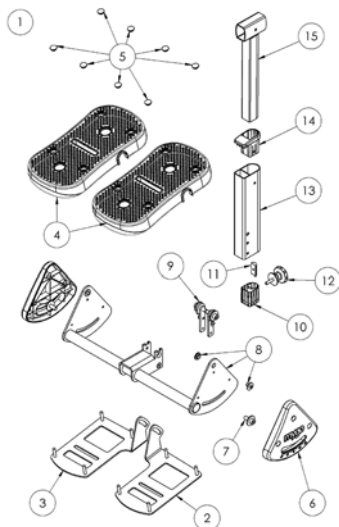
Pos.	Leckey Sales Code	Description
1	143-1673	Complex Chest Lateral Ass. (RHS)
	143-1674	Complex Chest Lateral Ass. (LHS)
2	143-9048	Complex Chest Lateral Plate Ass.
3	143-9049	Fixing Kit
4	143-9050	Taperlock Assembly
5	143-9051	Lateral Attachment Assembly
6	117-824	Flip Away Lateral (Pair)
7	143-9053	Angle Adjust Bracket Assembly
8	143-9052	Angle Adjust Fixing Kit
9	137-295	Foam Pocket w. Spacer Foam
10	133-726	Lateral & Bracket Covers (Single)

# Mygo Stander Spare Parts - Flip Away Chest Lateral



Pos.	Leckey Sales Code	Description
1	143-1675	Flip Away Lateral Assembly (Pair)
2	143-9044	Lateral Assembly Kit (Pair)
3	143-1800	25mm Buckle Assembly (Pair)
4	143-9045	Lateral Attachment Kit (Pair)
5	117-824	Flip Away Lateral (Pair)
6	143-9046	Angle Adjust Bracket Assembly (Pair)
7	143-9047	Angle Adjust Fixing Kit (Pair)
8	133-726	Lateral & Bracket Covers (Single)

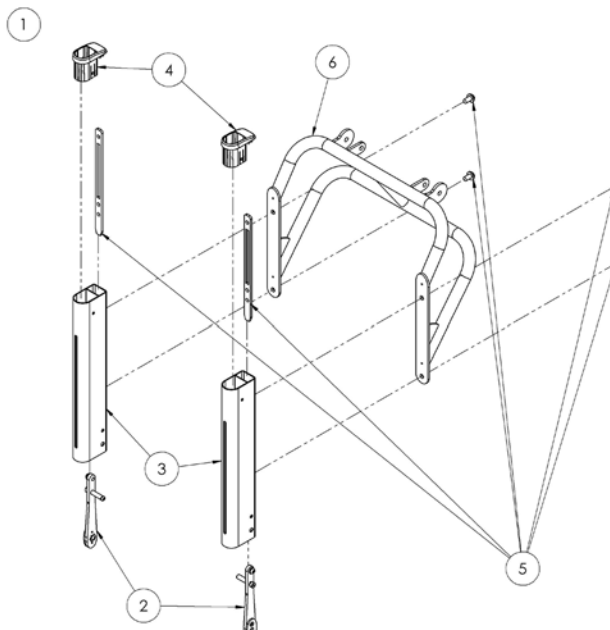
# Mygo Stander Spare Parts - Footplate



Pos.	Leckey Sales Code	Description
1	143-1607	Footplate Assembly - Size 1
	143-2607	Footplate Assembly - Size 2
2	143-9003	Footplate Angle Assembly (LHS)
3	143-9004	Footplate Angle Assembly (RHS)
4	143-9005	Footplates (Pair)
5	118-153	Orb Knob Cap (Pack of 8)
6	143-9006	Footplate Shroud Assembly (Pair)
7	143-9007	Footplate Angle Adjust Fixing Kit
8	143-9008	Footplate Support Assembly - Size 1
	143-9011	Footplate Support Assembly - Size 2
9	143-9009	Footplate Support Fixing Kit
10	143-1189	Hip Tube Bottom Bush
11	120-235	Calf Locking Plate
12	143-9010	Knee Height Adjustment Fixing Kit
13	143-1115	Knee Post Outer - Size 1
	142-2115	Knee Post Outer - Size 2
14	143-1110	Extrusion Top & Bush
15	143-1616	Knee Post Assembly

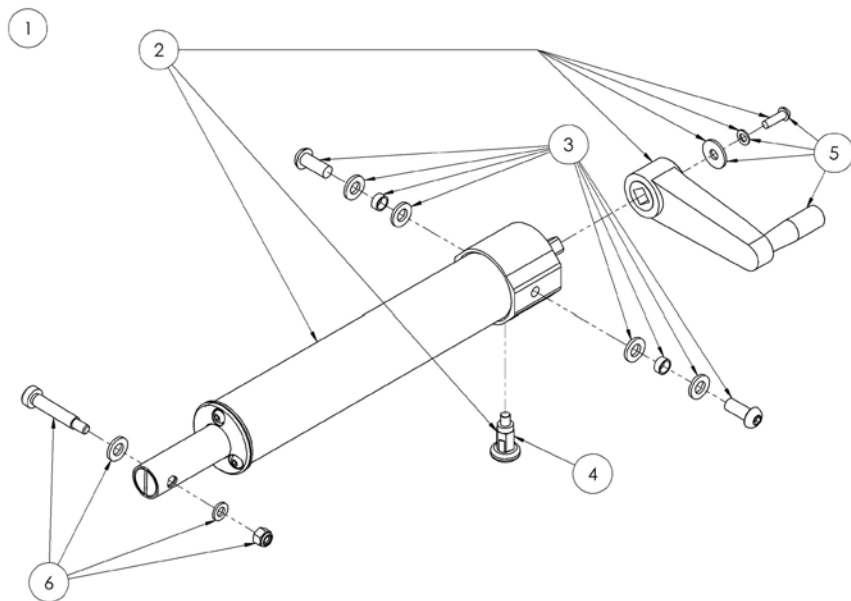


# Mygo Stander Spare Parts - **Stander Frame**



Pos.	Leckey Sales Code	Description
1	143-1608	Stander Frame Assembly - Size 1
	143-2608	Stander Frame Assembly - Size 2
2	143-9012	Footplate Hinge Fixing Kit
3	143-1108	Side Extrusion - Size 1
	143-2108	Side Extrusion - Size 2
4	143-1110	Extrusion Top & Bush
5	143-9013	Frame Assembly Fixing Kit
6	143-1612	Cross Bar Weld Assembly - Size 1
	143-2612	Cross Bar Weld Assembly - Size 2

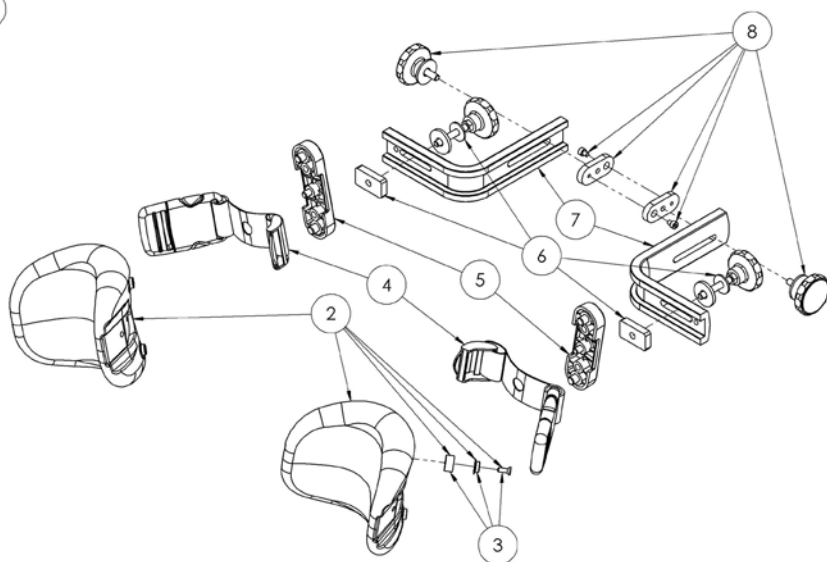
# Mygo Stander Spare Parts - Linear Drive



Pos.	Leckey Sales Code	Description
1	143-1640	Linear Drive Assembly
2	143-9014	Linear Drive Part
3	143-9015	Pivot Fixing Kit
4	IA56	Pull Pin
5	143-9016	Handle Assembly
6	143-9017	Chassis Interface Fixing Kit

# Mygo Stander Spare Parts - Knee

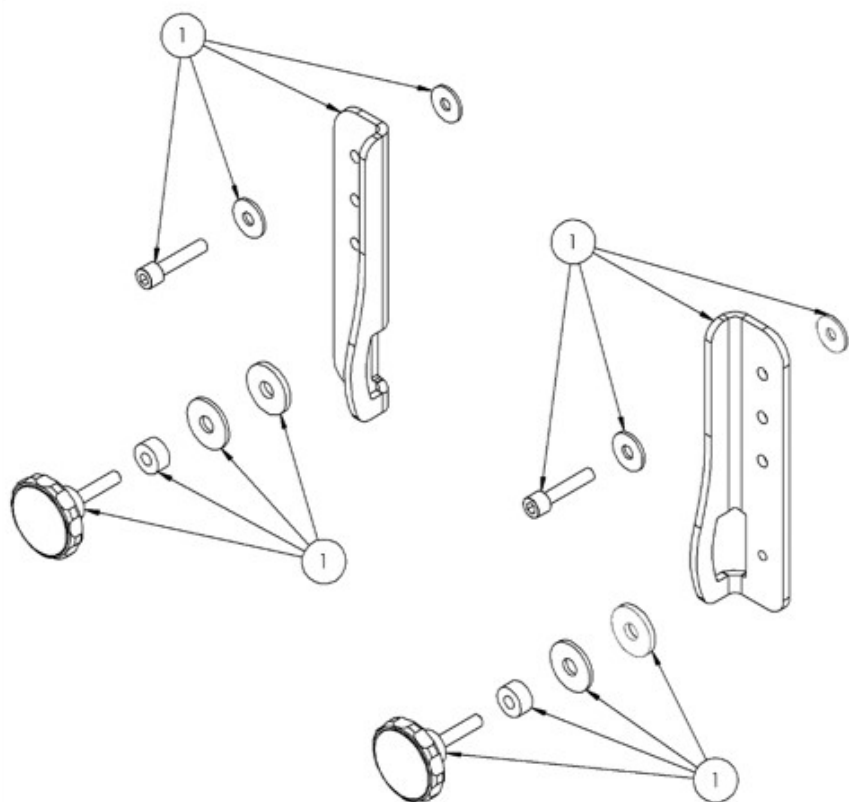
1



Pos.	Leckey Sales Code	Description
1	143-1606	Knee Assembly [Size 1] [Pair]
1	143-2606	Knee Assembly [Size 2] [Pair]
2	143-9018	Knee PU Assembly [Size 1] [Pair]
2	143-9022	Knee PU Assembly [Size 2] [Pair]
3	143-9079	Knee Screw Kit
4	143-1825	Knee Strap Assembly
5	143-9019	Knee Strap Fixing Assembly [Pair]
6	143-9020	Knee Adjustment Fixing Kit
7	143-1190	Kneecup Extrusion [Pair]
8	143-9021	Knee Slider Fixing Kit

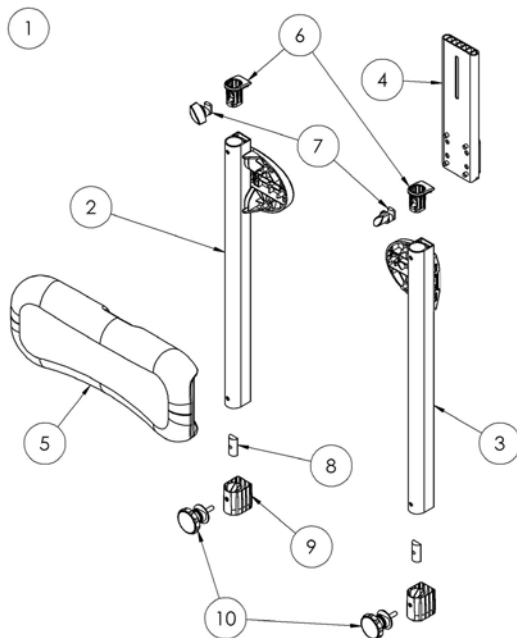
## Mygo Stander Spare Parts - Knee Height Extensions

---



Pos.	Leckey Sales Code	Description
1	143-1690	Knee Height Extension (Pair)

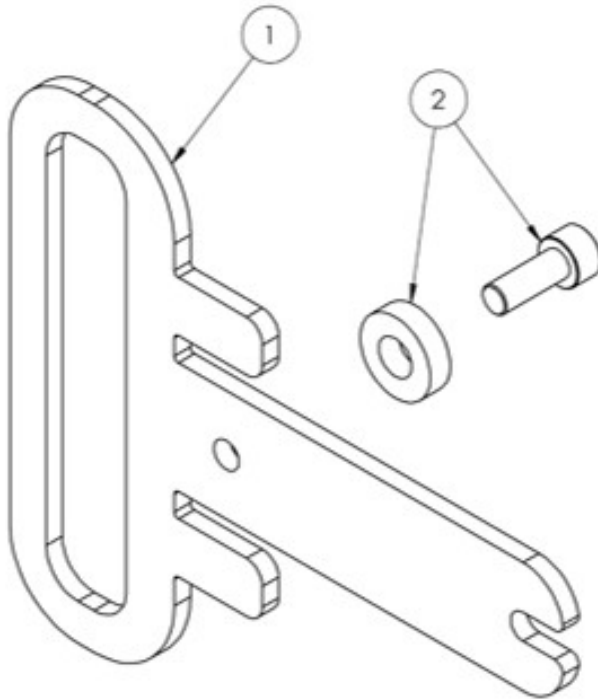
# Mygo Stander Spare Parts - Hip



Pos.	Leckey Sales Code	Description
1	143-1620	Hip Assembly - Size 1
	143-2620	Hip Assembly - Size 2
2	143-9023	Hip Height Adjust Assembly - RHS
3	143-9024	Hip Height Adjust Assembly - LHS
4	143-9025	Chest Height Adjust Assembly
5	143-1611	Hip Pad PU - Size 1
	143-2611	Hip Pad PU - Size 2
6	143-1193	Tray Tube Bush (Pair)
7	143-9026	Tray Height Adjust Fixing Kit
8	120-235	Calf Locking Plate (Single)
9	143-1189	Hip Tube Bottom Bush (Single)
10	143-9027	Hip Height Adjust Fixing Kit (Pair)

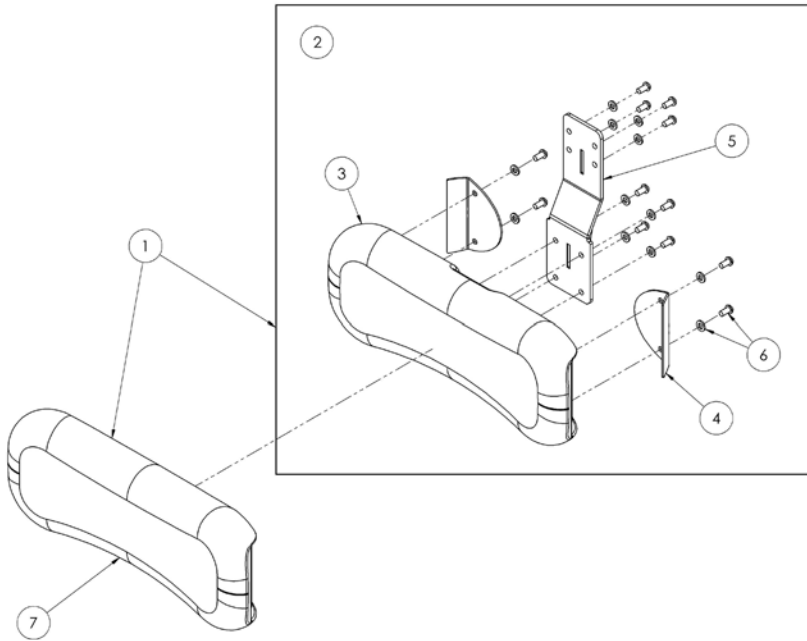
# Mygo Stander Spare Parts - Hip Derotation Belt

---



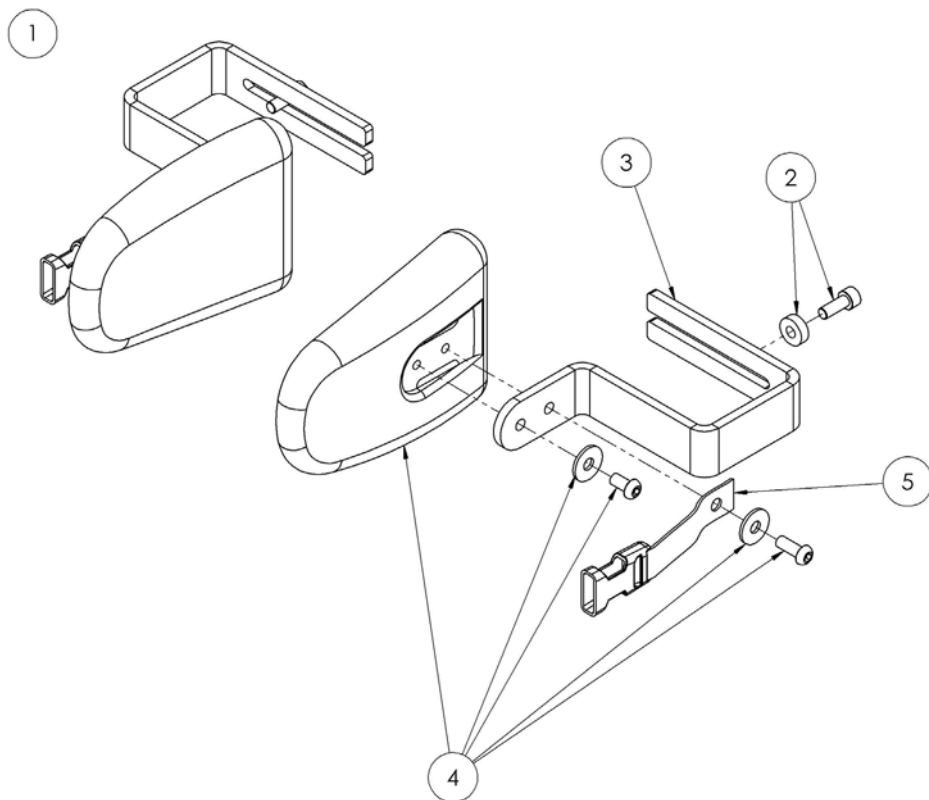
Pos.	Leckey Sales Code	Description
1	143-1229	Hip Belt Bracket
	143-9054	Attachment Kit

# Mygo Stander Spare Parts - Hip Infill Pad



Pos.	Leckey Sales Code	Description	Colour Options			Compatible with	
			Orange	Blue	Pink	Size 1	Size 2
		[Replace XX with colour]					
1	143-1666-XX	Hip Infill Pad (Size 1)	-07	-08	-09	●	
1	143-2666-XX	Hip Infill Pad (Size 2)	-07	-08	-09		●
2	143-1666	Hip Infill Pad (Hardware Only)(Size 1)				●	
2	143-1667	Hip Infill Pad (Hardware Only) (Size 2)					●
3	143-1611	Hip Pad PU (Size 1)				●	
3	143-2611	Hip Pad PU (Size 2)					●
4	143-1276	Hip Pad Cover Bracket [Single]				●	●
5	143-1667	Hip Infill Support [Single]				●	●
6	143-9084	Hip Infill Screw Kit				●	●
7	143-1799-XX	Hip Infill Cover (Size 1)	-07	-08	-09	●	
7	143-2799-XX	Hip Infill Cover (Size 2)	-07	-08	-09		●

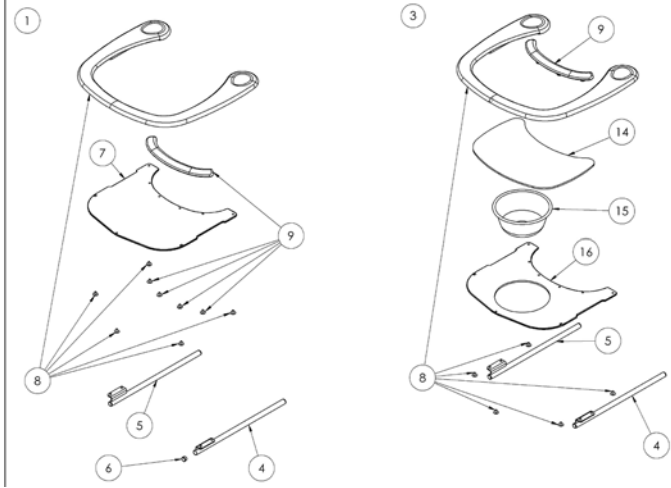
# Mygo Stander Spare Parts - Hip Lateral



Pos.	Leckey Sales Code	Description	Compatible with	
			Size 1	Size 2
1	143-1663	Hip Lateral Assembly [Pair]	●	●
2	143-9054	Attachment Kit [Pair]	●	●
3	143-1181	Hip Lateral Bracket [Pair]	●	●
4	143-9055	Lateral Attachment Assembly [Pair]	●	●
5	143-1800	25mm Buckle Assembly [Pair]	●	●

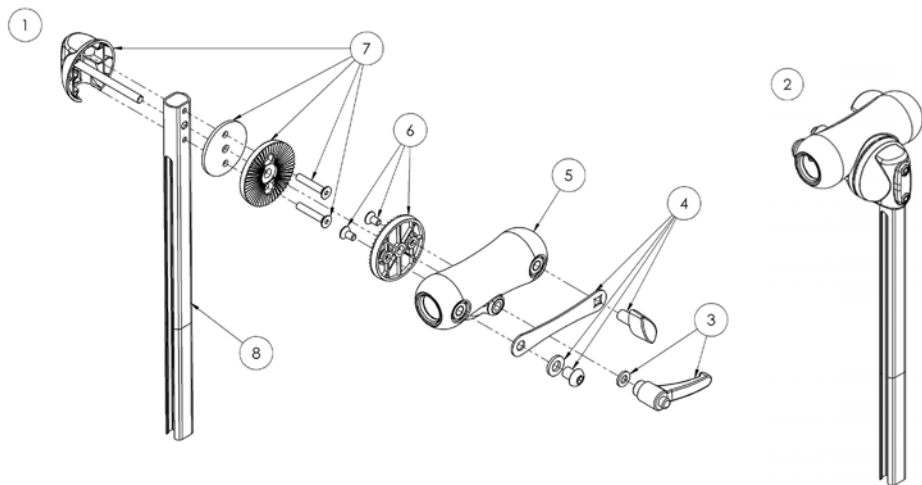


# Mygo Stander Spare Parts - Tray



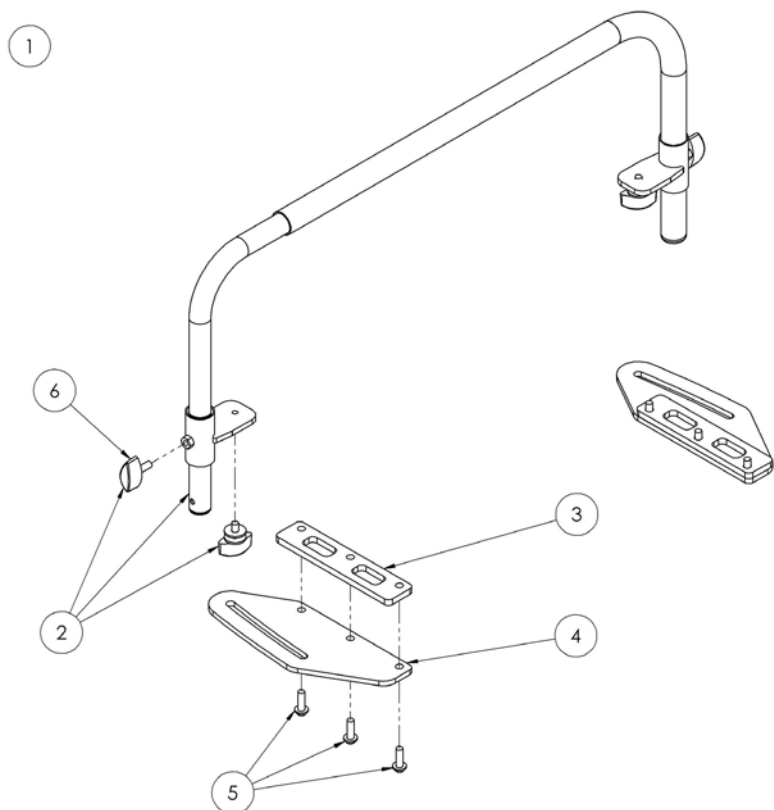
Pos.	Leckey Sales Code	Description	Compatible with	
			Size 1	Size 2
1	143-1609	Standard Tray [Size 1]	●	
1	143-2609	Standard Tray [Size 2]		●
3	143-1633	Tray with Bowl [Size 1]	●	
3	143-2633	Tray with Bowl [Size 2]		●
4	143-9068	Tray Tube Assembly - LHS	●	●
5	143-9069	Tray Tube Assembly - RHS	●	●
6	SF52	3/4" Dia Ribbed Tube Insert [Single]	●	●
7	143-1200	Prone Tray Insert	●	●
8	143-9070	Tray PU Assembly	●	●
9	143-9071	Tray Protection PU Assembly	●	●
11	143-1243	Secondary Tray Insert	●	●
12	143-9081	Clear Tray PU Assembly	●	●
13	143-9082	Clear Tray Protection PU Assembly	●	●
14	143-9072	Bowl Cover Assembly	●	●
15	SG41	Empee 8" Lotion Bowl	●	●
16	143-9073	Tray Insert with Bowl Assy	●	●

# Mygo Stander Spare Parts - Tray Receiver



Pos.	Leckey Sales Code	Description	Compatible with	
			Size 1	Size 2
1	143-1647	Tray Receiver - LHS	●	●
2	143-1634	Tray Receiver - RHS	●	●
3	143-9064	Handle Assembly [Single]	●	●
4	143-9065	Knob Assembly [Single]	●	●
5	143-1653	Tray Receiver PU [Single]	●	●
6	143-9066	Tray Angle Assembly	●	●
7	143-9067	Tray Angle Moulding Assembly	●	●
8	143-1680	Tray Height Extrusion Assembly	●	●

# Mygo Stander Spare Parts - **Grab Rail**



Pos.	Leckey Sales Code	Description	Compatible with	
			Size 1	Size 2
1	143-1649	Grab Rail Assembly	●	●
2	117-769	Grab Rail	●	●
3	143-1244	Grab Rail Spacer [Pair]	●	●
4	143-1245	Grab Rail Sliding Plate [Pair]	●	●
5	143-9083	Grab Rail Screw Kit	●	●
6	SF48	Elsa Locking Key M6 [Single]	●	●

# Mygo Stander Spare Parts - Upholstery



Pos.	Leckey Sales Code	Description	Min. Order Qty	Colour Options						Compatible with		
				Orange	Blue	Pink	Black	Black Vinyl	Infection Control [Black]	Size 1	Size 2	
		[Replace XX with colour]										
2	143-1768-XX	Shoulder Pad Cover	1	-07	-08	-09					●	●
3	143-1780-XX	Chest/Hip Lateral Wraparound Harness [Size 1]	1	-07	-08	-09					●	
3	143-2780-XX	Chest/Hip Lateral Wraparound Harness [Size 2]	1	-07	-08	-09						●
3	143-3780-XX	Chest/Hip Lateral Wraparound Harness [Size 3]	1	-07	-08	-09						●
3	143-1775-14	Chest/Hip Lateral Wraparound Harness - Infection Control Black [Size 1]	1						[No Extension Req.]		●	
3	143-2775-14	Chest/Hip Lateral Wraparound Harness - Infection Control Black [Size 2]	1						[No Extension Req.]			●
3	143-3775-14	Chest/Hip Lateral Wraparound Harness - Infection Control Black [Size 3]	1						[No Extension Req.]			●
4	143-1798-XX	Prone Derotation Hip Belt with Hardware [Size 1]	1	-07	-08	-09					●	
4	143-2798-XX	Prone Derotation Hip Belt with Hardware [Size 2]	1	-07	-08	-09						●
4	143-1783-XX	Supine Derotation Hip Belt with Hardware [Size 1]	1	-07	-08	-09					●	
4	143-2783-XX	Supine Derotation Hip Belt with Hardware [Size 2]	1	-07	-08	-09						●
5	143-1776-XX	Basic Knee Straps [Size 1]	1	-07	-08	-09				-14	●	
5	143-2776-XX	Basic Knee Straps [Size 2]	1	-07	-08	-09				-14		●
5	143-1784-XX	Split Knee Straps	1	-07	-08	-09					●	●



Leckey  
19c Ballinderry Road  
Lisburn BT28 2SA  
Northern Ireland

{+44} 28 9260 0750  
hello@leckey.com

LS832-01

[leckey.com](http://leckey.com)

