

Magic 360



Rev 5.:10/2023

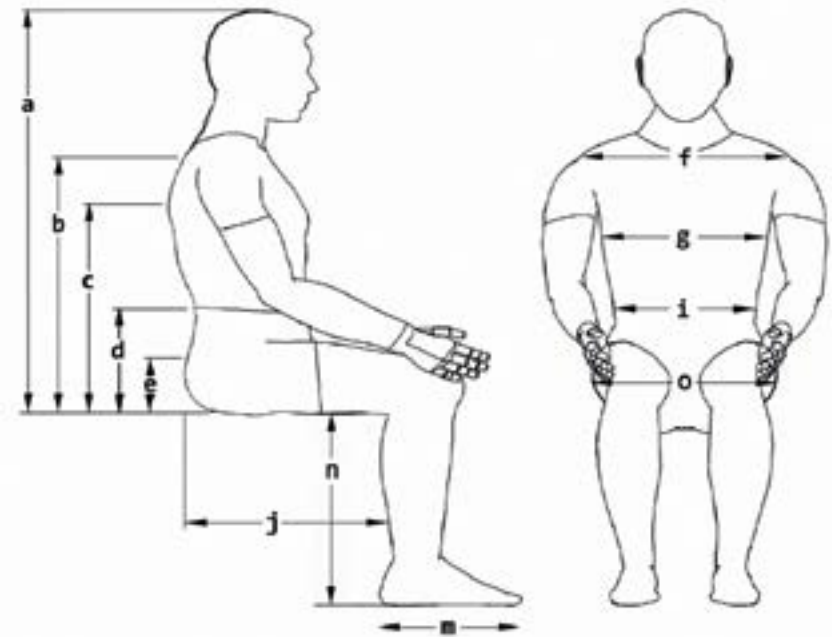
ORDER FORM

Errors and imissions excepted..

Billing Address Or Customer-ID			Shipping Address		Identical To Billing Address
C.-ID:			C.-ID:		
Name:			Name:		
Street:			Street:		
Town/PC:			Town/PC:		
E-Mail:			E-Mail:		
Phone:			Phone:		
Order Information			User Weight		
Order	Calculation	Built-4-Me®	Art. No.:		
Purchase Order No.:			User weight:		kg
Reimbursement Code:			Base Price		£12,500
Order date: Day	Month	Year			

Client Measurements

a) Top Of Head To Seat	mm
b) Top Of Shoulder To Seat	mm
c) Underarm To Seat	mm
d) Elbow To Seat	mm
e) Top Of Pelvis To Seat	mm
f) Shoulder Width	mm
g) Trunk Width	mm
i) Hip Width	mm
j) Actual Sitting Depth	mm
m) Foot Length	mm
n) Lower Leg Length	mm
o) Actual Seat Width	mm



Technical Data

User Weight Capacity	160 kg with seat lift and seat inclination	Ground Clearance	85 mm (depends on the configuration)
Base Width	610 - 660 mm	Drive Wheels & Castors	355 mm (14") Drive Wheels and 200 mm (8") Castors (Solid Tyres)
Chassis length	983 mm (min.)	Charger	220 V/10 A
Drive Control	R-Net	Battery Size	80 Ah
Drive Motors	10 km/h, 2 x 800 W, 4-Pole Motors	Turning radius	615 - 665 mm
Standard configuration	Including MPS back system, MPS seat system, maintenance-free 80 Ah batteries and 10 A charger		
Tyres	Maximum tyre pressure depending on user weight from 0.25 to 0.55 bar (see table in instruction manual)		
Tie down points	Integrated and attached to the base		

Drive Unit

Power Wheelchair

		£
MAG010011	MAGIC 360	12,500

SEAT

Seating Systems

		£
MAGREHABSEATPAN	Rehab Seat Pan	0

Seat Cushion For Rehab Seat

		£
MAGWOSEATCUSH	No Seat Cushion	0
MAGPADDEDSC	Flat Padded Seat Cushion	100
MAGCMRC	MPS Removable Seat Cushion (1,2)	270

UPH For Seat Cushion

		£
MAGSUFABRIC	Fabric	0
MAGSUVINYL	Vinyl	0

Seat Sizes

Seat width (3)

MAGSW305MM	12" (305mm)	MAGSW405MM	16" (405mm)	MAGSW510MM	20" (510mm)
MAGSW330MM	13" (330mm)	MAGSW430MM	17" (430mm)	MAGSW535MM	21" (535mm)
MAGSW355MM	14" (355mm)	MAGSW455MM	18" (455mm)	MAGSW560MM	22" (560mm)
MAGSW380MM	15" (380mm)	MAGSW480MM	19" (480mm)		

Seat depth (3)

MAGSD405MM	16" (405mm)	MAGSD480MM	19" (480mm)	MAGSD560MM	22" (560mm)
MAGSD430MM	17" (430mm)	MAGSD510MM	20" (510mm)		
MAGSD455MM	18" (455mm)	MAGSD535MM	21" (535mm)		

Seat Tilt Modules

		£
MAG5984	Fixed Frame, 3° tilt (no power functions)	0
MAG5985	Fixed Frame, 3° tilt (only lighting)	0
MAG5986	Fixed Frame, 3° tilt (with Power Options)	0
MAG5127	Powered Tilt (0 - 50°)	1699
MAG5126	Lift and Tilt (300 mm lift, 0 - 45° tilt)	3399

Seat Height

		£
MAG6552	17" (430mm)	0
MAG6553	18" (455mm)	0
MAG6554	19" (480mm)	0
MAG5129	16" (405mm) - Fixed Anterior Tilt	265

(1) Minimum Width And Depth 405 mm

(2) Seat cushion sizes only available according to Section A

(3) Depth minus Width Must Not Exceed 50 mm

BACKREST

Backrest for Rehab Seat Pan

		£
MAGREHABCANES	Rehab Canes	0
MAGREHABFOLD	Rehab Canes - Fold Forward	375

Recline Option

Recline Option for Rehab seat and Rehab canes

MAG3920-S-3921-F	Fixed (90° - 105°), (90°, 97,5°, 105°)	0
MAG3924-S-3925-F	Manual Recline (90° - 170°)	395
MAG3928-S-3929-F	Power Recline (90° - 160°)	1175
MAG3932-S-3933-F	Anti-shear power recline (95° -155°)	1875

Recline option for Rehab seat and Rehab canes, Foldable to the front

MAG3922-S-3923-F	Fixed (90° - 105°), (90°, 97,5°, 105°)	0
MAG3926-S-3927-F	Manual Recline (90° - 170°)	395
MAG3930-S-3931-F	Power Recline (90° - 160°)	1175
MAG3934-S-3935-F	Anti-shear power recline (95° -155°)	1875

Insert Back Clamps

		£
MAG3492-PI	Quick Release Clamps	0

MPS Insert Back

		£
MAGMPSINSERT	MPS Insert Back	375

MPS Insert Back UPH

		£
MAGFABRICBR	Fabric	0
MAGVINYLBR	Vinyl	0

MPS Insert Back – Sizes

Backrest width ⁽¹⁾⁽²⁾

MAGBW405MM	16" (405mm)	0
MAGBW455MM	18" (455mm)	0
MAGBW510MM	20" (510mm)	0

Backrest height ⁽¹⁾

MAGBH535MM	21" (535mm)	0
MAGBH585MM	22" (585mm)	0
MAGBH635MM	23" (635mm)	0

Rehab Insert Back

		£
MAGBACKRESTINSERT	Magic Rehab Insert Back (1)	535

Rehab Back Insert UPH

		£
MAGFABRICBR	Fabric	0
MAGVINYLBR	Vinyl	0

Magic Rehab Insert Backrest Cushion

		£
MAGBRMRJ	Small (350 mm height)	0
MAGBRMRJXS	Small (410 mm height)	0
MAGBRMRMS	Medium (430 mm height)	0
MAGBRMRM	Medium (480 mm height)	0
MAGBRMRMXT	Medium (530 mm height)	0
MAGBRMRLS	Large (430 mm height)	0
MAGBRMRL	Large (480 mm height)	0
MAGBRMRLXT	Large (530 mm height)	0

(1) Backrest Height Minus Backrest Width Must Exceed 50 mm
 (2) Back width has to match seat width selected

Rehab Back Insert Bolster Size £

For Magic Rehab back cushion large/medium		
MAGNOBOLSTER	No bolster	0
MAGBOLSTERS	Shallow (110 mm depth)	55
MAGBOLSTERSTD	Standard (160 mm depth)	80
MAGBOLSTERD	Deep (220 mm depth)	105

Rehab Back Insert Lumbar £

MAGNOLUMBAR	No lumbar	0
MAGLUMBARS	Shallow (12 mm insert)	0
MAGLUMBARSTD	Standard (25 mm insert)	0
MAGLUMBARD	Deep (35 mm insert)	0

Push Handles £

MAG46354636	Rehab peg handles	135
-------------	-------------------	-----

Backrest Bag Hooks £

MAG5723	Rehab Bag hooks (J-shaped) on spreader bar	35
---------	--	----

HEADREST

Headrest - All Types £

MPS Headrest		
MAG2770VI	MPS Headrest, MPS Mount	270
Rehab Headrest		
MAGREHABSTD	Magic Rehab Standard	160
MAGREHABWIDE	Magic Rehab Wide	220
Headrest Mount (for REHAB headrests only)		
MAG4113	2 Axis	165
MAG4114	3 Axis	190
MAG4115	Multi Axis	215

Rehab Headrest £

MAGFABRICHR	Fabric	0
MAGVINYLHR	Vinyl	0

ARMREST

Armrest – Types £

MAG3572	Armrest, Single Post	0
MAG3994	Armrest, Double Post	160
MAGFLEXIARM	Armrest, Flip Back	375
MAG6503-6502	Armrest, Flip Back, with Locked Position	550
MAG3331-6500	Armrest, Flip Back, with Locking Post	600
MAG3727-6501	Armrest, Flip Back, with Locking Post and Drop Forward	700

Armrest – Heights

MAGAH220MM	220 mm	MAGAH260MM	260 mm	MAGAH300MM	300 mm	MAGAH340MM	340 mm	MAGAH380MM	380 mm
MAGAH230MM	230 mm	MAGAH270MM	270 mm	MAGAH310MM	310 mm	MAGAH350MM	350 mm	MAGAH390MM	390 mm
MAGAH240MM	240 mm	MAGAH280MM	280 mm	MAGAH320MM	320 mm	MAGAH360MM	360 mm		
MAGAH250MM	250 mm	MAGAH290MM	290 mm	MAGAH330MM	330 mm	MAGAH370MM	370 mm		

Armpad – Style		£
MAGAP75-WOKOR-2	75 mm armpads	0
MAGAP50-2	50 mm armpads	55
MAG3971-3972	MPS armpads	80
MAG6711	Waterfall armpads	160
MAG3775	Gutter armpads	160
MAG6750	Gutter armpads with elbow support pad	160
MAG6751	Gutter armpads with hand pad	160
MAG6752	Gutter armpads with hand pad and elbow support pad	160
MAG3712	MPS flip-out armpads	320

Armpad – UPH		£
MAGAPVINYL	Vinyl	0
MAGAPFABRIC	Fabric	0

Armrest Bag Hooks		£
MAGHOOKA2RH	Right Side Armrest baghooks	35
MAGHOOKA2LH	Left Side Armrest baghooks	35

POSITIONING

Lap Belt							£	
MAG4973-MPS-4974-R	Standard belt	500 mm	600 mm	700 mm	800 mm		0	
MAG4973-4974-PBPAD	Standard belt with 2 posture pads	500 mm	600 mm	700 mm	800 mm		100	
MAG6540	4 Point Belt	500 mm	600 mm	700 mm	800 mm		185	
MAG6540-2XPBPAD-4	4 Point Belt with 2 posture pads	500 mm	600 mm	700 mm	800 mm		185	
MAG4730	Retractable Belt							100
	MAGLBLH			Left sided buckle			0	
	MAGLBRH			Right sided buckle			0	

Harness		£
MAGHARP	Harness pediatric	160
MAGHARQ	Harness standard	160

Thoracic Support (pad and mount)		£
MAG4943	MPS Adjustable Laterals	530

Hip Pads - In Vinyl		£
MAGHPKIT	Adjustable Hip Pads	270

LEGREST

Legrest		£
MAGCPLEGREST	Fixed Centre Mount Legrest	0
MAGCPOWER	Powered Centre Mount Legrest	1500
MAG3528	Standard Swing away Legrest	0
MAG3527-ME	Manual Elevating Swing away Legrest	425
MAG3526-ME	Power Elevating Swing away Legrest (1)	850

Footplate		£
MAG4055FIX	Centre Post: 1 piece fixed footplate	0
MAG4055FIX-2	Centre Post: 2 piece fixed footplate	0
MAG4055	Centre Post: 1 piece flip up footplate	0
MAG4055SFP	Centre Post: 1 piece flip up, SHORT	0
MAG4055-2	Centre Post: 2 piece flip up footplate	0
MAG055SFP-2	Centre Post: 2 piece flip up, SHORT	0
MAG4755	Powered Centre Post: 1 piece flip up	0
MAG4755-2	Powered Centre Post: 2 piece flip up	0
MAGFLIPUP	Swing Away: 2 piece flip up	0

Footplate Options

MAG4312	Swing Away: Footplate Lock	55
MAG5323	Centre Post: Metal edges	55
MAG4260	Abduction Block	55

Footplate Height

MAGLL300MM (2)	300 mm	MAGLL340MM	340 mm	MAGLL380MM (3)	380 mm	MAGLL420MM (3)	420 mm
MAGLL310MM	310 mm	MAGLL350MM	350 mm	MAGLL390MM(3)	390 mm	MAGLL430MM (2)(3)	430 mm
MAGLL320MM	320 mm	MAGLL360MM	360 mm	MAGLL400MM(3)	400 mm		
MAGLL330MM	330 mm	MAGLL370MM	370 mm	MAGLL410MM(3)	410 mm		

Calf Support		£
MAGCALFSUPPORT	Calf Support	135

Knee Pads		£
MAG4247	Knee Pads for Fixed Centre Mount	120
MAGKPCMPE	Knee Pads for Powered Centre Mount	120
MAG4660	Knee Pads for Standard Swing-Away Legrests	120
MAG4104	Knee Pads for Elevating Swing-Away Legrests	120

(1) Not Available With Fixed Tilt MAG5984

(2) Only for CPL MAGCPLEGREST

(3) Seat Height Kit Required

CONTROLLER**Controller – R-Net**

		£
MAGPG-JSMLEDL	Remote Joystick, R-Net, LED	0
MAGPG-JSM-PI	Remote Joystick, R-Net, Colour LCD	160
MAGPG-JSM2IRL	Remote Joystick, R-Net, Colour LCD Advanced, Infrared	315
MAGPG-JSMIRBT	Remote Joystick, R-Net, Colour LCD Advanced, Infrared & Bluetooth	530

Joystick Position

		£
MAGJSRIGHT	Joystick Right	0
MAGJSLEFT	Joystick Left	0
MAGPGCYPGC2.03725	Interchangeable to Left and Right	215
MAG3329JSM-RH	Joystick Mounted as Attendant Control - Right	315
MAG3329JSM-LH	Joystick Mounted as Attendant Control - Left	315

Swingback Options

		£
MAG3083-KIT-OS	Swingback Outside (Magnets)	0
MAG3083-KIT-IS	Swingback Inside (Magnets)	0
MAG3082-KIT-OS	Swingback Outside (Locking Latch)	125
MAG3082-KIT-IS	Swingback Inside (Locking Latch)	125

Joystick Mounting Position

		£
MAG3713	Height Adjustable Joystick Stem	105
MAG3729SB	Quick Release Stem	0

Joystick Knob Option

		£
MAGKNOBSTD	Standard joystick knob	0
MAGPG-KS80	Stick S80	80
MAGPG-KCHIN	Chin C38	80
MAGPG-KB32	Ball B32	80
MAGPG-KB38	Ball B38	80
MAGPG-KM48	Mushroom M48	80
MAGPG-KTBAR	T-Bar T80	80
MAGPG-KSB70	Soft Ball SB70	80

Dual Control

		£
MAG3329AM-KIT	Dual Control	290

Dual Control Mounting Location

MAGACRH	Mounting - RHS	0
MAGACLH	Mounting - LHS	0

5 Switch Box

		£
MAG158709	5 Switch Box (Button)	320
MAG158708	5 Switch Box (Toggle)	320

5 Switch Box Location

		£
MAG5430	Same side as joystick	0
MAG5431	Opposite side to joystick	0
MAG5433	Opposite side to joystick + socket	0
MAG5432	As Attendant	0

Omni Control		£
MAG5436	Omni 2 Input Control Module	1170
MAGPG-OMNISCANNER	Omni 2 Input Control Module (Scanning Mode)	1170

Omni Control Mounting Location		£
MAGOMNILH	Left	0
MAGOMNIRH	Right	0

BASE OPTIONS

Magic 360 Drive Wheel And Castor Kits		£
MAG5928	Crossover Wheel, Black, Pneumatic	0
MAG5925	Urban Wheel, Black, Pneumatic	105
MAG5924	Urban Wheel, Black, Solid	105
MAG5930	Offroad Wheel, Black, Pneumatic	420
MAG5931	Offroad Wheel, Black, Pneumatic with Tyre Liner	600

Puncture Resistance Options		£
MAGNFLAT-NEW	Neverflat, (Puncture Proof)	160

Vehicle Docking Pin		£
MAG6566	Dahl docking plate (max. 136 kg user weight) (1)	525

LED Lights		£
MAG5227	Omit lights	0
MAG5142	Lighting mounted on seat	0
MAG5729	Lighting mounted on base	0

Colour Selection		£
MAG5522	Sunset Red	0
MAG5521	Horizon Blue	0
MAG5520	Midnight Black	0
MAG5528	Rich Garnet	160
MAG5525	Desert Orange	160
MAG5523	Sunrise Yellow	160
MAG5524	Lucent Lime	160
MAG5527	Vivid Pink	160
MAG5529	Dusk Purple	160
MAG5526	Stormy Silver	160
MAG5531	Flames Fury	160
MAG5530	Camo Forest	160
MAG5532	Carbon Fibre	160

Chargers		£
MAG160104	Charger, 10ah	0

Accessories		£
MAG3145	Luggage Rack	320
MAG4471	RAM® Cup holder	55
MAG4627	Magic Mobility Steel cup holder (1)	55
MAG4478	Magic Mobility Steel cup and phone holder (combined)	105
MAG4705	Accessory charger (1x12V + 2xUSB) - side rail mounted, same side as joystick	160
MAG6629	Accessory charger (2xUSB) - side rail mounted, opposite to joystick	160
MAG4801	Accessory charger (2xUSB) - armrest mounted, same side as joystick	160
MAG6594	Accessory charger (2xUSB) - armrest mounted, opposite to joystick	160
MAG5360	Loud horn	55
MAG4834	A4 Accessory bag (mounted on the backrest)	105
MAG4834RH	A4 Armrest bag (mounted on the right armrest)	105
MAG4834LH	A4 Armrest bag (mounted on the left armrest)	105
MAG4834-2	A4 Armrest bags (mounted on the left and right armrest)	215
MAG5320RHI	A5 Armrest bag (mounted internally, right armrest)	80
MAG5320LHI	A5 Armrest bag (mounted internally, left armrest)	80
MAG5320RHE	A5 Armrest bag (mounted externally, right armrest)	80
MAG5320LHE	A5 Armrest bag (mounted externally, left armrest)	80
MAG48345320I	A4 & A5 Armrest bags (A4 joystick side, A5 internal facing)	160
MAG48345320	A4 & A5 Armrest bags (A4 joystick side, A5 external facing)	160
MAGCOVER	Wheelchair cover	0

Clear Tables		£
MAG2675	Tray Table, Slide In	335
MAG2676	Tray Table, Swing Away	335
MAG2677	Tray Table, Swing Away, Small	335
MAGTDS	Tray Table, Swing Away, Double Stem	335

(1) Drink Holder (Always Mounted On The Opposite Side Of The Control Panel/Table)

Comments For Adaption



Magic 360 £

Base Price	<input type="text"/>
Total Of Additional Equipment	<input type="text"/>
Packaging And Transport	<input type="text"/>
Exclusive VAT	<input type="text"/>
VAT	<input type="text"/>
Total Price	<input type="text"/>

Date | **Signature**

Day Month Year



Sunrise Medical GmbH

Kahlbachring 2-4
 69254 Malsch/HD
 Tel: +49 (0) 7253-9800
 Fax: +49 (0) 7253-980111
 E-Mail: kundenservice@sunrisemedical.de
 www.SunriseMedical.de

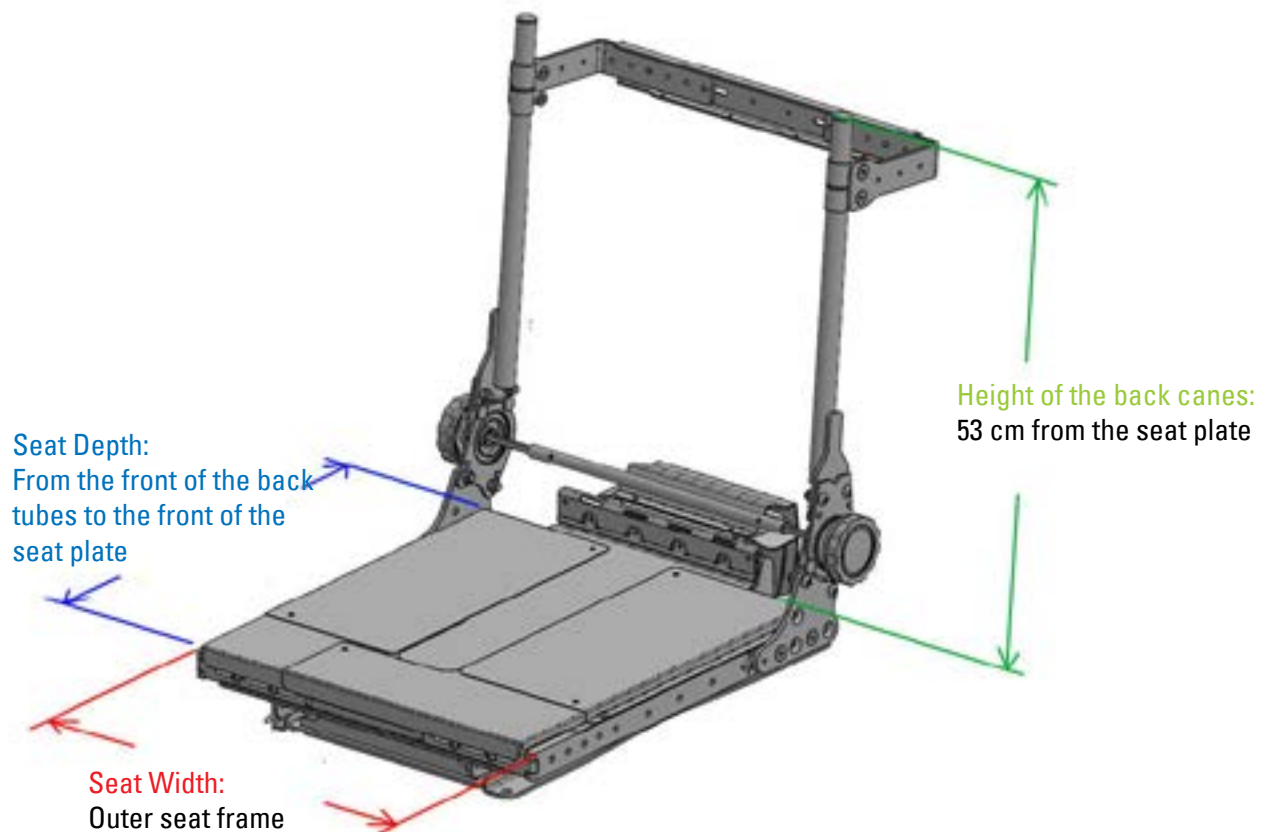
Dimension Matrix MPS-SEAT

◀ BACK



Dimension Matrix REHAB-SEAT

◀ BACK



MAGIC REHAB INSERT SIZE

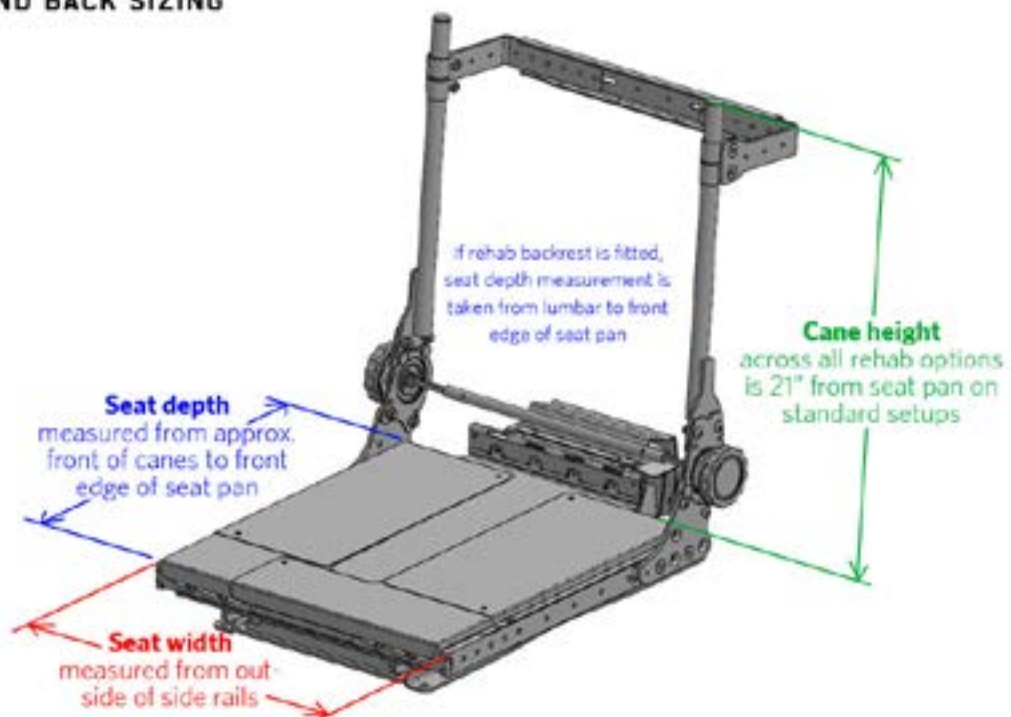


Chest Width 'C'	Height 'Y' (mm)
330-470mm	
Large (Xtra tall)	530
Large	480
Large (Short)	430
280-420mm	
Medium (Xtra tall)	530
Medium	480
Medium (Short)	430
260-400mm	
Junior (Xtra tall)	410
Junior	350

- Bolsters can be mounted upside down for increased armpit support
- Bolster heights can be offset up and down, up to 25mm between each side (asymmetric)

© Magic Mobility 2016

REHAB SEAT AND BACK SIZING



© Magic Mobility 2016

Price List - QPA01
REV2 (01/01/2024)

Colors

◀ BACK



Drive Wheels

◀ BACK



BLACK PNEUMATIC

OFF-ROAD

- Soft ride with good shock absorption
- Best traction on all surfaces
- 650mm base width



BLACK PNEUMATIC



GREY PNEUMATIC

CROSSOVER

- Soft ride with decent shock absorption
- Good traction
- Grey tyre non-marking
- 635mm base width



BLACK SOLID



GREY SOLID

URBAN

- Polyurethane solid inserts cannot be punctured
- Black tyre is low-marking compound
- Grey tyre non-marking
- 610mm base width



© Magic Mobility 2017

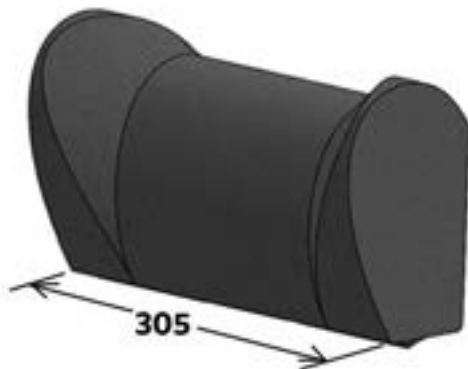
MAGIC 360 PUNCTURE RESISTANCE**NEVERFLAT**

- Offers good puncture protection for pneumatic tyres

liner fits in between tube and tyre, providing a robust protective barrier

**PUNCTURE RESISTANT KIT
(WITH PNEUMATIC OFF-ROAD TYRES)**

- Offers comprehensive protection against glass, rocks, thorns, etc.
- Produced with aramid fibre and natural rubber
- Filled with Neverflat to give extra protection
- Can be retrofitted to all Magic Mobility chairs with knobby tyres

**MPS HEADREST**

Armrests

← BACK

ARMREST TYPE (1)



STANDARD

Note: 25mm of extra adjustment is added to bottom



DOUBLE STEM
For bariatric users



FLEXI

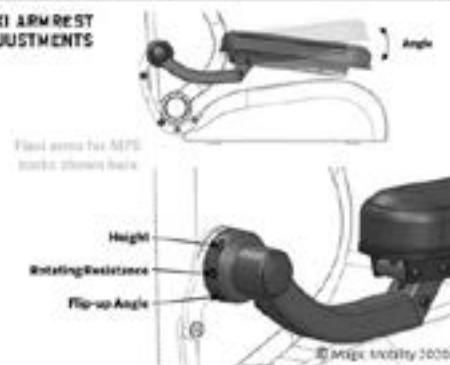
Flip-up, paralleling

Note: Depending on requested armrest height the Flexi arms will be assembled using slightly different parts. Therefore the range for each armrest will not be the full 220-440mm

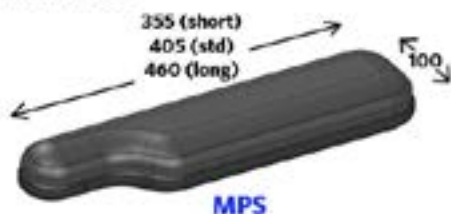
Requested Height	Actual Range (Flexi on MPS back)	Requested Height	Actual Range (Flexi on Rehab back)
220-330mm	220-370mm	220-330mm	180-360mm
340-370mm	250-400mm	340-440mm	275-440mm
380-440mm	330-440mm		



FLEXI ARMREST ADJUSTMENTS



ARMPADS

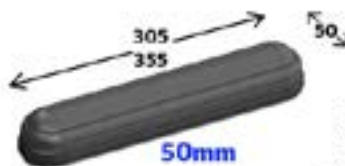


MPS

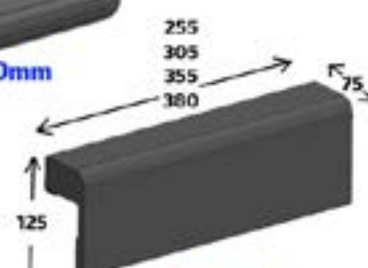


MPS Flip-out

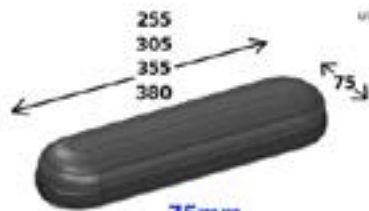
Allows the arm pads to be in line to the user while still allowing flip up (Flexi arms only)



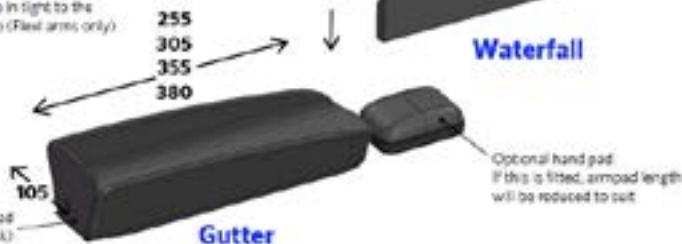
50mm



Waterfall



75mm



Gutter

If MPS 50mm, 75mm, gutter or waterfalls armpads are selected, the length of armpad fitted will generally be based on the seat depth. See below table for details. If specific armpad length is required please state this on order form

SEAT DEPTH ▶	12"	13"	14"	15"	16"	17"	18"	19"	20"	21"	22"	23"	24"
50mm Arm Pad	255	295	305	305	305	305	305	305	380	380	380	380	380
75mm Arm Pad	255	295	305	305	305	305	305	305	380	380	380	380	380
Gutter Arm Pad	-	-	-	-	355	355	405	405	460	460	460	460	460
Waterfall Arm Pad	-	-	-	-	355	355	405	405	460	460	460	460	460

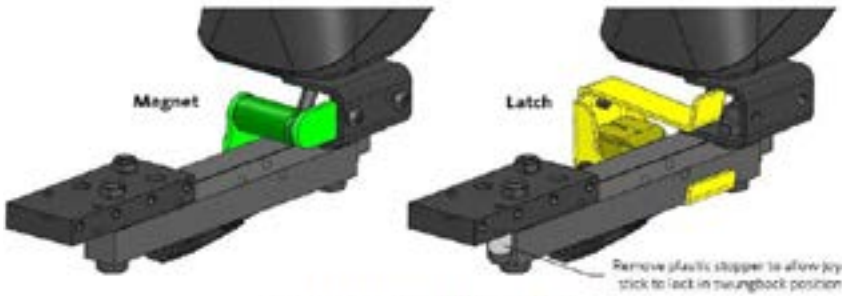
← Armpad length

← Armpad length



Joystick Mounting

← BACK



Swingback Joystick Release Options	
Magnet	Latch
<ul style="list-style-type: none"> Requires more force but no dexterity to release Can potentially release if wheelchair is being driven erratically or over rough terrain Releases more easily if impacted 	<ul style="list-style-type: none"> Requires minimal force but some dexterity to release Will stay locked at all times unless latch is pushed Less likely to release if impacted, potentially causing more damage Can be locked in fully swing-back position (optional) Custom levers can be screwed to latch to make releasing it easier for clients with less hand movement



JOYSTICK STEM OPTIONS



HEIGHT ADJUSTABLE JOYSTICK STEM



QUICK RELEASE MOUNT

Joystick Knobs

← BACK



FOOTPLATE SELECTION



1 PIECE FLIP UP



2 PIECE FLIP UP



1 PIECE FIXED

Fastening bolts can be removed to allow footplate to flip up if required in the future



2 PIECE FIXED

Can adjust each footplate to a different angle



- Frontier V6 All Terrain & Hybrid
- Extreme X8

Note: large footplate will be fitted wherever possible



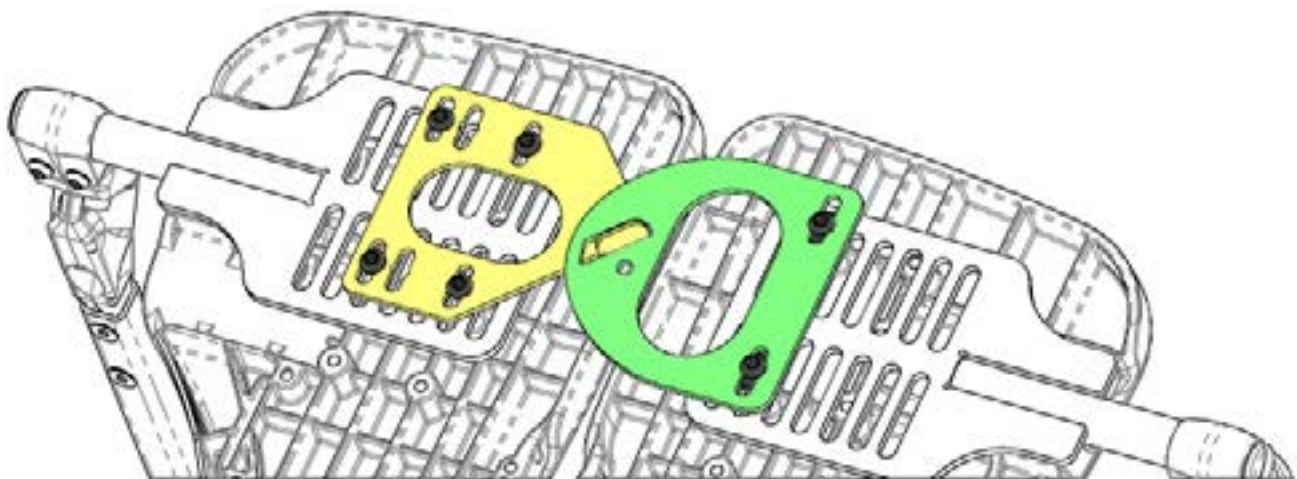
- Frontier V6 C40 & C73
- Frontier V4 FWD
- Frontier V4 RWD



SHORT FOOTPLATES

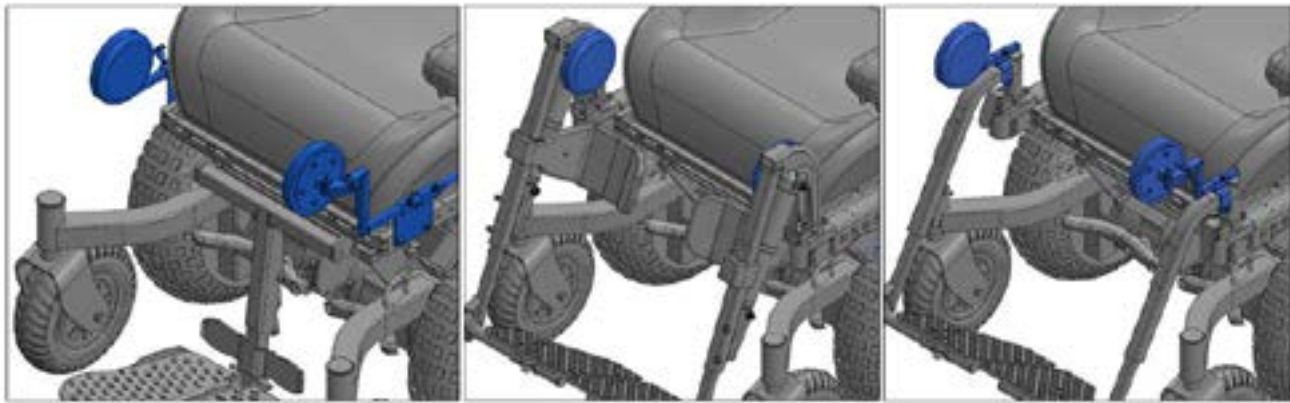
© Magic Mobility 2016

Legrest MK2 Footplate Lock



Knee Pads

◀ BACK



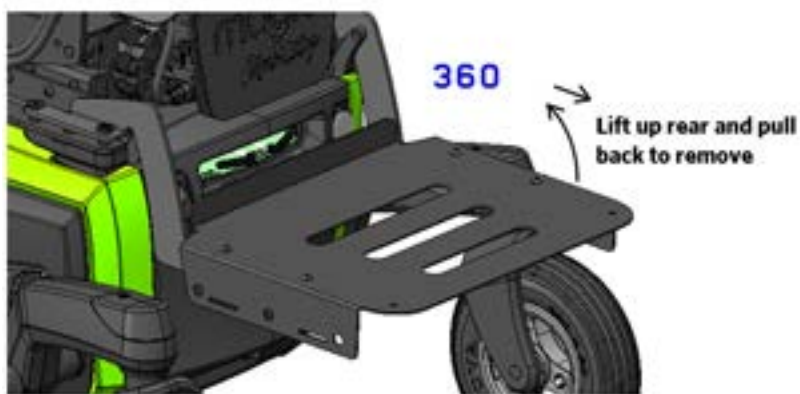
**Centre mount legrest
(fixed and power elevating)**
3 axes of adjustment

Power or gas swingaway legrest
Fixed kneepad attached to legrest pivot

Standard swingaway legrest
3 axes of adjustment

Rear Boot Plate

◀ BACK



Cup Holder

◀ BACK



If swingaway legrests are fitted the cup holder mount bracket may be offset higher to avoid top of legrest (depending on armrest height)



Note: Previous cup holder can be fitted if required. See option on order form.



© Magis Mobility 2019

Armrest Bag

◀ BACK



Mounts under armrest
(unless otherwise requested)

If swingback joystick is selected it is generally more suitable to fit accessory bag to opposite side

© Magic Mot

Table Options

◀ BACK

TABLE OPTIONS

Clear polycarbonate table shown below. Black HD plastic is also available (typically without folded edges)

Unless a drawing has been supplied with specifications for cut out sizes for stomach and joystick, the slide in and swingover tables will be provided as a kit

Table stem slides into opposite side to joystick



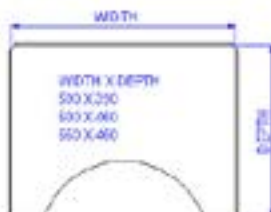
**SLIDE IN
LARGE TABLE**

Table rests on armpad opposite to stem



**DOUBLE STEM
LARGE TABLE**

For chairs with attendant control ONLY (no joystick)



SWINGAWAY SMALL TABLE

Width 320 x Depth 240



SWINGOVER LARGE TABLE

Table rests on both armpads

© Magic Mobility 2016