

Empulse R20 Compatibility Guide



| Wheelchair brand / model | Docking | Wheelchair brand / model | Docking |
|-----------------------------------|----------|--|----------------|
| Sunrise Medical | | Sunrise Medical | |
| Breezy UniX ² | B | Breezy 300 | B |
| Breezy PariX ² | B | Breezy Style | B |
| Breezy BasiX ² | B | Breezy Style X / X Ultra | B |
| Breezy RubiX ² | B | Quickie IRIS | Special |
| Breezy RubiX ² Comfort | B | Quickie SR45 | Special |
| Breezy HeliX ² | B | Quickie Life | A/B |
| Breezy HeliX ² Comfort | B | Quickie Life i | A/B |
| Breezy RelaX ² | B | Sopur Life Eco | A/B |
| Breezy Cirrus G5 | B | Quickie Life T | A/B |
| Breezy Cirrus G5 Base | B | Quickie Life R | A/B |
| Breezy Ibis | C | Quickie Life RT | A/B |
| Breezy Emineo | B | Quickie Easy 200 | A/B |
| Breezy Exigo 10 / 20 / 30 | B | Quickie Easy 300 | A/B |
| Breezy Premium | B | Quickie Neon ² (from rear seat height 390 mm) | B |
| Breezy 250 | B | Zippie Youngster 3 | B |
| | | Lomax Uni | B |
| | | Lomax Heavy Duty | B |

Please note: The above list is an indication of wheelchair models the R20 can be mounted on. However year of build, frame shape, back accessories, connecting bars between the side frame, frame accessories are of influence. Therefore it is essential to try and test it to be 100% sure! Or ask your supplier for advice. The compatibility guide only shows wheelchairs with a signed combination agreement. Find docking information on the next page.

Empulse R20 Compatibility Guide



| Wheelchair brand / model | Docking | Wheelchair brand / model | Docking |
|--|----------|---|----------|
| Meyra | | DIETZ | |
| Service 3.600 | B | AS 01** | B |
| Budget | B | Caneo series (incl. XL) | B |
| Avanti | B | Tomtar BasiK / BasiK+ | B |
| Avanti Pro | B | Serena II** | B |
| S3 Swing | B | PRO ACTIV*** | |
| Eurochair family | B | TRAVELER (Classicline, 4all Ergo, 4you Ergo) | B |
| Smart F & S | B | BUDDY (D3, D4, D7) | B |
| | | SPEEDY (A1, A2, F4, 4all, 4you, 4all Ergo, 4teen) | B |
| Invacare* | | ALU REHAB | |
| Rea Clematis | B | Netti 4U (CE, CE Plus, CED, Base) | B |
| Rea Azalea Family | B | Netti III (HD, XHD & Dynamic functions (SW 350 – 600 mm)) | B |
| Action 1 / 2 / 3 / 4 / 5 | B | Netti S (SW 350, 400 mm) | B |
| Action XT | B | Netti Dynamic S (SW 350, 400) | B |
| Rea Focus | B | BEROLLKA**** | |
| XLT | B | F1 (frame diameter 30 mm) | B |
| Drive | | B2 (frame diameter 30 mm) | B |
| Litec / Litec 2G / Litec 2G Plus | B | RACER (frame diameter 30 mm) | B |
| Freetec | B | TRAXX / TRAXX TT (frame diameter 23 mm) | B |
| Ecotec / Ecotec 2G | B | TOURER / CRUISER (frame diameter 25 mm) | B |
| Rotec / Rotec XL | B | SLADE SLT / AR | B |
| Vassilli | | SPRINT SLT / AR | B |
| VARIO Plus | B | BASIC | B |
| Bischoff & Bischoff | | FINESS | B |
| S-Eco 300 / S-Eco 300XL | B | Filou | B |
| S-Eco 2 | B | Junior 2 SLT / AR | B |
| Pyro Light Optima / Pyro Light Optima XL | B | Findus | B |
| Pyro Light / Pyro Light XL | B | Little AR / SLT | B |
| Pyro Start / Pyro Start Plus | B | LUKE AR / SLT | B |
| BX 11 | B | | |

Please note: The above list is an indication of wheelchair models the R20 can be mounted on. However year of build, frame shape, back accessories, connecting bars between the side frame, frame accessories are of influence. Therefore it is essential to try and test it to be 100% sure! Or ask your supplier for advice.

The compatibility guide only shows wheelchairs with a signed combination agreement. Find docking information on the next page.

*Only with drumbrake **Docking B, 30 mm clamp needed (article number: 07501106) ***Longer push handles may be required for control unit ****Only with anti tip, without covers and without accessory box

Empulse R20 Compatibility Guide



| Wheelchair brand / model | Docking | Wheelchair brand / model | Docking |
|------------------------------|----------|--|----------------|
| Vermeiren***** | | Etac | |
| D100, D100 (30°) | B | Cross 5, Cross 5 XL, Cross 5 Active, Cross 6 | Special |
| D200, D200 (30°) | B | M 100 | B |
| V200D | B | Crissy | B |
| V300D, V300D (30°), V300DL | B | Prio, Prio 3D | B |
| V500 (30°) | B | | |
| Eclips+, Eclips+ (30°) | B | SORG | |
| Eclips X4, Eclips X4 (30°) | B | Vector | B |
| Bobby | B | Vector BSA | B |
| Inovys II, Inovys II-E | B | Jump alpha | B |
| | | Jump beta Sport | B |
| | | Jump beta BSA | B |
| REHATEC | | Tilty Vario | B |
| Galileo (Size 1, 2, 3, 4, 5) | B | | |
| Sunny (Size 2) | B | | |
| Mika (Size 1) | B | | |
| | | | |
| HOGGI* | | | |
| SHERPA | A | | |
| SWINGBO-VTi, SWINGBO-VTi XL | A | | |
| SWINGBO-2; SWINGBO-2 XL | B | | |
| BINGO-Evo | B | | |
| DURO, DURO CROSS | B | | |

Please note: The above list is an indication of wheelchair models the R20 can be mounted on. However year of build, frame shape, back accessories, connecting bars between the side frame, frame accessories are of influence. Therefore it is essential to try and test it to be 100% sure! Or ask your supplier for advice. The compatibility guide only shows wheelchairs with a signed combination agreement. Find docking information on the next page.

*Please always contact HOGGI for more information

*****Only with anti tip

Empulse R20

Docking Information

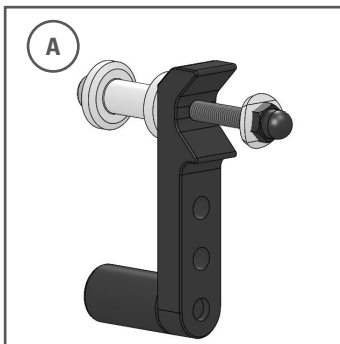
The R20 folding push device easily fits on almost all common manual wheelchairs with the following dimensions:

Box frame or similar frame type with round tubes diameter 22 - 28 mm. For frame tube diameter 30 mm a special kit can be ordered.

Seat width 320 - 600 mm

Rear seat height > 380 mm

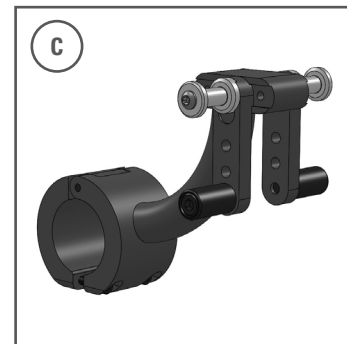
Long or height adjustable push handles to attach the operating unit – straight free space minimum 10 mm.



A Screw version:
Requires an existing horizontal hole in the frame tube. In general used with Sunrise Medical active wheelchairs made in Malsch (Easy 200/300/Life/Life i/Life Eco). As well for X-Family wheelchairs like PariX², BasiX², RubiX², HeliX² & HeliX² Comfort, just replace the cross brace clip.

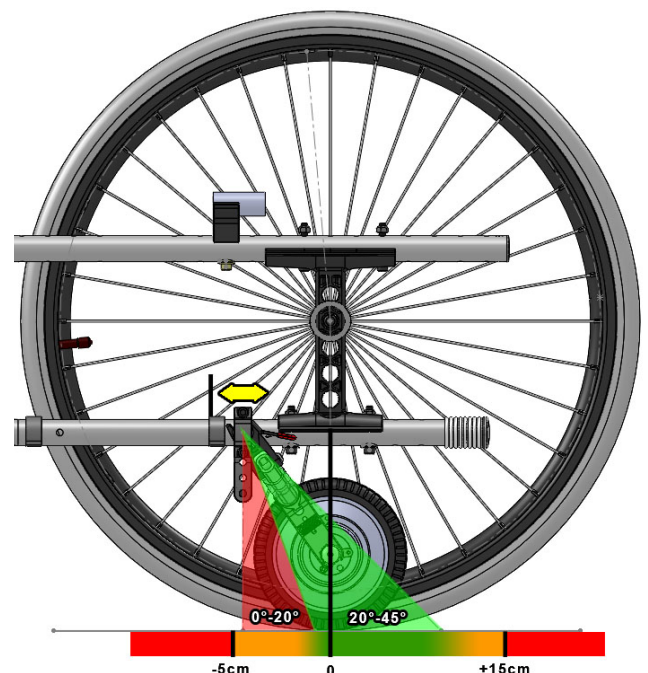


B Clamp version:
Will be clamped to the lower frame tube. In general used for all wheelchairs except Breezy Ibis and active wheelchairs. (Standard e.g. for X-Family wheelchairs)



C Clamp version for Breezy Ibis only:
Will be clamped to the centre of the lower frame tube.

Assembly Breezy X-Family Wheelchairs with R20



Dockingarm Matrix R20

A: Sitzhöhe hinten / Rear Seat Height (mm)

B: Abstand Unterkante Rahmen - Boden / Distance frame tube - ground (mm)

| A | 380 | 390 | 400 | 410 | 420 | 430 | 440 | 450 | 460 | 470 | 480 | 490 | 500 | 510 | 520 | 540 | 560 |
|-----|-----|-----|-----|-----|-----|-----|-----|-----|-----|-----|-----|-----|-----|-----|-----|-----|-----|
| B | 115 | 125 | 135 | 145 | 155 | 165 | 175 | 185 | 195 | 205 | 215 | 225 | 235 | 245 | 255 | 275 | 295 |
| 320 | | | | | | XS | XS | XS | XS | S | S | S | S | S | S | S | S |
| 330 | | | | | | XS | XS | XS | XS | S | S | S | S | S | S | S | S |
| 340 | | | | | XS | XS | XS | XS | S | S | S | S | S | S | S | S | S |
| 350 | | | | | XS | XS | XS | XS | S | S | S | S | S | S | S | S | S |
| 360 | | | | XS | XS | XS | XS | XS | S | S | S | S | S | S | S | S | S |
| 370 | | | | XS | XS | XS | XS | XS | S | S | S | S | S | S | S | S | S |
| 380 | | | XS | XS | XS | XS | XS | S | S | S | S | S | S | S | S | S | S |
| 390 | | | XS | XS | XS | XS | XS | S | S | S | S | S | S | S | S | S | S |
| 400 | | | XS | XS | XS | XS | S | S | S | S | S | S | S | S | S | S | L |
| 410 | | | XS | XS | XS | XS | S | S | S | S | S | S | S | S | S | S | L |
| 420 | | | | | | S | S | S | S | S | S | S | S | S | S | S | L |
| 430 | | | | | | S | S | S | S | S | S | S | S | S | S | S | L |
| 440 | | | | S | S | S | S | S | S | L | L | L | L | L | L | L | L |
| 450 | | | | S | S | S | S | S | S | L | L | L | L | L | L | L | L |
| 460 | | | S | S | S | S | S | S | L | L | L | L | L | L | L | L | L |
| 470 | | | S | S | S | S | S | S | L | L | L | L | L | L | L | L | L |
| 480 | | S | S | S | S | S | S | L | L | L | L | L | L | L | L | L | L |
| 490 | | S | S | S | S | S | S | L | L | L | L | L | L | L | L | L | L |
| 500 | | S | S | S | S | S | L | L | L | L | L | L | L | L | L | L | L |
| 510 | | S | S | S | S | S | L | L | L | L | L | L | L | L | L | L | L |
| 520 | | S | S | L | L | L | L | L | L | L | L | L | L | L | L | L | L |
| 530 | | S | S | L | L | L | L | L | L | L | L | L | L | L | L | L | L |
| 540 | | S | S | L | L | L | L | L | L | L | L | L | L | L | L | L | L |
| 550 | | S | S | L | L | L | L | L | L | L | L | L | L | L | L | L | L |
| 560 | | S | S | L | L | L | L | L | L | L | L | L | L | L | L | L | L |
| 570 | | S | S | L | L | L | L | L | L | L | L | L | L | L | L | L | L |
| 580 | | S | S | L | L | L | L | L | L | L | L | L | L | L | L | L | L |
| 590 | | S | S | L | L | L | L | L | L | L | L | L | L | L | L | L | L |
| 600 | | L | L | L | L | L | L | L | L | L | L | L | L | L | L | L | L |

Sitzbreite / Seat width (mm)

