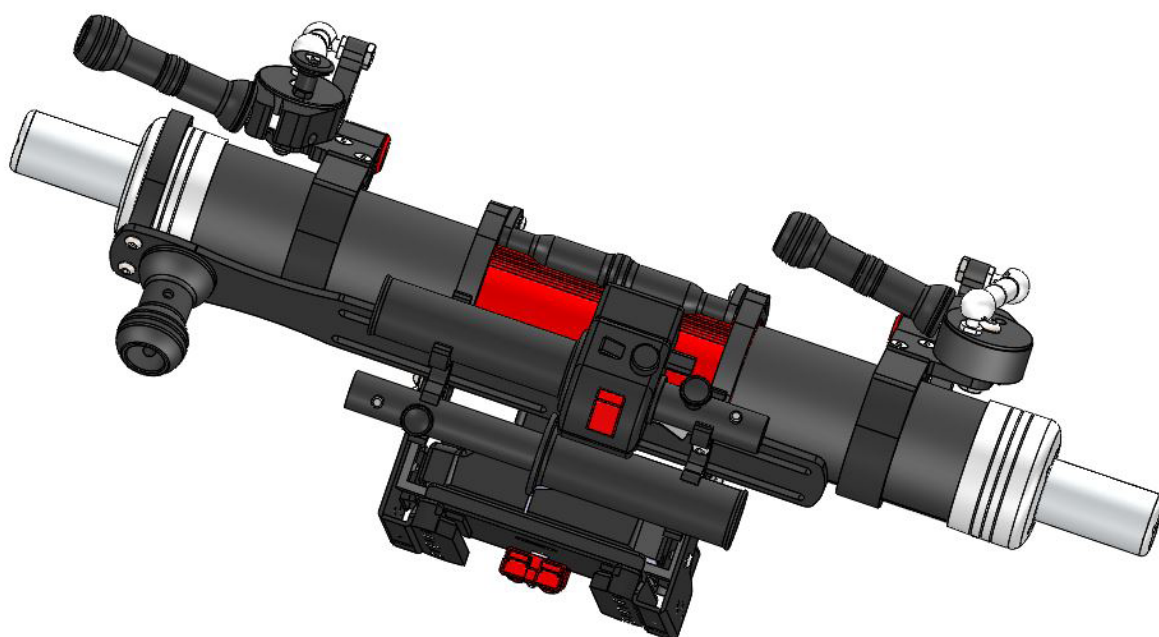


# BENOIT SYSTEMES

*Autonomy is power*



# CATALOGUE

2022 LIGHT ASSIST 2.1

English

📍 7 Rue du Pont, 21450 Billy Les Chanceaux FRANCE

[WWW.BENOITSYSTEMES.COM](http://WWW.BENOITSYSTEMES.COM)

# EN

## CATALOGUE

2021 LIGHT ASSIST 2.1

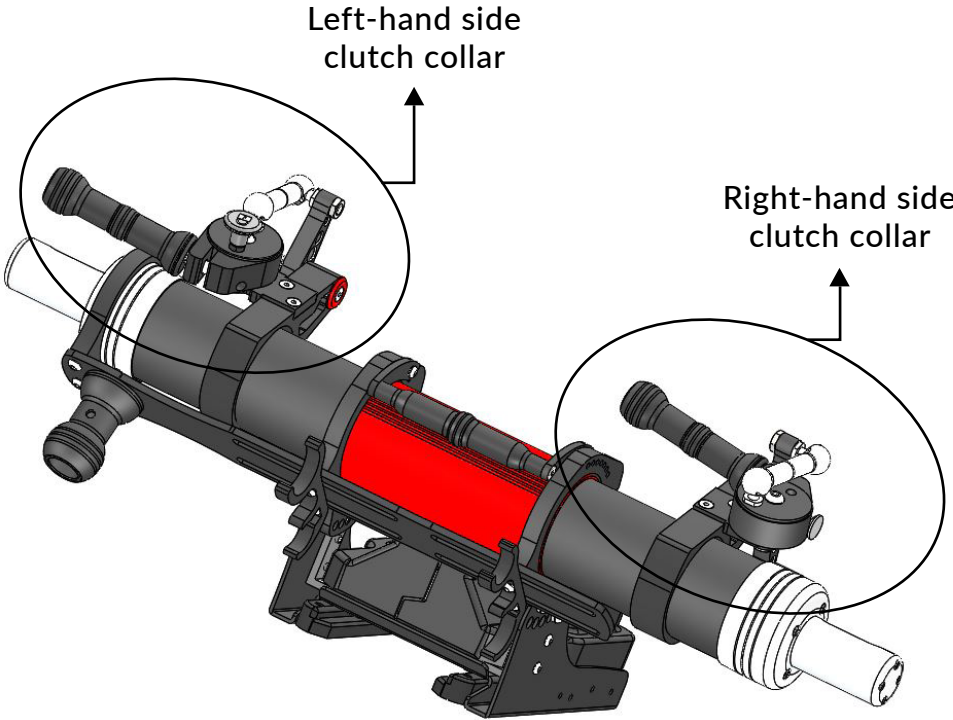
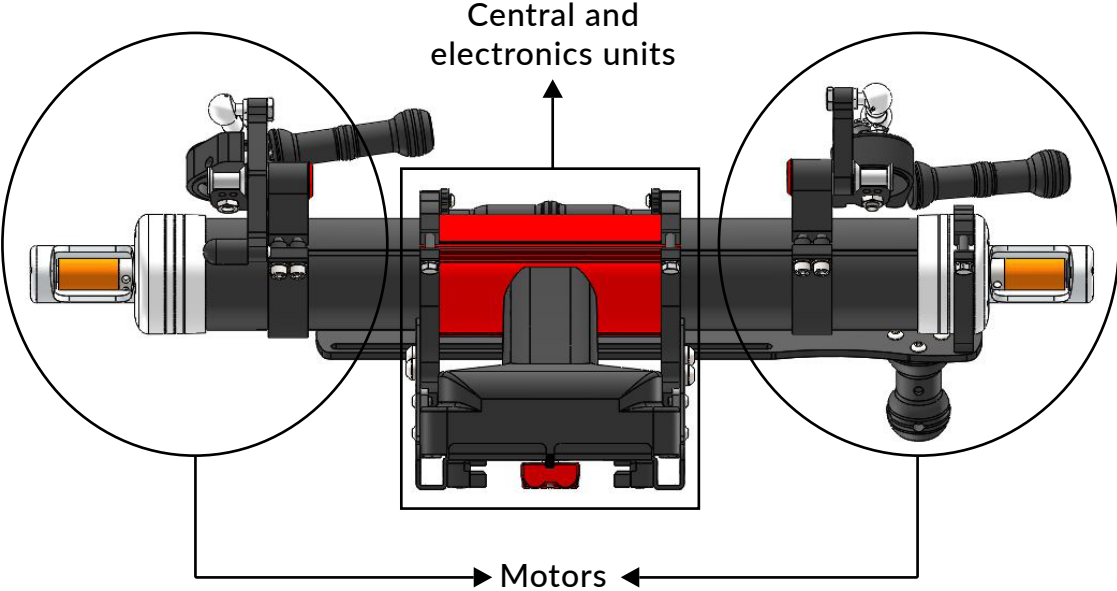


# I. TABLE OF CONTENTS

<b>I. TABLE OF CONTENTS.....</b>	<b>25</b>
<b>II. POWER ADD-ON OVERVIEW .....</b>	<b>26</b>
A. Light Assist 2.1	26
B. Batterie Rack 12Ah	27
C. Anti-tip	27
D. Control handles	27
<b>III. DESCRIPTION OF EACH UNIT AND LABELLING .....</b>	<b>28</b>
A. Central and electronics units	28
B. Motors	30
C. Right-hand side clutch collar	32
D. Left-hand side clutch collar	34
E. Central tube unit	36
F. Handles	37
G. 12 Ah Lithium battery rack	38
H. Mascot charger	40
I. Mascot car charger	41
J. Anti-tip	42
<b>IV. INSTALLATION COMPONENTS AND SPARE PARTS .....</b>	<b>44</b>
A. Installation components	44
B. Hook	46

# II. POWER ADD-ON OVERVIEW

## (A.) Light Assist 2.1



## (B.) Battery rack 12 Ah



## (C.) Anti-tip

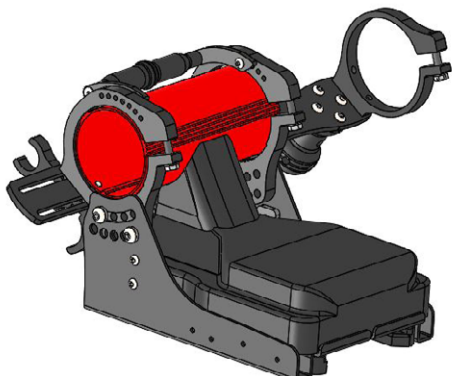


## (D.) Control handles



# III. DESCRIPTION OF EACH UNIT AND LABELLING

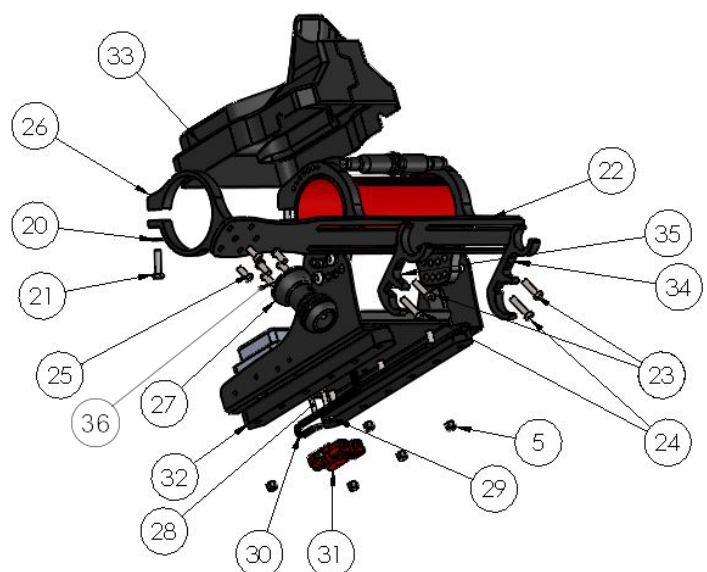
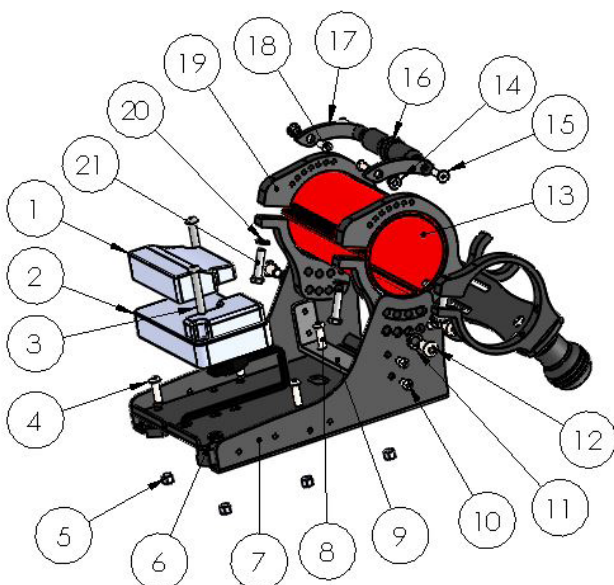
## A. Central and electronics units



**Central unit**

Item number	Qty/power add-on	Designation
294-000	1	Light Assist 2.1 central unit with S-DRIVE electronics unit

**Exploded view of central and electronics units**

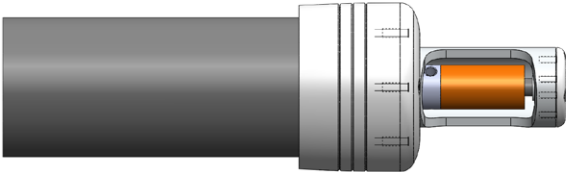


## Exploded view and labelling of central and electronics units

Num.	Item number	Qty/ subassembly	Designation	Price
1	250-230	1	S-Drive cover	
2	250-020	1	S-Drive electronics unit	
3	000-635	2	M6x40 button head screw	
4	000-630	4	M6x20 button head screw	
5	000-610	6	M6 lock nut	
6	000-690	4	Ø6 washer	
7	280-034	1	Slider support	
8	000-605	2	M6x25 button head screw	
9	280-039	1	Reinforcement U plate	
10	000-525	4	M5x10 button head screw	
11	000-850	4	Ø8 fan-type washer	
12	A00-058	4	M8x16 Button head screw	
13	100-600	1	Central tube (available in various colours see page 42)	
14	280-062	2	Upper handle bearing	
15	A00-074	2	M5x20 flat head screw	
16	200-080	1	Upper handle	
17	200-088	2	Upper handle plate black	
18	000-530	2	M5x16 button head screw	
19	280-013	2	Central collar black	
20	000-690	3	Ø6 washer	
21	A00-138	3	M6x25 hex head screw	
22	250-322	1	Plate for shifted anti-tip	
23	000-605	2	M6x25 button head screw	
24	000-680	2	M6x30 button head screw	
25	000-660	6	M6x16 button head screw	
26	250-311	1	Anti-tip collar	
27	280-023	1	Rear handle black	
28	A00-094	2	M4x20 flat head screw	
29	000-570	2	Ø5 washer	
30	250-010	1	S-Drive power cable	
31	000-200	1	50A Storage controller flat handle bracket	
32	200-050	2	Battery rack slider	
33	270-015	1	Electronic cover	
34	250-327	1	Right handle clip	
35	250-328	1	Left handle clip	
36	A00-626	4	M6x12 flat head screw	

The «S-drive Handle cable» is the cable which links the handle to the electronics unit.

**Motor unit Light Assist 2.1**



Item number	Qty/power add-on	Designation	Price
478-00D	1	Complete RHS motor 24V 130W	
478-00G	1	Complete LHS motor 24V 130W	

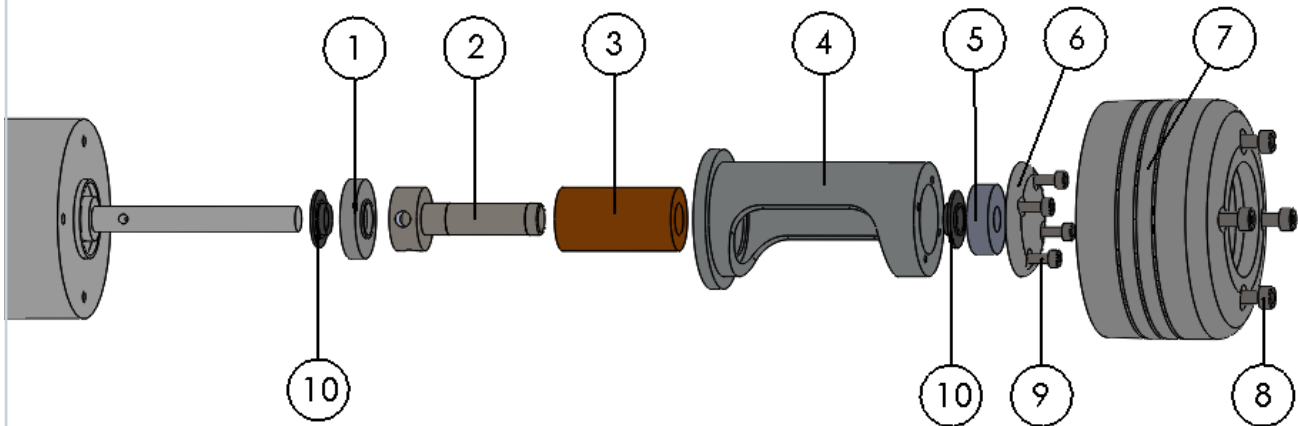
**Light Assist 2.1 motor  
without roller cover, cup nor cap**



Item number	Qty/power add-on	Designation	Price
460-09D	1	RHS motor with roller	
460-09G	1	LHS motor with roller	



## Exploded view and labelling of the motor unit



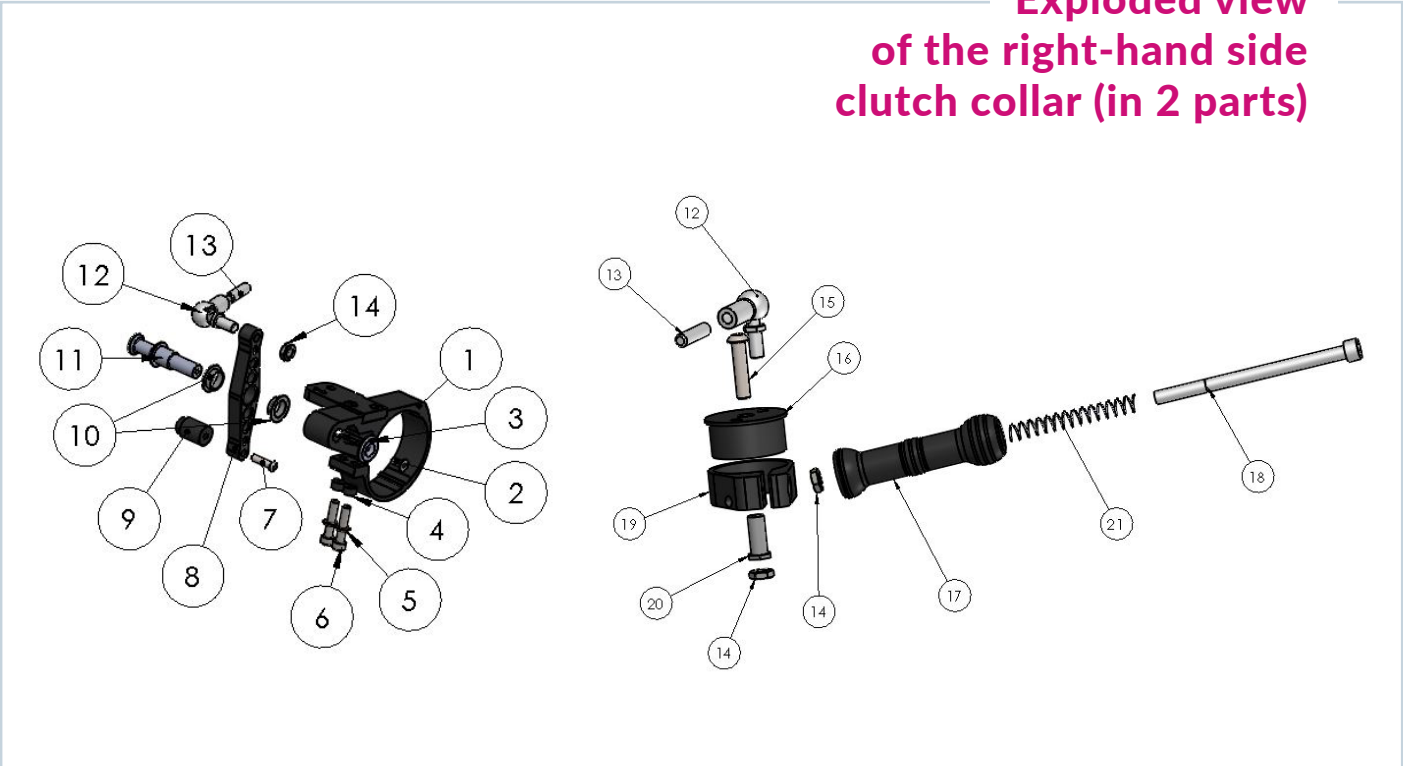
Num.	Item number	Qty/motor	Description	Price
1	400-056	1	Cylindric roller cover base	-
2	400-045	1	Hub	-
3	400-035	1	Ø20 motor roller	-
4	400-052	1	Polished roller cover	-
5	000-190	1	608 motor bearing	-
6	400-042	1	Polished roller cover cap	-
7	400-026	1	Polished 40 mm motor cup	-
8	000-400	4	M4x16 stainless steel cap screw	-
9	000-410	4	M3x8 stainless steel cap screw	-
10	400-010	2	Motor ring	-
3+5+10	400-085	1	Roller repair kit without hub (1 Ø20 motor roller + 1 bearing + 1 ring)	
1+2+3+5+10	400-082	1	Roller repair kit with hub (1 Ø20 motor roller on a hub + 1 bearing + 2 rings + 1 roller cover base)	
-	400-073	-	Glue for roller repair kit	

# C.) Right-hand side clutch collar



Item number	Qty/power add-on	Description	Width	Colour	Price
311-610	1	Right-hand side clutch collar	25 mm	● Grey	

## Exploded view of the right-hand side clutch collar (in 2 parts)



## Exploded view labelling of the RHS clutch collar

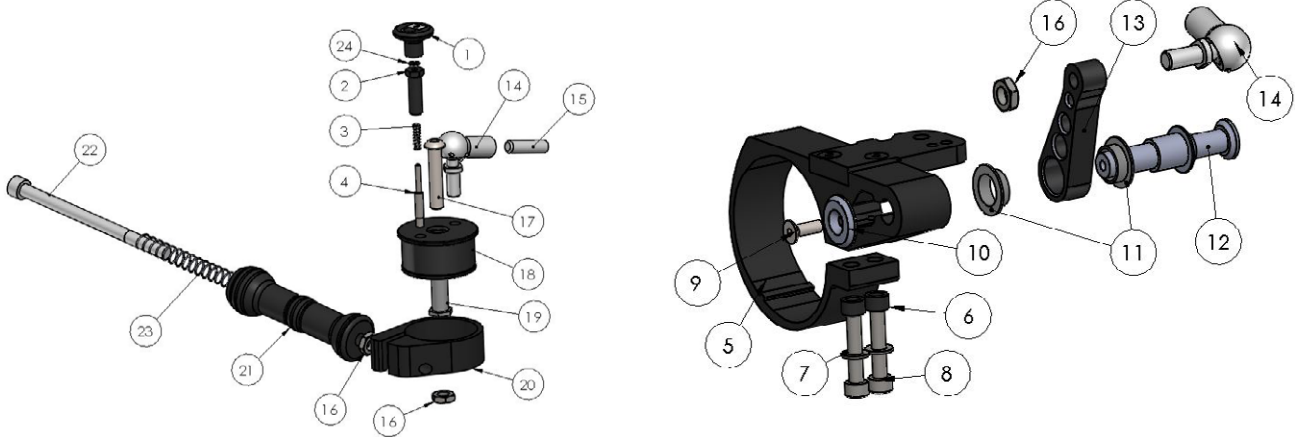
Num.	Item number	Qty/power add-on	Description
1	310-093	1	Main right-hand side collar
2	A00-068	1	M5X16 flat head screw
3	300-098	1	Grey axle washer
4	300-055	2	Ø6 spacer
5	000-690	2	Ø6 flat washer
6	A00-135	2	M6X30 cap screw
7	000-520	1	M5x20 button head screw
8	310-020	1	Large lever
9	010-010	1	Ø16 threaded M5 declutching stop
10	300-040	2	Lever bearing
11	300-029	1	Main grey axle
12	000-140	2	M8 ball joint
13	000-820	1	M8X30 headless screw
14	000-800	2	M8 low nut
15	000-840	1	M8x40 button head screw
16	300-010	1	Drum
17	300-061	1	2.1 black lever
18	300-050	1	Black lever screw
19	310-011	1	Right-hand side drum collar
20	300-020	1	Drum axle spacer
21	300-016	1	Black lever spring

# D. Left-hand side clutch collar



Item number	Qty/power add-on	Description	Width	Colour	Price
321-610	1	Left-hand side clutch collar	25 mm	● Grey	

## Exploded view of the left-hand side clutch collar (in 2 parts)



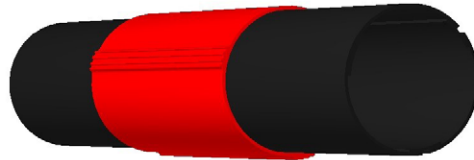
## Exploded view labelling of the LHS clutch collar

Num.	Item number	Qty/power add-on	Description
1	300-015	1	Lock button
2	300-011	1	Lock socket
3	300-017	1	Lock spring
4	300-012	1	Lock shaft
5	320-093	1	Main left-hand side collar
6	A00-154	2	Ø6 spacer
7	000-690	2	Ø6 flat washer
8	A00-135	2	M6x30 cap screw
9	A00-068	1	M5x16 flat head screw
10	300-099	1	Grey axle washer
11	300-040	2	Lever bearing
12	300-029	1	Main grey axle
13	320-030	1	Small lever
14	000-140	2	M8 ball joint
15	000-820	1	M8x30 headless screw
16	000-800	2	M8 low nut
17	000-840	1	M8x40 button head screw
18	300-010	1	Drum
19	300-020	1	Drum axle spacer
20	320-011	1	Left-hand side drum collar
21	300-061	1	2.1 black lever
22	300-050	1	Black lever screw
23	300-016	1	Black lever screw
24	300-018	1	Black washer
1 + 2 + 3 + 4	300-019	1	Locking button set

# E. Central tube unit

## Motor tube unit

Composed of 2 motor tubes and 1 central tube



Item number	Qty/ power add-on	Description	Price / tube
100-700	2	Black Motor tube (available in various lengths)	
100-600	1	Central Tube (available in various colours)	

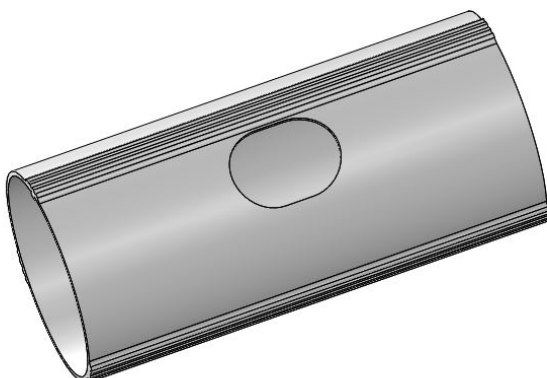
The length of the motor tubes depends on the wheelchair dimension.

W = Width between the wheels (inside) mm*	Length of Motor tubes (item number: 100-700)
400<L=<510	170 mm
510<L<630	220 mm

\* Please consult us for W >= 630 mm

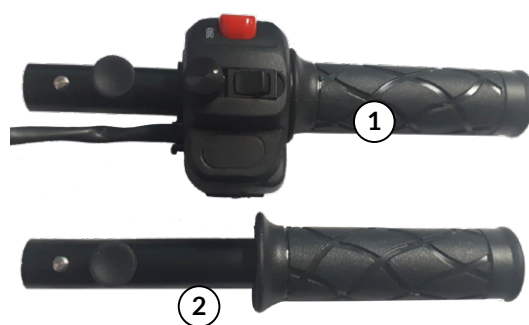
## Central tube colours

Item number : 100-600

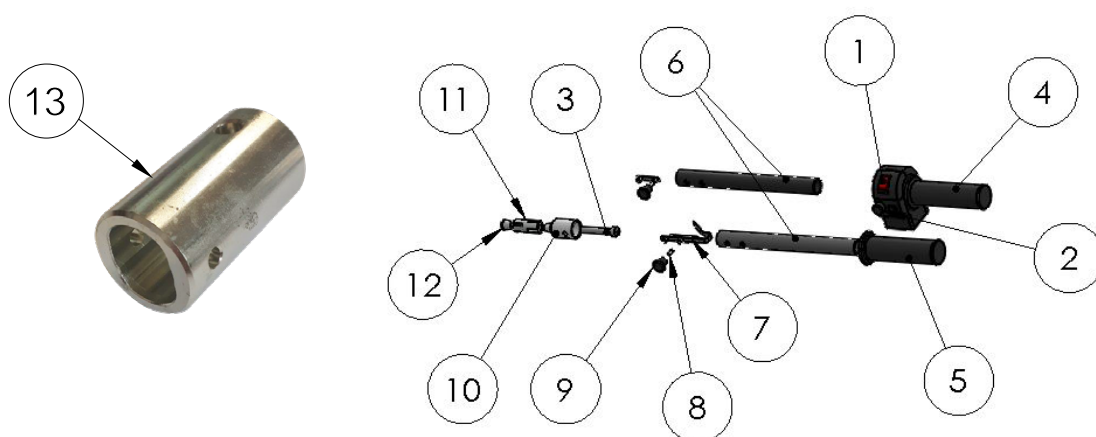


- BLACK
- MIDNIGHT BLUE
- SKY BLUE
- WHITE
- GREY
- PINK
- BLUE
- SILVER
- GREEN
- RED
- COPPER
- YELLOW
- KHAKI
- CHAMPAGNE GOLD
- ORANGE

## F. Handles



Num.	Item number	Qty/subassembly	Designation	Price
1	250-400	1	Complete throttle handle 2.1	
2	250-401	1	Complete static handle 2.1	



Num.	Item number	Qty/kit	Designation
1	250-210	1	On/off switch
2	250-220	1	Forward / reverse switch
3	000-870	2	M8x70 screw
4	250-290	1	Electric throttle handle
5	250-030	1	Rubber handle
6	250-326	2	Tube black
7	600-031	2	Anti-tip spring
8	A00-597	2	M4x10 headless screw
9	600-039	2	Anti-tip button
10	250-330	2	Handle holder black
11a and 11b	250-260 et 250-265	2 and 2	Ø17 Inner expanding sleeve Ø13.4 Inner expanding sleeve
12	250-270	2	M8 handle nut
13	250-332	1 to be used for Sunrise wheelchairs	Sunrise Adapter Light Assist

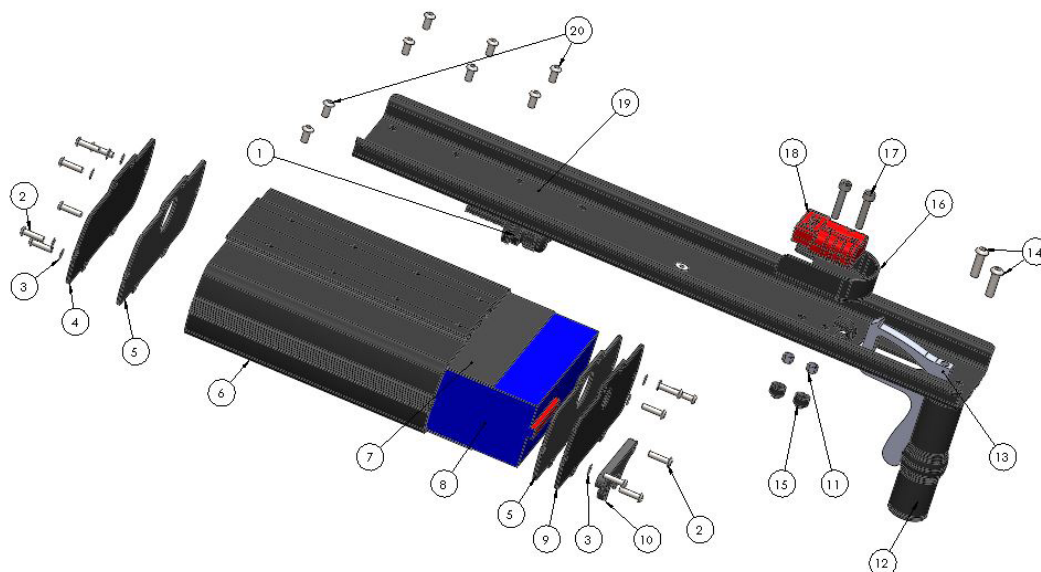
# G. 12 Ah Lithium battery rack



Item number	Qty/motor	Description	Price
584-000	1	12 Ah Lithium battery rack with anti-tip prop	
580-300	1	12Ah Lithium battery rack without anti-tip prop	



## Lithium battery rack exploded view



Num.	Item number	Qty/power add-on	Description
1	570-045	1	Lithium rack power cable (plugged to the red connector)
2	A00-121	12	M4x20 button head screw
3	570-085	10	M4 Nylon washer
4	570-022	1	2 mm steel battery cover
5	570-011	2	Seal
6	570-005	1	12 Ah battery case
7	570-002	1	Rubber leaf
8	570-010	1	24,8 V 12 Ah Lithium battery
9	570-026	1	2 mm aluminium battery cover
10	570-012	1	Anti-tip prop
11	000-595	2	M5 lock nut
12	570-035	1	Rack handle
13	570-030	1	Rack locking mechanism
14	000-630	2	M6x20 button head screw
15	A00-593	2	M5 nut cover
16	570-009	1	Connector holder
17	A00-126	2	M5x25 low head screw
18	000-200	2	50 A red connector
19	570-041	1	Rack upper plate
20	A00-637	8	M5x10 button head screw

# H. Mascot charger



Item number	Qty / motorisation	Designation	Price
500-056	1	Mascot Charger for Light Assist (Normal load) C type (Europe)	
500-057	1	Mascot Charger for Light Assist G type (UK/EIRE)	
500-058	1	Mascot Charger for Light Assist A type (US/CAN/JAP)	
500-059	1	Mascot Charger for Light Assist I type (AUS)	



Num.	Item number	Qté / charger	Designation	Price
1	000-200	1	50 A red connector	
2	500-070	1	50 A red connector handle	
3	500-090	1	Charger power cable type C (Euro)	
	500-091	1	Charger power cable G type (UK/EIRE )	
	500-092	1	Charger power cable A type (US/CAN/JAP)	
	500-093	1	Charger cable type C (AUS)	

## I. Mascot car charger

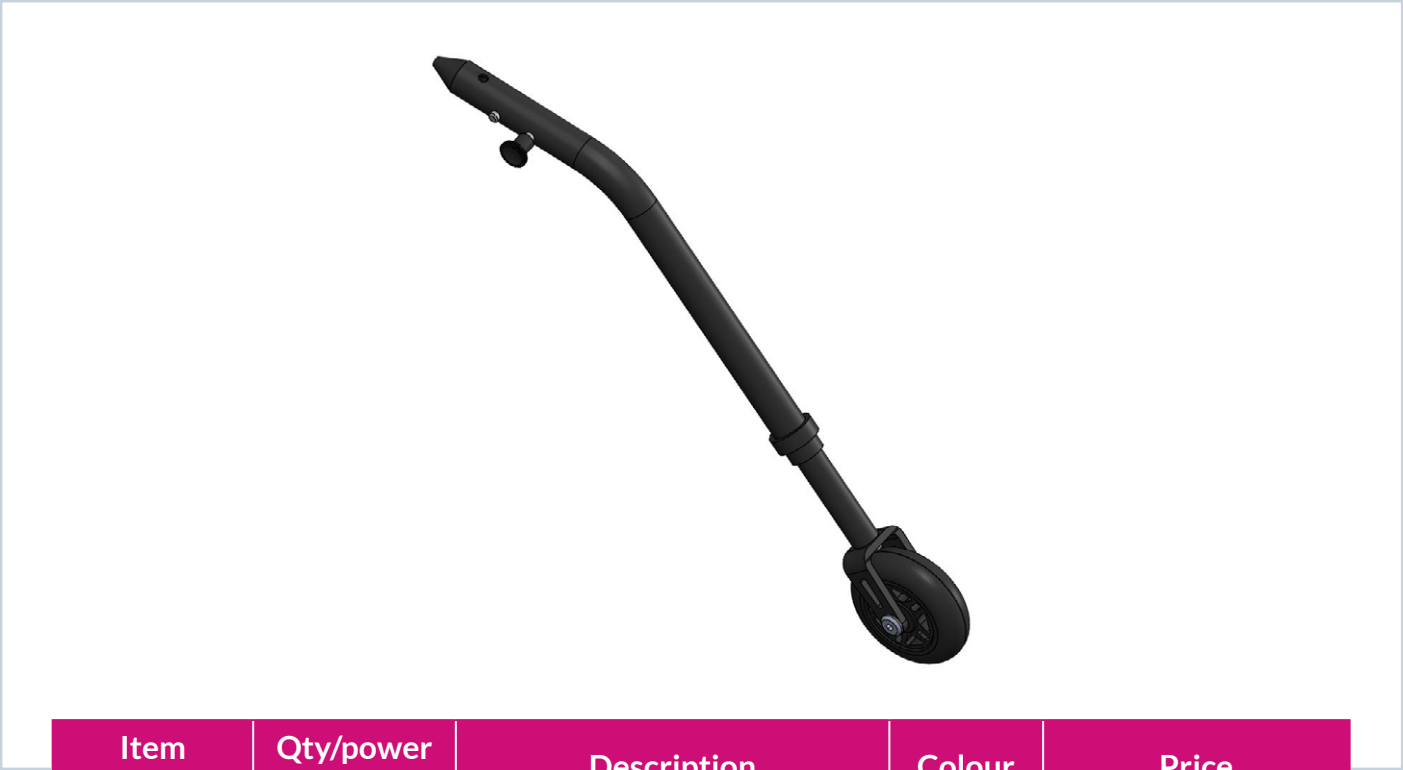


Item number	Qty / motorisation	Designation	Price
500-067	1	Car charger for Lithium battery	



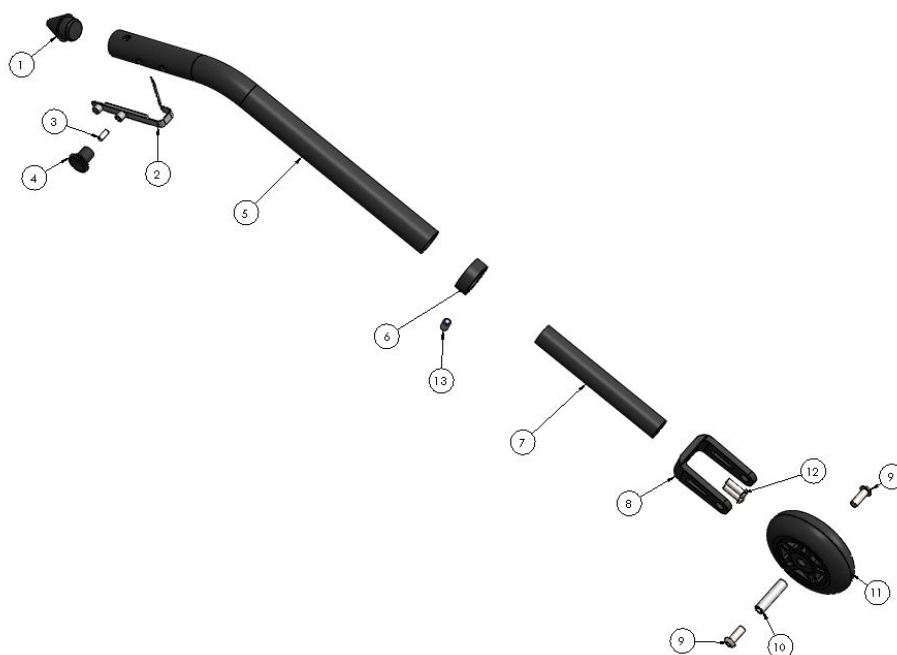
Num.	Item number	Qtéy/ charger	Designation
1	000-200	1	50A connector
2	500-070	1	50A connector handle
3		1	Cigarette lighter socket

# J. Anti-tip



Item number	Qty/power add-on	Description	Colour	Price
600-080	1	Complete caster tube 2.1	-	
600-075	1	130° complete anti-tip 2.1	● Black	
600-070		140° complete anti-tip 2.1		
TOTAL				



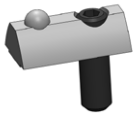
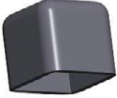




## Anti-tip exploded view

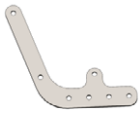









Num.	Item number	Qty/power add-on	Description	Colour
1	600-034	1	Guidance cone	-
2	600-031	1	Anti-tip spring	-
3	A00-597	1	M4x10 headless screw	-
4	600-039	1	Anti-tip button	-
5	600-148	1	130° anti-tip tube	● Black
	600-149		140° anti-tip tube	
6	600-007	1	Black ring	-
7	660-006	1	Fork shaft	-
8	660-008	1	Fork	-
9	000-600	2	M6x12 button head screw	-
10	600-021	1	Castor shaft	-
11	000-060	1	Ø80 castor	-
12	000-530	2	M5x16 button head screw	-
13	A00-638	1	M6x12 headless screw	-

# IV. INSTALLATION COMPONENTS AND SPARE PARTS

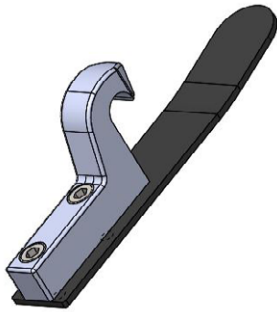
## A. Installation components

Part pic	Item number	Description	Price
	A00-144	Nut cover	-
	240-113	Xenon 2.1 controller bracket	
	700-050	M6 hook bar nut	-
	A00-015	M6x20 headless screw	-
	700-060	Hook bar cover	
	700-300	Hook bar 300 mm	-
	700-500	Hook bar 500 mm	
	700-700	Hook bar 700 mm	-
	720-011	Multi-position L plate	
	720-016	Kuschall U plate for folding backrest	
	720-021	Large multi-position L plate	

Part pic	Item number	Description	Price
	720-026	30° reclining backrest plate	
	720-036	Fixed backrest plate	
	720-046	Multipurpose plate	
	720-060	Small half-moon clip	
	720-070	Large half-moon clip	
	720-075	Extended large half-moon clip	
	720-086	Spin X plate	
	720-091	Panthera plate	

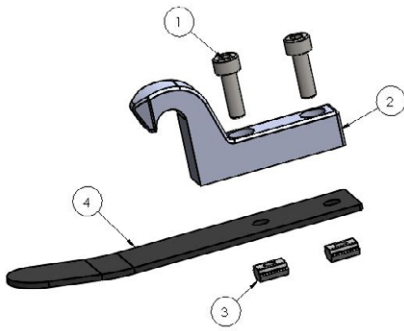
# B. Hook

## Complete hook



Item number	Qty	Description	Colour	Price
700-046	1	Complete hook	● Grey	

## Complete hook exploded view



Num.	Item number	Qtéy / hook	Description	Colour
1	A00-099	2	M5x16 cap screw	-
2	700-026	1	Hook	● Grey
3	700-030	2	Hook bar M5 nut	-
4	700-017	1	Hook spring plate	-



# CATALOGUE

Spare parts

2022 LIGHT ASSIST 2.1



*Autonomy is power*

📍 7 Rue du Pont, 21450 Billy Les Chanceaux FRANCE  
☎ (+33) 3 80 96 51 25 | @ export@benoitsystemes.com

[WWW.BENOITSYSTEMES.COM](http://WWW.BENOITSYSTEMES.COM)