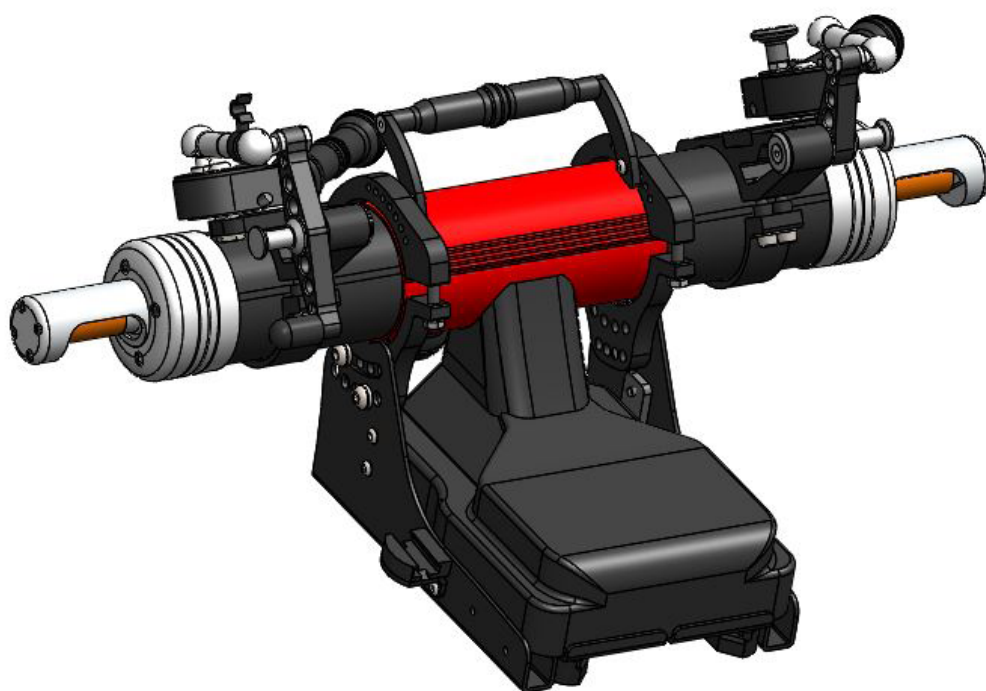


BENOIT SYSTEMES

Autonomy is power



CATALOGUE

2022 LIGHT DRIVE 2.1

English

📍 7 Rue du Pont, 21450 Billy Les Chanceaux FRANCE

WWW.BENOITSYSTEMES.COM

EN

CATALOGUE

2021 LIGHT DRIVE 2.1

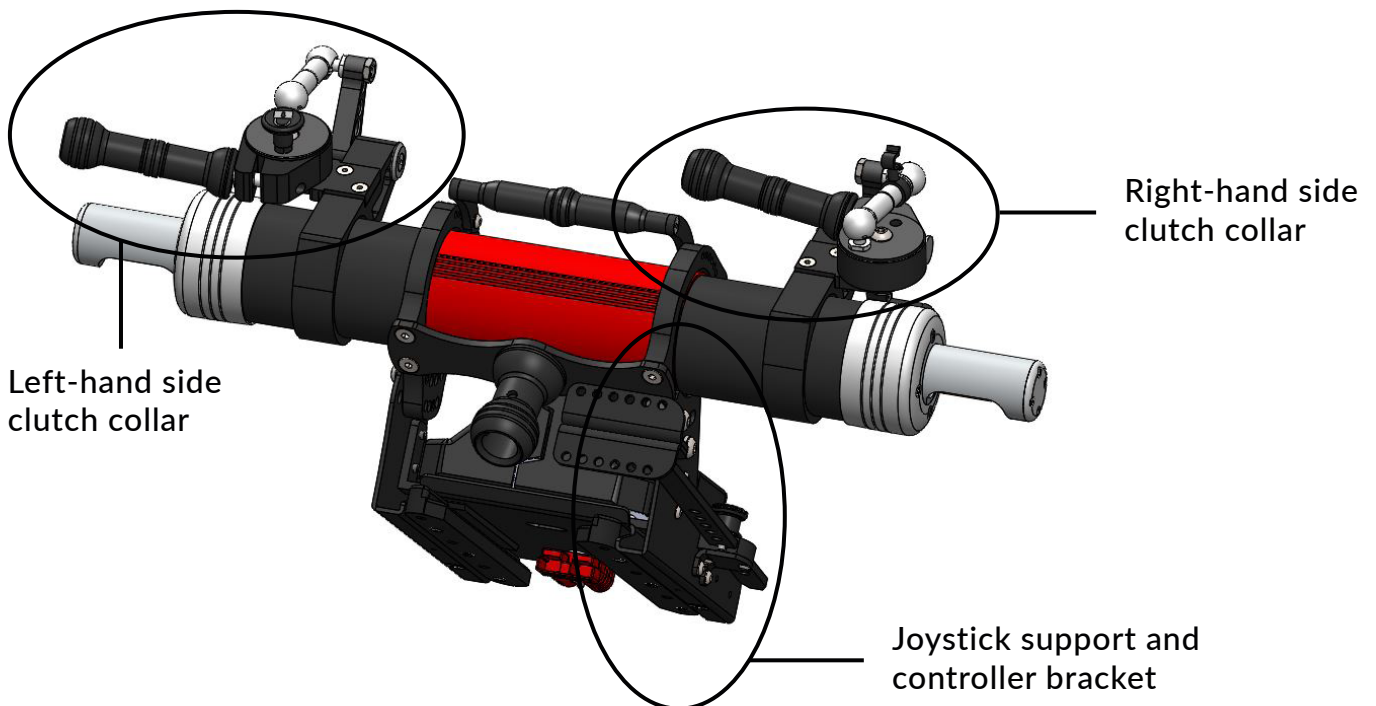
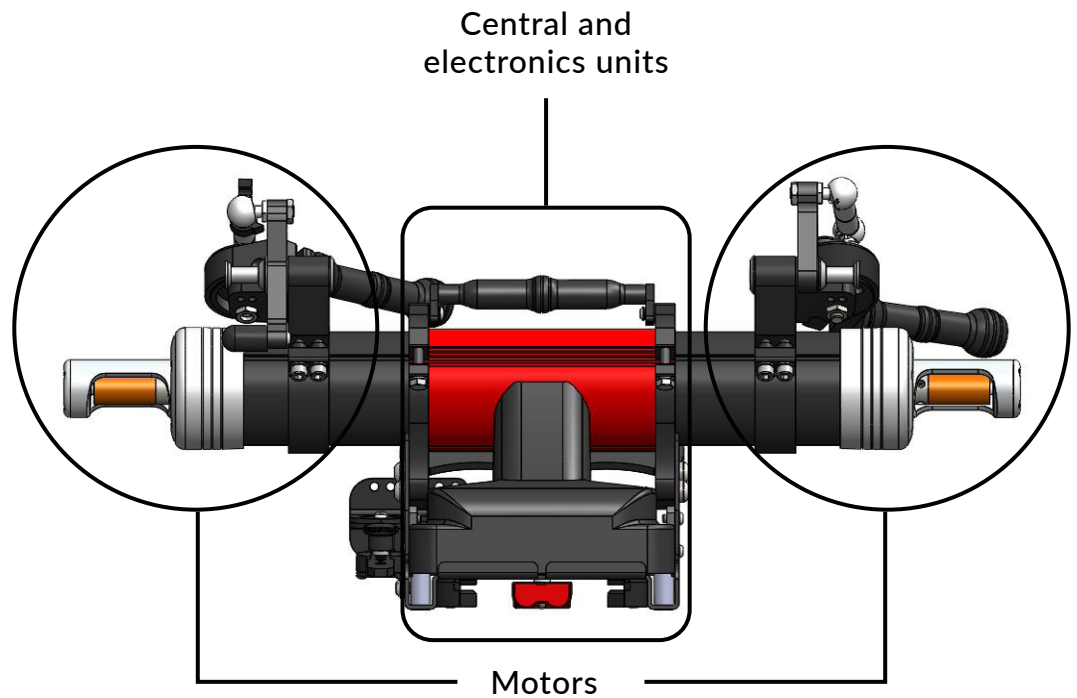


I. TABLE OF CONTENTS

I. TABLE OF CONTENT	31
II. OVERVIEW OF THE POWER ADD-ON	32
A. Light Drive 2.1	32
B. Battery rack 12 Ah and 18 Ah	33
C. Anti-tip	33
D. Joystick	33
III. DESCRIPTION OF EACH UNIT AND LABELLING	34
A. Central and electronics units	34
B. Motors	36
C. Right-hand side clutch collar	38
D. Left-hand side clutch collar	40
E. Central tube unit	42
F. Joystick support and controller bracket	43
G. Joysticks	45
H. 12 Ah and 18 Ah Lithium battery racks	46
I. Mascot charger	48
J. Mascot car charger	49
K. Anti-tip unit	50
IV. INSTALLATION COMPONENTS AND SPARE PARTS	52
A. Installation components	52
B. Hook	54
V. JOYSTICK KNOBS	55
VI. RIGID FRAME WHEELCHAIRS	56
A. 12 Ah batteries for rigid frame wheelchairs	56
B. Spare parts	58

II. OVERVIEW OF THE POWER ADD-ON

(A.) Light Drive 2.1



B.) Battery rack
12 Ah and 18 Ah



C.) Anti-tip

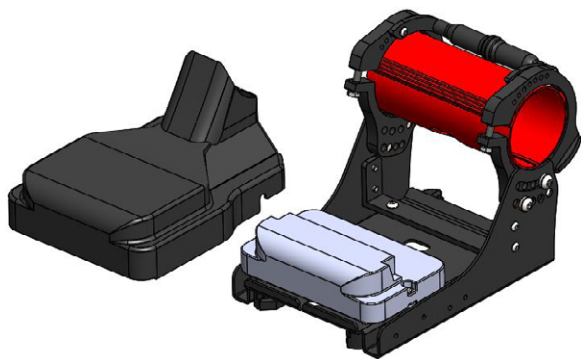


D.) Joystick



III. DESCRIPTION OF EACH UNIT AND LABELLING

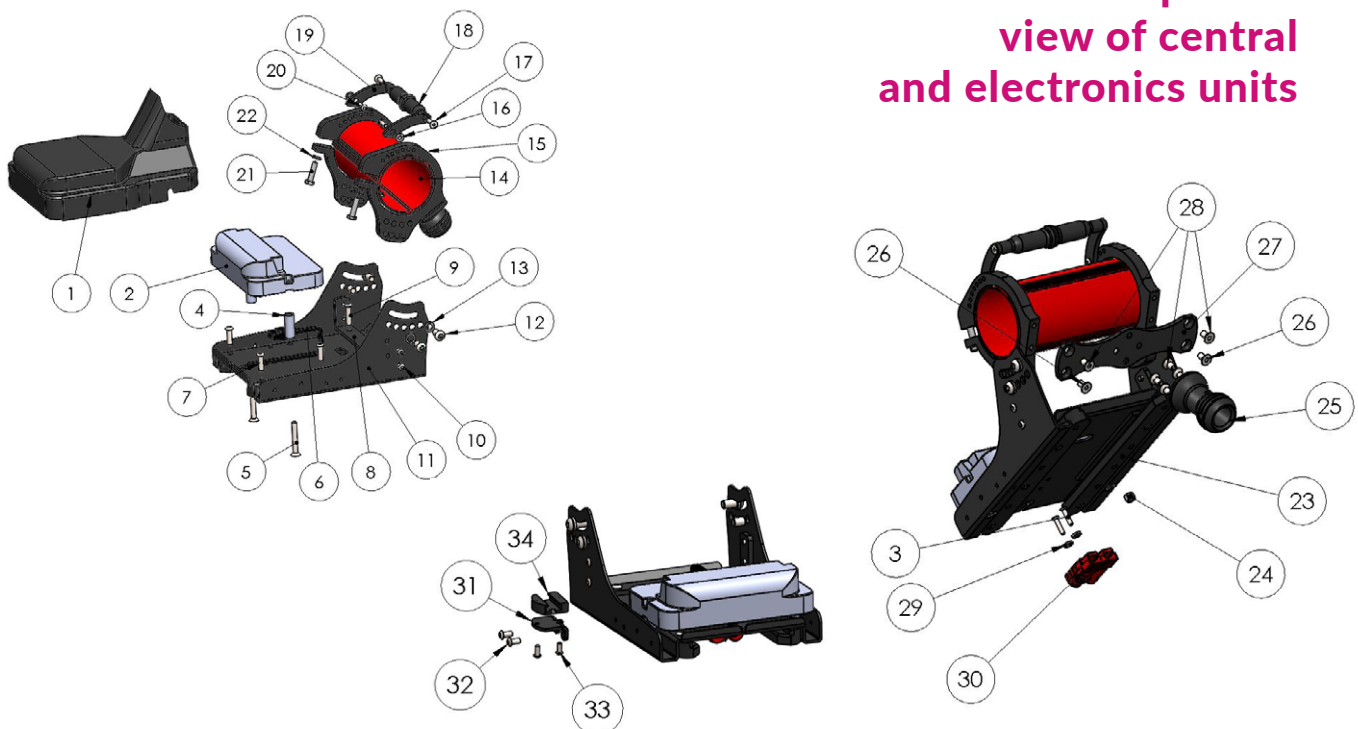
A. Central and electronics units



Central unit

Item number	Qty/power add-on	Description
287-000	1	Light Drive 2.1 central unit with NVR2 electronics unit
288-000		Light Drive 2.1 central unit with VR2 electronics unit (dual attendant control)

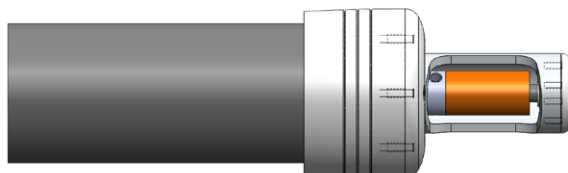
Exploded view of central and electronics units



Exploded view labelling of central and electronics units

Num.	Item number	Qty/unit	Description	Price
1	270-015	1	NVR2 cover	
2a 2b	210-080 210-020	1	NVR2 electronics unit VR2 electronics unit (compatible with dual attendant control)	
3	A00-094	2	M4x20 flat head screw	
4	A00-395	2	Ø6 spacer (length 30)	
5	A00-136	2	M6x45 flat head screw	
6	210-030	1	50 A power cable	
7	000-630	4	M6x20 button head screw	
8	280-039	1	Reinforcement U plate	
9	000-605	2	M6x25 button head screw	
10	000-525	4	M5x10 button head screw	
11	280-034	1	Slider support	
12	A00-058	4	M8x16 button head screw	
13	000-850	4	Ø8 fan-type washer	
14	100-600	1	Central tube (available in various colours see page 42)	
15	280-013	2	Central collar black	
16	280-062	2	Upper handle bearing	
17	A00-074	2	M5x20 flat head screw	
18	200-080	1	Upper handle	
19	200-088	2	Upper handle plate black	
20	000-530	2	M5x16 button head screw	
21	A00-138	2	M6x25 hex head screw	
22	000-690	2	Ø6 washer	
23	200-050	2	Battery rack slider	
24	000-610	6	M6 lock nut	
25	280-023	1	Rear handle black	
26	A00-059	2	M6x25 flat head screw	
27	280-057	1	Upper handle plate black	
28	A00-023	6	M6x16 flat head screw	
29	A00-477	2	Ø5 washer	
30	000-200	1	Red connector	
31	730-060	4	Storage controller flat handle bracket	
32	000-525	2	M5x10 button head screw	
33	A00-635	2	M4x10 button head screw	
34	730-055	1	Storage controller bracket	

Motors unit Light Drive 2.1



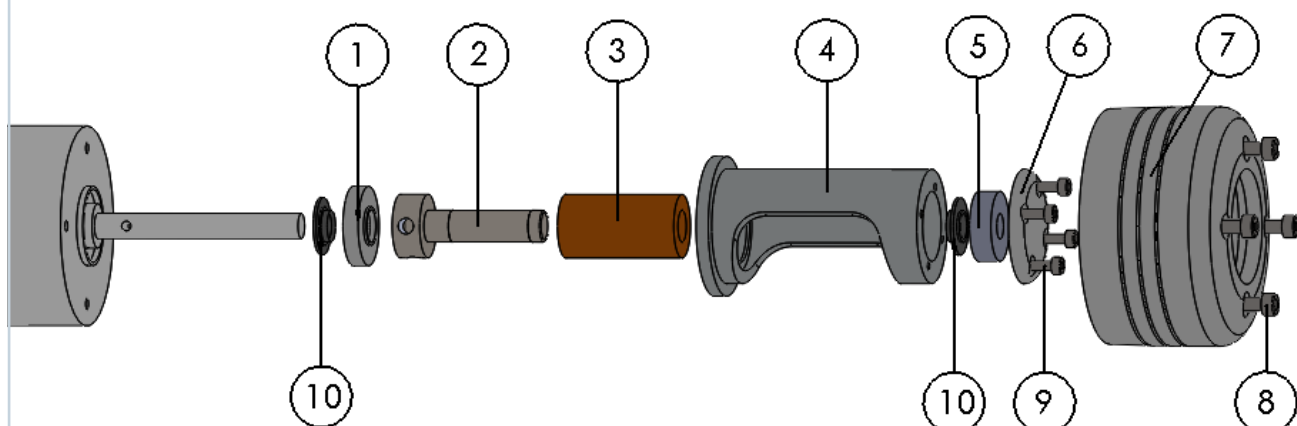
Item number	Qty/power add-on	Description	Price
477-00D	1	Complete right-hand side motor 24V 130 W	
477-00G	1	Complete left-hand side motor 24V 130 W	

Light Drive 2.1 motor without roller cover nor cup



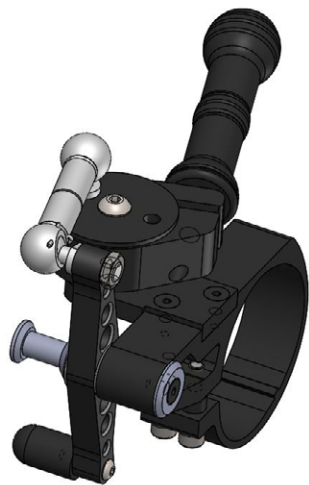
Item number	Qty/power add-on	Description	Price
460-08D	1	Right-hand side motor with roller	
460-08G	1	Left-hand side motor with roller	

Exploded view and labelling of the motor unit



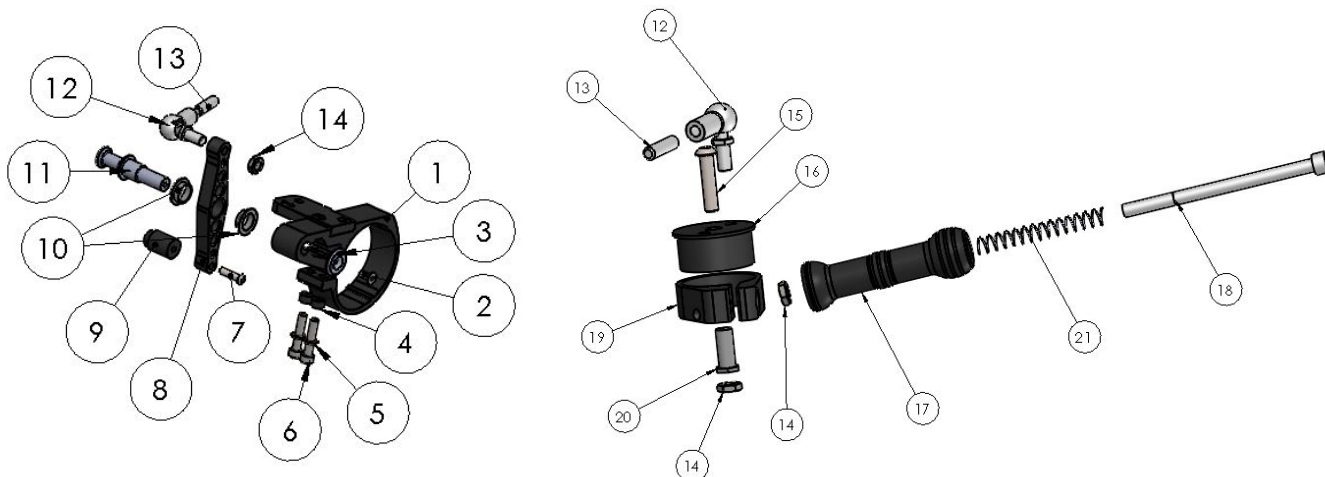
Num.	Item number	Qty/motor	Description	Price
1	400-056	1	Cylindric roller cover base	-
2	400-045	1	Hub	-
3	400-035	1	Ø20 motor roller	-
4	400-052	1	Polished roller cover	-
5	000-190	1	608 motor bearing	-
6	400-042	1	Polished roller cover cap	-
7	400-026	1	Polished 40 mm motor cup	-
8	000-400	4	M4x16 stainless steel cap screw	-
9	000-410	4	M3x8 stainless steel cap screw	-
10	400-010	2	Motor ring	-
3+5+10	400-085	1	Roller repair kit without hub (1 Ø20 motor roller + 1 bearing + 1 ring)	
1+2+3+5+10	400-082	1	Roller repair kit with hub (1 Ø20 motor roller on a hub + 1 bearing + 2 rings + 1 roller cover base)	
-	400-073	-	Glue for roller repair kit	

C.) Right-hand side clutch collar



Item number	Qty/power add-on	Description	Width	Colour	Price
311-610	1	Right-hand side clutch collar	25 mm	● Grey	

Exploded view of the right-hand side clutch collar (in 2 parts)



Exploded view labelling of the RHS clutch collar

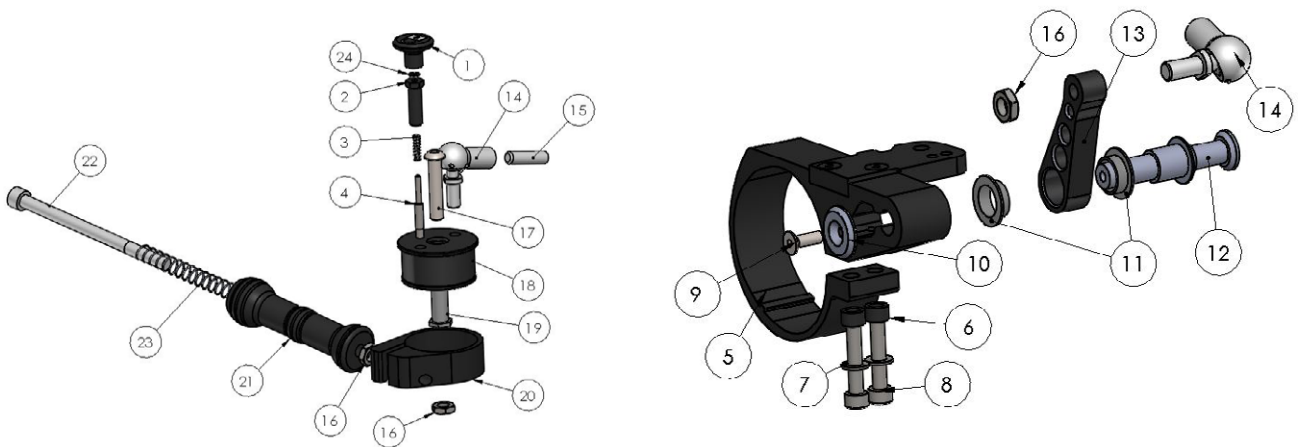
Num.	Item number	Qty/power add-on	Description
1	310-093	1	Main right-hand side collar
2	A00-068	1	M5X16 flat head screw
3	300-098	1	Grey axle washer
4	300-055	2	Ø6 spacer
5	000-690	2	Ø6 flat washer
6	A00-135	2	M6X30 cap screw
7	000-520	1	M5x20 button head screw
8	310-020	1	Large lever
9	010-010	1	Ø16 threaded M5 declutching stop
10	300-040	2	Lever bearing
11	300-029	1	Main grey axle
12	000-140	2	M8 ball joint
13	000-820	1	M8X30 headless screw
14	000-800	2	M8 low nut
15	000-840	1	M8x40 button head screw
16	300-010	1	Drum
17	300-061	1	2.1 black lever
18	300-050	1	Black lever screw
19	310-011	1	Right-hand side drum collar
20	300-020	1	Drum axle spacer
21	300-016	1	Black lever spring

D. Left-hand side clutch collar



Item number	Qty/power add-on	Description	Width	Colour	Price
321-610	1	Left-hand side clutch collar	25 mm	● Grey	

Exploded view of the left-hand side clutch collar (in 2 parts)



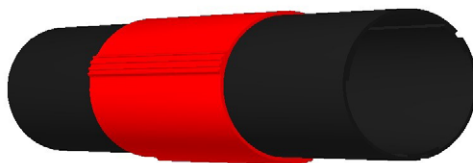
Exploded view labelling of the LHS clutch collar

Num.	Item number	Qty/power add-on	Description
1	300-015	1	Lock button
2	300-011	1	Lock socket
3	300-017	1	Lock spring
4	300-012	1	Lock shaft
5	320-093	1	Main left-hand side collar
6	A00-154	2	Ø6 spacer
7	000-690	2	Ø6 flat washer
8	A00-135	2	M6x30 cap screw
9	A00-068	1	M5x16 flat head screw
10	300-099	1	Grey axle washer
11	300-040	2	Lever bearing
12	300-029	1	Main grey axle
13	320-030	1	Small lever
14	000-140	2	M8 ball joint
15	000-820	1	M8x30 headless screw
16	000-800	2	M8 low nut
17	000-840	1	M8x40 button head screw
18	300-010	1	Drum
19	300-020	1	Drum axle spacer
20	320-011	1	Left-hand side drum collar
21	300-061	1	2.1 black lever
22	300-050	1	Black lever screw
23	300-016	1	Black lever screw
24	300-018	1	Black washer
1 + 2 + 3 + 4 + 24	300-019	1	Locking button set

E. Central tube unit

Motor tube unit

Composed of 2 motor tubes and 1 central tube



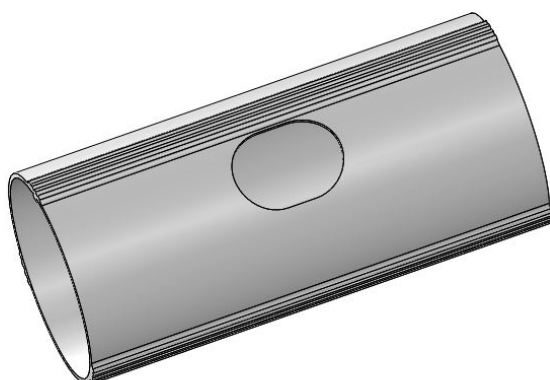
Item number	Qty/ power add-on	Description	Price / tube
100-700	2	Black Motor tube (available in various lengths)	
100-600	1	Central Tube (available in various colours)	

The length of the motor tubes depends on the wheelchair dimension.

W = Width between the wheels (inside) mm*	Length of Motor tubes (item number: 100-700)
400<L=<510	170 mm
510<L<630	220 mm

* Please consult us for W >= 630 mm

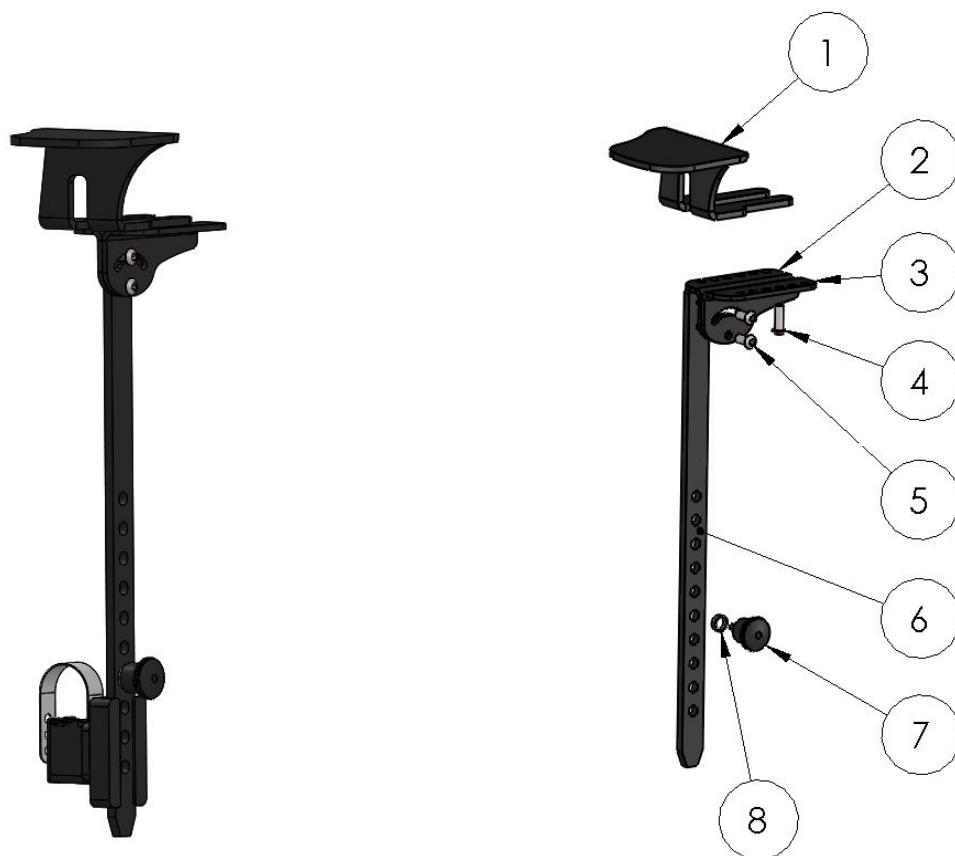
Central tube colours



Price :
Item number : 100-600

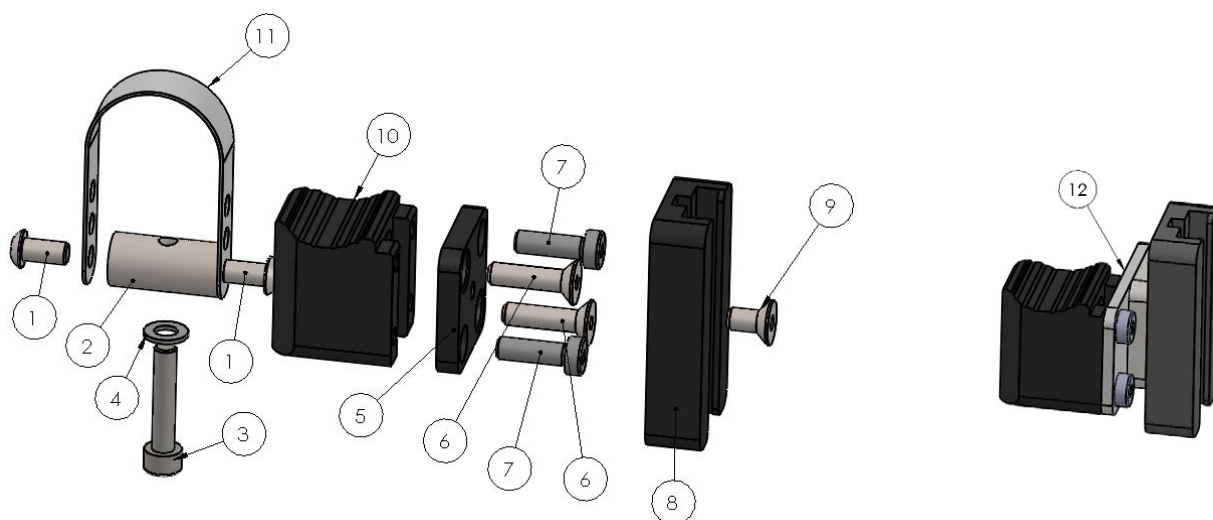
- | | | |
|---------|------------------|------------|
| ● BLACK | ● MIDNIGHT BLUE | ● SKY BLUE |
| ○ WHITE | ● GREY | ● PINK |
| ● BLUE | ● SILVER | ● GREEN |
| ● RED | ● COPPER | ● YELLOW |
| ● KHAKI | ● CHAMPAGNE GOLD | ● ORANGE |

F.) Joystick support and controller bracket



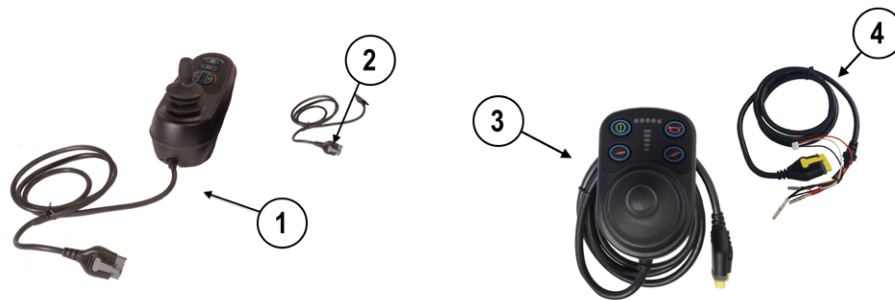
Num.	Item number	Qty/power add-on	Description	Price
1a	240-121	1	Right-hand side handrest	
1b	240-126		Left-hand side handrest	
2	240-024	1	Left-hand side flat angle support	
3	240-026	1	Right-hand side flat angle support	
4	000-520	2	M5x20 button head screw	-
5	000-525	4	M5x10 button head screw	-
6a	240-035	1	Joystick extension 250 mm	-
6b	240-036		Joystick extension 300 mm	-
6c	240-037		Joystick extension 350 mm	-
6d	240-038		Joystick extension 400 mm	-
7	240-200	1	Joystick index plunger	-
8	240-201	1	Joystick index plunger spacer	-
2+3+7 +8+ joystick cable clip	240-210	1	Joystick installation set	-

Controller bracket + controller bracket fixation with reinforcement plate (240-106)



Num.	Item number	Qty/power add-on	Description
1	000-525	2	M5x10 button head screw
2	240-090	1	Mobile axle
3	A00-122	1	M5x25 cap screw
4	000-020	1	Ø5 washer
5	240-087	1	Standard plate
6	A00-074	2	M5x20 flat head screw
7	A00-303	2	M5x20 low head screw
8	730-050	1	Black controller bracket
9	A00-060	1	M5x10 flat head screw
10	240-080	1	Controller bracket base
11	240-085	1	Metal strip
12	240-088	1	Offset plate

G. Joysticks



Num.	Item number (alone / with clip)	Qty/power add-on	Description	Price
1	210-040	1	VR2 big joystick (compatible with dual attendant control)	
2	210-050 210-077	1 1	VR2 big joystick cable VR2 big joystick cable with clip	
3	210-060	1	NVR2 small joystick	
4	210-095 210-075	1 1	NVR2 small joystick cable NVR2 small joystick cable with clip	



Item number: 300-014
Joystick cable clip (can be attached on left or right-hand side collar)
Price:



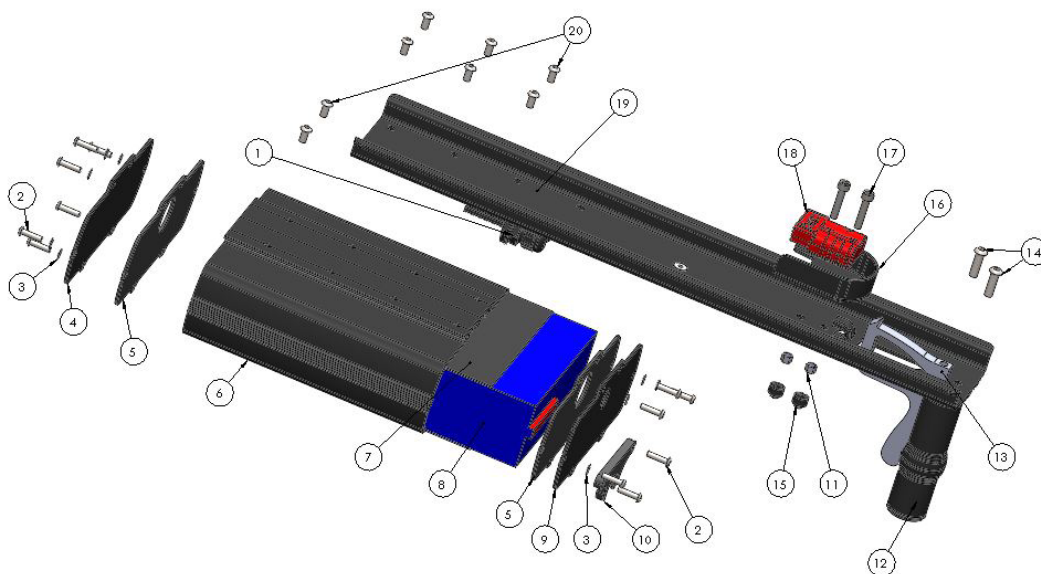
Num.	Item number	Qty	Description	Price
1	770-035	1	Dual attendant control	
2	770-033	1	Dual attendant Y cable	

H. 12 Ah and 18 Ah Lithium battery racks



Item number	Qty/motor	Description	Price
584-000	1	12 Ah Lithium battery rack with anti-tip prop	
580-300	1	12Ah Lithium battery rack without anti-tip prop	
586-000	1	18 Ah Lithium battery rack with anti-tip prop	

Lithium battery rack exploded view

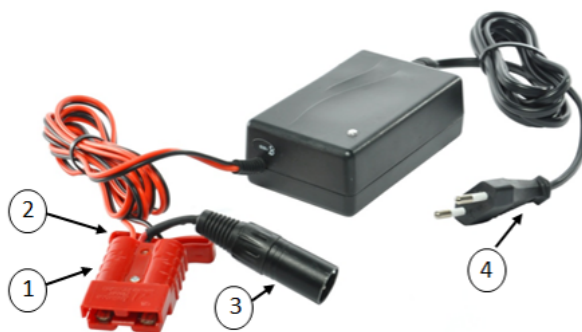


Num.	Item number	Qty/power add-on	Description
1	570-045	1	Lithium rack power cable (plugged to the red connector)
2	A00-121	12	M4x20 button head screw
3	570-085	10	M4 Nylon washer
4	570-022	1	2 mm steel battery cover
5	570-011	2	Seal
6a	570-005	1	12 Ah battery case
6b	570-006	1	18 Ah battery case
7	570-002	1	Rubber leaf
8a	570-010	1	24,8 V 12 Ah Lithium battery
8b	570-015	2	25,2 V 9 Ah Lithium battery
9	570-026	1	2 mm aluminium battery cover
10	570-012	1	Anti-tip prop
11	000-595	2	M5 lock nut
12	570-035	1	Rack handle
13	570-030	1	Rack locking mechanism
14	000-630	2	M6x20 button head screw
15	A00-593	2	M5 nut cover
16	570-009	1	Connector holder
17	A00-126	2	M5x25 low head screw
18	000-200	2	50 A red connector
19	570-041	1	Rack upper plate
20	A00-637	8	M5x10 button head screw

I. Mascot charger



Item number	Qty/power add-on	Description	Price
500-051	1	Mascot charger for Light Drive C type (EUROPE)	
500-052	1	Mascot charger for Light Drive G type (UK/EIRE)	
500-053	1	Mascot charger for Light Drive A type (US/CAN)	
500-054	1	Mascot charger for Light Drive I type (AUS)	



Num.	Item number	Qty / charger	Description	Price
1	000-200	1	50 A red connector	
2	500-070	1	50 A red connector handle	
3	500-080	1	3-pin XLR connector	-
4	500-090	1	Charger power cable type C (Euro)	-
-	500-091	1	Charger power cable type G (UK/EIRE)	-
-	500-092	1	Charger power cable type A (US/CAN)	-
-	500-093	1	Charger power cable type I (AUS)	-

J. Mascot car charger

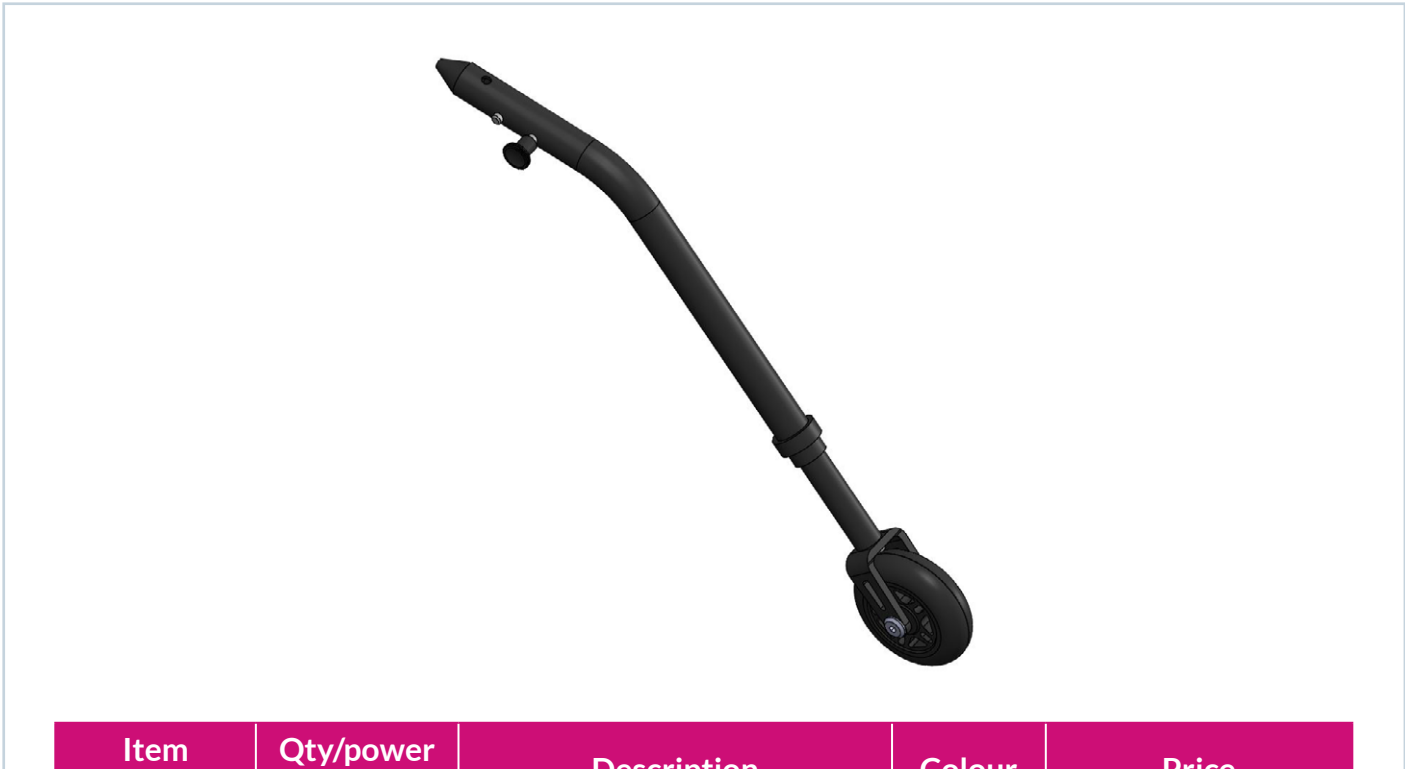


Item number	Qty/power add-on	Description	Price
500-067	1	Car charger for Lithium battery	



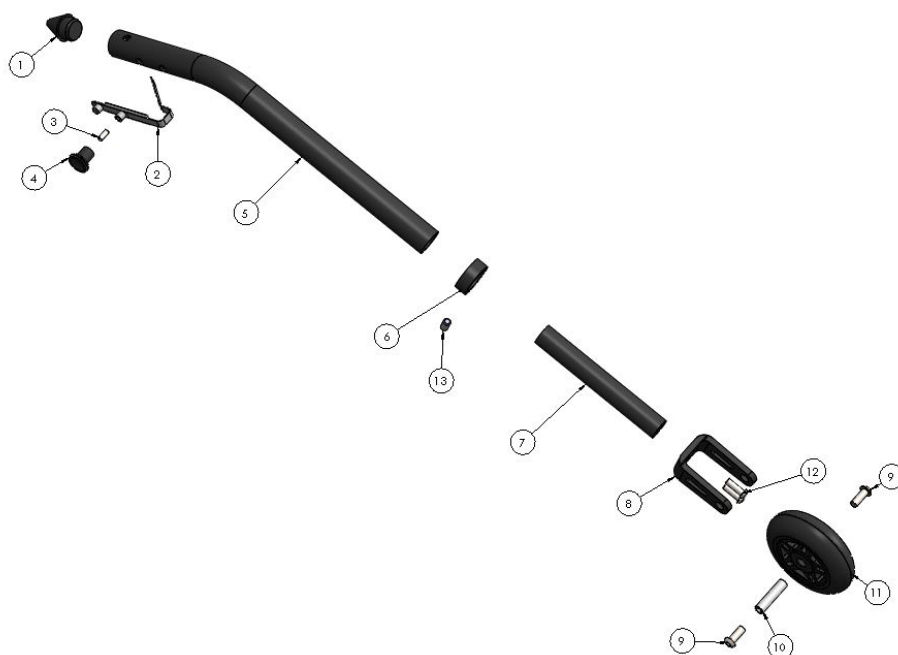
Num.	Item number	Qty / charger	Description
1	000-200	1	50 A red connector
2	500-070	1	50 A red connector handle
3		1	Cigarette lighter socket

(K.) Anti-tip unit



Item number	Qty/power add-on	Description	Colour	Price
600-080	1	Complete caster tube 2.1	-	
600-075	1	140° complete anti-tip 2.1	● Black	
600-070		130° complete anti-tip 2.1		
TOTAL				




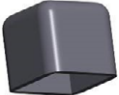




Anti-tip exploded view

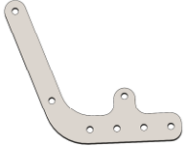









Num.	Item number	Qty/power add-on	Description	Colour
1	600-034	1	Guidance cone	-
2	600-031	1	Anti-tip spring	-
3	A00-597	1	M4x10 headless screw	-
4	600-039	1	Anti-tip button	-
5	600-148	1	130° anti-tip tube	● Black
	600-149		140° anti-tip tube	
6	600-007	1	Black ring	-
7	660-006	1	Fork shaft	-
8	660-008	1	Fork	-
9	000-600	2	M6x12 button head screw	-
10	600-021	1	Castor shaft	-
11	000-060	1	Ø80 castor	-
12	000-530	2	M5x16 button head screw	-
13	A00-638	1	M6x12 headless screw	-

IV. INSTALLATION COMPONENTS AND SPARE PARTS

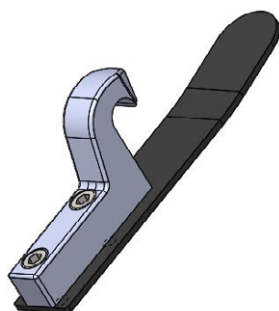
(A.) Installation components

Part pic	Item number	Description	Price
	A00-144	Nut cover	-
	240-113	Xenon 2.1 controller bracket	
	700-050	M6 hook bar nut	-
	A00-015	M6x20 headless screw	-
	700-060	Hook bar cover	
	700-300	Hook bar 300 mm	-
	700-500	Hook bar 500 mm	
	700-700	Hook bar 700 mm	-
	720-011	Multi-position L plate	
	720-016	Kuschall U plate for folding backrest	
	720-021	Large multi-position L plate	

Part pic	Item number	Description	Price
	720-026	30° reclining backrest plate	
	720-036	Fixed backrest plate	
	720-046	Multipurpose plate	
	720-060	Small half-moon clip	
	720-070	Large half-moon clip	
	720-075	Extended large half-moon clip	
	720-086	Spin X plate	
	720-091	Panthera plate	

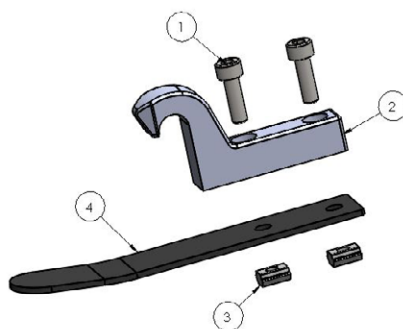
B. Hook

Complete hook



Item number	Qty	Description	Colour	Price
700-046	1	Complete hook	● Grey	

Complete hook exploded view



Num.	Item number	Qtéy / hook	Description	Colour
1	A00-099	2	M5x16 cap screw	-
2	700-026	1	Hook	● Grey
3	700-030	2	Hook bar M5 nut	-
4	700-017	1	Hook spring plate	-

V. JOYSTICK

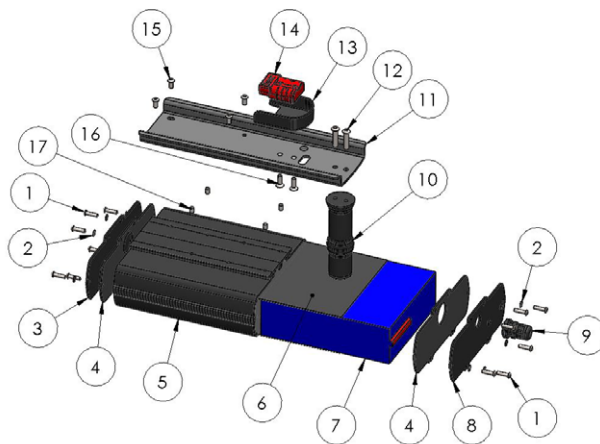
KNOBS

Part pic	Item number	Description	Price
	220-010	Standard Length 30mm	
	220-015	Stick Length 80mm	-
	220-020	Chin Ø 38 mm	-
	220-025	Mushroom Ø 48 mm	-
	220-030	Ball Ø 38 mm	-
	220-035	Soft ball Ø 70 mm	-
	220-040	T bar Ø Dim. 80 mm	-
	220-050	Standard spare knob	

VI. RIGID FRAME WHEELCHAIRS

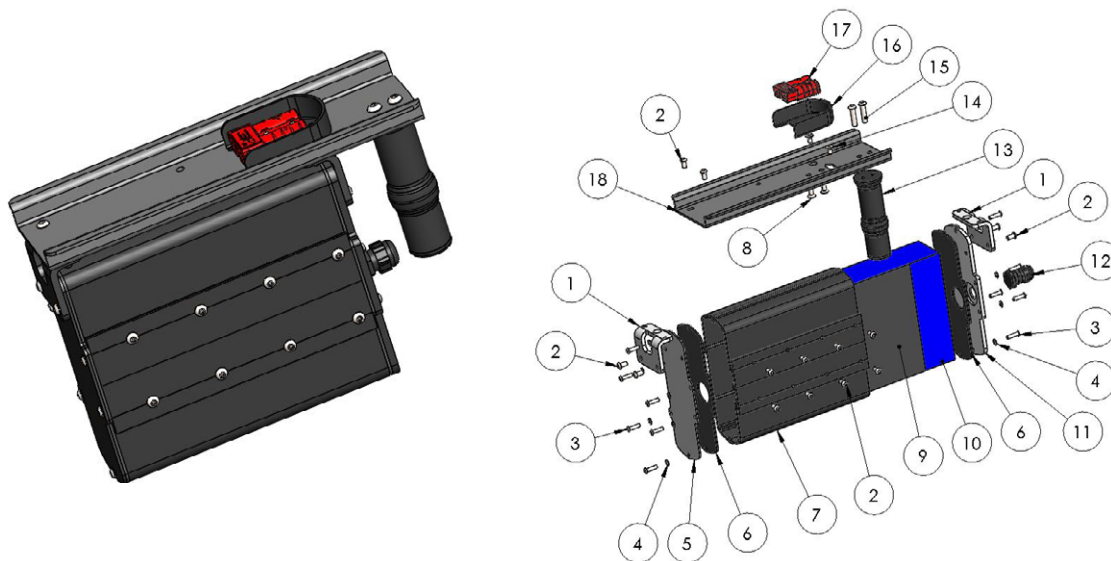
A. 12 Ah batteries for rigid frame wheelchairs (front installation)

Horizontal battery (585-000)



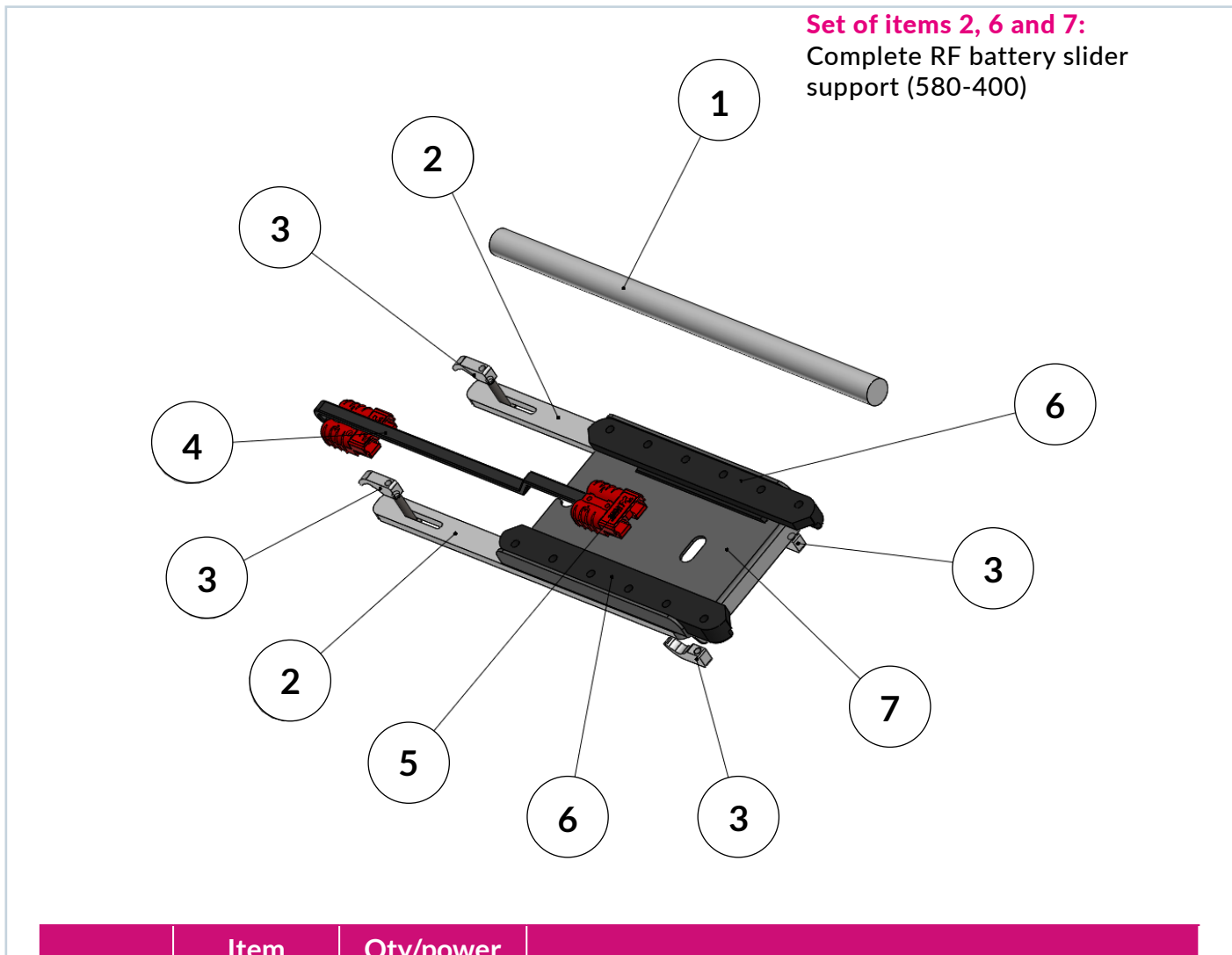
Num.	Item number	Qty	Description
1	A00-121	12	M4x20button head screw
2	570-085	12	M4 Nylon washer
3	570-022	1	2 mm steel battery cover
4	570-011	2	Seal
5	570-005	1	12 Ah battery case
6	570-002	1	Rubber leaf
7	570-010	1	12 Ah Lithium battery
8	570-026	1	2 mm aluminium battery cover
9	570-045	1	Lithium rack power cable (to be plugged to red connector)
10	570-036	1	Rigid frame battery rack handle
11	570-073	1	Rigid frame rack upper plate
12	000-605	2	M6x25 button head screw
13	570-009	1	Connector holder
14	000-200	1	50 A red connector
15	A00-637	4	M5x10 button head screw
16	A00-068	2	M5x16 flat head screw
17	A00-639	4	M5x8 headless screw

Vertical battery (583-000)



Num.	Item number	Qty	Description
1	570-071	2	Rigid frame battery flat angle
2	A00-637	14	M5x10 button head screw
3	A00-121	12	M4x20 button head screw
4	570-085	12	M4 Nylon washer
5	570-068	1	2 mm steel rigid frame battery cover
6	570-011	2	Seal
7	570-005	1	12 Ah battery case
8	A00-068	2	M5x16 flat head screw
9	570-002	1	Rubber leaf
10	570-010	1	12 Ah Lithium battery
11	570-067	1	5 mm steel rigid frame battery cover
12	570-045	1	Lithium rack power cable (to be plugged to red connector)
13	570-036	1	Rigid frame rack handle
14	A00-060	2	M5x10 flat head screw
15	000-605	2	M6x25 button head screw
16	570-009	1	Connector holder
17	000-200	1	50 A red connector
18	570-073	1	Rigid frame rack upper plate

B. Spare parts

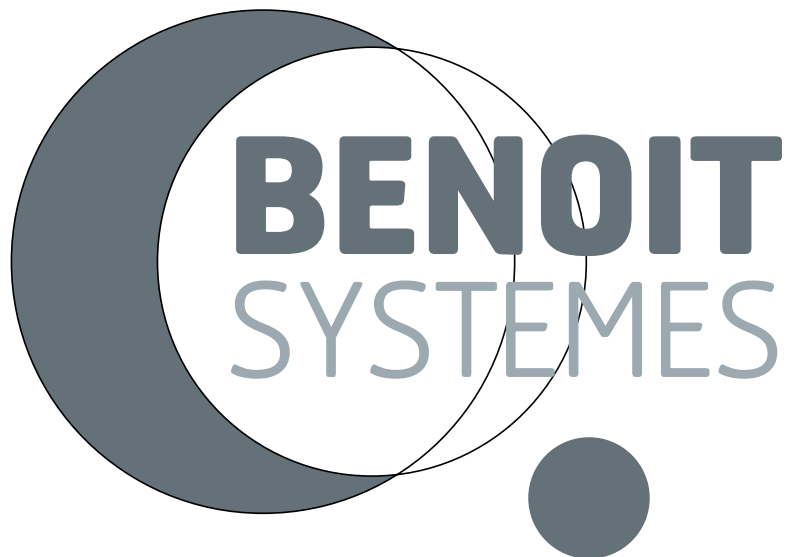


Num.	Item number	Qty/power add-on	Description
1	720-110	1	Rigid frame cylinder
2	570-072	2	Rigid frame plate
3	570-074	4	Rigid frame hook
4	570-082	1	50 A connectors extension cable
5	280-090	1	Power cable Rigid Frame
6	200-050	2	Battery slider
7	280-033	1	Rigid frame battery slider support

CATALOGUE

Spare parts

2022 LIGHT DRIVE 2.1



Autonomy is power

📍 7 Rue du Pont, 21450 Billy Les Chanceaux FRANCE
☎ (+33) 3 80 96 51 25 | @ export@benoitsystemes.com

WWW.BENOITSYSTEMES.COM