

100%  
CARBON  
FIBRE FRAME

# VEYPR SUB4



 **SUNRISE**  
MEDICAL

**RGK**

▶ ▶ ▶ ▶  
**THIS ISN'T JUST  
A WHEELCHAIR**  
IT'S OUR  
UNSTOPPABLE  
AMBITION



THE 'REAL'  
MADE TO  
MEASURE

100 %  
CARBON  
FIBRE FRAME

SUB4  
ULTRA LIGHT  
TECHNOLOGY

VEYPR SUB4

A 10 YEAR DREAM

A *NEW ERA*  
IS HERE

▶ ▶ ▶ ▶ ▶  
**MADE TO  
MEASURE MEETS  
CARBON FIBRE**  
UNRIVALLED  
PERFORMANCE



▶ ▶ ▶ ▶ ▶

# MADE TO MEASURE THE PERFECT FIT

DAVID'S  
PERFECT FIT

Only RGK offers the 'real' made to measure to create the perfect wheelchair for you. Choose optimum posture, comfort and performance. The 'real' made to measure is unlike any other and allows you to adjust the characteristics of your wheelchair to suit your individual needs, ensuring you can enjoy an active lifestyle.

- OVER 30 INDIVIDUAL MEASUREMENTS
- A RANGE OF ERGONOMIC OPTIONS
- LIGHTWEIGHT AND COMPACT DESIGN FEATURES

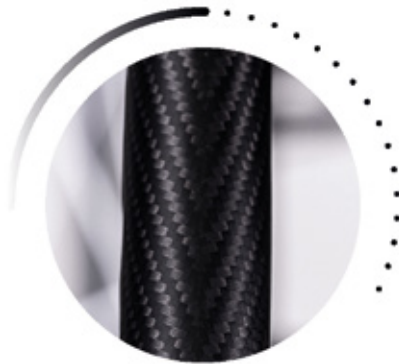


▶ ▶ ▶ ▶ ▶

# **100% CARBON FIBRE FRAME** *SMOOTH YET RIGID RIDE*

With new innovative technology we have produced the world's first truly made to measure carbon fibre wheelchair.

- PATENTED MANUFACTURE PROCESS
- 4 X LAYERS OF HANDCRAFTED CARBON FIBRE
- HERRINGBONE WEAVE PATTERN





▶ ▶ ▶ ▶ ▶

## ULTRA-LIGHTWEIGHT SUB4 GUARANTEED

A lighter wheelchair means everyday actions become easier. With the Veypr Sub4 transferring into the car and pushing long distances is effortless. This is the ultimate wheelchair for an active lifestyle.

- SUB 4 TECHNOLOGY
- -10% LIGHTER THEN AN OCTANE SUB4
- FROM -2.4 KG FRAME WEIGHT
- FROM -3.3 KG TRANSPORT WEIGHT

▶ ▶ ▶ ▶ ▶  
**BUILT FOR EVERYDAY  
ADVENTURES  
PUSH THE LIMITS**

With a high everyday usability the Veypr Sub4 is built for everyday adventures. With captivating appearance and ergonomic design the Veypr Sub4 provides the ultimate rider experience.

“IT’S UNBELIEVABLE”  
DAVID WEIR



▶ ▶ ▶ ▶ ▶

# KEY FEATURES

SUB4  
UPHOLSTERY

CARBON FIBRE  
FRAME

HERRINGBONE  
WEAVE PATTERN

The final layer of carbon fibre is hand laid with precision, achieving the perfect herringbone pattern.

ERGONOMIC  
SEATRAIL TUBE

Expertly engineered for comfort and ease of transfer.

CARBON FIBRE  
FOOTREST





▶ ▶ ▶ ▶ ▶

# EXCEPTIONAL PERSONALISATION MAKE IT YOURS

Put your stamp on it, your colour, a personal detail,  
the Veypr Sub4 decals are personalised to suit you.



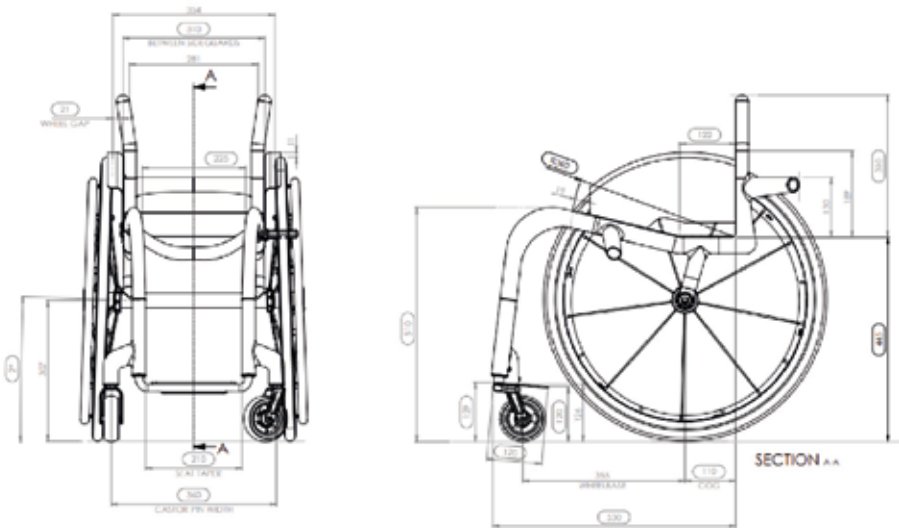
▶ ▶ ▶ ▶ ▶

# CASE STUDY

## DAVID WEIR'S VEYPR SUB4

### MEET DAVID WEIR CBE

David Weir is a 6 time Paralympic gold medallist and co-founder of the Weir-Archer academy. He is a super star athlete, role model and is arguably one of the greatest wheelchair racers and Paralympian's of all time. We are honoured that he is sitting in a Veypr Sub4 now.



DAVID'S VEYPR SUB4 CAD DRAWING

### WHAT WAS THE END RESULT?

"My Veypr Sub4 is so much lighter than my previous chair and the ride is unbelievably smooth. The ergonomic options have improved my seating position and posture and the extensive made to measure process has ensured the frame fits me perfectly. It's made a huge difference in my day to day life, I didn't expect what I thought were such little details to make such a huge difference to my everyday". - **David Weir.**

▶ ▶ ▶ ▶ ▶

# TECHNICAL STUFF

DESCRIPTION	MIN	MAX
Overall length with leg rest (no wheels)	390 mm	625 mm
Overall width (seat width)	250 mm	440 mm
Folded height (only for chairs with folding backs)	N/A	N/A
Total mass (with wheels)	5 kg	15 kg*
Mass of the heaviest part (transport weight)	3 kg	12 kg*
Static stability downhill	N/A	5° of incline
Static stability uphill	N/A	5° of incline
Static stability sideways	N/A	5° of incline
Seat plan angle	0°	45° of tilt
Effective seat depth	250 mm	440 mm
Seat surface height at front edge	380 mm	520 mm
Backrest angle	-10° of tilt	20° of tilt
Backrest height	150 mm	400 mm
Footrest to seat distance	200 mm	520 mm
Leg to seat surface angle	70° of angle	90° of angle
Armrest to seat distance	N/A	N/A
Front location to armrest structure	N/A	N/A
Hand rim diameter	24° -in	25° -in
Horizontal location of axle	25 mm	125 mm
Minimum turning radius	270 mm	N/A

Note: The above is a guide. For any requirements outside of this table may result in a design change.

\*Based on additional options, excluding third party wheelchair add-ons.



[www.rgkwheelchairs.com](http://www.rgkwheelchairs.com)

RGK Wheelchairs Ltd.  
Unit 8a/b/c Ring Road Zone 2,  
Burntwood Business Park,  
Burntwood, Staffordshire, WS73JQ, UK

Phone +441543670077  
Email: [info@rgkwheelchairs.com](mailto:info@rgkwheelchairs.com)

