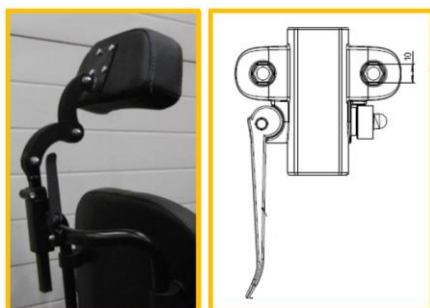




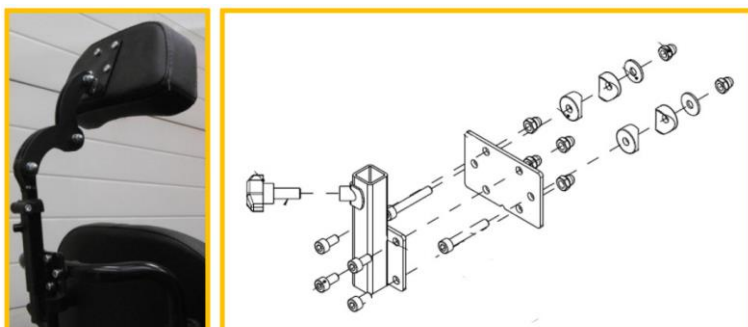
BULLETIN DETAILS

Product Group:	PWC		
Model Affected:	Luca XL, Luca Junior, Luca (discontinued – spares only), Qlass seating		
Effective Date: See Below	Serial No. Effective From:	N/A	
Bulletin Subject:	Luca XL Updated Headrest Mount		

As part of our continuous improvement program and supply chain enhancement, we have updated the headrest mounting on the Luca XL.



Old



New

With immediate effect, any new chair ordered with a headrest will be fitted with the new mount. Please note that the old parts are no longer available, however the new mount can be ordered as a spare part to be retro-fitted to an existing chair as it is compatible with older models.

Discontinued Spare Part

6000208 – Head Rest Socket Assy

NEW Spare Part

9012433 – Headrest mounting set LUCA

For any queries on any of these updates please contact your local Area Sales Manager.

Customer Services	Customer Support	Technical Service Centre	E-mail
Telephone:	+44 (0)845 605 66 88 Option 1-1	+44 (0)845 605 66 88 Option 1-2	enquiries@sunmed.co.uk
Fax:	+44 (0)845 605 66 89	+44 (0)845 605 66 89	help.technical@sunmed.co.uk