



Deliver to:
 Name:
 Street:
 Town: Postal code:
 E-Mail:
 Tel: Fax:



Deliver to:
 Name:
 Street:
 Town: Postal code:
 E-Mail:
 Tel: Fax:

Order date:
 Purchase order:
 Number required:

Marked for:
 Sunrise order no:

- Order Calculation Built 4 me

- = Standard = Cost option
 ○ = No cost option

Reimbursement code:

Art. no.: 71100200

Max. user weight: 140 kg

USER WEIGHT kg

Mandatory information to ensure correct configuration

Base Price

CLIENT MEASUREMENTS (all measurements without cushion)

SEAT WIDTH (measured in mm from outside frame tube to outside frame tube)

320	340	360	380	400	420	440	460	480	500	520	540
<input type="radio"/>	<input type="radio"/>	<input type="radio"/>	<input type="radio"/>	<input type="radio"/>	<input type="radio"/>	<input type="radio"/>	<input type="radio"/>	<input type="radio"/>	<input type="radio"/>	<input type="checkbox"/>	<input type="checkbox"/>

SEAT DEPTH (mm)

340	360	380	400	420	440	460	480	500
<input type="radio"/>	<input type="radio"/>	<input type="radio"/>	<input type="radio"/>	<input type="radio"/>	<input type="radio"/>	<input type="radio"/>	<input type="checkbox"/>	<input type="checkbox"/>

+ 119 € + 119 € No upcharge in combination with SW 520 & 540 mm

FRONT SEAT HEIGHT SELECTION: In dependance of front castor size

Front seat height in mm

Castors	Forks	400	410	420	430	440	450	460	470	480	490	500	510	520	530	540
4"	111x32 // 3 holes (1)	<input type="radio"/>	<input type="radio"/>		<input type="radio"/>	<input type="radio"/>										
	111x45 // 3 holes (1)	<input type="radio"/>	<input type="radio"/>		<input type="radio"/>	<input type="radio"/>										
	123x45 // 3 holes (2)		<input type="radio"/>		<input type="radio"/>	<input type="radio"/>	<input type="radio"/>									
	138x45 // 3 holes (2)				<input type="radio"/>	<input type="radio"/>	<input type="radio"/>	<input type="radio"/>								
5"	111x32 // 3 holes (1)				<input type="radio"/>	<input type="radio"/>	<input type="radio"/>									
	111x45 // 3 holes (1)				<input type="radio"/>	<input type="radio"/>	<input type="radio"/>									
	123x45 // 3 holes (2)				<input type="radio"/>	<input type="radio"/>	<input type="radio"/>	<input type="radio"/>								
	138x45 // 3 holes (2)					<input type="radio"/>	<input type="radio"/>		<input type="radio"/>	<input type="radio"/>						
	174x45 // 4 holes (2)							<input type="radio"/>		<input type="radio"/>	<input type="radio"/>	<input type="radio"/>	<input type="radio"/>			
6"	111x45 // 3 holes (1)						<input type="radio"/>	<input type="radio"/>								
	123x45 // 3 holes (2)						<input type="radio"/>	<input type="radio"/>	<input type="radio"/>							
	138x45 // 3 holes (2)						<input type="radio"/>	<input type="radio"/>		<input type="radio"/>	<input type="radio"/>					
	174x45 // 4 holes (2)									<input type="radio"/>	<input type="radio"/>	<input type="radio"/>	<input type="radio"/>	<input type="radio"/>		
7"	174x45 // 4 holes (2)										<input type="radio"/>	<input type="radio"/>	<input type="radio"/>	<input type="radio"/>	<input type="radio"/>	

REAR SEAT HEIGHT SELECTION: in dependance of rear wheel size

The rear seat height can not be above the selected front seat height and only be between 10 mm and 110 mm below.

Rear Seat Height (mm)

Rear Wheels	400	410	420	430	440	450	460	470	480	490	500	510	520
22"	<input type="radio"/>	<input type="radio"/>		<input type="radio"/>	<input type="radio"/>		<input type="radio"/>	<input type="radio"/>	<input type="radio"/>				
24"				<input type="radio"/>	<input type="radio"/>		<input type="radio"/>	<input type="radio"/>	<input type="radio"/>	<input type="radio"/>			
25"					<input type="radio"/>	<input type="radio"/>		<input type="radio"/>	<input type="radio"/>	<input type="radio"/>	<input type="radio"/>	<input type="radio"/>	
26"						<input type="radio"/>	<input type="radio"/>		<input type="radio"/>	<input type="radio"/>	<input type="radio"/>	<input type="radio"/>	<input type="radio"/>

- (1) Made of Carbotecture
 (2) Compatible with Power Ad-On devices

Please follow this measuring method:

The following method is recommended on the basis of extensive practical experience. Deviations are possible in individual instances.

Seat width (SW):

- a) *For the user:* Allow space between sideguard and hip on each side of the chair (approx. 10 - 20 mm altogether)
- b) *On the wheelchair:* From outside frame tube to outside frame tube.

Seat depth (SD):

- a) *For the user:* When sitting upright: leave space for 2 - 3 fingers between front edge of the seat upholstery and back of knee (approx. 30 - 60 mm). Care must be taken with adj. upholstery.
- b) *On the wheelchair:* From back tube to front of seat upholstery.

Front seat height:

- a) *For the user:* When sitting with 90° kneeangle: From back of knee to bottom of shoe sole.
- b) *On the wheelchair:* From front of seat tube to the ground . (min. 30 mm longer than user measurement) Remember to include the cushion height.

Rear seat height:

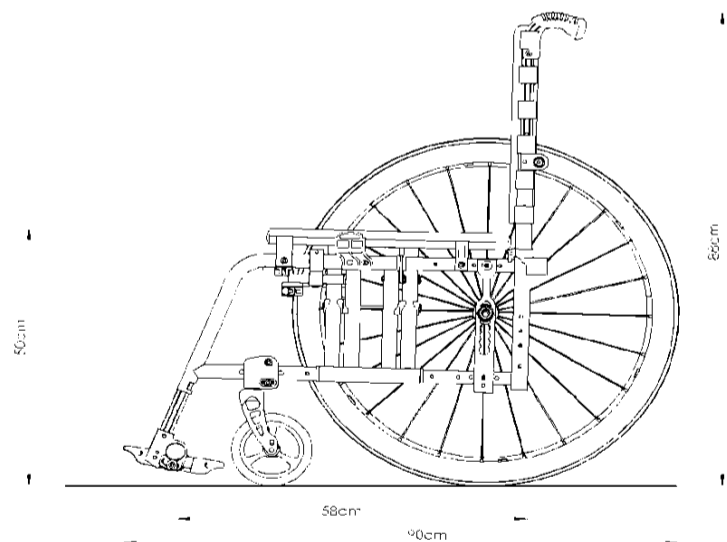
- b) *On the wheelchair:* From back of seat tube to the ground.
Note: Max. seat height difference rear to front is 130 mm

Back height:

- a) *For the user:* From the seat, including cushion, to be no more than 10 - 20 mm below the lower shoulder blade.
- b) *On the wheelchair:* From back of seat tube to upper edge of backrest upholstery.
Note: The user's ability to sit upright has a major influence on the back height and it can therefore differ considerably

Back angle:

Important: The back height depends on the degree of disability. 0° is the angle 90° to the ground. Negative angles are <90° and positive angles are >90°.



Setting of the chair above is: SD 400 mm and 24" wheel

Technical Data Overview:

Overall dimensions:	Overall width with:	24" rear wheel
Max overall height: 800 mm	For 0° camber:	SW + 200 mm
Max overall length: 970 mm	For 2° camber:	SW + 220 mm
	For 4° camber:	SW + 280 mm

Weights:	Folded Width:	
Minimum weight: approx. 13 kg	With rear wheels:	approx. 300 mm
	Without rear wheels:	approx. 250 mm

Possible seat height settings. **IMPORTANT: measured without seat cushion!**

Quickie Easy 200

● = Standard ○ = No cost option □ = Cost option

Price in €

SEAT UPHOLSTERY AND CUSHIONS

Seat Slings:

ESY020001	● Seat sling with one utility bag	
ESY020004	○ Without seat sling	

Seat cushion black cover:

Foam composite: (medium soft)	Thickness:	ESY020008	□ 30 mm	ESY020009	□ 50 mm	

JAY Cushions - for complete product range see Jay order forms:

JAY020002	□ Jay Basic	
JAY020003	□ Jay Soft Combi P	
JAY020001	□ Jay Easy Visco Curved Cushion	

Seat accessories

ESY020016	□ Positioning belt with lock	
-----------	------------------------------	--

BACKREST

Back Height Range: Choose back height factory setting (mm).

275 - 300	300 - 350	350 - 400	400 - 450	450 - 475
○ 275	○ 300	○ 350	○ 400	○ 450
○ 300	○ 325	○ 375	○ 425	○ 475
	○ 350	○ 400	○ 450	

Height adjustments are possible in the range: 275-300 mm; 300-350 mm; 350-400 mm, 400-450 mm and 450-475 mm.

ESY030031	○ Std back 90° (non angle adjustable)	
ESY030112	Angle Adjustable Back - choose factory setting (1)	(only with desk armrest & alu sideguard)
ESY030524	□ 80°	
ESY030525	□ 85°	
ESY030053	□ 90°	
ESY030054	□ 95°	
ESY030055	□ 100°	
ESY030056	□ 105°	(not in combination with desk sideguard)
ESY030011	□ Reclining back; -3° to +20° with gas spring	(Only with desk armrest - BH from 30 cm; not with F16)
	Lumbar bend	
ESY030012	□ 5° frontwards	(from BH 350)
ESY030013	□ 5° backwards	(from BH 350)

(1) **Back angle 100°-105° not in combination with COG 25 mm and one arm drive; not with F16 not with scalamobil frame**

For more information
www.SunriseMedical.eu
 © Sunrise Medical 2023

SEAT CUSHIONS



Seat cushion black cover



Jay Soft Combi P
(picture shown without upholstery)



Jay Easy Visco
(picture shown without upholstery)



Jay Basic
(picture shown without upholstery)

SEAT ACCESORIES



Positioning belt with lock

Quickie Easy 200

● = Standard ○ = No cost option □ = Cost option

Price in €

Pushhandles: Choose only one option

ESY030014	<input type="radio"/>	Integral Pushhandles long	
ESY030016	<input type="radio"/>	Omit Pushhandles	(not in combination with drumbrake; R20)
ESY030017	<input type="checkbox"/>	Fold-Down Pushhandles	(Only from back height 35cm, not with drum brake / stabilizer bar /height adj push handles/ R20)
ESY030018	<input type="checkbox"/>	Height adjustable pushhandles	
ESY030020	<input type="checkbox"/>	Autofolding stabilizer bar	(Not with sw 32; 34 and 52; 54 cm / height adj or fold down push handles)
ESY030021	<input type="checkbox"/>	JAY Hardware height adjustable pushhandles	(Not with headrest EAY030022 & EAY030023)

Head rest

ESY030022	<input type="checkbox"/>	medium	(Only with height adj. push handles)
ESY030023	<input type="checkbox"/>	large	(Only with height adj. push handles)

Backrest upholstery

ESY030316	<input type="radio"/>	EXO Backrest sling, synthetic fibre, padded, adjustable, 1 accessory bag, black Colour, binding tape: ● Black ○ Orange ○ Silver ○ Red ○ Blue	
ESY030317	<input type="checkbox"/>	EXO PRO Backr. sling, padded, adj., breathable spacer fabric, accessory bag, black Colour, binding tape: ● Black ○ Orange ○ Silver ○ Red ○ Blue	
ESY030300	<input type="radio"/>	Without backrest upholstery	

JAY BACKS plus ACCESSORIES - for complete product range see Jay order forms

Jay 3 Back - Shallow Contour

Mid Thoracic:	<input type="checkbox"/>	JAY030010	Medium - 340 mm	<input type="checkbox"/>	JAY030033	Tall - 380 mm			
Upper Thoracic:	<input type="checkbox"/>	JAY030012	Short - 420 mm	<input type="checkbox"/>	JAY030019	Medium - 460 mm	<input type="checkbox"/>	JAY030025	Tall - 500 mm
Shoulder Height:	<input type="checkbox"/>	JAY030015	Short - 530 mm	<input type="checkbox"/>	JAY030022	Medium - 570 mm	<input type="checkbox"/>	JAY030028	Tall - 610 mm

JAY J3 Back - Mid Contour

Mid Thoracic:	<input type="checkbox"/>	JAY030011	Medium - 340 mm	<input type="checkbox"/>	JAY030018	Tall - 380 mm			
Upper Thoracic:	<input type="checkbox"/>	JAY030013	Short - 420 mm	<input type="checkbox"/>	JAY030020	Medium - 460 mm	<input type="checkbox"/>	JAY030026	Tall - 500 mm
Shoulder Height:	<input type="checkbox"/>	JAY030016	Short - 530 mm	<input type="checkbox"/>	JAY030023	Medium - 570 mm	<input type="checkbox"/>	JAY030029	Tall - 610 mm

JAY J3 Back - Mid Deep Contour

Mid Thoracic:	<input type="checkbox"/>	JAY030040	Short - 30 cm	<input type="checkbox"/>	JAY030044	Medium - 340 mm	<input type="checkbox"/>	JAY030041	Tall - 380 mm
Upper Thoracic:	<input type="checkbox"/>	JAY030045	Short - 420 mm	<input type="checkbox"/>	JAY030042	Medium - 460 mm	<input type="checkbox"/>	JAY030046	Tall - 500 mm
Shoulder Height:	<input type="checkbox"/>	JAY030043	Short - 53 cm	<input type="checkbox"/>	JAY030047	Medium - 570 mm	<input type="checkbox"/>	JAY030048	Tall - 610 mm

JAY J3 Back - Mid Deep Contour (Extra Deep, 180 mm Contour Depth)

Mid Thoracic:	<input type="checkbox"/>	JAY030049	Tall - 380 mm	
Upper Thoracic:	<input type="checkbox"/>	JAY030050	Medium - 460 mm	

JAY J3 Back - Deep Contour

Upper Thoracic:	<input type="checkbox"/>	JAY030014	Short - 420 mm	<input type="checkbox"/>	JAY030021	Medium - 460 mm	<input type="checkbox"/>	JAY030027	Tall - 500 mm
Shoulder Height:	<input type="checkbox"/>	JAY030017	Short - 530 mm	<input type="checkbox"/>	JAY030024	Medium - 570 mm	<input type="checkbox"/>	JAY030030	Tall - 610 mm

Jay 3 Back Headrests

WHT030415	<input type="checkbox"/>	Whitmyer Headrest, COBRA XTRA, flip back	(only with JAY J3 backs)
WHT030416	<input type="checkbox"/>	Whitmyer Headrest, AXYS, Standard	(only with JAY J3 backs)

ARMRESTS

(choose onyl one option, not in combination with sideguards)

ESY040001	<input type="checkbox"/>	Single Post Height Adjustable - Adult	
ESY040002	<input type="checkbox"/>	Length 250 mm	
ESY040003	<input type="checkbox"/>	Length 360 mm	
ESY040003	<input type="checkbox"/>	Desk armrest with long and short pad Height-adjustable	(Not possible with angle adj. Back until Feb 14 and 3° & 4° camber)
ESY040004	<input type="checkbox"/>	Short 250 mm	
ESY040005	<input type="checkbox"/>	Long 310 mm	
ESY040005	<input type="checkbox"/>	Fix height	
ESY040006	<input type="checkbox"/>	Short 250 mm	
ESY040007	<input type="checkbox"/>	Long 310 mm	
ESY040007	<input type="checkbox"/>	Fix height, without pad	
ESY040008	<input type="radio"/>	Quad release for height adjustable armrest	(Not possible with single post height)

Armrest accessories

ESY040016	<input type="checkbox"/>	Therapy tray SW 380 - 480 mm	(Only with armpad)
ESY040017	<input type="checkbox"/>	Therapy tray flip up SW 340 - 500 mm (assembled to the right side)	(Only with armpad)
ESY040018	<input type="checkbox"/>	Therapy tray flip up SW 340 - 500 mm (assembled to the left side)	(Only with armpad)

For more information
www.SunriseMedical.eu
 © Sunrise Medical 2023

PUSHHANDLES



Integral push handles long



Fold down push handles



Height adjustable push handles for JAY

JAY BACKS



EXO backrest sling



EXO PRO backrest sling

JAY J3 Back Shallow Contour



50 mm



JAY J3 Back Mid Contour



80 mm



JAY J3 Back Mid Deep Contour



150/180 mm



JAY J3 Back Deep Contour



150 mm



ARMREST



Single Post Height Adj. - Adult



Desk Armrest

Quickie Easy 200

● = Standard

○ = No cost option

□ = Cost option

Price in €

SIDEGUARDS

ESY040009	<input type="checkbox"/>	Plastic regular, detachable	(Quickie style)	
Aluminium sideguards				(Easy style)
ESY040010	<input type="checkbox"/>	without fender		
ESY040012	<input type="checkbox"/>	with fender	(only in combination with alu sideguard easy style)	
ESY040015	<input type="checkbox"/>	toolheight adjustable armrest	(only in combination with alu sideguard easy style, not with angle adj. back)	
ESY040013	<input type="checkbox"/>	Aluminium sideguard streight without fender (1)	(Xenon style)	
ESY040014	<input type="checkbox"/>	Aluminium sideguard streight with fender (1)	(Xenon style)	
ESY040104	<input type="checkbox"/>	Carbon sideguards with fender (1)		

FOOTREST & FOOTPLATES

Footplates

ESY050006	<input type="checkbox"/>	Angle adjustable footplates (composite)	(pair; only from sw 360mm; LLL: 320-500mm)	
ESY050007	<input type="checkbox"/>	Aluminium Footplate divided	(only from seat width 340mm; LLL: 220-510)	
ESY050008	<input type="checkbox"/>	Aluminium Footplate platform	(not in combination with the ELR; only from seat width 340mm; LLL: 220-510)	
ESY050009	<input type="checkbox"/>	Swing Away mechanism for footboard	(only with platform footresr alu; from LLL 390mm)	
ESY050062	<input type="checkbox"/>	Locking system, platform footplate, aluminium		

Platform footrest, angle adjustable

(only for seat width 320 to 500 mm)

ESY050010	<input type="checkbox"/>	Aluminium board (XENON performance)	(depth adjustable; LLL: 320-480mm)	
ESY050011	<input type="checkbox"/>	Composite board	(depth adjustable; LLL: 320-480mm)	
ESY050033	<input type="checkbox"/>	Carbon board	(depth adjustable; LLL: 320-480mm)	
ESY050012	<input type="checkbox"/>	Foot positioning plate	(only in combination with Platform)	

Autofolding

(only sw 320 to 500 mm)

ESY050027	<input type="checkbox"/>	Composite board	(angle & depth adjustable; LLL: high frame from 350 - 49= mm, low frame from 310 - 460 mm)	
ESY050028	<input type="checkbox"/>	Carbon board	(angle & depth adjustable; LLL: high frame from 350 - 49= mm, low frame from 310 - 460 mm)	

LOWER LEG LENGTH (LLL)

Attention: LLL has to be 250 mm lower than the front seat height

<input type="checkbox"/>	220	<input type="checkbox"/>	230	<input type="checkbox"/>	240	<input type="checkbox"/>	250	<input type="checkbox"/>	260	<input type="checkbox"/>	270	<input type="checkbox"/>	280	<input type="checkbox"/>	290
<input type="checkbox"/>	300	<input type="checkbox"/>	310	<input type="checkbox"/>	320	<input type="checkbox"/>	330	<input type="checkbox"/>	340	<input type="checkbox"/>	350	<input type="checkbox"/>	360	<input type="checkbox"/>	370
<input type="checkbox"/>	380	<input type="checkbox"/>	390	<input type="checkbox"/>	400	<input type="checkbox"/>	410	<input type="checkbox"/>	420	<input type="checkbox"/>	430	<input type="checkbox"/>	440	<input type="checkbox"/>	450
<input type="checkbox"/>	460	<input type="checkbox"/>	470	<input type="checkbox"/>	480	<input type="checkbox"/>	490	<input type="checkbox"/>	500	<input type="checkbox"/>	510				

LLL between 220 mm to 350 mm only as high mounted version

All measurements in this table are in mm

FRAME

ESY010001	<input checked="" type="radio"/>	Standard Fixed Frame (70°)		
	<input type="radio"/>	Short frame 540 mm (SD 340 - 420 mm)	(Not with SD 440-500)	
	<input type="radio"/>	Medium frame 580 mm (SD 340 - 460 mm)	(Not with SD 480-500)	
	<input type="radio"/>	Long frame 620 mm (SD 340 - 500 mm)		
ESY010004	<input type="checkbox"/>	Tie down labels (crash test)		
ESY070851	<input type="checkbox"/>	Amputee axle position		

EMPULSE R20 BUNDLING

EMO000203	<input type="checkbox"/>	Empulse R20 added		
EMO000204	<input type="checkbox"/>	Empulse R20 mounted		

EMPULSE F55 BUNDLING

EMO000101	<input type="checkbox"/>	With F55 order, not mounted to the wheelchair	(Please use separate OF to order the F55.)	
EMO000102	<input type="checkbox"/>	With F55 order, mounted to the wheelchair	(Please use separate OF to order the F55.)	
Germany only	EMO000210	<input type="checkbox"/>	StVZO Kit incl. Attachment and TÜV approval	(only in combination with EMO000102 F55 mounted to the wheelchair, not discountable)

(1) Effective seat width (measured between the sideguards) is seat width + 20 mm

For more information
www.SunriseMedical.eu
 © Sunrise Medical 2023

SIDEGUARDS



Plastic regular, detachable



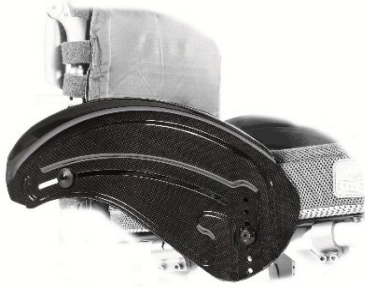
Aluminium sideguard w/o fender



Aluminium sideguard with fender



Aluminium sideguard with fender



Carbon Seitenteil mit Kleiderschutz

FOOTREST & FOOTPLATES



Angle adjustable footplates (composite)



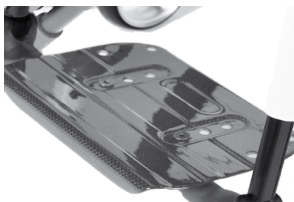
Aluminium Footplate divided



Aluminium Footplate platform



Aluminium board (XENON performance)



Carbon board



Foot positioning plate



Autofolding carbon board

EMPULSE F55 BUNDLING - NOGO MATRIX FOR 24" REAR WHEELS

COG	Seat Depth						
	380	400	420	440	460	480	500
40	✓	✓	✓	✓	✓	✓	✓
60	✗	✓	✓	✓	✓	✓	✓
70	✗	✗	✓	✓	✓	✓	✓
80	✗	✗	✓	✓	✓	✓	✓
90	✗	✗	✗	✓	✓	✓	✓
100	✗	✗	✗	✓	✓	✓	✓
110	✗	✗	✗	✗	✓	✓	✓
120	✗	✗	✗	✗	✓	✓	✓
130	✗	✗	✗	✗	✗	✓	✓

Quickie Easy 200

● = Standard

○ = No cost option

□ = Cost option

Price in €

CENTRE OF GRAVITY (COG)

(Measured from front of back post; choose only one option)

- ESY070250 ○ 25 mm
 ESY070450 ○ 45 mm
 ESY070650 ○ 65 mm
 ESY070850 ○ 85 mm

FRAME ACCESSORIES

(Choose either tip assist or anti-tip tubes, not both)

Tip assist (step tube)

- ESY090001 □ Left
 ESY090002 □ Right
 ESY090003 □ Pair

- ESY090004 □ Crutch holder with Velcro

(only in combination with tip assist)

- ESY090005 □ Transit wheels

Anti-tip tubes swing-away

- ESY090006 □ Left
 ESY090007 □ Right
 ESY090008 □ Pair

PREPARATION FOR ATTITUDE ADD-ON BIKE

- ESY090211 □ Preparation for ATTITUDE, w/o ATTITUDE order (1)

(docking pins assembled)

- ESY090212 ○ Preparation for ATTITUDE, with ATTITUDE order (1)

(docking pins assembled; ATTITUDE order seperately)

FORKS

(compare with your choice on the first page)

- ESY080001 □ Fork standard

- ESY080002 □ Fork with quick release axle for castors

(not with Carbotecture forks)

- Fork standard, black (Carbotecture for 111 mm)

(not with power add ons)

- ESY080041 □ black
 ESY080042 □ silver
 ESY080043 □ orange
 ESY080044 □ red
 ESY080045 □ blue

- Castor fork, Aluminium, black

- ESY080041 □ black
 ESY080042 □ silver
 ESY080043 □ orange

CASTOR

(compare with your choice on the first page)

- ESY080003 ○ Solid

(for 4" & 5" only 45 mm fork version)

All caster sizes

- ESY080004 ○ Soft solid

(for 45 mm fork version only)

(Only for 5" & 6"; not with Frog Leg)

- ESY080008 ○ Pneumatic

(Only for 6" & 7" castors)

- ESY080005 □ Solid Light ups

(Only in 4" and 5")

Castor with aluminium rim, silver

- ESY080006 □ Solid

(Only for 4" and 5")

- ESY080007 □ Soft roll

(Only for 4" and 5"; 45 mm fork only)

Colour, rim: □ Black □ Orange □ Red □ Blue

REAR WHEELS

(compare with your choice on the first page; choose only one wheel type)

NOTE: for users with higher user weight than 100 kg, we recommend cross spoked wheels

- ESY070001 ○ Universal, cross spoked Wheels

(22"; 24"; 26")

- ESY070002 ○ Design Wheels

(24"; 26")

- ESY070003 ○ Lightweight Wheels

(22"/24"/25"; max. user weight: 125 kg)

- ESY070004 □ Proton Wheels

(22"/24"/25"; max. user weight: 100 kg)

- ESY070005 □ Spinergy Wheels

(24"; 25")

- ESY070006 □ Rear wheels with drum brake

(22"; 24")

- ESY070007 □ Mountain Bike wheels

(only with 24", mountain bike tyres & aluminium rim, black coated)

- ESY070008 □ Additional mountain bike wheels pair

(only with 24"; comes always with mountainbike tyres)

One arm drive

22" & 24"; only with aluminium handrim and 0° camber

- ESY070009 □ Left side

- ESY070010 □ Right side

- ESY070011 □ Omit Rear Wheels

TYRES

(choose only one tyre type)

- ESY070015 ○ Schwalbe Right Run

(Not in 25")

- ESY070107 ○ Schwalbe One

(Not in 22")

- ESY070018 ○ Full Poly Tire

Proton / Light Weight wheel only 24" & 25"; Spinergy wheels only with 24"; not with Mountainbike wheel)

- ESY070019 □ Schwalbe Marathon Plus Evolution

(Not in 22")

FRAME ACCESSORIES



Tip assist left



Anti-tip tubes SA

REAR WHEELS



Universal Cross spoked



Design Wheel



Light weight wheel



Proton Wheel



Spinergy Wheel

Bild one arm drive



Right Run



Schwalbe One



*Marathon Plus
(puncture proof)*



*Mountain bike rear
wheel*

Quickie Easy 200

● = Standard ○ = No cost option □ = Cost option

Price in €

HANDRIM

ESY070030	<input type="radio"/>	Aluminium silver anodized	
ESY070031	<input type="radio"/>	Aluminium silver powdercoated	
ESY070032	<input type="checkbox"/>	Coloured aluminium pushrim. colour code:	
ESY070033	<input type="radio"/>	Stainless steel	
ESY070034	<input type="checkbox"/>	Titanium	(not with 22"; 25" only in combination with Spinergy)
ESY070035	<input type="checkbox"/>	Titanium clear powdercoated	(not with 22"; 25" only in combination with Spinergy)
ESY070036	<input type="checkbox"/>	Supergrip	(22" only with universal and drum brake wheels)
ESY070037	<input type="checkbox"/>	Maxgrepp	(only with 22" & 24", only handrim mounting wide)
ESY070211	<input type="checkbox"/>	Handrims, Surge ®	(only 24"/25")
ESY070038	<input type="checkbox"/>	Handrim cover	(not with 25", Supergrip, Maxgrepp, Surge)

Handrim mounting

ESY070050	<input checked="" type="radio"/>	Close (12 - 17mm)	(not with Maxgrepp)
ESY070051	<input type="radio"/>	Wide (27mm)	(Not with light weight, Proton & Spinergy wheel and alu handrim)
ESY070052	<input type="checkbox"/>	Extra Close (7mm)	(only with stainless steel, only with 24" Design & Universal wheel)

WHEEL CAMBER

(choose only one option)

ESY070053	<input checked="" type="radio"/>	0°	
ESY070054	<input type="radio"/>	1°	
ESY070055	<input type="radio"/>	2°	
ESY070056	<input type="radio"/>	3°	(Not in combination with desk sideguard)
ESY070057	<input type="radio"/>	4°	(Not in combination with desk sideguard)

SPOKE GUARDS (only available in 22" & 24")

(Not with Spinergy Wheels)

ESY070060	<input type="checkbox"/>	Transparent	
		ESY070073 <input type="checkbox"/> Galactica	
ESY070063	<input type="checkbox"/>	Princess	ESY070085 <input type="checkbox"/> Jungle Fever
ESY070064	<input type="checkbox"/>	Happy Lions	
ESY070065	<input type="checkbox"/>	Monkeys	ESY070076 <input type="checkbox"/> Pirates ESY070087 <input type="checkbox"/> Feather
ESY070066	<input type="checkbox"/>	Oriental	
ESY070067	<input type="checkbox"/>	Superhero	ESY070078 <input type="checkbox"/> Graffiti ESY070089 <input type="checkbox"/> Chrome wheel
ESY070068	<input type="checkbox"/>	Hot wheels	ESY070079 <input type="checkbox"/> Basketball ESY070090 <input type="checkbox"/> Basketball 2
ESY070069	<input type="checkbox"/>	Pool	ESY070080 <input type="checkbox"/> Flying water ESY070091 <input type="checkbox"/> Space
ESY070070	<input type="checkbox"/>	Silk	
ESY070071	<input type="checkbox"/>	Tiger	ESY070082 <input type="checkbox"/> Zebra

WHEEL LOCKS (Choose only one option)

ESY060001	<input type="radio"/>	Standard wheel lock	
ESY060002	<input type="checkbox"/>	Knee lever wheel lock	
ESY0600023	<input type="checkbox"/>	Compact wheel lock EVO	
ESY060004	<input type="checkbox"/>	Extension for knee lever wheel lock, slip-on, swing-away	(Only on kneelever wheel lock)
One arm wheel lock			
ESY060005	<input type="checkbox"/>	Left side	
ESY060006	<input type="checkbox"/>	Right side	

ACCESSORIES

ESY090010	<input checked="" type="radio"/>	Tool kit	
ESY090011	<input type="checkbox"/>	High pressure pump	
ESY090012	<input type="checkbox"/>	Air pump	
ESY090013	<input type="checkbox"/>	Back pack	
ESY090016	<input type="checkbox"/>	Mobile phone bag	

HANDRIMS



Max Grepp



Supergrip

WHEEL LOCK



Standard Wheel lock



Knee lever wheel lock



One arm wheel lock right

ACCESSORIES



Tool kit



High pressure pump



Air pump



Back pack




Mobile phone pocket

Quickie Easy 200

● = Standard ○ = No cost option □ = Cost option

Price in €

COLOURS ⁽¹⁾ Please consult our colour catalogue to review your colour choice

	Frame	Handrim	Hub/rim		Frame	Handrim	Hub/rim
02 Brilliant Silver	○	□			○	□	
03 Silver Matt	○	□			○	□	□
06 Sun Yellow	○	□			○	□	□
06 Sun Yellow	○	□			○	□	
14 Blue	○	□	□		○	□	
15 Brilliant Marine	○	□			○	□	
16 Matt Marine	○	□			○	□	
19 Brilliant Purple	○	□			○	□	
21 Red Ruby	○	□			○	□	
22 Brilliant Red	○	□	□		○	□	
23 Matt Red	○	□	□		○	□	
24 Tutti Frutti Orange	○	□			○	□	
27 Graphitemetallic	○	□			○	□	
29 Black	○	□			○	□	□
31 Matt Black	○	□			○	□	□
32 Signal White	○	□			○	□	
33 Pink	○	□			○	□	
34 Dark Chocolate Metallic	○	□			○	□	
35 Skyblue	○	□			○	□	
36 Cyan-Metallic	○	□			○	□	
37 Marsred (Orange)	○	□			○	□	
40 Kiwi	○	□			○	□	
41 Flamingo-Glitter	○	□			○	□	
42 Matt-Anthracite	○	□			○	□	

(1) Handrim: only with handrim colour powder coated; Hub/rim: only for universal wheel 22" or 24"

STICKER COLOURS

ESY100550	○	Sticker colour - black	
ESY100551	○	Sticker colour - silver	

Anodized colour axle plate

ESY100580	●	Black	
ESY100581	□	Silver	
ESY100582	□	orange	

24 " LIGHT WEIGHT WHEEL COLOURS (anodized)

	●	Black	
ESY100336	□	Anodized, orange	
ESY100337	□	Anodized, blue	
ESY100338	□	Anodized, red	

Comments for special build:

Examples of available build 4 me options

Abduction frame fixed (Build 4 ME # 0762)
 Back height 500-550 mm (Build 4 ME # 0320)
 Front SH 550 mm (Build 4 ME # 0823)
 4"/5" solid castors with alu rim red or blue anodized (FMG-MG01-2994-01)



Easy 200 - Base Price

Option price

Packaging and transport

Exclusive VAT

VAT.

Total Price

Sunrise Medical Customer Service

Address:

Tel.

Fax.

E-mail:

E-commerce:

Website:

For more information

visit our webpage

www.SunriseMedical.eu

© Sunrise Medical 2023

ANODIZED COLOUR AXLE PLATE



Axle plate
anodized, orange



Axle plate
anodized, silver



Axle plate
anodized, black

24 " LIGHT WEIGHT WHEEL COLOURS



Lightweight wheel, anodized orange



Lightweight wheel, anodized blue



Lightweight wheel, anodized red