

GEMINO 30/30 M / 30 S



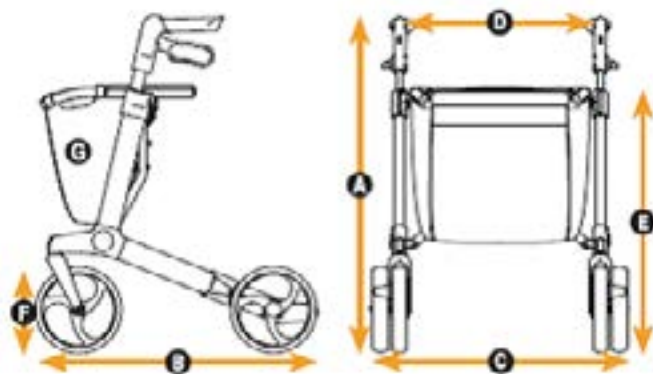
Status:05/2022

ORDER FORM

Errors and imissions excepted.

Billing Address Or Customer-ID		Shipping Address	Identical To Billing Address
C.-ID:		C.-ID:	
Name:		Name:	
Street:		Street:	
Town/PC:		Town/PC:	
E-Mail:		E-Mail:	
Phone:		Phone:	
Order Information			
Order	Calculation	Purchase:	
Gemino 30	Reimbursement Code.: XXX		valid from
Gemino 30 M	Reimbursement Code.: XXX		
Gemino 30 S	Reimbursement Code.: XXX		
		Base Price	€ XXX,-

DIMENSIONS



	Gemino 30	Gemino 30 M	Gemino 30 S
A Total height	780 - 1000 mm	690 - 880 mm	650 - 770 mm
B Total length	650 mm	650 mm	680 mm
C Total width	600 mm	600 mm	550 mm
D Width between push handles	470 mm	470 mm	420 mm
E Seat height	620 mm	550 mm	480 mm
Height folded	800 mm	760 mm	690 mm
Length folded	650 mm	650 mm	680 mm
Width folded	230 mm	230 mm	230 mm
Turning circle	840 mm	840 mm	790 mm
F Front wheels/ rear wheels	200 x 36 mm	200 x 36 mm	200 x 36 mm
Total weight without basket	7,1 kg	7 kg	6,6 kg
G Weight basket, standard	0,3 kg	0,3 kg	0,25 kg
Max. user weight	150 kg	130 kg	125 kg
Max. weight in basket	5 kg	5 kg	5 kg
Recommended user height	1500 - 2000 mm	1350 - 1700 mm	1250 - 1650 mm

SIZES AND COLOURS		€	Quantity
Gemino 30			
7100000	Gemino 30, Silver grey	XXX,-	
7100001	Gemino 30, Champagne	XXX,-	
7100019	Gemino 30, Sapphire Blue	XXX,-	
7100003	Gemino 30, Pink	XXX,-	
7100005	Gemino 30, Black	XXX,-	
7100007	Gemino 30, Apple green	XXX,-	
7100011	Gemino 30, Scarlet Red	XXX,-	
Gemino 30 M			
7100200	Gemino 30 M, Silver grey	XXX,-	
7100201	Gemino 30 M, Champagne	XXX,-	
7100203	Gemino 30 M, Sapphire Blue	XXX,-	
7100207	Gemino 30 M, Apple green	XXX,-	
7100204	Gemino 30 M, Scarlet Red	XXX,-	
Gemino 30 S			
7100100	Gemino 30 S, Silver grey	XXX,-	
7100101	Gemino 30 S, Sapphire Blue	XXX,-	
7100103	Gemino 30 S, Pink	XXX,-	

ACCESSORIES		€	Quantity
Bags for Gemino 30 and Gemino 30 M			
9012314	Bag, advanced cpl. Black	XXX,-	
9012315	Bag, advanced cpl. Alcantara Black	XXX,-	
9012316	Bag, advanced cpl. Graphite grey	XXX,-	
9012317	Bag, advanced cpl. Mint green	XXX,-	
9012318	Bag, advanced cpl. Red	XXX,-	
9012319	Bag, advanced cpl. Blue	XXX,-	
9012320	Bag, advanced cpl. Green	XXX,-	
9012321	Bag, advanced cpl. Pink	XXX,-	
7104024	Bag, advanced with lid and handles, brown/black	XXX,-	
7104023	Bag, advanced with lid and handles, pink/black	XXX,-	
Bags for Gemino 30 S			
7104035	Bag, grey/black print	XXX,-	
7104032	Bag, blue/black print	XXX,-	
Other accessories			
7109011	Crutch holder	XXX,-	
7109140	Table tray	XXX,-	
9012220	Back support - Gemino 30, Gemino 30 M	XXX,-	
9012221	Back support - Gemino 30 S	XXX,-	
9012222	Adjustable comfort back support	XXX,-	
7109060	Umbrella, black	XXX,-	
7109050	Basket for oxygen cylinder - Gemino 30, Gemino 30 M	XXX,-	
7109051	Basket for oxygen cylinder - Gemino 30 S	XXX,-	
9012049	One-hand brake kit (left/right usable) (1)	XXX,-	

ACCESSORIES		€	Quantity
7109080	Slowdown brake kit (2)	XXX,-	
7109090	Universal bracket	XXX,-	
7109095	Light	XXX,-	
7109100	Infusion holder	XXX,-	
9009329	SpeedControl, set (max. user weight 100 kg) (3)	XXX,-	
9011971	Reverse brake kit (4)	XXX,-	
9012281	Longer Push handle kit (5)(6)	XXX,-	

- (1) Not with reverse brake
(2) Not with SpeedControl
(3) Not with slowdown brake
(4) Not with one hand brake
(5) Only in silver grey
(6) Not for M

GEMINO 30 / 30 M / 30 S

€

Base price

Total Of Additional Equipment

Packaging And Transport

Exclusive Vat

Total price including VAT

VAT

Total Price**Date****Signature**

Day

Month

Year

**Sunrise Medical GmbH**

Kahlbachring 2-4

D-69254 Malsch/HD

Tel.: +49 (0) 72 53 / 9 80-0

Fax: +49 (0) 72 53 / 9 80-222

E-Mail: kundenservice@sunrisemedical.de

www.SunriseMedical.de

GEMINO ACCESSORIES

BAGS, ADVANCED



// 9012314⁽¹⁾
Bag, advanced, black/black



// 9012315⁽¹⁾
Bag, advanced, alcantara/black



// 9012316⁽¹⁾
Bag, advanced, grey/black



// 9012317⁽¹⁾
Bag, advanced, mint/black



// 9012318⁽¹⁾
Bag, advanced, red/black



// 9012319⁽¹⁾
Bag, advanced, blue/black



// 9012320⁽¹⁾
Bag, advanced, green/black



// 9012321⁽¹⁾
Bag, advanced, pink/black

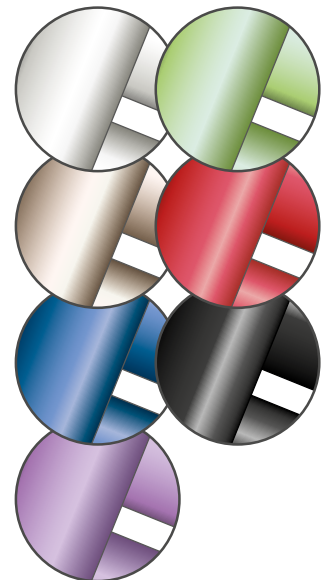
BAGS, ADVANCED



// 7104023⁽¹⁾ Bag, advanced with lid and handles, pink/black



// 7104024⁽¹⁾ Bag, advanced with lid and handles, brown/black



Easy personalisation with 7 frame colours.

BAGS – GEMINO 30 S



// 7104007⁽¹⁾
Bag, black/black



// 7104035
Bag, grey/black print



// 7104032
Bag, blue/black print

(1) Not available for Gemino 60 M/60 M Walker.

GEMINO ACCESSORIES

OTHER ACCESSORIES



// 7109011
Crutch holder



// 7109140
Table tray



// 9012220 & 9012221
Back support



// 9012222
Adjustable comfort back support



// 7109060
Umbrella, black



// 7109050 & 7109051
Basket for oxygen cylinder



// 9012049
One-hand brake for both sides



// 7109080
Slowdown brake



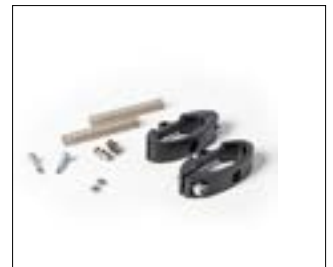
// 7109090
Universal bracket



// 7109095
Light



// 7109100
Infusion holder



// 9011971
Reverse brake kit



// 9009329
Speedcontrol



// 9012281⁽¹⁾
Longer Push handle kit with scale

(1) Not available for Gemino 30 M