



Positioning Supports

Invoice to:
 Name:
 Street:
 Town: Postal code:
 E-Mail:
 Tel: Fax:

Deliver to:
 Name:
 Street:
 Town: Postal code:
 E-Mail:
 Tel: Fax:

Order date:
 Purchase order:
 Number required:

Marked for:
 Sunrise order no:

Order Calculation

Clinical Applications:

For all clients requiring upper and lower body postural support to improve function and assist with breathing.

Combined with a JAY cushion and a JAY back, these supports maximize the effectiveness of your seating system.

2 Year guarantee; 6 months on cover.

Anterior Trunk Supports



Classic Style



Contour Style



Zipper Open



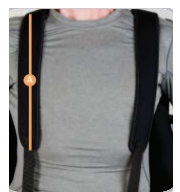
Center Opening



Y-Style



Trunk Strap



Backpack Style

Hand and Arm Supports



Arm Through



Fixed Hardware



Swing Away Hardware



Padded Wrist Strap



Gel Armrest Pad Cover

Pelvic Supports



2 Point Belt Push Button



2 Point Belt Side Release



4 Point Belt Push Button



V Contour Belt Push Button

Lower Body Supports



Foot & Ankle Positioning



Shoe Holder



Flexi Feet



Shoe Holder with Tendon Relief



Knee Adductor



Single Footbox



Full Footbox w/Divider



Full Footbox

For more information

www.sunrisemedical.eu

© Sunrise Medical 2021

ANTERIOR TRUNK SUPPORT - PART 1

CLASSIC STYLE ANTERIOR TRUNK SUPPORT			Unit Price
ATS8107	<input type="checkbox"/>	Classic Style Anterior Trunk Support - Dynamic Early Intervention	
ATS8100	<input type="checkbox"/>	Classic Style Anterior Trunk Support - Dynamic X-Small	
ATS8101	<input type="checkbox"/>	Classic Style Anterior Trunk Support - Dynamic Small	
ATS8102	<input type="checkbox"/>	Classic Style Anterior Trunk Support - Dynamic Medium	
ATS8103	<input type="checkbox"/>	Classic Style Anterior Trunk Support - Dynamic Large	
ATS8104	<input type="checkbox"/>	Classic Style Anterior Trunk Support - Dynamic X-Large	
ATS8300	<input type="checkbox"/>	Classic Style Anterior Trunk Support - Structured X-Small	
ATS8301	<input type="checkbox"/>	Classic Style Anterior Trunk Support - Structured Small	
ATS8302	<input type="checkbox"/>	Classic Style Anterior Trunk Support - Structured Medium	
ATS8303	<input type="checkbox"/>	Classic Style Anterior Trunk Support - Structured Large	
ATS8304	<input type="checkbox"/>	Classic Style Anterior Trunk Support - Structured X-Large	
ATS8500	<input type="checkbox"/>	Classic Style Anterior Trunk Support - Vinyl X-Small	
ATS8501	<input type="checkbox"/>	Classic Style Anterior Trunk Support - Vinyl Small	
ATS8502	<input type="checkbox"/>	Classic Style Anterior Trunk Support - Vinyl Medium	
ATS8503	<input type="checkbox"/>	Classic Style Anterior Trunk Support - Vinyl Large	
ATS8504	<input type="checkbox"/>	Classic Style Anterior Trunk Support - Vinyl X-Large	

CONTOUR STYLE ANTERIOR TRUNK SUPPORT			Unit Price
ATS9107	<input type="checkbox"/>	Contour Style Anterior Trunk Support - Dynamic Early Intervention	
ATS9100	<input type="checkbox"/>	Contour Style Anterior Trunk Support - Dynamic X-Small	
ATS9101	<input type="checkbox"/>	Contour Style Anterior Trunk Support - Dynamic Small	
ATS9102	<input type="checkbox"/>	Contour Style Anterior Trunk Support - Dynamic Medium	
ATS9103	<input type="checkbox"/>	Contour Style Anterior Trunk Support - Dynamic Large	
ATS9104	<input type="checkbox"/>	Contour Style Anterior Trunk Support - Dynamic X-Large	
ATS9300	<input type="checkbox"/>	Contour Style Anterior Trunk Support - Structured X-Small	
ATS9301	<input type="checkbox"/>	Contour Style Anterior Trunk Support - Structured Small	
ATS9302	<input type="checkbox"/>	Contour Style Anterior Trunk Support - Structured Medium	
ATS9303	<input type="checkbox"/>	Contour Style Anterior Trunk Support - Structured Large	
ATS9304	<input type="checkbox"/>	Contour Style Anterior Trunk Support - Structured X-Large	
ATS9500	<input type="checkbox"/>	Contour Style Anterior Trunk Support - Vinyl X-Small	
ATS9501	<input type="checkbox"/>	Contour Style Anterior Trunk Support - Vinyl Small	
ATS9502	<input type="checkbox"/>	Contour Style Anterior Trunk Support - Vinyl Medium	
ATS9503	<input type="checkbox"/>	Contour Style Anterior Trunk Support - Vinyl Large	
ATS9504	<input type="checkbox"/>	Contour Style Anterior Trunk Support - Vinyl X-Large	

CENTER OPENING STYLE ANTERIOR TRUNK SUPPORT			Unit Price
ATS8807	<input type="checkbox"/>	Center Opening with Buckle Style Anterior Trunk Support - Dynamic Early Intervention	
ATS8800	<input type="checkbox"/>	Center Opening with Buckle Style Anterior Trunk Support - Dynamic X-Small	
ATS8801	<input type="checkbox"/>	Center Opening with Buckle Style Anterior Trunk Support - Dynamic Small	
ATS8802	<input type="checkbox"/>	Center Opening with Buckle Style Anterior Trunk Support - Dynamic Medium	
ATS8803	<input type="checkbox"/>	Center Opening with Buckle Style Anterior Trunk Support - Dynamic Large	
ATS8804	<input type="checkbox"/>	Center Opening with Buckle Style Anterior Trunk Support - Dynamic X-Large	
ATS9407	<input type="checkbox"/>	Center Opening with Buckle Style Anterior Trunk Support - Structured Early Intervention	
ATS9400	<input type="checkbox"/>	Center Opening with Buckle Style Anterior Trunk Support - Structured X-Small	
ATS9401	<input type="checkbox"/>	Center Opening with Buckle Style Anterior Trunk Support - Structured Small	
ATS9402	<input type="checkbox"/>	Center Opening with Buckle Style Anterior Trunk Support - Structured Medium	
ATS9403	<input type="checkbox"/>	Center Opening with Buckle Style Anterior Trunk Support - Structured Large	
ATS9404	<input type="checkbox"/>	Center Opening with Buckle Style Anterior Trunk Support - Structured X-Large	
ATS8701	<input type="checkbox"/>	Center Opening with Buckle Style Anterior Trunk Support - Structured Small (Zipper)	
ATS8702	<input type="checkbox"/>	Center Opening with Buckle Style Anterior Trunk Support - Structured Medium (Zipper)	
ATS8703	<input type="checkbox"/>	Center Opening with Buckle Style Anterior Trunk Support - Structured Large (Zipper)	
ATS8704	<input type="checkbox"/>	Center Opening with Buckle Style Anterior Trunk Support - Structured X-Large (Zipper)	

ANTERIOR TRUNK SUPPORT - PART 2

Y STYLE ANTERIOR TRUNK SUPPORT			Unit Price
ATS9167	<input type="checkbox"/>	Y Style Anterior Trunk Support - Dynamic Early Intervention	
ATS9161	<input type="checkbox"/>	Y Style Anterior Trunk Support - Dynamic Small	
ATS9162	<input type="checkbox"/>	Y Style Anterior Trunk Support - Dynamic Medium	
ATS9163	<input type="checkbox"/>	Y Style Anterior Trunk Support - Dynamic Large	
ATS9367	<input type="checkbox"/>	Y Style Anterior Trunk Support - Structured Early Intervention	
ATS9361	<input type="checkbox"/>	Y Style Anterior Trunk Support - Structured Small	
ATS9362	<input type="checkbox"/>	Y Style Anterior Trunk Support - Structured Medium	
ATS9363	<input type="checkbox"/>	Y Style Anterior Trunk Support - Structured Large	
PADDED ANTERIOR TRUNK SUPPORT STRAP			Unit Price
ATS4050	<input type="checkbox"/>	Padded Anterior Trunk Support Strap X-Small	
ATS4000	<input type="checkbox"/>	Padded Anterior Trunk Support Strap Small	
ATS4100	<input type="checkbox"/>	Padded Anterior Trunk Support Strap Medium	
ATS4200	<input type="checkbox"/>	Padded Anterior Trunk Support Strap Large	
ATS4300	<input type="checkbox"/>	Padded Anterior Trunk Support Strap X-Large	
BACK PACK STYLE ANTERIOR TRUNK SUPPORT			Unit Price
ATS9601	<input type="checkbox"/>	Back Pack Style Anterior Trunk Support - Dynamic 305 mm	
ATS9603	<input type="checkbox"/>	Back Pack Style Anterior Trunk Support - Dynamic 460 mm	
ATS9701	<input type="checkbox"/>	Back Pack Style Anterior Trunk Support - Structured 305 mm	
ATS9703	<input type="checkbox"/>	Back Pack Style Anterior Trunk Support - Structured 460 mm	
HARNESS HARDWARE			Unit Price
J3EUGPSG	<input type="checkbox"/>	Shoulder Strap Guide (J3 Back, Easy Back, Zip Back)	see fig. 1
J3EUHHP	<input type="checkbox"/>	Harness Hardware Kit (J3 Back, Easy Back, Zip Back)	
JGPGSG	<input type="checkbox"/>	Shoulder Strap Guide + Hardware Kit (JAY Fit Back)	see fig. 2

Fig. 1

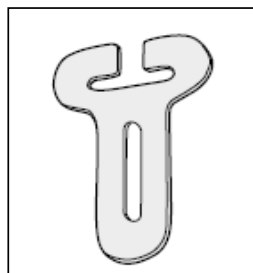
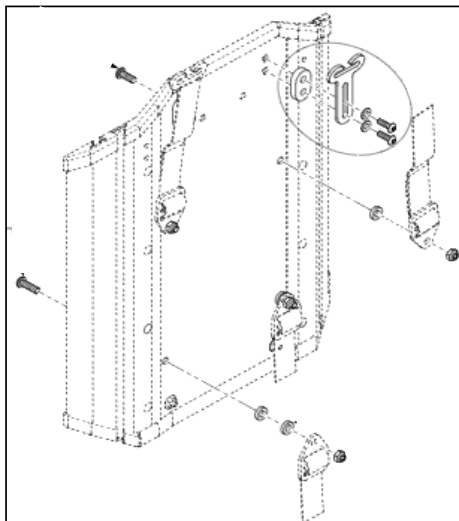


Fig. 2



PELVIC SUPPORT - PART 1

2 POINT ANTERIOR PELVIC BELT 25 MM PUSH BUTTON			Unit Price
APB5115	<input type="checkbox"/>	2 Point Anterior Pelvic Belt 25 mm Push Button - Single Pull 110 mm Pad	
APB5116	<input type="checkbox"/>	2 Point Anterior Pelvic Belt 25 mm Push Button - Single Pull 140 mm Pad	
APB5117	<input type="checkbox"/>	2 Point Anterior Pelvic Belt 25 mm Push Button - Single Pull 190 mm Pad	
APB5110	<input type="checkbox"/>	2 Point Anterior Pelvic Belt 25 mm Push Button - Single Pull Non-Padded	
APB5125	<input type="checkbox"/>	2 Point Anterior Pelvic Belt 25 mm Push Button - Dual Pull 110 mm Pad	
APB5126	<input type="checkbox"/>	2 Point Anterior Pelvic Belt 25 mm Push Button - Dual Pull 140 mm Pad	
APB5127	<input type="checkbox"/>	2 Point Anterior Pelvic Belt 25 mm Push Button - Dual Pull 190 mm Pad	
2 POINT ANTERIOR PELVIC BELT 25 MM SIDE RELEASE			Unit Price
APB6111	<input type="checkbox"/>	2 Point Anterior Pelvic Belt 25 mm Side Release - Single Pull 140 mm Pad	
APB6112	<input type="checkbox"/>	2 Point Anterior Pelvic Belt 25 mm Side Release - Single Pull 190 mm Pad	
APB6110	<input type="checkbox"/>	2 Point Anterior Pelvic Belt 25 mm Side Release - Single Pull Non-Padded	
APB6121	<input type="checkbox"/>	2 Point Anterior Pelvic Belt 25 mm Side Release - Dual Pull 140 mm Pad	
APB6122	<input type="checkbox"/>	2 Point Anterior Pelvic Belt 25 mm Side Release - Dual Pull 190 mm Pad	
2 POINT ANTERIOR PELVIC BELT 40 MM PUSH BUTTON			Unit Price
APB7212	<input type="checkbox"/>	2 Point Anterior Pelvic Belt 40 mm Push Button - Single Pull 190 mm Pad	
APB7213	<input type="checkbox"/>	2 Point Anterior Pelvic Belt 40 mm Push Button - Single Pull 240 mm Pad	
APB7210	<input type="checkbox"/>	2 Point Anterior Pelvic Belt 40 mm Push Button - Single Pull Non-Padded	
APB7221	<input type="checkbox"/>	2 Point Anterior Pelvic Belt 40 mm Push Button - Dual Pull 140 mm	
APB7222	<input type="checkbox"/>	2 Point Anterior Pelvic Belt 40 mm Push Button - Dual Pull 190 mm	
APB7223	<input type="checkbox"/>	2 Point Anterior Pelvic Belt 40 mm Push Button - Dual Pull 240 mm	
2 POINT ANTERIOR PELVIC BELT 40 MM SIDE RELEASE			Unit Price
APB6212	<input type="checkbox"/>	2 Point Anterior Pelvic Belt 40 mm Side Release - Single Pull 190 mm Pad	
APB6213	<input type="checkbox"/>	2 Point Anterior Pelvic Belt 40 mm Side Release - Single Pull 240 mm Pad	
APB6210	<input type="checkbox"/>	2 Point Anterior Pelvic Belt 40 mm Side Release - Single Pull Non-Padded	
APB6222	<input type="checkbox"/>	2 Point Anterior Pelvic Belt 40 mm Side Release - Dual Pull 190 mm Pad	
APB6223	<input type="checkbox"/>	2 Point Anterior Pelvic Belt 40 mm Side Release - Dual Pull 240 mm Pad	
2 POINT ANTERIOR PELVIC BELT 50 MM PUSH BUTTON			Unit Price
APB7313	<input type="checkbox"/>	2 Point Anterior Pelvic Belt 50 mm Push Button 240 mm Pad	
APB7314	<input type="checkbox"/>	2 Point Anterior Pelvic Belt 50 mm Push Button 290 mm Pad	
APB7310	<input type="checkbox"/>	2 Point Anterior Pelvic Belt 50 mm Push Button Non-Padded	
2 POINT ANTERIOR PELVIC BELT 50 MM PUSH BUTTON WITH GROMMETS			Unit Price
APB1348	<input type="checkbox"/>	2 Point Anterior Pelvic Belt 50 mm Push Button with Grommets 1220 mm Long	
APB1360	<input type="checkbox"/>	2 Point Anterior Pelvic Belt 50 mm Push Button with Grommets 1520 mm Long	
2 POINT ANTERIOR PELVIC BELT 50 MM SIDE RELEASE			Unit Price
APB6313		2 Point Anterior Pelvic Belt 50 mm Side Release 240 mm Pad	
APB6314		2 Point Anterior Pelvic Belt 50 mm Side Release 290 mm Pad	
APB6310		2 Point Anterior Pelvic Belt 50 mm Side Release Non-Padded	
2 POINT ANTERIOR PELVIC BELT 50 MM AIRLINE WITH GROMMETS			Unit Price
APB1448	<input type="checkbox"/>	2 Point Anterior Pelvic Belt 2" Airline with Grommets 1220 mm Long	
APB1460	<input type="checkbox"/>	2 Point Anterior Pelvic Belt 2" Airline with Grommets 1520 mm Long	
BELT PADDING ONLY			Unit Price
APB1801	<input type="checkbox"/>	Belt Padding Only - 25 mm Webbing 140 mm Pad	
APB1802	<input type="checkbox"/>	Belt Padding Only - 25 mm Webbing 190 mm Pad	
APB1803	<input type="checkbox"/>	Belt Padding Only - 40 mm Webbing 190 mm Pad	
APB1804	<input type="checkbox"/>	Belt Padding Only - 40 mm Webbing 240 mm Pad	
APB1805	<input type="checkbox"/>	Belt Padding Only - 50 mm Webbing 240 mm Pad	
APB1806	<input type="checkbox"/>	Belt Padding Only - 50 mm Webbing 290 mm Pad	

PELVIC SUPPORT - PART 2

MEDIAL 4 POINT PELVIC BELT 25 MM PUSH BUTTON			Unit Price
APB5145	<input type="checkbox"/>	Medial 4 Point Pelvic Belt 25 mm Push Button 89 mm Pad	
APB5146	<input type="checkbox"/>	Medial 4 Point Pelvic Belt 25 mm Push Button 110 mm Pad	
MEDIAL 4 POINT PELVIC BELT 40 MM PUSH BUTTON			Unit Price
APB7242	<input type="checkbox"/>	Medial 4 Point Pelvic Belt 40 mm Push Button 110 mm Pad	
APB7243	<input type="checkbox"/>	Medial 4 Point Pelvic Belt 40 mm Push Button 140 mm Pad	
APB7244	<input type="checkbox"/>	Medial 4 Point Pelvic Belt 40 mm Push Button 165 mm Pad	
MEDIAL 4 POINT V-CONTOUR PELVIC BELT 25 MM; 40 MM; 50 MM PUSH BUTTON			Unit Price
APB3716	<input type="checkbox"/>	4 Point V-Contour Pelvic Belt 25 mm Push Button Small	
APB3727	<input type="checkbox"/>	4 Point V-Contour Pelvic Belt 40 mm Push Button Medium	
APB3738	<input type="checkbox"/>	4 Point V-Contour Pelvic Belt 50 mm Push Button Large	
MEDIAL 4 POINT V-CONTOUR PELVIC BELT 25 MM; 40 MM; 50 MM SIDE RELEASE			Unit Price
APB3616	<input type="checkbox"/>	4 Point V-Contour Pelvic Belt 25 mm Side Release Small	
APB3627	<input type="checkbox"/>	4 Point V-Contour Pelvic Belt 40 mm Side Release Medium	
APB3638	<input type="checkbox"/>	4 Point V-Contour Pelvic Belt 50 mm Side Release Large	
BELT HARDWARE			Unit Price
120750	<input type="checkbox"/>	Positioning Belt Clamp Assembly, pair (see fig. 3)	
116268	<input type="checkbox"/>	Positioning Belt Oval Clamp Assembly, each (see fig. 4)	

Fig. 3

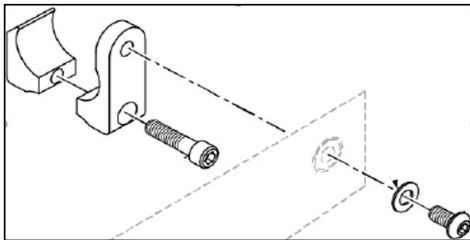
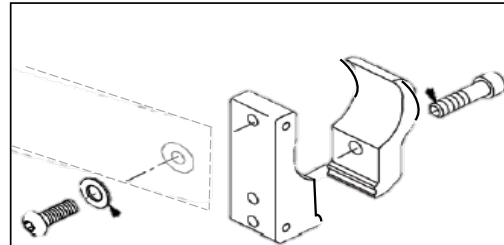


Fig. 4



HAND AND ARM SUPPORTS

ARM TROUGHS			Unit Price
JARM14F	<input type="checkbox"/>	Arm Troughs with Fixed Hardware 355 mm	
JARM18F	<input type="checkbox"/>	Arm Troughs with Fixed Hardware 460 mm	
JARM22F	<input type="checkbox"/>	Arm Troughs with Fixed Hardware 560 mm	
JARM14SA	<input type="checkbox"/>	Arm Troughs with Swing Away Hardware 355 mm	
JARM18SA	<input type="checkbox"/>	Arm Troughs with Swing Away Hardware 460 mm	
JARM22SA	<input type="checkbox"/>	Arm Troughs with Swing Away Hardware 560 mm	

WRIST STRAPS			Unit Price
ATS7510	<input type="checkbox"/>	Wrist Straps Small	
ATS7520	<input type="checkbox"/>	Wrist Straps Medium	
ATS7530	<input type="checkbox"/>	Wrist Straps Large	

ARMREST GEL PAD COVERS			Unit Price
131066	<input type="checkbox"/>	Armrest Gel Pad Covers Desk Length	
131067	<input type="checkbox"/>	Armrest Gel Pad Covers Full Length	
131071	<input type="checkbox"/>	Armrest Gel Pad Covers Recline Right	
131072	<input type="checkbox"/>	Armrest Gel Pad Covers Recline Left	

LOWER BODY SUPPORT - PART 1

KNEEADDUCTOR			Unit Price
KAK2103L	<input type="checkbox"/>	Knee Adductor Short - Pad 3" (75 mm) - Left	
KAK2104L	<input type="checkbox"/>	Knee Adductor Short - Pad 4" (100 mm) - Left	
KAK2103R	<input type="checkbox"/>	Knee Adductor Short - Pad 3" (75 mm) - Right	
KAK2104R	<input type="checkbox"/>	Knee Adductor Short - Pad 4" (100 mm) - Right	
KAK3103L	<input type="checkbox"/>	Knee Adductor Long - Pad 3" (75 mm) - Left	
KAK3104L	<input type="checkbox"/>	Knee Adductor Long - Pad 4" (100 mm) - Left	
KAK3103R	<input type="checkbox"/>	Knee Adductor Long - Pad 3" (75 mm) - Right	
KAK3104R	<input type="checkbox"/>	Knee Adductor Long - Pad 4" (100 mm) - Right	

KNEEADDUCTOR ASSEMBLIES (only as spares)			Unit Price
KAD10XX	<input type="checkbox"/>	Knee Adductor Pads 3" (75 mm)	
KAD11XX	<input type="checkbox"/>	Knee Adductor Pads 4" (100 mm)	
HDW4853	<input type="checkbox"/>	Knee Adductor Brackets Short - Left	
HDW4854	<input type="checkbox"/>	Knee Adductor Brackets Short - Right	
HDW4851	<input type="checkbox"/>	Knee Adductor Brackets Long - Left	
HDW4852	<input type="checkbox"/>	Knee Adductor Brackets Long - Right	

ANKLE POSITIONING SYSTEM			Unit Price
TST6501L	<input type="checkbox"/>	Ankle Positioning System - Left X-Small	
TST6501R	<input type="checkbox"/>	Ankle Positioning System - Right X-Small	
TST6511L	<input type="checkbox"/>	Ankle Positioning System - Left Small	
TST6511R	<input type="checkbox"/>	Ankle Positioning System - Right Small	
TST6521L	<input type="checkbox"/>	Ankle Positioning System - Left Medium	
TST6521R	<input type="checkbox"/>	Ankle Positioning System - Right Medium	
TST6541L	<input type="checkbox"/>	Ankle Positioning System - Left Large	
TST6541R	<input type="checkbox"/>	Ankle Positioning System - Right Large	
TST6561L	<input type="checkbox"/>	Ankle Positioning System - Left X-Large	
TST6561R	<input type="checkbox"/>	Ankle Positioning System - Right X-Large	

FOOT & ANKLE POSITIONING SYSTEM			Unit Price
TST6510L	<input type="checkbox"/>	Foot & Ankle Positioning System - Left Small	
TST6510R	<input type="checkbox"/>	Foot & Ankle Positioning System - Right Small	
TST6520L	<input type="checkbox"/>	Foot & Ankle Positioning System - Left Medium	
TST6520R	<input type="checkbox"/>	Foot & Ankle Positioning System - Right Medium	
TST6540L	<input type="checkbox"/>	Foot & Ankle Positioning System - Left Large	
TST6540R	<input type="checkbox"/>	Foot & Ankle Positioning System - Right Large	
TST6560L	<input type="checkbox"/>	Foot & Ankle Positioning System - Left X-Large	
TST6560R	<input type="checkbox"/>	Foot & Ankle Positioning System - Right X-Large	

FLEXI-FEET SYSTEM			Unit Price
32600XS-RT	<input type="checkbox"/>	Flexi-Feet System - Pair X-Small	
32600S-RT	<input type="checkbox"/>	Flexi-Feet System - Pair Small	
32600M-RT	<input type="checkbox"/>	Flexi-Feet System - Pair Medium	
32600L-RT	<input type="checkbox"/>	Flexi-Feet System - Pair Large	

SHOE HOLDER			Unit Price
TST6000	<input type="checkbox"/>	Shoe Holder Small	
TST6100	<input type="checkbox"/>	Shoe Holder Medium	
TST6200	<input type="checkbox"/>	Shoe Holder Large	
TST6300	<input type="checkbox"/>	Shoe Holder X-Large	

SHOE HOLDER WITH TENDON RELIEF			Unit Price
TST6061	<input type="checkbox"/>	Shoe Holder with Tendon Relief Small	
TST6161	<input type="checkbox"/>	Shoe Holder with Tendon Relief Medium	
TST6261	<input type="checkbox"/>	Shoe Holder with Tendon Relief Large	
TST6361	<input type="checkbox"/>	Shoe Holder with Tendon Relief X-Large	

LOWER BODY SUPPORT - PART 2

SHOE HOLDER WITH PADDED STRAPS			Unit Price
TST6001	<input type="checkbox"/>	Shoe Holder with Padded Straps Small	
TST6101	<input type="checkbox"/>	Shoe Holder with Padded Straps Medium	
TST6201	<input type="checkbox"/>	Shoe Holder with Padded Straps Large	
TST6301	<input type="checkbox"/>	Shoe Holder with Padded Straps X-Large	

PADDED CALF PANEL			Unit Price
PLS3010	<input type="checkbox"/>	Padded Calf Panel Small	
PLS3020	<input type="checkbox"/>	Padded Calf Panel Medium	
PLS3030	<input type="checkbox"/>	Padded Calf Panel Large	

PADDED ANKLE / TOE STRAP			Unit Price
TST4000	<input type="checkbox"/>	Padded Ankle / Toe Strap Small	
TST4200	<input type="checkbox"/>	Padded Ankle / Toe Strap Medium	
TST4500	<input type="checkbox"/>	Padded Ankle / Toe Strap Large	

FOOT BOXES			Unit Price
JFOOTSS	<input type="checkbox"/>	Foot Boxes - Single Standard Height	
JFOOTST	<input type="checkbox"/>	Foot Boxes - Single Tall Height	
JFOOT12S	<input type="checkbox"/>	Foot Boxes - Full Std - 305 mm Wide	
JFOOT14S	<input type="checkbox"/>	Foot Boxes - Full Std - 355 mm Wide	
JFOOT16S	<input type="checkbox"/>	Foot Boxes - Full Std - 410 mm Wide	
JFOOT18S	<input type="checkbox"/>	Foot Boxes - Full Std - 460 mm Wide	
JFOOT20S	<input type="checkbox"/>	Foot Boxes - Full Std - 510 mm Wide	
JFOOT22S	<input type="checkbox"/>	Foot Boxes - Full Std - 560 mm Wide	
JFOOT16T	<input type="checkbox"/>	Foot Boxes - Full Tall - 410 mm Wide	
JFOOT18T	<input type="checkbox"/>	Foot Boxes - Full Tall - 460 mm Wide	
JFOOT20T	<input type="checkbox"/>	Foot Boxes - Full Tall - 510 mm Wide	
JFOOT22T	<input type="checkbox"/>	Foot Boxes - Full Tall - 560 mm Wide	
JFOOT16SD	<input type="checkbox"/>	Foot Boxes - Full with Divider Std - 410 mm Wide	
JFOOT18SD	<input type="checkbox"/>	Foot Boxes - Full with Divider Std - 460 mm Wide	
JFOOT20SD	<input type="checkbox"/>	Foot Boxes - Full with Divider Std - 510 mm Wide	
JFOOT22SD	<input type="checkbox"/>	Foot Boxes - Full with Divider Std - 560 mm Wide	
JFOOT16TD	<input type="checkbox"/>	Foot Boxes - Full with Divider Tall - 410 mm Wide	
JFOOT18TD	<input type="checkbox"/>	Foot Boxes - Full with Divider Tall - 460 mm Wide	
JFOOT20TD	<input type="checkbox"/>	Foot Boxes - Full with Divider Tall - 510 mm Wide	
JFOOT22TD	<input type="checkbox"/>	Foot Boxes - Full with Divider Tall - 560 mm Wide	

Comments for special build - please apply for a quote; lead time conditions may change.



Jay Positioning Supports - Basic Price€
Option price€
Packaging and transport	
Exclusive VAT	
VAT.	
Total Price€

Sunrise Medical Customer service

Address:

Tel.

Fax.

E-mail:

E-commerce:

Website:

For more information

visit our webpage

www.sunrisemedical.eu

© Sunrise Medical 2021