



Technical / News Bulletin
UK

BULLETIN NO.:

TB UK165

DATE ISSUED

11/10/2021

BULLETIN DETAILS

Product Group:	QUICKIE	
Model Affected:	Q300 M Mini, Q400 M Sedeo Lite, Q500 Sedeo Pro Series & Q700 Sedeo Pro Series	
Effective Date: See Below	Serial No. Effective From:	N/A
Bulletin Subject:	Q-Series Updates	

When designing our Q-Series range of powerchairs, customer focus and innovation was at the heart of everything. From the very first concept we wanted to produce an innovative range of products that were designed with the prescriber, engineer and client in mind, and solve issues that our customers were facing.

Now that these products have launched, these two principles are still at the forefront of our thinking, therefore we are pleased to announce a series of updates on the Q-Series chairs from October 2021. The following outlines the developments and which Q-Series chairs these relate to.

- 1) **Q700 M Sedeo Pro Softer Castors** – Q700 M Sedeo Pro
- 2) **NEW Q300 M Mini 50° Powered Tilt Module** – Q300 M Mini
- 3) **Sedeo Pro Legrest Receivers for Swing-away Legrests** – Q300 M Mini, Q400 M Sedeo Lite, Q500 Sedeo Pro Series, Q700 Sedeo Pro Series

1) Q700 M Sedeo Pro Softer Castors – Q700 M Sedeo Pro

Following on from the castor wheel update on the Q700-UP M and Q700 M Sedeo Ergo, we are pleased to announce that the Q700 M Sedeo Pro castor wheels are also being updated.

We received feedback that there was excess noise omitted from the base while driving. We conducted a review and found that we could reduce the noise by softening the compound of the castors to 70 shore. There is no visual difference in appearance between the current and new castors.

With immediate effect, the new castors wheel will be fitted to powerchairs and the current castor wheel will be discontinued:

Discontinued Part Number

121906 – 6 x 2 inch castor wheel, solid, black

New Part Number

20008035 – 6 x 2 inch castor wheel, solid, black Q700 M

*Replace all 4 castors at the same time to achieve a softer ride




Customer Benefit

The softer caster wheels provide an enhanced driving experience for the user with both reduced noise levels and increased comfort. Feedback from a test driver indicated that there was a noticeable improvement in the ability to climb curbs and also that driving over cobbled terrain was much smoother and more comfortable.

2) NEW Q300 M Mini 50° Powered Tilt Module – Q300 M Mini

As part of our continuous improvement program, we have updated the Q300 M Mini to include a 50° powered tilt module option.

With immediate effect, the 50° powered tilt module is now available to order on the Q300 M Mini through the online configurator and on the paper order form. It can also be ordered as a spare part to be retro-fitted to an existing Q300 M Mini, please contact technical@sunmed.co.uk for further information.

 QML130007

Posterior Tilt, Powered,
0 Degree - 50 Degree

NEW Order Form Option Code

QML130007 Posterior Tilt, Powered, 0° - 50°

NEW Spare Part Number

20012010-002 Tilt Module 50°, including mounting accessories

What is the Q300 M Mini?



The Q300 M Mini is the next generation Salsa M2 Mini. Its ultra-compact base provides even better indoor manoeuvrability and has enhanced outdoor capability with bigger 56Ah batteries for greater range and optimised motors, meaning there is no longer a compromise on outdoor performance when requiring a compact chair for indoor use. The total base weight including batteries is 103kg, so it is lightweight which is ideal for hoisting and through floor lifts.

It uses the SEDEO LITE seating system, providing an adjustable and adaptable frame with a broad choice of seating and support options to tailor the chair to the user's needs.

Not seen the Q300 M Mini yet? Contact your local Area Sales Manager today to book an in-service!

3) Sedeo Pro Legrest Receivers for Swing-away Legrests – Q300 M Mini, Q400 M Sedeo Lite, Q500 Sedeo Pro Series & Q700 Sedeo Pro Series

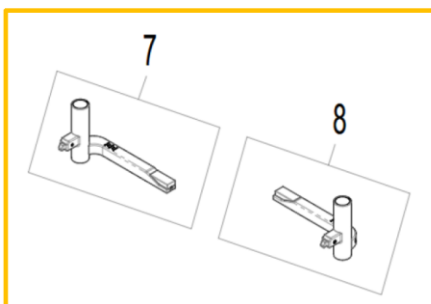
As part of our continuous improvement programme, we are providing additional options for the Sedeo Pro legrest receivers.

Currently we have 2 different legrest receivers for the Sedeo Pro legrests, a high and a low version. On the Sedeo Pro we always offer the high receiver and on the Sedeo Lite we always offer the low receiver.

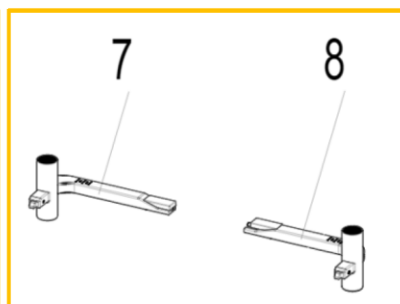
With immediate effect, it will be an option on the order form to select either high or low mounted receivers on Sedeo Lite and Sedeo Pro. This will allow for the selection of the receiver that best fits the seat cushion thickness.

We advise as a standard to select the low receivers, as this provides a more closed knee angle.

If required, high receivers can be used for seat cushions with a thickness of 70mm and higher.



High legrest receivers



Low legrest receivers

Order Forms

The order forms have been updated to reflect these options, with the new options shown below

SEDEO PRO Swing Away Legrest

QPL050015 SEDEO PRO, Legrest, 70°, Swing Away

QPL050016 SEDEO PRO, Legrest, Manual Elevating, Swing Away

QPL050017 SEDEO PRO, Legrest, Power Elevating, Swing Away

Hanger Receivers

QPL050170 SEDEO PRO, Hanger Receivers, High, For Seat Cushion Thickness 70 mm And Higher

QPL050171 SEDEO PRO, Hanger Receivers, Low, For Seat Cushion Thickness 50 mm And Lower

QPL050080 SEDEO PRO, Hanger Receivers Only, High

QPL050172 SEDEO PRO, Hanger Receivers Only, Low

Footplates

QPL050088 Footplate, For Seat Width 385 - 400 mm

QPL050089 Footplate, For Seat Width 420 - 460 mm

QPL050090 Footplate, For Seat Width 480 - 520 mm

QPL050081 Footplates, Coupled (1) (2)

Support Options

QPL050082 Calf Support, Integral Foam, Depth-Adjustable, Pair (3)

QPL050083 Calf Support, Padded, Depth-Adjustable, Pair (3)

QPL050084 Heel Loop

QPL050085 Calf Strap (2)

QPL050200 Knee Pad, Integral Foam

Spare parts are also available to order:

22505010-011 – Hanger receiver, low LH

22505010-012 – Hanger receiver, low RH

22505010-001 – Hanger receiver, high LH

22505010-002 – Hanger receiver, high RH

For any queries on any of these updates please contact your local Area Sales Manager.

Customer Services	Customer Support	Technical Service Centre	E-mail
Telephone:	+44 (0)845 605 66 88 Option 1-1	+44 (0)845 605 66 88 Option 1-2	enquiries@sunmed.co.uk
Fax:	+44 (0)845 605 66 89	+44 (0)845 605 66 89	help.technical@sunmed.co.uk