

Invoice to:  
 Name:  
 Street:  
 Town: Postal code:  
 E-Mail:  
 Tel: Fax:

Deliver to:  
 Name:  
 Street:  
 Town:  
 E-Mail:  
 Tel:

Order date:  
 Purchase order: Number required:

Marked for:  
 Sunrise order no:

<b>Base Price</b>
£3,995

Fax number: **+44 (0)845 605 66 89**

Email: **orders@sunmed.co.uk**

**Max. user weight: 100 kg**

L = Extended delivery time

**Crash tested and passed**



STANDARD FEATURES
Tilt in space up to 60 degrees
Adjustable frame width
Height adjustable folding back
Centre of gravity adjustment
Dual post armrest / short or long pad
Solid castors and solid rear wheels

● = Standard    □ = Cost option    ○ = No cost option

BASE MODEL		£
188WM48	● Zippie IRIS Transit Included	
188WM91	□ Zippie IRIS Folding Transit Included	242
FRAME STRUTS		
188GY02	● Width Adjusting System (Built in 2" growth)	
FRAME OPTIONS		
188FT46	○ Contracture Seat Frame <b>(1)</b>	
PRE-SET TILT ANGLE (55° Range)		
188TA5	○ -5° to 50° <b>(2)</b>	
188TA6	● 0° to 55°	
188TA7	○ +5° to 60°	
PRE-SET TILT ANGLE (40° Range)		
188TA8	○ -5° to 35° <b>(2)</b>	
188TA9	● 0° to 40°	
188TA10	○ +5° to 45°	
TILT RELEASE OPTIONS		
188TT8	○ Foot Release <b>(3)</b>	
	○ Right    ○ Left	
188TT12	○ Dual Trigger Release Cable	(N/A With Hub Brakes)
SEAT		
188ST35	● Seat Pan Growable	
188ST36	□ Drop Seat Pan	130
188ST54	○ Omit Seat Pan	
FRAME WIDTH		
188W1	○ 10"	
188W2	○ 11"	
188W3	○ 12"	
188W4	○ 13"	
188W5	○ 14"	
188W6	○ 15"	
188W7	○ 16"	
188W8	○ 17"	
188W9	○ 18"	

**(1) N/A with 10" frame depth, folding frame or drop seat pan**  
**(2) N/A with 12.5" seat to floor height**  
**(3) N/A with battery tray**

FRAME DEPTH RANGE			
188SN01	<input type="radio"/>	Short Seat Frame 10"-14"	
188SN02	<input type="radio"/>	Medium Seat Frame 12"-16"	
188SN03	<input type="radio"/>	Long Seat Frame 14"-18"	
FRAME DEPTH			
188DF1	<input type="radio"/>	10" (reccomended with short seat frame)	
188FD2	<input type="radio"/>	11" (reccomended with short seat frame)	
188FD3	<input type="radio"/>	12" (reccomended with short seat frame)	
188FD4	<input type="radio"/>	13" (reccomended with medium seat frame)	
188FD5	<input type="radio"/>	14" (reccomended with medium seat frame)	
188FD6	<input type="radio"/>	15" (reccomended with medium seat frame)	
188FD7	<input type="radio"/>	16" (reccomended with long seat frame)	
188FD8	<input type="radio"/>	17" (reccomended with long seat frame)	
188FD9	<input type="radio"/>	18" (reccomended with long seat frame)	
BACKREST (Choose one of Fixed, Reclining or Height Adjustable)			
	<input type="radio"/>	Fixed Height	(N/A With Hub Brakes)
188BP9	<input type="radio"/>	Low (19" Height)	
188BP10	<input type="radio"/>	Medium (22" Height)	
188BP11	<input type="radio"/>	High (25" Height)	
188BP13	<input type="checkbox"/>	Removable Extension	115
188RG1	<input type="checkbox"/>	Folding Adjustable Rigidizer	115
188BT21	<input type="checkbox"/>	Reclining Backrest	(N/A With Hub Brakes) 1110
188B172	<input type="radio"/>	Medium (21" Height)	
188B173	<input type="radio"/>	Tall (24" Height)	
188BP64	<input type="checkbox"/>	Angle Adj stroller handles (1)	180
188PH8	<input type="radio"/>	Standard push handle	
188PH9	<input type="radio"/>	Long push handle	
	<input type="radio"/>	Height Adjustable	
188B170	<input type="radio"/>	Std. (16"-22" Height.)	
188PH8	<input type="radio"/>	Std. Angle Adj. Push Handle Lgth	265
188PH9	<input type="radio"/>	Long Angle Adj. Push Handle Length	265
188B171	<input type="radio"/>	Tall (19"-25" Height.)	
188PH8	<input type="radio"/>	Std. Angle Adj. Push Handle Lgth	265
188PH9	<input type="radio"/>	Long Angle Adj. Push Handle Length	265
ARMREST			
188AA3	<input type="radio"/>	Flip-Up	
188AA1	<input type="checkbox"/>	Adjustable Locking Flip-Up	575
188AA7	<input type="checkbox"/>	Length Adjust. Locking Flip-Up (2)	290
188AA62	<input type="radio"/>	Dual Post	
188AA63	<input type="checkbox"/>	Dual Post Height Adjustable	265
188AA43	<input type="checkbox"/>	Dual Post Flip Back	130
188AA48	<input type="checkbox"/>	Dual Post Flip Back Height Adj.	290
188AA11	<input type="checkbox"/>	Single-Post Height Adj. Std.	170
188AA29	<input type="checkbox"/>	Single-Post Height Adj. Low	170
ARMREST RECEIVER			
188AR17	<input type="radio"/>	Low	
188AR18	<input type="radio"/>	Standard	
ARMREST PAD			
188AM23	<input type="radio"/>	Desk Classic	
188AM21	<input type="radio"/>	Desk Contour (3)	
188AM24	<input type="radio"/>	Full Classic	
188AM22	<input type="radio"/>	Full Contour (3)	
188AM9	<input type="radio"/>	Foam Short (4)	
188AM10	<input type="radio"/>	Foam Long (4)	
188AM27	<input type="radio"/>	Ergo armpad (3)	

(1) N/A on 10" widths with dual trigger release cable  
(2) N/A with contour armpads  
(3) Only with Single Post Height Adj armrest  
(4) Only with Length Adj armrest

<b>SIDE GUARDS</b>			
188SG33	<input type="checkbox"/> Plastic Std	(1)	200
188SG29	<input type="checkbox"/> Plastic Low		200
<b>JAY ARM TROUGHS</b>			
188JL01	<input type="checkbox"/> Arm Trough - 14" long - Left	(2)	250
188JL04	<input type="checkbox"/> Arm Trough - 14" long - Right	(2)	250
188JL05	<input type="checkbox"/> Arm Trough - 14" long - Pair	(2)	250
188JL02	<input type="checkbox"/> Arm Trough - 18" long - Left	(2)	250
188JL06	<input type="checkbox"/> Arm Trough - 18" long - Right	(2)	250
188JL07	<input type="checkbox"/> Arm Trough - 18" long - Pair	(2)	250
188JL03	<input type="checkbox"/> Arm Trough - 22" long - Left	(2)	250
188JL08	<input type="checkbox"/> Arm Trough - 22" long - Right	(2)	250
188JL09	<input type="checkbox"/> Arm Trough - 22" long - Pair	(2)	250
<b>JAY ARM TROUGH HARDWARE</b>			
188JN01	<input type="radio"/> Fixed - Each		
188JN03	<input type="radio"/> Fixed - Pair		
188JN02	<input type="checkbox"/> Swing Away - Rotational - Each		150
188JN04	<input type="checkbox"/> Swing Away - Rotational - Pair		150
<b>FOOTREST (Choose one section - Hanger Mounted, Z-Finity, Extension Tube Mounted or Contracture)</b>			
<input type="radio"/> <b>Hanger Mounted Footrest</b>			
188H140	<input type="radio"/> 70° Swing In/Out Front Mount		
188H142	<input type="radio"/> 80° Swing In/Out Front Mount		
188H158	<input type="radio"/> 90° Swing In/Out Front Mount		
188H9	<input type="checkbox"/> 70° Heavy Duty Front Mount Lift-Off		90
188H10	<input type="checkbox"/> 80° Heavy Duty Front Mount Lift-Off		90
188H11	<input type="checkbox"/> 90° Heavy Duty Front Mount Lift-Off		90
188H161	<input type="checkbox"/> Elevating Front Mount	(3)	240
188E23	<input type="checkbox"/> 2" Extension - not mounted	(4)	40
188E24	<input type="checkbox"/> 4" Extension - not mounted	(4)	40
188F9	<input type="radio"/> Kids Angle Adjustable Footplate	(5)	
188F8	<input type="checkbox"/> Adult Angle Adjustable Footplate		110
188F62	<input type="checkbox"/> Footboard	(5)	85
<input type="radio"/> <b>Z-Finity Hanger</b> (6)			
188DI22	<input type="radio"/> Direct Hanger Mount - High		
188DI23	<input type="radio"/> Direct Hanger Mount - Low		
188DI24	<input type="radio"/> Extension Tube Mount		
<input type="radio"/> <b>Z-Finity Pivot Arm</b>			
188DI20	<input type="radio"/> Short (2")		
188DI21	<input type="radio"/> Long (3 1/4")		
<input type="radio"/> <b>Z-Finity Footplate</b>			
188F320	<input type="checkbox"/> Multi Angle Adjustable (Pair)		85
188F321	<input type="checkbox"/> Angle Adjustable Platform Footboard		120
188F6	<input type="radio"/> Omit Footplate		
<input type="radio"/> <b>Z-Finity Extension Tube</b>			
188E62	<input type="radio"/> Hemi Short		
188E1	<input type="radio"/> Short		
188E2	<input type="radio"/> Medium		
188E5	<input type="radio"/> Long		

(1) N/A with height adjustable armrests

(2) N/A with Length Adj. Locking Flip Up and Adj Locking Flip Up armrests and Single Post Height Adj Armrests  
Full length classic armpads will be automatically selected when choosing only one arm trough

(3) N/A with 10" or 11" frame width

(4) May interfere with some seat heights and castors

(5) N/A with 17" and 18" width

(6) 75kg max user weight

<b>FOOTREST (Continued)</b>			
<b>○ Extension Tube Mounted Footrest</b>			
188H145	○ 60° Swing In/Out		
188H139	○ 70° Swing In/Out		
188H141	○ 80° Swing In/Out	<b>(1)</b>	
188H159	<input type="checkbox"/> Articulating Legrest	<b>(2)</b>	620
188H160	<input type="checkbox"/> Elevating Legrest	<b>(3)</b>	420
188E1	○ Short Extensions		
188E2	○ Medium Extensions		
188E5	○ Long Extensions		
188E16	○ High Mount Extensions		
<b>○ Hanger Mounts</b>			
188MZ02	○ Standard Hanger Mount		
188MZ01	○ 1" Offset Hanger Mount		
<b>○ Footplate</b>			
188F1	○ Composite	<b>(4)</b>	
188F3	<input type="checkbox"/> Adult Angle Adjustable		110
188F4	<input type="checkbox"/> Kids Angle Adjustable	<b>(5)</b>	110
188F5	○ Aluminium		
188F48	<input type="checkbox"/> Platform Flip-Up, Angle Adjustable	<b>(6)</b>	170
188H26	<input type="checkbox"/> <b>Contracture Footrest System</b>	<b>(7)</b>	388
188FP01	○ CFS - Center Mount		
188FP02	○ CFS - Outside Mount		
188E1	○ Short		
188EP1	○ 10.5" Extension Height		
188EP2	○ 11.0" Extension Height		
188EP3	○ 11.5" Extension Height		
188EP4	○ 12.0" Extension Height		
188EP5	○ 12.5" Extension Height		
188EP6	○ 13.0" Extension Height		
188E2	○ Regular		
188EP5	○ 12.5" Extension Height		
188EP6	○ 13.0" Extension Height		
188EP7	○ 13.5" Extension Height		
188EP8	○ 14.0" Extension Height		
188EP9	○ 14.5" Extension Height		
188EP10	○ 15.0" Extension Height		
<b>FOOTREST ACCESSORIES</b>			
188IG2	<input type="checkbox"/> Neoprene Covers	<b>(8)</b>	43
188HL1	<input type="checkbox"/> Heel Loops	<b>(9)</b>	43
188HL5	<input type="checkbox"/> Leg Strap		25
188A54	<input type="checkbox"/> Extra Single Leg Strap		25
188A110	<input type="checkbox"/> Toe Loop	<b>(10)</b>	25
188H32	○ Omit Hanger		
188F7	○ Omit Footplate and Extension Tube		
<p><b>(1) N/A with 8" Castors</b>  <b>(2) N/A with 10" - 13" Widths</b>  <b>(3) N/A with Platform footplates or 10"-14" Widths</b>  <b>(4) N/A with 10" - 12" Width</b>  <b>(5) N/A with 17" - 18" Width</b>  <b>(6) N/A with Folding Frame</b>  <b>(7) N/A with Neoprene Impact Guards, Kids Angle Adj. Aluminum Footrests, Dual Post Armrest or Folding Frame.</b>  <b>(8) Only with Extension Hangers</b>  <b>(9) N/A with Z-Finity footrest 10"-14"</b>  <b>(10) Only with Adult angle adjustable footplates</b></p>			

<b>JAY FOOTBOXES</b>		
○ Single Footbox		
188JX01	<input type="checkbox"/> Standard Height - Left	165
188JX02	<input type="checkbox"/> Tall Height - Left	165
188JX03	<input type="checkbox"/> Standard Height - Right	165
188JX04	<input type="checkbox"/> Tall Height - Right	165
188JX05	<input type="checkbox"/> Standard Height - Pair	165
188JX06	<input type="checkbox"/> Tall Height - Pair	165
○ Full Footbox		
188JX07	<input type="checkbox"/> Full Foot box Std Height	245
188JX08	<input type="checkbox"/> Full Foot box Tall Height	245
188JX09	<input type="checkbox"/> Full Foot box w/ Divider Std Ht	245
188JX10	<input type="checkbox"/> Full Foot box w/ Divider Tall Ht	245
<b>CASTOR WHEEL (Please refer to matrix at the back of the order form)</b>		
188CW31	<input type="checkbox"/> 4" Micro Light Up - N/A with Folding (1)	95
188CW73	○ 4" x 1.25" Semi-Pneumatic -N/A w/ Folding (1)	
188CW51	<input type="checkbox"/> 5" Micro Light Up	95
188CW5	○ 5" Low-Profile Polyurethane	
188CW7	○ 5" x 1.5" Semi-Pneumatic	
188CW33	<input type="checkbox"/> 6" Pneumatic	145
188CW34	○ 6" Polyurethane	
188CW35	○ 6" x 1.5" Semi-Pneumatic	
188CW21	<input type="checkbox"/> 8" Pneumatic	200
188CW32	○ 8" Polyurethane	
188CW39	○ 8" x 1.5" Semi-Pneumatic	
188CW36	<input type="checkbox"/> 8" x 2" Pneumatic	200
188CW37	<input type="checkbox"/> 8" x 2" Pneumatic w/Airless Insert	200
<b>REAR WHEEL SIZE (IF HUB BRAKES ARE CHOSEN THEN NO SELECTION REQUIRED)</b>		
188RW13	○ 12" Mag (2)	
188RW14	○ 16" Mag (2)	
188RW3	<input type="checkbox"/> 20" Mag	220
188RW8	<input type="checkbox"/> 22" Mag	220
188RW1	<input type="checkbox"/> 24" Mag	220
188RW90	<input type="checkbox"/> 20" Lite Spoke	220
188RW91	<input type="checkbox"/> 22" Lite Spoke	220
188RW54	<input type="checkbox"/> 24" Lite Spoke	220
188RW103	<input type="checkbox"/> 20" Mag Wheel 5 Spoke	220
188RW104	<input type="checkbox"/> 22" Mag Wheel 5 Spoke	220
188RW102	<input type="checkbox"/> 24" Mag Wheel 5 Spoke	220
<b>TYRE (IF HUB BRAKES ARE CHOSEN THEN NO SELECTION REQUIRED)</b>		
188RT1	○ Pneumatic	
188RT3	○ Full Polyurethane (3)	
188RT4	○ Low Polyurethane (4)	
188RT2	<input type="checkbox"/> Pneumatic Airless Insert	115
<b>HANDRIM</b>		
188HR1	○ Aluminium Anodised	
188HR4	<input type="checkbox"/> Plastic Coated	
188HR7	○ Omit	
<b>AXLE</b>		
188AX1	○ Quick Release	
188AX11	<input type="checkbox"/> Quad Quick Release (5)	
<b>WHEEL LOCKS</b>		
188WL34	○ High Mount Push	
188WL36	<input type="checkbox"/> Foot lock	70
188WL10	○ Omit	
188EH1	○ 6" Extension Handle	
188LK01	<input type="checkbox"/> 12" Hub Lock	270
188LK02	<input type="checkbox"/> 16" Hub Lock	180
000061581	<input type="checkbox"/> 16" Attendant Drum Brakes (including wheel and tyre)	365
000061583	<input type="checkbox"/> 24" Attendant Drum Brakes (including wheel and tyre)	365

(1) N/A with Folding Frame  
(2) N/A with Handrims  
(3) N/A with 12" or 16" Wheels  
(4) Only with 12" Wheels  
(5) N/A with Lite Spokes

SPOKE GUARDS			
188A23	<input type="checkbox"/>	Black	(1) 135
188A303	<input type="checkbox"/>	Clear Zippie	(1) 135
POSITIONING BELT			
188A112	<input type="checkbox"/>	1" Dual Pull Side Squeeze Padded	70
188A814	<input type="checkbox"/>	JAY 2 Pt 1" Push Btn - 4.5" Pad	70
188ZZ25	<input type="checkbox"/>	JAY 2 Pt 1.5" Push Btn - No Pad	70
188ZZ26	<input type="checkbox"/>	JAY 2 Pt 1.5" Push Btn - 7.5" Pad	70
188ZZ27	<input type="checkbox"/>	JAY 2 Pt 2" Push Btn - No Pad	70
188ZZ28	<input type="checkbox"/>	JAY 2 Pt 2" Push Btn - 9.5" Pad	70
188A117	<input type="checkbox"/>	Belt 2" Aircraft Buckle	195
188A118	<input type="checkbox"/>	Belt 2" Aircraft Buckle Padded	195
TRUNK STRAPS			
188JA01	<input type="checkbox"/>	Padded Trunk Strap - Small	110
188JA02	<input type="checkbox"/>	Padded Trunk Strap - Medium	110
188JA03	<input type="checkbox"/>	Padded Trunk Strap - Large	110
188JA04	<input type="checkbox"/>	Padded Trunk Strap - XL	110
HARNESS			
	<input type="radio"/>	Style	
188JY01	<input type="checkbox"/>	Classic Dynamic	110
188JY02	<input type="checkbox"/>	Classic Structure	110
188JY03	<input type="checkbox"/>	Contour Dynamic	110
188JY04	<input type="checkbox"/>	Contour Structure	110
188JY05	<input type="checkbox"/>	Center Opening with Buckle	110
	<input type="radio"/>	Size	
188JZ01	<input type="radio"/>	Small	
188JZ02	<input type="radio"/>	Medium	
188JZ03	<input type="radio"/>	Large	
188JZ04	<input type="radio"/>	X-Large	
SUPPORT TRAY			
188A29	<input type="checkbox"/>	X-Small	(2) 270
188A30	<input type="checkbox"/>	Small	(2) 270
188A31	<input type="checkbox"/>	Medium	(2) 270
188A32	<input type="checkbox"/>	Large	(2) 270
VENT TRAY			
188LF12	<input type="checkbox"/>	Dovetail Vertical Frame Mounted Hardware for LTV Vent includes 1 Utility Hook	(3) 485
188LF13	<input type="checkbox"/>	Dovetail Vertical Frame Mt Hardware for Trilogy Vent includes 1 Utility Hook	(3) 485
188FS29	<input type="checkbox"/>	Battery Tray	(4) 365
188LF7	<input type="checkbox"/>	Utility Hook	60
ACCESSORIES			
188TA1	<input type="checkbox"/>	Rear Anti-Tip (Pair)	110
188A8	<input type="checkbox"/>	Seat Pouch	55
188A83	<input type="checkbox"/>	Tool Kit	20
188A1	<input type="checkbox"/>	Utility Backpack	75
188A2	<input type="checkbox"/>	Additional Zippie Backpac	75
1888A06	<input type="checkbox"/>	Canopy for 10" - 14"	180
1888A07	<input type="checkbox"/>	Canopy for 15" - 18"	180
FRAME COLOUR			
183C2	<input type="radio"/>	Black	183C8 <input type="radio"/> Candy Purple
183C10	<input type="radio"/>	Black Opal	183C14 <input type="radio"/> Evergreen
183C38	<input type="radio"/>	Blue Opal	183C143 <input type="radio"/> Matt Evergreen
183C114	<input type="radio"/>	Sparkle Silver	183C149 <input type="radio"/> Fuschia
183C126	<input type="radio"/>	Glow	183C127 <input type="radio"/> Matt Black
183C103	<input type="radio"/>	Rootbeer	183C116 <input type="radio"/> Titanium Colour Paint
183C147	<input type="radio"/>	Hot Pink	183C113 <input type="radio"/> Yellow
183C36	<input type="radio"/>	Candy Blue	183C145 <input type="radio"/> Sunrise Orange
183C35	<input type="radio"/>	Candy Red	

(1) N/A with 12" or 16" wheels

(2) N/A with JAY Arm trough, Must be removed for folding

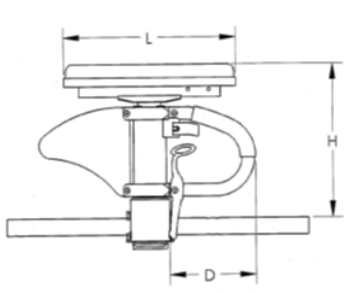
(3) 7kg weight limit, Must be removed for folding

(4) N/A with 10" or 11" frame, Foot wheel lock or Folding Franme

<b>Zippie IRIS - Base Price</b>	<b>£3,995</b>
Option price	£
<b>Total Price</b>	<b>£ IRIS - P/N - QPEIZ4-2</b>

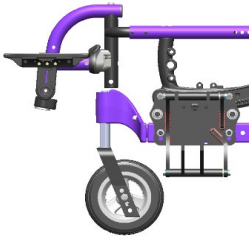
Rear Wheel Size	CASTER SIZE					
	<input type="checkbox"/> 4"	<input type="checkbox"/> 5"	<input type="checkbox"/> 6"	<input type="checkbox"/> 8"x1"	<input type="checkbox"/> 8"x1.5"	<input type="checkbox"/> 8"x2"
<input type="checkbox"/> 12"	<input type="checkbox"/> 13.0"	<input type="checkbox"/> 16.0"	<input type="checkbox"/> 16.0"	N/A	N/A	N/A
	N/A	<input type="checkbox"/> 16.5"	<input type="checkbox"/> 16.5"		<input type="checkbox"/> 16.5"	
		<input type="checkbox"/> 17.0"	<input type="checkbox"/> 17.0"	<input type="checkbox"/> 17.0"	<input type="checkbox"/> 17.0"	
		<input type="checkbox"/> 17.5"	N/A	<input type="checkbox"/> 17.5"	<input type="checkbox"/> 17.5"	
<input type="checkbox"/> 12" Low Poly	N/A	<input type="checkbox"/> 15.0"	<input type="checkbox"/> 15.0"	N/A	N/A	N/A
		<input type="checkbox"/> 15.5"	<input type="checkbox"/> 15.5"			
		<input type="checkbox"/> 16.0"	<input type="checkbox"/> 16.0"	N/A	N/A	N/A
		<input type="checkbox"/> 16.5"	N/A			
<input type="checkbox"/> 16"	N/A	<input type="checkbox"/> 13.5"	N/A	N/A	N/A	N/A
		<input type="checkbox"/> 14.0"	<input type="checkbox"/> 14.5"			
		<input type="checkbox"/> 14.5"	<input type="checkbox"/> 17.0"	<input type="checkbox"/> 17.5"	<input type="checkbox"/> 17.5"	N/A
		<input type="checkbox"/> 17.5"	<input type="checkbox"/> 17.5"	<input type="checkbox"/> 18.0"	<input type="checkbox"/> 18.0"	
		<input type="checkbox"/> 18.0"	<input type="checkbox"/> 18.0"	<input type="checkbox"/> 18.5"	<input type="checkbox"/> 18.5"	N/A
		<input type="checkbox"/> 18.5"	<input type="checkbox"/> 18.5"	N/A	<input type="checkbox"/> 19.0"	
<input type="checkbox"/> 20"	N/A	<input type="checkbox"/> 15.5"	<input type="checkbox"/> 16.0"	N/A	N/A	N/A
		<input type="checkbox"/> 16.0"	<input type="checkbox"/> 16.5"	<input type="checkbox"/> 16.5"	<input type="checkbox"/> 16.5"	<input type="checkbox"/> 16.5"
		<input type="checkbox"/> 16.5"	<input type="checkbox"/> 17.0"	<input type="checkbox"/> 17.0"	<input type="checkbox"/> 17.0"	<input type="checkbox"/> 17.0"
<input type="checkbox"/> 22"	N/A	<input type="checkbox"/> 17.0"	<input type="checkbox"/> 16.5"	N/A	<input type="checkbox"/> 16.5"	N/A
		<input type="checkbox"/> 17.5"	<input type="checkbox"/> 17.0"	<input type="checkbox"/> 17.0"	<input type="checkbox"/> 17.0"	<input type="checkbox"/> 17.0"
		<input type="checkbox"/> 18.0"	<input type="checkbox"/> 17.5"	<input type="checkbox"/> 17.5"	<input type="checkbox"/> 17.5"	N/A
		N/A	<input type="checkbox"/> 18.0"	<input type="checkbox"/> 18.0"	<input type="checkbox"/> 18.0"	<input type="checkbox"/> 18.0"
<input type="checkbox"/> 24"	N/A	N/A	<input type="checkbox"/> 17.0"	N/A	<input type="checkbox"/> 17.5"	N/A
		<input type="checkbox"/> 17.5"	<input type="checkbox"/> 17.5"	<input type="checkbox"/> 18.0"	<input type="checkbox"/> 18.0"	<input type="checkbox"/> 18.0"
		<input type="checkbox"/> 18.0"	<input type="checkbox"/> 18.0"	<input type="checkbox"/> 18.5"	<input type="checkbox"/> 18.5"	N/A
		<input type="checkbox"/> 18.5"	<input type="checkbox"/> 18.5"	<input type="checkbox"/> 19.0"	<input type="checkbox"/> 19.0"	<input type="checkbox"/> 19.0"

N/A with Folding

Armrest Matrix for Single Post						
Armrest Size	Transfer Tube Length D	Receiver	Classic Pad			
			H Range	Pad length L		
				Desk	Full	
Std	8"	Std	10-3/4" to 15-3/4"	10-1/4"	14"	
		Low	8-3/4" to 13-3/4"			
Low	5-1/4"	Std	9" to 13"	10-1/4"	14"	
		Low	7-1/4" to 11-1/4"			
		Receiver	Contour Pad			
			H Range	Pad length L		
		Std		10" to 15"	10-1/2"	14-1/4"
		Low	8-1/4" to 13-1/4"			
		Std	8-1/2" to 12-1/2"	10-1/2"	14-1/4"	
		Low	6-3/4" to 10-3/4"			
		Receiver	Ergo Pad			
			H Range	Pad length L		
				Std	11-3/4"	
				Low	11-3/4"	
Std	11-3/4"					
Low	11-3/4"					

### Z-Finity Matrix

#### Direct Hanger Mount



#### Extension Tube Mount



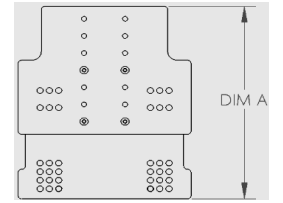
Direct Hanger Mounted			
Footrest Adaptor	Hanger Mounting Position	Min	Max
Short	High Mount	-0.9"	3.4"
	Low Mount	2.6"	6.7"
Long	High Mount	-2.1"	4.6"
	Low Mount	1.3"	7.9"

Extension Tube Mounted			
Footrest Adaptor	Extension Tube Length	Min	Max
Short	Hemi Short	3.9"	12.4"
	Short	4.9"	13.4"
	Medium	6.6"	15.4"
	Long	8.6"	17.4"
Long	Hemi Short	2.6"	13.6"
	Short	4.1"	14.6"
	Medium	5.6"	16.6"
	Long	7.6"	18.6"

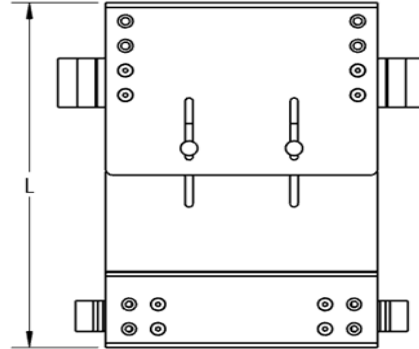
### Growing Seat Pan Matrix

#### Rigid Frame - Frame Depth Growth Range Matrix

Seat Pan Size	Dim A Range
10" - 16"	11-1/4" - 15-1/4"
14" - 18"	15" - 19"



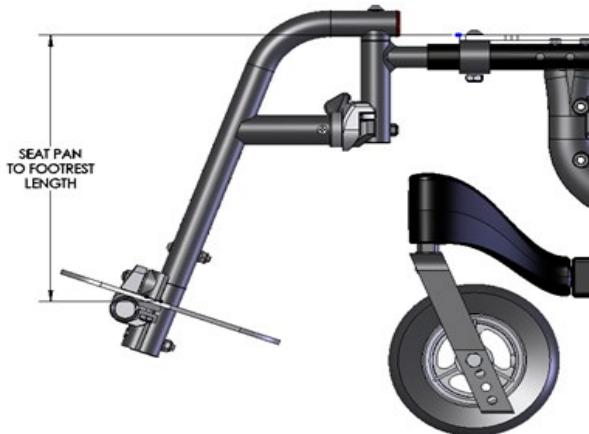
#### Folding Frame - Frame Depth Growth Range Matrix



Seat Depth Pan Size	Seat Depth										L Range		
	10"	11"	12"	13"	14"	15"	16"	17"	18"	19"	20"	Min	Max
Short	x	x	x	x	x							10"	14"
Medium					x	x						11.75"	16.25"
Long							x	x				13.75"	18.25"
X-Long									x	x	x	15.75"	20.25"

### Lower Leg Length Matrix

Hanger	Extension	Seat Pan to Top of Footrest		Min Allowable FSH
		Min	Max	
70° Front Mount	No Ext	3 1/2"	9"	11 1/2"
	2"	3 1/2"	11 1/2"	13 1/2"
	4"	3 1/2"	13 1/2"	15 1/2"
80° Front Mount	No Ext	3 1/2"	9 1/2"	11 1/2"
	2"	3 1/2"	12"	14"
	4"	3 1/2"	14"	16"
90° Front Mount	No Ext	3"	9"	11 1/2"
ELR Front Mount	No Ext	3"	7"	10 1/2"
60° Swing In/Out	Short	9"	12 1/2"	12 1/2"
	Medium	9"	14 1/2"	12 1/2"
	Long	11 1/2"	16"	14 1/2"
70° Swing In/Out	Short	10 1/2"	15 1/2"	12 1/2"
	Medium	10 1/2"	17 1/2"	13"
	Long	13 1/2"	19"	15"
80° Swing In/Out	Short	11"	14 1/2"	13"
	Medium	11"	16 1/2"	13"
	Long	13"	18"	15"
ALR	Short	14"	17 1/2"	12 1/2"
	Medium	15"	19 1/2"	13 1/2"
	Long	16 1/2"	19"	14 1/2"
ELR Ext Mount	Short	13"	17"	12 1/2"
	Medium	13"	18 1/2"	13 1/2"
	Long	14 1/2"	20"	14 1/2"



#### Rear Tire & Wheel Matrix

Tire	Rear Wheel		
	5 Spoke Mag	Spoke	Mag Wheel
Pneumatic	20,22,24	24	12,16,20,22,24
Pneumatic w/ Airless Insert	20,22,24	24	12,16,20,22,24
Full Poly	20,22,24	24	20,22,24
Low Poly	N/A	N/A	12

12" = mm 16" = mm 20" = 451mm 22" = 501mm 24" = 540mm

#### Rear Wheel & Handrim Matrix

Handrim	Rear Wheel		
	5 Spoke Mag	Spoke	Mag Wheel
Aluminum Anodized	20,22,24	24	20,22,24
Plastic Coat	20,22,24	24	20,22,24
Projection 8 Oblique	N/A	N/A	24

### Additional Options Through Built-4-Me

- ✓ Reverse Configuration
- ✓ Angle Adjustable Handle for Reclining Backrest
- ✓ Dual Mount Wheel Locks - Attendant Foot Lock
- ✓ Dynamic Back on Frame Depth up to 20"
- ✓ O2 Holder with Transit
- ✓ IV Pole with Transit
- ✓ Solid Seat w/ Quick Release Hardware for folding frame