



# Nuage PLS

NUAGE PLS

NUAGE PLS ACTIVE

NUAGE PLS ACTIVE XS



© 2019 Sunrise Medical

All rights reserved.

The information provided herein may not be reproduced and/or published in any form, by print, photoprint, microfilm or any other means whatsoever (electronically or mechanically) without the prior written authorization of Sunrise Medical.

The information provided is based on general data concerning the construction known at the time of the publication of this manual. Sunrise Medical executes a policy of continuous improvement and reserves the right to changes and modifications.

The information provided is valid for the product in its standard version. Sunrise Medical can therefore not be held liable for any damage resulting from specifications of the product deviating from the standard configuration. Illustrations contained in the manual may deviate from the configuration of your product.

The information made available has been prepared with all possible diligence, but Sunrise Medical cannot be held liable for any errors contained in the information or the consequences thereof.

Sunrise Medical accepts no liability for loss resulting from work executed by third parties.

Names, trade names, trademarks etc. used by Sunrise Medical may not, as per the legislation concerning the protection of trade names, be considered as being available.



## Table of content

1	Introduction.....	6
1.1	This manual	6
1.2	Identification of the product	6
1.3	Symbols used in this manual	6
2	Safety .....	7
2.1	Personnel qualification	7
2.2	Moving parts	7
2.3	Markings on the seating system	7
3	Parts in box and tools to use .....	8
3.1	Parts in box	8
3.2	Tools to use	8
4	Spare parts.....	9
4.1	Use of the parts lists	9
01	Nuage systems	10
02	Mounting sets	11
03	Spare parts	12
04	Covers	13
05	Accessories	14
5	Service instructions .....	15
5.1	Glossary	15
5.2	Maintenance plan	15
5.3	Compatibility with specific wheelchairs and seating systems	15
5.4	Assembly instructions – Nuage PLS series on Ibis wheelchairs with Sedeo Pro	15
5.4.1	Mounting the seat shell parts	16
5.4.2	Mounting the back shell parts	18
5.4.3	Fitting the webbing (Nuage PLS II / Nuage PLS Active II)	19
5.4.4	Fitting the webbing (Nuage PLS Active XS)	20
5.4.5	Fitting the contour cushion	21
5.4.6	Mounting the calf plates	22
5.4.7	Fitting the cover	23
5.4.8	Mounting the foot plate	24
5.4.9	Mounting and placing armrest pads	25
5.4.10	Mounting and placing a headrest	26
5.5	Assembly instructions – Nuage PLS series on Ibis wheelchairs with Sedeo Original	27
5.5.1	Mounting a Nuage PLS series seating system on an Ibis wheelchair with Sedeo Original	27
5.6	Assembly instructions – Nuage PLS series on Base One and Kontiki wheelchairs	28
5.6.1	Mounting a Nuage PLS series seating system on a Base One or Kontiki wheelchair	28
5.7	Assembly instructions – Nuage PLS series on Canto Nxt wheelchairs	29
5.7.1	Mounting the seat shell parts	29
5.7.2	Mounting the back shell parts	30
5.7.3	Mounting other parts and fitting the webbing and cover	31
5.8	Assembly instructions – Nuage PLS series on Canto wheelchairs	32
5.8.1	Mounting a Nuage PLS series seating system on a Canto wheelchair	32
6	Troubleshooting.....	33
7	Technical product information.....	34
7.1	CE Declaration and standards	34
7.2	Technical specifications	34
8	Warranty.....	35

# 1 Introduction

## 1.1 This manual

This service manual explains the mounting of Nuage PLS, Nuage PLS Active and Nuage PLS Active XS seating systems onto a manual wheelchair frame. Nuage is compatible with most common tilt in space wheelchair frames in the market. In most cases the mounting can be done with a number of standard parts, supplied with the seating system. For each wheelchair frame model a different setting is needed. If no mounting set is available for a certain wheelchair frame, please contact Sunrise Medical for custom options. Once a seating system is set for a certain frame construction, it cannot be put directly onto another frame construction; an adjustment to the settings is required.

Mechanics who do the mounting and repairs on this seating systems must be well trained and familiar with the repair methods and the maintenance of the Nuage PLS seating systems. Always make sure that the work is carried out safely.

The following specifications are important when ordering parts:

- Model\*
- ID-number\*
- Part number
- Name of the part concerned

\*This information is provided on the identification plate. See 'Identification of the product'.

### Available documentation

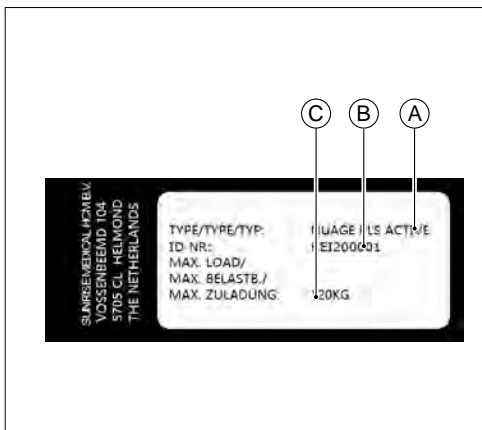
This manual will help you to service the Nuage PLS seating systems. Other relevant document available / required to service the seating system is the user manual.

### Service and technical support

For information concerning specific settings, maintenance or repair works please contact the Sunrise Medical Customer Service department. They are always prepared to help you. Ensure you have at hand:

- Model
- ID-number

## 1.2 Identification of the product



The identification plate contains the following data:

- Model
- Identification number
- Maximum load in kg

See for the location of the identification plate 'markings on the seating system'.

## 1.3 Symbols used in this manual

### Note!

Pointing out possible problems to the user.

### ⚠ Caution!

Advice for the user to prevent damage to the product.

### ⚠ Warning!

Warnings for the user to prevent personal injury.

Not following these instructions may result in physical injury, damage to the product or damage to the environment!

## 2 Safety

### 2.1 Personnel qualification

Repairs may only be carried out by trained and authorised service technicians.

During the execution of their work, they are at all times fully responsible for the fulfilment of locally applicable safety guidelines and standards.

Temporary employees and persons in training may only carry out repair and replacement work under the supervision of an authorised service technician.

### 2.2 Moving parts

A seating system and wheelchair have moving and rotating parts. Contact with moving parts may result in serious physical injury or damage to the seating system or wheelchair. Contact with the moving parts should be avoided. Identify moving parts in a specific configuration before starting service operations and refer to other applicable service manuals.

### 2.3 Markings on the seating system

Never remove or cover up the markings, symbols and instructions affixed to the seating system. These safety measures must remain present and clearly legible throughout the entire lifespan of the seating system.

Replace or repair any markings, symbols or instructions that have become illegible or damaged immediately. Please contact your dealer for assistance.

#### Product labels

The following sticker/label can be found on the product:



### 3 Parts in box and tools to use

#### 3.1 Parts in box

##### Nuage PLS seating system

- Six shell segments (2x backrest segments, 2x seating segments, 2x calf segments)
- Contour cushion (2x side segments, 2x middle segments, Velcro fixation strap)
- Cover complete, incl. spaghetti stuffing
- Webbing, set for back
- Webbing, set for seat
- User manual

---

##### **Note!**

*Box does not include mounting sets. These interfaces are specific to the wheelchair model used to carry the seating system and need to be ordered separately. Choose a system mounting set, a calf plate mounting set and optionally a headrest mounting set.*

---

##### Nuage PLS Active seating system

- Four shell segments (2x backrest segments, 2x seating segments)
- Contour cushion (2x side segments, 2x middle segments, Velcro fixation strap)
- Cover complete, incl. spaghetti stuffing
- Webbing, set for back
- Webbing, set for seat
- User manual

---

##### **Note!**

*Box does not include mounting sets. These interfaces are specific to the wheelchair model used to carry the seating system and need to be ordered separately. Choose a system mounting set, a calf plate mounting set and optionally a headrest mounting set.*

---

##### Nuage PLS Active XS seating system

- Four shell segments (2x backrest segments, 2x seating segments)
- Contour cushion (2x side segments, 2x middle segments, Velcro fixation strap)
- Cover complete, incl. spaghetti stuffing
- Webbing, set for back
- Webbing, set for seat
- User manual

---

##### **Note!**

*Box does not include mounting sets. These interfaces are specific to the wheelchair model used to carry the seating system and need to be ordered separately. Choose a system mounting set, a calf plate mounting set and optionally a headrest mounting set.*

---

#### Mounting sets

Parts in mounting sets vary per wheelchair model. Order the appropriate sets compatible with your wheelchair model or contact Sunrise Medical for tailor solutions.

#### 3.2 Tools to use

The tools below are needed for various mechanical settings and maintenance:

Quantity	Description	Size (mm)
1	Open-end spanner	10 / 13
1	Torque wrench	T30
1	Allen key	5

---

#### **⚠ Caution!**

*Use only high-quality tools for the adjustment(s) described.*

---



## 4 Spare parts

### 4.1 Use of the parts lists

This document is meant as a reference to order parts for Nuage seating systems.

#### How to order

When ordering parts, please specify:

- ID-number (see the identification plate)
- Group (to which the relevant part belongs)
- Article number
- Number of parts required
- Description (in the relevant language)
- Dimensions (if applicable)

#### Remark

- If a part does not have an article number, it means that the part concerned cannot be purchased separately. The part concerned is part of the assembly shown. This assembly must be ordered as one piece. It has to be replaced in its entirety.
- Boxed position numbers refer to the relevant drawing.

#### Order address

Please mail or fax your orders to Sunrise Medical.

#### Service technicians

Repairs may only be carried out by trained and authorised service technicians. During the execution of their work they are at all times fully responsible for the fulfilment of locally applicable safety guidelines and standards.

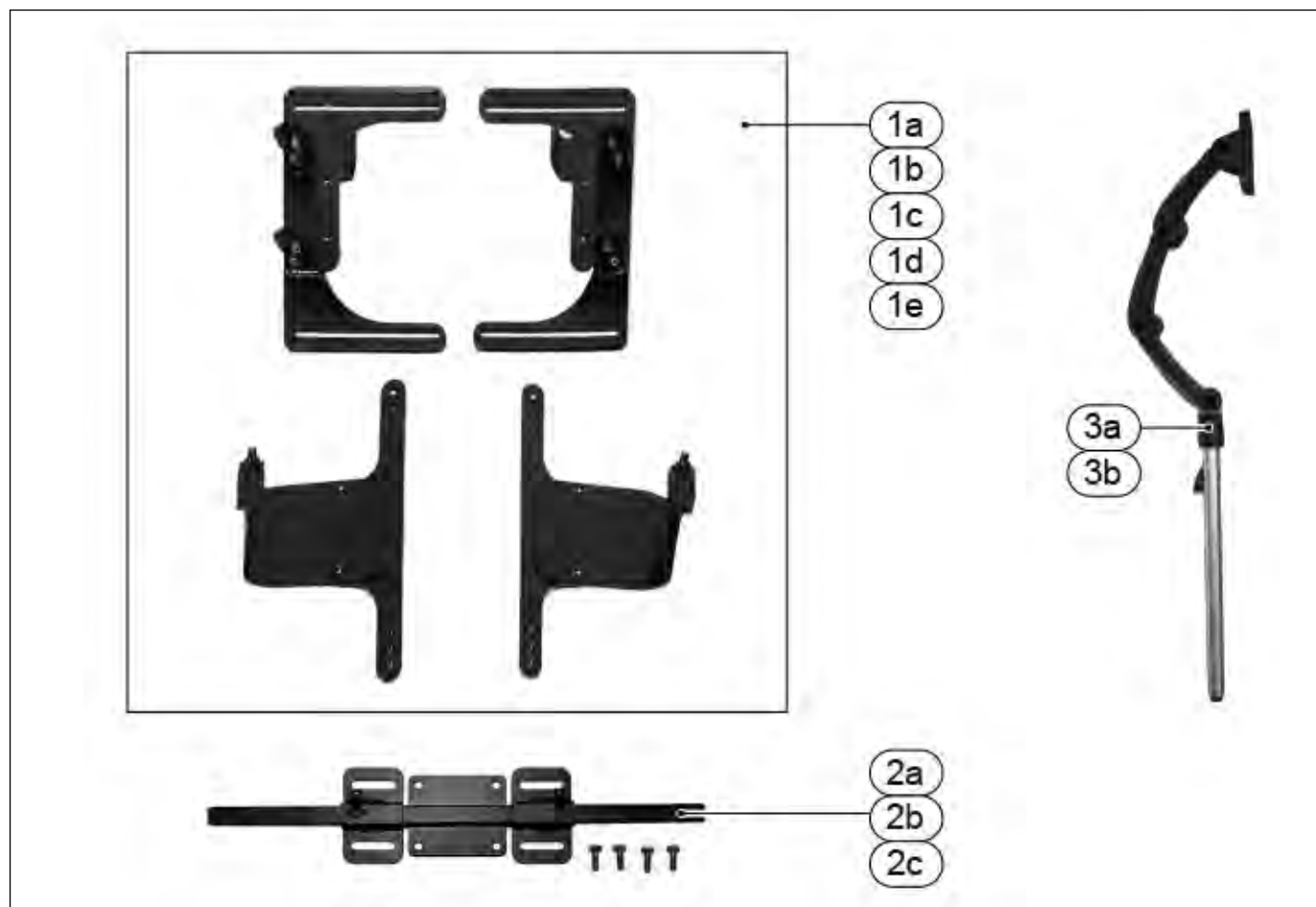
Temporary employees and persons in training may only carry out repair and replacement work under the supervision of an authorised service technician.

## 01 Nuage systems



Pos	Qty	Article number	Description
1	-	1017721	Nuage PLS II, complete, with contour cushion
2	-	1017722	Nuage PLS Active II, complete, including contour cushion
3	-	1017723	Nuage PLS Active XS, complete, including contour cushion
4	-	1019551	Nuage PLS II with integrated abduction cushion, complete, including contour cushion
5	-	1019552	Nuage PLS Active II with integrated abduction cushion, complete, including contour cushion
6	-	1019553	Nuage PLS Active XS with integrated abduction cushion, complete, including contour cushion

## 02 Mounting sets



Pos	Qty	Article number	Description
1a	1*	1017728	Mounting set Nuage PLS series for Ibis with Sedeo Pro
1b	1*	1017727	Mounting set Nuage PLS series for Ibis and Ibis XC/XA with Sedeo Original
1c	1*	1017726	Mounting set Nuage PLS series for Kontiki and BaseOne
1d	1*	1017729	Mounting set Nuage PLS series for Canto
1e	1*	1017730	Mounting set Nuage PLS series for Canto Nxt
2a	1*	1017732	Mounting central calf support, Nuage PLS Active / Active XS for Sedeo Original
2b	1*	1017772	Mounting central calf support, Nuage PLS Active / Active XS for Canto Nxt
2c	1	1017887	Mounting central calf support, Nuage PLS Active / Active XS for Sedeo Pro
3a	1*	1010954	Mounting set headrest, Nuage PLS series for Sedeo Pro
3b	1*	1017748	Mounting set headrest, Nuage PLS series for 15 x 15 mm
-	1*	1018061	Mounting set Nuage PLS series for Sedeo Pro orthesis

### Note!

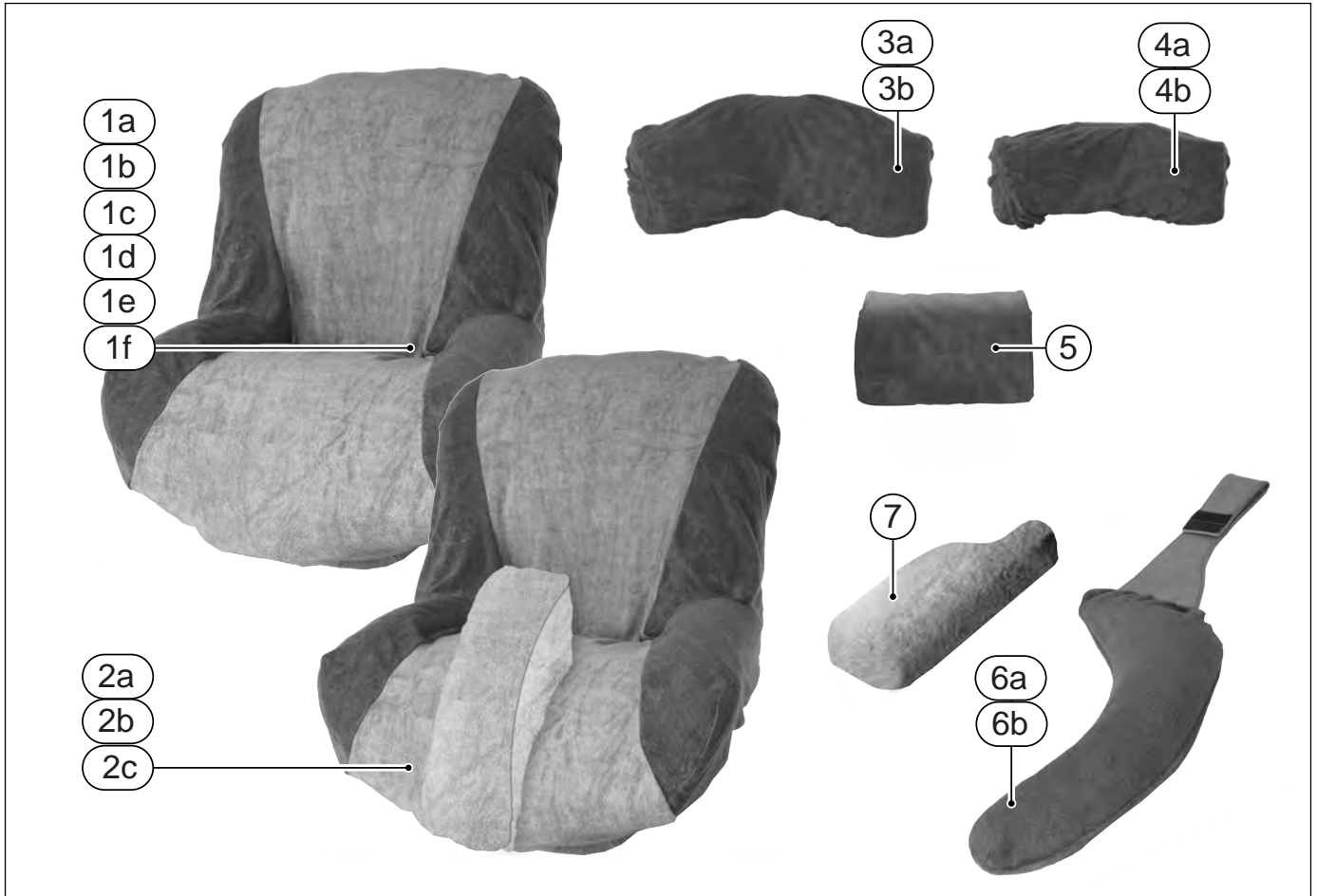
\* Choose mounting sets in accordance with the wheelchair model. Mounting sets vary per wheelchair model and appearance may deviate from the pictures shown.

## 03 Spare parts



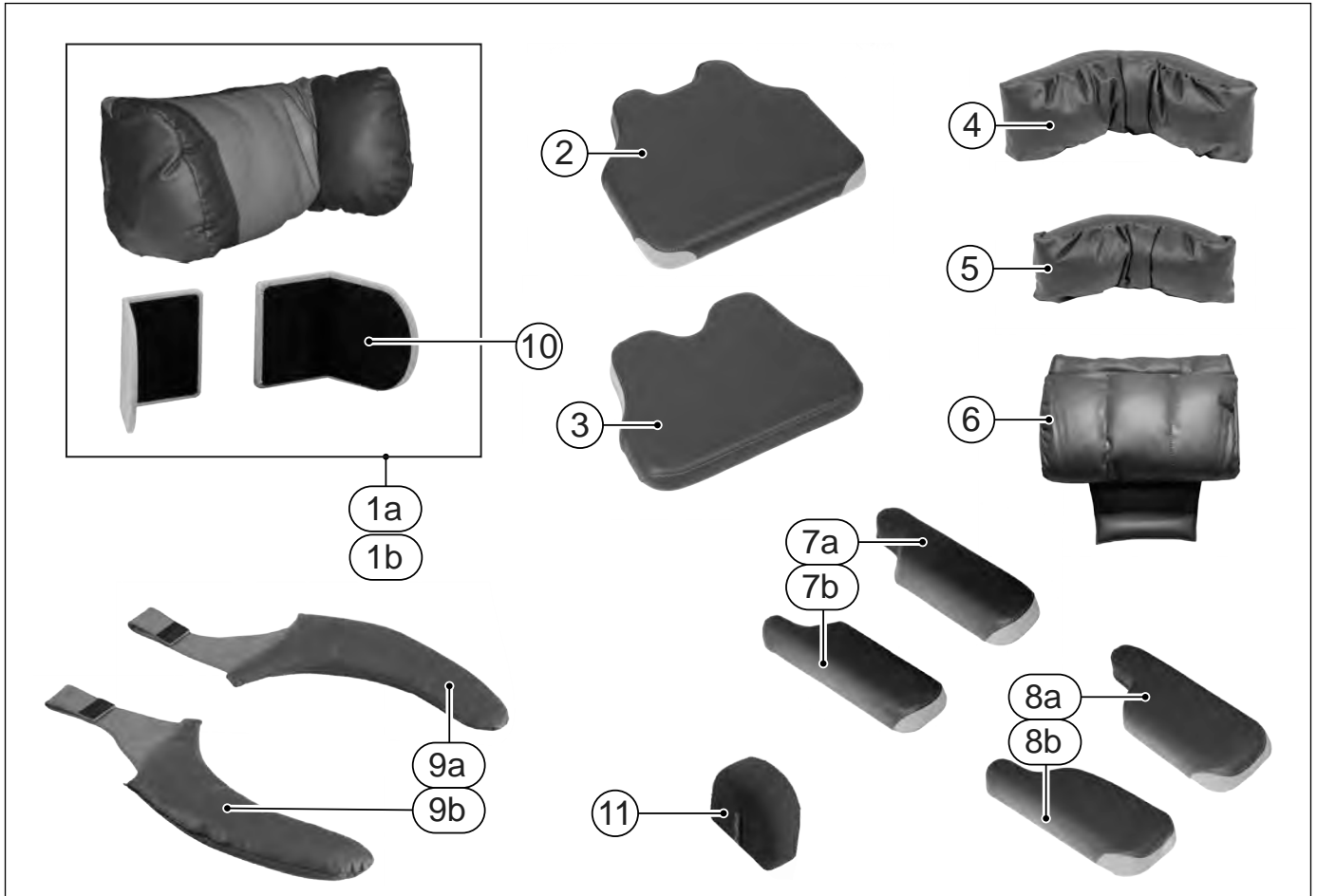
Pos	Qty	Article number	Description
1a	1	1017756	Cover complete, incl. spaghetti stuffing, Nuage PLS
1b	1	1017757	Cover complete, incl. spaghetti stuffing, Nuage PLS Active
1c	1	1017758	Cover complete, incl. spaghetti stuffing, Nuage PLS Active XS
1d	1	1019554	Cover with integrated abduction cushion, complete, incl. spaghetti stuffing, Nuage PLS
1e	1	1019555	Cover with integrated abduction cushion, complete, incl. spaghetti stuffing, Nuage PLS Active
1f	1	1019556	Cover with integrated abduction cushion, complete, incl. spaghetti stuffing, Nuage PLS Active XS
2	1	1019549	Contour cushion (2x side segments, 2x middle segments, Velcro fixation strap), Nuage PLS series
3	1	1017759	Cover for headrest, Nuage PLS series
4	1	1017760	Cover for headrest small, Nuage PLS series
5	1	1019544	Shell parts, set for Nuage PLS II / Nuage PLS Active II without calf support
6	1	1019545	Shell parts, set for Nuage PLS Active XS without calf support
7	1	1017770	Braces for terry covers
8	-	1017771	Spaghetti stuffing (per kilo)
9a	1	1017766	Webbing, set for back, Nuage PLS I / Nuage PLS Active I
9b	1	1017767	Webbing, set for back, Nuage PLS Active XS
10	1	1017768	Webbing, set for seat, Nuage PLS I / Nuage PLS Active I / Nuage PLS Active XS
11	1	1019546	Webbing set (14 Velcro webbing straps), Nuage PLS II / Nuage PLS Active II

## 04 Covers



Pos	Qty	Article number	Description
1a	1	1017750	Bamboo terry cover, Nuage PLS
1b	1	1018586	Terry cover, Nuage PLS
1c	1	1017751	Bamboo terry cover, Nuage PLS Active
1d	1	1018587	Terry cover, Nuage PLS Active
1e	1	1017752	Bamboo terry cover, Nuage PLS Active XS
1f	1	1018588	Terry cover, Nuage PLS Active XS
2a	1	1019557	Bamboo terry cover, Nuage PLS with integrated abduction cushion
2b	1	1019558	Bamboo terry cover, Nuage PLS Active with integrated abduction cushion
2c	1	1019559	Bamboo terry cover, Nuage PLS Active XS with integrated abduction cushion
3a	1	1017754	Bamboo terry cover for headrest, Nuage PLS series
3b	1	1018590	Terry cover for headrest, Nuage PLS series
4a	1	1017755	Bamboo terry cover for headrest small, Nuage PLS series
4b	1	1018591	Terry cover for headrest small, Nuage PLS series
5	1	1019561	Bamboo terry cover for drop-shaped head roll cushion, Nuage PLS series
6a	2	1017753	Bamboo terry cover for flexible armrest pads, piece, Nuage PLS series
6b	2	1018589	Terry cover for flexible armrest pads, piece, Nuage PLS series
7	2	1019560	Bamboo terry cover for P-shaped armrest pads 12 and 16 cm wide, piece, Nuage PLS series

## 05 Accessories



Pos	Qty	Article number	Description
1a	1	1017733	Central calf support, Nuage PLS Active
1b	1	1017773	Central calf support, Nuage PLS Active XS
2	1	1017734	Footplate, Nuage PLS series
3	1	1017735	Footplate small, Nuage PLS series
4	1	1017745	Headrest, Nuage PLS series
5	1	1017746	Headrest small, Nuage PLS series
6	1	1017747	Drop-shaped head roll cushion, Nuage PLS series
7a	1	1017739	P-shaped armrest pad 16 cm wide, left, Nuage PLS series
7b	1	1017742	P-shaped armrest pad 16 cm wide, right, Nuage PLS series
7a,7b	1	1017736	P-shaped armrests pad 16 cm wide, set, Nuage PLS series
8a	1	1017740	P-shaped armrest pad 12 cm wide, left, Nuage PLS series
8b	1	1017743	P-shaped armrest pad 12 cm wide, right, Nuage PLS series
8a,8b	1	1017737	P-shaped armrests pad 12 cm wide, set, Nuage PLS series
9a	1	1017741	Flexible armrest pad Platilon, left, Nuage PLS series
9b	1	1017744	Flexible armrest pad Platilon, right, Nuage PLS series
9a,9b	1	1017738	Flexible armrests pad Platilon, set, Nuage PLS series
10	1	1018889	Calf support plates, Nuage PLS, Left=Right
11	1	1019550	Extra middle segment contour cushion, Nuage PLS, Nuage PLS Active
-	1	1017264	Folding worktop, acrylic, 700 mm, for Ibis Pro with Nuage

## 5 Service instructions

### 5.1 Glossary

Nuage PLS – Seating system for full body and leg support of passive users with strongly reduced postural stability.

Nuage PLS Active – Seating shell for combined body support and stimulation of (postural) activity in semi-passive users with reduced postural stability.

Nuage PLS Active XS – Seating shell for combined body support and stimulation of (postural) activity in semi-passive children or small adults with reduced postural stability.

Nuage PLS I and Nuage PLS Active I – Seating systems delivered before October 2018.

Nuage PLS II and Nuage PLS Active II – Seating systems delivered after October 2018 with improved webbing adjustment system, using different shell parts and webbing.

Nuage PLS series – refers to all above mentioned seating systems.

Mounting set – Wheelchair model specific mounting interface, mounted between a wheelchair frame and a Nuage PLS seating system.

Shell part – Curved laminated beechwood parts, partially covered with Velcro hook material.

Webbing – Adjustable seat and back webbing straps with Velcro loop material.

Contour cushion – Set of preformed soft seat elements with PU coated seat cover, moulding to the body shape.

Spaghetti stuffing – Cushion filling material (mix of multifiber pellets and pinfoam latex).

### 5.2 Maintenance plan

The maintenance plan is a reference guide for maintenance and inspection of the Nuage PLS seating systems. Below, we have indicated what needs to be checked, how often this should be done and by whom: user (or caregiver) / dealer.

Time span	Description	To be carried out by	
		User	Dealer
Daily	Check hygiene of covers and other surfaces	X	
Every 6 months	Check adjustments		X
	Overall inspection		X

### 5.3 Compatibility with specific wheelchairs and seating systems

Nuage PLS series seating systems are compatible with most common tilt in space wheelchair frames in the market. Mounting requires standard Nuage parts plus wheelchair frame specific mounting sets, used as an interface between the frame and the Nuage seating system. Specific mounting sets are available for: Ibis (and other wheelchairs with Sedeo Pro or Sedeo Original seat frame), Base One, Kontiki, Canto and Canto Nxt wheelchairs. If no mounting set is available for a certain wheelchair frame, please contact Sunrise Medical for custom options.

When fitting a wheelchair with Nuage, check for possible interference with the wheelchair adjustment settings. The use of Nuage PLS series seating systems can cause restrictions to the adjustment range of wheelchair settings, specifically the backrest recline angle.

#### **Caution!**

*Interference might cause damage to the wheelchair or seating system, depending on factors such as seat depth, seat width, use of leg rests, etc.*

### 5.4 Assembly instructions – Nuage PLS series on Ibis wheelchairs with Sedeo Pro

This chapter covers illustrated assembly instructions.

Every separate visual instruction is prefaced with:

- Preparation instructions
- Relevant article numbers
- Tools used
- Info (suggestions and advice to help you carry out tasks or procedures more easily)
- Notices (extra notes covering information you need when executing the specific task)

### 5.4.1 Mounting the seat shell parts

#### Preparation

- Use Sedeo Pro removable armrests with extended armrest sockets.
- Temporarily remove the Sedeo Pro armrests.
- Adjust the Sedeo Pro seat depth to maximum depth for easy access.
- If applicable, also adjust the width of the Sedeo Pro leg rest supports to maximum width.

#### Instructions

The following operations are required to mount the seat shell parts:

- Identify the metal parts for mounting the seat shells and identify left and right metal part.
- Identify left / right seat shell and back / front of the shells: the smallest part is the back of the shell, the widest part is the front.
- Bolt the T-shaped metal part to the rounded metal part, using the appropriate screw holes: middle row for a seat width of 40-50 cm, inner row for a seat width of +50 cm, outer row for a seat width of 30-40 cm.
- Position the metal parts on the seat shells, small protrusions pointing to the back.
- Bolt the T-shaped metal parts to the seat shells with hex bolts.
- Position the metal parts with shell parts attached on the Sedeo Pro seat frame, aligning them with the extended armrest holders.
- Screw the metal parts to the seat frame.
- Adjust the seat width according to the instructions in the user manual and tightening the fixation screws.

#### Relevant article numbers

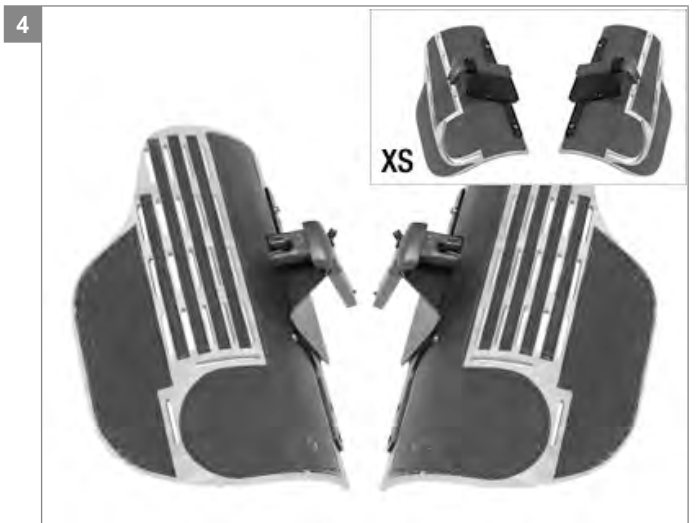
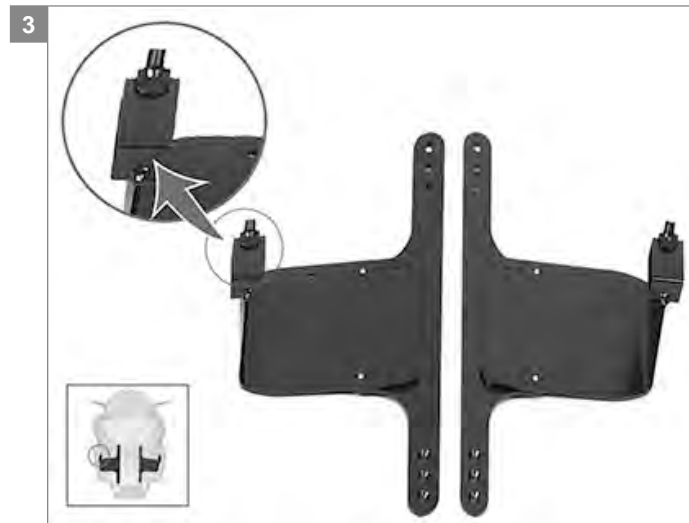
- 1017728 Mounting set Nuage PLS series for Sedeo Pro
- 1019544 Shell part, set for Nuage PLS II / Nuage PLS Active II without calf support
- 1019544 Shell part, set for Nuage PLS Active XS without calf support

#### Tools used

- Torque wrench T30
- Allen key 5
- open-end spanner 10 / 13







## 5.4.2 Mounting the back shell parts

### Instructions

The following operations are required to mount the back shell parts:

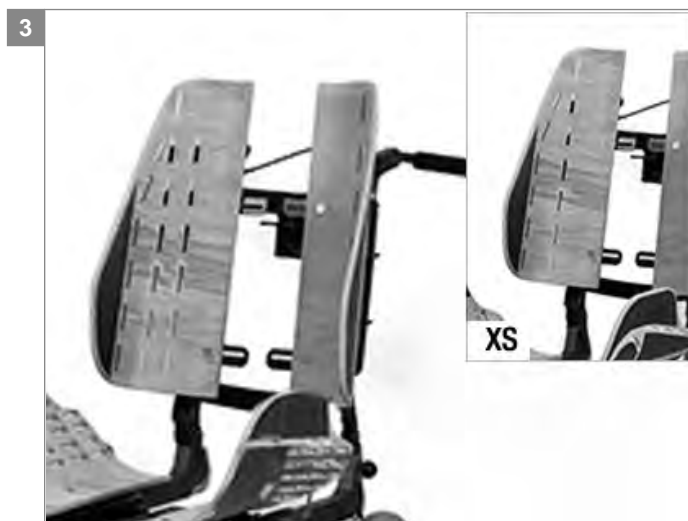
- Identify the metal parts for mounting the back shells.
- Identify left and right metal part.
- Screw the metal parts to the Sedeo Pro backrest frame.
- Identify left and right back shell.
- Adjust the backrest angle to an angle between 95 and 110°.
- Screw the back shell parts on the metal parts.
- Adjust the back shell parts according to the instructions in the user manual.

### Relevant article numbers

- 1017728 Mounting set Nuage PLS series for Sedeo Pro
- 1019544 Shell part, set for Nuage PLS II / Nuage PLS Active II without calf support
- 1019544 Shell part, set for Nuage PLS Active XS without calf support
- 1017907 Sedeo Pro seat frame with seat shell backrest frame
- 1018061 Mounting set Nuage PLS series for Sedeo Pro orthosis

### Tools used

- Torque wrench T30
- Allen key 5
- open-end spanner 10 / 13



### 5.4.3 Fitting the webbing (Nuage PLS II / Nuage PLS Active II)

#### Preparation

- Adjust the seat width and backrest width according to the instructions in the user manual.
- Identify the webbing sets: 14 identical webbing straps in total with Velcro ends.
- Put aside 3 webbing straps to fit the contour cushion.
- In the backrest identify which rows of 7 slotted holes are best used to accommodate the user. The middle row marked in black in the drawing suits the average user.
- In the seat identify which rows of 4 slotted holes are best used to accommodate the user. The middle row marked in black in the drawing suits the average user.

#### Instructions

The following operations are required to fit the webbing:

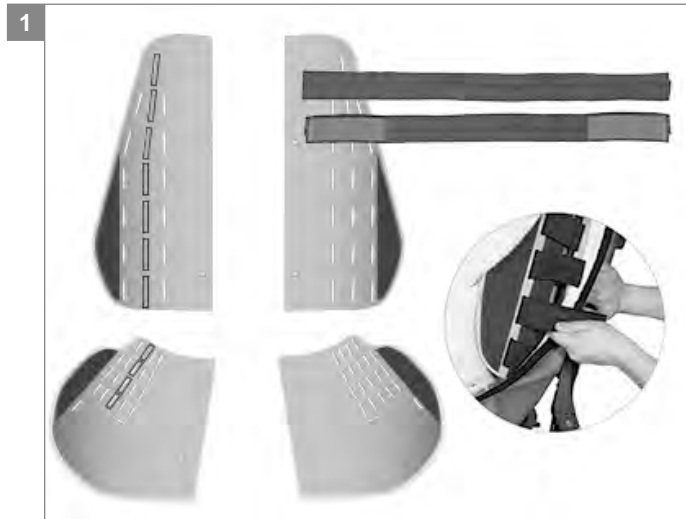
- Loop the webbing straps through the chosen set of slotted holes in the shell parts.
- Put tension on the webbing straps by stretching them to

about 110% of their length and attach on the outside of the shells with Velcro.

- For detailed information please refer to the user manual.

#### Relevant article numbers

- 1019546 Webbing set (14 Velcro webbing straps), Nuage PLS II / Nuage PLS Active II



#### 5.4.4 Fitting the webbing (Nuage PLS Active XS)

##### Preparation

- Adjust the seat width and backrest width according to the instructions in the user manual.
- Identify the back webbing set: six webbing straps with adjustable buckles plus one simple webbing strap.
- Identify the seat webbing set: four webbing straps with adjustable buckles and four simple webbing straps.
- Decide if you want to use the four simple webbing straps at the front of the seat or alternatively the contour cushion.

##### Instructions

The following operations are required to fit the back webbing:

- Loop the simple webbing strap through the top slotted holes in the shell parts and attach on the outside of the backrest shells with Velcro.
- Loop the adjustable webbing straps through the other slotted holes (two per strap per side) and attach on the outside of the backrest shells with Velcro.

- Use the buckles and Velcro to adjust the strap tension.
  - For detailed information please refer to the user manual.
- The following operations are required to fit the seat webbing:
- Loop the adjustable webbing straps through the four back slotted holes (two per strap per side) and attach on the outside of the seat shells with Velcro.
  - Use the buckles and Velcro to adjust the strap tension. If you choose to use the contour cushion, see next page.
- Otherwise:
- Loop the simple webbing straps through the large curved slotted holes in the shell parts. Distribute the straps equally over the length of the curved slot. Attach the straps on the outside of the seat shells with Velcro.
  - For detailed information please refer to the user manual.

##### Relevant article numbers

- 1017767 Webbing, set for back, Nuage PLS Active XS
- 1017769 Webbing, set for seat, Nuage PLS Active XS



### 5.4.5 Fitting the contour cushion

#### Preparation

- Identify the contour cushion elements: 2 side segments, 2 middle segments and a Velcro strap.
- Identify 3 simple webbing straps to fit the contour cushion.
- Determine the number of cushion segments to use:

	S	M	L
# segments	3	4	5
Pricelist width	30-40 cm	40-50 cm	> 50 cm
Effective seat width	38 cm	46 cm	53 cm
Width seat shells	50 cm	58 cm	65 cm

#### Instructions

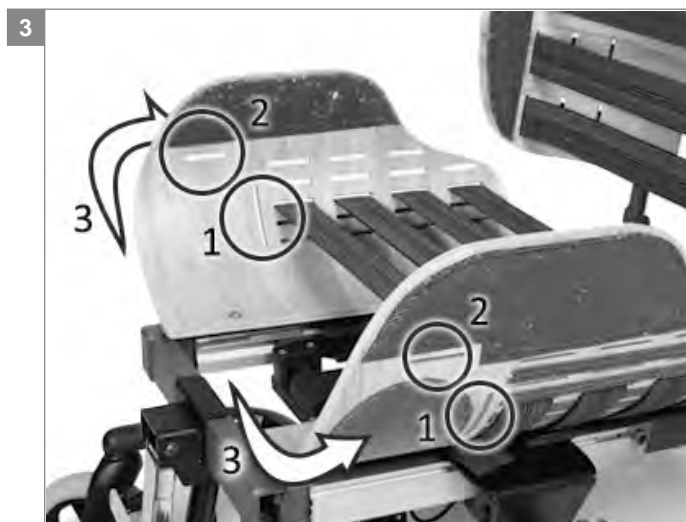
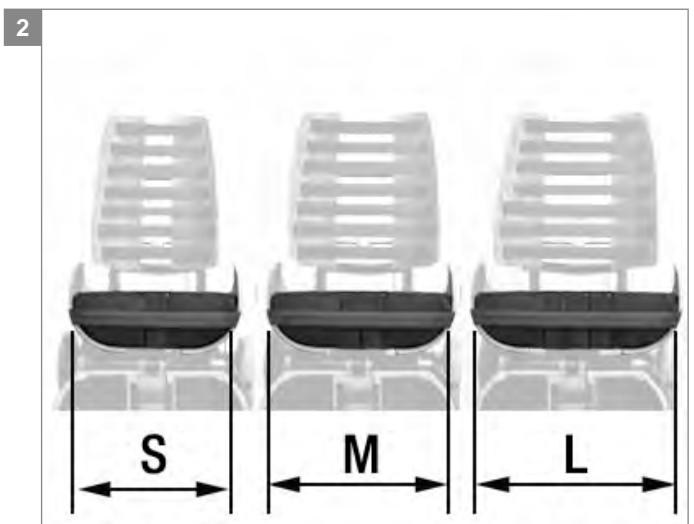
The following operations are required to fit the contour cushion:

- Attach the Velcro strap to the bottom side of the cushion segments to hold them together.
- Loop a webbing strap through the 2 vertical slotted holes

- and attach on the outside of the seat shells with Velcro.
- Place the contour cushion on the seat, back side of the cushion against the strap.
- Loop a webbing strap through the top slotted holes in the shell parts over the top of the cushion. Attach the strap on the outside of the seat shells with Velcro.
- Place a webbing strap against the front of the contour cushion and attach directly on the outside of the seat shells with Velcro.
- For detailed information please refer to the user manual.

#### Relevant article numbers

- 1019549 Contour cushion, Nuage PLS series
- 1019550 Extra middle segment contour cushion, Nuage PLS, Nuage PLS Active
- 1019546 Webbing set (14 Velcro webbing straps), Nuage PLS II / Nuage PLS Active II
- 1017767 Webbing, set for seat, Nuage PLS Active XS



### 5.4.6 Mounting the calf plates

#### Instructions

The following operations are required to mount the calf plates on a Sedeo Pro central legrest:

1. Use the bolts to attach the calf support mounting to the Sedeo Pro central legrest.
2. Mount the metal rod (15 x 15) on the calf support mounting set, (use distance bushes).
3. Fixate the calf plates on the calf support tubes screwing four Torx socket head screws in the designated holes in the calf plates.
4. Place the calf support bushes on the metal rod and attach with the bolts.

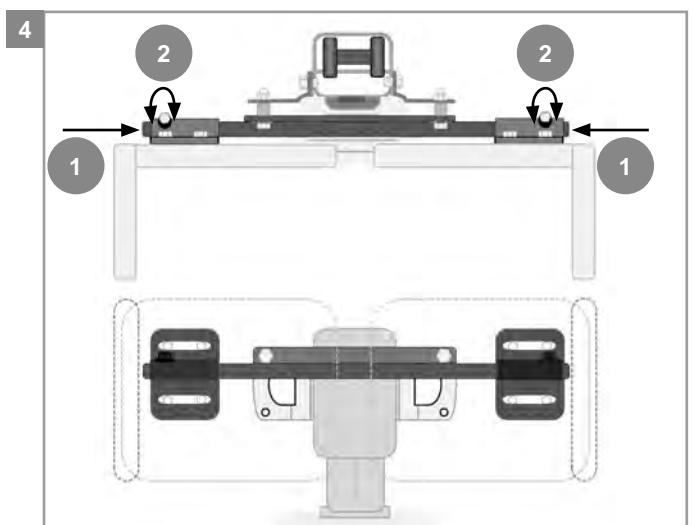
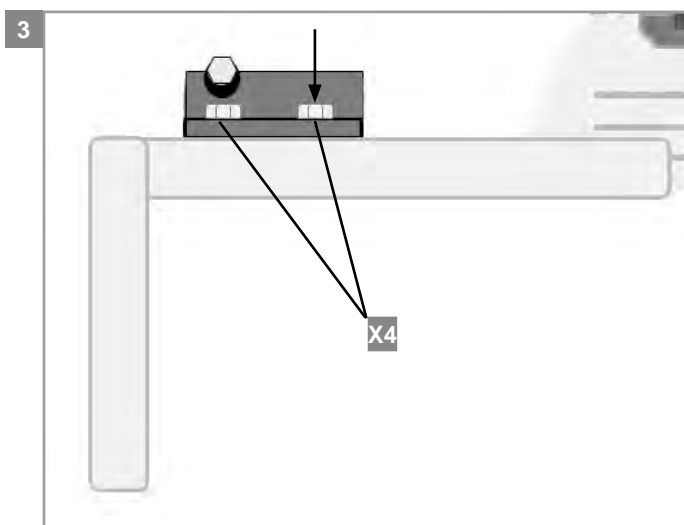
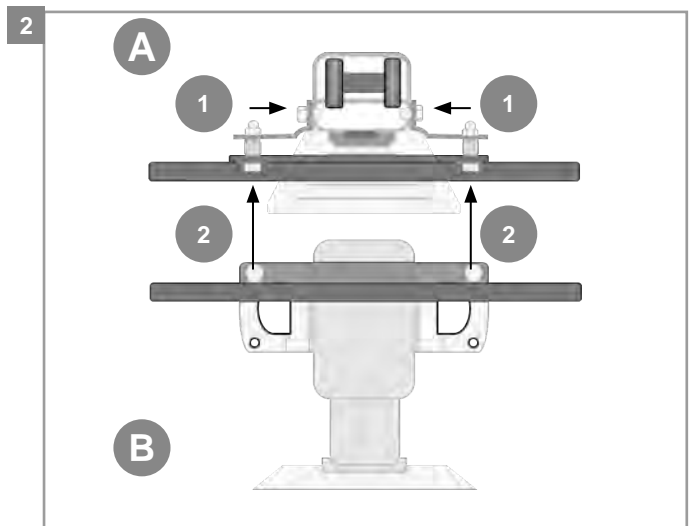
**NOTE:** Frame 2: A = Top View, B = Front View.

#### Relevant article numbers

- 1017732 Mounting central calf support
- 1017733 Central calf support, Nuage PLS Active
- 1017773 Central calf support, Nuage PLS Active XS

#### Tools used

- Torque wrench T30
- Allen key 5
- Open-end spanner 10 / 13



### 5.4.7 Fitting the cover

#### Instructions

The following operations are required to assemble the fit the cover:

- Drape the stretch cover over the seat, positioning the padded cushion inserts inside the contours of the seat and backrest shells.
- Temporarily lift the back flap of the cover
- At the back of the cover, pull on the elastic cords in the cover seams.
- Use the cord lock stoppers to tighten the cord.
- Knot the elastic cord.
- Close the back flap.
- Tighten the flap by attaching the Velcro straps in the flap corners to the Velcro hook material on the seat shell.

#### Relevant article numbers

- 1017756 Cover complete, incl. spaghetti stuffing, Nuage PLS
- 1017757 Cover complete, incl. spaghetti stuffing, Nuage PLS Active
- 1017758 Cover complete, incl. spaghetti stuffing, Nuage PLS Active XS
- 1019554 Cover with integrated abduction cushion, complete, incl. spaghetti stuffing, Nuage PLS
- 1019555 Cover with integrated abduction cushion, complete, incl. spaghetti stuffing, Nuage PLS Active
- 1019556 Cover with integrated abduction cushion, complete, incl. spaghetti stuffing, Nuage PLS Active XS



### 5.4.8 Mounting the foot plate

**Instructions**

The following operations are required to mount a Nuage PLS series footplate on a Sedeo Pro foot plate:

- Pinch holes for the bolts in the footplate cover.
- Place the Nuage PLS series footplate and the Sedeo Pro footplate upside down.
- Drill four holes in the Sedeo Pro footplate.
- Attach the Sedeo Pro footplate to the Nuage PLS series footplate tightening the four bolts in the four designated holes with an open-end spanner.

**Relevant article numbers**

- 1017734 Footplate, Nuage PLS series
- 1017735 Footplate small, Nuage PLS series

**Tools used**

- Screw driver
- Open-end spanner 10 / 13

1





### 5.4.9 Mounting and placing armrest pads

**Preparations**

Use Sedeo Pro removable armrests with extended armrest sockets and armrest upper parts.

**Instructions**

The following operations are required to mount and place the Nuage PLS series armrest pads on Sedeo Pro removable armrests:

- Pinch holes for the bolts in the armrest pad covers.
- Mount Sedeo Pro clamp nuts on the armrest pad screwing Torx socket head screw in the designated holes.
- Slide the clamp nuts in the slot of the armrest receiver.
- Tighten the Torx socket head screws.
- Place the armrest in the armrest holder and tighten the handle.

**Relevant article numbers**

- 1017736 P-shaped armrest pads 16 cm wide, set, Nuage PLS series
- 1017737 P-shaped armrest pads 12 cm wide, set, Nuage PLS series

**Tools used**

- Screw driver
- Allen key 5

1



#### 5.4.10 Mounting and placing a headrest

**Instructions**

The following operations are required to mount and place the headrest:

- Attach the headrest to the Sedeo Pro headrest metal parts screwing two Torx socket head screws in the designated holes in the Nuage PLS series headrest.
- Slide the headrest metal parts in the headrest receiver on the wheelchair push bar.

**Relevant article numbers**

- 1017745 Headrest, Nuage PLS series
- 1017746 Headrest small, Nuage PLS series
- 1017749 Mounting set headrest, Nuage PLS series for Sedeo Pro

**Tools used**

- Torque wrench T30

1



## 5.5 Assembly instructions – Nuage PLS series on Ibis wheelchairs with Sedeo Original

### 5.5.1 Mounting a Nuage PLS series seating system on an Ibis wheelchair with Sedeo Original

#### Preparation

- Temporarily remove the Sedeo armrests.
- Adjust the Sedeo seat depth to maximum depth for easy access.
- If applicable, also adjust the width of the Sedeo leg rest supports to maximum width.

#### Instructions

The following operations are required to mount the seat shell parts:

- Identify the metal parts for mounting the seat shells.
- Identify left and right metal part / left and right seat shell.
- Position the metal parts on the seat shells, the indentations pointing to the back as shown.
- Screw the metal parts to the seat shells. For Nuage PLS and nuage PLS Active, use the screw holes closest from the armrests For Nuage PLS Active XS, use the screw holes in the middle row and farthest from the armrests.
- Screw the shell parts on the Sedeo seat frame.

For further instructions about assembling a Nuage PLS series seating system on an Ibis wheelchair with Sedeo Original seat frame, please refer to the instructions in paragraph "", starting at "". Note that details can vary slightly. For mounting a headrest on a Sedeo Original frame, use the mounting set headrest, Nuage PLS series for Sedeo Original.

#### Relevant article numbers

- 1017727 Mounting set Nuage PLS for Ibis and Ibis XC/XA
- 1019544 Shell part, set for Nuage PLS II / Nuage PLS Active II without calf support
- 1019544 Shell part, set for Nuage PLS Active XS without calf support
- 1017748 Mounting set headrest, Nuage PLS series for Sedeo Original

#### Tools used

- Allen key 5
- open-end spanner 10 / 13



## 5.6 Assembly instructions – Nuage PLS series on Base One and Kontiki wheelchairs

### 5.6.1 Mounting a Nuage PLS series seating system on a Base One or Kontiki wheelchair

#### Preparation

- Temporarily remove the armrests.
- Adjust the seat depth to maximum depth for easy access.
- If applicable, also adjust the width of the leg rest supports to maximum width.

#### Instructions

The following operations are required to mount the seat shell parts:

- Identify the metal parts for mounting the seat shells.
- Identify left and right metal part / left and right seat shell.
- Position the metal parts on the seat shells, the indentations pointing to the front as shown.
- Screw the metal parts to the seat shells. For Nuage PLS and nuage PLS Active, use the screw holes closest from the armrests. For Nuage PLS Active XS, use the screw holes in the middle row and farthest from the armrests.
- Screw the shell parts on the Sedeo seat frame.

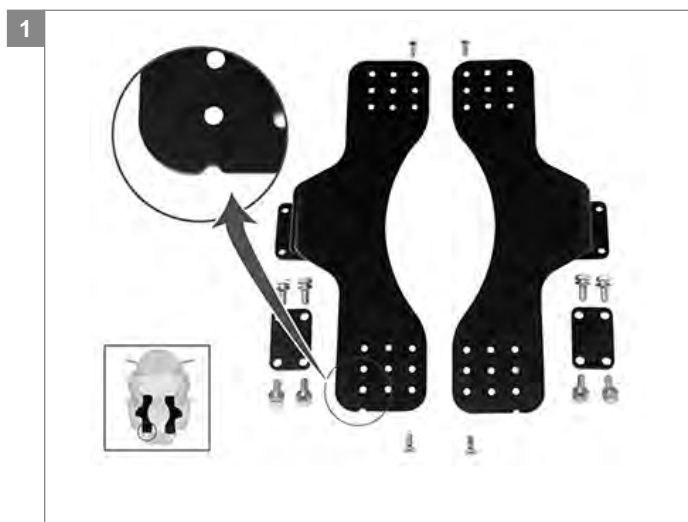
For further instructions about assembling a Nuage PLS series seating system on a Base One or Kontiki wheelchair, please refer to the instructions in paragraph "", starting at "". Note that details can vary slightly.

#### Relevant article numbers

- 1017726 Mounting set Nuage PLS for Kontiki and BaseOne
- 1019544 Shell part, set for Nuage PLS II / Nuage PLS Active II without calf support
- 1019544 Shell part, set for Nuage PLS Active XS without calf support

#### Tools used

- Allen key 5
- open-end spanner 10 / 13



## 5.7 Assembly instructions – Nuage PLS series on Canto Nxt wheelchairs

### 5.7.1 Mounting the seat shell parts

#### Instructions

The following operations are required to mount the seat shell parts:

- Identify the mounting frame with seat plate adapter / left and right metal side part. Identify left and right seat shell.
- Position the metal side parts on the seat shells, the blunt angles and indentations pointing to the back as shown, welded nuts towards the inside of the shell parts.
- Screw the metal side parts to the seat shells with hexagonal socket head screws M6. Use the second of three screw holes for standard seat depth.
- Screw the side metal parts with shells attached on the seat plate adapter, using M6 screws and washers.
- Adjust the seat width (can also be readjusted later).
- Position the mounting frame on the Canto Nxt seat frame.
- Clamp the fixation on the front of the mounting frame on the central legrest receiver tube using the clamping strip and screws provided.

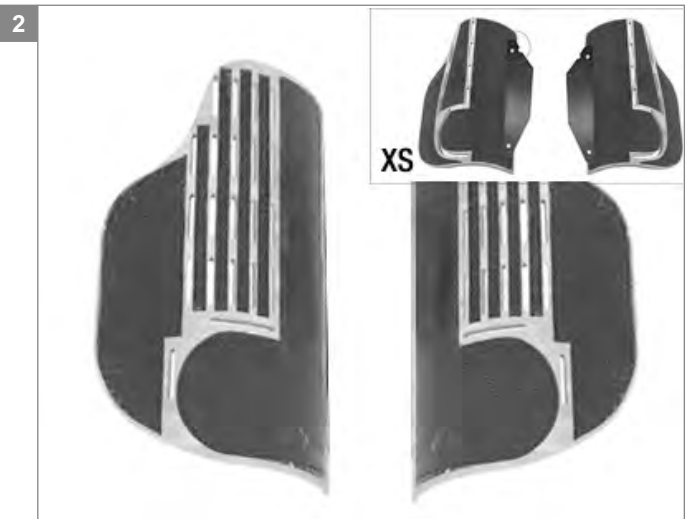
- Clamp the fixation on the back of the frame on the seat Canto Nxt frame using two clamp strips and screws and nuts provided.
- Also clamp the mounting frame on the side tubes of the seat frame.
- Check that the mounting frame is firmly clamped to the back, front and sides of the seat frame, and that the seat shell parts are firmly connected to mounting frame.

#### Relevant article numbers

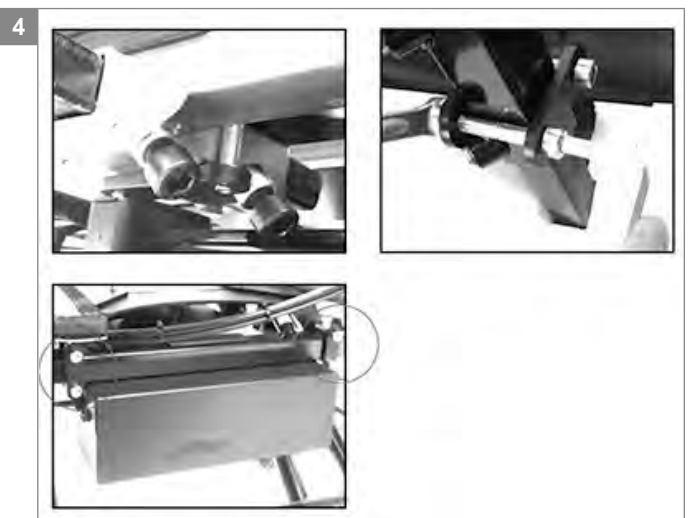
- 1017730 Mounting set Nuage PLS for Canto Nxt
- 1019544 Shell part, set for Nuage PLS II / Nuage PLS Active II without calf support
- 1019544 Shell part, set for Nuage PLS Active XS without calf support

#### Tools used

- Allen key 6



Distance between seat shell parts 50 to 63 cm



Clamp on front, back and sides of the seat frame.

## 5.7.2 Mounting the back shell parts

### Preparations

Adjust the backrest angle to at least 110°.

### Instructions

The following operations are required to mount the back shell parts:

- Identify left and right mounting frames. Identify left and right back shell.
- On the Canto Nxt backrest frame, remove the O-rings from the upper notch and slide the rubber handles slightly up.
- First mount the left mounting frame:
- Place the welded plate at the bottom over the bottom notch on the Canto Nxt back frame.
- Clamp the left mounting frame to the Canto Nxt back frame with the aluminium clamping blocks.
- Position the headrest holder and right mounting frame in place.

- Now also clamp the right mounting frame to the Canto Nxt back frame.
- Slide the rubber handles back into place.
- Check that the mounting frame and headrest holder are firmly connected.
- Screw the left / right back shell parts on the adjustment slots in the left/right mounting frame.

### Relevant article numbers

- 1017730 Mounting set Nuage PLS for Canto Nxt
- 1019544 Shell part, set for Nuage PLS II / Nuage PLS Active II without calf support
- 1019544 Shell part, set for Nuage PLS Active XS without calf support

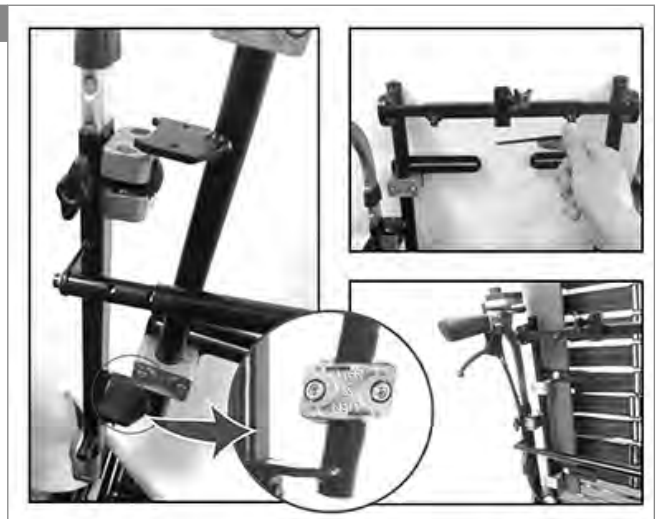
### Tools used

- Allen key 5
- Open-end spanner 10 / 13

1



2



### 5.7.3 Mounting other parts and fitting the webbing and cover

#### Preparation

- If applicable, remove the standard calf plates and standard foot plate.

#### Instructions

The following operations are required to mount the calf plates on a Canto Nxt central legrest:

- Use the bolts to attach the calf support mounting to the Canto Nxt central legrest.
- Fixate the calf plates on the calf support screwing four Torx socket head screws in the designated holes in the calf plates.

For instructions about fitting the webbing and cover, please refer to "5.4.3 Fitting the webbing (Nuage PLS II / Nuage PLS Active II)" and "5.4.7 Fitting the cover".

The following operations are required to mount the foot plate:

- Align the footplates and mark the bolt holes.
- Pinch holes for the bolts in the footplate cover.
- Bolt the Nuage PLS series foot plate on the original footplate with two hex bolts M6.

The following operations are required to mount and place the armrest pads:

- Align the armrest pads with the T-shaped armrest and mark the bolt holes.
- Pinch holes for the bolts in the armrest pad covers.
- Bolt the armrest pads on the armrest.

The following operations are required to mount and place the headrest:

- Mount the headrest holder simultaneously with the back frame, see "5.7.2 Mounting the back shell parts".
- Place the headrest in the hold and tighten the adjustment knob.

#### Relevant article numbers

- 1017772 Mounting central calf support, Nuage PLS Active / Active XS for Canto Nxt
- 1017733 Central calf support, Nuage PLS Active
- 1017773 Central calf support, Nuage PLS Active XS

#### Tools used

- Screw driver
- Allen key 5
- Open-end spanner 10 / 13

1



2



## 5.8 Assembly instructions – Nuage PLS series on Canto wheelchairs

### 5.8.1 Mounting a Nuage PLS series seating system on a Canto wheelchair

#### Preparation

- Temporarily remove the armrests.
- Adjust the seat depth to maximum depth.
- If applicable, also adjust the width of the leg rest supports to maximum width.

#### Instructions

The following operations are required to mount the seat shell parts:

- Identify the metal parts for mounting the seat shells.
- Identify the seat plate adapter / left and right metal side part / left and right seat shell.
- Position the seat plate adapter in the center of the seat frame as if it were a Matrixx seat.
- Clamp the extra fixation on the central legrest receiver tube.
- Position the metal side parts on the seat shells, the blunt angles and indentations pointing to the back as shown, welded nuts towards the inside of the shell parts.
- Screw the metal parts to the seat shells.
- Screw the shell parts via the side metal parts on the seat plate adapter.

The following operations are required to mount the back shell parts:

- Identify the metal parts for mounting the back shells.
- Identify left and right metal part.
- Clamp the aluminium clamping blocks on the upper fixation notches of the Matrixx back frame.
- Identify left and right back shell.
- Use hex bolts to attach the back shell parts to the metal parts.
- Adjust the backrest angle to an angle between 95° and 110°.

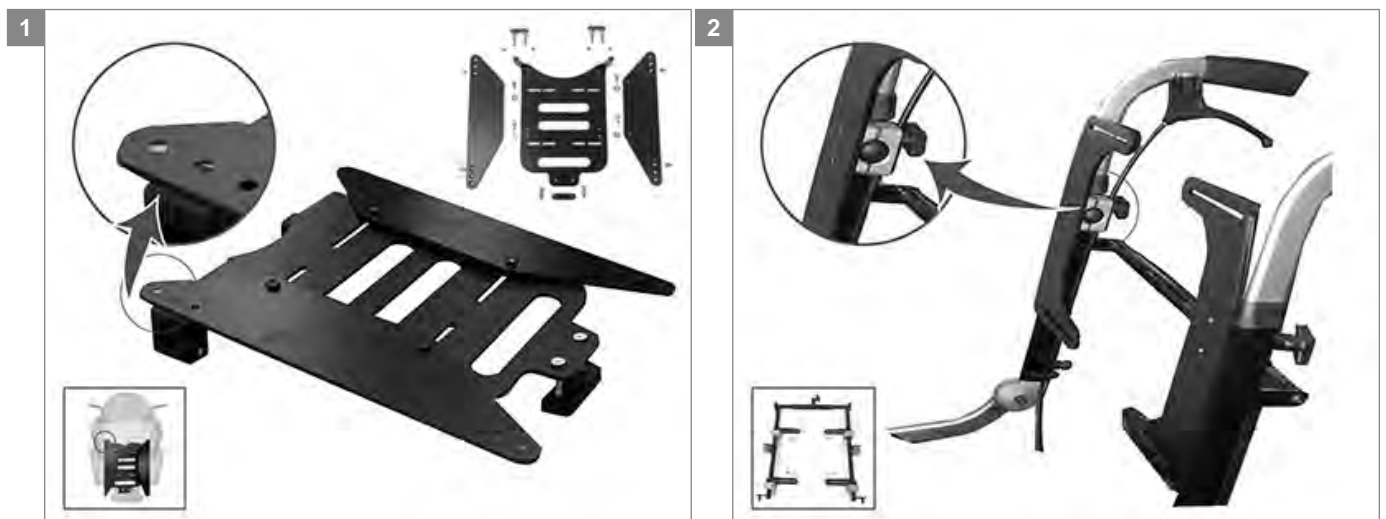
For instructions about mounting other parts and fitting the webbing and cover, please refer to the instructions "5.7 Assembly instructions – Nuage PLS series on Canto Nxt wheelchairs". Note that details can vary slightly.

#### Relevant article numbers

- 1017729 Mounting set Nuage PLS for Canto
- 1019544 Shell part, set for Nuage PLS II / Nuage PLS Active II without calf support
- 1017772 Mounting central calf support, Nuage PLS Active / Active XS for Canto Nxt
- 1019544 Shell part, set for Nuage PLS Active XS without calf support

#### Tools used

- Allen key 5
- Open-end spanner 10 / 13





## 6 Troubleshooting

Possible cause	Check
Seating system not working as it should	Contact your supplier.
Problems with assembling or adjusting the seating system correctly	Contact your supplier
Needing instructions for mounting a Nuage seating system on wheelchair configurations other than mentioned	Contact your supplier

## 7 Technical product information

### 7.1 CE Declaration and standards



This product complies with the of COUNCIL DIRECTIVE 93/42/EEC of 14 June 1993/2007 revision concerning medical devices. The product also meets the following requirements and standards. This has been verified by independent test organizations.

Standard	Definition/description
EU guideline 93/42 EEC	Requirements as stated in Annex I apply

### 7.2 Technical specifications

Nuage PLS seating system and Nuage PLS Active seating system

Description	Unit	
Maximum user weight	kg	120
Seat width	mm	380 - 550
Seat depth	mm	400 - 550
Backrest height	mm	550
Armrest width	mm	120 / 160
Footplate width	mm	410
Footplate depth	mm	360
Calf plate depth	mm	150
Calf plate height	mm	200
Integrated abduction cushion height	mm	140

\*Specifications may be influenced by the wheelchair configuration and settings.

\*\*Other specifications are wheelchair dependent.

Nuage PLS Active XS seating system

Description	Unit	
Maximum user weight	kg	80
Seat width	mm	300 - 400
Seat depth	mm	400 - 500
Backrest height	mm	450
Armrest width	mm	120 / 160
Footplate width	mm	350
Footplate depth	mm	250
Calf plate depth	mm	150
Calf plate height	mm	200
Integrated abduction cushion height	mm	140

\*Specifications may be influenced by the wheelchair configuration and settings.

\*\*Other specifications are wheelchair dependent.

## 8 Warranty

THIS GUARANTEE DOES NOT AFFECT YOUR LEGAL RIGHTS IN ANY WAY.

Sunrise Medical\* provides a guarantee, as set out in the warranty conditions, for wheelchairs to its customers covering the following.

### Warranty conditions:

5. Should a part or parts of the wheelchair require repair or replacement as a result of a manufacturing and/or material fault within 24 months or for frame and cross-braces within 5 years after delivery to the customer, then the affected part or parts will be repaired or replaced free of charge. The warranty will only cover manufacturing defects
6. To enforce the warranty, please contact Sunrise Medical Customer Service with the exact details of the nature of the difficulty. Should you be using the wheelchair outside the area covered by the Sunrise Medical customer service agent, repairs or replacement will be carried out by another agency as designated by the manufacturer. The wheelchair must be repaired by a Sunrise Medical designated Customer Service agent, (dealer).
7. For parts, which have been repaired or exchanged within the scope of this warranty, we provide a warranty in accordance with these warranty conditions for the remaining warranty period for the wheelchair in accordance with point 1).
8. For original spare parts which have been fitted at the customer's expense, these will have a 12 months guarantee, (following the fitting), in accordance with these warranty conditions.
9. Claims from this warranty shall not arise, if a repair or replacement of a wheelchair or a part is required for the following reasons:
  - A. Normal wear and tear, which include batteries, armrest pads, upholstery, tyres, brakes shoes, etc.
  - B. Any overloading of the product, please check the EC label for maximum user weight.
  - C. The product or part has not been maintained or serviced in accordance with the manufacturer's recommendations as shown in the user instructions and/or the service instructions.
  - D. Accessories have been used which are not specified as original accessories.
  - E. The wheelchair or part having been damaged by neglect, accident or improper use.
  - F. Changes/modifications have been made to the wheelchair or parts, which deviate from the manufacturer's specifications.
  - G. Repairs have been carried out, before our Customer Service has been informed of the circumstances.
10. This guarantee is subject to the law of the country in which the product was purchased from Sunrise Medical\*

\* Means the Sunrise Medical facility from which the product was purchased.

### Additional Notes For Australia Only:

- i. For goods provided by Sunrise medical Pty Ltd in Australia, our goods come with a guarantee by Sunrise Medical that cannot be excluded under Australian Consumer Law.
- ii. You are entitled to a replacement or refund for a major failure and for compensation for any foreseeable loss or damage.
- iii. You are also entitled to have the goods repaired or replaced if the goods fail to be of acceptable quality and the failure does not amount to a major failure.
- iv. The benefits to you given by this warranty are in addition to your other rights and remedies under a law in relation to the goods to which the warranty relates.

Version	Page	Draw	Changes
2016v1.0	-	-	Updated cover layout
	6	-	Updated image identification plate
	7	-	Updated image product label
	9	-	Updated remark
	11	-	Added article number 1018061 Mounting set Nuage PLS series for Sedeo Pro orthosis
	18	-	Added article number 1017907 Sedeo Pro seat frame with seat shell backrest frame Added article number 1018061 Mounting set Nuage PLS series for Sedeo Pro orthosis
2016v2.0	11	2	<ul style="list-style-type: none"> <li>Added article number 1017887 Mounting central calf support Nuage PLS Active / Active XS for Sedeo Pro</li> <li>Changed description article number 1017732</li> </ul>
2016v3.0	13	4	Added article numbers 1018586, 1018587, 1018588, 1018589, 1018590, 1018591
2018v5.0	8	-	Added parts in a box: contour cushion (2x side segments, 2x middle segments, Velcro fixation strap).
	10	-	Updated article descriptions Added article numbers 1019551, 1019552, 1019553: Nuage PLS Series with integrated abduction cushion
	11	-	Changed article number 1017749 to 1010954 Mounting set headrest, Nuage PLS series for Sedeo Pro
	12	-	Removed article numbers 1017761, 1017762, 1017763, 1017764
	12	1	Added article numbers 1019554, 1019555, 1019556: Covers Nuage PLS Series with integrated abduction cushion
	12	2	Added article number 1019549 Contour cushion (2x side segments, 2x middle segments, Velcro fixation strap), Nuage PLS series
	12	5	Added article number 1019544 Shell parts, set for Nuage PLS II / Nuage PLS Active II without calf support
	12	6	Changed article number 1017782 to 1019545 Shell parts, set for Nuage PLS Active XS without calf support
	12	11	Added article number 1019546 Webbing set (14 Velcro webbing straps), Nuage PLS II / Nuage PLS Active II
	13	2	Added article numbers 1019557, 1019558, 1019559: Bamboo terry covers Nuage PLS Series with integrated abduction cushion
	13	5	Added article number 1019561 Bamboo terry cover for drop-shaped head roll cushion, Nuage PLS series
	13	7	Added article number 1019560 Bamboo terry cover for P-shaped armrest pads 12 or 16 cm wide, piece, Nuage PLS series
	14	-	Removed article numbers 1017724, 1017725, contour cushions
	14	1	Added article number 1017264 Folding worktop, acrylic, 700 mm, for Ibis Pro with Nuage
	14	12	Added article number 1019550 Extra middle segment contour cushion, Nuage PLS, Nuage PLS Active
	16	-	Updated relevant article numbers and images
	18	-	Updated relevant article numbers and images
	19-20	-	Instructions 'Fitting the webbing' are split into two new instructions 'Fitting the webbing (Nuage PLS II / Nuage PLS Active II)' and 'Fitting the webbing (Nuage PLS Active XS)'
	21	-	Added new instructions 'Fitting the contour cushion'
	23, 27-30, 32	-	Updated relevant article numbers



Sunrise Medical S.r.l.  
Via Riva, 20 – Montale  
29122 Piacenza  
Italia  
Tel.: +39 0523 573111  
Fax: +39 0523 570060  
www.SunriseMedical.it

Sunrise Medical AG  
Erlenauweg 17  
CH-3110 Münsingen  
Schweiz/Suisse/Svizzera  
Fon +41 (0)31 958 3838  
Fax +41 (0)31 958 3848  
www.SunriseMedical.ch

Sunrise Medical AS  
Delitoppen 3  
1540 Vestby  
Norge  
Telefon: +47 66 96 38 00  
Faks: +47 66 96 38 80  
post@sunrisemedical.no  
www.SunriseMedical.no

Sunrise Medical AB  
Neogatan 5  
431 53 Mölndal  
Sweden  
Tel: +46 (0)31 748 37 00  
Fax: +46 (0)31 748 37 37  
www.SunriseMedical.se

MEDICCO s.r.o.  
H – Park, Heršpická 1013/11d,  
625 00 Brno  
Czech Republic  
Tel.: (+420) 547 250 955  
Fax: (+420) 547 250 956  
www.medicco.cz  
info@medicco.cz  
Bezplatná linka 800 900 809

Sunrise Medical ApS  
Park Allé 289 G  
DK-2605 Brøndby  
Tlf. 70 22 43 49  
Email: info@sunrisemedical.dk  
www.SunriseMedical.dk

Sunrise Medical Pty. Ltd.  
6 Healey Circuit, Huntingwood,  
NSW 2148,  
Australia  
Phone: 9678 6600,  
Orders Fax: 9678 6655,  
Admin Fax: 9831 2244.  
Australia  
www.sunrisemedical.com.au

Sunrise Medical  
North American Headquarters  
2842 Business Park Avenue  
Fresno, CA, 93727, USA  
(800) 333-4000  
(800) 300-7502  
www.SunriseMedical.com

Sunrise Medical GmbH  
Kahlbachring 2-4  
69254 Malsch/Heidelberg  
Deutschland  
Tel.: +49 (0) 7253/980-0  
Fax: +49 (0) 7253/980-222  
www.SunriseMedical.de

Sunrise Medical  
Thorns Road  
Brierley Hill  
West Midlands  
DY5 2LD  
England  
Phone: 0845 605 66 88  
Fax: 0845 605 66 89  
www.SunriseMedical.co.uk

Sunrise Medical S.L.  
Polígono Bakiola, 41  
48498 Arrankudiaga – Vizcaya  
España  
Tel.: +34 (0) 902142434  
Fax: +34 (0) 946481575  
www.SunriseMedical.es

Sunrise Medical Poland  
Sp. z o.o.  
ul. Elektronowa 6,  
94-103 Łódź  
Polska  
Telefon: + 48 42 275 83 38  
Fax: + 48 42 209 35 23  
E-mail: pl@sunrisemedical.de  
www.Sunrise-Medical.pl

Sunrise Medical B.V.  
Groningenhaven 18-20  
3433 PE NIEUWEGEIN  
The Netherlands  
T: +31 (0)30 – 60 82 100  
F: +31 (0)30 – 60 55 880  
E: info@sunrisemedical.nl  
www.SunriseMedical.nl

Sunrise Medical HCM B.V.  
Vossenbeemd 104  
5705 CL Helmond  
The Netherlands  
T: +31 (0)492 593 888  
E: customerservice@sunrisemedi-  
cal.nl  
www.SunriseMedical.nl  
www.SunriseMedical.eu (Internat-  
ional)

Sunrise Medical S.A.S  
ZAC de la Vrillonnerie  
17 Rue Mickaël Faraday  
37170 Chambray-Lès-Tours  
Tel : + 33 (0) 247554400  
Fax : +30 (0) 247554403  
www.sunrisemedical.fr

