

# ATTITUDE Manual



Status:04/2023

## ORDER FORM

Errors and imissions excepted.

Billing Address Or Customer-ID				Shipping Address		Identical To Billing Address	
C.-ID:				C.-ID:			
Name:				Name:			
Street:				Street:			
Town/PC:				Town/PC:			
E-Mail:				E-Mail:			
Phone:				Phone:			
Order Information				User Weight			
Order	Calculation	Built-4-Me®		<b>Max. user weight: 100 kg</b>			
Purchase Order No.:				<b>User Weight:</b>		<b>kg</b>	
<b>Art. No.: 47500000 / 47500001 IC</b>				Reimbursement Code: xxx			
Order Date:	Day	Month	Year	<b>Base Price</b>		<b>XXX,-</b>	

## Attitude - Model Selection

€

ATT010801	<b>ATTITUDE Manual</b> 1x 11 speed gearing; trigger shifter; rear und front lamp; speedometer; docking system; disk brake; parking brake; handle; v-crank.	XXX,-
-----------	---	-------

## Technical Data Overview

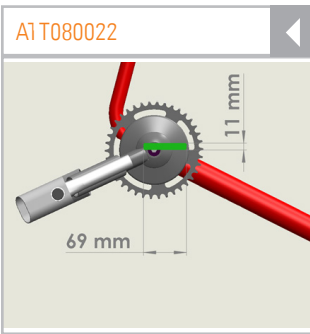
<b>Max. user weight</b>	100 kg	<b>Width of V-crank</b>	470 mm
<b>Front frame width</b>	260 – 460 mm <sup>(1)</sup>	<b>Length of the crank</b>	170 mm
<b>Total weight</b>	14,5 kg	<b>Brake</b>	disc brake (180 mm)
<b>Wheel size</b>	20"	<b>Parking brake</b>	yes
<b>Shifter</b>	thumb shifter/ twist shifter	<b>Frame colors</b>	24
<b>Gears</b>	8 or 11		

## Wheelchair Model - which will be used in combination with the ATTITUDE

€

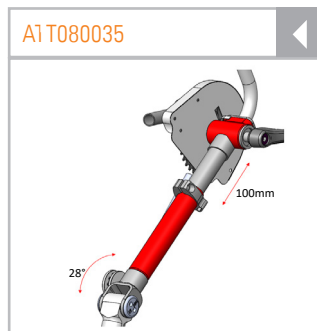
Sunrise Wheelchairs		Other Wheelchairs	
Easy Life T (fixed front frame only)	–	Küschall K-serie; KSL Please note: V-Frames are only suitable up to 5°; please check with your authorized dealer if there are any further NoGo's Fits Kueschall round-tube frames until build date 03/ 2020	XXX,-
Easy Life RT (fixed front frame only)	–	Küschall Advance, Champion Please note: V-Frames are only suitable up to 5°; please check with your authorized dealer if there are any further NoGo's Fits Kueschall round-tube frames until build date 03/ 2020	XXX,-
Easy Life (fixed front frame only)	–	Otto Bock Avantgarde CS/CLT Please note: V-Frames are only suitable up to 5°; please check with your authorized dealer if there are any further NoGo's Only possible for frames without inset	XXX,-
Easy Life R (fixed front frame only)	–	Otto Bock Motus CS Please note: V-Frames are only suitable up to 5°; please check with your authorized dealer if there are any further NoGo's Only possible for frames without inset	XXX,-
Easy 200	–	Meyra Avanti Pro Please note: V-Frames are only suitable up to 5°; please check with your authorized dealer if there are any further NoGo's	XXX,-
Easy Max (fixed front frame only)	–	Meyra Hurricane Please note: V-Frames are only suitable up to 5°; please check with your authorized dealer if there are any further NoGo's	XXX,-
Neon (fixed front frame only)	–	Meyra Nano Please note: V-Frames are only suitable up to 5°; please check with your authorized dealer if there are any further NoGo's	XXX,-
Xenon/Xenon <sup>2</sup> (fixed front frame only)	–	Meyra Smart F Please note: V-Frames are only suitable up to 5°; please check with your authorized dealer if there are any further NoGo's	XXX,-
Argon <sup>2</sup>	–	PRO ACTIV Traveler Please note: V-Frames are only suitable up to 5°; please check with your authorized dealer if there are any further NoGo's	XXX,-
Helium Helium with handbike axle is only approved with frame reinforcement kit for add-on bikes	–	PRO ACTIV Speedy Please note: V-Frames are only suitable up to 5°; please check with your authorized dealer if there are any further NoGo's	XXX,-
Nitrum Nitrum with handbike axle is only approved with frame reinforcement kit for add-on bikes	–	Progeo Joker Please note: V-Frames are only suitable up to 5°; please check with your authorized dealer if there are any further NoGo's	XXX,-
RGK Tiga Please note: V-Frames are only suitable up to 5°; please check with your authorized dealer if there are any further NoGo's	XXX,-	TiLite TR, TRA	XXX,-
QS5 X (fixed front frame only)	–	TiLite Aero T, Z, ZR, ZRA	XXX,-
		Panthera S2, S3, U2, U3, Build 4 me - different lead-times and discount structures	XXX,-
		Panthera U2 Light, U3 Light Build 4 me - different lead-times and discount structures	XXX,-

## Attitude manual adjustment and set-up

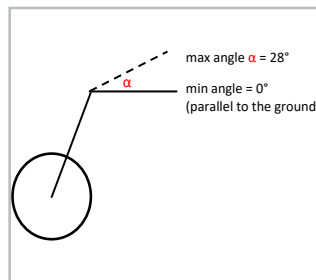


// ATTITUDE Manual with Standard fork: crank position range (adjustment via spacers in the upper docking clamp)

## Attitude manual fork: Angle and depth adjustability



// ATTITUDE Manual / Hybrid - crank position range with option ATT080035 "Fork, angle and depth-adjustability of crank-position "



// **Depth adjustability:** 100mm (+/- 50mm compared to standard fork) continuously adjustable  
**Angle adjustment:** from 0° (parallel to the ground) to 28° continuously adjustable

## B4ME-Options



// To move the pedal position 2 cm closer or up to 6 cm further

**Order process information**

ATT090213	ATTITUDE only - without a related wheelchair order	
ATT090214	ATTITUDE with wheelchair order - on a separate wheelchair order form	
FMG- MA03-3201- 01	B4Me option: Adaptation link -2 to + 6 cm Build 4 me - different lead-times and discount structures	

**Wheelchair front frame width** - measured from outside front frame tube to outside front frame tube

€

260 mm	380 mm
280 mm	400 mm
300 mm	420 mm
320 mm	440 mm
340 mm	460 mm
360 mm	

**Fork** 

€

ATT080034	Fork, Standard	-
ATT080035	Fork, angle and depth-adjustability of crank-position	XXX,-

**Tyres** 

€

ATT070104	Tyre, pneumatic, puncture proof, tread, Schwalbe Marathon Plus Evolution	-
ATT070110	Tyre, pneumatic, tread, Mountainbike	-

**Gear and shifters**

€

ATT070082	Gearing 1x 11 speed	-
	ATT070045 Shifter, trigger	-
ATT070043	Gear hub, 8 speed, coaster brake	-

**Crank and handle** - special length, widths and shapes via B4Me 

€

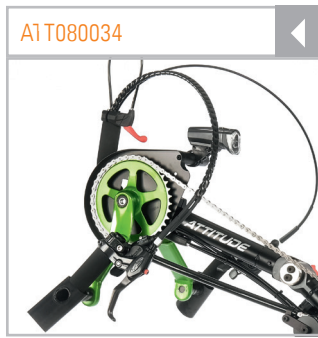
ATT080022	V-crank, standard (Length: 170 mm, Width: 470 mm)	-
ATT080023	Handle, vertical, 10° angle, round, diameter 30 mm	-
	ATT080027 Quad, hand support	XXX,-
	ATT080028 Quad, arm support	XXX,-
ATT080024	Handle, vertical, 10° angle, round, diameter 40 mm	-
ATT080025	Handle, vertical, 25° angle, oval, diameter 37 x 21 mm	XXX,-
ATT080026	Handle, vertical, 25° angle, oval, diameter 47 x 32 mm	XXX,-

**Disk brake** - disc-diameter 180 mm, parking brake: V-brake 

€

ATT060050	Brake, manual actuation (not with gear hub, 8 speed, coaster brake)	-
ATT060053	Tyre, pneumatic, tread, Mountainbike	XXX,-
	ATT060102 Brake lever mounted to right handle	-
	ATT060101 Brake lever mounted to left handle	-
ATT060052	2 Driving brakes plus parking brake parking brake as rim brake and not as disk brake	XXX,-
ATT060051	Brake, backpedal actuation not with ATT080035 Fork, angle and depth-adjustability of crank-position	XXX,-

## Fork

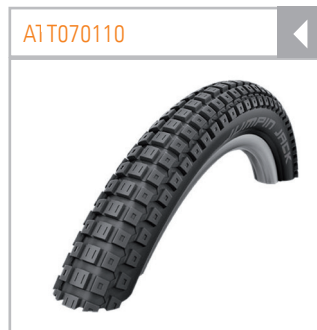


// Fork for Attitude Manual, angle and depth-adjustability of crank-position

## Tyres



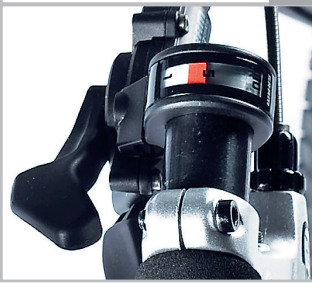
// Tyre, pneumatic, puncture proof, tread, Schwalbe Marathon Plus Evolution



// Tyre, pneumatic, tread, Mountain-bike

## Shifter and handel

A1T070045



// Shifter, trigger

FM G-MJ02-3187-01



// Tetra operation

A1T080023

// Tyre, pneuma Handle, vertical, 10° angle, round, diameter 30 mm  
tic, tread, Big Apple

A1T080027



// Quad, hand support

ATT080028



// Quad, arm support

A1T080025



// Handle, vertical, 25° angle, oval

## Disk brake

ATT060050



// Performance brake lever

Accessories 

€

ATT090074	Front- & rear lamp	–
ATT090080	Speedometer	–
ATT090095	Mudguard	XXX,-
ATT090067	Rear view mirror	XXX,-
ATT090081	Bottle holder	XXX,-
ATT090082	Low rider carrier for saddle bags	XXX,-
ATT090024	High pressure pump (0 - 11 bar)	XXX,-
ATT090084	Additional weight, removable, 5 kg, to improve traction	XXX,-
ATT090085	Bell	XXX,-
ATT090041	Multitool	XXX,-
ATT090096	Protection foil	XXX,-

## Chain guard Colours You can choose separate colours for the frame, the cranks and the chain guard.

	Frame	Chain guard	Crank		Frame	Chain guard	Crank
<b>02 Brilliant Silver</b>	ATT100102	ATT100802	ATT100902	<b>29 Black</b>	ATT100129	ATT100829	ATT100829
<b>03 Silver Matt</b>	ATT100103	ATT100803	ATT100903	<b>31 Matt Black</b>	ATT100131	ATT100831	ATT100931
<b>06 Sun Yellow</b>	ATT100106	ATT100806	ATT100906	<b>32 Signal White</b>	ATT100132	ATT100832	ATT100932
<b>14 Blue</b>	ATT100114	ATT100814	ATT100914	<b>33 Pink</b>	ATT100133	ATT100833	ATT100933
<b>15 Brilliant Marine</b>	ATT100115	ATT100815	ATT100915	<b>34 Dark Chocolate Metallic</b>	ATT100134	ATT100834	ATT100934
<b>16 Matt Marine</b>	ATT100116	ATT100816	ATT100916	<b>35 Skyblue</b>	ATT100135	ATT100835	ATT100935
<b>19 Brilliant Purple</b>	ATT100119	ATT100819	ATT100919	<b>36 Cyan-Metallic</b>	ATT100136	ATT100836	ATT100936
<b>21 Red Ruby</b>	ATT100121	ATT100821	ATT100921	<b>37 Marsred (Orange)</b>	ATT100137	ATT100837	ATT100937
<b>22 Brilliant Red</b>	ATT100122	ATT100822	ATT100922	<b>40 Kiwi</b>	ATT100140	ATT100840	ATT100840
<b>23 Matt Red</b>	ATT100123	ATT100823	ATT100923	<b>41 Flamingo-Glitter</b>	ATT100141	ATT100841	ATT100941
<b>24 Tutti Frutti Orange</b>	ATT100124	ATT100824	ATT100924	<b>42 Matt Anthracite</b>	ATT100142	ATT100842	ATT100942
<b>27 Graphite-metallic</b>	ATT100127	ATT100827	ATT100927	<b>46 Mamba Green</b>	ATT100146	ATT100846	ATT100946

## Sticker colours

€

ATT100550	Black	–
ATT100551	Silver	–

## Accessories

A1 T060051



// Brake, backpedal actuation

A1 T090095



// Mudguard, bolt on, black

A1 T090041



// Multitool

A1 T090067



// Rear view mirror

A1 T090084



// Additional weight, removable, 5 kg, to increase traction

A1 T090085



// Bell

A1 T090081



// Bottle holder

A1 T090024



// High pressure pump (0 - 11 bar)

A1 T090082



// Low rider carrier for saddle bags



## Comments

--

## ATTITUDE Manual

€

<b>Base Price</b>	<b>00,000.00</b>
Total Of Additional Equipment	
Packaging And Transport	
Exclusive VAT	
VAT	
<b>Total Price</b>	

Date

Signature

Day      Month      Year

**Sunrise Medical GmbH**

Kahlbachring 2-4

D-69254 Malsch/HD

Phone: +49 (0) 72 53 / 9 80-0

Fax: +49 (0) 72 53 / 9 80-222

E-Mail: kundenservice@sunrisemedical.de

www.SunriseMedical.eu