

GEMINO 60/60 M GEMINO 60 ATR /60 M ATR



Rev01/2026
Valid:12/2026

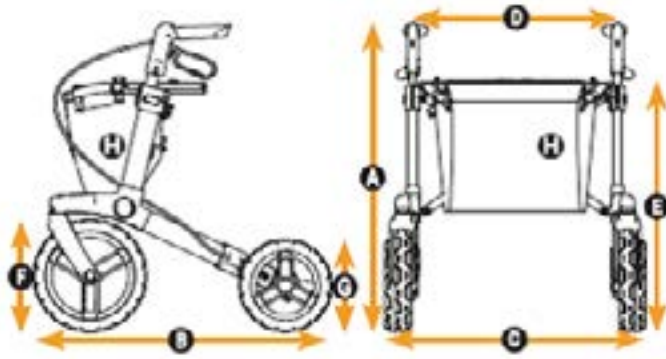


ORDER FORM

Errors and omissions excepted.

Billing Address Or Customer-ID		Shipping Address	Identical To Billing Address
C.-ID:		C.-ID.	
Name:		Name:	
Street:		Street:	
Town/PC:		Town/PC:	
E-Mail:		E-Mail:	
Phone:		Phone:	
Order Information			
Order	Calculation	Purchase:	
Gemino 60	Reimbursement Code.: XXX		valid from
Gemino 60 M	Reimbursement Code.: XXX		
Gemino 60 ATR	Reimbursement Code.: XXX		
Gemino 60 M ATR	Reimbursement Code.: XXX		
		Base Price	€ XXX,-

DIMENSIONS



	Gemino 60	Gemino 60 M	Gemino 60 ATR	Gemino 60 M ATR
A Total height	760 - 950 mm	730 - 830 mm	760 - 950 mm	730 - 830 mm
B Total length	740 mm	740 mm	740 mm	740 mm
C Total width	640 mm	640 mm	640 mm	640 mm
D Width between push handles	510 mm	510 mm	510 mm	510 mm
E Seat height	620 mm	530 mm	620 mm	530 mm
Height folded	840 mm	800 mm	840 mm	800 mm
Length folded	740 mm	740 mm	740 mm	740 mm
Width folded	230 mm	230 mm	230 mm	230 mm
Turning circle	950 mm	950 mm	950 mm	950 mm
F Front wheels	280 x 42 mm	280 x 42 mm	280 x 42 mm	280 x 42 mm
G Rear wheels	230 x 42 mm	230 x 42 mm	230 x 42 mm	230 x 42 mm
Total weight without basket	8,5 kg	8,2 kg	8,5 kg	8,2 kg
H Weight basket, standard	0,3 kg	0,25 kg	0,3 kg	0,25 kg
Max. user weight	150 kg	150 kg	150 kg	150 kg
Max. weight in basket	10 kg	10 kg	10 kg	10 kg
Recommended user height	1500 - 2000 mm	1350 - 1700 mm	1500 - 2000 mm	1350 - 1700 mm

SIZES AND COLOURS

€ Quantity

Gemino 60

7160000	Gemino 60, Silver grey	XXX,-	
---------	------------------------	-------	--

Gemino 60 ATR

71000650	Gemino 60 ATR, Silver grey	XXX,-	
----------	----------------------------	-------	--

Gemino 60 M

7160200	Gemino 60 M, Silver grey	XXX,-	
---------	--------------------------	-------	--

Gemino 60 M ATR

71000660	Gemino 60 M ATR, Silver grey	XXX,-	
----------	------------------------------	-------	--

ACCESSORIES

€ Quantity

Bags for Gemino 60 (not for Gemino 60 M) & Gemino 60 ATR (not for Gemino 60 M ATR)

9012314	Bag, advanced cpl. Black	XXX,-	
9012315	Bag, advanced cpl. Alcantara Black	XXX,-	
9012316	Bag, advanced cpl. Graphite grey	XXX,-	
9012317	Bag, advanced cpl. Mint green	XXX,-	
9012318	Bag, advanced cpl. Red	XXX,-	
9012319	Bag, advanced cpl. Blue	XXX,-	
9012320	Bag, advanced cpl. Green	XXX,-	
9012321	Bag, advanced cpl. Pink	XXX,-	
7104024	Bag, advanced with lid and handles, brown/black	XXX,-	
7104023	Bag, advanced with lid and handles, pink/black	XXX,-	

Other accessories

7109011	Crutch holder	XXX,-	
7109140	Table tray	XXX,-	
9012222	Adjustable comfort back support	XXX,-	
7109060	Umbrella, black	XXX,-	
7109050	Basket for oxygen cylinder	XXX,-	
7109090	Universal bracket	XXX,-	
7109095	Light	XXX,-	
7109100	Infusion holder	XXX,-	
7169080	Slowdown brake kit	XXX,-	
9011971	Reverse brake kit (2)	XXX,-	
9012049	One-hand brake kit (left/right usable) (1)	XXX,-	

(1) Not with reverse brake

(2) Not with one hand brake

GEMINO 60 /60 M, GEMINO 60 /60 M ATR €

Base price	
Total Of Additional Equipment	
Packaging And Transport	
Exclusive Vat	
Total price including VAT	
VAT	
Total Price	

Date	Signature
-------------	------------------

Day Month Year



Sunrise Medical GmbH

Kahlbachring 2-4
D-69254 Malsch/HD
Tel.: +49 (0) 72 53 / 9 80-0
Fax: +49 (0) 72 53 / 9 80-222
E-Mail: export@sunrisemedical.de
www.SunriseMedical.de

GEMINO ACCESSORIES

BAGS, ADVANCED



// 9012314
Bag, advanced, black/black



// 9012315
Bag, advanced, alcantara/black



// 9012316
Bag, advanced, grey/black



// 9012317
Bag, advanced, mint/black



// 9012318
Bag, advanced, red/black



// 9012319
Bag, advanced, blue/black



// 9012320
Bag, advanced, green/black



// 9012321
Bag, advanced, pink/black

BAGS, ADVANCED



// 7104024 Bag, advanced
with lid and handles, brown/black



// 7104023 Bag, advanced
with lid and handles, pink/black

GEMINO ACCESSORIES

OTHER ACCESSORIES



// 7109011
Crutch holder



// 7109140
Table tray



// 9012222
Adjustable comfort back support



// 7169080
Slowdown brake



// 7109060
Umbrella, black



// 7109050 & 7109051
Basket for oxygen cylinder



// 9012049
One-hand brake for both sides



// 9011971
Reverse brake kit



// 7109090
Universal bracket



// 7109095
Light



// 7109100
Infusion holder