

# **Spare Part Catalog Germany**

## **Nitrum**

## Inhaltsverzeichnis

---

Nitrum (CC10-01141)	5
Rear wheels / axle tubes (CC20-11280)	6
Design rear wheel and handrim (CC30-05040)	7
Lightweight rear wheel and handrim (CC30-15760)	10
Max Grepp Ergo Para hand rim (CC30-17100)	13
Mountain bike rear wheel and hand rim (CC30-17450)	14
Proton rear wheel and handrim (CC30-18350)	15
Spoke guard (CC30-29080)	18
Spoke guard, adults (CC30-29270)	20
Spoke guard, teens (CC30-29280)	22
Spinergy wheel and handrim (CC30-29990)	24
Universal rear wheel (CC30-32970)	28
Axle tube (CC30-53100)	31
Suspension (CC30-53110)	38
Axle-assembly superlight, Carbon (CC30-65640)	40
Brake (CC20-11290)	41
One arm brake (CC30-05730)	42
Knee lever brake (CC30-14580)	43
Standard brake (CC30-30460)	45
Compact brake EVO (CC30-53120)	47
Lightweight Compact brake EVO (CC30-53130)	49
Footrest (CC20-11300)	51
Footrest, divided, aluminium (CC30-08240)	52
Footrest, angle adjustable, high mounted, aluminium (CC30-08260)	54

## Inhaltsverzeichnis

---

Footrest, tubular, with cover (CC30-08480)	56
Footrest, swing away (CC30-08500)	58
Footrest, Performance (CC30-08510)	60
Footboard, continuous, lightweight, adjustable, aluminium (CC30-08550)	62
Castor (CC20-11310)	64
Castor and Castor fork (CC30-53140)	65
Frame / Seat (CC20-11320)	69
Frame protection (CC30-19400)	70
Open frame (CC30-53150)	71
Seat sling adjustable (CC30-53160)	75
Seat sling, Airflow (CC30-53170)	77
Seat sling Airflow superlight (CC30-65642)	79
Sideguard (CC20-11330)	80
Sideguard Tool height adj. (CC30-27040)	81
Side guard, plastic (CC30-27240)	82
Single post height adjustable arm rest, straight short arm pad (CC30-47590)	83
Seitenteil Aluminium, Carbon and Carbon slim (CC30-53240)	85
Tubular armrest, Aluminium, swing away, padded, removable (CC30-53250)	88
Accessories (CC20-11340)	89
Tool kit (CC30-03210)	90
Caddy (CC30-03760)	91
Air pump (CC30-10370)	92
Wheelchair backpack (CC30-22530)	93
Seat cushion (CC30-28480)	94

## Inhaltsverzeichnis

---

Crutch holder with velcro strap (CC30-31210)	95
Lap belt with buckle, metal (CC30-53270)	96
Tie down brackets for transportation, open frame (CC30-53280)	97
Frame reinforcement kit for add on bike (CC30-53300)	98
LED-Light (CC30-53310)	100
Tip assist (CC30-53320)	101
Anti-tip tubes, swing-away (CC30-53330)	103
Anti-tip tubes, swing-away, suspension (CC30-53340)	105
Anti-tip tubes, plug-in (CC30-53350)	107
Transit wheels (CC30-53360)	109
Tool kit, Castor fork (CC30-53370)	111
Anti-tip tubes, aluminium, sport, plug-in (CC30-53380)	112
Anti-tip tubes, flip-up (CC30-53390)	114
Anti-tip tubes, flip-up, suspension (CC30-53400)	116
Backrest (CC20-11350)	118
Aluminium backrest, angle-adjustable, push bar release (CC30-53190)	119
Aluminium backrest, angle-adjustable, twist lock release (CC30-53200)	121
Freestyle back, angle-adjustable (CC30-53210)	123
Push handles, height-adjustable (CC30-53220)	125
Push handles (CC30-53230)	127
EXO / EXO Pro Back Upholstery for all Push Handles (CC30-65725)	129
EXO /EXO Pro Back upholstery for push handles long, fold down and without,with fidex weld back (CC30-65726)	131



## Nitrum (CC10-01141)

---

### Ersatzteile

Article no.	Description
CC20-11280	Rear wheels / axle tubes
CC20-11290	Brake
CC20-11300	Footrest
CC20-11310	Castor
CC20-11320	Frame / Seat
CC20-11330	Sideguard
CC20-11340	Accessories
CC20-11350	Backrest

## Rear wheels / axle tubes (CC20-11280)

---

### Ersatzteile

Article no.	Description
CC30-05040	Design rear wheel and handrim
CC30-15760	Lightweight rear wheel and handrim
CC30-17100	Max Grepp Ergo Para hand rim
CC30-17450	Mountain bike rear wheel and hand rim
CC30-18350	Proton rear wheel and handrim
CC30-29080	Spoke guard
CC30-29270	Spoke guard, adults
CC30-29280	Spoke guard, teens
CC30-29990	Spinergy wheel and handrim
CC30-32970	Universal rear wheel
CC30-53100	Axle tube
CC30-53110	Suspension
CC30-65640	Axle-assembly superlight, Carbon

## Design rear wheel and handrim (CC30-05040)



### Ersatzteile

Item no.	Article no.	Description	Remark
1.4	000220299	Quick-release axle, spinergy, design, proton and light weight wheel, 99 mm	
	000280001-ET	Spoke reflector	10 pcs./pack
1.2	000283014.01	24 inch x 1 inch tyre cpl., Right Run (tyre, tube and tube protector)	
1.2	000283017	24 inch x 1 inch, soft tyre, puncture proofed, black	not initially mounted
1.2	000283036	24in, pneumatic tyre, Marathon Plus, puncture resistant, rugged tread	
1.2	000283037	24in Downtown - Two grip tyre Only (5167), Colour black	10 pcs./pack

## Design rear wheel and handrim (CC30-05040)

Item no.	Article no.	Description	Remark
1.2	000283113	24in x 1in pneumatic inner tube	10 pcs./pack
	000283152-ET	24 inch tube protector	10 pcs./pack
1.1, 1.4	000851315	24in Design rear wheel, anodized finish, with quick-release axle (without tyre and handrim)	
1.3	000854024.24	24in stainless steel handrim central, electropolished, cpl. with fitting accessories	
1.3	000854026.28	24in aluminium handrim, silver coated, cpl. with fitting accessories	
1.3	000854026.30	24in aluminium handrim, silver coated, clear coated, cpl. with fitting accessories	
1.3	000854035.24	24in aluminium handrim, central, colour coated, cpl. with fitting accessories	
1.3	000854054	24in titanium handrim central, cpl. with fitting accessories with fitting accessories	for universal and design wheel
1.3	000854064	24 inch titanium handrim, clear coated, cpl. with fitting accessories	for universal and design wheel
	000854514	24 inch handrim cover central, black	
1.3	000854534	24in handrim, central Supergrip, complete, black	must not used with lightweight wheels
1.3	000854810.01	Hand rim 24in, Ellipse 3R, black, incl. mounting accessories	
1.2	000857130	24 inch x 1 inch tyre, Schwalbe one	
1.2	000857224.01	24 inch x 1 inch tyre cpl., Right Run (tyre, tube and tube protector)	
1.2	000857424	24 inch x 1 inch tyre Downtown - two grip complete (tyre, tube and tube protector)	
1.2	000857426	24in tyre cpl., Marathon Plus, puncture resistant, pneumatic (tyre, tube and tube protector)	

**Design rear wheel and handrim (CC30-05040)**

---

<b>Item no.</b>	<b>Article no.</b>	<b>Description</b>	<b>Remark</b>
1.2	066555-001	24 inch Inner tube extra light 25-540	
1.2	066555-002	25-26 in inner tube, extra light, ETRTO 25-559	

## Lightweight rear wheel and handrim (CC30-15760)



### Ersatzteile

Item no.	Article no.	Description	Remark
1.4	000220299	Quick-release axle, spinergy, design, proton and light weight wheel, 99 mm	
1.2	000283014.01	24 inch x 1 inch tyre cpl., Right Run (tyre, tube and tube protector)	
1.2	000283036	24in, pneumatic tyre, Marathon Plus, puncture resistant, rugged tread	
1.2	000283037	24in Downtown - Two grip tyre Only (5167), Colour black	10 pcs./pack
1.2	000283113	24in x 1in pneumatic inner tube	10 pcs./pack
	000283152-ET	24 inch tube protector	10 pcs./pack
1.1, 1.4	000850270.01	24in Lightweight rear wheel,	

## Lightweight rear wheel and handrim (CC30-15760)

Item no.	Article no.	Description	Remark
		silver, with quick-release axle (without tyres and handrim)	
1.1 + 1.4	000850270.02	24in Lightweight rear wheel, orange anodized, with quick-release axle (without tyres and handrim)	
1.1 + 1.4	000850270.03	24in Lightweight rear wheel, blue anodized, with quick-release axle (without tyres and handrim)	
1.1 + 1.4	000850270.04	24in Lightweight rear wheel, red anodized, with quick-release axle (without tyres and handrim)	
1.1, 1.4	000850273.01	25in lightweight rear wheel, anodized finish, with quick-release axle (without tyre)	
1.3	000854044	24in handrim, stainless steel, electro polished, middle, cpl. mounting accessories, cpl.	for Spinerger-, Proton- and lightweight wheel
1.3	000854055	24in titanium handrim central, for lightweight wheel cpl. with fitting accessories	for Spinerger-, Proton- and lightweight wheel
1.3	000854065	24in titanium handrim central, clear coated, for Lightweight wheel cpl. with fitting accessories	for Spinerger-, Proton- and lightweight wheel
	000854514	24 inch handrim cover central, black	
1.3	000854534	24in handrim, central Supergrip, complete, black	must not used with lightweight wheels
1.3	000854810.01	Hand rim 24in, Ellipse 3R, black, incl. mounting accessories	
1.3	000854811.01	Hand rim 25in, Ellipse 3R, black, incl. mounting accessories	
1.3	000854900	Handrim 24 inch, Supergrip, black incl. mounting accessories	for Spinerger-, Proton- and lightweight wheel
1.3	000854903	Handrim 25 inch, Supergrip, black incl. mounting accessories	for Spinerger-, Proton- and lightweight wheel
1.3	000854904	Handrim 25 inch, stainless steel, incl. mounting accessories	for Spinerger-, Proton- and lightweight wheel
1.2	000857121.01	24in solid tyres (for proton and lightweight wheels)	for lightweight and Proton wheel
1.2	000857121.02	25in solid tyres (for proton and	

## Lightweight rear wheel and handrim (CC30-15760)

Item no.	Article no.	Description	Remark
		lightweight wheels)	
1.2	000857127	25in, pneumatic tyre, Marathon Plus, puncture resistant, rugged tread	
1.2	000857130	24 inch x 1 inch tyre, Schwalbe one	
1.2	000857131	24 inch x 1 inch tyre, Schwalbe one	
	000857131.01	25in tyre, Schwalbe one, cpl. (tyre, tube and tube protector)	
	000857224.01	24 inch x 1 inch tyre cpl., Right Run (tyre, tube and tube protector)	
	000857424	24 inch x 1 inch tyre Downtown - two grip complete (tyre, tube and tube protector)	
	000857426	24in tyre cpl., Marathon Plus, puncture resistant, pneumatic (tyre, tube and tube protector)	
1.3	066516-003-ET	24 inch handrim, aluminium, silver coated cpl. including fittingaccessoriesaccessories	Note: only close mountable, for Spinergy, Proton and lightweight wheel
1.3	066516-004-ET	25 inch handrim, aluminium, silver anodised cpl. including fittingaccessories	Note: only close mountable, for Spinergy, Proton and lightweight wheel
1.3	066550-003	Lightweight handrim 24in, aluminium, clear coated, incl. mounting accessories	for Spinergy-, Proton- and lightweight wheel
1.3	066550-004	25 inch aluminium handrim, silver anodised, clear coated, incl. mounting accessories	for Spinergy-, Proton- and lightweight wheel
1.3	066551-003	24in aluminium handrim, central, colour-coated cpl. with mounting accessories	for Spinergy-, Proton- and lightweight wheel
1.3	066551-004	25 inch aluminium handrim, colour-coated,cpl. with fitting accessories	for Spinergy-, Proton- and lightweight wheel
1.2	066555-001	24 inch Inner tube extra light 25-540	
1.2	066555-002	25-26 in inner tube, extra light, ETRTO 25-559	



## Max Grepp Ergo Para hand rim (CC30-17100)



### Ersatzteile

Item no.	Article no.	Description
1 - 2	062544	Handrim 24 inch Max Grepp Ergo Para hand rim, used for Universal and Designwheel cpl.with mounting accessories
1 - 2	062545	Handrim 24in Max Grepp Ergo Para hand rim, used for Proton- or LightweightRear Wheel cpl. with mounting accessories
2	062546	Mounting accessories for Max Grepp Ergo Para hand rim, used for Universalrear wheel
2	062547	Mounting accessories for Max Grepp Ergo Para hand rim, used for Spinerger-, Proton- and lightweight wheel

## Mountain bike rear wheel and hand rim (CC30-17450)



### Ersatzteile

Item no.	Article no.	Description	Remark
	000220253	Quick-release axle for Universal wheel and Active wheel	
	000283111-ET	24 inch pneumatic inner tube used with Downtown - Two grip	10 pcs./pack
	000283160-ET	24 inch tyre, Mountainbike, cpl. (tyre, tube and tube protector)	10 pcs./pack
1.1 - 1.3	000851319	Mountainbike - 24 inch rear wheel with quick-release axle, tyre and handrim	
1.1, 1.3	000851320	Mountainbike - 24 inch rear wheel with quick-release axle and handrim(without tyre)	
	000857425	24in mountain bike complete tyre (tyre, inner tube and rim tape)	

## Proton rear wheel and handrim (CC30-18350)



### Ersatzteile

Item no.	Article no.	Description	Remark
1.6	000220299	Quick-release axle, spinergy, design, proton and light weight wheel, 99 mm	
1.2	000283014.01	24 inch x 1 inch tyre cpl., Right Run (tyre, tube and tube protector)	
1.2	000283036	24in, pneumatic tyre, Marathon Plus, puncture resistant, rugged tread	
1.2	000283037	24in Downtown - Two grip tyre Only (5167), Colour black	10 pcs./pack
1.2	000283113	24in x 1in pneumatic inner tube	10 pcs./pack
	000283152-ET	24 inch tube protector	10 pcs./pack
1.3	000854044	24in handrim, stainless steel,	for Spinergy-, Proton- and

## Proton rear wheel and handrim (CC30-18350)

Item no.	Article no.	Description	Remark
		electro polished, middle, cpl. mounting accessories, cpl.	lightweight wheel
1.3	000854055	24in titanium handrim central, for lightweight wheel cpl. with fitting accessories	for Spinerger-, Proton- and lightweight wheel
1.3	000854065	24in titanium handrim central, clear coated, for Lightweight wheel cpl.with fitting accessories	for Spinerger-, Proton- and lightweight wheel
	000854514	24 inch handrim cover central, black	
1.3	000854534	24in handrim, central Supergrip, complete, black	must not used with lightweight wheels
1.3	000854810.01	Hand rim 24in, Ellipse 3R, black, incl. mounting accessories	
1.3	000854811.01	Hand rim 25in, Ellipse 3R, black, incl. mounting accessories	
1.3	000854900	Handrim 24 inch, Supergrip, black incl. mounting accessories	for Spinerger-, Proton- and lightweight wheel
1.3	000854903	Handrim 25 inch, Supergrip, black incl. mounting accessories	for Spinerger-, Proton- and lightweight wheel
1.3	000854904	Handrim 25 inch, stainless steel, incl. mounting accessories	for Spinerger-, Proton- and lightweight wheel
1.2	000857121.01	24in solid tyres (for proton and lightweight wheels)	for lightweight and Proton wheel
1.2	000857121.02	25in solid tyres (for proton and lightweight wheels)	
1.2	000857127	25in, pneumatic tyre, Marathon Plus, puncture resistant, rugged tread	
1.2	000857130	24 inch x 1 inch tyre, Schwalbe one	
1.2	000857131	24 inch x 1 inch tyre, Schwalbe one	
	000857131.01	25in tyre, Schwalbe one, cpl. (tyre, tube and tube protector)	
	000857224.01	24 inch x 1 inch tyre cpl., Right Run (tyre, tube and tube protector)	
	000857424	24 inch x 1 inch tyre Downtown - two grip complete (tyre, tube and tube protector)	

## Proton rear wheel and handrim (CC30-18350)

Item no.	Article no.	Description	Remark
	000857426	24in tyre cpl., Marathon Plus, puncture resistant, pneumatic (tyre, tube and tube protector)	
1.1	066511-003-ET	24 inch Proton rear wheel, with quick-release axle, without tyre and handrim	maximum user weight 100 kg
1.1	066511-004-ET	25 inch Proton rear wheel, with quick-release axle, without tyre and handrim	maximum user weight 100 kg
1.3	066516-003-ET	24 inch handrim, aluminium, silver coated cpl. including fittingaccessoriesaccessories	Note: only close mountable, for Spinerger, Proton and lightweight wheel
1.3	066516-004-ET	25 inch handrim, aluminium, silver anodised cpl. including fittingaccessories	Note: only close mountable, for Spinerger, Proton and lightweight wheel
1.3	066550-004	25 inch aluminium handrim, silver anodised, clear coated, incl. mounting accessories	for Spinerger-, Proton- and lightweight wheel
1.3	066551-003	24in aluminium handrim, central, colour-coated cpl. with mounting accessories	for Spinerger-, Proton- and lightweight wheel
1.3	066551-004	25 inch aluminium handrim, colour-coated,cpl. with fitting accessories	for Spinerger-, Proton- and lightweight wheel
1.2	066555-001	24 inch Inner tube extra light 25-540	
1.2	066555-002	25-26 in inner tube, extra light, ETRTO 25-559	

## Spoke guard (CC30-29080)



### Ersatzteile

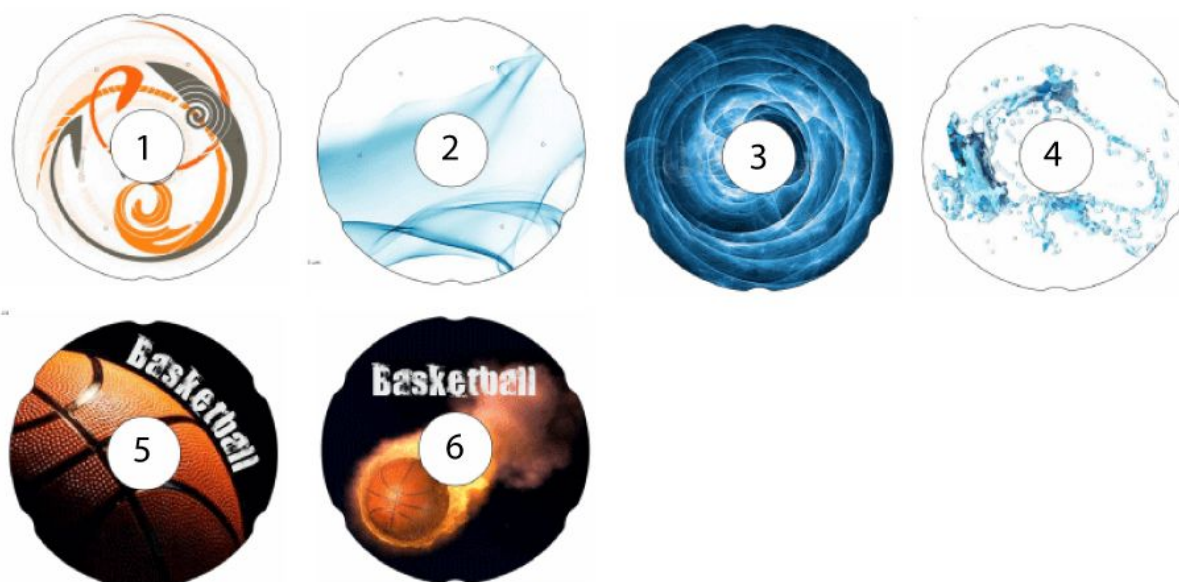
Item no.	Article no.	Description	Remark
1.1	062551-027	Spoke guard 22in cpl., Bibbo	incl. Fasteners
1.4	062551-028	Spoke guard 22in, cpl., Graphic	incl. Fasteners
1.5	062551-029	Spoke guard 22in cpl., Fantasy	incl. Fasteners
1.6	062551-030	Spoke guard 22in cpl., Rotation	incl. Fasteners
1.2	062551-031	Spoke guard 22in cpl., Cheese	incl. Fasteners
1.3	062551-032	Spoke guard 22in cpl., Galactica	incl. Fasteners
1.7	062551-033	Spoke guard 22in cpl., transparent	incl. Fasteners
1.1	062553-027	Spoke guard 24in cpl., Bibbo	incl. Fasteners
1.4	062553-028	Spoke guard 24in cpl., Graphic	incl. Fasteners
1.5	062553-029	Spoke guard 24in cpl., Fantasy	incl. Fasteners
1.6	062553-030	Spoke guard 24in cpl., Rotation	incl. Fasteners

**Spoke guard (CC30-29080)**

---

<b>Item no.</b>	<b>Article no.</b>	<b>Description</b>	<b>Remark</b>
1.2	062553-031	Spoke guard 24in cpl., Cheese	incl. Fasteners
1.3	062553-032	Spoke guard 24in cpl., Galactica	incl. Fasteners
1.7	062553-033	Spoke guard 24in cpl., transparent	incl. Fasteners

## Spoke guard, adults (CC30-29270)



### Ersatzteile

Item no.	Article no.	Description	Remark
	000118004-ET	Fastener used with spoke guards	25 pcs./pack
1	062551-021	Spoke guard 22in cpl., Creative	incl. Fasteners
2	062551-022	Spoke guard 22in cpl., Silk	incl. Fasteners
3	062551-023	Spoke guard 22in cpl., Space	incl. Fasteners
4	062551-024	Spoke guard 22in cpl., Flying Water	incl. Fasteners
5	062551-025	Spoke guard 22in cpl., Basketball	incl. Fasteners
6	062551-026	Spoke guard 22in cpl., Basketball 2	incl. Fasteners
1	062553-021	Spoke guard 24in cpl., Creative	incl. Fasteners
2	062553-022	Spoke guard 24in cpl., Silk	incl. Fasteners
3	062553-023	Spoke guard 24in cpl., Space	incl. Fasteners



**Spoke guard, adults (CC30-29270)**

---

<b>Item no.</b>	<b>Article no.</b>	<b>Description</b>	<b>Remark</b>
4	062553-024	Spoke guard 24in cpl., Flying Water	incl. Fasteners
5	062553-025	Spoke guard 24in cpl., Basketball	incl. Fasteners
6	062553-026	Spoke guard 24in cpl., Basketball 2	incl. Fasteners

## Spoke guard, teens (CC30-29280)



### Ersatzteile

Item no.	Article no.	Description	Remark
	000118004-ET	Fastener used with spoke guards	25 pcs./pack
1	062551-012	Spoke guard 22in cpl., Abstract	incl. Fasteners
2	062551-013	Spoke guard 22in cpl., Racing	incl. Fasteners
3	062551-014	Spoke guard 22in cpl., Pool	incl. Fasteners
4	062551-015	Spoke guard 22in cpl., Oriental	incl. Fasteners
5	062551-016	Spoke guard 22in cpl., Dirt Race	incl. Fasteners
6	062551-017	Spoke guard 22in cpl., Feather	incl. Fasteners
7	062551-018	Spoke guard 22in cpl., Hot Wheels	incl. Fasteners
8	062551-019	Spoke guard 22in cpl., Chrome Wheel	incl. Fasteners
9	062551-020	Spoke guard 22in cpl., Graffiti	incl. Fasteners

## Spoke guard, teens (CC30-29280)

---

Item no.	Article no.	Description	Remark
1	062553-012	Spoke guard 24in cpl., Abstract	incl. Fasteners
2	062553-013	Spoke guard 24in cpl., Racing	incl. Fasteners
3	062553-014	Spoke guard 24in cpl., Pool	incl. Fasteners
4	062553-015	Spoke guard 24in cpl., Oriental	incl. Fasteners
5	062553-016	Spoke guard 24in cpl., Dirt Race	incl. Fasteners
6	062553-017	Spoke guard 24in cpl., Feather	incl. Fasteners
7	062553-018	Spoke guard 24in cpl., Hot Wheels	incl. Fasteners
8	062553-019	Spoke guard 24in cpl., Chrome Wheel	incl. Fasteners
9	062553-020	Spoke guard 24in cpl., Graffiti	incl. Fasteners

## Spinergy wheel and handrim (CC30-29990)



### Ersatzteile

Item no.	Article no.	Description	Remark
1.6	000220228	Quick-release axle Spinergy 109 mm	used with 24in until week 50/2010, used with 25in until week 12/2011, used with 26in until week 21/2011
1.6	000220299	Quick-release axle, spinergy, design, proton and light weight wheel, 99 mm	
1.5	000280001-ET	Spoke reflector	10 pcs./pack
1.2	000283014.01	24 inch x 1 inch tyre cpl., Right Run (tyre, tube and tube protector)	
1.2	000283017	24 inch x 1 inch, soft tyre, puncture proofed, black	not initially mounted
1.2	000283036	24in, pneumatic tyre, Marathon Plus, puncture resistant, rugged	

## Spinergy wheel and handrim (CC30-29990)

Item no.	Article no.	Description	Remark
		tread	
1.2	000283037	24in Downtown - Two grip tyre Only (5167), Colour black	10 pcs./pack
1.3	000283111-ET	24 inch pneumatic inner tube used with Downtown - Two grip	10 pcs./pack
1.3	000283113	24in x 1in pneumatic inner tube	10 pcs./pack
1.4	000283152-ET	24 inch tube protector	10 pcs./pack
1.4	000283160-ET	24 inch tyre, Mountainbike, cpl. (tyre, tube and tube protector)	10 pcs./pack
1.7	000854044	24in handrim, stainless steel, electro polished, middle, cpl. mounting accessories, cpl.	for Spinergy-, Proton- and lightweight wheel
1.7	000854055	24in titanium handrim central, for lightweight wheel cpl. with fitting accessories	for Spinergy-, Proton- and lightweight wheel
1.7	000854065	24in titanium handrim central, clear coated, for Lightweight wheel cpl.with fitting accessories	for Spinergy-, Proton- and lightweight wheel
1.7	000854810.01	Hand rim 24in, Ellipse 3R, black, incl. mounting accessories	
1.7	000854811.01	Hand rim 25in, Ellipse 3R, black, incl. mounting accessories	
1.7	000854900	Handrim 24 inch, Supergrip, black incl. mounting accessories	for Spinergy-, Proton- and lightweight wheel
1.7	000854901	Handrim 25 inch, Titan, blank, incl. mounting accessories	for Spinergy-, Proton- and lightweight wheel
1.7	000854902	Handrim 25 inch, Titan, clear coated, incl. mounting accessories	for Spinergy-, Proton- and lightweight wheel
1.7	000854903	Handrim 25 inch, Supergrip, black incl. mounting accessories	for Spinergy-, Proton- and lightweight wheel
1.7	000854904	Handrim 25 inch, stainless steel, incl. mounting accessories	for Spinergy-, Proton- and lightweight wheel
1.2	000857127	25in, pneumatic tyre, Marathon Plus, puncture resistant, rugged tread	
1.2	000857130	24 inch x 1 inch tyre, Schwalbe one	
1.2	000857131	24 inch x 1 inch tyre, Schwalbe one	

## Spinergy wheel and handrim (CC30-29990)

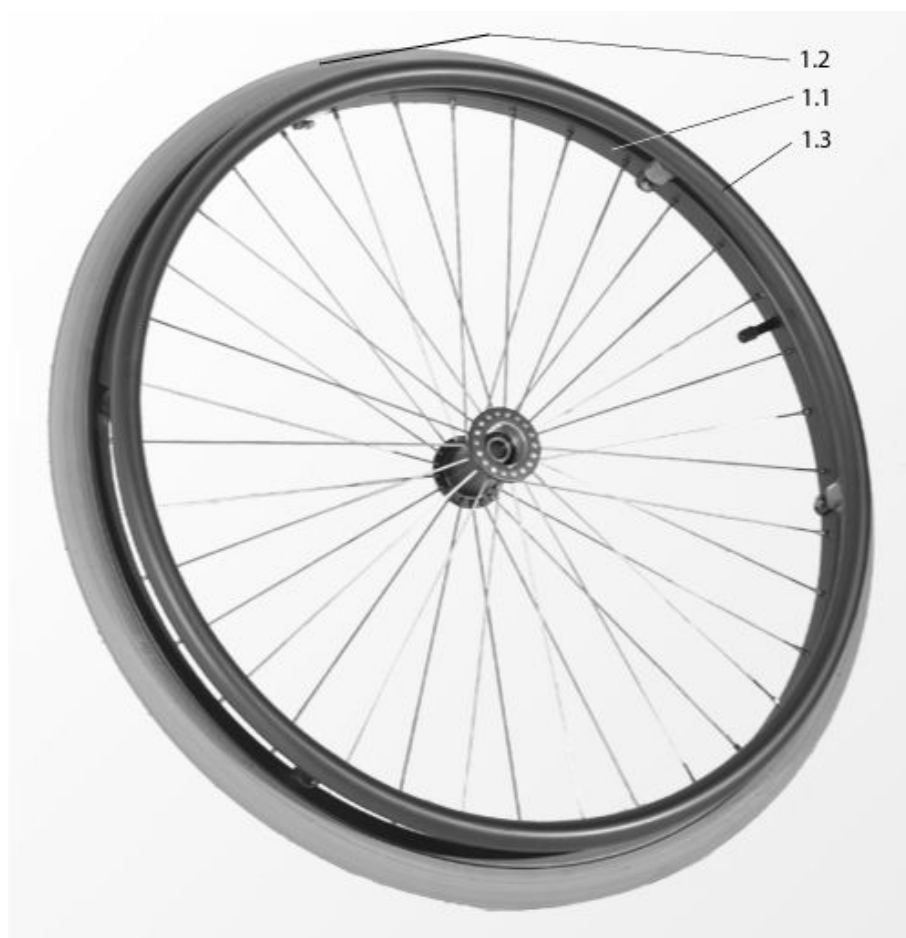
Item no.	Article no.	Description	Remark
	000857131.01	25in tyre, Schwalbe one, cpl. (tyre, tube and tube protector)	
1.2 - 1.4	000857224.01	24 inch x 1 inch tyre cpl., Right Run (tyre, tube and tube protector)	
1.2 - 1.4	000857424	24 inch x 1 inch tyre Downtown - two grip complete (tyre, tube and tube protector)	
1.2 - 1.4	000857426	24in tyre cpl., Marathon Plus, puncture resistant, pneumatic (tyre, tube and tube protector)	
1.7	066516-003-ET	24 inch handrim, aluminium, silver coated cpl. including fittingaccessoriesaccessories	Note: only close mountable, for Spinergy, Proton and lightweight wheel
1.7	066516-004-ET	25 inch handrim, aluminium, silver anodised cpl. including fittingaccessories	Note: only close mountable, for Spinergy, Proton and lightweight wheel
1.7	066550-003	Lightweight handrim 24in, aluminium, clear coated, incl. mounting accessories	for Spinergy-, Proton- and lightweight wheel
1.7	066550-004	25 inch aluminium handrim, silver anodised, clear coated, incl. mounting accessories	for Spinergy-, Proton- and lightweight wheel
1.7	066551-003	24in aluminium handrim, central, colour-coated cpl. with mounting accessories	for Spinergy-, Proton- and lightweight wheel
1.7	066551-004	25 inch aluminium handrim, colour-coated,cpl. with fitting accessories	for Spinergy-, Proton- and lightweight wheel
1.3	066555-001	24 inch Inner tube extra light 25-540	
1.3	066555-002	25-26 in inner tube, extra light, ETRTO 25-559	
1.1+1.6	762458.01	24 inch Spinergy rear wheel, 12 spokes (black), hub silver, (without tyreand handrim)	
1.1 + 1.6	762458.03	24 inch Spinergy rear wheel, 12 spokes (black), hub black,(without tyre andhandrim)	
1.1+1.6	762459.01	24 inch Spinergy rear wheel, 18 spokes (black) (without tyre and handrim),hub silver	

**Spinergy wheel and handrim (CC30-29990)**

---

<b>Item no.</b>	<b>Article no.</b>	<b>Description</b>	<b>Remark</b>
1.1+1.6	762460.01	25 inch Spinergy rear wheel, 12 spokes (black), hub silver, (without tyre and handrim), hub silver	
1.1 + 1.6	762460.03	25 inch Spinergy rear wheel, 12 spokes (black), hub black, (without tyre and handrim), hub black	
1.1+1.6	762461.01	25 inch Spinergy rear wheel, 18 spokes (black) (without tyre and handrim), hub black	

## Universal rear wheel (CC30-32970)



### Ersatzteile

Item no.	Article no.	Description	Remark
	000220253	Quick-release axle for Universal wheel and Active wheel	
	000280001-ET	Spoke reflector	10 pcs./pack
1.2	000283014.01	24 inch x 1 inch tyre cpl., Right Run (tyre, tube and tube protector)	
1.2	000283017	24 inch x 1 inch, soft tyre, puncture proofed, black	not initially mounted
1.2	000283036	24in, pneumatic tyre, Marathon Plus, puncture resistant, rugged tread	
1.2	000283037	24in Downtown - Two grip tyre Only (5167), Colour black	10 pcs./pack
1.2	000283113	24in x 1in pneumatic inner tube	10 pcs./pack



## Universal rear wheel (CC30-32970)

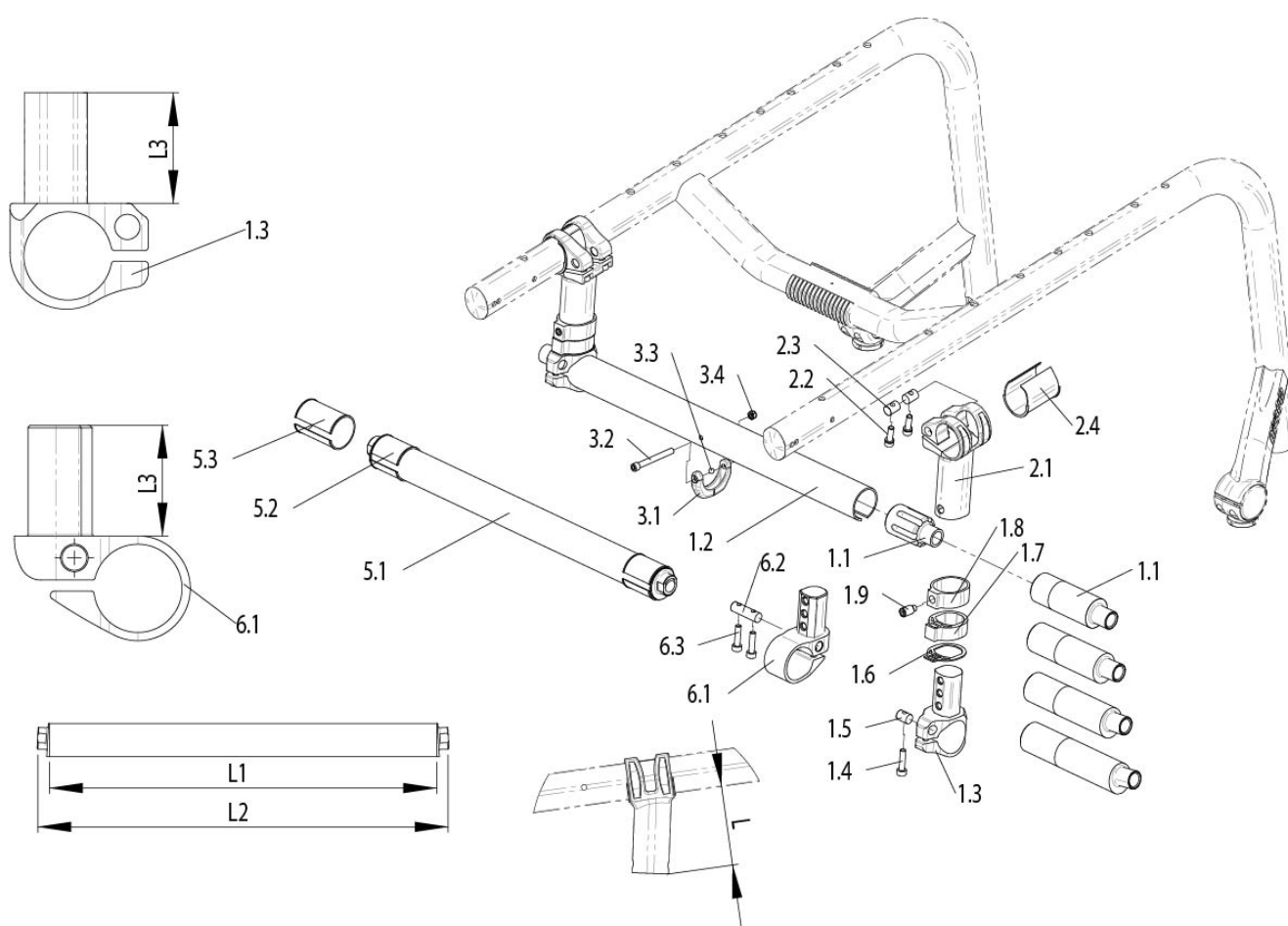
Item no.	Article no.	Description	Remark
	000283152-ET	24 inch tube protector	10 pcs./pack
1.1, 1.2	000850264	24in Universal rear wheel, cross-spoked, clear anodized, with quick-release axle (without tyre, without handrim) (5172)	
1.1, 1.2, 1.8	000851264	24in Universal rear wheel, cross-spoked, colour coated, with quick release axle (without tyres) (5172) (5183)	
1.3	000854024.24	24in stainless steel handrim central, electropolished, cpl. with fitting accessories	
1.3	000854026.28	24in aluminium handrim, silver coated, cpl. with fitting accessories	
1.3	000854026.30	24in aluminium handrim, silver coated, clear coated, cpl. with fitting accessories	
1.3	000854035.24	24in aluminium handrim, central, colour coated, cpl. with fitting accessories	
1.3	000854054	24in titanium handrim central, cpl. with fitting accessories with fitting accessories	for universal and design wheel
1.3	000854064	24 inch titanium handrim, clear coated, cpl. with fitting accessories Complete with fitting accessories	for universal and design wheel
	000854514	24 inch handrim cover central, black	
1.3	000854534	24in handrim, central Supergrip, complete, black	must not used with lightweight wheels
1.3	000854810.01	Hand rim 24in, Ellipse 3R, black, incl. mounting accessories	
1.2	000857130	24 inch x 1 inch tyre, Schwalbe one	
1.2	000857224.01	24 inch x 1 inch tyre cpl., Right Run (tyre, tube and tube protector)	
1.2	000857424	24 inch x 1 inch tyre Downtown - two grip complete (tyre, tube and tube protector)	

**Universal rear wheel (CC30-32970)**

---

<b>Item no.</b>	<b>Article no.</b>	<b>Description</b>	<b>Remark</b>
1.2	000857426	24in tyre cpl., Marathon Plus, puncture resistant, pneumatic (tyre, tube and tube protector)	
1.2	066555-001	24 inch Inner tube extra light 25-540	
1.2	066555-002	25-26 in inner tube, extra light, ETRTO 25-559	

## Axle tube (CC30-53100)



### Ersatzteile

Item no.	Article no.	Description	Remark
3.1 - 3.4	051553	Wheel tracking - adjustment help,	adjustment aid
		cpl.	
1.1	062503-001-ET	0 degree angle adaptor, black	2 pcs./pack
1.1	062503-002-ET	3 degree angle adaptor, black	2 pcs./pack
1.1	062503-003-ET	6 degree angle adaptor, black	2 pcs./pack
1.1	062503-004-ET	9 degree angle adaptor, black	2 pcs./pack
1.5	066139-002-ET	Round nut length 12 mm	5 pcs./pack
1.7	066504-001-ET	Axle stem spacer	2 pcs./pack
1.6	066504-002-ET	Axle stem spacer	2 pcs./pack
2.4	066505-ET	Axle stem sleeve	2 pcs./pack
1.1	066525-ET	Camber adaptor 0 degree, not available for single post heightadjustable armrest	2 pcs./pack

## Axle tube (CC30-53100)

Item no.	Article no.	Description	Remark
1.3 - 1.7	066526-000-ET	Axle clamp cpl. standard COG	2 pcs./pack, Note: RSH from 410 mm or L3 = 40 mm
1.3 - 1.7	066526-001-ET	Axle clamp cpl. standard COG	2 pcs./pack, Note: RSH 370 - 380 mm or L3 = 20 mm
1.3 - 1.7	066526-002-ET	Axle clamp cpl. standard COG	2 pcs./pack, Note: RSH 390 - 400 mm or L3 = 30 mm
6.1 - 6.3+1.6 - 1.7	066526-101-ET	Axle clamp cpl. short COG	2 pcs./pack, Note: from RSH 410 mm or L3 = 40 mm
6.1 - 6.3+1.6 - 1.7	066526-111-ET	Axle clamp cpl. short COG	2 pcs./pack, Note: RSH 370 - 380 mm or L3 = 20 mm
6.1 - 6.3+1.6 - 1.7	066526-121-ET	Axle clamp cpl. short COG	2 pcs./pack, Note: RSH 390 - 400 mm or L3 = 30 mm
5.1	066529-032	Carbon Axle 0 deg L1 = 320 mm (L2 = 341mm)	Note: To ensure ordering the correct axle tube length pls refer to thematrix ET066529-100 available at the DOCUMENTS section.
5.1	066529-033	Carbon Axle 0 deg L1 = 330 mm (L2 = 351 mm)	Note: To ensure ordering the correct axle tube length pls refer to thematrix ET066529-100 available at the DOCUMENTS section.
5.1	066529-034	Carbon Axle 0 deg L1 = 340 mm (L2 = 361 mm)	Note: To ensure ordering the correct axle tube length pls refer to thematrix ET066529-100 available at the DOCUMENTS section.
5.1	066529-035	Carbon Axle 0 deg L1 = 350 mm (L2 = 371 mm)	Note: To ensure ordering the correct axle tube length pls refer to thematrix ET066529-100 available at the DOCUMENTS section.
5.1	066529-036	Carbon Axle 0 deg L1 = 360 mm (L2 = 381 mm)	Note: To ensure ordering the correct axle tube length pls refer to thematrix ET066529-100 available at the DOCUMENTS section.
5.1	066529-037	Carbon Axle 0 deg L1 = 370 mm (L2 = 391 mm)	Note: To ensure ordering the correct axle tube length pls refer to thematrix ET066529-100 available at the DOCUMENTS section.

## Axle tube (CC30-53100)

Item no.	Article no.	Description	Remark
			section.
5.1	066529-038	Carbon Axle 0 deg L1 = 380 mm (L2 = 401 mm)	Note: To ensure ordering the correct axle tube length pls refer to thematrix ET066529-100 available at the DOCUMENTS section.
5.1	066529-039	Carbon Axle 0 deg L1 = 390 mm (L2 = 411 mm)	Note: To ensure ordering the correct axle tube length pls refer to thematrix ET066529-100 available at the DOCUMENTS section.
5.1	066529-040	Carbon Axle 0 deg L1 = 400 mm (L2 = 421 mm)	Note: To ensure ordering the correct axle tube length pls refer to thematrix ET066529-100 available at the DOCUMENTS section.
5.1	066529-041	Carbon Axle 0 deg L1 = 410 mm (L2 = 431 mm)	Note: To ensure ordering the correct axle tube length pls refer to thematrix ET066529-100 available at the DOCUMENTS section.
5.1	066529-042	Carbon Axle 0 deg L1 = 420 mm (L2 = 441 mm)	Note: To ensure ordering the correct axle tube length pls refer to thematrix ET066529-100 available at the DOCUMENTS section.
5.1	066529-043	Carbon Axle 0 deg L1 = 430 mm (L2 = 451 mm)	Note: To ensure ordering the correct axle tube length pls refer to thematrix ET066529-100 available at the DOCUMENTS section.
5.1	066529-044	Carbon Axle 0 deg L1 = 440 mm (L2 = 461 mm)	Note: To ensure ordering the correct axle tube length pls refer to thematrix ET066529-100 available at the DOCUMENTS section.
5.1	066529-045	Carbon Axle 0 deg L1 = 450 mm (L2 = 471 mm)	Note: To ensure ordering the correct axle tube length pls refer to thematrix ET066529-100 available at the DOCUMENTS section.
5.1	066529-046	Carbon Axle 0 deg L1 = 460 mm (L2 = 481 mm)	Note: To ensure ordering the correct axle tube length pls refer to thematrix ET066529-100 available at the DOCUMENTS section.

## Axle tube (CC30-53100)

Item no.	Article no.	Description	Remark
5.1	066529-047	Carbon Axle 0 deg L1 = 470 mm (L2 = 491 mm)	Note: To ensure ordering the correct axle tube length pls refer to thematrix ET066529-100 available at the DOCUMENTS section.
5.1	066529-048	Carbon Axle 0 deg L1 = 480 mm (L2 = 501 mm)	Note: To ensure ordering the correct axle tube length pls refer to thematrix ET066529-100 available at the DOCUMENTS section.
5.1	066529-049	Carbon Axle 0 deg L1 = 490 mm (L2 = 511 mm)	Note: To ensure ordering the correct axle tube length pls refer to thematrix ET066529-100 available at the DOCUMENTS section.
5.1	066529-334	Carbon Axle 3 deg L1 = 340 mm (L2 = 362 mm)	Note: To ensure ordering the correct axle tube length pls refer to thematrix ET066529-100 available at the DOCUMENTS section.
5.1	066529-335	Carbon Axle 3 deg L1 = 350 mm (L2 = 372 mm)	Note: To ensure ordering the correct axle tube length pls refer to thematrix ET066529-100 available at the DOCUMENTS section.
5.1	066529-336	Carbon Axle 3 deg L1 = 360 mm (L2 = 382 mm)	Note: To ensure ordering the correct axle tube length pls refer to thematrix ET066529-100 available at the DOCUMENTS section.
5.1	066529-337	Carbon Axle 3 deg L1 = 370 mm (L2 = 392 mm)	Note: To ensure ordering the correct axle tube length pls refer to thematrix ET066529-100 available at the DOCUMENTS section.
5.1	066529-338	Carbon Axle 3 deg L1 = 380 mm (L2 = 402 mm)	Note: To ensure ordering the correct axle tube length pls refer to thematrix ET066529-100 available at the DOCUMENTS section.
5.1	066529-339	Carbon Axle 3 deg L1 = 390 mm (L2 = 412 mm)	
5.1	066529-340	Carbon Axle 3 deg L1 = 400 mm (L2 = 422 mm)	Note: To ensure ordering the correct axle tube length pls refer to thematrix ET066529-100 available at the DOCUMENTS section.

## Axle tube (CC30-53100)

Item no.	Article no.	Description	Remark
			section.
5.1	066529-341	Carbon Axle 3 deg L1 = 410 mm (L2 = 432 mm)	Note: To ensure ordering the correct axle tube length pls refer to thematrix ET066529-100 available at the DOCUMENTS section.
5.1	066529-342	Carbon Axle 3 deg L1 = 420 mm (L2 = 442 mm)	Note: To ensure ordering the correct axle tube length pls refer to thematrix ET066529-100 available at the DOCUMENTS section.
5.1	066529-343	Carbon Axle 3 deg L1 = 430 mm (L2 = 452 mm)	Note: To ensure ordering the correct axle tube length pls refer to thematrix ET066529-100 available at the DOCUMENTS section.
5.1	066529-344	Carbon Axle 3 deg L1 = 440 mm (L2 = 462 mm)	Note: To ensure ordering the correct axle tube length pls refer to thematrix ET066529-100 available at the DOCUMENTS section.
5.1	066529-345	Carbon Axle 3 deg L1 = 450 mm (L2 = 472 mm)	Note: To ensure ordering the correct axle tube length pls refer to thematrix ET066529-100 available at the DOCUMENTS section.
5.1	066529-346	Carbon Axle 3 deg L1 = 460 mm (L2 = 482 mm)	Note: To ensure ordering the correct axle tube length pls refer to thematrix ET066529-100 available at the DOCUMENTS section.
5.1	066529-347	Carbon Axle 3 deg L1 = 470 mm (L2 = 492 mm)	Note: To ensure ordering the correct axle tube length pls refer to thematrix ET066529-100 available at the DOCUMENTS section.
5.1	066529-348	Carbon Axle 3 deg L1 = 480 mm (L2 = 502 mm)	Note: To ensure ordering the correct axle tube length pls refer to thematrix ET066529-100 available at the DOCUMENTS section.
5.1	066529-349	Carbon Axle 3 deg L1 = 490 mm (L2 = 512 mm)	Note: To ensure ordering the correct axle tube length pls refer to thematrix ET066529-100 available at the DOCUMENTS section.

## Axle tube (CC30-53100)

Item no.	Article no.	Description	Remark
5.1	066529-350	Carbon Axle 3 deg L1 = 500 mm (L2 = 522 mm)	Note: To ensure ordering the correct axle tube length pls refer to thematrix ET066529-100 available at the DOCUMENTS section.
5.1	066529-351	Carbon Axle 3 deg L1 = 510 mm (L2 = 532 mm)	Note: To ensure ordering the correct axle tube length pls refer to thematrix ET066529-100 available at the DOCUMENTS section.
5.1	066529-352	Carbon Axle 3 deg L1 = 520 mm (L2 = 542 mm)	Note: To ensure ordering the correct axle tube length pls refer to thematrix ET066529-100 available at the DOCUMENTS section.
1.2	066540-000	Axle tube, Aluminium	Note: to ensure ordering of the correct axle tube length, please refer to the matrix ET066540-000 given in the documents area.
1.5	066563-ET	Round nut for short COG	5 pcs./pack
5.2	066571-001-ET	Distance short for carbon axle with frame reinforcement	2 pcs./pack
5.3	066571-002	Distanz lang für Carbon Achsrohr mit Rahmenzubehör (zb. Ankippbügel, Sicherheitsrad etc.)	
1.4, 6.3	066901-006-ET	Socket head cap screw M5 x 0.8 x 16 ISO4762	25 pcs./pack
1.9	066903-001-ET	Headless screw M8 x 16 ISO4029	25 pcs./pack
1.8 - 1.9	066931	Axle stem clamp	2 pcs./pack
2.1 - 2.4	66007100-011	Axle stem, cpl., L = 35 mm	pair
2.1 - 2.4	66007100-012	Axle stem, cpl., L = 47 mm	pair
2.1 - 2.4	66007100-013	Axle stem, cpl., L = 59 mm	pair
2.1 - 2.4	66007100-014	Axle stem, cpl., L = 72 mm	pair
2.1 - 2.4	66007100-015	Axle stem, cpl., L = 84 mm	pair
2.1 - 2.4	66007100-016	Axle stem, cpl., L = 96 mm	pair
2.1 - 2.4	66007100-017	Axle stem, cpl., L = 109 mm	pair
2.1 - 2.4	66007100-018	Axle stem, cpl., L = 122 mm	pair
2.1 - 2.4	66007100-019	Axle stem, cpl., L = 133 mm	pair
1.2 - 3.4	66007301-001	Aluminium axle tube unit, cpl.	COG 20-56, RSH 370+380

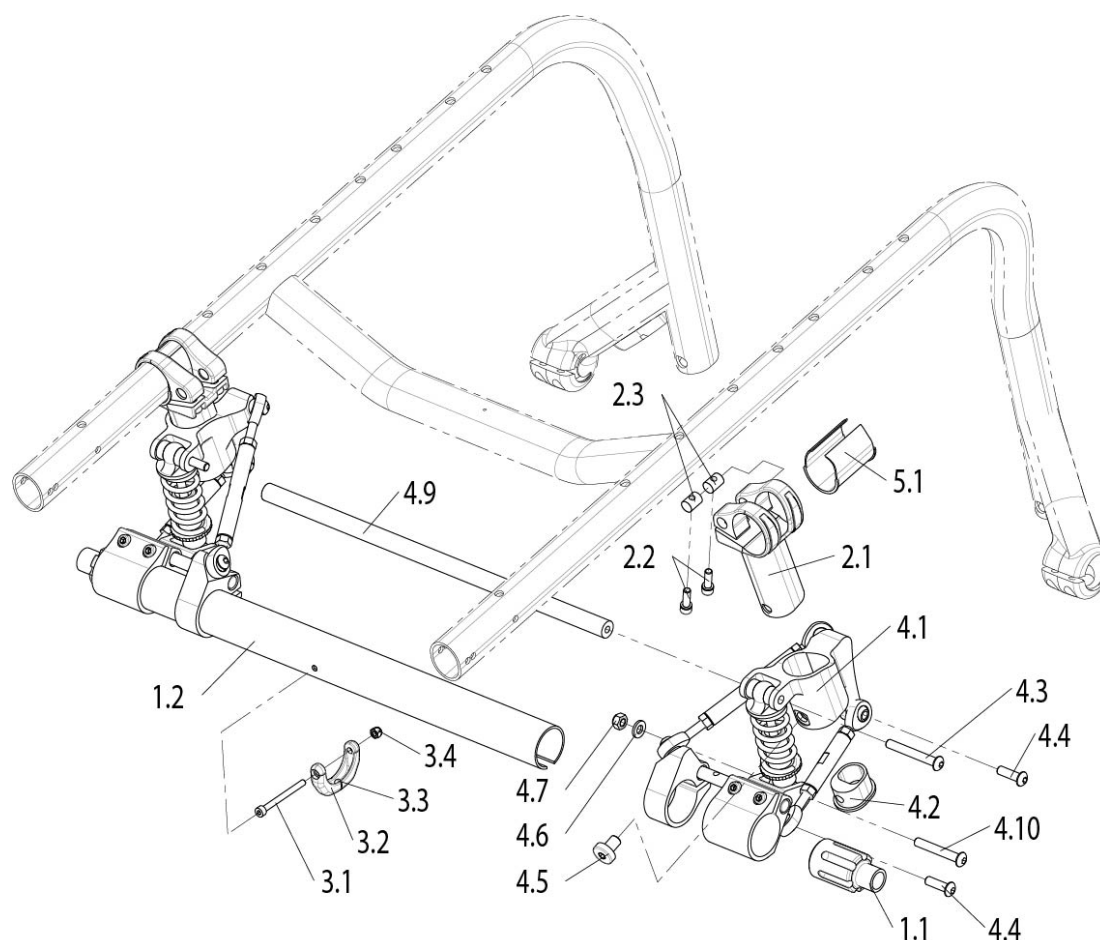


## Axle tube (CC30-53100)

---

Item no.	Article no.	Description	Remark
1.2 - 3.4	66007301-002	Aluminium axle tube unit, cpl.	COG 20-56, RSH 390+400
1.2 - 3.4	66007301-003	Aluminium axle tube unit, cpl.	COG 20-56, RSH 410-500
1.3-2.4, 5.1-5.3	66007301-011	Carbon axle tube unit, cpl.	COG 20-56, RSH 370+380
1.3-2.4, 5.1-5.3	66007301-012	Carbon axle tube unit, cpl.	COG 20-56, RSH 390+400
1.3-2.4, 5.1-5.3	66007301-013	Carbon axle tube unit, cpl.	COG 20-56, RSH 410-500
1.2+1.6 -3.4+6. 1-6.3	66007302-001	Aluminium axle tube unit, cpl.	COG 68-104
5.1-6.3 +1.6-2. 4	66007302-011	Carbon axle tube unit, cpl.	COG 68-104

## Suspension (CC30-53110)



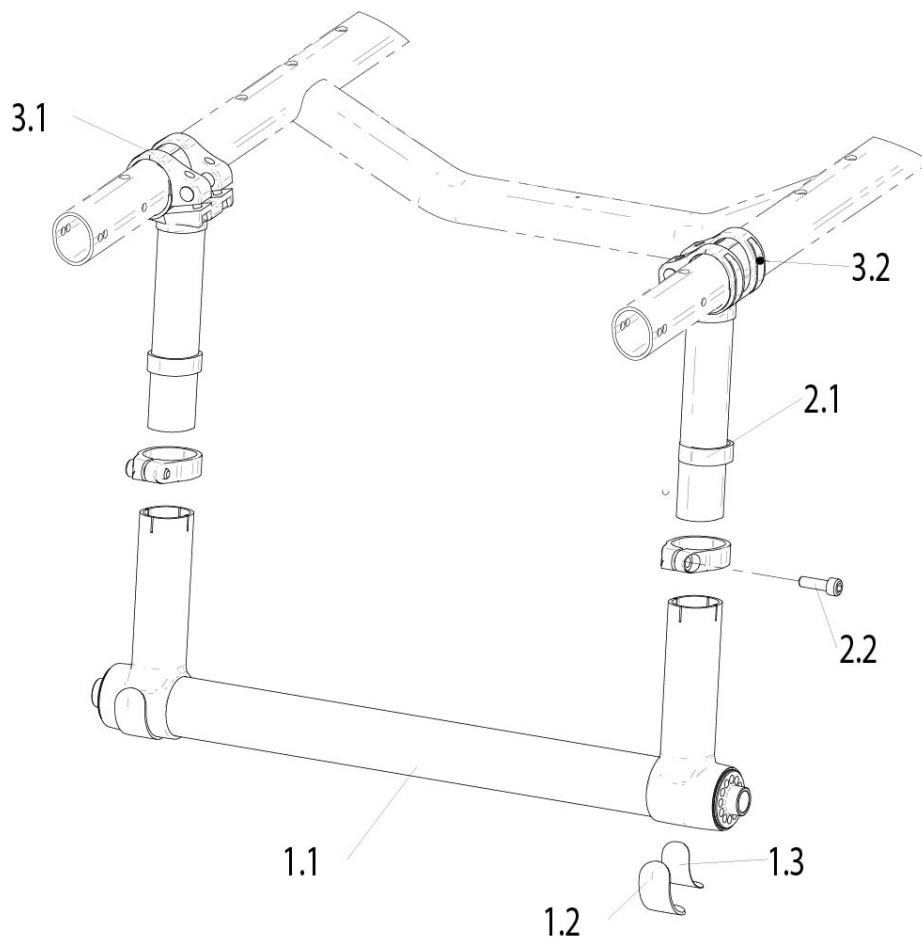
### Ersatzteile

Item no.	Article no.	Description	Remark
3.1 - 3.3	051553	Wheel tracking - adjustment help,	adjustment aid
		cpl.	
4.3	058901-002-ET	Button head cap screw M6 x 1,0 x 45 ISO7380	25 pcs./pack
4.7	058903-ET	Hexagon nut M6 ISO10511, black	25 pcs./pack
4.6	058904-ET	Washer A 6.4 ISO7089, black	25 pcs./pack
1.1	062503-001-ET	0 degree angle adaptor, black	2 pcs./pack
1.1	062503-002-ET	3 degree angle adaptor, black	2 pcs./pack
1.1	062503-003-ET	6 degree angle adaptor, black	2 pcs./pack
1.1	062503-004-ET	9 degree angle adaptor, black	2 pcs./pack
2.3	066139-002-ET	Round nut length 12 mm	5 pcs./pack
1.1	066525-ET	Camber adaptor 0 degree, not available for single post	2 pcs./pack

## Suspension (CC30-53110)

Item no.	Article no.	Description	Remark
		heightadjustable armrest	
1.2	066540-000	Axle tube, Aluminium	Note: to ensure ordering of the correct axle tube length, please refer to the matrix ET066540-000 given in the documents area.
4.9	066560-000	Suspension cross bar	
4.1 - 4.8 +4.10	066569-001	Suspension side assemblies 70kg cpl.	
4.1 - 4.8 +4.10	066569-002	Suspension side assemblies 120kg cpl.	
4.8	066901-007-ET	Socket head cap screw M5 x 0,8 x 16 ISO4762	25 pcs./pack
2.2	066901-011-ET	Socket head cap screw M5 x 0.8 x 14	25 pcs./pack
4.5	066904-001-ET	Socket head cap screw M8 x 1.25 x 12 ISO7984	25 pcs./pack
4.10	102262-006-ET	Button head cap screw M6 x 1.0 x 40 ISO7380	25pcs./pack

## Axle-assembly superlight, Carbon (CC30-65640)



### Ersatzteile

Item no.	Article no.	Description	Remark
1.1-3.2	66007403-ET	Axle tube unit, lightweight, 0 degree, cpl.	
1.2 - 1.3	77007022-ET	Axle stem protection tape	2 pcs./pack

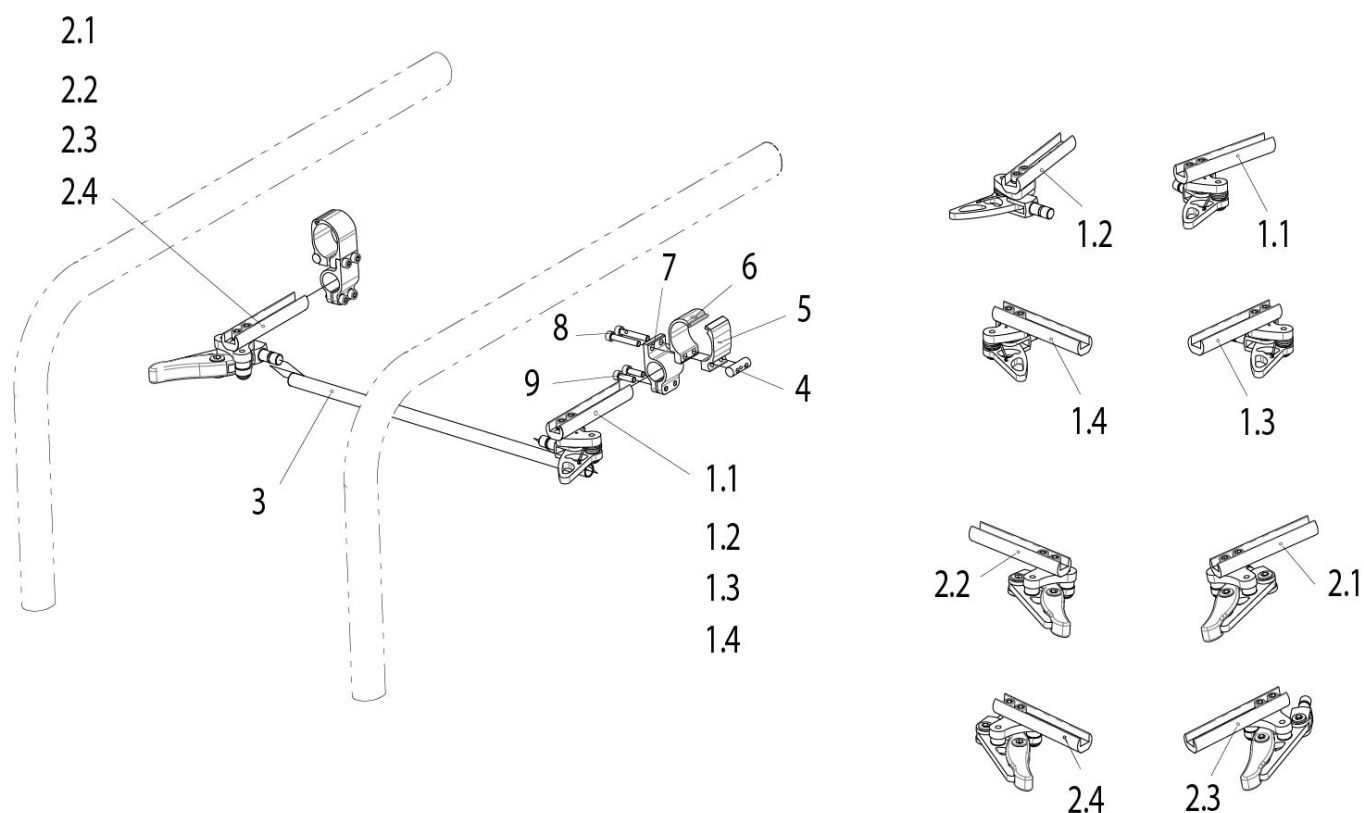
## Brake (CC20-11290)

---

### Ersatzteile

Article no.	Description
CC30-05730	One arm brake
CC30-14580	Knee lever brake
CC30-30460	Standard brake
CC30-53120	Compact brake EVO
CC30-53130	Lightweight Compact brake EVO

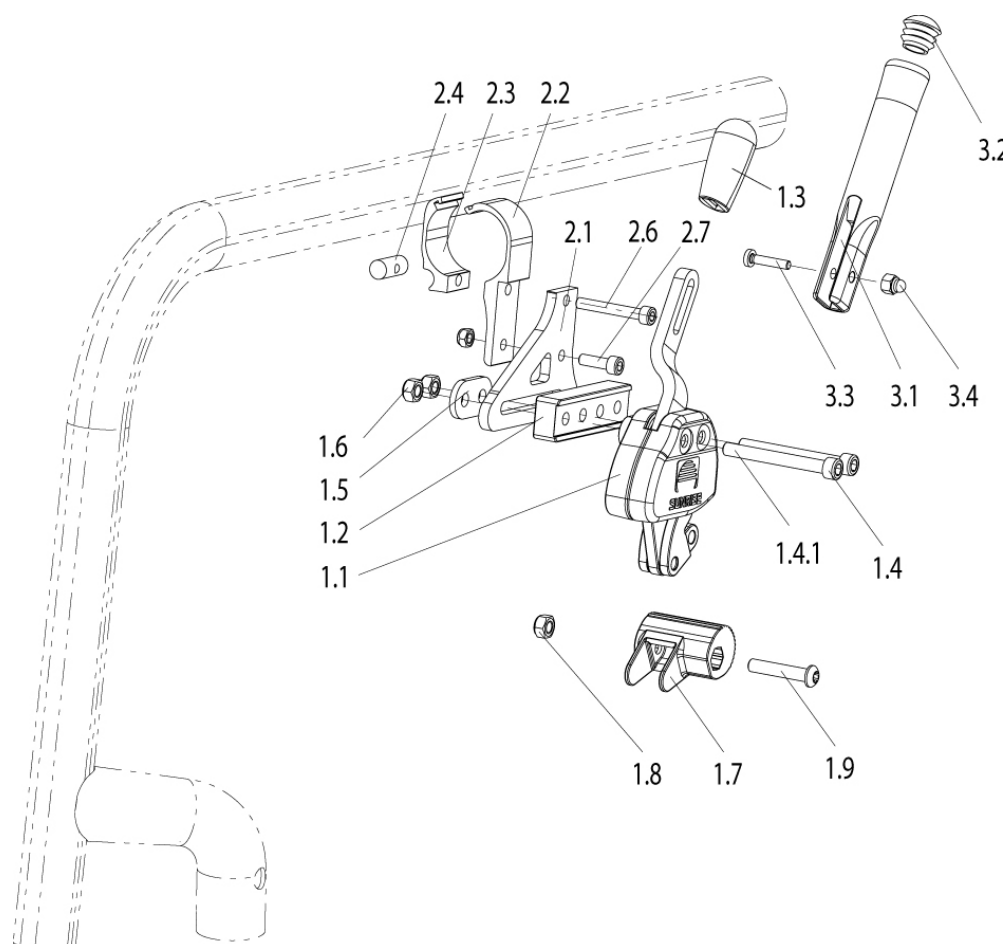
## One arm brake (CC30-05730)



### Ersatzteile

Item no.	Article no.	Description
1.1	066631-011	One arm brake receiver LH rear mount
1.2	066631-012	One arm brake receiver RH rear mount
1.3	066631-013	One arm brake receiver LH front mount
1.4	066631-014	One arm brake receiver RH front mount
2.1	066631-021	One arm brake actuator LH rear mount
2.2	066631-022	One arm brake actuator RH rear mount
2.3	066631-023	One arm brake actuator LH front mount
2.4	066631-024	One arm brake actuator RH front mount
3	066639-000	Push tube
1-9	066961	One arm brake cpl.
4-9	066974	Mounting accessories one arm brake

## Knee lever brake (CC30-14580)



### Ersatzteile

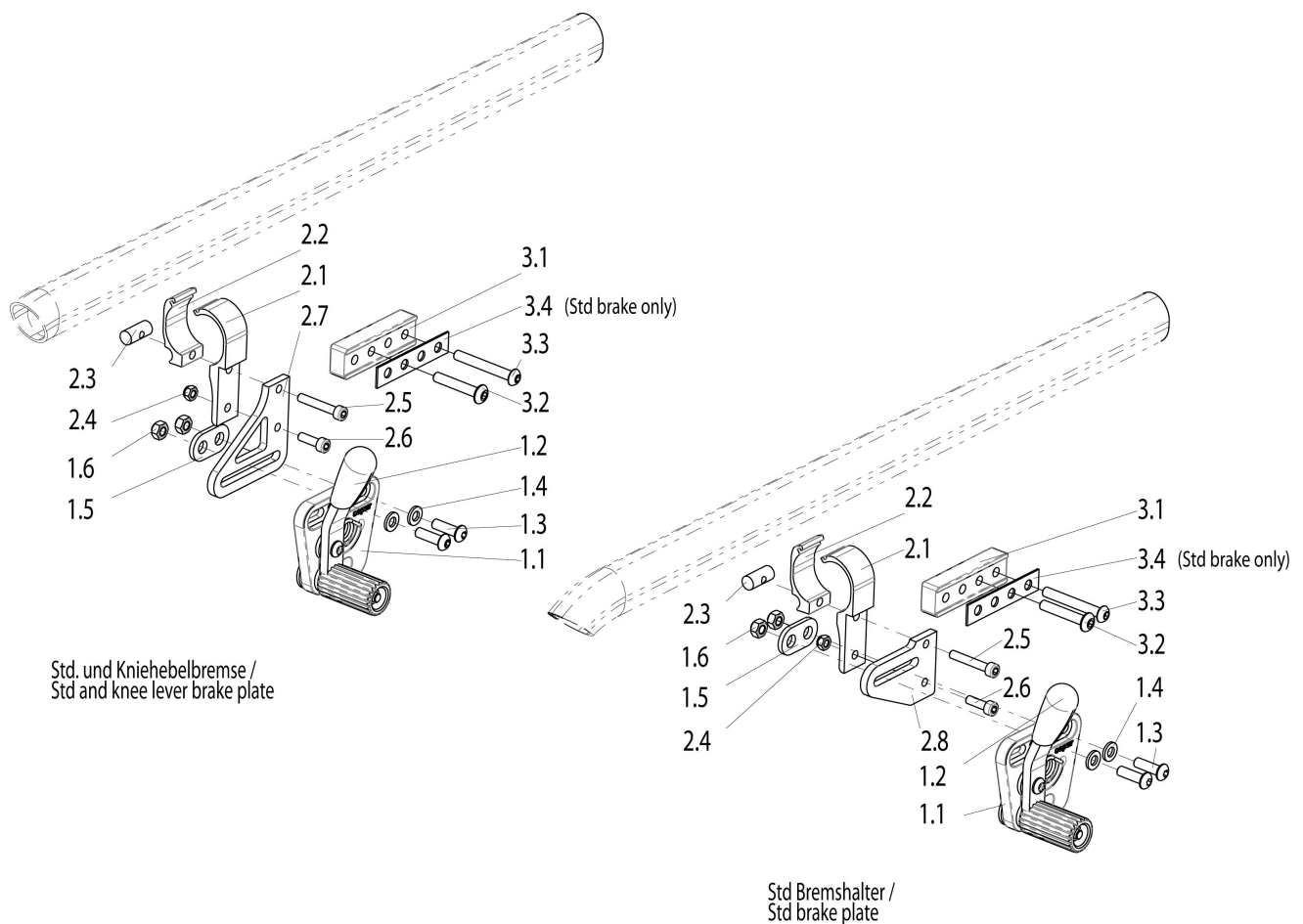
Item no.	Article no.	Description	Remark
1.6	000128007-ET	Hex nut M6 DIN985	25 pcs./pack
1.1, 1.3, 1.7 - 1.9	000761260	Knee lever brake, plastic without clamp	LH
1.3	000861156-ET	Cover cap for brake lever, black	6 pcs./pack
1.5	000861218	Spacer support for wheel locks	
1.7 - 1.9	000861252	Brake bolts with screw fixing, complete	RH / LH usable
3.1 - 3.3	000861253	Brake lever extension, cpl	2 pcs./pack
1.1, 1.3,1.7 - 1.9	000861260	Knee lever brake, plastic without clamp	RH
1.1, 1.3, 1.7 - 1.9	000961260	Knee lever brake, plastic without clamp	Pair

## Knee lever brake (CC30-14580)

Item no.	Article no.	Description	Remark
1.4	058901-004-ET	Button head cap screw M6 x 55 ISO7380	25 pcs./pack
2.4	066139-001-ET	Round nut length 20 mm	5 pcs./pack
1.1 - 2.7	066624-000	Knee lever wheel lock with frame adapter	Pair
2.1 - 2.7	066627	Frame fitting for standard and knee-lever brakes	RH / LH usable
1.2, 1.4, 1.5, 1.6	066630-001	Spacer (one spacer) used with knee lever brake (0/ 3/ 4 deg camber and central mount side guard)	Pair
1.2, 1.4.1, 1.5, 1.6	066630-002	Spacer (two spacers) used with knee lever brake, double (6° camber)	Pair
1.4.1	066900-011-ET	Button head cap screw M6 x 65, Torx drive	25 pcs./pack
2.7	066901-006-ET	Socket head cap screw M5 x 0.8 x 16 ISO4762	25 pcs./pack
2.5	066909-001-ET	Hexagon nut M5 ISO10511	25 pcs./pack



## Standard brake (CC30-30460)



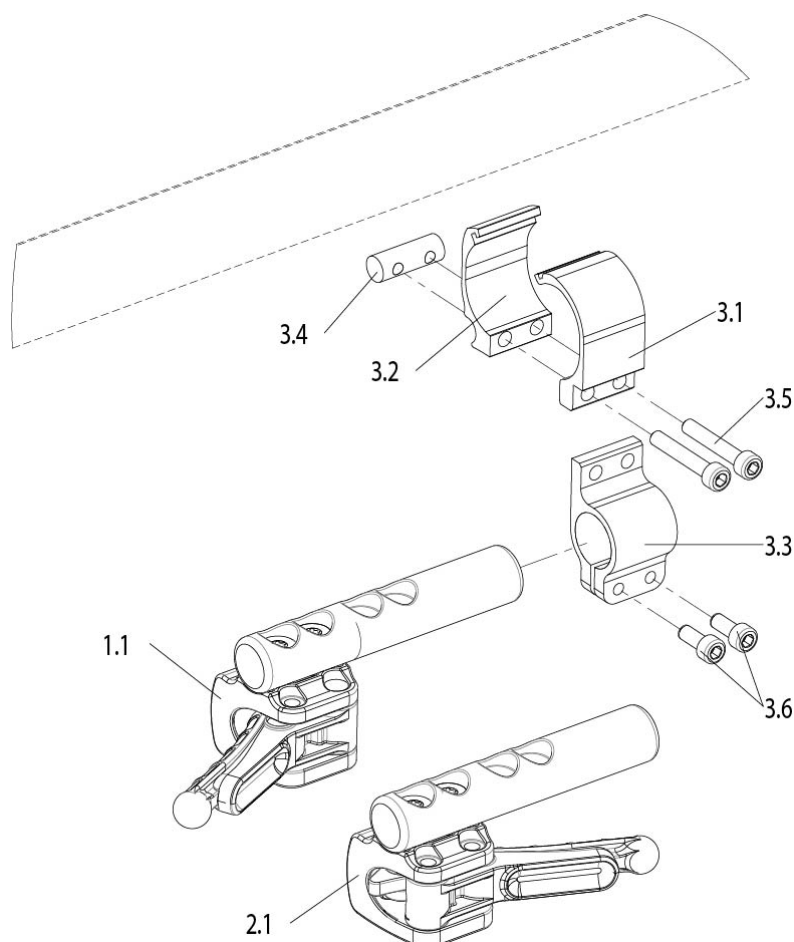
## Ersatzteile

Item no.	Article no.	Description	Remark
3.2	000100918-ET	Button head cap screw M6 x35 - ISO7380	25 pcs./pack
1.6	000128007-ET	Hex nut M6 DIN985	25 pcs./pack
1.4	000130007-ET	Washer A 6.4 - ISO7089	25 pcs./pack
1.2	000861156-ET	Cover cap for brake lever, black	6 pcs./pack
1.5	000861218	Spacer support for wheel locks	
1.3	058901-001-ET	Button head cap screw M6 x 20 ISO7380	25 pcs./pack
3.3	058901-002-ET	Button head cap screw M6 x 1,0 x 45 ISO7380	25 pcs./pack
2.3	066139-001-ET	Round nut length 20 mm	5 pcs./pack
1.1 - 2.7, 2.8	066625-000	Standard brake with frame fitting	Pair

## Standard brake (CC30-30460)

Item no.	Article no.	Description	Remark
2.1 - 2.7, 2.8	066627	Frame fitting for standard and knee-lever brakes	RH / LH usable
3.1 - 3.2, 3.4, 1.6	066646-001	Spacer (one spacer) used with standard brake (2/3/4 deg camber and central mount side guard)	pair
3.1, 3.3 - 3.4, 1.6	066646-002	Spacer (two spacers) used with standard brake (6 and 9deg camber)	pair
2.5	066901-002-ET	Socket head cap screw M5 x 35 ISO4762	25 pcs./pack
2.6	066901-006-ET	Socket head cap screw M5 x 0.8 x 16 ISO4762	25 pcs./pack
2.4	066909-001-ET	Hexagon nut M5 ISO10511	25 pcs./pack
1.1 - 1.2	760761050	Standard brake, complete	LH
1.1 - 1.2	760861050	Standard brake, complete	RH

## Compact brake EVO (CC30-53120)



### Ersatzteile

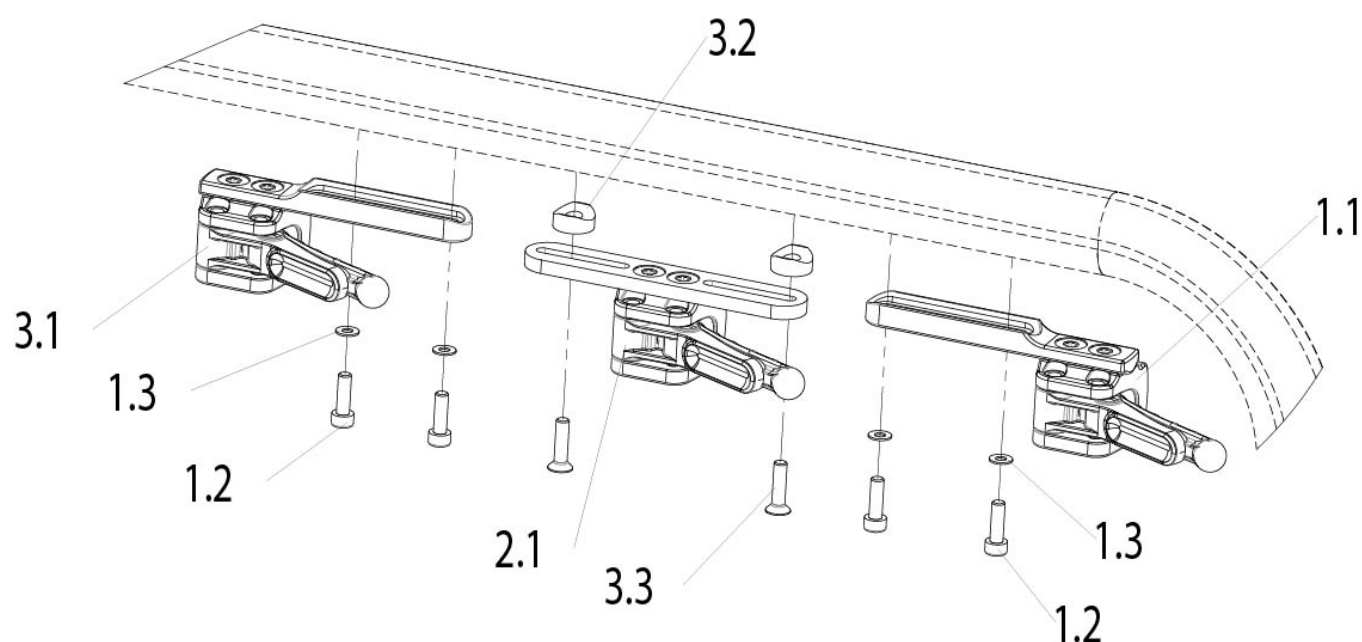
Item no.	Article no.	Description	Remark
3.4	066139-003-ET	Round nut length 25 mm	5 pcs./pack
3.1-3.6	066213	Fitting accessories for footrest and brake	RH / LH usable
3.5	066901-009-ET	Socket head cap screw M5 x 30 ISO4762	25 pcs./pack
3.6	066901-013-ET	Socket head cap screw M5 x 12 ISO4762	25 pcs./pack
1.1 + 3.1-3.6	66006100-300	Compact brake, back mount, cpl., incl. fitting accessories	pair
1.1	66006100-301	Kompaktbremse, Anbau hinten	links ab KW45/2020
	66006100-302	Kompaktbremse, Anbau hinten	rechts ab KW45/2020
2.1-3.6	66006100-400	Compact brake, front mount, cpl., incl. fitting accessories	pair

**Compact brake EVO (CC30-53120)**

---

<b>Item no.</b>	<b>Article no.</b>	<b>Description</b>	<b>Remark</b>
2.1	66006100-401	Kompaktbremse, Frontanbau	links ab KW45/2020
	66006100-402	Kompaktbremse, Frontanbau	rechts ab KW45/2020

## Lightweight Compact brake EVO (CC30-53130)



### Ersatzteile

Item no.	Article no.	Description	Remark
3.3	000104055-ET	Flat head cap screw, hexagon socket M5 x 20 ISO10642	25 pcs./pack
1.3	000130158-ET	Washer A 5.3 ISO7089	25 pcs./pack
1.2	066901-006-ET	Socket head cap screw M5 x 0.8 x 16 ISO4762	25 pcs./pack
1.1-1.3	66006100-100	Compact brake, lightweight, back mount, cpl., incl. fitting accessories	pair, retrofit not possible
1.1	66006100-101	Compact brake, lightweight, back mountK	left, retrofit not possible
	66006100-102	Lightweight compact brake, front mount	right, retrofit not possible
2.1+1.2-1.3	66006100-200	Compact brake, lightweight, front mount, cpl., incl. fitting accessories	pair, retrofit not possible
2.1	66006100-201	Compact brake, lightweight, front mount	left, retrofit not possible
	66006100-202	Compact brake, lightweight, front mount	right, retrofit not possible
3.1-3.3	66006200-100	Compact brake, lightweight, mid mount, cpl., incl. fitting	pair, retrofit not possible

**Lightweight Compact brake EVO (CC30-53130)**

---

<b>Item no.</b>	<b>Article no.</b>	<b>Description</b>	<b>Remark</b>
		accessories	
3.1	66006200-101	Compact brake, lightweight, midmount	left, retrofit not possible
	66006200-102	Compact brake, lightweight, midmount	right, retrofit not possible

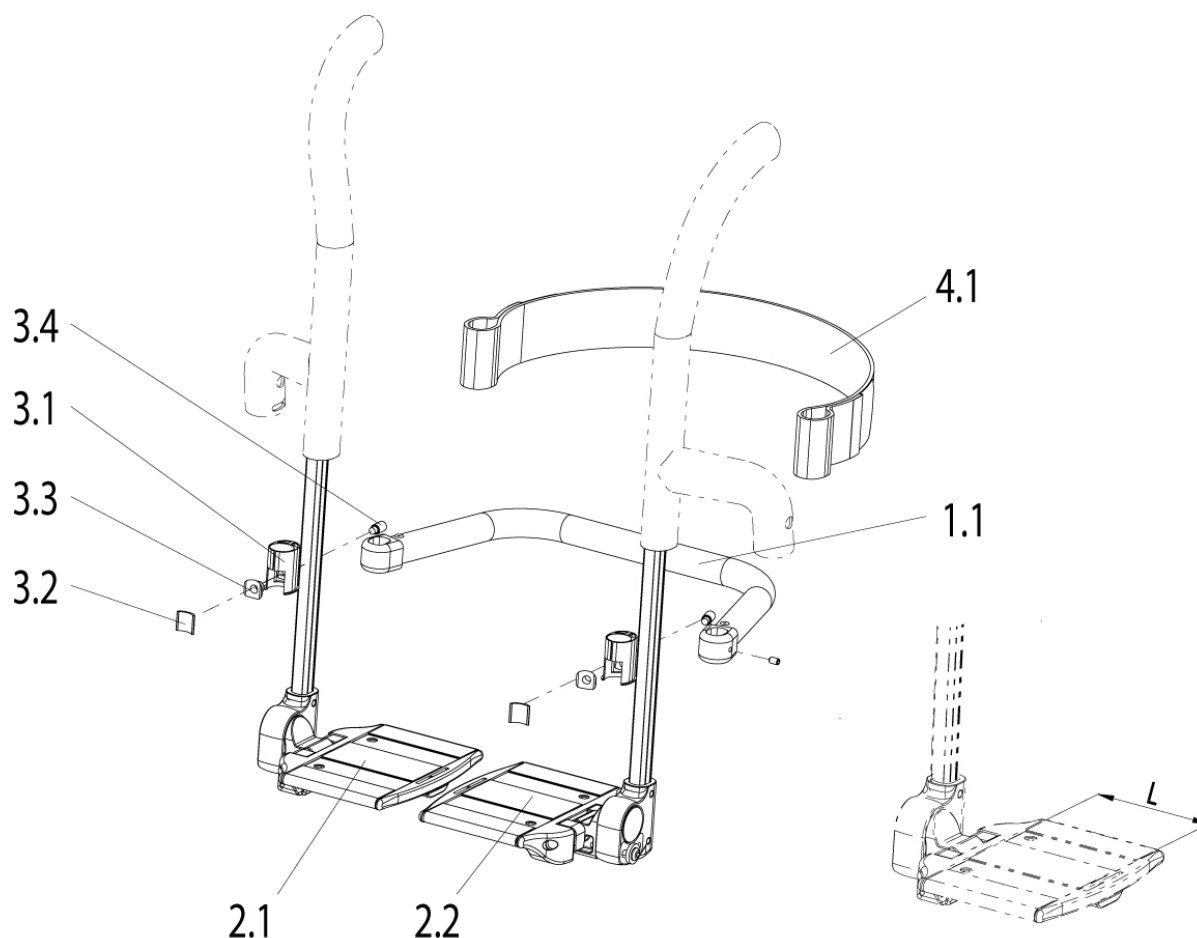
## Footrest (CC20-11300)

---

### Ersatzteile

Article no.	Description
CC30-08240	Footrest, divided, aluminium
CC30-08260	Footrest, angle adjustable, high mounted, aluminium
CC30-08480	Footrest, tubular, with cover
CC30-08500	Footrest, swing away
CC30-08510	Footrest, Performance
CC30-08550	Footboard, continuous, lightweight, adjustable, aluminium

## Footrest, divided, aluminium (CC30-08240)



### Ersatzteile

Item no.	Article no.	Description	Remark
	000821167-ET	Slip resistant coating for one footboard	per metre
1.1	06602290-000	Stabilizer bar for divided Fottplate	
4.1	066140-001	Calf strap cpl., L = 750 mm	
4.1	066140-002	Calf strap cpl., L = 800 mm	
4.1	066140-003	Calf strap cpl., L = 850 mm	
4.1	066140-004	Calf strap cpl., L = 900 mm	
4.1	066140-005	Calf strap cpl. L 950 mm	
1.1 - 3.4	066240-000	Divided Footplate with stabilizer bar and fitting accessories	RH, LH
2.1	066240-001	Divided Footplate	RH
2.2	066240-002	Divided Footplate	LH



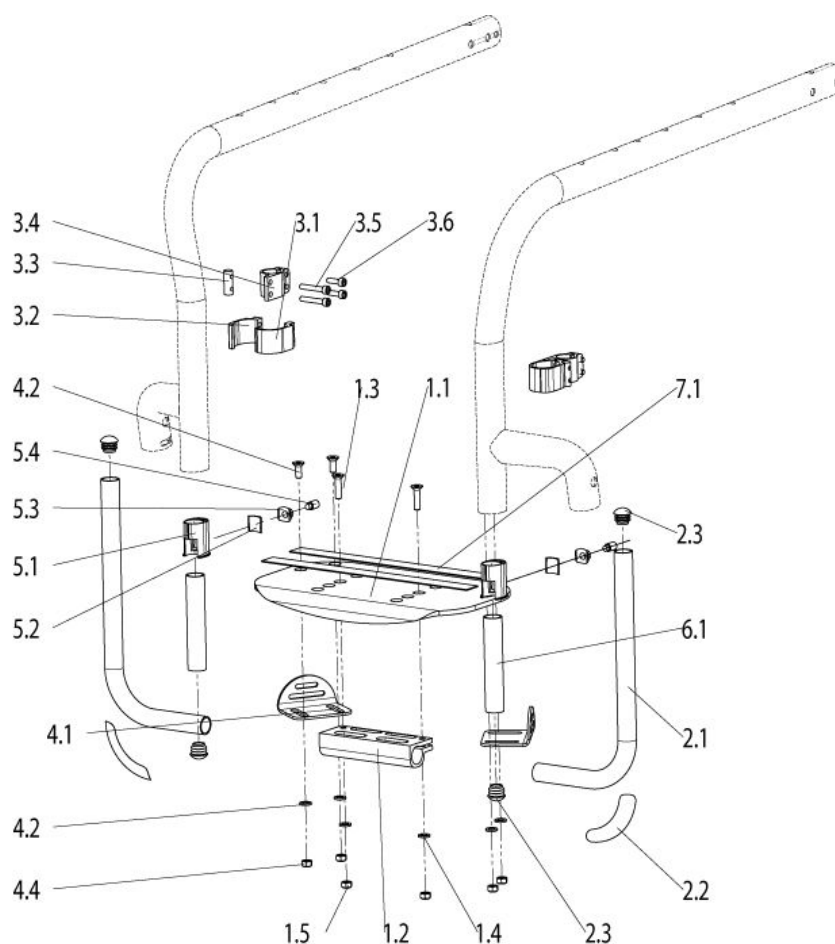
**Footrest, divided, aluminium (CC30-08240)**

---

Item no.	Article no.	Description	Remark
3.1 - 3.4	066917	Fitting accessories for footrest	pair

---

## Footrest, angle adjustable, high mounted, aluminium (CC30-08260)



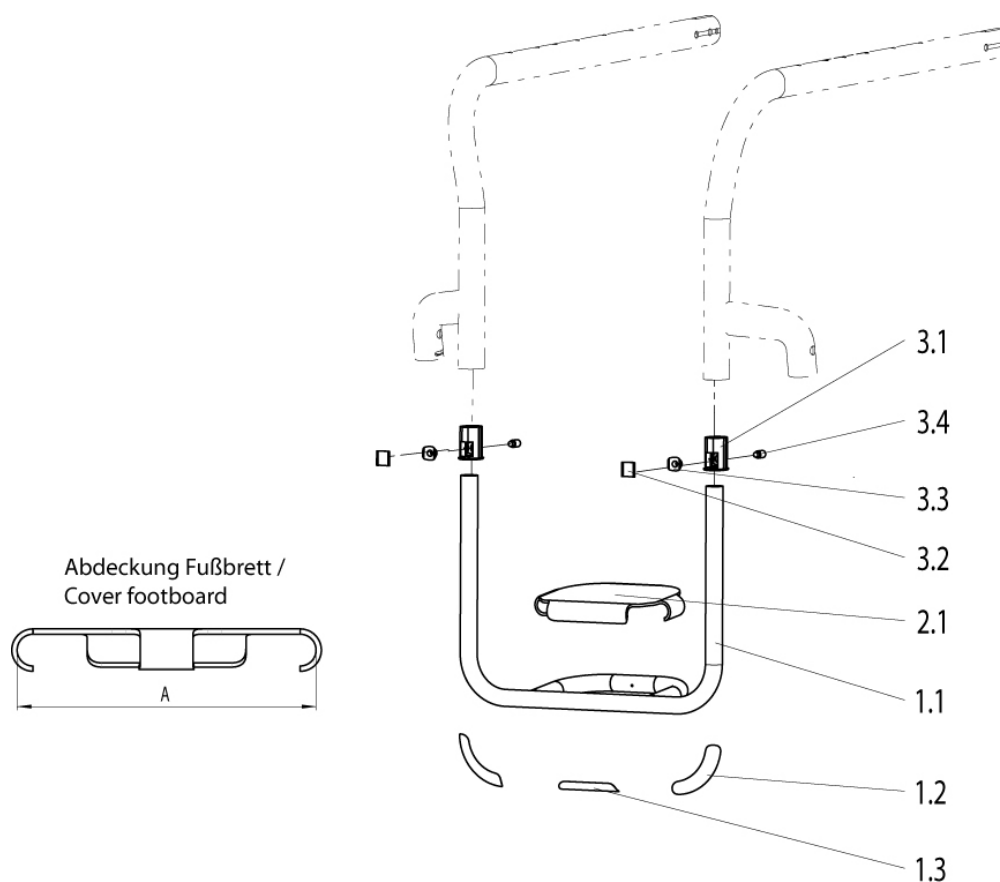
### Ersatzteile

Item no.	Article no.	Description	Remark
2.3	000282042-ET	End plug 18 mm	10 pcs./pack
7.1	000821167-ET	Slip resistant coating for one footboard	per metre
4.4	058903-ET	Hexagon nut M6 ISO10511, black	25 pcs./pack
4.3	058904-ET	Washer A 6.4 ISO7089, black	25 pcs./pack
3.3	066139-003-ET	Round nut length 25 mm	5 pcs./pack
5.2	066204-001-ET	Push joint for footplate assembly	6 pcs./pack
3.1 - 3.6	066213	Fitting accessories for footrest and brake	RH / LH usable
5.3	066214-001-ET	Nut for footplate assembly	6 pcs./pack
2.2	066217-ET	Protective sticker for footplate, lateral	2 pcs./pack
1.1 - 3.6	066223-000	Aluminium footrest, high mount	

## Footrest, angle adjustable, high mounted, aluminium (CC30-08260)

Item no.	Article no.	Description	Remark
		cpl.	
6.1	066224-ET	Tube insert high mounted footrest	2 pcs./pack
3.5	066901-002-ET	Socket head cap screw M5 x 35 ISO4762	25 pcs./pack
3.6	066901-006-ET	Socket head cap screw M5 x 0.8 x 16 ISO4762	25 pcs./pack
5.4	066903-001-ET	Headless screw M8 x 16 ISO4029	25 pcs./pack
5.1 - 5.4	066917	Fitting accessories for footrest	pair
2.1 - 2.2	066919-000	Foot bar for angle-adjustable footrest, cpl.	Pair
1.1 - 1.6	066920-000	Aluminium footboard with add-on parts	
1.2 - 1.6	06802227	Footplate clamp incl. mounting accessories	
4.1 - 4.4	765821004	Side stop for footboard	Pair

## Footrest, tubular, with cover (CC30-08480)



### Ersatzteile

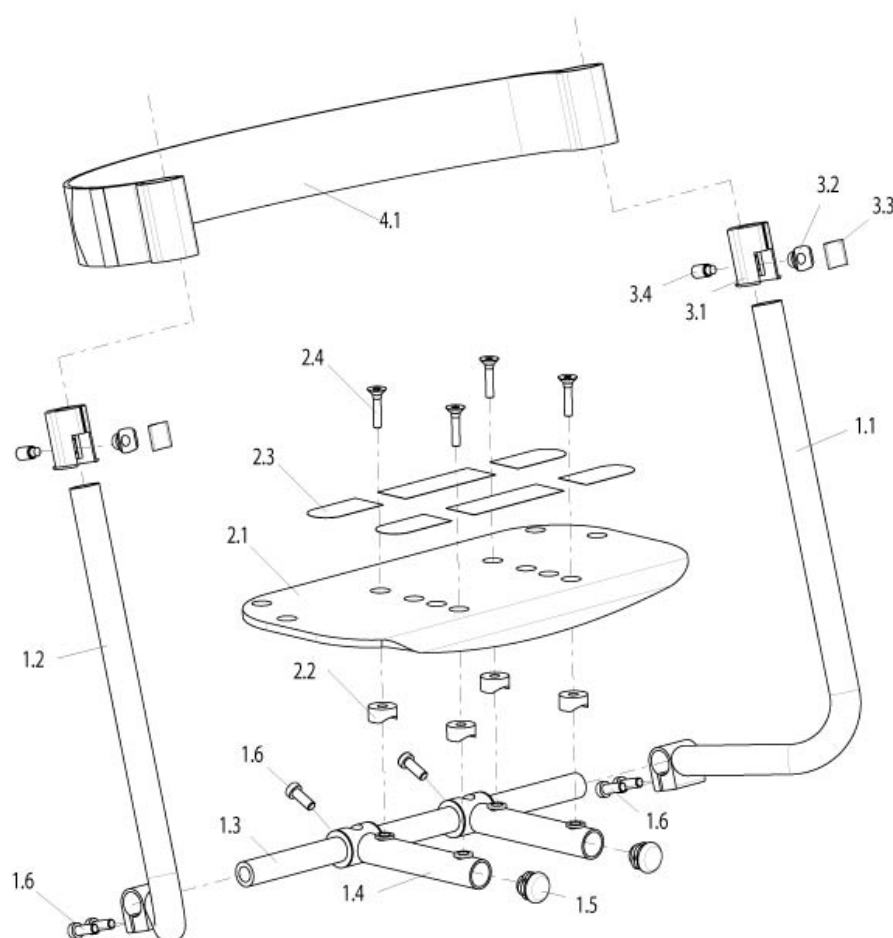
Item no.	Article no.	Description	Remark
3.2	066204-001-ET	Push joint for footplate assembly	6 pcs./pack
1.1	066205-000	Foot bar	
3.3	066214-001-ET	Nut for footplate assembly	6 pcs./pack
1.2	066217-ET	Protective sticker for footplate, lateral	2 pcs./pack
1.3	066218-ET	Protective sticker for footplate, centre	2 pcs./pack
2.1	066225-000	Footrest cover	Note: to order the correct footboard size pls refer to the matrix ET06602003at the document section.
3.4	066903-001-ET	Headless screw M8 x 16 ISO4029	25 pcs./pack
1.1 - 3.4	066915-000	Footrest with bar and cover plate incl. fitting accessories	

**Footrest, tubular, with cover (CC30-08480)**

---

Item no.	Article no.	Description	Remark
1.1 - 1.3,3.1 - 3.4	066916-000	Footrest with bar without cover plate incl. fitting accessories	
3.1 - 3.4	066917	Fitting accessories for footrest	pair

## Footrest, swing away (CC30-08500)



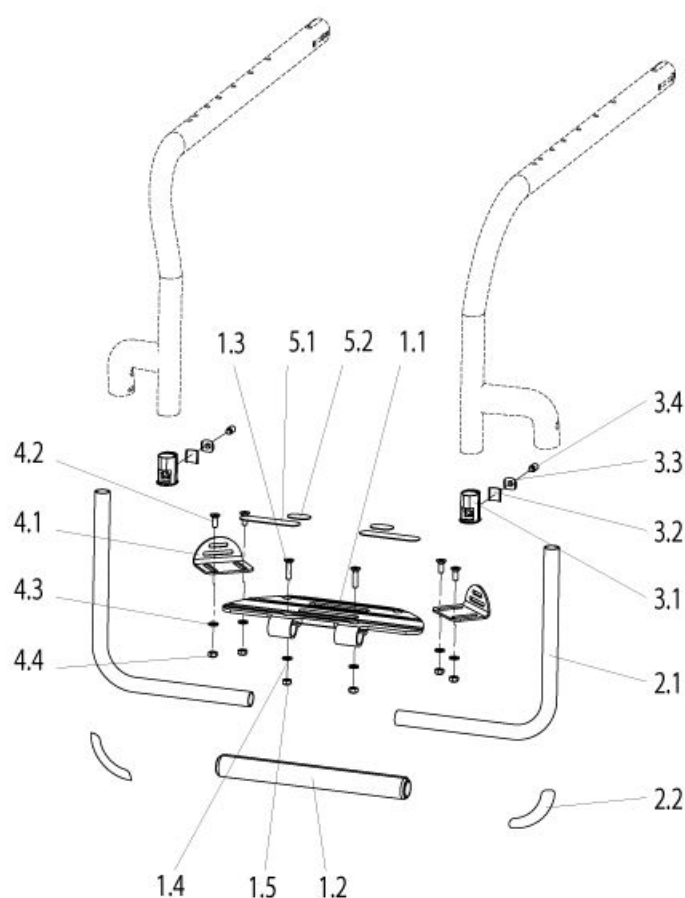
### Ersatzteile

Item no.	Article no.	Description	Remark
1.6	000102155-ET	Socket head screw M6 x 16 - DIN7984	25 pcs./pack
2.4	000104069-ET	Flat head cap screw, hexagon socket M6 x 25 ISO10642	10 pcs./pack
1.5	000282038-ET	Laminated cap D = 20 mm, black	25 pcs./pack
2.1,2.3	054853-000	Composite foot board with skid-proof tabe	
3.3	058901-001-ET	Button head cap screw M6 x 20 ISO7380	25 pcs./pack
2.2	062223-ET	Spacer for footplate	10 pcs./pack
1.3-1.6	062237-000	Cross tube with holder arm	
3.2	064137-ET	Wavy washer M6	25 pcs./pack
4.1	066140-001	Calf strap cpl., L = 750 mm	

## Footrest, swing away (CC30-08500)

Item no.	Article no.	Description	Remark
4.1	066140-002	Calf strap cpl., L = 800 mm	
4.1	066140-003	Calf strap cpl., L = 850 mm	
4.1	066140-004	Calf strap cpl., L = 900 mm	
4.1	066140-005	Calf strap cpl. L 950 mm	
1.1,1.2	066250-000	Footrest tube, swing back footrest	Pair
1.1-3.4	066252-000	Swing back footrest with composite foot board, cpl.	Note: not available in SW 320 mm with inset 0 mm, SW 320 - 340 mm with inset 10 mm and SW 340 - 380 mm with inset 30 mm.
3.1 - 3.4	066917	Fitting accessories for footrest	pair
2.3	765821003.01-ET	Anti-slip cover L 140 mm for foot board SW: 400 - 500 mm	6 pcs./pack

## Footrest, Performance (CC30-08510)



### Ersatzteile

Item no.	Article no.	Description	Remark
1.3	000104069-ET	Flat head cap screw, hexagon socket M6 x 25 ISO10642	10 pcs./pack
1.5	000128007-ET	Hex nut M6 DIN985	25 pcs./pack
1.4	000130116-ET	Washer A 6,4 ISO7093	25 pcs./pack
4.4	058903-ET	Hexagon nut M6 ISO10511, black	25 pcs./pack
4.3	058904-ET	Washer A 6.4 ISO7089, black	25 pcs./pack
1.2	066203-000	Tube front cover	
3.2	066204-001-ET	Push joint for footplate assembly	6 pcs./pack
3.3	066214-001-ET	Nut for footplate assembly	6 pcs./pack
2.2	066217-ET	Protective sticker for footplate, lateral	2 pcs./pack
5.1 - 5.2	066232-001	Anti slip set for small performance footrest	2 pcs./pack

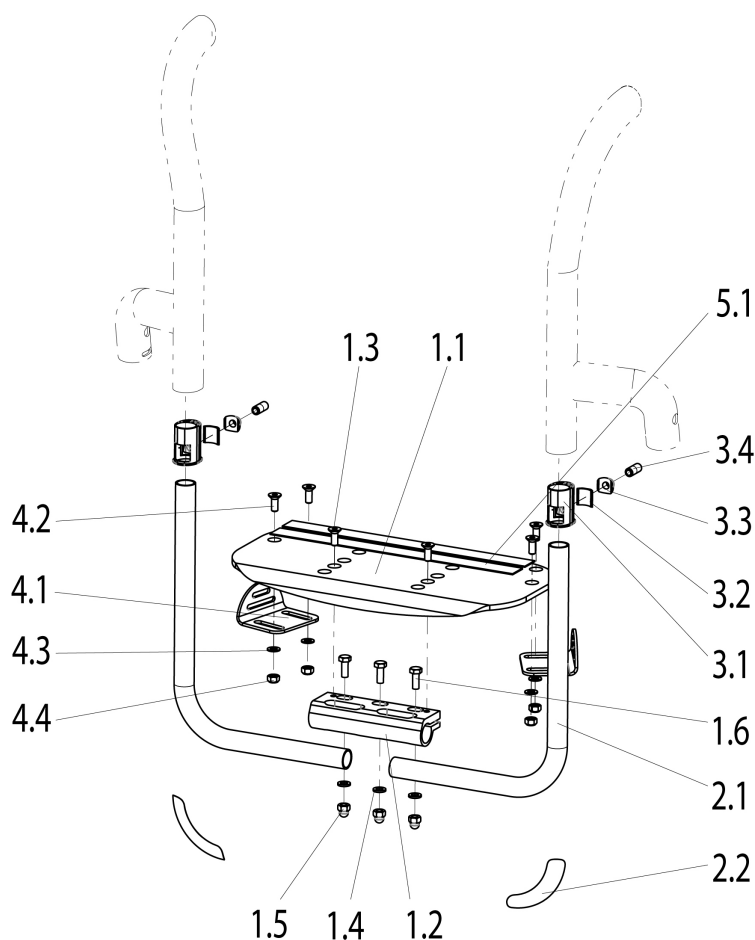


**Footrest, Performance (CC30-08510)**


---

Item no.	Article no.	Description	Remark
5.1 - 5.2	066232-002	Anti slip set for large performance footrest	2 pcs./pack
4.2	066902-002-ET	Flat head cap screw, hexagon socket M6 x 16 ISO10642	25 pcs./pack
3.4	066903-001-ET	Headless screw M8 x 16 ISO4029	25 pcs./pack
3.1 - 3.4	066917	Fitting accessories for footrest	pair
1.1 - 1.5	066918-000	Performance footboard including mounting accessories	
2.1 - 2.2	066919-000	Foot bar for angle-adjustable footrest, cpl.	Pair
4.1 - 4.4	765821004	Side stop for footboard	Pair

## Footboard, continuous, lightweight, adjustable, aluminium (CC30-08550)



### Ersatzteile

Item no.	Article no.	Description	Remark
5.1	000821167-ET	Slip resistant coating for one footboard	per metre
4.4	058903-ET	Hexagon nut M6 ISO10511, black	25 pcs./pack
4.3	058904-ET	Washer A 6.4 ISO7089, black	25 pcs./pack
3.2	066204-001-ET	Push joint for footplate assembly	6 pcs./pack
3.3	066214-001-ET	Nut for footplate assembly	6 pcs./pack
2.2	066217-ET	Protective sticker for footplate, lateral	2 pcs./pack
1.1 - 3.4	066221-000	Composite, angle-adjustable footrest, cpl.	
1.1 - 3.4	066228-000	Aluminium, angle-adjustable footrest, cpl.	
1.1-3.4	066229-000	Carbon, angle-adjustable footrest,	

## Footboard, continuous, lightweight, adjustable, aluminium (CC30-08550)

Item no.	Article no.	Description	Remark
		cpl.	
4.2	066902-002-ET	Flat head cap screw, hexagon socket M6 x 16 ISO10642	25 pcs./pack
3.4	066903-001-ET	Headless screw M8 x 16 ISO4029	25 pcs./pack
3.1 - 3.4	066917	Fitting accessories for footrest	pair
2.1 - 2.2	066919-000	Foot bar for angle-adjustable footrest, cpl.	Pair
1.1 - 1.6	066920-000	Aluminium footboard with add-on parts	
1.1 - 1.6	066940-000	Composite footboard with add-on parts	
1.2 - 1.6	06802227	Footplate clamp incl. mounting accessories	
1.1-1.6	068814-000	Carbon plate with mounting parts and anti slip sticker	
4.1 - 4.4	765821004	Side stop for footboard	Pair

## Castor (CC20-11310)

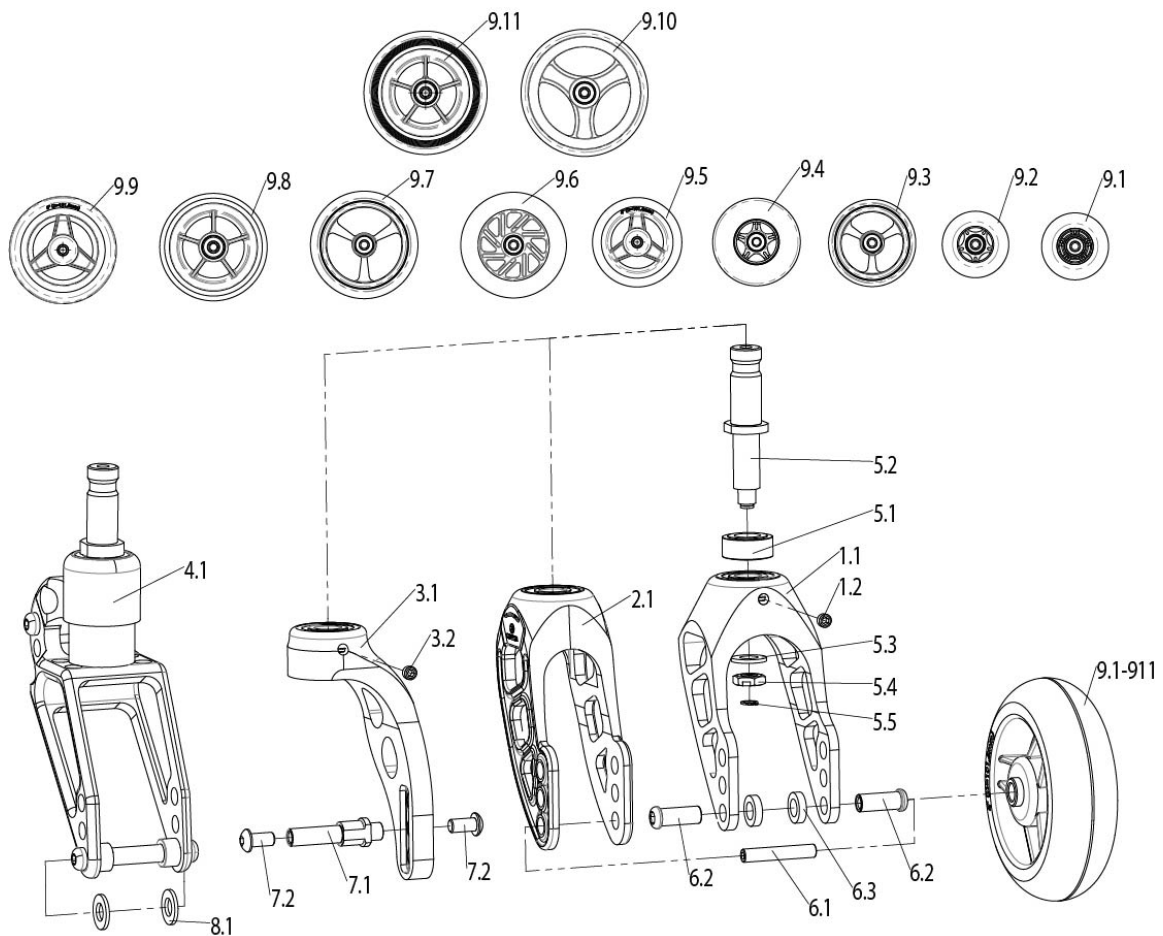
---

### Ersatzteile

Article no.	Description
CC30-53140	Castor and Castor fork

---

## Castor and Castor fork (CC30-53140)



### Ersatzteile

Item no.	Article no.	Description	Remark
6.1-6.3	000101066	Mounting accessories for 6 inch castors soft and 7 inch castor solid and pneumatic	
6.1-6.3	000101067	Mounting accessories for 3,4,5 and 6 inch castor solid and pneumatic	
1.2,3.2	000105046-ET	Headless screw M6 x 5 ISO4027	10 pcs./pack
8.1	000130108-ET	Washer A 8.4 ISO7089	25 pcs./pack
9.8	000221005	5 Inch Castor Soft	
9.11	000221016	6 Inch Castor Soft	
9.2	000221025	3 Inch Castor Solid	
9.5	000221034	4 Inch castor, solid	
9.9	000221035	5 Inch Castor Solid	

## Castor and Castor fork (CC30-53140)

Item no.	Article no.	Description	Remark
9.4	000221036	4 Inch Castor, Light up	
9.1	000221038	3 Inch Castor, Light up	
9.10	000858046	Rubber wheel 6in, 145 mm	
9.3+6.1 -6.3	05308201-001	4 x 1.4 inch soft roll castor with aluminium rim, wide version and axlecpl.	black
9.3+6.1 -6.3	05308201-002	4 x 1.4 inch soft roll castor with aluminium rim, wide version and axlecpl.	orange
9.3+6.1 -6.3	05308201-003	4 x 1.4 inch soft roll castor with aluminium rim, wide version and axlecpl.	red
9.3+6.1 -6.3	05308201-004	4 x 1.4 inch soft roll castor with aluminium rim, wide version and axlecpl.	blue
9.7+6.1 -6.3	05308202-001	5inch soft roll castor with aluminium rim, wide version and axle cpl.	black
9.7+6.1 -6.3	05308202-002	5inch soft roll castor with aluminium rim, wide version and axle cpl.	orange
9.7+6.1 -6.3	05308202-003	5inch soft roll castor with aluminium rim, wide version and axle cpl.	red
9.7+6.1 -6.3	05308202-004	5inch soft roll castor with aluminium rim, wide version and axle cpl.	blue
1.1	06605523-001	Castor fork, aluminium, 123 x 32 mm, with bearing, black	
1.1	06605523-002	Castor fork, aluminium, 123 x 32 mm, with bearing, silver	
1.1	06605523-003	Castor fork, aluminium, 123 x 32 mm, with bearing, orange	
1.1	066520-001	Caster fork 111 mm short, 45 mm wide with bearing, black anodized	RH / LH usable
1.1	066520-002	Castor fork, 111 mm, 45 mm wide incl. bearing, silver anodized	RH / LH usable
1.1	066520-003	Castor fork, 111 mm, 45 mm wide incl. bearing, orange anodized	RH / LH usable
1.1	066522-001	Castor fork, 123 x 45 mm wide incl. bearing, black anodized	RH / LH usable

## Castor and Castor fork (CC30-53140)

Item no.	Article no.	Description	Remark
1.1	066522-002	Castor fork, 123 x 45 mm wide incl. bearing, silver anodized	RH / LH usable
1.1	066522-003	Castor fork, 123 x 45 mm wide incl. bearing, orange anodized	RH / LH usable
1.1	066524-001	Caster fork 111 mm long, 32 mm wide with bearing, black anodized	RH / LH usable
1.1	066524-002	Castor fork, 111 mm, 32 mm wide incl. bearing, silver anodized	RH / LH usable
1.1	066524-003	Castor fork, 111 mm, 32 mm wide incl. bearing, orange anodized	RH / LH usable
9.3	066542	Castor 4 Inch, aluminium, solid	
9.3	066544	4 x 1.4 inch soft roll castor with aluminium rim, wide version and axle cpl.cpl.	silver
9.7	066546	Castor 5 Inch, aluminium, solid	
9.7	066548	5inch soft roll castor with aluminium rim, wide version and axle cpl.	silver
6.3	066556-ET	Washer used with castor 8.15 x 13 x 2	10 pcs./pack
2.1	066581-001	Carbotecture Fork 111x45, black	
2.1	066581-002	Carbotecture Fork 111x45, silver	
2.1	066581-003	Carbotecture Fork 111x45, orange	
2.1	066581-004	Carbotecture Fork 111x45 red	
2.1	066581-005	Carbotecture Fork 111x45 blue	
2.1	066582-001	Carbotecture Fork 111x32, black	
2.1	066582-002	Carbotecture Fork 111x32, silver	
2.1	066582-003	Carbotecture Fork 111x32, orange	
3.1	066584-011	One arm fork kpl. black	LH
3.1	066584-012	One arm fork cpl., black	RH
3.1	066584-021	One arm fork cpl., silver	LH
3.1	066584-022	One arm fork cpl., silver	RH
3.1	066584-130	One arm fork cpl., orange	Pair
3.1	066584-150	One arm fork cpl., red	Pair

## Castor and Castor fork (CC30-53140)

Item no.	Article no.	Description	Remark
3.1	066584-160	One arm fork cpl., blue	Pair
7.1 - 7.2	066587-001	Castor Axle cpl for one arm fork (narrow)	
7.1 - 7.2	066587-002	Castor Axle cpl for one arm fork (wide)	
7.2	066900-004-ET	Button head cap screw M6 x 12 ISO7380	25 pcs/pack
4.1	164134	Castor fork aluminium, suspension (Frog Legs), black	1 pc./pack
5.2-5.5	66008003-ET	Angled castor stem cpl.	2 pcs./pack
	66008010	Castor, solid (soft), rim: carbon-composite, ultralight	
6.3	71105005-001-ET	Washer used with castor 8.3 x 14 x 4, aluminium	10 pcs./pack
6.3	71105005-003-ET	Washer used with castor 8.3 x 14 x 10, aluminium	10 pcs./pack
9.6	Q052129-ET	5 Inch Castor Light up	2 pcs./pack, Note: Design change starting week 08/2015



## Frame / Seat (CC20-11320)

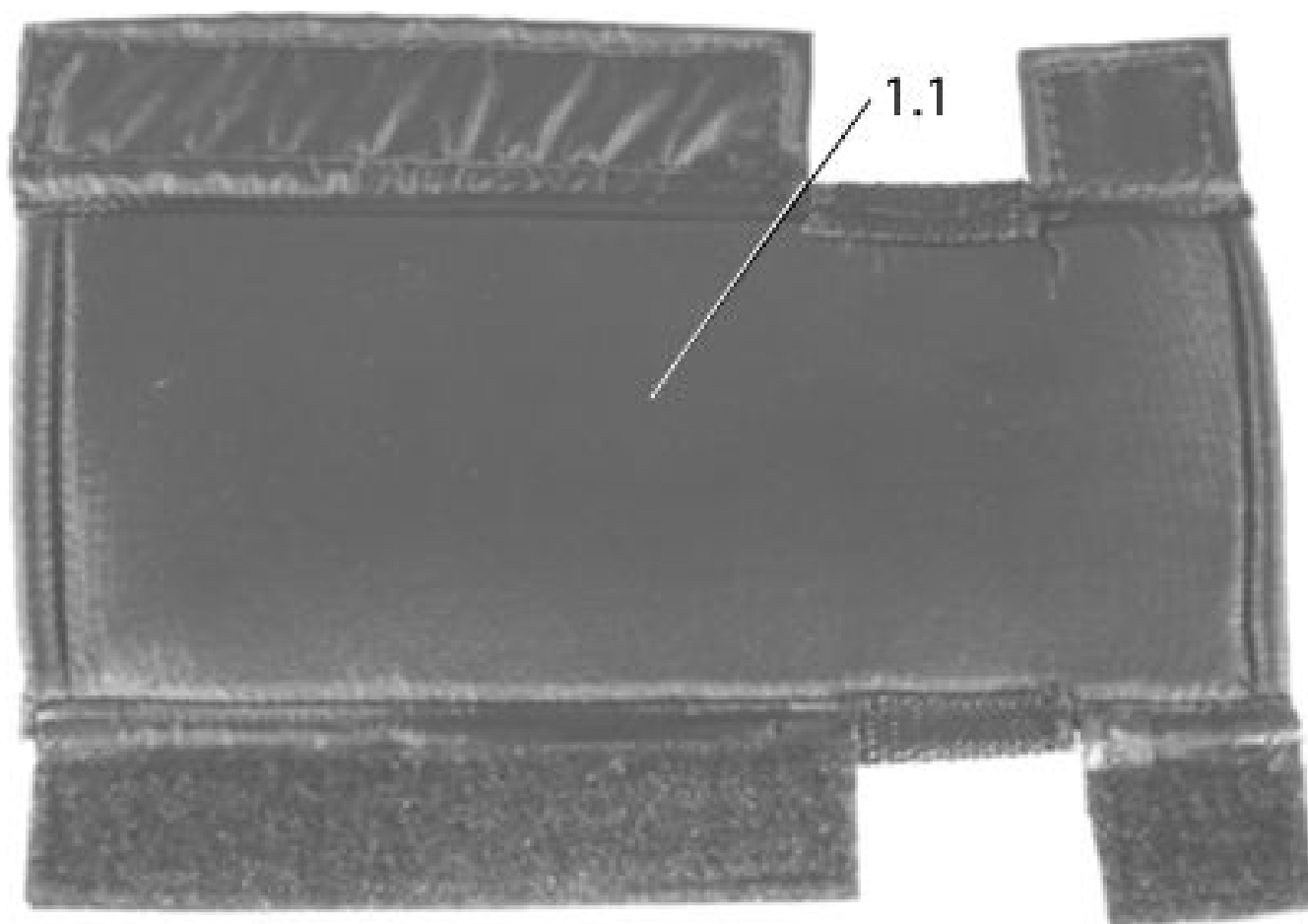
---

### Ersatzteile

Article no.	Description
CC30-19400	Frame protection
CC30-53150	Open frame
CC30-53160	Seat sling adjustable
CC30-53170	Seat sling, Airflow
CC30-65642	Seat sling Airflow superlight

## Frame protection (CC30-19400)

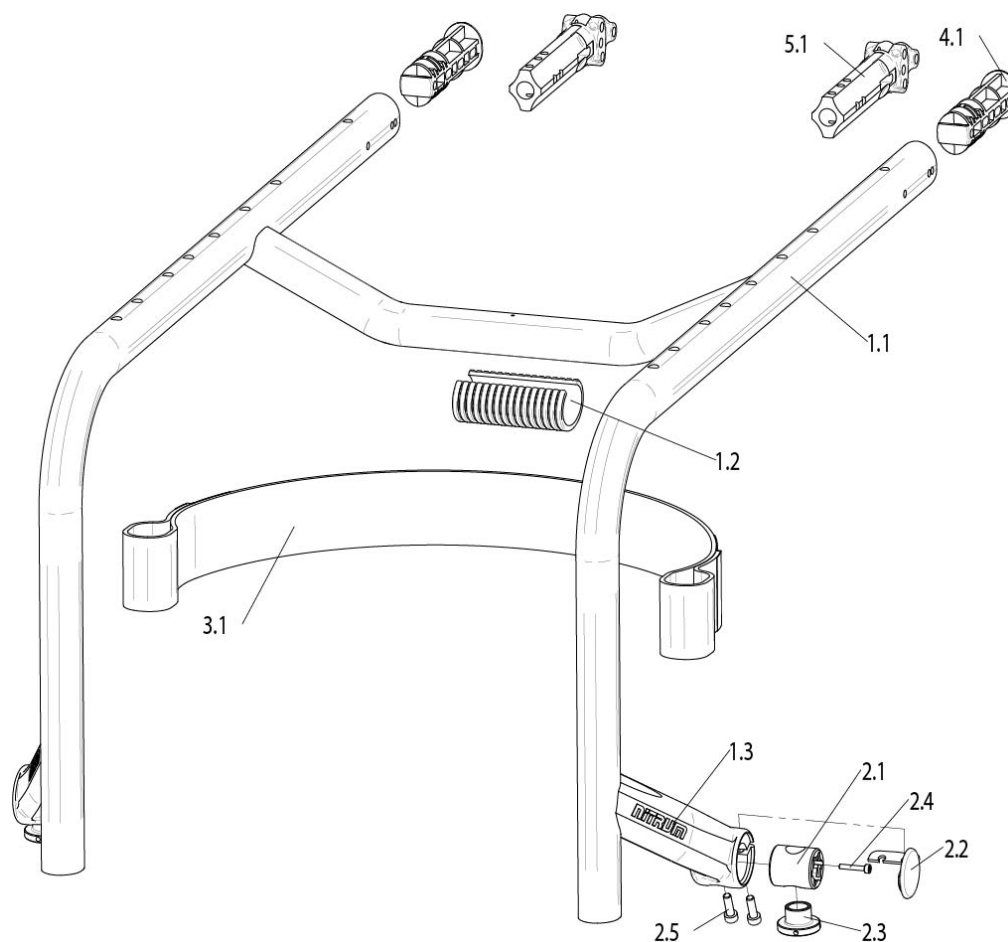
---



### Ersatzteile

Item no.	Article no.	Description
1.1	051186	Frame protection cover

## Open frame (CC30-53150)



### Ersatzteile

Item no.	Article no.	Description	Remark
4.1	66001019-ET	Frame end plug	2 pcs./pack
1.3	66001030-001-ET	Nitrum label black	2 pcs./pack
1.3	66001030-002-ET	Nitrum label silver	2 pcs./pack
1.3	66001030-003-ET	Nitrum label orange	2 pcs./pack
1.3	66001030-004-ET	Nitrum label red	2 pcs./pack
1.3	66001030-005-ET	Nitrum label blue	2 pcs./pack
1.1 - 1.2	66001210-101	Open frame cpl. 75°, Inset 0 cm, 3 inch and 4 inch castor	
1.1 - 1.2	66001210-102	Open frame cpl. 75°, Inset 0 cm, 5 inch and 6 inch castor	
1.1 - 1.2	66001210-103	Open frame cpl. 75°, Inset 10 cm, 3 inch and 4 inch castor	SW 380 - 500
1.1 - 1.3	66001210-1030	Open frame cpl. 75°, Inset 10 cm,	SW 320 - 360

## Open frame (CC30-53150)

Item no.	Article no.	Description	Remark
		3 inch and 4 inch castor	
1.1 - 1.2	66001210-104	Open frame cpl. 75°, Inset 10 cm, 5 inch and 6 inch castor	
1.1 - 1.2	66001210-105	Open frame cpl. 75°, Inset 30 cm, 3 inch and 4 inch castor	
1.1 - 1.2	66001210-106	Open frame cpl. 75°, Inset 30 cm, 5 inch and 6 inch castor	
1.1 - 1.3	66001210-111	Open frame cpl. 75°, Inset 0 cm, 3 inch and 4 inch castor with Floating Dots	
1.1 - 1.3	66001210-112	Open frame cpl. 75°, Inset 0 cm, 5 inch and 6 inch castor with Floating Dots	
1.1 - 1.3	66001210-113	Open frame cpl. 75°, Inset 10 cm, 3 inch and 4 inch castor with Floating Dots	SW 380 - 500
1.1 - 1.2	66001210-1130	Open frame cpl. 75°, Inset 10 cm, 3 inch and 4 inch castor with Floating Dots	SW 320 - 360
1.1 - 1.3	66001210-114	Open frame cpl. 75°, Inset 10 cm, 5 inch and 6 inch castor with Floating Dots	
1.1 - 1.3	66001210-115	Open frame cpl. 75°, Inset 30 cm, 3 inch and 4 inch castor with Floating Dots	
1.1 - 1.3	66001210-116	Open frame cpl. 75°, Inset 30 cm, 5 inch and 6 inch castor with Floating Dots	
1.1 - 1.2	66001210-201	Open frame cpl. 80°, Inset 0 mm, 3 inch and 4 inch castor	
1.1 - 1.2	66001210-202	Open frame cpl. 80°, Inset 0 mm, 5 inch and 6 inch castor	
1.1 - 1.2	66001210-203	Open frame cpl. 80°, Inset 10 mm, 3 inch and 4 inch castor	
1.1 - 1.2	66001210-204	Open frame cpl. 80°, Inset 10 mm, 5 inch and 6 inch castor	
1.1 - 1.2	66001210-205	Open frame cpl. 80°, Inset 30 mm, 3 inch and 4 inch castor	
1.1 - 1.2	66001210-206	Open frame cpl. 80°, Inset 30 mm, 5 inch and 6 inch castor	
1.1 - 1.3	66001210-211	Open frame cpl. 80°, Inset 0 mm,	

## Open frame (CC30-53150)

Item no.	Article no.	Description	Remark
		3 inch and 4 inch castor with Floating Dots	
1.1 - 1.3	66001210-212	Open frame cpl. 80°, Inset 0 mm, 5 inch and 6 inch castor with Floating Dots	
1.1 - 1.3	66001210-213	Open frame cpl. 80°, Inset 10 mm, 3 inch and 4 inch castor with Floating Dots	
1.1 - 1.3	66001210-214	Open frame cpl. 80°, Inset 10 mm, castor, 5 inch and 6 inch castor with Floating Dots	
1.1 - 1.3	66001210-215	Open frame cpl. 80°, Inset 30 mm, 3 inch and 4 inch castor with Floating Dots	
1.1 - 1.3	66001210-216	Open frame cpl. 80°, Inset 30 mm, castor, 5 inch and 6 inch castor with Floating Dots	
1.1 - 1.2	66001210-301	Open frame cpl. 85°, Inset 0 mm, 3 inch and 4 inch castor	
1.1 - 1.2	66001210-302	Open frame cpl. 85°, Inset 0 mm, 5 inch and 6 inch castor	
1.1 - 1.2	66001210-303	Open frame cpl. 85°, Inset 30 mm, 3 inch and 4 inch castor	
1.1 - 1.2	66001210-304	Open frame cpl. 85°, Inset 30 mm, 5 inch and 6 inch castor	
1.1 - 1.3	66001210-311	Open frame cpl. 85°, Inset 0 mm, 3 inch and 4 inch castor with Floating Dots	
1.1 - 1.3	66001210-312	Open frame cpl. 85°, Inset 0 mm, 5 inch and 6 inch castor with Floating Dots	
1.1 - 1.3	66001210-313	Open frame cpl. 85°, Inset 30 mm, 3 inch and 4 inch castor with Floating Dots	
1.1 - 1.3	66001210-314	Open frame cpl. 85°, Inset 30 mm, 5 inch and 6 inch castor with Floating Dots	
3.1	66001501	Calf strap universal size cpl.	
2.1 - 2.5	66001511	Fitting accessories for castor hanger	2 pcs./pack
5.1	66004101-001-ET	Receiver, Tubular armrest	2 pcs./pack

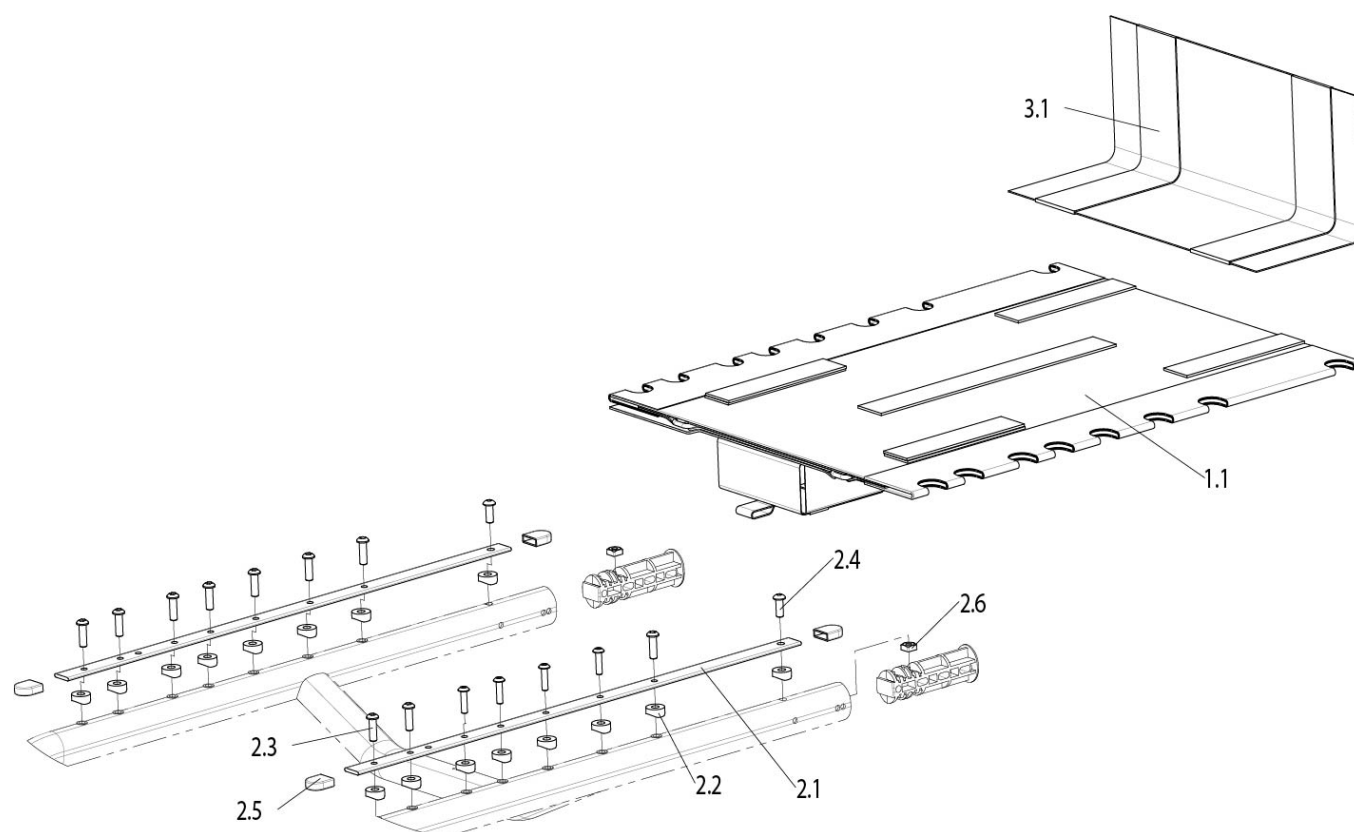
**Open frame (CC30-53150)**

---

<b>Item no.</b>	<b>Article no.</b>	<b>Description</b>	<b>Remark</b>
2.2	66008004-ET	Cover for castor house	pair

---

## Seat sling adjustable (CC30-53160)



### Ersatzteile

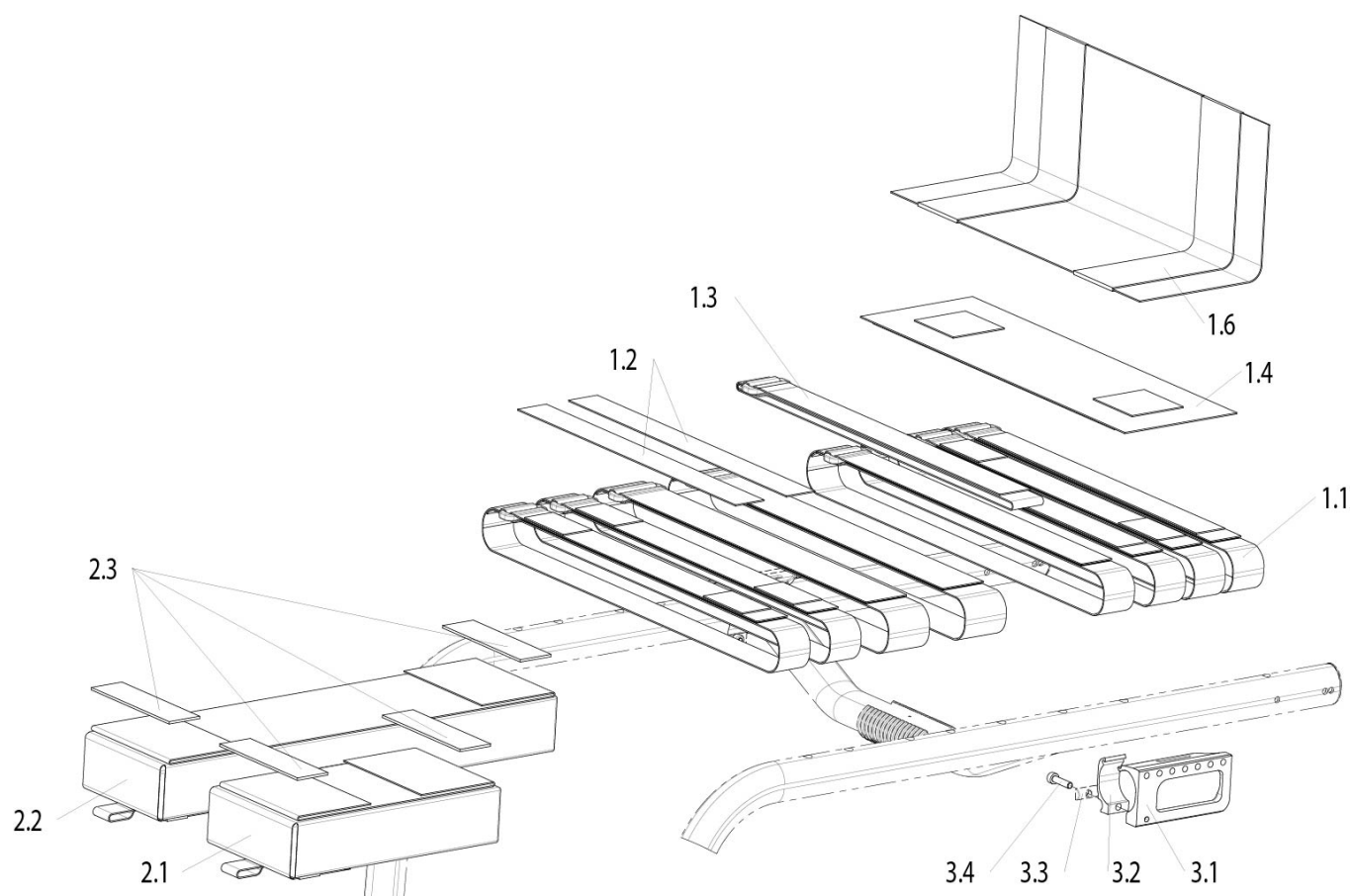
Item no.	Article no.	Description	Remark
2.3	000104128-ET	Button head cap screw M5 x 20 ISO7380	25 pcs./pack
2.5	000282105-ET	Caps for seat rails, seat bar profile 18 x 3, black	4 pcs./pack, Note: from 01. Jun. 2012
2.4	058901-001-ET	Button head cap screw M6 x 20 ISO7380	25 pcs./pack
3.1	066497-000	Seat / back splash cover	
2.2	614853009-ET	Saddle POM, black	10 pcs./pack
1.1	66002007-110	Seat sling, adjustable, one utility bag, SD 340 mm	
1.1	66002007-130	Seat sling, adjustable, one utility bag, SD 360 - 400 mm	
1.1	66002007-150	Seat sling, adjustable, one utility bag, SD 420 - 500 mm	
1.1	66002007-210	Seat sling, adjustable, two utility bags, SD 340 mm	

## Seat sling adjustable (CC30-53160)

Item no.	Article no.	Description	Remark
1.1	66002007-230	Seat sling, adjustable, two utility bags, SD 360 - 400 mm	
1.1	66002007-250	Seat sling, adjustable, two utility bags, SD 420 - 500 mm	
1.1	66002007-310	Seat sling, adjustable, one utility and one catheter bag, SD 340 mm	
1.1	66002007-330	Seat sling, adjustable, one utility and one catheter bag, SD 360 - 400 mm	
1.1	66002007-350	Seat sling, adjustable, one utility and one catheter bag, SD 420 - 500 mm	
2.1 - 2.6	66002107	Seat rails for seat sling, cpl.	2 pcs./pack
2.1 - 2.6	66002108	Seat rails for seat sling, cpl., for SD 500 mm with SW 500 mm or Hybrid	2 pcs./pack



## Seat sling, Airflow (CC30-53170)



### Ersatzteile

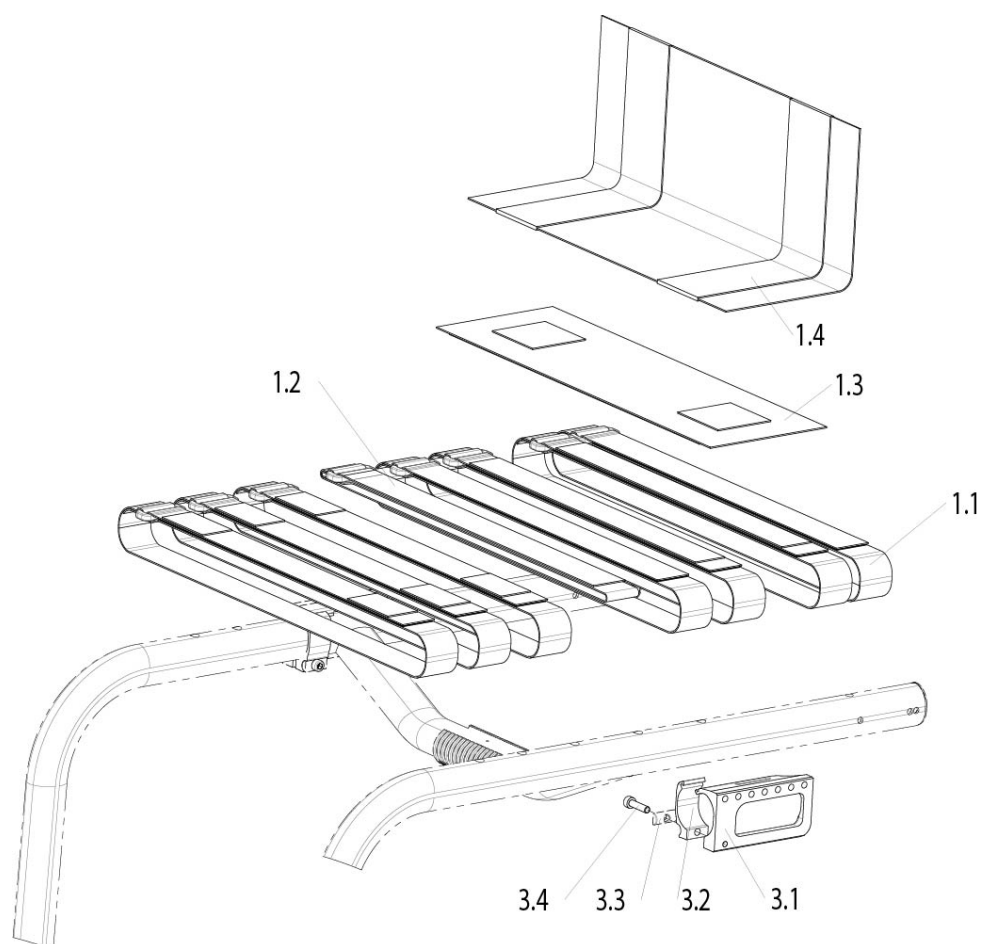
Item no.	Article no.	Description	Remark
2.1, 2.3	06602001-001-ET	Utility bag with mounting accessories	
2.2-2.3	06602001-003-ET	Catheter bag with mounting accessories	
1.6	066497-000	Seat / back splash cover	
1.4	77002047-050	Seat cover	
1.1 - 1.6, 2.1, 2.3	77002192-801	Seat sling, airflow, one utility bag, SD 340-360 mm, cpl.	
1.1 - 1.6, 2.1, 2.3	77002192-802	Seat sling, airflow, one utility bag, SD 380-460 mm, cpl.	
1.1 - 1.6, 2.1, 2.3	77002192-803	Seat sling, airflow, two utility bags, SD 340-360 mm, cpl.	

## Seat sling, Airflow (CC30-53170)

---

Item no.	Article no.	Description	Remark
1.1 - 1.6, 2.1, 2.3	77002192-804	Seat sling, airflow, two utility bags, SD 380-460 mm, cpl.	
1.1 - 1.6, 2.1, 2.3	77002192-805	Seat sling, airflow, one utility bag and one catheter bag, SD 340-360 mm, cpl.	
1.1 - 1.6, 2.1, 2.3	77002192-806	Seat sling, airflow, one utility bag and one catheter bag, SD 380-460 mm, cpl.	
3.1 - 3.4	77004095	Mounting accessories sideguard, front	Pair

## Seat sling Airflow superlight (CC30-65642)



### Ersatzteile

Item no.	Article no.	Description	Remark
1.4	066497-000	Seat / back splash cover	
1.3	77002047-050	Seat cover	
1.1 - 1.4	77002192-701	Seat sling, airflow superlight, cpl.	
3.1-3.4	77004095	Mounting accessories sideguard, front	Pair

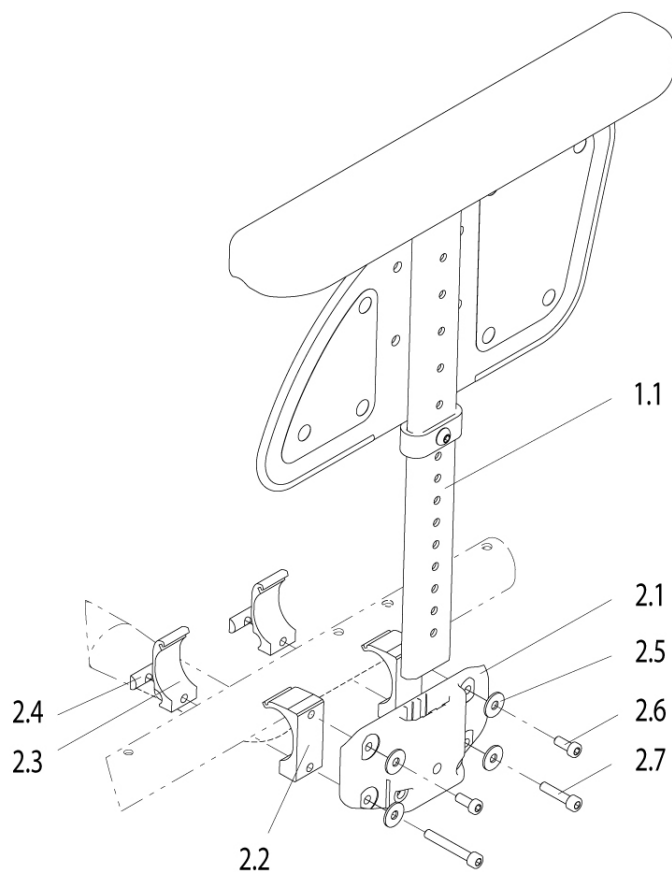
## Sideguard (CC20-11330)

---

### Ersatzteile

Article no.	Description
CC30-27040	Sideguard Tool height adj.
CC30-27240	Side guard, plastic
CC30-47590	Single post height adjustable arm rest, straight short arm pad
CC30-53240	Seitenteil Aluminium, Carbon and Carbon slim
CC30-53250	Tubular armrest, Aluminium, swing away, padded, removable
CC30-65643	Flip-back option for sideguards

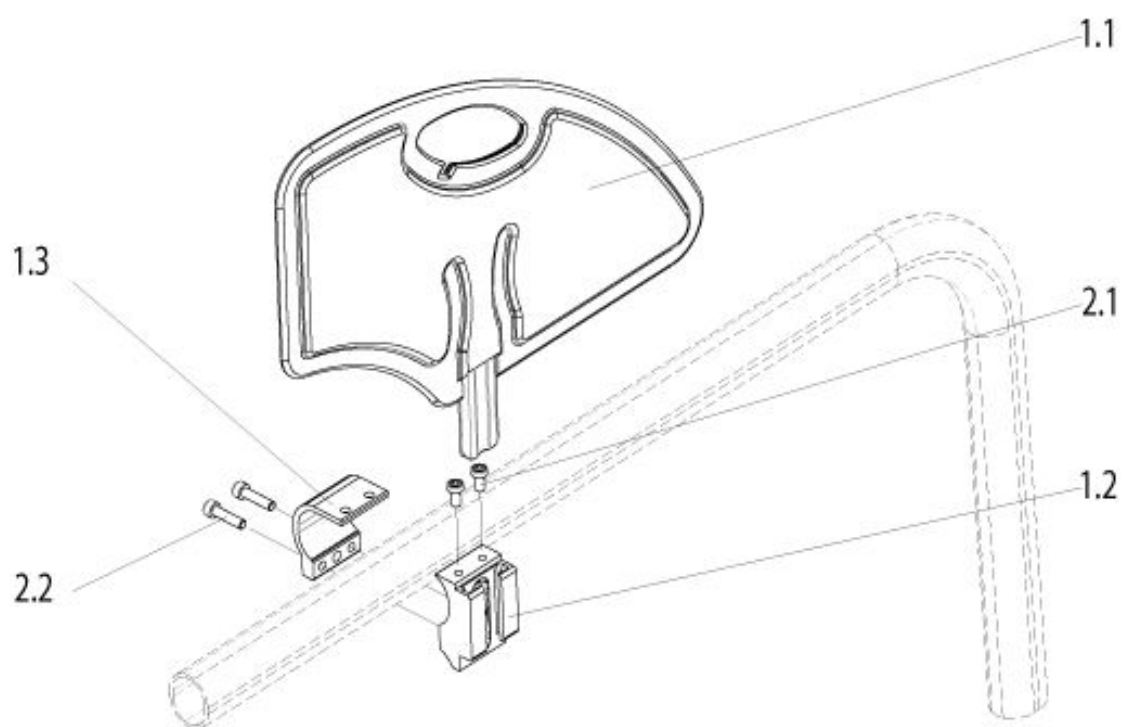
## Sideguard Tool height adj. (CC30-27040)



### Ersatzteile

Item no.	Article no.	Description	Remark
2.5	058904-ET	Washer A 6.4 ISO7089, black	25 pcs./pack
2.1-2.7	066973	Fixation bracket used with Tool height adjustable armrest	2 pcs./pack
1.1	067870-001	Single post sideguard, depth- and height-adjustable	left
1.1	067870-002	Single post sideguard, depth- and height-adjustable	right
	067925	Armpad cpl. with mounting accessories	left/right usable

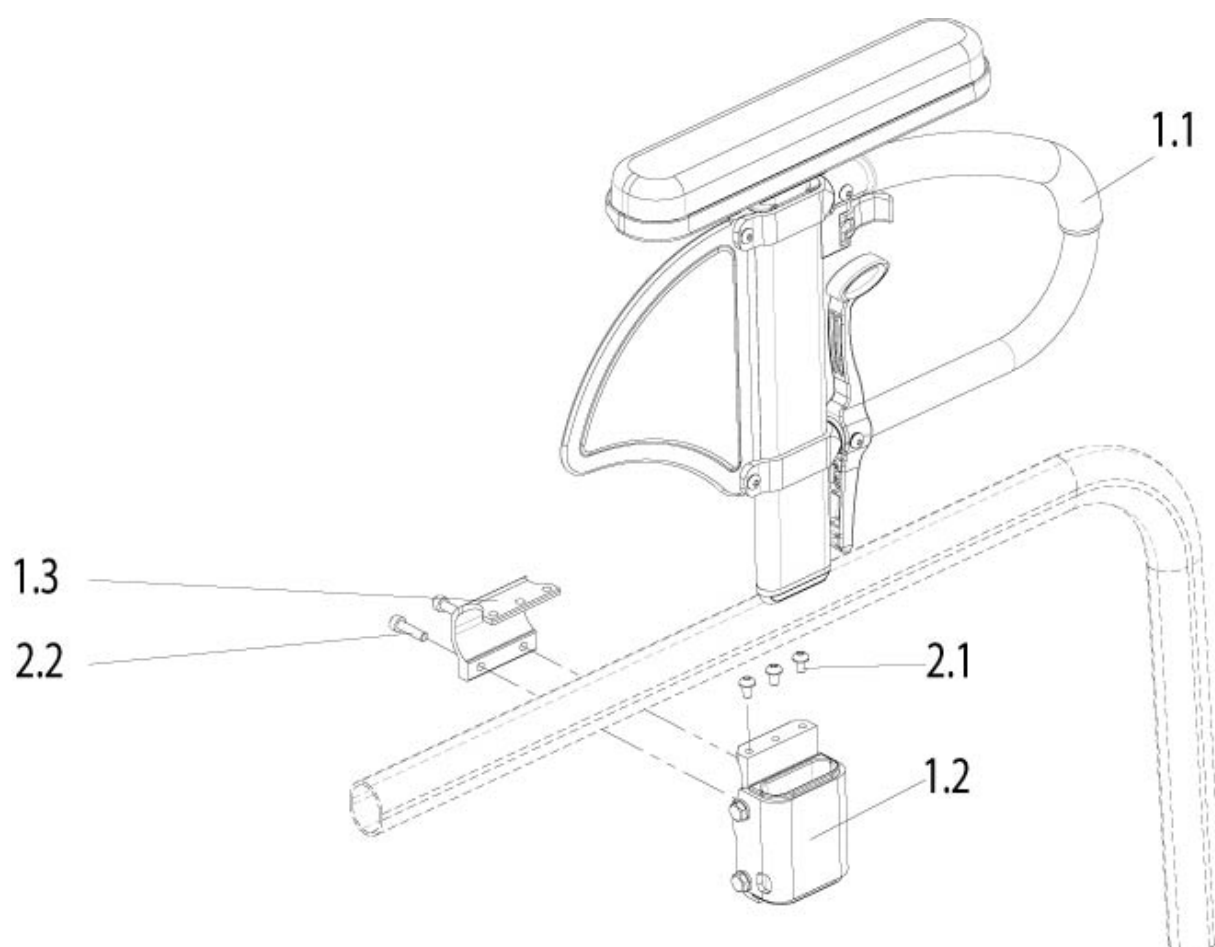
## Side guard, plastic (CC30-27240)



### Ersatzteile

Item no.	Article no.	Description	Remark
1.1-2.2	066859	Plastic side guard assembly	RH / LH usable
1.2 - 2.2	066860	Receiver assembly for plastic side guard	RH / LH usable
2.2	066901-001-ET	Socket head cap screw M5 x 20 ISO4762	25 pcs./pack
2.1	103184-002-ET	Button head cap screw M5 x 8 ISO7380	25 pcs./pack
1.1	104164-001	QUICKIE sideguard, plastic, removable	RH / LH usable

## Single post height adjustable arm rest, straight short arm pad (CC30-47590)



### Ersatzteile

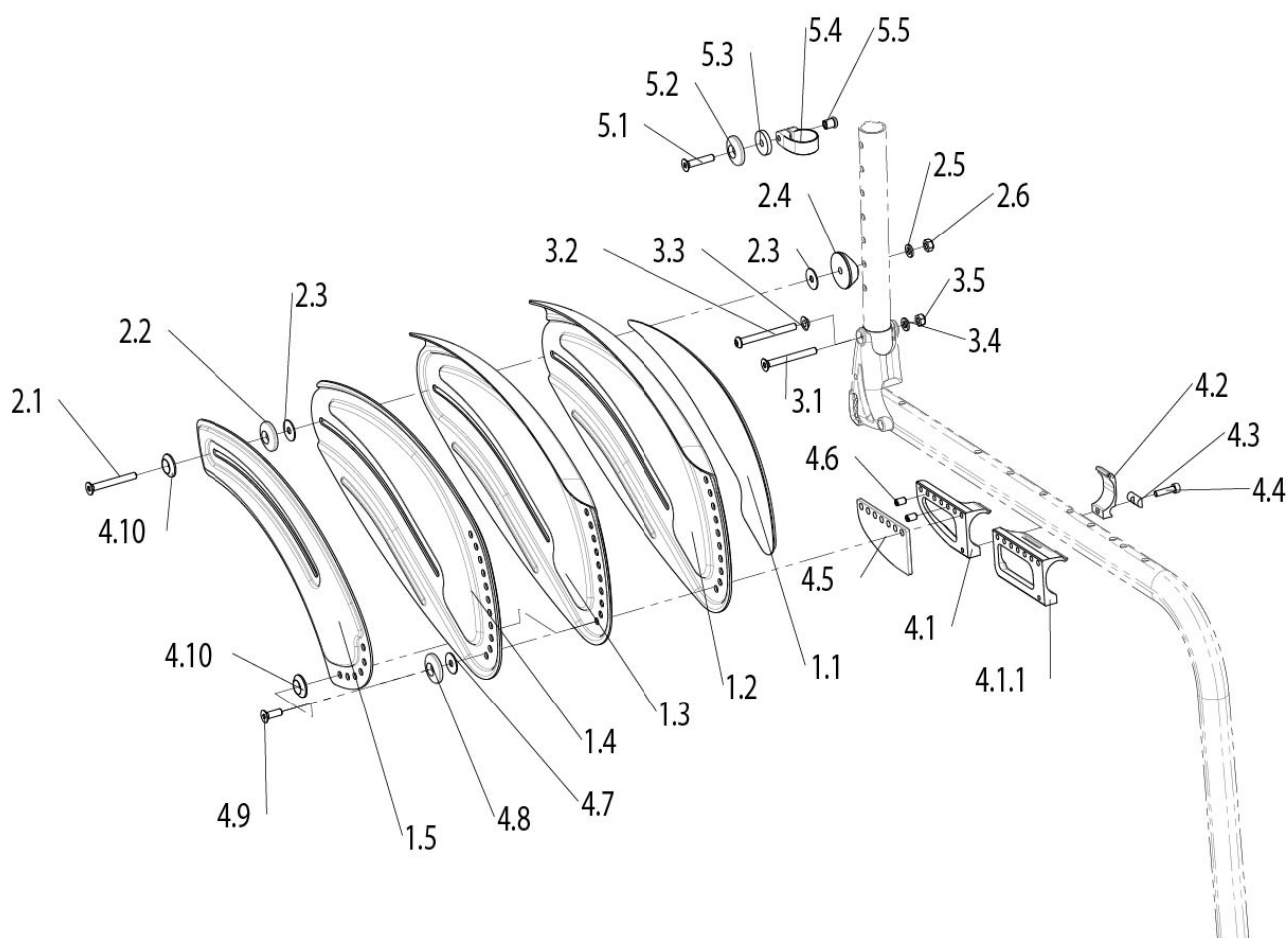
Item no.	Article no.	Description	Remark
1.2 - 2.2	066869	Receiver Assembly SPHA sideguard	
1.1	066873-021	Single post height adjustable armrest, straight short armpad	left/right usable
1.1	066873-022	Single post height adjustable arm rest, straight long arm pad	LH
1.1	066873-023	Single post height adjustable arm rest, straight long arm pad	RH
1.1 - 2.2	066874-021	Single post height adjustable armrest, straight short armpad cpl.	left/right usable
1.1 - 2.2	066874-022	Single post height adjustable arm rest, straight long arm pad, cpl.	LH
1.1 - 2.2	066874-023	Single post height adjustable arm	RH

**Single post height adjustable arm rest, straight short arm pad (CC30-47590)**

Item no.	Article no.	Description	Remark
		rest, straight long arm pad, cpl.	
2.2	066901-001-ET	Socket head cap screw M5 x 20 ISO4762	25 pcs./pack
2.1	103184-002-ET	Button head cap screw M5 x 8 ISO7380	25 pcs./pack



## Seitenteil Aluminium, Carbon and Carbon slim (CC30-53240)



### Ersatzteile

Item no.	Article no.	Description	Remark
1.1	06604090-000	Cold protection	Pair
1.2+1.1	06604092-000	Fender sideguard aluminium with cold protection	Pair
1.2+1.1	06604092-001	Fender sideguard aluminium with cold protection	left
1.2+1.1	06604092-002	Fender sideguard aluminium with cold protection	right
1.3+1.1	06604093-000	Sideguard, carbon with Fender and cold protection	Pair , Note: do not use in combination with hand bike axle
1.3+1.1	06604093-001	Sideguard, carbon with Fender and cold protection	LH , Note: do not use in combination with hand bike axle
1.3+1.1	06604093-002	Sideguard, carbon with Fender and cold protection	RH , Note: do not use in combination with hand bike
1.4+1.1	06604094-000	Sideguard aluminium with cold	Pair

## Seitenteil Aluminium, Carbon and Carbon slim (CC30-53240)

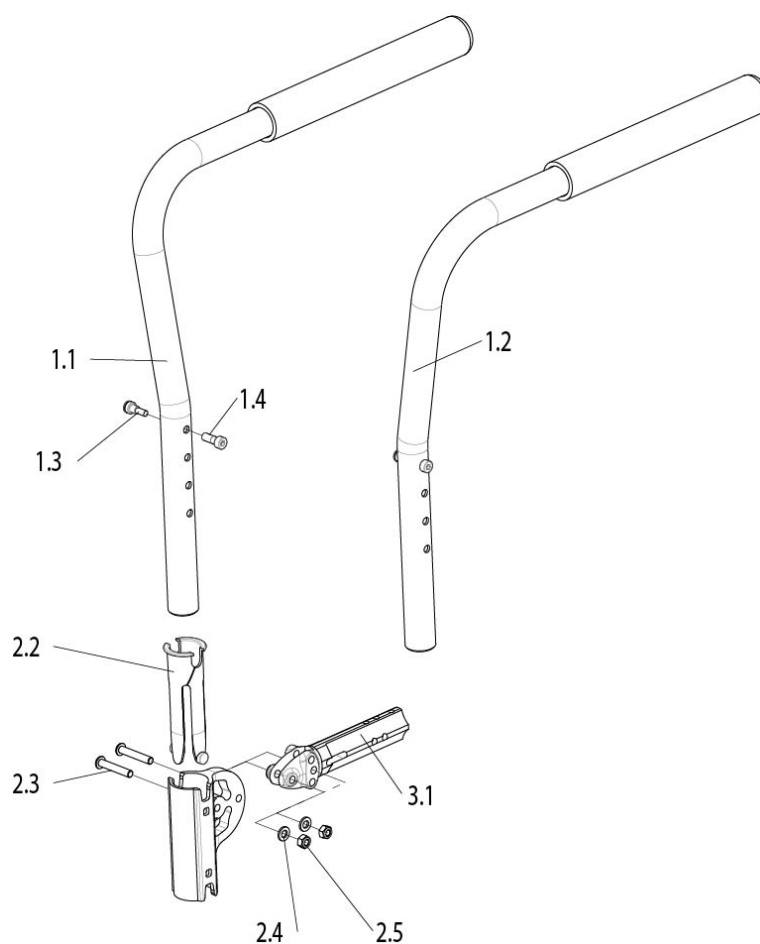
Item no.	Article no.	Description	Remark
		protection	
1.4+1.1	06604094-001	Sideguard aluminium with cold protection	left
1.4+1.1	06604094-002	Sideguard aluminium with cold protection	right
4.1 - 4.9	06604095-000	Front mounting Brackets for sideguard	Pair
2.1 - 2.6	06604096-000	Mounting Brackets for rear Sideguard be Frame Standard	Pair
1.6+1.1	06604100-000	Sideguard, aluminium, with fender	Pair
1.6+1.1	06604100-001	Sideguard, aluminium, with fender	LH
1.6+1.1	06604100-002	Sideguard, aluminium, with fender	RH
1.7+1.1	06604101-000	Sideguard, aluminium, without fender	Pair
1.7+1.1	06604101-001	Sideguard, aluminium, without fender	LH
1.7+1.1	06604101-002	Sideguard, aluminium, without fender	RH
4.1 - 4.7+4.9 - 4.10	066470-000	Mounting brackets slim style sideguard	Pair
4.1 - 4.7+4.9 - 4.10	066470-001	Mounting brackets slim style sideguard	left
4.1 - 4.7+4.9 - 4.10	066470-002	Mounting brackets slim style sideguard	right
1.5+2.1 +2.3-2.6+4.1-4.7+	066937-000	Slim Style sideguard with fitting accessories, cpl.	Pair
1.5+2.1 +2.3-2.6+4.1-4.7+	066937-001	Slim Style sideguard with fitting accessories, cpl.	left
1.5+2.1 +2.3-2.6+4.1-4	066937-002	Slim Style sideguard with fitting accessories, cpl.	right

**Seitenteil Aluminium, Carbon and Carbon slim (CC30-53240)**


---

Item no.	Article no.	Description	Remark
.7+			
2.1+2.3 - 2.6+4.1 0	066938	Fittings for slim style sideguard	RH / LH usable
3.1+3.4 -3.5	66004101	Rear mounting Brackets for Sideguard, low mounted	pair
5.1 - 5.5	66004102	Rear mounting Brackets for sideguard	pair
3.2-3.5	66004103	Rear mounting Brackets for Sideguard when used double lock, low mounted	pair
4.1.1 - 4.8	77004095	Mounting accessories sideguard, front	Pair

## **Tubular armrest, Aluminium, swing away, padded, removable (CC30-53250)**



### **Ersatzteile**

<b>Item no.</b>	<b>Article no.</b>	<b>Description</b>	<b>Remark</b>
1.1-1.4	66004020	Tubular armrest, padded, without bracket	pair
2.1-2.5	66004021	Bracket Tubular armrest cpl.	pair
3.1	66004101-001-ET	Receiver, Tubular armrest	2 pcs./pack
1.1-3.1	66004120	Tubular armrest, retrofit kit	pair

## Accessories (CC20-11340)

---

### Ersatzteile

Article no.	Description
CC30-03210	Tool kit
CC30-03760	Caddy
CC30-10370	Air pump
CC30-22530	Wheelchair backpack
CC30-28480	Seat cushion
CC30-31210	Crutch holder with velcro strap
CC30-53270	Lap belt with buckle, metal
CC30-53280	Tie down brackets for transportation, open frame
CC30-53300	Frame reinforcement kit for add on bike
CC30-53310	LED-Light
CC30-53320	Tip assist
CC30-53330	Anti-tip tubes, swing-away
CC30-53340	Anti-tip tubes, swing-away, suspension
CC30-53350	Anti-tip tubes, plug-in
CC30-53360	Transit wheels
CC30-53370	Tool kit, Castor fork
CC30-53380	Anti-tip tubes, aluminium, sport, plug-in
CC30-53390	Anti-tip tubes, flip-up
CC30-53400	Anti-tip tubes, flip-up, suspension

## Tool kit (CC30-03210)

---

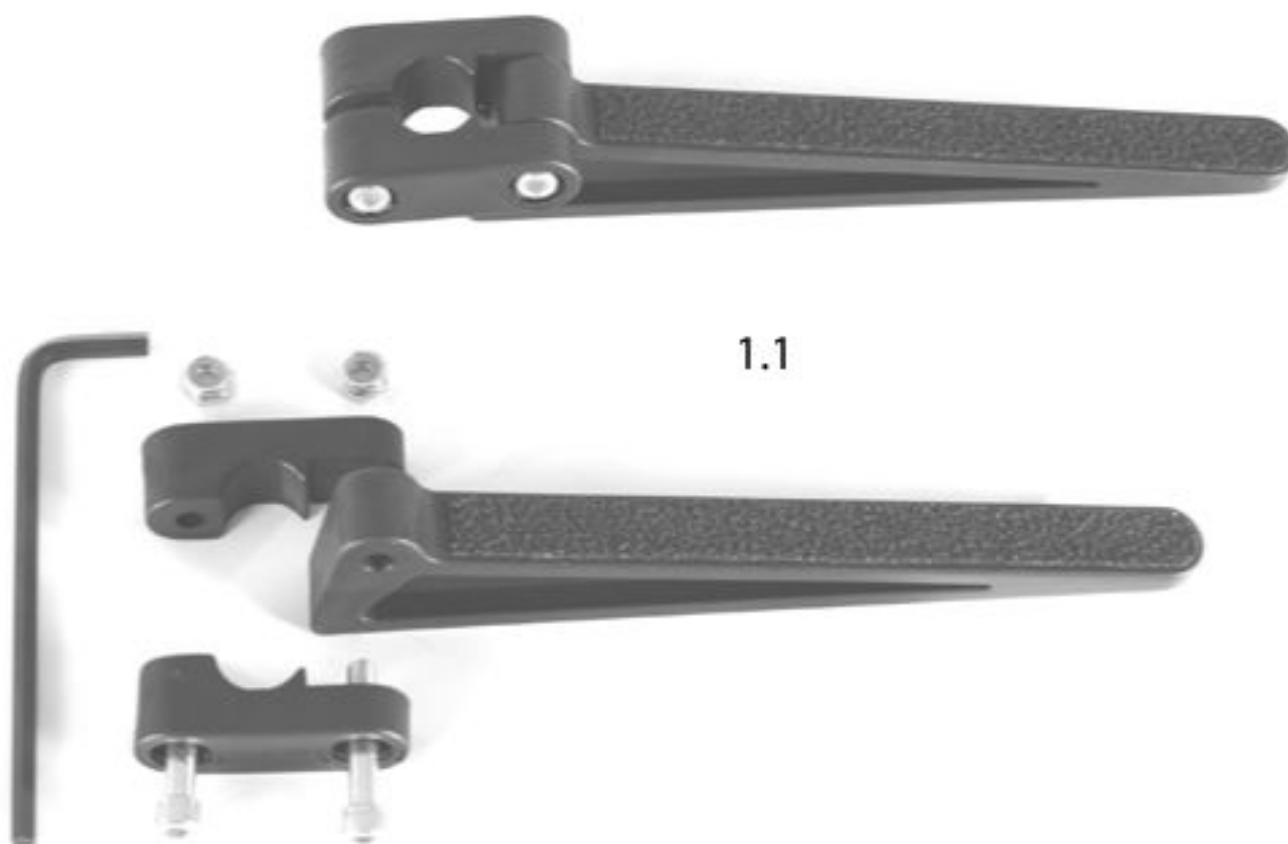


### Ersatzteile

Item no.	Article no.	Description	Remark
1	000604270	Bag carrier, complete, pair (all parts as illustrated)	Pair / suitable for all wheelchair types

## Caddy (CC30-03760)

---



### Ersatzteile

Item no.	Article no.	Description	Remark
1.1	L902350	Caddy, bag carrier, complete	Pair

## Air pump (CC30-10370)

---



### Ersatzteile

Item no.	Article no.	Description
1	000228005	High pressure pump (0 - 11 bar)
2	000859104	Air pump with mounting



## Wheelchair backpack (CC30-22530)

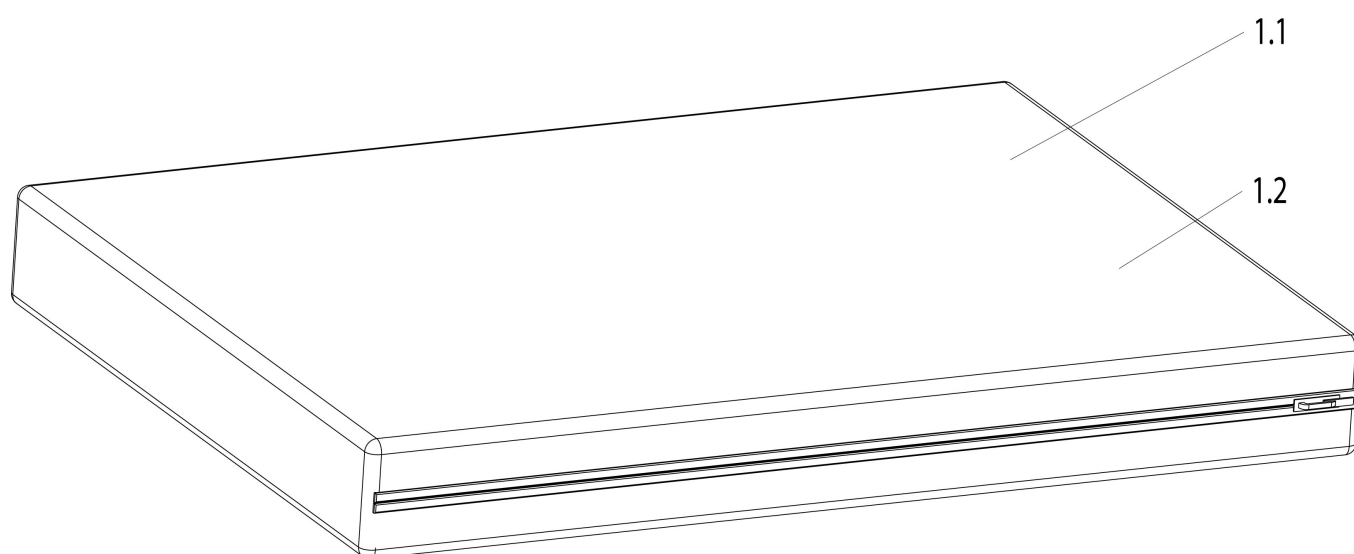
---



### Ersatzteile

Item no.	Article no.	Description
1.1	000670001	Wheelchair back pack, black

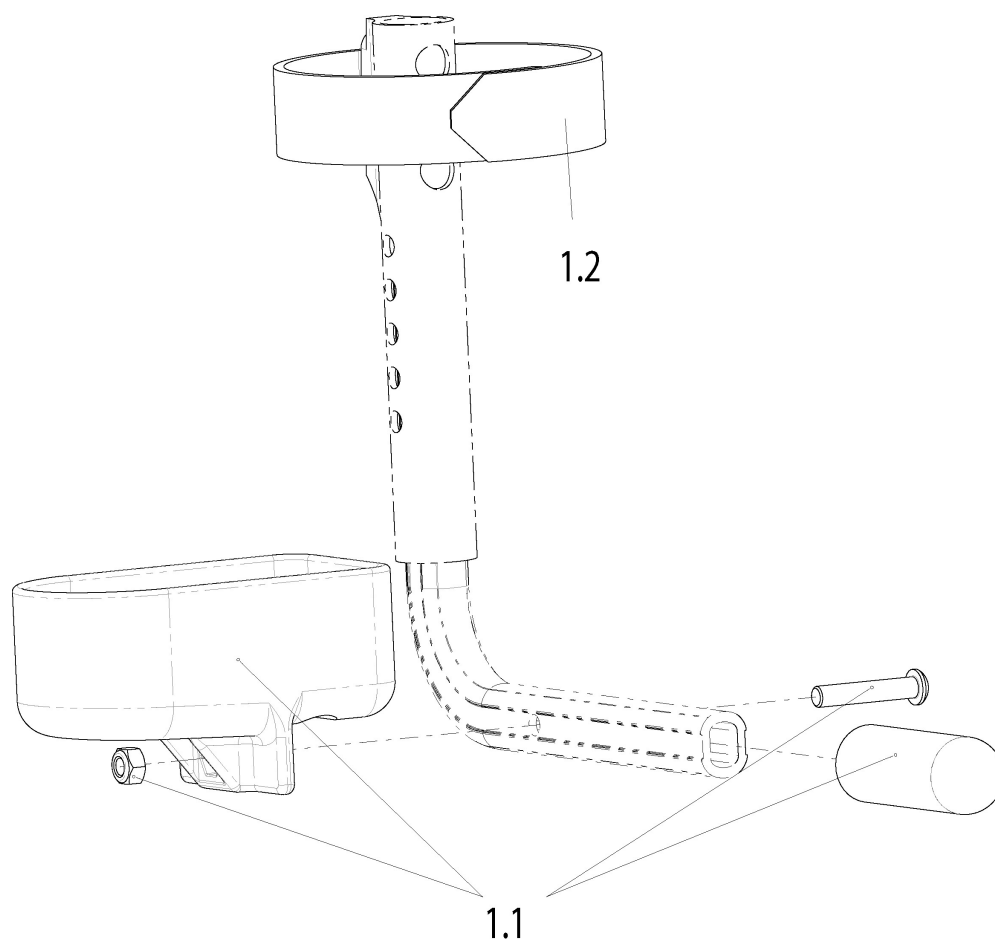
## Seat cushion (CC30-28480)



### Ersatzteile

Item no.	Article no.	Description	Remark
1.1-1.2	000835002	Seat cushion and cover, black complete, cushion filling: composite foam 9292(3026)	
1.1-1.2	000835003	Seat cushion and cover, black complete, cushion filling: Latex 55	Thickness: 50 mm or 80 mm
1.2	000835810	Seat cushion filling, composite foam, 92 firmness (average)	Thickness: 50 mm or 80 mm
1.2	000835820	Seat cushion filling, latex, 55 firmness (very soft)	Thickness: 50 mm or 80mm
1.1	000836002	Seat cushion cover, black	
1-2	000898060	KLIMA-TEX seat cushion and cover, black complete, cushion filling: Composite foam 92 firmness	
1.1-1.2	000898063	KLIMA-TEX seat cushion and cover, black complete, cushion filling: Latex 55 firmness	Thickness: 50 mm or 80 mm

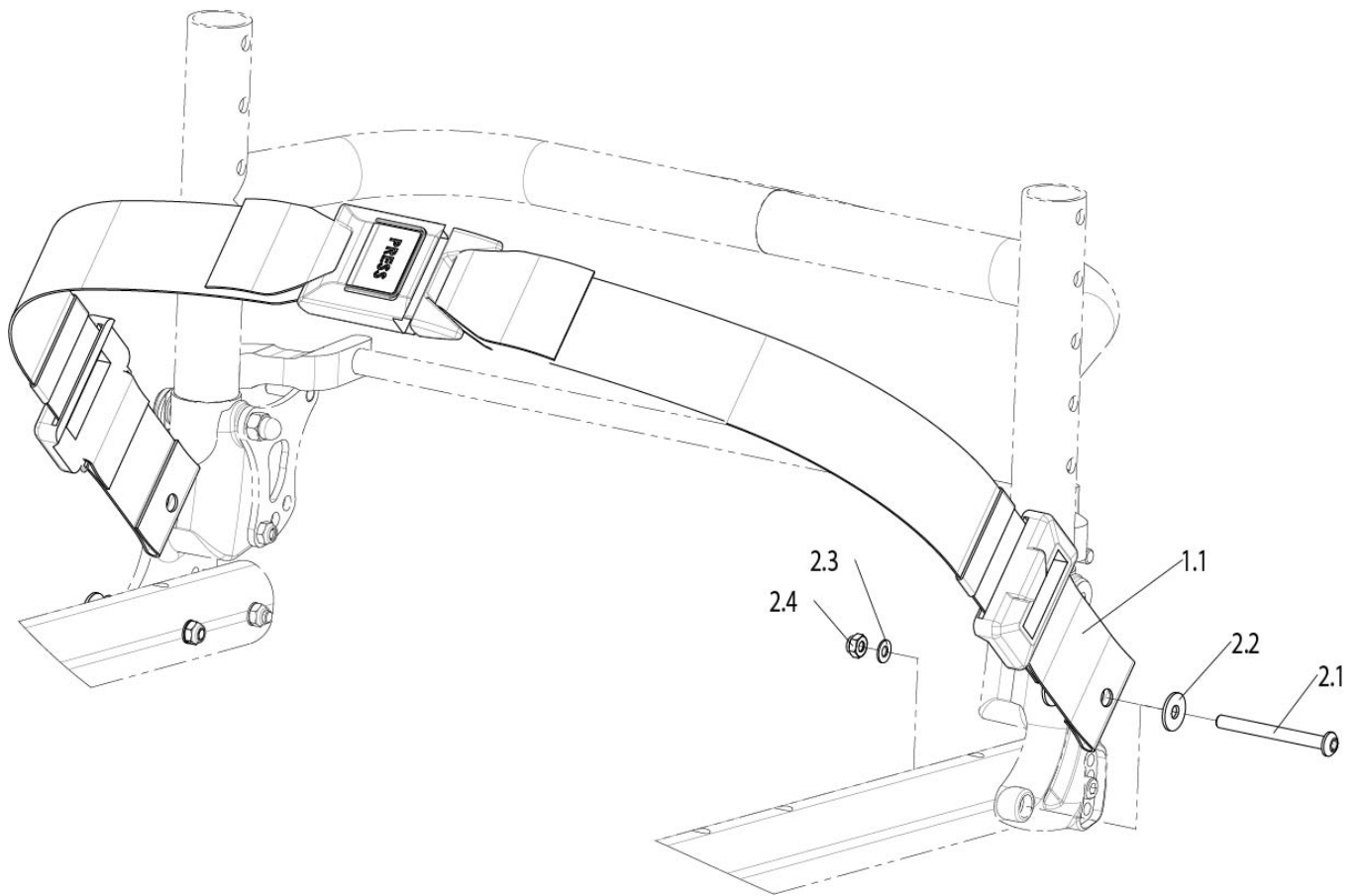
## Crutch holder with velcro strap (CC30-31210)



### Ersatzteile

Item no.	Article no.	Description	Remark
	000102312.01-ET	Button head cap screw M6 x 32 Torx drive	25 pcs./pack
	000128007-ET	Hex nut M6 DIN985	25 pcs./pack
1.2	000815123-ET	Velcro loops	5 pcs./pack
1.1 - 1.2	740815120	Crutch holder with Velcro loops complete (without tipping tubes)	without tipping tube

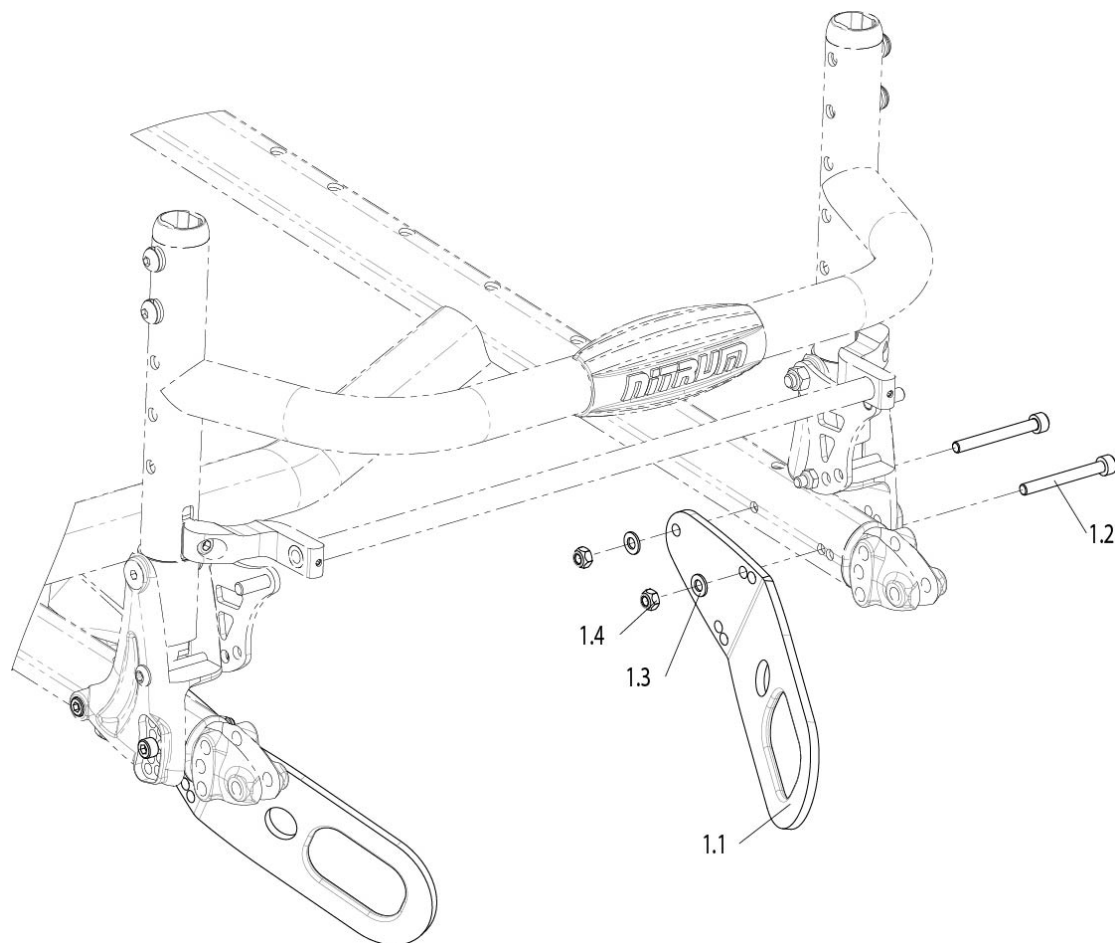
## Lap belt with buckle, metal (CC30-53270)



### Ersatzteile

Item no.	Article no.	Description
1.1-2.4	66009050-001	Lap belt with fastener cpl., up to SW 400 mm, adjustment range 580 - 850 mm
1.1-2.4	66009050-002	Lap belt with fastener cpl., from SW 420 mm, adjustment range 580 - 1600 mm

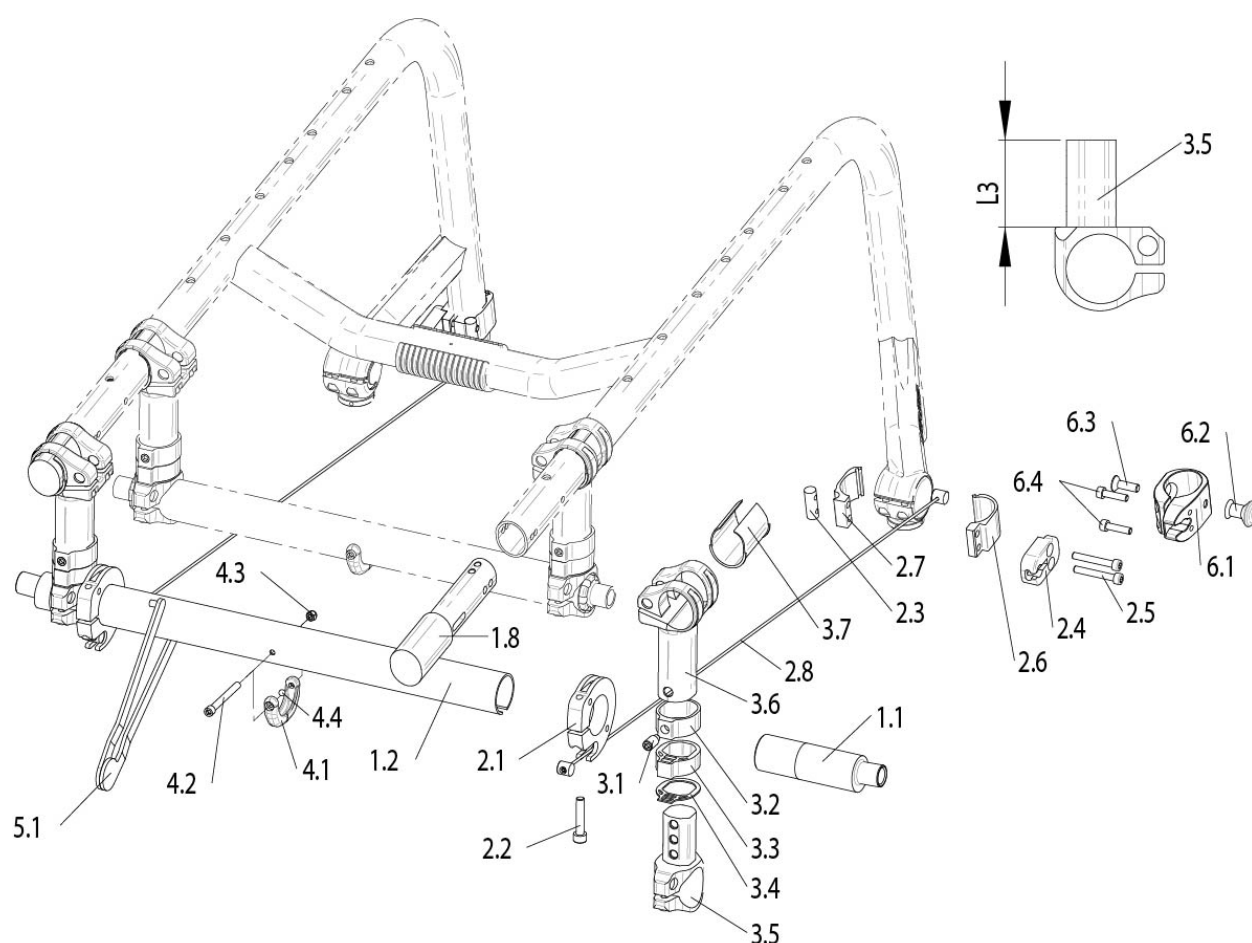
## Tie down brackets for transportation, open frame (CC30-53280)



### Ersatzteile

Item no.	Article no.	Description	Remark
1.1-1.4	66009002-ET	Tie down brackets, open frame, cpl.	2 pcs./pack

## Frame reinforcement kit for add on bike (CC30-53300)



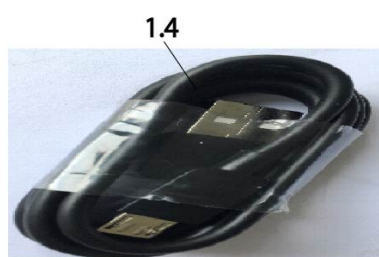
### Ersatzteile

Item no.	Article no.	Description	Remark
4.1-4.4	051553	Wheel tracking - adjustment help, cpl.	adjustment aid
1.1	062503-001-ET	0 degree angle adaptor, black	2 pcs./pack
1.1	062503-002-ET	3 degree angle adaptor, black	2 pcs./pack
1.1	062503-003-ET	6 degree angle adaptor, black	2 pcs./pack
1.1	062503-004-ET	9 degree angle adaptor, black	2 pcs./pack
2.1-2.2 +2.8+5.1	06609001	Handbike reinforcement cpl., without clamps	pair
5.1	066518	Face spanner	
3.3-3.5	066526-000-ET	Axle clamp cpl. standard COG	2 pcs./pack, Note: RSH from 410 mm or L3 = 40 mm
3.3-3.5	066526-001-ET	Axle clamp cpl. standard COG	2 pcs./pack, Note: RSH 370 - 380

## Frame reinforcement kit for add on bike (CC30-53300)

Item no.	Article no.	Description	Remark
			mm or L3 = 20 mm
3.3-3.5	066526-002-ET	Axle clamp cpl. standard COG	2 pcs./pack, Note: RSH 390 - 400 mm or L3 = 30 mm
3.3-3.5	066526-101-ET	Axle clamp cpl. short COG	2 pcs./pack, Note: from RSH 410 mm or L3 = 40 mm
3.3-3.5	066526-111-ET	Axle clamp cpl. short COG	2 pcs./pack, Note: RSH 370 - 380 mm or L3 = 20 mm
3.3-3.5	066526-121-ET	Axle clamp cpl. short COG	2 pcs./pack, Note: RSH 390 - 400 mm or L3 = 30 mm
1.2	066540-000	Axle tube, Aluminium	Note: to ensure ordering of the correct axle tube length, please refer to the matrix ET066540-000 given in the documents area.
2.8	066588-000	cable catch	
6.4	066901-001-ET	Socket head cap screw M5 x 20 ISO4762	25 pcs./pack
3.1-3.2	066931	Axle stem clamp	2 pcs./pack
2.1-2.2	066963	rear bracket for cable catch	
2.3-2.7	066964	Front bracket used with cable catch	2 pcs./pack
2.1-2.8, 5.1	066983	Handbike reinforcement cpl.	
6.1-6.4	47301033	Clamp docking Attitude for Helium/Xenon/Xenon2, cpl.	pair
3.6-3.7	66007100-011	Axle stem, cpl., L = 35 mm	pair
3.6-3.7	66007100-012	Axle stem, cpl., L = 47 mm	pair
3.6-3.7	66007100-013	Axle stem, cpl., L = 59 mm	pair
3.6-3.7	66007100-014	Axle stem, cpl., L = 72 mm	pair
3.6-3.7	66007100-015	Axle stem, cpl., L = 84 mm	pair
3.6-3.7	66007100-016	Axle stem, cpl., L = 96 mm	pair
3.6-3.7	66007100-017	Axle stem, cpl., L = 109 mm	pair
3.6-3.7	66007100-018	Axle stem, cpl., L = 122 mm	pair
3.6-3.7	66007100-019	Axle stem, cpl., L = 133 mm	pair
1.8	66007203-ET	Extension, hand bike axle plate	2 pcs./pack

## LED-Light (CC30-53310)

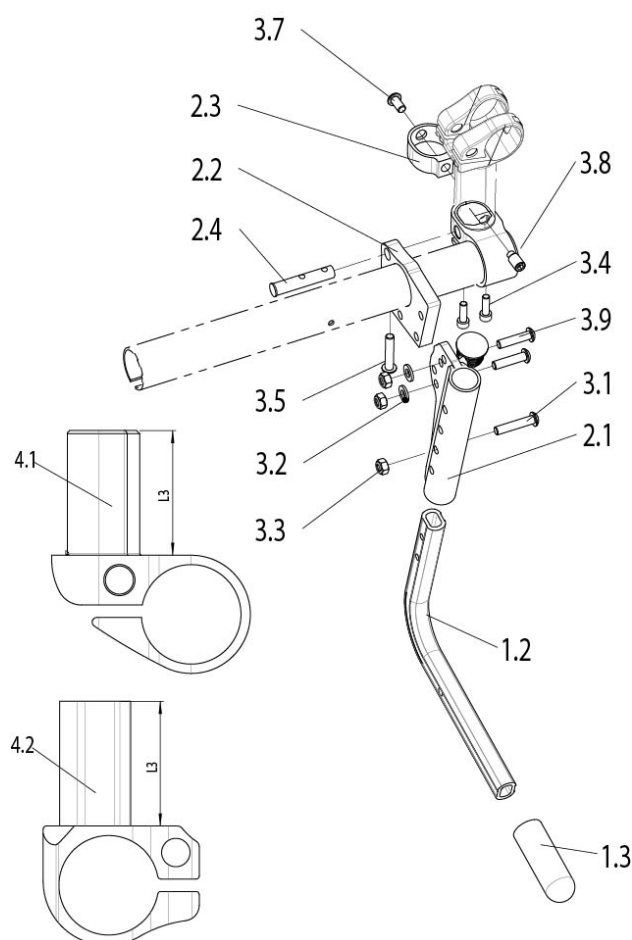


### Ersatzteile

Item no.	Article no.	Description	Remark
2.1	66009400-000	Calf strap, LED light	
1.1	66009900-001	Controller-Box incl. Battery	
1.4	66009900-004	Charging cable	
1.2	66009900-102	LED, cable and connector	right
1.3	66009900-103	LED, cable and connector	left
1.1-2.1	66009900-200	LED light, retrofit kit, incl. calf strap and mounting parts	



## Tip assist (CC30-53320)



### Ersatzteile

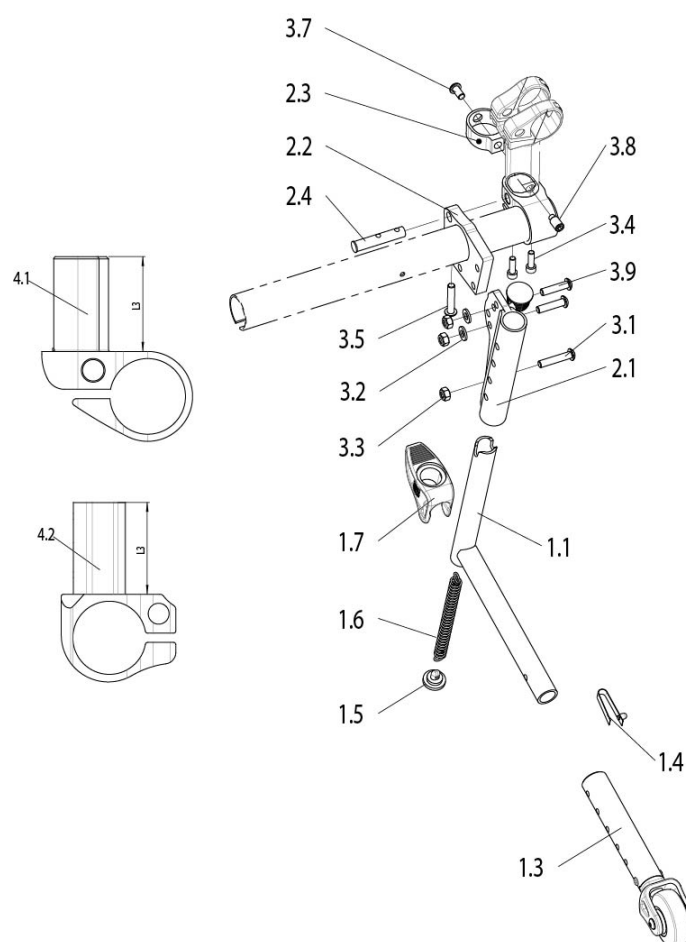
Item no.	Article no.	Description	Remark
3.3	058903-ET	Hexagon nut M6 ISO10511, black	25 pcs./pack
3.2	058904-ET	Washer A 6.4 ISO7089, black	25 pcs./pack
	066571-001-ET	Distance short for carbon axle with frame reinforcement	2 pcs./pack
2.1 - 3.9	066731-100	Frame adapter for anti-tip tubes cpl. for short COG	Transitwheel short COG
1.1 - 3.9	066741-001	Tipping tube with frame adapter cpl. for short COG	RH / LH usable
1.1 - 4.1	066741-011	Tipping tube with frame adapter cpl. for short COG and axle clamp short COG(4.1)	RH / LH usable,
3.7	066900-004-ET	Button head cap screw M6 x 12 ISO7380	25 pcs./pack
3.9	066900-013-ET	Button head cap screw M6 x 1 x	25 pcs./pack

**Tip assist (CC30-53320)**


---

Item no.	Article no.	Description	Remark
		30 ISO7380, Tuflock	
3.4	066901-006-ET	Socket head cap screw M5 x 0.8 x 16 ISO4762	25 pcs./pack
3.8	066903-001-ET	Headless screw M8 x 16 ISO4029	25 pcs./pack
3.1	102262-006-ET	Button head cap screw M6 x 1.0 x 40 ISO7380	25pcs./pack
3.5	103174-ET	Socket head cap screw M6 x 30 ISO4762	25 pcs./pack
1.1 - 1.2	740815110	Tipping tube to be inserted into the frame (threaded holes)	RH / LH usable
3.6	760827007-ET	End plug for round tube with inside oval	10 pcs./pack

## Anti-tip tubes, swing-away (CC30-53330)



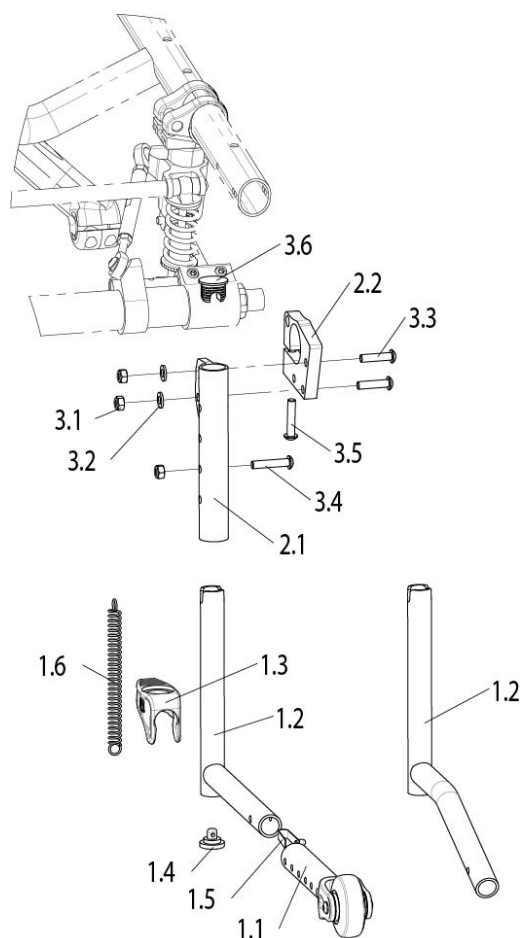
### Ersatzteile

Item no.	Article no.	Description	Remark
1.6	000242024	Tension spring for anti-tip tubes	
1.3	000859001	Pedal used with anti-tip	
1.4	000859204	Bracket used with tension spring	
1.5, 6.1	000859205	Anti-tip tube adapter 24Inch and 26Inch	
1.2 + 1.5	000859207	Anti-tip tube adapter 20Inch / 22Inch	
3.2	058903-ET	Hexagon nut M6 ISO10511, black	25 pcs./pack
5.1	066571-001-ET	Distance short for carbon axle with frame reinforcement	2 pcs./pack
1.1	066727	Castor with adaptor tube	
2.1 - 3.8	066731-100	Frame adapter for anti-tip tubes cpl. for short COG	Transitwheel short COG

**Anti-tip tubes, swing-away (CC30-53330)**

Item no.	Article no.	Description	Remark
2.2	066747	Axle clamp used with anti-tip swingaway	
1.1, 1.3 - 1.6, 6.1	066757-001	Anti-tip wheel with bended tube and accessories cpl.	LH / RH usable
1.1 - 1.6	066757-002	Anti-tip wheel with straight tube and accessories cpl.	LH / RH usable
1.1, 1.3 - 3.9, 6.1	066758-001	Swing away anti-tip without bracket, bent	left/right usable, Note: used with COG 20 - 56 mm
1.1 - 3.9	066758-002	Swing away anti-tip with bracket, straight	left/right usable, Note: used with COG 20 - 56 mm
1.1 - 4.1	066758-011	Swing away anti-tip with bracket, straight	left/right usable, Note: used with COG 68 - 104 mm
1.1, 1.3 - 4.1, 6.1	066758-012	Swing away anti-tip without bracket, bent	left/right usable, Note: used with COG 68 - 104 mm
3.7	066900-004-ET	Button head cap screw M6 x 12 ISO7380	25 pcs/pack
3.9	066900-005-ET	Button head cap screw M6 x 25 ISO7380	25 pcs./pack
3.1, 3.5	066900-013-ET	Button head cap screw M6 x 1 x 30 ISO7380, Tuflock	25 pcs./pack
3.4	066901-006-ET	Socket head cap screw M5 x 0.8 x 16 ISO4762	25 pcs./pack
3.3	066947-001-ET	Waher 6,4 A2 ZNS ISO7093	25 pcs./pack
3.6	760827007-ET	End plug for round tube with inside oval	10 pcs./pack

## Anti-tip tubes, swing-away, suspension (CC30-53340)



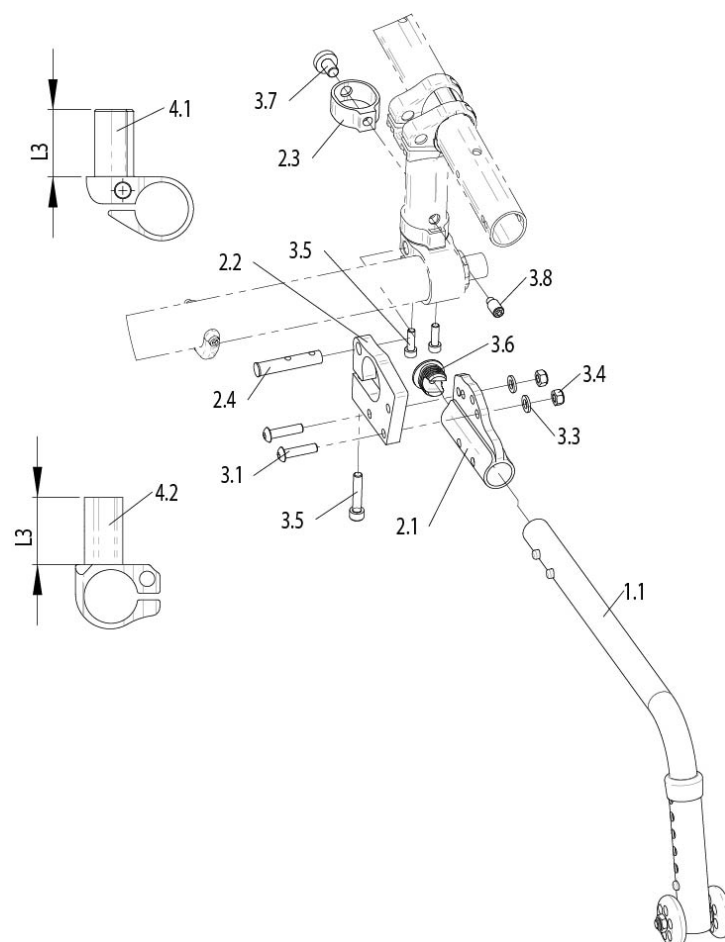
### Ersatzteile

Item no.	Article no.	Description	Remark
1.6	000242024	Tension spring for anti-tip tubes	
1.3	000859001	Pedal used with anti-tip	
1.4	000859204	Bracket used with tension spring	
1.2 + 1.5	000859205	Anti-tip tube adapter 24Inch and 26Inch	
1.2 + 1.5	000859207	Anti-tip tube adapter 20Inch / 22Inch	
3.1	058903-ET	Hexagon nut M6 ISO10511, black	25 pcs./pack
3.2	058904-ET	Washer A 6.4 ISO7089, black	25 pcs./pack
	066571-001-ET	Distance short for carbon axle with frame reinforcement	2 pcs./pack
1.1	066727	Castor with adaptor tube	
2.1 - 3.6	066731-100	Frame adapter for anti-tip tubes	Transitwheel short COG

## Anti-tip tubes, swing-away, suspension (CC30-53340)

Item no.	Article no.	Description	Remark
		cpl. for short COG	
1.1 - 3.6	066756-001	Anti-tip Receiver for suspension bend	for suspension bend
1.1 - 3.6	066756-002	Anti-tip Receiver for suspension straight	for suspension straight
1.1 - 1.6	066757-001	Anti-tip wheel with bended tube and accessories cpl.	LH / RH usable
1.1 - 1.6	066757-002	Anti-tip wheel with straight tube and accessories cpl.	LH / RH usable
3.3	066900-013-ET	Button head cap screw M6 x 1 x 30 ISO7380, Tuflock	25 pcs./pack
3.4	102262-006-ET	Button head cap screw M6 x 1.0 x 40 ISO7380	25pcs./pack
3.5	103174-ET	Socket head cap screw M6 x 30 ISO4762	25 pcs./pack
3.6	760827007-ET	End plug for round tube with inside oval	10 pcs./pack

## Anti-tip tubes, plug-in (CC30-53350)



### Ersatzteile

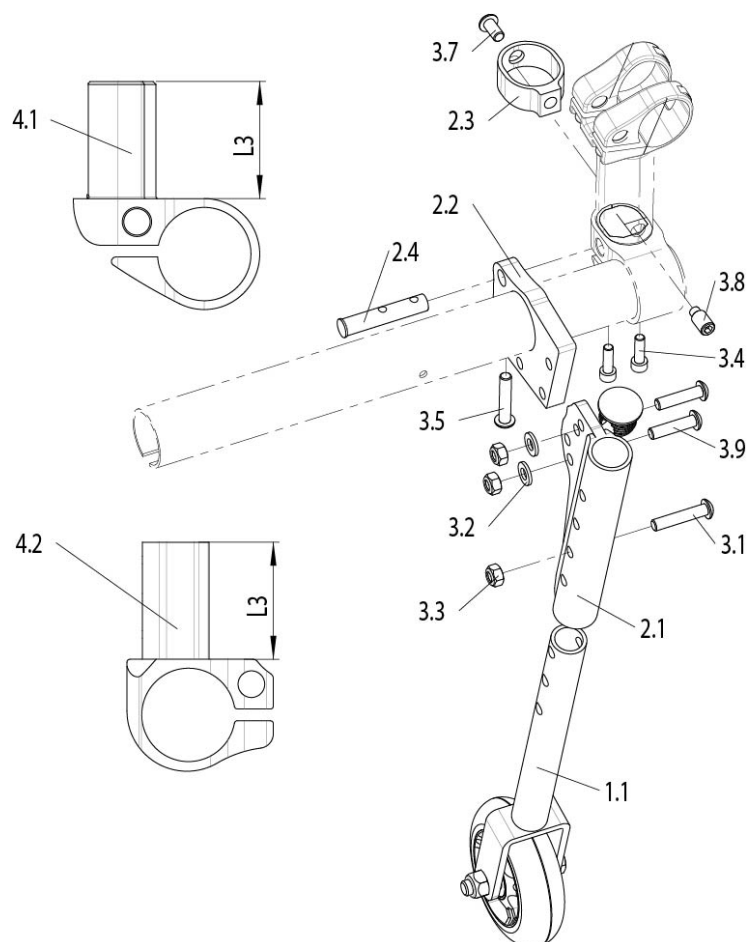
Item no.	Article no.	Description	Remark
1.1	050172-003	Anti-tip, used with 24in/25in rear wheels, plugable	right
1.1	050173-003	Anti-tip, used with 24in/25in rear wheels, plugable	left
3.4	058903-ET	Hexagon nut M6 ISO10511, black	25 pcs./pack
3.3	058904-ET	Washer A 6.4 ISO7089, black	25 pcs./pack
	066571-001-ET	Distance short for carbon axle with frame reinforcement	2 pcs./pack
2.1 - 3.8	066731-001	Bracket for plugable anti-tip tube for short COG	RH / LH usable
1.1 - 3.8	066736-000	Plugable anti-tip tube with bracket for short COG	Pair
1.1 - 3.8	066736-001	Plugable anti-tip tube with bracket for short COG	left

## Anti-tip tubes, plug-in (CC30-53350)

Item no.	Article no.	Description	Remark
1.1 - 3.8	066736-002	Plugable anti-tip tube with bracket for short COG	right
1.1 - 4.1	066736-010	Plugable anti-tip tube with bracket for short COG and axle clamp short COG(41)	Pair,
1.1 - 4.1	066736-011	Plugable anti-tip tube with bracket for short COG and axle clamp short COG(41)	left,
1.1 - 4.1	066736-012	Plugable anti-tip tube with bracket for short COG and axle clamp short COG(41)	right,
3.7	066900-004-ET	Button head cap screw M6 x 12 ISO7380	25 pcs./pack
3.1	066900-013-ET	Button head cap screw M6 x 1 x 30 ISO7380, Tuflock	25 pcs./pack
3.2	066901-006-ET	Socket head cap screw M5 x 0.8 x 16 ISO4762	25 pcs./pack
3.8	066903-001-ET	Headless screw M8 x 16 ISO4029	25 pcs./pack
3.5	103174-ET	Socket head cap screw M6 x 30 ISO4762	25 pcs./pack
3.6	760827007-ET	End plug for round tube with inside oval	10 pcs./pack



## Transit wheels (CC30-53360)



### Ersatzteile

Item no.	Article no.	Description	Remark
1.1	000858230	Transit wheel	RH / LH usable
3.3	058903-ET	Hexagon nut M6 ISO10511, black	25 pcs./pack
3.2	058904-ET	Washer A 6.4 ISO7089, black	25 pcs./pack
	066571-001-ET	Distance short for carbon axle with frame reinforcement	2 pcs./pack
2.1 - 3.8	066731-100	Frame adapter for anti-tip tubes cpl. for short COG	Transitwheel short COG
1.1 - 3.8	066743-001	Transit wheel with frame adapter cpl for short COG	RH / LH usable
1.1 - 4.1	066743-011	Transit wheel with frame adapter cpl for short COG and axle clamp short COG(4.1)	RH / LH usable,
3.7	066900-004-ET	Button head cap screw M6 x 12 ISO7380	25 pcs./pack

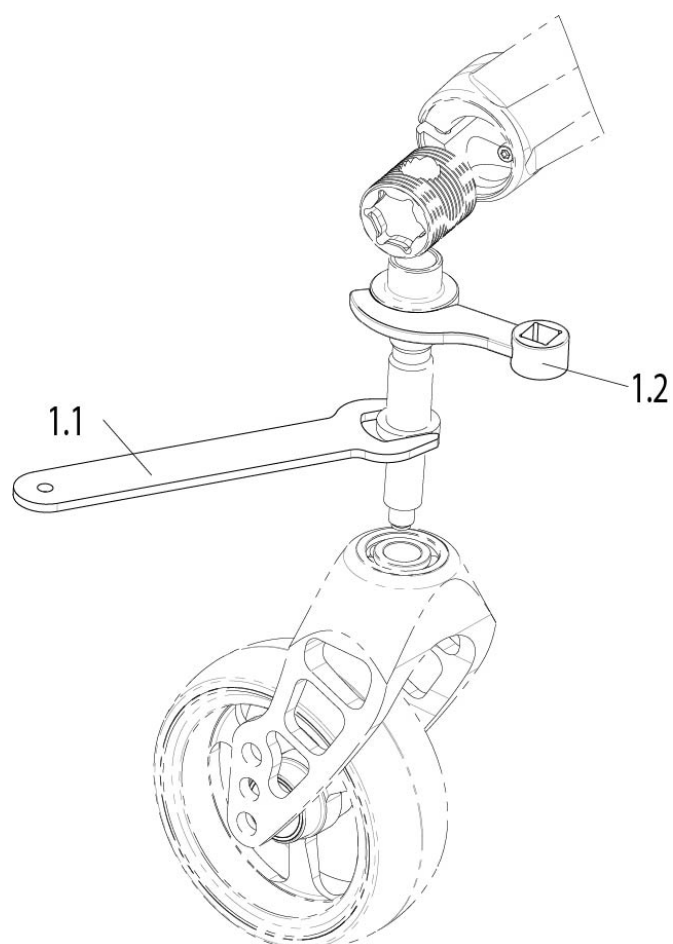
## Transit wheels (CC30-53360)

---

Item no.	Article no.	Description	Remark
3.9	066900-013-ET	Button head cap screw M6 x 1 x 30 ISO7380, Tuflock	25 pcs./pack
3.4	066901-006-ET	Socket head cap screw M5 x 0.8 x 16 ISO4762	25 pcs./pack
3.8	066903-001-ET	Headless screw M8 x 16 ISO4029	25 pcs./pack
3.1	102262-006-ET	Button head cap screw M6 x 1.0 x 40 ISO7380	25pcs./pack
3.5	103174-ET	Socket head cap screw M6 x 30 ISO4762	25 pcs./pack
3.6	760827007-ET	End plug for round tube with inside oval	10 pcs./pack

## Tool kit, Castor fork (CC30-53370)

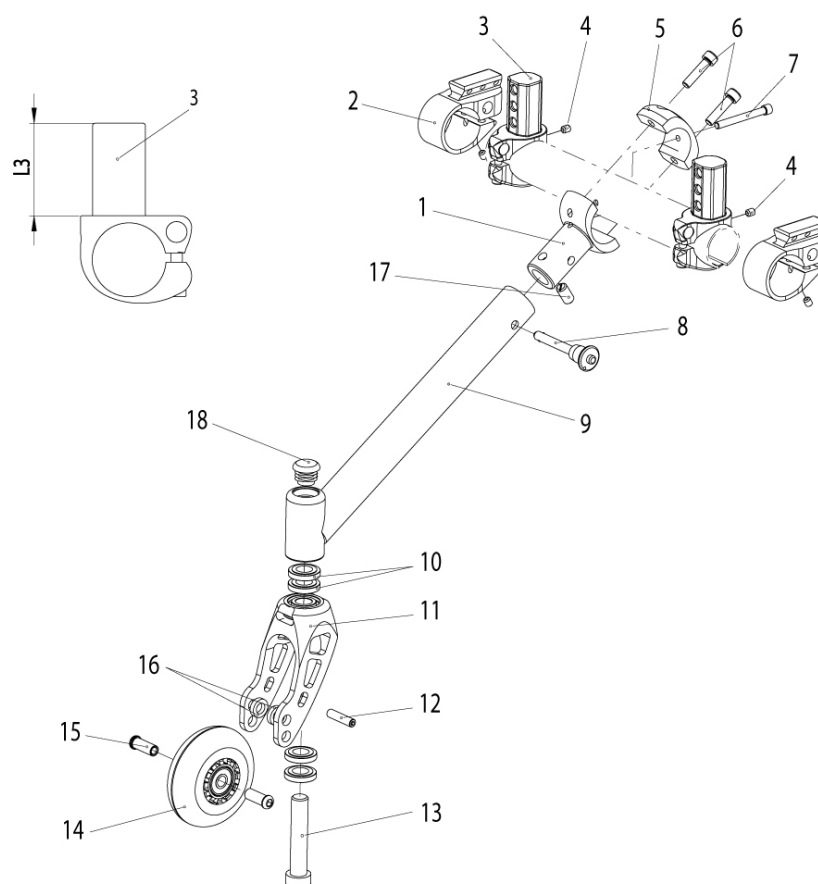
---



### Ersatzteile

Item no.	Article no.	Description
1.1+1.2	66009203-ET	Tool kit for straight-run and height adjustment of casters

## Anti-tip tubes, aluminium, sport, plug-in (CC30-53380)



### Ersatzteile

Item no.	Article no.	Description	Remark
8	000243001	Split Pin 1/4in	
18	000282038-ET	Laminated cap D = 20 mm, black	25 pcs./pack
1 - 18	066744	Sport anti-tip cpl.	
12, 14 - 16	066962	Plastic wheel incl. mounting accesories	
1, 5 - 7, 17	066966	Axle mounting accesories used with sport anti-tip	
3 - 4	066967	Axle clamp used with sport anti-tip	1 pc.
10 - 11, 13	066968	Fork used with sport anti-tip incl. mounting accessories	
9	066969	Tube sport anti-tip	
2, 4	066975	Axle clamp used with sport anti-	1 pc.

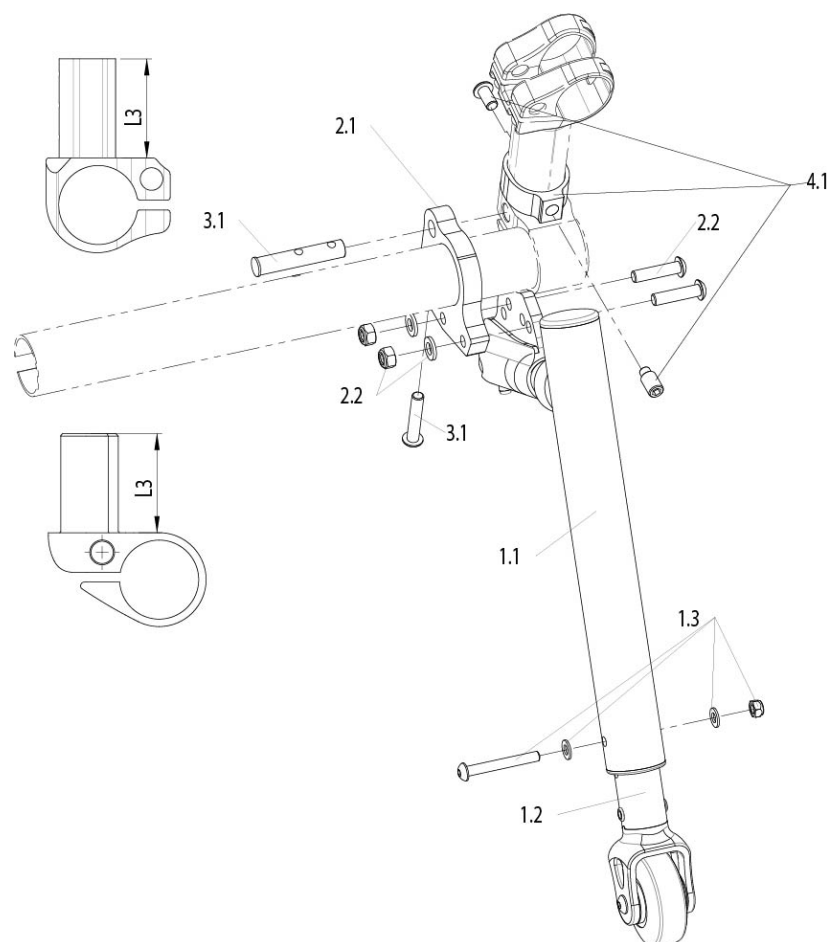
**Anti-tip tubes, aluminium, sport, plug-in (CC30-53380)**

---

Item no.	Article no.	Description	Remark
		tip, Helium Pro	

---

## Anti-tip tubes, flip-up (CC30-53390)



### Ersatzteile

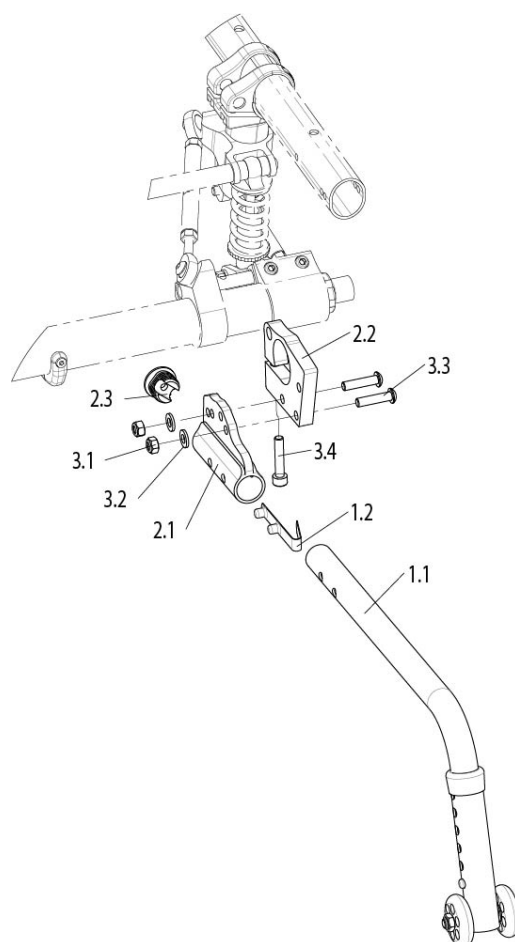
Item no.	Article no.	Description	Remark
1.1 - 1.3	06609025	Anti-tip flip up without mounting accessories	
1.2	066727	Castor with adaptor tube	
1.1 - 1.3, 2.2	066780	Anti-tip flip up	
2.1	066785	Axle clamp used with anti-tip, flip up	
3.1	066787	KIT attachment Frame	
2.2	066788	KIT attachment Axle	
1.3	066789	KIT attachment role	
1.1 - 4.1	066790	Anti-tip used without suspension cpl.	1 pc. Note: COG 20 - 56 mm
1.1-3.1	066791	Anti-tip used with suspension cpl.	1 pc.

**Anti-tip tubes, flip-up (CC30-53390)**

---

Item no.	Article no.	Description	Remark
1.1 - 4.1, 5	066792	Anti-tip used without suspension cpl.	1 pc. Note: COG 68 - 104 mm

## Anti-tip tubes, flip-up, suspension (CC30-53400)



### Ersatzteile

Item no.	Article no.	Description	Remark
3.2	000941.5811-ET	Washer A 6.4 ISO7089	25 pcs./pack
1.1	050172-003	Anti-tip, used with 24in/25in rear wheels, pluggable	right
1.1	050173-003	Anti-tip, used with 24in/25in rear wheels, pluggable	left
3.1	058903-ET	Hexagon nut M6 ISO10511, black	25 pcs./pack
1.1 - 3.4	066759-000	Anti-tip wheel for suspension cpl., pluggable, with receiver for short COG	pair
1.1 - 3.4	066759-001	Anti-tip wheel for suspension cpl., pluggable, with receiver for short COG	left
1.1 - 3.4	066759-002	Anti-tip wheel for suspension cpl., pluggable, with receiver for short	right



**Anti-tip tubes, flip-up, suspension (CC30-53400)**

---

Item no.	Article no.	Description	Remark
		COG	
3.3	066900-013-ET	Button head cap screw M6 x 1 x 30 ISO7380, Tuflock	25 pcs./pack
3.4	103174-ET	Socket head cap screw M6 x 30 ISO4762	25 pcs./pack
2.3	760827007-ET	End plug for round tube with inside oval	10 pcs./pack

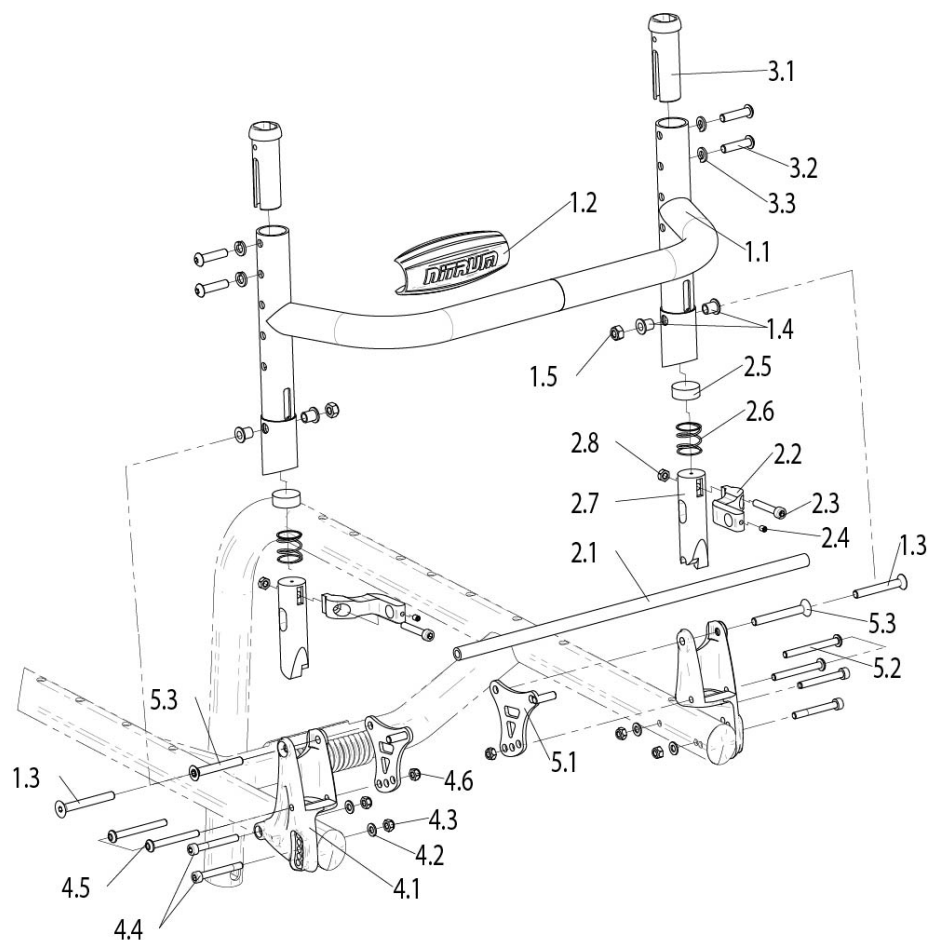
## Backrest (CC20-11350)

---

### Ersatzteile

Article no.	Description
CC30-53190	Aluminium backrest, angle-adjustable, push bar release
CC30-53200	Aluminium backrest, angle-adjustable, twist lock release
CC30-53210	Freestyle back, angle-adjustable
CC30-53220	Push handles, height-adjustable
CC30-53230	Push handles
CC30-65725	EXO / EXO Pro Back Upholstery for all Push Handles
CC30-65726	EXO /EXO Pro Back upholstery for push handles long, fold down and without,with fidex weld back

## Aluminium backrest, angle-adjustable, push bar release (CC30-53190)



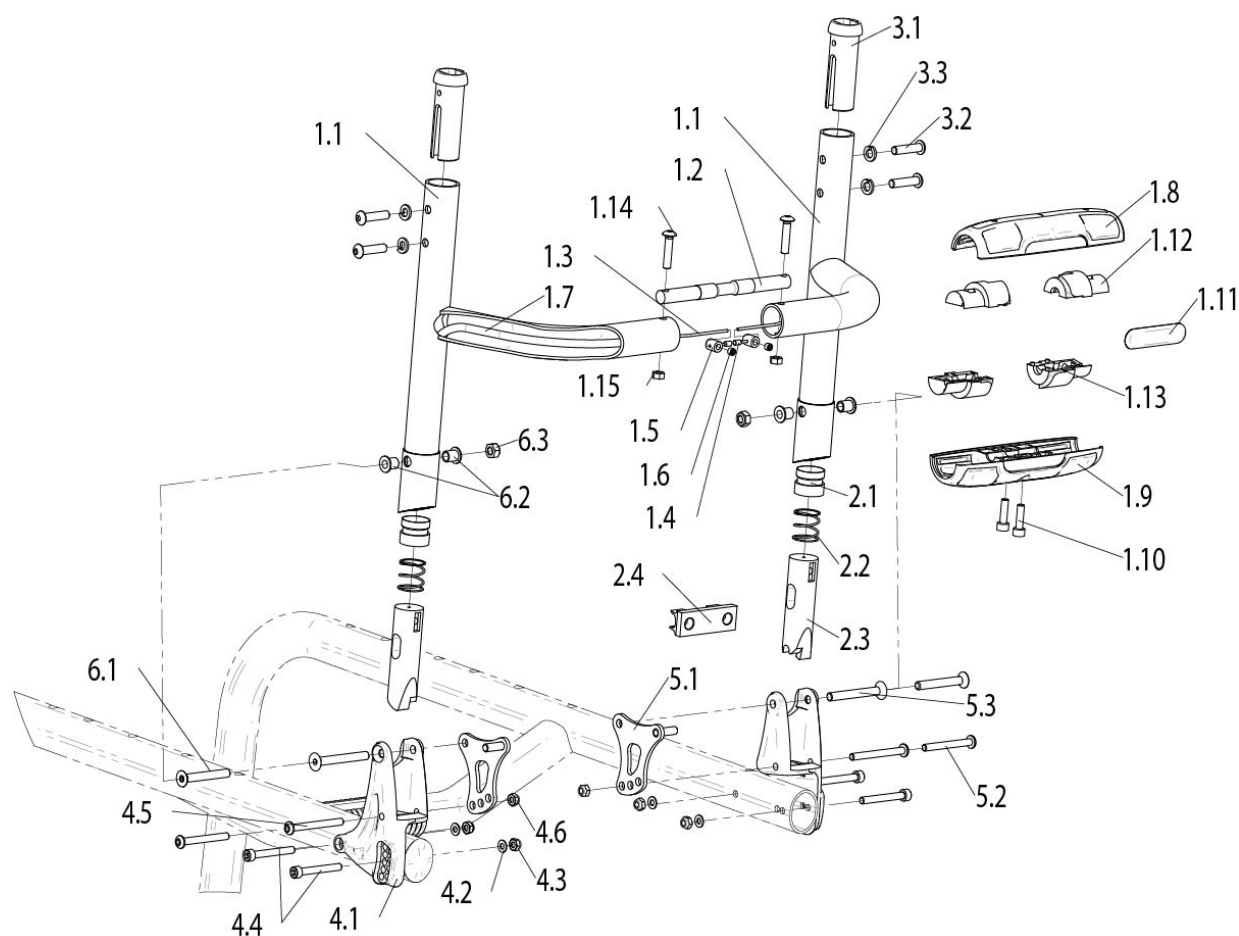
### Ersatzteile

Item no.	Article no.	Description	Remark
1.1	66003003-ET	Back tubes Aluminium backrest, ange adjustable, cpl.	
4.1-4.5	66003010-010	Back angle adjustment bracket black, cpl.	pair
4.1-4.5	66003010-020	Back angle adjustment bracket silver, cpl.	pair
4.1-4.5	66003010-030	Back angle adjustment bracket orange, cpl.	pair
4.1-4.5	66003010-040	Back angle adjustment bracket blue, cpl.	pair
4.1-4.5	66003010-050	Back angle adjustment bracket red, cpl.	pair
2.1	66003012-ET	Push-bar, fold down mechanism	
1.2	66003035-ET	Handgripp cpl., incl. glue	

## **Aluminium backrest, angle-adjustable, push bar release (CC30-53190)**

<b>Item no.</b>	<b>Article no.</b>	<b>Description</b>	<b>Remark</b>
1.1	66003040-ET	Back tubes Aluminium backrest, angle adjustable, Lightweight, cpl.	
5.1-5.3	66003067-ET	Double locking, Aluminium backrest angle adjustable, cpl.	pair
1.3-1.5	66003101	Back mounting kit cpl.	pair
2.5-2.8	66003103	Folding mechanism, angle adjustable back	pair
2.1-2.4	66003112	Folding mechanism, push-bar release, cpl.	
3.1-3.3	77003932	Upper post, incl. mounting accessories	2 pcs./pack

## Aluminium backrest, angle-adjustable, twist lock release (CC30-53200)



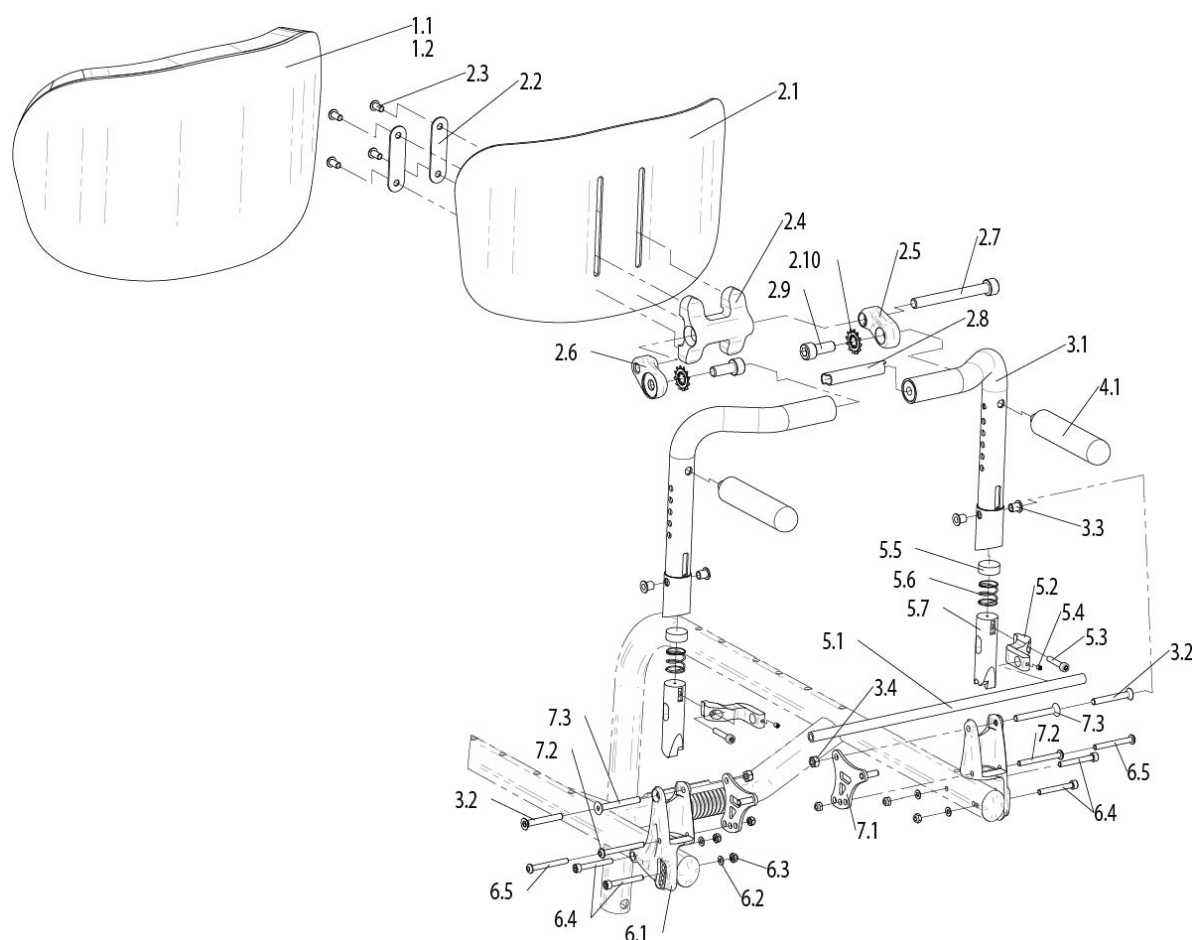
### Ersatzteile

Item no.	Article no.	Description	Remark
1.8-1.10	66003000-ET	Handgripp shell	
1.1+1.2 + 2.1	66003004-ET	Back tubes Aluminium backrest, twist-lock release, cpl.	
4.1-4.6	66003010-010	Back angle adjustment bracket black, cpl.	pair
4.1-4.6	66003010-020	Back angle adjustment bracket silver, cpl.	pair
4.1-4.6	66003010-030	Back angle adjustment bracket orange, cpl.	pair
4.1-4.6	66003010-040	Back angle adjustment bracket blue, cpl.	pair
4.1-4.6	66003010-050	Back angle adjustment bracket red, cpl.	pair
5.1-5.3	66003017-ET	Double locking, twist-lock	pair

## **Aluminium backrest, angle-adjustable, twist lock release (CC30-53200)**

<b>Item no.</b>	<b>Article no.</b>	<b>Description</b>	<b>Remark</b>
		backrest, cpl.	
1.11	66003045-ET	Nitrum label handgrip twist-lock release	2 pcs./pack
6.1-6.3	66003101	Back mounting kit cpl.	pair
1.12-1.1 5	66003110	Twist mechanism cpl.	
1.3-1.7 + 7.1	66003111	Cabel twist mechanism cpl.	2 pcs./pack
2.2-2.3	66003114	Folding mechanism, twist-lock release, cpl.	2 pcs./pack
1.3-1.7, 1.14,2.2 -2.4,6.2	66003116	Repairkit twist lock back	
3.1-3.3	77003932	Upper post, incl. mounting accessories	2 pcs./pack

## Freestyle back, angle-adjustable (CC30-53210)



### Ersatzteile

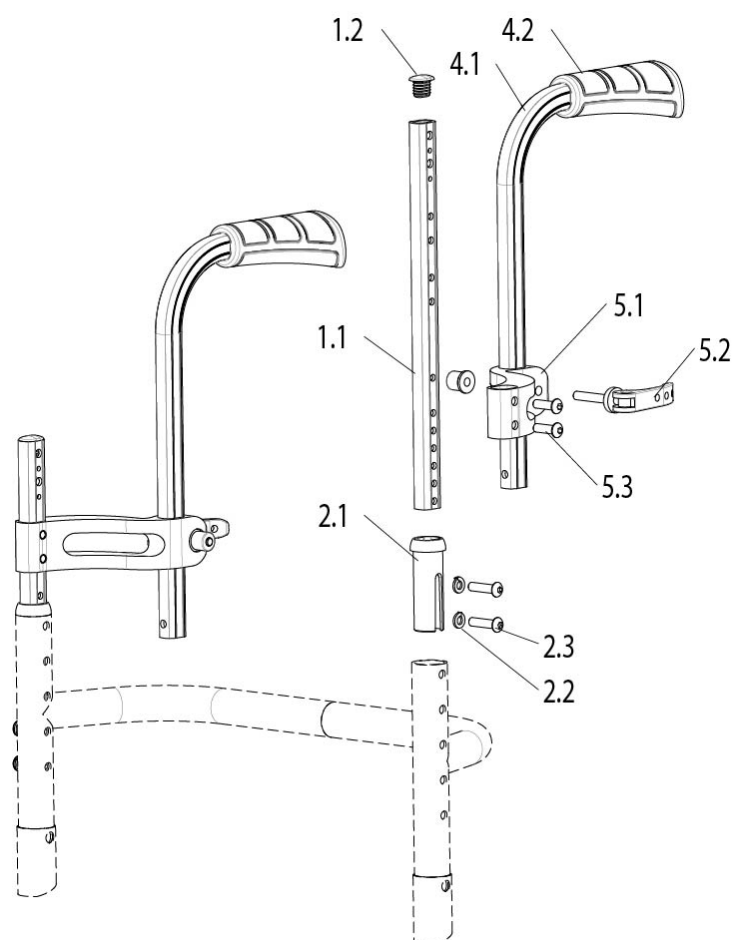
Item no.	Article no.	Description	Remark
4.1	06604042	Pushhandle	2 pcs/pack
1.1	130574	Freestyle Back, Carbon, cover	320 mm Width x 240 mm Height
1.1	130577	Freestyle Back, Carbon, cover	370 mm Width x 240 mm Height
1.1	130580	Freestyle Back, Carbon, cover	420 mm Width x 240 mm Height
1.1	130582	Freestyle Back, Carbon, cover	420 mm Width x 310 mm Height
2.2-2.10	159547s	Assembly in plastic bag	
1.2	202463-001	Freestyle Back, Carbon, foam	320 mm Width x 240 mm Height
1.2	202464-001	Freestyle Back, Carbon, foam	370 mm Width x 240 mm Height
1.2	202465-001	Freestyle Back, Carbon, foam	420 mm Width x 340 mm Height
1.2	202465-002	Freestyle Back, Carbon, foam	420 mm Width x 310 mm Height
1.1-2.10	242950	Freestyle Back Carbon 320 mm Width x 240 mm Height	

## Freestyle back, angle-adjustable (CC30-53210)

Item no.	Article no.	Description	Remark
1.1-2.10	242951	Freestyle Back Carbon 320 mm Width x 310 mm Height	
1.1-2.10	242952	Freestyle Back Carbon 370 mm Width x 240 mm Height	
1.1-2.10	242953	Freestyle Back Carbon 370 mm Width x 310 mm Height	
1.1-2.10	242954	Freestyle Back Carbon 420 mm Width x 240 mm Height	
1.1-2.10	242955	Freestyle Back Carbon 420 mm Width x 310 mm Height	
6.1-6.5	66003010-010	Back angle adjustment bracket black, cpl.	pair
6.1-6.5	66003010-020	Back angle adjustment bracket silver, cpl.	pair
6.1-6.5	66003010-030	Back angle adjustment bracket orange, cpl.	pair
6.1-6.5	66003010-040	Back angle adjustment bracket blue, cpl.	pair
6.1-6.5	66003010-050	Back angle adjustment bracket red, cpl.	pair
5.1	66003012-ET	Push-bar, fold down mechanism	
3.1	66003023-ET	Back tube, Freestyle Back	pair
7.1-7.3	66003067-ET	Double locking, Aluminium backrest ange adjustable, cpl.	pair
3.2-3.4	66003101	Back mounting kit cpl.	pair
5.5-5.7	66003103	Folding mechanism, angle adjustable back	pair
5.1-5.4	66003112	Folding mechanism, push-bar release, cpl.	



## Push handles, height-adjustable (CC30-53220)



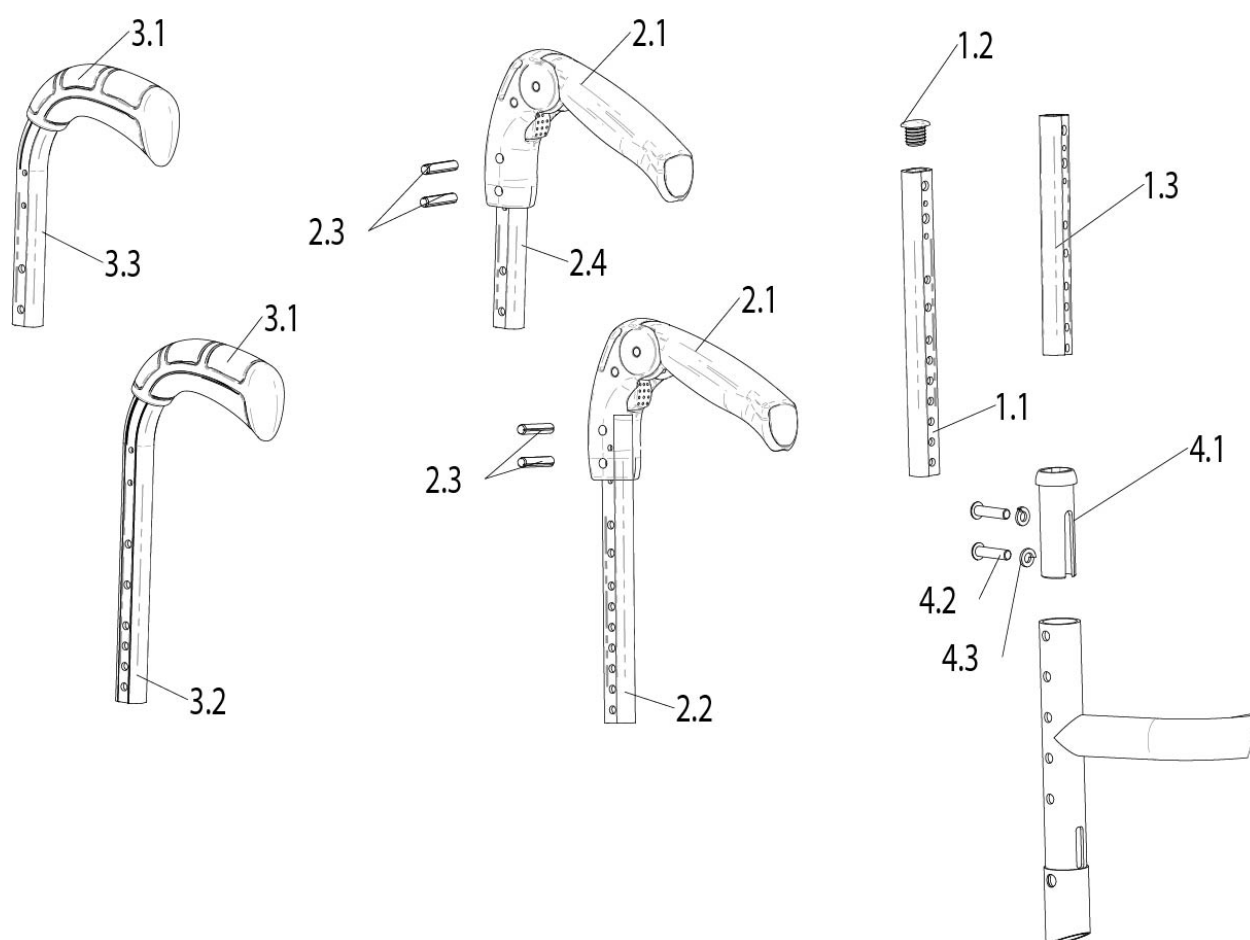
### Ersatzteile

Item no.	Article no.	Description	Remark
5.1-5.3	66003038-ET	Push handle holder with quick tensioner, cpl.	LH/RH useable
4.1+4.2	66003131-001	Height-adjustable push handles, BHR 400 - 450 mm	2 pcs./pack
4.1+4.2	66003131-002	Height-adjustable push handles, BHR 325 - 400 mm	2 pcs./pack
1.1+1.2	66003133-001	Backtube omit pushhandels for Twist lock backrest or height adjustable pushhandles Twist lock and Lightweight back	2 pcs./pack
1.1+1.2	66003133-002	Backtube omit or height adjustable pushhandles, BH 250 - 300 mm	2 pcs./pack
1.1+1.2	66003133-003	Backtube omit or height adjustable pushhandles, BH 300 -	2 pcs./pack

## Push handles, height-adjustable (CC30-53220)

Item no.	Article no.	Description	Remark
		350 mm	
1.1+1.2	66003133-004	Backtube omit or height adjustable pushhandles, BH 350 - 400 mm	2 pcs./pack
1.1+1.2	66003133-005	Backtube omit or height adjustable pushhandles, BH 400 - 450 mm	2 pcs./pack
3.1	71104051-003-ET	Handgrip with glue	10 pcs./pack
1.2	760841001-ET	Plastic plug for backrest profile tube	10 pcs./pack
2.1 - 2.3	77003932	Upper post, incl. mounting accessories	2 pcs./pack

## Push handles (CC30-53230)



### Ersatzteile

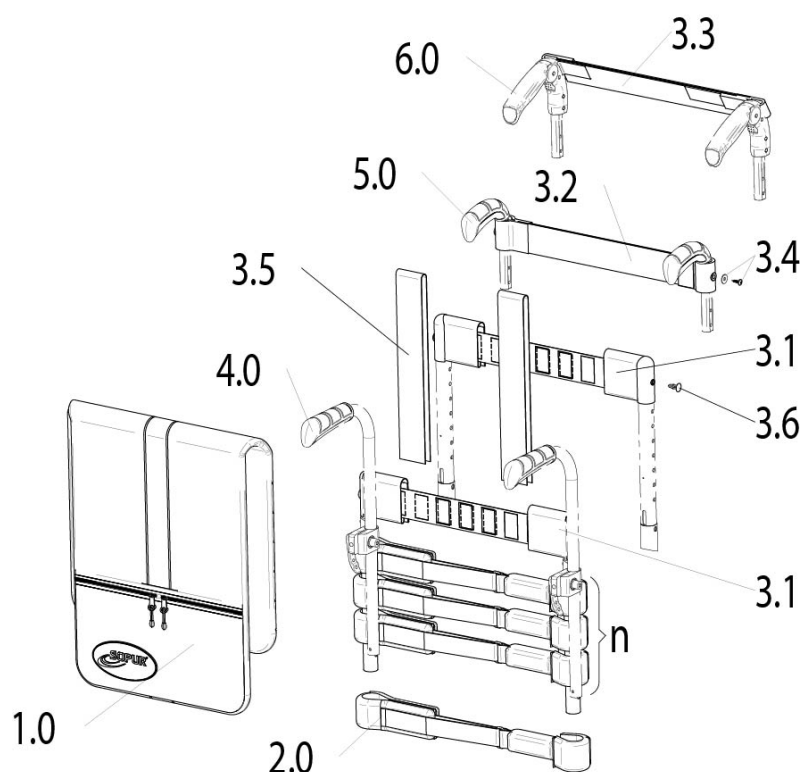
Item no.	Article no.	Description	Remark
2.3	000154208-ET	Cylindrical grooved pin 6 x 28 ISO8740	10 pcs./pack
2.1	051417	Push handle, fold down	RH / LH usable
1.3+1.2	66003133-001	Backtube omit pushhandels for Twist lock backrest or height adjustable pushhandles Twist lock and Lightweight back	2 pcs./pack
1.1+1.2	66003133-002	Backtube omit or height adjustable pushhandles, BH 250 - 300 mm	2 pcs./pack
1.1+1.2	66003133-003	Backtube omit or height adjustable pushhandles, BH 300 - 350 mm	2 pcs./pack
1.1+1.2	66003133-004	Backtube omit or height adjustable pushhandles, BH 350 -	2 pcs./pack

## Push handles (CC30-53230)

Item no.	Article no.	Description	Remark
		400 mm	
1.1+1.2	66003133-005	Backtube omit or height adjustable pushhandles, BH 400 - 450 mm	2 pcs./pack
2.1+2.3 -2.4	66003134-001	Push handle fold down, Lightweight and Twist lock backrest	2 pcs./pack
2.1-2.3	66003134-002	Push handle fold down, BH 325 - 350 mm	2 pcs./pack
2.1-2.3	66003134-003	Push handle fold down, BH 350 - 400 mm	2 pcs./pack
2.1-2.3	66003134-004	Push handle fold down, BH 400 - 450 mm	2 pcs./pack
3.1+3.3	66003135-001	Push handle long, Lightweight and Twist lock backrest	2 pcs./pack
3.1+3.2	66003135-002	Push handle long, BH 250 - 300 mm	2 pcs./pack
3.1+3.2	66003135-003	Push handle long, BH 300 - 350 mm	2 pcs./pack
3.1+3.2	66003135-004	Push handle long, BH 350 - 400 mm	2 pcs./pack
3.1+3.2	66003135-005	Push handle long, BH 400 - 450 mm	2 pcs./pack
3.1	71104052-ET	Handgrip for back tube, including glue	10 pcs./pack
1.2	760841001-ET	Plastic plug for backrest profile tube	10 pcs./pack
4.1-4.3	77003932	Upper post, incl. mounting accessories	2 pcs./pack

## EXO / EXO Pro Back Upholstery for all Push Handles (CC30-65725)

STD/ FOLD DOWN/ WITHOUT PUSHHANDLE (5.0/ 6.0). STD/ FALTBAR/ OHNE SCHIEBEGRIFF (5.0/ 6.0)		HEIGHT ADJ. PUSHHANDLE (4.0) HOHENVERST. SCHIEBEGRIFF (4.0)
BH/ RH in mm	n= QTY/ Menge	n= QTY/ Menge
250	3	
275	3	
300	4	
325	4	3
350	5	3
375	5	4
400	5	4
425	6	5
450	6	5
475	6	5
500	7	6



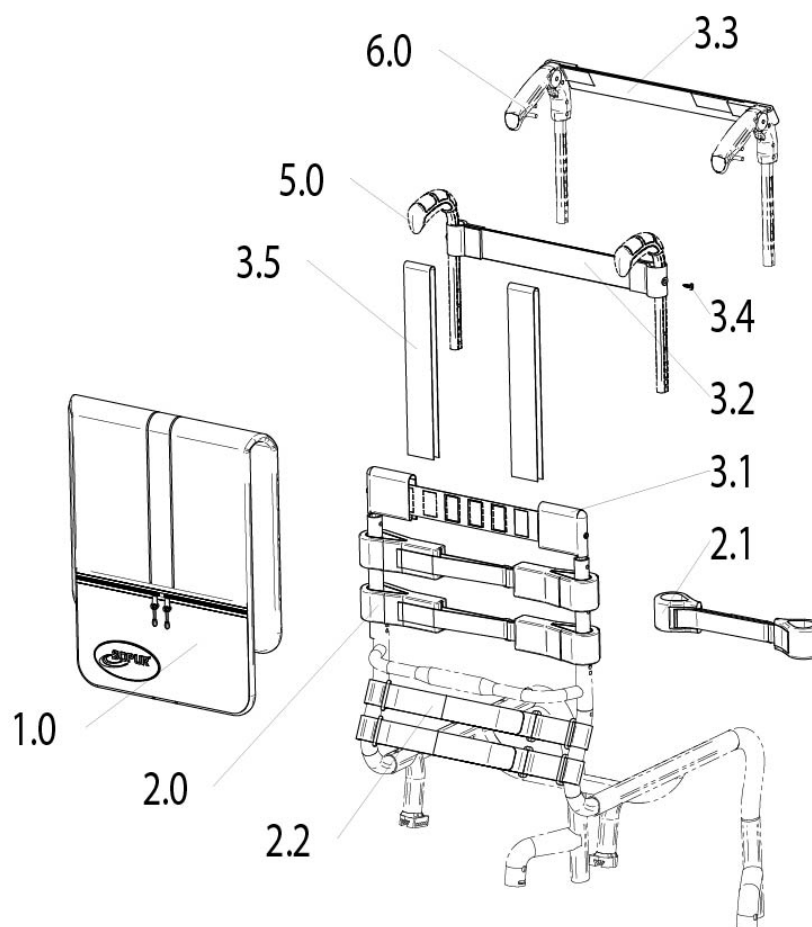
### Ersatzteile

Item no.	Article no.	Description	Remark
3.4	000102550-001-E T	Mounting kit for upper back belt, screws and washer	10 pcs./pack
	000849042	Shopping net	
2.0	066853	Back belt cpl. SW 340-580 mm (quantity needed see alongside chart)	1 pc
3.3	06804026-100	Top backrest belt cpl. for foldable push handles	1 pc
3.2	06804027-100	Top backrest belt cpl. for standard push handles	1 pc
3.1	06804028-100	Top backrest belt cpl. for height adjustable and without push handles	1 pc
3.5	06804110	Hook strap for mounting EXO backrests with existing back belts and for SW 220 - 260 mm	2m
1.0	06804122-001	EXO Backrest sling, synthetic fibre, padded, adjustable, 1	Please order back belts and hook tape separately

## EXO / EXO Pro Back Upholstery for all Push Handles (CC30-65725)

Item no.	Article no.	Description	Remark
		accessory bag, black, SW 200 - 380 with BH 200 - 400	
1.0	06804122-002	EXO Backrest sling, synthetic fibre, padded, adjustable, 1 accessory bag, black, SW 400 - 560 with BH 200 - 400 or SW 220 - 560 with BH 425 - 500	Please order back belts and hook tape separately
1.0	06804123-001	EXO PRO Backrest sling, adjustable, breathable, 1 accessory bag, black, SW200 - 380 with BH 200 - 400	Please order back belts and hook tape separately
1.0	06804123-002	EXO PRO Backrest sling, adjustable, breathable, 1 accessory bag, black, SW 400 - 560 with BH 200 - 400 or SW 220 - 560 with BH 425 - 500	Please order back belts and hook tape separately
	760949901	Mounting accessories for back upholstery adjustable (bent clamp) cpl.	Pair
	760949902	Fitting accessories for adjustable sling with height adjustable handles(straight brackets)	pair
2.1	84303010	Back belt cpl. SW 220-320 mm (quantity needed see alongside chart)	1 pc.

**EXO /EXO Pro Back upholstery for push handles long, fold down and without,with fidex weld back (CC30-65726)**



ET06604040

**Ersatzteile**

Item no.	Article no.	Description	Remark
3.4	000102550-001-E T	Mounting kit for upper back belt, screws and washer	10 pcs./pack
	000849042	Shopping net	
2.0	066853-02-ET	Back belt cpl.	2 pcs./pack, SW 340 - 580 mm
3.3	06804026-100	Top backrest belt cpl. for foldable push handles	1 pc
3.2	06804027-100	Top backrest belt cpl. for standard push handles	1 pc
3.1	06804028-100	Top backrest belt cpl. for height adjustable and without push handles	1 pc
2.2	06804031-ET	Back belt cpl.	4 pcs./pack, Note: fits all seat widths
3.5	06804110	Hook strap for mounting EXO	2m

**EXO /EXO Pro Back upholstery for push handles long, fold down and without,with fidex weld back (CC30-65726)**

Item no.	Article no.	Description	Remark
		backrests with existing back belts and for SW 220 - 260 mm	
1.0	06804122-001	EXO Backrest sling, synthetic fibre, padded, adjustable, 1 accessory bag, black, SW 200 - 380 with BH 200 - 400	Please order back belts and hook tape separately
1.0	06804122-002	EXO Backrest sling, synthetic fibre, padded, adjustable, 1 accessory bag, black, SW 400 - 560 with BH 200 - 400 or SW 220 - 560 with BH 425 - 500	Please order back belts and hook tape separately
1.0	06804123-001	EXO PRO Backrest sling, adjustable, breathable, 1 accessory bag, black, SW200 - 380 with BH 200 - 400	Please order back belts and hook tape separately
1.0	06804123-002	EXO PRO Backrest sling, adjustable, breathable, 1 accessory bag, black, SW 400 - 560 with BH 200 - 400 or SW 220 - 560 with BH 425 - 500	Please order back belts and hook tape separately
	760949901	Mounting accessories for back upholstery adjustable (bent clamp) cpl.	Pair
	760949902	Fitting accessories for adjustable sling with height adjustable handles(straight brackets)	pair
2.1	84303010-02-ET	Back belt cpl. SW220-320 mm	2 pcs./pack



**Sunrise Medical GmbH & Co. KG**

Kahlbachring 2-4  
D-69254 Malsch/Heidelberg  
Germany  
Tel.: +49 (0) 7253/980-0  
Fax: +49 (0) 7253/980-222  
[www.sunrisemedical.de](http://www.sunrisemedical.de)

**Sunrise Medical A.G.**

Lückhalde 14  
CH-3074 Muri bei Bern  
Switzerland  
Tel.: +41 (0) 31-958-3838  
Fax: +41 (0) 31-958-3848  
[www.sunrisemedical.ch](http://www.sunrisemedical.ch)