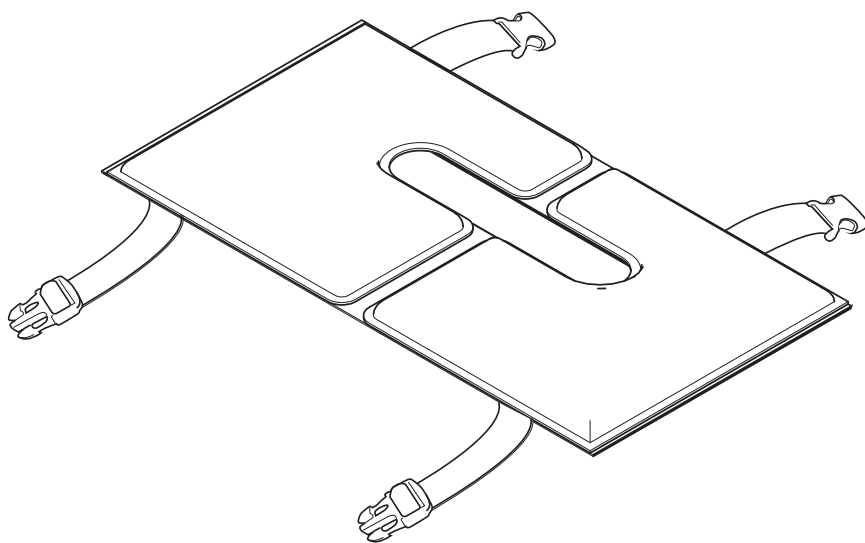


MONTERINGSANVISNING

Sits, komfort



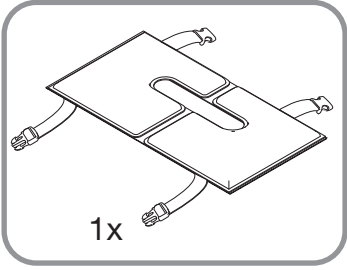
Beskrivning

Sits, komfort, alla Gemino-modeller

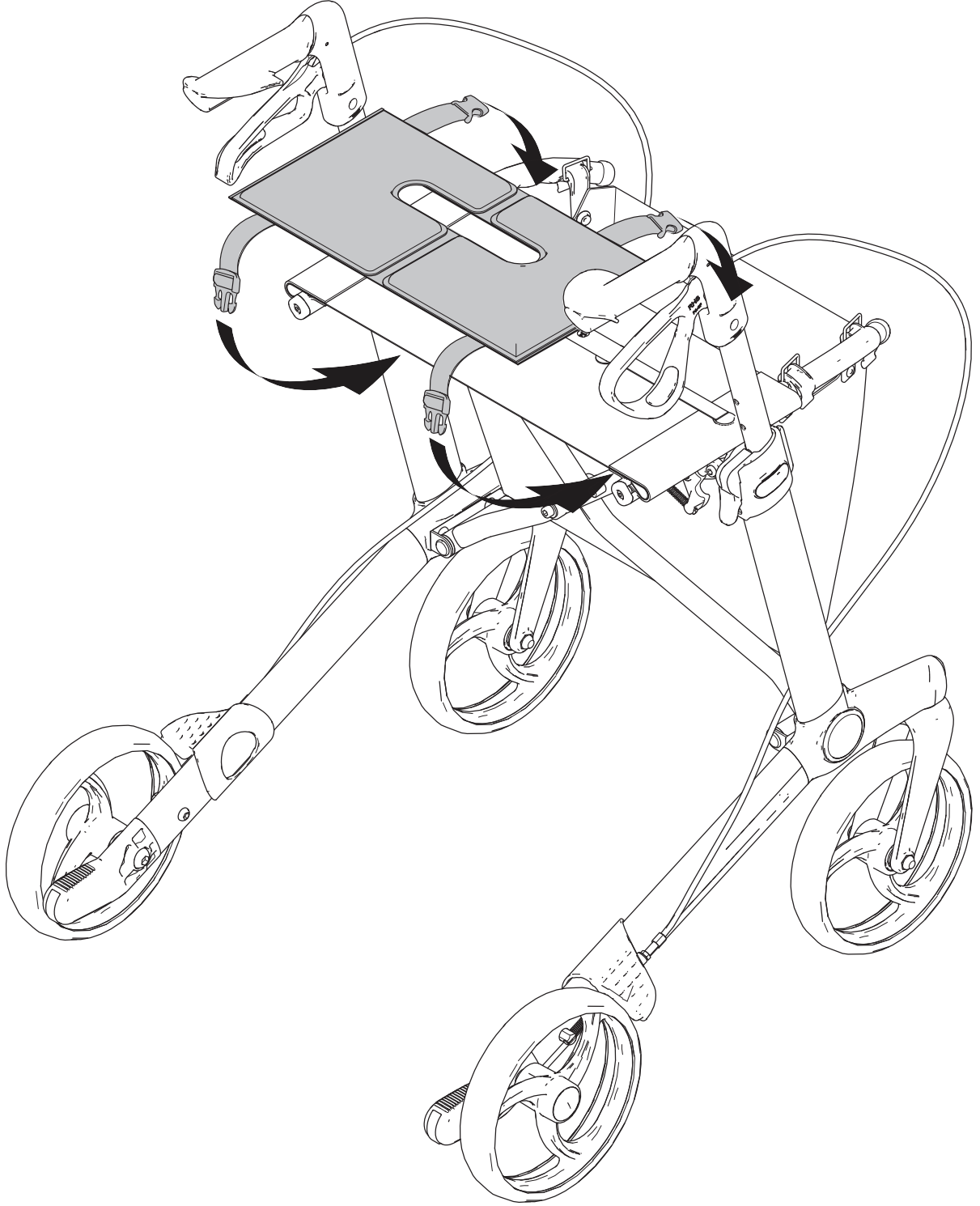
Artikelnummer

7104310

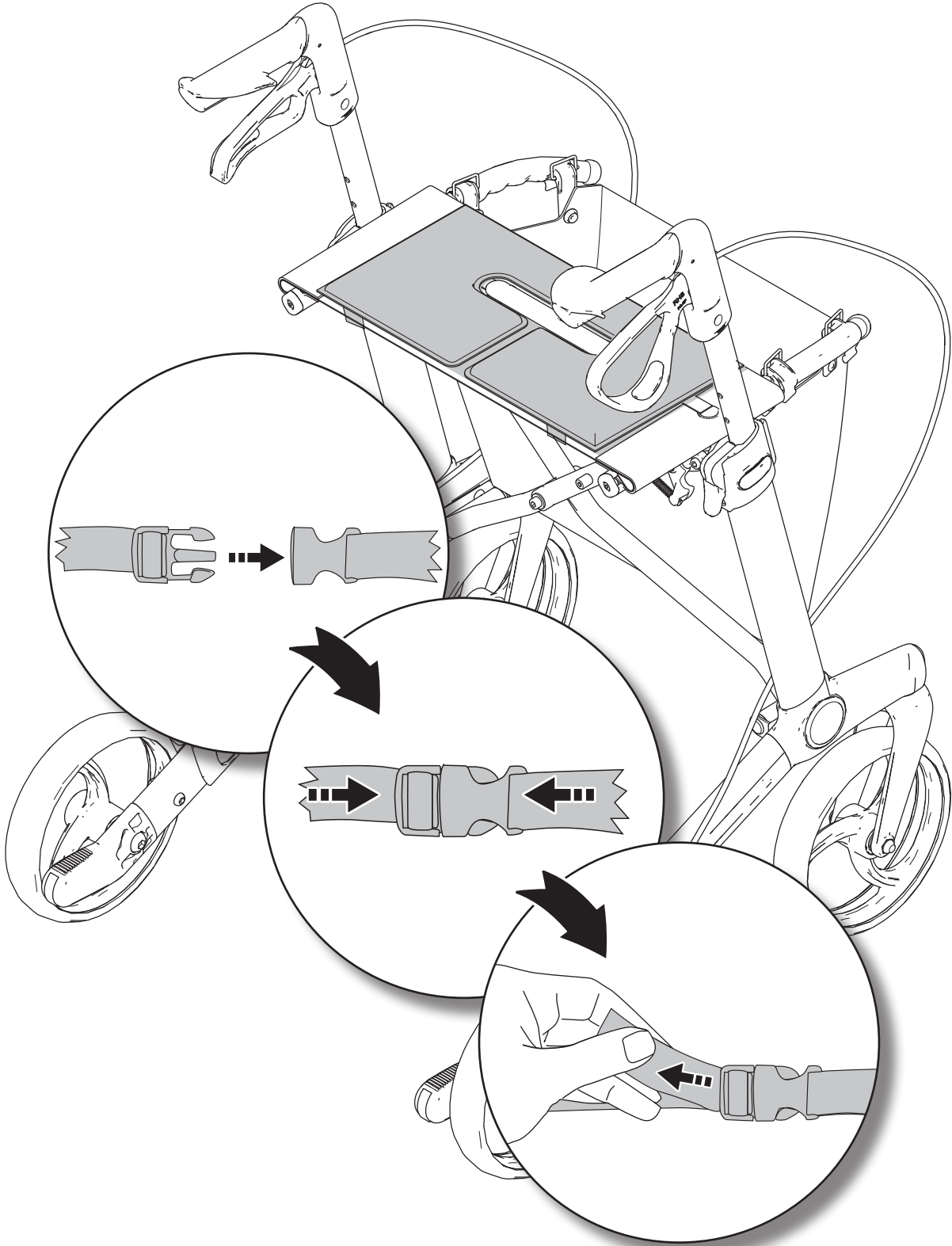
GEMINO



1



2





Sunrise Medical HCM B.V.
Vossenbeemd 104
5705 CL Helmond
The Netherlands

T: +31 (0)492 593 888
customerservice@sunrisemedical.nl
www.SunriseMedical.eu