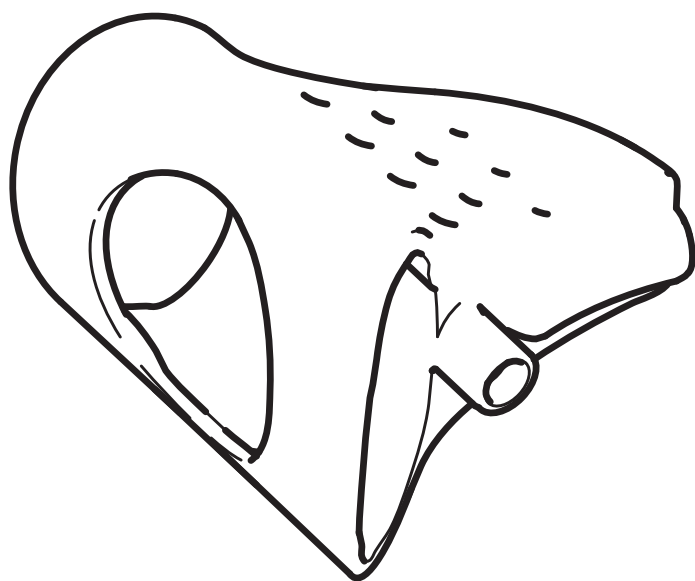


## MONTERINGSANVISNING

# Bromskloss



### Benämning

### Artikelnummer

Bromskloss RHS, alla Gemino 30/30M/30S, Gemino 20/20M/20S modeller,  
utom Gemino 30/30M Comfort modeller, höger



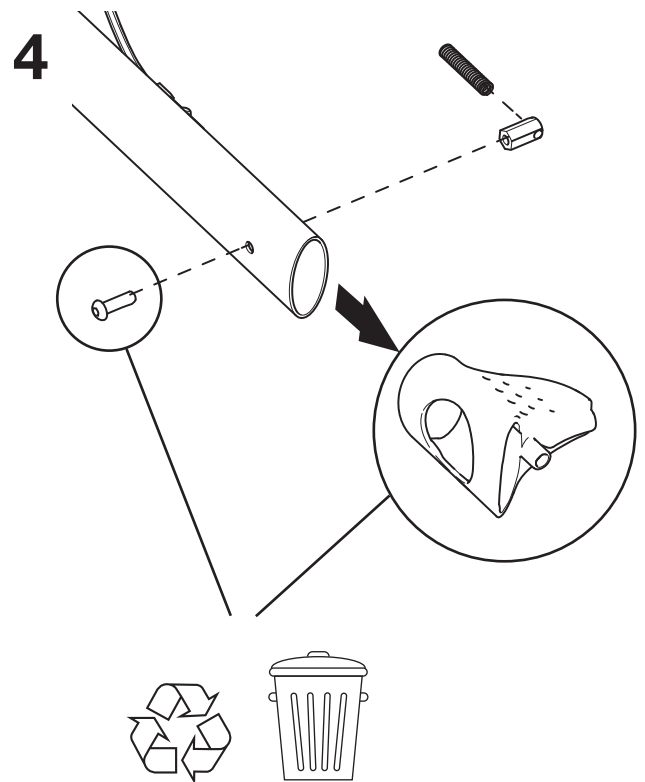
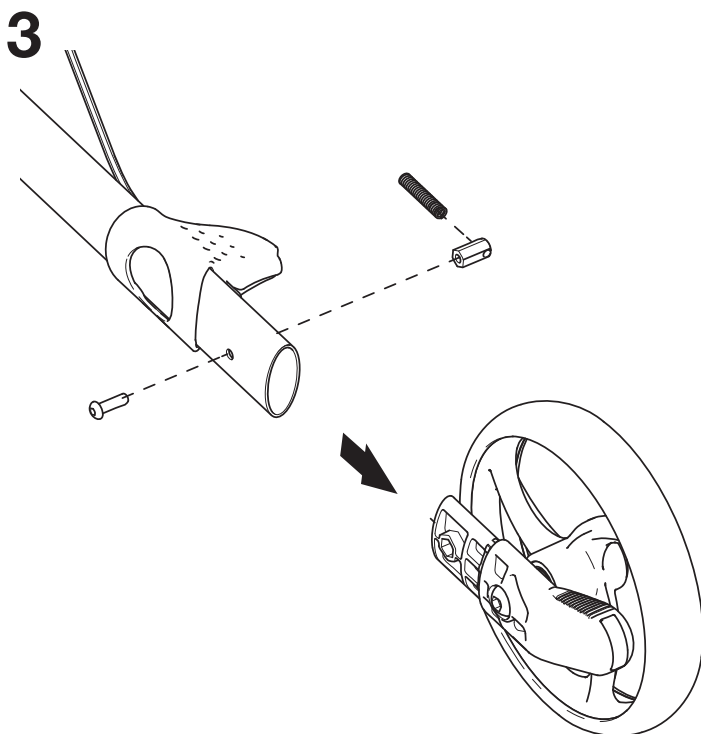
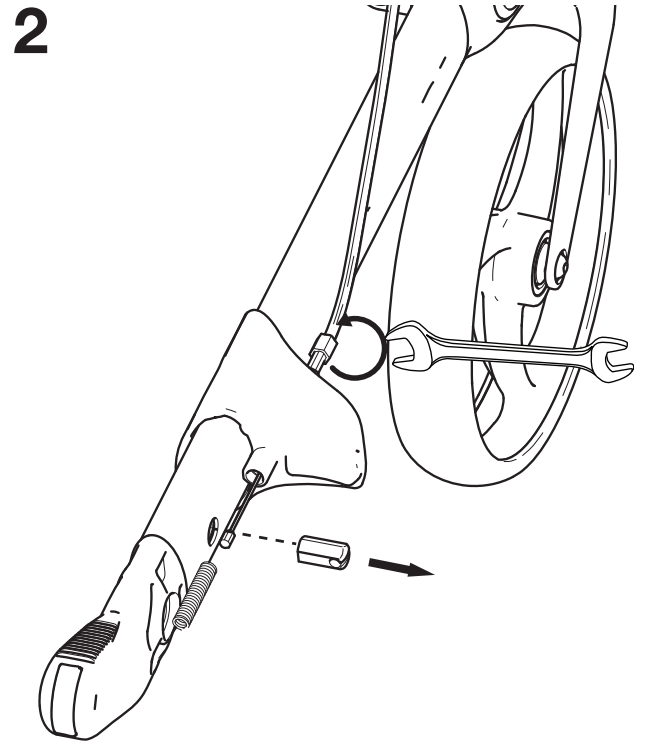
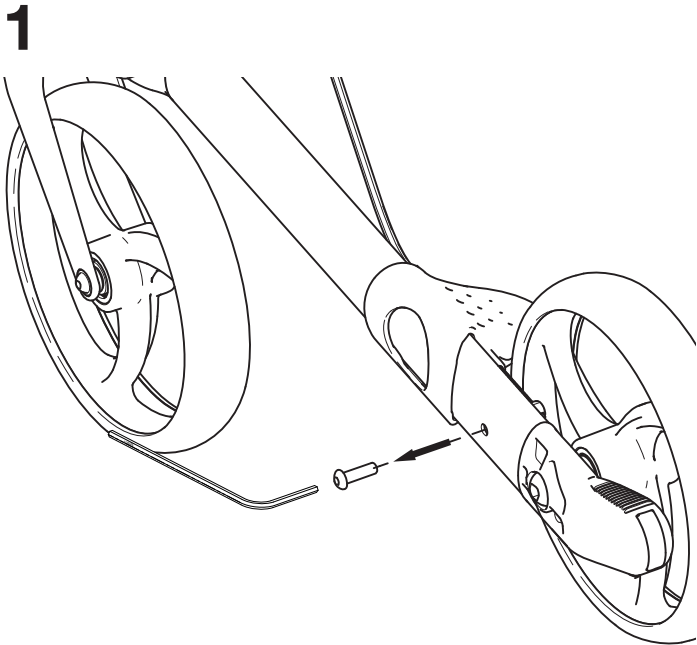
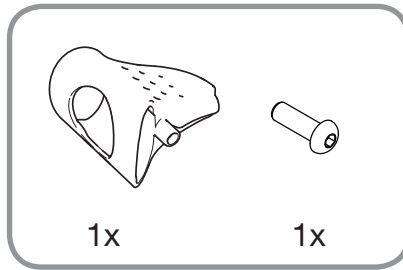
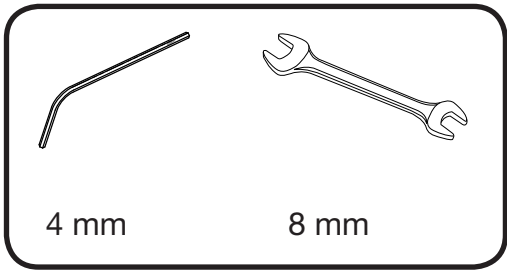
7108221

Bromskloss, all Gemino 30/30M/30S, Gemino 20/20M/20S modeller  
utom Gemino 30/30M Comfort modeller, vänster

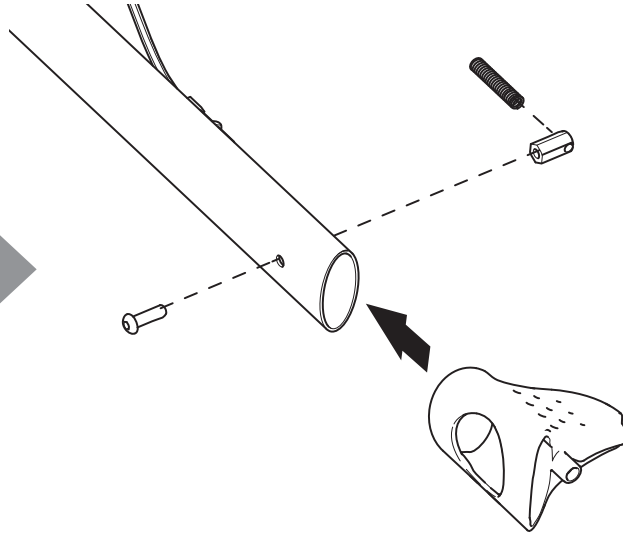


7108222

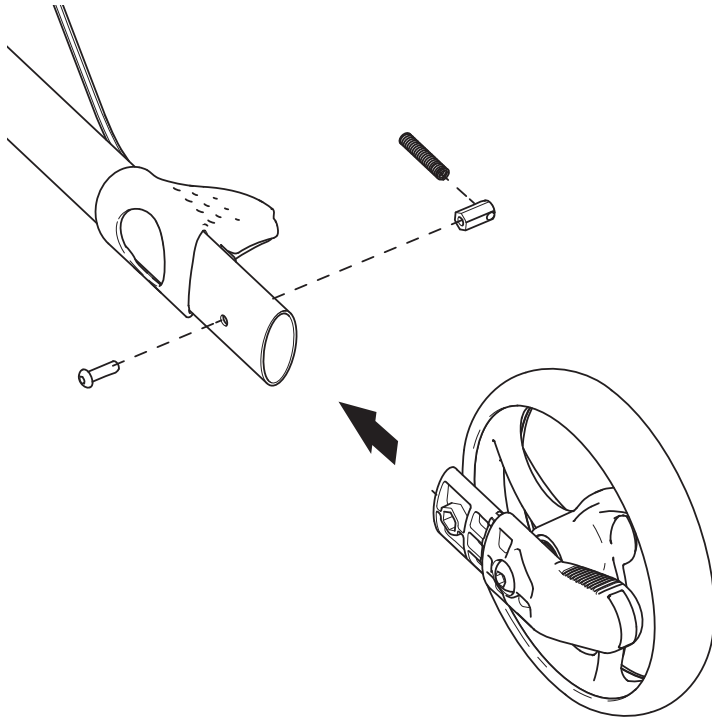
# GEMINO



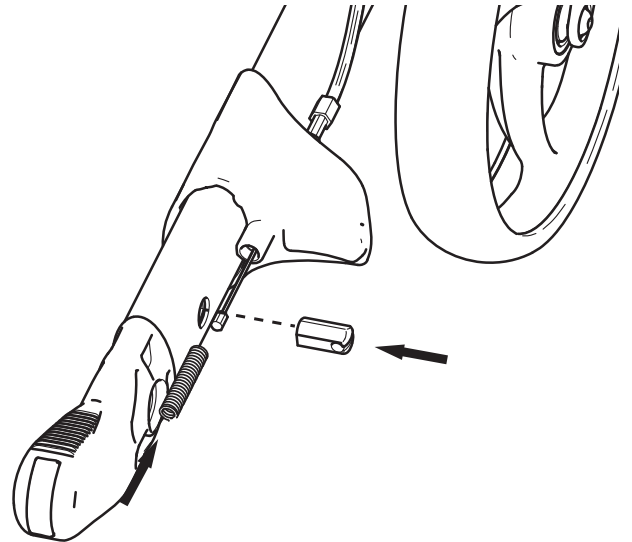
5



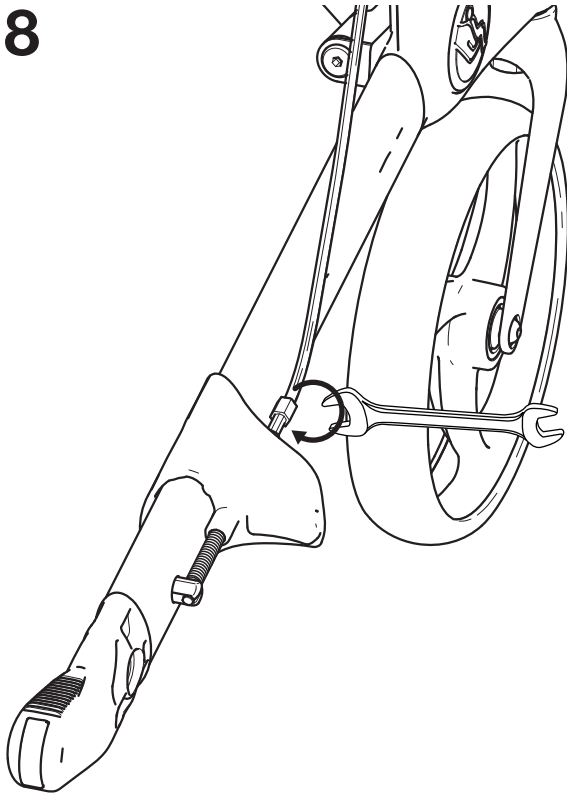
6



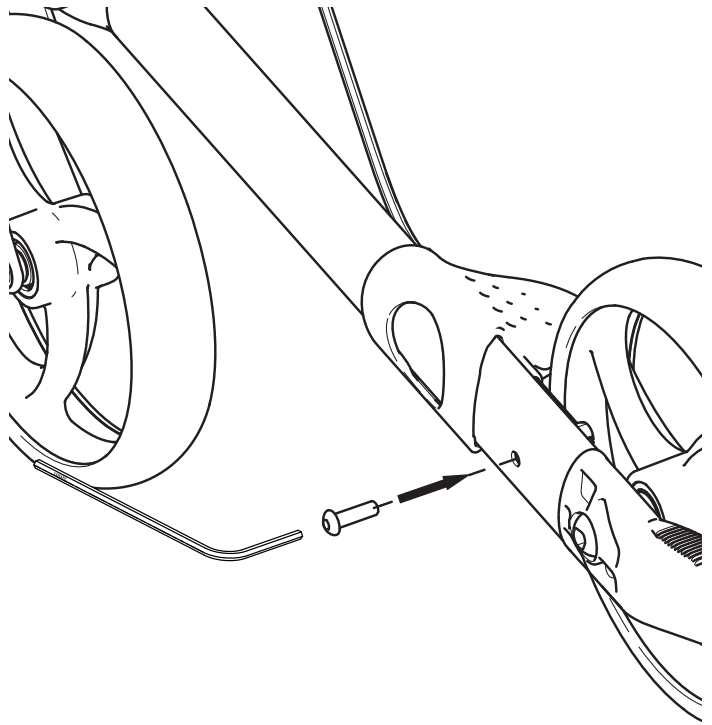
7



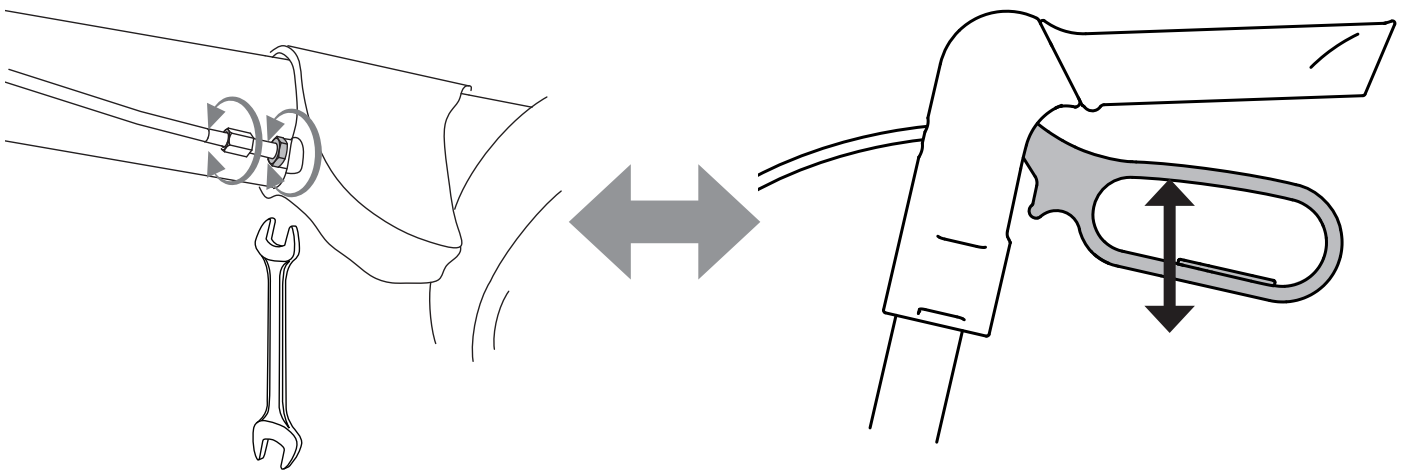
8



9



10



Sunrise Medical AB  
 Neongatan 5  
 431 53 Mölndal  
 Sverige

T: +46 (0) 31 748 37 00  
 F: +46 (0) 31 748 37 37  
 E: post@sunrisemedical.se  
 www.sunrisemedical.se



Sunrise Medical HCM B.V.  
 Vossenbeemd 104  
 5705 CL Helmond  
 The Netherlands

T: +31 (0)492 59 38 88  
 E: customerservice@sunrisemedical.nl  
 www.SunriseMedical.eu