

Spare part catalogue

Jippy with steerable Pushbar




Nijland Cycling

© 11-02-2020 Nijland Cycling

All rights reserved.

The information provided herein may not be reproduced and/or published in any form, by print, photoprint, microfilm or any other means whatsoever (electronically or mechanically) without the prior written authorization of Nijland Cycling.

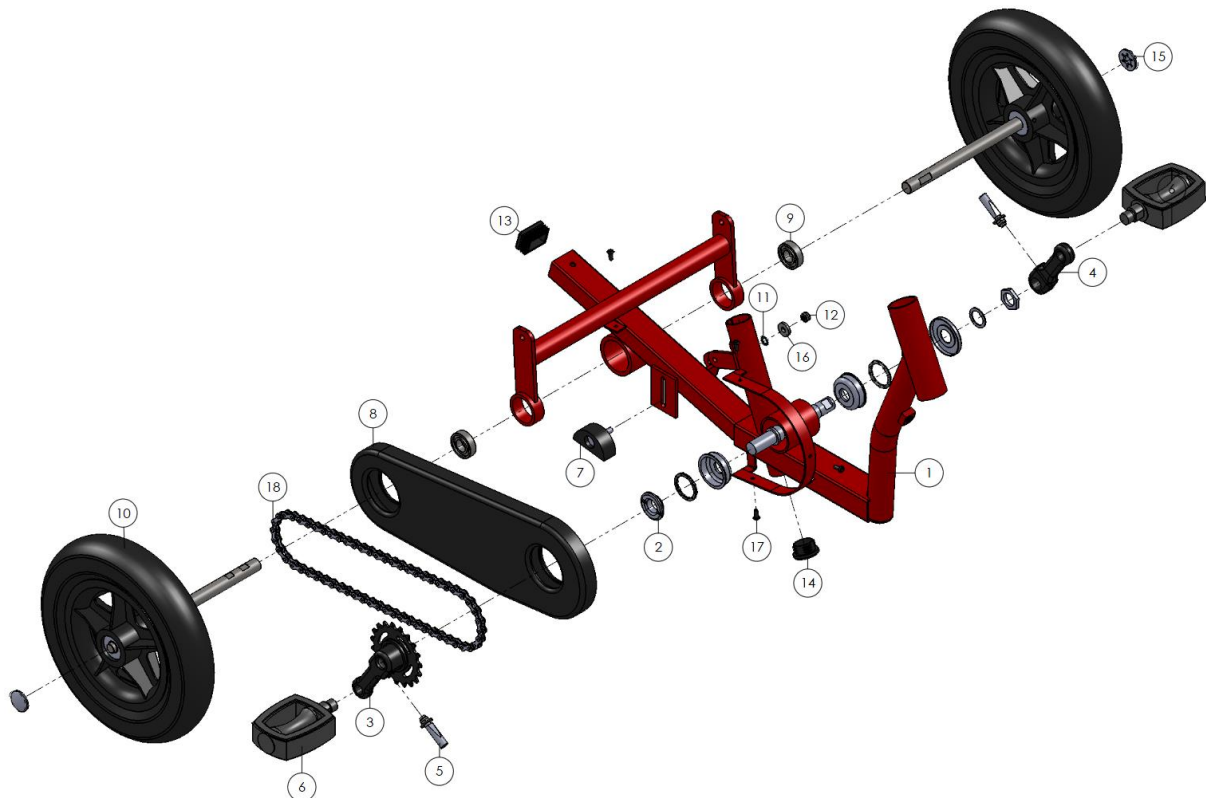
The information provided is valid for the products of these spare parts lists.

The available information has been prepared with all possible diligence, but Nijland Cycling cannot be held liable for possible errors in the information or the consequences thereof.

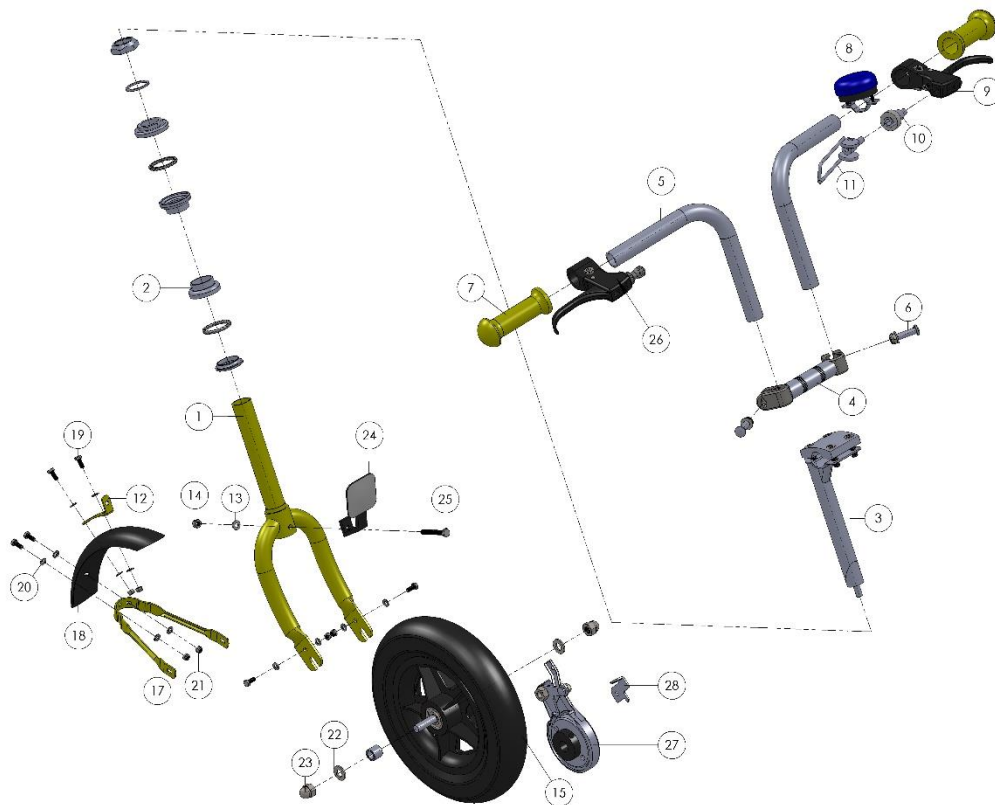
Nijland Cycling accepts no liability for loss resulting from work executed by third parties.



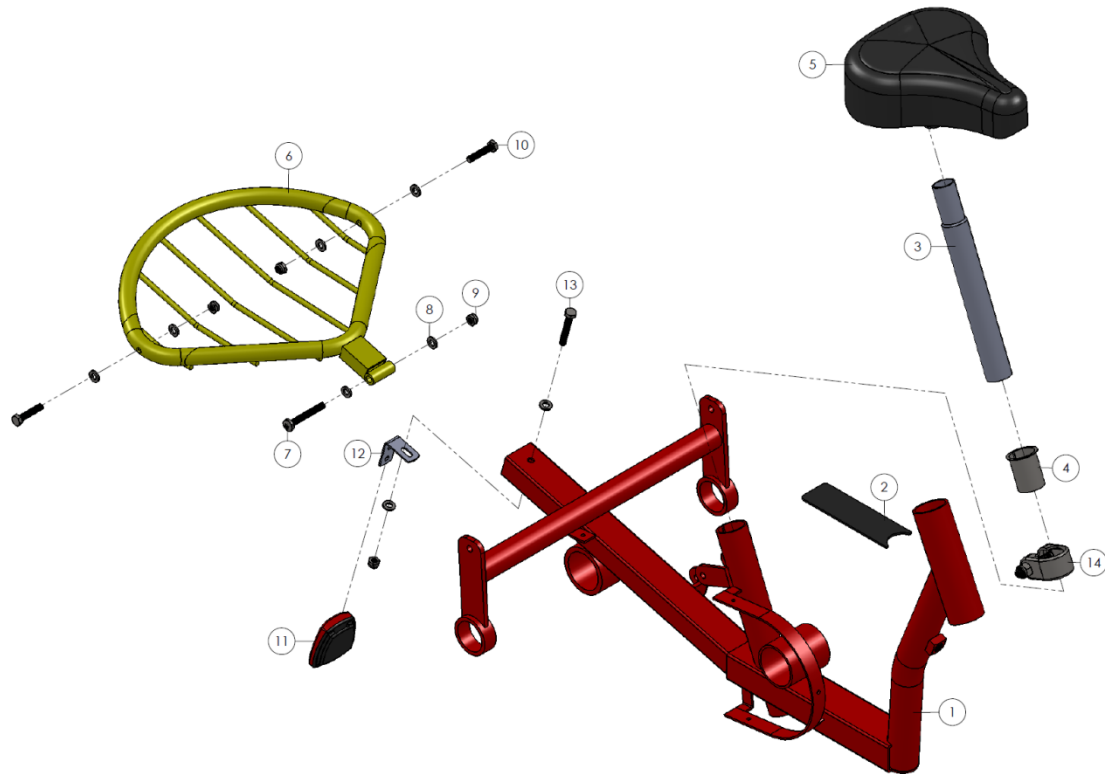
Group	Description	Page
1	Frame and chain assembly	Page 4
2	Handlebar and front fork assembly	Page 5
3	Luggage basket and saddle assembly	Page 6
4	Hub with fixed chain Wheel	Page 7
4	Hub with freewheel	Page 8
5	Pushbar option	Page 9



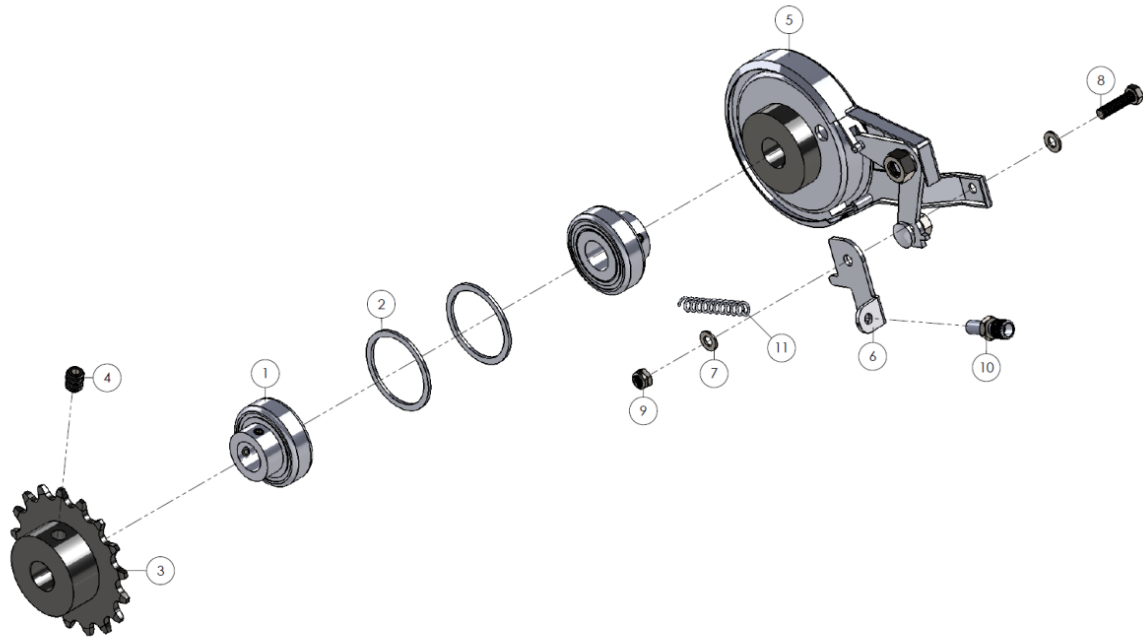
Pos	pcs	Description	Article number	size	note
1	1	Frame Jippy + steerable pushbar red	SPUI. 283861		RAL 3020
2	1	Bottom bracket Jippy	AAND. 100863	122mm	
3	1	Crank R 19T - 65mm Jippy	AAND. 100973		
4	1	Crank L 65mm Jippy	AAND. 100973	L = 65	
5	2	Crank part			
6	2	Pedal Union 605	AAND. 100755		2x = 1 set
7	1	Chain adjuster 19 mm half round	AAND. 10050		
8	1	Gear case Jippy	BESD. 120053		2 parts
9	2	Bearing	AAND. 10061	6002	
10	2	Rear wheel + axle 10x2.0 complete Jippy	WIEL. 03067		
11	1	Tooth locked washer		M6	
12	1	Torque nut		M6	
13	1	Frame rear end cover 25x35	BESD. 12014	25 x 35	
14	1	End cover frame Ø30	BESD. 12410	Ø 30	
15	2	Starlock 12mm	WIEL. 03107	12 mm	
16	1	Washer heavy		M6	
17	4	Snapnail 8.0 x 1.8 x 10.0 x 4	BEVM. 11118	8.0 x 1.8 x 8.0 x 4	
18	1	Chain Jippy	AAND. 10040	L = 77cm	



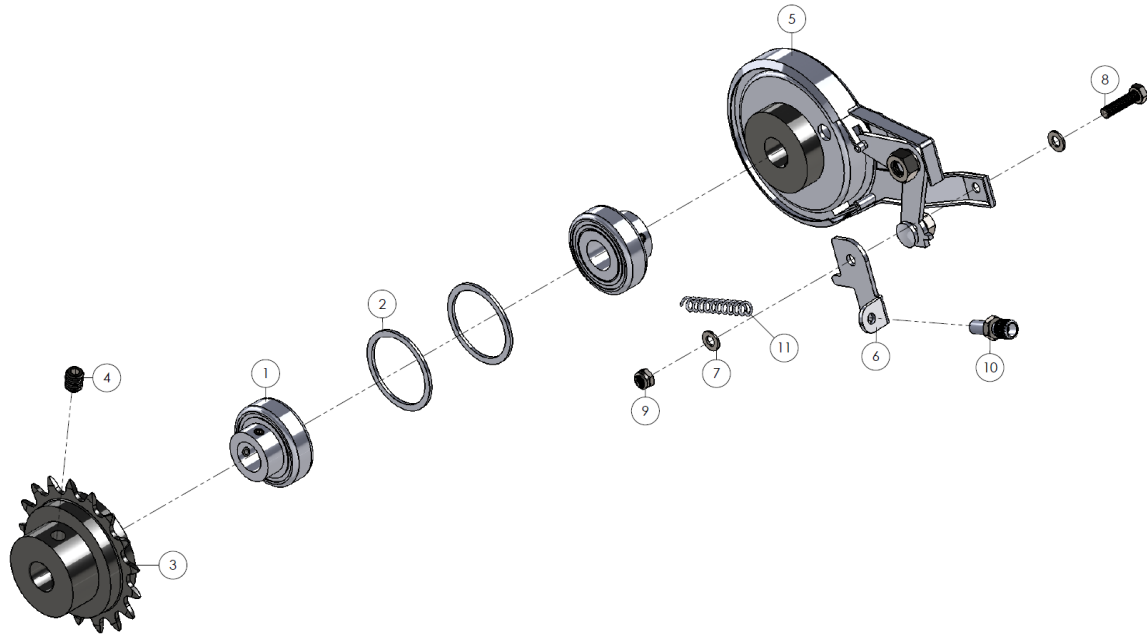
Pos	pcs	Description	Article number	size	note
1	1	Front fork Jippy + steerable pushbar	SPUI. 283891		
2	1	Headset	STUD. 05005		
3	1	Stem Ø 22.2 BMX	STUD. 05152		
4	1	Intermediate piece Ji - A - HB adjustable handle bar	STUD. 051111		
5	2	Adjustable handle bar Jippy	STUD. 05111	LG = 315	
6	2	Sling bolt + nut			
7	2	Handle	STUD. 05022		
8	1	Bell A Acky	STUD. 05014		
9	1	Brake grip child left	REMD. 060872		Sacson Bambino
10	1	Handle part complete parking brake	REMD. 060503		
11	1	Parking brake siphon part	REMD. 060501		
12	1	Strip mudguard fixing front fork Jippy	SPUI. 283841	LG = 90	
13	1	Washer		M6	
14	1	Torque nut		M6	
15	1	Front wheel + axle complete Jippy	WIEL. 030661		
17	1	Mudguard stay front Jippy	SPUI. 283851		
18	1	Mudguard Jippy	BESD. 12206		
19	6	Hexagon bolt		M5 x 12	
20	12	Washer		M5	
21	6	Locknut		M5	
22	2	Axle lock washer	WIEL. 03135		Image differs
23	2	Axle nut	WIEL. 031586		Image differs
24	1	Front light	VERL. 01172		Image differs
25	1	Hexagon bolt		M6 x 45	
26	1	Brake grip child right	REMD. 060871		Sacson Bambino
27	1	Band brake Jippy incl. hub	REMD. 060055		
28	1	Stud for brake cable	REMD. 06004		



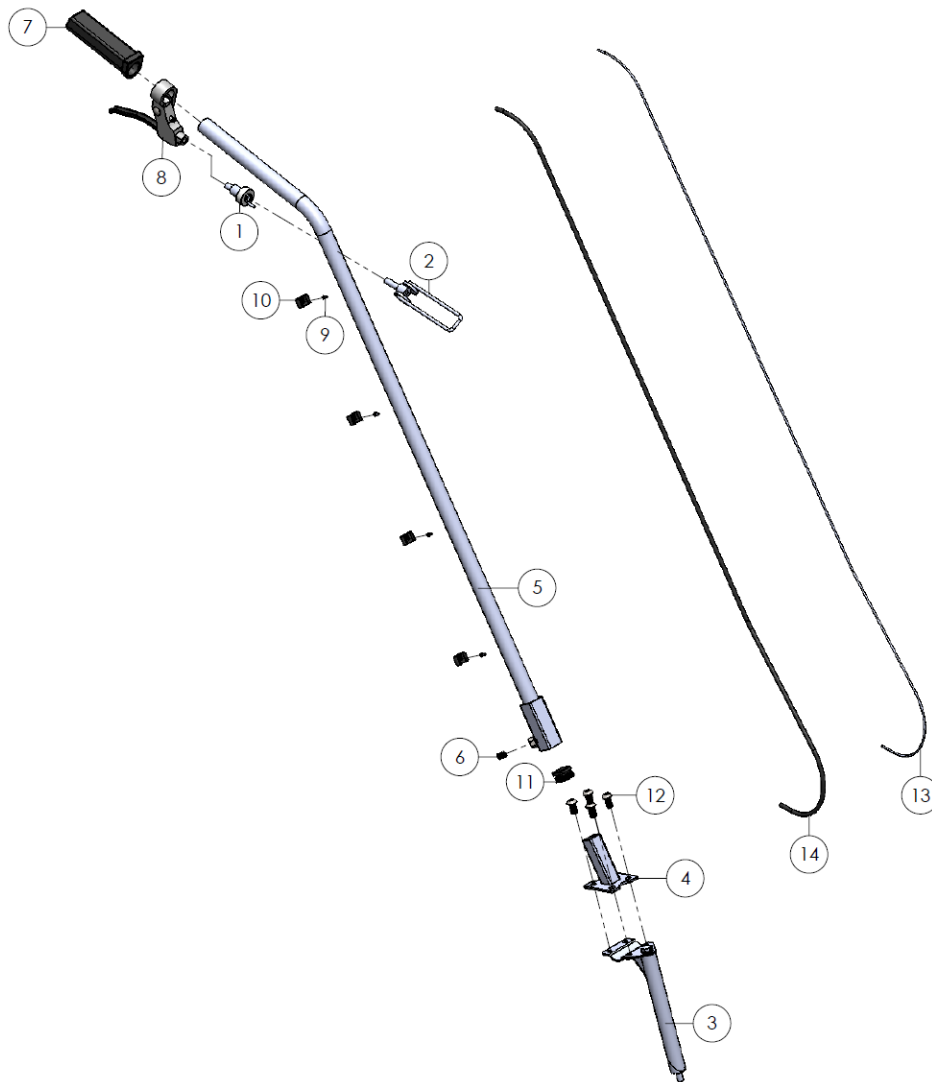
Pos	pcs	Description	Article number	size	note
1	1	Frame Jippy + steering red	SPUI. 283861		
2	1	Instep rubber Jippy	FRAM. 14123	115x34	
3	1	Seat post 200	ZADE. 150224	260mm	Adjustable, image differs
4	1	Seat post washer	ZADE. 15030	d=0.5	
5	1	Saddle 12-16 inch	ZADE. 15080		
6	1	Luggage Jippy yellow	SPUI. 283831		
7	1	Pan head cross recess screw		M6 x 45	
8	8	washer		M6	
9	4	Torque nut		M6	
10	2	Hexagon bolt		M6 x 30	
11	1	Rear light	VERL. 01174		
12	1	Mudguard strip Sunny A			
13	1	Hexagon bolt		M6 x 40	
14	1	Seat post clamp Ø28.6	ZADE. 150401	Ø28.6	



Pos	pcs	Description	Article number	size	note
1	2	Bearing B 202	AAND. 10062		
2	2	Filling ring B202 bearing Jippy			
3	1	Chain wheel hub Jippy with chain wheel	AAND. 10101		
4	1	Socket set screw cup point		M8 x 10	
5	1	Band brake Jippy incl. hub	REMD. 060055		
6	1	Stud for brake cable	REMD. 06004		
7	2	Washer		M5	
8	1	Hexagon bolt		M5 x 20	
9	1	Torque nut		M5	
10	1	Cable set bolt band brake	REMD. 060005		
11	1	Spring band brake Ø70	REMD. 060003	L = 40	



Pos	pcs	Description	Article number	size	note
1	2	Bearing B 202	AAND. 10062		
2	2	Filling ring B202 bearing Jippy			
3	1	Chain wheel hub Jippy with freewheel	AAND. 10101		
4	1	Socket set screw cup point		M8 x 10	
5	1	Band brake Jippy incl. hub	REMD. 060055		
6	1	Stud for brake cable	REMD. 06004		
7	2	Washer		M5	
8	1	Hexagon bolt		M5 x 20	
9	1	Torque nut		M5	
10	1	Cable set bolt band brake	REMD. 060005		
11	1	Spring band brake Ø70	REMD. 060003	L = 40	



Pos	pcs	Description	Article number	Size	Note
1	1	Handle part complete parking brake	REMD. 060503		
2	1	Parking brake siphon part	REMD. 060501		
3	1	Stem Ø 21.1 VK-BMX	STUD. 05150		
4	1	Adapter steerable pushbar	OPTI. 210910		
5	1	Pushbar long	ACCE. 13552		
6	1	Socket set screw cup point		M8 x 10	
7	1	Handle	STUD. 05020		
8	1	Brake grip right	REMD. 060871		Saccon Bambino
9	4	Blind rivet			
10	4	Cable clip single			
11	1	End plug 20x20	BESD. 12407	20 x 20	
12	4	Socket button head screw		M8 x 16	
13	1	Inner brake cable	KABE. 02022	1.5x2000	
14	1	Outside brake cable	KABE. 02046	134cm	

Telgenweg 12

8111 CM HEETEN

Tel. 0572-382222

Fax 0572-382480

E-mail: info@nijland.com

www.nijland.com

