

# Spare parts catalogue **Clip** with steerable pushbar



  
***Nijland Cycling***

© 25-02-2020 Nijland Cycling

All rights reserved.

The information provided herein may not be reproduced and/or published in any form, by print, photo print, microfilm or any other means whatsoever (electronically or mechanically) without the prior written authorization of Nijland Cycling.

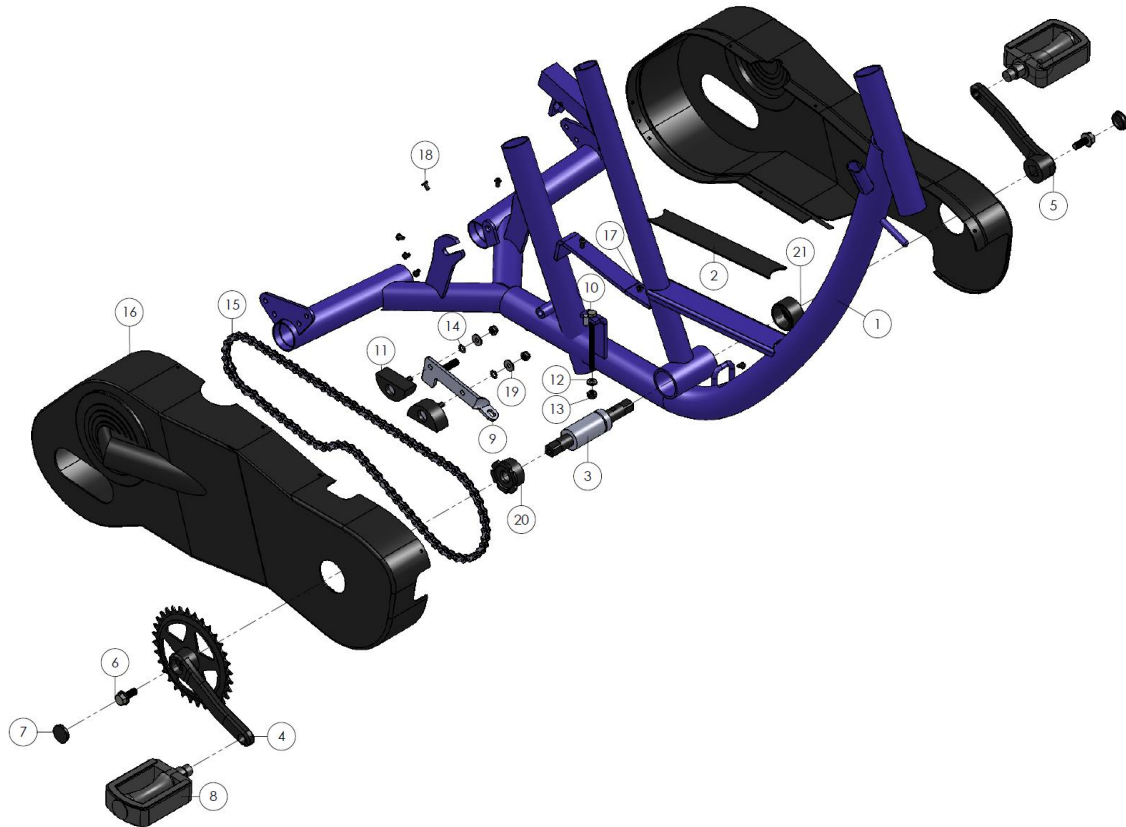
The information provided is valid for the products of these spare parts lists.

The available information has been prepared with all possible diligence, but Nijland Cycling cannot be held liable for possible errors in the information or the consequences thereof.

Nijland Cycling accepts no liability for loss resulting from work executed by third parties.



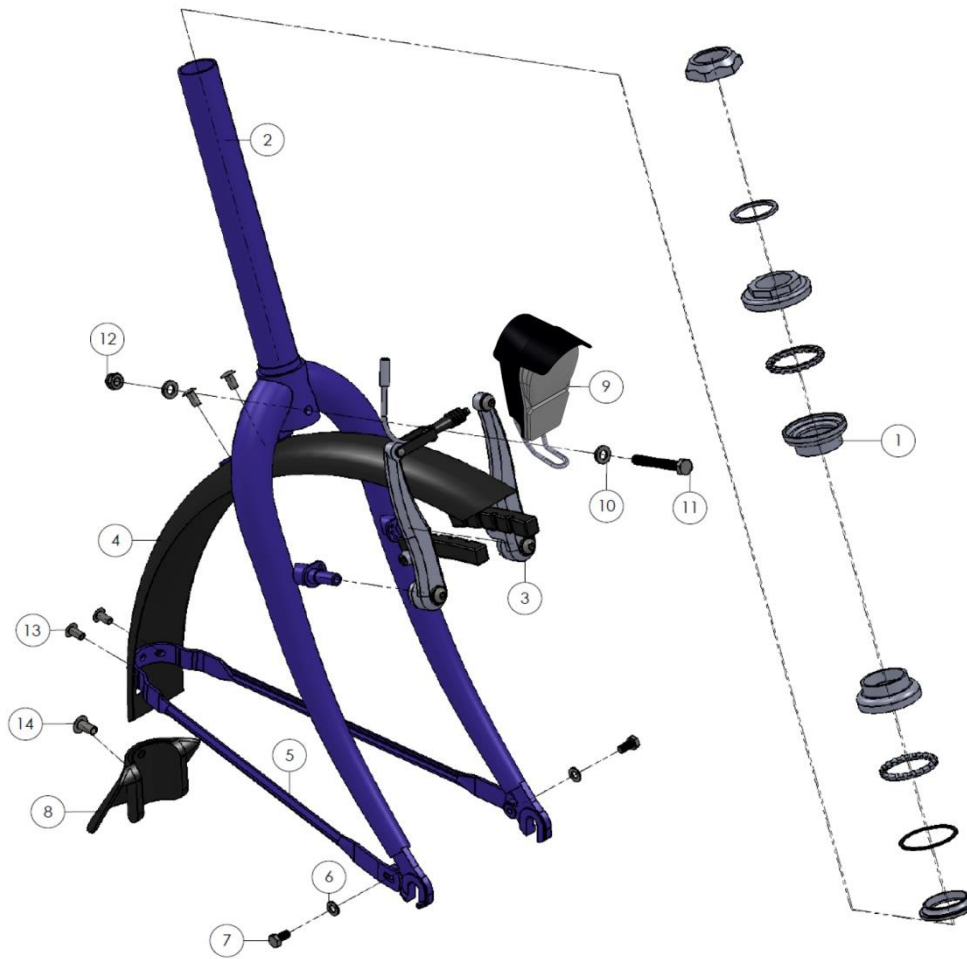
Group	Description	Page
1	Frame and chain assembly	Page 4
2	Saddle + lock assembly	Page 5
3	Front fork assembly	Page 6
4	Front wheel assembly	Page 7
5	Handlebar assembly	Page 8
6	Luggage basket and mudguard assembly	Page 9
7	Steering	Page 10
8	Rear Wheel and differential assembly	Page 11
9	Hub with fixed chain wheel	Page 12
9	Freewheel hub	Page 13
9	Coasterbrake hub	Page 14
9	7 speed freewheel hub	Page 15
9	7 speed coasterbrake hub	Page 16
10	Steerable pushbar as an Option	Page 17



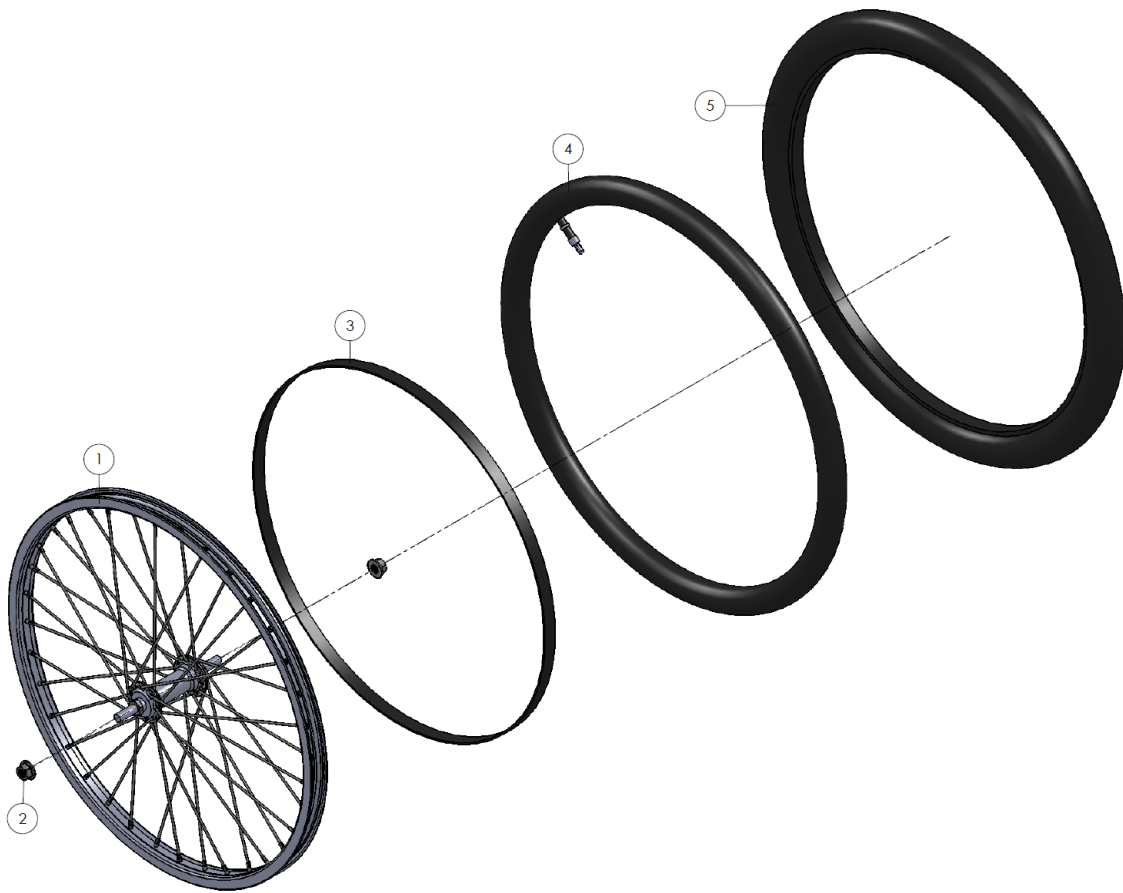
Pos	Pcs	Description	Article number	Size	note
1	1	Frame Clip + PB blue	SPUI. 288027		
2	1	Instep rubber Clip	FRAM. 14126		
3	1	Bracket axle 136	AAND. 100845	136mm	
4	1	Crankset R 32T-127mm	AAND. 10020		
5	1	Crank L 127mm	AAND. 100161		
6	2	Crankbolt	AAND. 10002		
7	2	Crankbolt cover	AAND. 10000		
8	2	Pedal union 677	AAND. 10076		2x = 1 set
9	1	Chain adjuster AC BO CL(P) compl.	FRAM. 144751		
10	1	Chain adjuster bolt	AAND. 10047		Fixed hub
10	1	Chain adjuster spring	AAND. 10048		Freewheel
11	2	Chain adjuster 19 mm half round	AAND. 10050		
12	1	Washer		M6	
13	3	Torque nut		M6	
14	2	Tooth locked washer		M6	
15	1	Chain Clip	AAND. 10040		
16	1	Gear case Clip + PB	BESD. 125101		
17	3	Snapnail 8.0 x 1.8 x 10.0 x 4	BEVM. 11102	8.0 x 1.8 x 10.0 x 4	
18	6	Snapnail 8.0 x 1.8 x 8.0 x 4	BEVM. 11118	8.0 x 1.8 x 8.0 x 4	
19	2	Washer		M6	
20	1	Bracketcup R inner key			
21	1	Bracketcup L inner cup			



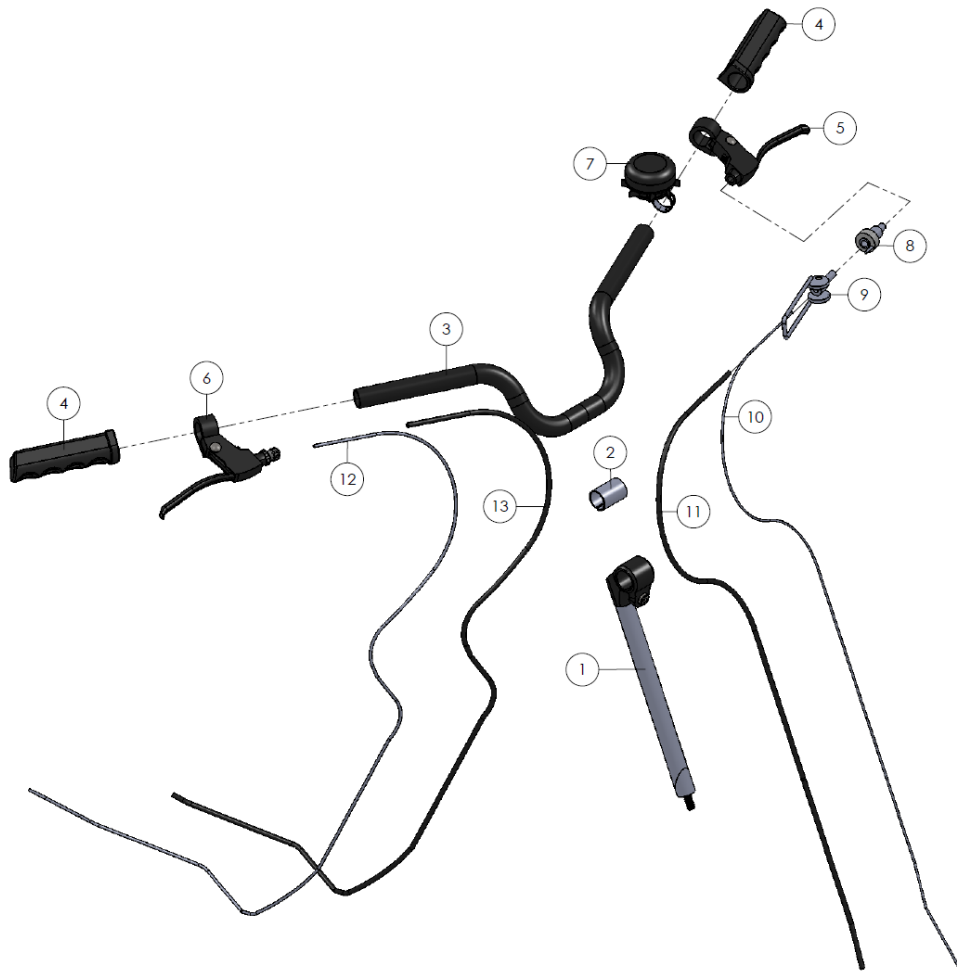
Pos	Pcs	Description	Article number	Size	note
1	1	Frame Clip + PB blue	SPUI. 288027		
2	1	Flexicap 7.9 - 25	BEVM. 11116	7.9 - 25	
3	1	Seat post 350mm adjustable	ZADE. 150229	25.0x2.0x350	Image differs
4	1	Seat post clamp Ø 28.6	ZADE. 150401	Ø28.6	
5	1	Saddle Clip	ZADE. 15055		
6	1	End plug 25x25	BESD. 12405	25 x 25	
7	1	Spiral cable lock	ACCE. 13034		
8	1	Vlakke sluitring		M8	
9	1	Washer		M8 x 16	
10	1	Flexicap with grip 15.9 - 25	BEVM. 11112	15.9 - 25	
11	1	Seatpost bus	ZADE. 15030		



Pos	pcs	Description	Article number	size	note
1	1	Headset 301 1"	STUD. 05005	1"	
2	1	Front fork Clip(P) PB blue	SPUI. 288028		For push bar steering
3	1	V-brake	REMD. 06083		
4	1	Mudguard front 22" black	BESD. 12267		
5	1	Mudguard stay front Clip(P) blue	SPUI. 288023		
6	2	Washer		M5	
7	2	Hexagon bolt		M5x8	
8	1	Mud flap SKS 37-45mm small	BESD. 12022	37 - 45	
9	1	Lamp battery Nightlite	VERL. 01172		
10	2	Washer		M6	
11	1	Hexagon bolt		M6 x 45	
12	1	Torque nut		M6	
13	4	Blind rivet		5 x 10	
14	1	Pressure nail for mud flap		M5	

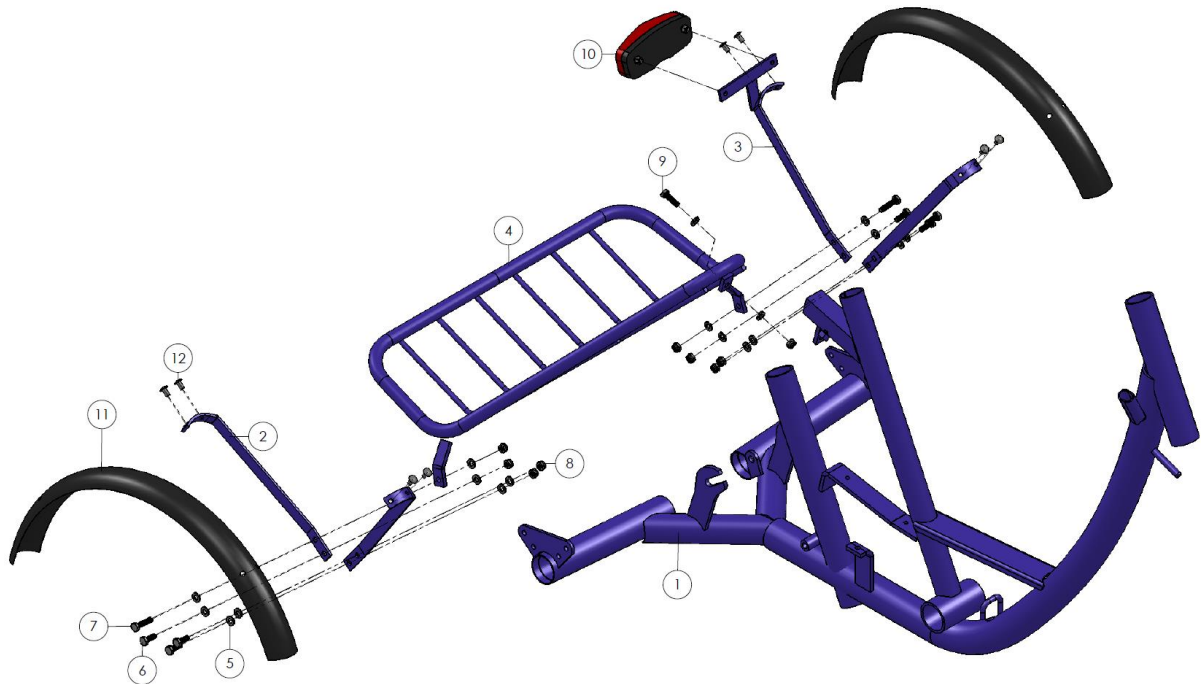


Pos	pcs	Description	Article number	size	note
1	1	Front wheel 22x1.3-8 CL(P) V-brake	WIEL. 03081		
2	2	Axle nut	AAND. 103101		
3	1	Rim tape 16-20 ( 15mm)	BAND. 07300	16"-20" (15mm)	
4	1	Inner tube 22x1.25 – 1.75	BAND. 07090	22x1.25 – 1.75	
5	1	Tyre 22 x 1.3-8 (37-438)	BAND. 07070	22" x 1.3/8 (37 - 489)	

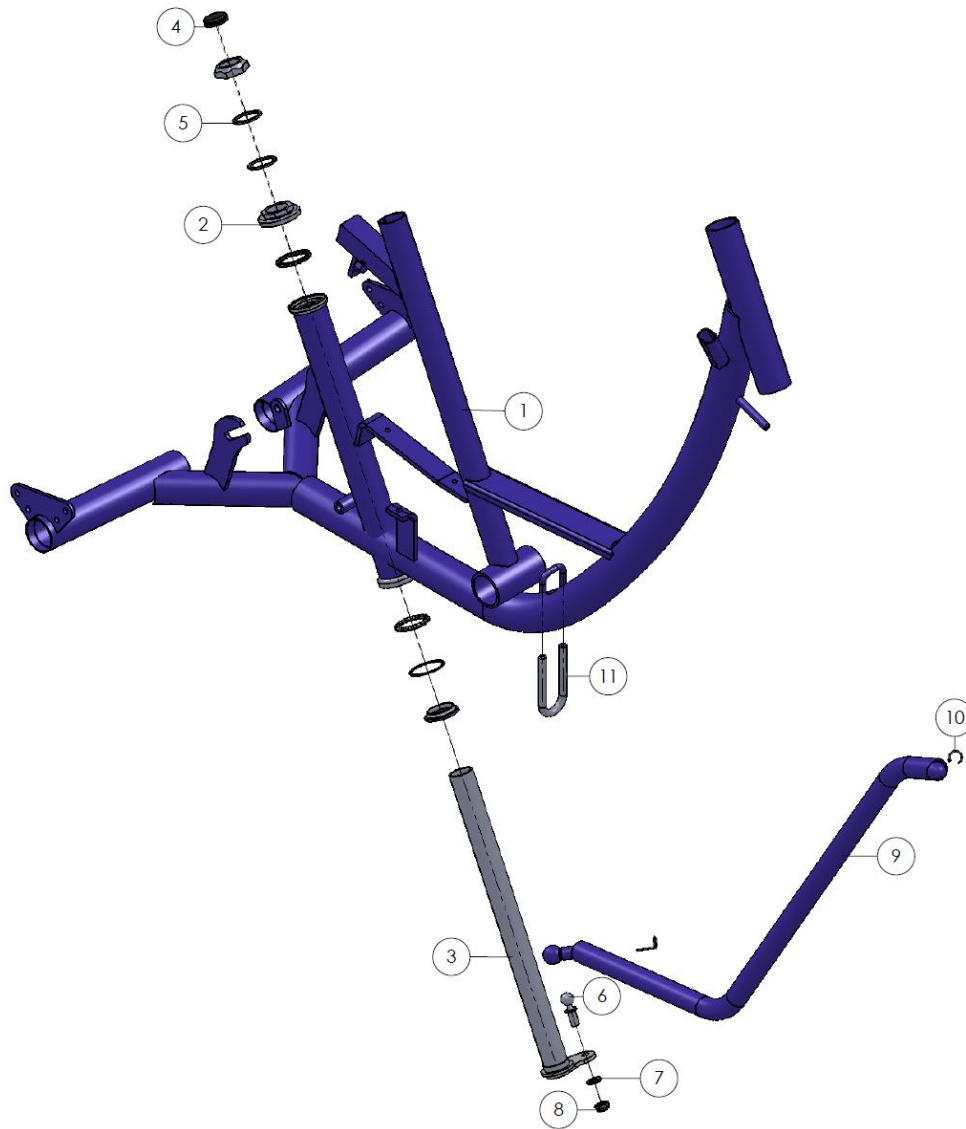


Pos	pcs	Description	Article number	size	note
1	1	Stem Ø22.2 x 280 RK-ATB	STUD. 05171	Ø22.2 L=280	
2	1	Handlebar washer	STUD. 05147		
3	1	Handlebar black Clip	SPUI. 280574		
4	1	Handle	STUD. 050348		2 pcs = 1 set
5	1	Brake handle left	REMD. 060862		
6	1	Brake handle right	REMD. 060861		
7	1	Bell	STUD. 05018		
8	1	Handle part complete parking brake	REMD. 060503		
9	1	Parking brake siphon part	REMD. 060501		
10	1	Inner cable frontbrake Clip	KABE. 02022	L = 2mtr	
11	1	Outside cable frontbrake Clip	KABE. 02046	L = 92cm	
12	1	Inner cable rearbrake Clip	KABE. 02022	L = 2mtr	
13	1	Outside cable rearbrake Clip	KABE. 02046	L = 141cm	

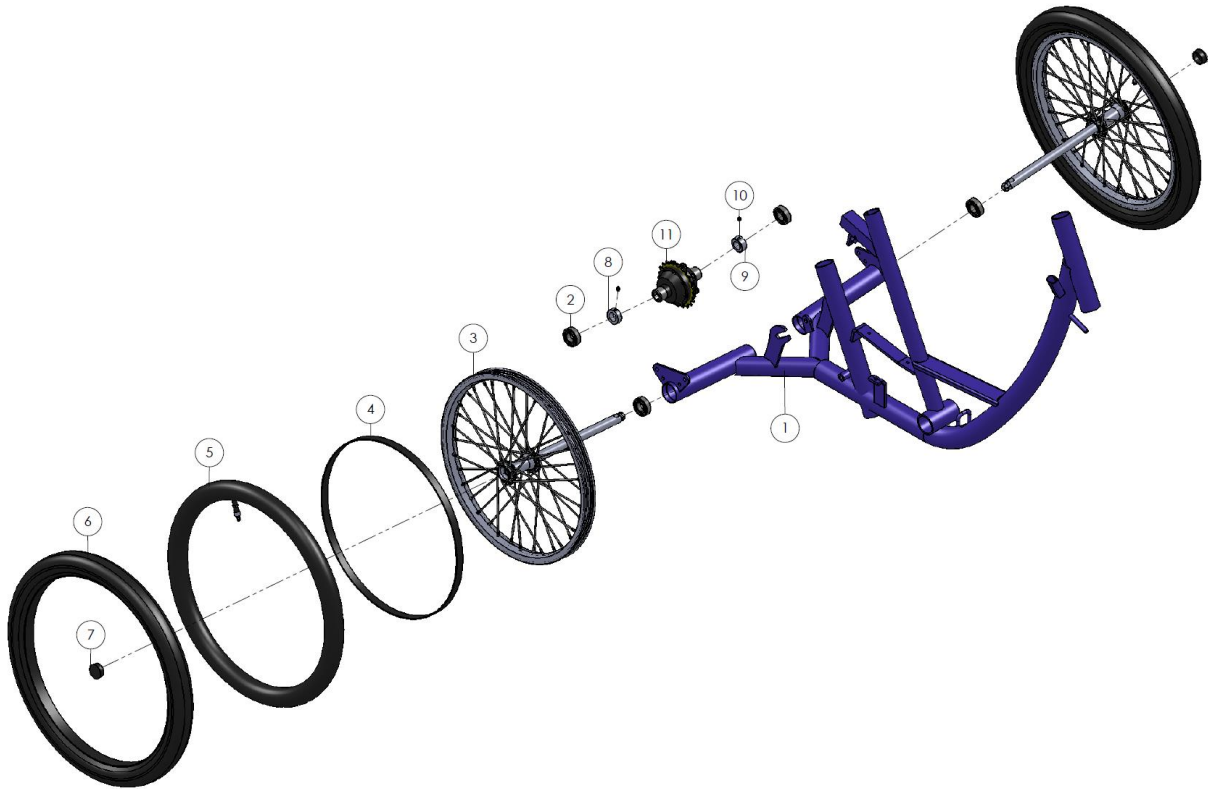




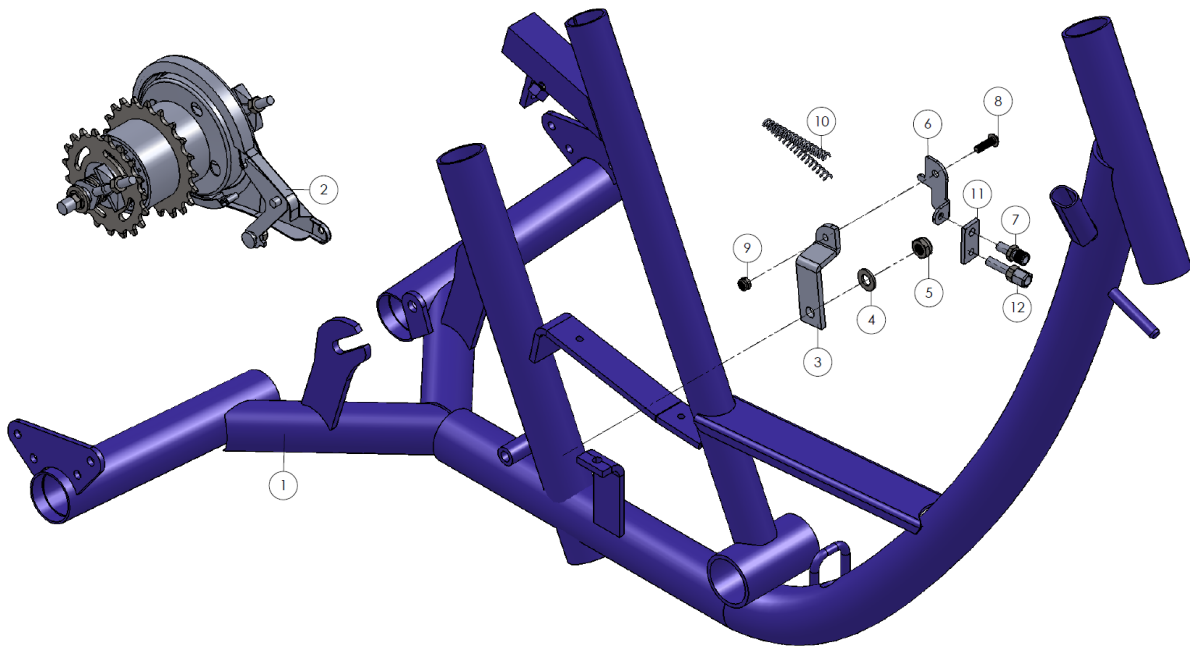
Pos	Pcs	Description	Article number	Size	note
1	1	Frame Clip + PB blue	SPUI. 288027		
2	3	Mudguard stay rear blue CL(P)	SPUI. 288024		
3	1	Mudguard stay rear with rear light stay blue CL(P)	SPUI. 288025		
4	1	Luggage basket blue CL(P)	SPUI. 288026		
5	18	Washer		M6	
6	6	Hexagon bolt		M6 x 18	
7	2	Hexagon bolt		M6 x 22	
8	1	Hexagon bolt		M6 x 20	
9	9	Torque nut		M6	
10	1	Rear light Elips battery	VERL. 01174		
10	2	Mudguard rear 18" black	BESD. 12265		
12	8	Blind rivet		5 x 11	



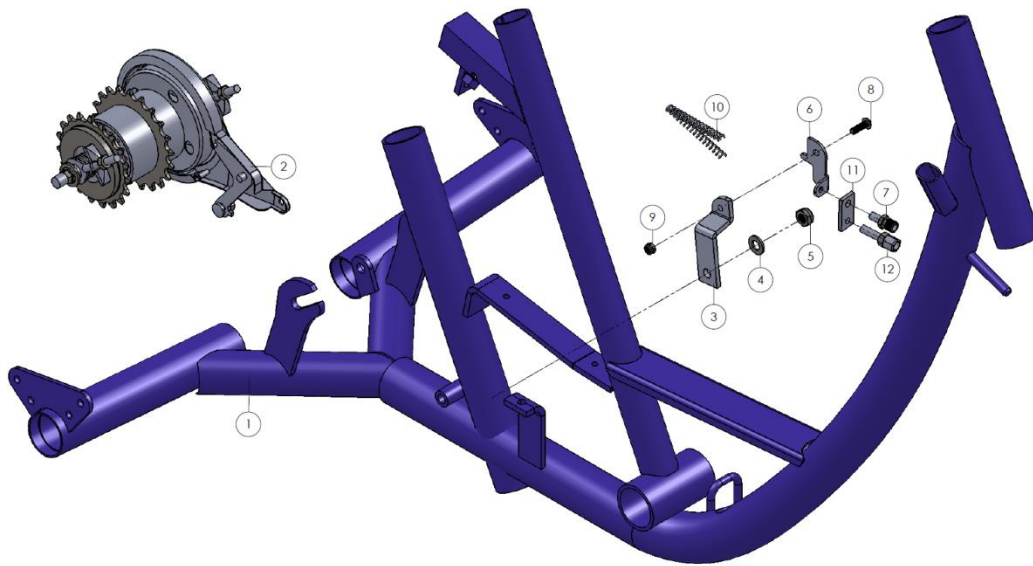
Pos	Pcs	Description	Article number	Size	Note
1	1	Frame Clip + PB blue	SPUI. 288027		
2	1	Headset 301 1"	STUD. 05005	1"	
3	1	Steering tube Clip + PB	FRAM. 14703		
4	1	Headset end bolt			Image differs
5	1	Fill ring headset	STUD. 05004	2mm	
6	1	Ball balljoint M*	FRAM. 143553	M8	
7	1	Washer		M8	
8	1	Torque nut		M8	
9	1	Steerbar Clip + PB blue	SPUI. 288029		
10	2	Clip balljoint M8	FRAM. 143552		
11	1	Steerbar tube Sight Seeing	AAND. 10935		



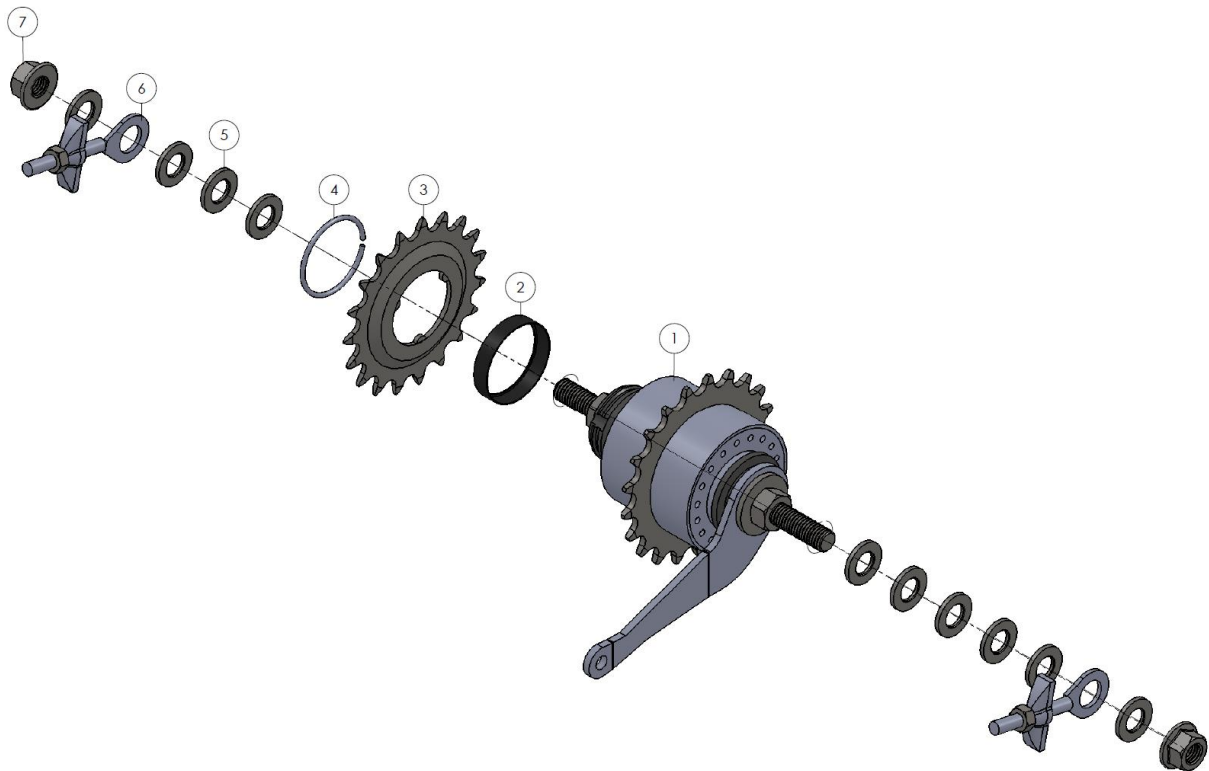
Pos	pcs	Description	Article number	size	note
1	1	Frame Clip + PB blue	SPUI. 288027		
2	4	Bearing 6003	AAND. 10065		
3	2	Rear wheel + axle 18x1.75	WIEL. 03078		
4	2	Rim tape 16-20 (15mm)	BAND. 07300	16" - 20"	
5	2	Inner tube 18 x 1.25 - 1.75	BAND. 07055	18 x 1.25 - 1.75	
6	2	Tyre 18 x 1.75 (47-355) zwart	BAND. 07057	18 x 1.75	San Marino
7	2	End cover rear axle Bondo Clip	BESD. 12415		
8	1	Adjust ring D17x28 B10	AAND. 10211		
9	1	Adjust ring D17x28 B12	AAND. 10210		
10	2	Socket set screw cup point		M6 x 6	
11	1	Differential complete BO-CL	DIFF. 09219		



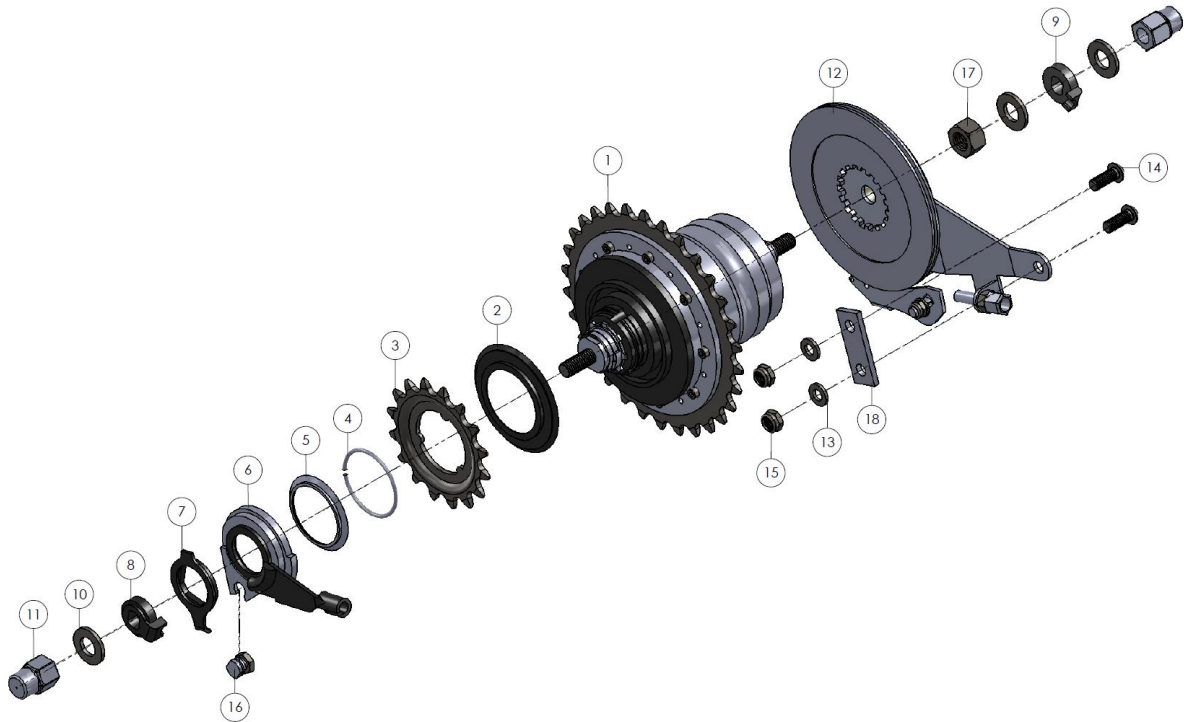
Pos	Pcs	Description	Article number	Size	note
1	1	Frame Clip + PB blue	SPUI. 288027		
2	1	Hub with fixed chain wheel Clip	AAND. 10492		
3	1	Brake arm stud CL(P)	REMD. 06003	LG = 85	
4	1	Washer		M8	
5	1	Torque nut		M8	
6	1	Stud for band brake cable	REMD. 06004		
7	1	Cableset bolt band brake	REMD. 060005		
8	1	Socket button head screw		M5 x 16	
9	1	Torque nut		M5	
10	2	Spring band brake Ø88	REMD. 060004	L = 60	
11	1	Strip double brake control		LG = 30	Image differs
12	1	Cableset bolt		M6	Image differs



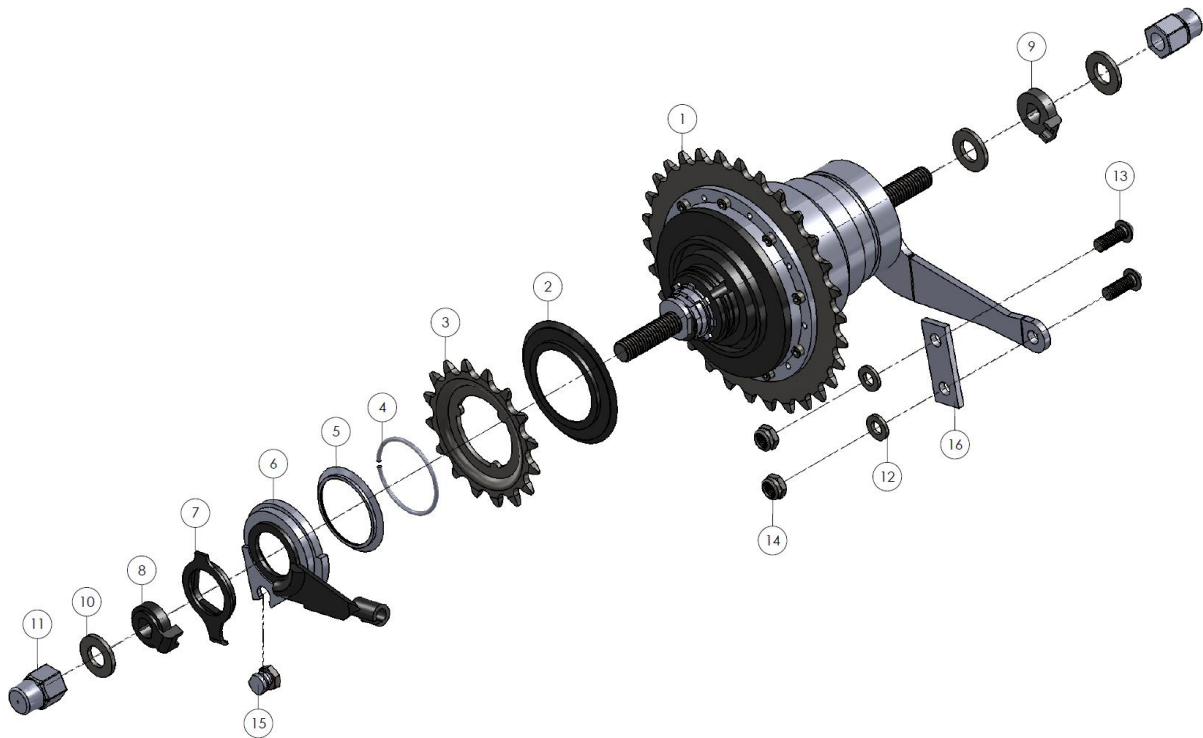
Pos	Pcs	Description	Article number	Size	note
1	1	Frame Clip + PB blue	SPUI. 288027		
2	1	Freewheel hub Clip	AAND. 10493		
3	1	Brake arm stud CL(P)	REMD. 06003	LG = 85	
4	1	Washer		M8	
5	1	Torque nut		M8	
6	1	Stud for band brake cable	REMD. 06004		
7	1	Cableset bolt band brake	REMD. 060005		
8	1	Socket button head screw		M5 x 16	
9	1	Torque nut		M5	
10	2	Spring band brake Ø88	REMD. 060004	L = 60	
11	1	Strip double brake control		LG = 30	Image differs
12	1	Cableset bolt		M6	Image differs



Pos	pcs	Description	Article number	size	note
1	1	Coaster brake hub BO-CL	AAND. 10472		
2	1	Dust cover coasterbrake hub Shimano	WIEL. 033501		
3	1	Chain wheel 19T Shimano	AAND. 101718		
4	1	Sprocket circlip	WIEL. 033503		
5	10	Washer		M10	
6	2	Chain adjuster standard bicycle	AAND. 100515		
7	2	Axle nut coaster brake hub	WIEL. 033506		

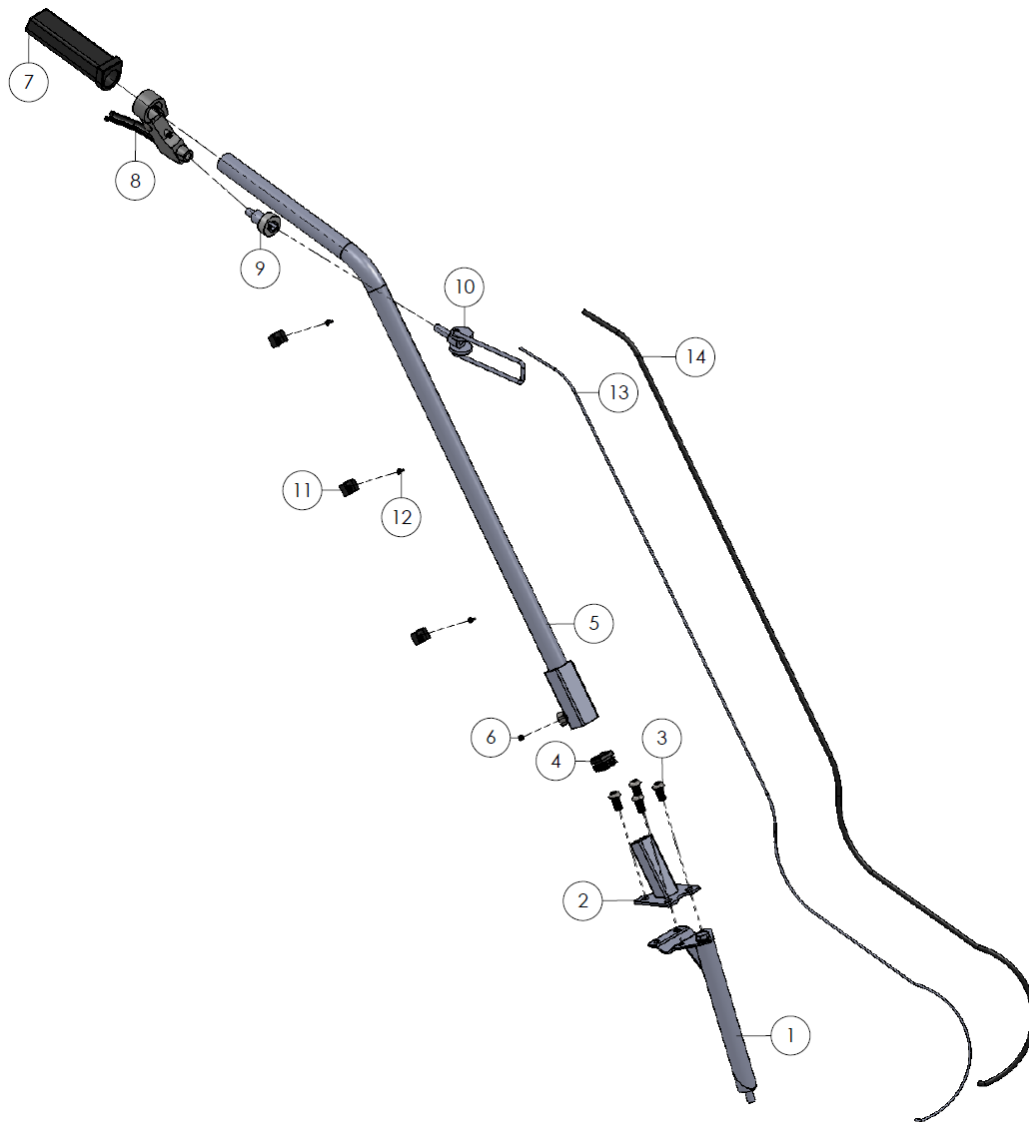


Pos	pcs	Description	Article number	size	note
1	1	Hub 7V-RB	AAND. 104902		
2	1	Dust cover great	WIEL. 034276		
3	1	Sprocket 19T	AAND. 101718	19T	
4	1	Sprocket circlip	WIEL. 033503		
5	1	Dust cover small	AAND. 10321		
6	1	Cassette joint 7speed	AAND. 10332		
7	1	Cassette joint fixing ring	AAND. 104337		
8	1	Locking disc 7L grey	AAND. 10317		
9	1	Locking disc 7R black	AAND. 10319		
10	3	Washer		M10	
11	2	Axle nut	AAND. 10310		
12	1	Rollerbrake	WIEL. 03426		
13	2	Washer		M6	
14	2	Socket button head screw		M6 x 16	
15	2	Prevailing Torque nut		M6	
16	1	shift cable clamp			
17	1	Rollerbrake nut	WIEL. 034268		
18	1	Brake arm stud			Image differs



Pos	pcs	Description	Article number	size	note
1	1	Hub 7V coasterbrake	AAND. 104911		
2	1	Dust cover great	WIEL. 034276		
3	1	Sprocket 19T	AAND. 101718	19T	
4	1	Sprocket circlip	WIEL. 033503		
5	1	Dust cover smal	AAND. 10321		
6	1	Cassette joint 7speed	AAND. 10332		
7	1	Cassette joint fixing ring	AAND. 104337		
8	1	Locking disc 8L green	AAND. 10317		
9	1	Locking disc 8R blue	AAND. 10319		
10	3	Vlakke sluitring		M10	
11	2	Axle nut	AAND. 103101		
12	2	Washer		M6	
13	2	Socket button head screw		M6 x 16	
14	2	Prevailing Torque nut		M6	
15	1	shift cable clamp			
16	1	Brake arm stud			Image differs





Pos	Pcs	Description	Article number	Size	Note
1	1	Stem Ø 21.1 VK-BMX	STUD. 05150		
2	2	Adapter steerable pushbar	OPTI. 210910		
3	4	Socket button head screw		M8 x 16	
4	1	End plug 20x20	BESD. 12407	20 x 20	
5	1	Pushbar short	ACCE. 13551		
6	1	Socket set screw cup point		M8 x 10	
7	1	Handle	STUD. 05020	Ø 22	
8	1	Brake grip right	REMD. 060861		
9	1	Handle complete parking brake	REMD. 060503		
10	1	Parking brake siphon part	REMD. 060501		
11	4	Cable clip single	KABE. 02315		
12	4	Blind rivet	KABE. 023191		
13	1	Inner brake cable	KABE. 02022	1.5 x 2mtr	
14	1	Outside brake cable	KABE. 02046	L = 138	



Telgenweg 12

8111 CM HEETEN

Tel. 0572-382222

Fax 0572-382480

E-mail: [info@nijland.com](mailto:info@nijland.com)

[www.nijland.com](http://www.nijland.com)