

GEMINO 30/30 M / 30 S SPEEDCONTROL



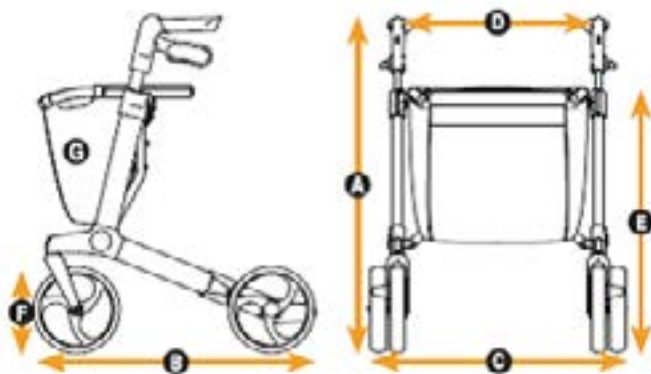
Rev.:11/2023
Valid:13/2024

ORDER FORM

Errors and imissions excepted.

Billing Address Or Customer-ID		Shipping Address	Identical To Billing Address
C.-ID:		C.-ID:	
Name:		Name:	
Street:		Street:	
Town/PC:		Town/PC:	
E-Mail:		E-Mail:	
Phone:		Phone:	
Order Information			
Order	Calculation	Purchase:	
Gemino 30 SpeedControl	Reimbursement Code.: XXX		valid from
Gemino 30 M SpeedControl	Reimbursement Code.: XXX		
Gemino 30 S SpeedControl	Reimbursement Code.: XXX		
		Base Price	€ XXX,-

DIMENSIONS



	Gemino 30	Gemino 30 M	Gemino 30 S
A Total height	780 - 1000 mm	690 - 880 mm	650 - 770 mm
B Total length	650 mm	650 mm	680 mm
C Total width	600 mm	600 mm	550 mm
D Width between push handles	470 mm	470 mm	420 mm
E Seat height	620 mm	550 mm	480 mm
Height folded	800 mm	760 mm	690 mm
Length folded	650 mm	650 mm	680 mm
Width folded	230 mm	230 mm	230 mm
Turning circle	840 mm	840 mm	790 mm
F Front wheels/ rear wheels	200 x 36 mm	200 x 36 mm	200 x 36 mm
Total weight without basket	8,7 kg	8,6 kg	8,2 kg
G Weight basket, standard	0,3 kg	0,3 kg	0,25 kg
Max. user weight	100 kg	100 kg	100 kg
Max. weight in basket	5 kg	5 kg	5 kg
Recommended user height	1500 - 2000 mm	1350 - 1700 mm	1250 - 1650 mm

SIZES AND COLOURS		€	Quantity
Gemino 30 SpeedControl			
7100060	Gemino 30 SpeedControl, Silver grey	XXX,-	
Gemino 30 M SpeedControl			
7100260	Gemino 30 M SpeedControl, Silver grey	XXX,-	
Gemino 30 S SpeedControl			
7100160	Gemino 30 S SpeedControl, Silver grey	XXX,-	
7100162	Gemino 30 S SpeedControl, Sapphire blue	XXX,-	
7100163	Gemino 30 S SpeedControl, Pink	XXX,-	
9009329	SpeedControl, for mounting on a Gemino rollator, set	XXX,-	

ACCESSORIES		€	Quantity
Bags for Gemino 30 and Gemino 30 M			
9012314	Bag, advanced cpl. Black (1)	XXX,-	
9012315	Bag, advanced cpl. Alcantara Black (1)	XXX,-	
9012316	Bag, advanced cpl. Graphite grey (1)	XXX,-	
9012317	Bag, advanced cpl. Mint green (1)	XXX,-	
9012318	Bag, advanced cpl. Red (1)	XXX,-	
9012319	Bag, advanced cpl. Blue (1)	XXX,-	
9012320	Bag, advanced cpl. Green (1)	XXX,-	
9012321	Bag, advanced cpl. Pink (1)	XXX,-	
7104024	Bag, advanced with lid and handles, brown/black	XXX,-	
7104023	Bag, advanced with lid and handles, pink/black	XXX,-	
Bags for Gemino 30 S			
7104035	Bag, grey/black print	XXX,-	
7104032	Bag, blue/black print	XXX,-	
Other accessories			
7109011	Crutch holder	XXX,-	
7109140	Table tray	XXX,-	
9012220	Back support - Gemino 30, Gemino 30 M	XXX,-	
9012221	Back support - Gemino 30 S	XXX,-	
9012222	Adjustable comfort back support	XXX,-	
7109060	Umbrella, black	XXX,-	
7109050	Basket for oxygen cylinder - Gemino 30, Gemino 30 M	XXX,-	
7109051	Basket for oxygen cylinder - Gemino 30 S	XXX,-	
9012049	One-hand brake for both sides (4)	XXX,-	
9011971	Reverse brake kit (5)	XXX,-	
7109090	Universal bracket	XXX,-	
7109095	Light	XXX,-	
7109100	Infusion holder	XXX,-	
9012281	Longer Push handle kit (2) (3)	XXX,-	

- (1) Available in September 2020
(2) Not for 30 M
(3) Only in silver grey
(4) Not with reverse brake
(5) Not with one hand brake

GEMINO 30 / 30 M / 30 S SpeedControl

€

Base price

Total Of Additional Equipment

Packaging And Transport

Exclusive Vat

Total price including VAT

VAT

Total Price**Date****Signature**

Day Month Year

**Sunrise Medical GmbH**

Kahlbachring 2-4

D-69254 Malsch/HD

Tel.: +49 (0) 72 53 / 9 80-0

Fax: +49 (0) 72 53 / 9 80-222

E-Mail: export@sunrisemedical.dewww.SunriseMedical.de

GEMINO ACCESSORIES

BAGS, ADVANCED



// 9012314
Bag, advanced, black/black



// 9012315
Bag, advanced, alcantara/black



// 9012316
Bag, advanced, grey/black



// 9012317
Bag, advanced, mint/black



// 9012318⁽¹⁾
Bag, advanced, red/black



// 9012319⁽¹⁾
Bag, advanced, blue/black



// 9012320⁽¹⁾
Bag, advanced, green/black



// 9012321⁽¹⁾
Bag, advanced, pink/black

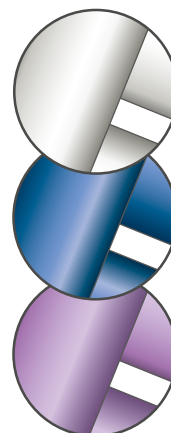
BAGS, ADVANCED



// 7104023⁽¹⁾ Bag, advanced with lid and handles, pink/black



// 7104024⁽¹⁾ Bag, advanced with lid and handles, brown/black



Easy personalisation with 3 frame colours.

BAGS – GEMINO 30 S



// 7104035
Bag, grey/black print



// 7104032
Bag, blue/black print

GEMINO ACCESSORIES

OTHER ACCESSORIES



// 7109011
Crutch holder



// 7109140
Table tray



// 9012220 & 901222
Back support



// 9012222
Adjustable comfort back support



// 7109060
Umbrella, black



// 7109050 & 7109051
Basket for oxygen cylinder



// 9012049⁽¹⁾
One-hand brake for both sides



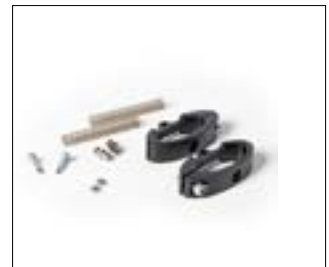
// 7109090
Universal bracket



// 7109095
Light



// 7109100
Infusion holder



// 9011971
Reverse brake kit



// 9009329
Speedcontrol



// 9012281⁽¹⁾
Longer Push handle kit with scale

(1) Not available for Gemino 30 M