

GEMINO 30 PARKINSON/30 M PARKINSON GEMINO 30 COMFORT PARKINSON/30 M COMFORT PARKINSON



Rev01/2026
until:12/2026

ORDER FORM

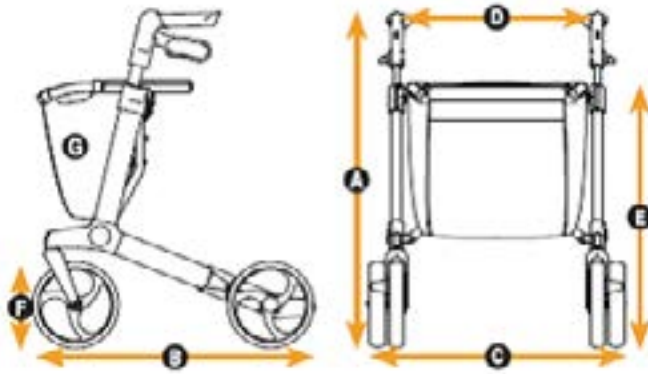
Errors and omissions excepted.

Billing Address Or Customer-ID	Shipping Address	Identical To Billing Address
C.-ID:	C.-ID:	
Name:	Name:	
Street:	Street:	
Town/PC:	Town/PC:	
E-Mail:	E-Mail:	
Phone:	Phone:	

Order Information		Purchase:
Order	Calculation	
Gemino 30 Parkinson	Reimbursement Code.: XXX	
Gemino 30 M Parkinson	Reimbursement Code.: XXX	
Gemino 30 Comfort Parkinson	Reimbursement Code.: XXX	
Gemino 30 M Comfort Parkinson	Reimbursement Code.: XXX	
		valid from
		Base Price
		Base Price

€ XXX,-
€ XXX,-

DIMENSIONS



	Gemino 30 Parkinson	Gemino 30 M Parkinson	Gemino 30 Comfort Parkinson	Gemino 30 M Comfort Parkinson
A Total height	780 - 1000 mm	690 - 880 mm	800 - 1020 mm	710 - 900 mm
B Total length	650 mm	650 mm	680 mm	680 mm
C Total width	600 mm	600 mm	620 mm	620 mm
D Width between push handles	470 mm	470 mm	470 mm	470 mm
E Seat height	620 mm	550 mm	640 mm	570 mm
Height folded	800 mm	760 mm	800 mm	760 mm
Length folded	650 mm	650 mm	650 mm	650 mm
Width folded	230 mm	230 mm	230 mm	230 mm
Turning circle	840 mm	840 mm	840 mm	840 mm
F Front wheels/ rear wheels	200 x 36 mm	200 x 36 mm	230 x 42 mm	230 x 42 mm
Total weight without basket	7,5 kg	7,4 kg	8,1 kg	7,9 kg
G Weight basket, standard	0,3 kg	0,3 kg	0,3 kg	0,3 kg
Max. user weight	130 kg	130 kg	150 kg	130 kg
Max. weight in basket	5 kg	5 kg	5 kg	5 kg
Recommended user height	1500 - 2000 mm	1350 - 1700 mm	1500 - 2000 mm	1350 - 1700 mm

SIZES AND COLOURS			€	Quantity
Gemino 30 Parkinson				
7100070	Gemino 30 Parkinson, Silver grey		XXX,-	
7100071	Gemino 30 Parkinson, Sapphire Blue		XXX,-	
Gemino 30 Comfort Parkinson				
71000140	Gemino 30 Comfort Parkinson, Silver grey		XXX,-	
Gemino 30 M Parkinson				
7100270	Gemino 30 M Parkinson, Silver grey		XXX,-	
Gemino 30 M Comfort Parkinson				
71000240	Gemino 30 M Comfort Parkinson, Silver grey		XXX,-	

ACCESSORIES			€	Quantity
Bags for Gemino 30 / 30 M Parkinson & Gemino 30 / 30 M Comfort Parkinson				
9012314	Bag, advanced cpl. Black		XXX,-	
9012315	Bag, advanced cpl. Alcantara Black		XXX,-	
9012316	Bag, advanced cpl. Graphite grey		XXX,-	
9012317	Bag, advanced cpl. Mint green		XXX,-	
9012318	Bag, advanced cpl. Red		XXX,-	
9012319	Bag, advanced cpl. Blue		XXX,-	
9012320	Bag, advanced cpl. Green		XXX,-	
9012321	Bag, advanced cpl. Pink		XXX,-	
7104024	Bag, advanced with lid and handles, brown/black		XXX,-	
7104023	Bag, advanced with lid and handles, pink/black		XXX,-	
9012369	Trolley Bag Shop-n-Go (1)		XXX,-	
Other accessories				
7109011	Crutch holder		XXX,-	
7109140	Table tray		XXX,-	
9012220	Back support		XXX,-	
9012222	Adjustable comfort back support		XXX,-	
7109060	Umbrella, black		XXX,-	
7109050	Basket for oxygen cylinder		XXX,-	
7109090	Universal bracket		XXX,-	
7109095	Light		XXX,-	
7109100	Infusion holder		XXX,-	
9012281	Longer Push handle kit (1)(2)		XXX,-	

(1) Not for M version
(2) Only in silver grey

GEMINO 30 /30 M Parkinson, GEMINO 30 /30 M Comfort Parkinson

€

Base price	
Total Of Additional Equipment	
Packaging And Transport	
Exclusive Vat	
Total price including VAT	
VAT	
Total Price	

Date	Signature
-------------	------------------

Day Month Year



Sunrise Medical GmbH

Kahlbachring 2-4
D-69254 Malsch/HD
Tel.: +49 (0) 72 53 / 9 80-0
Fax: +49 (0) 72 53 / 9 80-222
E-Mail: export@sunrisemedical.de
www.SunriseMedical.eu

GEMINO ACCESSORIES

BAGS, ADVANCED



// 9012314
Bag, advanced, black/black



// 9012315
Bag, advanced, alcantara/black



// 9012316
Bag, advanced, grey/black



// 9012317
Bag, advanced, mint/black



// 9012318
Bag, advanced, red/black



// 9012319
Bag, advanced, blue/black



// 9012320
Bag, advanced, green/black



// 9012321
Bag, advanced, pink/black



// 9012369
Trolley Bag Shop-n-Go

BAGS, ADVANCED



// 7104023 Bag, advanced
with lid and handles, pink/black



// 7104024 Bag, advanced
with lid and handles, brown/black

Easy personalisation with
2 frame colours.



GEMINO ACCESSORIES

OTHER ACCESSORIES



// 7109011
Crutch holder



// 7109140
Table tray



// 9012220
Back support



// 9012222
Adjustable comfort back support



// 7109060
Umbrella, black



// 7109050 & 7109051
Basket for oxygen cylinder



// 7109100
Infusion holder



// 9012281
Longer Push handle kit with scale



// 7109090
Universal bracket



// 7109095
Light



// 9011971
Reverse brake kit