



-  Wheelchair
-  Fauteuil roulant
-  Rolstoel

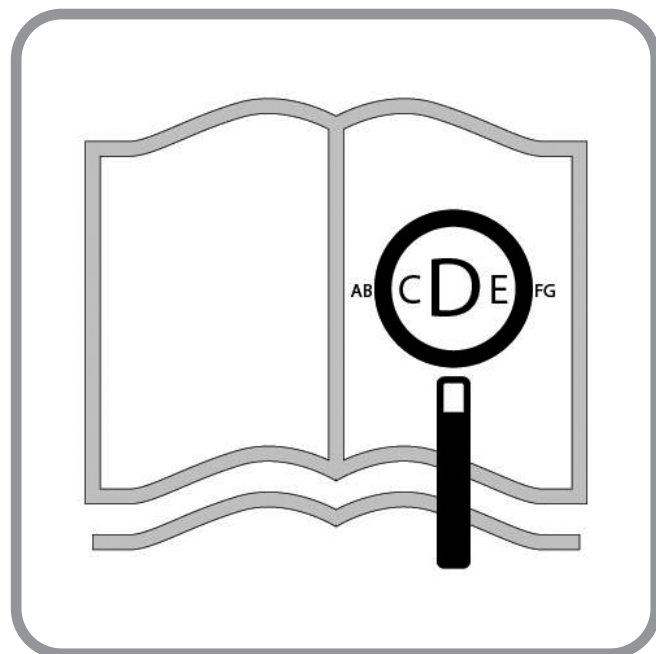


Nitrum
Nitrum Hybrid

Directions for use
Notice d'utilisation
Gebruiksaanwijzing


QUICKIE[®]

000690856.02



If you are visually impaired, this document can be viewed in PDF format at **www.SunriseMedical.co.uk**.

Si vous souffrez de déficience visuelle, ce document peut être consulté en format PDF sur **www.sunrisemedical.fr**.

Als u visueel gehandicapt bent, kan dit document ook worden gelezen in Pdf-formaat op: **www.SunriseMedical.nl**.

Wheelchair Components

EN 

We at SUNRISE MEDICAL have been awarded the ISO-13485 certificate, which affirms the quality of our products at every stage, from R & D to production. This product complies with the standards set forth in EU and UK regulations. Options or accessories shown are available at extra cost.

Description du fauteuil

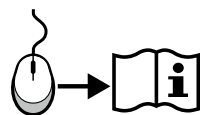
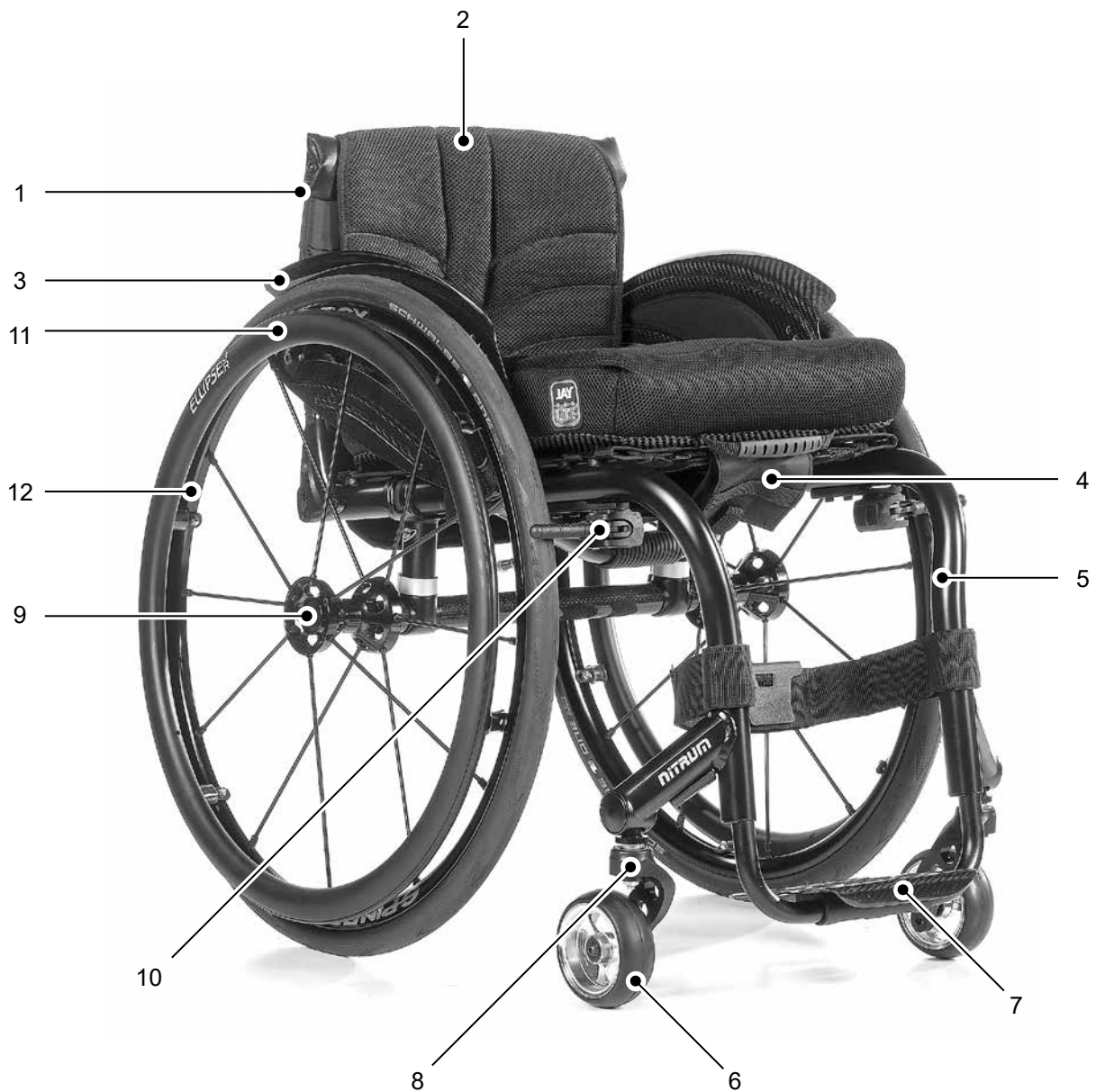
FR 

Nous, la société SUNRISE MEDICAL, sommes certifiés ISO-13485, ce qui garantit la qualité de nos produits à tous les stades, du développement jusqu'à la production. Ce produit est conforme aux exigences des règlements de l'Union européenne et du Royaume-Uni. Les options ou accessoires illustrés sont disponibles en option.

Rolstoelonderdelen

NL 

SUNRISE MEDICAL heeft het ISO 13485 certificaat toegekend gekregen, een bewijs van de kwaliteit van onze processen in elk stadium, vanaf het onderzoek en de ontwikkeling tot de productie. Dit product voldoet aan de standaarden zoals bepaald in wettelijke voorschriften van de EU en het VK. Getoonde opties en accessoires zijn tegen betaling verkrijgbaar.



EN 04

1. Push handles
2. Backrest upholstery
3. Sideguard
4. Seat sling
5. Frame
6. Castors
7. Footboard
8. Fork
9. Quick-release axle
10. Wheel locks
11. Handrim
12. Rear wheel



FR 33

1. Poignées de poussée
2. Toile de dossier
3. Protège-vêtement
4. Toile du siège
5. Châssis
6. Roues avant
7. Palette
8. Fourche
9. Axe à déverrouillage rapide
10. Freins
11. Main courante
12. Roue arrière



NL 62

1. Duwhandvatten
2. Spanbanden rug
3. Zijkant
4. Zitmat
5. Frame
6. Voorwielen
7. Voetplaten
8. Vork
9. Quick release assen
10. Remmen
11. Hoepel
12. Achterwiel

Table of Contents

Table of Contents	4
Definitions	4
Foreword	5
Use	6
Storage	6
Area of Application.	6
1.0 General safety notes and driving limits	7
2.0 Handling	9
3.0 Transporting the wheelchair	9
4.0 Options	9
Step Tubes	9
Brakes	9
Brakes	10
Suspension System	11
Hand-Bike Axle Adjustment	12
Nitrum centre of gravity setting	13
Nitrum Hybrid centre of gravity setting	13
Footplate Adjustment	14
Seat	14
Castors	15
Wheel Alignment	16
Backrest	16
Sideguards	19
Push handle	20
Anti-tip tubes	21
Crutch Holder	21
Pelvic Restraint Belt	22
5.0 Tyres and Mounting	23
6.0 Maintenance and care	23
7.0 Disposal / Recycling of Materials	24
8.0 Trouble-shooting	24
9.0 Transportation	25
10.0 Nameplate	27
11.0 Warranty	28
12.0 Technical Data	29
13.0 Torque	32

NOTE:

The wheelchairs shown and described in this user guide may not correspond in every detail exactly to your own model. However, all instructions are completely relevant, regardless of possible detail differences.





The manufacturer reserves the right to alter without notice any weights, measurements or other technical data shown in this manual. All figures, measurements and capacities shown in this manual are approximate and do not constitute specifications.



EN

Definitions

Definitions of words used in this manual

Word	Definition
 DANGER!	Advice to the user of potential risk of serious injury or death if the advice is not followed
 WARNING!	Advice to the user of a risk of injury if the advice is not followed
 CAUTION!	Advice to user that potential damage to equipment may occur if the advice is not followed
NOTE:	General advice or best practice
	Reference To Additional Documentation

NOTE:

Please keep a note of your local service agent's address and telephone number in the space provided.

In the event of a breakdown, contact them and try to give all relevant details so they can help you quickly.

Dealer signature and stamp

Foreword

Dear Customer,


We are very happy that you have decided in favour of a high-quality product from SUNRISE MEDICAL.


This owner's manual will provide numerous tips and ideas so that your new wheelchair can become a trustworthy and reliable partner in your life.

For Sunrise Medical, it is very important that we have a good relationship with our customers. We like to keep you up-to-date about new and current developments at our company. Keeping close to our customers means: fast service, as little red tape as possible, working closely with customers. When you need replacement parts or accessories, or if you just have a question about your wheelchair – we are there for you.

We want you to be satisfied with our products and service. At Sunrise Medical we are constantly working to develop our products further. For this reason, changes can occur in our palette of products with regard to form, technology and equipment. Consequently, no claims can be construed from the data or pictures contained in this user's manual.

The management system of SUNRISE MEDICAL is certified to EN ISO 13485 and ISO 14001.

 As the manufacturer, **SUNRISE MEDICAL**, declares that this product conforms to the **Medical Device Regulation (2017/745)**.

 As the manufacturer, **SUNRISE MEDICAL**, declares that the product conforms to the UK Medical Devices Regulation 2002 No. 618.

NOTE:

General user advice.

Not following these instructions may result in physical injury, damage to the product or damage to the environment!

Notice to the user and/or patient: Any serious incident that has occurred in relation to the device should be reported to the manufacturer and the competent authority of the Member State in which the user and/or patient is established.

B4Me special adaptations

Sunrise Medical strongly recommends that in order to ensure that your B4Me product operates, and performs as intended by the manufacturer; all the user information supplied with your B4Me product is read and understood, before the product is first used.

Sunrise Medical also recommends that the user information is not discarded after reading it, but it is kept safely stored for future reference.

Medical Device Combinations

It may be possible to combine this Medical device with one or more other Medical Device or other product. Information on which combinations are possible can be found at www.Sunrisemedical.co.uk. All combinations listed have been validated to meet the General Safety and Performance Requirements, Annex I Nr. 14.1 of the Medical Device Regulation 2017/745.

Guidance on the combination, such as mounting, can be found at www.SunriseMedical.co.uk

Please contact your local, authorised SUNRISE MEDICAL dealer if you have any questions concerning the use, maintenance, or safety of your wheelchair.

In case there is no authorised dealer in your area, or you have any questions about product safety and product recalls, contact Sunrise Medical either in writing or by telephone or find the information on www.sunrisemedical.co.uk



IMPORTANT:

DO NOT USE YOUR WHEELCHAIR UNTIL THIS MANUAL HAS BEEN READ AND UNDERSTOOD.

Sunrise Medical
Thorns Road
Brierley Hill
West Midlands
DY5 2LD
England
Phone: 0845 605 66 88
Fax: 0845 605 66 89
www.SunriseMedical.co.uk

Use

Wheelchairs are exclusively for children and adults who are unable to walk or have limited mobility, for their own personal use, when self-propelling and being moved by a third party (pushed by attendant), within the home and outdoors.

The maximum weight limit (includes the user and any weight of accessories fitted to the wheelchair) is marked on the serial number label, which is affixed to the Axle Tube below the seat.

Warranty can only be taken on if the product is used under the specified conditions and for the intended purposes.

The intended lifetime of this product is 5 years.

Please DO NOT use or fit any 3rd party components to the wheelchair unless they are officially approved by Sunrise Medical.

Storage

- Store indoors in a cool, dry place
- During storage, the ambient temperature should not be lower than -20°C or higher than +65°C.
- Recommended humidity: 15% - 93%.
- No restrictions on air pressure.

Area of Application.

Indications

The varieties of fitting variants, as well as the modular design, mean that it can be used by those who cannot walk or have limited mobility because of:

- Paralysis
- Loss of extremity (leg amputation)
- Extremity defect deformity
- Joint contractures/joint injuries
- Illnesses such as heart and circulation deficiencies, disturbance of equilibrium or cachexia, Neurological disease patterns, Muscle dystrophy, Hemiplegia as well as for elderly people who still have strength in the upper body.

Contraindications

The wheelchair shall not be used without attendant in case of:

- Perception disorder
- Imbalance
- Loss of both arms, if not supported by a caregiver
- Joint contracture or joint damage on both arms
- Seating disability

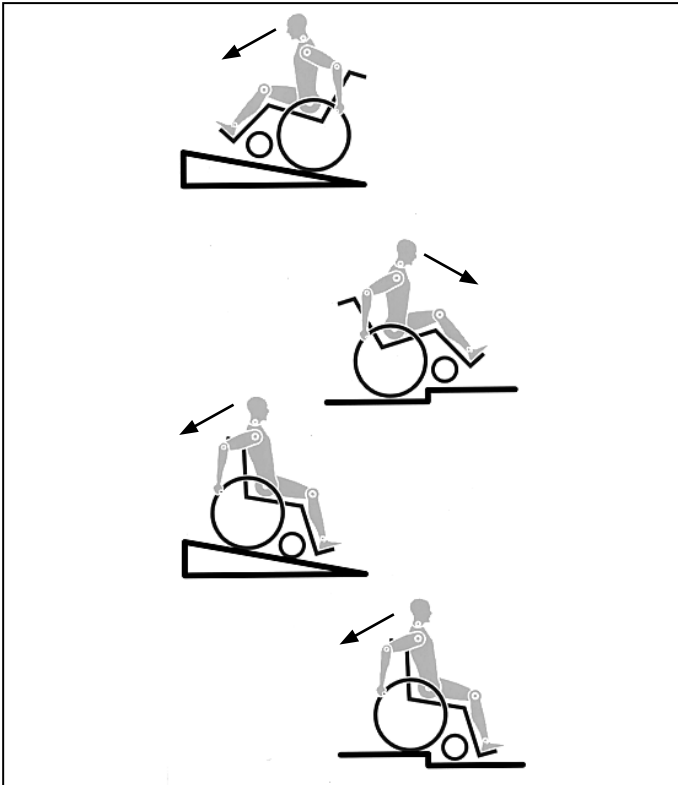
When considering provision, please also note the body size, weight, physical and psychological constitution, the age of the person, living conditions and environment.

NOTE:

Please note that driving a wheelchair requires sufficient cognitive, physical and visual skills. The user must be able to assess the effects of actions during the operation of the wheelchair and, if necessary, to correct them. These capabilities and the safe use of the additionally attached components cannot be assessed by Sunrise Medical as a manufacturer. We cannot accept any liability for any damage resulting from this.

Please refer to the operating instructions of the wheelchair and the additionally mounted components. Instruct the user in the safe use of the wheelchair and the additionally mounted components. Inform users of specific warnings that need to be read, understood, and respected.

1.0 General safety notes and driving limits



The engineering and construction of this wheelchair has been designed to provide maximum safety. International safety standards currently in force have either been fulfilled or exceeded in parts. Nevertheless, users may put themselves at risk by improperly using their wheelchairs. For your own safety, the following rules must be strictly observed.

Unprofessional or erroneous changes or adjustments increase the risk of accident. As a wheelchair user, you are also part of the daily traffic on streets and pavements, just like anyone else. We would like to remind you that you are therefore also subject to any and all traffic laws.

Be careful during your first ride in this wheelchair. Get to know your wheelchair.

Before each use, the following should be checked:

- Quick-release axles on the rear wheels
- Velcro on seats and backrests
- Tyres, tyre pressure and wheel locks.

Before changing any of the adjustments of this wheelchair, it is important to read the corresponding section of the user's manual.

It is possible that potholes or uneven ground could cause this wheelchair to tip over, especially when riding uphill or downhill.

When riding forwards over a step or up an incline, the body should be leaning forward.



DANGER!

- NEVER exceed the maximum load of 125 kg, (140 kg with "Hybrid-frame" option, 100kg with handbike-axle), for driver plus any items carried on the wheelchair. Please note the weight information for lighter weight options, which are quoted separately. If you exceed the maximum load, this can lead to damage to the chair, or you may fall or tip over, lose control and may lead to serious injury of the user and other people.
- When it is dark, please wear light clothing or clothing with reflectors, so that you can be seen more easily. Make sure that the reflectors on the side and back of the wheelchair are clearly visible. We would also recommend that you fit an active light.
- To avoid falls and dangerous situations, you should first practice using your new wheelchair on level ground with good visibility.

- When getting on or off the wheelchair, do not use the footboards. These should be flipped up beforehand and swung to the outside as far as possible. Always position yourself as close as possible to the place where you wish to sit.
- Only use your wheelchair properly. For example, avoid travelling against an obstacle without braking (step, kerb edge) or dropping down gaps.
- The wheel locks are not intended to brake your wheelchair. They are only there to ensure that your wheelchair does not begin rolling unintentionally. When you stop on uneven ground, you should always use the wheel locks to prevent such rolling. Always apply both wheel locks; otherwise, your wheelchair could tip over.
- Explore the effects of changing the centre of gravity on the behaviour of the wheelchair, for example on inclines, slopes, all gradients or when overcoming obstacles. Do this with the secure aid of a helper.
- With extreme settings (e.g. rear wheels in the most forward position) and less than perfect posture, the wheelchair may tip over even on a level surface.
- Lean your upper body further forward when going up slopes and steps.
- Lean your upper body further back when going down slopes and steps. Never try to climb and descend a slope diagonally.
- Avoid using an escalator which may lead to serious injury in the event of a fall.
- Do not use the wheelchair on slopes > 10°. The Dynamic safe slope is dependent on the chair configuration, the user's abilities and the style of riding. As the user's abilities and style of riding cannot be pre-determined then the max safe slope cannot be determined. Therefore this must be determined by the user with the assistance of an attendant to prevent tipping. It is strongly recommended that inexperienced users have anti-tip tubes fitted.
- It is possible that potholes or uneven ground could cause this wheelchair to tip over, especially when riding uphill or downhill.
- Do not use your wheelchair on muddy or icy ground. Do not use your wheelchair where pedestrians are not allowed.
- To avoid hand injuries do not grab in between the spokes or between the rear wheel and wheel lock when driving the wheelchair.
- In particular when using lightweight metal handrims, fingers will easily become hot when braking from a high speed or on long inclines.
- Riding sideways on to a slope or incline, increases the possibility of the wheelchair tipping over sideways.
- Only attempt stairs with the help of an attendant. There is equipment available to help you, e.g. climbing ramps or lifts, please use them. If there is no such equipment available, then the wheelchair must be tipped and pushed, never carried, over the steps (2 helpers). We recommend that users over 100 kg in weight do not use this stairway manoeuvre!
- In general, any anti-tip tubes fitted must be set beforehand, so that they cannot touch the steps, as otherwise this could lead to a serious tumble. Afterwards the anti-tip tubes must be set back to their correct position.
- Make sure that the attendant only holds the wheelchair using securely mounted parts (e.g. not on the footrests or the sideguards).
- This wheelchair is not designed to be used whilst weight training and/or when using dumbbells. Only use equipment specifically designed for this purpose.
- Do not lift or carry the wheelchair by the backtubes or the pushhandles.
- When using the lifting ramp make sure that the anti-tip tubes fitted are positioned outside the danger area.
- Secure your wheelchair on uneven ground or when transferring, e.g. into a car, by using the wheel-locks. Make sure the wheel locks are properly locked and can't be accidentally opened while transfer i.e. by asking an attendant to hold the wheel-lock levers.

- If and whenever possible, during a journey in a specially fitted vehicle for disabled people, vehicle occupants should use the seats in the vehicle and the appropriate restraint system. This is the only way to ensure that occupants will have the maximum protection if there is an accident. When using safety elements offered by SUNRISE MEDICAL and using a specially designed safety system, lightweight wheelchairs can be used as a seat when being transported in a specially fitted vehicle. (See the Chapter on "Transportation").
 - Depending on the diameter and setting of the castors, as well as the centre of gravity setting of the wheelchair, the castors may begin to wobble at high speeds. This can lead to the castors being blocked and the wheelchair may tip over. Therefore, please make sure that the castors are adjusted correctly (see the Chapter "Castors"). In particular, do not travel on an incline without brakes, travel at a reduced speed. We recommend that novice users use anti-tip tubes.
 - Anti-tip tubes should prevent the chair tipping over backwards unintentionally. Under no circumstances should they take the place of transit wheels, and be used to transport a person in a wheelchair with the rear wheels removed.
 - When reaching for objects (which are in front of, to the side or behind the wheelchair) make sure that you do not lean too far out of the wheelchair, as if you change the centre of gravity there is a risk of tipping or rolling over. The hanging of additional load (back pack or similar items) onto your chair backposts can affect the rearward stability of your chair, especially when used in combination with recliner backrests. This can cause the chair to tip backwards causing injury.
 - Adjustments to your wheelchair, particularly to safety-related components must be carried out by an approved dealer. This applies to adjustments to wheel locks, anti-tip tubes, backrest angle and height, lower leg length, COG, lap belt, rear wheel toe-in and camber, seat height as well as toe-in and directional stability of the castor fork.
 - When using mobility accessories fitted to the wheelchair such as handbikes, electronic power assist, etc, make sure that your wheelchair is fitted with the appropriate castor forks, approved for this use. Please contact your dealer if you have any questions.
 - Do not fit any unauthorized electronic equipment, powered or mechanically operated mobility drives, hand-bike or any other device that changes the intended use or the structure of the wheelchair.
 - Any combination with other medical devices requires the approval of Sunrise Medical.
 - Please note that in certain configurations the wheelchair may exceed a width of 700 mm. If this is the case, under certain circumstances, it may not be possible to use some or all of the available escape routes from a building. It may be more difficult or impossible to travel on public transport.
 - Further information and safety instructions can be provided by your authorised dealer.
 - For thigh amputees you must use anti-tip tubes.
 - Before setting off, check that your tyre pressure is correct. For rear wheels it should be at least 3.5 bar (350 kPa). The max. pressure is indicated on the tyre. The knee-lever brakes will only work if there is sufficient tyre pressure and if the correct setting has been made (see the Chapter on "Brakes").
 - If the seat and back sling are damaged, you must replace them immediately.
 - Be careful with fire, in particular with burning cigarettes. Seat and back slings can be set alight.
 - If the wheelchair is subject to direct sunlight for a long period of time, then parts of the wheelchair (e.g. frame, legrests, brakes and sideguard) may become hot (>41°C).
 - Always make sure that the quick-release axles on the rear wheels are set properly and lock in. If the button on the quick-release axle is not pressed in, the rear wheel cannot be removed.
 - Your wheelchair may be carrying electrical current, so be careful when interacting with electrical sources.
 - When easing into the chair from a standing position, make sure not to use excessive force. This might lead to unnecessary wear and damage to the seat-upholstery and frame.
 - Always make sure that an attendant is adequately instructed and trained in handling and supporting an occupant in a wheelchair. As an attendant, always make sure:
 - To only use intended handles, such as push-handles or the frame-tubes. Never use the footrest, sideguards, wheels or parts of the upholstery as handle
 - that you have a safe stand and a good grip on the handles
 - not to lean on the push-handles, as this might tip the chair backwards
 - to always apply the wheel locks for transfers in order to prevent unintended movement of the wheelchair
 - to always apply the wheellocks when standing still in order to prevent unintended movement of the wheelchair
- As wheelchair-user, always make sure to advise an attendant accordingly.
- Please check wheelchair frame for potential damage after impacts or accidents.
 - When using a new wheelchair or after adjustments affecting the user's position in the wheelchair, frequently check the user's skin for redness or pressure marks.

 **WARNING!**

- The effect of the knee-lever brake as well as the general driving characteristics are dependent on tyre pressure. The wheelchair is significantly lighter and easier to manoeuvre when the rear wheels are pumped up correctly and both wheels have the same pressure.
- Make sure that your tyres have sufficient tread! Please note that you are subject to any and all traffic laws when driving in public traffic.
- Always be careful with your fingers when working or adjusting the wheelchair!

 **WARNING!**

CHOKING HAZARD – This mobility aid uses small parts which under certain circumstances may present a choking hazard to small children.

The wheelchairs shown and described in this user guide may not correspond in every detail exactly to your own model. However, all instructions are completely relevant, regardless of possible detail differences.

The manufacturer reserves the right to alter without notice any weights, measurements or other technical data shown in this manual. All figures, measurements and capacities shown in this manual are approximate and do not constitute specifications.

2.0 Handling

Quick-release axles on rear wheel

The rear wheels are equipped with quick-release axles. The wheels can thus be installed or removed without using tools. To remove a wheel, simply depress the quick-release button on the axle (1) and pull it out (Fig. 2.1).



⚠ CAUTION!

Hold the quick-release button on the axle depressed when inserting the axle into the frame to mount the rear wheels. Release the button to lock the wheel in place. The quick-release button should snap back to its original position.

3.0 Transporting the wheelchair

Transporting the wheelchair

Removing the rear wheels will keep the wheelchair as compact as possible. The backrest can be folded by either pushing the push-bar upwards or rotating the Twist-lock handle (optional) clockwise



In this state the wheelchair can be lifted by the frame tubes and the seat sling. When transporting the unoccupied wheelchair in a vehicle, it should be tied down or strapped in.

4.0 Options

Step Tubes

Step Tubes

Step tubes are used by attendants to push a wheelchair over an obstacle. Simply step on the tube to push a wheelchair, for example, over a kerb or step.

⚠ WARNING!

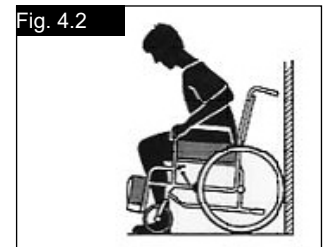
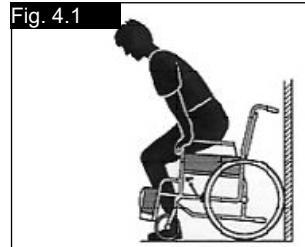
Sunrise Medical strongly recommends the use of a step tube on any model where attendant use is the predominant intended use. Damage to the backposts may occur if you constantly use the backpost without a step tube, as a lever to pull back on to tip the wheelchair.

Getting into your wheelchair on your own

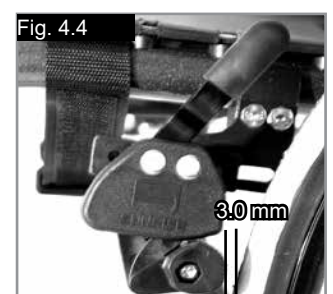
- Push the wheelchair to a wall or a solid piece of furniture
- Apply the brakes
- The user can lower themselves into the wheelchair
- Then position the feet in front of the heel straps (Fig. 4.1).

Getting out of your wheelchair on your own

- Apply the brakes
- With one hand on the wheel or side guard, the person should lean forwards slightly, to transfer the body weight to the front edge of the seat and then push up to an upright position with both feet firmly on the floor and one foot behind the other (Fig. 4.2).



Brakes



⚠ CAUTION!

Braking power can be affected by incorrect fitting and adjustment of the brakes, as well as tyre pressure which is too low.

Wheel Locks

Your wheelchair is equipped with two wheel locks. They are applied directly against the tyres. To engage, press both wheel lock levers forward against the stops. To release the locks, pull the levers back to their original positions.

Braking power will decrease with:

- Worn tyre tread
- Tyre pressure that is too low
- Wet tyres
- Improperly adjusted wheel locks.

Brakes

The wheel locks have not been designed to be used as brakes for a moving wheelchair. The wheel locks should therefore never be used to brake a moving wheelchair. Always use the handrims for braking. Make sure that the interval between the tyres and wheel locks complies with given specifications. To readjust, loosen screw and set the appropriate interval. Then re-tighten the screw, (Fig. 4.3 and 4.4).

⚠ CAUTION!

After each adjustment of the rear wheels, check the interval to the wheel locks and readjust if necessary.

Brake lever extension

The longer lever helps to minimize the effort needed to set the wheel locks.

The brake lever extension is screwed to the brakes. By raising this, it can be flipped forward (Fig. 4.5).

⚠ CAUTION!

Mounting the wheel lock too close towards the wheel will result in a higher effort to operate. This might cause the brake lever extension to break!

Leaning onto the brake lever extension while transferring will cause the lever to break! Splashing water from tires might cause the wheel lock to malfunction.

⚠ CAUTION!

Incorrect mounting of the wheel lock will result in a higher effort to operate. This might cause the wheel lock extension lever to break!

Compact Wheel Lock

Compact wheel locks are underneath the seat sling and are operated by pulling the wheel locks towards the rear, in the direction of the tyre. For the brakes to work properly, this must be pulled until it reaches the stops, (Fig. 4.6).

⚠ CAUTION!

The mounting bolts for the brakes must not be loosened and/or re-tightened.



The One-arm Wheel Lock

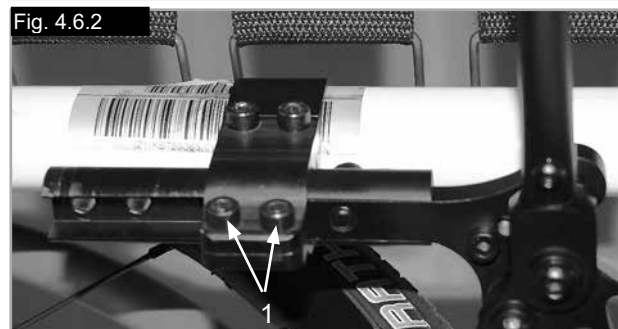
The one arm wheel lock is underneath the seat sling and is operated by pulling the brake lever, which is located on the left or right side, towards the rear, in the direction of the tyre. For the brakes to work properly, this must be pulled until it reaches the stop, (Fig. 4.6.1)

Adjustment

To adjust the brake, loose the screws (1) and mount the wheel lock where it will work in a proper way (Fig. 4.6.2).

⚠ CAUTION!

Incorrect mounting of the one arm wheel lock can lead to serious injury of the user and other people.



Suspension System

⚠ WARNING!

Rear suspension can affect the stability of the wheelchair. To avoid a fall, use a spotter and/or anti-tip tubes when becoming familiar with new equipment.

1. Tuning the 4-Link Rear Suspension

- to stiffen the suspension, turn the spring preload adjuster (E) clockwise (looking up at the suspension system from underneath the wheelchair).
- to soften the suspension, turn the spring preload adjuster (E) counter-clockwise (looking up at the suspension system from underneath the wheelchair).

2. Alignment of Suspension Link Arms

Do not adjust the link arms (F, Fig. 4.10). These are set at the factory to ensure proper tracking and performance of the 4-Link suspension system.

(see next page).

Setting the toe-in/toe-out to zero (using the factory fitted adjuster)

Loosen the Allen screws (G), (2 per side), that secure the axle tube on both sides. Observe the ball in the transparent adjuster in the centre of the axle tube, then turn the axle tube (C), until the ball is exactly centred at the lowest point of the adjuster. The toe is now set at zero (Fig. 4.7, 4.10).

Before re-tightening the screws (G), check that the flat surfaces of the camber adapter in the axle tube protrude outside the axle tube clamp. The end of the cylindrical camber adapter should be flush with the end of the axle tube. Tighten the screws to a torque of 7 Nm

Setting the toe-in/toe-out to zero (using a 90° setting gauge)

Place the entire wheelchair on a flat horizontal table or ground surface. Loosen the Allen screws (G) (2 per side) which hold the axle tube on both sides of the axle tube.

Then put the setting gauge at an angle of exactly 90° (e.g. a carpenter's square) on the flat surfaces of the camber adapter (D) (Fig. 4.8, Fig. 4.9). Then turn the axle tube until the wrench surfaces are exactly parallel to the upper surface of the setting gauge (Fig. 4.8).

Before re-tightening the screws (G), check that the flat surfaces of the camber adapter in the axle tube protrude outside the axle tube clamp. The end of the cylindrical camber adapter should be flush with the end of the axle tube. Tighten the screws to a torque of 7 Nm

⚠ CAUTION!

When turning the 4-Link Rear Suspension, make one change at a time and write down each change. This takes patience, but allows you to understand how each change affects the ride of the wheelchair in conjunction with rear suspension.

NOTE– The lower shock mount is designed to have a loose feel, this is by design to allow for proper suspension travel.

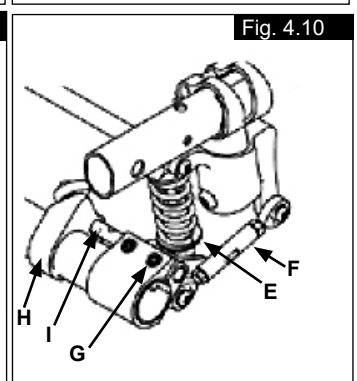
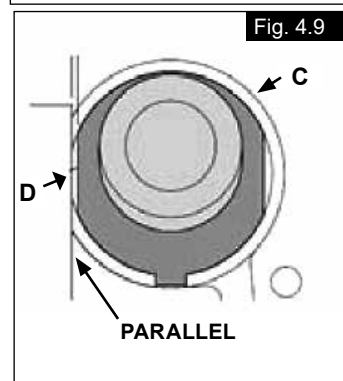
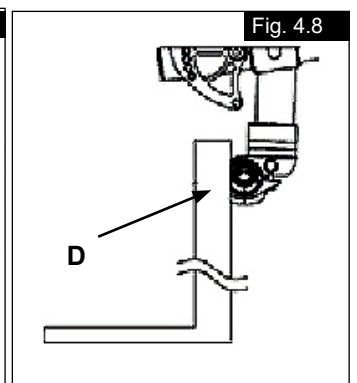
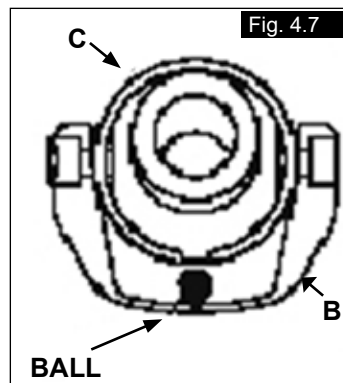
⚠ CAUTION!

Under no circumstances, loosen the screw connection between the axle clamp and the shock absorber.

3. Maintenance

The maintenance requirements listed below should be followed along with general wheelchair maintenance shown in Section 6.0.

- do not apply lubrication to shock end bushings or coils.
- you can apply lubrication to the link ends after cleaning with a mild soap and soft brush.
- use a soft brush to clear any dirt or debris from coil system.
- never use a high-powered washer for cleaning the 4-Link Rear Suspension.



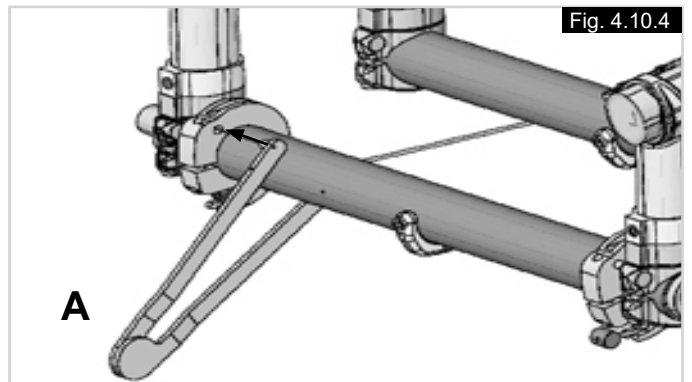
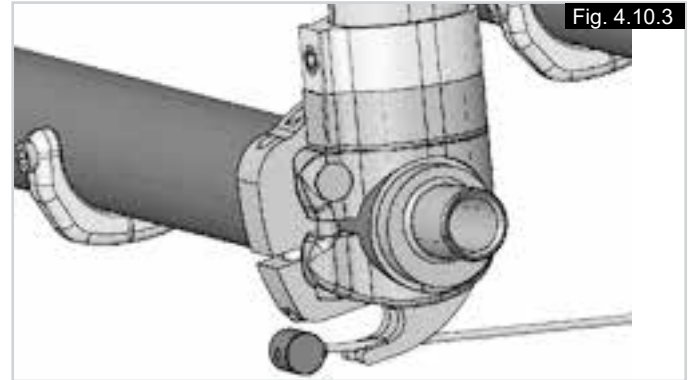
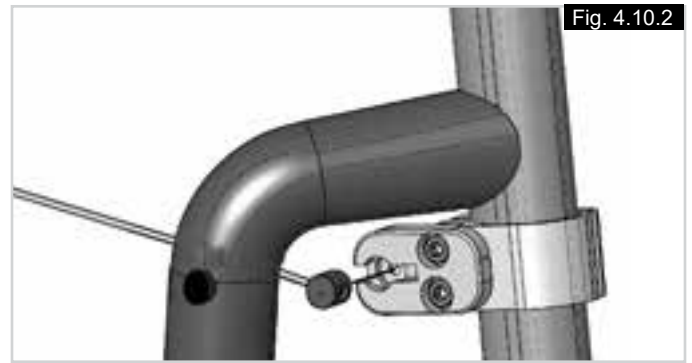
Hand-Bike Axle Adjustment

Hand-Bike-Axle

It is necessary to adjust the hand-bike axle to bias the centre of gravity rearwards. This allows safe use of a hand-bike accessory, (Fig. 4.10.1).

DANGER!

Using a hand-bike without the hand-bike axle makes the wheelchair unstable and can lead to serious injury of the user and other people.



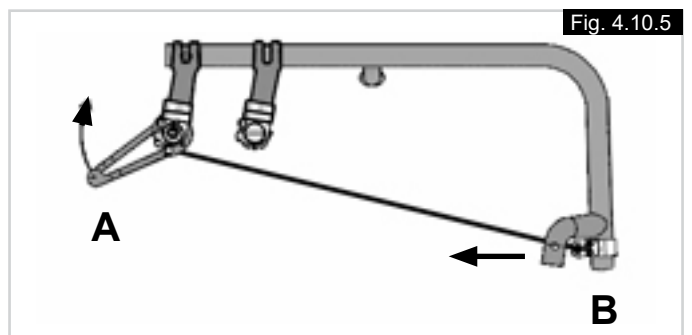
Hand-Bike Reinforcement Kit

To assemble the hand-bike reinforcement kit:

- Insert the nipple at one end of the cable into the receptor at the front of the frame, (Fig. 4.10.2).
- Insert the nipple at the other end of the cable into the receptor at the rear of the frame, (Fig. 4.10.3).
- Insert the tensioner tool, (A), into the cable receptor at the rear of the frame, (Fig. 4.10.4).
- Move the tensioner tool, (A), upwards until the receptor and the front tube, (B), just starts to move towards the rear, (Fig. 4.10.5).
- Hold the cable under tension with the tensioner tool and tighten the screw on the rear cable receptor, (Fig. 4.10.5).
- Repeat the process for the other side.

WARNING!

The tension of both cables must be checked for tightness before and after each use of the hand-bike.



Nitrum centre of gravity setting

Remove the rear wheels. Undo both Allen screws (A) on the bottom of the axle stem (B) on both sides of the wheelchair, (Fig. 4.10.6). Then push the complete unit (axle and axle-stems) forwards on the frame, (in terms of the direction of travel), for a more active COG, or backwards for a more passive, stable COG. Then re-tighten the screws (A) on both sides to a torque of 5 Nm. Now adjust the side guards and brakes to the new wheel position.

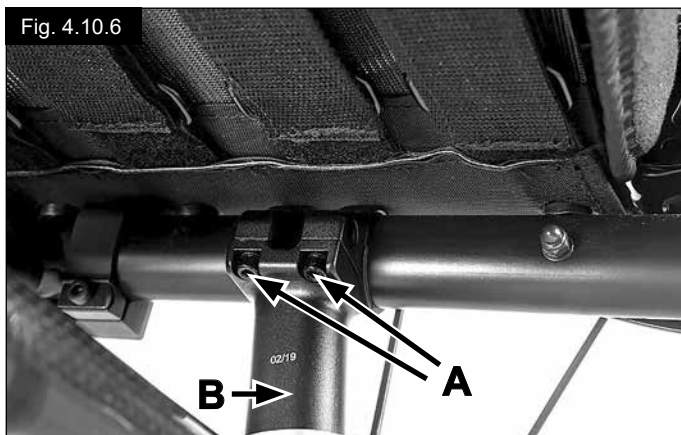
⚠ CAUTION!

Please note that the tipping behaviour of the wheelchair will change if the COG has been changed. This may mean that you need to use anti-tip tubes.

Only adjust the position of the COG within the markings on the frame tube.

⚠ DANGER!

The brakes must be adjusted to the new COG position.



Nitrum Hybrid centre of gravity setting

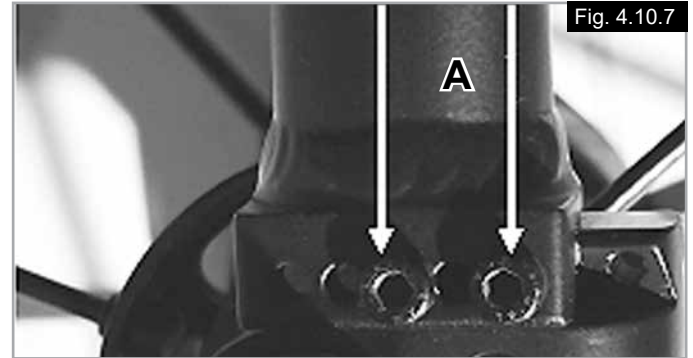
To adjust the centre of gravity (COG) remove the 2 screws, (A) and move the bracket into preferred position, (Fig. 4.10.7). Refit and tighten the screws (5 Nm).

⚠ CAUTION!

Please note that the tipping behaviour of the wheelchair will change if the COG has been changed. This may mean that you need to use anti-tip tubes.

⚠ DANGER!

The brakes must be adjusted to the new COG position.



Footplate Adjustment

Adjusting The Footrest

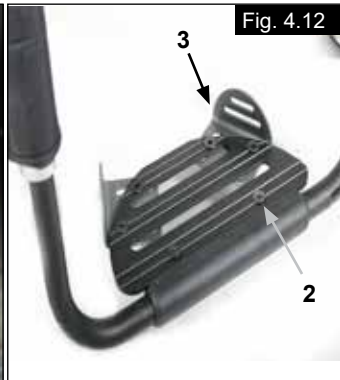
WARNING!

- Do not stand on the footboard! Even if the user is sitting in the chair, there is still a risk of tipping over and injury.
- When transferring, do not stand on the footboard, there is a risk of tipping over and injury.

Releasing the screw (1) will allow you to adjust the footrest to correspond to the length of your lower leg and re-attach the footrest. The angle of the footrest may be individually adjusted by loosening screws (2). The side protection (3) on the footrest prevents the feet slipping off accidentally. Make sure that after any adjustment work, all screws are tightened correctly (see the page on torque) (Fig. 4.11 - 4.12).

WARNING!

Always maintain a minimum of 30mm between the lowest part of the footrest and the floor.



High-mount footrest

The high-mount footrest is fitted on the inner part of the frame and permits a higher footrest position (Fig. 4.13).



Seat

Adjusting the seat height

To adjust the rear seat height release the Allen screws (1) (one on each side), that fix the clamp to the axle stem (2). Remove the spacer (3), to adjust the seat height by -10 mm or add the spacer to increase the seat height by 10 mm. Tighten the 2 Allen screws to 7 Nm. (Fig. 4.14).

NOTE:

An adjustment to the castor angle may be necessary when adjusting the rear seat height.

Seat Sling

To tighten the upholstery, please use the straps below the upholstery.



Castors

Castor, Castor adapter, Castor fork

From time to time the wheelchair may veer slightly to the right or left or the castors may flutter. This may be caused by the following:

- Forward and/or reverse wheel motion has not been set properly.
- The castor angle has not been adjusted properly.
- Castor and/or rear wheel air pressure is incorrect; wheels do not turn smoothly.

The optimum adjustment of the castors is required so that the wheelchair runs in a straight line.

The castor plates must be re-adjusted, and the wheel locks must be checked every time the rear wheel position has been altered.

Adjusting the castor

Setting directional stability and fine-tune caster-height

These are works-settings and require special tools- please contact your dealer for support.

Adjusting the caster-fork angle

This adjustment is necessary when changing the front- or rear seat-height.

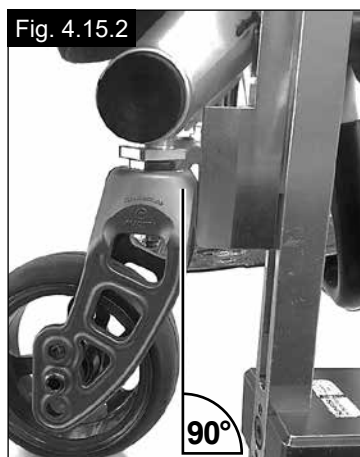
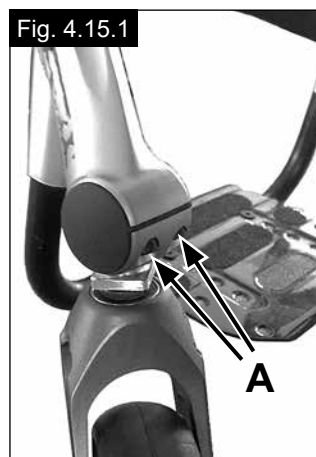
CAUTION:

Failure to adjust the correct angle can result in caster-flutter, locking caster wheels and injury of the user.

Loosen Allen screws (A) (Fig. 4.15.1). The caster-fork angle can now be adjusted to the correct position: the flat section of the fork must be positioned 90° to the ground (Fig. 4.15.2). Once you have set the correct position, then tighten the allen screws (A) using the following procedure:

Tighten the outer allen screw first to a torque of 7Nm, then tighten the inner allen screw to a torque of 7Nm.

Repeat this procedure up to 6 times until both allen screws are evenly tightened to a torque of 7Nm.



Anti-Flutter adjustment

Most caster-forks are equipped with an anti-flutter adjustment to suppress caster-flutter

Turning the set-screw (Fig. 4.16 - A) on the caster-fork clockwise using an allen-key, will put load on the bearing and reduce caster-flutter.

You might notice that the caster-fork does not spin freely but with a slight resistance. This has no effect on the driving behaviour of the wheelchair.



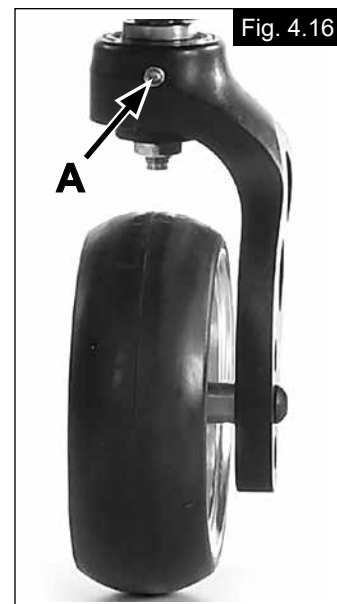
CAUTION:

When load on the bearing is released by turning the set-screw counter-clockwise, caster-wheels can be prone to flutter on medium or higher speeds. If you choose to conduct this adjustment, make yourself familiar with the driving-behaviour of the wheelchair.



DANGER:

Caster-flutter can cause a sudden lock of the caster-wheels on medium or higher speed, which can cause the user to fall out of the wheelchair.



Wheel Alignment

Adjusting the wheel alignment

Important: To achieve the very best movement, the rear wheels must be adjusted to their optimum position, which means correctly adjusting the wheel alignment.

To do this, measure the distance between both wheels front and rear to ensure that they are parallel to one another.

The difference between both measurements should not exceed 5 mm.

To adjust the wheels to make them parallel, loosen the screws and turn the axle sleeve accordingly. Make sure that after any adjustment work, all screws are tightened correctly (see the page on torque).

NITRUM tracking adjustment

Setting the toe-in/toe-out to zero

NOTE: A wheelchair with 0° camber cylinders cannot have toe-in or toe-out. This setting is necessary only with 3° and 6° camber cylinders.

The term "toe-in or toe-out" defines how well the rear wheels of the chair are aligned in relation to the ground. This determines how well the chair will run. Normal resistance or rolling resistance is present when toe-in is set to zero.

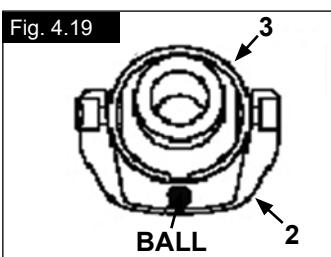
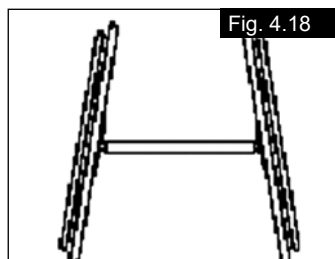
To set toe-in/toe-out to zero: Loosen the Allen screw (1) (one on each side), that secures the camber tube clamp. Check the ball in the horizontal (2) plane and turn the angle tube (3) until the ball is in the centre. Toe-in is now zero.

Before tightening the screws (1), check that the camber tube is centred left-to-right. The gap should be the same on both sides, or there should be no gap at all. Tighten the screws to 7 Nm. (Fig. 4.17 - 4.19).

Adjusting the rear wheelbase width:

The rear wheelbase is defined as the distance between the upper side of the rear wheels and the backrest tubes, and is represented by factory setting (125 mm). This has to be increased if a larger gap between the tyres and the optional height-adjustable armrests has to be created (Fig. 4.20).

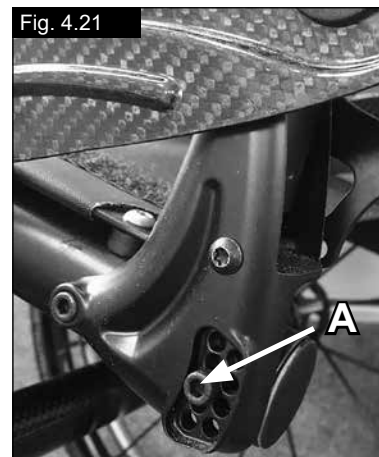
NOTE: When adjusting the rear wheelbase, adjust first one wheel then the other. If both sides are loosened at the same time, this will alter the toe-in/toe-out adjustment. To adjust the rear wheelbase, the parts of the camber (4) move telescopically into or out of the camber tube (5), and lock into place when they reach the end. Loosen screw (6) (located closest to the camber tube) on the left side of the chair. Move the axle receiver inwards or outwards to achieve the desired wheelbase. Tighten the screws to 7 Nm. Repeat this procedure on the right side of the chair and adjust the gap so that it is the same amount as on the left side.



Backrest

Angle-adjustable back

Remove allen screws (A) on both backrest tubes. Adjust angle within the hole-pattern (3° increment per hole), insert allen screws (A) on both sides and tighten to 5Nm (Fig. 4.21).



Folding backrest

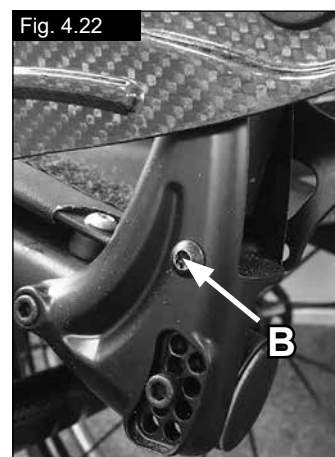
The backrest is foldable, two versions of the release mechanism are available:

- Pushbar- release: push the release bar upwards, hold the position and fold the backrest forward
- Twist-lock-release : rotate the handle on the crossbar forward, hold the position and fold backrest forward. The handle can only be rotated in the forward direction.

A double-locking option is available on the backrest- if the wheelchair is equipped with this option, the backrest will lock in the flat-folded position.

To unfold the backrest, either push the pushbar upwards or rotate the twist-lock handle forward.

The locking position (angle) of the folded backrest can be adjusted : remove allen-screw (B) on both sides (Fig. 4.22), set the desired locking angle by choosing the corresponding hole within the hole-pattern (C) (Fig. 4.23) and re-tighten allen screws (B) on both sides to 5Nm



Height-adjustable backrest

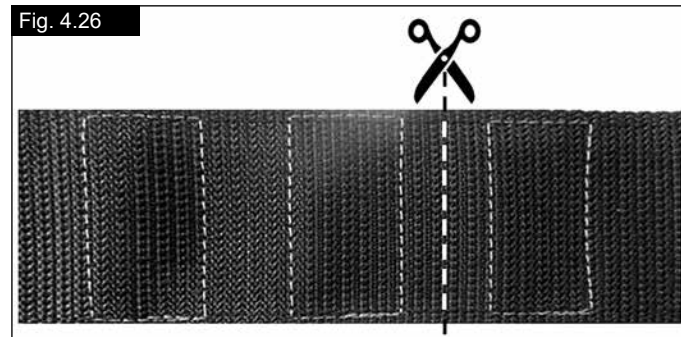
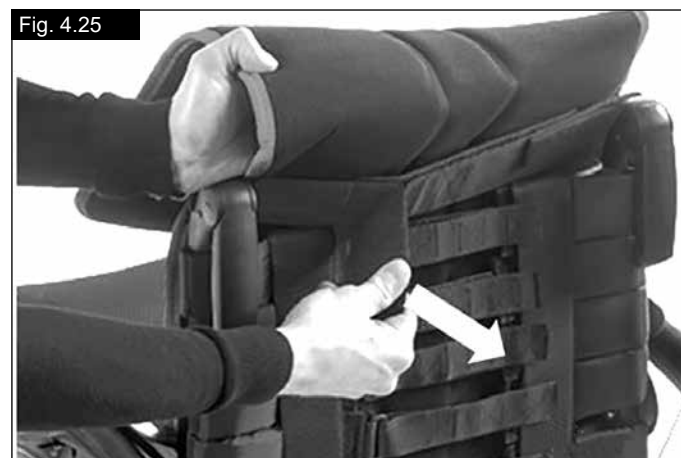
The backrest may be set to various back heights, in 25 mm increments. The adjustment ranges are 250 - 300 mm, 300 - 350 mm, 350 - 400 mm and 400 - 450 mm. Release the screw (1) and set the backrest to the desired height. Tighten up the screws again to 5Nm. (Fig. 4.24)



Adjusting the backrest upholstery

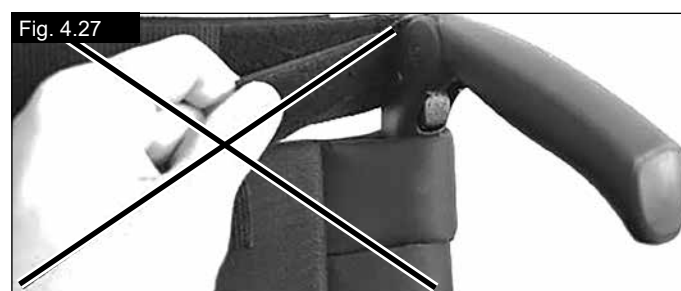
Adjust the tension of the backrest's top-belt

- Tear both velcroed halves of the top belt apart (Fig.4.25)
- Tension the top-belt or remove tension. Once the desired strain is set, velcro both halves back together
- In case of the top-belt laterally protruding over the push-handles, the belt can be cut to size with a pair of scissors. Cut the belt between the grey stitchings. The stitching will prevent the belt from fraying. Melt the cutting edge of the belt for additional fray-protection. (Fig.4.26)



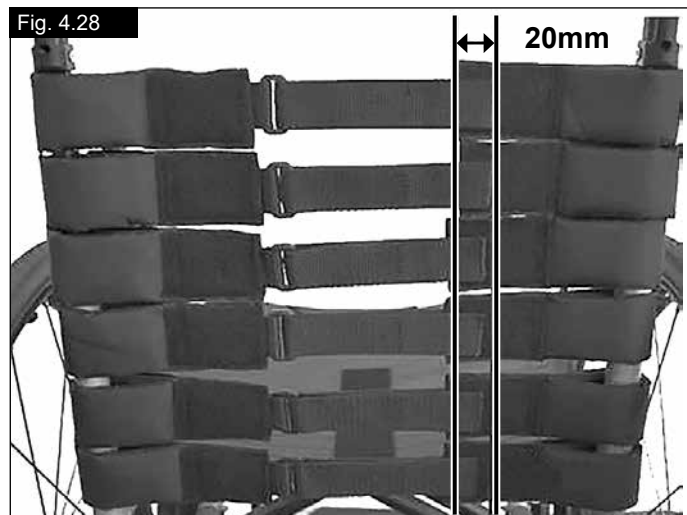
Note for wheelchairs with fold-down push-handles

Do not use the velcro-laces around the push-handles to set the strain of the belt (Fig.4.27). Those must be velcroed to the top-belt using their full length.



Adjust the tension of the backrest-belts

- Tension of the backrest-belts can be continuously adjusted using the velcro-laces
- Ex-works, the velcro-laces overlap by 20mm (Fig.4.28). This overlap allows you to adjust slack on the backrest-upholstery
- When further tensioning the belts, the ends can laterally protrude. In these cases, the belts can be cut to size with a pair of scissors. Cut the belt between the black stitchings. The stitching will prevent the belt from fraying, Melt the cutting edge of the belt for additional fray-protection.



CAUTION!

When folding the backrest down, please make sure that your fingers do not get caught.

CAUTION!

Please note that the tipping behaviour of the wheelchair will change if the backrest angle or backrest upholstery has been changed. This may mean that you need to use anti-tip tubes.

LED lights

The optional LED lights are mounted to the caster-links using an adhesive tape and an allen screw.

The control-Box (Fig. 4.29) is clipped to the calf-straps and can be removed for charging.

- **Switching the lights on:** by pushing the button **A** on top of the control-Box, you can cycle through operating-modes of the LEDs:

1. Full power mode
2. Low-power mode
3. Flash-mode
4. Off

Remove the control-box from the calf-strap:

Detach cables on the sides by gently pulling the pins out of the connectors (C). Now pull the control-box upwards to remove it from the calf-strap.

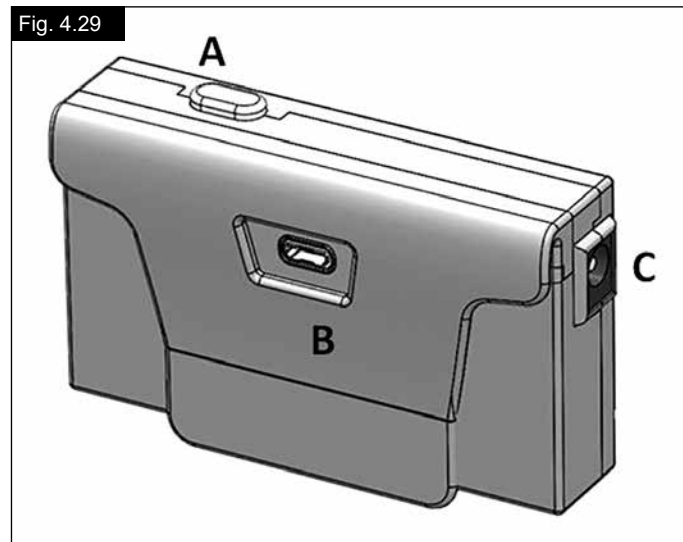
Charge the battery:

Connect the USB-cable to the connector (B) on the front-side of the control-Box. Use a standard USB-charger or your Computer's USB-port to charge the battery.

Battery-type	Lithium-Ion
Nominal capacity	2600mAh
Nominal voltage	3,6V
Charging-time	3hrs

Battery storage

Store the control box in a dry and cool environment within a temperature range between -10 to +50°Celsius.



CAUTION!

Never try to open the control box!
Avoid the ingress of liquids or dirt into the control box.

Freestyle Back

The Freestyle back can be adjusted in height, depth and angle to provide maximum comfort and support.

Height adjustment:

Remove the back cushion to gain access to the adjustment hardware. Loosen the 4 screws (1) using a 4 mm hex key and move the back shell up or down to the desired height. Tighten the screws to lock the adjustment and re-install the back cushion.

Fine Depth and Height adjustment

The Freestyle back adjustment system provides a maximum of 25 mm fine depth combined with a fine height adjustment. Loosen the screws (2) using a 8 mm hex key and rotate the back shell to the desired position. Tighten the screws with 20 Nm to lock the adjustment.

Angle adjustment

The Freestyle back adjustment system allows the adjustment of the backrest angle. Loosen the screws (3) using a 8 mm hex key and rotate the back shell to the desired position. Tighten the screws with 20 Nm to lock the adjustment.

In case some attendant support is required the removable push handles can be screwed into position A.

⚠ WARNING!

Always make sure that the push handles are screwed in completely.

⚠ WARNING!

The Freestyle back is not approved for using the wheelchair as a seat in a car during transport.

Sideguards

Single Post Height-Adjustable Armrests (Fig. 4.34 - 4.37).

1. Assembly

- a. slide the outer armrest into the receiver mounted to the wheelchair frame.
- b. the armrest will automatically lock into place.

2. Height adjustment

- a. rotate height release lever (2) to second stop.
- b. slide armrest pad up or down to desired height.
- c. return lever to locked position against arm post.
- d. push arm pad (4) until upper arm post locks firmly into place.

3. Removing the armrest

- a. pull lever 3 and lift entire arm.

4. Replacing Armrest

- a. slide armrest back into receiver until arm latches in place.

Armrest Receiver Attachment

(Fig. 4.34 - 4.37).

Adjusting Armrest Receiver Fit

To tighten or loosen the fit of the outer armrest in the receiver:

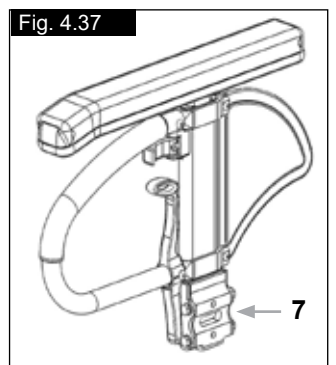
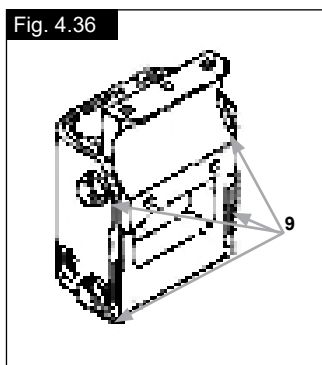
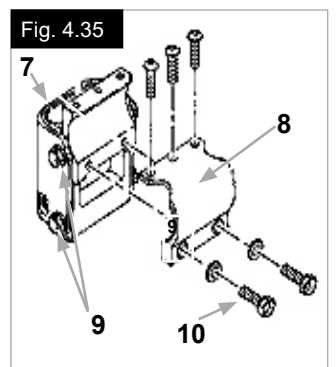
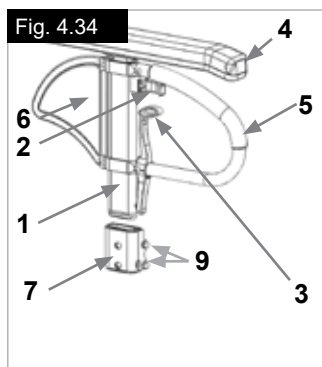
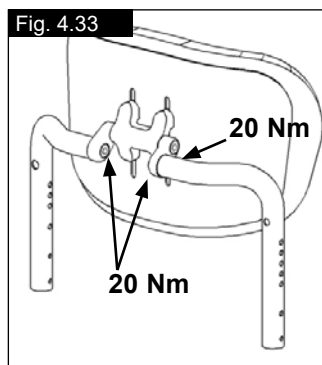
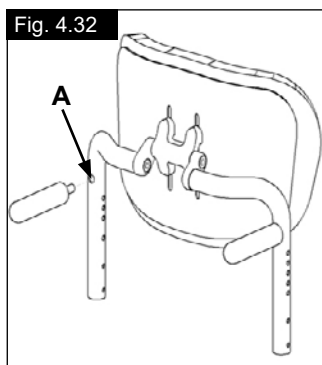
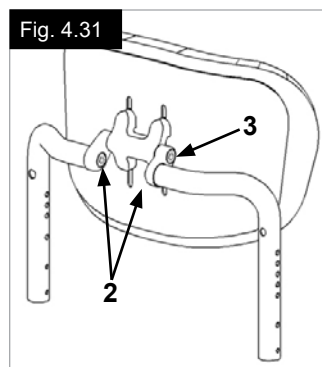
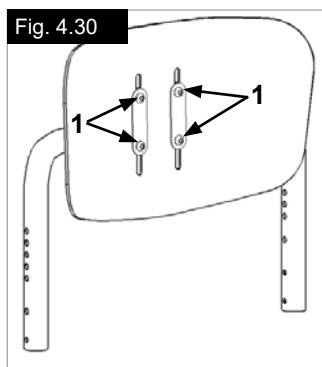
1. Loosen the four receiver adjustment bolts (9) on the sides of the receiver.
2. With the armrest in the receiver (7), squeeze the receiver to achieve the desired fit.
3. Tighten the four bolts (9). (16.3 Nm)

Position Adjustment

1. Loosen the two clamp bolts (10) until clamp is loose.
2. Slide armrest receiver to desired position.
3. Tighten

Fig. 4.34 - 4.37 Parts key

1. Outer armrest	6. Sideguard
2. Height Release Lever	7. Receiver
3. Release lever	8. Clamp
4. Armrest Pad	9. Receiver adjustment bolts
5. Transfer bar	10. Clamp bolts



Central support

Installation: Slide the arm post into the receiver, located on the wheelchair frame, until it stops

Height adjustment:

Slide the armrest post out of the receiver.

Adjust the position of the height adjustment bracket (1) by removing the screw (2) and moving it to the desired position. Re-fit the screw and tighten it.

Slide the arm rest post back into the receiver, (Fig. 4.37.1).

Armpad Position:

The armpad position can be adjusted by releasing the screws (3), then moving the arm pad to the desired position. Re-tighten the screws, (Fig. 4.37.1).

Adjusting Armrest Receiver

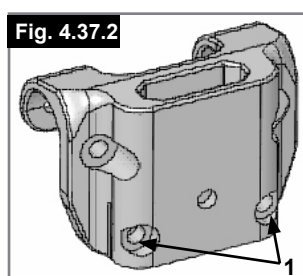
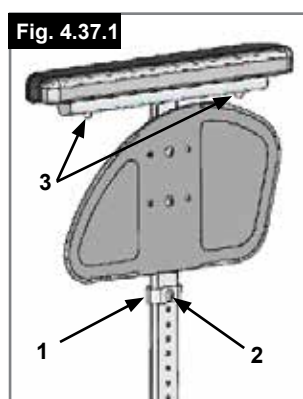
The tightness of the armrest receiver can be adjusted (tightened /loosened) by means of the 2 screws (1) - (Fig. 4.37.2).

WARNING!

Always make sure that the armrests are properly locked after height-adjustments.

WARNING!

Do not use the armrest to push up or for transfers.



Push handle

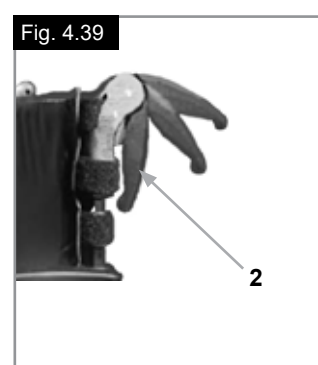
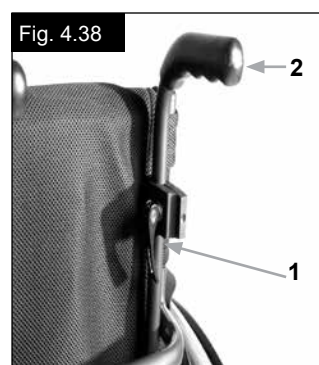
Height-adjustable push handles

These handles are secured with pins to prevent them from sliding out unintentionally. Opening the quick-release lever (1) makes it possible to adjust the height of the push handles (2) to meet your individual needs. As you move the lever, you will hear a locking mechanism; you may now easily position the push handle as desired. The nut on the tension lever determines how tightly the push handles are clamped into place. If the nut is loose after adjusting the tension lever, the push handle will also be too loose. Turn the push handle from side to side before use to make sure that it is clamped securely enough into place. After adjusting handle height, always clamp the tension lever (1) securely into place. If the lever is not secure, injuries could result when ascending stairs. (Fig. 4.38).

NOTE – If the height-adjustable push handles are not fitted properly, there is a risk that these will develop "play" or that they move out of position. Please make sure that the relevant screws are tightened correctly.

Folding push-handles

If the push handles are not in use, they can be folded down by depressing the button (2). When they are needed again, simply flip them back up until they click into place. (Fig. 4.39).



Anti-tip tubes

WARNING!

Sunrise Medical recommends anti-tip tubes for all chairs. When fitting anti-tip tubes, use a torque of 7 Nm.

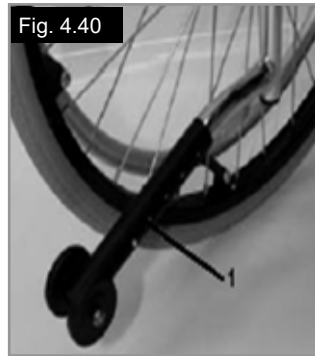
1. Slotting the anti-tip tubes into the clamp:

- press the rear button on the anti-tip tube on the anti-tip tube adaptor, so that both release pins are drawn inwards.
- slot the anti-tip tubes (1) into the anti-tip tube adapter.
- turn the anti-tip tubes downwards until the release pin locks into the clamp.
- fit the second anti-tip tube in the same way.

2. Adjusting Anti-Tip Tubes

To achieve the correct ground clearance of approx. 1" to 2" (25 mm to 50 mm), the anti-tip tubes must be raised or lowered.

Press the anti-tip tube release button, so that both release pins are drawn inwards. Move the inner tube up or down to slot into the height holes provided. Release the button. Fit the second anti-tip tube in the same way. Both wheels should be at the same height. (Fig. 4.40).



DANGER!

Sunrise Medical Recommends Use Of Anti-Tip Tubes:
If the anti-tip tubes are not fitted, or have been fitted incorrectly, there is a risk of tipping over and of injury.

Active Anti-Tip tube/Flip Up

The active anti-tip tube is mounted on the left or right side of the axle tube. By pushing it towards the axle tube, it can be flipped downwards for operation, (Fig. 4.40.1).

WARNING!

Make sure that the anti-tip tube will lock in the final position. An unlocked active anti-tip tube can lead to serious injury of the user.



Active Anti-Tip tubes For Sport

To remove the active anti-tip tubes for sport, press the button of the quick release pin and pull it out. Now pull out the tube from the anti-tip receiver, (4.40.2 - 4.40.3).

Fig. 4.40.2



Fig. 4.40.3



Crutch Holder

Crutch Holder

This device permits crutches to be transported directly on a wheelchair. It has a Velcro loop to fasten crutches or other aids.

CAUTION!

Never try to use or even remove the crutches or other aids while moving.

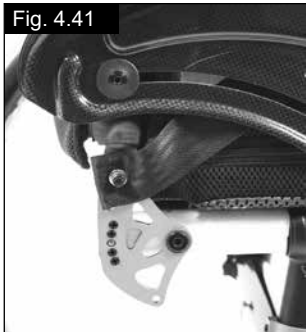
Pelvic Restraint Belt

DANGER!



- Before using your wheelchair ensure the lap belt is worn.
- The lap belt must be checked on a daily basis to ensure it is free from any obstruction or adverse wear.
- Always make sure that the lap strap is correctly secured and adjusted prior to use. If the strap is too loose it could cause the user to slip down and risk suffocation or cause serious injury.

The lap belt is fitted to the wheelchair as shown in the illustrations. The seat belt comprises 2 halves. They are fitted using the existing seat stay retaining bolt fitted through the eyelet on the belt. The belt is routed under the rear of the side panel. (Fig. 4.41)

Adjust the belt position so buckles are in the centre of the seat. (Fig. 4.42)

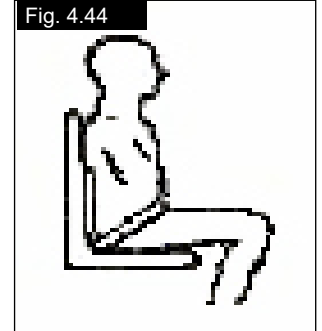


Adjust lap belt to suit the user's needs as follows:

To reduce the belt length	To increase the belt length
	
<p>Feed free belt back through male buckle and slide adjusters. Ensure belt is not looped at male buckle.</p>	<p>Feed free belt through side adjusters and male buckle to provide more belt length.</p>

When fastened check space between the pelvic restraint belt and user. When correctly adjusted it should not be possible to insert more than the flat of the hand between the lap belt and the user. (Fig. 4.43)

The lap belt should be fixed so that the belt sits at an angle of 45 degrees across the user's pelvis. The user should be upright and be as far back as possible in the seat when correctly adjusted. The lap belt should not allow the user to slip down in the seat. (Fig. 4.44)



To fasten buckle:
Firmly push male buckle into female buckle.

To release belt:
Press exposed sides of male buckle and push towards centre whilst gently pulling apart.

WARNING!

- If in doubt about the use and operation of the lap belt then ask your healthcare professional, wheelchair dealer, carer or attendant for assistance.
- If you want to retrofit a lap belt, then please contact your authorised Sunrise Medical dealer.
- The lap belt must be checked on a daily basis to ensure it is adjusted correctly and free from any obstruction or adverse wear.
- Sunrise Medical does not encourage the transportation of any person in a vehicle using this lap belt as a method of restraint.



Please see Sunrise Medical transit booklet for further advice on transportation.

Maintenance:

Check lap belt and securing components at regular intervals for any sign of fraying or damage. Replace if necessary.

WARNING

The lap belt should be adjusted to suit the end user as detailed above. Sunrise Medical recommends that the length and fit of the belt be checked on a regular basis to reduce the risk of the end user inadvertently re-adjusting the belt to an excessive length.

5.0 Tyres and Mounting

Solid rubber tyres are standard.

With pneumatic tyres always make sure that the tyres have the correct air pressure, as otherwise the performance of the wheelchair may be affected. If the tyre pressure is too low, rolling resistance will increase, requiring more effort to move the chair forward. Low tyre pressure also has a negative impact on manoeuvrability. If the tyre pressure is too high, the tyre could burst. The correct pressure for a given tyre is printed on the surface of the tyre itself.

Tyres can be mounted the same way as an ordinary bicycle tyre. Before installing a new inner tube, you should always make sure that the base of the rim and the interior of the tyre are free of foreign objects and that the rim-strip covers all holes. Check the pressure after mounting or repairing a tyre.

It is critical to your safety and to the wheelchair's performance that regulation air pressure be maintained and that tyres are in good condition.

6.0 Maintenance and care

- Check the tyre pressure every 4 weeks. Check all tyres for wear and damage.
- Check the brakes approximately every 4 weeks to make sure that they are working properly and are easy to use.
- Change tyres as you would an ordinary bicycle tyre.
- All of the joints that are critical to using your wheelchair safely are self-locking nuts. Please check every three months to make sure that all bolts are secure (see the section on torque). Safety nuts should only be used once and should be replaced after use.
- Please use only mild household cleansers when your wheelchair is dirty. Use only soap and water when cleaning the seat upholstery.
- You should only use genuine parts approved by Sunrise Medical. Do not use parts from other manufacturers, that have not been by authorised by Sunrise Medical.
- If your wheelchair should ever get wet, please dry it afterwards.
- A small amount of sewing-machine oil should be applied to quick-release axles approximately every 8 weeks. Depending on the frequency and type of use, we recommend taking your wheelchair to your authorised dealer every 6 months to have it inspected by trained personnel.
- If you want to store the wheelchair for a long period of time, then no further measures are required. Make sure that the wheelchair is stored at room temperature in a dry place which is protected from strong sunlight. Before using it again, the wheelchair should be checked by an authorised dealer.

CAUTION!

Sand and sea water (or salt in the winter) can damage the bearings of the front and rear wheels. Clean the wheelchair thoroughly after exposure.

The following parts can be removed and sent back to the manufacturer/dealer for repair:

- Rear wheels
- Armrest
- Anti-Tip tubes

These components are available as spare parts. For further information, please see the spare parts catalogue.

Hygiene measures when being re-used:

Prior to the wheelchair being re-used, it must be carefully prepared. All surfaces which come into contact with the user must be treated with a disinfection spray.

To do this, you must use a disinfectant as authorised/recommended in your country, for rapid alcohol-based disinfection for medical products and medical devices, which must be disinfected quickly.

Please be aware of the manufacturer's instructions for the disinfectant you are using.

In general, a complete disinfection cannot be guaranteed on seams. We therefore recommend that you dispose of seat and back slings to avoid micro-bacterial contamination with active agents according to your local infection protection law.

CAUTION!

- Excessive use of chemical or use of incorrect chemicals can lead to corrosion or degradation of materials used
- Body-fluids can lead to corrosion or degradation of materials used. Make sure to clean and disinfect all parts of the wheelchair after contact with body-fluids.

7.0 Disposal / Recycling of Materials

If the wheelchair has been made available to you free of charge, then it does not belong to you. If it is no longer required, then follow the instructions to return it as given by the organisation that made the wheelchair available to you. In the following section, there is a description of the materials used on the wheelchair, in view of the disposal or recycling of the wheelchair and its packaging.

Particular regulations with regard to disposal or recycling may be in force locally and these must be taken into account when performing disposal. (This can include the cleaning or decontamination of the wheelchair prior to disposal).

Aluminium: Castor forks, wheels, sideguards for the chassis, armrest frame, footrest, push handles

Steel: Fixing points, quick-release axle

Plastic: Handgrips, tube plugs, castor wheels, footplates, armpads and 12" wheel/tyre

Packaging: Plastic bags made of soft polyethylene, cardboard

Upholstery: Woven polyester with PVC coatings and expanded combustion modified foam.

Disposal or recycling should be done through a licensed agent or authorised place of disposal. Alternatively your wheelchair may be returned to your dealer for disposal.

Battery for LED Lights: Lithium Ion battery (hazardous product)

Electrical and electronic equipment need to be disposed of separately to general household waste at specific state-provided locations. The correct disposal and separate collection of used appliances serves to prevent potential damage to health and the environment. It is a requirement for the re-utilisation and recycling of used electrical and electronic equipment. Detailed information on the disposal of your used equipment can be obtained from your local authority, your waste disposal service, the specialist dealer from which you purchased the product, or your sales contact.



8.0 Trouble-shooting

Wheelchair pulls to one side

- Check tyre pressure
- Check to make sure wheel turns easily (bearings, axle)
- Check the castor angle
- Check to make sure both castors are making proper contact with the ground.

Castors begin to wobble

- Check the castor angle
- Check to make sure all bolts are secure; tighten if necessary (see the section on torque)
- Check to make sure both castors are making proper contact with the ground.

Wheelchair / Cross-tube assembly does not snap into position in the seat saddle

- Chair is still new, i.e., the seat or backrest upholstery is still very stiff. This will improve with time.

Wheelchair is difficult to fold up:

- Adjustable backrest upholstery is too stiff. Loosen it accordingly.

Wheelchair squeaks and rattles

- Check to make sure all bolts are secure; tighten if necessary (see the section on torque)
- Apply small amount of lubrication to spots where movable parts come into contact with one another

Wheelchair begins to wobble

- Check angle at which castors are set
- Check tyre pressure
- Check to see if rear wheels are adjusted differently.

9.0 Transportation

DANGER!

There is a risk of serious injury or death if this advice is ignored!

Transportation of your wheelchair within a vehicle:

A wheelchair secured in a vehicle will not provide the equivalent level of safety and security as a vehicle seating system. We recommend that the user transfers to the vehicle seating. It is recognised that this is not always practical for the user to be transferred and in these circumstances where the user must be transported whilst in the wheelchair the following advice should be followed:

DANGER!

- Confirm that your chair is crashtest suitable (see nameplate or crashtest bracket at the rear of the chair (Fig. I))
- Confirm that the vehicle is suitably equipped to transport a passenger in a wheelchair, and ensure the method of access/egress is suitable for your wheelchair type. The vehicle should have the floor strength to take the combined weight of the user, the wheelchair and accessories.
- Sufficient space should be available around the wheelchair to enable clear access to attach, tighten and release the wheelchair and occupant tie down restraints and safety belts.
- The occupied wheelchair must be located in a forward facing position and secured by the wheelchair tie down and occupant restraint straps (WTORS tie downs meeting the requirements of ISO 10542 Part 2 or SAE J2249) in accordance with the WTORS manufacturer's instructions.
- The wheelchair's use in other positions within a vehicle has not been tested e.g. transportation in a side facing position must not be carried out under any circumstances (Fig. A).
- The wheelchair should be secured by a Tie Down Restraint system, conforming to ISO 10542 or SAE J2249 with non-adjustable front straps and adjustable rear straps, which typically use Karabiner clips/S hooks and tongue and buckle fittings. These restraints generally comprise of 4 individual straps that are attached to each corner of the wheelchair.

- The tie-down restraints should be fitted to the main frame of the wheelchair as indicated in the diagram on the following page, and not to any attachments or accessories, e.g. not around the spokes of wheels, brakes or footrests.
- The tie-down restraints should be attached as close as possible at an angle of 45 degrees and tightened securely in accordance with the manufacturer's instructions.
- Alterations or substitutions must not be made to the wheelchair tie down points or to structural and frame or components without consulting the manufacturer. Failure to do so will invalidate the ability of a Sunrise Medical wheelchair to be transported within a vehicle.
- Both pelvic and upper torso restraint belts must be used to restrain the occupant to reduce the possibility of head and chest impacts with the vehicle components and serious risk of injury to the user and other vehicle occupants. (Fig. B) The upper torso restraint belt should be mounted to the vehicle "B" pillar - failure to do so will increase the risk of serious abdominal injuries to the user.
- A head restraint suitable for transportation (see label on headrest) must be fitted and suitably positioned at all times during transportation.
- Postural supports (lap straps, lap belts) should not be used or relied on for occupant restraint in a moving vehicle unless they are labelled as meeting the requirements specified in ISO 7176-19 or SAE J2249.
- The safety of the user during transportation depends upon the diligence of the person securing the tie-down restraints and they should have received appropriate instructions and/or training in their use.
- Wherever possible remove and stow safely away from the wheelchair all auxiliary equipment, for example:
 - Crutches, Loose cushions and Tray Tables.
 - Articulating/elevating legrest should not be used in the elevated position when the wheelchair and user are being transported and the wheelchair is restrained using Wheelchair Transport and Occupant Restraints.
 - Reclining backrests should be returned to an upright position.
 - The manual brakes must be firmly applied.
- Restraints should be mounted to the vehicle "B" pillar and should not be held away from the body by wheelchair components such as armrest or wheels.

Fig. A

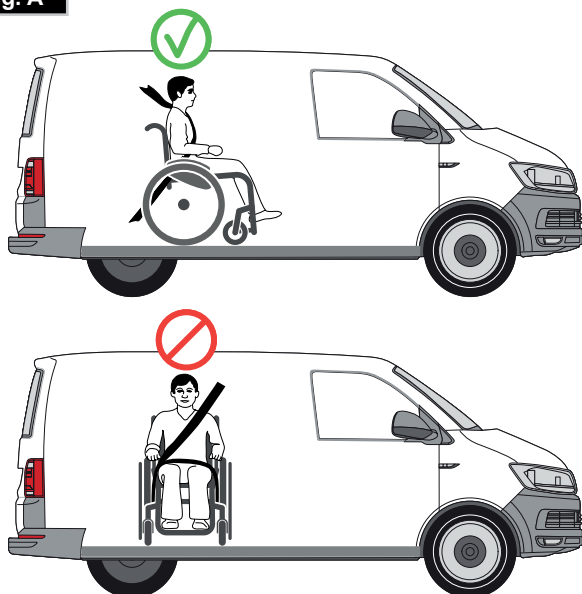
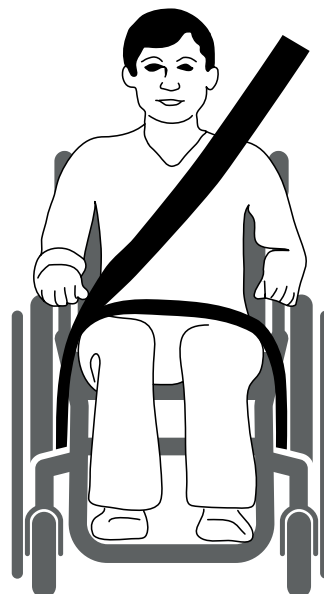


Fig. B



Occupant Restraints Instruction:

1. The pelvic restraint belt must be worn low across the front of the pelvis so that the angle of the pelvic belt is within the preferred zone of 30 to 75 degrees to the horizontal. A steeper (greater) angle within the preferred zone is desirable i.e. closer to, but never exceeding 75°. (Fig. C)

2. The upper torso restraint belt must fit over the shoulder and across the chest as illustrated Fig. D and E.

Restraint belts must be adjusted as tightly as possible consistent with user comfort.

Restraint belt webbing must not be twisted when in use.

The upper torso restraint belt must fit over the shoulder and across the shoulder as illustrated in Fig. D and E.

3. The attachment points to the chair are the inner front side frame just above the castor, and the rear side frame. The straps are fitted around the side frames at the intersection of the horizontal and vertical frame tubes. (See Figs G-H-I)

4. The tie down symbol (Fig. F) on the wheelchair frame indicates the position of the wheelchair restraint straps. The straps are then tensioned after the front straps have been fitted to secure the wheelchair.

USER WEIGHT LESS THAN 22 kg

When the user being transported is a child, less than 22 kg mass and the vehicle involved has less than eight (8) seated passengers it is recommended that they be transferred to an UNCE Regulation 44 compliant child restraint system (CRS).

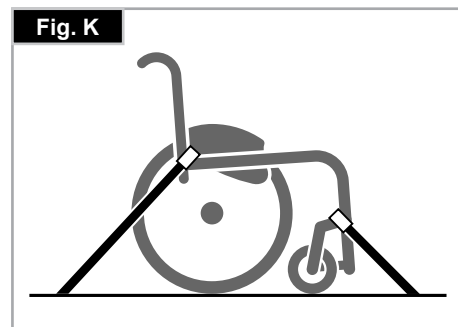
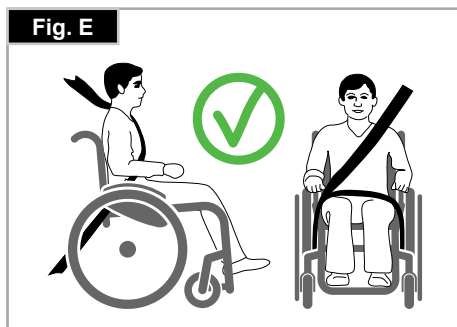
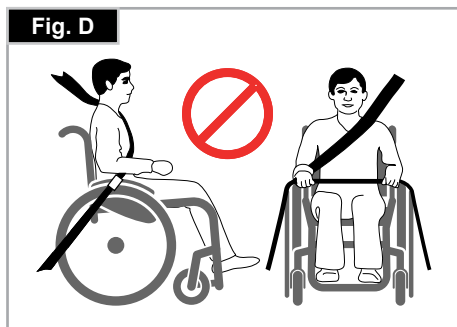
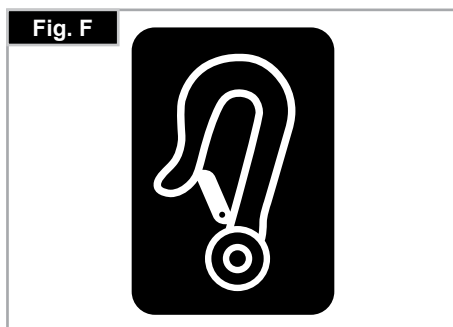
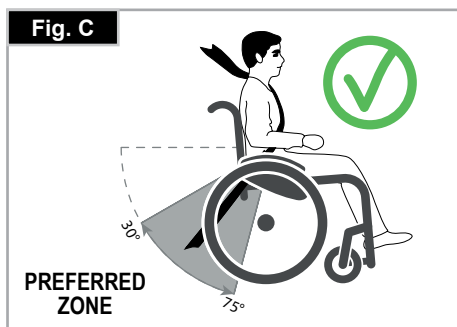
This type of restraint system provides a more effective occupant restraint system than the conventional 3 point occupant restraint system and some CRS systems also include additional postural supports to assist in maintaining the position of the child when seated.

Parents or care providers may consider the option, in some circumstances, for their child is to remain in their wheelchair whilst in transport due to the level of posture control and comfort provided by the set up in the wheelchair.

We would recommend in such circumstances that a risk assessment be carried out by your attendant and relevant competent persons.

Positioning of wheelchair tie down restraints on wheelchair:

1. Location of the front and rear tie down labels (Fig. G - H).
2. Position of the front, (Fig. I) and rear, (Fig. J), wheelchair tie down restraint and the tie down label.
3. Side view of tie down straps, (Fig. K).



10.0 Nameplate

Name Plate

The nameplate is located on either the cross-tube assembly or the transverse frame tube, as well as on a label in the owner's manual. The nameplate indicates the exact model designation and other technical specifications. Please provide the following pieces of information whenever you have to order replacement parts or to file a claim:

- Serial number
- Order number
- Month/Year

SAMPLE

	Sunrise Medical GmbH Kahlbachring 2-4 D-69254 Malsch / Germany		2021-05-03
TYPE: Rollstuhl		SN	203211733451915
Nitrum		ISO 7176-19:2008	
 125 kg	 max 10°	 420 mm	 460 mm
		MD	

	Sunrise Medical GmbH Kahlbachring 2-4 D-69254 Malsch / Germany		2021-05-03
TYPE: Rollstuhl		SN	203211733451912
Nitrum Hybrid		ISO 7176-19:2008	
 140 kg	 max 10°	 420 mm	 440 mm
		MD	

UK	RP	Sunrise Medical Limited Thorns Road, Brierley Hill West Midlands, DY5 2LD UNITED KINGDOM
-----------	-----------	---

TYPE:	Product Name/SKU Number.
	Maximum safe slope with anti-tip tubes fitted, Depends on wheelchair setting, posture and physical capabilities of the user.
	Seat width.
	Seat depth.
	Load Maximum.
	UKCA Mark.
	CE Mark.
	Consult instructions for use.
	Date of manufacture.
	Serial number.
	This symbol means Medical Device.
	Manufacturer's address.
	Crash tested according to ISO 7176-19:2008.
	Importer's address
	UK Responsible Person
	Swiss Representative's address



ISO 7010-M002
Instruction manual/booklet must be read! (Blue Icon)

11.0 Warranty

THIS GUARANTEE DOES NOT AFFECT YOUR LEGAL RIGHTS IN ANY WAY.

Sunrise Medical* provides a guarantee, as set out in the warranty conditions, for wheelchairs to its customers covering the following.

Warranty conditions:

1. Should a part or parts of the wheelchair require repair or replacement as a result of a manufacturing and/or material fault within 24 months or for frame and cross-braces within 5 years after delivery to the customer, then the affected part or parts will be repaired or replaced free of charge. The warranty will only cover manufacturing defects
2. To enforce the warranty, please contact the supplier of your wheelchair – e.g. the Sunrise Medical Approved dealership or Healthcare provider with the exact details of the nature of the difficulty. Should you be using the wheelchair outside the area covered by the Sunrise Medical customer service agent, repairs or replacement will be carried out by another agency as designated by the manufacturer. The wheelchair must be repaired by a Sunrise Medical designated Customer Service agent, (dealer).
3. For parts, which have been repaired or exchanged within the scope of this warranty, we provide a warranty in accordance with these warranty conditions for the remaining warranty period for the wheelchair in accordance with point 1).
4. For original spare parts which have been fitted at the customer's expense, these will have a 12 months guarantee, (following the fitting), in accordance with these warranty conditions.
5. Claims from this warranty shall not arise, if a repair or replacement of a wheelchair or a part is required for the following reasons:
 - a. Normal wear and tear, which include batteries, armrest pads, upholstery, tyres, brakes shoes, etc.
 - b. Any overloading of the product, please check the EC label for maximum user weight.
 - c. The product or part has not been maintained or serviced in accordance with the manufacturer's recommendations as shown in the user instructions and/or the service instructions.
 - d. Accessories have been used which are not specified as original accessories.
 - e. The wheelchair or part having been damaged by neglect, accident or improper use.
 - f. Changes/modifications have been made to the wheelchair or parts, which deviate from the manufacturer's specifications.
 - g. Repairs have been carried out, before our Customer Service has been informed of the circumstances.
6. This guarantee is subject to the law of the country in which the product was purchased from Sunrise Medical*

* Means the Sunrise Medical facility from which the product was purchased.

Additional Notes For Australia Only:

- i. For goods provided by Sunrise medical Pty Ltd in Australia, our goods come with a guarantee by Sunrise Medical that cannot be excluded under Australian Consumer Law.
- ii. You are entitled to a replacement or refund for a major failure and for compensation for any foreseeable loss or damage.
- iii. You are also entitled to have the goods repaired or replaced if the goods fail to be of acceptable quality and the failure does not amount to a major failure.
- iv. The benefits to you given by this warranty are in addition to your other rights and remedies under a law in relation to the goods to which the warranty relates.

12.0 Technical Data

Total width:

With 25" standard wheels, incl. handrims with 6° camber: SW + 300 mm

Overall length: 930 mm with SD 500

Total height: 950 mm with BH 450

Weight in kg: from 6.5 kg

Maximum load:

Nitrum 125 kg (140kg with optional Hybrid frame).

Seat heights:

The choice of frames, forks and castors, as well as the rear wheel size (24", 25") determines the seat heights which can be achieved.

Norm		Min.	Max.	Norm		Min.	Max.
	Overall length with footrest	770 mm	930 mm		Seat surface angle	0°	16°
	Overall Width	490 mm	860 mm		Effective seat depth	340 mm	500 mm
	Folded length	N/A	N/A		Effective seat width	320 mm	500 mm
	Folded width	N/A	N/A		Seat surface height at front edge	430 mm	570 mm
	Folded Height	N/A	N/A		Backrest angle	59°	105°
	Total Mass	6.5 kg	13.0 kg		Backrest height	250 mm	450 mm
	Slope for the use of the wheel locks	0°	7°		Turning radius		700 mm
	Mass of the heaviest part	-	2.1 kg with 24" rear wheel *		Distance from the footrest to the seat	220 mm	520 mm
	Static stability downhill	10°	10°		Angle from leg to seat	88°	100°
	Static stability uphill with anti-tip tubes	10°	10°		Distance from the armrest to the seat	N/A	N/A
	Static stability sideways	10°	10°		Front location of armrest structure	N/A	N/A
	Dynamic stability - uphill power consumption	N/A	N/A		Handrim diameter	540 mm	567 mm
	Overcoming obstacles	N/A	N/A		Horizontal location of axle	+ 104 mm	+ 20 mm

*Standard wheel with stainless steel handrim

The wheelchair conforms to the following standards:

a) Requirements and tests for static strength, impact resistance and fatigue strength (ISO 7176-8)	Yes.
b) Drive and control systems for power wheelchairs, requirements and test (ISO 7176-14)	n.a.
c) Environmental test in accordance with ISO 7176-9	n.a.
d) Flammability resistance of upholstered parts in accordance with ISO 7176-16 (EN 1021-1/2)	Yes.

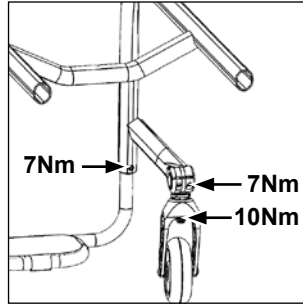
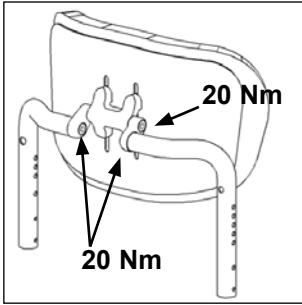
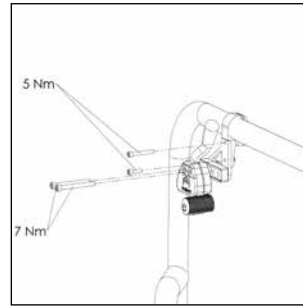
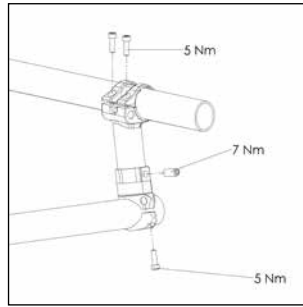
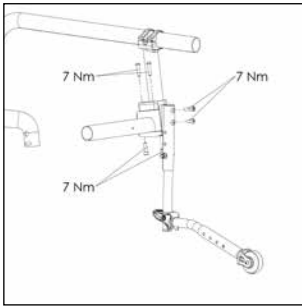
Technical Data >>>

Castor	Fork	Frame Type	Front seat height in mm	Rear seat height in mm
3" (76.2 mm)	98 mm x 32 mm	low	430	430 - 300
			440	440 - 310
			450	450 - 320
		high	470	470 - 340
			480	480 - 350
			490	490 - 360
	111 mm x 32 mm	low	440	440 - 310
			450	450 - 320
			460	460 - 330
		high	480	480 - 350
			490	490 - 360
			500	500 - 370
4" (101.6 mm)	98 mm x 32 mm	low	440	440 - 310
			450	450 - 320
			460	460 - 330
		high	480	480 - 350
			490	490 - 360
			500	500 - 370
	111 mm x 32 mm	low	450	450 - 320
			460	460 - 330
			470	470 - 340
		high	490	490 - 360
			500	500 - 370
			510	510 - 380
	111 mm x 45 mm	low	450	450 - 320
			460	460 - 330
			470	470 - 340
		high	490	490 - 360
			500	500 - 370
			510	510 - 380
	123 mm x 45 mm	low	450	450 - 320
			460	460 - 330
			470	470 - 340
			480	480 - 350
		high	490	490 - 360
			500	500 - 370
510			510 - 380	
520			520 - 370	

Technical Data ...

Castor	Fork	Frame Type	Front seat height in mm	Rear seat height in mm
5" (127 mm)	98 mm x 32 mm	low	460	460 - 330
			470	470 - 340
		high	500	500 - 370
			510	510 - 380
	111 mm x 32 mm	low	460	460 - 330
			470	470 - 340
			480	480 - 350
		high	500	500 - 370
			510	510 - 380
			520	520 - 390
	111 mm x 45 mm	low	470	470 - 340
			480	480 - 350
		high	510	510 - 380
			520	520 - 390
	123 mm x 45 mm	low	470	470 - 340
			480	480 - 350
			490	490 - 360
			500	500 - 370
		high	510	510 - 380
			520	520 - 390
530			530 - 400	
540			540 - 410	
6" (152.4 mm)	123 mm x 45 mm	low	500	500 - 370
			510	510 - 380
		high	540	540 - 410
			550	550 - 420

13.0 Torque



Torque.

NOTE: Wherever torque settings are specified, it is strongly recommended that a torque meter (not included), is used to verify correct torque specification is achieved.

If no other information is given, the generic torque for M6 screws is 7 Nm.

CAUTION: Some of the screws that are used during manufacture are fitted with threadlock, (blue dot on the thread) and can be undone and re-tightened up to three times before they must be replaced with new screws and threadlock. Alternatively, you can put Loctite™ 243 threadlock on the screws and re-fit them.

Sommaire

Sommaire	33
Définitions	33
Avant-propos	34
Utilisation	35
Entreposage	35
Champ d'application.	35
1.0 Consignes générales de sécurité et limites de conduite	36
2.0 Manipulation	38
3.0 Transport du fauteuil	38
4.0 Options	38
Leviers de basculement	38
Freins	38
Freins	39
Mécanisme de suspension	40
Réglage du support d'axe pour handbike	41
Réglage du centre de gravité du Nitrum	42
Réglage du centre de gravité du Nitrum Hybrid	42
Réglage de la palette	43
Siège	43
Roues avant	44
Alignement des roues	45
Dossier	45
Protège-vêtements	48
Poignée de poussée	49
Roulettes anti-basculé	50
Porte-canne	50
Ceinture pelvienne	51
5.0 Pneus et montage des pneus	52
6.0 Maintenance et entretien	52
7.0 Mise au rebut / Recyclage des matériaux	53
8.0 Dépannage	53
9.0 Transport	54
10.0 Plaque signalétique	56
11.0 Garantie	57
12.0 Caractéristiques techniques	58
13.0 Couple réel	61





REMARQUE :

Il est possible que les fauteuils illustrés et décrits dans le présent manuel ne soient pas complètement identiques au modèle que vous avez acheté. Toutefois, toutes les instructions fournies dans le présent manuel sont valables pour votre matériel, malgré d'éventuelles différences minimales.

Le fabricant se réserve le droit de modifier sans préavis les poids, mesures et autres données techniques indiquées dans le présent manuel. Tous les chiffres, dimensions et capacités indiqués dans ce manuel sont approximatifs et ne constituent pas des caractéristiques.

Définitions

Définitions des termes employés dans le manuel

Terme	Définition
 DANGER !	Indication d'un risque potentiel de blessures sérieuses ou de mort en cas de non-respect des consignes
 AVERTISSEMENT !	Indication d'un risque de blessure en cas de non-respect des consignes
 ATTENTION !	Indication que le matériel peut être endommagé si le conseil fourni n'est pas suivi
REMARQUE :	Conseil d'ordre général ou pratique recommandée
	Référence faite à d'autres manuels

REMARQUE :

Il vous est conseillé de noter dans l'encadré prévu ci-dessous les coordonnées du technicien chargé de votre service après-vente.

En cas de panne, contactez-le en lui donnant le plus d'informations possible sur la nature de la panne pour qu'il puisse vous aider efficacement et rapidement.

Tampon et signature du revendeur



FR

Avant-propos

Chère cliente, cher client,

Vous avez choisi un produit de SUNRISE MEDICAL de grande qualité. Nous nous en réjouissons.

Ce manuel d'utilisation vous fournira de nombreux conseils et suggestions de sorte que votre produit deviendra pour vous un partenaire familier digne de confiance.

Pour Sunrise Medical, être proche de nos clients est une priorité. C'est pourquoi, nous tenons à vous informer de toutes nos nouveautés, actuelles et à venir. Être proche de nos clients signifie, assurer un service rapide, avec le moins de formalités administratives possible et entretenir une bonne relation avec eux. Que vous souhaitiez commander des pièces de rechange ou des accessoires, ou encore poser des questions concernant votre fauteuil, nous sommes à votre service.

Notre objectif est que vous soyez satisfait de nos services. Chez Sunrise Medical, nous travaillons en permanence au développement de nos produits. Ainsi, des modifications quant à la forme, à la technique et à l'équipement peuvent être apportées à notre gamme de produits. Aucune réclamation ne pourra donc être adressée au sujet des informations et illustrations de ce manuel d'utilisation.

Le système de gestion de SUNRISE MEDICAL est certifié EN ISO 13485 und ISO 14001.

 **En sa qualité de fabricant, SUNRISE MEDICAL, déclare que ce fauteuil est conforme au règlement relatif aux dispositifs médicaux (2017/745).**

REMARQUE :

Conseil d'utilisation générale.

Le non-respect des présentes instructions peut causer des blessures physiques, l'endommagement du matériel ou la dégradation de l'environnement.

Avis à l'utilisateur et/ou au patient : Tout incident grave en rapport avec le dispositif doit être signalé au fabricant et aux autorités compétentes de l'État membre dans lequel réside l'utilisateur et/ou le patient.

Adaptations spéciales pour B4Me

Afin de vous assurer que votre produit B4Me fonctionne de manière performante comme prévu par le fabricant, Sunrise Medical vous recommande vivement de lire et de comprendre toutes les informations utilisateur fournies avec votre produit B4Me avant de l'utiliser pour la première fois.

Sunrise Medical recommande également que les informations utilisateur ne soient pas jetées après leur lecture, mais qu'elles soient conservées en toute sécurité afin d'être consultées ultérieurement.

Combinaison de dispositifs médicaux

Il est possible de combiner le présent dispositif médical avec un ou plusieurs autres dispositifs ou produits. Vous trouverez toutes les informations utiles sur les combinaisons possibles sur www.sunrisemedical.fr. Toutes les combinaisons présentées ont été validées et sont conformes aux exigences générales en matière de sécurité et de performances énoncées dans annexe I No. 14.1 du règlement 2017/745 relatif aux dispositifs médicaux.

Vous trouverez des conseils sur la combinaison, relatifs par exemple au montage, sur www.sunrisemedical.fr

Adressez-vous à notre service après-vente SUNRISE MEDICAL, compétent et agréé, pour toute question concernant l'utilisation, la maintenance ou la sécurité de votre fauteuil roulant.

S'il n'y a aucun revendeur près de chez vous ou si vous avez des questions relatives à la sécurité des produits et des rappels de produits, contactez Sunrise Medical par écrit ou par téléphone, ou rendez-vous sur www.sunrisemedical.fr



IMPORTANT :

N'UTILISEZ PAS VOTRE FAUTEUIL AVANT D'AVOIR LU ET COMPRIS CE MANUEL.

Sunrise Medical S.A.S
ZAC de la Vrillonnerie
17 Rue Mickaël Faraday
37170 Chambray-Lès-Tours
Tel : +33 (0) 247554400
Fax : +30 (0) 247554403
www.sunrisemedical.fr

Utilisation

Les fauteuils roulants sont exclusivement destinés aux enfants et adultes dans l'incapacité de marcher ou à mobilité restreinte et pour leur propre usage, qu'ils soient capables de faire avancer leur fauteuil seuls ou qu'ils soient poussés par une tierce personne (un accompagnateur), à leur domicile et à l'extérieur.

La charge maximale (à savoir le poids de l'utilisateur et des accessoires éventuellement embarqués) est indiquée sur la plaque signalétique apposée sur le tube d'axe, sous le siège.

La garantie n'est valable que si le produit est utilisé dans les conditions spécifiées et pour l'usage pour lequel il est prévu. La durée de vie anticipée de ce produit est de 5 années. N'utilisez ET n'installez aucun composant tiers sur le fauteuil, à moins qu'ils n'aient été formellement approuvés par Sunrise Medical.

Entreposage

- Entrez votre fauteuil à l'intérieur, dans un endroit sec et frais.
- Pendant la durée d'entreposage, la température doit être comprise entre -20 °C et +65 °C.
- Humidité recommandée : 15% - 93%.
- Aucune restriction concernant la pression d'air.

Champ d'application.

Indications

De par la diversité des options de montage et sa conception modulaire, ce fauteuil convient pour les personnes dans l'incapacité de marcher ou à mobilité restreinte, suite à :

- Une paralysie
- La perte d'un membre (amputation de la jambe)
- Un problème/la difformité d'un membre
- Des contractures/blessures aux articulations
- Pour les maladies telles que les déficiences cardiaques et circulatoires, la perturbation de l'équilibre ou la cachexie, les profils de maladies neurologiques, la dystrophie musculaire, l'hémiplégie ainsi que pour les personnes âgées qui ont encore de la force dans le haut du corps.

Contre-indications

Le fauteuil roulant ne peut être utilisé sans accompagnateur dans les cas suivants :

- Trouble de la perception
- Déséquilibre
- Perte des deux bras, sans le soutien d'un soignant
- Contracture articulaire ou dommages articulaires au niveau des deux bras
- Incapacité à s'asseoir

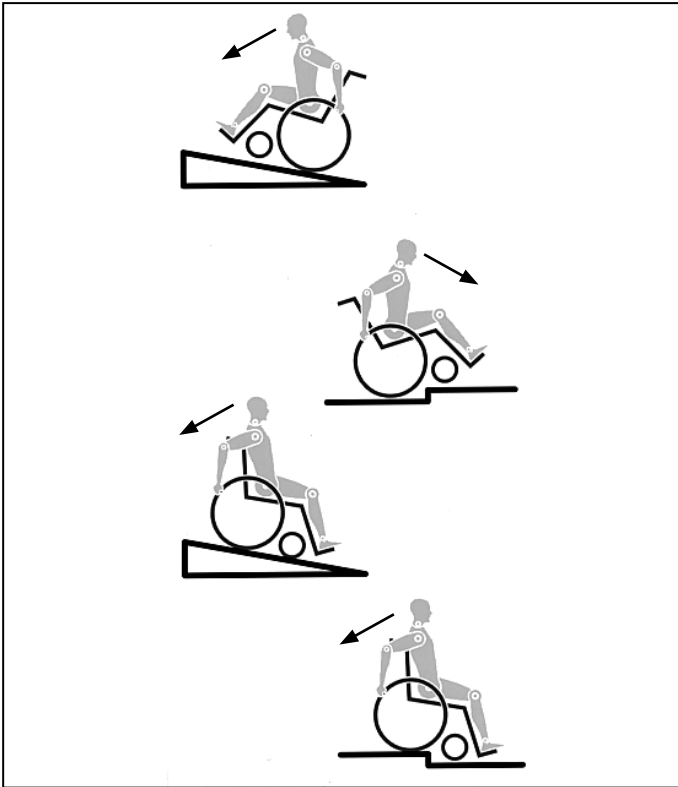
Sélectionner le bon fauteuil nécessite de prendre en compte des éléments tels que la taille de l'utilisateur, son poids, sa constitution physique et psychologique, son âge, son mode de vie et son environnement.

REMARQUE :

Il convient de noter que l'utilisation d'un fauteuil roulant exige un certain degré de capacités cognitives, physiques et visuelles. L'utilisateur doit être en mesure d'évaluer les conséquences de ses actions pendant l'utilisation du fauteuil roulant et, si nécessaire, les corriger. Ces capacités et l'utilisation sécurisée de composants supplémentaires fixés au fauteuil roulant ne peuvent être évaluées par le fabricant, Sunrise Medical. Nous déclinons toute responsabilité pour tout dommage découlant d'une telle situation.

Veillez prendre connaissance des consignes d'utilisation relatives au fauteuil roulant et aux composants accessoires embarqués. Communiquez à l'utilisateur les informations utiles sur l'utilisation sécurisée du fauteuil roulant et des composants accessoires embarqués. Communiquez à l'utilisateur les avertissements spécifiques qu'il est important de connaître et de respecter.

1.0 Consignes générales de sécurité et limites de conduite



La conception et la construction du fauteuil sont réalisées pour garantir une sécurité maximale. A l'échelle internationale, toutes les exigences applicables en matière de normes de sécurité sont respectées, voire dépassées. Toutefois, l'utilisateur peut se mettre en situation de danger en utilisant son fauteuil de façon incorrecte. Pour votre sécurité, vous devrez impérativement respecter les consignes suivantes.

Les altérations ou réglages non professionnels ou erronés augmentent le risque d'accidents. En tant qu'utilisateur de fauteuil roulant, vous participez à la circulation publique, sur routes ou trottoirs. Vous êtes par conséquent tenu de respecter le code de la route.

Lors de votre première utilisation du fauteuil, roulez prudemment. Familiarisez-vous avec l'utilisation de votre nouveau fauteuil roulant. Avant chaque utilisation de votre fauteuil, contrôlez impérativement :

- Les axes à déverrouillage rapide des roues arrière
- Le Velcro du siège et du dossier
- Les pneus, la pression et les freins.

Avant de modifier un quelconque réglage, il est important de lire le paragraphe correspondant du présent manuel d'utilisation.

Des nids de poule ou un sol irrégulier peuvent faire basculer le fauteuil roulant lors de la montée ou de la descente des pentes. Si une marche ou une pente est abordée de face, le corps doit être incliné vers l'avant.



- Ne dépassez JAMAIS la charge maximale de 125 kg (140 kg avec l'option de châssis Hybride, 100 kg avec le support d'axe Handbike) combinée entre l'utilisateur et tout autre accessoire éventuellement embarqué. Veuillez noter les informations relatives au poids pour les options plus légères, lesquelles sont indiquées séparément. Toute charge supérieure pourrait endommager le fauteuil ou vous faire basculer, perdre le contrôle et entraîner de graves blessures pour vous et toute autre personne.
- Dans la pénombre, portez des vêtements clairs ou réfléchissants de sorte à être vu par les autres usagers de la route. Veillez à ce que les réflecteurs latéraux et arrière du fauteuil restent bien visibles. Il est également recommandé d'installer une lumière.
- Pour éviter les chutes et situations dangereuses, il est recommandé de vous entraîner et de vous familiariser avec votre nouveau fauteuil sur une surface plane offrant une bonne visibilité.

- Pour monter et descendre du fauteuil, ne prenez pas appui sur les palettes. Il convient au contraire de les rabattre et de les pivoter vers l'extérieur le plus possible. Placez-vous toujours le plus près possible de l'endroit où vous voulez vous asseoir.
- Utilisez toujours votre fauteuil de manière adéquate. Evitez par exemple de franchir des obstacles sans avoir préalablement ralenti (marche, bord de trottoir).
- Les freins d'immobilisation ne servent pas à ralentir le fauteuil. Ils empêchent votre fauteuil d'avancer involontairement. Quand vous vous tenez sur un terrain accidenté, utilisez impérativement vos freins d'immobilisation. Pensez toujours à actionner les deux freins simultanément, autrement votre fauteuil pourrait basculer.
- Changer le centre de gravité peut avoir un impact sur le comportement du fauteuil dont vous devez être conscient. Il est recommandé de vous entraîner, par exemple en pente ou lors du franchissement d'obstacles. Familiarisez-vous avec les différents comportements en présence d'un accompagnateur.
- Avec des réglages extrêmes (comme les roues arrière en position la plus avancée possible) et une posture inadéquate, le fauteuil risque de basculer, même sur une surface plane.
- Lorsque vous franchissez des côtes et des marches, penchez votre corps plus en avant.
- Lorsque vous descendez des côtes et des marches, penchez votre corps plus en arrière. Ne tentez jamais de monter ou de descendre une pente en diagonal.
- Evitez d'utiliser les escalators. En cas de chute, vous pourriez vous blesser gravement.
- N'utilisez pas le fauteuil sur des pentes de plus de 10° d'inclinaison. Le degré d'inclinaison maximum des pentes dépend de la configuration du fauteuil, des capacités de l'utilisateur et du style de conduite. Les capacités de l'utilisateur et son style de conduite ne pouvant être prédéfinis, le degré d'inclinaison maximum des pentes ne peut être déterminé. Il revient donc à l'utilisateur, assisté de son accompagnateur, de déterminer l'inclinaison maximale afin d'éviter tout risque de basculement. Il est vivement recommandé d'installer des roulettes anti-basculer pour les utilisateurs inexpérimentés.
- Des nids de poule ou un sol irrégulier peuvent faire basculer le fauteuil roulant lors de la montée ou de la descente des pentes.
- N'utilisez pas le fauteuil sur des terrains boueux ou verglacés. N'utilisez pas le fauteuil dans des zones interdites aux piétons.
- Pour éviter de vous blesser aux mains, ne placez pas vos doigts entre les rayons ou entre la roue arrière et le frein de la roue lorsque le fauteuil est en déplacement.
- Si vous utilisez une main courante métallique et freinez dans une longue pente ou pour réduire votre allure, le frottement peut chauffer la main courante et vous brûler les doigts.
- Monter ou descendre une pente latéralement augmente le risque de voir le fauteuil basculer sur le côté.
- Ne montez et descendez les escaliers que si vous êtes accompagné. Des équipements à cet effet sont à votre disposition, comme les rampes d'accès et les ascenseurs. Utilisez-les. En l'absence de tels équipements, deux personnes sont nécessaires pour faire basculer le fauteuil et lui faire franchir les marches une à une en le poussant, et non pas en le soulevant. Il est déconseillé de procéder à de telles manœuvres dans les escaliers avec des utilisateurs de plus de 100 kg.
- En général, en présence de roulettes anti-basculer, il convient de les régler de sorte qu'elles ne puissent heurter les marches, car cela pourrait entraîner une grave chute. Remplacez ensuite les roulettes anti-basculer à leur position normale.
- L'accompagnateur doit toujours tenir le fauteuil par les parties fixes et non pas par les parties amovibles, comme le repose-pied ou le protège-vêtement.
- Ce fauteuil n'est pas prévu pour être utilisé pendant des séances de musculation et/ou l'utilisation d'haltères. Utilisez uniquement du matériel prévu à cet effet.
- Ne soulevez pas le fauteuil en l'attrapant par les tubes du dossier, ni par les poignées.
- Lors de l'utilisation d'une rampe d'accès, pensez à positionner les roulettes anti-basculer (le cas échéant) en dehors de la zone à risque.

- Immobilisez toujours votre fauteuil à l'aide des freins lorsqu'il se trouve sur une surface accidentée ou lorsque vous montez dessus ou en descendez. Vérifiez que les freins sont bien serrés et demandez à l'accompagnateur de serrer les freins d'immobilisation afin d'éviter tout risque de déplacement accidentel pendant le transfert.
 - Dans la mesure du possible, au cours d'un déplacement à bord d'un véhicule pour personnes handicapées, il est conseillé aux occupants de s'asseoir sur les sièges et d'utiliser le système de retenue approprié. C'est le seul moyen d'assurer une protection optimale aux occupants en cas d'accident. Si vous utilisez des éléments de sécurité proposés par SUNRISE MEDICAL et un système de sécurité spécifique, les fauteuils légers peuvent servir de siège pour le déplacement à bord d'un véhicule spécialement adapté. (Voir le chapitre sur "Transport").
 - Selon le diamètre et le réglage des roues avant, ainsi que le centre de gravité du fauteuil, les roues avant peuvent se mettre à vibrer à mesure que la vitesse du fauteuil augmente. Les roues avant risquent alors de se bloquer et le fauteuil de basculer. Il est donc essentiel de régler correctement les roues avant (voir le chapitre "Roues avant"). Ne descendez pas une pente sans frein et déplacez-vous lentement. Il est recommandé aux utilisateurs inexpérimentés d'utiliser des roulettes anti-basculer.
 - Les roulettes anti-basculer empêchent le fauteuil de basculer accidentellement vers l'arrière. En aucun cas, elles ne doivent remplacer les roulettes de transit et servir au transport d'une personne dans un fauteuil dont les roues arrière auraient été retirées.
 - Si vous souhaitez atteindre un objet (placé devant, derrière ou latéralement par rapport au fauteuil), évitez de trop vous pencher afin de ne pas modifier le centre de gravité et risquer de faire basculer le fauteuil. La présence d'une charge supplémentaire (sac à dos ou objets similaires) sur les montants arrière du dossier peut avoir un impact sur la stabilité de votre fauteuil (surtout si le dossier est incliné en arrière) et peut faire basculer le fauteuil en arrière et entraîner des blessures.
 - Les réglages de votre fauteuil, et plus particulièrement les réglages des composants relatifs à la sécurité, doivent être réalisés exclusivement par un revendeur agréé. Cette exigence concerne les freins d'immobilisation, les roulettes anti-basculer, l'angle d'inclinaison et la hauteur du dossier, la longueur de jambe inférieure, le centre de gravité, la ceinture sous-abdominale, le pincement et le carrossage des roues arrière, la hauteur du siège, ainsi que le pincement et la stabilité directionnelle de la fourche.
 - Lors de l'utilisation d'accessoires de mobilité montés sur le fauteuil roulant, comme le handbike, la fonction assistée, etc., vérifiez que votre fauteuil est équipé des fourches appropriées à cet usage. N'hésitez pas à contacter votre revendeur en cas de doute.
 - N'équipez le fauteuil d'aucun dispositif électronique, dispositif de mobilité électrique ou mécanique, vélo à main ou tout autre dispositif non approuvé susceptible de modifier l'usage prévu du fauteuil ou sa structure.
 - L'ajout de dispositifs médicaux supplémentaires nécessite l'approbation de Sunrise Medical.
 - À noter que dans certaines configurations, le fauteuil peut dépasser la largeur de 700 mm. Si tel est le cas, certaines issues de secours peuvent ne pas permettre le passage du fauteuil. Par ailleurs, le déplacement à bord des transports publics peut être difficile, voire impossible.
 - Votre revendeur sera en mesure de vous fournir des informations et des consignes de sécurité supplémentaires.
 - Pour les personnes amputées d'un ou des membres inférieurs, il est impératif d'utiliser les roulettes anti-basculer.
 - Avant d'utiliser votre fauteuil, vérifiez la pression des pneus. Pour les roues arrière, la pression doit être au moins de 3,5 bars (350 kPa). La pression maximale est indiquée sur la jante des pneus. Le frein à débrayement court ne fonctionne que si la pression des pneus est suffisante et si le réglage est correct (voir le chapitre sur les "Freins").
 - Si les toiles du dossier et du siège sont abîmées, remplacez-les immédiatement.
 - Soyez très vigilants avec les risques d'incendie, surtout avec les cigarettes allumées. Les toiles du dossier et du siège peuvent prendre feu.
 - Si le fauteuil est exposé au soleil pendant une période prolongée, certaines parties du fauteuil (par ex. le châssis, les repose-jambes, les freins et le protège-vêtement) peuvent chauffer (>41°C).
 - Vérifiez que les axes à déverrouillage rapide des roues arrière sont bien réglés et verrouillés. Si le bouton de l'axe à déverrouillage rapide n'est pas enfoncé, vous ne pouvez pas enlever la roue arrière.
 - Votre fauteuil roulant peut être porteur de courant électrique, faites donc preuve de prudence lorsque vous touchez des sources électriques.
 - Lorsque vous prenez place à bord du fauteuil depuis la position debout, veillez à ne pas vous laisser tomber brutalement de tout votre poids. Cela aurait pour effet d'user prématurément la toile du siège ou d'endommager le châssis.
 - Veillez à ce que l'accompagnateur ait reçu la formation adéquate pour le bon maniement du fauteuil roulant et l'assistance à l'utilisateur. En tant qu'accompagnateur, veillez à toujours :
 - Utiliser exclusivement les poignées prévues à cet effet, comme les poignées de poussée ou les montants du châssis. Vous ne devez jamais saisir le fauteuil par le repose-pied, les protège-vêtements, les roues ou toute partie de la toile
 - Avoir une position stable et une bonne préhension des poignées
 - Ne pas prendre appui sur les poignées pour éviter de faire basculer le fauteuil en arrière
 - Enclencher le frein d'immobilisation lors des transferts pour éviter tout mouvement accidentel du fauteuil roulant
 - Enclencher le frein d'immobilisation pendant l'arrêt du fauteuil pour éviter tout mouvement accidentel
- En tant qu'utilisateur du fauteuil roulant, rappelez toutes ces consignes à votre accompagnateur.
- Inspectez le châssis du fauteuil roulant afin de déceler toute trace d'impacts ou d'endommagements.
 - Lors de l'utilisation d'un nouveau fauteuil roulant ou après avoir ajusté la position de l'utilisateur à bord du fauteuil, inspectez régulièrement la peau de l'utilisateur afin de déceler toute rougeur ou les signes d'escarres.

AVERTISSEMENT !

- L'efficacité du frein à manette au genou et des caractéristiques de conduite générales dépend de la pression des pneus. Le fauteuil sera considérablement plus léger et plus facile à manœuvrer si les pneus des roues arrière sont correctement gonflés et ont la même pression.
- Vérifiez la sculpture des pneus. N'oubliez pas que lorsque vous vous déplacez au milieu de la circulation, vous devez respecter toutes les réglementations relatives au code de la route.
- Faites attention de ne pas vous pincer les doigts lorsque vous procédez à des réglages du fauteuil.

AVERTISSEMENT !

RISQUE D'ÉTOUFFEMENT – Cette aide à la mobilité est composé de petites pièces qui, dans certaines conditions, peuvent présenter un risque d'étouffement pour les jeunes enfants.

Il est possible que les fauteuils illustrés et décrits dans le présent manuel ne soient pas complètement identiques au modèle que vous avez acheté. Toutefois, toutes les instructions fournies dans le présent manuel sont valables pour votre matériel, malgré d'éventuelles différences minimales.

Le fabricant se réserve le droit de modifier sans préavis les poids, mesures et autres données techniques indiquées dans le présent manuel. Tous les chiffres, dimensions et capacités indiqués dans ce manuel sont approximatifs et ne constituent pas des caractéristiques.

2.0 Manipulation

Axes à déverrouillage rapide de la roue arrière

Les roues arrière doivent être munies d'axe à déverrouillage rapide.

Les roues peuvent être démontées ou montées sans outils.

Pour démonter les roues, pressez sur le bouton d'arrêt (1) et retirez la roue arrière (Fig. 2.1).



ATTENTION !

Lors du montage, appuyez sur le bouton de l'axe à déverrouillage rapide et insérez l'axe dans le canon, tout en conservant le bouton pressé. Relâchez le bouton et la roue est bloquée. Le bouton d'arrêt doit revenir dans sa position de départ.

3.0 Transport du fauteuil

Transport du fauteuil

Les roues arrière sont démontables pour obtenir un fauteuil aussi compact que possible. Vous pouvez plier le dossier, soit en relevant la barre de poussée, soit en pivotant la poignée Twist-lock (en option) dans le sens horaire



Dans cette configuration, il est possible de soulever le fauteuil en l'attrapant par les montants du châssis et la toile d'assise. Lorsque le fauteuil est transporté inoccupé à bord d'un véhicule motorisé, il convient de l'arrimer ou de l'attacher.

4.0 Options

Leviers de basculement

Leviers de basculement

Le levier de basculement permet à l'accompagnateur(-trice) de faire basculer le fauteuil pour franchir un obstacle. Placez votre pied sur le tube d'appui pour faire franchir au fauteuil un trottoir ou une marche, par exemple.

AVERTISSEMENT !

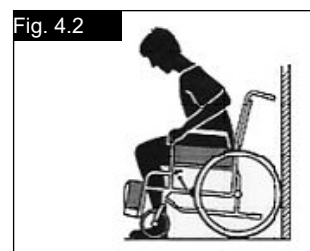
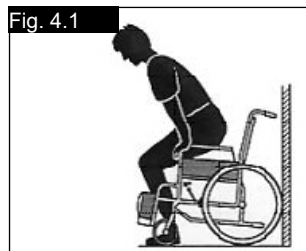
Sunrise Medical recommande vivement l'installation d'un levier arrière de basculement sur les fauteuils où l'accompagnateur sera l'utilisateur principal. En l'absence de levier arrière de basculement, l'utilisation répétée du dossier et la force exercée dessus pour incliner le fauteuil aura pour effet d'endommager les montants du dossier.

Vous asseoir dans votre fauteuil par vous-même

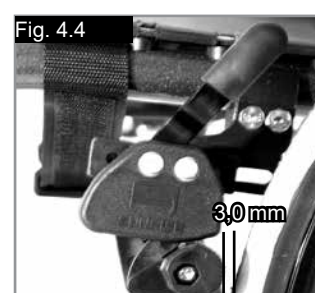
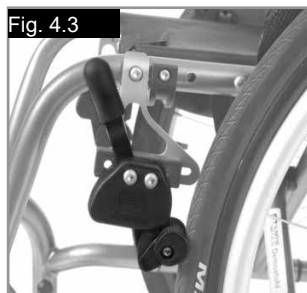
- Poussez le fauteuil roulant contre un mur ou contre un meuble solide ;
- Serrez les freins
- L'utilisateur peut s'installer dans le fauteuil
- Puis positionnez les pieds devant les sangles talonnières. (Fig. 4.1).

Sortir de votre fauteuil par vous-même

- Serrez les freins
- La personne doit se pencher légèrement vers l'avant en se tenant d'une main sur la roue ou le garde-boue afin de transférer le poids de son corps vers l'avant du siège, puis levez-vous en poussant avec les deux pieds par terre, un pied derrière l'autre (Fig. 4.2).



Freins



ATTENTION !

La puissance de freinage peut être affectée par un mauvais montage ou réglage des freins, ainsi que par une pression trop faible des pneus.

Freins

Le fauteuil est équipé de deux freins d'immobilisation. Les freins agissent directement sur les pneus. Pour immobiliser votre fauteuil, abaissez les deux leviers de freinage jusqu'à la butée avant. Tirez le levier de freinage en arrière pour le relâcher.

L'effet de freinage diminue quand :

- Les pneus sont usés
- La pression des pneus est trop faible
- Les pneus sont mouillés
- Les freins sont mal réglés.

Freins

Les freins d'immobilisation ne sont pas destinés à être utilisés comme des freins de service. N'actionnez pas les freins en marche. Freinez toujours à l'aide des mains courantes. Vérifiez que l'écart entre les pneus et les freins d'immobilisation est conforme aux valeurs spécifiées. Pour régler, dévissez la vis et réglez le bon intervalle. Resserrez de nouveau la vis (Fig. 4.3 et 4.4).



ATTENTION !

Vérifiez le réglage des freins après chaque modification de la position de la roue arrière et refaites votre réglage, si nécessaire.

Rallonge du levier de frein

La rallonge vous permet de déployer moins d'efforts pour actionner les freins.

La rallonge est directement vissée aux freins. En le levant, le levier pourra être rabattu vers l'avant (Fig. 4.5).



ATTENTION !

Plus les freins seront montés près de la roue, plus l'effort à fournir pour les actionner sera grand. Cela pourrait casser la rallonge du levier de frein !

Veillez à ne pas prendre appui sur la rallonge du levier lorsque vous montez ou descendez du fauteuil, car vous risqueriez de la casser ! L'eau projetée par les pneus peut réduire l'efficacité des freins d'immobilisation.



ATTENTION !

Si le frein n'est pas correctement monté, vous devrez forcer pour l'actionner. Cela pourrait casser la rallonge du levier de frein.

Freins compacts

Les freins compacts se trouvent sous la toile du siège. Pour les activer, il suffit de tirer les freins vers l'arrière, en direction du pneu. Pour que les freins fonctionnent correctement, il convient de les tirer jusqu'à ce qu'ils heurtent la butée, (Fig. 4.6).



ATTENTION !

Les vis de montage des freins ne doivent pas être desserrées et/ou resserrées.



Frein unilatéral

Le frein unilatéral se trouve sous la toile d'assise. Pour l'activer, il suffit de tirer le levier de frein (situé à droite ou à gauche) vers l'arrière, en direction du pneu. Pour que le frein fonctionne correctement, il convient de le tirer à fond, jusqu'à ce qu'il heurte la butée (Fig. 4.6.1).

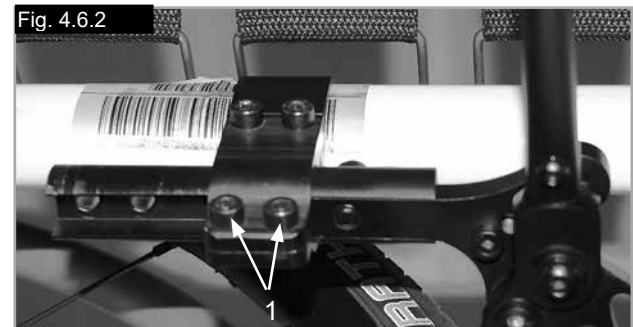
Réglage

Pour régler le frein, desserrez les vis (1) et placez le frein à l'endroit où il pourra fonctionner de manière optimale (Fig. 4.6.2).



ATTENTION !

Le montage incorrect du frein unilatéral peut entraîner de graves blessures pour l'utilisateur et toute autre personne.



⚠ AVERTISSEMENT !

La suspension arrière peut avoir un impact sur la stabilité du fauteuil. Pour éviter de basculer, utilisez un contrôleur et/ou des roulettes anti-bascule une fois que vous êtes familiarisé avec votre nouveau fauteuil.

1. Réglage de la suspension arrière 4-Link

- pour durcir la suspension, tournez l'ajusteur de pré-charge de ressort (E) dans le sens horaire (si vous regardez le système de suspension par dessus).
- pour assouplir la suspension, tournez l'ajusteur de pré-charge de ressort (E) dans le sens anti-horaire (si vous regardez le système de suspension par dessous).

2. Alignement des bras de liaison de suspension

Ne modifiez pas l'alignement des bras de liaison (F), (Fig. 4.10). Les bras sont réglés à l'usine pour garantir un bon alignement et une bonne performance du système de suspension arrière 4-Link.

(Veuillez-vous référer à la page suivante).

Réglage du pincement et de l'ouverture à zéro (à l'aide de l'ajusteur installé en usine).

Desserrez les vis hexagonales (G) (2 de chaque côté), qui maintiennent le support d'axe en place. Observez la bille de l'ajusteur transparent au centre du support d'axe, puis tournez le tube d'essieu (C) jusqu'à ce que la bille soit parfaitement centrée au point le plus bas de l'ajusteur. Le pincement est maintenant réglé sur zéro (Fig. 4.7, 4.10).

Avant de resserrer les vis (G), vérifiez que les surfaces plates de l'adaptateur de carrossage du support d'axe dépassent (en saillie) la fixation du support d'axe. L'extrémité du tube de l'adaptateur de carrossage cylindrique doit arriver à ras de l'extrémité du support d'axe. Serrez les vis au couple de 7 Nm.

Réglage du pincement et de l'ouverture à zéro (à l'aide d'une jauge de réglage à 90°).

Posez le fauteuil sur une table plate horizontale ou au sol. Dévissez les vis hexagonales (G) (2 de chaque côté) qui maintiennent le support d'axe en place.

Placez ensuite la jauge d'ajustage à un angle de 90° précisément (utilisez par ex. une équerre) sur les surfaces plates de l'adaptateur de carrossage (D) (Fig. 4.8, Fig. 4.9). Tournez le support d'axe jusqu'à ce que les surfaces de la clé soient parfaitement parallèles à la surface supérieure de la jauge d'ajustage (Fig. 4.8).

Avant de resserrer les vis (G), vérifiez que les surfaces plates de l'adaptateur de carrossage du support d'axe dépassent (en saillie) la fixation du support d'axe. L'extrémité du tube de l'adaptateur de carrossage cylindrique doit arriver à ras de l'extrémité du support d'axe. Serrez les vis au couple de 7 Nm.

⚠ ATTENTION !

Lorsque vous réglez la suspension arrière 4-Link, procédez à un seul réglage à la fois et prenez note de chaque changement apporté. Cela requiert de la patience mais vous permet de comprendre l'impact de chaque changement sur le déplacement du fauteuil.

REMARQUE– L'amortisseur de vibrations bas résulte en des sensations plus souples et permet une bonne course des suspensions.

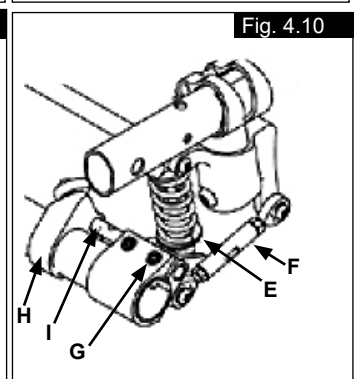
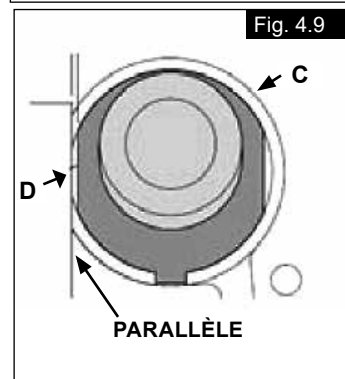
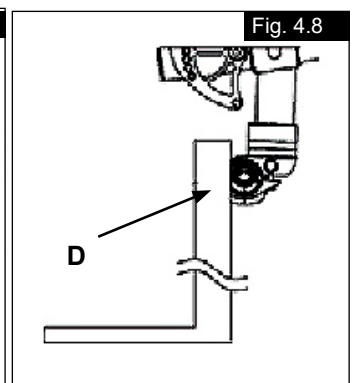
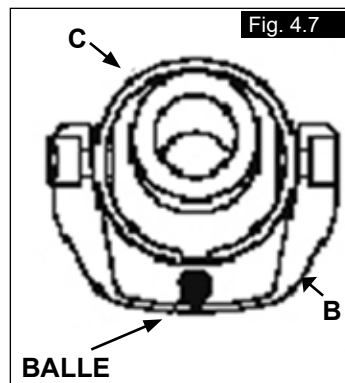
⚠ ATTENTION !

En aucun cas vous ne devez desserrer la connexion à vis entre le collier du moyeu et l'amortisseur.

3. Entretien

Les consignes de maintenance énoncées ci-dessous doivent être respectées, tout comme les instructions relatives à l'entretien général du fauteuil indiquées à la Section 6.0

- ne lubrifiez pas les bagues, ni les serpents.
- vous pouvez apposer du lubrifiant sur les extrémités de liaison après avoir nettoyé au savon doux et avec une brosse à poils souples.
- utilisez une brosse à poils souples pour enlever les saletés ou débris du système de serpentin.
- n'utilisez jamais d'appareil haute pression pour nettoyer la suspension arrière 4-Link.



Réglage du support d'axe pour handbike

Support d'axe pour handbike

Il est nécessaire de régler le support d'axe du handbike afin de déplacer le centre de gravité vers l'arrière. Cela permet une utilisation sûre de l'accessoire (Fig. 4.10.1).

 **DANGER !**

Utiliser le handbike sans le support d'axe pour handbike a pour effet de déstabiliser le fauteuil et peut entraîner de graves blessures pour l'utilisateur et toute autre personne.



Fig. 4.10.1

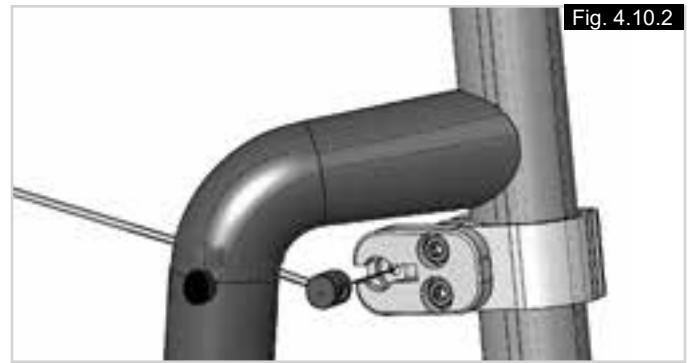


Fig. 4.10.2

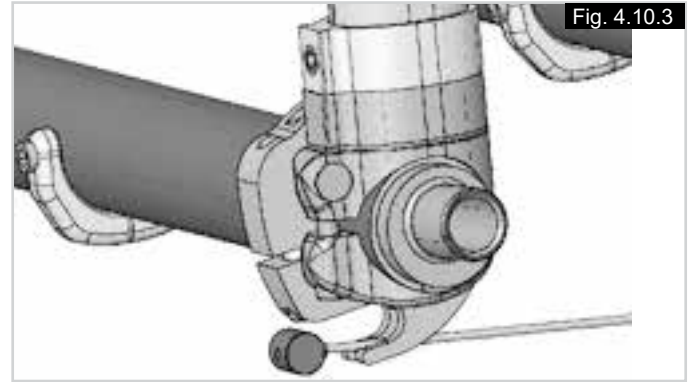


Fig. 4.10.3

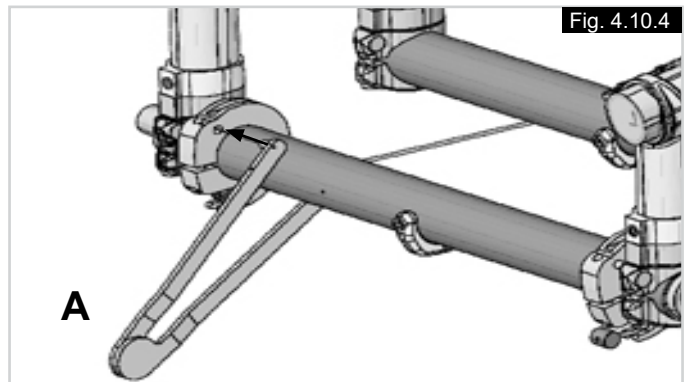


Fig. 4.10.4

Kit de renforcement pour handbike

Pour monter le kit de renforcement pour handbike :

- Insérez le bouton à une extrémité du câble dans le récepteur à l'avant du châssis (Fig. 4.10.2).
- Insérez le bouton de l'autre extrémité du câble dans le récepteur à l'arrière du châssis (Fig. 4.10.3).
- Insérez le tendeur (A) dans le récepteur de câble à l'arrière du châssis (Fig. 4.10.4).
- Tournez le tendeur (A) vers le haut jusqu'à ce que le récepteur et le montant avant (B) commencent à tirer vers l'arrière (Fig. 4.10.5).
- Maintenez le câble tendu à l'aide du tendeur et serrez la vis du récepteur de câble arrière (Fig. 4.10.5).
- Répétez cette étape pour l'autre côté.

 **AVERTISSEMENT !**

Vérifiez la tension et la solidité des deux câbles avant et après chaque utilisation du handbike.

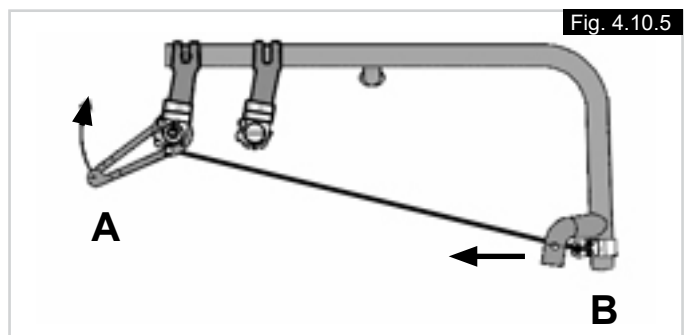


Fig. 4.10.5

Réglage du centre de gravité du Nitrum

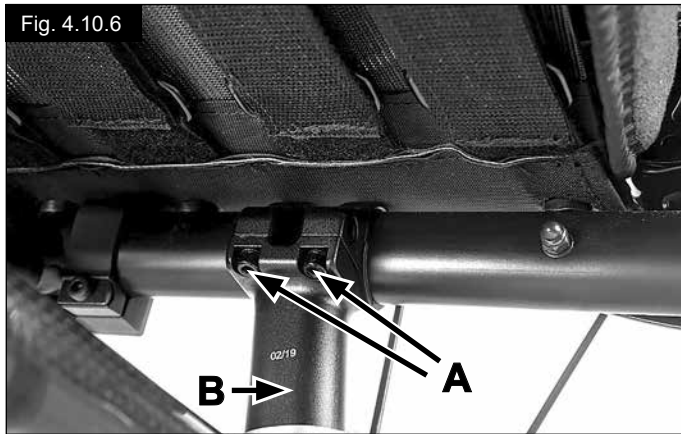
Déposez les roues arrière. Dévisser les deux vis hexagonales (A) situées au bas du support des roues arrière (B), des deux côtés du fauteuil (Fig. 4.10.6). Poussez ensuite l'unité complète (axe et support) vers l'avant du châssis (dans le sens du déplacement), pour obtenir un centre de gravité plus actif, ou vers l'arrière pour obtenir un centre de gravité plus passif et plus stable. Resserrez ensuite les vis (A) des deux côtés, au couple de 5 Nm. Réglez maintenant les protège-vêtements et les freins en fonction de la nouvelle position des roues.

 **ATTENTION !**

Il est important de comprendre que la stabilité du fauteuil change lorsque le centre de gravité est modifié. L'installation de roulettes anti-bascule pourra s'avérer nécessaire. Veillez à ce que la position du centre de gravité soit comprise entre les repères indiqués sur le châssis.

 **DANGER !**

Les freins doivent être réglés en fonction du nouveau centre de gravité.



Réglage du centre de gravité du Nitrum Hybrid

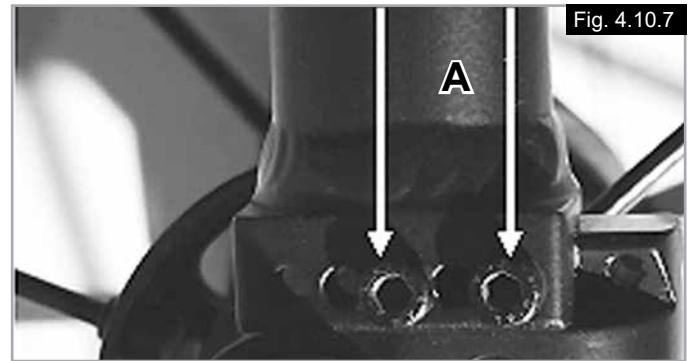
Pour régler le centre de gravité, retirez les 2 vis (A), déplacez la fixation à la position désirée (Fig. 4.10.7). Puis resserrez les vis (à 5 Nm).

 **ATTENTION !**

Il est important de comprendre que la stabilité du fauteuil change lorsque le centre de gravité est modifié. L'installation de roulettes anti-bascule pourra s'avérer nécessaire.

 **DANGER !**

Les freins doivent être réglés en fonction du nouveau centre de gravité.



Réglage de la palette

Réglage du repose-pied

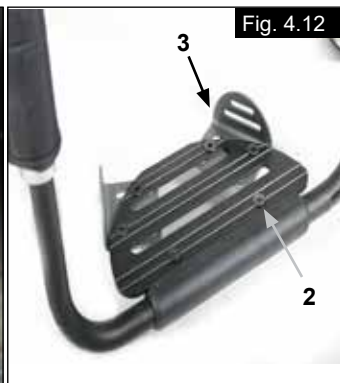
AVERTISSEMENT !

- Ne jamais prendre appui sur la palette ! Même si l'utilisateur est assis dans son fauteuil, cela pourrait faire basculer le fauteuil et entraîner des blessures.
- Lorsque vous montez ou descendez du fauteuil, ne prenez pas appui sur la palette, cela pourrait faire basculer le fauteuil et entraîner des blessures.

Enlevez la vis (1) pour régler le repose-pied à la longueur adapté à vos jambes puis rattachiez le repose-pied. L'angle du repose-pied peut se régler individuellement en desserrant les vis (2). Les cales latérales de la palette (3) empêchent tout glissement involontaire des pieds. Après avoir procédé à vos réglages, vérifiez toujours d'avoir bien revissé toutes les vis (voir la section sur la force de torsion) (Fig. 4.11 - 4.12).

AVERTISSEMENT !

Laissez toujours un espace minimum de 30 mm entre la partie inférieure des repose-pieds et le sol.



Repose-pieds montage haut

Ce repose-pieds se monte à l'intérieur du châssis et permet une position surélevée des pieds (Fig. 4.13).



Siège

Réglage de la hauteur du siège

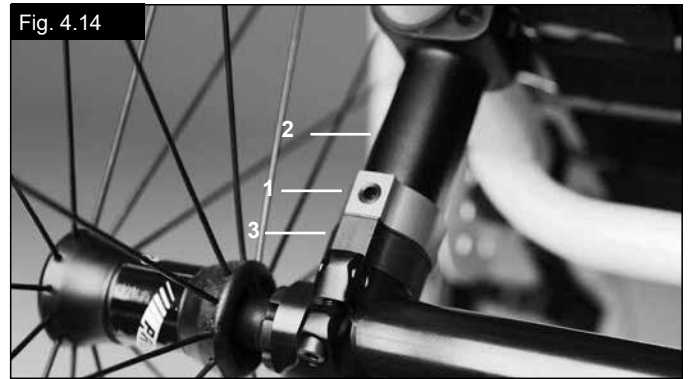
Pour régler la hauteur d'assise à l'arrière, dévissez les vis hexagonales (1) (une de chaque côté) qui maintiennent la fixation sur l'axe de la barre de carrossage (2). Retirez l'entretoise (3) pour abaisser la hauteur d'assise de 10 mm ou ajoutez l'entretoise pour élever l'assise de 10 mm. Serrez les 2 vis hexagonales à 7 Nm. (Fig. 4.14).

REMARQUE :

Il peut être nécessaire de régler l'inclinaison des roues avant pendant le réglage de la hauteur d'assise à l'arrière.

Toile du siège

Pour tendre la toile, veuillez utiliser les sangles situées dessous celle-ci.



Roues avant

Roue avant, Support de fourche, Fourche

Il est possible que le fauteuil tire légèrement à droite ou à gauche ou que les roues avant aient du jeu. Cela peut être dû aux raisons suivantes :

- Mauvais réglage du déplacement avant et/ou arrière de la roue.
- Mauvais réglage de l'angle des roues avant.
- Gonflage insuffisant des roues avant et/ou des roues arrière.
Le roulement des roues en est gêné.

Les roues avant doivent être réglées de façon optimale pour que le fauteuil roule de façon rectiligne.

En cas de modifications de la position de la roue arrière, les réglages du support de fourche et du frein doivent être contrôlés.

Réglage des roues avant

Réglage de la stabilité directionnelle et réglage précis de la hauteur des roues avant

Il s'agit ici d'ajustements effectués en usine qui nécessitent des outils spéciaux. Veuillez contacter votre revendeur.

Réglage de l'angle de la fourche des roues avant

Ce réglage doit être effectué à chaque fois que la hauteur arrière ou avant du siège est modifiée.

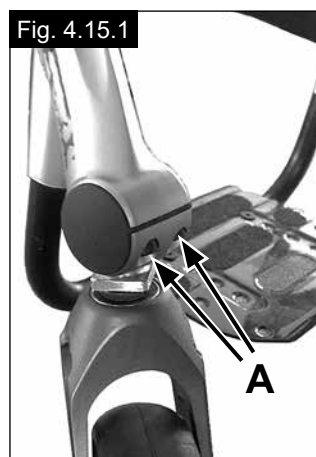
ATTENTION :

L'utilisation du fauteuil roulant avec un angle inadapté peut provoquer le flottement des roues ou au contraire le blocage des roues, mais dans tous les cas, entraîner des blessures.

Desserrez les vis hexagonales (A) (Fig. 4.15.1). Vous pouvez maintenant régler l'angle de la fourche des roues avant : la partie plate de la fourche doit être à 90° par rapport au sol (Fig. 4.15.2). Une fois la position correcte obtenue, resserrer les vis hexagonales (A) en suivant la procédure suivante :

Serrer d'abord la vis hexagonale externe à un couple de 7 Nm, puis resserrer la vis hexagonale interne à un couple de 7 Nm.

Répéter cette procédure jusqu'à 6 fois, jusqu'à ce que les deux vis hexagonales soient serrées uniformément à un couple de 7 Nm.



Réglage anti-flottement

La plupart des fourches de roues avant sont équipées d'un réglage anti-flottement pour supprimer le flottement des roues avant.

Le fait de tourner la vis de réglage dans le sens des aiguilles d'une montre (Fig. 4.16 - A) sur la fourche de la roue avant à l'aide d'une clé hexagonale exercera une charge sur le roulement et réduira le flottement de la roue avant.

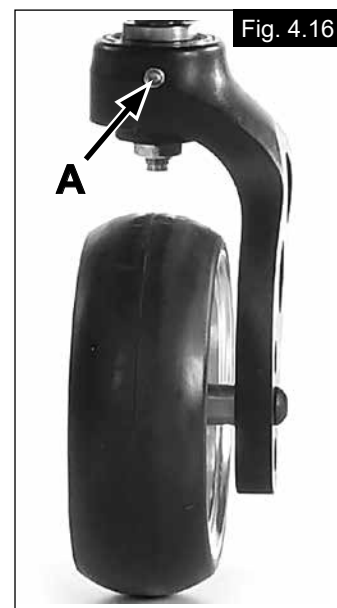
Vous remarquerez peut-être que la fourche de la roue avant ne tourne pas librement, mais avec une légère résistance. Cela n'a aucun effet sur le comportement de conduite du fauteuil.

ATTENTION :

Lorsque la charge exercée sur le roulement est relâchée en tournant la vis de réglage dans le sens inverse des aiguilles d'une montre, les roues avant sont plus susceptibles de flotter à des vitesses moyennes ou élevées. Si vous choisissez d'effectuer ce réglage, familiarisez-vous avec le comportement de conduite du fauteuil.

DANGER :

Le flottement des roues avant peut provoquer un blocage brusque des roues avant à vitesse moyenne ou élevée, ce qui peut faire tomber l'utilisateur du fauteuil.



Alignement des roues

Réglage de l'alignement des roues

Important : Pour obtenir un déplacement optimal du fauteuil, les roues arrière doivent être parfaitement réglées, ce qui revient à régler correctement leur alignement.

Pour le vérifier, mesurez la distance entre les deux roues avant et arrière pour s'assurer qu'elles sont parallèles l'une par rapport à l'autre.

La différence entre les deux mesures ne doit pas dépasser 5 mm.

Pour régler les roues de sorte qu'elles soient parallèles, desserrez les vis et tournez le canon d'axe dans un sens ou dans l'autre. Après avoir procédé à vos réglages, vérifiez toujours d'avoir bien revisé toutes les vis (voir la section sur la force de torsion).

Réglage du guidage du NITRUM

Réglage du pincement ou de l'ouverture des roues à zéro

REMARQUE : Un fauteuil avec des canons de carrossage de 0° ne peut avoir de pincement, ni d'ouverture des roues. Ce réglage est réservé aux canons de carrossage de 3° et 6°. Les termes « pincement » et « ouverture » désignent l'alignement des roues arrière du fauteuil par rapport au sol, lequel détermine le bon fonctionnement du fauteuil. Une résistance normale ou une résistance au roulement est présente lorsque le pincement est réglé sur zéro.

Pour définir le pincement ou l'ouverture sur zéro : Desserrez la vis (1) (une de chaque côté) qui maintient en place le collier du tube de carrossage. Vérifiez la bille sur le plan horizontal (2), puis tournez le tube d'équerre (3) jusqu'à ce que la bille soit au centre. Le pincement est égal à zéro.

Avant de resserrer les vis (1), vérifiez que le tube d'équerre est bien centré de gauche à droite. L'espace doit être identique des deux côtés ou nul. Serrez les vis à 7 Nm. (Fig. 4.17 - 4.19).

Réglez la largeur de l'empattement :

L'empattement arrière correspond à la distance entre la partie supérieure des roues arrière et les montants du dossier, et son réglage usine est de 125 mm. Pour obtenir un espace plus important entre les pneus et les accoudoirs réglables en hauteur, en option, il convient d'augmenter l'empattement arrière (Fig. 4.20).

REMARQUE : Réglez une roue après l'autre pour définir l'empattement arrière. Le resserrage simultané des deux roues a pour effet de dérégler le pincement ou l'ouverture. Pour régler l'empattement arrière, les pièces du carrossage (4) coulissent vers l'intérieur ou l'extérieur de la barre de carrossage (5) et s'enclenchent lorsqu'elles atteignent la butée. Resserrez la vis (6) (la plus proche de la barre de carrossage) sur le côté gauche du fauteuil. Déplacez le canon d'axe vers l'intérieur ou l'extérieur jusqu'à obtention de l'empattement souhaité. Serrez les vis à 7 Nm. Procédez de même du côté droit du fauteuil en veillant à ce que l'espacement soit identique à celui de gauche.

Fig. 4.17



Fig. 4.18

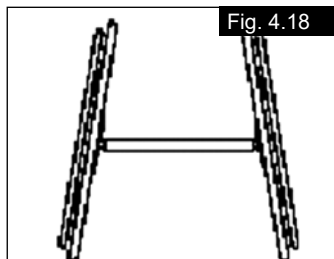


Fig. 4.19

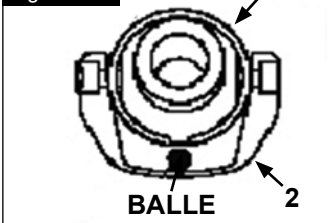


Fig. 4.20

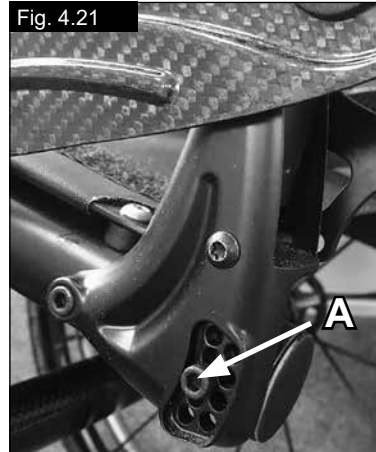


Dossier

Dossier réglable en angle

Retirez la vis (A) sur les deux tubes du dossier. Réglez l'angle à partir de la platine (incrément de 3° par orifice). Insérez la vis hexagonale (A) de chaque côté et serrez au couple de 5 Nm (Fig. 4.21).

Fig. 4.21



Dossier rabattable

Le dossier est rabattable. Il existe deux versions du mécanisme de déverrouillage :

- Libération de la barre de poussée : poussez la barre de libération vers le haut, maintenez-la en position élevée tout en rabattant le dossier vers l'avant.
- Libération par poignée Twist-lock : Tournez la poignée de la barre transversale vers l'avant, maintenez-la en position tout en rabattant le dossier vers l'avant. La poignée ne peut être tournée que vers l'avant.

Le dossier possède une option à double verrouillage. Si le fauteuil est équipé de cette option, le dossier se bloquera dans la position pliée à plat.

Pour déplier le dossier, poussez la barre vers le haut ou tournez la poignée Twist-lock vers l'avant.

Vous pouvez ajuster la position de verrouillage (angle d'inclinaison) du dossier plié : retirez la vis hexagonale (B) des deux côtés (Fig. 4.22), réglez l'inclinaison à l'angle désiré via l'orifice correspondant dans la platine (C) (Fig. 4.23), puis revissez la vis hexagonale (B) des deux côtés, au couple de 5 Nm.

Fig. 4.22

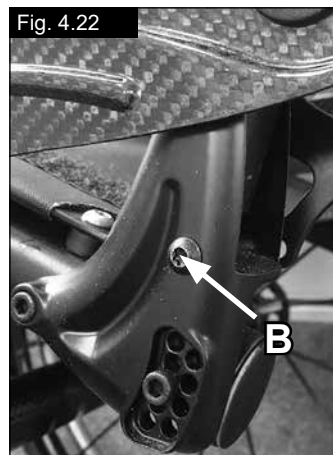


Fig. 4.23



Dossier à hauteur réglable

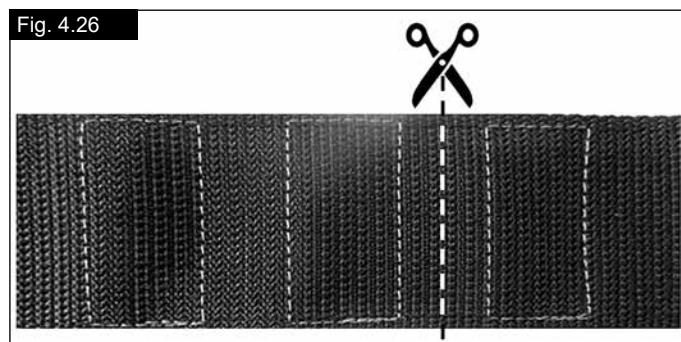
Vous pouvez régler la hauteur du dossier à la hauteur désirée, par incréments de 25 mm. Les fourchettes de réglage sont 250-300 mm, 300-350 mm, 350-400 mm et 400-450 mm. Dévissez la vis (1) et réglez le dossier à la hauteur désirée. Resserez les vis à 5 Nm. (Fig. 4.24)



Réglage de la toile du dossier

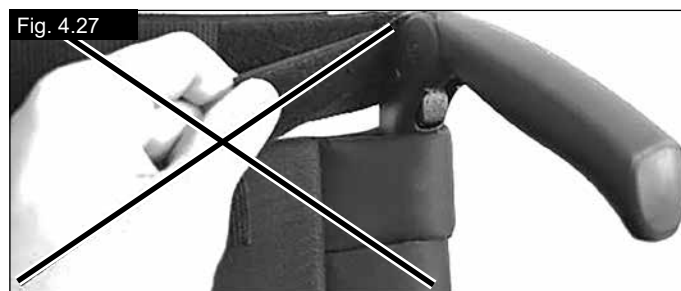
Réglage de la tension de la sangle supérieure du dossier

- Séparez les deux bandes en Velcro de la sangle supérieure (Fig. 4.25)
- Tendez ou détendez la sangle. Une fois la tension désirée obtenue, refermez les bandes Velcro l'une sur l'autre.
- Si la sangle supérieure vient à recouvrir les poignées de poussée, vous pouvez la raccourcir à l'aide d'une paire de ciseaux. Découpez la sangle entre les coutures grises. Les coutures empêchent la sangle de s'effiloche. Vous pouvez brûler les extrémités sectionnées pour protéger davantage la sangle contre le risque d'effilochage. (Fig. 4.26)



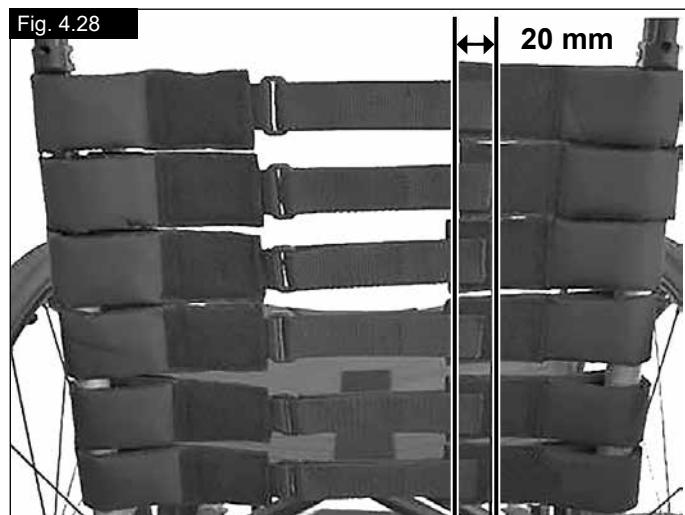
Remarque pour les fauteuils roulants dotés de poignée de poussée escamotables

Ne passez pas les bandes en Velcro autour des poignées de poussée pour obtenir la tension désirée (Fig. 4.27). Il convient de les accrocher à la sangle supérieure sur toute leur longueur.



Réglage de la tension des sangles du dossier

- Vous pouvez à tout moment ajuster la tension des sangles du dossier à l'aide des bandes en Velcro.
- Au sortir de l'usine, les bandes en Velcro se chevauchent sur 20 mm (Fig. 4.28). Ce chevauchement vous permet d'éliminer tout jeu dans la toile du dossier.
- Si vous nécessitez une tension supérieure des sangles, tirez sur les extrémités. Celles-ci peuvent alors dépasser latéralement. Dans ce cas, vous pouvez les raccourcir à l'aide d'une paire de ciseaux. Découpez la sangle entre les coutures noires. Les coutures empêchent la sangle de s'effiloche. Vous pouvez brûler les extrémités sectionnées pour protéger davantage la sangle contre le risque d'effilochage.



ATTENTION !

Lorsque vous rabattez le dossier vers l'avant, veillez à ne pas vous pincer les doigts.

ATTENTION !

Il est important de comprendre que la stabilité du fauteuil change si l'angle d'inclinaison du dossier ou la toile du dossier est modifiée. L'installation de roulettes anti-basculer pour s'avérer nécessaire.

Lumières LED

Les lumières LED en option se montent sur la barre diagonale de la roulette, à l'aide de ruban adhésif et d'une vis hexagonale. Le boîtier de commande (Fig. 4.29) se fixe sur les sangles mollet. Vous pouvez le détacher le temps de le recharger.

- **Pour allumer les lumières** : enfoncez le bouton **A** situé sur le haut du boîtier de commande. Vous pouvez passer en boucle les différents modes de fonctionnement des lumières LED :

1. Mode Pleine puissance
2. Mode Basse puissance
3. Mode Clignotant
4. Désactivé

Déposez le boîtier de commande de la sangle mollet :

Débranchez les câbles latéraux en sortant délicatement les broches des connecteurs (C). Glissez maintenant le boîtier de commande vers le haut pour le détacher de la sangle mollet.

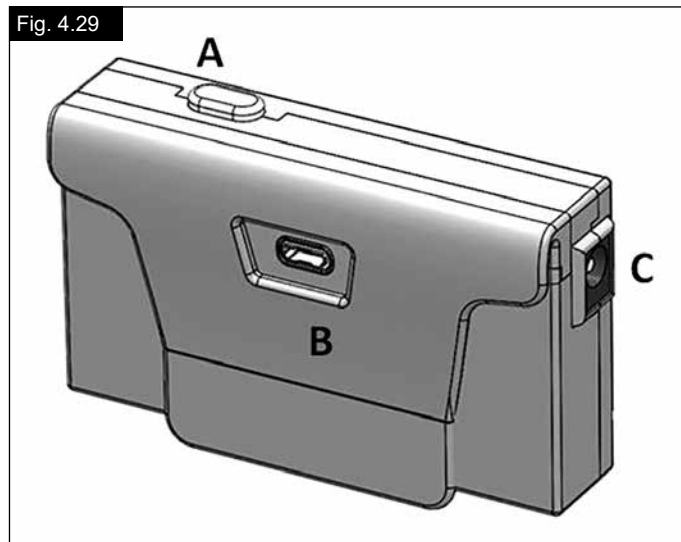
Charger la batterie :

Branchez le câble USB au connecteur (B) situé sur la face avant du boîtier de commande. Rechargez la batterie à l'aide d'un chargeur USB ordinaire ou du port USB d'un ordinateur.

Type de batterie	Lithium-ion
Capacité nominale	2600 mAh
Tension nominale	3,6 V
Temps de recharge	3 heures

Entreposage de la batterie

Entreposez le boîtier de commande dans un lieu frais et sec, à une température comprise entre -10 et +50 °Celsius.



ATTENTION !

Ne tentez jamais d'ouvrir le boîtier de commande. Évitez que des liquides ou des saletés ne s'introduisent dans le boîtier de commande.

Dossier Freestyle

Le dossier Freestyle peut se régler en hauteur, en profondeur et en inclinaison afin de garantir un confort et un support optimaux.

Réglage de la hauteur :

Retirez le coussin du dossier pour accéder aux éléments d'ajustement. Desserrez les 4 vis (1) à l'aide d'une clé hexagonale de 4 mm, puis réglez la coque du dossier à la hauteur désirée. Resserrez les vis et remplacez le coussin du dossier.

Ajustement précis de la profondeur et de la hauteur

Le dossier Freestyle permet un ajustement précis maximum de 25 mm en profondeur et en hauteur. Desserrez les vis (2) à l'aide d'une clé hexagonale de 8 mm, puis pivotez la coque du dossier à la position désirée. Resserrez les vis à 20 Nm.

Réglage de l'inclinaison

Le dossier Freestyle permet un réglage de l'angle d'inclinaison. Desserrez les vis (3) à l'aide d'une clé hexagonale de 8 mm, puis pivotez la coque du dossier à la position désirée. Resserrez les vis à 20 Nm.

Si la présence d'un accompagnateur est nécessaire, les poignées de poussée amovibles peuvent être vissées à l'emplacement A.

⚠ AVERTISSEMENT !

Veillez à ce que les poignées soient vissées à fond.

⚠ AVERTISSEMENT !

Le dossier Freestyle n'est pas homologué pour une utilisation du fauteuil en tant que siège durant le transport.

Protège-vêtements

Accoudoirs réglables à montant unique, (Fig. 4.34 - 4.37).

1. **Assemblage**
 - a. Faites glisser le montant extérieur dans le tube de logement monté sur le châssis du fauteuil.
 - b. L'accoudoir s'enclenchera automatiquement.
2. **Réglage de la hauteur**
 - a. Pivotez le levier de déverrouillage de réglage de la hauteur (2) jusqu'à la deuxième butée.
 - b. Montez ou baissez l'accoudoir à la hauteur désirée.
 - c. Ramenez le levier en position verrouillée contre le montant.
 - d. Poussez la manchette d'accoudoir (4) jusqu'à enclenchement du montant supérieur.
3. **Retrait de l'accoudoir**
 - a. tirez le levier 3 et soulevez l'accoudoir dans son intégralité.
4. **Installation de l'accoudoir**
 - a. glissez l'accoudoir à l'intérieur du tube de logement jusqu'à enclenchement.

Fixation du tube de logement de l'accoudoir (Fig. 4.34 - 4.37).

Réglage de l'ouverture du tube de logement de l'accoudoir

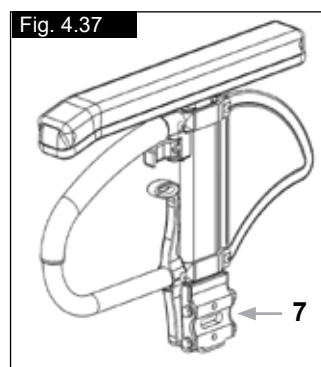
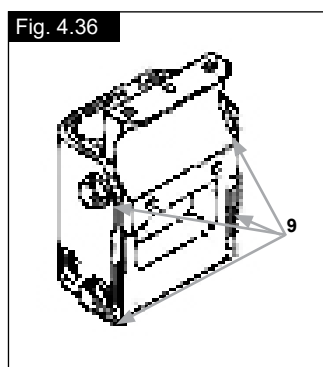
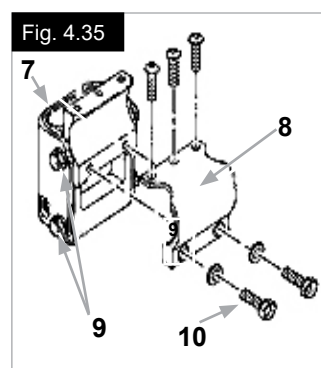
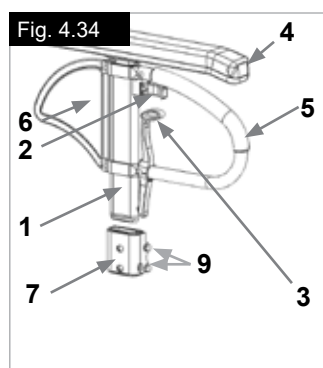
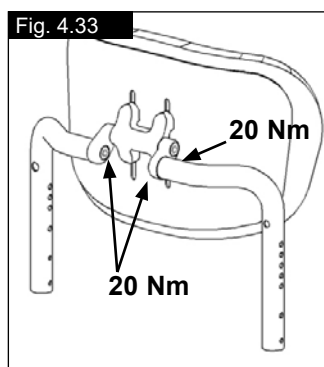
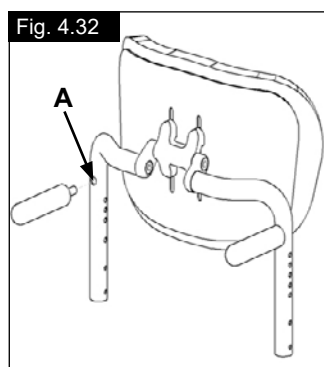
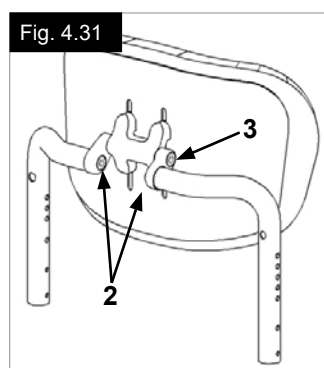
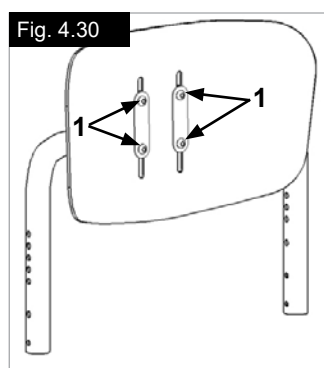
- Pour réduire ou élargir la taille du montant extérieur de l'accoudoir dans le tube de logement :
1. Desserrez les quatre boulons de réglage (9) du tube de logement situés sur les côtés du tube.
 2. Tandis que l'accoudoir se trouve dans le tube de logement (7), serrez le tube à l'ouverture désirée.
 3. Resserrez les quatre boulons (9). (16,3 Nm)

Réglage de la position

1. Desserrez les deux boulons de blocage (10) jusqu'à ce que la pince soit desserrée.
2. Glissez le tube de logement de l'accoudoir à la position désirée.
3. Revissez.

Fig. 4.34 - 4.37 - Légende des composants

1. Montant extérieur	6. Protège-vêtement
2. Levier de déverrouillage de réglage de la hauteur	7. Récepteur
3. Levier de déverrouillage	8. Fixation
4. Manchette de l'accoudoir	9. Boulons de réglage du tube de logement
5. Barre de transfert	10. Boulons de blocage



Support central

Installation : Glissez le montant dans le tube de logement jusqu'à ce qu'il heurte le fond

Réglage de la hauteur :

Glissez le montant hors du tube de logement.

Régalez la position de la bague de réglage de la hauteur (1). Retirez pour cela la vis (2) et déplacez la bague à la position désirée. Remettez la vis et resserrez-la.

Glissez à nouveau le montant dans le tube de logement, (Fig. 4.37.1).

Position de la manchette :

Régalez la position de la manchette. Desserrez pour cela les vis (3), puis déplacez la manchette à la position désirée. Resserrez les vis (Fig. 4.37.1).

Réglage du tube de logement de l'accoudoir

Vous pouvez régler le degré de serrage du tube de logement de l'accoudoir au moyen des 2 vis (1) - (Fig. 4.37.2).



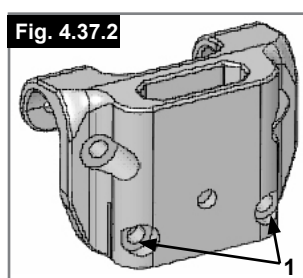
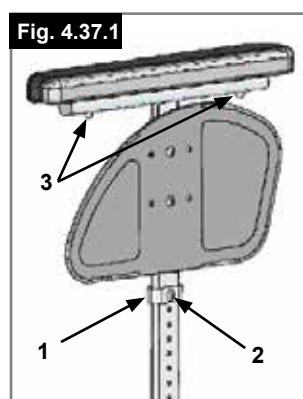
AVERTISSEMENT !

Vérifiez que les accoudoirs sont correctement enclenchés après en avoir réglé la hauteur.



AVERTISSEMENT !

N'utilisez pas les accoudoirs pour vous relever et ne prenez pas appui sur les accoudoirs pendant le transfert.



Poignée de poussée

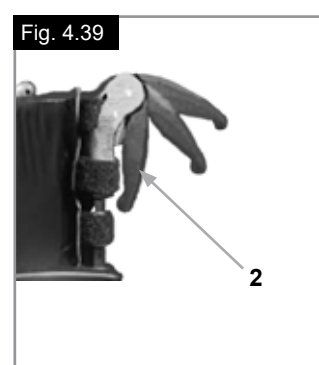
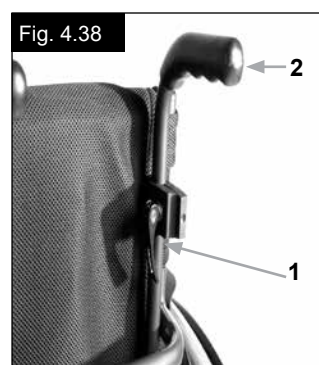
Poignées de poussée réglables en hauteur

Les poignées sont maintenues en place par des goupilles qui les empêchent de sortir accidentellement. En ouvrant le levier de serrage (1), il est possible de régler individuellement la hauteur des poignées de poussée (2). Lors de l'enclenchement du levier, un clic vous indiquera que vous pouvez mettre aisément la poignée à pousser dans la position souhaitée. L'écrou du levier de serrage détermine le serrage au niveau du support de la poignée de poussée. Après enclenchement du levier, si l'écrou est desserré, la poignée sera lâche. Avant utilisation, vérifiez que le serrage est suffisant en faisant pivoter latéralement la poignée. Après avoir réglé la hauteur de la poignée, serrez fermement le levier de serrage (1). Quand le levier de serrage n'est pas serré, cela peut occasionner des blessures lors de la montée d'escaliers. (Fig. 4.38).

REMARQUE – Si les poignées réglables en hauteur ne sont pas correctement positionnées, elles peuvent avoir du jeu ou se déplacer. Vérifiez d'avoir fermement revissé toutes les vis.

Poignées rabattables

Lorsqu'elles ne sont pas utilisées, les poignées peuvent être rabattues à l'aide d'un bouton poussoir (2). Dépliez-les jusqu'à ce qu'elles soient encliquetées avant de les utiliser. (Fig. 4.39).



Roulettes anti-bascule

AVERTISSEMENT !

Sunrise Medical recommande l'utilisation de roulettes anti-bascule avec tous les fauteuils. Il convient d'utiliser un couple de serrage de 7 Nm pour fixer les roulettes anti-bascule.

1. Insertion des roulettes anti-bascule dans le collier :

- appuyez sur le bouton arrière de la roulette anti-bascule sur le tube d'assemblage, de sorte que les deux goupilles de déverrouillage se rétractent vers l'intérieur.
- insérez les roulettes anti-bascule (1) dans l'adaptateur.
- tournez le montant antibasculement vers le bas jusqu'à l'enclenchement de la goupille de déverrouillage dans le collier.
- fixez la deuxième roulette anti-bascule de la même façon.

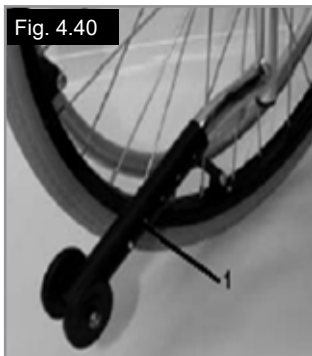
2. Réglage des roulettes anti-bascule

Pour éviter confortablement les obstacles d'une hauteur comprise entre 25 mm et 50 mm, élevez ou abaissez les roulettes anti-bascule.

Appuyez sur le bouton de déverrouillage de la roulette anti-bascule de sorte que les deux goupilles de déverrouillage se rétractent vers l'intérieur.

Abaissez ou élevez le montant intérieur pour l'insérer dans les trous de réglage de la hauteur prévus à cet effet. Relâchez le bouton. Fixez la deuxième roulette anti-bascule de la même façon. Les deux roulettes anti-bascule doivent être exactement à la même hauteur. (Fig. 4.40).

Fig. 4.40



DANGER !

Sunrise Medical recommande fortement l'utilisation de roulettes anti-bascule :

En l'absence de roulettes anti-bascule, ou si celles-ci ont été mal installées, le fauteuil risque de basculer et de provoquer des blessures.

Roulettes anti-bascule relevables

Le dispositif anti-bascule actif se monte à droite ou à gauche du tube de l'axe des roues arrière. Pour débloquer le dispositif anti-bascule afin de l'utiliser, il suffit de le ramener brièvement vers le tube de l'axe des roues arrière (Fig. 4.40.1).

AVERTISSEMENT !

Vérifiez que le dispositif anti-bascule est bien enclenché en position finale. À défaut de quoi cela pourrait entraîner de graves blessures pour l'utilisateur.

Fig. 4.40.1



Roulettes anti-bascule pour le sport

Pour déployer le dispositif anti-bascule actif pour le sport, enfoncez le bouton de la goupille à déverrouillage rapide et sortez la goupille. Déployez le dispositif en le sortant de son tube de logement (4.40.2 - 4.40.3).

Fig. 4.40.2



Fig. 4.40.3



Porte-canne

Porte-canne

Le porte-canne vous permet de toujours transporter votre canne avec vous. Une bande Velcro sert à fixer la canne ou tout autre système d'aide à la marche.

ATTENTION !

N'essayez jamais d'utiliser ni d'enlever votre canne ou tout autre système d'aide à la marche pendant que vous vous déplacez en fauteuil.

Ceinture pelvienne

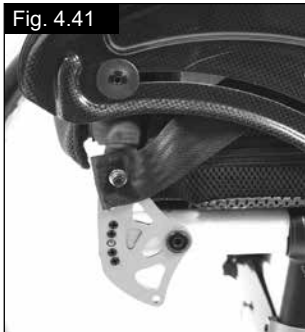


DANGER !

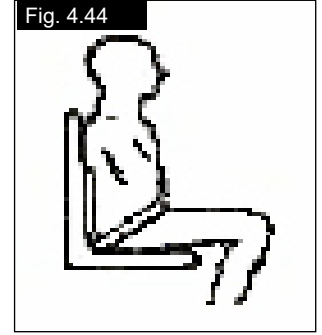
- Avant d'utiliser votre fauteuil roulant assurez-vous que la ceinture sous-abdominale soit mise.
- La ceinture sous-abdominale doit être contrôlée quotidiennement
- afin de s'assurer que son fonctionnement n'est pas altéré par des éléments divers ou par l'usure.
- Toujours vérifier que la ceinture sous-abdominale est bien fixée et correctement réglée avant d'utiliser le fauteuil. Une sangle trop lâche peut entraîner le glissement de l'utilisateur et causer un risque de suffocation ou des blessures graves.

La ceinture sous-abdominale est fixée sur le fauteuil comme représenté dans l'illustration. La ceinture de sécurité se compose de 2 moitiés. Elles sont installées en utilisant le boulon de maintien existant du siège fixé à travers l'œillet de la ceinture. La ceinture est passée sous l'arrière du panneau latéral. (Fig. 4.41)

Ajustez la position de la ceinture afin que les attaches soient au centre du siège. (Fig. 4.42)



La ceinture sous-abdominale doit être fixée de façon à ce que la ceinture soit à un angle de 45 degrés au travers du bassin de l'utilisateur. L'utilisateur doit être bien droit et le plus à l'arrière possible dans le siège quand réglée correctement. La ceinture sous-abdominale ne doit pas permettre à l'utilisateur de glisser du siège. (Fig. 4.44)



Pour attacher la ceinture :
Poussez l'attache male de façon ferme dans l'attache femelle.

Pour retirer la ceinture :
Appuyez sur les parties exposées de l'attache male vers le centre tout en tirant doucement pour les séparer.



AVERTISSEMENT !

Ajustez la ceinture sous-abdominale afin de convenir aux besoins de l'utilisateur comme ci-après :

Pour réduire la longueur de la ceinture	Pour augmenter la longueur de la ceinture
<p>Passez la ceinture par l'attache male et le dispositif de réglage coulissant. Assurez-vous que la ceinture n'ait pas de nœud au niveau de l'attache male.</p>	<p>Passez la ceinture par les dispositifs de réglage coulissant et l'attache male afin d'obtenir plus de longueur de ceinture.</p>

Une fois la ceinture attachée, vérifiez l'espace entre la ceinture pelvienne et l'utilisateur : Si la ceinture est correctement réglée, vous pouvez passer la main à plat entre la ceinture sous-abdominale et l'utilisateur. (Fig. 4.43)

- Si vous avez des doutes au sujet de l'utilisation et de la manipulation de la ceinture demandez l'assistance de votre professionnel de la santé, de votre fournisseur du fauteuil roulant, de votre aide-soignant ou de votre tierce personne.
- Pour installer une ceinture sous-abdominale, contactez votre revendeur agréé Sunrise Medical.
- La ceinture sous-abdominale doit être contrôlée quotidiennement afin de s'assurer que l'ajustement est correct et que son fonctionnement n'est pas altéré par des éléments divers ou par l'usure.
- Sunrise Medical déconseille le transport de toute personne dans un véhicule utilisant la ceinture sous-abdominale en tant que moyen de retenue.



Veillez consulter la brochure du transit Sunrise Medical afin d'obtenir des conseils sur le transport des personnes.

Entretien :

Vérifiez régulièrement l'état de la ceinture et des composants de retenue afin de détecter l'apparition d'éventuels signes d'endommagement ou de déchirure. Remplacez la ceinture, si nécessaire.



AVERTISSEMENT

La ceinture sous-abdominale doit être réglée de façon à s'adapter à l'utilisateur comme détaillé ci-dessus. Sunrise Medical recommande que la longueur et l'ajustement de la ceinture soient vérifiés régulièrement afin de réduire les risques de réajustement de la ceinture à une longueur excessive causés par inadvertance par l'utilisateur final.

5.0 Pneus et montage des pneus

Le fauteuil est équipé de série de pneus à bandage en caoutchouc.

Avec des pneus à chambre à air, veillez à toujours avoir la bonne pression, à défaut de quoi la performance du fauteuil pourrait être affectée. Quand la pression est insuffisante, il faut dépenser plus d'énergie car la résistance du fauteuil est très élevée. La maniabilité du fauteuil en est réduite. Le pneu peut éclater si la pression est trop élevée. La pression correcte est indiquée sur la surface du pneu.

Les pneus se montent comme des pneus de vélo courants. Avant de placer la nouvelle chambre à air, inspectez la jante et la paroi interne du pneu, enlevez tout éventuel corps étranger et vérifiez que le fond de jante recouvre bien tous les trous. Vérifiez la pression des pneus après le montage ou la réparation.

Une pression correcte et un excellent état des pneus constituent des conditions essentielles pour votre sécurité et le comportement du fauteuil.

6.0 Maintenance et entretien

- Vérifiez la pression des pneus toutes les 4 semaines. Inspectez tous les pneus pour repérer tout éventuel signe d'usure ou d'endommagement.
- Vérifiez l'état des freins une fois par mois pour être certain qu'ils fonctionnent correctement et qu'ils sont faciles à utiliser.
- Les pneus se montent comme des pneus de vélo courants.
- Toutes les jointures essentielles au fonctionnement sécurisé de votre fauteuil sont dotées d'écrous autofreinés. Vérifiez SVP tous les trois mois que les raccords vissés (voir la section des couples de serrage) sont solides. Les écrous de sécurité ne doivent être utilisés qu'une seule fois. Après une utilisation répétée, vous devez remplacer ces écrous.
- Quand votre fauteuil est sale, nettoyez-le uniquement avec un nettoyant ménager doux. Pour nettoyer la toile du siège, n'utilisez qu'une solution savonneuse.
- N'utilisez que des pièces d'origine ayant été approuvées par Sunrise Medical. N'utilisez pas des pièces provenant de fabricants tiers qui n'auraient pas été approuvés par Sunrise Medical.
- Si votre fauteuil est humide, séchez-le SVP après utilisation.
- Les axes à déverrouillage rapide doivent être légèrement graissés avec de l'huile pour machine à coudre environ toutes les 8 semaines. Suivant l'utilisation que vous faites de votre fauteuil, nous vous recommandons de demander à votre revendeur d'effectuer un contrôle de votre fauteuil tous les 6 mois.
- Si vous souhaitez entreposer le fauteuil pendant une période prolongée, aucune mesure supplémentaire n'est requise. Veillez à entreposer le fauteuil roulant à température ambiante dans un endroit sec, à l'abri du soleil. Avant de le réutiliser, le fauteuil roulant doit faire l'objet d'une révision effectuée par un revendeur agréé.



ATTENTION !

Le sable et l'eau de mer (les projections de sel en hiver) endommagent la suspension des roues avant et des roues arrière. Nettoyez bien le fauteuil s'il a été exposé à ces éléments.

Les pièces suivantes sont amovibles et peuvent être renvoyées au fabricant/revendeur pour être réparées :

- Roues arrière
- Accoudoir
- Roulettes anti-bascule

Ces composants sont disponibles comme pièces détachées. Pour de plus amples informations, consultez le catalogue des pièces détachées.

Mesure d'hygiène en cas de cession du fauteuil :

Avant de laisser une autre personne utiliser le fauteuil, il convient de l'apprêter soigneusement. Toutes les surfaces entrant en contact avec le nouvel utilisateur doivent être désinfectées.

Pour ce faire, vous devez utiliser un désinfectant figurant dans la liste des produits homologués / recommandés dans votre pays, pour une désinfection rapide à base d'alcool pour produits et appareils médicaux nécessitant d'être désinfectés rapidement.

Veillez prendre connaissance des instructions du fabricant du produit désinfectant utilisé.

En règle générale, une désinfection totale ne peut être garantie sur les coutures. Par conséquent et conformément à la réglementation locale relative à la protection contre les infections, il est recommandé de mettre au rebut la toile du siège et du dossier afin d'éviter toute contamination micro-bactérienne par les agents actifs.



ATTENTION !

- L'utilisation excessive de produits chimiques ou l'utilisation de produits chimiques inadaptés peut entraîner la formation de corrosion ou la dégradation des matières composant le produit.
- Les liquides biologiques peuvent entraîner la formation de corrosion ou la dégradation des matières composant le produit. Veillez à nettoyer et à désinfecter toutes les parties du fauteuil roulant entrées en contact avec des liquides biologiques.

7.0 Mise au rebut / Recyclage des matériaux

Si ce fauteuil a été mis à votre disposition gratuitement, il ne vous appartient pas. Si vous n'en avez plus usage, veuillez le rendre à l'organisation qui vous l'a fourni.

La section suivante décrit les différents matériaux composant le fauteuil en vue de la mise au rebut ou du recyclage du fauteuil et de ses matériaux d'emballage.

Vous devez respecter toute éventuelle réglementation spécifique en vigueur dans votre localité pour la mise au rebut et le recyclage. (notamment le nettoyage ou la décontamination du fauteuil roulant avant sa mise au rebut).

Aluminium : Fourches, roues, protège-vêtement, cadre des accoudoirs, repose-pieds, poignées de poussée

Acier : Points d'arrimage, axe à déverrouillage rapide

Plastique : Poignées, capuchons des tubes, roues avant, palettes, manchettes et roue/pneu de 12 pouces

Emballage : Sacs en plastique composés de polyéthylène, cartons

Toile : Polyester tissé à revêtement PVC et mousse expansée à combustion modifiée.

La mise au rebut ou le recyclage doit être assuré par un agent spécialisé ou une décharge agréée. Vous pouvez également renvoyer votre fauteuil roulant à votre revendeur qui se chargera de sa mise au rebut.

Batterie des lumières LED : Lithium-ion (produit dangereux)
Les appareils électriques et électroniques doivent être éliminés séparément du reste des déchets ménagers, dans des infrastructures spécialisées. La mise au rebut et le ramassage spécifiques des appareils en fin de vie sont destinés à préserver l'environnement et la santé publique. La réutilisation et le recyclage des appareils électriques et électroniques est une obligation.

Pour obtenir des informations détaillées sur l'élimination de votre matériel, contactez votre municipalité, le service d'élimination des déchets, le revendeur spécialisé auprès duquel vous vous êtes procuré votre matériel ou votre représentant commercial.



Li-ion



8.0 Dépannage

Le fauteuil tire sur le côté

- Vérifiez la pression des pneus
- Vérifiez que la roue tourne librement (roulements, axe)
- Vérifiez l'angle des roues avant
- Vérifiez que les deux roues avant sont en contact avec le sol.

Les roues avant oscillent

- Vérifiez l'angle des roues avant
- Vérifiez que les visseries sont fixes, resserrez-les le cas échéant (voir la page des couples de serrage)
- Vérifiez que les deux roues avant sont en contact avec le sol.

Fauteuil / les tubes du croisillon ne s'enclenchent pas dans le guide du siège

- Le fauteuil est encore neuf et la toile du siège ou du dossier est encore rêche. Cela changera avec le temps.

Le fauteuil est difficile à plier :

- La toile du dossier est trop tendue. Détendez-la un peu.

Le fauteuil grince et cliquette

- Vérifiez que les visseries sont fixes, resserrez-les le cas échéant (voir la page des couples de serrage)
- Graissez légèrement les parties articulées.

Le fauteuil a du jeu

- Vérifiez l'angle des roues avant
- Vérifiez la pression des pneus
- Regardez si les roues arrière sont réglées de différente manière.

9.0 Transport

DANGER !

Avertissement Il y a risque de blessures sérieuses ou de mort si ce conseil n'est pas respecté.

Transport de votre fauteuil roulant dans un véhicule :

Un fauteuil roulant arrimé dans un véhicule n'assurera pas le même niveau de sécurité que les sièges du véhicule. Il est recommandé de transférer l'utilisateur dans un siège du véhicule. Sunrise Medical reconnaît qu'il n'est pas toujours facile de transférer l'utilisateur et dans une telle situation où l'utilisateur doit être transporté tout en étant dans son fauteuil roulant, il convient de suivre les recommandations suivantes :

DANGER !

- Vérifiez que votre fauteuil roulant convient aux essais de collision (voir plaque signalétique ou patte de fixation d'essai de collision au dos du fauteuil (Fig. I).
- Faites vous confirmer que le véhicule est correctement équipé pour transporter un passager dans un fauteuil roulant, et assurez-vous que la méthode d'accès/de sortie est convenable pour votre type de fauteuil roulant. Le sol du véhicule doit être suffisamment résistant pour supporter le poids de l'utilisateur, du fauteuil roulant et des accessoires.
- Suffisamment d'espace doit être disponible autour du fauteuil afin d'avoir un accès facile pour attacher, serrer et détacher le fauteuil roulant et le dispositif de retenue de l'occupant et les ceintures de sécurité.
- Le fauteuil doit être placé dans le sens de la marche et être ancré par les points d'arrimage et le système de retenue et de fixation (conforme à la norme ISO 10542 Partie 2 ou SAE J2249) conformément aux instructions du fabricant du système de retenue.
- L'utilisation du fauteuil à bord d'un véhicule motorisé dans une position autre que celle préconisée n'a pas fait l'objet de tests, ainsi le positionnement latéral du fauteuil ne doit être envisagé en aucun cas (Fig. A).
- Le fauteuil doit être sécurisé par un système d'arrimage conforme à ISO 10542 ou SAE J2249 avec sangles avant non-réglables et sangles arrière réglables, qui utilise typiquement des mousquetons/crochet en S et des boucles à ardillons. Ces dispositifs de retenue comprennent généralement 4 sangles individuelles qui sont attachées de chaque côté du fauteuil roulant.

- Ce système d'arrimage doit être fixé au châssis principal du fauteuil roulant comme indiqué dans le schéma sur la page suivante, et non pas à tous points d'attache ou accessoires, ex. pas autour des rayons des roues, freins ou repose-pied.
- Le système de fixation doit être attaché le plus possible à un angle de 45° et tendu conformément aux indications du fabricant.
- Ne modifiez et ne remplacez pas les points d'ancrage du fauteuil, ni les composants structurels sans avoir préalablement demandé l'avis du fabricant, à défaut de quoi le fauteuil Sunrise Medical ne sera pas conforme pour le transport à bord d'un véhicule motorisé.
- Les deux ceintures de retenue au niveau du bassin et du torse supérieur doivent être utilisées pour retenir le passager afin de réduire la possibilité de choc de la tête ou du torse avec les composants du véhicule et de risques graves de blessures à l'utilisateur et tout autre occupant du véhicule. (Fig. B) La ceinture de retenue du torse supérieur doit être montée au pilier "B" du véhicule - ne pas respecter ceci augmente le risque de blessures abdominales graves à l'utilisateur.
- Un soutien de tête adéquate pour le transport (voir étiquette de l'appui-tête) doit être installé et doit être dans la position souhaitée à tout moment pendant le transport.
- Les systèmes de maintien posturaux (sangles sous-abdominales, ceintures sous-abdominales) ne doivent pas servir de système de retenue dans un véhicule en déplacement, à moins qu'ils ne soient conformes à la norme ISO 7176-19 ou SAE J2249, ce qui doit être spécifiquement indiqué sur l'étiquette.
- La sécurité de l'utilisateur pendant son transport dépend de la vigilance de la personne sécurisant le système d'arrimage et cette personne devrait avoir reçu des instructions appropriées et/ou une formation sur leur utilisation.
- Dans la mesure du possible, retirez du fauteuil et rangez tous les accessoires et équipements auxiliaires, comme par exemple :
 - Les cannes, les coussins amovibles et les tablettes.
 - Vous ne devez pas utiliser les repose-jambe en position élevée quand le fauteuil roulant et l'utilisateur sont transportés et quand le fauteuil roulant est retenu par des dispositifs de retenue pour le transport de fauteuils roulants et de son passager.
- Les dossiers inclinables doivent être remis en position verticale.
- Les freins manuels du fauteuil doivent impérativement être enclenchés.
- Les dispositifs de retenue doivent être montés au pilier "B" du véhicule et ne doivent pas être retenus par des composants du fauteuil roulant tel les accoudoirs ou les roues.

Fig. A

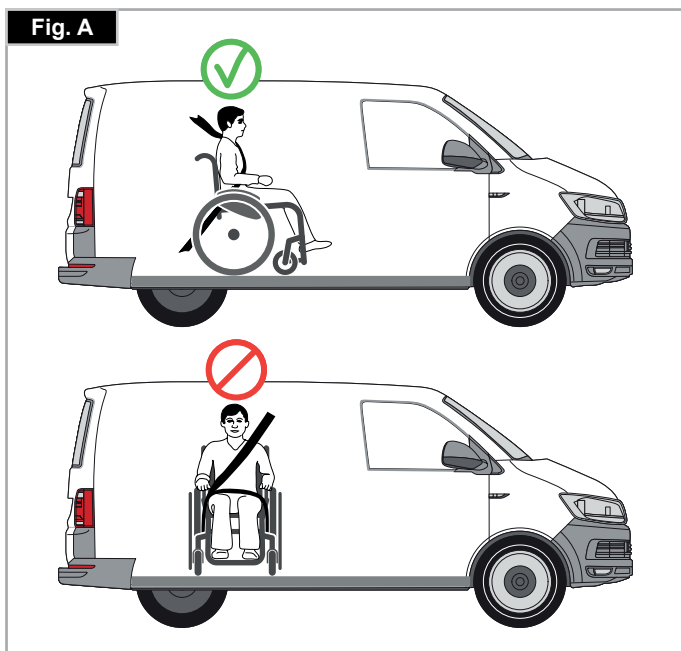
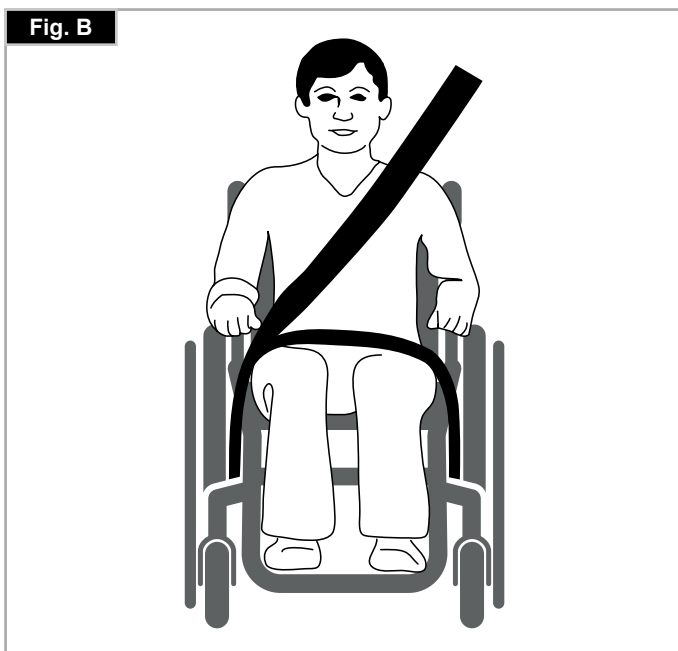


Fig. B



Instructions pour le système de retenue de l'occupant :

1. La ceinture de retenue du bassin doit être fixée en position basse à travers le bassin de façon à ce que l'angle de la ceinture du bassin soit dans la zone de préférence entre 30 et 75 degrés par rapport à l'horizontal.

Un plus grand angle au sein de la zone de préférence est recommandé c'est-à-dire plus proche de 75°, mais sans jamais cependant dépasser cette limite. (Fig. C)

2. La ceinture thoracique doit passer par-dessus l'épaule et en travers de la poitrine, comme illustré aux Fig. D et E.

Les ceintures de retenue doivent être serrées le plus possible, tout en respectant le confort de l'utilisateur.

La sangle de la ceinture de sécurité ne doit pas être entortillée pendant son utilisation.

La ceinture thoracique doit passer par-dessus l'épaule et en travers de l'épaule, comme illustré aux Fig. D et E.

3. Les points de retenue au fauteuil sont le côté interne avant du châssis juste au-dessus de la roue avant et l'arrière du châssis. Les sangles sont fixées autour des flancs de châssis, à l'intersection des tubes de châssis horizontaux et verticaux. (Voir Fig. G-H-I)

4. Le symbole d'arrimage (Fig. F) sur le châssis du fauteuil roulant indique la position des sangles de retenue du fauteuil roulant. Les sangles sont ensuite tendues après que les sangles avant aient été fixées pour sécuriser le fauteuil roulant.

POIDS DE L'UTILISATEUR INFÉRIEUR A 22 kg

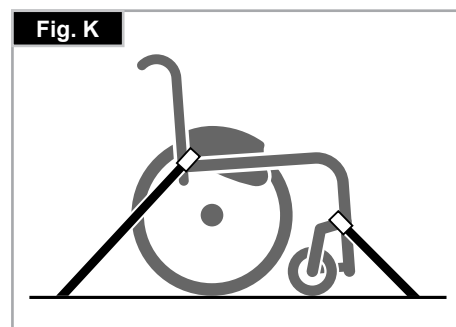
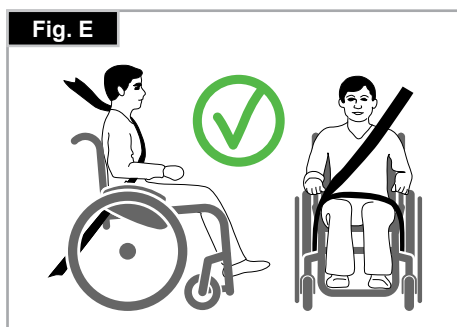
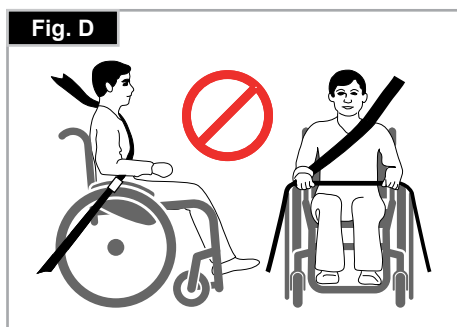
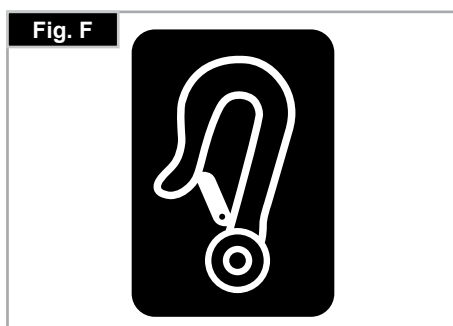
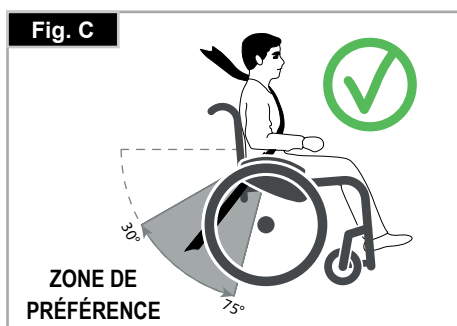
Si l'utilisateur devant être transporté est un enfant pesant moins de 22 kg et si le véhicule utilisé compte moins de huit (8) passagers assis, il est recommandé d'utiliser un dispositif de retenue pour enfants conforme au règlement 44 de la CEE-ONU.

Ce type de dispositif de retenue est un moyen de retenue plus efficace que les dispositifs à trois points, et certains dispositifs de retenue pour enfants assurent également un support postural supplémentaire afin de maintenir la position de l'enfant lorsqu'il est assis.

Les parents ou toute autre personne s'occupant de l'enfant peut, selon le cas, décider de laisser l'enfant dans son fauteuil roulant pendant le transport en raison du niveau de contrôle de la posture ou du niveau de confort assuré par les réglages du fauteuil. Nous vous invitons à effectuer une évaluation des risques par votre accompagnateur ou toute personne compétente en la matière.

Positionnement du dispositif d'arrimage sur le fauteuil roulant :

1. Emplacement des étiquettes d'arrimage à l'avant et à l'arrière (Fig. G - H).
2. Emplacement du système d'arrimage et de l'étiquette d'arrimage à l'avant (Fig. I) et à l'arrière (Fig. J).
3. Vue latérale des sangles d'arrimage, (Fig. K).



10.0 Plaque signalétique

Plaque signalétique

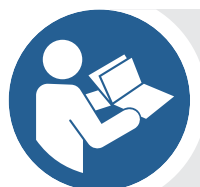
La plaque signalétique se trouve sur les tubes du croisillon, ainsi que sur une étiquette dans le manuel d'utilisation. La plaque indique la dénomination exacte du modèle et fournit diverses informations techniques. Pour une commande de pièces de rechange ou une réclamation, indiquez SVP les informations suivantes :

- Numéro de série
- Numéro de commande
- Mois/année

ECHANTILLON

	SUNRISE MEDICAL		Sunrise Medical GmbH Kahlbachring 2-4 D-69254 Malsch / Germany		2021-05-03
TYPE:		Rollstuhl			203211733451915
Nitrum		ISO 7176-19:2008			
	125 kg		max 10°		420 mm
			460 mm		

	SUNRISE MEDICAL		Sunrise Medical GmbH Kahlbachring 2-4 D-69254 Malsch / Germany		2021-05-03
TYPE:		Rollstuhl			203211733451912
Nitrum Hybrid		ISO 7176-19:2008			
	140 kg		max 10°		420 mm
			440 mm		



ISO 7010-M002

L'utilisateur doit impérativement lire le manuel d'utilisation/livret !
(Icône bleue)

TYPE :

Désignation du produit/Numéro de SKU



max X°

Pente maximale pouvant être abordée par le fauteuil équipé de roulettes anti-bascule. Dépend de la configuration du fauteuil, de la posture et des capacités physiques de l'utilisateur.



XXX mm

Largeur du siège.



XXX mm

Profondeur d'assise.



XXX kg

Charge maximale.



Marquage UKCA



Marquage CE.



Veillez prendre connaissance des consignes d'utilisation.



XXXX-XX-XX

Date de fabrication.



Numéro de série.



Ce symbole signifie Dispositif médical.



Coordonnée de fabricants.



ISO 7176-19:2008

Essai de collision conformément à la norme ISO 7176-19:2008.



Adresse de l'importateur



Personne responsable Royaume-Uni



Adresse du représentant en Suisse

11.0 Garantie

CELA N'AFPECTE EN AUCUN CAS VOS DROITS LEGAUX.

La garantie de Sunrise Medical* est détaillée dans les conditions de garantie suivantes.

Conditions de garantie :

1. Si une ou plusieurs pièces devaient être remplacées ou réparées suite à un vice de fabrication et/ou de matériel dans les 24 mois (5 ans pour le châssis ou le croisillon) suivant la livraison au client, la ou les pièces seront remplacées ou réparées gratuitement. La garantie ne couvre que les vices de fabrication.
2. Pour faire jouer la garantie, veuillez contacter le fournisseur de votre fauteuil roulant, par ex. le revendeur Sunrise Medical agréé ou prestataire de santé en lui précisant la nature exacte du problème. En cas d'utilisation du fauteuil dans une zone située en dehors du territoire du service après-vente (revendeur) Sunrise Medical, les réparations ou remplacements seront assurés par un autre service après-vente désigné par le fabricant. Le fauteuil doit être réparé par un service après-vente désigné par Sunrise Medical.
3. Toute pièce réparée ou échangée dans le cadre de la garantie est couverte par la garantie pour la période restante conformément au point 1.
4. Concernant les pièces détachées d'origine installées ultérieurement et au frais du client, celles-ci sont couvertes par une garantie de 12 mois (à compter de l'installation), conformément aux présentes conditions de garantie.
5. La garantie ne peut être actionnée si la réparation ou l'échange du fauteuil ou d'une pièce découle de l'un des cas de figure suivants :
 - a. L'usure normale, notamment celle des batteries, des accoudoirs, de la garniture, des pneus, des patins de frein, etc.
 - b. Les anomalies découlant de la surcharge du produit. La charge maximale d'utilisation est indiquée sur l'étiquette CE.
 - c. Le produit n'a pas été entretenu ou révisé conformément aux recommandations du fabricant, telles qu'indiquées dans le manuel d'utilisation et/ou les notices d'entretien.
 - d. Les accessoires utilisés ne sont pas des accessoires d'origine.
 - e. Le fauteuil roulant - ou l'une de ses pièces - a été endommagé suite à un mauvais entretien, à un accident ou à une utilisation inadéquate.
 - f. Des changements/modifications non conformes aux spécifications du fabricant ont été effectués sur le fauteuil ou des pièces.
 - g. Les réparations ont été effectuées avant d'en avoir informé le service client.
6. Cette garantie est soumise à la loi du pays d'achat du produit auprès de Sunrise Medical*

* Le lieu Sunrise Medical depuis lequel le produit a été acheté.

12.0 Caractéristiques techniques

Largeur totale :

Avec roues standard de 25 pouces, y compris la main courante avec un carrossage de 6° : LS + 300 mm

Longueur totale : 930 mm avec largeur siège de 500

Hauteur totale : 950 mm avec HD 450

Poids en kg : à partir de 6,5 kg

Charge maximum :

Nitrum 125 kg (140 kg avec le châssis Hybride en option).

Hauteurs du siège :

Le châssis, la fourche, les roues avant et la taille des roues arrière (24", 25") déterminent la hauteur du siège.

Norm		Min.	Max.	Norm		Min.	Max.
	Longueur totale avec repose-pied	770 mm	930 mm		Angle de la surface de l'assise	0°	16°
	Largeur totale	490 mm	860 mm		Profondeur utile du siège	340 mm	500 mm
	Longueur du fauteuil plié	N/D	N/D		Largeur utile du siège	320 mm	500 mm
	Largeur du fauteuil plié	N/D	N/D		Hauteur de la plaque d'assise (bord frontal)	430 mm	570 mm
	Hauteur du fauteuil plié	N/D	N/D		Angle d'inclinaison du dossier	59°	105°
	Poids total	6,5 kg	13,0 kg		Hauteur du dossier	250 mm	450 mm
	Pente pour l'utilisation des freins d'immobilisation	0°	7°		Rayon de braquage		700 mm
	Poids de la pièce la plus lourde	-	2,1 kg avec une roue arrière de 24" *		Distance du repose-pied au siège	220 mm	520 mm
	Stabilité statique en descente	10°	10°		Angle des jambes à l'assise	88°	100°
	Stabilité statique- en montée avec roulettes anti-basculé	10°	10°		Distance du repose-pied à l'assise	N/D	N/D
	Stabilité statique de côté	10°	10°		Emplacement avant de la structure de l'accoudoir	N/D	N/D
	Stabilité dynamique- consommation de puissance en montée	N/D	N/D		Diamètre de la main-courante	540 mm	567 mm
	Surpasser les obstacles	N/D	N/D		Emplacement horizontal de l'axe	+ 104 mm	+ 20 mm

*Roue standard avec main-courante en acier inoxydable

Le fauteuil est conforme aux normes suivantes :

a) Exigences et méthodes d'essai pour la résistance statique, la résistance aux chocs et la résistance à la fatigue (ISO 7176-8)	Oui.
b) Systèmes d'alimentation et de commande des fauteuils roulants électrique – exigences et méthodes d'essai (ISO 7176-14)	n.a.
c) Essai climatique conformément à ISO 7176-9	n.a.
d) Exigences en matière de résistance à l'inflammation des parties rembourrées conformément à ISO 7176-16 (EN 1021-1/2)	Oui.

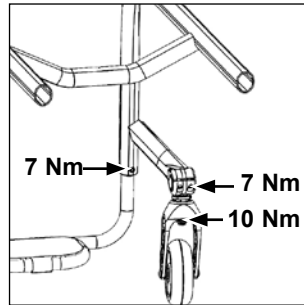
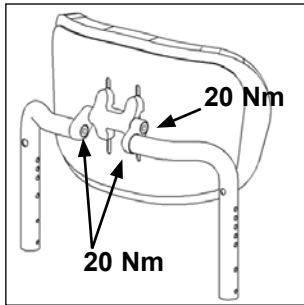
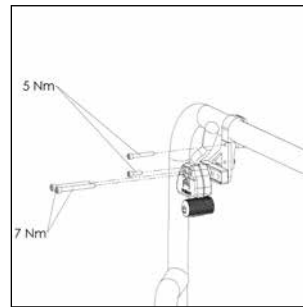
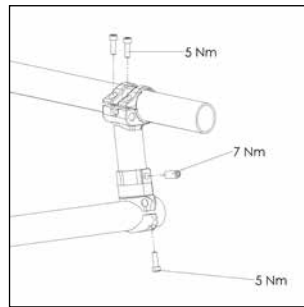
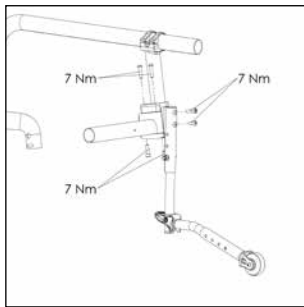
Caractéristiques techniques >>>

Roue avant	Fourche	Type de châssis	Hauteur avant du siège en mm	Hauteur arrière du siège en mm
3" (76,2 mm)	98 mm x 32 mm	bas	430	430 - 300
			440	440 - 310
			450	450 - 320
		haut	470	470 - 340
			480	480 - 350
			490	490 - 360
	111 mm x 32 mm	bas	440	440 - 310
			450	450 - 320
			460	460 - 330
		haut	480	480 - 350
			490	490 - 360
			500	500 - 370
4" (101,6 mm)	98 mm x 32 mm	bas	440	440 - 310
			450	450 - 320
			460	460 - 330
		haut	480	480 - 350
			490	490 - 360
			500	500 - 370
	111 mm x 32 mm	bas	450	450 - 320
			460	460 - 330
			470	470 - 340
		haut	490	490 - 360
			500	500 - 370
			510	510 - 380
	111 mm x 45 mm	bas	450	450 - 320
			460	460 - 330
			470	470 - 340
		haut	490	490 - 360
			500	500 - 370
			510	510 - 380
	123 mm x 45 mm	bas	450	450 - 320
			460	460 - 330
			470	470 - 340
			480	480 - 350
		haut	490	490 - 360
			500	500 - 370
510			510 - 380	
520			520 - 370	

Caractéristiques techniques ...

Roue avant	Fourche	Type de châssis	Hauteur avant du siège en mm	Hauteur arrière du siège en mm
5" (127 mm)	98 mm x 32 mm	bas	460	460 - 330
			470	470 - 340
		haut	500	500 - 370
			510	510 - 380
	111 mm x 32 mm	bas	460	460 - 330
			470	470 - 340
			480	480 - 350
		haut	500	500 - 370
			510	510 - 380
			520	520 - 390
	111 mm x 45 mm	bas	470	470 - 340
			480	480 - 350
		haut	510	510 - 380
			520	520 - 390
	123 mm x 45 mm	bas	470	470 - 340
			480	480 - 350
490			490 - 360	
500			500 - 370	
haut		510	510 - 380	
		520	520 - 390	
		530	530 - 400	
		540	540 - 410	
6" (152,4 mm)	123 mm x 45 mm	bas	500	500 - 370
			510	510 - 380
		haut	540	540 - 410
			550	550 - 420

13.0 Couple réel



Couple réel.

REMARQUE : lorsque des valeurs de serrage sont indiquées, il est fortement conseillé d'utiliser une clef torx (non fourni avec le dossier) afin de vérifier le couple de serrage.
En l'absence d'informations précises, le couple de serrage pour M6 est 7 Nm.

ATTENTION : Certaines des vis utilisées au cours de la fabrication sont dotées de frein-filet (point bleu sur le filetage) et peuvent être desserrées et resserrées au maximum trois fois, après quoi il convient de les remplacer par des vis neuves avec frein-filet. Vous pouvez également appliquer un adhésif frein-filet Loctite™ 243 sur les vis avant de les réutiliser.

Inhoudsopgave

Inhoudsopgave	62
Definities	62
Voorwoord	63
Gebruik	64
Opslag	64
Toepassingen.	64
1.0 Algemene veiligheidstips en rijbeperkingen	65
2.0 Gebruik	67
3.0 Transport van de rolstoel	67
4.0 Opties	67
Trapdop	67
Remmen	67
Remmen	68
Ophangstelsel	69
Aanpassing van de as van de handbike	70
Instelling zwaartekrachtspunt van de Nitrum	71
Instelling zwaartekrachtspunt van de Nitrum Hybrid	71
De hoogte van de voetenplaat instellen	72
Zitsysteem	72
Voorwielen	73
Wielaanpassing	74
Rugleuning	74
Zijkanten	77
Duwhandvat	78
Anti-tip wielen	79
Krukkenhouder	79
Heupgordel	80
5.0 Banden en montage	81
6.0 Algemeen onderhoud	81
7.0 Afvalverwerking / recycling van materialen	82
8.0 Mogelijke problemen	82
9.0 Transport	83
10.0 Sticker	85
11.0 Garantie	86
12.0 Technische gegevens	87
13.0 Koppel	90

OPMERKING:

De getoonde en beschreven rolstoelen in deze gebruikershandleiding kunnen op sommige punten van uw eigen model afwijken. Alle instructies zijn echter belangrijk, ongeacht de verschillen in detail.

De fabrikant houdt zich het recht voor zonder opgaaf gegevens met betrekking tot gewicht, maten of andere technische gegevens zoals genoemd in deze handleiding, te wijzigen. Alle afbeeldingen, maten en mogelijkheden zoals getoond in deze handleiding zijn slechts indicatief en bevatten geen specificaties.



NL

Definities

Betekenis van woorden die in deze handleiding worden gebruikt

Woord	Betekenis
 GEVAAR!	De gebruiker wordt geattendeerd op de kans op ernstig letsel of overlijden indien het advies niet wordt opgevolgd.
 WAARSCHUWING!	De gebruiker wordt geattendeerd op de kans op letsel indien het advies niet wordt opgevolgd.
 OPGELET!	De gebruiker wordt geattendeerd op de kans op schade aan de apparatuur indien het advies niet wordt opgevolgd.
OPMERKING:	Algemeen advies of beste gebruik
	Verwijzing naar aanvullende documentatie

OPMERKING:

Noteer het adres en telefoonnummer van uw plaatselijke dealer in de daarvoor bestemde ruimte.

Neem in het geval van storingen contact met de dealer op en probeer zoveel mogelijk relevante informatie te geven zodat hij u snel kan helpen.

Stempel en handtekening dealer

Voorwoord

Beste klant,

Wij zijn erg blij dat u gekozen hebt voor een kwalitatief hoogstaand SUNRISE MEDICAL-product.

In deze gebruikshandleiding vindt u tal van tips en ideeën waarmee u van uw nieuwe rolstoel een betrouwbare partner in uw leven kunt maken.

Wij van Sunrise vinden het heel belangrijk om goede banden met onze klanten te onderhouden. Daarom willen wij u op de hoogte houden van de huidige en de nieuwe ontwikkelingen in ons bedrijf. Een goede band met onze klanten betekent ook: snelle service, uitstekende toegankelijkheid en nauwe samenwerking met onze klanten. Wanneer u vervangende onderdelen of accessoires nodig hebt, of een vraag over uw rolstoel hebt, staan wij voor u klaar.

Wij willen dat u tevreden bent over onze producten en diensten. Bij Sunrise werken we voortdurend aan verdere ontwikkeling van onze producten. Dat maakt dat de vorm, de technologie en de uitrusting van onze producten kan veranderen. Er zijn dan ook geen juridische vorderingen mogelijk op basis van de gegevens of de afbeeldingen in deze gebruikershandleiding.

Het managementsysteem van SUNRISE MEDICAL is gecertificeerd en voldoet aan de EN ISO 13485 en ISO 14001 normen.

 **SUNRISE MEDICAL verklaart als fabrikant dat dit product voldoet aan de EU-verordening Medische hulpmiddelen (Medical Device Regulation, MDR) (2017/745).**

OPMERKING: Algemeen advies.

Wanneer deze instructies niet worden opgevolgd, kan dit leiden tot fysiek letsel, schade aan het product of schade aan de omgeving!

Een mededeling aan de gebruiker en/of patiënt: Als dit product betrokken was bij een ernstig incident, dient dit aan Sunrise Medical en de bevoegde autoriteit van de Lidstaat waarin de gebruiker en/of patiënt is gevestigd, te worden gemeld.

Built-4-Me speciale aanpassingen

Sunrise Medical adviseert nadrukkelijk alle bij uw Built-4-Me product meegeleverde gebruikersinformatie zorgvuldig door te lezen voordat u het product voor het eerst gebruikt. Alleen wanneer u de gebruiksaanwijzingen volledig hebt doorgelezen en begrijpt, bent u ervan verzekerd dat het Built-4-Me product functioneert en presteert zoals de fabrikant dit heeft bedoeld.

Sunrise Medical adviseert tevens de gebruikersinformatie na het lezen niet weg te gooien, maar het veilig op te bergen, zodat u de informatie later nog eens kunt doornemen.

Combinaties van medische hulpmiddelen

Het is eventueel mogelijk om dit medische hulpmiddel met één of meerdere andere medische hulpmiddelen of een ander product te combineren. Kijk voor informatie over mogelijke combinaties op www.SunriseMedical.nl. Alle op de lijst vermelde combinaties zijn gevalideerd om te voldoen aan de Algemene veiligheids- en prestatievereisten, Bijlage I nr. 14.1 van de MDR - Verordening voor Medische hulpmiddelen (2017/745).

Richtlijnen voor de combinatie, zoals de bevestiging, vindt u op www.SunriseMedical.nl

Heeft u vragen over het gebruik, het onderhoud of de veiligheid van uw rolstoel, neem dan contact op met uw plaatselijke erkende dealer van SUNRISE MEDICAL.

Wanneer er geen erkende dealer in uw regio is, of als u vragen hebt over productveiligheid of het terugroepen van producten, kunt u schriftelijk of telefonisch contact opnemen met Sunrise Medical, of de informatie vinden op www.SunriseMedical.nl.



BELANGRIJK:

GEBRUIK UW ROLSTOEL NIET TOT U DEZE GEBRUIKSAANWIJZING HEEFT GELEZEN EN BEGREPEN.

Sunrise Medical B.V.
Groningehaven 18-20
3433 PE NIEUWEGEIN
The Netherlands
T: +31 (0)30 – 60 82 100
E: info@sunrisemedical.nl
www.SunriseMedical.nl

Gebruik

Rolstoelen zijn uitsluitend bedoeld voor kinderen en volwassenen die niet kunnen lopen of verminderd mobiel zijn. De rolstoel is bedoeld voor persoonlijk gebruik, zowel binnens- als buitenshuis en kan zelfbewegend zijn of worden voortbewogen door een begeleider.

De maximale belasting (het gewicht van de gebruiker en alle op de rolstoel gemonteerde accessoires) van de lichtgewicht rolstoelen staat vermeld bij het serienummer dat u aantreft op de asbuis onder de zitting.

Aansprakelijkheid wordt uitsluitend geaccepteerd indien het product wordt gebruikt onder die specifieke omstandigheden en voor het doel waarvoor het product is gemaakt. De verwachte levensduur van het product is vijf jaar. Monteer of gebruik GEEN onderdelen van andere partijen op de rolstoel, tenzij deze officieel goedgekeurd zijn door Sunrise Medical.

Opslag

- Binnenshuis in een koele, droge plaats opbergen
- Tijdens de opslagperiode mag de omgevingstemperatuur niet lager dan -20°C of hoger dan +65°C zijn.
- Aanbevolen vochtigheid: 15% - 93%.
- Geen beperkingen op luchtdruk.

Toepassingen.

Indicaties

De keuze aan beschikbare accessoires en het modulaire ontwerp betekenen dat de rolstoel kan worden gebruikt door personen die niet kunnen lopen of beperkt mobiel zijn vanwege:

- Verlamming
- Amputatie (van been of benen)
- Disfunctioneren of misvorming van extremiteiten
- Contractuur van/letsel aan gewrichten
- Ziektes zoals hart- en vaatziekten, evenwichtsstoornissen of cachexie, neurologische aandoeningen, spierdystrofie, hemiplegie, evenals voor oudere mensen die nog kracht in het bovenlichaam hebben.

Contra-indicaties

De rolstoel mag niet zonder begeleider worden gebruikt bij:

- Waarnemingsstoornissen
- Evenwichtsstoornissen
- Verlies van beide armen, indien niet door een zorgverlener begeleid
- Gewrichtscontractuur of beschadiging van gewrichten in beide armen
- Onvermogen om te zitten

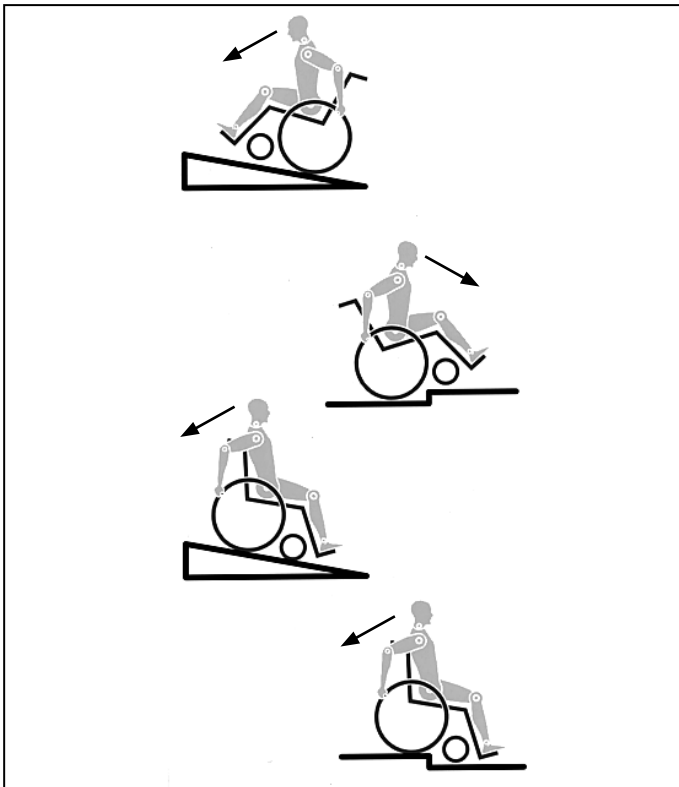
Wanneer levering/aanschaf van een rolstoel wordt overwogen, neem dan de volgende zaken in overweging: lichaamsgrootte, gewicht, fysieke en psychische toestand, leeftijd, leefomstandigheden en -omgeving.

OPMERKING:

NB: het besturen van een rolstoel vereist voldoende cognitieve, fysieke en visuele vaardigheden. De gebruiker moet in staat zijn de effecten van handelingen tijdens het gebruik van de rolstoel te beoordelen en deze zo nodig te corrigeren. Deze vermogens en het veilige gebruik van aanvullend bevestigde onderdelen kunnen niet door Sunrise Medical als fabrikant worden beoordeeld. We kunnen geen aansprakelijkheid voor schade als gevolg hiervan accepteren.

Lees de gebruiksaanwijzing van de rolstoel en de aanvullend aangebrachte onderdelen door. Instrueer de gebruiker over het veilige gebruik van de rolstoel en de aanvullend bevestigde onderdelen. Informeer gebruikers over specifieke waarschuwingen die gelezen, begrepen en gerespecteerd moeten worden.

1.0 Algemene veiligheidstips en rijbeperkingen



De techniek en constructie van deze rolstoel zijn ontworpen voor het bieden van maximale veiligheid. Aan de momenteel van kracht zijnde internationale veiligheidsnormen is voldaan en zij zijn overtroffen. Toch kunnen gebruikers zichzelf in gevaar brengen door onjuist gebruik van hun rolstoel. Voor uw eigen veiligheid moeten de volgende regels absoluut worden opgevolgd.

Onprofessionele of foutieve aanpassingen of instellingen kunnen de kans op ongelukken vergroten. Als rolstoelgebruiker maakt u, net als andere weggebruikers, deel uit van het dagelijkse verkeer op straten en trottoirs. Wij herinneren u er aan dat u daardoor ook onderworpen bent aan alle verkeerswetgeving. Wees voorzichtig tijdens uw eerste rit in deze rolstoel. Leer uw rolstoel kennen.

Voor elk gebruik, moet het volgende worden gecontroleerd:

- Quick release assen op de achterwielen
- Klittenband op de zittingen en rugleuningen
- Banden, bandendruk en parkeerremmen.

Alvorens aanpassingen van deze rolstoel te wijzigen, is het belangrijk het bijbehorende deel van de gebruiksaanwijzing te lezen.

Het is mogelijk dat de rolstoel door kuilen of oneffen oppervlakken kan kantelen, in het bijzonder wanneer heuvel op of af wordt gereden. Wanneer over een trede of helling op wordt gereden, moet het lichaam naar voren zijn gebogen.

GEVAAR!

- Overschrijd **NOOIT** de maximale belasting van 125 kg (140 kg met de optie 'Hybrid'-frame, 100 kg met de handbike-as); dit gewicht geldt voor de gebruiker plus artikelen die worden meegenomen op de rolstoel. Let op de informatie betreffende gewichten voor de lichtgewichtopties. Deze worden apart vermeld. Als u de maximale belasting overschrijdt, kan dit leiden tot schade aan de stoel, of u kunt omvallen of omkantelen, de controle verliezen, wat ernstig letsel aan de gebruiker en andere personen tot gevolg kan hebben.
 - Draag lichte of reflecterende kleding wanneer u in het donker naar buiten gaat. Zo wordt u gemakkelijker gezien. Zorg ervoor dat de reflectoren op de zij- en achterkant van de rolstoel duidelijk zichtbaar zijn. Sunrise adviseert tevens gebruik te maken van verlichting.
 - Om vallen en gevaarlijke situaties te voorkomen, is het verstandig om eerst met uw nieuwe rolstoel te oefenen op een vlakke ondergrond, bij goed zicht.
- Gebruik de voetplaten niet als u in of uit de rolstoel stapt. Deze moeten van tevoren omhoog worden geklapt en zo ver mogelijk naar buiten worden gedraaid. Plaats uzelf altijd zo dicht mogelijk bij de plek waar u wilt gaan zitten.
 - Gebruik uw rolstoel alleen voor het daarvoor bestemde doel. Bijvoorbeeld, probeer niet tegen een obstakel op te rijden zonder te remmen (opstapje, trottoirrand) of verschillen in afstapjes.
 - De parkeerremmen zijn niet bedoeld om als rem voor uw rolstoel te dienen. Zij dienen er slechts voor om te voorkomen dat uw rolstoel onbedoeld begint te rollen. Wanneer u op een oneffen oppervlak stopt, dient u altijd uw remmen te gebruiken om weggrollen te voorkomen. Gebruik altijd beide parkeerremmen anders kan uw rolstoel kantelen.
 - Onderzoek het effect van het veranderen van het zwaartepunt op het gedrag van de rolstoel op bijvoorbeeld hellingen of wanneer u obstakels neemt. Doe dit met de hulp van een begeleider
 - Met extreme instellingen (bijv. achterwielen in de voorste positie) en minder dan perfecte houding, kan de rolstoel zelfs op een effen oppervlak omkantelen.
 - Leun met uw bovenlichaam naar voren als u hellingen en opstapjes opgaat.
 - Leun met uw bovenlichaam verder naar achteren, wanneer u van een helling of afstapje afdraait. Probeer nooit diagonaal een helling op of af te gaan.
 - Gebruik nooit een roltrap, aangezien u hier vanaf kunt vallen wat ernstig letsel kan veroorzaken.
 - Gebruik de rolstoel niet op hellingen steiler dan $> 10^\circ$. De dynamische stabiliteit hangt af van de instellingen van de stoel, de capaciteiten van de gebruiker en de rijstijl. Omdat Sunrise Medical vooraf niet kan voorzien hoe de capaciteiten en rijstijl van de gebruiker is, kan de maximale veilig te nemen helling niet worden bepaald. Daarom moet dit door de gebruiker worden bepaald, samen met een begeleider, die kan voorkomen dat de rolstoel kantelt. Sunrise Medical adviseert onervaren gebruikers veiligheidswielen te laten installeren.
 - Het is mogelijk dat de rolstoel door kuilen of oneffen oppervlakken kan kantelen, in het bijzonder wanneer heuvel op of af wordt gereden.
 - Gebruik de rolstoel niet op modderige of bevroren (gladde) ondergrond. Daar waar voetgangers niet zijn toegestaan, mag u ook niet met de rolstoel rijden.
 - Steek nooit uw handen tussen de spaken of tussen het achterwiel en wielvergrendeling terwijl u rijdt. Dit kan leiden tot letsel aan de handen.
 - Met name bij het gebruik van lichtgewicht hoepels, worden vingers gemakkelijk warm bij het remmen op hoge snelheid of op steile hellingen.
 - Door zijwaarts te rijden op een helling of glooiing, wordt de kans vergroot dat de rolstoel zijwaarts kantelt.
 - Gebruik geen trappen zonder de hulp van een begeleider. Er bestaan middelen om u te helpen, bijv. hellingen op te gaan of de lift te gebruiken. Wij raden u aan deze te gebruiken. Als deze niet beschikbaar zijn, dient de rolstoel naar achteren te worden gekanteld en over de treden te worden geduwd (2 helpers), maar mag nooit worden getild. Wij raden aan dat gebruikers die zwaarder dan 100 kg zijn deze manier om trappen te nemen, niet gebruiken.
 - Over het algemeen moeten anti-tip wielen vooraf zodanig worden ingesteld dat ze de treden niet kunnen raken, omdat dit tot een ernstige val zou kunnen leiden. Naderhand moeten de anti-tip wielen weer in de oude positie worden teruggebracht.
 - Zorg ervoor dat de begeleider de rolstoel alleen aan stevig bevestigde onderdelen vasthoudt (bijv. niet aan de voetsteunen of zijkant).
 - Deze rolstoel is niet ontworpen om te worden gebruikt tijdens gewichtstraining en/of tijdens het gebruik van halters. Gebruik uitsluitend middelen die specifiek voor dit doel zijn ontworpen.
 - De stangen aan de achterzijde en de duwhendels zijn niet bedoeld om de stoel op te tillen of te dragen.

- Wanneer u de rolstoel gebruikt, dient u ervoor te zorgen dat de aangebrachte anti-tip wielen buiten de gevarenzone zijn geplaatst.
 - Gebruik de rem om de stoel blokkeren wanneer u zich op ongelijke grond bevindt, of tijdens een transfer, bijvoorbeeld wanneer de rolstoel in een auto wordt geplaatst. Controleer of de rem goed vergrendeld is en niet per ongeluk tijdens een transfer los kan gaan. Vraag bijvoorbeeld een begeleider om de hendels van de rem vast te houden.
 - Wanneer gebruik wordt gemaakt van een speciaal voor gehandicaptenvervoer ingericht voertuig, dienen de personen die worden vervoerd, voor zover mogelijk, gebruik te maken van de stoelen van het voertuig en het juiste gordelsysteem. Alleen op deze wijze genieten de personen optimale bescherming indien een ongeluk plaatsvindt. Wanneer u de veiligheidselementen van SUNRISE MEDICAL en een speciaal ontwikkeld veiligheidssysteem gebruikt, kunnen lichtgewicht rolstoelen tijdens vervoer in een speciaal uitgerust voertuig als stoel worden gebruikt. (Zie het hoofdstuk over "Vervoer").
 - Afhankelijk van de diameter en instelling van de zwenkwielen evenals de instelling van het zwaartepunt van de rolstoel, kunnen de zwenkwielen op hoge snelheid beginnen te trillen. Hierdoor kunnen de zwenkwielen geblokkeerd raken en kan de rolstoel omkantelen. Zorg er daarom goed voor dat de zwenkwielen goed zijn aangepast (zie het hoofdstuk "Zwenkwielen"). Rijd met name niet op een helling zonder remmen en rijd op lage snelheid. We raden aan dat nieuwe gebruikers anti-tip gebruiken.
 - Met anti-tip kan de stoel niet onbedoeld achterover kantelen. Ze mogen in geen geval de transitwielen vervangen en gebruikt worden om een persoon in een rolstoel te vervoeren als de achterwielen zijn verwijderd.
 - Wanneer u naar voorwerpen (die zich voor, aan de zijkant of achter de rolstoel bevinden) reikt, zorg er dan voor dat u niet te ver uit de rolstoel leunt, want als u het zwaartepunt verandert, bestaat het gevaar dat u omkantelt of omver rolt. Als u extra belasting (rugzak of gelijksoortige voorwerpen) aan de buizen van de rugleuning hangt, kan dit van invloed zijn op de stabiliteit aan de achterkant van uw stoel, vooral in combinatie met rugleuningen die achterover kunnen leunen. Hierdoor kan de stoel naar achteren kantelen en letsel veroorzaken.
 - Aanpassingen aan uw rolstoel, en in het bijzonder aanpassingen aan onderdelen die voor de veiligheid van belang zijn, moeten worden uitgevoerd door een erkende dealer. Dit geldt voor aanpassing van wielvergrendeling, anti-tipwielen, de hoek en hoogte van de rugleuning, het onderbeenlengte, zwaartepunt, heupgordel, toe-in en camber van het achterwiel, zithoogte en toe-in en de richtingsstabiliteit van de vork van het zwenkwiel.
 - Wanneer op de rolstoel gemonteerde mobiliteitsaccessoires worden gebruikt, zoals handbikes, elektrische aandrijfondersteuning, etc. verzekert u er dan van dat uw rolstoel is uitgerust met de juiste, voor dit gebruik goedgekeurde, voorvorken. Neem bij vragen contact op met uw dealer.
 - Monteer geen niet-erkende elektronische apparaten, elektrisch of mechanisch aangedreven voortstuwingsapparaten, handfiets, of andere hulpmiddelen aan de rolstoel waardoor het bedoelde gebruik, of de structuur van de rolstoel verandert.
 - Alle combinaties met andere medische hulpmiddelen moeten door Sunrise Medical worden goedgekeurd.
 - NB: in sommige uitvoeringen kan de rolstoel breder zijn dan 700 mm. In dat geval kan het in bepaalde omstandigheden onmogelijk zijn om sommige, of alle, beschikbare vluchtroutes uit een gebouw te gebruiken. Het kan moeilijker of onmogelijk zijn om met openbaar vervoer te reizen.
 - U kunt meer informatie en veiligheidsinstructies krijgen bij uw erkende dealer.
 - Gebruikers met een amputatie vanaf de dij, moeten anti-tip wielen gebruiken.
 - Controleer voor vertrek of de bandenspanning correct is. Voor de achterwielen moet de druk ten minste 3,5 bar (350 kPa). De maximale druk staat aangegeven op de band. De knie-remhendels functioneren alleen bij voldoende bandenspanning en wanneer ze correct zijn ingesteld (zie ook het hoofdstuk "Remmen").
 - Indien de zitting of rugbekleding van de rugleuning beschadigd zijn, dient u deze direct te vervangen.
 - Wees voorzichtig met vuur, en vooral met brandende sigaretten. De banden van de rugleuning en zitting kunnen vlam vatten.
 - Wanneer de rolstoel langdurig blootgesteld wordt aan direct zonlicht, kunnen sommige onderdelen (bijv. frame, beensteunen, remmen, zijkant) heet worden (>41°C).
 - Controleer altijd of de quick release assen op de achterwielen goed zijn ingesteld en vergrendeld. Wanneer de knop op de quick release as niet ingedrukt is, kan het achterwiel niet worden verwijderd.
 - Uw rolstoel kan elektrische stroom geleiden, wees daarom voorzichtig bij het hanteren van elektrische bronnen.
 - Gebruik geen overmatige kracht wanneer u vanuit een staande positie in de rolstoel gaat zitten. Dit kan leiden tot onnodige slijtage en schade aan de bekleding van de zitting en het frame.
 - Zorg ervoor dat een begeleider altijd voldoende geïnstrueerd en getraind is in de omgang met en ondersteuning van een persoon die in de rolstoel zit. Als begeleider dient u ervoor te zorgen dat u:
 - uitsluitend de handvatten gebruikt die hiervoor zijn bedoeld, zoals duwhandvatten of de stangen van het frame; nooit de voetsteunen, zijbeschermers, wielen of delen van de bekleding als handvat gebruikt;
 - altijd veilig staat en een goede grip op de handvatten hebt;
 - niet leunt op de duwhandvatten, hierdoor kan de stoel achterwaarts kantelen;
 - altijd de wielvergrendeling gebruikt tijdens transfers, om onbedoelde beweging van de rolstoel te voorkomen;
 - altijd de wielvergrendeling gebruikt wanneer u stilstaat om onbedoelde beweging van de rolstoel te voorkomen.
- Als rolstoelgebruiker dient u ervoor te zorgen dat een begeleider voldoende is geïnformeerd.
- Controleer het frame van de rolstoel op mogelijke schade als er een botsing of ander incident heeft plaatsgevonden.
 - Wanneer een nieuwe rolstoel wordt gebruikt, of als er aanpassingen zijn uitgevoerd waardoor de positie van de gebruiker in de rolstoel is gewijzigd, controleer de huid dan vaker op rode plekken of drukplekken.

WAARSCHUWING!

- Niet alleen het vermogen van de knie-remhendel maar ook de algemene rij-eigenschappen zijn afhankelijk van de bandenspanning. De rolstoel is aanzienlijk lichter en gemakkelijker te manoeuvreren wanneer de achterwielen op de juiste spanning zijn en beide dezelfde spanning hebben.
- De banden van de rolstoel moeten voldoende profiel hebben! Let op dat u zich aan alle verkeerswetten moet houden wanneer u zich op de openbare weg begeeft.
- Pas altijd goed op uw vingers wanneer u instellingen of onderdelen van de rolstoel wijzigt of aanpast.

WAARSCHUWING!

VERSTIKKINGSGEVAAR - In dit mobiliteitshulpmiddel zijn kleine onderdelen verwerkt die onder bepaalde omstandigheden een verstikkingsgevaar voor kleine kinderen kunnen vormen.

De getoonde en beschreven rolstoelen in deze gebruikershandleiding kunnen op sommige punten van uw eigen model afwijken. Alle instructies zijn echter belangrijk, ongeacht de verschillen in detail.

De fabrikant houdt zich het recht voor zonder opgave gegevens met betrekking tot gewicht, maten of andere technische gegevens zoals genoemd in deze handleiding, te wijzigen. Alle afbeeldingen, maten en mogelijkheden zoals getoond in deze handleiding zijn slechts indicatief en bevatten geen specificaties.

2.0 Gebruik

Quick release assen op de achterwielen

De achterwielen zijn uitgerust met quick release assen. Zo kunt u de wielen zonder gereedschap monteren of verwijderen.

Om een wiel te verwijderen, drukt u gewoon de quick release knop op de as in (1) en trekt u het wiel weg (Fig. 2.1).



OPGELET!

Houd de quick release as ingedrukt terwijl u de as in het frame steekt om de achterwielen te monteren. Laat de knop los om het wiel op zijn plaats te vergrendelen. De quick release knop zou weer op zijn oorspronkelijke plaats moeten klikken.

3.0 Transport van de rolstoel

Transport van de rolstoel

Door het verwijderen van de achterwielen blijft de rolstoel zo compact mogelijk. De rugleuning kan worden opgevouwen door de duwstang omhoog te duwen, of het (optionele) twist-lock handvat met de klok mee te draaien.



Zo kan de rolstoel aan de stangen van het frame en de zitting worden opgetild. Wanneer een lege rolstoel in een voertuig wordt vervoerd, moet hij worden vastgezet of -gebonden.

4.0 Opties

Trapdop

Trapdop

De trapdop kan door begeleiders worden gebruikt om de rolstoel over een obstakel te duwen. Trap gewoon op de buis om een rolstoel bijvoorbeeld over een stoep of een trede te duwen.

WAARSCHUWING!

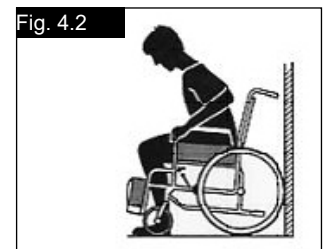
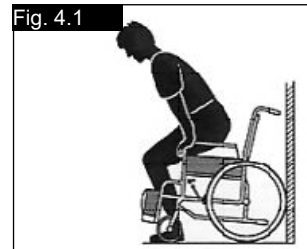
Voor modellen waarbij de rolstoel voornamelijk zal worden voortgeduwd door een begeleider, adviseert Sunrise Medical het gebruik van een trapdop. Er kan schade ontstaan aan het rugframe wanneer u deze voortdurend gebruikt als hendel om de rolstoel naar achteren te trekken of zonder trapdop te kantelen.

Zelf in uw rolstoel stappen

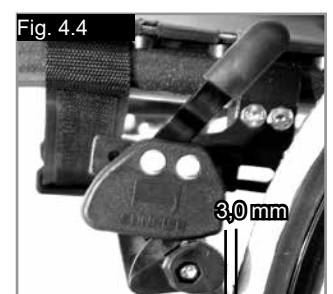
- Duw de rolstoel tegen een muur of een stevig meubelstuk;
- Zet de rem erop;
- De gebruiker kan zich in de rolstoel laten zakken;
- Plaats de voeten vervolgens voor de hielbanden (Fig. 4.1).

Zelf uit uw rolstoel stappen

- Zet de rem erop;
- De persoon dient met een hand op het wiel of de zijbescherming enigszins naar voren te leunen om het lichaamsgewicht naar de voorrand van de stoel over te brengen, en zich dan rechtop te duwen met beide voeten stevig op de vloer en een voet achter de andere (Fig. 4.2).



Remmen



OPGELET!

De remkracht kan worden beïnvloed door onjuiste montage en aanpassing van de remmen. Ook een te lage bandenspanning kan de remkracht beïnvloeden.

Remmen

Uw rolstoel heeft twee wielvergrendelingen. Ze komen rechtstreeks op de banden terecht. Om de vergrendelingen te gebruiken, drukt u beide vergrendelingshendels naar voren tot tegen de aanslagen. Om de vergrendeling ongedaan te maken, trekt u de hendels weer naar hun oorspronkelijke positie.

Het remvermogen vermindert wanneer:

- het loopvlak van de band versleten is;
- de bandendruk niet voldoende is;
- de banden nat zijn;
- de wielvergrendelingen niet goed afgesteld zijn.

Remmen

De parkeerremmen zijn niet bedoeld om als rem voor een bewegende rolstoel te dienen. U mag de remmen dan ook niet gebruiken om een bewegende rolstoel te doen remmen. Rem altijd met behulp van de hoepels. Zorg ervoor dat de afstand tussen de banden en de remmen voldoet aan de vermelde specificaties. Om die afstand aan te passen, draait u schroef los en stelt u de juiste afstand in. Draai vervolgens de schroeven weer aan (Fig. 4.3 en 4.4).

OPGELET!

Telkens wanneer u de achterwielen hebt bijgesteld, moet u nagaan of de afstand tot de remmen in orde is. Pas die indien nodig aan.

Verlenging van de remhendel

Het gebruik van de langere hendel kost u minder moeite om de wielvergrendeling in werking te zetten.

De langere remhendel is door schroeven verbonden aan de remmen. Door deze op te lichten, kan hij naar voren worden gekanteld (Fig. 4.5).

OPGELET!

Wanneer u de wielvergrendeling te dicht bij het wiel monteert, zal deze moeilijker te hanteren zijn. Hierdoor kan de verlengde hendel breken!

De hendel kan ook breken wanneer u op de verlenging gaat leunen tijdens transfers! Opspattend water en vuil van de banden kan slecht functioneren van de wielvergrendelingen veroorzaken.

OPGELET!

Door verkeerde montage van de wielvergrendeling kan het meer moeite kosten om deze gebruiken. Hierdoor kan de verlengde hendel breken!

Compacte wielvergrendeling

De compacte wielvergrendelingen bevinden zich onder de zitmat. Door de wielvergrendelingen naar achteren te trekken, in de richting van de band, worden ze in werking gesteld. Om de remmen goed te laten werken, moet dit helemaal naar achteren getrokken worden, zo ver als mogelijk (Fig. 4.6).

OPGELET!

De bevestigingsbouten van de remmen mogen niet losgedraaid en/of opnieuw vastgedraaid worden.



Wielvergrendeling met eenarmige bediening

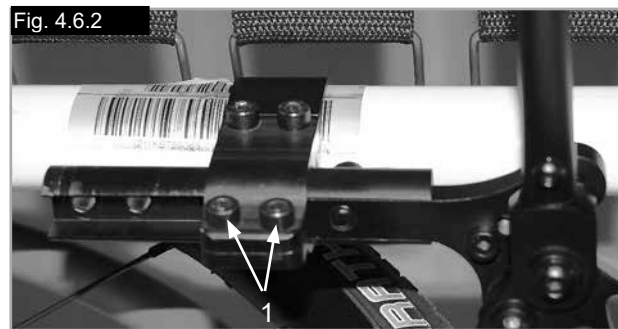
De wielvergrendeling met eenarmige bediening bevindt zich onder de zittingbespanning en wordt bediend via de remhendel die aan de linker- of rechterzijde is geplaatst. Door de hendel naar achteren te trekken, wordt de rem in werking gesteld. Om de remmen goed te laten werken, moet dit helemaal naar achteren getrokken worden, zo ver als mogelijk, (Fig. 4.6.1)

Aanpassing

Om het remsysteem aan te passen, draait u de schroeven (1) los en monteert u de wielvergrendeling daar waar deze goed functioneert (Fig. 4.6.2).

OPGELET!

Een onjuiste montage van de eenarmige wielvergrendeling kan leiden tot ernstig letsel bij de rolstoelgebruiker of andere mensen.



⚠ WAARSCHUWING!

De ophanging aan de achterzijde kan de stabiliteit van de rolstoel beïnvloeden. Wanneer u nog niet gewend bent aan het nieuwe systeem, is het verstandig anti-kantelwielen te gebruiken en/of een begeleider te vragen aanwezig te zijn, om ongelukken te voorkomen.

1. Afstellen van de 4-Link achterophanging

- om de ophanging strakker af te stellen, draait u de veeraanpassing (E) met de klok mee (wanneer u van onderaf de rolstoel omhoog naar het ophangingsysteem kijkt).
- om de ophanging minder strak af te stellen, draait u de veeraanpassing (E) tegen de klok in (wanneer u van onderaf de rolstoel omhoog naar het ophangingsysteem kijkt).

2. Uitlijning van de verbindende ophangarmen

Verstel de ophangarmen (F) niet (Fig. 4.10). Deze zijn afgesteld in de fabriek, om correcte en optimale prestaties van het ophangingsysteem te garanderen. (zie volgende pagina)

Instellen van de toe-in/toe-uit op nul (met gebruik van de door de fabriek gemonteerde afsteller)

Draai de inbusschroeven (G) los (2 per zijde), waarmee de asstang aan beide zijden is bevestigd. Kijk naar de bal in de transparante afsteller in het midden van de asstang, en draai de asstang (C) vervolgens tot de bal zich exact in het midden op het laagste punt van de afsteller bevindt. Het spoor is nu op nul ingesteld (Fig. 4.7, 4.10).

Controleer voor u de schroeven (G) weer vastdraait, of de vlakke oppervlaktes van de camberadapter in de asstang uitsteken aan de buitenzijde van de beugel van de asstang. Het uiteinde van de cilindrische camberadapter moet gelijk zijn aan het uiteinde van de asstang. Draai de schroeven weer aan naar 7 Nm.

Instellen van de toe-in/toe-uit op nul (met gebruik van een 90° instelmeter)

Zet de rolstoel (in zijn geheel) op een vlakke horizontale tafel of grondoppervlak. Draai de inbusschroeven (G) los (2 per zijde) waarmee de asstang aan beide zijden is bevestigd.

Zet vervolgens de instelmeter met een hoek van exact 90° (bijv. een blokhaak) op de vlakke oppervlaktes van de camberadapter (D) (Fig. 4.8, Fig. 4.9). Draai vervolgens de asstang totdat de oppervlaktes van de sleutel exact parallel zijn aan het bovenste oppervlak van de instelmeter (Fig. 4.8.).

Controleer voor u de schroeven (G) weer vastdraait, of de vlakke oppervlaktes van de camberadapter in de asstang uitsteken aan de buitenzijde van de beugel van de asstang. Het uiteinde van de cilindrische camberadapter moet gelijk zijn aan het uiteinde van de asstang. Draai de schroeven weer aan naar 7 Nm.

⚠ OPGELET!

Wanneer u de 4-Link achter ophanging draait, wijzig dan één ding tegelijk en schrijf iedere wijziging op. Dit kost even tijd, maar hierdoor zult u beter begrijpen hoe iedere verandering van invloed is op het rijgedrag van de rolstoel in verband met de achterophanging.

LET OP– Het voelt alsof de onderste schokdemper los zit, maar zo is deze ontworpen. Hierdoor functioneert de ophanging optimaal.

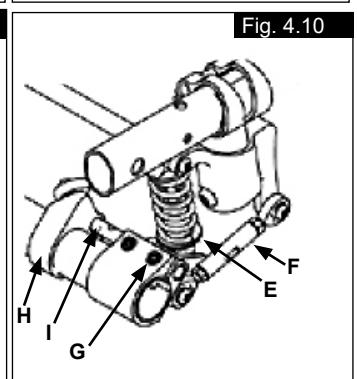
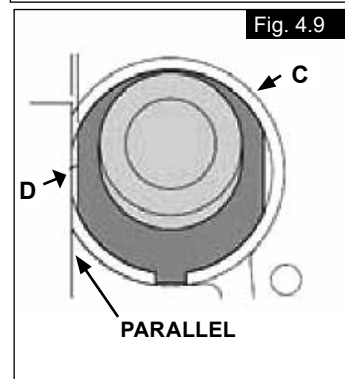
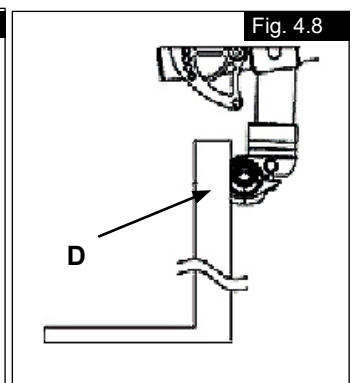
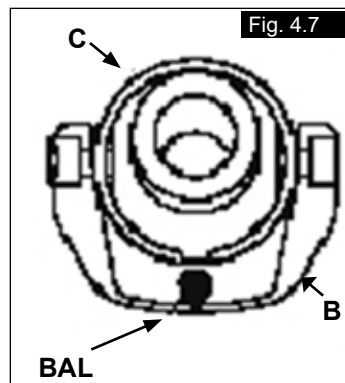
⚠ OPGELET!

Maak nooit de schroefverbinding tussen de asbeugel en de schokdemper los.

3. Onderhoud

De hieronder vermelde onderhoudsvereisten moeten worden opgevolgd, evenals de instructies betreffende het algemene onderhoud van de rolstoel, zoals vermeld in hoofdstuk 6.

- breng geen smeermiddelen aan op de eindbussen van de schokbrekers of op de veren.
- u kunt een smeermiddel op de verbindingstukken aanbrengen nadat u deze met een mild reinigingsmiddel en zachte borstel hebt schoongemaakt.
- gebruik een zachte borstel om vuil en modder of stof van de veren af te borstelen.
- maak de 4-Link achterophanging nooit met een hogedrukspuit schoon.



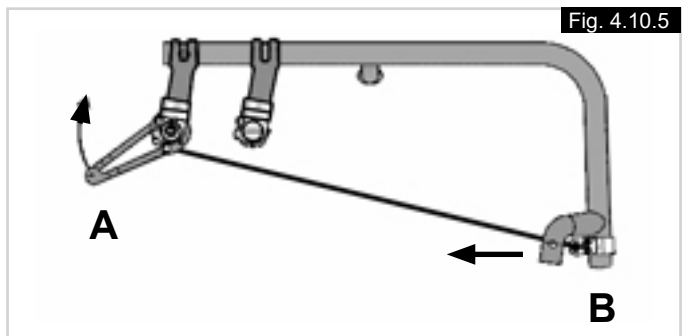
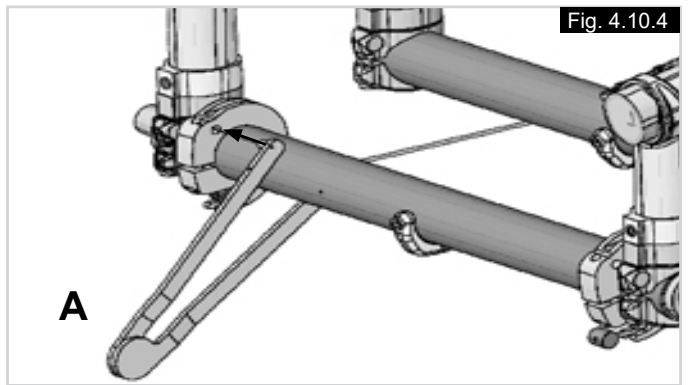
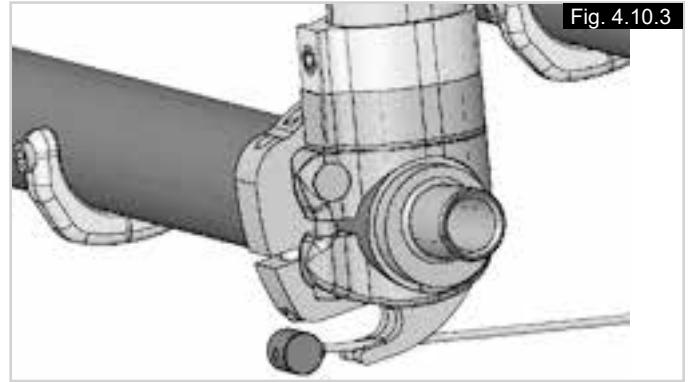
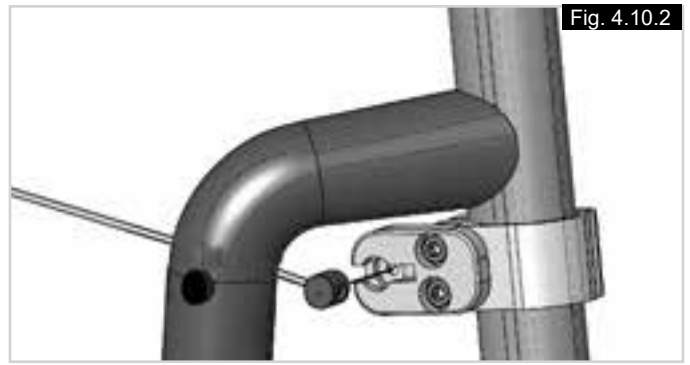
Aanpassing van de as van de handbike

As van de handbike

De as van de handbike moet in een schuine lijn achterwaarts aangepast worden ten opzichte van het zwaartepunt. Hierdoor kan de accessoire handbike veilig worden gebruikt, (Fig. 4.10.1).

GEVAAR!

Het gebruik van een handbike zonder speciale as kan de rolstoel instabiel maken. Dit kan leiden tot ernstig letsel bij de rolstoelgebruiker of andere mensen.



Handbike versterkingskit

Om de handbike versterkingskit te monteren:

- Steek de nippel aan het ene uiteinde van de kabel in het daartoe bestemde gat (de ontvanger) aan de voorzijde van het frame (Fig. 4.10.2).
- Steek de nippel aan het andere uiteinde van de kabel in het daartoe bestemde gat (de ontvanger) aan de achterzijde van het frame (Fig. 4.10.3).
- Steek de spanner (A) in de kabelontvanger aan de achterzijde van het frame (Fig. 4.10.4).
- Beweeg de spanner (A) naar boven naar de ontvanger tot de voorzijde (B) net in beweging begint te komen richting achterzijde (Fig. 4.10.5).
- Houd de kabel met behulp van de spanner strak gespannen, en draai de schroef op de kabelontvanger aan de achterzijde aan (Fig. 4.10.5).
- Herhaal het proces voor de andere kant.

WAARSCHUWING!

Controleer de spanning op beide kabels telkens voor en na gebruik van de handbike.

Instelling zwaartekrachtspunt van de Nitrum

Verwijder de achterwielen. Maak de inbusschroeven (A) aan de onderzijde van de asschacht (B) aan beide zijden van de rolstoel los (Fig. 4.10.6). Duw vervolgens de volledige unit (as en asschachten) voorwaarts op het frame (in de rijrichting) voor een actiever zwaartekrachtspunt, of naar achteren voor een passiever, stabiel zwaartekrachtspunt. Draai de schroeven (A) aan beide zijden weer aan naar 5 Nm. Pas nu de zijkanten en remmen aan op de nieuwe positie van de wielen.

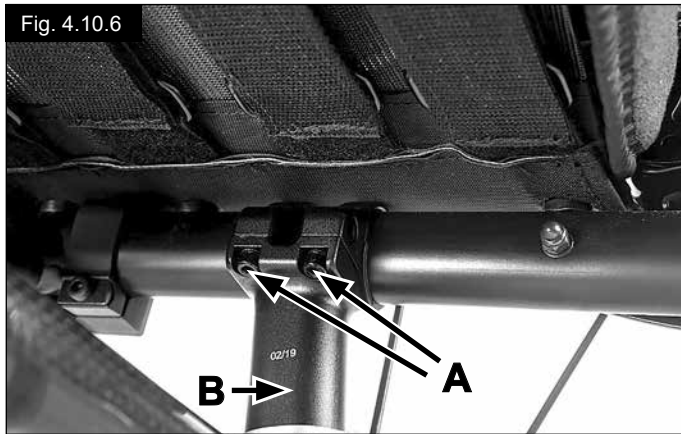
 **OPGELET!**

NB: het kantelpunt van de rolstoel verandert wanneer het zwaartepunt is gewijzigd. Dit kan betekenen dat u anti-tipwielen moet gebruiken.

De instelling van het zwaartekrachtspunt moet binnen de markering op de framebuis plaatsvinden.

 **GEVAAR!**

De remmen moeten worden aangepast aan de nieuwe positie van het zwaartepunt.



Instelling zwaartekrachtspunt van de Nitrum Hybrid

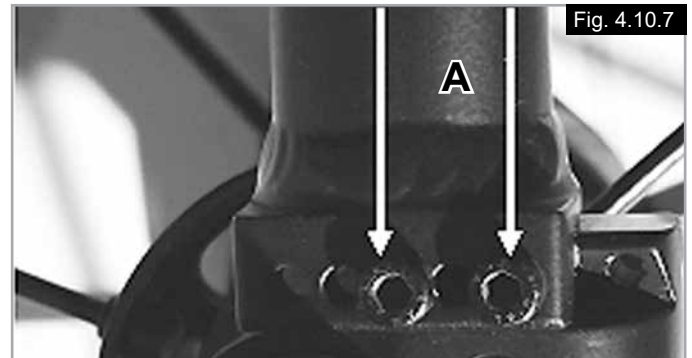
Om het zwaartepunt aan te passen, verwijdert u de 2 schroeven (A) en zet u de beugel in de gewenste positie, (Fig. 4.10.7). Plaats vervolgens de schroeven terug en draai ze aan (5 Nm).

 **OPGELET!**

NB: het kantelpunt van de rolstoel verandert wanneer het zwaartepunt is gewijzigd. Dit kan betekenen dat u anti-tipwielen moet gebruiken.

 **GEVAAR!**

De remmen moeten worden aangepast aan de nieuwe positie van het zwaartepunt.



De hoogte van de voetenplaat instellen

Aanpassen van de voetsteun

WAARSCHUWING!

- Ga niet op de voetenplaat staan! Zelfs als de gebruiker in de stoel zit, bestaat het gevaar dat de stoel kantelt, wat tot letsel kan leiden.
- Ga niet op de voetenplaat staan bij het overbrengen van de gebruiker. Hierdoor kan de rolstoel kantelen, wat tot letsel kan leiden.

Door de schroef los te maken (1) kunt u de voetsteun aanpassen aan de lengte van uw onderbeen en de voetsteun weer opnieuw bevestigen. De hoek van de voetsteun kan afzonderlijk worden ingesteld door het losdraaien van de schroeven (2). De beugel aan de zijkant van de voetenplaat (3) voorkomt dat uw voeten per ongeluk van de plaat glijden. Controleer na aanpassingen altijd of alle schroeven correct zijn aangedraaid (zie ook de pagina betreffende draaikracht/torque) (Fig. 4.11 - 4.12).

WAARSCHUWING!

Houd altijd minimaal 30mm ruimte tussen het laagste punt van de voetsteun en de grond.



Hoog gemonteerde voetenplaat

De hoog gemonteerde voetenplaat is bevestigd aan het binnenste deel van het frame en maakt een hogere positie van de voeten mogelijk (Fig. 4.13).



Zitsysteem

De zittinghoogte instellen

Om de hoogte van de achterzijde van de zitting aan te passen, maakt u de inbusschroeven (1) (één aan elke zijde) waarmee de klem aan de asschacht is bevestigd, los (2). Om de hoogte van de zitting te wijzigen, verwijdert u de pasring (3) om de hoogte met 10 mm te verlagen, of u voegt een pasring toe om de hoogte met 10 mm te verhogen. Draai de schroeven tot 7 Nm aan. (Fig. 4.14).

OPMERKING:

Er kan een aanpassing aan de zwenkwielhoek noodzakelijk zijn wanneer de zithoogte achter wordt ingesteld.

Zitmat

U kunt de banden onder de bekleding gebruiken om de bekleding strakker te trekken.



Voorwielen

Zwenkwiel, aanpassing zwenkwiel, zwenkwielvork

Het kan gebeuren dat de rolstoel iets afwijkt naar links of naar rechts of dat de voorwielen wiebelen. Dat kan door de volgende zaken komen:

- De voorwaartse en/of achterwaartse wielbeweging is niet goed ingesteld.
- De camber is niet goed afgesteld.
- De luchtdruk van het voorwiel en/of van het achterwiel is niet goed; de wielen draaien niet soepel genoeg.

Om de rolstoel in een rechte lijn te laten rijden, moeten de zwenkwielen optimaal worden aangepast.

Telkens wanneer u de positie van het achterwiel hebt laten veranderen, moet u het balhoofd opnieuw aanpassen en de remmen controleren.

Het zwenkwiel instellen

Instelling richtingsstabiliteit en nauwkeurige afstemming hoogte zwenkwiel

Dit zijn fabrieksinstellingen waarvoor speciale gereedschappen nodig zijn. Neem contact op met uw dealer voor ondersteuning.

Aanpassing van de hoek van de zwenkwielvork

Deze aanpassing is noodzakelijk wanneer de zithoogte aan de voor- of achterzijde is gewijzigd.

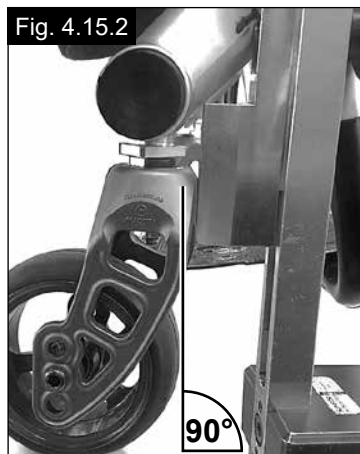
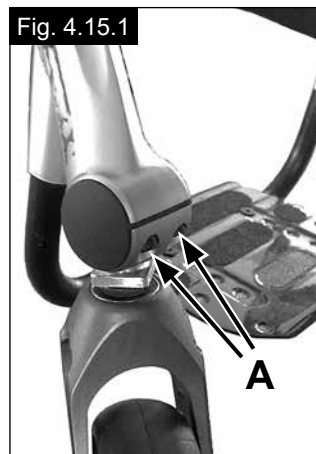
OPGELET:

Wanneer deze hoek niet correct is, kan dit leiden tot trillingen in de zwenkwielen, vergrendeling van de zwenkwielen, en letsel bij de gebruiker.

Draai de inbusschroeven (A) los (Fig. 4.15.1). De hoek van de zwenkwielvork kan nu naar de juiste positie worden versteld; het vlakke deel van de vork moet in een hoek van 90° ten opzichte van de grond worden gesteld (Fig. 4.15.2). Nadat de juiste positie is ingesteld, draait u de schroeven (A) vast volgens de onderstaande procedure:

Draai eerst de buitenste schroef vast met een draaikracht van 7Nm, draai vervolgens de binnenste schroef vast met een draaikracht van 7Nm.

Herhaal deze procedure tot maximaal 6 maal totdat beide schroeven gelijkmatig zijn aangedraaid tot 7Nm.



Aanpassing om trillen van zwenkwielen tegen te gaan

De meeste zwenkwielvorken zijn voorzien van een mogelijkheid om het trillen van zwenkwielen tegen te gaan.

Door de stelschroef (fig. 4.16 - A) op de zwenkwielvork met een inbussleutel met de klok mee te draaien, wordt de lager meer belast, waardoor het trillen van het zwenkwiel vermindert.

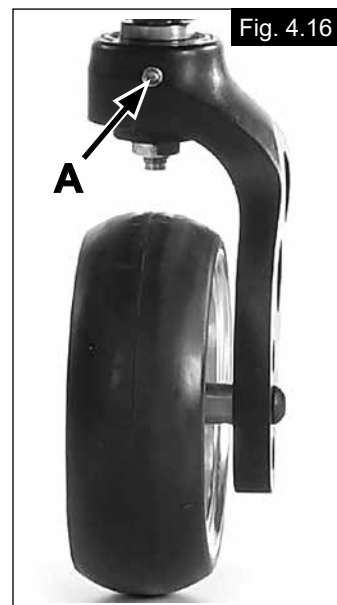
Het valt u misschien op dat de zwenkwielvork nu niet vrijelijk draait, maar dat er een lichte weerstand voelbaar is. Dit heeft geen effect op het rijgedrag van de rolstoel.

OPGELET:

Wanneer de lager minder wordt belast, door de stelschroef tegen de klok in te draaien, zijn de zwenkwielen bij gemiddelde of hogere snelheden meer geneigd tot trillen. Zorg ervoor dat u bekend bent met het rijgedrag van uw rolstoel als u ervoor kiest om deze aanpassing te doen.

GEVAAR:

Bij gemiddelde of hogere snelheden kan het trillen van de zwenkwielen een plotselinge vergrendeling van de zwenkwielen veroorzaken, waardoor de gebruiker uit de rolstoel kan vallen.



Wielaanpassing

Het toepassen van wielaanpassing

Belangrijk: Om de best mogelijke beweging te krijgen, moeten de achterwielen ingesteld worden op hun optimale positie. Daarom dienen de wielen correct uitgelijnd te zijn. Hiertoe meet u de afstand tussen de beide voorwielen en achterwielen om te verzekeren dat ze parallel aan elkaar staan. Het verschil tussen beide metingen mag niet meer 5 mm bedragen.

Om de wielen aan te passen zodat ze parallel staan, draait u de schroeven los en draait u de asbus naar wens. Controleer na aanpassingen altijd of alle schroeven correct zijn aangedraaid (zie ook de pagina betreffende draaikracht/torque).

Aanpassing spoor NITRUM

De inspoor/uitspoor op nul instellen

OPMERKING: een rolstoel met 0° cambercilinders kan geen in- of uitspoor hebben. Deze instelling is alleen noodzakelijk bij 3° en 6° cambercilinders.

De term "inspoor of uitspoor" geeft aan hoe goed de achterwielen van de rolstoel op één lijn staan met de grond. Dit bepaalt hoe goed de rolstoel rijdt. Wanneer de inspoor is ingesteld op nul, is er sprake van normale weerstand of rolweerstand.

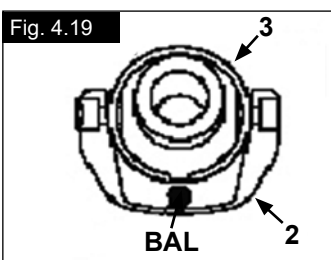
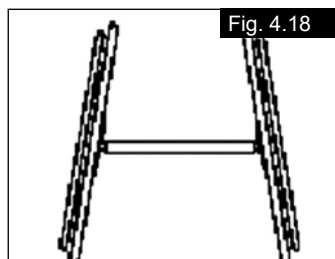
De inspoor/uitspoor op nul instellen: Maak de inbusschroeven (1) (één aan iedere zijde) waarmee de beugel van de camberstang is bevestigd, los. Controleer de kogel in het horizontale (2) vlak en draai de asbus (3) tot de kogel in het midden ligt. De inspoor is nu nul.

Controleer, voordat u de schroeven (1) aandraait, of de asbus is gecentreerd. De ruimte aan beide kanten moet gelijk zijn, of er mag totaal geen ruimte zijn. Draai de schroeven tot 7 Nm aan. (Fig. 4.17 - 4.19).

Breedte wielbasis instellen:

De achterwielbasis wordt gedefinieerd als de afstand tussen de bovenkant van de achterwielen en de buizen van de rugleuning wordt weergegeven door de fabrieksinstelling (125 mm). Deze afstand moet worden vergroot indien een grotere ruimte gecreëerd moet worden tussen de banden en de optionele in hoogte verstelbare armsteunen (Fig. 4.20).

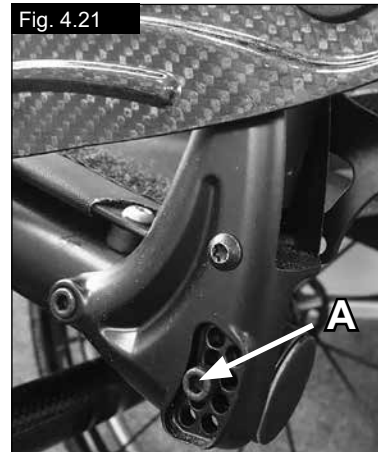
LET OP: Wanneer de achterwielbasis wordt ingesteld, pas dan eerst één wiel en daarna het tweede aan. Als beide kanten tegelijkertijd worden losgedraaid, wordt de aanpassing van de inspoor/uitspoor veranderd. Voor het aanpassen van de achterwielbasis, bewegen de delen van de camber (4) telescopisch in of uit de asbus (5) en worden op hun plaats bevestigd wanneer zij het eind bereiken. Draai de schroef (6) (die het dichtst bij de asbus is bevestigd) aan de linkerkant van de rolstoel los. Schuif de houder van de as naar binnen of buiten om tot de gewenste wielbasis te komen. Draai de schroeven tot 7 Nm aan. Herhaal dit proces aan de rechterkant van de rolstoel en pas de ruimte aan zodat deze gelijk is aan de ruimte aan de linkerkant.



Rugleuning

Rugleuning met verstelbare hoek

Verwijder de schroeven (A) op beide stangen van de rugleuning. Pas de hoek aan binnen het gatenpatroon (in stapjes van 3° per gat), steek de inbusschroeven (A) aan beide kanten erin, en draai aan tot 5 Nm (Fig. 4.21).



Opvouwbare rugleuning

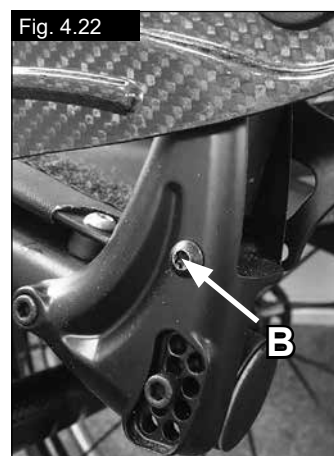
De rugleuning kan worden opgevouwen, er zijn twee verschillende soorten ontkoppelmecanismen leverbaar:

- Ontgrendeling via duwstang: duw de ontgrendelingsstang omhoog, houd de positie vast en vouw de rugleuning naar voren.
- Ontgrendeling via twist-lock: draai het handvat op de kruisstang naar voren, houd deze positie vast en vouw de rugleuning naar voren. Het handvat kan uitsluitend in voorwaartse richting worden gedraaid.

Er is een optie voor een dubbele vergrendeling op de rugleuning leverbaar. Als de rolstoel van deze optie is voorzien, vergrendelt de rugleuning in een plat opgevouwen positie.

Om de rugleuning weer uit de opgevouwen positie te halen, duwt u de duwstang omhoog, of draait u het twist-lock handvat naar voren.

De vergrendelingspositie (hoek) van de gevouwen rugleuning kan worden aangepast; verwijder de inbusschroef (B) aan beide kanten (Fig. 4.22), en stel de gewenste vergrendelingshoek in door het corresponderende gaatje in het gatenpatroon (C) te kiezen (Fig. 4.23). Draai vervolgens de schroeven (B) aan beide kanten aan naar 5 Nm.



Hoogteverstelbare rugleuning

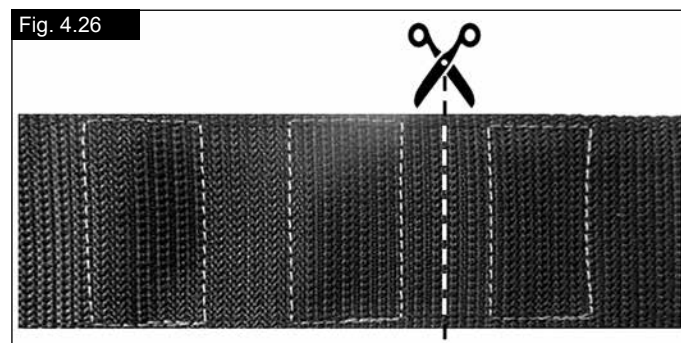
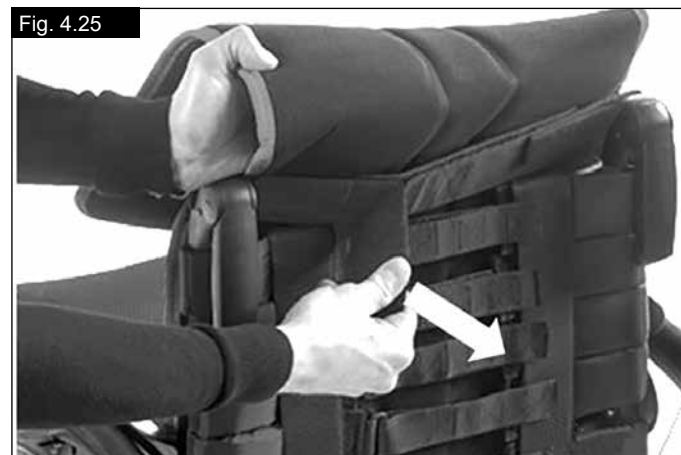
De rugleuning kan in stappen van 25 mm op verschillende hoogtes worden ingesteld. Het instelbereik is 250 - 300 mm, 300 - 350 mm, 350 - 400 mm en 400 - 450 mm. Draai de moer (1) los, verwijder hem en plaats de rugstang in de gewenste positie. Draai de schroeven weer aan naar 5 Nm. (Fig. 4.24)



Aanpassen van de bekleding van de rugleuning

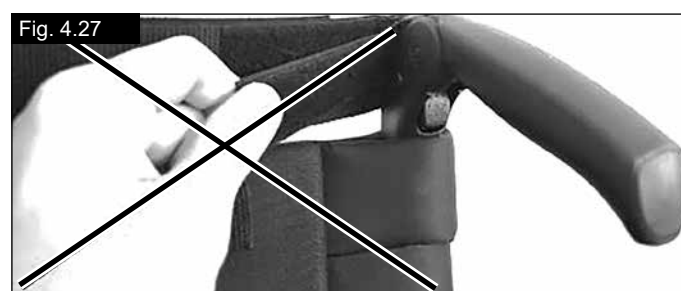
Aanpassen van de spanning van de bovenste band van de rugleuning

- Trek het Velcro klittenband van de twee helften van de bovenste band uit elkaar (Fig. 4.25).
- Trek de band strakker of laat de band juist vieren. Als de band de gewenste spanning heeft, plakt u het Velcro klittenband weer aan elkaar.
- Als de bovenste band gedeeltelijk uitsteekt over de duwhandvatten, kan de band met een schaar op maat worden geknipt. Knip de band in dat geval tussen het grijze stiksel. Dankzij het stiksel zal de band niet rafelen. Voor extra bescherming tegen rafelen, kunt u de rand waar de band is afgeknipt, smelten (door hem heet te maken). (Fig. 4.26)



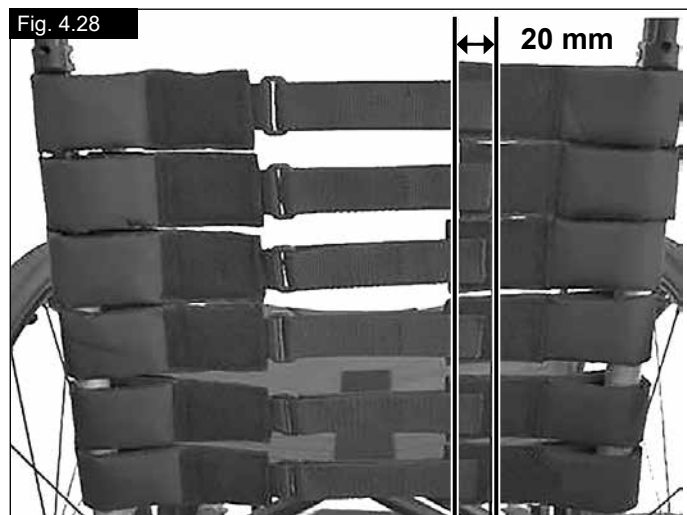
Opmerking betreffende rolstoelen met neerklapbare duwhandvatten

Doe de Velcro klittenbanden niet rond de duwhandvatten om de spanning van de band in te stellen (Fig. 4.27). In geval van duwhandvatten moet het klittenband over de volle lengte op de bovenste band worden aangebracht.



Aanpassen van de spanning van de banden van de rugleuning

- De spanning van de banden van de rugleuning kan steeds door middel van de klittenbanden worden aangepast.
- Af fabriek overlappen de banden 20 mm (Fig. 4.28). Hierdoor kunt u de spanning van de bekleding van de rugleuning aanpassen.
- Wanneer de banden strakker worden aangetrokken, kunnen de uiteinden aan de zijkant uitsteken. Als dit het geval is, kunnen de banden met een schaar op maat worden geknipt. Knip de band tussen het zwarte stiksel. Dankzij het stiksel zal de band niet rafelen. Voor extra bescherming tegen rafelen, kunt u de rand waar de band is afgeknipt, smelten (door hem heet te maken).



OPGELET!

Zorg ervoor dat uw vingers niet beklemd raken bij het naar beneden vouwen van de rugleuning.

OPGELET!

NB: het kantelpunt van de rolstoel verandert wanneer de hoek van de rugleuning of de bekleding van de rugleuning is gewijzigd. Dit kan betekenen dat u anti-tipwielen moet gebruiken.

LED-verlichting

De optionele ledlichten worden met plakband en een inbuschroef op de verbinding van de zwenkwielen bevestigd. De bedieningskast (Fig. 4.29) wordt op de kuitbanden bevestigd en kan om op te laden worden verwijderd.

- **De verlichting inschakelen:** door op de knop **A** bovenop de bedieningskast te drukken, kunt u door de diverse functies van de ledlichtjes heen gaan:

1. Volledige stroom
2. Energiezuinige modus
3. Knipperen
4. Uit

Verwijderen van de bedieningskast van de kuitband:

Maak de kabels aan de zijkanten los door voorzichtig de pennen uit de verbindingen (C) te trekken. Trek nu de bedieningskast omhoog om hem los te maken van de kuitband.

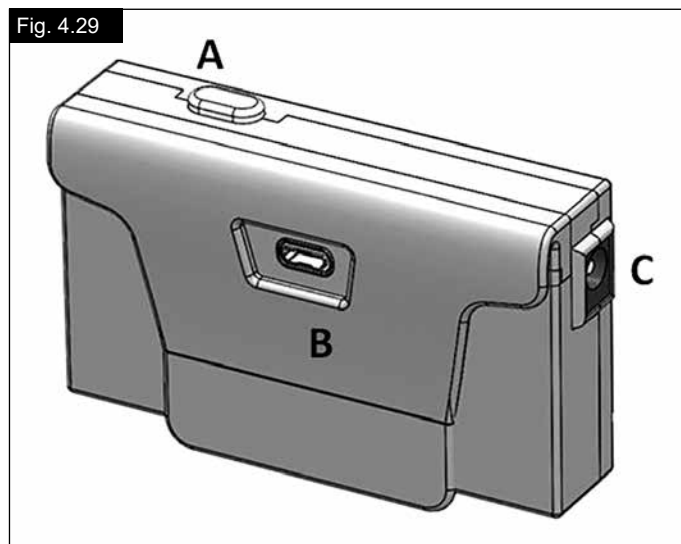
Opladen van de accu:

Verbind de USB-kabel aan de connector (B) op de voorzijde van de bedieningskast. Gebruik een standaard USB-lader of de USB-poort van uw computer om de accu op te laden.

Accutype	Lithium-ion
Nominale capaciteit	2600 mAh
Nominaal voltage	3,6 V
Oplaadtijd	3 uur

Bewaren van de accu

Berg de bedieningskast op in een droge en koele omgeving tussen -10 to +50° Celsius.



OPGELET!

Probeer de bedieningskast nooit te openen!
Voorkom dat vocht of vuil in de bedieningskast komt.

Freestyle rugleuning

De Freestyle rugleuning kan in hoogte, diepte en hoek worden aangepast en biedt daarmee maximaal comfort en optimale ondersteuning.

Aanpassing hoogte:

Om de rugleuning te verstellen verwijdt u eerst het rugkussen. Maak de 4 schroeven (1) los met een 4 mm inbussleutel en schuif de rugplaat omhoog of omlaag naar de gewenste hoogte. Draai de schroeven weer aan en plaats het kussen terug.

Nauwkeurige aanpassing diepte en hoogte

Het Freestyle systeem maakt het mogelijk de diepte tot 25 mm nauwkeurig af te stellen waarbij ook de hoogte nauwgezet kan worden ingesteld. Maak de schroeven (2) los met een 8 mm inbussleutel en draai de rugplaat naar de gewenste positie. Draai de schroeven aan met een kracht van 20 Nm om de aanpassing vast te zetten.

Aanpassing hoek

Het Freestyle systeem maakt het mogelijk de hoek van de rugleuning aan te passen. Maak de schroeven (3) los met een 8 mm inbussleutel en draai de rugplaat naar de gewenste positie. Draai de schroeven aan met een kracht van 20 Nm om de aanpassing vast te zetten.

In sommige gevallen is hulp van de begeleider nodig om de verwijderbare duwhandvatten in positie A vast te schroeven.

WAARSCHUWING!

Controleer altijd of de duwhandvatten volledig vastgeschroefd zijn.

WAARSCHUWING!

Een rolstoel met een Freestyle rugleuning is niet goedgekeurd om tijdens transport als stoel in een auto te gebruiken.

Zijkanten

In hoogte verstelbare arMLEUNINGEN, met een stang bevestigd, (Fig. 4.34 - 4.37).

1. Montage

- laat de buitenste stang van de arMLEUNING in de houder glijden die aan het frame van de rolstoel is gemonteerd.
- de arMLEUNING klemt automatisch vast.

2. Aanpassing hoogte

- draai de ontgrendelingshendel (2) tot een tweede stop.
- plaats het kussen van de arMLEUNING naar wens hoger of lager.
- zet de ontgrendelingshendel terug in de vergrendelde positie tegen de stang van de arMLEUNING.
- duw het armkussen (4) totdat de buis van de bovenste armsteun stevig op zijn plaats wordt vergrendeld.

3. De armsteun verwijderen

- trek aan hendel 3 en til de hele arMLEUNING op.

4. Vervangen van de arMLEUNING

- laat de arMLEUNING terugglijden in de houder, totdat de leuning op zijn plaats klikt.

Bevestiging houder en arMLEUNING (Fig. 4.34 - 4.37).

Aanpassen van houder voor arMLEUNING

Om de buitenste arMLEUNING in de houder strakker of losser te stellen:

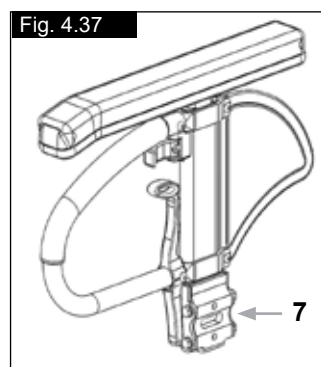
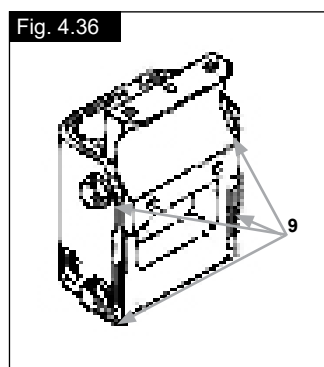
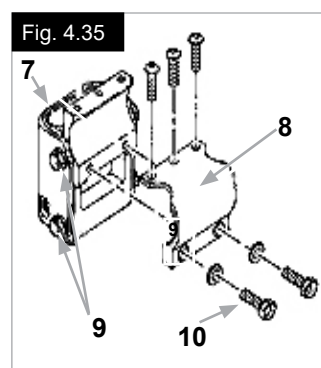
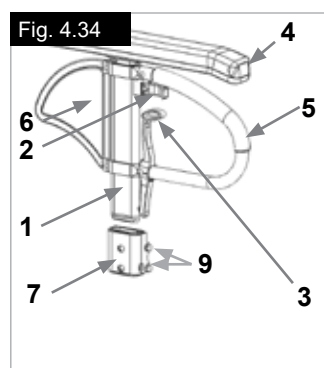
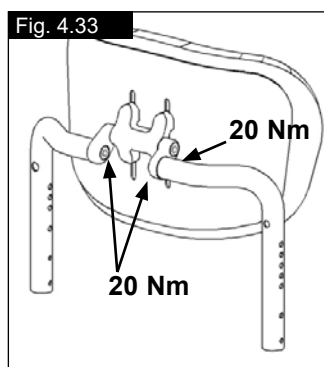
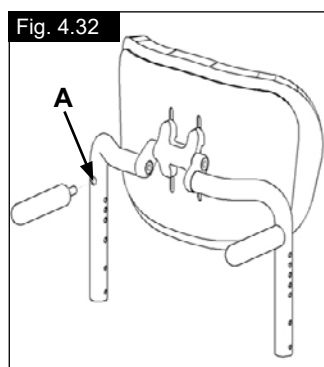
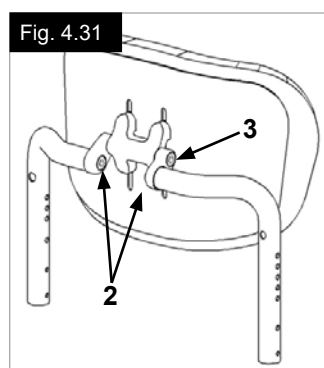
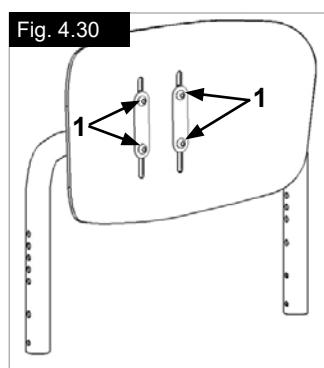
- Draait u de vier stelbouten (9) aan beide zijden van de houder los.
- Met de arMLEUNING in de houder (7), klemt u de houder vast, totdat deze zo vast zit als u wilt.
- Draai de vier bouten (9) aan. (16,3 Nm)

Instelling positie

- Draai de twee klembouten (10) los, totdat de klem los is.
- Laat de houder van de arMLEUNING in de gewenste positie glijden.
- Vastdraaien.

Fig. 4.34 - 4.37 Legenda Onderdelen

1. Buitenste arMLEUNING	6. Zijkant
2. Ontgrendelingshendel	7. Houder
3. Ontkoppelingshendel	8. Klem
4. Armsteunkussen	9. Stelbouten houder
5. Overstapstang	10. Klembouten



Centrale ondersteuning

Bevestiging: laat de stang van de armleuning in de houder op het rolstoelframe glijden tot hij niet verder kan.

Aanpassing hoogte:

Trek de stang van de armsteun uit de houder.

Stel de positie van de beugel (1) door de schroef (2) te verwijderen, waarna u de beugel in de gewenste positie kunt zetten. Plaats de schroef terug en draai deze weer aan.

Laat de stang van de armsteun weer in de houder glijden, (Fig. 4.37.1).

Positie kussen armleuning:

De armleuning (het kussen) kan worden aangepast door de schroeven (3) los te maken, en de armleuning in de gewenste positie te plaatsen. Draai vervolgens de schroeven weer aan. (Fig. 4.37.1).

Aanpassing armsteunhouder

Door middel van de twee schroeven (1) kan de armsteunhouder strakker of losser worden vastgezet - (Fig. 4.37.2).



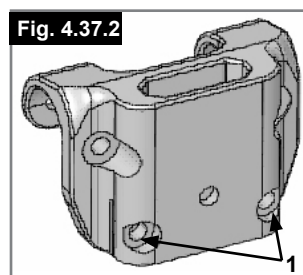
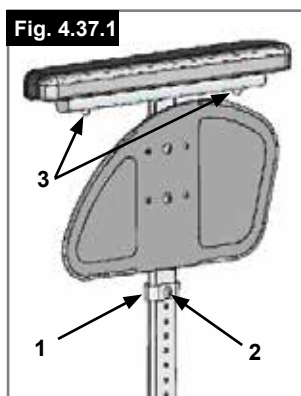
WAARSCHUWING!

Controleer na het aanpassen van de hoogte van de armsteunen altijd of ze op de juiste wijze zijn vergrendeld.



WAARSCHUWING!

Gebruik de armsteun niet om uzelf op te duwen of voor transfers.



Duwhandvat

In de hoogte verstelbare duwhandvatten

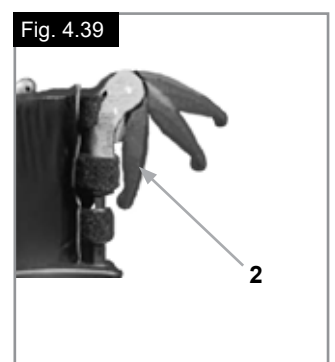
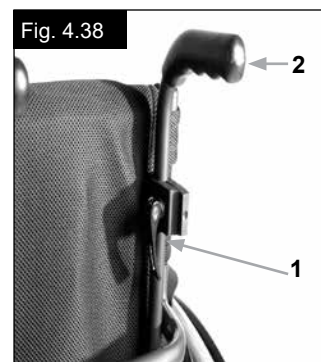
Die duwhandvatten zijn in hun positie beveiligd door pinnen die voorkomen dat ze per ongeluk wegschuiven. Het openen van de quick release hendel (1) maakt het mogelijk de hoogte van de duwhendels aan te passen (2) aan uw individuele wensen.

Wanneer u de hendel beweegt, zult u een vergrendelingsmechanisme horen; u kunt het duwhandvat nu makkelijk in de gewenste positie brengen. De moer bepaalt hoe stevig de duwhandvatten op hun plaats gehouden worden. Als de moer losgedraaid is, zal ook het duwhandvat te los zitten. Draai het duwhandvat naar beide kanten om u ervan te vergewissen dat hij stevig op zijn plaats zit. Nadat u de hoogte van het duwhandvat heeft ingesteld, moet u de fixatiehendel (1) altijd stevig op zijn plaats vastmaken. Als de fixatiehendel niet vergrendeld is, kan dit letsel veroorzaken bij het opgaan van een trap. (Fig. 4.38).

LET OP – Indien de in hoogte verstelbare duwhendels niet op de juiste wijze zijn aangebracht, kan er 'speling' ontstaan of kunnen ze zelfs uit positie raken. Controleer daarom zorgvuldig of de relevante schroeven op de juiste wijze zijn aangedraaid.

Neerklapbare duwhandvatten

Wanneer u de duwhandvatten niet gebruikt, kunt u die neerklappen door op de knop (2) te drukken. Zodra u ze opnieuw nodig hebt, klapt u ze weer naar boven tot ze op hun plaats klikken. (Fig. 4.39).



Anti-tip wielen

WAARSCHUWING!

Sunrise Medical adviseert anti-tip wielen voor alle rolstoelen. Wanneer u de anti-tip wielen aanbrengt, gebruik een aanzetmoment van 7 Nm.

1. De anti-tip wielen in de klem schuiven:

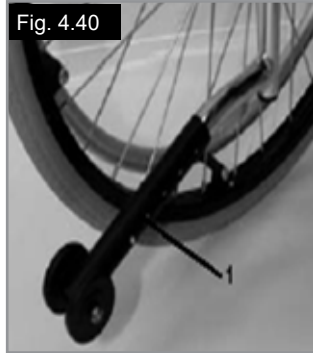
- druk op de knop aan de achterkant van het anti-tip wiel op de anti-tip adapter, zodat beide ontsluitingspennen naar binnen worden getrokken.
- schuif de anti-tip wielen (1) in de anti-tip adapter.
- draai de veiligheidswielen naar beneden tot de ontsluitingspen in de klem is bevestigd.
- breng het tweede anti-tip wielen op dezelfde wijze aan.

2. De anti-tip wielen instellen

Om de juiste ruimte 25 mm tot 50 mm (1" tot 2") vanaf de grond te bereiken, moeten de anti-tipwielen omhoog of omlaag worden gezet.

Druk op de ontsluitingsknop van de anti-tip wielen, zodat beide ontsluitingspennen naar binnen worden getrokken. Beweeg de binnenbuis omhoog of omlaag om in de aangebrachte hoogtegaten te vallen. Laat de knop los. Breng het tweede anti-tip wiel op dezelfde wijze aan. De hoogte van beide wielen moet gelijk zijn. (Fig. 4.40).

Fig. 4.40



GEVAAR!

Sunrise Medical adviseert de anti-tip wielen te gebruiken: Indien geen anti-tip wielen zijn aangebracht, of indien deze niet correct zijn aangebracht, ontstaat het gevaar op kantelen en letsel.

Actieve anti-tipwielen / Opklapbaar

De actieve anti-tip is op de linker- of rechterzijde van de asbuis gemonteerd. Door de actieve anti-tip naar de asbuis te duwen, kan hij naar beneden worden geklapt waardoor hij in werking treedt (Fig. 4.40.1).

WAARSCHUWING!

Controleer of de anti-tip in de uiteindelijke positie wordt vergrendeld. Een actieve anti-tip die niet is vergrendeld, kan leiden tot ernstig letsel bij de gebruiker.

Fig. 4.40.1



Actieve anti-tipwielen voor sportieve activiteiten

Om de actieve anti-tip tijdens sporten te verwijderen, drukt u op de knop van de quick-release pin en trekt u deze eruit. Trek vervolgens de stang uit de houder van de anti-tip, (4.40.2 - 4.40.3).

Fig. 4.40.2



Fig. 4.40.3



Krukkenhouder

Krukkenhouder

Hiermee kunt u krukken meenemen op de rolstoel. De krukkenhouder heeft een velcrolus waarmee u de krukken of andere hulpmiddelen kunt vastmaken.

OPGELET!

Probeer de krukken of andere hulpmiddelen nooit al rijdend te verwijderen.

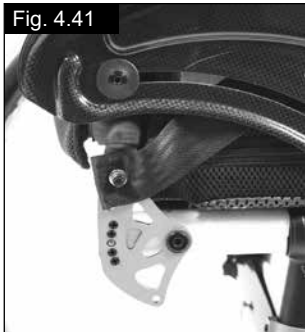
Heupgordel

GEVAAR!

- Controleer alvorens de rolstoel te gebruiken of de heupgordel is vastgemaakt.
- De heupgordel moet dagelijks
- worden gecontroleerd op slijtage. Tevens moet worden gecontroleerd of de gordel nergens gehinderd wordt.
- Controleer voor gebruik altijd of de heupgordel op de juiste wijze is bevestigd en op maat is gemaakt. Als de gordel te los zit, kan de rolstoelgebruiker naar beneden glijden en bestaat het gevaar op verstikking of ernstig letsel.

De heupgordel dient aan de rolstoel bevestigd te zijn zoals getoond op de afbeeldingen. De gordel bestaat uit twee delen. Ze worden bevestigd d.m.v. de aanwezige schroef, die door het ringetje van de gordel wordt gestoken. De gordel wordt onder de achterzijde van het zijpaneel geleid. (Fig. 4.41)

Pas de gordel zodanig aan dat de sluiting zich in het midden van de stoel bevindt. (Fig. 4.42)

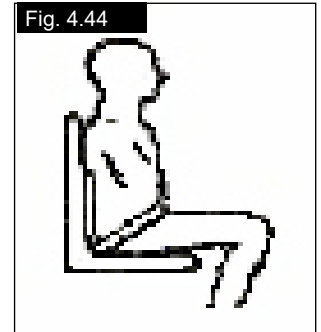


De heupgordel wordt als volgt aangepast aan de wensen van de gebruiker:

Om de lengte van de gordel te verkleinen	Om de lengte van de gordel te vergroten
	
<p>Haal vervolgens het niet-gebruikte deel van de gordel door de gesp en geleiders. Controleer of de gordel niet om de sluiting is gedraaid.</p>	<p>Om de gordel langer te maken, haalt u het niet-gebruikte deel van de gordel door de geleiders en gesp.</p>

Controleer na het vastmaken de ruimte tussen de gordel en de gebruiker. Als men een vlakke hand tussen de gordel en het lichaam van de gebruiker kan steken (niet meer en niet minder), is de gordel correct aangemeten. (Fig. 4.43)

De heupgordel moet zodanig bevestigd worden dat hij in een hoek van 45 graden over het bekken van de gebruiker valt. Bij het op maat maken dient de gebruiker rechtop en zo ver mogelijk naar achteren te zitten. De heupgordel moet voorkomen dat de gebruiker uit de rolstoel glijdt. (Fig. 4.44)



Om de sluiting te sluiten:
Steek de tanden van de gesp in de sluiting.

Om de sluiting los te maken:
Druk op de zichtbare delen van de tanden van de gesp en duw deze naar binnen, terwijl u tegelijkertijd de gesp rustig uit elkaar trekt.

WAARSCHUWING!

- Indien u vragen of twijfels heeft over het gebruik en de wijze van gebruik van de heupgordel, vraag dan advies aan uw medische begeleider, rolstoeldealer, verzorger of begeleider.
- Neem contact op met uw erkende Sunrise Medical dealer als u een heupgordel opnieuw wilt bevestigen.
- Controleer de gordel dagelijks op slijtage of de gordel goed op maat is en of hij nergens op vastloopt of geklemd wordt.
- Sunrise Medical raadt ten zeerste af om tijdens het transport van een persoon in een voertuig deze heupgordel als veiligheidsgordel te gebruiken.



Zie ook de speciale brochure van Sunrise Medical over transport.

Onderhoud:

Controleer de gordel en de bevestigingsmaterialen geregeld op slijtage of beschadiging. Vervang de gordel indien noodzakelijk.

WAARSCHUWING

De heupgordel dient aangepast te worden aan de uiteindelijke gebruiker zoals hierboven omschreven. Sunrise Medical adviseert de lengte en bevestiging van de gordel regelmatig te controleren om te voorkomen dat de gordel onbedoeld te lang wordt.

5.0 Banden en montage

Standaard wordt de rolstoel met massieve rubberbanden geleverd.

Wanneer de rolstoel is voorzien van luchtbanden, controleer dan regelmatig of de banden op de juiste spanning zijn. Een onjuiste bandenspanning kan de prestaties van de rolstoel beïnvloeden. Als er niet genoeg druk op de banden staat, zal de rolweerstand toenemen waardoor u een grotere inspanning moet leveren om de rolstoel voort te bewegen; Bovendien maakt een lage bandendruk de rolstoel minder wendbaar. Als de bandendruk te groot is, kan de band springen. De juiste druk voor een bepaalde band staat vermeld op het oppervlak van de band zelf.

De banden zijn op dezelfde manier op de velg aan te brengen als gewone fietsbanden. Controleer, voordat u een nieuwe binnenband aanbrengt, altijd of er zich geen vreemde voorwerpen op de velg of aan de binnenzijde van de band bevinden en zorg ervoor dat de velgstrip alle gaatjes bedekt. Controleer de druk nadat u een band opgelegd of hersteld hebt.

Het is voor uw veiligheid en voor de goede werking van uw rolstoel van erg groot belang dat de voorgeschreven luchtdruk altijd gehandhaafd blijft en dat de banden in goede conditie zijn.

6.0 Algemeen onderhoud

- Controleer de bandendruk om de 4 weken. Controleer alle banden op slijtage en beschadiging.
- Controleer de remmen ongeveer om de 4 weken om na te gaan of ze nog goed werken en makkelijk te bedienen zijn.
- Verander de banden zoals u dat bij een gewone fiets zou doen.
- Alle verbindingen die van essentieel belang zijn voor het veilige gebruik van uw rolstoel zijn zelfvergrendelend. Controleer om de 3 maanden of alle bouten stevig vast zitten (zie hoofdstuk over de koppelsleutel). U mag borgmoeren maar één keer monteren en u moet ze vervangen na een bepaalde gebruikperiode.
- Gebruik alleen zachte (niet agressieve) schoonmaakproducten om uw rolstoel schoon te maken. U mag de bekleding van de zitting alleen met water en zeep schoonmaken.
- Het geniet de voorkeur uitsluitend originele, door Sunrise Medical goedgekeurde onderdelen te gebruiken. Gebruik geen onderdelen van andere fabrikanten die niet zijn goedgekeurd door Sunrise Medical.
- Als uw rolstoel nat wordt, moet u hem na gebruik afdrogen.
- Om de 8 weken ongeveer moet u een klein beetje naaimachine-olie op de quick-release-assen aanbrengen. Afhankelijk van hoe frequent u uw rolstoel gebruikt, raden we aan dat u om de 6 maanden met uw rolstoel naar uw dealer gaat waar gespecialiseerd personeel hem kan nakijken.
- Er zijn geen verdere maatregelen nodig als u de rolstoel voor langere tijd wilt opbergen. Zorg ervoor dat de rolstoel op kamertemperatuur op een droge locatie wordt opgeborgen, beschermd tegen fel zonlicht. Voordat de rolstoel weer in gebruik wordt genomen, moet hij door een erkende dealer worden nagekeken.

OPGELET!

Zand en zeewater (of zout in de winter) kan de rollagers van de voor- en achterwielen beschadigen. Maak de rolstoel grondig schoon nadat die aan zand en zeewater is blootgesteld.

De onderstaande onderdelen kunnen worden verwijderd en voor reparatie teruggezonden naar de fabrikant/dealer:

- Achterwielen
- Armsteun
- Anti-tip wielen

Deze onderdelen zijn als reserveonderdelen beschikbaar. Meer informatie hierover vindt u in onze onderdelencatalogus.

Hygiënemaatregelen bij hergebruik:

Voordat de rolstoel door een nieuwe gebruiker in gebruik genomen wordt, moet de stoel zorgvuldig worden voorbereid. Alle oppervlaktes waarmee de gebruiker in aanraking komt, moeten behandeld worden met een desinfecterende spray.

Hiertoe moet u een desinfectiemiddel gebruiken dat in uw land is toegestaan/wordt geadviseerd voor snelle, op alcohol gebaseerde ontsmetting van medische producten en medische hulpmiddelen die snel gedesinfecteerd moeten worden.

Wees u bewust van en volg de instructies van de fabrikant van het desinfecterende middel dat u gebruikt.

Over het algemeen kan op de naden van de rolstoel geen volledige ontsmetting worden gegarandeerd. We adviseren zitting- en rugbanden (slings) te verwijderen volgens de voor u geldende wetgeving inzake infectiebescherming om microbacteriële bestemming met actieve agentia te voorkomen.

OPGELET!

- Overmatig gebruik van (onjuiste) chemische stoffen kan leiden tot corrosie en afbraak van gebruikte materialen.
- Lichaamsvloeistoffen kunnen leiden tot corrosie en afbraak van gebruikte materialen. Zie erop toe dat alle onderdelen van de rolstoel worden gereinigd en gedesinfecteerd als er contact met lichaamsvloeistoffen heeft plaatsgevonden.

7.0 Afvalverwerking / recycling van materialen

Indien u de rolstoel kosteloos hebt verkregen, is de rolstoel niet uw eigendom. Wanneer de rolstoel niet langer nodig is, volg dan de instructies van de organisatie op die de rolstoel beschikbaar heeft gesteld, hoe deze terug te sturen.

Hieronder staan de materialen omschreven zoals deze worden gebruikt in de rolstoel, met betrekking tot de verwerking tot afval en recycling van de rolstoel en zijn verpakking.

Geldende specifieke wetgeving met betrekking tot afvalverwerking en recycling moet in acht worden genomen wanneer de rolstoel het einde van zijn levensduur heeft bereikt. (Mogelijk moet de rolstoel gereinigd of gedesinfecteerd worden alvorens deze naar de afvalverwerking wordt gebracht.)

Aluminium: Zwenkwielvork, wielen, zijkant van het chassis, frame armleuning, voetplaat, duwhendels

Staal: Bevestigingspunten, quick release assen

Plastic: Handgrepen, dopjes van buizen, zwenkwielen, voetplaten, armsteunen en 12" wiel/band

Verpakking: Plastic zakken gemaakt van zacht polyethyleen, karton

Bekleding: Geweven polyester met PVC coating en geëxpandeerd gevormd schuim.

Afvalverwerking of recycling dient plaats te vinden via een erkende agent, afvalverwerking met vergunningen. Als alternatief kunt u uw handbike ook terugbrengen naar uw dealer voor verdere afvalverwerking.

Accu voor ledverlichting: Lithium-ion-accu (gevaarlijk product)

Voor elektrische en elektronische apparatuur geldt dat het niet bij het gewone huishoudelijke afval weggegooid mag worden, maar gescheiden bij recyclestations aangeleverd moet worden.

De juiste afvalverwerking en gescheiden inzameling van gebruikte apparaten dient ertoe mogelijke schade aan de gezondheid en het milieu te voorkomen. Het is een vereiste voor het hergebruik en recycling van gebruikte elektrische en elektronische apparatuur.

Meer informatie over de afvalverwerking van uw gebruikte apparatuur kunt u krijgen bij uw lokale overheden, via de afvalverwerkingsdienst, de gespecialiseerde dealer waar u het product hebt gekocht, of de contactpersoon van de verkoop.



Li-ion



8.0 Mogelijke problemen

Rolstoel trekt naar één kant

- Controleer bandendruk
- Controleer of het wiel vlot draait (lagers, as)
- Controleer hoeken van zwenkwielen.
- Controleer of beide voorwielen de grond goed raken.

Voorwielen beginnen te wiebelen

- Controleer hoeken van zwenkwielen.
- Controleer of alle bouten vast zitten; draai ze indien nodig vast (zie hoofdstuk over de koppelsleutel)
- Controleer of beide voorwielen de grond goed raken.

Rolstoel/kruisframe klikt niet op haar plaats in het zittingszadel

- Rolstoel is nog nieuw, d.w.z. dat de zitting of de rugbekleding nog heel stijf is. Dat wordt beter naarmate de stoel meer gebruikt wordt.

Het is moeilijk om de rolstoel in te klappen:

- Verstelbare rugbekleding is te stijf. Maak de losser tot het wel lukt.

Rolstoel piept en rammelt

- Controleer of alle bouten vast zitten; draai ze indien nodig vast (zie hoofdstuk over de koppelsleutel)
- Breng een beetje smeerolie aan op plaatsen waar beweegbare delen met elkaar in contact komen

Rolstoel begint te wiebelen

- Controleer hoek waarin voorwielen ingesteld zijn
- Controleer bandendruk
- Controleer of achterwielen verschillend ingesteld zijn.

9.0 Transport

GEVAAR!

Indien dit advies wordt genegeerd ontstaat het risico op ernstig letsel of overlijden.

Het vervoer van uw rolstoel in een voertuig:

Een in een voertuig vastgezette rolstoel biedt niet dezelfde veiligheid als een normale stoel en veiligheidssysteem in dat voertuig. Sunrise Medical adviseert dat de rolstoelgebruiker, gebruikmaakt van de stoelen van het voertuig. Sunrise Medical erkent dat het niet altijd praktisch is om een rolstoelgebruiker over te brengen naar een gewone stoel in het voertuig. Wanneer de gebruiker vervoerd moet worden in de rolstoel, moet onderstaand advies worden opgevolgd:

GEVAAR!

- Bevestig dat uw rolstoel geschikt is voor een crashtest (kijk op de naamplaat of crashtest-beugel aan de achterzijde van de stoel) (Fig. 1).
- Controleer of het voertuig over de juiste hulpmiddelen beschikt om een passagier in een rolstoel te vervoeren. Controleer tevens of de methode om in en uit het voertuig te komen, geschikt zijn voor uw type rolstoel. De vloer van het voertuig moet sterk genoeg zijn om het gecombineerde gewicht van de gebruiker, rolstoel en accessoires te dragen.
- Rondom de rolstoel dient voldoende ruimte te zijn om de spanbanden en veiligheidsgordels te bevestigen en de rolstoel goed en gemakkelijk vast te zetten en los te maken.
- De stoel met daarin de gebruiker moet in de rijrichting worden geplaatst. De rolstoel dient te worden vastgezet met spanbanden en voor de gebruiker dienen veiligheidsgordels gebruikt te worden, waarbij wordt voldaan aan de normen ISO 10542 Deel 2 of SAE J2249 en aan de WTORS instructies van de fabrikant.
- De rolstoel is niet getest in andere posities binnen een voertuig. De rolstoel met daarin de gebruiker mag nooit in zijwaartse richting worden vervoerd (Fig. A).
- De rolstoel moet worden vastgezet met een bevestigingssysteem dat voldoet aan ISO 10542 of SAE J2249, met niet-verstelbare banden aan de voorzijde en verstelbare banden aan de achterzijde, die worden bevestigd door middel van karabijnhaken/S-haken en gesp en gordel bevestigingen. De bevestigingen bestaan doorgaans uit vier aparte banden die vastgemaakt worden aan iedere hoek van de rolstoel.
- De verankeringsbanden moeten aan het frame van de rolstoel worden bevestigd zoals aangegeven in de tekening op de volgende pagina. Ze mogen niet worden bevestigd aan accessoires, wielen, remmen, voetsteunen en dergelijke.

- De verankeringsbanden dienen in een hoek van 45 graden zo dicht mogelijk bij de stoel bevestigd te worden; de banden moeten strak vastgezet worden in overeenstemming met de instructies van de fabrikant.
- Zonder overleg met de fabrikant mogen geen veranderingen of vervangende onderdelen worden aangebracht op de bevestigingsplaatsen waar verankeringsbanden aan de rolstoel bevestigd moeten worden. Ook het frame, de structuur of onderdelen mogen niet worden veranderd of vervangen zonder overleg met de fabrikant. Dergelijke wijzigingen kunnen de rolstoel van Sunrise Medical ongeschikt maken voor transport in een voertuig.
- Zowel de heupgordel als de veiligheidsgordel voor het bovenlichaam moet worden gebruikt om de rolstoelgebruiker goed in de rolstoel te laten zitten. Hierdoor wordt het risico verkleind dat hoofd en borst in botsing komen met onderdelen van het voertuig. Tevens wordt risico verkleind dat de rolstoelgebruiker of de andere inzittenden van het voertuig geblesseerd raken. (Fig. B) De bovenlichaamgordel dient bevestigd te worden aan de "B" stang van het voertuig. Indien dit wordt nagelaten, wordt het risico van ernstig (onder) buikletsel van de gebruiker vergroot.
- Tijdens het transport dient men gebruik te maken van een hoofdsteun die geschikt is voor transport (zie etiket van de hoofdsteun). Deze moet gedurende het hele transport op de juiste wijze zijn aangebracht.
- Positioneringshulpmiddelen, zoals heupgordels of -riemen, mogen niet worden gebruikt als veiligheidsgordel voor een rolstoelgebruiker in een bewegend voertuig, tenzij ze zijn gelabeld dat ze voldoen aan de eisen zoals gespecificeerd in ISO 7176-19 of SAE J2249.
- De veiligheid van de rolstoelgebruiker tijdens het transport hangt af van de nauwkeurigheid waarmee de verankeringsbanden worden bevestigd. De persoon/personen die de verankering tot stand brengt/brengen, moet(en) op juiste wijze zijn geïnstrueerd en getraind.
- Verwijder waar mogelijk hulpmiddelen en accessoires en berg deze veilig op. Hierbij kunt u denken aan:
- Krukken, losse kussens en werkbladen.
- Een scharnierende/opgetilde beensteun mag zich niet in opgetilde positie bevinden tijdens transport van de rolstoel en gebruiker wanneer de rolstoel is verankerd met verankeringsbanden en veiligheidsgordels.
- Een gekantelde rugleuning moet in rechte positie worden gezet.
- De handremmen moeten goed worden vastgezet.
- Veiligheidsgordels moeten worden bevestigd aan de "B" stang van het voertuig en mogen niet van het lichaam afgehouden worden door bijvoorbeeld armsteunen of wielen.

Fig. A

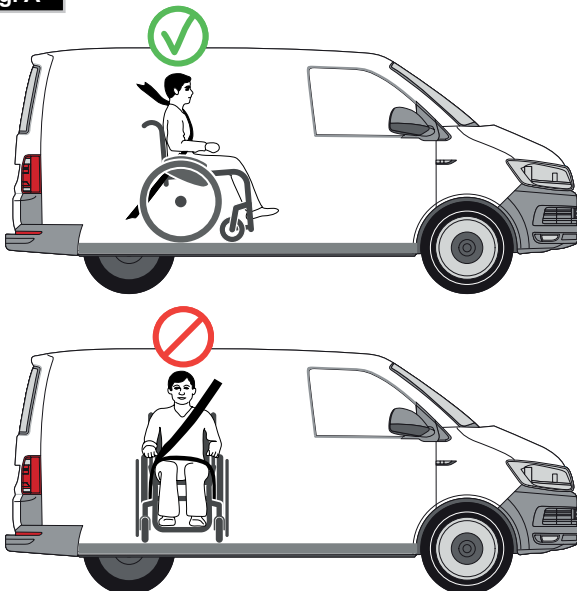
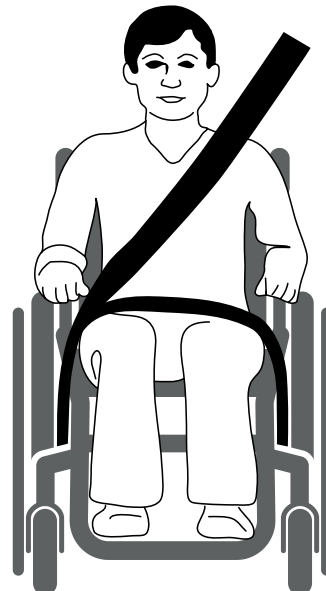


Fig. B



Instructies voor veiligheidsgordels:

1. De heupgordel moet laag worden bevestigd over de voorzijde van de heup, zodanig dat de hoek van de heupgordel zich binnen de horizontale voorkeurszone van 30 tot 75 graden bevindt.

Hoe groter de hoek binnen deze begrenzing, hoe beter, maar de hoek mag nooit groter zijn dan 75 graden. (Fig. C)

2. De bovenlichaamsgordel moet over de schouder en diagonaal over de borst worden gedragen, zoals op de afbeelding weergegeven. Fig. D en E.

De gordels moeten zo strak mogelijk worden gebruikt, maar moeten altijd comfortabel zijn voor de gebruiker.

Veiligheidsnetten mogen niet gedraaid zitten tijdens gebruik.

De gordel voor het bovenlichaam moet dwars over de schouder worden bevestigd, zoals getoond in afbeeldingen D en E.

3. De bevestigingspunten van de stoel bevinden zich aan de binnenzijde aan de voorkant van het frame vlak boven het zwenkwiel en aan het frame aan de achterzijde. De banden worden rond het frame aan de zijkanten geplaatst waar de horizontale en verticale buizen van het frame elkaar kruisen. (Zie Fig. G-H-I)

4. Op het frame van de rolstoel wordt door middel van het symbool voor het verankeringspunt (Fig. F) aangegeven waar de verankeringsbanden geplaatst moeten worden. De banden worden strak getrokken nadat de banden aan de voorzijde zijn aangebracht om de rolstoel te borgen.

GEWICHT VAN GEBRUIKER MINDER DAN 22 KG

Wanneer de gebruiker die wordt vervoerd een kind is dat minder dan 22kg weegt, en het betrokken voertuig minder dan acht (8) inzittenden heeft, wordt het aanbevolen dat het kind wordt overgeplaatst naar een kinderzitje met veiligheidsgordels dat voldoet aan de UN-ECE R44 regelgeving.

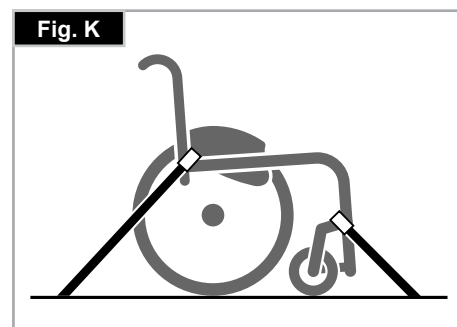
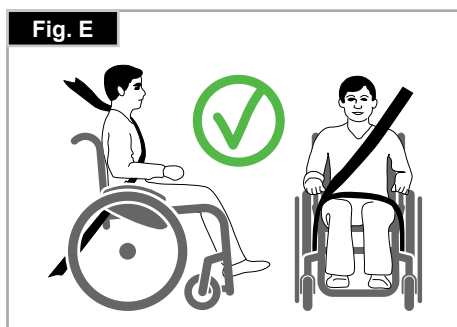
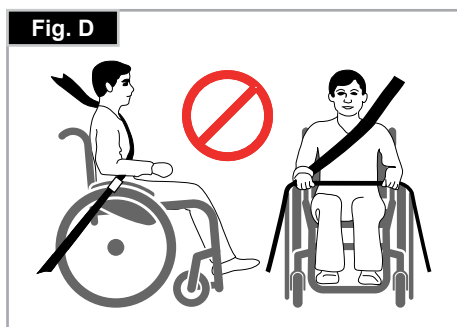
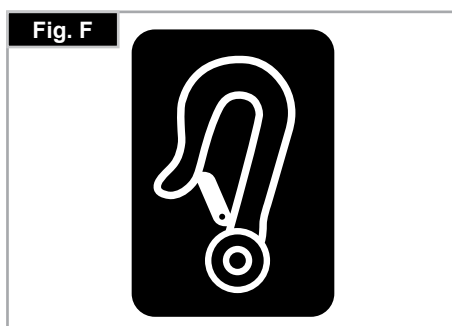
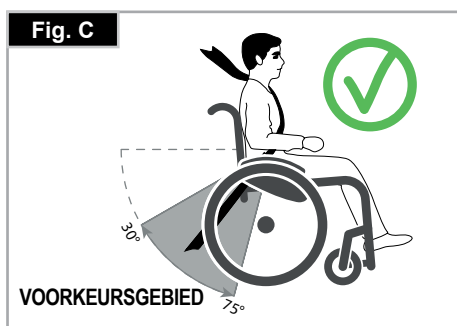
Dit type gordelsysteem biedt een doelmatiger gordelsysteem dan het conventionele 3-punts gordelsysteem. Daarbij bieden sommige kinderzitjes ook extra ondersteunende elementen waardoor de houding van het kind wanneer het zit, beter wordt ondersteund.

In sommige omstandigheden kunnen de ouders of zorgverleners overwegen om het kind in de rolstoel te laten zitten tijdens transport, als de rolstoelinrichting het kind veel lichaamssteuning en comfort biedt.

In dergelijke omstandigheden adviseren we een risicobeoordeling te laten uitvoeren door uw begeleider en relevante personen die over de vereiste kennis beschikken.

De plaatsing van verankeringsbanden op de rolstoel:

1. De plaats van de afbeeldingen die aangeven waar aan de voor- en achterzijde de spanbanden geplaatst moeten worden (Fig. G - H).
2. Positie aan de voorzijde (Fig. I) en achterzijde, (Fig. J), van de sticker en het verankeringspunt.
3. Zijaanzicht van verankeringsbanden, (Fig. K).



10.0 Sticker

Sticker

De sticker bevindt zich of op het kruisframe, of op de dwarsstang van het frame. Ook vindt u een sticker met gegevens in de gebruikershandleiding. Op de sticker met het serienummer staat ook de precieze naam van het model en andere technische gegevens. Wanneer u vervangingsonderdelen bestelt of een schadeclaim indient, moet u de volgende gegevens vermelden:

- Serienummer
- Ordernummer
- Maand/Jaar

VOORBEELD

	Sunrise Medical GmbH Kahlbachring 2-4 D-69254 Malsch / Germany		2021-05-03
TYPE:	Rollstuhl	SN	203211733451915
Nitrum	ISO 7176-19:2008		
125 kg	max 10°	420 mm	460 mm

	Sunrise Medical GmbH Kahlbachring 2-4 D-69254 Malsch / Germany		2021-05-03
TYPE:	Rollstuhl	SN	203211733451912
Nitrum Hybrid	ISO 7176-19:2008		
140 kg	max 10°	420 mm	440 mm

SOORT:

Naam product, SKU nummer



De maximale veilige helling met anti-tip wielen, hangt af van de instellingen van de rolstoel, en van het postuur en de fysieke capaciteiten van de gebruiker.



Zitbreedte



Zitdiepte.



Maximale belasting.



VKCA-markering.



CE-keurmerk.



Raadpleeg de gebruiksaanwijzing.



XXXX-XX-XX

Productiedatum



Serienummer.



Dit symbool betekent: Medisch hulpmiddel.



Adres fabrikant.



ISO 7176-19:2008

Crashtest heeft ondergaan volgens ISO 7176-19:2008.



Adres van de importeur



Verantwoordelijke persoon VK



Het adres van de vertegenwoordiger in Zwitserland



ISO 7010-M002

Gebruikershandleiding/brochure moet worden gelezen! (Blauw icoon)

11.0 Garantie

DEZE GARANTIE DOET OP GEEN ENKELE WIJZE AFBREUK AAN UW RECHTEN.

Sunrise Medical* biedt haar klanten een garantie op rolstoelen, zoals bepaald in de garantievoorwaarden die het onderstaande dekken.

Garantievoorwaarden:

1. Indien een onderdeel of onderdelen van de rolstoel binnen 24 maanden gerepareerd of vervangen moet(en) worden als gevolg van een fabricagefout en/of gebrek in het materiaal, of voor het frame en vouwframe binnen 5 jaar na levering aan de klant, wordt het betreffende onderdeel of de betreffende onderdelen kosteloos gerepareerd of vervangen. De garantie geldt slechts voor fabricagefouten.
2. Om de garantie ten uitvoer te brengen, kunt u contact opnemen met de leverancier van uw rolstoel, bijv. de door Sunrise Medical erkende dealer of zorgaanbieder, met de exacte gegevens over het probleem. Indien u de rolstoel gebruikt buiten het gebied dat wordt gedekt door de klantenservice van Sunrise Medical, wordt de reparatie of vervanging uitgevoerd door een ander servicepunt welke door de fabrikant wordt aangewezen. De rolstoel moet worden gerepareerd door een door Sunrise Medical aangewezen servicepunt (dealer).
3. Voor onderdelen die binnen het bereik van deze garantiebepalingen zijn gerepareerd of vervangen, bieden we een garantie in overeenstemming met deze garantievoorwaarden voor de resterende garantieperiode voor de rolstoel in overeenstemming met punt 1.
4. Voor originele reserveonderdelen die op kosten van de klant zijn gemonteerd, geldt een garantieperiode van 12 maanden (na montage) in overeenstemming met deze garantiebepalingen.
5. Vorderingen op basis van deze garantie kunnen niet worden gedaan indien een reparatie of vervanging van een rolstoel of een onderdeel daarvan noodzakelijk is vanwege de onderstaande redenen:
 - a. Voor normale slijtage, zoals accu's, armleningen, bekleding, banden, remschoenen, etc.
 - b. Bij overbelasting van het product; zie het EC-etiket voor het maximale gebruikersgewicht.
 - c. Het product of onderdeel is niet onderhouden in overeenstemming met de aanbevelingen van de fabrikant, zoals uiteengezet in de gebruikershandleiding en/of de onderhoudsinstructies.
 - d. Er zijn accessoires gebruikt die niet gespecificeerd zijn als originele onderdelen.
 - e. De rolstoel of het onderdeel is beschadigd door nalatigheid, ongeval of onjuist gebruik.
 - f. Er zijn veranderingen/wijzigingen aangebracht aan de rolstoel of onderdelen die afwijken van de specificaties van de fabrikant.
 - g. Reparaties zijn uitgevoerd voordat onze Klantenservice is geïnformeerd over de omstandigheden.
6. Deze garantie wordt beheerst door het recht van het land waarin het product van Sunrise Medical* werd aangekocht.

* Dit betekent de Sunrise Medical faciliteit waarvan het product werd aangekocht.

12.0 Technische gegevens

Totale breedte:

Met standaard 25" wielen, inclusief hoepels met 6° camber: ZB + 300 mm

Totale lengte: 930 mm met ZD 500

Totale hoogte: 950 mm met RH 450

Gewicht in kg: vanaf 6,5 kg

Maximaal gebruikersgewicht:

Nitrum 125 kg (140 kg met optioneel 'Hybrid'-frame).

Stoelhoogtes:

De keuze van frames, vorken en zwenkwielen, evenals de maat van het achterwiel (24", 25") bepaalt de beschikbare stoelhoogtes.

Norm		Min.	Max.	Norm		Min.	Max.
	Totale lengte zonder voetensteun	770 mm	930 mm		Hoek zittingoppervlak	0°	16°
	Totale breedte	490 mm	860 mm		Effectieve diepte zitsysteem	340 mm	500 mm
	Lengte wanneer ingeklapt	NVT	NVT		Effectieve breedte zitsysteem	320 mm	500 mm
	Breedte wanneer ingeklapt	NVT	NVT		Hoogte oppervlak zitsysteem aan voorkant	430 mm	570 mm
	Hoogte wanneer ingeklapt	NVT	NVT		Hoek rugleuning	59°	105°
	Totaal volume	6,5 kg	13,0 kg		Hoogte rugleuning	250 mm	450 mm
	Helling voor het gebruik van de remmen	0°	7°		Draaistraal		700 mm
	ewicht van het zwaarste onderdeel	-	2,1 kg met 24" achterwiel		Afstand van de voetsteun naar de zitting	220 mm	520 mm
	Statische stabiliteit heuvelafwaarts	10°	10°		Hoek van been naar zitting	88°	100°
	Statische stabiliteit heuvelopwaarts met anti-tipwielen	10°	10°		Afstand van de voetsteun naar de zitting	NVT	NVT
	Statische stabiliteit zijwaarts	10°	10°		Plaatsing van armsteunstructuur aan voorzijde	NVT	NVT
	Dynamische stabiliteit - elektriciteitsverbruik bij beklimmen hellingen	NVT	NVT		Doorsnee hoepel	540 mm	567 mm
	Nemen van obstakels	NVT	NVT		Horizontale locatie van de as	+ 104 mm	+ 20 mm

*Standaardwiel met roestvrij stalen hoepel

De rolstoel voldoet aan de volgende vereisten:

a) Vereisten en tests voor statische kracht, botsweerstand en vermoeiingsweerstand (ISO 7176-8)	Ja.
b) Besturings- en controlesystemen voor elektrische rolstoelen, vereisten en test (ISO 7176-14)	nvt
c) Milieutest overeenkomstig ISO 7176-9	nvt
d) Brandwerendheid van beklede onderdelen overeenkomstig ISO 7176-16 (EN 1021-1/2)	Ja.

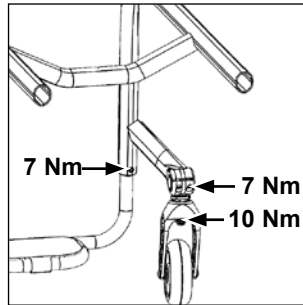
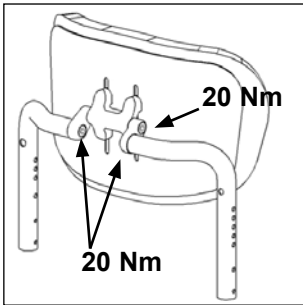
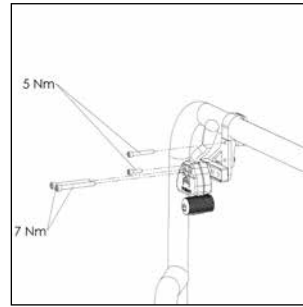
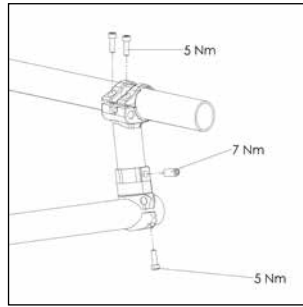
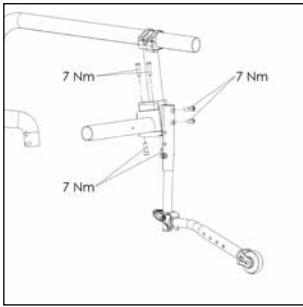
Technische gegevens >>>

Zwenkwiel	Vork	Type frame	Hoogte voorkant stoel in mm	Hoogte achterkant stoel in mm
3" (76,2 mm)	98 mm x 32 mm	lage	430	430 - 300
			440	440 - 310
			450	450 - 320
		hoge	470	470 - 340
			480	480 - 350
			490	490 - 360
	111 mm x 32 mm	lage	440	440 - 310
			450	450 - 320
			460	460 - 330
		hoge	480	480 - 350
			490	490 - 360
			500	500 - 370
4" (101,6 mm)	98 mm x 32 mm	lage	440	440 - 310
			450	450 - 320
			460	460 - 330
		hoge	480	480 - 350
			490	490 - 360
			500	500 - 370
	111 mm x 32 mm	lage	450	450 - 320
			460	460 - 330
			470	470 - 340
		hoge	490	490 - 360
			500	500 - 370
			510	510 - 380
	111 mm x 45 mm	lage	450	450 - 320
			460	460 - 330
			470	470 - 340
		hoge	490	490 - 360
			500	500 - 370
			510	510 - 380
	123 mm x 45 mm	lage	450	450 - 320
			460	460 - 330
			470	470 - 340
			480	480 - 350
		hoge	490	490 - 360
			500	500 - 370
510			510 - 380	
520			520 - 370	

Technische gegevens ...

Zwenkwiel	Vork	Type frame	Hoogte voorkant stoel in mm	Hoogte achterkant stoel in mm
5" (127 mm)	98 mm x 32 mm	lage	460	460 - 330
			470	470 - 340
		hoge	500	500 - 370
			510	510 - 380
	111 mm x 32 mm	lage	460	460 - 330
			470	470 - 340
			480	480 - 350
		hoge	500	500 - 370
			510	510 - 380
			520	520 - 390
	111 mm x 45 mm	lage	470	470 - 340
			480	480 - 350
		hoge	510	510 - 380
			520	520 - 390
	123 mm x 45 mm	lage	470	470 - 340
			480	480 - 350
490			490 - 360	
500			500 - 370	
hoge		510	510 - 380	
		520	520 - 390	
		530	530 - 400	
		540	540 - 410	
6" (152,4 mm)	123 mm x 45 mm	lage	500	500 - 370
			510	510 - 380
		hoge	540	540 - 410
			550	550 - 420

13.0 Koppel



Koppel.

OPMERKING: Telkens wanneer de vereiste draaikracht (torque) is gespecificeerd, wordt het sterk aanbevolen om met behulp van een draaikrachtsmeter (niet meegeleverd) te controleren of de draaikracht is bereikt. Als er geen andere informatie wordt gegeven, is de draaikracht voor M6 schroeven doorgaans 7 Nm.

OPGELET: Sommige schroeven die tijdens de fabricage worden gebruikt, zijn voorzien van een schroefdraadborgingsmiddel (blauwe stip op de draad) en kunnen maximaal drie keer worden losgedraaid en weer vastgedraaid voordat ze vervangen moeten worden door nieuwe schroeven met schroefdraadborgingsmiddel. Als alternatief kunt u Loctite™ 243 schroefdraadborgingsmiddel op de schroeven aanbrengen en ze weer vastdraaien.



Sunrise Medical S.r.l.
Via Riva, 20 – Montale
29122 Piacenza
Italia
Tel.: +39 0523 573111
Fax: +39 0523 570060
www.SunriseMedical.it

Sunrise Medical AG
Erlenauweg 17
CH-3110 Münsingen
Schweiz/Suisse/Svizzera
Fon +41 (0)31 958 3838
Fax +41 (0)31 958 3848
www.SunriseMedical.ch

Sunrise Medical AS
Delitoppen 3
1540 Vestby
Norge
Telefon: +47 66 96 38 00
post@sunrisemedical.no
www.SunriseMedical.no

Sunrise Medical AB
Neogatan 5
431 53 Mölndal
Sweden
Tel.: +46 (0)31 748 37 00
post@sunrisemedical.se
www.SunriseMedical.se

MEDICCO s.r.o.
H – Park, Heršpická 1013/11d,
639 00 Brno
Czech Republic
Tel.: (+420) 547 250 955
Fax: (+420) 547 250 956
www.medicco.cz
info@medicco.cz
Bezplatná linka 800 900 809

Sunrise Medical Aps
Mårkærvej 5-9
2630 Taastrup
Denmark
+45 70 22 43 49
info@sunrisemedical.dk
Sunrisemedical.dk

Sunrise Medical Australia
11 Daniel Street
Wetherill Park NSW 2164
Australia
Ph: +61 2 9678 6600
E: enquiries@sunrisemedical.com.au
www.SunriseMedical.com.au

Sunrise Medical
North American Headquarters
2842 Business Park Avenue
Fresno, CA, 93727, USA
(800) 333-4000
(800) 300-7502
www.SunriseMedical.com



Sunrise Medical GmbH
Kahlbachring 2-4
69254 Malsch/Heidelberg
Deutschland
Tel.: +49 (0) 7253/980-0
Fax: +49 (0) 7253/980-222
www.SunriseMedical.de

Sunrise Medical
Thorns Road
Brierley Hill
West Midlands
DY5 2LD
England
Phone: 0845 605 66 88
Fax: 0845 605 66 89
www.SunriseMedical.co.uk

Sunrise Medical S.L.
Polígono Bakiola, 41
48498 Arrankudiaga – Vizcaya
España
Tel.: +34 (0) 902142434
Fax: +34 (0) 946481575
www.SunriseMedical.es

Sunrise Medical Poland
Sp. z o.o.
ul. Elektronowa 6,
94-103 Łódź
Polska
Telefon: + 48 42 275 83 38
Fax: + 48 42 209 35 23
E-mail: pl@sunrisemedical.de
www.Sunrise-Medical.pl

Sunrise Medical HCM B.V.
Vossenbeemd 104
5705 CL Helmond
The Netherlands
T: +31 (0)492 593 888
E: customerservice@sunrisemedical.nl
www.SunriseMedical.nl
www.SunriseMedical.eu
(International)

Sunrise Medical SAS
ZAC de la Vrillonnerie
17 Rue Michaël Faraday
37170 Chambray-Lès-Tours
Tel : +33 (0) 2 47 55 44 00
Email: info@sunrisemedical.fr
www.sunrisemedical.fr

