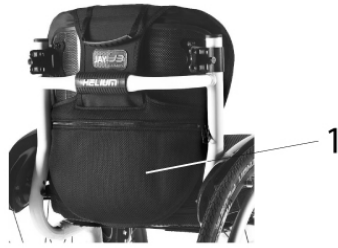
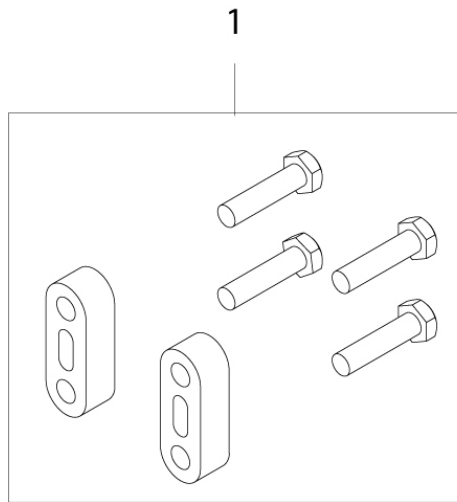


JAY3 Carbon Back - ACCESSORY BAG



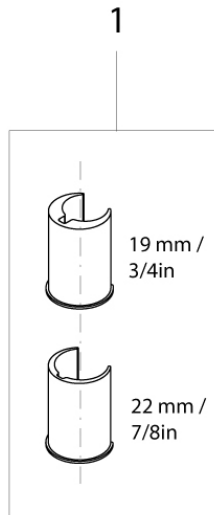
Pos	Itemnumber	Description	Comment
1	ABJ3BCF32	JAY3 CARBON BACK, ACCESSORY BAG	JAY3 CARBON BACK WIDTH 32 - 34 CM
1	ABJ3BCF36	JAY3 CARBON BACK, ACCESSORY BAG	JAY3 CARBON BACK WIDTH 35 - 40 CM
1	ABJ3BCF41	JAY3 CARBON BACK, ACCESSORY BAG	JAY3 CARBON BACK WIDTH 41 - 44 CM
1	ABJ3BCF46	JAY3 CARBON BACK, ACCESSORY BAG	JAY3 CARBON BACK WIDTH 45 - 48 CM

JAY3 Carbon Back - MOUNTING SPACER BLOCKS



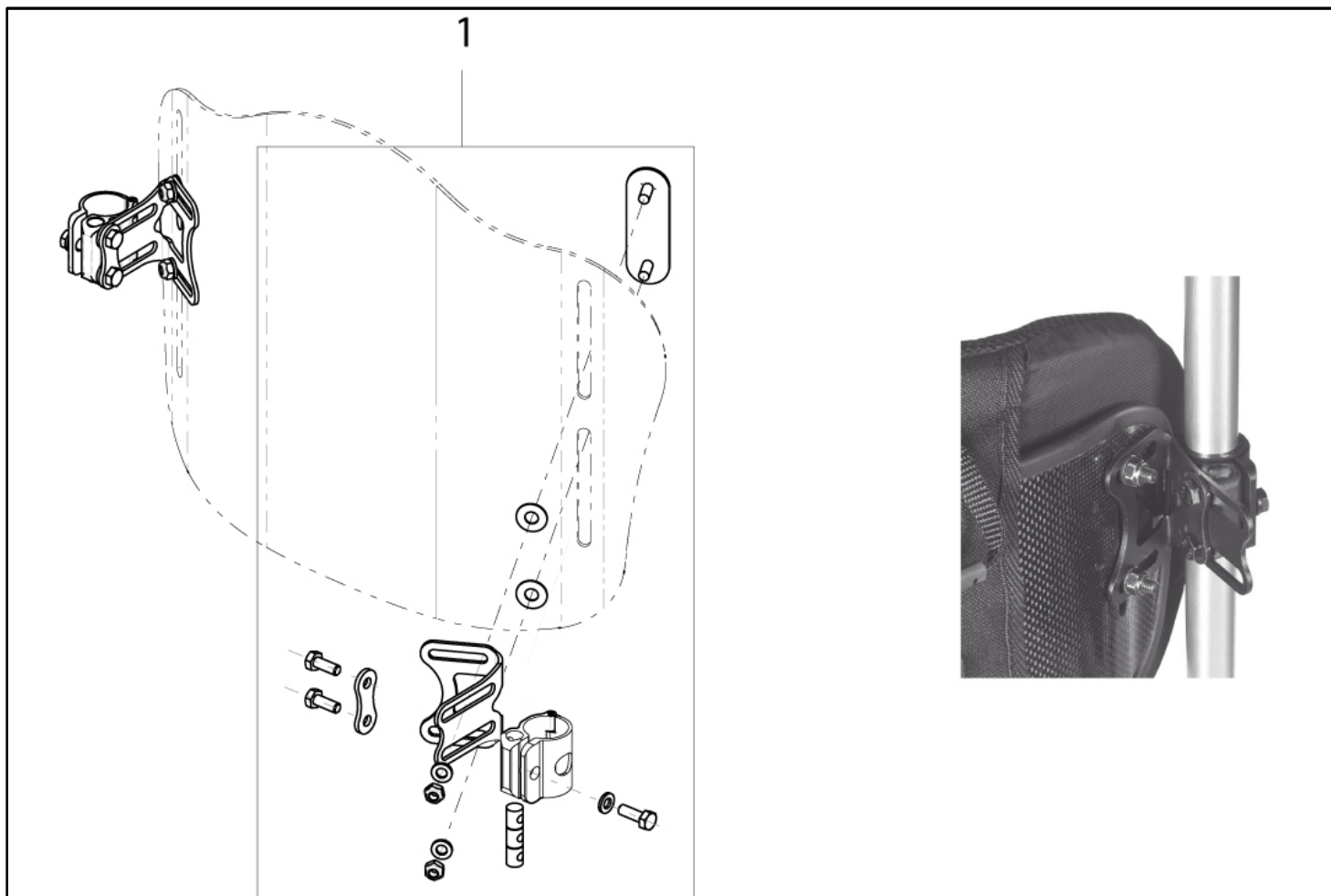
Pos	Itemnumber	Description	Comment
	J3BCFSPCRBLCK	Spacer blocks, JAY3 Carbon back	

JAY3 Carbon Back - CLAMP INSERTS



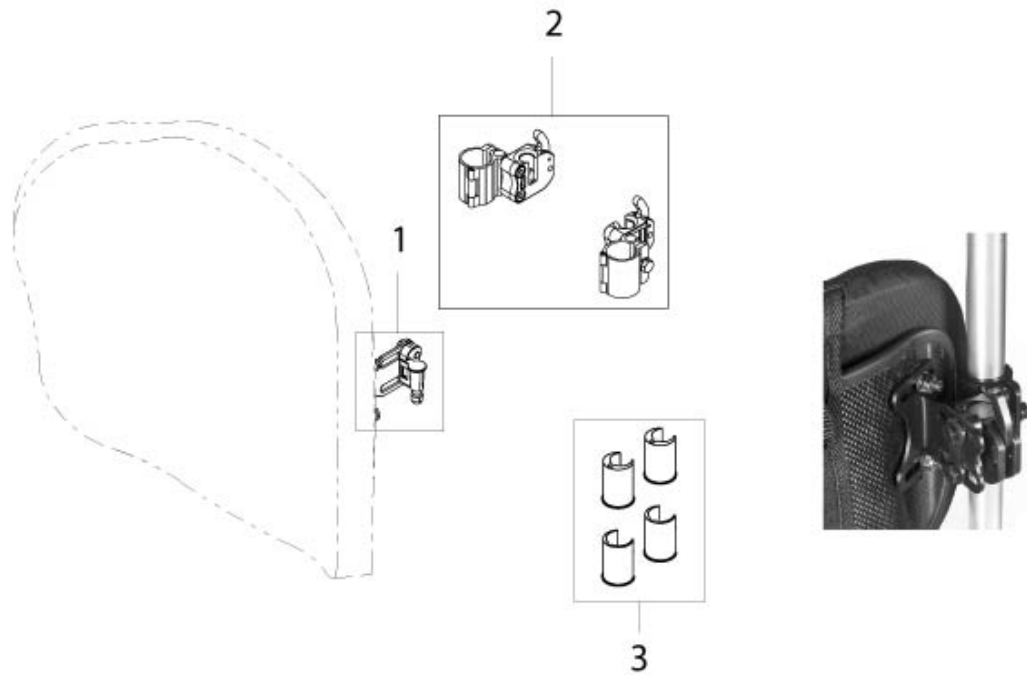
Pos	Itemnumber	Description	Comment
1	120984E	Clamp inserts	19 mm (3/4 inch), 22 mm (7/8 inch)

JAY3 Carbon Back - Fixed mounting (FX) bracket used with rigid wheelchairs



Pos	Itemnumber	Description	Comment
1	J3BCFBRKTFX	MOUNTING BRACKET JAY3 CARBON BACK FIXED (FX)	PAIR, USED WITH RIGID WHEELCHAIRS

JAY3 Carbon Back - Quick release mounting (QR) bracket used with folding wheelchairs



Pos	Itemnumber	Description	Comment
1 - 2	J3BCFMNTSYSQR	MOUNTING SYSTEM CPL. JAY3 CARBON BACK REMOVABLE (QR)	USED WITH FOLDING WHEELCHAIRS
1	J3BCFBRKTQR	MOUNTING BRACKET JAY3 CARBON BACK REMOVABLE (QR)	USED WITH FOLDING WHEELCHAIRS
2	J3BCFQRRVCVRKIT	RECEIVER KIT JAY3 CARBON BACK (QR)	
3	120984E	CLAMP INSERTS	4 pcs./pack (2 x 19 mm (3/4 inch), 2 x 22 mm (7/8 inch))