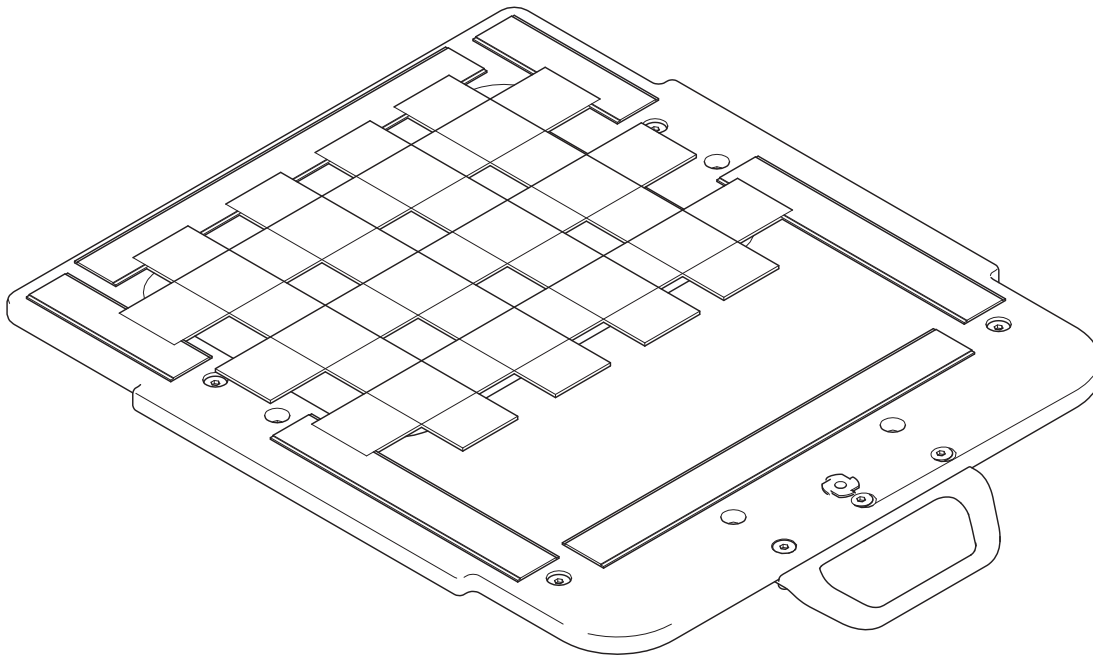


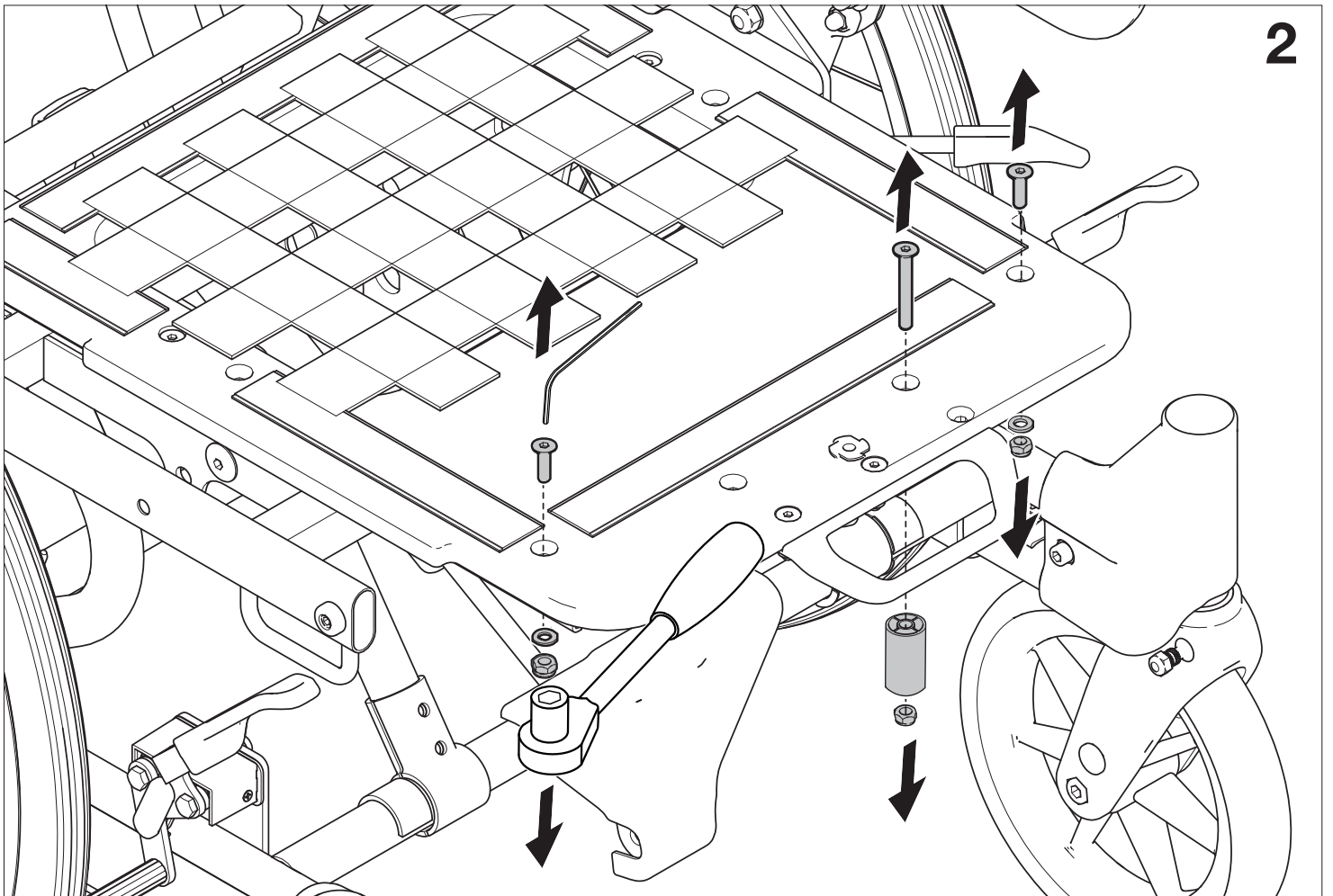
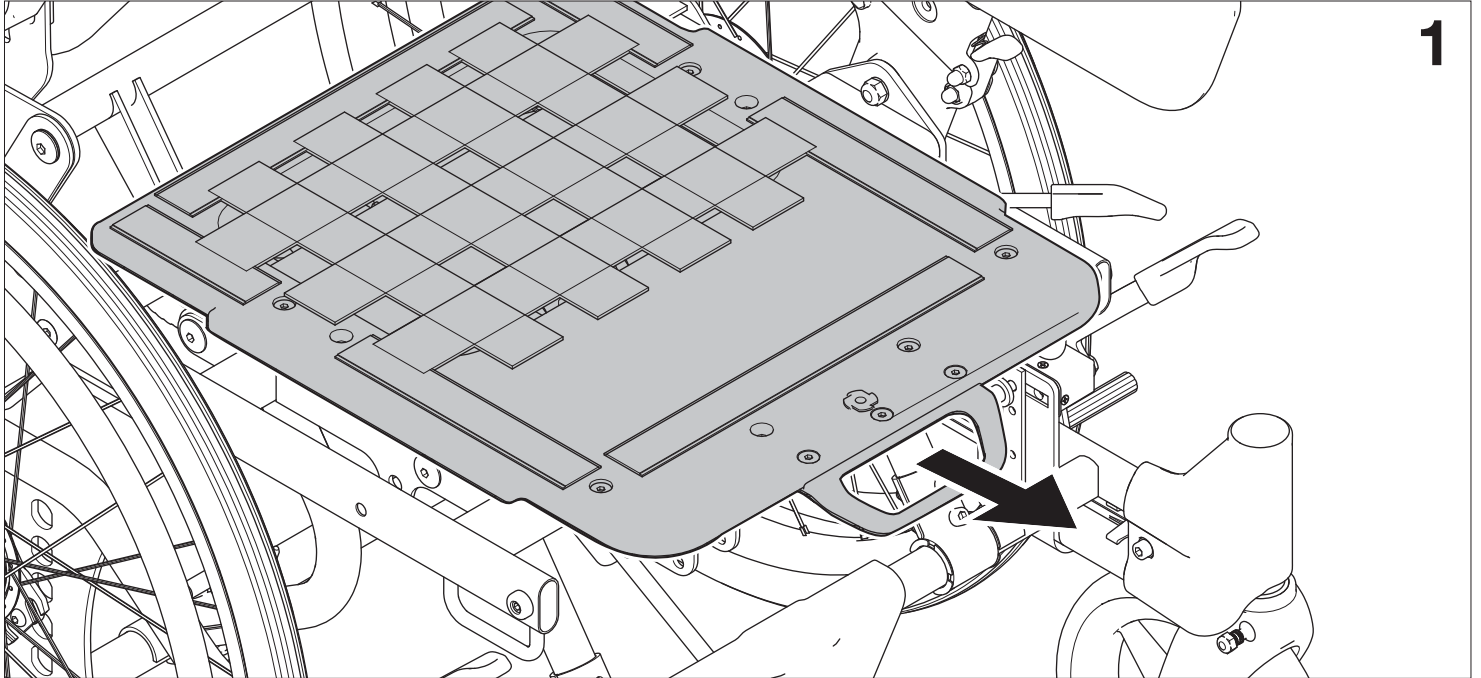
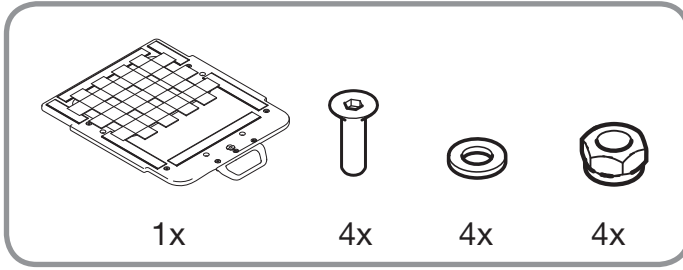
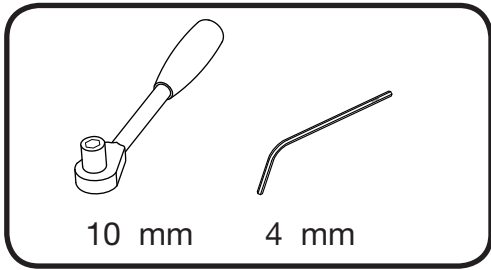
ASSEMBLY INSTRUCTION

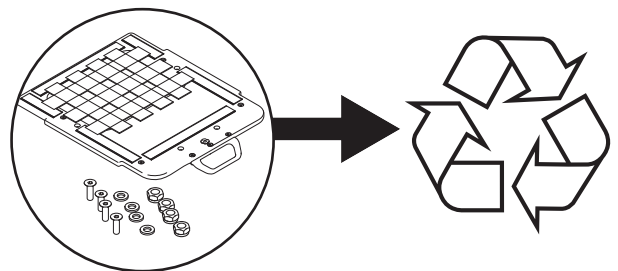
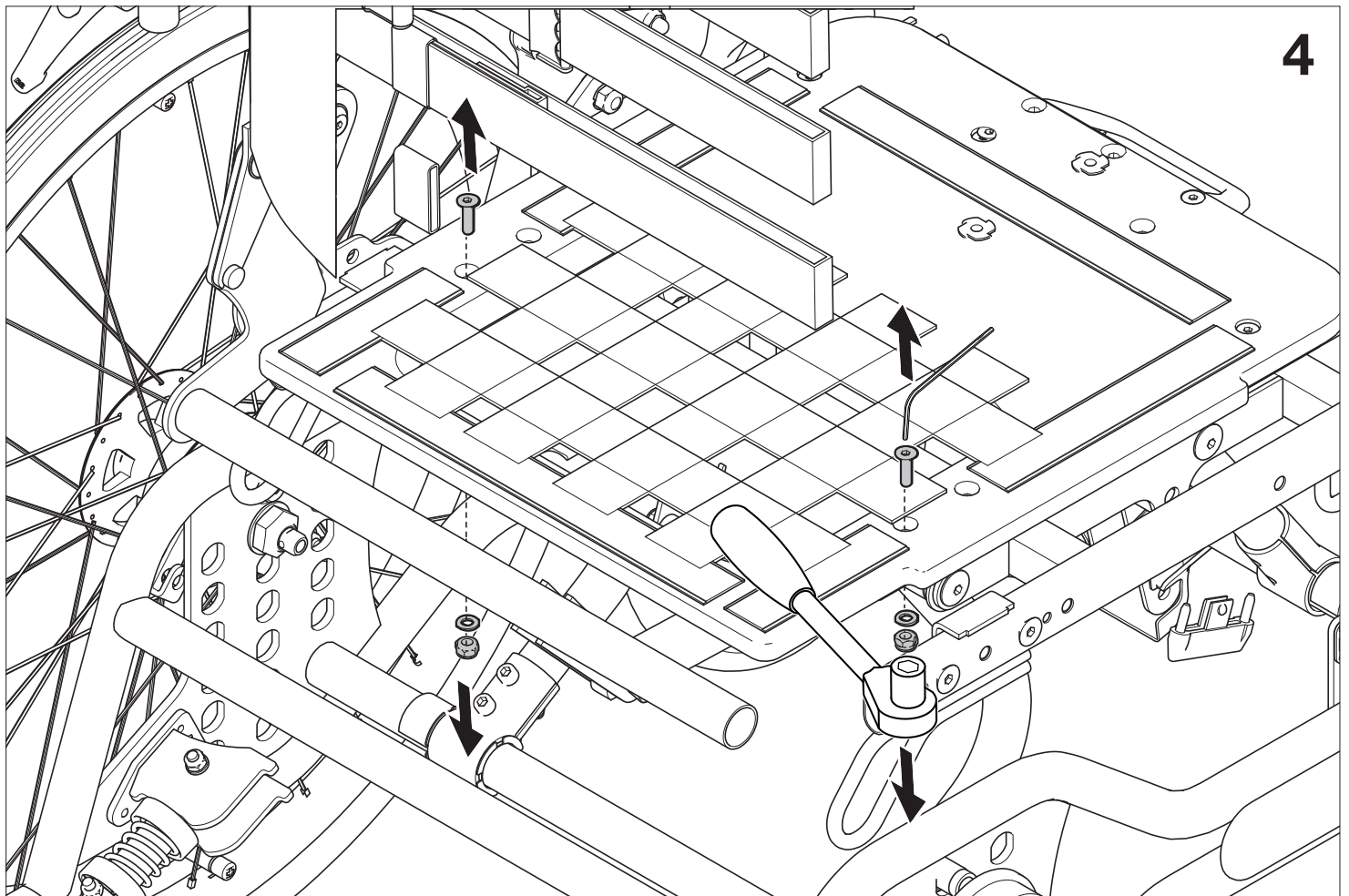
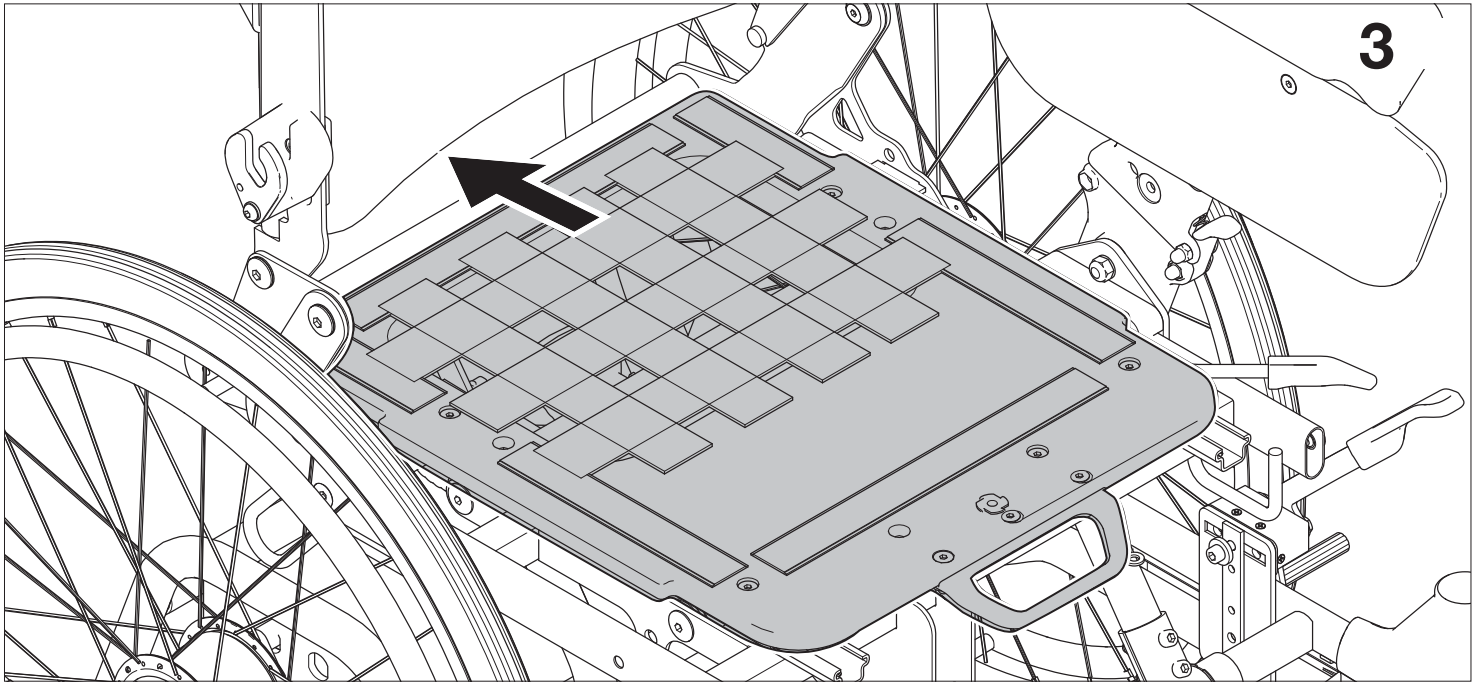
Seat plate - pelvic

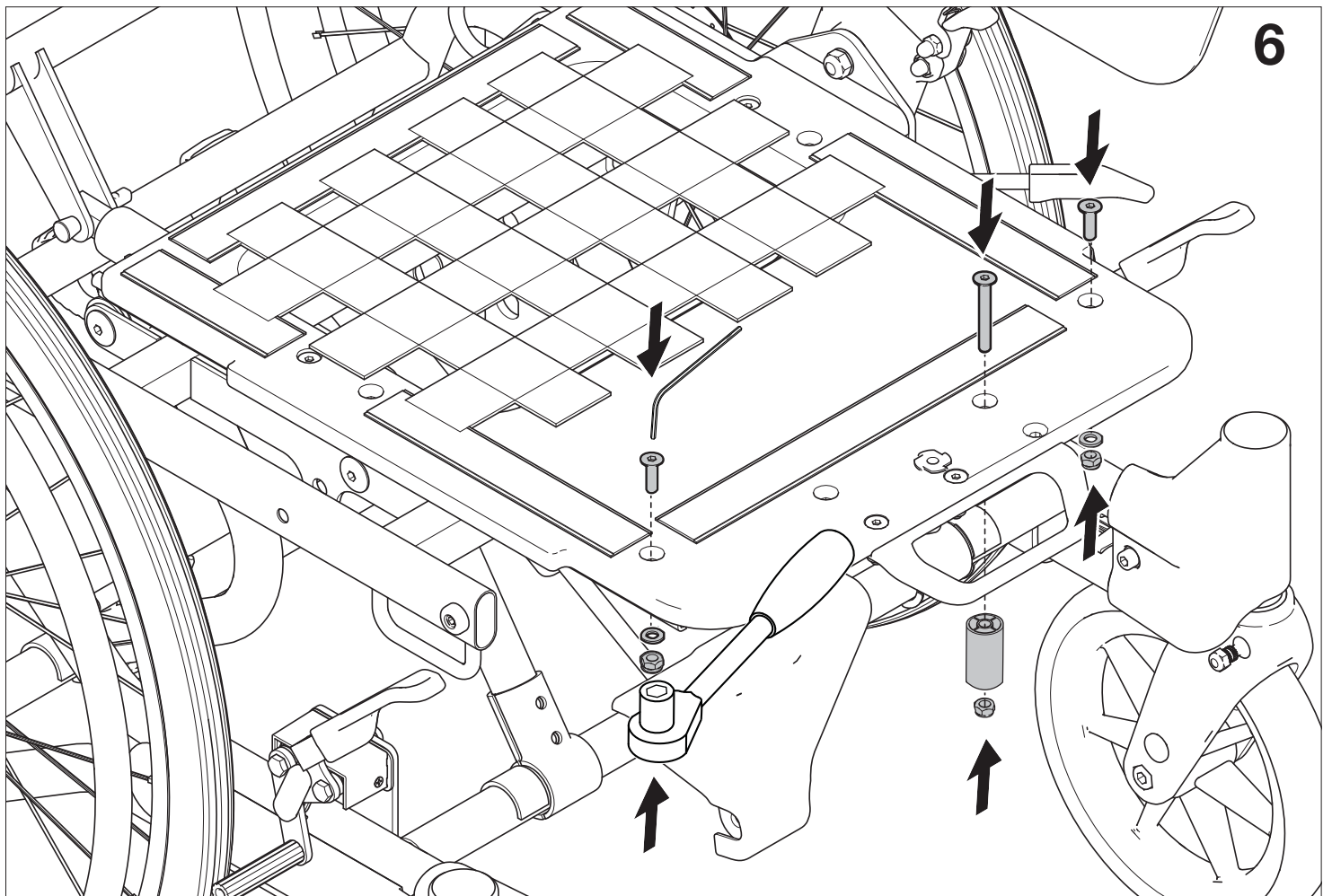
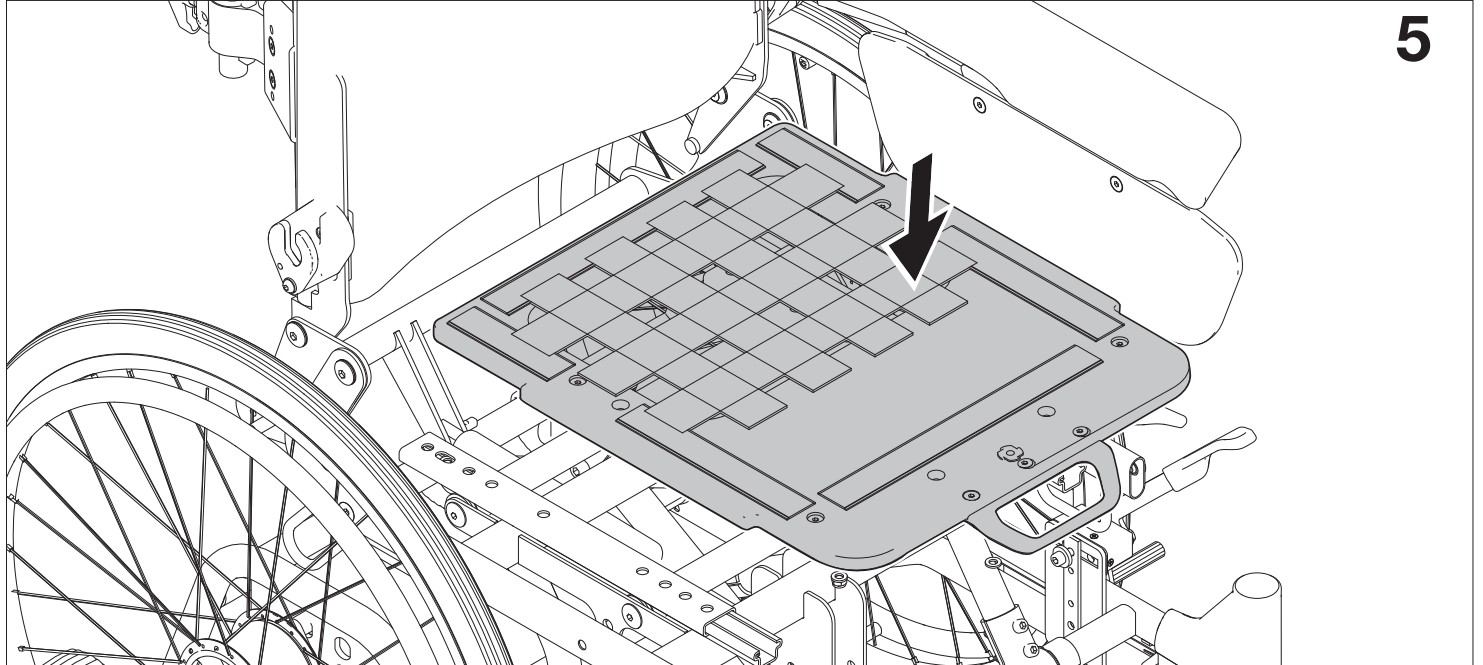
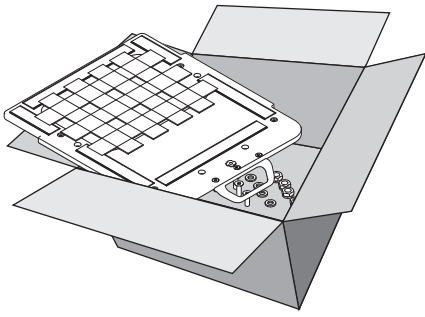


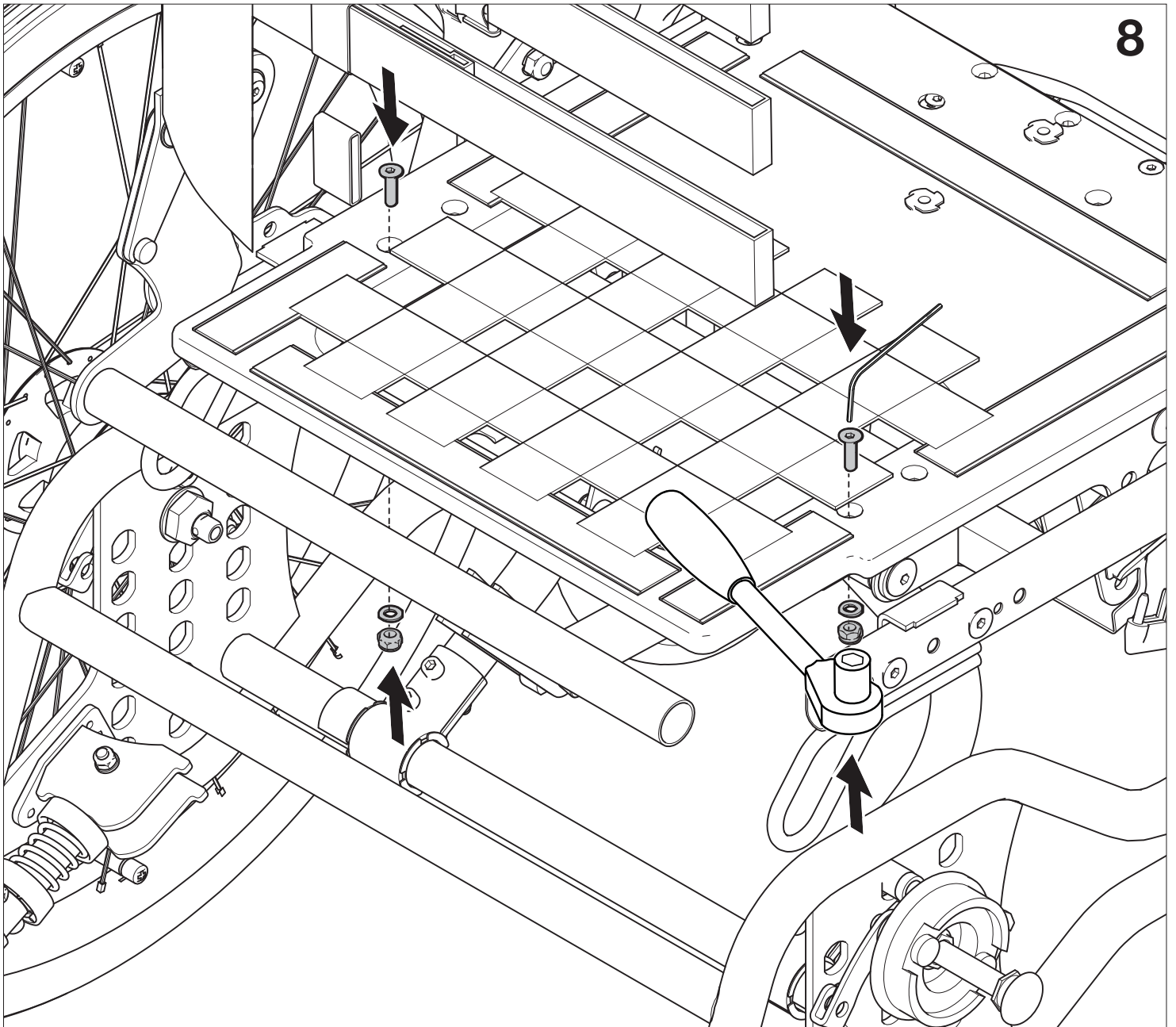
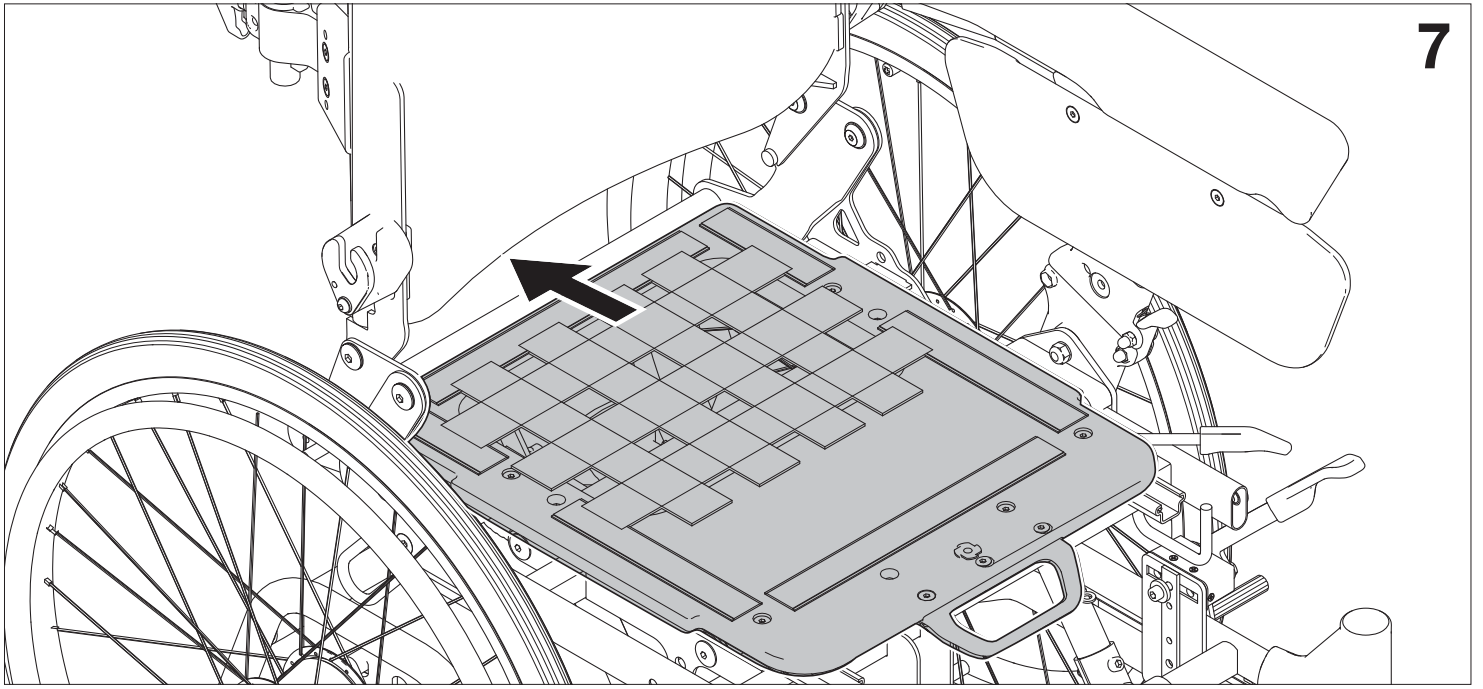
Description		Item no.
Seat plate - pelvic SW39	<input type="checkbox"/>	3504539
Seat plate - pelvic SW42	<input type="checkbox"/>	3504542
Seat plate - pelvic SW45	<input type="checkbox"/>	3504545
Seat plate - pelvic SW48	<input type="checkbox"/>	3504548
Seat plate - pelvic SW51	<input type="checkbox"/>	3504551
Seat plate - pelvic SW54	<input type="checkbox"/>	3504554

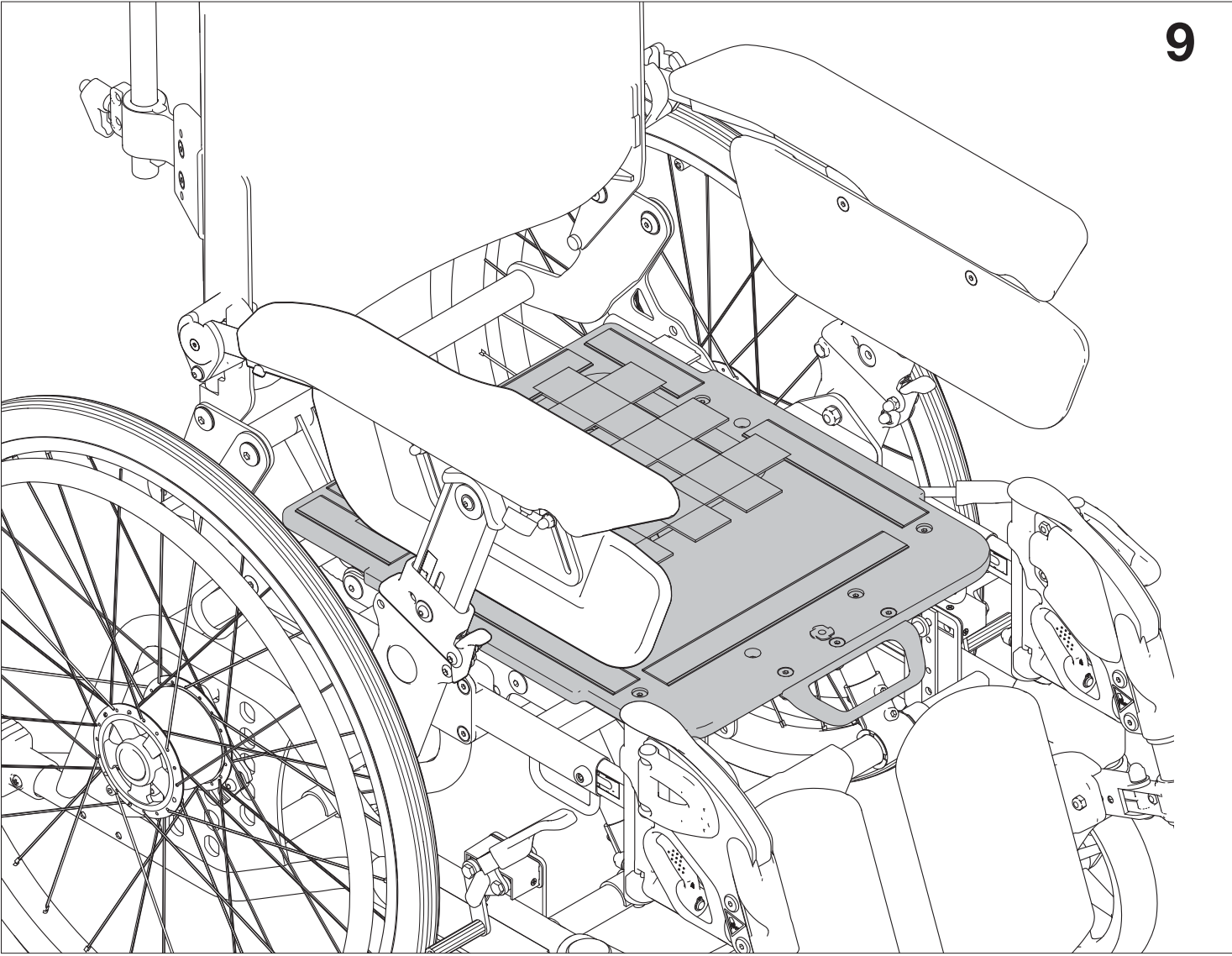














Sunrise Medical HCM B.V.
Vossenbeemd 104
5705 CL Helmond
The Netherlands

T: +31 (0)492 593 888
customerservice@sunrisemedical.nl
www.SunriseMedical.eu