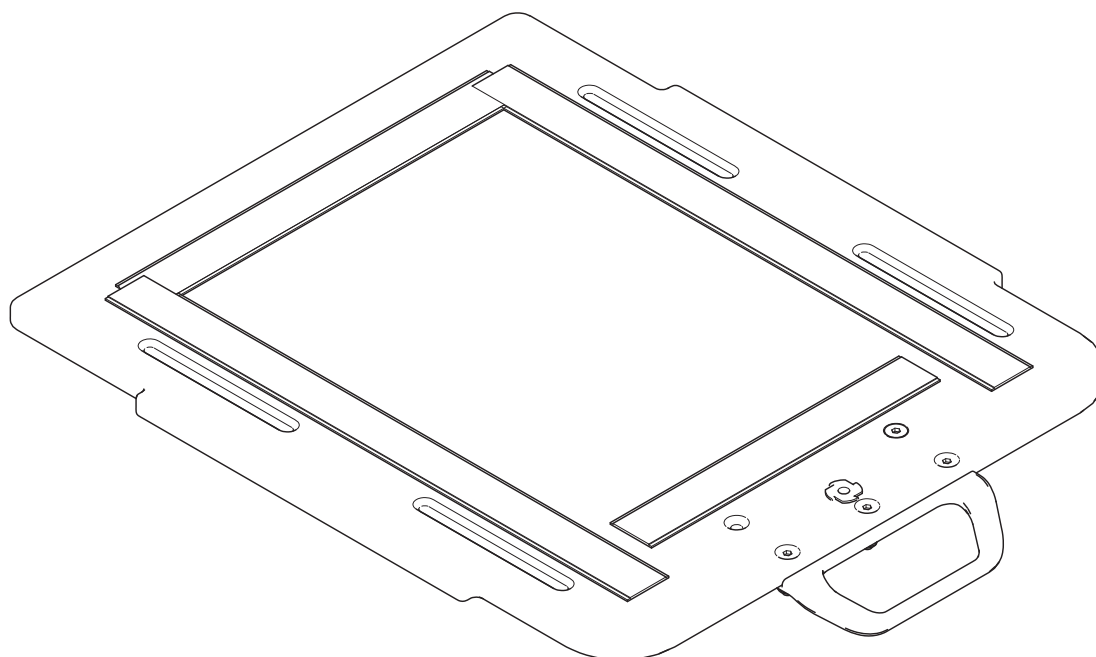


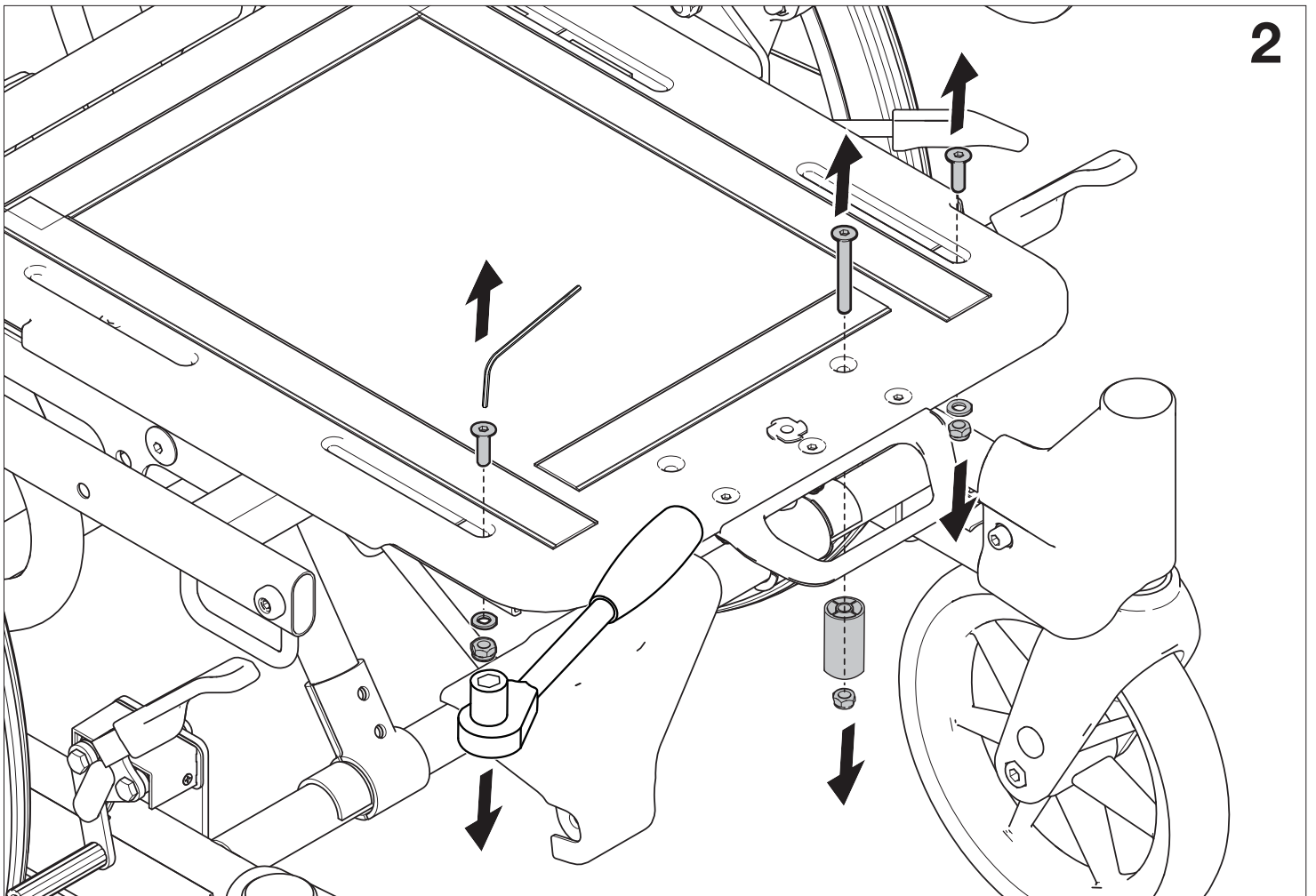
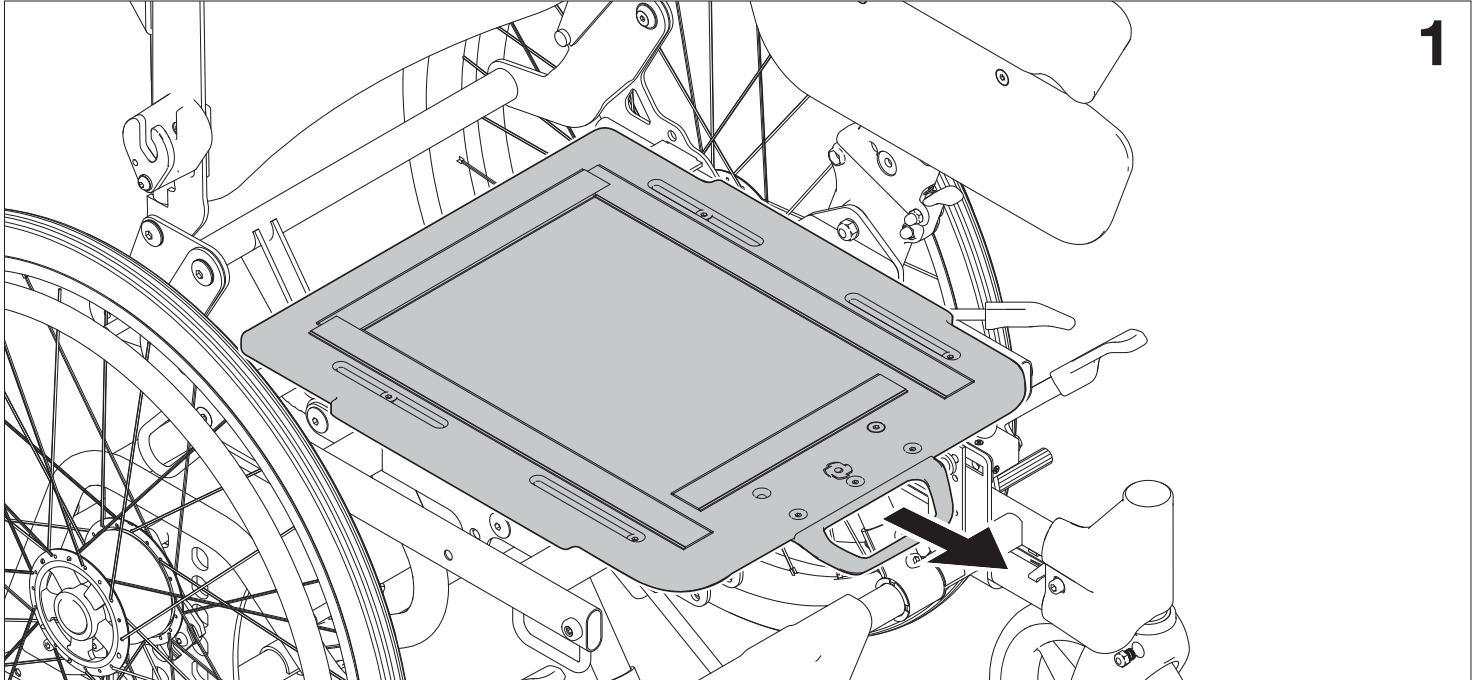
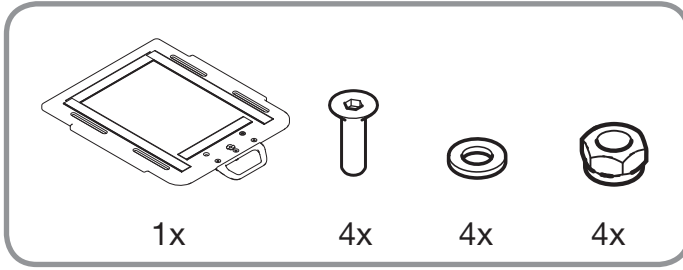
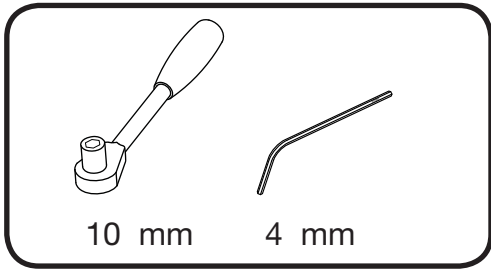
ASSEMBLY INSTRUCTION

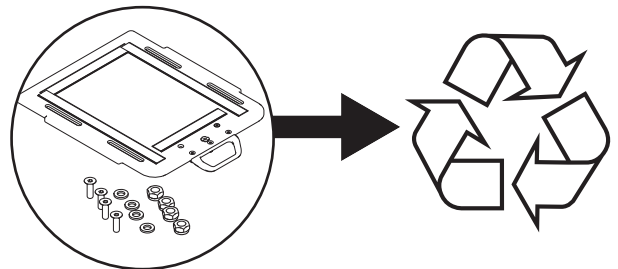
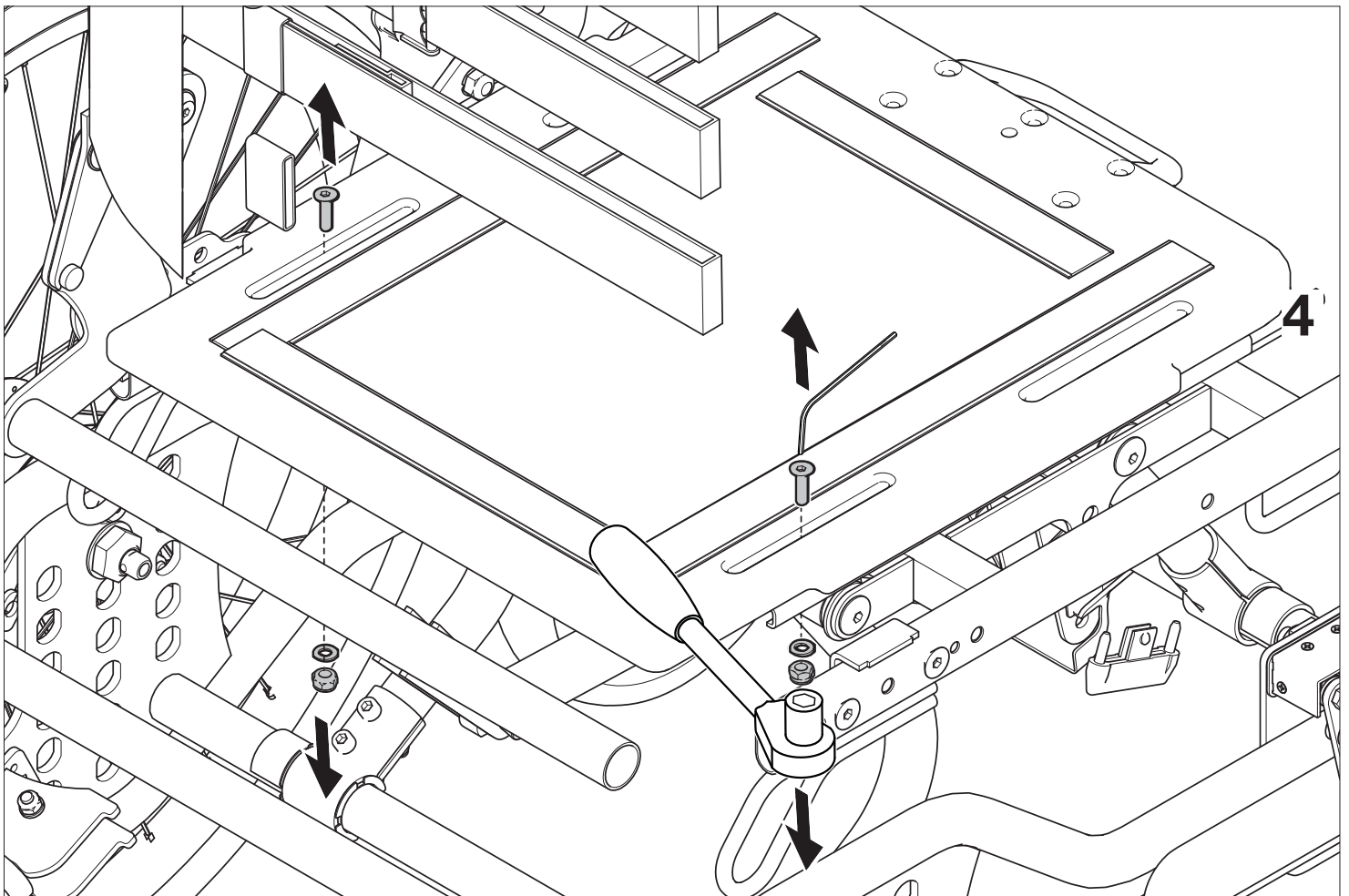
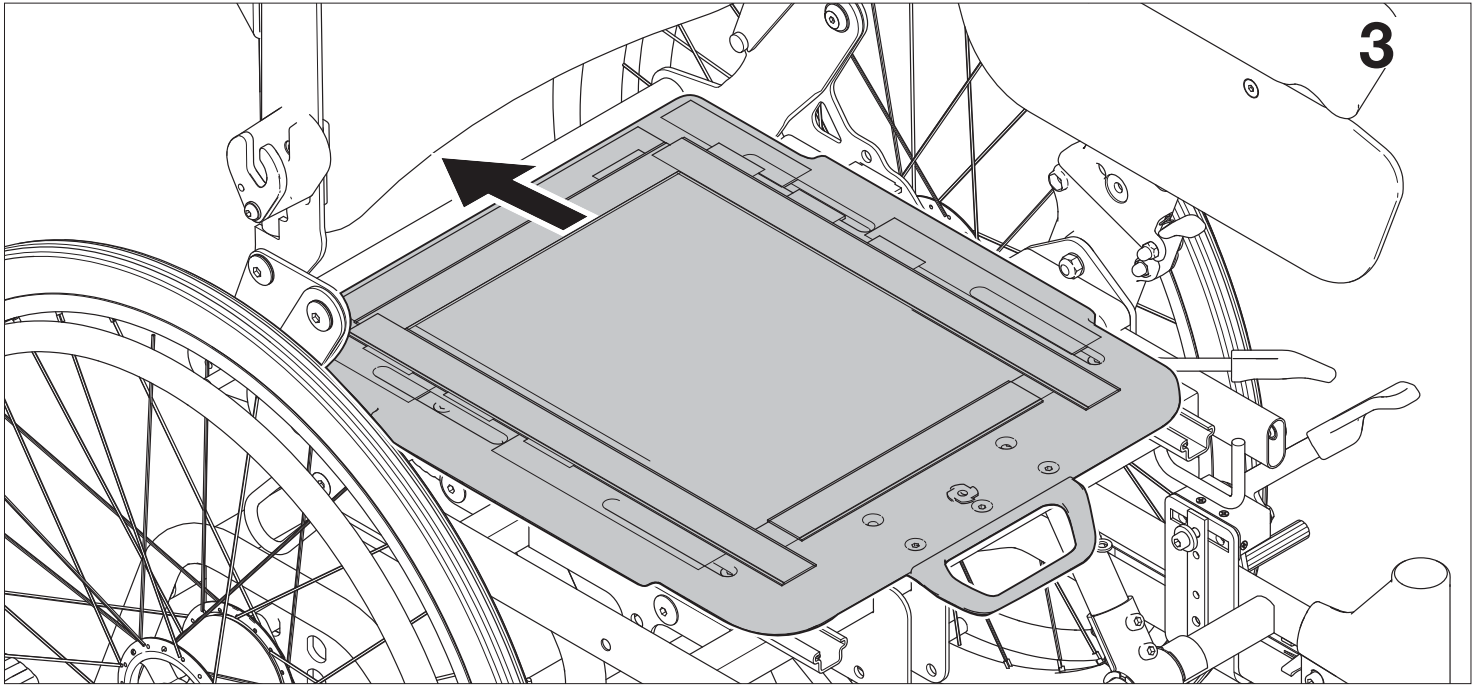
Seat plate

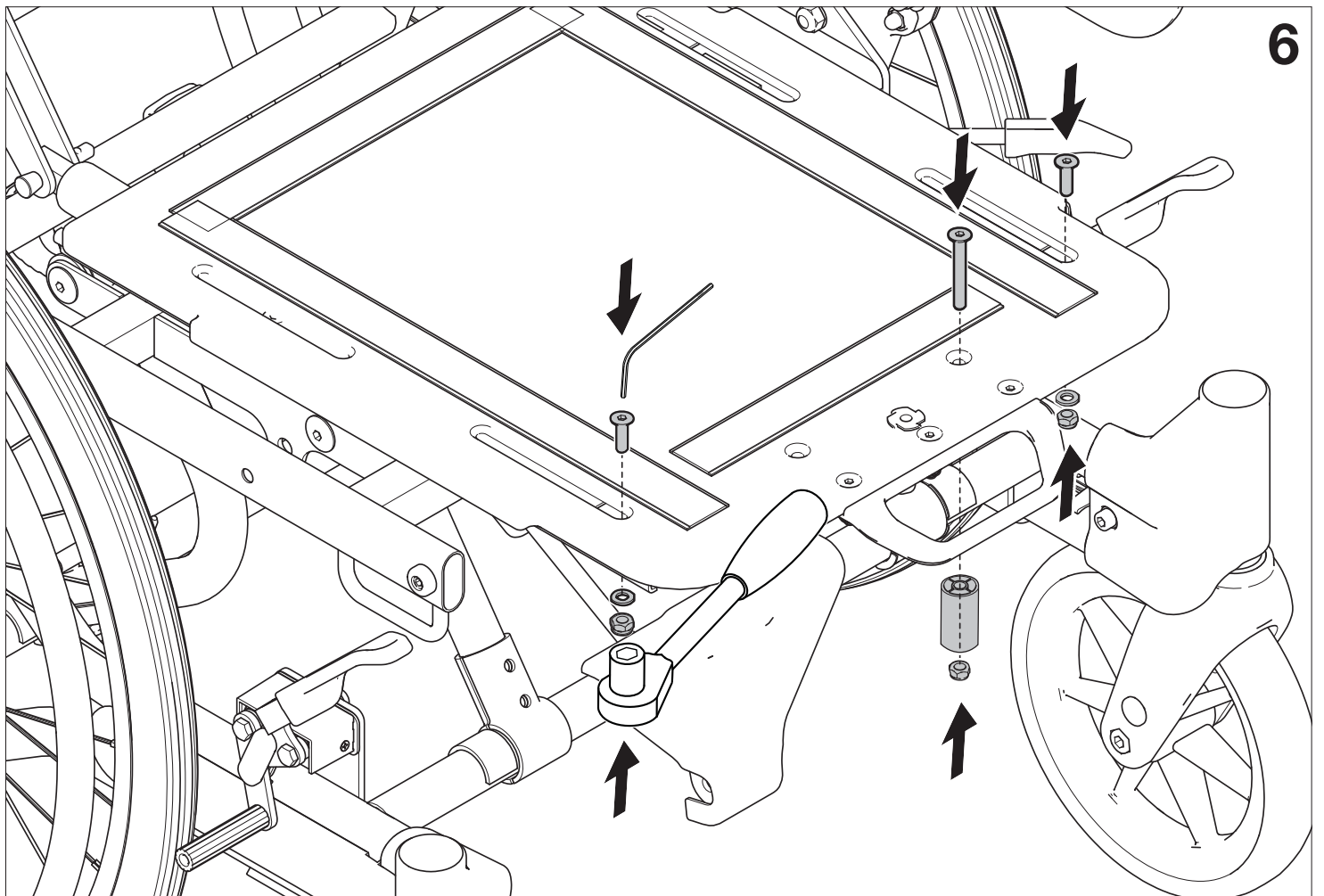
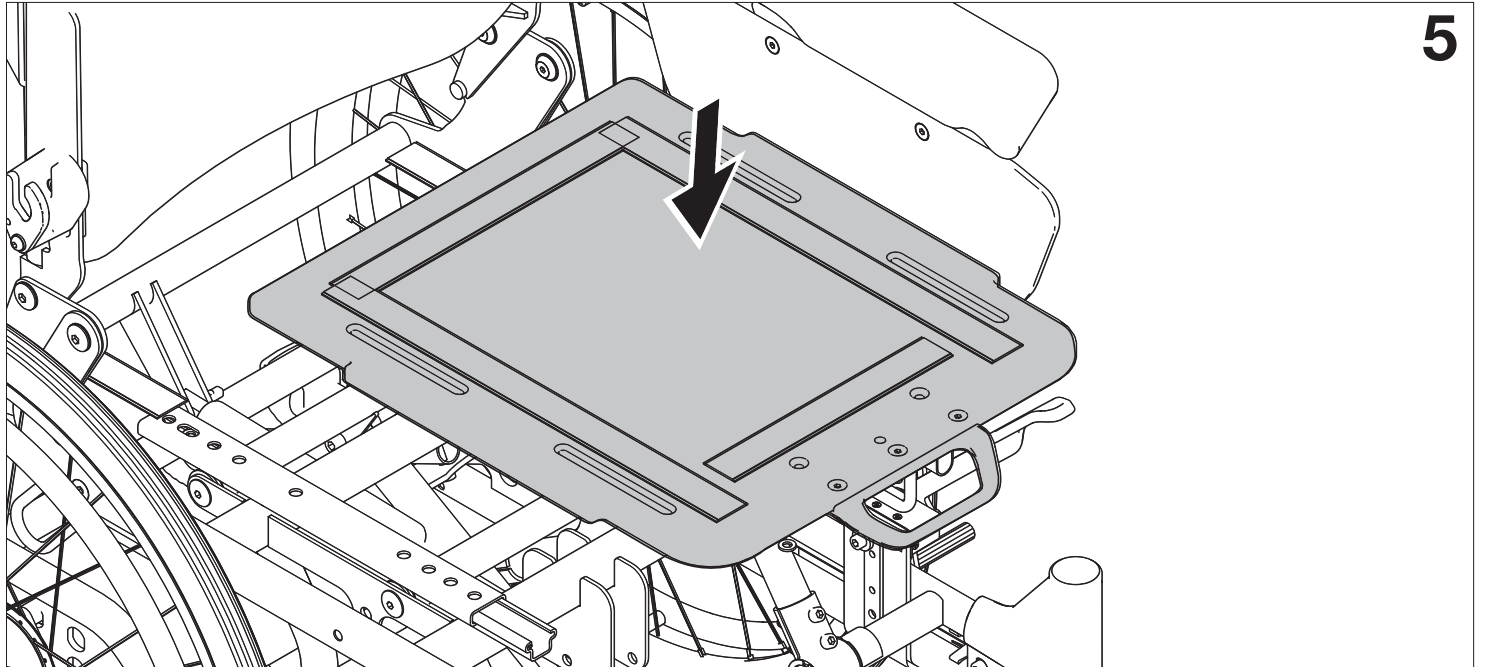
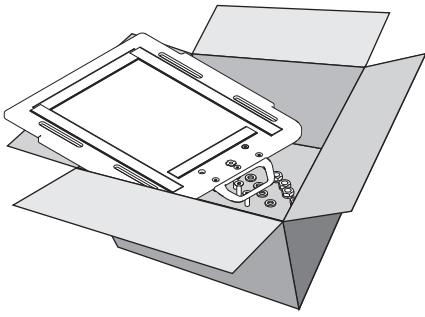


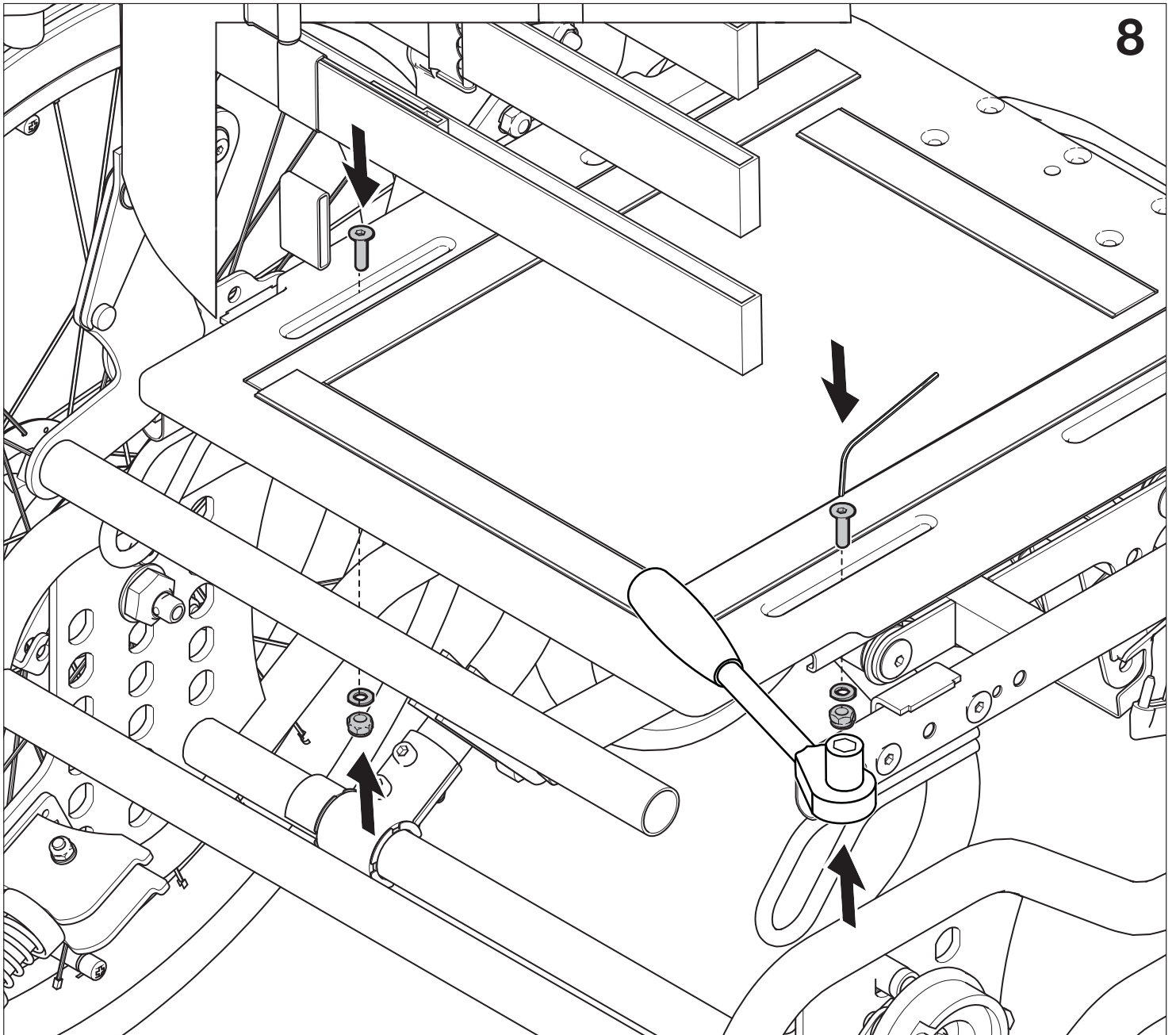
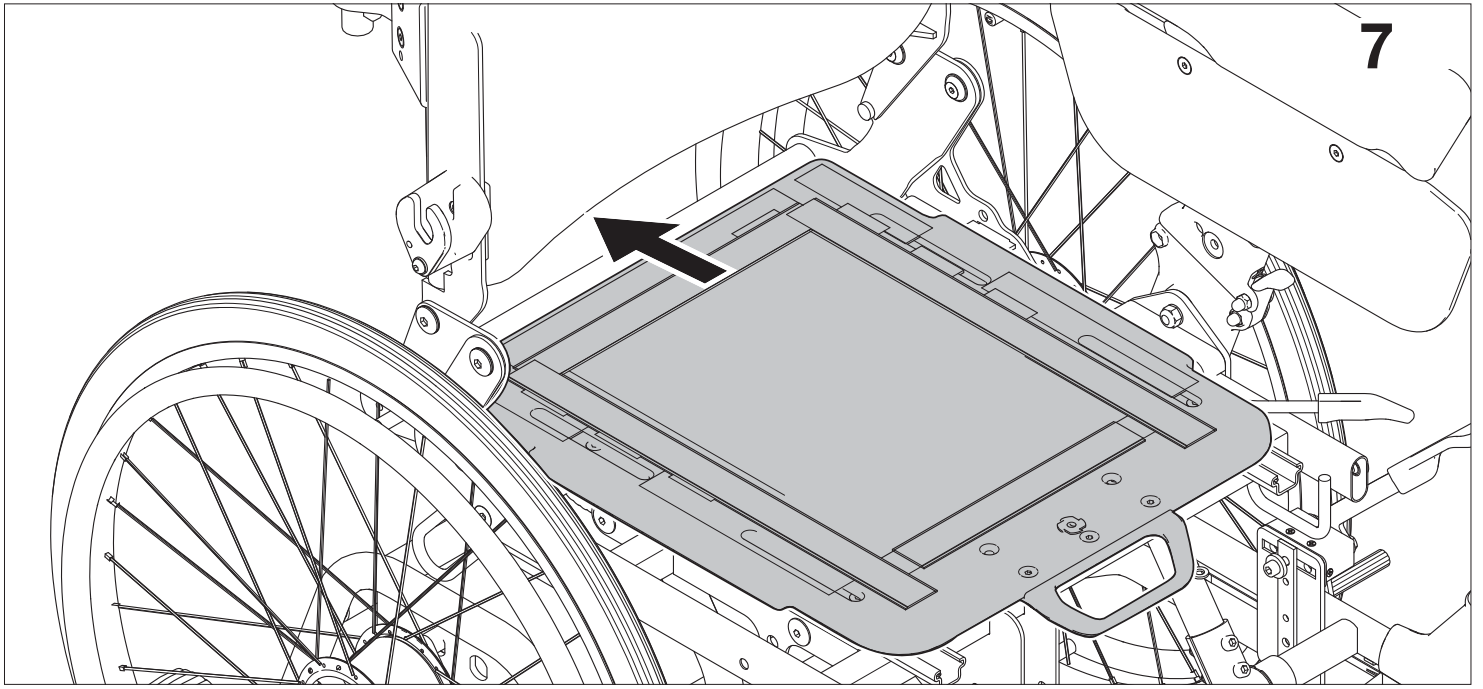
Description		Item no.
Seat plate SW39	<input type="checkbox"/>	3504339
Seat plate SW42	<input type="checkbox"/>	3504342
Seat plate SW45	<input type="checkbox"/>	3504345
Seat plate SW48	<input type="checkbox"/>	3504348
Seat plate SW51	<input type="checkbox"/>	3504351
Seat plate SW54	<input type="checkbox"/>	3504354

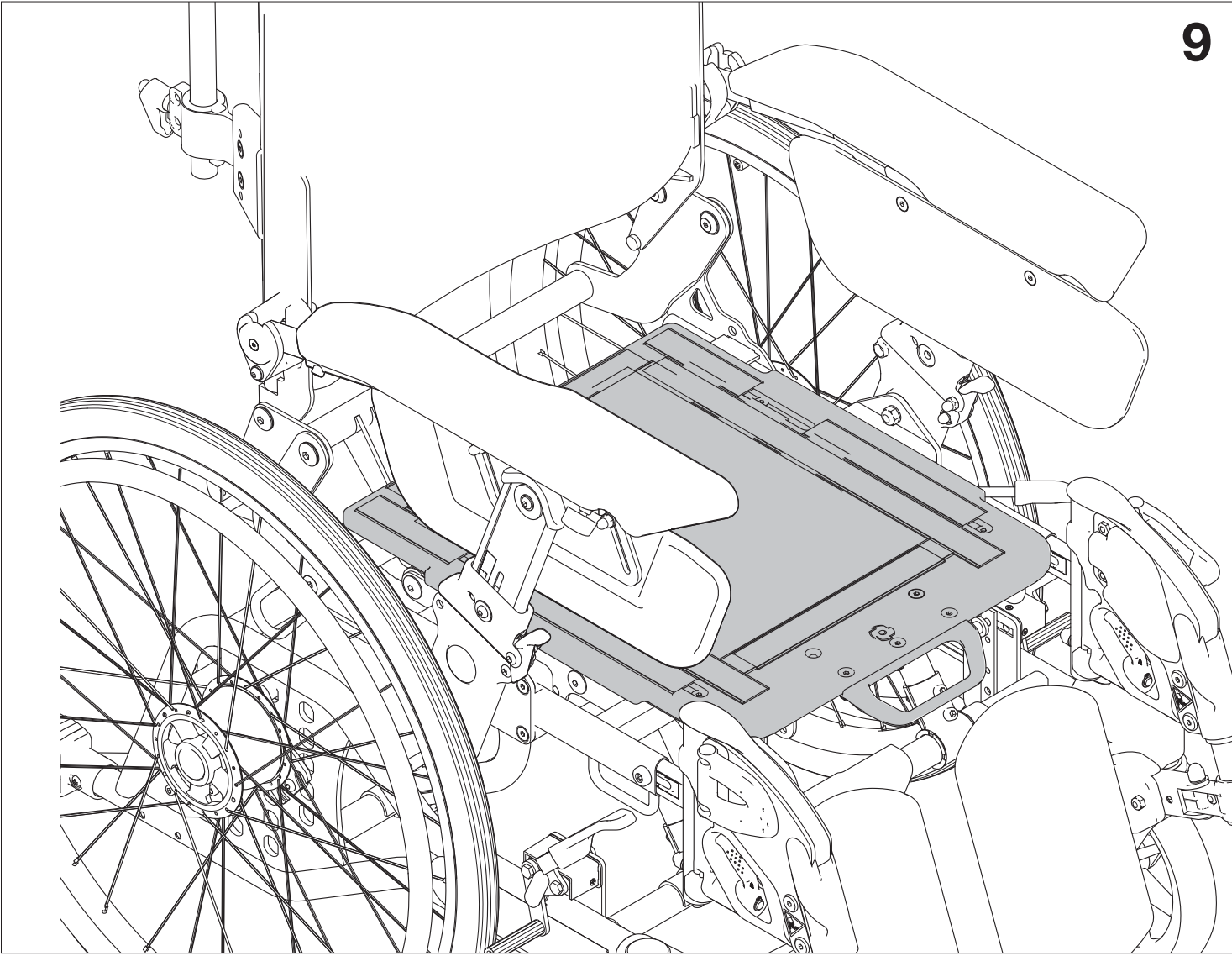














Sunrise Medical HCM B.V.
Vossenbeemd 104
5705 CL Helmond
The Netherlands

T: +31 (0)492 593 888
customerservice@sunrisemedical.nl
www.SunriseMedical.eu