


zippie®
by QUICKIE



IRIS™

Simply the best in pediatric
positioning



IRIS™



Simply the best in pediatric positioning





The Contracture footplate can effectively handle important issues to the lower limbs



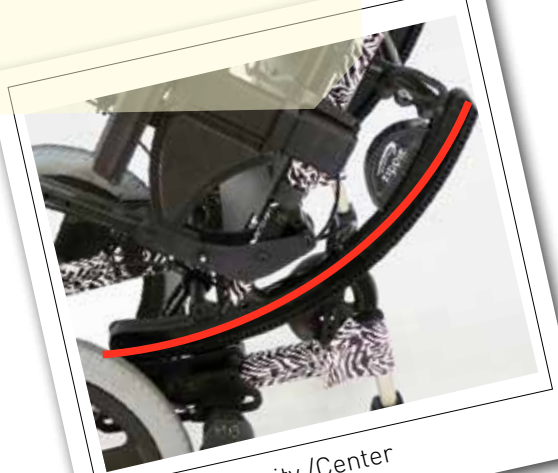
Tilt actuator

Eliminate The need for exposed cables with the **Foot Release Tilt Actuator**. Never again worry about cable systems getting in the way.

The Zippie Iris™ patented technology allows for an astoundingly lightweight, low seat-to-floor height pediatric rotation-in -space wheelchair.



Two tilt options to optimize positioning needs



Center of gravity /Center

Ability to grow the chair frame as the child's needs change. You can adjust the center-of-gravity/Center-of-rotation and depth as needed and increase the width with just a few parts.

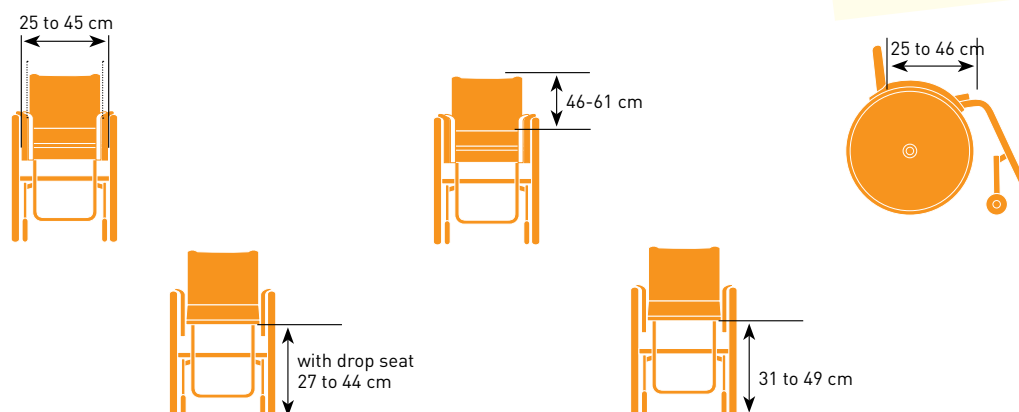


The Zebra pattern is available on any base paint color other than black.

Additional Features include:

- 2 tilt options to optimize positioning needs
- New and improved hub lock with push-button wheel lock access technology
- Swing-in / Swing-out hangers
- Single post armrest

Technical specifications



Approved user Weight:	75 kg	TrueFit Growth:	Yes
Product weight:	9,9 kg (standard configuration)	HCPCS Code:	E1233
Degrees of Tilt:	-5° to 50°, 0° to 55°, +5° to 60° -5° to 35°, 0° to 40°, +5° to 45°	Frame colour* :	16

Frame Colours



For further information on the full specification, options and accessories, please refer to the order form.
 All information is subject to change without notification. Please consult Sunrise Medical with any queries you may have.
 If you are visually impaired, this document can be viewed in PDF format at www.SunriseMedical.com or alternatively is available on request in large text.