

ELEKTRISK RULLESTOL

RAPTOR

DELEKATALOG

SPARE PARTS CATALOGUE

NO

EN



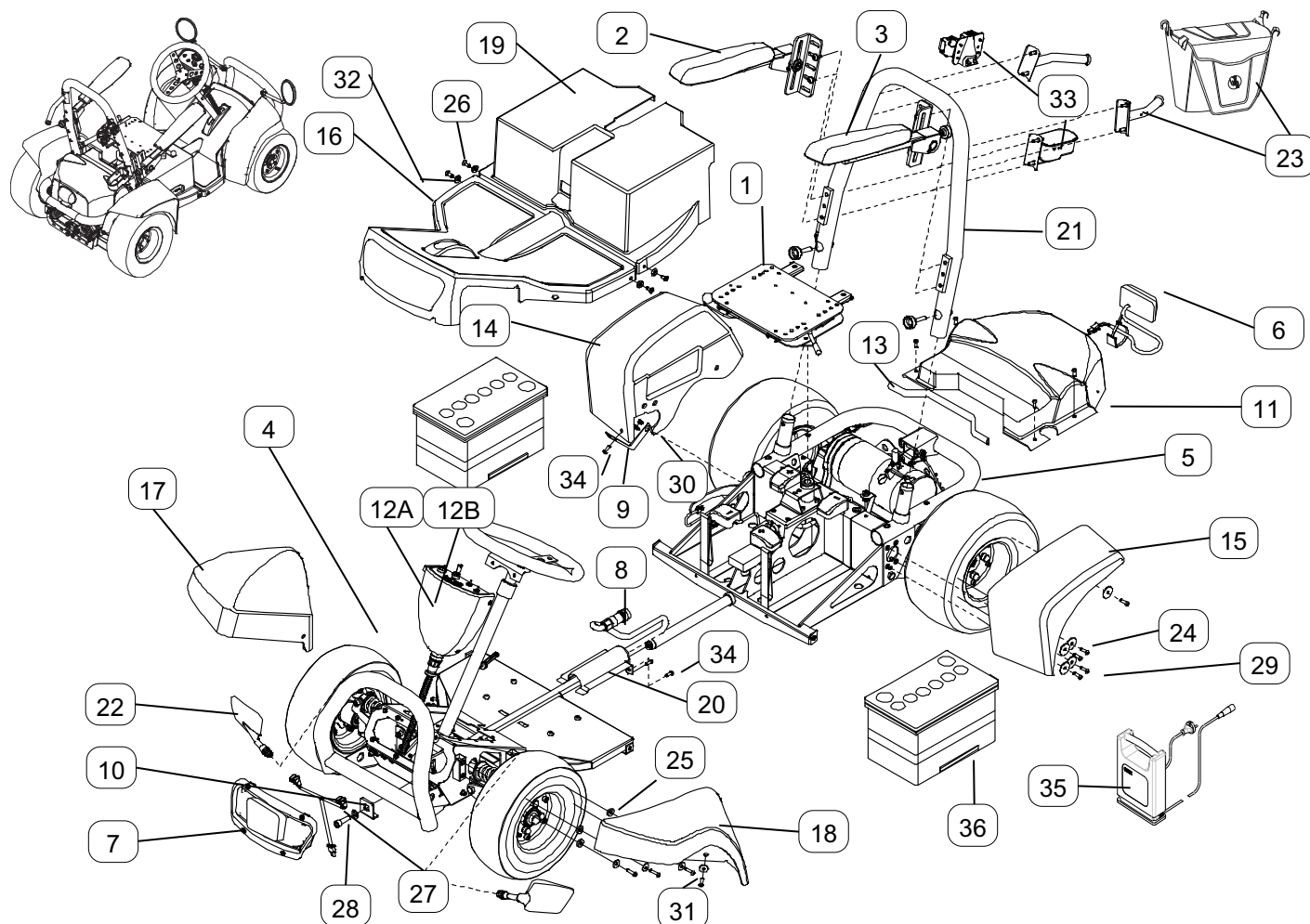
zippie®

The logo for Zippie, featuring a stylized, curved arrow above the brand name 'zippie' in a lowercase, sans-serif font. A registered trademark symbol (®) is located at the end of the word.

0.1 Inholdfortegnelse

Kap./Chap.	Beskrivelse	Description	Side / Page
1.0	Understell	Chassis	
1.1	Understell komplett	Chassis complete	3
1.2	Frontramme	Front frame	5
1.3	Bakramme	Rear frame	6
1.4	Deksler	Covers	8
1.5	Hjuloppheng	Wheel suspension	9
1.6	Fjæring bak	Spring suspension	10
1.7	Parkbrems	Parking brake	11
1.8	Hjul	Wheels	12
1.9	Ratt	Steering wheel	13
1.10	Krykkeholder	Crutch holder	14
1.11	Veltebøyle	Roll over protection	15
2.0	Sete enhet	Seat Uniot	
2.1	Standard sete - bøttesete	Standard seat	16
2.2	Rally sete	Rally seat	17
3.0	Elektronikk / Kabler	Electronics / Cables	
3.1	Regulator	Controller	18
3.2	Kabler	Cables	19
3.3	Styreboks	Controlbox	20
3.4	Lader / Batteri	Charger / Batteries	21
3.5	Lys	Lights	22
4.0	Armlene	Armrest	
4.1	Armlene	Armrest	23
5.0	Tilbehør	Accessories	
5.1	Bagasjeboks	Luggage box	24
5.2	Ryggsekkfeste	Ruck Sack Fixation	25
5.3	Bagasjebrett	Lugage carrier	26
5.4	Fotbrett	Footplate	27
5.5	Setebraketter	Seat bracekts	28
5.6	Fjernstyrt stopp	Remote emergency stop	29
5.7	Hodestøtte	Headrest	30
5.8	Diverse tilbehør	Accessories	31

1.1 Understell, Komplett



Pos	Ant/Qty	Art.No.	Beskrivelse	Description	Note
1,3-37		5320160	Understell	Chassis	
1	1	5322302	Setesving m/forskyver kpl.	Seat swing out with mover	
2	1	5322300	Armlene kpl. Hø	Armrest complete RHS	S
3	1	5322301	Armlene kpl. Ve	Armrest complete LHS	S
4	1	5321100	Frontramme manuell styring, komplett	Front frame Manual steering, complete	S
5	1	5321205	Bakramme kpl.	Rear frame/chassis, complete	
6	1	5323101	Baklykt kpl.	Rear light complete	S
7	1	5321520	Lyktgrill kpl. m/kabel+festem	Front Light kpl with cables	S
8	1	5323530	Fremre kabel, styreboks, lys	Front cable	S
9	1	5322136	Avstiver bakskjerm lakk	Strut mud guard	
10	1	5320120	Rotasjonslås	Locking bracket, rotation	
11	1	5322034	Motordeksel	Rear cover, engine, electronics	S
12A ¹⁾	1	5323100	Styreboks komplett	Joystick complete	
12B ²⁾	1	5323200	Styreboks komplett	Joystick complete	
13	1	5322178	Gummilist motordeksel	Rubber seal motor cover	
14	1	5322035	Bakskjerm Hø	Mudgurad rear wheel RHS	S
15	1	5322036	Bakskjerm Ve	Mudgurad rear wheel LHS	S
16	1	5322030	Deksel frontramme	Cover frontframe	S
17	1	5322031	Framskjerm Hø	Mudguard front wheel RHS	S
18	1	5322032	Framskjerm Ve	Mudguard front wheel LHS	S
19	1	5322033	Batterideksel	Cover, batteries	S
20	1	5322132	Deksel, kabelbeskyttelse	Cover, protection cabling	S
21	1	5329100	Veltebøyle komplett	Roll-over Protection complete	S
22	2	5329160	Speil kpl. Hø=Ve	Mirror RHS=LHS	S
23	1	5329250	Kurv/Veske kpl.	Bag	S
24	1	411 6302	Skjermskive M6xD30 T2	Screen washer M6xD30 T2	
25	8	97306	Skive, plast, Ø20/ø8 x 4	Washer Ø20/ø8x4, plastic	
26	4	CA340007	UNB Skrue M6x16 Senk Elz.	Screw M6x16 countersunk Elz.	DIN7991

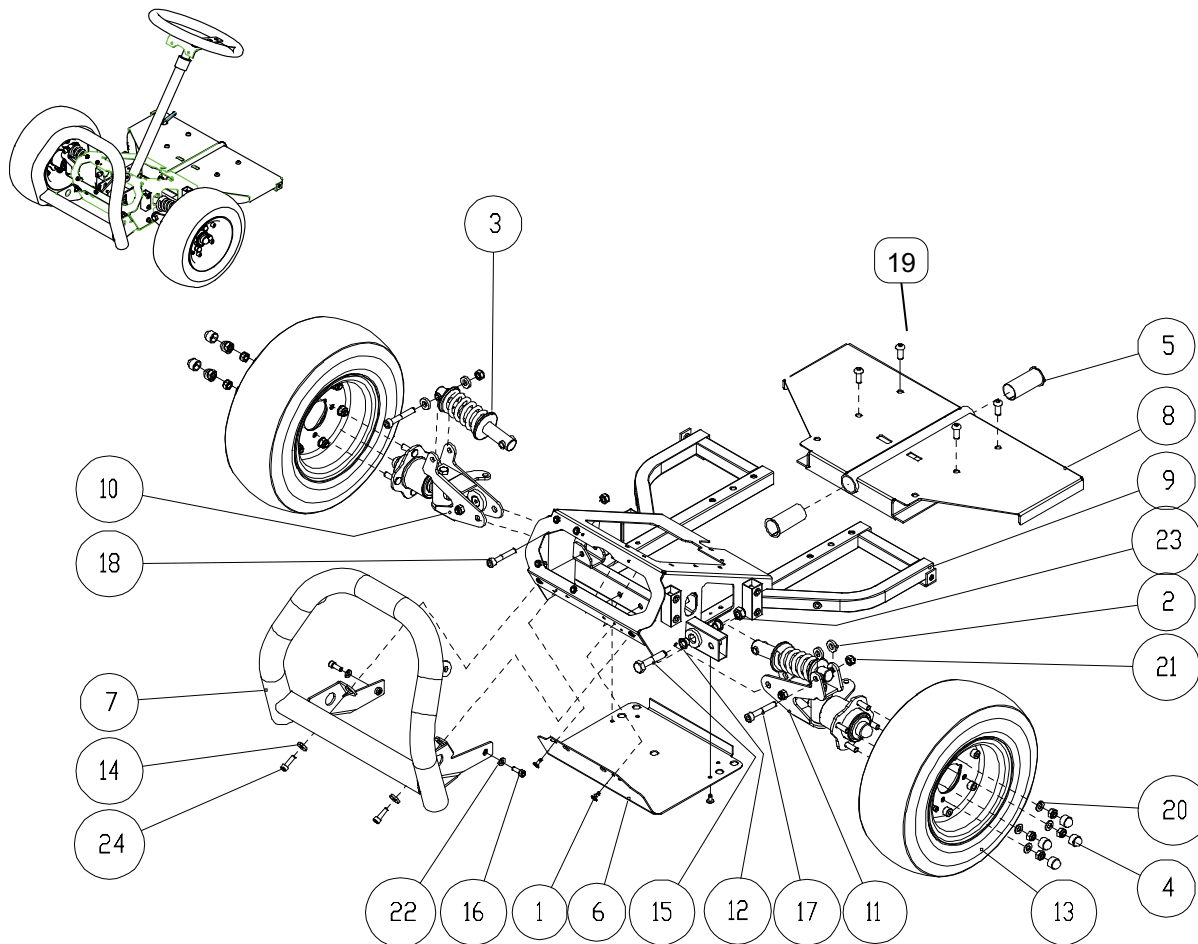
1.1 Understell, Komplet

Pos	Ant/Qty	Art.No.	Beskrivelse	Description	Note
27	1	97301	Underlagsskive M10 Elz	Washer M10 Elz.	
28	1	97302	UNB Skrue M10x30 Syl. Elz	Socket screw M10x30 Cyl. Elz.	DIN912
29	6	97125	Linseskruer M6x20 Elz	Screw Pan Head M6X20 Elz	ISO7380
30	3		Karosseriskive 6,4x20x1,25	Washer 6,4x20x1,25	
31	10		Karosseriskive 6,4x25x1,25	Washer 6,4x25x1,25	
32	4	CA230007	Underlagsskive	Washer	S
33	1	5329320	Krykkeholder	Crutch holder	S
34	1	97124	UNB Skrue M6x16 Linse Elz.	Socket screw M6x16 Lens Elz.	ISO7380
35	1	MCL5051	Lader m/laderplugg	Charger	S
36A	2 ¹⁾	9002759	Batteri MK M34-12 Gel (60Ah C2)	Battery MK M34-12 Gel (60Ah C2)	S
36B	2 ²⁾	9002759	Batteri MK M34-12 Gel (60Ah C2)	Battery MK M34-12 Gel (60Ah C2)	S

1) For serienummer lavere enn 02191018

2) For serienummer fra om med 02191018

1.2 Understell, Frontramme

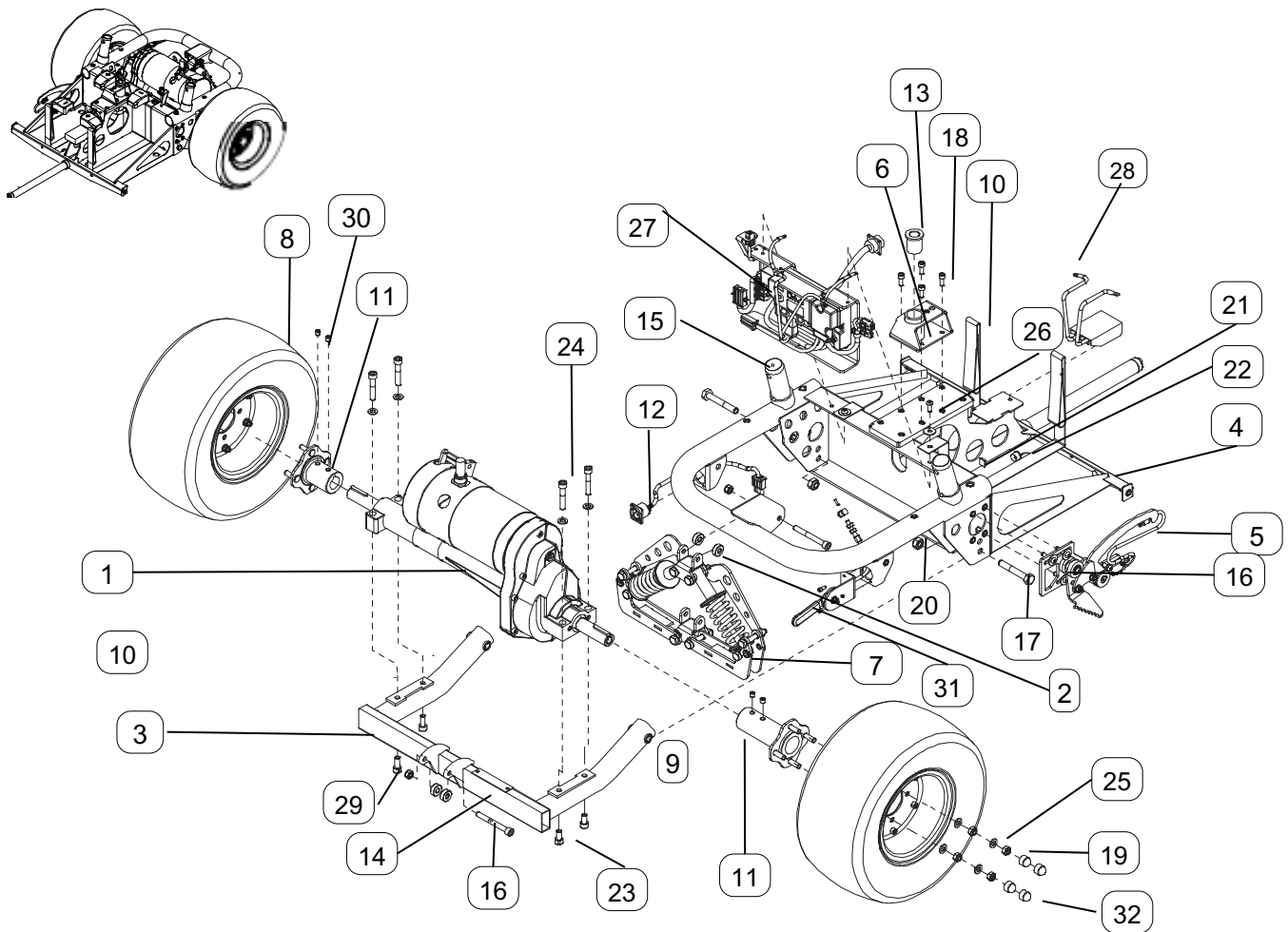


Pos	Ant/Qty	Art.No.	Beskrivelse	Description	Note
1-25	1	5321100	Frontramme manuell styring, komplett	Front frame Manual steering, complete	S
1	4	97229	Plateskrue 4,2x14 Sort	Plate Screw 4.2x14 Black	
2	4	97306	Skive, plast, Ø20/Ø8 x 4	Washer Ø20/Ø8x4, plastic	
3	2	5327120	Demper	Shock absorber	S
4	8	M8SW13	Mutterhette M8 sort	Nut cap M8 black	
5	2	5321139	Torsjonslager 60 mm	Torsion bearing 60mm	
6	1	5321161	Skrapedeksel	Bottom guard plate	
7	1	5321104	Støtfanger foran	Bumper, front	
8	1	5321102	Forlengerramme	Extension frame	
9	1	5321151	Øvre frontramme , sveist	Upper front frame , welded	
10	1	5327010	Hjuloppheng Hø	Wheel suspension RHS	
11	1	5327011	Hjuloppheng Ve	Wheel suspension LHS	
12	4	5143557	Glycodurforing, 10090	Bushing ø10x9	
13	2	5327101	Framhjul komplett m/felg	Front wheel w/rim, complete	S
14	2	97103	Underlagsskive ø6,4x17x3 Elz.	Washer ø6,4x17x3 Elz.	DIN6340
15	2	97314	Skrue M10x50 Elz.	Hexagon screw M10x50 Elz.	DIN933
16	2	0836-16	Skrue M6x16 Elz	Screw M6x16 Elz	DIN912
17	2	97185	Skrue M8x50 Elz.	Screw M8x50 Elz	DIN912
18	2	5114605	UNB Skrue M8x45 Syl. Elz.	Socket screw M8x45 Cyl. Elz.	DIN912
19	4	5146208	UNB Skrue M8x20 Linse Elz.	Socket screw M8x20 Lens Elz.	ISO7380
20	8	A120020	Underlagsskive M8 Elz.	Washer M8 Elz.	DIN125
21	12	A200012	Låsemutter M8 Nylock Elz.	Lock nut M8 Nylock Elz.	DIN985
22	2	A230006	Underlagsskive Ø6 Elz.	Washer Ø6 Elz.	DIN125
23	2	A910021	Låsemutter M10 Nylock KV8 Elz.	Lock nut M10 Nylock KV8 Elz.	DIN985
24	2	CA710015	UNB Skrue M6x20 Syl. Elz.	Socket screw M6x20 Cyl. Elz.	DIN912
25*	1	5329080	Oppfellbar rattstamme	Foldable steering column	

* Se tegning kapittel 1.9

* See drawing chapter 1.9

1.3 Understell, Bakramme



Pos	Ant/Qty	Art.No.	Beskrivelse	Description	Note
1-23		5321205	Bakramme kpl.	Rear frame/chassis, complete	
1	1 ¹⁾	5323605	Motor S-Drive	Transaxle w/cables	S
2	4	5321241	Distansehylse, POM	Distance Sleeve, POM	
3	1	5321210	Nedre bro, bakramme	Rear frame, lower	
4	1	5321201	Sveist bakramme	Rear frame/chassis, welded	
5	1	5328113	Parkbrems	Parking-brake	S
6	1	5321202	Setefeste	Seat fastener bracket	
7	1	5327111	Fjæring bak, komplett	Spring suspension, complete	S
8	2	5327100	Bakhjul komplett m/felg	Rear Wheel w/rim complete	S
9*	1	IKM0085	Batteristropp	Battery strap	S
10	2	5321219	Løftestropp batteri	Lifting strap for battery	
11	1	5327180	Nav, sveist Hø=Ve fra s.nr 04181044	Hub, welded Rhs=Lhs	
12	1	121824 5802	Ladekontakt m/kabel	Plug for charger with cable	
13	1	121824 5796	Foring til sete	Bushing seat	
14	1	96756	Merke, serienummer alu.	Label, Serial number Alu.	
15	1	5321243	Plastpropp	Plastic plug	
16	2	97371	Skrue M8x70 Elz.	Screw M8x70 Elz	DIN931
17	2	97372	Skrue M10x65 Elz.	Screw M10x65 Elz	DIN931
18	4	0836-16	Skrue M6x16 Elz	Screw M6x16 Elz	DIN912
19	10	A200012	Låsemutter M8 Nylock Elz.	Lock nut M8 Nylock Elz.	DIN985
20	2	A910021	Låsemutter M10 Nylock KV8 Elz.	Lock nut M10 Nylock KV8 Elz.	DIN985
21	4	5111811	Gummiknott 6mm	Rubber plug 6mm	
22	4	5111510	Gummidemper	Rubber dampener	
23	2	97216	UNB Skrue M8x16 Syl. Elz.	Socket screw M8x16 Cyl. Elz.	DIN912
*			Ikke vist i tegning	Not shown in drawing	

1.3 Understell, Bakramme

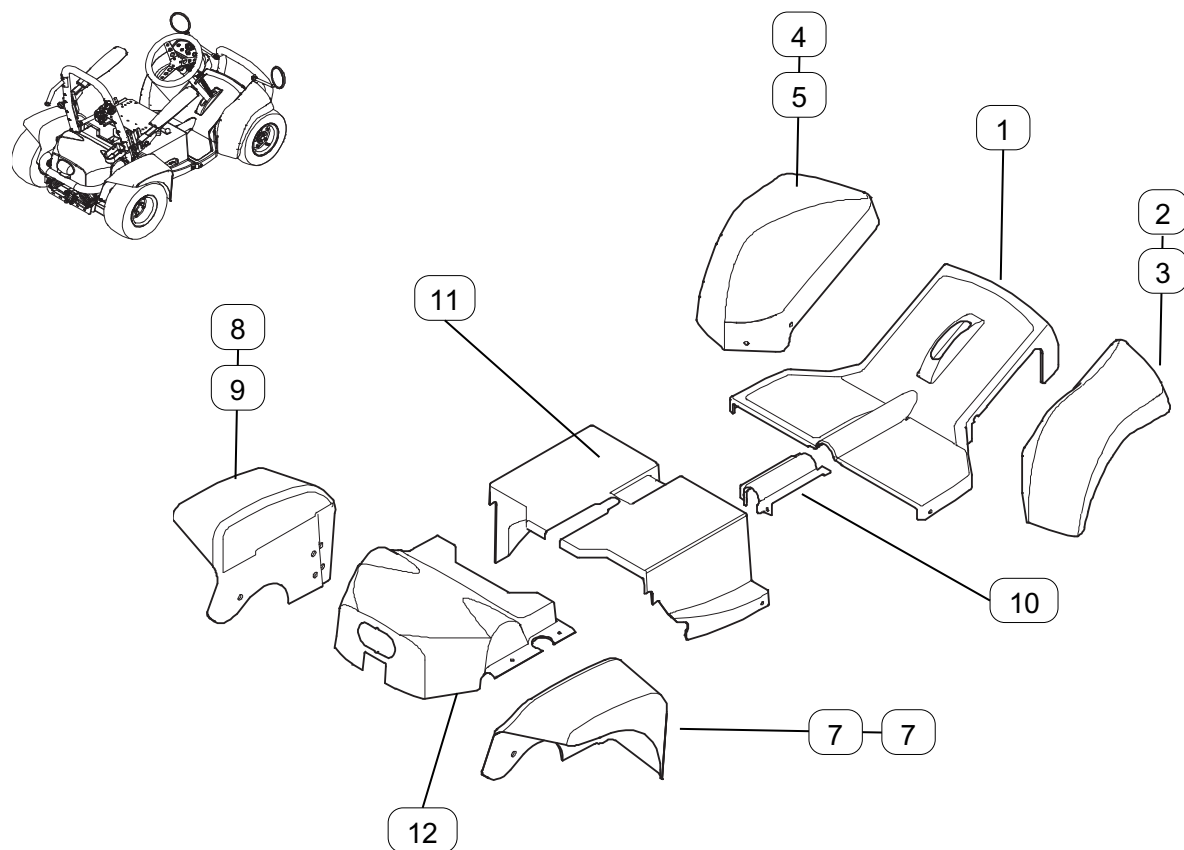
Pos	Ant/Qty	Art.No.	Beskrivelse	Description	Note
24	4	5114605	UNB Skrue M8x45 Syl. Elz.	Socket screw M8x45 Cyl. Elz.	DIN912
25	12	A120020	Underlagsskive M8 Elz.	Washer M8 Elz.	DIN125
26	2	97124	UNB Skrue M6x16 Linse Elz.	Socket screw M6x16 Lens Elz.	ISO7380
27	1 ²⁾	5323015	Regulator kpl S-Drive	Controller S-Drive	S
27	1 ³⁾	5323016	Regulator kpl S-Drive	Controller S-Drive	S
28	1 ²⁾	5130500	Batterikable m/sikring,	Cable battery w/fuse	S
28	1 ³⁾	5323532	Batterikable m/sikring,	Cable battery w/fuse	S
29	2	97319	UNB Skrue M8x20 Syl. Elz.	Socket screw M8x20 Cyl. Elz.	DIN912
30	4	A223004	Settskrue M8x8 A2	Set screw M8x8 A2	DIN916
31	1	5323625	Bremseutløser kpl.	Brake release complete	
32	8	M8SW13	Mutterhette M8 sort	Nut cap M8 black	
		5323621	Oppgraderingssett motor 2018		

1) Oppgi serienummer ved bestilling av motor, serienummer lavere enn 04181044 krever oppgraderingssett 5323621

2) For serienummer lavere enn 02191080

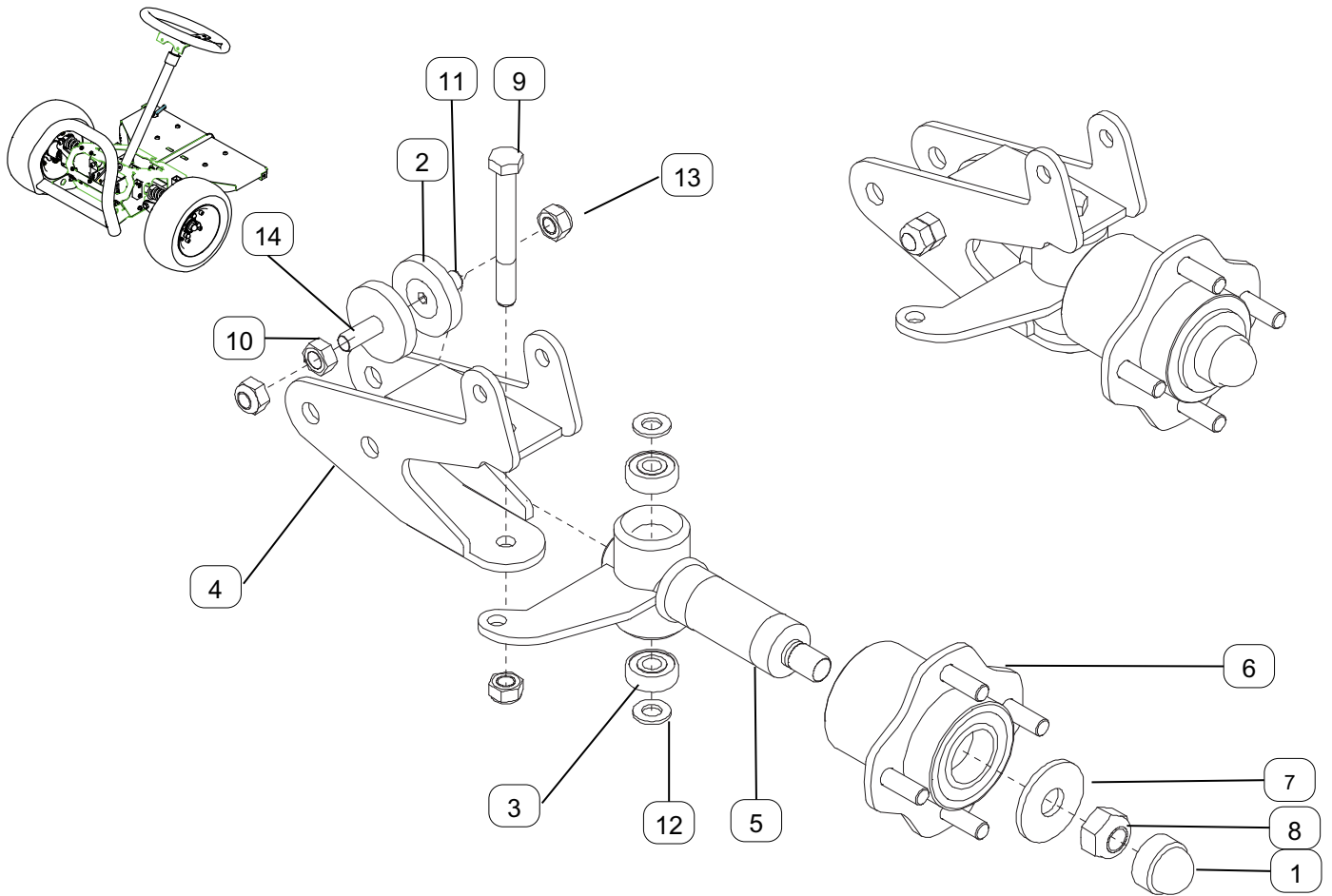
3) For serienummer fra og med 02191080

1.4 Understell, Deksler



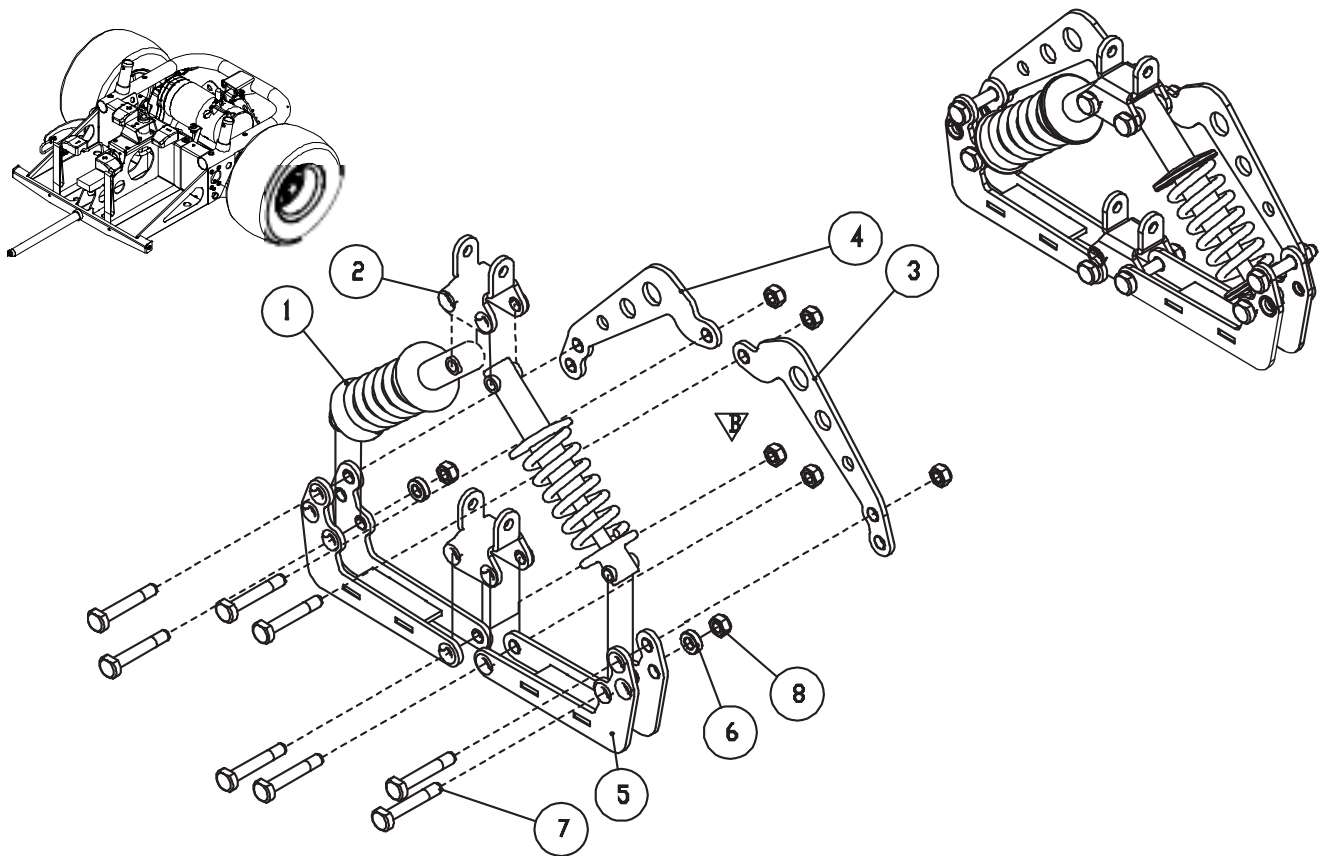
Pos	Ant/Qty	Art.No.	Beskrivelse	Description	Note
1	1	5322050	Frontdeksel kpl. Ny	Front cover, complete	S
2	1	5322031	Framskjerm Hø Rød	Mudguard front wheel RHS	S
3	1	5322041	Framskjerm Hø Carbon Sort	Mudguard front wheel RHS	S
4	1	5322032	Framskjerm Ve Rød	Mudguard front wheel LHS	S
5	1	5322042	Framskjerm Ve Carbon Sort	Mudguard front wheel LHS	S
6	1	5322035	Bakskjerm Hø Rød	Mudguard rear wheel RHS	S
7	1	5322045	Bakskjerm Hø Carbon Sort	Mudguard rear wheel RHS	S
8	1	5322036	Bakskjerm Ve Rød	Mudguard rear wheel LHS	S
9	1	5322046	Bakskjerm Ve Carbon Sort	Mudguard rear wheel LHS	S
10	1	5322132	Deksel, kabelbeskyttelse	Cover, protection cabling	S
11	1	5322033	Batterideksel	Cover, batteries	S
12	1	5322034	Motordeksel	Rear cover, engine, electronics	S
*	1	REFL-HVIT	Refleks hvit ved frontlys	Reflex white	S
*	1	REFL-GUL	Refleks gul på siden av batterideksel	Reflex gul	S

1.5 Understell, Hjuloppheng



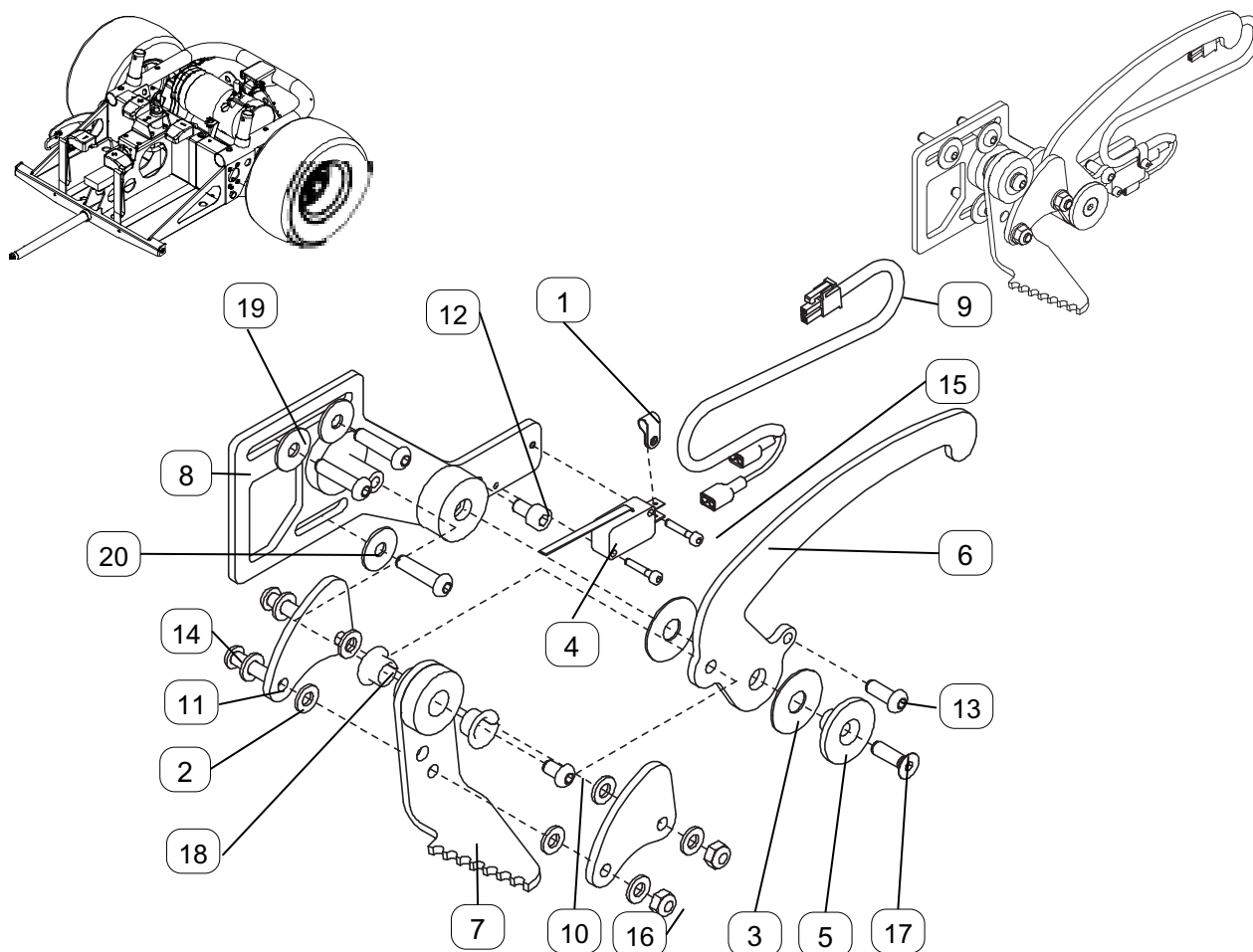
Pos	Ant/Qty	Art.No.	Beskrivelse	Description	Note
1-14	1	5327010	Hjuloppheng hø	Wheel suspension, RHS	S
1-14	1	5327011	Hjuloppheng ve	Wheel suspension, LHS	S
1	1	121824 5825	Mutterhette	Cap nut plastic M6	
2	2	5327136	Distanseskive	Distance washer	
3	2	121824 5743	Lager forstilling	Ball bearing	
4	1	5327106	Spindelfeste	Spindle fastener	
5	1	5327105	Hjulspindel m/lagerhus	Wheel spindle w/bearing house	
6	1	5327108	Forhjulsnave m/kulelager	Front wheel hub w/bearings	S
7	1	97298	Skive Ø12 DIN9021 Elz	Washer Ø12 DIN912 Elz	DIN9021
8	1	X970005	Låsemutter M12 Nylock Elz.	Lock nut M12 Nylock Elz.	DIN985
9	1	97371	Skrue M8x70 Elz.	Screw M8x70 Elz	DIN931
10	1	317-8	Mutter M8	Nut M8	
11	1	89020	UNB Skrue M8x20 Senk Elz.	Screw M8x20 countersunk Elz.	DIN7991
12	2	A120020	Underlagsskive M8 Elz.	Washer M8 Elz.	DIN125
13	3	A200012	Låsemutter M8 Nylock Elz.	Lock nut M8 Nylock Elz.	DIN985
14	1	A224004	UNB senk M8x25	Countersunk hex. Screw M8x25	

1.6 Understell, Fjæring bak



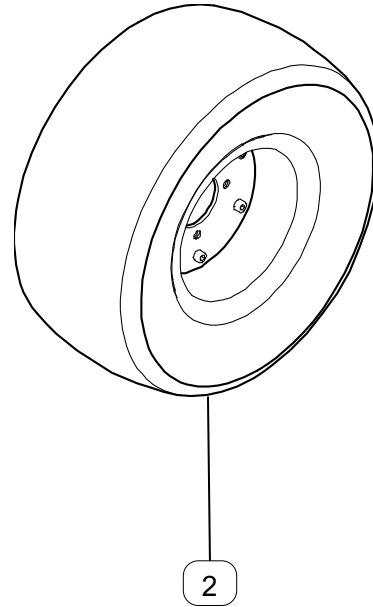
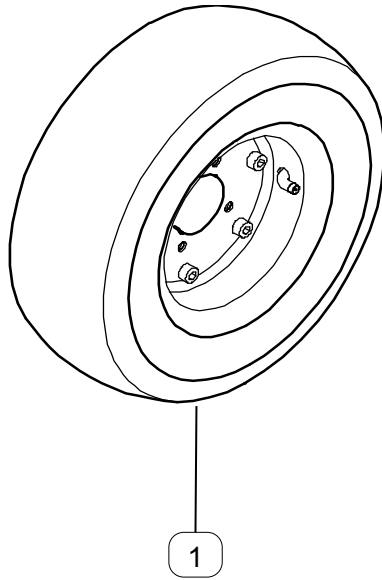
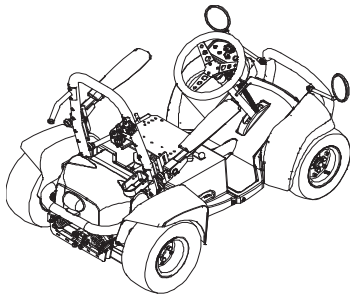
Pos	Ant/Qty	Art.No.	Beskrivelse	Description	Note
1-8	1	5327111	Fjæring bak, komplett	Spring suspension, complete	S
1	2	5327120	Demper	Shock absorber	S
2	2	5327151	Festebrakett fjæring	Fixation bracket, suspension	S
3	1	5327113	Øvre arm fjæring bak Hø	Upper arm spring back, RHS	
4	1	5327114	Øvre arm fjæring bak Ve	Upper arm spring back, LHS	
5	2	5327157	Nedre arm, fjæring bak	Lower link, rear suspension	
6	2	5327159	Skive Ø16 ø8 T=5	Washer Ø16 ø8x5,5	
7	8	5327158	Skrue M8x50	Screw M8x50	
8	8	A200012	Låsemutter M8 Nylock Elz.	Lock nut M8 Nylock Elz.	DIN985

1.7 Understell, Parkbrems



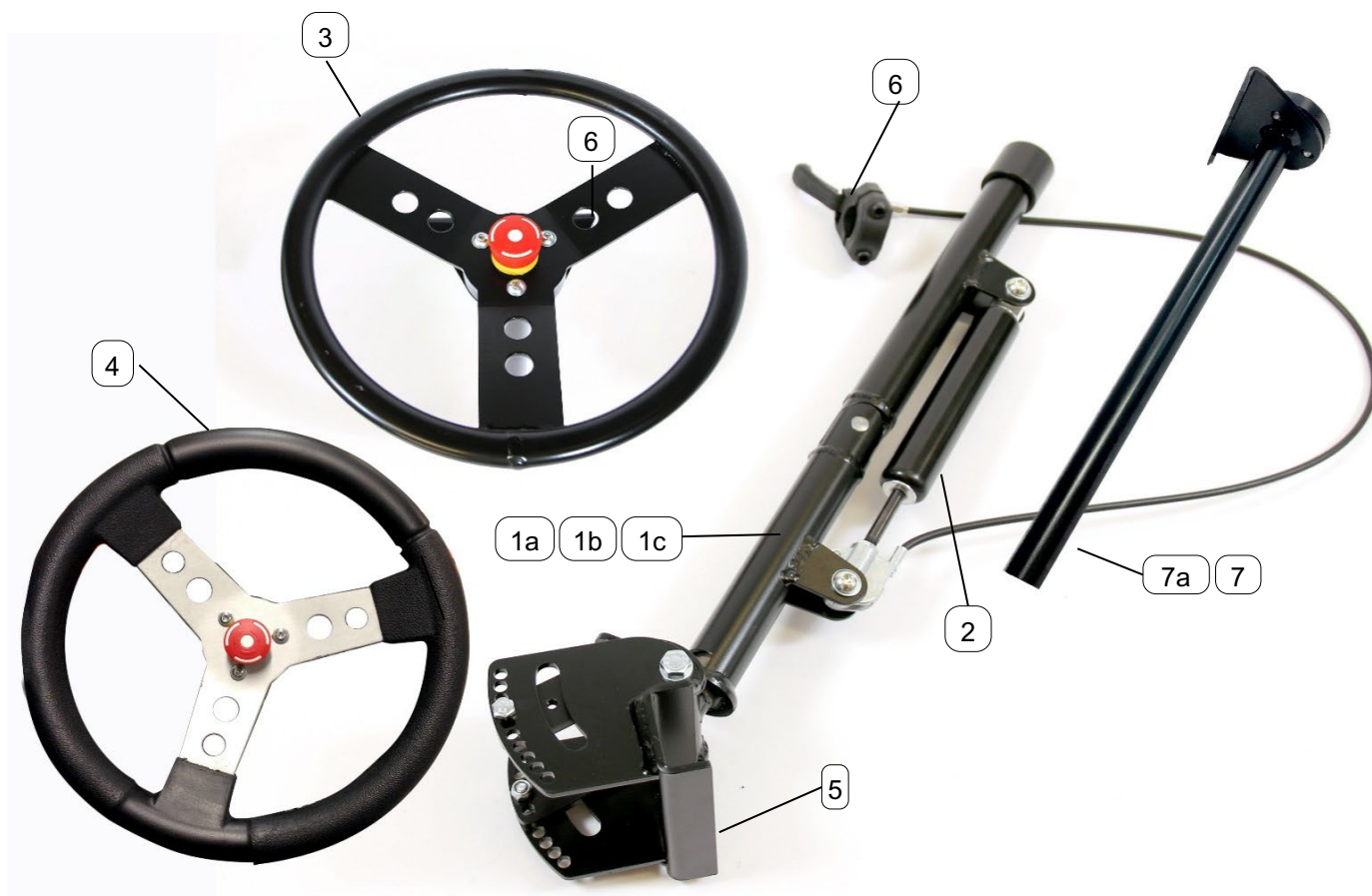
Pos	Ant/Qty	Art.No.	Beskrivelse	Description	Note
1-20	1	5328113	Parkbrems	Parking-brake	S
1	1	IKM0112	Klammer til kabel 3/16"	Clamp for cable 3/16"	
2	8	IKM0123	Plastskive M6x1,5	Plastic washer M6x1,5	
3	2	IKM0006	Plastskive D19xd10.3 T=1	Plastic washer D19xd10.3 T=1	
4	1	IKE0105	Mikrobryter bremseutløser	Micro switch, brake deployment	
5	1	5328187	Endestykke	End piece	
6	1	5328184	Bremsehåndtak	Brake handle	
7	1	5328115	Bremseklo, sveist	Brake grip	
8	1	5328114	Festeplate, bremsekonsoll,sveist	Brake console	
9	1	5323510	Kabel for parkbrems	Cable for parkbrake	
10	1	97168	UNB Skruer M6x10 Linse Elz	Socket screw M6x10 Lens Elz	ISO7380
11	2	5328183	Hengselplate	Hinge plate	
12	1	0836-10	UNB Skruer M6x10 Syl. Elz.	Socket screw M6x10 Cyl. Elz.	DIN912
13	1	97124	UNB Skruer M6x16 Linse Elz.	Socket screw M6x16 Lens Elz.	ISO7380
14	5	97158	UNB Skruer M6x25 Linse Elz.	Socket screw M6x25 Lens Elz.	ISO7380
15	1	5124408	UNB Skruer M3x16 Syl. Elz.	Socket screw M3x16 Cyl. Elz.	DIN912
16	2	A200006	Låsemutter M6 Nylock Elz.	Lock nut M6 Nylock Elz.	DIN985
17	1	CA230004	Senkskrue M6x20 Elz.	Countersunk screw M6x20 Elz.	DIN7991
18	2	5143557	Glycodurforing, 10090	Bushing ø10x9	
19	2		karroseriskive 6,4x20x1,25	Disk 6,4x20x1,25	
20	1		karroseriskive 6,4x25x1,25	Disk 6,4x20x1,25	

1.8 Understell, Hjul



Pos	Ant/Qty	Art.No.	Beskrivelse	Description	Note
1	1	5327101	Framhjul komplett m/felg	Front wheel w/rim, complete	S
1	1	5327160	Framhjul kpl m/pigger	Front wheel w/rim and studs, complete	S
2	1	5327100	Bakhjul komplett m/felg	Rear Wheel w/rim complete	S
2	1	5327161	Bakhjul kpl m/pigger	Rear wheel w/rim and studs, complete	S

1.9 Ratt

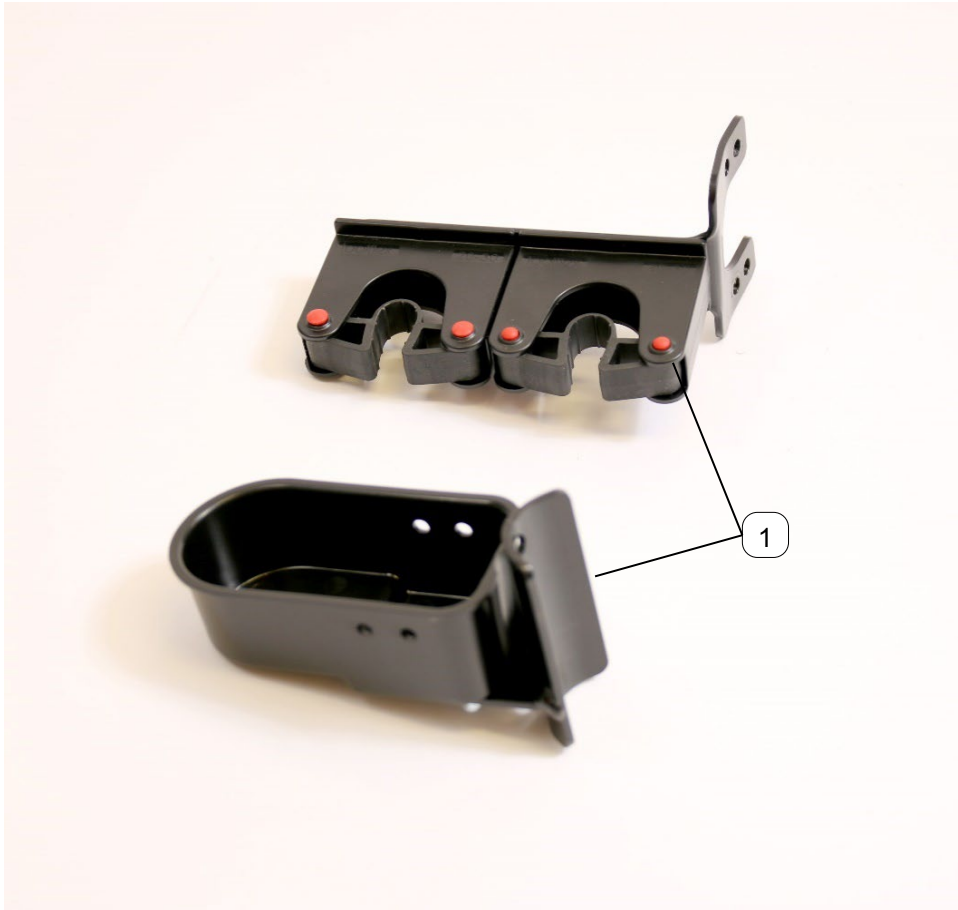


Pos	Ant/Qty	Art.No.	Beskrivelse	Description	Note
1a,2,3, 5-7a	1	5329080	Rattstamme, lengdereg, oppfellbar, kpl	Steering column	S
1b	1 ¹⁾	5321091	Rattstamme lengdereg. forlenget kpl	Steering column, length, adjustable, long	S
1c	1 ¹⁾	5321090	Rattstamme lengdereg. kpl	Steering column, length adjustable	S
2	1	3414150	Gassdemper	Gas spring	S
3	1	5321179	Ratt smalt stål	Steering wheel steel	S
4	1	121824 5739-01	Ratt med polstring	Steering wheel upholstered	S
5	1	5321194	T-stykke rattstamme komplett	Bracket, Steering coloumn complete	S
6	1	5329095	Hendel m. vaier	Handle with wire	S
7a	1 ²⁾	5321080	Rattstamme ers Raptor indre rør 27cm	Steering column inner tube 27 cm	S
7b	1	5321085	Rattstamme ers Raptor indre rør 37cm	Steering column inner tube 37 cm	S

1) Ikke oppfellbar

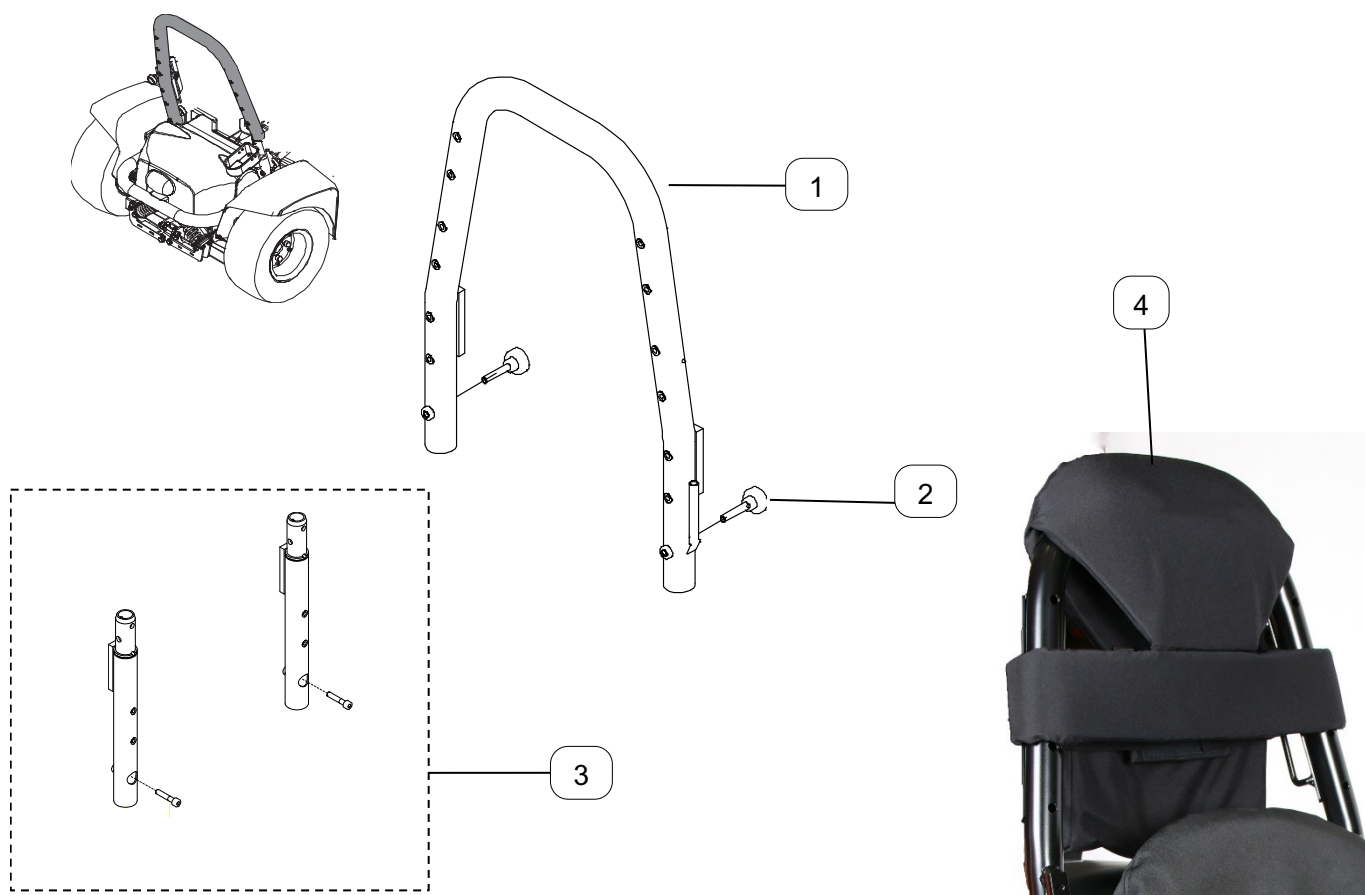
2) Standard

1.10 Krykkeholder



Pos	Ant/Qty	Art.No.	Beskrivelse	Description	Note
1	1	5329320	Krykkeholder	Crutch holder	S

1.11 Veltebøyle



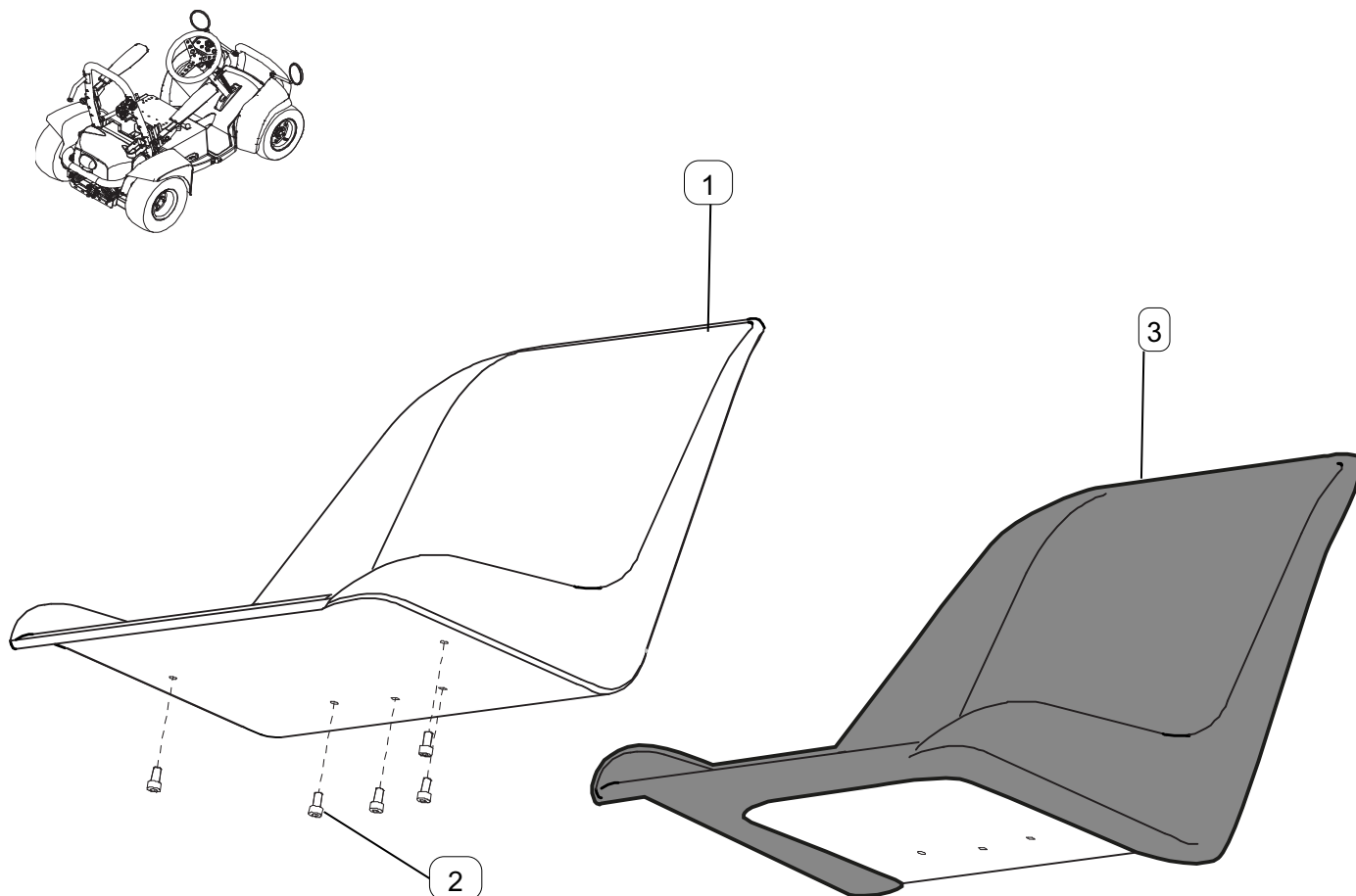
Pos	Ant/Qty	Art.No.	Beskrivelse	Description	Note
1-2	1	5329100	Universalbøyle komplett	Universal hoop complete	S
1	1	5329115	Universalbøyle sveist	Universal hoop	
2	2	PKM0052	Justerratt M8 x 40 Ø40	Adjustment wheel M8 x 40 Ø40	S
3	1*	5329105	Forlenger for veltebøyle sett	Extention for roll over protection	S
4	1	5329110	Polster universalbøyle	Upholstery	S

*

Er inkludert i Rallysete. Må bestilles ved andre alternative seter.

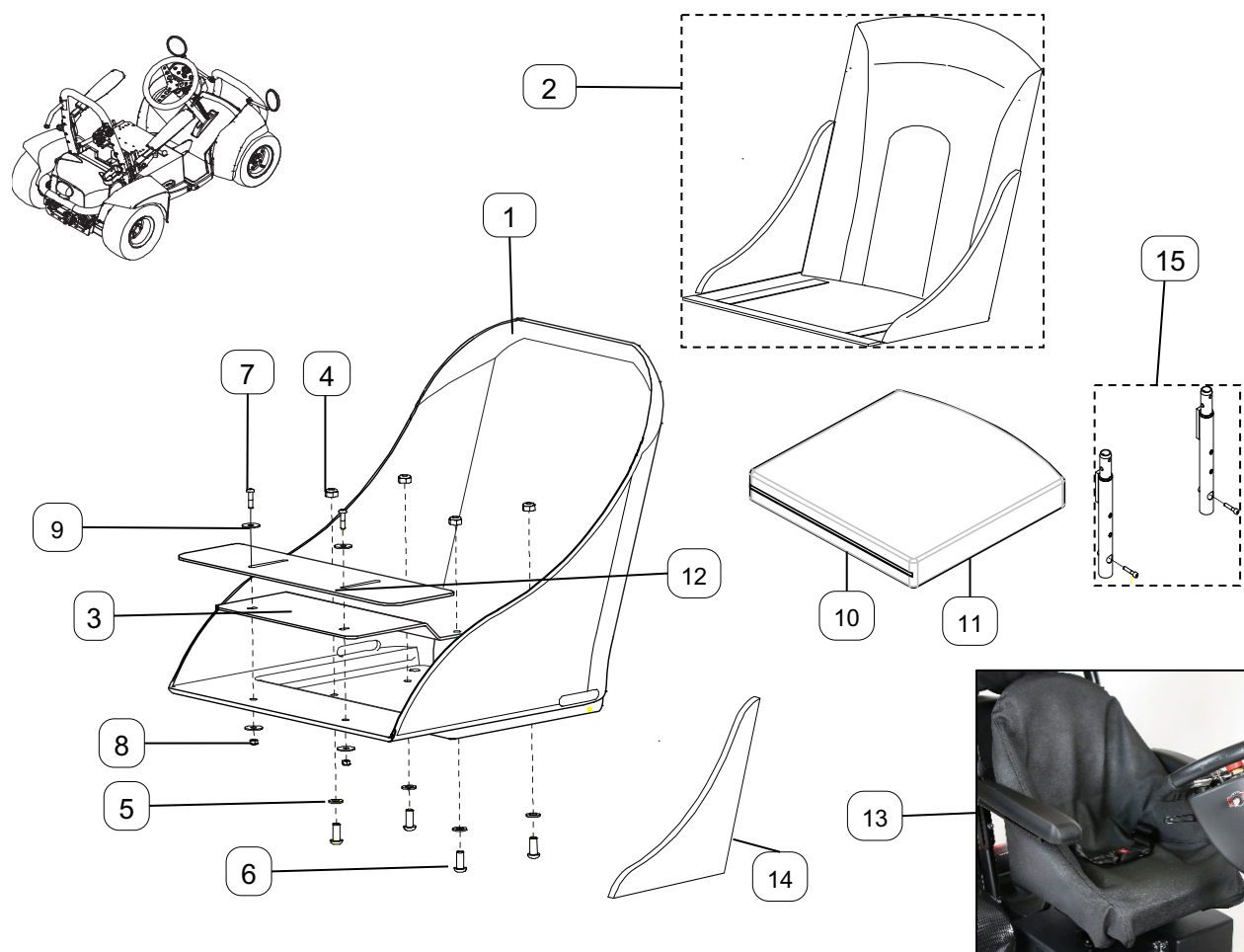
Included in Rally seat. Has to be ordered when using other alternative seating.

2.1 Sete, Standard



Pos	Ant/Qty	Art.No.	Beskrivelse	Description	Note
1-2	1	121824 5788	Bøttesete m/trekk	Seat with cover	S
2	1	A400009	UNB skrue M5x10 syl	Screw M5x10 hex cyl	DIN912
3	1	1218245714	Regntrekk til bøttesete	Rain cover	S

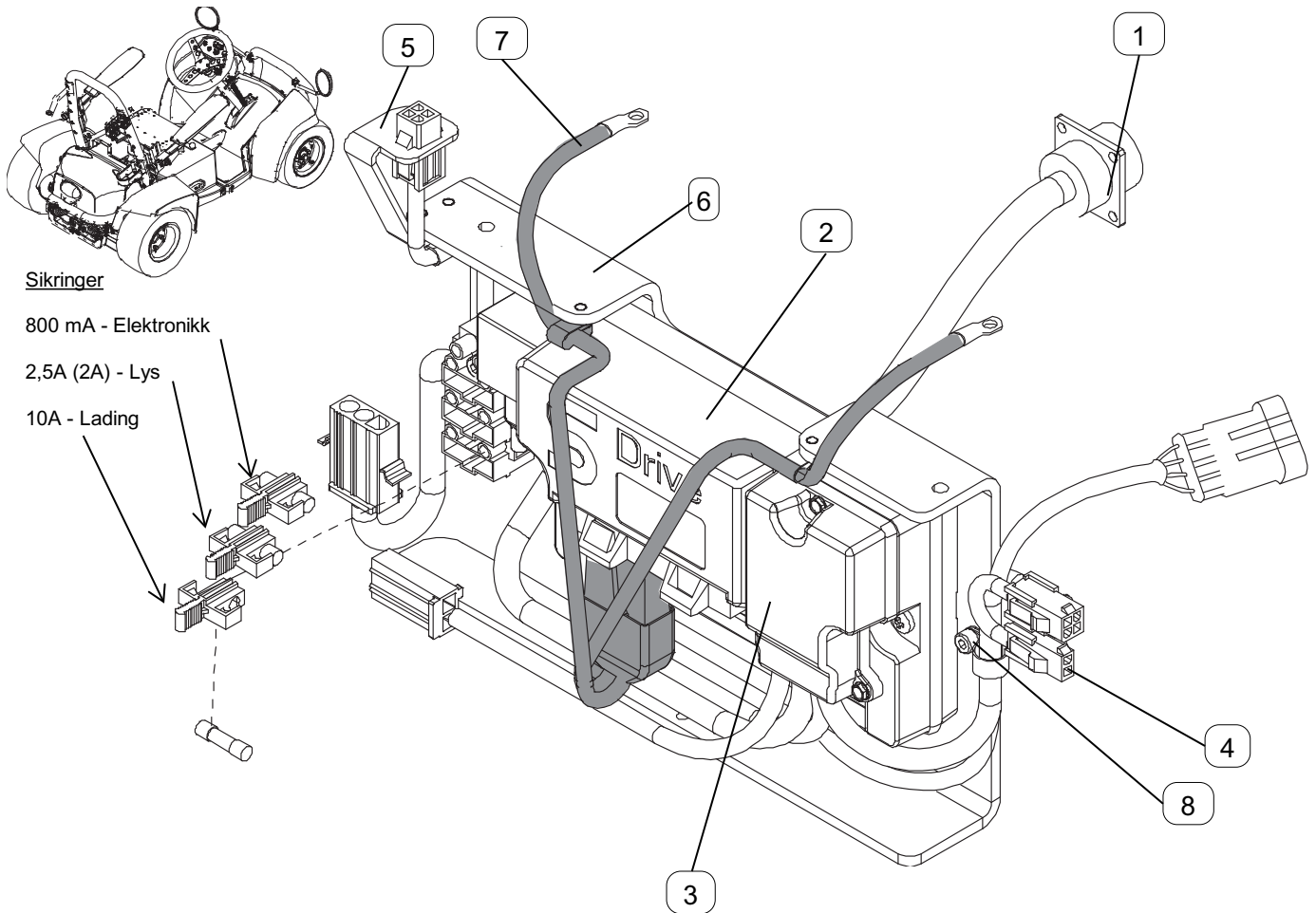
2.2 Sete, Rally



Pos	Ant/Qty	Art.No.	Beskrivelse	Description	Note
1-11	1*	5322115	Sete stort Rally 1	Seat Rally 1	S
1-9,11-14	1*	5322116	Sete stort Rally 2 x-sd	Seat Rally 2 / extra seatdepth	S
1	1	5322215	Plastskall	Seat shell	
2	1	5322216	Tekstil	Textile	S
3	1	5322222	Avstiver setebunn	Reinforcement seat	S
4	4	A200012	Låsemutter M8 Nylock Elz.	Lock nut M8 Nylock Elz.	DIN985
5	4	A120020	Underlagsskive M8 Elz.	Washer M8 Elz.	DIN125
6	4	5146208	UNB Skruer M8x20 Linse Elz.	Socket screw M8x20 Lens Elz.	ISO7380
7	2	86967	Linseskruer M5X20	Screw Pan Head MFX20 Lens Elz.	S
8	2	97291	Låsemutter M5	Lock nut M5	DIN7991
9	4		karroseriskive 6,4x20x1,25	Disk 6,4x20x1,25	
10	1	5322205	Setepute Rally	Seat cushion Rally 1	S
11-12	1	5322117	Seteforlenger - setedybde	Seat extension - seat depth	S
11	1	5322210	Setepute lang	Seat cushion Rally 2	S
12	1	5322211	Plate seteforlenger	Plate for longer seat depth	S
13	1	5322225	Regntrekk Rally	Rain cover Rally	S
14	1	5329210	Innbyggingssett 4 puter á 1 cm	Cushion set 4 á 1 cm	S
15	1*	5329105	Forlenger for universal-/veltebøyle sett	Extension for roll over protection	S

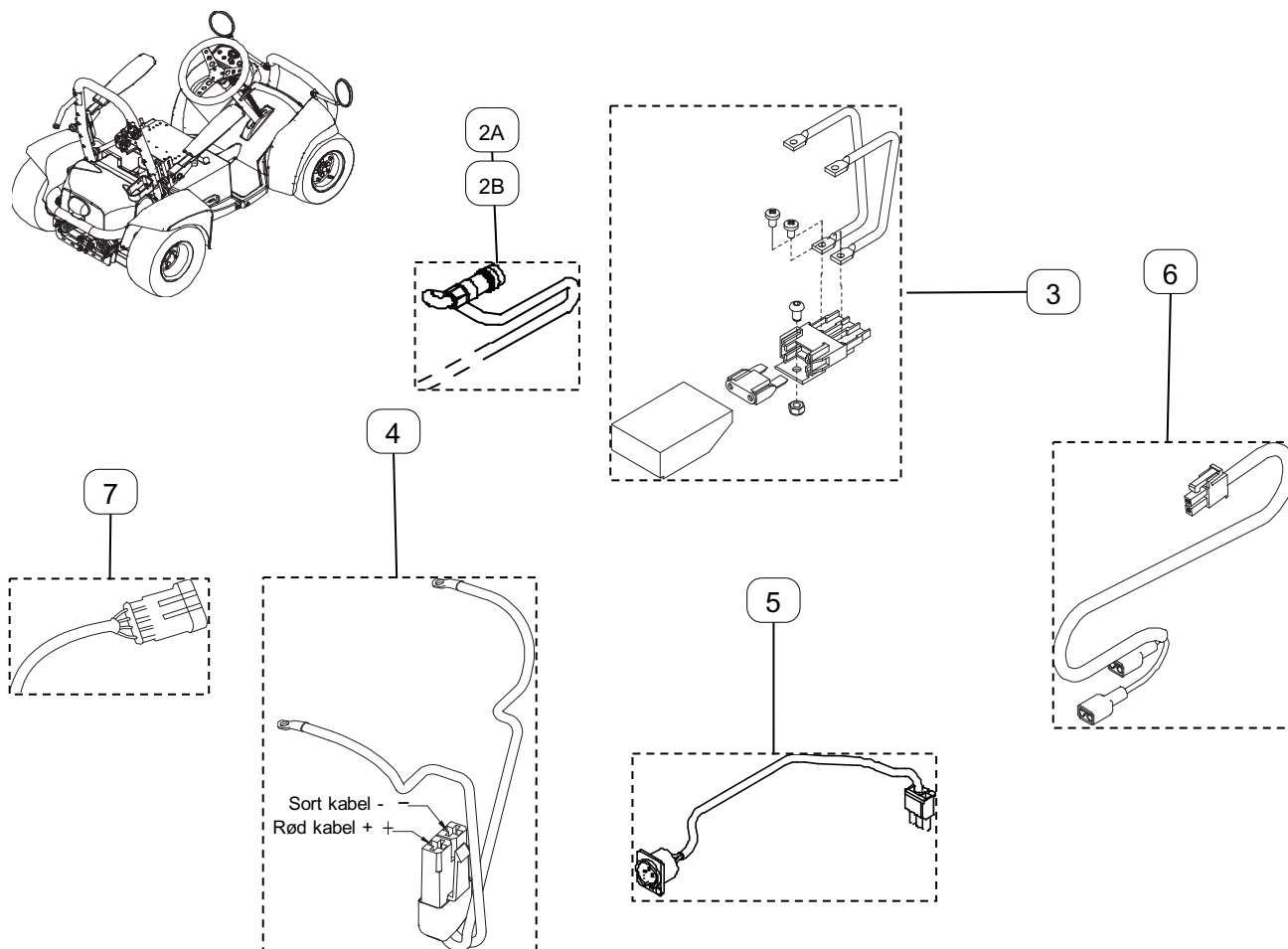
* Ved bruk av Rallysete må det bestilles forlenger for universalbøyle/veltebøyle

3.1 Elektronikk, Regulator



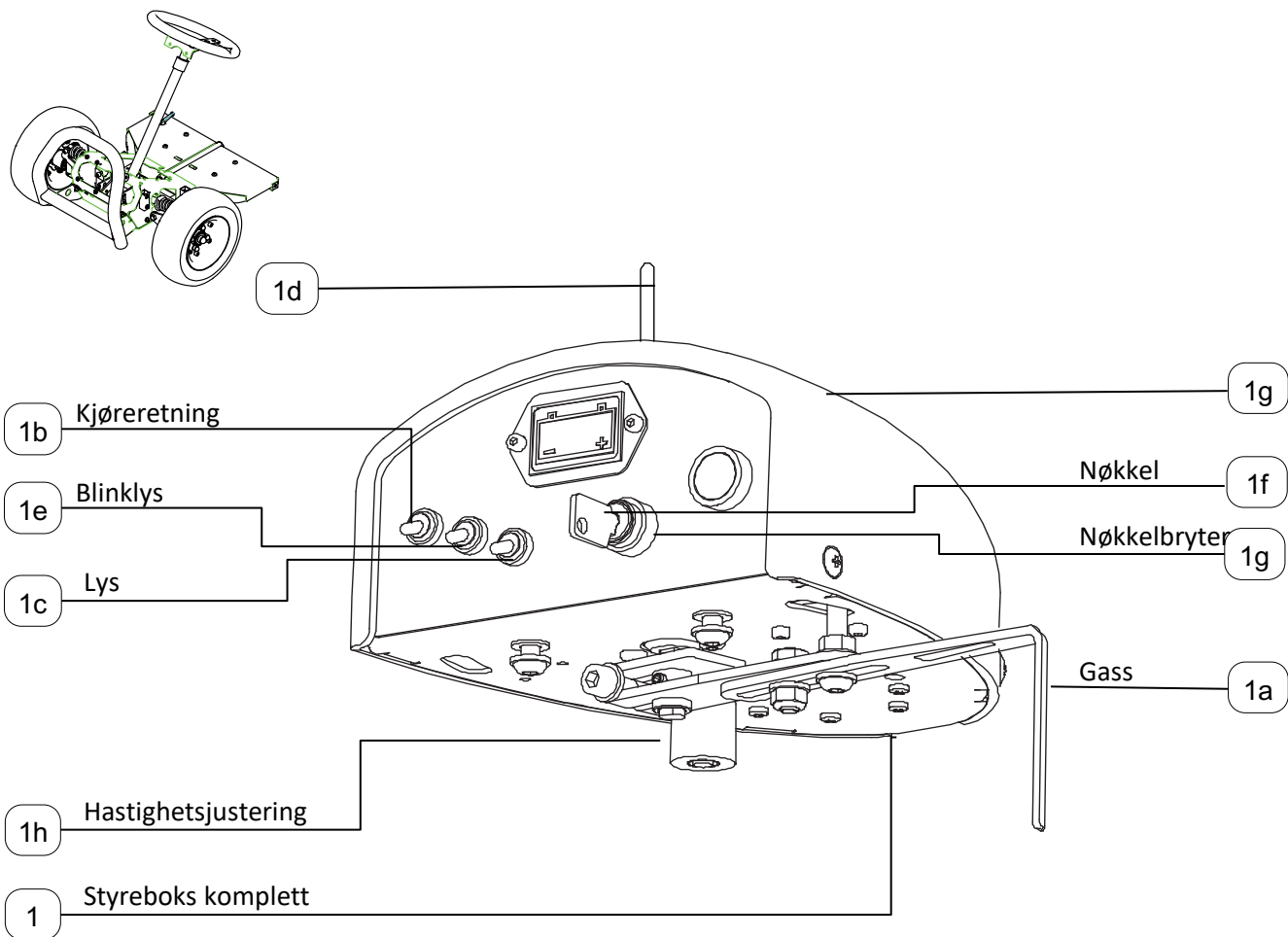
Pos	Ant/Qty	Art.No.	Beskrivelse	Description	Note
1-8	1 ¹⁾	5323015	Regulator kpl S-Drive	Controller S-Drive	S
1-8	1 ²⁾	5323016	Regulator kpl S-Drive	Controller S-Drive	S
1 *	1 ¹⁾	5323520	Kabelpakke S-Drive	Cables S-Drive	S
2 *	1 ²⁾	5323531	Kabelpakke S-Drive	Cables S-Drive	S
2	1	5323420	S-Drive elektronikk	S-Drive electronic	
3	1	5323424	S-Drive sealing kit	S-Drive sealing kit	
4	4	IKM0112	Klammer til kabel 3/16"	Clamp for cable 3/16"	
5	1	5323507	Programmeringsbrakett	Prgoramming bracket	
6	1	5323506	Festbrakett, elektronikk	Bracket for fastening electronic	
7	1 ¹⁾	5323023	Kabelpakke, batteri S-Drive		
7	1 ²⁾	5323033	Kabelpakke, batteri S-Drive		
8	4	97311	UNB Skrue M4x6 Syl. Elz.	Socket screw M4x6 Cyl. Elz.	DIN912
		*	Komplette kabler med unntak av pos 7	Complete cables except pos 7	
		1)	For serienummer lavere enn 02191018		
		2)	For serienummer fra om med 02191018		

3.2 Elektronikk, Kabler



Pos	Ant/Qty	Art.No.	Beskrivelse	Description	Note
1-6	1	5323500	Kabelpakke, komplett		
1 *	1	5323531	Kabelpakke, bakre S-Drive	Cables S-Drive	S
2A ¹⁾	1	5323502	Fremre kabel, styreboks/lys	Cable front for controller / light	S
2B ²⁾	1	5323530	Fremre kabel, styreboks/lys	Cable front for controller / light	S
3A ¹⁾	1	5130500	Batterikabel m/sikring	Cable battery w/fuse	S
3B ²⁾	1	5323532	Batterikabel m/sikring	Cable battery w/fuse	S
4 ¹⁾	1	5323023	Kabelpakke, batteri S-Drive	Cables, battery S-drive	
4 ²⁾	1	3523533	Kabelpakke, batteri S-Drive	Cables, battery S-drive	
5	1	121824 5802	Ladekontakt m/kabel	Plug for charger with cable	
6	1	5323510	Kabel for parkbrems	Cable for parkbrake	
7	1	5323557	Kabel for blinklys	Cable for indicator light	
		*	Se pos.1 kap. 3.1	See pos.1 chapter 3.1	
		1)	For serienummer lavere enn 02191018		
		2)	For serienummer fra om med 02191018		

3.3 Elektronikk, Styreboks

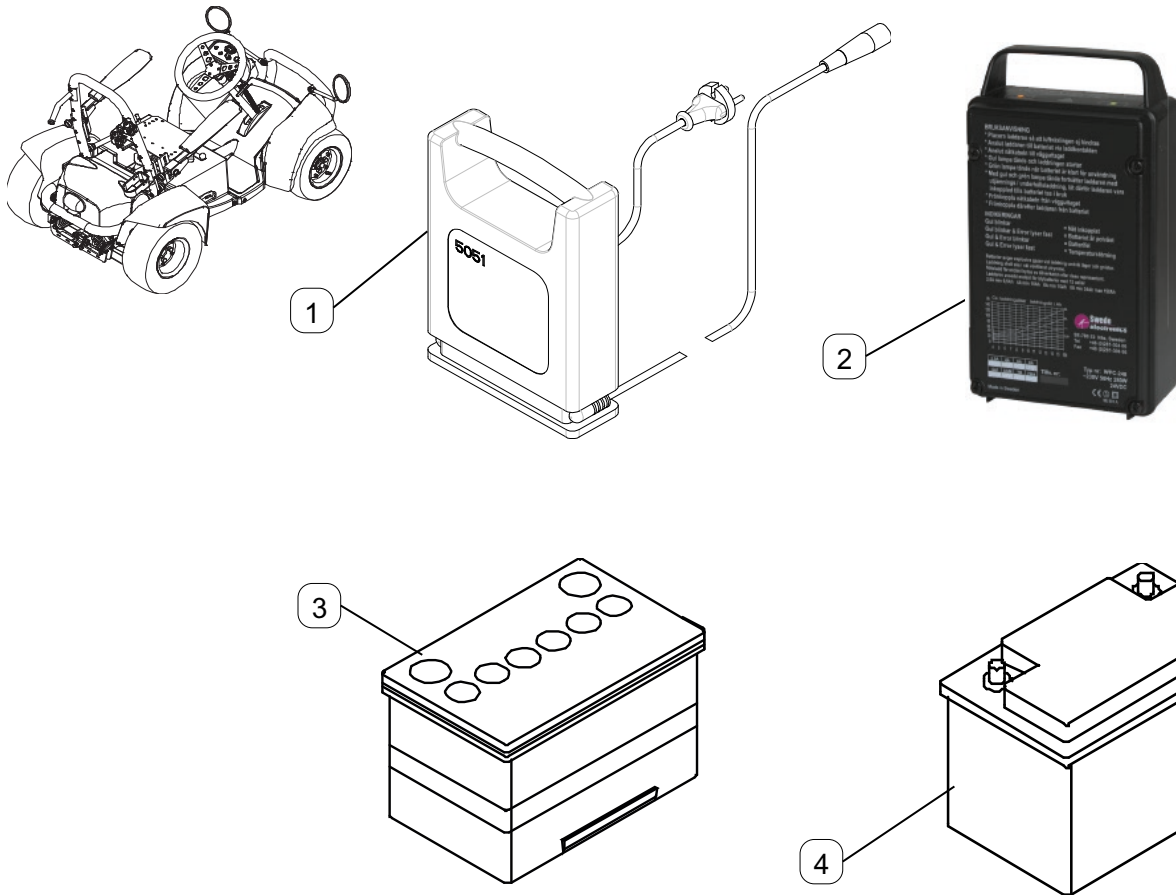


Pos	Ant/Qty	Art.No.	Beskrivelse	Description	Note
1A	1 ¹⁾	5323100	Styreboks komplett	Joystick complete	S
1B	1 ²⁾	5323200	Styreboks komplett	Joystick complete	S
1a	1	5323130	Gass spak	Gas handle	S
1b	1	IKE1709	Vendebryter 2-polet	Twist Switch 2	S
1c	1	IKE1704	Vendebryter 1-polet	Twist Switch 1	S
1d	1 ¹⁾	5329173	Blinklysbyter	Turn signal switch	S
1e	1 ²⁾	5321555	Blinklysbyter	Turn signal switch	S
1f	1	121824 5750	Nøkkel	Key	S
1g	1	121824 5749	Nøkkelbryter	Key Switch	S
1h	1	5323118	Potensiometer hastighetsjustering	Potentiometer speed adjustment	S
1g	1	5323111	Deksel	Cover	S

1) For serienummer lavere enn 02191018

2) For serienummer fra om med 02191018

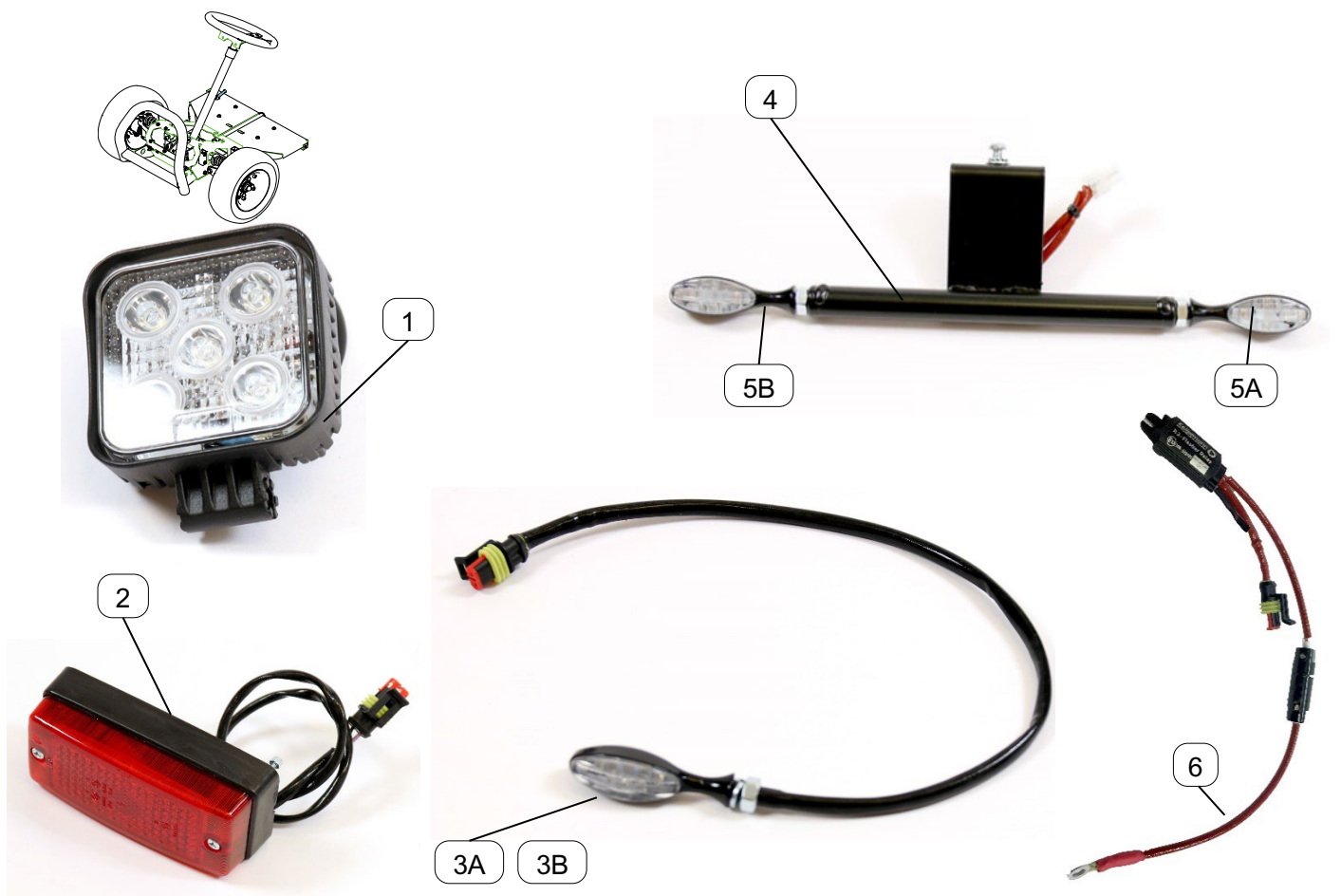
3.4 Elektronikk, Lader-Batteri



Pos	Ant/Qty	Art.No.	Beskrivelse	Description	Note
1	1	MCL5051	Lader m/laderplugg	Charger	S
2	1	24121320	Lader utendørs IP65	Charger outdoor IP65	S
3	1 ²⁾	9002759	Batteri MK M34-12 Gel (60Ah C2)	Battery MK M34-12 Gel (60Ah C2)	S
4	1 ¹⁾	NGA5120060HSOCA	Batteri Sonnenchein A512/60A	Battery Sonnenchein A512/60A	S

- 1) For serienummer lavere enn 02191018
 2) For serienummer fra om med 02191018

3.5 Elektronikk, Lys

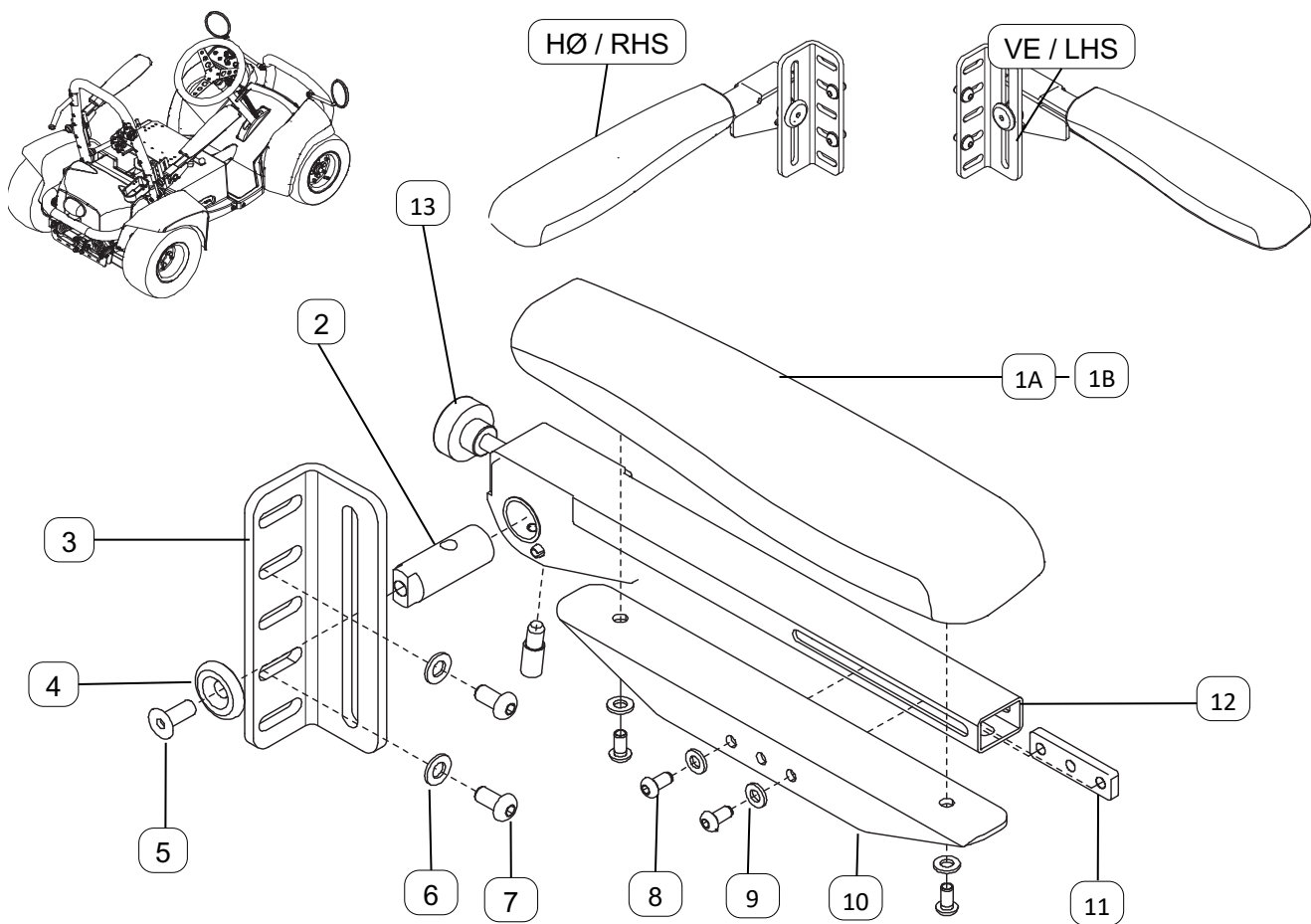


Pos	Ant/Qty	Art.No.	Beskrivelse	Description	Note
1	1	5321520	Frontlykt	Front light	S
2	1	5323101	Baklys rød	Rear light	S
3A	1	5321553	Blinklys front hø	Turn signal front, right	S
3B	1	5321554	Blinklys front ve	Turn signal front, left	S
	1 ¹⁾	5329170	Blinklys komplett	Turn signal rear, right+left	S
4	1 ²⁾	5321560	Blinklys bak komplett	Turn signal rear, right+left	S
5A	1	5323120	Blinklys ers Raptor hø bak	Turn signal rear right	S
5B	1	5323121	Blinklys ers Raptor ve bak	Turn signal rear left	S
6	1 ¹⁾	5329172	Blinklysrelé	Turn signal relay	S
6	1 ²⁾	5321556	Blinklysrelé	Turn signal relay	S
*	1 ¹⁾	5321558	Overgang blinklyskabel foran	Transition turn signal front	S

1) For serienummer lavere enn 02191080

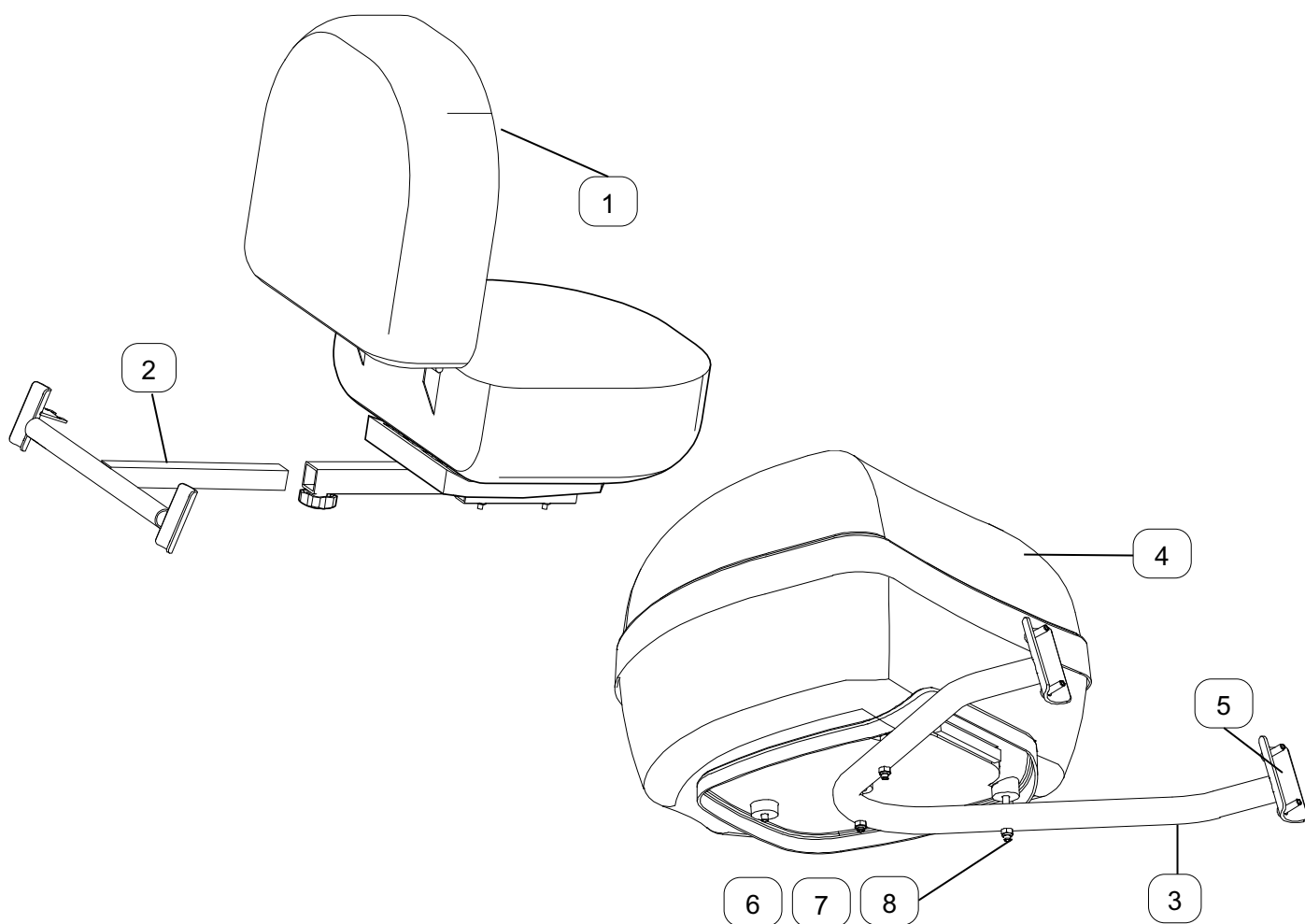
2) For serienummer fra om med 02191080

4.1 Armlene



Pos	Ant/Qty	Art.No.	Beskrivelse	Description	Note
1A,2-12	1	5322300	Armlene kpl. Hø	Armrest complete RHS	S
1B,2-12	1	5322301	Armlene kpl. Ve	Armrest complete LHS	S
1A	1	9004059	Armlenepad Hø	Armrest pad RHS	S
1B	1	9004060	Armlenepad Ve	Armrest pad LHS	S
2	1	5322257	Armleneaksel	Bolt armrest	
3	1	5322310	Vinkelbrakett H=V	Hinge bracket for armrest RHS=LHS	
4	1	5322259	Skive, armlene	Washer	
5	1	89020	UNB Skruer M8x20 Senk Elz.	Screw M8x20 countersunk Elz.	DIN7991
6	2	A120020	Underlagsskive M8 Elz.	Washer M8 Elz.	DIN125
7	2	97156	UNB Skruer M8x16 Linse Elz.	Socket screw M8x16 Lens ELZ	ISO7380
8	4	97180	UNB Skruer M6x12 Linse Elz.	Socket screw M6x12 Lens Elz.	ISO7380
9	4	A230006	Underlagsskive Ø6 Elz.	Washer Ø6 Elz.	DIN125
10	1	5322260	Festevinkel for armlenepad	Bracket for armrest	
11	1	5322258	Mutterplate innv. armlenest.	Fastening plate	
12	1	5322252	Armlenestamme kpl	Fixation for Armrest Pad, complete	
13	1	97377	Låseratt M8x25	Lock wheel M8x25	

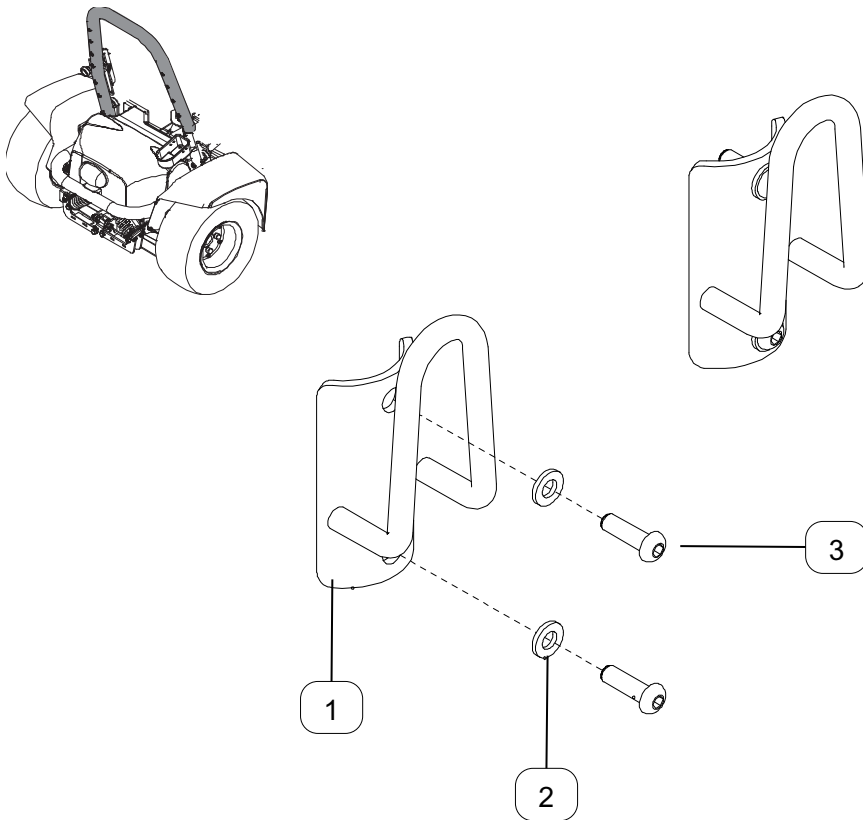
5.1 Bagasjeboks



Pos	Ant/Qty	Art.No.	Beskrivelse		Note
1-2 ^{1),2)}	1	5329265	Bagasjeboks komplett	Luggage box complete	S
1	1	5329263	Bagasjeboks	Luggage box	S
2	1	5329266	Feste bagasjeboks/tilbehør	Fixation	
3-8 ^{1),3)}	1	5329260	Transportboks kpl.	Bagage box complete	S
3	1	5329261	Festebøyle for boks, sveist	Bracket for box	
4	1	5329263	Transportboks	Bagage box	
5	4	97125	Linseskruer M6x20 Elz	Screw Pan Head M6X20 Elz	ISO7380
6	3	97221	UNB Skruer M6x45 Linse Elz.	Socket screw M6x45 Lens Elz.	ISO7380
7	3	A200006	Låsemutter M6 Nylock Elz.	Lock nut M6 Nylock Elz.	DIN985
8	1	A340005	Underlagsskive M6 Elz.	Washer M6 Elz.	DIN9021

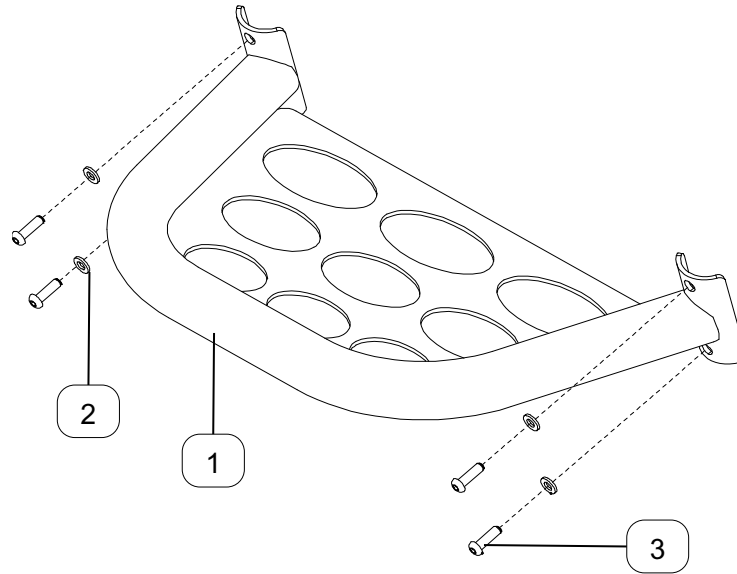
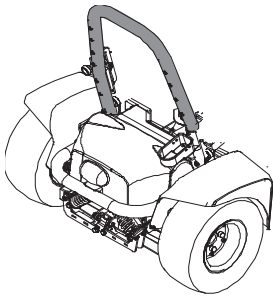
- 1) Kan ikke benyttes i kombinasjon med bagasjebrett
- 2) For serienummer lavere enn 02191080
- 3) For serienummer fra om med 02191080

5.2 Ryggsekkfeste



Pos	Ant/Qty	Art.No.	Beskrivelse	Description	Note
1-3	1	5329200	Ryggsekkfeste komplett sett	Ruck-sack hanger/fix. Kit complete	S
1	2	5329202	Ryggsekkfeste sveist	Ruck-sack fixation	
2	4	A230006	Underlagsskive Ø6 Elz.	Washer Ø6 Elz.	DIN125
3	4	97125	Linseskruer M6x20 Elz	Screw Pan Head M6X20 Elz	ISO7380

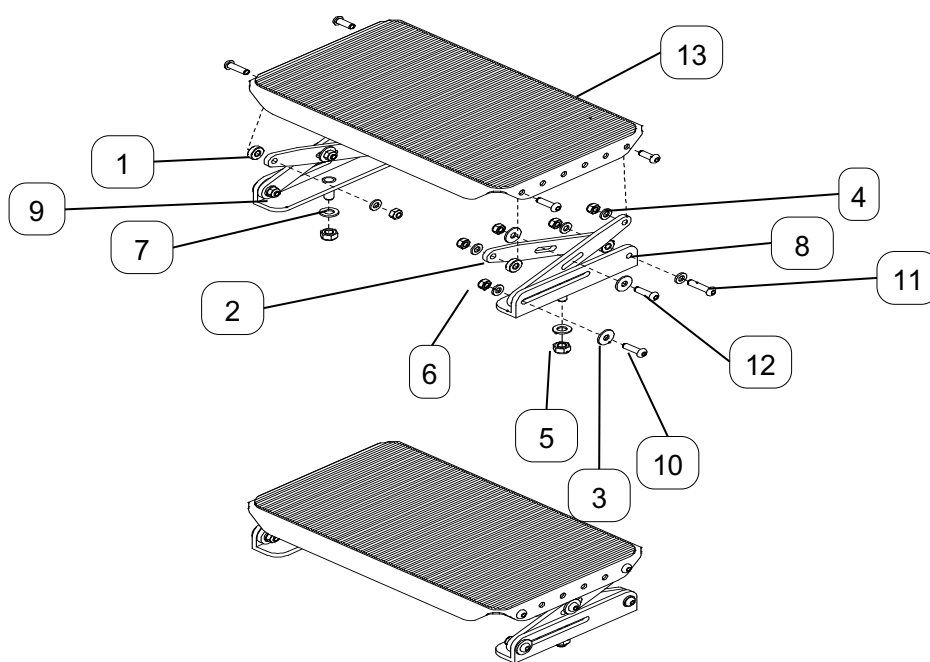
5.3 Bagasjebrett



Pos	Ant/Qty	Art.No.	Beskrivelse	Description	Note
1-3*	1	5321300	Bagasjebrett kompl.	Luggage rack complete	S
1	1	5321301	Bagasjebrett		
2	4	A230006	Underlagsskive Ø6 Elz.	Washer Ø6 Elz.	DIN125
3	4	97125	Linseskruer M6x20 Elz	Screw Pan Head M6X20 Elz	ISO7380

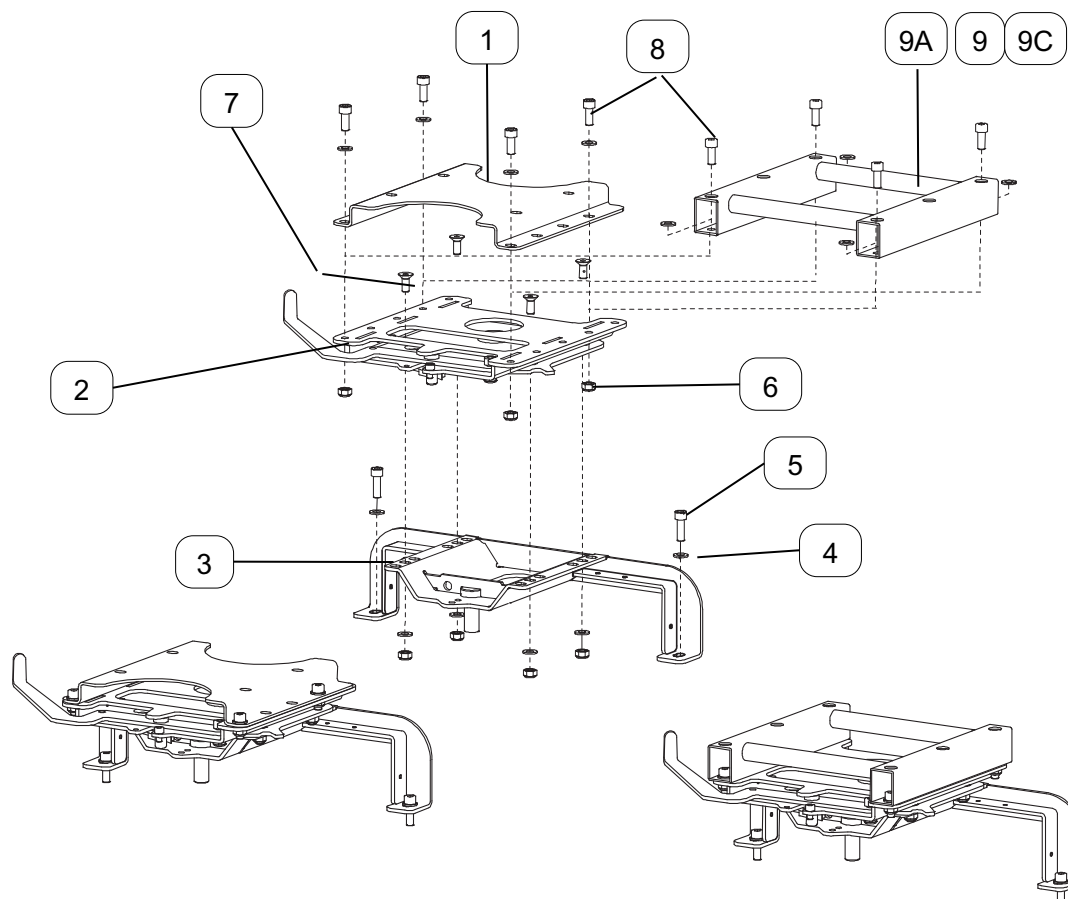
*Kan ikke benyttes i kombinasjon med bagasjeboks

5.4 Fotbrett



Pos	Ant/Qty	Art.No.	Beskrivelse	Description	Note
1-3	1	5322400	Fotstøtte høydejust. bred Rapt	Footrest height adj. Complete	S
1	4	5322408	Avstandshylse	Distance sleeve	
2	4	5322405	Justeringsstag	Bracket for adjustment	
3	6	A340005	Underlagsskive M6 Elz.	Washer M6 Elz.	DIN9021
4	10	A230006	Underlagsskive Ø6 Elz.	Washer Ø6 Elz.	DIN125
5	2	A200012	Låsemutter M8 Nylock Elz.	Lock nut M8 Nylock Elz.	DIN985
6	10	A200006	Låsemutter M6 Nylock Elz.	Lock nut M6 Nylock Elz.	DIN985
7	2	A120020	Underlagsskive M8 Elz.	Washer M8 Elz.	DIN125
8	1	5322403	Festevinkel m/bolt Ve	Fastening bracket LHS	
9	1	5322404	Festevinkel m/bolt Hø	Fastening bracket RHS	
10	2	97158	UNB Skruer M6x25 Linse Elz.	Socket screw M6x25 Lens Elz.	ISO7380
11	6	97125	Linseskruer M6x20 Elz	Screw Pan Head M6X20 Elz	ISO7380
12	2	97124	UNB Skruer M6x16 Linse Elz.	Socket screw M6x16 Lens Elz.	ISO7380
13	1	3153112	Fotplate SR KID SB33	Footplate SW33	

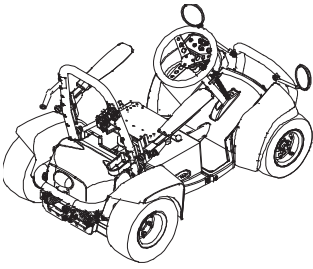
5.5 Setebraketter



Pos	Ant/Qty	Art.No.	Beskrivelse	Description	Note
1-8	1	5322303	Setesving, tunge brukere	Seat swing out for heavy users	S
1	1	5322220	Brakett for setehøyde	Bracket for seat height	
2	1	5322155	Setesving kpl.		
3	1	5322255	Seteramme	Seat frame	
4	10	A120020	Underlagsskive M8 Elz.	Washer M8 Elz.	DIN125
5	2	A242105	UNB Skruer M8x25 Syl. Elz.	Socket screw M8x25 Cyl. Elz.	DIN912
6	8	A200012	Låsemutter M8 Nylock Elz.	Lock nut M8 Nylock Elz.	DIN985
7	4	89020	UNB Skruer M8x20 Senk Elz.	Screw M8x20 countersunk Elz.	DIN7991
8	4	97319	UNB Skruer M8x20 Syl. Elz.	Socket screw M8x20 Cyl. Elz.	DIN912
9A	1*	5322903	Festeramme Mygo sete	Fixation frame Mygo	S
9B	1*	adptex2	Festeramme Stor/Kit ekstern seteenhet	Fixation frame Kit	S
9C	1*	adptex1	Festeramme Liten/Squiggles seteenhet	Fixation frame Squiggles	S

* Standard seteramme må erstattes med pos 2-8 ved montering av 9A, 9B eller 9C

5.6 Fjernstyrt stopp

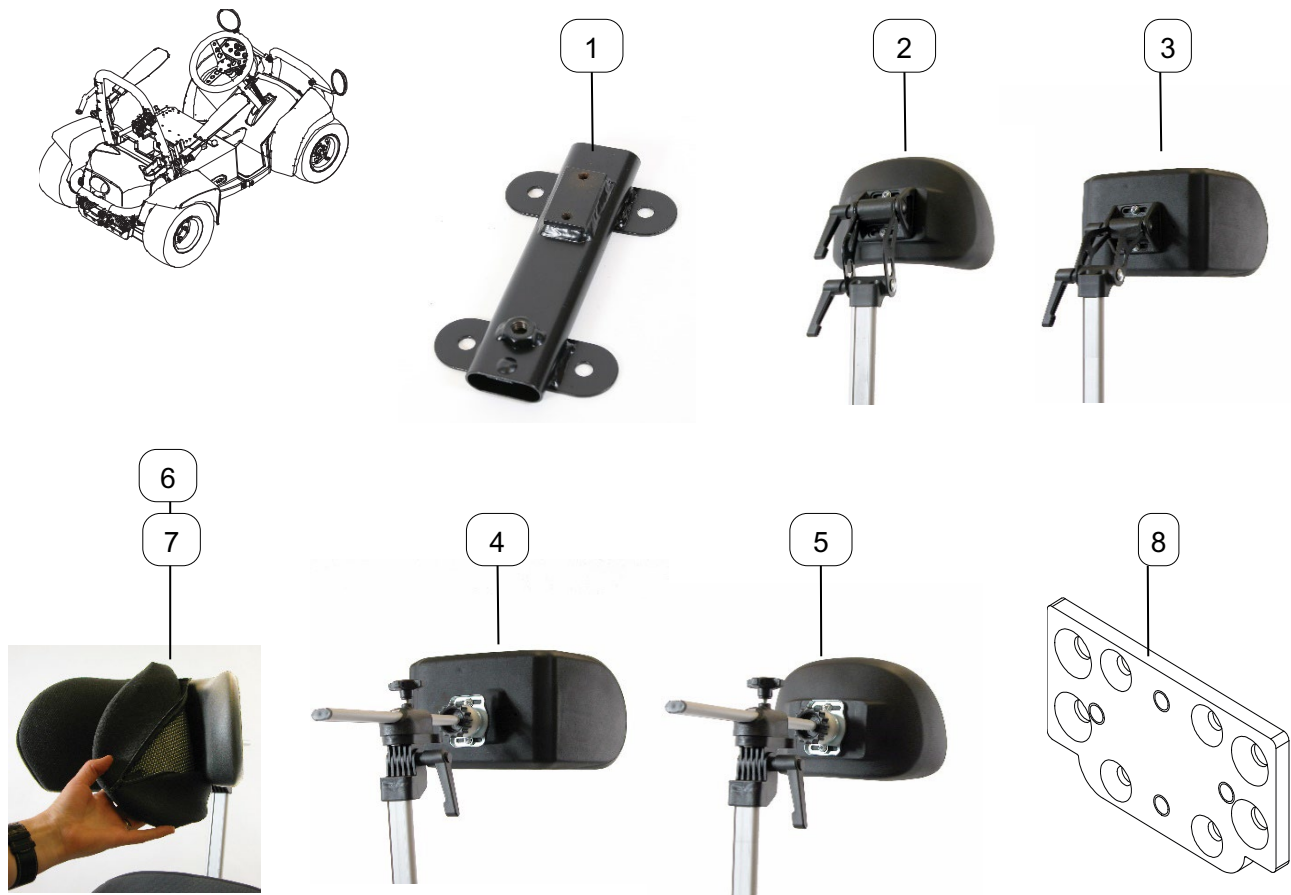


1



Pos	Ant/Qty	Art.No.	Beskrivelse	Description	Note
1	1	5323900	Fjernstyrt stopp	Remote emergency stop	S

5.7 Hodestøtter



Pos	Ant/Qty	Art.No.	Beskrivelse	Description	Note
1	1	5329050	Hodestøttefeste (forutsetter rallysete)	Headrest (for Rally seat)	S
2	1	3009200	Hodestøtte Basic	Headrest Basic	S
3	1	3009205	Hodestøtte Basic feste Avansert pad	Headrest Basic fixation Advanced pad	S
4	1	3009210	Hodestøtte Avansert	Headrest Advanced	S
5	1	3009215	Hodestøtte Avansert feste Basic pad	Headrest Advanced fixation Basic pad	S
6	1	3009220	Trekk til hodestøtte Basic	Cover for headrest Basic	S
7	1	3009221	Trekk til hodestøtte Avansert	Cover for headrest Advanced	S
8	1	6004041	Adapterplate Whitmyer hodestøtter Se egen katalog for Whitmyer hodestøtter	Adaptor plate Whitmyer headrests	S

5.8 Diverse tilbehør

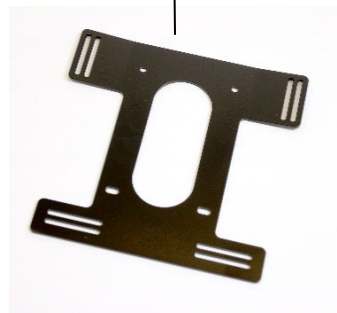
1



2



3



4



5



6

Pos	Ant/Qty	Art.No.	Beskrivelse	Description	Note
*	1	121824 5717	Belte 4-punkts til bøttesete	Safety belt 4-point	S
1*	1	121824 5713	Belte 2-punkts til bøttesete	Safety belt 2-point	S
2	1	52847	Hoftebelte, til Rallysete	Positioning-belt, small type for Rally	S
3	1	121824 5806	Festebrakett belte til bøttesete	Bracket, Safety belt	S
4	1	5329455	Fotgass kombinert med håndgass	Foot gas combined with hand gas	S
5	1	5329450	Fotgass	Foot gas	S
6	1	5329190	Regntrekk overtrekk	Cover rainproof	S

* Forutsetter festebrakett

Bracket - necessary

5.8 Diverse tilbehør



1



2



3

Pos	Ant/Qty	Art.No.	Beskrivelse	Description	Note
1	1	5329150	Vimpel	Pennant	S
2	1	7109050	Veske for oksygenbeholder	Bag for oxygen bottle	S
3	1	5329595	Kabel s-drive pc programmerer	Cable S-drive ppragammer	S
*	1	5124593	PC programmerer B OEM Versjon	PC programmer B OEM Version	S
*	1	5329035	Universalholder RAM Mobil/Nettbrett inkl. RAM-231Z-2U og RAM-103U	Fixaton for phone/tablet	S
*	1	5322230	Forhøyningsbrakett setehøyder 5cm opp 5cm bakover	Seat height increasing bracket 5 cm forwards and 5 cm upwards	S
*	1	5329030	Ladekontakt usb ekstern	charging socket usb	
			* Ikke illustrasjon	*No illustration	

NO
Sunrise Medical AS
Delitoppen 3
1540 Vestby
Norway
T: +47 66 96 38 00
E: post@sunrisemedical.no
www.SunriseMedical.no



NO
Sunrise Medical AS
Smestadveien 29
2619 Lillehammer
Norway
T: +47 66 96 38 00
E: post@sunrisemedical.no
www.SunriseMedical.no



PM_Raptor_NO_NO_Rev.13_2023